

Repair Parts List

MODEL NUMBER
MAH14PNBGW

WASHER

Partsking.com
800-462-4814



When requesting service or ordering parts, always provide the following information:

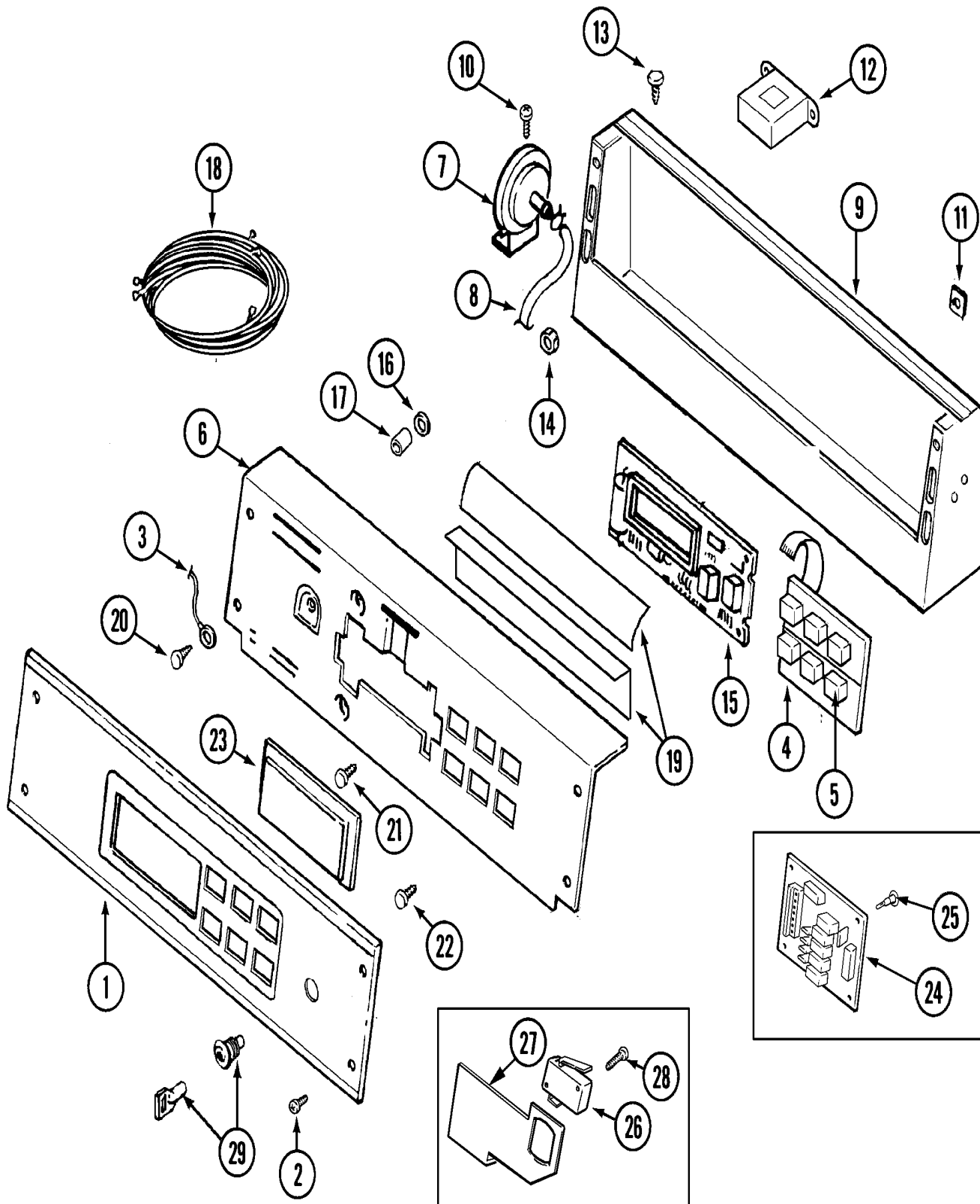
- Product Type
- Part Number
- Model Number
- Part Description

MAYTAG®

©2005 Maytag Services

Section: CONTROL PANEL

Model: MAH14PNBGW



LW11-96

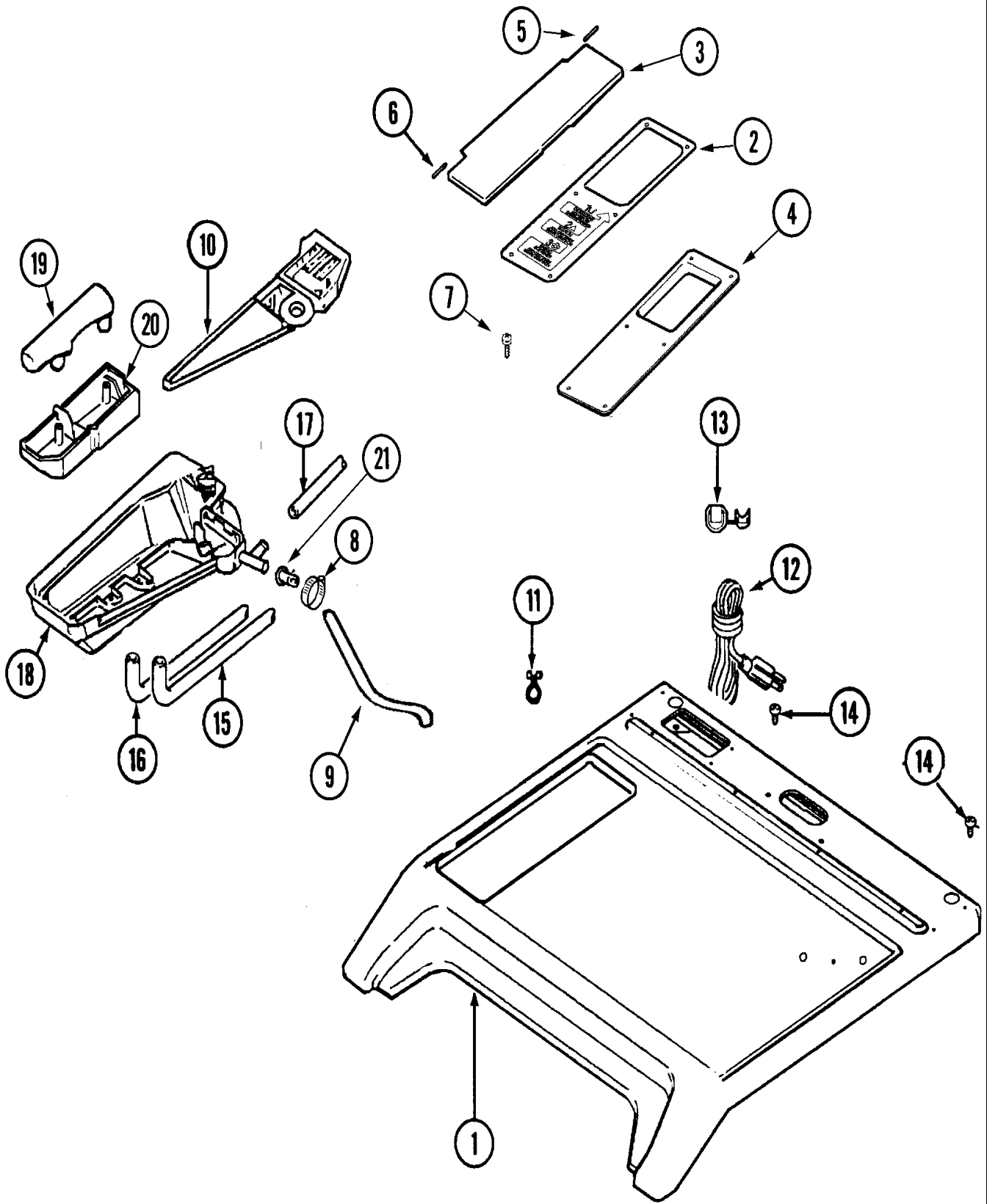
Section: CONTROL PANEL

No.	Part No.	Description	Series	Qty
1	22002346	PANEL, CONTROL	10	1
1	22003656	PANEL, CONTROL ASSY. (WHT)	10	1
2	215506	SCREW, TORX Note: SCREW, CONTROL PANEL	10	4
3	205810	WIRE, GROUND	10	1
-	215527	SCREW Note: SCREW, CONTROL SWITCH	10	2
4	206808	CONTROL SWITCH ASSY. Note: CONTROL SWITCH ASSEMBLY	10	1
5	215517	PUSHBUTTON Note: PUSHBUTTON, CONTROL SWITCH	10	2
6	22003090	SWITCH & BACK BRKT ASY. (WHT)	10	1
7	22002994	SWITCH, PRESSURE	10	1
8	22002010	HOSE, AIR DOME Note: HOSE, PRESSURE SWITCH	10	1
9	22003089	CONSOLE (WHT)	10	1
10	22001996	SCREW Note: SCREW, CONSOLE	10	5
11	215003	FASTENER Note: FASTENER, SCREW	10	2
12	22001960	TRANSFORMER	10	1
13	211251	SCREW Note: SCREW, TRANSFORMER	10	2
14	22001419	NUT (ELASTIC) Note: NUT, TRANSFORMER	10	2
15	22003560	BOARD, CONTROL	10	1
16	912077	LOCKNUT Note: LOCKNUT, CONTROL BOARD	10	6
17	33001204	STANDOFF, CIRCUIT BOARD	10	4
18	22002945	HARNESS, WIRE	10	1
-	33002090	HARNESS, SERVICE	10	1
19	22002954	DEFLECTOR, WATER (W/ADHESIVE)	10	1
20	211252	SCREW Note: SCREW, GROUND WIRE	10	1
21	215526	SCREW Note: SCREW, CIRCUIT BOARD	10	2
22	215527	SCREW Note: SCREW, BACK BRACKET	10	2
23	22001962	COVER, DISPLAY	10	1
24	22002942	BOARD, RELAY (DRS)	10	1
25	22002943	STAND-OFF	10	4
-	22003063	SHIELD, PROGRAMMING SWITCH	10	1
26	22003578	SWITCH, SENSOR-EXPORT	10	1
27	33001982	BRACKET, SWITCH MOUNTING	10	1
28	22002368	SCREW----NA Note: SCREW, SWITCH	10	2
29	Y206081	LOCK FOR ACCESS DOOR Note: LOCK	10	1
-	213750	LOCKING CAM Note: LOCKING TAB (CAM)	10	1

*Color Code (-)=Not Shown #=Series, Serial Prefix or Run No., N=Not Available

Section: TOP

Model: MAH14PNBGW



LW16-48

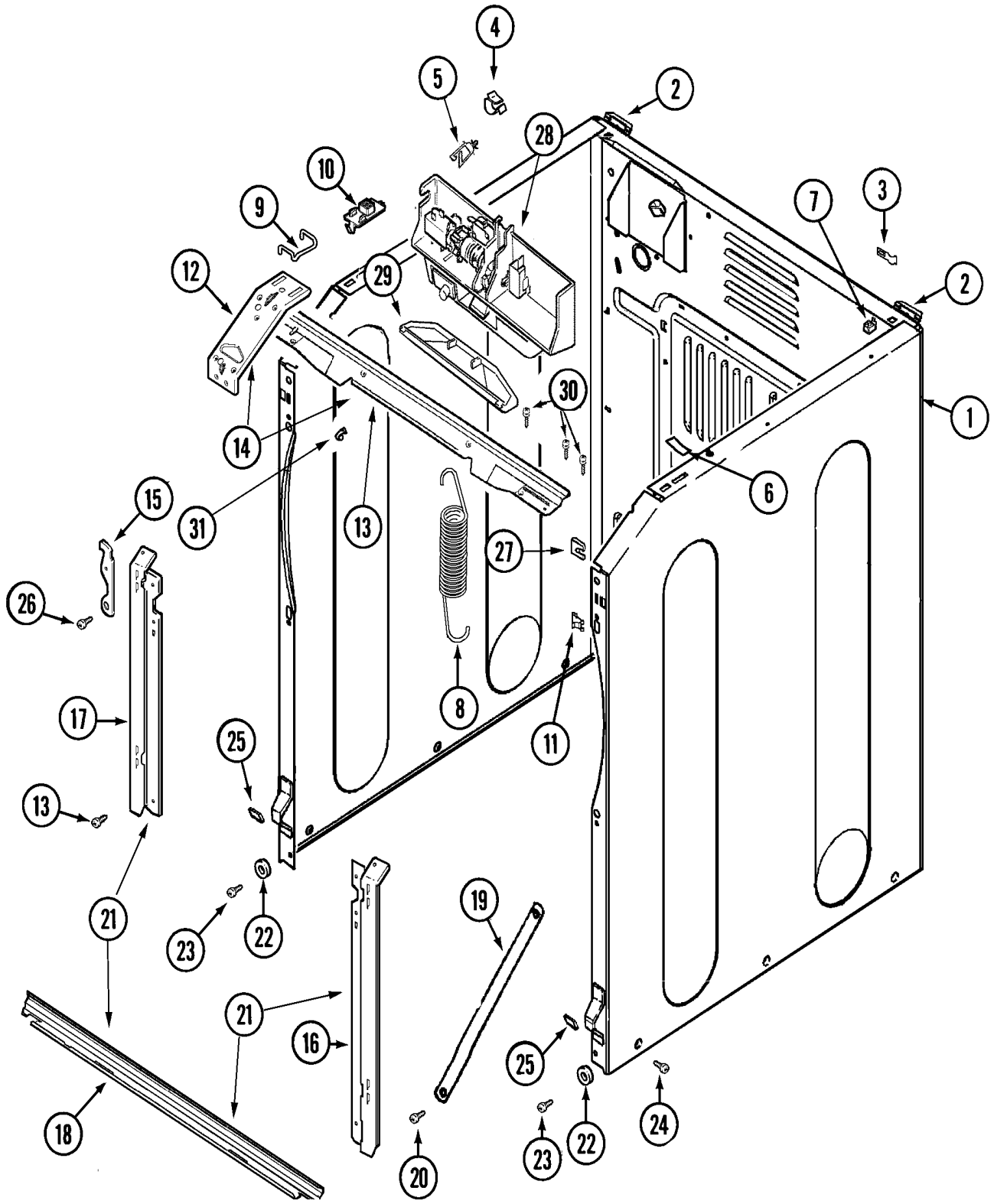
Section: TOP

No.	Part No.	Description	Series	Qty
1	22003584	COVER, TOP (WHT-AS PK)	67	1
1	N 22002928	COVER, TOP (WHT)	10	1
2	22002032	COVER, COMM. DISPENSER (WHT)	10	1
2	W10124350	NOT REQUIRED PART OR SEE NOTE	67	1
3	22002941	LID, DISPENSER Note: LID, DISPENSER COMMERCIAL	10	1
4	22002940	BEZEL, DISPENSER	10	1
5	Y912678	PIN, HINGE (LONG) Note: PIN, HINGE (LONG)	10	1
6	Y912679	PIN, HINGE (SHORT) Note: PIN, HINGE (SHORT)	10	1
-	22002031	PALNUT Note: PALNUT, BEZEL	10	4
7	22002060	SCREW, BEZEL	10	4
8	22002054	CLAMP, STEPLESS Note: CLAMP, SHOWER HOSE TO DISP.	10	1
9	22002556	HOSE, SHOWER	10	1
10	22002555	FLUME, DISPENSER	10	1
-	212276	SCREW Note: SCREW, WIRE TIE	10	1
11	22002027	WIRE TIE, TWIST LOCK	10	2
-	22003541	ADAPTER (AUSTRALIA) 10 AMP	10	1
-	210186	SCREW, GROUND WIRE TO BASE--NA Note: SCREW, POWER CORD	10	1
-	22003542	ADAPTER (GEN EXPORT) 10 AMP	10	1
-	33002501	FILTER, EMI	10	1
-	22003543	ADAPTER (BRITIAN) 10 AMP	10	1
13	216183	GROMMET, CORD EXPORT	10	1
-	22003050	WIRE, GROUND	10	1
14	210186	SCREW, GROUND WIRE TO BASE--NA	10	1
-	205161	CLAMP - 15/16" Note: CLAMP 15/16, HOSE TO VALVE	10	2
15	22002551	HOSE, BLEACH	10	1
-	205161	CLAMP - 15/16" Note: CLAMP 15/16, HOSE TO VALVE	10	2
16	N 22002552	HOSE, FABRIC SOFTENER----NA	10	1
17	22002553	HOSE, DETERGENT	10	1
-	205161	CLAMP - 15/16" Note: CLAM 15/16, HOSE TO VALVE	10	2
-	22002230	SCREW, DISPENSER	10	2
18	22002768	DISPENSER BOTTOM Note: DISPENSER BOTTOM, COMMERCIAL	10	1
19	22002266	CAP, SIPHON	10	1
20	22002265	CUP, SIPHON	10	1
21	22001900	PREVENTER, BACK FLOW	10	1
-	22003260	EXTENSION, NOZZLE	10	1
-	22003462	DISPENSER ASSY. Note: DISPENSER ASSY. (COMPLETE)	10	1

*Color Code (-)=Not Shown #=Series, Serial Prefix or Run No., N=Not Available

Section: CABINET-FRONT

Model: MAH14PNBGW



LW12-33

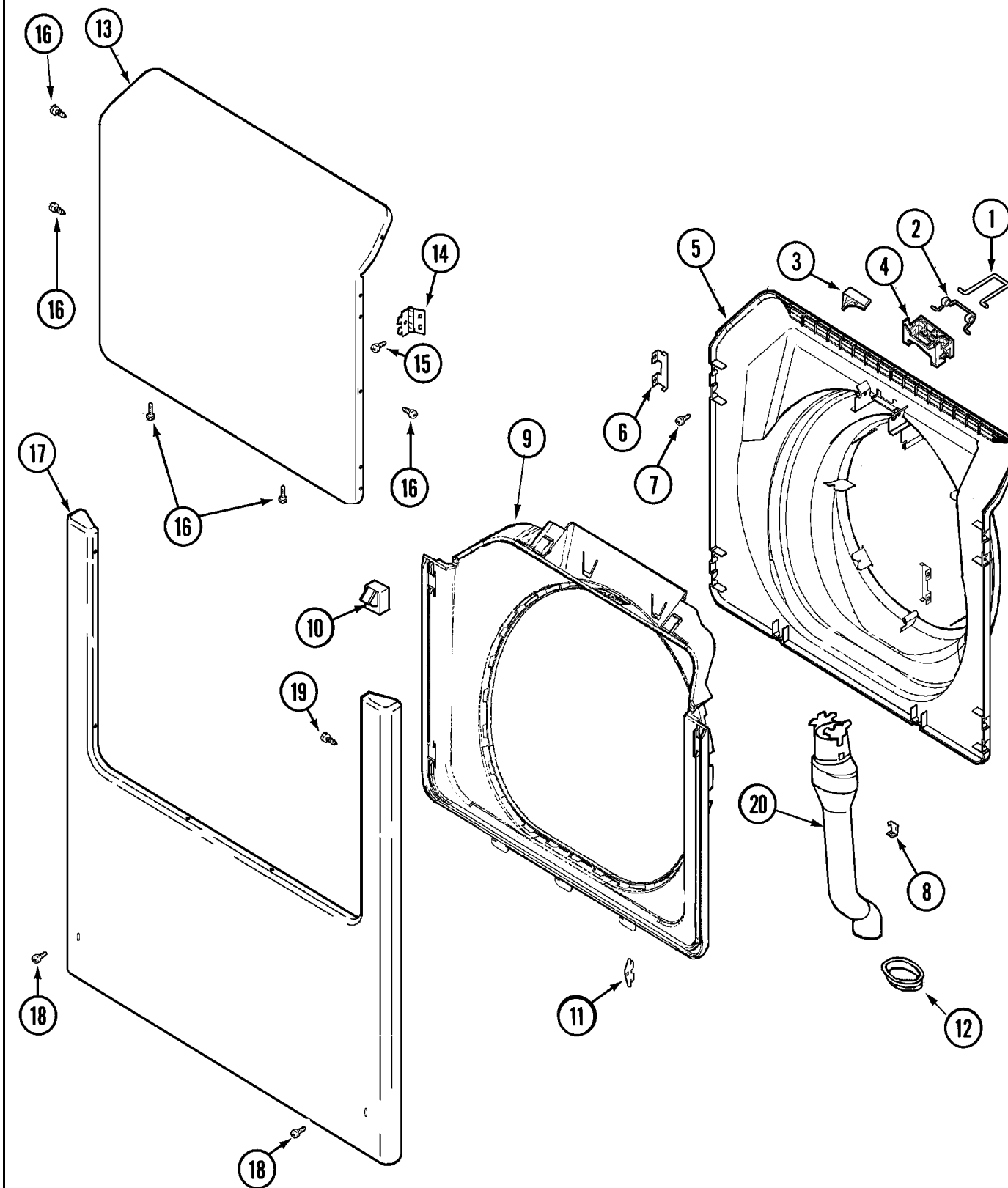
Section: CABINET-FRONT

No.	Part No.	Description	Series	Qty
1	N 22003582	CABINET, ASSY. (WHT-AS PK)	67	1
1	22003639	CABINET ASSY. (WHT AS PK)	72	1
1	22002548	CABINET ASSY. (WHT)	10	1
-	22001995	SCREW Note: SCREW, HINGE	67	2
2	22003367	HINGE, PLASTIC	67	2
3	22002178	BRACKET, WATER SWITCH Note: BRACKET, AIR DOME HOSE	10	2
-	22002925	SCREW Note: SCREW, BRACKET	10	2
4	22002014	CLIP Note: CLIP, WIRE HARNESS	10	2
5	22003298	RETAINER, WIRE	10	2
6	33001836	STRAP, TOP COVER SUPPORT	10	1
7	310933	FASTENER Note: FASTENER	10	2
8	22002100	SPRING Note: SPRING	10	1
9	22002297	SUPPORT, SPRING	10	2
10	22001997	SPACER, TOP COVER	10	2
11	22002239	CLIP, LOWER FRONT PANEL	10	2
12	22002090	BRACE, CORNER	10	1
12	22002292	BRACE, CORNER (LT)	10	1
-	22003622	BRACE, CORNER (RT)	69	1
12	22003623	BRACE, CORNER (LT)	69	1
13	22003626	SUPPORT, DOOR LOCK	69	1
13	22002015	SUPPORT, DOOR LOCK	10	1
14	22003637	BRACE ASSEMBLY, TOP CROSS Note: CONTAINS ITEMS 12 & 13	10	1
15	22002247	HOOK, SECURITY	10	2
16	22003625	BRACKET, SHROUD SUPPORT (RT)	69	1
16	22003224	BRACKET, SHROUD (RT)	10	1
17	22002985	BRACKET, SHROUD (LT)	10	1
17	22003624	BRACKET, SHROUD SUPPORT (LT)	69	1
18	22003664	SUPPORT, LOWER SHROUD	69	1
18	22002505	BRIDGE, SHROUD SUPPORT	10	1
19	22002767	BRACE, CROSS	10	2
20	22001995	SCREW Note: SCREW, CROSS BRACE	10	2
21	22003638	SHROUD SUPPORT ASSEMBLY Note: CONTAINS ITEMS 16, 17, & 18	69	1
22	22002025	DISC, FRONT PANEL SPACER	10	2
23	22001995	SCREW Note: SCREW, FRONT CABINET	10	2
24	213007	SCREW, CABINET	72	6
24	213007	SCREW, CABINET	10	6
24	22003409	SCREW----NA Note: SCREW, CABINET	67	6
25	22002239	CLIP, LOWER FRONT PANEL	10	2
26	22001995	SCREW Note: SCREW, SHROUD SUPPORT	10	8
27	22002049	CLIP Note: CLIP, PANEL	10	2
-	22002119	MOTOR, WAX	10	1
28	N 22003464	LATCH, ASSY. (COMMERCIAL)	10	1
29	22002957	COVER, LATCH ASSEMBLY (LWR)	10	1
30	22001995	SCREW Note: SCREW, DOOR LATCH SUPPORT	10	6
31	22002014	CLIP	10	1

*Color Code (-)=Not Shown #=Series, Serial Prefix or Run No., N=Not Available

Section: DOOR & FRONT PANEL

Model: MAH14PNBGW



LW18-14

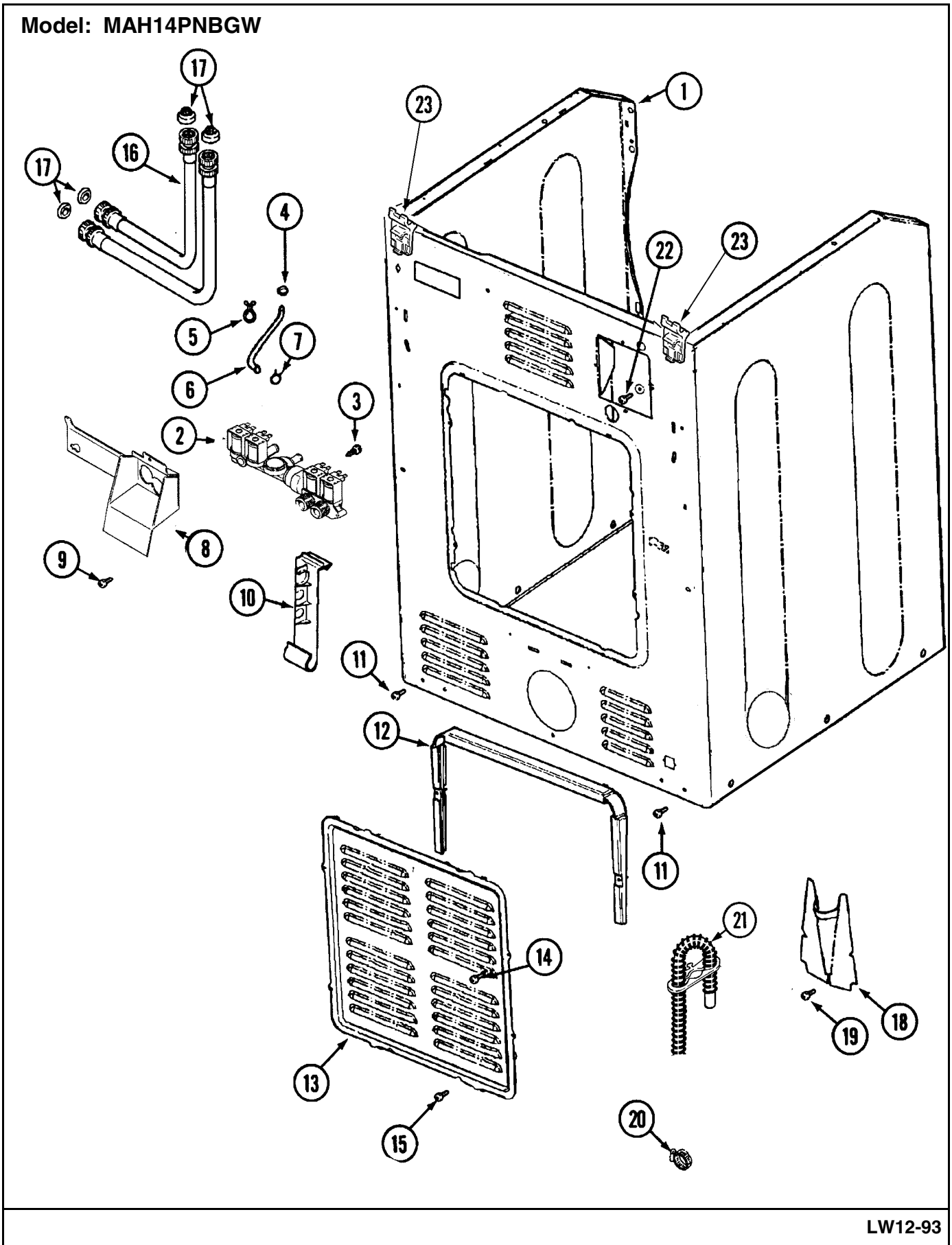
Section: DOOR & FRONT PANEL

No.	Part No.	Description	Series	Qty
1	22003222	HOOP, LOCK	10	1
2	22002003	SPRING, LATCH	10	1
-	22003800	INNER DOOR/VENTED (ASPK-WHT)	76	1
3	22002355	DOOR, INNER (WHT) Note: DOOR, INNER/DOOR STRIKE (WHT) (MUST ORDER ASSEMBLY TO OBTAIN STRIKE)	10	1
4	22002168	SUPPORT, LOCK HOOP	10	1
5	22003083	LINER, DOOR ASSY W/VENT (WHT)	10	1
6	22002038	CLIP, DOOR (DOUBLE)	10	4
7	22002007	SCREW Note: SCREW, STRIKE	10	1
8	22002039	CLIP, DOOR (SINGLE)	10	2
-	22002333	LABEL, OPEN DOOR (WASHER)	10	1
9	22002234	SHROUD, PLASTIC (WHT)	10	1
10	22002046	SWITCH, SECONDARY DOOR (WHT)	10	1
-	33001846	SCREW	75	2
-	33001764	COVER, HINGE HOLE (WHT)	75	2
11	22002095	COVER, HINGE (WHT)	10	2
12	22003075	GROMMET, VENT TUBE	10	1
-	22002333	LABEL, OPEN DOOR (WASHER)	10	1
13	22001979	DOOR, OUTER (WHT-W/DAMPER)	10	1
14	22002798	HINGE, DOOR	10	2
-	22002001	SUPPORT, HINGE	10	4
-	W10124350	NOT REQUIRED PART OR SEE NOTE Note: NOT REQUIRED (HINGE SUPPORT)	69	0
-	22002244	CLIP, GROUNDING	10	1
15	22002243	SCREW Note: SCREW, FRONT PANEL & HINGE	10	4
15	22002062	SCREW Note: SCREW, HINGE	10	4
16	22002063	SCREW #8-18AB WAFER HD	10	6
17	22002241	PANEL, FRONT (WHT)	10	1
18	22001496	SCREW, TORX Note: SCREW, FRONT PANEL	10	2
19	22002243	SCREW Note: SCREW, PANEL	10	4
-	22002244	CLIP, GROUNDING	10	1
20	22003576	VENT TUBE ASSY.	10	1

*Color Code (-)=Not Shown #=Series, Serial Prefix or Run No., N=Not Available

Section: CABINET-REAR

Model: MAH14PNBGW



LW12-93

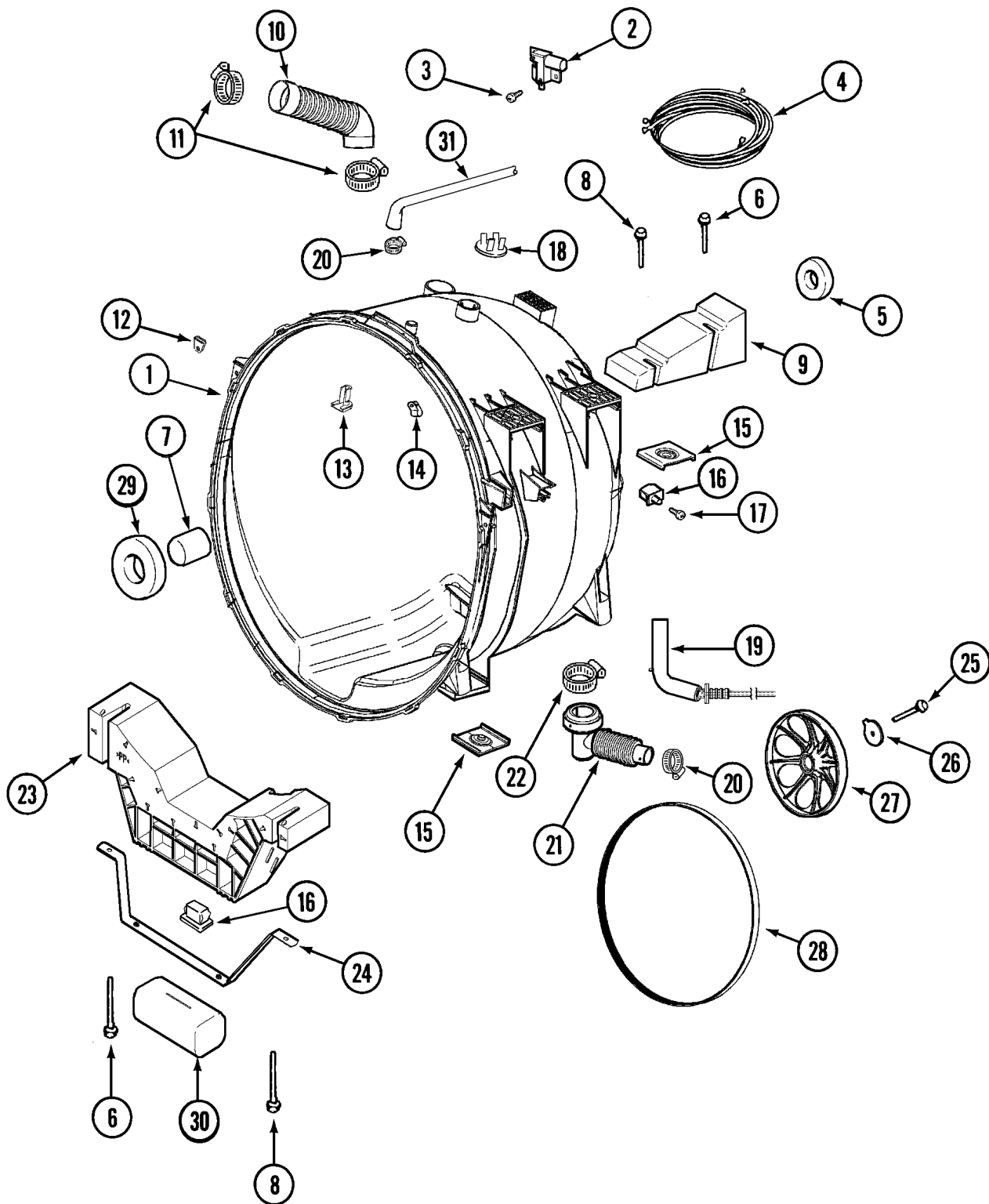
Section: CABINET-REAR

No.	Part No.	Description	Series	Qty
1	N 22003582	CABINET, ASSY. (WHT-AS PK)	67	1
-	22002013	STOP, SHIPPING	10	2
1	22003639	CABINET ASSY. (WHT AS PK)	72	1
1	22002548	CABINET ASSY. (WHT)	10	1
2	22002903	VALVE, WATER	10	1
3	N 313561	SCREW----NA Note: SCREW, WATER VALVE	10	2
4	22003627	CLAMP, STEPLESS	10	1
5	22002027	WIRE TIE, TWIST LOCK	10	2
6	22002083	HOSE, INJECTOR	10	1
7	216169	CLAMP,HOSE-INJEC.HOSE TO VALVE Note: CLAMP, INJECTOR HOSE	10	1
8	33002212	BRACKET, WATER VALVE	10	1
9	22002436	SCREW Note: SCREW, WATER VALVE BRACKET	10	1
10	33002213	RACK, HOSE	10	1
11	22001995	SCREW Note: SCREW, CABINET	10	2
12	22002022	SPACER, ACCESS PANEL	10	1
13	22002092	PANEL, ACCESS	10	1
-	22002349	LOCK, ACCESS DOOR	10	1
14	22002295	SCREW Note: SCREW, ACCESS PANEL SPACER	10	2
15	22001996	SCREW Note: SCREW, ACCESS PANEL	10	2
16	35-3400	HOSE, INLET (COLD)	10	1
16	35-3401	HOSE, INLET (HOT)	10	1
17	12001413	STRAINER & WASHER KIT	10	1
18	22002704	COVER, DRAIN HOSE	10	1
19	22001995	SCREW Note: SCREW, DRAIN HOSE COVER	10	1
20	22001984	CLAMP, DRAIN HOSE	10	2
-	22002893	TIE, CABLE	10	1
-	22002932	CLIP, DRAIN HOSE	10	1
21	12001659	DRAIN HOSE REPLACEMENT(NEPTUN) Note: DRAIN HOSE KIT (CORRUGATED) (INCLUDES THE FOLLOWING PARTS)	10	1
-	22002892	RETAINER, DRAIN HOSE	10	1
-	22003319	HOSE, DRAIN (CORR)(80 1/2")	10	1
22	N 33001245	SCREW----NA Note: SCREW, GROUND LUG	10	1
23	22003367	HINGE, PLASTIC	10	2
-	22001995	SCREW	10	2

*Color Code (-)=Not Shown #=Series, Serial Prefix or Run No., N=Not Available

Section: OUTER TUB

Model: MAH14PNBGW



CW17-51

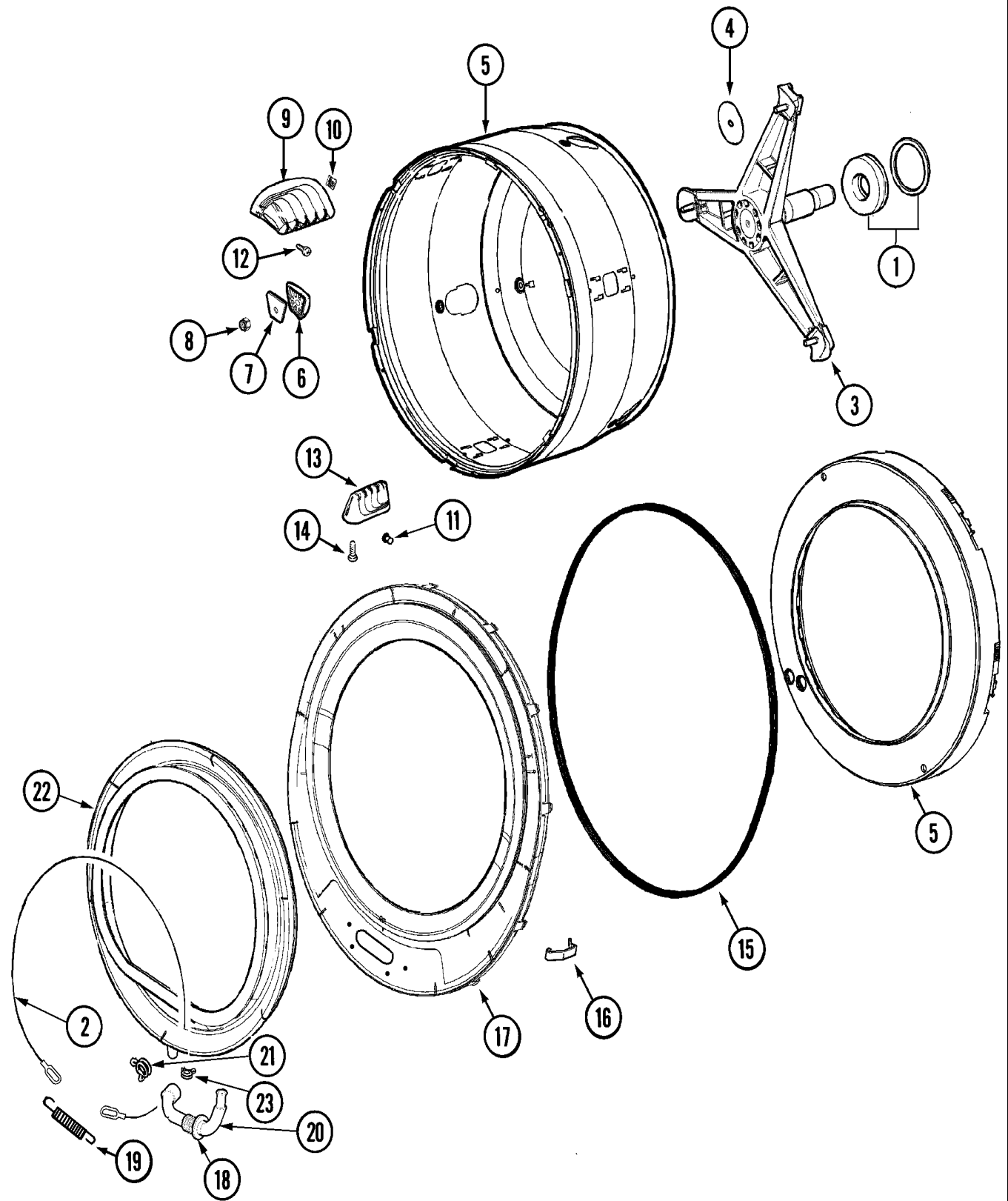
Section: OUTER TUB

No.	Part No.	Description	Series	Qty
1	22002154	TUB ASSY. (OUTER)	10	1
2	22002045	SWITCH, INERTIAL - UNBALANCE	10	1
3	912615	SCREW, #8X1/2 HEX WASHER HEAD Note: SCREW, INERTIAL SWITCH	10	2
4	22002545	WIRE HARNESS, DISPLACEMENT	10	1
5	22003441	BEARING, REAR	10	1
6	22003615	BOLT, DOUBLE SEMS 5-3/8	10	2
7	22002935	SPACER, BEARING	10	1
8	22003616	BOLT, DOUBLE SEMS 3-3/8	10	2
9	22002102	WEIGHT, COUNTER BALANCE	10	1
10	22002083	HOSE, INJECTOR	10	1
11	22002052	CLAMP, INJECTOR HOSE	10	2
12	22002103	CLIP, U Note: CLIP, U	10	2
13	22002959	DEFLECTOR, WATER	10	1
-	22002061	SCREW	10	1
14	22002006	CLIP Note: CLIP, WIRE HARNESS & OUTER TUB	10	1
15	22002065	NUT, COUNTER BALANCE	10	4
16	22002044	SWITCH, TUB DISPLACEMENT	10	2
-	33002215	BRACKET, UNBALANCE SWITCH	10	1
-	22003065	COVER, UNBALANCE SWITCH	10	1
17	22002061	SCREW Note: SCREW, DISPLACEMENT SWITCH	10	2
18	22002797	CLIP, HOSE (SADDLE HORN)	10	1
19	22002010	HOSE, AIR DOME	10	1
20	202515	HOSE CLAMP - 1-1/16 INCH	10	1
21	22002081	HOSE, TUB OUTLET	10	1
22	22002053	CLAMP, SUMP HOSE	10	1
23	22002579	FRONT WEIGHT BRACKET	10	1
24	22002008	STRAP	10	1
25	22002057	SCREW, SPINNER	10	1
26	22002055	WASHER, SPINNER SHAFT	10	1
27	22002315	PULLEY, SPINNER	10	1
28	22002313	BELT, DRIVE	10	1
29	22002934	BEARING, FRONT	10	1
30	22002011	CUSHION	10	1

*Color Code (-)=Not Shown #=Series, Serial Prefix or Run No., N=Not Available

Section: SPINNER ASSEMBLY & OUTER TUB COVER

Model: MAH14PNBGW



LW13-42

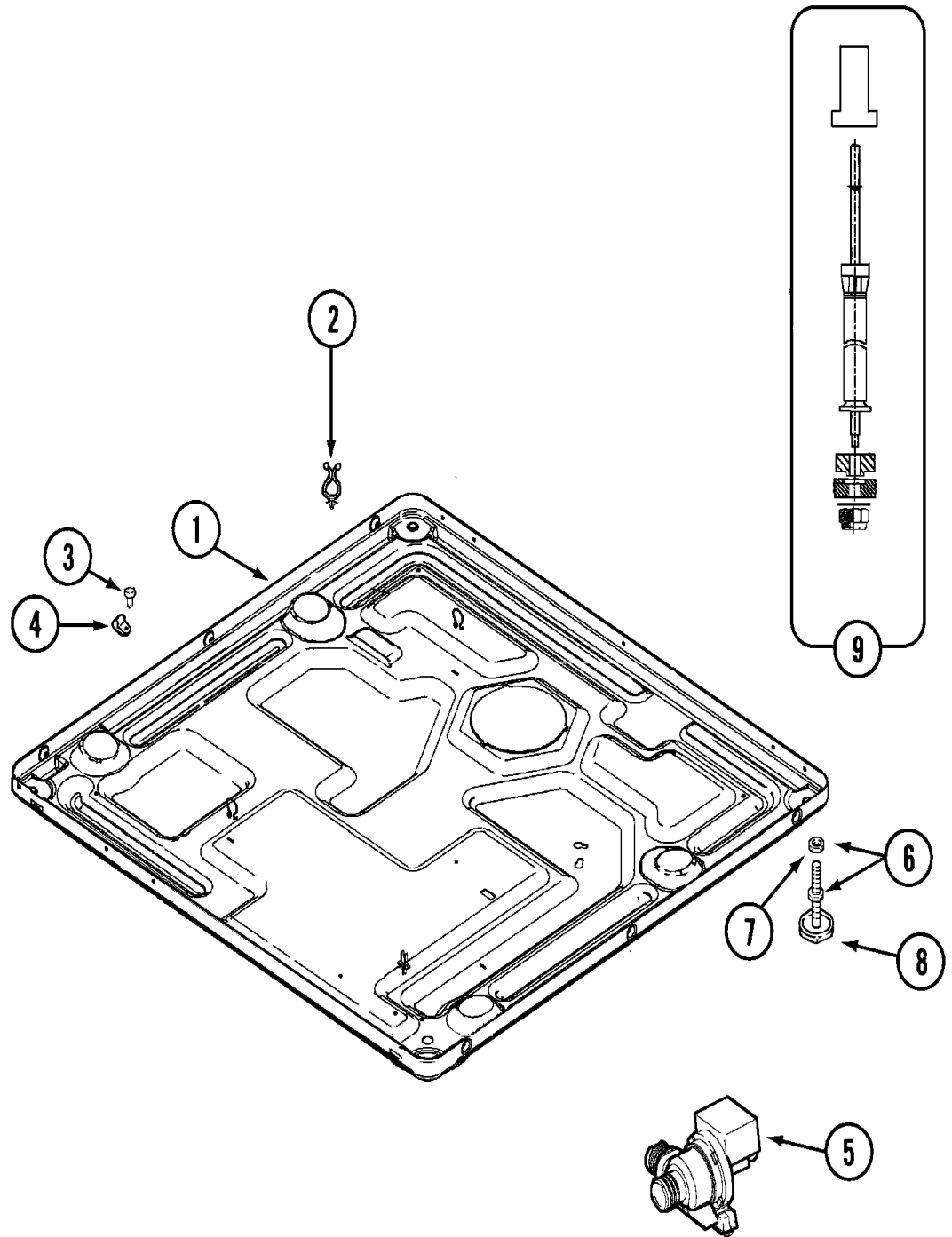
Section: SPINNER ASSEMBLY & OUTER TUB COVER

No.	Part No.	Description	Series	Qty
1	12001478	LIP SEAL SVC ASSY.	10	1
2	22002327	BOOT CABLE CLAMP	10	1
-	22002123	TUBE, MOLYKOTE	10	1
3	22002897	SUPPORT ASSY., SPINNER	10	1
4	22002023	WASHER, PLASTIC	10	3
5	22002115	SPINNER ASSY. (W/BALANCE RING)	10	1
6	22002482	WASHER, PROFILE	10	3
7	22002020	WASHER, SPINNER SUPPORT	10	3
8	22002122	NUT, SPINNER ATTACHMENT	10	3
9	22001985	BAFFLE, DRIP (REAR)	10	3
10	22002009	GROMMET, BAFFLE (REAR)	10	3
11	22001999	GROMMET, BAFFLE (FRT)	10	3
12	22002325	SCREW Note: SCREW, BAFFLE (REAR)	10	6
13	22001986	BAFFLE, DRIP (FRONT)	10	3
14	22002059	SCREW Note: SCREW, BAFFLE (FRONT)	10	6
15	22002077	SEAL, TUB COVER	10	1
16	22002050	CLIP, TUB TO COVER	10	14
-	22003074	GUARD, HOSE	10	1
17	22003212	COVER, TUB (W/SEAL) (ASP)	10	1
18	22003074	GUARD, HOSE	10	1
19	22002099	SPRING, TUB	10	1
20	22003071	DOOR BOOT DRAIN HOSE Note: HOSE, DOOR BOOT DRAIN	10	1
21	22003072	CLAMP, HOSE DOUBLE WIRE	10	1
22	12001772	KIT, DOOR BOOT W/DRAIN	10	1
23	22003073	CLAMP, HOSE DOUBLE WIRE	10	1

*Color Code (-)=Not Shown #=Series, Serial Prefix or Run No., N=Not Available

Section: BASE

Model: MAH14PNBGW



CW19-38

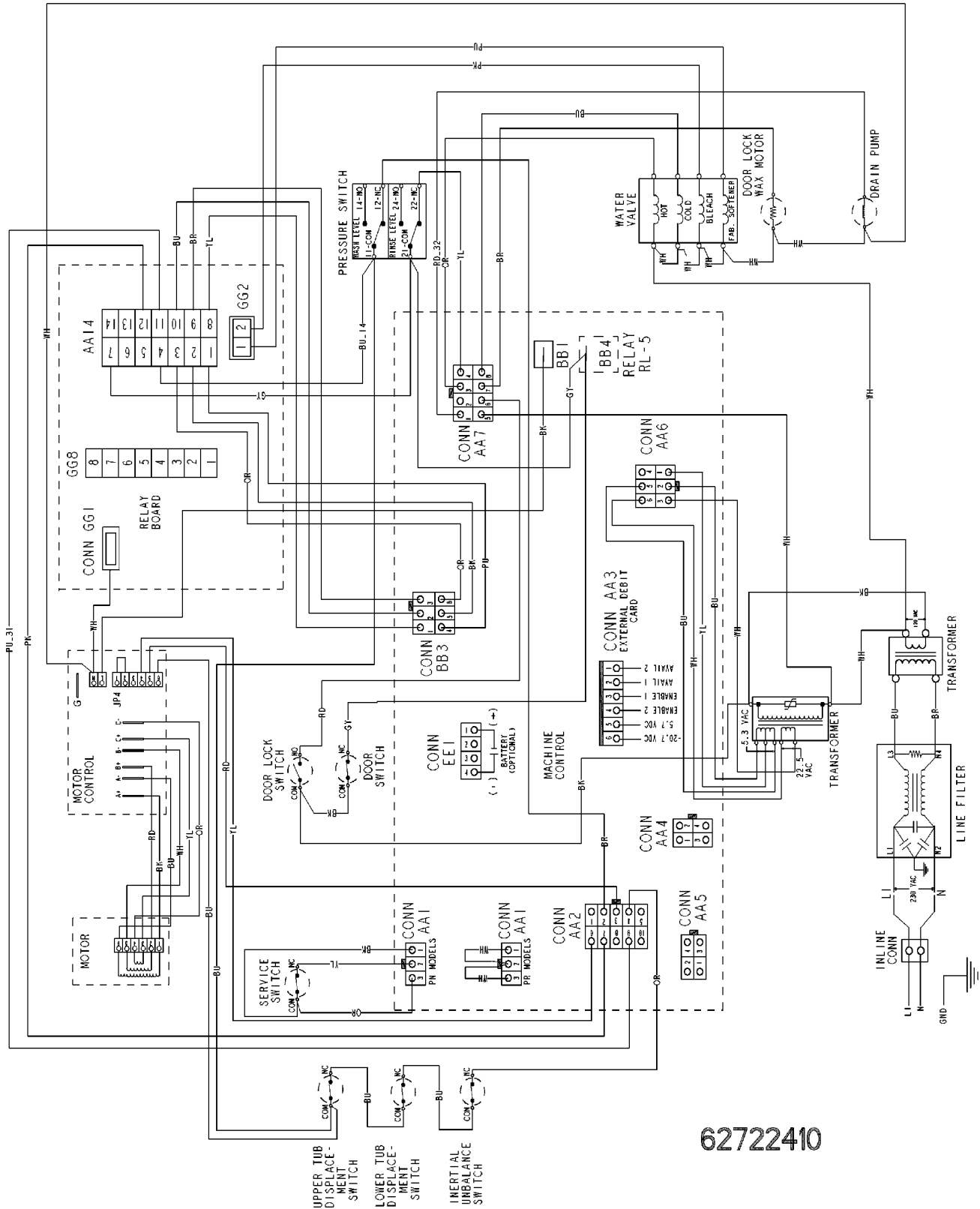
Section: BASE

No.	Part No.	Description	Series	Qty
1	22003580	BASE, ASSEMBLY	67	1
1	22002240	BASE	10	1
1	22003605	BASE WELD ASSEMBLY	72	1
2	315471	RETAINER, WIRE Note: RETAINER, WIRE	10	5
3	212276	SCREW Note: SCREW, WIRE HARNESS CLIP	10	1
4	22002014	CLIP Note: CLIP, WIRE HARNESS	10	1
5	22002809	PUMP (50HZ)	10	1
6	22003544	ADJUSTABLE LEG W/FOOT & NUT	10	4
7	Y052740	NUT Note: NUT, LEG	10	4
8	210684	FOOT, RUBBER	10	4
9	22001988	STRUT ASSY-REAR	10	2
10	22002476	TRANSFORMER	10	1
-	22002477	SHIELD, TRANSFORMER	10	1
-	22003778	TRANSFORMER	82	1

*Color Code (-)=Not Shown #=Series, Serial Prefix or Run No., N=Not Available

Section: WIRING INFORMATION

Model: MAH14PNBGW

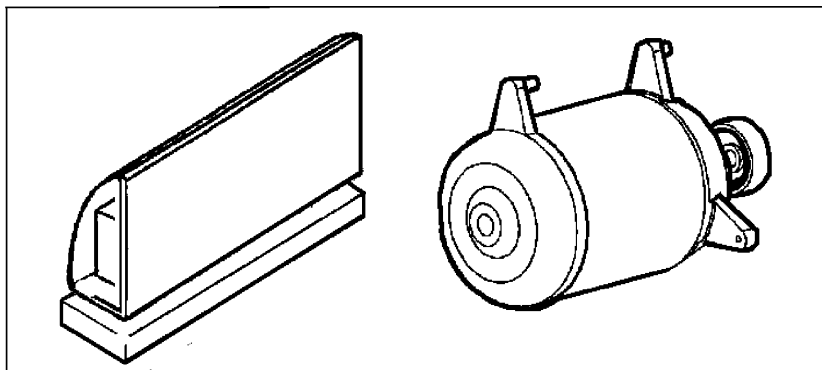


62722410

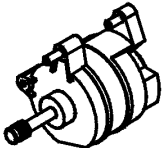
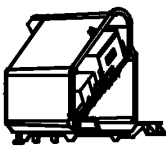
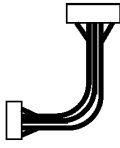
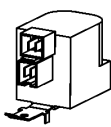




15002880

Section: MOTOR & MOTOR CONTROL

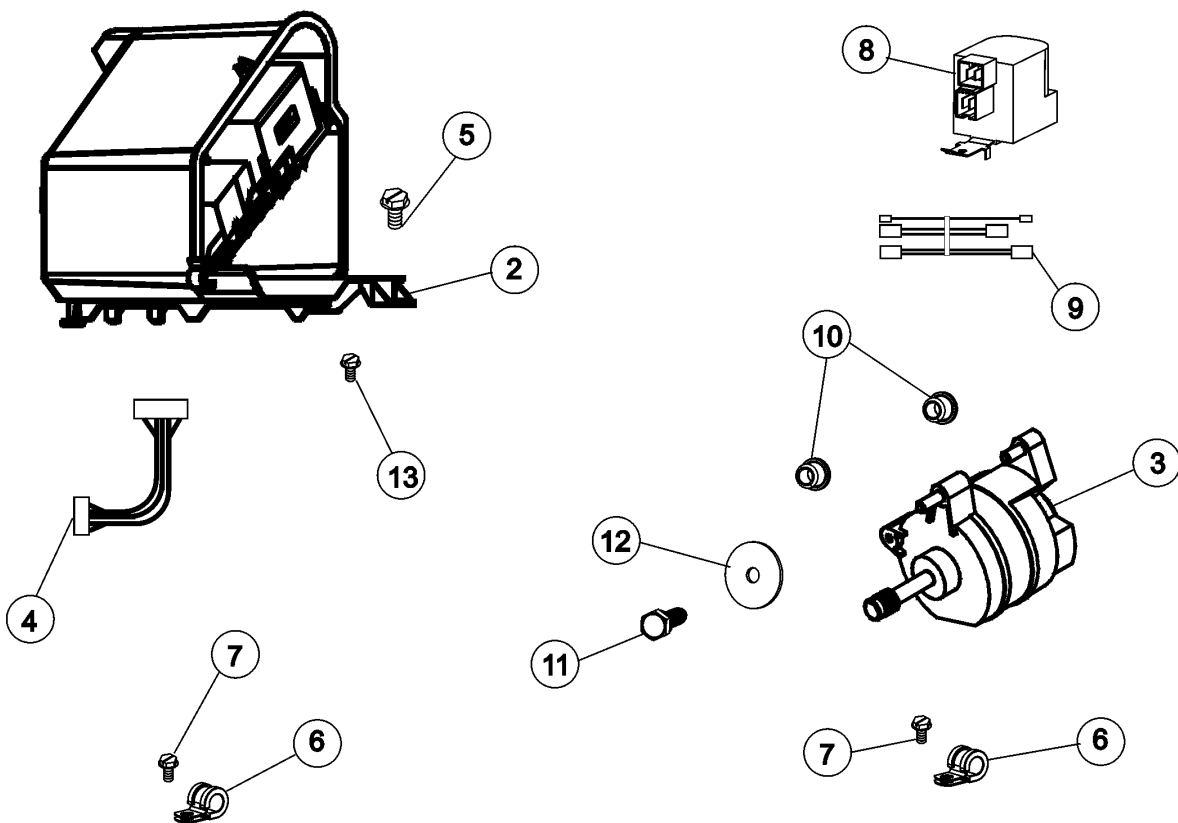
Model: MAH14PNBGW



ITEM 1
KIT CONTAINS:

							
120002040 MOTOR W/ISOLATORS	22004046 MOTOR CONTROL BOARD	22004047 MOTOR HARNESS	22003854 AC LINE FILTER	22004102 "P" CLIPS (2)	22002300 SCREW "P" CLIPS TO MOTOR	22004101 LOWER JUMPER WIRE HARNESS	22004103 SCREW GROUND

(SEE TEXT FOR ITEMS 2, 3, 4 AND 8)



CW23-04

Section: MOTOR & MOTOR CONTROL

No.	Part No.	Description	Series	Qty
1	12002039	NEPTUNE MOTOR CONVERSION KIT	10	1
2	22004046	CONTROL ASSY., MOTOR	10	1
3	22003856	MOTOR, VARIABLE SPEED	10	1
4	22004047	HARNES, MOTOR/MOTOR CONTROL	10	1
5	33002190	SCREW (#10-3/8")	10	2
6	22004102	P CLIPS	10	2
7	22002300	SCREW	10	2
8	22003854	EMI SUPPRESSION FILTER, 12A	10	1
9	22004101	REPAIR JUMPER HARNES	10	1
10	22003329	ISOLATOR, MOTOR	10	2
11	22003686	BOLT, MOTOR	10	1
12	22002320	WASHER, STRUT	10	1
13	22004103	SCREW	10	1

Partsking.com
800-462-4814



*Color Code (-)=Not Shown #=Series, Serial Prefix or Run No., N=Not Available

