

Repair Parts List

MODEL NUMBER
MAF35MC1

WASHER

Partsking.com
800-462-4814



When requesting service or ordering parts, always provide the following information:

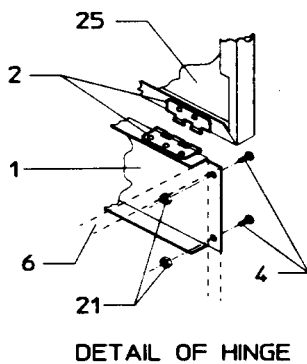
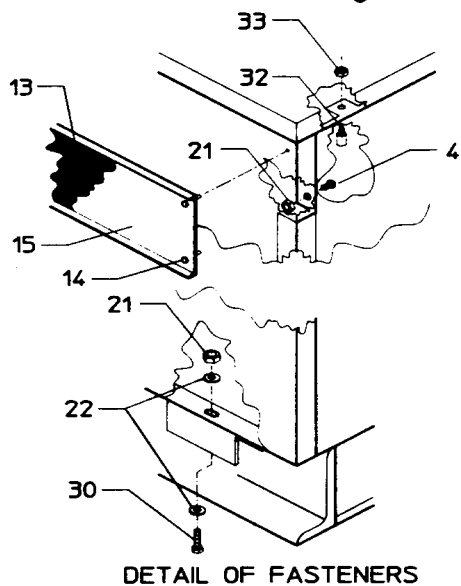
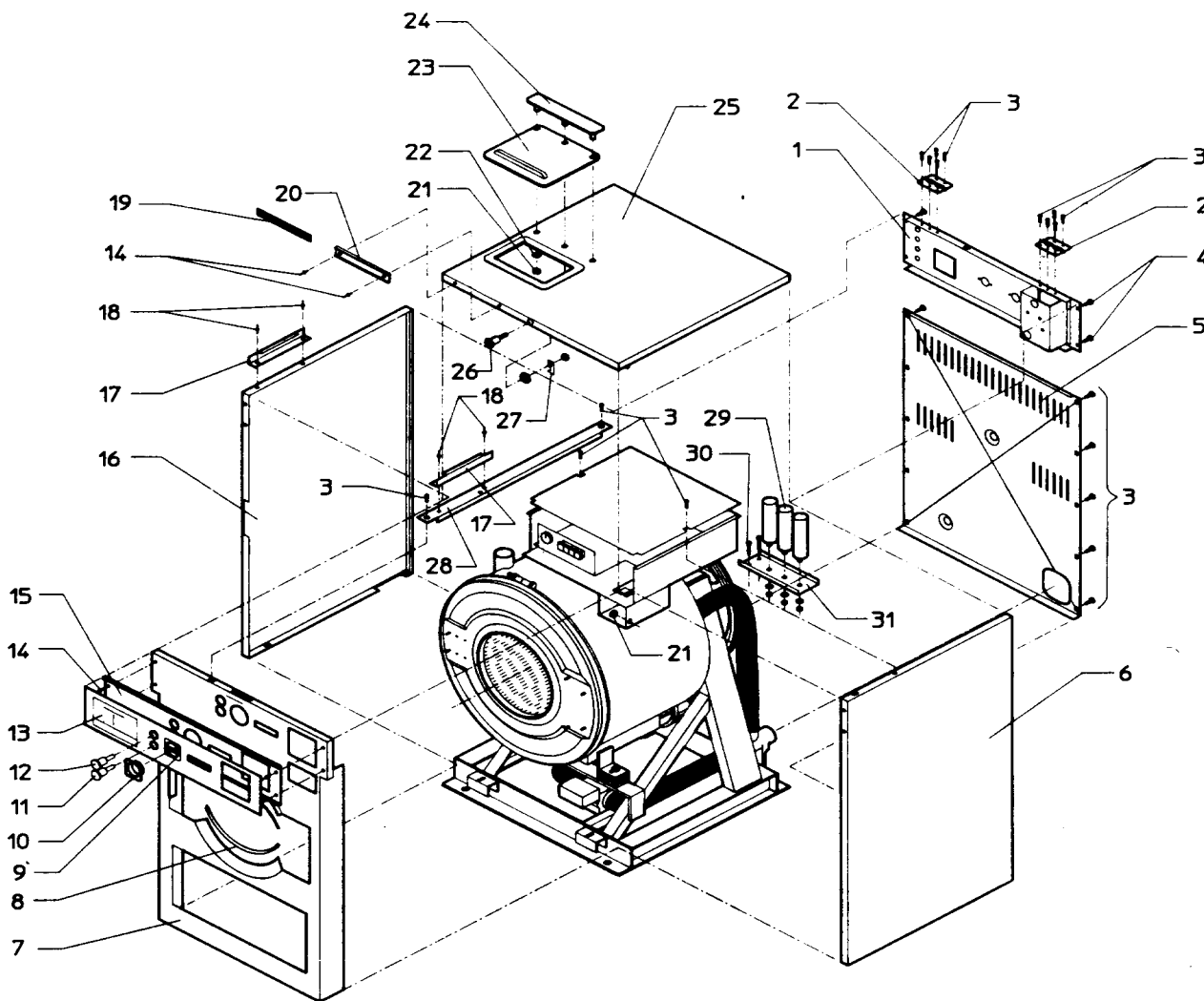
- Product Type
- Part Number
- Model Number
- Part Description

MAYTAG®

©2005 Maytag Services

Section: MAIN EXPLODED VIEW - FINAL ASSEMBLY

Model: MAF35MC1



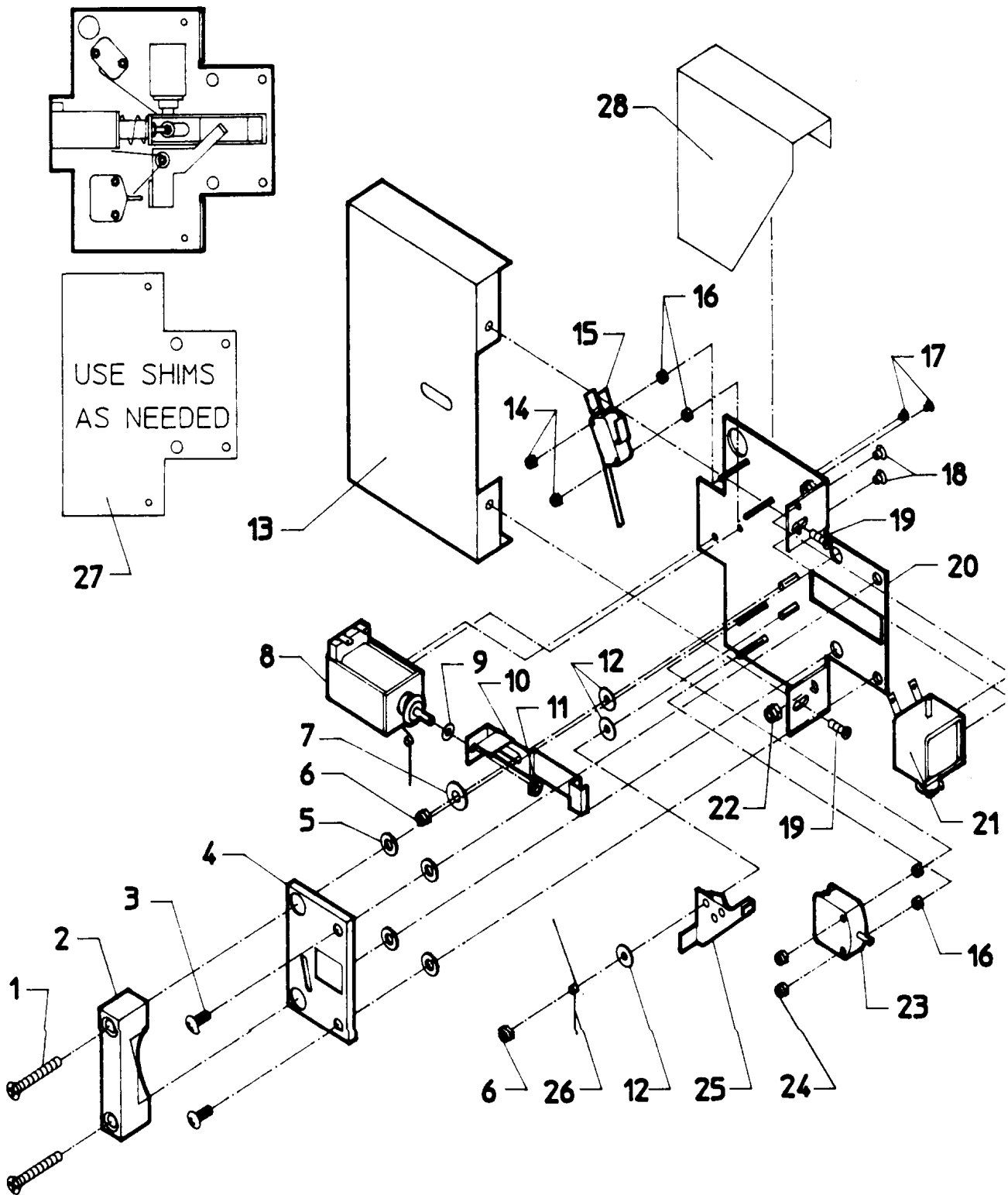
Section: MAIN EXPLODED VIEW - FINAL ASSEMBLY

No.	Part No.	Description	Series Qty
1	24001170	PANEL KIT, VALVE	1
2	24001300	HINGE (TAKE APART) Note: (PREV. PART #602784 NOTE: USE 18003070 BEFORE SERIAL NUMBER)	2
-	24001676	HINGE, TOP COVER Note: (NOTE: 18003069 AFTER SERIAL NUMBER)	2
3	24001301	SCREW (8-18 X 3/8")	24
4	24001323	SCREW (1/4-20 X 1/2")	8
5	24001403	KIT, PANEL (REAR)	1
6	24001159	PANEL KIT, SIDE (RT.)35	1
7	24001678	PANEL, FRONT (INR)	1
8	24001550	TRIM, PANEL (INNER FRONT)	2
9	24001679	DECAL, CYCLE INDICATOR	1
10	24001680	GLASS, TIMER	1
11	24001681	LIGHT, INDICATOR (RED 110V)	1
12	24001682	LIGHT, INDOCATOR (AMBER 110V)	1
13	24001684	DECAL, MAYTAG	1
14	24001533	RIVET, POP S.S. (1/8" X 1/4")	6
15	24001687	PANEL, CONTROL (ALUM)	1
16	24001157	PANEL KIT, SIDE (LT.)35	1
17	24001539	BRACKET, SOAP DISPENSER	2
18	24001540	RIVET, BLIND S.S. (1/8 X 5/16)	4
19	-----	NOT REQUIRED PART OR SEE NOTE Note: PART NUMBER NOT AVAILABLE	1
20	24001671	NAMEPLATE	1
21	24001510	NUT, S.S. (1/4"-20)	3
22	24001295	LOCKWASHER	3
23	24001219	COVER, SOAP DSPNSR	1
24	24001542	CLAMP, SOAP DISPENSER	1
25 N	24001165	COVER KIT, TOP Note: KIT ASSY., TOP COVER	1
26	24001220	LOCK, TOP COVER	1
27	24001221	LATCH, TOP COVER	1
28	24001690	BRACE, TOP	1
29	24001240	CAPACITOR (10MF)	1
29	24001237	CAPACITOR (50MF)	1
29	24001242	CAPACITOR (160MF)	1
30	24001303	SCREW (1/4-20 X 1-1/4")	8
31	24001674	BRACKET, CAPACITOR	1
32	24001305	NUT, FIBERLOCK (1/4)	17
33	24001425	NUT, FIBERLOCK, PLTD (6-32)	1
34	-----	NOT REQUIRED PART OR SEE NOTE Note: PART NUMBER NOT AVAILABLE	1

*Color Code (-)=Not Shown #=Series, Serial Prefix or Run No., N=Not Available

Section: DOOR SAFETY INTERLOCK-COIN MODELS

Model: MAF35MC1



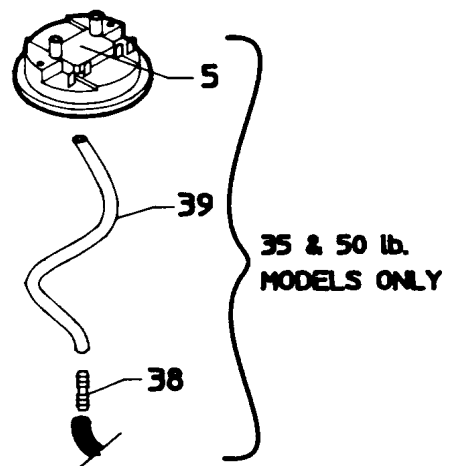
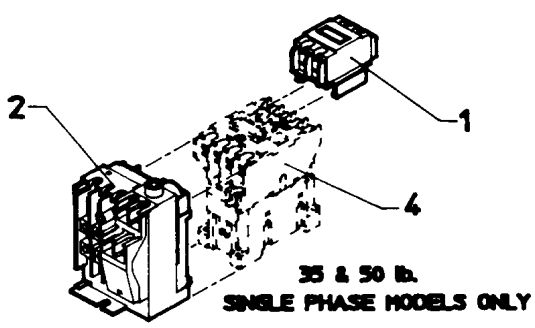
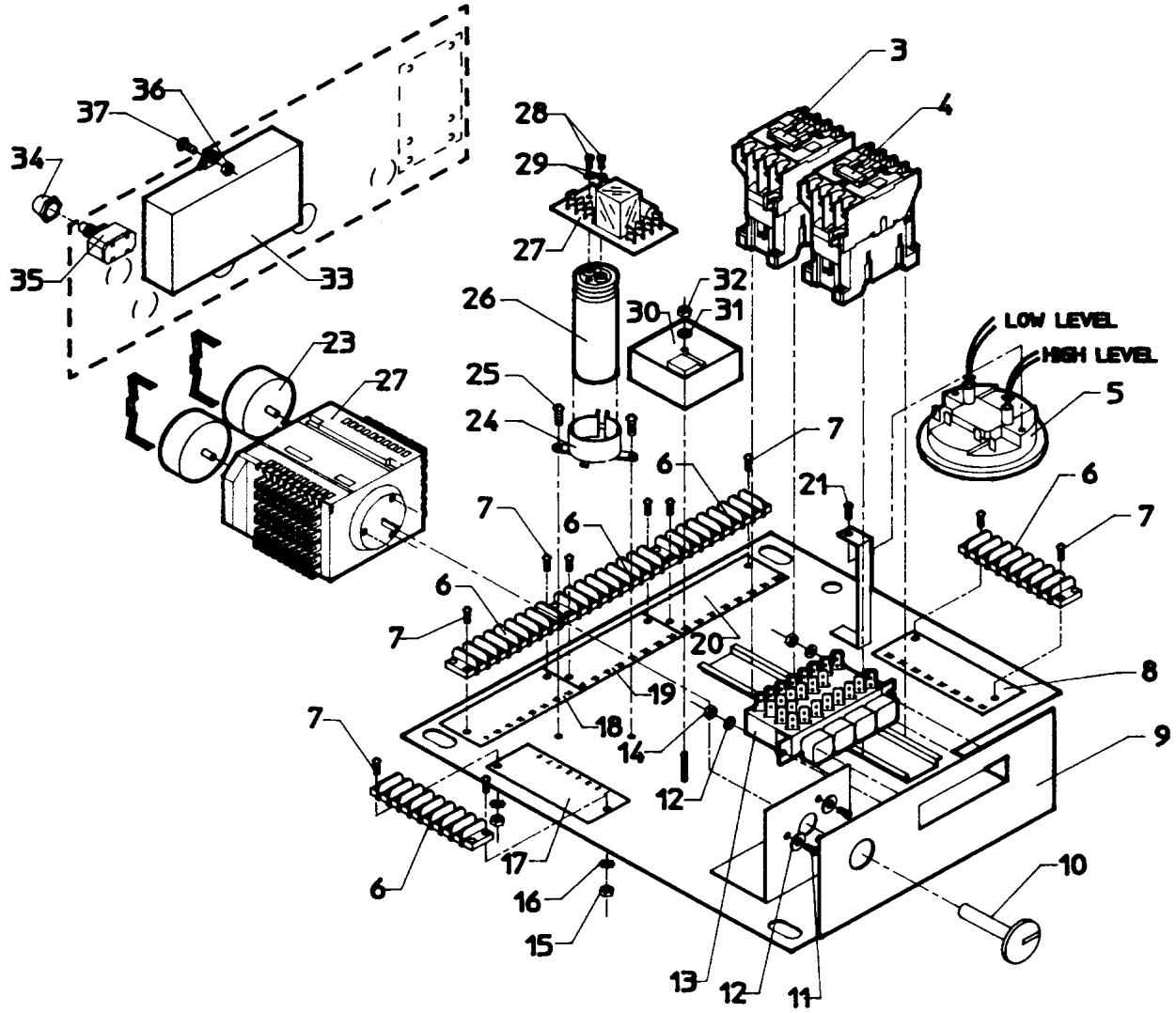
Section: DOOR SAFETY INTERLOCK-COIN MODELS

No.	Part No.	Description	Series Qty
-	24001640	DOOR LOCK COMPLETE (MC 110V)	1
1	-----	NOT REQUIRED PART OR SEE NOTE Note: PART NUMBER NOT AVAILABLE	0
2	24001483	CATCH, DOOR LOCK	1
3	24001323	SCREW (1/4-20 X 1/2")	4
4	24001484	COVER, DOOR LOCK PLATE	1
5	24001295	LOCKWASHER	2
6	24001342	NUT, LOCK (8-32)	2
7	24001485	WASHER, SHOULDER (TEFLON)	1
8	24001101	SOLENOID, DOOR REL (110/220V)	1
9	24001358	WASHER, FLAT (#10)	1
10	24001250	BUTTON, PUSH (STOP)	1
11	24001481	NUT, FIBERLOCK PLTD (#10-32)	1
12	24001480	WASHER, TEFLON (#8)	3
13	24001487	COVER, DOOR LOCK ASSY.	1
14	24001476	NUT, FIBERLOCK (#4-40)	2
15	24001229	SWITCH, DOOR LOCK	1
16	24001477	SPACER, NYLON (#6)	4
17	24001643	SCREW, S.S. (6 X 3/16")	2
18	24001479	SCREW, S.S. (#8-32 X 3/16)	2
19	24001301	SCREW (8-18 X 3/8")	2
20 N	24001644	DOOR LOCK PLATE Note: PLATE, DOOR LOCK	1
21	24001102	SOLENOID, DOOR LCK (110/220V)	1
22	24001305	NUT, FIBERLOCK (1/4)	2
23	24001255	SWITCH, DOOR HANDLE	1
24	24001736	PIN, LOCKING	2
25	24001230	LEVER, DOOR LOCK	1
26	24001293	SPRING, TORSION	1
27	24001559	SHIM, DOOR LOCK Note: (USE AS NEEDED)	1
28	24001488	SHIELD, SPLASH (DOOR LOCK)	1

*Color Code (-)=Not Shown #=Series, Serial Prefix or Run No., N=Not Available

Section: CONTROL MODULE

Model: MAF35MC1



Section: CONTROL MODULE

No.	Part No.	Description	Series Qty
1	24001104	CONTACTOR, AUX. ADDER	1
2	24001233	PROTECTOR, OVERLOAD	1
4	24001105	CONTACTOR (120V)	1
-	24001737	RELAY	1
-	24001738	RELAY	1
5	24001223	SWITCH, TRI LEVEL	1
6	24001412	TERMINAL STRIP	5
7	24001414	SCREW, S.S. (#6-32 X 1/2 PLTD)	10
8	24001030	DECAL,INSUL.TERM STRIP (33-40)	1
9	-----	NOT REQUIRED PART OR SEE NOTE Note: PART NUMBER NOT AVAILABLE	0
10	-----	NOT REQUIRED PART OR SEE NOTE Note: PART NUMBER NOT AVAILABLE	0
11	24001357	SCREW	3
12	24001358	WASHER, FLAT (#10)	5
13 N	24001740	SWITCH, CYCLE SELECTOR	1
14 N	24001741	NUT, FIBERLOCK	1
15	24001417	NUT, BRASS (#6-32)	10
16	24001415	WASHER, S.S. (#6 EXT. TOOTH)	10
17 N	24001026	DECAL,INSUL. TERM STRIP (1-8)	1
18 N	24001027	DECAL,INSUL.TERM STRIP (9-16)	1
19 N	24001028	DECAL,INSUL.TERM STRIP (17-24)	1
20 N	24001029	DECAL,INSUL.TERM STRIP (25-32)	1
21	24001411	SCREW, S.S. (6-32 X 3/8 PLTD)	1
22	24001178	CYCLE KIT, TIMER (120V)	1
23	24001577	MOTOR, TIMER (110V 60HZ)	2
24	-----	NOT REQUIRED PART OR SEE NOTE Note: PART NUMBER NOT AVAILABLE	0
25	24001578	SCREW, S.S. (6-32 X 1/4")	2
26	24001247	CAPACITOR, DOOR LOCK	1
27	24001742	P.C. BOARD (110V)	1
27	24001248	PC BOARD, DOOR LOCK	1
28	24001580	SCREW, S.S. (#10-32 X 3/8")	2
29	24001579	WASHER, S.S. (#10 LOCK EXT.)	2
30	24001176	RELAY, TIME OFF DELAY	1
31	24001295	LOCKWASHER	1
32	24001419	NUT, PLTD (1/4-#20 HEX)	1
33	24001743	SWITCH, MOTOR (CENTURY MOTORS)	1
34	24001744	BOOT, PUSH BUTTON	1
35	24001254	SWITCH, MOMENTARY	1
36	24001425	NUT, FIBERLOCK, PLTD (6-32)	2
37	24001745	SCREW, S.S.	2
38	24001746	COUPLER, HOSE	1
39	24001747	EXTENSION, AIR LINE	1

*Color Code (-)=Not Shown #=Series, Serial Prefix or Run No., N=Not Available

Section: WATER VALVE

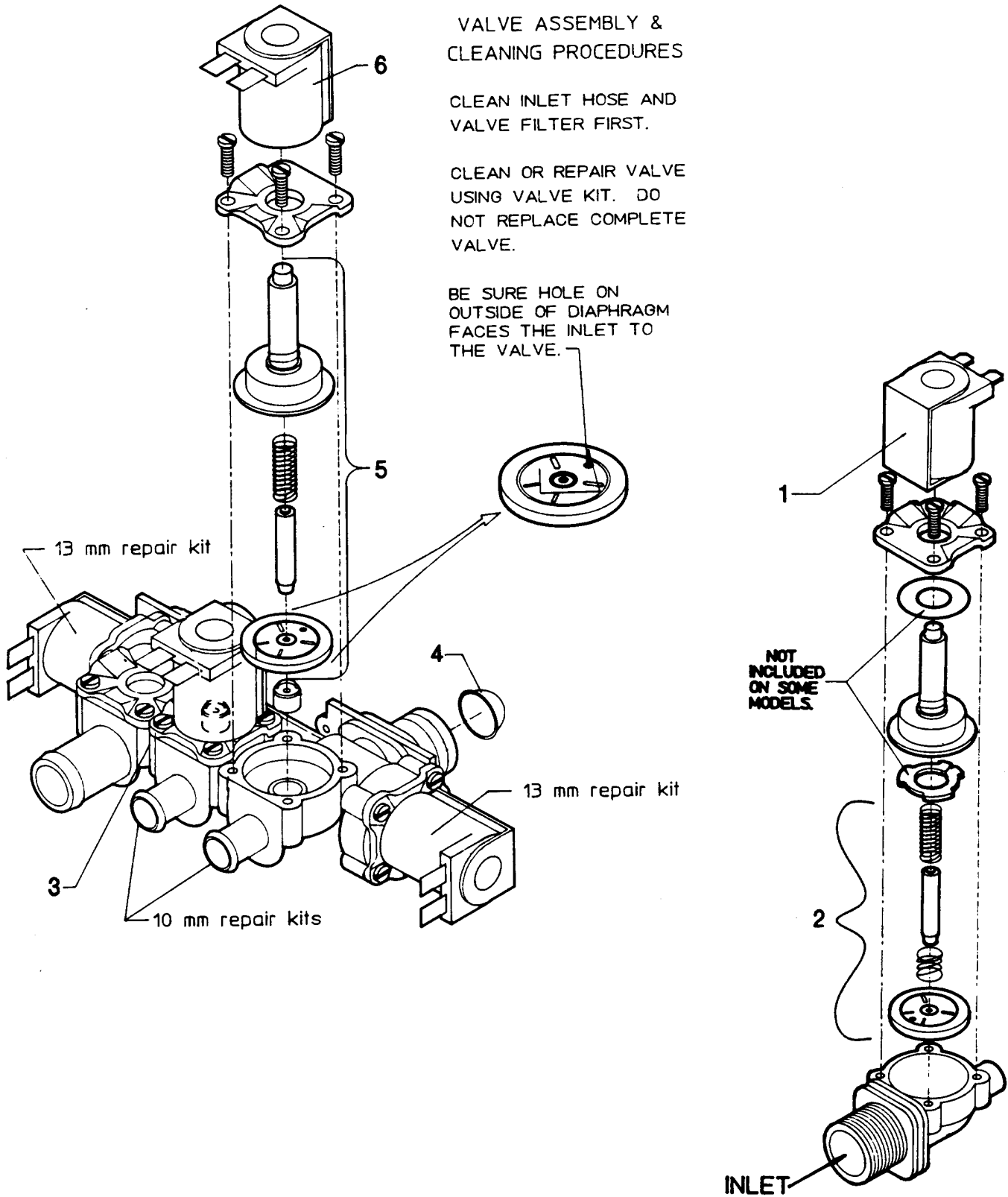
Model: MAF35MC1

VALVE ASSEMBLY & CLEANING PROCEDURES

CLEAN INLET HOSE AND VALVE FILTER FIRST.

CLEAN OR REPAIR VALVE USING VALVE KIT. DO NOT REPLACE COMPLETE VALVE.

BE SURE HOLE ON OUTSIDE OF DIAPHRAGM FACES THE INLET TO THE VALVE.



721357

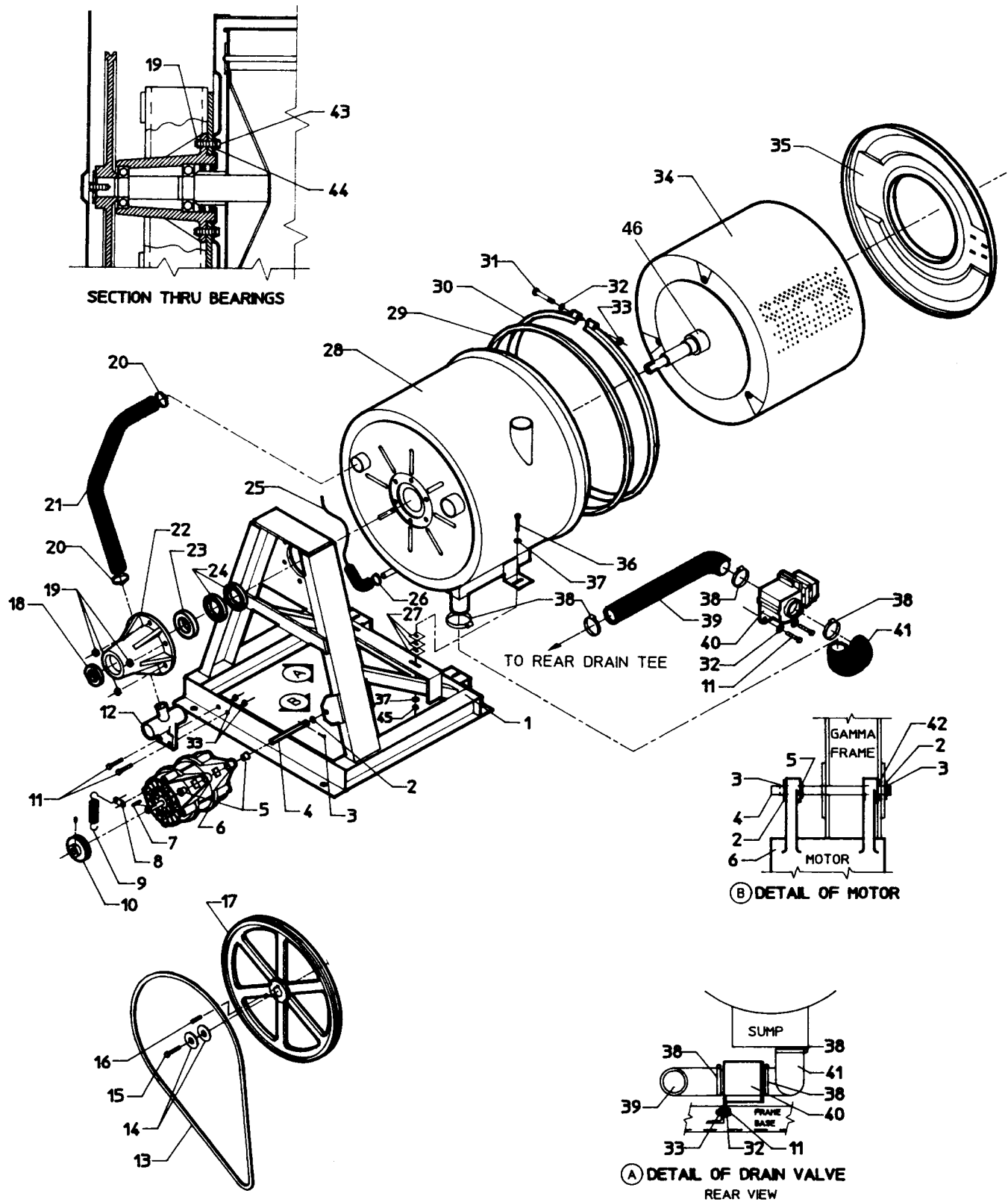
Section: WATER VALVE

No.	Part No.	Description	Series Qty
-	24001120	VALVE-1WAY (13MM)(110-127V)	1
-	24001119	VALVE-1WAY (10MM)(110-127V)	1
1	24001232	COIL, WATER VALVE	1
2	24001122	KIT, VALVE REPAIR (13MM)	1
-	24001448	SEAL (W110-012)	2
-	24001549	FILTER, MESH (11MM US THREAD)	2
3	24001226	VALVE, MIXING (3 WAY)	1
4	24001634	SCREEN, VALVE	2
5	24001122	KIT, VALVE REPAIR (13MM) Note: KIT, REPAIR (13MM)	2
5	24001231	KIT, DIAPHRAM (SHORT) Note: KIT, REPAIR (10MM) (FOR USE IN MIXING VALVE MODELS ONLY)	2
6	24001232	COIL, WATER VALVE	1

*Color Code (-)=Not Shown #=Series, Serial Prefix or Run No., N=Not Available

Section: MAIN EXPLODED VIEW-SUB ASSEMBLY

Model: MAF35MC1



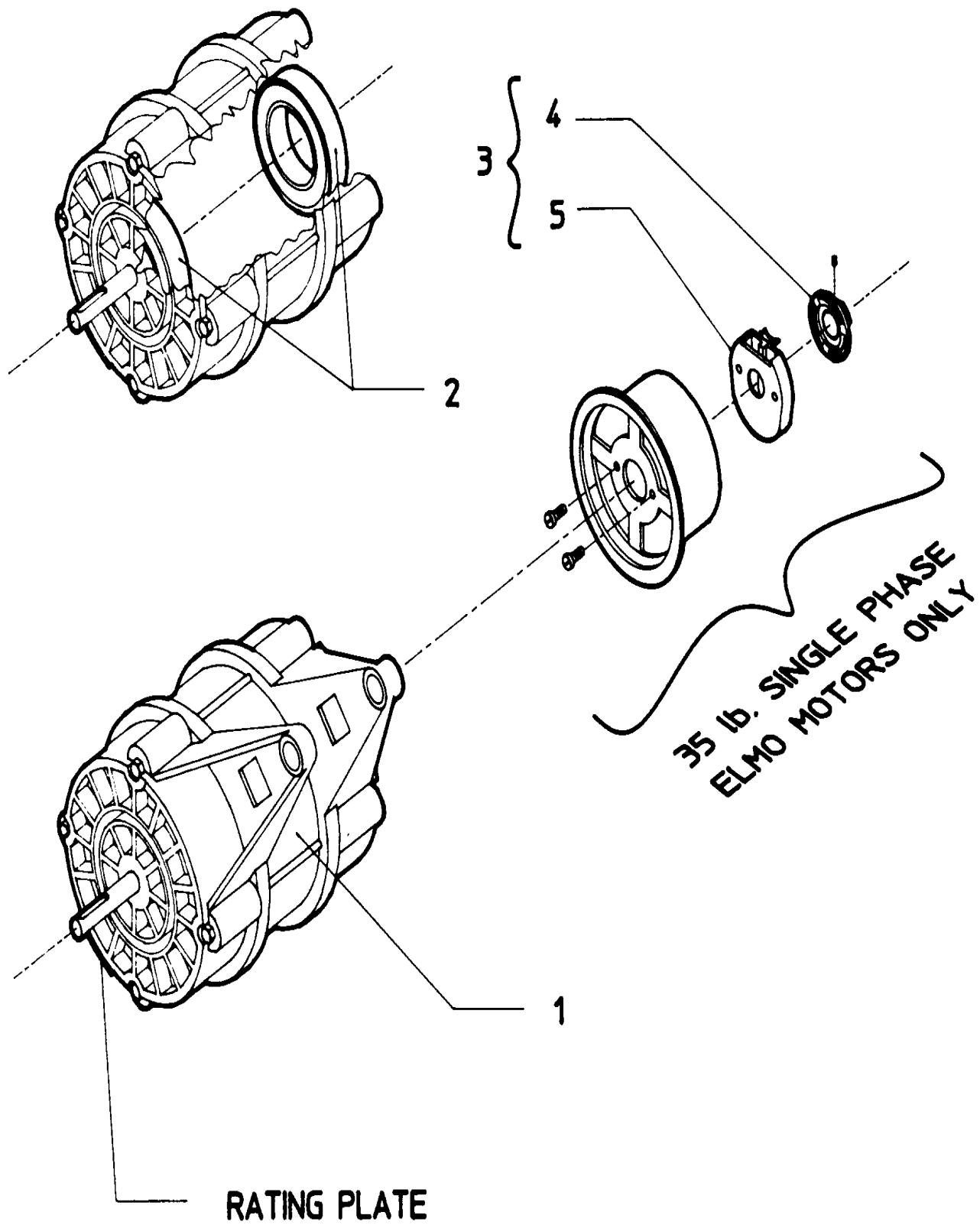
Section: MAIN EXPLODED VIEW-SUB ASSEMBLY

No.	Part No.	Description	Series Qty
1	24001371	KIT ASSY., FRAME (2 SPEED)	1
2	24001511	WASHER, HARDENED (PLTD. 5/8)	2
3	24001512	PIN, COTTER PLTD. (1/8X1 1/2)	2
4	24001802	SUPPORT ROD, MOTOR	1
5	24001021	BUSHING, MOTOR (UC/UW)	2
6	24001083	MOTOR,2SP (208-240/60/3)	1
6	24001079	MOTOR,2SP 1 PH W/HARNESS	1
7	24001648	KEY (MOTOR 3/16" X 1 1/2")	1
8	24001651	CLIP, MOTOR SPRING	1
9	24001650	SPRING (BELT TENSION)	1
10	24002042	PULLEY, MOTOR	1
11	24001502	SCREW (1/4"-20 X 3/4")	4
12	24001826	CONNECTION, TEE-DRAIN	1
13	24001095	BELT, V (3V-830)	1
14	24001501	WASHER, S.S.	2
15	24001500	SCREW, S.S. (3/8"-16X1)	1
16	24001499	KEY (3/8" X 1 1/4")	1
18	24001014	BEARING (6208 2RS C3)	1
19	24001563	NUT, FIBERLOCK	6
19	24001495	NUT, FIBERLOCK (9/16"-12)	6
20	24001283	CLAMP, HOSE (#28)	2
21	24001506	HOSE, OVERFLOW	1
22	24001260	KIT, TRUNNION (2SP)	1
23	24001016	BEARING (6309 2RS C3)	1
24	24001020	SEAL, SHAFT (130MM)	2
25	24001661	AIR TRAP Note: HOSE, AIR DOME	1
26	24001438	CLAMP, HOSE (#10)	1
27	24001803	SHIM, SHELL	3
28	24001377	KIT, SHIELD RETRO	1
29	24001184	GASKET KIT (FRONT SHELL)	1
30	24001389	KIT, BAND SHELL	1
31	24001215	KIT, BAND FASTENER	1
32	24001215	KIT, BAND FASTENER	3
33	24001215	KIT, BAND FASTENER	7
34	24001804	BASKET	1
35	24001385	KIT, FRONT SHELL	1
36	24001657	BOLT (S.S. 3/8-16 X 1 1/2")	2
37	24001516	WASHER, FLAT PLTD. (3/8")	4
38	24001353	CLAMP, HOSE (#40)	4
39	24001564	HOSE, DRAIN (REAR)	1
40	24001116	VALVE, DRAIN (2" 110V,60HZ)	1
41	24001565	HOSE, DRAIN (FRONT)	1
43	24001497	BOLT, S.S. (9/16-12 X 2 1/2)	6
43	24001807	BOLT, S.S.	6
44	24001810	WASHER, FLAT	6
44	24001809	WASHER, FLAT	3
-	24001260	KIT, TRUNNION (2SP)	1
45	24001515	NUT, FIBERLOCK PLTD. (3/8-16)	2
46	24001271	COLLAR (2SP)	1

*Color Code (-)=Not Shown #=Series, Serial Prefix or Run No., N=Not Available

Section: MOTOR

Model: MAF35MC1



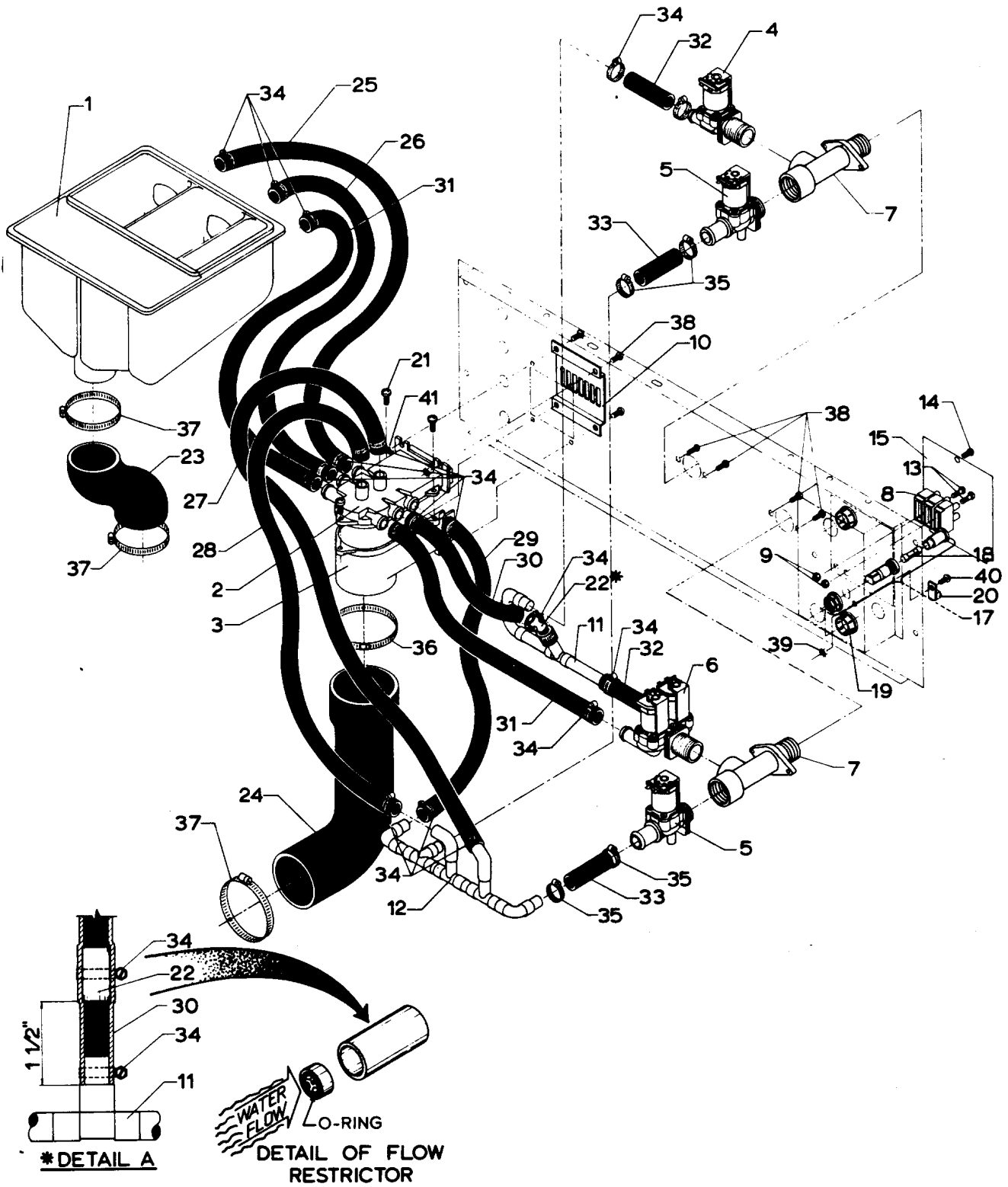
Section: MOTOR

No.	Part No.	Description	Series Qty
1	24001083	MOTOR,2SP (208-240/60/3)	1
1	24001079	MOTOR,2SP 1 PH W/HARNESS	1
2	24001017	BEARING, 6205-2RS	1
3	-----	NOT REQUIRED PART OR SEE NOTE Note: PART NOT USED	0

*Color Code (-)=Not Shown #=Series, Serial Prefix or Run No., N=Not Available

Section: SOAP DISPENSER

Model: MAF35MC1



721151

Section: SOAP DISPENSER

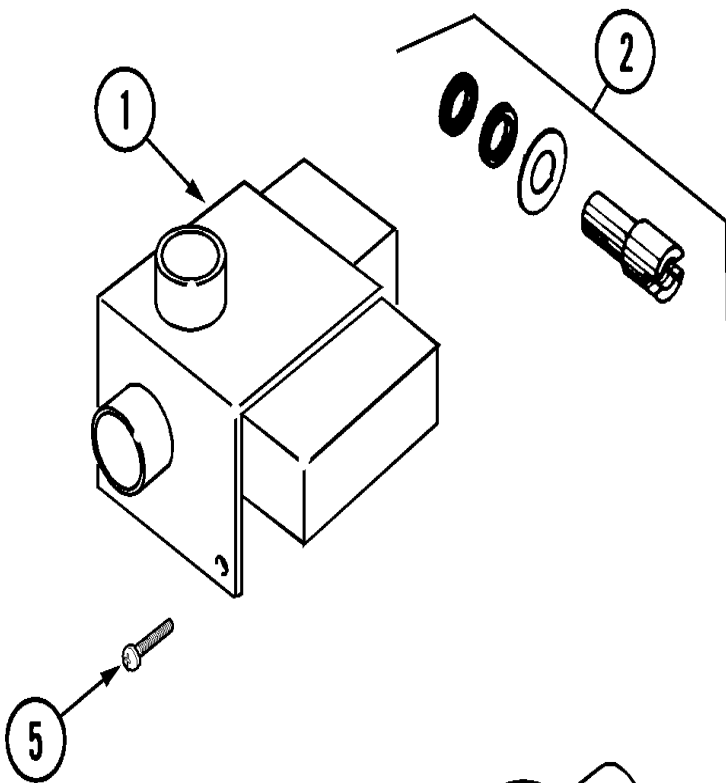
No.	Part No.	Description	Series Qty
1	24001627	DISPENSER, SUPPLY (COIN)	1
2	24001031	BREAKER, VAC. (TOP)	1
3	24001032	BREAKER, VAC. (BTM)	1
4	24001119	VALVE-1WAY (10MM)(110-127V)	1
5	-----	NOT REQUIRED PART OR SEE NOTE Note: PART NUMBER NOT AVAILABLE	0
6	-----	NOT REQUIRED PART OR SEE NOTE Note: PART NUMBER NOT AVAILABLE	0
7	24001448	SEAL (W110-012)	4
8	24001366	BLOCK, INPU & POWER (4 TERM)	1
8	24001629	BLOCK, INPUT POWER (3 WIRE)	1
9	24001425	NUT, FIBERLOCK, PLTD (6-32)	2
10	24001426	COVER, VACUUM BREAKER	1
11	24001777	MANIFOLD, SUPPLY	1
12	-----	NOT REQUIRED PART OR SEE NOTE Note: PART NUMBER NOT AVAILABLE	0
13	24001430	SCREW, S.S (6-32 X 1)	2
14	24001301	SCREW (8-18 X 3/8")	1
15	24001429	COVER, JUNCTION BOX	1
16	-----	NOT REQUIRED PART OR SEE NOTE Note: PART NUMBER NOT AVAILABLE	0
17	24001433	HOLDER, FUSE	1
18	24001225	FUSE, CONTROL (2AMP)	1
19	24001436	GROMMET, BUSHING	2
20	24001434	CONNECTOR, GROUND	1
21	24001432	SCREW, S.S. (#8-32 X 3/8)	5
22	24001775	FLOW RESTRICTOR ASSY.	1
23	24001442	HOSE, SOAP DISPENSER	1
24	24001033	HOSE, VACUUM BREAKER	1
25	24001781	HOSE	1
26	24001783	HOSE	1
27	-----	NOT REQUIRED PART OR SEE NOTE Note: PART NOT USED	0
28	24001767	HOSE	1
29	24001788	HOSE	1
30	24001771	HOSE	1
31	24001792	HOSE	2
32	24001794	HOSE	2
33	24001794	HOSE	2
34	24001423	CLAMP, HOSE (#8)	21
35	24001797	CLAMP (SIZE 24)	4
36	24001282	CLAMP, HOSE (#48)	1
37	24001353	CLAMP, HOSE (#40)	3
38	24001414	SCREW, S.S. (#6-32 X 1/2 PLTD)	10
39	24001342	NUT, LOCK (8-32)	1
40	24001432	SCREW, S.S. (#8-32 X 3/8)	1
41	24001425	NUT, FIBERLOCK, PLTD (6-32)	8

*Color Code (-)=Not Shown #=Series, Serial Prefix or Run No., N=Not Available

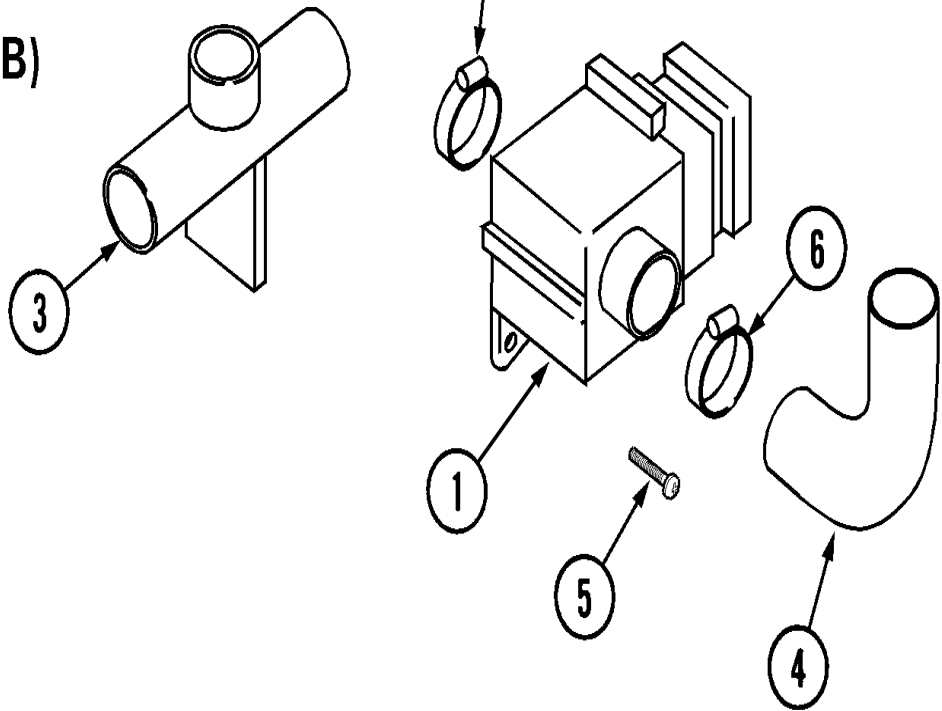
Section: DRAIN VALVE

Model: MAF35MC1

A)



B)



CW21-131

Section: DRAIN VALVE

No.	Part No.	Description	Series Qty
1	24001116	VALVE, DRAIN (2" 110V,60HZ) Note: (B)VALVE, DRAIN	1
1	24001217	VALVE, DRAIN (3") Note: (A)VALVE, DRAIN	1
-	24001530	VALVE, MOTOR DRAIN (110V 60HZ) Note: (A)MOTOR, DRAIN VALVE	1
2	24001528	MAIN DRIVE SHAFT AND SEAL KIT	1
3	24001826	CONNECTION, TEE-DRAIN Note: CONNECTION, TEE	1
4	24001565	HOSE, DRAIN (FRONT) Note: HOSE, DRAIN (FRT)	1
5	24001502	SCREW (1/4"-20 X 3/4")	4
6	24001353	CLAMP, HOSE (#40)	4

Partsking.com
800-462-4814



*Color Code (-)=Not Shown #=Series, Serial Prefix or Run No., N=Not Available

