

Repair Parts List

MODEL NUMBER
MAF25MC3

WASHER

Partsking.com
800-462-4814



When requesting service or ordering parts, always provide the following information:

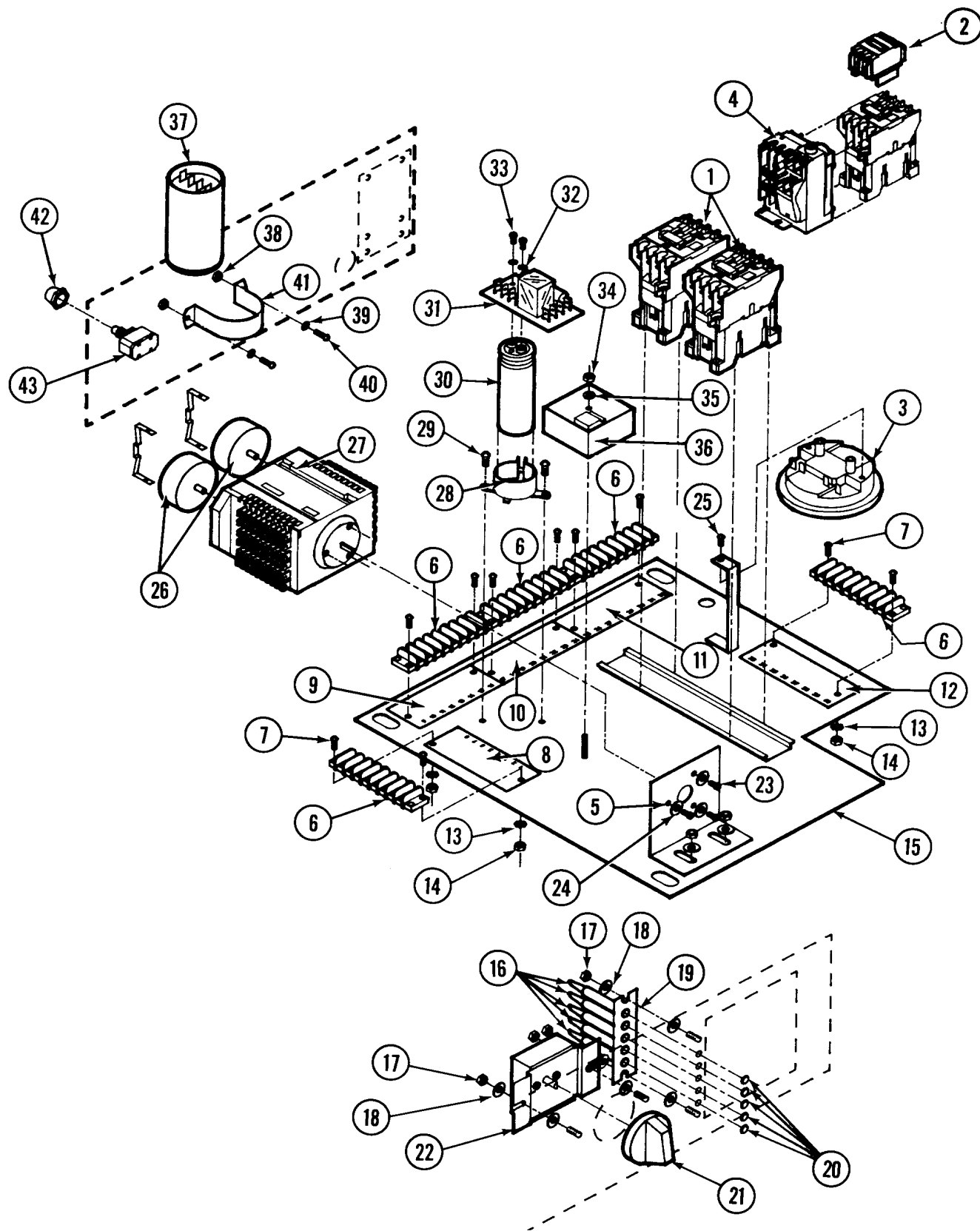
- Product Type
- Part Number
- Model Number
- Part Description

MAYTAG®

©2005 Maytag Services

Section: CONTROL MODULE (MECHANICAL TIMER)

Model: MAF25MC3



Section: CONTROL MODULE (MECHANICAL TIMER)

No.	Part No.	Description	Series Qty
1	24001105	CONTACTOR (120V)	2
2	24001104	CONTACTOR, AUX. ADDER	1
3	24001222	SWITCH, TRI LEVEL----N	1
4	24001233	PROTECTOR, OVERLOAD	1
5	-----	NOT REQUIRED PART OR SEE NOTE Note: PART NUMBER NOT AVAILABLE	1
6	24001412	TERMINAL STRIP	5
7	24001414	SCREW, S.S. (#6-32 X 1/2 PLTD)	10
8	N 24001026	DECAL,INSUL. TERM STRIP (1-8)	1
9	N 24001027	DECAL,INSUL. TERM STRIP (9-16)	1
10	N 24001028	DECAL,INSUL. TERM STRIP (17-24)	1
11	N 24001029	DECAL,INSUL. TERM STRIP (25-32)	1
12	24001030	DECAL,INSUL. TERM STIRP (33-40)	1
13	24001415	WASHER, S.S. (#6 EXT. TOOTH)	14
14	24001417	NUT, BRASS (#6-32)	1
15	-----	NOT REQUIRED PART OR SEE NOTE Note: PART NUMBER NOT AVAILABLE	1
16	24001209	LIGHT, NEON (1/3W, 125VAC)	5
17	24001342	NUT, LOCK (8-32)	5
18	24001576	WASHER, FLAT (PLATED)	5
19	24001841	BRACKET, IND. LIGHT (4 LGIHTS)	1
19	24001214	BRACKET, MOUNTING Note: BRACKET, IND. LIGHT (5 LIGHTS)	1
20	24001210	LENS, AMBER (LEXAN SHORT)	5
21	24001204	KNOB	1
22	24001207	SWITCH, CYCLE SELECT (ROTARY)	1
23	24001357	SCREW	3
24	24001358	WASHER, FLAT (#10)	3
25	24001411	SCREW, S.S. (6-32 X 3/8 PLTD)	1
26	24001577	MOTOR, TIMER (110V 60HZ)	2
27	24001178	CYCLE KIT, TIMER (120V)	1
28	-----	NOT REQUIRED PART OR SEE NOTE Note: PART NUMBER NOT AVAILABLE	1
29	24001578	SCREW, S.S. (6-32 X 1/4")	2
30	24001247	CAPACITOR, DOOR LOCK	1
31	24001248	PC BOARD, DOOR LOCK	1
32	24001579	WASHER, S.S. (#10 LOCK EXT.)	2
33	24001580	SCREW, S.S. (#10-32 X 3/8")	2
34	24001419	NUT, PLTD (1/4-#20 HEX)	1
35	24001295	LOCKWASHER	1
36	24001176	RELAY, TIME OFF DELAY	1
37	24001235	KIT, SWITCH (ELMO MOTORS)	1
38	24001425	NUT, FIBERLOCK, PLTD (6-32)	2
39	24001576	WASHER, FLAT (PLATED)	2
40	24001593	SCREW	2
41	24001594	BRACKET, SINPAC SWITCH	1
42	24001744	BOOT, PUSH BUTTON	1
43	24001254	SWITCH, MOMENTARY	1
-	24001245	FUSE, SLO BLO (1AMP)	1

*Color Code (-)=Not Shown #=Series, Serial Prefix or Run No., N=Not Available

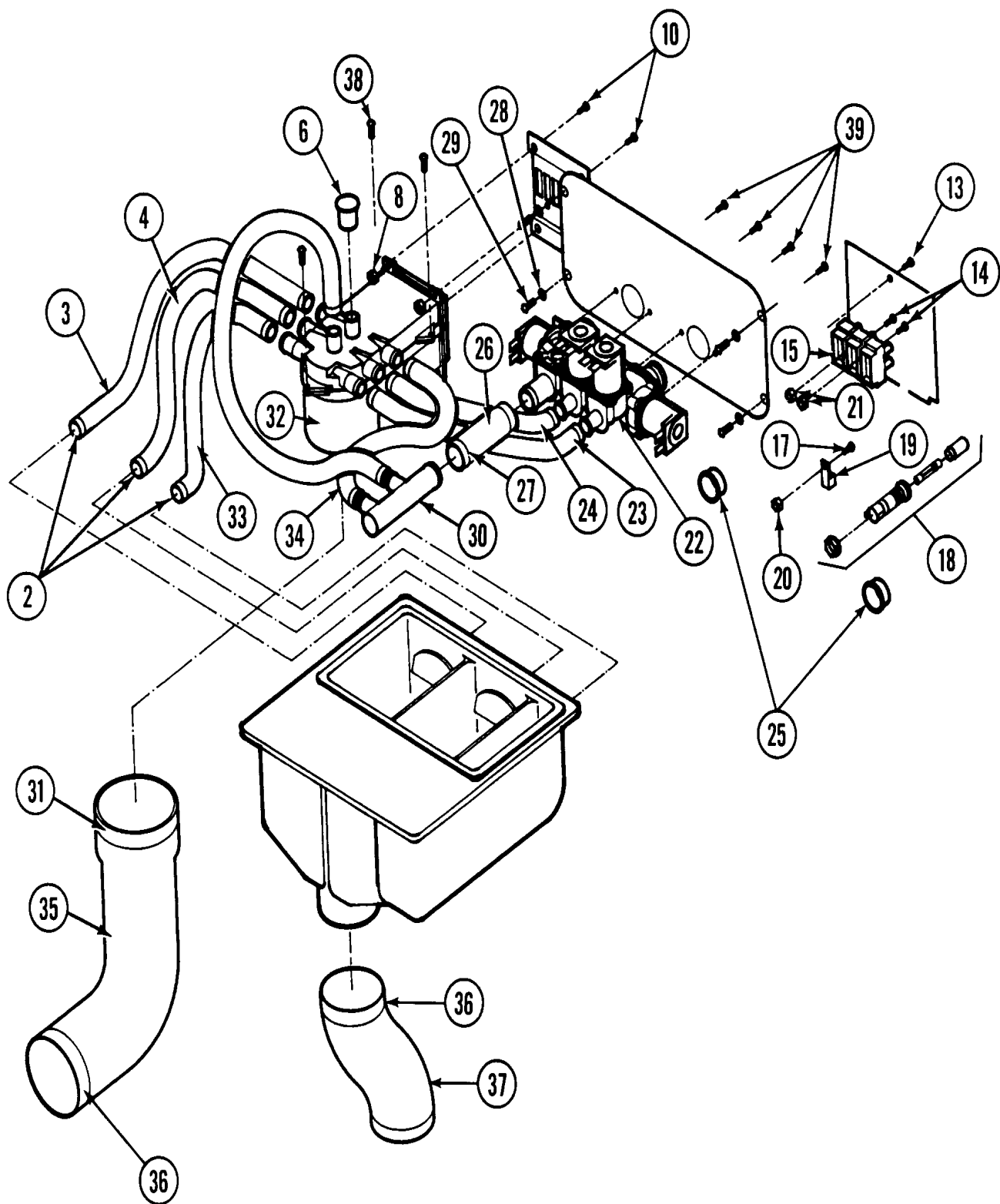
Section: COIN METER & MANUAL CONTROL

No.	Part No.	Description	Series	Qty
1	N 24001598	KEY (UG 14)		1
1	N 24001595	KEY (UG 11)		1
1	N 24001597	KEY (UG 13)		1
1	N 24001604	KEY (UG 20)		1
1	N 24001599	KEY (UG 15)		1
1	N 24001600	KEY (UG 16)		1
1	N 24001601	KEY (UG 17)		1
1	N 24001603	KEY (UG 19)		1
1	N 24001602	KEY (UG 18)		1
1	N 24001596	KEY (UG 12)		1
2	24001607	BOX, COIN (UG, RL, UG 13)		1
2	24001613	BOX, COIN (UG, RL, UG 19)		1
2	24001611	BOX, COIN (UG, RL, UG 17)		1
2	24001606	BOX, COIN (UG, RL, UG 12)		1
2	24001614	BOX, COIN (UG, RL, UG 20)		1
2	24001608	BOX, COIN (UG, RL, UG 14)		1
2	24001612	BOX, COIN (UG, RL, UG 18)		1
2	24001609	BOX, COIN (UG, RL, UG 15)		1
2	N 24001605	BOX, COIN (UG, RL, UG 11)		1
2	24001610	BOX, COIN (UG, RL, UG 16)		1
3	24001615	COIN ACCEPTOR (US QUARTER)		1
4	N 24001616	COIN SWITCH		1
5	24001617	ELECTRONIC COIN COUNTER W/HAR		1
6	24001618	COIN BLOCKING SOLENOID (110V)		1
7	N 24001619	DECAL, COIN METER (NUM 1-16)		1
8	24001620	BUTTON, COIN RETURN		1
9	24001621	HARNESS, ELECTRONIC COIN CNTR		1

*Color Code (-)=Not Shown #=Series, Serial Prefix or Run No., N=Not Available

Section: SUPPLY DISPENSER ASSEMBLY

Model: MAF25MC3



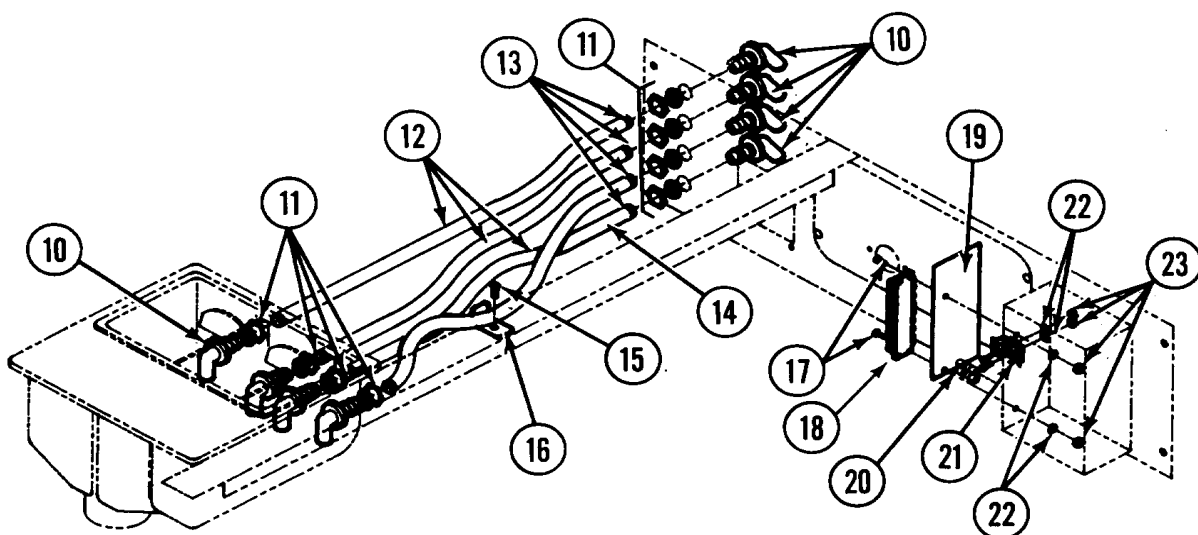
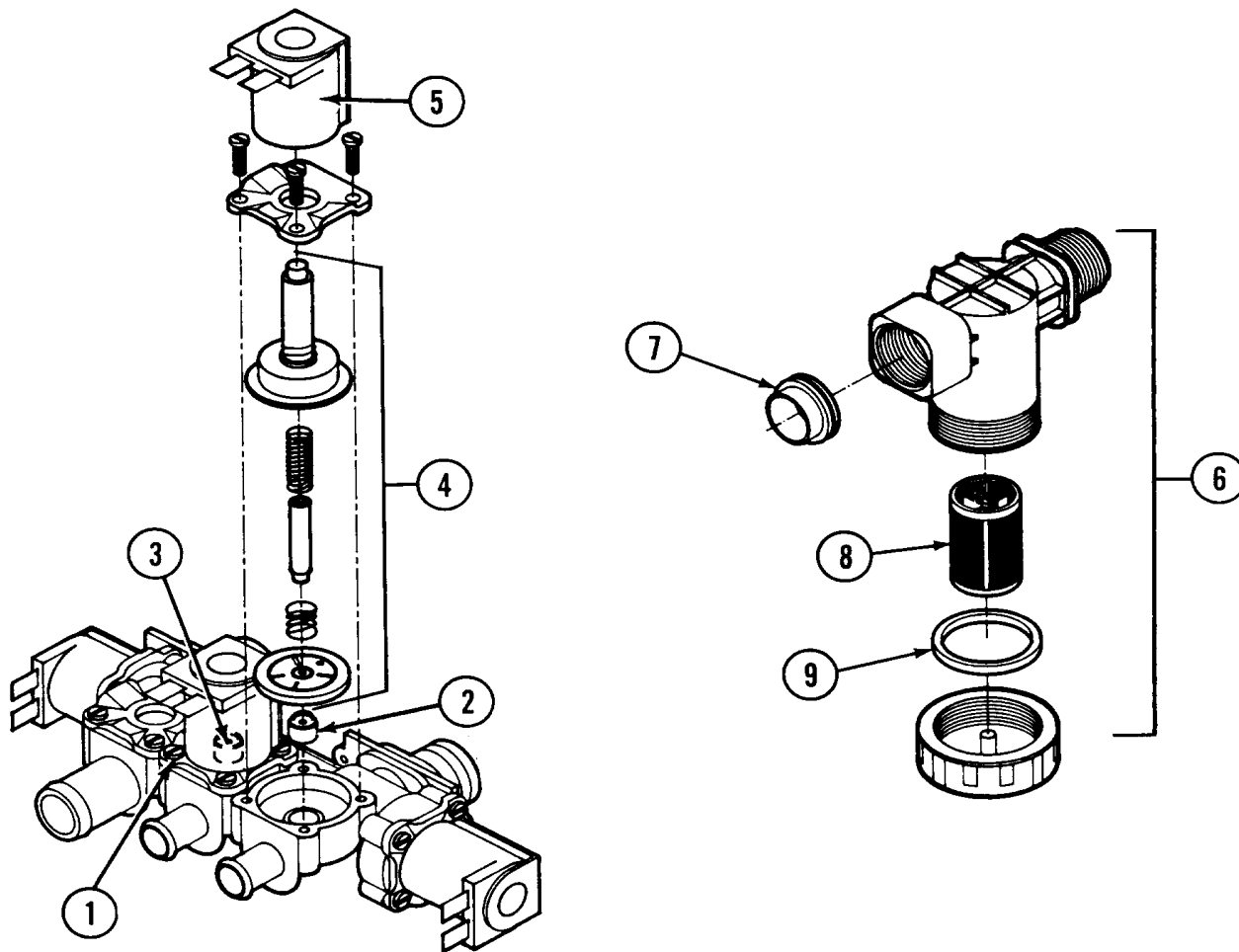
Section: SUPPLY DISPENSER ASSEMBLY

No.	Part No.	Description	Series Qty
1	24001627	DISPENSER, SUPPLY (COIN)	1
2	24001423	CLAMP, HOSE (#8)	14
3	N 24001405	HOSE (1/2' ID) Note: (ORDER BY FOOT)	1
4	N 24001405	HOSE (1/2' ID) Note: (ORDER BY FOOT)	1
5	N 24001405	HOSE (1/2' ID) Note: (ORDER BY FOOT)	1
6	24001424	CAP, PLUG (YELLOW)	1
7	24001031	BREAKER, VAC. (TOP)	1
8	24001425	NUT, FIBERLOCK, PLTD (6-32)	4
9	24001426	COVER, VACUUM BREAKER	1
10	24001414	SCREW, S.S. (#6-32 X 1/2 PLTD)	4
11	24001428	MOUNTING PLATE, MIXING VALVE	1
12	24001429	COVER, JUNCTION BOX	1
13	24001301	SCREW (8-18 X 3/8")	1
14	24001430	SCREW, S.S (6-32 X 1)	2
15	24001629	BLOCK, INPUT POWER (3 WIRE)	1
15	24001628	BLOCK, INPUT POWER (4 WIRE)	1
16	24001225	FUSE, CONTROL (2AMP)	1
17	24001432	SCREW, S.S. (#8-32 X 3/8)	1
18	24001433	HOLDER, FUSE	1
19	24001434	CONNECTOR, GROUND	1
20	24001342	NUT, LOCK (8-32)	1
21	24001425	NUT, FIBERLOCK, PLTD (6-32)	2
22	24001226	VALVE, MIXING (3 WAY)	1
23	N 24001405	HOSE (1/2' ID) Note: (ORDER BY FOOT)	1
24	N 24001405	HOSE (1/2' ID) Note: (ORDER BY FOOT)	1
25	24001436	GROMMET, BUSHING	2
26	N 24001437	HOSE (3/4 ID 2 1/2")	1
27	24001438	CLAMP, HOSE (#10)	2
28	24001439	WASHER, SPLITLOCK (1/4")	4
29	24001440	SCREW (1/4" - 20 X 5/8" PLTD)	4
30	24001441	CONNECTOR, MANIFOLD (FILL)	1
31	24001282	CLAMP, HOSE (#48)	1
32	24001032	BREAKER, VAC. (BTM)	1
33	N 24001405	HOSE (1/2' ID)	1
34	N 24001405	HOSE (1/2' ID) Note: (ORDER BY FOOT)	1
35	24001195	HOSE KIT, VACUUM BRK	1
36	24001353	CLAMP, HOSE (#40)	3
37	24001198	HOSE KIT, SOAP DISPENSER	1
38	24001630	SCREW (#8 X 1/2 PLPH, SMS)	3
39	24001357	SCREW	4

*Color Code (-)=Not Shown #=Series, Serial Prefix or Run No., N=Not Available

Section: WATER VALVE & AUTOMATIC DISPENSER

Model: MAF25MC3



CW21-75

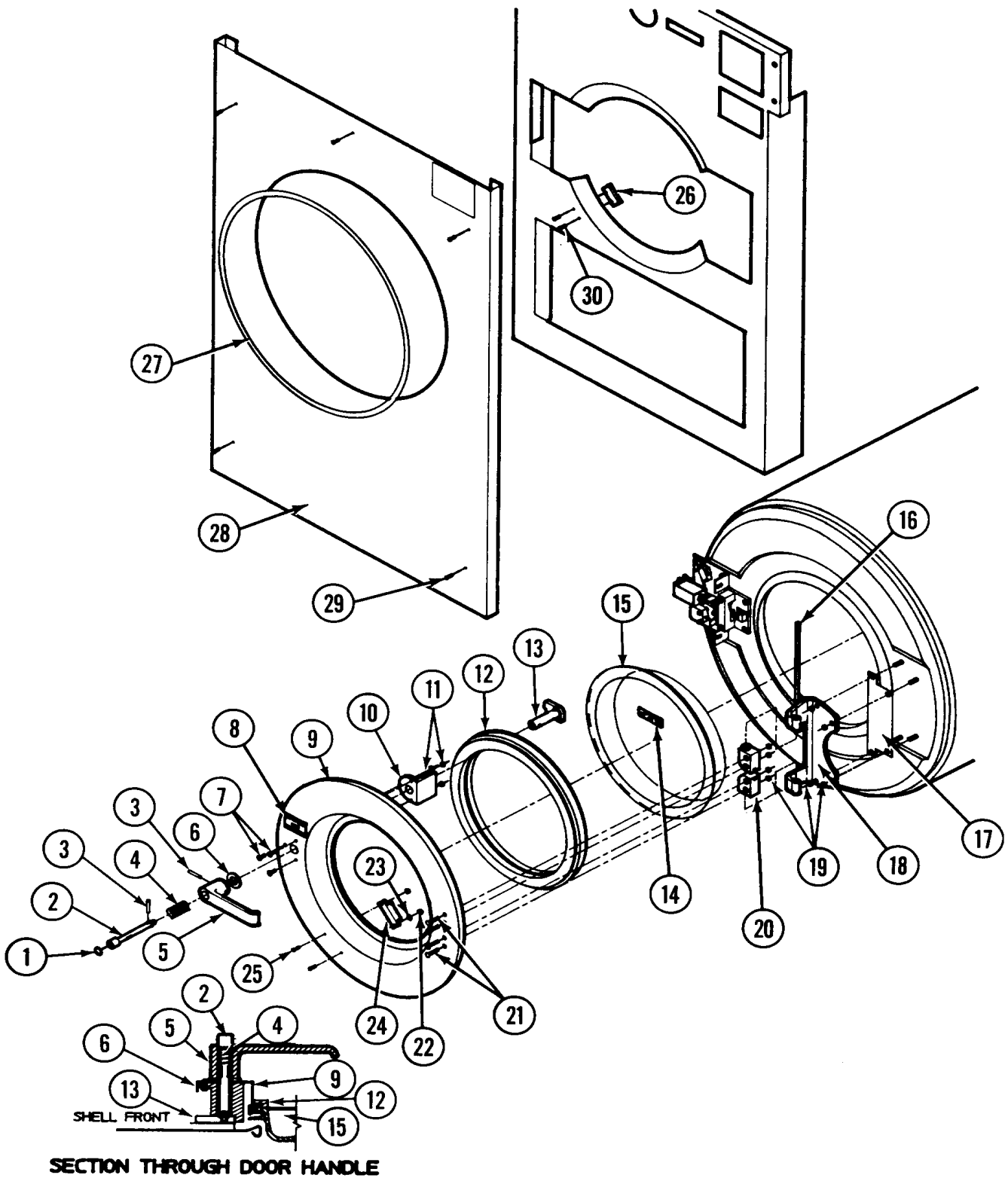
Section: WATER VALVE & AUTOMATIC DISPENSER

No.	Part No.	Description	Series	Qty
1	24001226	VALVE, MIXING (3 WAY)		1
2	24001443	RESTRICTOR, FLOW (2.8MM)		1
3	24001444	RESTRICTOR, FLOW (4MM)		1
4	24001231	KIT, DIAPHRAM (SHORT)		2
4	24001122	KIT, VALVE REPAIR (13MM)		2
5	24001232	COIL, WATER VALVE		4
6	24001549	FILTER, MESH (11MM US THREAD)		2
7	24001448	SEAL (W110-012)		2
8	24001447	FILTER 11MM MESH (US THREAD) Note: FILTER SCREEN RPLCMNT (25MM)		2
8	24001449	FILTER SCREEN RPLCMNT (11MM)		2
9	24001450	GASKET CAP, FILTER HOUSING		2
10	24001451	NOZZLE KIT		8
11	N 24001452	NUT, PAL (13" X 1/2" PLTD)		8
12	24001631	TUBING, NORPRENE (5/16"ID 21")		3
13	24001632	CLAMP, HOSE (#4)		8
14	N 24001633	TUBING, NORPRENE (5/16"ID 26")		1
15	24001301	SCREW (8-18 X 3/8")		1
16	24001456	BRACKET, HOSE		1
17	24001414	SCREW, S.S. (#6-32 X 1/2 PLTD)		4
18	24001412	TERMINAL STRIP		1
19	24001458	DECAL, EXTERNAL SUPPLY		1
20	24001253	FUSE (3 AMP)		2
21	24001554	HOLDER, FUSE (DUAL)		1
22	24001415	WASHER, S.S. (#6 EXT. TOOTH)		4
-	24001634	SCREEN, VALVE		2
23	24001417	NUT, BRASS (#6-32)		4
24	24001635	SEAL, O RING		4

*Color Code (-)=Not Shown #=Series, Serial Prefix or Run No., N=Not Available

Section: DOOR & RELATED ASSEMBLY

Model: MAF25MC3



CW10-21

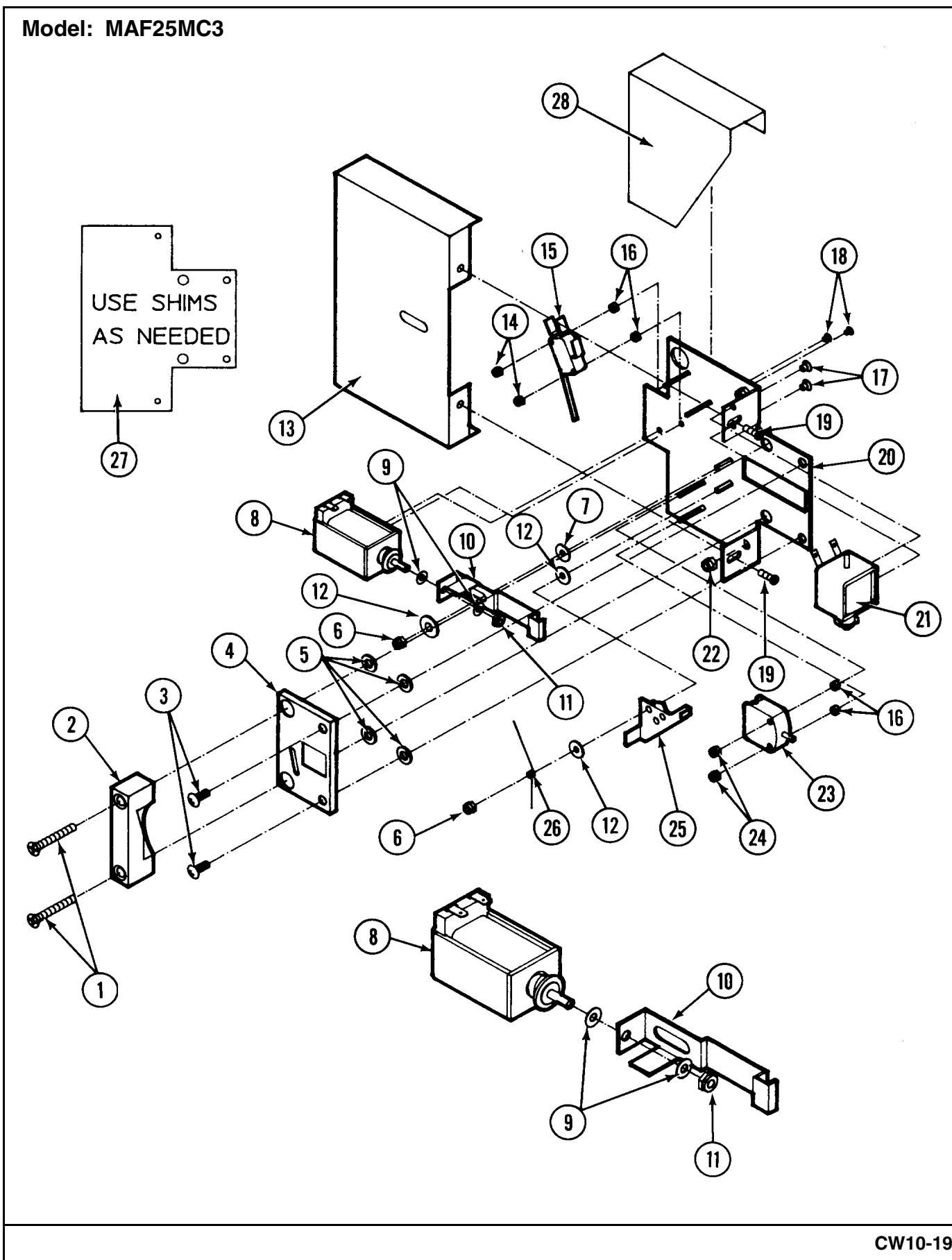
Section: DOOR & RELATED ASSEMBLY

No.	Part No.	Description	Series Qty
1	24001407	DECAL	1
2	24001103	ROD, PUSH BUTTON	1
3	24001721	PIN, SPRING	1
4	24001338	SPRING, DOOR LOCK	1
5	24001336	HANDLE, DOOR	1
6	24001339	WASHER, NYLON	1
7	24001341	SCREW (8-32X 5/8")	1
8	24001462	DECAL, PUSH BUTTON RED	1
9	24001638	DOOR ASSY. (COIN)	1
9	24001636	DOOR ONLY (COIN)	1
10	24001340	SPACER, DOOR HANDLE	1
11	24001342	NUT, LOCK (8-32)	3
12	24001075	GASKET, DOOR	1
13	24001343	ARM, LATCH	1
14	24001465	DECAL, ROTATION SPIN (CCW)	1
15	24001098	GLASS, DOOR	1
16	-----	NOT REQUIRED PART OR SEE NOTE Note: PART NUMBER NOT AVAILABLE	1
18	24001333	HINGE, DOOR	1
19	24001305	NUT, FIBERLOCK (1/4)	8
20	24001334	MOUNT, DOOR	1
21	24001467	SCREW, S.S. (1/4 - 20 X 7/8)	4
22	24001417	NUT, BRASS (#6-32)	2
25	24001414	SCREW, S.S. (#6-32 X 1/2 PLTD)	2
27	24001185	GASKET KIT (FRT/OTR)	1
28	24001136	PANEL KIT, FRONT COIN (ALM) Note: (INCLUDES TRIM & SCREWS)	1
28 N	24001135	PANEL KIT, FRONT COIN (WHT) Note: (INCLUDES TRIM & SCREWS)	1
28	24001137	PANEL KIT, FRONT COIN (STNLSS) Note: (INCLUDES TRIM & SCREWS)	1
29	24001474	SCREW, S.S. (#8-32 X 3/8 PL)	5

*Color Code (-)=Not Shown #=Series, Serial Prefix or Run No., N=Not Available

Section: DOOR LOCK

Model: MAF25MC3



CW10-19

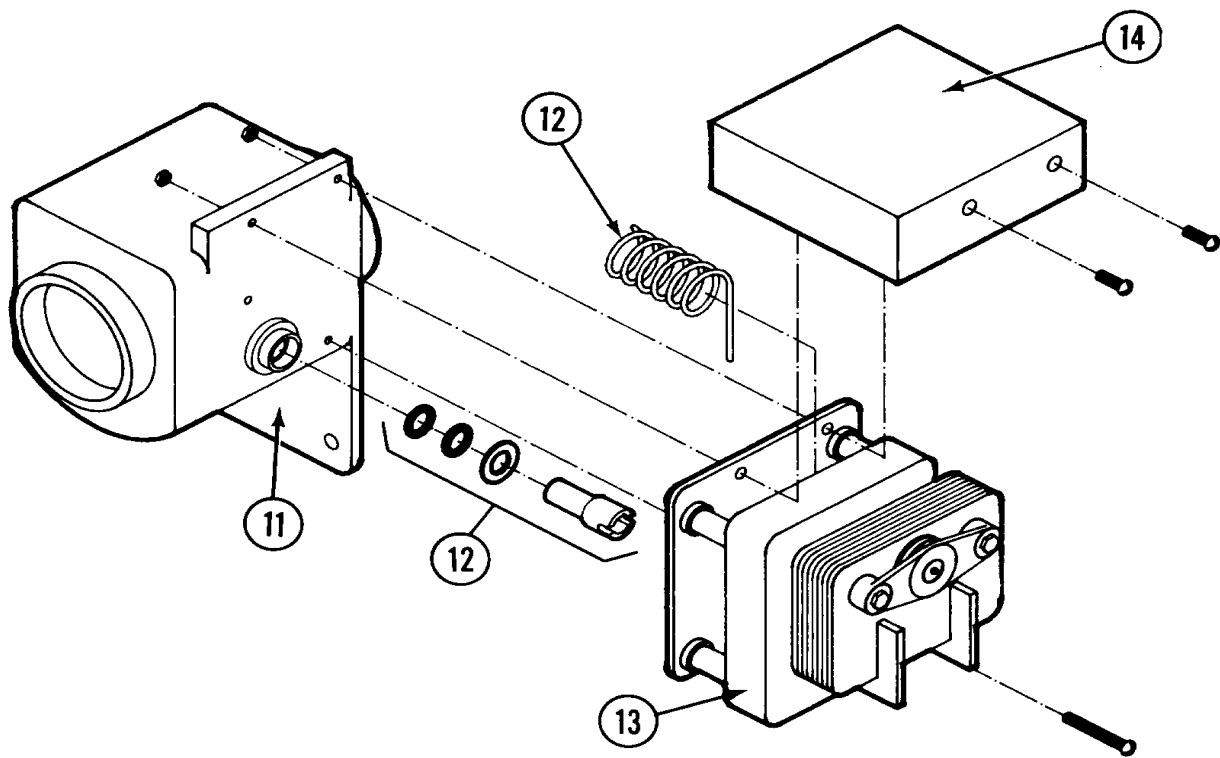
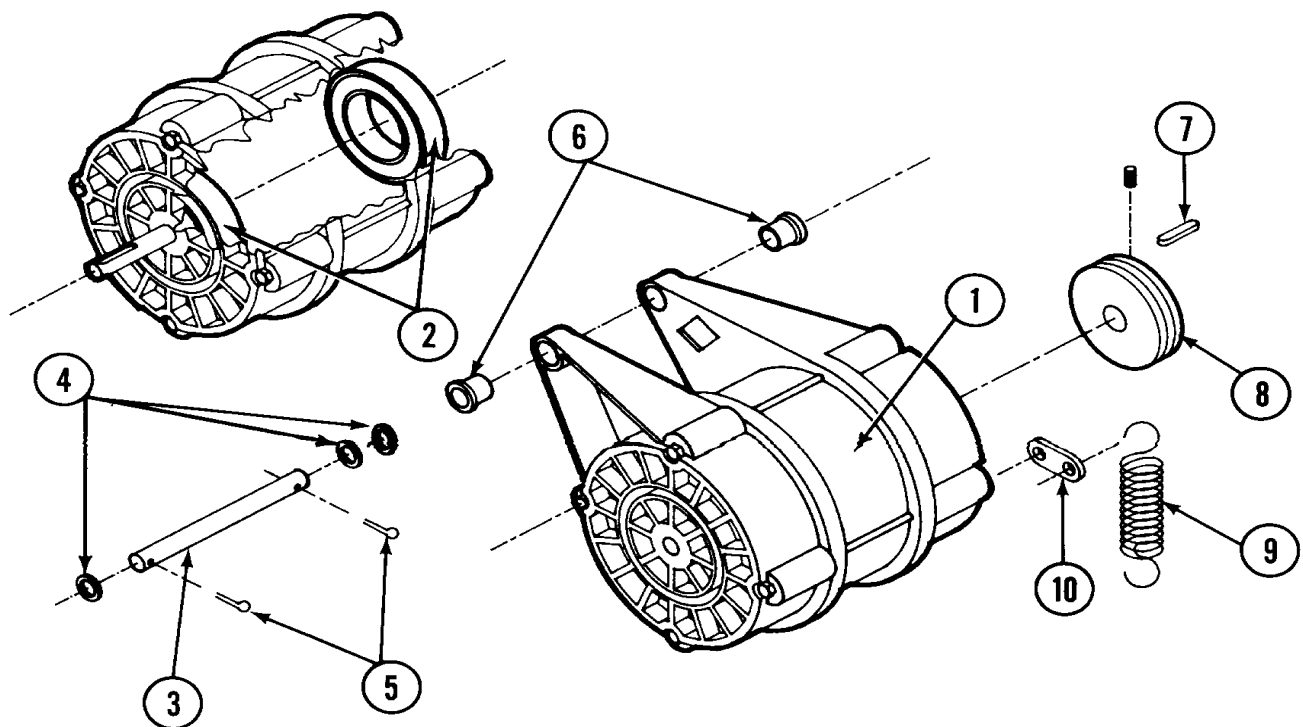
Section: DOOR LOCK

No.	Part No.	Description	Series Qty
1	24001640	DOOR LOCK COMPLETE (MC 110V)	1
1	24001642	SCREW, S.S. (1/4-20 X 1 1/2")	2
2	24001483	CATCH, DOOR LOCK	1
3	24001323	SCREW (1/4-20 X 1/2")	2
4	24001484	COVER, DOOR LOCK PLATE	1
5	24001295	LOCKWASHER	4
6	24001342	NUT, LOCK (8-32)	2
7	24001485	WASHER, SHOULDER (TEFLON)	1
8	24001101	SOLENOID, DOOR REL (110/220V)	1
9	24001358	WASHER, FLAT (#10)	2
10	24001250	BUTTON, PUSH (STOP)	1
11	24001481	NUT, FIBERLOCK PLTD (#10-32)	1
12	24001480	WASHER, TEFLON (#8)	3
13	24001487	COVER, DOOR LOCK ASSY.	1
14	24001476	NUT, FIBERLOCK (#4-40)	2
15	24001229	SWITCH, DOOR LOCK	1
16	24001477	SPACER, NYLON (#6)	4
17	24001479	SCREW, S.S. (#8-32 X 3/16)	2
18	24001643	SCREW, S.S. (6 X 3/16")	2
19	24001301	SCREW (8-18 X 3/8")	2
20 N	24001644	DOOR LOCK PLATE Note: PLATE, DOOR LOCK	1
21	24001102	SOLENOID, DOOR LCK (110/220V)	1
22	24001305	NUT, FIBERLOCK (1/4)	2
23	24001255	SWITCH, DOOR HANDLE	1
24	24001425	NUT, FIBERLOCK, PLTD (6-32)	2
25	24001230	LEVER, DOOR LOCK	1
26	24001293	SPRING, TORSION	1
28	24001488	SHIELD, SPLASH (DOOR LOCK)	1

*Color Code (-)=Not Shown #=Series, Serial Prefix or Run No., N=Not Available

Section: MOTOR & DRAIN VALVE

Model: MAF25MC3



CW21-78

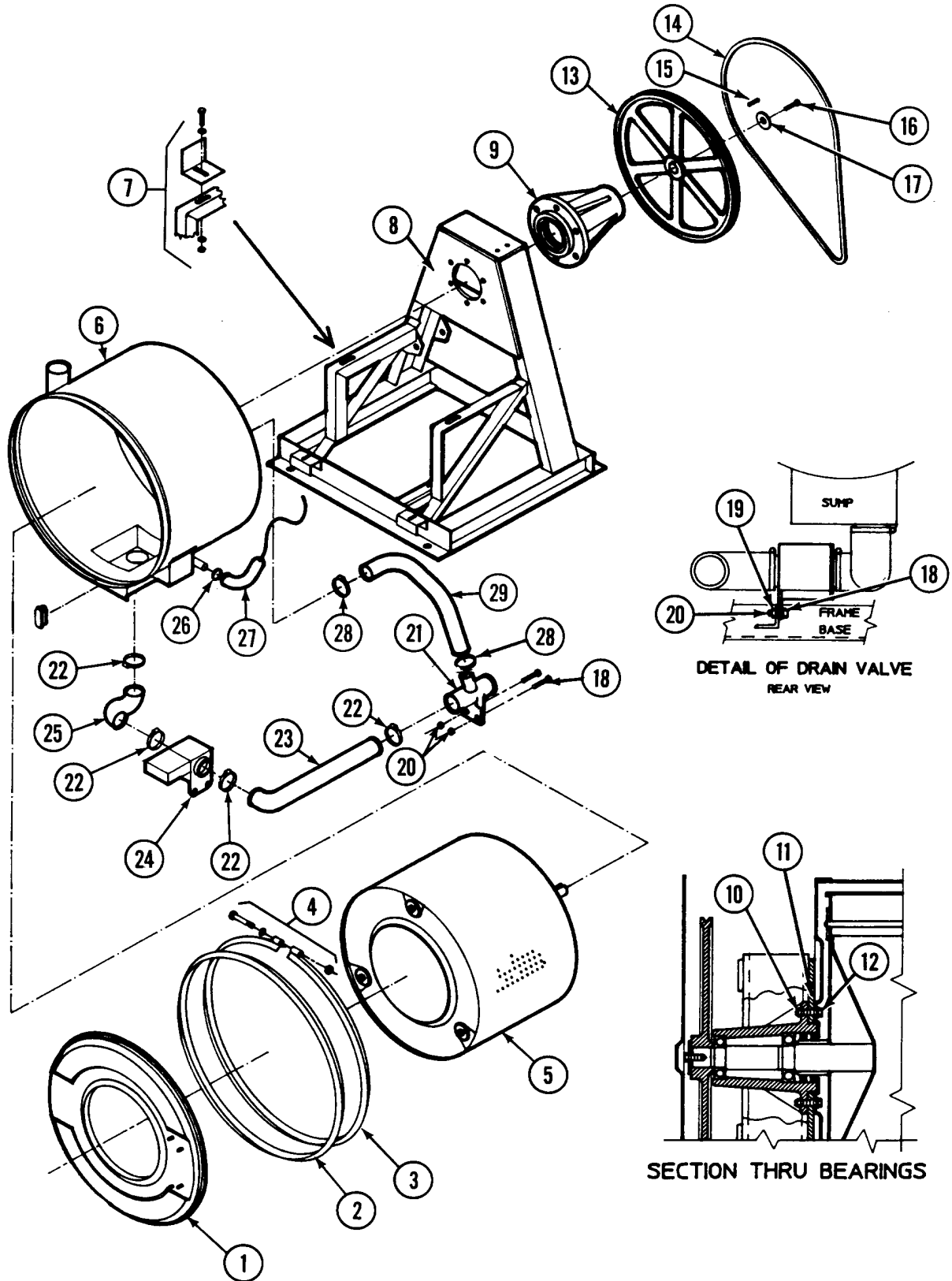
Section: MOTOR & DRAIN VALVE

No.	Part No.	Description	Series Qty
1	24001081	MOTOR,CVE132 (208-240/60)	1
1	24001646	MOTOR (208-240V/60HZ 3PH)	1
2	24001018	BEARING, 6204-2RS	2
3	24001647	ROD, MOTOR SUPPORT	1
4	24001511	WASHER, HARDENED (PLTD. 5/8)	3
5	24001512	PIN, COTTER PLTD. (1/8X1 1/2)	2
6	24001021	BUSHING, MOTOR (UC/UW)	2
7	24001648	KEY (MOTOR 3/16" X 1 1/2")	1
8	24001086	PULLEY, MOTOR	1
8	24001649	PULLEY (MOTOR 1 PH ONLY 60HZ)	1
9	24001650	SPRING (BELT TENSION)	1
10	24001090	BUSHING, MOTOR PULLEY	1
-	24001090	BUSHING, MOTOR PULLEY	1
-	24001116	VALVE, DRAIN (2" 110V,60HZ)	1
11	24001570	VALVE BODY	1
12	24001528	MAIN DRIVE SHAFT AND SEAL KIT	1
13	24001529	VALVE, MOTOR DRAIN (110V 60HZ)	1
13	24001530	VALVE, MOTOR DRAIN (110V 60HZ)	1
14	24001571	COVER, DRAIN VALVE MOTOR	1

*Color Code (-)=Not Shown #=Series, Serial Prefix or Run No., N=Not Available

Section: FRAME & TUB ASSEMBLY

Model: MAF25MC3



CW21-79

Section: FRAME & TUB ASSEMBLY

No.	Part No.	Description	Series Qty
1	24001652	SHELL ASSY. (FRT)	1
2	24001653	GASKET (SHELL SEAL 71 1/8")	1
3	24001654	SHELL BAND ASSY.	1
4	24001304	WASHER, FLAT	2
4	24001305	NUT, FIBERLOCK (1/4)	1
4	24001656	BOLT (1/4"-20 X 3")	1
5	24001267	BASKET (25-2 SPEED)	1
6 N	24001376	KIT, SHIELD RETRO	1
7	24001516	WASHER, FLAT PLTD. (3/8")	4
7	24001492	FASTENER KIT, SHELL BAND	1
-	24001658	WASHER	1
7	24001657	BOLT (S.S. 3/8-16 X 1 1/2")	2
8	24001370	KIT ASSY., FRAME (2 SPEED)	1
9	24001259	KIT, TRUNNION (2/3SP)	1
10	24001563	NUT, FIBERLOCK	6
11	24001496	WASHER, FLAT S.S. (1/2")	12
12	24001659	BOLT (S.S. 1/2"-13 X2)	6
13	24001396	KIT, PULLEY	1
14	24001093	BELT, V (3V-710)	1
15	24001499	KEY (3/8" X 1 1/4")	1
16	24001500	SCREW, S.S. (3/8"-16X1)	1
17	24001501	WASHER, S.S.	1
18	24001502	SCREW (1/4"-20 X 3/4")	4
19	24001304	WASHER, FLAT	4
20	24001305	NUT, FIBERLOCK (1/4)	4
21	24001826	CONNECTION, TEE-DRAIN	1
22	24001353	CLAMP, HOSE (#40)	4
23	24001660	HOSE, DRAIN (REAR)	1
24	24001116	VALVE, DRAIN (2" 110V,60HZ)	1
25	24001565	HOSE, DRAIN (FRONT)	1
26	24001438	CLAMP, HOSE (#10)	1
27	24001661	AIR TRAP	1
28	24001283	CLAMP, HOSE (#28)	2
29	24001662	HOSE, OVERFLOW	1

*Color Code (-)=Not Shown #=Series, Serial Prefix or Run No., N=Not Available

Section: CABINET

No.	Part No.	Description	Series Qty
1	24001663	PANEL (VALVE)	1
2	24001183	HINGE KIT (TAKE-APART)	2
3	24001401	KIT, PANEL (REAR)	26
4	24001323	SCREW (1/4-20 X 1/2")	8
5	24001401	KIT, PANEL (REAR)	1
6	24001664	PANEL, SIDE (RT/REV)	1
7	24001665	PANEL, INNER (FRT MC, MN)	1
8	24001550	TRIM, PANEL (INNER FRONT)	2
15	24001664	PANEL, SIDE (RT/REV)	1
16	24001539	BRACKET, SOAP DISPENSER	2
17	24001540	RIVET, BLIND S.S. (1/8 X 5/16)	4
18 N	24001670	DECAL (MAYTAG)	1
19	24001671	NAMEPLATE	1
20	24001510	NUT, S.S. (1/4"-20)	3
21	24001312	WASHER, FLAT	3
22	24001219	COVER, SOAP DSPNSR	1
23	24001542	CLAMP, SOAP DISPENSER	1
24 N	24001672	COVER, TOP	1
25	24001220	LOCK, TOP COVER	1
26	24001221	LATCH, TOP COVER	1
27	24001673	BRACE, TOP	1
28	24001240	CAPACITOR (10MF)	2
28	24001239	CAPACITOR (20MF)	4
28	24001241	CAPACITOR W/RES. (130MF)	1
29	24001303	SCREW (1/4-20 X 1-1/4")	4
30	24001674	BRACKET, CAPACITOR	1
31	24001545	COVER, ELECTRICAL MODULE	1
34	24001305	NUT, FIBERLOCK (1/4)	19
35	24001546	STUD, S.S. (6/32" X 1/4")	1
36	24001425	NUT, FIBERLOCK, PLTD (6-32)	1
37	24001212	SCREW (8-18 X 1/4")	6
38	24001058	PANEL, CONTROL	1

Partsking.com
800-462-4814



*Color Code (-)=Not Shown #=Series, Serial Prefix or Run No., N=Not Available

