

Repair Parts List

MODEL NUMBER
MAF18PN2

WASHER

Partsking.com
800-462-4814



When requesting service or ordering parts, always provide the following information:

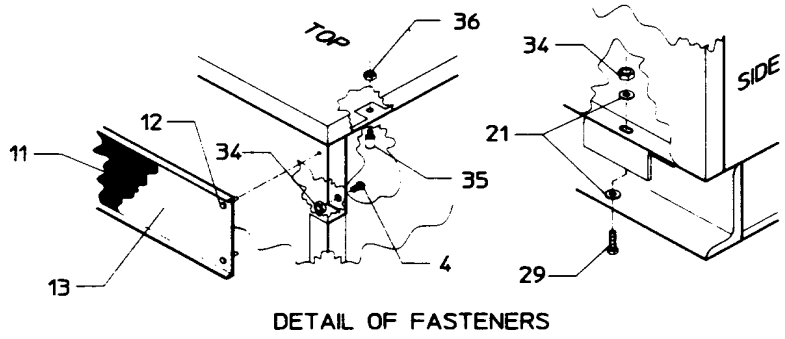
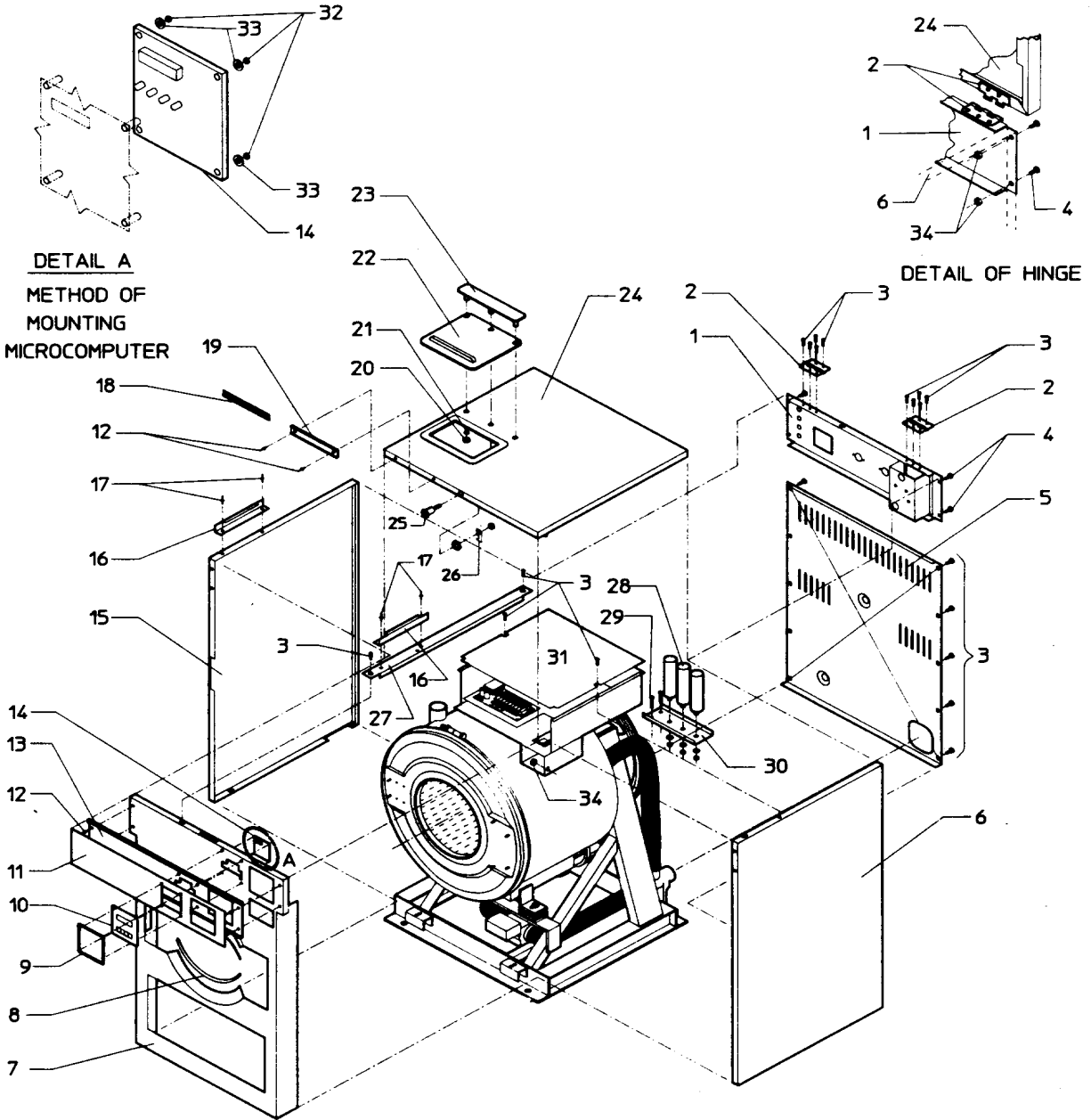
- Product Type
- Part Number
- Model Number
- Part Description

MAYTAG®

©2005 Maytag Services

Section: MAIN EXPLODED VIEW - COMPUTER MODELS

Model: MAF18PN2



DETAIL OF FASTENERS

Section: MAIN EXPLODED VIEW - COMPUTER MODE

| No. | Part No. | Description | Series Qty |
|-----|------------|---|------------|
| 1 | 24001169 | PANEL KIT, VALVE | 1 |
| 2 | 24001676 | HINGE, TOP COVER | 2 |
| 2 | 24001300 | HINGE (TAKE APART) | 2 |
| 3 | 24001301 | SCREW (8-18 X 3/8") | 26 |
| 4 | 24001323 | SCREW (1/4-20 X 1/2") | 8 |
| 5 | 24001400 | KIT, PANEL (REAR) | 1 |
| 6 | 24001162 | PANEL KIT, SIDE (RT.)18 | 1 |
| 7 | 24001701 | PANEL, FRONT (INR) | 1 |
| 8 | 24001550 | TRIM, PANEL (INNER FRONT) Note: TRIM, PANEL (INR FRT) | 2 |
| 9 | N 24001203 | TRIM, KEYPAD (CPTR GREY) | 1 |
| 10 | 24001112 | SWITCH, MEMBRANE | 1 |
| 11 | N 24001704 | DECAL | 1 |
| 12 | 24001533 | RIVET, POP S.S. (1/8" X 1/4") | 6 |
| 13 | N 24001686 | PANEL, CONTROL (ALUM) | 1 |
| 14 | 24001709 | BOARD, COMPUTER (OPL RED LED) | 1 |
| 14 | 24001010 | BOARD, COIN COMPUTER | 1 |
| 15 | N 24001155 | PANEL KIT, SIDE (LT.)18 | 1 |
| 16 | 24001539 | BRACKET, SOAP DISPENSER | 2 |
| 17 | 24001540 | RIVET, BLIND S.S. (1/8 X 5/16) | 1 |
| 18 | N 24001670 | DECAL (MAYTAG) | 1 |
| 19 | 24001671 | NAMEPLATE | 1 |
| 20 | 24001510 | NUT, S.S. (1/4"-20) | 3 |
| 21 | 24001295 | LOCKWASHER | 3 |
| 22 | 24001219 | COVER, SOAP DSPNSR | 1 |
| 23 | 24001542 | CLAMP, SOAP DISPENSER | 1 |
| 24 | 24001168 | COVER ASSY KIT, TOP | 1 |
| 25 | 24001220 | LOCK, TOP COVER | 1 |
| 26 | 24001221 | LATCH, TOP COVER | 1 |
| 27 | 24001695 | BRACE, TOP | 1 |
| 28 | 24001698 | CAPACITOR (130 MFD) | 1 |
| 28 | 24001236 | CAPACITOR (100MF) | 2 |
| 29 | 24001303 | SCREW (1/4-20 X 1-1/4") | 8 |
| 30 | 24001692 | BRACKET, CAPACITOR | 1 |
| 31 | 24001545 | COVER, ELECTRICAL MODULE | 1 |
| 32 | 24001417 | NUT, BRASS (#6-32) | 4 |
| 33 | 24001415 | WASHER, S.S. (#6 EXT. TOOTH) | 4 |
| 34 | 24001305 | NUT, FIBERLOCK (1/4) | 17 |
| 35 | 24001546 | STUD, S.S. (6/32" X 1/4") | 1 |
| - | 24001675 | RESISTOR (12K OHMS 5 WATT) | 1 |
| 36 | 24001425 | NUT, FIBERLOCK, PLTD (6-32) | 1 |

*Color Code (-)=Not Shown #=Series, Serial Prefix or Run No., N=Not Available

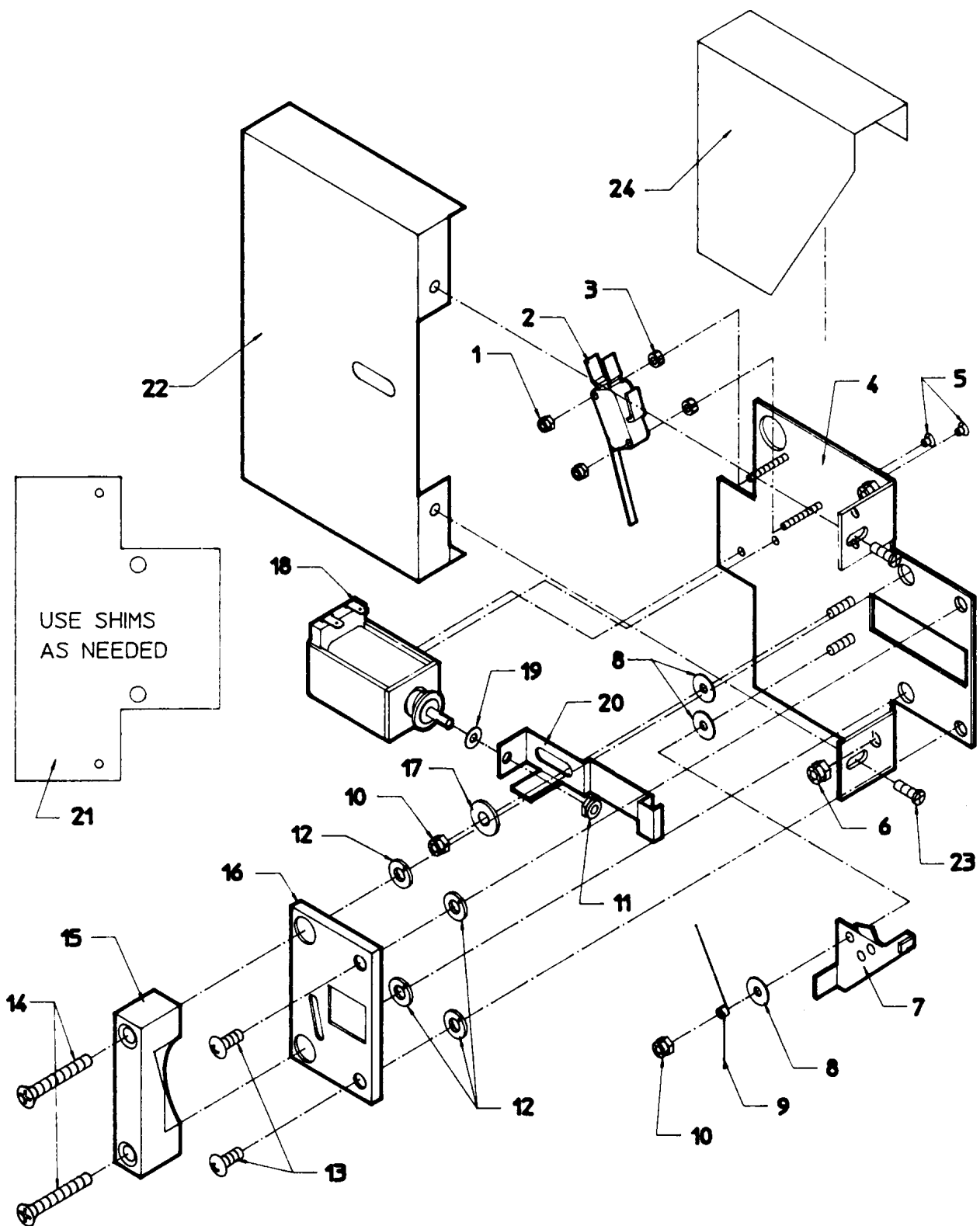
Section: DOOR & RELATED PARTS

| No. | Part No. | Description | Series Qty |
|------|----------|---|------------|
| - | 24001638 | DOOR ASSY. (COIN) | 1 |
| 1 | 24001718 | DOOR | 1 |
| 2 | 24001075 | GASKET, DOOR | 1 |
| 3 | 24001098 | GLASS, DOOR | 1 |
| 4 | 24001333 | HINGE, DOOR | 1 |
| 5 | 24001334 | MOUNT, DOOR | 2 |
| 6 | ----- | NOT REQUIRED PART OR SEE NOTE Note: PART NUMBER NOT AVAILABLE | 0 |
| 7 | 24001341 | SCREW (8-32X 5/8") | 3 |
| 8 | 24001305 | NUT, FIBERLOCK (1/4) | 8 |
| 9 | 24001467 | SCREW, S.S. (1/4 - 20 X 7/8) | 4 |
| 10 | 24001103 | ROD, PUSH BUTTON | 1 |
| 11 | 24001336 | HANDLE, DOOR | 1 |
| 12 | 24001721 | PIN, SPRING | 1 |
| 13 | 24001338 | SPRING, DOOR LOCK | 1 |
| 14 | 24001310 | SCREW (5/16-18 X 5/8") | 1 |
| 15 | 24001340 | SPACER, DOOR HANDLE | 1 |
| 16 | 24001343 | ARM, LATCH | 1 |
| 17 | 24001342 | NUT, LOCK (8-32) | 3 |
| 18 | 24001133 | PANEL KIT, FRONT COIN | 1 |
| 18 N | 24001145 | PANEL KIT, FRONT OPL | 1 |
| 18 | 24001728 | OUTER PANEL KIT (COIN ALM) | 1 |
| 19 | 24001474 | SCREW, S.S. (#8-32 X 3/8 PL) | 4 |
| 20 | 24001722 | TRIM, OUTER FRONT PANEL | 1 |
| 21 | 24001827 | PIN, SPRING (STLS) | 1 |
| 23 | 24001462 | DECAL, PUSH BUTTON RED | 1 |
| 24 | 24001407 | DECAL Note: DECAL, RED DOT | 1 |

*Color Code (-)=Not Shown #=Series, Serial Prefix or Run No., N=Not Available

Section: DOOR SAFETY INTERLOCK - OPL MODELS

Model: MAF18PN2



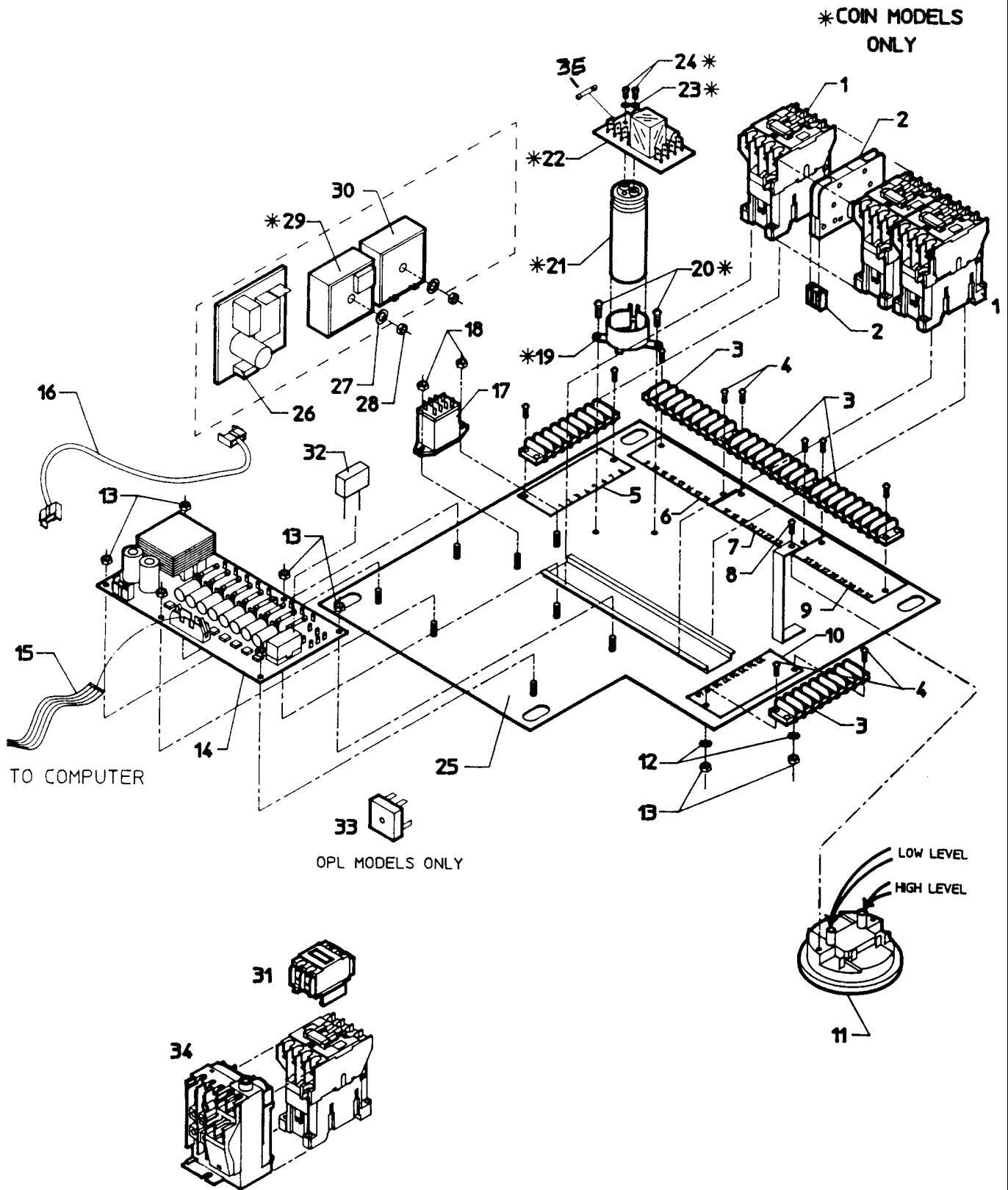
Section: DOOR SAFETY INTERLOCK - OPL MODELS

| No. | Part No. | Description | Series Qty |
|-----|------------|-------------------------------|------------|
| 1 | 24001476 | NUT, FIBERLOCK (#4-40) | 1 |
| 2 | 24001229 | SWITCH, DOOR LOCK | 1 |
| 3 | 24001477 | SPACER, NYLON (#6) | 4 |
| 4 | N 24001478 | PLATE, DOOR LOCK | 1 |
| 5 | 24001479 | SCREW, S.S. (#8-32 X 3/16) | 2 |
| 6 | 24001305 | NUT, FIBERLOCK (1/4) | 2 |
| 7 | 24001230 | LEVER, DOOR LOCK | 1 |
| 8 | 24001480 | WASHER, TEFLON (#8) | 3 |
| 9 | 24001293 | SPRING, TORSION | 1 |
| 10 | 24001342 | NUT, LOCK (8-32) | 2 |
| 11 | 24001481 | NUT, FIBERLOCK PLTD (#10-32) | 1 |
| 12 | 24001295 | LOCKWASHER | 4 |
| 13 | 24001323 | SCREW (1/4-20 X 1/2") | 2 |
| 14 | 24001642 | SCREW, S.S. (1/4-20 X 1 1/2") | 2 |
| 15 | 24001483 | CATCH, DOOR LOCK | 1 |
| 16 | 24001484 | COVER, DOOR LOCK PLATE | 1 |
| 17 | 24001485 | WASHER, SHOULDER (TEFLON) | 1 |
| 18 | 24001101 | SOLENOID, DOOR REL (110/220V) | 1 |
| 19 | 24001358 | WASHER, FLAT (#10) | 1 |
| 20 | 24001486 | STOP, PUSH BUTTON | 1 |
| 22 | 24001487 | COVER, DOOR LOCK ASSY. | 1 |
| 23 | 24001301 | SCREW (8-18 X 3/8") | 2 |
| 24 | 24001488 | SHIELD, SPLASH (DOOR LOCK) | 1 |

*Color Code (-)=Not Shown #=Series, Serial Prefix or Run No., N=Not Available

Section: CONTROL MODULE

Model: MAF18PN2



721205

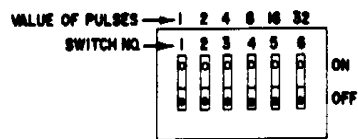
Section: CONTROL MODULE

| No. | Part No. | Description | Series Qty |
|-----|------------|---|------------|
| 1 | 24001105 | CONTACTOR (120V) | 3 |
| 2 | 24001108 | INTERLOCK, MECH,CONTACTOR Note: INTERLOCK, MECH. CONTACTOR | 1 |
| 3 | 24001412 | TERMINAL STRIP | 5 |
| 4 | 24001414 | SCREW, S.S. (#6-32 X 1/2 PLTD) | 10 |
| 5 | N 24001026 | DECAL,INSUL. TERM STRIP (1-8) | 1 |
| 6 | N 24001027 | DECAL,INSUL.TERM STRIP (9-16) | 1 |
| 7 | N 24001028 | DECAL,INSUL.TERM STRIP (17-24) | 1 |
| 8 | 24001411 | SCREW, S.S. (6-32 X 3/8 PLTD) | 1 |
| 9 | N 24001029 | DECAL,INSUL.TERM STRIP (25-32) | 1 |
| 10 | 24001030 | DECAL,INSUL.TERM STIRP (33-40) | 1 |
| 11 | 24001222 | SWITCH, TRI LEVEL----N | 1 |
| 12 | 24001415 | WASHER, S.S. (#6 EXT. TOOTH) | 10 |
| 13 | 24001417 | NUT, BRASS (#6-32) | 16 |
| 14 | 24001181 | BOARD KIT (FUSE/COIN) | 1 |
| 14 | 24001246 | FUSE, (.125 MA) | 1 |
| 14 | 24001244 | FUSE (.500MA) | 1 |
| 15 | 24001590 | CABLE, 16-OIN RIBBON (6 IN.) | 1 |
| 16 | 24001410 | HARNESS, BATTERY BACK-UP | 1 |
| 17 | 24001177 | FLANGE KIT, RELAY (110V) | 1 |
| 18 | 24001417 | NUT, BRASS (#6-32) | 2 |
| 19 | ----- | NOT REQUIRED PART OR SEE NOTE Note: PART NUMBER NOT AVAILABLE | 1 |
| 20 | 24001578 | SCREW, S.S. (6-32 X 1/4") | 2 |
| 21 | 24001247 | CAPACITOR, DOOR LOCK | 1 |
| 22 | 24001248 | PC BOARD, DOOR LOCK | 1 |
| 23 | 24001579 | WASHER, S.S. (#10 LOCK EXT.) | 2 |
| 24 | 24001580 | SCREW, S.S. (#10-32 X 3/8") | 2 |
| 25 | 24001587 | PANEL, ELECTRICAL (4 CYC) | 1 |
| 26 | 24001243 | BOARD, BATTERY BCKUP | 1 |
| 27 | 24001295 | LOCKWASHER | 2 |
| 28 | 24001419 | NUT, PLTD (1/4-#20 HEX) | 2 |
| 29 | 24001176 | RELAY, TIME OFF DELAY | 1 |
| 30 | 24001418 | RELAY, TIME DELAY (120V 30SEC) | 1 |
| 31 | 24001752 | RELAY, TIME DELAY | 1 |
| 32 | 24001109 | FILTER, RC-NTWK. | 1 |
| 33 | 24001753 | BRIDGE, RECTIFIER (10AMP 600V) | 1 |
| 34 | ----- | NOT REQUIRED PART OR SEE NOTE Note: PART NOT USED | 1 |
| 35 | ----- | NOT REQUIRED PART OR SEE NOTE Note: PART NOT USED | 1 |

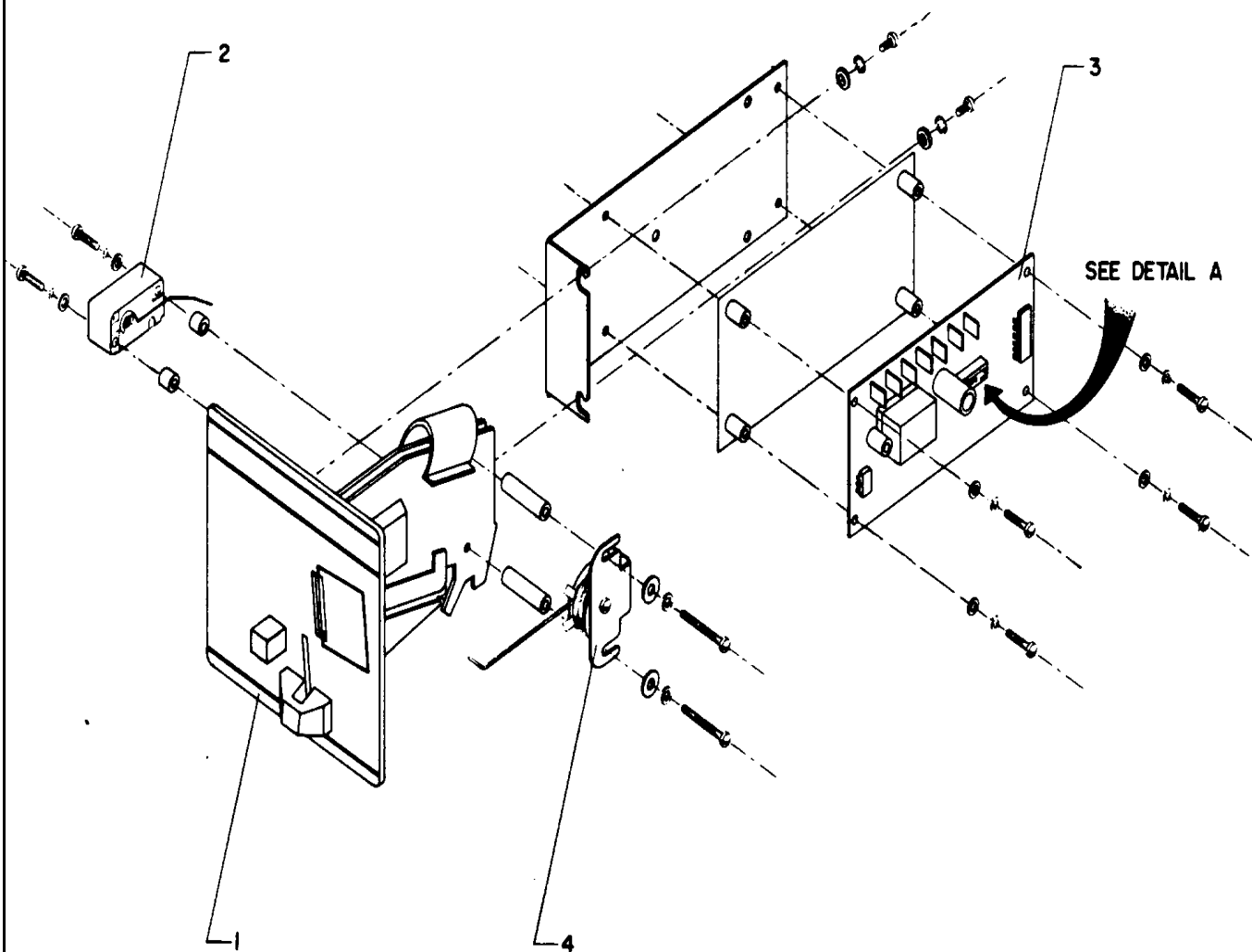
*Color Code (-)=Not Shown #=Series, Serial Prefix or Run No., N=Not Available

Section: COIN METER & COIN BOX

Model: MAF18PN2



DETAIL A
COIN COUNTER
DIP SWITCHES



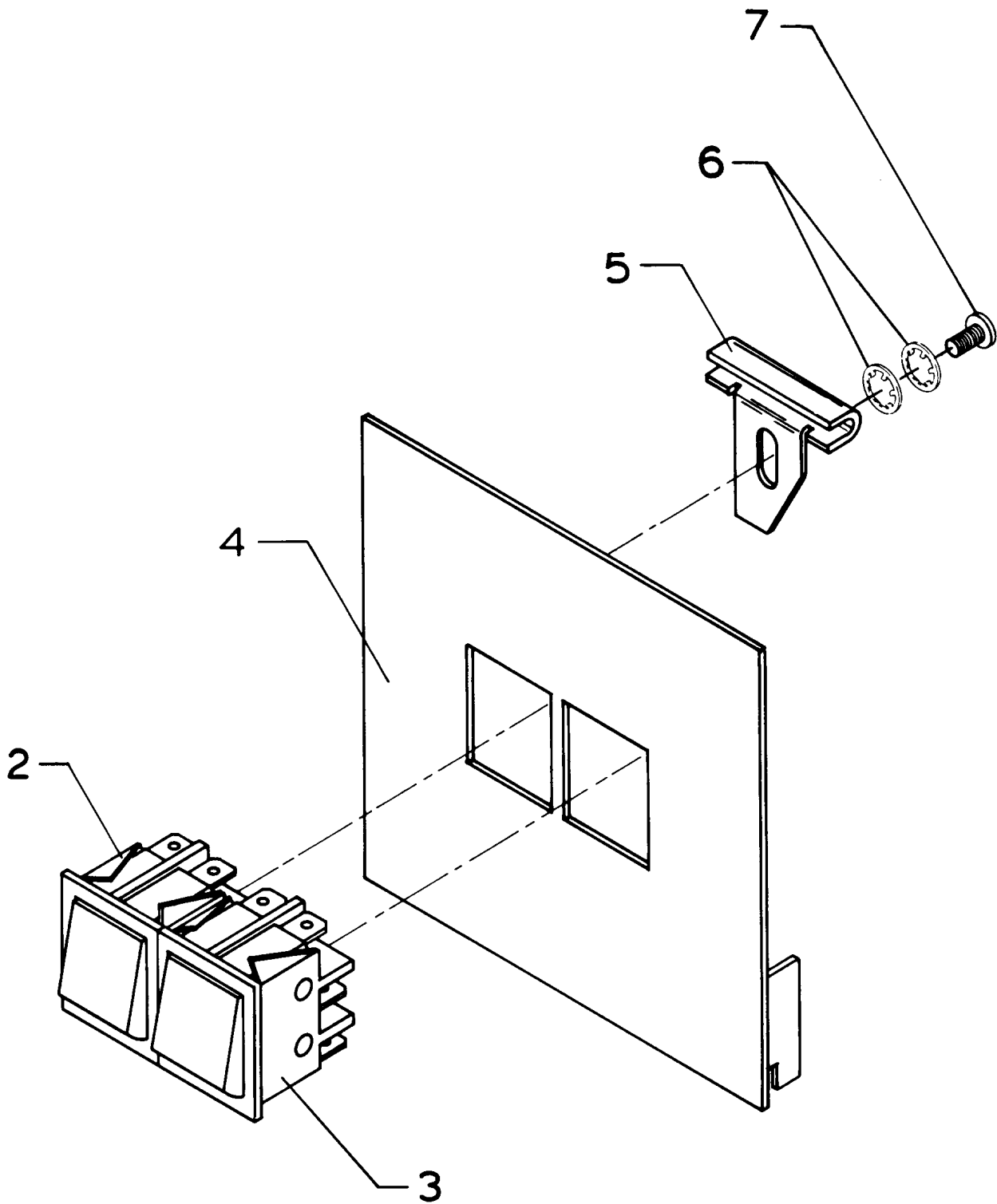
Section: COIN METER & COIN BOX

| No. | Part No. | Description | Series Qty |
|-----|------------|---|------------|
| 1 | 24001615 | COIN ACCEPTOR (US QUARTER) | 1 |
| 2 | N 24001616 | COIN SWITCH | 1 |
| 3 | 24001617 | ELECTRONIC COIN COUNTER W/HAR Note: COUNTER BOARD, COIN | 1 |
| 4 | 24001756 | SOLENOID, COIN BLOCKING | 1 |
| 4 | 24001618 | COIN BLOCKING SOLENOID (110V) | 1 |

*Color Code (-)=Not Shown #=Series, Serial Prefix or Run No., N=Not Available

Section: MANUAL START/STOP CONTROL

Model: MAF18PN2



721141

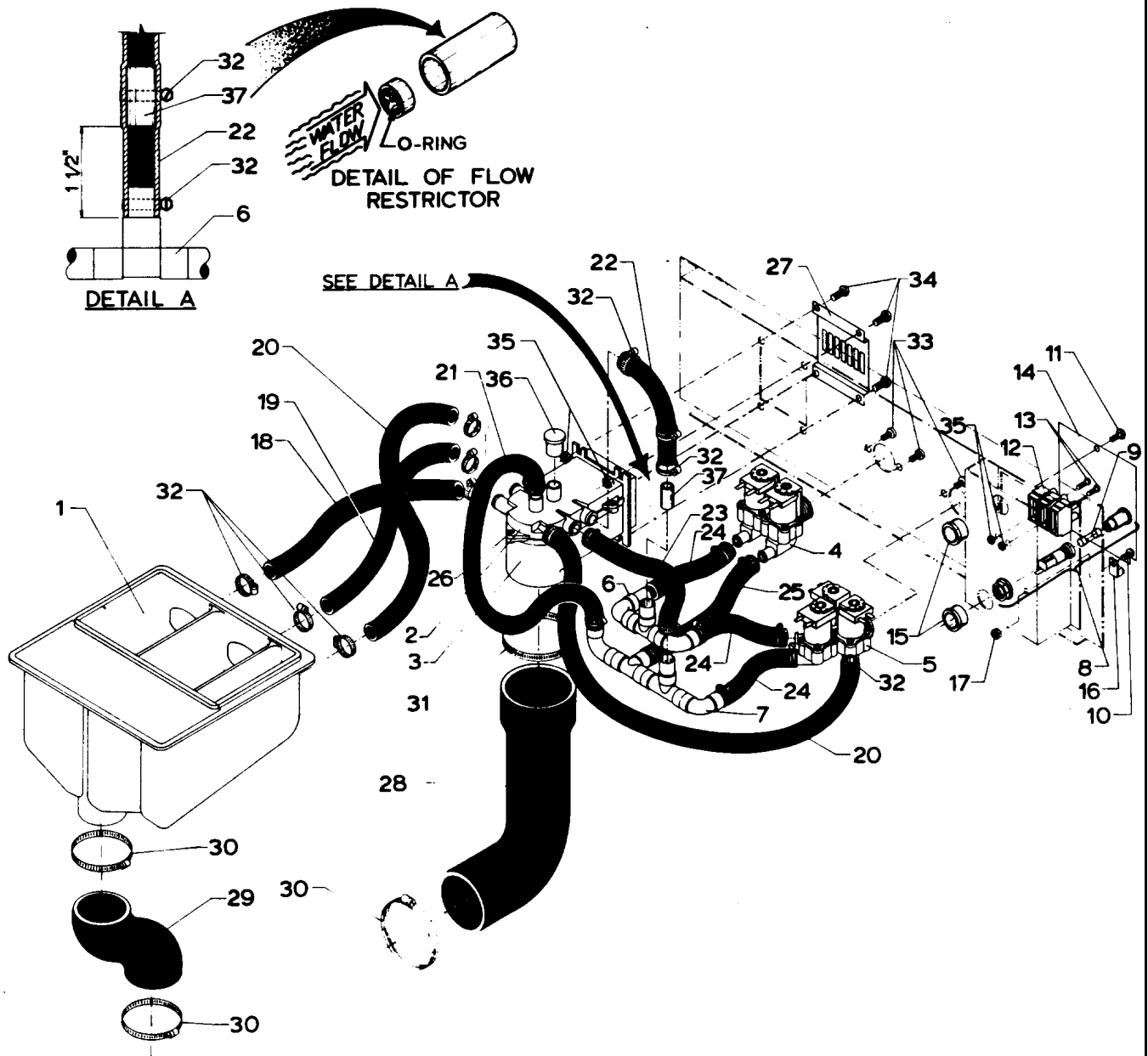
Section: MANUAL START/STOP CONTROL

| No. | Part No. | Description | Series Qty |
|-----|------------|---|------------|
| 1 | 24001764 | KIT, START/STOP COMPLETE | 1 |
| 2 | 24001251 | SWITCH, ROCKER (RED) | 1 |
| 3 | 24001252 | SWITCH, MOMENTARY | 1 |
| 4 | N 24001206 | COVER, PLATE (OPL) | 1 |
| 5 | ----- | NOT REQUIRED PART OR SEE NOTE Note: PART NUMBER NOT AVAILABLE | 0 |
| 6 | ----- | NOT REQUIRED PART OR SEE NOTE Note: PART NUMBER NOT AVAILABLE | 0 |
| 7 | ----- | NOT REQUIRED PART OR SEE NOTE Note: PART NUMBER NOT AVAILABLE | 0 |

*Color Code (-)=Not Shown #=Series, Serial Prefix or Run No., N=Not Available

Section: SOAP DISPENSER

Model: MAF18PN2



721143

Section: SOAP DISPENSER

| No. | Part No. | Description | Series Qty |
|-----|------------|--------------------------------|------------|
| 1 | 24001627 | DISPENSER, SUPPLY (COIN) | 1 |
| 2 | 24001031 | BREAKER, VAC. (TOP) | 1 |
| 3 | 24001032 | BREAKER, VAC. (BTM) | 1 |
| 4 | 24001117 | VALVE (2WAY 110-127V/50-60HZ) | 1 |
| 5 | 24001118 | VALVE (3WAY 110-127V/50-60HZ) | 1 |
| 6 | 24001765 | MANIFOLD, SUPPLY | 1 |
| 7 | 24001766 | MANIFOLD, FILL | 1 |
| 8 | 24001433 | HOLDER, FUSE | 1 |
| 9 | 24001225 | FUSE, CONTROL (2AMP) | 1 |
| 10 | 24001432 | SCREW, S.S. (#8-32 X 3/8) | 1 |
| 11 | 24001301 | SCREW (8-18 X 3/8") | 1 |
| 12 | 24001629 | BLOCK, INPUT POWER (3 WIRE) | 1 |
| 13 | 24001430 | SCREW, S.S (6-32 X 1) | 2 |
| 14 | 24001429 | COVER, JUNCTION BOX | 1 |
| 15 | 24001436 | GROMMET, BUSHING | 2 |
| 16 | 24001434 | CONNECTOR, GROUND | 1 |
| 17 | 24001342 | NUT, LOCK (8-32) | 1 |
| 18 | 24001767 | HOSE | 1 |
| 19 | 24001768 | HOSE | 1 |
| 20 | 24001769 | HOSE | 2 |
| 21 | 24001770 | HOSE | 1 |
| 22 | 24001771 | HOSE | 1 |
| 23 | 24001772 | HOSE | 1 |
| 24 | 24001773 | HOSE | 3 |
| 25 | N 24001774 | HOSE | 1 |
| 26 | 24001432 | SCREW, S.S. (#8-32 X 3/8) | 5 |
| 27 | 24001426 | COVER, VACUUM BREAKER | 1 |
| 28 | 24001552 | HOSE, VACUUM BREAKER | 1 |
| 29 | 24001442 | HOSE, SOAP DISPENSER | 1 |
| 30 | 24001353 | CLAMP, HOSE (#40) | 3 |
| 31 | 24001282 | CLAMP, HOSE (#48) | 1 |
| 32 | 24001423 | CLAMP, HOSE (#8) | 23 |
| 33 | 24001357 | SCREW | 4 |
| 34 | 24001414 | SCREW, S.S. (#6-32 X 1/2 PLTD) | 4 |
| 35 | 24001425 | NUT, FIBERLOCK, PLTD (6-32) | 6 |
| 36 | 24001424 | CAP, PLUG (YELLOW) | 1 |
| 37 | 24001775 | FLOW RESTRICTOR ASSY. | 1 |

*Color Code (-)=Not Shown #=Series, Serial Prefix or Run No., N=Not Available

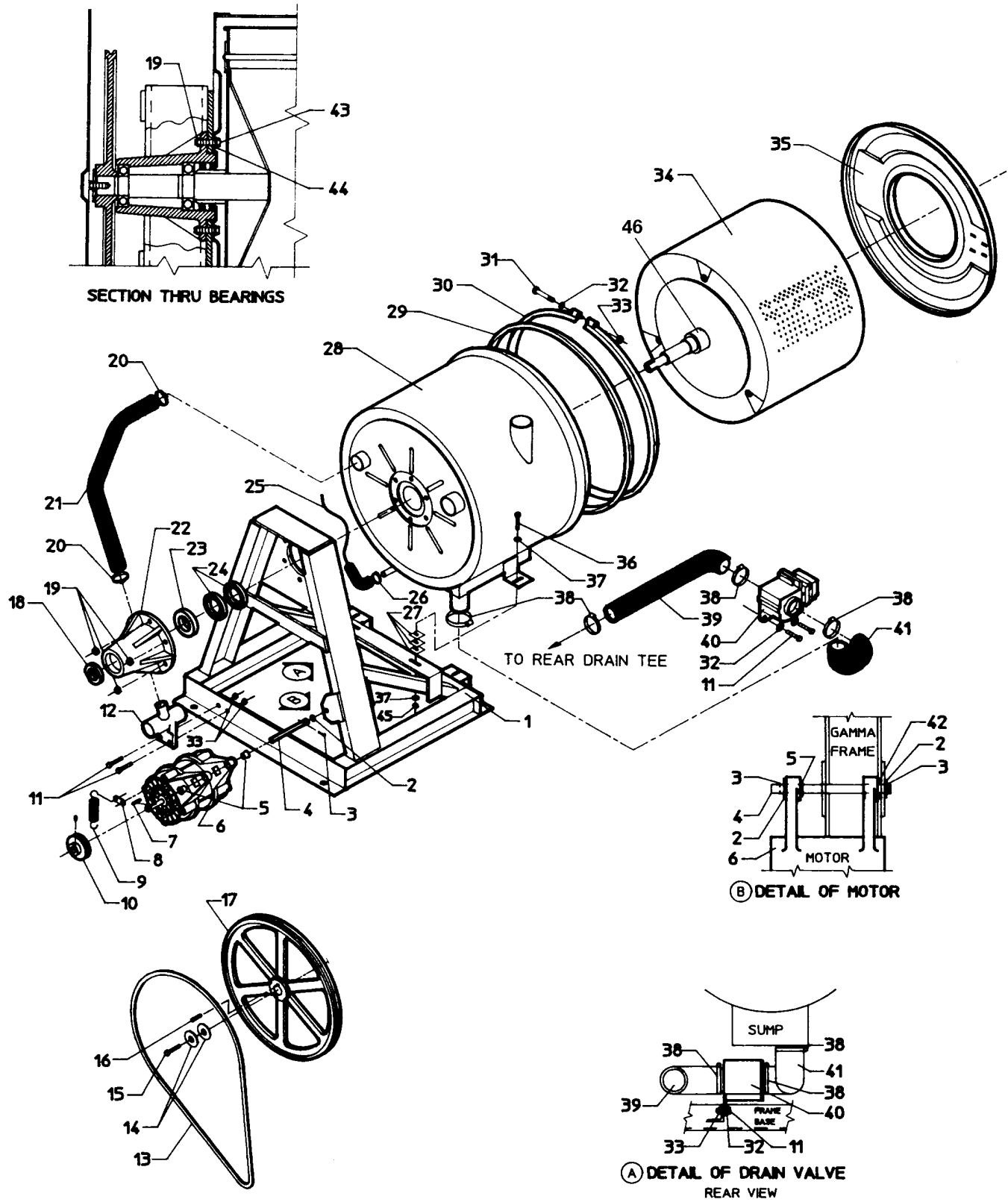
Section: WATER VALVE

| No. | Part No. | Description | Series Qty |
|-----|----------|-------------------------------|------------|
| 1 | 24001232 | COIL, WATER VALVE | 1 |
| - | 24001118 | VALVE (3WAY 110-127V/50-60HZ) | 1 |
| - | 24001776 | VALVE, WATER (2 WAY) | 1 |
| 2 | 24001121 | KIT, VALVE REPAIR (10MM) | 1 |
| - | 24001634 | SCREEN, VALVE | 2 |
| 3 | 24001226 | VALVE, MIXING (3 WAY) | 1 |
| 4 | 24001634 | SCREEN, VALVE | 2 |
| 5 | 24001231 | KIT, DIAPHRAM (SHORT) | 2 |
| 5 | 24001122 | KIT, VALVE REPAIR (13MM) | 2 |
| 6 | 24001232 | COIL, WATER VALVE | 1 |

*Color Code (-)=Not Shown #=Series, Serial Prefix or Run No., N=Not Available

Section: MAIN EXPLOYDED VIEW - SUB ASSEMBLY

Model: MAF18PN2



721129

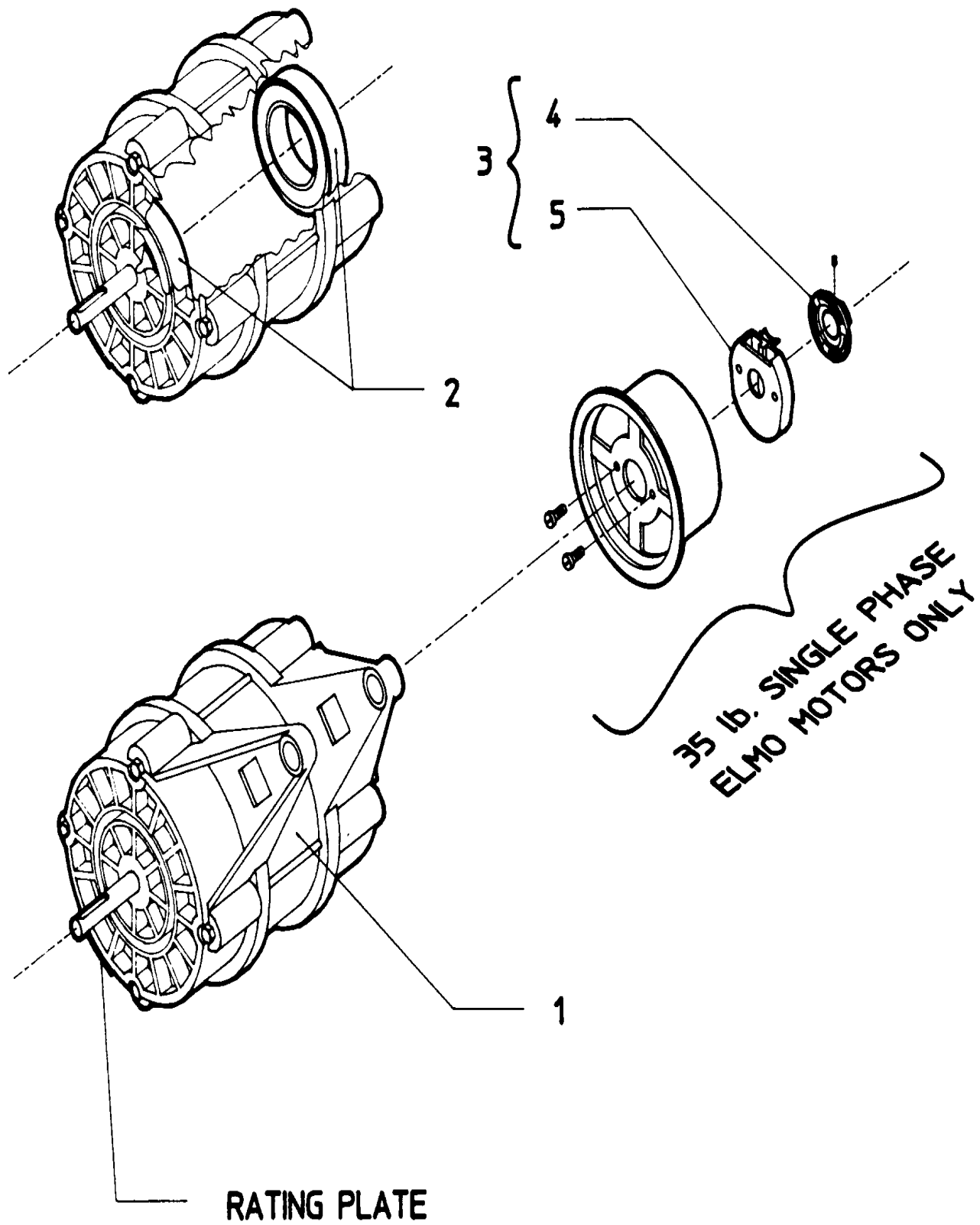
Section: MAIN EXPLOYDED VIEW - SUB ASSEMBLY

| No. | Part No. | Description | Series Qty |
|-----|----------|--------------------------------|------------|
| 1 | 24001369 | KIT ASSY., FRAME (2 SPEED) | 1 |
| 2 | 24001511 | WASHER, HARDENED (PLTD. 5/8) | 2 |
| 3 | 24001512 | PIN, COTTER PLTD. (1/8X1 1/2) | 2 |
| 4 | 24001647 | ROD, MOTOR SUPPORT | 1 |
| 5 | 24001021 | BUSHING, MOTOR (UC/UW) | 2 |
| 6 | 24001078 | MOTOR,2SP (120/60/1/) | 1 |
| 6 | 24001082 | MOTOR,2SP (208/240/60/3) | 1 |
| 7 | 24001648 | KEY (MOTOR 3/16" X 1 1/2") | 1 |
| 8 | 24001651 | CLIP, MOTOR SPRING | 1 |
| 9 | 24001650 | SPRING (BELT TENSION) | 1 |
| 10 | 24001086 | PULLEY, MOTOR | 1 |
| 11 | 24001502 | SCREW (1/4"-20 X 3/4") | 4 |
| 12 | 24001826 | CONNECTION, TEE-DRAIN | 1 |
| 13 | 24001093 | BELT, V (3V-710) | 1 |
| 14 | 24001501 | WASHER, S.S. | 2 |
| 15 | 24001500 | SCREW, S.S. (3/8"-16X1) | 1 |
| 16 | 24001499 | KEY (3/8" X 1 1/4") | 1 |
| 17 | 24001085 | PULLEY, BASKET | 1 |
| 18 | 24001015 | BEARING (6207 2RS C3) | 1 |
| 19 | 24001515 | NUT, FIBERLOCK PLTD. (3/8-16) | 6 |
| 20 | 24001283 | CLAMP, HOSE (#28) | 2 |
| 21 | 24001662 | HOSE, OVERFLOW | 1 |
| 22 | 24001258 | KIT, TRUNNION (2SP.) | 1 |
| 23 | 24001014 | BEARING (6208 2RS C3) | 1 |
| 24 | 24001019 | SEAL, SHAFT (SS SPR60X80X10MM) | 2 |
| 25 | 24001661 | AIR TRAP | 1 |
| 26 | 24001438 | CLAMP, HOSE (#10) | 1 |
| 27 | 24001803 | SHIM, SHELL | 3 |
| 28 | 24001375 | KIT, SHIELD RETRO | 1 |
| 29 | 24001184 | GASKET KIT (FRONT SHELL) | 1 |
| 30 | 24001388 | KIT, BAND SHELL | 1 |
| 31 | 24001215 | KIT, BAND FASTENER | 1 |
| 32 | 24001215 | KIT, BAND FASTENER | 1 |
| 33 | 24001215 | KIT, BAND FASTENER | 1 |
| 34 | 24001266 | BASKET (18-2 SPEED) | 1 |
| 35 | 24001384 | KIT, FRONT SHELL | 1 |
| 36 | 24001657 | BOLT (S.S. 3/8-16 X 1 1/2") | 2 |
| 37 | 24001516 | WASHER, FLAT PLTD. (3/8") | 4 |
| 38 | 24001353 | CLAMP, HOSE (#40) | 4 |
| 39 | 24001660 | HOSE, DRAIN (REAR) | 1 |
| 40 | 24001116 | VALVE, DRAIN (2" 110V,60HZ) | 1 |
| 41 | 24001565 | HOSE, DRAIN (FRONT) | 1 |
| 42 | 24001805 | TRIM, FRONT PANEL | 1 |
| 43 | 24001659 | BOLT (S.S. 1/2"-13 X2) | 6 |
| 44 | 24001808 | WASHER, S.S. | 3 |
| 45 | 24001515 | NUT, FIBERLOCK PLTD. (3/8-16) | 2 |
| - | 24001258 | KIT, TRUNNION (2SP.) | 1 |
| 46 | 24001130 | SLEEVE, SFT (2SP) | 1 |

*Color Code (-)=Not Shown #=Series, Serial Prefix or Run No., N=Not Available

Section: MOTOR

Model: MAF18PN2



Section: MOTOR

| No. | Part No. | Description | Series Qty |
|-----|----------|---|------------|
| 1 | 24001078 | MOTOR,2SP (120/60/1/) | 1 |
| 1 | 24001082 | MOTOR,2SP (208/240/60/3) | 1 |
| 2 | 24001018 | BEARING, 6204-2RS | 2 |
| 3 | ----- | NOT REQUIRED PART OR SEE NOTE Note: PART NOT USED | 0 |
| 4 | ----- | NOT REQUIRED PART OR SEE NOTE Note: PART NUMBER NOT AVAILABLE | 0 |
| 5 | ----- | NOT REQUIRED PART OR SEE NOTE Note: PART NUMBER NOT AVAILABLE | 0 |

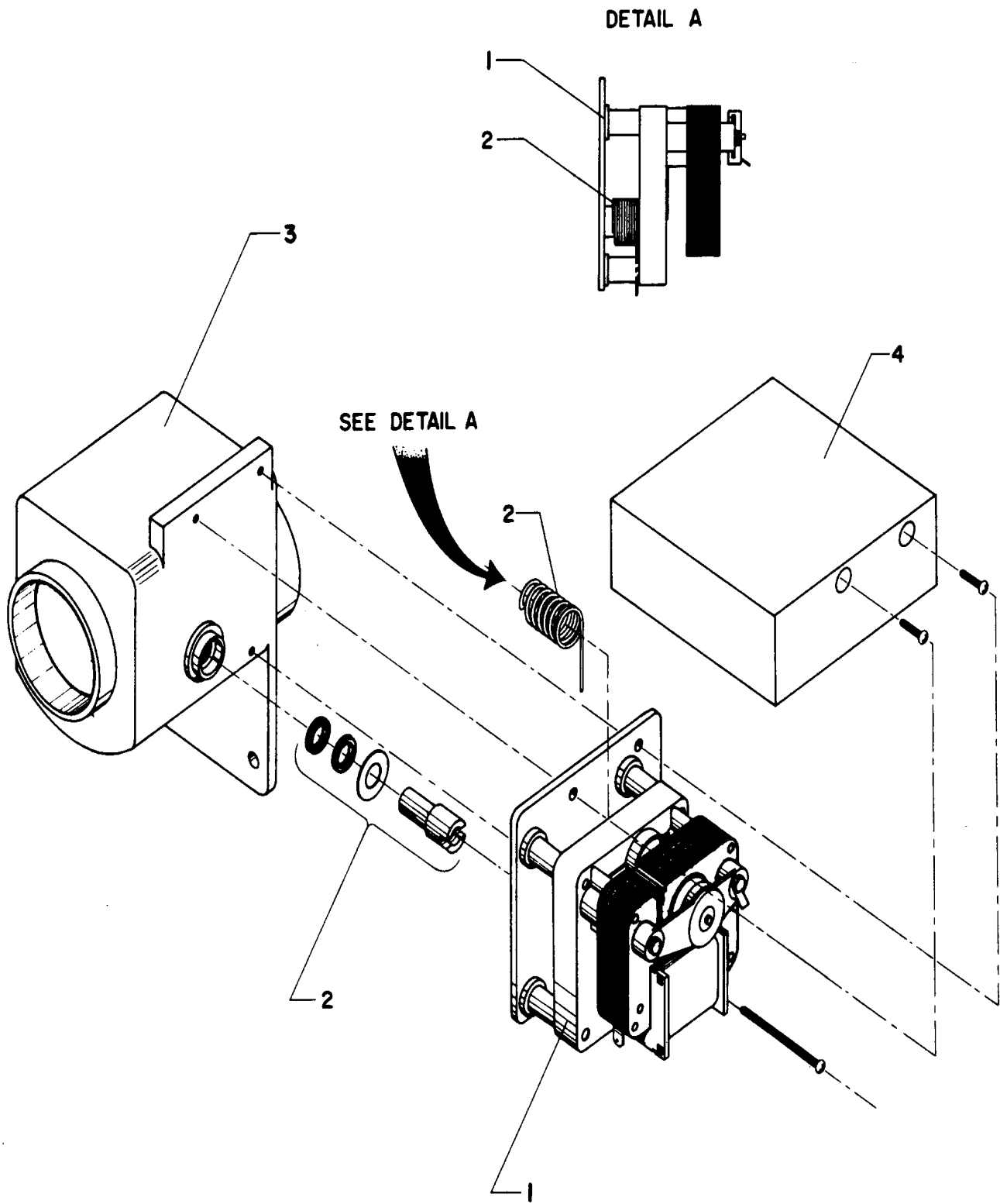
Partsking.com
800-462-4814



*Color Code (-)=Not Shown #=Series, Serial Prefix or Run No., N=Not Available

Section: DRAIN VALVE

Model: MAF18PN2



721135

Section: DRAIN VALVE

| No. | Part No. | Description | Series Qty |
|-----|----------|--------------------------------|------------|
| - | 24001116 | VALVE, DRAIN (2" 110V,60HZ) | 1 |
| 1 | 24001530 | VALVE, MOTOR DRAIN (110V 60HZ) | 1 |
| 2 | 24001528 | MAIN DRIVE SHAFT AND SEAL KIT | 1 |
| 3 | 24001570 | VALVE BODY | 1 |
| 4 | 24001571 | COVER, DRAIN VALVE MOTOR | 1 |

*Color Code (-)=Not Shown #=Series, Serial Prefix or Run No., N=Not Available

