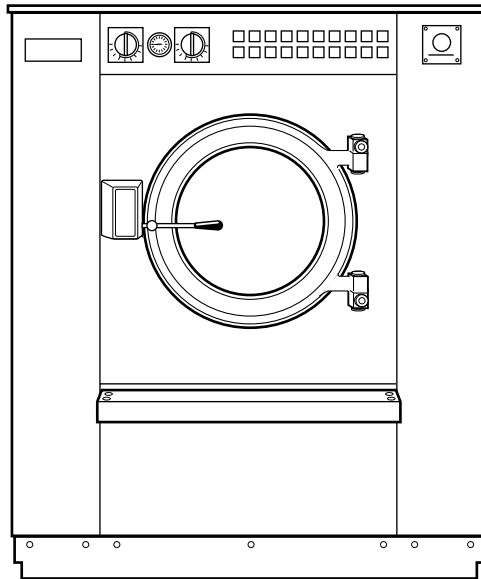


Washer-Extractor

Cabinet Freestanding

Refer to Page 3 for Model Numbers

Parts



CFS775P

Table of Contents

Title	Page
Parts Ordering Information	2
Nameplate Location	2
Model Identification	3
Cylinder, Shaft, Bearing Housing, Pulley and Belts	4
Chassis, Motors and Clutch Assembly	6
Chassis, Motors and Clutch Assembly	8
Panels	10
Panels	12
Door Assembly and Lock	14
Door Assembly and Lock	16
Control Panel, Control Tray and Controls	18
Control Panel, Control Tray and Controls	20
Control Panel, Control Tray and Controls	22
Control Panel, Control Tray and Controls	24
Dispenser, Cover, Hoses and Drain Valve	26
Dispenser, Cover, Hoses and Drain Valve	28
Water Inlet Valves and Hoses	30
Water Inlet Valves and Hoses	32
Steam Inlet Valve and Fittings	34
Electronic Heating Coils	36
Parts Index	39

© Copyright 2001, Alliance Laundry Systems LLC

All rights reserved. No part of the contents of this book may be reproduced or transmitted in any form or by any means without the expressed written consent of the publisher.

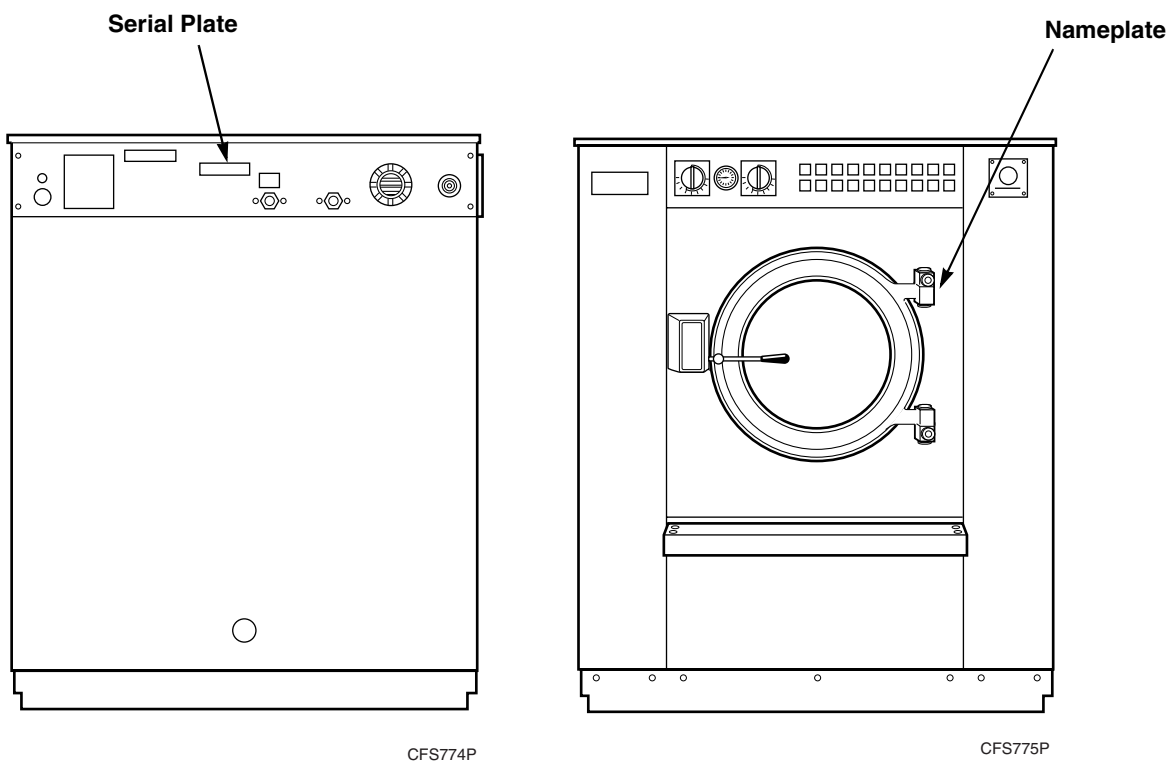
Parts Ordering Information

If literature or replacement parts are required, contact the source from whom the machine was purchased or contact Alliance Laundry Systems at (920) 748-3950 for the name and address of the nearest authorized parts distributor.

For technical assistance, call (920) 748-3121.

Nameplate Location

When calling or writing about your product, be sure to mention model and serial numbers. Model and serial numbers are located on nameplate and serial plate as shown.



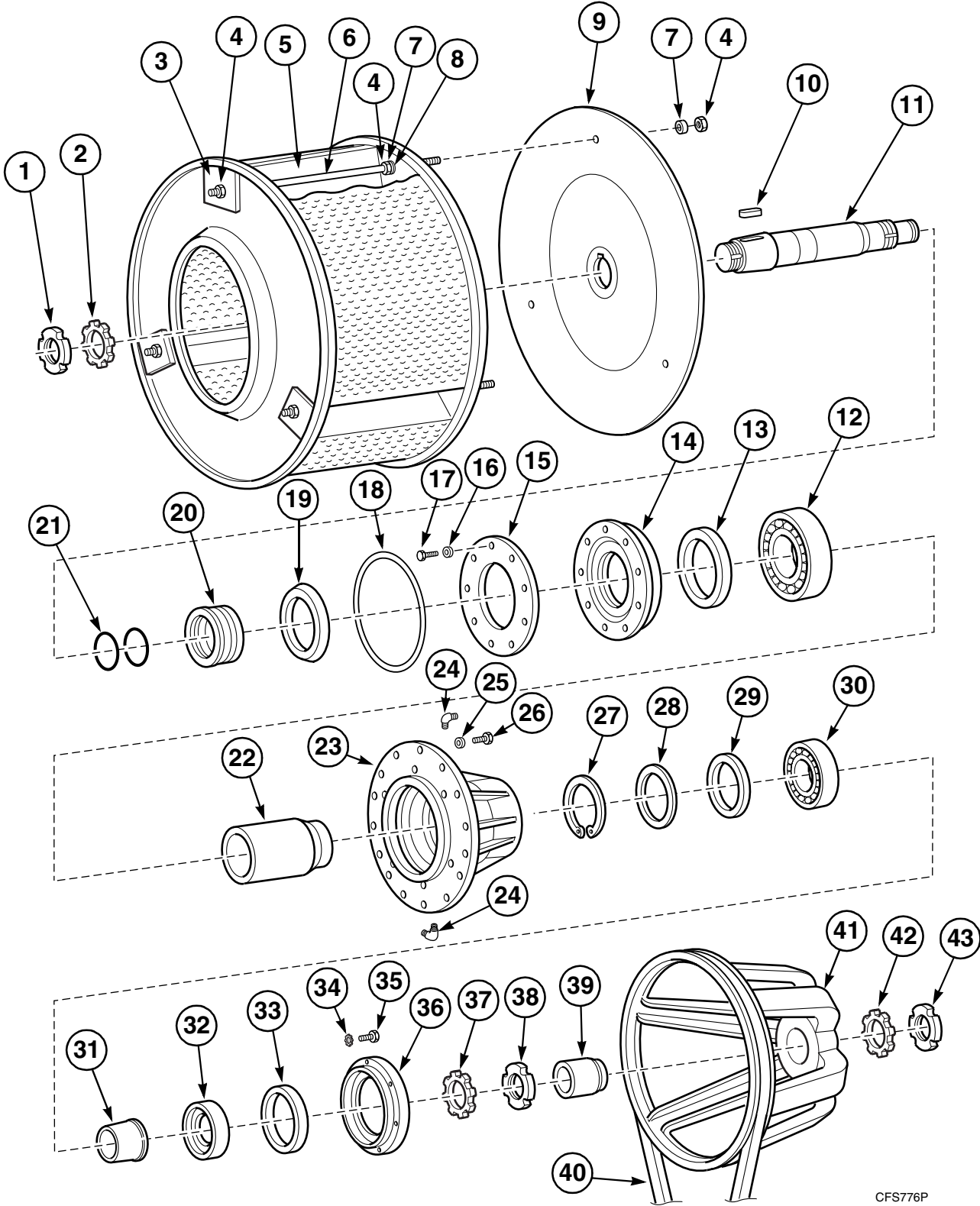
Model Identification

Information in this manual is applicable to these Washer-Extractors:

WX50220

WX50230

Cylinder, Shaft, Bearing Housing, Pulley and Belts



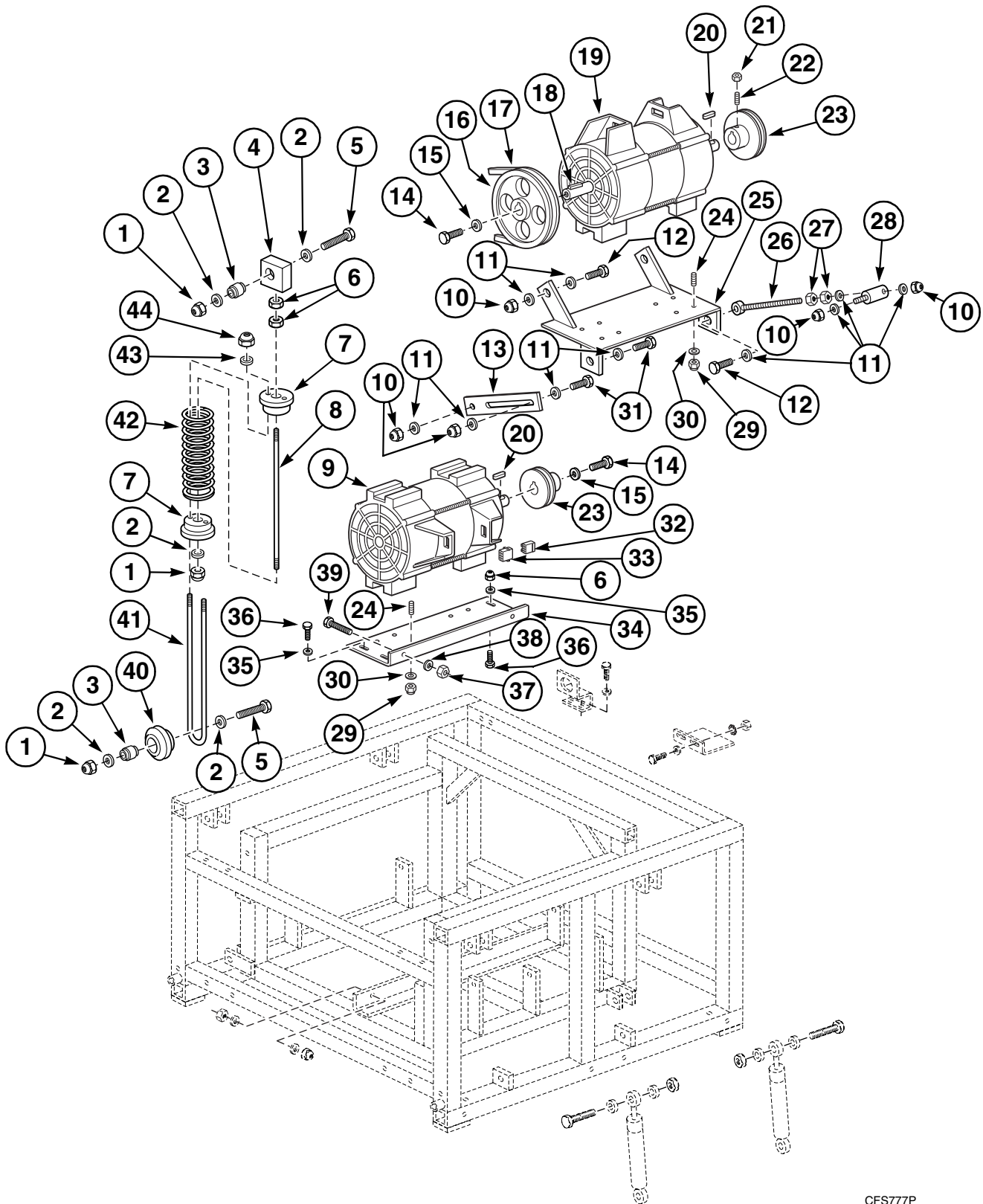
CFS776P

Cylinder, Shaft, Bearing Housing, Pulley and Belts

REF	PART #	DESCRIPTION	COMMENTS
	G200659	Cylinder and Shaft Assembly	Includes items 5 and 11
1	G111625	Locking Nut	
2	G228981	Lockwasher	
3	G210229	Support Bracket	
4	G149997	Nut	
5	G210724	Wash Basket Cylinder	
6	G217406	Rib Rod	
7	G162560	Washer	
8	G213819	Gasket	
9	G217414	Cylinder Coupler	
10	G111609	Key	
11	G200667	Cylinder Shaft	
12	G118307	Bearing	
13	G121517	Seal	
14	G250407	Front Seal Cover	
15	G250480	Seal Cover	
16	G175273	Gasket	
17	G145003	Hex Head Screw	
18	G121483	O-Ring	
19	G131839	V-Ring	
20	G250449	Gland	
21	G121509	O-Ring	
22	G250415	Spacer	
23	G250399	Bearing Housing	
24	G122531	Hose Elbow	
25	G149419	Washer	
26	G157354	Screw	
27	G121988	Retainer Ring	
28	G250472	Grease Plate	
29	G121400	Guide Ring	
30	G119917	Bearing	
31	G120212	Disassembly Sleeve	
32	G250464	Seal Ring	
33	G121897	Seal	
34	G149708	Lockwasher	
35	G146415	Allen Screw	
36	G250456	Rear Seal Cover	
37	G249680	Lockwasher	
38	G131466	Locking Nut	
39	G120485	Sleeve	
40	G122499	Belt	
41	G249664	Cylinder Pulley	
42	G162412	Lockwasher	
43	G162404	Locking Nut	

Chassis, Motors and Clutch Assembly

Page 1 of 2



CFS777P

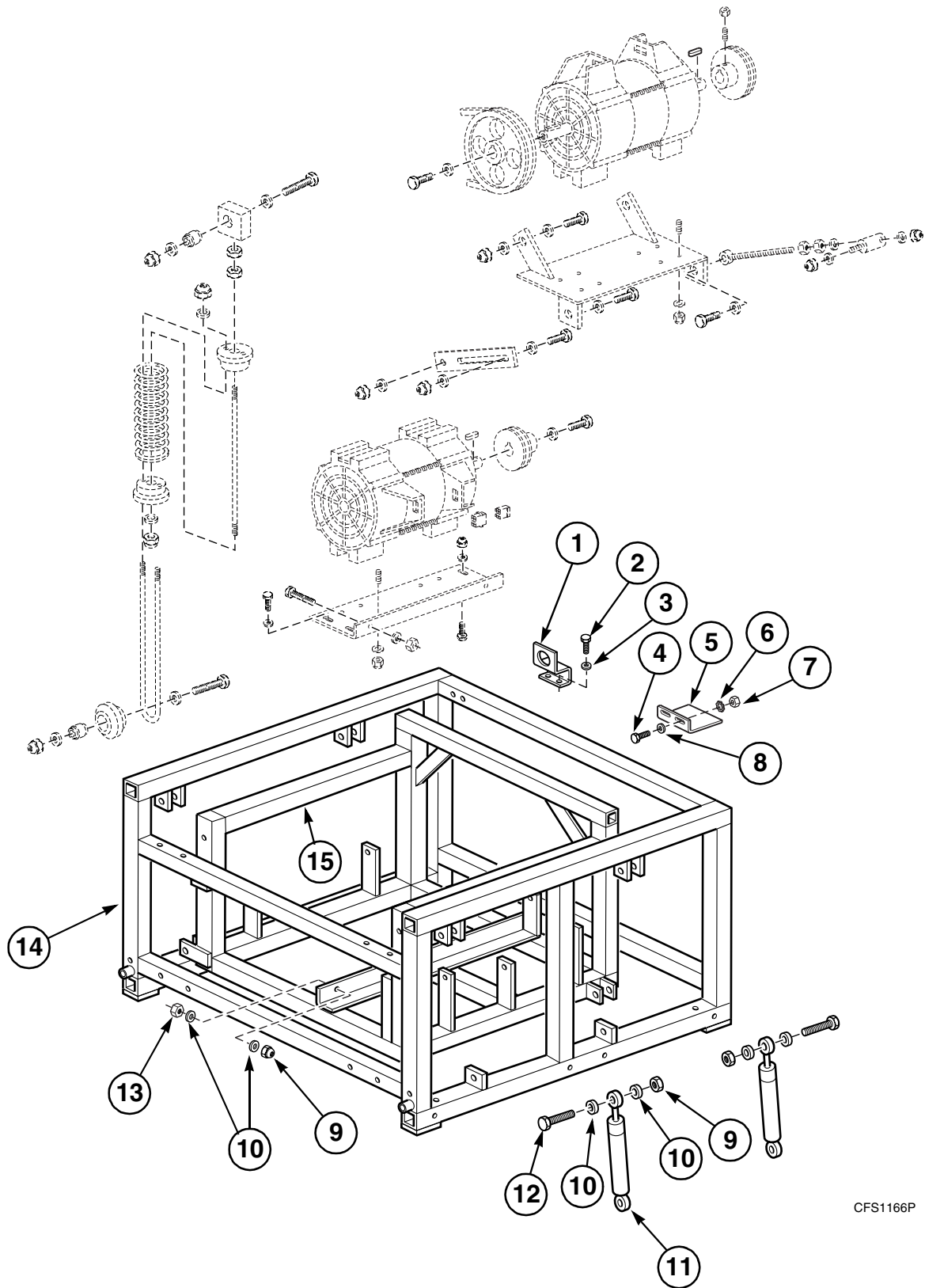
Chassis, Motors and Clutch Assembly

Page 1 of 2

REF	PART #	DESCRIPTION	COMMENTS
1	G150656	Self-Blocking Nut	
2	G149419	Washer	
3	G117671	Flexible Sleeve	
4	G249623	Suspension Hinge	
5	G122036	Screw	
6	G150235	Nut	
7	G249615	Suspension Clamp	
8	G249607	Suspension Bolt	
9	G123869	Wash Motor	
	G109819	Thermal Overload	
10	G146350	Self-Blocking Nut	
11	G149393	Washer	
12	G163600	Screw	
13	G251298	Tightener	
14	G146381	Screw	
15	G111278	Washer	
16	G251199	Clutch Pulley	
17	G129296	Belt	
18	G182212	Allen Screw	
19	G123877	Extract Motor	
	G109819	Thermal Overload	
20	G127787	Key	
21	G150201	Nut	
22	G181900	Allen Screw	
23	G251017	Wash Motor Pulley	
24	G182212	Allen Screw	
25	G251124	Extract Motor Plate	
26	G249656	Extract Motor Tightener	
27	G150250	Nut	
28	G251306	Tightener Bolt	
29	G164285	Self-Blocking Nut	
30	G114447	Washer	
31	G146720	Screw	
32	G139261	Connector	
33	G139279	Connector	
34	G251025	Wash Motor Plate	
35	G115428	Washer	
36	G172775	Screw	
37	G150193	Nut	
38	G149500	Washer	
39	G146563	Screw	
40	G249631	Suspension Sleeve	
41	G249599	Suspension Bracket	
42	G117663	Suspension Spring	
43	G149518	Washer	
44	G164285	Self-Blocking Nut	

Chassis, Motors and Clutch Assembly

Page 2 of 2



CFS1166P

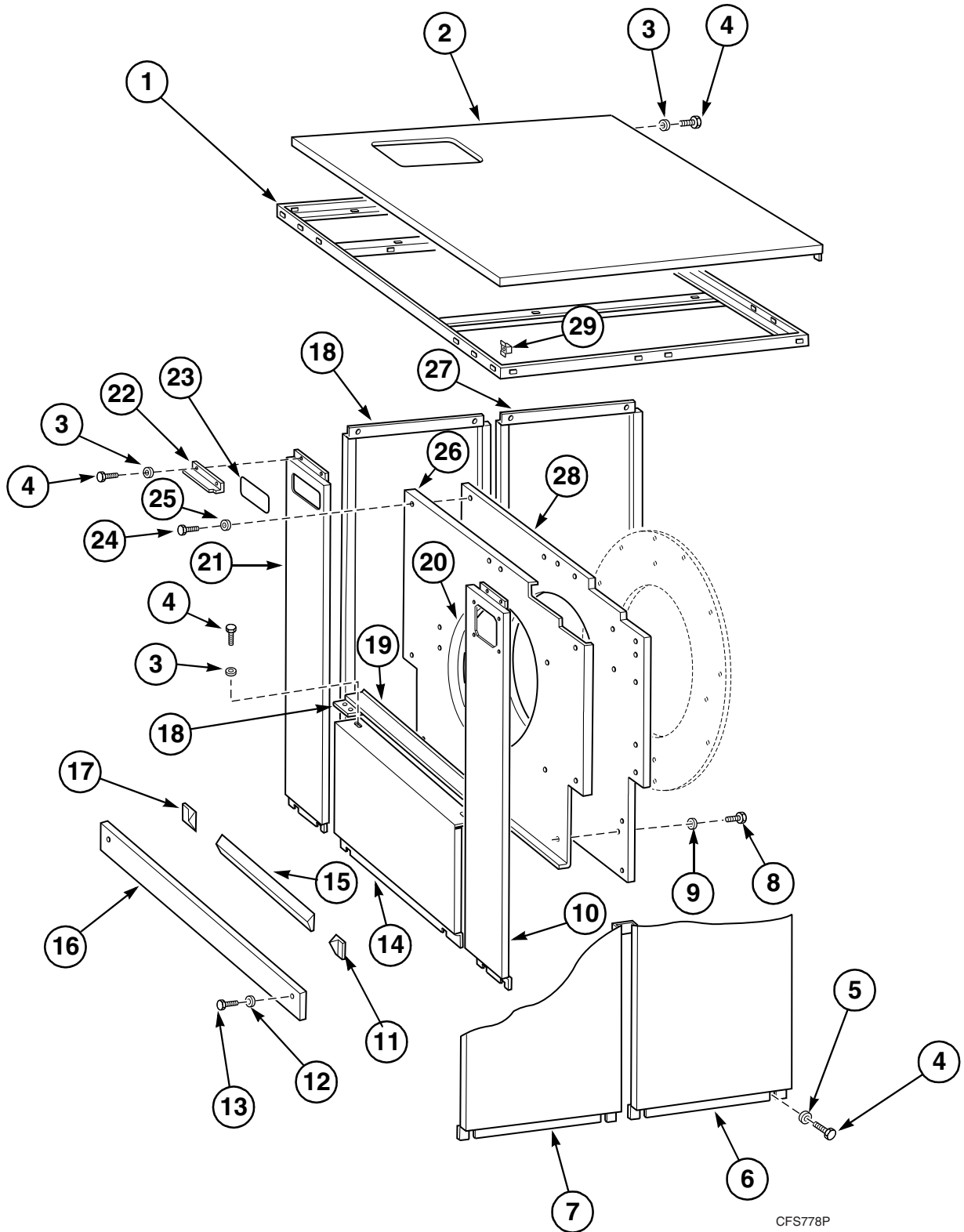
Chassis, Motors and Clutch Assembly

Page 2 of 2

REF	PART #	DESCRIPTION	COMMENTS
1	G243717	Drain Bracket	
2	G144964	Screw	
3	G149351	Washer	
4	G146316	Screw	
5	G200337	Motor Protection	
6	G149716	Lockwasher	
7	G150227	Nut	
8	G149526	Washer	
9	G150649	Self-Blocking Nut	
10	G149500	Washer	
11	G175091	Shock Absorber	
12	G175745	Screw	
13	G150193	Nut	
14	G241976	Fixed Chassis	
15	G212928	Suspended Chassis	

Panels

Page 1 of 2



CFS778P

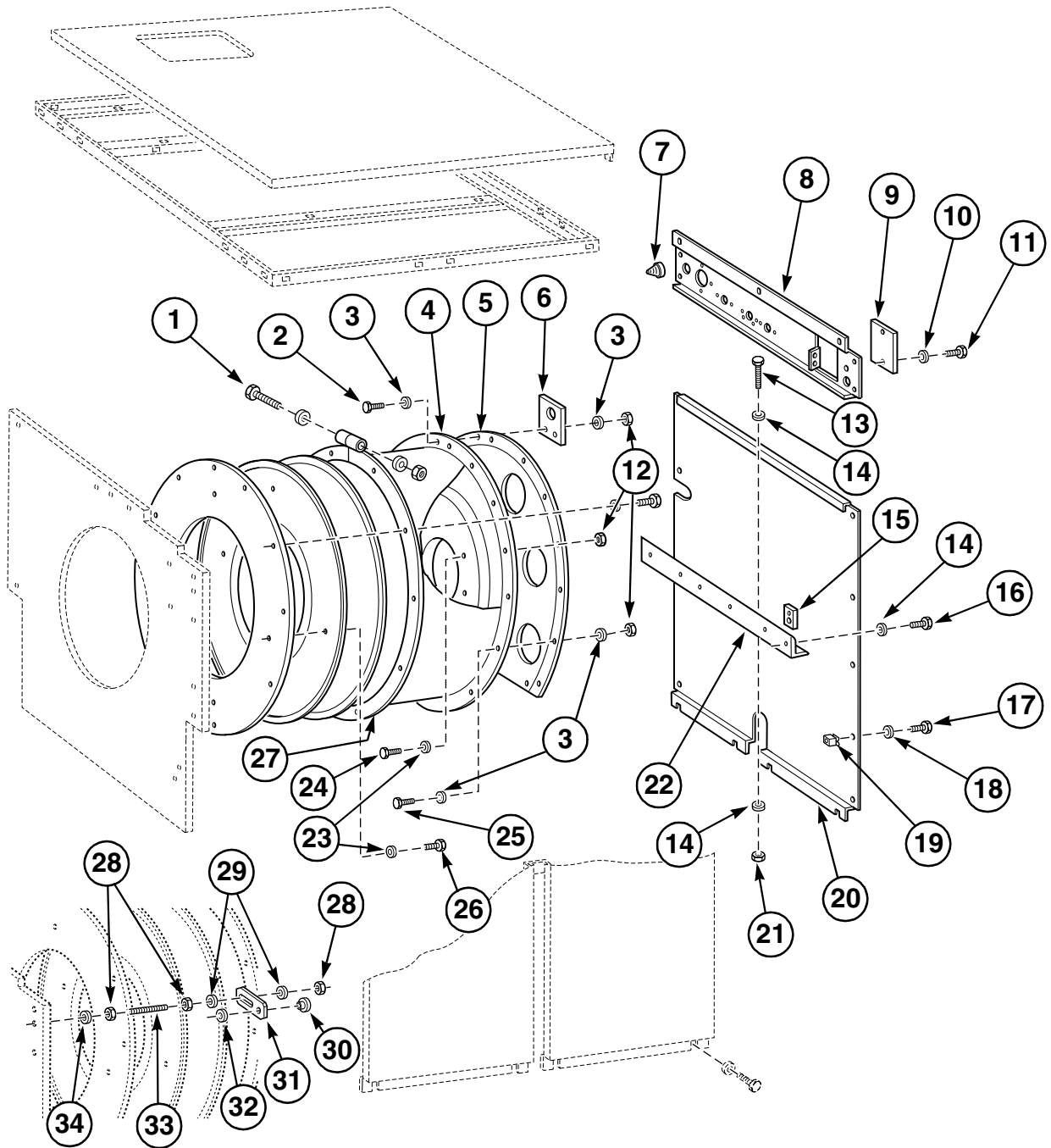
Panels

Page 1 of 2

REF	PART #	DESCRIPTION	COMMENTS
1	G249805	Upper Frame	
2	G250050	Upper Cover	
3	G149310	Washer	
4	G144881	Screw	
5	G115758	Washer	
6	G250548	Rear Side Panel	
7	G250555	Front Side Panel	
8	G122077	Screw	
9	G149393	Washer	
10	G229302	Right Front Panel	
11	G174581	Terminal	
12	G149310	Washer	
13	G144907	Screw	
14	G250613	Lower Front Cover	
15	G250829	Protective Moulding	
16	G251231	Front Toe Plate	
17	G174599	Terminal	
18	G250753	Lower Cover Supplement	
19	G250811	Front Gasket	
20	G165472	Gasket	
21	G251223	Left Front Panel	
22	G250696	Upper Cover End-Piece	
23	G144907	Screw	
24	G144964	Screw	
25	G149351	Washer	
26	G250431	Front Cover	
27	G250571	Rear Side Panel	
28	G250621	Front Plate	
29	G165613	Caged Nut	

Panels

Page 2 of 2



CFS1273P

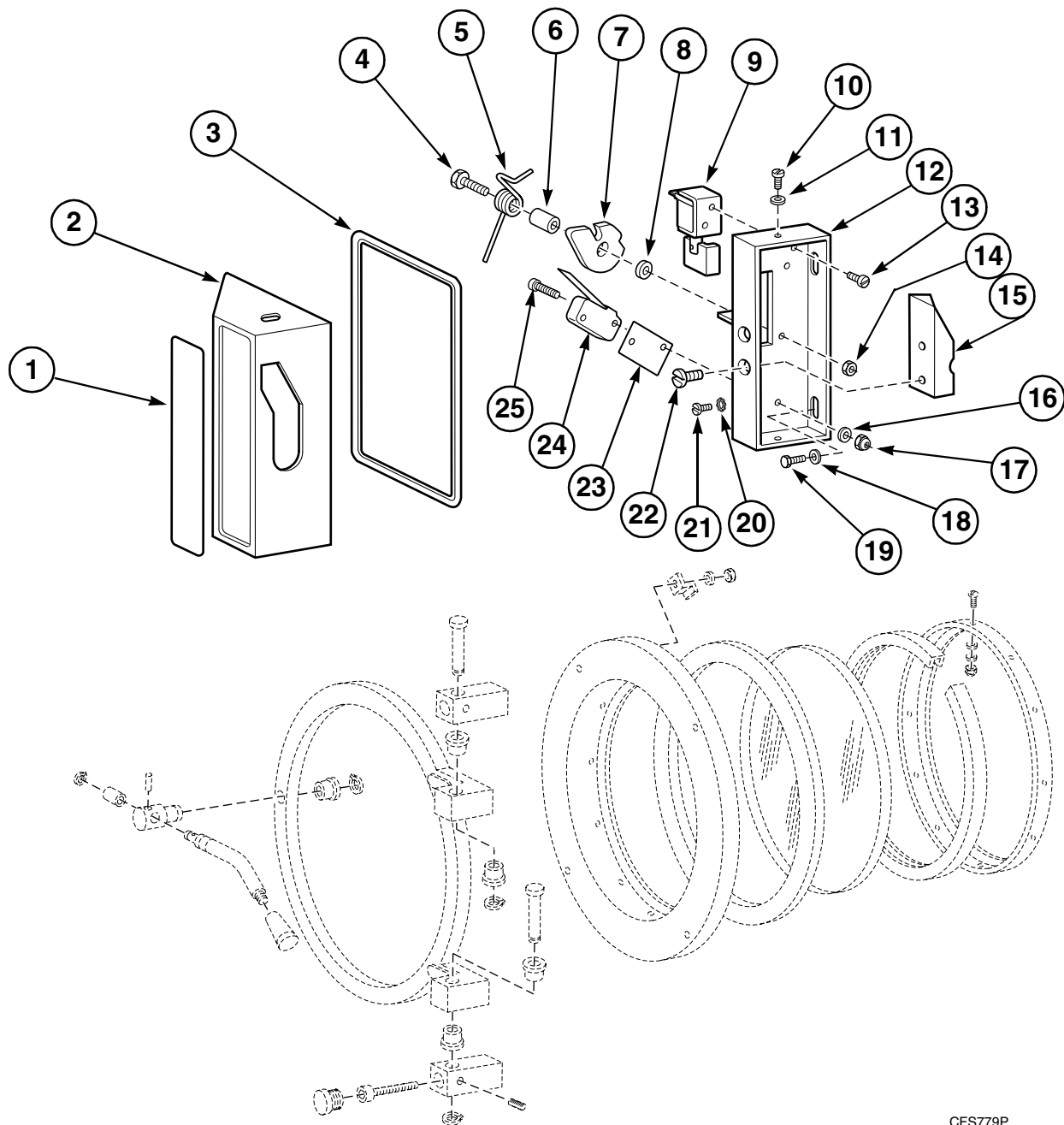
Panels

Page 2 of 2

REF	PART #	DESCRIPTION	COMMENTS
1	G175703	Screw	
2	G175745	Screw	
3	G149500	Washer	
4	G250381	Outer Drum	
5	G249649	Rear Plate	
6	G250498	Loading Hook	
7	G139683	Bushing	
8	G250134	Top Back Panel	
9	G153239	Access Cover	
10	G149476	Washer	
11	G146076	Screw	
12	G150649	Self-Blocking Nut	
13	G182204	Screw	
14	G110726	Washer	
15	G250803	Drain Hose Clamp	
16	G116764	Screw	
17	G144881	Screw	
18	G149310	Washer	
19	G165019	Caged Nut	
20	G250563	Back Panel	
21	G150656	Self-Blocking Nut	
22	G250530	Rear Plate Angle	
23	G175273	Gasket	
24	G164202	Screw	
25	G147017	Screw	
26	G144931	Screw	
27	G249698	Outer Drum Clamp Ring	
28	G164285	Self-Blocking Nut	
29	G149518	Washer	
30	G119305	Microswitch Drive Sleeve	
31	G250738	Microswitch Drive	
32	G134924	Washer	
33	G221796	Drive Bracket	
34	G149708	Lockwasher	

Door Assembly and Lock

Page 1 of 2



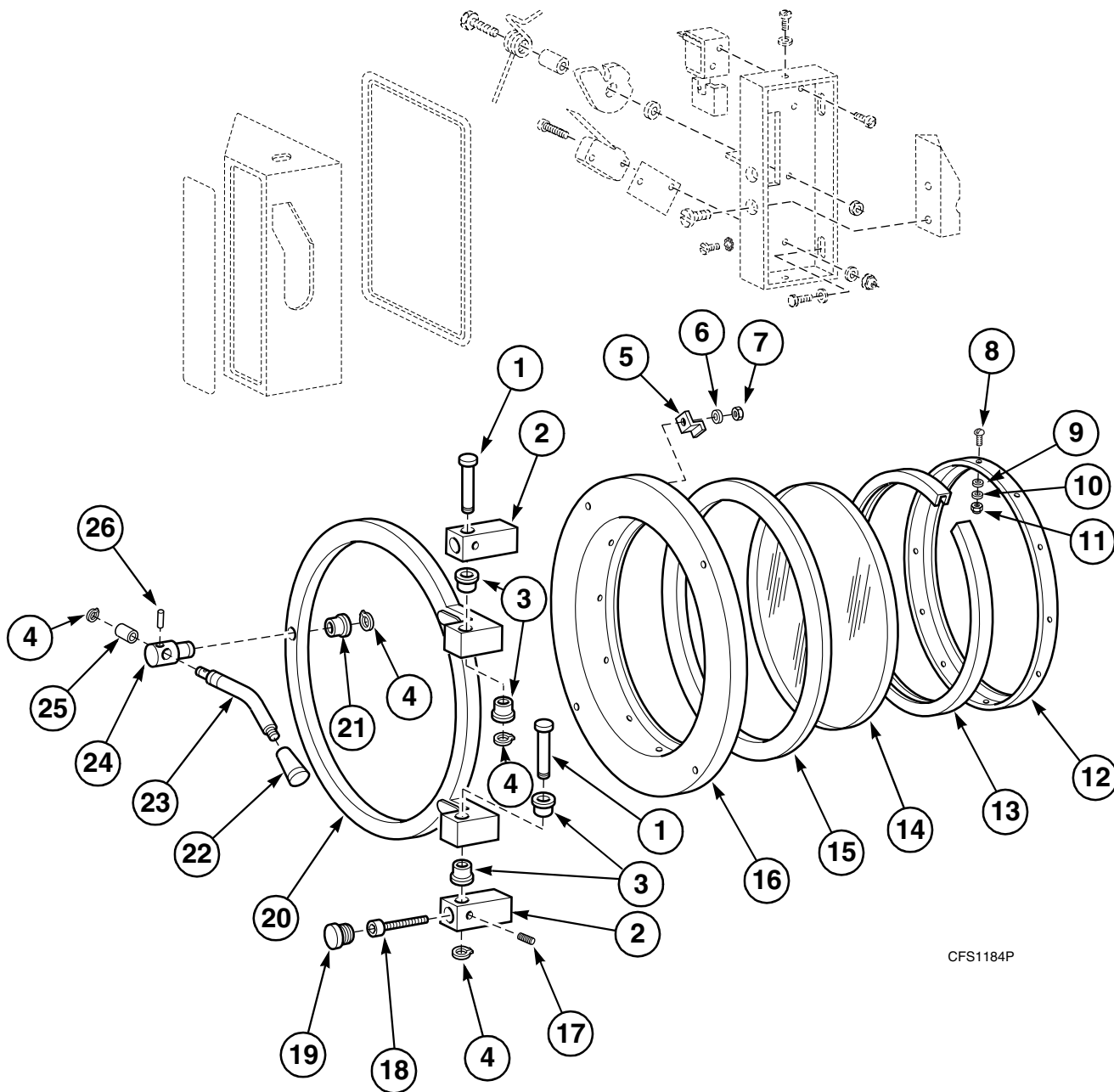
CFS779P

Door Assembly and Lock

Page 1 of 2

REF	PART #	DESCRIPTION	COMMENTS
	G249771	Door Assembly	
1	G182030	Door Safety Plate	
2	G249987	Box Cover	
3	G165472	Gasket	
4	G144915	Screw	
5	G117721	Lock Spring	
6	G249904	Cam Sleeve	
7	G249888	Safety Lock Cam	
8	G149526	Washer	
9	G249961	Safety Lock Coil	
10	G149328	Washer	
11	G149369	Washer	
12	G249920	Safety Lock Box	
13	G123240	Screw	
14	G149971	Nut	
15	G249896	Safety Piece	
16	G149484	Washer	
17	G129692	Self-Blocking Nut	
18	G149351	Washer	
19	G144964	Screw	
20	G149732	Lockwasher	
21	G146076	Screw	
22	G144709	Screw	
23	G244327	Microswitch Insulation	
24	G174888	Door Microswitch	
25	G146050	Screw	

Door Assembly and Lock



CFS1184P

Door Assembly and Lock

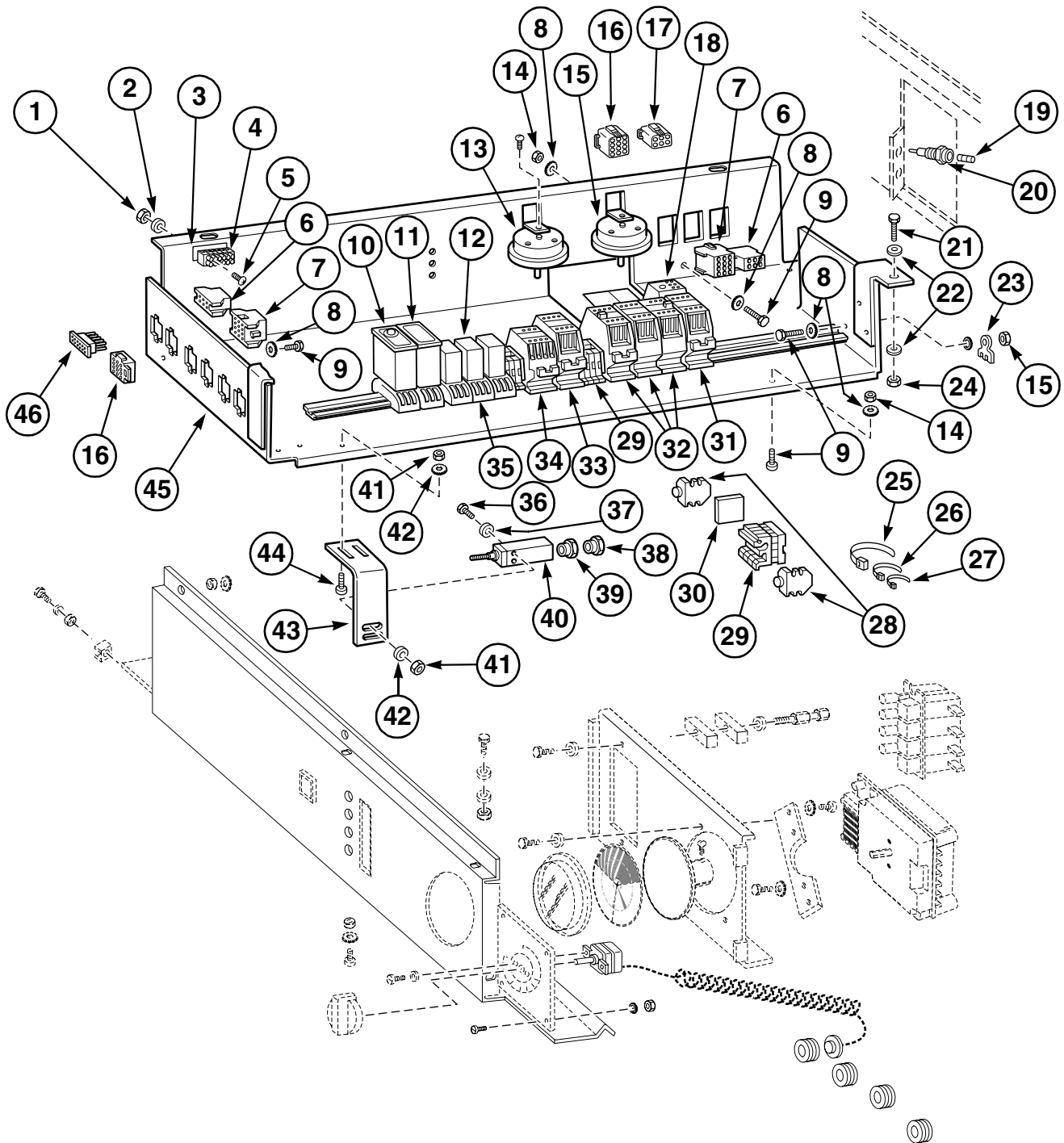
Page 2 of 2

REF	PART #	DESCRIPTION	COMMENTS
1	G250522	Door Bolt	
2	G251249	Hinge	
3	G116723	Bearing	
4	G115949	C-Ring	
5	G250720	Door Gasket Clip	
6	G149351	Washer	
7	G149963	Nut	
8	G145649	Screw	
9	G116129	Gasket	
10	G149328	Washer	
11	G150151	Nut	
12	G249797	Outer Ring	
13	G116756	Gasket	
14	G117226	Glass	
15	G118059	Door Gasket	
16	G249789	Door Ring	
17	G175778	Allen Setscrew	
18	G144543	Allen Screw	
19	G122515	Plug	
20	G251264	Door Ring	
21	G128843	Bearing	
22	G115923	Cap	
23	G249755	Lock Lever	
24	G249763	Lock Bolt	
25	G116301	Bearing	
26	G150904	Setscrew	

Control Panel, Control Tray and Controls

Model WX50220

Page 1 of 2



CFS780P

Control Panel, Control Tray and Controls

Model WX50220

Page 1 of 2

REF	PART #	DESCRIPTION	COMMENTS
1	G149906	Nut	
2	G149484	Washer	
3	G215590	Insulator	
4	G176271	Terminal Block	
5	G146043	Screw	
6	G139444	Terminal Block	
7	G139402	Terminal Block	
8	G149724	Lockwasher	
9	G146282	Screw	
10	G181768	Timing Device	
11	G179010	Timing Device	
12	G136168	Relay	
13	G121889	Pressure Switch	Two level
14	G150177	Nut	
15	G176677	Pressure Switch	Three level
16	G139410	Terminal Block	
17	G250878	Hot Water Plug	
18	G168336	Thermic Relay	
19	G122952	Control Protection Fuse	
20	G137653	Fuse Holder	
21	G146233	Screw	
22	G149526	Washer	
23	G176248	Ground Lug	
24	G150227	Nut	
25	G140509	Clamp	
26	G140525	Clamp	
27	G140434	Clamp	
28	G155754	Fixing Clamp	
29	G155457	Terminal	
30	G155275	End Cover	
31	G110585	Contactor	
32	G136028	Contactor	
33	G136036	Contactor	
34	G136010	Contactor	
35	G135608	Socket	
36	G146118	Screw	
37	G149476	Washer	
38	G140095	Cap	
39	G140301	Reducer	
40	G112813	Running End	
41	G176792	Self-Blocking Nut	
42	G149476	Washer	
43	G221366	Microswitch Bracket	
44	G146258	Screw	
45	G250340	Control Tray	
46	G139394	Terminal Block	

Control Panel, Control Tray and Controls

Model WX50220

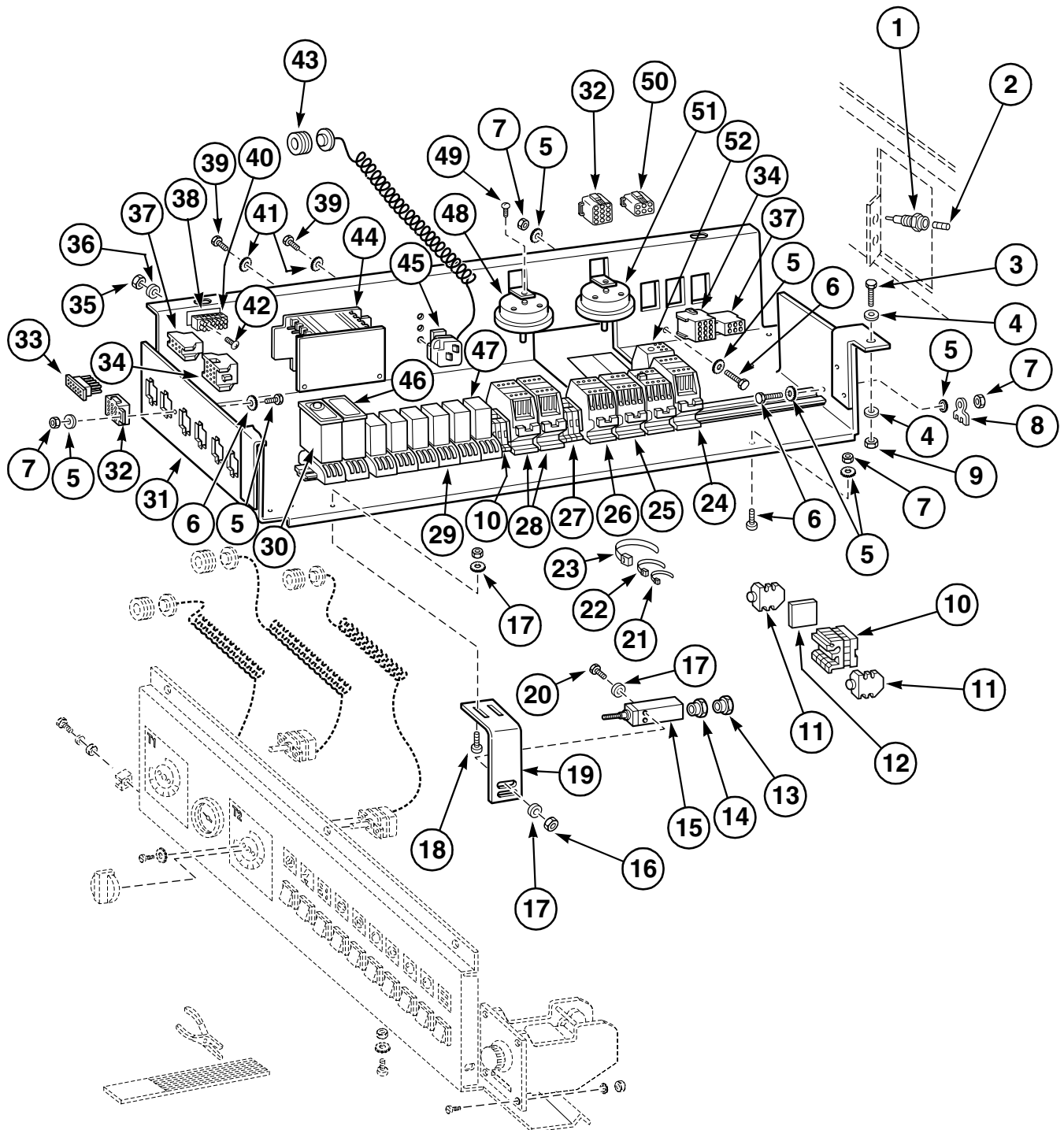
Page 2 of 2

REF	PART #	DESCRIPTION	COMMENTS
1	G150177	Nut	
2	G149724	Lockwasher	
3	G150185	Nut	
4	G149476	Washer	
5	G146084	Screw	
6	G177832	Timer Glass	
7	G168435	Screw	
8	G149532	Washer	
9	G158493	Keyboard Base	
10	G156422	Keyboard Clamp	
11	G156430	Keyboard Screw	
12	G246132	Keyboard Program	
13	G246124	Keyboard	
14	G146076	Screw	
15	G149732	Lockwasher	
16	G146027	Screw	
17	G251439	Timer	
18	G121574	Timer Bracket	
19	G251421	Installation Box	
20	G160101	Grommet	
21	G157198	Grommet	
22	G121590	Timer Plate Bracket	
23	G177667	Timer Plate	
24	G117754	Thermostat	
25	G121491	Thermostat Cover	
26	G145664	Screw	
27	G174706	Control Knob	
28	G145656	Screw	
29	G176750	Indicator Light	
30	G251488	Control Panel	
31	G165019	Nut	
32	G149310	Washer	
33	G144881	Screw	

Control Panel, Control Tray and Controls

Model WX50230

Page 1 of 2



CFS781P

Control Panel, Control Tray and Controls

Model WX50230

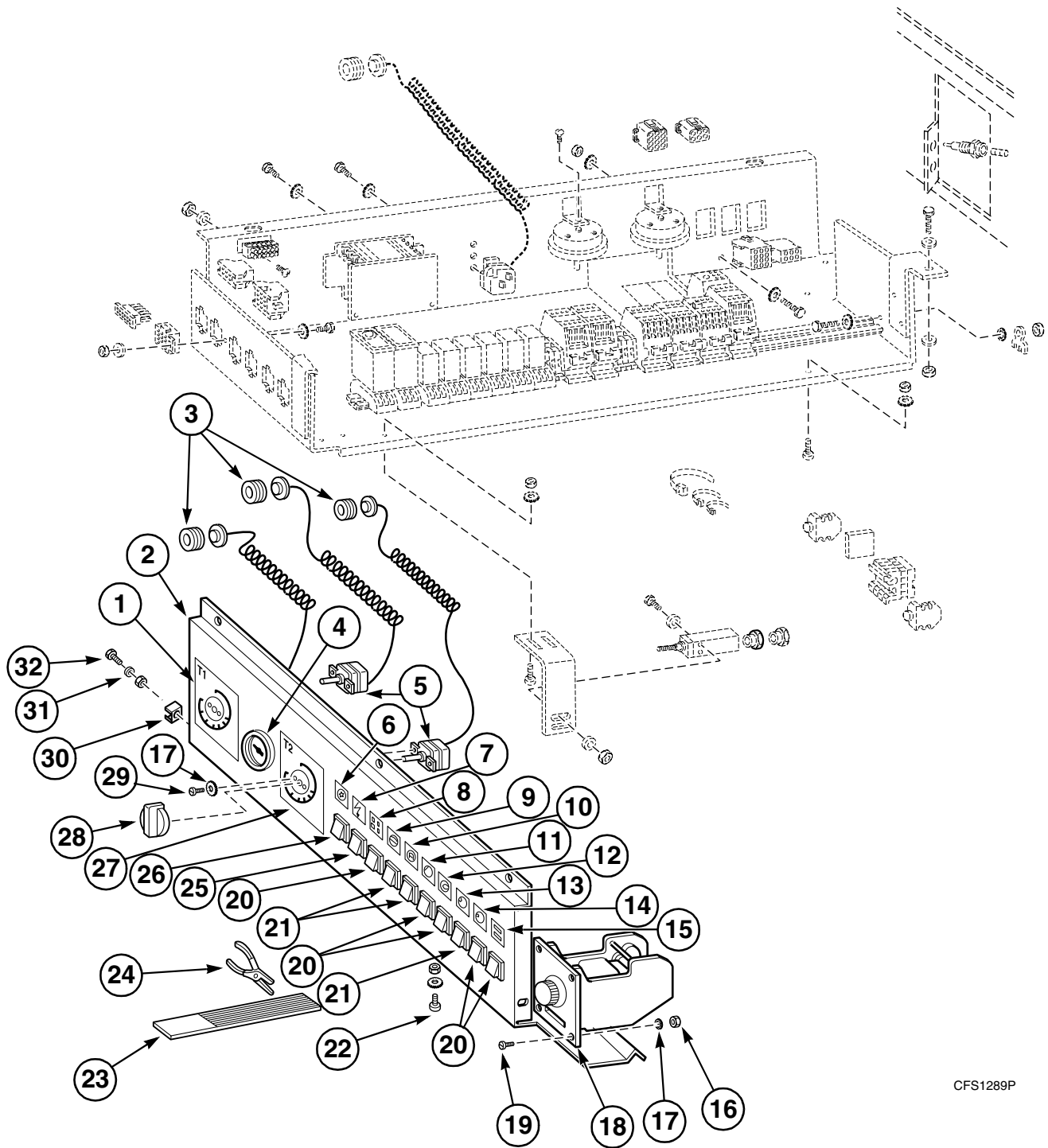
Page 1 of 2

REF	PART #	DESCRIPTION	COMMENTS
1	G112952	Control Protection Fuse	
2	G137653	Fuse Holder	
3	G146233	Screw	
4	G149526	Washer	
5	G149724	Lockwasher	
6	G146282	Screw	
7	G150177	Nut	
8	G176248	Ground Lug	
9	G150227	Nut	
10	G155457	Terminal	
11	G155754	Terminal	
12	G155275	End Lid	
13	G140095	Stuffing Box	
14	G140301	Gear Box	
15	G112813	Running End	
16	G132043	Self-Blocking Nut	
17	G149476	Washer	
18	G146258	Screw	
19	G221366	Microswitch Bracket	
20	G146118	Screw	
21	G140434	Clamp	
22	G140525	Clamp	
23	G140509	Clamp	
24	G110585	Contactactor	
25	G136010	Contractor	
26	G155283	End Cover	
27	G155465	Terminal	
28	G136028	Conductor	
29	G135608	Socket	
30	G181768	Timing Device	
31	G250340	Control Tray	
32	G139410	Terminal Block	
33	G139394	Terminal Block	
34	G139402	Terminal Block	
35	G149906	Nut	
36	G149484	Washer	
37	G139444	Terminal Block	
38	G215590	Terminal	
39	G146068	Screw	
40	G176271	Fixing Clamp	
41	G149732	Lockwasher	
42	G146043	Screw	
43	G157198	Grommet	
44	G175174	Timer	
45	G117911	Thermostat	
46	G110387	Timing Device	
47	G136168	Relay	
48	G155192	Pressure Switch	
49	G166835	Screw	
50	G250878	Hot Water Plug	
51	G176677	Pressure Switch	
52	G168336	Thermic Relay	

Control Panel, Control Tray and Controls

Model WX50230

Page 2 of 2



CFS1289P

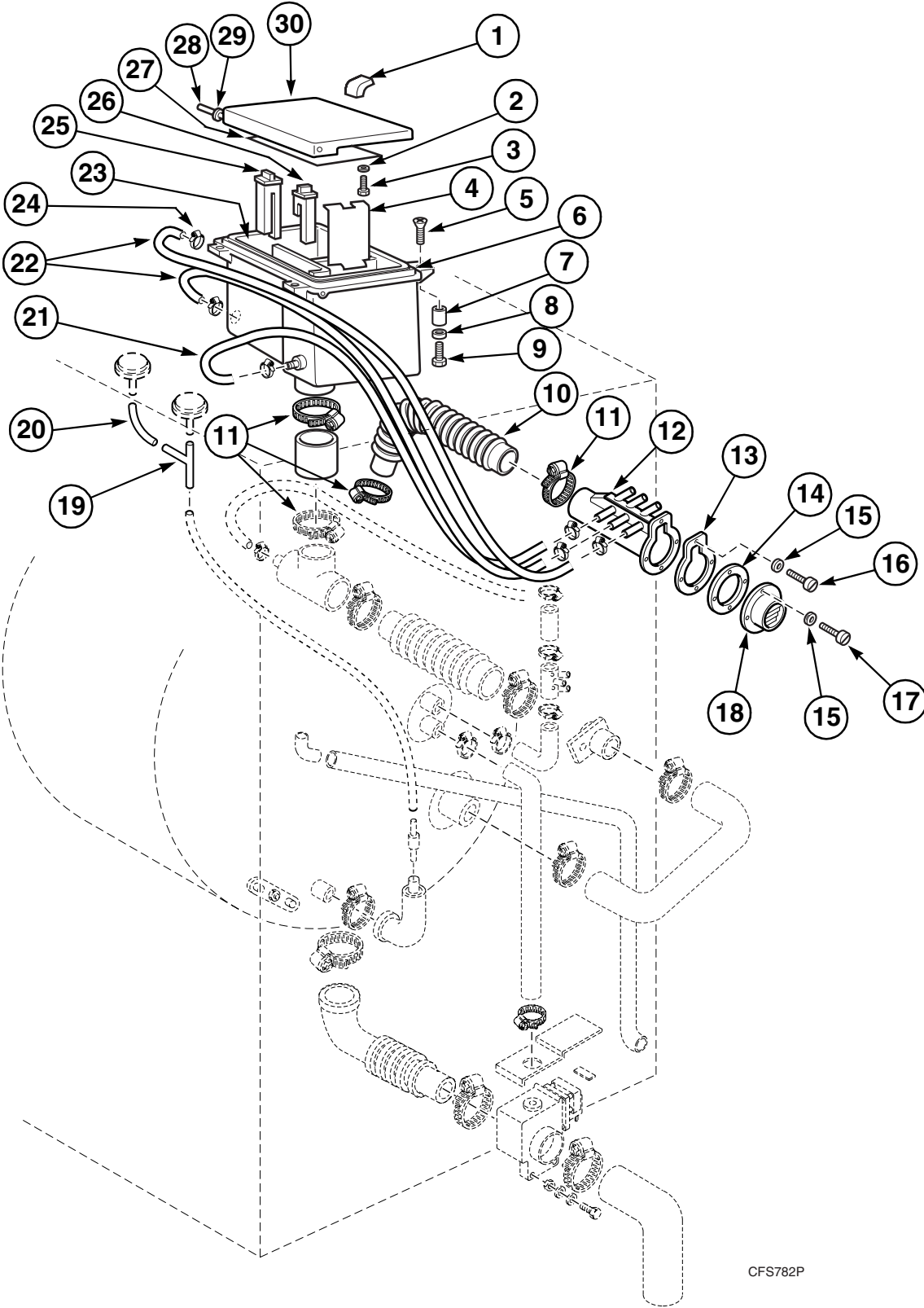
Control Panel, Control Tray and Controls

Model WX50230

Page 2 of 2

REF	PART #	DESCRIPTION	COMMENTS
1	G181297	Thermostat Plate 1	
2	G251280	Control Panel	
3	G157198	Grommet	
4	G132134	Thermometer	
5	G117754	Thermostat	
6	G175901	Open Door Plate	
7	G175919	Tightener Plate	
8	G175927	Start-Stop Plate	
9	G175935	Water Inlet Plate A	
10	G175943	Water Inlet Plate B	
11	G175950	Temperature Plate	
12	G175968	Slow Reverse Plate	
13	G175976	Drain Plate	
14	G175984	Extract Plate	
15	G182063	900 RPM Plate	
16	G150185	Nut	
17	G149732	Lockwasher	
18	G248617	Timer	Card reader
19	G145649	Screw	
20	G138321	Reverser	
21	G138339	Push Button	
22	G145656	Screw	
23	G132969	Timer Card	
24	G166488	Card Punch	
25	G176743	Indicator Light	Red
26	G176750	Indicator Light	Green
27	G181308	Thermostat Plate 2	
28	G174706	Control Knob	
29	G145664	Flat Screw	
30	G165019	Nut	
31	G149310	Washer	
32	G144881	Screw	

Dispenser, Cover, Hoses and Drain Valve



CFS782P

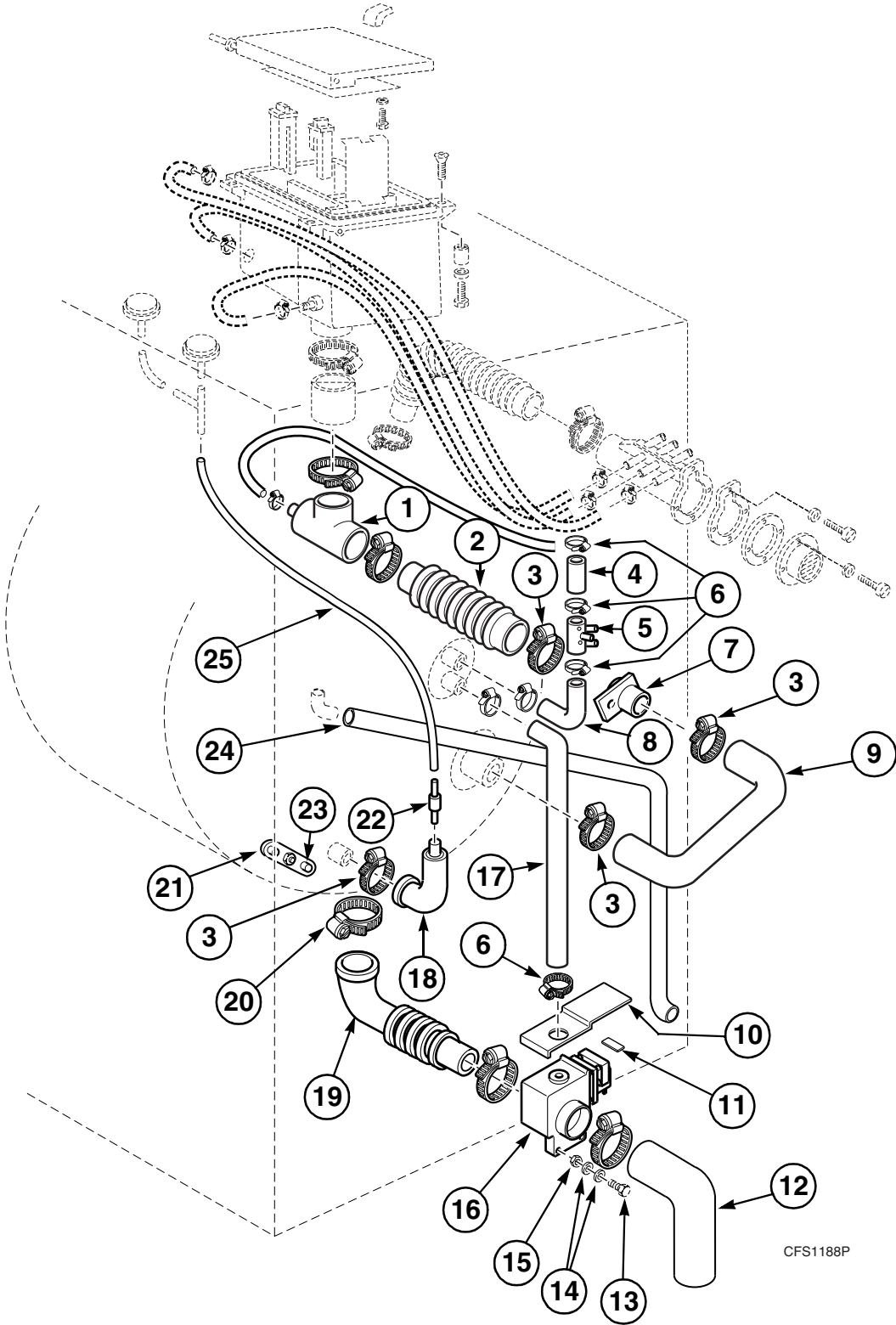
Dispenser, Cover, Hoses and Drain Valve

Page 1 of 2

REF	PART #	DESCRIPTION	COMMENTS
1	G116806	Knob	
2	G149328	Washer	
3	G144832	Screw	
4	G116814	Separator	
5	G144725	Screw	
6	G246298	Gasket	
7	G218832	Support	
8	G115733	Front End-Piece	
9	G146233	Screw	
10	G182253	Inlet Hose	
11	G132290	Clamp	
12	G153288	Siphon Break	
13	G156208	Gasket	
14	G153262	Gasket	
15	G149476	Washer	
16	G146084	Screw	
17	G146092	Screw	
18	G153270	Grid	
19	G113357	Plastic "T"	
20	G222711	Pressure Hose	
21	G163592	Water Inlet Hose	
22	G214106	Water Inlet Hose	
23	G153502	Dispenser Box Set	
24	G155150	Clamp	
25	G155077	Bleach Intake Tube	
26	G155085	Softener Intake Tube	
27	G177840	Lid Plate	
28	G116822	Pin	
29	G246306	Washer	
30	G116798	Dispenser Lid	

* Add Letter to Designate Color. L - Almond W - White

Dispenser, Cover, Hoses and Drain Valve



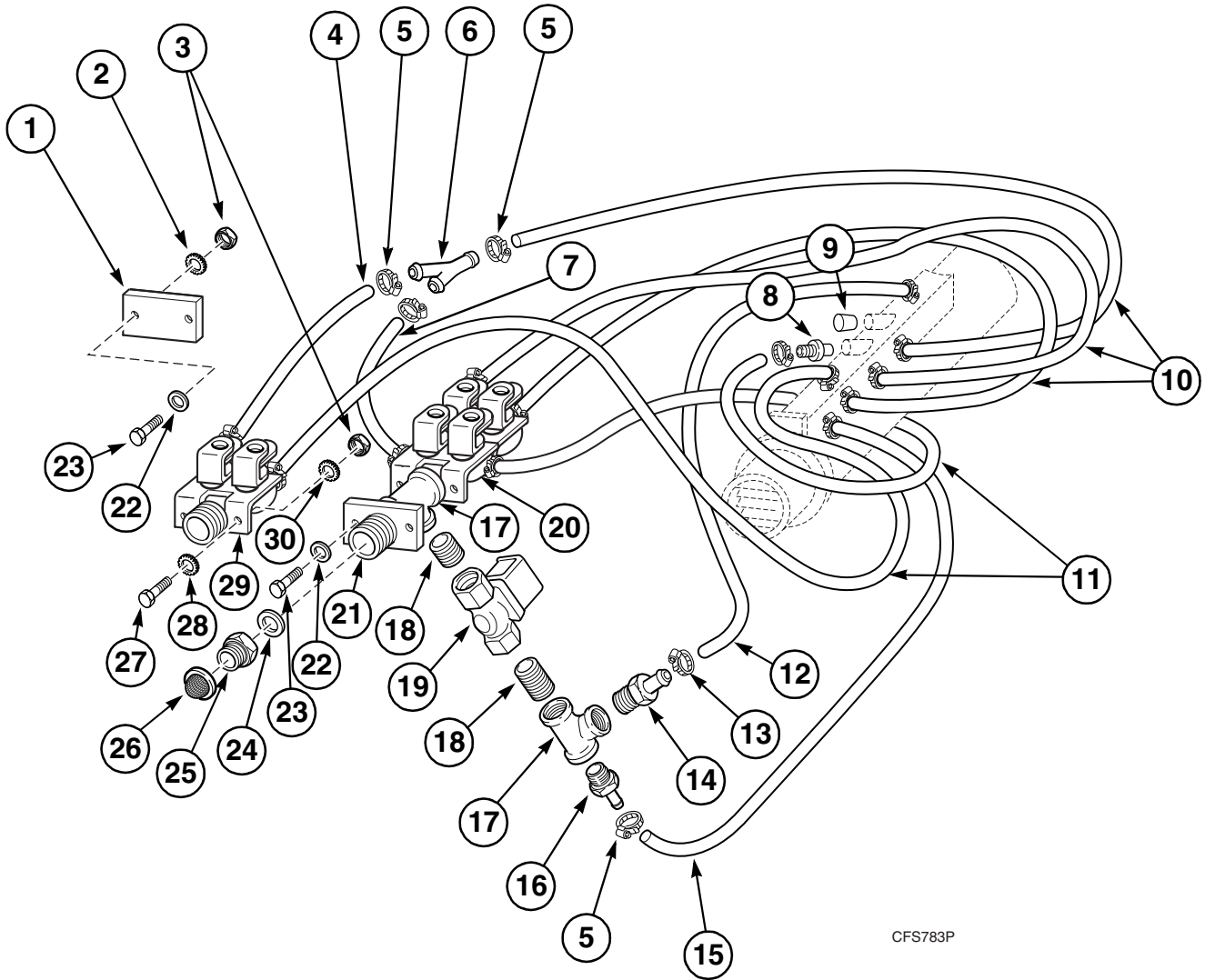
Dispenser, Cover, Hoses and Drain Valve

Page 2 of 2

REF	PART #	DESCRIPTION	COMMENTS
1	G253252	Dispenser Outlet Hose	
2	G182253	Inlet Hose	
3	G132290	Clamp	
4	G251215	Drain Hose	
5	G249268	Injector Assembly	
6	G132282	Clamp	
7	G250076	Sleeve	
8	G251207	Vent Hose	
9	G118299	Inlet Hose	
10	G212795	Cover	
11	G159376	Insulator	
12	G163253	Drain Elbow	
13	G144881	Screw	
14	G149310	Washer	
15	G149971	Nut	
16	G163212	Drain Valve Assembly	
17	G250787	Overflow Hose	
18	G120964	Pressure Bulb	
19	G134049	Drain Hose	
20	G155143	Clamp	
21	G121962	Heater Inlet Lid	
22	G120956	Connector	
23	G121970	Locking Part	
24	G239988	Bearing Housing Drain Hose	
25	G222687	Pressure Hose	

Water Inlet Valves and Hoses

Model WX50220



CFS783P

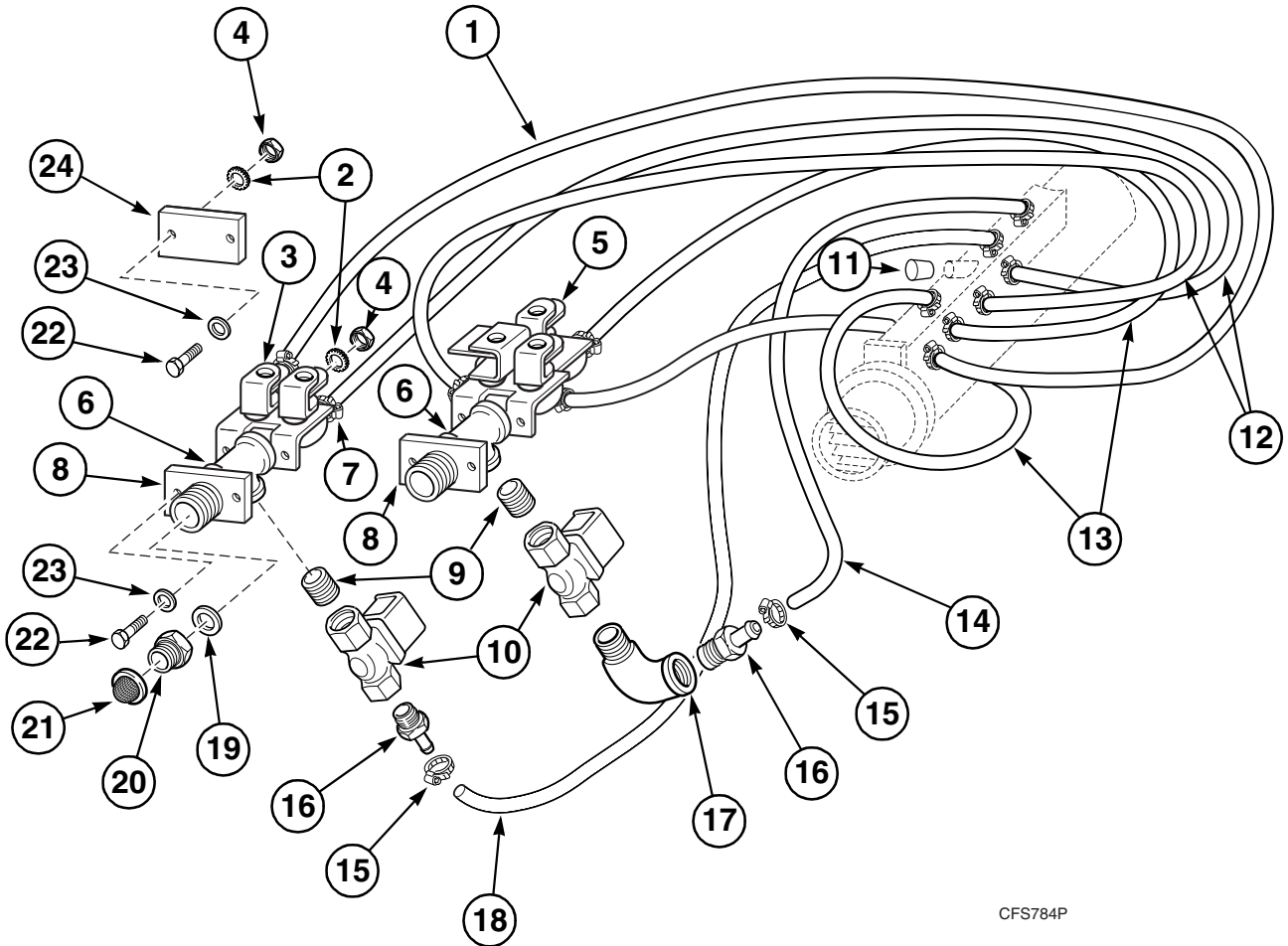
Water Inlet Valves and Hoses

Model WX50220

REF	PART #	DESCRIPTION	COMMENTS
1	G122713	Water Inlet Cover	
2	G149716	Lockwasher	
3	G150227	Nut	
4	G250233	Water Inlet Hose	
5	G155150	Clamp	
6	G152165	Y-Fitting	
7	G123174	Water Inlet Hose	
8	G156158	Reducer	
9	G156687	Cap	
10	G116608	Water Inlet Hose	
11	G163592	Water Inlet Hose	
12	G240937	Water Inlet Hose	
13	G156109	Clamp	
14	G160259	Water Inlet Nut	
15	G241018	Water Inlet Hose	
16	G253260	Water Inlet Nut	
17	G129569	T-Fitting	
18	G130005	Sleeve	
19	G116277	Inlet Valve	Cold
	G142778	Coil	
	G108910	Diaphragm	
20	G241026	4-Track Valve	
21	G116830	Bracket	
22	G149526	Washer	
23	G146233	Screw	
24	G114348	Gasket	
25	G234971	Adapter	
26	G159996	Strainer	
27	G146274	Screw	
28	G149724	Lockwasher	
29	G129379	2-Track Valve	
30	G149716	Lockwasher	

Water Inlet Valves and Hoses

Model WX50230



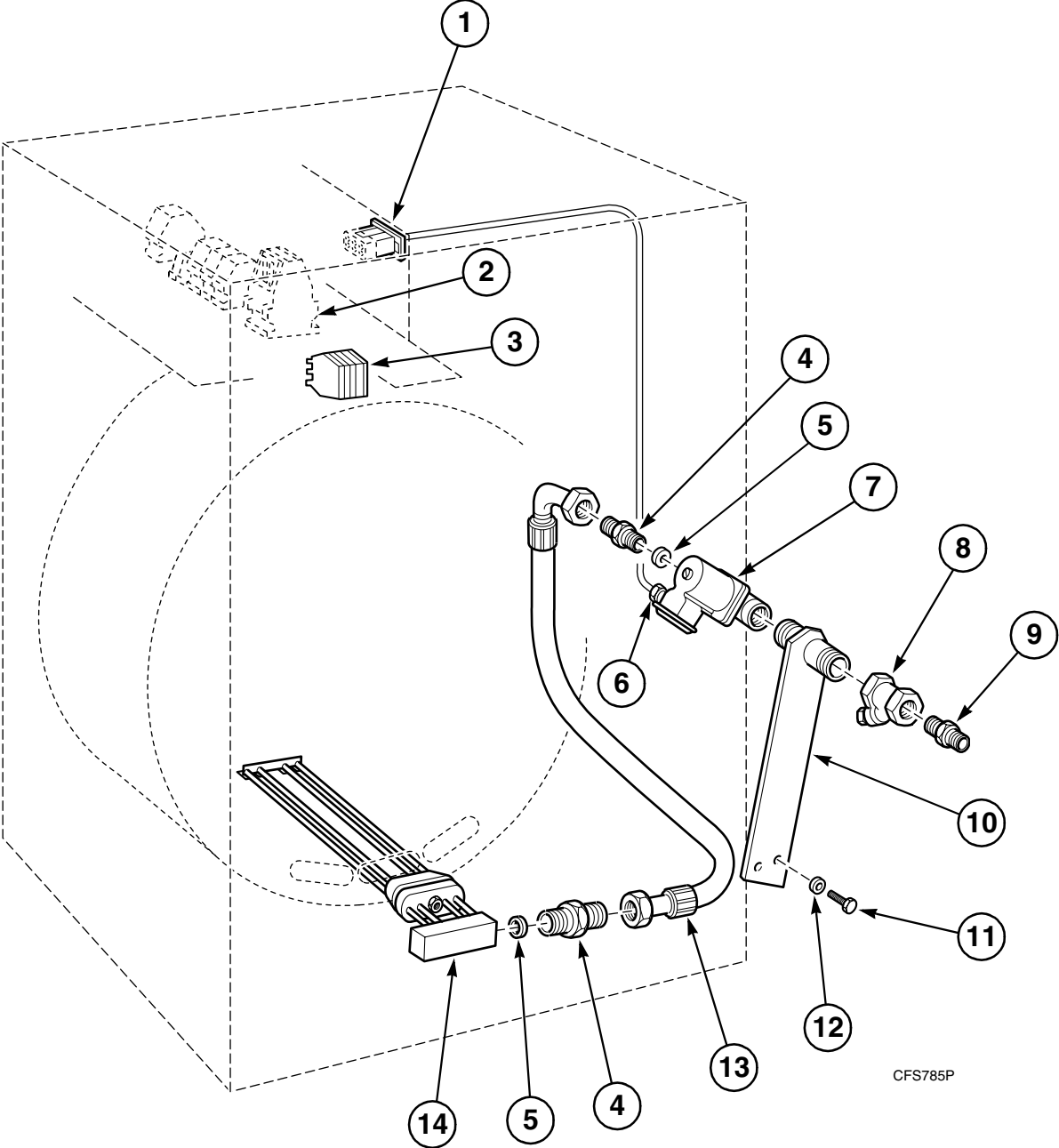
CFS784P

Water Inlet Valves and Hoses

Model WX50230

REF	PART #	DESCRIPTION	COMMENTS
1	G163592	Water Inlet Hose	
2	G149716	Lockwasher	
3	G129379	2-Track Valve	
4	G150227	Nut	
5	G241059	3-Track Valve	
6	G129569	T-Fitting	
7	G155150	Clamp	
8	G116830	Bracket	
9	G130005	Sleeve	
10	G116277	Inlet Valve	Cold
	G142778	Coil	
	G108910	Diaphragm	
11	G156687	Cap	
12	G211771	Water Inlet Hose	
13	G116608	Water Inlet Hose	
14	G240937	Water Inlet Hose	
15	G156109	Clamp	
16	G160259	Water Inlet Nut	
17	G129502	Elbow	
18	G156125	Water Inlet Hose	
19	G114348	Gasket	
20	G234971	Adapter	
21	G159996	Strainer	
22	G146233	Screw	
23	G149526	Washer	
24	G122713	Water Inlet Cover	

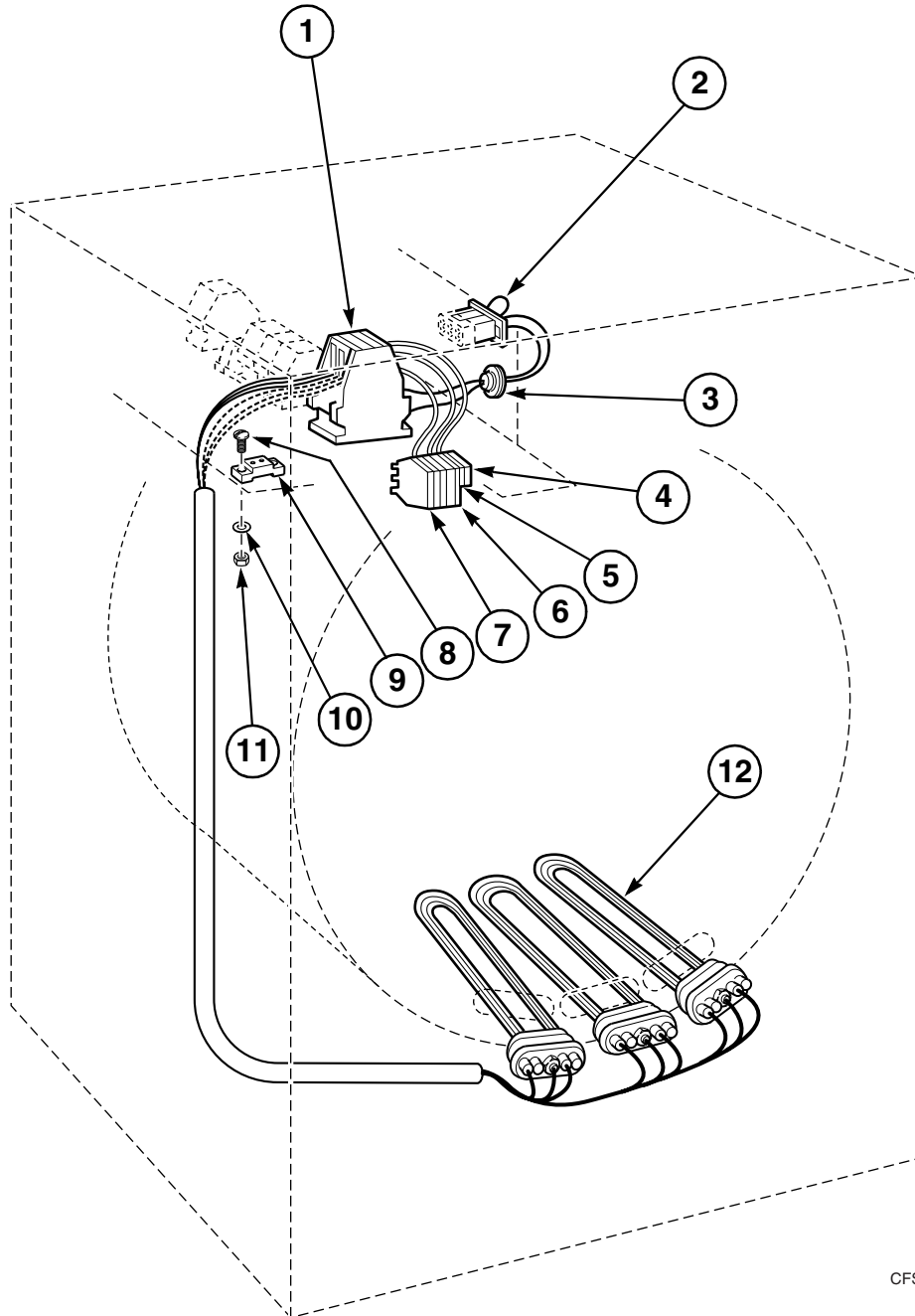
Steam Inlet Valve and Fittings



Steam Inlet Valve and Fittings

REF	PART #	DESCRIPTION	COMMENTS
	G798843	Steam Heating Kit	
1	G139394	Insulator	
2	G155457	Terminal	
3	G155275	Terminal Block	
4	G217745	Steam Inlet Fitting	
5	G109777	Copper Gasket	
6	G140095	Strain Relief	
	G140228	Counternut	
7	G162784	Inlet Valve	
	G159772	Coil	
	G162792	Diaphragm	
8	G133728	Steam Trap	
9	G251355	Steam Inlet Sleeve	
10	G250894	Steam Inlet	
11	G146381	Screw	
12	G149518	Washer	
13	G175018	Steam Inlet Jointing	
14	G214916	Steam Distributor	

Electronic Heating Coils



CFS786P

Electronic Heating Coils

REF	PART #	DESCRIPTION	COMMENTS
	G798835	Electric Heating Kit	
1	G100933	Contactator	
	G108407	Coil	
2	G139394	Insulator	
3	G181701	Elbow	
4	G155275	End Cover	
5	G155457	Terminal Block	
6	G162669	End Cover	
7	G162651	Terminal Block	
8	G146043	Screw	
9	G142380	Terminal Block	
10	G149484	Washer	
11	G149906	Nut	
12	G117762	Heater	

Parts Index

A

Access Cover	
G153239	13
Adapter	
G234971	31, 33
Allen Screw	
G144543	17
G146415	5
G181900	7
G182212	7
Allen Setscrew	
G175778	17

B

Back Panel	
G250563	13
Bearing	
G116301	17
G116723	17
G118307	5
G119917	5
G128843	17
Bearing Housing	
G250399	5
Bearing Housing Drain Hose	
G239988	29
Belt	
G122499	5
G129296	7
Bleach Intake Tube	
G155077	27
Box Cover	
G249987	15
Bracket	
G116830	31, 33
Bushing	
G139683	13

C

Caged Nut	
G165019	13
G165613	11
Cam Sleeve	
G249904	15
Cap	
G115923	17
G140095	19
G156687	31, 33
Card Punch	
G166488	25
Clamp	
G132282	29
G132290	27, 29
G140434	19, 23
G140509	19, 23
G140525	19, 23

G155143	29
G155150	27, 31, 33
G156109	31, 33
Clutch Pulley	
G251199	7
Coil	
G108407	37
G142778	31, 33
G159772	35
Conductor	
G136028	23
Connector	
G120956	29
G139261	7
G139279	7
Contactora	
G100933	37
G110585	19, 23
G136010	19
G136028	19
G136036	19
Contractor	
G136010	23
Control Knob	
G174706	21, 25
Control Panel	
G251280	25
G251488	21
Control Protection Fuse	
G112952	23
G122952	19
Control Tray	
G250340	19, 23
Copper Gasket	
G109777	35
Counternut	
G140228	35
Cover	
G212795	29
C-Ring	
G115949	17
Cylinder and Shaft Assembly	
G200659	5
Cylinder Coupler	
G217414	5
Cylinder Pulley	
G249664	5
Cylinder Shaft	
G200667	5

D

Diaphragm	
G108910	31, 33
G162792	35
Disassembly Sleeve	
G120212	5
Dispenser Box Set	
G153502	27
Dispenser Lid	
G116798	27

Dispenser Outlet Hose G253252	29
Door Assembly G249771	15
Door Bolt G250522	17
Door Gasket G118059	17
Door Gasket Clip G250720	17
Door Microswitch G174888	15
Door Ring G249789	17
	G251264
	17
Door Safety Plate G182030	15
Drain Bracket G243717	9
Drain Elbow G163253	29
Drain Hose G134049	29
	G251215
	29
Drain Hose Clamp G250803	13
Drain Plate G175976	25
Drain Valve Assembly G163212	29
Drive Bracket G221796	13

E

Elbow G129502	33
	G181701
	37
Electric Heating Kit G798835	37
End Cover G155275	19, 37
	G155283
	23
	G162669
	37
End Lid G155275	23
Extract Motor G123877	7
Extract Motor Plate G251124	7
Extract Motor Tightener G249656	7
Extract Plate G175984	25

F

Fixed Chassis G241976	9
Fixing Clamp G155754	19
	G176271
	23

Flat Screw G145664	25
Flexible Sleeve G117671	7
Front Cover G250431	11
Front End-Piece G115733	27
Front Gasket G250811	11
Front Plate G250621	11
Front Seal Cover G250407	5
Front Side Panel G250555	11
Front Toe Plate G251231	11
Fuse Holder G137653	19, 23

G

Gasket G114348	31, 33
	G116129
	17
	G116756
	17
	G153262
	27
	G156208
	27
	G165472
	11, 15
	G175273
	5, 13
	G213819
	5
	G246298
	27
Gear Box G140301	23
Gland G250449	5
Glass G117226	17
Grease Plate G250472	5
Grid G153270	27
Grommet G157198	21, 23, 25
	G160101
	21
Ground Lug G176248	19, 23
Guide Ring G121400	5

H

Heater G117762	37
Heater Inlet Lid G121962	29
Hex Head Screw G145003	5
Hinge G251249	17

Hose Elbow	
G122531	5
Hot Water Plug	
G250878	19, 23

I

Indicator Light	
G176743	25
G176750	21, 25
Injector Assembly	
G249268	29
Inlet Hose	
G118299	29
G182253	27, 29
Inlet Valve	
G116277	31, 33
G162784	35
Installation Box	
G251421	21
Insulator	
G139394	35, 37
G159376	29
G215590	19

K

Key	
G111609	5
G127787	7
Keyboard	
G246124	21
Keyboard Base	
G158493	21
Keyboard Clamp	
G156422	21
Keyboard Program	
G246132	21
Keyboard Screw	
G156430	21
Knob	
G116806	27

L

Left Front Panel	
G251223	11
Lid Plate	
G177840	27
Loading Hook	
G250498	13
Lock Bolt	
G249763	17
Lock Lever	
G249755	17
Lock Spring	
G117721	15
Locking Nut	
G111625	5
G131466	5
G162404	5

Locking Part	
G121970	29

Lockwasher	
G149708	5, 13
G149716	9, 31, 33
G149724	19, 21, 23, 31
G149732	15, 21, 23, 25
G162412	5
G228981	5
G249680	5
Lower Cover Supplement	
G250753	11
Lower Front Cover	
G250613	11

M

Microswitch Bracket	
G221366	19, 23
Microswitch Drive	
G250738	13
Microswitch Drive Sleeve	
G119305	13
Microswitch Insulation	
G244327	15
Motor Protection	
G200337	9

N

Nut	
G149906	19, 23, 37
G149963	17
G149971	15, 29
G149997	5
G150151	17
G150177	19, 21, 23
G150185	21, 25
G150193	7, 9
G150201	7
G150227	9, 19, 23, 31, 33
G150235	7
G150250	7
G165019	21, 25

O

Open Door Plate	
G175901	25
O-Ring	
G121483	5
G121509	5
Outer Drum	
G250381	13
Outer Drum Clamp Ring	
G249698	13
Outer Ring	
G249797	17
Overflow Hose	
G250787	29

P

Pin	
G116822	27
Plastic "T"	
G113357	27
Plate, 900 RPM	
G182063	25
Plug	
G122515	17
Pressure Bulb	
G120964	29
Pressure Hose	
G222687	29
G222711	27
Pressure Switch	
G121889	19
G155192	23
G176677	19, 23
Protective Moulding	
G250829	11
Push Button	
G138339	25

R

Rear Plate	
G249649	13
Rear Plate Angle	
G250530	13
Rear Seal Cover	
G250456	5
Rear Side Panel	
G250548	11
G250571	11
Reducer	
G140301	19
G156158	31
Relay	
G136168	19, 23
Retainer Ring	
G121988	5
Reverser	
G138321	25
Rib Rod	
G217406	5
Right Front Panel	
G229302	11
Running End	
G112813	19, 23

S

Safety Lock Box	
G249920	15
Safety Lock Cam	
G249888	15
Safety Lock Coil	
G249961	15
Safety Piece	
G249896	15

Screw

G116764	13
G122036	7
G122077	11
G123240	15
G144709	15
G144725	27
G144832	27
G144881	11, 13, 21, 25, 29
G144907	11
G144915	15
G144931	13
G144964	9, 11, 15
G145649	17, 25
G145656	21, 25
G145664	21
G146027	21
G146043	19, 23, 37
G146050	15
G146068	23
G146076	13, 15, 21
G146084	21, 27
G146092	27
G146118	19, 23
G146233	19, 23, 27, 31, 33
G146258	19, 23
G146274	31
G146282	19, 23
G146316	9
G146381	7, 35
G146563	7
G146720	7
G147017	13
G157354	5
G163600	7
G164202	13
G166835	23
G168435	21
G172775	7
G175703	13
G175745	9, 13
G182204	13

Seal

G121517	5
G121897	5

Seal Cover

G250480	5
---------	---

Seal Ring

G250464	5
---------	---

Self-Blocking Nut

G129692	15
G132043	23
G146350	7
G150649	9, 13
G150656	7, 13
G164285	7, 13
G176792	19

Separator

G116814	27
---------	----

Setscrew

G150904	17
---------	----

Shock Absorber

G175091	9
---------	---

Siphon Break

G153288	27
---------	----

Sleeve

G120485	5
G130005	31, 33

G250076	29
Slow Reverse Plate	
G175968	25
Socket	
G135608	19, 23
Softener Intake Tube	
G155085	27
Spacer	
G250415	5
Start-Stop Plate	
G175927	25
Steam Distributor	
G214916	35
Steam Heating Kit	
G798843	35
Steam Inlet	
G250894	35
Steam Inlet Fitting	
G217745	35
Steam Inlet Jointing	
G175018	35
Steam Inlet Sleeve	
G251355	35
Steam Trap	
G133728	35
Strain Relief	
G140095	35
Strainer	
G159996	31, 33
Stuffing Box	
G140095	23
Support	
G218832	27
Support Bracket	
G210229	5
Suspended Chassis	
G212928	9
Suspension Bolt	
G249607	7
Suspension Bracket	
G249599	7
Suspension Clamp	
G249615	7
Suspension Hinge	
G249623	7
Suspension Sleeve	
G249631	7
Suspension Spring	
G117663	7

T

Temperature Plate	
G175950	25
Terminal	
G155457	19, 23, 35
G155465	23
G155754	23
G174581	11
G174599	11
G215590	23
Terminal Block	
G139394	19, 23

G139402.....	19, 23
G139410.....	19, 23
G139444.....	19, 23
G142380.....	37
G155275.....	35
G155457.....	37
G162651.....	37
G176271.....	19
T-Fitting	
G129569.....	31, 33
Thermal Overload	
G109819.....	7
Thermic Relay	
G168336.....	19, 23
Thermometer	
G132134.....	25
Thermostat	
G117754.....	21, 25
G117911.....	23
Thermostat Cover	
G121491.....	21
Thermostat Plate	
G181297.....	25
G181308.....	25
Tightener	
G251298.....	7
Tightener Bolt	
G251306.....	7
Tightener Plate	
G175919.....	25
Timer	
G175174.....	23
G248617.....	25
G251439.....	21
Timer Bracket	
G121574.....	21
Timer Card	
G132969.....	25
Timer Glass	
G177832.....	21
Timer Plate	
G177667.....	21
Timer Plate Bracket	
G121590.....	21
Timing Device	
G110387.....	23
G179010.....	19
G181768.....	19, 23
Top Back Panel	
G250134.....	13

U

Upper Cover	
G250050.....	11
Upper Cover End-Piece	
G250696.....	11
Upper Frame	
G249805.....	11

V

Valve, 2-Track	
G129379	31, 33
Valve, 3-Track	
G241059	33
Valve, 4-Track	
G241026	31
Vent Hose	
G251207	29
V-Ring	
G131839	5

W

Wash Basket Cylinder	
G210724	5
Wash Motor	
G123869	7
Wash Motor Plate	
G251025	7
Wash Motor Pulley	
G251017	7
Washer	
G110726	13
G111278	7
G114447	7
G115428	7
G115758	11
G134924	13
G149310	11, 13, 21, 25, 29
G149328	15, 17, 27
G149351	9, 11, 15, 17
G149369	15
G149393	7, 11
G149419	5, 7
G149476	13, 19, 21, 23, 27
G149484	15, 19, 23, 37
G149500	7, 9, 13
G149518	7, 13, 35
G149526	9, 15, 19, 23, 31, 33
G149532	21
G162560	5
G246306	27
Water Inlet Cover	
G122713	31, 33
Water Inlet Hose	
G116608	31, 33
G123174	31
G156125	33
G163592	27, 31, 33
G211771	33
G214106	27
G240937	31, 33
G241018	31
G250233	31
Water Inlet Nut	
G160259	31, 33
G253260	31
Water Inlet Plate	
G175935	25
G175943	25

Y

Y-Fitting	
G152165	31