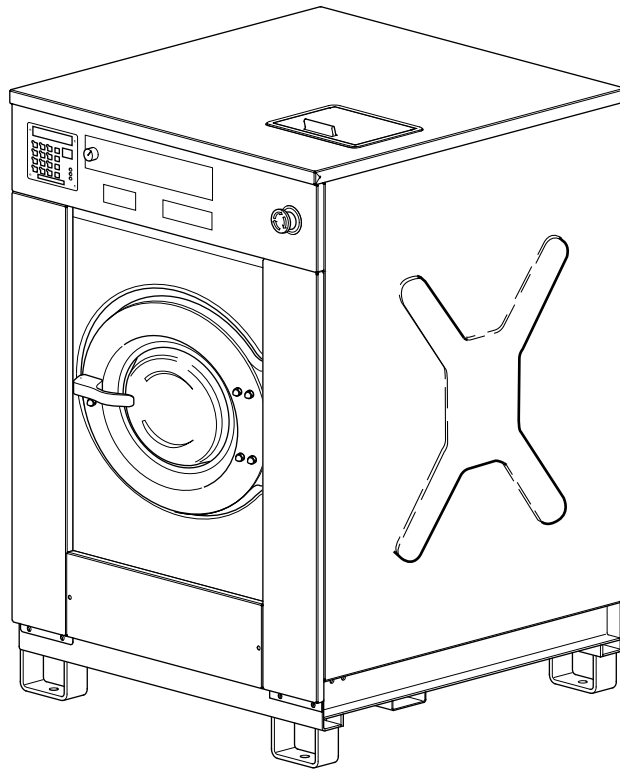


Washer-Extractor

Cabinet Freestanding
Refer to Page 3 for Model Numbers



CFD12C_D0248



&



www.partsking.com

Part No. D0248R3
February 2012

Table of Contents

Title	Page
Parts Ordering Information.....	2
Nameplate Location.....	2
Model Identification.....	3
Cabinet Freestanding Washer-Extractor Product Overview.....	4
Drain Plumbing.....	6
Drain Valve - Normally Open.....	8
Drain Valve - Normally Closed.....	10
Upper Back Panel.....	12
Electrical Component Mounting Plate - Mechanical Timer.....	14
Electrical Component Mounting Plate - PLC9 Control.....	16
Water Inlet Valves - Eaton Valves.....	18
Water Inlet Valves - Elbi and Techno Valves.....	20
Water Inlet Valves - Eaton and Techno Valves.....	22
Water Inlet Valves - Danfoss Valve.....	24
Supply Dispenser - Small Flow Rate.....	26
Supply Dispenser - Large Flow Rate.....	28
Control Panel - Fiber Card.....	30
Control Panel - PLC9 Control.....	32
Door Lock - PLC9 Control.....	34
Door Lock - All Controls Except PLC9.....	36
Door.....	38
Door Handle.....	40
Shell.....	42
Basket.....	44
Basket and Pulley.....	46
Bearing Housing (Drawing 1 of 2).....	48
Bearing Housing (Drawing 2 of 2).....	50
Bearing Housing Plate.....	52
Panels.....	54
Motor and Belt.....	56
Frame.....	58
Shock Absorber.....	60
Parts Index.....	63

© Copyright 2012, Alliance Laundry Systems LLC

All rights reserved. No part of the contents of this book may be reproduced or transmitted in any form or by any means without the expressed written consent of the publisher.

Parts Ordering Information

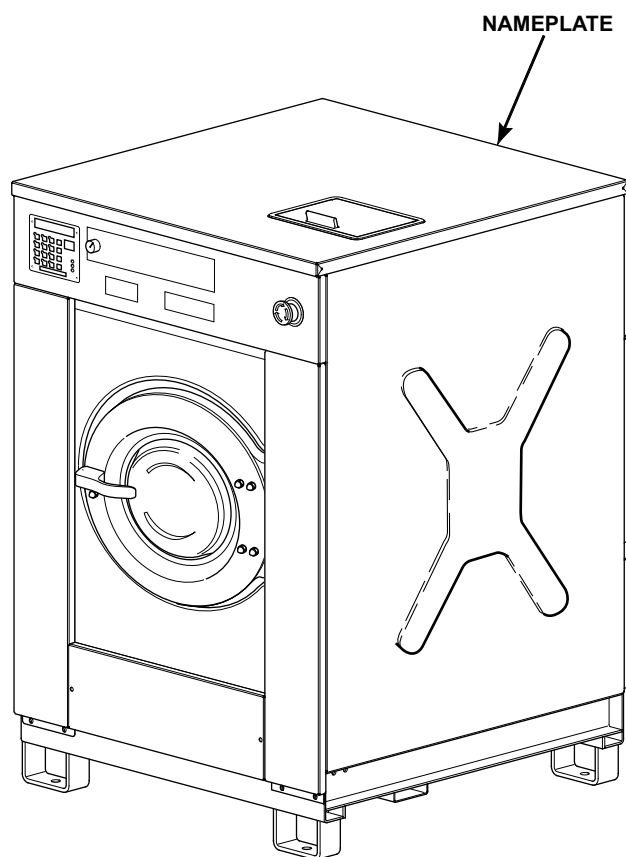
If literature or replacement parts are required, contact the source from whom the machine was purchased or contact Alliance Laundry Systems at (920) 748-3950 for the name and address of the nearest authorized parts distributor.

For technical assistance, call either of the numbers listed below:

(920) 748-3121 Ripon, Wisconsin
+32 56 41 20 54 Wevelgem, Belgium

Nameplate Location

When calling or writing about your product, be sure to mention model and serial numbers. Model and serial numbers are located on nameplate(s) as shown.



CFD12CA_D0248



Model Identification

Information in this manual is applicable to these washer-extractor models:

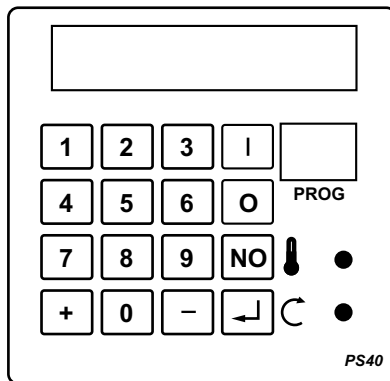
HF245_CAM-TIMER
HF245_MICRO-20_COIN
HF245_MICRO-20_OPL
HF245_PC30
HF245_PS40
HF245_PS40F
HF245_SIGMA_COIN
HF245_SIGMA_OPL

Cabinet Freestanding Washer-Extractor Product Overview

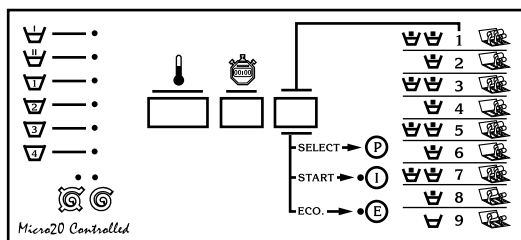
1 2

Type:	HF245P		Nr:	07110580147
Voltage:	3 ~ 380V 50Hz	Weight:	1787 kg	
Motor:	7.5 kW 20 A	Capacity:	575 L	
Heating:	36 kW 60 A	Dry Load:	57 kg	
Total:	43.50 kW	Drum:	980 mm	
Kinetic energy:	23257N/M	Speed:	800 rpm	
Manufactured in:	2007			
Water Pressure:			min. 2.07 max. 5.86 Kg/cm ²	IPX4
			min. 20.7 max. 58.6 N/cm ²	
sfc 741295				
		Alliance International BVBA Nieuwstraat 146 8560 Wevelgem Belgium Tel: +32 56 41 20 54 Fax: +32 56 41 86 74 www.ipso.be		
				

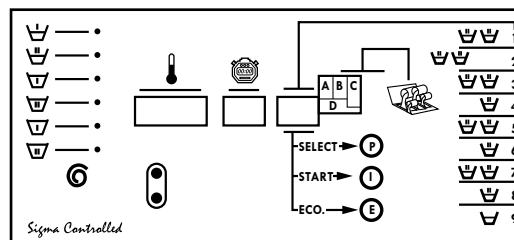
Label 1



PS40



Micro 20



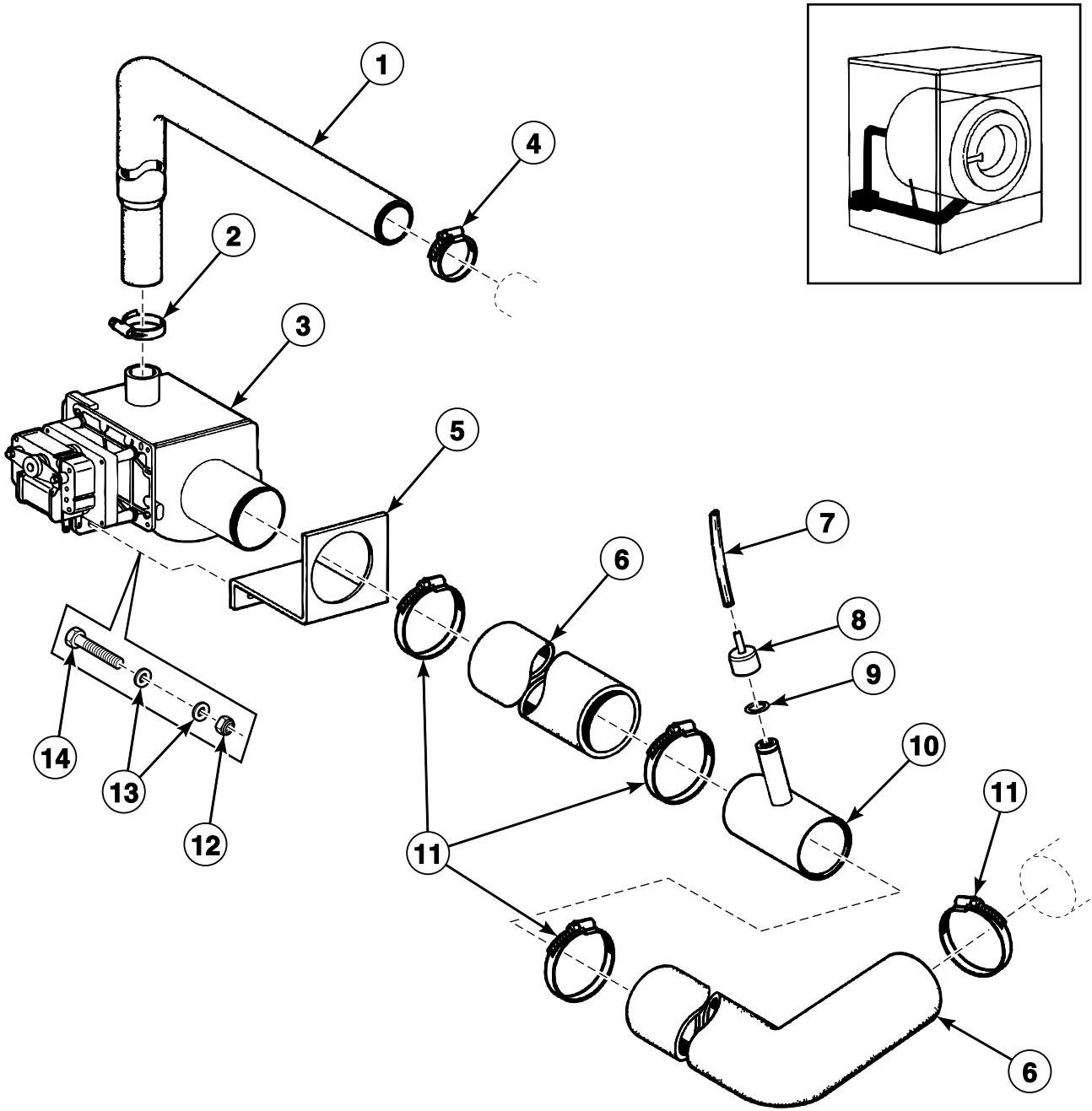
Sigma

CFD303P_D0248

Cabinet Freestanding Washer-Extractor Product Overview

REF	PART NO.	DESCRIPTION	COMMENTS
1	-	Product Family	HF
2	-	Capacity	245

Drain Plumbing

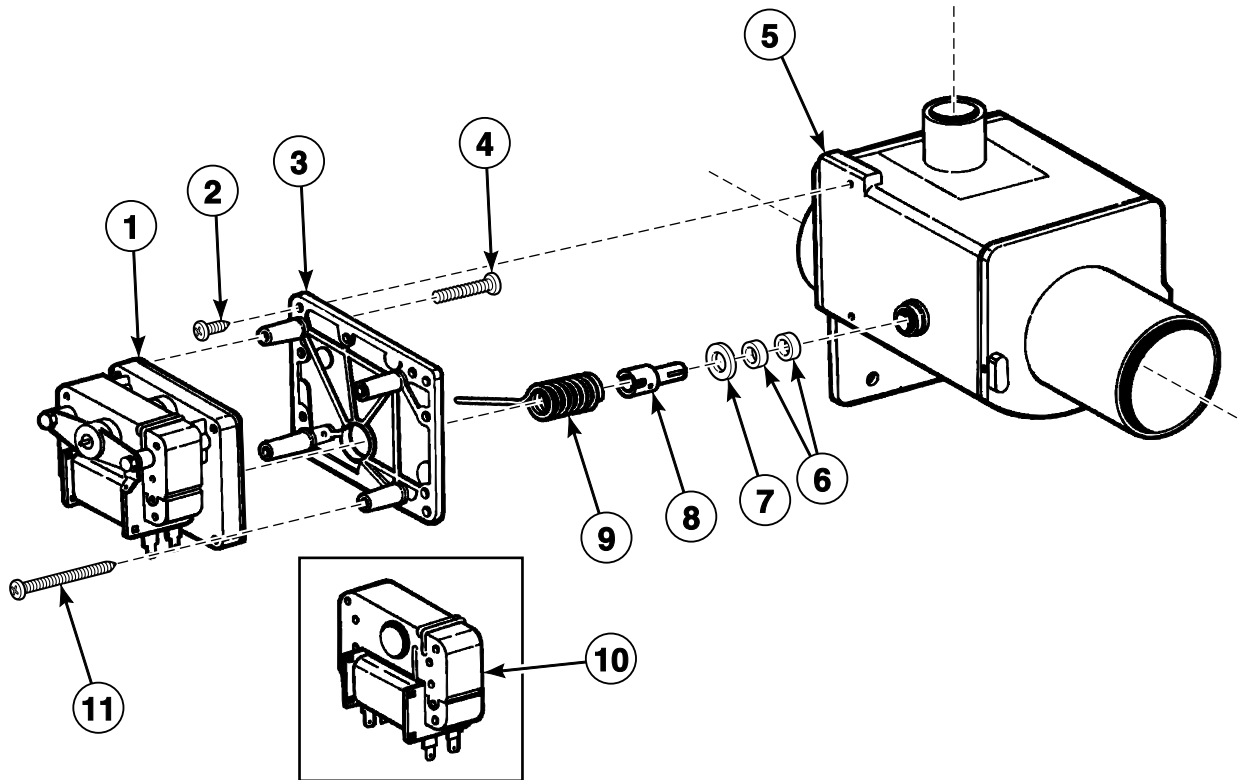


BE100001P_D0248

Drain Plumbing

REF	PART NO.	DESCRIPTION	COMMENTS
1	223/00130/00	Overflow Hose	
2	223/00011/00	Hose Clamp	
3	209/00075/00	Drain Valve	NO
	209/00171/00	Drain Valve	NC
4	223/00013/00	Hose Clamp	
5	115/00147/00	Drain Valve Plate Assembly	
6	223/00141/00	Drain Valve to Drain Pipe Hose	
7	223/00036/00	Pressure Hose	
8	223/00035/02	Pressure Switch Cap	
9	223/00035/03	O-Ring	
10	223/00083/00	Pressure Hose	
11	223/00057/00	Clamp	
12	204/00109/00	Nut	
13	202/00002/00	Washer	
14	206/00009/00	Bolt	

Drain Valve - Normally Open

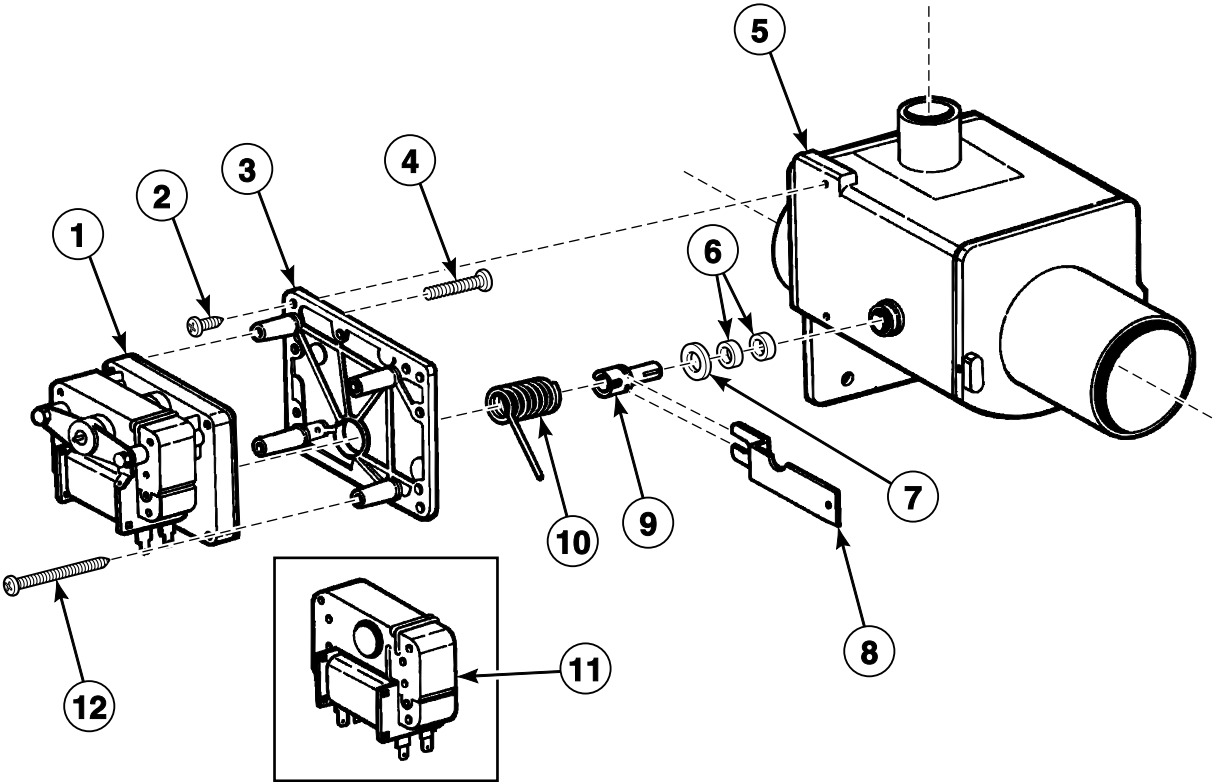


BE100002P_D0248

Drain Valve - Normally Open

REF	PART NO.	DESCRIPTION	COMMENTS
1	209/00052/11	Drain Valve Motor	110 Volt/60 Hertz
	209/00051/11	Drain Valve Motor	220 Volt/50 or 60 Hertz
	209/00203/11	Drain Valve Motor	
2	209/00170/05	Screw	
3	209/00025/07	Drain Valve Motor Mounting Plate	
4	209/00025/08	Screw	
5	209/00075/05	Drain Valve	
6	209/00025/10	Drain Valve Shaft Seal	
7	209/00170/09	Washer	
8	209/00170/10	Drain Valve Shaft	
9	209/00025/13	Drain Valve Spring	
10	209/00203/21	Coil	24 Volt
	209/00052/21	Coil	115 Volt/60 Hertz
	209/00051/21	Coil	220 Volt/50 or 60 Hertz
11	209/00170/07	Screw	

Drain Valve - Normally Closed

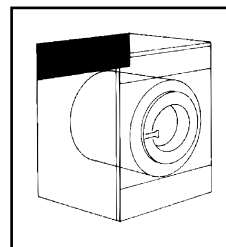
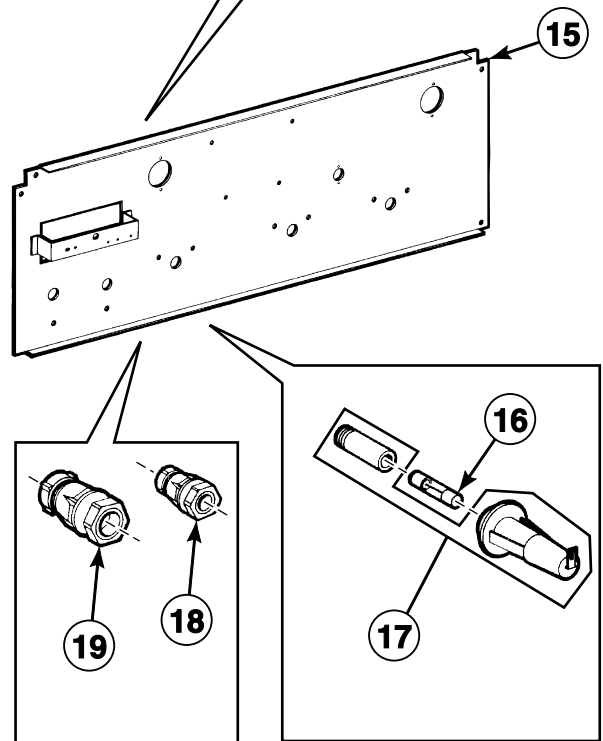
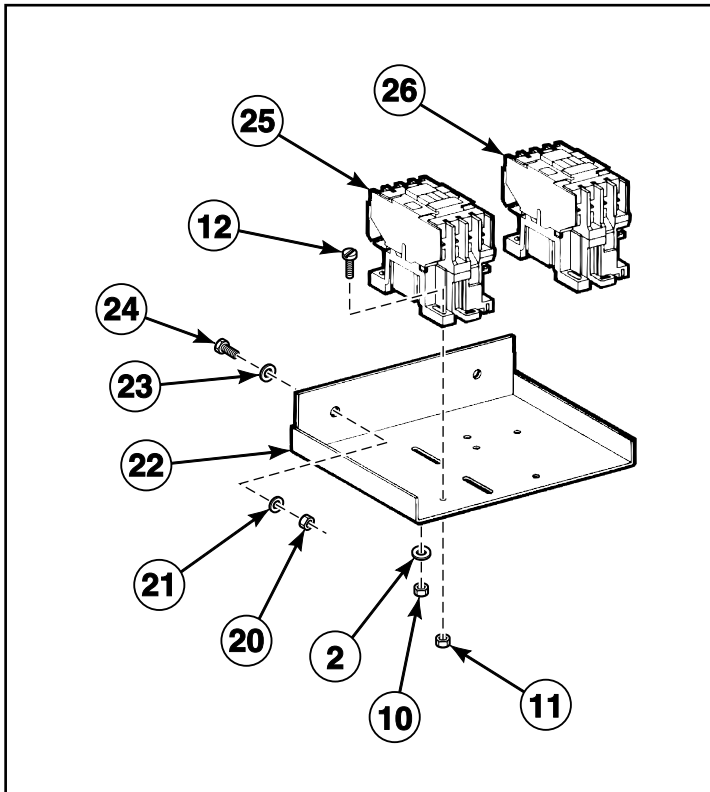
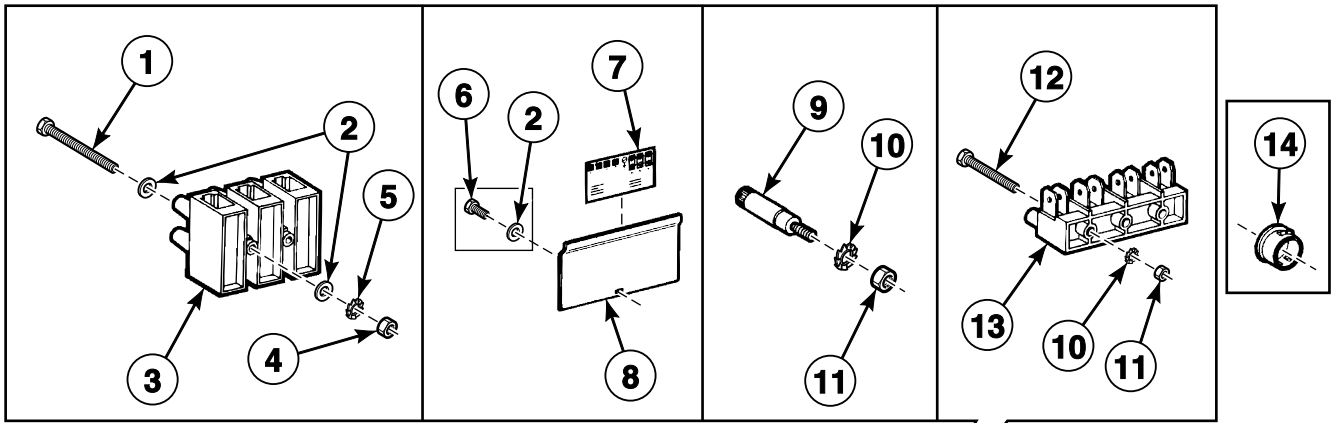


BE10003P_D0248

Drain Valve - Normally Closed

REF	PART NO.	DESCRIPTION	COMMENTS
1	209/00203/12	Drain Valve Motor	24 Volt
	209/00052/12	Drain Valve Motor	110 Volt/50 Hertz
	209/00170/06	Drain Valve Motor Assembly	220 Volt/50 or 60 Hertz
2	209/00170/05	Screw	
3	209/00171/03	Motor Plate	
4	209/00025/08	Screw	
5	209/00075/05	Drain Valve	
6	209/00025/10	Drain Valve Shaft Seal	
7	209/00115/11	Drain Valve Handle	
8	209/00170/09	Washer	
9	209/00170/10	Drain Valve Shaft	
10	209/00170/02	Drain Valve Spring	
11	209/00212/11	Coil	24 Volt
	209/00052/21	Coil	115 Volt/60 Hertz
	209/00170/11	Coil	220 Volt/50 or 60 Hertz
12	209/00170/07	Screw	

Upper Back Panel

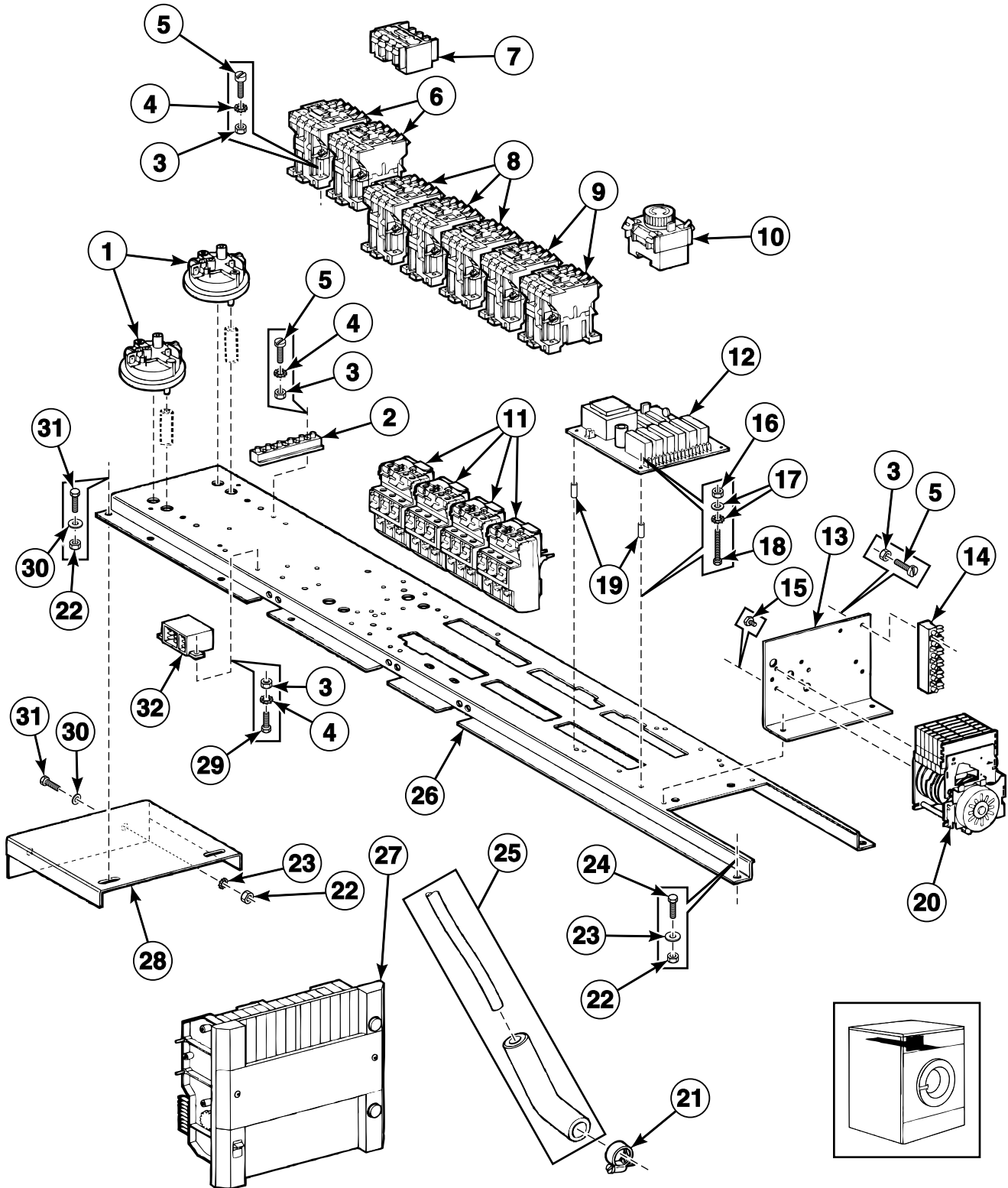


BE10004P_D0248

Upper Back Panel

REF	PART NO.	DESCRIPTION	COMMENTS
1	207/00014/00	Screw	
2	202/00004/00	Washer	
3	209/00057/00	Terminal	3 pole
	209/00291/00	Terminal	12 pole
4	204/00008/00	Nut	
5	203/00007/00	Washer	
6	206/00027/00	Bolt	
7	229/00001/00	Sticker	
8	140/00010/00	Cover Plate	
9	209/00006/00	Terminal	
10	203/00006/00	Washer	
11	204/00007/00	Nut	
12	207/00003/00	Screw	
13	209/00005/00	Terminal Block	
14	211/00084/00	Plug	20.5 mm diameter
	211/00085/00	Stopper	25.5 mm diameter
	211/00086/00	Stopper	28 mm diameter
	211/00087/00	Plug	30 mm diameter
15	133/00001/00	Backbridge	
16	209/00195/00	Fuse	
17	209/00202/00	Fuse Holder	
18	211/00022/00	Nut	
19	211/00023/00	Nut	
20	204/00005/00	Nut	
21	203/00004/00	Washer	
22	140/00011/BO	Contactoer Plate	
23	201/00007/00	Washer	
24	206/00014/00	Bolt	
25	209/00041/04	Contactoer	LC1-D0901M5
	209/00148/02	Contactoer	LC1-D1810M5
26	209/00149/02	Contactoer	LC1-D3210M5
	209/06150/02	Contactoer	LC1-D5011M5
	209/00177/02	Contactoer	LC1-D2510M5
	209/00056/02	Contactoer	LC1-D4011M5

Electrical Component Mounting Plate - Mechanical Timer

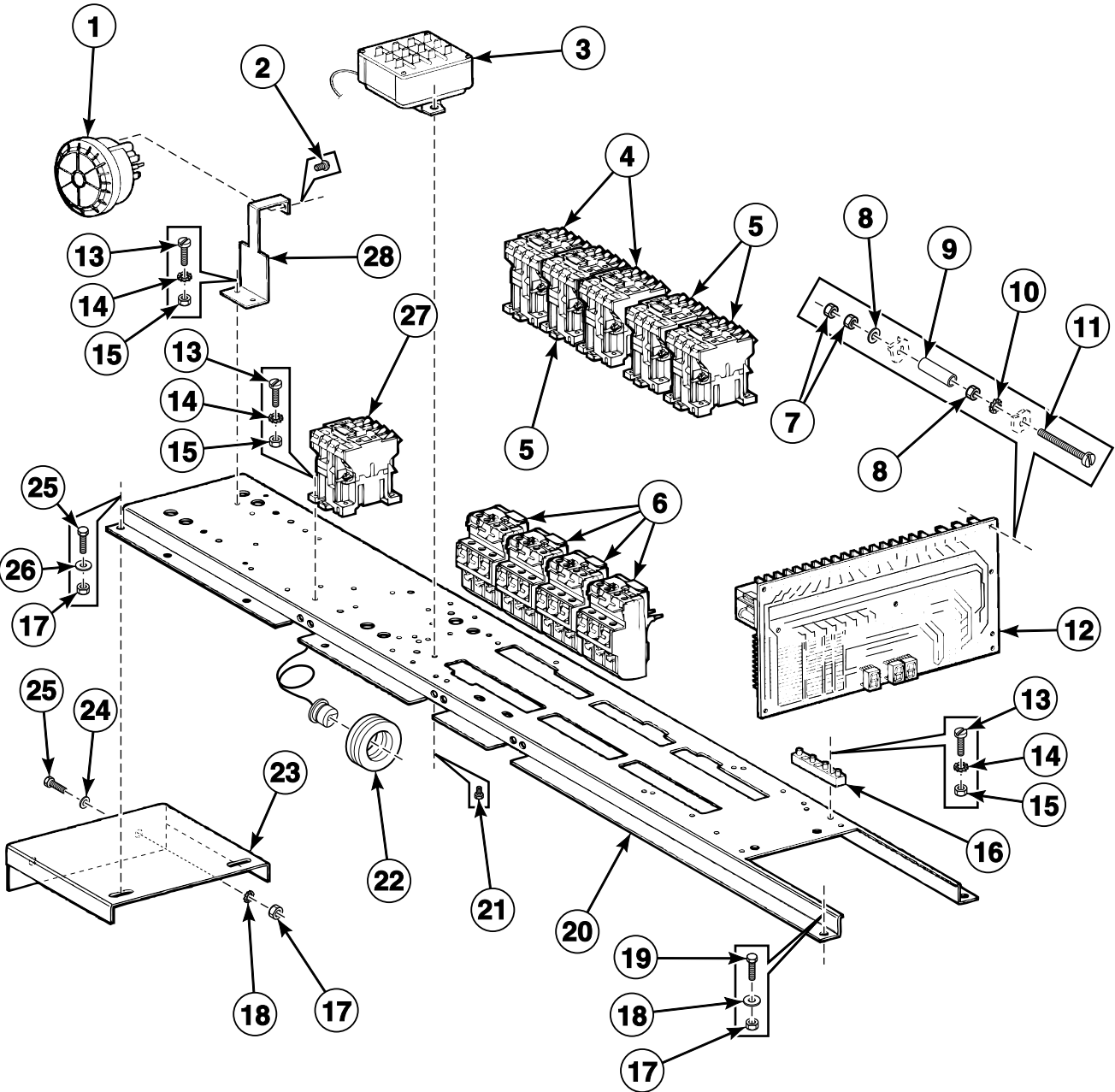


BE100005P_D0248

Electrical Component Mounting Plate - Mechanical Timer

REF	PART NO.	DESCRIPTION	COMMENTS
1	209/00007/10	Water Level Switch	
2	210/10007/00	Connection	
3	204/00007/00	Nut	
4	203/00006/00	Washer	
5	207/00003/00	Screw	
6	209/00041/03	Contactora	LC1-D09019M7
	209/00041/04	Contactora	LC1-D0901M5
	209/00056/02	Contactora	LC1-D4011M5
	209/00136/02	Contactora	LC1-D12109M7
	209/00148/02	Contactora	LC1-D1810M5
	209/00149/02	Contactora	LC1-D3210M5
	209/06150/02	Contactora	LC1-D5011M5
	209/00177/02	Contactora	LC1-D2510M5
	209/00180/03	Contactora	LC1-D12019M7
7	209/00139/02	Contactora	
8	209/00180/03	Contactora	
9	209/00041/03	Contactora	
10	209/00103/02	Switch	
11	209/00263/00	Protector	LR2-D1308; 2.5-4A
	209/00264/00	Protector	LR2-D1310; 4-6A
	209/00285/00	Protector	LR2-D1312; 5.5-8A
	209/00265/00	Protector	LR2-D1314; 7-10A
12	209/00408/00	Printboard	
13	111/00035/00	Mounting Plate	
14	209/00005/00	Terminal Block	
15	206/00021/00	Screw	
16	204/00008/00	Nut	
17	223/00123/00	Washer	
18	207/00014/00	Screw	
19	211/00106/00	Spacer	
20	209/00012/00	Reversing Timer	50 Hertz
	209/00013/00	Reversing Timer	60 Hertz
21	223/00011/00	Hose Clamp	
22	204/00005/00	Nut	
23	203/00004/00	Washer	
24	206/00015/00	Bolt	
25	223/00127/00	Sleeve	
26	140/00011/BO	Contactora Plate	
27	209/00257/00	Card Reader	
28	140/00011/B2	Electrical Components Plate	
29	207/00004/00	Screw	
30	201/00007/00	Washer	
31	206/00014/00	Bolt	
32	209/00141/00	Plug	

Electrical Component Mounting Plate - PLC9 Control

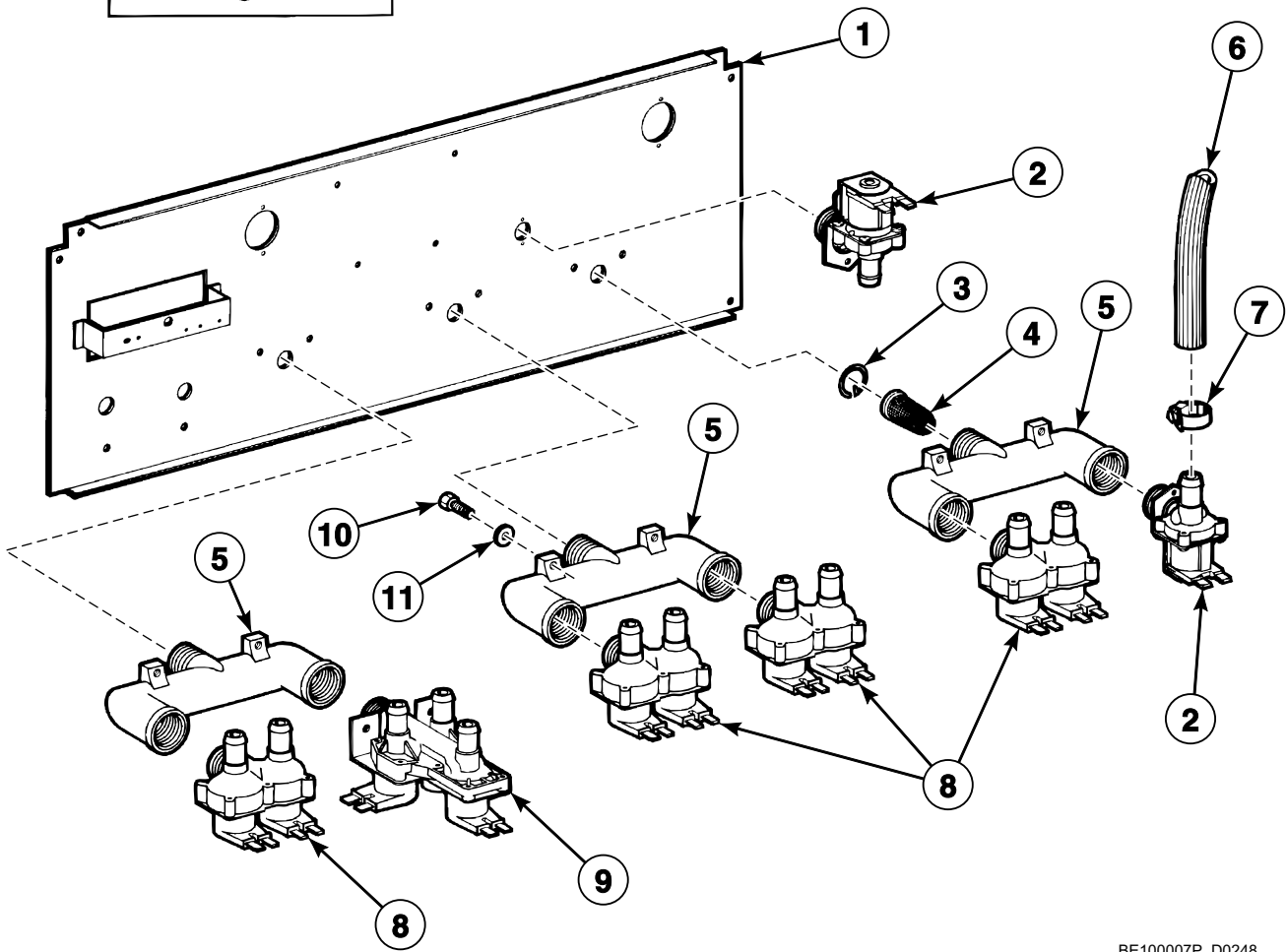
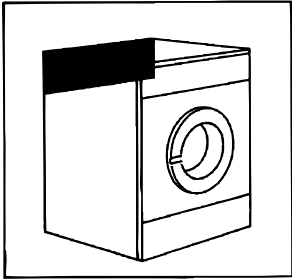


BE10006P_D0248

Electrical Component Mounting Plate - PLC9 Control

REF	PART NO.	DESCRIPTION	COMMENTS
1	209/00007/30	Pressure Switch	
2	208/00007/00	Screw	
3	209/00243/00	Thermostat	
4	209/00180/03	Contactactor	
5	209/00041/03	Contactactor	
6	209/00263/00	Protector	LR2-D1308; 2.5-4A
	209/00264/00	Protector	LR2-D1310; 4-6A
	209/00285/00	Protector	LR2-D1312; 5.5-8A
	209/00265/00	Protector	LR2-D1314; 7-10A
7	204/00008/00	Nut	
8	223/00123/00	Washer	
9	211/00106/00	Spacer	
10	203/00007/00	Washer	
11	207/00025/00	Screw	
12	209/00266/00	Timer	
	111/32106/00	Plate	
13	207/00003/00	Screw	
14	203/00006/00	Washer	
15	204/00007/00	Nut	
16	209/00005/00	Terminal Block	
17	204/00005/00	Nut	
18	203/00004/00	Washer	
19	206/00015/00	Bolt	
20	140/00011/BO	Contactactor Plate	
21	206/00021/00	Screw	
22	225/10004/00	Thermostat Seal	
23	140/00011/B2	Electrical Components Plate	
24	201/00007/00	Washer	
25	206/00014/00	Bolt	
26	201/00007/00	Washer	
	203/00004/00	Washer	
27	209/00180/03	Contactactor	LC1-D12019M7
	209/00149/02	Contactactor	LC1-D3210M5
	209/00041/04	Contactactor	LC1-D0901M5
	209/00136/02	Contactactor	LC1-D12109M7
	209/00148/02	Contactactor	LC1-D1810M5
	209/00041/03	Contactactor	LC1-D09019M7
	209/06150/02	Contactactor	LC1-D5011M5
	209/00177/02	Contactactor	LC1-D2510M5
209/00056/02	Contactactor	LC1-D4011M5	
28	111/00424/00	Pressure Switch Bracket	

Water Inlet Valves - Eaton Valves

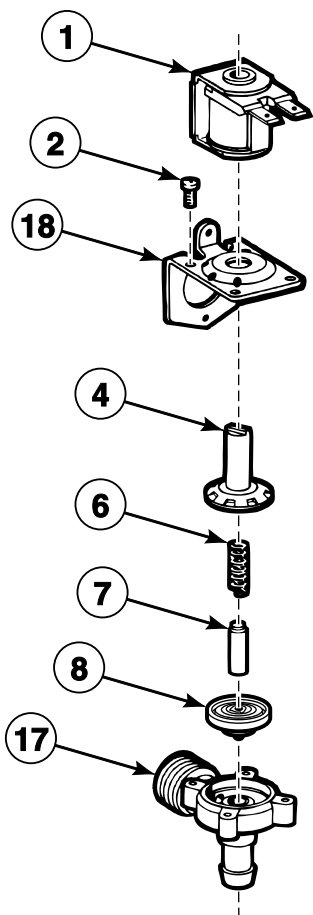


BE100007P_D0248

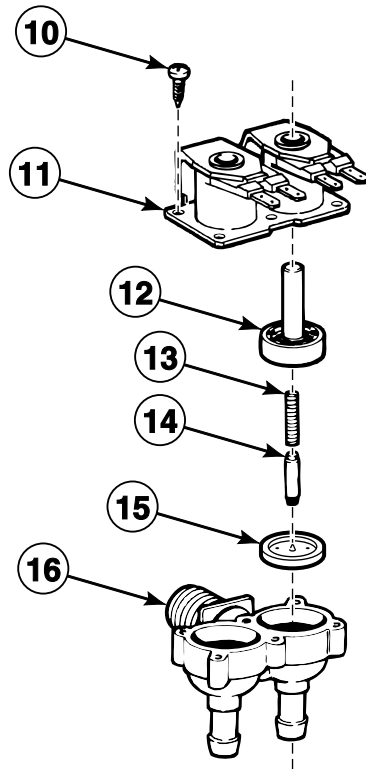
Water Inlet Valves - Eaton Valves

REF	PART NO.	DESCRIPTION	COMMENTS
1	133/00001/00	Backbridge	
2	209/00276/00	Inlet Valve	
3	223/00060/01	Ring	
4	223/00060/00	Filter	
5	223/00058/00	Mounting Piece	
6	223/00044/00	Water Hose	
7	223/00010/00	Hose Clamp	
8	209/00110/00	2-Way Inlet Valve	
9	209/00277/00	3-Way Inlet Valve	
10	206/00015/00	Bolt	
11	202/00003/00	Washer	

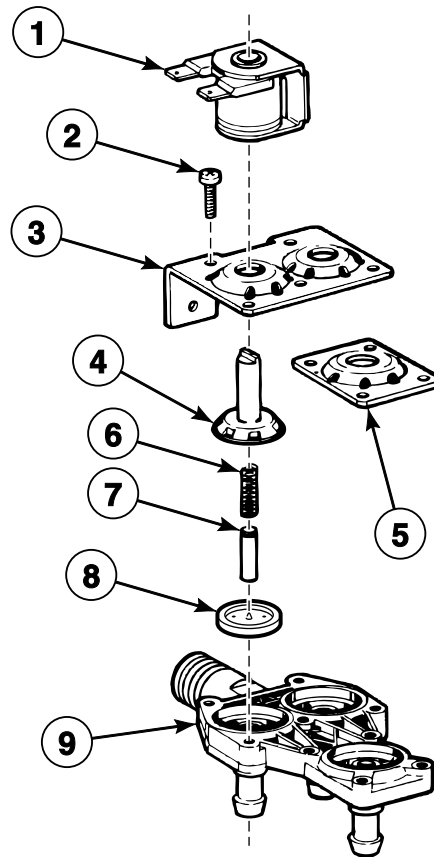
Water Inlet Valves - Elbi and Techno Valves



ELBI



TECHNO



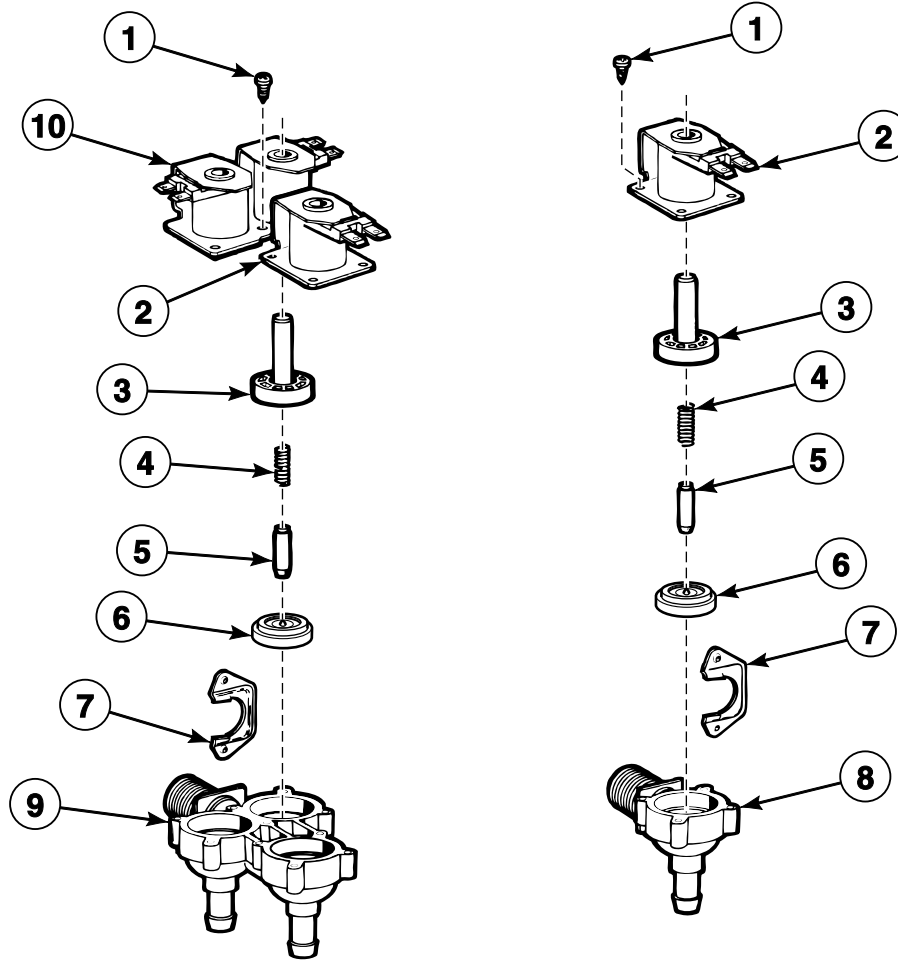
ELBI

BE100008P_D0248

Water Inlet Valves - Elbi and Techno Valves

REF	PART NO.	DESCRIPTION	COMMENTS
1	209/00001/01	Coil	
2	209/00001/02	Screw	
3	209/00001/11	1-Way Plate	
4	209/00001/04	Core Holder	
5	209/00001/03	2-Way Plate	
6	209/00001/05	Spring	
7	209/00001/06	Core	
8	209/00001/07	Diaphragm	
9	209/00001/08	3-Way Inlet Valve	
10	223/00051/01	Screw	
11	223/00051/02	2-Way Inlet Valve	
12	223/00051/03	Core Holder	
13	223/00051/04	Spring	
14	223/00051/05	Core	
15	223/00051/06	Diaphragm	
16	223/00051/07	2-Way Inlet Valve	
17	209/00048/08	1-Way Inlet Valve	
18	209/00048/03	1-Outlet Plate	

Water Inlet Valves - Eaton and Techno Valves

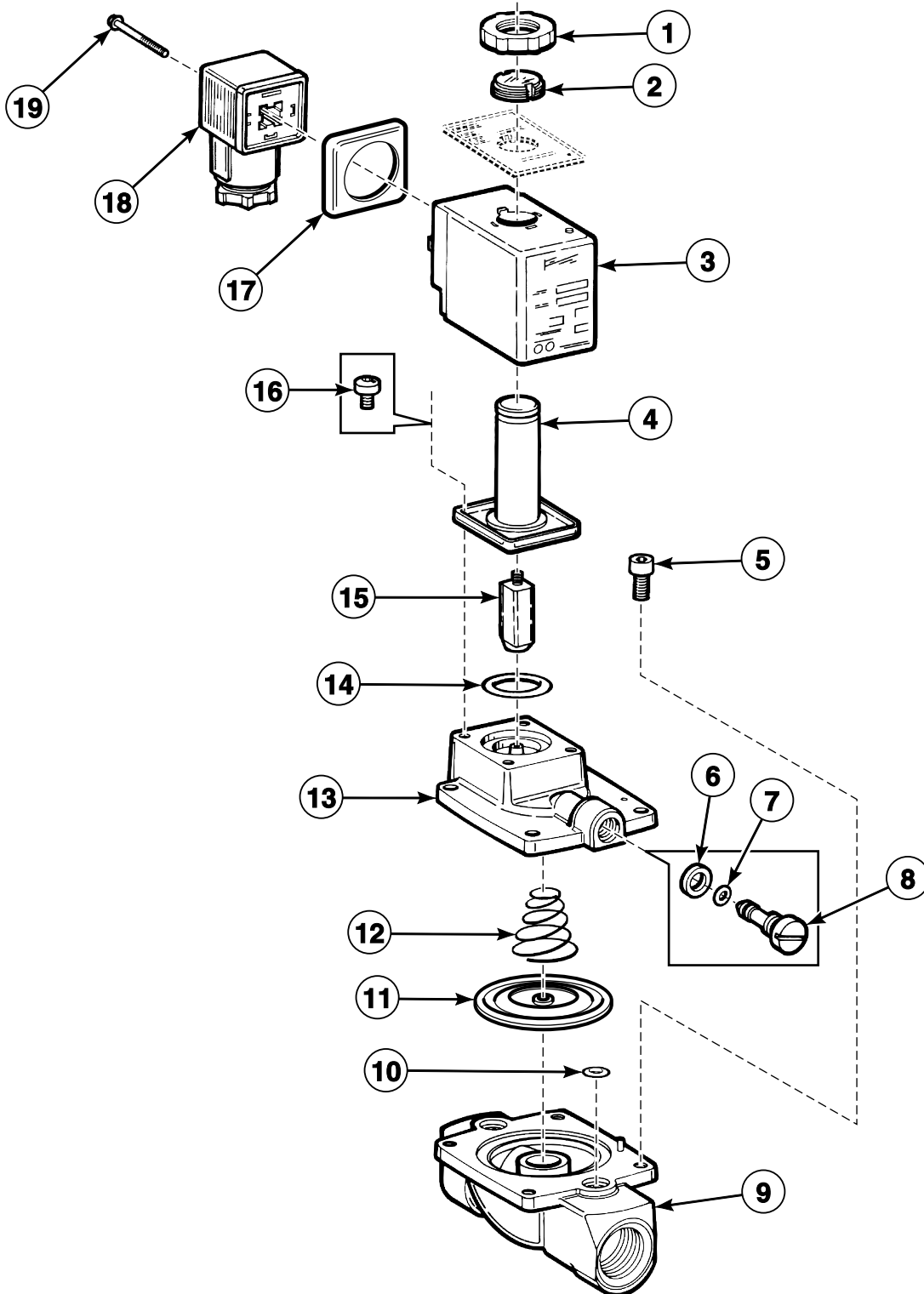


BE100009P_D0248

Water Inlet Valves - Eaton and Techno Valves

REF	PART NO.	DESCRIPTION	COMMENTS
1	223/00051/01	Screw	
2	223/00051/11	Coil	
3	223/00051/03	Core Holder	
4	223/00051/04	Spring	
5	223/00051/05	Core	
6	223/00051/06	Diaphragm	
7	223/00051/09	Plate	
8	223/00051/12	1-Way Inlet Valve	
9	223/00051/13	3-Way Inlet Valve	
10	223/00051/02	2-Way Inlet Valve	

Water Inlet Valves - Danfoss Valve

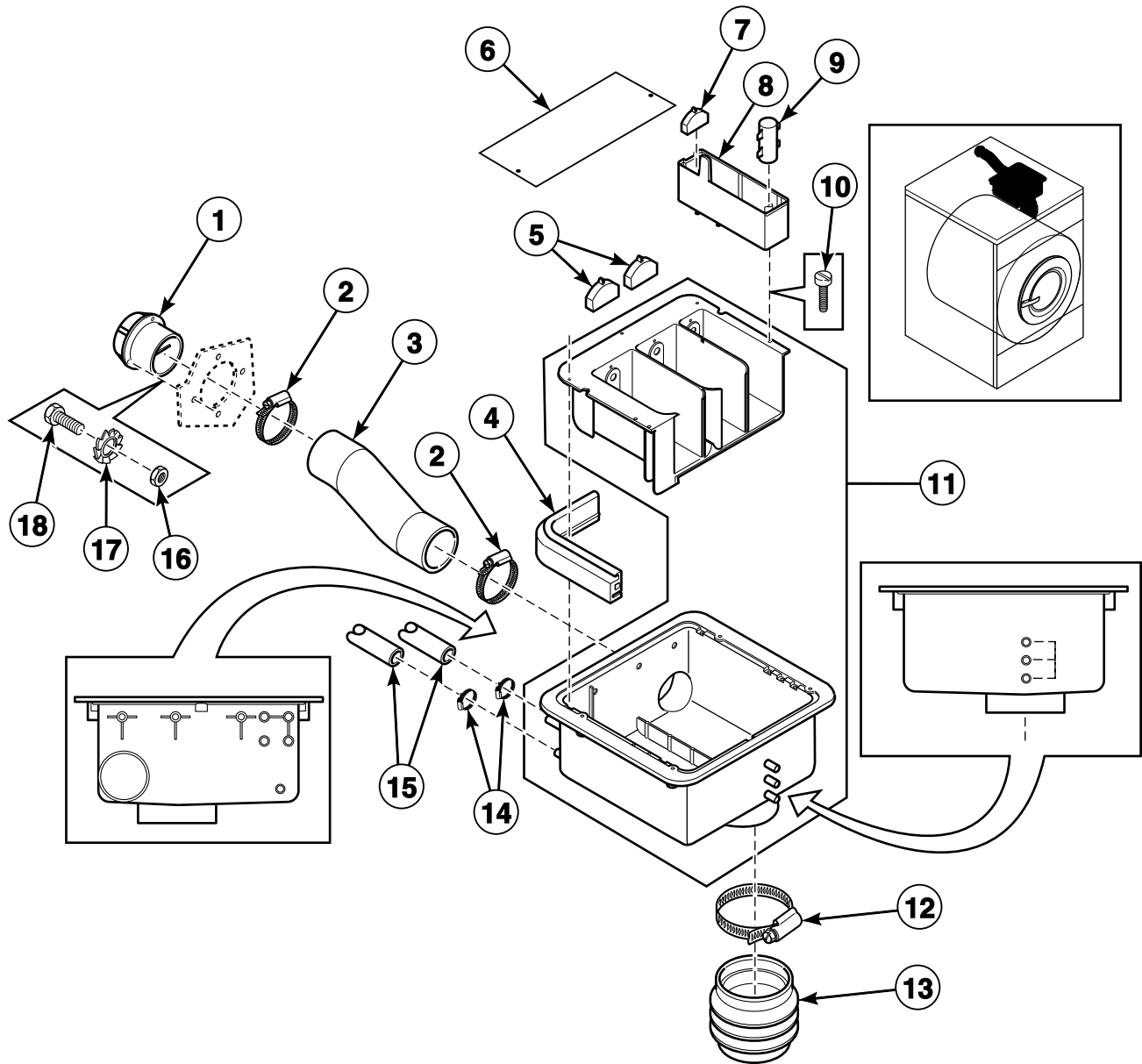


BE100010P_D0248

Water Inlet Valves - Danfoss Valve

REF	PART NO.	DESCRIPTION	COMMENTS
1	209/01306/00	Nut	
2	209/02306/00	Clip	
3	209/00306/02	Coil	
4	209/00306/04	Core Holder	
5	209/00306/07	Screw	
6	209/00306/09	Washer	
7	209/00306/10	O-Ring	
8	209/00306/11	Screw	
9	209/00306/15	Chair	
10	209/00306/12	O-Ring	
11	209/00306/14	Diaphragm	
12	209/00306/13	Spring	
13	209/00306/08	Chair	
14	209/00306/06	O-Ring	
15	209/00306/05	Core	
16	209/00306/16	Screw	
17	209/00306/17	Seal	
18	209/00306/18	Terminal Connector	
19	209/00306/19	Screw	

Supply Dispenser - Small Flow Rate

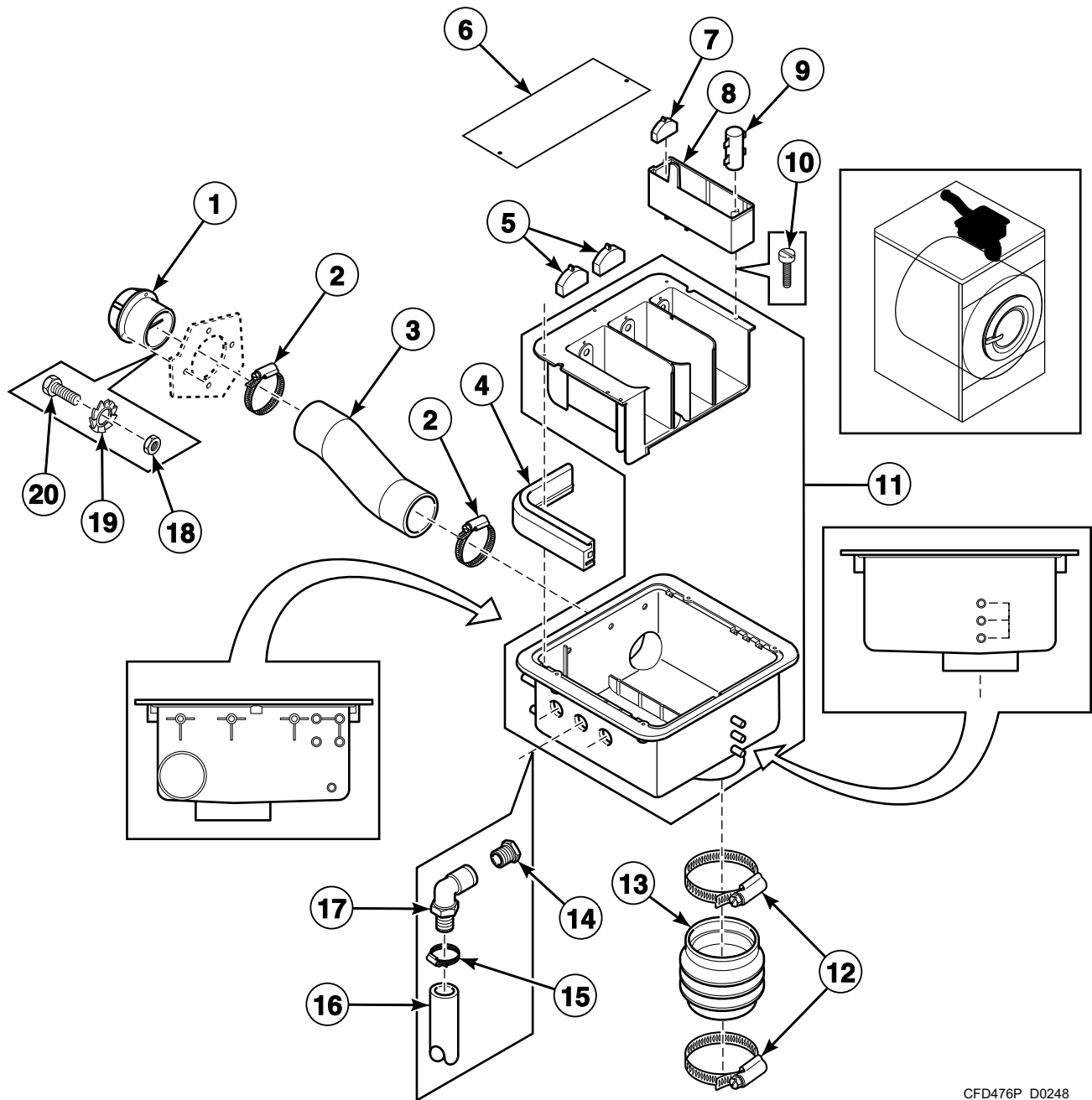


CFD475P_D0248

Supply Dispenser - Small Flow Rate

REF	PART NO.	DESCRIPTION	COMMENTS
1	223/00102/07	Hose Vent	
2	223/00014/00	Hose Clamp	
3	223/00107/04	Hose Vent	
4	223/00109/00	Soap Dispenser Gasket	
5	223/00102/06	Soap Spray Nozzle	
6	123/00107/00	Anti-Splash Plate	Models HF245_SIGMA_COIN and HF245_SIGMA_OPL
	123/00103/06	Soap Box Assembly Plate	All other models
7	223/00102/05	Softener Spray Nozzle	
8	223/00102/03	Rinse Insert	
9	223/00102/04	Soap Dispenser Rinse Siphon	
10	208/00130/00	Screw	
11	223/00102/30	Soap Dispenser Assembly	
12	223/00023/00	Hose Clamp	
13	223/00115/00	Hose	
14	223/00010/00	Hose Clamp	
15	223/00044/00	Water Hose	
16	204/00007/00	Nut	
17	203/00006/00	Washer	M6
	202/00004/00	Washer	M4
18	206/00027/00	Bolt	

Supply Dispenser - Large Flow Rate

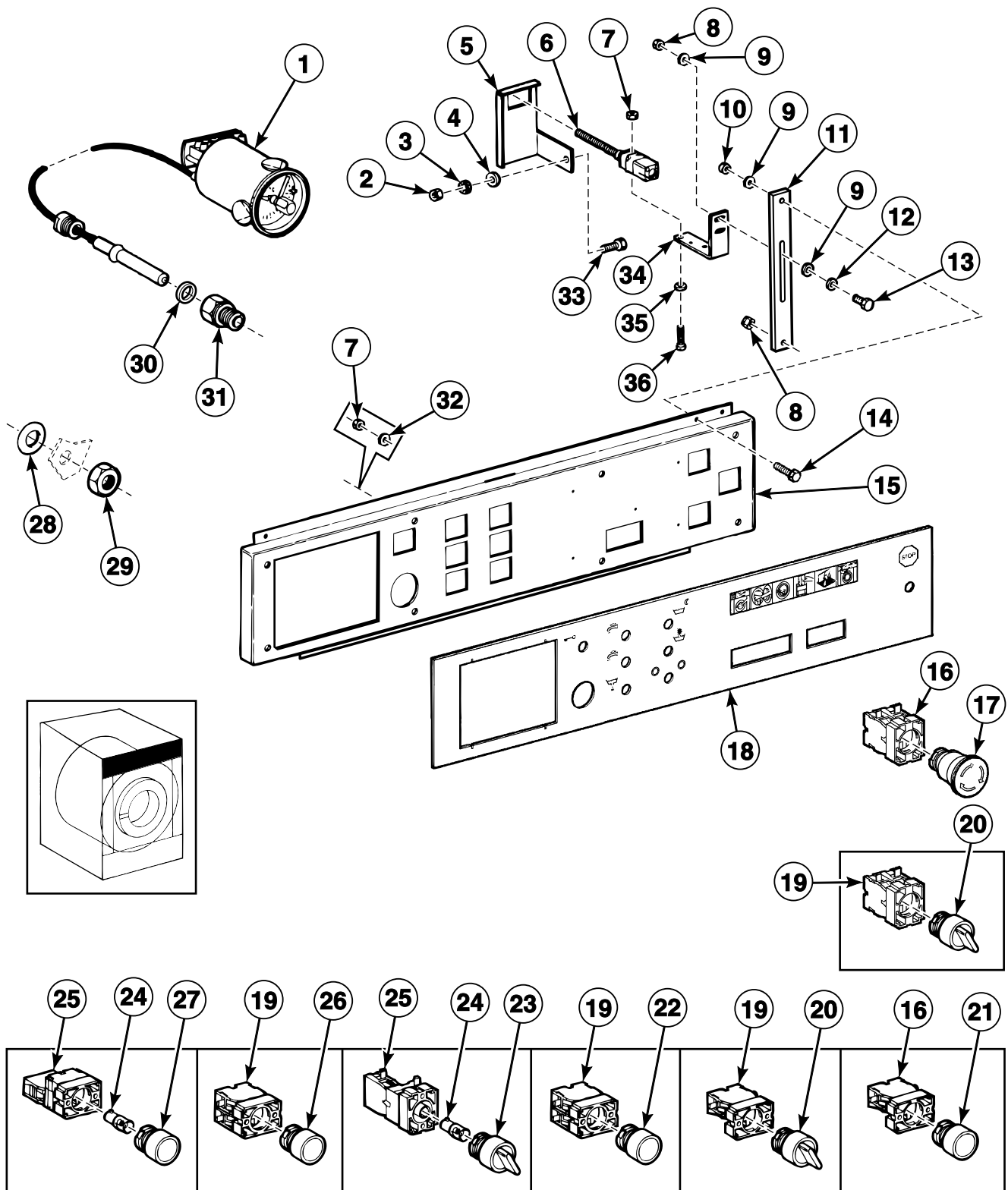


CFD476P_D0248

Supply Dispenser - Large Flow Rate

REF	PART NO.	DESCRIPTION	COMMENTS
1	223/00102/07	Hose Vent	
2	223/00014/00	Hose Clamp	
3	223/00107/04	Hose Vent	
4	223/00109/00	Soap Dispenser Gasket	
5	223/00102/06	Soap Spray Nozzle	
6	123/00107/00	Anti-Splash Plate	Models HF245_SIGMA_COIN and HF245_SIGMA_OPL
	123/00103/06	Soap Box Assembly Plate	All other models
7	223/00102/05	Softener Spray Nozzle	
8	223/00102/03	Rinse Insert	
9	223/00102/04	Soap Dispenser Rinse Siphon	
10	208/00130/00	Screw	
11	223/00102/30	Soap Dispenser Assembly	
12	223/00023/00	Hose Clamp	
13	223/00115/00	Hose	
14	211/10147/00	Mounting Piece	
15	223/00011/00	Hose Clamp	
16	223/00059/00	Water Hose	
17	211/10149/00	Flow Nozzle	
18	204/00007/00	Nut	
19	203/00006/00	Washer	M4
	202/00004/00	Washer	M6
20	206/00027/00	Bolt	

Control Panel - Fiber Card

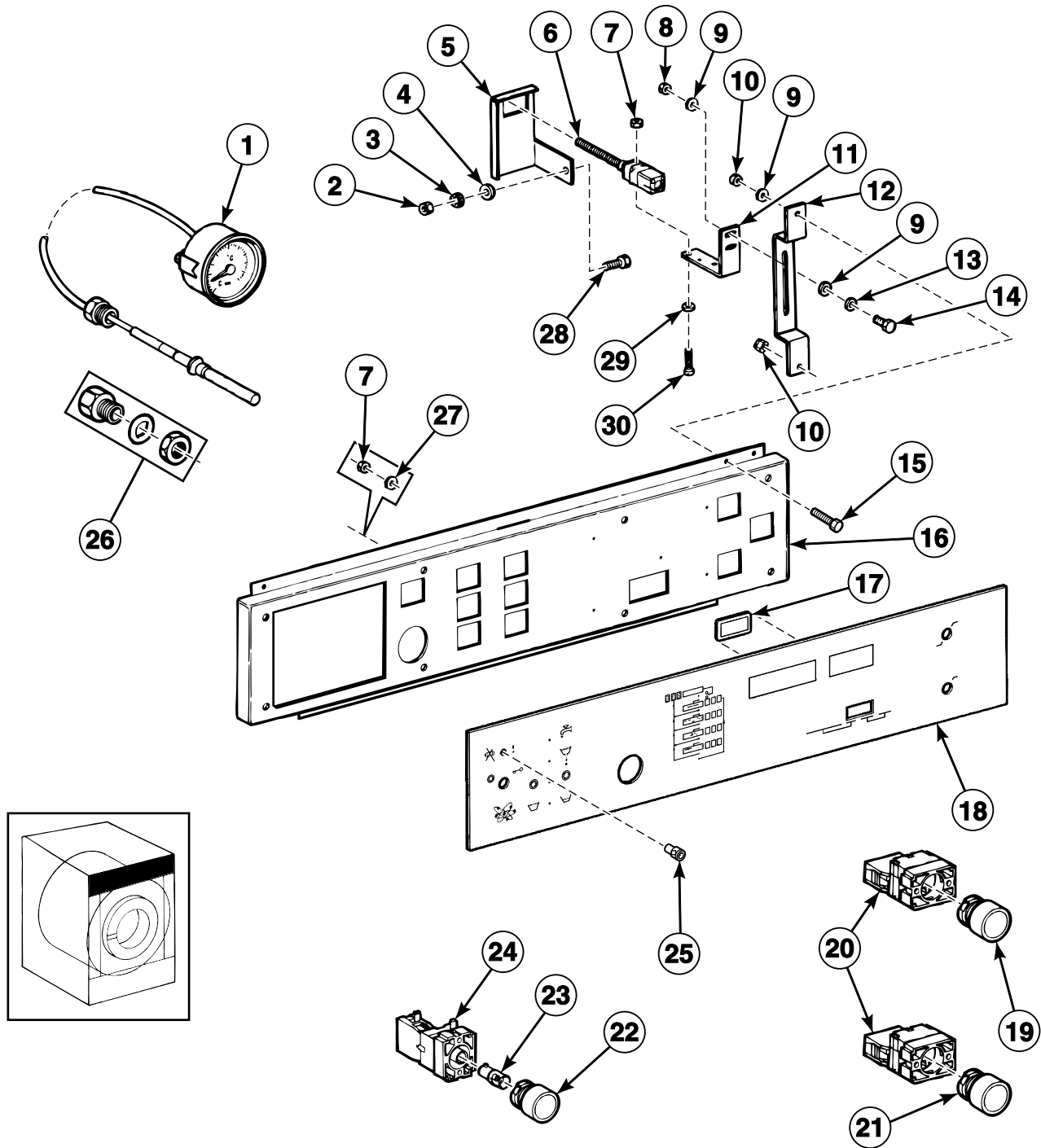


BE100013P_D0248

Control Panel - Fiber Card

REF	PART NO.	DESCRIPTION	COMMENTS
1	209/00143/00	Thermostat	3 temperature
	209/00144/00	Thermostat	2 temperature
2	204/00003/00	Nut	
3	203/00002/00	Washer	
4	201/00010/00	Washer	
5	111/32959/00	Out-of-Balance Switch Bracket	
6	209/00255/00	Out-of-Balance Switch	
7	204/00007/00	Nut	
8	204/00009/00	Nut	
9	201/00007/00	Washer	
10	204/00005/00	Nut	
11	209/00255/01	Switch	
12	203/00004/00	Washer	
13	206/00014/00	Bolt	
14	206/00015/00	Bolt	
15	111/32949/00	Front Panel	
16	209/00253/00	Emergency Stop Button Kit	Includes frame and contact
	209/00099/06	Contact Switch	Contact only; NC
17	209/00248/00	Mushroom Pushbutton	
18	225/00257/OBL	Panel	
19	209/00099/05	Contact	Includes frame and contact
	209/00099/06	Contact Switch	Contact only; NO
20	209/00099/08	Button	
21	209/00252/00	Button	
22	209/00251/00	Button	
23	209/00250/00	Button	
24	209/00249/00	Pilot Light	
25	209/00254/00	Pushbutton	
26	209/00099/04	Button	
27	209/00254/21	Pushbutton	
28	223/00065/01	Washer	
29	223/00038/01	Nut	
30	223/00065/02	Thermostat Joint	
31	223/00065/00	Thermostat Seal	
32	201/00008/00	Washer	
33	206/00005/00	Bolt	
34	111/00107/00	Tilt Switch Bracket	
35	203/00006/00	Washer	
36	207/00018/00	Screw	

Control Panel - PLC9 Control

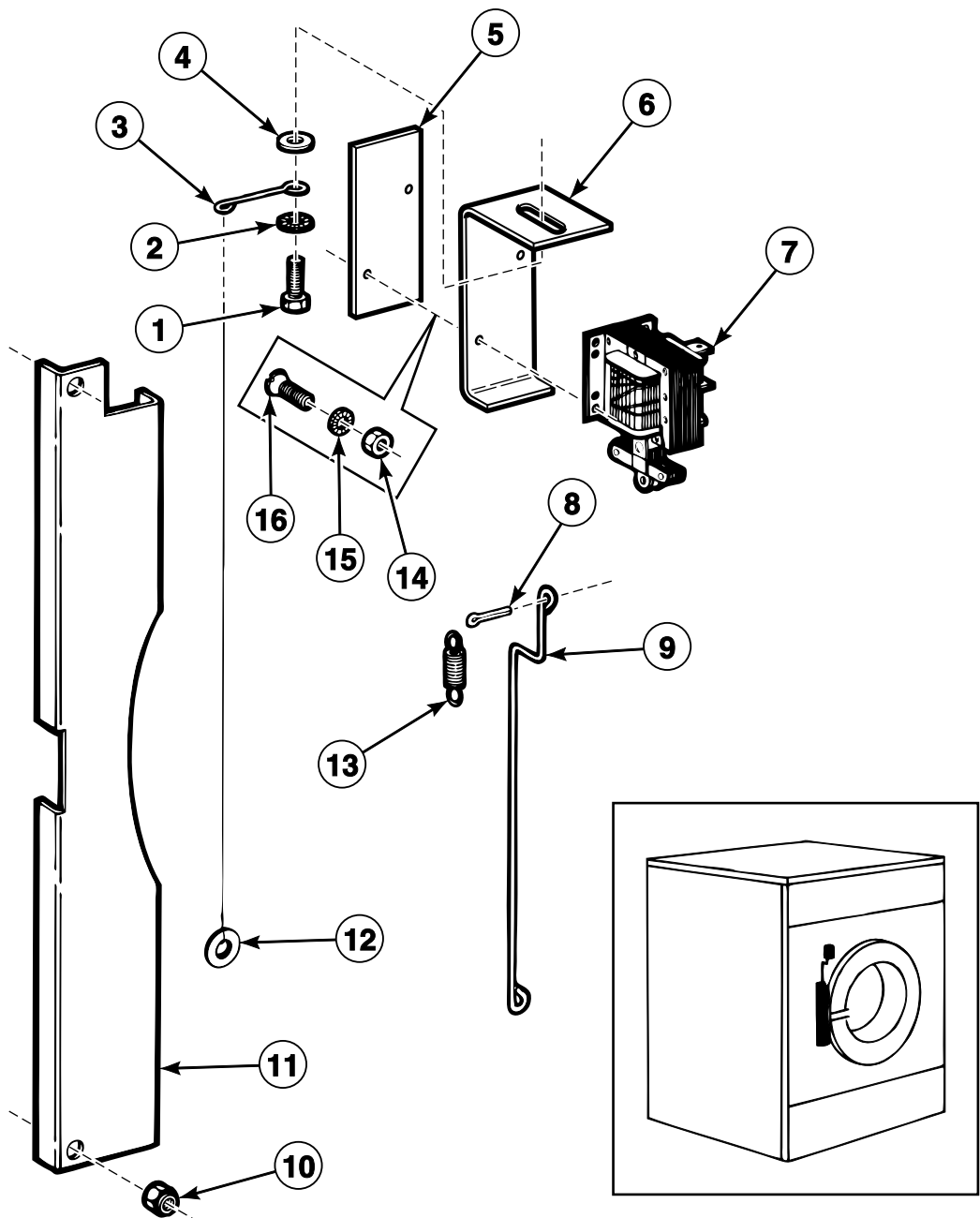


BE100015P_D0248

Control Panel - PLC9 Control

REF	PART NO.	DESCRIPTION	COMMENTS
1	211/00115/00	Thermostat	
2	204/00003/00	Nut	
3	203/00002/00	Washer	
4	201/00010/00	Washer	
5	111/32959/00	Out-of-Balance Switch Bracket	
6	209/00255/00	Out-of-Balance Switch	
7	204/00007/00	Nut	
8	204/00005/00	Nut	
9	201/00007/00	Washer	
10	204/00009/00	Nut	
11	111/00107/00	Tilt Switch Bracket	
12	209/00255/01	Switch	
13	203/00004/00	Washer	
14	206/00014/00	Bolt	
15	206/00015/00	Bolt	
16	111/32949/00	Front Panel	
17	223/10066/00	Display	
18	225/00264/AOL	Panel	
19	209/00099/04	Button	
20	209/00253/00	Emergency Stop Button Kit	
21	209/00252/00	Button	
22	209/00254/21	Pushbutton	
23	209/00249/00	Pilot Light	
24	209/00254/00	Pushbutton	
25	209/00152/00	Lens Cover	
	209/00151/00	Lamp	
26	223/00065/00	Thermostat Seal	
27	201/00008/00	Washer	
28	206/00005/00	Bolt	
29	203/00006/00	Washer	
30	207/00018/00	Screw	

Door Lock - PLC9 Control

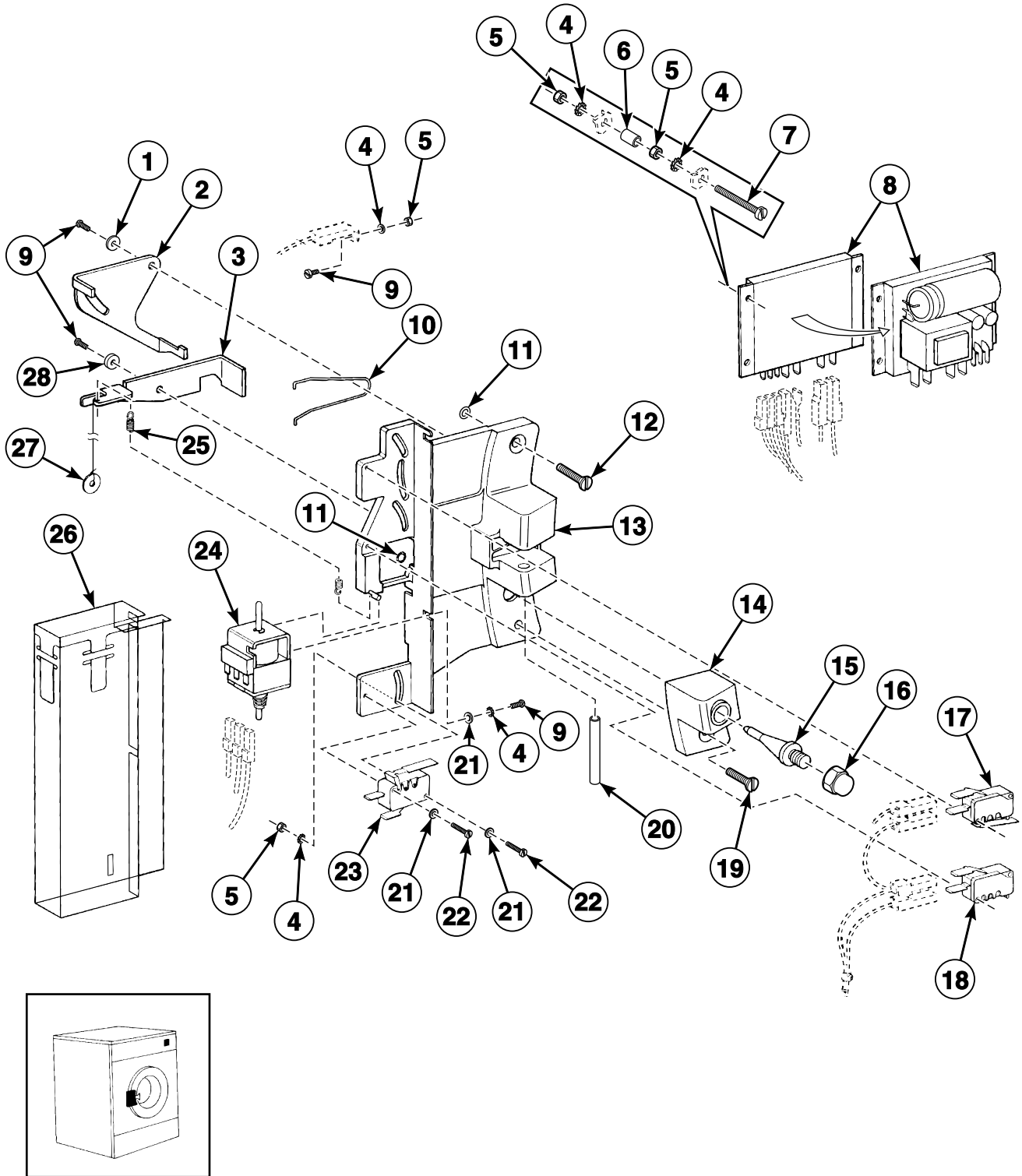


BE100016P_D0248

Door Lock - PLC9 Control

REF	PART NO.	DESCRIPTION	COMMENTS
1	205/00105/00	Bolt	
2	203/00004/00	Washer	
3	124/00035/00	Spindle	
4	202/00003/00	Washer	
5	246/00079/01	Insulation	
6	209/00220/00	Plate	
7	209/00017/00	Door Interlock Coil	50 Hertz
	209/00018/00	Door Interlock Coil	60 Hertz
8	208/00003/00	Cotter Pin	
9	124/00005/00	Wire Bridge	
10	204/00009/00	Nut	
11	119/00212/00	Cover Plate	
12	224/00015/00	Door Latch Cord	
13	224/00009/00	Door Lock Spring	
14	204/00008/00	Nut	
15	203/00007/00	Washer	
16	207/00019/00	Screw	

Door Lock - All Controls Except PLC9

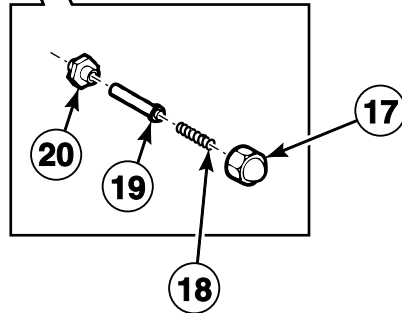
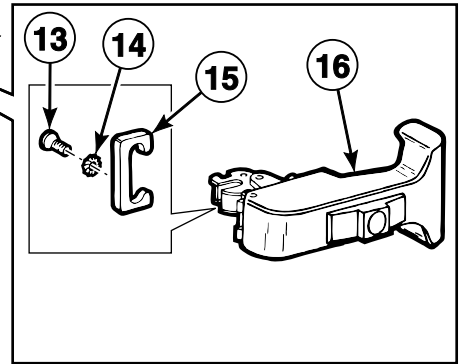
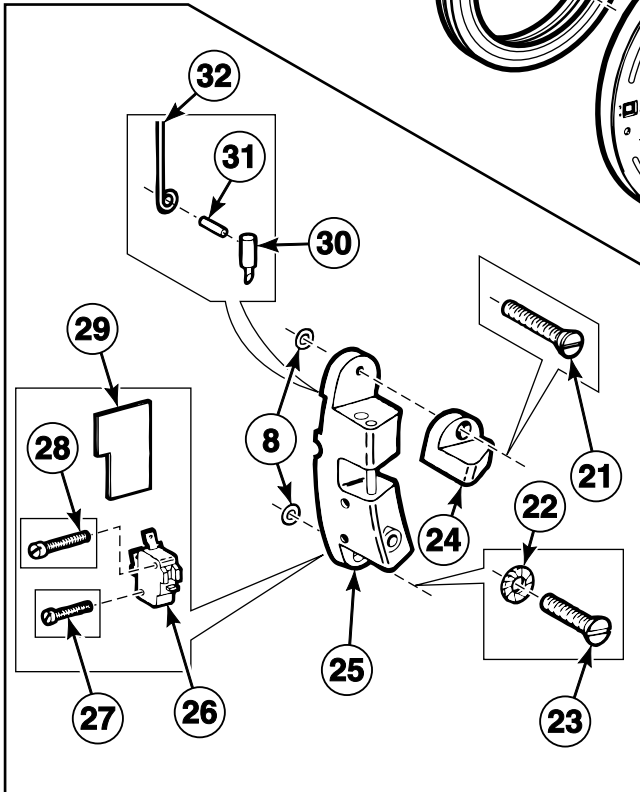
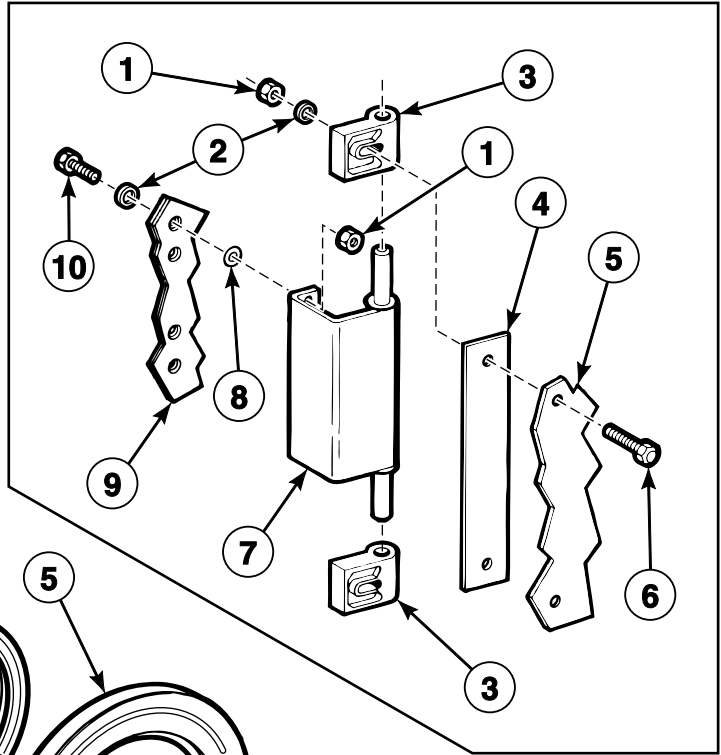
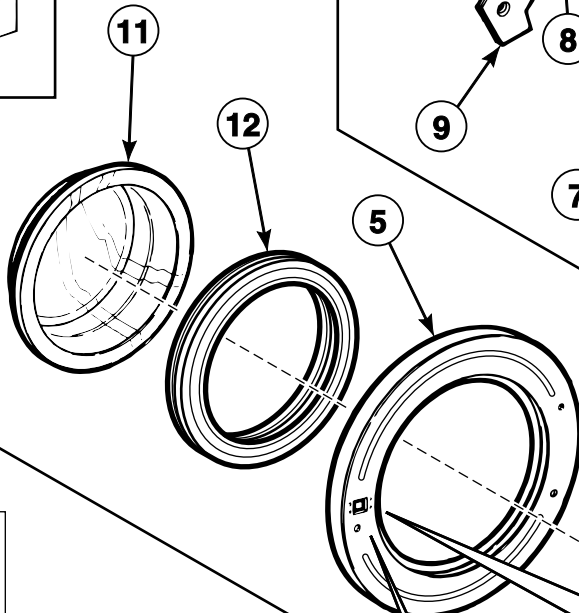
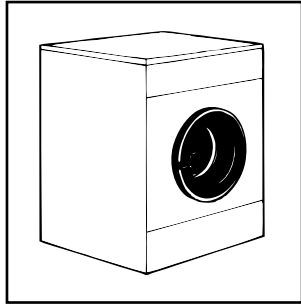


BE100029P_D0248

Door Lock - All Controls Except PLC9

REF	PART NO.	DESCRIPTION	COMMENTS
1	201/00017/00	Washer	
2	217/00052/05	Switch Lever	
3	217/00052/04	Interlock Lever	
4	203/00007/00	Washer	
5	204/00008/00	Nut	
6	211/00106/00	Spacer	
7	207/00006/00	Screw	
8	209/00275/04	Door Lock Board	
9	207/00135/00	Screw	
10	224/00040/00	Lever Spring	
11	217/00021/00	O-Ring	
12	207/00103/00	Screw	
13	217/00052/01	Door Lock Assembly	
14	217/00052/02	Door Lock Pin Kit	
15	211/00109/00	Door Lock Pin Kit	
16	204/00103/00	Nut	
17	209/00271/00	Microswitch	
18	209/00272/00	Door Lock Microswitch	
19	207/00102/00	Screw	
20	217/00017/03	Lock Shaft	
21	201/00018/00	Washer	
22	207/00009/00	Screw	
23	209/00273/00	Light Microswitch	
24	209/00274/00	Door Lock Solenoid	
25	224/00043/00	Interlock Coil Spring	
26	211/00110/00	Lock	
27	224/00015/00	Door Latch Cord	
28	217/00052/03	Door Lock Spacer	

Door

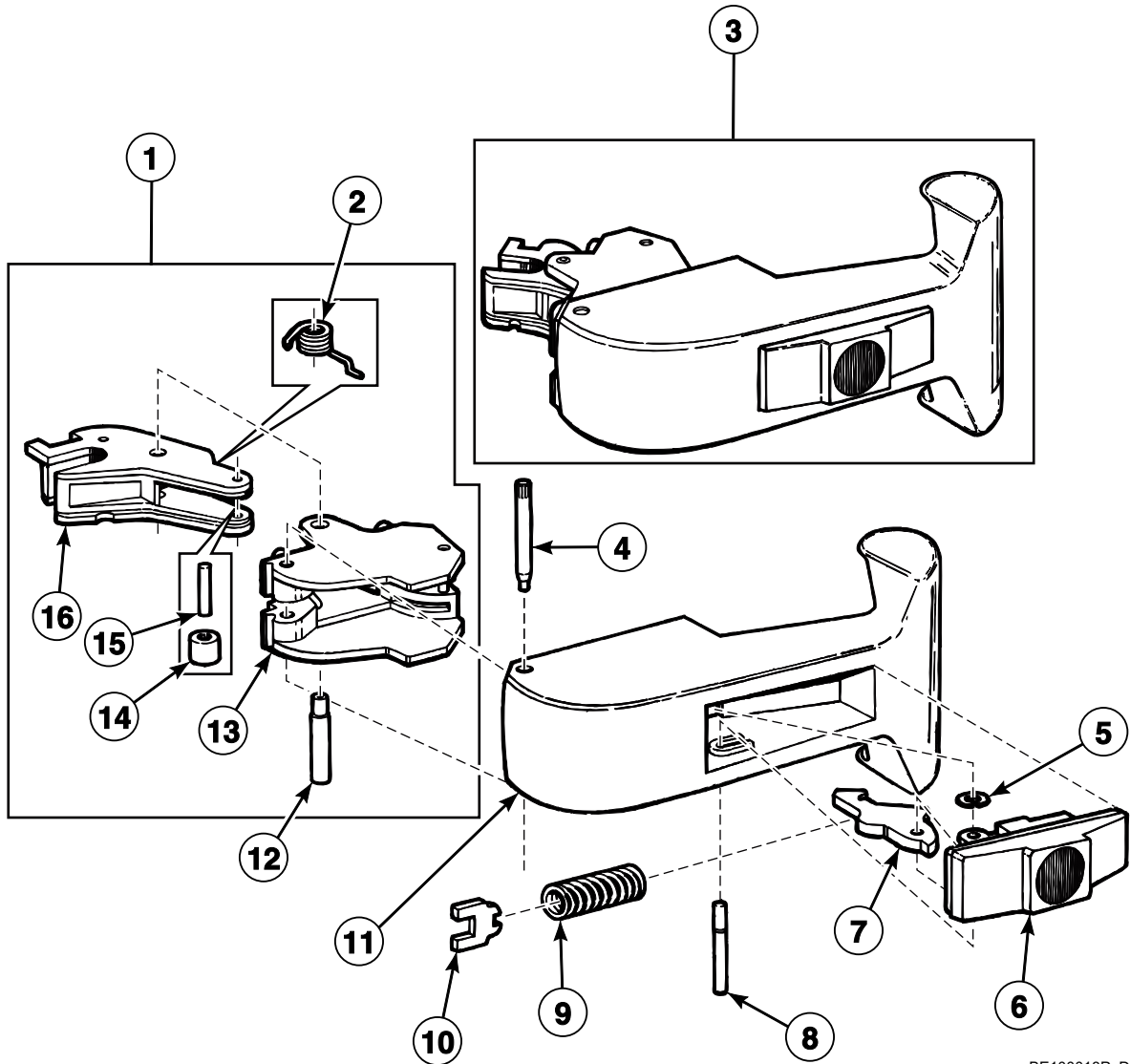


BE100017P_D0248

Door

REF	PART NO.	DESCRIPTION	COMMENTS
1	204/00106/00	Nut	
2	202/00101/00	Washer	
3	217/00009/02	Door Hinge Assembly	
4	117/00010/00	Door Hinge Spacer	1 mm
	117/00011/00	Door Hinge Spacer	2 mm
5	118/00125/00	Door	
6	205/00103/00	Bolt	
7	131/00046/00	Hinge	
8	217/00021/00	O-Ring	
9	131/00002/00	Front Panel	
10	205/00104/00	Bolt	
11	231/00004/00	Door Glass	
12	223/00068/00	Door Glass Seal	
13	207/00020/00	Screw	
14	203/00008/00	Washer	
15	217/00016/00	Door Handle Stop	
16	217/00051/00	Door Handle	
17	204/00103/00	Nut	
18	217/00020/00	Spring	
19	211/00105/00	Pin	
20	217/00019/00	Holder	
21	207/00102/00	Screw	
22	203/00010/00	Washer	
23	207/00103/00	Screw	
24	217/00017/02	Protection Block	
25	217/00017/00	Door Lock Assembly	
26	209/00023/00	Door Switch	
27	207/00108/00	Screw	
28	207/00109/00	Screw	
29	217/00038/00	Insulation Plate	
30	224/00003/00	Interlock Pin	
31	208/00004/00	Pin	
32	124/00005/00	Wire Bridge	

Door Handle

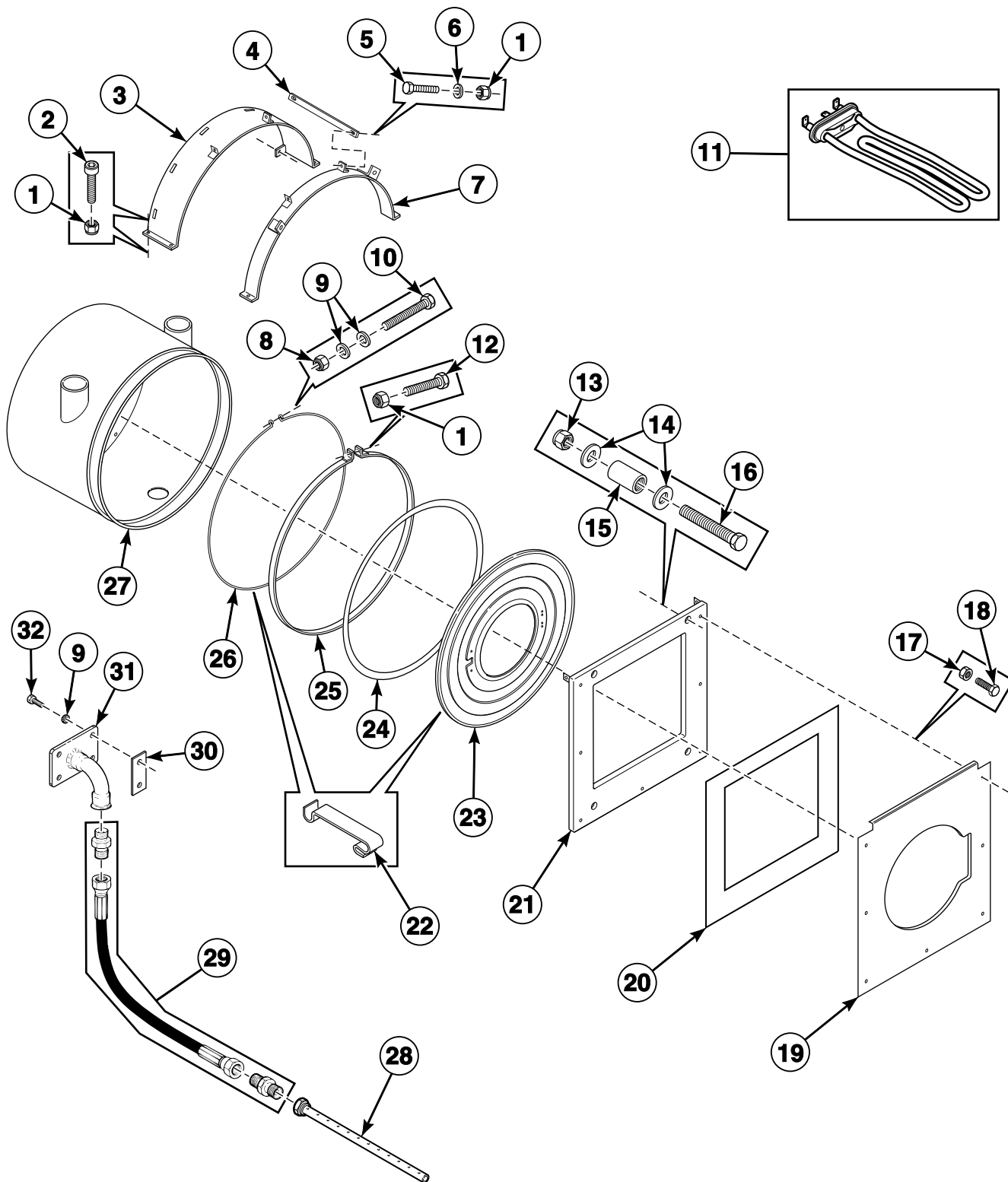


BE100018P_D0248

Door Handle

REF	PART NO.	DESCRIPTION	COMMENTS
1	217/00013/02	Door Handle	
2	217/00013/03	Door Lock Spring	
3	217/00051/00	Door Handle	
4	217/00013/09	Door Mounting Pin	
5	217/00013/11	Door Circlip	
6	217/00013/12	Door Handle	
7	217/00013/13	Door Handle Hook	
8	217/00013/15	Door Handle Locking Pin	
9	217/00013/14	Door Handle Spring	
10	217/00013/16	Door Handle Assembly Plate	
11	217/00051/10	Door Handle	
12	217/00013/08	Door Locking Pin	
13	217/00013/07	Door Locking Grip	
14	217/00013/06	Door Roller	
15	217/00013/05	Door Axle Roller	
16	217/00013/04	Door Handle Latch	

Shell

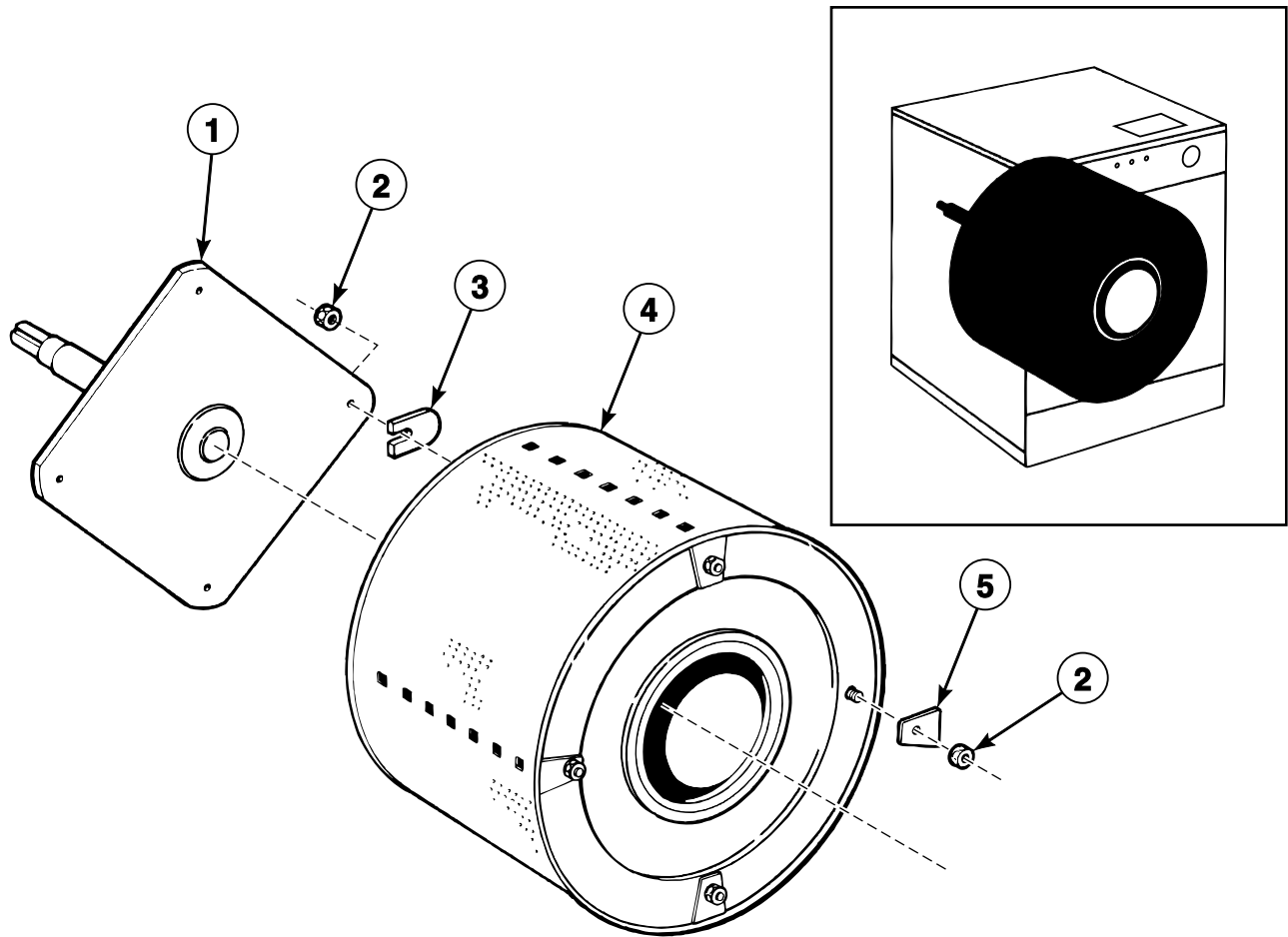


BE100019P_D0248

Shell

REF	PART NO.	DESCRIPTION	COMMENTS
1	204/00110/00	Nut	
2	206/00111/00	Screw	
3	115/00123/00	Tub Mounting Ring	
4	115/00127/00	Ring	
5	206/00005/00	Bolt	
6	202/00001/00	Washer	
7	115/00163/00	Tub Tightening Ring	
8	204/00005/00	Nut	
9	202/00003/00	Washer	
10	206/00011/00	Bolt	
11	209/00116/00	Heating Element	1400W; 220 Volt
	209/00563/30	Heating Element	2000W; 220/240 Volt
	209/00049/00	Heating Element	3000W; 220/240 Volt
	209/00581/00	Heating Element	4000W; 380 Volt
12	206/00066/00	Bolt	
13	204/00113/00	Nut	
14	201/00001/00	Washer	
15	115/00151/00	Spacer	
16	248/00115/00	Bolt	
17	202/00101/00	Washer	
18	205/00103/00	Bolt	
19	111/32945/00	Door Front Panel	
20	115/00136/00	Counterweight	
21	246/00092/00	Gasket	
22	217/00008/00	Tub Front Panel Clip	
23	131/00002/00	Front Panel	
24	231/00001/00	Tub Front Gasket	
25	131/00005/02	Clip	
26	231/00010/00	Tub Front Ring Clamp	
27	119/00204/00	Tub	
	119/00206/00	Tub	
	119/00207/00	Tub	
28	118/00087/00	Steam Injector	
29	217/00025/00	Steam Hose	
30	118/00063/01	Steam Connection Plate	
31	118/00063/00	Steam Hose Connector	
32	206/00013/00	Bolt	

Basket

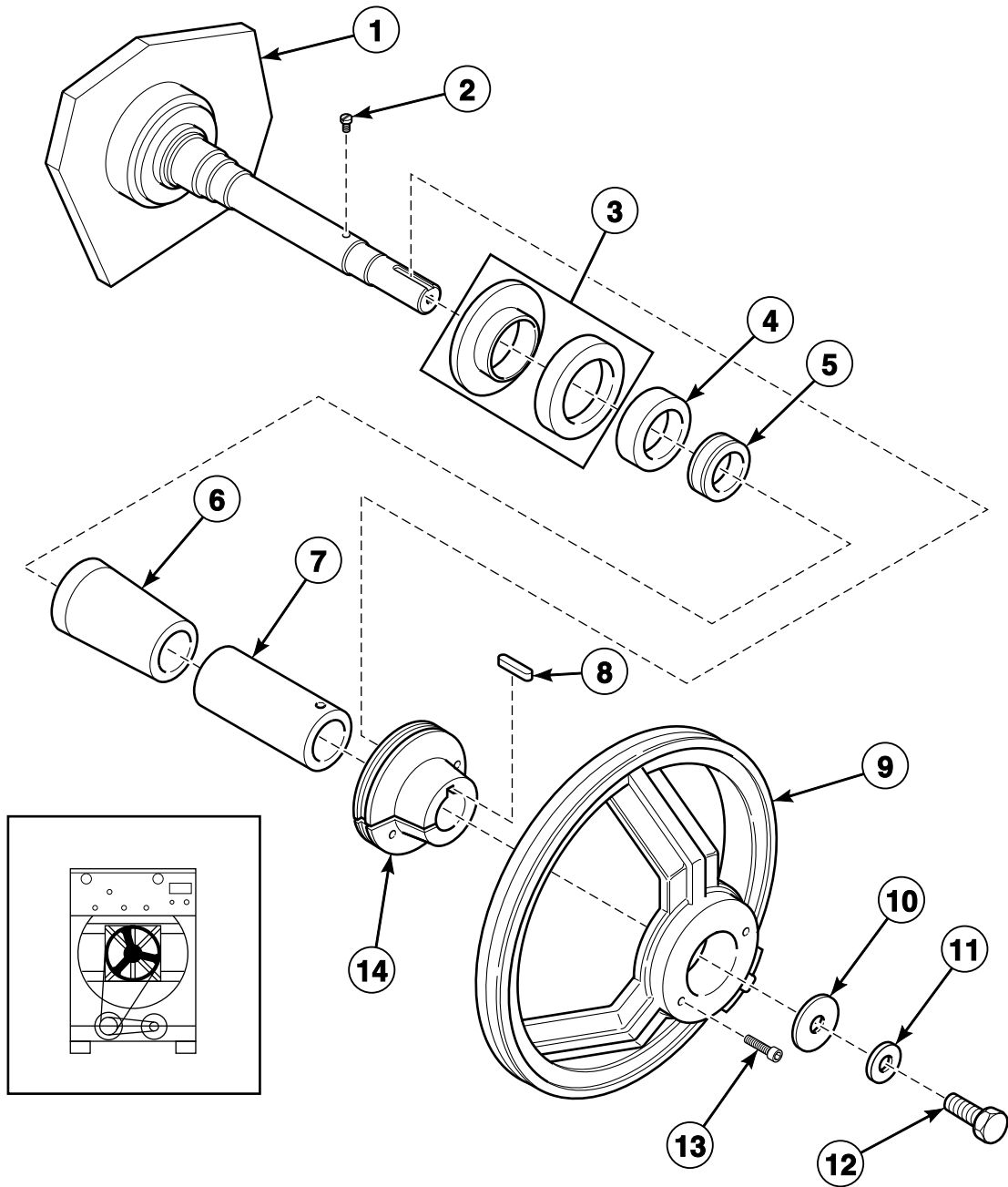


BE100020P_D0248

Basket

REF	PART NO.	DESCRIPTION	COMMENTS
1	239/00005/01W	Pipe Clip	
2	204/00108/00	Nut	
3	132/00020/00	Washer	
4	119/00079/99	Cylinder	
	123/00007/00	Cylinder and Axle	Includes axle
5	132/00003/00	Stiffening Plate	

Basket and Pulley

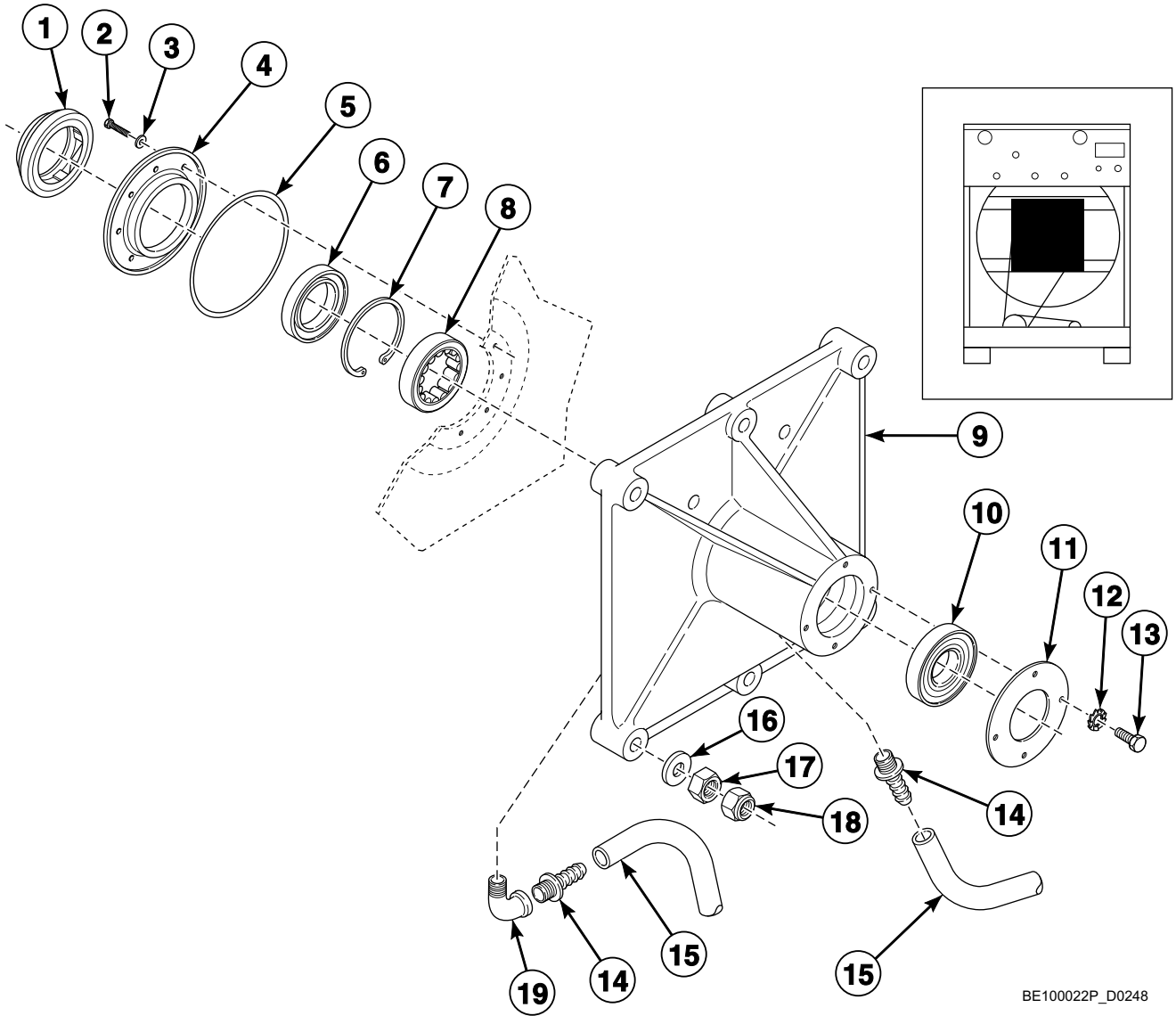


BE100021P_D0248

Basket and Pulley

REF	PART NO.	DESCRIPTION	COMMENTS
1	239/00005/01W	Pipe Clip	
2	207/00110/00	Screw	
3	232/00008/00	Counter Ring	
4	132/00009/00	Shaft Seal	
5	212/00005/00	Roller Bearing	
6	132/00010/00	Pipe	
7	132/00011/00	Pipe	
8	212/00026/00	Key	
9	226/00090/01	Pulley	
10	201/00011/00	Washer	
11	203/00001/00	Washer	
12	206/00004/00	Bolt	
13	212/00009/02	Bolt	
14	212/00009/01	Pulley Hub	

Bearing Housing (Drawing 1 of 2)

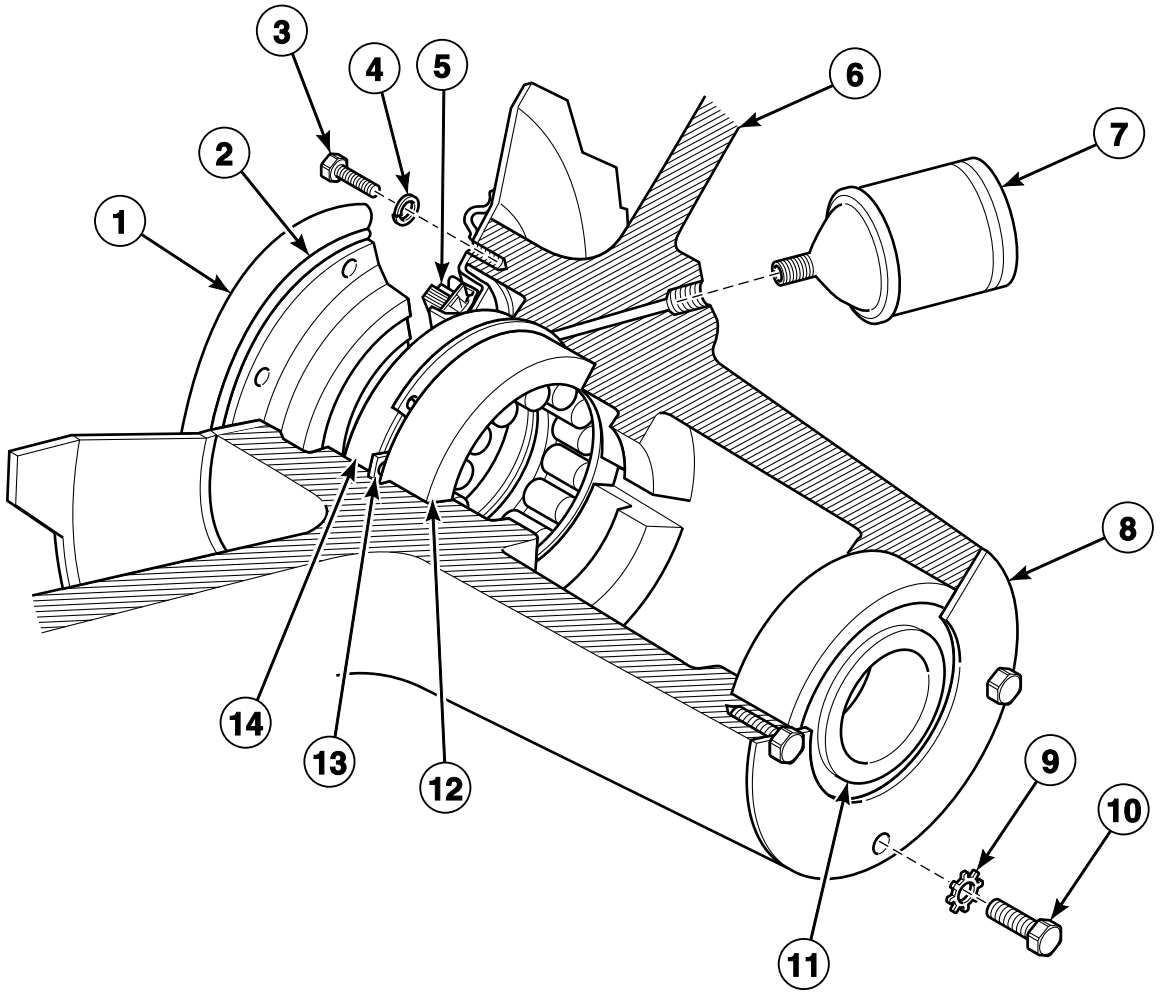


BE100022P_D0248

Bearing Housing (Drawing 1 of 2)

REF	PART NO.	DESCRIPTION	COMMENTS
1	231/00037/00	Shaft Seal	
2	205/00104/00	Bolt	
3	201/00202/00	Washer	
4	131/00035/00	Seal Cover Plate	
5	131/00036/00	O-Ring	
6	212/00007/00	Grease Ring	
7	212/00006/00	Retainer Ring	
8	212/00005/00	Roller Bearing	
9	212/00001/01	Bearing Housing Assembly	
10	212/00004/00	Ball Bearing	
11	112/00003/00	Bearing Cover	
12	203/00003/00	Washer	
13	206/00010/00	Bolt	
14	212/00011/00	Connector	
15	212/00010/00	Grease Pipe	
16	201/00001/00	Washer	
17	204/00012/00	Nut	
18	204/00113/00	Nut	
19	212/00012/00	Elbow	

Bearing Housing (Drawing 2 of 2)

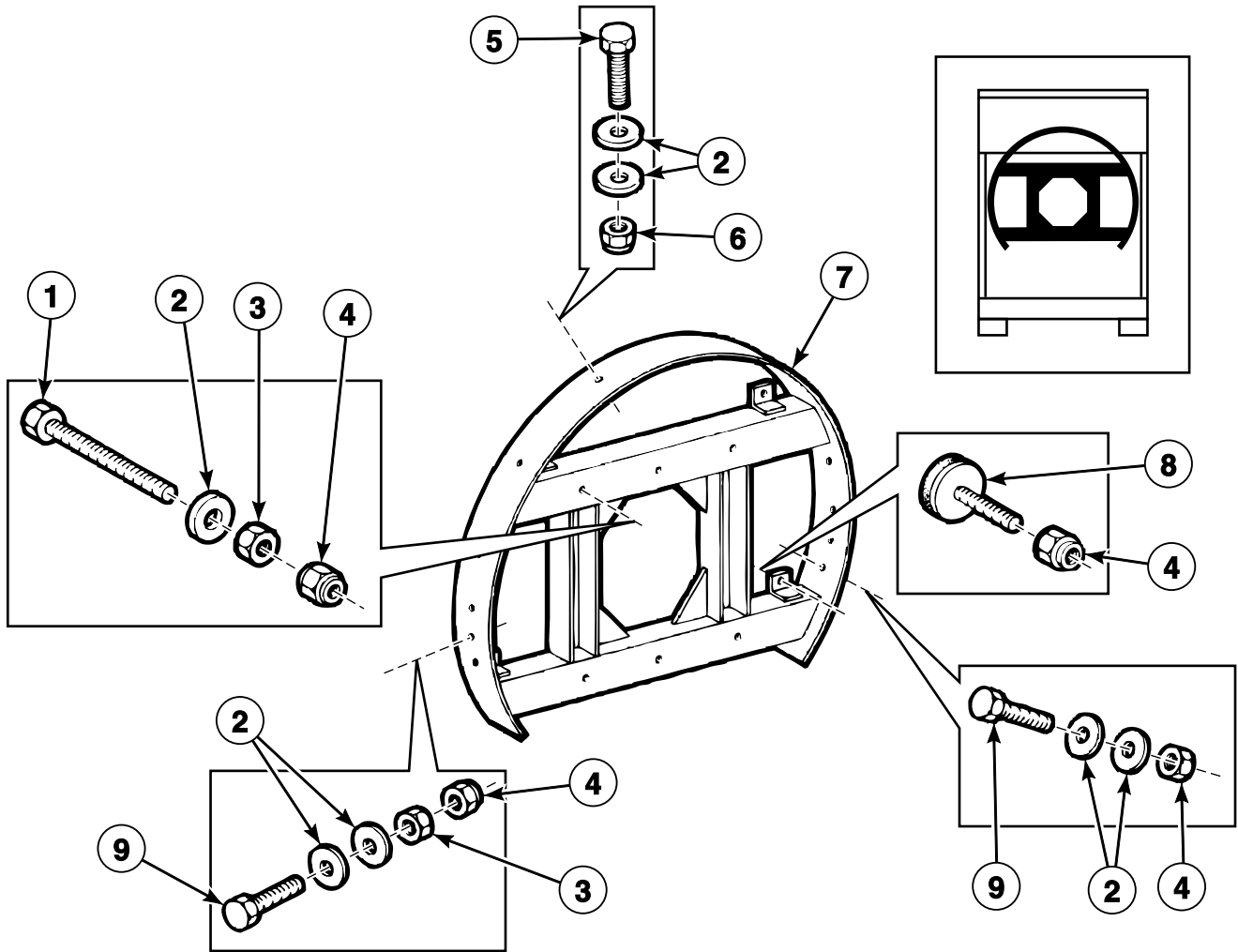


BE100023P_D0248

Bearing Housing (Drawing 2 of 2)

REF	PART NO.	DESCRIPTION	COMMENTS
1	131/00035/00	Seal Cover Plate	
2	231/00036/00	O-Ring	
3	205/00104/00	Bolt	
4	201/00202/00	Washer	
5	231/00037/00	Shaft Seal	
6	212/00001/01	Bearing Housing Assembly	
7	212/00002/00	Lubricator	
8	112/00003/00	Bearing Cover	
9	203/00003/00	Washer	
10	206/00010/00	Bolt	
11	212/00004/00	Ball Bearing	
12	212/00005/00	Roller Bearing	
13	212/00006/00	Retainer Ring	
14	212/00007/00	Grease Ring	

Bearing Housing Plate

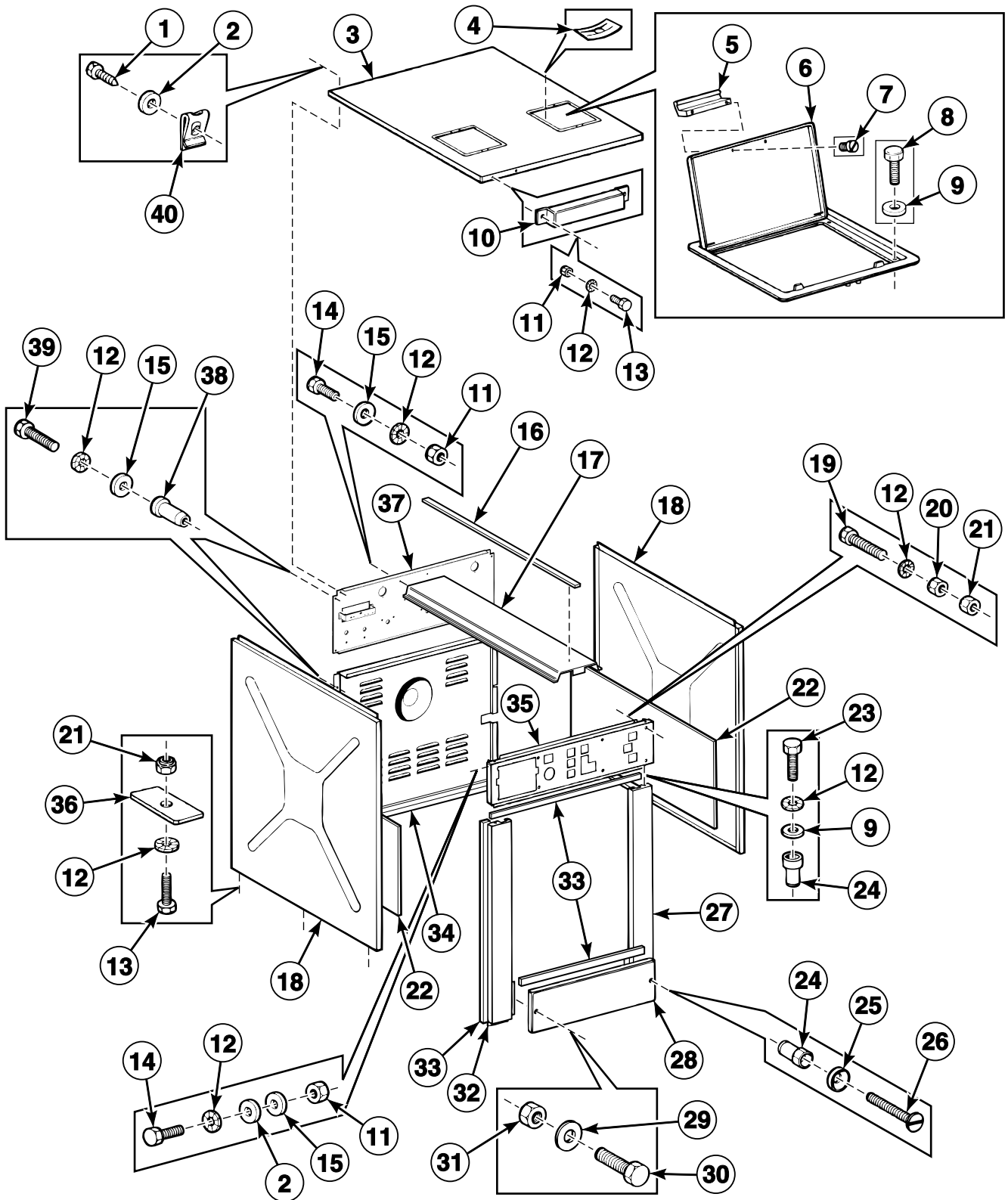


BE100024P_D0248

Bearing Housing Plate

REF	PART NO.	DESCRIPTION	COMMENTS
1	248/00115/00	Bolt	
2	201/00001/00	Washer	
3	204/00012/00	Nut	
4	204/00113/00	Nut	
5	206/00062/00	Bolt	
6	204/00112/00	Nut	
7	115/00122/00	Bearing Housing	
8	217/00050/00	Mounting Piece	
9	248/00114/00	Bolt	

Panels

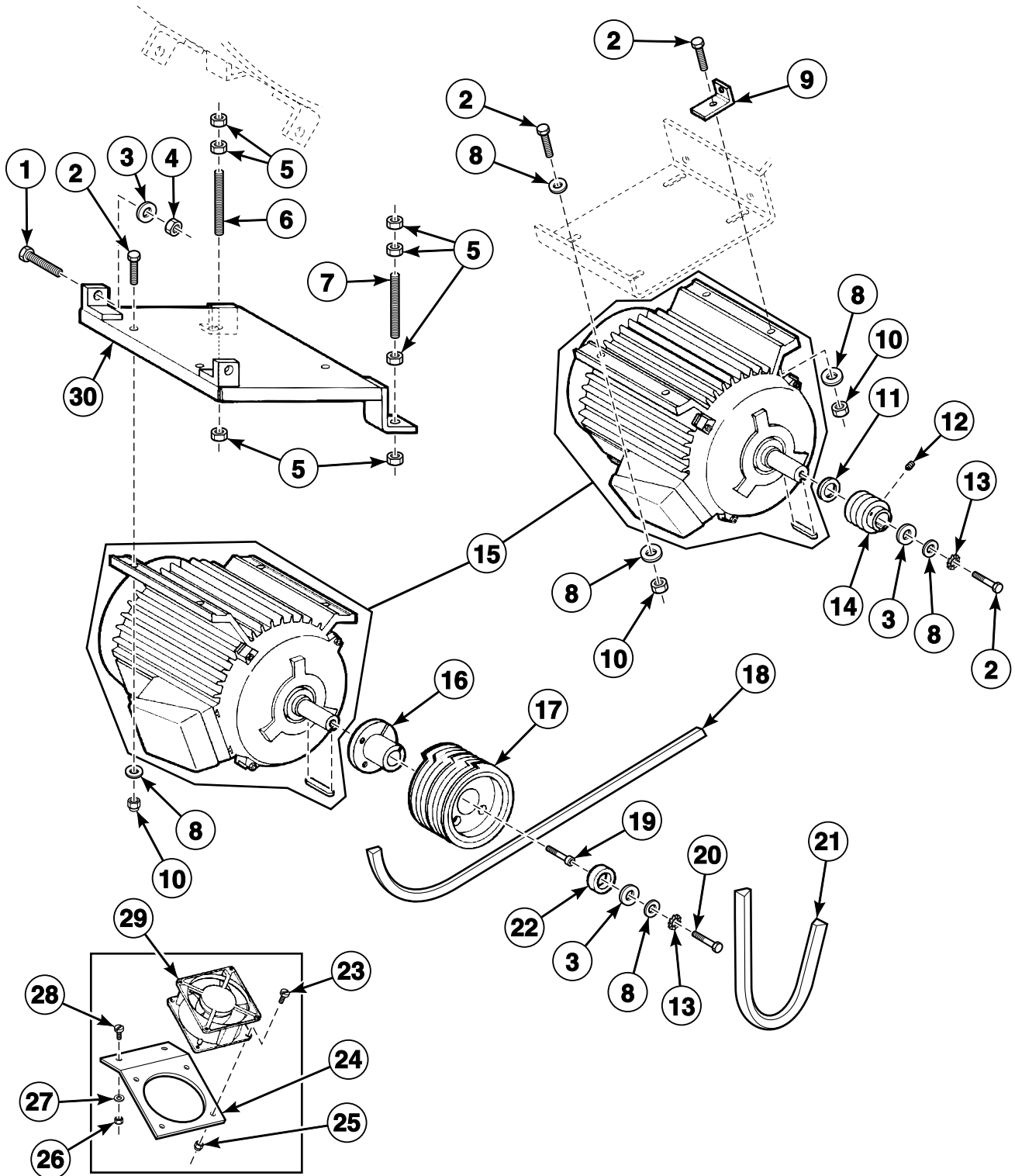


BE100025P_D0248

Panels

REF	PART NO.	DESCRIPTION	COMMENTS
1	208/00001/00	Screw	
2	201/00006/00	Washer	
3	111/32941/00	Top Panel	
4	208/00104/00	Nut	
5	223/00008/05	Soap Dispenser Cover Handle	
6	223/00103/01	Soap Dispenser Cover	
7	207/00110/00	Screw	
8	205/00108/00	Bolt	
9	202/00101/00	Washer	
10	111/00204/00	Guide	
11	204/00005/00	Nut	
12	203/00004/00	Washer	
13	205/00105/00	Bolt	
14	206/00014/00	Bolt	
15	201/00007/00	Washer	
16	111/32953/00	Electrical Components Plate	
17	246/00181/00	Rubber Strip	
18	133/00125/00	Side Panel	
19	205/00103/00	Bolt	
20	204/00106/00	Nut	
21	204/00009/00	Nut	
22	246/00079/00	Side Panel Gasket	
23	205/00104/00	Bolt	
24	204/00011/00	Nut	
25	208/00009/00	Washer	
26	207/00101/00	Screw	
27	111/32960/00	Right Front Panel	
28	111/32943/00	Kickplate	
29	201/00010/00	Washer	
30	206/00006/00	Bolt	
31	204/00110/00	Nut	
32	111/32948/00	Left Front Panel	
33	246/00149/00	Gasket	
34	111/00126/00	Back Panel	
35	111/32949/00	Front Panel	
36	101/00007/00	Outlet Pipe Plate Assembly	
37	133/00001/00	Backbridge	
38	204/00301/00	Bushing	
39	206/00013/00	Bolt	
40	208/00002/00	Nut	

Motor and Belt

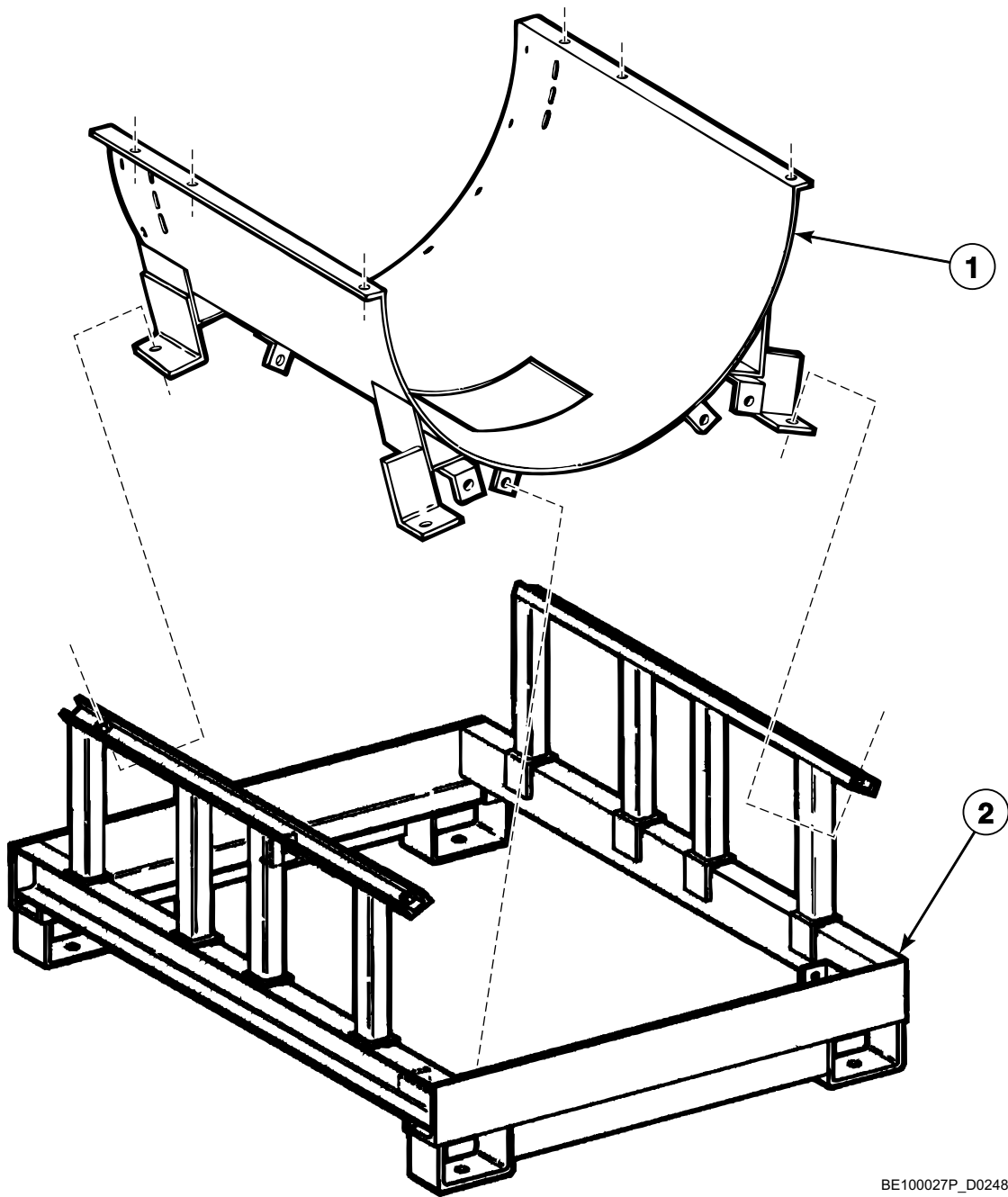


BE100026P_D0248

Motor and Belt

REF	PART NO.	DESCRIPTION	COMMENTS
1	248/00114/00	Bolt	
2	206/00003/00	Bolt	
3	201/00001/00	Washer	
4	204/00113/00	Nut	
5	204/00012/00	Nut	
6	115/00117/15	V-Belt Clip	
7	115/00117/14	V-Belt Clip	
8	201/00004/00	Washer	
9	115/00117/12	Tab Support	
10	204/00111/00	Nut	
11	211/00114/00	Washer	
12	206/00056/00	Screw	
13	203/00001/00	Washer	
14	226/00092/00	Pulley	
15	227/00107/00	Motor	
	227/00113/00	Motor	
16	212/00016/01	Pulley Hub	
17	226/00091/03	Pipe Clip	
18	226/00089/00	V-Belt	
19	212/00016/02	Screw	
20	206/00004/00	Bolt	
21	226/00088/00	V-Belt	
22	226/00069/00	Safety Ring	
23	207/00008/00	Screw	
24	114/00026/00	Screw	
25	204/00114/00	Nut	
26	204/00004/00	Nut	
27	203/00003/00	Washer	
28	206/00010/00	Bolt	
29	209/00287/00	Cooling Fan	
30	115/00157/00	Motor Plate	

Frame

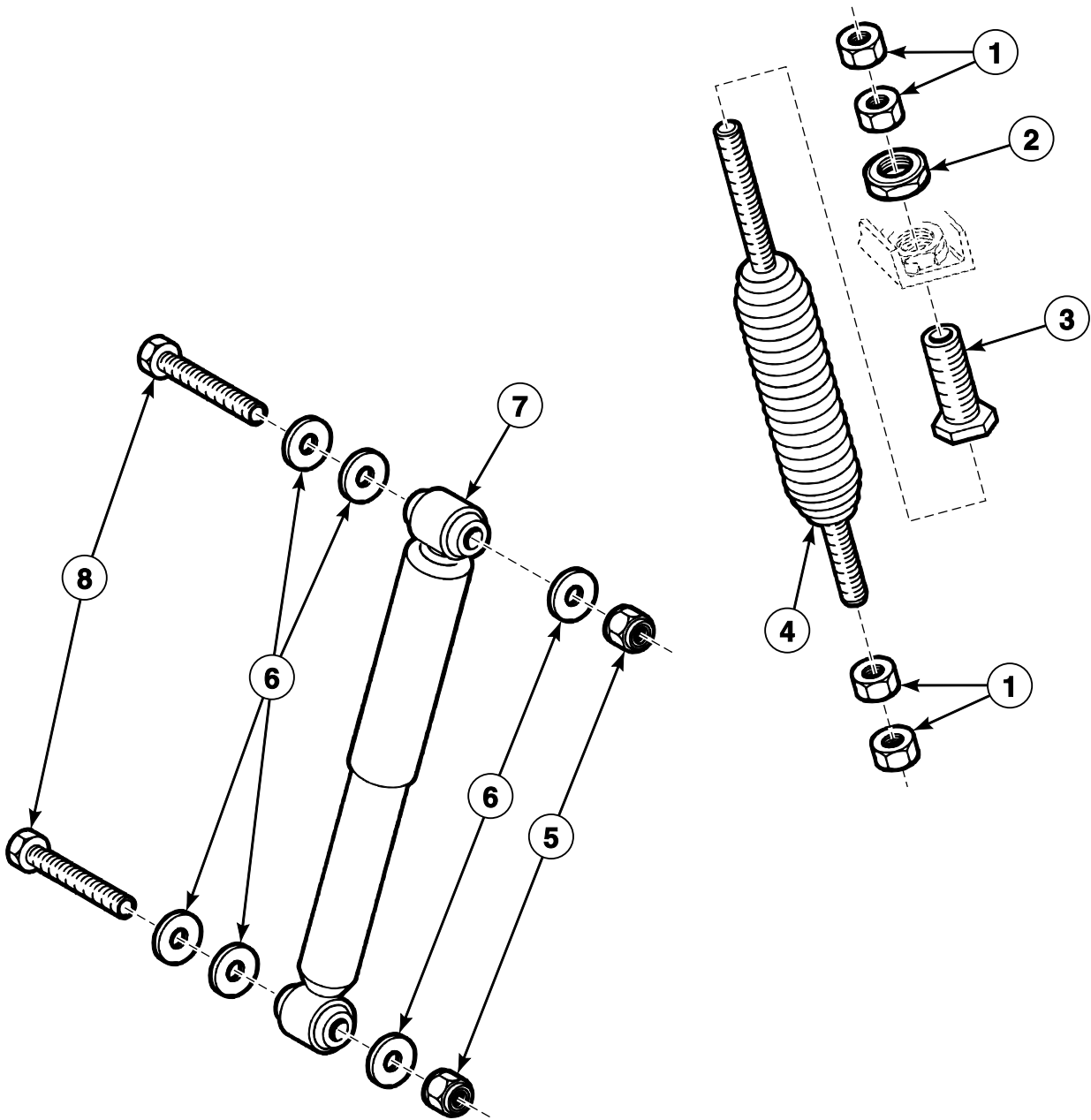


BE100027P_D0248

Frame

REF	PART NO.	DESCRIPTION	COMMENTS
1	115/00117/00	Tub Support	
2	114/00017/00	Frame	

Shock Absorber



BE100028P_D0248

Shock Absorber

REF	PART NO.	DESCRIPTION	COMMENTS
1	204/00012/00	Nut	
2	204/00016/00	Nut	
3	224/00046/00	Bolt	
4	224/00044/00	Suspension Spring	
5	204/00112/00	Nut	
6	201/00012/00	Washer	
7	B12440101	Suspension Spring	
8	206/00045/00	Bolt	

Parts Index

A

Anti-Splash Plate
123/00107/00 27, 29

B

Back Panel
111/00126/00 55

Backbridge
133/00001/00 13, 19, 55

Ball Bearing
212/00004/00 49, 51

Bearing Cover
112/00003/00 49, 51

Bearing Housing
115/00122/00 53

Bearing Housing Assembly
212/00001/01 49, 51

Bolt
205/00103/00 39, 43, 55
205/00104/00 39, 49, 51, 55
205/00105/00 35, 55
205/00108/00 55
206/00003/00 57
206/00004/00 47, 57
206/00005/00 31, 33, 43
206/00006/00 55
206/00009/00 7
206/00010/00 49, 51, 57
206/00011/00 43
206/00013/00 43, 55
206/00014/00 13, 15, 17, 31, 33, 55
206/00015/00 15, 17, 19, 31, 33
206/00027/00 13, 27, 29
206/00045/00 61
206/00062/00 53
206/00066/00 43
212/00009/02 47
224/00046/00 61
248/00114/00 53, 57
248/00115/00 43, 53

Bushing
204/00301/00 55

Button
209/00099/04 31, 33
209/00099/08 31
209/00250/00 31
209/00251/00 31
209/00252/00 31, 33

C

Card Reader
209/00257/00 15

Chair
209/00306/08 25
209/00306/15 25

Clamp
223/00057/00 7

Clip
131/00005/02 43
209/02306/00 25

Coil
209/00001/01 21
209/00051/21 9
209/00052/21 9, 11
209/00170/11 11
209/00203/21 9
209/00212/11 11
209/00306/02 25
223/00051/11 23

Connection
210/10007/00 15

Connector
212/00011/00 49

Contact
209/00099/05 31

Contact Switch
209/00099/06 31

Contacto
209/00041/03 15, 17
209/00041/04 13, 15, 17
209/00056/02 13, 15, 17
209/00136/02 15, 17
209/00139/02 15
209/00148/02 13, 15, 17
209/00149/02 13, 15, 17
209/00177/02 13, 15, 17
209/00180/03 15, 17
209/06150/02 13, 15, 17

Contacto Plate
140/00011/BO 13, 15, 17

Cooling Fan
209/00287/00 57

Core
209/00001/06 21
209/00306/05 25
223/00051/05 21, 23

Core Holder
209/00001/04 21
209/00306/04 25
223/00051/03 21, 23

Cotter Pin
208/00003/00 35

Counter Ring
232/00008/00 47

Counterweight
115/00136/00 43

Cover Plate
119/00212/00 35
140/00010/00 13

Cylinder
119/00079/99 45

Cylinder and Axle
123/00007/00 45

N/A items do not appear in index.

D

Diaphragm	
209/00001/07	21
209/00306/14	25
223/00051/06	21, 23
Display	
223/10066/00	33
Door	
118/00125/00	39
Door Axle Roller	
217/00013/05	41
Door Circlip	
217/00013/11	41
Door Front Panel	
111/32945/00	43
Door Glass	
231/00004/00	39
Door Glass Seal	
223/00068/00	39
Door Handle	
217/00013/02	41
217/00013/12	41
217/00051/00	39, 41
217/00051/10	41
Door Handle Assembly Plate	
217/00013/16	41
Door Handle Hook	
217/00013/13	41
Door Handle Latch	
217/00013/04	41
Door Handle Locking Pin	
217/00013/15	41
Door Handle Spring	
217/00013/14	41
Door Handle Stop	
217/00016/00	39
Door Hinge Assembly	
217/00009/02	39
Door Hinge Spacer	
117/00010/00	39
117/00011/00	39
Door Interlock Coil	
209/00017/00	35
209/00018/00	35
Door Latch Cord	
224/00015/00	35, 37
Door Lock Assembly	
217/00017/00	39
217/00052/01	37
Door Lock Board	
209/00275/04	37
Door Lock Microswitch	
209/00272/00	37
Door Lock Pin Kit	
211/00109/00	37
217/00052/02	37
Door Lock Solenoid	
209/00274/00	37
Door Lock Spacer	
217/00052/03	37

Door Lock Spring	
217/00013/03	41
224/00009/00	35
Door Locking Grip	
217/00013/07	41
Door Locking Pin	
217/00013/08	41
Door Mounting Pin	
217/00013/09	41
Door Roller	
217/00013/06	41
Door Switch	
209/00023/00	39
Drain Valve	
209/00075/00	7
209/00075/05	9, 11
209/00171/00	7
Drain Valve Handle	
209/00115/11	11
Drain Valve Motor	
209/00051/11	9
209/00052/11	9
209/00052/12	11
209/00203/11	9
209/00203/12	11
Drain Valve Motor Assembly	
209/00170/06	11
Drain Valve Motor Mounting Plate	
209/00025/07	9
Drain Valve Plate Assembly	
115/00147/00	7
Drain Valve Shaft	
209/00170/10	9, 11
Drain Valve Shaft Seal	
209/00025/10	9, 11
Drain Valve Spring	
209/00025/13	9
209/00170/02	11
Drain Valve to Drain Pipe Hose	
223/00141/00	7

E

Elbow	
212/00012/00	49
Electrical Components Plate	
111/32953/00	55
140/00011/B2	15, 17
Emergency Stop Button Kit	
209/00253/00	31, 33

F

Filter	
223/00060/00	19
Flow Nozzle	
211/10149/00	29
Frame	
114/00017/00	59
Front Panel	
111/32949/00	31, 33, 55
131/00002/00	39, 43

N/A items do not appear in index.

Fuse	209/00195/00	13
Fuse Holder	209/00202/00	13

G

Gasket	246/00092/00	43
	246/00149/00	55
Grease Pipe	212/00010/00	49
Grease Ring	212/00007/00	49, 51
Guide	111/00204/00	55

H

Heating Element	209/00049/00	43
	209/00116/00	43
	209/00563/30	43
	209/00581/00	43
Hinge	131/00046/00	39
Holder	217/00019/00	39
Hose	223/00115/00	27, 29
Hose Clamp	223/00010/00	19, 27
	223/00011/00	7, 15, 29
	223/00013/00	7
	223/00014/00	27, 29
	223/00023/00	27, 29
Hose Vent	223/00102/07	27, 29
	223/00107/04	27, 29

I

Inlet Valve	209/00276/00	19
Inlet Valve, 1-Way	209/00048/08	21
	223/00051/12	23
Inlet Valve, 2-Way	209/00110/00	19
	223/00051/02	21, 23
	223/00051/07	21
Inlet Valve, 3-Way	209/00001/08	21
	209/00277/00	19
	223/00051/13	23
Insulation	246/00079/01	35
Insulation Plate	217/00038/00	39
Interlock Coil Spring	224/00043/00	37

Interlock Lever	217/00052/04	37
Interlock Pin	224/00003/00	39

K

Key	212/00026/00	47
Kickplate	111/32943/00	55

L

Lamp	209/00151/00	33
Left Front Panel	111/32948/00	55
Lens Cover	209/00152/00	33
Lever Spring	224/00040/00	37
Light Microswitch	209/00273/00	37
Lock	211/00110/00	37
Lock Shaft	217/00017/03	37
Lubricator	212/00002/00	51

M

Microswitch	209/00271/00	37
Motor	227/00107/00	57
	227/00113/00	57
Motor Plate	115/00157/00	57
	209/00171/03	11
Mounting Piece	211/10147/00	29
	217/00050/00	53
	223/00058/00	19
Mounting Plate	111/00035/00	15
Mushroom Pushbutton	209/00248/00	31

N

Nut	204/00003/00	31, 33
	204/00004/00	57
	204/00005/00	13, 15, 17, 31, 33, 43, 55
	204/00007/00	13, 15, 17, 27, 29, 31, 33
	204/00008/00	13, 15, 17, 35, 37
	204/00009/00	31, 33, 35, 55
	204/00011/00	55

N/A items do not appear in index.

204/00012/00	49, 53, 57, 61
204/00016/00	61
204/00103/00	37, 39
204/00106/00	39, 55
204/00108/00	45
204/00109/00	7
204/00110/00	43, 55
204/00111/00	57
204/00112/00	53, 61
204/00113/00	43, 49, 53, 57
204/00114/00	57
208/00002/00	55
208/00104/00	55
209/01306/00	25
211/00022/00	13
211/00023/00	13
223/00038/01	31

O

O-Ring	
131/00036/00	49
209/00306/06	25
209/00306/10	25
209/00306/12	25
217/00021/00	37, 39
223/00035/03	7
231/00036/00	51
Outlet Pipe Plate Assembly	
101/00007/00	55
Out-of-Balance Switch	
209/00255/00	31, 33
Out-of-Balance Switch Bracket	
111/32959/00	31, 33
Overflow Hose	
223/00130/00	7

P

Panel	
225/00257/OBL	31
225/00264/AOL	33
Pilot Light	
209/00249/00	31, 33
Pin	
208/00004/00	39
211/00105/00	39
Pipe	
132/00010/00	47
132/00011/00	47
Pipe Clip	
226/00091/03	57
239/00005/01W	45, 47
Plate	
111/32106/00	17
209/00220/00	35
223/00051/09	23
Plate, 1-Outlet	
209/00048/03	21
Plate, 1-Way	
209/00001/11	21
Plate, 2-Way	
209/00001/03	21

Plug	
209/00141/00	15
211/00084/00	13
211/00087/00	13
Pressure Hose	
223/00036/00	7
223/00083/00	7
Pressure Switch	
209/00007/30	17
Pressure Switch Bracket	
111/00424/00	17
Pressure Switch Cap	
223/00035/02	7
Printboard	
209/00408/00	15
Protection Block	
217/00017/02	39
Protector	
209/00263/00	15, 17
209/00264/00	15, 17
209/00265/00	15, 17
209/00285/00	15, 17
Pulley	
226/00090/01	47
226/00092/00	57
Pulley Hub	
212/00009/01	47
212/00016/01	57
Pushbutton	
209/00254/00	31, 33
209/00254/21	31, 33

R

Retainer Ring	
212/00006/00	49, 51
Reversing Timer	
209/00012/00	15
209/00013/00	15
Right Front Panel	
111/32960/00	55
Ring	
115/00127/00	43
223/00060/01	19
Rinse Insert	
223/00102/03	27, 29
Roller Bearing	
212/00005/00	47, 49, 51
Rubber Strip	
246/00181/00	55

S

Safety Ring	
226/00069/00	57
Screw	
114/00026/00	57
206/00021/00	15, 17
206/00056/00	57
206/00111/00	43
207/00003/00	13, 15, 17
207/00004/00	15
207/00006/00	37

N/A items do not appear in index.

207/00008/00	57
207/00009/00	37
207/00014/00	13, 15
207/00018/00	31, 33
207/00019/00	35
207/00020/00	39
207/00025/00	17
207/00101/00	55
207/00102/00	37, 39
207/00103/00	37, 39
207/00108/00	39
207/00109/00	39
207/00110/00	47, 55
207/00135/00	37
208/00001/00	55
208/00007/00	17
208/00130/00	27, 29
209/00001/02	21
209/00025/08	9, 11
209/00170/05	9, 11
209/00170/07	9, 11
209/00306/07	25
209/00306/11	25
209/00306/16	25
209/00306/19	25
212/00016/02	57
223/00051/01	21, 23
Seal	
209/00306/17	25
Seal Cover Plate	
131/00035/00	49, 51
Shaft Seal	
132/00009/00	47
231/00037/00	49, 51
Side Panel	
133/00125/00	55
Side Panel Gasket	
246/00079/00	55
Sleeve	
223/00127/00	15
Soap Box Assembly Plate	
123/00103/06	27, 29
Soap Dispenser Assembly	
223/00102/30	27, 29
Soap Dispenser Cover	
223/00103/01	55
Soap Dispenser Cover Handle	
223/00008/05	55
Soap Dispenser Gasket	
223/00109/00	27, 29
Soap Dispenser Rinse Siphon	
223/00102/04	27, 29
Soap Spray Nozzle	
223/00102/06	27, 29
Softener Spray Nozzle	
223/00102/05	27, 29
Spacer	
115/00151/00	43
211/00106/00	15, 17, 37
Spindle	
124/00035/00	35
Spring	
209/00001/05	21
209/00306/13	25
217/00020/00	39
223/00051/04	21, 23

Steam Connection Plate	
118/00063/01	43
Steam Hose	
217/00025/00	43
Steam Hose Connector	
118/00063/00	43
Steam Injector	
118/00087/00	43
Sticker	
229/00001/00	13
Stiffening Plate	
132/00003/00	45
Stopper	
211/00085/00	13
211/00086/00	13
Suspension Spring	
B12440101	61
224/00044/00	61
Switch	
209/00103/02	15
209/00255/01	31, 33
Switch Lever	
217/00052/05	37

T

Terminal	
209/00006/00	13
209/00057/00	13
209/00291/00	13
Terminal Block	
209/00005/00	13, 15, 17
Terminal Connector	
209/00306/18	25
Thermostat	
209/00143/00	31
209/00144/00	31
209/00243/00	17
211/00115/00	33
Thermostat Joint	
223/00065/02	31
Thermostat Seal	
223/00065/00	31, 33
225/10004/00	17
Tilt Switch Bracket	
111/00107/00	31, 33
Timer	
209/00266/00	17
Top Panel	
111/32941/00	55
Tub	
119/00204/00	43
119/00206/00	43
119/00207/00	43
Tub Front Gasket	
231/00001/00	43
Tub Front Panel Clip	
217/00008/00	43
Tub Front Ring Clamp	
231/00010/00	43
Tub Mounting Ring	
115/00123/00	43

N/A items do not appear in index.

Tub Support	
115/00117/00	59
115/00117/12	57
Tub Tightening Ring	
115/00163/00	43

V

V-Belt	
226/00088/00	57
226/00089/00	57
V-Belt Clip	
115/00117/14	57
115/00117/15	57

W

Washer	
132/00020/00	45
201/00001/00	43, 49, 53, 57
201/00004/00	57
201/00006/00	55
201/00007/00	13, 15, 17, 31, 33, 55
201/00008/00	31, 33
201/00010/00	31, 33, 55
201/00011/00	47
201/00012/00	61
201/00017/00	37
201/00018/00	37
201/00202/00	49, 51
202/00001/00	43
202/00002/00	7
202/00003/00	19, 35, 43
202/00004/00	13, 27, 29
202/00101/00	39, 43, 55
203/00001/00	47, 57
203/00002/00	31, 33
203/00003/00	49, 51, 57
203/00004/00	13, 15, 17, 31, 33, 35, 55
203/00006/00	13, 15, 17, 27, 29, 31, 33
203/00007/00	13, 17, 35, 37
203/00008/00	39
203/00010/00	39
208/00009/00	55
209/00170/09	9, 11
209/00306/09	25
211/00114/00	57
223/00065/01	31
223/00123/00	15, 17
Water Hose	
223/00044/00	19, 27
223/00059/00	29
Water Level Switch	
209/00007/10	15
Wire Bridge	
124/00005/00	35, 39
