

Drying Tumblers

110 Pound Capacity

Refer to Page 3 for Model Numbers

Parts



www.alliancelaundry.com

Part No. M411445R8
October 2014

Table of Contents

| Title | Page |
|--|------|
| Parts Ordering Information..... | 2 |
| Serial Plate Location | 2 |
| Model Identification | 3 |
| Single Timer Control | 4 |
| Dual Timer Controls | 6 |
| Temperature Controls | 8 |
| Access and Lint Panels..... | 10 |
| Front Panel | 12 |
| Door Assembly..... | 14 |
| Lint Screen and Drive Guard | 16 |
| Drive Sheave, Step Pulley, and Belts | 18 |
| Trunnion Bearings..... | 20 |
| Cylinder Drive Motor | 22 |
| 60 Hertz Fan and Motor Assembly | 24 |
| 50 Hertz Fan and Motor Assembly | 26 |
| Cylinder and Trunnion Shaft | 28 |
| Gas Valve and Piping | 30 |
| Gas Burner and Igniter..... | 32 |
| Steam Heating Unit..... | 34 |
| Reversing Controls | 36 |
| Airflow Switch Assembly | 38 |
| Parts Index..... | 41 |

© Copyright 2014, Alliance Laundry Systems LLC

All rights reserved. No part of the contents of this book may be reproduced or transmitted in any form or by any means without the expressed written consent of the publisher.

Parts Ordering Information

If literature or replacement parts are required, contact the source from whom the machine was purchased or contact Alliance Laundry Systems at (920) 748-3950 for the name and address of the nearest authorized parts distributor.

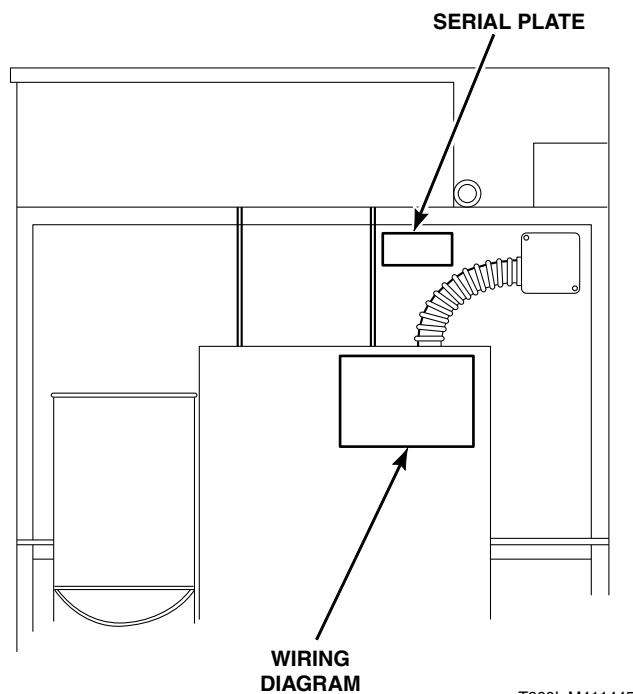
For technical assistance, call either of the numbers listed below:

(920) 748-3121 Ripon, Wisconsin

+32 56 41 20 54 Wevelgem, Belgium

Serial Plate Location

When calling or writing about your product, be sure to mention model and serial numbers. Model and serial numbers are located on serial plate(s) as shown.



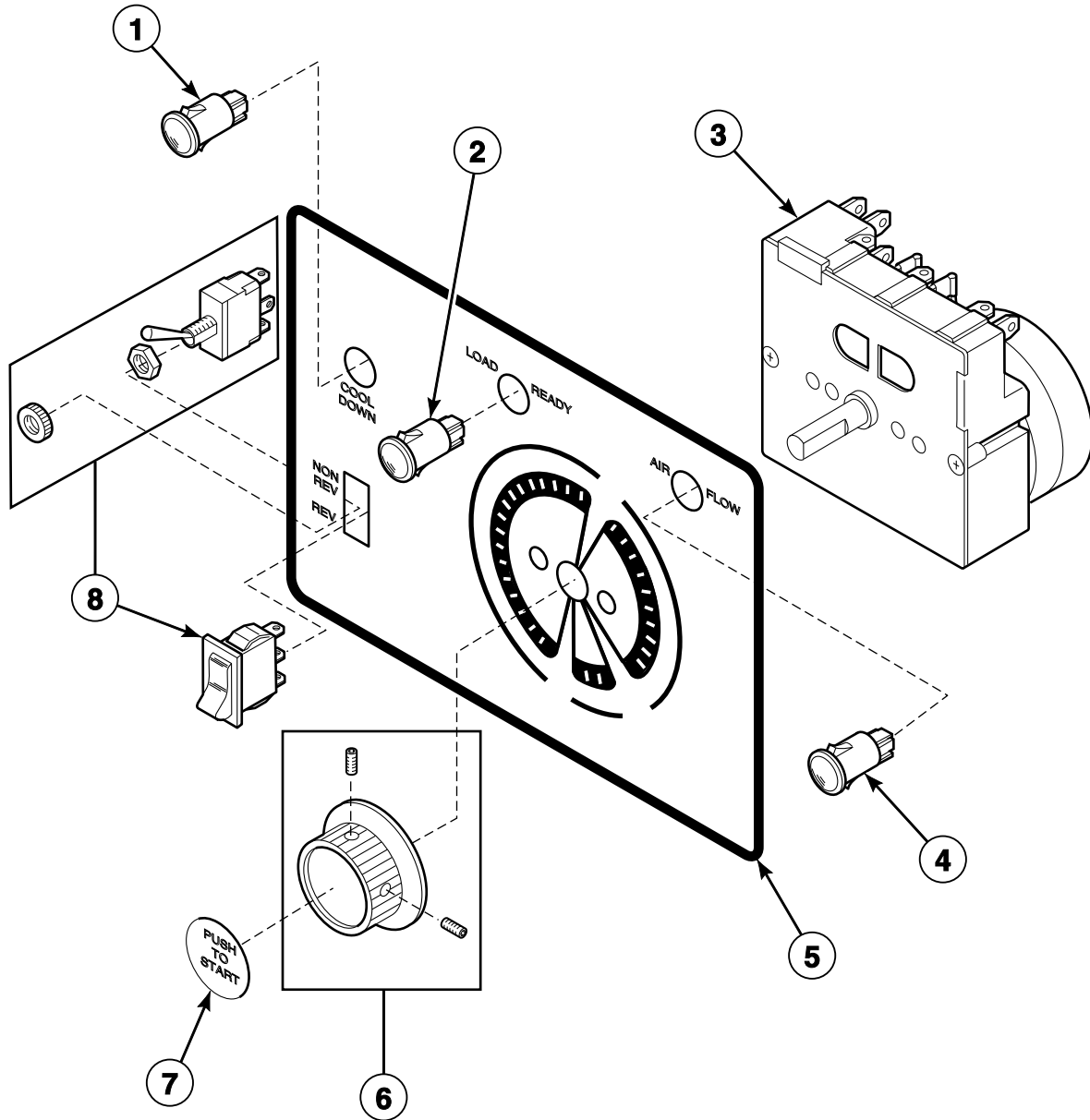
T200I_M411445

Model Identification

Information in this manual is applicable to these tumbler models:

| | | | |
|----------|-----------|----------|-----------|
| JT110CG | JTD110CG | ST110CG | STD110CG |
| JT110CSH | JTD110CSH | ST110CSH | STD110CSH |
| JT110EG | JTD110EG | ST110EG | STD110EG |
| JT110GH4 | JTS110CG | ST110GH4 | STS110CG |
| JT110SH5 | JTS110CSH | ST110SH5 | STS110CSH |

Single Timer Control



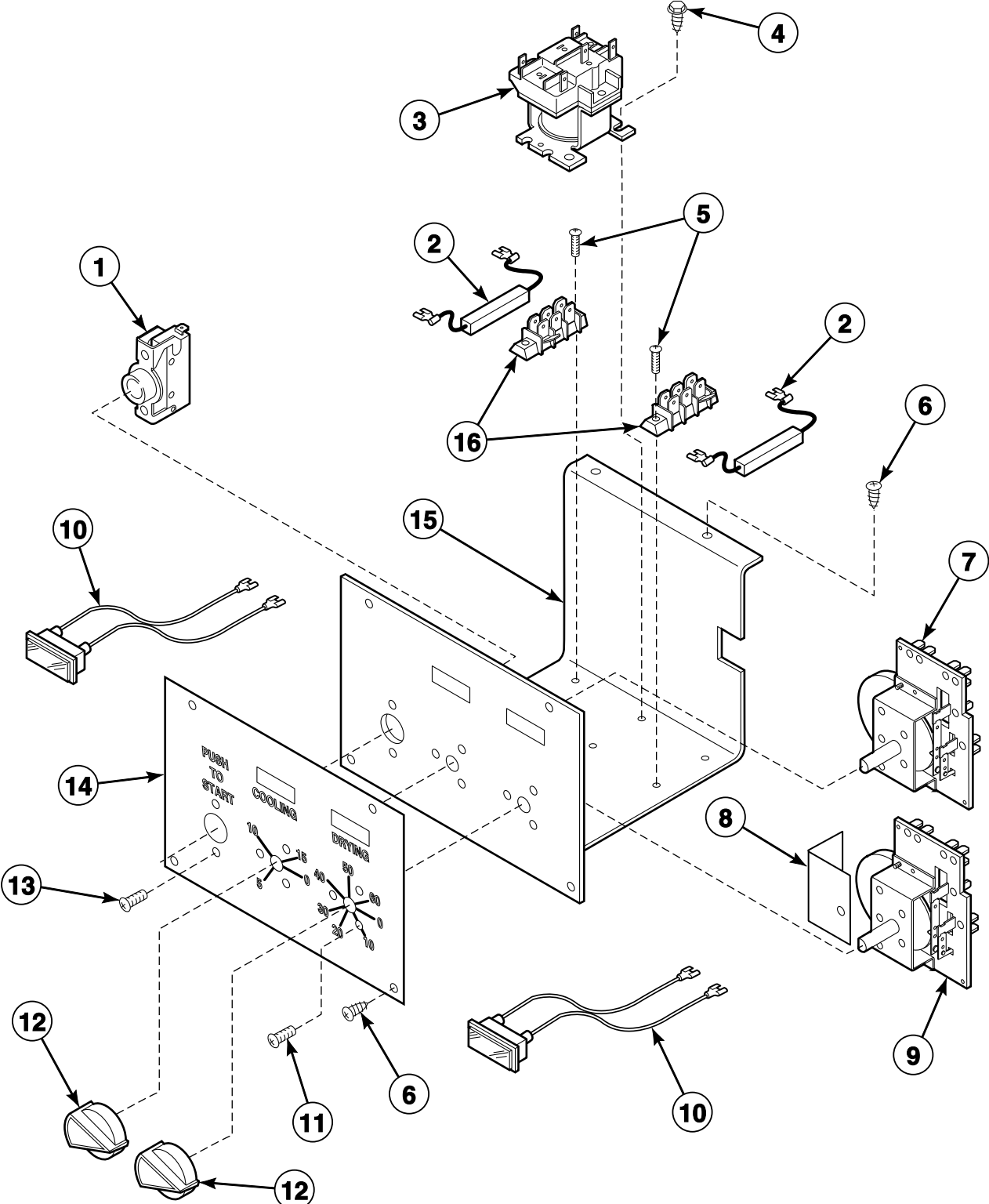
TMB2212P_M411445

Single Timer Control

| REF | PART NO. | DESCRIPTION | COMMENTS |
|-----|-----------|-------------------------|---|
| | H759P3 | Control Replacement Kit | To replace Robert Shaw solid state electronic control, which is no longer available |
| 1 | N/A | Light | Cool down |
| 2 | N/A | Light | Ready |
| 3 | N/A | Timer | 3 cycle; 50 Hertz |
| | N/A | Timer | 3 cycle; 60 Hertz |
| 4 | N/A | Light | Airflow |
| 5 | N/A | Timer Label | |
| 6 | H83901157 | Control Knob | |
| 7 | N/A | Push-to-Start Label | |
| 8 | M400945 | Toggle Switch | Reversing; Includes nuts |
| | M413270 | Rocker Switch | Reversing |

N/A = Part no longer available

Dual Timer Controls



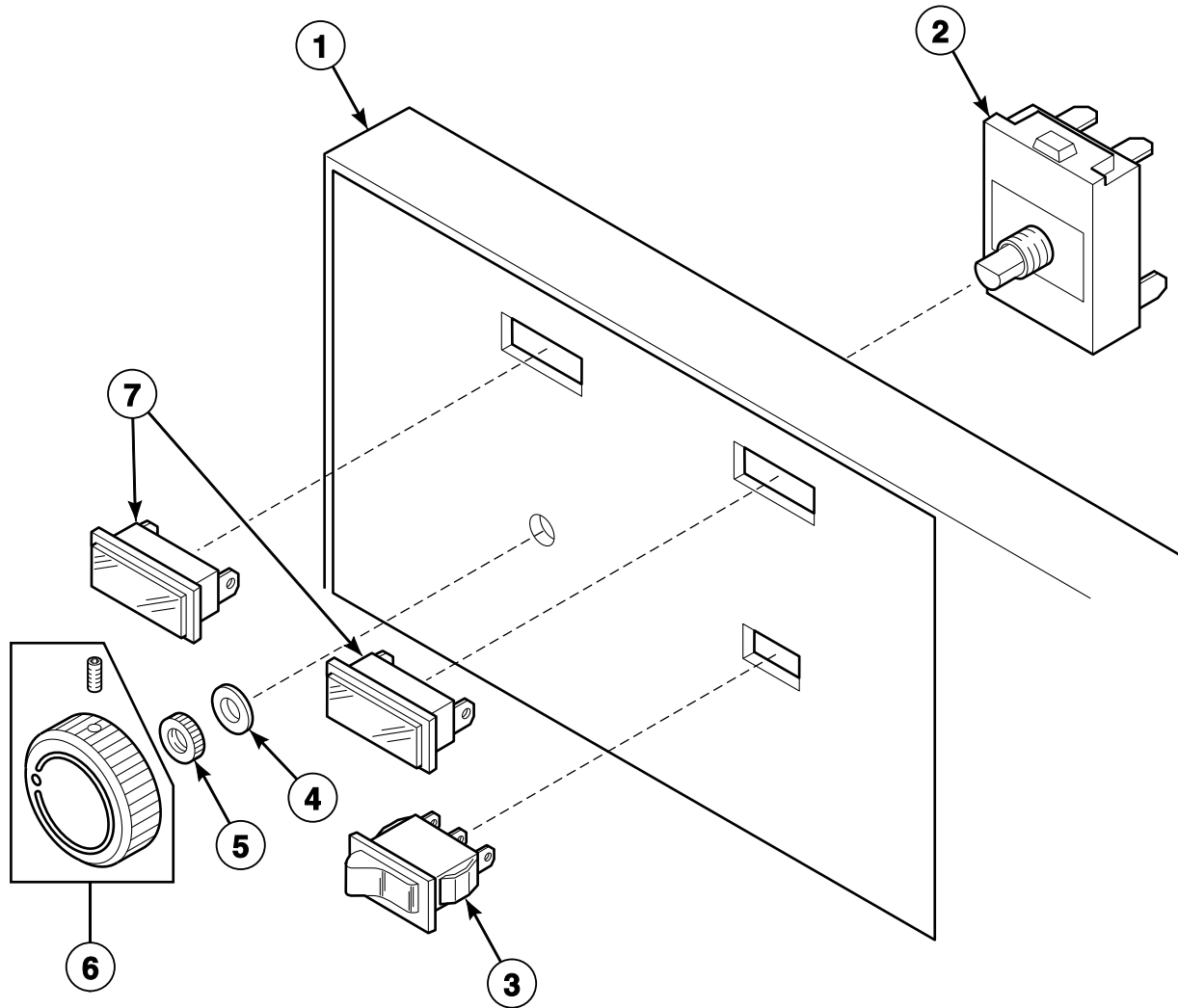
T239P_M411445

Dual Timer Controls

| REF | PART NO. | DESCRIPTION | COMMENTS |
|-----|-----------|--------------------------|---|
| | H759P3 | Control Replacement Kit | To replace Robert Shaw solid state electronic control, which is no longer available |
| 1 | 44106901P | Push-to-Start Switch Kit | |
| 2 | M410992 | Resistor Assembly | |
| 3 | M400911P | Relay | |
| 4 | 51780 | Screw | |
| 5 | M400071 | Screw | |
| 6 | M400664 | Screw | |
| 7 | M410902P | Timer Kit | Cooling; 15 minute; 50 Hertz |
| | M410900P | Timer Kit | Cooling; 15 minute; 60 Hertz |
| 8 | N/A | Fishpaper | |
| 9 | M410903P | Timer Kit | Drying; 60 minute; 50 Hertz |
| | M410901P | Timer Kit | Drying; 60 minute; 60 Hertz |
| 10 | M400704 | Pilot Light | |
| 11 | M411052 | Screw | |
| 12 | M400773 | Knob | Timer; Black with silver arrow |
| | M410927 | Knob | Timer; Black with silver dot |
| 13 | M400072 | Screw | |
| 14 | N/A | Graphic Panel | Black; ST models |
| | M410869 | Graphic Panel | Cocoa; JT models |
| | N/A | Graphic Panel | Silver |
| 15 | N/A | Timer and Panel Box | |
| 16 | N/A | Terminal Bracket | |

N/A = Part no longer available

Temperature Controls



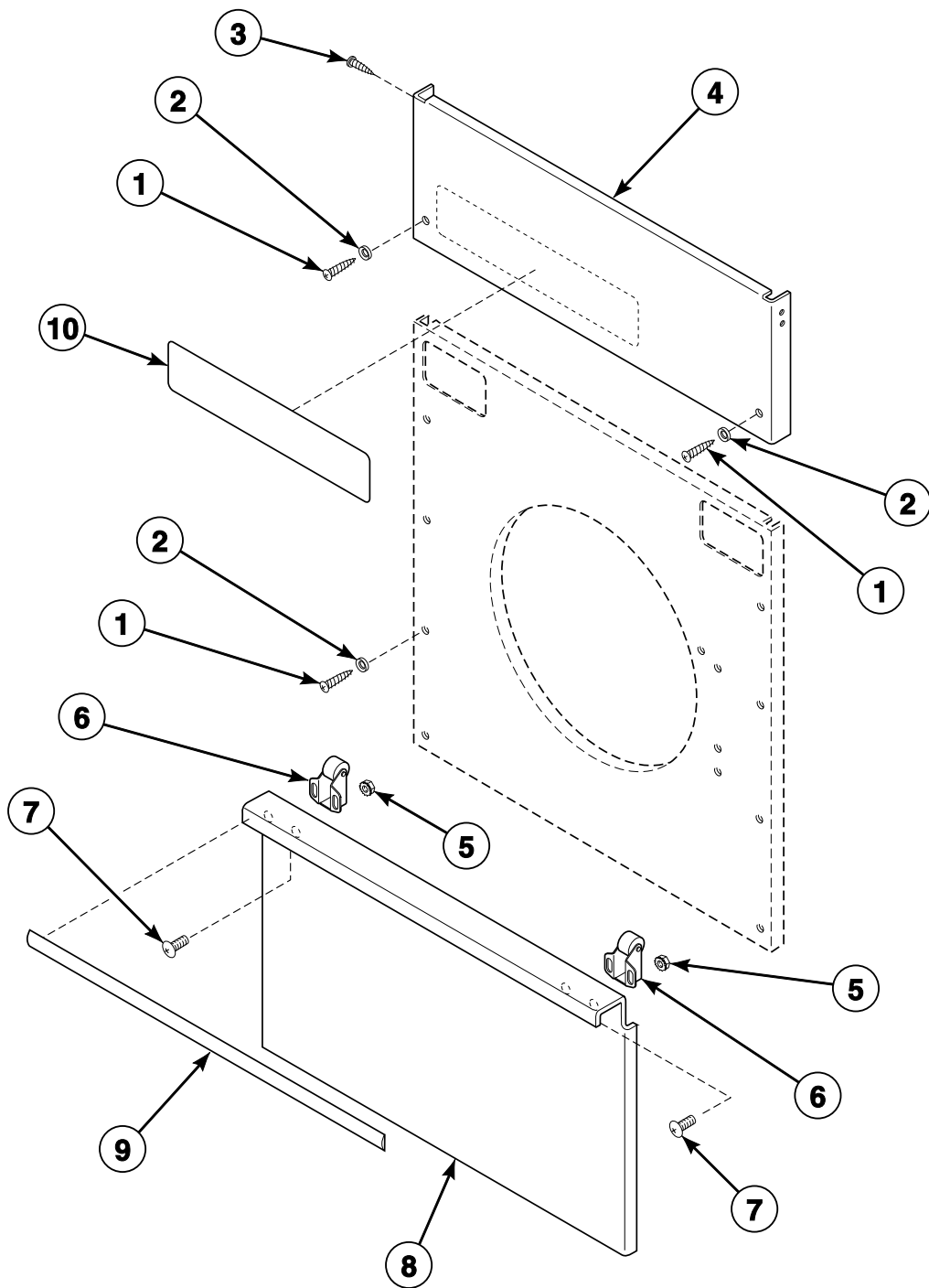
TMB1297P_M411445

Temperature Controls

| REF | PART NO. | DESCRIPTION | COMMENTS |
|-----|----------|--------------------------|---------------------------------|
| 1 | N/A | Graphic Panel | Nonreversing; Silver; JT models |
| | N/A | Graphic Panel | Reversing; Silver; JT models |
| | M410869 | Graphic Panel | Reversing; Cocoa; JT models |
| | N/A | Graphic Panel | Reversing; Black; ST models |
| | N/A | Graphic Panel | Nonreversing; Black; ST models |
| 2 | 27762 | Switch | |
| 3 | M413270 | Rocker Switch | Reversing/nonreversing |
| 4 | 91176 | Washer | |
| 5 | 24205 | Nut | |
| 6 | M400777 | Knob | Black with silver arrow |
| | N/A | Temperature Control Knob | Black with white dot |
| 7 | M400704 | Pilot Light | |

N/A = Part no longer available

Access and Lint Panels



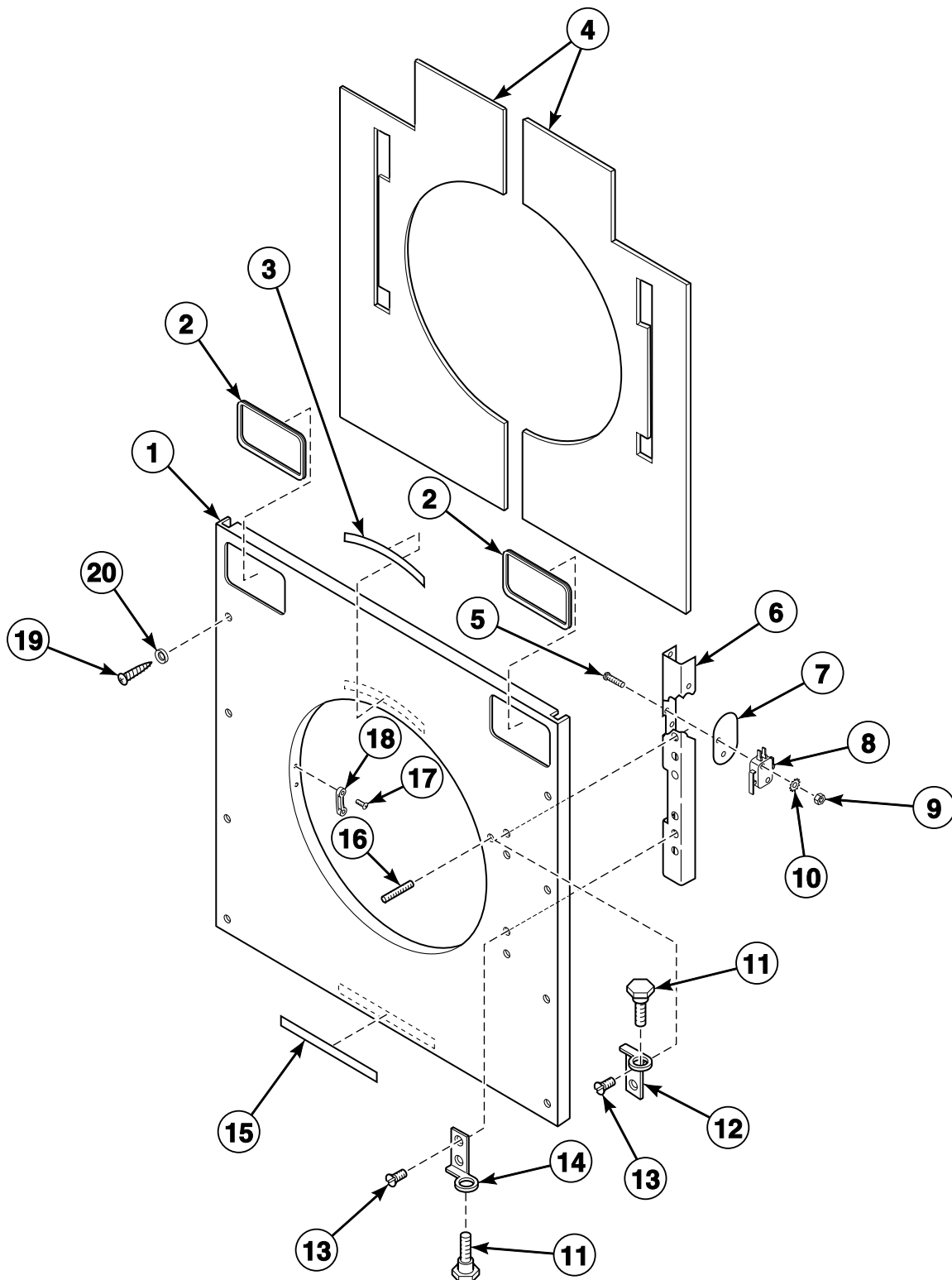
TMB2213P_M411445

Access and Lint Panels

| REF | PART NO. | DESCRIPTION | COMMENTS |
|-----|------------|--------------|-----------------------------------|
| 1 | N/A | Screw | |
| 2 | H88569108 | Washer | |
| 3 | N/A | Screw | |
| 4 | N/A | Front Panel | Gas models; Painted |
| | N/A | Front Panel | Gas models; Stainless steel |
| | N/A | Front Panel | Steam models; Painted |
| | N/A | Front Panel | Steam models; Stainless steel |
| 5 | 23951 | Nut | |
| 6 | H87020202 | Roller Catch | |
| 7 | M400044 | Screw | |
| 8 | N/A | Lint Panel | Painted; Only available in almond |
| | N/A | Lint Panel | Stainless steel |
| 9 | H81224511P | Trim | Rubber |
| 10 | M410355 | Nameplate | Black |
| | N/A | Nameplate | Silver; ST models |
| | N/A | Nameplate | Silver; JT models |

N/A = Part no longer available

Front Panel



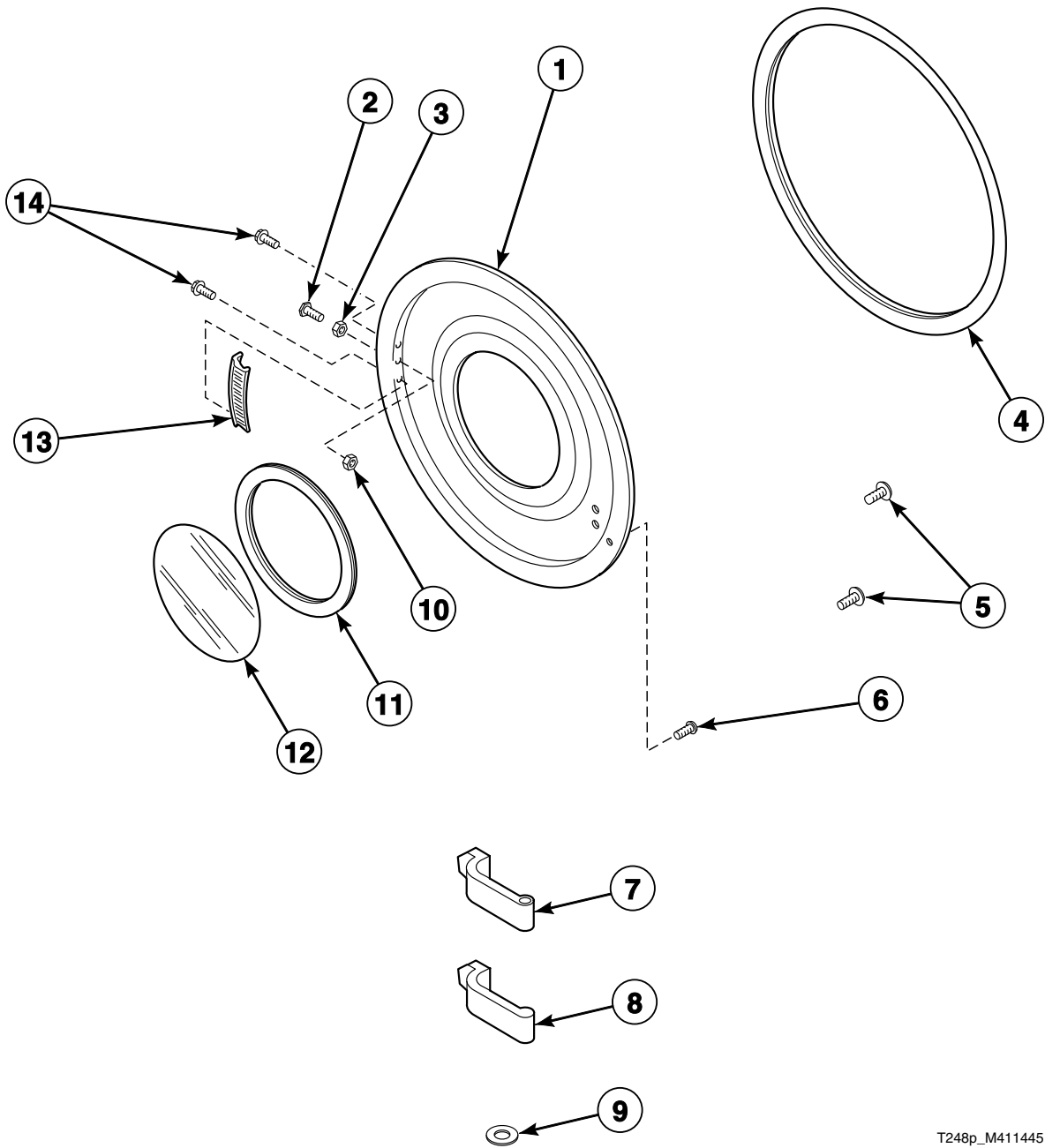
TMB2466P_M411445

Front Panel

| REF | PART NO. | DESCRIPTION | COMMENTS |
|-----|-----------|---------------------|--|
| 1 | M410268WP | Front Panel | CG, CSH and EG models |
| | N/A | Front Panel | CG, CSH and EG models; Stainless steel |
| | N/A | Front Panel | GH4 and SH5 models; Painted |
| 2 | N/A | Control Trim | |
| 3 | M410892 | Warning Label | |
| 4 | N/A | Insulation | |
| 5 | H88110267 | Screw | |
| 6 | H96409198 | Door Switch Mount | On inside of front panel |
| 7 | H96418728 | Mounting Insulation | |
| 8 | H96422241 | Door Switch | |
| 9 | 70072901 | Nut | |
| 10 | 51345 | Washer | |
| 11 | M410029 | Hinge Pin | 5/16-18 thread |
| | M409975 | Hinge Pin | 1/4-20 thread |
| 12 | M410041P | Panel Hinge Kit | Upper |
| 13 | H88129788 | Screw | |
| 14 | M410042P | Panel Hinge Kit | Lower |
| 15 | N/A | Warning Label | |
| 16 | N/A | Screw | |
| 17 | M400072 | Screw | |
| 18 | M401223 | Door Latch | |
| 19 | N/A | Screw | |
| 20 | H88569108 | Washer | |

N/A = Part no longer available

Door Assembly



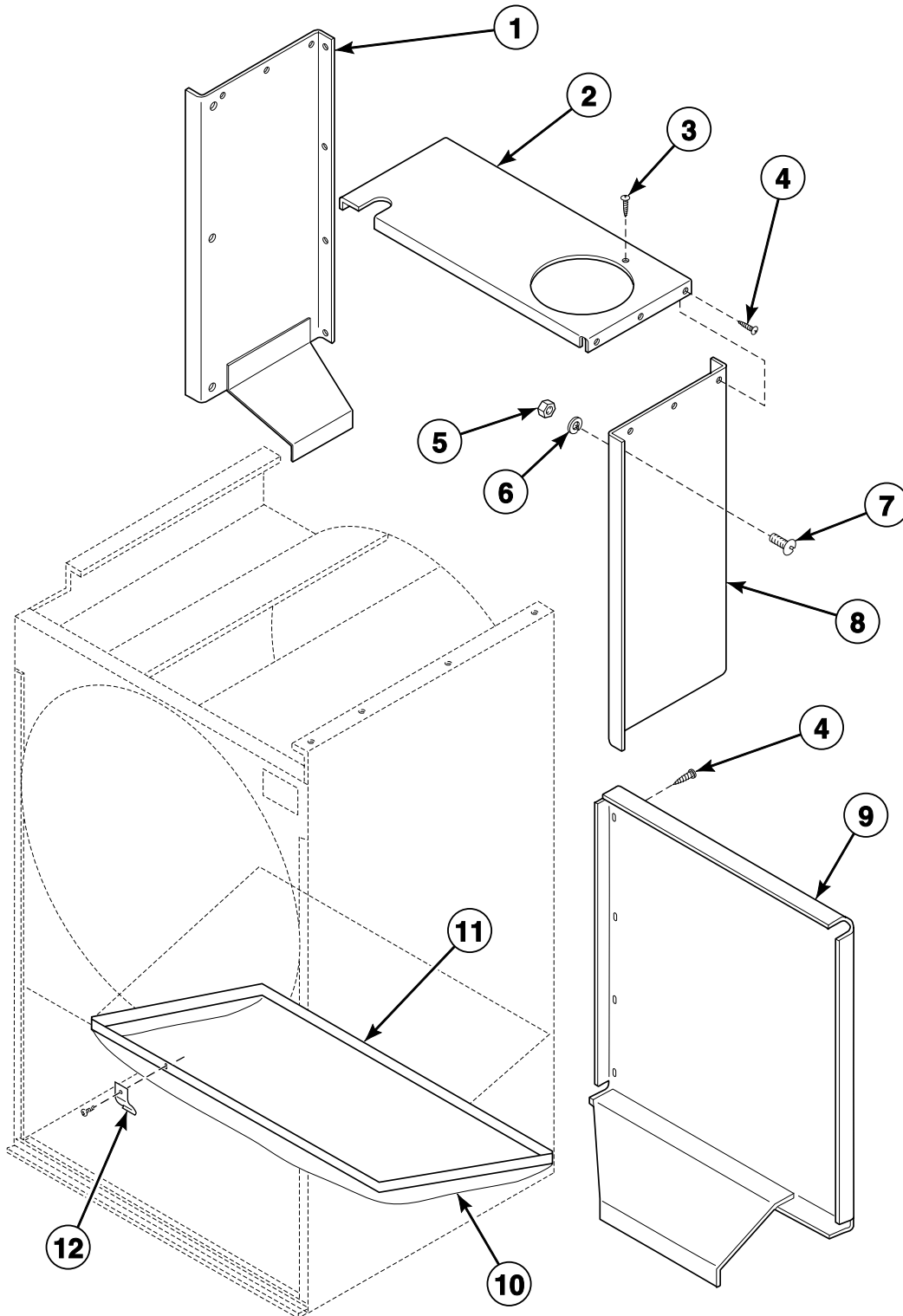
T248p_M411445

Door Assembly

| REF | PART NO. | DESCRIPTION | COMMENTS |
|-----|------------|-------------------------|---|
| 1 | M410289*P | Loading Door Assembly | Includes items 2 and 10-14 |
| | M410290 | Loading Door Assembly | Stainless steel |
| 2 | M400661 | Screw | Door strike |
| 3 | Q6163 | Nut | Not included with door assembly |
| 4 | H96409156P | Loading Door Gasket | |
| 5 | H88129648 | Screw | Hinge mounting |
| 6 | N/A | Screw | Hinge mounting; Not included with door assembly |
| 7 | M410030 | Upper Door Hinge | JT models; Silver; Includes M409976 Screw and 51236 Nut |
| | M410701P | Upper Door Hinge | Black; Includes M409976 Screw and 51236 Nut |
| 8 | M410031 | Lower Door Hinge | Silver; Includes M409976 Screw and 51236 Nut |
| | M410702P | Lower Door Hinge | Black; Includes M409976 Screw and 51236 Nut |
| 9 | M400671 | Washer | |
| 10 | 70054 | Nut | |
| 11 | 70211904P | Door Seal Kit | |
| 12 | M409899P | Door Glass and Seal Kit | |
| 13 | M400133 | Door Handle | |
| 14 | M409385 | Screw | |

* Add Letter To Designate Color. B - Battina Green H - Harvest Gold L - Almond V - Orange W - White X - Electric Blue
 N/A = Part no longer available

Lint Screen and Drive Guard



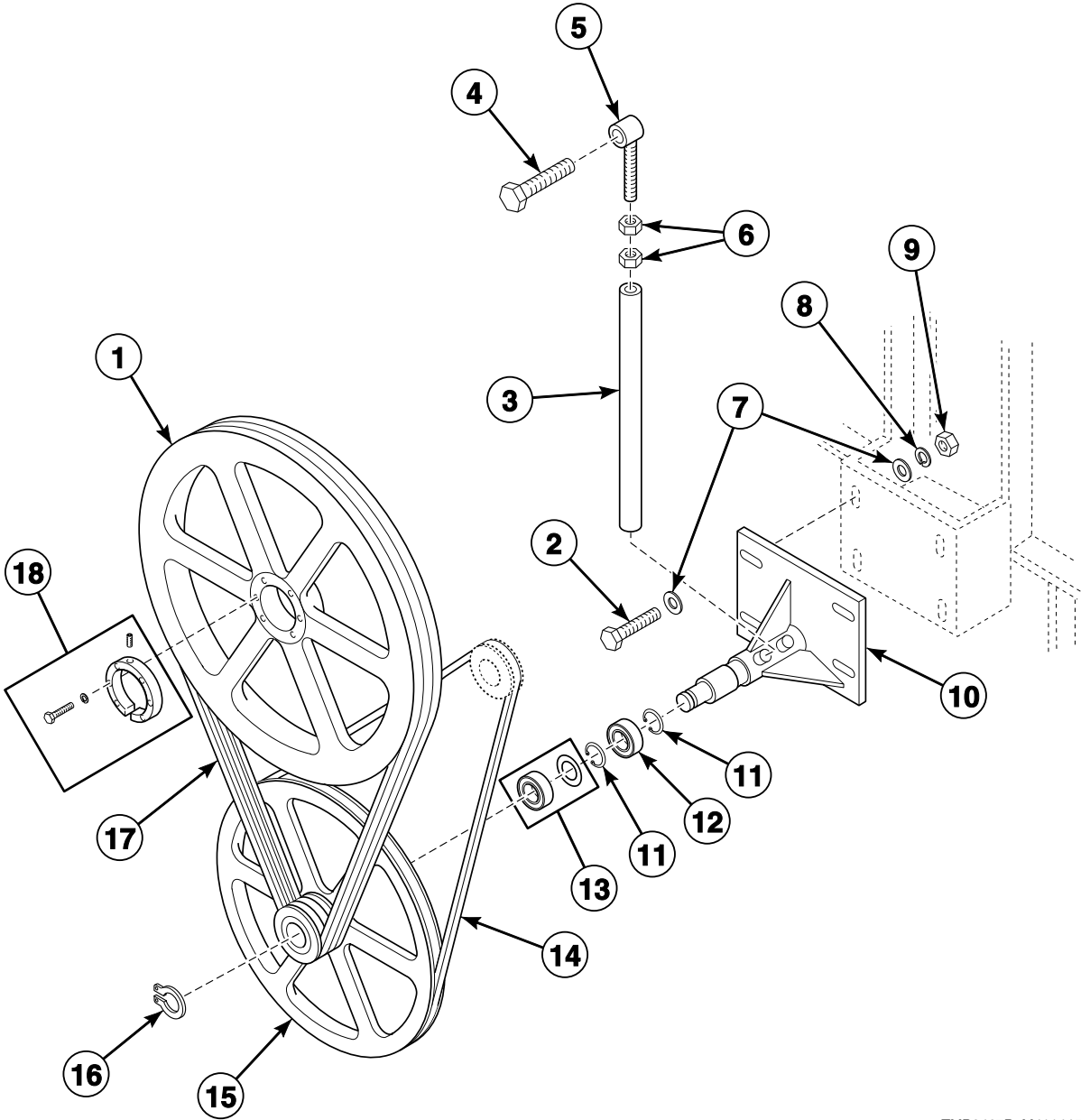
TMB1804B_M411445

Lint Screen and Drive Guard

| REF | PART NO. | DESCRIPTION | COMMENTS |
|-----|-----------|-------------------|-----------------------|
| 1 | N/A | Drive Guard Side | Left |
| 2 | N/A | Drive Guard Top | |
| 3 | M405188 | Screw | |
| 4 | N/A | Screw | |
| 5 | 20274 | Nut | |
| 6 | M400014 | Washer | |
| 7 | H88111703 | Screw | |
| 8 | N/A | Drive Guard Side | Right |
| 9 | N/A | Drive Guard Cover | |
| 10 | 44077701P | Lint Screen | |
| 11 | M409652 | Lint Screen Frame | CG, CSH and EG models |
| | N/A | Lint Screen Frame | GH4 and SH5 models |
| 12 | H96418413 | Lint Screen Clip | 2 required |

N/A = Part no longer available

Drive Sheave, Step Pulley, and Belts



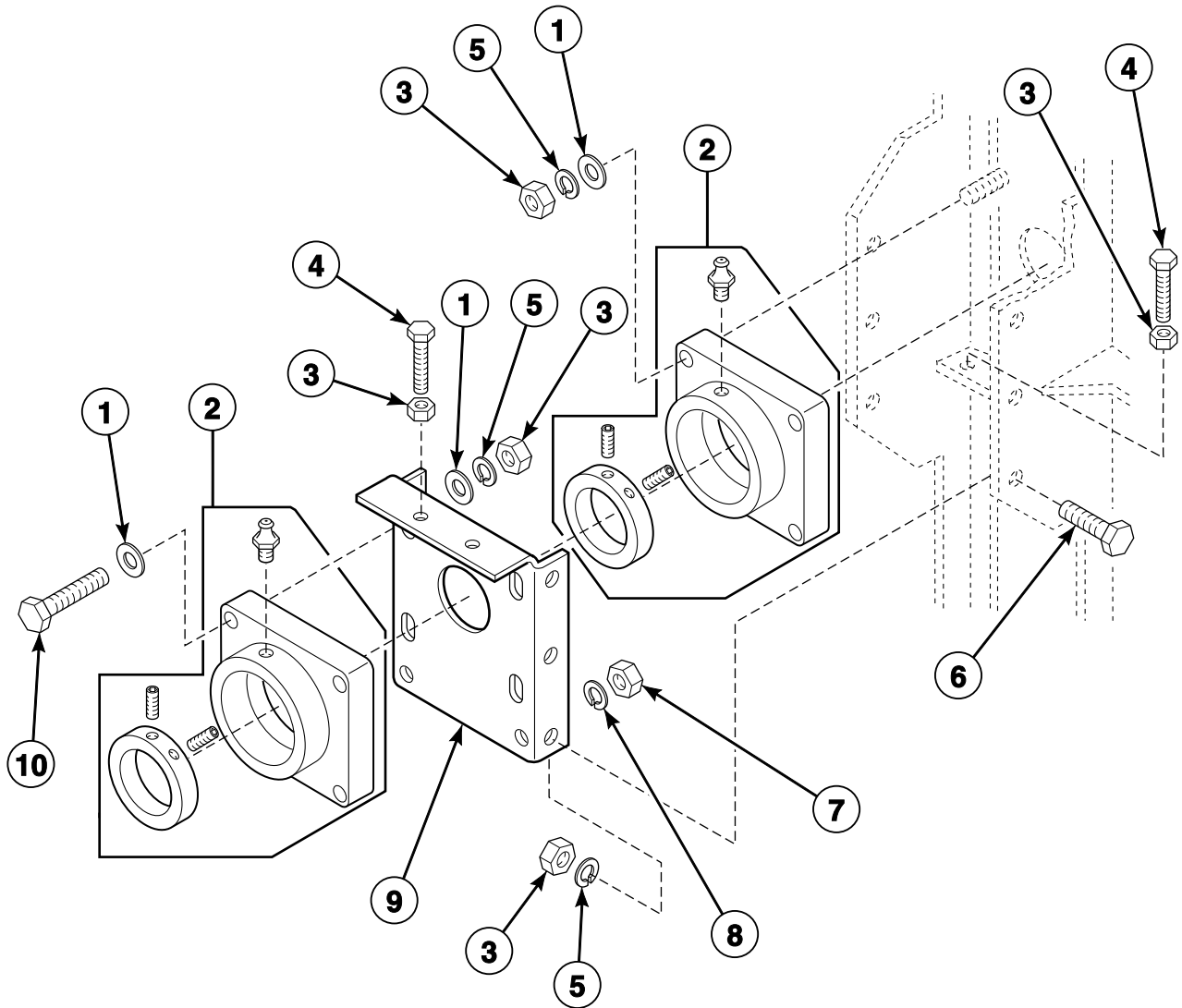
TMB2467P_M411445

Drive Sheave, Step Pulley, and Belts

| REF | PART NO. | DESCRIPTION | COMMENTS |
|-----|------------|-------------------------------|---|
| 1 | H8752251H | Sheave | |
| 2 | M400043 | Screw | |
| 3 | N/A | Belt Adjustment Tube | |
| 4 | H88001565 | Screw | |
| 5 | 44048501 | Rod End | |
| 6 | M404993 | Nut | |
| 7 | M400080 | Washer | |
| 8 | M400014 | Washer | |
| 9 | 20274 | Nut | |
| 10 | H96357751 | Jackshaft Assembly | |
| 11 | H88603477 | Retaining Ring | 2 required |
| 12 | H87672374 | Ball Bearing | Inner; Used on center circle of step pulley |
| 13 | M4718P3 | Step Pulley Outer Bearing Kit | Used on center circle of step pulley |
| 14 | H87533014 | Belt | |
| 15 | H96428024 | Step Pulley | |
| 16 | H88602263 | Retaining Ring | |
| 17 | H87533816P | Belt Set | Set of 3 |
| 18 | H8752985HP | Bushing | |

N/A = Part no longer available

Trunnion Bearings



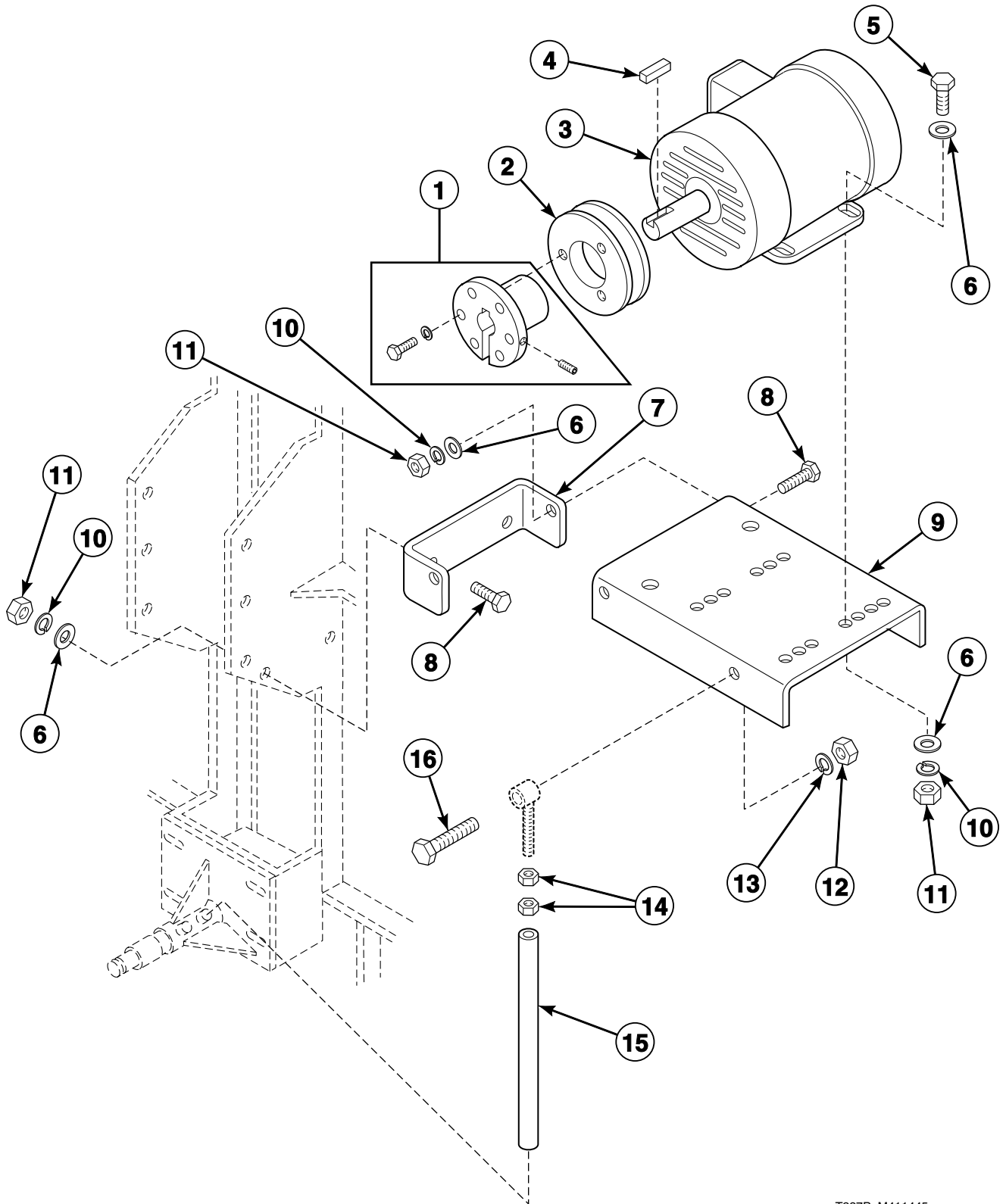
T240P_M411445

Trunnion Bearings

| REF | PART NO. | DESCRIPTION | COMMENTS |
|-----|-----------|------------------|----------|
| 1 | M400081 | Washer | |
| 2 | 44048301P | Flange Bearing | |
| 3 | 20274 | Nut | |
| 4 | H88213996 | Screw | |
| 5 | M400014 | Washer | |
| 6 | H88111703 | Screw | |
| 7 | H88412093 | Nut | |
| 8 | N/A | Washer | |
| 9 | H96428008 | Bearing Mounting | |
| 10 | 22688 | Screw | |

N/A = Part no longer available

Cylinder Drive Motor



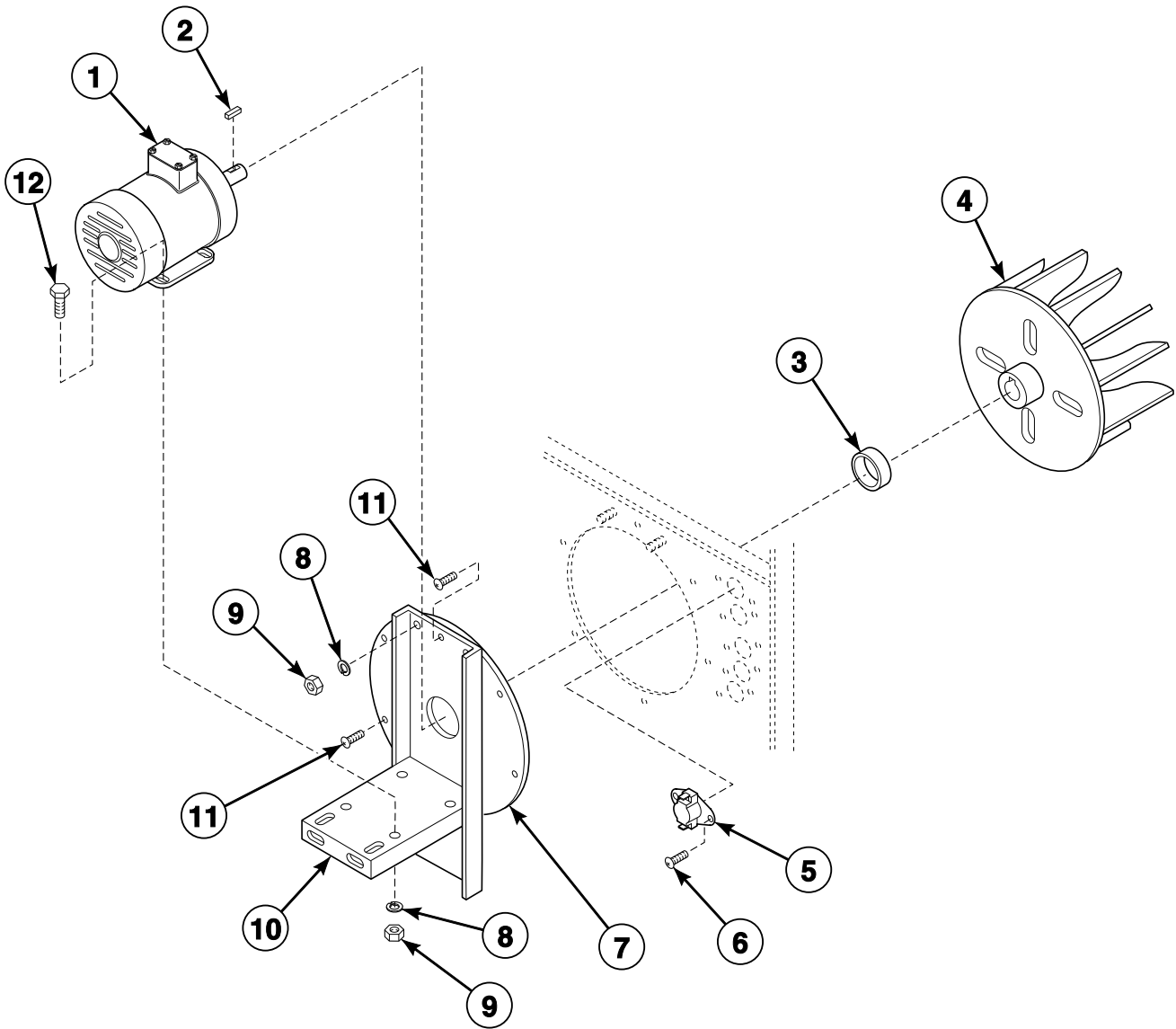
T237P_M411445

Cylinder Drive Motor

| REF | PART NO. | DESCRIPTION | COMMENTS |
|-----|------------|----------------------|--------------------------------------|
| 1 | H87529129P | Bushing | 60 Hertz |
| | H87529111P | Bushing | 50 Hertz |
| 2 | H87520466 | Sheave | 60 Hertz |
| | H87520334 | Sheave | 50 Hertz |
| 3 | H8371044H | Motor | 208-240 or 480 Volt/60 Hertz/3 Phase |
| | H8371047HP | Motor | 220-380 or 415 Volt/50 Hertz/3 Phase |
| 4 | H8752006H | Key | |
| 5 | M400043 | Screw | |
| 6 | M400080 | Washer | |
| 7 | H96428693 | Base Bracket | |
| 8 | 22688 | Screw | |
| 9 | M413171 | Motor Base | |
| 10 | M400014 | Washer | |
| 11 | 20274 | Nut | |
| 12 | H88412093 | Nut | |
| 13 | N/A | Washer | |
| 14 | M404993 | Nut | |
| 15 | N/A | Belt Adjustment Tube | |
| 16 | H88001565 | Screw | |

N/A = Part no longer available

60 Hertz Fan and Motor Assembly



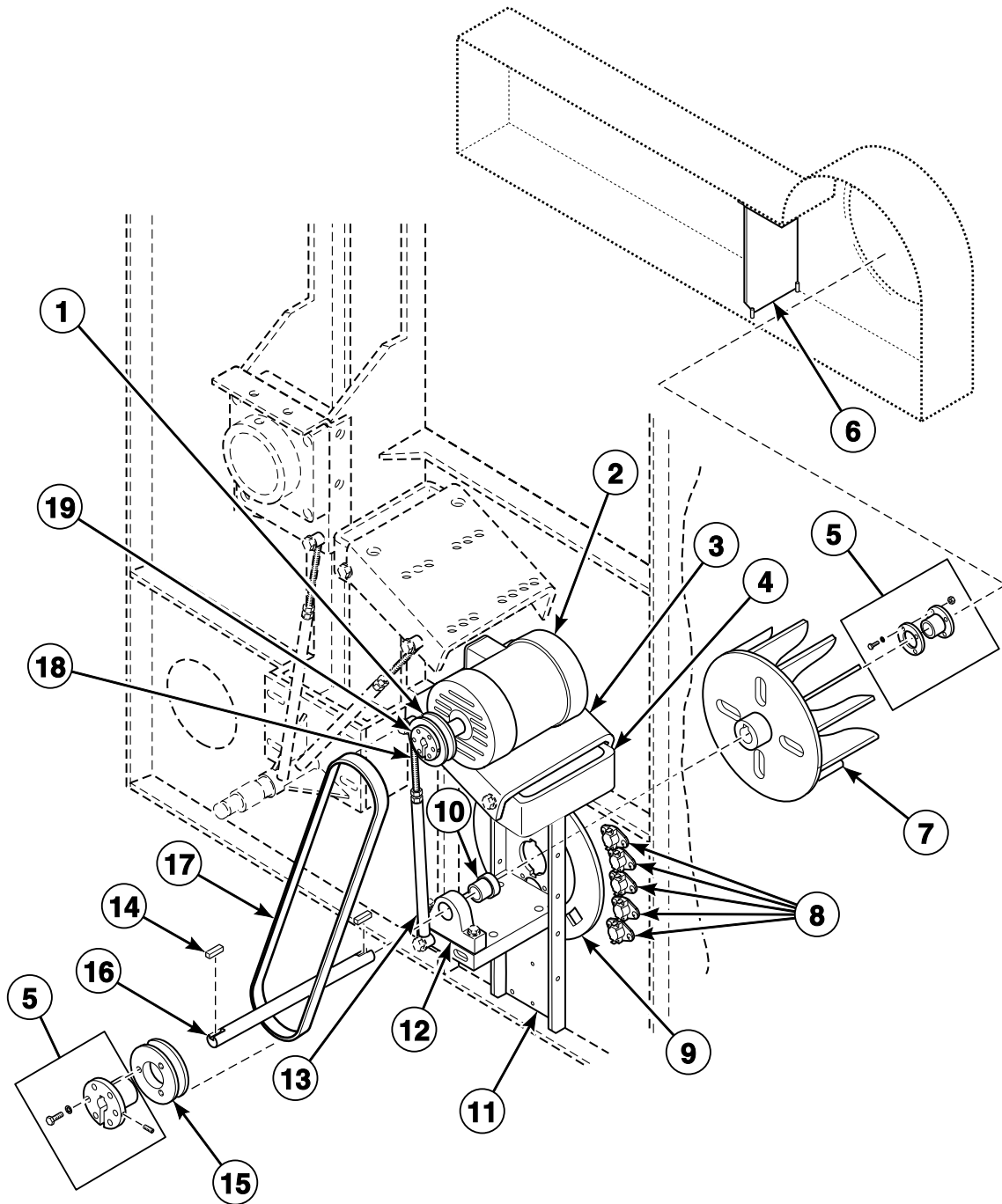
TMB1295P_M411445

60 Hertz Fan and Motor Assembly

| REF | PART NO. | DESCRIPTION | COMMENTS |
|-----|--------------|--------------------------|--|
| 1 | N/A | Motor | 208-230 or 460 Volt/60 Hertz/3 Phase; 2 hp; Nonreversing |
| | 44046301P | Motor | 208-230 or 460 Volt/60 Hertz/3 Phase; 1 hp; Reversing |
| 2 | H8752006H | Key | |
| 3 | H87529160 | Bushing | For fan; Nonreversing |
| | H87529111P | Bushing | For fan; Reversing |
| 4 | M414546 | Fan and Bushing Assembly | |
| 5 | H8900531H | Thermostat | High |
| | H89005227 | Thermostat | High limit |
| | H89005235 | Thermostat | Medium |
| | H89005243 | Thermostat | Low |
| | H8900530H | Thermostat | Load ready |
| 6 | F0430166-00A | Screw | |
| 7 | H96358007 | Blower Cover | |
| 8 | M400013 | Washer | |
| 9 | 70142 | Nut | |
| 10 | H608P3 | Blower Motor Base Kit | |
| 11 | M400056 | Screw | |
| 12 | 27202 | Screw | |

N/A = Part no longer available

50 Hertz Fan and Motor Assembly



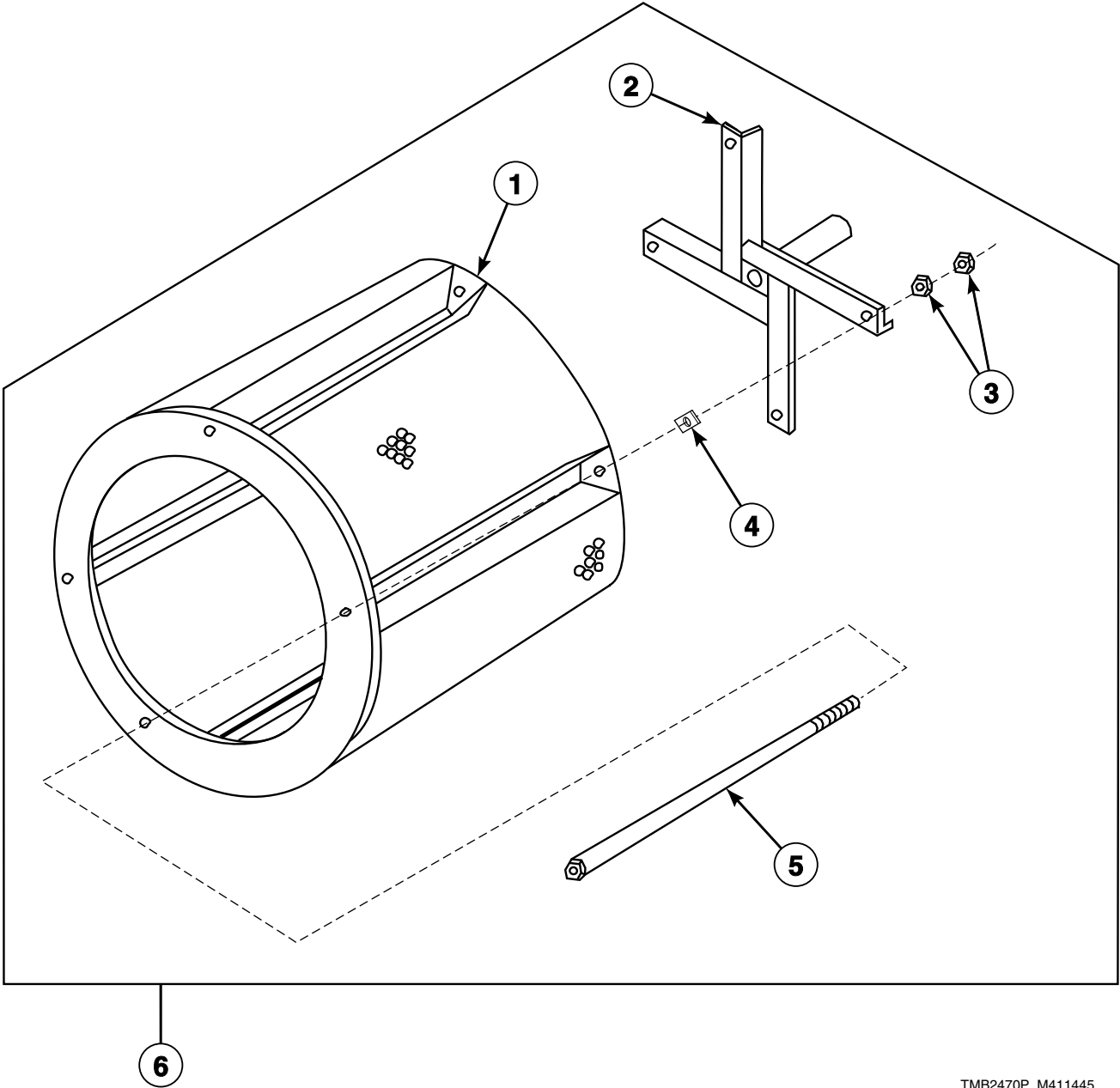
TMB2469P_M411445

50 Hertz Fan and Motor Assembly

| REF | PART NO. | DESCRIPTION | COMMENTS |
|-----|------------|----------------------------|--------------------------------------|
| 1 | H87520334 | Sheave | |
| 2 | N/A | Motor | 220-380 or 415 Volt/50 Hertz/3 Phase |
| 3 | M413171 | Motor Base | |
| 4 | H96428693 | Base Bracket | |
| 5 | M412917P | Bushing | |
| 6 | M409967 | Damper Assembly | |
| 7 | M414546 | Fan and Bushing Assembly | |
| 8 | H8900531H | Thermostat | High |
| | H89005227 | Thermostat | High limit |
| | H89005235 | Thermostat | Medium |
| | H89005243 | Thermostat | Low |
| | H8900530H | Thermostat | Load ready |
| 9 | H96358007 | Blower Cover | |
| | H8768302H | Bearing Mounting Flangette | 2 required |
| 10 | H8768212H | Ball Bearing Insert | |
| 11 | H608P3 | Blower Motor Base Kit | |
| 12 | 44104801 | Ball Bearing | |
| 13 | N/A | Belt Adjustment Tube | |
| 14 | H8752006H | Key | |
| 15 | H87520284 | Sheave | |
| 16 | M412000 | Blower Shaft | |
| 17 | H8753170H | Belt | |
| 18 | 44048501 | Rod End | |
| 19 | H87529111P | Bushing | |

N/A = Part no longer available

Cylinder and Trunnion Shaft

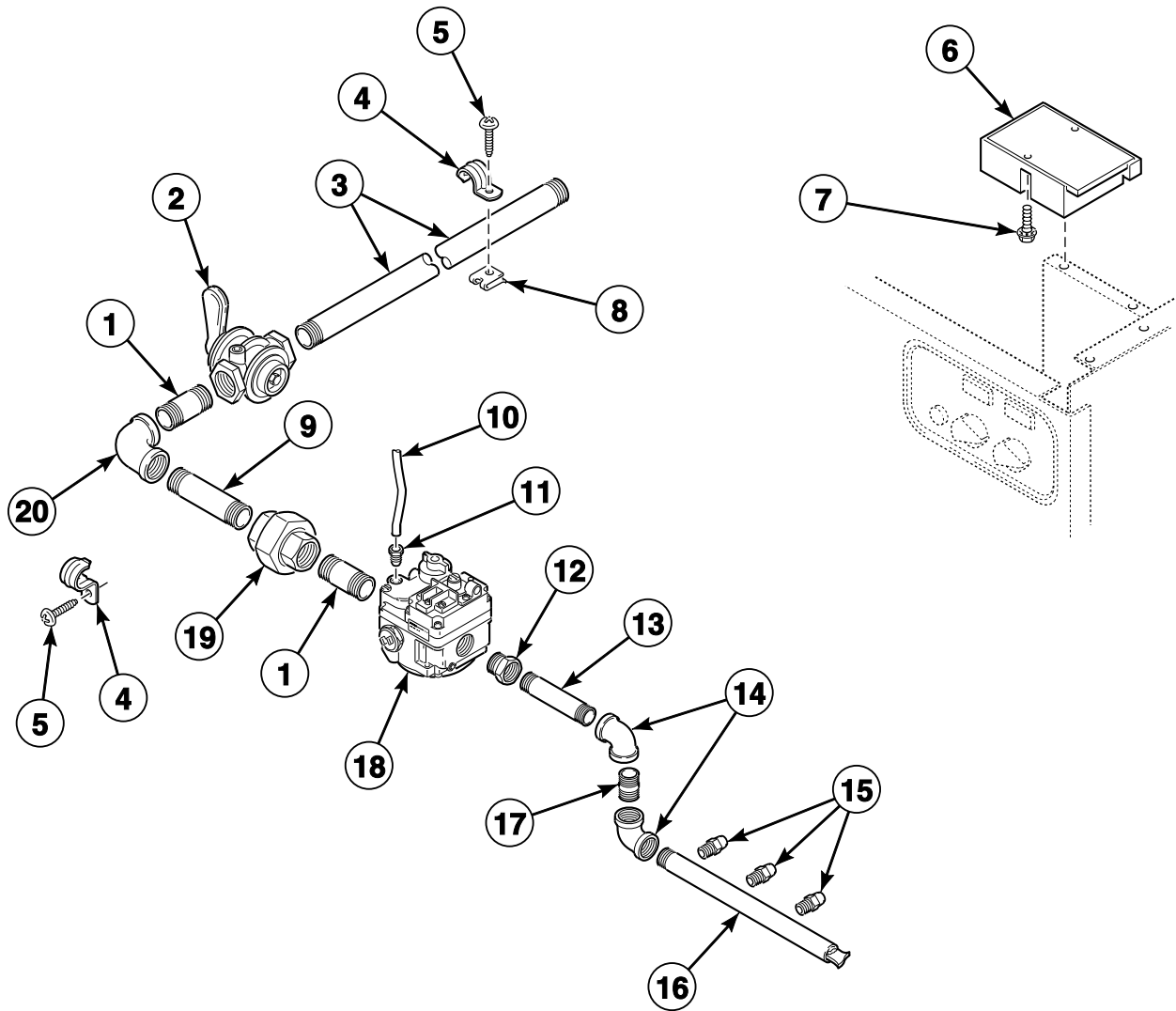


TMB2470P_M411445

Cylinder and Trunnion Shaft

| REF | PART NO. | DESCRIPTION | COMMENTS |
|-----|-----------|--------------------------------|---|
| 1 | H96427513 | Cylinder Assembly | Galvanized |
| | M409788 | Cylinder Assembly | Stainless steel |
| | M409659 | Cylinder Assembly | Poly coated |
| 2 | 44055501 | Trunnion Assembly | |
| 3 | M404993 | Nut | |
| 4 | M401402 | Spacer | Use as required between cylinder and trunnion |
| 5 | H88301411 | Bolt | |
| 6 | 44054801 | Cylinder and Trunnion Assembly | Galvanized |
| | 44054802 | Cylinder and Trunnion Assembly | Stainless steel |
| | M409708 | Cylinder and Trunnion Assembly | Poly coated |

Gas Valve and Piping



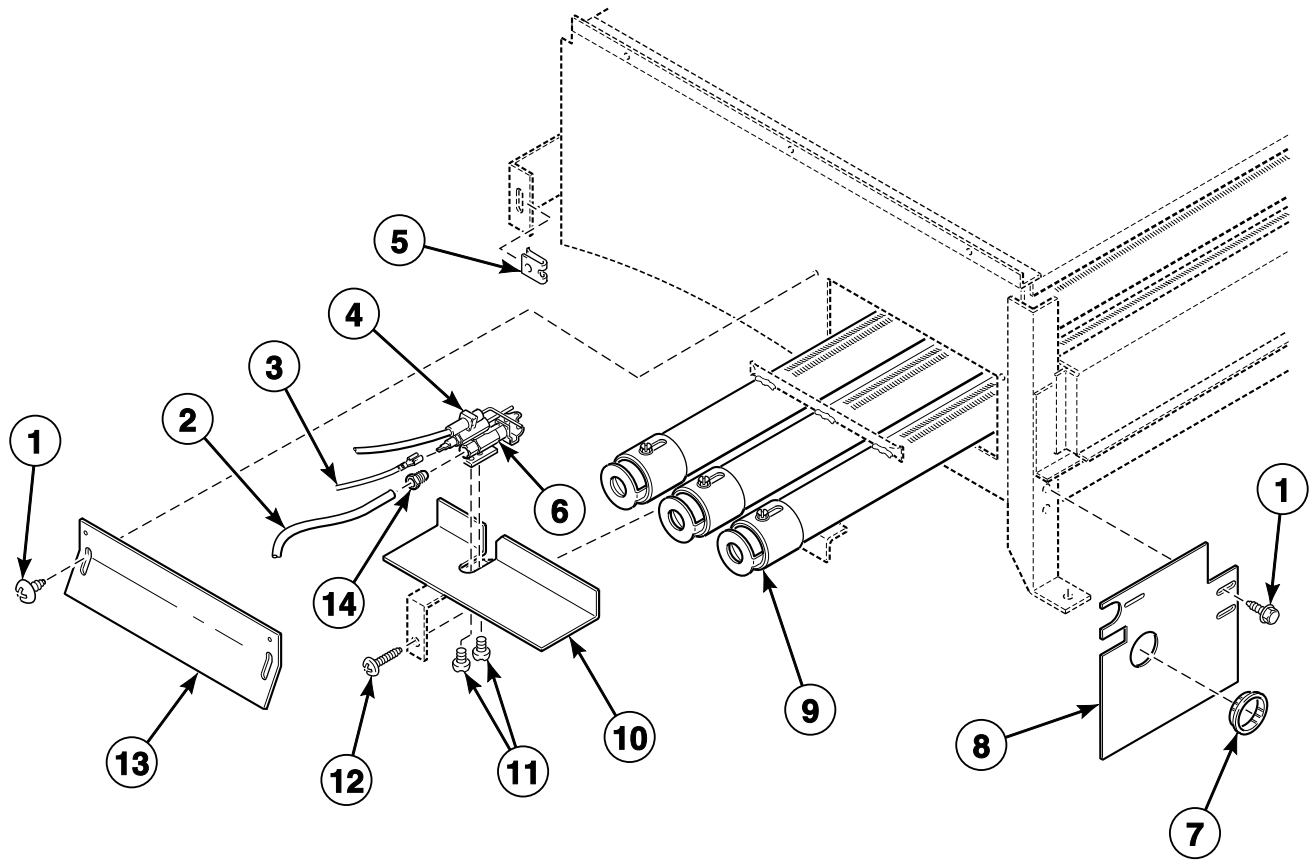
T250P_M411445

Gas Valve and Piping

| REF | PART NO. | DESCRIPTION | COMMENTS |
|-----|------------|------------------|---|
| 1 | M411418 | Pipe Nipple | |
| 2 | M413016 | Ball Valve | |
| 3 | M411265 | Gas Pipe | |
| 4 | M411614 | Conduit Clamp | |
| 5 | N/A | Screw | |
| 6 | H8900657HP | Ignition Control | Natural Gas (N.G.) |
| | M414316P | Ignition Control | Liquid Petroleum Gas (L.P.) |
| 7 | 51778 | Screw | |
| 8 | H8841927H | Nut | |
| 9 | N/A | Nipple | |
| 10 | N/A | Pilot Tube | |
| 11 | JT-149-3 | Nut | |
| 12 | N/A | Bushing | |
| 13 | N/A | Nipple | |
| 14 | N/A | Elbow | |
| 15 | H8900083H | Burner Orifice | N.G.; 0-2,000 feet; Drill no. 7 (5.1 mm) |
| | N/A | Burner Orifice | N.G.; 2,001-4,000 feet; Drill no. 10 (4.9 mm) |
| | N/A | Burner Orifice | N.G.; 4,001-6,000 feet; Drill no. 12 (4.8 mm) |
| | M410999 | Burner Orifice | N.G.; 6,001-8,000 feet; Drill no. 15 (4.6 mm) |
| | N/A | Burner Orifice | L.P.; 0-1,999 feet; Drill no. 31 (3.0 mm) |
| 16 | N/A | Manifold Pipe | |
| 17 | N/A | Nipple | |
| 18 | H8526918HP | Gas Valve | N.G. |
| | H96371513P | Gas Valve | L.P. |
| 19 | M411419 | Pipe Union | |
| 20 | N/A | Elbow | |

N/A = Part no longer available

Gas Burner and Igniter



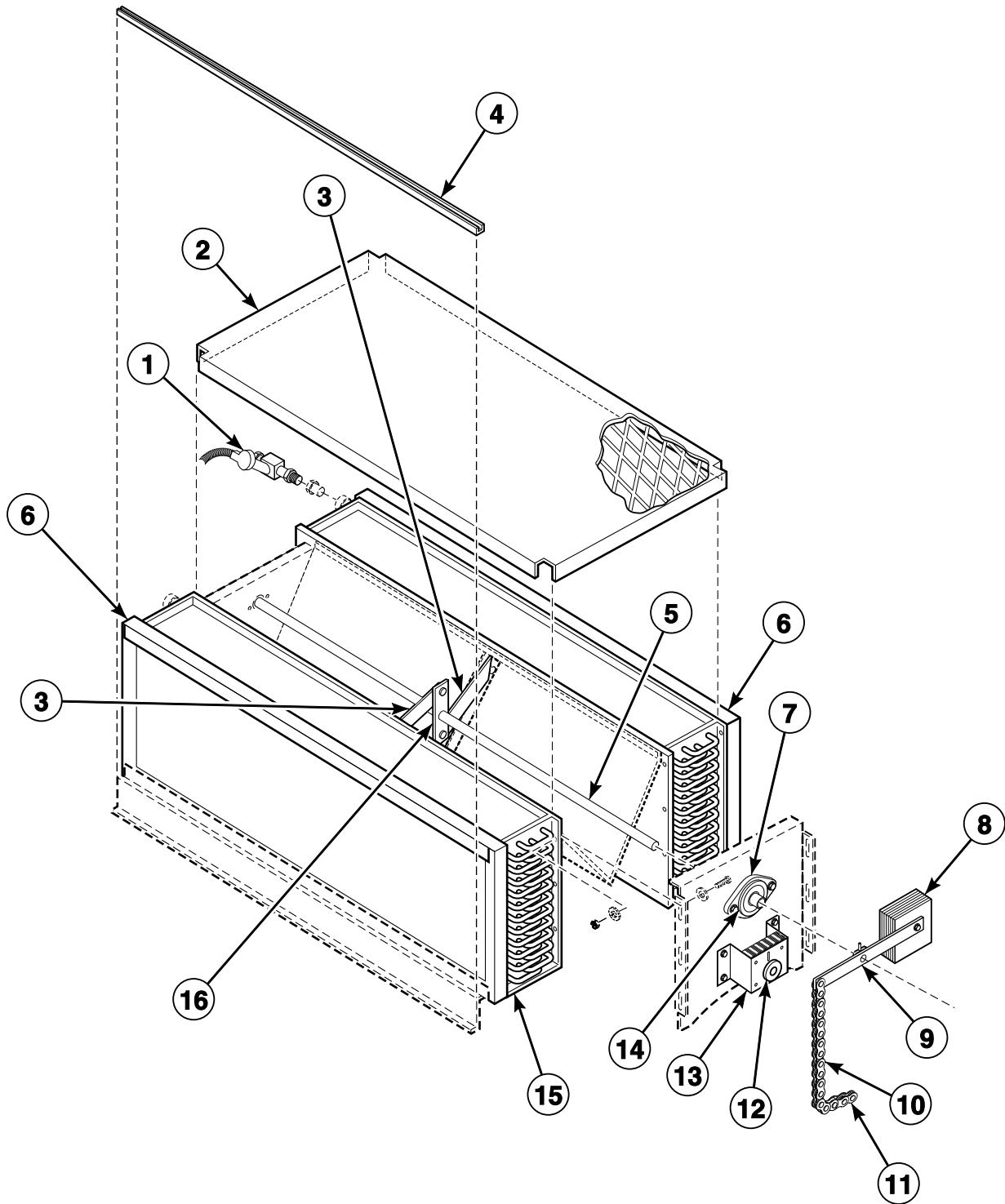
TMB2084P_M411445

Gas Burner and Igniter

| REF | PART NO. | DESCRIPTION | COMMENTS |
|-----|------------|-----------------------|---------------------------------|
| | H89005169P | High Limit Thermostat | |
| 1 | M400664 | Screw | |
| 2 | N/A | Pilot Tube | |
| 3 | H85289114 | Probe Lead | |
| 4 | H89000921P | Pilot Burner Assembly | Includes spark plug terminal |
| | M410183P | Pilot Burner Assembly | Includes quick connect terminal |
| 5 | H8841927H | Nut | |
| 6 | M401209P | Sensor Probe | |
| 7 | M405340 | Snap Bushing | |
| 8 | N/A | Bracket | |
| 9 | N/A | Gas Burner | |
| 10 | N/A | Pilot Shield | |
| 11 | Q6695 | Screw | |
| 12 | F430976 | Screw | |
| 13 | N/A | Flash Shield | |
| 14 | H8900079H | Pilot Orifice | Natural Gas (N.G.) |
| | Q8152 | Burner Orifice | Liquid Petroleum Gas (L.P.) |

N/A = Part no longer available

Steam Heating Unit



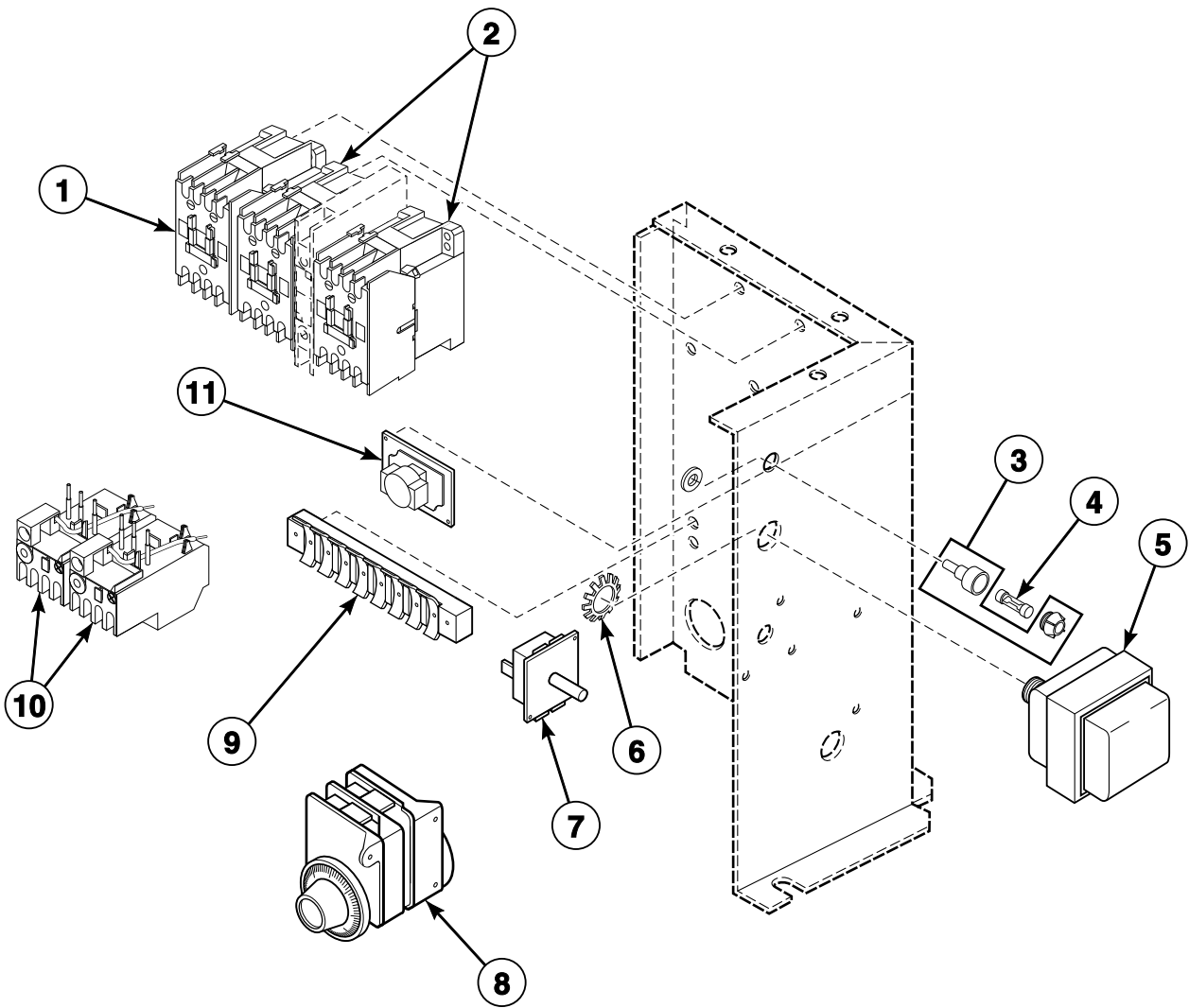
TMB2472P_M411445

Steam Heating Unit

| REF | PART NO. | DESCRIPTION | COMMENTS |
|-----|------------|-----------------------|------------|
| 1 | M411689 | Steam Valve | |
| 2 | 44018401 | Steam Cover | |
| 3 | N/A | Damper Link | |
| 4 | H96388087 | Filter Channel | Upper |
| 5 | N/A | Damper Shaft | |
| 6 | H96382106 | Steam Coil Filter | 2 required |
| 7 | H96382080 | Bearing Flangette | 4 required |
| 8 | M413331 | Damper Counterweight | 4 required |
| 9 | H96387501 | Actuator Arm Assembly | |
| 10 | H96388186 | Drive Chain | |
| 11 | H96382072P | Master Link | |
| 12 | H96388178 | Drive Wheel | |
| 13 | H96388145 | Motor Bracket | |
| 14 | H96382098 | Bearing Insert | |
| 15 | H96382023P | Steam Coil | 2 required |
| 16 | N/A | Damper Actuator | |

N/A = Part no longer available

Reversing Controls



TMB1296P_M411445

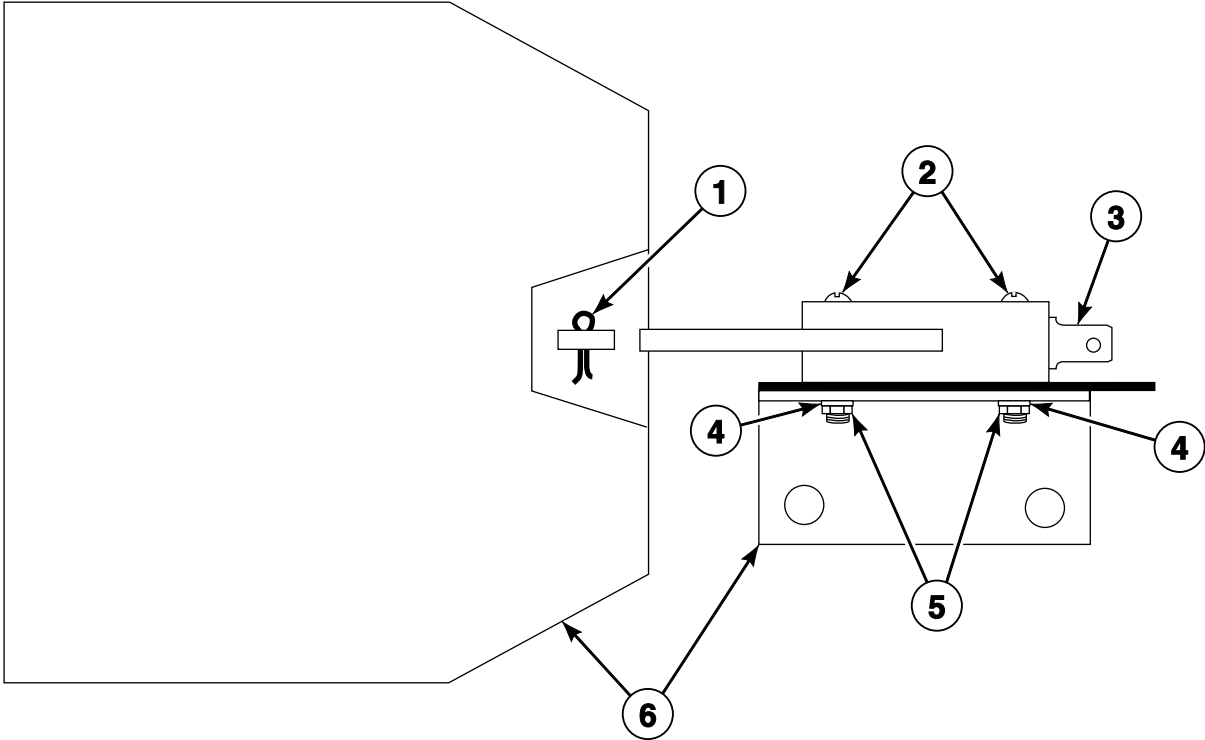
Reversing Controls

| REF | PART NO. | DESCRIPTION | COMMENTS |
|-----|------------|----------------------|--|
| 1 | N/A | Fan Contactor | CG, CSH and EG models |
| | N/A | Fan Contactor | GH4 and SH5 models |
| 2 | H8300831HP | Contactor | |
| 3 | H83900050 | Fuse Holder | |
| 4 | G137653 | Fuse | 1 Amp; 250 VAC |
| 5 | H83904664P | Transformer | |
| 6 | N/A | Nut | |
| 7 | N/A | Buzzer | |
| 8 | H96422399P | Reversing Timer | |
| 9 | N/A | Terminal Strip | |
| 10 | H8300105HP | Overload Relay | CG, CSH and EG models; 208-240 Volt |
| | N/A | Overload Relay | CG, CSH and EG models; 380-415 or 480 Volt |
| | N/A | Motor Overload Relay | GH4 and SH5 models |
| 11 | N/A | Time Delay Relay | |

N/A = Part no longer available

Airflow Switch Assembly

Mounted on Upper Right Cabinet Back



T251P_M411445

Airflow Switch Assembly

| REF | PART NO. | DESCRIPTION | COMMENTS |
|-----|----------|---------------------|----------|
| 1 | 02470 | Cotter Pin | |
| 2 | M401938 | Screw | |
| 3 | 44021701 | Lever Arm Switch | |
| 4 | 51345 | Washer | |
| 5 | 70072901 | Nut | |
| 6 | 70502301 | Airflow Switch Vane | |

Parts Index

A

| | |
|--|----|
| Actuator Arm Assembly H96387501 | 35 |
| Airflow Switch Vane 70502301 | 39 |

B

| | |
|---|------------|
| Ball Bearing H87672374 | 19 |
| 44104801 | 27 |
| Ball Bearing Insert H8768212H | 27 |
| Ball Valve M413016 | 31 |
| Base Bracket H96428693 | 23, 27 |
| Bearing Flangette H96382080 | 35 |
| Bearing Insert H96382098 | 35 |
| Bearing Mounting H96428008 | 21 |
| Bearing Mounting Flangette H8768302H | 27 |
| Belt H8753170H | 27 |
| H87533014 | 19 |
| Belt Set H87533816P | 19 |
| Blower Cover H96358007 | 25, 27 |
| Blower Motor Base Kit H608P3 | 25, 27 |
| Blower Shaft M412000 | 27 |
| Bolt H88301411 | 29 |
| Burner Orifice H8900083H | 31 |
| M410999 | 31 |
| Q8152 | 33 |
| Bushing H87529111P | 23, 25, 27 |
| H87529129P | 23 |
| H87529160 | 25 |
| H8752985HP | 19 |
| M412917P | 27 |

C

| | |
|----------------------------------|----|
| Conduit Clamp M411614 | 31 |
| Contactactor H8300831HP | 37 |
| Control Knob H83901157 | 5 |

| | |
|---|------|
| Control Replacement Kit H759P3 | 5, 7 |
| Cotter Pin 02470 | 39 |
| Cylinder and Trunnion Assembly M409708 | 29 |
| 44054801 | 29 |
| 44054802 | 29 |
| Cylinder Assembly H96427513 | 29 |
| M409659 | 29 |
| M409788 | 29 |

D

| | |
|---|----|
| Damper Assembly M409967 | 27 |
| Damper Counterweight M413331 | 35 |
| Door Glass and Seal Kit M409899P | 15 |
| Door Handle M400133 | 15 |
| Door Latch M401223 | 13 |
| Door Seal Kit 70211904P | 15 |
| Door Switch H96422241 | 13 |
| Door Switch Mount H96409198 | 13 |
| Drive Chain H96388186 | 35 |
| Drive Wheel H96388178 | 35 |

F

| | |
|---|--------|
| Fan and Bushing Assembly M414546 | 25, 27 |
| Filter Channel H96388087 | 35 |
| Flange Bearing 44048301P | 21 |
| Front Panel M410268WP | 13 |
| Fuse G137653 | 37 |
| Fuse Holder H83900050 | 37 |

G

| | |
|-------------------------------|----|
| Gas Pipe M411265 | 31 |
| Gas Valve H8526918HP | 31 |

N/A items do not appear in index.

| | |
|------------------|------|
| H96371513P | 31 |
| Graphic Panel | |
| M410869 | 7, 9 |

H

| | |
|-----------------------|----|
| High Limit Thermostat | |
| H89005169P | 33 |
| Hinge Pin | |
| M409975 | 13 |
| M410029 | 13 |

I

| | |
|------------------|----|
| Ignition Control | |
| H8900657HP | 31 |
| M414316P | 31 |

J

| | |
|--------------------|----|
| Jackshaft Assembly | |
| H96357751 | 19 |

K

| | |
|-----------------|------------|
| Key | |
| H8752006H | 23, 25, 27 |
| Knob | |
| M400773 | 7 |
| M400777 | 9 |
| M410927 | 7 |

L

| | |
|-----------------------|----|
| Lever Arm Switch | |
| 44021701 | 39 |
| Lint Screen | |
| 44077701P | 17 |
| Lint Screen Clip | |
| H96418413 | 17 |
| Lint Screen Frame | |
| M409652 | 17 |
| Loading Door Assembly | |
| M410289*P | 15 |
| M410290 | 15 |
| Loading Door Gasket | |
| H96409156P | 15 |
| Lower Door Hinge | |
| M410031 | 15 |
| M410702P | 15 |

M

| | |
|------------------|----|
| Master Link | |
| H96382072P | 35 |
| Motor | |
| H8371044H | 23 |

| | |
|---------------------|--------|
| H8371047HP | 23 |
| 44046301P | 25 |
| Motor Base | |
| M413171 | 23, 27 |
| Motor Bracket | |
| H96388145 | 35 |
| Mounting Insulation | |
| H96418728 | 13 |

N

| | |
|-----------------|----------------|
| Nameplate | |
| M410355 | 11 |
| Nut | |
| H88412093 | 21, 23 |
| H8841927H | 31, 33 |
| JT-149-3 | 31 |
| M404993 | 19, 23, 29 |
| Q6163 | 15 |
| 20274 | 17, 19, 21, 23 |
| 23951 | 11 |
| 24205 | 9 |
| 70054 | 15 |
| 70072901 | 13, 39 |
| 70142 | 25 |

O

| | |
|------------------|----|
| Overload Relay | |
| H8300105HP | 37 |

P

| | |
|--------------------------|------|
| Panel Hinge Kit | |
| M410041P | 13 |
| M410042P | 13 |
| Pilot Burner Assembly | |
| H89000921P | 33 |
| M410183P | 33 |
| Pilot Light | |
| M400704 | 7, 9 |
| Pilot Orifice | |
| H8900079H | 33 |
| Pipe Nipple | |
| M411418 | 31 |
| Pipe Union | |
| M411419 | 31 |
| Probe Lead | |
| H85289114 | 33 |
| Push-to-Start Switch Kit | |
| 44106901P | 7 |

R

| | |
|-------------------|----|
| Relay | |
| M400911P | 7 |
| Resistor Assembly | |
| M410992 | 7 |
| Retaining Ring | |
| H88602263 | 19 |

N/A items do not appear in index.

| | |
|------------------|--------|
| H88603477 | 19 |
| Reversing Timer | |
| H96422399P | 37 |
| Rocker Switch | |
| M413270 | 5, 9 |
| Rod End | |
| 44048501 | 19, 27 |
| Roller Catch | |
| H87020202 | 11 |

S

| | |
|-------------------------------|--------|
| Screw | |
| F0430166-00A | 25 |
| F430976 | 33 |
| H88001565 | 19, 23 |
| H88110267 | 13 |
| H88111703 | 17, 21 |
| H88129648 | 15 |
| H88129788 | 13 |
| H88213996 | 21 |
| M400043 | 19, 23 |
| M400044 | 11 |
| M400056 | 25 |
| M400071 | 7 |
| M400072 | 7, 13 |
| M400661 | 15 |
| M400664 | 7, 33 |
| M401938 | 39 |
| M405188 | 17 |
| M409385 | 15 |
| M411052 | 7 |
| Q6695 | 33 |
| 22688 | 21, 23 |
| 27202 | 25 |
| 51778 | 31 |
| 51780 | 7 |
| Sensor Probe | |
| M401209P | 33 |
| Sheave | |
| H87520284 | 27 |
| H87520334 | 23, 27 |
| H87520466 | 23 |
| H8752251H | 19 |
| Snap Bushing | |
| M405340 | 33 |
| Spacer | |
| M401402 | 29 |
| Steam Coil | |
| H96382023P | 35 |
| Steam Coil Filter | |
| H96382106 | 35 |
| Steam Cover | |
| 44018401 | 35 |
| Steam Valve | |
| M411689 | 35 |
| Step Pulley | |
| H96428024 | 19 |
| Step Pulley Outer Bearing Kit | |
| M4718P3 | 19 |
| Switch | |
| 27762 | 9 |

T

| | |
|-------------------|--------|
| Thermostat | |
| H89005227 | 25, 27 |
| H89005235 | 25, 27 |
| H89005243 | 25, 27 |
| H8900530H | 25, 27 |
| H8900531H | 25, 27 |
| Timer Kit | |
| M410900P | 7 |
| M410901P | 7 |
| M410902P | 7 |
| M410903P | 7 |
| Toggle Switch | |
| M400945 | 5 |
| Transformer | |
| H83904664P | 37 |
| Trim | |
| H81224511P | 11 |
| Trunnion Assembly | |
| 44055501 | 29 |

U

| | |
|------------------|----|
| Upper Door Hinge | |
| M410030 | 15 |
| M410701P | 15 |

W

| | |
|-----------------|----------------|
| Warning Label | |
| M410892 | 13 |
| Washer | |
| H88569108 | 11, 13 |
| M400013 | 25 |
| M400014 | 17, 19, 21, 23 |
| M400080 | 19, 23 |
| M400081 | 21 |
| M400671 | 15 |
| 51345 | 13, 39 |
| 91176 | 9 |

N/A items do not appear in index.

