

Drying Tumblers

150 Pound Capacity

Refer to Page 3 for Model Numbers

Parts



www.alliancelaundry.com

Part No. D1024R3
October 2013

Table of Contents

Title	Page
Parts Ordering Information.....	2
Serial Plate Location	2
Model Identification	3
2 Timer Control Panel Assembly	4
DMP Control Panel Assembly.....	6
Pro and ProHC Control Panel Assembly	8
Front Panel Assembly	10
Front View	12
Burner Access Door.....	14
Lint Door Assembly	16
Gear Motor Rear View	18
Air Switch Assembly	20
Rear Motor Control Assembly	22
TM200 Gear Reducer - Rear View	24
TM200 Large Gear Reducer with Bronze Teeth	26
Fan Assembly for 60 Cycle	28
Fan Assembly for 50 Cycle	30
Thermostat Assembly - 2 Timer	32
2 Timer Sensor Assembly	34
DMP Sensor Assembly	36
Pro Sensor Assembly	38
ProHC Sensor Assembly - Upper Assembly.....	40
ProHC Sensor Assembly - Lower Assembly.....	42
Gas Bonnet Assembly	44
Steam Bonnet Assembly.....	46
Additional Parts	48
Parts Index.....	49

© Copyright 2013, Alliance Laundry Systems LLC

All rights reserved. No part of the contents of this book may be reproduced or transmitted in any form or by any means without the expressed written consent of the publisher.

Parts Ordering Information

If literature or replacement parts are required, contact the source from whom the machine was purchased or contact Alliance Laundry Systems at (920) 748-3950 for the name and address of the nearest authorized parts distributor.

For technical assistance, call either of the numbers listed below:

(920) 748-3121 Ripon, Wisconsin

+32 56 41 20 54 Wevelgem, Belgium

Serial Plate Location

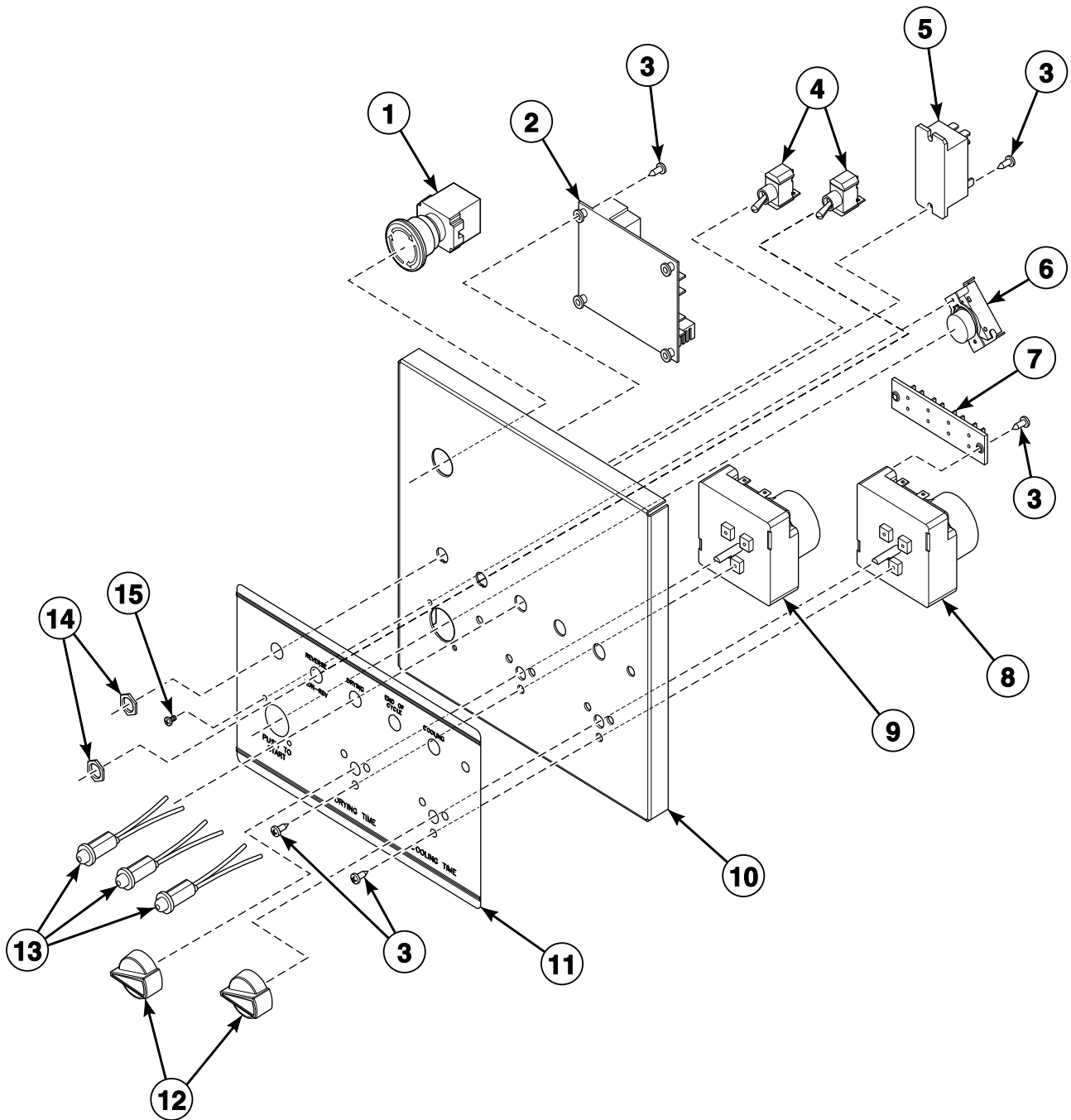
When calling or writing about your product, be sure to mention model and serial numbers. Model and serial numbers are located on serial plates.

Model Identification

Information in this manual is applicable to these tumbler models:

HD150.1

2 Timer Control Panel Assembly

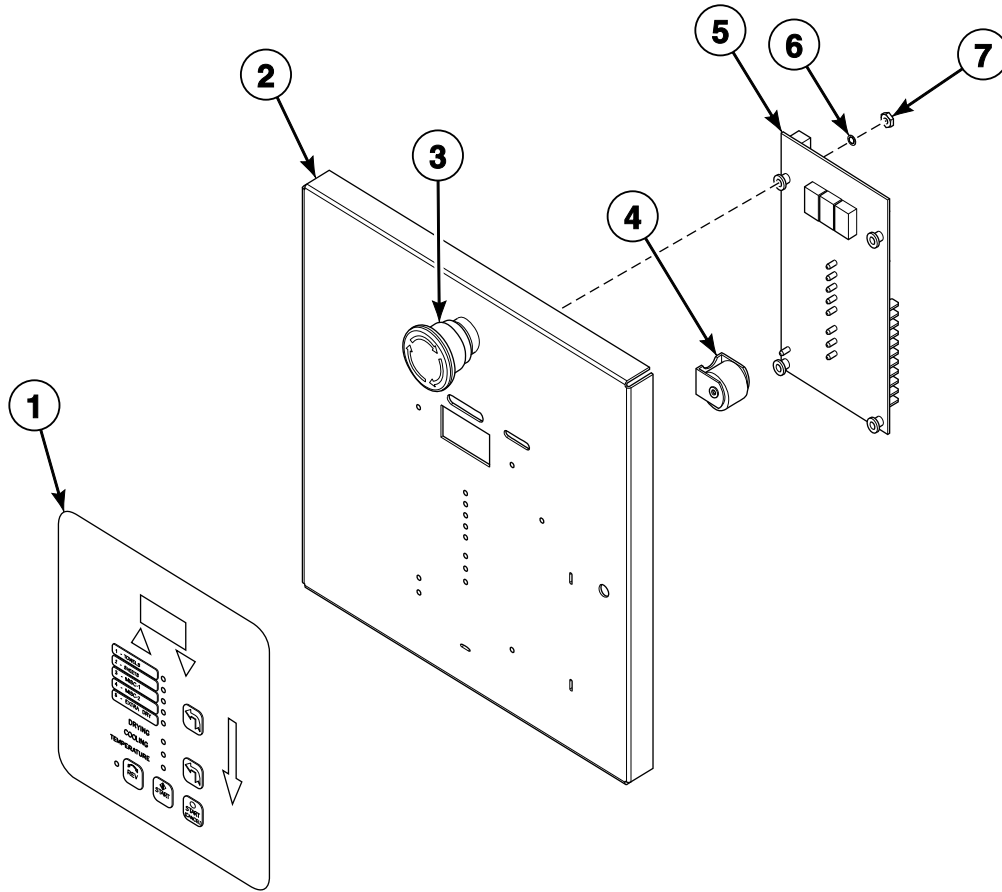


TMB2812P_D1024

2 Timer Control Panel Assembly

REF	PART NO.	DESCRIPTION	COMMENTS
1	TU14435	Emergency Stop Button Kit	50 Hertz
	TU15724	Button Plug	7/8 inch; 60 Hertz
2	TU12874P	Reversing Timer	
3	TU7733	Screw	No. 8-18 x 1/2 inch; Self-drilling
4	FG147P	Toggle Switch	
5	F1300P	Relay	24 Volt
6	TU9028	Pushbutton Switch	
7	TU8629	Terminal Board	
8	TU12933P	Timer	0-15 minute
9	TU12932P	Timer	0-60 minute
10	TU15406WHT	Control Panel Weldment Assembly	
11	TU15459	2 Timer Nameplate	
12	TU2555	Knob	
13	TUT316	LED Light Assembly	24 Volt
14	TU3805	Nut	No. 15-32; Hex
15	ET208	Screw	No. 6-32 x 1/4 inch; Binding head

DMP Control Panel Assembly

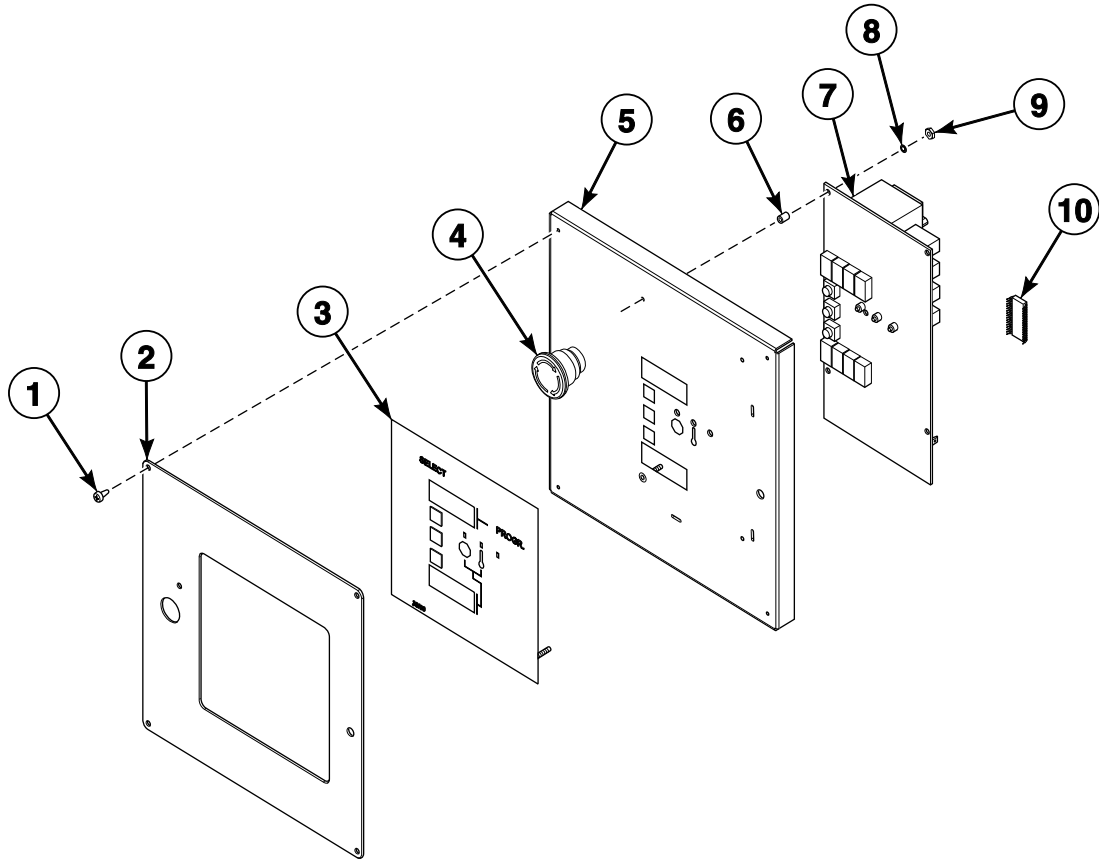


TMB2435P_D1024

DMP Control Panel Assembly

REF	PART NO.	DESCRIPTION	COMMENTS
	TU15724	Button Plug	7/8 inch; 60 Hertz
1	44037901P	Membrane Switch	OPL DMP; Right side; Down
2	TU14469WHT	DMP Control Panel Weldment Assembly	
3	TU14435	Emergency Stop Button Kit	50 Hertz
4	TU14137	Buzzer	24 Volt
5	TU14404P	Controller	OPL/Coin board; New
6	M270	Washer	No. 6; Internal tooth lock
7	TU3400	Nut	No. 6-32; Hex

Pro and ProHC Control Panel Assembly



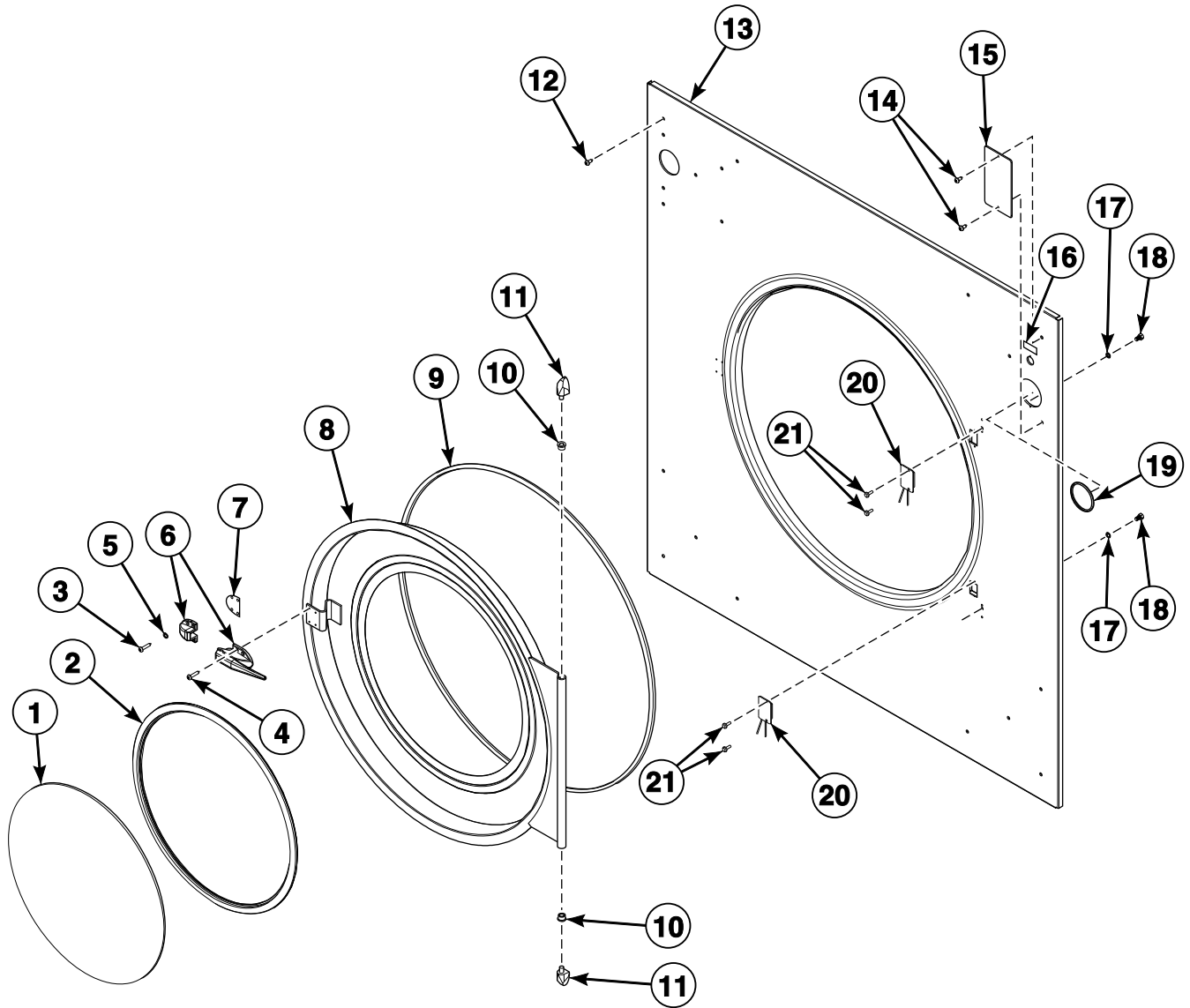
TMB2436P_D1024

Pro and ProHC Control Panel Assembly

REF	PART NO.	DESCRIPTION	COMMENTS
	TU15724	Button Plug	7/8 inch; 60 Hertz
1	M261	Screw	No. 8-32
2	TU14727WHT	Control Panel Cover Plate	
3	254/00039/00	Operating Touchpad	Pro control
	254/00018/00	Control Label	ProHC control
4	TU14435	Emergency Stop Button Kit	50 Hertz
5	TU14442WHT	Control Cover Assembly	
6	N/A	Spacer	
7	254/00070/00P	Control Board	
8	M270	Washer	Lock
9	TU3400	Nut	No. 6-32
10	N/A	Pro/ProHC Chip	Standard program

N/A = Part no longer available

Front Panel Assembly



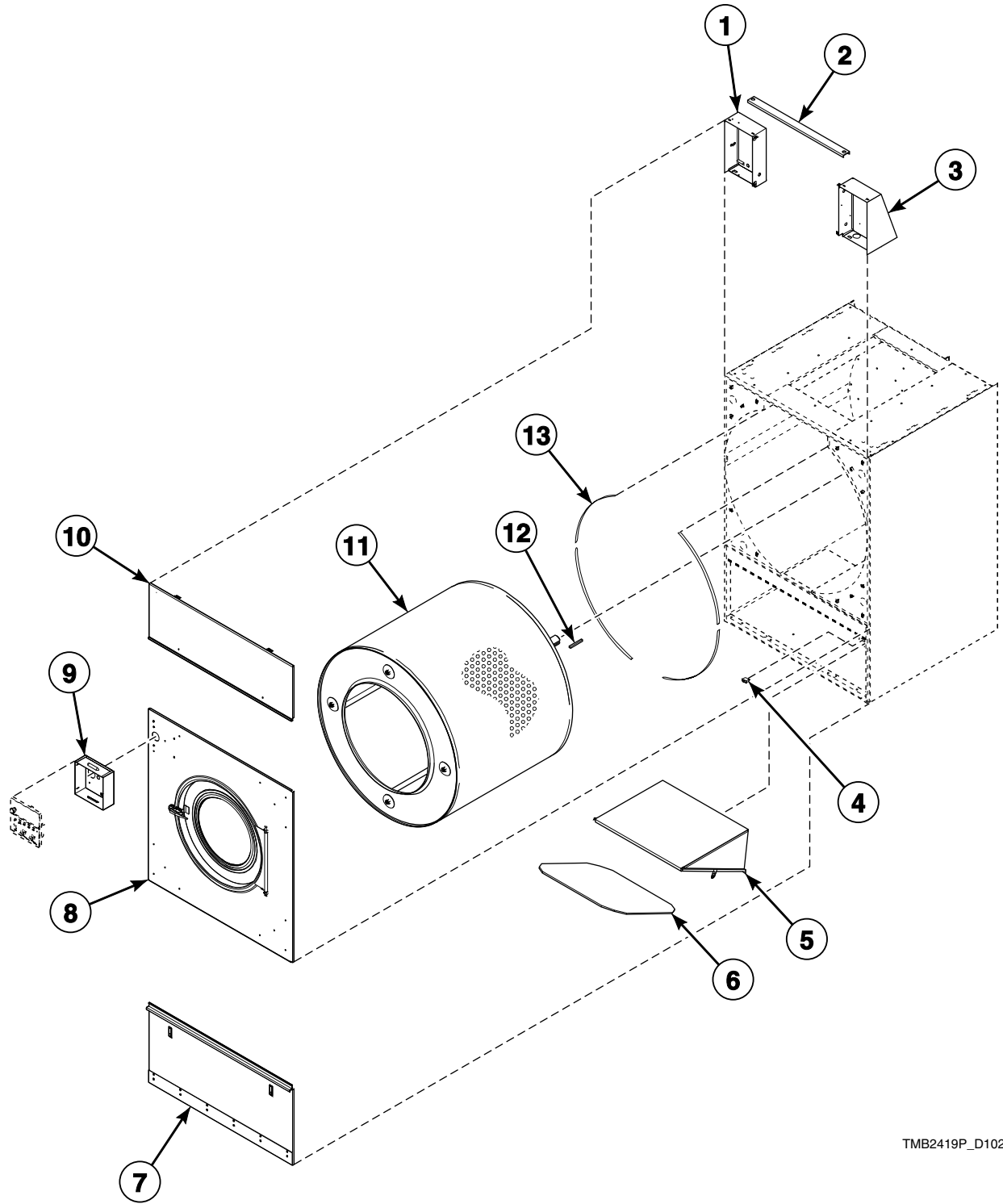
TMB2424P_D1024

Front Panel Assembly

REF	PART NO.	DESCRIPTION	COMMENTS
	TU6030	Temperature Control Assembly	See detail
1	TU15107P	Door Glass	20 1/4 inch
2	TU15966	Door Gasket	
3	TU2687	Screw	No. 8; Phillips head
4	JA-51604	Screw	No. 8-32; Pan head
5	F431106	Washer	No. 8; E.T. cup
6	TUA2319H	Door Latch	Includes keeper
7	TU5503	Door Latch Spacer	
8	TU14467WHT	Door Basket	
9	TU5288P	Door Seal	
10	PIF172	Hinge Bushing	
11	TU2236	Hinge Post	
12	TU3209	Screw	No. 14; Pan head
13	N/A	Front Panel Assembly	Specify color
14	TU7733	Screw	No. 8 x 1/2 long
15	TU15525WHT	Front Panel Cover Plate	Specify color; For DMP and ProHC
16	TU5458	Temperature Nameplate	
17	202010	Washer	5/16; Lock
18	TU2836	Screw	5/16-18; Hex head
19	TU2641	Thermometer Gasket	
20	ESA-00862-0	Reed Switch Assembly	
21	SB-00975-0	Screw	No. 6-32

N/A = Part no longer available

Front View



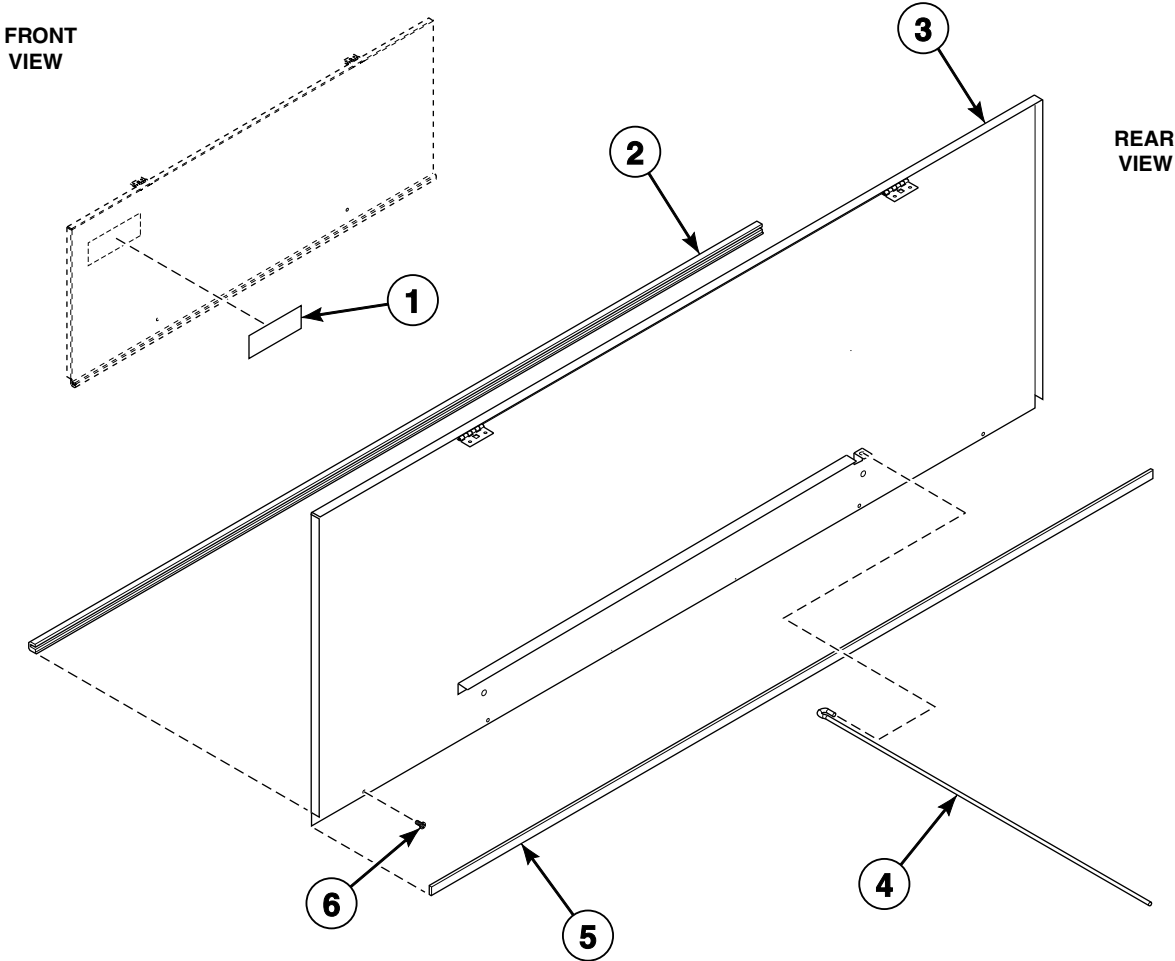
TMB2419P_D1024

Front View

REF	PART NO.	DESCRIPTION	COMMENTS
1	N/A	Left Hand Control Box Assembly	Specify color
2	N/A	Control Box Support	
3	N/A	Right Hand Control Box Assembly	Specify color
4	EA-11621-0	Lint Door Switch	
5	TU10345	Lint Screen Housing	
6	K121	Lint Trap Frame Kit	
	K368	Lint Screen Kit	
7	N/A	Lint Door Assembly	
8	N/A	Time/Temperature Front Panel Assembly	Specify color
9	N/A	Control Box with Hardware	Specify color
10	N/A	Burner Access Door Assembly	Specify color
11	K325	Basket Assembly Kit	Includes spider assembly; Galvanized; Use with TM200 Gear Reducer
	N/A	Basket and Spider Assembly	Stainless steel; Use with TM200 Gear Reducer
	N/A	Basket and Spider Assembly	Galvanized; Use with gear motor
	N/A	Basket and Spider Assembly	Stainless steel; Use with gear motor
	TU9609	Basket	Galvanized; Without spider
	N/A	Basket	Stainless steel; Without spider
	K321	Spider Kit	Without basket; Use with TM200 Gear Reducer
	TU16027	Spider Assembly	Without basket; Use with gear motor
12	TU9975	Key	For TM200 Gear Reducer
	N/A	Key	For gear motor
13	K118	Gasket Kit	

N/A = Part no longer available

Burner Access Door



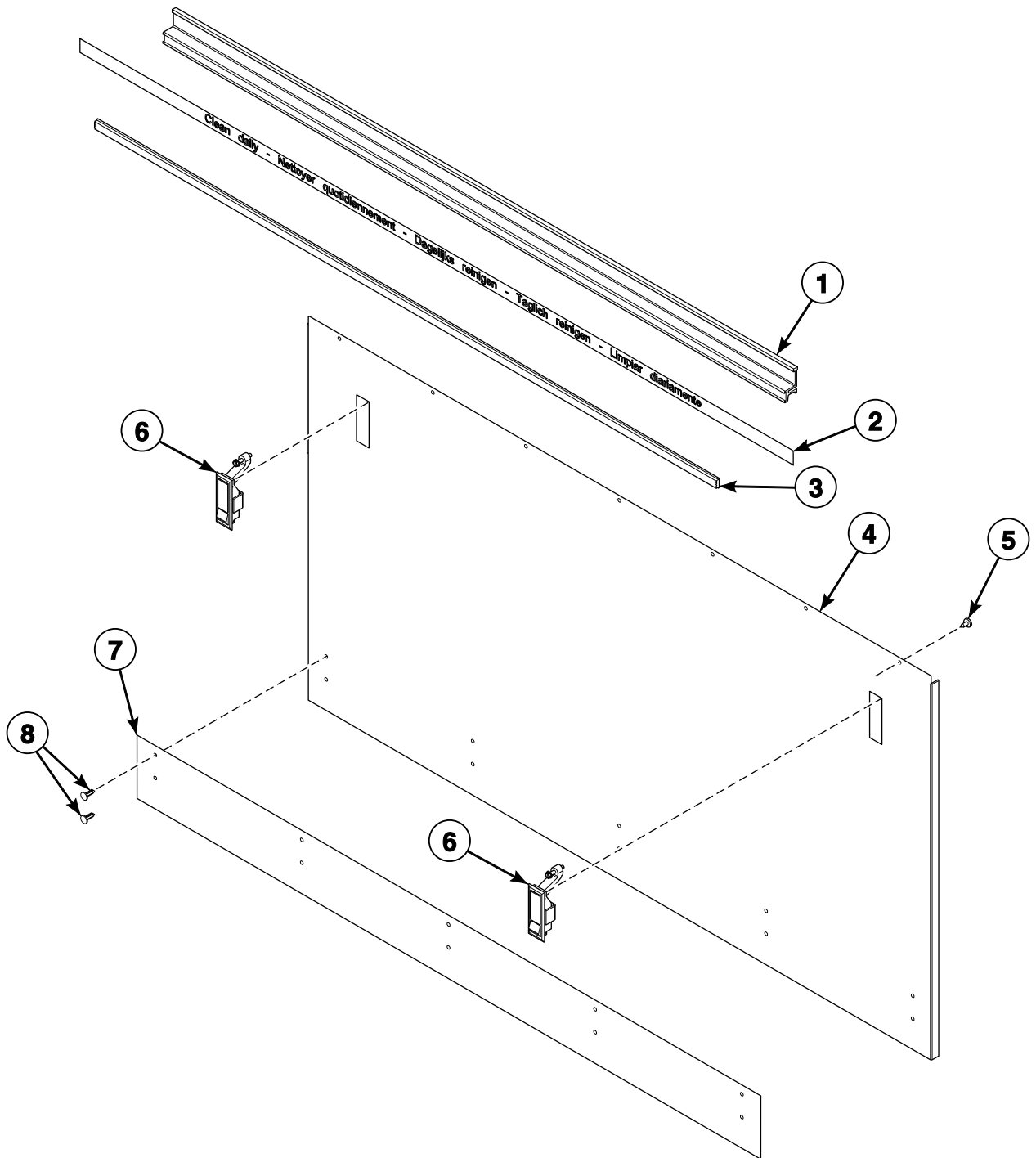
TMB2832P_D1024

Burner Access Door

REF	PART NO.	DESCRIPTION	COMMENTS
1	TU14662	Decal	Cissell
2	N/A	Burner Access Trim	
3	TU14622WHT	Access Door Weldment Assembly	White
4	TU5739	Support Arm Rod	
5	CA-13098-0	Control Door Gasket	
6	SB-00951-0	Screw	No. 8 x 7/16 inch; Phillips flat head

N/A = Part no longer available

Lint Door Assembly

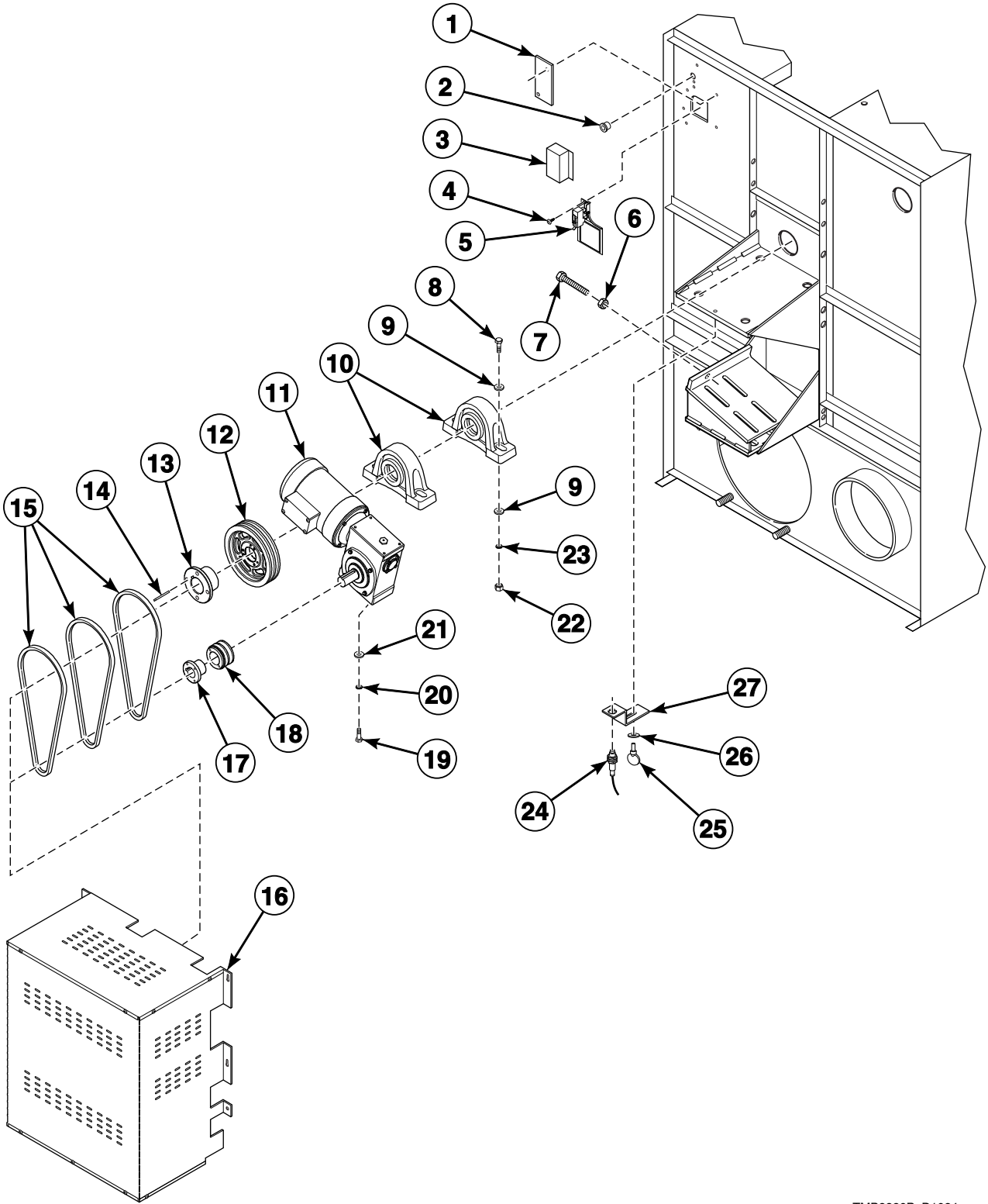


TMB2813P_D1024

Lint Door Assembly

REF	PART NO.	DESCRIPTION	COMMENTS
1	TU14529	Lint Door Handle	
2	TU15410	Clean Lint Screen Label	5 language
3	TU14530	Rubrail Trim	
4	TU14626WHT	Lint Door Weldment Assembly	White
5	M405188	Screw	Pancake
6	LA-00123-0P	Trigger Lock Latch	
7	TU14640	Lint Door Kickplate	
8	SB-00949-0	Kickplate Fastener	

Gear Motor Rear View



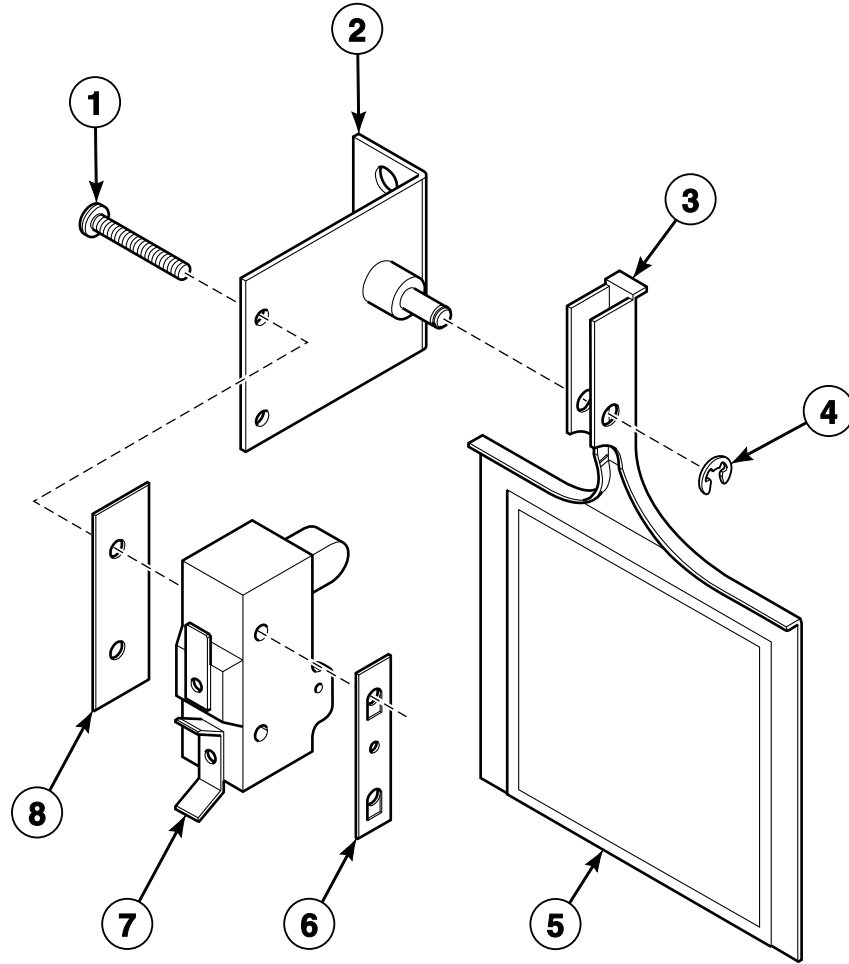
TMB2826P_D1024

Gear Motor Rear View

REF	PART NO.	DESCRIPTION	COMMENTS
	503661	Screw	No. 10; For item 16
1	N/A	Air Switch Hole Cover	Steam only
2	TU2372	Snap Bushing	
3	TUX415	Air Switch Cover	
4	TU7733	Screw	No. 8-18 x 1/2 inch; Self-tap; Package of 6
5	TU8206	Air Switch Kit	
6	TU2881	Nut	5/8-18; Hex
7	TUX575	Adjustment Rod Weldment	
8	N/A	Screw	5/8-11 x 2 3/4 inch long
9	TUX329	Washer	5/8 inch; Flat
10	TU16016	Pillow Block Bearing	2 inch
11	TUX594P	Gearbox	2 hp
12	N/A	Pulley	3B86; 60 cycle
	N/A	Pulley	3B80; 50 cycle
13	N/A	Bushing	SK2
14	N/A	Key	1/2 inch square
15	TU16091	Belt	BX47; 60 cycle
	TU16085	Belt	BX46; 50 cycle
16	N/A	Outside Belt Guard	
17	N/A	Bushing	SH1-3/8
18	TU16042	Sheave	3B44
19	N/A	Screw	7/16-14 x 1 1/4 inch long
20	N/A	Washer	7/16 inch; Lock
21	N/A	Washer	7/16 inch; Flat
22	N/A	Nut	5/8-11; Hex
23	TU3418	Washer	5/8 inch; Lock
24	7010P	Rotation Sensor Kit	
25	FR244	Screw	No. 10-32; Thumb
26	TU4820	Washer	3/16 inch; Flat
27	N/A	Rotation Sensor Bracket	

N/A = Part no longer available

Air Switch Assembly

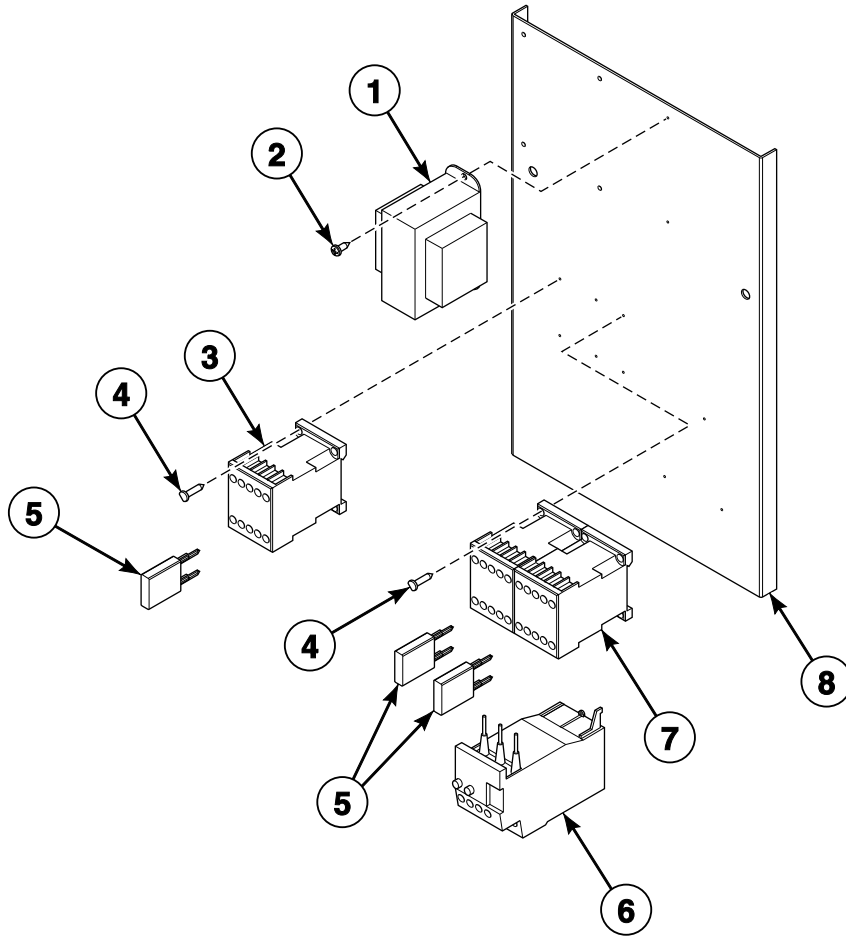


TMB2433P_D1024

Air Switch Assembly

REF	PART NO.	DESCRIPTION	COMMENTS
	TU8206	Air Switch Kit	
	TU7733	Screw	No. 8
1	TU3219	Screw	No. 6
2	TU8171	Air Switch Mounting Bracket	
3	TU2463	Actuator Arm	
4	F888	E-Ring	
5	TU3476	Label	
6	TU1771	Nut	No. 6; Tinnerman
7	TU14482	Microswitch	
8	TU1770	Air Switch Insulator	

Rear Motor Control Assembly



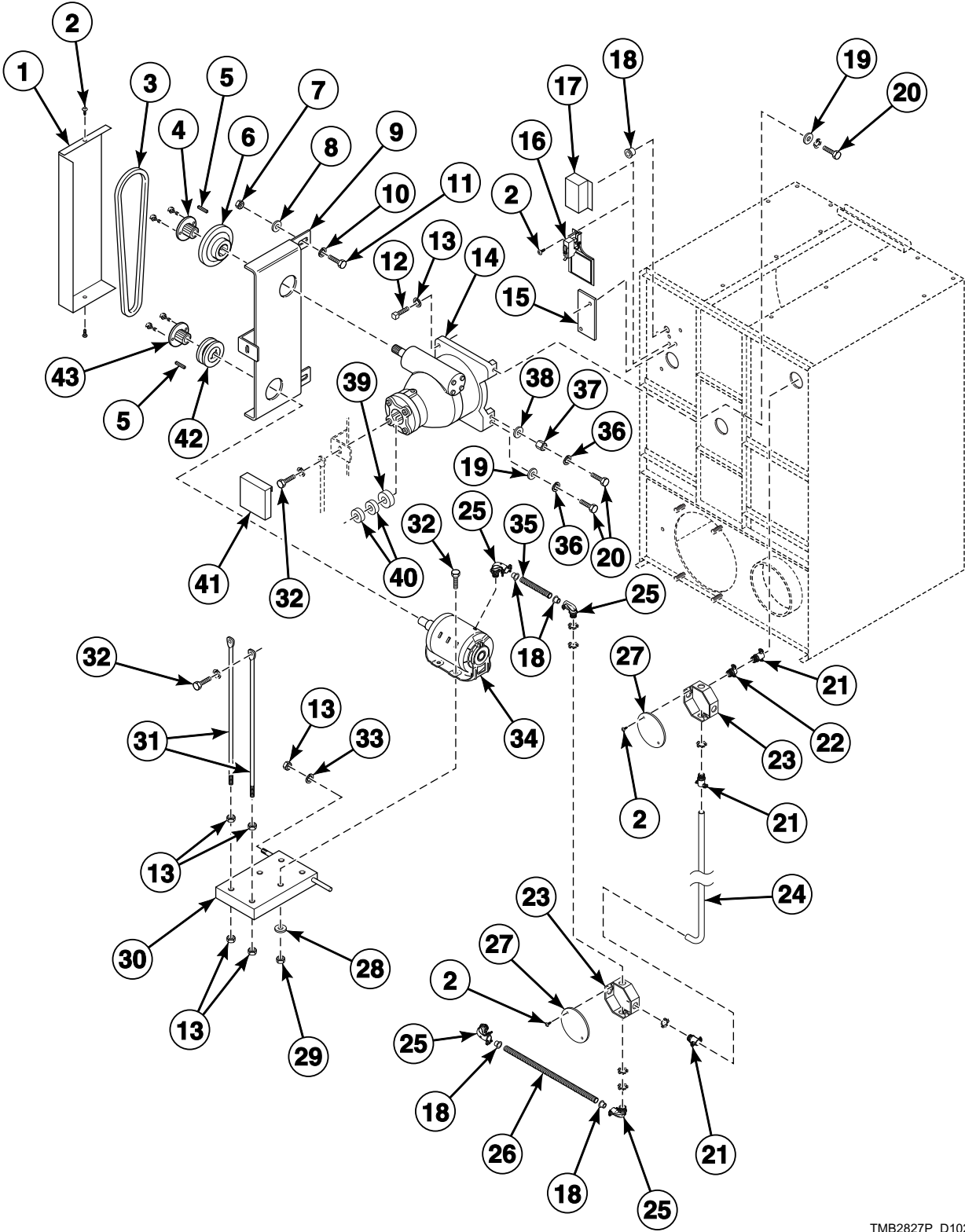
TMB2438P_D1024

Rear Motor Control Assembly

REF	PART NO.	DESCRIPTION	COMMENTS
1	TU13802P	Transformer	115/208/230/460 Volt; 24 Volt; 60 and 75VA
	N/A	Transformer	575 Volt/24 Volt; 60VA
2	TU7733	Screw	No. 8; Self-drilling
3	TU13516	Contactator	24VAC; IEC; 12 Amp; With auxiliary
4	N/A	Screw	No. 8
5	TU14825	Surge Suppressor	
6	TU16101	Overload	4.5-6.3 Amp
	TU15962	Overload	2.2-3.2 Amp
7	EA-00685-0P	Reversing Contactator	3 pole; 24 Volt coil; 12 Amp
8	TU13700	Motor Control Panel Plate	

N/A = Part no longer available

TM200 Gear Reducer - Rear View



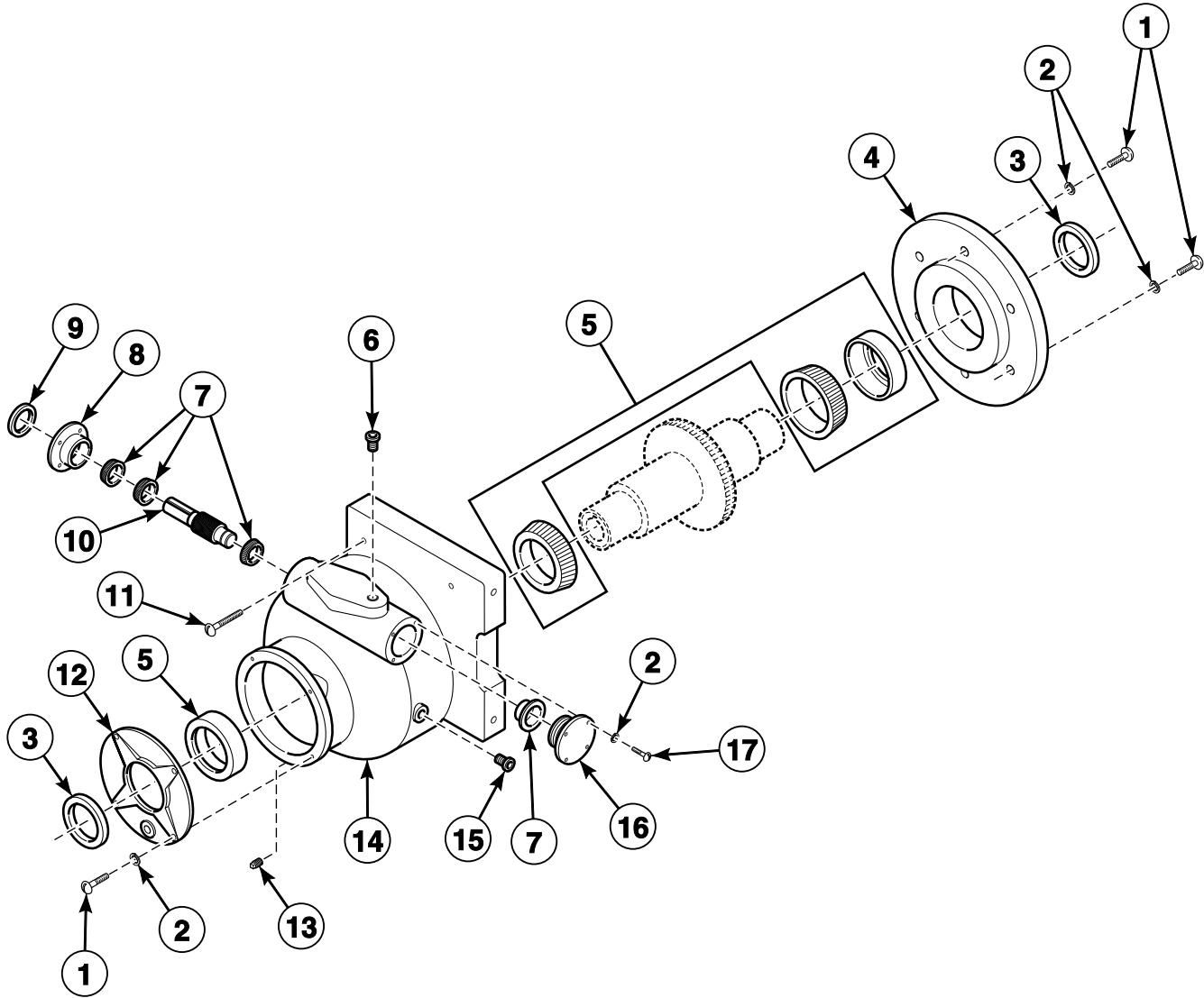
TMB2827P_D1024

TM200 Gear Reducer - Rear View

REF	PART NO.	DESCRIPTION	COMMENTS
	TU2833	Bushing	For motor pulley
1	TU14092	Rear Guard Cover Plate	
2	TU7733	Screw	No. 8-18 x 1/2 inch; Self-tap; Package of 6
3	TU2363	Belt	V; 5L500
4	TU3807	Sheave Bushing	
5	TU4684	Key	2 each
6	TU9663	Sheave	Gear; 50/60 Hertz
7	20275	Nut	1/4 inch - 20 x 7/16 inch; Hex; Package of 6
8	03189	Washer	1/4 inch; Split lock; Package of 6
9	TU9615	Belt Guard Weldment Assembly	Inside
10	TU2847	Washer	1/4 inch; Flat; Package of 6
11	FB189	Screw	1/4 inch - 20 x 1 inch; Hex head
12	TU5312	Screw	3/8 inch - 16 x 3 inch; Square head set
13	TU4787	Nut	3/8 inch - 16; Hex; Package of 6
14	TM200P	Gear Reducer	
15	N/A	Cover Plate	Steam only
16	TU8206	Air Switch Kit	
17	TUX415	Air Switch Cover	
18	TU2372	Snap Bushing	
19	TU1851	Washer	1/2 inch; Flat
20	TU2195	Screw	1/2 inch - 13 x 1 3/4 inch; Hex head cap; Package of 6
21	N/A	Straight Connector	3/4 inch; 2 each
22	N/A	Straight Connector	1/2 inch; 2 each
23	500300644	Junction Box	2 required
24	N/A	Back Motor Conduit	
25	TU4791	Angle Connector	90 degrees
26	CFB2100	Cable	Greenfield; 1/2 inch; 21 inches long
27	SB170	Junction Box Cover	2 required
28	M400013	Washer	5/16 inch; Split lock; Package of 6
29	70142	Nut	5/16 inch - 18; Hex; Package of 6
30	TU4626	Basket Motor Mount	
31	TU5328	Belt Adjusting Rod	
32	M400057	Screw	5/16 inch - 18 x 3/4 inch; Hex head cap; Package of 6
33	VSB134	Washer	3/8 inch; Split lock; Package of 6
34	MTR100	Motor	1 1/2 hp; 600 Volt/60 Hertz/3 Phase
	MTR304P	Motor	1 1/2 hp; 208-480 Volt/50 or 60 Hertz/3 Phase
35	N/A	Cable	Greenfield; 1/2 inch; 10 inches long
36	TU2831	Washer	1/2 inch; Split lock; Package of 6
37	TU455	Nut	Cam adjustment
38	TU3575	Washer	7/8 inch; Internal tooth lock
39	TU6633	Washer	Basket shaft
40	TU470	Nut	1 3/8 inch-12; Hex
41	TU7517	Basket Shaft Cover	C only
42	TU9751	Sheave	Motor; 60 Hertz
	TU6081	Sheave	Motor; 50 Hertz
43	F280214	Motor Bushing	

N/A = Part no longer available

TM200 Large Gear Reducer with Bronze Teeth



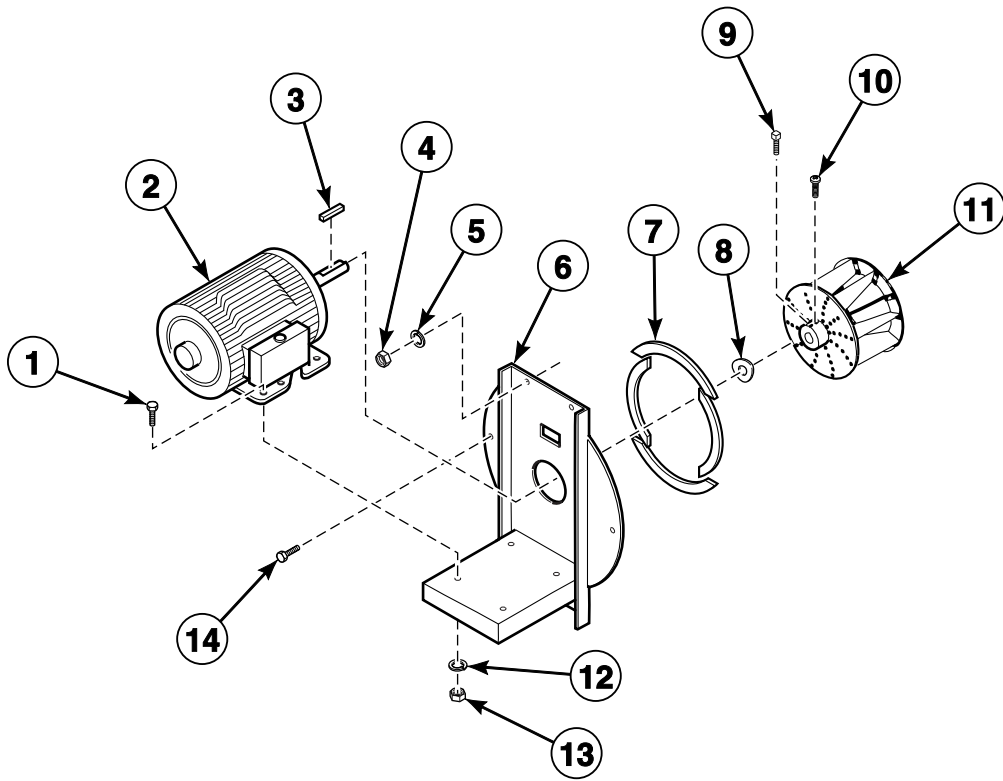
TMB2439P_D1024

TM200 Large Gear Reducer with Bronze Teeth

REF	PART NO.	DESCRIPTION	COMMENTS
	27243P	Transmission Oil	Cissell; 1 pint
1	IB139	Screw	3/8 inch - 16 x 1 1/4 inch; Cap
2	VSB134	Washer	3/8 inch; Split lock; Package of 6
3	TM220	Large Klozure	
4	TM211	Large End Cap	10 1/2 diameter
5	TM217	Large Bearing Cone and Cup	
6	N/A	Vent Plug	1/4 inch
7	TM208	Small Bearing Cone and Cup	
8	TM205	Small Open End Cap	
9	TM204	Small Klozure	
10	TM225P	Worm and Gear Kit	For TM200 only; Sold as set
11	TU5312	Screw	3/8 inch x 3 inch; Set
12	TM212	Small End Cap	6 3/4 diameter
13	TM221	Pipe Plug	1/4 inch
14	N/A	Housing	
15	K474	Oil Level Kit	
16	N/A	Small Closed End Cap	
17	TU3246	Screw	3/8 inch - 16 x 1 inch; Cap; Package of 6

N/A = Part no longer available

Fan Assembly for 60 Cycle



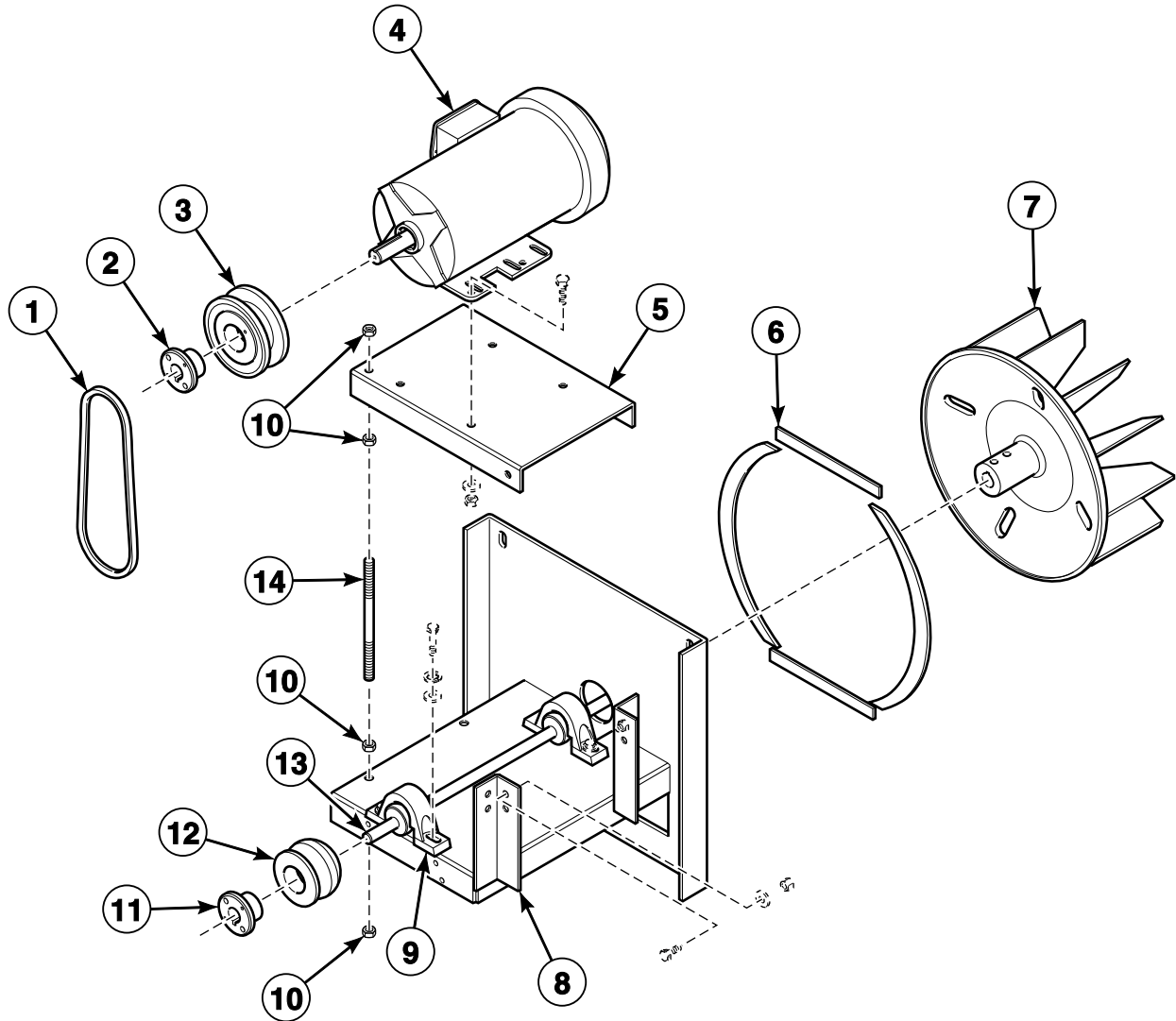
TMB2828P_D1024

Fan Assembly for 60 Cycle

REF	PART NO.	DESCRIPTION	COMMENTS
1	M400057	Screw	5/16 inch - 18 x 3/4 inch; Hex head; Cap; Package of 6
2	MTR100	Motor	1 1/2 hp; 600 Volt/60 Hertz/3 Phase
	MTR304P	Motor	1 1/2 hp; 208-480 Volt/50 or 60 Hertz/3 Phase
3	TU4684	Key	2 each
4	TU4787	Nut	3/8 inch - 16; Hex; Package of 6
5	VSB134	Washer	3/8 inch; Split lock; Package of 6
6	TU5658	Motor and Fan Support	60 Hertz
7	TU2473	Motor Mount Gasket	Set
8	TU108	Gasket	Felt seal
9	AT304	Screw	Square head set
10	TU3282	Screw	Allen head set
11	TU403	Fan	60 cycle
12	M400013	Washer	5/16 inch; Split lock; Package of 6
13	70142	Nut	5/16 inch - 18; Hex; Package of 6
14	TU7733	Screw	No. 8-18 x 1/2 inch; Self-tap; Package of 6

NOTE: Grease can be applied to all bearing shafts, 42-032-6015 grease Lubriplate 310, 1 pound cans OR 14 1/2 ounce tubes - Lubriplate no. 930-2, multi-purpose grease 10098.

Fan Assembly for 50 Cycle

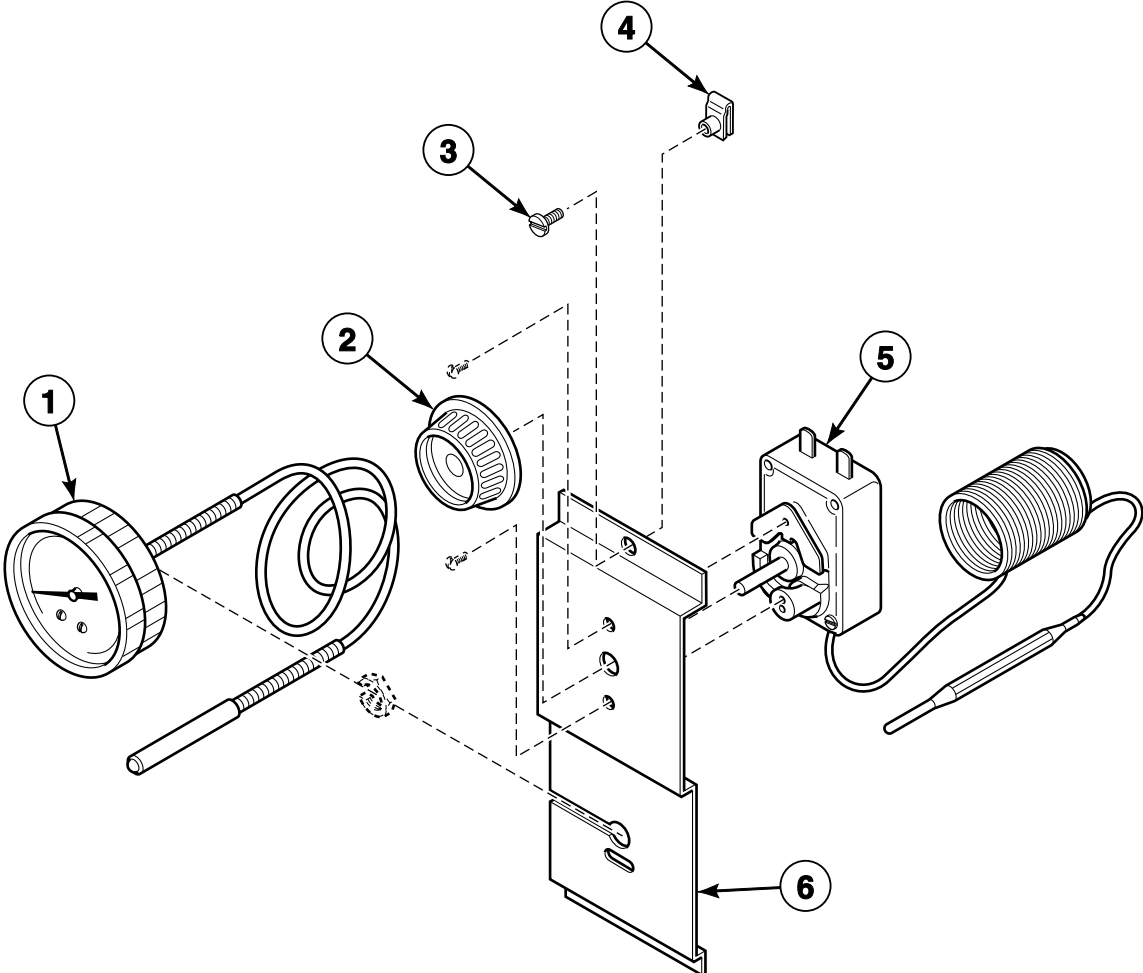


TMB2422P_D1024

Fan Assembly for 50 Cycle

REF	PART NO.	DESCRIPTION	COMMENTS
1	TU3393	Belt	V
2	TU3807	Sheave Bushing	3/4 inch
3	TU2008	Sheave	46H
4	MTR100	Motor	1 1/2 hp; 600 Volt/60 Hertz/3 Phase
	MTR304P	Motor	1 1/2 hp; 208-480 Volt/50 or 60 Hertz/3 Phase
5	TU4706	Motor Mount Plate	
6	TU2473	Motor Mount Gasket	Set
7	TU6086	Fan	
8	TU5659	Motor Mount	
9	TU16035P	Collar Lock Bearing	3/4 inch
10	TU4787	Nut	3/8 - 16; Hex head
11	F280214	Motor Bushing	7/8 inch
12	TU2009	Sheave	39H
13	TU1693	Jack Shaft	3/4 inch
14	TU1950	Motor Support Rod	

Thermostat Assembly - 2 Timer



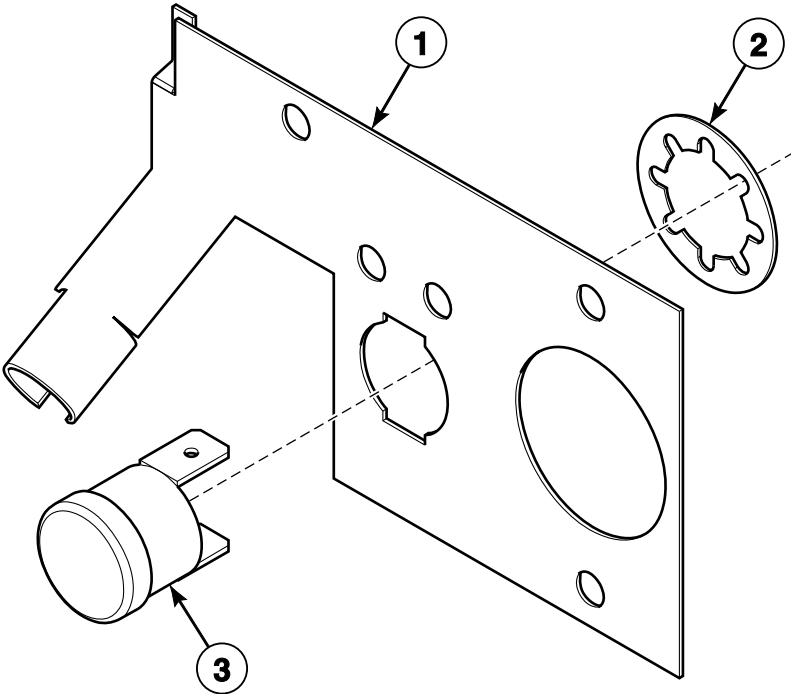
TMB2425P_D1024

Thermostat Assembly - 2 Timer

REF	PART NO.	DESCRIPTION	COMMENTS
	TU6030	Temperature Control Assembly	
1	TU3593	Thermometer	
	TU3816	Lens	Texas Gage
	N/A	Lens Replacement	Marshalltown Inst.
	N/A	Lens Replacement	Weiss - consult factory
	TU13213	Lens	Weiss - consult factory
2	TU490	Thermostat Knob	Fahrenheit
	TU491	Thermostat Knob	Centigrade
3	TU3209	Screw	No. 14 x 5/8 inch; Sheet metal
4	TU7848	Nut	No. 14; Tinnerman clip
5	TU1980P	Thermostat	
6	TU5530	Mounting Bracket	

N/A = Part no longer available

2 Timer Sensor Assembly

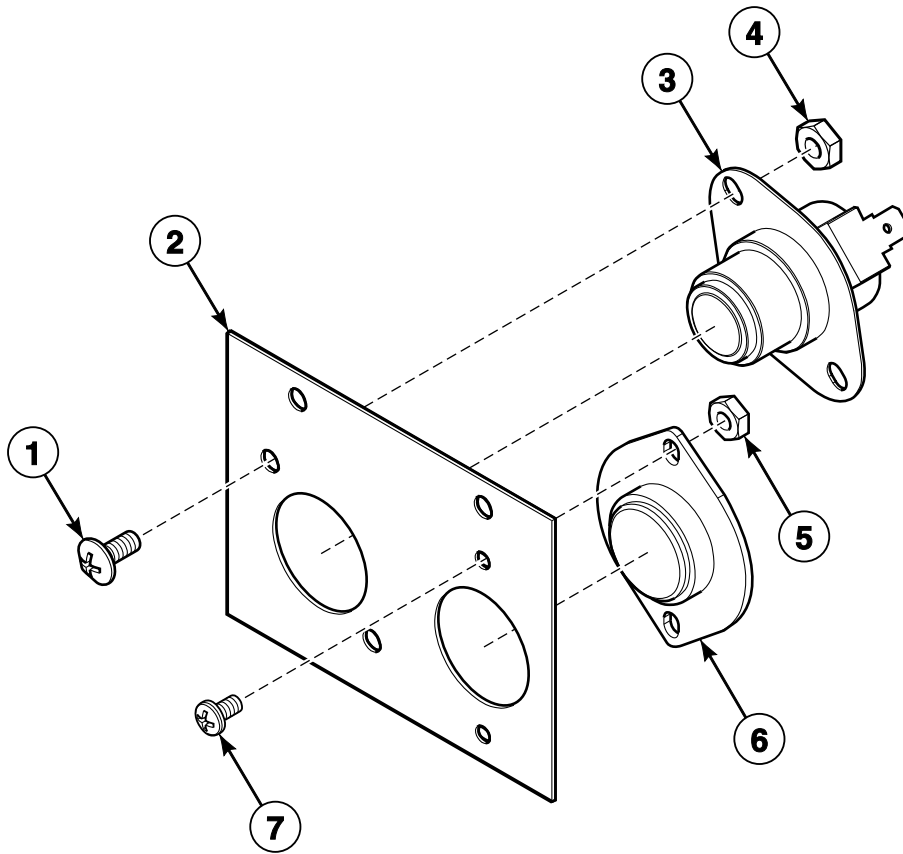


TMB2429P_D1024

2 Timer Sensor Assembly

REF	PART NO.	DESCRIPTION	COMMENTS
	TU6029	Thermostat Assembly	
1	TU2486	Thermostat Mounting Bracket	
2	TU3801	Nut	C18784-010-4; Speed
3	TU2477	Thermostat	AR594

DMP Sensor Assembly

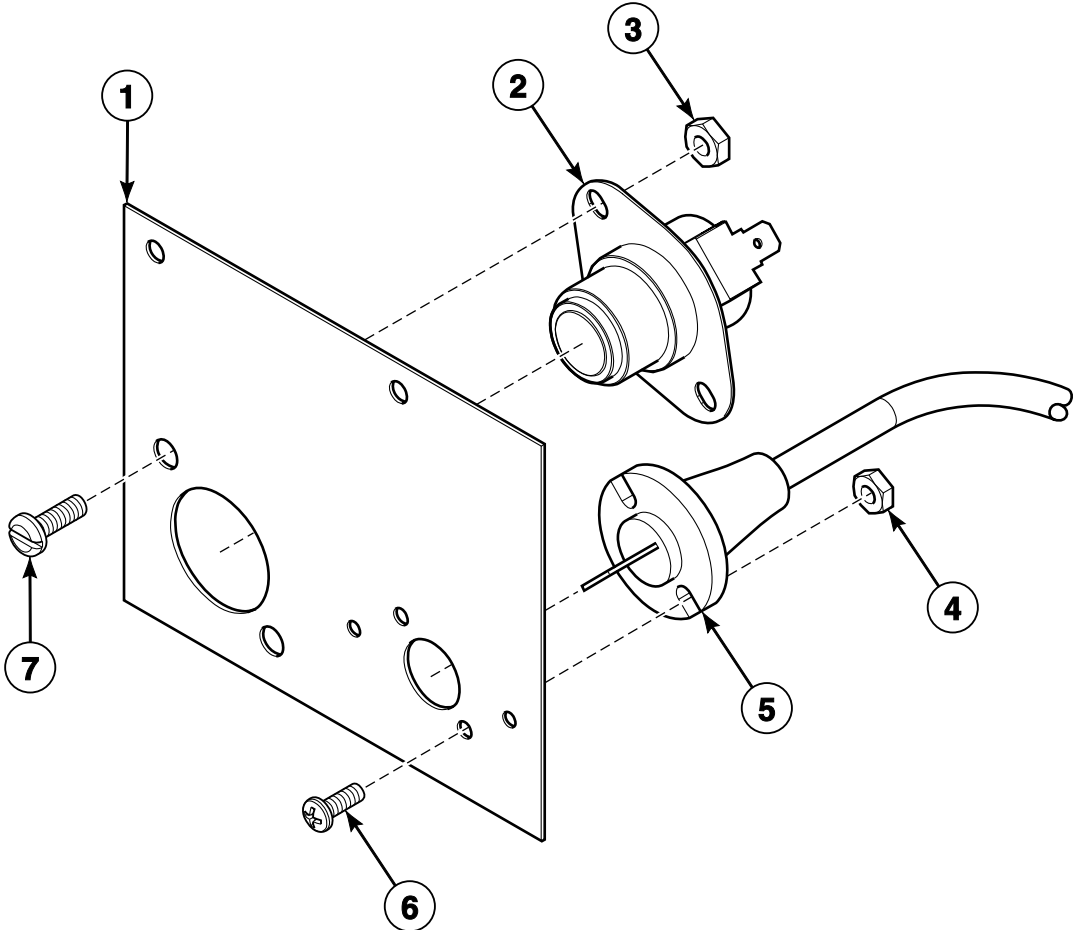


TMB2428P_D1024

DMP Sensor Assembly

REF	PART NO.	DESCRIPTION	COMMENTS
	TU15538	Thermostat and Bracket Assembly	
1	M262	Screw	No. 8-32
2	TU15537	Thermostat Bracket	
3	EA-00411-0	Temperature Switch	220 degrees
4	TU3266	Nut	No. 8-32; Hex; Brass
5	TU3400	Nut	No. 6-32; Hex; Brass
6	TU11991K	Thermistor Kit	
7	M400072	Screw	No. 6-32

Pro Sensor Assembly



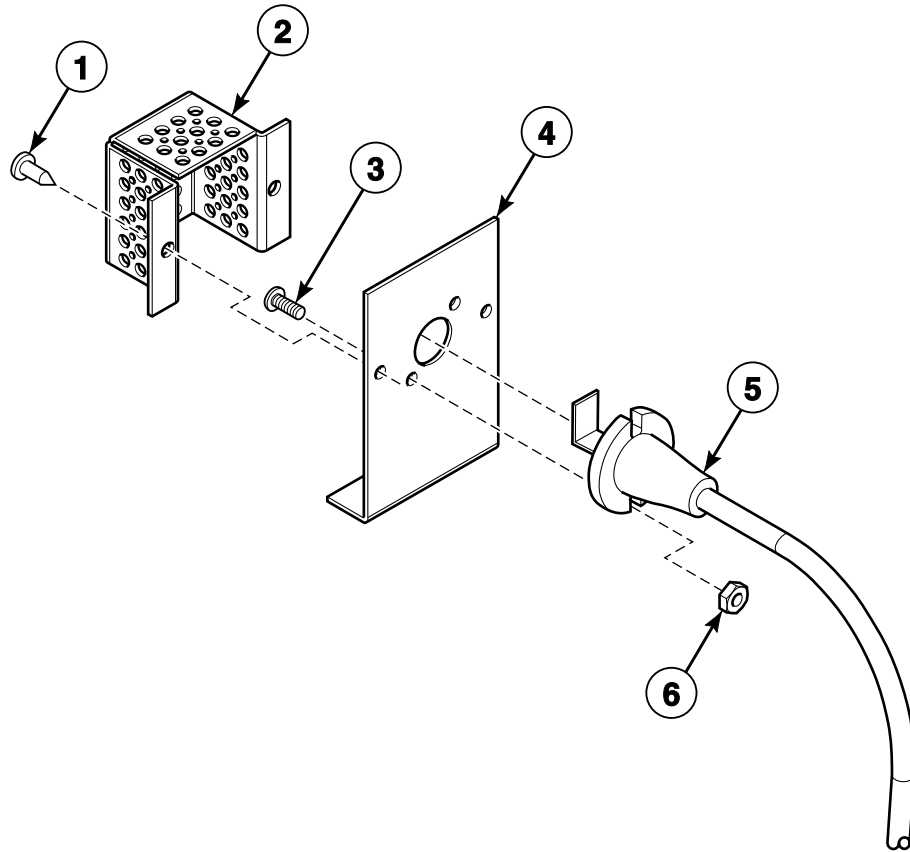
TMB2430P_D1024

Pro Sensor Assembly

REF	PART NO.	DESCRIPTION	COMMENTS
	254/00072/10	Temperature Sensor	
1	N/A	Thermostat	
2	EA-00411-0	Temperature Switch	220 degrees
3	TU3266	Nut	No. 8-32; Hex
4	TU3400	Nut	No. 6-32; Hex
5	254/00072/10	Temperature Sensor	Thermistor
6	SB-00952-0	Screw	No. 6-32 x 3/8; Pan head
7	SB-00828-0	Screw	No. 8-32 x 1/2; Machine pan head

N/A = Part no longer available

ProHC Sensor Assembly - Upper Assembly

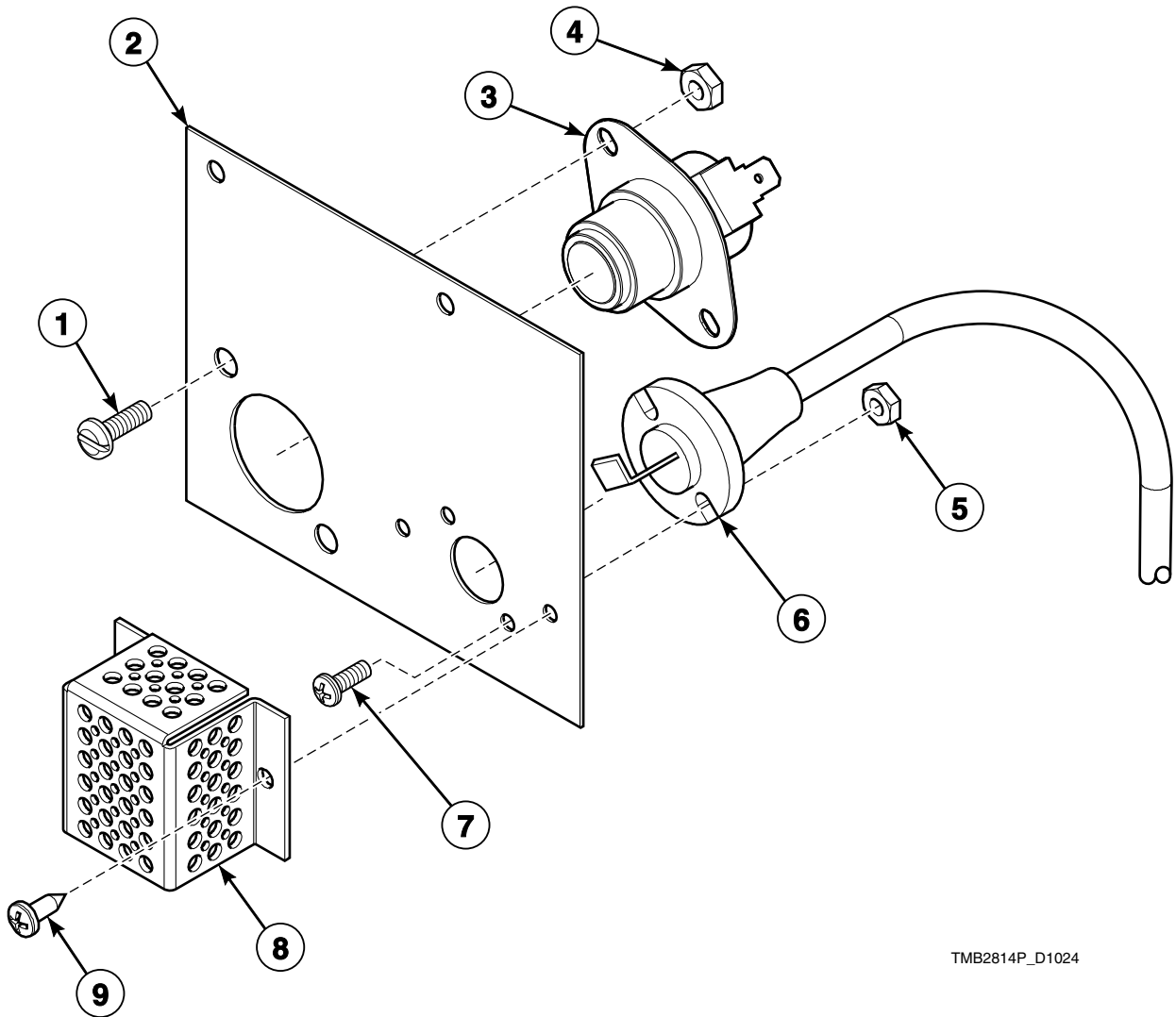


TMB2431P_D1024

ProHC Sensor Assembly - Upper Assembly

REF	PART NO.	DESCRIPTION	COMMENTS
	TU14724	ProHC Upper Sensor Assembly	
1	TU7733	Screw	No. 8-18 x 1/2 inch; Self-drilling
2	TU14694	Probe Cover Plate	
3	SB-00952-0	Screw	No. 6-32 x 3/8 inch
4	TU14693	Upper Probe Mounting Plate	
5	254/00071/10	Temperature and Humidity Sensor	
6	TU3400	Nut	No. 6-32

ProHC Sensor Assembly - Lower Assembly

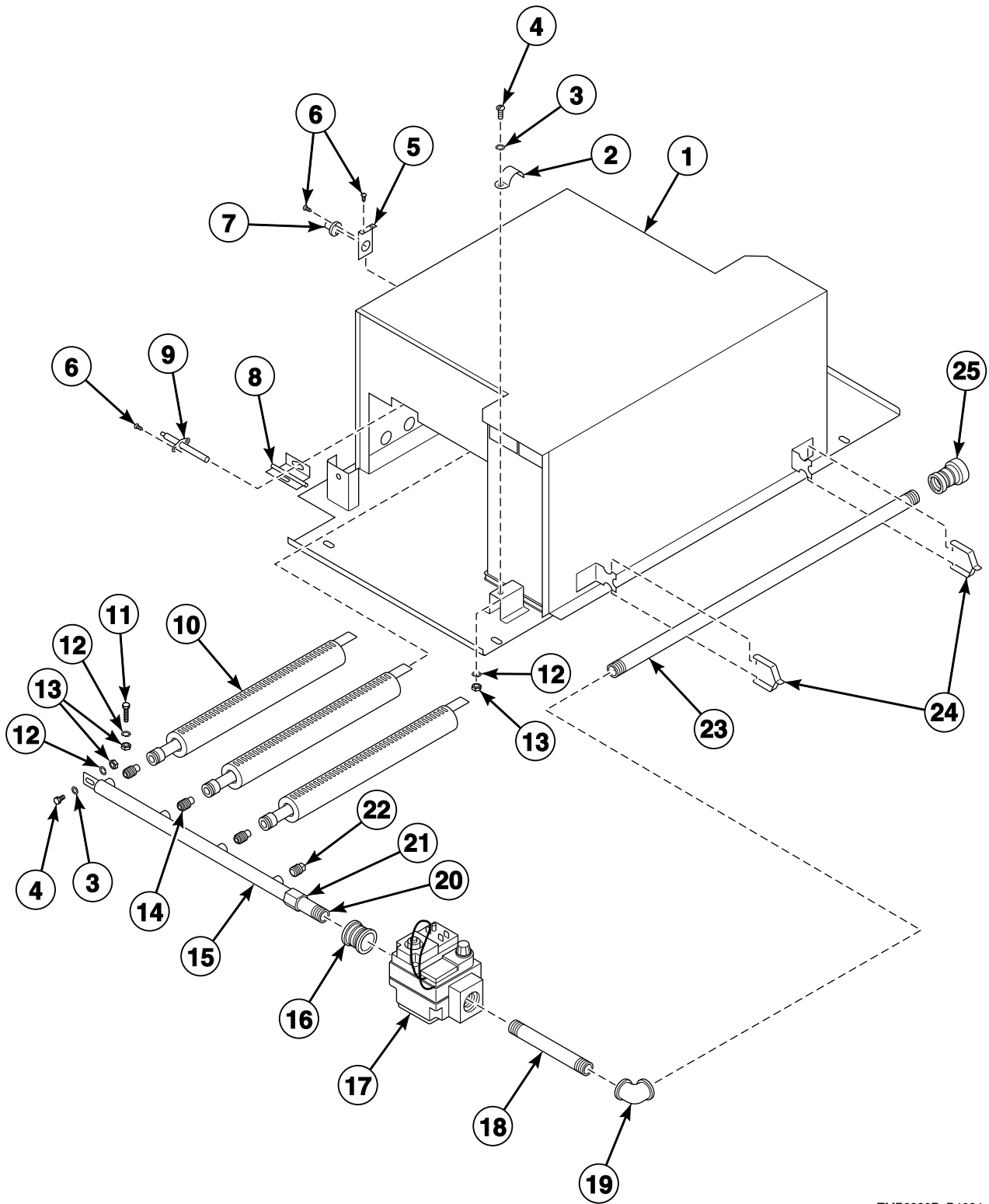


TMB2814P_D1024

ProHC Sensor Assembly - Lower Assembly

REF	PART NO.	DESCRIPTION	COMMENTS
	TU14723	Lower Sensor Assembly	
1	SB-00828-0	Screw	No. 8-32 x 1/2 inch; Machine
2	CA-13067-0	Sensor Bracket	
3	EA-00411-0	Temperature Switch	220 degrees
4	TU3266	Nut	No. 8-32; Hex; Brass
5	TU3400	Nut	No. 6-32; Hex; Brass
6	254/00071/10	Temperature and Humidity Sensor	
7	SB-00952-0	Screw	No. 6-32 x 3/8 inch
8	TU14694	Probe Cover Plate	
9	TU7733	Screw	No. 8-18 x 1/2 inch; Self-drilling

Gas Bonnet Assembly



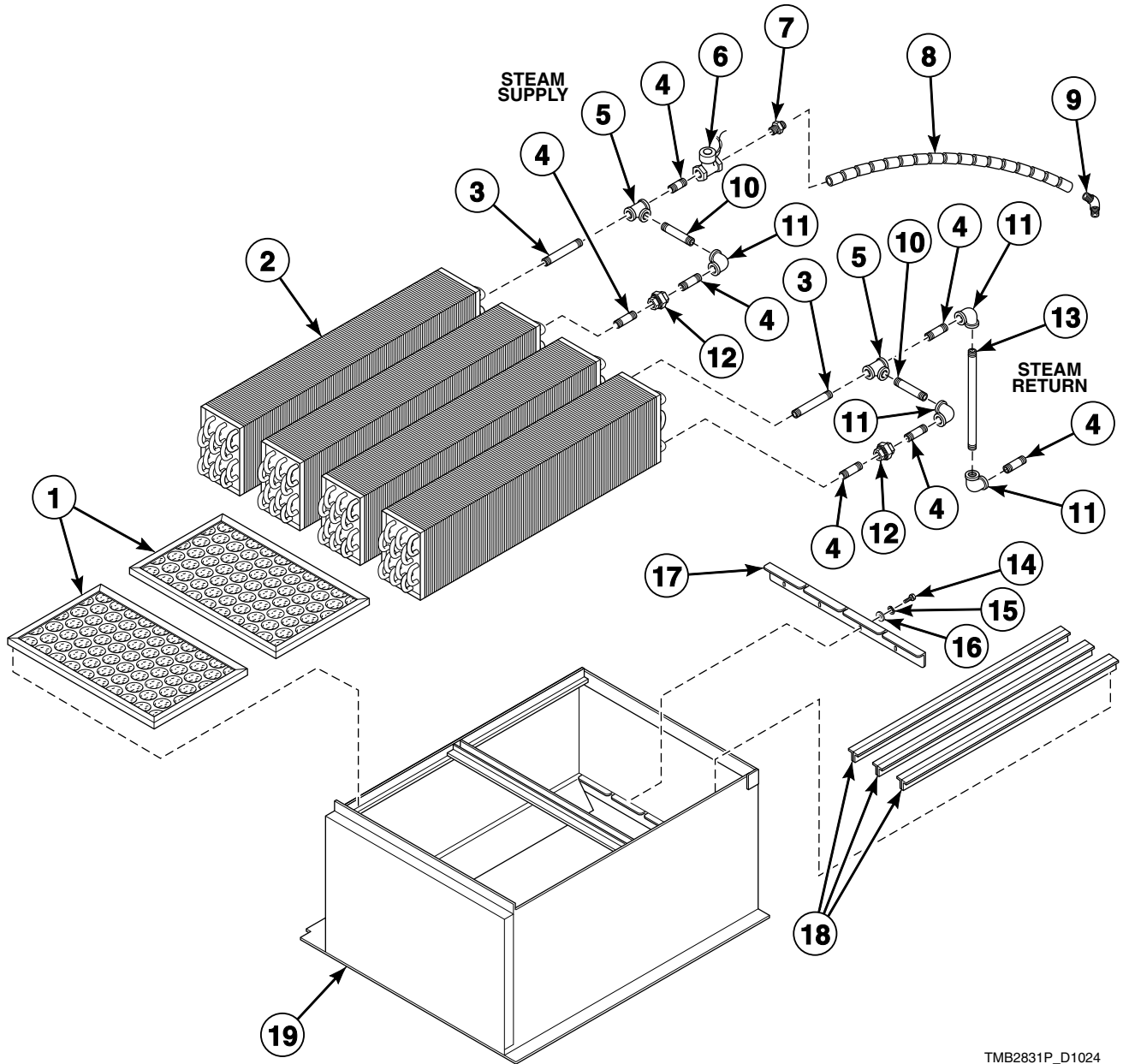
TMB2830P_D1024

Gas Bonnet Assembly

REF	PART NO.	DESCRIPTION	COMMENTS
	TU13836	Bonnet Assembly	Liquid Petroleum Gas (L.P.); Complete
	TU14030	Bonnet Assembly	L.P.; Complete
	GA-00765-0P	Ignition Module	60 Hertz
	GA-11007-0P	Ignition Module	CE; 50 Hertz
	GA-00803-0	Suppression Lead	
1	TU13613	Bonnet	
2	PT196	Strap	3/4 inch
3	TU2847	Washer	1/4 inch; Flat
4	RC344	Screw	1/4 inch - 20 x 3/4 inch; Hex head
5	TU13695	Bonnet Thermostat Mounting Bracket	
6	TU7733	Screw	No. 8-18 x 1/2 inch; Self-drilling
7	TU13678	Thermostat	Manual reset; 300 degrees
8	TU13647	Mounting Bracket	Electrode
9	GA-00764-0P	Electrode	Direct spark ignition
10	TUX387	Burner Weldment Assembly	BSI
11	02422	Screw	1/4 inch - 20 x 1/2 inch; Hex head
12	03189	Washer	1/4 inch; Lock
13	20275	Nut	1/4 inch - 20; Hex
14	TU3539	Burner Orifice	
15	N/A	Gas Manifold	
16	OP267	Bushing	3/4 inch x 1/2 inch; Steel
17	TUX352P	Gas Valve	Natural Gas (N.G.); 3/4 inch
	TUX435	Gas Valve	L.P.; 3/4 inch
18	TU4606	Nipple	3/4 inch x 4 inch
19	TU4605	Elbow	3/4 inch
20	664946146	Pipe	Tail
21	TU6862	Nut	Gas manifold
22	TU10946	Pipe Plug	Large
23	TU13823	Nipple	3/4 inch x 36 inch
24	TU2226	Manifold Mounting Bracket Assembly	
25	TU2735	Pipe Reducer	

N/A = Part no longer available

Steam Bonnet Assembly



TMB2831P_D1024

Steam Bonnet Assembly

REF	PART NO.	DESCRIPTION	COMMENTS
1	TU9953	Air Filter	20 inch x 24 inch x 1 inch
2	TU1699P	Coil	Steam
3	H85101673	Pipe Nipple	3/4 inch x 5 inch
4	M411417	Pipe Nipple	3/4 inch x 2 inch
5	TU4597	Tee	3/4 inch
6	TU13517P	Steam Solenoid Valve	24 Volt
7	TU4790	Connector	Straight
8	CFB7600	Cable	Greenfield; 1/2 inch; 72 inches; Right side
	CFB8800	Cable	Greenfield; 1/2 inch; 88 inches; Left side
9	TU4791	Angle Connector	90 degrees
10	TU4620	Nipple	Pipe; 3/4 inch x 4 1/2 inch
11	TU4605	Elbow	3/4 inch
12	M411419	Pipe Union	3/4 inch
13	TU4599	Nipple	Pipe; 3/4 inch x 18 inch
14	02422	Screw	1/4 inch - 20 x 1/2 inch; Hex; Package of 6
15	03189	Washer	1/4 inch; Split lock; Package of 6
16	TU2847	Washer	Flat; Package of 6
17	TU9890	Coil Bracket	
18	TU9889	Coil Support Angle	
19	N/A	Steam Bonnet Weldment	

N/A = Part no longer available

Additional Parts

PART NO.	DESCRIPTION	COMMENTS
254/00067/00	Control Board	DX3R; Includes plugs; OPL; Reversing

Parts Index

A

Access Door Weldment Assembly TU14622WHT	15
Actuator Arm TU2463	21
Adjustment Rod Weldment TUX575	19
Air Filter TU9953	47
Air Switch Cover TUX415	19, 25
Air Switch Insulator TU1770	21
Air Switch Kit TU8206	19, 21, 25
Air Switch Mounting Bracket TU8171	21
Angle Connector TU4791	25, 47

B

Basket TU9609	13
Basket Assembly Kit K325	13
Basket Motor Mount TU4626	25
Basket Shaft Cover TU7517	25
Belt TU16085	19
TU16091	19
TU2363	25
TU3393	31
Belt Adjusting Rod TU5328	25
Belt Guard Weldment Assembly TU9615	25
Bonnet TU13613	45
Bonnet Assembly TU13836	45
TU14030	45
Bonnet Thermostat Mounting Bracket TU13695	45
Burner Orifice TU3539	45
Burner Weldment Assembly TUX387	45
Bushing OP267	45
TU2833	25
Button Plug TU15724	5, 7, 9
Buzzer TU14137	7

C

Cable CFB2100	25
CFB7600	47
CFB8800	47
Clean Lint Screen Label TU15410	17
Coil TU1699P	47
Coil Bracket TU9890	47
Coil Support Angle TU9889	47
Collar Lock Bearing TU16035P	31
Connector TU4790	47
Contactors TU13516	23
Control Board 254/00067/00	48
254/00070/00P	9
Control Cover Assembly TU14442WHT	9
Control Door Gasket CA-13098-0	15
Control Label 254/00018/00	9
Control Panel Cover Plate TU14727WHT	9
Control Panel Weldment Assembly TU15406WHT	5
Controller TU14404P	7

D

Decal TU14662	15
DMP Control Panel Weldment Assembly TU14469WHT	7
Door Basket TU14467WHT	11
Door Gasket TU15966	11
Door Glass TU15107P	11
Door Latch TUA2319H	11
Door Latch Spacer TU5503	11
Door Seal TU5288P	11

N/A items do not appear in index.

E

Elbow	
TU4605	45, 47
Electrode	
GA-00764-0P	45
Emergency Stop Button Kit	
TU14435	5, 7, 9
E-Ring	
F888	21

F

Fan	
TU403	29
TU6086	31
Front Panel Cover Plate	
TU15525WHT	11

G

Gas Valve	
TUX352P	45
TUX435	45
Gasket	
TU108	29
Gasket Kit	
K118	13
Gear Reducer	
TM200P	25
Gearbox	
TUX594P	19

H

Hinge Bushing	
PIF172	11
Hinge Post	
TU2236	11

I

Ignition Module	
GA-00765-0P	45
GA-11007-0P	45

J

Jack Shaft	
TU1693	31
Junction Box	
500300644	25
Junction Box Cover	
SB170	25

K

Key	
TUX454	13
TU4684	25, 29
TU9975	13
Kickplate Fastener	
SB-00949-0	17
Knob	
TU2555	5

L

Label	
TU3476	21
Large Bearing Cone and Cup	
TM217	27
Large End Cap	
TM211	27
Large Klozure	
TM220	27
LED Light Assembly	
TUT316	5
Lens	
TU13213	33
TU3816	33
Lint Door Handle	
TU14529	17
Lint Door Kickplate	
TU14640	17
Lint Door Switch	
EA-11621-0	13
Lint Door Weldment Assembly	
TU14626WHT	17
Lint Screen Housing	
TU10345	13
Lint Screen Kit	
K368	13
Lint Trap Frame Kit	
K121	13
Lower Sensor Assembly	
TU14723	43

M

Manifold Mounting Bracket Assembly	
TU2226	45
Membrane Switch	
44037901P	7
Microswitch	
TU14482	21
Motor	
MTR100	25, 29, 31
MTR304P	25, 29, 31
Motor and Fan Support	
TU5658	29
Motor Bushing	
F280214	25, 31
Motor Control Panel Plate	
TU13700	23

N/A items do not appear in index.

Motor Mount	
TU5659	31
Motor Mount Gasket	
TU2473	29, 31
Motor Mount Plate	
TU4706	31
Motor Support Rod	
TU1950	31
Mounting Bracket	
TU13647	45
TU5530	33

N

Nameplate, 2 Timer	
TU15459	5
Nipple	
TU13823	45
TU4599	47
TU4606	45
TU4620	47
Nut	
TU1771	21
TU2881	19
TU3266	37, 39, 43
TU3400	7, 9, 37, 39, 41, 43
TU3801	35
TU3805	5
TU455	25
TU470	25
TU4787	25, 29, 31
TU6862	45
TU7848	33
20275	25, 45
70142	25, 29

O

Oil Level Kit	
K474	27
Operating Touchpad	
254/00039/00	9
Overload	
TU15962	23
TU16101	23

P

Pillow Block Bearing	
TU16016	19
Pipe	
664946146	45
Pipe Nipple	
H85101673	47
M411417	47
Pipe Plug	
TM221	27
TU10946	45
Pipe Reducer	
TU2735	45
Pipe Union	
M411419	47

Power Lead Conduit	
TU6028	25
Probe Cover Plate	
TU14694	41, 43
ProHC Upper Sensor Assembly	
TU14724	41
Pushbutton Switch	
TU9028	5

R

Rear Guard Cover Plate	
TU14092	25
Reed Switch Assembly	
ESA-00862-0	11
Relay	
F1300P	5
Reversing Contactor	
EA-00685-0P	23
Reversing Timer	
TU12874P	5
Rotation Sensor Kit	
7010P	19
Rubrail Trim	
TU14530	17

S

Screw	
AT304	29
ET208	5
FB189	25
FR244	19
IB139	27
JA-51604	11
M261	9
M262	37
M400057	25, 29
M400072	37
M405188	17
RC344	45
SB-00828-0	39, 43
SB-00951-0	15
SB-00952-0	39, 41, 43
SB-00975-0	11
TU2195	25
TU2687	11
TU2836	11
TU3209	11, 33
TU3219	21
TU3246	27
TU3282	29
TU5312	25, 27
TU7733	5, 11, 19, 21, 23, 25, 29, 41, 43, 45
02422	45, 47
503661	19
Sensor Bracket	
CA-13067-0	43
Sheave	
TU16042	19
TU2008	31
TU2009	31
TU6081	25
TU9663	25

N/A items do not appear in index.

TU9751	25
Sheave Bushing	
TU3807	25, 31
Small Bearing Cone and Cup	
TM208	27
Small End Cap	
TM212	27
Small Klozure	
TM204	27
Small Open End Cap	
TM205	27
Snap Bushing	
TU2372	19, 25
Spider Assembly	
TU16027	13
Spider Kit	
K321	13
Steam Solenoid Valve	
TU13517P	47
Strap	
PT196	45
Support Arm Rod	
TU5739	15
Suppression Lead	
GA-00803-0	45
Surge Suppressor	
TU14825	23

T

Tee	
TU4597	47
Temperature and Humidity Sensor	
254/00071/10	41, 43
Temperature Control Assembly	
TU6030	11, 33
Temperature Nameplate	
TU5458	11
Temperature Sensor	
254/00072/10	39
Temperature Switch	
EA-00411-0	37, 39, 43
Terminal Board	
TU8629	5
Thermistor Kit	
TU11991K	37
Thermometer	
TU3593	33
Thermometer Gasket	
TU2641	11
Thermostat	
TU13678	45
TU1980P	33
TU2477	35
Thermostat and Bracket Assembly	
TU15538	37
Thermostat Assembly	
TU6029	35
Thermostat Bracket	
TU15537	37
Thermostat Knob	
TU490	33

N/A items do not appear in index.

TU491	33
Thermostat Mounting Bracket	
TU2486	35
Timer	
TU12932P	5
TU12933P	5
Toggle Switch	
FG147P	5
Transformer	
TU13802P	23
Transmission Oil	
27243P	27
Trigger Lock Latch	
LA-00123-0P	17

U

Upper Probe Mounting Plate	
TU14693	41

W

Washer	
F431106	11
M270	7, 9
M400013	25, 29
TUX329	19
TU16100	19
TU1851	25
TU2831	25
TU2847	25, 45, 47
TU3418	19
TU3575	25
TU4820	19
TU6633	25
VSB134	25, 27, 29
03189	25, 45, 47
202010	11
Worm and Gear Kit	
TM225P	27