

Drying Tumblers

175 Pound Capacity

Refer to Page 3 for Model Numbers

Parts



www.alliancelandry.com

Part No. D0874R2
November 2013

Table of Contents

Title	Page
Parts Ordering Information.....	2
Serial Plate Location	2
Model Identification	3
2 Timer Control Panel Assembly	4
DMP Control Panel Assembly.....	6
Pro and ProHC Control Panel Assembly	8
Front Panel Assembly	10
Front View	12
Lint Door Assembly	14
Basket and Spider Assembly	16
Rear View	18
Fan Motor Assembly	20
Air Switch Assembly	22
Reversing Control Panel Assembly	24
Temperature Assembly	26
2 Timer Sensor Assembly	28
DMP Thermostat Assembly	30
Pro Sensor Assembly	32
ProHC Sensor Assembly - Upper Assembly.....	34
ProHC Sensor Assembly - Lower Assembly.....	36
Gas Bonnet Assembly	38
Steam Bonnet Assembly.....	40
Parts Index.....	43

© Copyright 2013, Alliance Laundry Systems LLC

All rights reserved. No part of the contents of this book may be reproduced or transmitted in any form or by any means without the expressed written consent of the publisher.

Parts Ordering Information

If literature or replacement parts are required, contact the source from whom the machine was purchased or contact Alliance Laundry Systems at (920) 748-3950 for the name and address of the nearest authorized parts distributor.

For technical assistance, call either of the numbers listed below:

(920) 748-3121 Ripon, Wisconsin

+32 56 41 20 54 Wevelgem, Belgium

Serial Plate Location

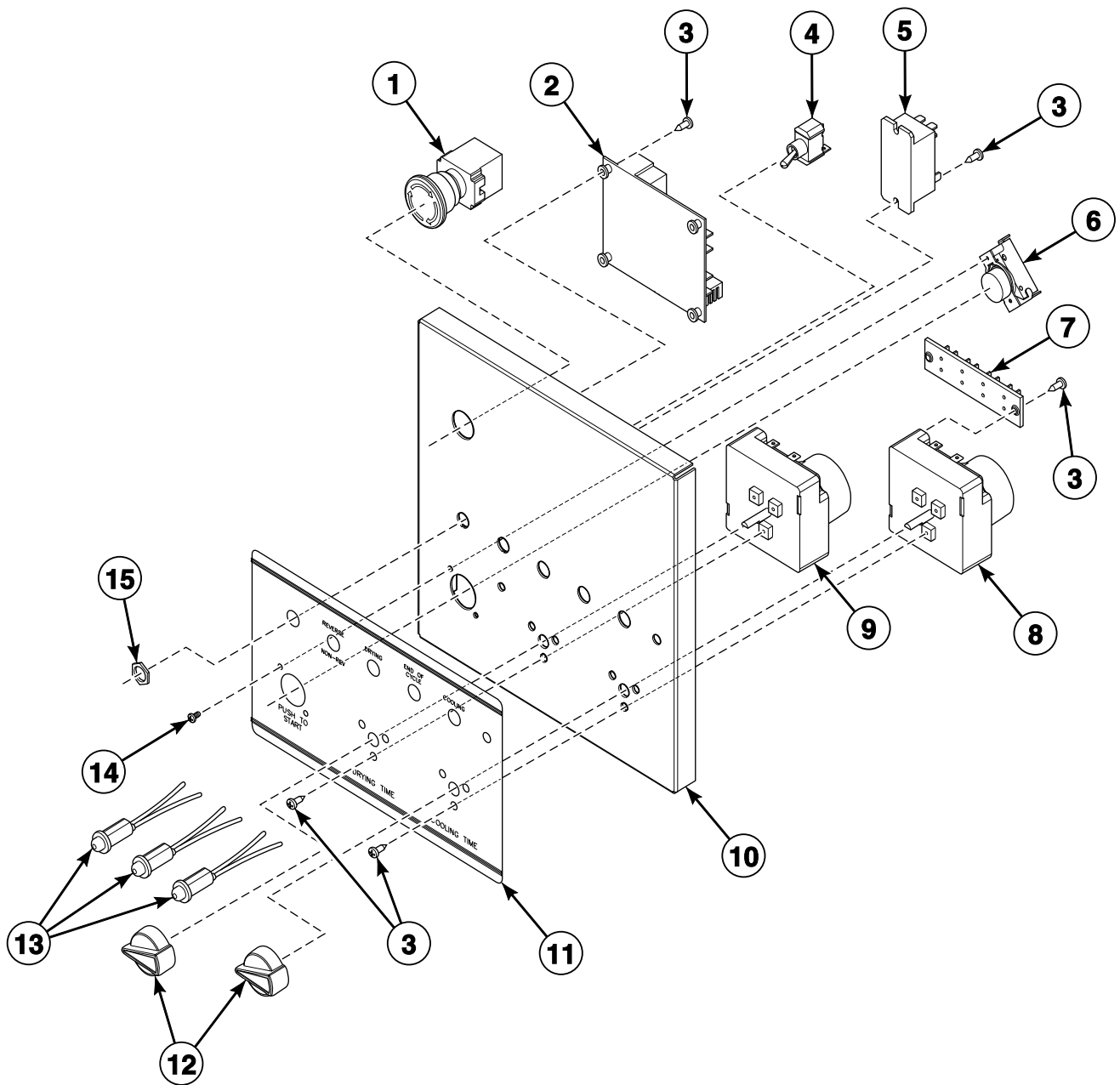
When calling or writing about your product, be sure to mention model and serial numbers.

Model Identification

Information in this manual is applicable to these tumbler models:

HD175

2 Timer Control Panel Assembly

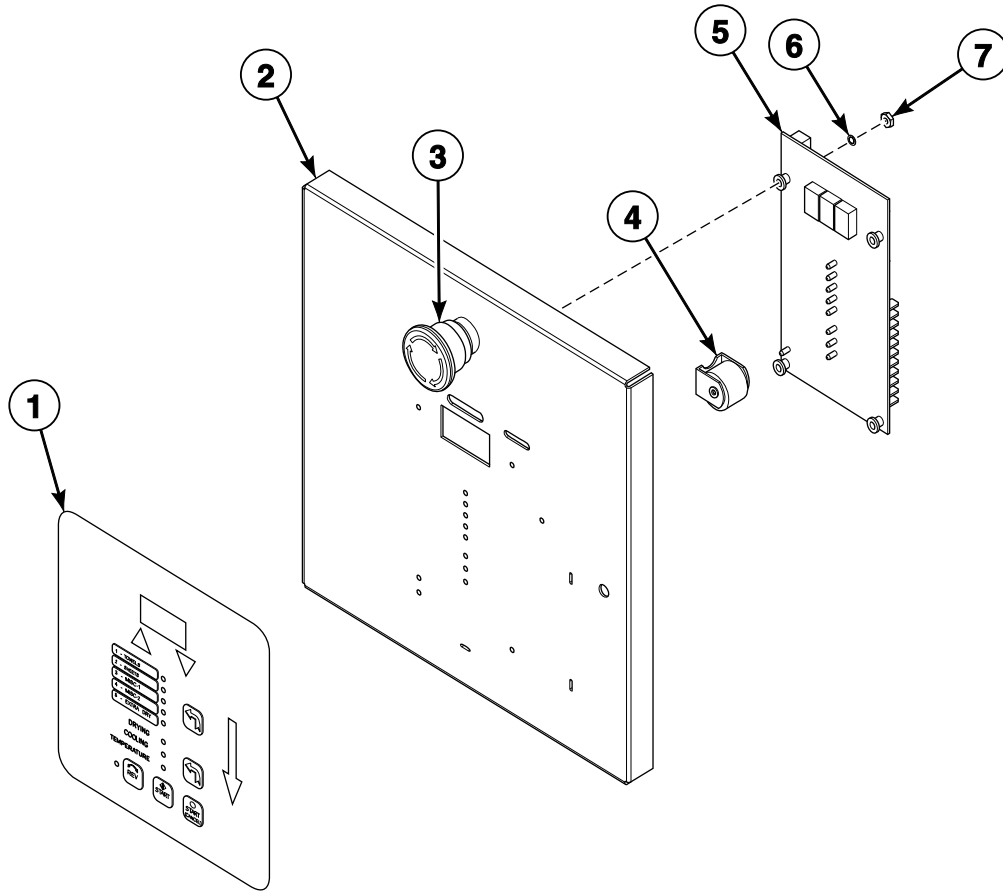


TMB2434P_D0874

2 Timer Control Panel Assembly

REF	PART NO.	DESCRIPTION	COMMENTS
	TU1980P	Thermostat	
	TU15724	Button Plug	7/8 inch; 60 Hertz
1	TU14435	Emergency Stop Button Kit	50 Hertz
2	TU12874P	Reversing Timer	
3	TU7733	Screw	8-18 x 1/2 inch; Self-drilling
4	FG147	Toggle Switch	2 required
5	F1300	Relay	24 Volt
6	TU9028	Pushbutton Switch	
7	TU8629	Terminal Board	
8	TU12933P	Timer	15 minute
9	TU12932P	Timer	60 minute
10	TU15406WHT	Control Panel Weldment Assembly	
11	TU15459	2 Timer Nameplate	
12	TU2555	Knob	
13	TUT316	LED Light Assembly	24 Volt
14	ET208	Screw	6-32 x 1/4 inch; Binding head
15	TU3805	Nut	15-32; Hex

DMP Control Panel Assembly



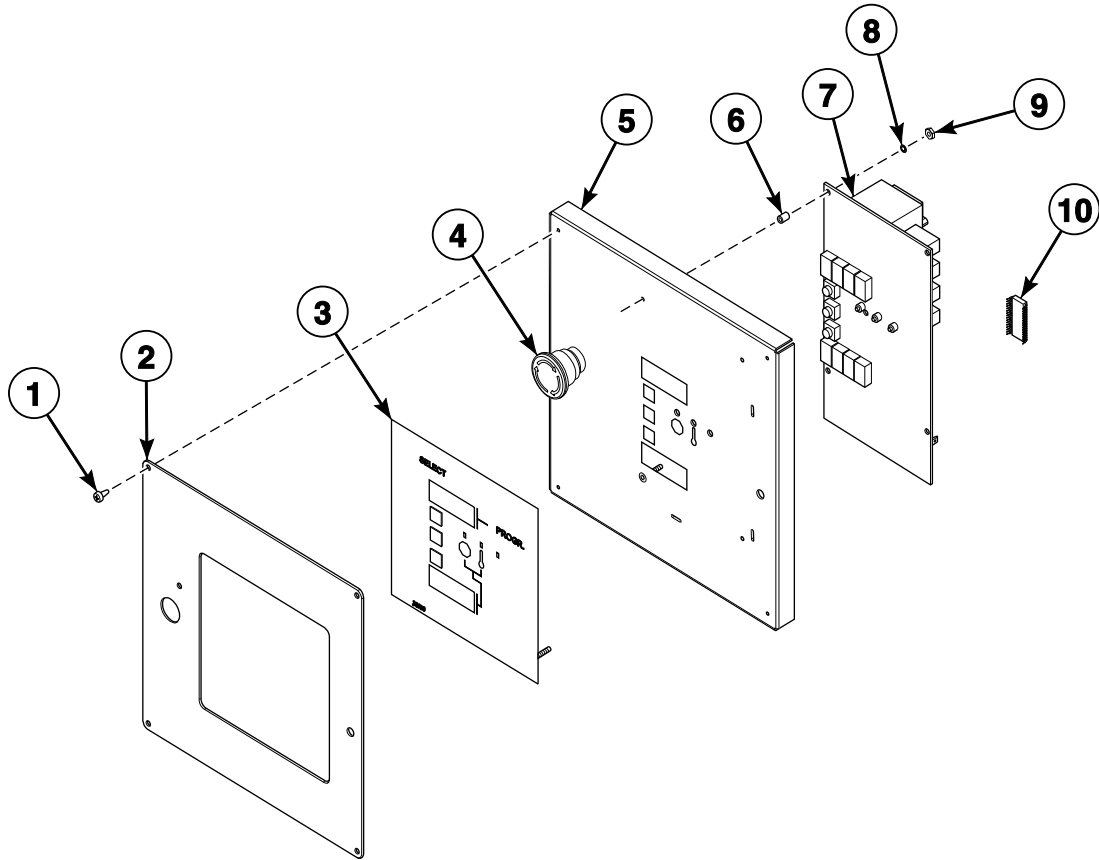
TMB2435P_D0874

DMP Control Panel Assembly

REF	PART NO.	DESCRIPTION	COMMENTS
	TU11991K	Thermistor Kit	
	TU15724	Button Plug	7/8 inch; 60 Hertz
	N/A	Overlay	OPL
	44039401	Membrane Switch	Coin
1	44037901P	Membrane Switch	OPL DMP; Right side; Down
2	TU14469WHT	DMP Control Panel Weldment Assembly	
3	TU14435	Emergency Stop Button Kit	50 Hertz
4	TU14137	Buzzer	24 Volt
5	TU14404P	Controller	New; OPL/Coin
6	M270	Washer	6; Int. tooth; Lock
7	02788	Nut	6-32; Hex

N/A = Part no longer available

Pro and ProHC Control Panel Assembly



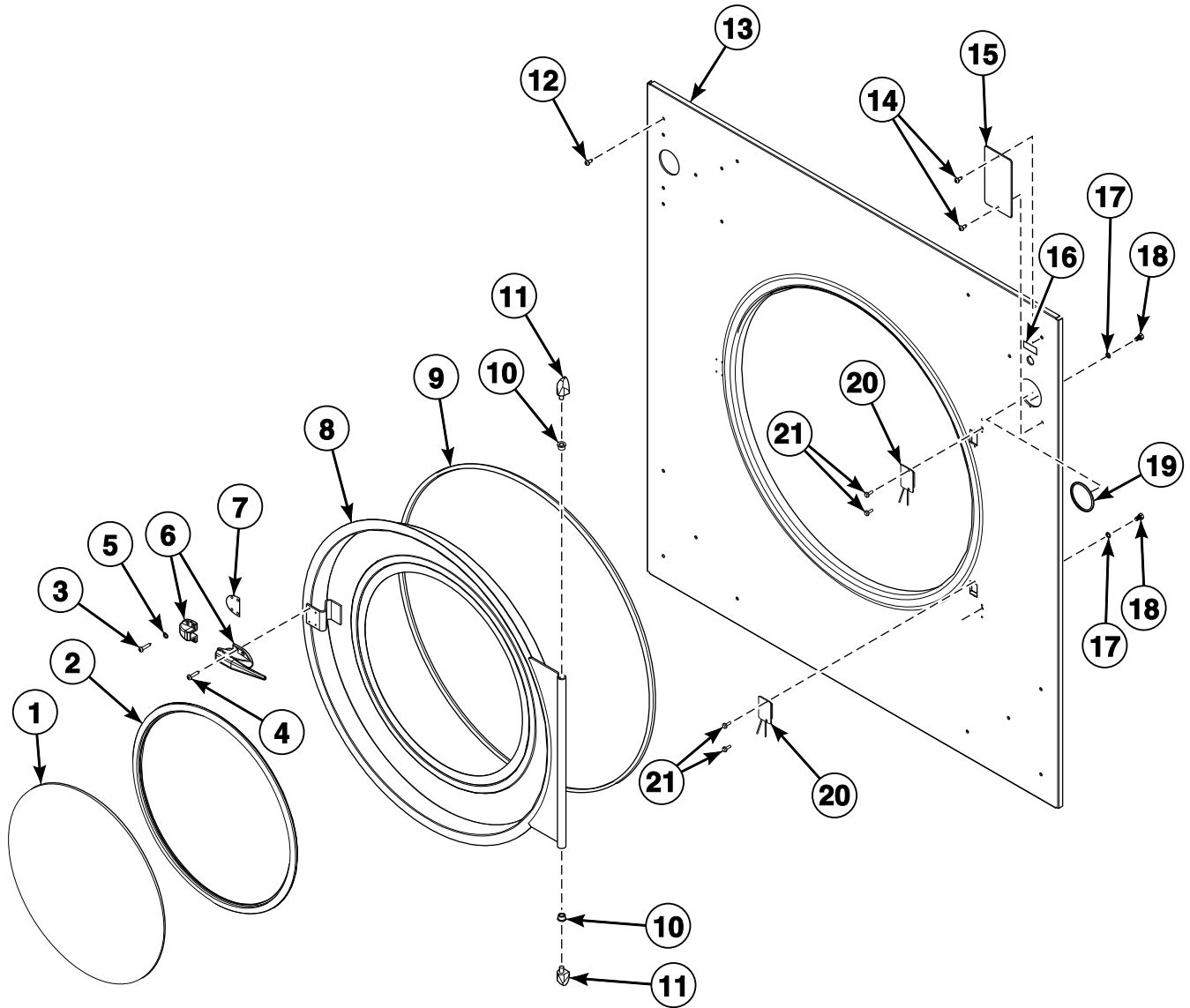
TMB2436P_D0874

Pro and ProHC Control Panel Assembly

REF	PART NO.	DESCRIPTION	COMMENTS
	254/00072/10	Temperature Sensor	Pro control
	254/00071/10	Temperature and Humidity Sensor	ProHC control
	TU15724	Button Plug	7/8 inch; 60 Hertz
1	M261	Screw	8-32
2	TU14727WHT	Control Panel Cover Plate	
3	254/00039/00	Operating Touchpad	Pro control
	254/00018/00	Control Label	ProHC control
4	TU14435	Emergency Stop Button Kit	50 Hertz
5	TU14442WHT	Control Cover Assembly	
6	N/A	Spacer	
7	254/00070/00	Control Board	
8	M270	Washer	Lock
9	02788	Nut	6-32
10	TU14452	Pro/ProHC EPROM Chip	

N/A = Part no longer available

Front Panel Assembly



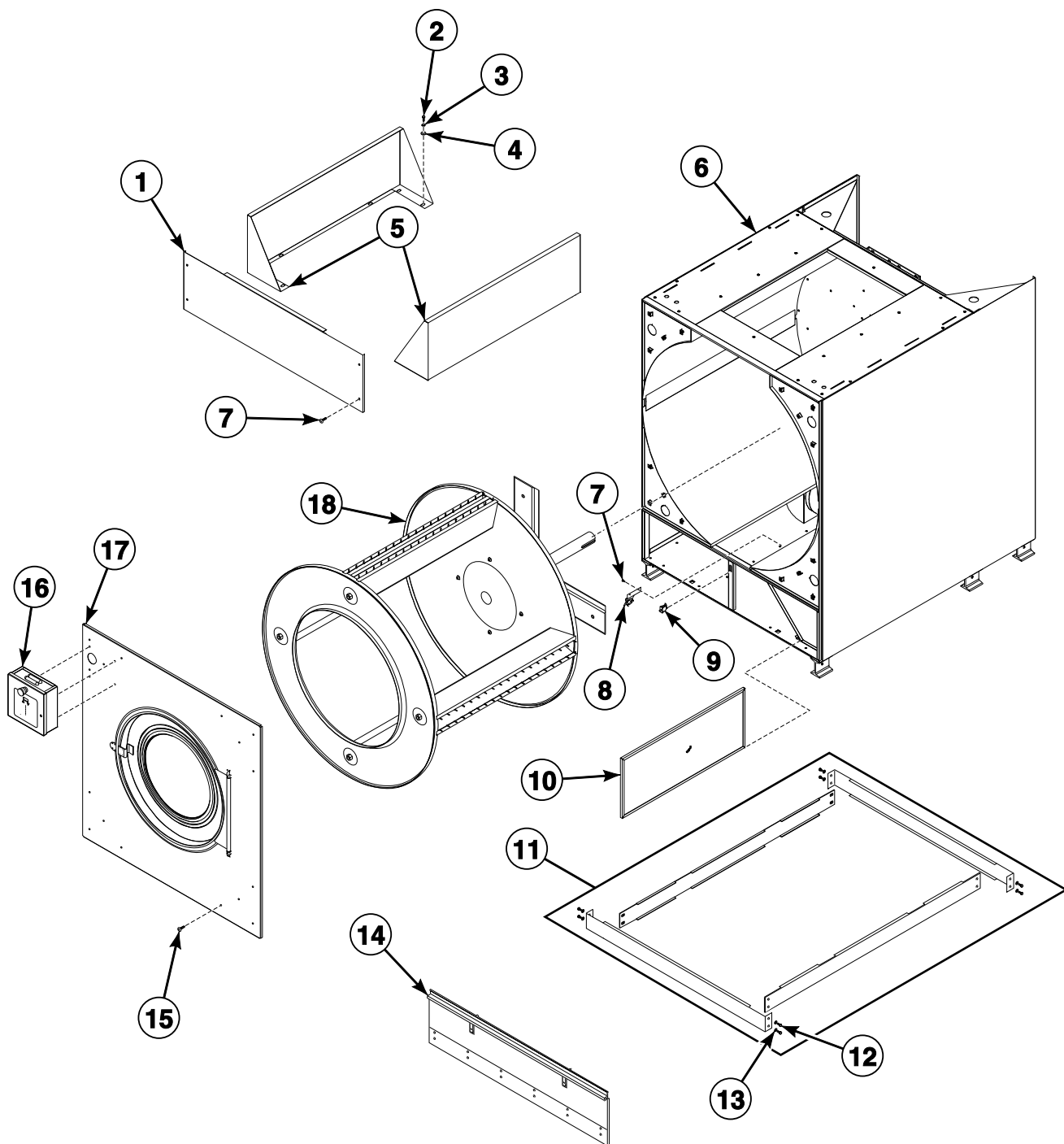
TMB2424P_D0874

Front Panel Assembly

REF	PART NO.	DESCRIPTION	COMMENTS
	TU14360WHT	Front Panel Assembly	Specify color
	TU6030	Temperature Control Assembly	For DMP and ProHC
	MD-00337-0	Reed Switch Magnet	For item 20
1	TU15107P	Door Glass	
2	TU15966	Door Gasket	
3	TU2687	Screw	8; Phillips head
4	JA-51604	Screw	8-32; Pan head
5	F431106	Washer	8; E.T. cup
6	TUA2319H	Door Latch	With keeper
7	TU5503	Door Latch Spacer	
8	N/A	Basket Door	Specify color
9	TU5288P	Door Seal	
10	PIF172	Hinge Bushing	
11	TU2236	Hinge Post	
12	TU3209	Screw	14; Pan head
13	TU14359WHT	Front Panel Assembly	Specify color
14	TU7733	Screw	8 x 1/2 long; For DMP and ProHC
15	TU15525WHT	Front Panel Cover Plate	Specify color
16	TU5458	Temperature Nameplate	
17	TU3212	Washer	5/16; Lock
18	TU2836	Screw	5/16-18; Hex head
19	TU2641	Thermometer Gasket	
20	ESA-00862-0P	Reed Switch Assembly	
21	SB-00975-0	Screw	6-32

N/A = Part no longer available

Front View



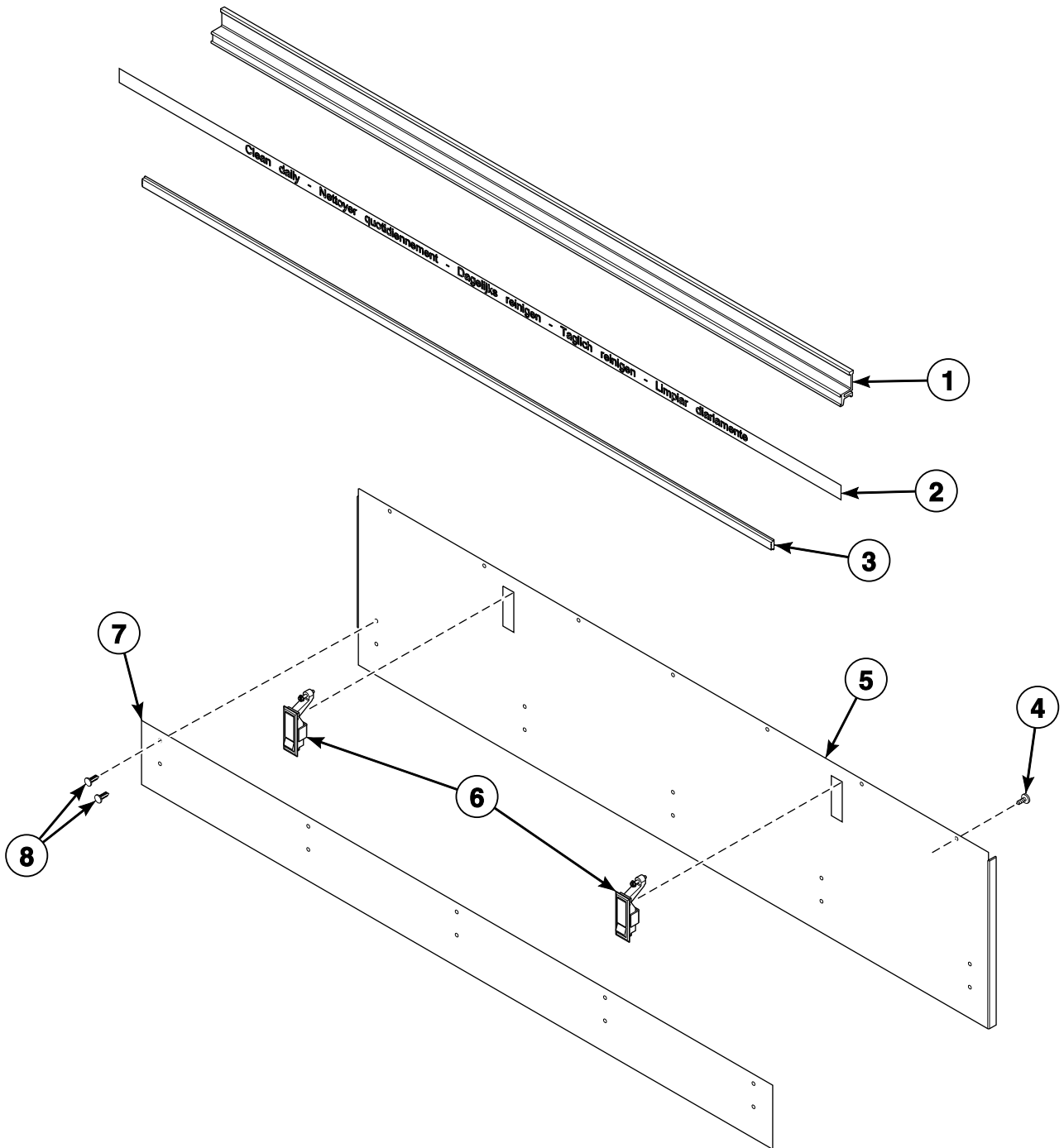
TMB2660P_D0874

Front View

REF	PART NO.	DESCRIPTION	COMMENTS
	MTR316	Motor	208-240 Volt/60 Hertz/3 Phase models with 6.0-5.4 Amp, 440-480 Volt/60 Hertz/3 Phase models with 2.7 Amp, 1750 rpm; 220, 380 Volt/50 Hertz/3 Phase models with 6.0 or 3.4 Amp, 240, 415 Volt/50 Hertz/3 Phase models with 5.5 or 3.2 Amp, 1425 rpm; TEFC enclosure
	TU13516	Contactora	24 VAC
	TU13521	Contactora	208-240 Volt
	EA-11617-0	Thermostat	330 degree
1	TU14490	Upper Front Valance Plate	
2	TU3246	Screw	3/8-16
3	VSB134	Washer	3/8; Lock
4	M400081	Washer	3/8; Flat
5	TU14489WHT	Upper Side Valance Plate	
6	N/A	Jacket Weldment Assembly	
7	TU7733	Screw	8; Self-drilling
8	ESA-00961-0	Switch Assembly	
9	EA-11621-0	Lint Door Switch	
10	TU14371P	Lint Screen Assembly	
11	N/A	Skirt	Optional
12	F430923	Screw	8 required
13	F431100	Washer	8 required
14	TU14537	Lint Door Assembly	
15	TU6854	Screw	14; S.M.
16	TU14542	DMP Control Assembly	
17	TU14360WHT	Front Panel Assembly	
18	N/A	Basket and Spider Assembly	

N/A = Part no longer available

Lint Door Assembly

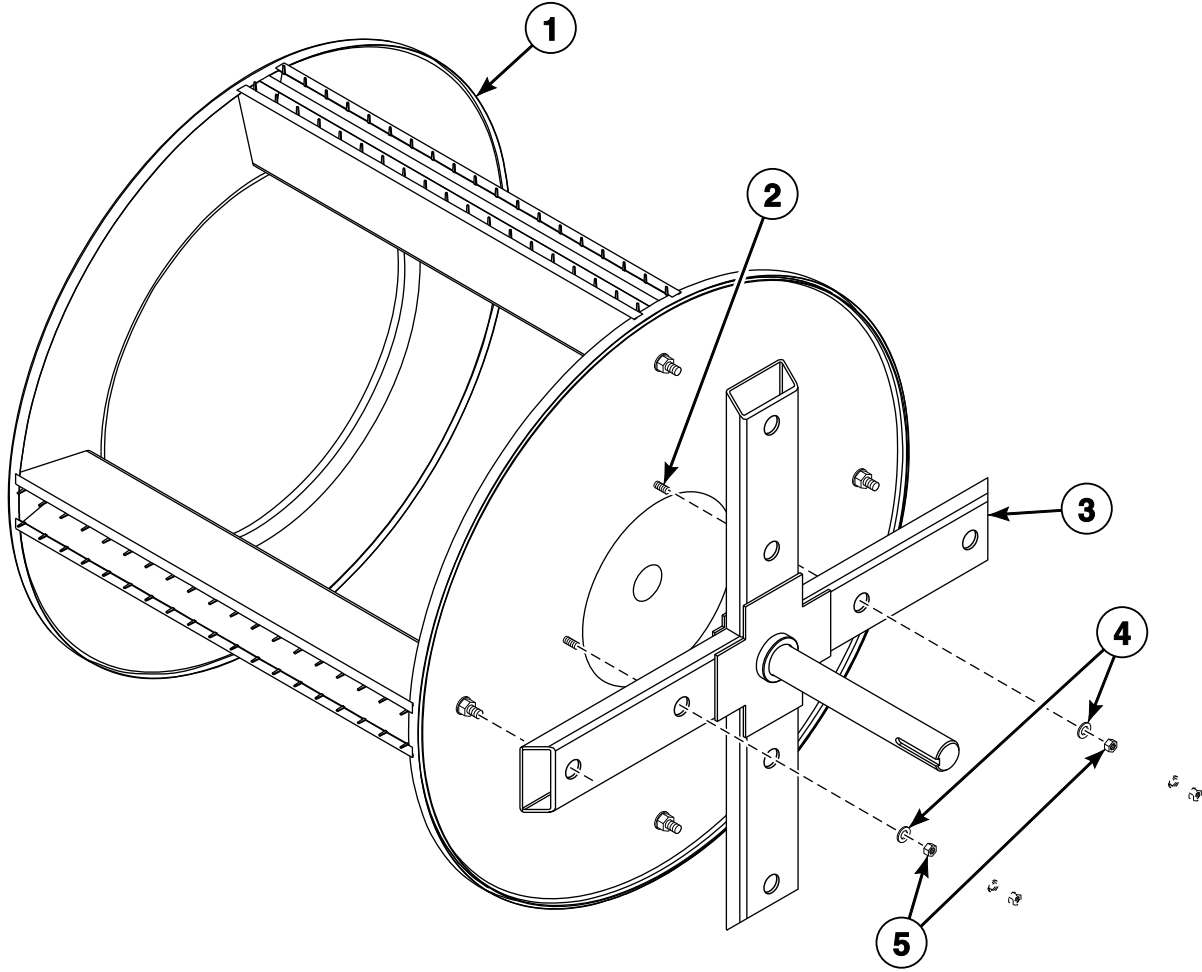


TMB2661P_D0874

Lint Door Assembly

REF	PART NO.	DESCRIPTION	COMMENTS
	LA-00123-0	Trigger Lock Latch	
1	TU14529	Lint Door Handle	
2	TU15410	Clean Lint Screen Label	5 language
3	TU14530	Rubrail Trim	
4	M405188	Screw	Pancake
5	TU14357	Lint Door Assembly	Specify color
6	LA-00124-0P	Trigger Lock Latch	
7	TU14640	Lint Door Kickplate	
8	SB-00949-0	Kickplate Fastener	

Basket and Spider Assembly



TMB2662P_D0874

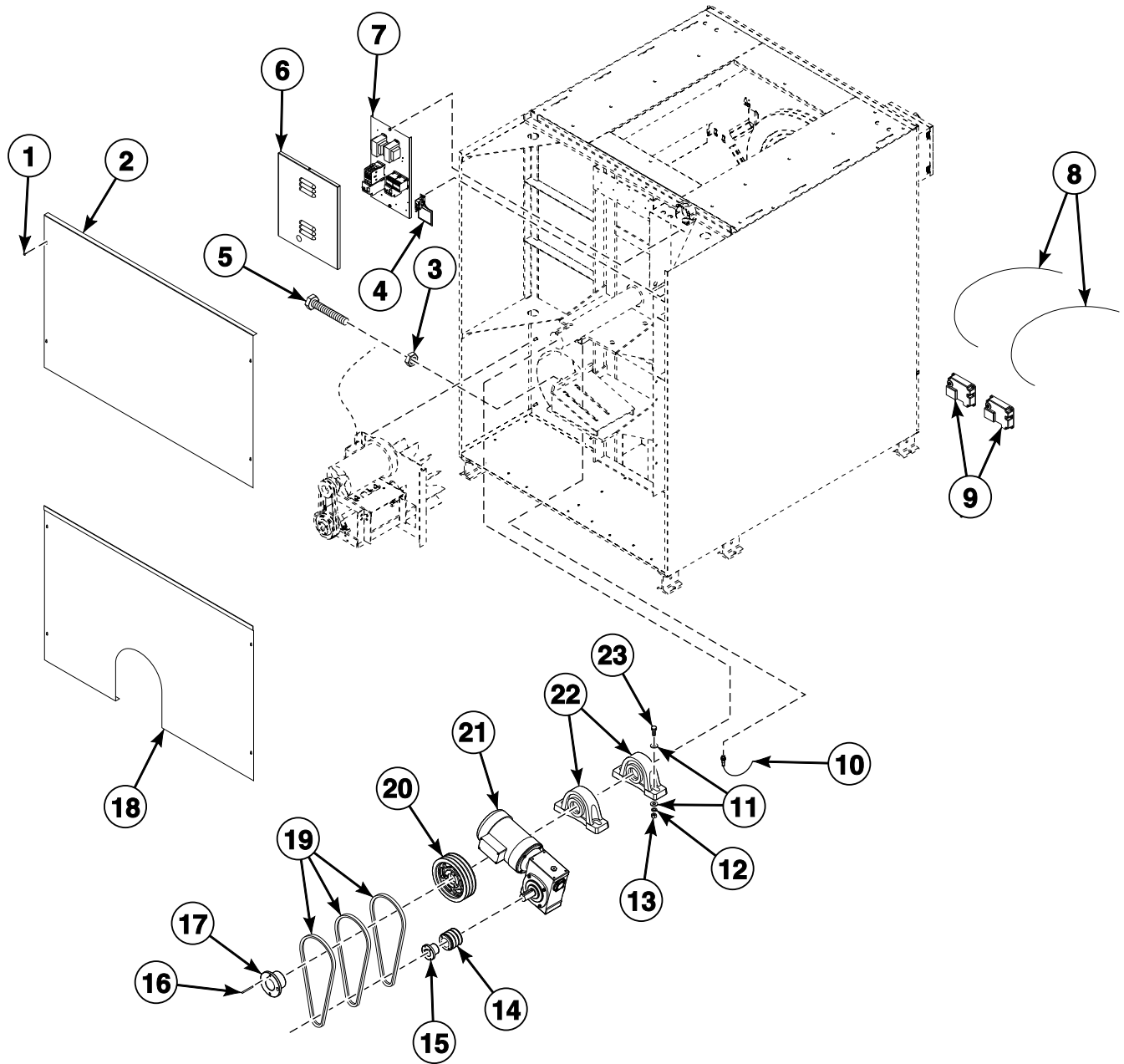
Basket and Spider Assembly

REF	PART NO.	DESCRIPTION	COMMENTS
	N/A	Basket Assembly	Includes spider
1	TU14326	Basket	Excludes spider
2	TUX285	Screw	1/2-13
3	TU16060	Spider Assembly	
4	TU2831	Washer	1/2; Lock
5	TU10686	Nut	1/2-13; Hex

N/A = Part no longer available

NOTE: 3/4 inch nut and lockwasher used to attach spider are part of basket assembly

Rear View



TMB2663P_D0874

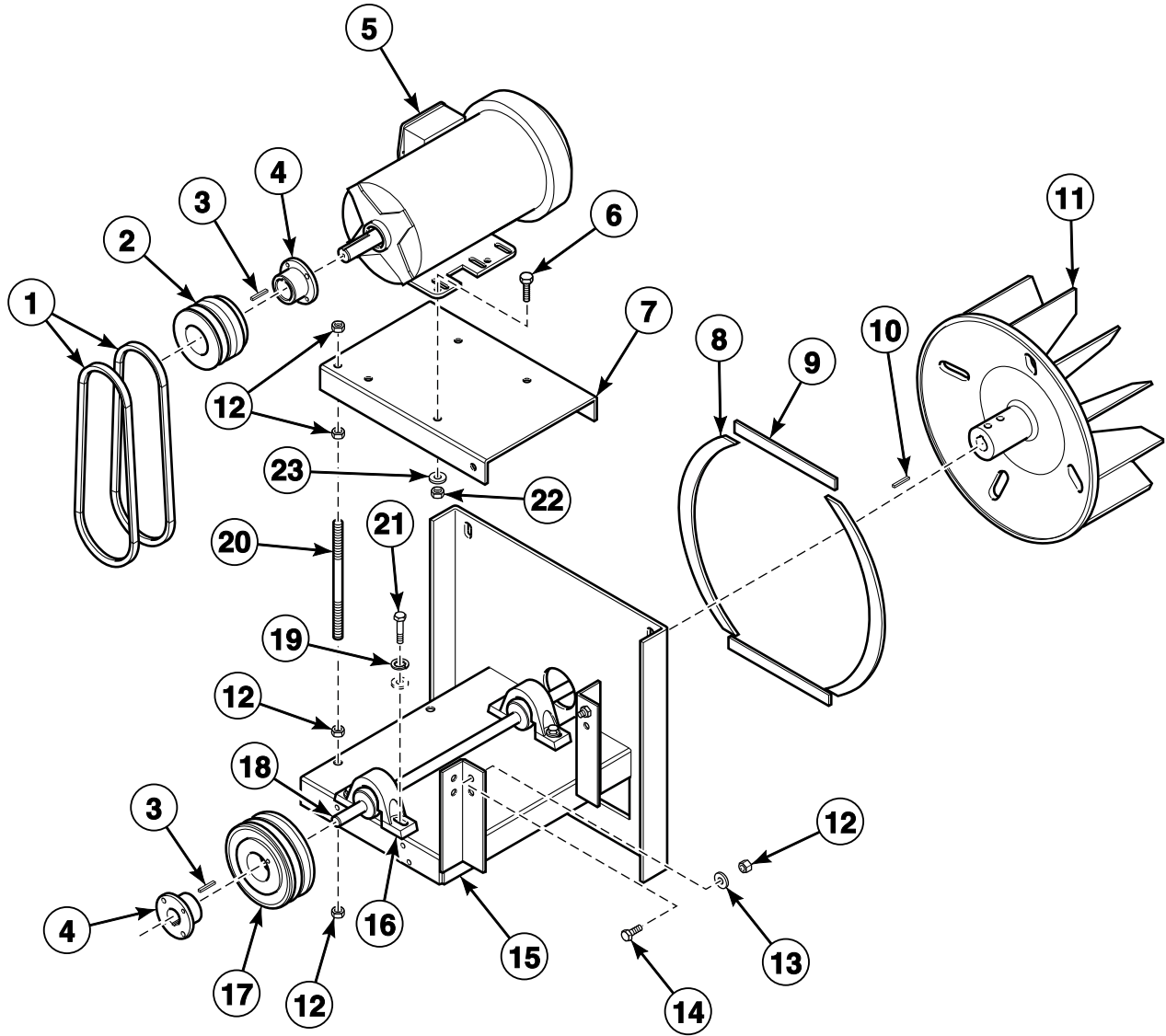
Rear View

REF	PART NO.	DESCRIPTION	COMMENTS
	TU15508	Sheave	60 Hertz
	TUX602	Basket Sheave	50 Hertz
	TUX595	Sheave	
	TU15506	Bushing	For TUX595 Sheave
	TUX603	Belt	46 inches long; Double V
1	TU7733	Screw	8-18 x 1/2; Self-drilling
2	N/A	Upper Rear Cover Plate	
3	TU2881	Nut	5/8-18
4	TU8206	Air Switch Kit	
5	TUX575	Adjustment Rod Weldment	
6	N/A	Rear Control Panel Cover	
7	N/A	Reversing Control Panel	
8	GA-00803-0	Suppression Lead	Gas models
9	GA-11007-0	Igniter Module	CE models
	GA-00765-0	Igniter	Non-CE models
10	7010P	Rotation Sensor Kit	
11	TU14455	Washer	3/4; Flat; 13/16 inch ID
12	TUX426	Washer	3/4; Lock
13	F430207	Nut	3/4-10; Hex
14	TU16042	Sheave	4.4 inch diameter
15	N/A	Bushing	
16	TUX577	Key	5/8 inch
17	TUX576	Bushing	SK-2 1/2
18	TUX578	Lower Rear Guard Plate	
19	TU16091	Belt	BX47; 60 Hertz
	TU16085	Belt	BX46; 50 Hertz
20	N/A	Sheave	8.6 inch diameter; 60 Hertz
	N/A	Sheave	8.0 inch diameter; 50 Hertz
21	TUX594P	Gearbox	Gear reducer
	TUX607	Gear Reducer	Without motor
22	TU14372	Pillow Block Bearing	2 1/2 inch
23	N/A	Screw	Cap; Hex head; 3/4-10 x 3

N/A = Part no longer available

NOTE: For overload heater information, refer to Installation Manual.

Fan Motor Assembly



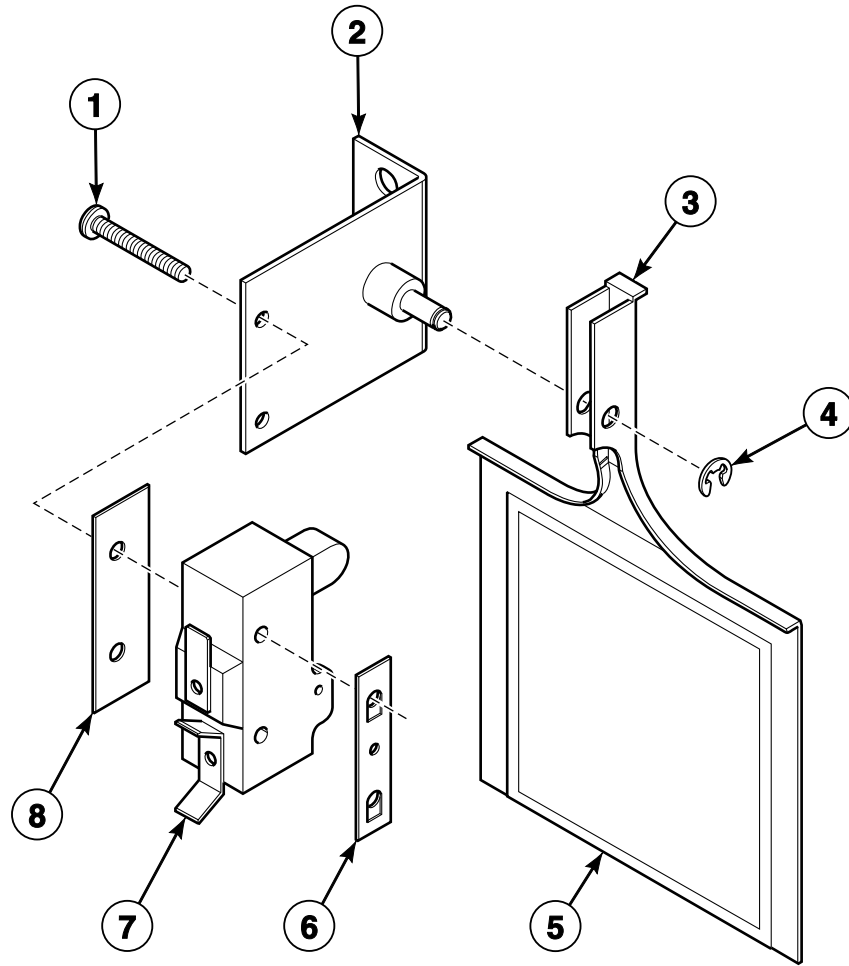
TMB2665P_D0874

Fan Motor Assembly

REF	PART NO.	DESCRIPTION	COMMENTS
	TU6723	Lock Bushing	
	TUX459	Belt	
1	TUX640	Fan Belt	60 Hertz
	TUX639	Fan Belt	50 Hertz
2	C000472	Motor Pulley	3.2 inch diameter; 60 Hertz
	N/A	Sheave	3.6 pitch; 50 Hertz
3	TUD0187	Key	3/16 inch sq x 2 1/2 inch long
4	F280214	Motor Bushing	7/8 - H
5	MTR309	Motor	208-240 Volt/60 Hertz/3 Phase models with 13.0 Amp; 440-480 Volt/60 Hertz/3 Phase models with 6.5 Amp; 3450 rpm; ODP enclosure
	MTR311	Motor	208-240 Volt/60 Hertz/3 Phase models with 13.4-12.4 Amp; 440-480 Volt/60 Hertz/3 Phase models with 6.2 Amp; 3474 rpm; TEFC enclosure
	MTR293	Motor	220, 380 Volt/50 Hertz/3 Phase models with 12.6 or 7.3 Amp; 240, 415 Volt/50 Hertz/3 Phase models with 11.7 or 6.7 Amp; 2900 rpm; ODP enclosure
6	M400057	Screw	5/16-18; Hex head
7	TU4706	Motor Mount Plate	
8	TU2473	Motor Mount Gasket	Cork; Curved
9	TU2474	Motor Mount Gasket	Cork; Straight
10	TU5241	Key	3/16 inch sq x 1 inch long
11	TUX220	Induction Fan	15 inch diameter
12	TU4787	Nut	3/8-16; Hex
13	M400081	Washer	3/8 inch; Flat
14	TU3246	Screw	3/8-16; Hex head
15	TU14336	Motor Mount Assembly	
16	TUX429	Pillow Block	7/8 inch
17	TUX222	Sheave	5 inch diameter
18	TUX428	Fan Shaft	7/8 inch
19	VSB134	Washer	3/8; Lock
20	TU1950	Motor Support Rod	
21	OP380	Screw	3/8-16; Hex head
22	70142	Nut	5/16-18
23	M400013	Washer	5/16; Lock

N/A = Part no longer available

Air Switch Assembly

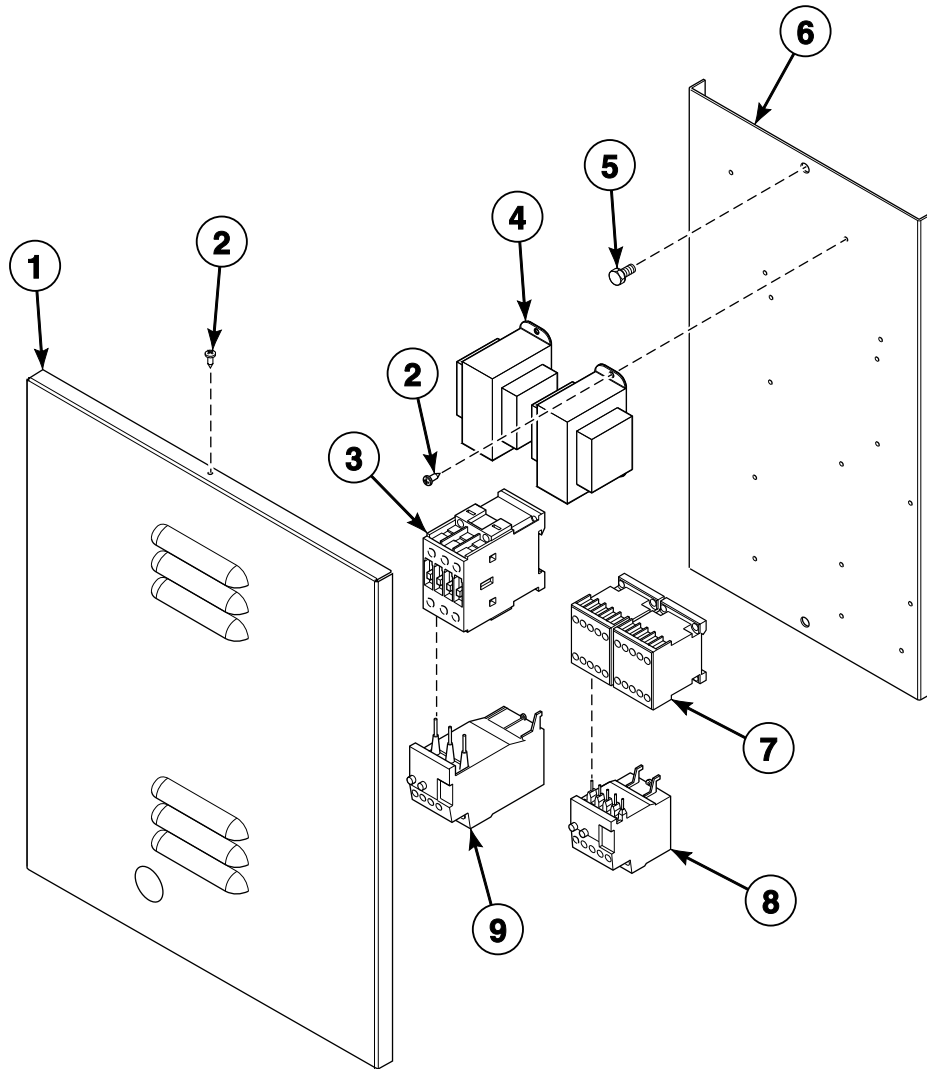


TMB2433P_D0874

Air Switch Assembly

REF	PART NO.	DESCRIPTION	COMMENTS
	TU8206	Air Switch Kit	
	TU7733	Screw	8 x 1/2
1	TU3219	Screw	6 x 1
2	TU8171	Air Switch Mounting Bracket	
3	TU2463	Actuator Arm	
4	F888	E-Ring	
5	TU3476	Label	
6	TU1771	Nut	6; Tinnerman
7	TU14482	Microswitch	
8	TU1770	Air Switch Insulator	

Reversing Control Panel Assembly



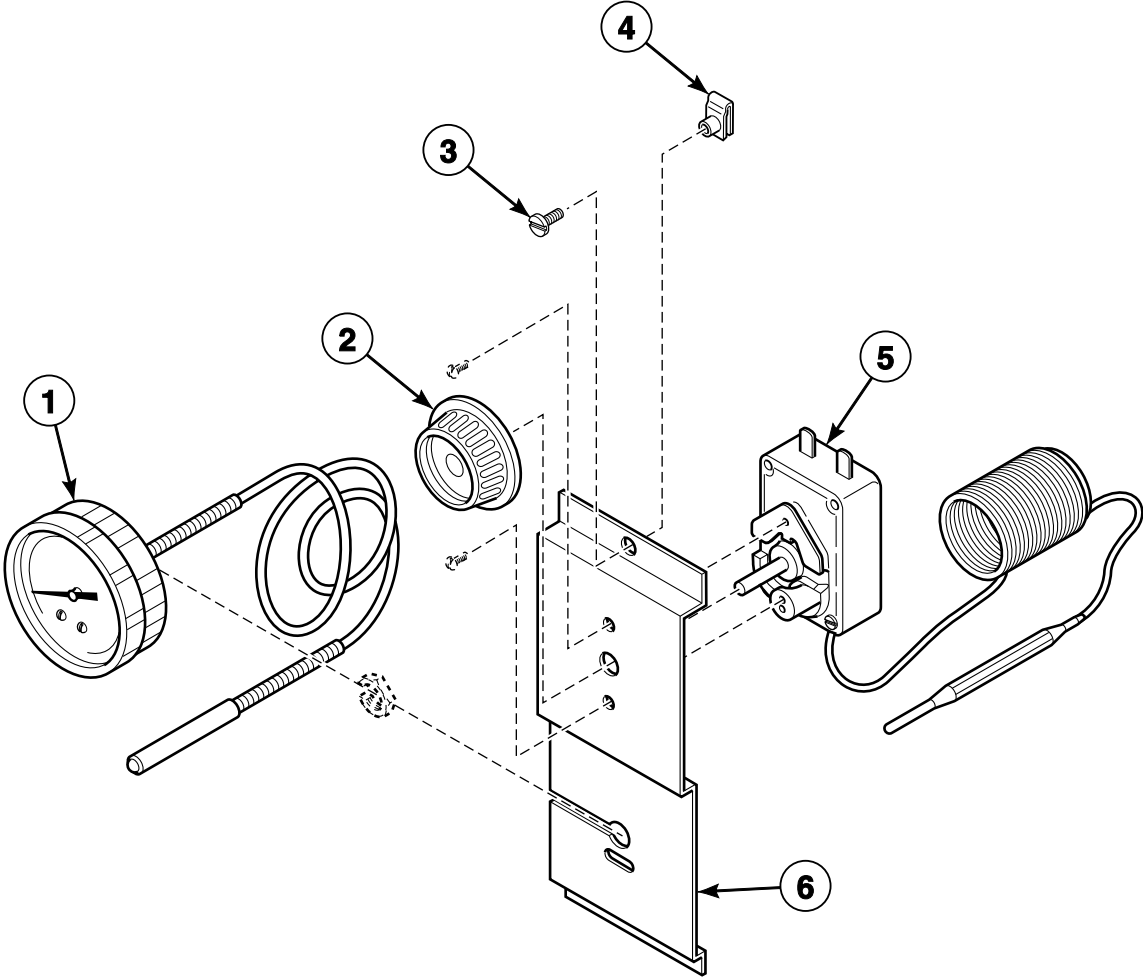
TMB2664P_D0874

Reversing Control Panel Assembly

REF	PART NO.	DESCRIPTION	COMMENTS
1	N/A	Rear Control Panel Cover	
2	TU7733	Screw	8; Self-drilling
3	TU14684	Contactor	Motor
4	TU13802P	Transformer	
5	02422	Screw	1/4-20
6	N/A	Mounting Plate	
7	EA-00685-0P	Reversing Contactor	
8	TU14706	Overload	Reversing
9	TU14707	Overload	Motor

N/A = Part no longer available

Temperature Assembly



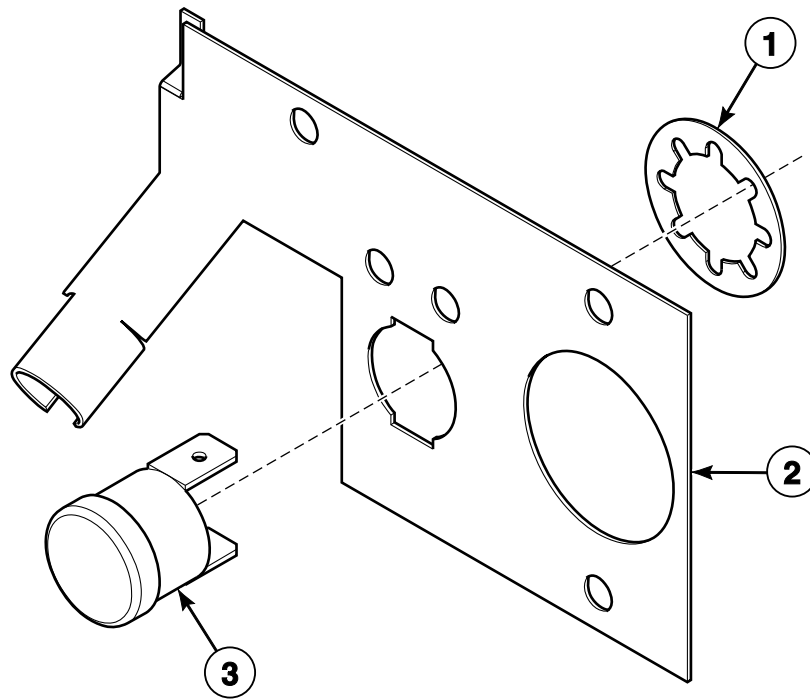
TMB2425P_D0874

Temperature Assembly

REF	PART NO.	DESCRIPTION	COMMENTS
	TU6030	Temperature Control Assembly	Includes items 1, 5 and 6
	TU3816	Lens	Texas Gage
	TU8475	Lens Replacement	Marshalltown Inst.
	N/A	Lens Replacement	Weiss; Consult factory
	TU13213	Lens	Weiss; Consult factory
1	TU3593	Thermometer	
2	TU490	Thermostat Knob	Fahrenheit
	TU491	Thermostat Knob	Centigrade
3	TU3209	Screw	14 x 5/8 inch; Package of 6
4	LB74	Nut	14; Tinnerman; Package of 6
5	TU1980P	Thermostat	
6	TU5530	Mounting Bracket	

N/A = Part no longer available

2 Timer Sensor Assembly

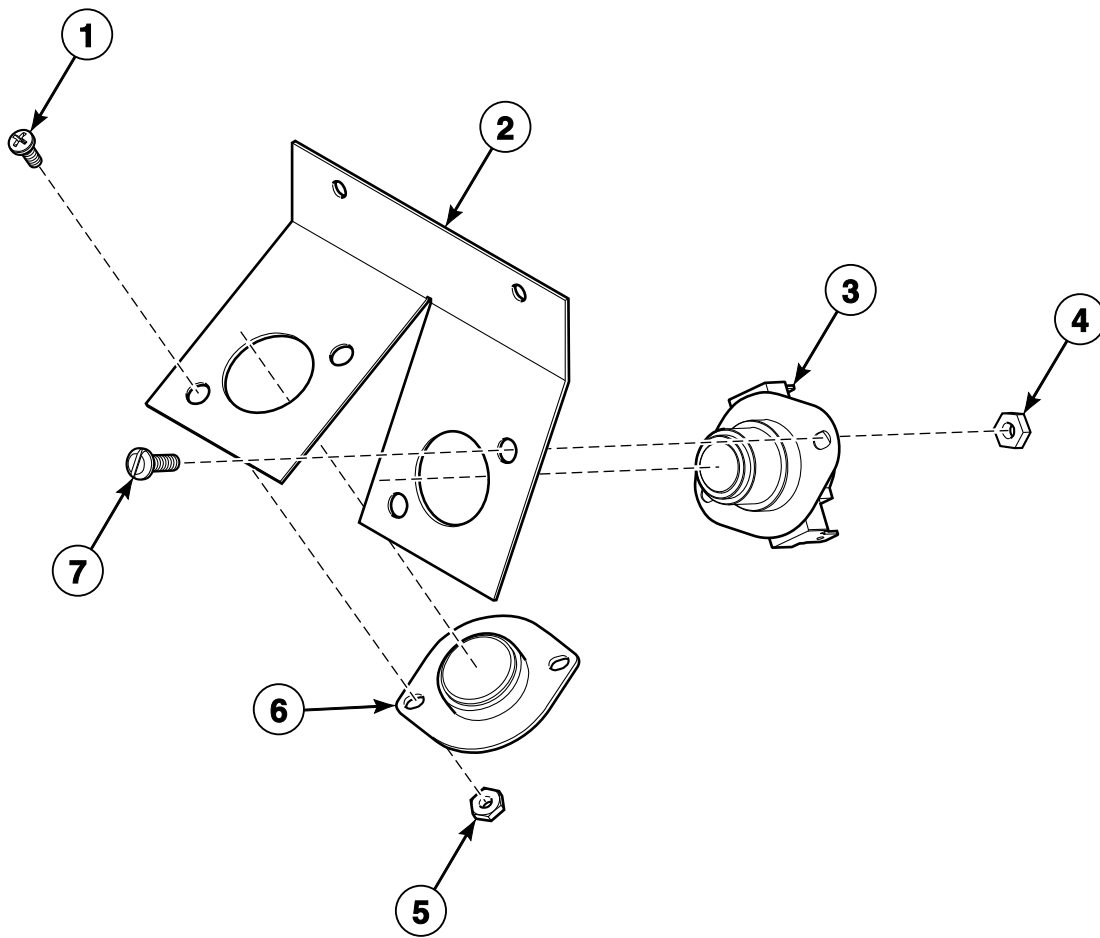


TMB2429P_D0874

2 Timer Sensor Assembly

REF	PART NO.	DESCRIPTION	COMMENTS
	TU6029	Thermostat Assembly	
	EA-00411-0	Temperature Switch	220 degree
1	TU3801	Nut	Speed; No. C18784-010-4
2	TU2486	Thermostat Mounting Bracket	
3	TU2477	Thermostat	AR594

DMP Thermostat Assembly

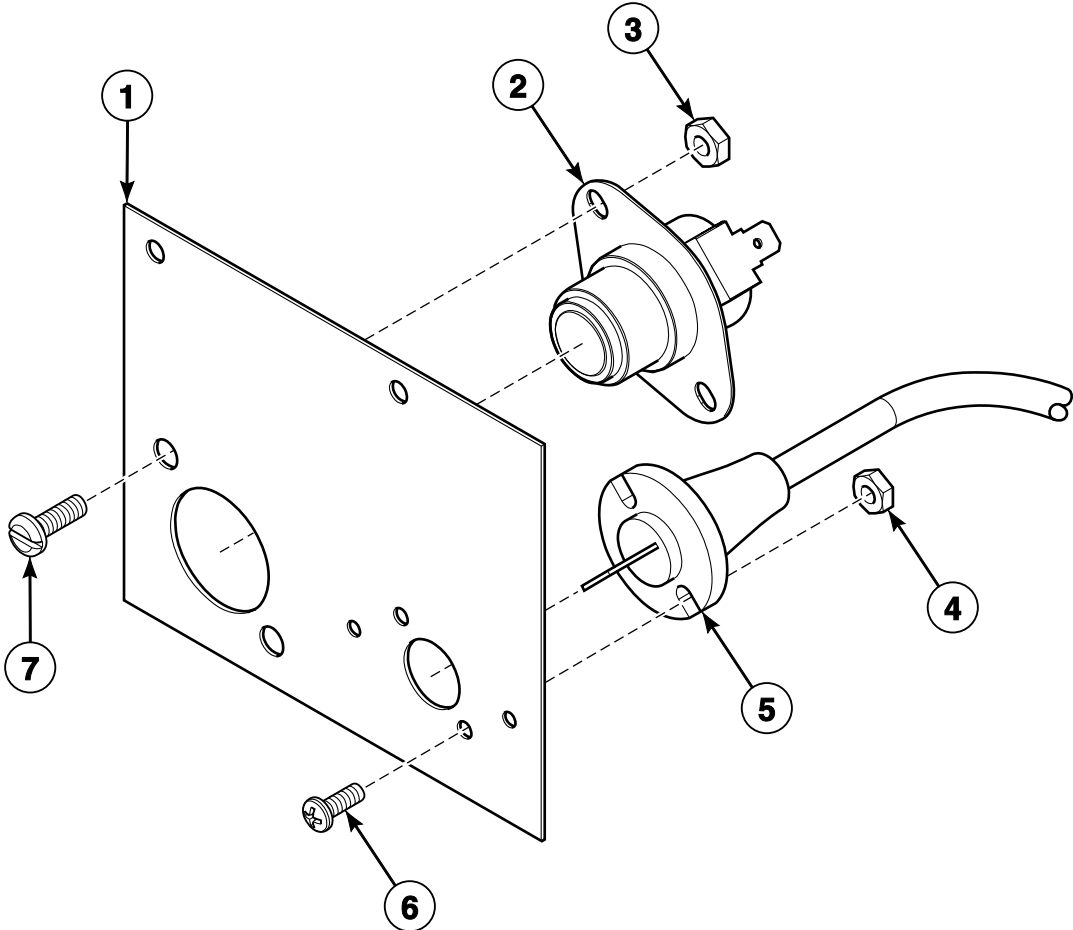


TMB2666P_D0874

DMP Thermostat Assembly

REF	PART NO.	DESCRIPTION	COMMENTS
	TU2477	Thermostat	
1	SB-00952-0	Screw	6-32 x 3/8
2	CA-13172-0	High Limit Switch Bracket	
3	EA-00411-0	Temperature Switch	220 degree
4	TU3266	Nut	8-32; Hex
5	02788	Nut	6-32; Hex
6	TU11991K	Thermistor Kit	
7	SB-00828-0	Screw	8-32 x 1/2

Pro Sensor Assembly



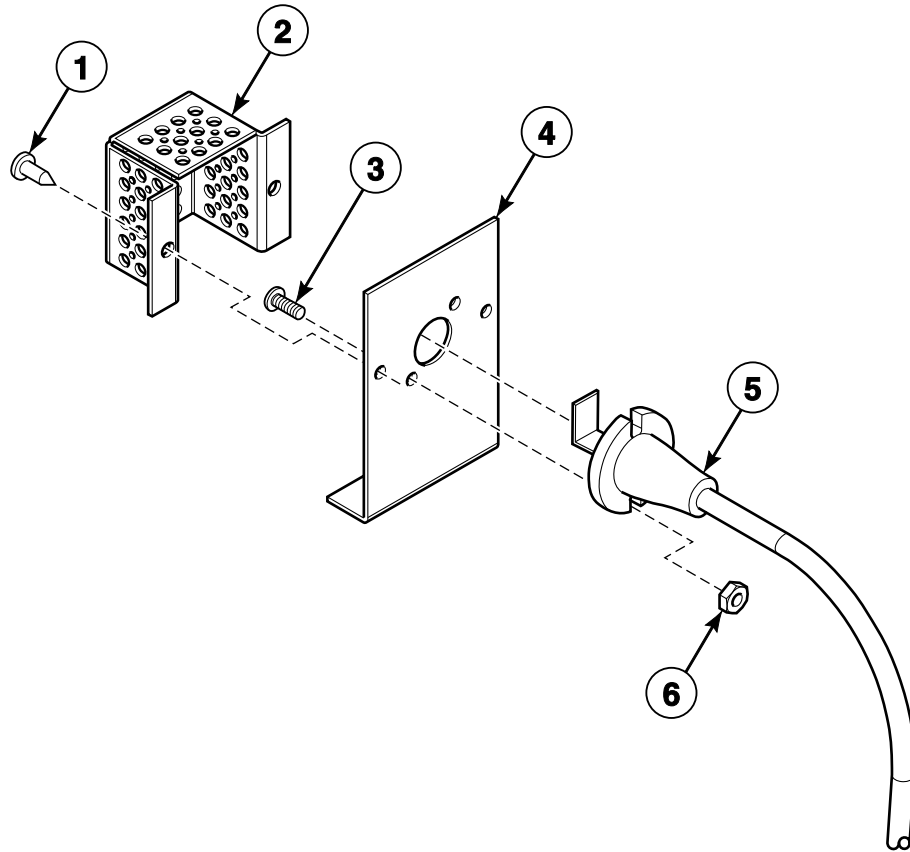
TMB2430P_D0874

Pro Sensor Assembly

REF	PART NO.	DESCRIPTION	COMMENTS
	TU15464	Sensor Assembly	
1	N/A	Thermostat	
2	EA-00411-0	Temperature Switch	220 degree
3	TU3266	Nut	8-32; Hex
4	02788	Nut	6-32; Hex
5	254/00072/10	Temperature Sensor	Heat
6	SB-00952-0	Screw	6-32 x 3/8; Phillips head
7	SB-00828-0	Screw	8-32 x 1/2; Machine; Pan head

N/A = Part no longer available

ProHC Sensor Assembly - Upper Assembly

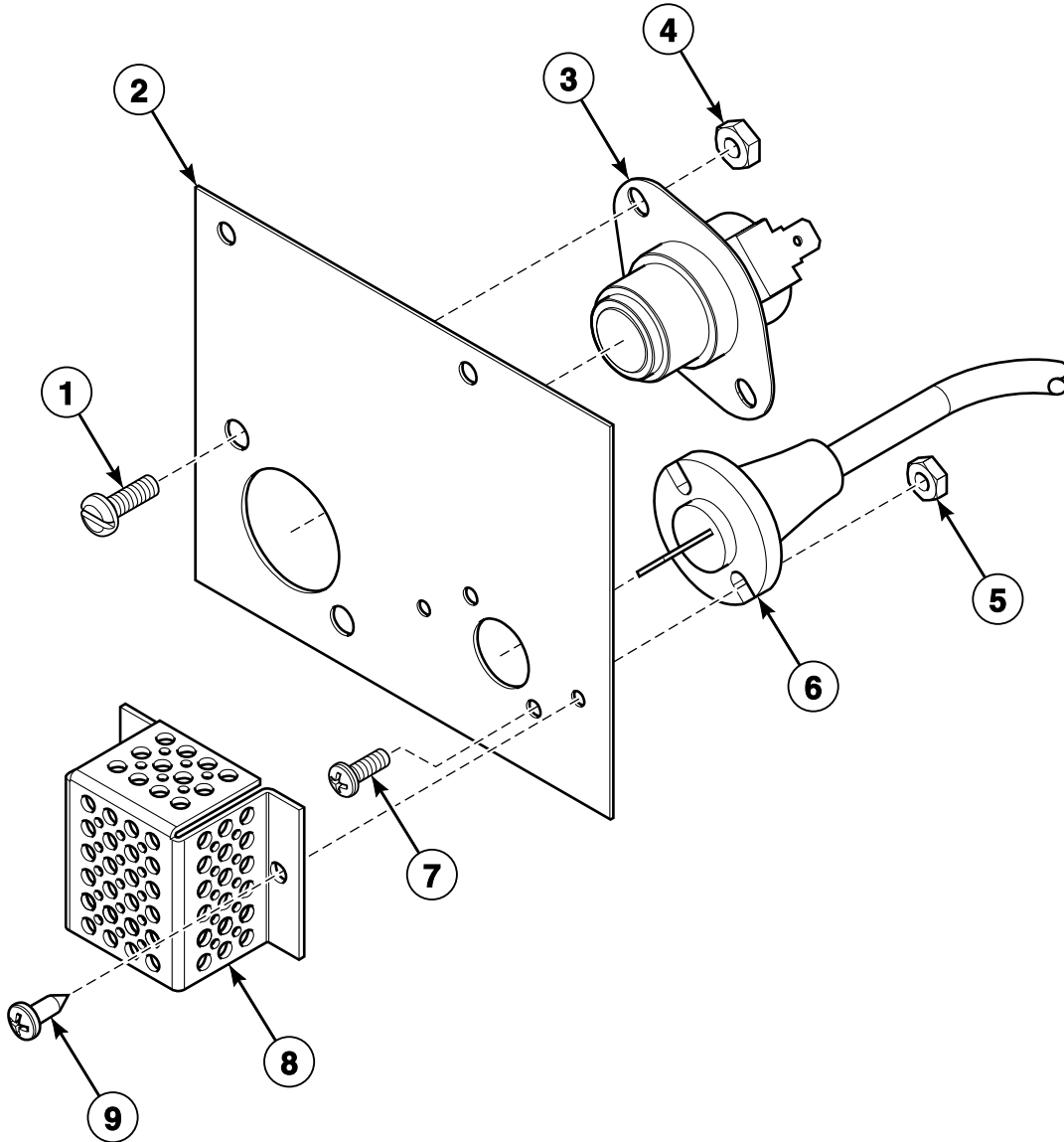


TMB2431P_D0874

ProHC Sensor Assembly - Upper Assembly

REF	PART NO.	DESCRIPTION	COMMENTS
	TU14724	ProHC Upper Sensor Assembly	
1	TU7733	Screw	8-18 x 1/2 inch long; Self-drilling
2	TU14694	Probe Cover Plate	
3	SB-00952-0	Screw	6-32 x 3/8 inch long
4	TU14693	Upper Probe Mounting Plate	
5	254/00071/10	Temperature and Humidity Sensor	
6	02788	Nut	6-32

ProHC Sensor Assembly - Lower Assembly



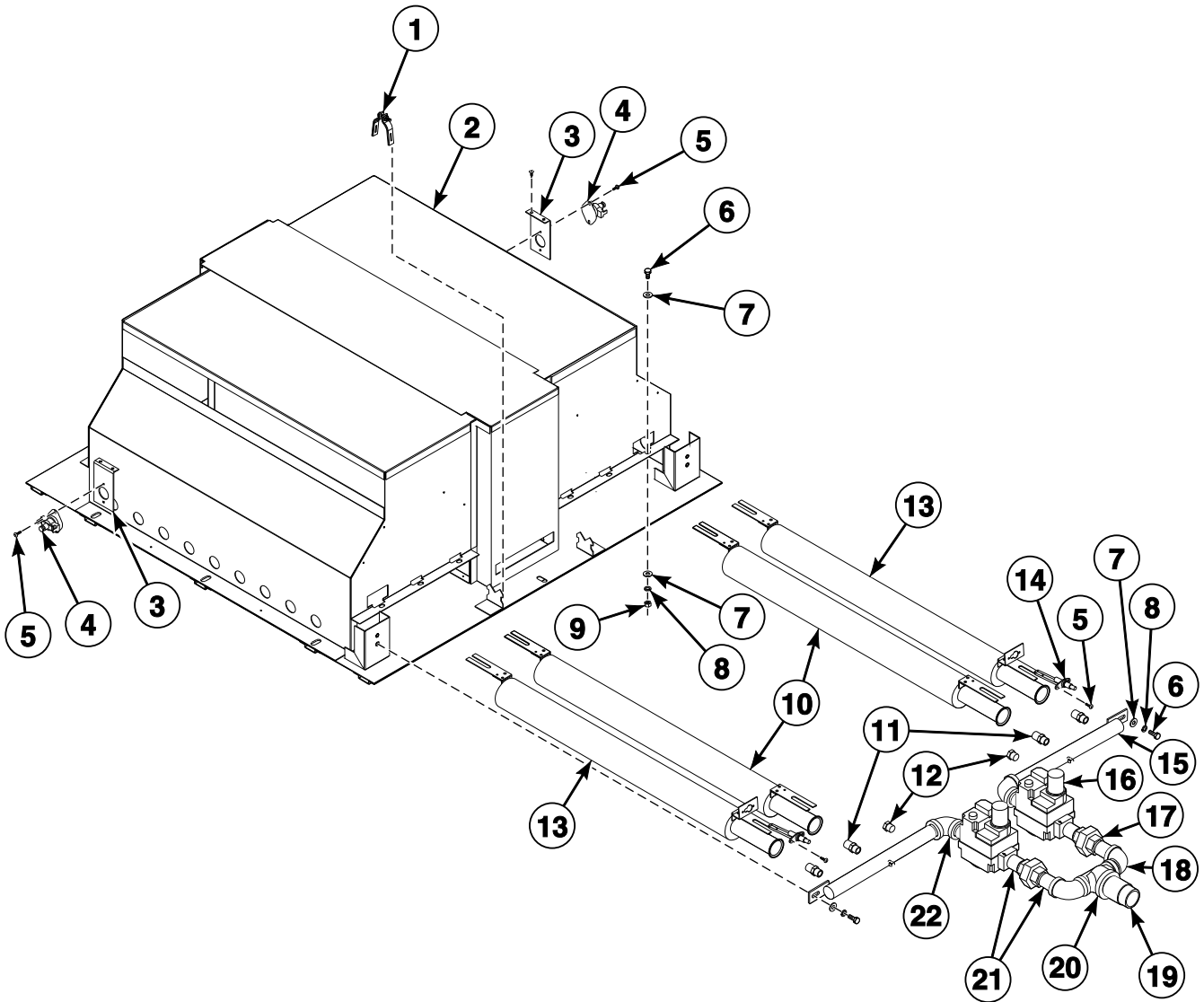
TMB2432P_D0874

ProHC Sensor Assembly - Lower Assembly

REF	PART NO.	DESCRIPTION	COMMENTS
	N/A	ProHC Sensor Assembly	
1	SB-00828-0	Screw	8-32 x 1/2 inch long; Machine
2	CA-13067-0	Sensor Bracket	
3	EA-00411-0	Temperature Switch	220 degree
4	TU3266	Nut	8-32; Brass; Hex
5	02788	Nut	6-32; Brass; Hex
6	254/00071/10	Temperature and Humidity Sensor	
7	SB-00952-0	Screw	6-32 x 3/8 inch long
8	TU14694	Probe Cover Plate	
9	TU7733	Screw	8-18 x 1/2 inch long; Self-drilling

N/A = Part no longer available

Gas Bonnet Assembly



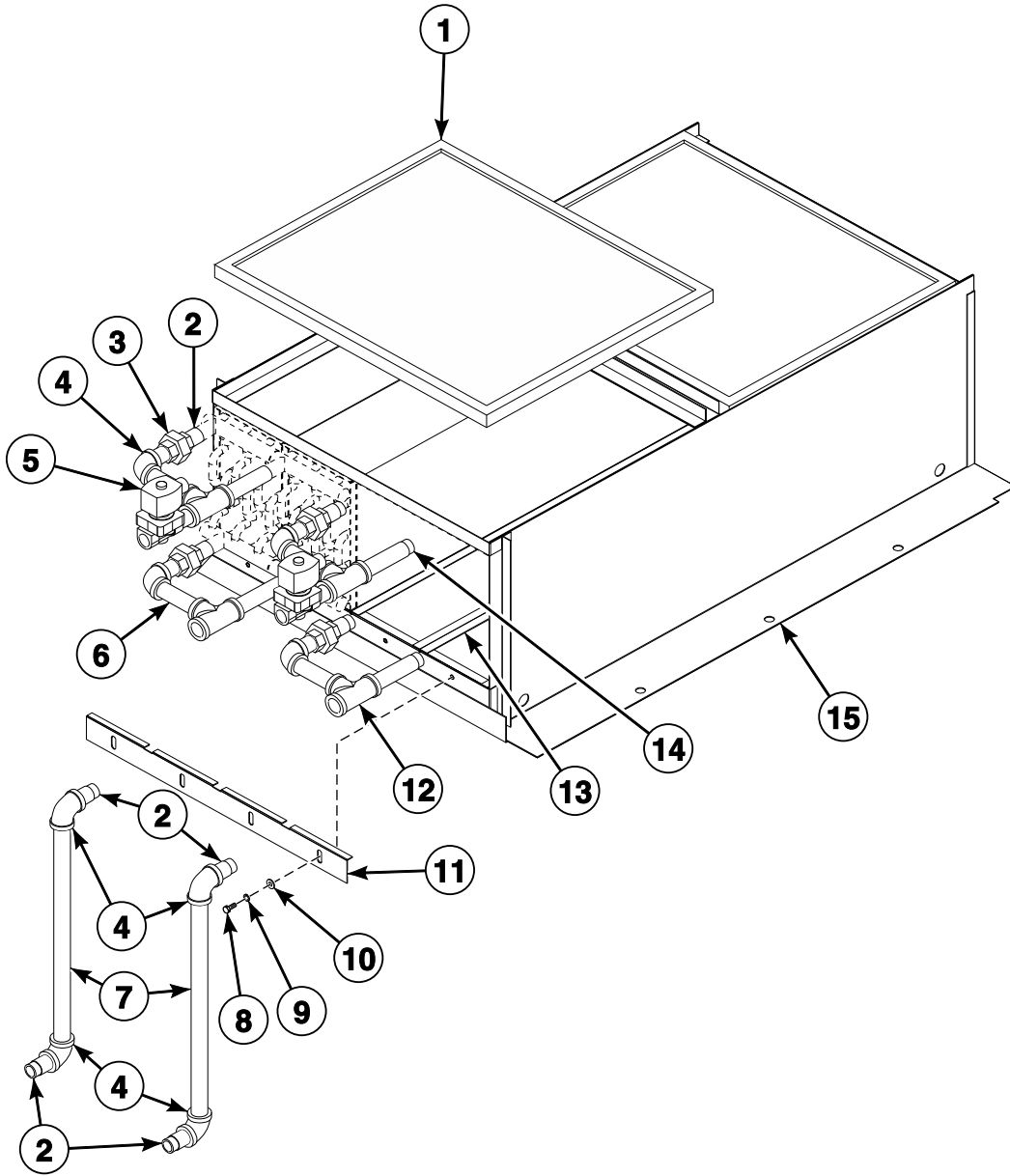
TMB2667P_D0874

Gas Bonnet Assembly

REF	PART NO.	DESCRIPTION	COMMENTS
	N/A	Gas Bonnet Assembly	24 Volt
	EA-00243-0	Switch	High limit
	K555	L.P. Conversion Kit	2 required to convert from Natural Gas (N.G.) to Liquid Petroleum Gas (L.P.), in addition to 6 of item 11
	GA-00765-0	Igniter	RAM Spark
	GA-11007-0	Igniter Module	50 Hertz; CE models; RAM Spark
	GA-00803-0	Suppression Lead	Spark cable
1	TU2226	Manifold Mounting Bracket Assembly	
2	N/A	Bonnet	Weldment Assembly
3	TU13695	Bonnet Thermostat Mounting Bracket	
4	TU13678	Thermostat	
5	TU7733	Screw	8-18 x 1/2 inch
6	02422	Screw	1/4-20 x 1/2
7	TU2847	Washer	1/4 inch; Flat
8	03189	Washer	1/4 inch; Lock
9	20275	Nut	1/4-20; Hex head
10	TU14796	Burner Assembly	
11	TU3539	Burner Orifice	3/4 drill size
12	TU10946	Pipe Plug	Manifold
13	TU14797	Ignition Burner Assembly	
14	GA-00764-0P	Electrode	Spark igniter
15	TU14463	Gas Manifold	
16	TUX352P	Gas Valve	N.G.; 3/4 inch
	TUX435	Gas Valve	L.P.
17	M411419	Pipe Union	3/4 inch
18	TU4602	Street Elbow	3/4 inch; 90 degree
19	N/A	Nipple	1 1/4 x 3 inch
20	N/A	Tee	3/4 x 3/4 x 1 1/4
21	M411417	Pipe Nipple	3/4 inch x 2 inch
22	TU4605	Elbow	3/4 inch; 90 degree

N/A = Part no longer available

Steam Bonnet Assembly



TMB2668P_D0874

Steam Bonnet Assembly

REF	PART NO.	DESCRIPTION	COMMENTS
	N/A	Steam Bonnet Assembly	24 Volt
	TU1699P	Coil	6 x 10; Steam
1	TU9953	Air Filter	20 x 24 x 1
2	M411417	Pipe Nipple	3/4 x 2 inch long
3	M411419	Pipe Union	3/4
4	TU4605	Elbow	3/4; 90 degree
5	TU13517	Steam Solenoid Valve	3/4
6	TU4620	Nipple	3/4 x 4 1/2 inch long
7	TU4599	Nipple	3/4 x 18 inch long
8	02422	Screw	1/4-20 x 1/2
9	03189	Washer	1/4; Lock
10	TU2847	Washer	1/4; Flat
11	TU9890	Coil Bracket	
12	TU4597	Tee	3/4; Standard; Iron
13	TU9889	Coil Support Angle	
14	H85101673	Pipe Nipple	3/4 x 5 inch long
15	TU14397	Steam Bonnet Assembly	

N/A = Part no longer available

Parts Index

A

Actuator Arm TU2463	23
Adjustment Rod Weldment TUX575	19
Air Filter TU9953	41
Air Switch Insulator TU1770	23
Air Switch Kit TU8206	19, 23
Air Switch Mounting Bracket TU8171	23

B

Basket TU14326	17
Basket Sheave TUX602	19
Belt TUX459	21
TUX603	19
TU16085	19
TU16091	19
Bonnet Thermostat Mounting Bracket TU13695	39
Burner Assembly TU14796	39
Burner Orifice TU3539	39
Bushing TUX576	19
TU15506	19
Button Plug TU15724	5, 7, 9
Buzzer TU14137	7

C

Clean Lint Screen Label TU15410	15
Coil TU1699P	41
Coil Bracket TU9890	41
Coil Support Angle TU9889	41
Contactors TU13516	13
TU13521	13
TU14684	25
Control Board 254/00070/00	9

Control Cover Assembly TU14442WHT	9
Control Label 254/00018/00	9
Control Panel Cover Plate TU14727WHT	9
Control Panel Weldment Assembly TU15406WHT	5
Controller TU14404P	7

D

DMP Control Assembly TU14542	13
DMP Control Panel Weldment Assembly TU14469WHT	7
Door Gasket TU15966	11
Door Glass TU15107P	11
Door Latch TUA2319H	11
Door Latch Spacer TU5503	11
Door Seal TU5288P	11

E

Elbow TU4605	39, 41
Electrode GA-00764-0P	39
Emergency Stop Button Kit TU14435	5, 7, 9
E-Ring F888	23

F

Fan Belt TUX639	21
TUX640	21
Fan Shaft TUX428	21
Front Panel Assembly TU14359WHT	11
TU14360WHT	11, 13
Front Panel Cover Plate TU15525WHT	11

G

Gas Manifold TU14463	39
-------------------------------	----

N/A items do not appear in index.

Gas Valve	
TUX352P	39
TUX435	39
Gear Reducer	
TUX607	19
Gearbox	
TUX594	19

H

High Limit Switch Bracket	
CA-13172-0	31
Hinge Bushing	
PIF172	11
Hinge Post	
TU2236	11

I

Igniter	
GA-00765-0	19, 39
Igniter Module	
GA-11007-0	19, 39
Ignition Burner Assembly	
TU14797	39
Induction Fan	
TUX220	21

K

Key	
TUD0187	21
TUX577	19
TU5241	21
Kickplate Fastener	
SB-00949-0	15
Knob	
TU2555	5

L

Label	
TU3476	23
LED Light Assembly	
TUT316	5
Lens	
TU13213	27
TU3816	27
Lens Replacement	
TU8475	27
Lint Door Assembly	
TU14357	15
TU14537	13
Lint Door Handle	
TU14529	15
Lint Door Kickplate	
TU14640	15
Lint Door Switch	
EA-11621-0	13

Lint Screen Assembly	
TU14371P	13
Lock Bushing	
TU6723	21
Lower Rear Guard Plate	
TUX578	19
L.P. Conversion Kit	
K555	39

M

Manifold Mounting Bracket Assembly	
TU2226	39
Membrane Switch	
44037901P	7
44039401	7
Microswitch	
TU14482	23
Motor	
MTR293	21
MTR309	21
MTR311	21
MTR316	13
Motor Bushing	
F280214	21
Motor Mount Assembly	
TU14336	21
Motor Mount Gasket	
TU2473	21
TU2474	21
Motor Mount Plate	
TU4706	21
Motor Pulley	
C000472	21
Motor Support Rod	
TU1950	21
Mounting Bracket	
TU5530	27

N

Nameplate, 2 Timer	
TU15459	5
Nipple	
TU4599	41
TU4620	41
Nut	
F430207	19
LB74	27
TU10686	17
TU1771	23
TU2881	19
TU3266	31, 33, 37
TU3801	29
TU3805	5
TU4787	21
02788	7, 9, 31, 33, 35, 37
20275	39
70142	21

N/A items do not appear in index.

O

Overload	
TU14706	25
TU14707	25

P

Pillow Block	
TUX429	21
Pillow Block Bearing	
TU14372	19
Pipe Nipple	
H85101673	41
M411417	39, 41
Pipe Plug	
TU10946	39
Pipe Union	
M411419	39, 41
Pro Control Label	
254/00039/00	9
Probe Cover Plate	
TU14694	35, 37
ProHCUpper Sensor Assembly	
TU14724	35
Pro/ProHC EPROM Chip	
TU14452	9
Pushbutton Switch	
TU9028	5

R

Reed Switch Assembly	
ESA-00862-0P	11
Reed Switch Magnet	
MD-00337-0	11
Relay	
F1300	5
Reversing Contactor	
EA-00685-0P	25
Reversing Timer	
TU12874P	5
Rotation Sensor Kit	
7010P	19
Rubrail Trim	
TU14530	15

S

Screw	
ET208	5
F430923	13
JA-51604	11
M261	9
M400057	21
M405188	15
OP380	21
SB-00828-0	31, 33, 37
SB-00952-0	31, 33, 35, 37
SB-00975-0	11

TUX285	17
TU2687	11
TU2836	11
TU3209	11, 27
TU3219	23
TU3246	13, 21
TU6854	13
TU7733	5, 11, 13, 19, 23, 25, 35, 37, 39
02422	25, 39, 41

Sensor Assembly	
TU15464	33
Sensor Bracket	
CA-13067-0	37
Sheave	
TUX222	21
TUX595	19
TU15508	19
TU16042	19
Spider Assembly	
TU16060	17
Steam Bonnet Assembly	
TU14397	41
Steam Solenoid Valve	
TU13517	41
Street Elbow	
TU4602	39
Suppression Lead	
GA-00803-0	19, 39
Switch	
EA-00243-0	39
Switch Assembly	
ESA-00961-0	13

T

Tee	
TU4597	41
Temperature Switch	
EA-00411-0	37
Temperature and Humidity Sensor	
254/00071/10	9, 35, 37
Temperature Control Assembly	
TU6030	11, 27
Temperature Nameplate	
TU5458	11
Temperature Sensor	
254/00072/10	9, 33
Temperature Switch	
EA-00411-0	29, 31, 33
Terminal Board	
TU8629	5
Thermistor Kit	
TU11991K	7, 31
Thermometer	
TU3593	27
Thermometer Gasket	
TU2641	11
Thermostat	
EA-11617-0	13
TU13678	39
TU1980P	5, 27
TU2477	29, 31

N/A items do not appear in index.

Thermostat Assembly	
TU6029	29
Thermostat Knob	
TU490	27
TU491	27
Thermostat Mounting Bracket	
TU2486	29
Timer	
TU12932P	5
TU12933P	5
Toggle Switch	
FG147	5
Transformer	
TU13802P	25
Trigger Lock Latch	
LA-00123-0	15
LA-00124-0P	15

U

Upper Front Valance Plate	
TU14490	13
Upper Probe Mounting Plate	
TU14693	35
Upper Side Valance Plate	
TU14489WHT	13

W

Washer	
F431100	13
F431106	11
M270	7, 9
M400013	21
M400081	13, 21
TUX426	19
TU14455	19
TU2831	17
TU2847	39, 41
TU3212	11
VSB134	13, 21
03189	39, 41
