

Drying Tumblers

110 Pound Capacity

Refer to Page 3 for Model Numbers

Parts



www.alliancelaundry.com

Part No. D0584R3
December 2013

Table of Contents

Title	Page
Parts Ordering Information.....	2
Serial Plate Location	2
Model Identification	3
2 Timer Control Panel Assembly	4
DMP Control Panel Assembly.....	6
Pro and ProHC Control Panel Assembly	8
Front Panel Assembly	10
Front View	12
Burner Access Door.....	14
Lint Door Assembly	16
Gear Motor Rear View	18
Air Switch Assembly	20
Rear Motor Control Assembly	22
TM200 Gear Reducer - Rear View	24
TM200 Large Gear Reducer with Bronze Teeth	26
Fan Assembly for 60 Cycle	28
Fan Assembly for 50 Cycle	30
Thermostat Assembly - 2 Timer	32
2 Timer Sensor Assembly	34
DMP Sensor Assembly	36
Pro Sensor Assembly	38
ProHC Sensor Assembly - Upper Assembly	40
ProHC Sensor Assembly - Lower Assembly.....	42
Gas Bonnet Assembly	44
Electric Bonnet.....	46
Steam Bonnet Assembly.....	48
Parts Index.....	51

© Copyright 2013, Alliance Laundry Systems LLC

All rights reserved. No part of the contents of this book may be reproduced or transmitted in any form or by any means without the expressed written consent of the publisher.

Parts Ordering Information

If literature or replacement parts are required, contact the source from whom the machine was purchased or contact Alliance Laundry Systems at (920) 748-3950 for the name and address of the nearest authorized parts distributor.

For technical assistance, call either of the numbers listed below:

(920) 748-3121 Ripon, Wisconsin

+32 56 41 20 54 Wevelgem, Belgium

Serial Plate Location

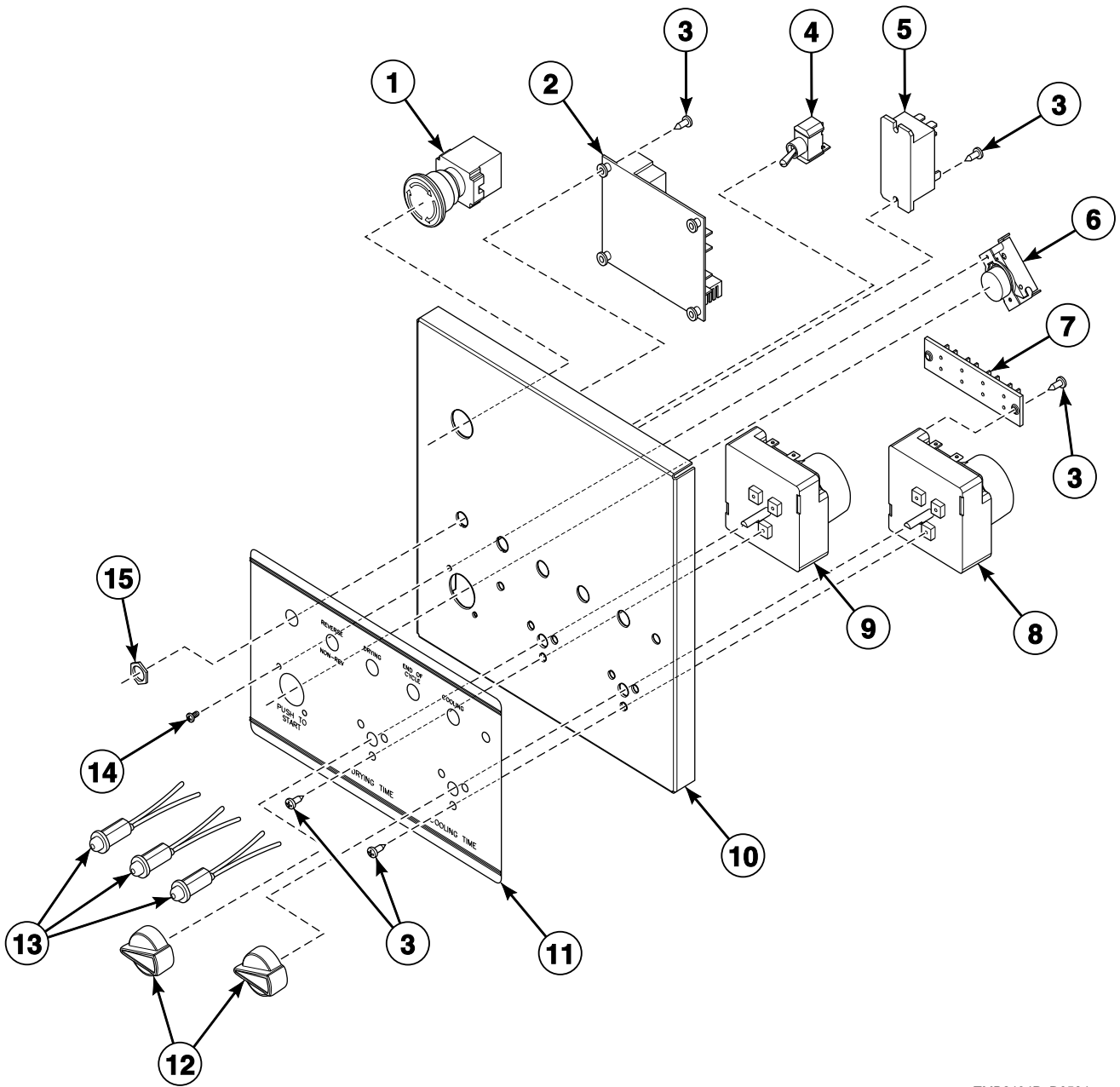
When calling or writing about your product, be sure to mention model and serial numbers.

Model Identification

Information in this manual is applicable to these tumbler models:

HD110

2 Timer Control Panel Assembly

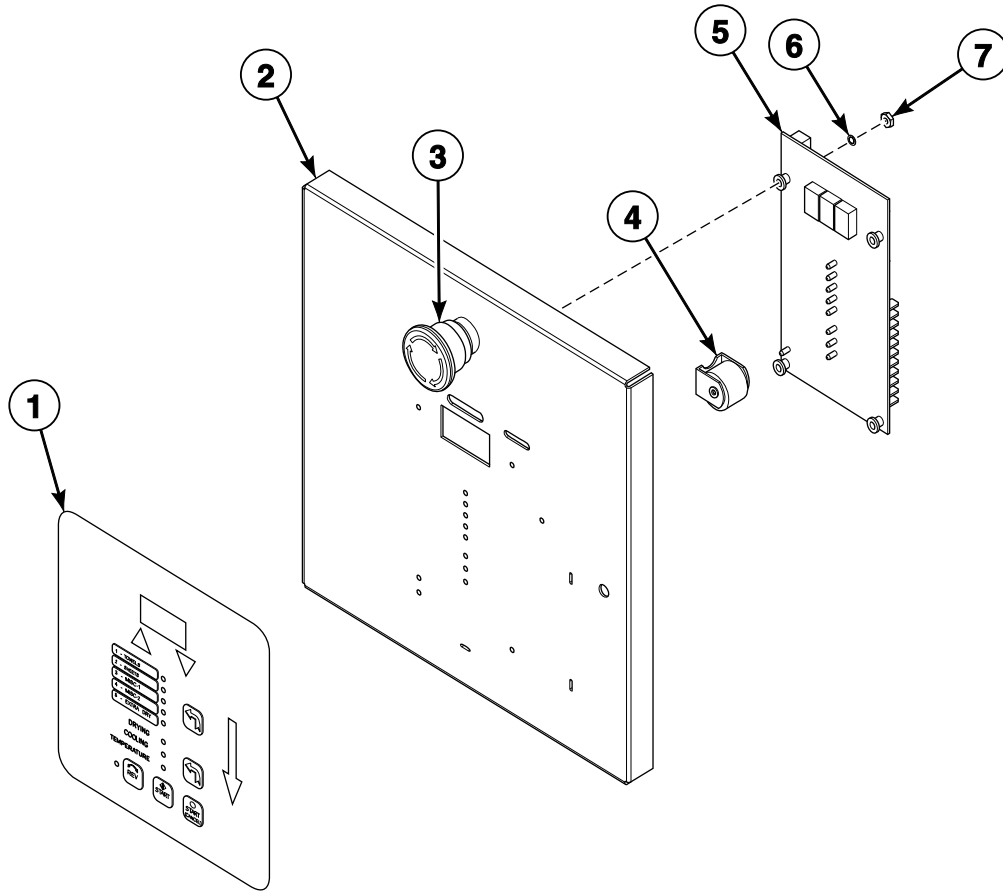


TMB2434P_D0584

2 Timer Control Panel Assembly

REF	PART NO.	DESCRIPTION	COMMENTS
	TU15724	Button Plug	7/8 inch; 60 Hertz
1	TU14435	Emergency Stop Button Kit	50 Hertz
2	TU12874P	Reversing Timer	
3	TU7733	Screw	8-18 x 1/2 inch; Self-drilling
4	FG147P	Toggle Switch	
5	F1300P	Relay	24 Volt
6	TU9028	Pushbutton Switch	
7	TU8629	Terminal Board	
8	TU12933P	Timer	15 minute
9	TU12932P	Timer	60 minute
10	TU15406WHT	Control Panel Weldment Assembly	
11	TU15459	2 Timer Nameplate	
12	TU2555	Knob	
13	TUT316	LED Light Assembly	24 Volt
14	ET208	Screw	6-32 x 1/4 inch; Binding head
15	TU3805	Nut	15-32; Hex

DMP Control Panel Assembly

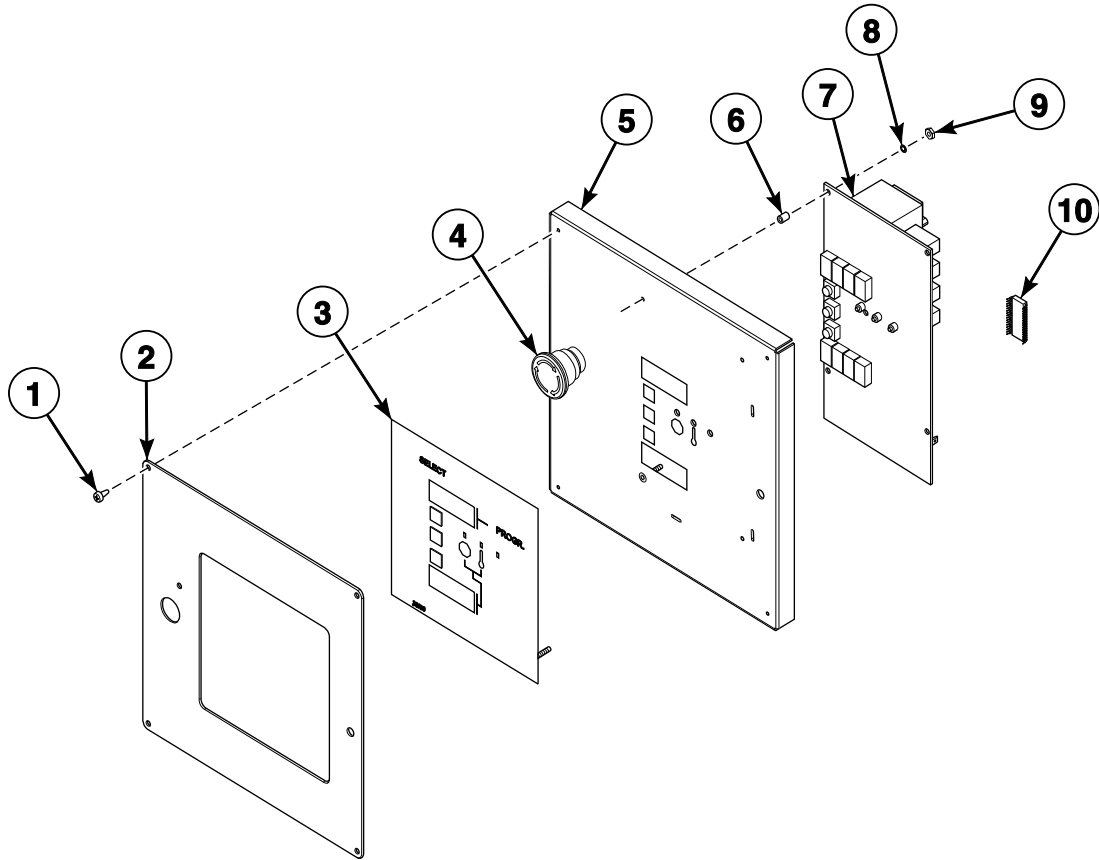


TMB2435P_D0584

DMP Control Panel Assembly

REF	PART NO.	DESCRIPTION	COMMENTS
	TU15724	Button Plug	7/8 inch; 60 Hertz
1	44037901P	Membrane Switch	OPL DMP; Right side; Down
2	TU14469WHT	DMP Control Panel Weldment Assembly	
3	TU14435	Emergency Stop Button Kit	50 Hertz
4	TU14137	Buzzer	24 Volt
5	TU14404P	Controller	OPL/Coin board
6	M270	Washer	6; Internal tooth lock
7	02788	Nut	6-32; Hex

Pro and ProHC Control Panel Assembly



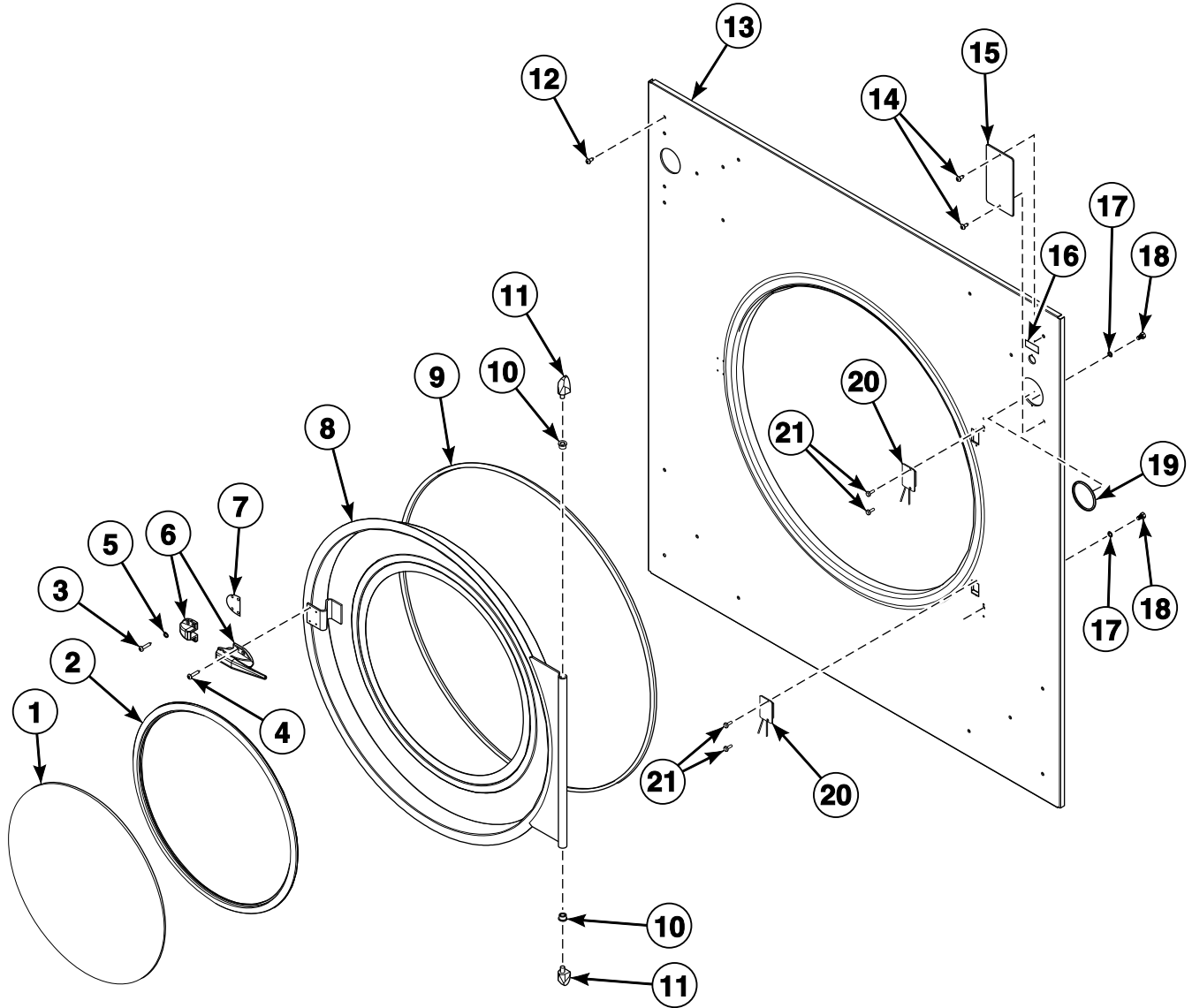
TMB2436P_D0584

Pro and ProHC Control Panel Assembly

REF	PART NO.	DESCRIPTION	COMMENTS
	TU15724	Button Plug	7/8 inch; 60 Hertz
1	M261	Screw	8-32
2	TU14727WHT	Control Panel Cover Plate	
3	254/00039/00	Operating Touchpad	Pro control
	254/00018/00	Control Label	ProHC control
4	TU14435	Emergency Stop Button Kit	50 Hertz
5	TU14442WHT	Control Cover Assembly	
6	N/A	Spacer	
7	254/00070/00	Control Board	
8	M270	Washer	
9	02788	Nut	6-32
10	N/A	EPROM Chip	Standard program

N/A = Part no longer available

Front Panel Assembly



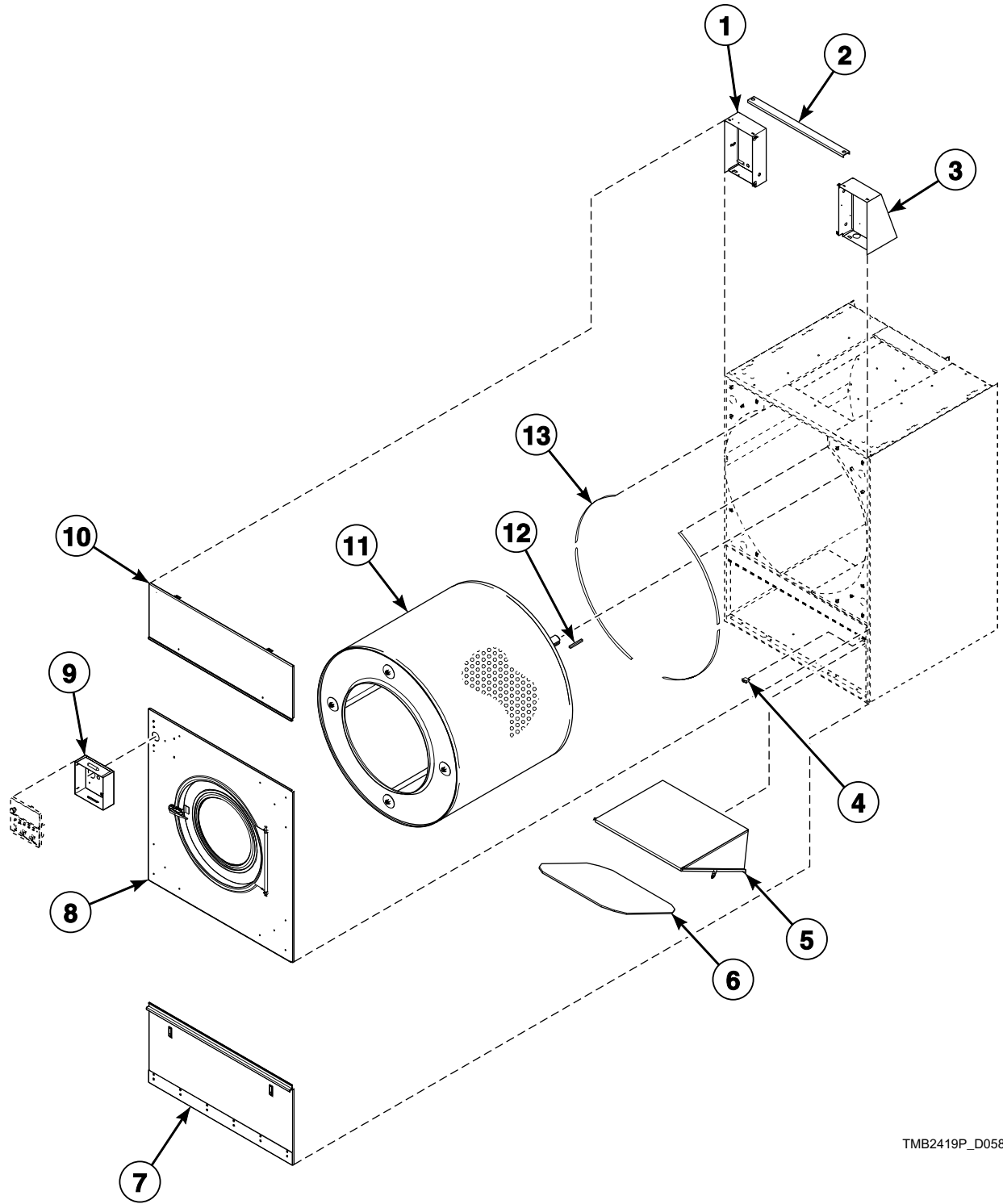
TMB2424P_D0584

Front Panel Assembly

REF	PART NO.	DESCRIPTION	COMMENTS
	TU15454WHT	Front Panel Assembly	Complete; Excludes cover plate
1	TU15107P	Door Glass	20 1/4 inch
2	TU15966	Door Gasket	
3	TU2687	Screw	8; Phillips head
4	JA-51604	Screw	8-32; Pan head
5	F431106	Washer	8; E.T. cup
6	TUA2319H	Door Latch	With keeper
7	TU5503	Door Latch Spacer	
8	N/A	Loading Door	Specify color
9	TU5288P	Door Seal	
10	PIF172	Hinge Bushing	
11	TU2236	Hinge Post	
12	TU3209	Screw	14; Pan head
13	TU15453WHT	Front Panel Weldment Assembly	Specify color
14	TU7733	Screw	8 x 1/2 long
15	TU15525WHT	Front Panel Cover Plate	Specify color; For DMP, Pro, and ProHC dryers
16	TU5458	Temperature Nameplate	
17	TU3212	Washer	5/16; Lock
18	TU2836	Screw	5/16-18; Hex head
19	TU2641	Thermometer Gasket	
20	ESA-00862-0P	Reed Switch Assembly	
21	M400072	Screw	6-32

N/A = Part no longer available

Front View



TMB2419P_D0584

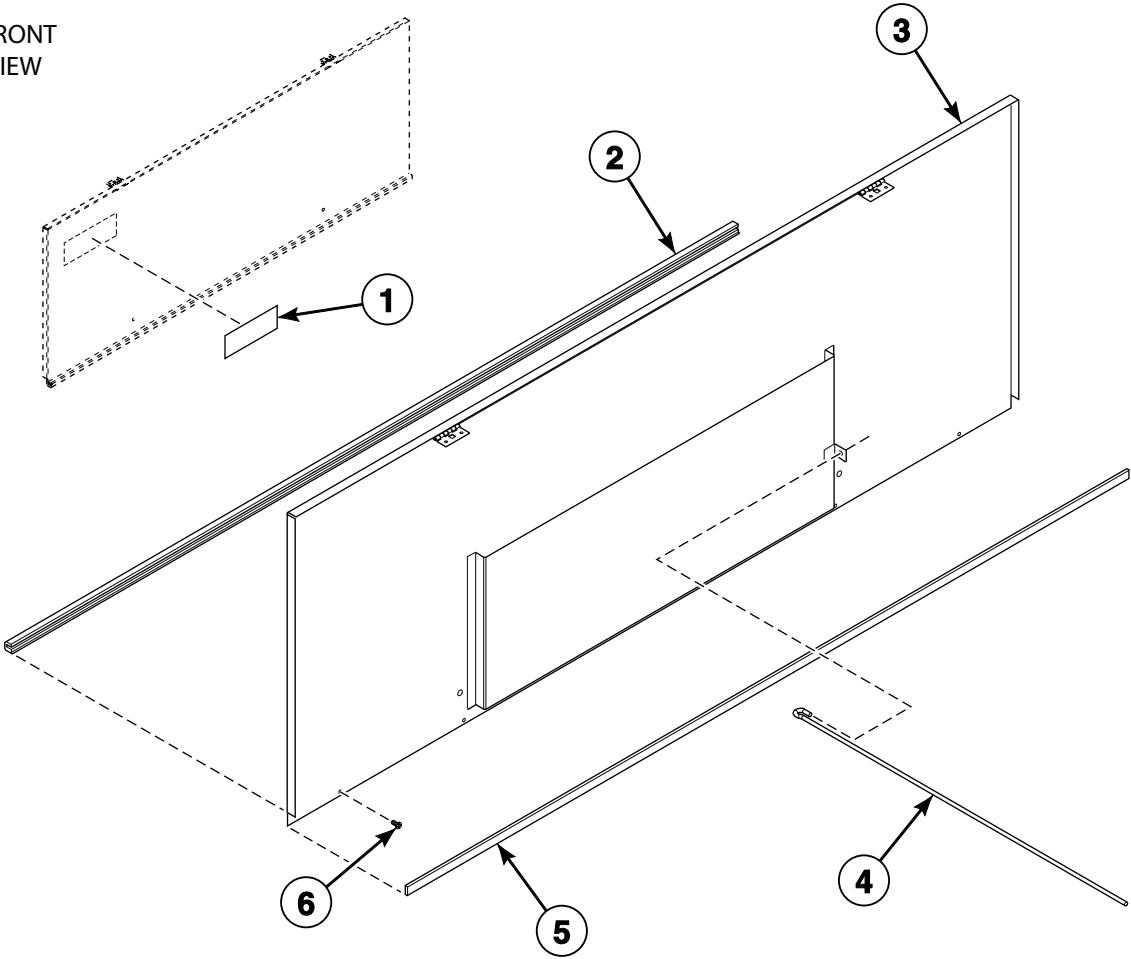
Front View

REF	PART NO.	DESCRIPTION	COMMENTS
	LA-00123-0P	Trigger Lock Latch	For use with item 7
1	N/A	Left Hand Control Box Assembly	Specify color
2	N/A	Control Box Top Support	
3	N/A	Right Hand Control Box Assembly	Specify color
4	EA-11621-0	Lint Door Switch	
5	TU10345	Lint Screen Housing	
6	K121	Lint Trap Frame Kit	
	K368	Lint Screen Kit	Does not include frame
7	TU14635	Lint Door Weldment Assembly	Specify color
8	TU15453WHT	Front Panel Weldment Assembly	Specify color
9	N/A	Control Box with Hardware	Specify color
10	N/A	Burner Access Door Assembly	Specify color
11	K421	Basket Assembly Kit	Galvanized; TM200 Gear Reducer
	N/A	Basket and Spider Assembly	Stainless steel; TM200 Gear Reducer
	N/A	Basket and Spider Assembly	Galvanized; Gear motor
	N/A	Basket and Spider Assembly	Stainless steel; Gear motor
	TU6469	Basket	Galvanized; Without spider
	TUS6469	Basket	Stainless steel; Without spider
	K109	Spider Kit	Without basket; TM200 Gear Reducer
	N/A	Spider	Without basket; Gear motor
12	TU9975	Key	TM200 Gear Reducer
	N/A	Key	Gear motor
13	K118	Gasket Kit	

N/A = Part no longer available

Burner Access Door

FRONT
VIEW



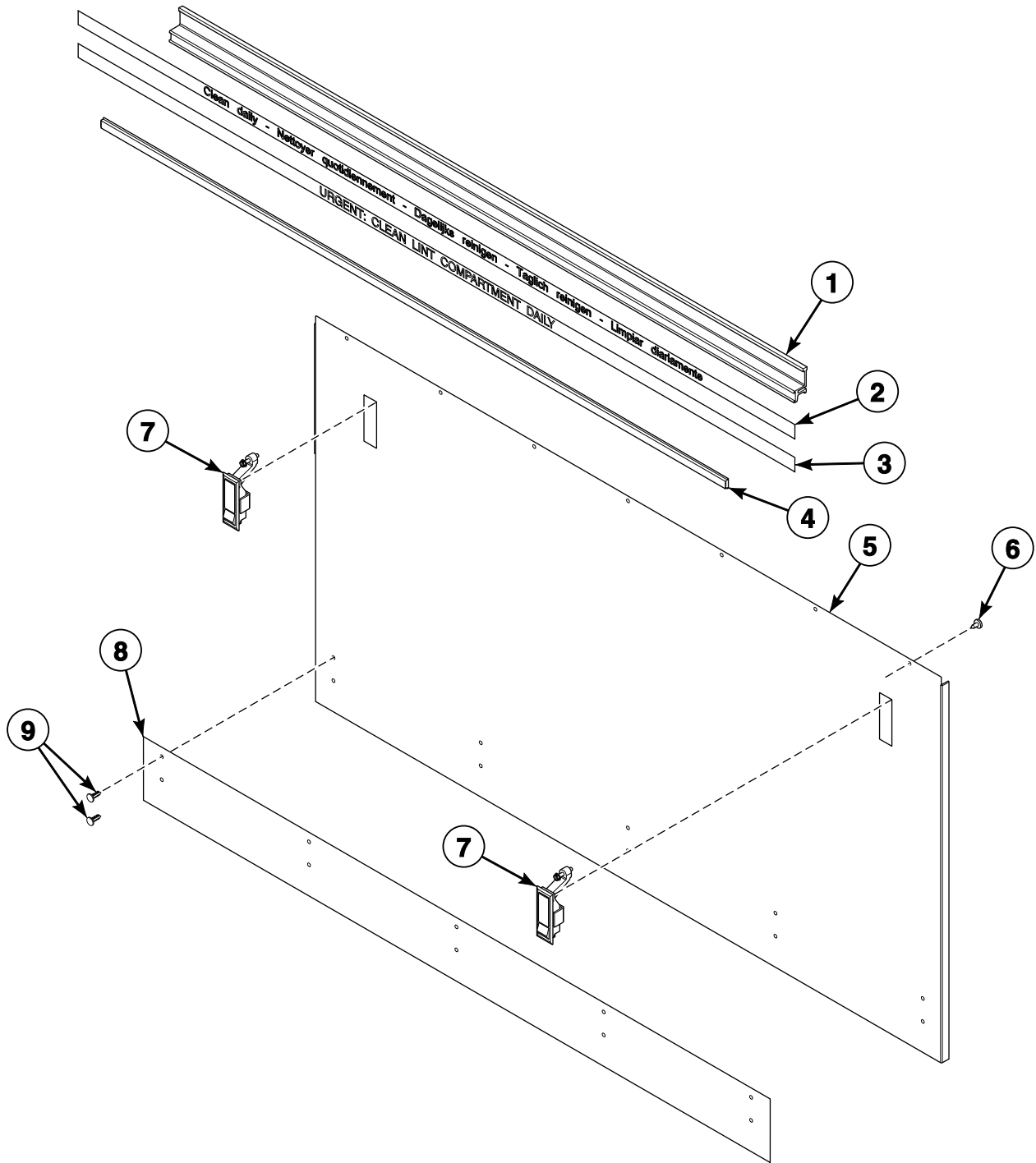
TMB2426P_D0584

Burner Access Door

REF	PART NO.	DESCRIPTION	COMMENTS
1	TU14662	Decal	Cissell
2	N/A	Burner Access Door Trim	
3	TU14629WHTP	Access Door Weldment Assembly	Specify color
4	TU5739	Support Arm Rod	
5	CA-13098-0	Control Door Gasket	
6	SB-00951-0	Screw	8 x 7/16 inch; Phillips flat head

N/A = Part no longer available

Lint Door Assembly



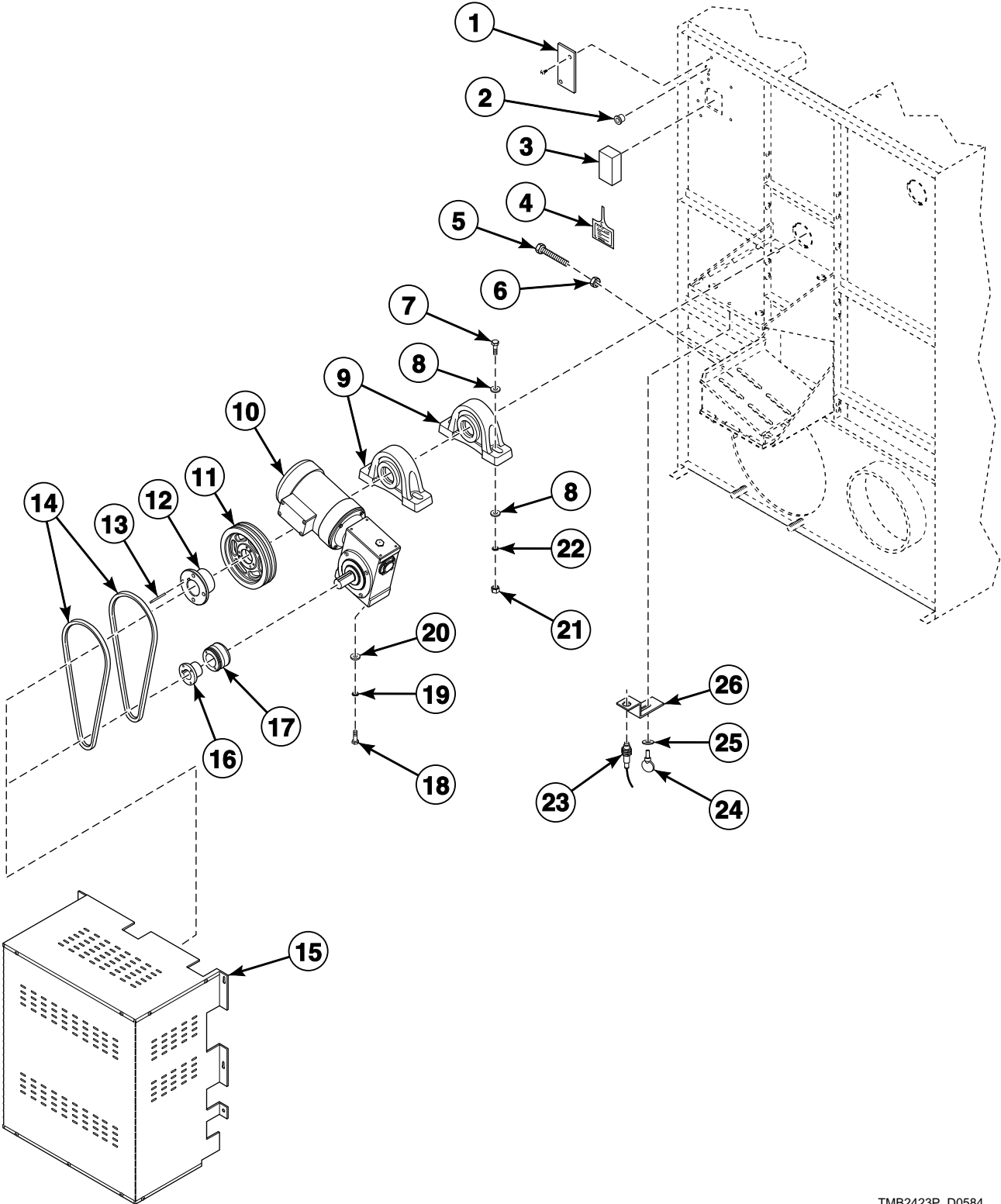
TMB2427P_D0584

Lint Door Assembly

REF	PART NO.	DESCRIPTION	COMMENTS
1	TU14636	Lint Door Handle	
2	TU15410	Clean Lint Screen Label	5 language
3	N/A	Clean Lint Compartment Label	English
4	TU14637	Rub Rail Trim	
5	TU14635	Lint Door Weldment Assembly	Specify color
6	N/A	Screw	Pancake
7	LA-00123-0P	Trigger Lock Latch	
8	TU14639	Kickplate	
9	SB-00949-0	Kickplate Fastener	

N/A = Part no longer available

Gear Motor Rear View



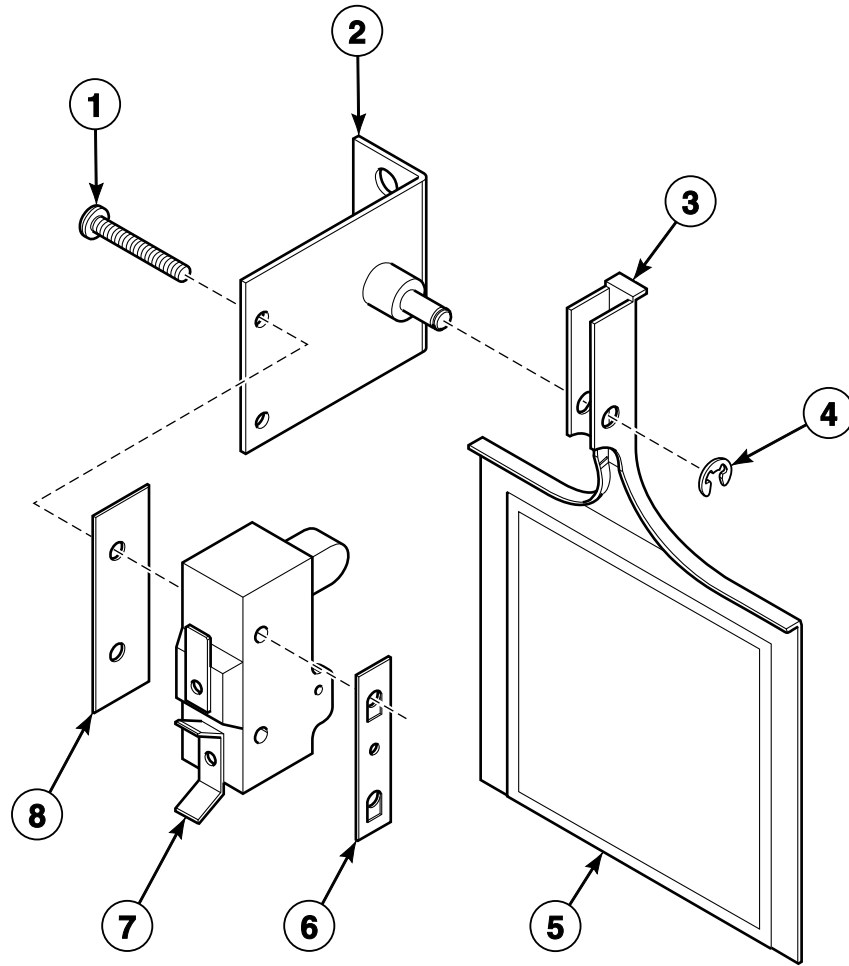
TMB2423P_D0584

Gear Motor Rear View

REF	PART NO.	DESCRIPTION	COMMENTS
1	N/A	Air Switch Hole Cover	C model; Steam only
2	TU2372	Snap Bushing	
3	TUX415	Air Switch Cover	
4	TU8206	Air Switch Kit	Complete
5	TUX575	Adjustment Rod Weldment	
6	TU2881	Nut	5/8-18; Hex
7	N/A	Screw	5/8-11 x 2 3/4 long
8	TUX329	Washer	5/8 inch; Flat
9	TU16016	Pillow Block Bearing	2 inch
10	TU16078P	Gear Motor Assembly	1 1/2 hp
11	TUX602	Basket Sheave	2B80
12	N/A	Bushing	SK2
13	N/A	Key	1/2 inch square
14	TU16091	Belt	BX47; 60 cycle
	TU16086	Belt	BX49; 50 cycle
15	N/A	Belt Guard	
16	TU6723	Lock Bushing	L1-1/8
17	TUX222	Sheave	2MBL47; 60 cycle
	TU16087	Pulley	2MBL59; 50 cycle
18	TU15926	Screw	3/8-16 x 1 1/4 inch long
19	VSB134	Washer	3/8; Lock
20	M400081	Washer	3/8; Flat
21	N/A	Nut	5/8-11; Hex
22	TU3418	Washer	5/8 inch; Lock
23	7010P	Rotation Sensor Kit	
24	FR244	Screw	10-32; Thumb
25	TU4820	Washer	3/16 inch; Flat
26	N/A	Rotation Sensor Bracket	

N/A = Part no longer available

Air Switch Assembly

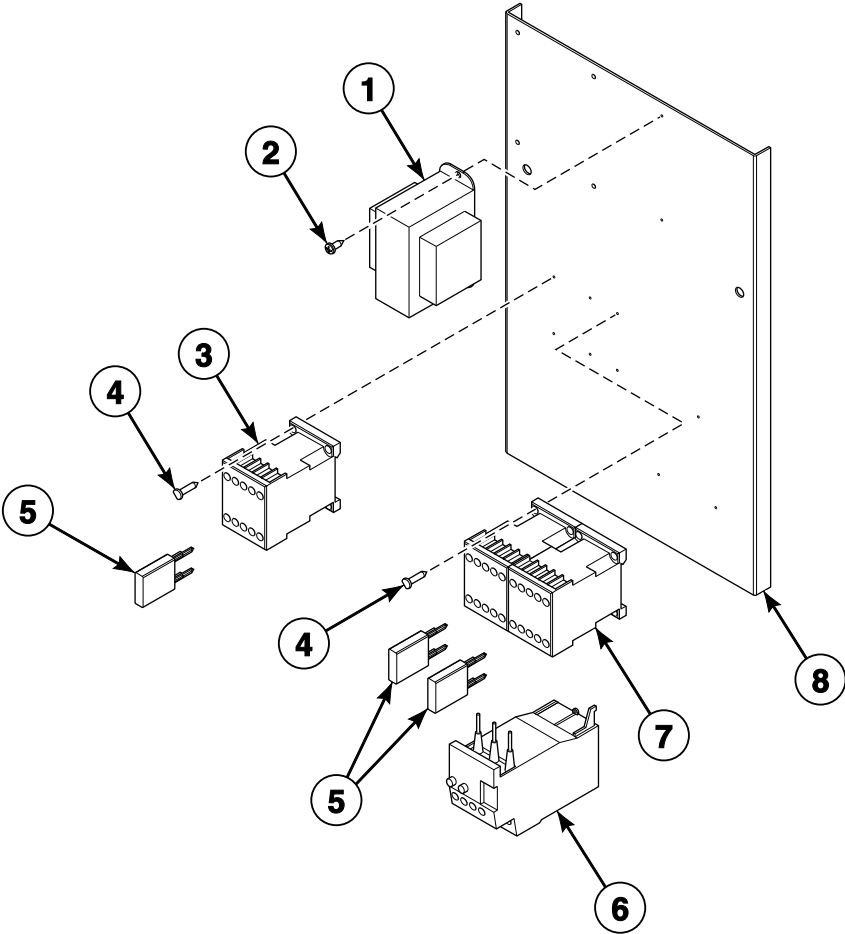


TMB2433P_D0584

Air Switch Assembly

REF	PART NO.	DESCRIPTION	COMMENTS
	TU8206	Air Switch Kit	Complete
	TU7733	Screw	8
1	TU3219	Screw	6
2	TU8171	Air Switch Mounting Bracket	
3	TU2463	Actuator Arm	
4	F888	E-Ring	
5	TU3476	Label	
6	TU1771	Nut	6; Tinnerman
7	TU14482	Microswitch	
8	TU1770	Air Switch Insulator	

Rear Motor Control Assembly



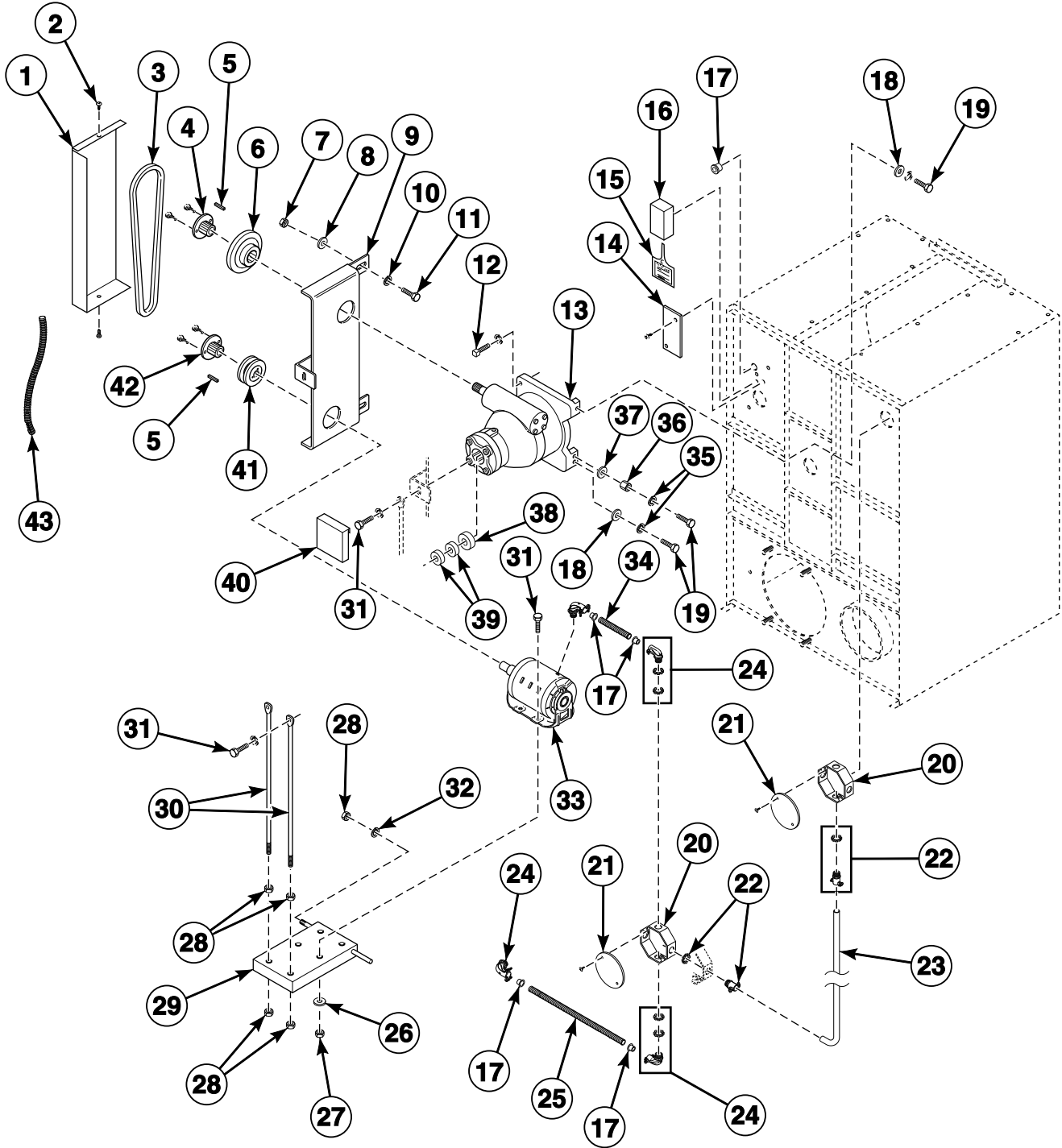
TMB2438P_D0584

Rear Motor Control Assembly

REF	PART NO.	DESCRIPTION	COMMENTS
1	TU13802P	Transformer	115/208/230/460; 75VA
	N/A	Transformer	575V/24V; 60VA
2	TU7733	Screw	8; Self-drilling
3	TU13516P	Contactator	24VAC; IEC; 12A; W/AUX
4	N/A	Screw	8
5	TU14825	Surge Suppressor	
6	N/A	Overload	4.5-6.3
	N/A	Overload	2.2-3.2
7	EA-00685-0P	Reversing Contactator	3 pole; 24 Volt coil; 12 Amp
8	TU13700	Motor Control Panel Plate	

N/A = Part no longer available

TM200 Gear Reducer - Rear View



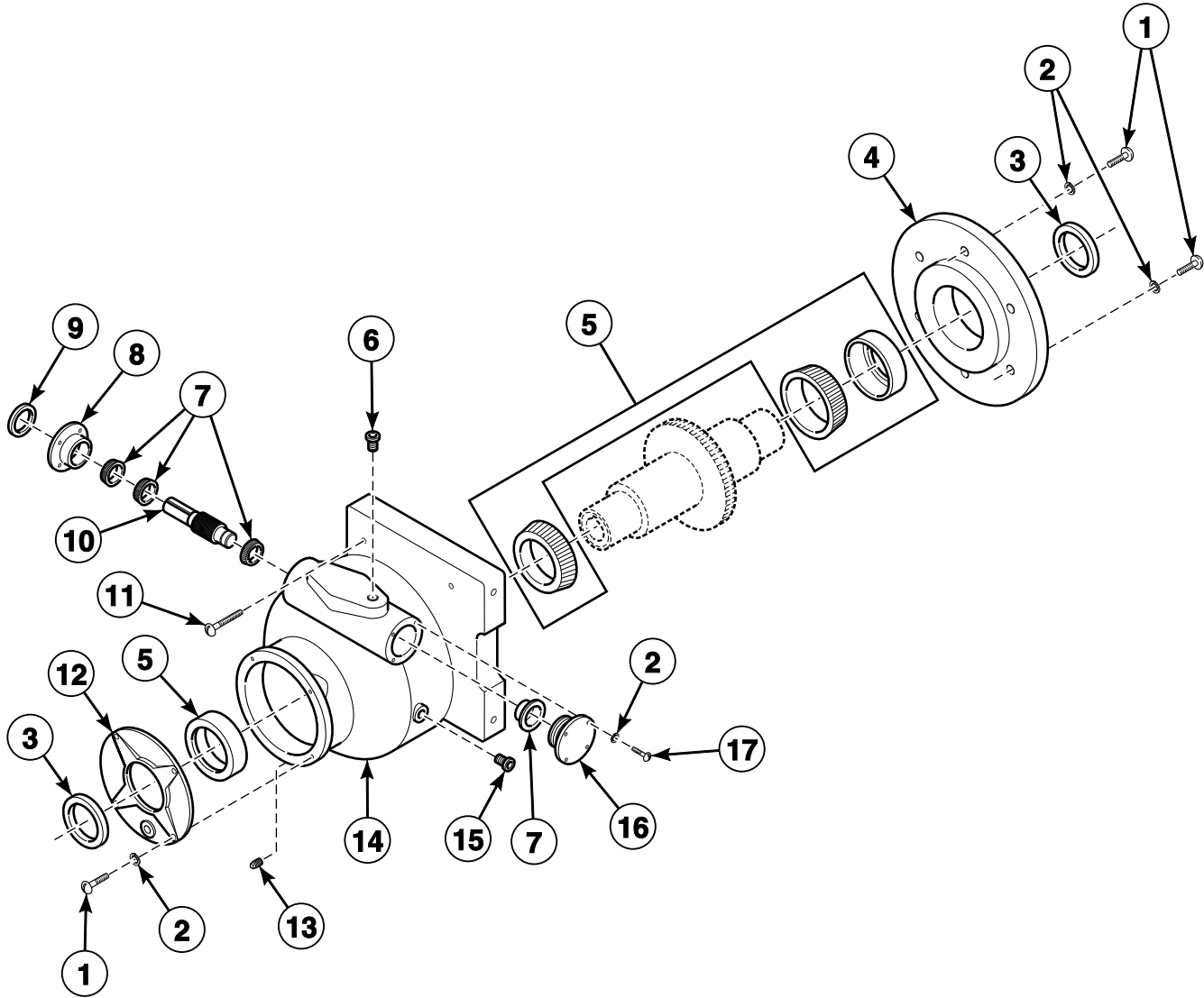
TMB2420P_D0584

TM200 Gear Reducer - Rear View

REF	PART NO.	DESCRIPTION	COMMENTS
	H88012034	Screw	1/2 inch - 13 x 1 1/4 inch; Hex head
1	N/A	Belt Guard	Outside
2	TU7733	Screw	8 x 1/2 inch; Self-drilling; Package of 6
3	TU2363	Belt	V; 5L500; For basket
4	TU3807	Sheave Bushing	For basket pulley
5	TU14057	Key	
6	TU3806	Sheave	Gear; Basket
7	20275	Nut	1/4 inch - 20 x 7/16 inch; Hex; Package of 6
8	03189	Washer	1/4 inch; Split lock; Package of 6
9	TU9615	Belt Guard Weldment Assembly	
10	TU2847	Washer	1/4 inch; Flat; Package of 6
11	FB189	Screw	1/4 inch - 20 x 1 inch; Hex head
12	TU5312	Screw	3/8 inch - 16 x 3 inch; Square head set
13	TM200P	Gear Reducer	
14	N/A	Air Switch Hole Cover	C model; Steam only
15	TU8206	Air Switch Kit	
16	TUX415	Air Switch Cover	
17	TU2372	Snap Bushing	
18	TU1851	Washer	1/2 inch; Flat
19	TU2195	Screw	1/2 inch - 13 x 1 3/4 inch; Hex head
20	500300644	Junction Box	
21	SB170	Junction Box Cover	
22	N/A	Straight Connector	3/4 inch
23	N/A	Back Motor Conduit	
24	TU4791	Angle Connector	90 degree
25	CFB2500	Cable	1/2 inch; Specify 25 inches
26	M400013	Washer	5/16 inch; Split lock; Package of 6
27	70142	Nut	5/16 inch - 18; Hex; Package of 6
28	TU4787	Nut	3/8 inch - 16; Hex; Package of 6
29	TU4626	Basket Motor Mount	
30	TU5328	Belt Adjusting Rod	
31	M400057	Screw	5/16 inch - 18 x 3/4 inch; Hex head; Package of 6
32	TU2831	Washer	3/8 inch; Split lock; Package of 6
33	MTR101	Motor	1 hp; 600 Volt/60 Hertz/3 Phase
	MTR303P	Motor	1 hp; 240 or 480 Volt/50 or 60 Hertz/3 Phase
34	CFB1300	Cable	1/2 inch; Specify 13 inches
35	TU2831	Washer	1/2 inch; Split lock; Package of 6
36	TU455	Nut	Cam adjustment
37	TU3575	Washer	7/8 inch; Internal tooth lock
38	TU6633	Washer	2 3/4 inch OD x 1 13/32 inch ID x 3/4 inch; Thick
39	TU470	Nut	Large hex; 2 required
40	TU7517	Basket Shaft Cover	
	N/A	Prompter Housing Assembly	
41	TU2832	Sheave	BK34H; 60 cycle
	TU6081	Sheave	BK45H; 50 cycle
42	TU2833	Bushing	Sheave; For motor pulley
43	CFB3000	Cable	1/2 inch; Specify 30 inches

N/A = Part no longer available

TM200 Large Gear Reducer with Bronze Teeth



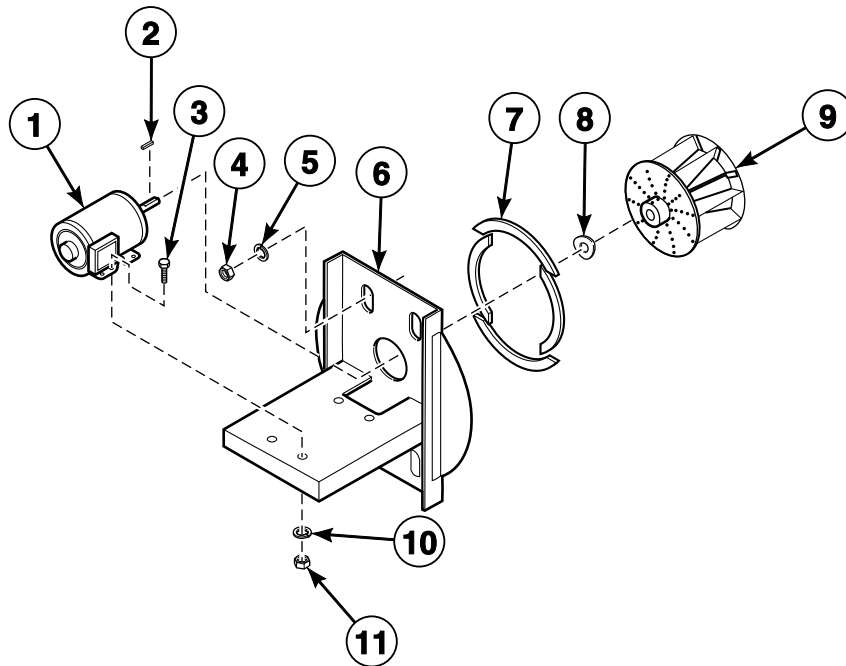
TMB2439P_D0584

TM200 Large Gear Reducer with Bronze Teeth

REF	PART NO.	DESCRIPTION	COMMENTS
	27243P	Transmission Oil	Cissell; 1 pint
1	IB139	Screw	3/8 inch - 16 x 1 1/4 inch; Cap
2	VSB134	Washer	3/8 inch; Split lock; Package of 6
3	TM220	Large Klozure	
4	TM211	Large End Cap	10 1/2 diameter
5	TM217	Large Bearing Cone and Cup	
6	N/A	Vent Plug	1/4 inch
7	TM208	Small Bearing Cone and Cup	
8	TM205	Small Open End Cap	
9	TM204P	Small Klozure	
10	TM225P	Worm and Gear Kit	For TM200 Gear Reducer only; Sold as set
11	TU5312	Screw	3/8 inch x 3 inch; Set
12	TM212	Small End Cap	6 3/4 diameter
13	TM221	Pipe Plug	1/4 inch
14	N/A	Housing	
15	K474	Oil Level Kit	Plug
16	TM218	Small Closed End Cap	
17	TU3246	Screw	3/8 inch - 16 x 1 inch; Cap; Package of 6

N/A = Part no longer available

Fan Assembly for 60 Cycle



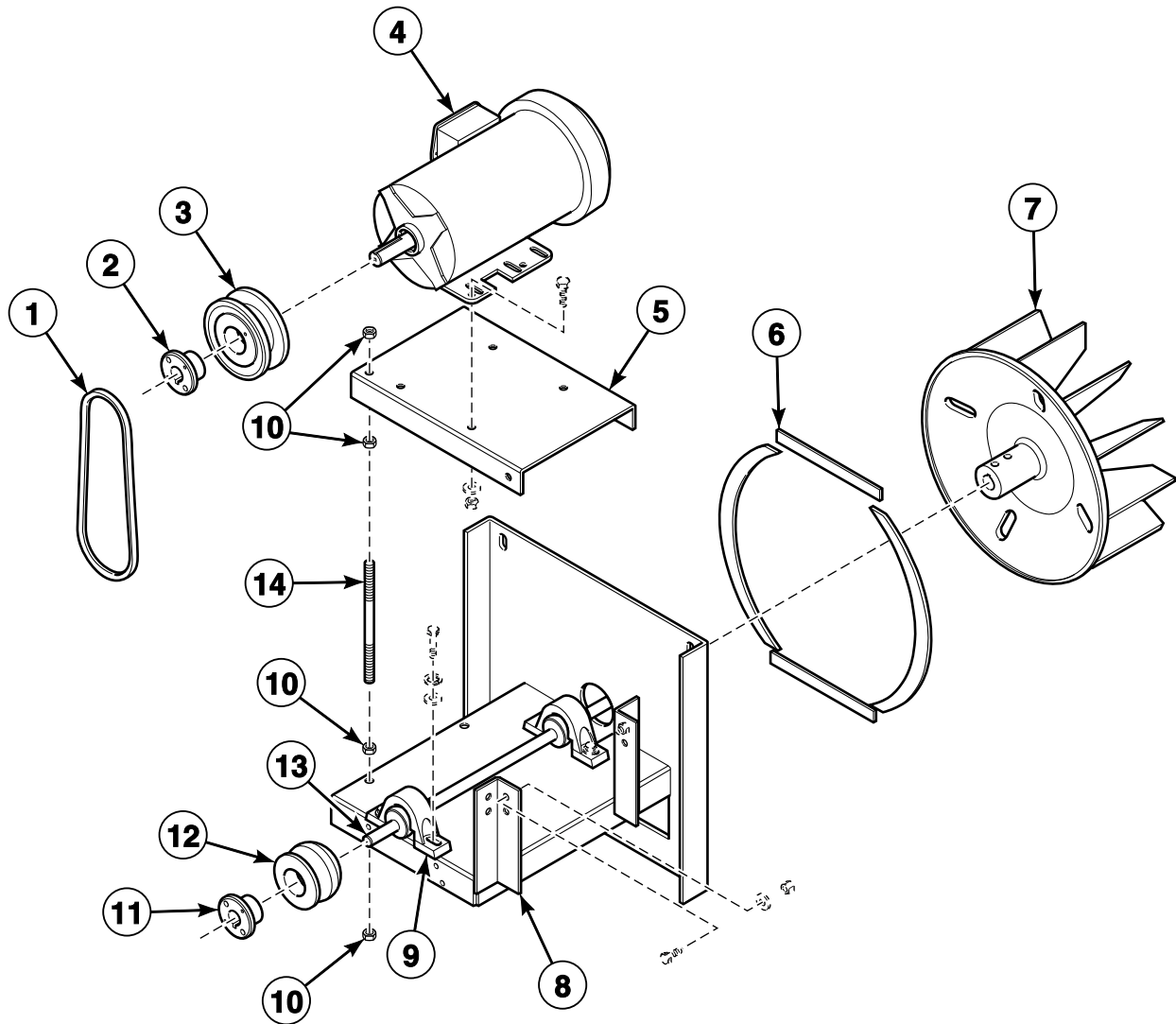
TMB2421P_D0584

Fan Assembly for 60 Cycle

REF	PART NO.	DESCRIPTION	COMMENTS
1	MTR100	Motor	1 1/2 hp; 600 Volt/60 Hertz/3 Phase
	MTR302P	Motor	1/2 hp; 240 or 480 Volt/60 Hertz/3 Phase
	MTR304P	Motor	1 1/2 hp; 220,380 or 415 Volt/50 Hertz/3 Phase
2	TU14057	Key	
3	M400057	Screw	5/16 inch - 18 x 3/4 inch; Hex head; Cap; Package of 6
4	TU4787	Nut	3/8 inch - 16; Hex; Package of 6
5	TU2831	Washer	3/8 inch; Split lock; Package of 6
6	TU5658	Motor and Fan Support	
7	TU2473P	Motor Mount Gasket	Self-sticking; 2 sets required
8	TU108	Gasket	
9	TU403	Fan	
10	M400013	Washer	5/16 inch; Split lock; Package of 6
11	70142	Nut	5/16 inch - 18; Hex; Package of 6

NOTE: Grease can be applied to all bearing shafts, 42-032-6015 grease Lubriplate 310, 1 pound cans OR 14 1/2 ounce tubes - Lubriplate no. 930-2, multi-purpose grease 10098.

Fan Assembly for 50 Cycle



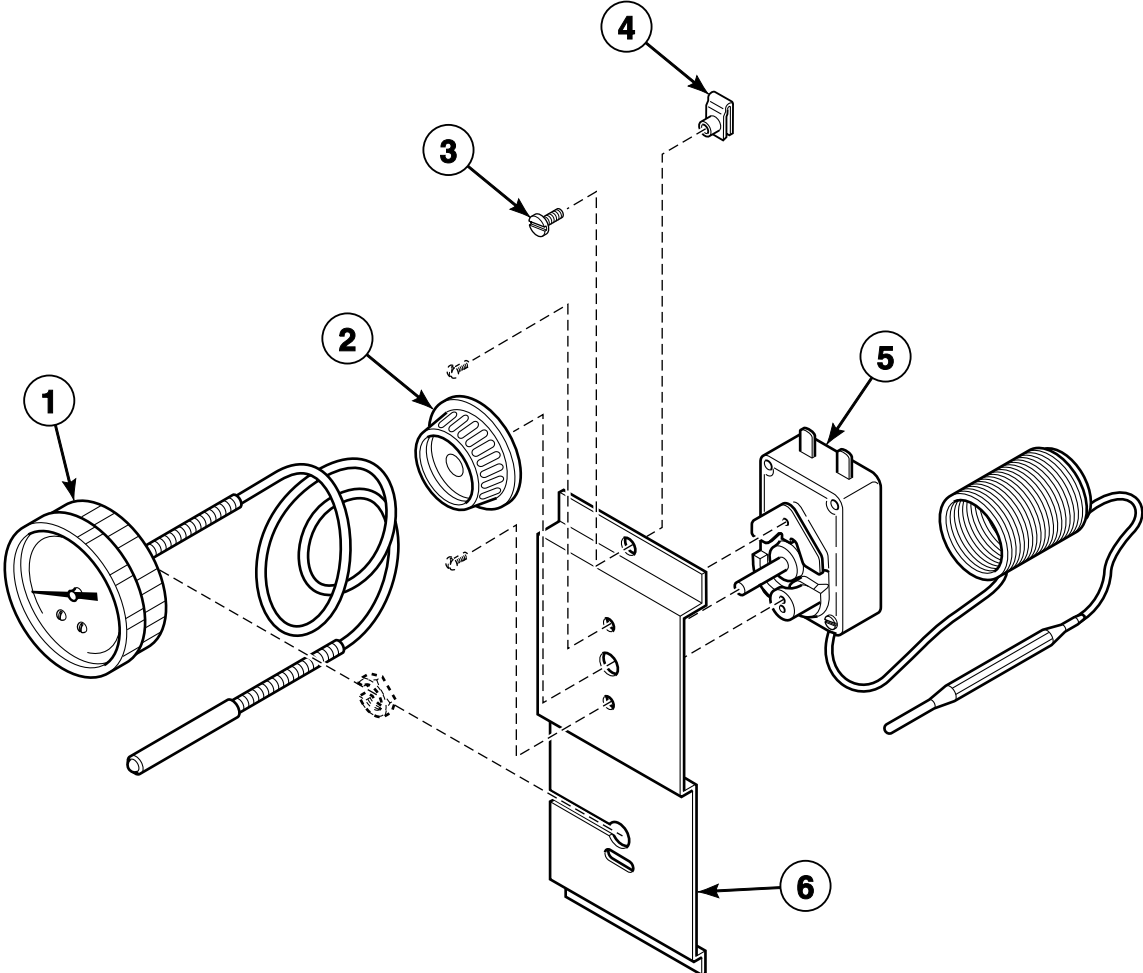
TMB2422P_D0584

Fan Assembly for 50 Cycle

REF	PART NO.	DESCRIPTION	COMMENTS
1	TU3393	Belt	V
2	TU3807	Sheave Bushing	3/4 inch
3	TU2008	Sheave	46H
4	MTR100	Motor	1 1/2 hp; 600 Volt/60 Hertz/3 Phase
	MTR302P	Motor	1/2 hp; 240 or 480 Volt/60 Hertz/3 Phase
	MTR304P	Motor	1 1/2 hp; 220, 380 or 415 Volt/50 Hertz/3 Phase
5	TU4706	Motor Mount Plate	
6	TU2473P	Motor Mount Gasket	Self-sticking; 2 sets required
7	TU6086	Fan	
8	TU5659	Motor Mount	
9	TU16035P	Collar Lock Bearing	3/4 inch
10	TU4787	Nut	3/8 - 16; Hex head
11	F280214	Motor Bushing	7/8 inch
12	TU2009	Sheave	39H
13	TU1693	Jack Shaft	3/4 inch
14	TU1950	Motor Support Rod	

NOTE: Grease can be applied to all bearing shafts, 42-032-6015 grease Lubriplate 310, 1 pound cans OR 14 1/2 ounce tubes - Lubriplate no. 930-2, multi-purpose grease 10098.

Thermostat Assembly - 2 Timer



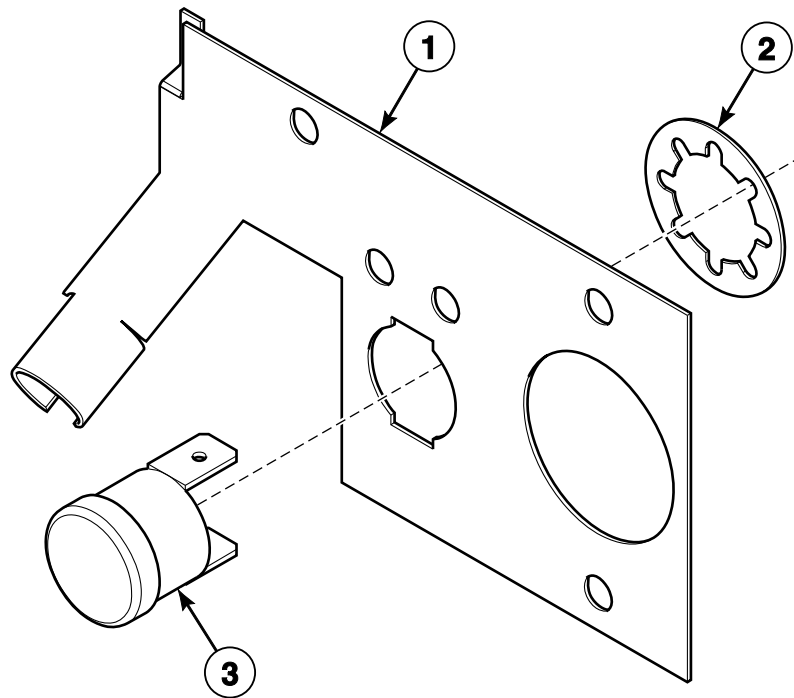
TMB2425P_D0584

Thermostat Assembly - 2 Timer

REF	PART NO.	DESCRIPTION	COMMENTS
	TU6030	Temperature Control Assembly	
	TU3816	Lens	Texas Gage
	TU8475	Lens Replacement	Marshalltown Inst.
	TU13213	Lens	Weiss; Consult factory
1	TU3593	Thermometer	
2	TU490	Thermostat Knob	Fahrenheit
	TU491	Thermostat Knob	Centigrade
3	TU3209	Screw	14 x 5/8 inch
4	TU7848	Nut	14; Tinnerman clip
5	TU1980P	Thermostat	
6	TU5530	Mounting Bracket	

N/A = Part no longer available

2 Timer Sensor Assembly

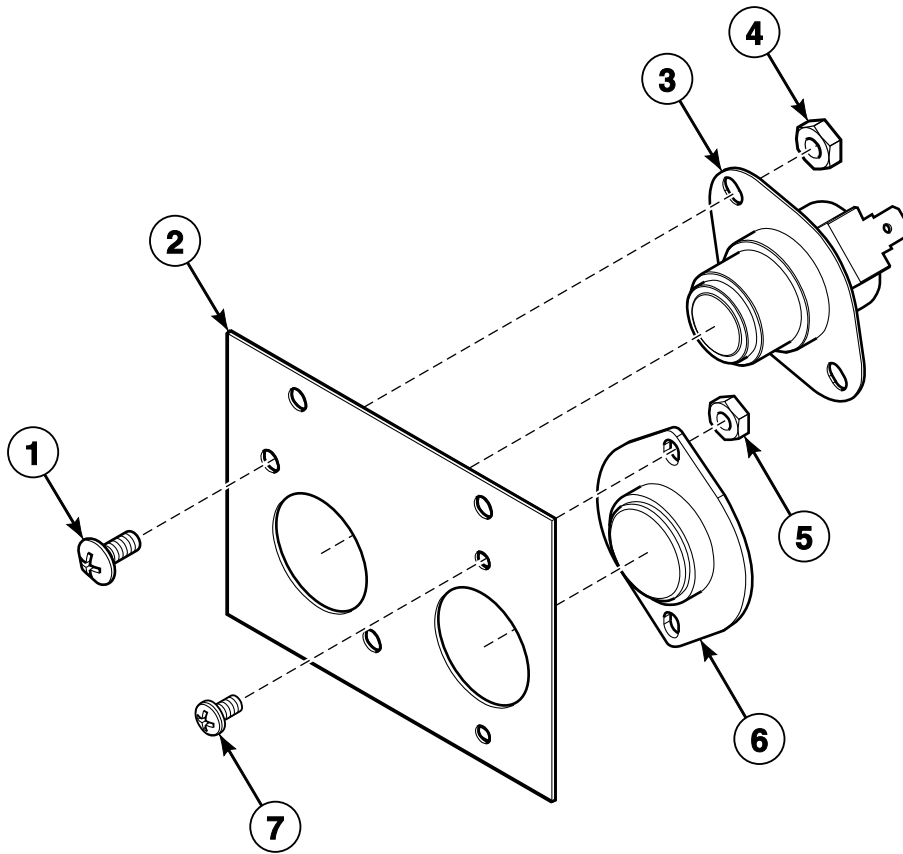


TMB2429P_D0584

2 Timer Sensor Assembly

REF	PART NO.	DESCRIPTION	COMMENTS
	TU6029	Thermostat Assembly	
1	TU2486	Thermostat Mounting Bracket	
2	TU3801	Nut	C18784-010-4; Speed
3	TU2477	Thermostat	AR594

DMP Sensor Assembly

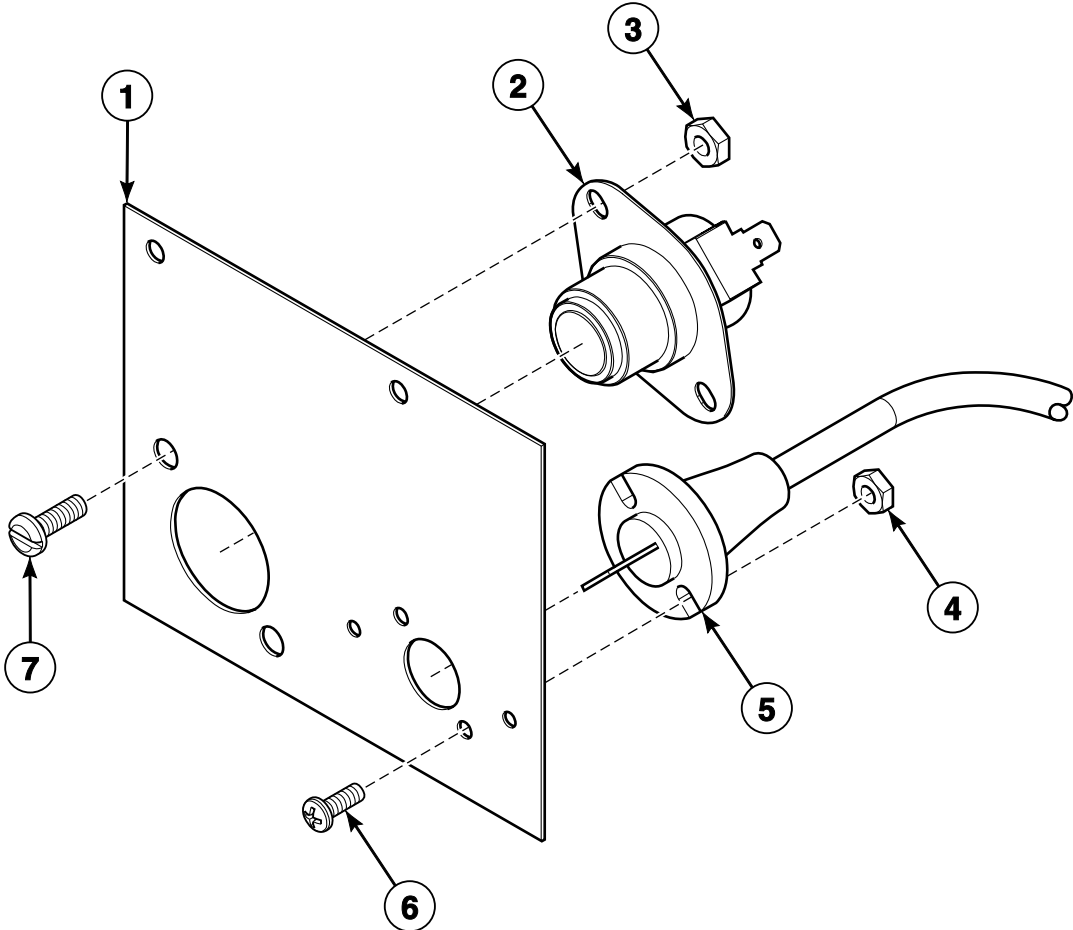


TMB2428P_D0584

DMP Sensor Assembly

REF	PART NO.	DESCRIPTION	COMMENTS
	TU15538	Thermostat and Bracket Assembly	
1	M262	Screw	8-32
2	TU15537	Thermostat Bracket	
3	EA-00411-0	Temperature Switch	220 degree
4	TU3266	Nut	8-32; Hex; Brass
5	02788	Nut	6-32; Hex; Brass
6	TU11991K	Thermistor Kit	
7	M400072	Screw	6-32

Pro Sensor Assembly



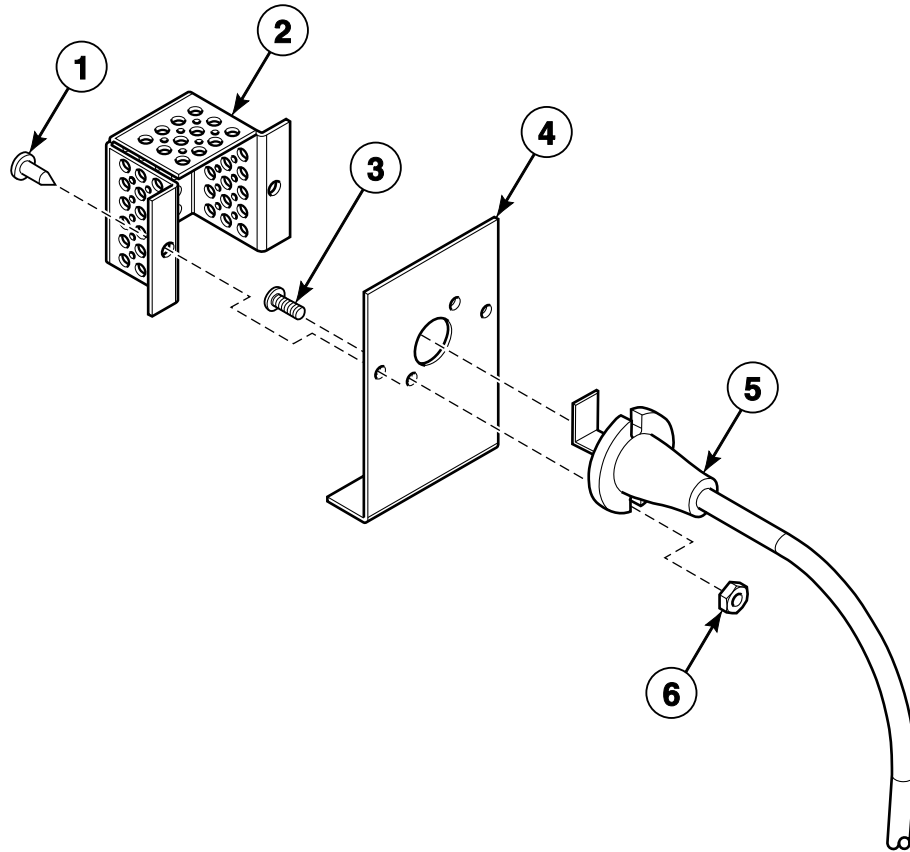
TMB2430P_D0584

Pro Sensor Assembly

REF	PART NO.	DESCRIPTION	COMMENTS
1	N/A	Thermostat	
2	EA-00411-0	Temperature Switch	220 degree
3	TU3266	Nut	8-32; Hex
4	02788	Nut	6-32; Hex
5	254/00072/10	Temperature Sensor	
6	SB-00952-0	Screw	6-32 x 3/8; Pan head
7	SB-00828-0	Screw	8-32 x 1/2; Machine; Pan head

N/A = Part no longer available

ProHC Sensor Assembly - Upper Assembly

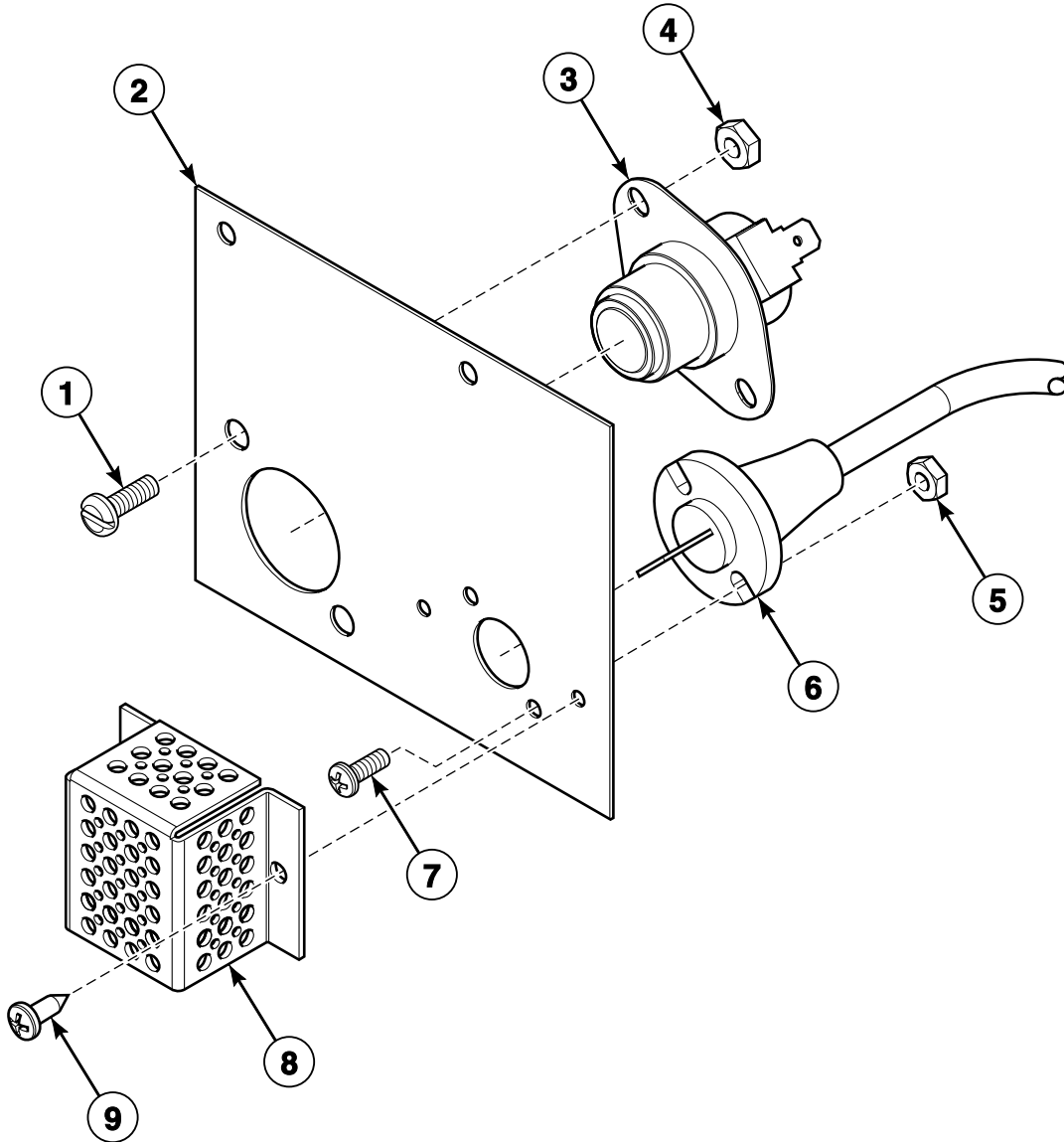


TMB2431P_D0584

ProHC Sensor Assembly - Upper Assembly

REF	PART NO.	DESCRIPTION	COMMENTS
	TU14724	ProHC Upper Sensor Assembly	
1	TU7733	Screw	8-18 x 1/2 inch; Self-drilling
2	TU14694	Probe Cover Plate	
3	SB-00952-0	Screw	6-32 x 3/8 inch
4	TU14693	Upper Probe Mounting Plate	
5	254/00071/10	Temperature and Humidity Sensor	
6	02788	Nut	6-32

ProHC Sensor Assembly - Lower Assembly

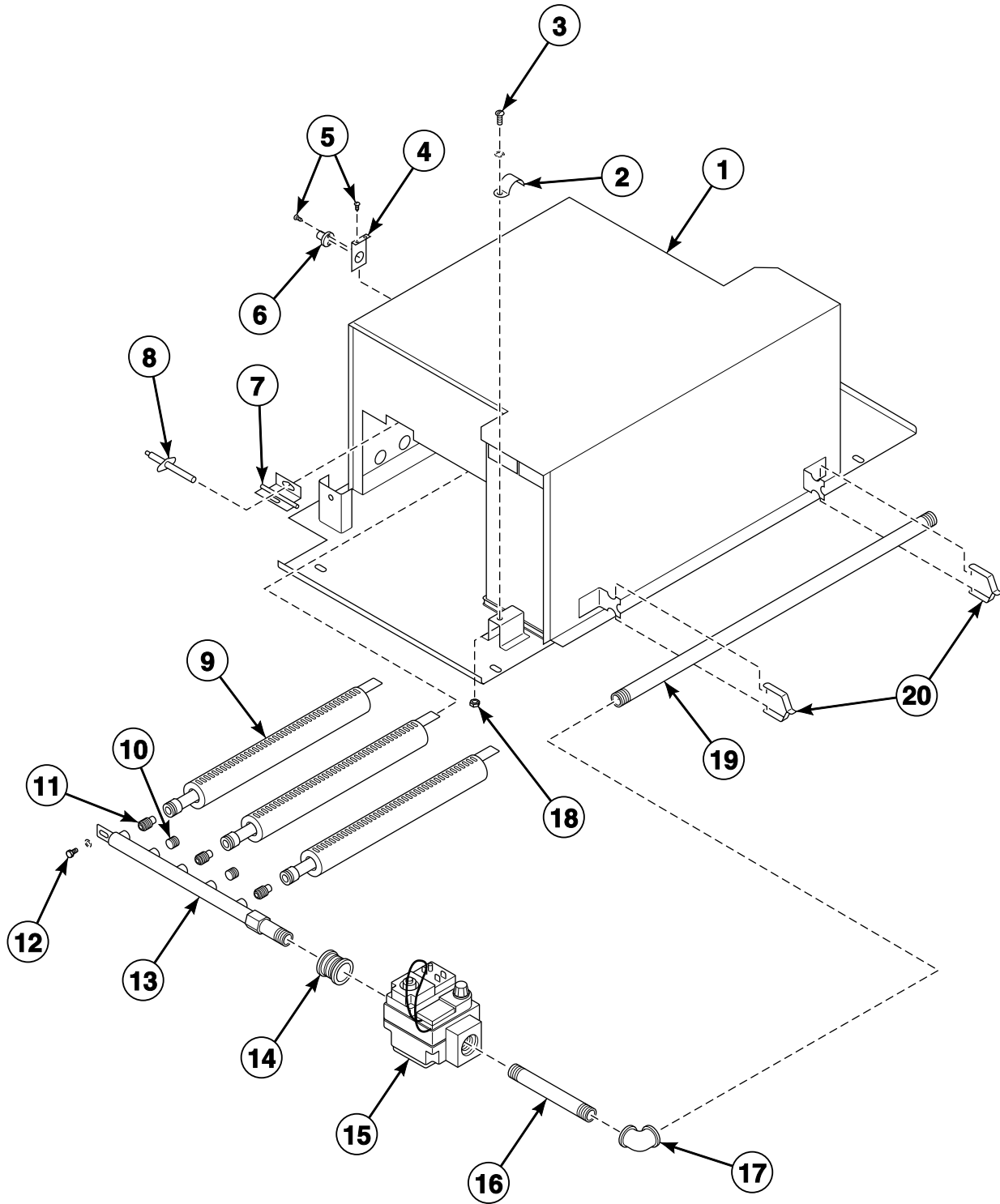


TMB2432P_D0584

ProHC Sensor Assembly - Lower Assembly

REF	PART NO.	DESCRIPTION	COMMENTS
	TU14723	Lower Sensor Assembly	
1	SB-00828-0	Screw	8-32 x 1/2 inch; Machine
2	CA-13067-0	Sensor Bracket	
3	EA-00411-0	Temperature Switch	220 degree
4	TU3266	Nut	8-32; Hex; Brass
5	02788	Nut	6-32; Hex; Brass
6	254/00071/10	Temperature and Humidity Sensor	
7	SB-00952-0	Screw	6-32 x 3/8 inch
8	TU14694	Probe Cover Plate	
9	TU7733	Screw	8-18 x 1/2 inch; Self-drilling

Gas Bonnet Assembly

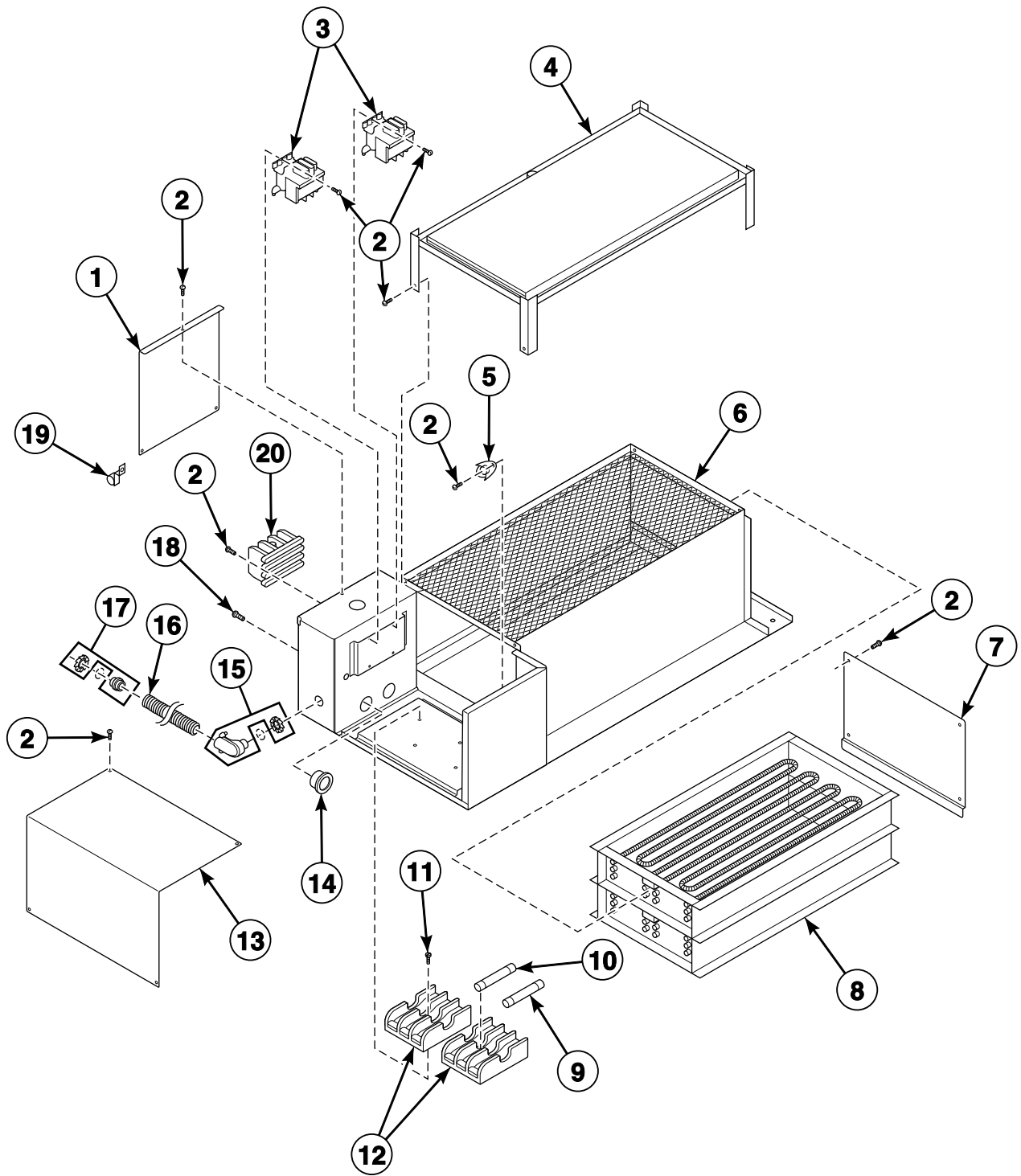


TMB2440P_D0584

Gas Bonnet Assembly

REF	PART NO.	DESCRIPTION	COMMENTS
	TU2224	Pipe Plug	1/8 inch
	GA-00765-0P	Ignition Module	Spark; RAM
	GA-11007-0P	Ignition Module	Direct spark; RAM; CE models; 50 Hertz
	GA-00803-0	Suppression Lead	Spark cable; High voltage
1	TU13613	Bonnet	
2	PT196	Strap	3/4 inch
3	RC344	Screw	1/4 inch - 20 x 3/4 inch; Hex head
4	TU13695	Bonnet Thermostat Mounting Bracket	
5	TU7733	Screw	8-18 x 1/2 inch; Self-drilling; Package of 6
6	TU13678	Thermostat	Manual reset; 300 degree
7	TU13647	Mounting Bracket	
8	GA-00764-0P	Electrode	Direct spark ignition
9	TUX387	Burner Weldment Assembly	
10	TU10946	Pipe Plug	
11	TU3539	Burner Orifice	
12	02422	Screw	1/4 inch - 20 x 1/2 inch; Hex head
13	TU9614	Gas Manifold	
14	OP267	Bushing	3/4 inch x 1/2 inch; Steel
15	TUX352P	Gas Valve	Natural Gas (N.G.); 3/4 inch
	TUX435	Gas Valve	Liquid Petroleum Gas (L.P.); 3/4 inch
16	TU4606	Nipple	3/4 inch x 4 inch
17	TU4605	Elbow	3/4 inch
18	20275	Nut	1/4 inch - 20; Hex; Package of 6
19	TU13823	Nipple	3/4 inch x 36 inch
20	TU2226	Manifold Mounting Bracket Assembly	

Electric Bonnet



TMB2443P_D0584

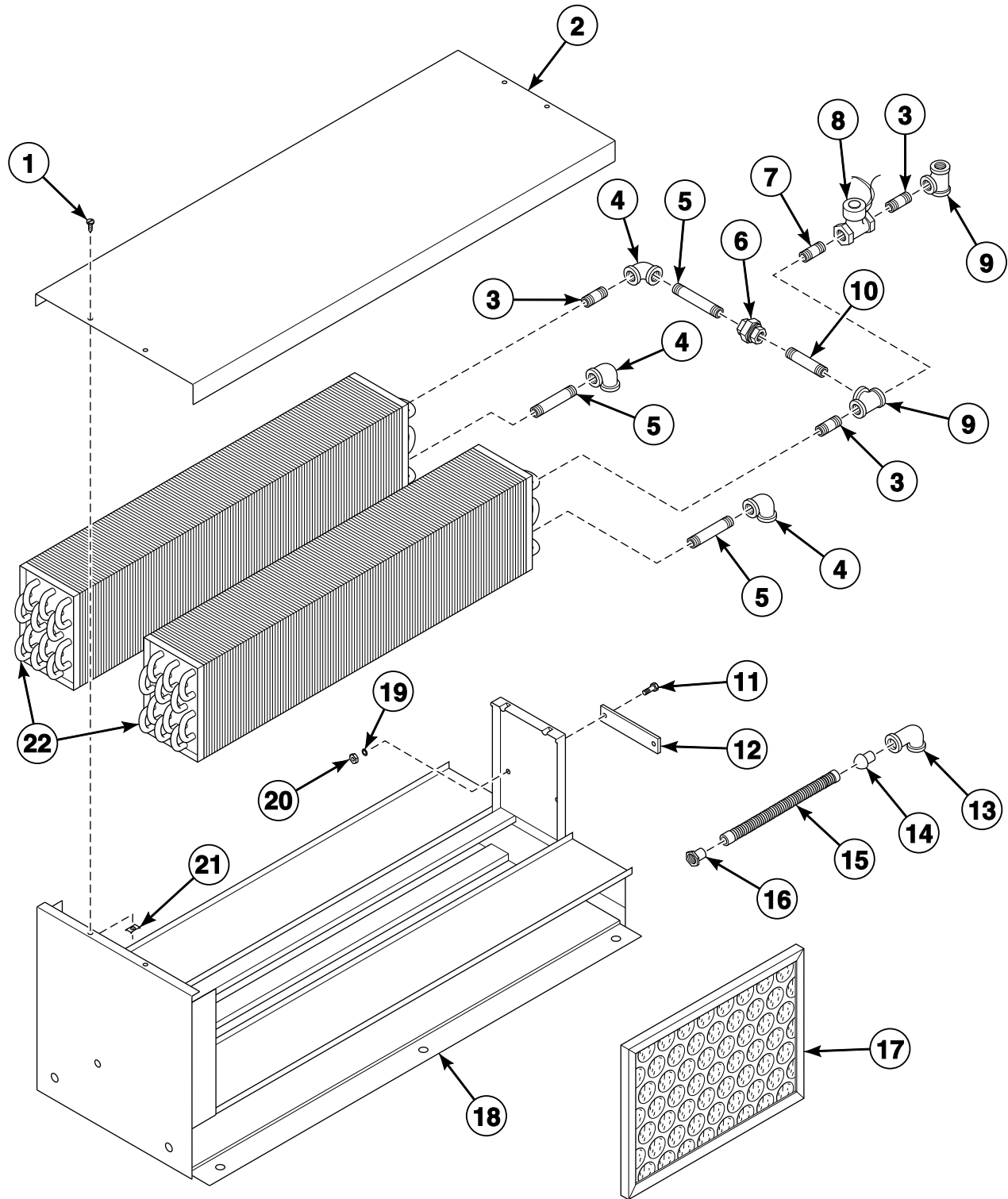
Electric Bonnet

REF	PART NO.	DESCRIPTION	COMMENTS
1	N/A	Terminal Cover	
2	TU7733	Screw	8 x 1/2 inch; Package of 6
3	TU13521P	Contactator	2 required for 208 Volt/60 Hertz/3 Phase, 240 Volt/50 or 60 Hertz/3 Phase and 380-415 Volt/50 Hertz/3 Phase models; 1 required for 480 Volt/60 Hertz/3 Phase and 575 Volt/60 Hertz/3 Phase models
4	TU7113	Bonnet Top Weldment Assembly	
5	TU13678	Thermostat	300 degree Fahrenheit
6	N/A	Bonnet Weldment	
7	N/A	Front Cover	
8	HE11540	Electric Heater Element	40 kW, 275 Volt element; 2 required for 575 Volt/60 Hertz/3 Phase models
	HE10810P	Electric Heater Element	30 kW, 208 Volt element; 2 required for 208 Volt/60 Hertz/3 Phase models
	HE11080P	Electric Heater Element	30 kW, 240 Volt element; 2 required for all other models
9	N/A	Fuse	3 required
10	TU7074	Fuse	6 required for 208 Volt/60 Hertz/3 Phase models
	N/A	Fuse	6 required for 240 Volt/50 or 60 Hertz/3 Phase and 380-415 Volt/50 Hertz/3 Phase models
	TU7090	Fuse	3 required for 480 Volt/60 Hertz/3 Phase models
	TU7072	Fuse	3 required for 575 Volt/60 Hertz/3 Phase models
11	TU2793	Screw	8 x 5/8 inch; Package of 6
12	TU11096	Fuse Holder	2 required for 208 Volt/60 Hertz/3 Phase, 240 Volt/50 or 60 Hertz/3 Phase and 380-415 Volt/50 Hertz/3 Phase models
	TU9141	Fuse Holder	480 Volt/60 Hertz/3 Phase and 575 Volt/60 Hertz/3 Phase models
13	TU9909	Rear Cover	
14	TU5958	Snap Bushing	
15	TU4791	Angle Connector	90 degree
16	N/A	Cable	1/2 inch; 15 inch
17	TU4790	Connector	Straight
18	02422	Screw	1/4 inch - 20 x 1/2 inch; Package of 6
19	N/A	Grounding Lug	
20	TU8734	Terminal Block	

NOTE: For heater element ratings, amperage and fuse size refer to installation manual.

N/A = Part no longer available

Steam Bonnet Assembly



TMB2441P_D0584

Steam Bonnet Assembly

REF	PART NO.	DESCRIPTION	COMMENTS
1	TU3209	Screw	14 x 5/8 inch; Sheet metal; Package of 6; 4 each
2	TU7393	Top Plate	
3	M411417	Pipe Nipple	3/4 inch x 2 inch; 3 each
4	TU4605	Elbow	3/4 inch
5	H85101673	Nipple	3/4 inch x 5 inch; 3 each
6	M411419	Pipe Union	3/4 inch
7	TU5914	Nipple	3/4 inch x 3 1/2 inch
8	TU13517P	Steam Solenoid Valve	24 Volt
9	TU4597	Tee	3/4 inch; 2 each
10	TU4620	Nipple	3/4 inch x 4 1/2 inch
11	FB189	Screw	1/4 inch - 20 x 1 inch; Hex head; 2 each
12	TU5726	Rear Coil Holder Bar	
13	TU4791	Angle Connector	1/2 inch; 6 coil
14	TU5431	Sleeve Bushing	
15	CFB7200	Cable	72 inch
16	TU4790	Connector	1/2 inch; Straight
17	TU6458	Air Filter	4 coil
	TU6080	Air Filter	6 coil; 4 required
18	TU8082	Bonnet Weldment Assembly	4 coil
	TU8083	Bonnet Weldment Assembly	6 coil
19	03189	Washer	1/4 inch; Lock
20	20275	Nut	1/4 inch - 20 x 7/16 inch; Hex; Package of 6; 2 each
21	LB74	Nut	14; Speed; 4 each
22	TU1699P	Coil	4 coil; 2 each
	TU2808P	Coil	6 coil; 2 required

N/A = Part no longer available

Parts Index

A

Access Door Weldment Assembly TU14629WHTP	15
Actuator Arm TU2463	21
Adjustment Rod Weldment TUX575	19
Air Filter TU6080	49
TU6458	49
Air Switch Cover TUX415	19, 25
Air Switch Insulator TU1770	21
Air Switch Kit TU8206	19, 21, 25
Air Switch Mounting Bracket TU8171	21
Angle Connector TU4791	25, 47, 49

B

Basket TUS6469	13
TU6469	13
Basket and Spider Assembly TUS5803	13
Basket Assembly Kit K421	13
Basket Motor Mount TU4626	25
Basket Shaft Cover TU7517	25
Basket Sheave TUX602	19
Belt TU16086	19
TU16091	19
TU2363	25
TU3393	31
Belt Adjusting Rod TU5328	25
Belt Guard Weldment Assembly TU9615	25
Bonnet TU13613	45
Bonnet Thermostat Mounting Bracket TU13695	45
Bonnet Top Weldment Assembly TU7113	47
Bonnet Weldment Assembly TU8082	49
TU8083	49
Burner Orifice TU3539	45
Burner Weldment Assembly TUX387	45

Bushing OP267	45
TU2833	25
Button Plug TU15724	5, 7, 9
Buzzer TU14137	7

C

Cable CFB1300	25
CFB2500	25
CFB3000	25
CFB7200	49
Clean Lint Screen Label TU15410	17
Coil TU1699P	49
TU2808P	49
Collar Lock Bearing TU16035	31
Connector TU4790	47, 49
Contactora TU13516P	23
TU13521P	47
Control Board 254/00070/00	9
Control Cover Assembly TU14442WHT	9
Control Door Gasket CA-13098-0	15
Control Label 254/00018/00	9
Control Panel Cover Plate TU14727WHT	9
Control Panel Weldment Assembly TU15406WHT	5
Controller TU14404P	7

D

Decal TU14662	15
DMP Control Panel Weldment Assembly TU14469WHT	7
Door Gasket TU15966	11
Door Glass TU15107P	11
Door Latch TUA2319H	11
Door Latch Spacer TU5503	11
Door Seal TU5288P	11

N/A items do not appear in index.

E

Elbow	
TU4605	45, 49
Electric Heater Element	
HE10810P	47
HE11080P	47
HE11540	47
Electrode	
GA-00764-0P	45
Emergency Stop Button Kit	
TU14435	5, 7, 9
E-Ring	
F888	21

F

Fan	
TU403	29
TU6086	31
Front Panel Assembly	
TU15454WHT	11
Front Panel Assembly Weldment	
TU15453WHT	13
Front Panel Cover Plate	
TU15525WHT	11
Front Panel Weldment Assembly	
TU15453WHT	11
Fuse	
TU7072	47
TU7074	47
TU7090	47
Fuse Holder	
TU11096	47
TU9141	47

G

Gas Manifold	
TU9614	45
Gas Valve	
TUX352P	45
TUX435	45
Gasket	
TU108	29
Gasket Kit	
K118	13
Gear Motor Assembly	
TU16078P	19
Gear Reducer	
TM200P	25

H

Hinge Bushing	
PIF172	11

I

Ignition Module	
GA-00765-0P	45
GA-11007-0P	45

J

Jack Shaft	
TU1693	31
Junction Box	
500300644	25
Junction Box Cover	
SB170	25

K

Key	
TUX454	13
TU14057	25, 29
TU9975	13
Kickplate	
TU14639	17
Kickplate Fastener	
SB-00949-0	17
Knob	
TU2555	5

L

Label	
TU3476	21
Large Bearing Cone and Cup	
TM217	27
Large End Cap	
TM211	27
Large Klozure	
TM220	27
LED Light Assembly	
TUT316	5
Lens	
TU13213	33
TU3816	33
Lens Replacement	
TU8475	33
Lint Door Handle	
TU14636	17
Lint Door Switch	
EA-11621-0	13
Lint Door Weldment Assembly	
TU14635	13, 17
Lint Screen Housing	
TU10345	13
Lint Screen Kit	
K368	13
Lint Trap Frame Kit	
K121	13
Lock Bushing	
TU6723	19

N/A items do not appear in index.

Lower Sensor Assembly TU14723	43
--	----

M

Manifold Mounting Bracket Assembly TU2226	45
Membrane Switch 44037901P	7
Microswitch TU14482	21
Motor	
MTR100	29, 31
MTR101	25
MTR302P	29, 31
MTR303P	25
MTR304P	29, 31
Motor and Fan Support TU5658	29
Motor Bushing F280214	31
Motor Control Panel Plate TU13700	23
Motor Mount TU5659	31
Motor Mount Gasket TU2473P	29, 31
Motor Mount Plate TU4706	31
Motor Support Rod TU1950	31
Mounting Bracket	
TU13647	45
TU5530	33

N

Nameplate, 2 Timer TU15459	5
Nipple	
H85101673	49
TU13823	45
TU4606	45
TU4620	49
TU5914	49
Nut	
LB74	49
TU1771	21
TU2881	19
TU3266	37, 39, 43
TU3801	35
TU3805	5
TU455	25
TU470	25
TU4787	25, 29, 31
TU7848	33
02788	7, 9, 37, 39, 41, 43
20275	25, 45, 49
70142	25, 29

O

Oil Level Kit K474	27
Operating Touchpad 254/00039/00	9

P

Pillow Block Bearing TU16016	19
Pipe Nipple M411417	49
Pipe Plug	
TM221	27
TU10946	45
TU2224	45
Pipe Union M411419	49
Post Hinge TU2236	11
Probe Cover Plate TU14694	41, 43
ProHC Upper Sensor Assembly TU14724	41
Pulley TU16087	19
Pushbutton Switch TU9028	5

R

Rear Coil Holder Bar TU5726	49
Rear Cover TU9909	47
Reed Switch Assembly ESA-00862-0P	11
Relay F1300P	5
Reversing Contactor EA-00685-0P	23
Reversing Timer TU12874P	5
Rotation Sensor Kit 7010P	19
Rub Rail Trim TU14637	17

S

Screw	
ET208	5
FB189	25, 49
FR244	19
H88012034	25
IB139	27
JA-51604	11
M261	9
M262	37

N/A items do not appear in index.

M400057	25, 29
M400072	11, 37
RC344	45
SB-00828-0	39, 43
SB-00951-0	15
SB-00952-0	39, 41, 43
TU15926	19
TU2195	25
TU2687	11
TU2793	47
TU2836	11
TU3209	11, 33, 49
TU3219	21
TU3246	27
TU5312	25, 27
TU7733	5, 11, 21, 23, 25, 41, 43, 45, 47
02422	45, 47
Sensor Bracket	
CA-13067-0	43
Sheave	
TUX222	19
TU2008	31
TU2009	31
TU2832	25
TU3806	25
TU6081	25
Sheave Bushing	
TU3807	25, 31
Sleeve Bushing	
TU5431	49
Small Bearing Cone and Cup	
TM208	27
Small Closed End Cap	
TM218	27
Small End Cap	
TM212	27
Small Klosure	
TM204P	27
Small Open End Cap	
TM205	27
Snap Bushing	
TU2372	19, 25
TU5958	47
Spider Kit	
K109	13
Steam Solenoid Valve	
TU13517	49
Strap	
PT196	45
Support Arm Rod	
TU5739	15
Suppression Lead	
GA-00803-0	45
Surge Suppressor	
TU14825	23

T

Tee	
TU4597	49
Temperature and Humidity Sensor	
254/00071/10	41, 43
Temperature Control Assembly	
TU6030	33

Temperature Nameplate	
TU5458	11
Temperature Sensor	
254/00072/10	39
Temperature Switch	
EA-00411-0	37, 39, 43
Terminal Block	
TU8734	47
Terminal Board	
TU8629	5
Thermistor Kit	
TU11991K	37
Thermometer	
TU3593	33
Thermometer Gasket	
TU2641	11
Thermostat	
TU13678	45, 47
TU1980P	33
TU2477	35
Thermostat and Bracket Assembly	
TU15538	37
Thermostat Assembly	
TU6029	35
Thermostat Bracket	
TU15537	37
Thermostat Knob	
TU490	33
TU491	33
Thermostat Mounting Bracket	
TU2486	35
Timer	
TU12932P	5
TU12933P	5
Toggle Switch	
FG147P	5
Top Plate	
TU7393	49
Transformer	
TU13802P	23
Transmission Oil	
27243P	27
Trigger Lock Latch	
LA-00123-0P	13, 17

U

Upper Probe Mounting Plate	
TU14693	41

W

Washer	
F431106	11
M270	7, 9
M400013	25, 29
M400081	19
TUX329	19
TU1851	25
TU2831	25, 29
TU2847	25
TU3212	11

N/A items do not appear in index.

TU3418	19
TU3575	25
TU4820	19
TU6633	25
VSB134.....	19, 27
03189	25, 49
Worm and Gear Kit	
TM225P	27
