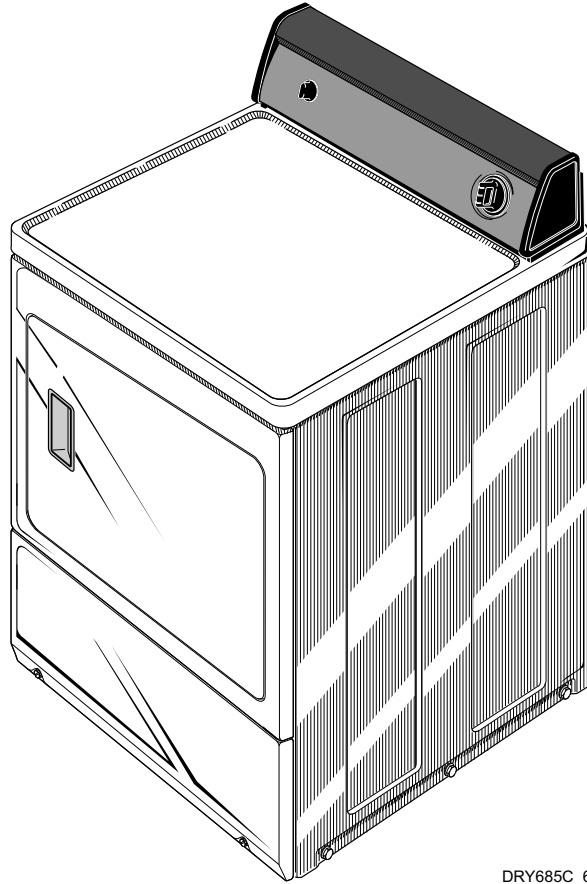


# Dryers

Refer to Page 3 for Model Numbers



DRY685C\_62848



# Table of Contents

Title	Page
Parts Ordering Information.....	2
Nameplate Location .....	2
Model Identification .....	3
Graphic Panel, Control Hood and Controls (Drawing 1 of 5) .....	4
Graphic Panel, Control Hood and Controls (Drawing 2 of 5) .....	6
Graphic Panel, Control Hood and Controls (Drawing 3 of 5) .....	8
Graphic Panel, Control Hood and Controls (Drawing 4 of 5) .....	10
Graphic Panel, Control Hood and Controls (Drawing 5 of 5) .....	12
Cabinet Top and Control Hood Rear Panel .....	14
Loading Door with Drying Rack .....	16
Lower Access Panel, Front Panel and Seal.....	18
Motor, Exhaust Fan and Belt .....	20
Front Bulkhead, Air Duct, Felt Seal and Cylinder .....	22
Rear Bulkhead, Felt Seal, Cylinder Roller and Terminal Block.....	24
Heater Box Assembly (Drawing 1 of 2) .....	26
Heater Box Assembly (Drawing 2 of 2) .....	28
Gas Valve, Igniter and Gas Conversion Kits.....	30
Cabinet, Exhaust Duct and Base .....	32
Power Cord (Drawing 1 of 2) .....	34
Power Cord (Drawing 2 of 2) .....	36
Terminals .....	38
Motor Connection Block and Terminal Extractor Tools.....	40
Parts Index.....	43

© Copyright 2012, Alliance Laundry Systems LLC

All rights reserved. No part of the contents of this book may be reproduced or transmitted in any form or by any means without the expressed written consent of the publisher.

## Parts Ordering Information

If literature or replacement parts are required, contact the source from whom the machine was purchased or contact Alliance Laundry Systems at (920) 748-3950 for the name and address of the nearest authorized parts distributor.

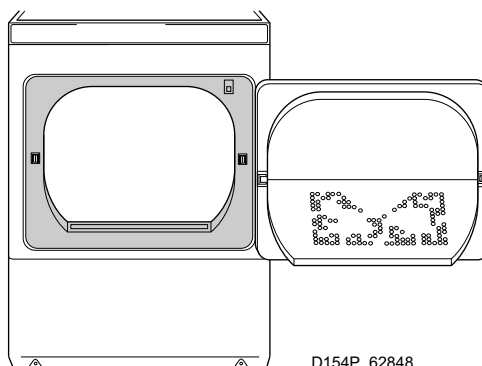
For technical assistance, call either of the numbers listed below:

(920) 748-3121 Ripon, Wisconsin

+32 56 41 20 54 Wevelgem, Belgium

## Nameplate Location

When calling or writing about your product, be sure to mention model and serial numbers. Model and serial numbers are located on nameplate(s) as shown.



D154P\_62848

# Model Identification

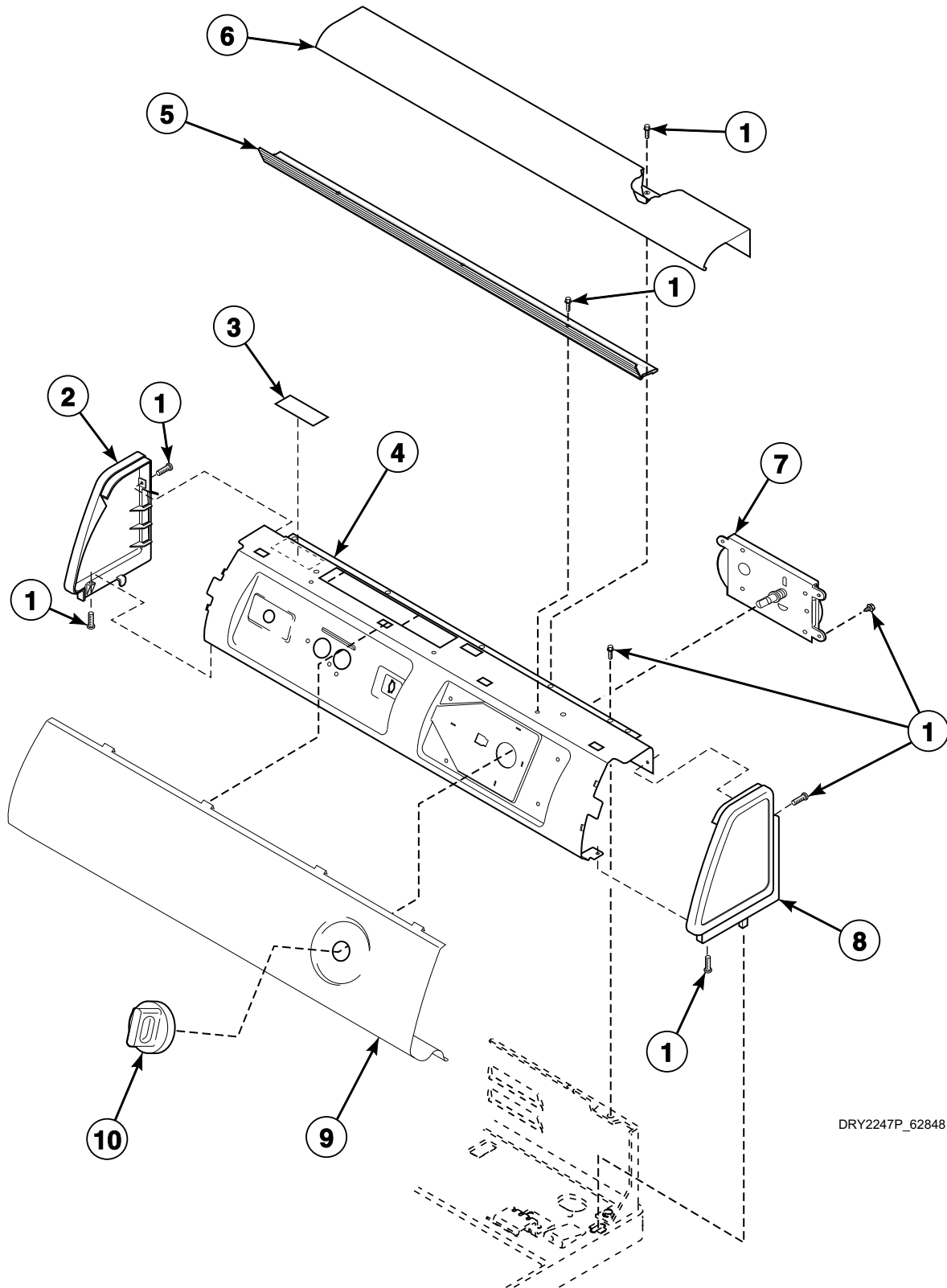
Information in this manual is applicable to these dryer models:

CE4307*	LE1007*	LG1009*
CE8407*	LE4207*	LG4209*
CE8427*	LE4307*	LG4309*
CE8507*	LE4407*	LG4409*
CE9107*	LE4427*	LG4429*
CE9207*	LE4507*	LG4509*
CG8409*	LE4607*	LG4609*
	LE4807*	LG4809*
	LE4907*	LG4909*
	LE8327*	LG8329*
	LE8407*	LG8409*
	LE8457*	LG8459*
	LE8507*	LG8509*
	LE8607*	LG8609*
	LE9107*	LG9109*
	LE9207*	LG9209*
	LEM427*	LGM429*
	LEM437*	LGM439*
	LEM447*	LGM449*
	LEM547*	LGM549*
	LEM847*	LGM849*

\* Add Letter To Designate Color. L - Almond W - White

# Graphic Panel, Control Hood and Controls (Drawing 1 of 5)

Models LE1007\* and LG1009\*



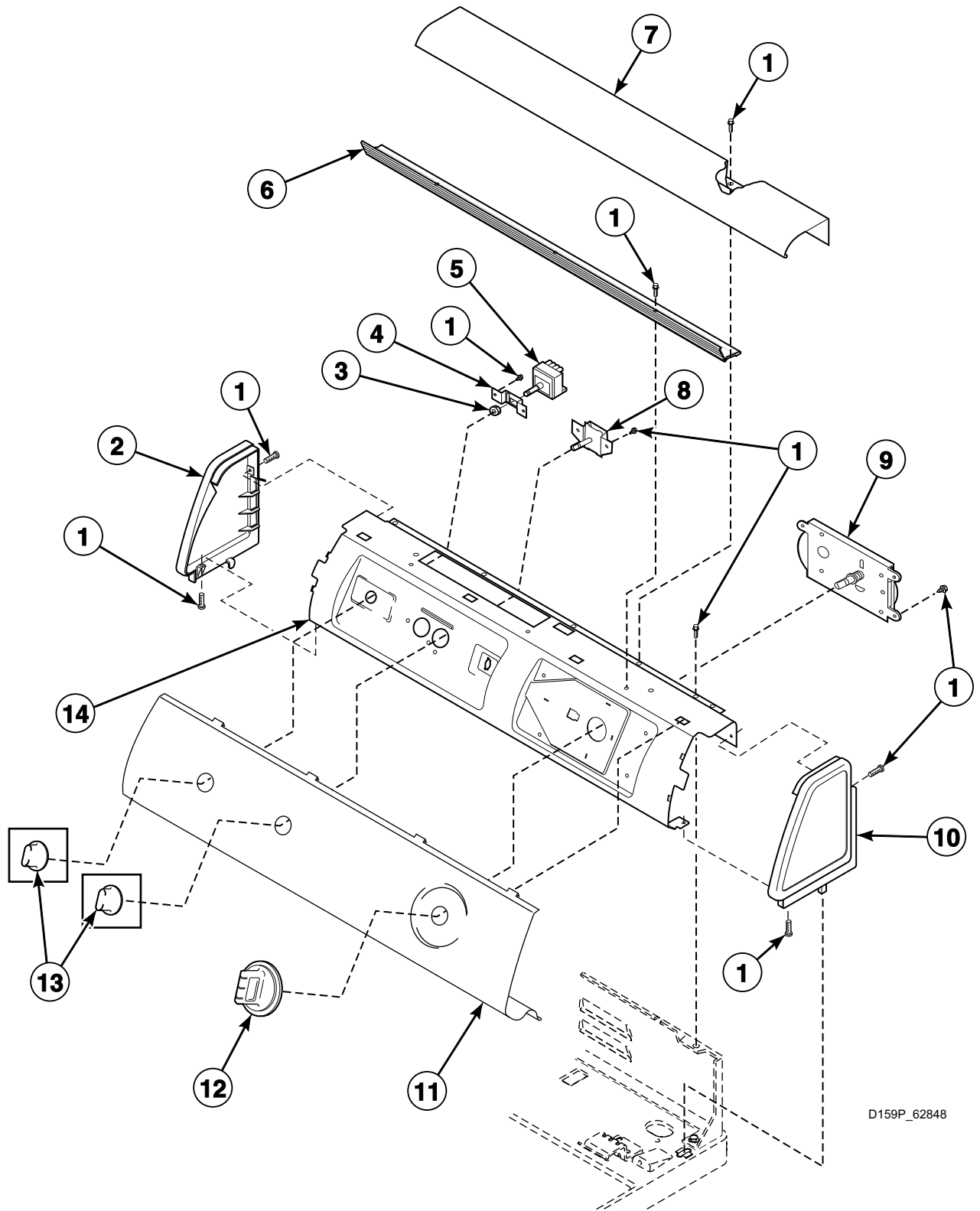
DRY2247P\_62848

## Graphic Panel, Control Hood and Controls (Drawing 1 of 5)

REF	PART NO.	DESCRIPTION	COMMENTS
1	501086	Screw	
2	34816	End Panel	Left
3	505281	Disconnect Power Warning Label	
4	500300	Control Mounting Plate	
5	500305	Diffuser	
6	500302	Top Cover	
7	59420P	Timer	
8	34815	End Panel	Right
9	501548	Graphic Panel	
10	62176	Timer Knob Assembly	

# Graphic Panel, Control Hood and Controls (Drawing 2 of 5)

Models CE4307\*, CE8407\*, CE8427\*, CG8409\*, LE4307\*, LE4407\*, LE4427\*, LE8327\*, LE8407\*, LE8457\*, LEM437\*, LG4309\*, LG4409\*, LG4429\*, LG8329\*, LG8409\*, LG8459\* and LGM439\*



D159P\_62848

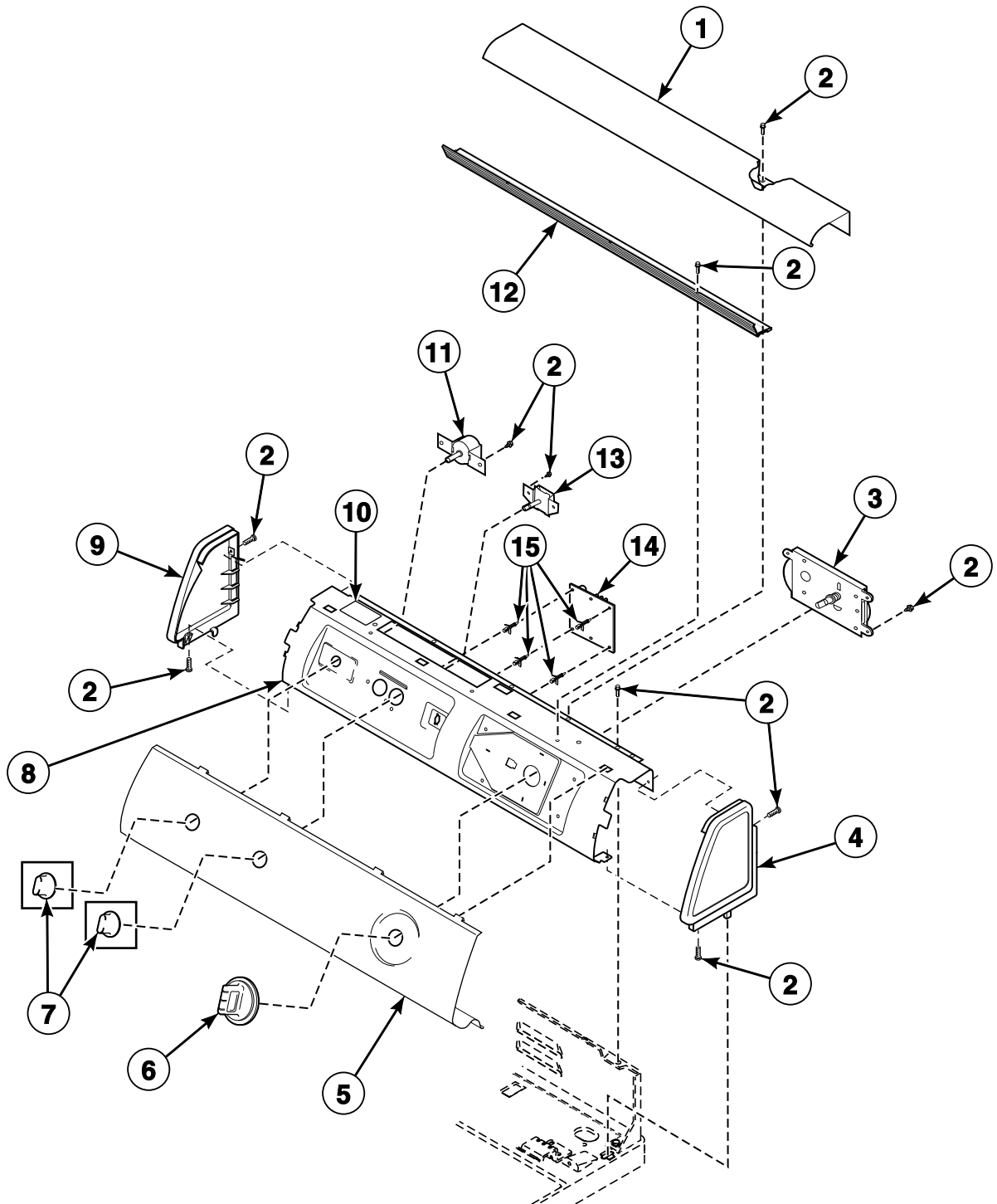


## Graphic Panel, Control Hood and Controls (Drawing 2 of 5)

REF	PART NO.	DESCRIPTION	COMMENTS
1	501086	Screw	
2	504009WP	End Panel	Models CE8407*, CE8427*, CG8409*, LE8327*, LE8407*, LE8457*, LG8329*, LG8409* and LG8459*
	34816	End Panel	All other models
3	57584	Nut	
4	59704	Switch Mount Bracket	
5	61511	Fabric Selector Switch	
6	500305	Diffuser	
7	500303W	Top Cover	Models CE8407*, CE8427*, CG8409*, LE8327*, LE8407*, LE8457*, LG8329*, LG8409* and LG8459*
	500302	Top Cover	All other models
8	500823	Rotary Signal	Models CE8407*, CE8427*, CG8409*, LE4407*, LE4427*, LE8407*, LE8457*, LG4409*, LG4429*, LG8409* and LG8459*
9	59419	Timer	Models CE4307*, LE4307*, LEM437*, LG4309*, LG8329* and LGM439*
	502967P	Timer	Models CE8407*, CE8427*, CG8409*, LE4407*, LE4427*, LE8407*, LE8457*, LG4409*, LG4429*, LG8409* and LG8459*
10	504008WP	End Panel	Models CE8407*, CE8427*, CG8409*, LE8327*, LE8407*, LE8457*, LG8329*, LG8409* and LG8459*
	34815	End Panel	All other models
11	501386	Graphic Panel	Models LEM437* and LGM439*
	500784	Graphic Panel	Models CE4307*, LE4307* and LG4309*
	500531	Graphic Panel	Models LE4407*, LE4427*, LG4409* and LG4429*
	501564W	Graphic Panel	Models CE8407*, CE8427*, CG8409*, LE8407* and LG8409*
	501990W	Graphic Panel	Models LE8327* and LG8329*
	501980W	Graphic Panel	Models LE8457* and LG8459*
12	500775W	Timer Knob Assembly	Models CE8407*, CE8427*, CG8409*, LE8327*, LE8407*, LE8457*, LG8329*, LG8409* and LG8459*
	500311	Timer Knob Assembly	All other models
13	35330W	Rotary Knob Assembly	Models CE8407*, CE8427*, CG8409*, LE8327*, LE8407*, LE8457*, LG8329*, LG8409* and LG8459*
	34847	Knob Assembly	All other models
14	500300	Control Mounting Plate	

# Graphic Panel, Control Hood and Controls (Drawing 3 of 5)

Models CE8507\*, LE4207\*, LE4507\*, LE4607\*, LE8507\*, LE8607\*, LEM427\*, LEM447\*, LEM547\*, LG4209\*, LG4509\*, LG4609\*, LG8509\*, LG8609\*, LGM429\*, LGM449\* and LGM549\*



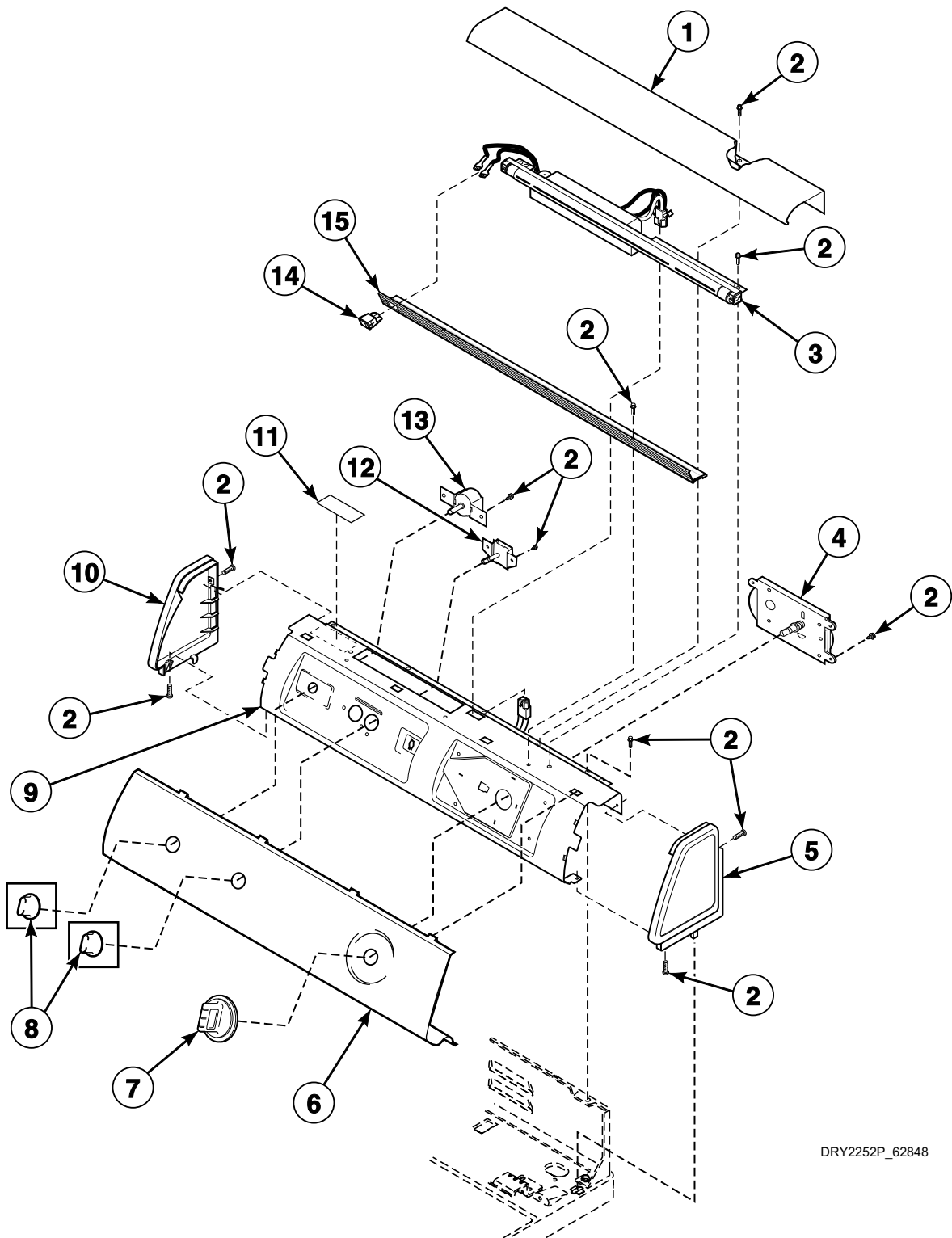
DRY2245P\_62848

## Graphic Panel, Control Hood and Controls (Drawing 3 of 5)

REF	PART NO.	DESCRIPTION	COMMENTS
1	500303W	Top Cover	Models CE8507*, LE8507*, LE8607* and LG8609*
	500302	Top Cover	All other models
2	501086	Screw	
3	501861	Timer	Models LE4207*, LEM427*, LG4209* and LGM429*
	502967P	Timer	Models LEM447*, LEM547*, LGM449* and LGM549*
	502968P	Timer	All other models
4	504008WP	End Panel	Models CE8507*, LE8507*, LE8607*, LG8509* and LG8609*
	34815	End Panel	All other models
5	501402	Graphic Panel	Models LEM447* and LGM449*
	501459	Graphic Panel	Models LEM547* and LGM549*
	501261	Graphic Panel	Models LE4507*, LE4607*, LG4509* and LG4609*
	501287W	Graphic Panel	Models CE8507*, LE8507*, LE8607*, LG8509* and LG8609*
	501900	Graphic Panel	Models LE4207* and LG4209*
	501895	Graphic Panel	Models LEM427* and LGM429*
6	500775W	Timer Knob Assembly	Models CE8507*, LE8507*, LE8607*, LG8509* and LG8609*
	500311	Timer Knob Assembly	All other models
7	35330W	Rotary Knob Assembly	Models CE8507*, LE8507*, LE8607*, LG8509* and LG8609*
	34847	Knob Assembly	All other models
8	505281	Disconnect Power Warning Label	
9	504009WP	End Panel	Models LE8507*, LE8607*, LG8509* and LG8609*
	34816	End Panel	All other models
10	500300	Control Mounting Plate	
11	62173	Selector Switch	
12	500305	Diffuser	
13	500823	Rotary Signal	
14	501266P	Electronic Control Board Assembly	
15	501523	Circuit Board Support	

# Graphic Panel, Control Hood and Controls (Drawing 4 of 5)

Models LEM847\* and LGM849\*



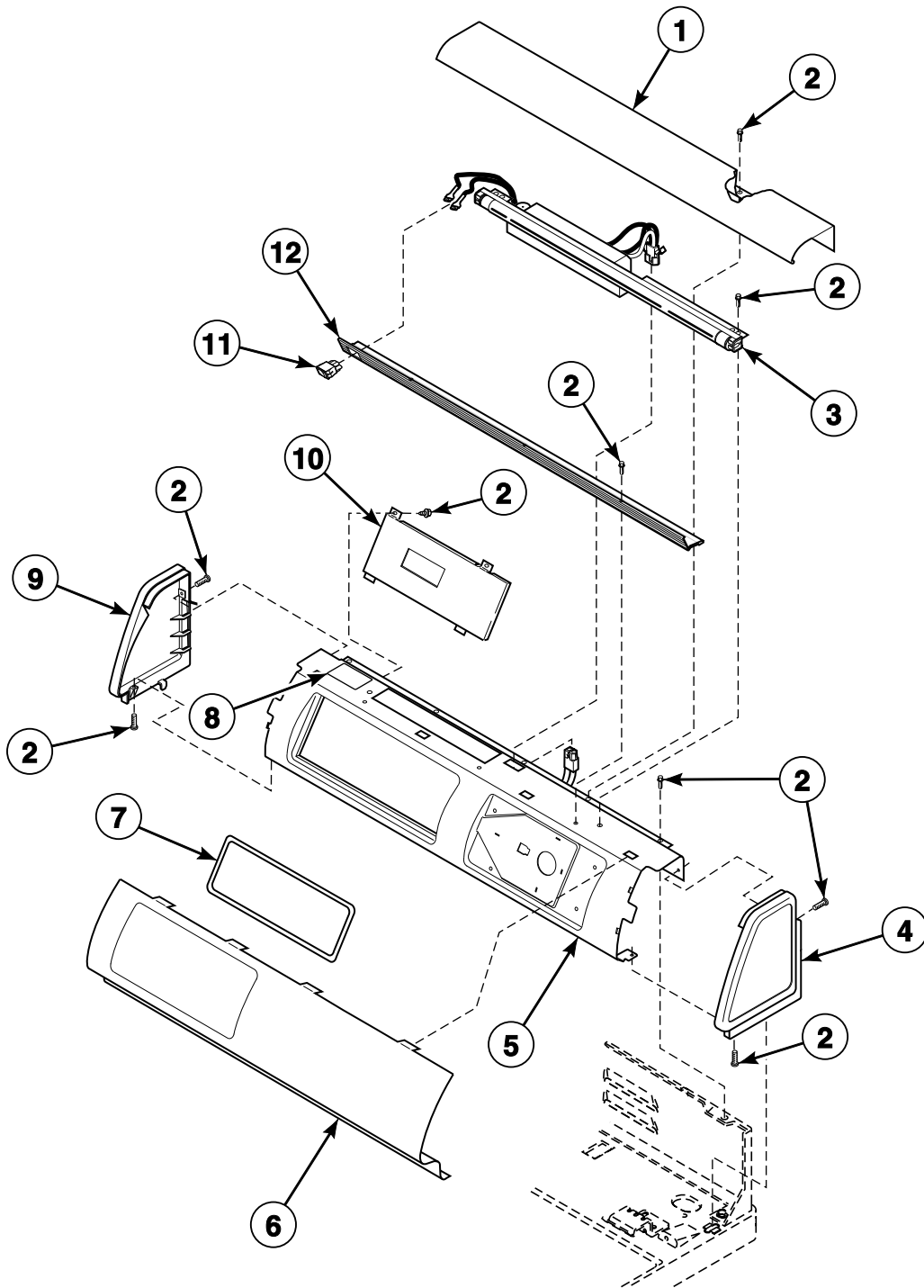
DRY2252P\_62848

## Graphic Panel, Control Hood and Controls (Drawing 4 of 5)

REF	PART NO.	DESCRIPTION	COMMENTS
1	500303W	Top Cover	
2	501086	Screw	
3	34836	Fluorescent Light Assembly	Includes 34837 Fluorescent Bulb and 34841 Fluorescent Starter
	34837	Fluorescent Bulb	
	34841	Fluorescent Starter	
4	502967P	Timer	
5	504008WP	End Panel	
6	501419W	Graphic Panel	
7	500775W	Timer Knob Assembly	
8	35330W	Rotary Knob Assembly	
9	500300	Control Mounting Plate	
10	504009WP	End Panel	
11	505281	Disconnect Power Warning Label	
12	500823	Rotary Signal	
13	62173	Selector Switch	
14	35036	Rocker Switch	
15	500308	Diffuser	

# Graphic Panel, Control Hood and Controls (Drawing 5 of 5)

Models CE9107\*, CE9207\*, LE4807\*, LE4907\*, LE9107\*, LE9207\*, LG4809\*, LG4909\*, LG9109\* and LG9209\*



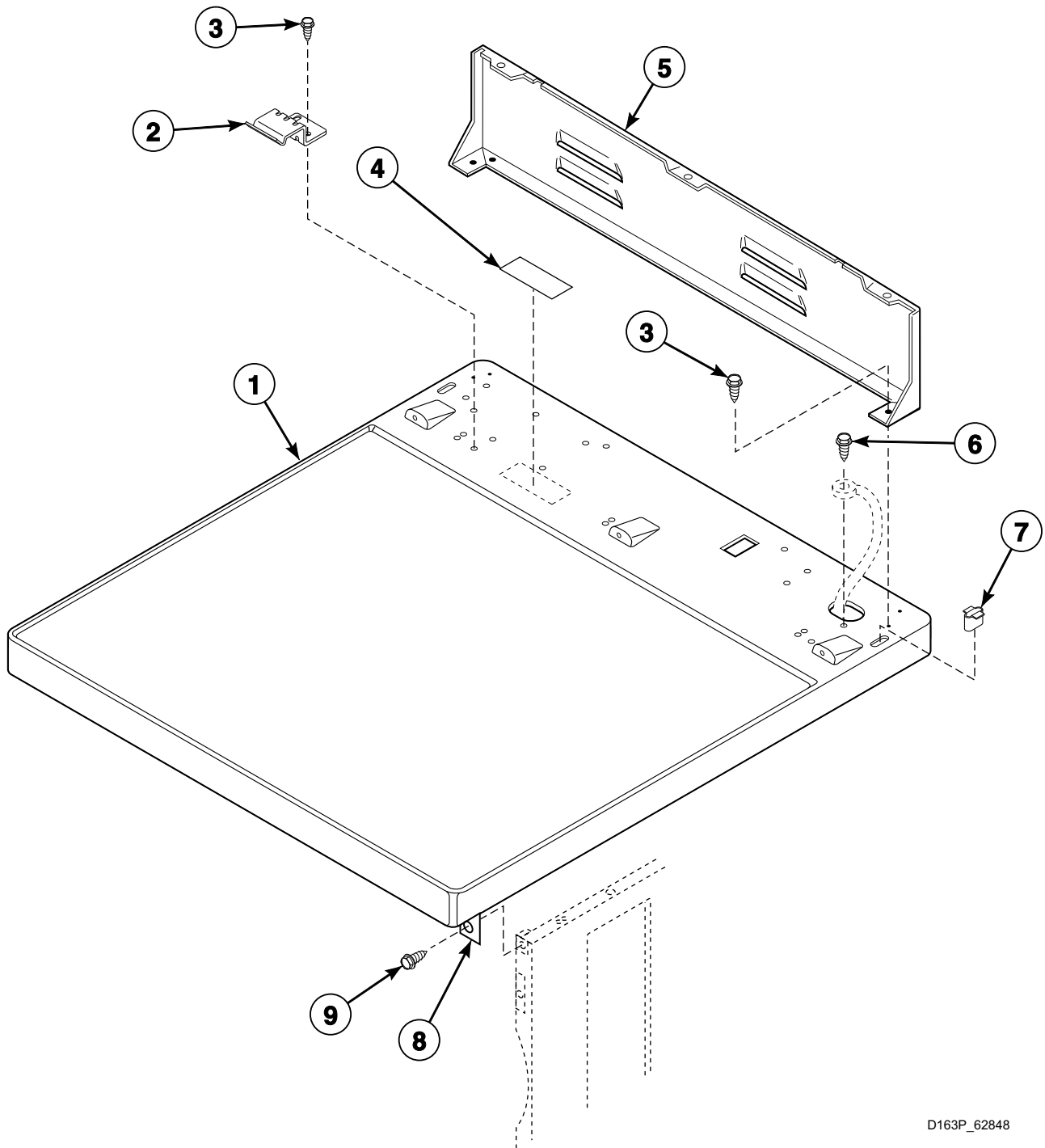
DRY2253P\_62848

## Graphic Panel, Control Hood and Controls (Drawing 5 of 5)

REF	PART NO.	DESCRIPTION	COMMENTS
1	500302	Top Cover	Models LE4807*, LE4907*, LG4809* and LG4909*
	500303W	Top Cover	All other models
2	501086	Screw	
3	34836	Fluorescent Light Assembly	Includes 34837 Fluorescent Bulb and 34841 Fluorescent Starter
4	34815	End Panel	Models LE4807*, LE4907*, LG4809* and LG4909*
	504008WP	End Panel	All other models
5	500301	Control Mounting Plate	
6	500757	Graphic Panel	Models LE4807*, LE4907*, LG4809* and LG4909*
	500529*	Graphic Panel	All other models
7	500528	Gasket	
8	505281	Disconnect Power Warning Label	
9	34816	End Panel	Models LE4907*, LG4809* and LG4909*
	504009WP	End Panel	All other models
10	501273	Electronic Control Assembly	Models LE4807*, LE4907*, LG4809* and LG4909*
	500540W	Electronic Control Assembly	All other models
11	35037	Rocker Switch	Models LE4807*, LE4907*, LG4809* and LG4909*
	35038	Rocker Switch	All other models
12	500308	Diffuser	

\* Add Letter To Designate Color. L - Almond W - White

# Cabinet Top and Control Hood Rear Panel



D163P\_62848

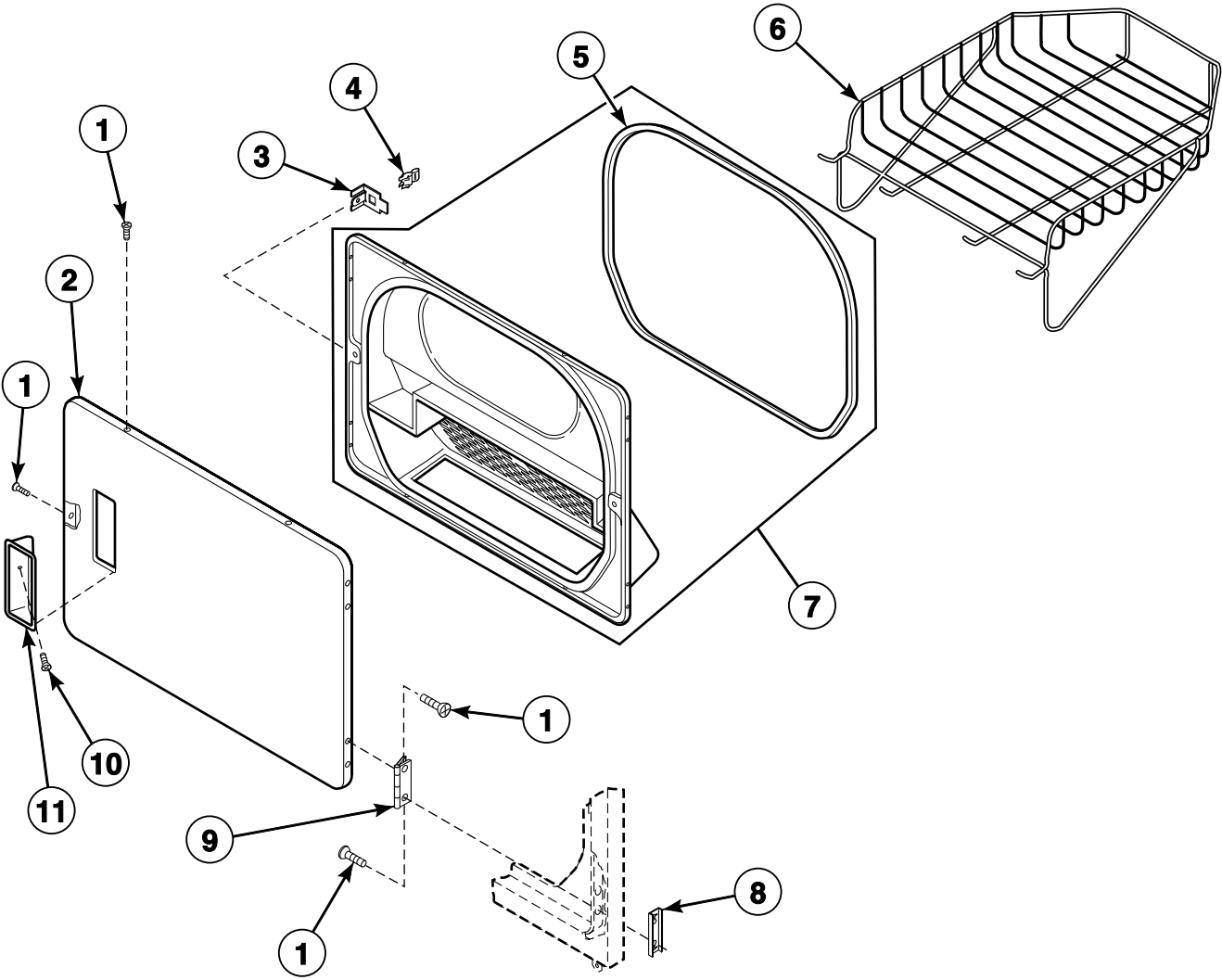


## Cabinet Top and Control Hood Rear Panel

REF	PART NO.	DESCRIPTION	COMMENTS
1	510029*P	Top Panel Kit	Includes (2) 510146 Bracket
2	503876	Hold-Down Spring Clip	
3	501086	Screw	
4	500314	Warning Label	Models CE4307*, CE8407*, CE8427*, CE8507*, CE9107*, CE9207* and CG8409*
	505281	Disconnect Power Warning Label	All other models
5	510099	Hood Back Panel	
6	20530	Screw	
7	501242	Insert Clip	
8	510146	Bracket	
9	33562	Screw	

\* Add Letter To Designate Color. L - Almond W - White

# Loading Door with Drying Rack



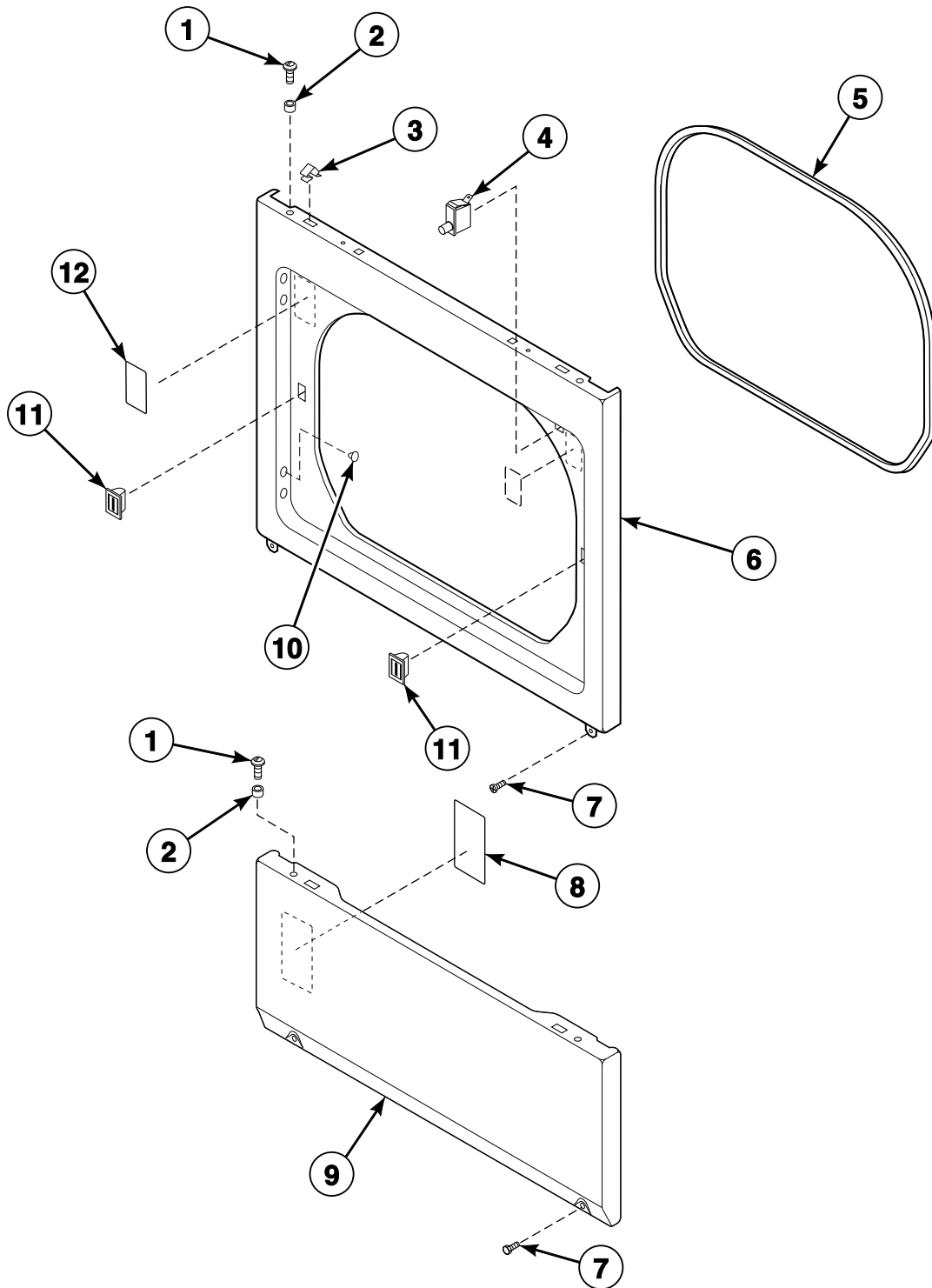
DRY2255P\_62848

## Loading Door with Drying Rack

REF	PART NO.	DESCRIPTION	COMMENTS
	500035*	Door Assembly	Does <b>not</b> include 500236 Door Hinge Mounting Clips, 500226 Screws or 501295P Drying Rack
1	500226	Screw	
2	500040*	Dryer Door	
3	510127	Door Strike Mount	
4	510181	Door Strike	
5	500200P	Door Seal	
6	501295P	Drying Rack	Optional; All models except CE4307*, CE8407*, CE8427*, CG8409*, LE1007*, LE4307*, LE4407*, LE8407*, LEM437*, LEM447*, LEM547*, LEM847*, LG1009*, LG4309*, LG4409*, LG8409*, LGM439*, LGM449*, LGM549* and LGM849*
7	500199P	Liner and Seal Assembly	Includes 500200P Door Seal
8	500236	Door Hinge Mounting Clip	Not included with 500035* Door Assembly
9	510519	Door Hinge	
10	500297	Screw	
11	500042*	Door Pull	

\* Add Letter To Designate Color. L - Almond W - White

# Lower Access Panel, Front Panel and Seal



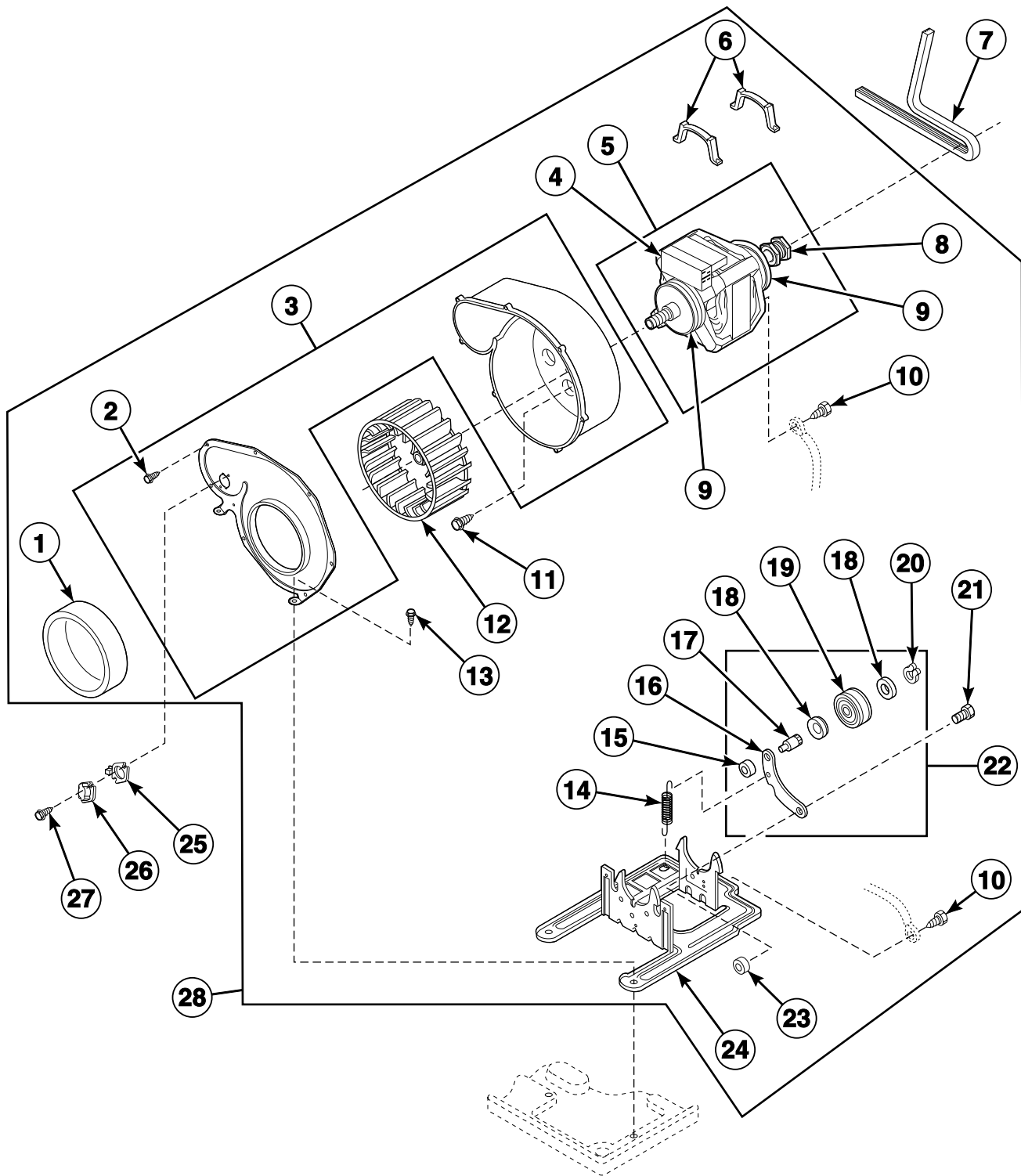
D165P\_62848

## Lower Access Panel, Front Panel and Seal

REF	PART NO.	DESCRIPTION	COMMENTS
1	39733	Screw	
2	56079	Panel Locator	
3	28835	Speed Clip	
4	512973	Switch	
5	500034	Front Panel Seal	
6	500033*	Front Panel	
7	32562	Screw	
8	511004	Gas Clearance Label	Gas models
9	510069*P	Access Panel	
10	500227	Screw	
11	510177	Door Catch Assembly	
12	500281	Warning/Caution Label	

\* Add Letter To Designate Color. L - Almond W - White

# Motor, Exhaust Fan and Belt

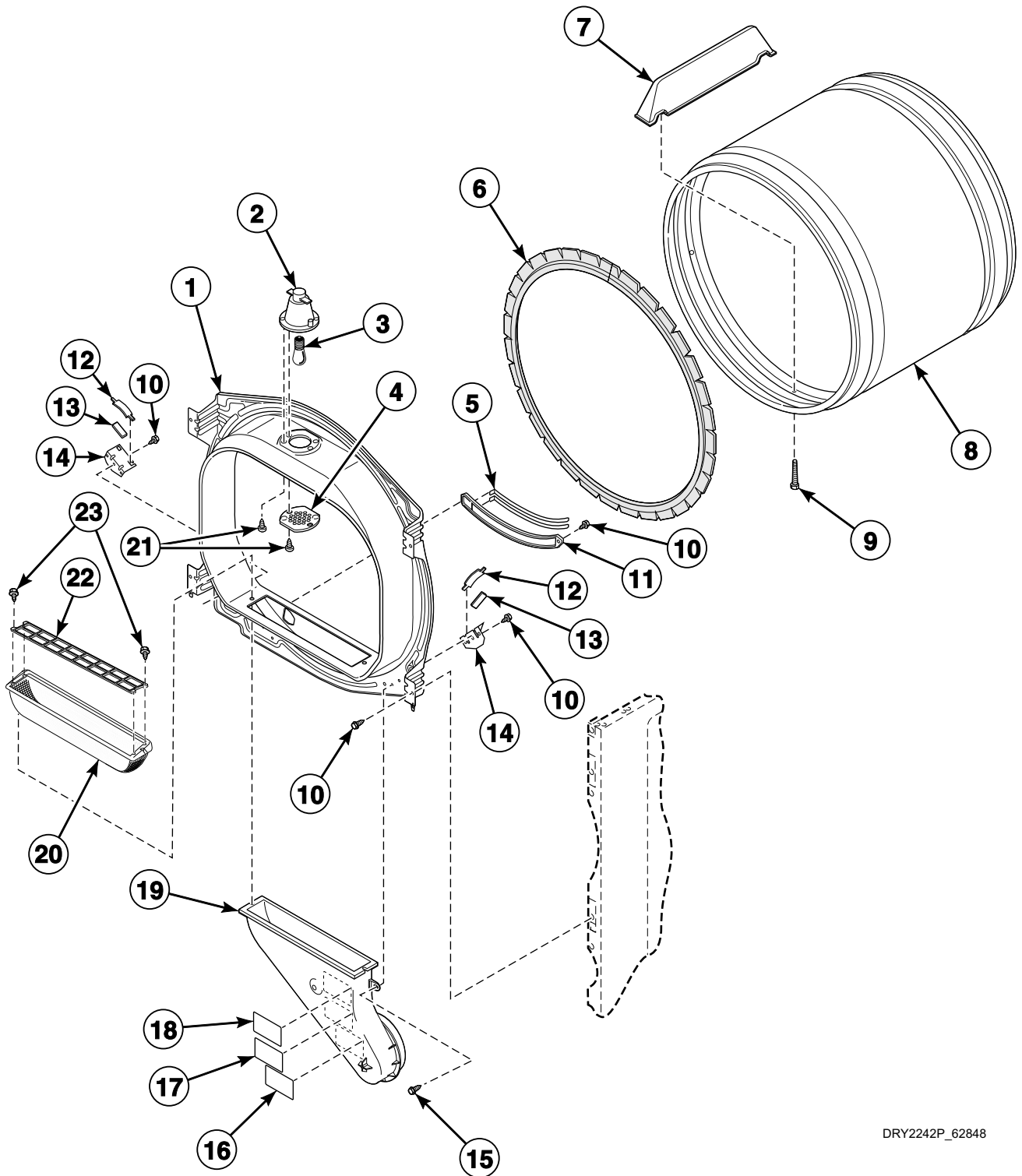


D132P\_62848

## Motor, Exhaust Fan and Belt

REF	PART NO.	DESCRIPTION	COMMENTS
	559P3	Motor Adapter Harness Kit	Gas models
	560P3	Motor Adapter Harness Kit	Electric models
<b>1</b>	500313	Blower Housing Seal	
<b>2</b>	31260	Screw	
<b>3</b>	511969P	Blower Housing and Cover Kit	
<b>4</b>	501218	Motor Switch	
<b>5</b>	511629P	Motor and Pulley Assembly	
<b>6</b>	510180	Motor Mount Clamp	
<b>7</b>	511255P	Cylinder Belt	
<b>8</b>	500011	Motor Pulley	
<b>9</b>	58044A	Motor Locking Mount	
<b>10</b>	20530	Screw	
<b>11</b>	31645	Screw	
<b>12</b>	510139P	Blower Fan Assembly	
<b>13</b>	33562	Screw	
<b>14</b>	510185	Idler Spring	
<b>15</b>	56156	Nut	
<b>16</b>	510133	Idler Lever	
<b>17</b>	56461P	Shaft	
<b>18</b>	52549	Washer	
<b>19</b>	510142P	Idler Wheel and Bearing Assembly	
<b>20</b>	23748	Retaining Ring	
<b>21</b>	500824	Screw	
<b>22</b>	510158	Idler Lever and Wheel Assembly	
<b>23</b>	52566	Nut	
<b>24</b>	510060	Motor Mount	
<b>25</b>	61401	Thermostat Heater	Use with 61372 Thermostat
<b>26</b>	510523	Thermistor Assembly	Models CE8507*, CE9107*, LE4507*, LE4607*, LE4807*, LE4907*, LE8507*, LE8607*, LE9107*, LE9207*, LG4509*, LG4609*, LG4809*, LG4909*, LG8509*, LG8609*, LG9109* and LG9209*
	56410	Thermostat	Models LE1007*, LE4207*, LEM427*, LG1009*, LG4209* and LGM429*
	61372	Thermostat	All other models
<b>27</b>	23222	Screw	Use with 56410 Thermostat
	501086	Screw	Use with 61372 Thermostat
<b>28</b>	510717P	Blower and Fan Kit	Includes items 1-6 and 8-24; 120 Volt/60 Hertz models only

# Front Bulkhead, Air Duct, Felt Seal and Cylinder



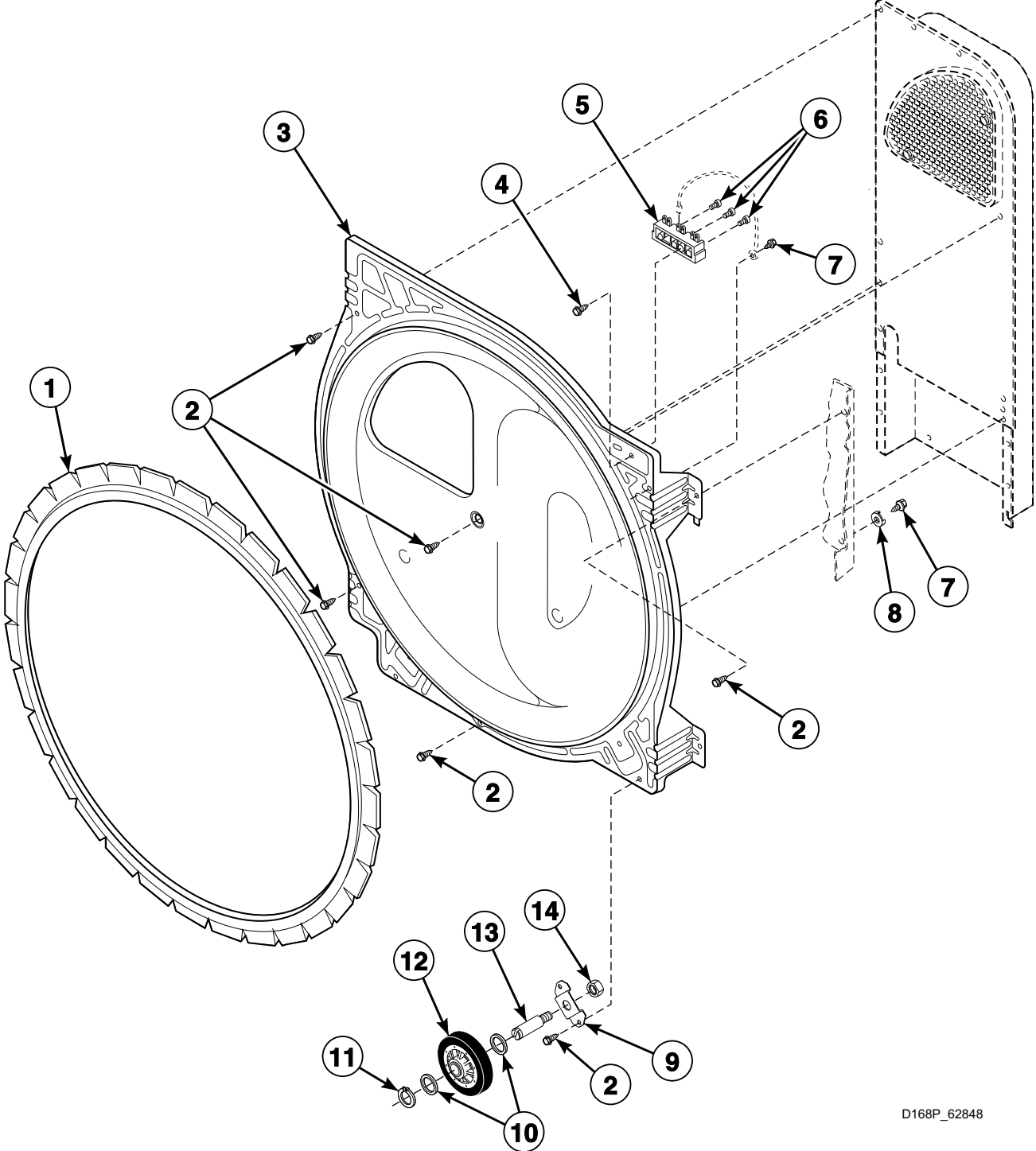
DRY2242P\_62848



## Front Bulkhead, Air Duct, Felt Seal and Cylinder

REF	PART NO.	DESCRIPTION	COMMENTS
	511637P	Adhesive	
1	500091P	Front Bulkhead Assembly	Unpainted bulkhead without light or moisture sensor openings
	500016W	Front Bulkhead Assembly	White bulkhead with light
	500117W	Front Bulkhead Assembly	White bulkhead without light or moisture sensor openings
	501243W	Front Bulkhead Assembly	White bulkhead with light and moisture sensor openings
	501556WP	Front Bulkhead Assembly	White bulkhead with extra glides for stainless steel cylinder with light and moisture sensor openings
	5015701WP	Front Bulkhead Assembly	White bulkhead with extra glides for stainless steel cylinder with light opening
2	500153	Cylinder Light Housing	All models except CE4307*, LE1007*, LE4307*, LEM437*, LG1009*, LG4309* and LGM439*
3	60954	Drum Light Lamp	
4	500094	Drum Light Lens	
5	501247	Moisture Sensor	Models CE8507*, CE9107*, LE4507*, LE4607*, LE4807*, LE4907*, LE8507*, LE8607*, LE9107*, LE9207*, LG4509*, LG4609*, LG4809*, LG4909*, LG8509*, LG8609*, LG9109* and LG9209*
6	510207P	Cylinder Seal Assembly	
7	510102	Cylinder Baffle	
8	500095P	Cylinder Assembly	Unpainted; Includes baffles
	500013WP	Cylinder Assembly	Painted white; Includes baffles
	500735P	Cylinder Assembly	Stainless steel; Includes baffles
9	62588	Screw	
10	503688	Screw	Models CE8507*, CE9107*, LE4507*, LE4607*, LE4807*, LE4907*, LE8507*, LE8607*, LE9107*, LE9207*, LG4509*, LG4609*, LG4809*, LG4909*, LG8509*, LG8609*, LG9109* and LG9209*
11	501246	Moisture Sensor Mounting	Models CE8507*, CE9107*, LE4507*, LE4607*, LE4807*, LE4907*, LE8507*, LE8607*, LE9107*, LE9207*, LG4509*, LG4609*, LG4809*, LG4909*, LG8509*, LG8609*, LG9109* and LG9209*
12	510188	Cylinder Glide	Painted and unpainted cylinder; 1 required per side
	501553	Cylinder Glide	Stainless steel; 2 required per side
13	510189	Felt Pad	
14	510145	Cylinder Glide Bracket	
15	31645	Screw	
16	56259	Notice Seal Sticker	
17	500049	Warning Label	
18	500314	Warning Label	Models CE4307*, CE8507* and CE9107*
19	500241	Air Duct	
20	502140P	Lint Filter	Poly mesh or metal mesh
21	505870	Screw	Used on models with 500153 Cylinder Light Housing
22	502092	Lint Filter Cover	
23	500226	Screw	

# Rear Bulkhead, Felt Seal, Cylinder Roller and Terminal Block



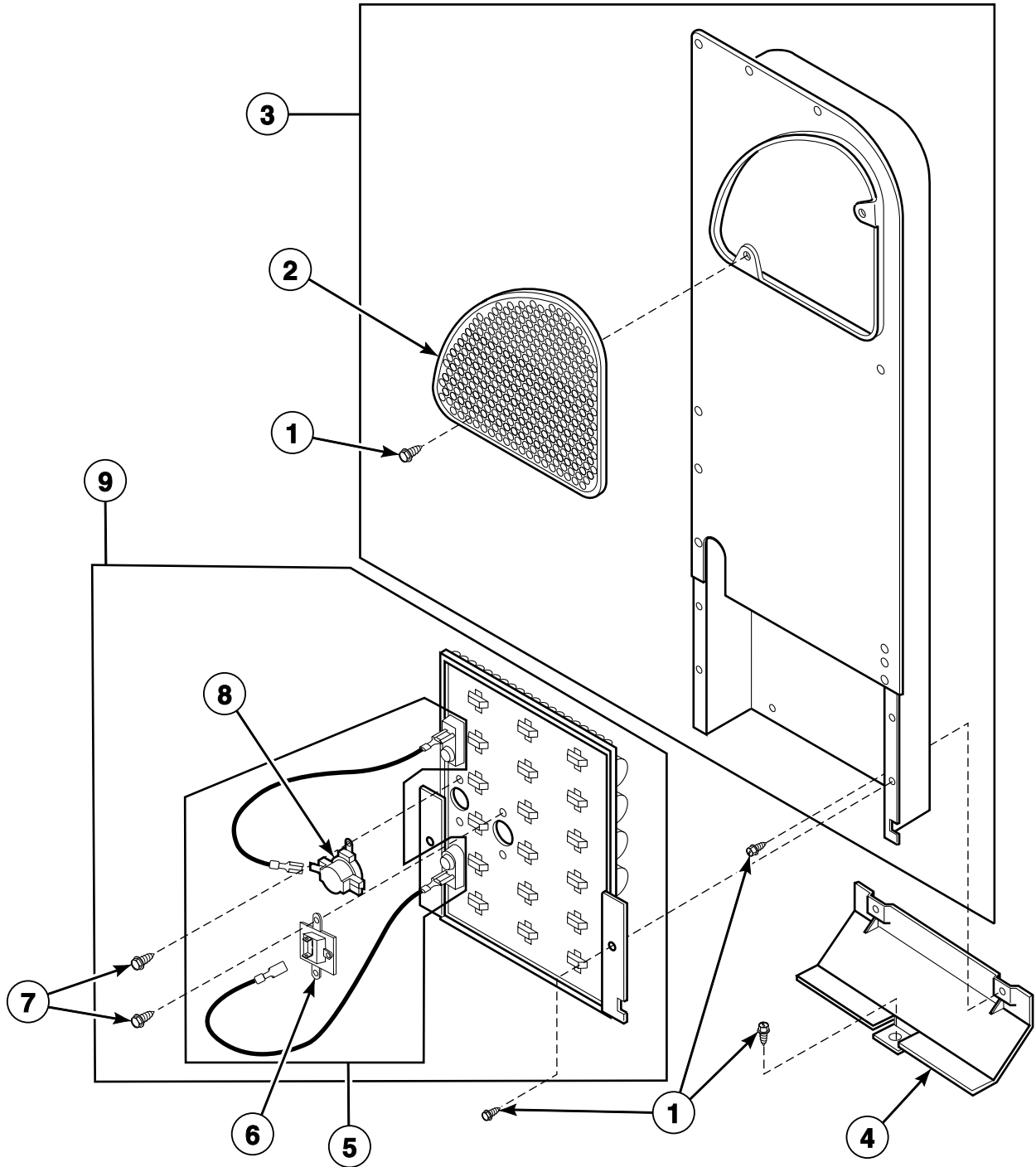
D168P\_62848

## Rear Bulkhead, Felt Seal, Cylinder Roller and Terminal Block

REF	PART NO.	DESCRIPTION	COMMENTS
	511637P	Adhesive	
1	510207P	Cylinder Seal Assembly	
2	503688	Screw	Use with painted and unpainted cylinders
	33562	Screw	Use with stainless steel cylinder
3	511082P	Rear Bulkhead Assembly	Includes cylinder seal; Models LE1007* and LG1009*
	501154	Rear Bulkhead Assembly	Includes cylinder seal; Models LE4427*, LE4607*, LE4907*, LE8327*, LE8607*, LE9207*, LEM547*, LEM847*, LG4429*, LG4609*, LG4909*, LG8329*, LG8609*, LG9209*, LGM549* and LGM849*
	510905WP	Rear Bulkhead Assembly	Includes cylinder seal; All other models
4	501285	Screw	
5	510190P	Terminal Block Assembly	Electric models; Includes 3 of item 6
6	61199	Screw	
7	20530	Screw	Use with non-stainless steel bulkhead
8	51474	Washer	
9	510100	Cylinder Roller Bracket	
10	52549	Washer	
11	23748	Retaining Ring	
12	510708P	Cylinder Roller	
13	56461P	Shaft	
14	56156	Nut	

# Heater Box Assembly (Drawing 1 of 2)

Electric Models



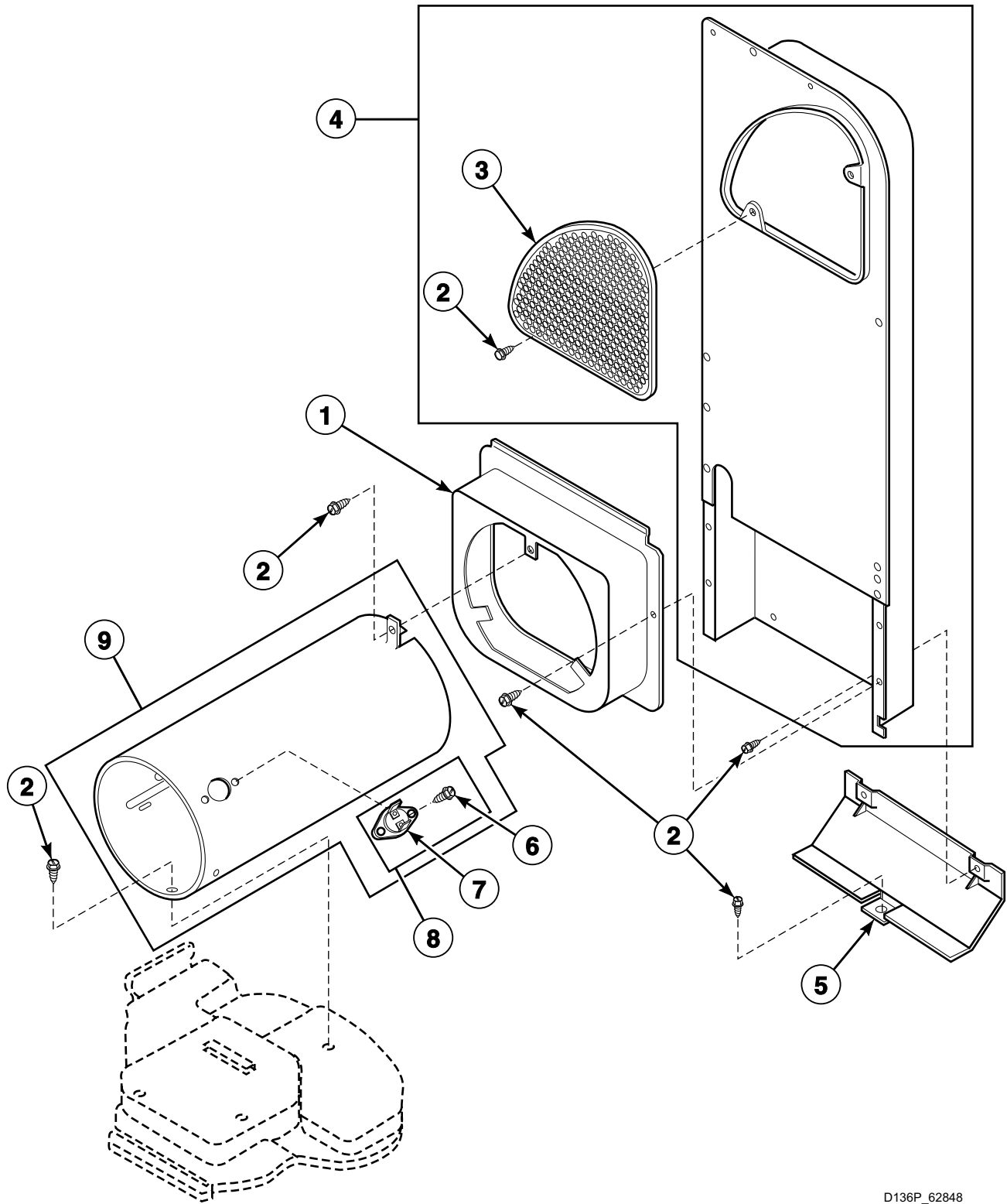
D135P\_62848

## Heater Box Assembly (Drawing 1 of 2)

REF	PART NO.	DESCRIPTION	COMMENTS
1	503688	Screw	
2	500820	Outlet Cover	Replaceable on the 500179P Heater Box Assembly only
3	510025P	Heater Duct and Screw Assembly	Includes items 1 and 2
4	60952	Heat Duct Shield	
5	490P3	Thermal Fuse Kit	Replaces thermal fuse and limit thermostat on 61927 Heater Kit Assembly, 61928 Heater Kit Assembly, 61929 Heater Kit Assembly and 61930 Heater Kit Assembly
6	511412	Thermal Fuse Assembly	
7	23222	Screw	
8	500807	Thermostat	Models CE4307*, CE8407*, CE8427*, CE8507*, CE9107* and CE9207*
	510701	Limit Thermostat	All other models
9	61928	Heater Kit Assembly	208 Volt; 4750 Watt; White
	61927	Heater Kit Assembly	240 Volt; 5000 Watt; Red

# Heater Box Assembly (Drawing 2 of 2)

Gas Models



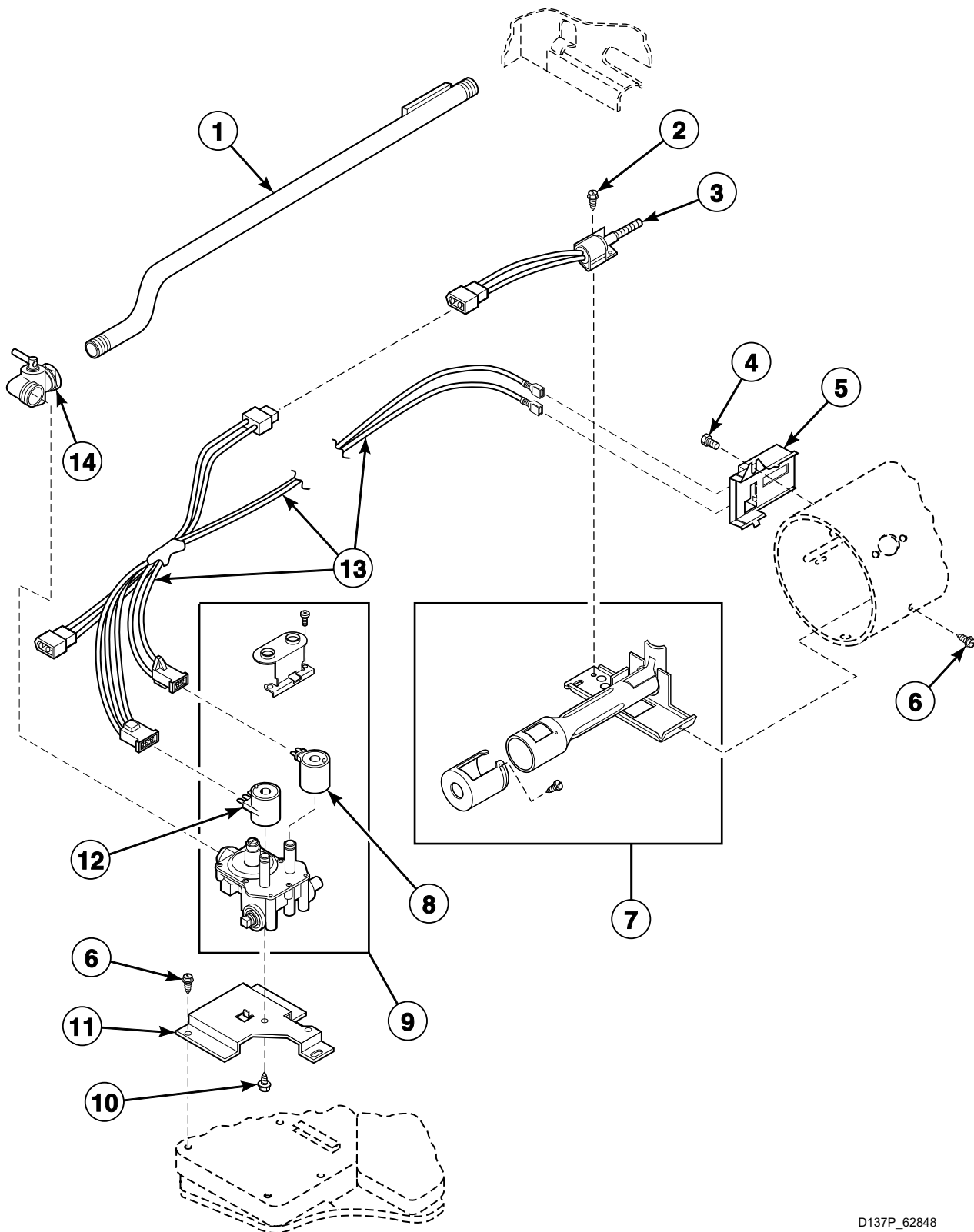
D136P\_62848

## Heater Box Assembly (Drawing 2 of 2)

REF	PART NO.	DESCRIPTION	COMMENTS
1	510101	Heat Duct Shroud	
2	503688	Screw	
3	500820	Outlet Cover	Replaceable on the 500179P Heater Box Assembly only
4	510025P	Heater Duct and Screw Assembly	Includes items 2 and 3
5	60952	Heat Duct Shield	
6	51782	Screw	
7	510702	Limit Thermostat	
8	489P3	Thermostat and Plate Kit	Replaces 56221 Thermostat and 58366 Thermostat
9	61974	Combustion Duct Assembly	Includes item 7

# Gas Valve, Igniter and Gas Conversion Kits

Gas Models



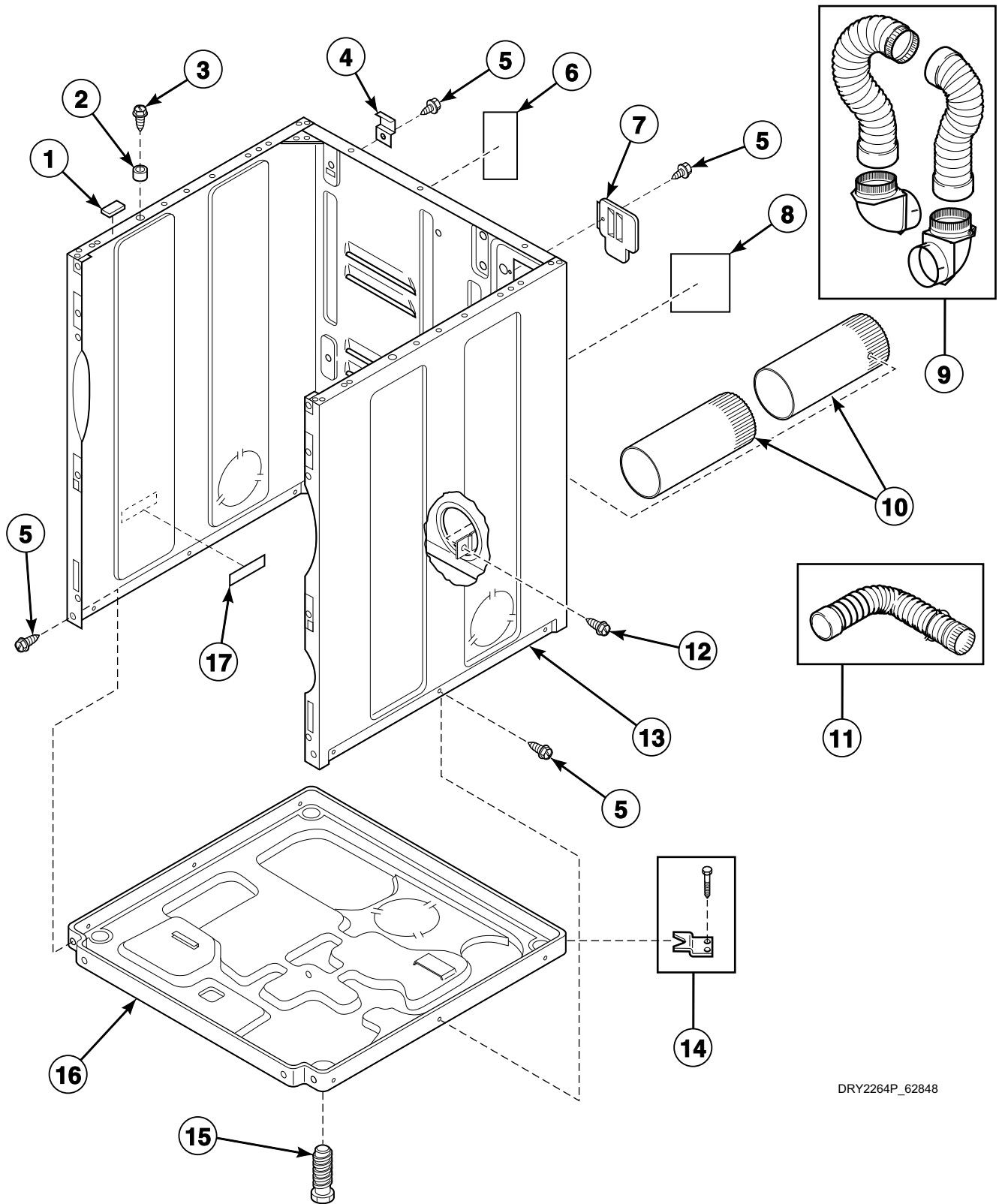
D137P\_62848



## Gas Valve, Igniter and Gas Conversion Kits

REF	PART NO.	DESCRIPTION	COMMENTS
	401P3	L.P. Conversion Kit	Used to convert dryers from Natural Gas (N.G.) or Mixed Gas to Liquid Petroleum Gas (L.P.)
	402P3	N.G. Conversion Kit	Used to convert dryers from L.P. to N.G. or Mixed Gas
<b>1</b>	510204	Lead-In Pipe Assembly	
<b>2</b>	51782	Screw	
<b>3</b>	510184P	Igniter and Bracket Assembly	
<b>4</b>	23222	Screw	
<b>5</b>	510213	Sensor	
<b>6</b>	503688	Screw	
<b>7</b>	510149P	Burner Assembly	
<b>8</b>	58804B	Secondary Coil	
<b>9</b>	58804P	Gas Valve Assembly	
<b>10</b>	56124	Screw	
<b>11</b>	510128	Gas Valve Mounting Bracket	
<b>12</b>	58804A	Booster and Holding Coil	
<b>13</b>	510530	Gas Valve Wire Harness Assembly	
<b>14</b>	510205	Elbow Shut-Off Valve	

# Cabinet, Exhaust Duct and Base



DRY2264P\_62848

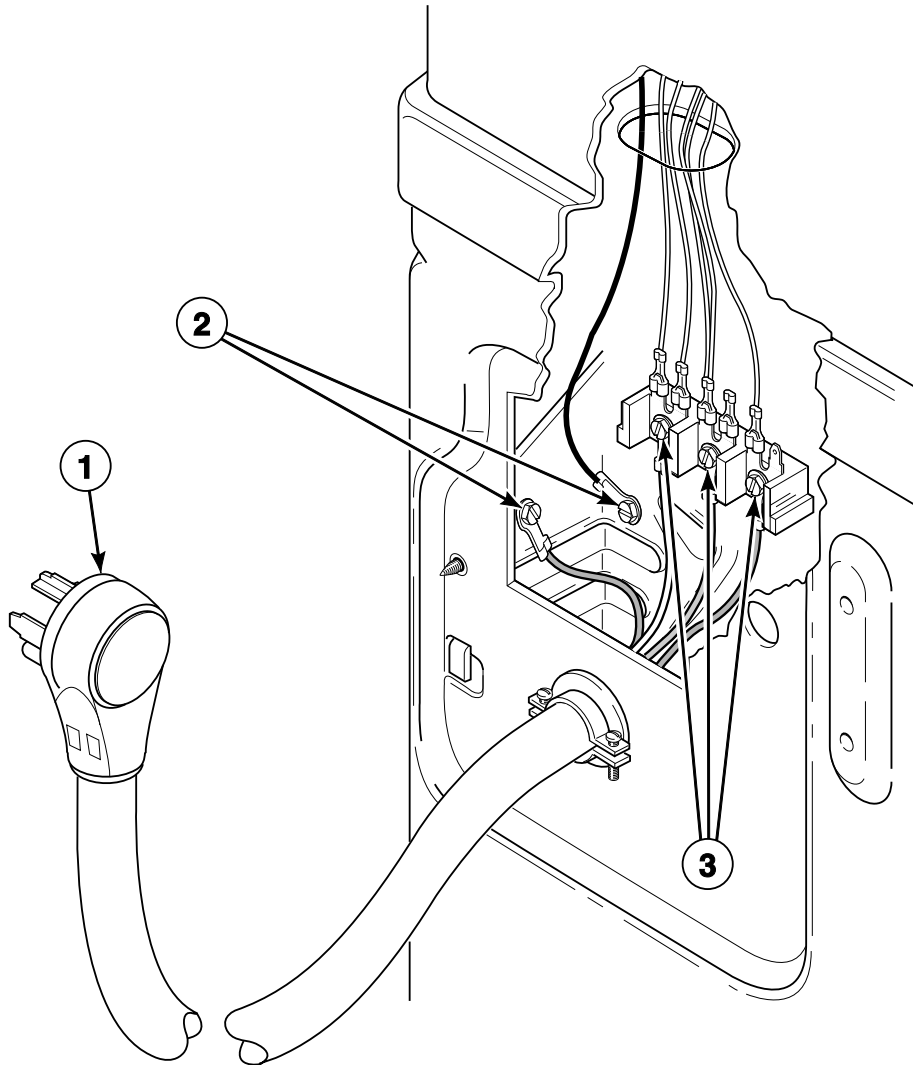
## Cabinet, Exhaust Duct and Base

REF	PART NO.	DESCRIPTION	COMMENTS
1	56128	Bumper Pad	
2	56079	Panel Locator	
3	39733	Screw	
4	510136	Top Hinge	
5	33562	Screw	
6	511004	Gas Clearance Label	Gas models
7	510903	Access Panel Plate	
8	511005	Electric Clearance Label	Electric models
9	521P3	Flexible Venting Kit	
10	510137	Exhaust Duct	
11	528P3	Directional Exhaust Kit	Used to vent dryer out the sides or bottom
12	503688	Screw	
13	500001*P	Cabinet Assembly	
14	526P3	Hold Down Kit	For mobile home installations
15	510135	Leveling Leg	
16	510084	Dryer Base	
17	61294	Fuse Notice Label	Electric models

\* Add Letter To Designate Color. L - Almond W - White

# Power Cord (Drawing 1 of 2)

Models CE4307\*, CE8407\*, CE8427\*, CE8507\*, CE9107\* and CE9207\*



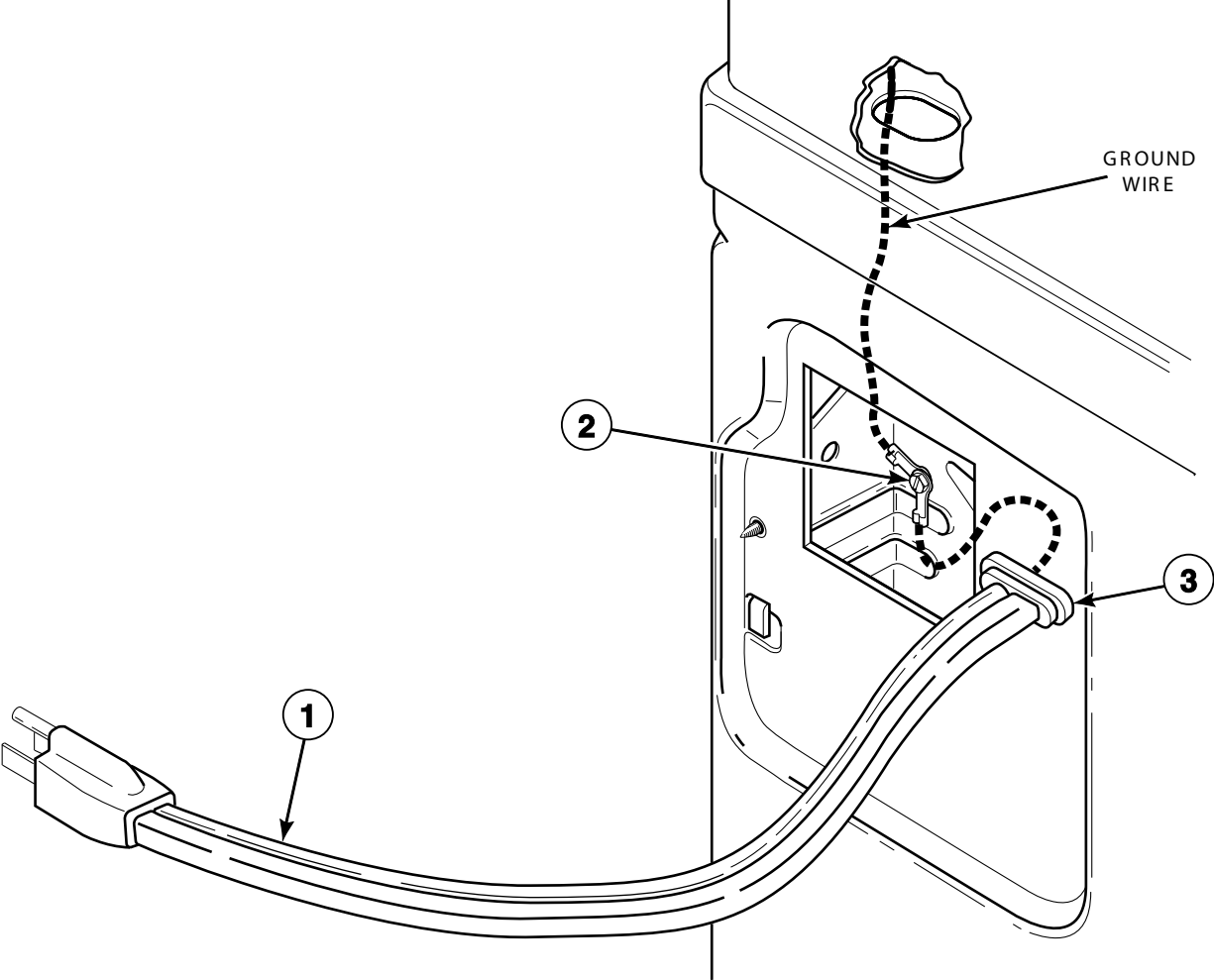
DRY2265P\_62848

## Power Cord (Drawing 1 of 2)

REF	PART NO.	DESCRIPTION	COMMENTS
1	510505P	Lead-In Cord Assembly	
2	20530	Screw	
3	61199	Screw	

# Power Cord (Drawing 2 of 2)

Gas Models

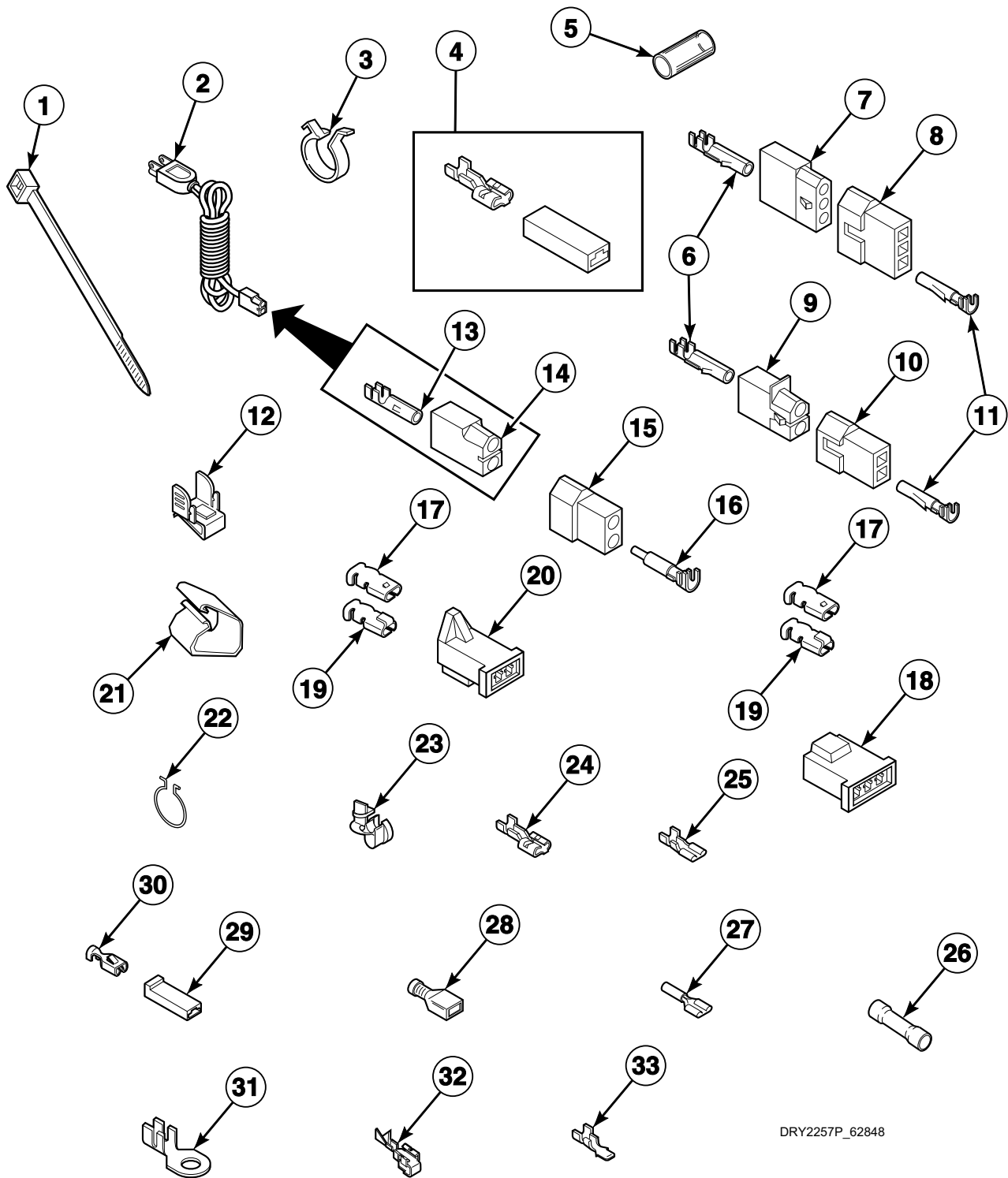


D298P\_62848

## Power Cord (Drawing 2 of 2)

REF	PART NO.	DESCRIPTION	COMMENTS
1	56222	Lead-In Cord	
2	20530	Screw	Use with painted and unpainted bulkhead
	503688	Screw	Use with stainless steel bulkhead
3	38384	Strain Relief	

# Terminals



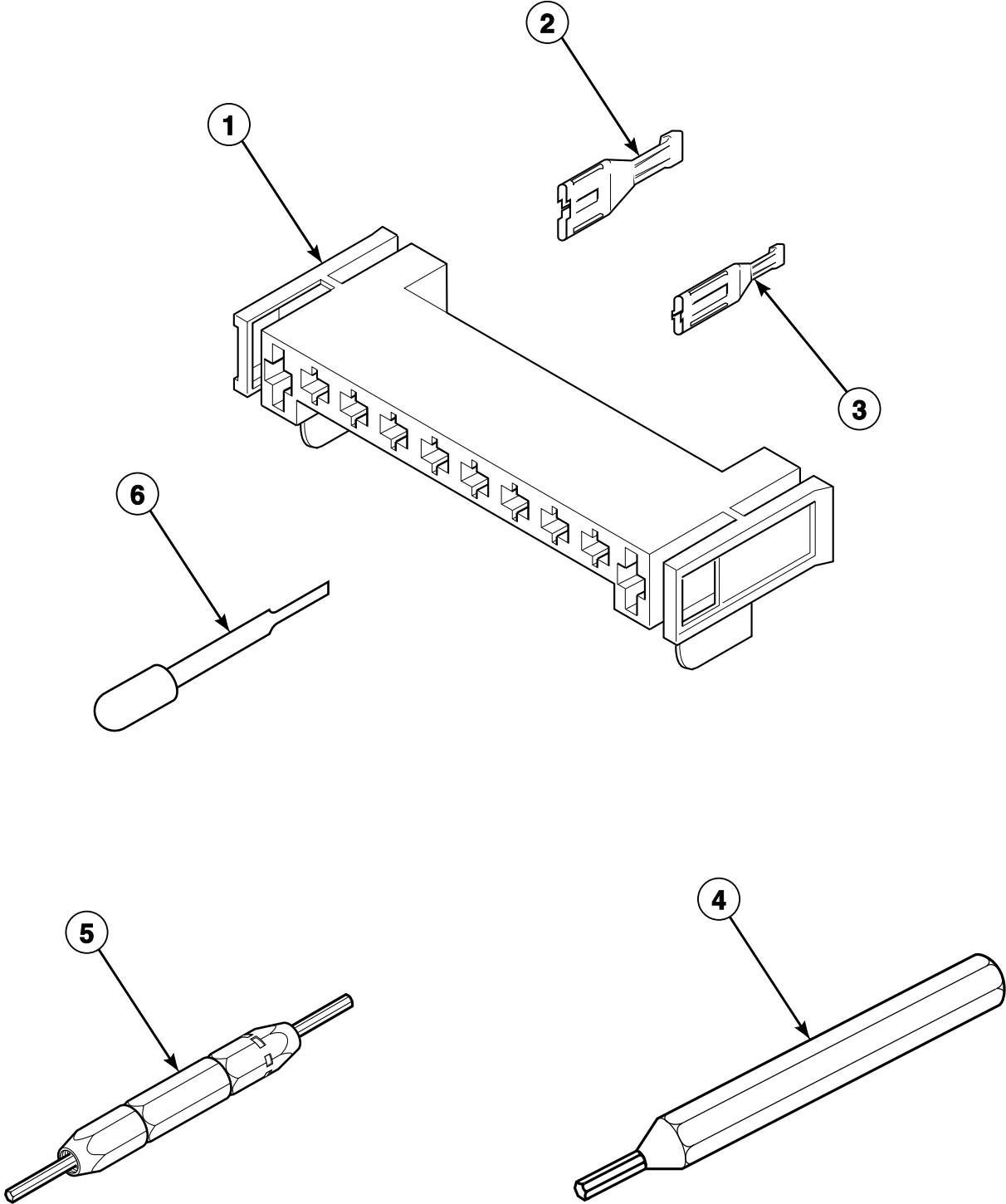
DRY2257P\_62848



# Terminals

REF	PART NO.	DESCRIPTION	COMMENTS
1	55881	Harness Strap	
2	56222	Lead-In Cord	
3	504034	Wire Clip	
4	00360	Insulated Female Spade Terminal	1/4 inch; (1) 12 gauge wire or (2) 18 gauge wires
5	503670	Insulator Sleeve	
6	00117	Female Pin Terminal	
7	23039	3 Circuit Receptacle	
8	23040	Plug	3 circuit
9	56451	2 Circuit Receptacle	
10	56448	2 Circuit Plug	
11	00116	Male Pin Terminal	
12	00161	Grounding Clip	
13	00130	Female Pin Terminal	
14	56265	2 Circuit Receptacle	
15	56266	2 Circuit Plug	
16	00127	Male Pin Terminal	
17	00189	Female Spade Terminal	
18	58800	3 Circuit Connector	
19	00361	Female Piggyback Terminal	Receptacle connector
20	58799	2 Circuit Connector	
21	35521	Harness Holder Clip	
22	51291	Wire Clip	
23	38384	Strain Relief	
24	00119	Female Spade Terminal	1/4 inch; (1) 18 gauge wire
	00121	Female Spade Terminal	1/4 inch; (2) 18 gauge wires or (1) 12 gauge wire
	00245	Spade Terminal	1/4 inch; (1) 22 gauge wire
25	00124	Female Spade Terminal	3/16 inch; (1) 18 gauge wire; 020 tab
	00156	Female Spade Terminal	3/16 inch; Thermostat wire; 032 tab
	00209	Female Spade Terminal	3/16 inch; (2) 18 gauge wires; 020 tab
26	30865	Butt Splice Connector	
27	00214	Pre-Insulated Spade Terminal	1/4 inch; 18 gauge wire
	00215	Pre-Insulated Spade Terminal	1/4 inch; 12 gauge wire
28	00359	Insulated Female Spade Terminal	1/4 inch
	00165	Insulated Female Terminal	3/16 inch
29	90789	Receptacle Housing	
30	00115	Female Spade Terminal	1/4 inch; (1) 18 gauge wire
	00122	Female Spade Terminal	1/4 inch; (2) 18 gauge wires or (1) 12 gauge wire
31	00110	Ring Terminal	No. 10; (1) 18 gauge wire
	00111	Ring Terminal	No. 10; (2) 18 gauge wires or (1) 12 gauge wire
32	00114	Female Spade Terminal	
33	00139	Male Tab Terminal	1/4 inch; (2) 18 gauge wires or (1) 12 gauge wire

# Motor Connection Block and Terminal Extractor Tools



D301P\_62848

# Motor Connection Block and Terminal Extractor Tools

REF	PART NO.	DESCRIPTION	COMMENTS
1	500338	10 Position Housing	Molex; 10 circuit
2	00255	Female Terminal	1/4 inch; (1) 12 gauge wire
	00256	Female Terminal	1/4 inch; (1) or (2) 18 gauge wires
3	00188	Female Terminal	1 or 2 wire application
4	128P4	Extractor Tool	For use on gas dryer terminals
5	190P4	Extractor Tool	For use on electric dryer terminals
6	283P4	Terminal Extractor Tool	



# Parts Index

## A

Access Panel 510069*P .....	19
Access Panel Plate 510903 .....	33
Adhesive 511637P .....	23, 25
Air Duct 500241 .....	23

## B

Blower and Fan Kit 510717P .....	21
Blower Fan Assembly 510139P .....	21
Blower Housing and Cover Kit 511969P .....	21
Blower Housing Seal 500313 .....	21
Booster and Holding Coil 58804A .....	31
Bracket 510146 .....	15
Bumper Pad 56128 .....	33
Burner Assembly 510149P .....	31
Butt Splice Connector 30865 .....	39

## C

Cabinet Assembly 500001*P .....	33
Circuit Board Support 501523 .....	9
Combustion Duct Assembly 61974 .....	29
Connector, 2 Circuit 58799 .....	39
Connector, 3 Circuit 58800 .....	39
Control Mounting Plate 500300 .....	5, 7, 9, 11
500301 .....	13
Cylinder Assembly 500013WP .....	23
500095P .....	23
500735P .....	23
Cylinder Baffle 510102 .....	23
Cylinder Belt 511255P .....	21
Cylinder Glide 501553 .....	23

510188 .....	23
Cylinder Glide Bracket 510145 .....	23
Cylinder Light Housing 500153 .....	23
Cylinder Roller 510708P .....	25
Cylinder Roller Bracket 510100 .....	25
Cylinder Seal Assembly 510207P .....	23, 25

## D

Diffuser 500305 .....	5, 7, 9
500308 .....	11, 13
Directional Exhaust Kit 528P3 .....	33
Disconnect Power Warning Label 505281 .....	5, 9, 11, 13, 15
Door Assembly 500035* .....	17
Door Catch Assembly 510177 .....	19
Door Hinge 510519 .....	17
Door Hinge Mounting Clip 500236 .....	17
Door Pull 500042* .....	17
Door Seal 500200P .....	17
Door Strike 510181 .....	17
Door Strike Mount 510127 .....	17
Drum Light Lamp 60954 .....	23
Drum Light Lens 500094 .....	23
Dryer Base 510084 .....	33
Dryer Door 500040* .....	17
Drying Rack 501295P .....	17

## E

Elbow Shut-Off Valve 510205 .....	31
Electric Clearance Label 511005 .....	33
Electronic Control Assembly 500540W .....	13
501273 .....	13

N/A items do not appear in index.

Electronic Control Board Assembly 501266P .....	9
End Panel	
34815 .....	5, 7, 9, 13
34816 .....	5, 7, 9, 13
504008WP .....	7, 9, 11, 13
504009WP .....	7, 9, 11, 13
Exhaust Duct 510137 .....	33
Extractor Tool	
128P4 .....	41
190P4 .....	41

## F

Fabric Selector Switch 61511 .....	7
Felt Pad 510189 .....	23
Female Piggyback Terminal 00361 .....	39
Female Pin Terminal 00117 .....	39
00130 .....	39
Female Spade Terminal	
00114 .....	39
00115 .....	39
00119 .....	39
00121 .....	39
00122 .....	39
00124 .....	39
00156 .....	39
00189 .....	39
00209 .....	39
Female Terminal	
00188 .....	41
00255 .....	41
00256 .....	41
Flexible Venting Kit 521P3 .....	33
Fluorescent Bulb 34837 .....	11
Fluorescent Light Assembly 34836 .....	11, 13
Fluorescent Starter 34841 .....	11
Front Bulkhead Assembly	
500016W .....	23
500091P .....	23
500117W .....	23
501243W .....	23
501556WP .....	23
5015701WP .....	23
Front Panel 500033* .....	19
Front Panel Seal 500034 .....	19
Fuse Notice Label 61294 .....	33

## G

Gas Clearance Label 511004 .....	19, 33
Gas Valve Assembly 58804P .....	31
Gas Valve Mounting Bracket 510128 .....	31
Gas Valve Wire Harness Assembly 510530 .....	31
Gasket 500528 .....	13
Graphic Panel	
500529* .....	13
500531 .....	7
500757 .....	13
500784 .....	7
501261 .....	9
501287W .....	9
501386 .....	7
501402 .....	9
501419W .....	11
501459 .....	9
501548 .....	5
501564W .....	7
501895 .....	9
501900 .....	9
501980W .....	7
501990W .....	7
Grounding Clip 00161 .....	39

## H

Harness Holder Clip 35521 .....	39
Harness Strap 55881 .....	39
Heat Duct Shield 60952 .....	27, 29
Heat Duct Shroud 510101 .....	29
Heater Duct and Screw Assembly 510025P .....	27, 29
Heater Kit Assembly	
61927 .....	27
61928 .....	27
Hold Down Kit 526P3 .....	33
Hold-Down Spring Clip 503876 .....	15
Hood Back Panel 510099 .....	15
Housing, 10 Position 500338 .....	41

## I

Idler Lever 510133 .....	21
-----------------------------	----

Idler Lever and Wheel Assembly 510158 .....	21
Idler Spring 510185 .....	21
Idler Wheel and Bearing Assembly 510142P .....	21
Igniter and Bracket Assembly 510184P .....	31
Insert Clip 501242 .....	15
Insulated Female Spade Terminal 00359 .....	39
00360 .....	39
Insulated Female Terminal 00165 .....	39
Insulator Sleeve 503670 .....	39

---

## K

Knob Assembly 34847 .....	7, 9
------------------------------	------

---

## L

Lead-In Cord 56222 .....	37, 39
Lead-In Cord Assembly 510505P .....	35
Lead-In Pipe Assembly 510204 .....	31
Leveling Leg 510135 .....	33
Limit Thermostat 510701 .....	27
510702 .....	29
Liner and Seal Assembly 500199P .....	17
Lint Filter 502140P .....	23
Lint Filter Cover 502092 .....	23
L.P. Conversion Kit 401P3 .....	31

---

## M

Male Pin Terminal 00116 .....	39
00127 .....	39
Male Tab Terminal 00139 .....	39
Moisture Sensor 501247 .....	23
Moisture Sensor Mounting 501246 .....	23
Motor Adapter Harness Kit 559P3 .....	21
560P3 .....	21

Motor and Pulley Assembly 511629P .....	21
Motor Locking Mount 58044A .....	21
Motor Mount 510060 .....	21
Motor Mount Clamp 510180 .....	21
Motor Pulley 500011 .....	21
Motor Switch 501218 .....	21

---

## N

Notice Seal Sticker 56259 .....	23
Nut 52566 .....	21
56156 .....	21, 25
57584 .....	7
N.G. Conversion Kit 402P3 .....	31

---

## O

Outlet Cover 500820 .....	27, 29
------------------------------	--------

---

## P

Panel Locator 56079 .....	19, 33
Plug 23040 .....	39
Plug, 2 Circuit 56266 .....	39
56448 .....	39
Pre-Insulated Spade Terminal 00214 .....	39
00215 .....	39

---

## R

Rear Bulkhead Assembly 501154 .....	25
510905WP .....	25
511082P .....	25
Receptacle Housing 90789 .....	39
Receptacle, 2 Circuit 56265 .....	39
56451 .....	39
Receptacle, 3 Circuit 23039 .....	39
Retaining Ring 23748 .....	21, 25
Ring Terminal 00110 .....	39

N/A items do not appear in index.

00111 .....	39
Rocker Switch	
35036 .....	11
35037 .....	13
35038 .....	13
Rotary Knob Assembly	
35330W .....	7, 9, 11
Rotary Signal	
500823 .....	7, 9, 11

---

## S

Screw	
20530 .....	15, 21, 25, 35, 37
23222 .....	21, 27, 31
31260 .....	21
31645 .....	21, 23
32562 .....	19
33562 .....	15, 21, 25, 33
39733 .....	19, 33
500226 .....	17, 23
500227 .....	19
500297 .....	17
500824 .....	21
501086 .....	5, 7, 9, 11, 13, 15, 21
501285 .....	25
503688 .....	23, 25, 27, 29, 31, 33, 37
505870 .....	23
51782 .....	29, 31
56124 .....	31
61199 .....	25, 35
62588 .....	23
Secondary Coil	
58804B .....	31
Selector Switch	
62173 .....	9, 11
Sensor	
510213 .....	31
Shaft	
56461P .....	21, 25
Spade Terminal	
00245 .....	39
Speed Clip	
28835 .....	19
Strain Relief	
38384 .....	37, 39
Switch	
512973 .....	19
Switch Mount Bracket	
59704 .....	7

---

## T

Terminal Block Assembly	
510190P .....	25
Terminal Extractor Tool	
283P4 .....	41
Thermal Fuse Assembly	
511412 .....	27
Thermal Fuse Kit	
490P3 .....	27
Thermistor Assembly	
510523 .....	21

N/A items do not appear in index.

Thermostat	
500807 .....	27
56410 .....	21
61372 .....	21
Thermostat and Plate Kit	
489P3 .....	29
Thermostat Heater	
61401 .....	21
Timer	
501861 .....	9
502967P .....	7, 9, 11
502968P .....	9
59419 .....	7
59420P .....	5
Timer Knob Assembly	
500311 .....	7, 9
500775W .....	7, 9, 11
62176 .....	5
Top Cover	
500302 .....	5, 7, 9, 13
500303W .....	7, 9, 11, 13
Top Hinge	
510136 .....	33
Top Panel Kit	
510029WP .....	15

---

## W

Warning Label	
500049 .....	23
500314 .....	15, 23
Warning/Caution Label	
500281 .....	19
Washer	
51474 .....	25
52549 .....	21, 25
Wire Clip	
504034 .....	39
51291 .....	39