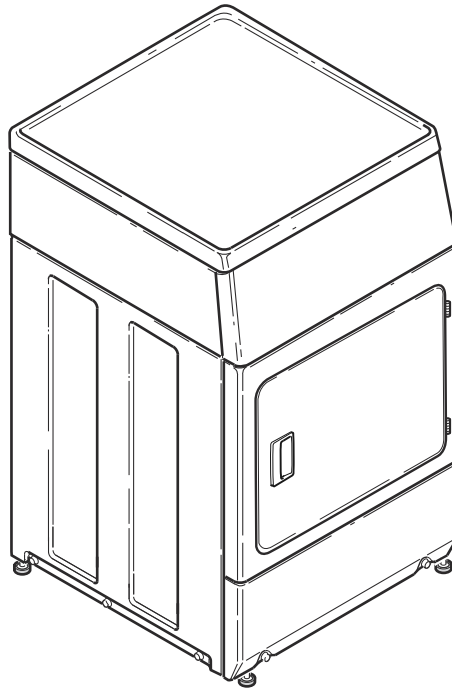


Commercial Dryers

Metered and Nonmetered
Refer to Page 3 for Model Numbers



DRY721C_515202

Table of Contents

Title	Page
Parts Ordering Information.....	2
Serial Plate Location	2
Model Identification	3
Control Panel and Controls - Coin Drop and Card Models	4
Control Cabinet Controls - Coin Drop Models.....	6
Non-Electronic Coin Drop	8
Electronic Coin Drop	10
Integrated Card Reader Installed and Ready Models.....	12
Cabinet Top	14
Loading Door without Window	16
Loading Door with Window	18
Access Panel, Front Panel and Seal	20
Motor, Exhaust Fan and Belt	22
Front Bulkhead, Air Duct and Felt Seal.....	24
Cylinder Assembly without Light	26
Front Bulkhead, Air Duct, Felt Seal and Cylinder with Light	28
Rear Bulkhead, Felt Seal, Cylinder Roller and Terminal Block.....	30
Heater Duct and Element Assembly - Electric Model Dryers.....	32
Heater Duct Assembly - Gas Model Dryers	34
Gas Valve, Igniter and Gas Conversion Kits.....	36
Burner Orifice Spuds - For Higher Elevations	38
Cabinet, Exhaust Duct and Base	40
Power Cord	42
Terminal Block and Terminals (Drawing 1 of 2).....	44
Terminal Block and Terminals (Drawing 2 of 2).....	46
Terminals and Terminal Extractor Tools	48
Wire Harnesses and Wires	50
Parts Index.....	53

© Copyright 2015, Alliance Laundry Systems LLC

All rights reserved. No part of the contents of this book may be reproduced or transmitted in any form or by any means without the expressed written consent of the publisher.

Parts Ordering Information

If literature or replacement parts are required, contact the source from whom the machine was purchased or contact Alliance Laundry Systems at (920) 748-3950 for the name and address of the nearest authorized parts distributor.

For technical assistance, call either of the numbers listed below:

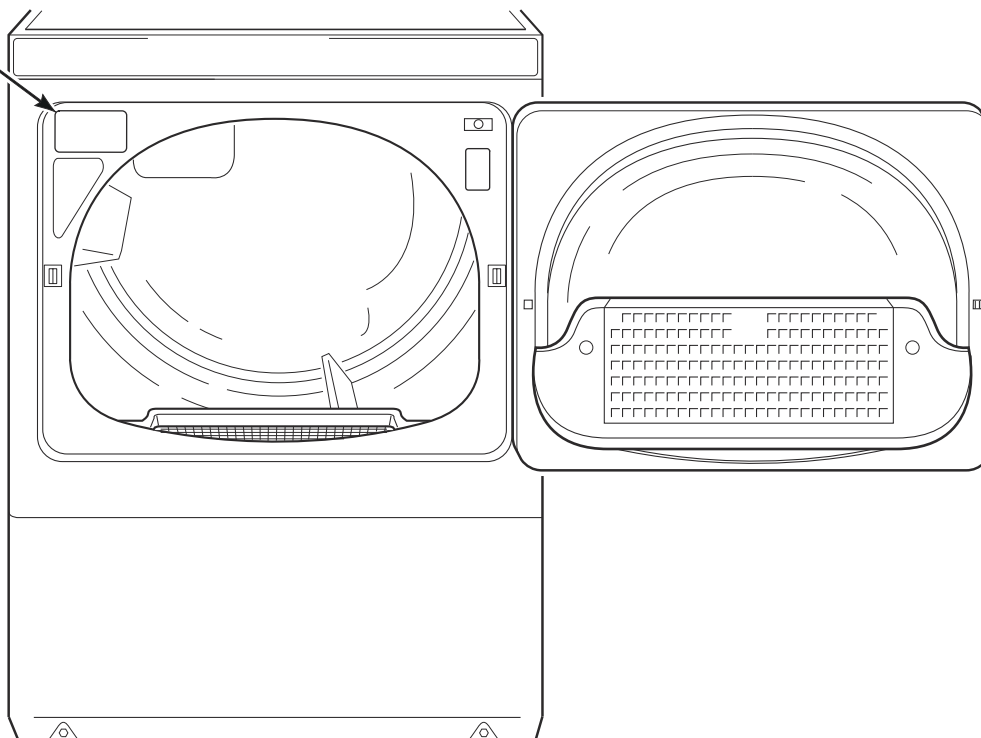
(920) 748-3121 Ripon, Wisconsin

+32 56 41 20 54 Wevelgem, Belgium

Serial Plate Location

When calling or writing about your product, be sure to mention model and serial numbers. Model and serial numbers are located on serial plate(s) as shown.

Serial Plate



DRY2283P_515202

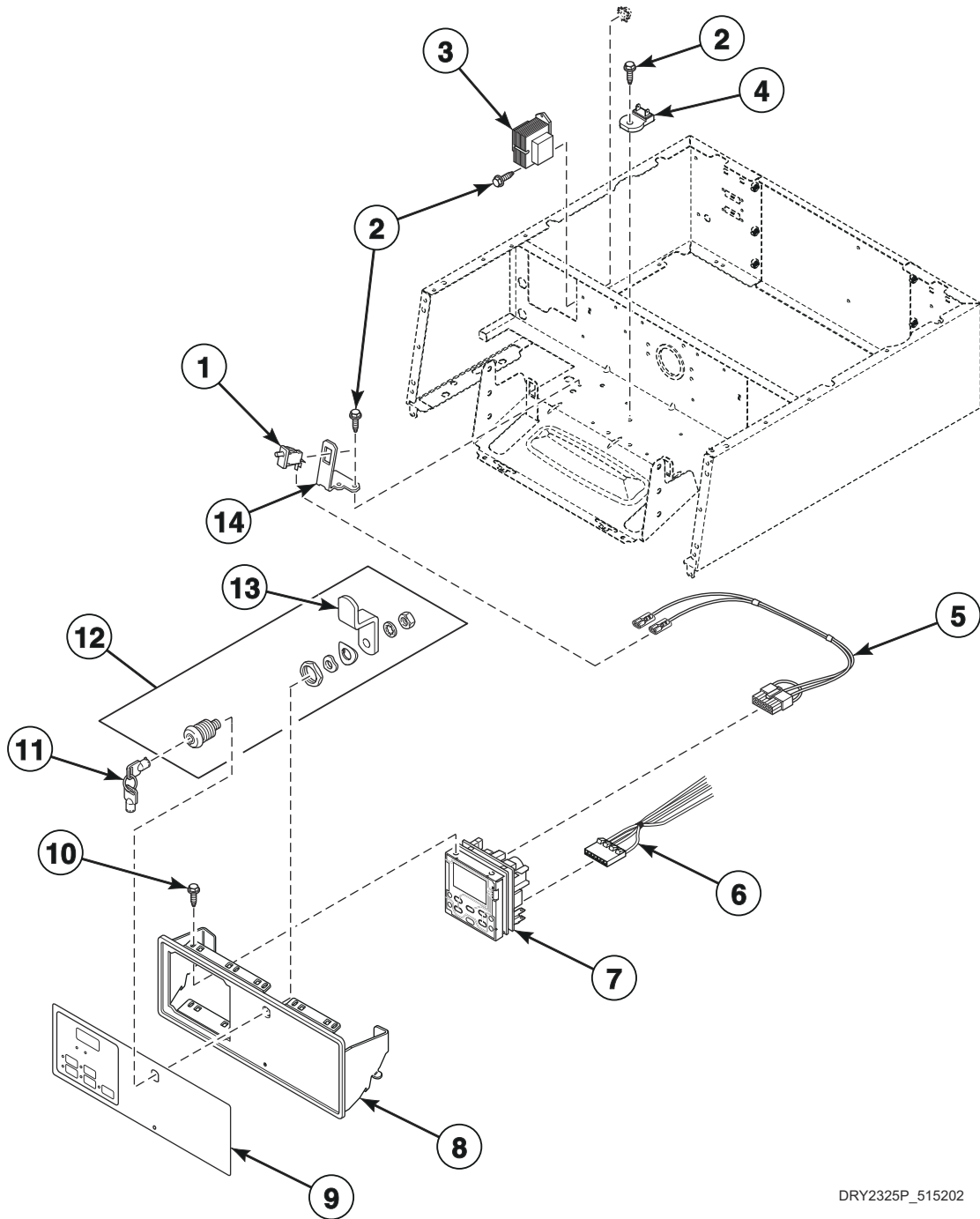
Model Identification

Information in this manual is applicable to these dryer models:

BDEBCAGS171TN01
BDEBCAGS171TW01
BDEBXAGS171TW01
BDGBCAGS111TN01
BDGBCAGS111TW01
BDGBXAGS111TW01
HDEBCAGS171TW01
HDGBCAGS111TW01
KDEBCASW171TN01
KDEBGASW171TN01
KDGBCASW111TN01
KDGBGASW111TN01

SDEBCAGS171TQ01
SDEBCAGS171TW01
SDEBXAGS171TW01
SDEBYAGS171TW01
SDGBCAGS111TQ01
SDGBCAGS111TW01
SDGBXAGS111TW01
SDGBYAGS111TW01

Control Panel and Controls - Coin Drop and Card Models



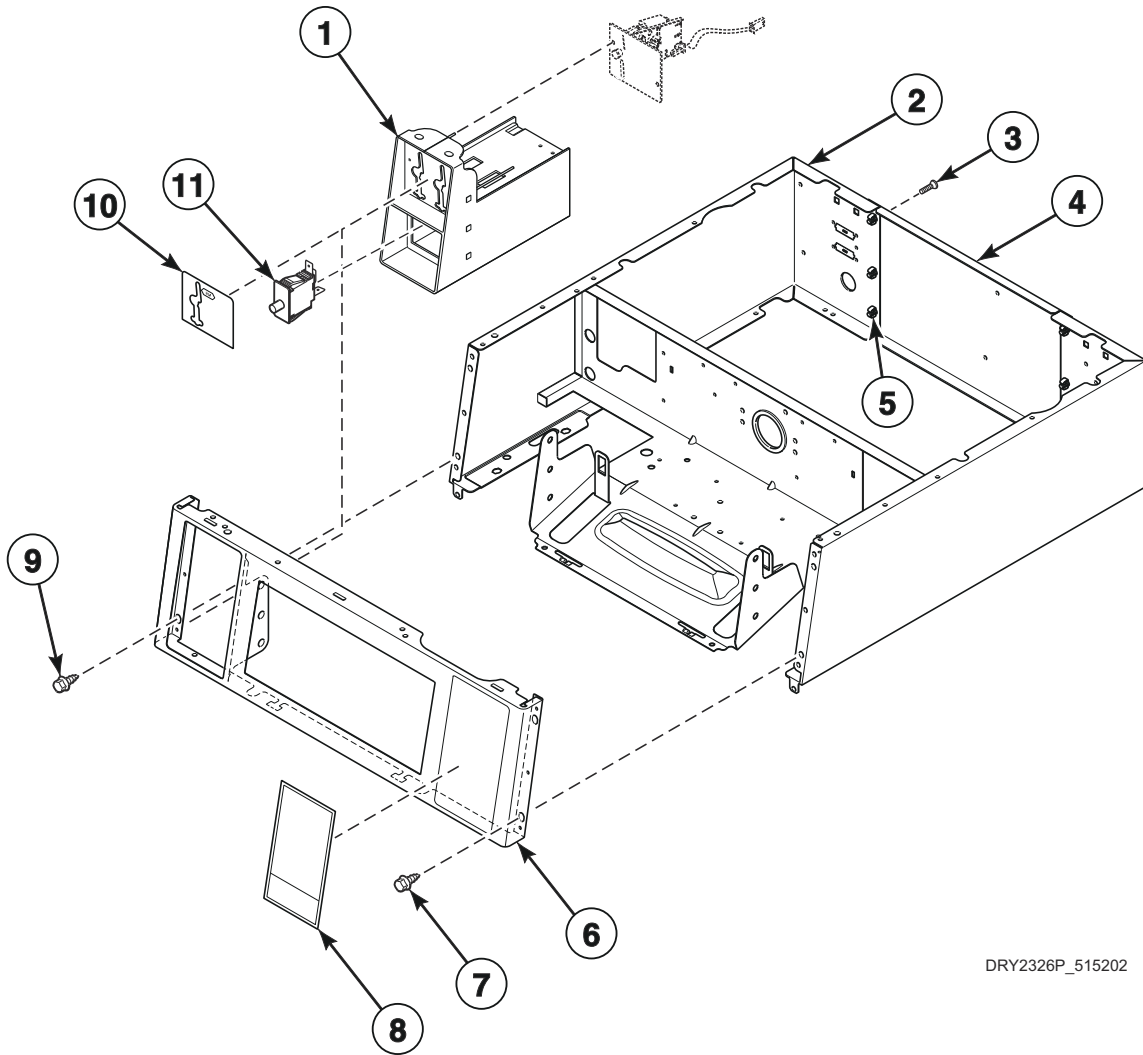
DRY2325P_515202

Control Panel and Controls - Coin Drop and Card Models

REF	PART NO.	DESCRIPTION	COMMENTS
1	512973	Switch	
2	503688	Screw	
3	201375P	Transformer	Some models may have jumper wire attached to transformer. Discard jumper wire when replacing transformer; Models BDEBXAGS171TW01, BDGBXAGS111TW01, KDEBGASW171TN01, KDGBGASW111TN01, SDEBXAGS171TW01, SDEBYAGS171TW01, SDGBXAGS111TW01 and SDGBYAGS111TW01
	210018P	Transformer	All other models
4	210100	Resistor	
5	800374	Diagnostic Wire Harness Assembly	Models KDEBGASW171TN01, KDGBGASW111TN01, SDEBYAGS171TW01 and SDGBYAGS111TW01
6	511478	Central Pay Harness	From MDC control to customer supplied pay unit
7	514273	Control Assembly	Models BDEBCAGS171TN01, BDEBCAGS171TW01, BDEBXAGS171TW01, BDGBCAGS111TN01, BDGBCAGS111TW01 and BDGBXAGS111TW01
	511867P	Control Assembly	All other models
8	513777G	Control Panel Assembly	Gray; Models KDEBGASW171TN01 and KDGBGASW111TN01
	515215	Control Panel Assembly	Gray; Models KDEBCASW171TN01 and KDGBCASW111TN01
	513777Q	Control Panel and Bracket Assembly	Bisque; Models SDEBCAGS171TQ01 and SDGBCAGS111TQ01
	513777W	Control Panel and Bracket Assembly	White; Models BDEBCAGS171TW01, BDEBXAGS171TW01, BDGBCAGS111TW01, BDGBXAGS111TW01, HDEBCAGS171TW01, HDGBCAGS111TW01, SDEBCAGS171TW01, SDEBXAGS171TW01, SDEBYAGS171TW01, SDGBCAGS111TW01, SDGBXAGS111TW01 and SDGBYAGS111TW01
	513777B	Control Panel and Bracket Assembly	Black; Models BDEBCAGS171TN01 and BDGBCAGS111TN01
9	514637	Graphic Overlay	Models SDEBCAGS171TQ01, SDEBCAGS171TW01, SDEBXAGS171TW01, SDEBYAGS171TW01, SDGBCAGS111TQ01, SDGBCAGS111TW01, SDGBXAGS111TW01 and SDGBYAGS111TW01
	514645	Graphic Overlay	Models KDEBCASW171TN01, KDEBGASW171TN01, KDGBCASW111TN01 and KDGBGASW111TN01
	514641	Graphic Overlay	Models BDEBCAGS171TN01, BDEBCAGS171TW01, BDEBXAGS171TW01, BDGBCAGS111TN01, BDGBCAGS111TW01 and BDGBXAGS111TW01
	514640	Graphic Overlay	Models HDEBCAGS171TW01 and HDGBCAGS111TW01
10	501524	Screw	
11	54612	Key	800
12	27260P	Lock Kit	Includes item 13
13	804338	Lock Cam	
14	800379	Audit Switch Bracket	

Control Cabinet Controls - Coin Drop Models

Coin Models



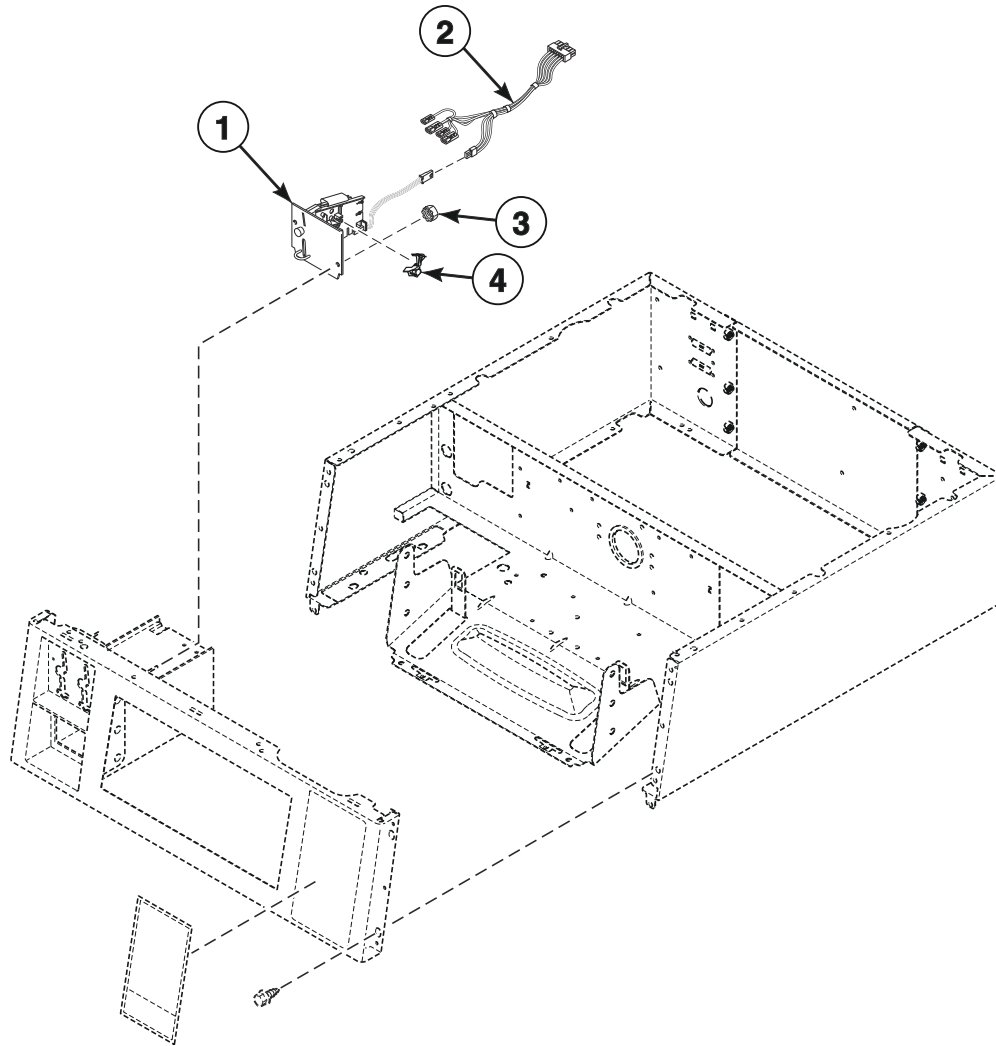
DRY2326P_515202

Control Cabinet Controls - Coin Drop Models

REF	PART NO.	DESCRIPTION	COMMENTS
	44087201	Nut	Use with item 9; 2 required; Models BDEBCAGS171TN01, BDEBCAGS171TW01, BDGBCAGS111TN01, BDGBCAGS111TW01, HDEBCAGS171TW01, HDGBCAGS111TW01, SDEBCAGS171TQ01, SDEBCAGS171TW01, SDGBCAGS111TQ01 and SDGBCAGS111TW01
1	515219	Meter Case Assembly	Gray; Models KDEBCASW171TN01 and KDGBCASW111TN01
	804009W	Meter Case Assembly	White; Models BDEBCAGS171TW01, BDEBXAGS171TW01, BDGBCAGS111TW01, BDGBXAGS111TW01, HDEBCAGS171TW01, HDGBCAGS111TW01, SDEBCAGS171TW01, SDEBXAGS171TW01, SDGBCAGS111TW01 and SDGBXAGS111TW01
	804009Q	Meter Case Assembly	Bisque; Models SDEBCAGS171TQ01 and SDGBCAGS111TQ01
	804009B	Meter Case Assembly	Black; Models BDEBCAGS171TN01 and BDGBCAGS111TN01
2	515216	Security Wrapper Assembly	Gray; Models KDEBCASW171TN01 and KDGBCASW111TN01
	804104W	Wrapper Assembly	White; Models BDEBCAGS171TW01, BDEBXAGS171TW01, BDGBCAGS111TW01, BDGBXAGS111TW01, HDEBCAGS171TW01, HDGBCAGS111TW01, SDEBCAGS171TW01, SDEBXAGS171TW01, SDGBCAGS111TW01 and SDGBXAGS111TW01
	804104Q	Security Wrapper Assembly	Bisque; Models SDEBCAGS171TQ01 and SDGBCAGS111TQ01
	804104B	Wrapper Assembly	Black; Models BDEBCAGS171TN01 and BDGBCAGS111TN01
3	70240301	Screw	6 required
4	803998	Rear Access Panel	
5	70030501	Expansion Clip	6 required
6	515218	Control Panel	Gray; Models KDEBCASW171TN01 and KDGBCASW111TN01
	803962WP	Control Panel	White; Models BDEBCAGS171TW01, BDEBXAGS171TW01, BDGBCAGS111TW01, BDGBXAGS111TW01, HDEBCAGS171TW01, HDGBCAGS111TW01, SDEBCAGS171TW01, SDEBXAGS171TW01, SDGBCAGS111TW01 and SDGBXAGS111TW01
	803962Q	Control Panel	Bisque; Models SDEBCAGS171TQ01 and SDGBCAGS111TQ01
	803962BP	Control Panel	Black; Models BDEBCAGS171TN01 and BDGBCAGS111TN01
7	M405188	Screw	Models BDEBCAGS171TN01, BDGBCAGS111TN01, KDEBCASW171TN01 and KDGBCASW111TN01
	503688	Screw	All other models
8	515213	Operating Instruction Label	Models KDEBCASW171TN01 and KDGBCASW111TN01
	514393	Operating Instructions Label	All other models
9	29651	Bolt	2 required; Models BDEBCAGS171TN01, BDEBCAGS171TW01, BDGBCAGS111TN01, BDGBCAGS111TW01, HDEBCAGS171TW01, HDGBCAGS111TW01, SDEBCAGS171TQ01, SDEBCAGS171TW01, SDGBCAGS111TQ01 and SDGBCAGS111TW01
10	38717	Single Overlay	Models BDEBCAGS171TN01, BDEBCAGS171TW01, BDGBCAGS111TN01, BDGBCAGS111TW01, HDEBCAGS171TW01, HDGBCAGS111TW01, SDEBCAGS171TQ01, SDEBCAGS171TW01, SDGBCAGS111TQ01 and SDGBCAGS111TW01
	512821	Single Overlay	Models KDEBCASW171TN01 and KDGBCASW111TN01
11	512973	Switch	

Non-Electronic Coin Drop

Coin Models



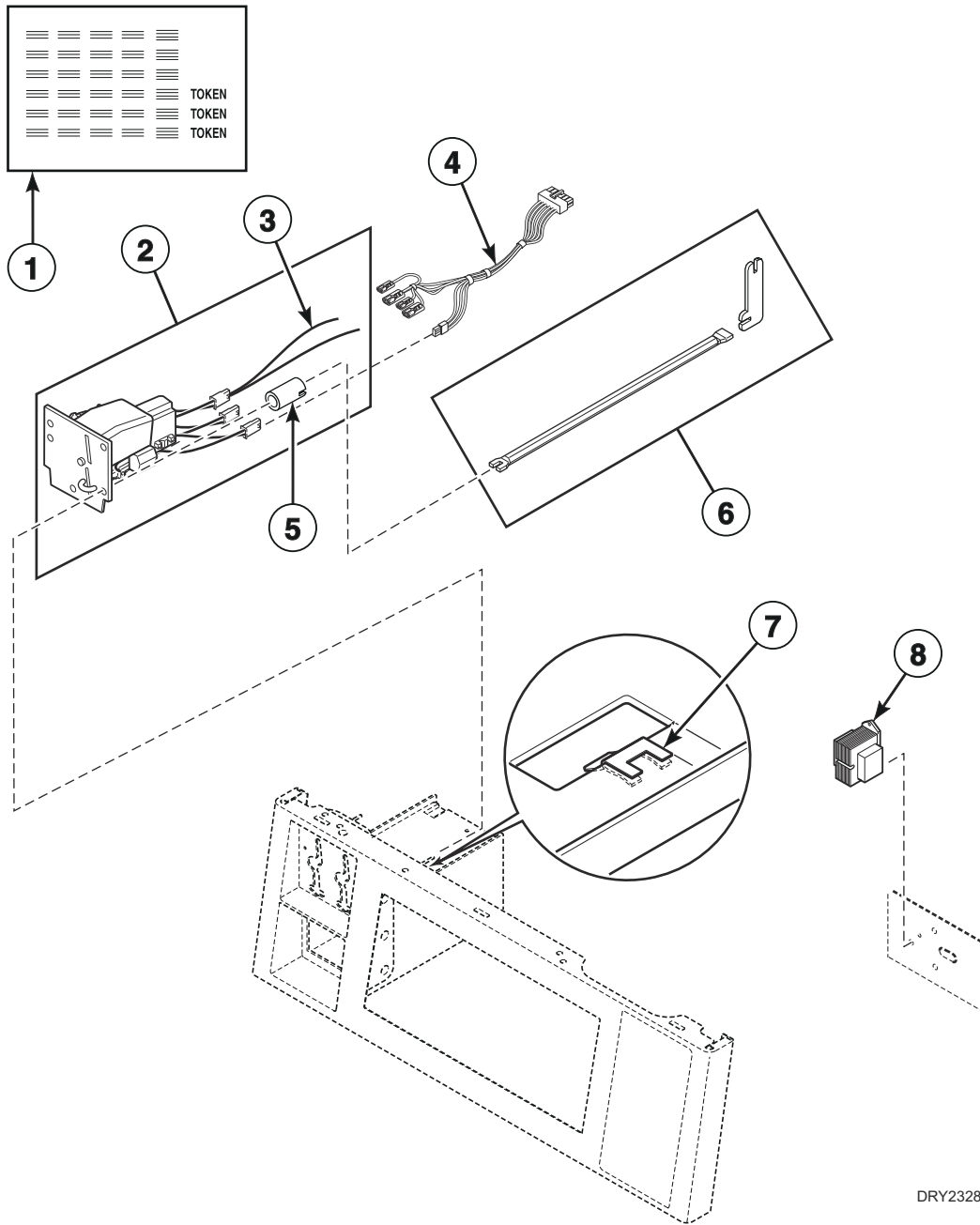
DRY2327P_515202

Non-Electronic Coin Drop

REF	PART NO.	DESCRIPTION	COMMENTS
1	38462P	Coin Drop Assembly	Token; 118-1 mzp; .880 diameter x .079 thick; Brass
	38463	Coin Drop Assembly	Token; 118-5 mzp; .990 diameter x .081 thick; Silver
	70441601P	Coin Drop	U.S.; \$.25
	38963P	Coin Drop	Token; 118-16 not available; Replacement for 38963P Coin Drop only
2	802904P	Harness Assembly	Models BDEBCAGS171TN01, BDEBCAGS171TW01, BDGBCAGS111TN01, BDGBCAGS111TW01, HDEBCAGS171TW01, HDGBCAGS111TW01, KDEBCASW171TN01, KDGBCASW111TN01, SDEBCAGS171TQ01, SDEBCAGS171TW01, SDGBCAGS111TQ01 and SDGBCAGS111TW01
	802905	Harness Assembly	All other models
3	29786	Nut	
4	201595P	Wire Guard	Anti-stringing security device; Add to coin drops

Electronic Coin Drop

Coin Models



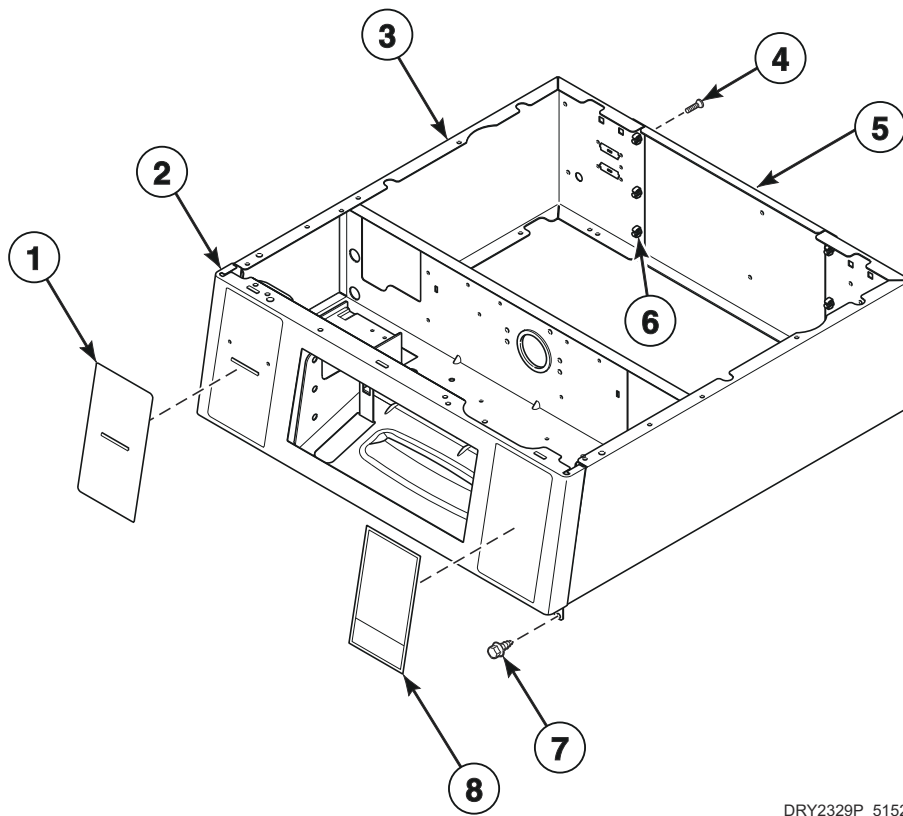
DRY2328P_515202

Electronic Coin Drop

REF	PART NO.	DESCRIPTION	COMMENTS
1	38725	Coin Identification Paper	
2	CK115	Electronic Coin Drop Kit	Includes items 1, 3, 5 and 7; United States and Canada coins
3	201104	Coin Drop Wire Harness	
4	802905	Harness Assembly	Electronic coin drop requires this harness. If unit is not factory-equipped with this harness, it must be ordered separately.
5	29786	Nut	Hexnut; Used with front assemblies without guide rods
6	CK096	Mounting Tool Kit	
7	201572	Clip	
8	201375P	Transformer	Electronic coin drop requires this transformer. If unit is not factory-equipped with this transformer, it must be ordered separately.

Integrated Card Reader Installed and Ready Models

Models KDEBGASW171TN01, KDGBGASW111TN01, SDEBYAGS171TW01 and SDGBYAGS111TW01

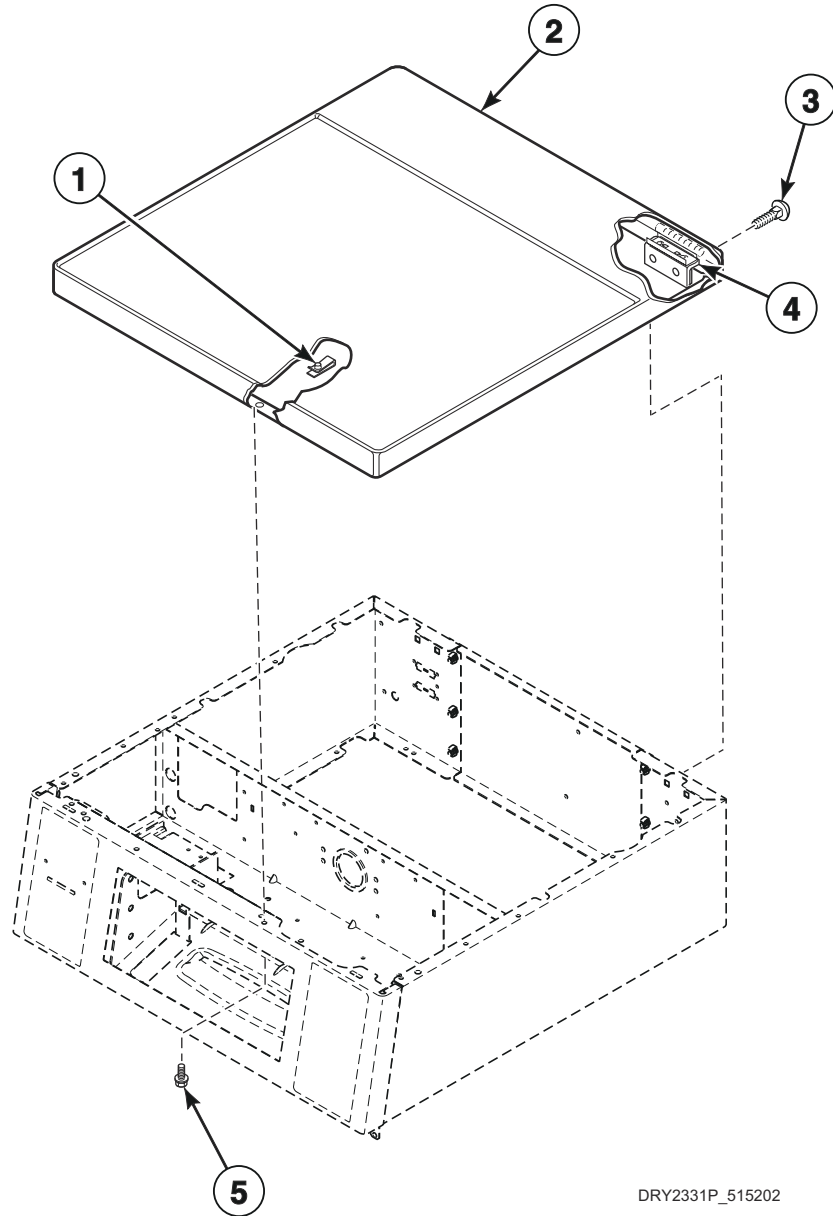


DRY2329P_515202

Integrated Card Reader Installed and Ready Models

REF	PART NO.	DESCRIPTION	COMMENTS
1	514391	Card Insert Overlay	Models SDEBYAGS171TW01 and SDGBYAGS111TW01
	512824	Blank Black Label	Models KDEBGASW171TN01 and KDGBGASW111TN01
2	515217	Control Panel	Gray; Models KDEBGASW171TN01 and KDGBGASW111TN01
	804149W	Security Cabinet Assembly	White; Models SDEBYAGS171TW01 and SDGBYAGS111TW01
3	515216	Security Wrapper Assembly	Gray; Models KDEBGASW171TN01 and KDGBGASW111TN01
	804111W	Wrapper Assembly	White; Models SDEBYAGS171TW01 and SDGBYAGS111TW01
4	70240301	Screw	6 required; Model SDEBYAGS171TW01
5	803998	Rear Access Panel	
6	70030501	Expansion Clip	6 required; Model SDEBYAGS171TW01
7	M405188	Screw	Use with stainless steel side panels
	503688	Screw	Use with painted side panels
8	514990	Operating Instruction Label	Models KDEBGASW171TN01 and KDGBGASW111TN01
	514393	Operating Instructions Label	Models SDEBYAGS171TW01 and SDGBYAGS111TW01

Cabinet Top



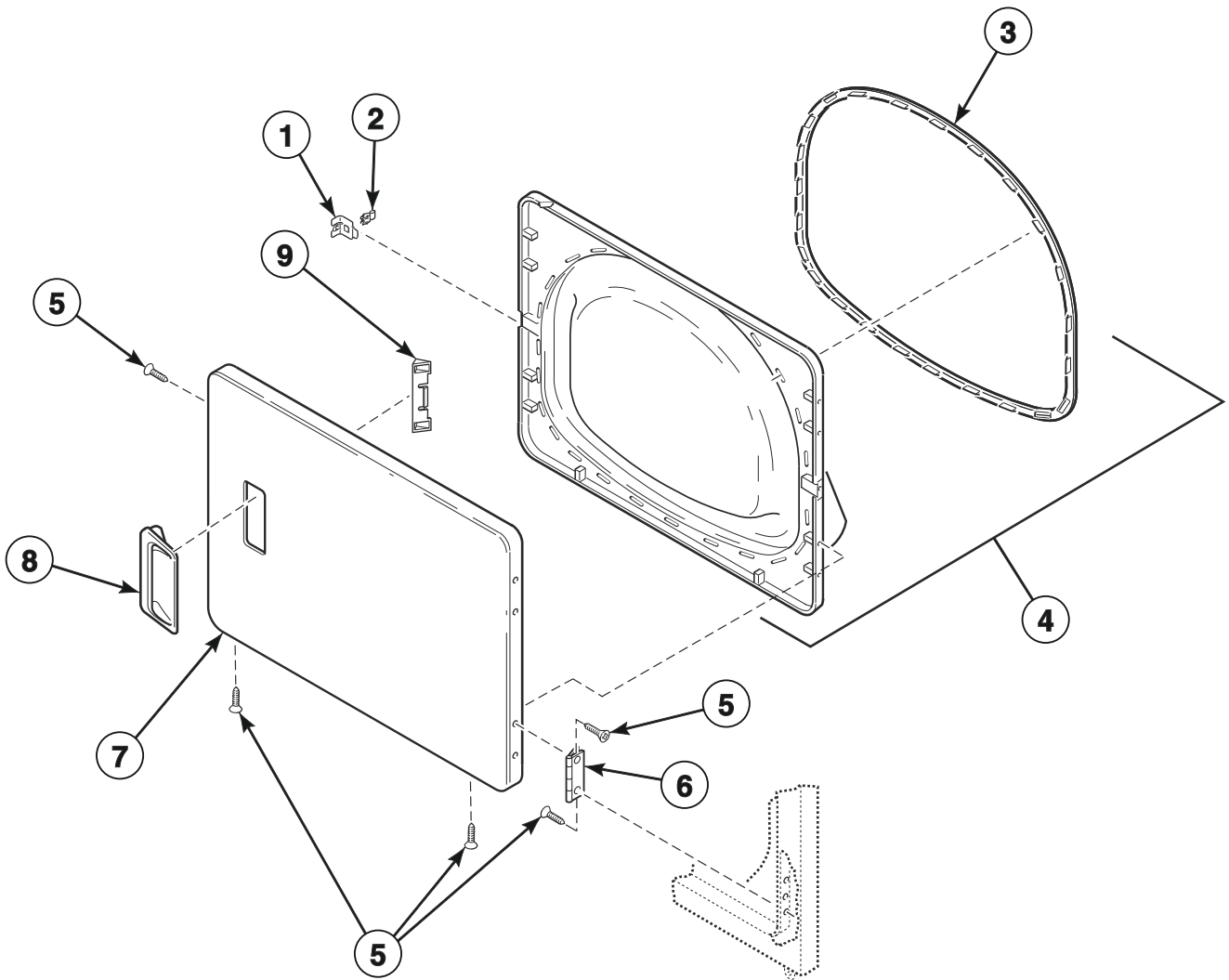
DRY2331P_515202

Cabinet Top

REF	PART NO.	DESCRIPTION	COMMENTS
1	36020	Nut	
2	803869	Top Panel	Stainless steel; Models BDEBCAGS171TN01, BDGBCAGS111TN01, KDEBCASW171TN01, KDEBGASW171TN01, KDGBCASW111TN01 and KDGBGASW111TN01
	803868WP	Top Panel	White; Includes item 4; All other models
3	29651	Bolt	
4	504228	Top Mounting Bracket	
5	23008	Screw	

Loading Door without Window

All Models Except KDEBCASW171TN01, KDEBGASW171TN01, KDGBCASW111TN01 and KDGBGASW111TN01



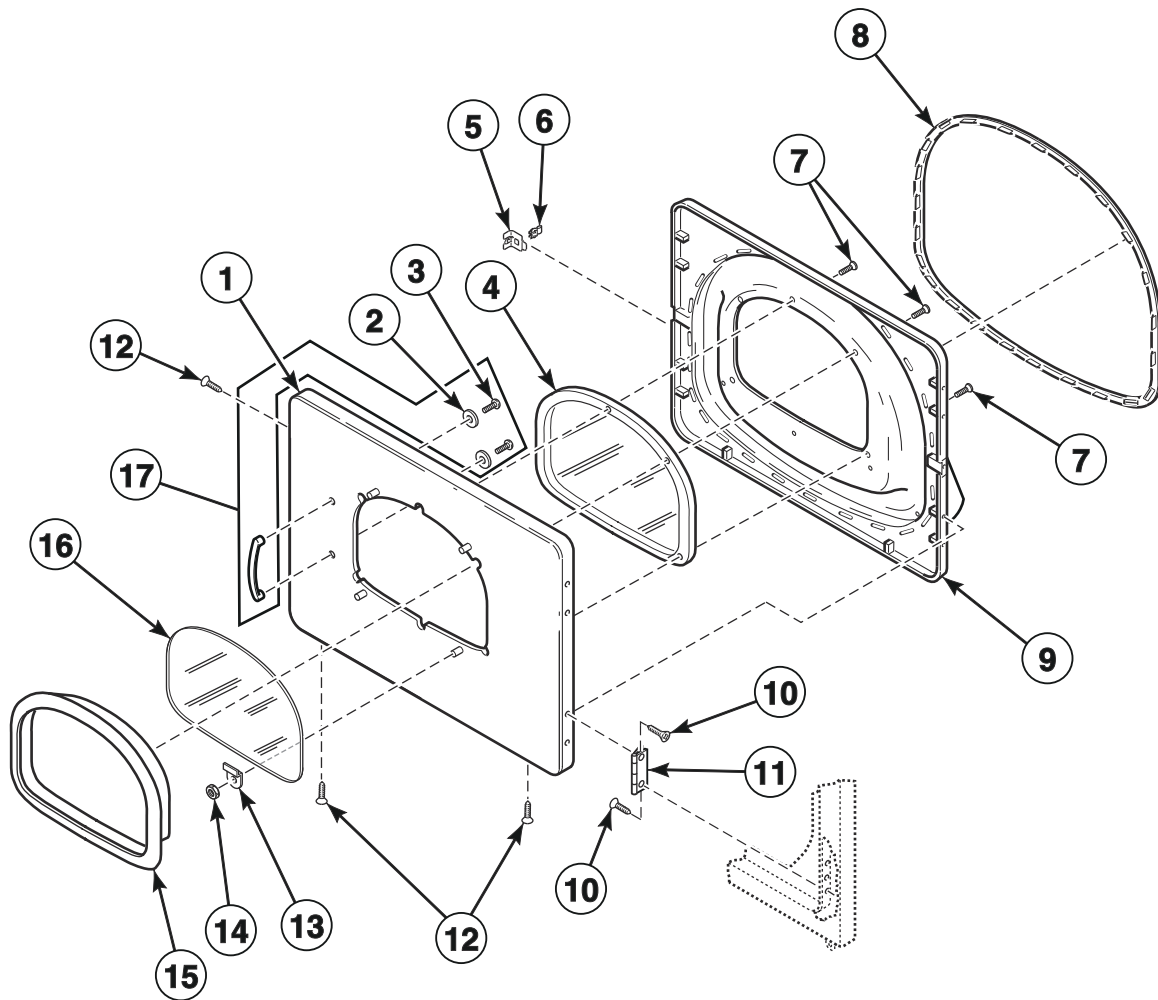
DRY1857P_515202

Loading Door without Window

REF	PART NO.	DESCRIPTION	COMMENTS
1	510127	Door Strike Mount	
2	510181	Door Strike	
3	510147P	Liner Door Seal	
4	513109P	Liner, Seal and Grill Assembly	Electric models
	510163WP	Liner, Seal and Grill Assembly	White; Gas models
5	505295	Screw	
6	511036	Hinge	
7	510013WP	Dryer Door	White
	510013QP	Dryer Door	Bisque
	512969	Dryer Door	Stainless steel; Includes item 9
8	510103WP	Door Pull and Wedge Kit	White; Includes item 9
	510103QP	Door Pull and Wedge Kit	Bisque; Includes item 9
	512947	Door Pull	Light gray
9	510129	Door Handle Wedge	

Loading Door with Window

Models KDEBCASW171TN01, KDEBGASW171TN01, KDGBCASW111TN01 and KDGBGASW111TN01

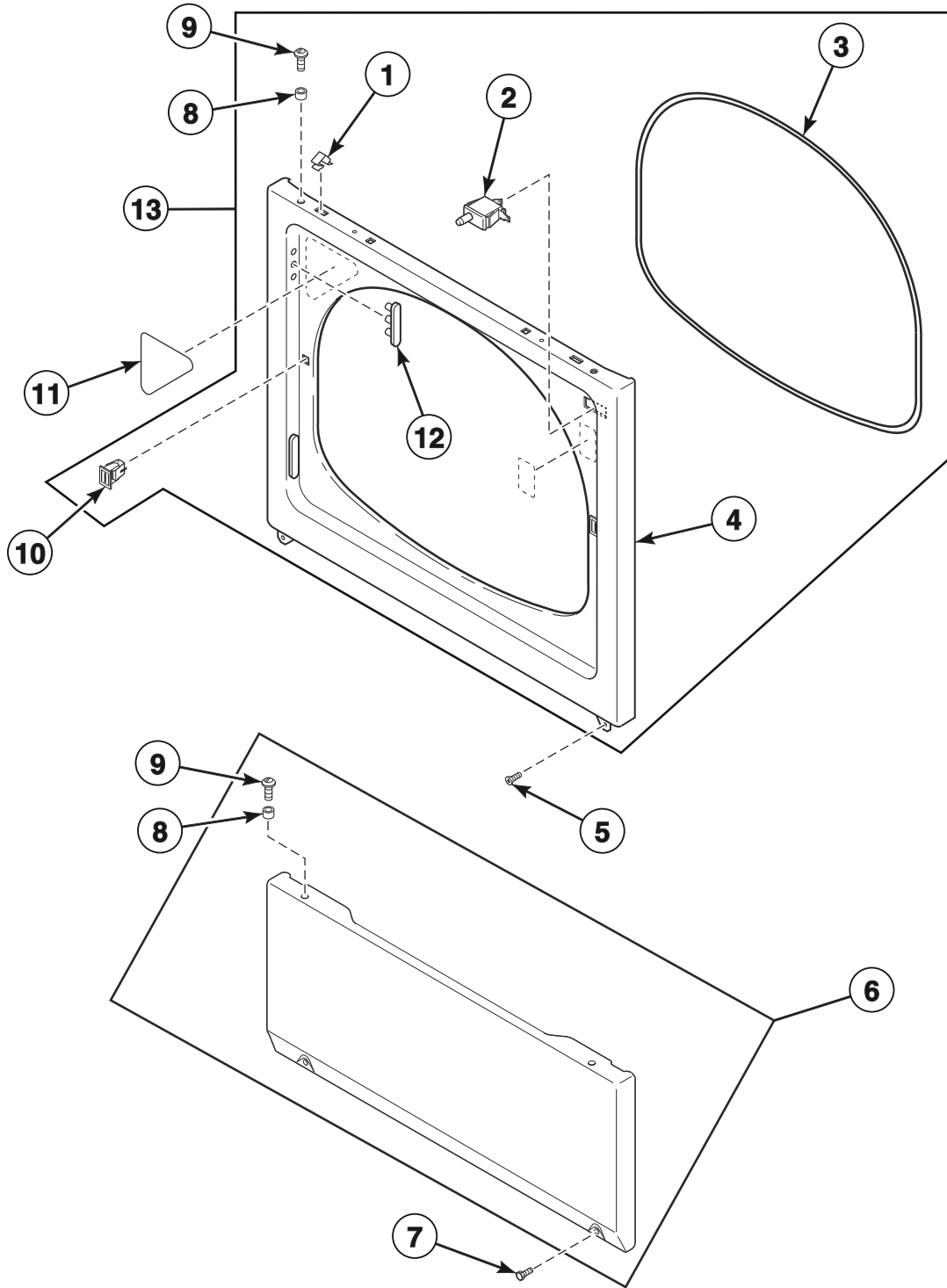


DRY2291P_515202

Loading Door with Window

REF	PART NO.	DESCRIPTION	COMMENTS
1	512699	Dryer Door	Models KDGCASW111TN01 and KDGBGASW111TN01
	514167	Dryer Door Assembly	Models KDEBCASW171TN01 and KDEBGASW171TN01
2	29260	Washer	
3	512631	Screw	
4	503982P	Dryer Door Window	
5	510127	Door Strike Mount	
6	510181	Door Strike	
7	505870	Screw	
8	510147P	Liner Door Seal	
9	512914DG	Liner, Seal and Grill Assembly	
10	505295	Screw	
11	511036	Hinge	
12	500226	Screw	
13	513958	Window Clip	Models KDEBCASW171TN01 and KDEBGASW171TN01
14	44071201	Nut	Models KDEBCASW171TN01 and KDEBGASW171TN01
15	512632	Window Trim	Models KDGCASW111TN01 and KDGBGASW111TN01
	514258	Window Trim	Models KDEBCASW171TN01 and KDEBGASW171TN01
16	513910	Glass Door Window	Models KDEBCASW171TN01 and KDEBGASW171TN01
17	512620P	Door Pull Kit	Includes items 2 and 3

Access Panel, Front Panel and Seal

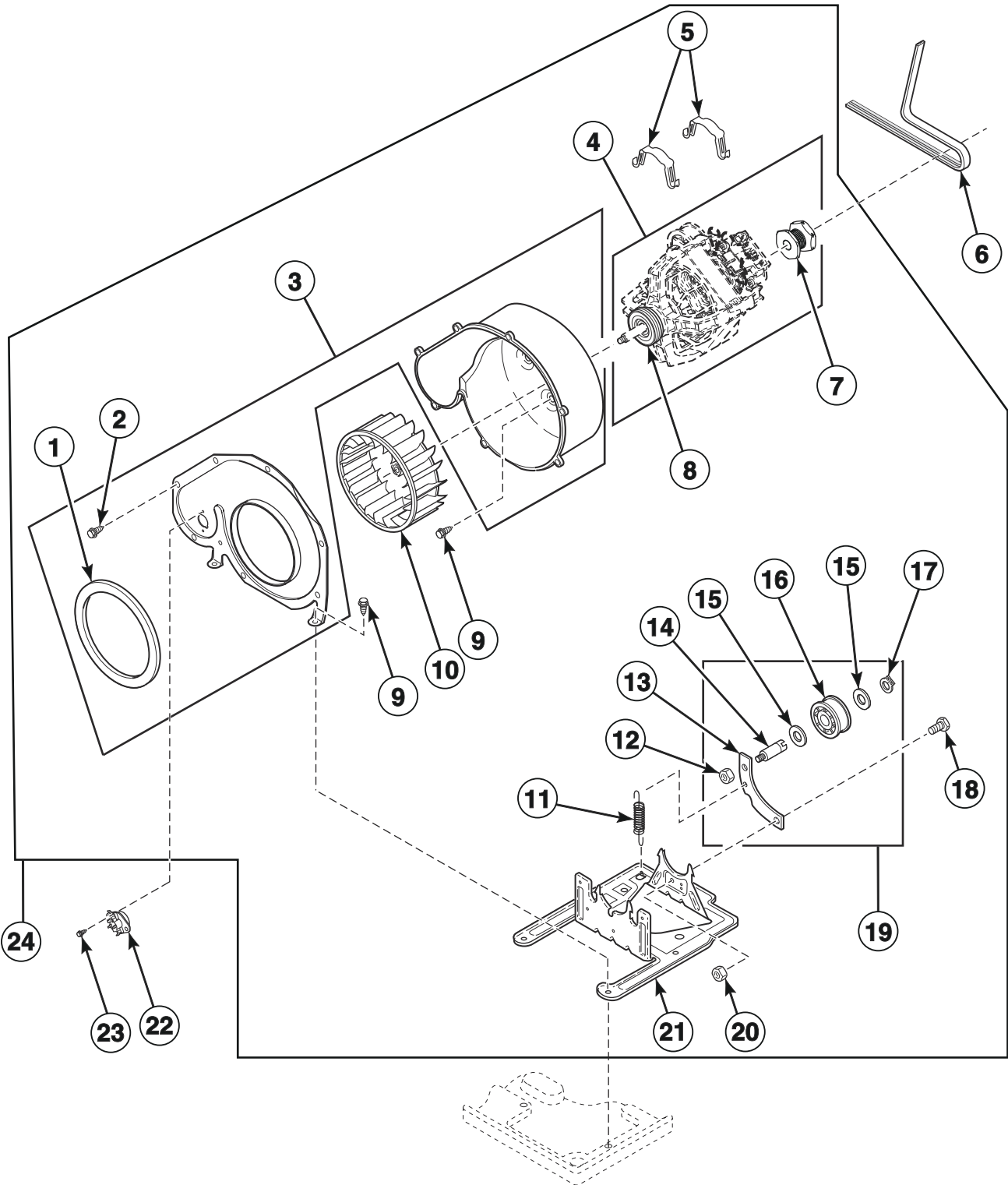


DRY1824P_515202

Access Panel, Front Panel and Seal

REF	PART NO.	DESCRIPTION	COMMENTS
1	28835	Speed Clip	1 per side
2	512973	Switch	
3	511056	Front Panel Seal	
4	512542	Front Panel	Stainless steel; Models BDEBCAGS171TN01, BDGBCAGS111TN01, KDEBCASW171TN01, KDEBGASW171TN01, KDGCASW111TN01 and KDGBGASW111TN01
	510066WP	Front Panel	White; Models BDEBCAGS171TW01, BDEBXAGS171TW01, BDGBCAGS111TW01, BDGBXAGS111TW01, HDEBCAGS171TW01, HDGBCAGS111TW01, SDEBCAGS171TW01, SDEBXAGS171TW01, SDEBYAGS171TW01, SDGBCAGS111TW01, SDGBXAGS111TW01 and SDGBYAGS111TW01
	510066QP	Front Panel	Bisque; Models SDEBCAGS171TQ01 and SDGBCAGS111TQ01
5	M405188	Screw	Use with stainless steel side panels
	503688	Screw	Use with painted side panels
6	514251	Access Panel Assembly	Stainless steel; Models BDGBCAGS111TN01, KDGCASW111TN01 and KDGBGASW111TN01
	514253	Access Panel and Guard Assembly	Stainless steel; Models BDEBCAGS171TN01, KDEBCASW171TN01 and KDEBGASW171TN01
	514252W	Access Panel and Guard Assembly	White; Models BDEBCAGS171TW01, BDEBXAGS171TW01, HDEBCAGS171TW01, SDEBCAGS171TW01, SDEBXAGS171TW01 and SDEBYAGS171TW01
	514252Q	Access Panel and Guard Assembly	Bisque; Model SDEBCAGS171TQ01
	514250WP	Access Panel Assembly	White; Models BDGBCAGS111TW01, BDGBXAGS111TW01, HDGBCAGS111TW01, SDGBCAGS111TW01, SDGBXAGS111TW01 and SDGBYAGS111TW01
	514250Q	Access Panel Assembly	Bisque; Model SDGBCAGS111TQ01
7	33562	Screw	Slotted hex head
	62853	Screw	Torx head; Optional for added security
8	56079	Panel Locator	1 per side
9	39733	Screw	1 per side
10	510177	Door Catch Assembly	
11	500281	Warning/Caution Label	
12	510186	Hinge Hole Plug	

Motor, Exhaust Fan and Belt



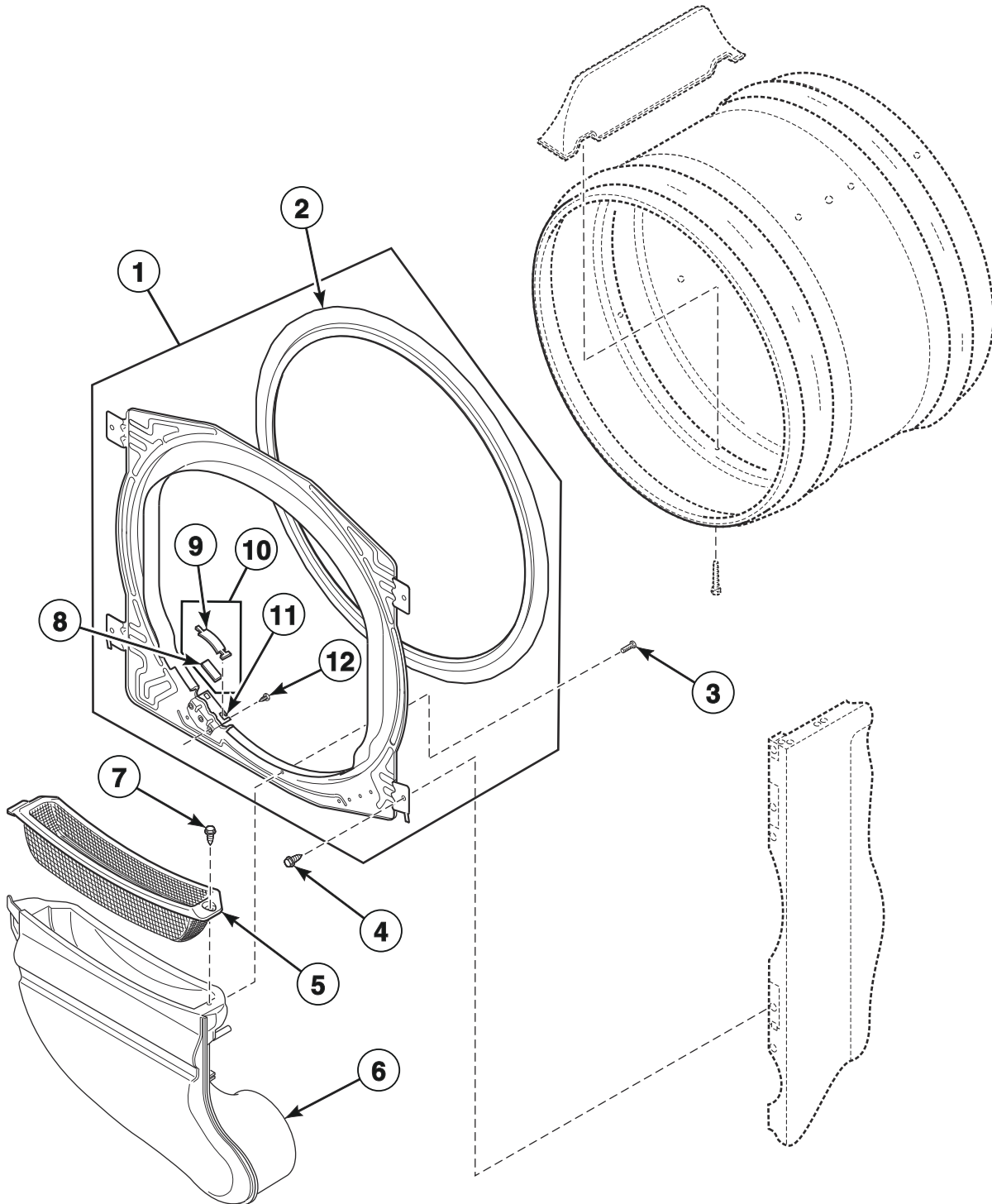
DRY2084P_515202

Motor, Exhaust Fan and Belt

REF	PART NO.	DESCRIPTION	COMMENTS
	27604P	Anti-Seize Compound	Apply to motor shaft when installing blower fan assembly
1	510238P	Blower Housing Seal	
2	31260	Screw	
3	511969WP	Blower Housing	Includes items 1 and 2
4	511629P	Motor and Pulley Assembly	120 Volt/60 Hertz; Apply anti-seize compound to motor shaft when installing blower fan assembly; Includes items 7-9
5	510180	Motor Mount Clamp	
6	511255P	Cylinder Belt	
7	500011	Motor Pulley	60 Hertz
8	590P3	Motor Hub Ring Kit	
9	503688	Screw	
10	510139P	Blower Fan Assembly	Apply anti-seize compound to motor shaft when installing blower fan assembly
11	510185	Idler Spring	
12	56156	Nut	
13	510133	Idler Lever	
14	56461P	Shaft	
15	52549	Washer	
16	510142P	Idler Wheel and Bearing Assembly	
17	23748	Retaining Ring	
18	500824	Screw	
19	510158	Idler Lever and Wheel Assembly	Includes items 12-17
20	52566	Nut	
21	510060	Motor Mount	
22	510523	Thermistor Assembly	Black
23	502535	Screw	
24	510717P	Blower and Fan Kit	Includes items 1-5 and 7-21

Front Bulkhead, Air Duct and Felt Seal

All Models Except KDEBCASW171TN01, KDEBGASW171TN01, KDGBCASW111TN01 and KDGBGASW111TN01



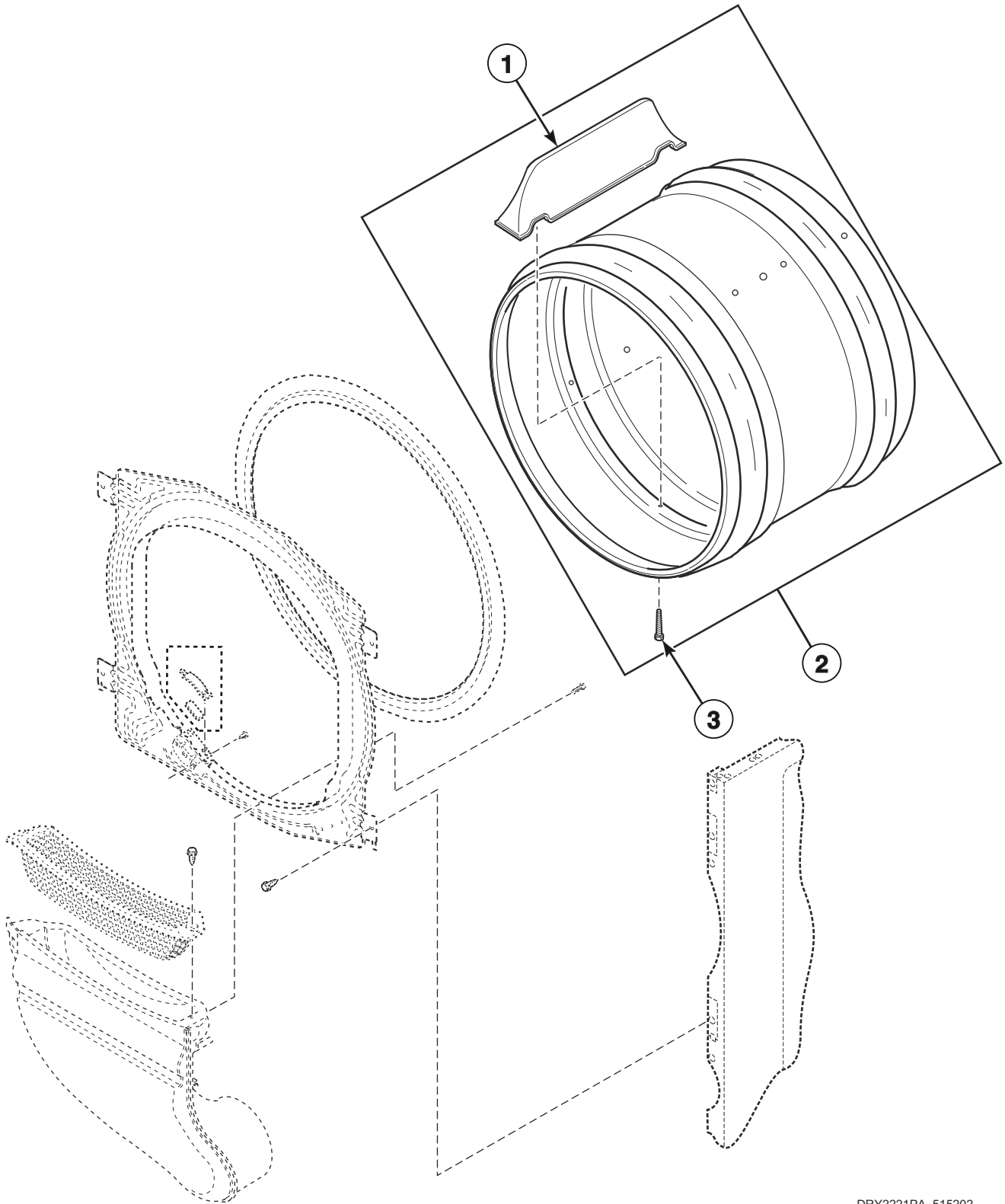
DRY2221P_515202

Front Bulkhead, Air Duct and Felt Seal

REF	PART NO.	DESCRIPTION	COMMENTS
1	510266P	Front Bulkhead Assembly	Unpainted; Includes items 2 and 8-12
2	510207P	Cylinder Seal Assembly	
	511637P	Adhesive	Apply to cylinder seal
	RB170001	Seal Kit	Includes 2 cylinder seals, 510238P Blower Housing Seal and 511637P Adhesive
3	505295	Screw	1 per side
4	M405188	Screw	Use with stainless steel side panels
	503688	Screw	Use with painted side panels
5	503980LG	Lint Filter	Gray; Models BDEBCAGS171TN01, BDEBCAGS171TW01, BDEBXAGS171TW01, HDEBCAGS171TW01, SDEBCAGS171TQ01, SDEBCAGS171TW01, SDEBXAGS171TW01 and SDEBYAGS171TW01
	503980W	Lint Filter	White; Models BDGBCAGS111TN01, BDGBCAGS111TW01, BDGBXAGS111TW01, HDGBCAGS111TW01, SDGBCAGS111TQ01, SDGBCAGS111TW01, SDGBXAGS111TW01 and SDGBYAGS111TW01
6	510151LG	Air Duct Assembly	Gray; Models BDEBCAGS171TN01, BDEBCAGS171TW01, BDEBXAGS171TW01, HDEBCAGS171TW01, SDEBCAGS171TQ01, SDEBCAGS171TW01, SDEBXAGS171TW01 and SDEBYAGS171TW01
	510151W	Air Duct Assembly	White; Models BDGBCAGS111TN01, BDGBCAGS111TW01, BDGBXAGS111TW01, HDGBCAGS111TW01, SDGBCAGS111TQ01, SDGBCAGS111TW01, SDGBXAGS111TW01 and SDGBYAGS111TW01
7	501285	Screw	
8	510189	Felt Pad	1 per side
9	513710	Cylinder Glide	1 per side
10	RB170003	Glide Kit	Includes items 8 and 9
11	510145	Cylinder Glide Bracket	1 per side
12	52864	Screw	2 per side

Cylinder Assembly without Light

All Models Except KDEBCASW171TN01, KDEBGASW171TN01, KDGBCASW111TN01 and KDGBGASW111TN01



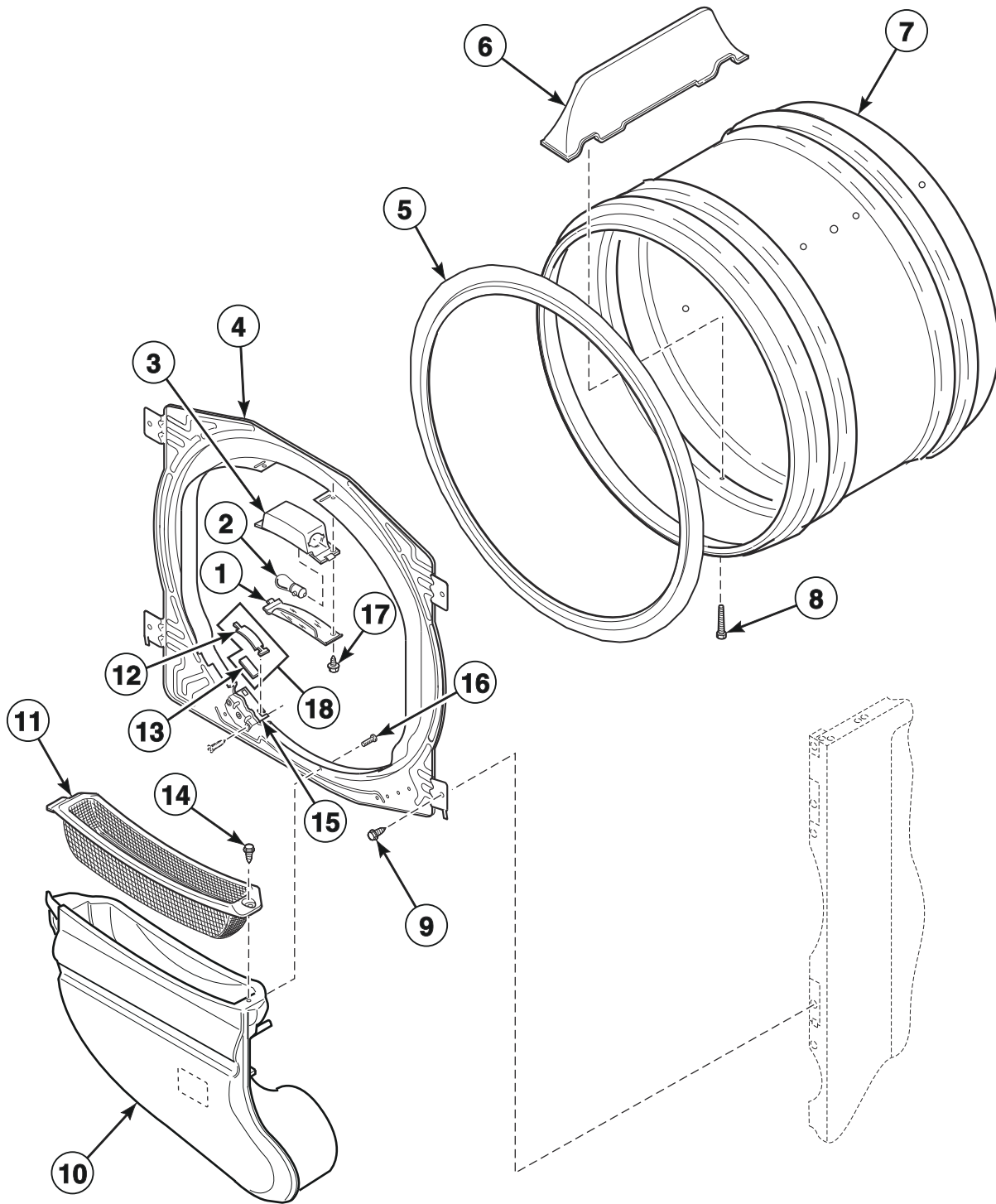
DRY2221PA_515202

Cylinder Assembly without Light

REF	PART NO.	DESCRIPTION	COMMENTS
1	510102LG	Cylinder Baffle	Gray; Models BDEBCAGS171TN01, BDEBCAGS171TW01, BDEBXAGS171TW01, HDEBCAGS171TW01, SDEBCAGS171TQ01, SDEBCAGS171TW01, SDEBXAGS171TW01 and SDEBYAGS171TW01
	510102W	Cylinder Baffle	White; Models BDGBCAGS111TN01, BDGBCAGS111TW01, BDGBXAGS111TW01, HDGBCAGS111TW01, SDGBCAGS111TQ01, SDGBCAGS111TW01, SDGBXAGS111TW01 and SDGBYAGS111TW01
2	510265LGP	Cylinder Assembly	Galvanized; Includes 3 of item 1 and 6 of item 3; Models BDEBCAGS171TN01, BDEBCAGS171TW01, BDEBXAGS171TW01, HDEBCAGS171TW01, SDEBCAGS171TQ01, SDEBCAGS171TW01, SDEBXAGS171TW01 and SDEBYAGS171TW01
	510265WP	Cylinder Assembly	Galvanized; Includes 3 of item 1 and 6 of item 3; Models BDGBCAGS111TN01, BDGBCAGS111TW01, BDGBXAGS111TW01, HDGBCAGS111TW01, SDGBCAGS111TQ01, SDGBCAGS111TW01, SDGBXAGS111TW01 and SDGBYAGS111TW01
3	62588	Screw	

Front Bulkhead, Air Duct, Felt Seal and Cylinder with Light

Models KDEBCASW171TN01, KDEBGASW171TN01, KDGCASW111TN01 and KDGBGASW111TN01

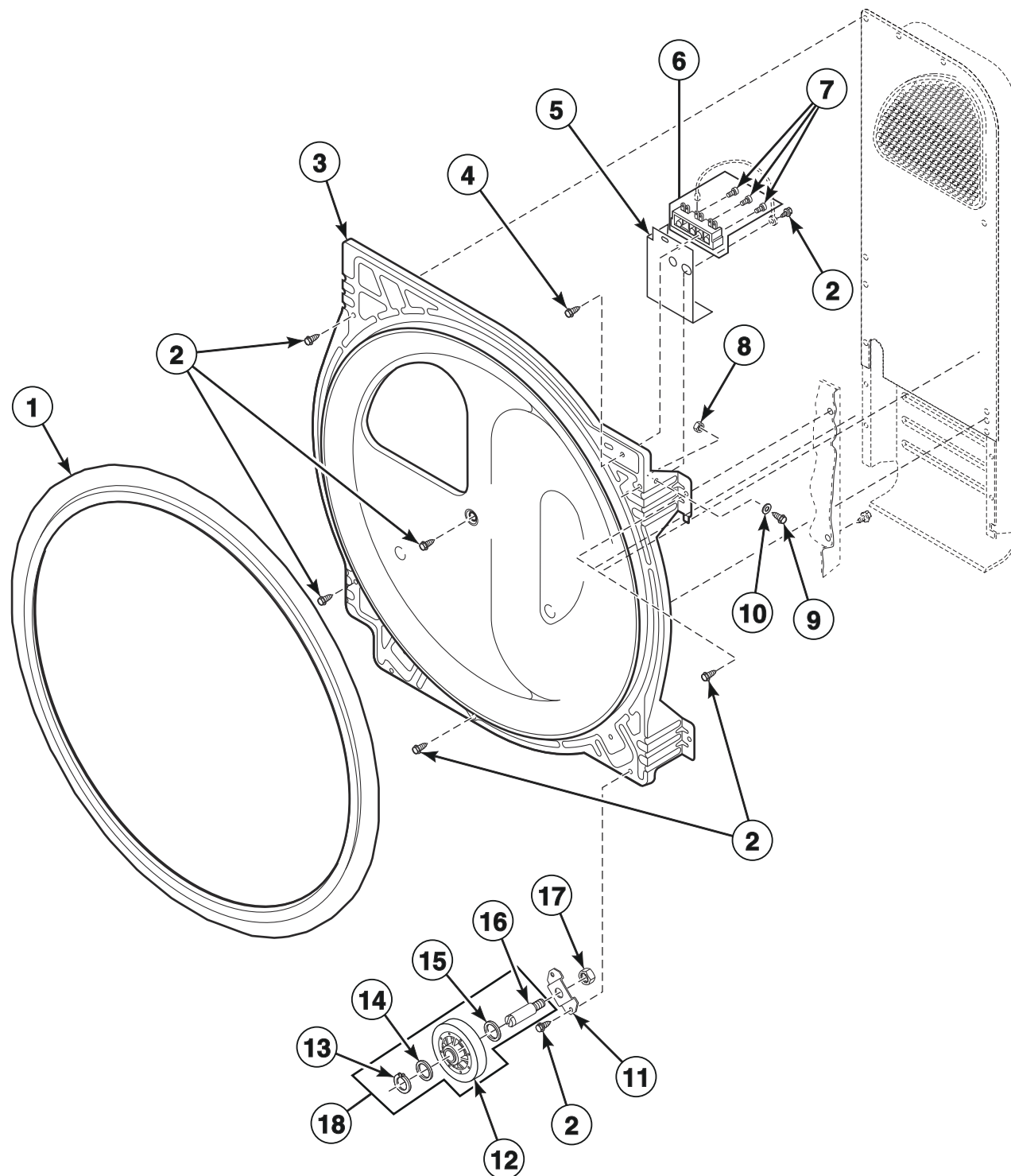


DRY2136P_515202

Front Bulkhead, Air Duct, Felt Seal and Cylinder with Light

REF	PART NO.	DESCRIPTION	COMMENTS
1	512106	Cylinder Light Lens	
2	60954	Drum Light Lamp	
3	512108	Light Housing Assembly	Includes item 2
4	512476	Front Bulkhead Assembly	Galvanized; Includes item 5
5	510207P	Cylinder Seal Assembly	
	511637P	Adhesive	Apply to cylinder seal
	RB170001	Seal Kit	Includes 2 cylinder seals, 510238P Blower Housing Seal and 511637P Adhesive
6	510102DG	Cylinder Baffle	
7	510265DG	Cylinder Assembly	Galvanized; Includes (3) of item 6 and (6) of item 8
8	62588	Screw	
9	M405188	Screw	Use with stainless steel side panels
	503688	Screw	Use with painted side panels
10	510151DG	Air Duct Assembly	
11	503980DG	Lint Filter	
12	513710	Cylinder Glide	
13	510189	Felt Pad	
14	501285	Screw	
15	510145	Cylinder Glide Bracket	
16	52864	Screw	
17	500227	Screw	
18	RB170003	Glide Kit	Includes items 12 and 13

Rear Bulkhead, Felt Seal, Cylinder Roller and Terminal Block

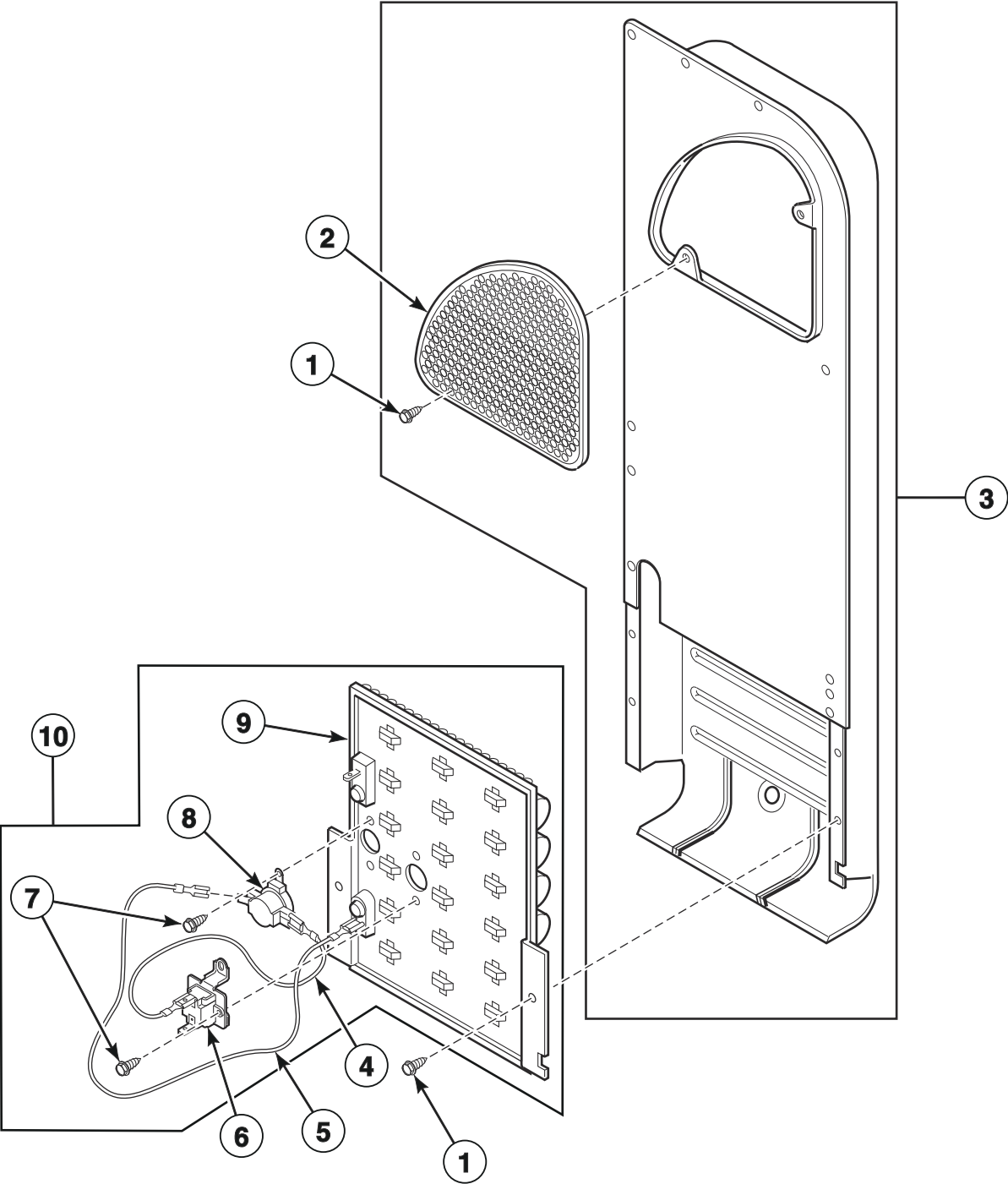


DRY1774P_515202

Rear Bulkhead, Felt Seal, Cylinder Roller and Terminal Block

REF	PART NO.	DESCRIPTION	COMMENTS
1	510207P	Cylinder Seal Assembly	
	511637P	Adhesive	Apply to cylinder seal
	RB170001	Seal Kit	Includes 2 cylinder seals, 510238P Blower Housing Seal and 511637P Adhesive
2	M405188	Screw	Models BDEBCAGS171TN01, BDGBCAGS111TN01, KDEBCASW171TN01, KDEBGASW171TN01, KDGBCASW111TN01 and KDGBGASW111TN01
	503688	Screw	All other models
3	512698	Rear Bulkhead	Polished; Models KDEBCASW171TN01, KDEBGASW171TN01, KDGBCASW111TN01 and KDGBGASW111TN01
	511082P	Rear Bulkhead Assembly	Galvanized; Includes item 1; All other models
4	501285	Screw	Electric models
5	510237	Terminal Block Shield	Electric models
6	510190P	Terminal Block Assembly	Includes 3 of item 7; Electric models
7	61199	Screw	
8	28447	Nut	
9	28448	Screw	
10	28449	Washer	
11	510100	Cylinder Roller Bracket	
12	510708P	Cylinder Roller	
13	23748	Retaining Ring	
14	52549	Washer	
15	504082	Washer	
16	56461P	Shaft	
17	56156	Nut	
18	RB170002	Roller Kit	Includes item 12-16

Heater Duct and Element Assembly - Electric Model Dryers

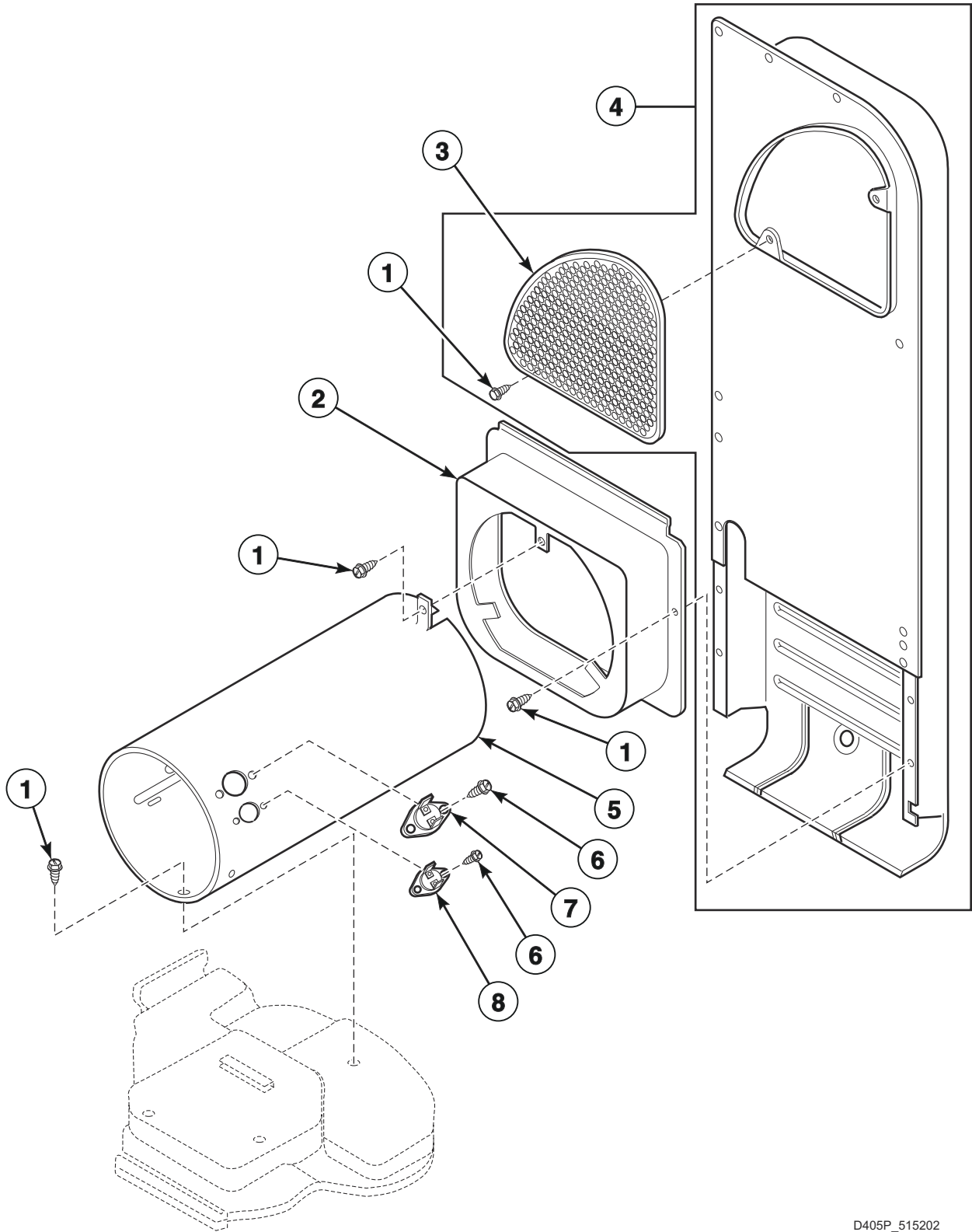


DRY1789P_515202

Heater Duct and Element Assembly - Electric Model Dryers

REF	PART NO.	DESCRIPTION	COMMENTS
1	503688	Screw	
2	500820	Outlet Cover	
3	510025P	Heater Duct and Screw Assembly	Includes items 1 and 2
4	510528	Wire Assembly	Orange; Thermostat jumper; Attaches to heater assembly
5	510527	Wire Assembly	Black; Fuse jumper; Attaches to heater assembly
6	511412	Thermal Fuse Assembly	
7	23222	Screw	
8	510701	Limit Thermostat	
9	510329P	Heater Assembly	5.35 kW; 240 Volt
10	61928	Heater Kit Assembly	4.75 kW; 208 Volt
	964P3	Heater Kit	5.35 kW; 240 Volt

Heater Duct Assembly - Gas Model Dryers



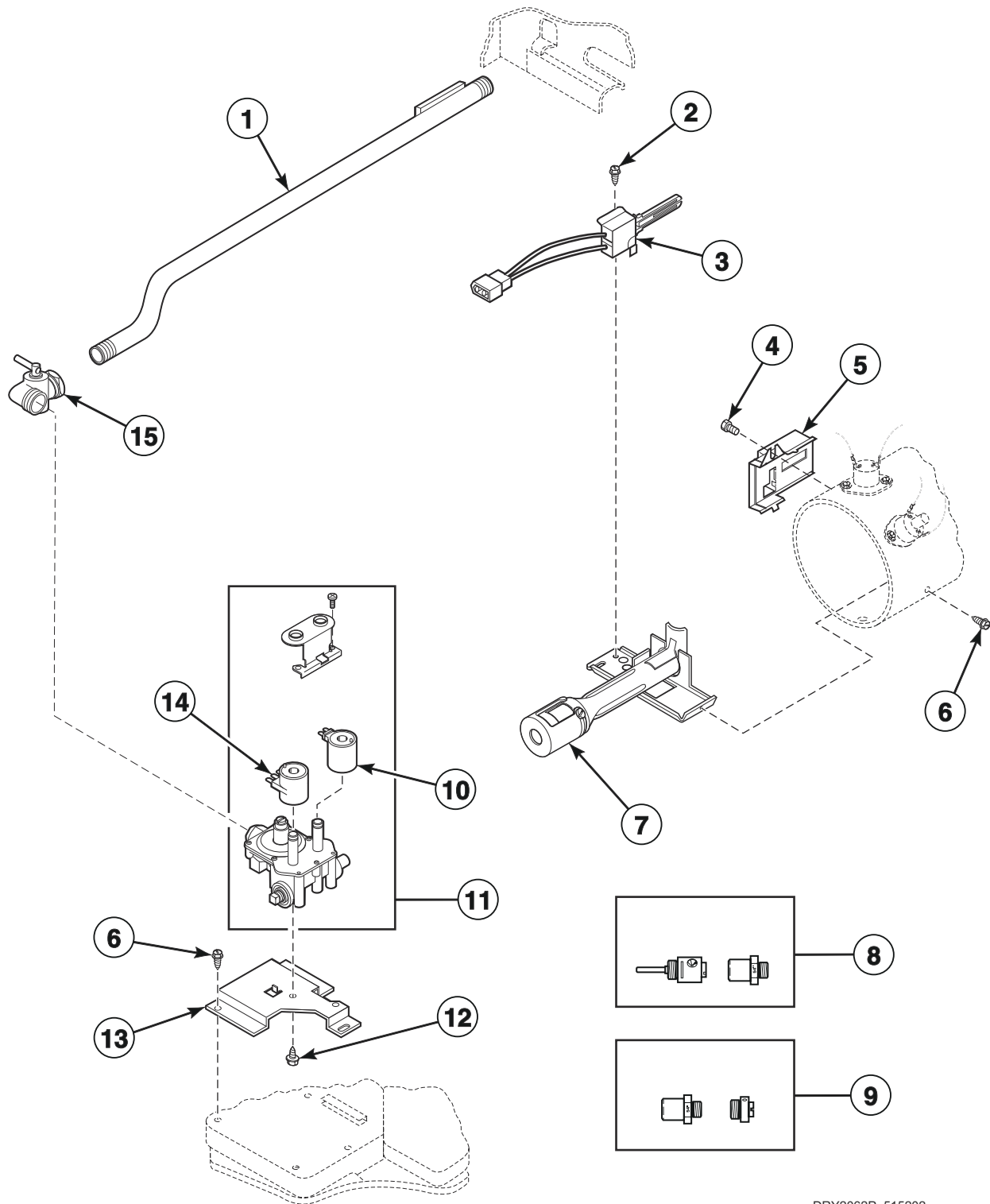
D405P_515202

Heater Duct Assembly - Gas Model Dryers

REF	PART NO.	DESCRIPTION	COMMENTS
1	503688	Screw	
2	510101	Heat Duct Shroud	
3	500820	Outlet Cover	
4	510025P	Heater Duct and Screw Assembly	Includes items 1 and 3
5	510132	Combustion Duct	
6	51782	Screw	
7	510702	Limit Thermostat	Black; Auto reset
8	510703	Thermostat	

Gas Valve, Igniter and Gas Conversion Kits

Gas Models



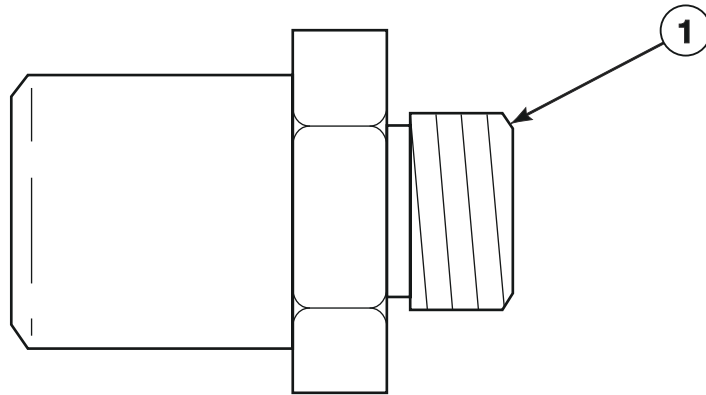
DRY2062P_515202

Gas Valve, Igniter and Gas Conversion Kits

REF	PART NO.	DESCRIPTION	COMMENTS
1	510204	Lead-In Pipe Assembly	
2	51782	Screw	
3	510184P	Igniter and Bracket Assembly	
4	23222	Screw	
5	510213	Sensor	
6	503688	Screw	
7	510149P	Burner Assembly	
8	458P3	L.P. Conversion Kit	Used to convert dryers from Natural Gas (N.G.) or Mixed Gas to Liquid Petroleum Gas (L.P.) for 25,000 Btu
9	459P3	N.G. Conversion Kit	Used to convert dryers from L.P. to N.G. or Mixed Gas for 25,000 Btu
10	58804B	Secondary Coil	
11	60353P	Gas Valve Assembly	25,000 Btu; Includes items 10 and 14
12	56124	Screw	
13	510128	Gas Valve Mounting Bracket	
14	58804A	Booster and Holding Coil	
15	510205	Elbow Shut-Off Valve	

Burner Orifice Spuds - For Higher Elevations

Gas Models

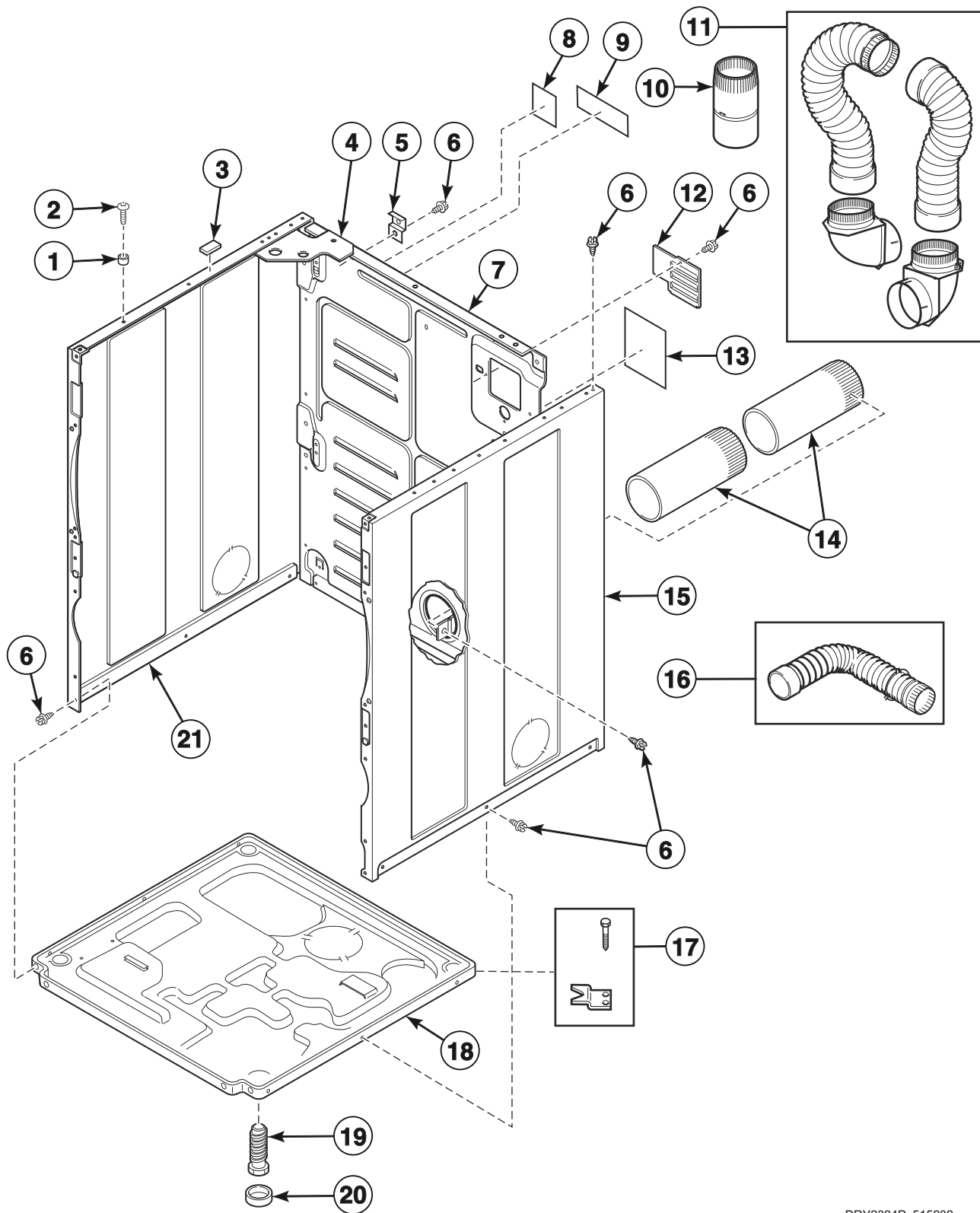


DRY2266P_515202

Burner Orifice Spuds - For Higher Elevations

REF	PART NO.	DESCRIPTION	COMMENTS
1	58755	L.P. Orifice	Liquid Petroleum Gas (L.P.); 7500-10999 feet (2290-3354 m)
	503786	L.P. Orifice	L.P.; 11000 feet (3355 m) and higher
	503776	N.G. Orifice	Natural Gas (N.G.); 2000-2999 feet (610-914 m)
	510517	N.G. Orifice	N.G.; 3000-5499 feet (915-1679 m)
	503778	N.G. Orifice	N.G.; 5500-6999 feet (1680-2134 m)
	58719	Screw Orifice	N.G.; 7000-8999 feet (2135-2744 m)
	503779	N.G. Orifice	N.G.; 9000-10499 feet (2745-3199 m)
	503780	N.G. Orifice	N.G.; 10500 feet (3200 m) and higher

Cabinet, Exhaust Duct and Base

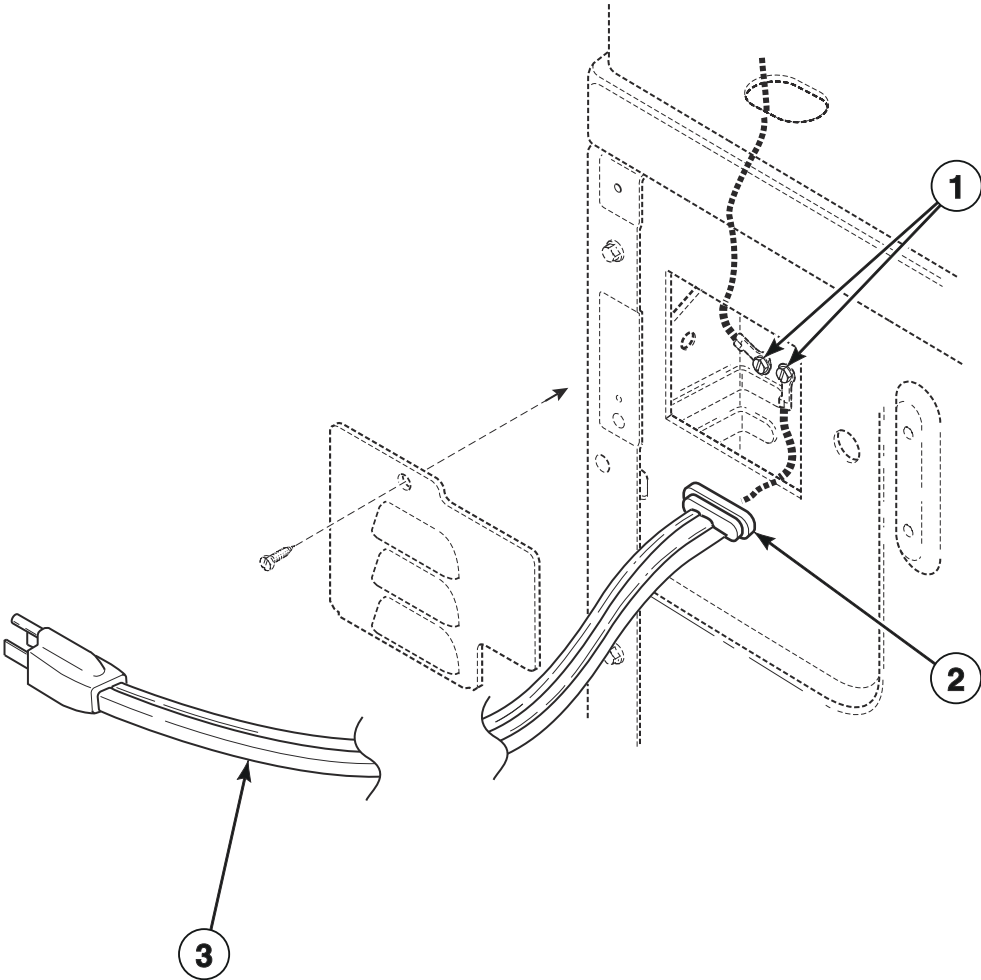


DRY2324P_515202

Cabinet, Exhaust Duct and Base

REF	PART NO.	DESCRIPTION	COMMENTS
1	56079	Panel Locator	
2	512921	Screw	Use with stainless steel panels
	39733	Screw	Use with painted panels
3	56128	Bumper Pad	
4	510337	Frame Gusset	
5	510136	Top Hinge	
6	503688	Screw	
7	510005P	Cabinet Rear Panel	
8	511004	Gas Clearance Label	Gas models
9	502791	Venting Instruction Label	
10	58786	Damper	Use when connecting to a manifold vent system
11	521P3	Flexible Venting Kit	
12	510903	Access Panel Plate	
13	511005	Electric Clearance Label	Electric models
14	510137	Exhaust Duct	Each dryer requires 2 pieces
15	510002GP	Cabinet Side Panel	Gray; Right
	512539	Cabinet Side Panel	Stainless steel; Right; Models KDEBCASW171TN01, KDEBGASW171TN01, KDGCASW111TN01 and KDGBGASW111TN01
	510002QP	Cabinet Side Panel	Bisque; Right; Models SDEBCAGS171TQ01 and SDGCAGS111TQ01
	512952	Cabinet Side Panel	Stainless steel; Right; All other models
	510002WP	Cabinet Side Panel	White; Right; All other models
16	528P3	Directional Exhaust Kit	Used to vent dryer out the sides or bottom
17	526P3	Hold Down Kit	For mobile home installations
18	513901	Dryer Base	
19	510135	Leveling Leg	
20	501855	Rubber Foot	
21	510001GP	Cabinet Side Panel	Gray; Left
	512538	Cabinet Side Panel	Stainless steel; Left; Models KDEBCASW171TN01, KDEBGASW171TN01, KDGCASW111TN01 and KDGBGASW111TN01
	510001QP	Cabinet Side Panel	Bisque; Left; Models SDEBCAGS171TQ01 and SDGCAGS111TQ01
	512951	Cabinet Side Panel	Stainless steel; Left; All other models
	510001WP	Cabinet Side Panel	White; Left; All other models

Power Cord

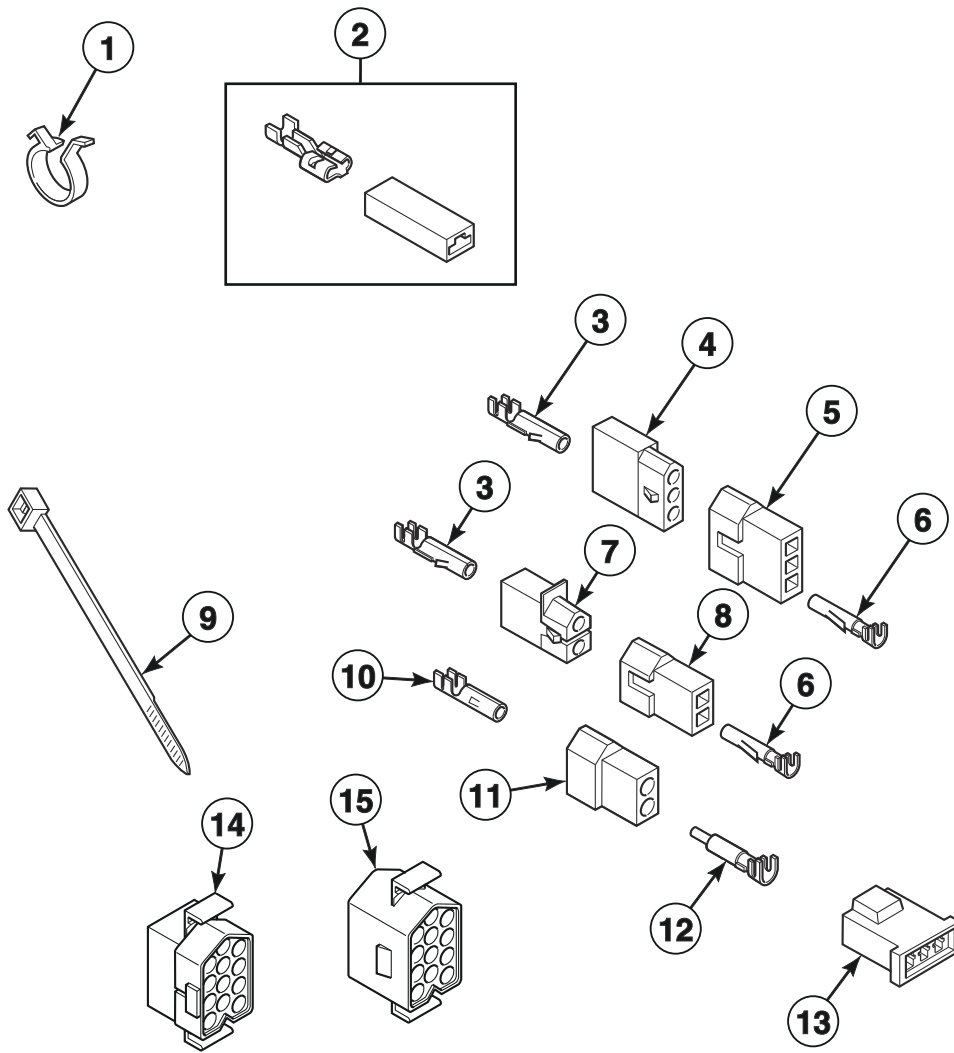


DRY1879P_515202

Power Cord

REF	PART NO.	DESCRIPTION	COMMENTS
1	513071	Screw	Models BDEBCAGS171TN01, BDGBCAGS111TN01, KDEBCASW171TN01 and KDGBCASW111TN01
	20530	Screw	All other models
2	38384	Strain Relief	Gas models
3	56222	Lead-In Cord	Gas models

Terminal Block and Terminals (Drawing 1 of 2)

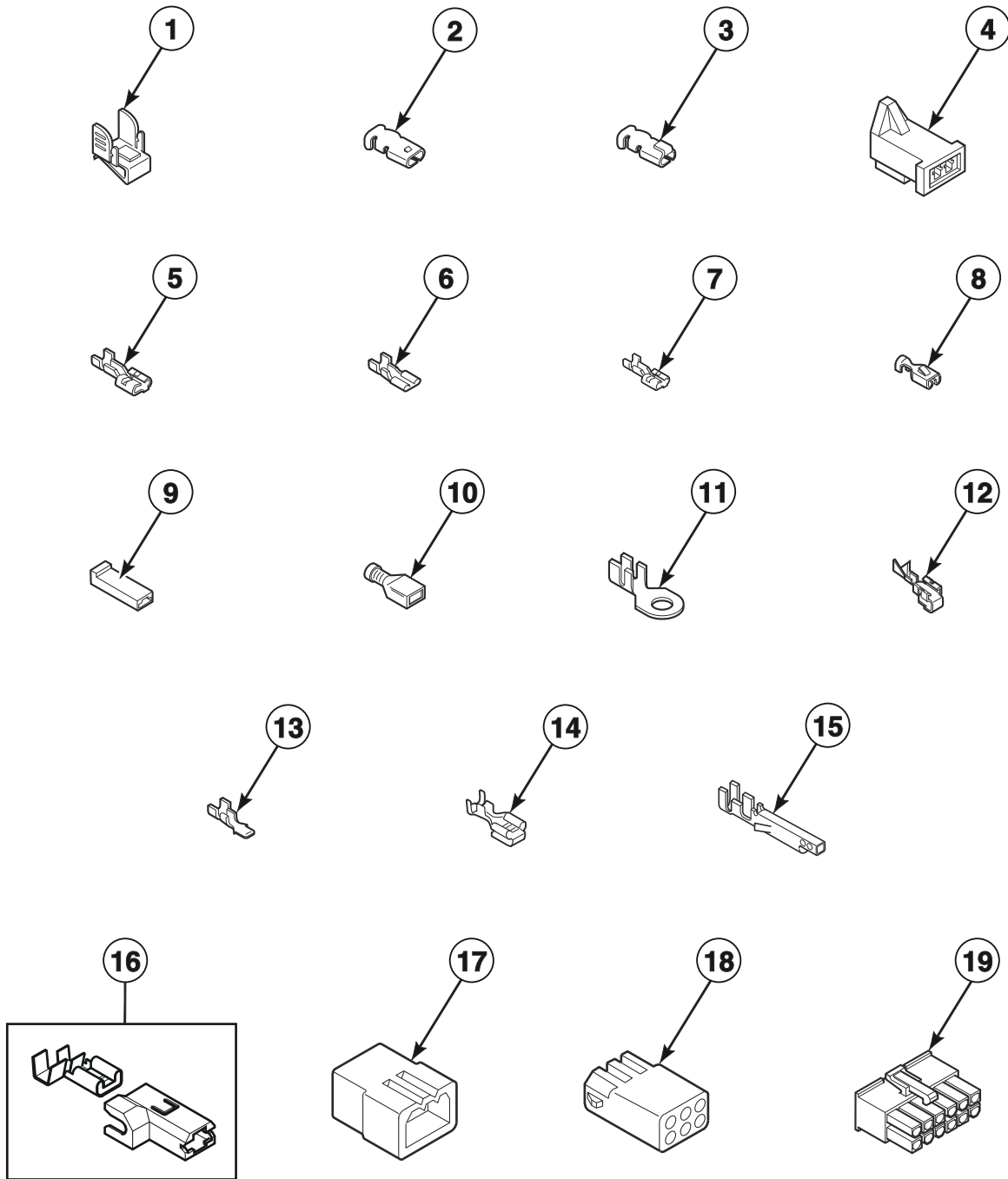


DRY2038P_515202

Terminal Block and Terminals (Drawing 1 of 2)

REF	PART NO.	DESCRIPTION	COMMENTS
1	504034	Wire Clip	11/16 inch
	687500	Wire Clip	1 inch
2	00360	Insulated Female Spade Terminal	(1) 12 gauge wire or (2) 18 gauge wires
3	00117	Female Pin Terminal	
4	23039	3 Circuit Receptacle	
5	23040	Plug	3 circuit
6	00116	Male Pin Terminal	
7	56451	2 Circuit Receptacle	
8	56448	2 Circuit Plug	
9	55881	Harness Strap	
10	00128	Female Pin Terminal	1/8 inch; 10-14 gauge wire
	00130	Female Pin Terminal	1/8 inch; 16-18 gauge wire
11	56266	2 Circuit Plug	
12	00127	Male Pin Terminal	1/8 inch; 10-14 gauge wire
	00129	Male Pin Terminal	1/8 inch; 16-18 gauge wire
13	58800	3 Circuit Connector	
14	54522	Plug	
15	56855	12 Circuit Receptacle	

Terminal Block and Terminals (Drawing 2 of 2)

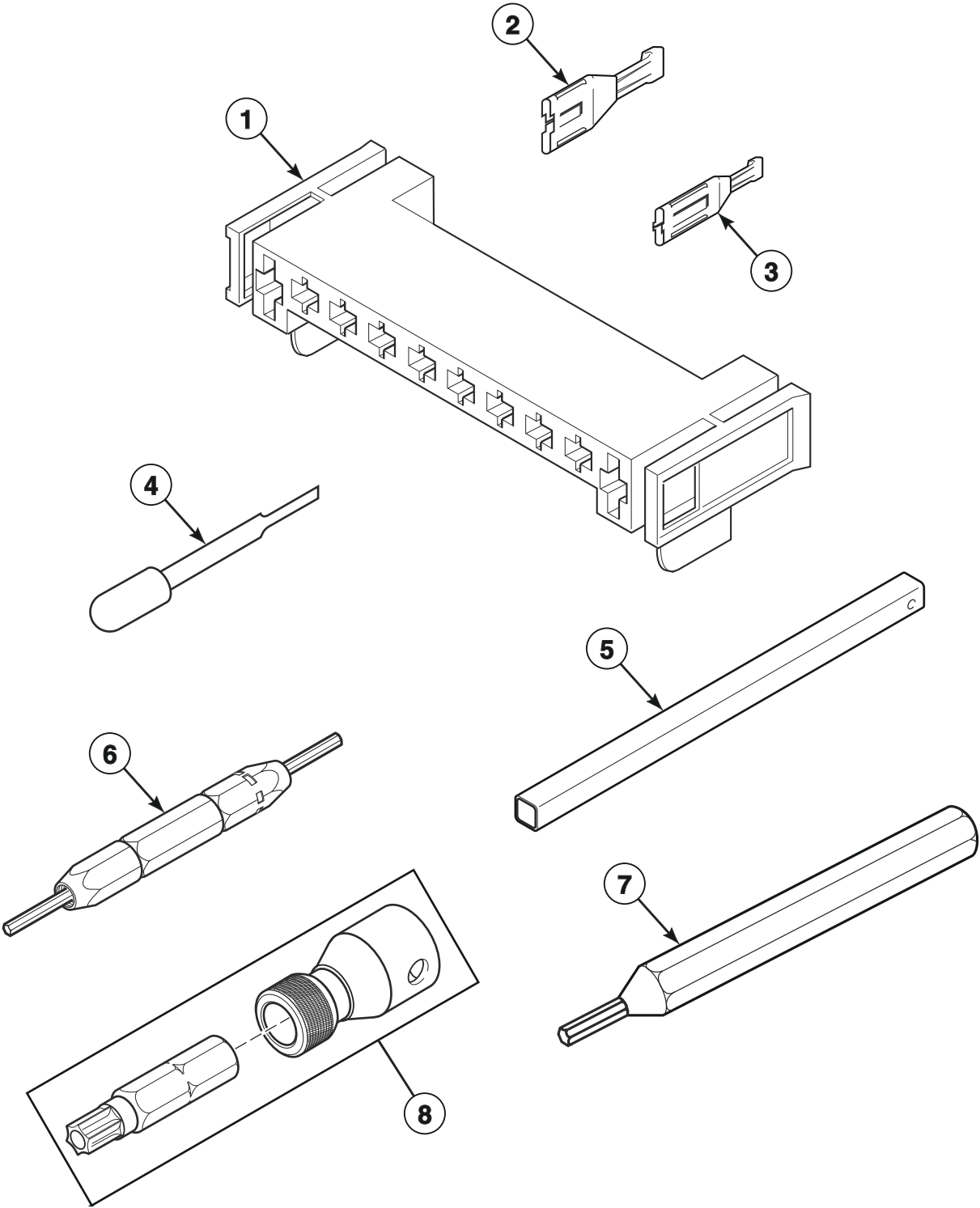


DRY2338P_515202

Terminal Block and Terminals (Drawing 2 of 2)

REF	PART NO.	DESCRIPTION	COMMENTS
1	00161	Grounding Clip	
2	00189	Female Spade Terminal	1/8 inch
3	00361	Female Piggyback Terminal	
4	58799	2 Circuit Connector	
5	00223	Female Spade Terminal	1/4 inch; (1) 18 gauge wire
	00121	Female Spade Terminal	1/4 inch; (2) 18 gauge wires or (1) 12 gauge wire
	00245	Spade Terminal	1/4 inch; (1) 22 gauge wire
6	00124	Female Spade Terminal	3/16 inch; (1) 18 gauge wire; .020 tab
7	00222	Female Spade Terminal	1/4 inch
8	00115	Female Spade Terminal	1/4 inch; (1) 18 gauge wire
9	90789	Receptacle Housing	
10	00359	Insulated Female Spade Terminal	1/4 inch
11	00110	Ring Terminal	No. 10; (1) 18 gauge wire
12	00114	Female Spade Terminal	1/4 inch; Double connector
13	00139	Male Tab Terminal	1/4 inch; (2) 18 gauge wires or (1) 12 gauge wire
14	00344	Female Tab Terminal	1/4 inch
15	00252	Terminal	
16	00221	Insulated Female Flag Terminal	
17	23033	9 Circuit Plug	
	26302	1 Circuit Plug	
18	26708	6 Circuit Receptacle	
	26301	1 Circuit Receptacle	
19	34596	10 Circuit Receptacle	
	501333	12 Circuit Receptacle	

Terminals and Terminal Extractor Tools

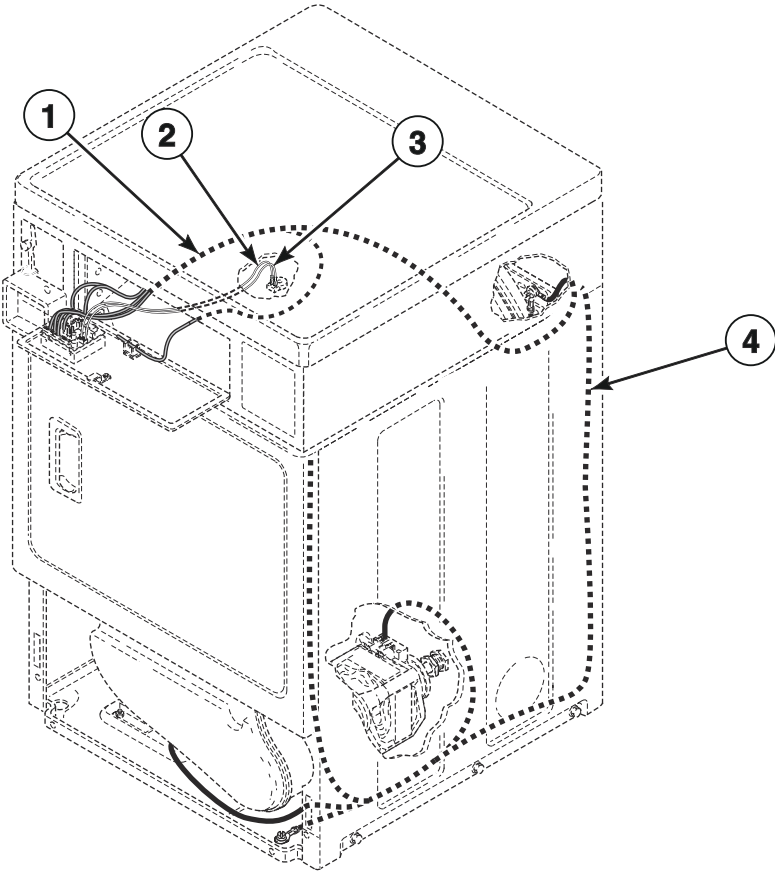


DRY2066P_515202

Terminals and Terminal Extractor Tools

REF	PART NO.	DESCRIPTION	COMMENTS
1	500338	10 Position Housing	
2	00255	Female Terminal	1/4 inch; (1) 12 gauge wire; Electric models
	00256	Female Terminal	1/4 inch; (1) or (2) 18 gauge wires
3	00188	Female Terminal	For 1 or 2 wire application
4	283P4	Terminal Extractor Tool	For use on Molex connectors
5	310P4	Ratchet Extension Tool	1/4 inch; For coin drop installation
6	190P4	Extractor Tool	For use on electric dryer terminals
7	128P4	Extractor Tool	For use on gas dryer terminals
8	281P4	Torx Bit	T15 Tamper Resistant Bit
	282P4	Torx Bit	Use with 62853 Screw on access panel; T25 Tamper Resistant Bit
	292P4	Torx Bit	T20 Standard Bit
	24161	Bit Holder	Use with 62853 Screw on access panel; 3/8 inch
	93501	Torx Drive Tool	T10 Standard Bit

Wire Harnesses and Wires



DRY2285P_515202

Wire Harnesses and Wires

REF	PART NO.	DESCRIPTION	COMMENTS
	45001	18 Gauge Wire	Black; Order wire by foot; Order terminals and connectors as required
	45380	12 Gauge Wire	Orange; Order wire by foot; Order terminals and connectors as required
1	512422P	Wire Harness Assembly	Models BDEBCAGS171TN01, BDEBCAGS171TW01, BDEBXAGS171TW01, BDGBXAGS111TW01, HDEBCAGS171TW01, SDEBCAGS171TQ01, SDEBCAGS171TW01, SDEBXAGS171TW01, SDEBYAGS171TW01, SDGBCAGS111TQ01, SDGBCAGS111TW01, SDGBXAGS111TW01 and SDGBYAGS111TW01
	513983	Gas Harness	Models BDGBCAGS111TN01, BDGBCAGS111TW01, BDGBXAGS111TW01, HDGBCAGS111TW01, KDGBCASW111TN01, KDGBGASW111TN01 and SDGBXAGS111TW01
2	512273P	Wire Configuration Assembly	Models BDEBCAGS171TN01, BDEBCAGS171TW01, BDEBXAGS171TW01, BDGBXAGS111TW01, HDEBCAGS171TW01, HDGBCAGS111TW01, SDEBCAGS171TQ01, SDEBCAGS171TW01, SDEBXAGS171TW01, SDEBYAGS171TW01, SDGBCAGS111TQ01, SDGBCAGS111TW01, SDGBXAGS111TW01 and SDGBYAGS111TW01
3	512275P	Wire Configuration Assembly	Models BDEBCAGS171TN01, BDEBCAGS171TW01, BDEBXAGS171TW01, BDGBXAGS111TW01, HDEBCAGS171TW01, HDGBCAGS111TW01, SDEBCAGS171TQ01, SDEBCAGS171TW01, SDEBXAGS171TW01, SDEBYAGS171TW01, SDGBCAGS111TQ01, SDGBCAGS111TW01, SDGBXAGS111TW01 and SDGBYAGS111TW01
4	514096	Electronic Harness	Models BDEBCAGS171TN01, BDEBCAGS171TW01, BDEBXAGS171TW01, BDGBXAGS111TW01, HDEBCAGS171TW01, SDEBCAGS171TQ01, SDEBCAGS171TW01, SDEBXAGS171TW01 and SDEBYAGS171TW01
	514855	Electronic Harness	Models BDGBCAGS111TN01, BDGBCAGS111TW01, HDGBCAGS111TW01, SDGBCAGS111TQ01, SDGBCAGS111TW01, SDGBXAGS111TW01 and SDGBYAGS111TW01
	514092	Electronic Harness	Models KDEBCASW171TN01 and KDEBGASW171TN01
	515073	Wire Harness Assembly	Models KDGBCASW111TN01 and KDGBGASW111TN01

NOTE: Individual wires are not available separately. Order complete harness, or order wire by the foot. When applying terminals to wires, it is recommended that the terminals be soldered to the wires.

Parts Index

A

Access Panel and Guard Assembly	
514252Q	21
514252W	21
514253	21
Access Panel Assembly	
514250Q	21
514250WP	21
514251	21
Access Panel Plate	
510903	41
Adhesive	
511637P	25, 29, 31
Air Duct Assembly	
510151DG	29
510151LG	25
510151W	25
Anti-Seize Compound	
27604P	23
Audit Switch Bracket	
800379	5

B

Bit Holder	
24161	49
Blank Black Label	
512824	13
Blower and Fan Kit	
510717P	23
Blower Fan Assembly	
510139P	23
Blower Housing	
511969WP	23
Blower Housing Seal	
510238P	23
Bolt	
29651	7, 15
Booster and Holding Coil	
58804A	37
Bumper Pad	
56128	41
Burner Assembly	
510149P	37

C

Cabinet Rear Panel	
510005P	41
Cabinet Side Panel	
510001GP	41
510001QP	41
510001WP	41
510002GP	41
510002QP	41
510002WP	41
512538	41

512539	41
512951	41
512952	41
Card Insert Overlay	
514391	13
Central Pay Harness	
511478	5
Clip	
201572	11
Coin Drop	
38963P	9
70441601P	9
Coin Drop Assembly	
38462P	9
38463	9
Coin Drop Wire Harness	
201104	11
Coin Identification Paper	
38725	11
Combustion Duct	
510132	35
Connector, 2 Circuit	
58799	47
Connector, 3 Circuit	
58800	45
Control Assembly	
511867P	5
514273	5
Control Panel	
515217	13
515218	7
803962BP	7
803962Q	7
803962WP	7
Control Panel and Bracket Assembly	
513777B	5
513777Q	5
513777W	5
Control Panel Assembly	
513777G	5
515215	5
Cylinder Assembly	
510265DG	29
510265LGP	27
510265WP	27
Cylinder Baffle	
510102DG	29
510102LG	27
510102W	27
Cylinder Belt	
511255P	23
Cylinder Glide	
513710	25, 29
Cylinder Glide Bracket	
510145	25, 29
Cylinder Light Lens	
512106	29
Cylinder Roller	
510708P	31
Cylinder Roller Bracket	
510100	31

N/A items do not appear in index.

Cylinder Seal Assembly 510207P	25, 29, 31
---	------------

D

Damper 58786	41
Diagnostic Wire Harness Assembly 800374	5
Directional Exhaust Kit 528P3	41
Door Catch Assembly 510177	21
Door Handle Wedge 510129	17
Door Pull 512947	17
Door Pull and Wedge Kit 510103QP	17
510103WP	17
Door Pull Kit 512620P	19
Door Strike 510181	17, 19
Door Strike Mount 510127	17, 19
Drum Light Lamp 60954	29
Dryer Base 513901	41
Dryer Door 510013QP	17
510013WP	17
512699	19
512969	17
Dryer Door Assembly 514167	19
Dryer Door Window 503982	19

E

Elbow Shut-Off Valve 510205	37
Electric Clearance Label 511005	41
Electronic Coin Drop Kit CK115	11
Electronic Harness 514092	51
514096	51
514855	51
Exhaust Duct 510137	41
Expansion Clip 70030501	7, 13
Extractor Tool 128P4	49
190P4	49

F

Felt Pad 510189	25, 29
Female Piggyback Terminal 00361	47
Female Pin Terminal 00117	45
00128	45
00130	45
Female Spade Terminal 00114	47
00115	47
00121	47
00124	47
00189	47
00222	47
00223	47
Female Tab Terminal 00344	47
Female Terminal 00188	49
00255	49
00256	49
Flexible Venting Kit 521P3	41
Frame Gusset 510337	41
Front Bulkhead Assembly 510266P	25
512476	29
Front Panel 510066QP	21
510066WP	21
512542	21
Front Panel Seal 511056	21

G

Gas Clearance Label 511004	41
Gas Harness 513983	51
Gas Valve Assembly 60353P	37
Gas Valve Mounting Bracket 510128	37
Glass Door Window 513910	19
Glide Kit RB170003	25, 29
Graphic Overlay 514637	5
514640	5
514641	5
514645	5
Grounding Clip 00161	47

N/A items do not appear in index.

H

Harness Assembly	
802904P	9
802905	9, 11
Harness Strap	
55881	45
Heat Duct Shroud	
510101	35
Heater Assembly	
510329P	33
Heater Duct and Screw Assembly	
510025P	33, 35
Heater Kit	
964P3	33
Heater Kit Assembly	
61928	33
Hinge	
511036	17, 19
Hinge Hole Plug	
510186	21
Hold Down Kit	
526P3	41
Housing, 10 Position	
500338	49

I

Idler Lever	
510133	23
Idler Lever and Wheel Assembly	
510158	23
Idler Spring	
510185	23
Idler Wheel and Bearing Assembly	
510142P	23
Igniter and Bracket Assembly	
510184P	37
Insulated Female Flag Terminal	
00221	47
Insulated Female Spade Terminal	
00359	47
00360	45

K

Key	
54612	5

L

Lead-In Cord	
56222	43
Lead-In Pipe Assembly	
510204	37
Leveling Leg	
510135	41
Light Housing Assembly	
512108	29

Limit Thermostat	
510701	33
510702	35
Liner Door Seal	
510147P	17, 19
Liner, Seal and Grill Assembly	
510163WP	17
512914DG	19
513109P	17
Lint Filter	
503980DG	29
503980LG	25
503980W	25
Lock Cam	
804338	5
Lock Kit	
27260P	5
L.P. Conversion Kit	
458P3	37
L.P. Orifice	
503786	39
58755	39

M

Male Pin Terminal	
00116	45
00127	45
00129	45
Male Tab Terminal	
00139	47
Meter Case Assembly	
515219	7
804009B	7
804009Q	7
804009W	7
Motor and Pulley Assembly	
511629P	23
Motor Hub Ring Kit	
590P3	23
Motor Mount	
510060	23
Motor Mount Clamp	
510180	23
Motor Pulley	
500011	23
Mounting Tool Kit	
CK096	11

N

Nut	
28447	31
29786	9, 11
36020	15
44071201	19
44087201	7
52566	23
56156	23, 31
N.G. Conversion Kit	
459P3	37

N/A items do not appear in index.

N.G. Orifice	
503776	39
503778	39
503779	39
503780	39
510517	39

O

Operating Instruction Label	
514990	13
515213	7
Operating Instructions Label	
514393	7, 13
Outlet Cover	
500820	33, 35

P

Panel Locator	
56079	21, 41
Plug	
23040	45
54522	45
Plug, 1 Circuit	
26302	47
Plug, 2 Circuit	
56266	45
56448	45
Plug, 9 Circuit	
23033	47

R

Ratchet Extension Tool	
310P4	49
Rear Access Panel	
803998	7, 13
Rear Bulkhead	
512698	31
Rear Bulkhead Assembly	
511082P	31
Receptacle Housing	
90789	47
Receptacle, 1 Circuit	
26301	47
Receptacle, 10 Circuit	
34596	47
Receptacle, 12 Circuit	
501333	47
56855	45
Receptacle, 2 Circuit	
56451	45
Receptacle, 3 Circuit	
23039	45
Receptacle, 6 Circuit	
26708	47
Resistor	
210100	5
Retaining Ring	
23748	23, 31

N/A items do not appear in index.

Ring Terminal	
00110	47
Roller Kit	
RB170002	31
Rubber Foot	
501855	41

S

Screw	
M405188	7, 13, 21, 25, 29, 31
20530	43
23008	15
23222	33, 37
28448	31
31260	23
33562	21
39733	21, 41
500226	19
500227	29
500824	23
501285	25, 29, 31
501524	5
502535	23
503688	5, 7, 13, 21, 23, 25, 29, 31, 33, 35, 37, 41
505295	17, 19, 25
505870	19
512631	19
512921	41
513071	43
51782	35, 37
52864	25, 29
56124	37
61199	31
62588	27, 29
62853	21
70240301	7, 13

Screw Orifice	
58719	39

Seal Kit	
RB170001	25, 29, 31

Secondary Coil	
58804B	37

Security Cabinet Assembly	
804149W	13

Security Wrapper Assembly	
515216	7, 13
804104Q	7

Sensor	
510213	37

Shaft	
56461P	23, 31

Single Overlay	
38717	7
512821	7

Spade Terminal	
00245	47

Speed Clip	
28835	21

Strain Relief	
38384	43

Switch	
512973	5, 7, 21

T

Terminal	
00252	47
Terminal Block Assembly	
510190P	31
Terminal Block Shield	
510237	31
Terminal Extractor Tool	
283P4	49
Thermal Fuse Assembly	
511412	33
Thermistor Assembly	
510523	23
Thermostat	
510703	35
Top Hinge	
510136	41
Top Mounting Bracket	
504228	15
Top Panel	
803868WP	15
803869	15
Torx Bit	
281P4	49
282P4	49
292P4	49
Torx Drive Tool	
93501	49
Transformer	
201375P	5, 11
210018P	5

V

Venting Instruction Label	
502791	41

W

Warning/Caution Label	
500281	21
Washer	
28449	31
29260	19
504082	31
52549	23, 31
Window Clip	
513958	19
Window Trim	
512632	19
514258	19
Wire Assembly	
510527	33
510528	33
Wire Clip	
504034	45
687500	45
Wire Configuration Assembly	
512273P	51
512275P	51

Wire Guard	
201595P	9
Wire Harness Assembly	
512422P	51
515073	51
Wire, 12 Gauge	
45380	51
Wire, 18 Gauge	
45001	51
Wrapper Assembly	
804104B	7
804104W	7
804111W	13

N/A items do not appear in index.

