

# Home Laundry Dryers

KE and KG Models

Refer to Page 3 for Model Numbers

Parts



[www.comlaundry.com](http://www.comlaundry.com)

Part No. 511460R1  
November 2005



# Table of Contents

Title	Page
Parts Ordering Information.....	2
Nameplate Location .....	2
Model Identification .....	3
Graphic Panel, Control Hood and Controls - Electronic Models .....	4
Graphic Panel, Control Hood and Controls - Timer Models.....	6
Cabinet Top and Control Hood Back Panel .....	8
Loading Door, Front Panels and Access Door.....	10
Motor, Exhaust Fan and Belt .....	12
Front Bulkhead, Air Duct, Felt Seal and Cylinder .....	14
Rear Bulkhead, Felt Seal and Cylinder Roller .....	16
Terminal Block - Electric Models Through Serial No. S6271975XG.....	18
Terminal Block - Electric Models Starting Serial No. S6271976XG.....	20
Heater Duct - Electric Models .....	22
Heater Duct - Gas Models .....	24
Gas Valve and Igniter .....	26
Cabinet, Exhaust Duct and Base .....	28
Terminals .....	30
Wire Harnesses and Wires .....	32
Parts Index.....	33

© Copyright 2005, Alliance Laundry Systems LLC

All rights reserved. No part of the contents of this book may be reproduced or transmitted in any form or by any means without the expressed written consent of the publisher.

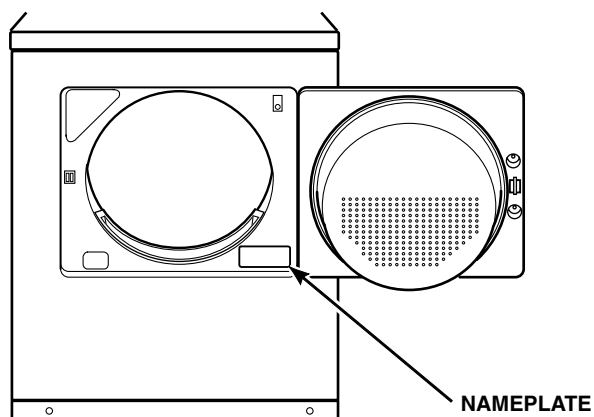
## Parts Ordering Information

If literature or replacement parts are required, contact the source from whom the machine was purchased or contact Alliance Laundry Systems at (920) 748-3950 for the name and address of the nearest authorized parts distributor.

For technical assistance, call (920) 748-3121.

## Nameplate Location

When calling or writing about your product, be sure to mention model and serial numbers. Model and serial numbers are located on nameplate(s) as shown.



DRY912P\_511460

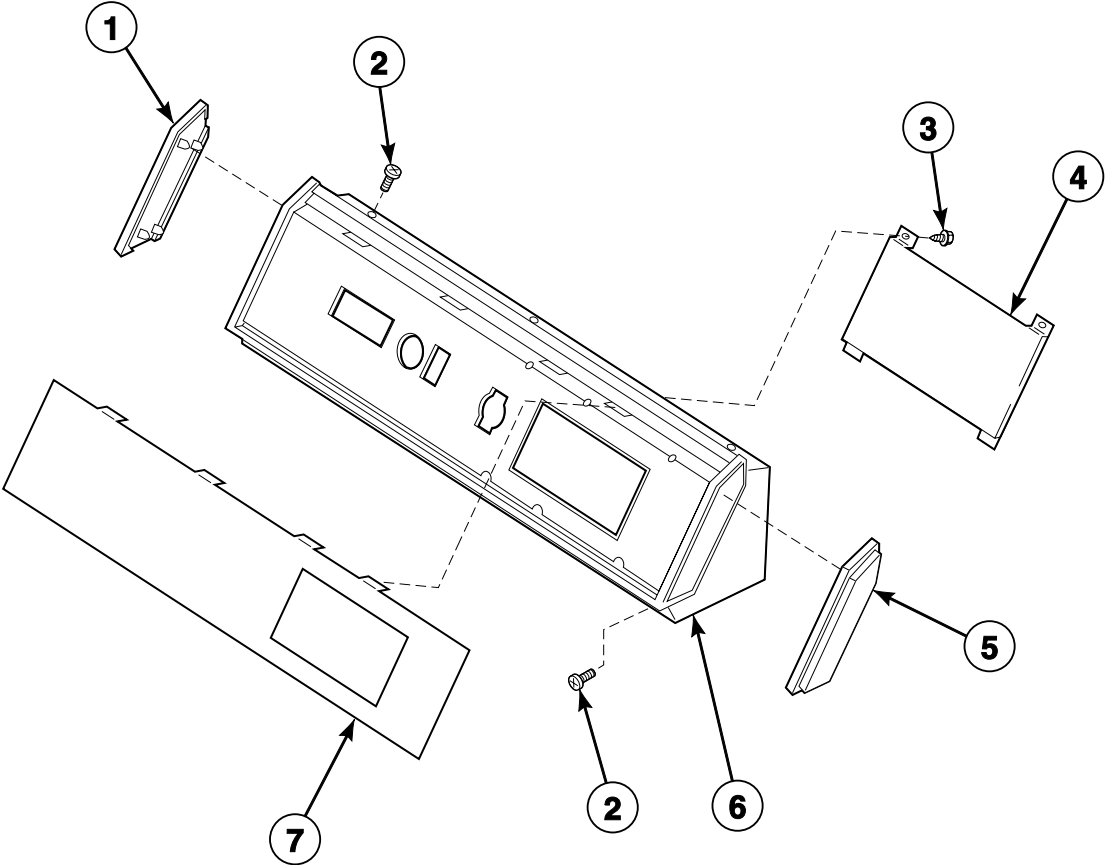
## Model Identification

Information in this manual is applicable to these dryer models:

KE5313-1702  
KE5313-1709  
KE5513-1702  
KE5513F-1702  
KE6533-1702  
KE6533F-1702

KG5313-1709  
KG5319-1109  
KG5519-1102  
KG5519F-1102  
KG6539-1102

# Graphic Panel, Control Hood and Controls - Electronic Models



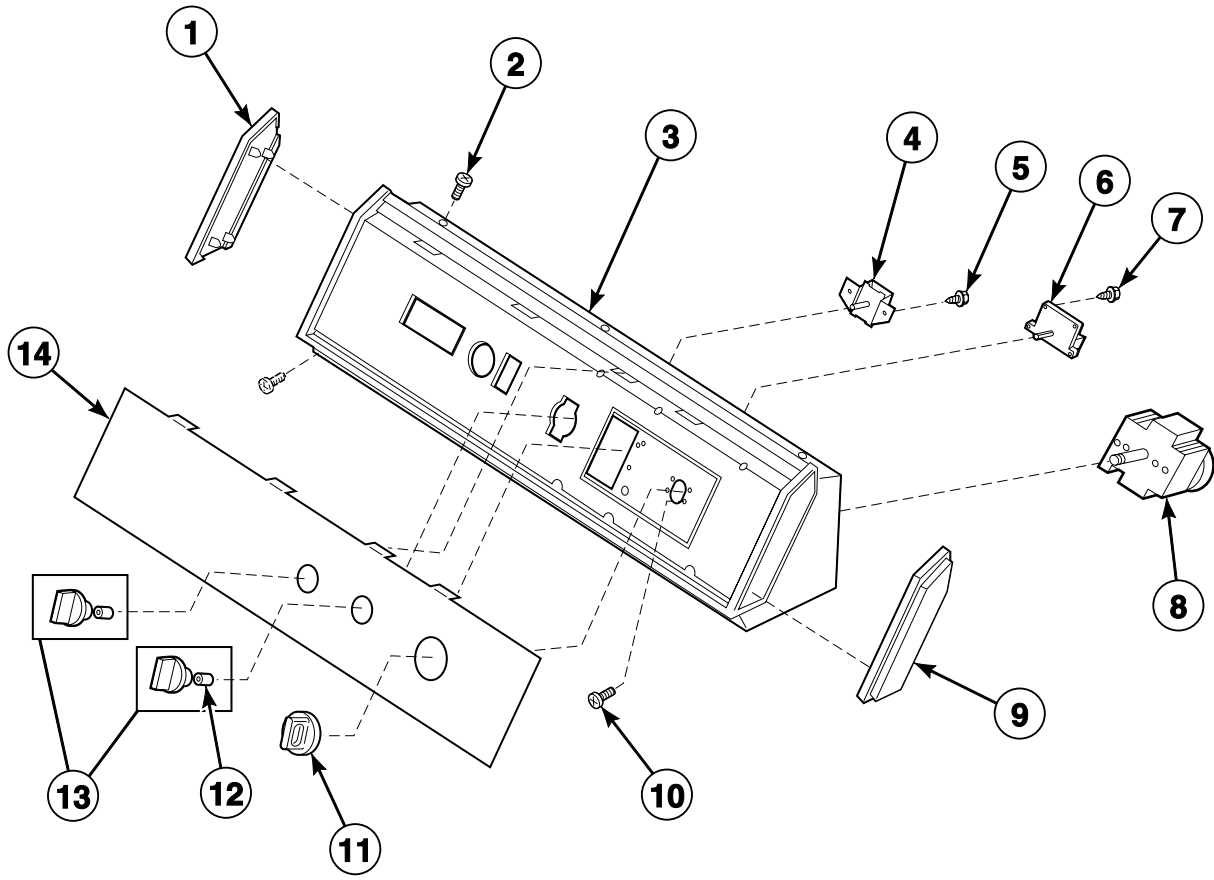
DRY1713P\_511460

# Graphic Panel, Control Hood and Controls - Electronic Models

REF	PART NO.	DESCRIPTION	COMMENTS
1	31249	End Cap	Left
2	31752	Screw	
3	31260	Screw	
4	59609P	Electronic Control Assembly	
5	31248	End Cap	Right
6	N/A	Control Hood	
7	N/A	Graphic Panel	

**N/A = Part no longer available**

# Graphic Panel, Control Hood and Controls - Timer Models



DRY1073S\_511460

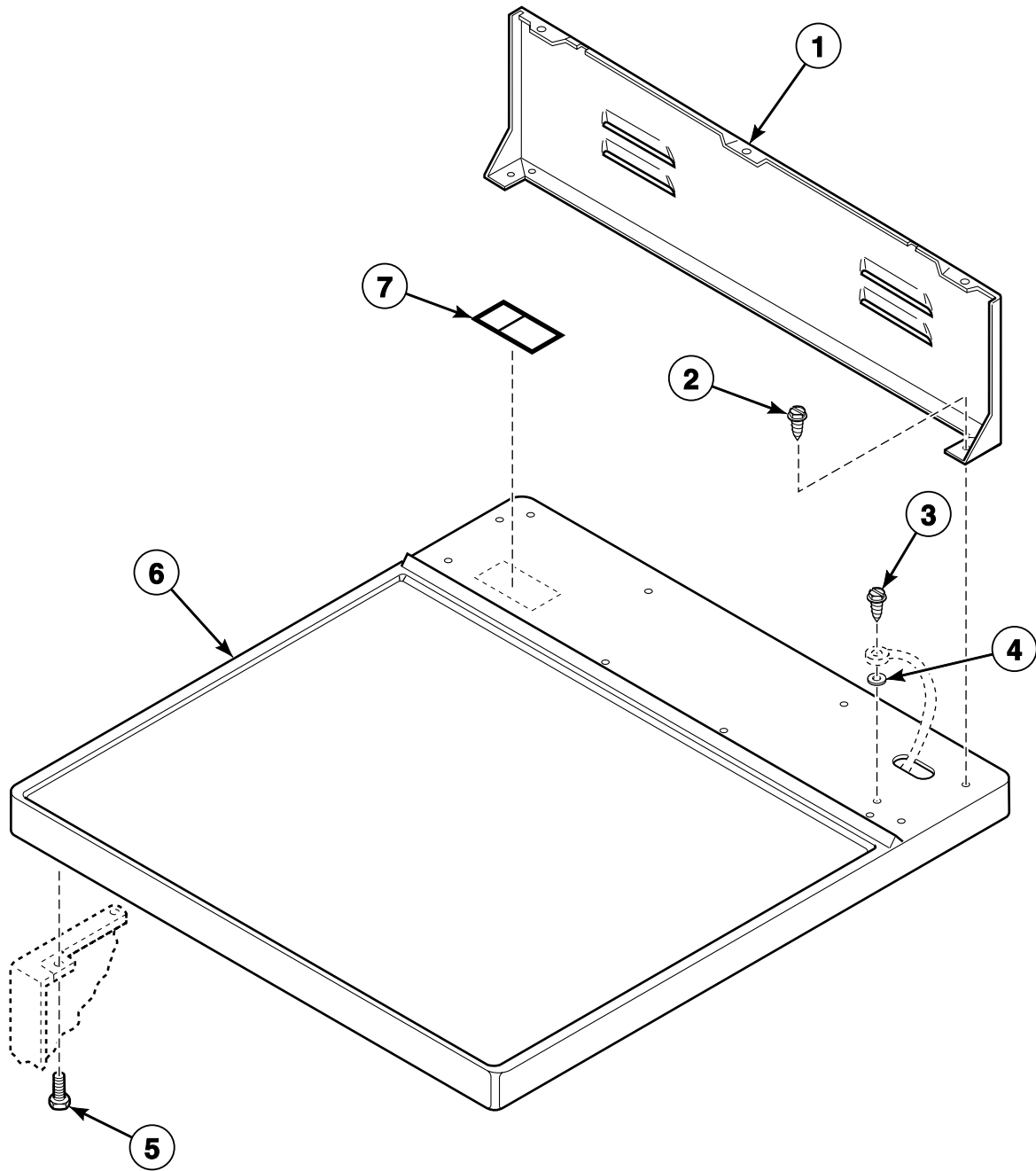


## Graphic Panel, Control Hood and Controls - Timer Models

REF	PART NO.	DESCRIPTION	COMMENTS
1	31249	End Cap	Left
2	31752	Screw	
3	N/A	Hood and Mounting Plate Assembly	
4	500823	Rotary Signal	60 Hertz
	N/A	Buzzer	50 Hertz
5	31260	Screw	
6	59450	Rotate-To-Start Switch	
7	23962	Screw	
8	61402	Timer	5 cycle
9	31248	End Cap	Right
10	501086	Screw	
11	59791	Timer Knob Assembly	
12	N/A	Retainer	
13	31286	Rotary Knob Assembly	
14	N/A	Graphic Panel	

**N/A = Part no longer available**

# Cabinet Top and Control Hood Back Panel



DRY1714P\_511460

## Cabinet Top and Control Hood Back Panel

REF	PART NO.	DESCRIPTION	COMMENTS
1	510099	Hood Back Panel	
2	23962	Screw	
3	20530	Screw	
4	03815	Washer	
5	503661	Screw	
6	510029WP	Top Panel Kit	White
	510029LP	Top Panel Kit	Almond
7	N/A	Sticker	

**N/A = Part no longer available**

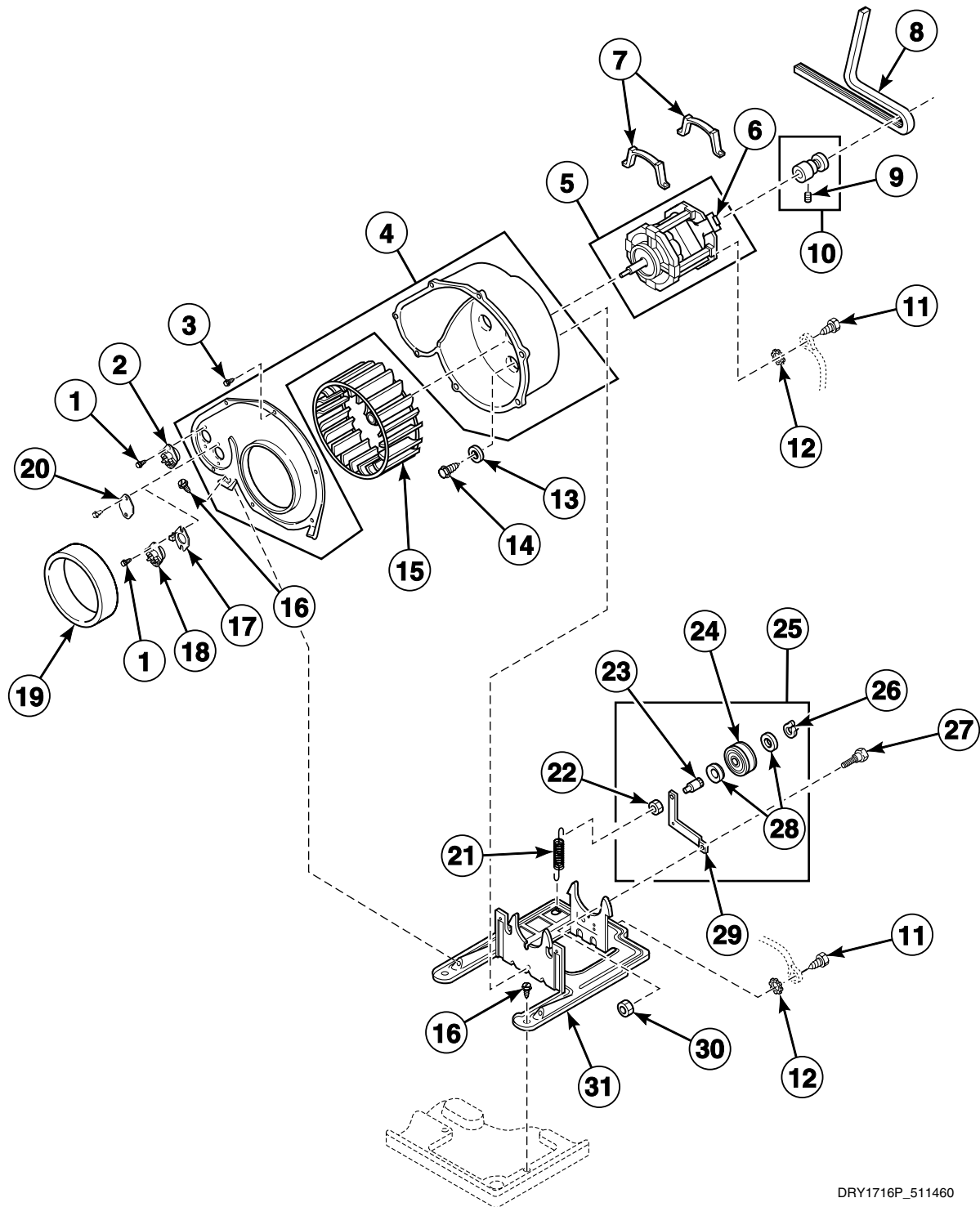


## Loading Door, Front Panels and Access Door

REF	PART NO.	DESCRIPTION	COMMENTS
1	N/A	Caution Sticker	
2	N/A	Caution Sticker	
3	56079	Panel Locator	
4	39733	Screw	
5	28835	Speed Clip	
6	504570	Switch	
7	61380P	Front Panel Seal	
8	51236	Nut	
9	56534	Support Barrel	
10	62420WP	Front Panel Assembly	White; Electric models
	N/A	Front Panel	Gas models
11	503661	Screw	
12	21147	Washer	
13	57444	Screw	
14	61379	Door Seal	
15	23407	Nut	
16	52864	Screw	
17	22649	Screw	
18	56045	Hinge	
19	62300WP	Door Assembly	White
20	N/A	Door	
21	61925	Door Pull	
22	N/A	Door Liner	
23	33561	Screw	
24	510181	Door Strike	
25	502804	Clean Lint Label	
26	510177	Door Catch Assembly	
27	60795W	Access Door	White; Gas models
28	500240	Natural/L.P. Gas Label	Gas models

**N/A = Part no longer available**

# Motor, Exhaust Fan and Belt



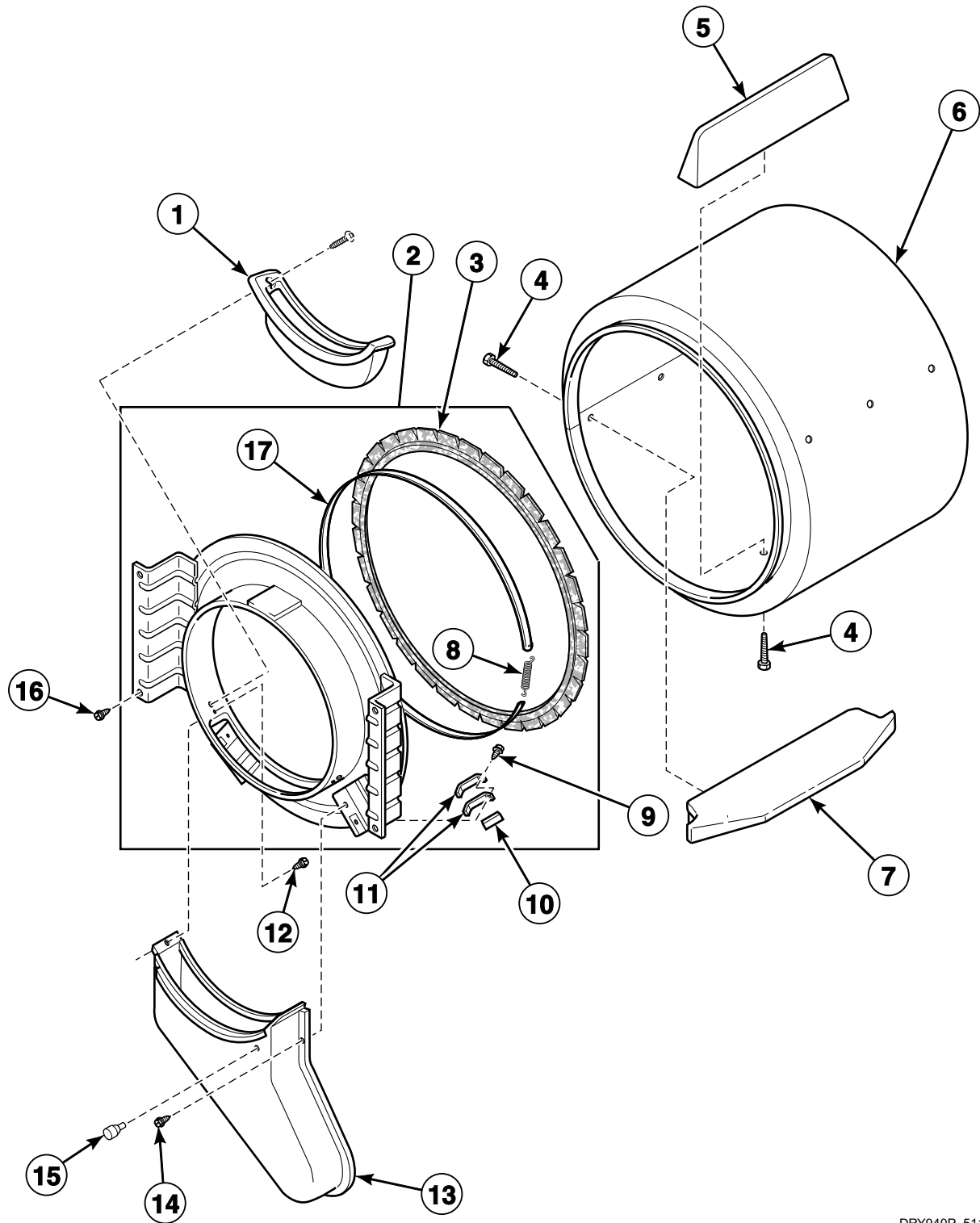
DRY1716P\_511460

## Motor, Exhaust Fan and Belt

REF	PART NO.	DESCRIPTION	COMMENTS
	27604P	Anti-Seize Compound	Apply to motor shaft before installing the blower fan assembly
1	23222	Screw	
2	56410	Thermostat	Timer models through Serial No. S6271975XG
3	23962	Screw	
4	511969P	Blower Housing and Cover Kit	
5	58044	Motor	Includes switch; 60 Hertz
	58056	Motor	Includes switch; 50 Hertz
6	N/A	Motor Switch	
7	510180	Motor Mount Clamp	
8	511255	Cylinder Belt	
9	62541	Screw	
10	N/A	Motor Pulley Assembly	60 Hertz
	59884	Motor Pulley Assembly	50 Hertz
11	23962	Screw	
12	03815	Washer	
13	20492	Washer	
14	503661	Screw	
15	510139P	Blower Fan Assembly	
16	51780	Screw	
17	61401	Thermostat Heater	Timer models starting Serial No. S6271976XG
18	N/A	Thermostat	Timer models through Serial No. S6271975XG
	61372	Thermostat	Timer models starting Serial No. S6271976XG
	510523	Thermistor Assembly	Electronic models
19	56065	Seal	
20	61203	Thermostat Opening Cover	Electronic models
21	510185	Idler Spring	
22	56156	Nut	
23	56461	Shaft	
24	510142P	Idler Wheel and Bearing Assembly	
25	511227	Motor Mount and Idler Assembly	
26	23748	Retaining Ring	
27	N/A	Screw	
28	52549	Washer	
29	N/A	Idler Lever	
30	52566	Nut	
31	510060	Motor Mount	

**N/A = Part no longer available**

# Front Bulkhead, Air Duct, Felt Seal and Cylinder



DRY940P\_511460

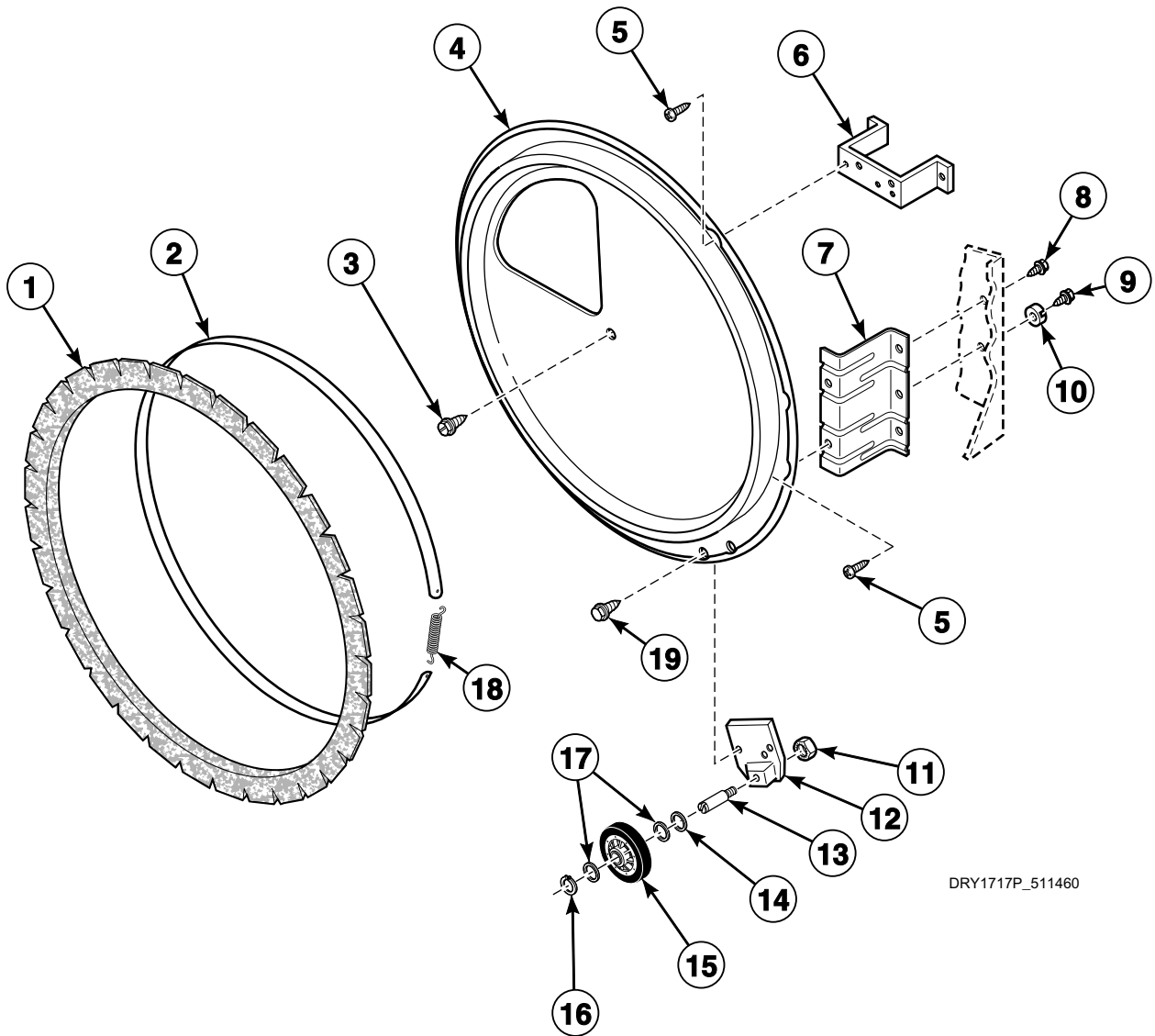


## Front Bulkhead, Air Duct, Felt Seal and Cylinder

REF	PART NO.	DESCRIPTION	COMMENTS
1	61376P	Lint Filter	White
2	N/A	Front Bulkhead Assembly	
3	56088	Seal Assembly	
4	62588	Screw	
5	61399	Cylinder Baffle	White; Short; 2 required
6	60645P	Cylinder Assembly	Includes baffles
7	61027	Cylinder Baffle	Extended; 1 required
8	52310	Spring	
9	23962	Screw	
10	58049	Thin Pad	
11	61448	Cylinder Glide	
12	33561	Screw	
13	60786	Air Duct Assembly	
14	23962	Screw	
15	N/A	Bumper	
16	503661	Screw	
17	56090	Seal Strap	

**N/A = Part no longer available**

# Rear Bulkhead, Felt Seal and Cylinder Roller



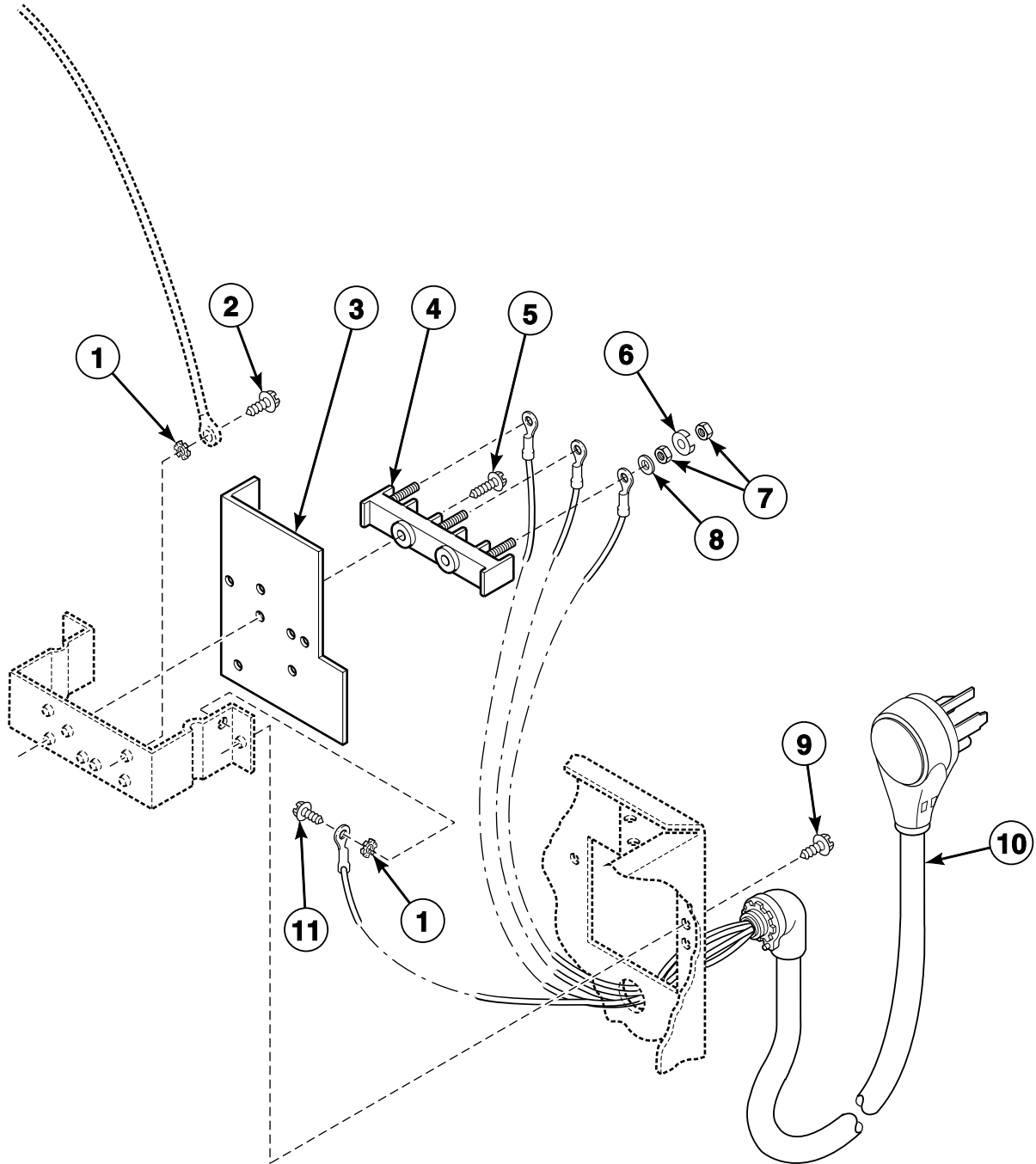
DRY1717P\_511460

## Rear Bulkhead, Felt Seal and Cylinder Roller

REF	PART NO.	DESCRIPTION	COMMENTS
1	56088	Seal Assembly	
2	56090	Seal Strap	
3	33561	Screw	Attaches to heater box
4	N/A	Rear Bulkhead Assembly	
5	M400664	Screw	
6	N/A	Terminal Block Bracket	
7	N/A	Rear Bulkhead Bracket	
8	503661	Screw	
9	52909	Screw	Green
10	51474	Washer	
11	56156	Nut	
12	N/A	Cylinder Roller Bracket	
13	56461	Shaft	
14	23886	Washer	
15	62649	Cylinder Roller	
16	23748	Retaining Ring	
17	52549	Washer	
18	52310	Spring	
19	33561	Screw	

**N/A = Part no longer available**

# Terminal Block - Electric Models Through Serial No. S6271975XG



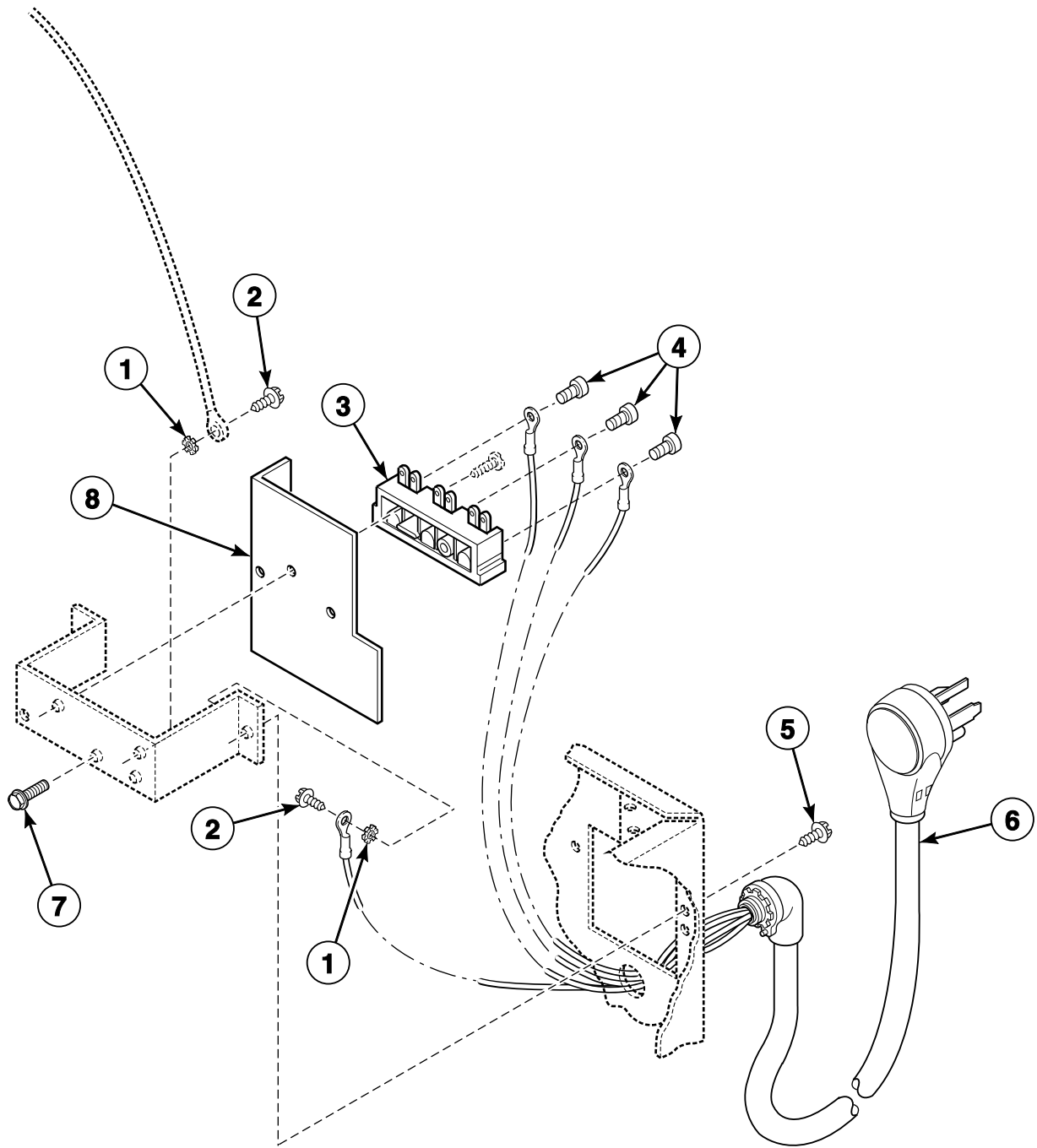
DRY1718P\_511460

## Terminal Block - Electric Models Through Serial No. S6271975XG

REF	PART NO.	DESCRIPTION	COMMENTS
1	03815	Washer	
2	20530	Screw	
3	56087	Terminal Block Shield	
4	50854A	Terminal Block Assembly	
5	62588	Screw	
6	N/A	Washer	
7	Q6163	Nut	
8	56552	Washer	
9	503661	Screw	
10	510505P	Lead-In Cord Assembly	4 wire
11	20530	Screw	

**N/A = Part no longer available**

# Terminal Block - Electric Models Starting Serial No. S6271976XG

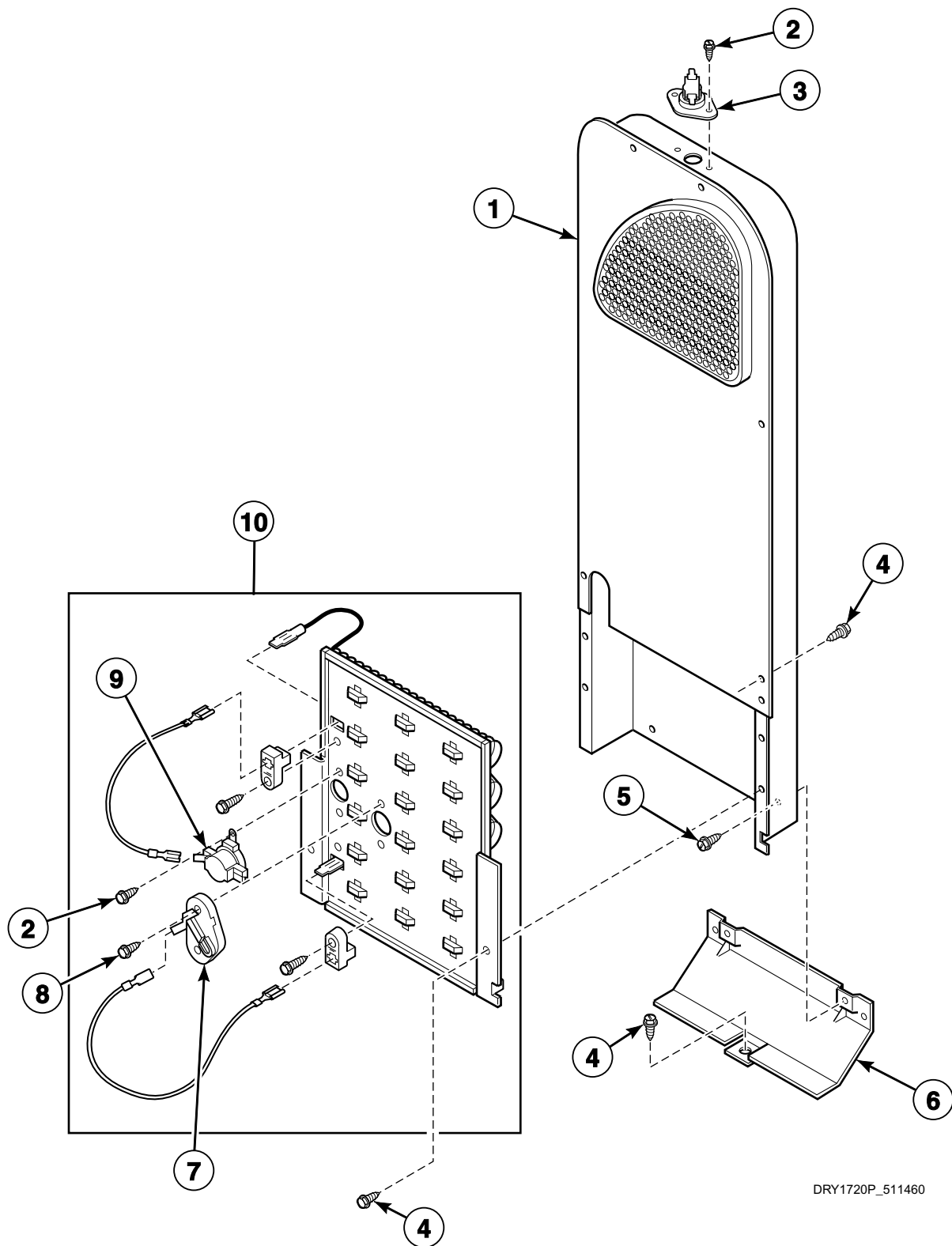


DRY1719P\_511460

# Terminal Block - Electric Models Starting Serial No. S6271976XG

REF	PART NO.	DESCRIPTION	COMMENTS
1	03815	Washer	
2	20530	Screw	
3	510190P	Terminal Block Assembly	
4	61199	Screw	
5	503661	Screw	
6	510505P	Lead-In Cord Assembly	4 wire
7	501285	Screw	
8	56087	Terminal Block Shield	

# Heater Duct - Electric Models



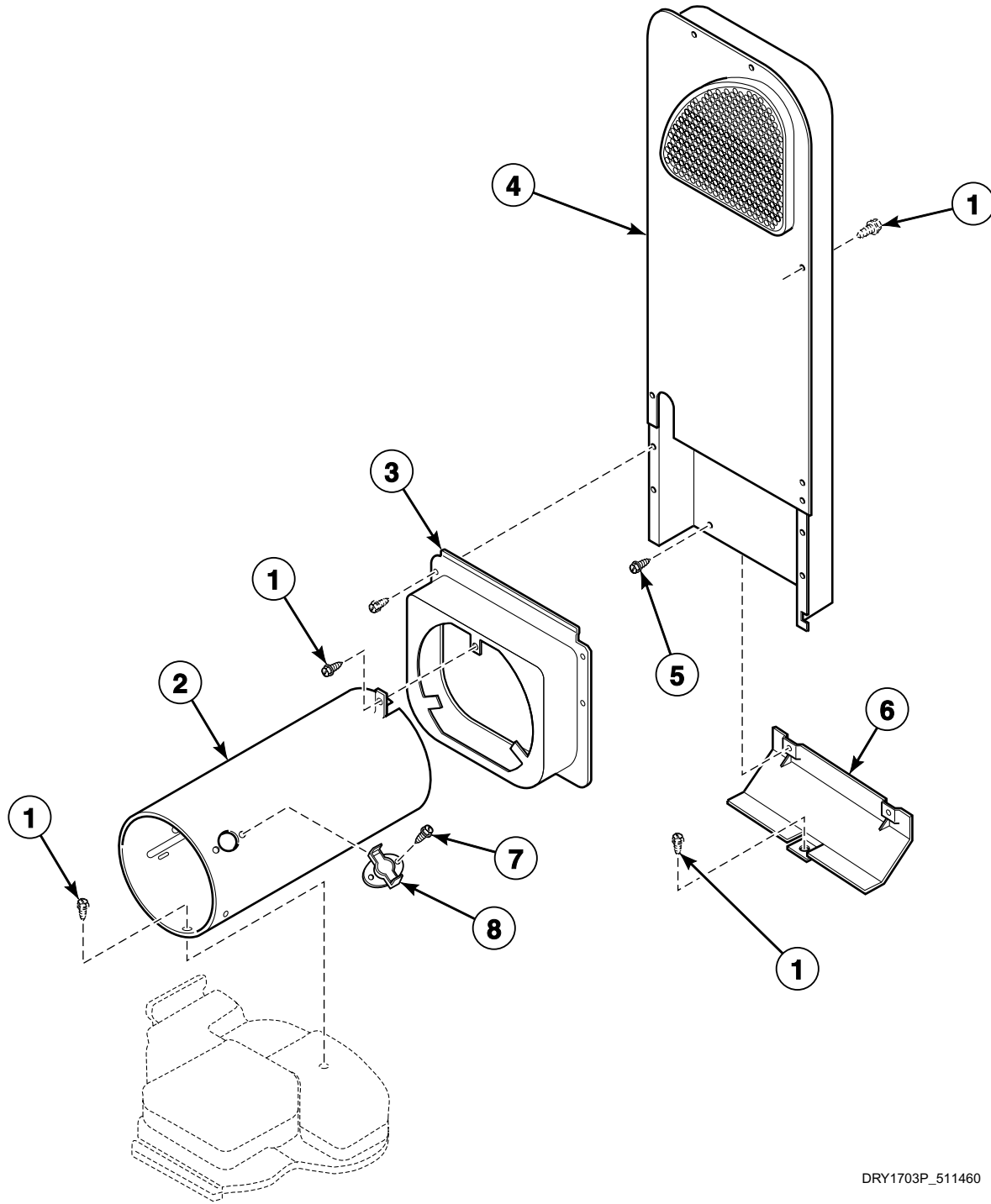
DRY1720P\_511460



## Heater Duct - Electric Models

REF	PART NO.	DESCRIPTION	COMMENTS
1	500180P	Heater Duct Assembly	Models equipped with 57239 Thermostat
	510025P	Heater Duct and Screw Assembly	All other models
2	23222	Screw	
3	57239	Thermostat	Optional on some models
4	503661	Screw	
5	51780	Screw	
6	60952	Heat Duct Shield	
7	490P3	Thermal Fuse Kit	
8	56693	Screw	
9	510701	Limit Thermostat	
10	61928	Heater Kit Assembly	208 Volt; 4.75 kW; White
	61927	Heater Kit Assembly	240 Volt; 5.0 kW; Red
	61929	Heater Kit Assembly	240 Volt; 4.8 kW
	61930	Heater Kit Assembly	240 Volt; 4.0 kW
	61931	Heater Kit Assembly	240 Volt; 3.1 kW

# Heater Duct - Gas Models



DRY1703P\_511460

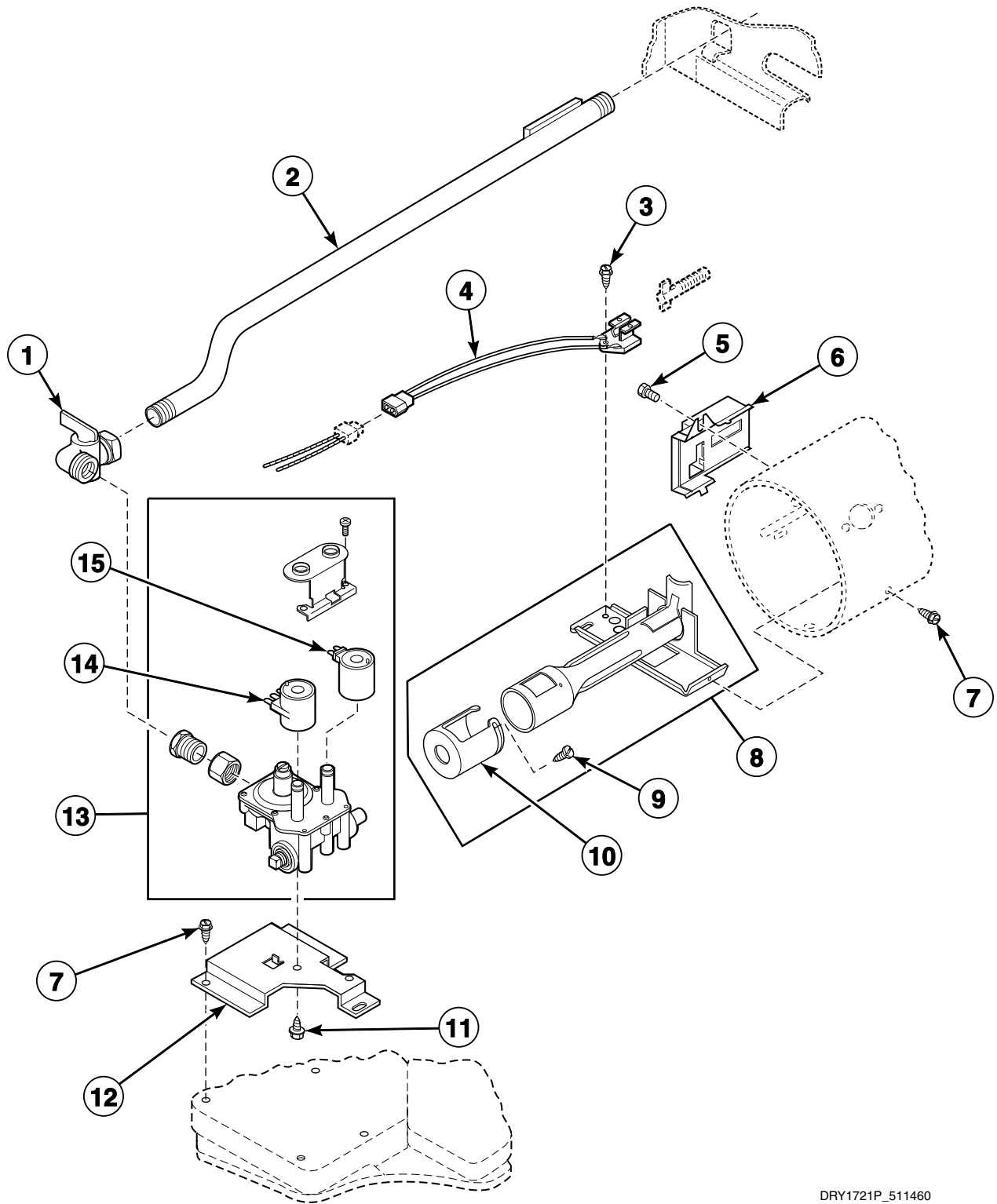
## Heater Duct - Gas Models

REF	PART NO.	DESCRIPTION	COMMENTS
1	503661	Screw	
2	N/A	Combustion Duct Assembly	Includes the limit thermostat
3	510101	Heat Duct Shroud	
4	510025P	Heater Duct and Screw Assembly	
5	51780	Screw	
6	60952	Heat Duct Shield	
7	51782	Screw	
8	489P3	Thermostat and Plate Kit	

**N/A = Part no longer available**

# Gas Valve and Igniter

Gas Models



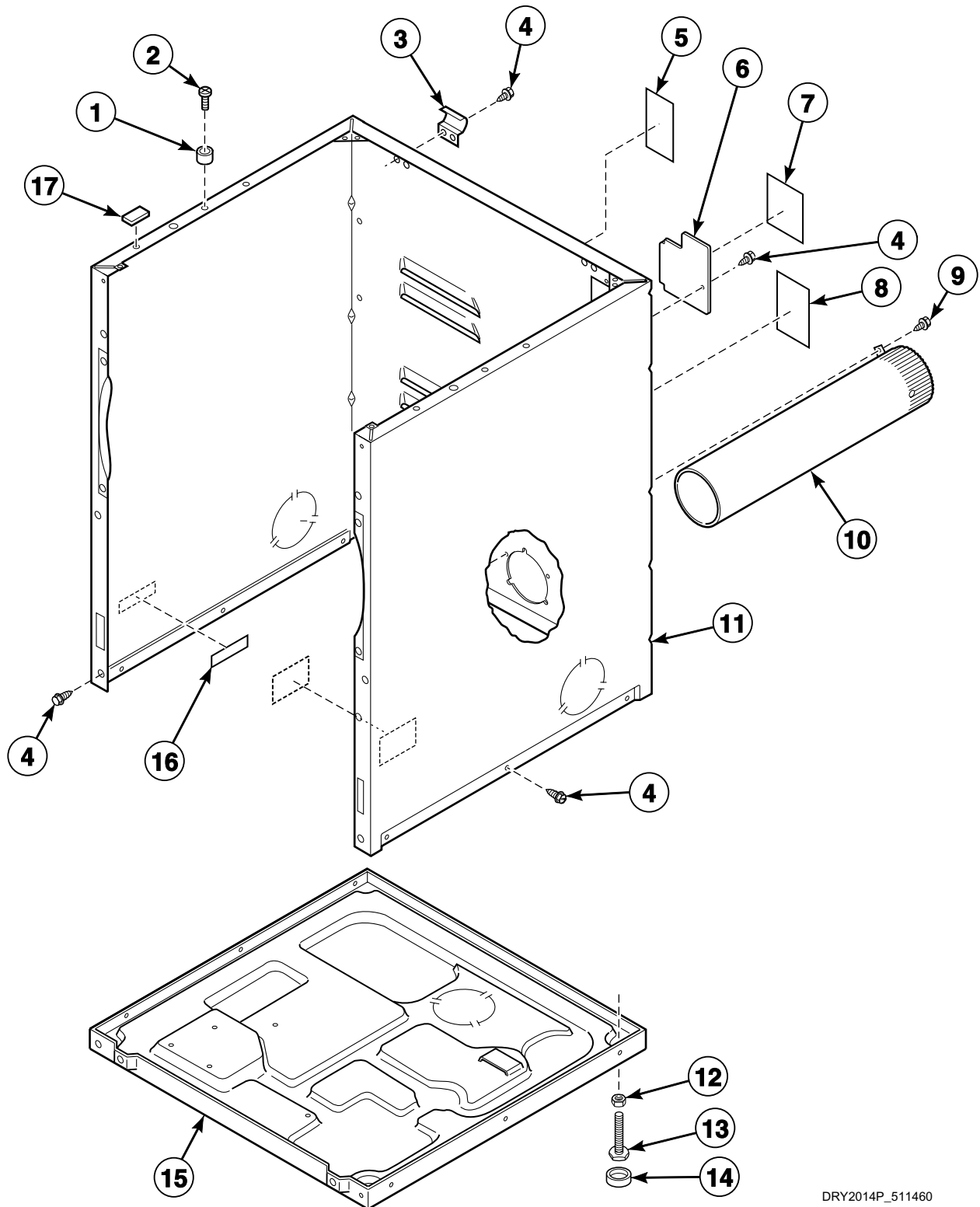
DRY1721P\_511460

# Gas Valve and Igniter

REF	PART NO.	DESCRIPTION	COMMENTS
1	510205	Elbow Shut-Off Valve	
2	N/A	Lead-In Pipe Assembly	
3	56693	Screw	
4	510184P	Igniter and Bracket Assembly	
5	23222	Screw	
6	510213	Sensor	
7	503661	Screw	
8	510149P	Burner Assembly	
9	N/A	Screw	
10	N/A	Air Shutter	
11	56124	Screw	
12	510128	Gas Valve Mounting Bracket	
13	58804	Gas Valve Assembly	Natural Gas (N.G.) or Mixed Gas; 60 Hertz
	60443	Valve Assembly	50 Hertz
	59063	Gas Valve Assembly	115 Volt/50 Hertz
14	58804A	Booster and Holding Coil	60 Hertz
	59063A	Booster and Holding Coil	50 Hertz
15	58804B	Secondary Coil	60 Hertz
	59063B	Secondary Coil	50 Hertz

**N/A = Part no longer available**

# Cabinet, Exhaust Duct and Base



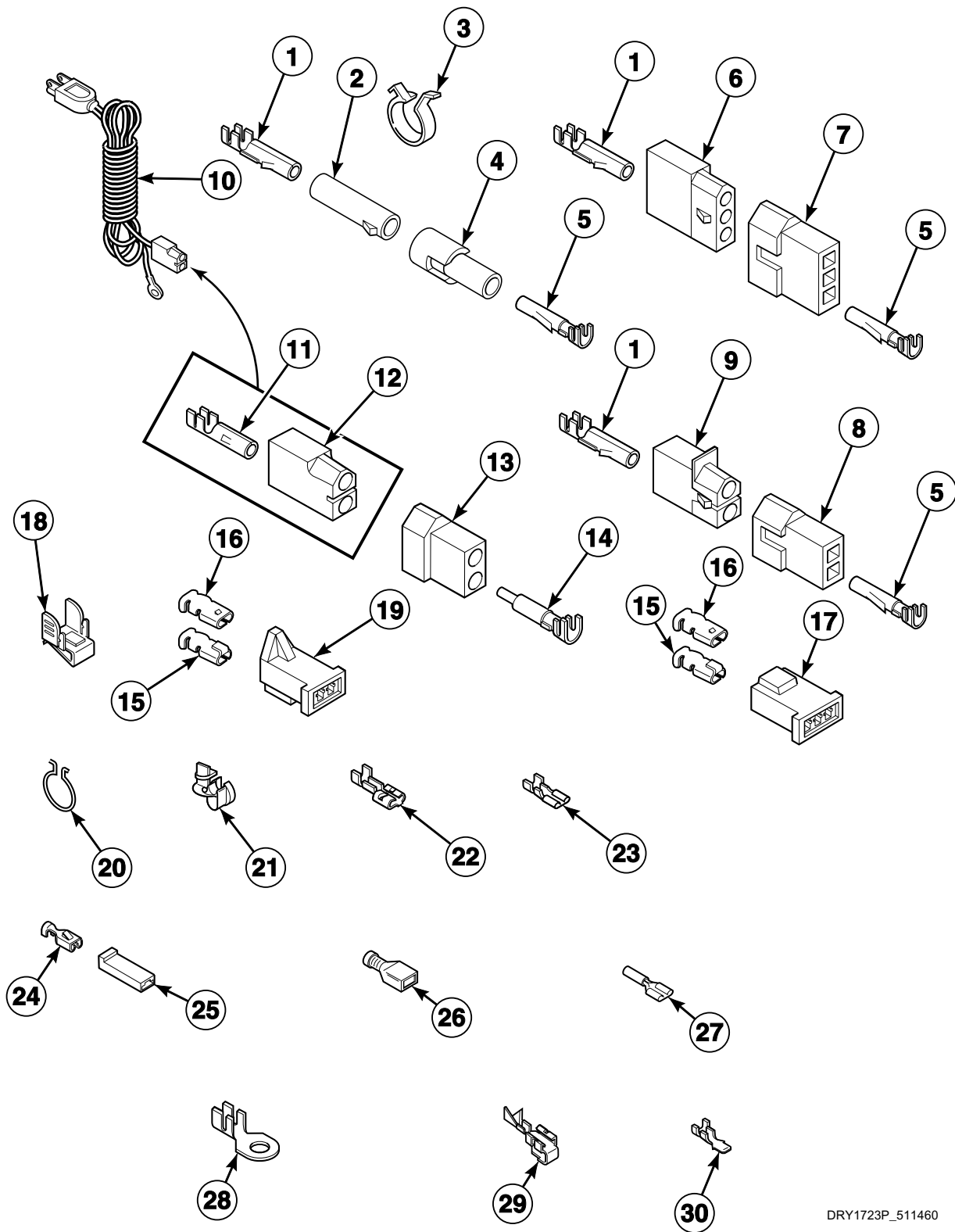
DRY2014P\_511460

## Cabinet, Exhaust Duct and Base

REF	PART NO.	DESCRIPTION	COMMENTS
1	56079	Panel Locator	
2	39733	Screw	
3	N/A	Top Hinge	
4	503661	Screw	
5	500240	Natural/L.P. Gas Label	Gas models
6	60821	Access Cover Plate	
7	N/A	Disconnect Power Warning Label	
8	511005	Electric Clearance Label	Electric models
9	23962	Screw	
10	N/A	Exhaust Duct Assembly	
11	N/A	Dryer Cabinet Assembly	
12	20274	Nut	
13	52696	Screw	
14	70282	Rubber Foot	
15	N/A	Base Assembly	
16	N/A	Wire Harness Assembly	Electric models
17	56128	Bumper Pad	

**N/A = Part no longer available**

# Terminals



DRY1723P\_511460



# Terminals

REF	PART NO.	DESCRIPTION	COMMENTS
1	00117	Female Pin Terminal	
2	26301	Molex Receptacle	
3	504034	Wire Clip	
4	26302	1 Circuit Plug	
5	00116	Male Pin Terminal	
6	23039	3 Circuit Receptacle	
7	23040	Plug	
8	56448	2 Circuit Plug	
9	56451	2 Circuit Receptacle	
10	56222	Lead-In Cord	Gas models
11	00130	Female Pin Terminal	
12	56265	2 Circuit Receptacle	
13	56266	2 Circuit Plug	
14	00127	Male Pin Terminal	
15	00361	Female Piggyback Terminal	
16	00189	Female Spade Terminal	
17	56448	2 Circuit Plug	
18	00161	Grounding Clip	
19	58799	2 Circuit Connector	
20	51291	Wire Clip	
21	38384	Strain Relief	
22	00223	Female Spade Terminal	1/4 inch; (1) 18 gauge wire
	00121	Female Spade Terminal	1/4 inch; (2) 18 gauge wires or (1) 12 gauge wire
23	00124	Female Spade Terminal	3/16 inch; (1) 18 gauge wire
	00209	Female Spade Terminal	3/16 inch; (2) 18 gauge wires
24	00115	Female Spade Terminal	(1) 18 gauge wire
	00321	Female Spade Terminal	(2) 18 gauge wires or (1) 12 gauge wire
25	90789	Receptacle Housing	
26	00165	Insulated Female Terminal	3/16 inch
	00359	Ultra Pod Terminal	1/4 inch
27	N/A	Pre-Insulated Spade Terminal	18 gauge
	00215	Pre-Insulated Spade Terminal	12 gauge
28	00110	Ring Terminal	No. 10; (1) 18 gauge wire
	00111	Ring Terminal	No. 10; (2) 18 gauge wires or (1) 12 gauge wire
29	00114	Female Spade Terminal	
30	00139	Male Tab Terminal	1/4 inch; (2) 18 gauge wires or (1) 12 gauge wire

**N/A = Part no longer available**

## Wire Harnesses and Wires

PART NO.	DESCRIPTION	COMMENTS
N/A	Wire Harness Assembly	
45001	18 Gauge Wire	Black; Order wire by foot; Order terminals and connectors as required.
45003	18 Gauge Wire	Brown; Order wire by foot; Order terminals and connectors as required.
45380	12 Gauge Wire	Orange; Order wire by foot; Order terminals and connectors as required.

**N/A = Part no longer available**

**NOTE: Individual wires are not available separately. Order complete harness, or order wire by the foot. When applying terminals to wires, it is recommended that the terminals be soldered to the wires.**

# Parts Index

---

## A

Access Cover Plate 60821 .....	29
Access Door 60795W .....	11
Air Duct Assembly 60786 .....	15
Anti-Seize Compound 27604P .....	13

---

## B

Blower Fan Assembly 510139P .....	13
Blower Housing and Cover Kit 511969P .....	13
Booster and Holding Coil 58804A .....	27
59063A .....	27
Bumper Pad 56128 .....	29
Burner Assembly 510149P .....	27

---

## C

Clean Lint Label 502804 .....	11
Connector, 2 Circuit 58799 .....	31
Cylinder Assembly 60645P .....	15
Cylinder Baffle 61027 .....	15
61399 .....	15
Cylinder Belt 511255 .....	13
Cylinder Glide 61448 .....	15
Cylinder Roller 62649 .....	17

---

## D

Door Assembly 62300WP .....	11
Door Catch Assembly 510177 .....	11
Door Pull 61925 .....	11
Door Seal 61379 .....	11
Door Strike 510181 .....	11

---

## E

Elbow Shut-Off Valve 510205 .....	27
Electric Clearance Label 511005 .....	29
Electronic Control Assembly 59609P .....	5
End Cap 31248 .....	5, 7
31249 .....	5, 7

---

## F

Female Piggyback Terminal 00361 .....	31
Female Pin Terminal 00117 .....	31
00130 .....	31
Female Spade Terminal 00114 .....	31
00115 .....	31
00121 .....	31
00124 .....	31
00189 .....	31
00209 .....	31
00223 .....	31
00321 .....	31
Front Panel Assembly 62420WP .....	11
Front Panel Seal 61380P .....	11

---

## G

Gas Valve Assembly 58804 .....	27
59063 .....	27
Gas Valve Mounting Bracket 510128 .....	27
Grounding Clip 00161 .....	31

---

## H

Heat Duct Shield 60952 .....	23, 25
Heat Duct Shroud 510101 .....	25
Heater Duct and Screw Assembly 510025P .....	23, 25
Heater Duct Assembly 500180P .....	23
Heater Kit Assembly 61927 .....	23
61928 .....	23
61929 .....	23

N/A items do not appear in index.

61930 .....	23
61931 .....	23
Hinge	
56045 .....	11
Hood Back Panel	
510099 .....	9

## I

Idler Spring	
510185 .....	13
Idler Wheel and Bearing Assembly	
510142P .....	13
Igniter and Bracket Assembly	
510184P .....	27
Insulated Female Terminal	
00165 .....	31

## L

Lead-In Cord	
56222 .....	31
Lead-In Cord Assembly	
510505P .....	19, 21
Limit Thermostat	
510701 .....	23
Lint Filter	
61376P .....	15

## M

Male Pin Terminal	
00116 .....	31
00127 .....	31
Male Tab Terminal	
00139 .....	31
Molex Receptacle	
26301 .....	31
Motor	
58044 .....	13
58056 .....	13
Motor Mount	
510060 .....	13
Motor Mount and Idler Assembly	
511227 .....	13
Motor Mount Clamp	
510180 .....	13
Motor Pulley Assembly	
59884 .....	13

## N

Natural/L.P. Gas Label	
500240 .....	11, 29
Nut	
Q6163 .....	19
20274 .....	29
23407 .....	11
51236 .....	11

52566 .....	13
56156 .....	13, 17

## P

Panel Locator	
56079 .....	11, 29
Plug	
23040 .....	31
Plug, 1 Circuit	
26302 .....	31
Plug, 2 Circuit	
56266 .....	31
56448 .....	31
Pre-Insulated Spade Terminal	
00215 .....	31

## R

Receptacle Housing	
90789 .....	31
Receptacle, 2 Circuit	
56265 .....	31
56451 .....	31
Receptacle, 3 Circuit	
23039 .....	31
Retaining Ring	
23748 .....	13, 17
Ring Terminal	
00110 .....	31
00111 .....	31
Rotary Knob Assembly	
31286 .....	7
Rotary Signal	
500823 .....	7
Rotate-To-Start Switch	
59450 .....	7
Rubber Foot	
70282 .....	29

## S

Screw	
M400664 .....	17
20530 .....	9, 19, 21
22649 .....	11
23222 .....	13, 23, 27
23962 .....	7, 9, 13, 15, 29
31260 .....	5, 7
31752 .....	5, 7
33561 .....	11, 15, 17
39733 .....	11, 29
501086 .....	7
501285 .....	21
503661 .....	9, 11, 13, 15, 17, 19, 21, 23, 25, 27, 29
51780 .....	13, 23, 25
51782 .....	25
52696 .....	29
52864 .....	11
52909 .....	17
56124 .....	27
56693 .....	23, 27

N/A items do not appear in index.

57444	11
61199	21
62541	13
62588	15, 19
Seal	
56065	13
Seal Assembly	
56088	15, 17
Seal Strap	
56090	15, 17
Secondary Coil	
58804B	27
59063B	27
Sensor	
510213	27
Shaft	
56461	13, 17
Speed Clip	
28835	11
Spring	
52310	15, 17
Strain Relief	
38384	31
Support Barrel	
56534	11
Switch	
504570	11

---

## T

Terminal Block Assembly	
50854A	19
510190P	21
Terminal Block Shield	
56087	19, 21
Thermal Fuse Kit	
490P3	23
Thermistor Assembly	
510523	13
Thermostat	
56410	13
57239	23
61372	13
Thermostat and Plate Kit	
489P3	25
Thermostat Heater	
61401	13
Thermostat Opening Cover	
61203	13
Thin Pad	
58049	15
Timer	
61402	7
Timer Knob Assembly	
59791	7
Top Panel Kit	
510029LP	9
510029WP	9

---

## U

Ultra Pod Terminal	
00359	31

---

## V

Valve Assembly	
60443	27

---

## W

Washer	
03815	9, 13, 19, 21
20492	13
21147	11
23886	17
51474	17
52549	13, 17
56552	19
Wire Clip	
504034	31
51291	31
Wire, 12 Gauge	
45380	32
Wire, 18 Gauge	
45001	32
45003	32

---

