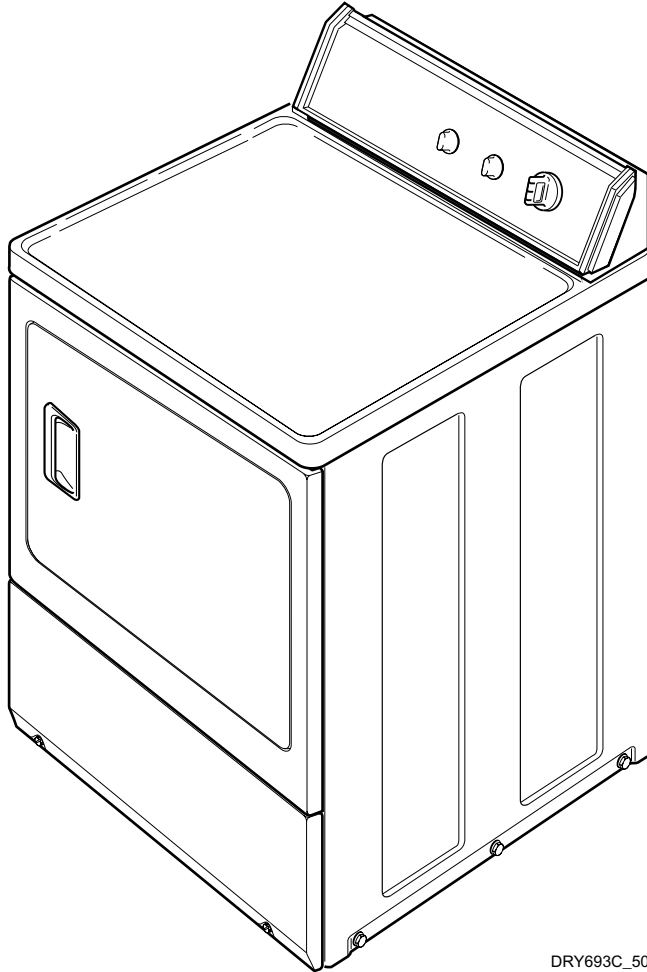


Dryers

Refer to Page 3 for Model Numbers



DRY693C_505902

Table of Contents

Title	Page
Parts Ordering Information.....	2
Nameplate Location	2
Model Identification	3
Graphic Panel, Control Hood and Controls (Drawing 1 of 5)	4
Graphic Panel, Control Hood and Controls (Drawing 2 of 5)	6
Graphic Panel, Control Hood and Controls (Drawing 3 of 5)	8
Graphic Panel, Control Hood and Controls (Drawing 4 of 5)	10
Graphic Panel, Control Hood and Controls (Drawing 5 of 5)	12
Cabinet Top and Control Hood Rear Panel	14
Loading Door, Front Panel and Seals.....	16
Motor, Exhaust Fan and Belt	18
Front Bulkhead, Air Duct, Felt Seal and Cylinder	20
Rear Bulkhead, Felt Seal and Cylinder Roller	22
Heater Duct and Element Assembly	24
Heater Duct Assembly	26
Gas Valve and Igniter	28
Terminal Block	30
Cabinet, Exhaust Duct and Base	32
Lead-In Cord and Terminals	34
Wire Harnesses and Wires	36
Parts Index.....	37

© Copyright 2005, Alliance Laundry Systems LLC

All rights reserved. No part of the contents of this book may be reproduced or transmitted in any form or by any means without the expressed written consent of the publisher.

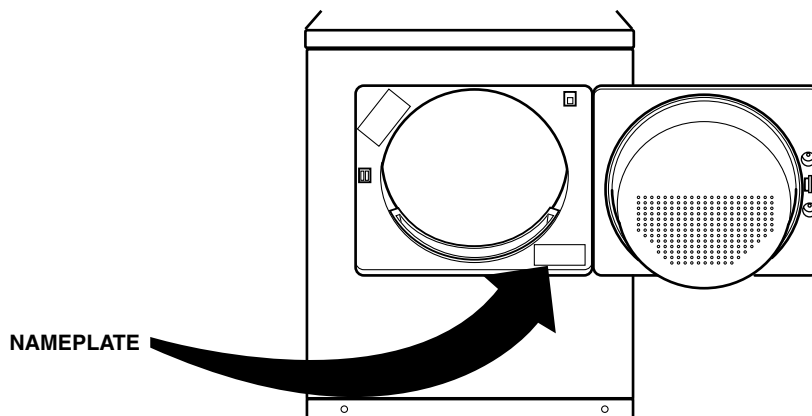
Parts Ordering Information

If literature or replacement parts are required, contact the source from whom the machine was purchased or contact Alliance Laundry Systems at (920) 748-3950 for the name and address of the nearest authorized parts distributor.

For technical assistance, call (920) 748-3121.

Nameplate Location

When calling or writing about your product, be sure to mention model and serial numbers. Model and serial numbers are located on nameplate(s) as shown.



DRY1940P_505902

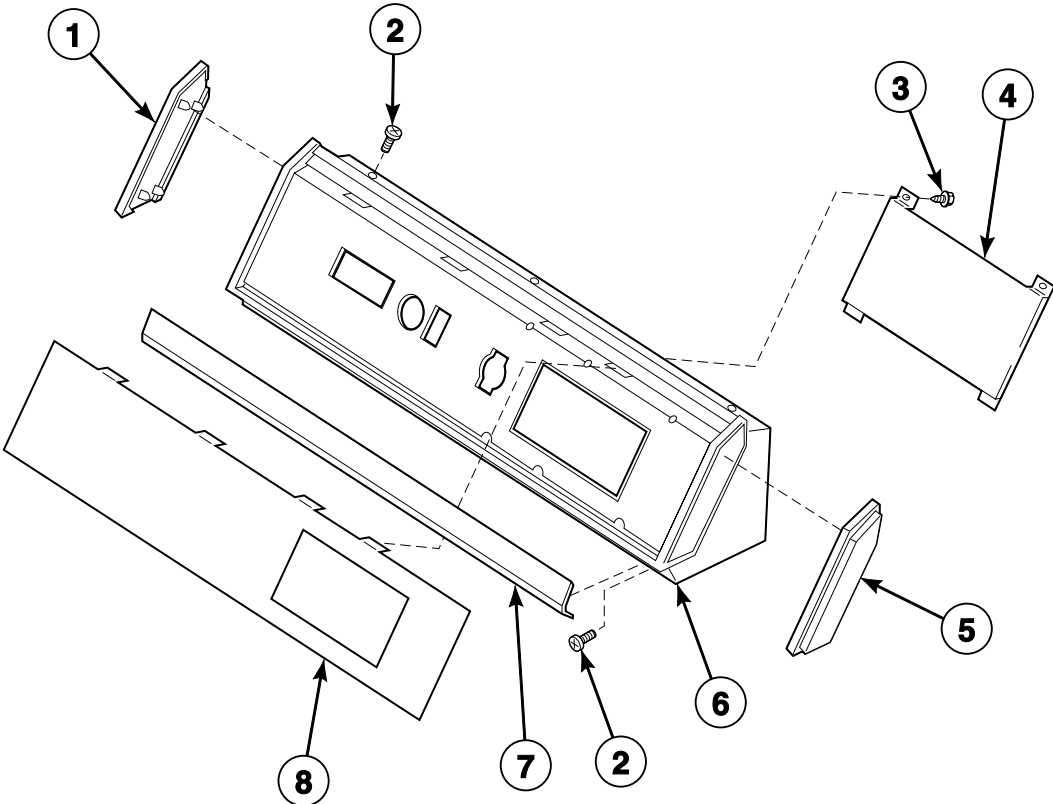
Model Identification

Information in this manual is applicable to these dryer models:

AE3413	AEM333	AG3419	AGM339	NE4813
AE4413	AEM353	AG4419	AGM359	NE6813
AE5413	AEM433	AG5419	AGM439	NE8833
AE9433	AEM453	AG9439	AGM459	NG4819
AEE933	AEM633	AGE939	AGM639	NG6819
AEE953	AEM653	AGE959	AGM659	NG8839

Graphic Panel, Control Hood and Controls (Drawing 1 of 5)

Models AE9433, AEE933, AEE953, AG9439, AGE939, AGE959, NE8833 and NG8839



DRY1977P_505902

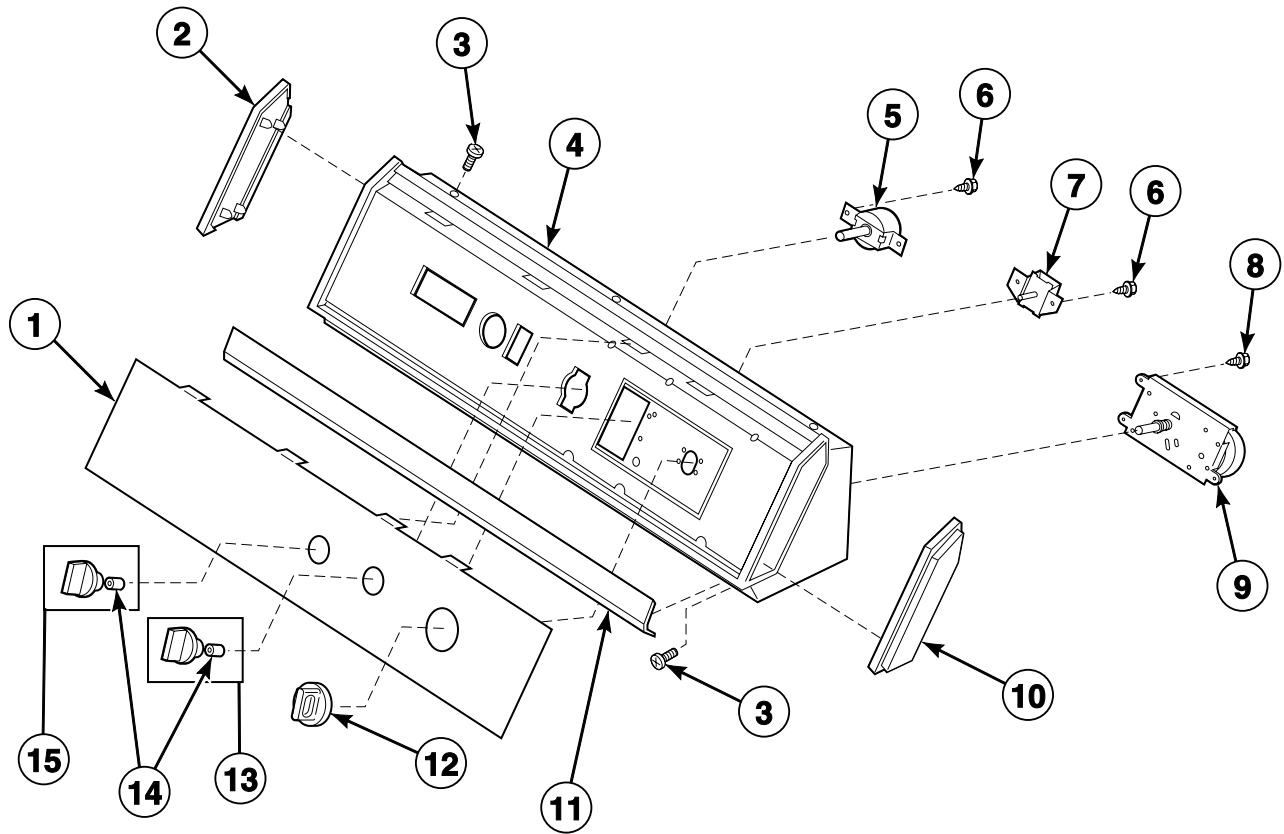
Graphic Panel, Control Hood and Controls (Drawing 1 of 5)

REF	PART NO.	DESCRIPTION	COMMENTS
1	31249	End Cap	Left
2	31752	Screw	
3	31260	Screw	
4	59608P	Electronic Control Assembly	Models AE9433, AG9439, NE8833 and NG8839
	N/A	Electronic Control Assembly	Models AEE953 and AGE959
	62243P	Electronic Control Assembly	Models AEE933 and AGE939
5	31248	End Cap	Right
6	N/A	Control Hood	
7	N/A	Control Panel Trim	Models AEE933, AEE953, AGE939 and AGE959
8	N/A	Graphic Panel	

N/A = Part no longer available

Graphic Panel, Control Hood and Controls (Drawing 2 of 5)

Models AEM633, AEM653, AGM639 and AGM659



DRY1978P_505902

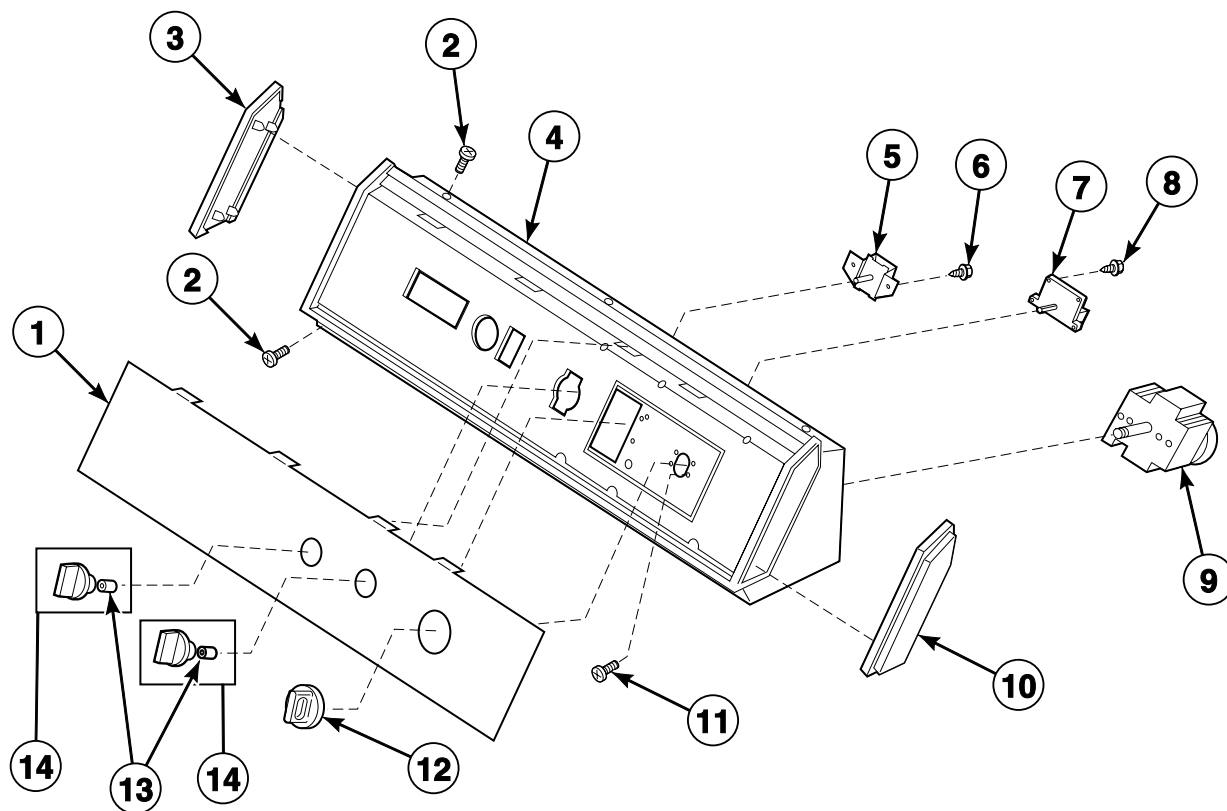
Graphic Panel, Control Hood and Controls (Drawing 2 of 5)

REF	PART NO.	DESCRIPTION	COMMENTS
1	N/A	Graphic Panel	
2	31249	End Cap	Left
3	31752	Screw	
4	N/A	Hood and Mounting Plate Assembly	
5	N/A	Selector Switch	
6	31260	Screw	
7	500823	Rotary Signal	
8	501086	Screw	
9	502967	Timer	
10	31248	End Cap	Right
11	N/A	Trim Strip	
12	62176	Timer Knob Assembly	Black; Models AEM653 and AGM659
	62234	Timer Knob Assembly	White; Models AEM633 and AGM639
13	N/A	Rotary Knob Assembly	
14	N/A	Retainer	
15	N/A	Rotary Knob Assembly	Black; Models AEM653 and AGM659
	33688	Knob Assembly	White; Models AEM633 and AGM639

N/A = Part no longer available

Graphic Panel, Control Hood and Controls (Drawing 3 of 5)

Models AE5413, AG5419, NE6813 and NG6819



DRY1979P_505902

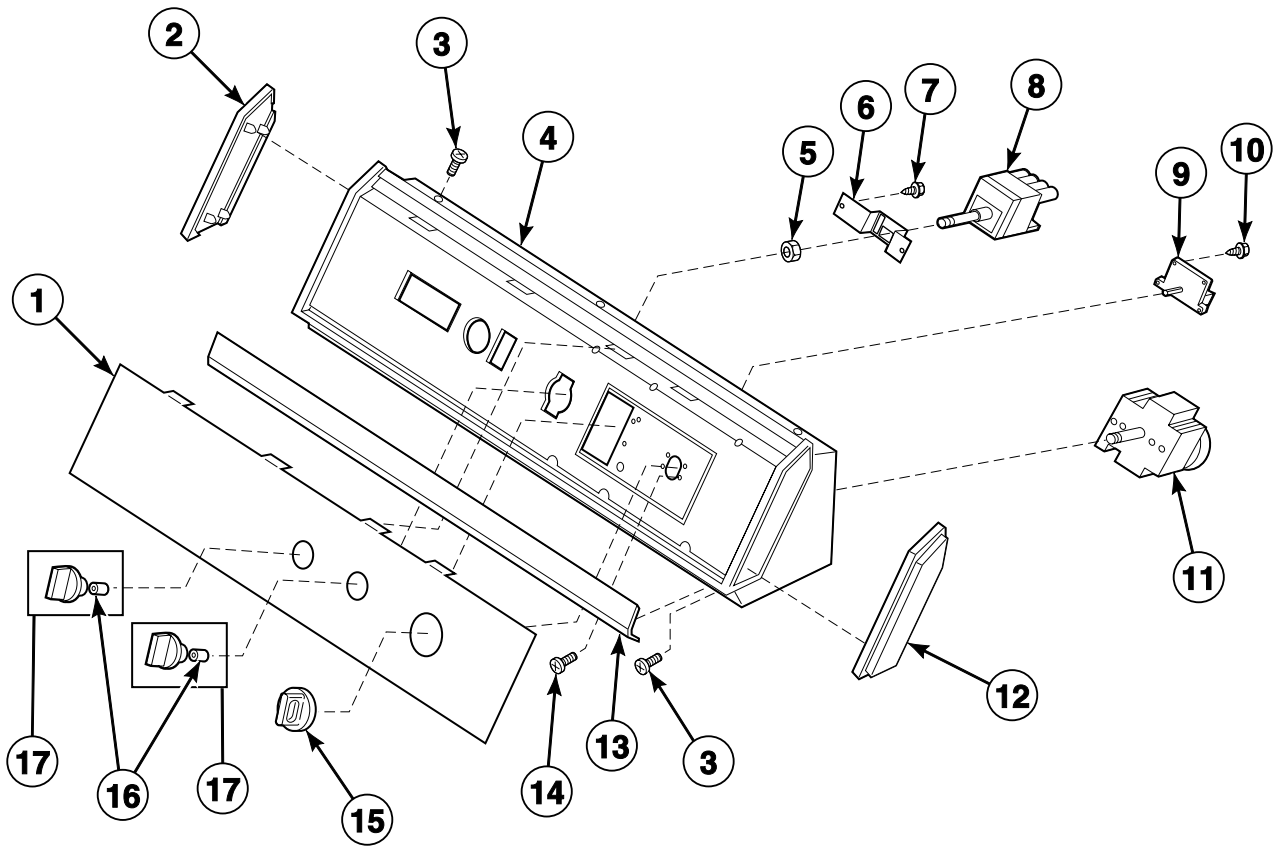
Graphic Panel, Control Hood and Controls (Drawing 3 of 5)

REF	PART NO.	DESCRIPTION	COMMENTS
1	N/A	Graphic Panel	
2	31752	Screw	
3	31249	End Cap	Left
4	N/A	Hood and Mounting Plate Assembly	
5	500823	Rotary Signal	
6	31260	Screw	
7	59450	Rotate-to-Start Switch	
8	23962	Screw	
9	61402	Timer	
10	31248	End Cap	Right
11	501086	Screw	
12	59791	Timer Knob Assembly	
13	N/A	Retainer	
14	31286	Rotary Knob Assembly	

N/A = Part no longer available

Graphic Panel, Control Hood and Controls (Drawing 4 of 5)

Models AE4413, AEM433, AEM453, AG4419, AGM439, AGM459, NE4813 and NG4819



DRY1980P_505902

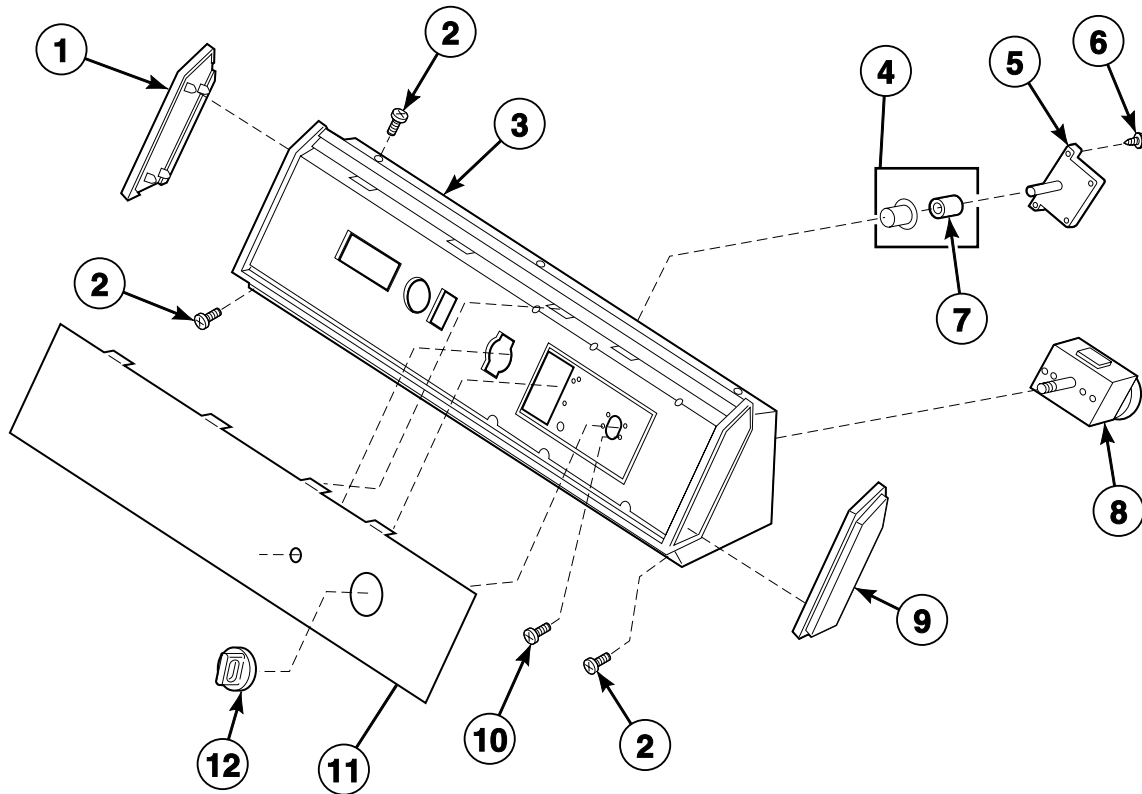
Graphic Panel, Control Hood and Controls (Drawing 4 of 5)

REF	PART NO.	DESCRIPTION	COMMENTS
1	N/A	Graphic Panel	
2	31249	End Cap	Left
3	31752	Screw	
4	N/A	Hood and Mounting Plate Assembly	
5	57584	Nut	
6	N/A	Switch Mount Bracket	
7	31260	Screw	
8	61511	Fabric Selector Switch	
9	59450	Rotate-to-Start Switch	
10	23962	Screw	
11	59497	Timer	
12	31248	End Cap	Right
13	N/A	Control Panel Trim	Models AEM433, AEM453, AGM439 and AGM459
14	501086	Screw	
15	59791	Timer Knob Assembly	Models AE4413, AG4419, NE4813 and NG4819
	62176	Timer Knob Assembly	Black; Models AEM453 and AGM459
	62234	Timer Knob Assembly	White; Models AEM433 and AGM439
16	N/A	Retainer	
17	31286	Rotary Knob Assembly	Black; Models AE4413, AG4419, NE4813 and NG4819
	N/A	Rotary Knob Assembly	Models AEM453 and AGM459
	33688	Knob Assembly	White; Models AEM433 and AGM439

N/A = Part no longer available

Graphic Panel, Control Hood and Controls (Drawing 5 of 5)

Models AE3413, AEM333, AEM353, AG3419, AGM339 and AGM359



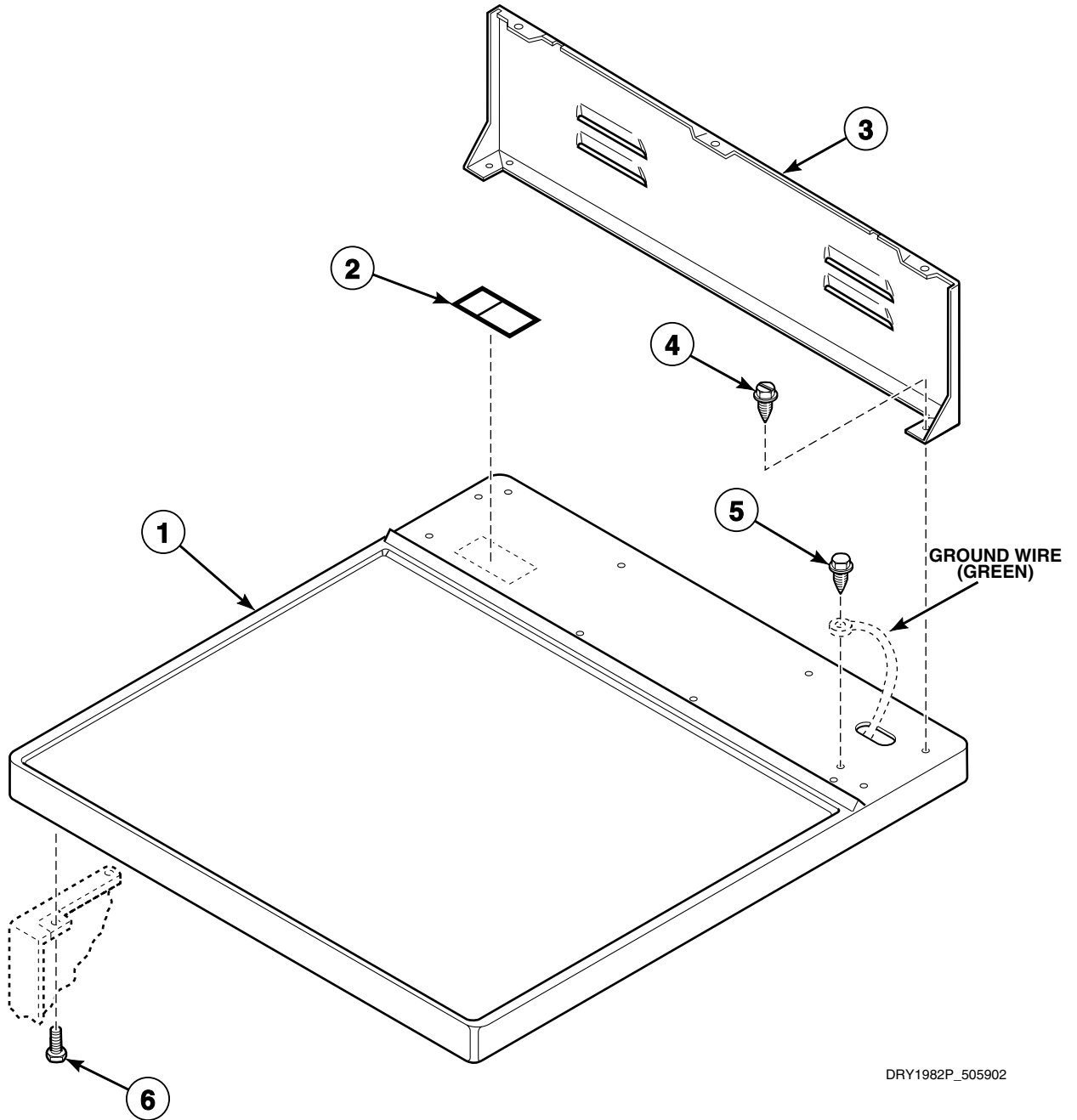
DRY1981P_505902

Graphic Panel, Control Hood and Controls (Drawing 5 of 5)

REF	PART NO.	DESCRIPTION	COMMENTS
1	31249	End Cap	Left
2	31752	Screw	
3	N/A	Hood and Mounting Plate Assembly	
4	N/A	Push-to-Start Button Assembly	
5	59449	Push-to-Start Switch	
6	23962	Screw	
7	N/A	Retainer	
8	59418	Timer	
9	31248	End Cap	Right
10	501086	Screw	
11	N/A	Graphic Panel	Models AE3413 and AG3419
12	59791	Timer Knob Assembly	Black; Models AE3413 and AG3419
	62176	Timer Knob Assembly	Black; Models AEM353 and AGM359
	62234	Timer Knob Assembly	White; Models AEM333 and AGM339

N/A = Part no longer available

Cabinet Top and Control Hood Rear Panel



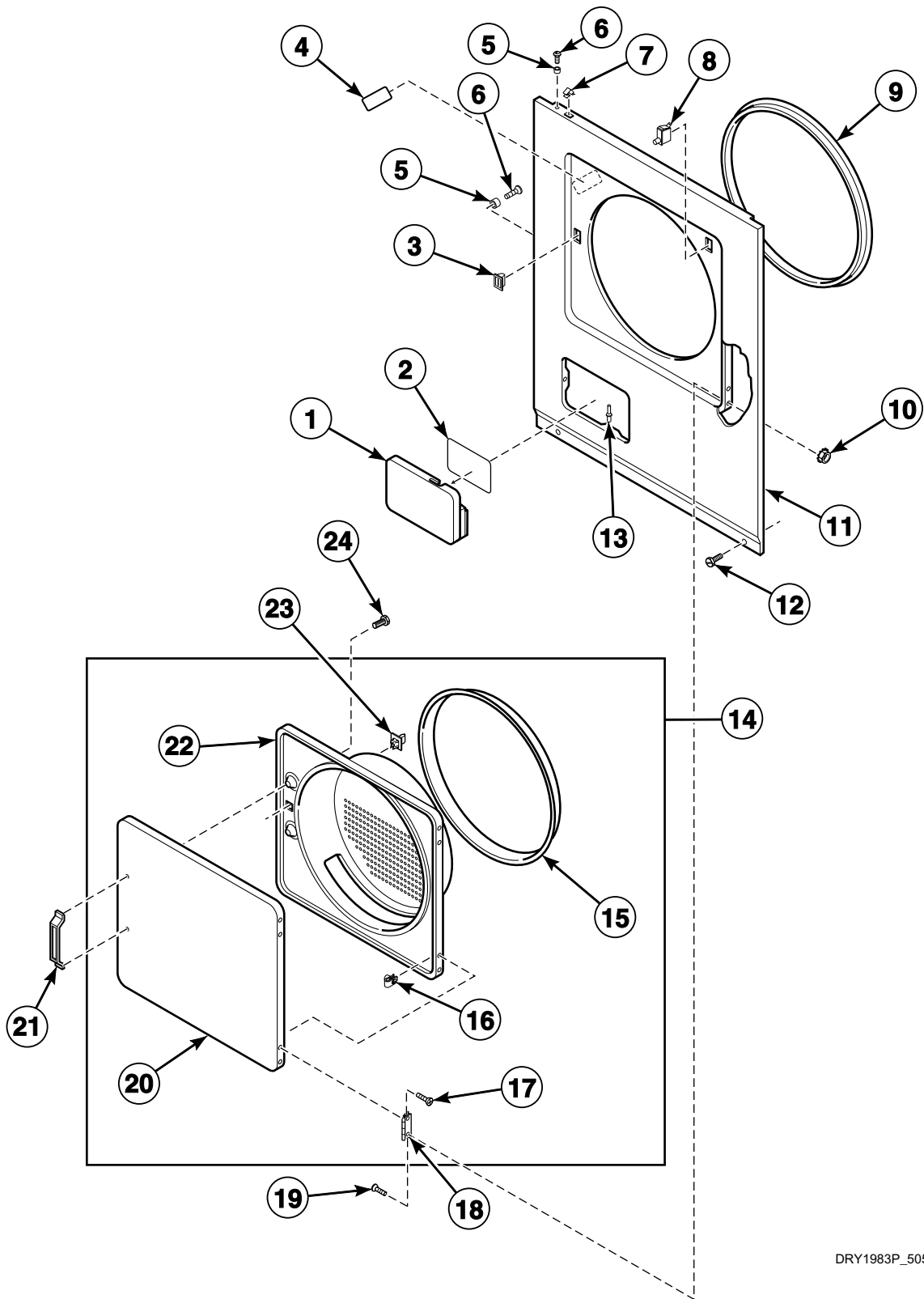
DRY1982P_505902

Cabinet Top and Control Hood Rear Panel

REF	PART NO.	DESCRIPTION	COMMENTS
1	510029WP	Top Panel Kit	White
	510029LP	Top Panel Kit	Almond
	N/A	Top Panel Kit	Harvest Gold
2	505281	Disconnect Power Warning Label	
3	510099	Hood Back Panel	
4	23962	Screw	
5	20530	Screw	
6	503661	Screw	

N/A = Part no longer available

Loading Door, Front Panel and Seals



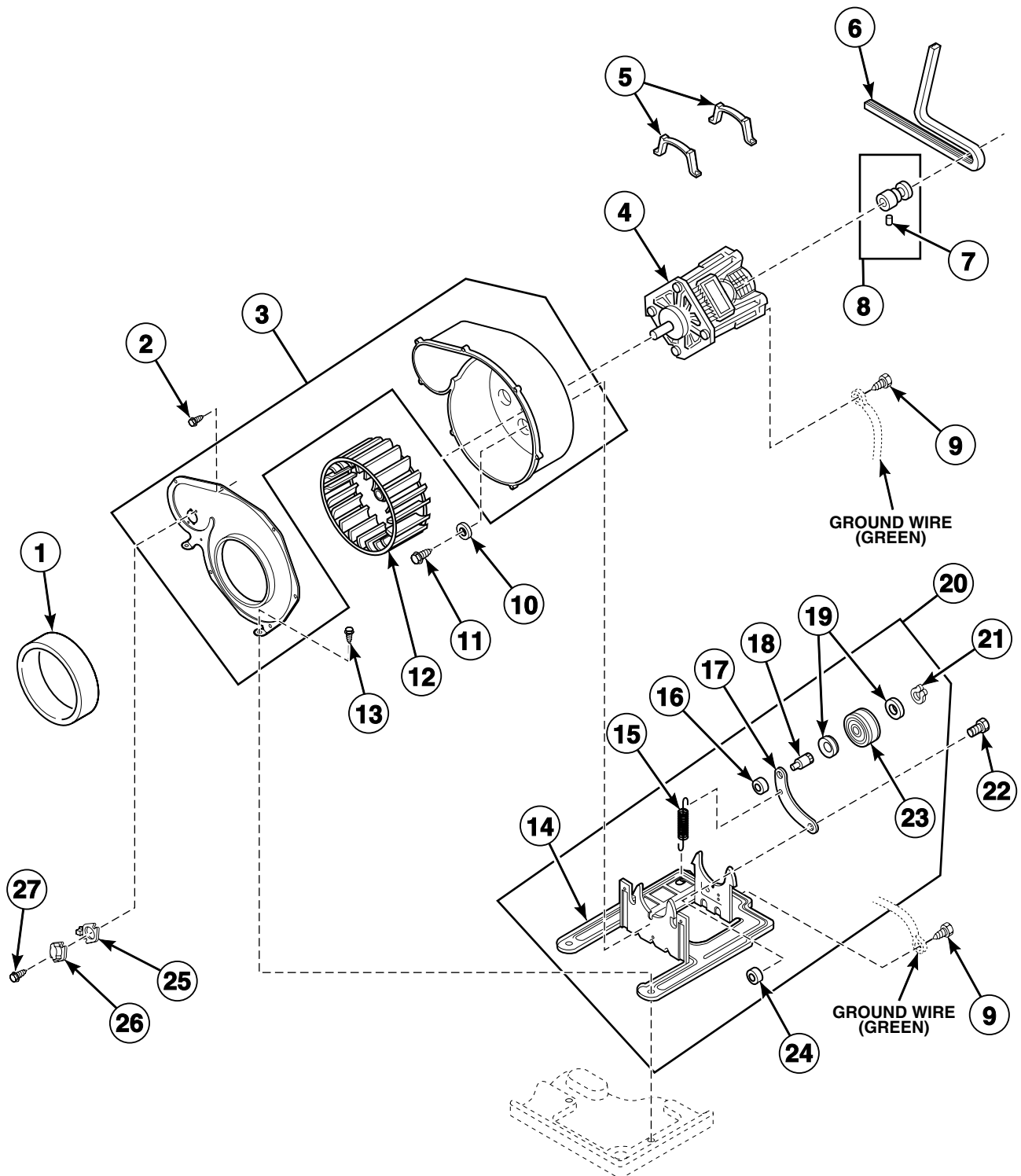
DRY1983P_505902

Loading Door, Front Panel and Seals

REF	PART NO.	DESCRIPTION	COMMENTS
1	60795W	Access Door	White; Gas models
	N/A	Access Door	Almond and Harvest Gold
2	511004	Gas Clearance Label	
3	510177	Door Catch Assembly	
4	500281	Warning/Caution Label	
5	56079	Panel Locator	
6	39733	Screw	
7	28835	Speed Clip	
8	504570	Switch	
9	61380	Front Panel Seal	
10	51236	Nut	
11	62420WP	Front Panel Assembly	White; Electric models
	N/A	Front Panel Assembly	Gas models
12	503661	Screw	
13	56534	Support Barrel	
14	N/A	Door Assembly	
15	61379	Door Seal	
16	23407	Nut	
17	52864	Screw	
18	56045	Hinge	
19	22649	Screw	
20	N/A	Door	
21	61925	Door Pull	
22	N/A	Door Liner	
23	510181	Door Strike	
24	33561	Screw	

N/A = Part no longer available

Motor, Exhaust Fan and Belt



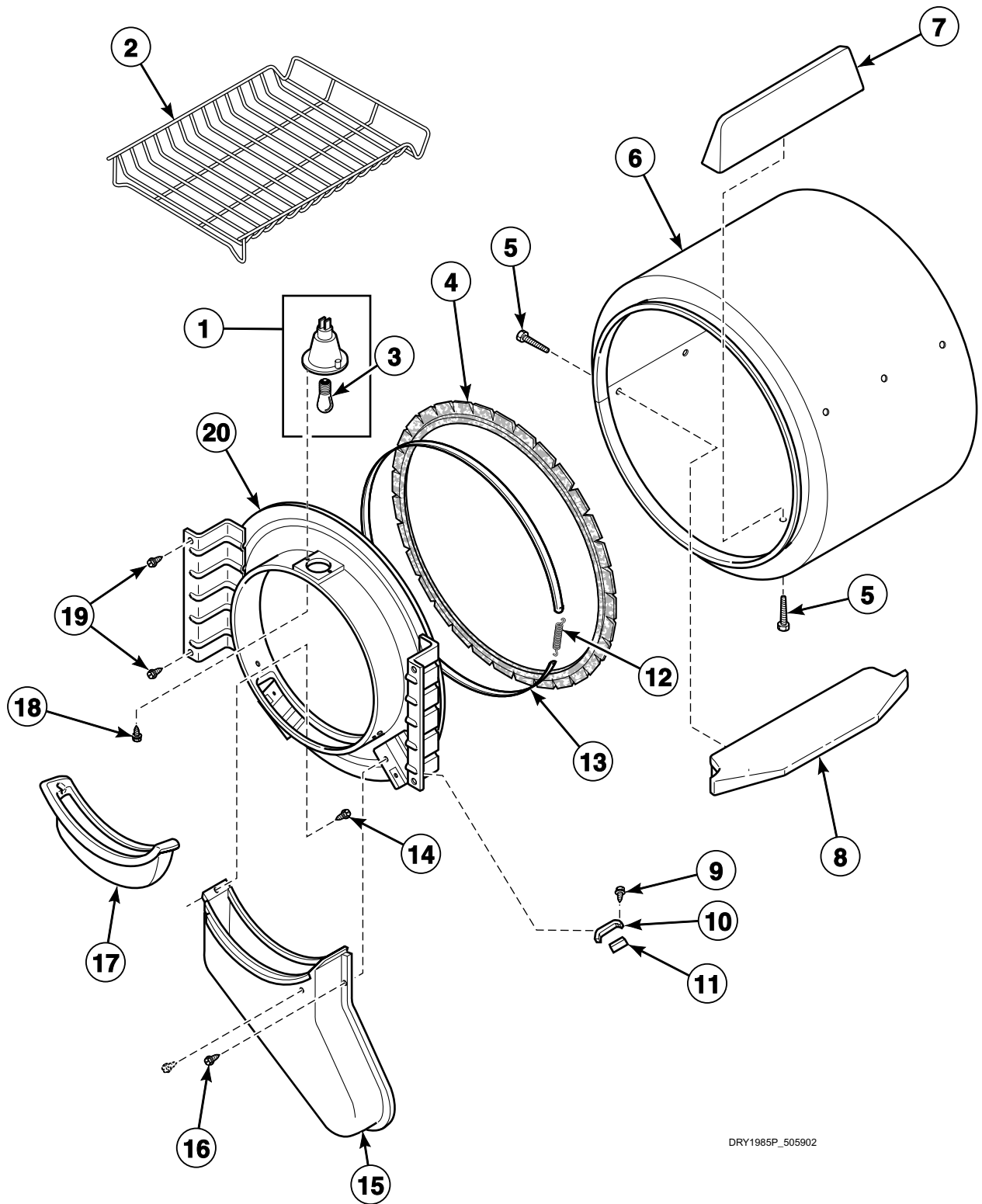
DRY1984P_505902

Motor, Exhaust Fan and Belt

REF	PART NO.	DESCRIPTION	COMMENTS
	N/A	Motor Switch	
	27604P	Anti-Seize Compound	Apply to motor shaft before installing blower fan assembly; 1 oz. tube
1	56065	Seal	
2	23962	Screw	
3	511969P	Blower Housing and Cover Kit	
4	58044	Motor	Includes motor switch
5	510180	Motor Mount Clamp	
6	511255	Cylinder Belt	
7	62541	Screw	
8	N/A	Motor Pulley Kit	
9	23222	Screw	
10	20492	Washer	
11	503661	Screw	
12	510139	Blower Fan Assembly	
13	51780	Screw	
14	510060	Motor Mount	
15	510185	Idler Spring	
16	56156	Nut	
17	N/A	Idler Lever	
18	56461	Shaft	
19	52549	Washer	
20	511227	Motor Mount and Idler Assembly	Includes items 9, 15-20, 22 and 25
21	23748	Retaining Ring	
22	N/A	Screw	
23	510142	Idler Wheel and Bearing Assembly	
24	52566	Nut	
25	61401	Thermostat Heater	Use with 61372 Thermostat
26	510523	Thermistor Assembly	Black; Models AE9433, AEE933, AEE953, AG9439, AGE939, AGE959, NE8833 and NG8839
	56410	Thermostat	Models AE3413, AEM333, AEM353, AG3419, AGM339 and AGM359
	61372	Thermostat	Models AE4413, AE5413, AEM433, AEM453, AEM633, AEM653, AG4419, AG5419, AGM439, AGM459, AGM639, AGM659, NE4813, NE6813, NG4819 and NG6819
27	33561	Screw	

N/A = Part no longer available

Front Bulkhead, Air Duct, Felt Seal and Cylinder



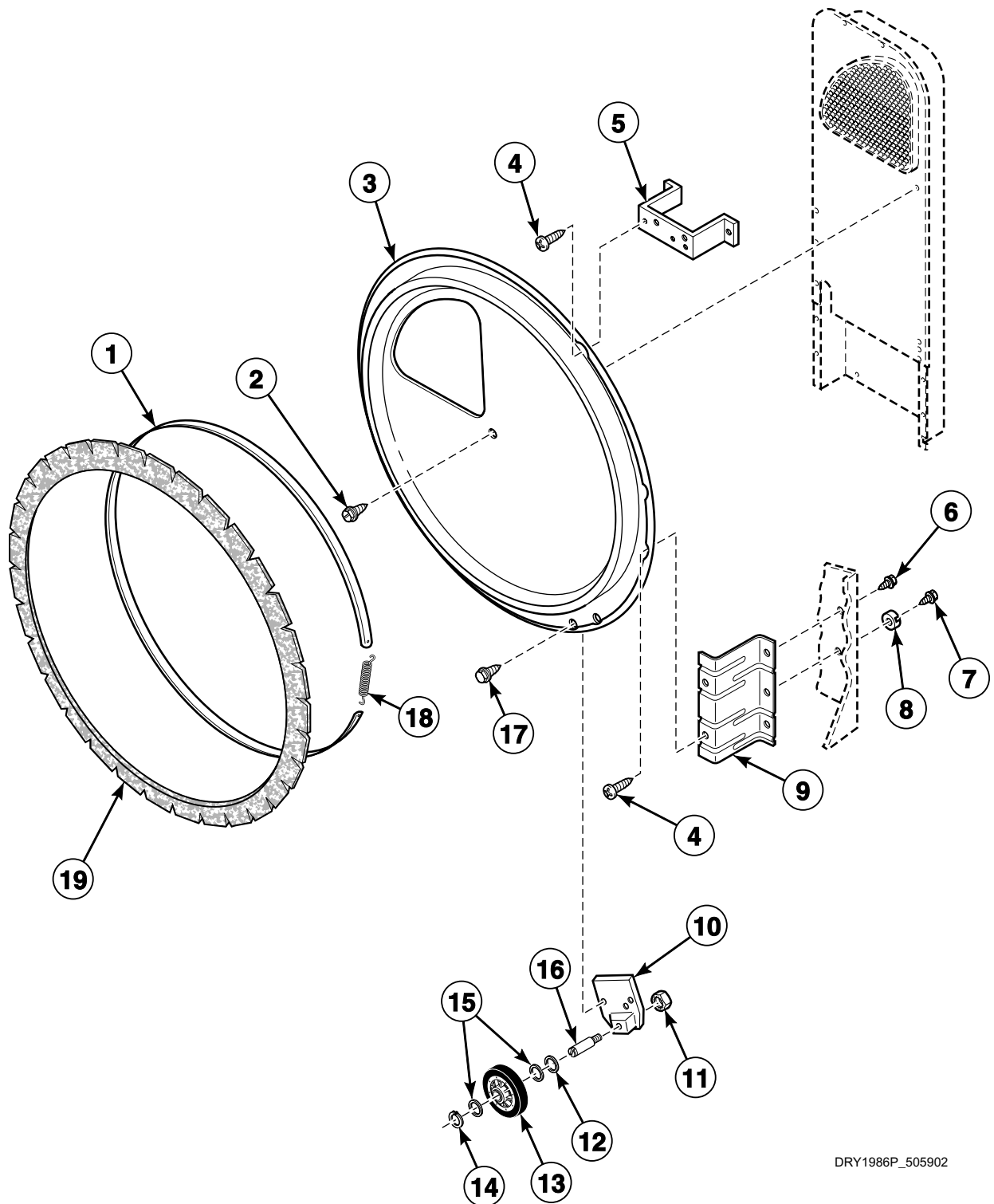
DRY1985P_505902

Front Bulkhead, Air Duct, Felt Seal and Cylinder

REF	PART NO.	DESCRIPTION	COMMENTS
1	N/A	Cylinder Light Assembly	Models AE4413, AE5413, AE9433, AEE933, AEE953, AEM433, AEM453, AEM633, AEM653, AG4419, AG5419, AG9439, AGE939, AGE959, AGM439, AGM459, AGM639, AGM659, NE6813, NE8833, NG6819 and NG8839
2	N/A	Drying Rack	Models AE5413, AE9433, AEE933, AEE953, AG5419, AG9439, AGE939, AGE959, NE6813, NE8833, NG6819 and NG8839
3	60954	Drum Light Lamp	
4	56088	Seal Assembly	
5	62588	Screw	
6	60645P	Cylinder Assembly	Includes items 7 and 8
7	61399	Cylinder Baffle	Short; 2 required; White
8	61027	Cylinder Baffle	Extended; 1 required; White
9	23962	Screw	
10	61448	Cylinder Glide	
11	58049	Thin Pad	
12	52310	Spring	
13	56090	Seal Strap	
14	33561	Screw	
15	60786	Air Duct Assembly	Front
16	23962	Screw	
17	61376P	Lint Filter	
18	31260	Screw	
19	503661	Screw	
20	N/A	Front Bulkhead Assembly	

N/A = Part no longer available

Rear Bulkhead, Felt Seal and Cylinder Roller



DRY1986P_505902

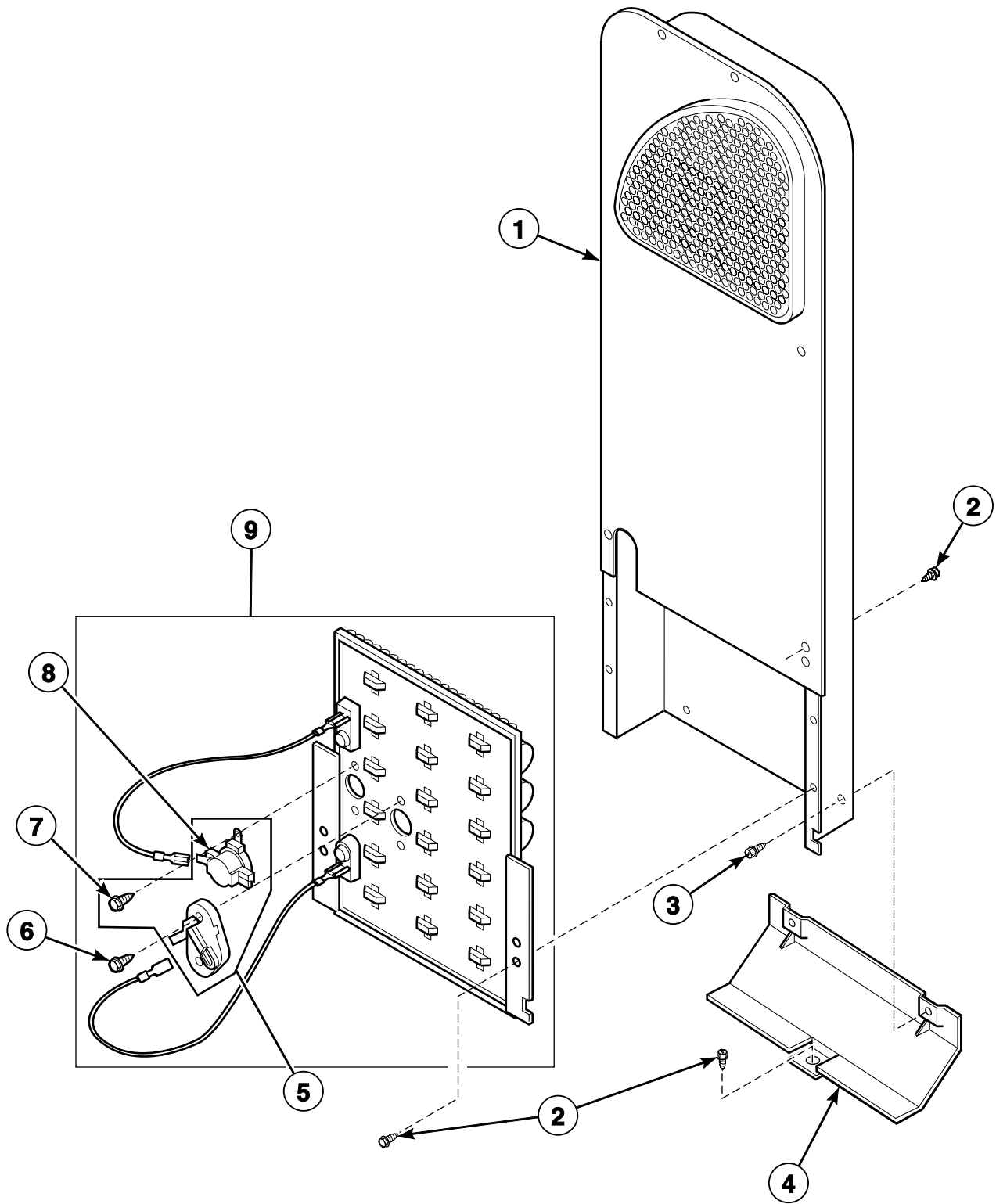
Rear Bulkhead, Felt Seal and Cylinder Roller

REF	PART NO.	DESCRIPTION	COMMENTS
1	56090	Seal Strap	
2	33561	Screw	
3	N/A	Rear Bulkhead Assembly	
4	M400664	Screw	
5	N/A	Terminal Block Bracket	
6	503661	Screw	
7	52909	Screw	Green
8	51474	Washer	
9	N/A	Rear Bulkhead Bracket	
10	N/A	Cylinder Roller Bracket	
11	56156	Nut	
12	23886	Washer	Use with old style cylinder roller
13	62649	Cylinder Roller	New style
14	23748	Retaining Ring	
15	52549	Washer	
16	56461	Shaft	
17	51780	Screw	
18	52310	Spring	
19	56088	Seal Assembly	

N/A = Part no longer available

Heater Duct and Element Assembly

Electric Models



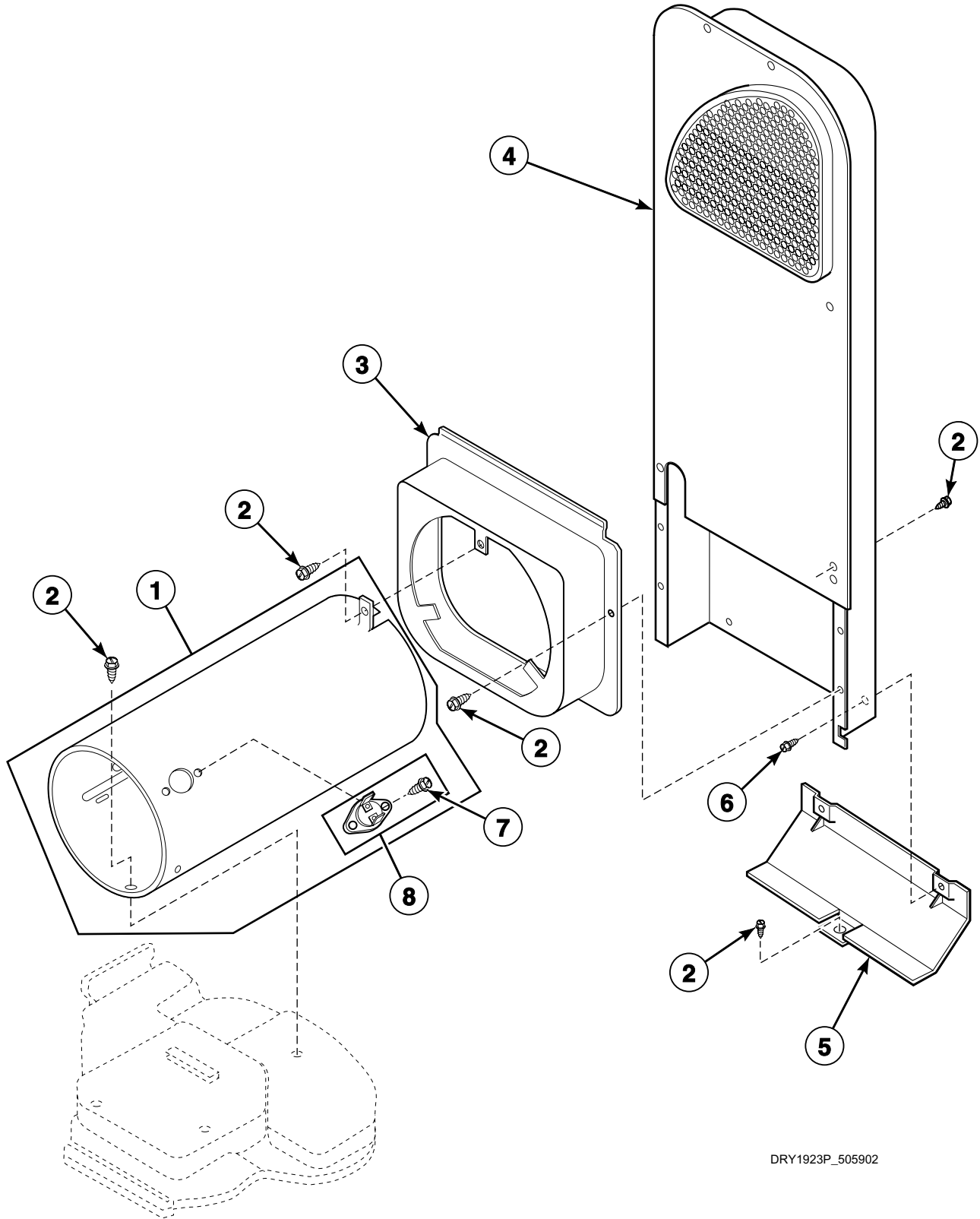
DRY1922P_505902

Heater Duct and Element Assembly

REF	PART NO.	DESCRIPTION	COMMENTS
1	510025P	Heater Duct and Screw Assembly	
2	503661	Screw	
3	51780	Screw	
4	60952	Heat Duct Shield	
5	490P3	Thermal Fuse Kit	Includes items 7 and 8
6	56693	Screw	
7	23222	Screw	
8	510701	Limit Thermostat	
9	61927	Heater Kit Assembly	Red; 240 Volt; 5000 Watt; Includes items 5 and 6
	61928	Heater Kit Assembly	White; 208 Volt; 4750 Watt; Includes items 5 and 6

Heater Duct Assembly

Gas Models



DRY1923P_505902

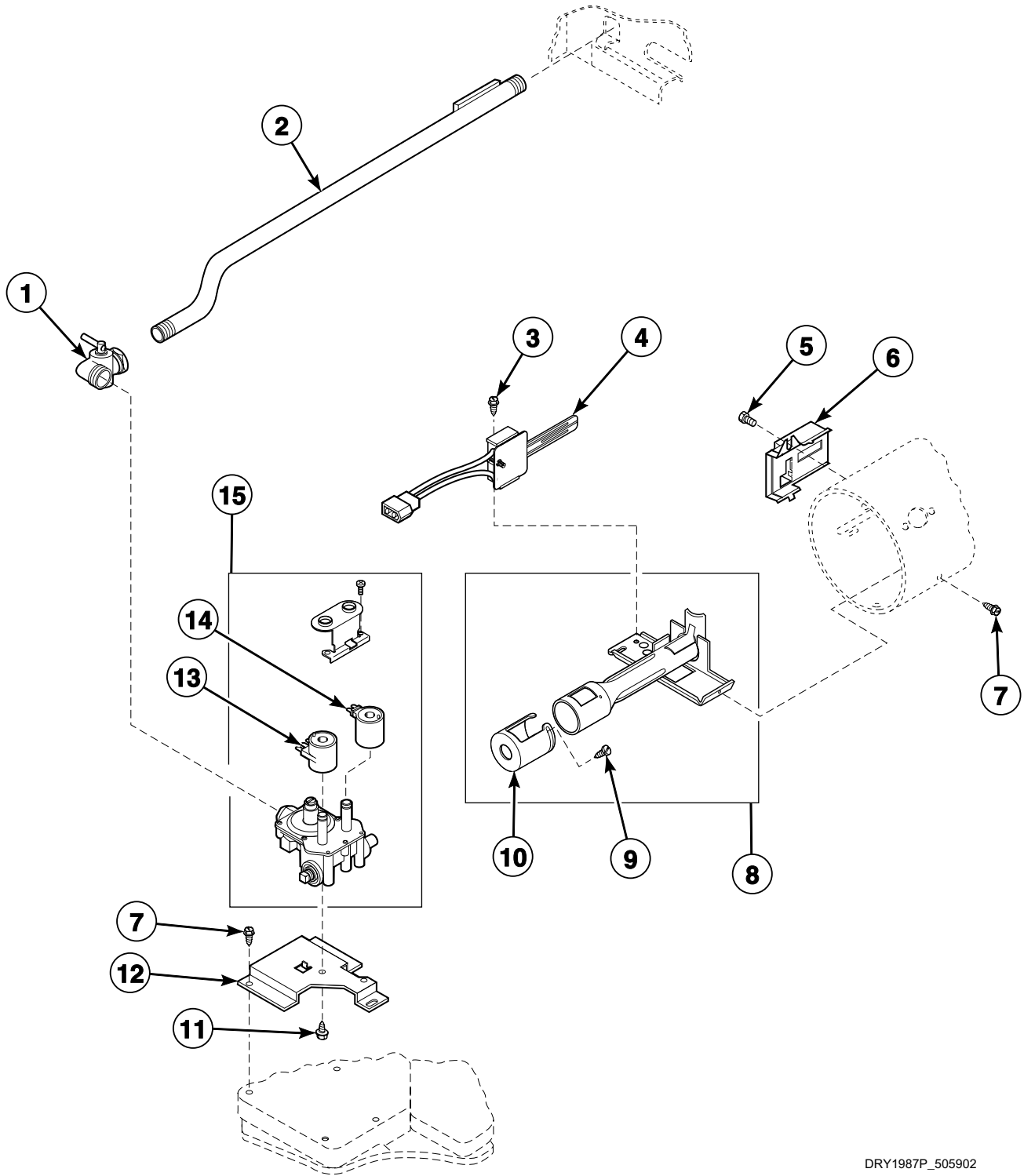
Heater Duct Assembly

REF	PART NO.	DESCRIPTION	COMMENTS
1	N/A	Combustion Duct Assembly	Includes item 8
2	503661	Screw	
3	510101	Heat Duct Shroud	
4	510025P	Heater Duct and Screw Assembly	
5	60952	Heat Duct Shield	
6	51780	Screw	
7	51782	Screw	
8	489P3	Thermostat and Plate Kit	Includes item 7

N/A = Part no longer available

Gas Valve and Igniter

Gas Models



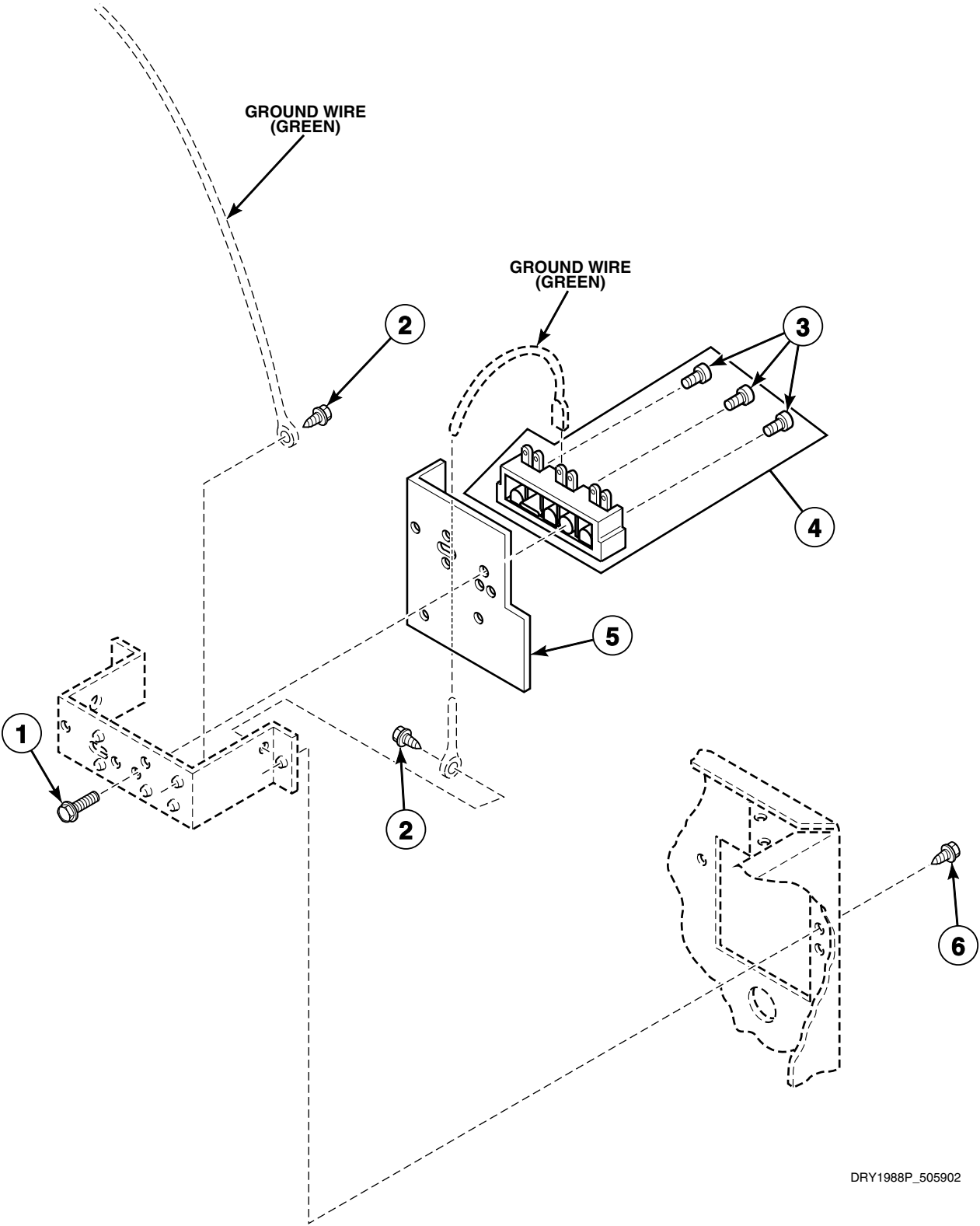
DRY1987P_505902

Gas Valve and Igniter

REF	PART NO.	DESCRIPTION	COMMENTS
1	510205	Elbow Shut-Off Valve	
2	N/A	Lead-In Pipe Assembly	
3	56693	Screw	
4	510184P	Igniter and Bracket Assembly	
5	23222	Screw	
6	510213	Sensor	
7	503661	Screw	
8	510149P	Burner Assembly	
9	N/A	Screw	
10	N/A	Air Shutter	
11	56124	Screw	
12	510128	Gas Valve Mounting Bracket	
13	58804A	Booster and Holding Coil	
14	58804B	Secondary Coil	
15	58804	Gas Valve Assembly	

N/A = Part no longer available

Terminal Block

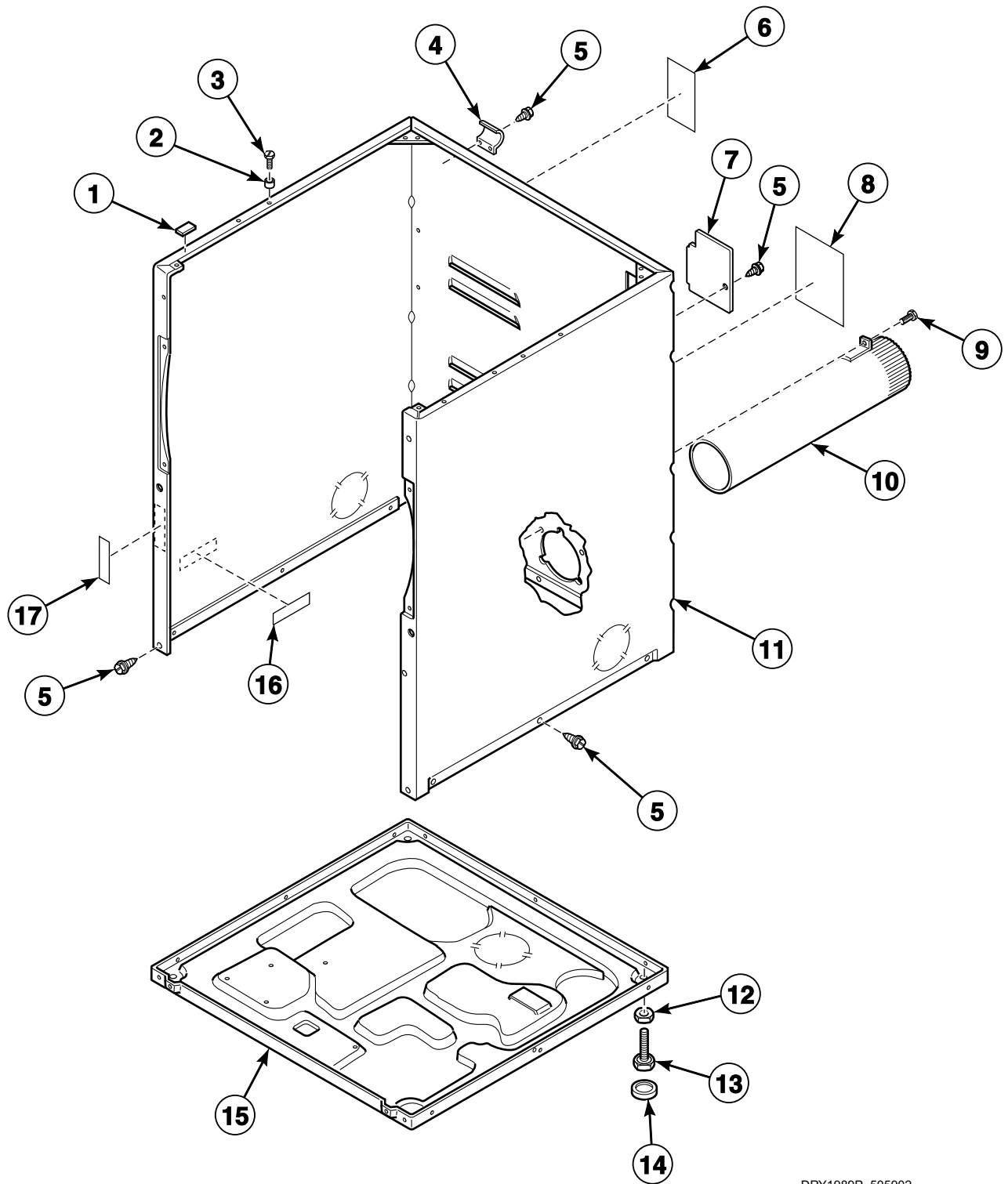


DRY1988P_505902

Terminal Block

REF	PART NO.	DESCRIPTION	COMMENTS
1	501285	Screw	
2	20530	Screw	
3	61199	Screw	
4	510190P	Terminal Block Assembly	Includes 3 of item 3
5	56087	Terminal Block Shield	
6	503661	Screw	

Cabinet, Exhaust Duct and Base



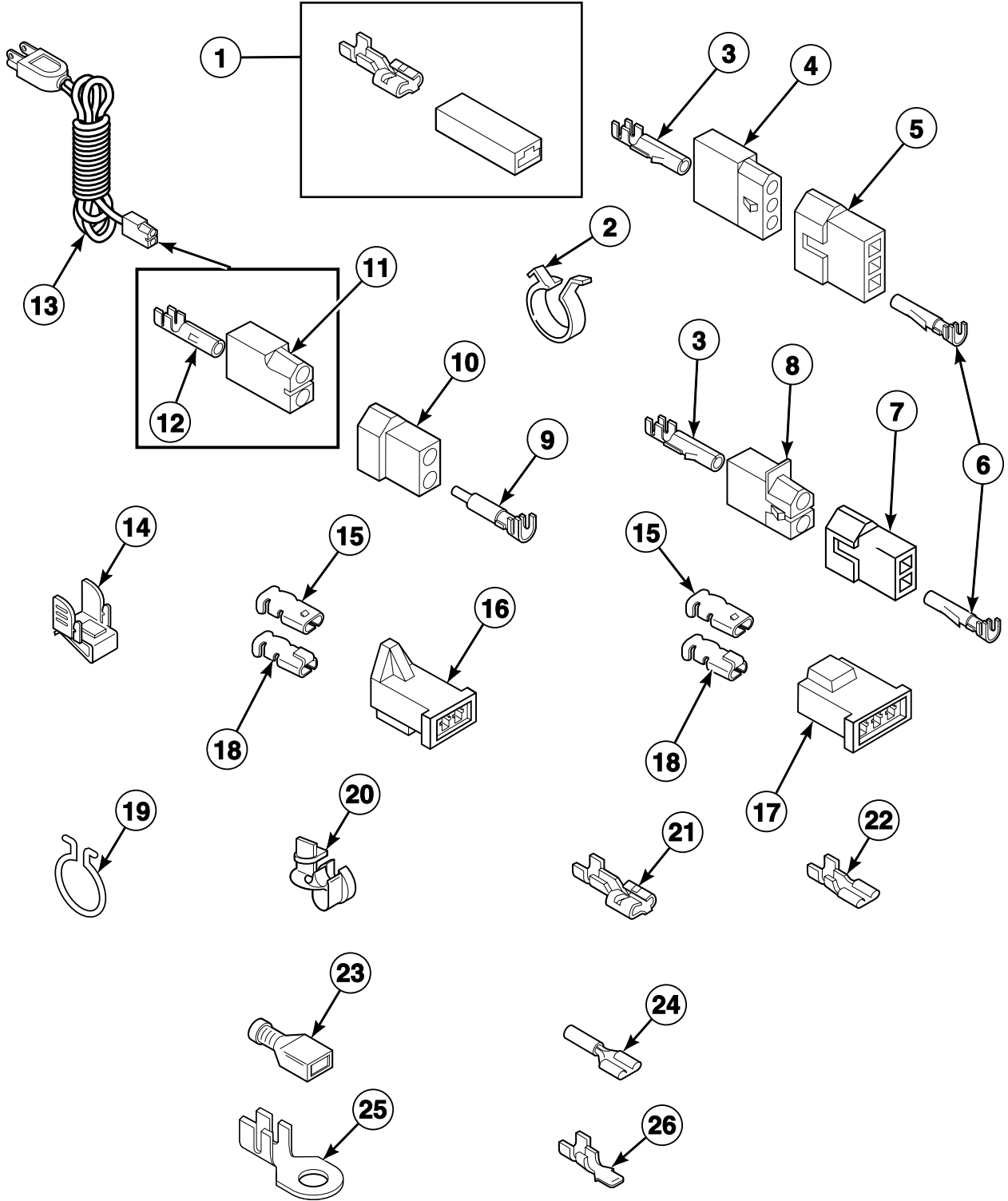
DRY1989P_505902

Cabinet, Exhaust Duct and Base

REF	PART NO.	DESCRIPTION	COMMENTS
1	56128	Bumper Pad	
2	56079	Panel Locator	
3	39733	Screw	
4	N/A	Top Hinge	
5	503661	Screw	
6	511004	Gas Clearance Label	Gas models
7	60821	Access Cover Plate	
8	58592	Instruction Sticker	Models AE3413, AEM333 and AEM353
	511005	Electric Clearance Label	All other electric models
9	23962	Screw	
10	N/A	Exhaust Duct Assembly	
11	N/A	Dryer Cabinet Assembly	
12	20274	Nut	
13	52696	Screw	
14	70282	Rubber Foot	
15	N/A	Base Assembly	
16	61294	Fuse Notice Label	
17	505281	Disconnect Power Warning Label	

N/A = Part no longer available

Lead-In Cord and Terminals



DRY1990P_505902

Lead-In Cord and Terminals

REF	PART NO.	DESCRIPTION	COMMENTS
1	00360	Ultra Pod Terminal	1/4 inch; (1) 12 gauge wire or (2) 18 gauge wires
2	504034	Wire Clip	
3	00117	Female Pin Terminal	
4	23039	3 Circuit Receptacle	
5	23040	Plug	
6	00116	Male Pin Terminal	
7	56448	2 Circuit Plug	
8	56451	2 Circuit Receptacle	
9	00127	Male Pin Terminal	
10	56266	2 Circuit Plug	
11	56265	2 Circuit Receptacle	
12	00130	Female Pin Terminal	
13	56222	Lead-In Cord	Gas models
14	00161	Grounding Clip	
15	00189	Female Spade Terminal	1/8 inch
16	58799	2 Circuit Connector	
17	58800	3 Circuit Connector	
18	00361	Female Piggyback Terminal	
19	51291	Wire Clip	
20	38384	Strain Relief	
21	00223	Female Spade Terminal	1/4 inch; (1) 18 gauge wire
	00121	Female Spade Terminal	1/4 inch; (2) 18 gauge wires
	00222	Female Spade Terminal	1/4 inch; (1) 12 gauge wire
22	00124	Female Spade Terminal	3/16 inch; (1) 18 gauge wire; .020 tab
	00209	Female Spade Terminal	3/16 inch; (2) 18 gauge wires; .020 tab
	00156	Female Spade Terminal	3/16 inch; Thermostat wire; .032 tab
23	00359	Ultra Pod Terminal	1/4 inch
	00165	Insulated Female Terminal	3/16 inch
24	N/A	Pre-Insulated Spade Terminal	18 gauge
	00215	Pre-Insulated Spade Terminal	12 gauge
25	00110	Ring Terminal	No. 10; (1) 18 gauge wire
	00111	Ring Terminal	No. 10; (2) 18 gauge wires or (1) 12 gauge wire
26	00139	Male Tab Terminal	(2) 18 gauge wires or (1) 12 gauge wire

N/A = Part no longer available

Wire Harnesses and Wires

PART NO.	DESCRIPTION	COMMENTS
61590	Wire Harness Assembly	Models AG9439, AGE939, AGE959 and NG8839
62218	Wire Harness Assembly	Models AGM639 and AGM659
N/A	Wire Harness Assembly	All other models
45001	18 Gauge Wire	Black; Order wire by foot; Order terminals and connectors as required.
45380	12 Gauge Wire	Orange; Order wire by foot; Order terminals and connectors as required.

N/A = Part no longer available

NOTE: Individual wires are not available separately. Order complete harness, or order wire by the foot. When applying terminals to wires, it is recommended that the terminals be soldered to the wires.

Parts Index

A

Access Cover Plate 60821	33
Access Door 60795W	17
Air Duct Assembly 60786	21
Air Shutter 53007	29
Anti-Seize Compound 27604P	19

B

Blower Fan Assembly 510139	19
Blower Housing and Cover Kit 511969P	19
Booster and Holding Coil 58804A	29
Bumper Pad 56128	33
Burner Assembly 510149P	29

C

Connector, 2 Circuit 58799	35
Connector, 3 Circuit 58800	35
Cylinder Assembly 60645P	21
Cylinder Baffle 61027	21
61399	21
Cylinder Belt 511255	19
Cylinder Glide 61448	21
Cylinder Roller 62649	23

D

Disconnect Power Warning Label 505281	15, 33
Door Catch Assembly 510177	17
Door Pull 61925	17
Door Seal 61379	17
Door Strike 510181	17

Drum Light Lamp 60954	21
--------------------------------	----

E

Elbow Shut-Off Valve 510205	29
Electric Clearance Label 511005	33
Electronic Control Assembly 59608P	5
62243P	5
End Cap 31248	5, 7, 9, 11, 13
31249	5, 7, 9, 11, 13

F

Fabric Selector Switch 61511	11
Female Piggyback Terminal 00361	35
Female Pin Terminal 00117	35
00130	35
Female Spade Terminal 00121	35
00124	35
00156	35
00189	35
00209	35
00222	35
00223	35
Front Panel Assembly 62420WP	17
Front Panel Seal 61380	17
Fuse Notice Label 61294	33

G

Gas Clearance Label 511004	17, 33
Gas Valve Assembly 58804	29
Gas Valve Mounting Bracket 510128	29
Grounding Clip 00161	35

H

Heat Duct Shield 60952	25, 27
Heat Duct Shroud 510101	27

N/A items do not appear in index.

Heater Duct and Screw Assembly	
510025P	25, 27
Heater Kit Assembly	
61927	25
61928	25
Hinge	
56045	17
Hood Back Panel	
510099	15

I

Idler Spring	
510185	19
Idler Wheel and Bearing Assembly	
510142	19
Igniter and Bracket Assembly	
510184P	29
Instruction Sticker	
58592	33
Insulated Female Terminal	
00165	35

K

Knob Assembly	
33688	7, 11

L

Lead-In Cord	
56222	35
Limit Thermostat	
510701	25
Lint Filter	
61376P	21

M

Male Pin Terminal	
00116	35
00127	35
Male Tab Terminal	
00139	35
Motor	
58044	19
Motor Mount	
510060	19
Motor Mount and Idler Assembly	
511227	19
Motor Mount Clamp	
510180	19

N

Nut	
20274	33
23407	17

51236	17
52566	19
56156	19, 23
57584	11

P

Panel Locator	
56079	17, 33
Plug	
23040	35
Plug, 2 Circuit	
56266	35
56448	35
Pre-Insulated Spade Terminal	
00215	35
Push-To-Start Button Assembly	
59788	13
Push-to-Start Switch	
59449	13

R

Rear Bulkhead	
61127	23
Receptacle, 2 Circuit	
56265	35
56451	35
Receptacle, 3 Circuit	
23039	35
Retaining Ring	
23748	19, 23
Ring Terminal	
00110	35
00111	35
Rotary Knob Assembly	
31286	9, 11
Rotary Signal	
500823	7, 9
Rotate-to-Start Switch	
59450	9, 11
Rubber Foot	
70282	33

S

Screw	
M400664	23
20530	15, 31
22649	17
23222	19, 25, 29
23962	9, 11, 13, 15, 19, 21, 33
31260	5, 7, 9, 11, 21
31752	5, 7, 9, 11, 13
33561	17, 19, 21, 23
39733	17, 33
501086	7, 9, 11, 13
501285	31
503661	15, 17, 19, 21, 23, 25, 27, 29, 31, 33
51780	19, 23, 25, 27
51782	27
52696	33

N/A items do not appear in index.

52864	17
52909	23
56124	29
56693	25, 29
61199	31
62541	19
62588	21
Seal	
56065	19
Seal Assembly	
56088	21, 23
Seal Strap	
56090	21, 23
Secondary Coil	
58804B	29
Sensor	
510213	29
Shaft	
56461	19, 23
Speed Clip	
28835	17
Spring	
52310	21, 23
Strain Relief	
38384	35
Support Barrel	
56534	17
Switch	
504570	17

T

Terminal Block Assembly	
510190P	31
Terminal Block Shield	
56087	31
Thermal Fuse Kit	
490P3	25
Thermistor Assembly	
510523	19
Thermostat	
56410	19
61372	19
Thermostat and Plate Kit	
489P3	27
Thermostat Heater	
61401	19
Thin Pad	
58049	21
Timer	
502967	7
59418	13
59497	11
61402	9
Timer Knob Assembly	
59791	9, 11, 13
62176	7, 11, 13
62234	7, 11, 13
Top Panel Kit	
510029LP	15
510029WP	15

U

Ultra Pod Terminal	
00359	35
00360	35

W

Warning/Caution Label	
500281	17
Washer	
20492	19
23886	23
51474	23
52549	19, 23
Wire Clip	
504034	35
51291	35
Wire Harness Assembly	
61590	36
62218	36
Wire, 12 Gauge	
45380	36
Wire, 18 Gauge	
45001	36
