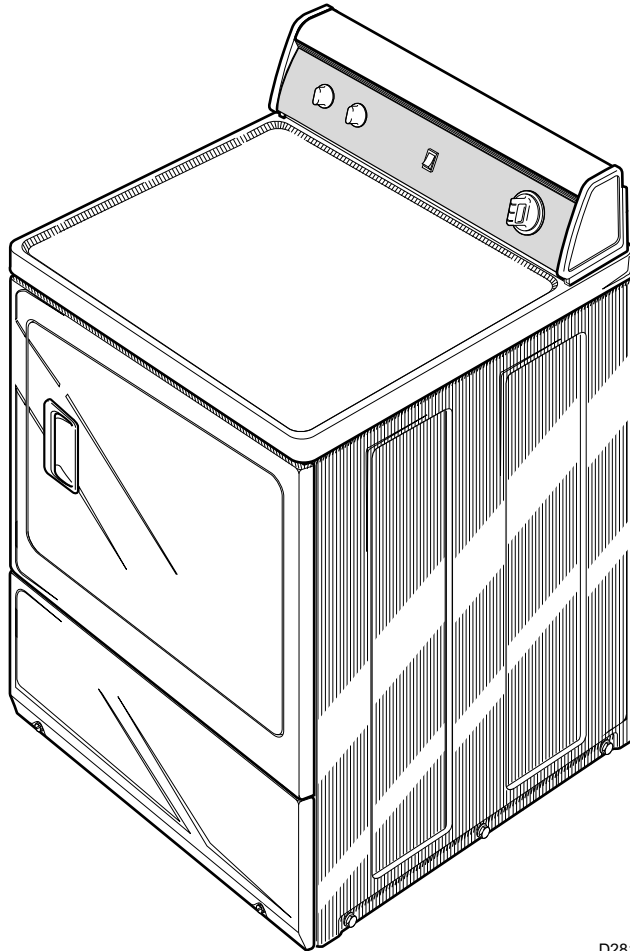


Home Laundry Dryers

Refer to Page 3 for Model Numbers



D281P_504012

Parts

Table of Contents

Title	Page
Parts Ordering Information.....	2
Nameplate Location	2
Model Identification	3
Graphic Panel, Control Hood and Controls.....	4
Graphic Panel, Control Hood and Controls - Models LEA90A* and LGA90A*	6
Cabinet Top and Control Hood Rear Panel	8
Loading Door and Drying Rack.....	10
Lower Access Panel, Front Panel and Seal.....	12
Motor, Exhaust Fan and Belt	14
Front Bulkhead, Air Duct, Felt Seal and Cylinder	16
Rear Bulkhead, Felt Seal, Cylinder Roller and Terminal Block.....	18
Heater Duct and Element Assembly	20
Heater Duct Assembly	22
Gas Valve, Igniter and Gas Conversion Kits.....	24
Cabinet, Exhaust Duct and Base	26
Power Cord - Electric Models	28
Power Cord - Gas Models.....	30
Terminals (Drawing 1 of 2).....	32
Terminals (Drawing 2 of 2).....	34
Motor Connection Block and Terminal Extractor Tools.....	36
Wire Harnesses and Wires	38
Parts Index.....	39

© Copyright 2012, Alliance Laundry Systems LLC

All rights reserved. No part of the contents of this book may be reproduced or transmitted in any form or by any means without the expressed written consent of the publisher.

Parts Ordering Information

If literature or replacement parts are required, contact the source from whom the machine was purchased or contact Alliance Laundry Systems at (920) 748-3950 for the name and address of the nearest authorized parts distributor.

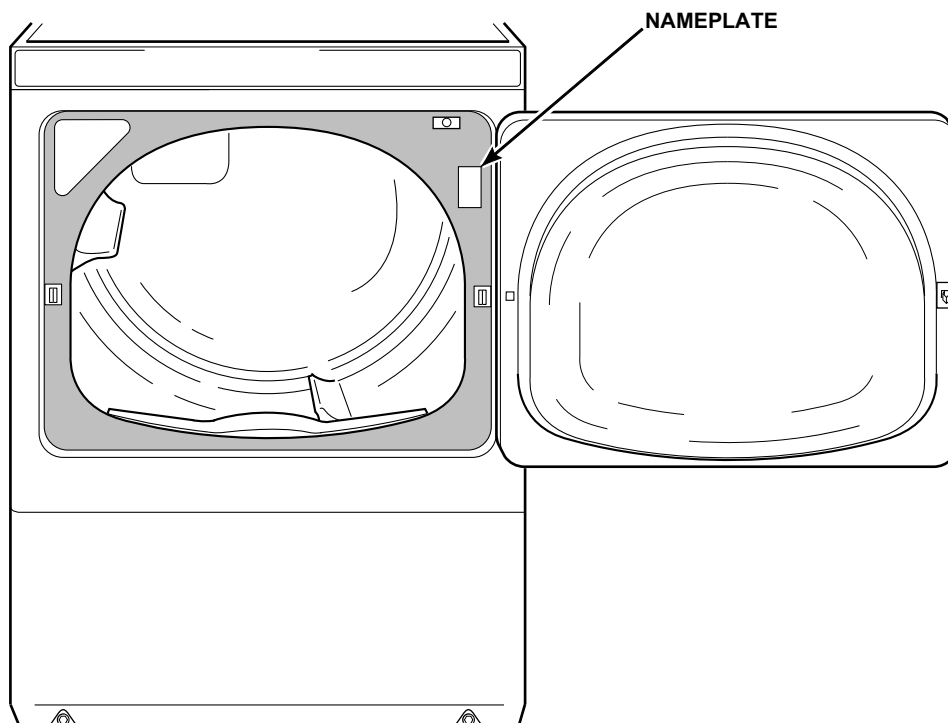
For technical assistance, call either of the numbers listed below:

(920) 748-3121 Ripon, Wisconsin

+32 56 41 20 54 Wevelgem, Belgium

Nameplate Location

When calling or writing about your product, be sure to mention model and serial numbers. Model and serial numbers are located on nameplate(s) as shown.



D282P_504012

Model Identification

Information in this manual is applicable to these dryer models:

LEA30A*

LEA60A*

LEA90A*

LGA30A*

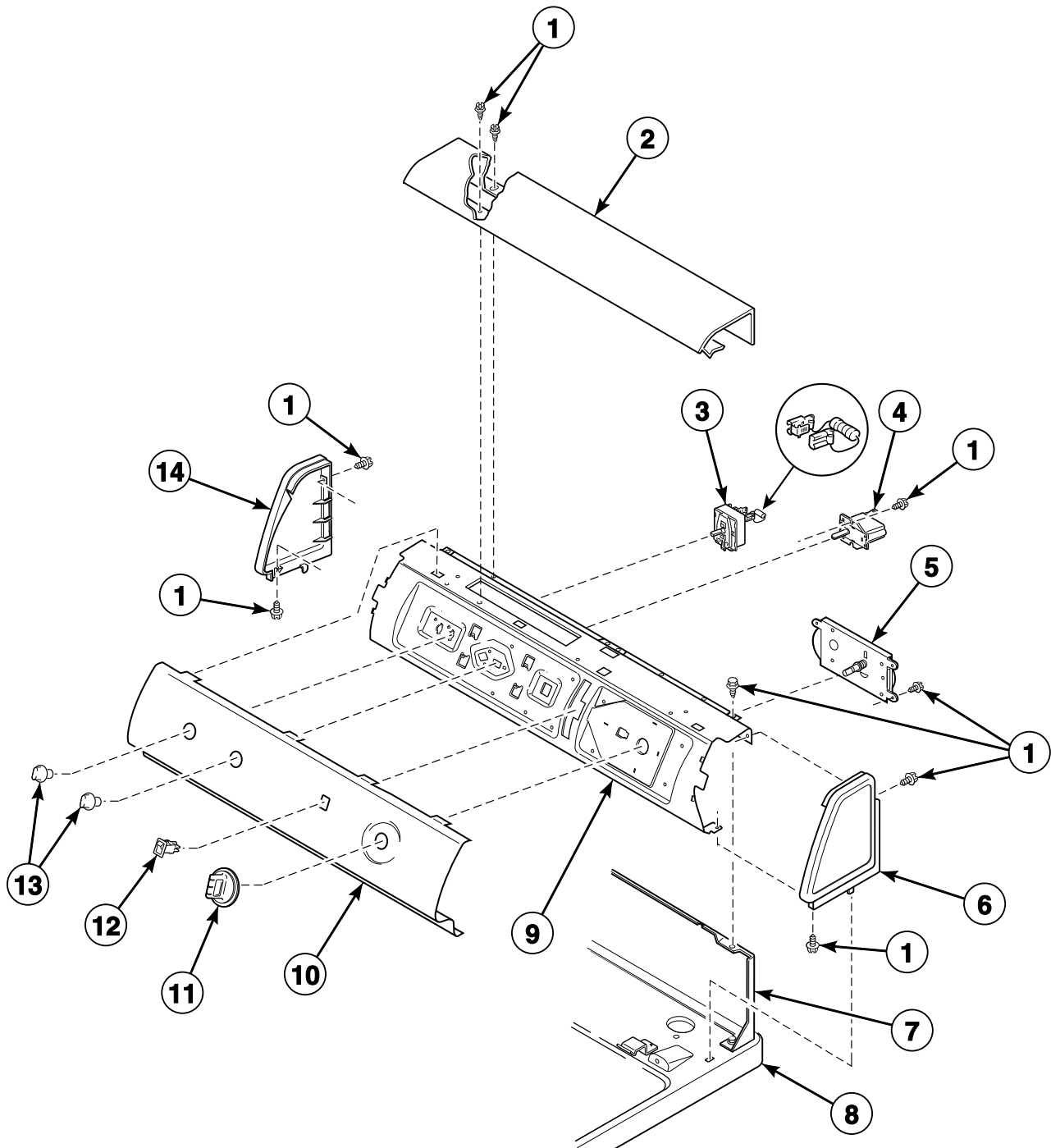
LGA60A*

LGA90A*

* Add Letter To Designate Color. L - Almond W - White

Graphic Panel, Control Hood and Controls

Models LEA30A*, LEA60A*, LGA30A* and LGA60A*



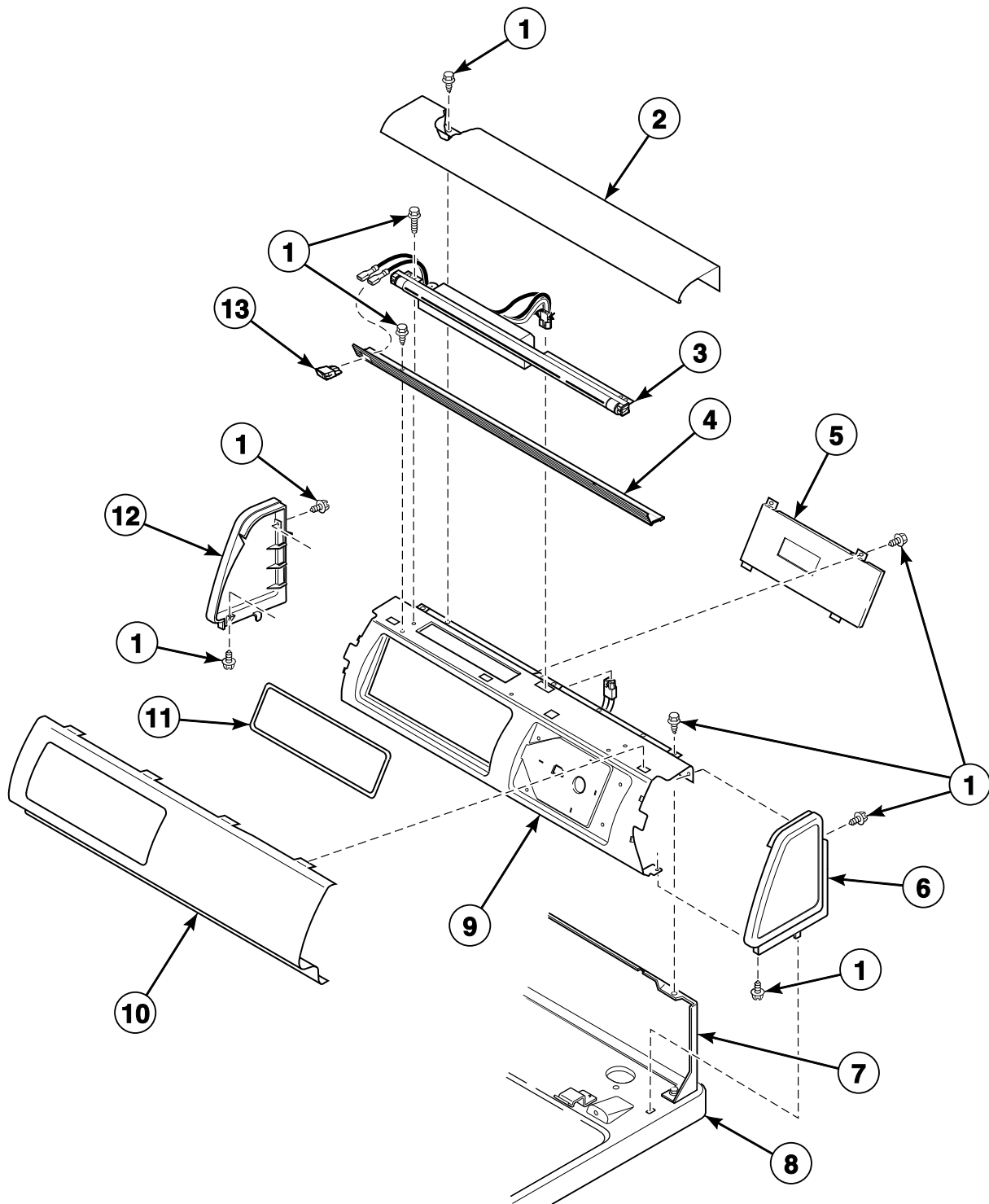
D283P_504012

Graphic Panel, Control Hood and Controls

REF	PART NO.	DESCRIPTION	COMMENTS
1	501086	Screw	
2	505808*	Top Cover	
3	513506	Fabric Selector Switch	Models LEA60A* and LGA60A*
	513505	Fabric Selector Switch	Models LEA30A* and LGA30A*
4	510211	Buzzer	Models LEA30A*, LGA30A* and LGA60A*
5	503739	Timer	Model LEA60A*
	503873	Timer	Model LEA30A*
	504179	Timer	Model LGA30A*
	504180	Timer	Model LGA60A*
6	504008*P	End Panel	
7	510099	Hood Back Panel	
8	510029*P	Top Panel Kit	
9	503901	Control Support Panel	
10	503594*	Graphic Panel	Models LEA60A* and LGA60A*
	503595*	Graphic Panel	Models LEA30A* and LGA30A*
11	512117*	Timer Knob Assembly	
12	38424*	Rocker Switch	Models LEA60A* and LGA60A*
13	36701*	Knob Assembly	
14	504009*P	End Panel	

* Add Letter To Designate Color. L - Almond W - White

Graphic Panel, Control Hood and Controls - Models LEA90A* and LGA90A*



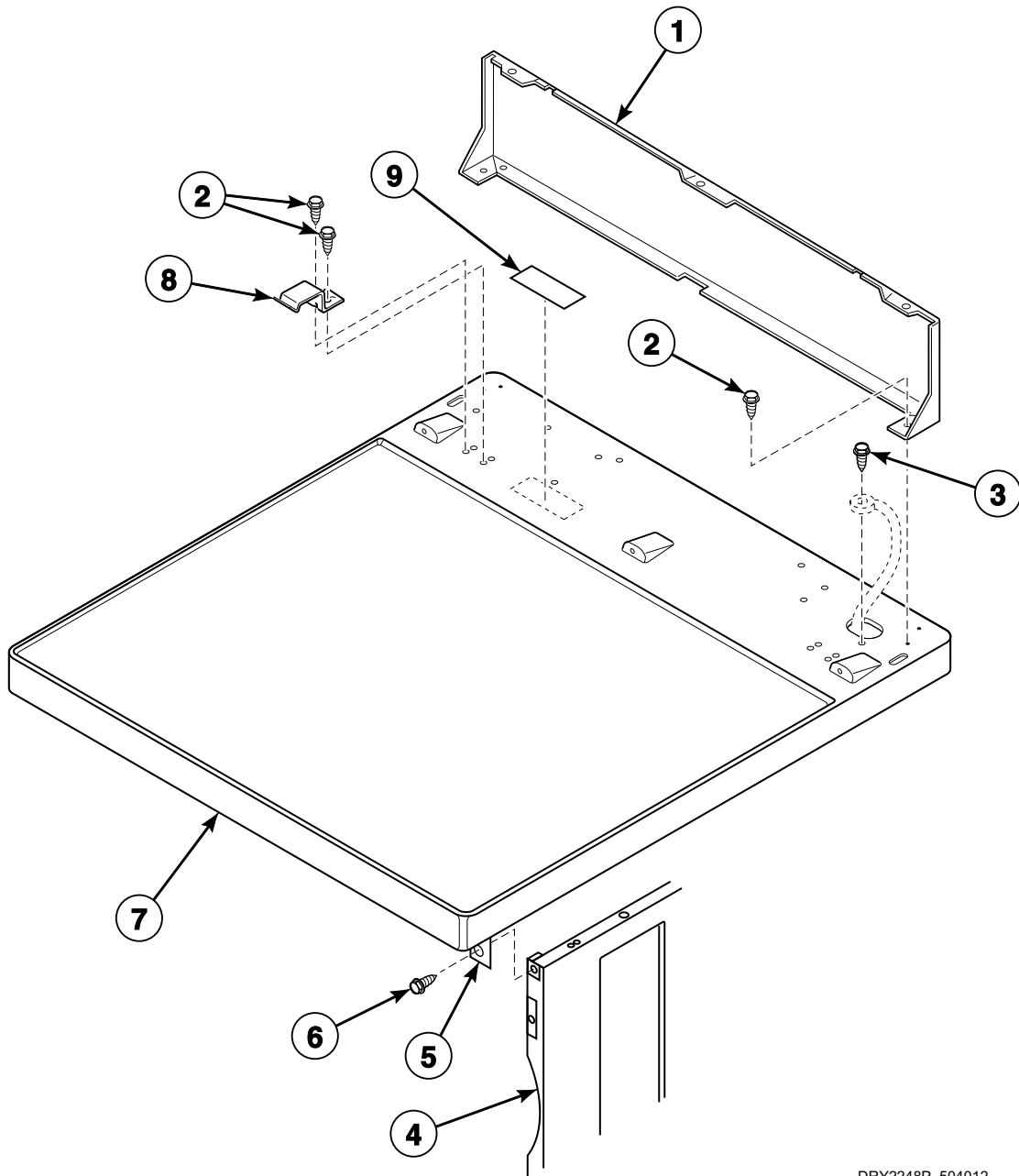
D285P_504012

Graphic Panel, Control Hood and Controls - Models LEA90A* and LGA90A*

REF	PART NO.	DESCRIPTION	COMMENTS
1	501086	Screw	
2	500303*	Top Cover	
3	34836	Fluorescent Light Assembly	Includes 34837 Fluorescent Bulb and 34841 Fluorescent Starter
4	500308	Diffuser	With hole
5	504184*	Electronic Control Assembly	
6	504008*P	End Panel	
7	510099	Hood Back Panel	
8	510029*P	Top Panel Kit	
9	500301	Control Mounting Plate	
10	500529*	Graphic Panel	
11	500528	Gasket	
12	504009*P	End Panel	
13	38424*	Rocker Switch	

* Add Letter To Designate Color. L - Almond W - White

Cabinet Top and Control Hood Rear Panel



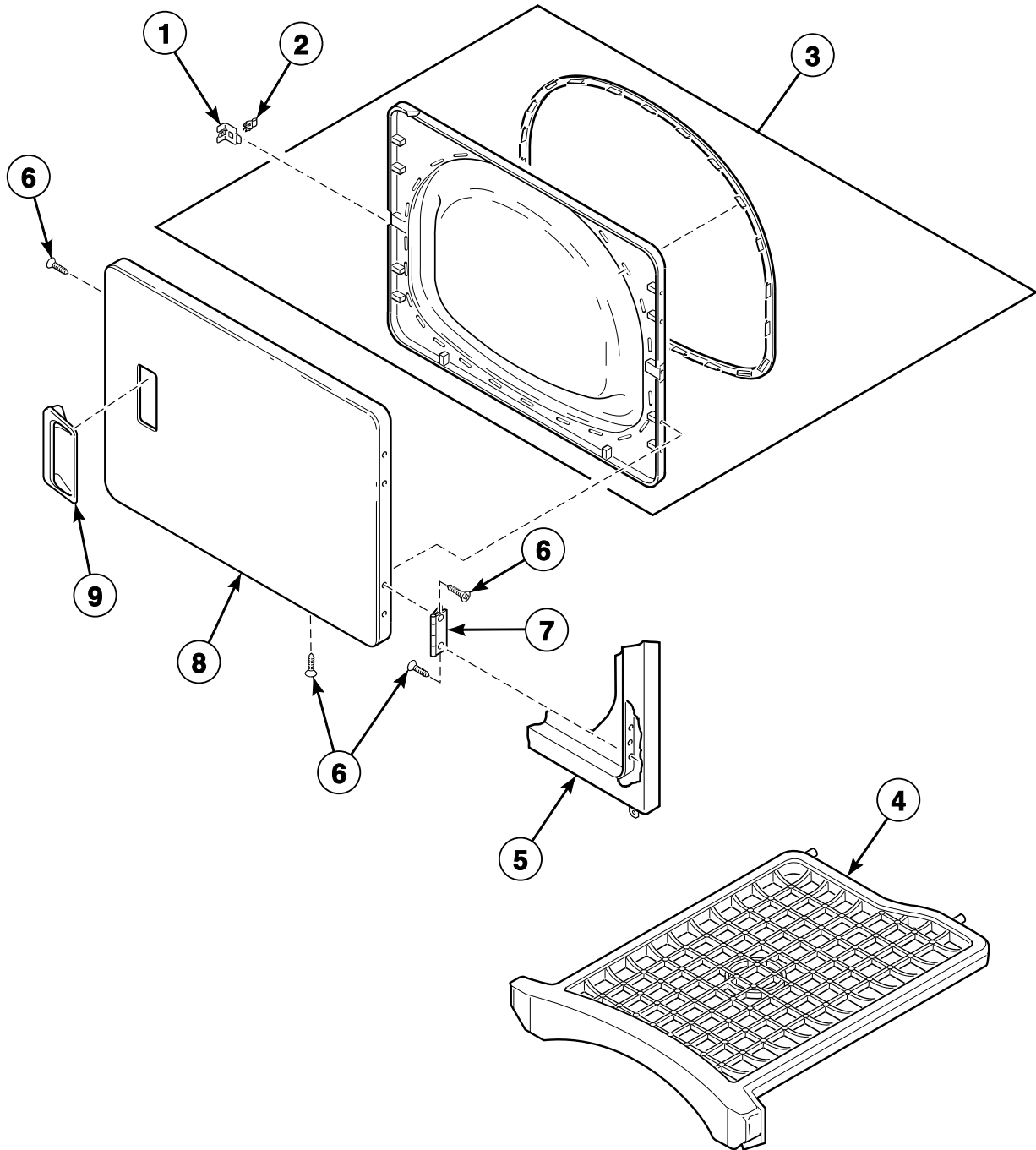
DRY2248P_504012

Cabinet Top and Control Hood Rear Panel

REF	PART NO.	DESCRIPTION	COMMENTS
1	510099	Hood Back Panel	
2	501086	Screw	
3	503688	Screw	
4	500001*P	Cabinet Assembly	
5	510146	Bracket	
6	503661	Screw	
7	510029*P	Top Panel Kit	Includes (2) of item 5
8	503876	Hold-Down Spring Clip	
9	505281	Disconnect Power Warning Label	

* Add Letter To Designate Color. L - Almond W - White

Loading Door and Drying Rack



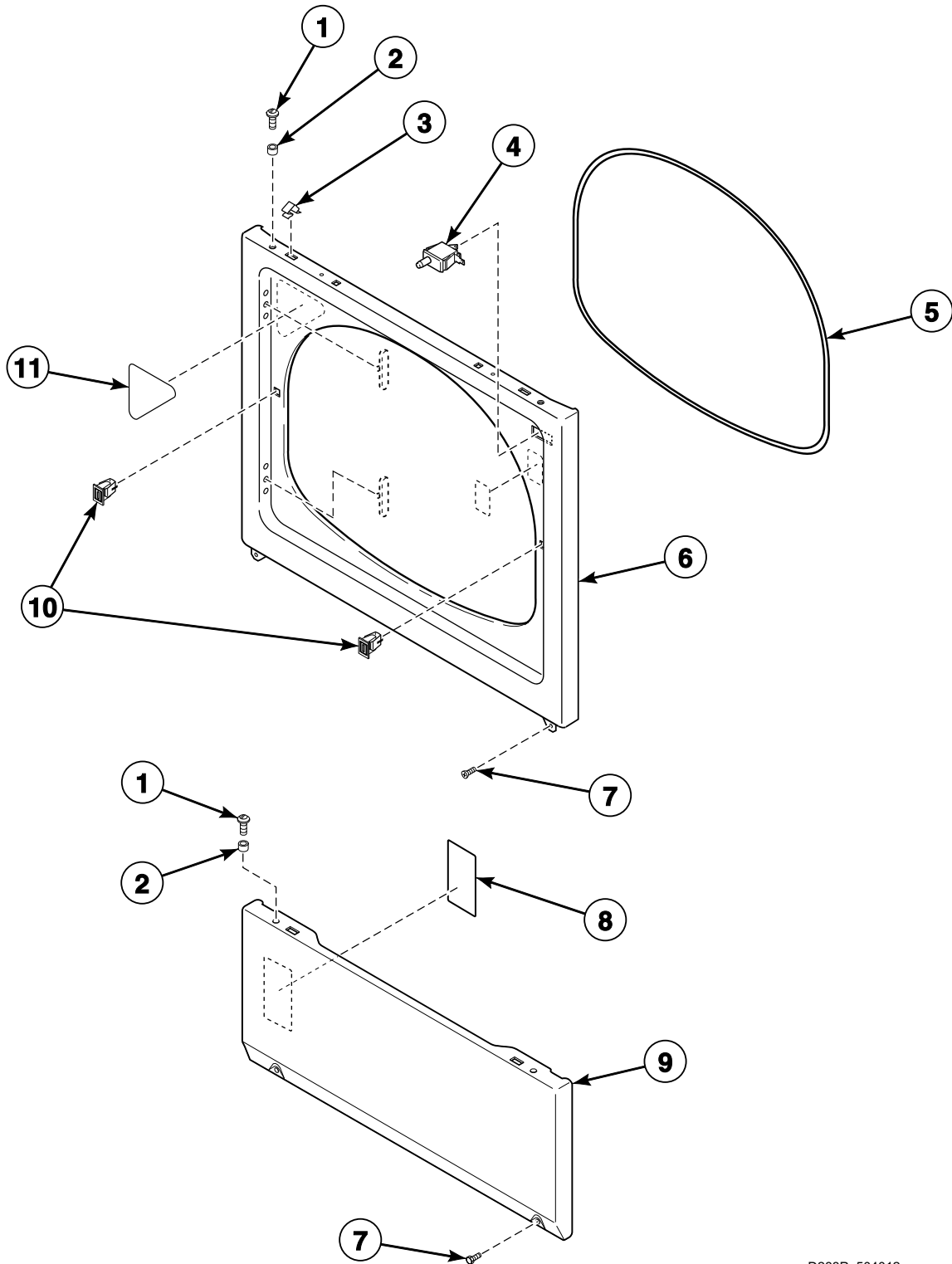
D287P_504012

Loading Door and Drying Rack

REF	PART NO.	DESCRIPTION	COMMENTS
1	510127	Door Strike Mount	
2	510181	Door Strike	
3	510289W	Liner and Seal Assembly	Includes 510147P Door Seal
4	504105	Drying Rack	Optional
5	510066*P	Front Panel	
6	505295	Screw	
7	503676	Hinge	
8	510013*P	Dryer Door	
9	510103*P	Door Pull and Wedge Kit	

* Add Letter To Designate Color. L - Almond W - White

Lower Access Panel, Front Panel and Seal



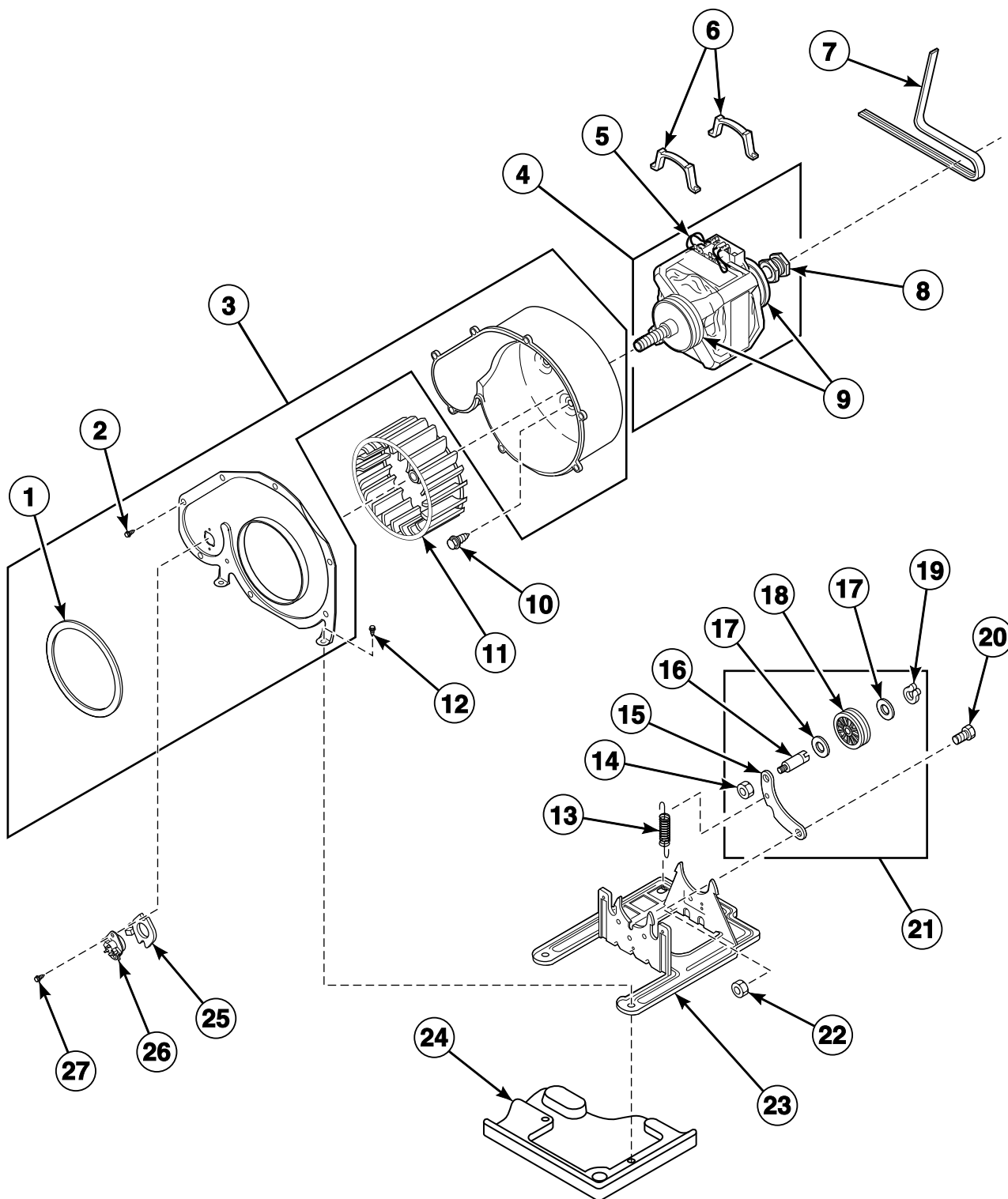
D288P_504012

Lower Access Panel, Front Panel and Seal

REF	PART NO.	DESCRIPTION	COMMENTS
1	39733	Screw	
2	56079	Panel Locator	
3	28835	Speed Clip	
4	512973	Switch	
5	511056	Front Panel Seal	
6	510066*P	Front Panel	
7	503661	Screw	
8	511004	Gas Clearance Label	Gas models
9	510069*P	Access Panel	
10	510177	Door Catch Assembly	
11	500281	Warning/Caution Label	

* Add Letter To Designate Color. L - Almond W - White

Motor, Exhaust Fan and Belt



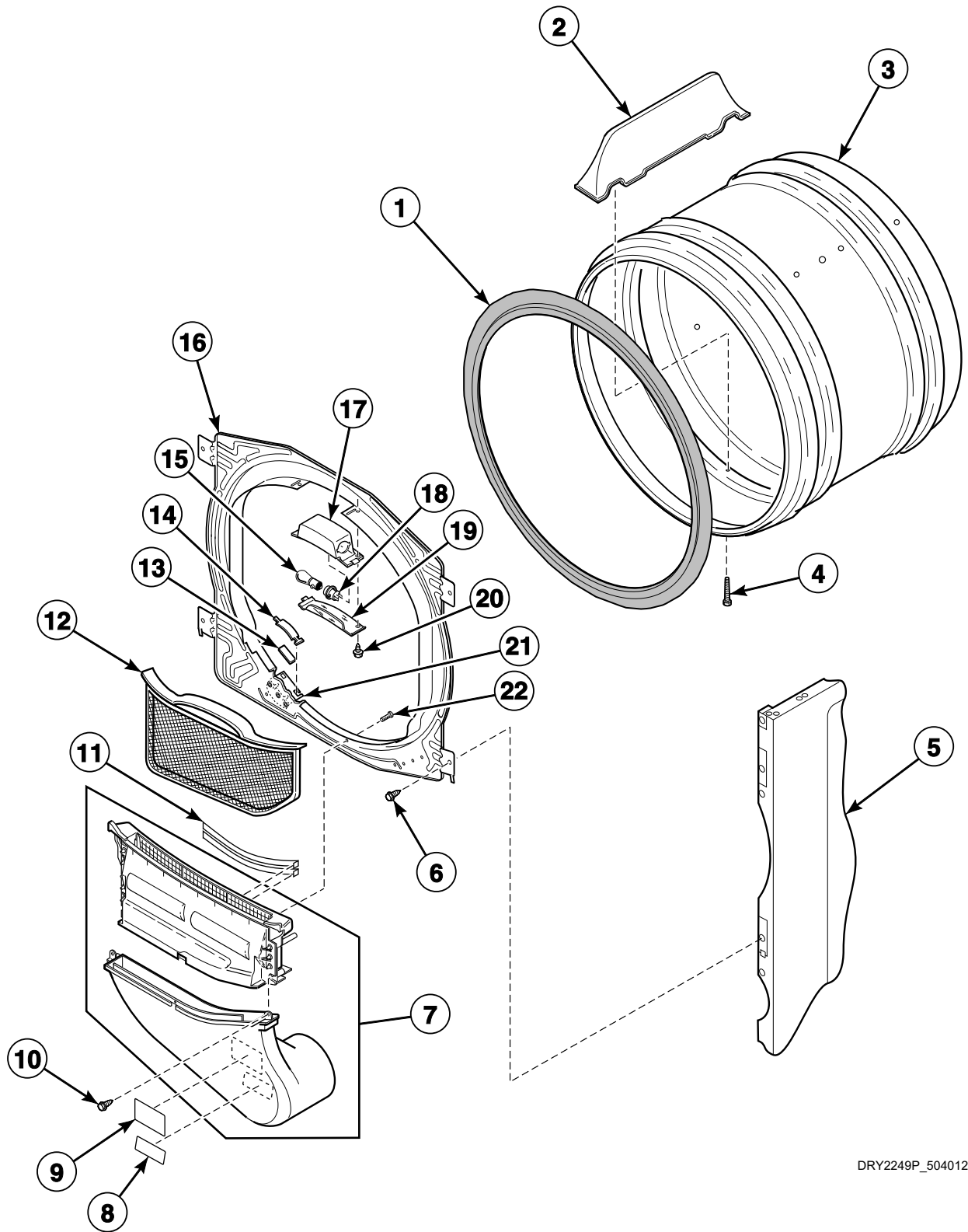
D289P_504012

Motor, Exhaust Fan and Belt

REF	PART NO.	DESCRIPTION	COMMENTS
	510717P	Blower and Fan Kit	120 Volt/60 Hertz models
1	510238P	Blower Housing Seal	
2	31260	Screw	
3	511969P	Blower Housing and Cover Kit	Includes items 1 and 2
4	511629P	Motor and Pulley Assembly	
5	501218	Motor Switch	Does not include thermal protector
6	510180	Motor Mount Clamp	
7	511255P	Cylinder Belt	
8	500011	Motor Pulley	
9	590P3	Motor Hub Ring Kit	
10	31645	Screw	
11	510139P	Blower Fan Assembly	
12	503661	Screw	
13	510185	Idler Spring	
14	56156	Nut	
15	510133	Idler Lever	
16	56461P	Shaft	
17	52549	Washer	
18	510142P	Idler Wheel and Bearing Assembly	
19	23748	Retaining Ring	
20	500824	Screw	
21	510158	Idler Lever and Wheel Assembly	
22	52566	Nut	
23	510060	Motor Mount	
24	510084	Dryer Base	
25	61623	Thermostat Heater	
26	510707P	Thermostat	Models LGA30A* and LGA60A*
	504514	Thermostat	Models LEA30A* and LEA60A*
	510523	Thermistor Assembly	Models LEA90A* and LGA90A*
27	502535	Screw	

* Add Letter To Designate Color. L - Almond W - White

Front Bulkhead, Air Duct, Felt Seal and Cylinder



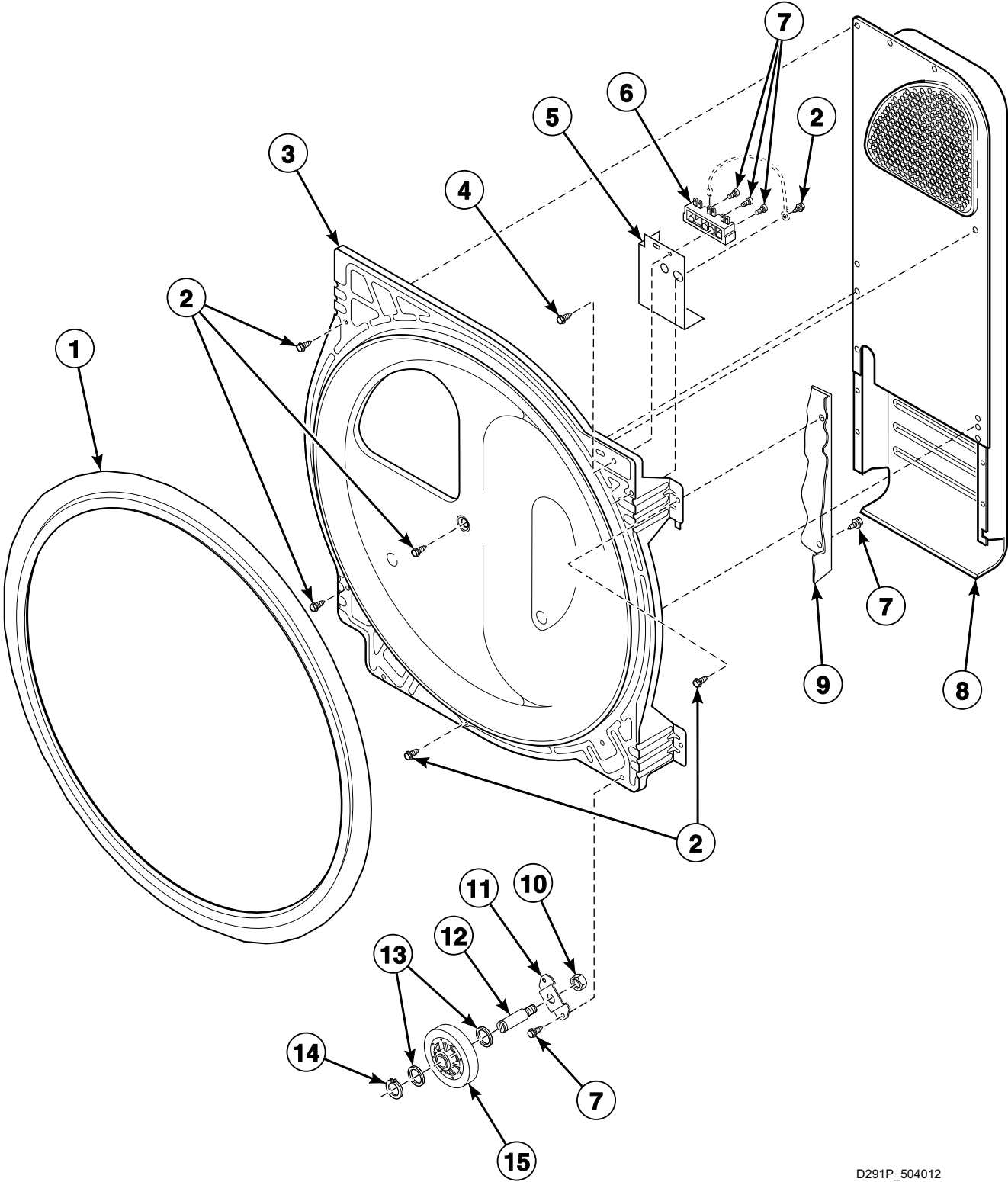
DRY2249P_504012

Front Bulkhead, Air Duct, Felt Seal and Cylinder

REF	PART NO.	DESCRIPTION	COMMENTS
	511637P	Adhesive	
1	510207P	Cylinder Seal Assembly	
2	503703	Cylinder Baffle	
3	510159WP	Cylinder Assembly	White; Includes baffles
	504468P	Cylinder Assembly	Stainless steel; Includes baffles
4	62588	Screw	
5	500001*P	Cabinet Assembly	
6	503661	Screw	Used on models with 503622 Cylinder Light Housing
7	750P3	Air Duct and Door Liner Kit	
8	56259	Notice Seal Sticker	
9	500049	Warning Label	
10	501285	Screw	
11	503625	Moisture Sensor	Models LEA90A* and LGA90A*
12	503627	Lint Filter	
13	510189	Felt Pad	
14	501553	Cylinder Glide	Stainless steel; 2 required per side
	510188	Cylinder Glide	Painted and unpainted cylinder; 1 required per side
15	60954	Drum Light Lamp	Used on models with 503622 Cylinder Light Housing
16	503737W	Front Bulkhead Assembly	Models LEA60A*, LEA90A*, LGA60A* and LGA90A*
	511033WP	Front Bulkhead Assembly	Models LEA30A* and LGA30A*
17	503622	Cylinder Light Housing	
18	512108	Light Housing Assembly	
19	503623	Drum Light Lens	Used on models with 503622 Cylinder Light Housing
20	500227	Screw	
21	510145	Cylinder Glide Bracket	
22	500226	Screw	

* Add Letter To Designate Color. L - Almond W - White

Rear Bulkhead, Felt Seal, Cylinder Roller and Terminal Block



D291P_504012

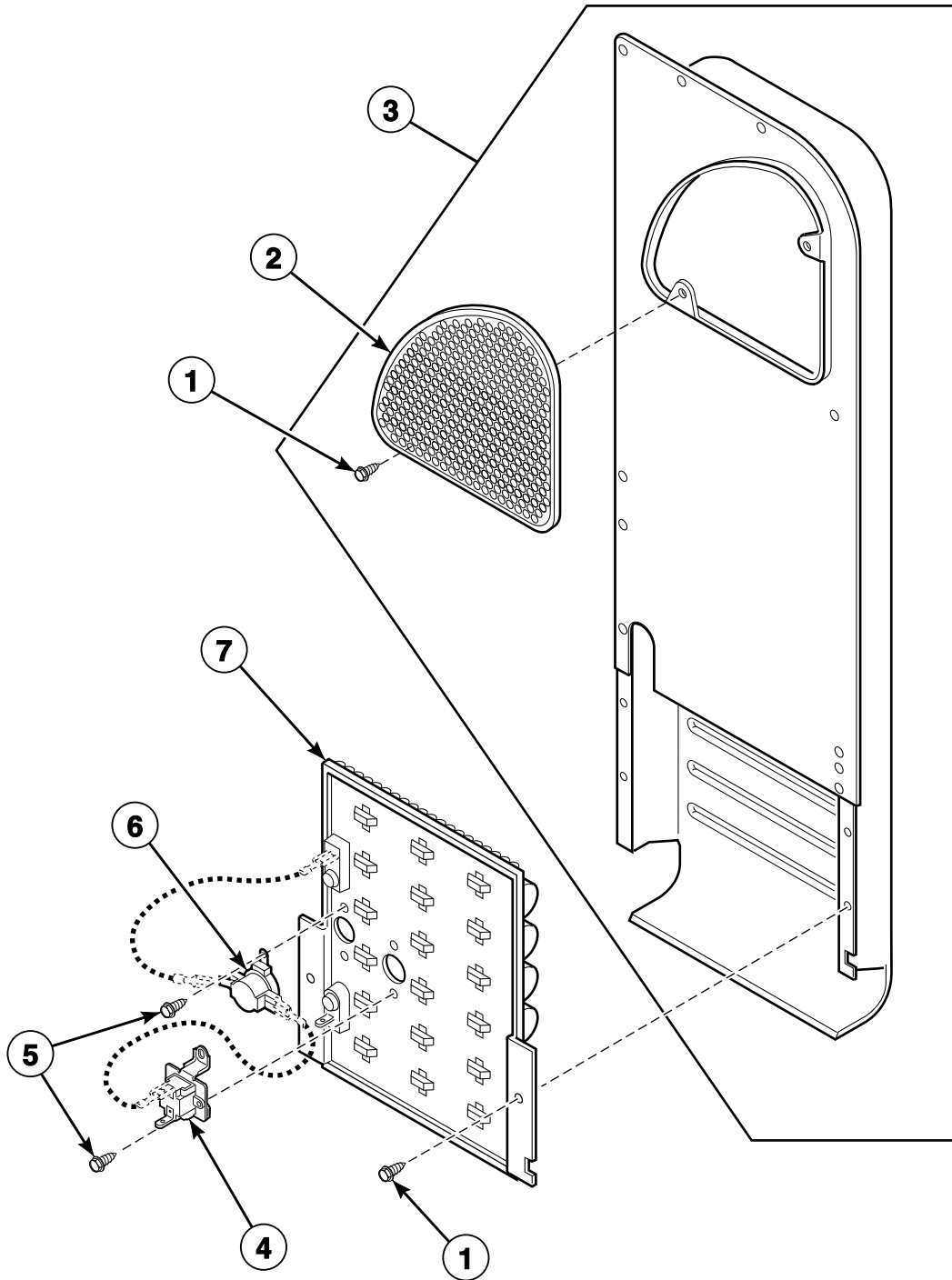
Rear Bulkhead, Felt Seal, Cylinder Roller and Terminal Block

REF	PART NO.	DESCRIPTION	COMMENTS
	511637P	Adhesive	
1	510207P	Cylinder Seal Assembly	
2	503661	Screw	
3	501154	Rear Bulkhead Assembly	Stainless steel
	510905WP	Rear Bulkhead Assembly	Painted
4	501285	Screw	
5	510237	Terminal Block Shield	
6	510190P	Terminal Block Assembly	Includes (3) 61199 Screw; Electric models
7	503688	Screw	
8	510025P	Heater Duct and Screw Assembly	
9	500001*P	Cabinet Assembly	
10	56156	Nut	
11	510100	Cylinder Roller Bracket	
12	56461P	Shaft	
13	52549	Washer	
14	23748	Retaining Ring	
15	510708P	Cylinder Roller	

* Add Letter To Designate Color. L - Almond W - White

Heater Duct and Element Assembly

Electric Models



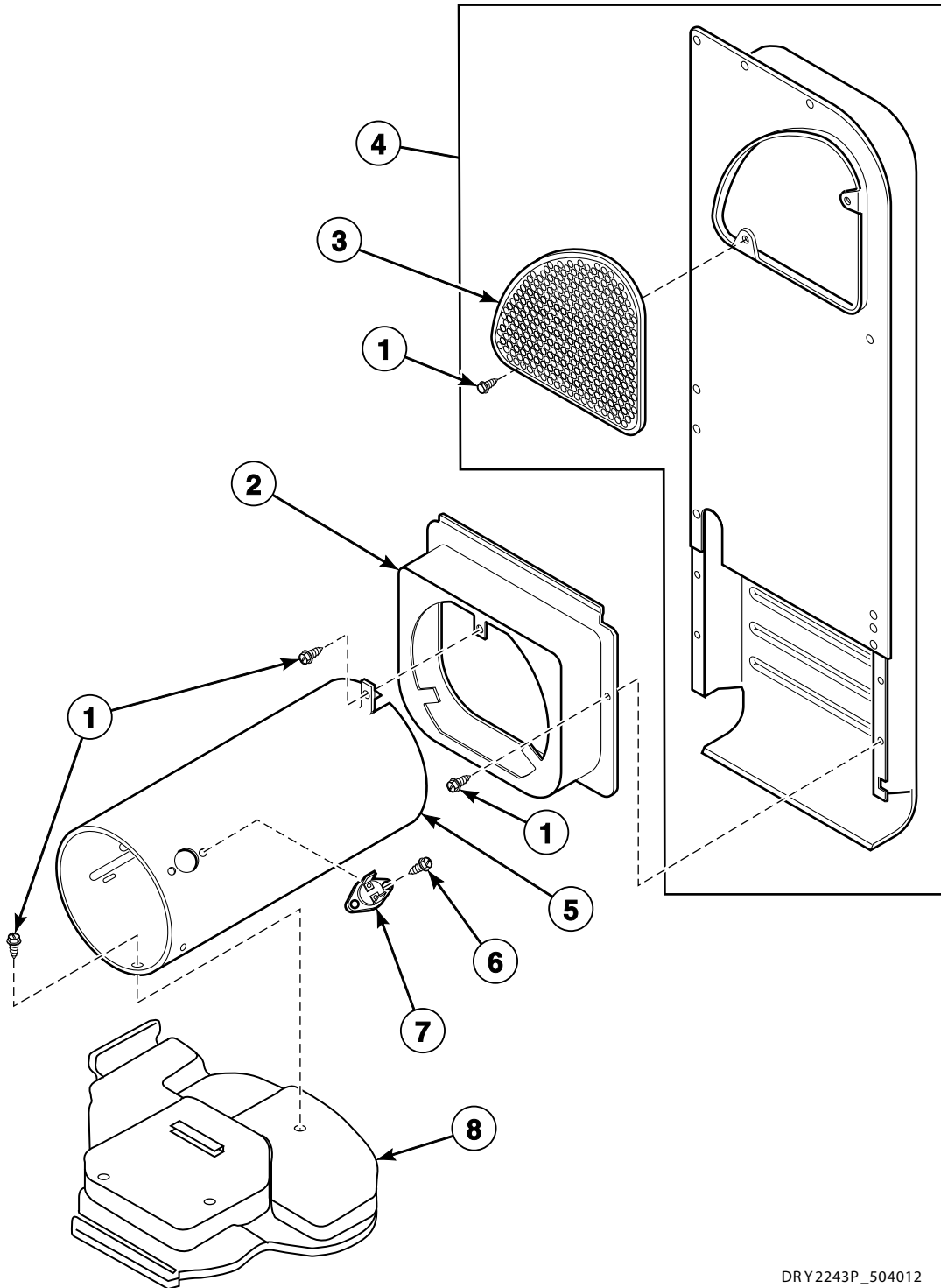
D292P_504012

Heater Duct and Element Assembly

REF	PART NO.	DESCRIPTION	COMMENTS
1	503688	Screw	
2	500820	Outlet Cover	Replaceable on 510025P Heater Duct Assembly only
3	510025P	Heater Duct and Screw Assembly	Includes items 1 and 2
4	511412	Thermal Fuse Assembly	
5	23222	Screw	
6	510701	Limit Thermostat	
7	510329P	Heater Assembly	Orange

Heater Duct Assembly

Gas Models



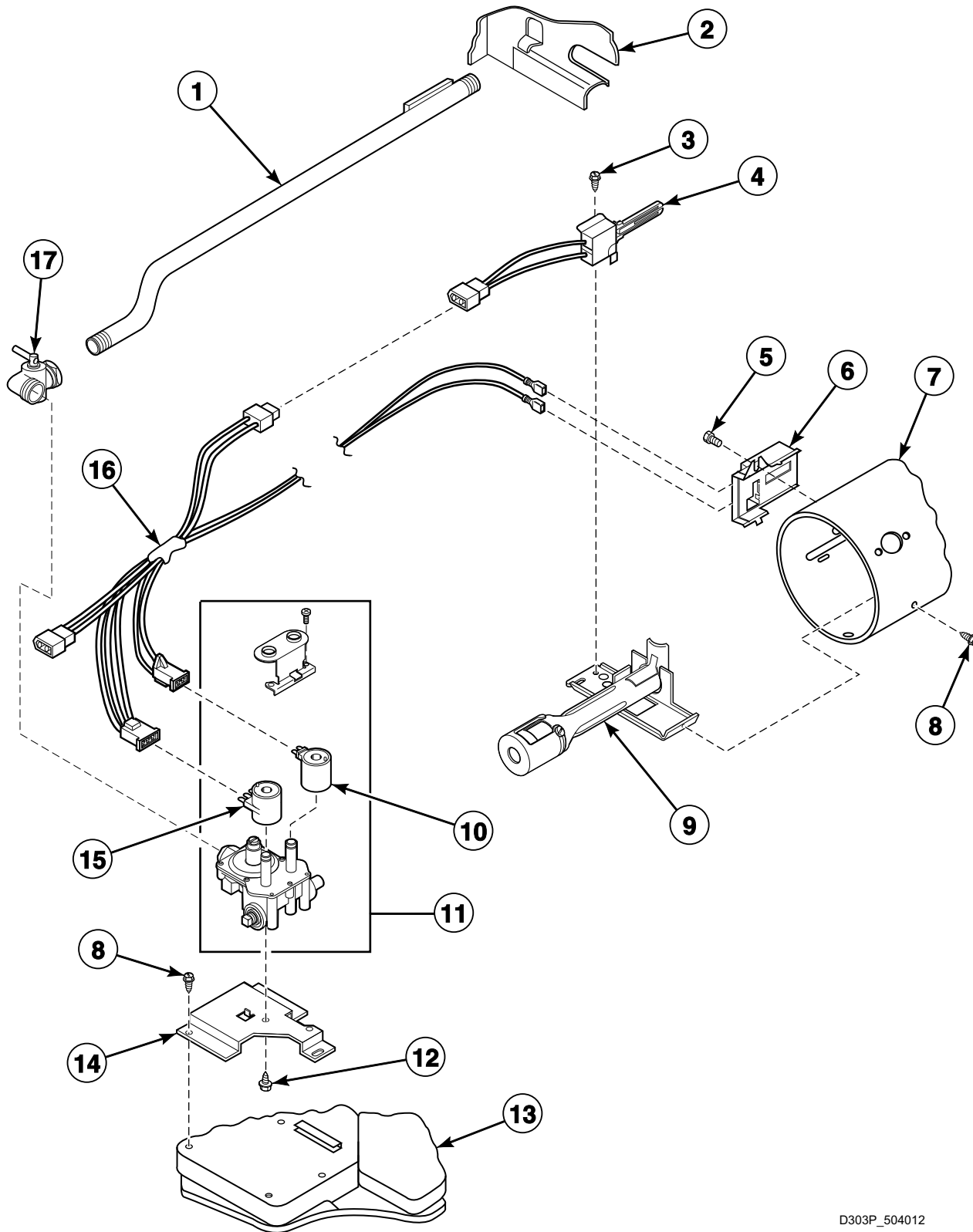
DRY2243P_504012

Heater Duct Assembly

REF	PART NO.	DESCRIPTION	COMMENTS
1	503688	Screw	
2	510101	Heat Duct Shroud	
3	500820	Outlet Cover	Replaceable on 510025P Heater Duct Assembly only
4	510025P	Heater Duct and Screw Assembly	Includes items 1 and 3
5	510131	Combustion Duct	
6	51782	Screw	
7	510702	Limit Thermostat	
8	510084	Dryer Base	

Gas Valve, Igniter and Gas Conversion Kits

Gas Models



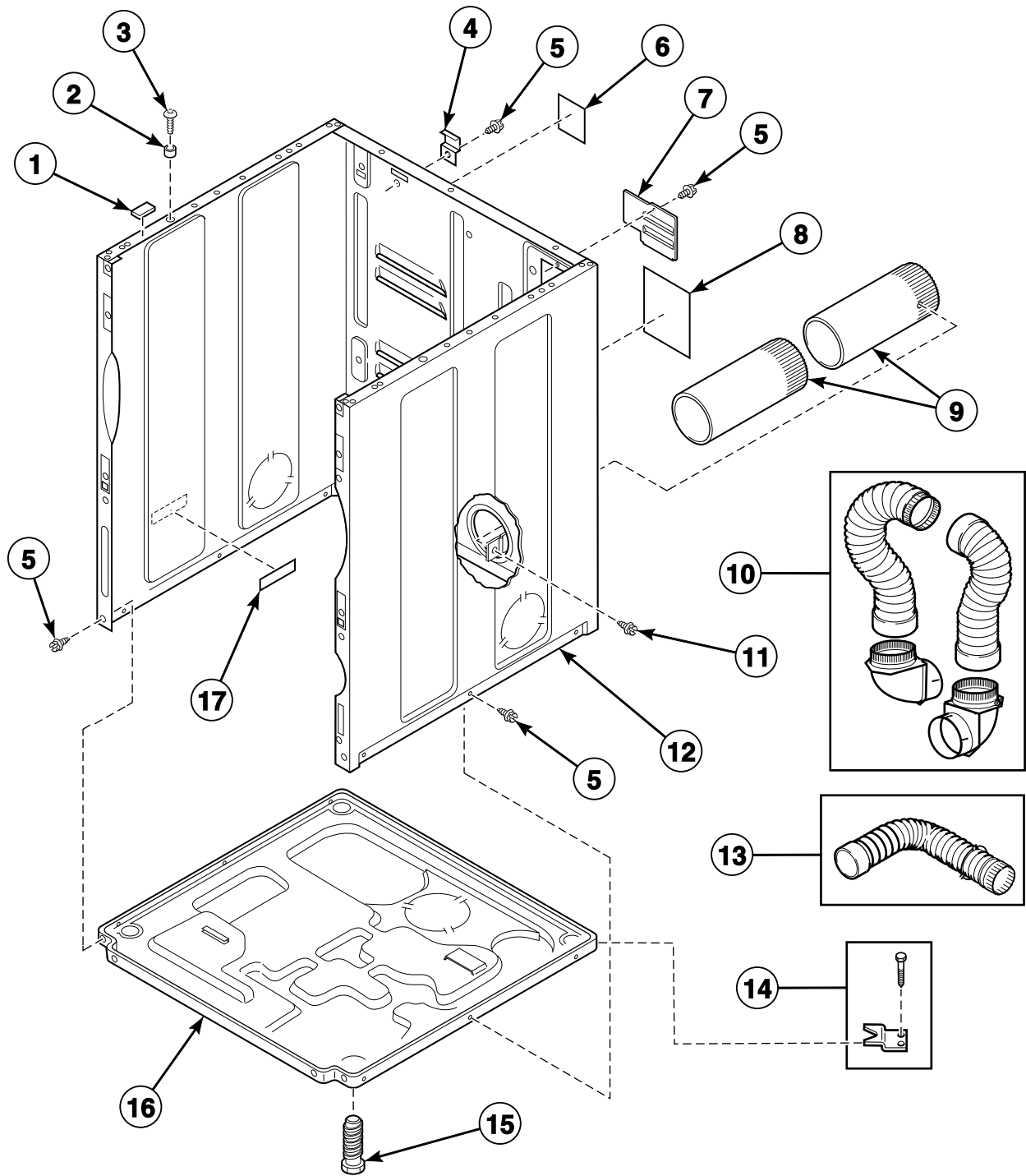
D303P_504012

Gas Valve, Igniter and Gas Conversion Kits

REF	PART NO.	DESCRIPTION	COMMENTS
	649P3	L.P. Conversion Kit	Used to convert dryers from Natural Gas (N.G.) or Mixed Gas to Liquid Petroleum (L.P.)
	650P3	N.G. Conversion Kit	Used to convert dryers from L.P. to N.G. or Mixed Gas
1	510204	Lead-In Pipe Assembly	
2	500001*P	Cabinet Assembly	
3	51782	Screw	
4	510184P	Igniter and Bracket Assembly	
5	23222	Screw	
6	510213	Sensor	
7	510131	Combustion Duct	
8	503688	Screw	
9	510149P	Burner Assembly	
10	58804B	Secondary Coil	
11	510506P	Gas Valve Assembly	
12	56124	Screw	
13	510084	Dryer Base	
14	510128	Gas Valve Mounting Bracket	
15	58804A	Booster and Holding Coil	
16	510530	Gas Valve Wire Harness Assembly	
17	510205	Elbow Shut-Off Valve	

* Add Letter To Designate Color. L - Almond W - White

Cabinet, Exhaust Duct and Base



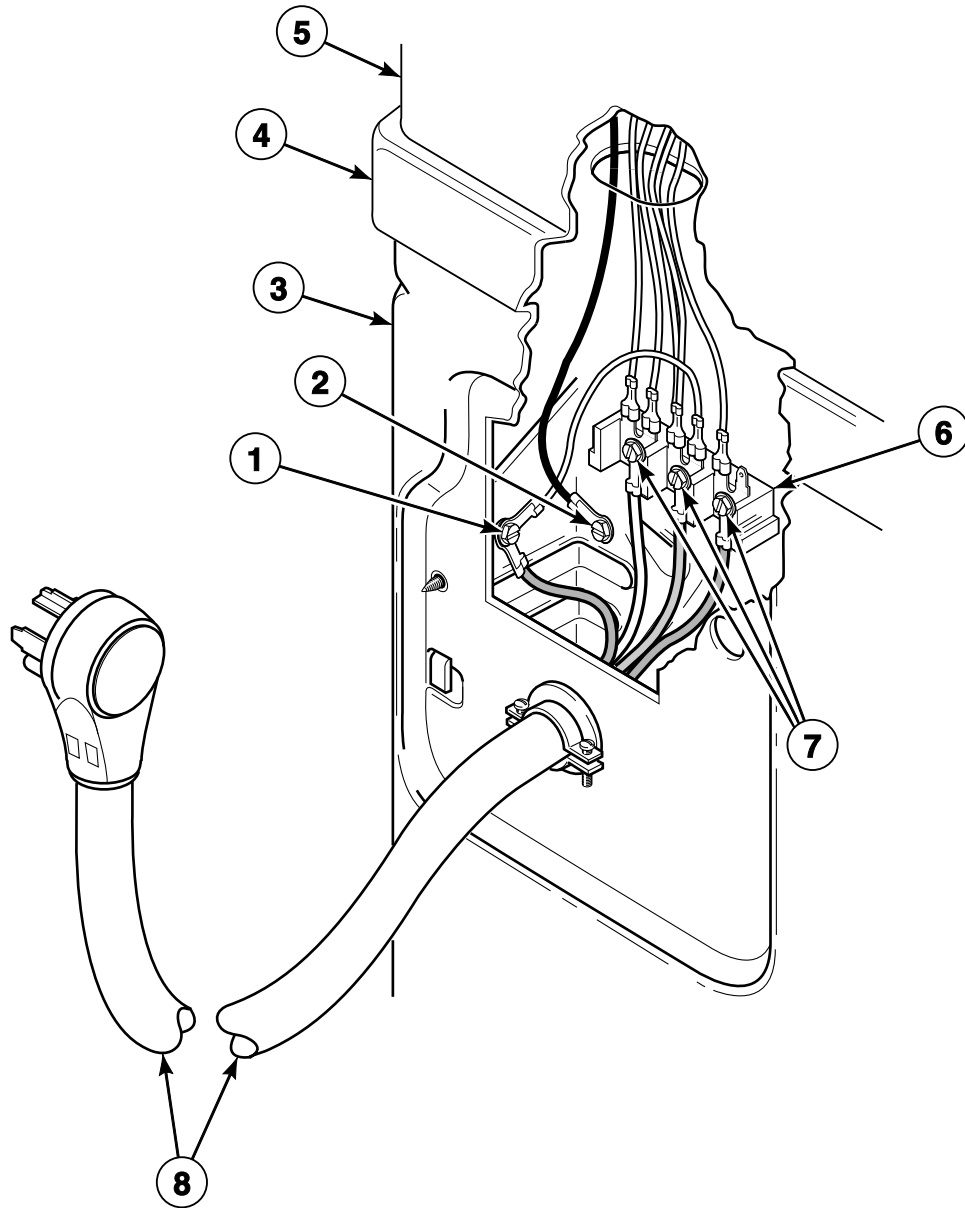
DRY2262P_504012

Cabinet, Exhaust Duct and Base

REF	PART NO.	DESCRIPTION	COMMENTS
1	56128	Bumper Pad	
2	56079	Panel Locator	
3	39733	Screw	
4	510136	Top Hinge	
5	503661	Screw	
6	500495	15 Amp Notice Label	Gas models
7	510903	Access Panel Plate	
8	511005	Electric Clearance Label	Electric models
9	510137	Exhaust Duct	2 required
10	521P3	Flexible Venting Kit	
11	503688	Screw	
12	500001*P	Cabinet Assembly	
13	528P3	Directional Exhaust Kit	Used to vent dryer out the sides or bottom
14	526P3	Hold Down Kit	For mobile home installations
15	510135	Leveling Leg	
16	510084	Dryer Base	
17	61294	Fuse Notice Label	Electric models

* Add Letter To Designate Color. L - Almond W - White

Power Cord - Electric Models



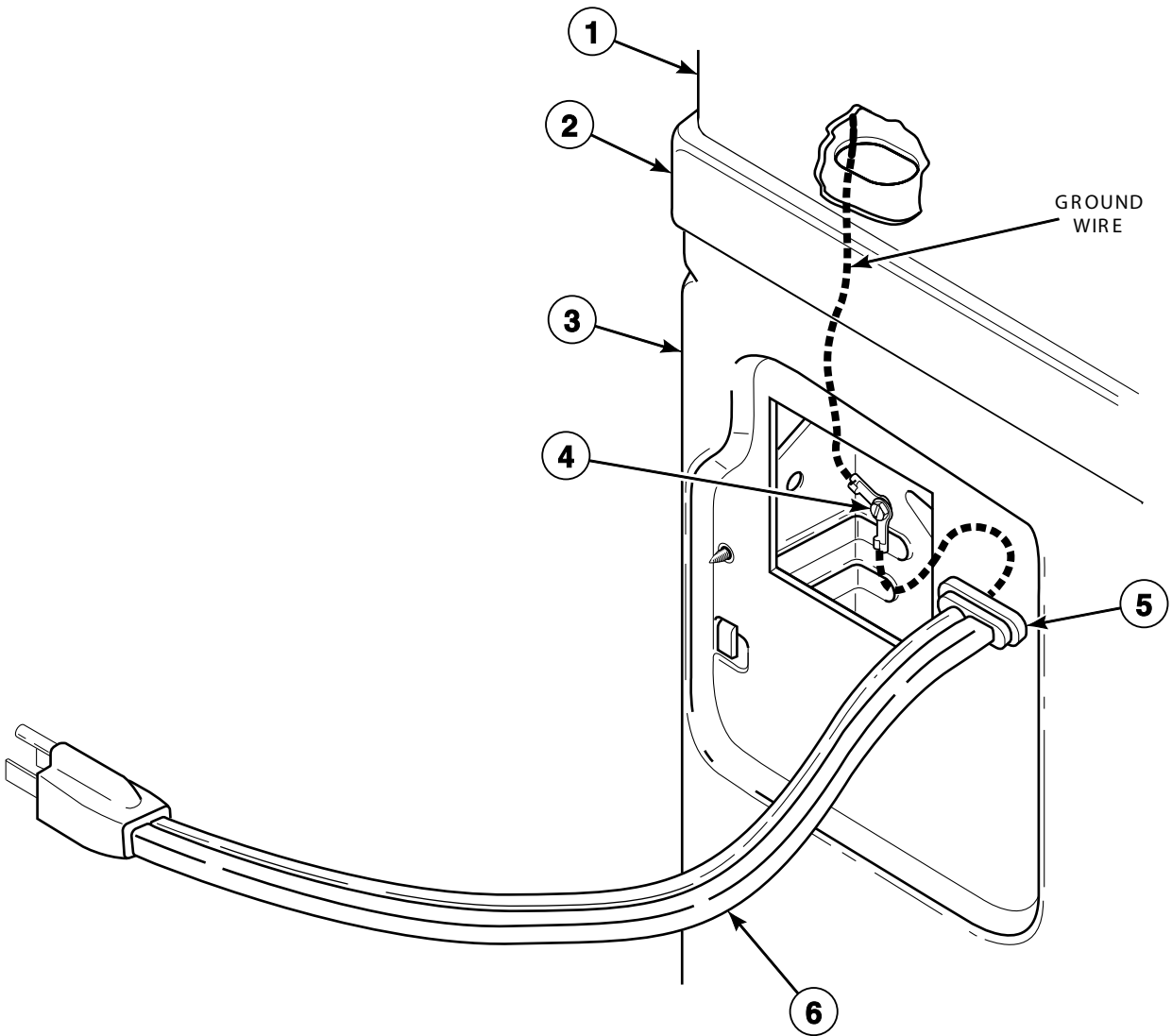
D297P_504012

Power Cord - Electric Models

REF	PART NO.	DESCRIPTION	COMMENTS
1	20530	Screw	
2	503688	Screw	
3	500001*P	Cabinet Assembly	
4	510029*P	Top Panel Kit	
5	510099	Hood Back Panel	
6	510190P	Terminal Block Assembly	
7	61199	Screw	
8	510505P	Lead-In Cord Assembly	

* Add Letter To Designate Color. L - Almond W - White

Power Cord - Gas Models



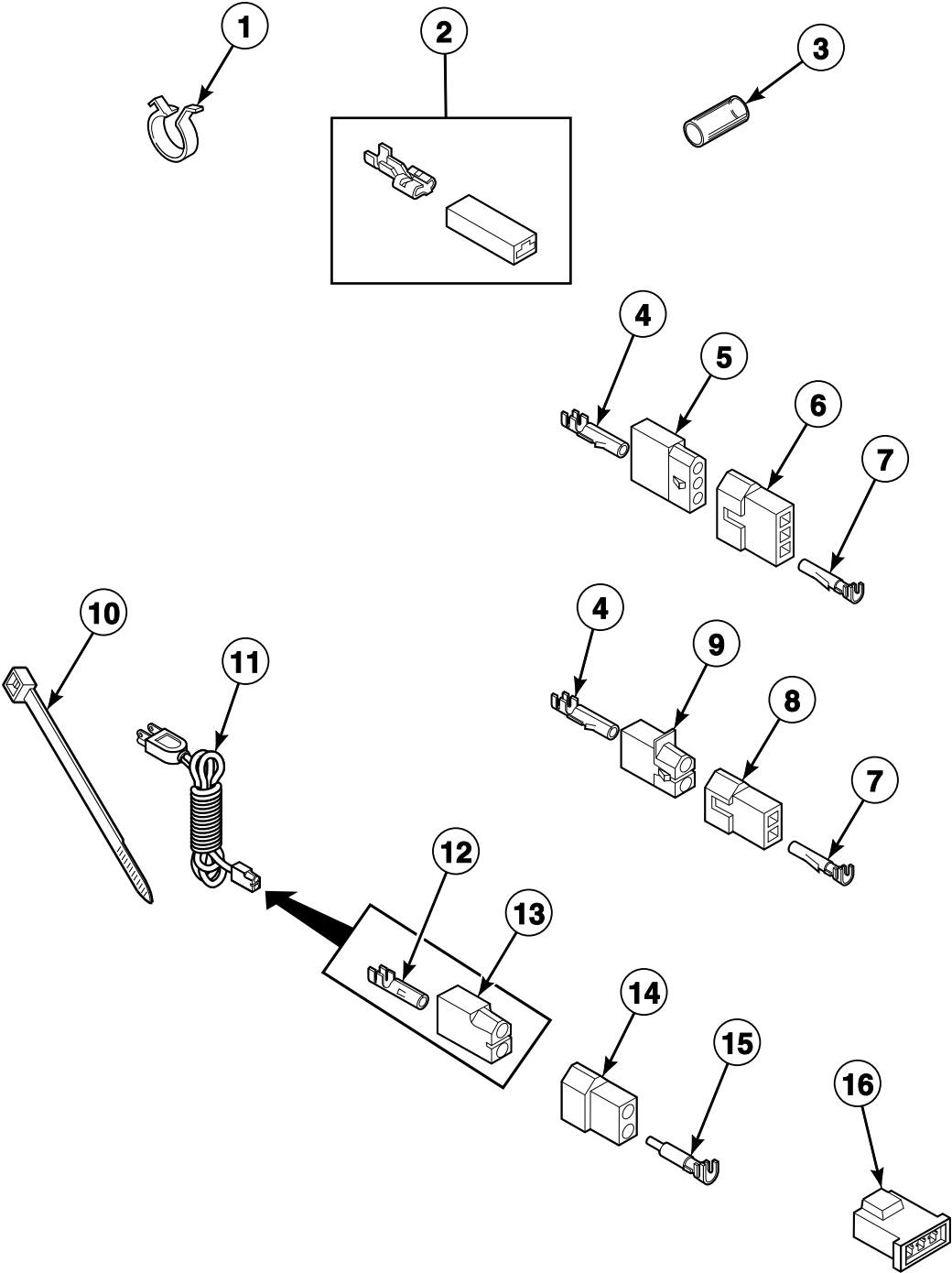
D298P_504012

Power Cord - Gas Models

REF	PART NO.	DESCRIPTION	COMMENTS
1	510099	Hood Back Panel	
2	510029*P	Top Panel Kit	
3	500001*P	Cabinet Assembly	
4	20530	Screw	
5	38384	Strain Relief	
6	56222	Lead-In Cord	

* Add Letter To Designate Color. L - Almond W - White

Terminals (Drawing 1 of 2)

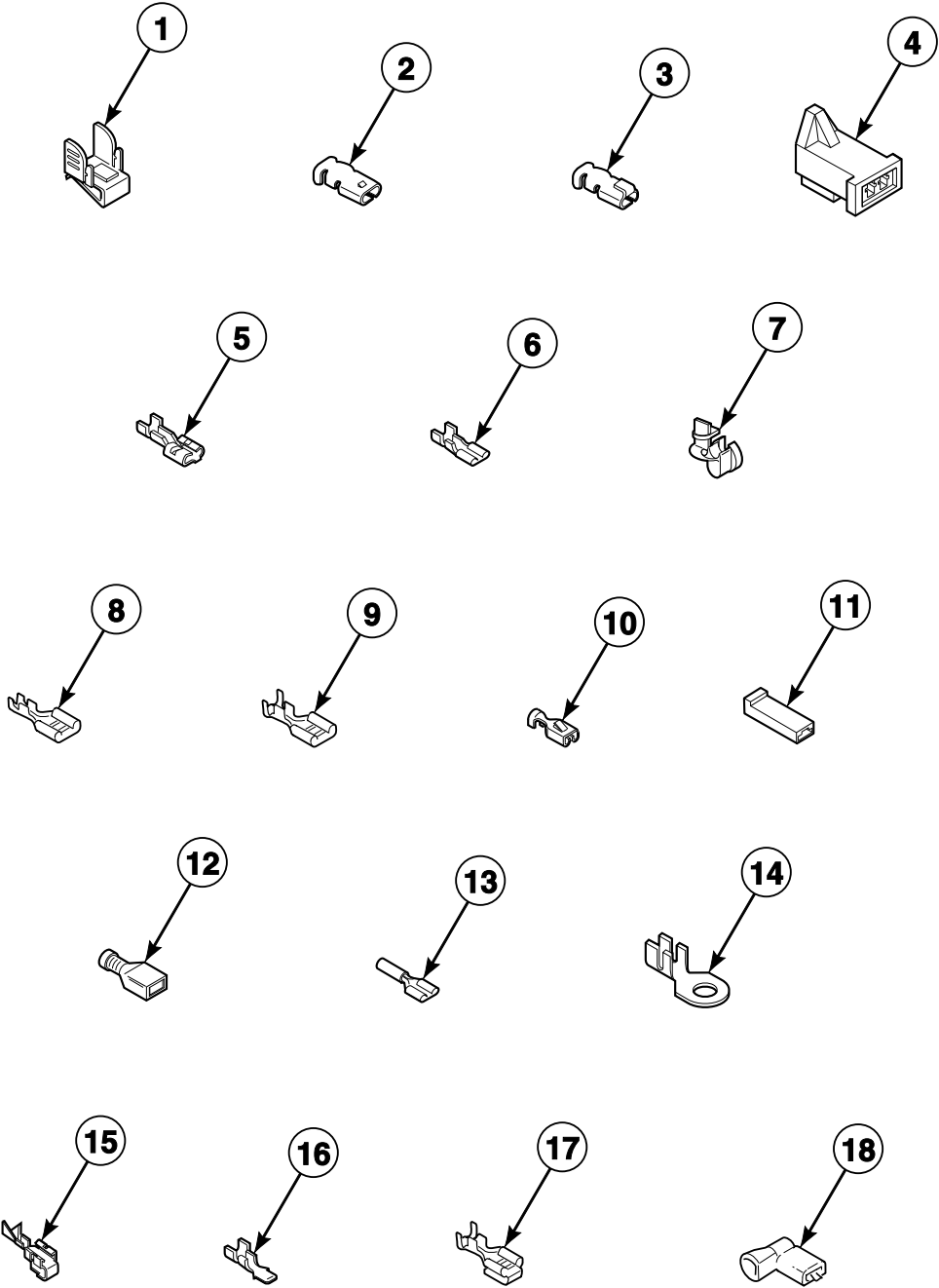


D299P_504012

Terminals (Drawing 1 of 2)

REF	PART NO.	DESCRIPTION	COMMENTS
1	504034	Wire Clip	
2	00360	Insulated Female Spade Terminal	(1) 12 gauge wire or (2) 18 gauge wires
3	503670	Insulator Sleeve	
4	00117	Female Pin Terminal	
5	23039	3 Circuit Receptacle	
6	23040	Plug	3 circuit
7	00116	Male Pin Terminal	
8	56448	2 Circuit Plug	
9	56451	2 Circuit Receptacle	
10	55881	Harness Strap	
11	56222	Lead-In Cord	Gas models
12	00130	Female Pin Terminal	
13	56265	2 Circuit Receptacle	
14	56266	2 Circuit Plug	
15	00127	Male Pin Terminal	
16	58800	3 Circuit Connector	

Terminals (Drawing 2 of 2)

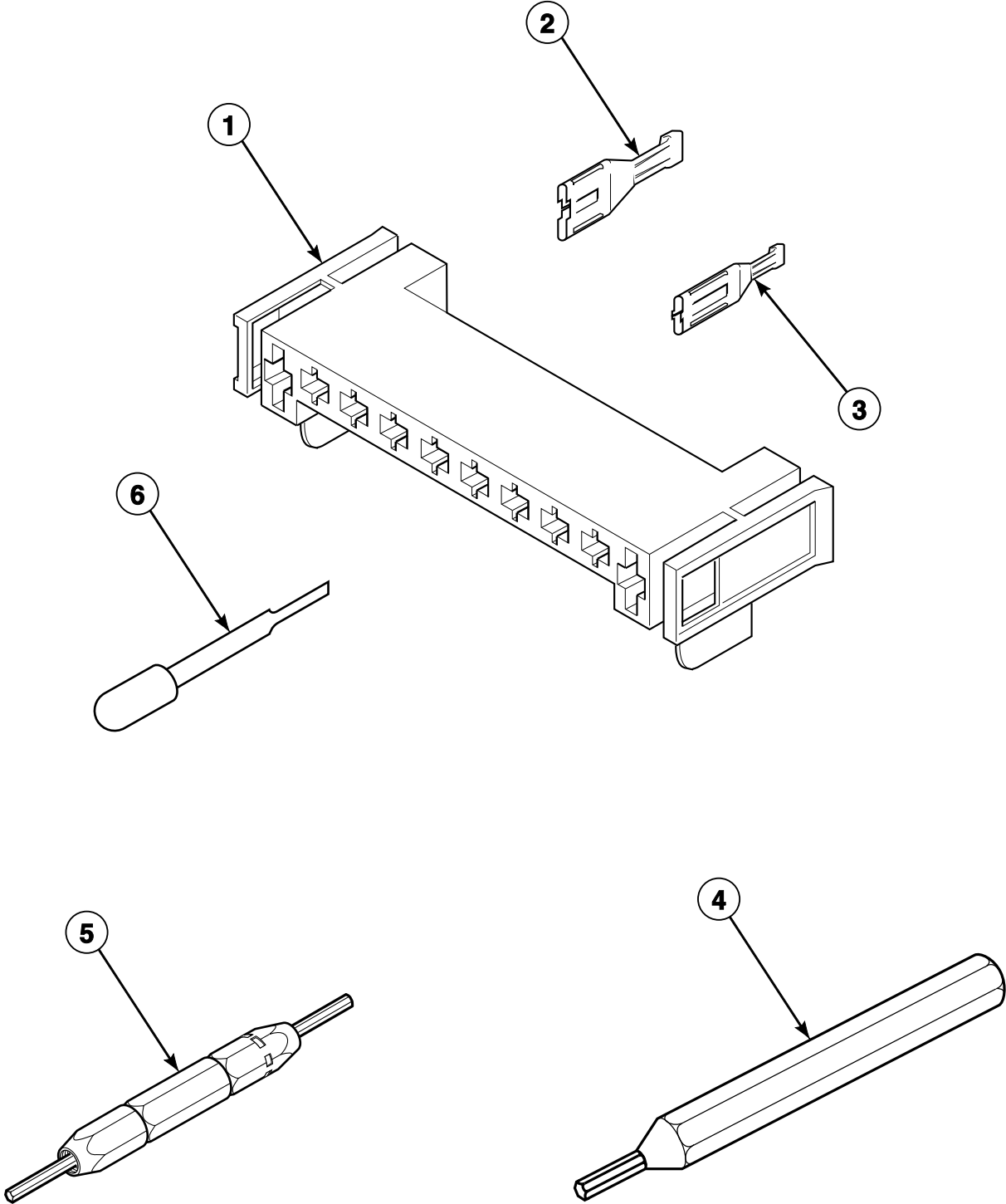


DRY2251P_504012

Terminals (Drawing 2 of 2)

REF	PART NO.	DESCRIPTION	COMMENTS
1	00161	Grounding Clip	
2	00189	Female Spade Terminal	
3	00361	Female Piggyback Terminal	Receptacle connector
4	58799	2 Circuit Connector	
5	00119	Female Spade Terminal	1/4 inch; (1) 18 gauge wire
	00121	Female Spade Terminal	1/4 inch; (2) 18 gauge wires or (1) 12 gauge wire
	00245	Spade Terminal	1/4 inch; (1) 22 gauge wire
6	00124	Female Spade Terminal	3/16 inch; (1) 18 gauge wire; .020 tab
	00156	Female Spade Terminal	3/16 inch; Thermostat wire; .032 tab
	00209	Female Spade Terminal	3/16 inch; (2) 18 gauge wires; .020 tab
7	38384	Strain Relief	
8	00346	Terminal	
9	00347	Terminal	
10	00115	Female Spade Terminal	1/4 inch; (1) 18 gauge wire
	00122	Female Spade Terminal	1/4 inch; (2) 18 gauge wires or (1) 12 gauge wire
11	90789	Receptacle Housing	
12	00359	Insulated Female Spade Terminal	1/4 inch
	00165	Insulated Female Terminal	3/16 inch
13	00214	Pre-Insulated Spade Terminal	1/4 inch; 18 gauge wire
	00215	Pre-Insulated Spade Terminal	1/4 inch; 12 gauge wire
14	00110	Ring Terminal	(1) 18 gauge wire
	00111	Ring Terminal	(2) 18 gauge wires or (1) 12 gauge wire
15	00114	Female Spade Terminal	1/4 inch; Double connector
16	00139	Male Tab Terminal	1/4 inch; (2) 18 gauge wires or (1) 12 gauge wire
17	00344	Female Tab Terminal	
18	00345	Flag Insulated Terminal	

Motor Connection Block and Terminal Extractor Tools



D301P_504012

Motor Connection Block and Terminal Extractor Tools

REF	PART NO.	DESCRIPTION	COMMENTS
1	500338	10 Position Housing	Molex; 10 circuit
2	00255	Female Terminal	1/4 inch; For (1) 12 gauge wire
	00256	Female Terminal	1/4 inch; For (1) or (2) 18 gauge wires
3	00188	Female Terminal	For 1 or 2 wire application
4	128P4	Extractor Tool	For use on gas dryer terminals
5	190P4	Extractor Tool	For use on electric dryer terminals
6	283P4	Terminal Extractor Tool	For use on Molex connectors

Wire Harnesses and Wires

PART NO.	DESCRIPTION	COMMENTS
503726	Wire Harness Assembly	Model LEA90A*
503797	Wire Harness Assembly	Model LGA90A*
503922	Wire Harness Assembly	Model LEA60A*
503923	Wire Harness Assembly	Model LGA60A*
503926	Wire Harness Assembly	Model LEA30A*
510403	Wire Harness Assembly	Model LGA30A*

* Add Letter To Designate Color. L - Almond W - White

NOTE: Individual wires are not available separately. Order complete wire harness, or order wire by the foot. When applying terminals to wires, it is recommended that the terminals be soldered to the wires.

Parts Index

A

Access Panel 510069*P	13
Access Panel Plate 510903	27
Adhesive 511637P	17, 19
Air Duct and Door Liner Kit 750P3	17

B

Blower and Fan Kit 510717P	15
Blower Fan Assembly 510139P	15
Blower Housing and Cover Kit 511969P	15
Blower Housing Seal 510238P	15
Booster and Holding Coil 58804A	25
Bracket 510146	9
Bumper Pad 56128	27
Burner Assembly 510149P	25
Buzzer 510211	5

C

Cabinet Assembly 500001*P	9, 17, 19, 25, 27, 29, 31
Combustion Duct 510131	23, 25
Connector, 2 Circuit 58799	35
Connector, 3 Circuit 58800	33
Control Mounting Plate 500301	7
Control Support Panel 503901	5
Cylinder Assembly 504468P	17
510159WP	17
Cylinder Baffle 503703	17
Cylinder Belt 511255P	15
Cylinder Glide 501553	17
510188	17

Cylinder Glide Bracket 510145	17
Cylinder Light Housing 503622	17
Cylinder Roller 510708P	19
Cylinder Roller Bracket 510100	19
Cylinder Seal Assembly 510207P	17, 19

D

Diffuser 500308	7
Directional Exhaust Kit 528P3	27
Disconnect Power Warning Label 505281	9
Door Catch Assembly 510177	13
Door Pull and Wedge Kit 510103*P	11
Door Strike 510181	11
Door Strike Mount 510127	11
Drum Light Lamp 60954	17
Drum Light Lens 503623	17
Dryer Base 510084	15, 23, 25, 27
Dryer Door 510013*P	11
Drying Rack 504105	11

E

Elbow Shut-Off Valve 510205	25
Electric Clearance Label 511005	27
Electronic Control Assembly 504184*	7
End Panel 504008*P	5, 7
504009*P	5, 7
Exhaust Duct 510137	27
Extractor Tool 128P4	37
190P4	37

N/A items do not appear in index.

F

Fabric Selector Switch	
513505	5
513506	5
Felt Pad	
510189	17
Female Piggyback Terminal	
00361	35
Female Pin Terminal	
00117	33
00130	33
Female Spade Terminal	
00114	35
00115	35
00119	35
00121	35
00122	35
00124	35
00156	35
00189	35
00209	35
Female Tab Terminal	
00344	35
Female Terminal	
00188	37
00255	37
00256	37
Flag Insulated Terminal	
00345	35
Flexible Venting Kit	
521P3	27
Fluorescent Light Assembly	
34836	7
Front Bulkhead Assembly	
503737W	17
511033WP	17
Front Panel	
510066*P	11, 13
Front Panel Seal	
511056	13
Fuse Notice Label	
61294	27

G

Gas Clearance Label	
511004	13
Gas Valve Assembly	
510506P	25
Gas Valve Mounting Bracket	
510128	25
Gas Valve Wire Harness Assembly	
510530	25
Gasket	
500528	7
Graphic Panel	
500529*	7
503594*	5
503595*	5
Grounding Clip	
00161	35

N/A items do not appear in index.

H

Harness Strap	
55881	33
Heat Duct Shroud	
510101	23
Heater Assembly	
510329P	21
Heater Duct and Screw Assembly	
510025P	19, 21, 23
Hinge	
503676	11
Hold Down Kit	
526P3	27
Hold-Down Spring Clip	
503876	9
Hood Back Panel	
510099	5, 7, 9, 29, 31
Housing, 10 Position	
500338	37

I

Idler Lever	
510133	15
Idler Lever and Wheel Assembly	
510158	15
Idler Spring	
510185	15
Idler Wheel and Bearing Assembly	
510142P	15
Igniter and Bracket Assembly	
510184P	25
Insulated Female Spade Terminal	
00359	35
00360	33
Insulated Female Terminal	
00165	35
Insulator Sleeve	
503670	33

K

Knob Assembly	
36701*	5

L

Label, 15 Amp Notice	
500495	27
Lead-In Cord	
56222	31, 33
Lead-In Cord Assembly	
510505P	29
Lead-In Pipe Assembly	
510204	25
Leveling Leg	
510135	27

Light Housing Assembly 512108	17
Limit Thermostat 510701	21
510702	23
Liner and Seal Assembly 510289W	11
Lint Filter 503627	17
L.P. Conversion Kit 649P3	25

M

Male Pin Terminal 00116	33
00127	33
Male Tab Terminal 00139	35
Moisture Sensor 503625	17
Motor and Pulley Assembly 511629P	15
Motor Hub Ring Kit 590P3	15
Motor Mount 510060	15
Motor Mount Clamp 510180	15
Motor Pulley 500011	15
Motor Switch 501218	15

N

Notice Seal Sticker 56259	17
Nut 52566	15
56156	15, 19
N.G. Conversion Kit 650P3	25

O

Outlet Cover 500820	21, 23
------------------------------	--------

P

Panel Locator 56079	13, 27
Plug 23040	33
Plug, 2 Circuit 56266	33
56448	33

Pre-Insulated Spade Terminal 00214	35
00215	35

R

Rear Bulkhead Assembly 501154	19
510905WP	19
Receptacle Housing 90789	35
Receptacle, 2 Circuit 56265	33
56451	33
Receptacle, 3 Circuit 23039	33
Retaining Ring 23748	15, 19
Ring Terminal 00110	35
00111	35
Rocker Switch 38424*	5, 7

S

Screw 20530	29, 31
23222	21, 25
31260	15
31645	15
39733	13, 27
500226	17
500227	17
500824	15
501086	5, 7, 9
501285	17, 19
502535	15
503661	9, 13, 15, 17, 19, 27
503688	9, 19, 21, 23, 25, 27, 29
505295	11
51782	23, 25
56124	25
61199	29
62588	17
Secondary Coil 58804B	25
Sensor 510213	25
Shaft 56461P	15, 19
Spade Terminal 00245	35
Speed Clip 28835	13
Strain Relief 38384	31, 35
Switch 512973	13

N/A items do not appear in index.

T

Terminal	
00346	35
00347	35
Terminal Block Assembly	
510190P	19, 29
Terminal Block Shield	
510237	19
Terminal Extractor Tool	
283P4	37
Thermal Fuse Assembly	
511412	21
Thermistor Assembly	
510523	15
Thermostat	
504514	15
510707P	15
Thermostat Heater	
61623	15
Timer	
503739	5
503873	5
504179	5
504180	5
Timer Knob Assembly	
512117*	5
Top Cover	
500303*	7
505808*	5
Top Hinge	
510136	27
Top Panel Kit	
510029*P	5, 7, 9, 29, 31

W

Warning Label	
500049	17
Warning/Caution Label	
500281	13
Washer	
52549	15, 19
Wire Clip	
504034	33
Wire Harness Assembly	
503726	38
503797	38
503922	38
503923	38
503926	38
510403	38
