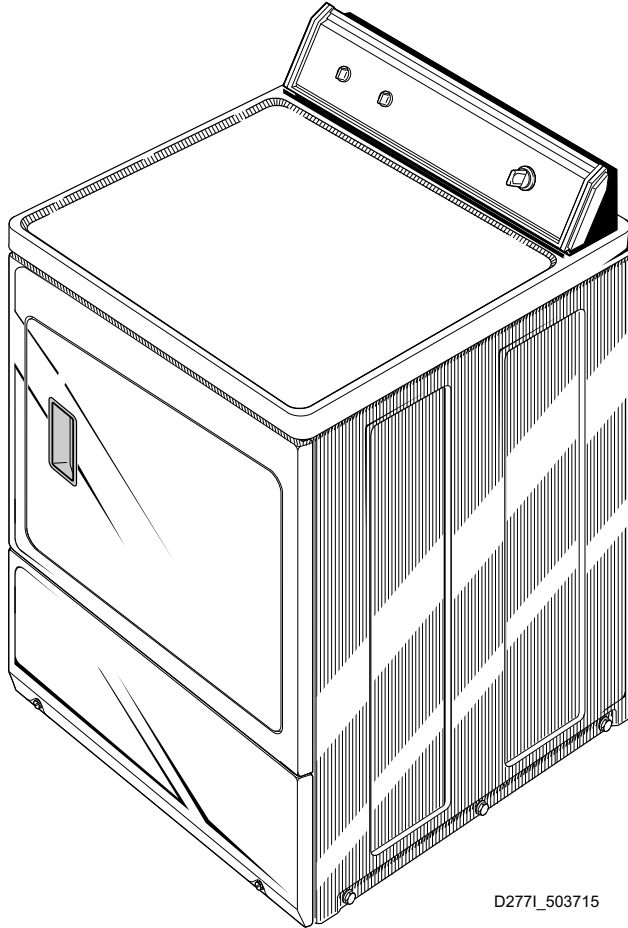


Dryer

Refer to Page 3 for Model Numbers



D277I_503715

Table of Contents

Title	Page
Parts Ordering Information.....	2
Serial Plate Location	2
Model Identification	3
Graphic Panel, Control Hood and Controls.....	4
Cabinet Top and Control Hood Rear Panel	6
Loading Door with Drying Rack	8
Lower Access Panel, Front Panel and Seal.....	10
Motor, Exhaust Fan and Belt	12
Front Bulkhead, Air Duct, Felt Seal and Cylinder	14
Rear Bulkhead, Felt Seal, Cylinder Roller and Terminal Block.....	16
Heater Box Assembly	18
Cabinet, Exhaust Duct and Base	20
Power Cords	22
Terminals (Drawing 1 of 2).....	24
Terminals (Drawing 2 of 2).....	26
Motor Connection Block, Terminal Extractor Tools and Wire Harnesses	28
Parts Index.....	31

© Copyright 2014, Alliance Laundry Systems LLC

All rights reserved. No part of the contents of this book may be reproduced or transmitted in any form or by any means without the expressed written consent of the publisher.

Parts Ordering Information

If literature or replacement parts are required, contact the source from whom the machine was purchased or contact Alliance Laundry Systems at (920) 748-3950 for the name and address of the nearest authorized parts distributor.

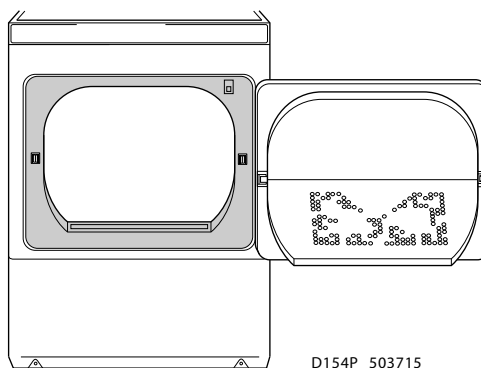
For technical assistance, call either of the numbers listed below:

(920) 748-3121 Ripon, Wisconsin

+32 56 41 20 54 Wevelgem, Belgium

Serial Plate Location

When calling or writing about your product, be sure to mention model and serial numbers. Model and serial numbers are located on serial plate(s). Serial plate is in one of the four corners of the door well. The door well is the shaded area shown.



Model Identification

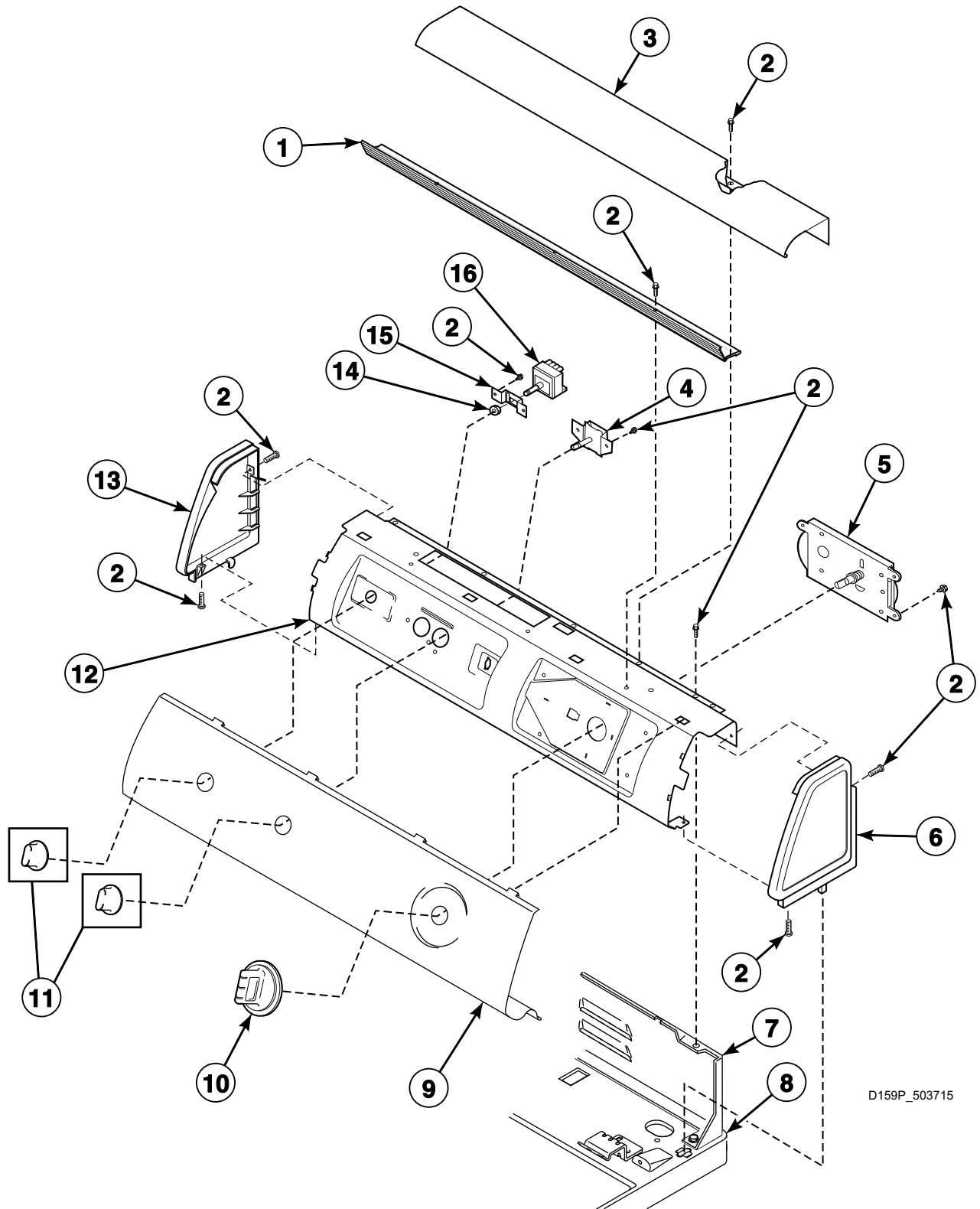
Information in this manual is applicable to these dryer models:

LE8207W2B

LE8317W2B

LE8517W2B

Graphic Panel, Control Hood and Controls

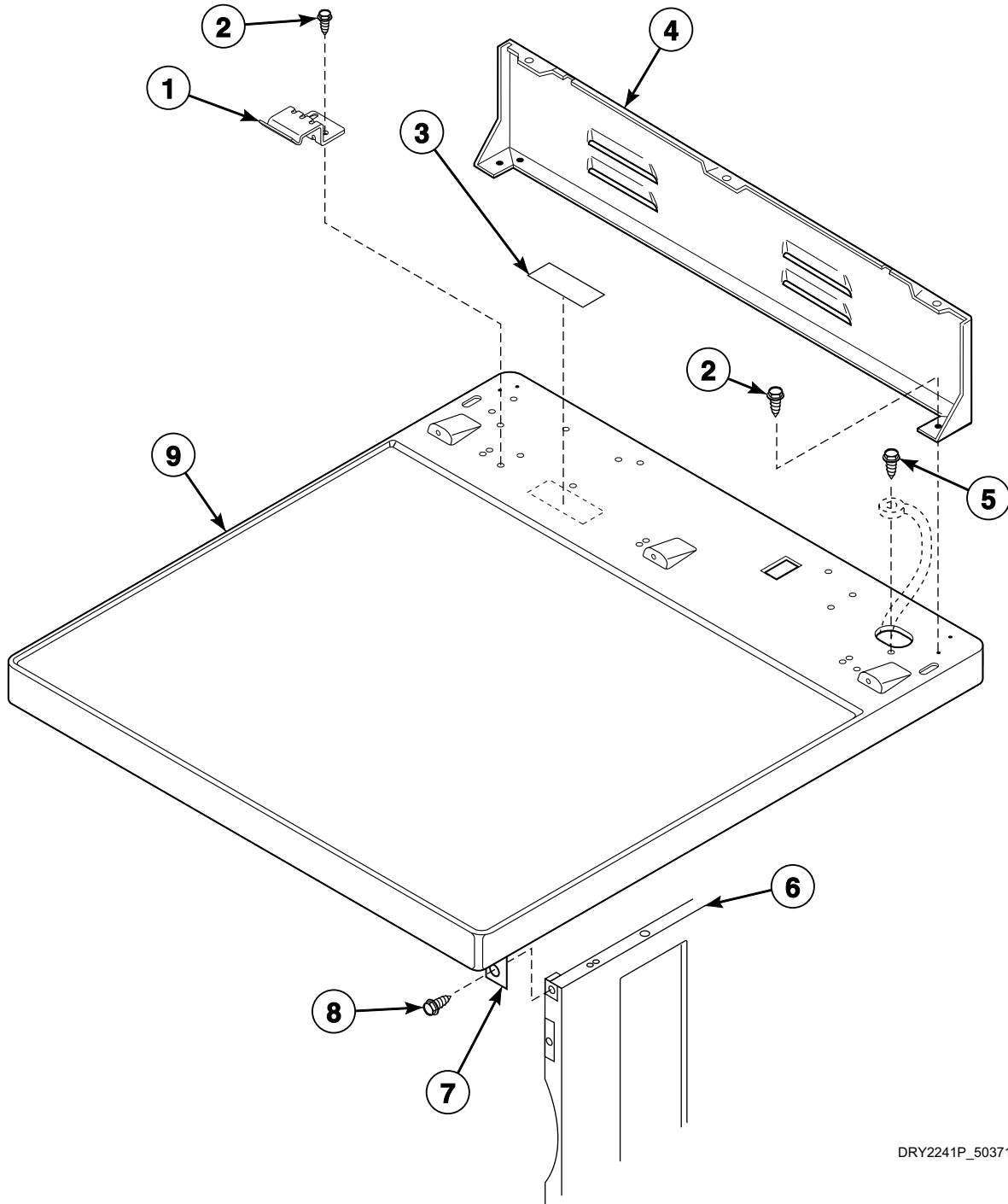


D159P_503715

Graphic Panel, Control Hood and Controls

REF	PART NO.	DESCRIPTION	COMMENTS
1	500305	Diffuser	
2	501086	Screw	
3	500303W	Top Cover	
4	500730	Signal Switch	Models LE8317W2B and LE8517W2B
5	502964P	Timer	Model LE8317W2B
	503559	Timer	Model LE8207W2B
	503560	Timer	Model LE8517W2B
6	504008WP	End Panel	Right
7	510099	Hood Back Panel	
8	510029WP	Top Panel Kit	Includes (2) 510146 Bracket
9	502206W	Graphic Panel	Model LE8517W2B
	502630W	Graphic Panel	Model LE8317W2B
	503127W	Graphic Panel	Model LE8207W2B
10	512117W	Timer Knob Assembly	
11	36701W	Knob Assembly	Models LE8317W2B and LE8517W2B
12	500300	Control Mounting Plate	
13	504009WP	End Panel	Left
14	57584	Nut	Models LE8317W2B and LE8517W2B
15	59704	Switch Mount Bracket	Models LE8317W2B and LE8517W2B
16	61511	Fabric Selector Switch	Models LE8317W2B and LE8517W2B

Cabinet Top and Control Hood Rear Panel

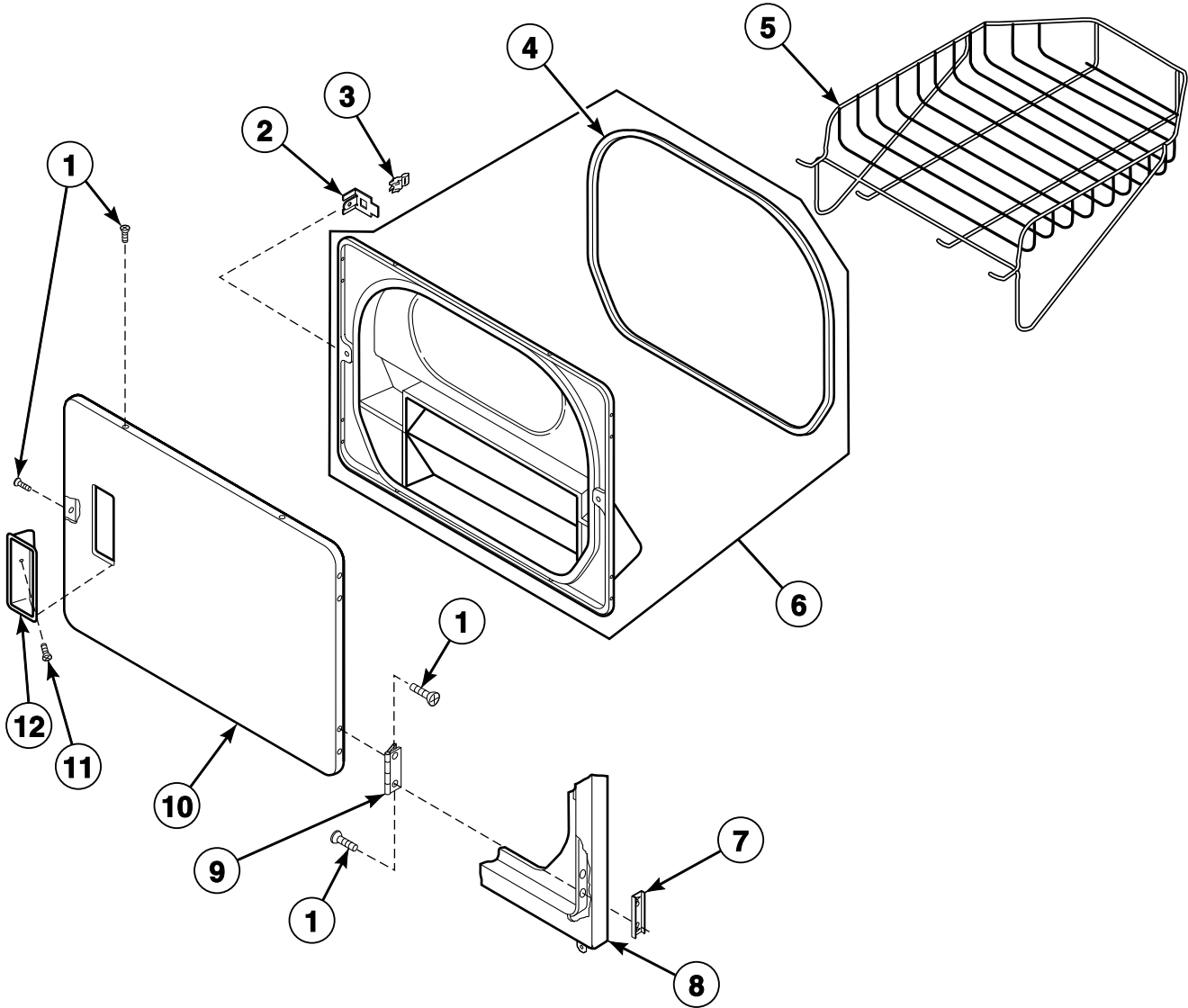


DRY2241P_503715

Cabinet Top and Control Hood Rear Panel

REF	PART NO.	DESCRIPTION	COMMENTS
1	503876	Hold-Down Spring Clip	
2	501086	Screw	
3	505281	Disconnect Power Warning Label	
4	510099	Hood Back Panel	
5	20530	Screw	
6	500001WP	Cabinet Assembly	
7	510146	Bracket	
8	33562	Screw	
9	510029WP	Top Panel Kit	Includes (2) 510146 Bracket

Loading Door with Drying Rack

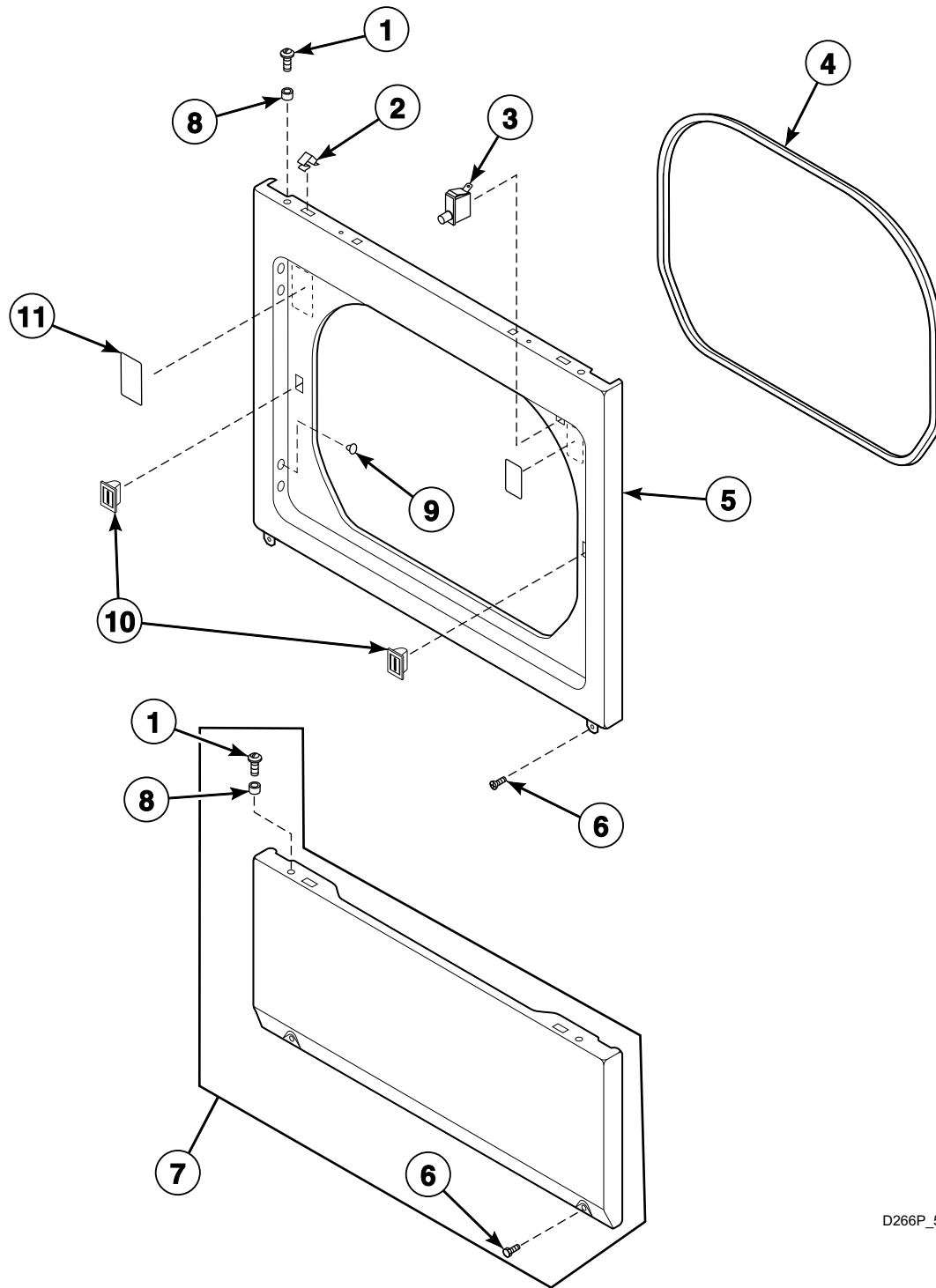


D248P_503715

Loading Door with Drying Rack

REF	PART NO.	DESCRIPTION	COMMENTS
	500035W	Door Assembly	Does not include 500236 Door Hinge Mounting Clip, 500226 Screw and 501295P Drying Rack
1	500226	Screw	
2	510127	Door Strike Mount	
3	510181	Door Strike	
4	500200P	Door Seal	
5	501295P	Drying Rack	Optional
6	500199P	Liner and Seal Assembly	Includes 500200P Door Seal
7	500236	Door Hinge Mounting Clip	Not included with 500035* Door Assembly
8	500033W	Front Panel	
9	510519	Door Hinge	
10	500040W	Dryer Door	
11	500297	Screw	
12	500042W	Door Pull	

Lower Access Panel, Front Panel and Seal

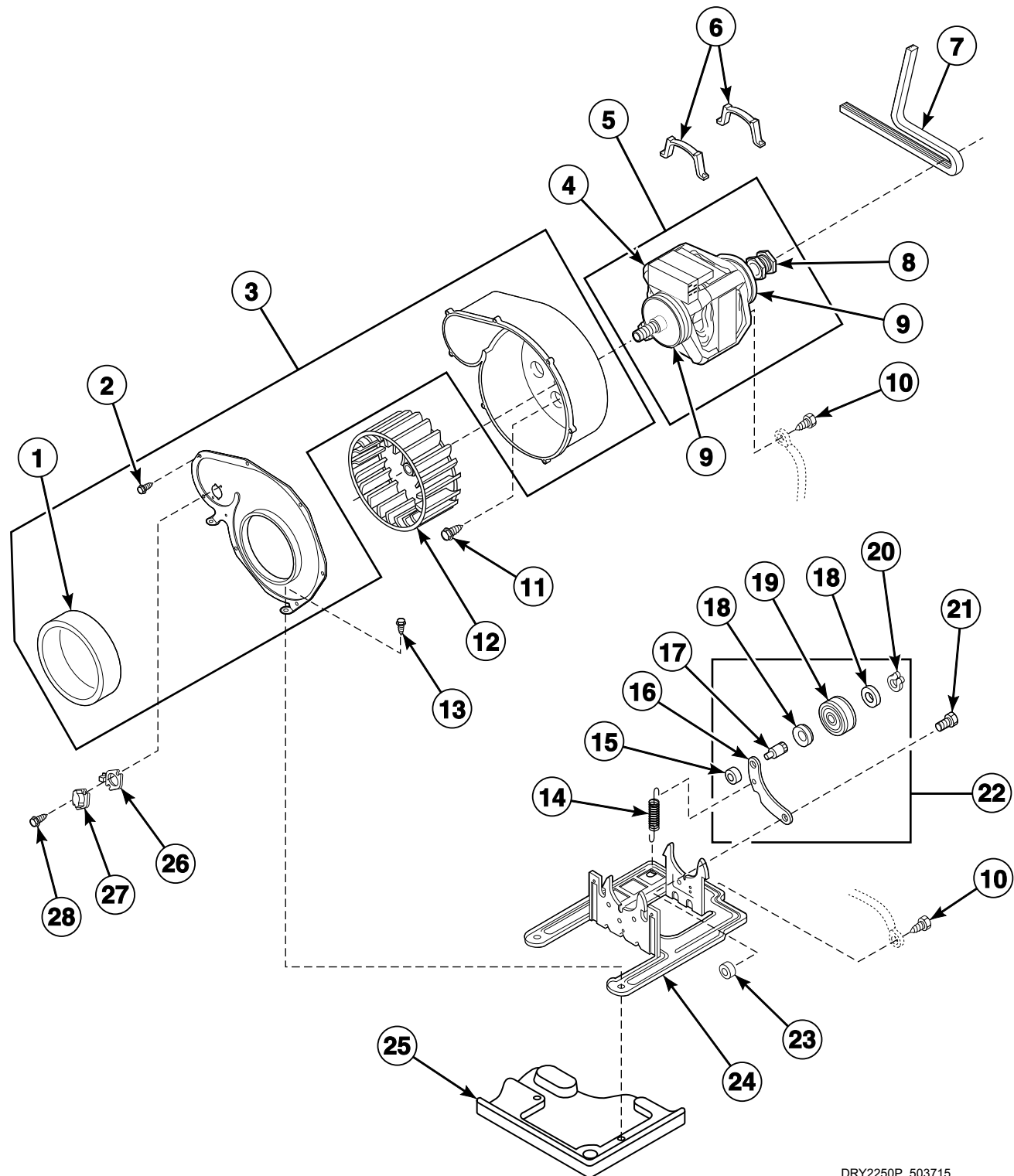


D266P_503715

Lower Access Panel, Front Panel and Seal

REF	PART NO.	DESCRIPTION	COMMENTS
1	39733	Screw	
2	28835	Speed Clip	
3	512973	Switch	
4	500034	Front Panel Seal	
5	500033W	Front Panel	
6	33562	Screw	
7	514250WP	Access Panel Assembly	
8	56079	Panel Locator	
9	500227	Screw	
10	510177	Door Catch Assembly	
11	500281	Warning/Caution Label	

Motor, Exhaust Fan and Belt

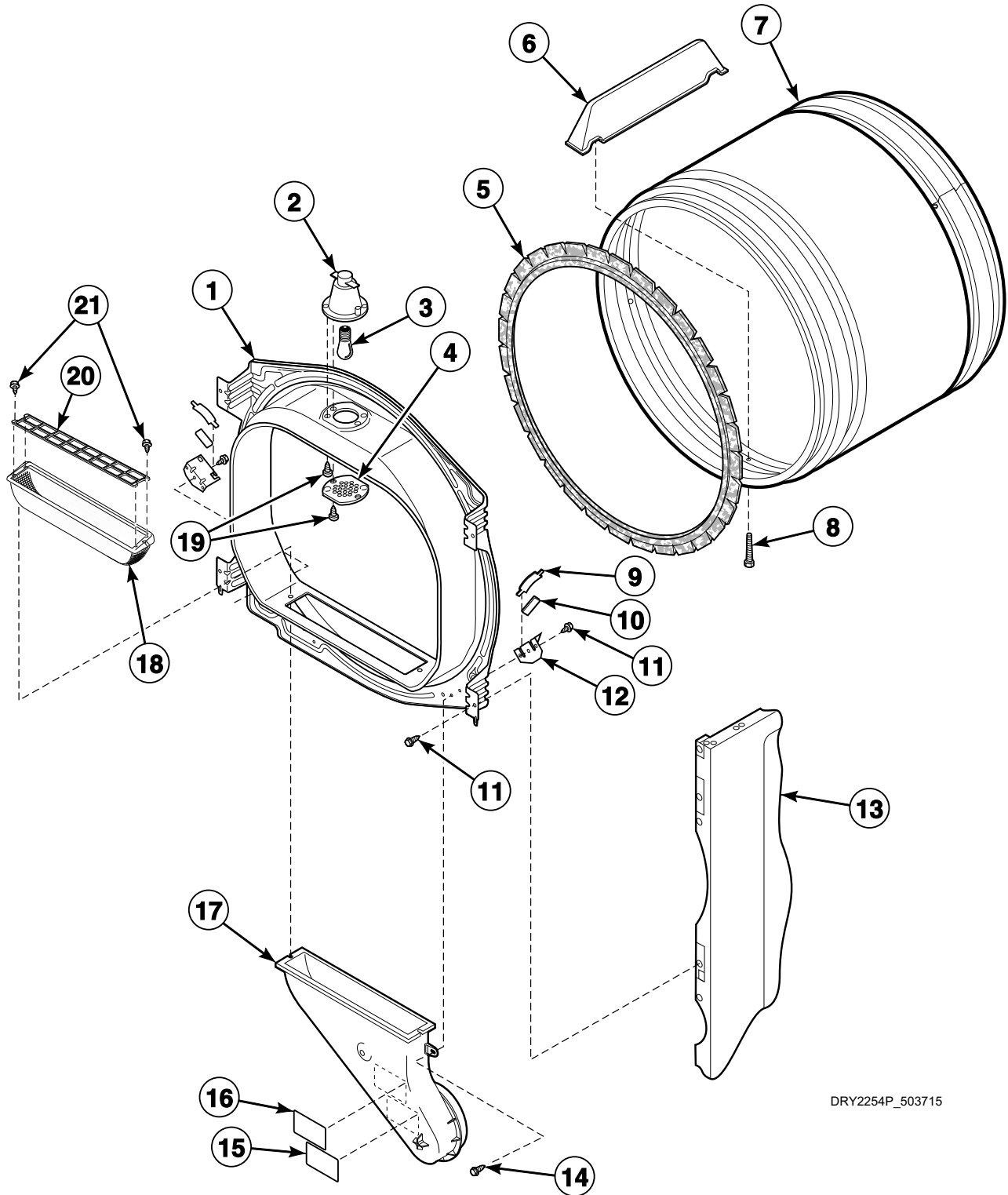


DRY2250P_503715

Motor, Exhaust Fan and Belt

REF	PART NO.	DESCRIPTION	COMMENTS
	510717P	Blower and Fan Kit	120 Volt/60 Hertz models only
	560P3	Motor Adapter Harness Kit	
1	500313	Blower Housing Seal	
2	31260	Screw	
3	511969WP	Blower Housing	Includes items 1 and 2
4	501218	Motor Switch	Does not include thermal protector
5	505843P	Motor and Pulley Assembly	
6	510180	Motor Mount Clamp	
7	511255P	Cylinder Belt	
8	500222	Motor Pulley	
9	590P3	Motor Hub Ring Kit	
10	20530	Screw	
11	31645	Screw	
12	510139P	Blower Fan Assembly	
13	33562	Screw	
14	510185	Idler Spring	
15	56156	Nut	
16	510133	Idler Lever	
17	56461P	Shaft	
18	52549	Washer	
19	510142P	Idler Wheel and Bearing Assembly	
20	23748	Retaining Ring	
21	500824	Screw	
22	510158	Idler Lever and Wheel Assembly	
23	52566	Nut	
24	510060	Motor Mount	
25	513901	Dryer Base	
26	61622	Thermostat Heater	Use with 61372 Thermostat
27	56410	Thermostat	Model LE8207W2B
	61372	Thermostat	Models LE8317W2B and LE8517W2B
28	23222	Screw	Use with 56410 Thermostat
	502535	Screw	Use with 61372 Thermostat

Front Bulkhead, Air Duct, Felt Seal and Cylinder

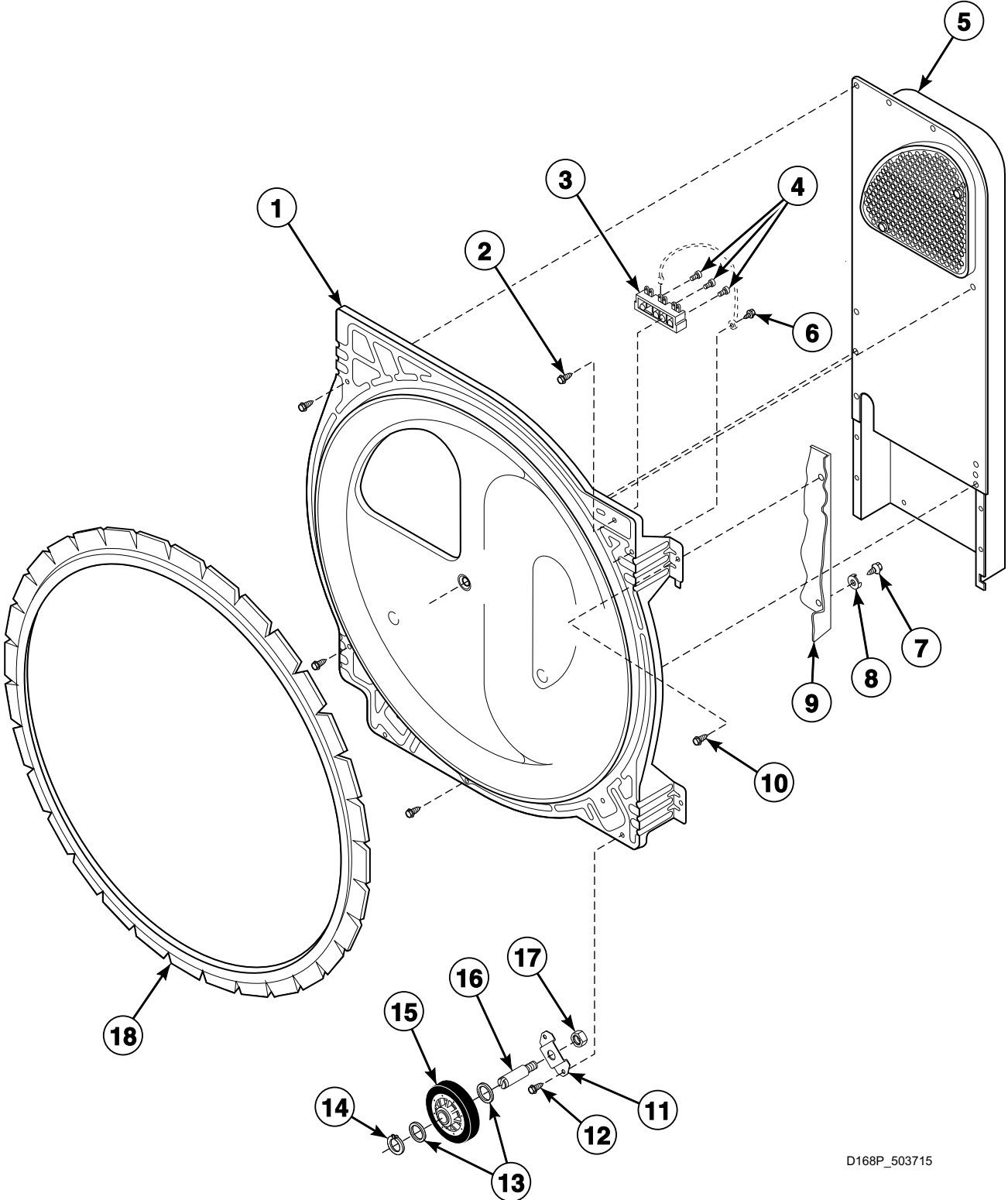


DRY2254P_503715

Front Bulkhead, Air Duct, Felt Seal and Cylinder

REF	PART NO.	DESCRIPTION	COMMENTS
	511637P	Adhesive	
1	500117W	Front Bulkhead Assembly	White bulkhead without light or moisture sensor openings
	501570WP	Front Bulkhead Assembly	White bulkhead with extra glides for stainless steel cylinder with light opening
2	500153	Cylinder Light Housing	Model LE8517W2B
3	503579	Drum Light Lamp	Model LE8517W2B
4	500094	Drum Light Lens	
5	510207P	Cylinder Seal Assembly	
6	510102W	Cylinder Baffle	
7	500013WP	Cylinder Assembly	Painted; Includes baffles
	500735P	Cylinder Assembly	Stainless steel; Includes baffles
8	62588	Screw	
9	33562	Screw	
10	501553	Cylinder Glide	Stainless steel; 2 required per side
	510188	Cylinder Glide	Painted and unpainted cylinder; 1 required per side
11	510189	Felt Pad	
12	510145	Cylinder Glide Bracket	
13	500001WP	Cabinet Assembly	
14	31645	Screw	
15	56259	Notice Seal Sticker	
16	500049	Warning Label	
17	502231	Front Air Duct	
18	502140P	Lint Filter	Poly mesh
19	500227	Screw	Used on models with 500153 Cylinder Light Housing
20	502092	Lint Filter Cover	
21	500226	Screw	

Rear Bulkhead, Felt Seal, Cylinder Roller and Terminal Block

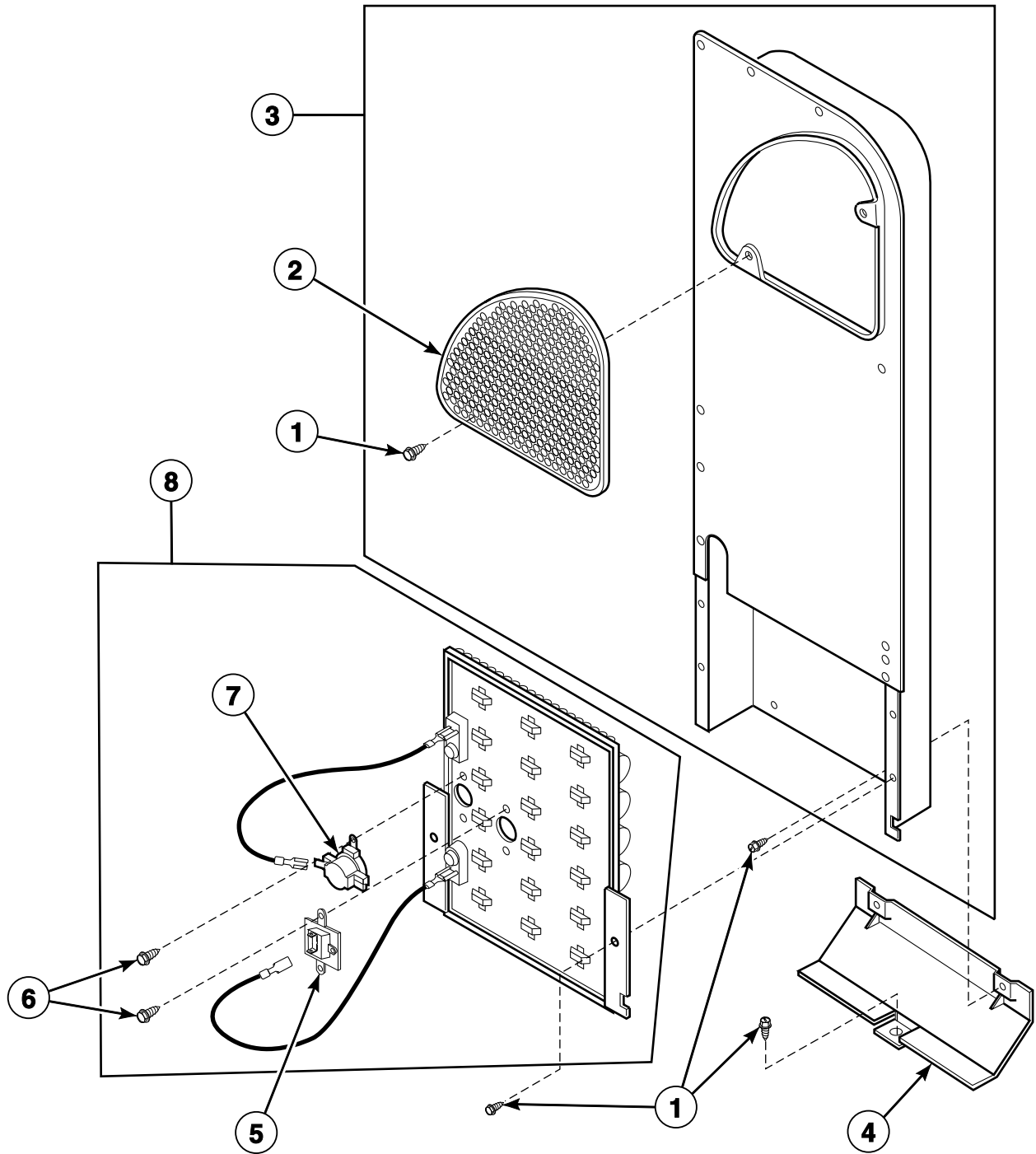


D168P_503715

Rear Bulkhead, Felt Seal, Cylinder Roller and Terminal Block

REF	PART NO.	DESCRIPTION	COMMENTS
	511637P	Adhesive	
1	501154	Rear Bulkhead Assembly	Model LE8517W2B
	510905WP	Rear Bulkhead Assembly	Models LE8207W2B and LE8317W2B
2	501285	Screw	
3	510190P	Terminal Block Assembly	Includes (3) 61199 Screw
4	61199	Screw	
5	510025P	Heater Duct and Screw Assembly	Includes outlet cover and screws
6	20530	Screw	Use with painted bulkhead
	33562	Screw	Use with stainless steel bulkhead
7	20530	Screw	
8	51474	Washer	
9	500001WP	Cabinet Assembly	
10	503688	Screw	Use with painted bulkhead
11	510100	Cylinder Roller Bracket	
12	33562	Screw	
13	52549	Washer	
14	23748	Retaining Ring	
15	510708P	Cylinder Roller	
16	56461P	Shaft	
17	56156	Nut	
18	510207P	Cylinder Seal Assembly	

Heater Box Assembly

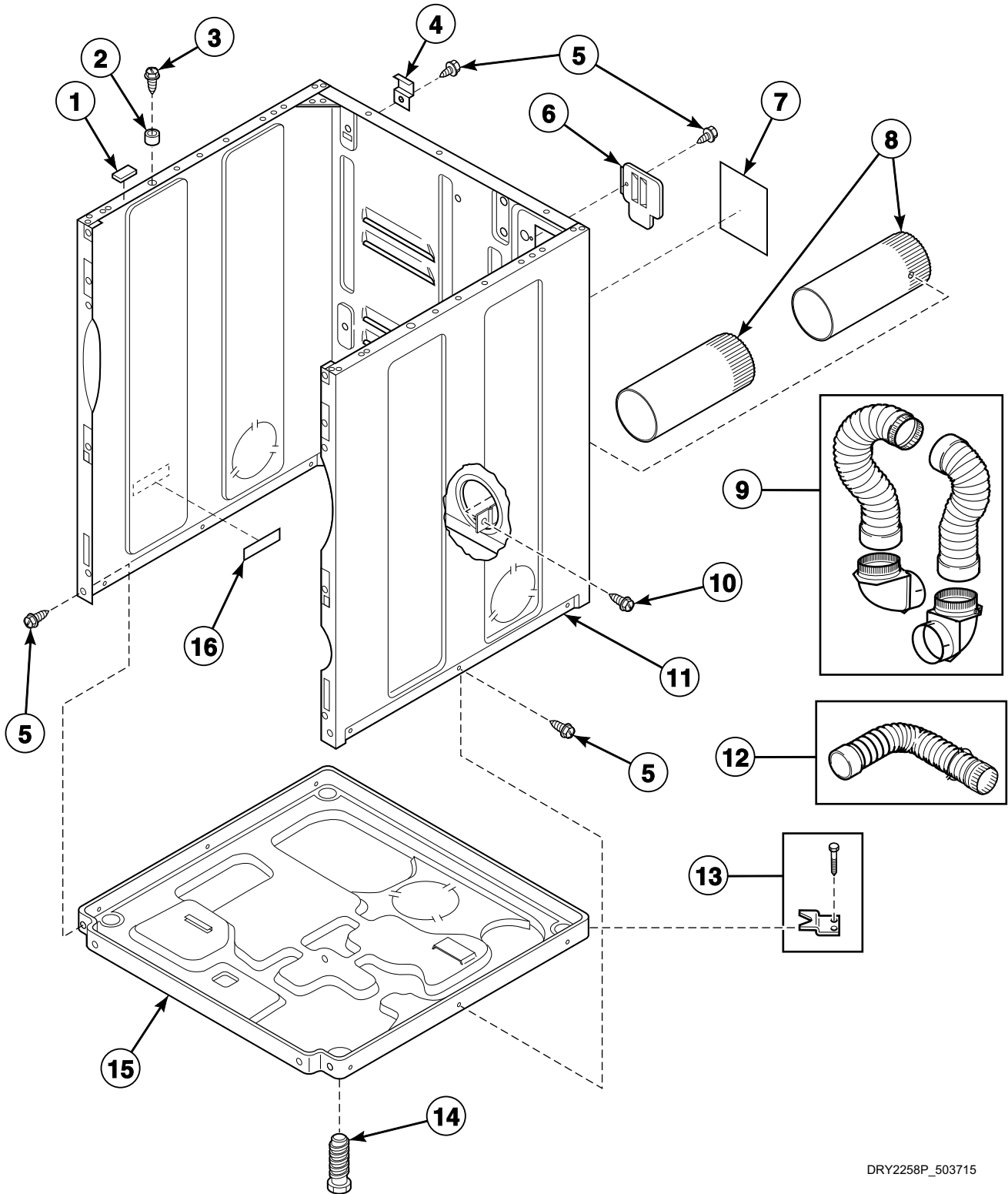


D135P_503715

Heater Box Assembly

REF	PART NO.	DESCRIPTION	COMMENTS
1	503688	Screw	
2	500820	Outlet Cover	Replaceable on the 510025P Heater Duct Assembly only
3	510025P	Heater Duct and Screw Assembly	Includes items 1 and 2
4	60952	Heat Duct Shield	
5	511412	Thermal Fuse Assembly	
	490P3	Thermal Fuse Kit	Includes items 6 and 7
6	23222	Screw	
7	510701	Limit Thermostat	
8	61928	Heater Kit Assembly	208 Volts; 4750 Watts
	61929	Heater Kit Assembly	240 Volts; 4800 Watts; Color code green

Cabinet, Exhaust Duct and Base

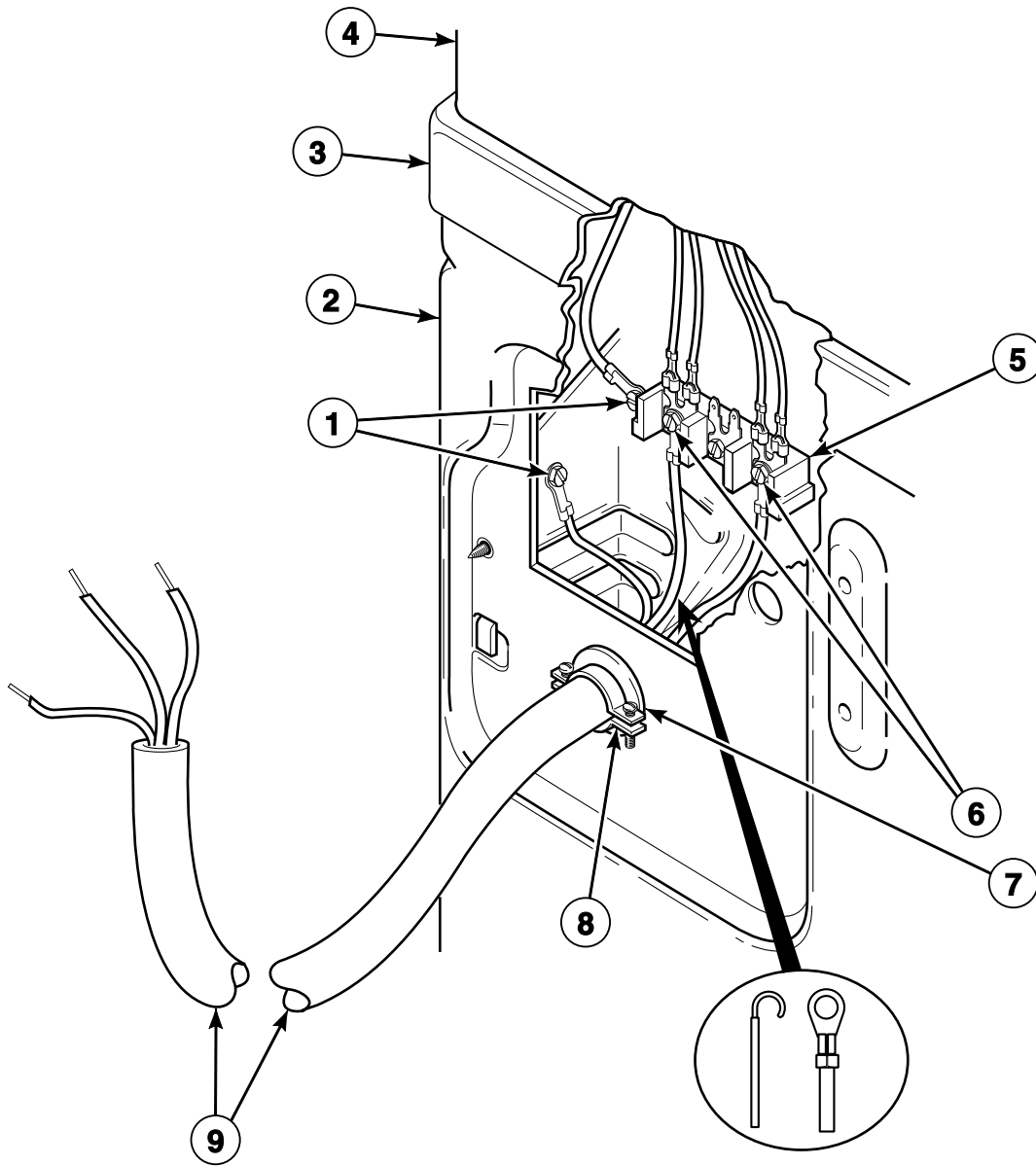


DRY2258P_503715

Cabinet, Exhaust Duct and Base

REF	PART NO.	DESCRIPTION	COMMENTS
1	56128	Bumper Pad	
2	56079	Panel Locator	
3	39733	Screw	
4	510136	Top Hinge	
5	33562	Screw	
6	510903	Access Panel Plate	
7	511005	Electric Clearance Label	
8	510137	Exhaust Duct	2 required
9	521P3	Flexible Venting Kit	
10	503688	Screw	
11	500001WP	Cabinet Assembly	
12	528P3	Directional Exhaust Kit	Used to vent dryer out sides or bottom
13	526P3	Hold Down Kit	For mobile home installations
14	510135	Leveling Leg	
15	513901	Dryer Base	
16	61294	Fuse Notice Label	

Power Cords

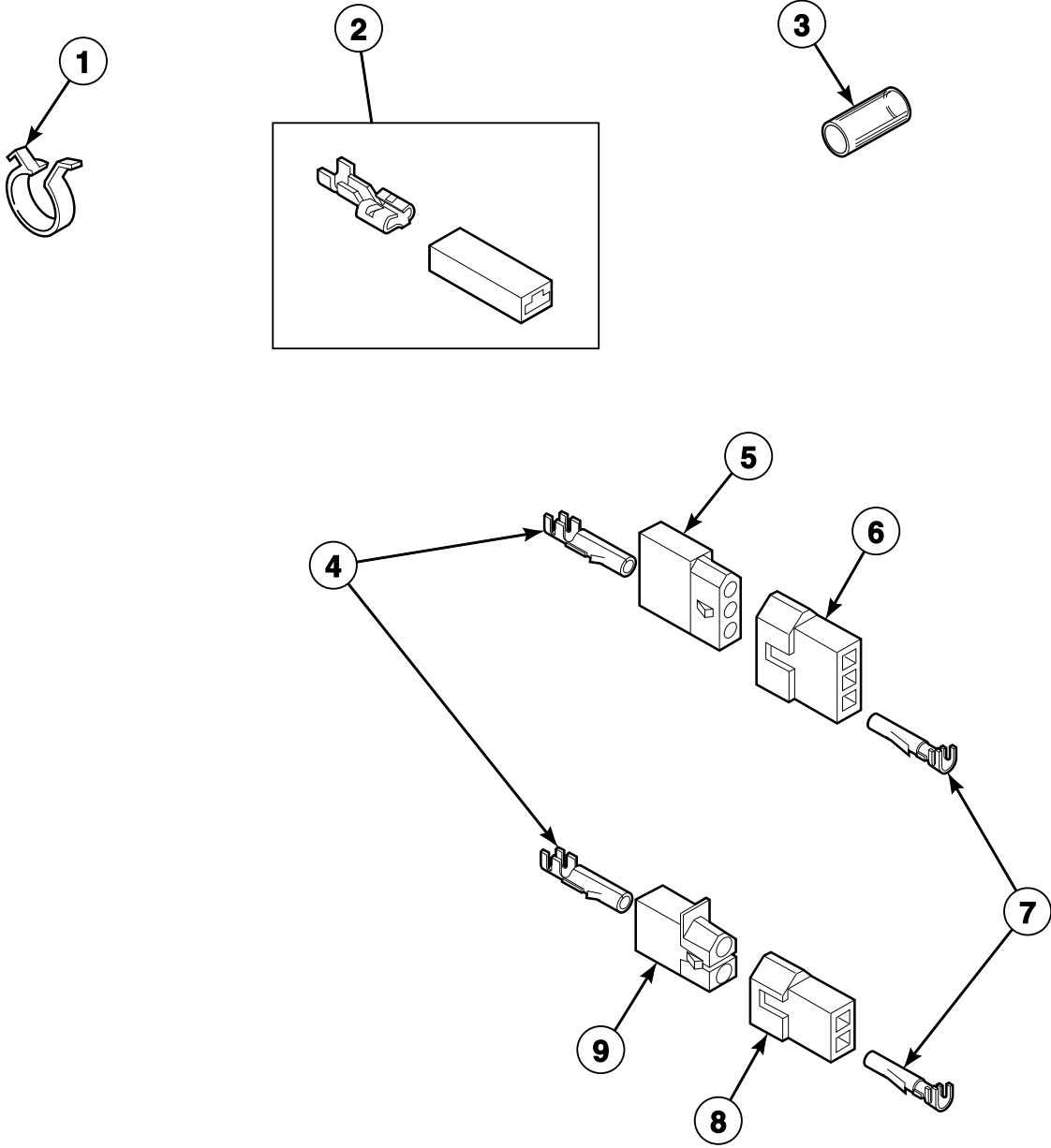


D280P_503715

Power Cords

REF	PART NO.	DESCRIPTION	COMMENTS
1	20530	Screw	Use with painted and unpainted bulkhead
2	500001WP	Cabinet Assembly	
3	510029WP	Top Panel Kit	Includes (2) 510146 Bracket
4	510099	Hood Back Panel	
5	510190P	Terminal Block Assembly	Includes (3) 61199 Screw
6	61199	Screw	
7	502496	Strain Relief Adapter	
8	52113	Strain Relief	
9	503597	Lead-In Cord Assembly	

Terminals (Drawing 1 of 2)

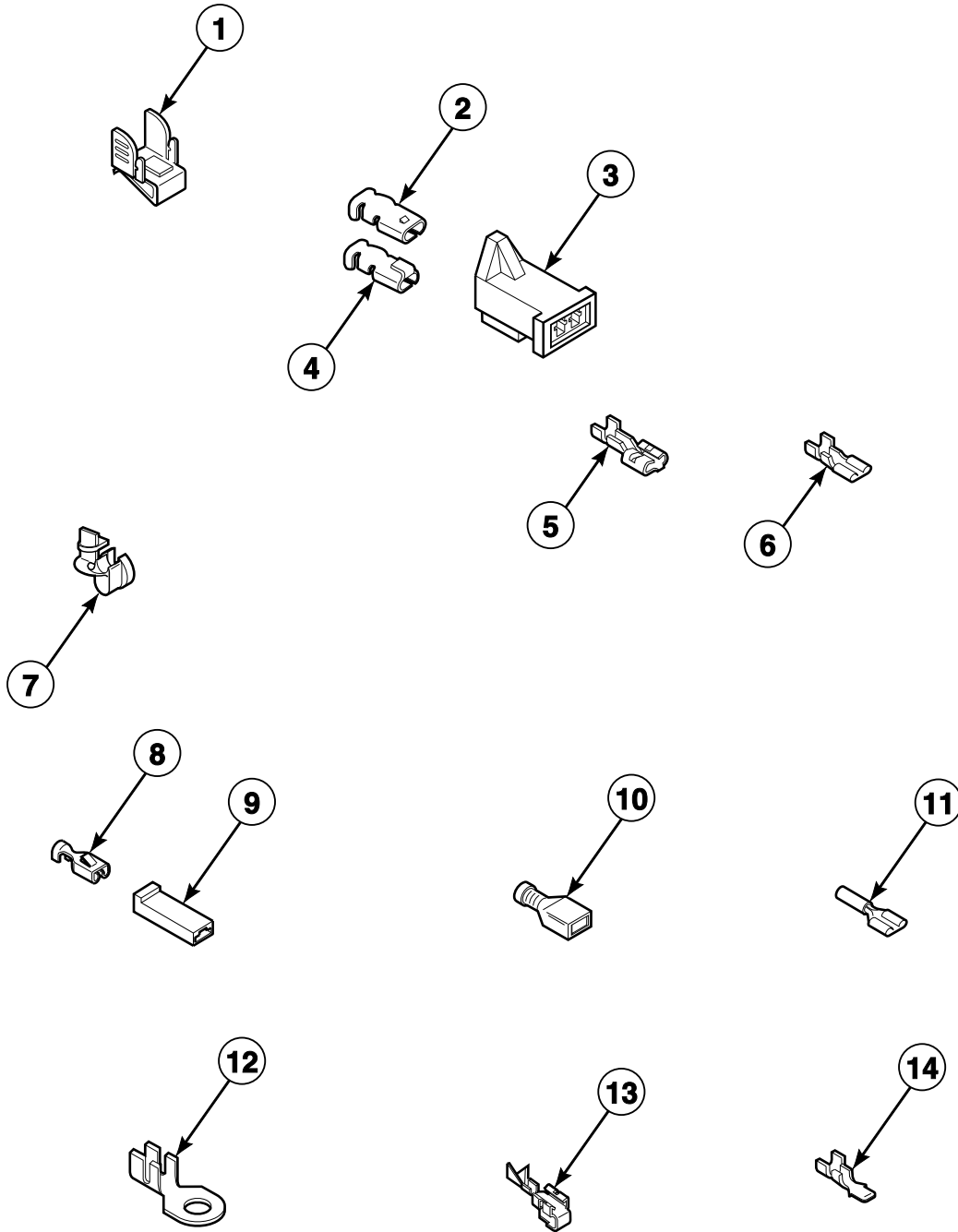


D263P_503715

Terminals (Drawing 1 of 2)

REF	PART NO.	DESCRIPTION	COMMENTS
1	504034	Wire Clip	
2	00360	Insulated Female Spade Terminal	1/4 inch; (1) 12 gauge wire or (2) 18 gauge wires
3	503670	Insulator Sleeve	
4	00117	Female Pin Terminal	
5	23039	3 Circuit Receptacle	
6	23040	Plug	3 circuit
7	00116	Male Pin Terminal	1 required for 14-20 guage wire
8	56448	2 Circuit Plug	
9	56451	2 Circuit Receptacle	

Terminals (Drawing 2 of 2)

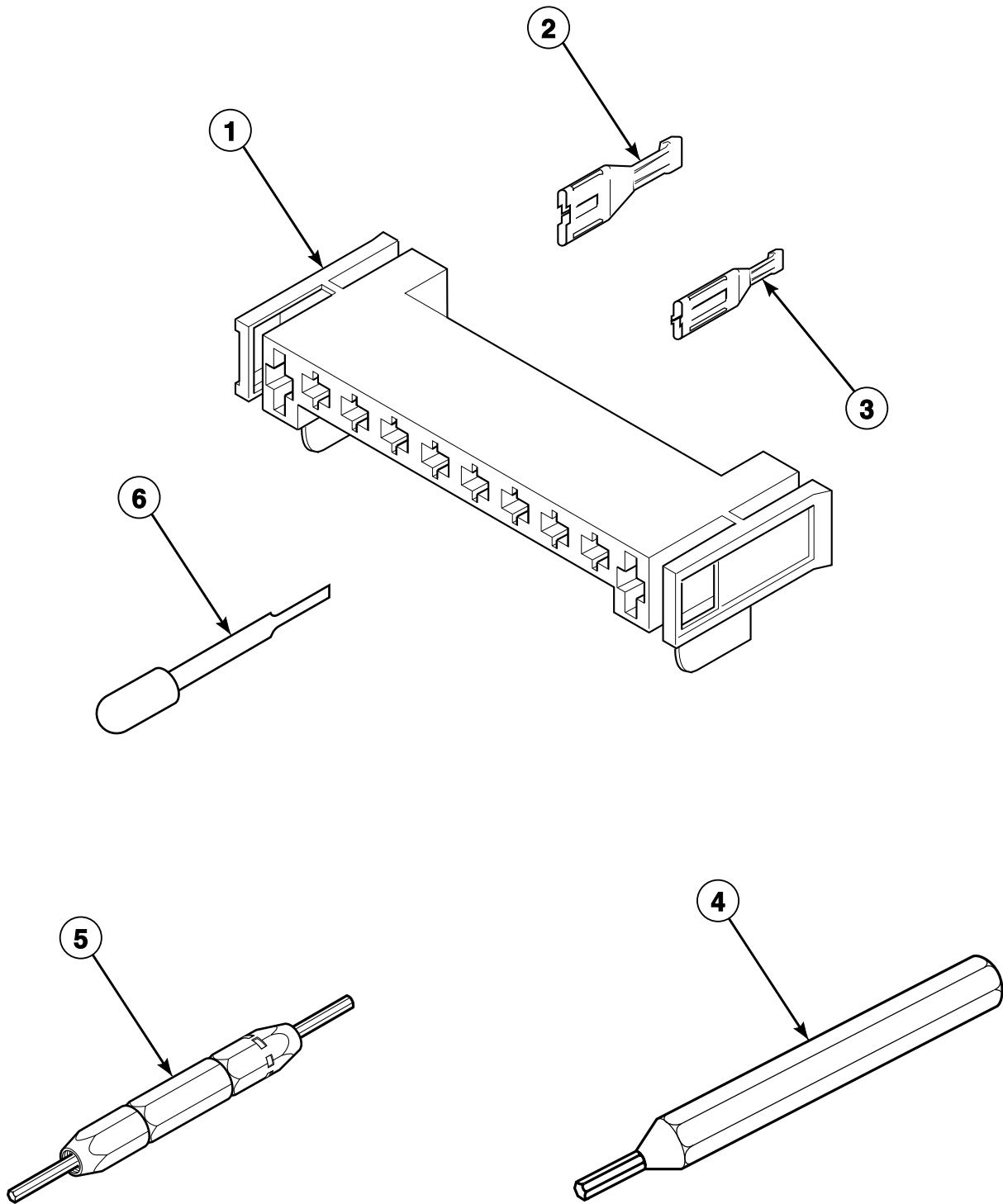


DRY2256P_503715

Terminals (Drawing 2 of 2)

REF	PART NO.	DESCRIPTION	COMMENTS
1	00161	Grounding Clip	
2	00189	Female Spade Terminal	
3	58799	2 Circuit Connector	
4	00361	Female Piggyback Terminal	Receptacle connector
5	00119	Female Spade Terminal	1/4 inch; (1) 18 gauge wire
	00121	Female Spade Terminal	1/4 inch; (2) 18 gauge wires or (1) 12 gauge wire
	00245	Spade Terminal	1/4 inch; (1) 22 gauge wire
6	00124	Female Spade Terminal	3/16 inch; (1) 18 gauge wire; 020 tab
	00156	Female Spade Terminal	3/16 inch; Thermostat wire; 032 tab
	00209	Female Spade Terminal	3/16 inch; (2) 18 gauge wires; 020 tab
7	38384	Strain Relief	
8	00115	Female Spade Terminal	1/4 inch; (1) 18 gauge wire
	00122	Female Spade Terminal	1/4 inch; (2) 18 gauge wires or (1) 12 gauge wire
9	90789	Receptacle Housing	
10	00359	Insulated Female Spade Terminal	1/4 inch
	00165	Insulated Female Terminal	3/16 inch
11	00214	Pre-Insulated Spade Terminal	1/4 inch; 18 gauge wire
	00215	Pre-Insulated Spade Terminal	1/4 inch; 12 gauge wire
12	00110	Ring Terminal	No. 10; (1) 18 gauge wire
	00111	Ring Terminal	No. 10; (2) 18 gauge wires or (1) 12 gauge wire
13	00114	Female Spade Terminal	1/4 inch; Double connector
14	00139	Male Tab Terminal	1/4 inch; (2) 18 gauge wires or (1) 12 gauge wire

Motor Connection Block, Terminal Extractor Tools and Wire Harnesses



D301P_503715

Motor Connection Block, Terminal Extractor Tools and Wire Harnesses

REF	PART NO.	DESCRIPTION	COMMENTS
	500744	Wire Harness Assembly	Model LE8517W2B
	501885	Wire Harness Assembly	Model LE8207W2B
	502378	Wire Harness Assembly	Model LE8317W2B
1	500338	10 Position Housing	Molex; 10 circuit
2	00255	Female Terminal	1/4 inch; (1) 12 gauge wire
	00256	Female Terminal	1/4 inch; (1) or (2) 18 gauge wires
3	00188	Female Terminal	1 or 2 wire application
4	128P4	Extractor Tool	Gas dryer terminals
5	190P4	Extractor Tool	Electric dryer terminals
6	283P4	Terminal Extractor Tool	

Parts Index

A

Access Panel Assembly 514250WP	11
Access Panel Plate 510903	21
Adhesive 511637P	15, 17

B

Blower and Fan Kit 510717P	13
Blower Fan Assembly 510139P	13
Blower Housing 511969WP	13
Blower Housing Seal 500313	13
Bracket 510146	7
Bumper Pad 56128	21

C

Cabinet Assembly 500001WP	7, 15, 17, 21, 23
Connector, 2 Circuit 58799	27
Control Mounting Plate 500300	5
Cylinder Assembly 500013WP	15
500735P	15
Cylinder Baffle 510102W	15
Cylinder Belt 511255P	13
Cylinder Glide 501553	15
510188	15
Cylinder Glide Bracket 510145	15
Cylinder Light Housing 500153	15
Cylinder Roller 510708P	17
Cylinder Roller Bracket 510100	17
Cylinder Seal Assembly 510207P	15, 17

D

Diffuser 500305	5
Directional Exhaust Kit 528P3	21
Disconnect Power Warning Label 505281	7
Door Assembly 500035W	9
Door Catch Assembly 510177	11
Door Hinge 510519	9
Door Hinge Mounting Clip 500236	9
Door Pull 500042W	9
Door Seal 500200P	9
Door Strike 510181	9
Door Strike Mount 510127	9
Drum Light Lamp 503579	15
Drum Light Lens 500094	15
Dryer Base 513901	13, 21
Dryer Door 500040W	9
Drying Rack 501295P	9

E

Electric Clearance Label 511005	21
End Panel 504008WP	5
504009WP	5
Exhaust Duct 510137	21
Extractor Tool 128P4	29
190P4	29

F

Fabric Selector Switch 61511	5
Felt Pad 510189	15
Female Piggyback Terminal 00361	27

N/A items do not appear in index.

Female Pin Terminal 00117	25
Female Spade Terminal 00114	27
00115	27
00119	27
00121	27
00122	27
00124	27
00156	27
00189	27
00209	27
Female Terminal 00188	29
00255	29
00256	29
Flexible Venting Kit 521P3	21
Front Air Duct 502231	15
Front Bulkhead Assembly 500117W	15
501570WP	15
Front Panel 500033W	9, 11
Front Panel Seal 500034	11
Fuse Notice Label 61294	21

G

Graphic Panel 502206W	5
502630W	5
503127W	5
Grounding Clip 00161	27

H

Heat Duct Shield 60952	19
Heater Duct and Screw Assembly 510025P	17, 19
Heater Kit Assembly 61928	19
61929	19
Hold Down Kit 526P3	21
Hold-Down Spring Clip 503876	7
Hood Back Panel 510099	5, 7, 23
Housing, 10 Position 500338	29

I

Idler Lever 510133	13
-----------------------------	----

Idler Lever and Wheel Assembly 510158	13
Idler Spring 510185	13
Idler Wheel and Bearing Assembly 510142P	13
Insulated Female Spade Terminal 00359	27
00360	25
Insulated Female Terminal 00165	27
Insulator Sleeve 503670	25

K

Knob Assembly 36701W	5
-------------------------------	---

L

Lead-In Cord Assembly 503597	23
Leveling Leg 510135	21
Limit Thermostat 510701	19
Liner and Seal Assembly 500199P	9
Lint Filter 502140P	15
Lint Filter Cover 502092	15

M

Male Pin Terminal 00116	25
Male Tab Terminal 00139	27
Motor Adapter Harness Kit 560P3	13
Motor and Pulley Assembly 505843P	13
Motor Hub Ring Kit 590P3	13
Motor Mount 510060	13
Motor Mount Clamp 510180	13
Motor Pulley 500222	13
Motor Switch 501218	13

N

Notice Seal Sticker 56259	15
------------------------------------	----

N/A items do not appear in index.

Nut		
52566	13
56156	13, 17
57584	5

O

Outlet Cover		
500820	19

P

Panel Locator		
56079	11, 21
Plug		
23040	25
Plug, 2 Circuit		
56448	25
Pre-Insulated Spade Terminal		
00214	27
00215	27

R

Rear Bulkhead Assembly		
501154	17
510905WP	17
Receptacle Housing		
90789	27
Receptacle, 2 Circuit		
56451	25
Receptacle, 3 Circuit		
23039	25
Retaining Ring		
23748	13, 17
Ring Terminal		
00110	27
00111	27

S

Screw		
20530	7, 13, 17, 23
23222	13, 19
31260	13
31645	13, 15
33562	7, 11, 13, 15, 17, 21
39733	11, 21
500226	9, 15
500227	11, 15
500297	9
500824	13
501086	5, 7
501285	17
502535	13
503688	17, 19, 21
61199	17, 23
62588	15
Shaft		
56461P	13, 17

Signal Switch		
500730	5
Spade Terminal		
00245	27
Speed Clip		
28835	11
Strain Relief		
38384	27
52113	23
Strain Relief Adapter		
502496	23
Switch		
512973	11
Switch Mount Bracket		
59704	5

T

Terminal Block Assembly		
510190P	17, 23
Terminal Extractor Tool		
283P4	29
Thermal Fuse Assembly		
511412	19
Thermal Fuse Kit		
490P3	19
Thermostat		
56410	13
61372	13
Thermostat Heater		
61622	13
Timer		
502964P	5
503559	5
503560	5
Timer Knob Assembly		
512117W	5
Top Cover		
500303W	5
Top Hinge		
510136	21
Top Panel Kit		
510029WP	5, 7, 23

W

Warning Label		
500049	15
Warning/Caution Label		
500281	11
Washer		
51474	17
52549	13, 17
Wire Clip		
504034	25
Wire Harness Assembly		
500744	29
501885	29
502378	29

N/A items do not appear in index.

