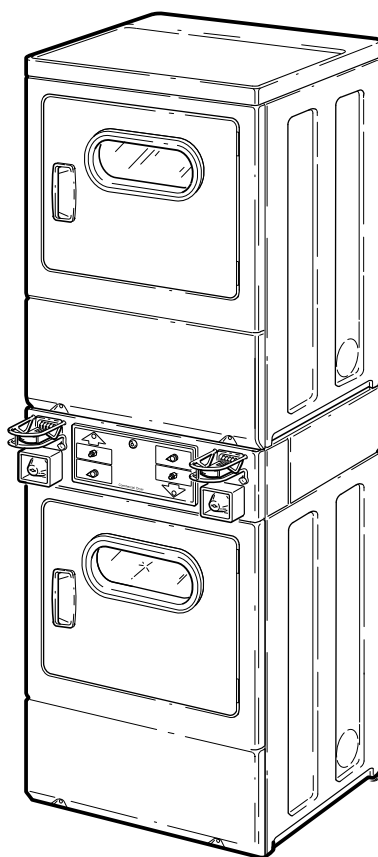


Commercial Stacked Dryers

Metered and Nonmetered
Refer to Page 3 for Model Numbers

Parts



D004C_50306

Table of Contents

Title	Page
Parts Ordering Information.....	2
Nameplate Location	2
Model Identification	3
Control Panel and Controls - Models DSE007* and DSG009*	4
Control Cabinet - Models DSE007* and DSG009*	6
Control Panel and Controls - Models ZE5117* and ZG5119*	8
Control Cabinet - Models ZE5117* and ZG5119*	10
Accumulator	12
Loading Door - Models DSE007* and DSG009*	14
Loading Door - Models ZE5117* and ZG5119*	16
Front Panel - Lower Dryer.....	18
Front Panel - Upper Dryer.....	20
Motor, Exhaust Fan and Belt	22
Front Bulkhead, Air Duct, Felt Seal and Cylinder	24
Rear Bulkhead, Felt Seal, Cylinder Roller and Terminal Block.....	26
Heat Duct - Models DSE007* and ZE5117*	28
Heat Duct - Models DSG009* and ZG5119*	30
Gas Valve, Igniter and Gas Conversion Kits.....	32
Cabinet Top, Cabinet and Base	34
Cabinet and Base	36
Motor Disconnect Block, Terminals and Terminal Extractor Tool	38
Power Cord and Terminals	40
Wire Harnesses and Wires	42
Parts Index.....	43

© Copyright 2014, Alliance Laundry Systems LLC

All rights reserved. No part of the contents of this book may be reproduced or transmitted in any form or by any means without the expressed written consent of the publisher.

Parts Ordering Information

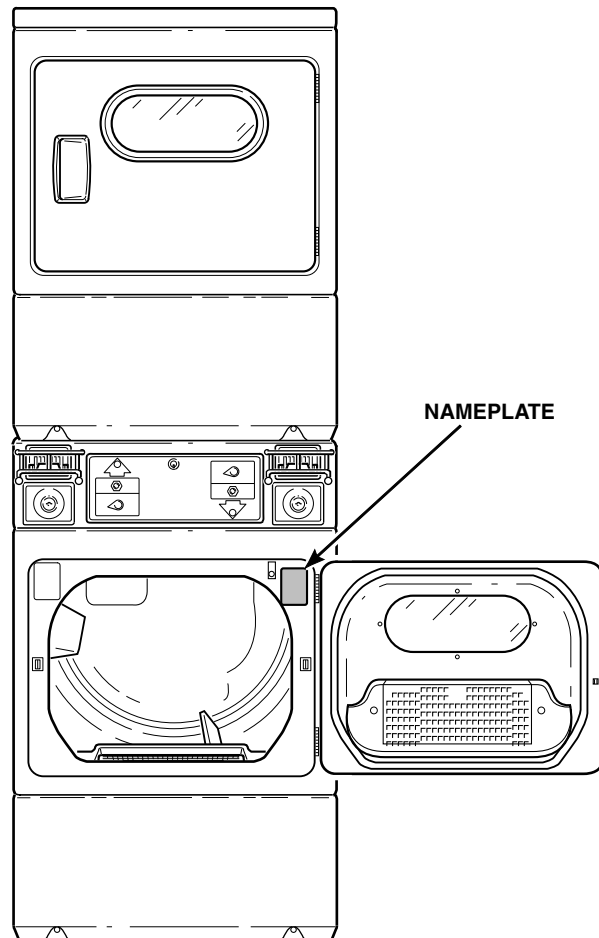
If literature or replacement parts are required, contact the source from whom the machine was purchased or contact Alliance Laundry Systems at (920) 748-3950 for the name and address of the nearest authorized parts distributor.

For technical assistance, call either of the numbers listed below:

(920) 748-3121 Ripon, Wisconsin
+32 56 41 20 54 Wevelgem, Belgium

Nameplate Location

When calling or writing about your product, be sure to mention model and serial numbers. Model and serial numbers are located on nameplate(s) as shown.



D421P_503068

Model Identification

Information in this manual is applicable to these dryer models:

DSE007*

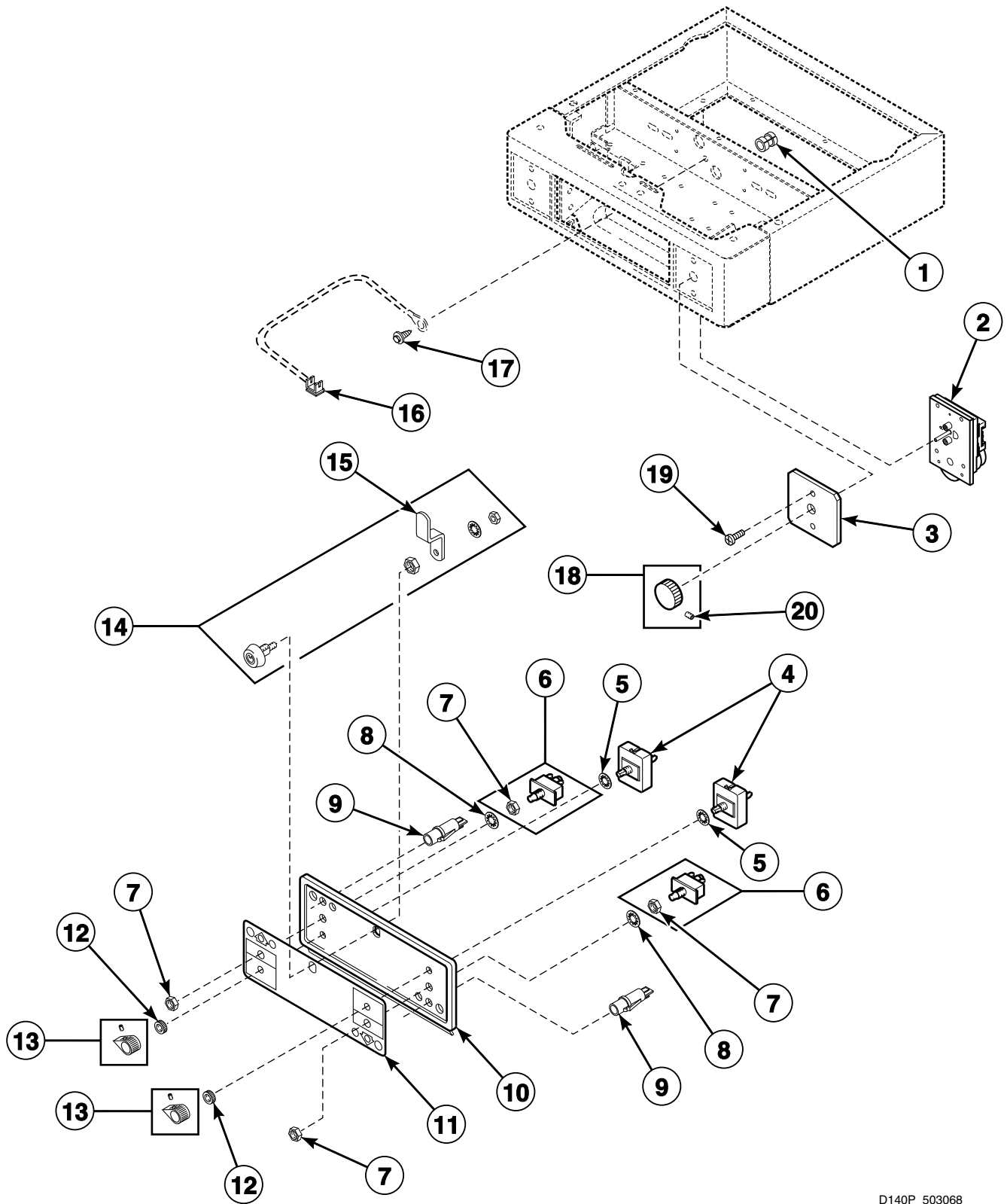
DSG009*

ZE5117*

ZG5119*

* Add Letter To Designate Color. L - Almond W - White

Control Panel and Controls - Models DSE007* and DSG009*



D140P_503068

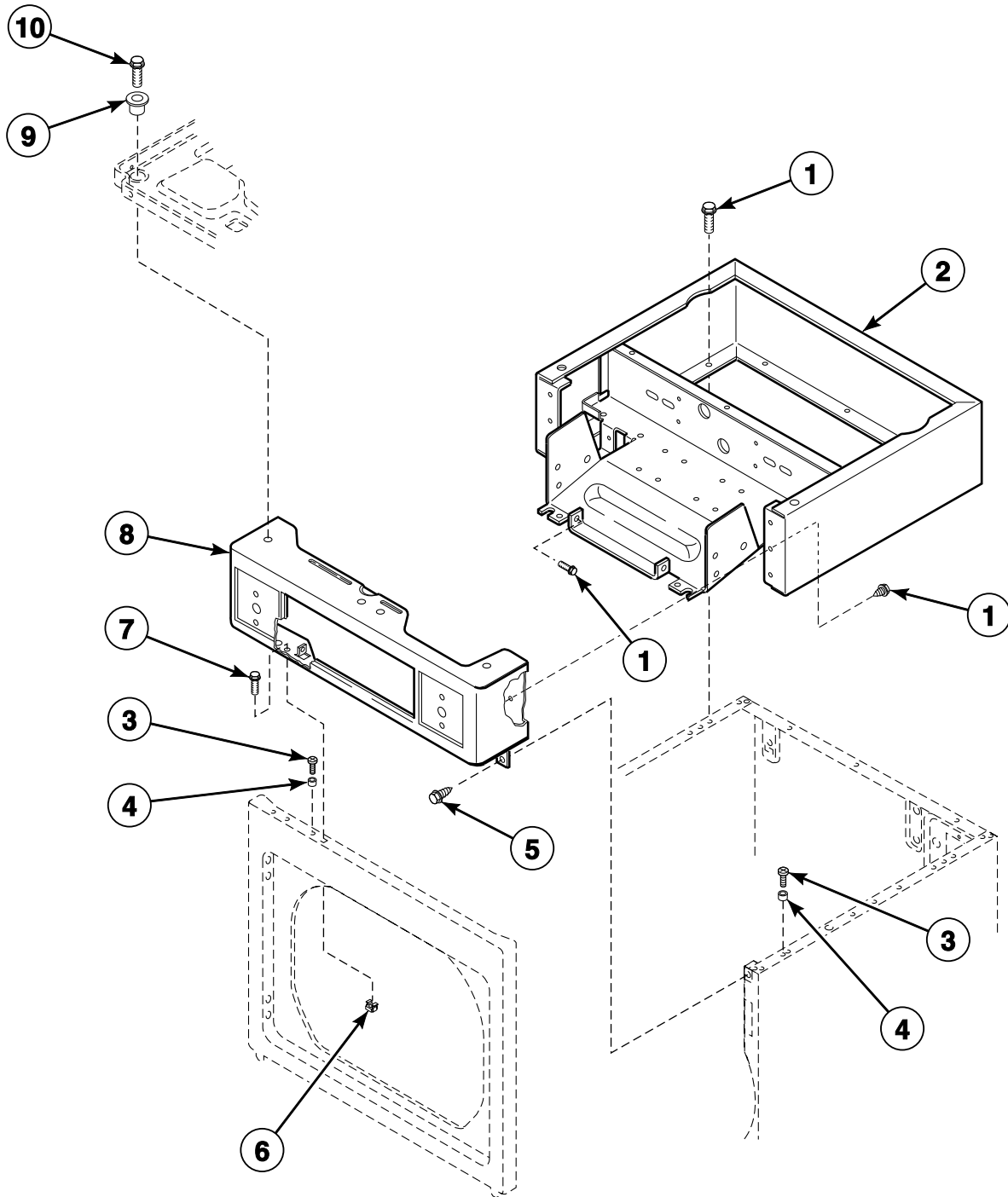
Control Panel and Controls - Models DSE007* and DSG009*

REF	PART NO.	DESCRIPTION	COMMENTS
1	52151	Strain Relief	Model DSE007*
	52113	Strain Relief	Model DSG009*
2	510524P	Timer	120 Volt/60 Hertz
3	500814	Timer Overlay	
4	61512	Fabric Selector Switch	
5	91176	Washer	
6	55882	Switch Assembly	Includes item 7
7	52947	Nut	
8	25820	Washer	
9	32464	Light	125 Volt
10	500228W	Control Panel and Bracket Assembly	White
	500228L	Control Panel and Bracket Assembly	Almond
11	502927	Overlay	
12	24205	Nut	
13	39897	Switch Knob	
14	27260P	Lock Kit	Includes item 15
15	27261	Lock Cam	
16	00161	Grounding Clip	
17	20530	Screw	
18	54678	Timer Knob	
19	27328	Screw	
20	N/A	Screw	

* Add Letter To Designate Color. L - Almond W - White

N/A = Part no longer available

Control Cabinet - Models DSE007* and DSG009*



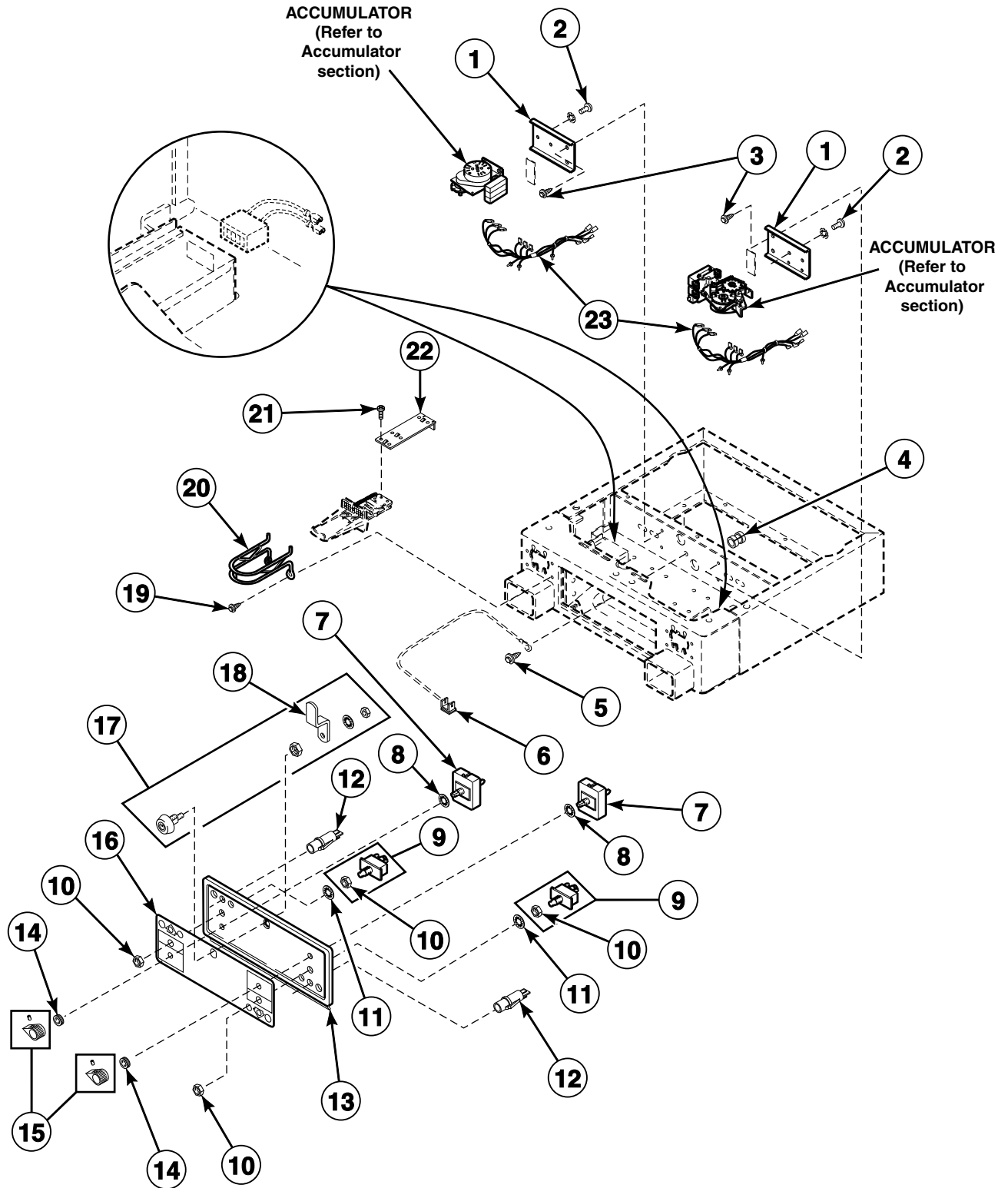
D141P_503068

Control Cabinet - Models DSE007* and DSG009*

REF	PART NO.	DESCRIPTION	COMMENTS
1	503688	Screw	
2	505753WP	Wrapper and Channel Assembly	White
	505753L	Wrapper and Channel Assembly	Almond
3	39733	Screw	
4	56079	Panel Locator	
5	33562	Screw	
6	80077	Nut	
7	36048	Screw	
8	500225WP	Security Cabinet Front	White
	500225LP	Security Cabinet Front	Almond
9	501307	Washer	
10	502431	Screw	

* Add Letter To Designate Color. L - Almond W - White

Control Panel and Controls - Models ZE5117* and ZG5119*



D142P_503068

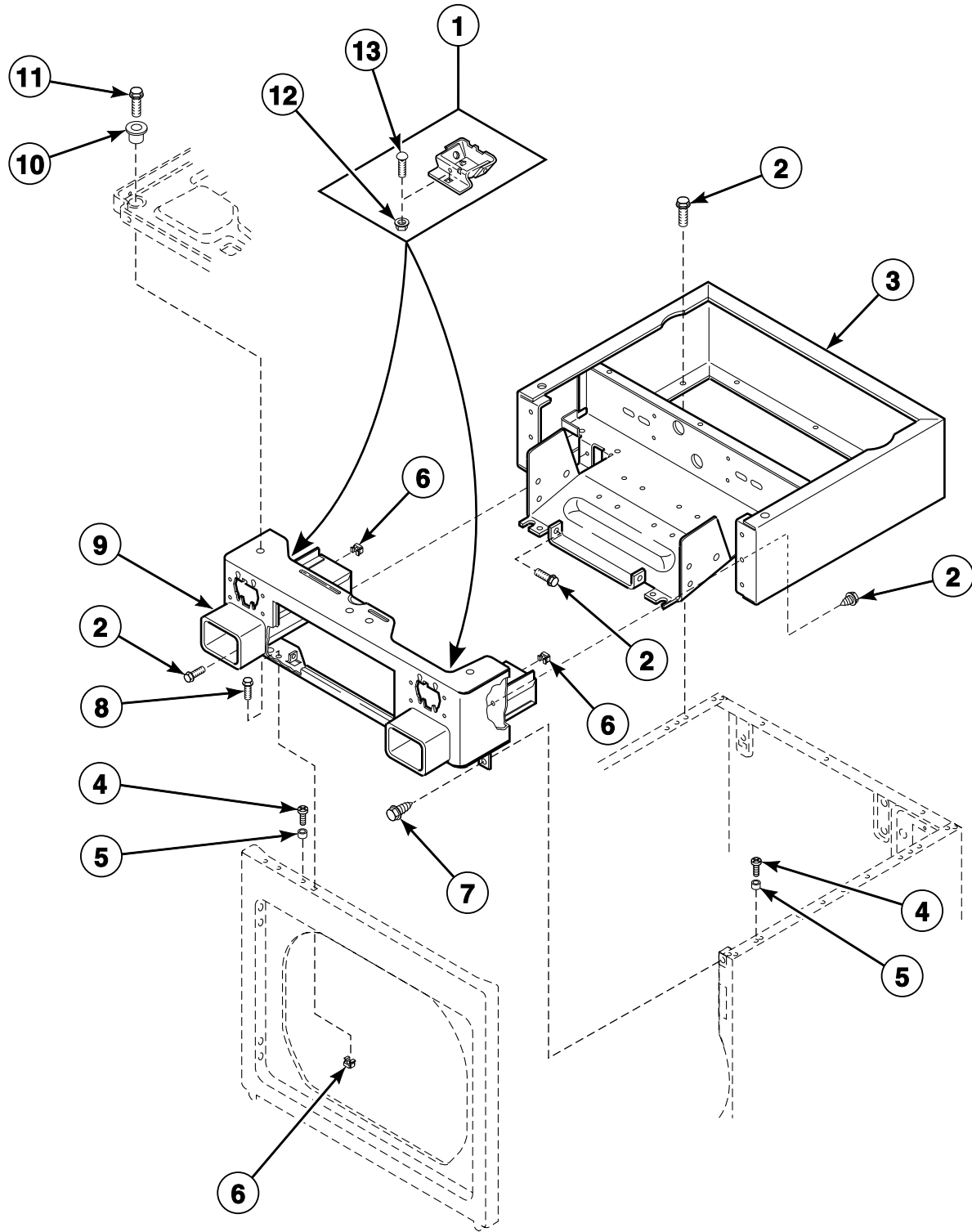
Control Panel and Controls - Models ZE5117* and ZG5119*

REF	PART NO.	DESCRIPTION	COMMENTS
1	N/A	Accumulator Bracket	
2	03203	Screw	
3	503688	Screw	
4	52151	Strain Relief	Model ZE5117*
	52113	Strain Relief	Model ZG5119*
5	20530	Screw	
6	00161	Grounding Clip	
7	61512	Fabric Selector Switch	
8	91176	Washer	
9	55882	Switch Assembly	Includes item 10
10	52947	Nut	
11	25820	Washer	
12	32464	Light	125 Volt
13	500228W	Control Panel and Bracket Assembly	White
	500228L	Control Panel and Bracket Assembly	Almond
14	24205	Nut	
15	39897	Switch Knob	
16	N/A	Overlay	
17	27260P	Lock Kit	Includes item 18
18	27261	Lock Cam	
19	33562	Screw	
20	58181	Coin Slide Guard	
21	03950	Screw	
22	503455	Coin Slide Extension	
23	510661P	Harness Replacement Kit	

* Add Letter To Designate Color. L - Almond W - White

N/A = Part no longer available

Control Cabinet - Models ZE5117* and ZG5119*



D143P_503068

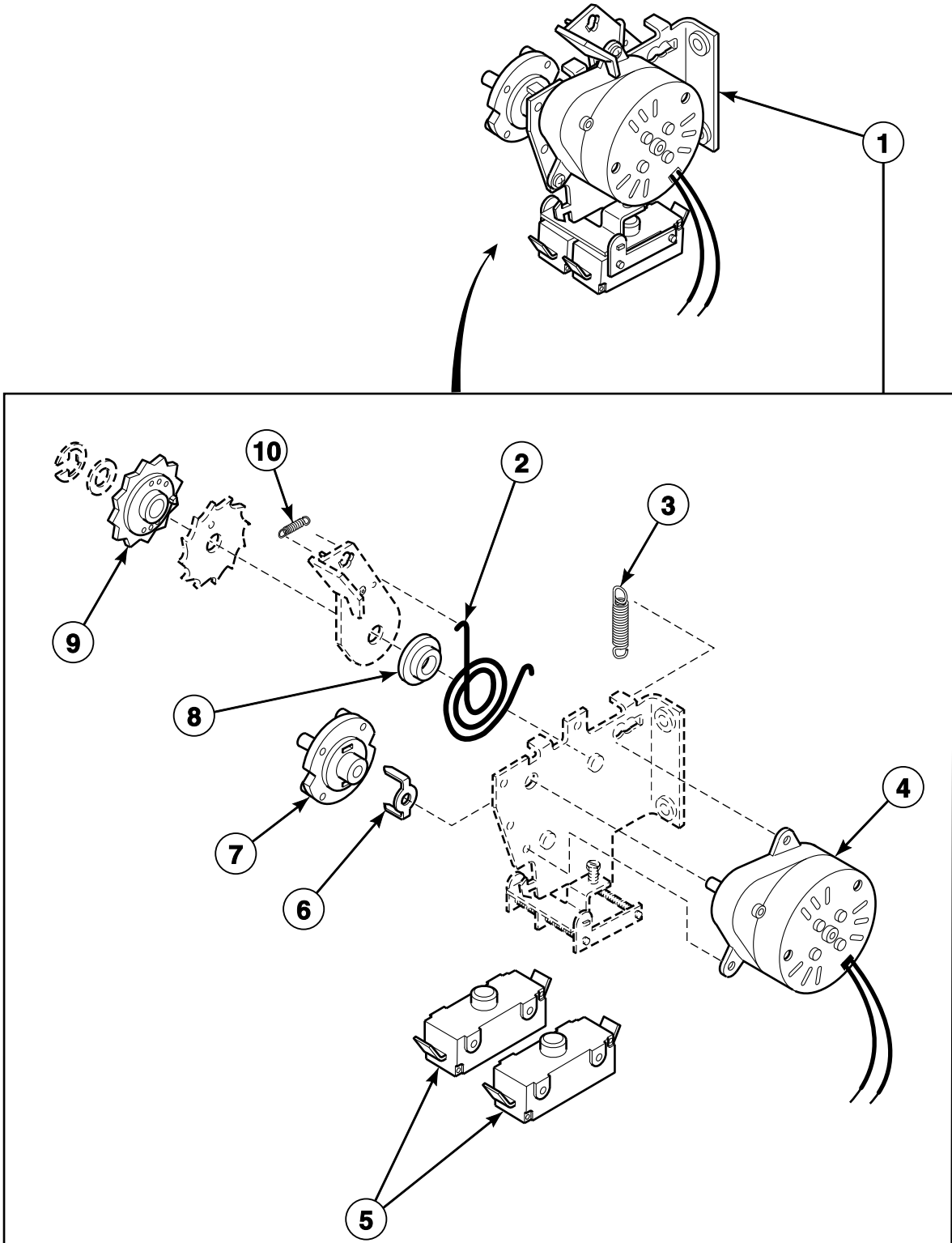
Control Cabinet - Models ZE5117* and ZG5119*

REF	PART NO.	DESCRIPTION	COMMENTS
1	523P3	Coin Funnel Kit	Includes items 12 and 13
2	503688	Screw	
3	505753WP	Wrapper and Channel Assembly	White
	505753L	Wrapper and Channel Assembly	Almond
4	39733	Screw	
5	56079	Panel Locator	
6	80077	Nut	
7	33562	Screw	
8	36048	Screw	
9	511522WP	Security Cabinet Front Assembly	White
	511522LP	Security Cabinet Front Assembly	Almond
10	501307	Washer	
11	502431	Screw	
12	29796	Nut	
13	29651	Bolt	

* Add Letter To Designate Color. L - Almond W - White

Accumulator

Models ZE5117* and ZG5119*



D125P_503068

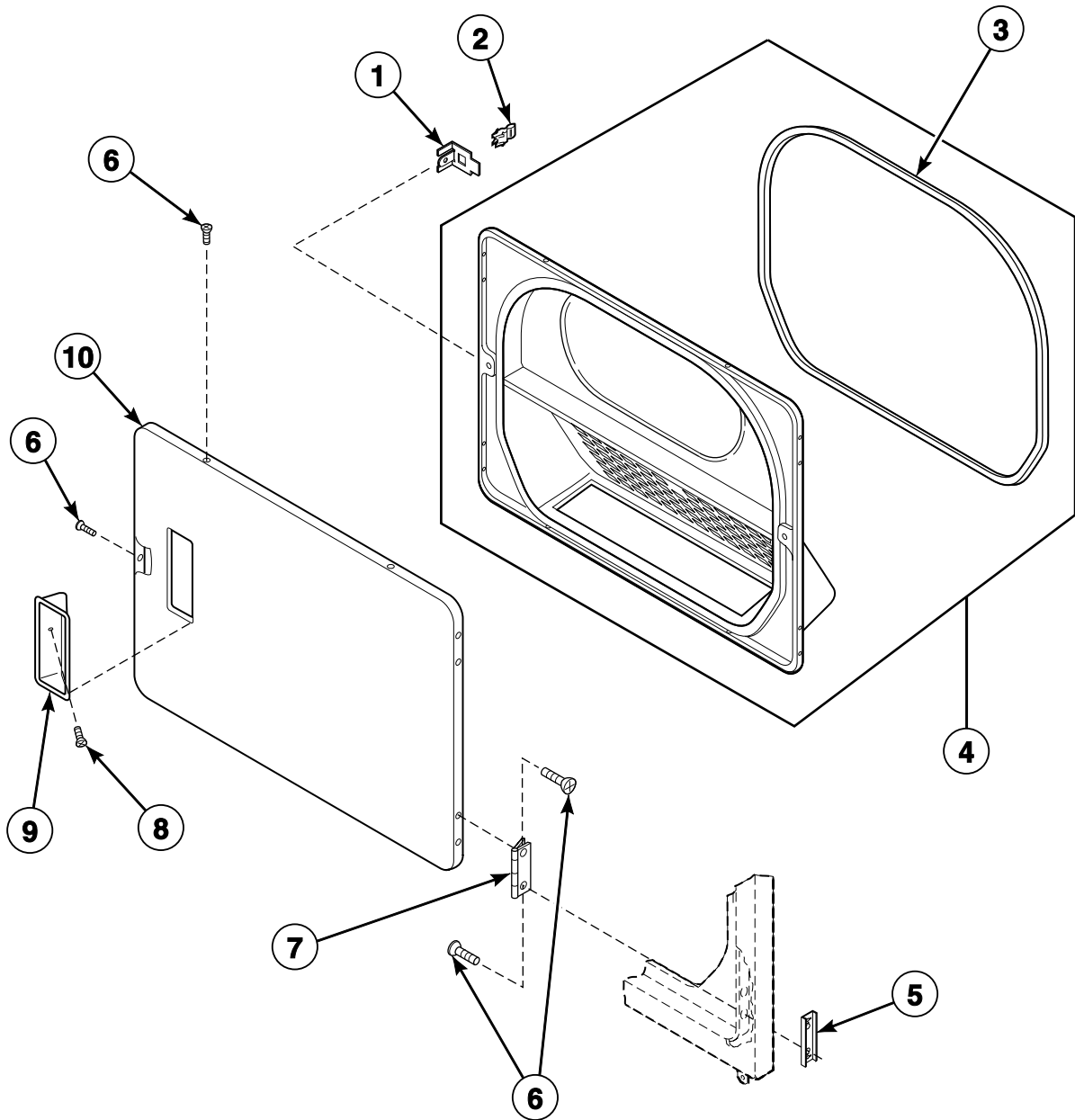
Accumulator

REF	PART NO.	DESCRIPTION	COMMENTS
1	510628P	Accumulator Replacement Kit	
2	53261	Spring	
3	N/A	Index Spring	
4	512017P	Timer Motor	
5	N/A	Switch	
6	M400754	Coin Meter Drive	
7	53240	Timing Cam	60 minute; 3 pin
	53241	Timing Cam	45 minute; 4 pin
	53242	Timing Cam	30 minute; 6 pin
	53243	Timing Cam	20 minute; 9 pin
8	N/A	Nylon Bushing	
9	53239	Ratchet Wheel	
10	53244	Pawl Spring	

* Add Letter To Designate Color. L - Almond W - White

N/A = Part no longer available

Loading Door - Models DSE007* and DSG009*



D146P_503068

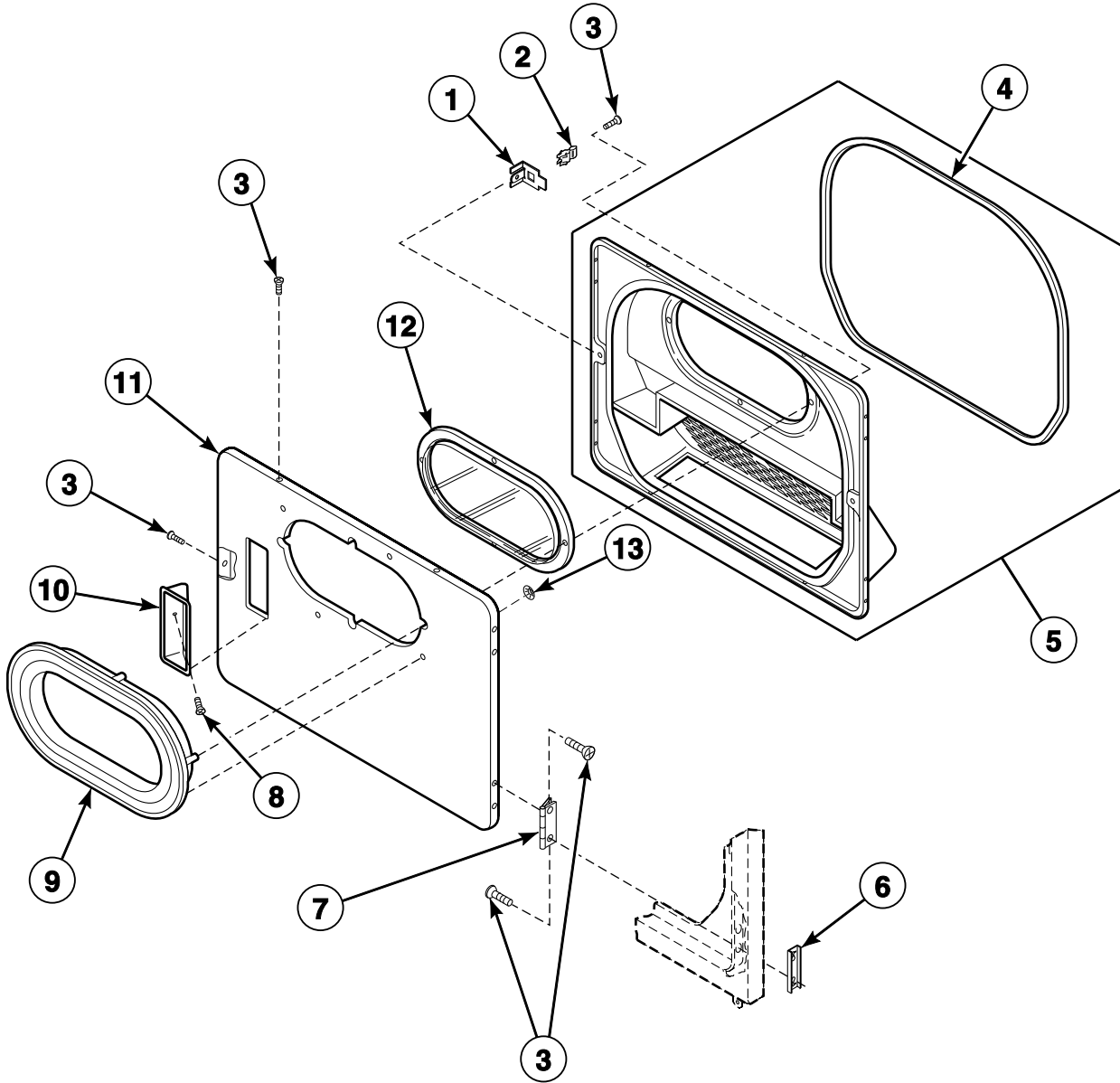
Loading Door - Models DSE007* and DSG009*

REF	PART NO.	DESCRIPTION	COMMENTS
1	510127	Door Strike Mount	
2	510181	Door Strike	
3	500200P	Door Seal	
4	500199P	Liner and Seal Assembly	Includes item 3
5	500236	Door Hinge Mounting Clip	
6	500226	Screw	
7	510519	Door Hinge	
8	N/A	Screw	
9	500042W	Door Pull	White
10	500040W	Dryer Door	White
	500040L	Dryer Door	Almond

* Add Letter To Designate Color. L - Almond W - White

N/A = Part no longer available

Loading Door - Models ZE5117* and ZG5119*



DRY1814P_503068

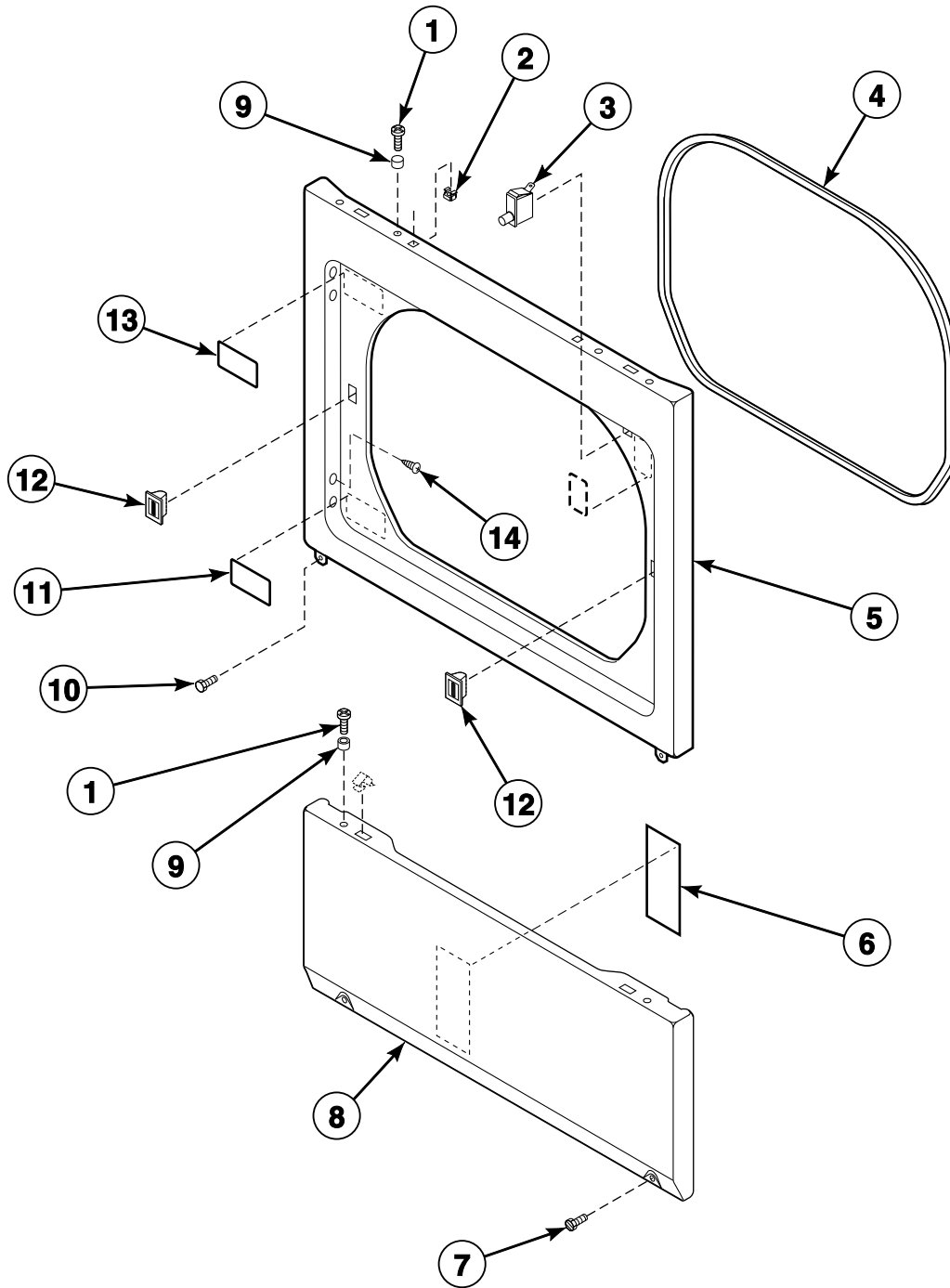
Loading Door - Models ZE5117* and ZG5119*

REF	PART NO.	DESCRIPTION	COMMENTS
1	510127	Door Strike Mount	
2	510181	Door Strike	
3	500226	Screw	
4	500200P	Door Seal	
5	500410	Glass Door Liner and Seal Assembly	Includes item 4
6	500236	Door Hinge Mounting Clip	
7	510519	Door Hinge	
8	N/A	Screw	
9	500202W	Door Trim	White
	N/A	Door Trim	Almond
10	500042W	Door Pull	White
11	500201W	Dryer Door	White
	N/A	Dryer Door	Almond
12	500231	Dryer Door Window	
13	58030	Nut	

* Add Letter To Designate Color. L - Almond W - White

N/A = Part no longer available

Front Panel - Lower Dryer



D148P_503068

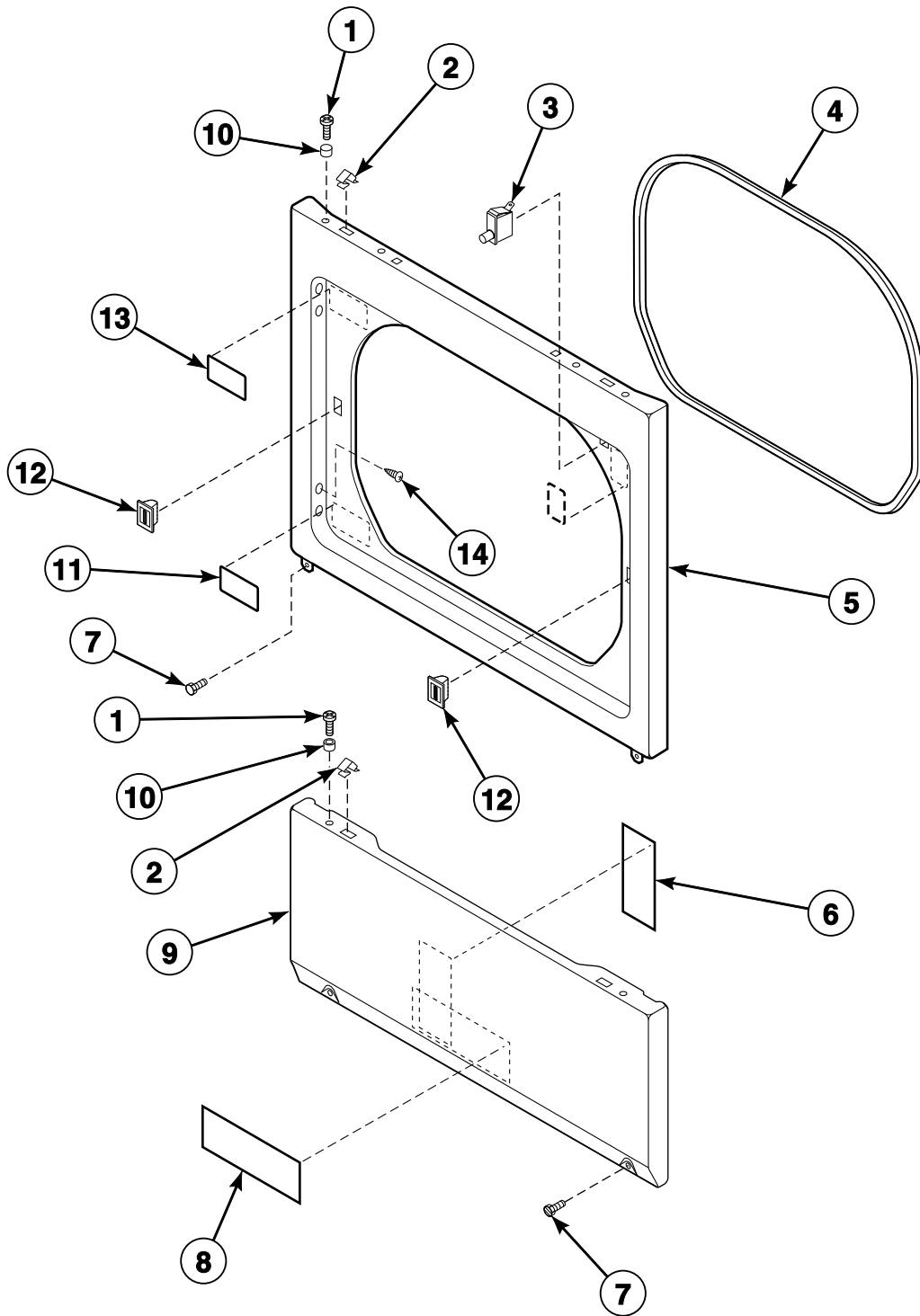
Front Panel - Lower Dryer

REF	PART NO.	DESCRIPTION	COMMENTS
	282P4	Torx Bit	Use with 62853 Screw
	24161	Bit Holder	Use with 62853 Screw
1	39733	Screw	
2	80077	Nut	Optional
3	512973	Switch	
4	500034	Front Panel Seal	
5	500033W	Front Panel	White
	N/A	Front Panel	Almond
6	511004	Gas Clearance Label	Models DSG009* and ZG5119*
7	33562	Screw	
	62853	Screw	Optional for added security
8	514250W	Access Panel Assembly	White
	510069LP	Access Panel	Almond
9	56079	Panel Locator	
10	33562	Screw	
11	502804	Clean Lint Label	
12	510177	Door Catch Assembly	
13	500281	Warning/Caution Label	
14	500227	Screw	

* Add Letter To Designate Color. L - Almond W - White

N/A = Part no longer available

Front Panel - Upper Dryer



D149P_503068

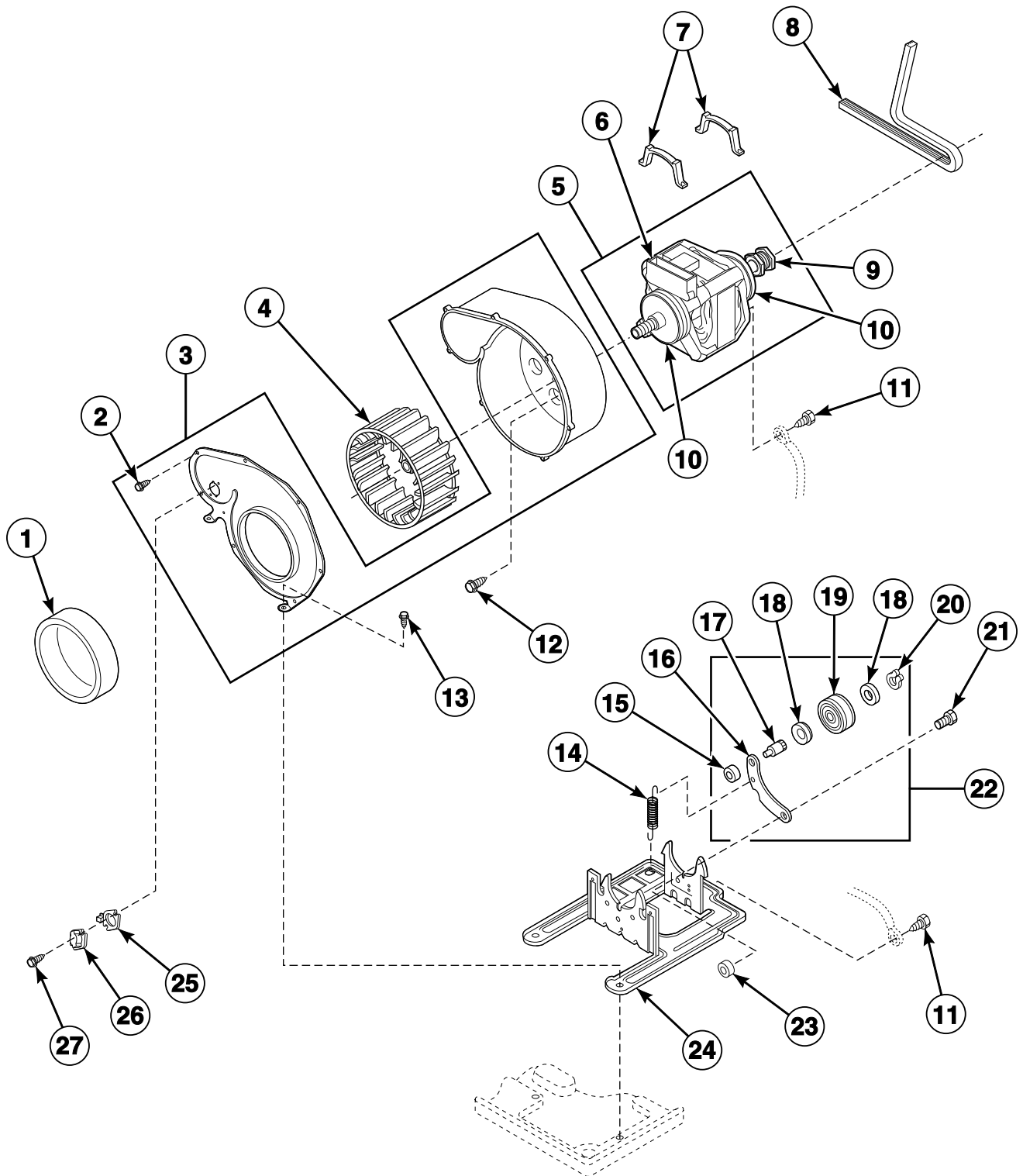
Front Panel - Upper Dryer

REF	PART NO.	DESCRIPTION	COMMENTS
	282P4	Torx Bit	Use with 62853 Screw
	24161	Bit Holder	Use with 62853 Screw
1	39733	Screw	
2	28835	Speed Clip	
3	512973	Switch	
4	500034	Front Panel Seal	
5	500033W	Front Panel	White
	N/A	Front Panel	Almond
6	511004	Gas Clearance Label	Models DSG009* and ZG5119*
7	33562	Screw	
	62853	Screw	Optional for added security
8	500498	Instructions for Use Label	
9	514250W	Access Panel Assembly	White
	510069LP	Access Panel	Almond
10	56079	Panel Locator	
11	502804	Clean Lint Label	
12	510177	Door Catch Assembly	
13	500281	Warning/Caution Label	
14	500227	Screw	

* Add Letter To Designate Color. L - Almond W - White

N/A = Part no longer available

Motor, Exhaust Fan and Belt

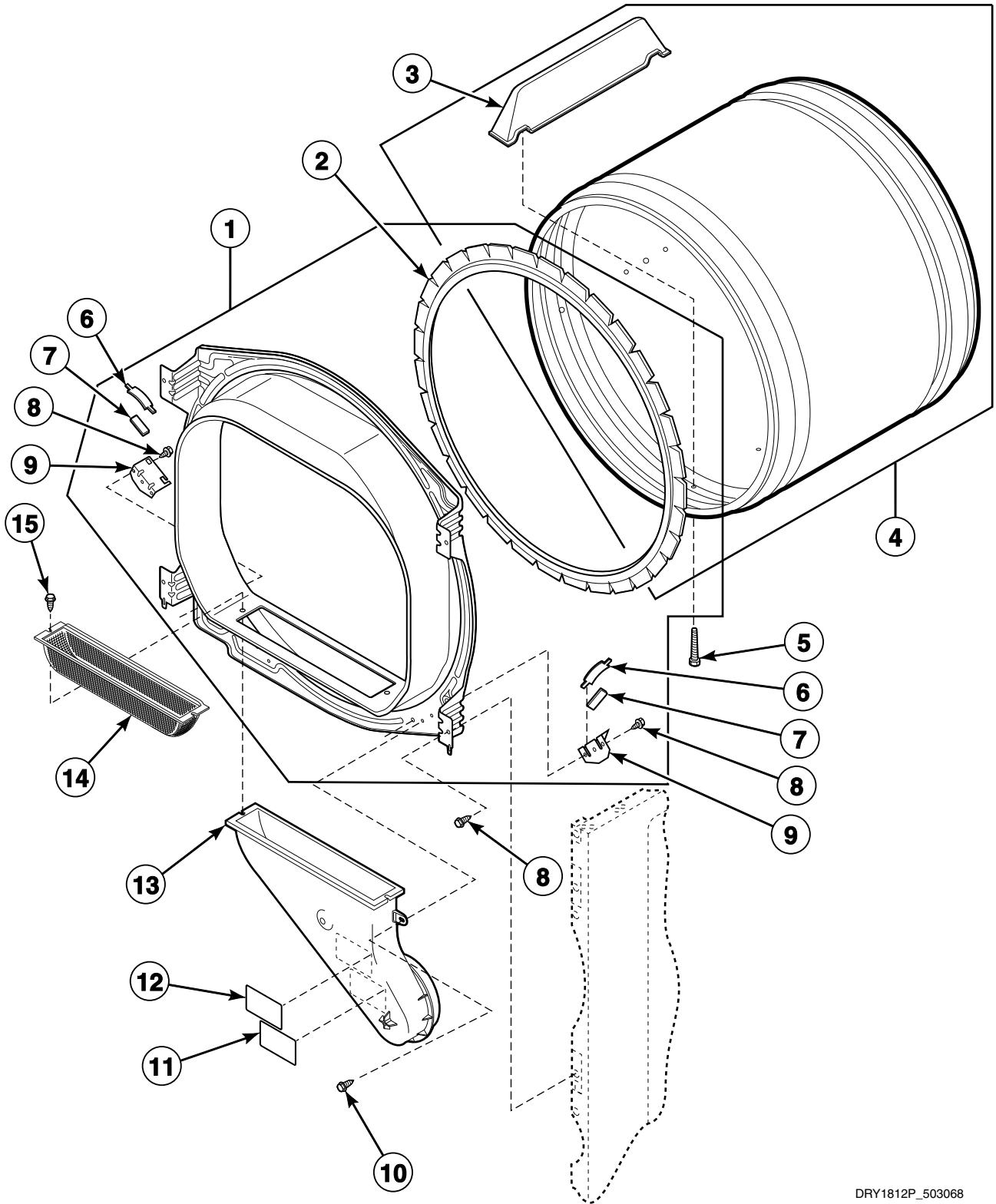


DRY1813P_503068

Motor, Exhaust Fan and Belt

REF	PART NO.	DESCRIPTION	COMMENTS
1	500313	Blower Housing Seal	
2	31260	Screw	
3	511969WP	Blower Housing	Includes item 2
4	510139P	Blower Fan Assembly	
5	511629P	Motor and Pulley Assembly	120 Volt/60 Hertz
6	501218P	Motor Switch Kit	External
7	510180	Motor Mount Clamp	
8	511255P	Cylinder Belt	
9	500011	Motor Pulley	
10	590P3	Motor Hub Ring Kit	
11	20530	Screw	
12	503661	Screw	
13	33562	Screw	
14	510185	Idler Spring	
15	56156	Nut	
16	510133	Idler Lever	
17	56461P	Shaft	
18	52549	Washer	
19	510142P	Idler Wheel and Bearing Assembly	
20	23748	Retaining Ring	
21	500824	Screw	
22	510158	Idler Lever and Wheel Assembly	
23	52566	Nut	
24	510060	Motor Mount	
25	61623	Thermostat Heater	
26	503552	Thermostat	Green
27	502535	Screw	

Front Bulkhead, Air Duct, Felt Seal and Cylinder



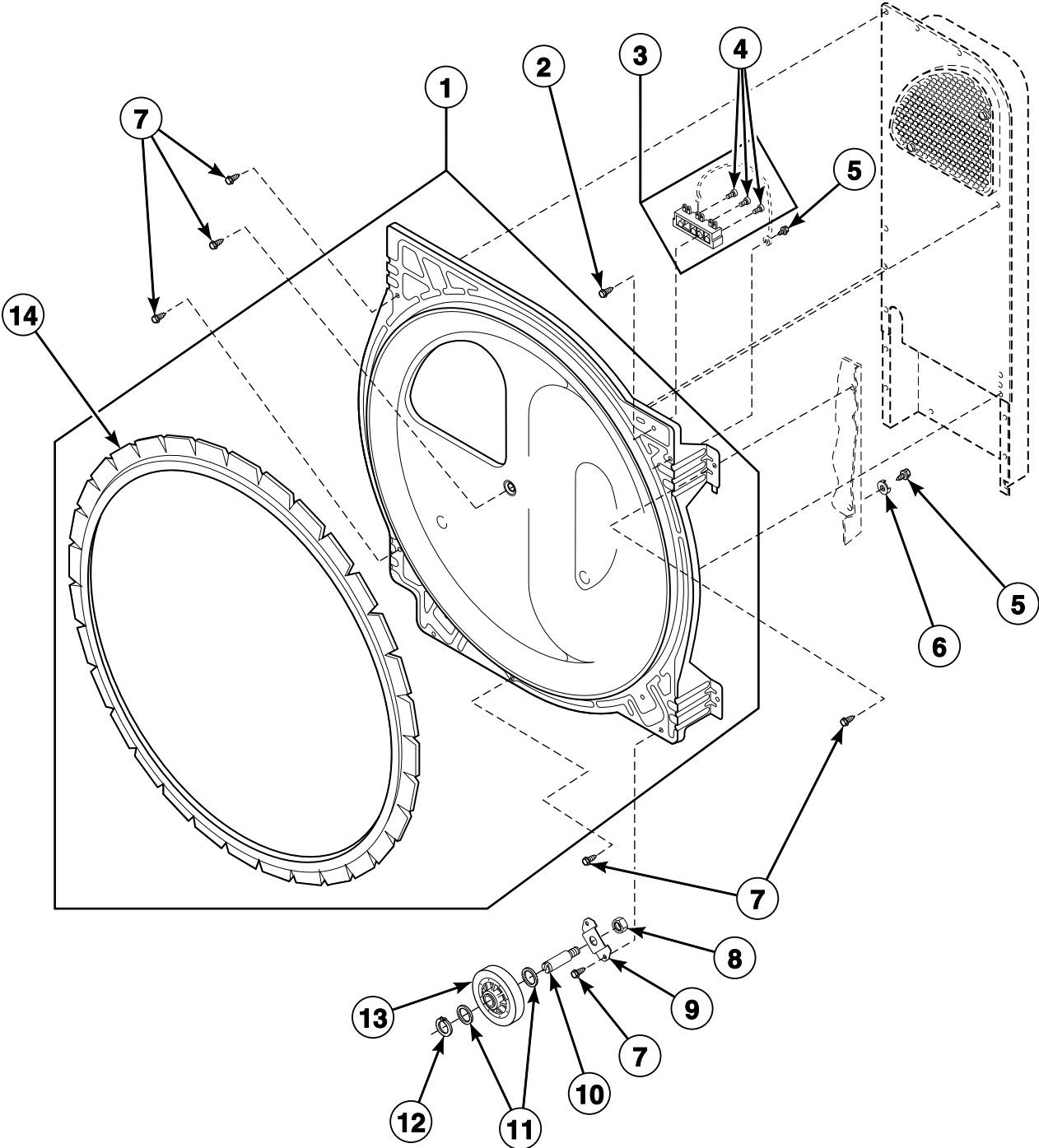
DRY1812P_503068

Front Bulkhead, Air Duct, Felt Seal and Cylinder

REF	PART NO.	DESCRIPTION	COMMENTS
1	500091P	Front Bulkhead Assembly	Includes item 2 and (2) each of items 6-9
2	510207P	Cylinder Seal Assembly	
3	510102W	Cylinder Baffle	White; Short
4	500735P	Cylinder Assembly	Includes 3 of item 3; Stainless steel
5	62588	Screw	
6	510188	Cylinder Glide	
7	510189	Felt Pad	
8	503688	Screw	
9	510145	Cylinder Glide Bracket	
10	503661	Screw	
11	N/A	Sticker	
12	500049	Warning Label	
13	502231	Front Air Duct	
14	502140P	Lint Filter	
15	500226	Screw	

N/A = Part no longer available

Rear Bulkhead, Felt Seal, Cylinder Roller and Terminal Block

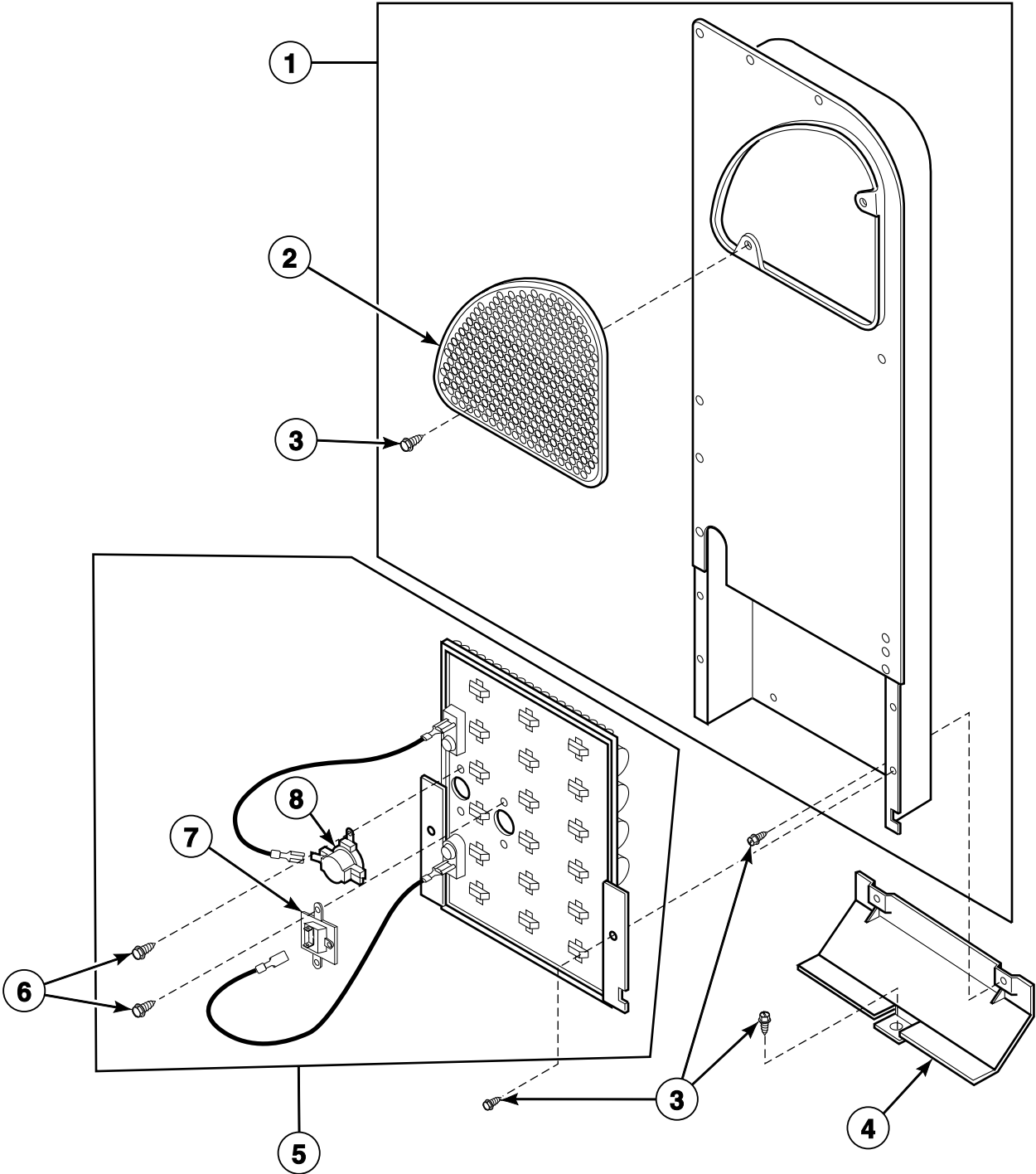


DRY1811P_503068

Rear Bulkhead, Felt Seal, Cylinder Roller and Terminal Block

REF	PART NO.	DESCRIPTION	COMMENTS
1	511082P	Rear Bulkhead Assembly	Includes item 14
2	501285	Screw	
3	510190P	Terminal Block Assembly	Includes 3 of item 4
4	61199	Screw	
5	20530	Screw	
6	51474	Washer	
7	503688	Screw	
8	56156	Nut	
9	510100	Cylinder Roller Bracket	
10	56461P	Shaft	
11	52549	Washer	
12	23748	Retaining Ring	
13	510708P	Cylinder Roller	
14	510207P	Cylinder Seal Assembly	

Heat Duct - Models DSE007* and ZE5117*



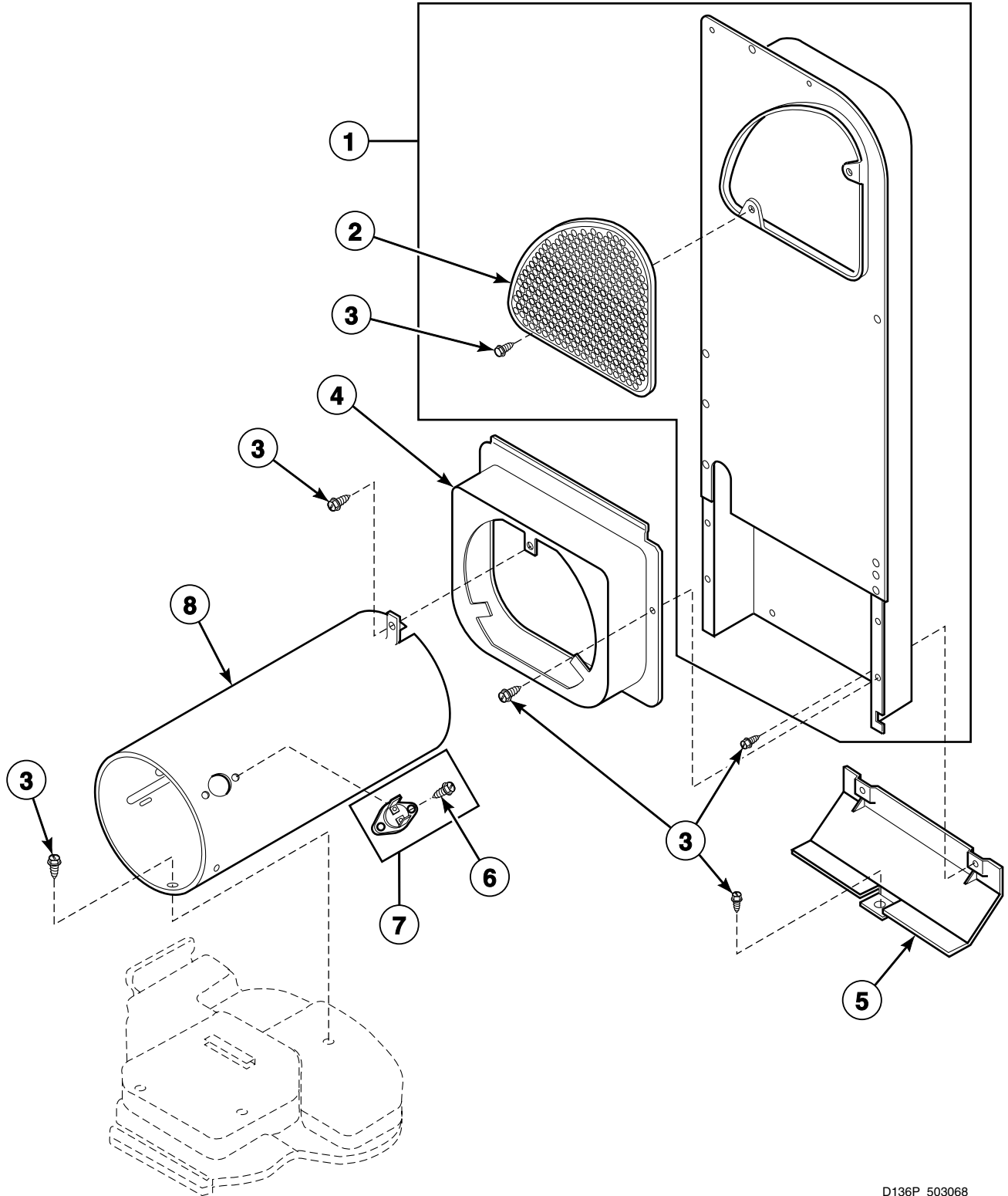
D135P_503068

Heat Duct - Models DSE007* and ZE5117*

REF	PART NO.	DESCRIPTION	COMMENTS
1	510025P	Heater Duct and Screw Assembly	Includes item 2 and (2) of item 3
2	500820	Outlet Cover	
3	503688	Screw	
4	60952	Heat Duct Shield	
5	61928	Heater Kit Assembly	208 Volt/60 Hertz; 4750 Watt; White; Includes items 5-7
	61927	Heater Kit Assembly	240 Volt/60 Hertz; 5000 Watt; Red; Includes items 5-7
6	23222	Screw	
7	511412	Thermal Fuse Assembly	
8	510701	Limit Thermostat	

* Add Letter To Designate Color. L - Almond W - White

Heat Duct - Models DSG009* and ZG5119*



D136P_503068

Heat Duct - Models DSG009* and ZG5119*

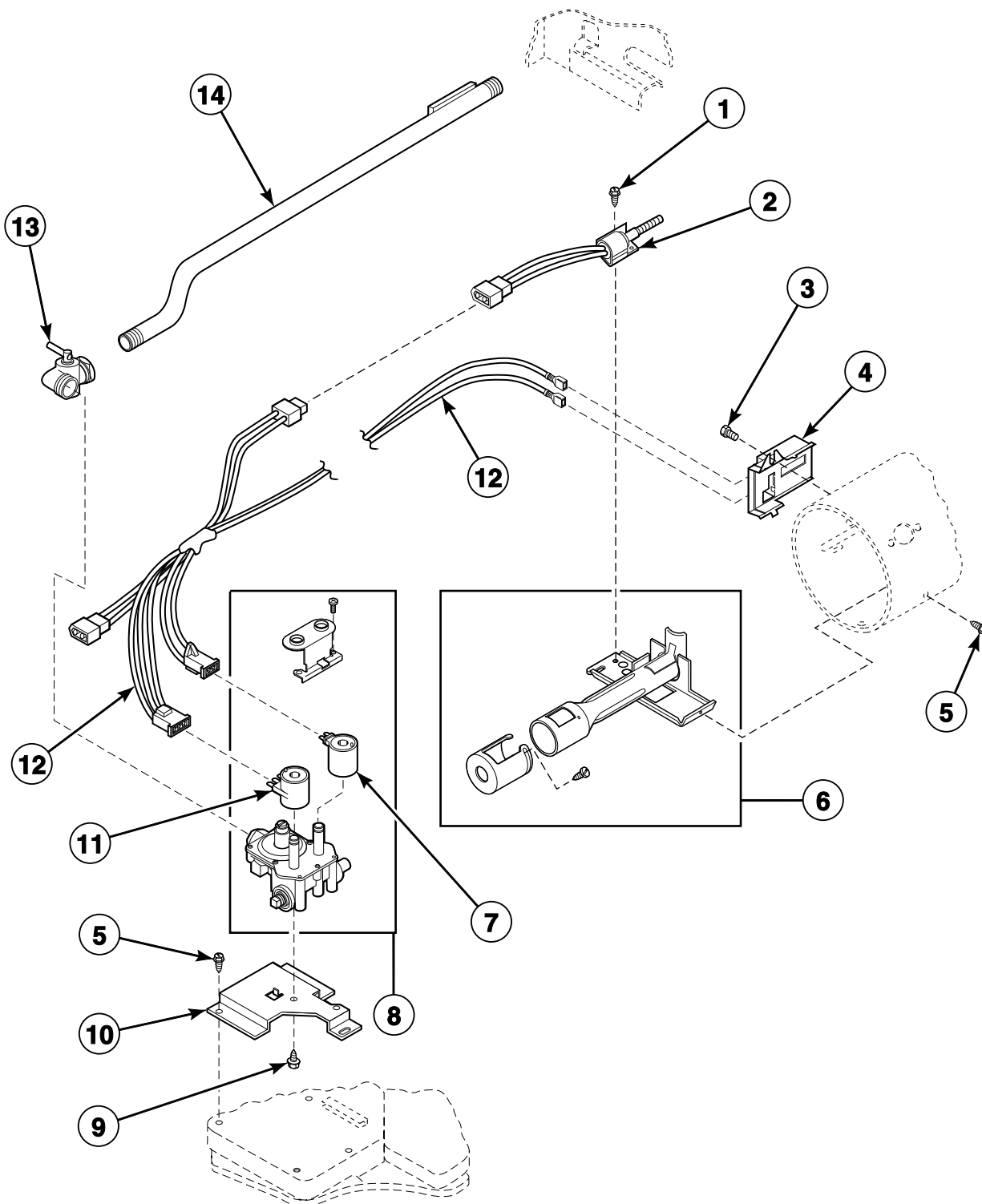
REF	PART NO.	DESCRIPTION	COMMENTS
1	510025P	Heater Duct and Screw Assembly	Includes item 2 and (2) of item 3
2	500820	Outlet Cover	
3	503688	Screw	
4	510101	Heat Duct Shroud	
5	60952	Heat Duct Shield	
6	51782	Screw	
7	489P3	Thermostat and Plate Kit	Includes item 6
8	N/A	Combustion Duct Assembly	

* Add Letter To Designate Color. L - Almond W - White

N/A = Part no longer available

Gas Valve, Igniter and Gas Conversion Kits

Models DSG009* and ZG5119*



D137P_503068

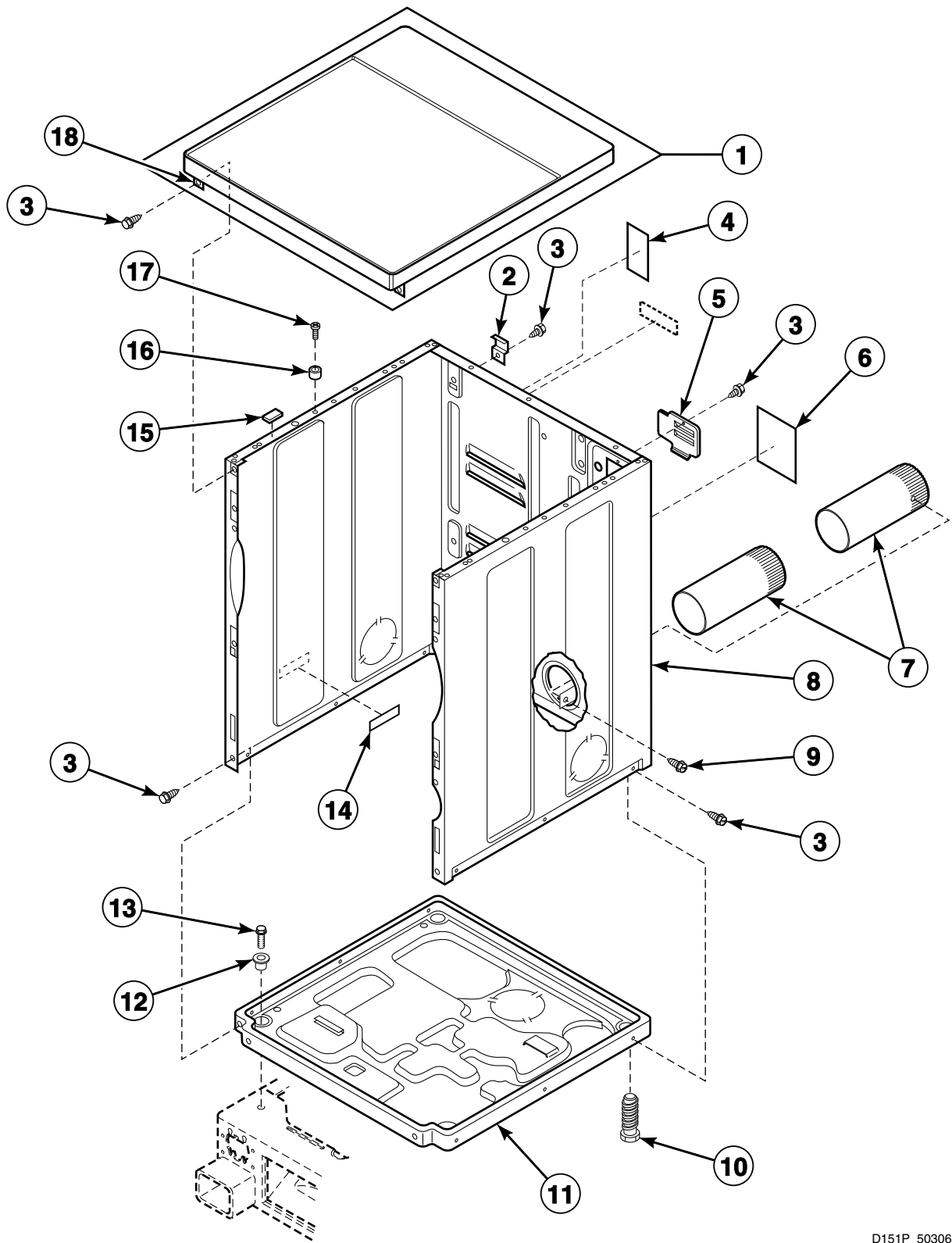
Gas Valve, Igniter and Gas Conversion Kits

REF	PART NO.	DESCRIPTION	COMMENTS
	458P3	L.P. Conversion Kit	Used to convert dryers from Natural Gas (N.G.) or Mixed Gas to Liquid Petroleum Gas (L.P.)
	459P3	N.G. Conversion Kit	Used to convert dryers from L.P. to N.G. or Mixed Gas
1	51782	Screw	
2	510184P	Igniter and Bracket Assembly	
3	23222	Screw	
4	510213	Sensor	
5	33562	Screw	
6	510149P	Burner Assembly	
7	58804B	Secondary Coil	
8	60353P	Gas Valve Assembly	N.G. or Mixed Gas; Includes items 7 and 11
9	56124	Screw	
10	510128	Gas Valve Mounting Bracket	
11	58804A	Booster and Holding Coil	
12	510530	Gas Valve Wire Harness Assembly	
13	510205	Elbow Shut-Off Valve	
14	510204	Lead-In Pipe Assembly	

* Add Letter To Designate Color. L - Almond W - White

Cabinet Top, Cabinet and Base

Upper Dryer



D151P_503068

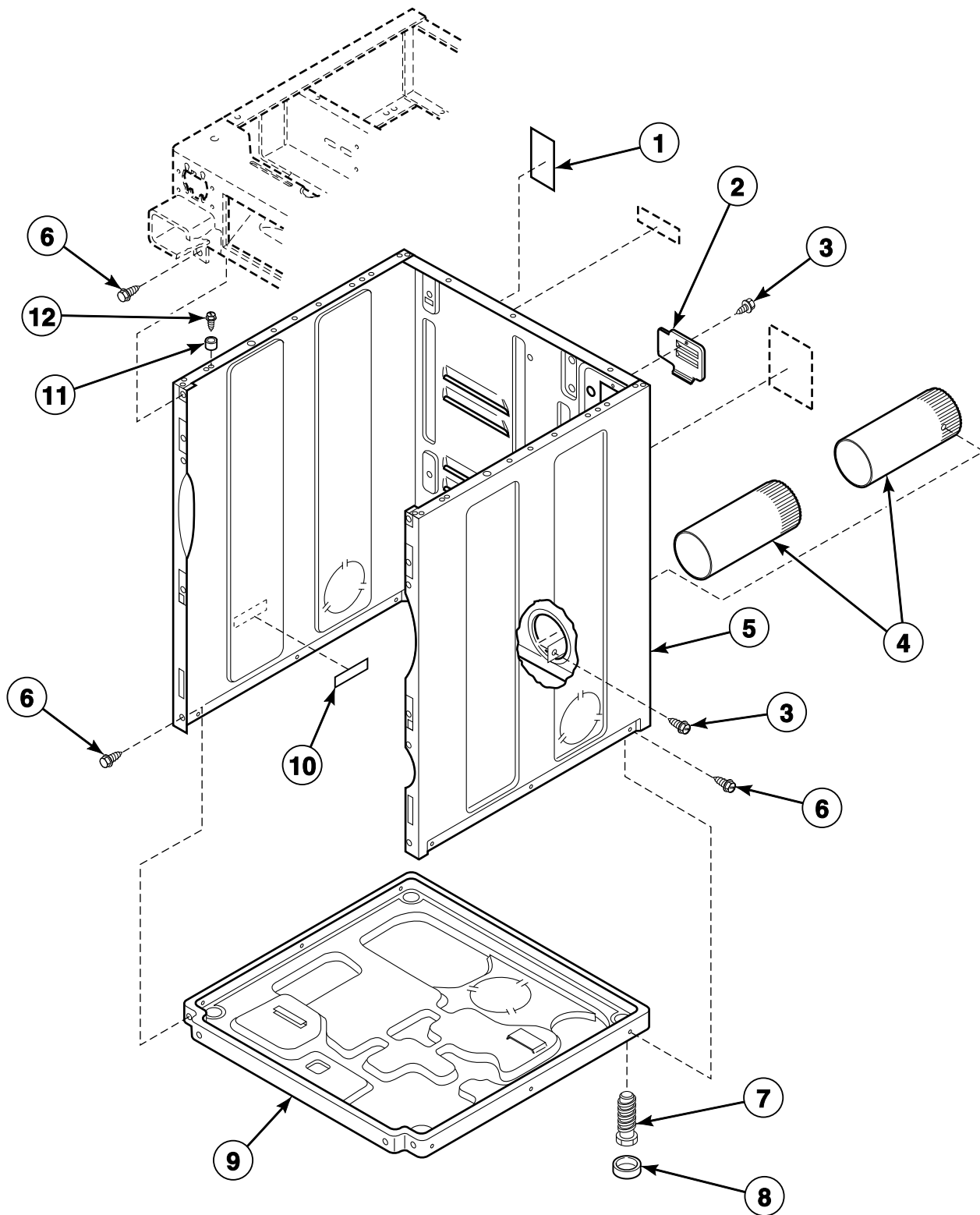
Cabinet Top, Cabinet and Base

REF	PART NO.	DESCRIPTION	COMMENTS
1	510032WP	Top Kit	White; Includes item 18
	510032LP	Top Kit	Almond; Includes item 18
2	510136	Top Hinge	
3	33562	Screw	
4	511004	Gas Clearance Label	Models DSG009* and ZG5119*
5	510903	Access Panel Plate	
6	511005	Electric Clearance Label	Models DSE007* and ZE5117*
7	510137	Exhaust Duct	
8	727P3W	Panel Kit	White
	727P3L	Panel Kit	Almond
9	503688	Screw	
10	510135	Leveling Leg	Rear
11	513901	Dryer Base	
12	501307	Washer	
13	502431	Screw	
14	61294	Fuse Notice Label	Models DSE007* and ZE5117*
15	56128	Bumper Pad	
16	56079	Panel Locator	
17	39733	Screw	
18	510146	Bracket	

* Add Letter To Designate Color. L - Almond W - White

Cabinet and Base

Lower Dryer



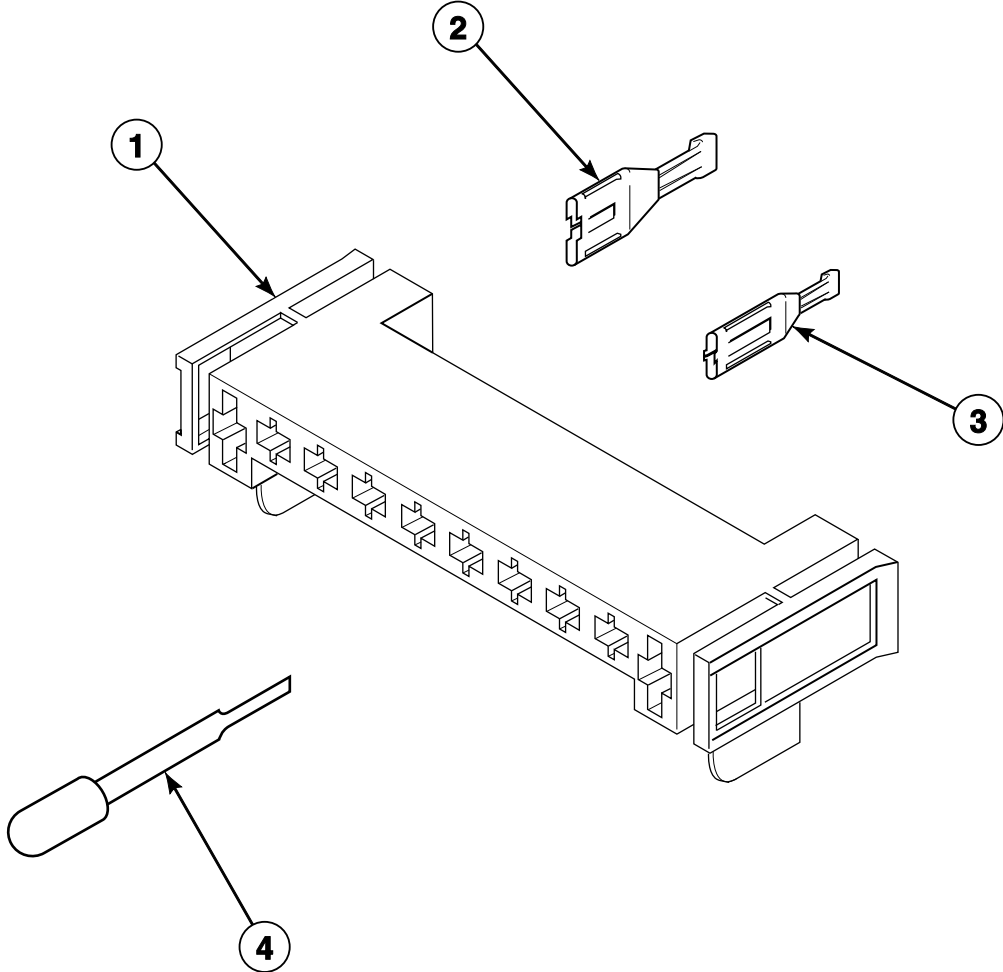
DRY1745P_503068

Cabinet and Base

REF	PART NO.	DESCRIPTION	COMMENTS
1	511004	Gas Clearance Label	Models DSG009* and ZG5119*
2	510903	Access Panel Plate	
3	503688	Screw	
4	510137	Exhaust Duct	
5	727P3W	Panel Kit	White
	727P3L	Panel Kit	Almond
6	33562	Screw	
7	510135	Leveling Leg	
8	501855	Rubber Foot	
9	513901	Dryer Base	
10	61294	Fuse Notice Label	Models DSE007* and ZE5117*
11	56079	Panel Locator	
12	39733	Screw	

* Add Letter To Designate Color. L - Almond W - White

Motor Disconnect Block, Terminals and Terminal Extractor Tool

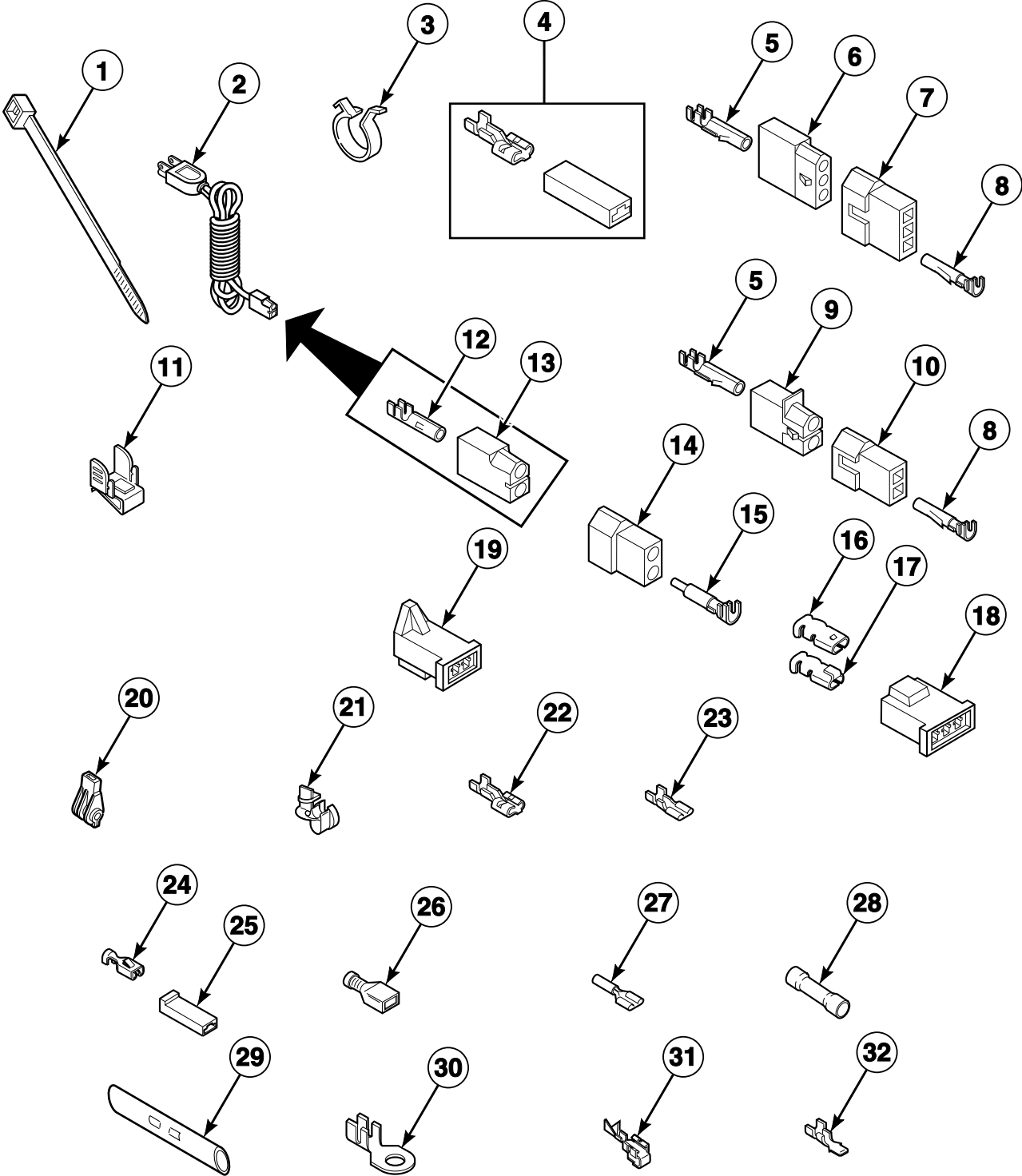


D153P_503068

Motor Disconnect Block, Terminals and Terminal Extractor Tool

REF	PART NO.	DESCRIPTION	COMMENTS
	292P4	Torx Bit	For removing motor switch
1	500338	10 Position Housing	
2	00255	Female Terminal	1/4 inch; (1) 12 gauge wire
	00256	Female Terminal	1/4 inch; (1) or (2) 18 gauge wires
3	00188	Female Terminal	For 1 or 2 wire application
4	283P4	Terminal Extractor Tool	

Power Cord and Terminals



DRY1744P_503068

Power Cord and Terminals

REF	PART NO.	DESCRIPTION	COMMENTS
1	55881	Harness Strap	
2	59308	Lead-In Cord	Models DSG009* and ZG5119*
3	504034	Wire Clip	
4	00360	Insulated Female Spade Terminal	1/4 inch; (1) 12 gauge wire or (2) 18 gauge wires
5	00117	Female Pin Terminal	
6	23039	3 Circuit Receptacle	
7	23040	Plug	
8	00116	Male Pin Terminal	
9	56451	2 Circuit Receptacle	
10	56448	2 Circuit Plug	
11	00161	Grounding Clip	
12	00130	Female Pin Terminal	
13	56265	2 Circuit Receptacle	
14	56266	2 Circuit Plug	
15	00127	Male Pin Terminal	
16	00189	Female Spade Terminal	
17	00361	Female Piggyback Terminal	
18	58800	3 Circuit Connector	
19	58799	2 Circuit Connector	
20	70210	Insulator	
21	38384	Strain Relief	
22	00245	Spade Terminal	1/4 inch; (1) 22 gauge wire
	00223	Female Spade Terminal	1/4 inch; (1) 18 gauge wire
	00121	Female Spade Terminal	1/4 inch; (2) 18 gauge wires or (1) 12 gauge wire
23	00124	Female Spade Terminal	3/16 inch; (1) 18 gauge wire; .020 tab
	00209	Female Spade Terminal	3/16 inch; (2) 18 gauge wires; .020 tab
	00156	Female Spade Terminal	3/16 inch; Thermostat wire; .032 tab
24	00115	Female Spade Terminal	(1) 18 gauge wire
	00321	Female Spade Terminal	(2) 18 gauge wires or (1) 12 gauge wire
25	90789	Receptacle Housing	
26	00165	Insulated Female Terminal	3/16 inch
	00359	Insulated Female Spade Terminal	1/4 inch
27	N/A	Pre-Insulated Spade Terminal	18 gauge
	00215	Pre-Insulated Spade Terminal	12 gauge
28	N/A	Butt Splice Connector	
29	21091	Connector	
30	00110	Ring Terminal	10 stud; (1) 18 gauge wire
	00111	Ring Terminal	10 stud; (2) 18 gauge wires or (1) 12 gauge wire
31	00114	Female Spade Terminal	
32	00139	Male Tab Terminal	1/4 inch; (2) 18 gauge wires or (1) 12 gauge wire

* Add Letter To Designate Color. L - Almond W - White

N/A = Part no longer available

Wire Harnesses and Wires

PART NO.	DESCRIPTION	COMMENTS
510654P	Security Cabinet Wire Harness Assembly	Model DSE007*
510655P	Security Cabinet Wire Harness Assembly	Model DSG009*
500866	Upper Wire Harness Assembly	Models DSE007* and ZE5117*
N/A	Upper Wire Harness	Model DSG009*
510637P	Harness Replacement Kit	Model ZG5119*
510662P	Harness Replacement Kit	Model ZE5117*
500953	Lower Wire Harness Assembly	Model DSE007*
N/A	Lower Wire Harness	Models DSG009* and ZG5119*
500865P	Wire Harness Assembly	Model ZE5117*
500827P	Wire Harness Assembly	Model ZG5119*
45001	18 Gauge Wire	Black; Order wire by foot; Order terminals and connectors as required.
45380	12 Gauge Wire	Orange; Order wire by foot; Order terminals and connectors as required.

* Add Letter To Designate Color. L - Almond W - White

N/A = Part no longer available

NOTE: Individual wires are not available separately. Order complete wire harness, or order wire by the foot. When applying terminals to wires, it is recommended that the terminals be soldered to the wires.

Parts Index

A

Access Panel 510069LP	19, 21
Access Panel Assembly 514250W	19, 21
Access Panel Plate 510903	35, 37
Accumulator Replacement Kit 510628P	13

B

Bit Holder 24161	19, 21
Blower Fan Assembly 510139P	23
Blower Housing 511969WP	23
Blower Housing Seal 500313	23
Bolt 29651	11
Booster and Holding Coil 58804A	33
Bracket 510146	35
Bumper Pad 56128	35
Burner Assembly 510149P	33

C

Clean Lint Label 502804	19, 21
Coin Funnel Kit 523P3	11
Coin Meter Drive M400754	13
Coin Slide Extension 503455	9
Coin Slide Guard 58181	9
Connector 21091	41
Connector, 2 Circuit 58799	41
Connector, 3 Circuit 58800	41
Control Panel and Bracket Assembly 500228L	5, 9
500228W	5, 9
Cylinder Assembly 500735P	25
Cylinder Baffle 510102W	25

Cylinder Belt 511255P	23
Cylinder Glide 510188	25
Cylinder Glide Bracket 510145	25
Cylinder Roller 510708P	27
Cylinder Roller Bracket 510100	27
Cylinder Seal Assembly 510207P	25, 27

D

Door Catch Assembly 510177	19, 21
Door Hinge 510519	15, 17
Door Hinge Mounting Clip 500236	15, 17
Door Pull 500042W	15, 17
Door Seal 500200P	15, 17
Door Strike 510181	15, 17
Door Strike Mount 510127	15, 17
Door Trim 500202W	17
Dryer Base 513901	35, 37
Dryer Door 500040L	15
500040W	15
500201W	17
Dryer Door Window 500231	17

E

Elbow Shut-Off Valve 510205	33
Electric Clearance Label 511005	35
Exhaust Duct 510137	35, 37

F

Fabric Selector Switch 61512	5, 9
Felt Pad 510189	25
Female Piggyback Terminal 00361	41

N/A items do not appear in index.

Female Pin Terminal	
00117	41
00130	41
Female Spade Terminal	
00114	41
00115	41
00121	41
00124	41
00156	41
00189	41
00209	41
00223	41
00321	41
Female Terminal	
00188	39
00255	39
00256	39
Front Air Duct	
502231	25
Front Bulkhead Assembly	
500091P	25
Front Panel	
500033W	19, 21
Front Panel Seal	
500034	19, 21
Fuse Notice Label	
61294	35, 37

G

Gas Clearance Label	
511004	19, 21, 35, 37
Gas Valve Assembly	
60353P	33
Gas Valve Mounting Bracket	
510128	33
Gas Valve Wire Harness Assembly	
510530	33
Glass Door Liner and Seal Assembly	
500410	17
Grounding Clip	
00161	5, 9, 41

H

Harness Replacement Kit	
510637P	42
510661P	9
510662P	42
Harness Strap	
55881	41
Heat Duct Shield	
60952	29, 31
Heat Duct Shroud	
510101	31
Heater Duct and Screw Assembly	
510025P	29, 31
Heater Kit Assembly	
61927	29
61928	29
Housing, 10 Position	
500338	39

N/A items do not appear in index.

I

Idler Lever	
510133	23
Idler Lever and Wheel Assembly	
510158	23
Idler Spring	
510185	23
Idler Wheel and Bearing Assembly	
510142P	23
Igniter and Bracket Assembly	
510184P	33
Instructions for Use Label	
500498	21
Insulated Female Spade Terminal	
00359	41
00360	41
Insulated Female Terminal	
00165	41
Insulator	
70210	41

L

Lead-In Cord	
59308	41
Lead-In Pipe Assembly	
510204	33
Leveling Leg	
510135	35, 37
Light	
32464	5, 9
Limit Thermostat	
510701	29
Liner and Seal Assembly	
500199P	15
Lint Filter	
502140P	25
Lock Cam	
27261	5, 9
Lock Kit	
27260P	5, 9
Lower Wire Harness Assembly	
500953	42
L.P. Conversion Kit	
458P3	33

M

Male Pin Terminal	
00116	41
00127	41
Male Tab Terminal	
00139	41
Motor and Pulley Assembly	
511629P	23
Motor Hub Ring Kit	
590P3	23
Motor Mount	
510060	23

Motor Mount Clamp 510180	23
Motor Pulley 500011	23
Motor Switch Kit 501218P	23

N

Nut	
24205	5, 9
29796	11
52566	23
52947	5, 9
56156	23, 27
58030	17
80077	7, 11, 19
N.G. Conversion Kit 459P3	33

O

Outlet Cover 500820	29, 31
Overlay 502927	5

P

Panel Kit	
727P3L	35, 37
727P3W	35, 37
Panel Locator 56079	7, 11, 19, 21, 35, 37
Pawl Spring 53244	13
Plug 23040	41
Plug, 2 Circuit	
56266	41
56448	41
Pre-Insulated Spade Terminal 00215	41

R

Ratchet Wheel 53239	13
Rear Bulkhead Assembly 511082P	27
Receptacle Housing 90789	41
Receptacle, 2 Circuit	
56265	41
56451	41
Receptacle, 3 Circuit 23039	41
Retaining Ring 23748	23, 27

Ring Terminal	
00110	41
00111	41
Rubber Foot 501855	37

S

Screw	
03203	9
03950	9
20530	5, 9, 23, 27
23222	29, 33
27328	5
31260	23
33562	7, 9, 11, 19, 21, 23, 33, 35, 37
36048	7, 11
39733	7, 11, 19, 21, 35, 37
500226	15, 17, 25
500227	19, 21
500824	23
501285	27
502431	7, 11, 35
502535	23
503661	23, 25
503688	7, 9, 11, 25, 27, 29, 31, 35, 37
51782	31, 33
56124	33
61199	27
62588	25
62853	19, 21
Secondary Coil 58804B	33
Security Cabinet Front	
500225LP	7
500225WP	7
Security Cabinet Front Assembly	
511522LP	11
511522WP	11
Security Cabinet Wire Harness Assembly	
510654P	42
510655P	42
Sensor 510213	33
Shaft 56461P	23, 27
Spade Terminal 00245	41
Speed Clip 28835	21
Spring 53261	13
Strain Relief	
38384	41
52113	5, 9
52151	5, 9
Switch 512973	19, 21
Switch Assembly 55882	5, 9
Switch Knob 39897	5, 9

N/A items do not appear in index.

T

Terminal Block Assembly	
510190P.....	27
Terminal Extractor Tool	
283P4.....	39
Thermal Fuse Assembly	
511412.....	29
Thermostat	
503552.....	23
Thermostat and Plate Kit	
489P3.....	31
Thermostat Heater	
61623.....	23
Timer	
510524P.....	5
Timer Knob	
54678.....	5
Timer Motor	
512017P.....	13
Timer Overlay	
500814.....	5
Timing Cam	
53240.....	13
53241.....	13
53242.....	13
53243.....	13
Top Hinge	
510136.....	35
Top Kit	
510032LP.....	35
510032WP.....	35
Torx Bit	
282P4.....	19, 21
292P4.....	39

U

Upper Wire Harness Assembly	
500866.....	42

W

Warning Label	
500049.....	25
Warning/Caution Label	
500281.....	19, 21
Washer	
25820.....	5, 9
501307.....	7, 11, 35
51474.....	27
52549.....	23, 27
91176.....	5, 9
Wire Clip	
504034.....	41
Wire Harness Assembly	
500827P.....	42
500865P.....	42
Wire, 12 Gauge	
45380.....	42

Wire, 18 Gauge	
45001.....	42
Wrapper and Channel Assembly	
505753L.....	7, 11
505753WP.....	7, 11

N/A items do not appear in index.