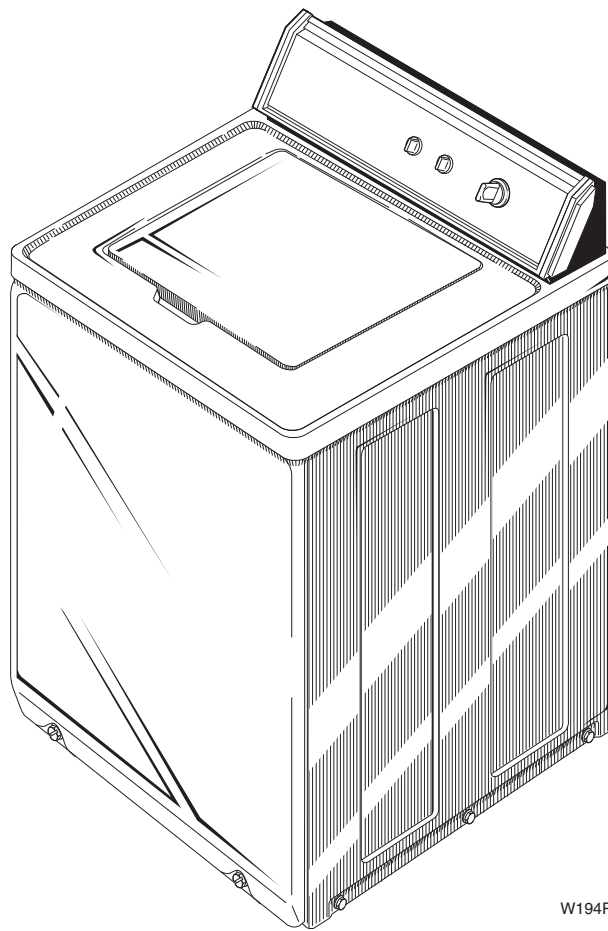


Automatic Washers

Refer to Page 3 for Model Numbers



W194P

Table of Contents

Title	Page
Parts Ordering Information	2
Nameplate Location	2
Model Identification	3
Graphic Panel, Control Hood and Controls	4
Graphic Panel, Control Hood and Controls	6
Graphic Panel, Control Hood and Controls	8
Graphic Panel, Control Hood and Controls	10
Graphic Panel, Control Hood and Controls	12
Graphic Panel, Control Hood and Controls	14
Cabinet Top, Loading Door and Control Hood Rear Panel	16
Out-Of-Balance Switch	18
Inlet Hose, Fill Hose and Mixing Valve Mounting Bracket	20
Mixing Valve Assembly	22
Motor, Mounting Bracket, Belt, Pump and Idler Assembly	24
Agitator, Drive Bell, Seal Kit, Washtub and Hub	26
Agitator and Drive Bell	28
Clothes Guard, Washtub, Lint Filter and Hub	30
Outer Tub, Cover and Pressure Hose	32
Transmission Assembly and Balance Ring	34
34526P Transmission Assembly	36
Bearing Housing, Brake, Pulley and Pivot Dome	38
Drain Hose and Siphon Break	40
Front Panel, Base and Cabinet Assembly	42
Mixing Valve and Motor Connection Blocks, Terminals and Terminal Extractor Tool	44
Power Cord and Terminals	46
Special Tools	48
Special Tools	50
Wire Harnesses and Wires	52
Parts Index	53

© Copyright 2010, Alliance Laundry Systems LLC

All rights reserved. No part of the contents of this book may be reproduced or transmitted in any form or by any means without the expressed written consent of the publisher.

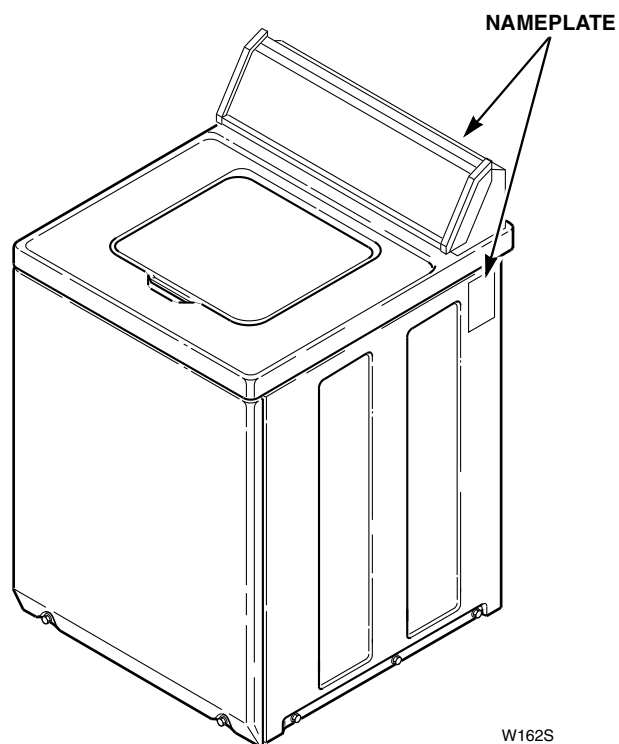
Parts Ordering Information

If literature or replacement parts are required, contact the source from whom the machine was purchased or contact Alliance Laundry Systems LLC at (920) 748-3950 for the name and address of the nearest authorized parts distributor.

For technical assistance, call (920) 748-3121.

Nameplate Location

When calling or writing about your product, be sure to mention model and serial numbers. Model and serial numbers are located on nameplate(s) as shown.



W162S

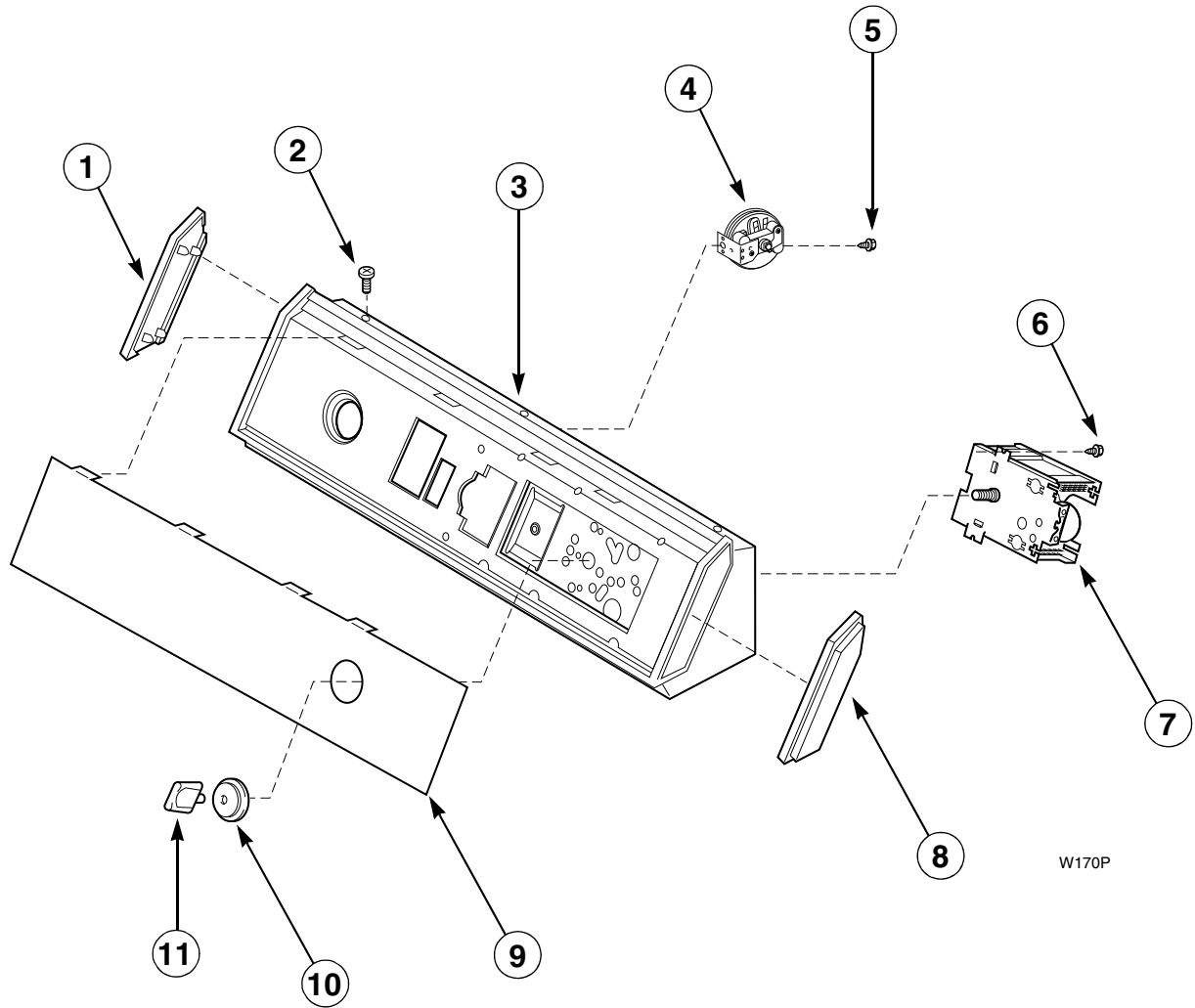
Model Identification

Information in this manual is applicable to these washer models:

Washer Number	Timer Model	One-Speed Motor	Two-Speed Motor	Porcelain Washtub (Cubic Foot)	Stainless Steel Washtub (Cubic Foot)
AWM190	X	X		2.7	
AWM270	X	X		2.7	
AWM290	X	X		2.7	
AWM372	X	X		3.0	
AWM373	X	X			
AWM392	X	X		3.0	
AWM393	X	X			3.0
AWM472	X		X	3.0	
AWM473	X		X		3.0
AWM492	X		X	3.0	
AWM493	X		X		3.0
AWM572	X		X	3.0	
AWM573	X		X		3.0
AWM592	X		X	3.0	
AWM593	X		X		3.0
AWM692	X		X	3.0	
AWM693	X		X		3.0

Graphic Panel, Control Hood and Controls

Model AWM190



W170P

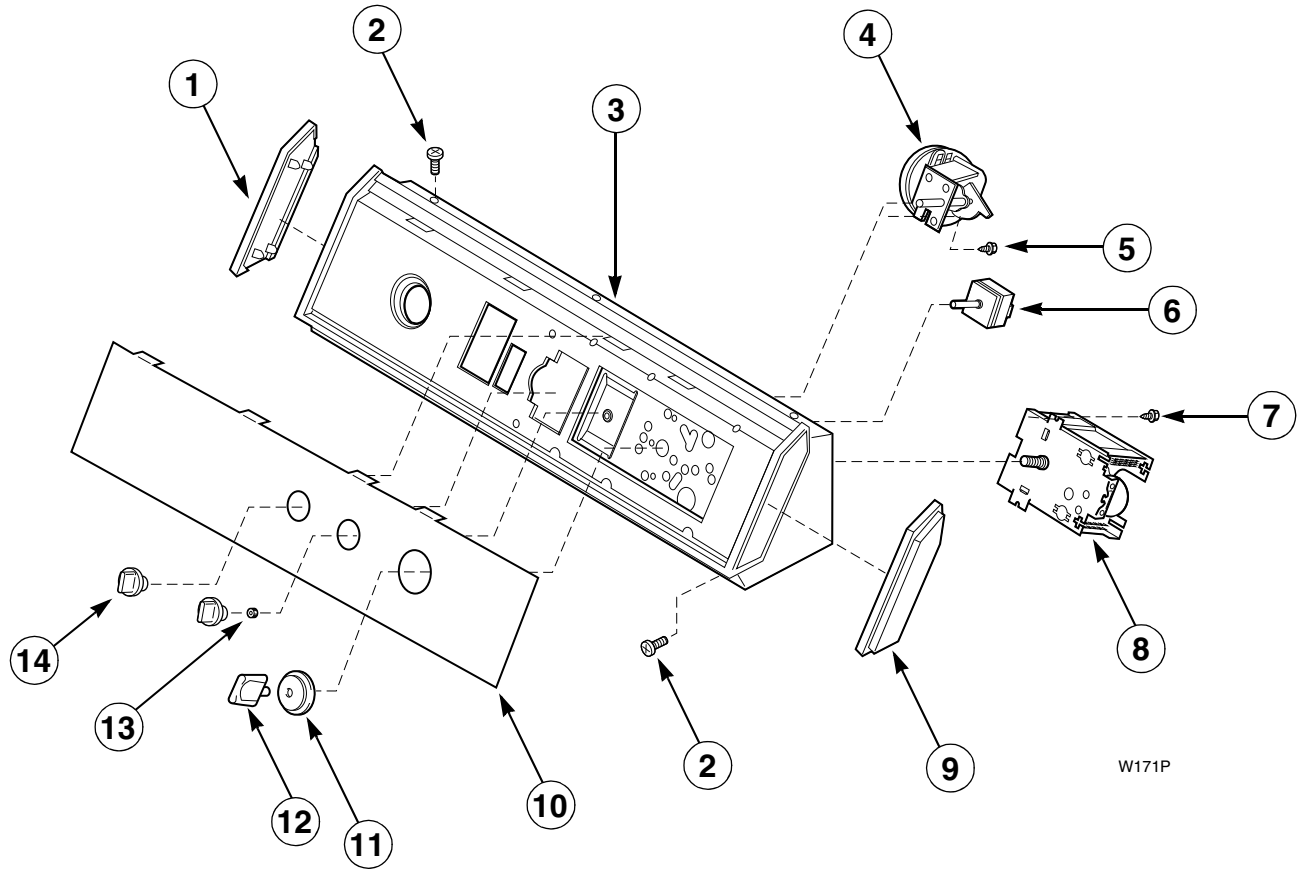
Graphic Panel, Control Hood and Controls

Model AWM190

REF	PART NO.	DESCRIPTION	COMMENTS
1	34460	End Cap	Left
2	31752	Screw	
3	31811	Control Hood Assembly	
4	35012	Pressure Switch	
5	31260	Screw	
6	23962	Screw	
7	31238	Timer	
8	34459	End Cap	Right
9	35973	Graphic Panel	
10	33817	Timer Knob Skirt	
11	33897	Timer Knob	

Graphic Panel, Control Hood and Controls

Models AWM270, AWM372 and AWM373



W171P

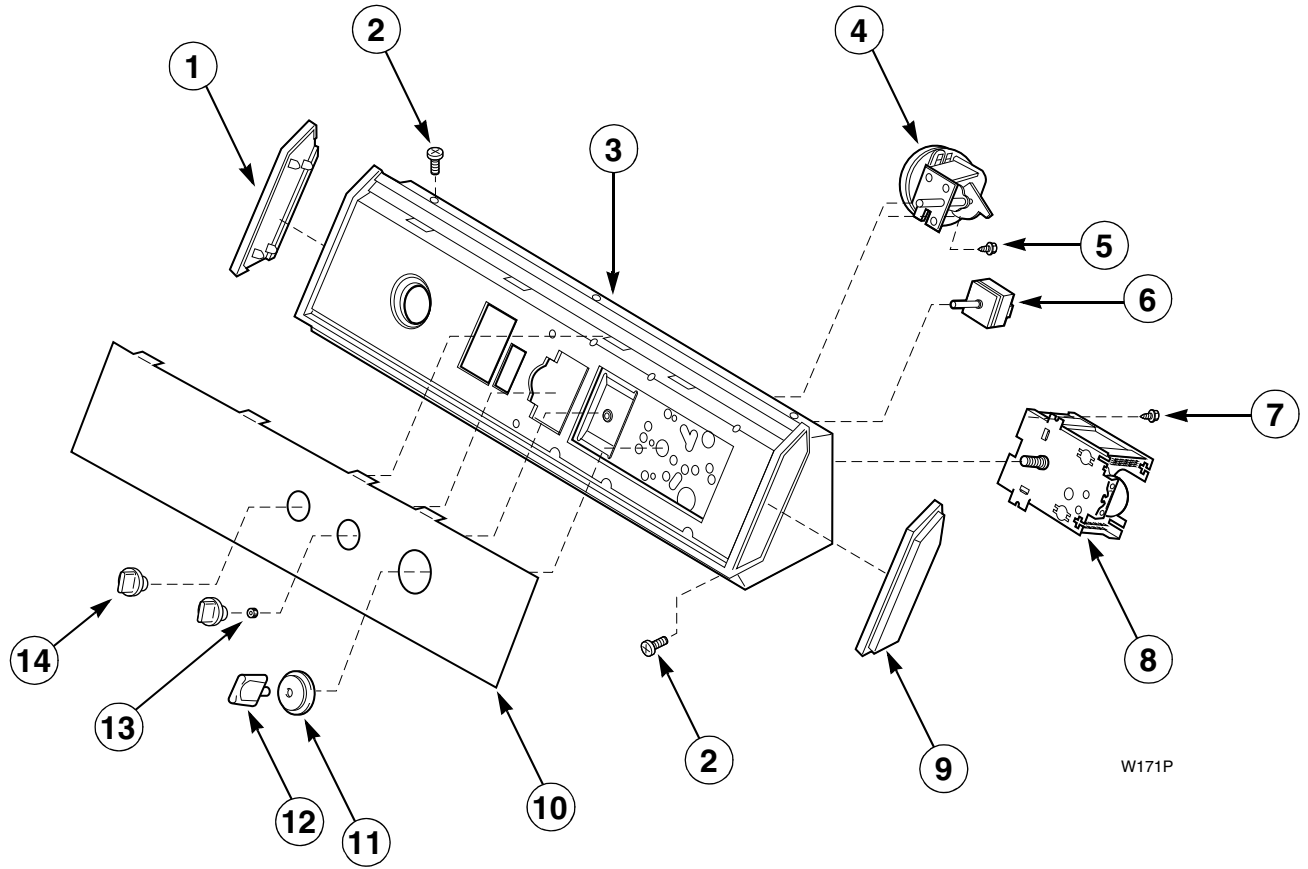
Graphic Panel, Control Hood and Controls

Models AWM270, AWM372 and AWM373

REF	PART NO.	DESCRIPTION	COMMENTS
1	34460	End Cap	Left
2	32993	Screw	
3	36295	Control Hood Assembly	
4	35012	Pressure Switch	Model AWM270
	39023	Pressure Switch	All other models
5	31260	Screw	
6	21300	Temperature Switch	
7	23962	Screw	
8	31238	Timer	Model AWM270
	31239	Timer	All other models
9	31248	End Cap	Right
10	33746	Graphic Panel	Model AWM270
	35239	Graphic Panel	Models AWM372 and AWM373
11	33818	Timer Knob Skirt	
12	33898W	Timer Knob	
13	57584	Nut	
14	33688	Control Knob	

Graphic Panel, Control Hood and Controls

Models AWM290, AWM392 and AWM393



W171P

Graphic Panel, Control Hood and Controls

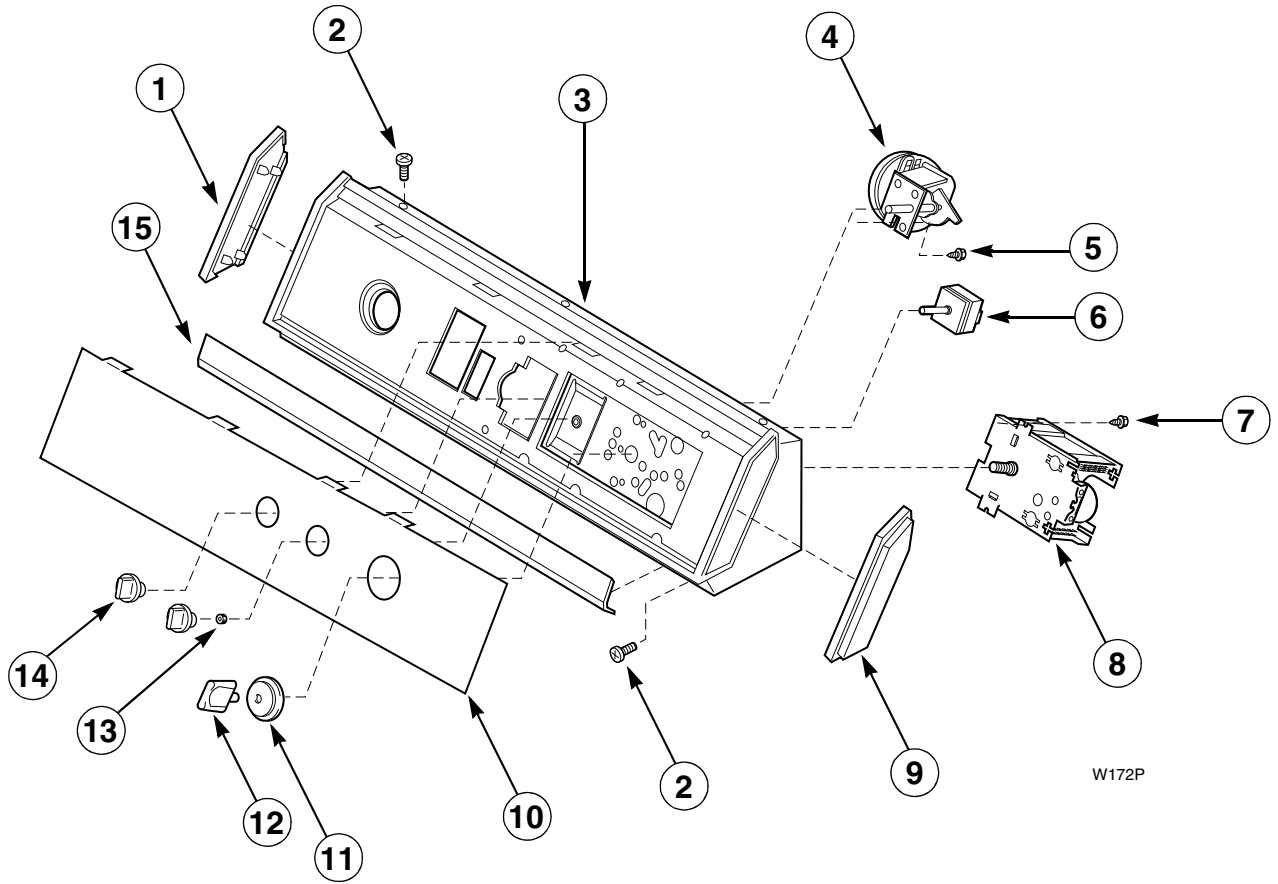
Models AWM290, AWM392 and AWM393

REF	PART NO.	DESCRIPTION	COMMENTS
1	31249	End Cap	Left
2	32993	Screw	
3	36295	Control Hood Assembly	
4	39035	Pressure Switch	Model AWM290
	39023	Pressure Switch	All other models
5	31260	Screw	
6	21300	Temperature Switch	
7	23962	Screw	
8	31238	Timer	Model AWM290
	31239	Timer	All other models
9	31248	End Cap	Right
10	35236	Graphic Panel	Model AWM290; N/A
	35235	Graphic Panel	Models AWM392 and AWM393
11	33817	Timer Knob Skirt	
12	33897	Timer Knob	
13	57584	Nut	
14	33610	Control Knob	

N/A – Part no longer available

Graphic Panel, Control Hood and Controls

Models AWM472, AWM473, AWM572 and AWM573



Graphic Panel, Control Hood and Controls

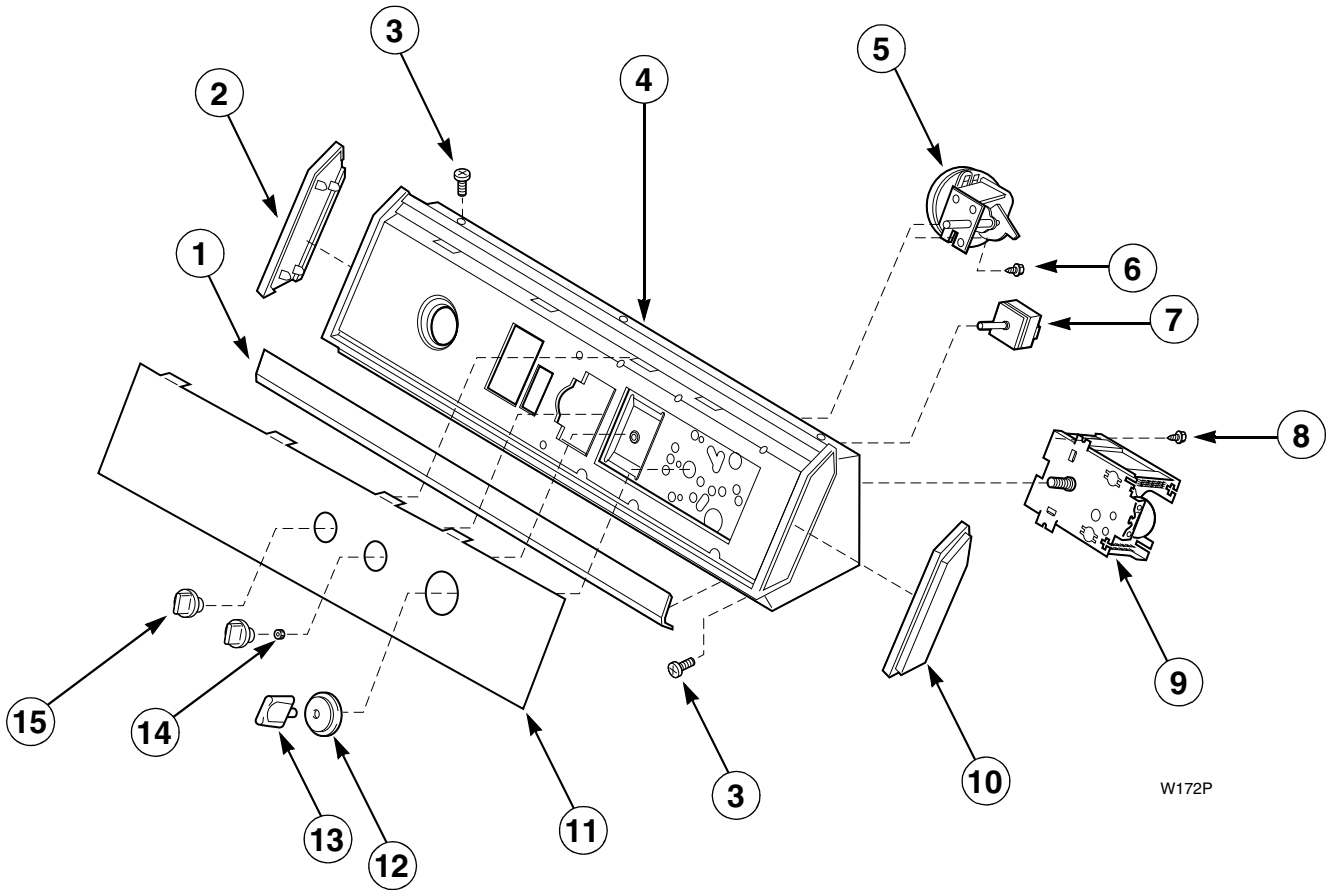
Models AWM472, AWM473, AWM572 and AWM573

REF	PART NO.	DESCRIPTION	COMMENTS
1	31249	End Cap	Left
2	32993	Screw	
3	36295	Control Hood Assembly	
4	39023	Pressure Switch	
5	31260	Screw	
6	21300	Temperature Switch	Models AWM472 and AWM473
	32189	Temperature Switch	Models AWM572 and AWM573
7	23962	Screw	
8	31239	Timer	Models AWM472 and AWM473
	32039	Timer	Models AWM572 and AWM573
9	31248	End Cap	Right
10	35238	Graphic Panel	Models AWM472 and AWM473
	35237	Graphic Panel	Models AWM572 and AWM573; N/A
11	33818	Timer Knob Skirt	
12	33898W	Timer Knob	
13	57584	Nut	
14	33688	Control Knob	
15	33123R	Trim Strip	

N/A – Part no longer available

Graphic Panel, Control Hood and Controls

Models AWM492, AWM493, AWM592 and AWM593



W172P

Graphic Panel, Control Hood and Controls

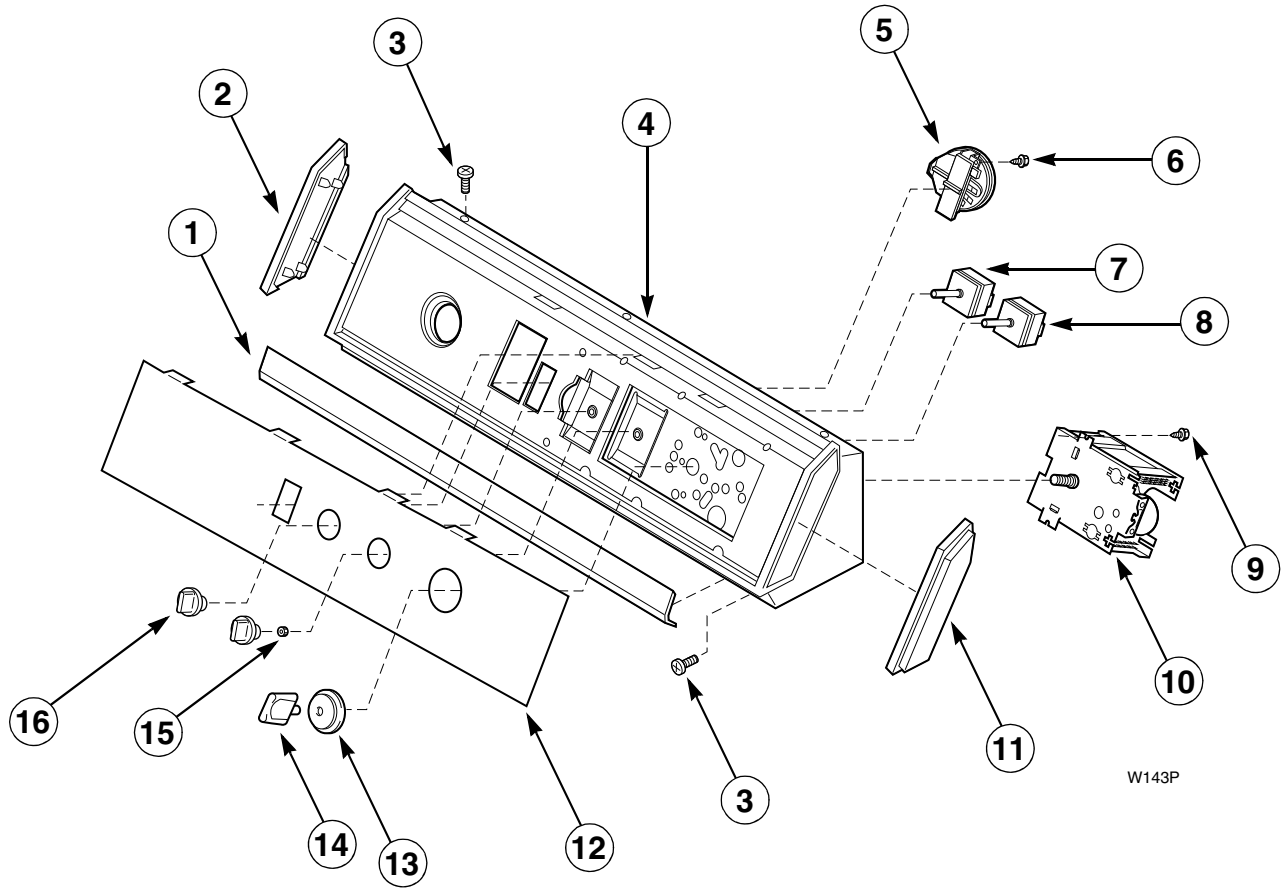
Models AWM492, AWM493, AWM592 and AWM593

REF	PART NO.	DESCRIPTION	COMMENTS
1	33123R	Trim Strip	
2	31249	End Cap	Left
3	32993	Screw	
4	36295	Control Hood Assembly	
5	39023	Pressure Switch	
6	31260	Screw	
7	23100	Temperature Switch	Models AWM492 and AWM493; N/A
	32189	Temperature Switch	Models AWM592 and AWM593
8	23962	Screw	
9	31239	Timer	Models AWM492 and AWM493
	32039	Timer	Models AWM592 and AWM593
10	31248	End Cap	Right
11	35234	Graphic Panel	Models AWM492 and AWM493
	35233	Graphic Panel	Models AWM592 and AWM593
12	33817	Timer Knob Skirt	
13	33897	Timer Knob	
14	57584	Nut	
15	33610	Control Knob	Black

N/A – Part no longer available

Graphic Panel, Control Hood and Controls

Models AWM692 and AWM693



W143P

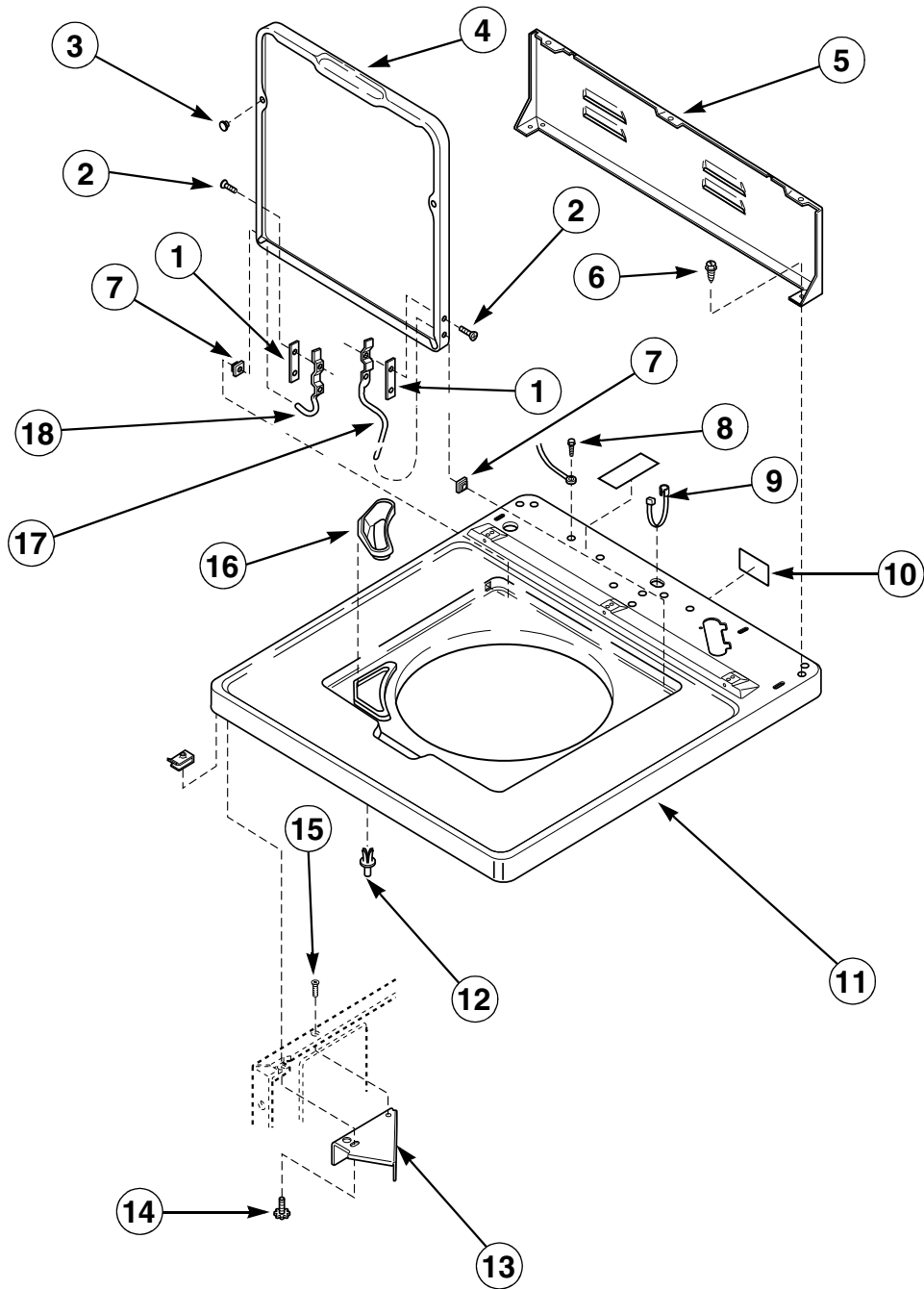
Graphic Panel, Control Hood and Controls

Models AWM692 and AWM693

REF	PART NO.	DESCRIPTION	COMMENTS
1	33123R	Trim Strip	
2	31249	End Cap	Left
3	32993	Screw	
4	32404	Control Hood Assembly	
5	36251	Pressure Switch	
6	31260	Screw	
7	24392	Temperature Switch	N/A
8	33690	Option Switch	
9	23962	Screw	
10	31240	Timer	
11	31248	End Cap	Right
12	35232	Graphic Panel	
13	33817	Timer Knob Skirt	
14	33897	Timer Knob	
15	57584	Nut	
16	33610	Control Knob	

N/A – Part no longer available

Cabinet Top, Loading Door and Control Hood Rear Panel



W149P

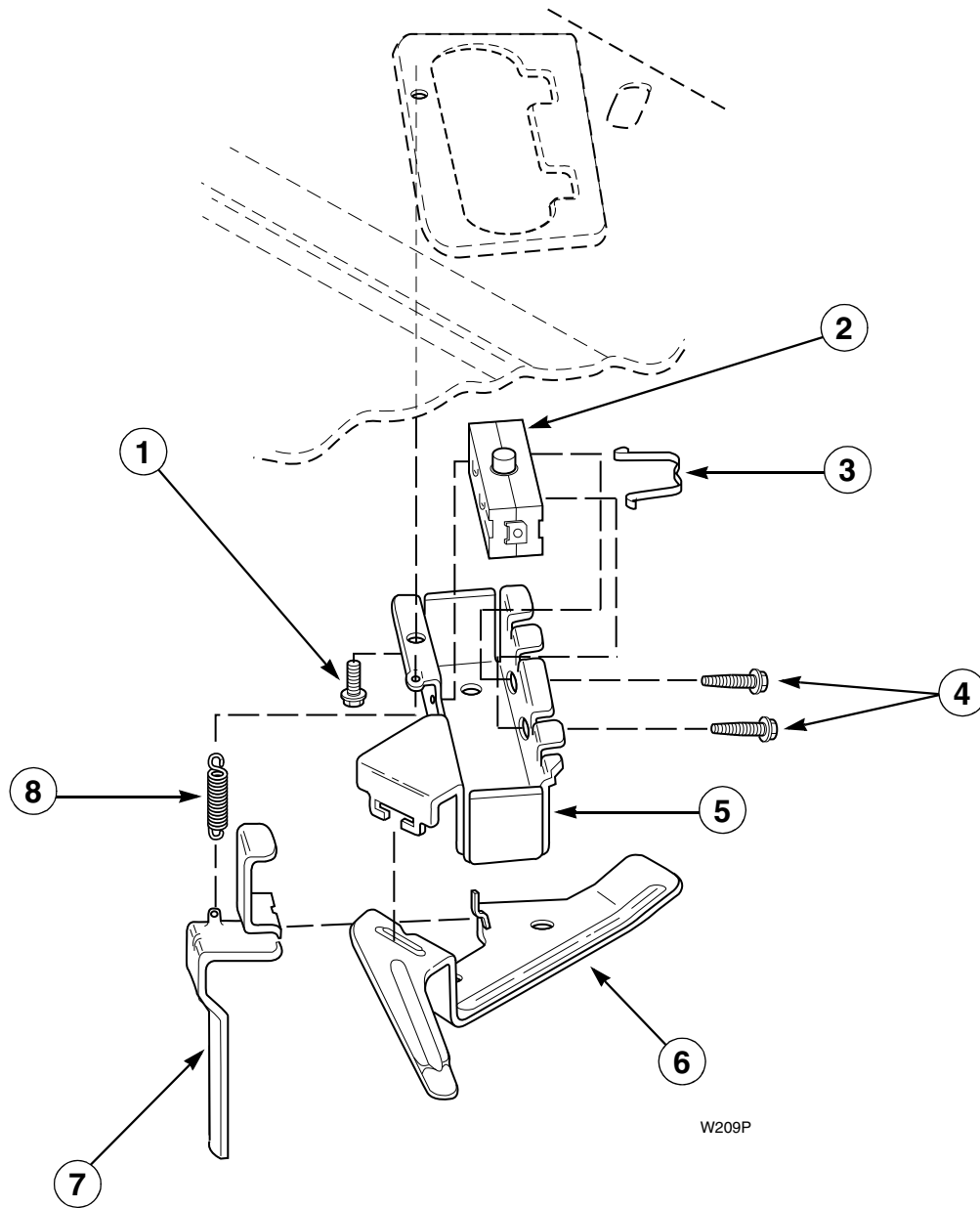
Cabinet Top, Loading Door and Control Hood Rear Panel

REF	PART NO.	DESCRIPTION	COMMENTS
1	34338	Gasket	
2	34337	Screw	
3	21685	Bumper	N/A
4	33541*P	Loading Door	N/A in Harvest Gold
5	37782	Control Hood Rear Panel	
6	23962	Screw	
7	33446	Bushing	
8	52909	Screw	
9	38384	Strain Relief	
10	24903	Sticker	
11	34902*P	Cabinet Top	N/A in Harvest Gold
12	56534	Rivet	
13	36034	Director Basket	
14	33562	Screw	
15	36035	Screw	
16	34776	Bleach Dispenser	Not used in Model AWM190
17	36437	Hinge	Right
18	36438	Hinge	Left

* Add letter to designate color: L - Almond W - White H - Harvest Gold

N/A – Part no longer available

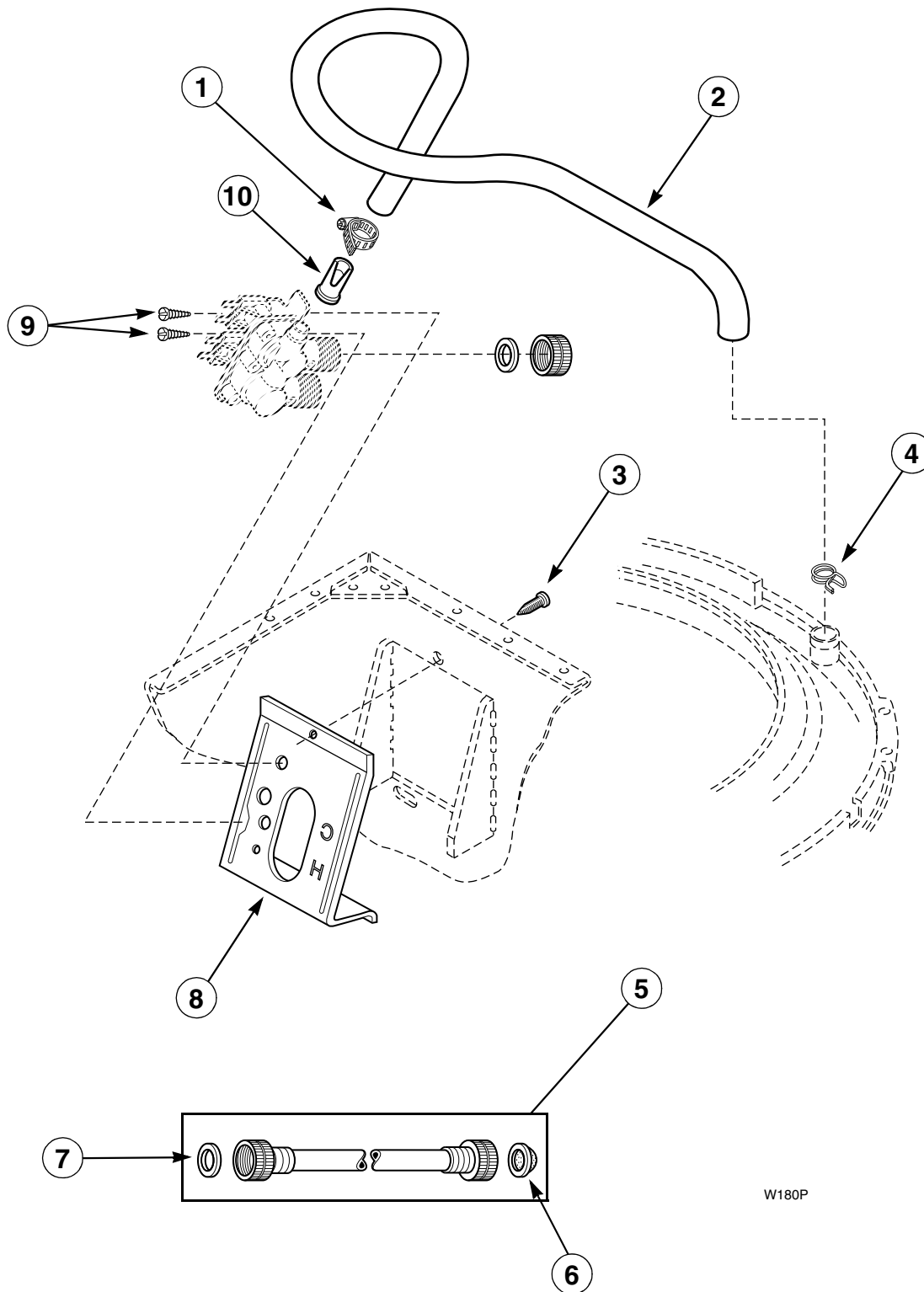
Out-Of-Balance Switch



Out-Of-Balance Switch

REF	PART NO.	DESCRIPTION	COMMENTS
1	23962	Screw	
2	33445	Switch	
3	33433	Clip	For models using Part No. 33440 Switch Holder
4	36510	Screws	For models using Part No. 36497P Switch Holder
5	36497P	Switch Holder	Replaces Part No. 33440 Switch Holder
6	33441	Actuator Arm	
7	33442	Lever	
8	33443	Spring	

Inlet Hose, Fill Hose and Mixing Valve Mounting Bracket



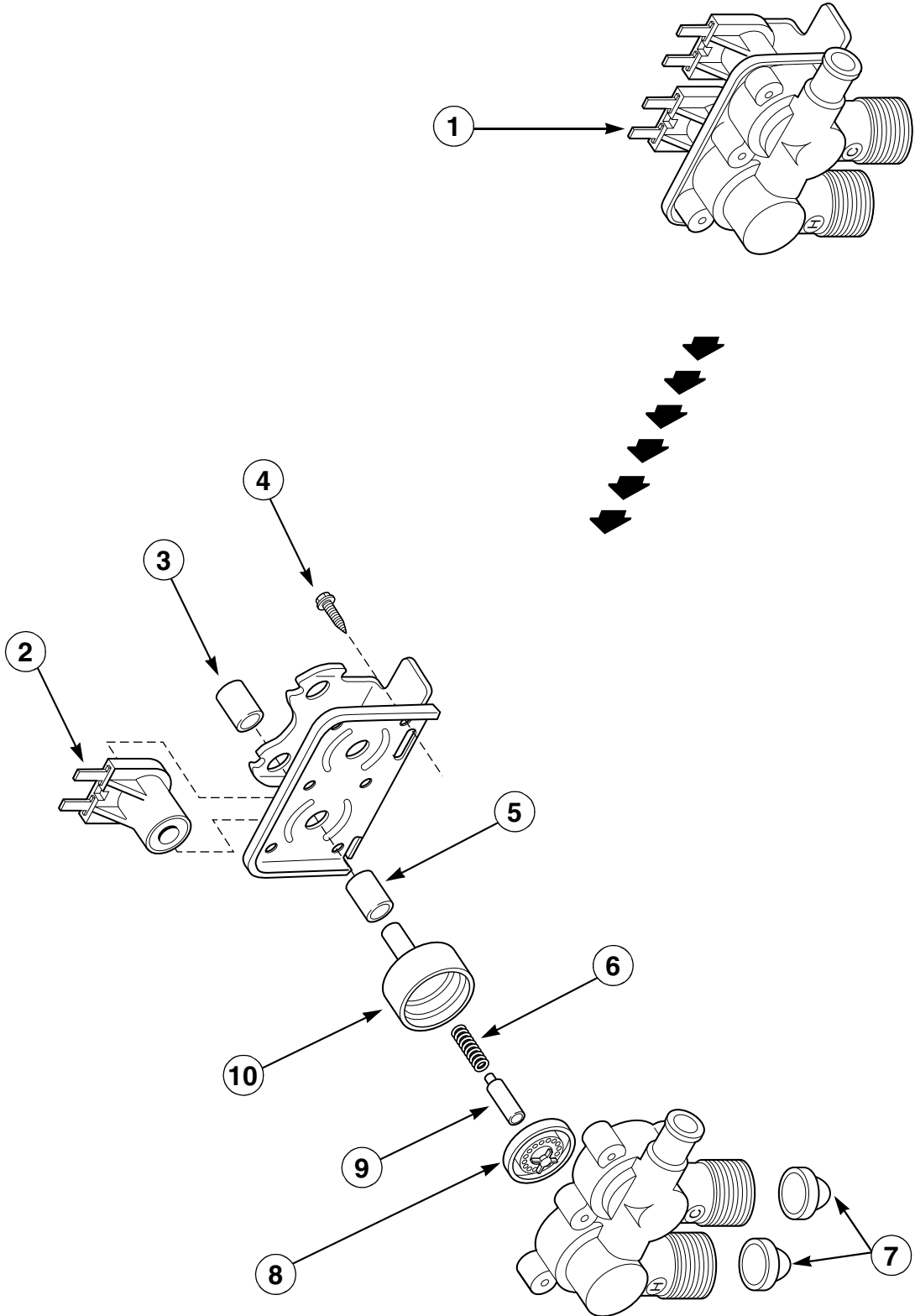
W180P

Inlet Hose, Fill Hose and Mixing Valve Mounting Bracket

REF	PART NO.	DESCRIPTION	COMMENTS
1	36801	Hose Clamp	
2	35874	Filler Hose	
3	33562	Screw	
4	29210	Hose Clamp	Gold
5	28330P	Inlet Hose Assembly	
6	28605	Filter Washer	N/A
7	20290	Hose Washer	
8	39407	Mixing Valve Mounting Bracket	
9	23962	Screw	
10	34500	Backflow Preventer	

N/A – Part no longer available

Mixing Valve Assembly



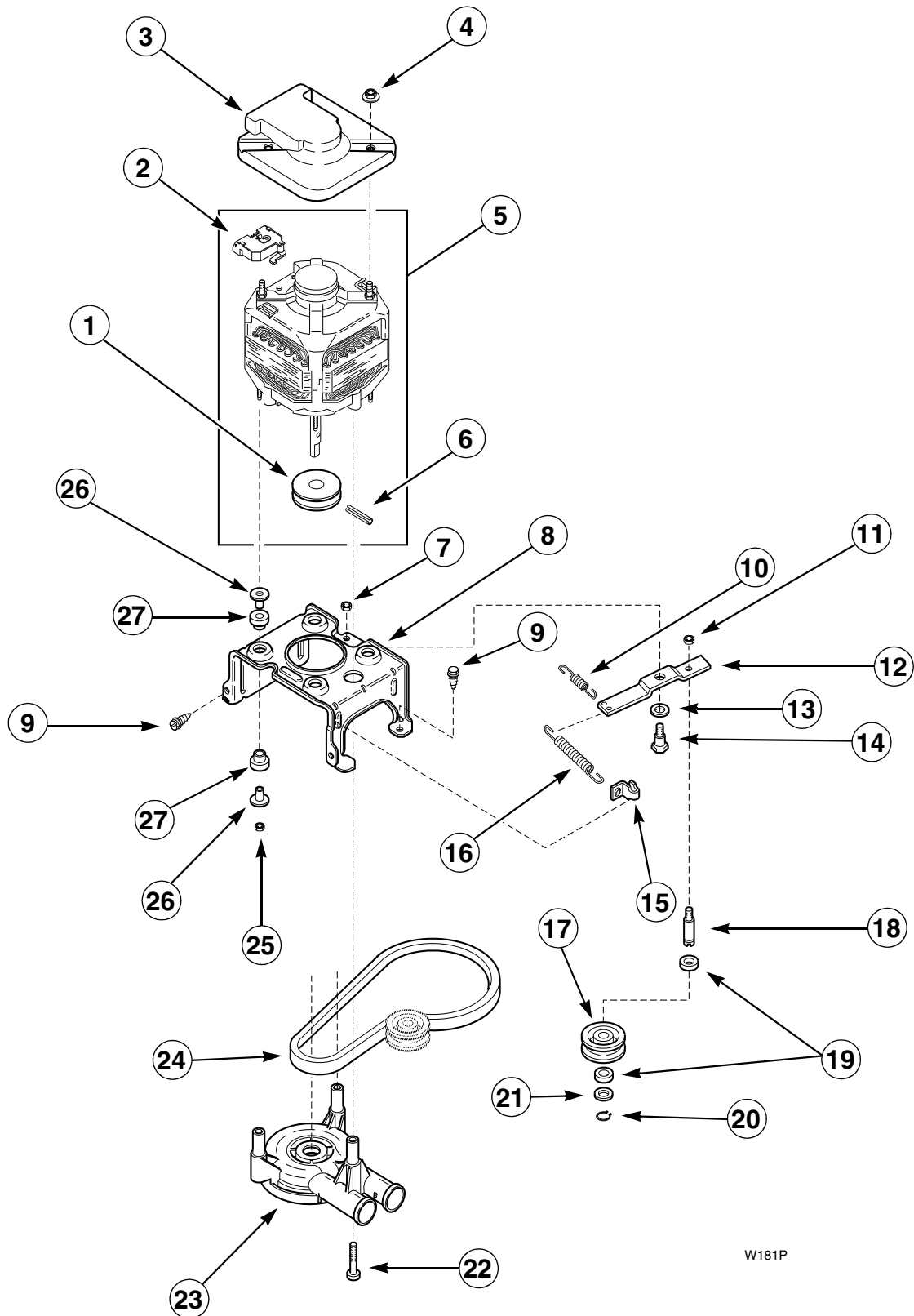
W161P

Mixing Valve Assembly

REF	PART NO.	DESCRIPTION	COMMENTS
1	34963	Mixing Valve	
2	33930A	Solenoid	
3	24128	Sleeve	Short; N/A
4	25817C	Screw	N/A
5	24129	Sleeve	Short; N/A
6	23224E	Spring	N/A
7	F270200	Inlet Screen	
8	24134	Diaphragm	N/A
9	24132	Armature	N/A
10	24130	Armature Guide	N/A

N/A – Part no longer available

Motor, Mounting Bracket, Belt, Pump and Idler Assembly



W181P

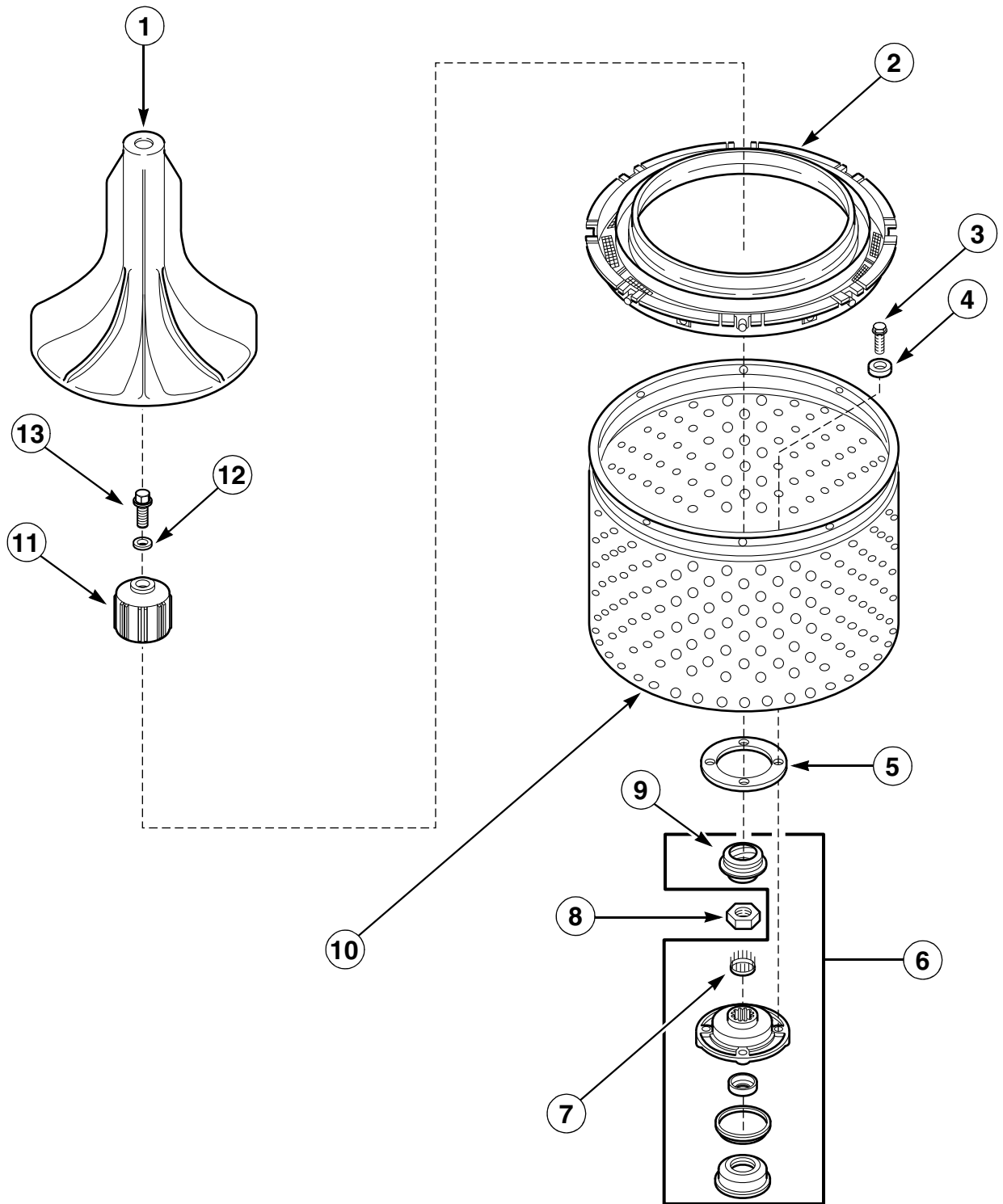
Motor, Mounting Bracket, Belt, Pump and Idler Assembly

REF	PART NO.	DESCRIPTION	COMMENTS
	258P3	Capacitor Kit	For areas where low voltage exists; N/A
1	27171	Motor Pulley	Gold; N/A
2	35632	Motor Switch	
3	34754	Motor Shield	
4	35139	Palnut	N/A
5	37819P	Motor Assembly	2 Speed
	38036P	Motor Assembly	1 Speed
6	23750	Roll Pin	N/A
7	52566	Locknut	
8	34890	Motor Mount	N/A
9	503661	Screw	
10	30620	Helper Spring	
11	28803	Locknut	
12	31054	Idler Lever	
13	81392	Washer	
14	27229	Shoulder Bolt	
15	28849	Clip	
16	37366	Spring	
17	28800	Idler Pulley	
18	28802	Idler Shaft	
19	29443	Washer	Felt
20	23748	Retainer Ring	
21	52549	Washer	Nylatron
22	34565	Screw	
23	36863P	Pump Assembly	
24	28808	Belt	Agitate and spin
25	35423	Nut	
26	34971	Motor Mount Post	
27	34788	Motor Mount	Rubber

N/A – Part no longer available

Agitator, Drive Bell, Seal Kit, Washtub and Hub

Models AWM190, AWM270 and AWM290



W127P

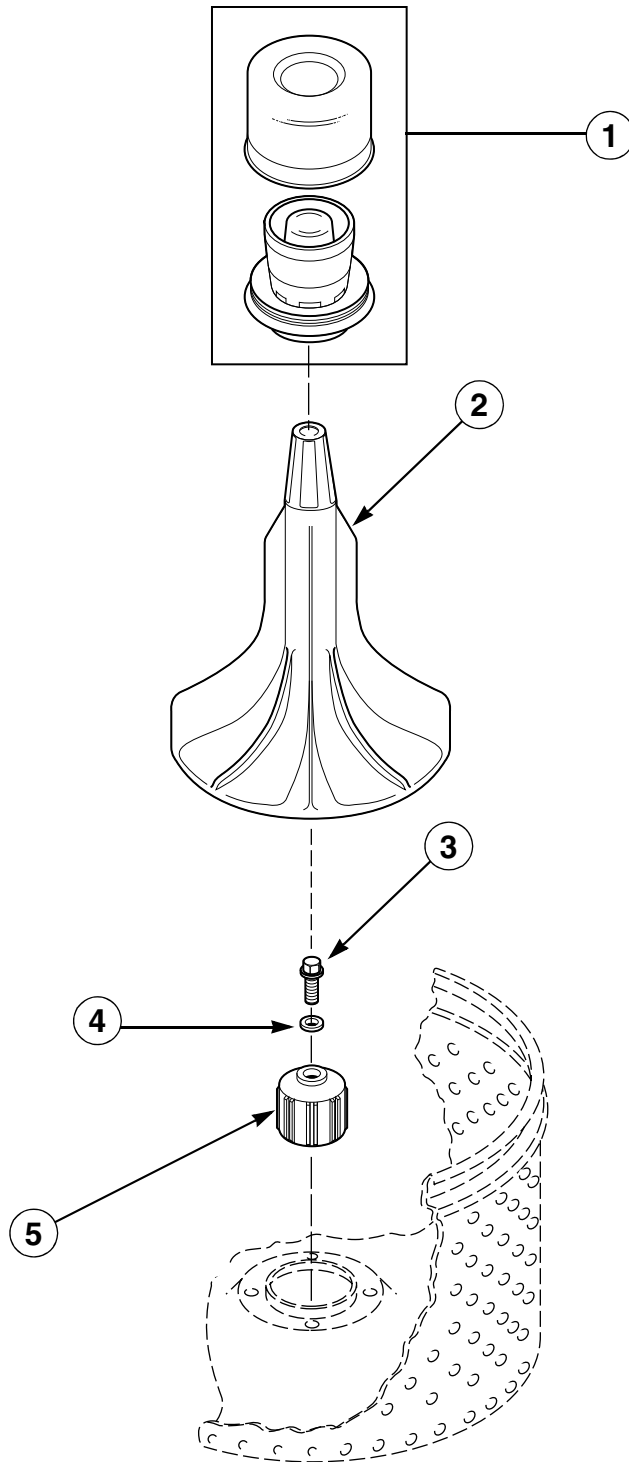
Agitator, Drive Bell, Seal Kit, Washtub and Hub

Models AWM190, AWM270 and AWM290

REF	PART NO.	DESCRIPTION	COMMENTS
1	33513	Agitator	Model AWM190
	33514	Agitator	Models AWM270 and AWM290
2	35035	Clothes Guard	
3	27202	Cap Screw	
4	28094	Gasket	
5	39122	Gasket	
6	495P3	Hub and Seal Kit	Includes Part No. 32857 Cover Gasket and 39508P Drive Bell and Seal Kit
7	29728	Splined Insert	
8	29220	Locknut	
9	34184	Hub and Transmission Tube Seal	
10	39252P	Washtub	Blue porcelain; Models AWM190 and AWM290
	39240P	Washtub	White porcelain; Model AWM270
11	39508P	Drive Bell and Seal Kit	Includes items 9, 12 and 13
12	36472	O-Ring	
13	39432	Shoulder Screw	

Agitator and Drive Bell

All Models Except AWM190, AWM270 and AWM290



W533P

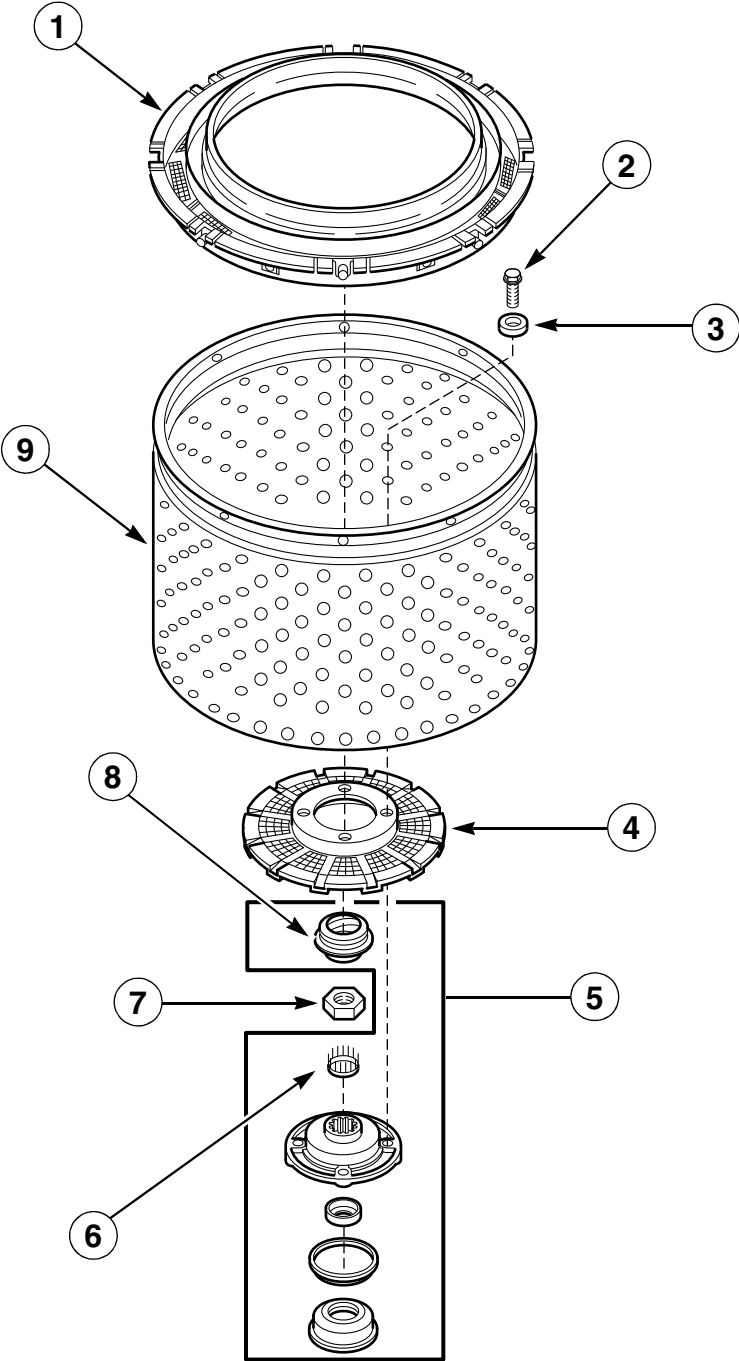
Agitator and Drive Bell

All Models Except AWM190, AWM270 and AWM290

REF	PART NO.	DESCRIPTION	COMMENTS
1	33510	Fabric Softener Dispenser	Models AWM572, AWM573, AWM592, AWM593, AWM692 and AWM693
2	33514	Agitator	
3	39432	Shoulder Screw	
4	36472	O-Ring	
5	39508P	Drive Bell and Seal Kit	Includes items 3 and 4

Clothes Guard, Washtub, Lint Filter and Hub

All Models Except AWM190, AWM270 and AWM290



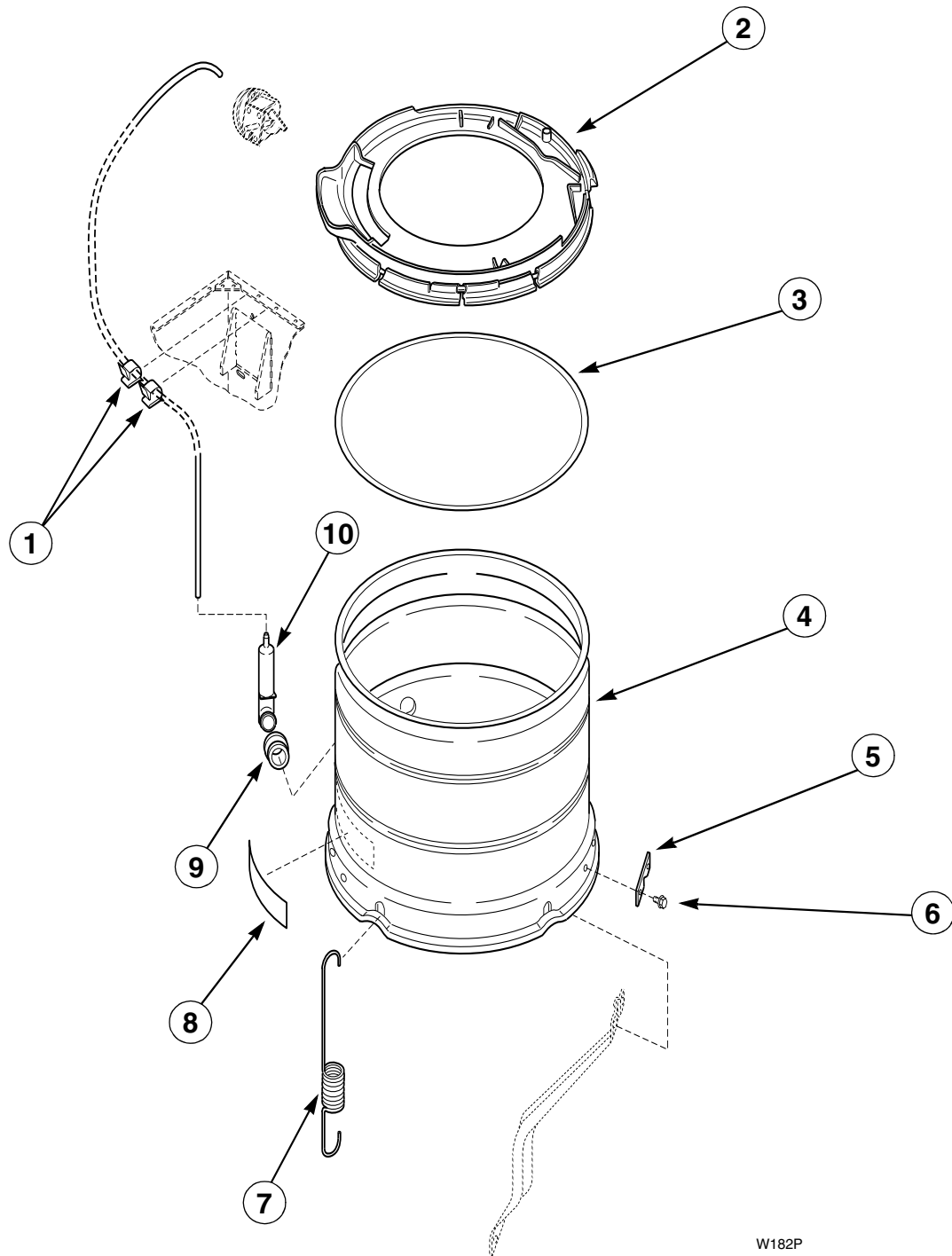
W153P

Clothes Guard, Washtub, Lint Filter and Hub

All Models Except AWM190, AWM270 and AWM290

REF	PART NO.	DESCRIPTION	COMMENTS
1	35035	Clothes Guard	
2	27202	Cap Screw	
3	28094	Gasket	
4	39371	Lint Filter	
5	495P3	Hub and Seal Kit	Includes Part No. 32875 Cover Gasket and 39508P Drive Bell and Seal Kit
6	29728	Splined Insert	
7	29220	Locknut	
8	39508P	Hub and Transmission Seal	Included with drive bell and seal kit
9	39240P	Washtub	White porcelain; Models AWM372, AWM392, AWM472, AWM492, AWM572, and AWM592
	719P3	Washtub	Stainless Steel; All other models

Outer Tub, Cover and Pressure Hose

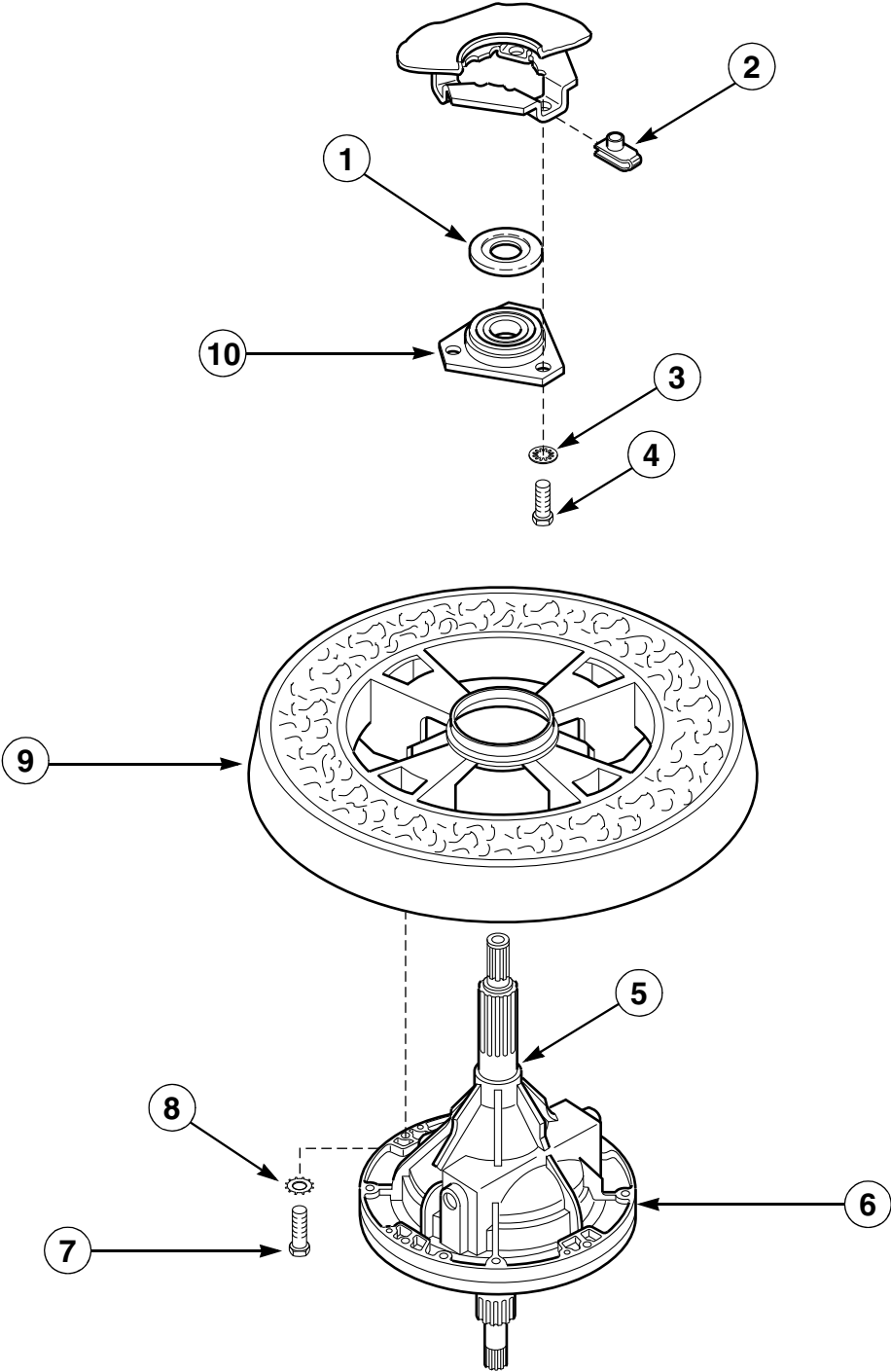


W182P

Outer Tub, Cover and Pressure Hose

REF	PART NO.	DESCRIPTION	COMMENTS
1	21036	Clips	
2	36025	Outer Tub Cover Assembly	Includes item 3
3	32857	Gasket	
4	34439P	Outer Tub	Models AWM190, AWM270 and AWM290
	34438P	Outer Tub	All other models
5	27926	Leg Plate	
6	35369	Screw	
7	35947	Centering Spring	Models AWM190, AWM270 and AWM290
	35948	Centering Spring	All other models
8	500049	Sticker	
9	29175	Grommet	
10	30907	Pressure Bulb	

Transmission Assembly and Balance Ring

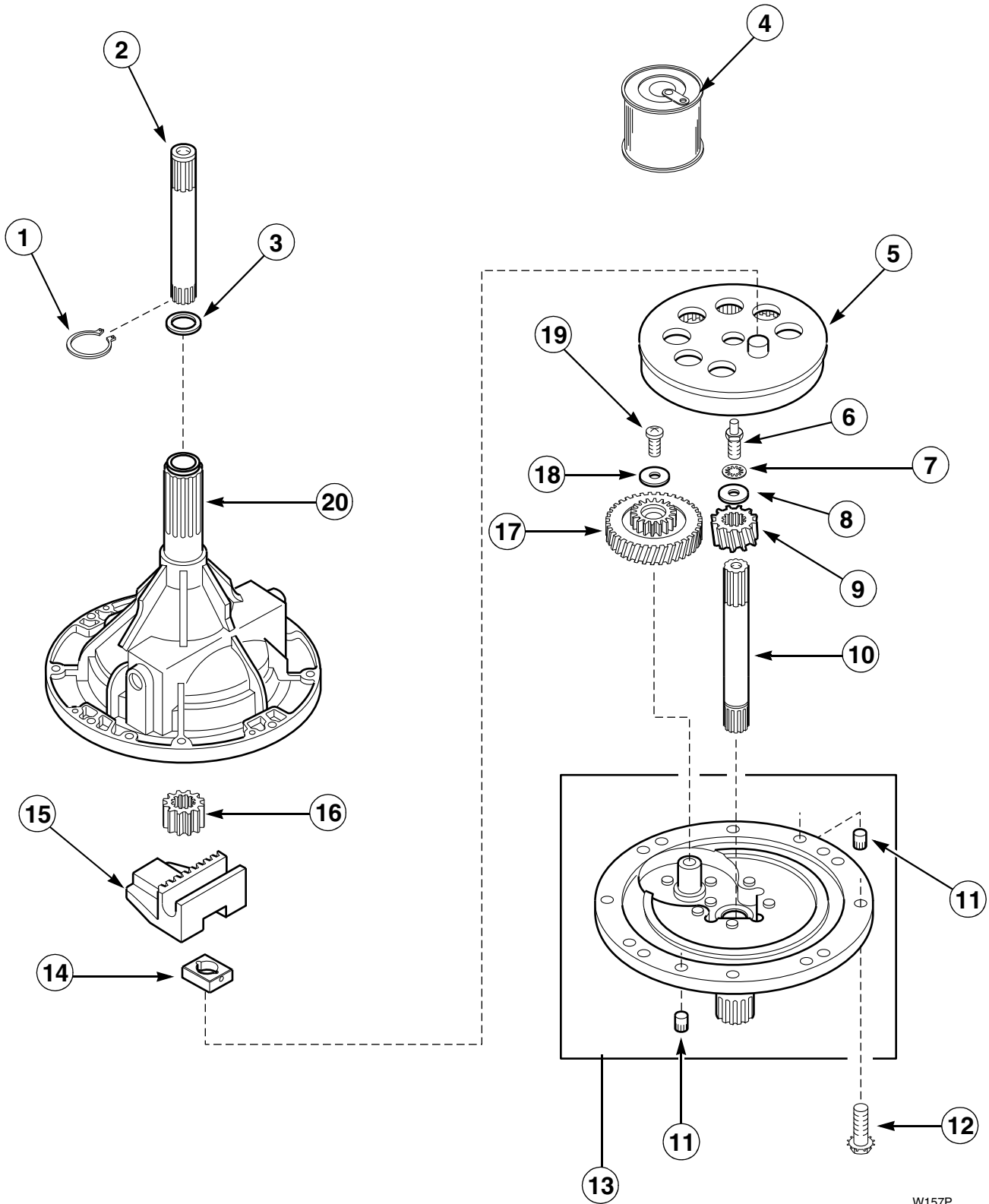


W156P

Transmission Assembly and Balance Ring

REF	PART NO.	DESCRIPTION	COMMENTS
1	27187	Flinger	
2	27222	Retainer Nut	
3	04366	Lockwasher	
4	M400057	Cap Screw	
5	27604P	Anti-Seize Compound	Apply to this area of both the upper and lower transmission tubes
6	34526P	Transmission Assembly	See page 36 for component parts
7	27200	Cap Screw	
8	02431	Lockwasher	
9	34731	Balance Ring	
10	27182	Bearing Housing Assembly	

34526P Transmission Assembly

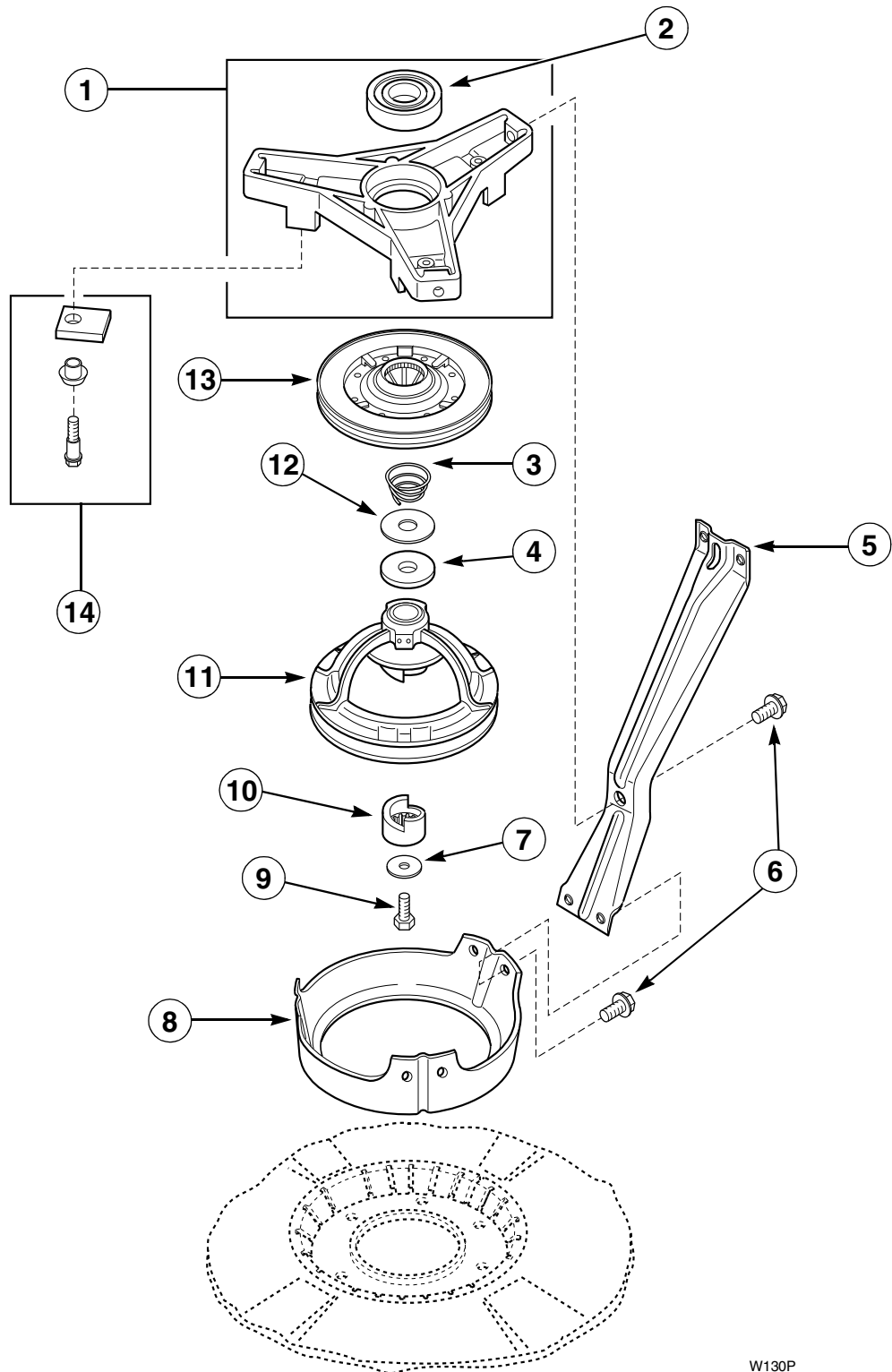


W157P

34526P Transmission Assembly

REF	PART NO.	DESCRIPTION	COMMENTS
	37577P	Loctite	Use as a sealant between transmission case and cover
1	27197	Retainer Ring	
2	36570	Output Shaft	
3	35092	Washer	
4	27243P	Transmission Oil	1 fill
5	26577	Internal Gear	
6	27030	Special Screw	
7	21456	Lockwasher	
8	26509	Washer	
9	36562	Drive Pinion	
10	34853	Input Shaft	
11	27172	Dowel Pin	
12	32814	Screw	
13	38290	Transmission Cover Assembly	
14	26493	Slide	
15	31526	Rack	
16	27003	Agitator Pinion	
17	29161	Reduction Gear	
18	29260	Washer	
19	29273	Screw	
20	33223	Transmission Case Assembly	

Bearing Housing, Brake, Pulley and Pivot Dome

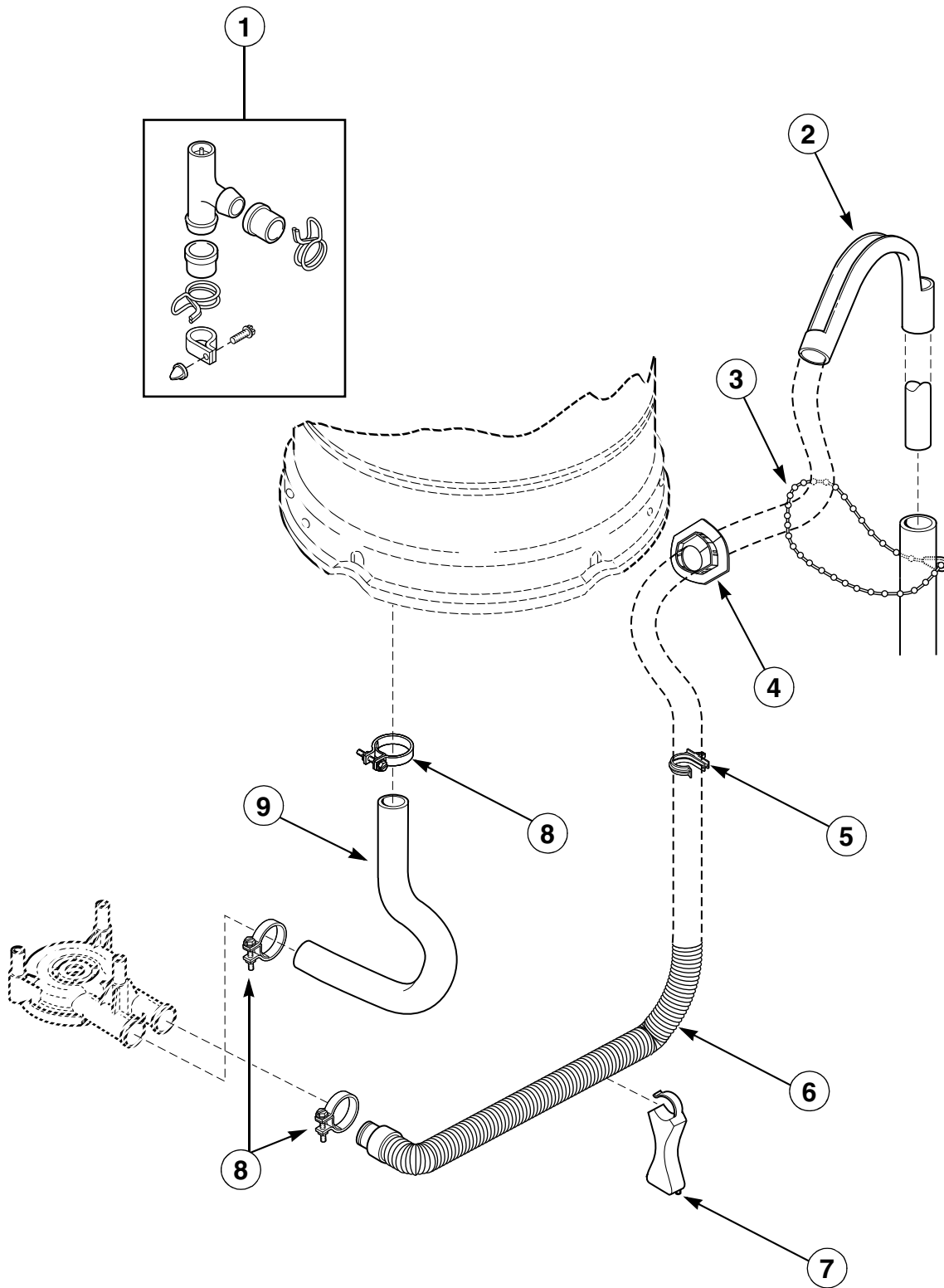


W130P

Bearing Housing, Brake, Pulley and Pivot Dome

REF	PART NO.	DESCRIPTION	COMMENTS
	26594P	Silicone Lubricant	Apply small amount to each new brake pad
1	35746	Bearing Housing Assembly	
2	28944R	Bearing	
3	33435	Spring	
4	27015	Washer	Thick
5	34792	Support Leg	Models AWM190, AWM270 and AWM290
	34471	Support Leg	All other models
6	35369	Screw	
7	26509	Washer	
8	34470	Pivot Dome	
9	27220	Screw	
10	27018	Helix	
11	34923	Pulley Assembly	Models AWM190, AWM270 and AWM290
	34921	Pulley Assembly	All other models
12	35535	Washer	Thin
13	38505P	Brake Assembly	
14	548P3	Brake Pad Kit	Includes sleeves, screws and 3 pads

Drain Hose and Siphon Break

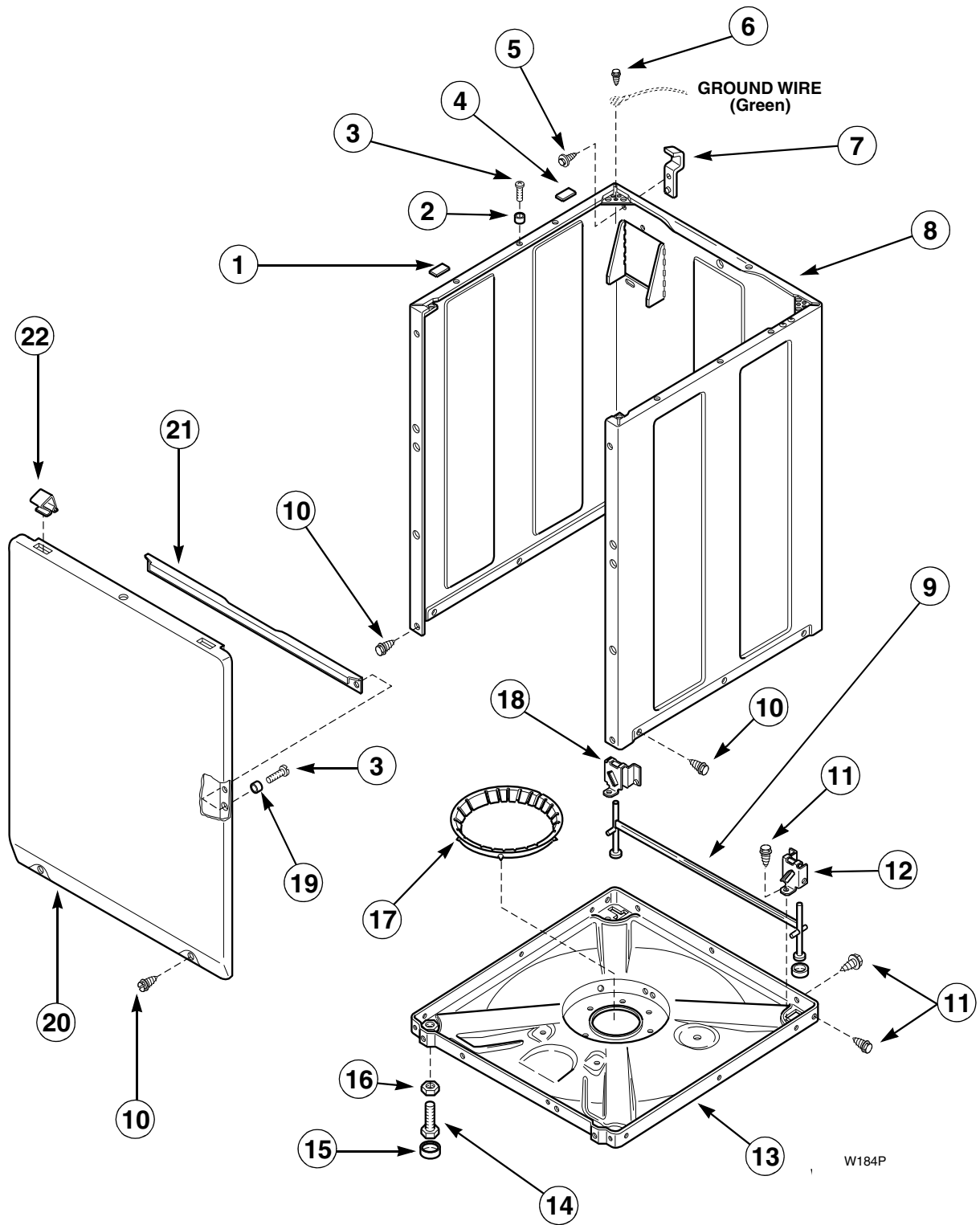


W183P

Drain Hose and Siphon Break

REF	PART NO.	DESCRIPTION	COMMENTS
	406P3	Drain Extension Kit	Use with 20616 Drain Hose, order by the foot as required
1	562P3	Siphon Break Kit	Must be installed in drain hose if drain receptacle is lower than cabinet top of washer
2	33615	Drain Hose Sleeve	
3	33489	Beaded Tie-Down Strap	
4	32219	Drain Hose Strain Relief	
5	36014	Hose Retainer Clip	
6	39950	Drain Hose	
7	35487	Hose Support	
8	36802	Hose Clamp	
9	35752	Tub-To-Pump Hose	Models AWM190, AWM270 and AWM290
	35753	Tub-To-Pump Hose	All other models

Front Panel, Base and Cabinet Assembly



W184P

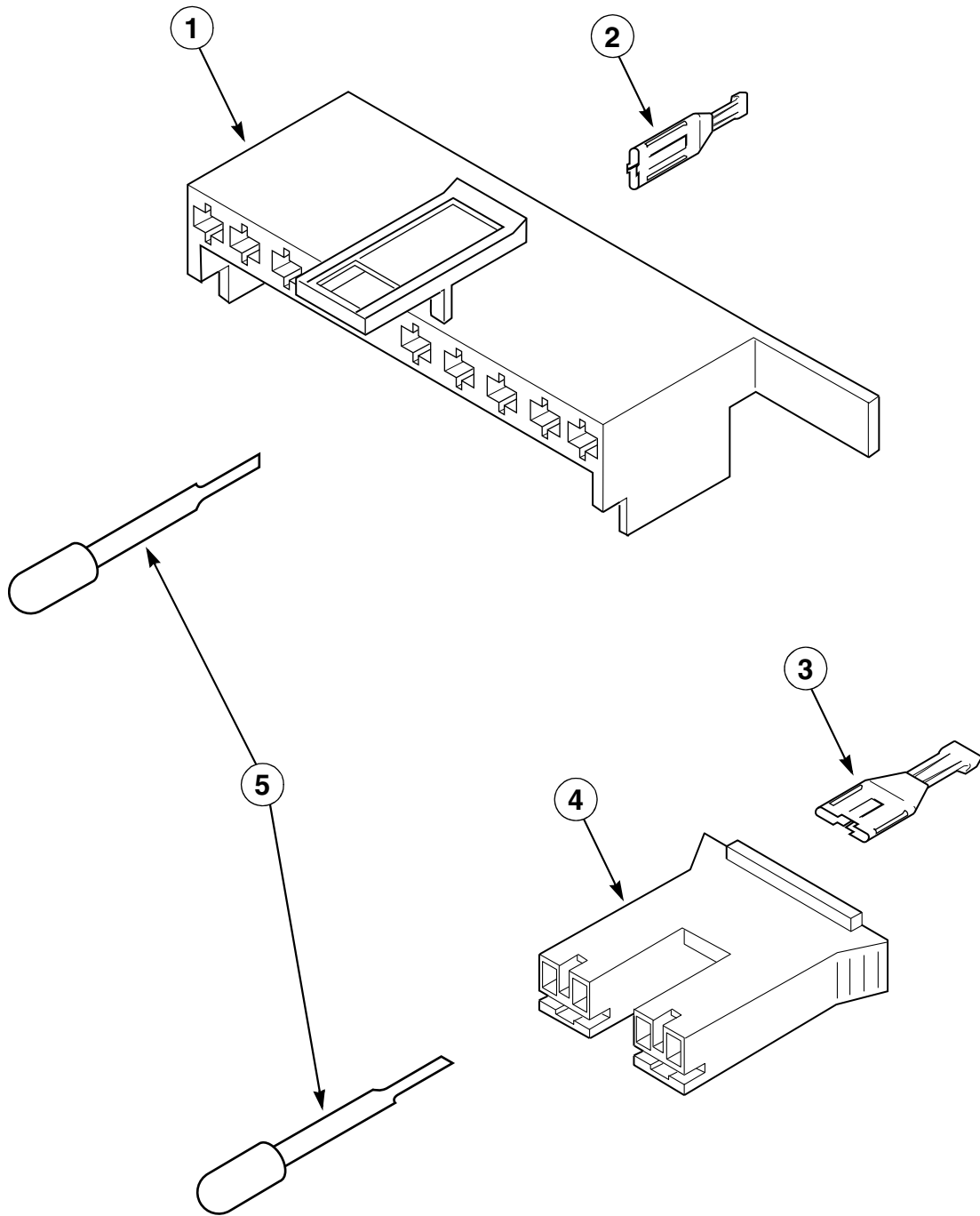
Front Panel, Base and Cabinet Assembly

REF	PART NO.	DESCRIPTION	COMMENTS
1	56128	Bumper Pad	Thin
2	56079	Guide Lug	
3	32671	Screw	
4	36226	Bumper Pad	Thick
5	51780	Screw	
6	23962	Screw	
7	27103	Hinge	
8	38612*P	Cabinet Assembly	
9	34443	Leveling Leg and Stabilizer Bar Assembly	
10	27196	Screw	
11	35148	Screw	
12	36036	Bracket	Right
13	34434P	Base Assembly	Includes items 9, 11, 12, 14, 16, 17 and 18
14	34319	Leveling Leg	
15	34318	Rubber Foot	
16	21899	Locknut	
17	36108	Snubber Pad and Isolator Assembly	
18	36037	Bracket	Left
19	28102	Guide Lug	
20	34656*P	Front Panel	Includes items 21 (and attaching hardware) and 22; N/A in Harvest Gold
21	35097	Brace	
22	35865	Hold-Down Clip	

* Add letter to designate color: L - Almond W - White H - Harvest Gold

N/A – Part no longer available

Mixing Valve and Motor Connection Blocks, Terminals and Terminal Extractor Tool

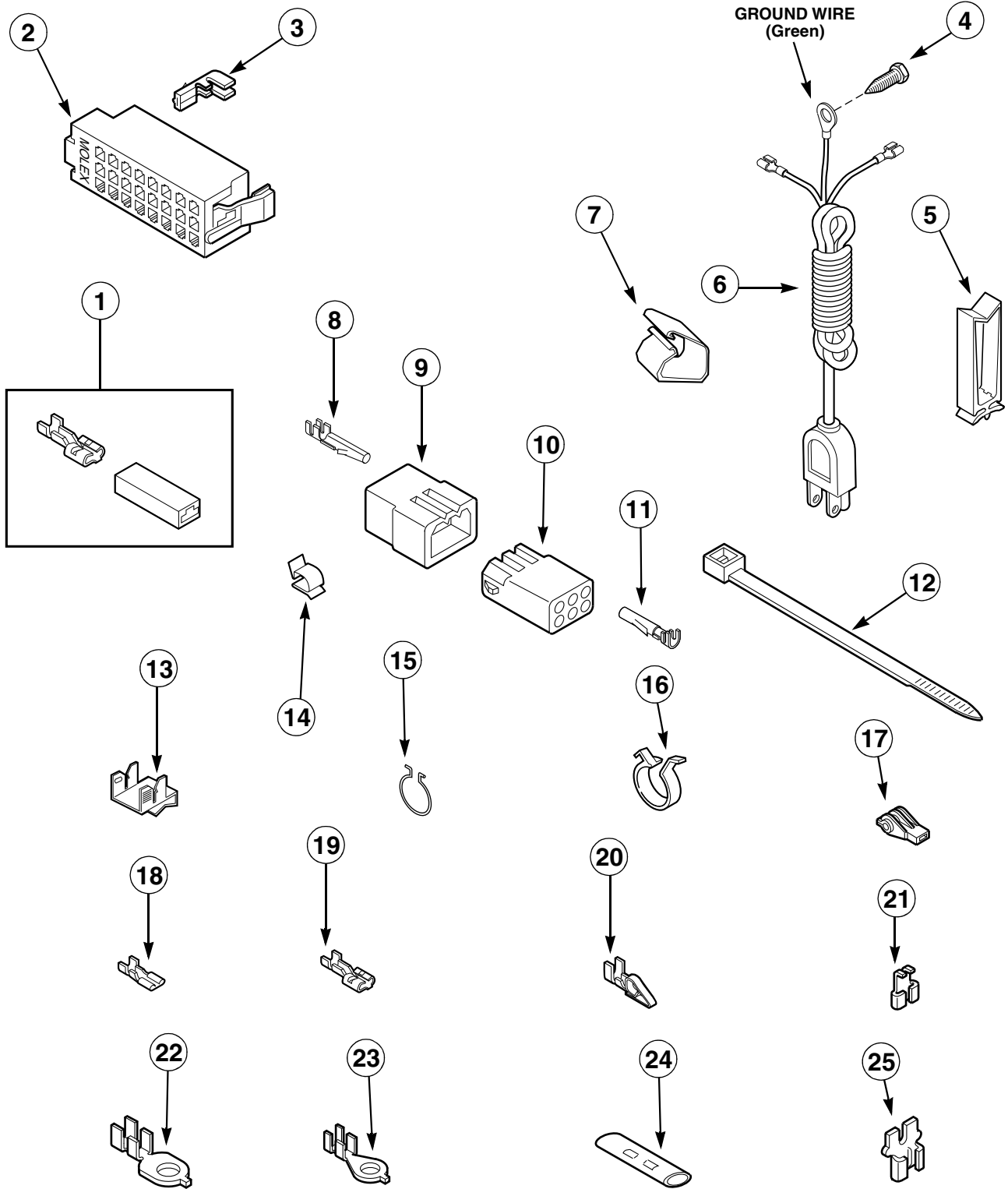


W134P

Mixing Valve and Motor Connection Blocks, Terminals and Terminal Extractor Tool

REF	PART NO.	DESCRIPTION	COMMENTS
1	34677	Molex Housing	Motor
2	00188	Molex Terminal	For 1 or 2 wire application
3	00121	Spade Terminal	1/4 inch
4	34675	Amp Housing	Mixing valve; Natural
	34676	Amp Housing	Mixing valve; Red
5	283P4	Terminal Extractor Tool	

Power Cord and Terminals

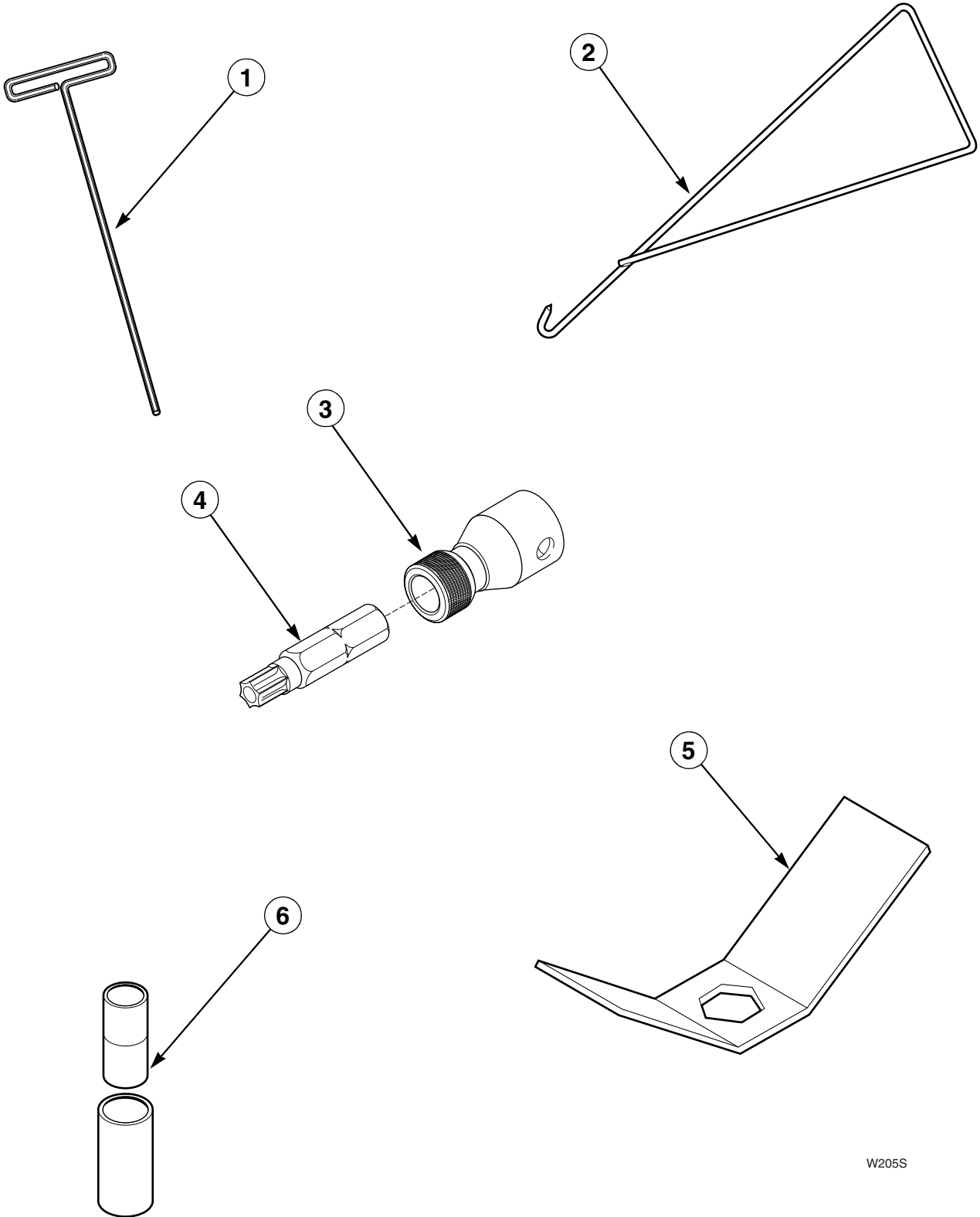


W185P

Power Cord and Terminals

REF	PART NO.	DESCRIPTION	COMMENTS
1	00234	Terminal and Housing Assembly	
2	32746	Molex Housing	Right
	34123	Molex Housing	Left
3	00188	Molex Housing	Used for 1 or 2 wire application
4	52909	Screw	
5	36274	Harness Clip	
6	34458	Power Cord	
7	35521	Harness Clip	
8	00116	Terminal	Male
9	26302	Terminal Block	1 circuit
	26708	Terminal Block	6 circuit
	23033	Terminal Block	9 circuit
10	26301	Terminal Block	1 circuit
	26708	Terminal Block	6 circuit
	26163	Terminal Block	9 circuit
11	00117	Terminal	Male
12	55881	Wire Tie	
13	00161	Ground Clip	
14	21036	Cable Clip	
15	51291	Wire Clip	
16	504034	Wire Clip	
17	70210	Plastic Insulator	
18	00112	Spade Terminal	Small
19	00223	Spade Terminal	Large
20	00220	Spade Terminal	Female; 1/4 inch
21	00120	Right Angle	Flag terminal
22	00113	Eyelet Terminal	1/4 inch ring
23	00110	Eyelet Terminal	Small shank
24	21091	Connector	
25	29673	Double Connector	

Special Tools

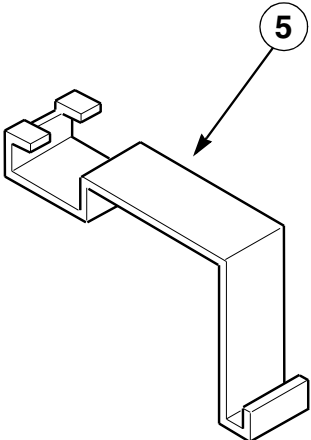
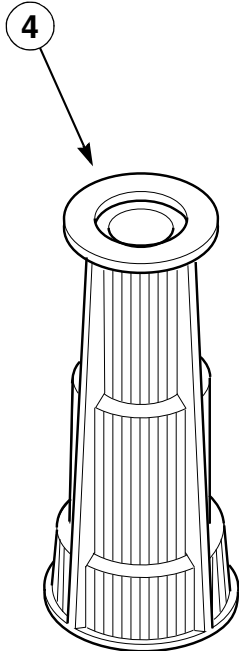
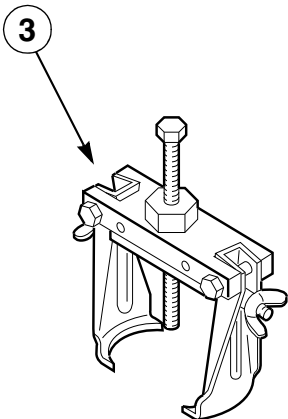
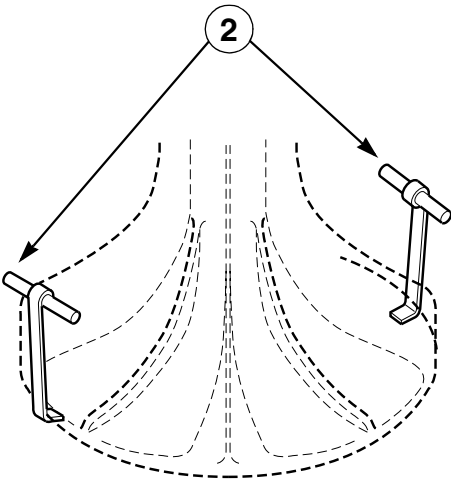
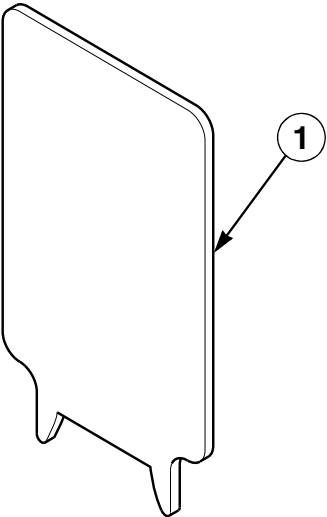


W205S

Special Tools

REF	PART NO.	DESCRIPTION	COMMENTS
	725P3	Tool Kit	Includes items 2, 5, 6, 272P4 Lid Switch Tool, 254P4P Agitator Hooks, 293P4 Seal Tool, 273P4 Outer Tub Cover and Gasket Tool
1	291P4	"T" Handle Allen Wrench	For removal and installation of 3 pump assembly attaching screws
2	321P4	Spring Hook	For removal of 7 centering springs from outer tub
3	24161	3/8 Inch Torx Bit Holder	
4	282P4	T25 Tamper Resistant Bit	For removal and installation of pump and attaching screws
5	306P4	Hex Wrench	For removal of locknut from washtub hub
6	242P4	Brake Spring Installer	For installation of brake spring

Special Tools



W137P

Special Tools

REF	PART NO.	DESCRIPTION	COMMENTS
1	272P4	Lid Switch Tool	For installation of lid switch
2	254P4P	Agitator Hooks	Set of 2; For removal of agitator from bell drive
3	294P4	Bell Tool	For removal and installation of drive bell to transmission shaft
4	293P4	Seal Tool	For installation of Part No. 34184 Hub and Transmission Seal
5	273P4	Outer Tub Cover and Gasket Tool	For removal of 36025 Outer Tub Cover from outer tub and installation of 32857 Gasket in outer tub cover

Wire Harnesses and Wires

Individual wires not serviced separately. Order complete harnesses listed below or order wire by the foot. Refer to chart below.

Model Number	Base Harness	Hood Harness
AWM190	36278	N/A
AWM270, AWM290, AWM372, AWM373, AWM392 and AWM393	36278	34971
AWM472, AWM473, AWM492 and AWM493	36278	34529
AWM572, AWM573, AWM592 and AWM593	36278	34833
AWM692 and AWM693	36278	35851

N/A – Part no longer available

Order individual wire color and gauge by part number listed below. Order wire by the foot and terminals and connectors as required. It is recommended when applying terminals to wires that terminals be soldered to wires.

Important: Always replace wires with proper gauge.

Part Number	Wire Gauge	Wire Color
45001	18 Gauge Wire	Black
45380	12 Gauge Wire	Orange

Parts Index

A

Actuator Arm	
33441	19
Agitator	
33513	27
33514	27, 29
Agitator Hooks	
254P4P	51
Agitator Pinion	
27003	37
Amp Housing	
34675	45
34676	45
Anti-Seize Compound	
27604P	35
Armature	
24132	23
Armature Guide	
24130	23

B

Backflow Preventer	
34500	21
Balance Ring	
34731	35
Base Assembly	
34434P	43
Beaded Tie-Down Strap	
33489	41
Bearing	
28944R	39
Bearing Housing Assembly	
27182	35
35746	39
Bell Tool	
294P4	51
Belt	
28808	25
Bleach Dispenser	
34776	17
Brace	
35097	43
Bracket	
36036	43
36037	43
Brake Assembly	
38505P	39
Brake Pad Kit	
548P3	39
Brake Spring Installer	
242P4	49
Bumper	
21685	17

Bumper Pad	
36226	43
56128	43
Bushing	
33446	17

C

Cabinet Assembly	
38612P	43
Cabinet Top	
34902P	17
Cable Clip	
36466	47
Cap Screw	
M400057	35
27200	35
27202	27, 31
Capacitor Kit	
258P3	25
Centering Spring	
35947	33
35948	33
Clip	
28849	25
33433	19
Clips	
21036	33
Clothes Guard	
35035	27, 31
Connector	
21091	47
Control Hood Assembly	
31811	5
32404	15
36295	7, 9, 11, 13
Control Hood Rear Panel	
37782	17
Control Knob	
33610	9, 13, 15
33688	7, 11

D

Diaphragm	
24134	23
Director Basket	
36034	17
Double Connector	
29673	47
Dowel Pin	
27172	37
Drain Extension Kit	
406P3	41
Drain Hose	
39950	41

Drain Hose Sleeve	
33615	41
Drain Hose Strain Relief	
32219	41
Drive Bell and Seal Kit	
39508P	27, 29
Drive Pinion	
36562	37

E

End Cap	
31248	7, 9, 11, 13, 15
31249	9, 11, 13, 15
34459	5
34460	5, 7
Eyelet Terminal	
00110	47
00113	47

F

Fabric Softener Dispenser	
33510	29
Filler Hose	
35874	21
Filter Washer	
28605	21
Flinger	
27187	35
Front Panel	
34656P	43

G

Gasket	
28094	27, 31
32857	33
34338	17
39122	27
Graphic Panel	
33746	7
35232	15
35233	13
35234	13
35235	9
35236	9
35237	11
35238	11
35239	7
35973	5
Grommet	
29175	33
Ground Clip	
21036	47
Guide Lug	
28102	43
56079	43

H

Harness Clip	
35521	47
36274	47
Helix	
27018	39
Helper Spring	
30620	25
Hex Wrench	
306P4	49
Hinge	
27103	43
36437	17
36438	17
Hold-Down Clip	
35865	43
Hose Clamp	
29210	21
36801	21
36802	41
Hose Retainer Clip	
36014	41
Hose Support	
35487	41
Hose Washer	
20290	21
Hub and Seal Kit	
495P3	27, 31
Hub and Transmission Seal	
39508P	31
Hub and Transmission Tube Seal	
34184	27

I

Idler Lever	
31054	25
Idler Pulley	
28800	25
Idler Shaft	
28802	25
Inlet Hose Assembly	
28330P	21
Inlet Screen	
F270200	23
Input Shaft	
34853	37
Internal Gear	
26577	37

L

Leg Plate	
27926	33
Leveling Leg	
34319	43
Leveling Leg and Stabilizer Bar Assembly	
34443	43
Lever	
33442	19
Lid Switch Tool	
272P4	51
Lint Filter	
39371	31
Loading Door	
33541P	17
Locknut	
21899	43
28803	25
29220	27, 31
52566	25
Lockwasher	
02431	35
04366	35
21456	37
Loctite	
37577P	37

M

Mixing Valve	
34963	23
Mixing Valve Mounting Bracket	
39407	21
Molex Housing	
00188	47
32746	47
34123	47
34677	45
Molex Terminal	
00188	45
Motor Assembly	
37819P	25
38036P	25
Motor Mount	
34788	25
34890	25
Motor Mount Post	
34971	25
Motor Pulley	
27171	25
Motor Shield	
34754	25
Motor Switch	
35632	25

N

Nut	
35423	25
57584	7, 9, 11, 13, 15

O

Option Switch	
33690	15
O-Ring	
36472	27, 29
Outer Tub	
34438P	33
34439P	33
Outer Tub Cover and Gasket Tool	
273P4	51
Outer Tub Cover Assembly	
36025	33
Output Shaft	
36570	37

P

Palnut	
35139	25
Pivot Dome	
34470	39
Plastic Insulator	
70210	47
Power Cord	
34458	47
Pressure Bulb	
30907	33
Pressure Switch	
35012	5, 7
36251	15
39023	7, 9, 11, 13
39035	9
Pulley Assembly	
34921	39
34923	39
Pump Assembly	
36863P	25

R

Rack	
31526	37
Reduction Gear	
29161	37
Retainer Nut	
27222	35
Retainer Ring	
23748	25
27197	37
Right Angle	
00120	47
Rivet	
56534	17
Roll Pin	
23750	25
Rubber Foot	
34318	43

S

Screw	
23962	5, 7, 9, 11, 13, 15, 17, 19, 21, 43
25817C	23
27196	43
27220	39
29273	37
31260	5, 7, 9, 11, 13, 15
31752	5
32671	43
32814	37
32993	7, 9, 11, 13, 15
33562	17, 21
34337	17
34565	25
35148	43
35369	33, 39
36035	17
36510	19
503661	25
51780	43
52909	17, 47
Seal Tool	
293P4	51
Shoulder Bolt	
27229	25
Shoulder Screw	
39432	27, 29
Silicone Lubricant	
26594P	39
Siphon Break Kit	
562P3	41
Sleeve	
24128	23
24129	23
Slide	
26493	37
Snubber Pad and Isolator Assembly	
36108	43
Solenoid	
33930A	23
Spade Terminal	
00112	47
00121	45
00220	47
00223	47
Special Screw	
27030	37
Splined Insert	
29728	27, 31
Spring	
23224E	23
33435	39
33443	19
37366	25
Spring Hook	
321P4	49
Sticker	
24903	17
500049	33
Strain Relief	
38384	17

Support Leg	
34471	39
34792	39
Switch	
33445	19
Switch Holder	
36497P	19

T

T Handle Allen Wrench	
291P4	49
Temperature Switch	
21300	7, 9, 11
23100	13
24392	15
32189	11, 13
Terminal	
00116	47
00117	47
Terminal and Housing Assembly	
00234	47
Terminal Block	
23033	47
26163	47
26301	47
26302	47
26708	47
Terminal Extractor Tool	
283P4	45
Timer	
31238	5, 7, 9
31239	7, 9, 11, 13
31240	15
32039	11, 13
Timer Knob	
33897	5, 9, 13, 15
33898W	7, 11
Timer Knob Skirt	
33817	5, 9, 13, 15
33818	7, 11
Tool Kit	
725P3	49
Torx Bit Holder 3/8 Inch	
24161	49
Transmission Assembly	
34526P	35
Transmission Case Assembly	
33223	37
Transmission Cover Assembly	
38290	37
Transmission Oil	
27243P	37
Trim Strip	
33123R	11, 13, 15
Tub-To-Pump Hose	
35752	41
35753	41
T25 Tamper Resistant Bit	
282P4	49

W

Washer

26509	37, 39
27015	39
29260	37
29443	25
35092	37
35535	39
52549	25
81392	25

Washtub

39240P	27, 31
39252P	27
719P3	31

Wire Clip

504034	47
51291	47

Wire Tie

55881	47
-------------	----

