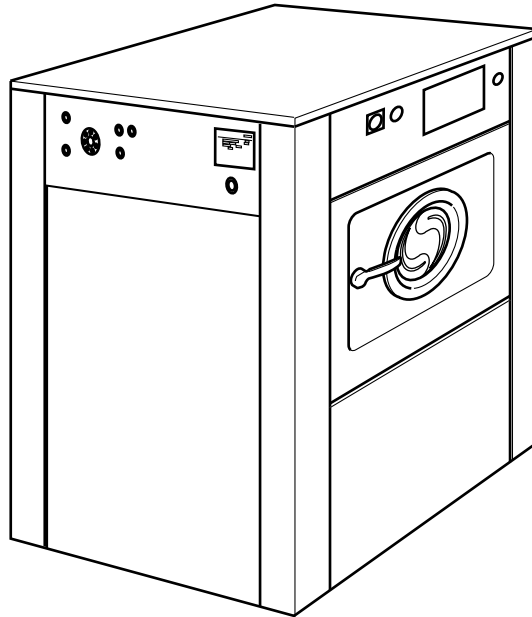


Barrier Washer

Refer to Page 3 for Model Numbers



BAR17P_1300622

Parts

Table of Contents

Title	Page
Parts Ordering Information.....	2
Serial Plate Location	2
Model Identification	3
Electric Diagram for Models with Micro Control - Models Through 12/31/12.....	4
Electric Diagram for Models with Micro Control - Models Starting 1/1/13.....	6
Electric Diagram.....	8
Electrical Box	10
Frame Spare Parts.....	12
Dirty Side Components	14
Left Side Components	16
Right Side Components	18
Drum	20
Drum Door Security	22
Soap Box	24
Parts Index.....	27

© Copyright 2014, Alliance Laundry Systems LLC

All rights reserved. No part of the contents of this book may be reproduced or transmitted in any form or by any means without the expressed written consent of the publisher.

Parts Ordering Information

If literature or replacement parts are required, contact the source from whom the machine was purchased or contact Alliance Laundry Systems at (920) 748-3950 for the name and address of the nearest authorized parts distributor.

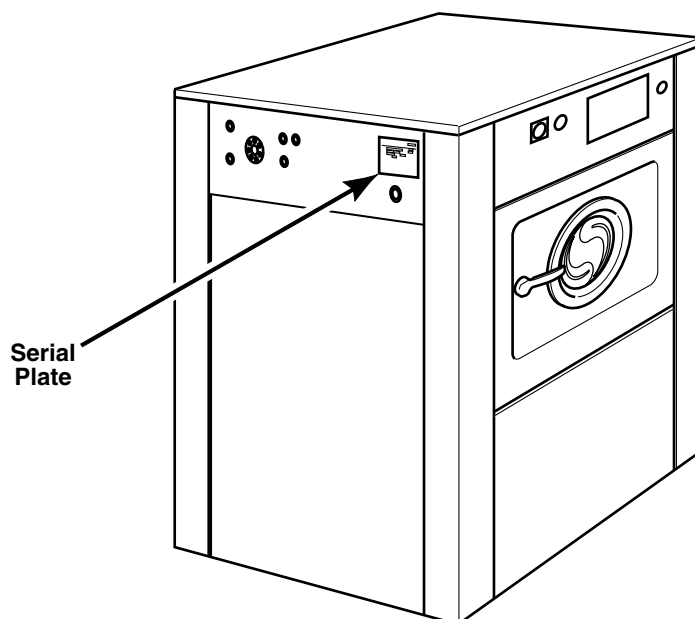
For technical assistance, call either of the numbers listed below:

(920) 748-3121 Ripon, Wisconsin

+32 56 41 20 54 Wevelgem, Belgium

Serial Plate Location

When calling or writing about your product, be sure to mention model and serial numbers. Model and serial numbers are located on serial plate(s) as shown.



BAR17PA_1300622

Model Identification

Information in this manual is applicable to these barrier washer models:

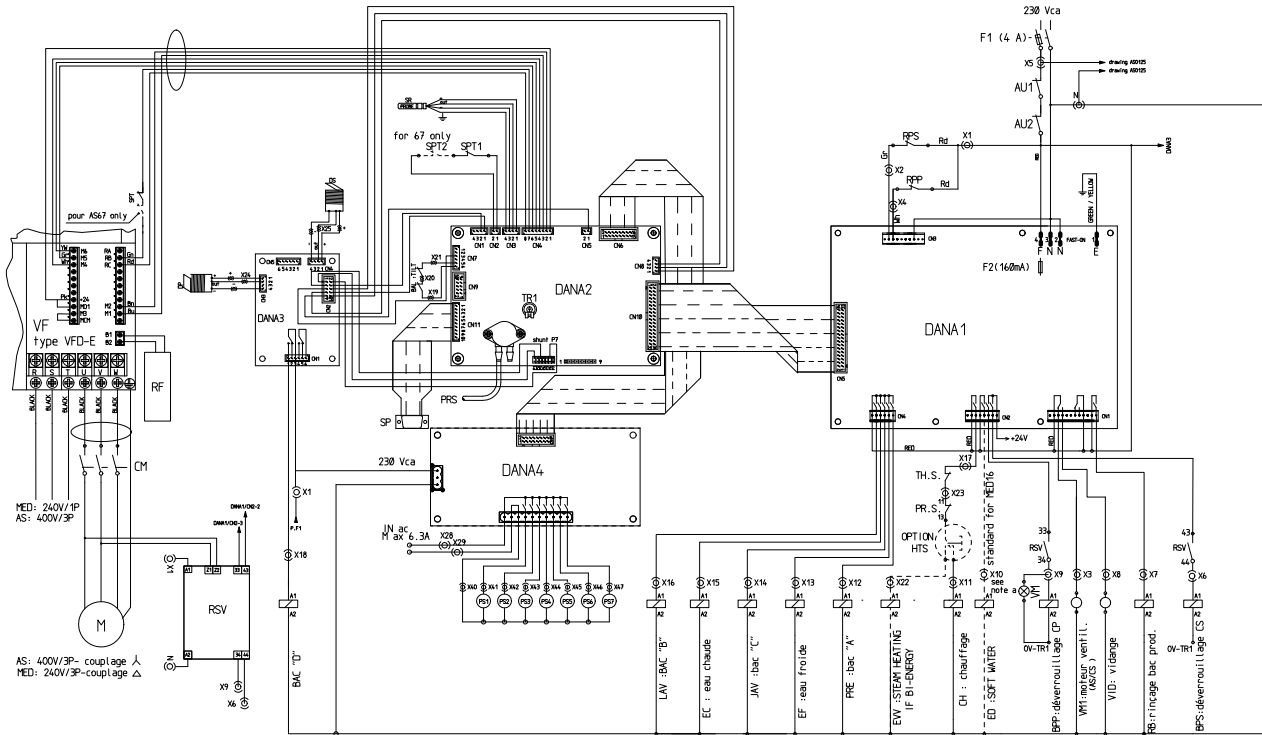
HM160
HM220
IHM160
IHM220
UHM016D
UHM022D
UHM160
UHM220

Electric Diagram for Models with Micro Control - Models Through 12/31/12

REF	PART NO.	DESCRIPTION	COMMENTS
-		Gas Lighting Device	ALL
-		Emergency Stop	AU
-		Unbalance	Bal
-		Clean Side Opening Door Coil	BPP
-		Dirty Side Opening Door Coil	BPS
-		Auxiliary Contactor	CA
-		Electric Heating Contactor	CH
-		Relay Card	DANA1
-		Microprocessor Card	DANA2
-		Door Relay Card	DANA3
-		Liquid Soap Card	DANA4
-		Clean Side Detector	DP
-		Dirty Side Detector	DS
-		Hot Water	EC
-		Soft Water	ED
-		Cold Water	EF
-		Steam Valve	EVV
-		Fuse	F1, 2...
-		Javel Product	JAV; Bac 3
-		Wash Product	LAV; Bac 2
-		Motor 1	M1
-		Prewash Product	PRE; Bac 1
-		Safety Pressostat	PRS
-		Serial Port	PS
-		Rinsing Bac	RB; Bac 7
-		Cycle Relay	RC1/2
-		Door Safety Switch	SP1; Dirty Side
-		Door Safety Switch	SP2; Clean Side
-		Regulation Sensor	SR
-		Boiler Thermostat 1	Th C1
-		Boiler Thermostat 2	Th C2
-		Chimney Thermostat	ThE
-		Frequency Drive	VF
-		Drain Valve	VID
-		Run Pilot Lamp	VM
-		Motor Ventilator 1	VM1

Electric Diagram for Models with Micro Control - Models Starting 1/1/13

Electric, Gas and Steam



- Legend
 Bk : black (noir)
 Bn : brown (marron)
 Bl : blue (bleu)
 Or : orange
 Rd : red (rouge)
 Pu : purple (violet)
 Wh : white (blanc)
 Gn : Green (vert)
 Yw : Yellow (jaune)
 Pk : Pink (rose)

note a: CONNECT X10 WITH X13 IF NO SOFT WATER
 note b: for MED, connect 3 on X8 and sup 8.
 note c: RB et X7 only for ASEP and MED44

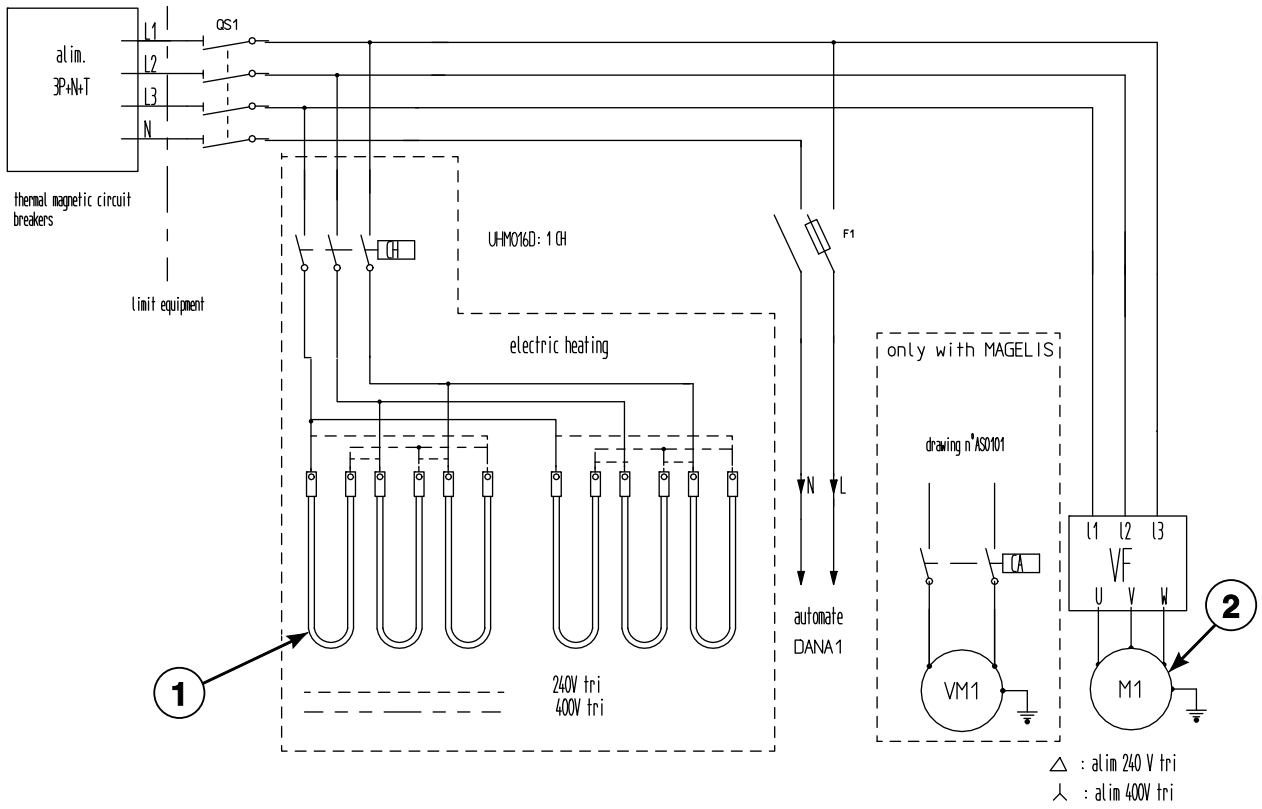
BAR47P_1300622

Electric Diagram for Models with Micro Control - Models Starting 1/1/13

REF	PART NO.	DESCRIPTION	COMMENTS
-		Gas Lighting Device	ALL
-		Emergency Stop	AU
-		Unbalance	Bal
-		Clean Side Opening Door Coil	BPP
-		Dirty Side Opening Door Coil	BPS
-		Auxiliary Contactor	CA
-		Electric Heating Contactor	CH
-		Relay Card	DANA1
-		Microprocessor Card	DANA2
-		Door Relay Card	DANA3
-		Liquid Soap Card	DANA4
-		Clean Side Detector	DP
-		Dirty Side Detector	DS
-		Hot Water	EC
-		Soft Water	ED
-		Cold Water	EF
-		Steam Valve	EVV
-		Fuse	F1, 2...
-		Javel Product	JAV; Bac 3
-		Wash Product	LAV; Bac 2
-		Motor 1	M1
-		Prewash Product	PRE; Bac 1
-		Safety Pressostat	PRS
-		Serial Port	PS
-		Rinsing Bac	RB; Bac 7
-		Cycle Relay	RC1/2
-		Door Safety Switch	SP1; Dirty Side
-		Door Safety Switch	SP2; Clean Side
-		Regulation Sensor	SR
-		Boiler Thermostat 1	Th C1
-		Boiler Thermostat 2	Th C2
-		Chimney Thermostat	ThE
-		Frequency Drive	VF
-		Drain Valve	VID
-		Run Pilot Lamp	VM
-		Motor Ventilator 1	VM1

Electric Diagram

Electric and Steam

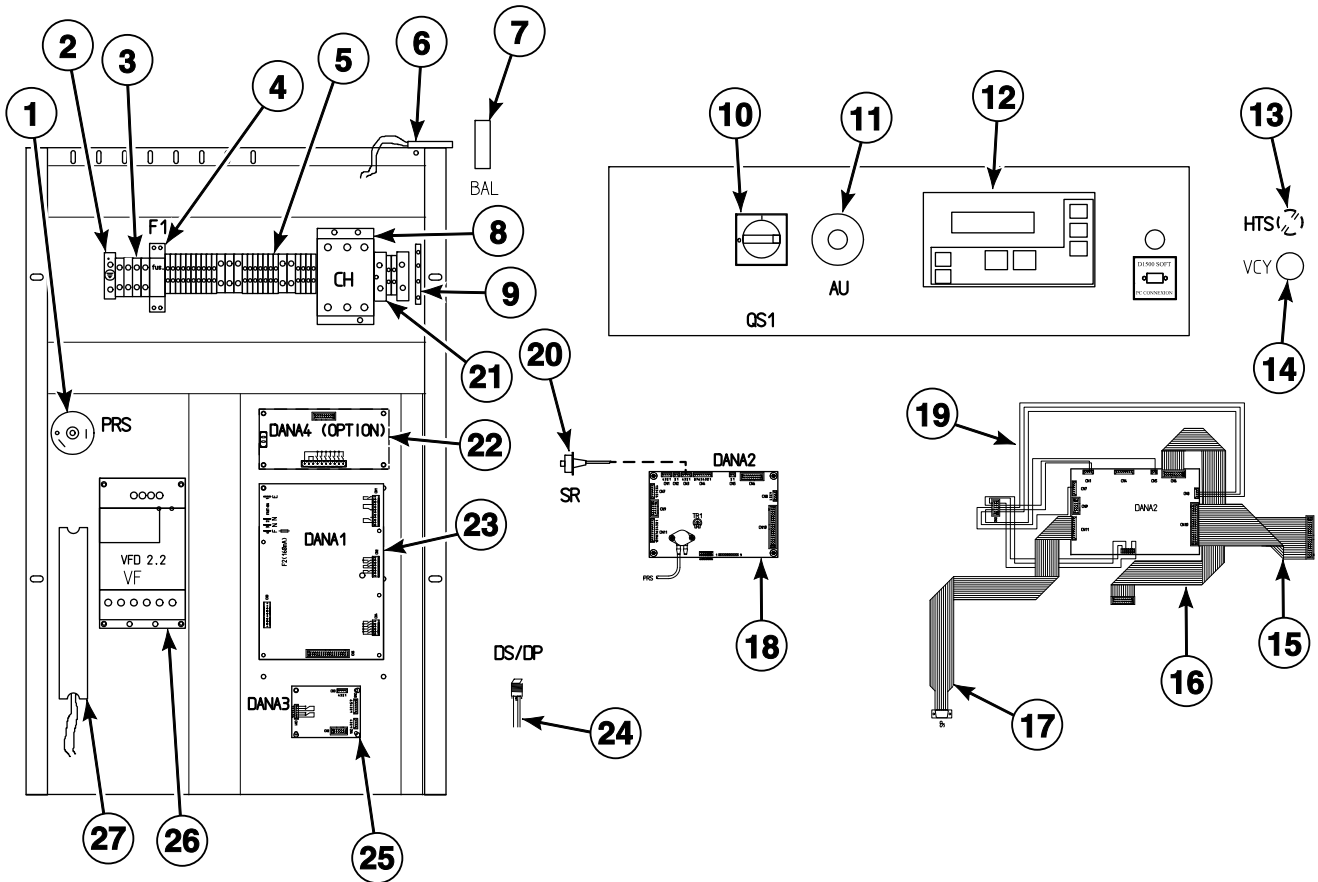


BAR2P_1300622

Electric Diagram

REF	PART NO.	DESCRIPTION	COMMENTS
1	1300631P	Heater Element	3000 W; 3 required
2	1300630	Basket Motor	2.2 kW

Electrical Box



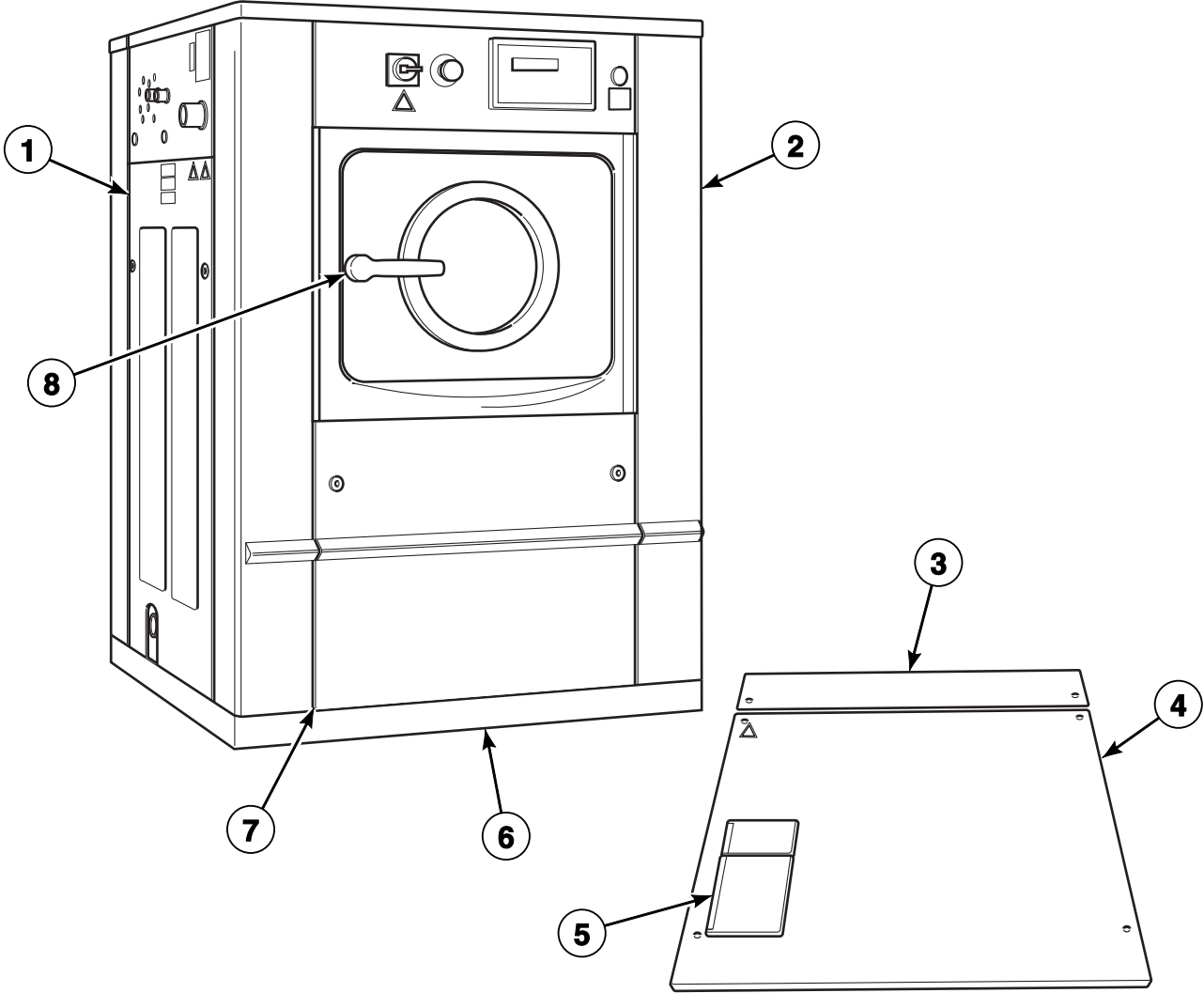
BAR16P_1300622

Electrical Box

REF	PART NO.	DESCRIPTION	COMMENTS
1	1300648P	Safety Pressostat	
2	1300517	Ground Terminal Block	
3	1300556	Terminal Block	9 required
4	1300028	Fuse Holder	
5	1300021	Terminal Block	21 required
6	1300636P	Unbalance Magnet Sensor	
7	1300635	Magnet	
8	1300013	Heat Contactor	
9	1300029	Ground Terminal	
10	1300642P	Plastic Protection	
	1300051	Main Switch Body	
	1300050P	Neutral Terminal	
	1300049P	Main Switch Assembly	
	1300048P	Main Switch	
11	44018701P	Emergency Stop Kit	Button and base
12	1300643	Keyboard	
13	44018701	Contact Block	NC
	1300040	Switch Head	
14	1300633	Lamp	
	1300025	Heat Pilot Light	
15	1300640	Flat Ribbon Cable	34
16	1300639P	Flat Ribbon Cable	16
17	1300637	Serial Port Cable	
18	1300647	Microprocessor Card	
19	1300638	Flat Ribbon Cable	10
20	1300649P	Temperature Probe	
21	1300641P	Limit Connector Block	2 required
22	1300644	Liquid Soap Card	Optional
23	1300646P	Relay Card	
24	1300634P	Door Sensor	2 required
25	1300645	Door Relay Card	
26	N/A	Speed Variator	
27	1300632P	Break Element	

N/A = Part no longer available

Frame Spare Parts

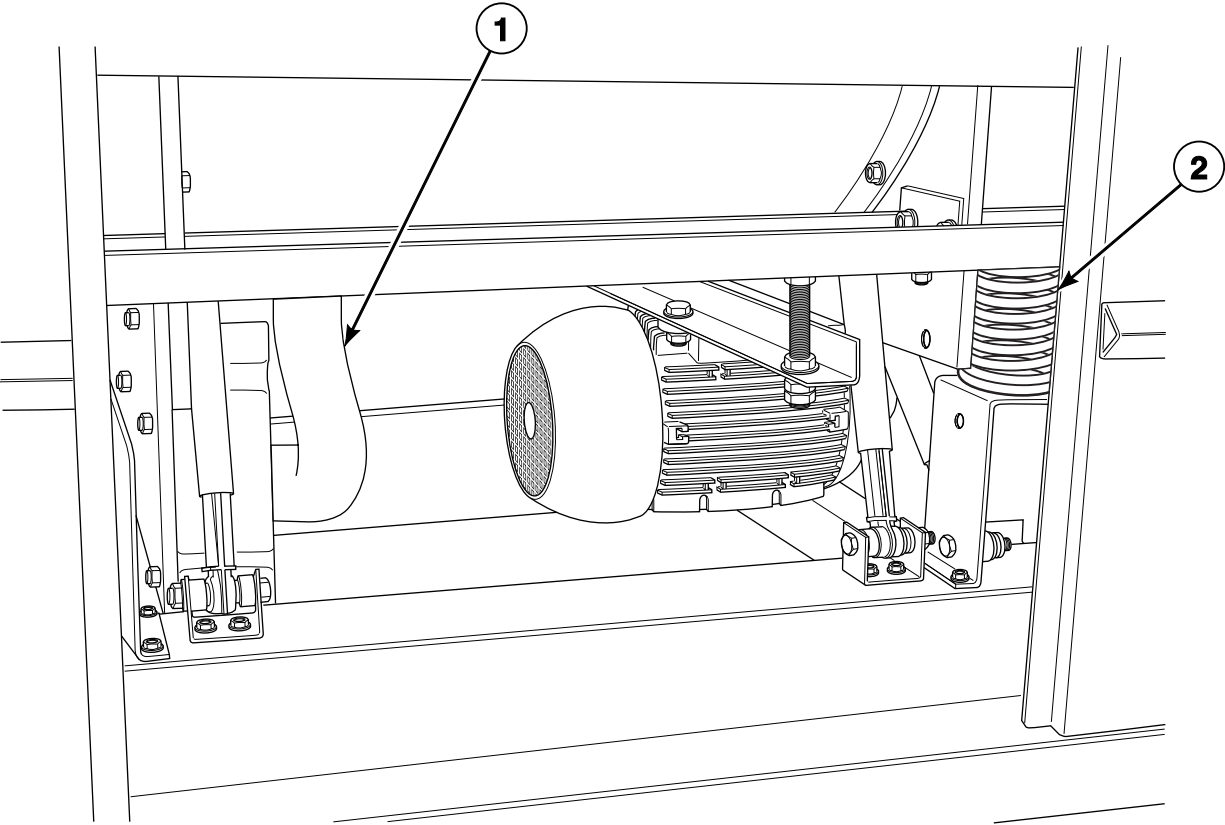


BAR25P_1300622

Frame Spare Parts

REF	PART NO.	DESCRIPTION	COMMENTS
	1300867	Corner Panel	4 required
1	1300900	Left Side Panel	
2	1300899	Right Side Panel	
3	1300895	Clean Side Top Panel	Models HM220, IHM220, UHM022D and UHM220
	1300896	Clean Side Top Panel	Models HM160, IHM160, UHM016D and UHM160
4	1300897	Dirty Side Top Panel	Models HM220, IHM220, UHM022D and UHM220
	1300898	Dirty Side Top Panel	Models HM160, IHM160, UHM016D and UHM160
5	1300892	Soap Dispenser Cover	
6	1300890	Frame	Models HM220, IHM220, UHM022D and UHM220
	1300891	Frame	
7	1300893	Front Panel	2 required; Models HM220, IHM220, UHM022D and UHM220
	1300894	Front Panel	2 required; Models HM160, IHM160, UHM016D and UHM160
8	1300868	Door Handle	

Dirty Side Components

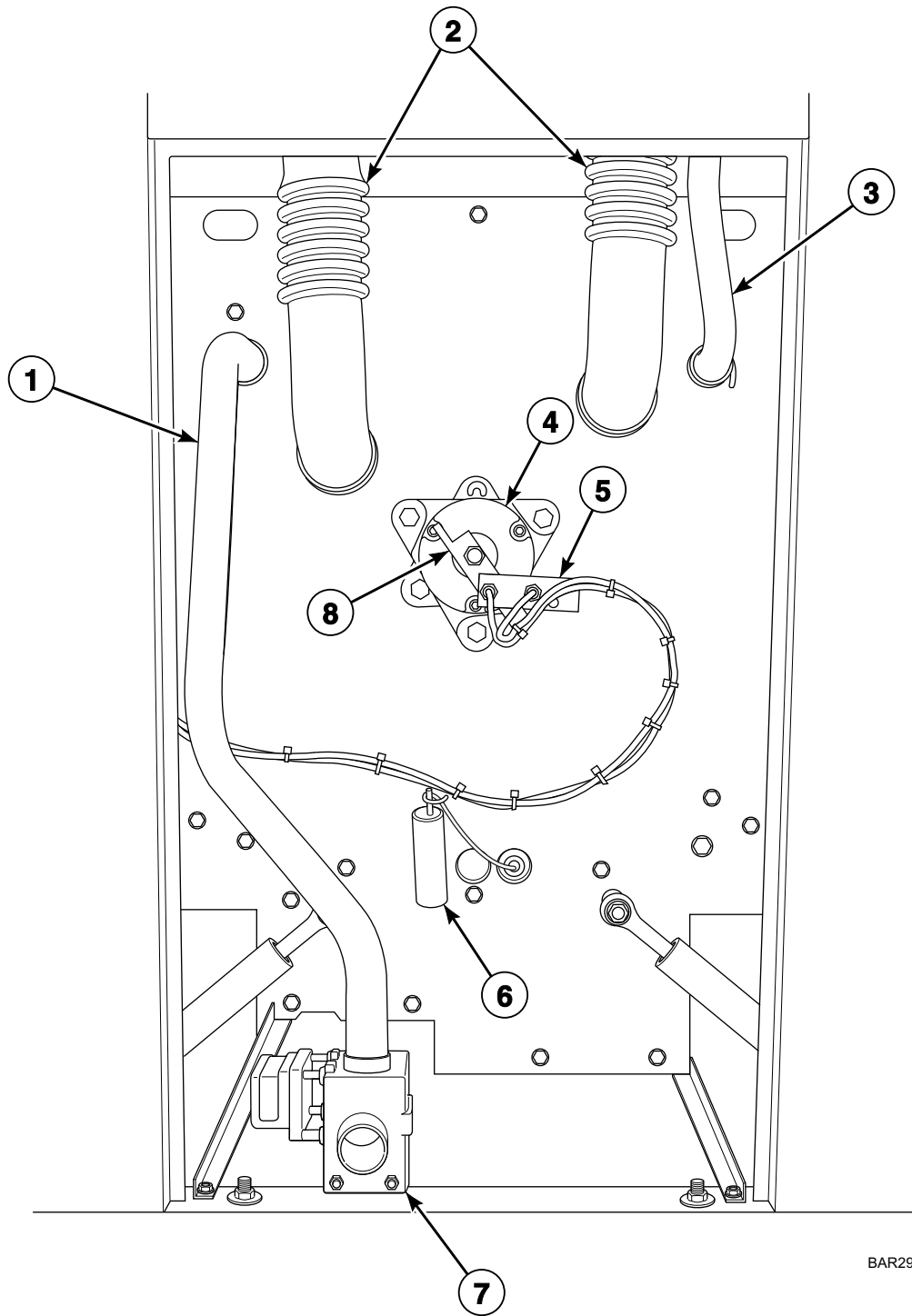


BAR28P_1300622

Dirty Side Components

REF	PART NO.	DESCRIPTION	COMMENTS
1	1300923	Hose	
2	1300922	Spring	4 required

Left Side Components

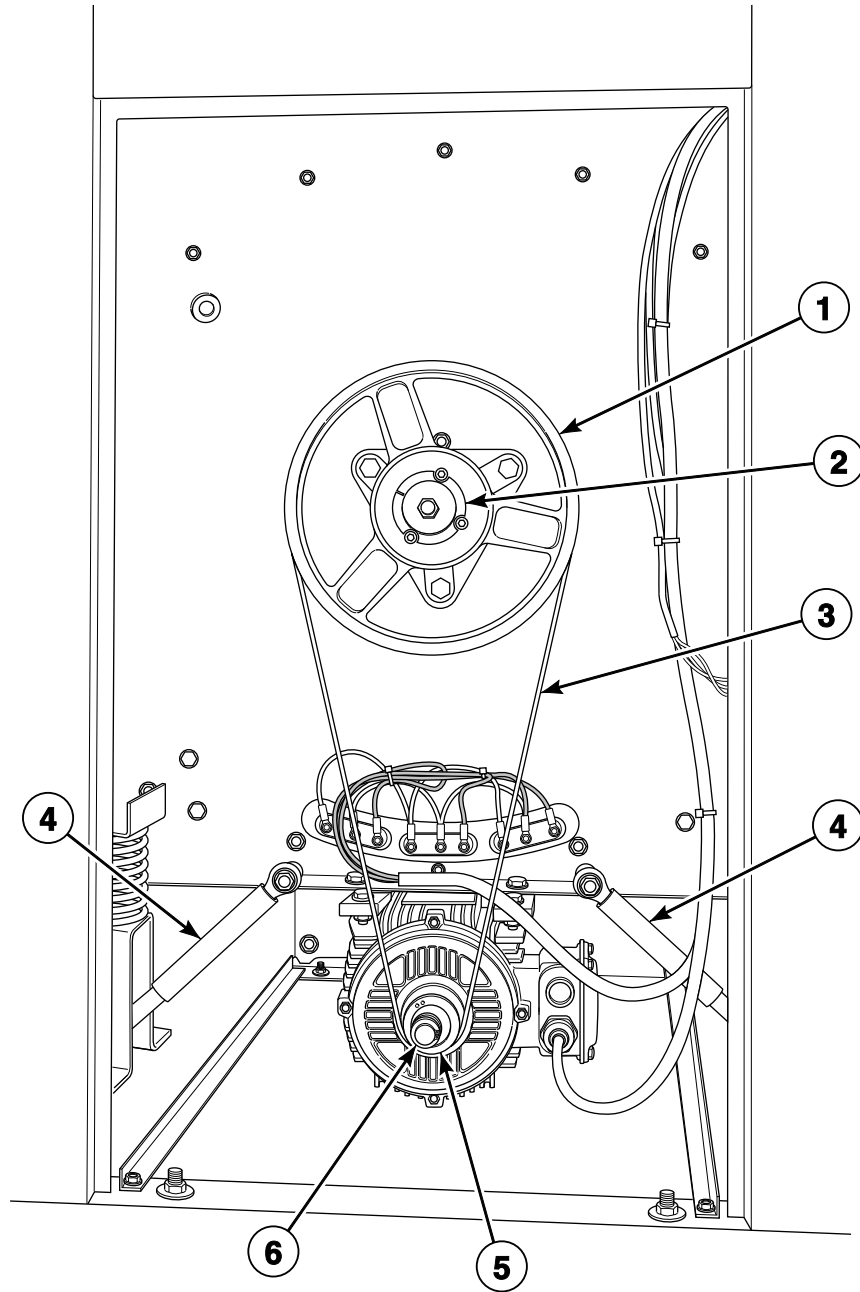


BAR29P_1300622

Left Side Components

REF	PART NO.	DESCRIPTION	COMMENTS
1	1300930	Overflow Piping	
2	1300929	Hose	2 required
3	1300927	Overflow Drain	
4	1300928	Bearing	2 required
5	1300925	Door Position Sensor Plate	
6	1300760	Compression Tank	
7	1300924	Drain Valve	
8	1300926	Reflector	

Right Side Components

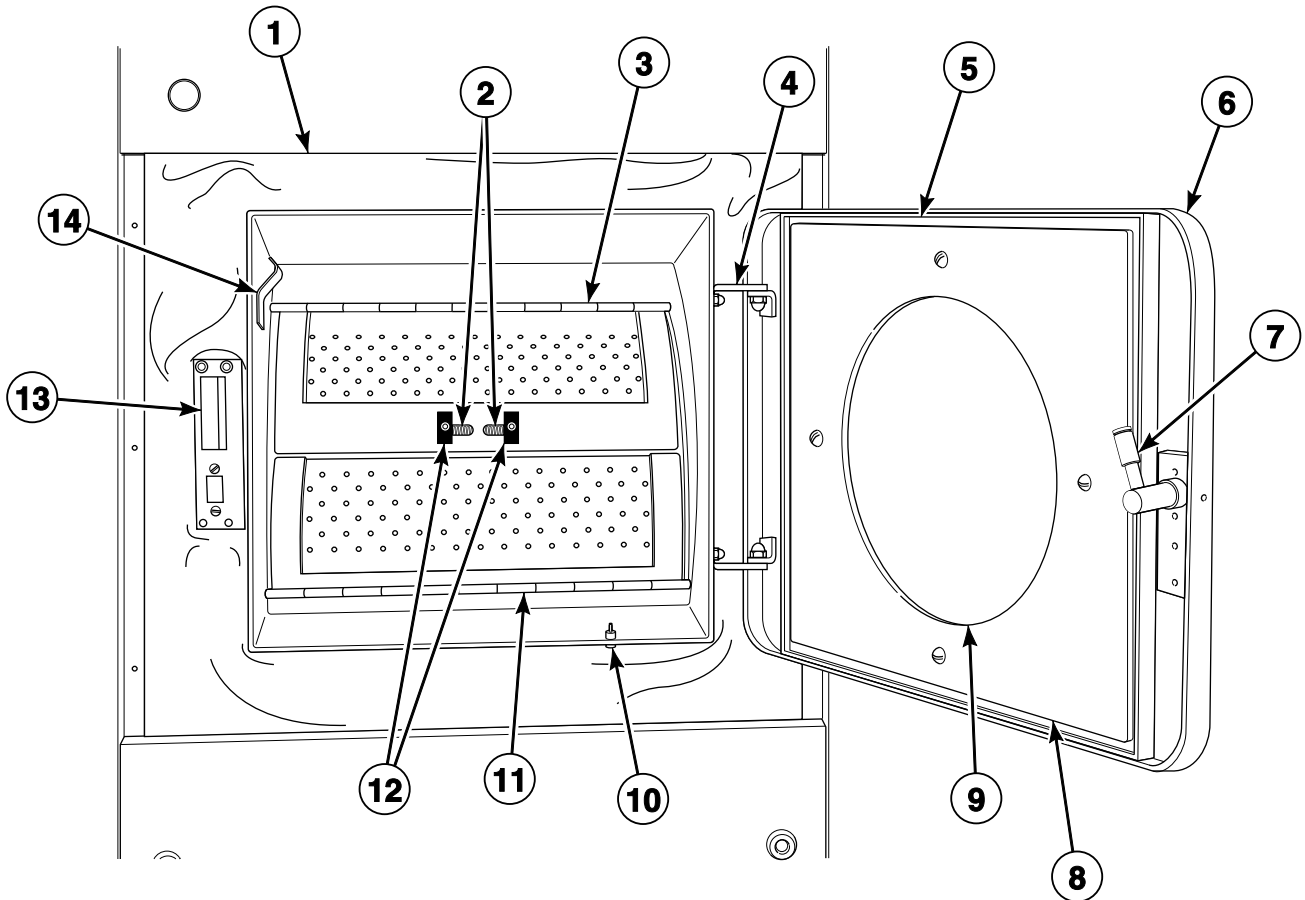


BAR30P_1300622

Right Side Components

REF	PART NO.	DESCRIPTION	COMMENTS
1	1300936	Drum Pulley	
2	1300935	Drum Pulley Hub	
3	1300934	Belt	
4	1300933	Shock Absorber	8 required
5	1300932	Motor Pulley	
6	1300931	Motor Pulley Hub	

Drum

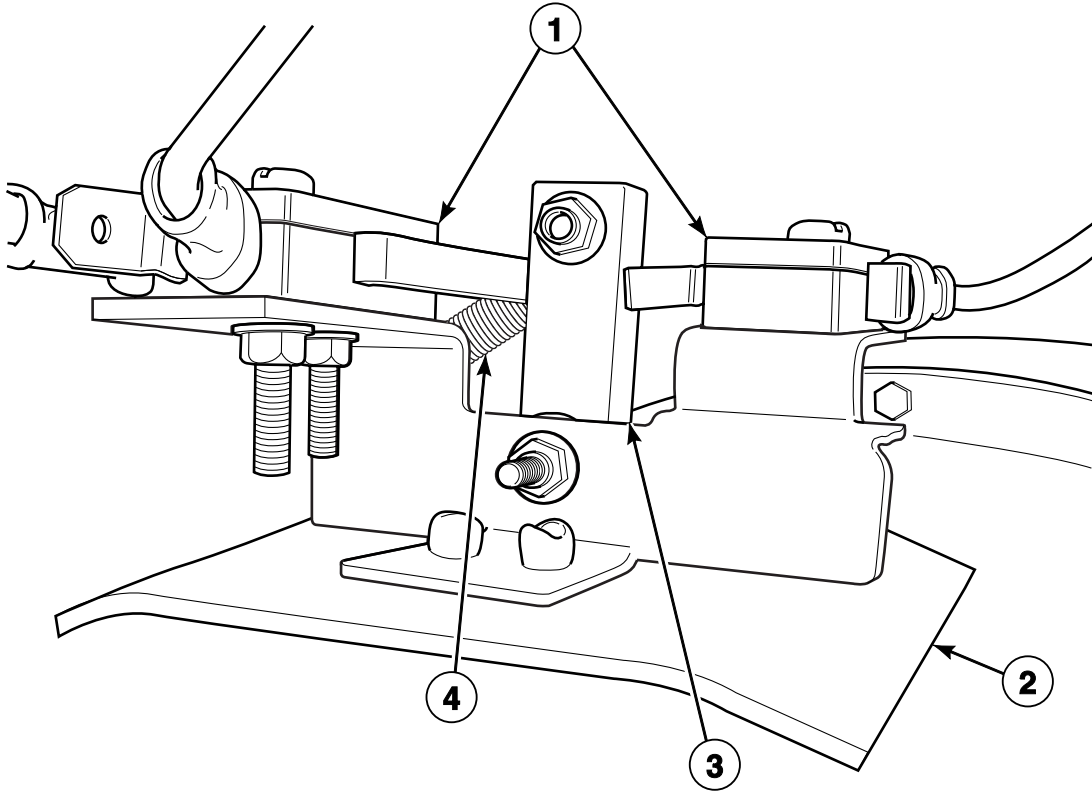


BAR27P_1300622

Drum

REF	PART NO.	DESCRIPTION	COMMENTS
1	1300920	Seal	2 required; Models HM220, IHM220, UHM022D and UHM220
	1300921	Seal	2 required; Models HM160, IHM160, UHM016D and UHM160
2	1300915	Drum Door Spring	
3	1300907	Upper Drum Door	
4	1300905	Basket Door Hinge	2 required
5	1300914	Basket Door Seal	2 required
6	1300912	Outer Drum Door	2 required
7	1300909	Closing Finger Door Basket	2 required
8	1300913	Inner Door	2 required
9	1300911	Door Glass	2 required; Models through 2009
	1300910	Port Seal	2 required; Models starting 2010
10	1300906	Door Pin	2 required
11	1300908	Lower Drum Door	
12	1300916	Drum Handle	4 required
13	1300610P	Door Lock	2 required; Models through 12/31/12
	1301148	Door Lock	2 required; Models starting 1/1/13
14	1300919	Drum Open Prop	2 required; Models through 2009
	1300918	Drum Open Prop	2 required; Models starting 2010

Drum Door Security

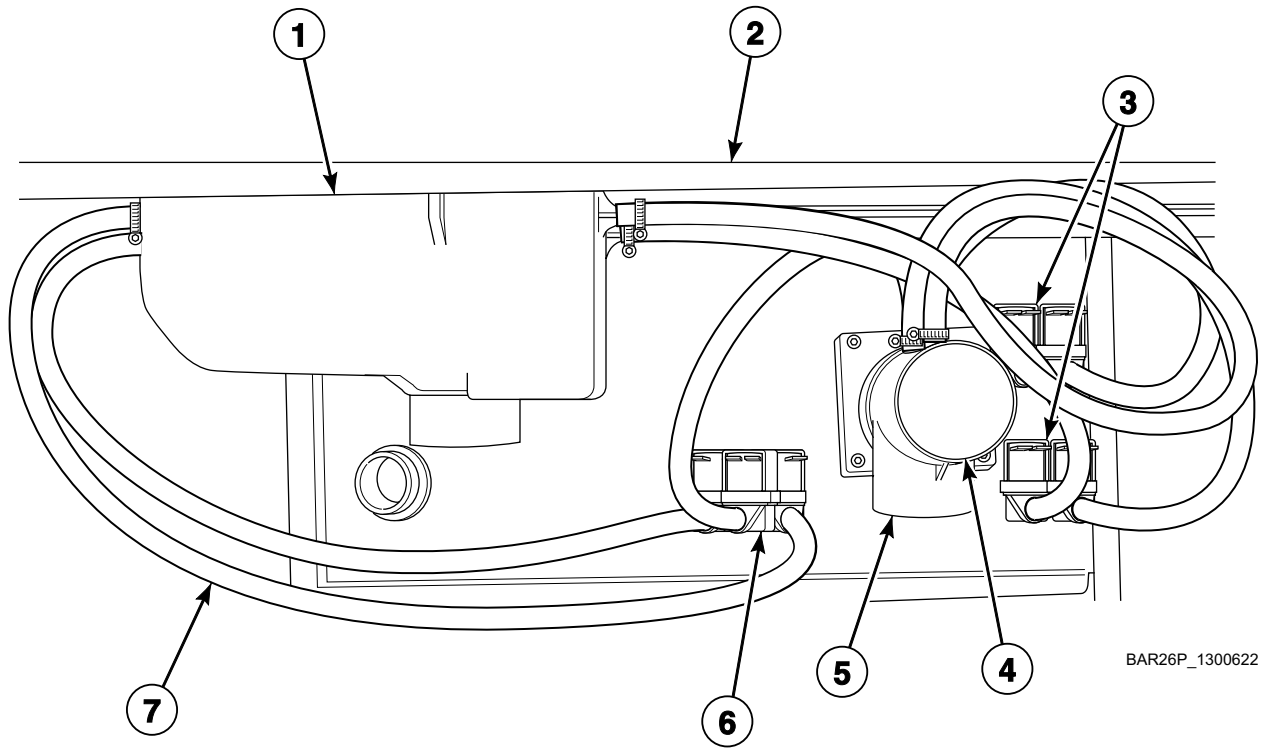


BAR31P_1300622

Drum Door Security

REF	PART NO.	DESCRIPTION	COMMENTS
1	1301149	Door Switch	2 required
2	1301144	Safety Microswitch Support Assembly	
3	1300938	Finger Safety	
4	1300939	Spring	

Soap Box



BAR26P_1300622

Soap Box

REF	PART NO.	DESCRIPTION	COMMENTS
1	1300901	Soap Box	
2	1300902	Soap Box Seal	
3	1300752	Solenoid Valve	2 required
4	1300904	Soap Collector Cork	
5	1300903	Soap Collector	
6	1300753	Solenoid Valve	
7	1300754	Valve to Tray Hose	

Parts Index

B

Basket Door Hinge	
1300905	21
Basket Door Seal	
1300914	21
Basket Motor	
1300630	9
Bearing	
1300928	17
Belt	
1300934	19
Break Element	
1300632P	11

C

Clean Side Top Panel	
1300895	13
1300896	13
Closing Finger Door Basket	
1300909	21
Compression Tank	
1300760	17
Contact Block	
44018701	11
Corner Panel	
1300867	13

D

Dirty Side Top Panel	
1300897	13
1300898	13
Door Glass	
1300911	21
Door Handle	
1300868	13
Door Lock	
1300610P	21
1301148	21
Door Pin	
1300906	21
Door Position Sensor Plate	
1300925	17
Door Relay Card	
1300645	11
Door Sensor	
1300634P	11
Door Switch	
1301149	23
Drain Valve	
1300924	17
Drum Door Spring	
1300915	21
Drum Handle	
1300916	21

Drum Open Prop	
1300918	21
1300919	21
Drum Pulley	
1300936	19
Drum Pulley Hub	
1300935	19

E

Emergency Stop Kit	
44018701P	11

F

Finger Safety	
1300938	23
Flat Ribbon Cable	
1300638	11
1300639P	11
1300640	11
Frame	
1300890	13
1300891	13
Front Panel	
1300893	13
1300894	13
Fuse Holder	
1300028	11

G

Ground Terminal	
1300029	11
Ground Terminal Block	
1300517	11

H

Heat Contactor	
1300013	11
Heat Pilot Light	
1300025	11
Heater Element	
1300631P	9
Hose	
1300923	15
1300929	17

I

Inner Door	
1300913	21

N/A items do not appear in index.

K

Keyboard	
1300643	11

L

Lamp	
1300633	11
Left Side Panel	
1300900	13
Limit Connector Block	
1300641P	11
Liquid Soap Card	
1300644	11
Lower Drum Door	
1300908	21

M

Magnet	
1300635	11
Main Switch	
1300048P	11
Main Switch Assembly	
1300049P	11
Main Switch Body	
1300051	11
Microprocessor Card	
1300647	11
Motor Pulley	
1300932	19
Motor Pulley Hub	
1300931	19

N

Neutral Terminal	
1300050P	11

O

Outer Drum Door	
1300912	21
Overflow Drain	
1300927	17
Overflow Piping	
1300930	17

P

Plastic Protection	
1300642P	11
Port Seal	
1300910	21

R

Reflector	
1300926	17
Relay Card	
1300646P	11
Right Side Panel	
1300899	13

S

Safety Microswitch Support Assembly	
1301144	23
Safety Pressostat	
1300648P	11
Seal	
1300920	21
1300921	21
Serial Port Cable	
1300637	11
Shock Absorber	
1300933	19
Soap Box	
1300901	25
Soap Box Seal	
1300902	25
Soap Collector	
1300903	25
Soap Collector Cork	
1300904	25
Soap Dispenser Cover	
1300892	13
Solenoid Valve	
1300752	25
1300753	25
Spring	
1300922	15
1300939	23
Switch Head	
1300040	11

T

Temperature Probe	
1300649P	11
Terminal Block	
1300021	11
1300556	11

U

Unbalance Magnet Sensor	
1300636P	11
Upper Drum Door	
1300907	21

V

Valve to Tray Hose
1300754 25
