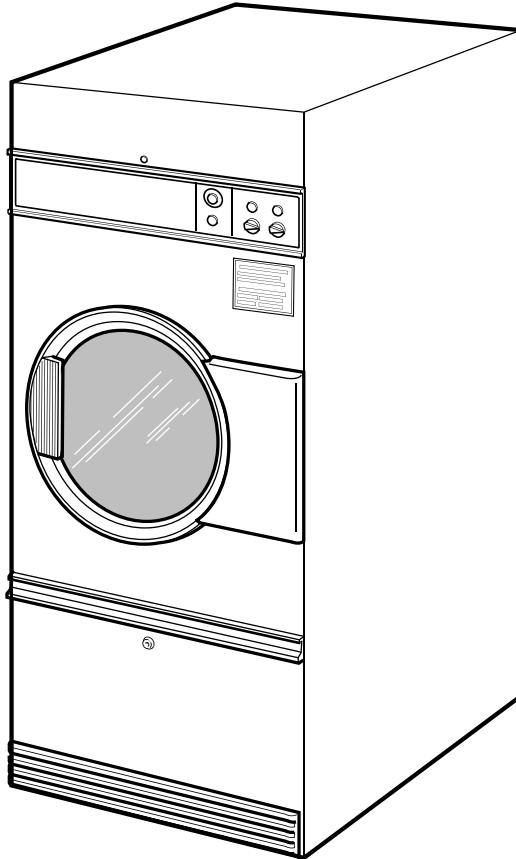


# Drying Tumblers

30 Pound Capacity (31.5 Inches Wide)

Refer to Page 5 for Model Numbers



T025C\_M414056



# Table of Contents

Title	Page
Parts Ordering Information.....	3
Serial Plate Location .....	3
Model Identification .....	5
Control Panel Assembly - Non-CE Manual Timer Models .....	6
Control Panel Assembly - CE Manual Timer Models .....	8
Control Panel Assembly - Non-CE Coin Drop Models .....	10
Control Panel Assembly - CE Coin Drop Models.....	12
Control Panel Assembly - Coin Slide Models.....	14
OPL 24 Volt Micro Control .....	16
Single Coin Meter .....	18
Dual Coin Meter .....	20
Coin Vault and Vault Guide Assembly .....	22
Meter Case .....	24
Accumulator .....	26
Control Thermostat, Door Switch, Transformer, Relay and Diode Logic Board.....	28
Door Switch - CE Models.....	30
Loading Door Assembly .....	32
Top and Front Panels .....	34
Lint Panel and Compartment .....	36
Cylinder and Trunnion Assemblies .....	38
Chain Drive Components.....	40
Belt Drive Components .....	42
Idler Housing Assembly .....	44
Fan and Motor Assembly .....	46
Fan Motors.....	48
Airflow Switch and Vane Assembly.....	50
Cabinet High Limit Thermostat (EG), Chain Guard, Damper Vane and Junction Box.....	52
Burner Assembly for Standing Pilot Ignition.....	54
Gas Valve Components for Standing Pilot Ignition .....	56
Burner Assembly for Automatic Pilot Ignition .....	58
Vertical and Horizontal Ignition Systems .....	60
Gas Valve Components for Automatic Pilot Ignition .....	62
Burner Assembly for Glow-Bar Ignition - Johnson Control.....	64
Gas Valve Components for Glow-Bar Ignition - Johnson Control.....	66
Burner Assembly for Glow-Bar Ignition - White Rodgers Control .....	68
Gas Valve Components for Glow-Bar Ignition - White Rodgers Control.....	70
Burner Assembly for Instant Electronic Ignition .....	72
Gas Valve Assembly for Dungs/B-M System.....	74
Channel/Johnson Gas System .....	76
Burner Assembly for Australian Models.....	78
Electric Heater Assembly .....	80

© Copyright 2006, Alliance Laundry Systems LLC

All rights reserved. No part of the contents of this book may be reproduced or transmitted in any form or by any means without the expressed written consent of the publisher.

Electrical Contactor Box Assembly - Models Through Serial No. 9408xxxxx .....	82
Electrical Contactor Box Assembly - Models Starting Serial No. 9408xxxxx .....	84
Solenoid Steam Valve (Asco) .....	86
Steam Heater and Valve Assembly (Danfoss).....	88
Warning Labels - Rear of Tumbler .....	90
Warning Labels - Front of Tumbler .....	92
Contactor Box Assembly for Electric Manual Timer and Coin Drop Models (Drawing 1 of 3) .....	94
Contactor Box Assembly for Electric Manual Timer and Coin Drop Models (Drawing 2 of 3) .....	96
Contactor Box Assembly for Electric Manual Timer and Coin Drop Models (Drawing 3 of 3) .....	98
Contactor Box Assembly for Gas Manual Timer Models .....	100
Contactor Box Assembly for Gas Coin Drop Models .....	102
Contactor Box Assembly for Steam Manual Timer Models (Drawing 1 of 2).....	104
Contactor Box Assembly for Steam Manual Timer Models (Drawing 2 of 2).....	106
Contactor Box Assembly for Steam Coin Drop Models .....	108
Burner Orifice .....	110
Wire Harnesses and Wires .....	111
Parts Index .....	113

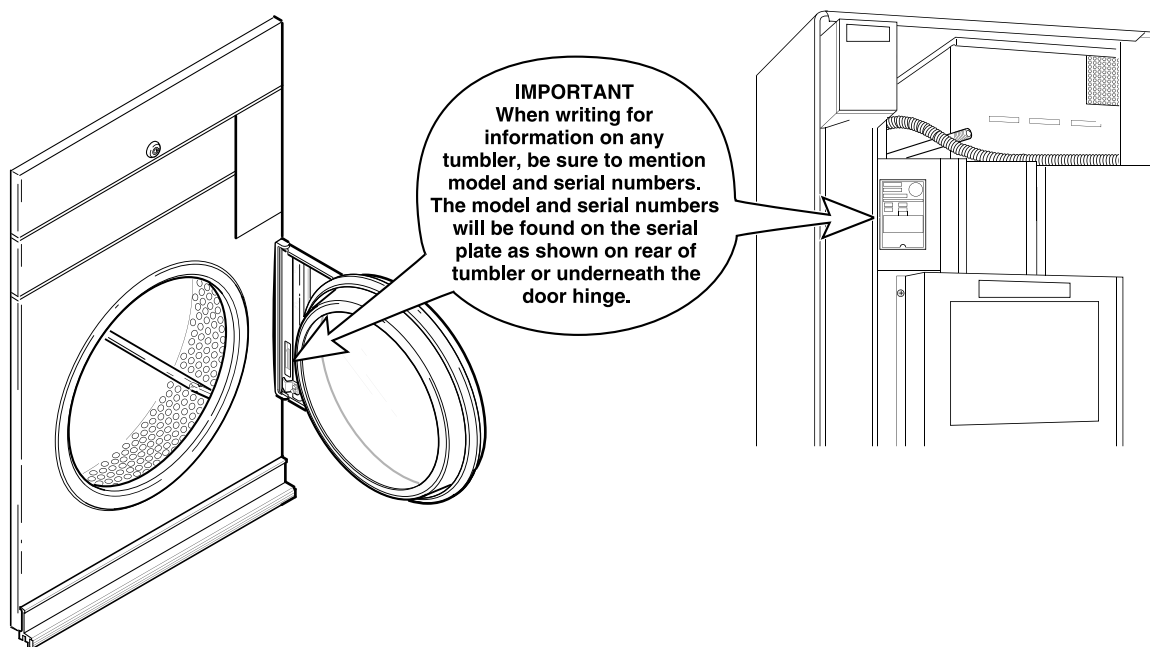
## Parts Ordering Information

If literature or replacement parts are required, contact the source from whom the machine was purchased or contact Alliance Laundry Systems at (920) 748-3950 for the name and address of the nearest authorized parts distributor.

For technical assistance, call (920) 748-3121.

## Serial Plate Location

When calling or writing about your product, be sure to mention model and serial numbers. Model and serial numbers are located on serial plate(s) as shown.



T294IE3C\_M414056

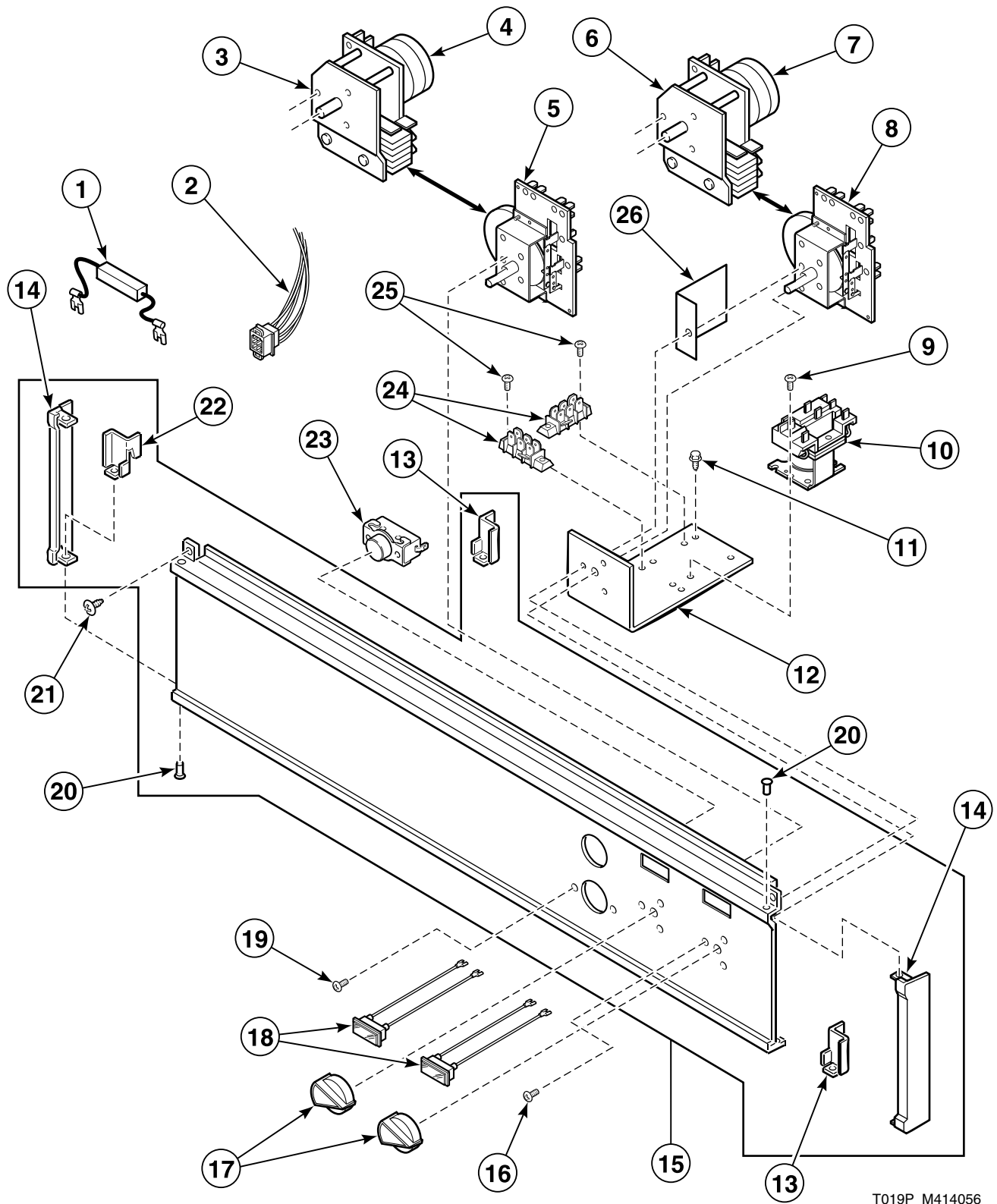


## Model Identification

Information in this manual is applicable to these tumbler models:

DCB30CE	DT30EGI	JT30CE	JTB30CSL	ST30CSL
DCB30CG	DTB30CE	JT30CG	JTB30EG	ST30EG
DCB30CSH	DTB30CG	JT30CGI	SCB30CE	ST30EGI
DCB30CSL	DTB30CSH	JT30CSH	SCB30CG	STB30CE
DT30CE	DTB30CSL	JT30CSL	SCB30CSH	STB30CG
DT30CG	DTB30EG	JT30EG	SCB30CSL	STB30CSH
DT30CGI	JCB30CE	JT30EGI	ST30CE	STB30CSL
DT30CSH	JCB30CG	JTB30CE	ST30CG	STB30EG
DT30CSL	JCB30CSH	JTB30CG	ST30CGI	
DT30EG	JCB30CSL	JTB30CSH	ST30CSH	

# Control Panel Assembly - Non-CE Manual Timer Models



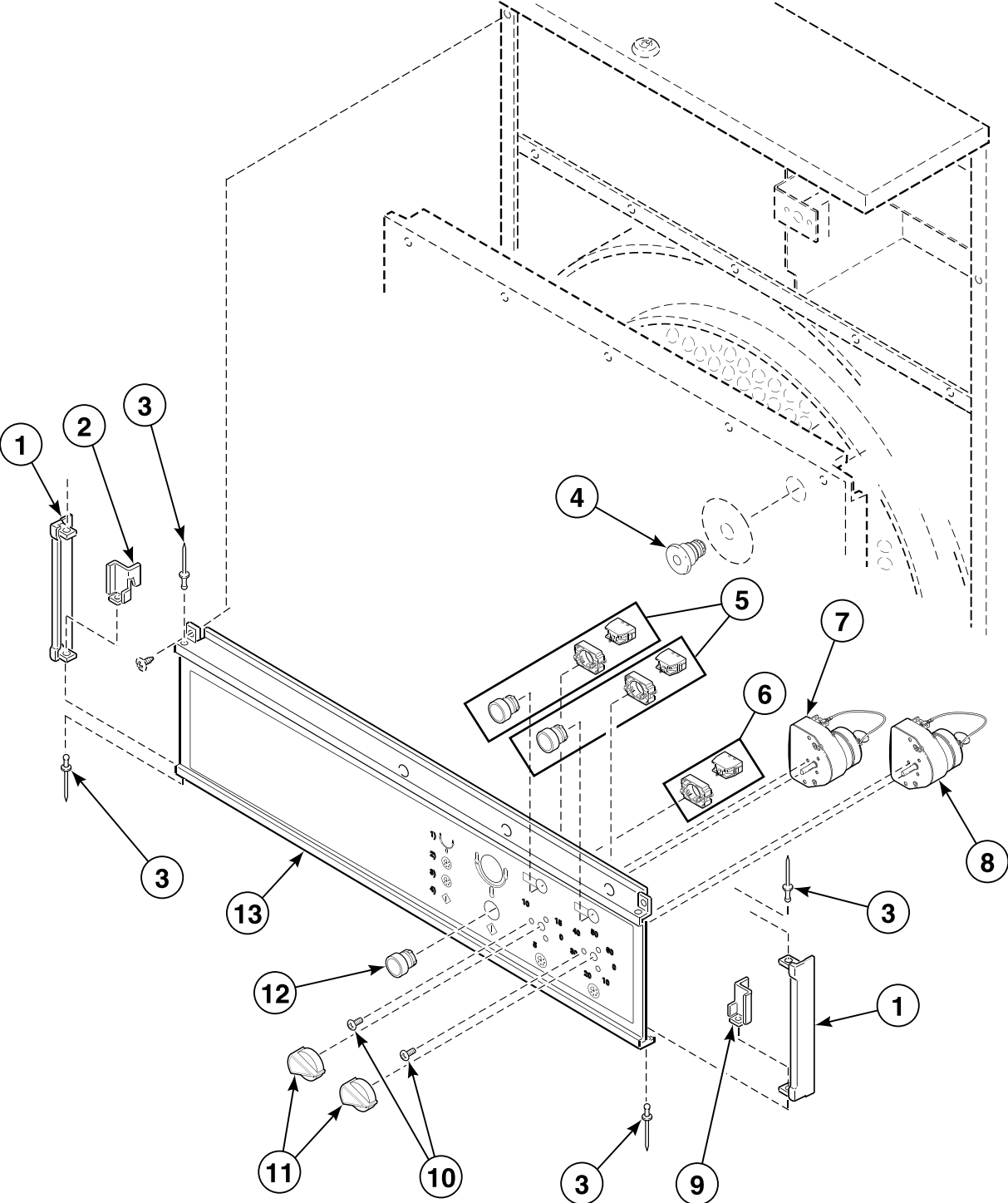
T019P\_M414056

## Control Panel Assembly - Non-CE Manual Timer Models

REF	PART NO.	DESCRIPTION	COMMENTS
1	M400527	Resistor Assembly	2 required; 208-240 Volt; Electric models
	M410992	Resistor Assembly	208-240 Volt machines with Mallory timer
2	M410640	Wire Harness Assembly	480 Volt; Electric models
	M403924P	Control Panel Wire Harness Assembly	All other models
3	M400785P	Timer	Cool-down; Greenwald
4	M400793	Timer Motor	Greenwald
5	M410900P	Timer Kit	Cool-down; Mallory
6	M400787P	Timer	Drying; Greenwald; 30 minute
	M400791P	Timer	Drying; Greenwald; 60 minute
7	M400794	Motor	Greenwald; 30 minute; Replacement
	M400609	Timer Motor	Greenwald; 60 minute
8	M410901P	Timer Kit	Drying; Mallory; 60 minute
9	51780	Screw	
10	M400912P	Relay	Gas models
	M400911P	Relay	Electric models
11	M402917	Screw	Ground
12	N/A	Electrical Components Tray	
13	M401302	Control Panel Retainer	Right
14	M401328	End Cap	
15	N/A	Control Panel Assembly	DT models
	N/A	Control Panel Assembly	JT Energy Saver models
	M402236	Control Panel Assembly	JT standard models
	N/A	Control Panel Assembly	All other JT models
	N/A	Control Panel Assembly	ST gas models; 120 Volt
	N/A	Control Panel Assembly	ST gas and electric models; 208-240 Volt
	N/A	Control Panel Assembly	ST electric models; 480 Volt
	M406567	Control Panel Assembly	All other ST models
16	M411052	Screw	
17	M410927	Knob	JT models starting Serial No. 9205015887
	M400773	Knob	All other models
18	N/A	Light	Gas models
	M400704	Pilot Light	Electric models
19	M400072	Screw	
20	M405750	Pop Rivet	
21	33562	Screw	
22	M401301	Control Panel Retainer	Left
23	M400954P	Push-to-Start Switch Kit	
24	N/A	Terminal Block	
25	M400071	Screw	
26	N/A	Fishpaper	

**N/A = Part no longer available**

# Control Panel Assembly - CE Manual Timer Models



T416PZ3B\_M414056

## Control Panel Assembly - CE Manual Timer Models

REF	PART NO.	DESCRIPTION	COMMENTS
	N/A	Contact Block	
1	M401328	End Cap	
2	M401301	Control Panel Retainer	
3	M405750	Pop Rivet	
4	N/A	Emergency Stop Switch	
5	M412234	Indicator Light	
6	M412230	Contact Block	
7	M412080P	Timer	Drying; 60 minute; 24 Volt
8	M412079P	Timer	Cooling; 15 minute; 24 Volt
9	M401302	Control Panel Retainer	Right and center
10	M411052	Screw	
11	M400773	Knob	DC and SC models
	M410927	Knob	JC models
12	N/A	Pushbutton	
13	N/A	Control Panel Assembly	SC models
	N/A	Control Panel Assembly	JC models
	N/A	Control Panel Assembly	DC models

**N/A = Part no longer available**

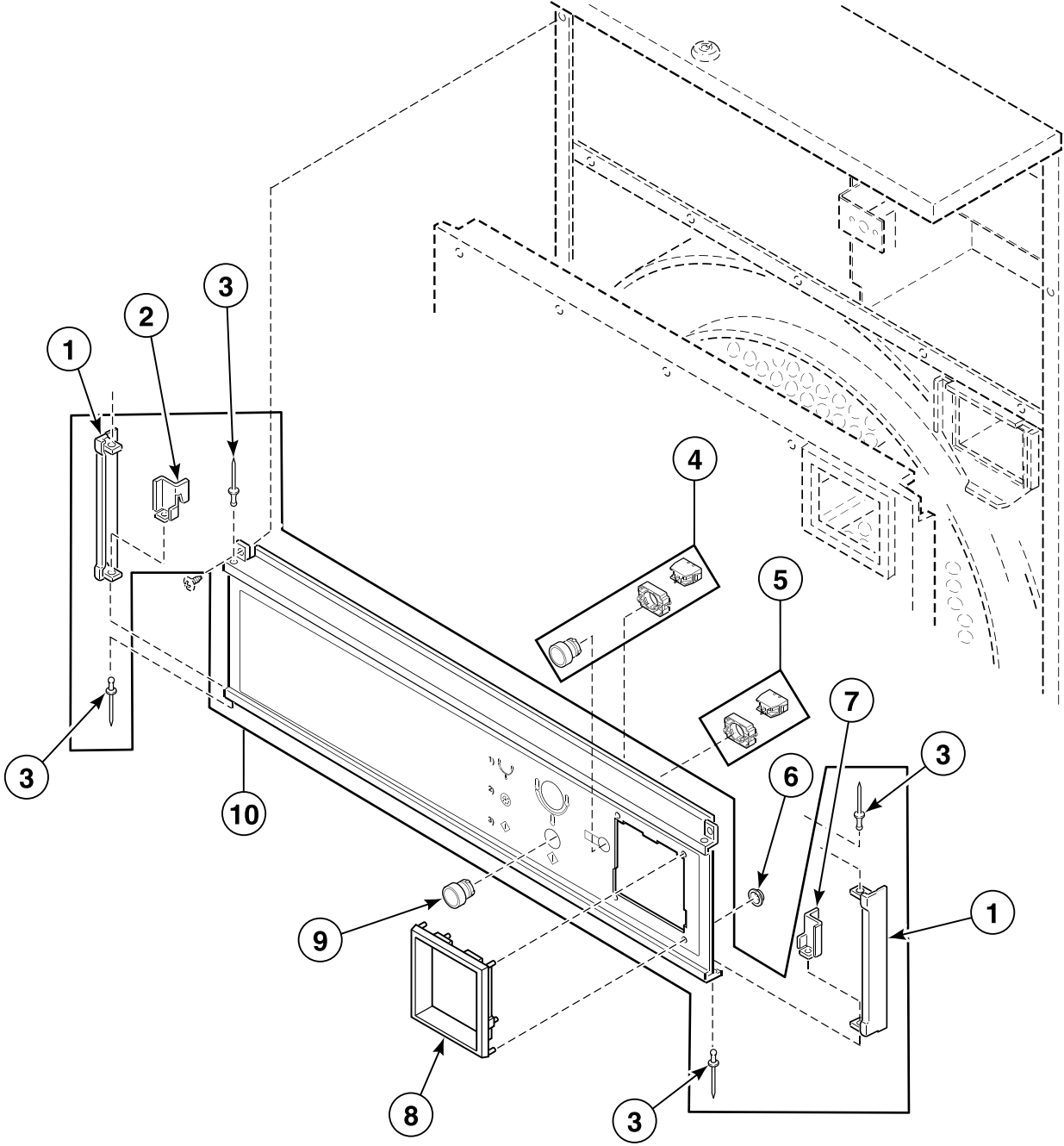


## Control Panel Assembly - Non-CE Coin Drop Models

REF	PART NO.	DESCRIPTION	COMMENTS
1	M401301	Control Panel Retainer	Left
2	M405750	Pop Rivet	
3	M400527	Resistor Assembly	2 required; 208-240 Volt; Electric models
4	N/A	Bracket	
5	N/A	Terminal Block	
6	M400071	Screw	
7	M402917	Screw	Ground
8	M400954P	Push-to-Start Switch Kit	
9	M403924P	Control Panel Wire Harness Assembly	
10	M401302	Control Panel Retainer	Right and center
11	M402508-12	Coin Meter	South Africa; 20 cents
	M402508-14	Coin Meter	Japan; 100 yen
	N/A	Coin Meter	Australia; 20 cents
	N/A	Coin Meter	France; 2 new francs
	M402508-34	Coin Meter	Denmark; 1 krone
	M402508-36	Coin Meter	Token; STD-118-1
	N/A	Coin Meter	Canada; \$0.25; Order M405138P Coin Meter
	M402508-45	Coin Meter	Spain; 25 peseta
	N/A	Coin Meter	Token; STD-118-1
	M405138P	Coin Meter	USA and Canada; \$0.25/10 minutes
12	M401328	End Cap	
13	M400672	Nut	
14	M403414	Shadow Box	
15	M404151	Run Light	
16	M400072	Screw	
17	N/A	Control Panel Assembly	JT Energy Saver models; 120 Volt
	M402670	Control Panel Assembly	JT Energy Saver models; All other voltages
	M410655	Control Panel Assembly	JT models starting Serial No. 9205015887
	N/A	Control Panel Assembly	All other JT models
	N/A	Control Panel Assembly	ST gas models
	N/A	Control Panel Assembly	All other ST models; Black
	N/A	Control Panel Assembly	All other ST models; Silver
18	33562	Screw	

**N/A = Part no longer available**

# Control Panel Assembly - CE Coin Drop Models



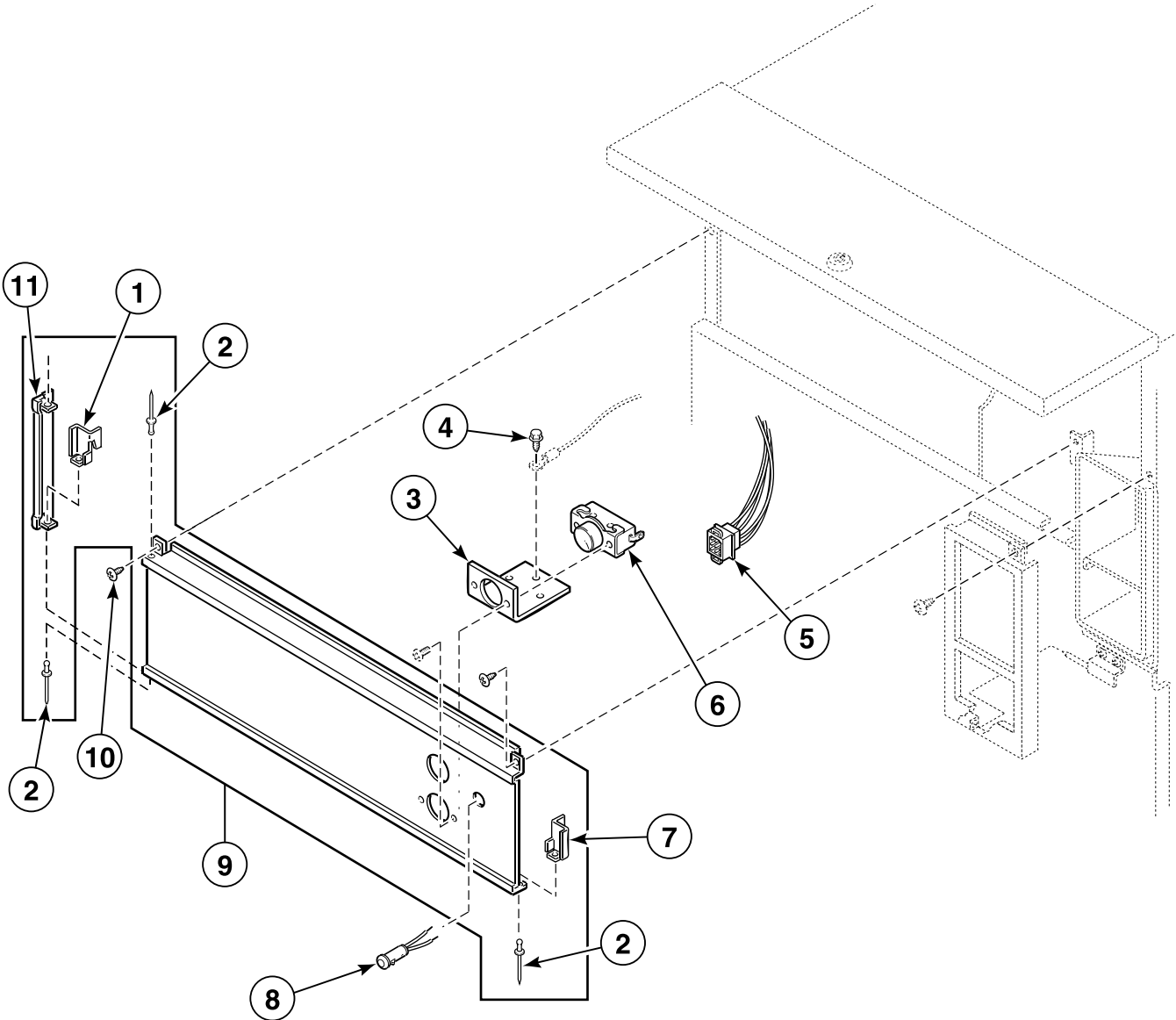
T417PZ3B\_M414056

## Control Panel Assembly - CE Coin Drop Models

REF	PART NO.	DESCRIPTION	COMMENTS
1	M401328	End Cap	
2	M401301	Control Panel Retainer	Left
3	M405750	Pop Rivet	
4	M412234	Indicator Light	
5	M412230	Contact Block	
6	M400672	Nut	
7	M401302	Control Panel Retainer	Right and center
8	M403414	Shadow Box	
9	N/A	Pushbutton	
10	N/A	Control Panel Assembly	SC models
	N/A	Control Panel Assembly	JC models

**N/A = Part no longer available**

# Control Panel Assembly - Coin Slide Models



T021P\_M414056

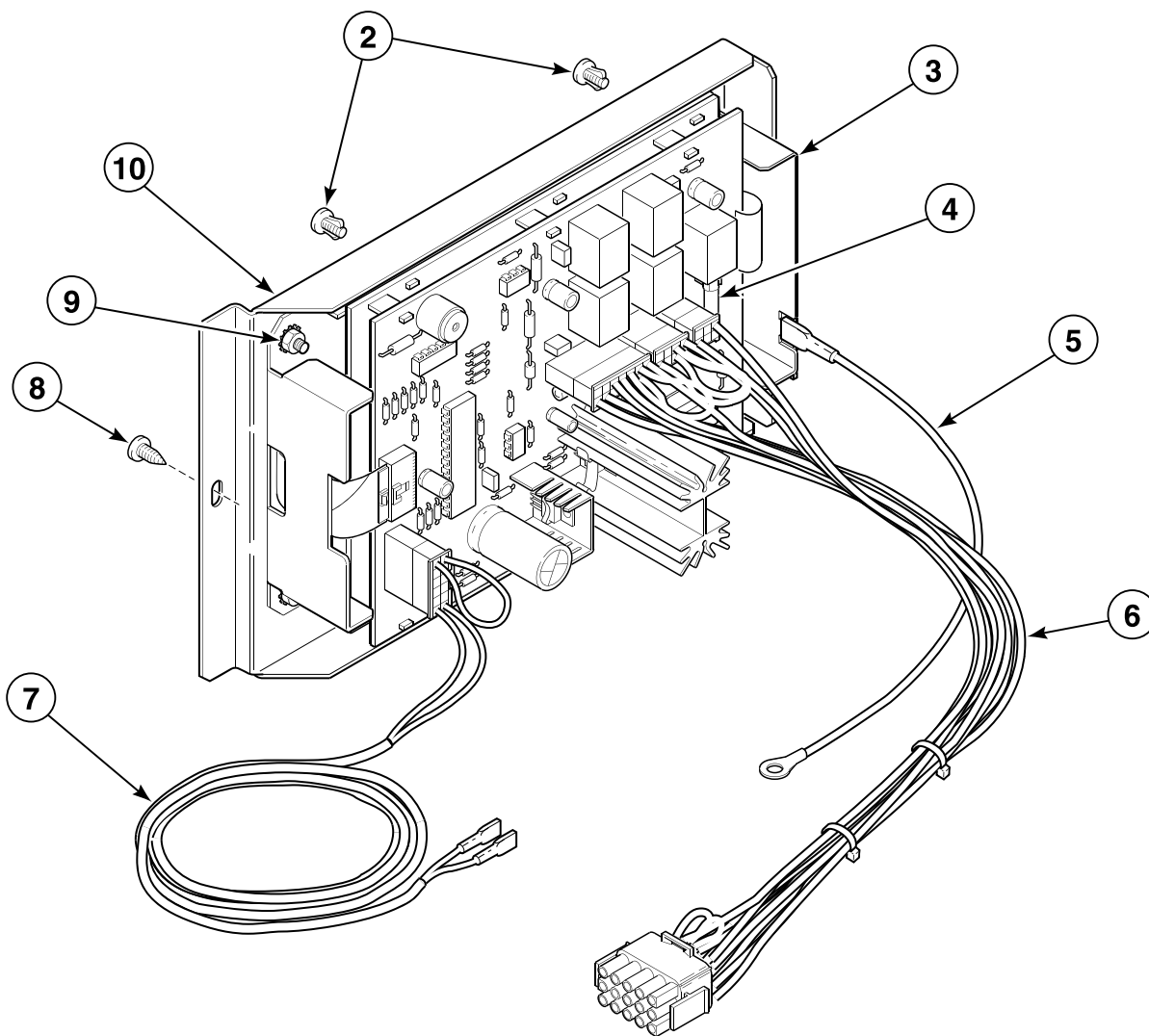
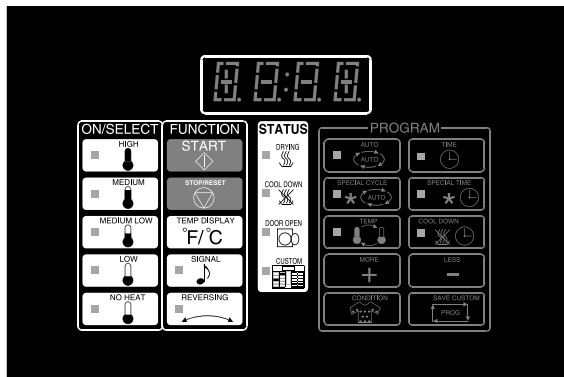
## Control Panel Assembly - Coin Slide Models

REF	PART NO.	DESCRIPTION	COMMENTS
1	M401301	Control Panel Retainer	Left
2	M405750	Pop Rivet	
3	N/A	Bracket	
4	M402917	Screw	Ground
5	M405896	Wire Harness Assembly	
6	M400954P	Push-to-Start Switch Kit	
7	M401302	Control Panel Retainer	Right
8	M404151	Run Light	
9	N/A	Control Panel Assembly	S models
	N/A	Control Panel Assembly	J models
10	33562	Screw	
11	M401328	End Cap	

**N/A = Part no longer available**

# OPL 24 Volt Micro Control

OM Models



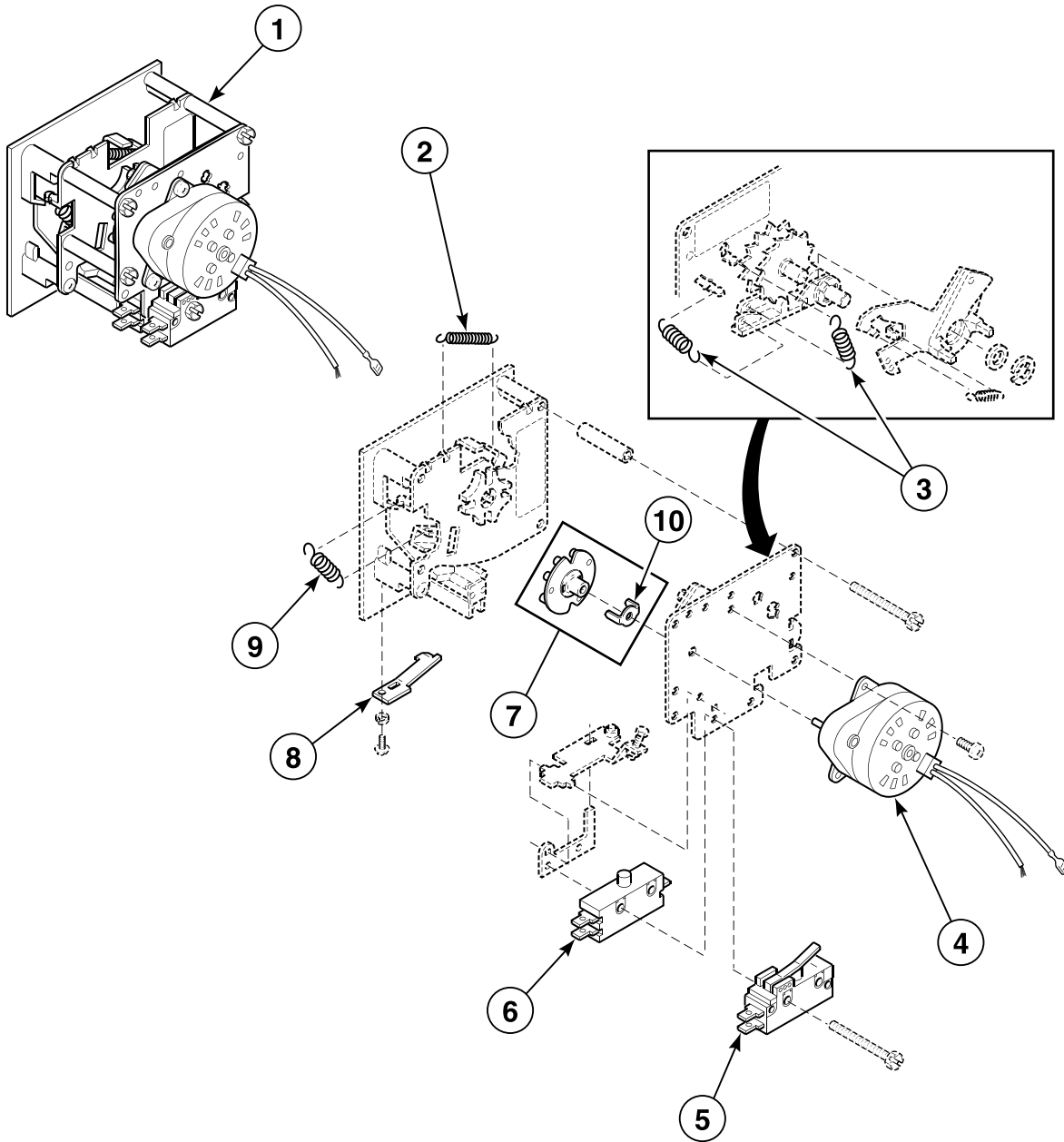
T382PZ3D\_M414056

# OPL 24 Volt Micro Control

REF	PART NO.	DESCRIPTION	COMMENTS
1	M413417	Microprocessor Overlay	STB nonreversing models
	N/A	Microprocessor Overlay	STB reversing models
	N/A	Microprocessor Overlay	DCB and SCB nonreversing models
	M413420	Microprocessor Overlay	DCB and SCB reversing models
	N/A	Microprocessor Overlay	JT and JTB nonreversing models
	M413422	Microprocessor Overlay	JTB reversing models
	M413423	Microprocessor Overlay	JCB nonreversing models
	N/A	Microprocessor Overlay	JCB reversing models
	M413425	Microprocessor Overlay	DTB nonreversing models
	M413426	Microprocessor Overlay	DTB reversing models
2	M410665	Hole Plug	
3	70228401P	Control Kit	24 Volt
4	M414104	Fuse	2 Amp; Located on back of control
5	M412645	Jumper Wire Assembly	
6	M413677	Micro Harness Assembly	
7	M413559P	Sensor Cable Harness	Nonreversing
	N/A	Sensor Cable Harness Assembly	Reversing
8	430497	Screw	
9	70054	Nut	
10	M413738	Micro Mounting Assembly	

**N/A = Part no longer available**

# Single Coin Meter



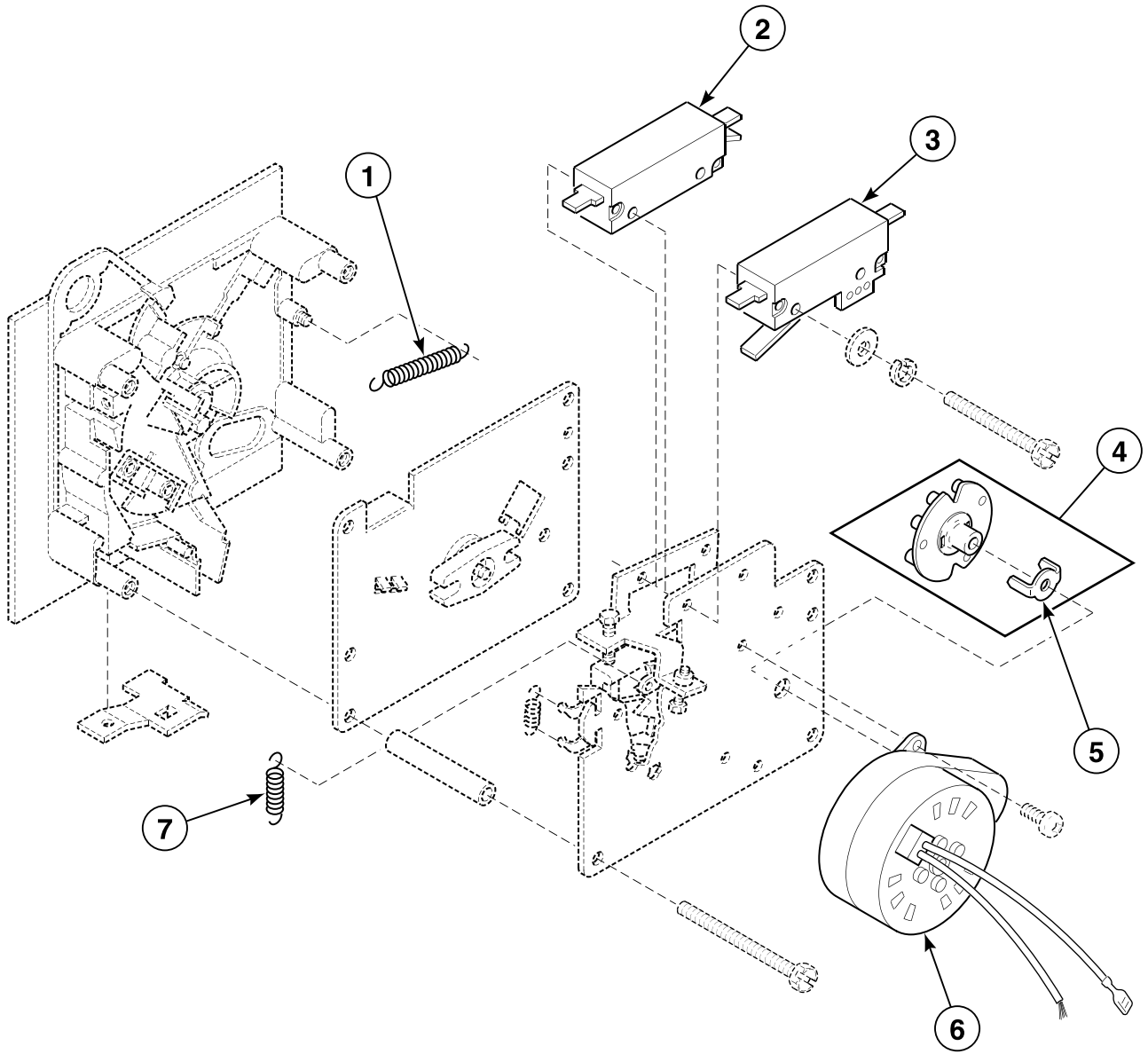
T022P\_M414056

# Single Coin Meter

REF	PART NO.	DESCRIPTION	COMMENTS
1	M402508-12	Coin Meter	South Africa; 20 cents
	M402508-14	Coin Meter	Japan; 100 yen
	N/A	Coin Meter	Australia; 20 cents
	N/A	Coin Meter	France; 2 new francs
	M402508-34	Coin Meter	Denmark; 1 krone
	M402508-36	Coin Meter	Token; STD-118-1
	N/A	Coin Meter	25 cents
	M402508-45	Coin Meter	Spain; 25 peseta
	N/A	Coin Meter	Token; STD-118-1
	M405138P	Coin Meter	USA; \$.25
2	M405138B	Return Spring	
3	M402455	Coil Spring	
4	M400609	Timer Motor	
5	M400947	Switch	Heat; Switch "B"
6	M400001	Single Throw Switch	Run; Switch "A"
7	M400734P	Timing Cam	2 pin; 30 minute
	M400735P	Timing Cam	3 pin; 20 minute
	M400736P	Timing Cam	4 pin; 15 minute
	M400737P	Timing Cam	5 pin; 12 minute
	M400738P	Timing Cam	6 pin; 10 minute
	M400739P	Timing Cam	7 pin; 8.5 minute
	M400740P	Timing Cam	8 pin; 7.5 minute
	M400741P	Timing Cam	9 pin; 6.6 minute
	M400732P	Timing Cam	10 pin; 6 minute
	M400733P	Timing Cam	12 pin; 5 minute
8	M406297	Coin Retainer Spring	Screw not included
9	M405138A	Coin Carrier Spring	
10	M400754	Coin Meter Drive	

**N/A = Part no longer available**

# Dual Coin Meter



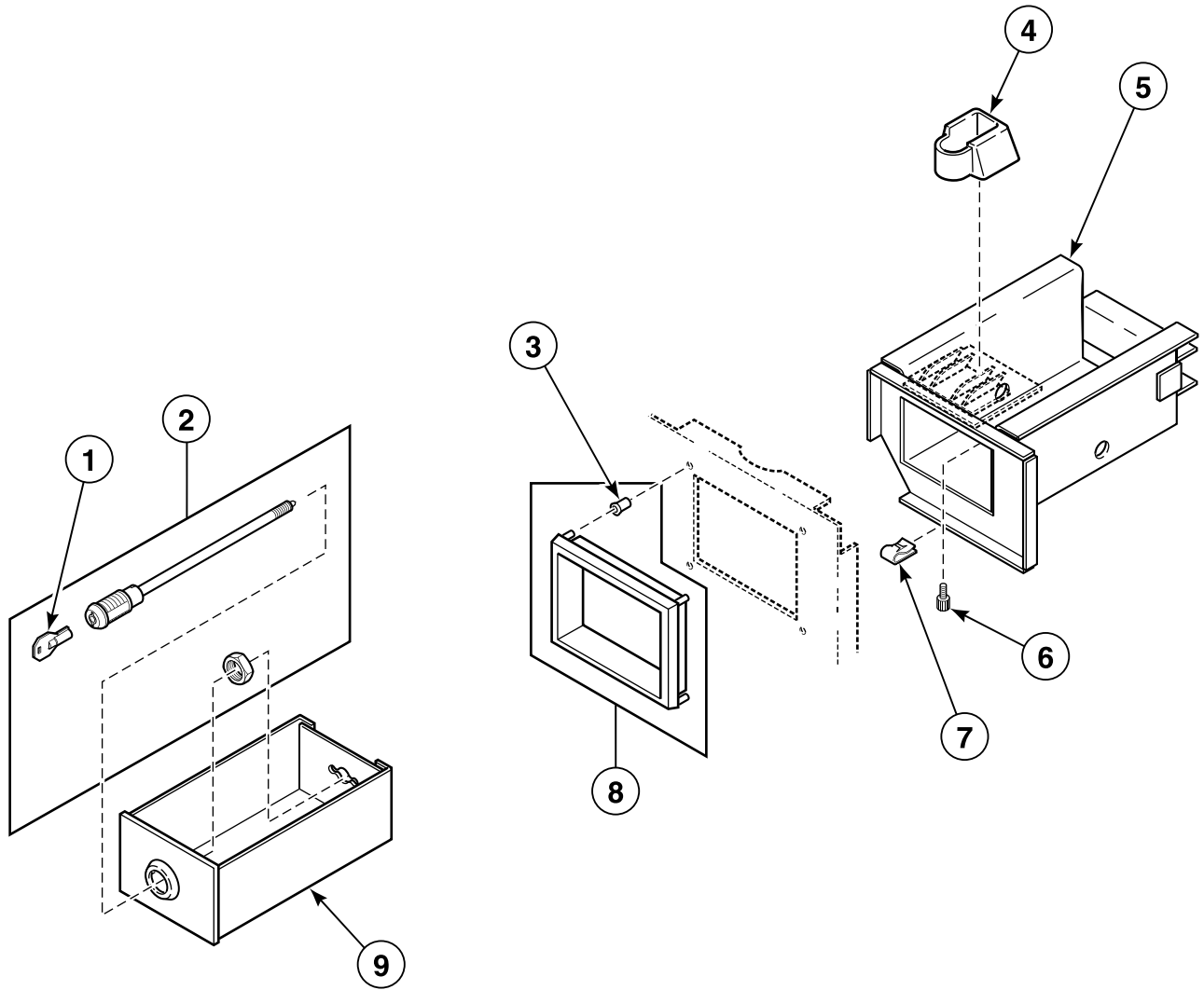
T023PZ3B\_M414056

## Dual Coin Meter

REF	PART NO.	DESCRIPTION	COMMENTS
	N/A	Dual Coin Meter	Not available as an assembly; Order M405138 Coin Meter, \$.25/10 minutes
1	M400746	Return Spring	
2	M400001	Single Throw Switch	Run
3	M400947	Switch	Heat
4	M400734P	Timing Cam	2 pin; 30 minute
	M400735P	Timing Cam	3 pin; 20 minute
	M400736P	Timing Cam	4 pin; 15 minute
	M400737P	Timing Cam	5 pin; 12 minute
	M400738P	Timing Cam	6 pin; 10 minute
	M400739P	Timing Cam	7 pin; 8.5 minute
	M400740P	Timing Cam	8 pin; 7.5 minute
	M400741P	Timing Cam	9 pin; 6.6 minute
	M400732P	Timing Cam	10 pin; 6 minute
	M400733P	Timing Cam	12 pin; 5 minute
5	M400754	Coin Meter Drive	
6	M400609	Timer Motor	
7	N/A	Index Lever Spring	

N/A = Part no longer available

# Coin Vault and Vault Guide Assembly



T024P\_M414056

## Coin Vault and Vault Guide Assembly

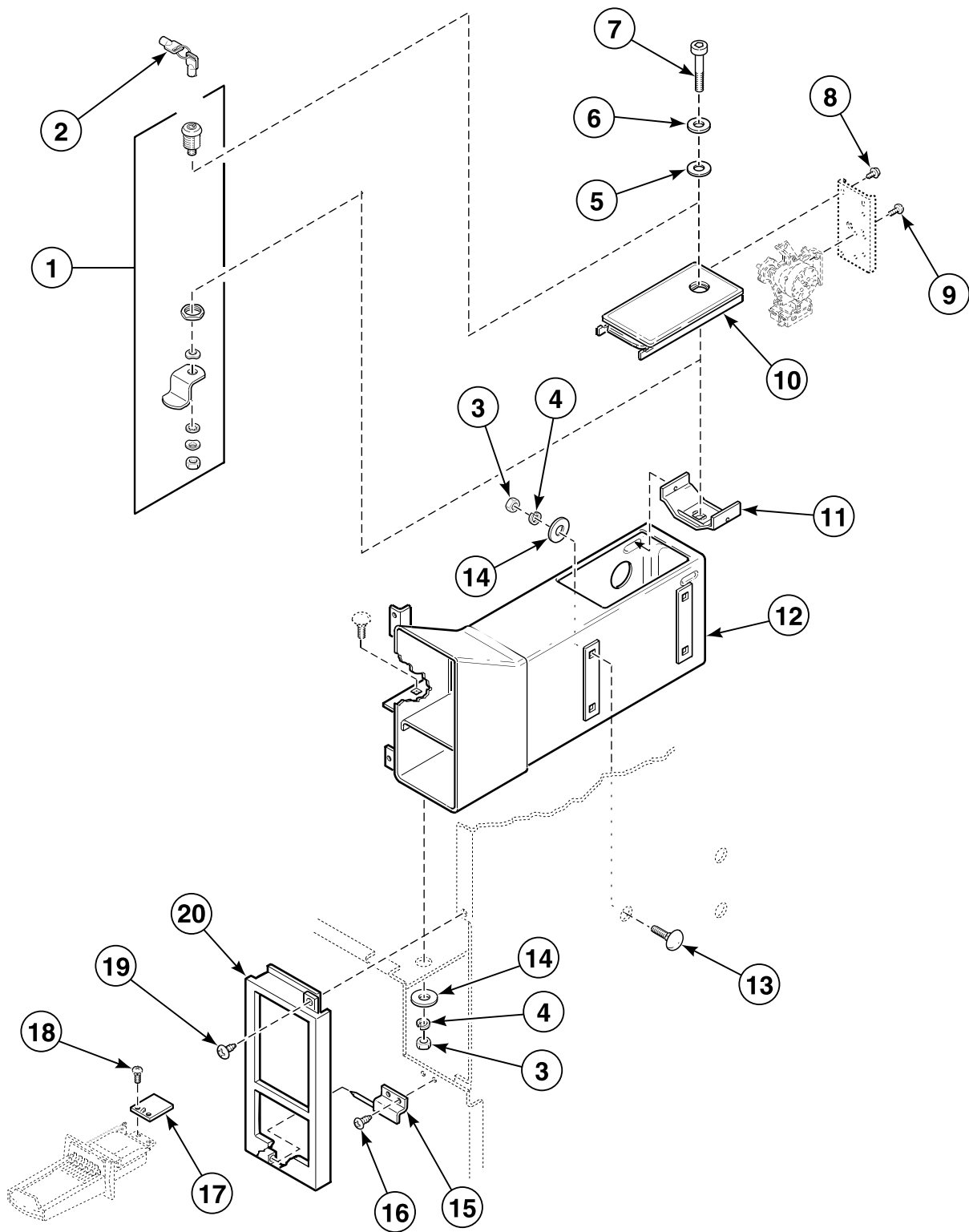
REF	PART NO.	DESCRIPTION	COMMENTS
1	N/A	Key	Order by key code from price list (M401701-M401790)
2	N/A	Vault Lock and Key Assembly	Order by key code from price list (M401581-M401640)
3	M400972	Shadow Box Clip	
4	N/A	Coin Chute	
5	N/A	Coin Vault Guide Assembly	Short; Models through Serial No. 9401xxxx
	44102801	Coin Vault Assembly	Long; Models starting Serial No. 9402xxxx; Uses M411994 Screw
6	M400655	Screw	
7	M400974	Clip	
8	M400131P	Shadow Box and Clip	
9	N/A	Coin Drawer Assembly	

\* Add Letter To Designate Color. B - Battina Green H - Harvest Gold K - Red L - Almond P - Turquoise V - Orange  
W - White X - Electric Blue

N/A = Part no longer available

# Meter Case

Coin Slide Models



T025P\_M414056

# Meter Case

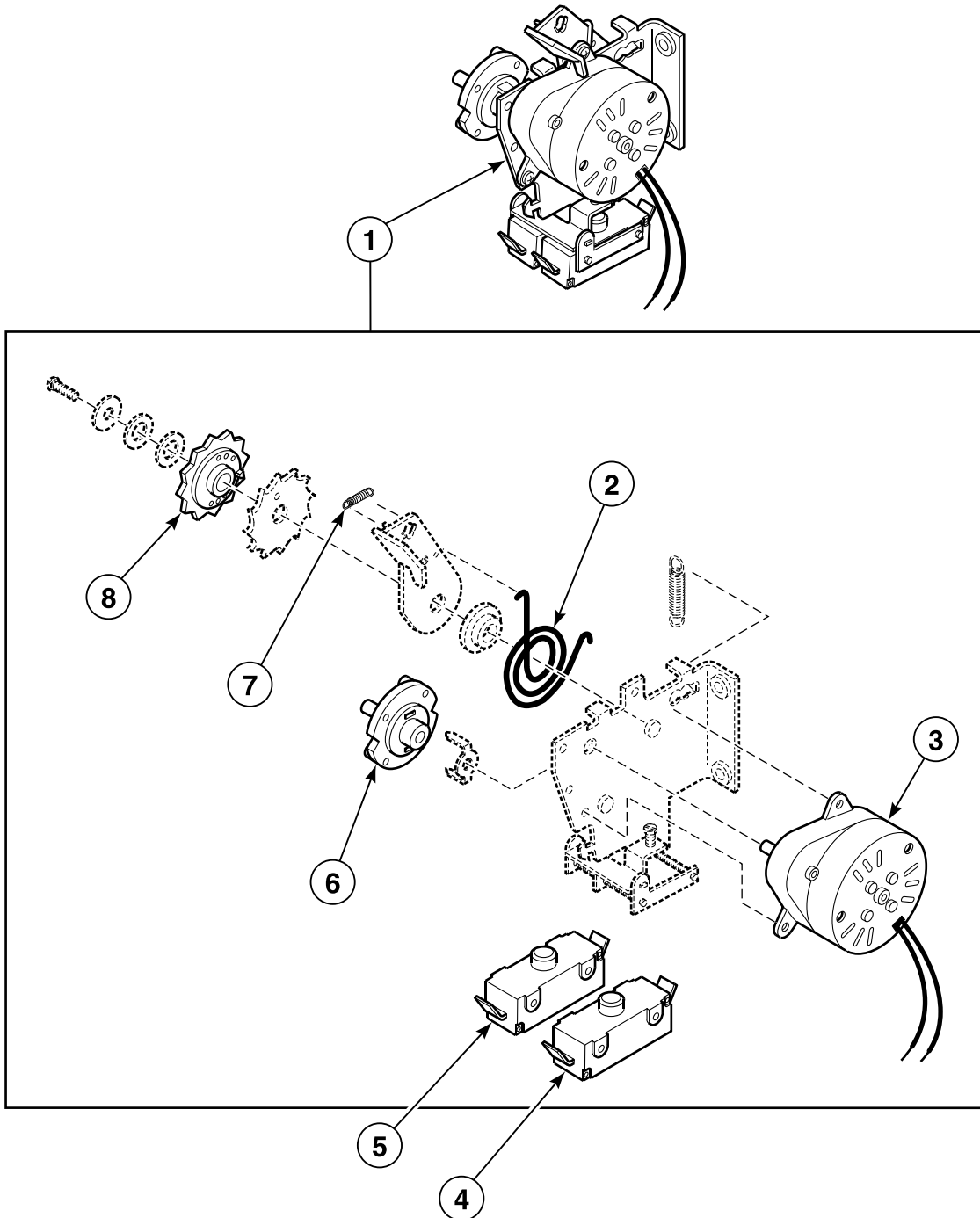
REF	PART NO.	DESCRIPTION	COMMENTS
1	27260P	Lock Kit	Not supplied with meter case
2	54612	Key	Not supplied with meter case
3	20274	Nut	
4	M400014	Washer	
5	35774	Washer	
6	35917	Washer	
7	503673	Screw	
8	52909	Screw	
9	03203	Screw	
10	35798*P	Service Door Assembly	
11	N/A	Meter Case Locking Bracket	
12	N/A	Meter Case Assembly	
13	M402945	Bolt	
14	20279	Washer	
15	M405931	Hinge Assembly	
16	51780	Screw	
17	61031	Coin Slide Extension	
18	03950	Screw	
19	33562	Screw	
20	M405884	Coin Slide	Escutcheon

\* Add Letter To Designate Color. B - Battina Green H - Harvest Gold K - Red L - Almond P - Turquoise V - Orange  
W - White X - Electric Blue

N/A = Part no longer available

# Accumulator

Coin Slide Models



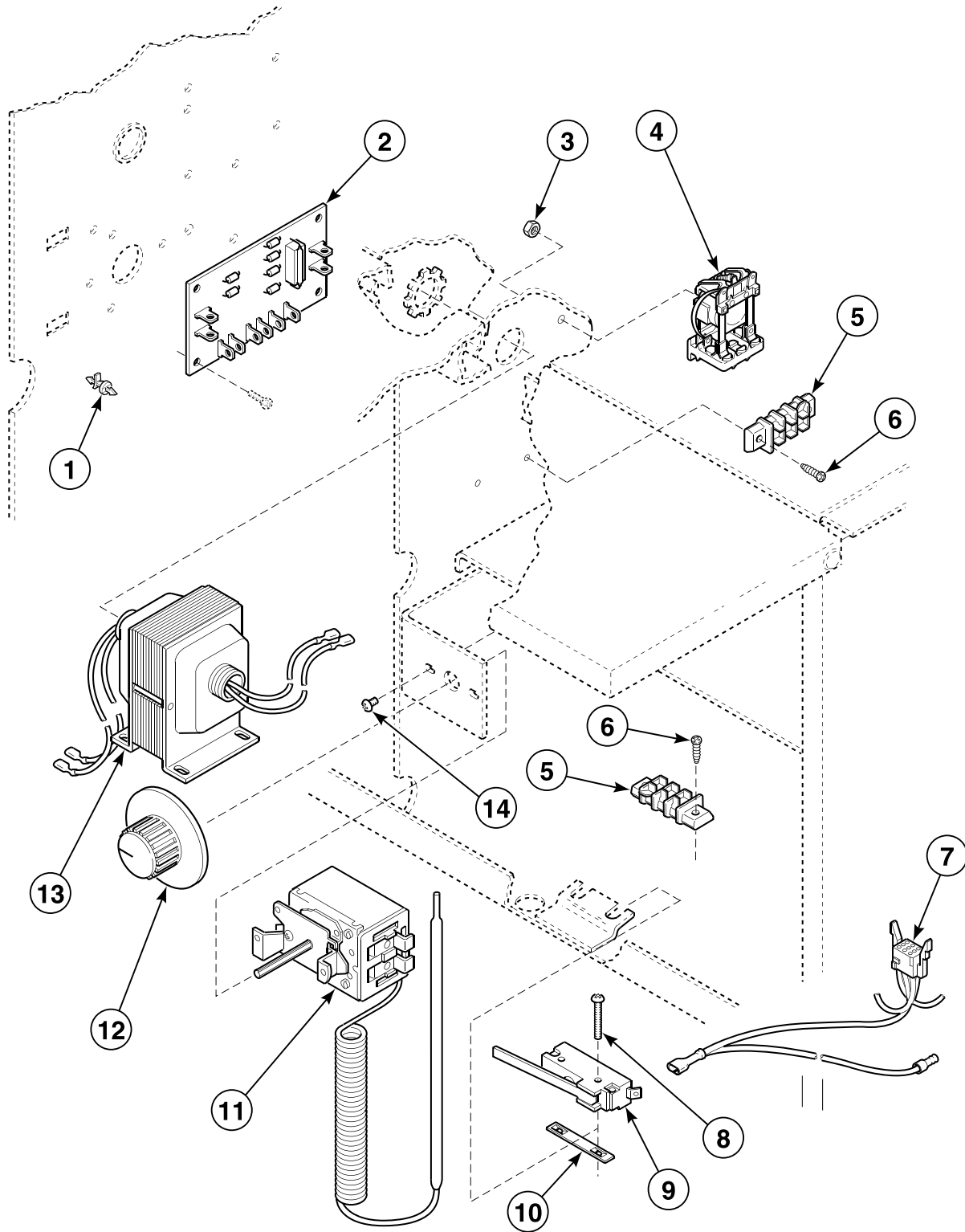
T299PZ3A\_M414056

# Accumulator

REF	PART NO.	DESCRIPTION	COMMENTS
1	M403422P	Accumulator	Dual switch
2	53261	Spring	
3	M400609	Timer Motor	1 hour; 1/60
4	M400947	Switch	B switch; Heat
5	M400001	Single Throw Switch	A switch; Run
6	53240	Timing Cam	3 pin
	53241	Timing Cam	4 pin
	M400239	Timing Cam	5 pin
	53242	Timing Cam	6 pin
	53243	Timing Cam	9 pin
7	N/A	Pawl Spring	
8	53239	Ratchet Wheel	

**N/A = Part no longer available**

# Control Thermostat, Door Switch, Transformer, Relay and Diode Logic Board



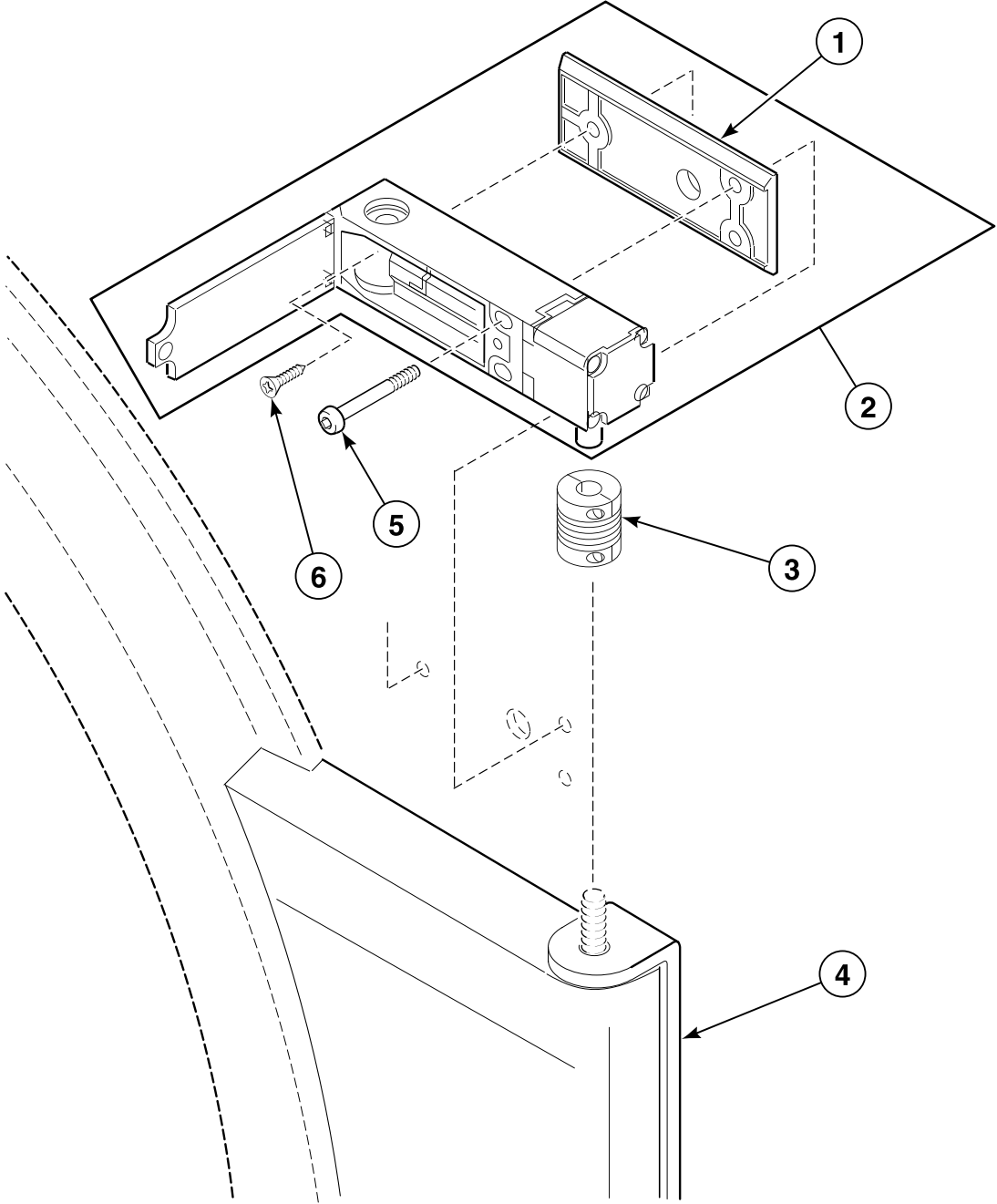
T027P\_M414056

## Control Thermostat, Door Switch, Transformer, Relay and Diode Logic Board

REF	PART NO.	DESCRIPTION	COMMENTS
1	M405979	Circuit Board Support	Gas models with White Rodgers glow bar ignition
2	N/A	Diode Logic Board	Gas models with White Rodgers glow bar ignition
3	02788	Nut	Gas models with Johnson Control glow bar ignition
4	N/A	Relay	Gas models with Johnson Control glow bar ignition
5	N/A	Terminal Block	Gas models with Johnson Control glow bar ignition
6	M400072	Screw	Gas models with Johnson Control glow bar ignition
7	N/A	Wire Harness Assembly	208-240 Volt manual timer electric models; Steam models
	M405873	Wire Harness Assembly	480 Volt electric models; 208-240 Volt coin drop electric models
	M405871P	Control Harness	Gas models; Models not equipped with junction box
8	Q6516	Screw	
9	M400952	Door Switch	DT, JT and ST models
10	M400981	Nut	
11	M401251P	Thermostat	
12	M410928	Temperature Control Knob	J models starting Serial No. 9205015887
	M400777	Knob	All other models
13	M401199P	Transformer Kit	120 Volt; Gas models equipped with automatic pilot ignition
	M402650P	Transformer	208-240 Volt; Gas models equipped with automatic pilot ignition
14	M400071	Screw	

**N/A = Part no longer available**

# Door Switch - CE Models



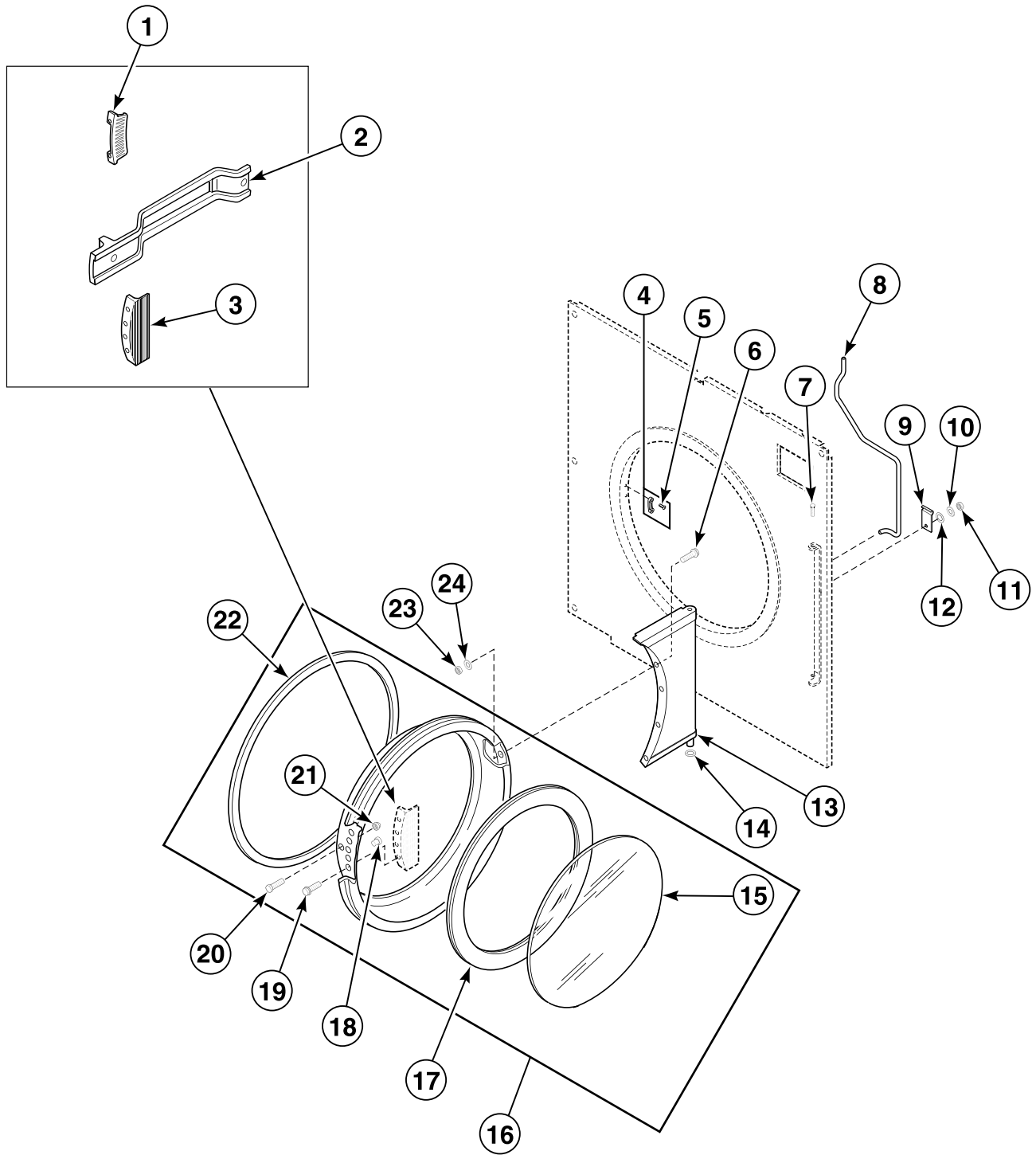
T418P\_M414056

## Door Switch - CE Models

REF	PART NO.	DESCRIPTION	COMMENTS
1	M412528	Switch Base	
2	M4842P3	Door Safety Switch Kit	
3	M412551	Flexible Coupler	
4	N/A	Door Hinge Assembly	
5	M412532	Screw	
6	M412531	Screw	

\* Add Letter To Designate Color. B - Battina Green H - Harvest Gold K - Red L - Almond P - Turquoise V - Orange  
W - White X - Electric Blue

# Loading Door Assembly



T218PZ3D\_M414056

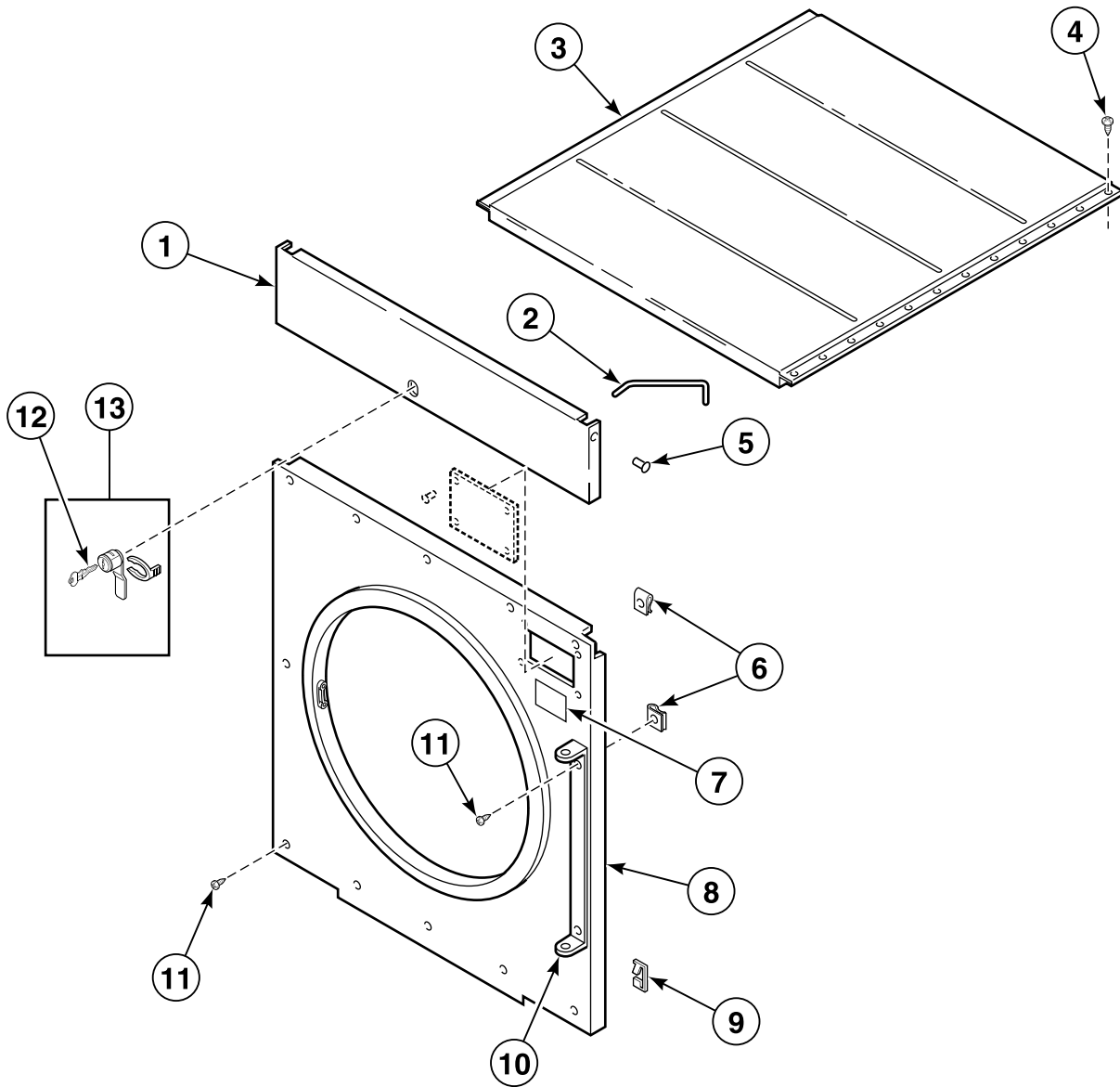
## Loading Door Assembly

REF	PART NO.	DESCRIPTION	COMMENTS
1	M400133	Door Handle	Chrome
2	430117	Door Handle	Bar type
3	70133501P	Replacement Door Handle Kit	Cocoa
4	M401223	Door Latch	
5	M405750	Pop Rivet	
6	M400044	Screw	
7	M400653	Hinge Pin	
8	M401181	Door Switch Rod	
9	M400402	Spring Clip	
10	M400017	Washer	
11	20275	Nut	
12	03189	Washer	
13	M400512*	Door Hinge Assembly	Plain
	M400514	Hinge Assembly	Stainless steel
	M402714*	Door Hinge Assembly	Textured
	N/A	Door Hinge Assembly	DC, JC and SC models
14	M400675	Washer	
15	70133601P	Door Glass	J models starting Serial No. 9205015887 with logo
	M400784P	Door Glass	All other models
16	430475	Door Assembly	Bar handle; Black
	M410887	Door Assembly	Cocoa handle
	M400447P	Door Assembly	Chrome handle
17	70211901P	Door Glass Seal Kit	
18	430649	Door Plug	
19	M409385	Screw	
20	M400661	Screw	
21	M414215	Nut	
22	M406129	Door Ring Gasket	
23	Q6163	Nut	
24	03815	Washer	

\* Add Letter To Designate Color. B - Battina Green H - Harvest Gold K - Red L - Almond P - Turquoise V - Orange  
W - White X - Electric Blue

N/A = Part no longer available

# Top and Front Panels



T029P\_M414056

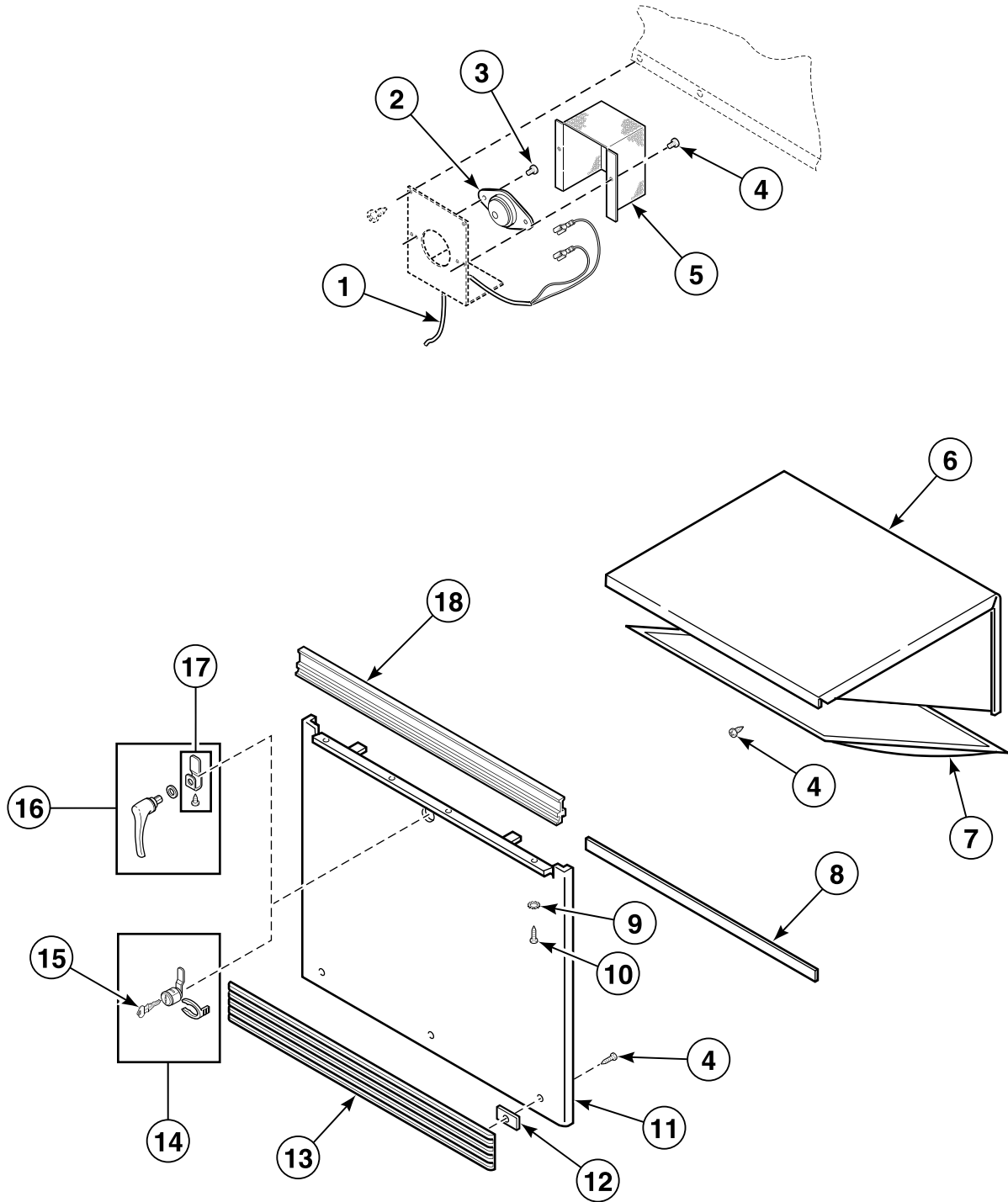
# Top and Front Panels

REF	PART NO.	DESCRIPTION	COMMENTS
1	N/A	Top Access Panel	Plain
	M401315	Top Front Panel	Stainless steel
	M405889*	Top Front Panel Assembly	Textured; DC, JC and SC electric and steam models
	M413633*	Top Front Panel	DC, JC and SC gas models
2	M400604	Support Rod	
3	M401306	Top Cover Panel	
4	430497	Screw	
5	M400713	Drive Rivet	
6	M400975	Clip	
7	M410892	Warning Label	Control panel
8	M410746*P	Front Panel Kit	Plain; All models except coin slide
	M410756P	Front Panel Kit	Stainless steel; All models except coin slide
	M410878*P	Front Panel Kit	Textured; Coin drop models
	M410879*P	Front Panel Kit	Textured; Coin slide models
	M412786*P	Front Panel Assembly	DC, JC and SC manual timer models
	M411124P	Front Panel Kit	Stainless steel; Manual timer models starting Serial No. 9205015887
	M411128*P	Front Panel Kit	Manual timer models starting Serial No. 9205015887; No vault opening
	M410743*P	Front Panel Assembly	Coin drop models starting Serial No. 9205015887; Includes insulation; EG control
9	M400984	Clip	
10	431000*	Hinge Bracket	
11	N/A	Screw	
12	M401680	Panel Key	
13	M406654P	Panel Lock	

\* Add Letter To Designate Color. B - Battina Green H - Harvest Gold L - Almond K - Red P - Turquoise V - Orange  
W - White X - Electric Blue

N/A = Part no longer available

# Lint Panel and Compartment



T363P\_M414056

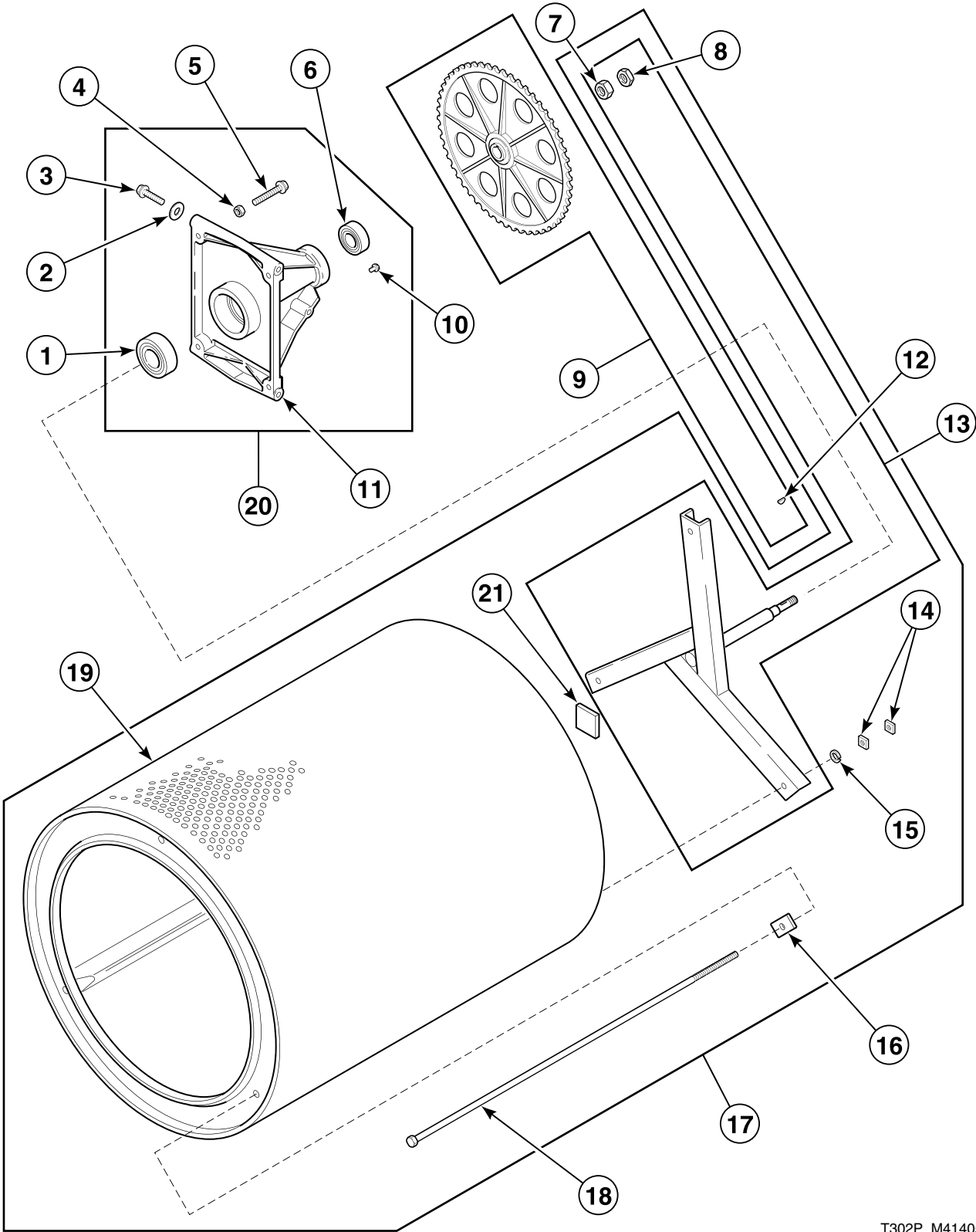
## Lint Panel and Compartment

REF	PART NO.	DESCRIPTION	COMMENTS
	430757	Screw	For lint panel
1	M411460	Cord Assembly	
2	M411941	Manual Reset Thermostat	Australian models; Gas models
	M411813	Limit Thermostat	Electric models starting Serial No. TTCK9303031128
	M410542	Limit Thermostat	Gas models starting Serial No. TTCK07247022F
	M406412	Limit Thermostat	Energy Saver models
3	M402797	Screw	
4	M400664	Screw	
5	M414477	Thermostat Cover	
6	M400515	Lint Hood Assembly	Steam models
	M401150	Lint Screen Hood Assembly	All other models
7	M400522	Lint Screen Assembly	
8	M401201	Bumper Trim	
9	03815	Washer	
10	M400657	Screw	
11	M401062*P	Lint Panel Assembly	Plain; Lock and key style (lock and key not included)
	N/A	Lint Panel Assembly	Stainless steel; Lock and key style (lock and key not included)
	M402713*P	Lint Panel Assembly	Textured; Lock and key style (lock and key not included)
	N/A	Lint Panel Assembly	Textured; Handle style (handle not included)
	M410668*	Lint Panel Assembly	DC, JC and SC models
12	N/A	Retainer	
13	M414437P	Kickplate Kit	Includes attaching hardware
14	M406654P	Panel Lock	
15	M401680	Panel Key	
16	M410243P	Handle and Cam Assembly	Later models
	M400594P	Lint/Access Panel Handle	Earlier models; Attached to lint panel with 2 screws
17	M400595	Cam and Screw	
18	M410783	Bumper	Black; DC and SC models
	M410844	Lint Panel Bumper	Cocoa; J models starting Serial No. 9205015887
	M401161	Bumper Assembly	All other models; Includes item 8

\* Add Letter To Designate Color. B - Battina Green H - Harvest Gold K - Red L - Almond P - Turquoise V - Orange  
W - White X - Electric Blue

N/A = Part no longer available

# Cylinder and Trunnion Assemblies

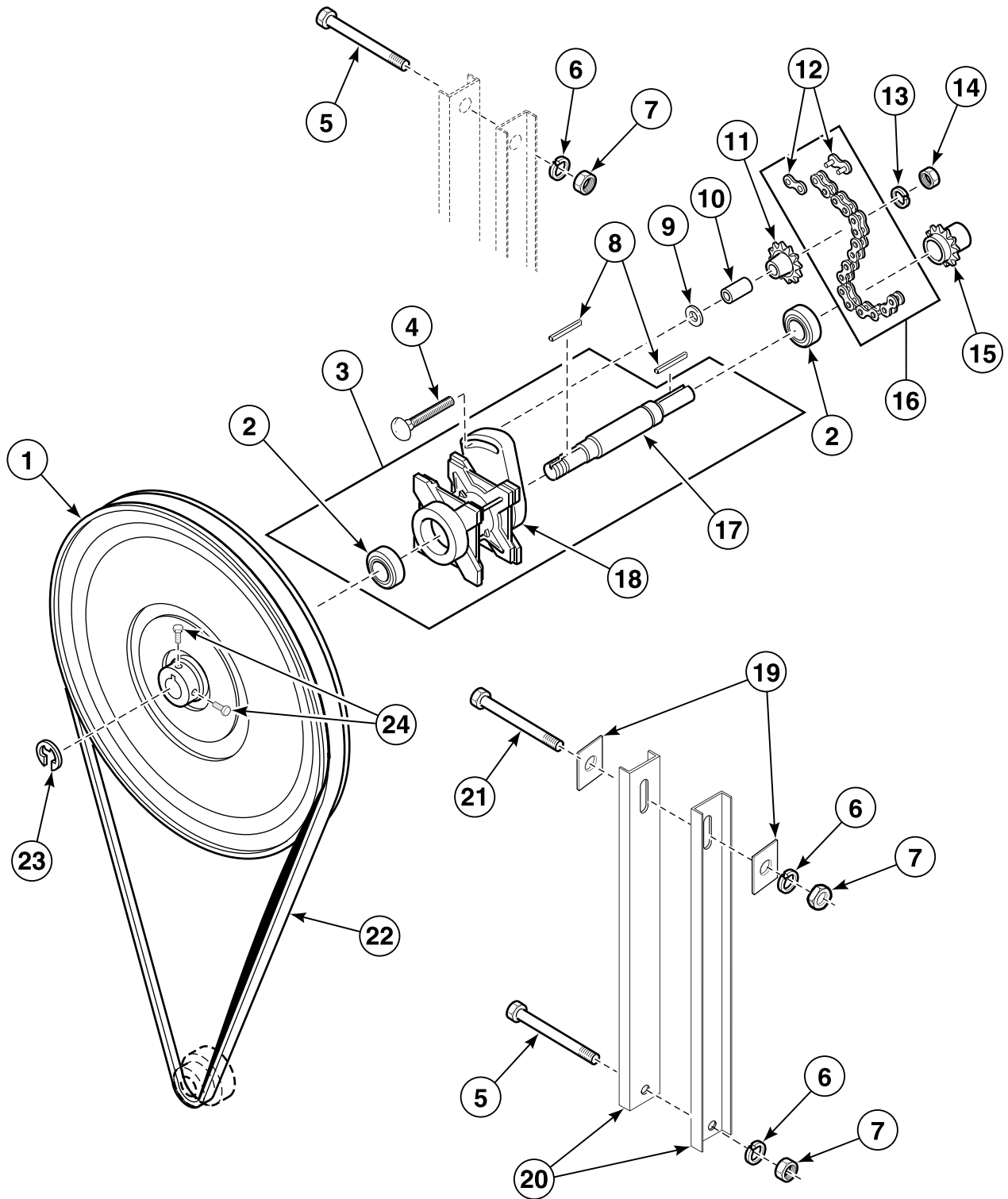


T302P\_M414056

## Cylinder and Trunnion Assemblies

REF	PART NO.	DESCRIPTION	COMMENTS
1	M413921P	Ball Bearing	
2	M401946	Washer	
3	M400649	Bolt	
4	M400026	Nut	
5	M400650	Bolt	
6	M400592	Ball Bearing	
7	M400036	Nut	
8	M400023	Nut	
9	M400091P	Sprocket	Chain drive only
10	M409385	Screw	5 required
11	M400144	Trunnion Housing Casting	
12	M400010	Key	
13	M401055P	Trunnion Assembly	
14	M401930	Nut	
15	M400013	Washer	
16	M401947	Washer	
17	M401052P	Cylinder and Trunnion Assembly	
18	M400901	Rib Rod	
19	M401049P	Cylinder	
20	M401349P	Trunnion Housing Assembly	
21	M402144	Felt Pad	

# Chain Drive Components

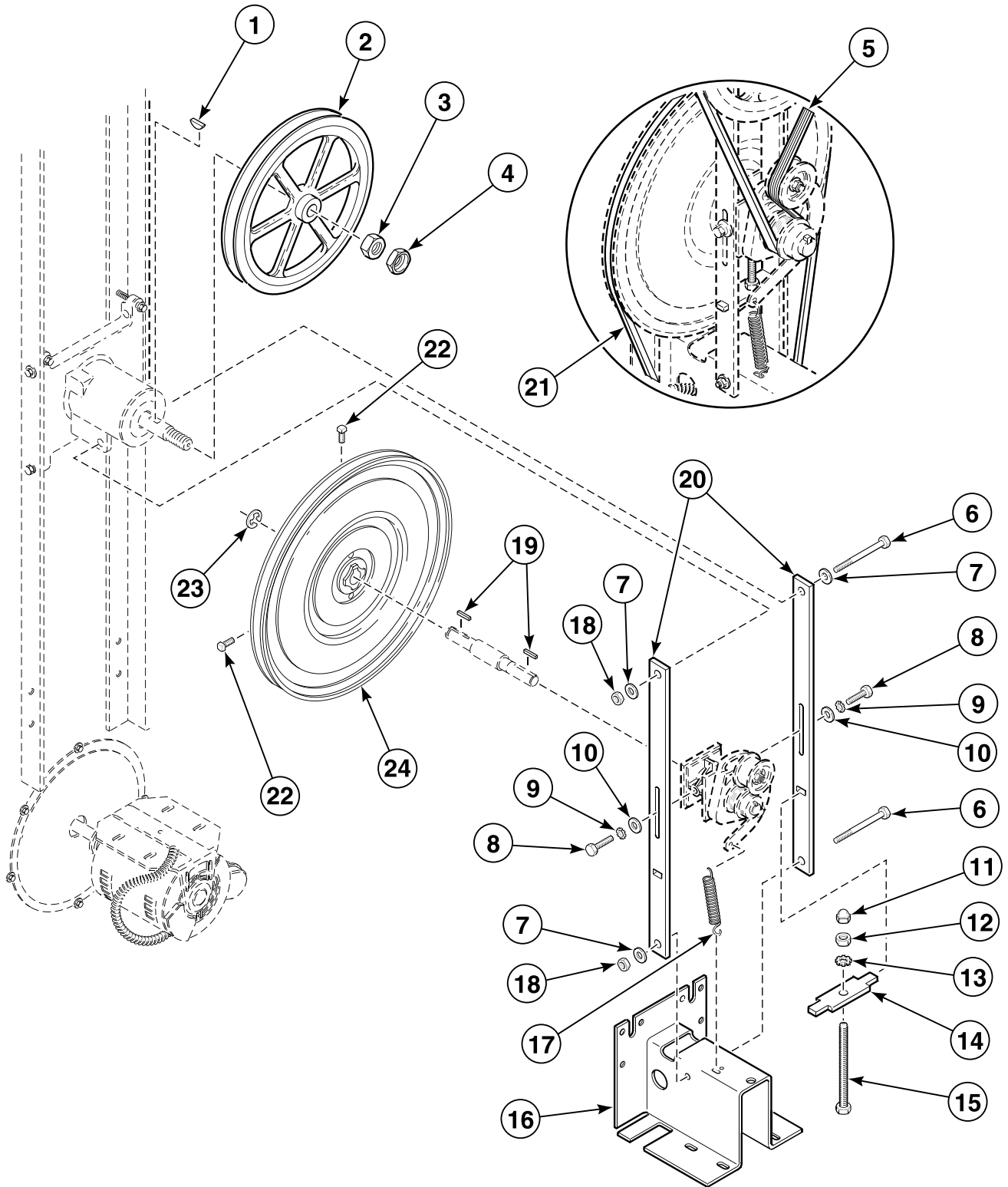


T031P\_M414056

## Chain Drive Components

REF	PART NO.	DESCRIPTION	COMMENTS
1	44086901P	Sheave Kit	Includes items 8 and 24
2	M400592	Ball Bearing	
3	M412229P	Idler Housing Kit	Does NOT include chain, link, belt or sheave
4	M412475	Bolt	
5	M405525	Screw	
6	M400013	Washer	
7	02428	Nut	
8	M401327	Key	
9	M400081	Washer	
10	M412474	Sleeve	
11	M401369P	Chain Sprocket	
12	M401360P	Chain Connecting Link	
13	M400014	Washer	
14	M400026	Nut	
15	M401366P	Sprocket	
16	M401425	Roller Chain	
17	M401374P	Idler Shaft	
18	M412103P	Idler Housing Kit	Includes items 4, 5, 10, 20 and 21
19	M400832	Washer	
20	M412476	Guide Rail	
21	M400078	Bolt	
22	M401182	Belt	
23	M400399	Ring	
24	M400065	Screw	

# Belt Drive Components



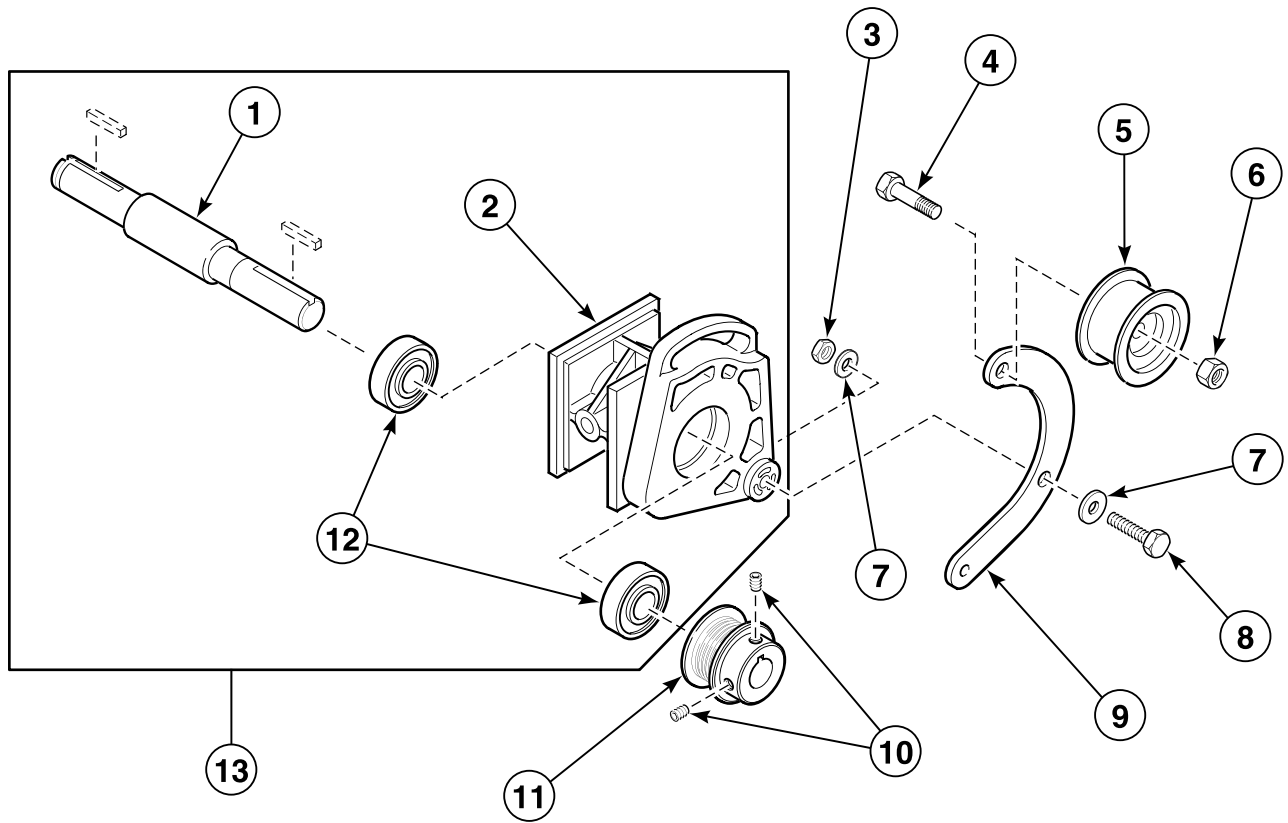
T312PZ3A\_M414056

## Belt Drive Components

REF	PART NO.	DESCRIPTION	COMMENTS
1	M400010	Key	
2	M412155	Micro V Sheave	
3	M400023	Nut	
4	M400036	Nut	
5	M411424P	Micro V Belt	
6	M405525	Screw	
7	M400014	Washer	
8	M400043	Screw	
9	M403958	Washer	
10	M400080	Washer	
11	M412626	Nut	
12	M404993	Nut	
13	M412188	Washer	
14	M414405	Tension Plate Assembly	
15	M412627	Screw	
16	M411483	Motor Bracket	
17	M412121	Extension Spring	
18	M400026	Nut	
19	M401327	Key	
20	M412476	Guide Rail	
21	M401182	Belt	
22	M400065	Screw	
23	M400399	Ring	
24	44086901P	Sheave Kit	Includes hardware

# Idler Housing Assembly

Belt Drive

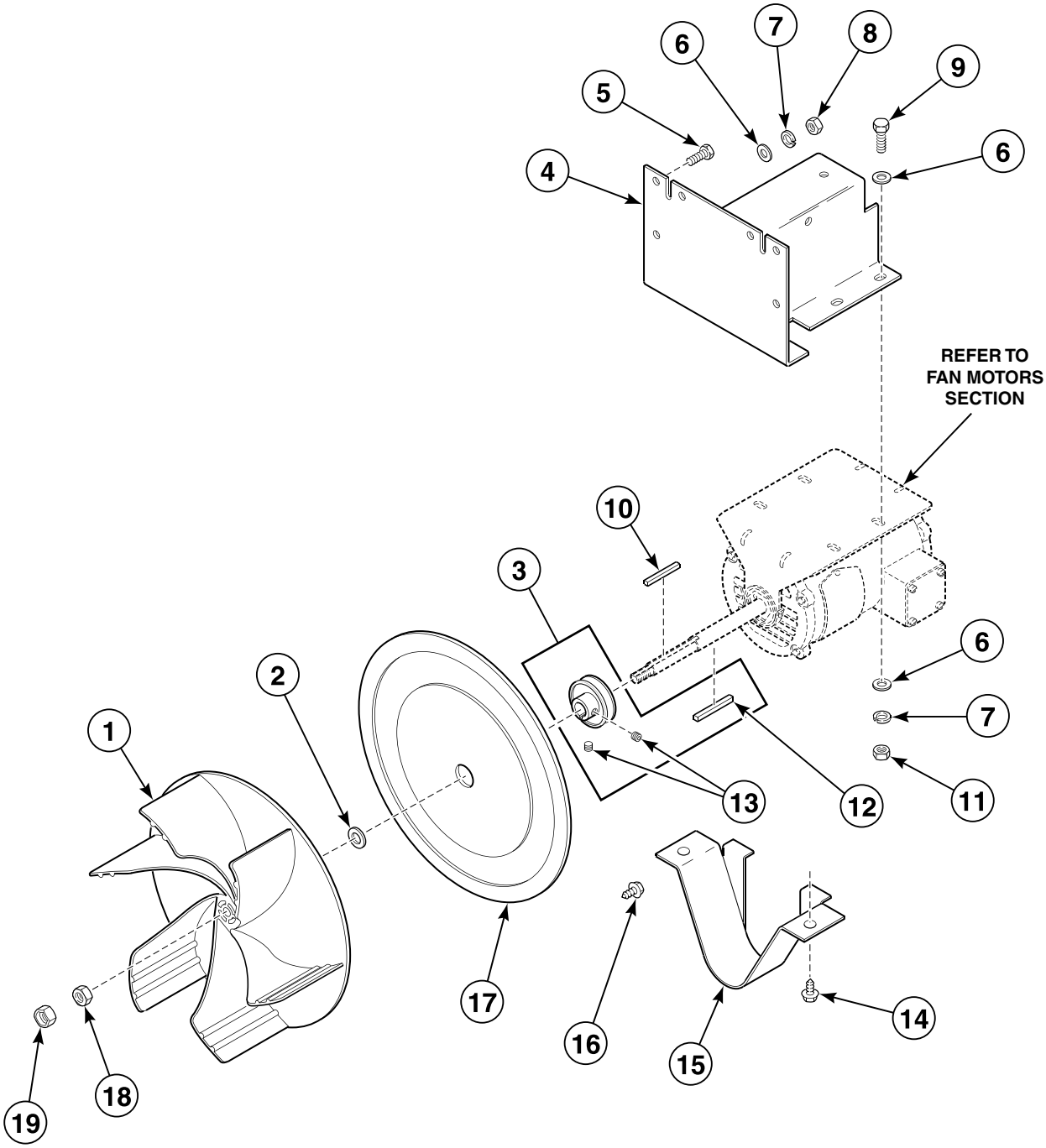


T313P\_M414056

## Idler Housing Assembly

REF	PART NO.	DESCRIPTION	COMMENTS
1	M412223P	Idler Shaft	
2	M412103P	Idler Housing Kit	
3	52566	Nut	
4	430648	Screw	
5	430619	Drum Idler Wheel Assembly	
6	56156	Nut	
7	M405535	Washer	
8	M412119	Bolt	
9	M414320P	Idler Arm Kit	Includes 430782 Washer and 70187001 Washer
10	M400077	Screw	
11	M411466P	Micro V Pulley	
12	430038	Support Bearing	
13	M412229P	Idler Housing Kit	

# Fan and Motor Assembly



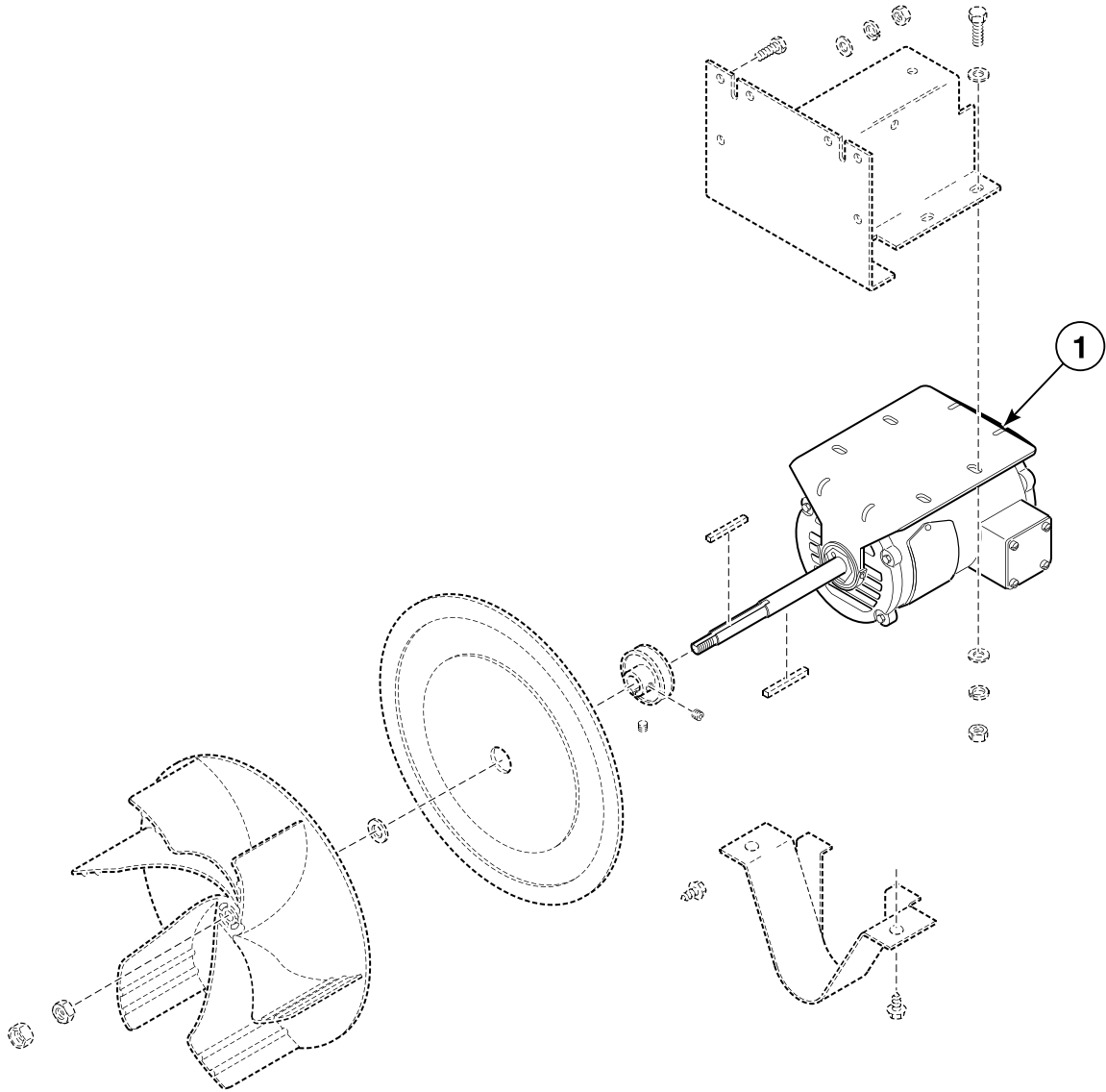
T032PZ3D\_M414056

## Fan and Motor Assembly

REF	PART NO.	DESCRIPTION	COMMENTS
	M4426P3	Motor Hardware Kit	Includes items 2, 10, 12, 19 and 20
1	M410088P	Fan	Low pressure steam models; Includes item 10
	M400086P	Fan and Key	All other models; Includes item 10
2	M400991	Washer	
3	M401183P	Pulley	60 Hertz; Steam models
	M414567	Pulley	60 Hertz; Gas and electric models
	N/A	Pulley	50 Hertz; Steam models
	M401186P	Pulley	50 Hertz; Gas and electric models
4	M411483	Motor Bracket	
5	M401393	Bolt	
6	M400080	Washer	
7	M400013	Washer	
8	70142	Nut	
9	M400057	Screw	
10	M400994	Key	Fan
11	02428	Nut	
12	M400993	Key	Pulley
13	M400077	Screw	
14	M405188	Screw	
15	M413008	Belt Guard	
16	M410059	Screw	
17	M401362	Cover Plate	
18	M400022	Nut	
19	M400034	Nut	

**N/A = Part no longer available**

# Fan Motors

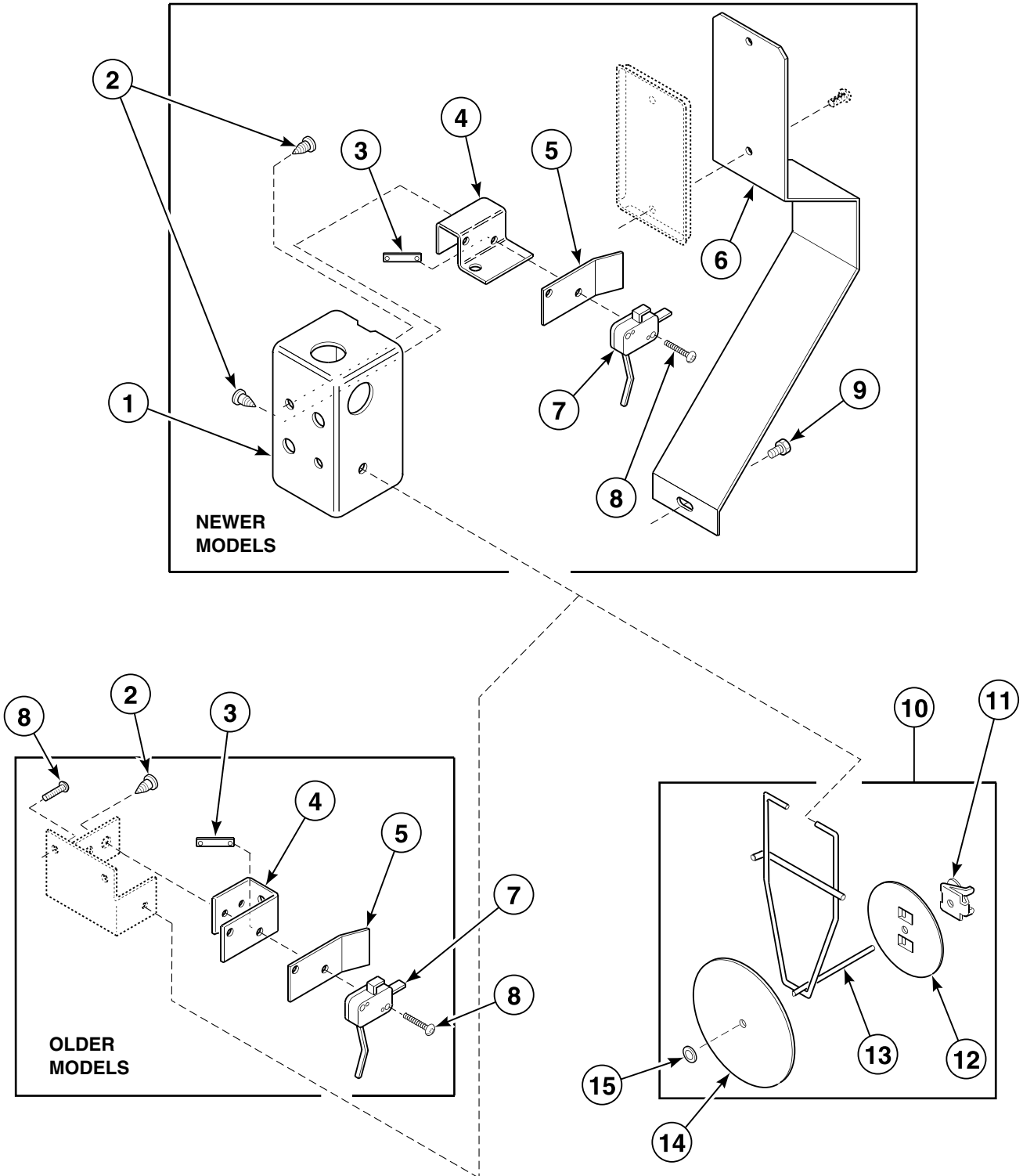


T032PZ3DA\_M414056

# Fan Motors

REF	PART NO.	DESCRIPTION	COMMENTS
	M4833P3	Motor Replacement Kit	120, 208-240 Volt; Gas and electric models
	M4834P3	Motor Replacement Kit	208 Volt; High pressure steam models
	M4858P3	Motor Replacement Kit	120 or 240 Volt/50 Hertz/1 Phase; High pressure steam models through Serial No. 684487YA; 1/2 hp
1	M400379	Motor	208 Volt/1 Phase; Gas and electric models through Serial No. 684487YA
	M411189P	Motor	480 Volt/3 Phase; Gas and electric models through Serial No. 684487YA
	M411191P	Motor	Low pressure steam models through Serial No. 684487YA; 3/4 hp
	M412227P	Motor	Low pressure steam models starting Serial No. 684487YA; 3/4 hp; 1 Phase
	44045901P	Fan Motor	230 Volt/50 Hertz/1 Phase; DC, JC and SC models starting Serial No. 684487YA
	44046001P	Fan Motor	230, 280 or 415 Volt/50 Hertz/3 Phase; DC, JC and SC electric models starting Serial No. 684487YA
	44048701P	Motor	115 or 230 Volt/50 Hertz/1 Phase; DC, JC and SC steam models starting Serial No. 684487YA
	44046101P	Motor	230, 380 or 415 Volt/50 Hertz/3 Phase; DC, JC and SC steam models starting Serial No. 684487YA
	44048801	Motor	230 Volt/50 Hertz/1 Phase; DC, JC and SC models starting Serial No. 684487YA
	M4833P3	Motor Replacement Kit	1/3 hp; 120-208 or 240 Volt
	M4834P3	Motor Replacement Kit	1/2 hp; 60 Hertz

# Airflow Switch and Vane Assembly

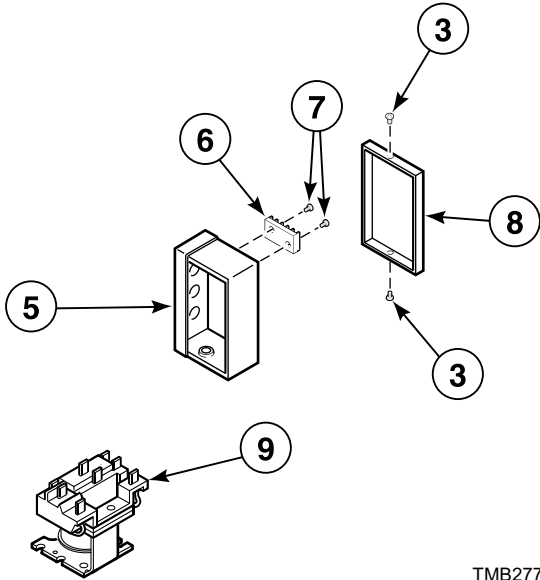
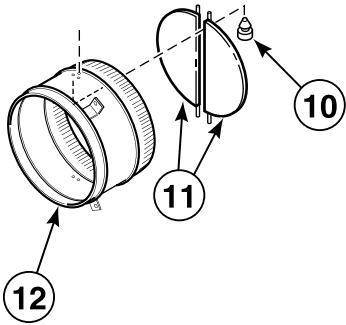
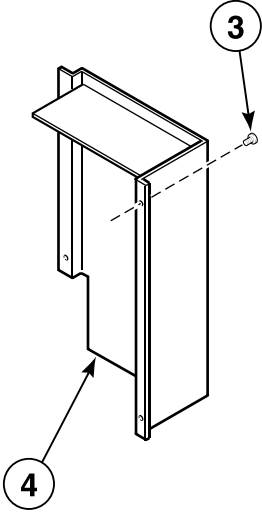
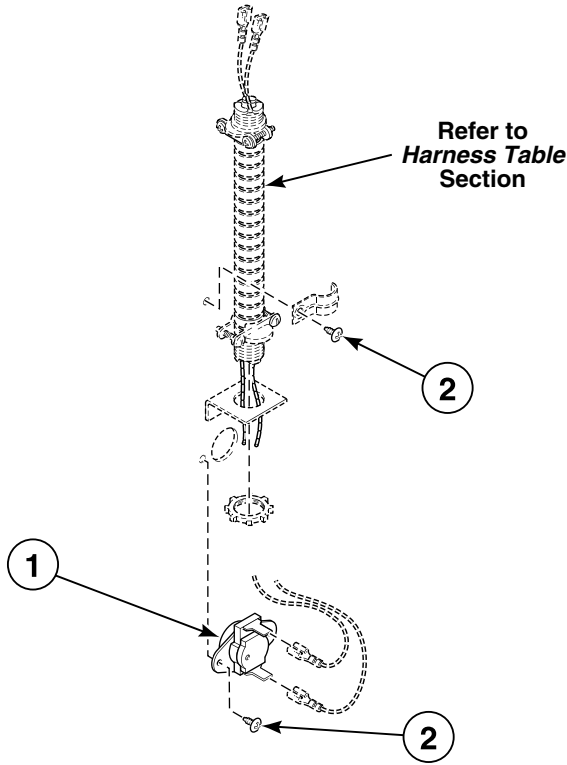


T034P\_M414056

## Airflow Switch and Vane Assembly

REF	PART NO.	DESCRIPTION	COMMENTS
1	M403235	Airflow Switch Handy Box	
2	M400664	Screw	
3	M400979	Nut	
4	M409202	Airflow Switch Bracket	
5	M400712	Airflow Switch Insulator Barrier	
6	M410544	Airflow Switch Guard	
7	M412423	Actuator Switch	DC, JC and SC models
	M400944	Airflow Switch	DT, JT and ST models
8	M401938	Screw	
9	430497	Screw	
10	M400541	Vane Assembly	DC, JC and SC models
	M400542	Airflow Switch Vane Assembly	DT, JT and ST models
11	M400976	Clip	
12	M400822	Counterweight	
13	M400753	Airflow Switch Vane Lever	
14	M400253	Vane	
15	M400977	Nut	

# Cabinet High Limit Thermostat (EG), Chain Guard, Damper Vane and Junction Box



TMB2776P\_M414056

## Cabinet High Limit Thermostat (EG), Chain Guard, Damper Vane and Junction Box

REF	PART NO.	DESCRIPTION	COMMENTS
1	M401257	High Limit Thermostat	Energy Saver models
2	M400664	Screw	
3	51780	Screw	
4	M411477	Chain Guard Assembly	Energy Saver models
	M411467	Belt Guard Assembly	All other models
5	M410364	Junction Box Assembly	
6	M405364	Terminal Block	Steam models; 120 Volt gas models
	M405363	Terminal Block	208 or 240 Volt gas models
7	M405824	Screw	
8	M414352	Junction Box Cover	
9	M400912P	Relay	208-240 Volt/60 Hertz/1 Phase
10	M400795	Bumper	
11	M400503	Thimble Vane Assembly	
12	M412288	Exhaust Thimble Assembly	

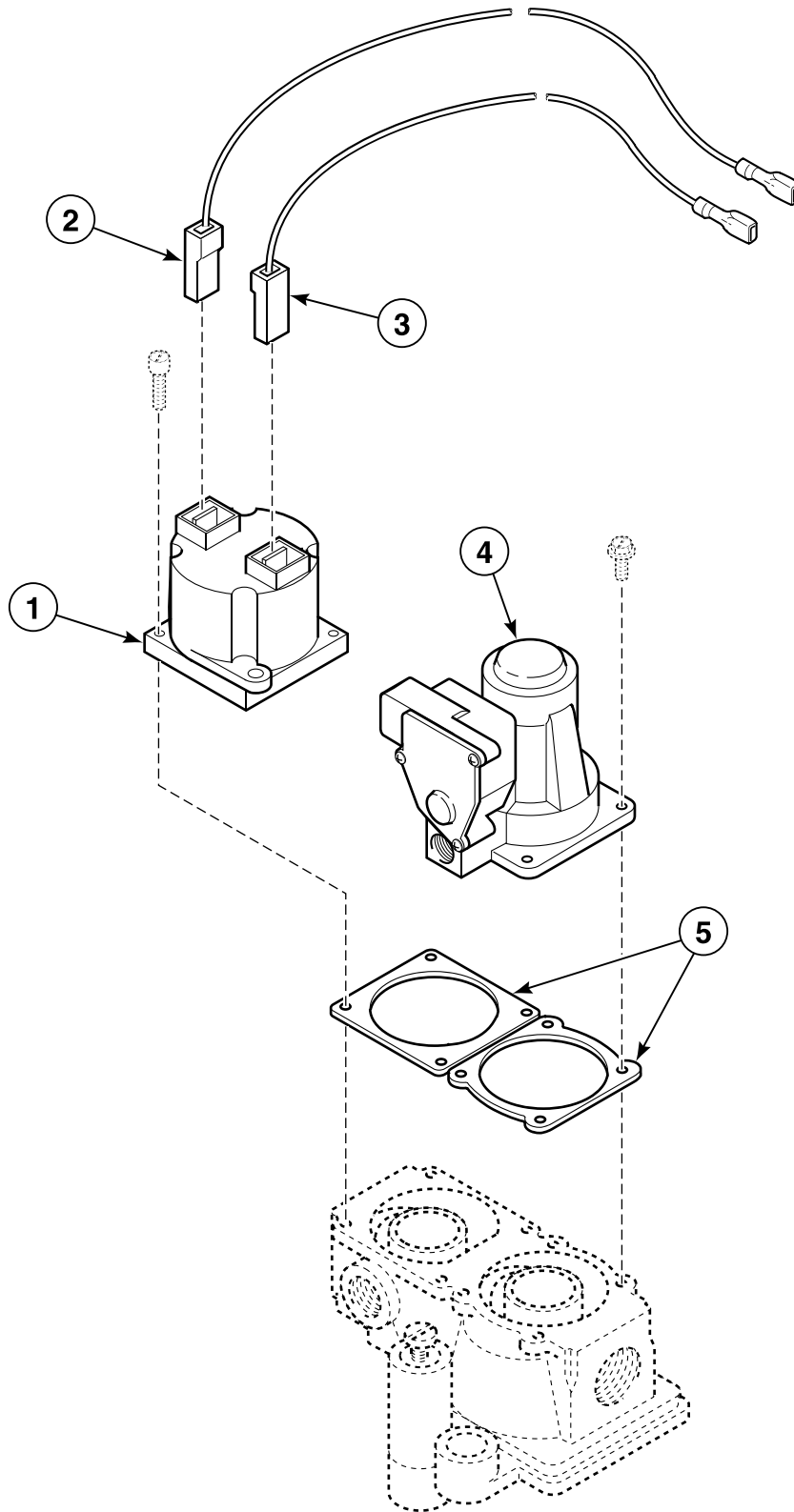


## Burner Assembly for Standing Pilot Ignition

REF	PART NO.	DESCRIPTION	COMMENTS
	M4325P3	L.P. Conversion Kit	
1	M409433	Limit Thermostat	
2	M402797	Screw	
3	M414477	Thermostat Cover	
4	M400664	Screw	
5	M4448P3	Burner Kit	2 burners
6	M406681	Manifold Pipe Assembly	
7	M400606	Washer	
8	M401548	Nut	
9	N/A	Bracket	
10	M400605	Anti-Torque Ring	
11	M400749	Pipe	
12	M4854P3	Shut-Off Valve and Tailpiece Kit	
13	M401549	Nut	
14	M401228P	Gas Valve	Natural Gas (N.G.); 120 Volt
	M401229P	Gas Valve	N.G.; 208-240 Volt
	M401230P	Gas Valve	Liquid Petroleum Gas (L.P.); 120 Volt
	M401231P	Gas Valve	L.P.; 208-240 Volt
15	03815	Washer	
16	M400934	Thermocouple	
17	N/A	Manifold	
18	Q8152	Burner Orifice	Early ignition systems models; N.G.; 0-2,000 feet; Drill size 0.023
	M400918	Burner Orifice	Early ignition systems models; L.P.; 0-2,000 feet; Drill size 0.12

**N/A = Part no longer available**

# Gas Valve Components for Standing Pilot Ignition



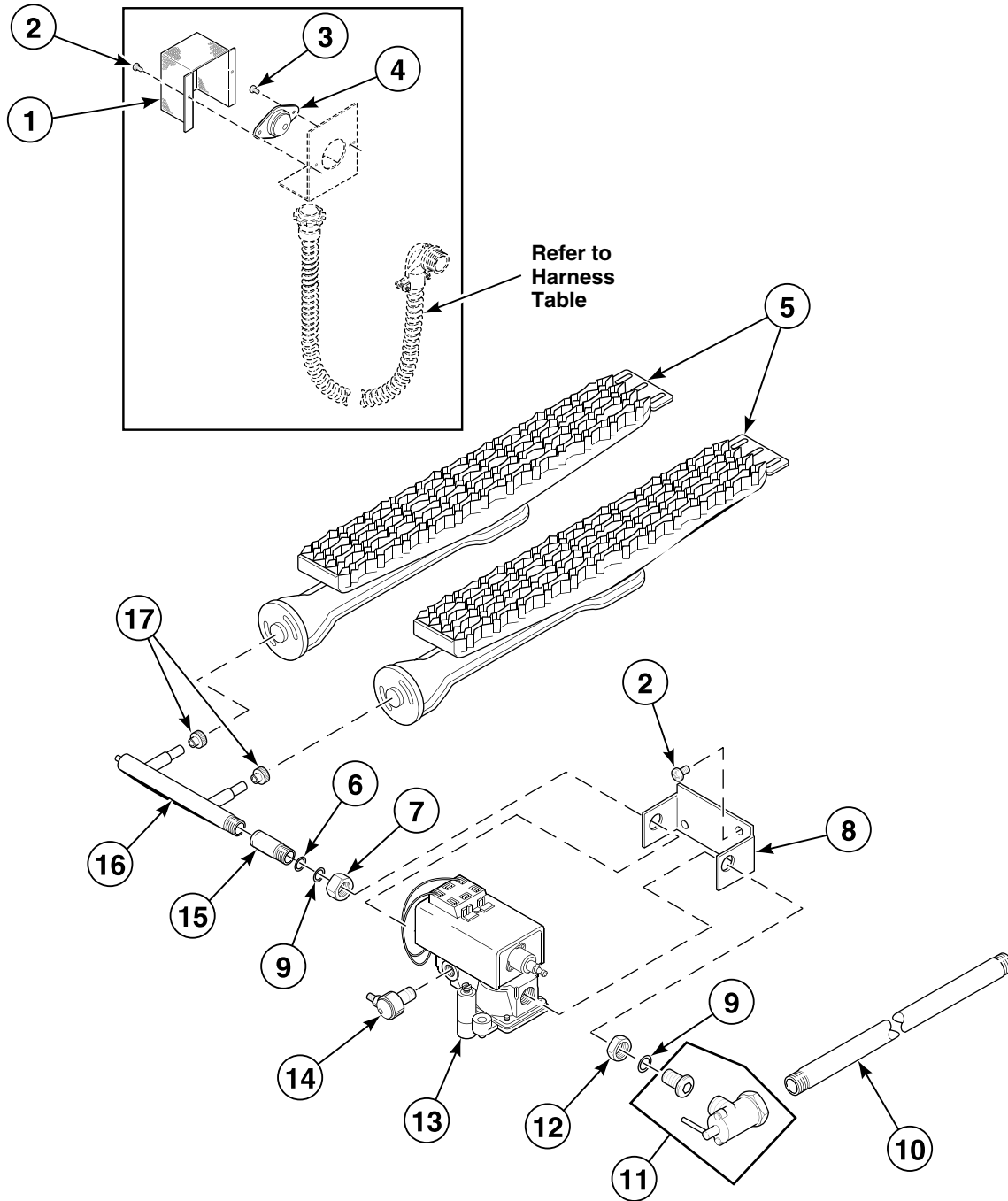
T036P\_M414056

## Gas Valve Components for Standing Pilot Ignition

REF	PART NO.	DESCRIPTION	COMMENTS
1	N/A	Operator	120 Volt
	M400331P	Operator	208-240 Volt
2	M400337	Jumper Wire	
3	N/A	Wire	
4	M400329P	Reset Assembly	
5	M400798	Gasket	

**N/A = Part no longer available**

# Burner Assembly for Automatic Pilot Ignition



T366PZ3A\_M414056

## Burner Assembly for Automatic Pilot Ignition

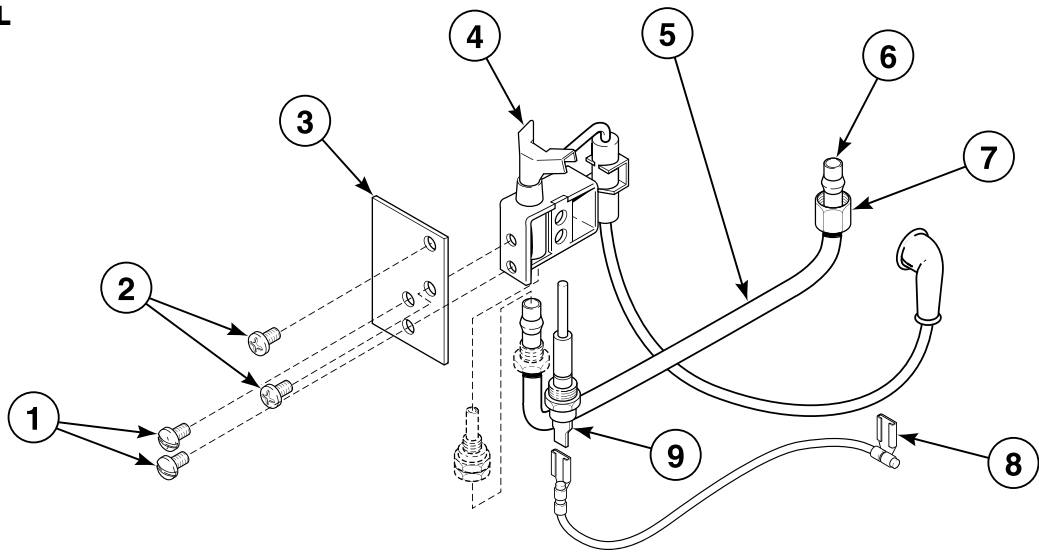
REF	PART NO.	DESCRIPTION	COMMENTS
	M4337P3	Igniter Kit	Liquid Petroleum Gas (L.P.)
	M4338P3	Igniter Kit	Natural Gas (N.G.)
1	M414477	Thermostat Cover	
2	M400664	Screw	
3	M402797	Screw	
4	M409433	Limit Thermostat	
5	M4448P3	Burner Kit	2 burners
6	M400606	Washer	
7	M401548	Nut	
8	N/A	Bracket	
9	M400605	Anti-Torque Ring	
10	M400749	Pipe	
11	M4854P3	Shut-Off Valve and Tailpiece Kit	
12	M401549	Nut	
13	M401225P	Gas Valve Kit	L.P.
	M401224P	Gas Valve	N.G.
14	N/A	Pilot Filter	
15	M406681	Manifold Pipe Assembly	
16	N/A	Manifold	
17	M400920	Burner Orifice	Early ignition systems models; N.G.; Horizontal; 0-2,000 feet; Drill size 0.025
	M402701	Burner Orifice	Early ignition system models; N.G.; Vertical; 0-2,000 feet; Drill size 0.23
	M400918	Burner Orifice	Early ignition systems models; L.P.; Horizontal; 0-2,000 feet; Drill size 0.12
	M402598	Burner Orifice	Early ignition systems models; L.P.; Vertical; 0-2,000 feet; Drill size 0.12

**N/A = Part no longer available**

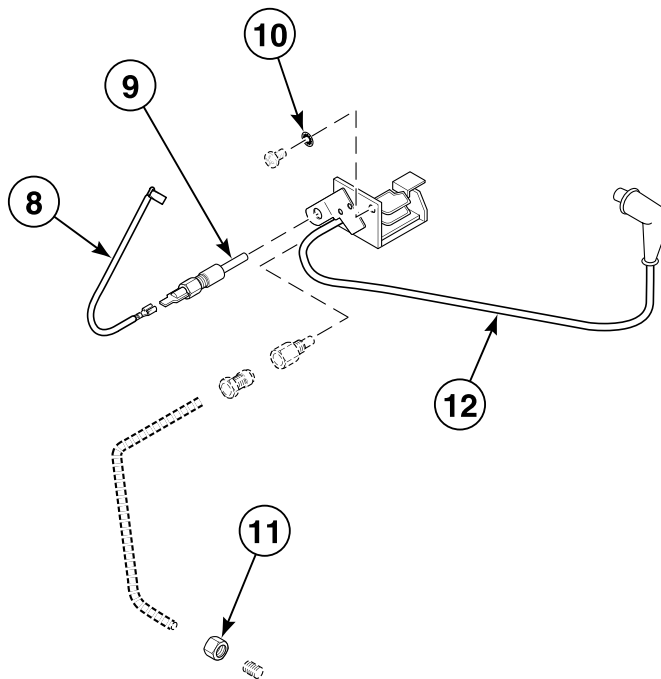
# Vertical and Horizontal Ignition Systems

Automatic Pilot Ignition

## VERTICAL IGNITION SYSTEM



## HORIZONTAL IGNITION SYSTEM

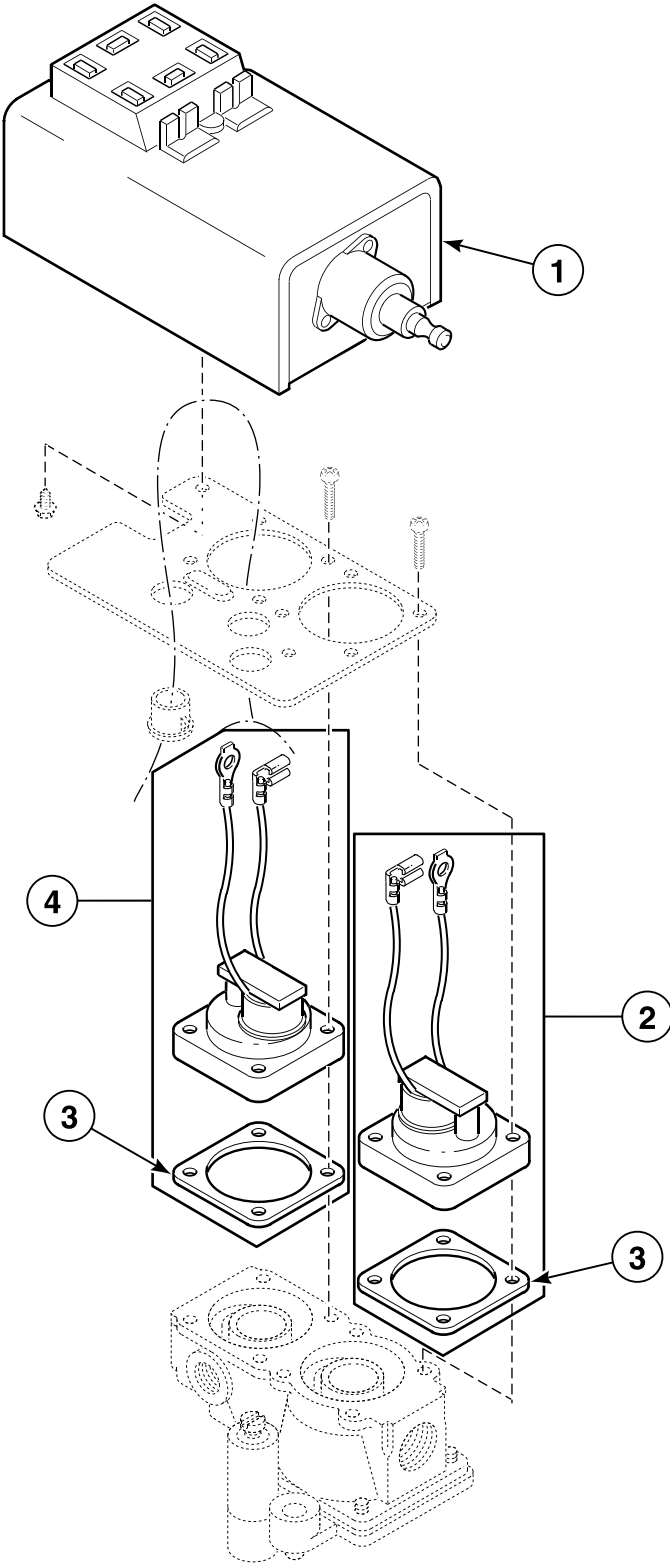


T037PZ3D\_M414056

## Vertical and Horizontal Ignition Systems

REF	PART NO.	DESCRIPTION	COMMENTS
1	M402595	Screw	
2	M409385	Screw	
3	M402594	Ignition Bracket	
4	M402591P	Pilot Electrode	
5	M402596	Pilot Tubing	
6	M400925	Sleeve	Compression
7	M400926	Nut	Compression
8	M402597	Wire Lead	
9	M401209P	Sensor Probe	
10	03815	Washer	
11	JT-149-3	Nut	
12	M4337P3	Igniter Kit	Liquid Petroleum Gas (L.P.)
	M4338P3	Igniter Kit	Natural Gas (N.G.)

# Gas Valve Components for Automatic Pilot Ignition



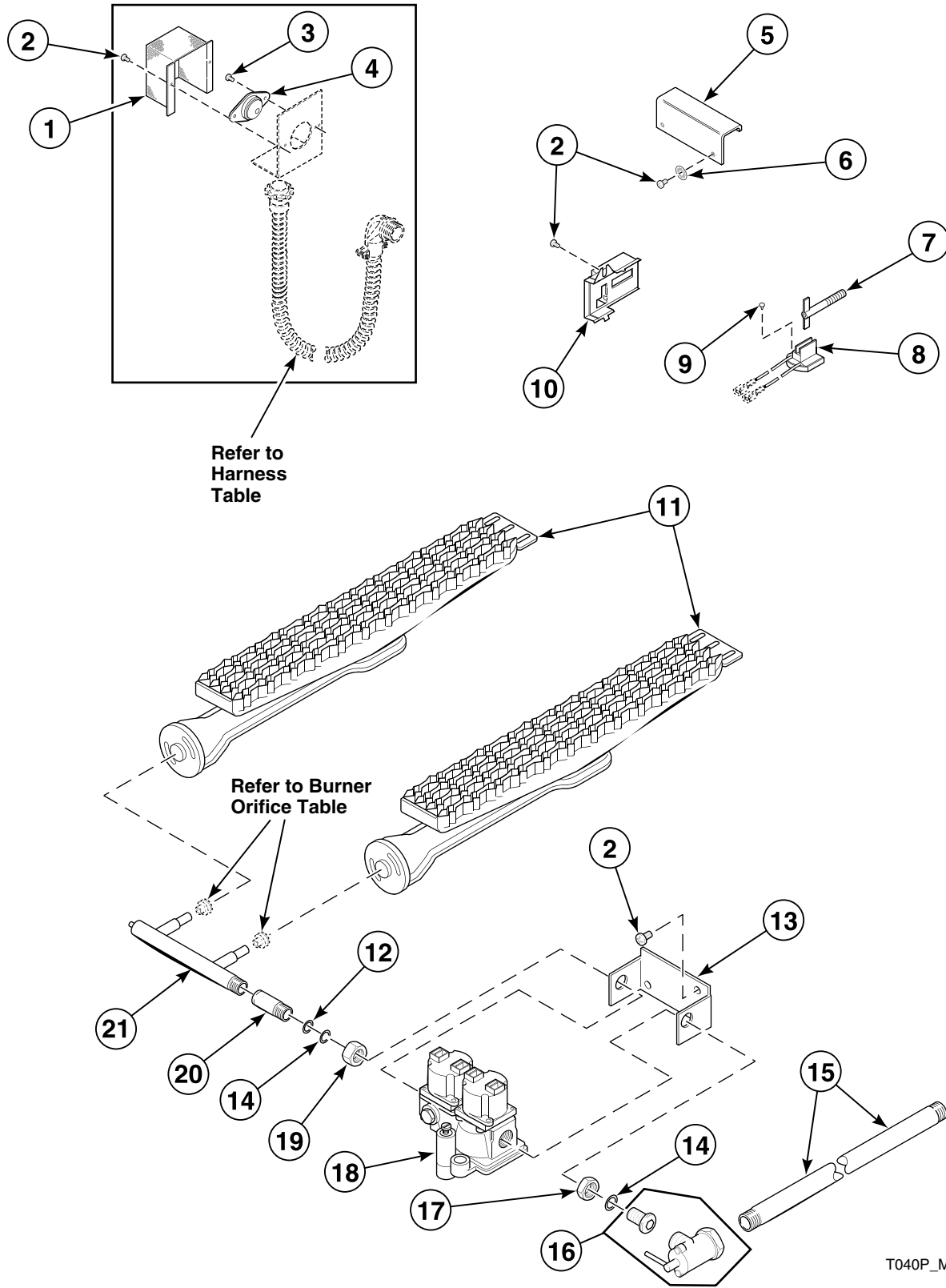
T048P\_M414056

## Gas Valve Components for Automatic Pilot Ignition

REF	PART NO.	DESCRIPTION	COMMENTS
	M410012P	Valve Operating Coil	Encapsulated; With spade terminal connection
	M4385P3	Remote Igniter Kit	
1	N/A	Electronic Package	Order M4385P3 Remote Igniter Kit
2	M401226P	Pilot Operator	
3	M400798	Gasket	
4	M401227P	Main Operator	

**N/A = Part no longer available**

# Burner Assembly for Glow-Bar Ignition - Johnson Control



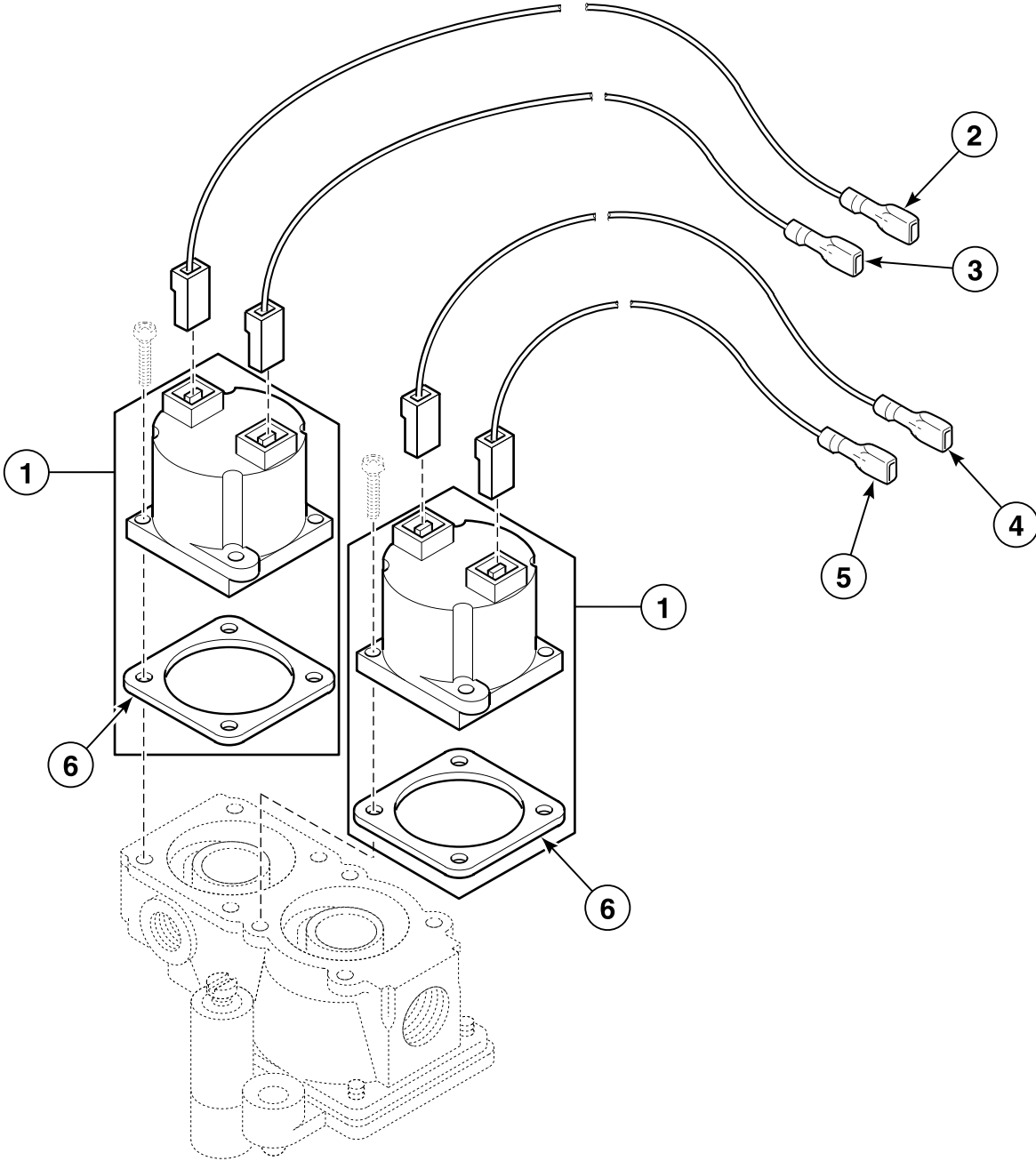
T040P\_M414056

# Burner Assembly for Glow-Bar Ignition - Johnson Control

REF	PART NO.	DESCRIPTION	COMMENTS
1	M414477	Thermostat Cover	
2	M400664	Screw	
3	M402797	Screw	
4	M401404	Limit Thermostat	Energy Saver models
	M409433	Limit Thermostat	Standard models
5	M402746	Deflector Shield	
6	03815	Washer	
7	55438P	Igniter	
8	M402745P	Igniter Bracket Assembly	
9	56693	Screw	
10	510213	Sensor	
11	M4448P3	Burner Kit	2 burners
12	M400606	Washer	
13	N/A	Bracket	
14	M400605	Anti-Torque Ring	
15	M400749	Pipe	
16	M4854P3	Shut-Off Valve and Tailpiece Kit	
17	M401549	Nut	
18	M403151P	Gas Valve	Liquid Petroleum Gas (L.P.)
	M402750P	Gas Valve	Natural Gas (N.G.)
19	M401548	Nut	
20	M406681	Manifold Pipe Assembly	
21	N/A	Manifold	

**N/A = Part no longer available**

# Gas Valve Components for Glow-Bar Ignition - Johnson Control



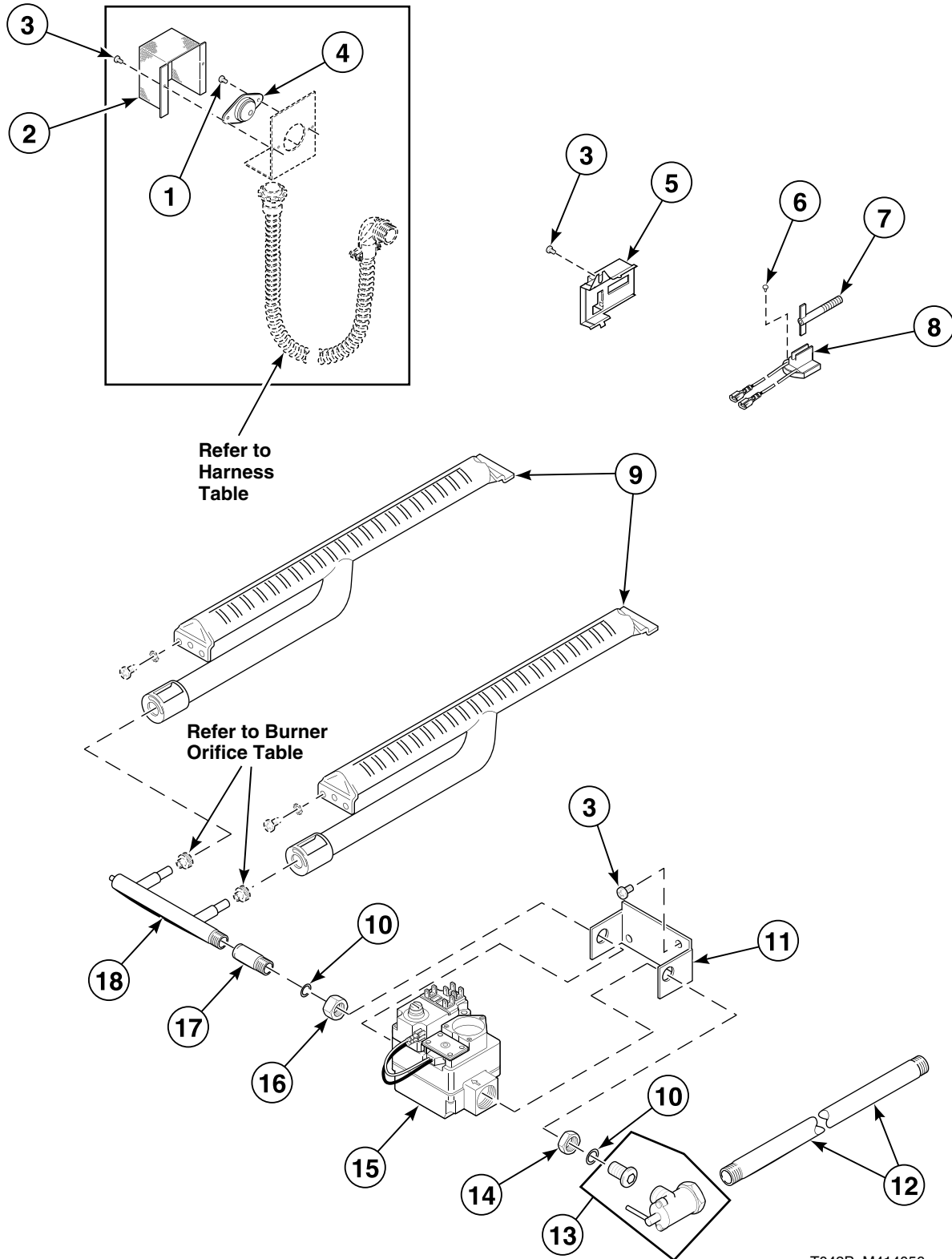
T041P\_M414056

# Gas Valve Components for Glow-Bar Ignition - Johnson Control

REF	PART NO.	DESCRIPTION	COMMENTS
1	M406217P	Magnetic Operator	Includes item 6
2	M402824	Jumper Wire	Blue
3	N/A	Jumper Wire	Purple
4	M402825	Jumper Wire	Blue
5	M402823	Jumper Wire	Purple
6	M400798	Gasket	

N/A = Part no longer available

# Burner Assembly for Glow-Bar Ignition - White Rodgers Control



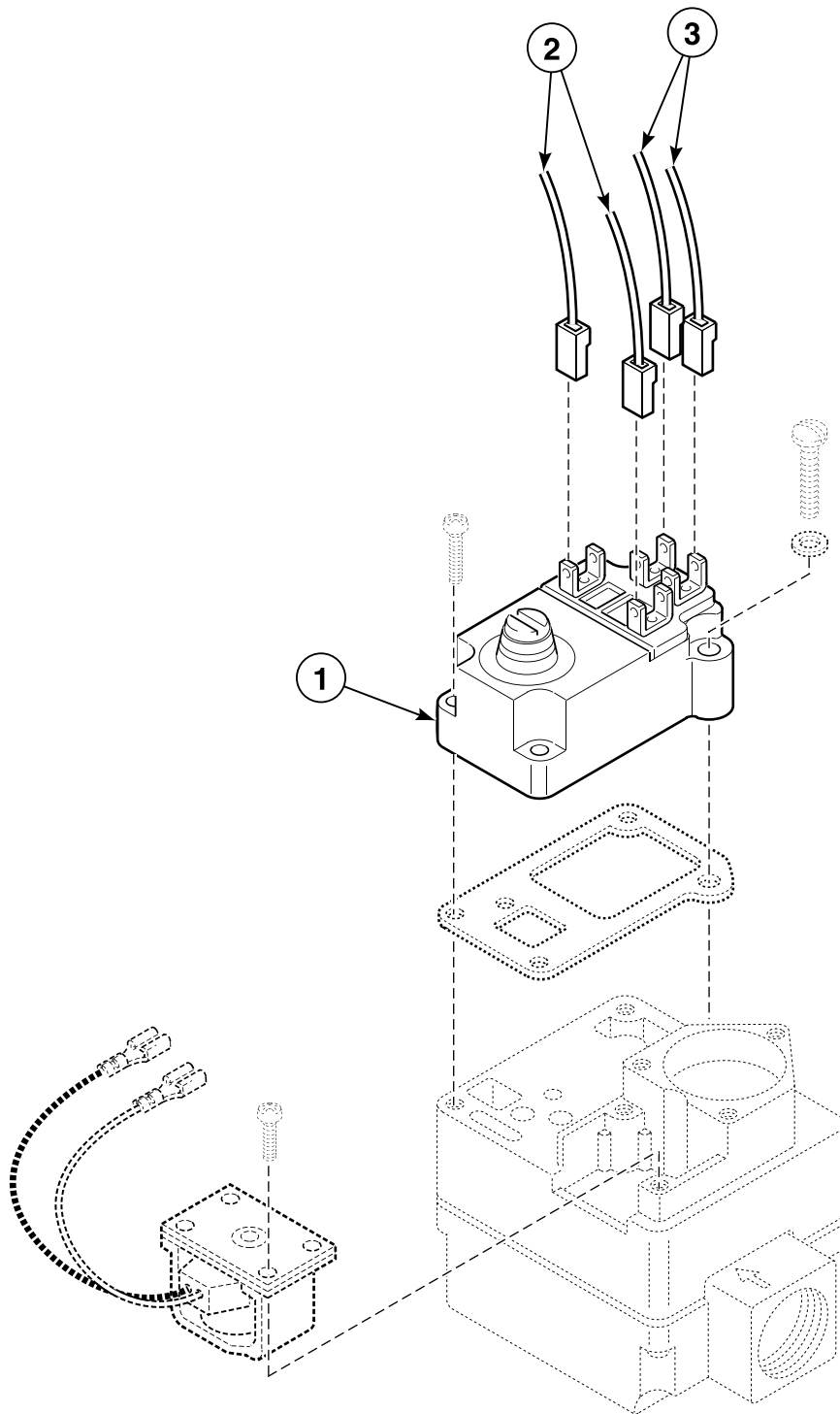
T042P\_M414056

# Burner Assembly for Glow-Bar Ignition - White Rodgers Control

REF	PART NO.	DESCRIPTION	COMMENTS
	M4377P3	L.P. Conversion Kit	Standard models
	M4378P3	L.P. Conversion Kit	Energy Saver models
1	M402797	Screw	
2	M414477	Thermostat Cover	
3	M400664	Screw	
4	M401404	Limit Thermostat	Energy Saver models
	M409433	Limit Thermostat	Standard models
5	510213	Sensor	
6	56693	Screw	
7	55438P	Igniter	
8	M402745P	Igniter Bracket Assembly	
9	M405919	Burner Assembly	Models through Serial No. TTCK0724702ZF
	M410541	Burner Assembly	Models starting Serial No. TTCK0724702ZF
10	M400605	Anti-Torque Ring	
11	M405945	Gas Valve Bracket	Models through Serial No. TTCK0724702ZF
	M406814	Gas Valve Bracket	Models starting Serial No. TTCK0724702ZF
12	M400749	Pipe	
13	M4854P3	Shut-Off Valve and Tailpiece Kit	
14	M401549	Nut	
15	M405935P	Gas Valve	Liquid Petroleum Gas (L.P.)
	M405898	Gas Valve	Natural Gas (N.G.)
16	M401548	Nut	
17	M406681	Manifold Pipe Assembly	
18	N/A	Manifold	Models through Serial No. TTCK0724702ZF
	M410546	Spud Holder Assembly	Models starting Serial No. TTCK0724702ZF

**N/A = Part no longer available**

# Gas Valve Components for Glow-Bar Ignition - White Rodgers Control

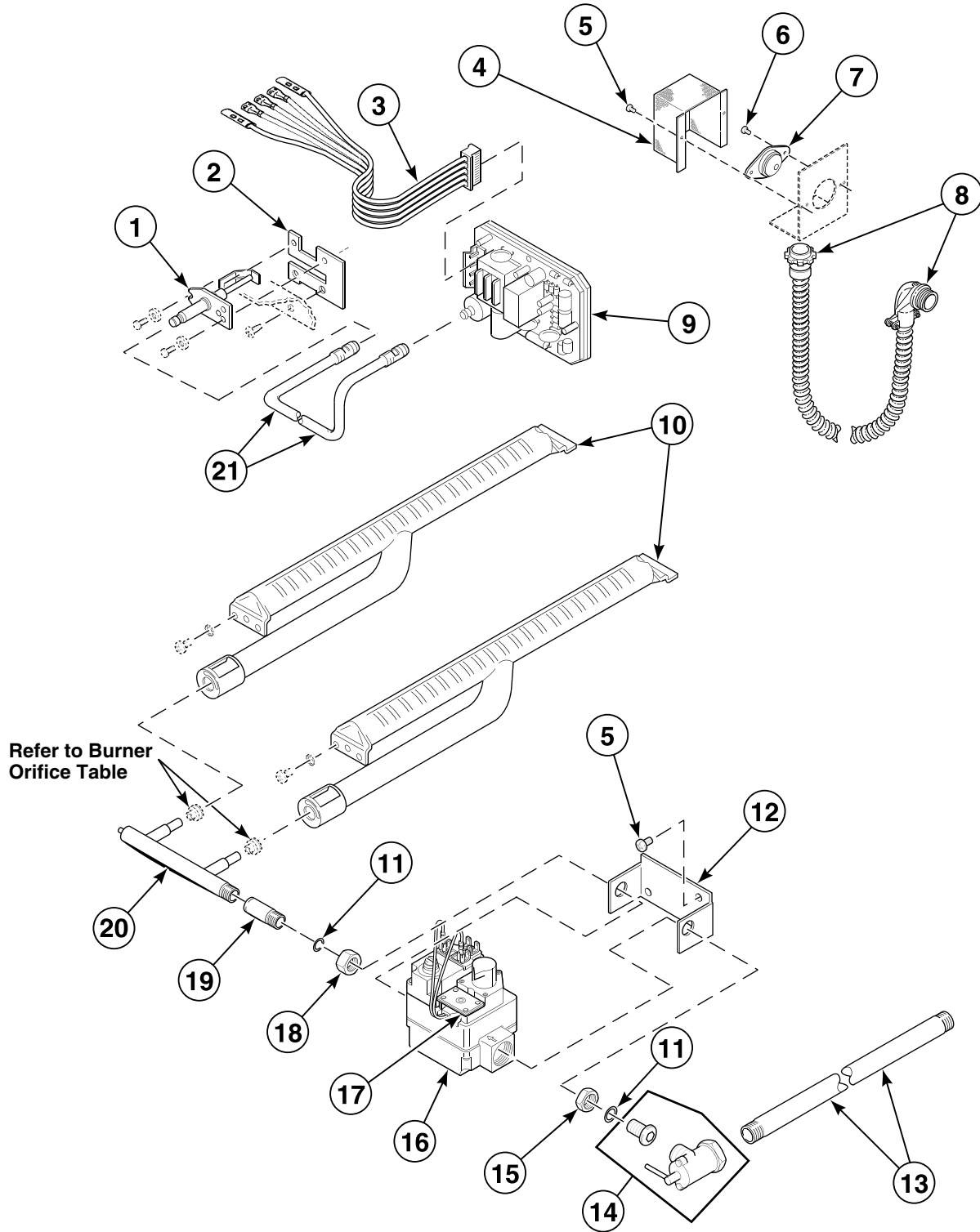


T043P\_M414056

## Gas Valve Components for Glow-Bar Ignition - White Rodgers Control

REF	PART NO.	DESCRIPTION	COMMENTS
	M405434	L.P. Valve Conversion Kit	Required if main coil will be used with Liquid Petroleum Gas (L.P.)
1	M405430	Main Coil	
2	M404866	Jumper Wire	Purple
3	M404868	Jumper Wire	Blue

# Burner Assembly for Instant Electronic Ignition



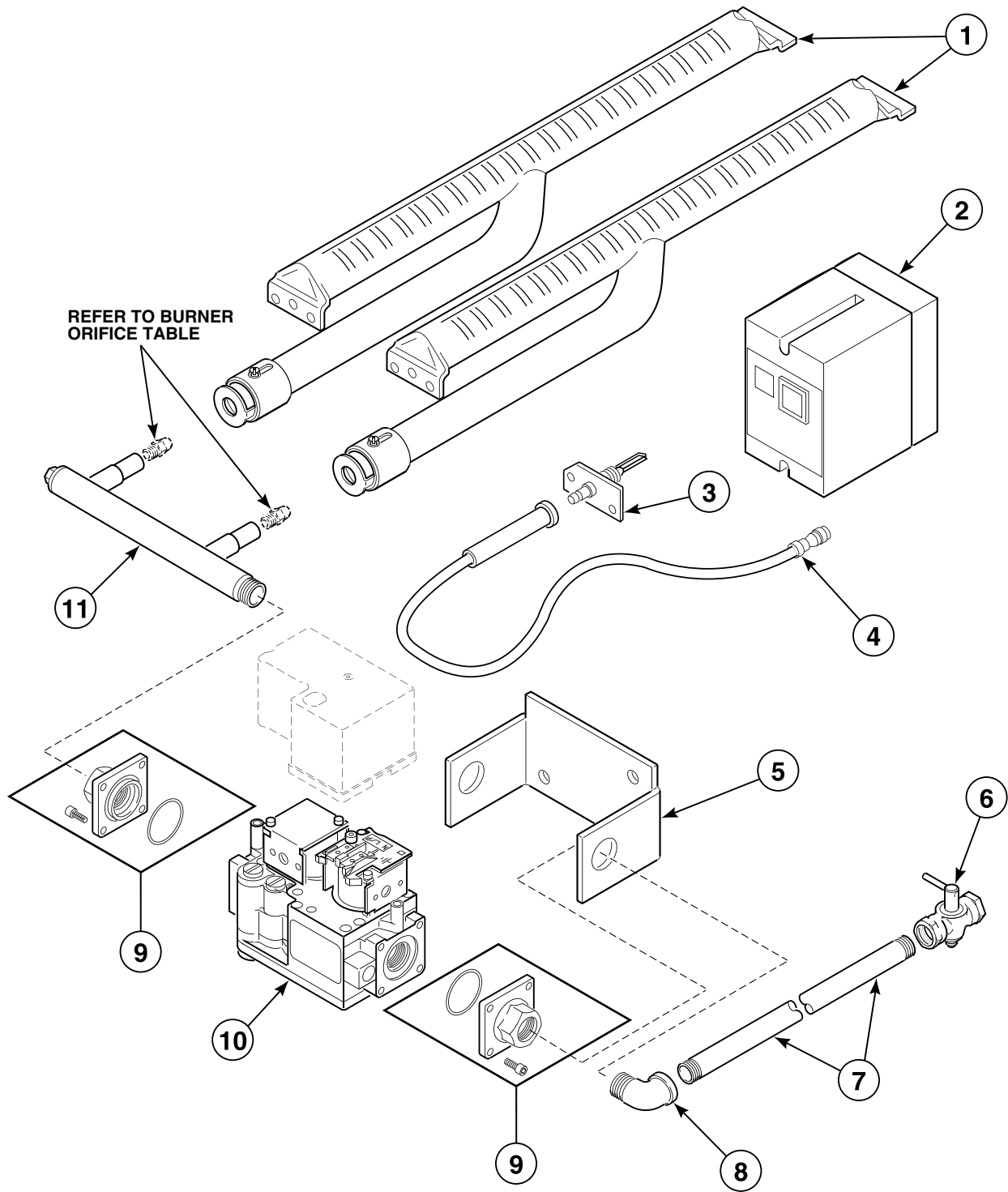
T049P\_M414056

## Burner Assembly for Instant Electronic Ignition

REF	PART NO.	DESCRIPTION	COMMENTS
	M4377P3	L.P. Conversion Kit	Standard models
	M4378P3	L.P. Conversion Kit	Energy Saver models
1	M406934P	Spark Igniter	
2	M406936	Bracket	
3	M406880	Ignition Wire Harness Assembly	Ignition control
4	M414477	Thermostat Cover	
5	M400664	Screw	
6	M402797	Screw	
7	M401404	Limit Thermostat	Energy Saver models
	M409433	Limit Thermostat	Standard models
8	M403824	Wire Harness Assembly	
9	M406789P	Ignition Control	
10	M405919	Burner Assembly	Models through Serial No. TTCK0724702ZF
	M410541	Burner Assembly	Models starting Serial No. TTCK0724702ZF
11	M400605	Anti-Torque Ring	
12	M405945	Gas Valve Bracket	Models through Serial No. TTCK0724702ZF
	M406814	Gas Valve Bracket	Models starting Serial No. TTCK0724702ZF
13	M400749	Pipe	
14	M4854P3	Shut-Off Valve and Tailpiece Kit	
15	M401549	Nut	
16	M409153P	Gas Valve Assembly	Liquid Petroleum Gas (L.P.)
	M409152P	Gas Valve Assembly	Natural Gas (N.G.)
17	M411134	Gas Valve Main Coil	
18	M401548	Nut	
19	M406681	Manifold Pipe Assembly	
20	N/A	Manifold	Models through Serial No. TTCK0724702ZF
	M410546	Spud Holder Assembly	Models starting Serial No. TTCK0724702ZF
21	M406788	High Voltage Lead	

**N/A = Part no longer available**

# Gas Valve Assembly for Dungs/B-M System



T419P\_M414056

## Gas Valve Assembly for Dungs/B-M System

REF	PART NO.	DESCRIPTION	COMMENTS
	M405943	Limit Thermostat	Energy Saver models
	M409443	Limit Thermostat	Standard models
<b>1</b>	M410541	Burner Assembly	
<b>2</b>	M4898P3	Ignition Control	
<b>3</b>	M406934P	Spark Igniter	
<b>4</b>	604P3	Channel Ignition Kit	
<b>5</b>	N/A	Gas Valve Bracket	
<b>6</b>	M412562	Gas Shut-Off Valve	
<b>7</b>	M400749	Pipe	
<b>8</b>	H86070034	Street Elbow	
<b>9</b>	M412568	Gas Valve Flange Assembly	
<b>10</b>	N/A	Gas Valve	
<b>11</b>	N/A	Spud Holder	

**N/A = Part no longer available**

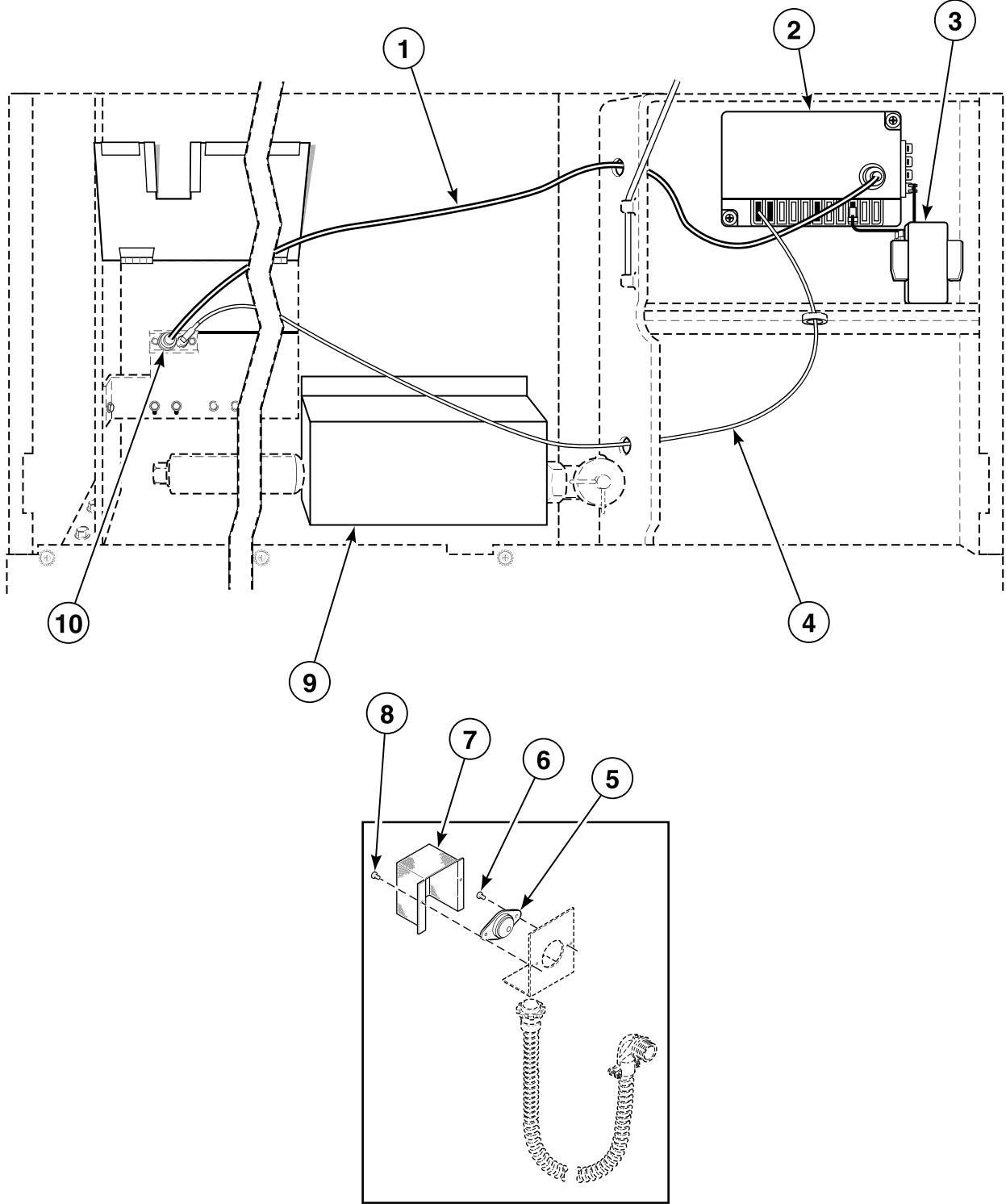


## Channel/Johnson Gas System

REF	PART NO.	DESCRIPTION	COMMENTS
	M410220	Limit Thermostat	Manual reset
	M405943	Limit Thermostat	Energy Saver models
	M409443	Limit Thermostat	Standard models
<b>1</b>	M410541	Burner Assembly	
<b>2</b>	M406934P	Spark Igniter	
<b>3</b>	70367401P	Ignition Control	
<b>4</b>	M406881	High Voltage Lead	
<b>5</b>	M406814	Gas Valve Bracket	
<b>6</b>	M412562	Gas Shut-Off Valve	
<b>7</b>	M400749	Pipe	
<b>8</b>	M4854P3	Shut-Off Valve and Tailpiece Kit	
<b>9</b>	M400605	Anti-Torque Ring	
<b>10</b>	M401549	Nut	
<b>11</b>	M413332P	Gas Valve	
<b>12</b>	M401548	Nut	
<b>13</b>	N/A	Manifold Pipe Assembly	
<b>14</b>	M410546	Spud Holder Assembly	

**N/A = Part no longer available**

# Burner Assembly for Australian Models



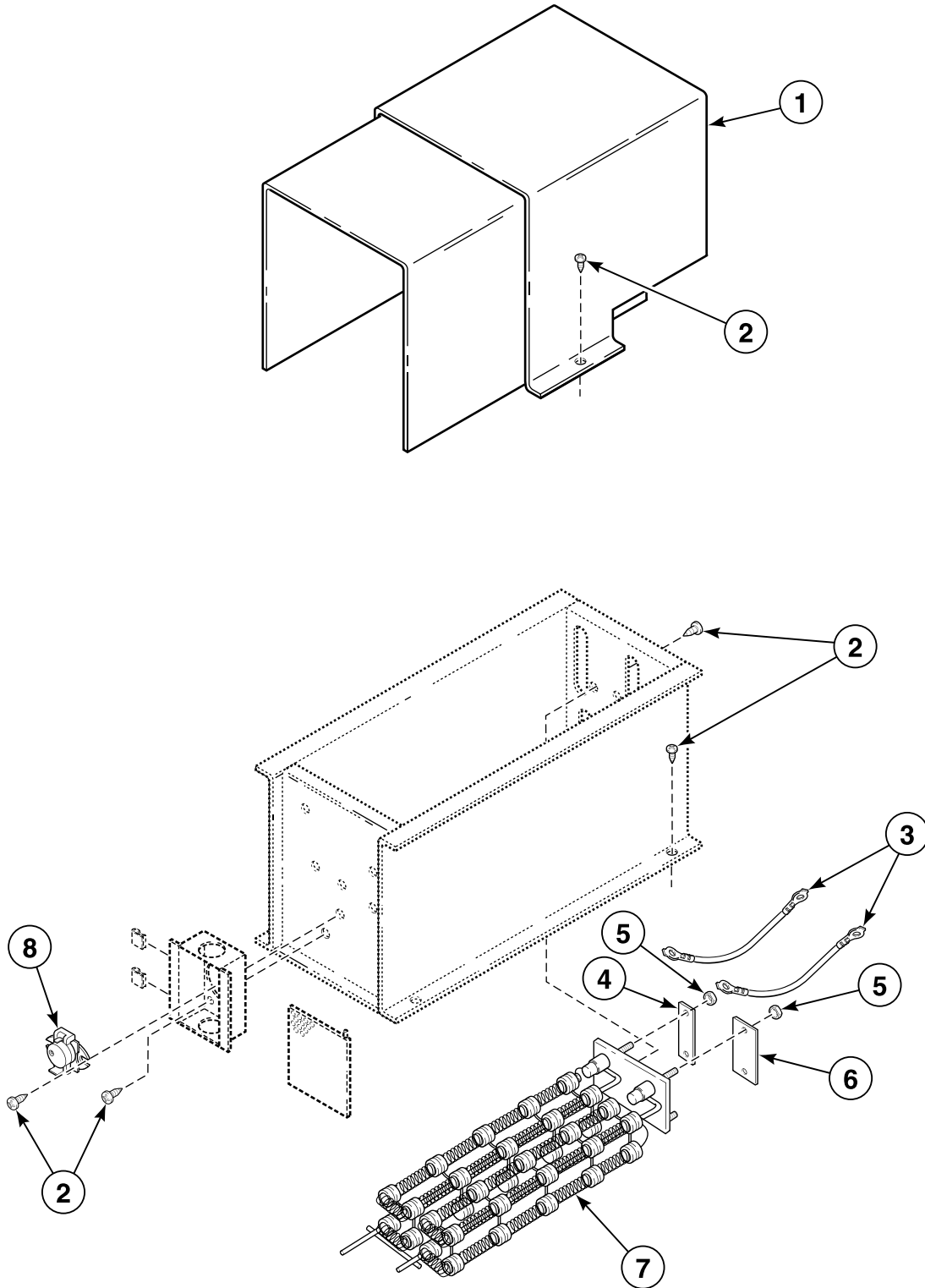
T517PE3B\_M414056

## Burner Assembly for Australian Models

REF	PART NO.	DESCRIPTION	COMMENTS
1	N/A	High Voltage Lead	
2	M410904P	Instant Electronic Ignition Control	
3	M411066	Transformer	
4	N/A	Sensor Jumper Wire	
5	N/A	Manual Reset Thermostat	
6	M402797	Screw	
7	M414477	Thermostat Cover	
8	M400664	Screw	
9	M410907P	Gas Valve	Natural Gas (N.G.)
	M410908	Gas Valve	Liquid Petroleum Gas (L.P.)
10	M410905P	Spark Igniter	

**N/A = Part no longer available**

# Electric Heater Assembly

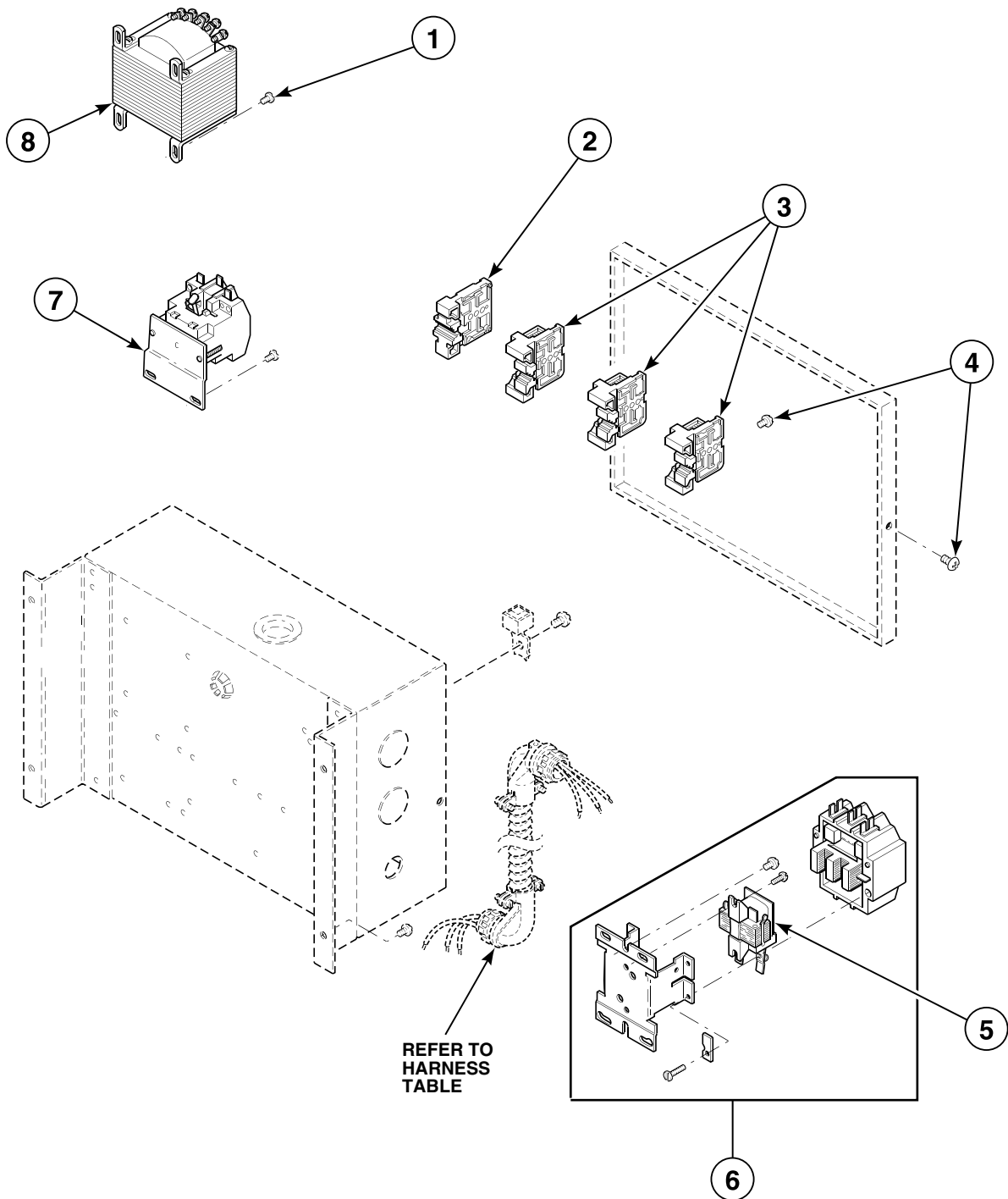


T044P\_M414056

# Electric Heater Assembly

REF	PART NO.	DESCRIPTION	COMMENTS
1	M401159	Hood Assembly	
2	M400664	Screw	
3	M401281	Jumper Wire Assembly	28 inches; 8 gauge; Black; 6 required for 208-240 Volt/50 or 60 Hertz/1 or 3 Phase; 3 required for 480 Volt/50 or 60 Hertz/3 Phase
	M403743	Jumper Wire Assembly	8 inches; 8 gauge; Black; 1 required for 480 Volt/50 or 60 Hertz/3 Phase
4	M400866	Jumper Bar	2 required for 21 kW; 480 Volt/60 Hertz/3 Phase
5	70054	Nut	
6	M400869	Jumper Strip	6 required for 21 kW; 208-240 Volt/60 Hertz/1 or 3 Phase; 3 required for 21 kW; 480 Volt/60 Hertz/3 Phase
7	M405230P	Heater Element	3 required for 7 kW; 208 Volt/60 Hertz/1 or 3 Phase
	M405253P	Heater Element	3 required for 7 kW; 240 Volt/50 or 60 Hertz/1 or 3 Phase; 3 required for 7 kW; 480 Volt/50 or 60 Hertz/3 Phase
	M405252P	Heater Element	7 kW; 220 Volt; For 380 Volt tumblers
8	M4347P3	Thermostat Kit	Flat face
	M405943	Limit Thermostat	Raised face

# Electrical Contactor Box Assembly - Models Through Serial No. 9408xxxxx



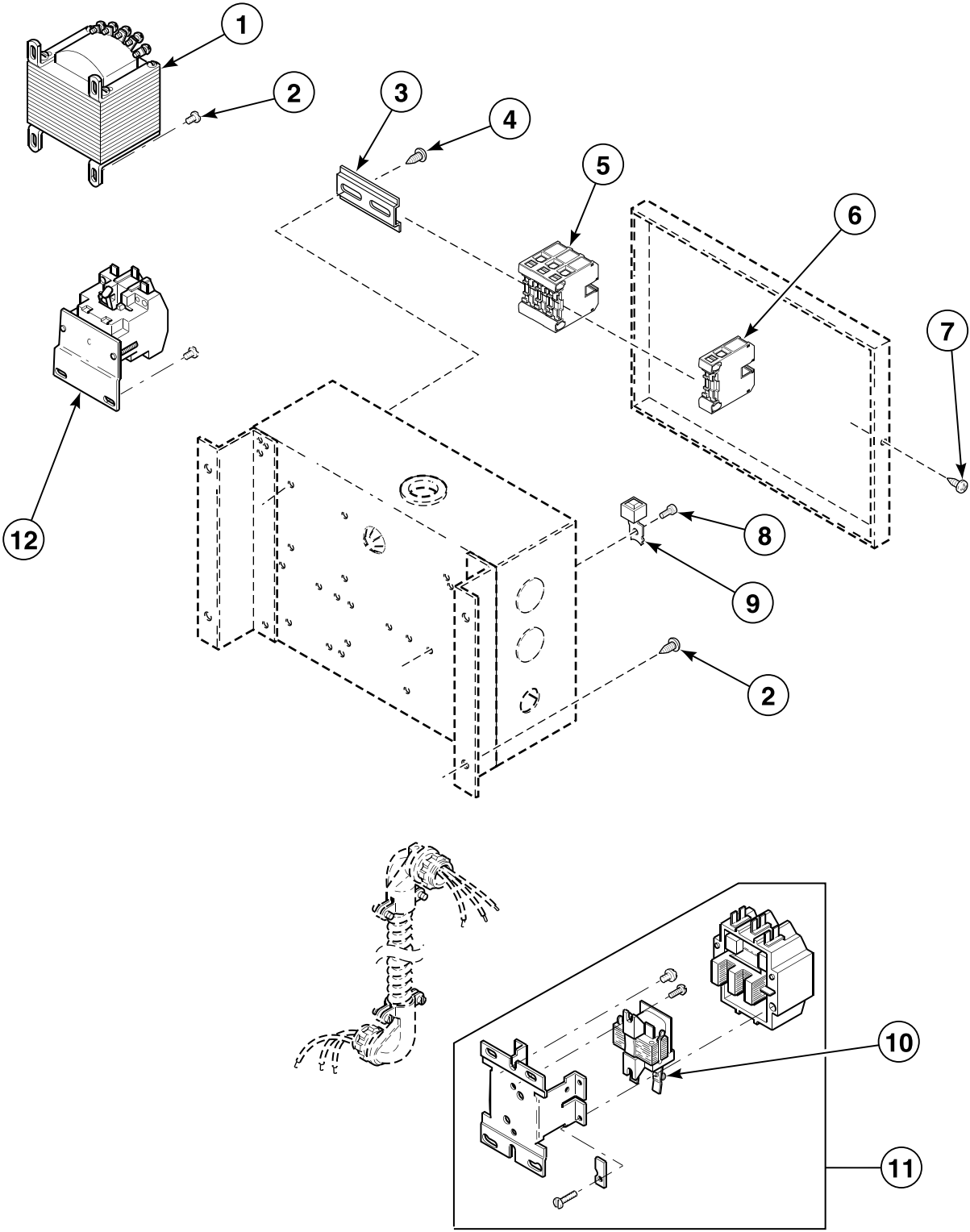
T303PZ3C\_M414056

## Electrical Contactor Box Assembly - Models Through Serial No. 9408xxxxx

REF	PART NO.	DESCRIPTION	COMMENTS
	M412116	Jumper Wire Assembly	8 inches; 10 gauge; Black; Contactor to terminal block; 6 required for 208-240 Volt/1 or 3 Phase; 3 required for 380, 415 or 480 Volt/3 Phase
	M412117	Jumper Wire Assembly	10 inches; 10 gauge
1	51780	Screw	
2	M400681	Terminal Block End	208-240 Volt/1 or 3 Phase
	N/A	Terminal Block End	480 Volt/3 Phase
3	M400685	Terminal Block	2 required for 208-240 Volt/1 Phase; 3 required for 208-240 Volt/3 Phase
4	M400664	Screw	
5	N/A	Coil	208-240 Volt; 120 Volt not available, order M405116P Contactor
6	M405116P	Contactor	Heater; 120 Volt control circuit
	M400904P	Contactor	Heater; 2 required; 208-240 Volt control circuit
7	M400910P	Contactor	Motor; 480-240 Volt control circuit
	M400913P	Contactor	Motor; 480-120 Volt control circuit
8	M401391P	Transformer	480 Volt

**N/A = Part no longer available**

# Electrical Contactor Box Assembly - Models Starting Serial No. 9408xxxxx



T364P\_M414056

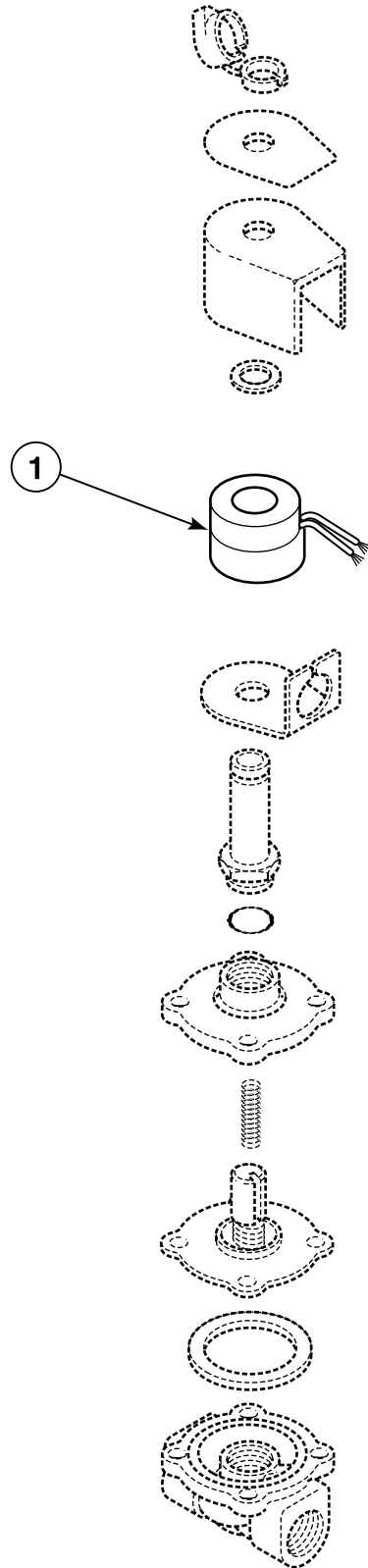
## Electrical Contactor Box Assembly - Models Starting Serial No. 9408xxxxx

REF	PART NO.	DESCRIPTION	COMMENTS
	M412116	Jumper Wire Assembly	Contactors to terminal block; 6 required for 208-240 Volt/1 or 3 Phase; 3 required for 380, 415 or 480 Volt/3 Phase
1	M401391P	Transformer	480 Volt
2	51780	Screw	
3	N/A	Din Rail	
4	430497	Screw	2 required
5	M412045	Terminal Block	
6	M412042	Terminal Block	380-415 Volt/50 Hertz/3 Phase
7	M400664	Screw	
8	M402917	Screw	Ground
9	M411283	Ground Lug Connector	
10	N/A	Coil	208-240 Volt; 120 Volt not available, order M405116P Contactor
11	M405116P	Contactors	Heater; 120 Volt control circuit
	M400904P	Contactors	Heater; 208-240 Volt control circuit
12	M400910P	Contactors	Motor; 480-240 Volt control circuit
	M400913P	Contactors	Motor; 480-120 Volt control circuit

**N/A = Part no longer available**

# Solenoid Steam Valve (Asco)

Models Through June 1995



T047P\_M414056

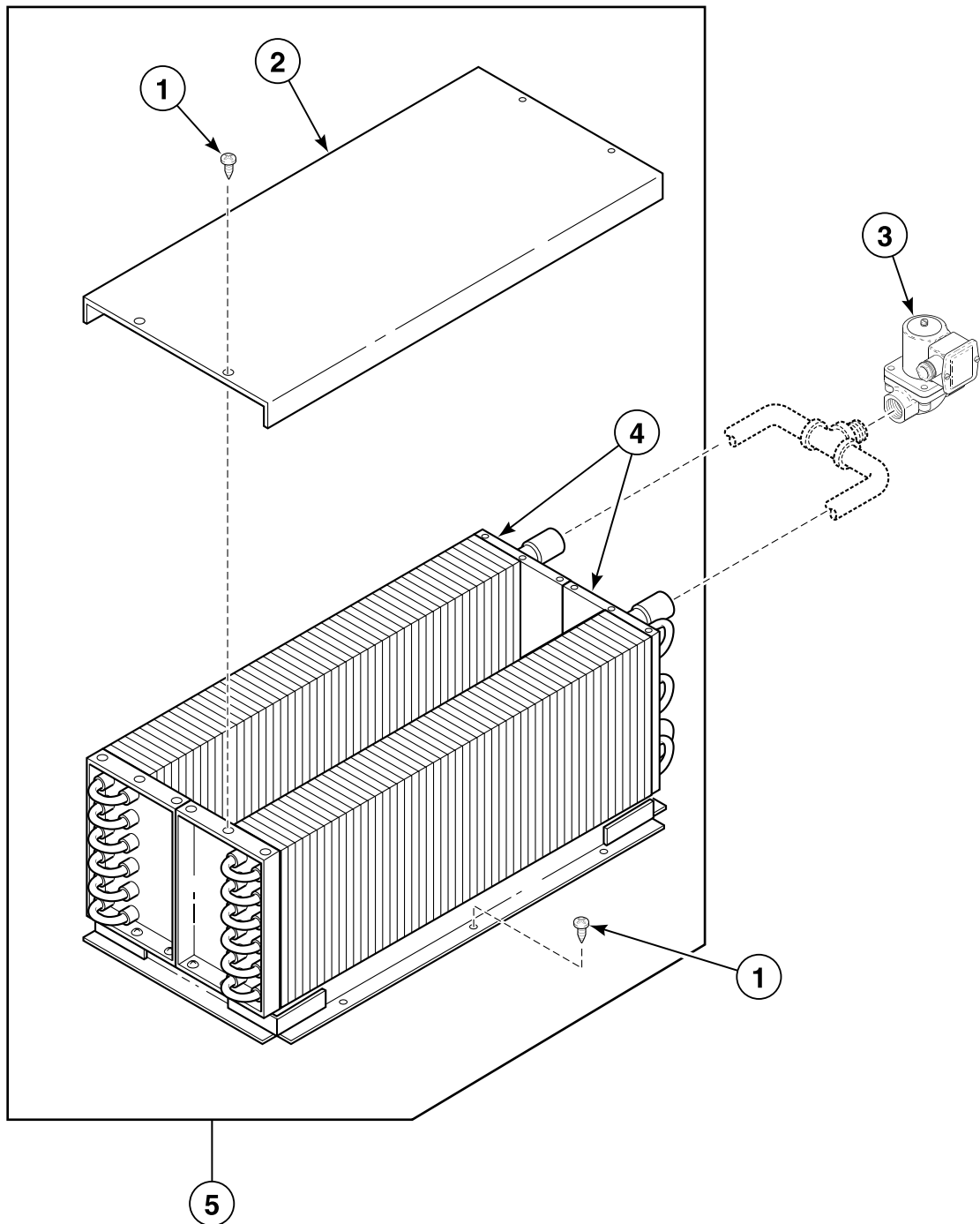
## Solenoid Steam Valve (Asco)

REF	PART NO.	DESCRIPTION	COMMENTS
	M410699	Valve Repair Kit	High pressure no. 304669; Includes retaining cap, bonnet gasket, core spring, diaphragm core sub-assembly and body gasket
	N/A	Valve Repair Kit	Low pressure no. 304031; Includes retaining cap, bonnet gasket, core spring, diaphragm core sub-assembly and body gasket
	M400152	Valve Repair Kit	High pressure no. 101792; Includes retaining cap, bonnet gasket, core spring, diaphragm core sub-assembly and body gasket
	M401384	Valve Repair Kit	Low pressure no. 158959; Includes retaining cap, bonnet gasket, core spring, diaphragm core sub-assembly and body gasket
<b>1</b>	N/A	Coil	120 Volt; 80-100 psig
	N/A	Coil	208-240 Volt; 80-100 psig
	M401383	Steam Valve Coil	208-240 Volt; 10-15 psig
	M412258	Steam Valve Coil	24 Volt/50 Hertz; DC, JC and SC models

**N/A = Part no longer available**

# Steam Heater and Valve Assembly (Danfoss)

Models Starting July 1995



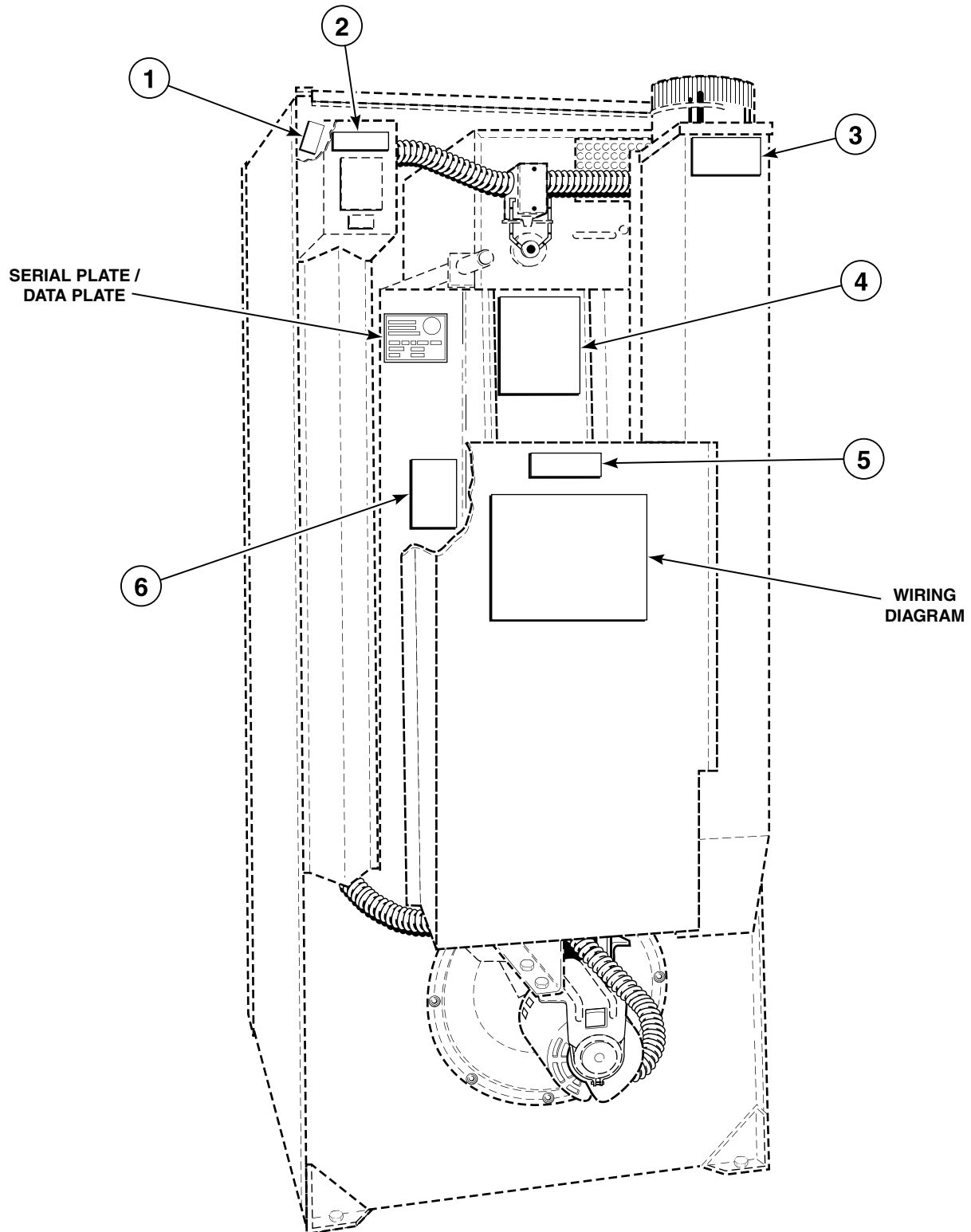
T046PZ3E\_M414056

## Steam Heater and Valve Assembly (Danfoss)

REF	PART NO.	DESCRIPTION	COMMENTS
	70370301P	Solenoid Valve DIN Connector	
	M412258	Steam Valve Coil	For 70351002P Steam Valve
	N/A	Steam Valve Coil	For M413295P Steam Valve
	M413301	Steam Valve Coil	For M413297P Steam Valve
	M413302	Steam Valve Coil	For M413298P Steam Valve
	70205701P	Steam Valve Coil	For 70351001P Steam Valve
	M412259	Steam Valve Rebuild Kit	
<b>1</b>	M400664	Screw	
<b>2</b>	M400828	Low Pressure Steam Cover	
<b>3</b>	70351002P	Steam Valve	24 Volt/50 Hertz; DC, JC and SC models
	70351001P	Steam Valve	24 Volt/60 Hertz
	M413295P	Steam Valve	120 Volt/60 Hertz
	M413297P	Steam Valve	208-240 Volt/60 Hertz
	M413298P	Steam Valve	208-240 Volt/50 Hertz
<b>4</b>	M400636P	Steam Coil	
<b>5</b>	N/A	Steam Heater Assembly	

**N/A = Part no longer available**

# Warning Labels - Rear of Tumbler



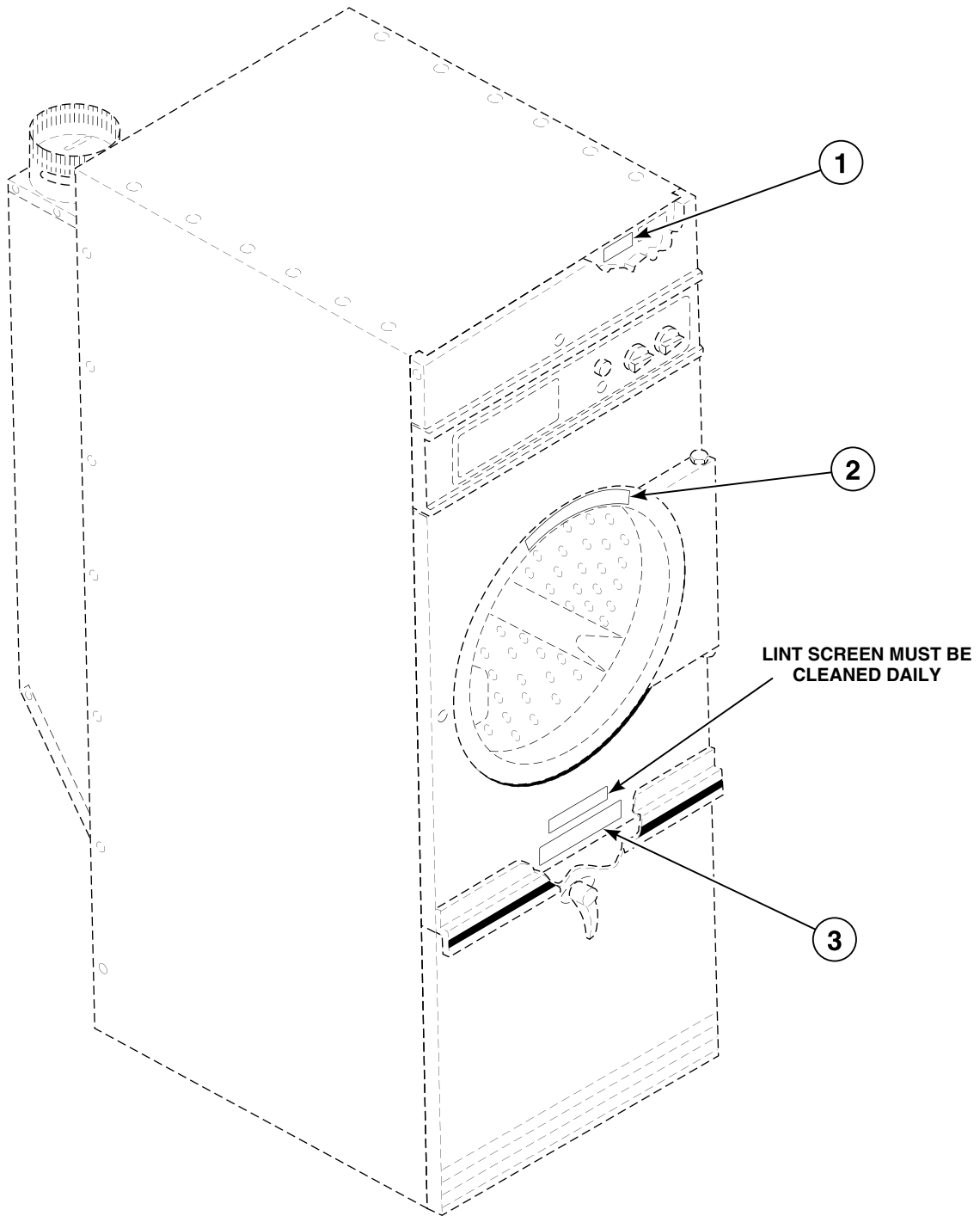
T232P\_M414056

## Warning Labels - Rear of Tumbler

REF	PART NO.	DESCRIPTION	COMMENTS
	N/A	Belt Warning Sticker	Do not operate without guards in place
1	M403047	Secure Ground Label	Secure ground wire to ground screw
2	500316	Warning Label	Disconnect power
3	M411815	Vent and Thimble Caution Label	Exhaust vent
4	M403153	Installation Warning Label	Diagram: Clearance to combustibles
5	M410083	Chain Guard Warning Sticker	To operate machine safely chain guard must be in place
6	M410082	Chain Guard Warning Sticker	You are exposed to moving parts. Do not operate without guards in place.

**N/A = Part no longer available**

# Warning Labels - Front of Tumbler



T230P\_M414056

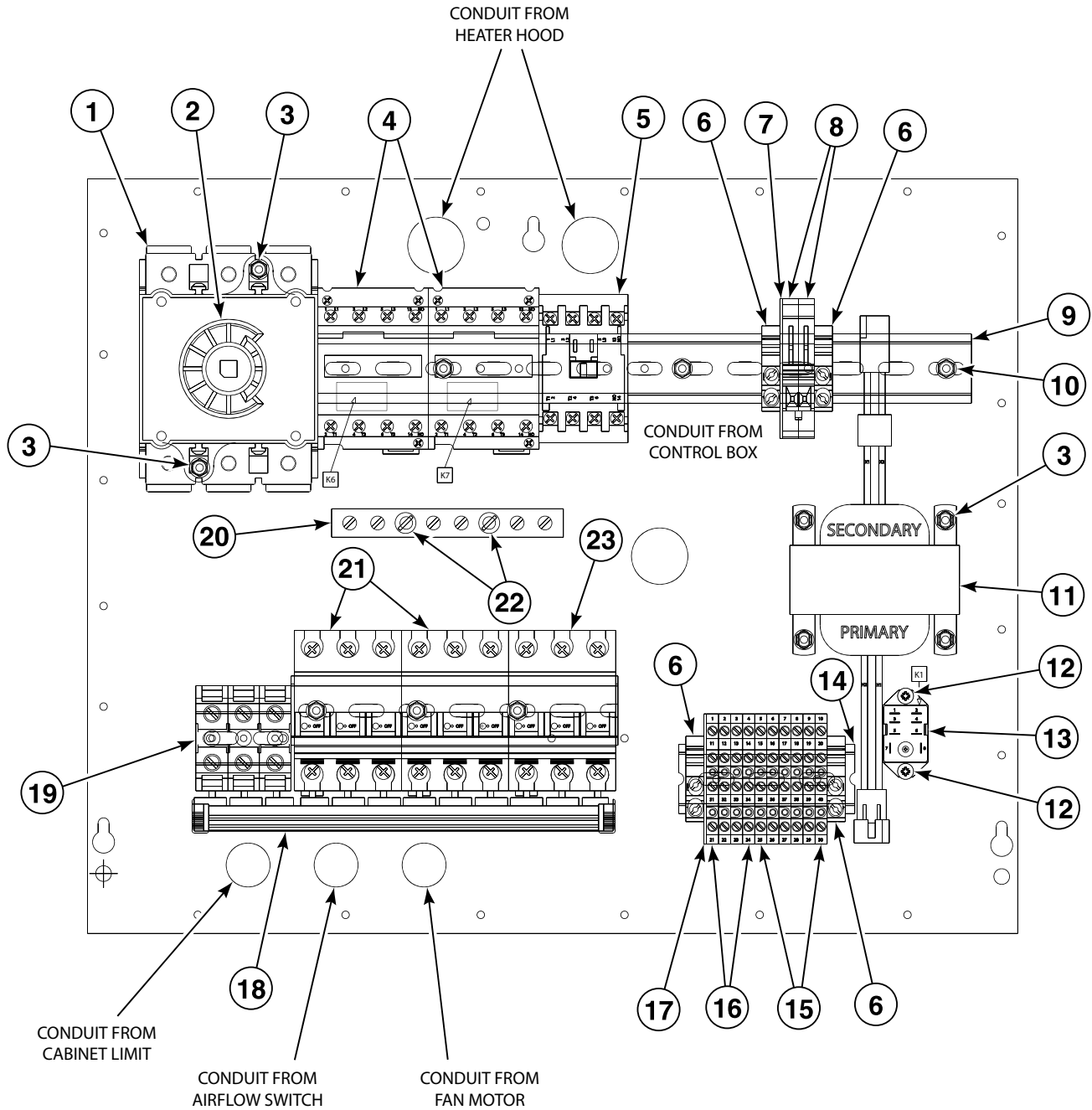
## Warning Labels - Front of Tumbler

REF	PART NO.	DESCRIPTION	COMMENTS
1	500316	Warning Label	Disconnect power
2	N/A	Warning Label	Electric and steam models; Control panel
	M410892	Warning Label	Gas models; Control panel
3	M411087	Lint Panel Warning Label	Lint screen

N/A = Part no longer available

# Contactor Box Assembly for Electric Manual Timer and Coin Drop Models (Drawing 1 of 3)

230 Volt/50 Hertz/3 Phase



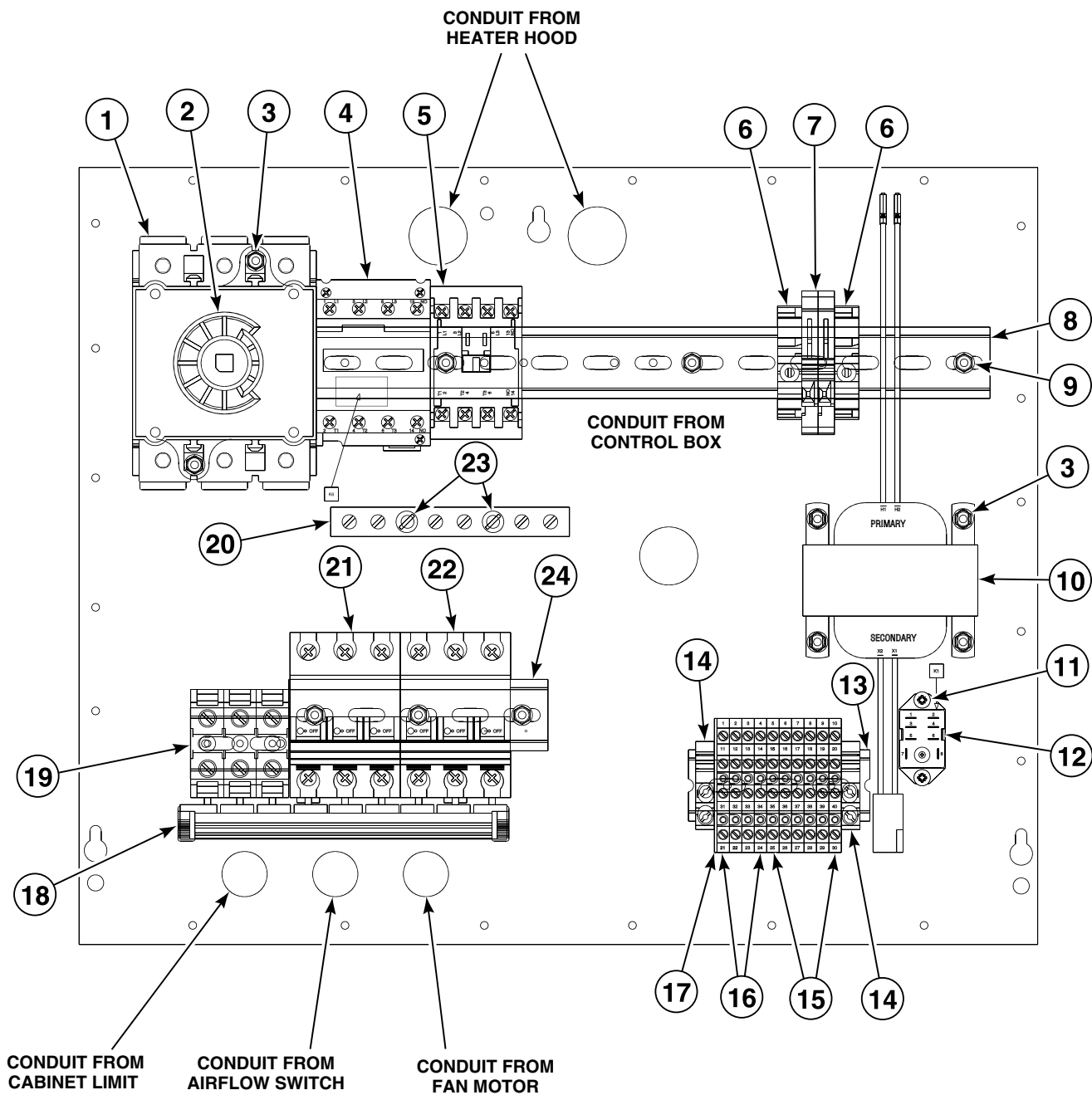
T385P\_M414056

## Contactor Box Assembly for Electric Manual Timer and Coin Drop Models (Drawing 1 of 3)

REF	PART NO.	DESCRIPTION	COMMENTS
	M412776P	Relay Harness Assembly	Manual timer models
	M412777	Relay Harness Assembly	Coin drop models
	M412641	Transformer Harness Assembly	Secondary
	M412642	Transformer Harness Assembly	Primary
	M412871	Jumper Harness Assembly	240 Volt/3 Phase
	M412367	Finger Guard	100 Amp
	502593	Fuse	250 Volt; .4 Amp
	M412694	Din Rail	48.3 mm
<b>1</b>	M412186	Mounting Switch Base	100 Amp; Includes 2 terminal blocks
<b>2</b>	M412371	Extension Handle	Includes 2 screws
<b>3</b>	33562	Screw	
<b>4</b>	M412403P	Contactor	Electric; 50 Amp
<b>5</b>	M412404P	Contactor	Motor; 9 Amp
<b>6</b>	70121001	End Stop	230 Volt
<b>7</b>	M412540	End Section	230 Volt
<b>8</b>	M412537	Terminal Block	230 Volt primary
<b>9</b>	M412691	Din Rail	350.2 mm
<b>10</b>	51780	Screw	
<b>11</b>	M412477P	Transformer	240 Volt
<b>12</b>	501086	Screw	Manual timer models
<b>13</b>	M412534	Relay	24 Volt/50 or 60 Hertz/1 Phase; Manual timer models
<b>14</b>	M412692	Din Rail	88.9 mm
<b>15</b>	M412631	Terminal Block	2 circuit
<b>16</b>	M412632	Terminal Block	1 circuit
<b>17</b>	M412633	End Barrier	
<b>18</b>	M412757	Buss Bar Assembly	12 position
<b>19</b>	M412045	Terminal Block	3 pole
<b>20</b>	M412656	Ground Buss Assembly	
<b>21</b>	M412406	Circuit Breaker	3 pole; 40 Amp
<b>22</b>	M412688	Nut	
<b>23</b>	M412407	Circuit Breaker	3 pole; 8 Amp

# Contactor Box Assembly for Electric Manual Timer and Coin Drop Models (Drawing 2 of 3)

400 Volt/50 Hertz/3 Phase



T391P\_M414056

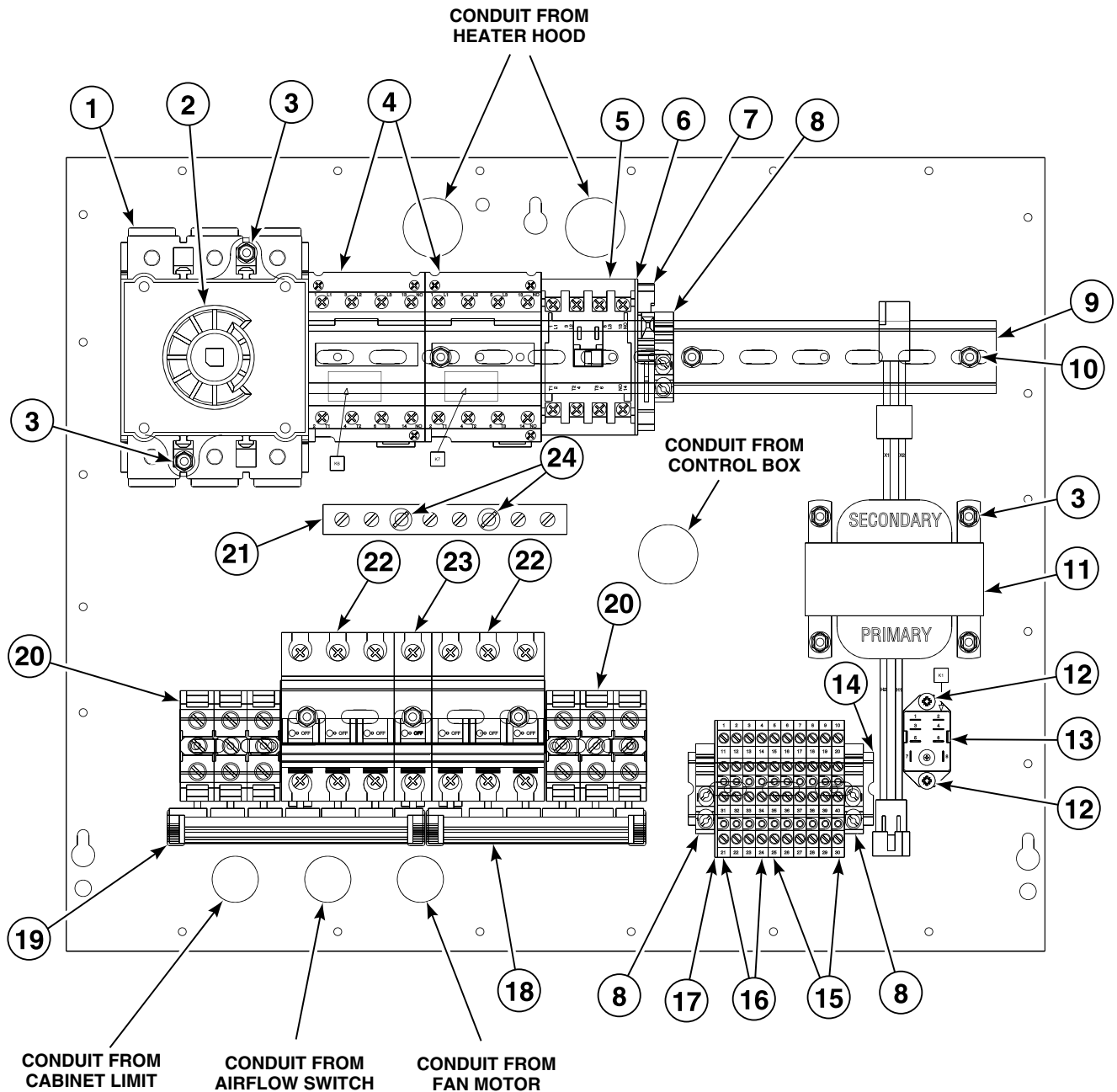
## Contactor Box Assembly for Electric Manual Timer and Coin Drop Models (Drawing 2 of 3)

REF	PART NO.	DESCRIPTION	COMMENTS
	M412766	Relay Harness Assembly	Manual timer models
	N/A	Relay Harness Assembly	Coin drop models
	M412641	Transformer Harness Assembly	Secondary
	N/A	Jumper Harness Assembly	400 Volt/3 Phase
	M412367	Finger Guard	100 Amp
	M412996	Fuse	
	M412694	Din Rail	48.3 mm; For item 19
<b>1</b>	M412186	Mounting Switch Base	100 Amp; Includes 2 terminal blocks
<b>2</b>	M412371	Extension Handle	Includes 2 screws
<b>3</b>	33562	Screw	
<b>4</b>	M412403P	Contactor	Electric; 50 Amp
<b>5</b>	M412404P	Contactor	Motor; 9 Amp
<b>6</b>	M412615	End Stop	400 Volt
<b>7</b>	M412538	Terminal Block	400 Volt primary
<b>8</b>	M412691	Din Rail	330.2 mm
<b>9</b>	51780	Screw	
<b>10</b>	M412412P	Transformer	400 Volt
<b>11</b>	M412534	Relay	24 Volt/50 or 60 Hertz/1 Phase; Manual timer models
<b>12</b>	501086	Screw	Manual timer models
<b>13</b>	M412692	Din Rail	88.9 mm
<b>14</b>	70121001	End Stop	230 Volt
<b>15</b>	M412631	Terminal Block	2 circuit
<b>16</b>	M412632	Terminal Block	1 circuit
<b>17</b>	M412633	End Barrier	
<b>18</b>	M412756	Buss Bar Assembly	9 position
<b>19</b>	M412045	Terminal Block	3 pole
<b>20</b>	M412656	Ground Buss Assembly	
<b>21</b>	M412406	Circuit Breaker	3 pole; 40 Amp; DC, JC and SC models
<b>22</b>	M412407	Circuit Breaker	3 pole; 8 Amp
<b>23</b>	M412688	Nut	
<b>24</b>	M412693	Din Rail	165.1 mm

**N/A = Part no longer available**

# Contactor Box Assembly for Electric Manual Timer and Coin Drop Models (Drawing 3 of 3)

230 Volt/50 Hertz/1 Phase



T411P\_M414056

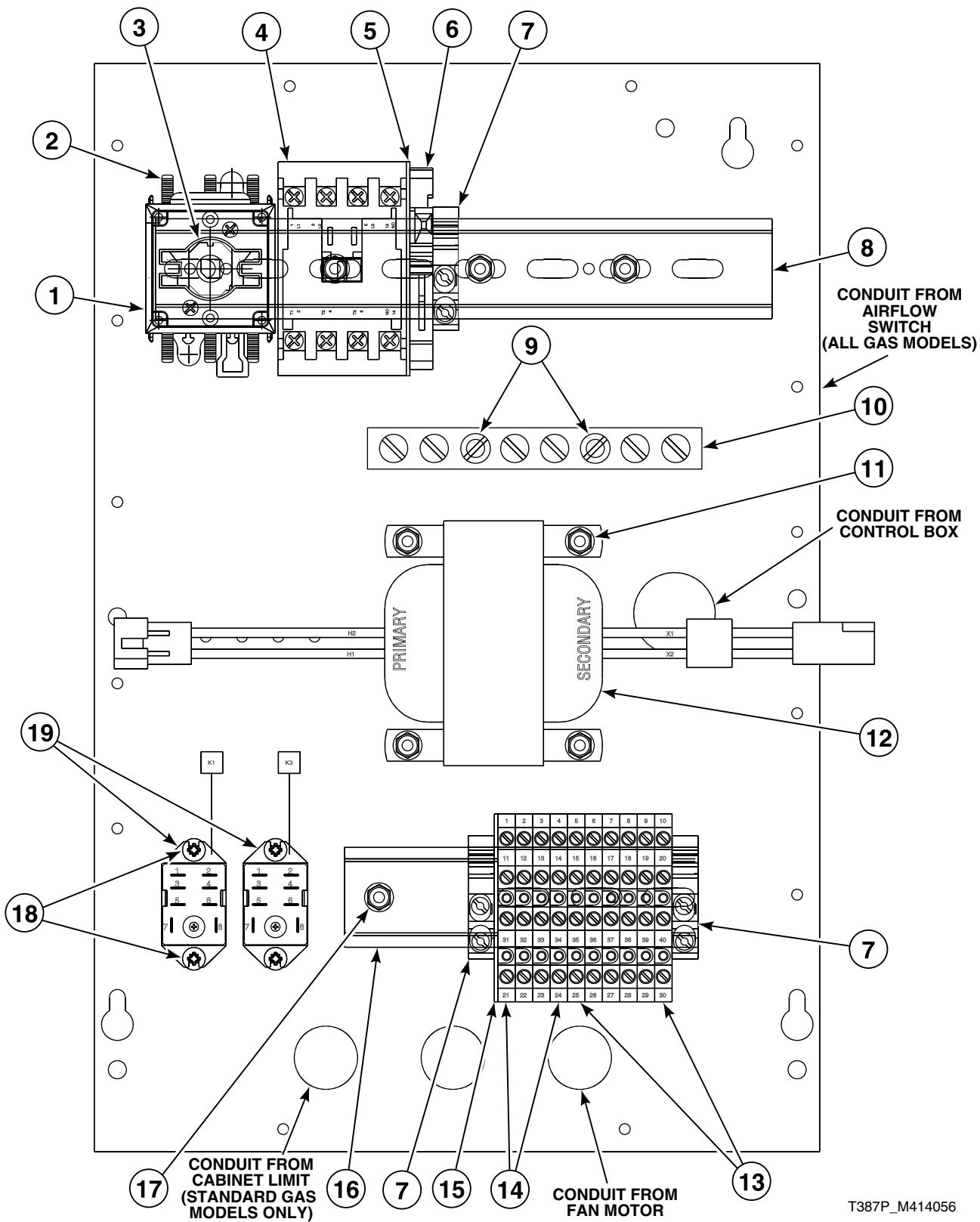
## Contactor Box Assembly for Electric Manual Timer and Coin Drop Models (Drawing 3 of 3)

REF	PART NO.	DESCRIPTION	COMMENTS
	M412776P	Relay Harness Assembly	Manual timer models
	M412777	Relay Harness Assembly	Coin drop models
	M412641	Transformer Harness Assembly	Secondary
	M412642	Transformer Harness Assembly	Primary
	M412367	Finger Guard	100 Amp
	502593	Fuse	250 Volt; .4 Amp
	M412415	Jumper Bar	
	M412694	Din Rail	48.3 mm; For item 20
	N/A	Din Rail	127 mm; For items 22 and 23
<b>1</b>	M412186	Mounting Switch Base	100 Amp; Includes 2 terminal blocks
<b>2</b>	M412371	Extension Handle	Includes 2 screws
<b>3</b>	33562	Screw	
<b>4</b>	M412403P	Contactor	Electric; 50 Amp
<b>5</b>	M412404P	Contactor	Motor; 9 Amp
<b>6</b>	M412540	End Section	230 Volt
<b>7</b>	M412537	Terminal Block	230 Volt primary
<b>8</b>	70121001	End Stop	230 Volt
<b>9</b>	M412691	Din Rail	330.2 mm
<b>10</b>	51780	Screw	
<b>11</b>	M412477P	Transformer	240 Volt
<b>12</b>	501086	Screw	Manual timer models
<b>13</b>	M412534	Relay	24 Volt/50 or 60 Hertz/1 Phase; Manual timer models
<b>14</b>	M412692	Din Rail	88.9 mm
<b>15</b>	M412631	Terminal Block	2 circuit
<b>16</b>	M412632	Terminal Block	1 circuit
<b>17</b>	M412633	End Barrier	
<b>18</b>	N/A	Buss Bar Assembly	6 position
<b>19</b>	M412755	Buss Bar Assembly	7 position
<b>20</b>	M412045	Terminal Block	3 pole
<b>21</b>	M412656	Ground Buss Assembly	
<b>22</b>	M412406	Circuit Breaker	3 pole; 40 Amp
<b>23</b>	M412401	Circuit Breaker	1 pole; 8 Amp
<b>24</b>	M412688	Nut	

**N/A = Part no longer available**

# Contactor Box Assembly for Gas Manual Timer Models

230 Volt/50 Hertz/1 Phase



T387P\_M414056

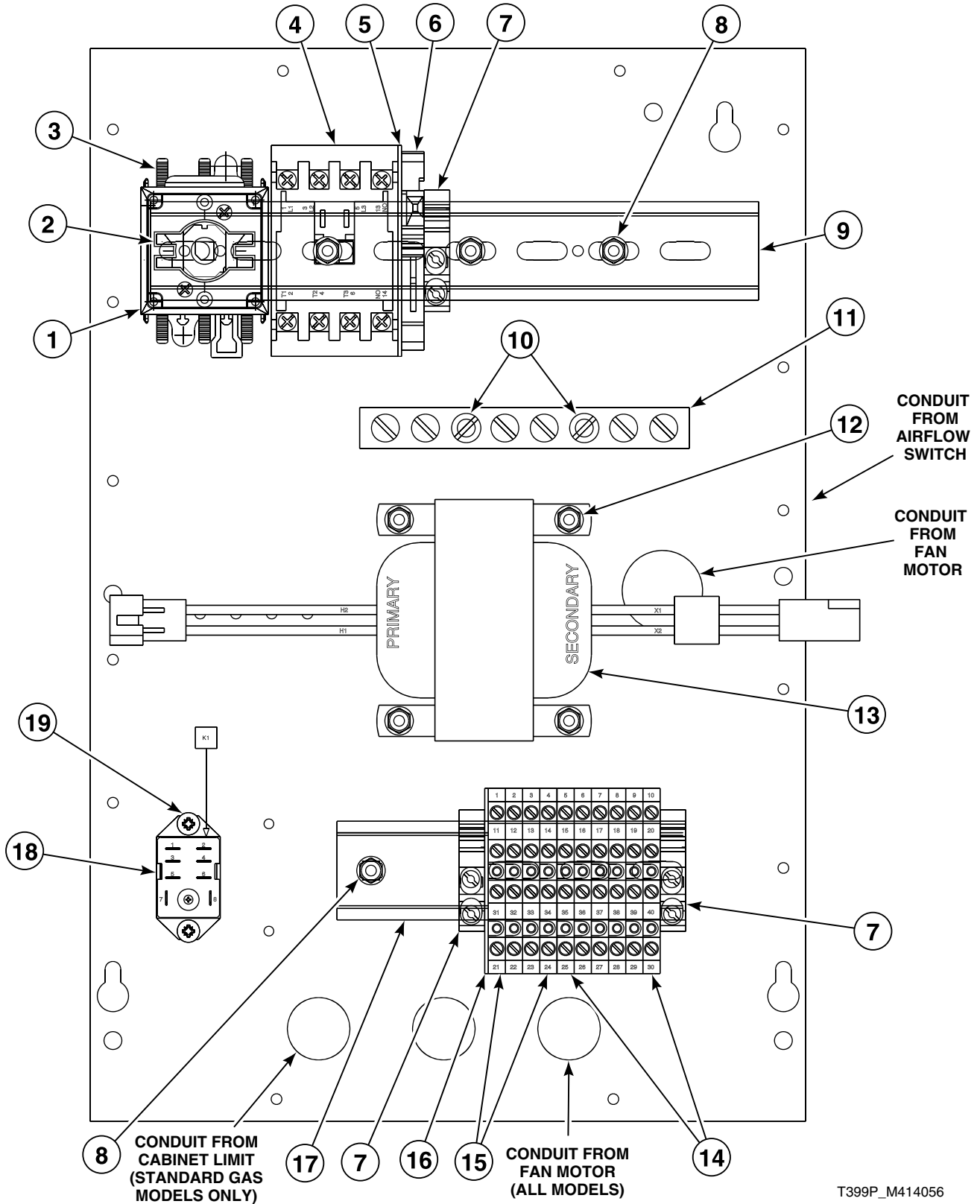
## Contactor Box Assembly for Gas Manual Timer Models

REF	PART NO.	DESCRIPTION	COMMENTS
	M412636	Relay Harness Assembly	K1, K2, K3
	M412641	Transformer Harness Assembly	Secondary
	M412642	Transformer Harness Assembly	240 Volt primary
	N/A	Jumper Harness Assembly	240 Volt; Junction box
	502593	Fuse	
<b>1</b>	M412187	Mounting Switch Base	20 Amp; Includes 2 terminal blocks
<b>2</b>	M412366	Finger Guard	20 Amp
<b>3</b>	M412370	Extension Handle	Includes 2 screws
<b>4</b>	M412404P	Contactor	Motor; 9 Amp
<b>5</b>	M412540	End Section	
<b>6</b>	M412537	Terminal Block	230 Volt primary
<b>7</b>	70121001	End Stop	230 Volt
<b>8</b>	N/A	Din Rail	215.9 mm
<b>9</b>	M412688	Nut	
<b>10</b>	M412656	Ground Buss Assembly	
<b>11</b>	33562	Screw	
<b>12</b>	M412477P	Transformer	230 Volt
<b>13</b>	M412631	Terminal Block	2 circuit
<b>14</b>	M412632	Terminal Block	1 circuit
<b>15</b>	M412633	End Barrier	
<b>16</b>	N/A	Din Rail	127 mm
<b>17</b>	51780	Screw	
<b>18</b>	501086	Screw	
<b>19</b>	M412534	Relay	24 Volt/50 or 60 Hertz/1 Phase

**N/A = Part no longer available**

# Contactor Box Assembly for Gas Coin Drop Models

230 Volt/50 Hertz/1 Phase



## Contactor Box Assembly for Gas Coin Drop Models

REF	PART NO.	DESCRIPTION	COMMENTS
	N/A	Relay Harness Assembly	K2, K3
	M412641	Transformer Harness Assembly	Secondary
	M412642	Transformer Harness Assembly	240 Volt primary
	N/A	Jumper Harness Assembly	240 Volt; Junction box
	502593	Fuse	
<b>1</b>	M412187	Mounting Switch Base	20 Amp; Includes 2 terminal blocks
<b>2</b>	M412370	Extension Handle	Includes 2 screws
<b>3</b>	M412366	Finger Guard	20 Amp
<b>4</b>	M412404P	Contactor	Motor; 9 Amp
<b>5</b>	M412540	End Section	
<b>6</b>	M412537	Terminal Block	230 Volt primary
<b>7</b>	70121001	End Stop	230 Volt
<b>8</b>	51780	Screw	
<b>9</b>	N/A	Din Rail	215.9 mm
<b>10</b>	M412688	Nut	
<b>11</b>	M412656	Ground Buss Assembly	
<b>12</b>	33562	Screw	
<b>13</b>	M412477P	Transformer	230 Volt
<b>14</b>	M412631	Terminal Block	2 circuit
<b>15</b>	M412632	Terminal Block	1 circuit
<b>16</b>	M412633	End Barrier	
<b>17</b>	N/A	Din Rail	127 mm
<b>18</b>	M412534	Relay	24 Volt/50 or 60 Hertz/1Phase
<b>19</b>	501086	Screw	

**N/A = Part no longer available**



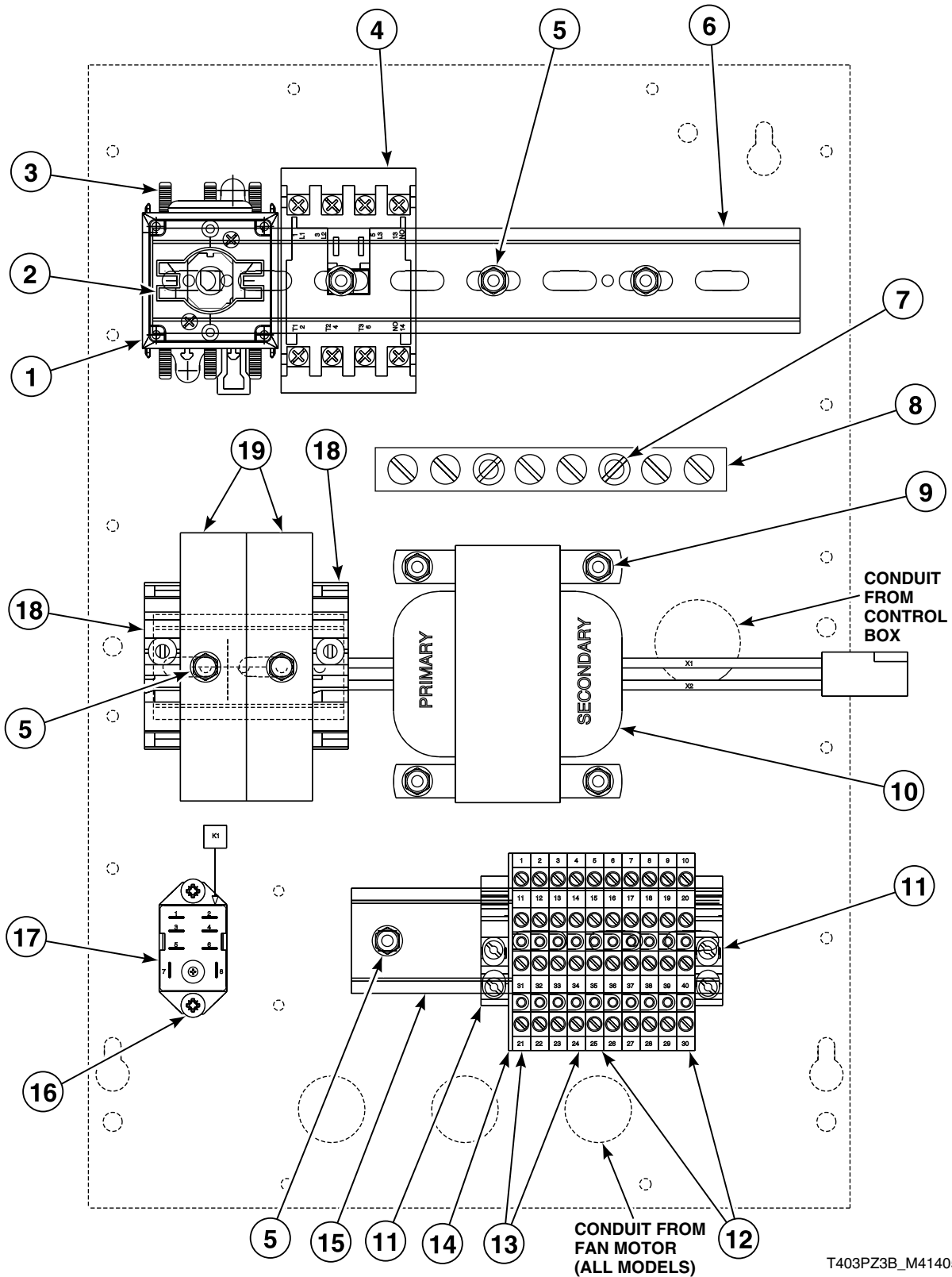
## Contactor Box Assembly for Steam Manual Timer Models (Drawing 1 of 2)

REF	PART NO.	DESCRIPTION	COMMENTS
	N/A	Relay Harness Assembly	K1, K2
	M412641	Transformer Harness Assembly	Secondary
	M412642	Transformer Harness Assembly	240 Volt
	N/A	Jumper Harness Assembly	240 Volt; Junction box
	502593	Fuse	
<b>1</b>	M412370	Extension Handle	Includes 2 screws
<b>2</b>	M412366	Finger Guard	20 Amp
<b>3</b>	M412187	Mounting Switch Base	20 Amp; Includes 2 terminal blocks
<b>4</b>	M412404P	Contactor	Motor; 9 Amp
<b>5</b>	M412540	End Section	
<b>6</b>	M412537	Terminal Block	230 Volt primary
<b>7</b>	70121001	End Stop	230 Volt
<b>8</b>	51780	Screw	
<b>9</b>	N/A	Din Rail	215.9 mm
<b>10</b>	M412688	Nut	
<b>11</b>	M412656	Ground Buss Assembly	
<b>12</b>	33562	Screw	
<b>13</b>	M412477P	Transformer	230 Volt
<b>14</b>	M412631	Terminal Block	2 circuit
<b>15</b>	M412632	Terminal Block	1 circuit
<b>16</b>	M412633	End Barrier	
<b>17</b>	N/A	Din Rail	127 mm
<b>18</b>	M412534	Relay	24 Volt/50 or 60 Hertz/1 Phase
<b>19</b>	501086	Screw	

**N/A = Part no longer available**

# Contactor Box Assembly for Steam Manual Timer Models (Drawing 2 of 2)

380 or 415 Volt/50 Hertz/3 Phase



T403PZ3B\_M414056

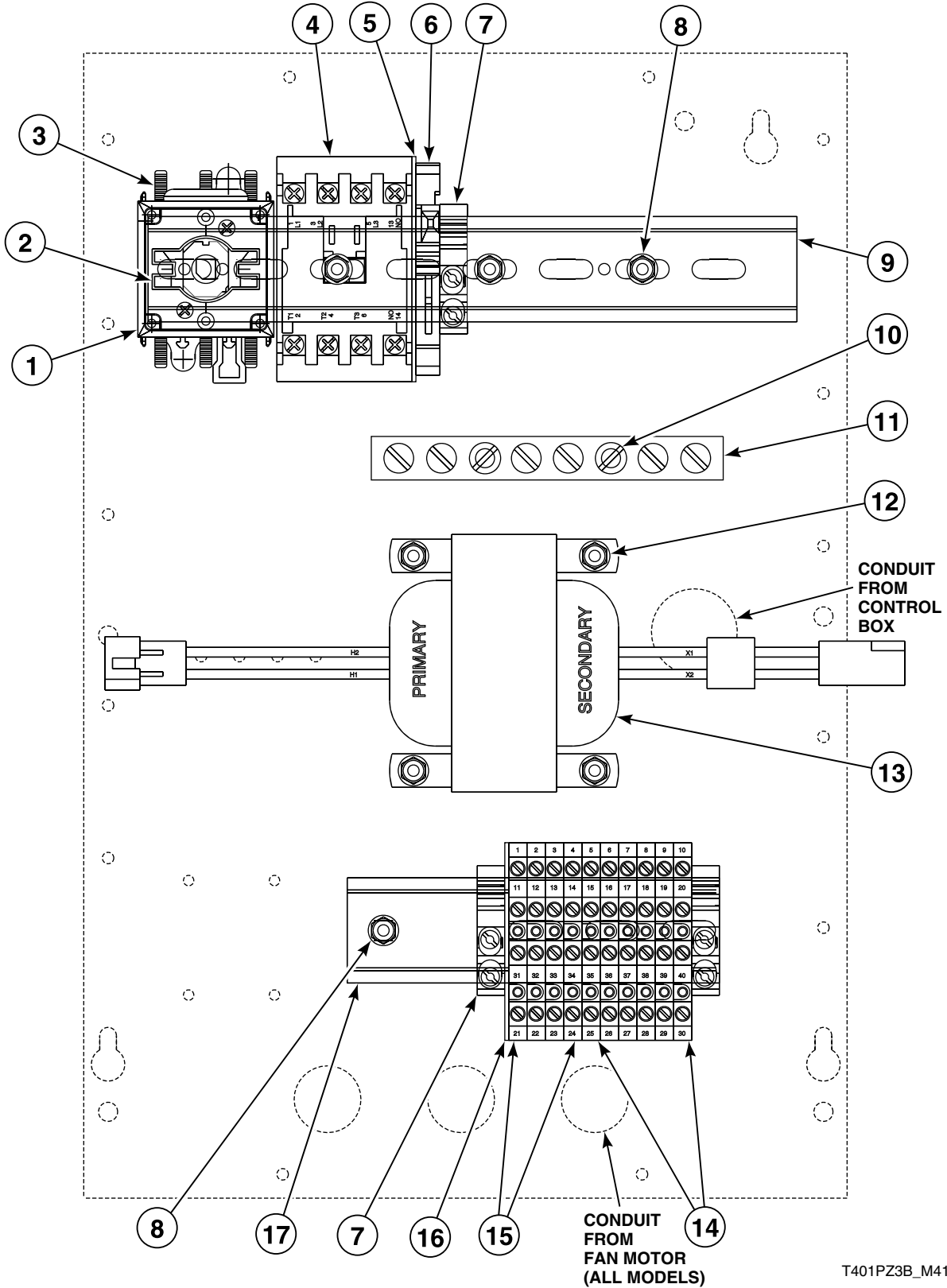
## Contactor Box Assembly for Steam Manual Timer Models (Drawing 2 of 2)

REF	PART NO.	DESCRIPTION	COMMENTS
	M412641	Transformer Harness Assembly	Secondary
	N/A	Jumper Wire	Junction box
	N/A	Relay Harness Assembly	K1, K2
	N/A	Din Rail	For item 19
	M412996	Fuse	
<b>1</b>	M412187	Mounting Switch Base	20 Amp; Includes 2 terminal blocks
<b>2</b>	M412370	Extension Handle	Includes 2 screws
<b>3</b>	M412366	Finger Guard	20 Amp
<b>4</b>	M412404P	Contactor	Motor; 9 Amp
<b>5</b>	51780	Screw	
<b>6</b>	N/A	Din Rail	215.9 mm
<b>7</b>	M412688	Nut	
<b>8</b>	M412656	Ground Buss Assembly	
<b>9</b>	33562	Screw	
<b>10</b>	M412412P	Transformer	400 Volt
<b>11</b>	70121001	End Stop	230 Volt
<b>12</b>	M412631	Terminal Block	2 circuit
<b>13</b>	M412632	Terminal Block	1 circuit
<b>14</b>	M412633	End Barrier	
<b>15</b>	N/A	Din Rail	127 mm
<b>16</b>	501086	Screw	
<b>17</b>	M412534	Relay	24 Volt/50 or 60 Hertz/1 Phase
<b>18</b>	M412615	End Stop	
<b>19</b>	M412538	Terminal Block	400 Volt primary

**N/A = Part no longer available**

# Contactor Box Assembly for Steam Coin Drop Models

230 Volt/50 Hertz/1 Phase



T401PZ3B\_M414056

## Contactor Box Assembly for Steam Coin Drop Models

REF	PART NO.	DESCRIPTION	COMMENTS
	N/A	Relay Harness Assembly	K2
	M412641	Transformer Harness Assembly	Secondary
	M412642	Transformer Harness Assembly	240 Volt primary
	N/A	Jumper Harness Assembly	240 Volt; Junction box
	502593	Fuse	
<b>1</b>	M412187	Mounting Switch Base	20 Amp; Includes 2 terminal blocks
<b>2</b>	M412370	Extension Handle	Includes 2 screws
<b>3</b>	M412366	Finger Guard	20 Amp
<b>4</b>	M412404P	Contactor	Motor; 9 Amp
<b>5</b>	M412540	End Section	
<b>6</b>	M412537	Terminal Block	230 Volt primary
<b>7</b>	70121001	End Stop	230 Volt
<b>8</b>	51780	Screw	
<b>9</b>	N/A	Din Rail	215.9 mm
<b>10</b>	M412688	Nut	
<b>11</b>	M412656	Ground Buss Assembly	
<b>12</b>	33562	Screw	
<b>13</b>	M412477P	Transformer	230 Volt
<b>14</b>	M412631	Terminal Block	2 circuit
<b>15</b>	M412632	Terminal Block	1 circuit
<b>16</b>	M412633	End Barrier	
<b>17</b>	N/A	Din Rail	127 mm

**N/A = Part no longer available**

# Burner Orifice

Non-CE Models

PART NO.	DESCRIPTION	COMMENTS
M400998	Burner Orifice	Standard models; Natural Gas (N.G.); 0-2,000 feet; Drill no. 27 (3.7 mm)
M401014	Burner Orifice	Standard models; N.G.; 2,001-4,000 feet; Drill no. 28 (3.6 mm)
M400997	Burner Orifice	Standard models; N.G.; 4,001-6,000 feet; Drill no. 29 (3.4 mm)
M401021	Burner Orifice	Standard models; N.G.; 6,001-8,001 feet; Drill no. 30 (3.3 mm)
M401017	Burner Orifice	Standard models; N.G.; 6,001-10,000 feet; Drill no. 31 (3.0 mm); Energy Saver models; N.G.; 0-2,000 feet; Drill no. 31 (3.0 mm)
M401011	Burner Orifice	Standard models; Liquid Petroleum Gas (L.P.); 0-2,000 feet; Drill no. 44 (2.2 mm)
M401027	Burner Orifice	Standard models; L.P.; 2,001-4,000 feet; Drill no. 45 (2.1 mm)
M401003	Burner Orifice	Standard models; L.P.; 4,001-6,000 feet; Drill no. 46 (2.1 mm)
M400999	Burner Orifice	Standard models; L.P.; 6,001-8,000 feet; Drill no. 47 (2.0 mm)
M401001	Burner Orifice	Standard models; L.P.; 8,001-10,000 feet; Drill no. 48 (1.9 mm)
N/A	Burner Orifice	Energy Saver models; N.G.; 2,001-4,000 feet; Drill no. 32 (2.9 mm)
M401022	Burner Orifice	Energy Saver models; N.G.; 4,001-6,000 feet; Drill no. 33 (2.9 mm)
M402487	Burner Orifice	Energy Saver models; N.G.; 6,000-8,000 feet; Drill no. 35 (2.8 mm)
M401024	Burner Orifice	Energy Saver models; N.G.; 8,001-10,000 feet; Drill no. 37 (2.6 mm)
M401016	Burner Orifice	Energy Saver models; L.P.; 0-2,000 feet; Drill no. 50 (1.8 mm)
M401019	Burner Orifice	Energy Saver models; L.P.; 2,001-6,000 feet; Drill no. 51 (1.7 mm)
M401025	Burner Orifice	Energy Saver models; L.P.; 6,001-8,000 feet; Drill no. 52 (1.6 mm)

N/A = Part no longer available

## Wire Harnesses and Wires

PART NO.	DESCRIPTION	COMMENTS
N/A	Cabinet Limit Harness Assembly	DC, JC and SC gas and electric models; 66 inches
607P3	Channel Ignition Kit	DC, JC and SC gas models with Dungs ignition control
N/A	Coin Meter	DC, JC and SC models; Manual timer and coin drop models
M413548	Ignition Control Harness Assembly	DC, JC and SC gas models; Manual timer and coin drop with bulb thermostat-Channel Products ignition control
N/A	Control Harness	Gas models; Manual timer; 120, 208 or 240 Volt/50 or 60 Hertz; To rear junction box
N/A	Door Switch Harness Assembly	DC, JC and SC models; Coin drop
N/A	Fan Motor Harness Assembly	DC, JC and SC models; 3 Phase
M413281	Fan Motor Harness Assembly	DC, JC and SC models; 1 Phase
M412997	Gas Valve Harness Assembly	DC, JC and SC gas models; Models with BM gas valve; Single coin connection
M412635	Harness Assembly	DC, JC and SC gas models; With stove mounted airflow switch; To junction box
N/A	Airflow Harness Assembly	DC, JC and SC electric models; Models with cabinet mounted airflow switch; To control box
M412603	Thermostat Harness Assembly	Control box; DC, JC and SC steam models; Manual timer and coin drop with bulb thermostat
N/A	Thermostat Harness Assembly	Control box; DC, JC and SC electric models; Manual timer and coin drop with bulb thermostat
N/A	Thermostat Harness Assembly	Control box; DC, JC and SC gas models; Manual timer and coin drop with bulb thermostat-Dungs ignition control
N/A	Panel Harness Assembly	Control panel; DC, JC and SC models; Manual timer
M412801	Heater Cable Harness Assembly	DC, JC and SC electric models
M412802	Heater Cable Harness Assembly	DC, JC and SC electric models; 230 Volt
M412645	Jumper Wire Assembly	DC, JC and SC gas models; Models with Dungs ignition control; Ground
M413650	Gas Valve Harness Assembly	DC, JC and SC gas models; Models with Johnson gas valve; Dual coin connections
N/A	Motor Harness Assembly	Fan; Standard models; Coin and manual timer; 208-240 Volt/60 Hertz/1 Phase; To junction box
M411828	Motor Harness Assembly	Fan; Energy Saver models; Manual timer; 208-240 Volt/60 Hertz/3 Phase; To junction box
N/A	Motor Harness Assembly	Fan; Standard gas and steam models; Coin and manual timer; To junction box
M409487	Motor Harness Assembly	208-240 Volt; Standard models starting Serial No. 684487YA
M409489	Motor Wire Harness Assembly	Fan; Energy Saver models; Coin; 208-240 Volt/60 Hertz/1 Phase; To junction box
M409490	Motor Wire Harness Assembly	Fan; Standard gas and steam models; Coin and manual timer; 2 wire; 1 Phase; To junction box
M409982	Motor Wire Harness Assembly	Coin; To junction box; Electric models with 415 Volt/50 Hertz/3 Phase; Electric and EG models starting Serial No. 684487YA with 120, 208 or 240 Volt
M411827	Motor Wire Harness Assembly	Fan; Energy Saver gas and electric models; Coin and manual timer; 3 Phase; To junction box

**N/A = Part no longer available**

## Wire Harnesses and Wires

PART NO.	DESCRIPTION	COMMENTS
N/A	Motor Wire Harness Assembly	208-240 Volt; Energy Saver models through Serial No. 684487YA
M405351	Motor Wire Harness Assembly	480 Volt; Electric models through Serial No. 684487YA
M409459	Motor Wire Harness Assembly	120 Volt; Standard gas and steam models starting Serial No. 684487YA
N/A	Motor Wire Harness Assembly	208-240 Volt; EG models starting Serial No. 684487YA
M412636	Relay Harness Assembly	DC, JC and SC gas models; Manual timer; K1, K2, K3
N/A	Relay Harness Assembly	DC, JC and SC steam models; K2
N/A	Relay Harness Assembly	DC, JC and SC gas models; Coin; K2, K3
M412766	Relay Harness Assembly	DC, JC and SC electric models; 380-415 Volt; Manual timer
N/A	Relay Harness Assembly	DC, JC and SC electric models; 380-415 Volt; Mechanical coin drop
M412776P	Relay Harness Assembly	DC, JC and SC electric models; 230 Volt; Manual timer
M412777	Relay Harness Assembly	DC, JC and SC electric models; 230 Volt; Mechanical coin drop
M401909	Wire Harness Assembly	Airflow switch; Standard models; Coin and manual timer; To junction box
M403824	Wire Harness Assembly	Airflow switch; Standard models; Coin and manual timer; To stove high limit thermostat
N/A	Wire Harness Assembly	Airflow switch; Energy Saver models; Coin and manual timer; To cabinet high limit thermostat
N/A	Wire Harness Assembly	High limit harness; Energy Saver models; Coin and manual timer; To stove high limit thermostat
M401284	Wire Harness Assembly	Contact box; Models without a junction box
N/A	Wire Harness Assembly	Contact box; Electric models; Coin; Manual timer; 480 Volt/60 Hertz/3 Phase; To junction box
M405372	Wire Harness Assembly	Control box; Gas models; Manual timer; 50 Hertz; To rear junction box
N/A	Wire Harness Assembly	Control box; 208-240 Volt/60 Hertz/3 Phase; Electric models; 50 Hertz manual timer; To rear junction box
M405871P	Control Harness	Control box; Gas models; Coin; To rear junction box
N/A	Wire Harness Assembly	Control box; Electric and steam models; Manual timer; To rear junction box
M405873	Wire Harness Assembly	Control box; Electric models; Coin; To rear junction box
N/A	Wire Harness Assembly	Control box; Electric models; Coin; 480 Volt
N/A	Control Wire Harness Assembly	Control box; Electric models; Coin; 415 Volt/50 Hertz/3 Phase; To rear junction box
M403924P	Control Panel Wire Harness Assembly	Manual timer and coin models
N/A	Control Wire Harness Assembly	Control panel; Coin drop; To junction box
N/A	Wire Harness Assembly	Fan; High pressure steam models; Manual timer; 480 Volt/60 Hertz/3 Phase; To rear junction box
M410640	Wire Harness Assembly	Fan motor; Electric models; Manual timer; 480 Volt/60 Hertz/3 Phase
M406880	Ignition Wire Harness Assembly	Ignition control; Gas models

**N/A = Part no longer available**

# Parts Index

## A

Accumulator	
M403422P .....	27
Actuator Switch	
M412423 .....	51
Airflow Switch	
M400944 .....	51
Airflow Switch Bracket	
M409202 .....	51
Airflow Switch Guard	
M410544 .....	51
Airflow Switch Handy Box	
M403235 .....	51
Airflow Switch Insulator Barrier	
M400712 .....	51
Airflow Switch Vane Assembly	
M400542 .....	51
Airflow Switch Vane Lever	
M400753 .....	51
Anti-Torque Ring	
M400605 .....	55, 59, 65, 69, 73, 77

## B

Ball Bearing	
M400592 .....	39, 41
M413921P .....	39
Belt	
M401182 .....	41, 43
Belt Guard	
M413008 .....	47
Belt Guard Assembly	
M411467 .....	53
Bolt	
M400078 .....	41
M400649 .....	39
M400650 .....	39
M401393 .....	47
M402945 .....	25
M412119 .....	45
M412475 .....	41
Bracket	
M406936 .....	73
Bumper	
M400795 .....	53
M410783 .....	37
Bumper Assembly	
M401161 .....	37
Bumper Trim	
M401201 .....	37
Burner Assembly	
M405919 .....	69, 73
M410541 .....	69, 73, 75, 77
Burner Kit	
M4448P3 .....	55, 59, 65
Burner Orifice	
M400918 .....	55, 59
M400920 .....	59

M400997 .....	110
M400998 .....	110
M400999 .....	110
M401001 .....	110
M401003 .....	110
M401011 .....	110
M401014 .....	110
M401016 .....	110
M401017 .....	110
M401019 .....	110
M401021 .....	110
M401022 .....	110
M401024 .....	110
M401025 .....	110
M401027 .....	110
M402487 .....	110
M402598 .....	59
M402701 .....	59
Q8152 .....	55
Buss Bar Assembly	
M412755 .....	99
M412756 .....	97
M412757 .....	95

## C

Cam and Screw	
M400595 .....	37
Chain Connecting Link	
M401360P .....	41
Chain Guard Assembly	
M411477 .....	53
Chain Guard Warning Sticker	
M410082 .....	91
M410083 .....	91
Chain Sprocket	
M401369P .....	41
Channel Ignition Kit	
604P3 .....	75
607P3 .....	111
Circuit Board Support	
M405979 .....	29
Circuit Breaker	
M412401 .....	99
M412406 .....	95, 97, 99
M412407 .....	95, 97
Clip	
M400974 .....	23
M400975 .....	35
M400976 .....	51
M400984 .....	35
Coil Spring	
M402455 .....	19
Coin Carrier Spring	
M405138A .....	19
Coin Chute	
M411882 .....	23
Coin Meter	
M402508-12 .....	11, 19
M402508-14 .....	11, 19
M402508-34 .....	11, 19
M402508-36 .....	11, 19

N/A items do not appear in index.

M402508-45	11, 19
M405138P	11, 19
Coin Meter Drive	
M400754	19, 21
Coin Retainer Spring	
M406297	19
Coin Slide	
M405884	25
Coin Slide Extension	
61031	25
Coin Vault Assembly	
44102801	23
Contact Block	
M412230	9, 13
Contacto	
M400904P	83, 85
M400910P	83, 85
M400913P	83, 85
M405116P	83, 85
M412403P	95, 97, 99
M412404P	95, 97, 99, 101, 103, 105, 107, 109
Control Harness	
M405871P	29, 112
Control Kit	
70228401P	17
Control Panel Assembly	
M402236	7
M402670	11
M402689	11
M406565	7
M406567	7
M410396	7
M410655	11
M413318	9
Control Panel Retainer	
M401301	7, 9, 11, 13, 15
M401302	7, 9, 11, 13, 15
Control Panel Wire Harness Assembly	
M403924P	7, 11, 112
Cord Assembly	
M411460	37
Counterweight	
M400822	51
Cover Plate	
M401362	47
Cylinder	
M401049P	39
Cylinder and Trunnion Assembly	
M401052P	39

## D

Deflector Shield	
M402746	65
Din Rail	
M412691	95, 97, 99
M412692	95, 97, 99
M412693	97
M412694	95, 97, 99
Door Assembly	
M400447P	33
M410887	33
430475	33

Door Glass	
M400784P	33
70133601P	33
Door Glass Seal Kit	
70211901P	33
Door Handle	
M400133	33
430117	33
Door Hinge Assembly	
M400512*	33
M402714*	33
M412378*	31
M412382*	33
Door Latch	
M401223	33
Door Plug	
430649	33
Door Ring Gasket	
M406129	33
Door Safety Switch Kit	
M4842P3	31
Door Switch	
M400952	29
Door Switch Rod	
M401181	33
Drive Rivet	
M400713	35
Drum Idler Wheel Assembly	
430619	45

## E

End Barrier	
M412633	95, 97, 99, 101, 103, 105, 107, 109
End Cap	
M401328	7, 9, 11, 13, 15
End Section	
M412540	95, 99, 101, 103, 105, 109
End Stop	
M412615	97, 107
70121001	95, 97, 99, 101, 103, 105, 107, 109
Exhaust Thimble Assembly	
M412288	53
Extension Handle	
M412370	101, 103, 105, 107, 109
M412371	95, 97, 99
Extension Spring	
M412121	43

## F

Fan	
M410088P	47
Fan and Key	
M400086P	47
Fan Motor	
44045901P	49
44046001P	49
Fan Motor Harness Assembly	
M413281	111
Felt Pad	
M402144	39

N/A items do not appear in index.

Finger Guard	
M412366 .....	101, 103, 105, 107, 109
M412367 .....	95, 97, 99
Flexible Coupler	
M412551 .....	31
Front Panel Assembly	
M410743*P .....	35
M412786*P .....	35
Front Panel Kit	
M410746*P .....	35
M410756P .....	35
M410878*P .....	35
M410879*P .....	35
M411124P .....	35
M411128*P .....	35
Fuse	
M412996 .....	97, 107
M414104 .....	17
502593 .....	95, 99, 101, 103, 105, 109

## G

Gas Shut-Off Valve	
M412562 .....	75, 77
Gas Valve	
M401224P .....	59
M401228P .....	55
M401229P .....	55
M401230P .....	55
M401231P .....	55
M402750P .....	65
M403151P .....	65
M405898 .....	69
M405935P .....	69
M410907P .....	79
M410908 .....	79
M413332P .....	77
Gas Valve Assembly	
M409152P .....	73
M409153P .....	73
Gas Valve Bracket	
M405945 .....	69, 73
M406814 .....	69, 73, 77
Gas Valve Flange Assembly	
M412568 .....	75
Gas Valve Harness Assembly	
M412997 .....	111
M413650 .....	111
Gas Valve Kit	
M401225P .....	59
Gas Valve Main Coil	
M411134 .....	73
Gasket	
M400798 .....	57, 63, 67
Ground Buss Assembly	
M412656 .....	95, 97, 99, 101, 103, 105, 107, 109
Ground Lug Connector	
M411283 .....	85
Guide Rail	
M412476 .....	41, 43

## H

Handle and Cam Assembly	
M410243P .....	37
Harness Assembly	
M412635 .....	111
Heater Cable Harness Assembly	
M412801 .....	111
M412802 .....	111
Heater Element	
M405230P .....	81
M405252P .....	81
M405253P .....	81
High Limit Thermostat	
M401257 .....	53
High Voltage Lead	
M406788 .....	73
M406881 .....	77
Hinge Assembly	
M400514 .....	33
M405931 .....	25
Hinge Bracket	
431000* .....	35
Hinge Pin	
M400653 .....	33
Hole Plug	
M410665 .....	17
Hood Assembly	
M401159 .....	81

## I

Idler Arm Kit	
M414320P .....	45
Idler Housing Kit	
M412103P .....	41, 45
M412229P .....	41, 45
Idler Shaft	
M401374P .....	41
M412223P .....	45
Igniter	
55438P .....	65, 69
Igniter Bracket Assembly	
M402745P .....	65, 69
Igniter Kit	
M4337P3 .....	59, 61
M4338P3 .....	59, 61
Ignition Bracket	
M402594 .....	61
Ignition Control	
M406789P .....	73
M4898P3 .....	75
70367401P .....	77
Ignition Control Harness Assembly	
M413548 .....	111
Ignition Wire Harness Assembly	
M406880 .....	73, 112
Indicator Light	
M412234 .....	9, 13
Installation Warning Label	
M403153 .....	91

N/A items do not appear in index.

Instant Electronic Ignition Control M410904P .....	79
---	----

## J

Jumper Bar	
M400866 .....	81
M412415 .....	99
Jumper Harness Assembly	
M412871 .....	95
Jumper Strip	
M400869 .....	81
Jumper Wire	
M400337 .....	57
M402823 .....	67
M402824 .....	67
M402825 .....	67
M404866 .....	71
M404868 .....	71
Jumper Wire Assembly	
M401281 .....	81
M403743 .....	81
M412116 .....	83, 85
M412117 .....	83
M412645 .....	17, 111
Junction Box Assembly	
M410364 .....	53
Junction Box Cover	
M414352 .....	53

## K

Key	
M400010 .....	39, 43
M400993 .....	47
M400994 .....	47
M401327 .....	41, 43
54612 .....	25
Kickplate Kit	
M414437P .....	37
Knob	
M400773 .....	7, 9
M400777 .....	29
M410927 .....	7, 9

## L

Limit Thermostat	
M401404 .....	65, 69, 73
M405943 .....	75, 77, 81
M406412 .....	37
M409433 .....	55, 59, 65, 69, 73
M409443 .....	75, 77
M410220 .....	77
M410542 .....	37
M411813 .....	37
Lint Hood Assembly	
M400515 .....	37
Lint Panel Assembly	
M401062*P .....	37
M402713*P .....	37
M410668* .....	37

Lint Panel Bumper	
M410844 .....	37
Lint Panel Warning Label	
M411087 .....	93
Lint Screen Assembly	
M400522 .....	37
Lint Screen Hood Assembly	
M401150 .....	37
Lint/Access Panel Handle	
M400594P .....	37
Lock Kit	
27260P .....	25
Low Pressure Steam Cover	
M400828 .....	89
L.P. Conversion Kit	
M4325P3 .....	55
M4377P3 .....	69, 73
M4378P3 .....	69, 73
L.P. Valve Conversion Kit	
M405434 .....	71

## M

Magnetic Operator	
M406217P .....	67
Main Coil	
M405430 .....	71
Main Operator	
M401227P .....	63
Manifold Pipe Assembly	
M406681 .....	55, 59, 65, 69, 73
Manual Reset Thermostat	
M411941 .....	37
Meter Case Assembly	
M410807* .....	25
Micro Harness Assembly	
M413677 .....	17
Micro Mounting Assembly	
M413738 .....	17
Micro V Belt	
M411424P .....	43
Micro V Pulley	
M411466P .....	45
Micro V Sheave	
M412155 .....	43
Microprocessor Overlay	
M413417 .....	17
M413420 .....	17
M413422 .....	17
M413423 .....	17
M413425 .....	17
M413426 .....	17
Motor	
M400379 .....	49
M400794 .....	7
M411189P .....	49
M411191P .....	49
M412227P .....	49
44046101P .....	49
44048701P .....	49
44048801 .....	49
Motor Bracket	
M411483 .....	43, 47

N/A items do not appear in index.

Motor Hardware Kit	
M4426P3 .....	47
Motor Harness Assembly	
M409487 .....	111
M409491 .....	111
M411828 .....	111
Motor Replacement Kit	
M4833P3 .....	49
M4834P3 .....	49
M4858P3 .....	49
Motor Wire Harness Assembly	
M405351 .....	112
M409459 .....	112
M409489 .....	111
M409490 .....	111
M409982 .....	111
M411827 .....	111
Mounting Switch Base	
M412186 .....	95, 97, 99
M412187 .....	101, 103, 105, 107, 109

## N

Nut	
JT-149-3 .....	61
M400022 .....	47
M400023 .....	39, 43
M400026 .....	39, 41, 43
M400034 .....	47
M400036 .....	39, 43
M400672 .....	11, 13
M400926 .....	61
M400977 .....	51
M400979 .....	51
M400981 .....	29
M401548 .....	55, 59, 65, 69, 73, 77
M401549 .....	55, 59, 65, 69, 73, 77
M401930 .....	39
M404993 .....	43
M412626 .....	43
M412688 .....	95, 97, 99, 101, 103, 105, 107, 109
M414215 .....	33
Q6163 .....	33
02428 .....	41, 47
02788 .....	29
20274 .....	25
20275 .....	33
52566 .....	45
56156 .....	45
70054 .....	17, 81
70142 .....	47

## O

Operator	
M400331P .....	57

## P

Panel Key	
M401680 .....	35, 37
Panel Lock	
M406654P .....	35, 37

Pilot Electrode	
M402591P .....	61
Pilot Light	
M400704 .....	7
Pilot Operator	
M401226P .....	63
Pilot Tubing	
M402596 .....	61
Pipe	
M400749 .....	55, 59, 65, 69, 73, 75, 77
Pop Rivet	
M405750 .....	7, 9, 11, 13, 15, 33
Pulley	
M401183P .....	47
M401186P .....	47
M414567 .....	47
Push-to-Start Switch Kit	
M400954P .....	7, 11, 15

## R

Ratchet Wheel	
53239 .....	27
Relay	
M400911P .....	7
M400912P .....	7, 53
M412534 .....	95, 97, 99, 101, 103, 105, 107
Relay Harness	
M412777 .....	99
Relay Harness Assembly	
M412636 .....	101, 112
M412766 .....	97, 112
M412776P .....	95, 99, 112
M412777 .....	95, 112
Remote Igniter Kit	
M4385P3 .....	63
Replacement Door Handle Kit	
70133501P .....	33
Reset Assembly	
M400329P .....	57
Resistor	
M400527 .....	7
Resistor Assembly	
M400527 .....	11
M410992 .....	7
Return Spring	
M400746 .....	21
M405138B .....	19
Rib Rod	
M400901 .....	39
Ring	
M400399 .....	41, 43
Roller Chain	
M401425 .....	41
Run Light	
M404151 .....	11, 15

## S

Screw	
M400043 .....	43
M400044 .....	33

N/A items do not appear in index.

M400057	47	M410905P	79
M400065	41, 43	Spring	
M400071	7, 11, 29	53261	27
M400072	7, 11, 29	Spring Clip	
M400077	45, 47	M400402	33
M400655	23	Sprocket	
M400657	37	M400091P	39
M400661	33	M401366P	41
M40066437, 51, 53, 55, 59, 65, 69, 73, 79, 81, 83, 85, 89		Spud Holder Assembly	
M401938	51	M410546	69, 73, 77
M402595	61	Steam Coil	
M402797	37, 55, 59, 65, 69, 73, 79	M400636P	89
M402917	7, 11, 15, 85	Steam Valve	
M405188	47	M413295P	89
M405525	41, 43	M413297P	89
M405824	53	M413298P	89
M409385	33, 39, 61	70351001P	89
M410059	47	70351002P	89
M411052	7, 9	Steam Valve Coil	
M412531	31	M401383	87
M412532	31	M412258	87, 89
M412627	43	M413301	89
Q6516	29	M413302	89
03203	25	70205701P	89
03950	25	Steam Valve Rebuild Kit	
33562 ... 7, 11, 15, 25, 95, 97, 99, 101, 103, 105, 107, 109		M412259	89
430497	17, 35, 51, 85	Street Elbow	
430648	45	H86070034	75
430757	37	Support Bearing	
501086	95, 97, 99, 101, 103, 105, 107	430038	45
503673	25	Support Rod	
51780 ... 7, 25, 53, 83, 85, 95, 97, 99, 101, 103, 105, 107, 109		M400604	35
52909	25	Switch	
56693	65, 69	M400947	19, 21, 27
Secure Ground Label		Switch Base	
M403047	91	M412528	31
Sensor			
510213	65, 69		
Sensor Cable Harness			
M413559P	17		
Sensor Probe			
M401209P	61		
Service Door Assembly			
35798*P	25		
Shadow Box			
M403414	11, 13		
Shadow Box and Clip			
M400131P	23		
Shadow Box Clip			
M400972	23		
Sheave Kit			
44086901P	41, 43		
Shut-Off Valve and Tailpiece Kit			
M4854P3	55, 59, 65, 69, 73, 77		
Single Throw Switch			
M400001	19, 21, 27		
Sleeve			
M400925	61		
M412474	41		
Solenoid Valve DIN Connector			
70370301P	89		
Spark Igniter			
M406934P	73, 75, 77		

## T

Temperature Control Knob	
M410928	29
Tension Plate Assembly	
M414405	43
Terminal Block	
M400685	83
M405363	53
M405364	53
M412042	85
M412045	85, 95, 97, 99
M412537	95, 99, 101, 103, 105, 109
M412538	97, 107
M412631	95, 97, 99, 101, 103, 105, 107, 109
M412632	95, 97, 99, 101, 103, 105, 107, 109
Terminal Block End	
M400681	83
Thermocouple	
M400934	55
Thermostat	
M401251P	29
Thermostat Cover	
M414477	37, 55, 59, 65, 69, 73, 79
Thermostat Harness Assembly	
M412603	111

N/A items do not appear in index.

Thermostat Kit	
M4347P3	81
Thimble Vane Assembly	
M400503	53
Timer	
M400785P	7
M400787P	7
M400791P	7
M412079P	9
M412080P	9
Timer Kit	
M410900P	7
M410901P	7
Timer Motor	
M400609	7, 19, 21, 27
M400793	7
Timing Cam	
M400239	27
M400732P	19, 21
M400733P	19, 21
M400734P	19, 21
M400735P	19, 21
M400736P	19, 21
M400737P	19, 21
M400738P	19, 21
M400739P	19, 21
M400740P	19, 21
M400741P	19, 21
53240	27
53241	27
53242	27
53243	27
Top Cover Panel	
M401306	35
Top Front Panel	
M401315	35
M413633*	35
Top Front Panel Assembly	
M405889*	35
Transformer	
M401391P	83, 85
M402650P	29
M411066	79
M412412P	97, 107
M412477P	95, 99, 101, 103, 105, 109
Transformer Harness Assembly	
M412641	95, 97, 99, 101, 103, 105, 107, 109
M412642	95, 99, 101, 103, 105, 109
Transformer Kit	
M401199P	29
Trunnion Assembly	
M401055P	39
Trunnion Housing Assembly	
M401349P	39
Trunnion Housing Casting	
M400144	39

## V

Valve Operating Coil	
M410012P	63
Valve Repair Kit	
M400152	87
M401384	87
M410699	87

Vane	
M400253	51
Vane Assembly	
M400541	51
Vent and Thimble Caution Label	
M411815	91

## W

Warning Label	
M410892	35, 93
500316	91, 93
Washer	
M400013	39, 41, 47
M400014	25, 41, 43
M400017	33
M400080	43, 47
M400081	41
M400606	55, 59, 65
M400675	33
M400832	41
M400991	47
M401946	39
M401947	39
M403958	43
M405535	45
M412188	43
03189	33
03815	33, 37, 55, 61, 65
20279	25
35774	25
35917	25
Wire Harness Assembly	
M401284	112
M401909	112
M403824	73, 112
M405372	112
M405873	29, 112
M405896	15
M410640	7, 112
Wire Lead	
M402597	61

N/A items do not appear in index.

