

Drying Tumblers

30 Pound Capacity (28 Inches Wide)

Refer to Page 5 for Model Numbers

Parts



www.comlaundry.com

Part No. M414037R6
November 2007

Table of Contents

Title	Page
Parts Ordering Information.....	3
Serial Plate Location	3
Model Identification	5
Control Panel Assembly - Non-CE Manual Timer Models	6
Control Panel Assembly - CE Manual Timer Models	8
Control Panel Assembly - Non-CE Coin Drop Models	10
Control Panel Assembly - CE Coin Drop Models.....	12
Control Panel Assembly - Coin Slide Models.....	14
Control Panel Assembly - Pushbutton Electronic Control Coin (MC) Models	16
Control Panel Assembly - Touch Pad Electronic Control Coin (EC) Models	18
Single Coin Meter Components	20
Dual Coin Meter	22
Coin Drop for Pushbutton Electronic Control Coin (MC) Models	24
Coin Vault and Vault Guide Assembly	26
Meter Case	28
Accumulator	30
Thermostat and Harness Assembly	32
Cabinet Thermostat	34
Loading Door Assembly	36
Door Switch - CE Models	38
Top and Front Panels	40
Lint Panel and Compartment	42
Cylinder and Trunnion Assemblies	44
Chain Drive Components (Drawing 1 of 2)	46
Chain Drive Components (Drawing 2 of 2)	48
Belt Drive Components	50
Belt Drive Idler Housing Assembly.....	52
Fan and Motor Assembly	54
Airflow Switch and Vane Assembly.....	56
Burner Assembly for Glowbar Ignition	58
Gas Valve Coils and Conversion Kits for Glowbar Ignition	60
Burner Assembly for Instant Electronic Ignition	62
Gas Valve Coils and Conversion Kits for Instant Electronic Ignition	64
Gas Valve Assembly for Dungs/B-M System.....	66
Channel/Johnson Gas System	68
Burner Assembly for Australian Models.....	70
Electric Heater Assembly	72
Rear Panel Covers.....	74
Warning Labels - Rear of Tumbler	76
Warning Labels - Front of Tumbler	78
Electrical Contactor Box Assembly - Models Through Serial No. 9406xxxxx	80

© Copyright 2007, Alliance Laundry Systems LLC

All rights reserved. No part of the contents of this book may be reproduced or transmitted in any form or by any means without the expressed written consent of the publisher.

Electrical Contactor Box Assembly - Models Starting Serial No. 9406xxxxx	82
Contactor Box Assembly for CE Electric Manual Timer and Coin Drop Models	84
Contactor Box Assembly for CE Gas Manual Timer Models	86
Contactor Box Assembly for CE Electric Models with MT and CD Control Suffixes	88
Contactor Box Assembly for Gas Coin Drop Models	90
Contactor Box Assembly for Electric Coin Drop and Manual Timer Models	92
Wire Harness Table	94
Parts Index	95

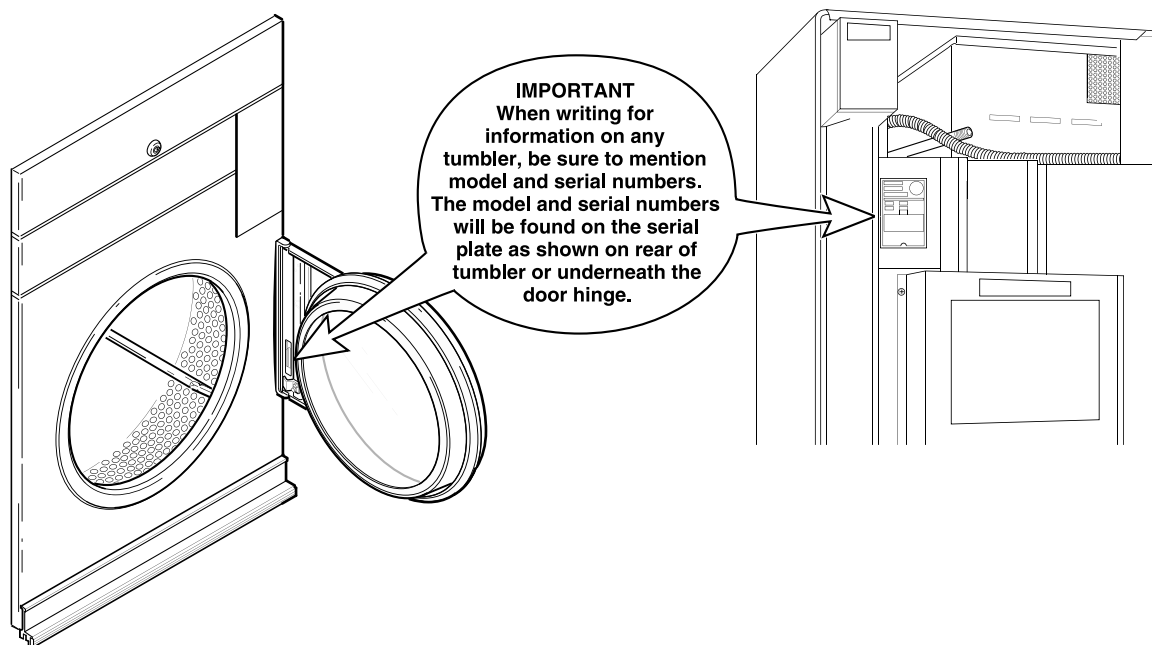
Parts Ordering Information

If literature or replacement parts are required, contact the source from whom the machine was purchased or contact Alliance Laundry Systems at (920) 748-3950 for the name and address of the nearest authorized parts distributor.

For technical assistance, call (920) 748-3121.

Serial Plate Location

When calling or writing about your product, be sure to mention model and serial numbers. Model and serial numbers are located on serial plate(s) as shown.



T294IE3C_M414037

Model Identification

Information in this manual is applicable to these tumbler models:

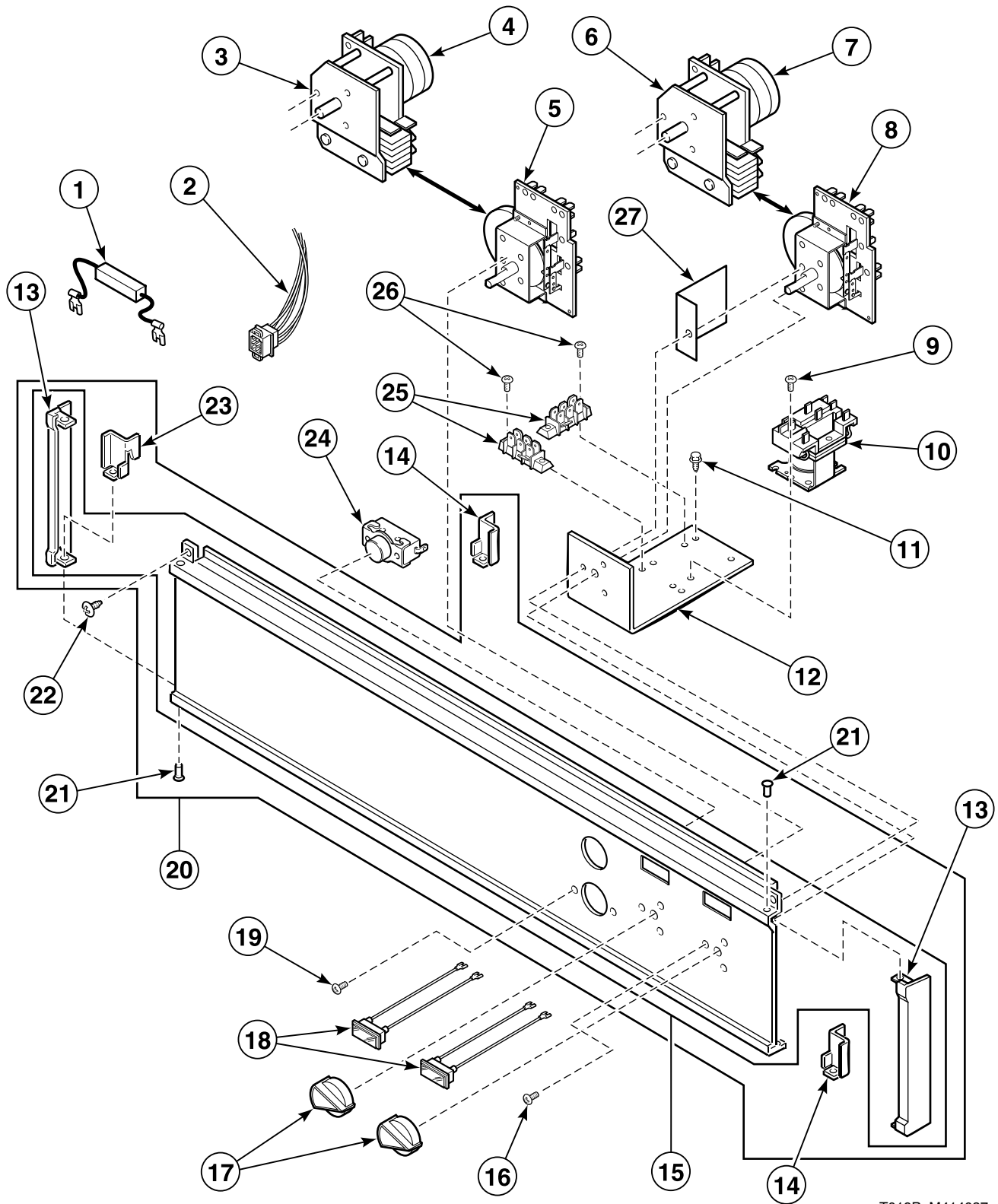
DCB30WE
DCB30XG
DTB30WE
DTB30XG

JCB30WE
JCB30XG
JT30WE
JT30WG

JT30XG
JTB30XG
SCB30WE
SCB30XG

ST30WE
ST30WG
ST30XG
STB30XG

Control Panel Assembly - Non-CE Manual Timer Models



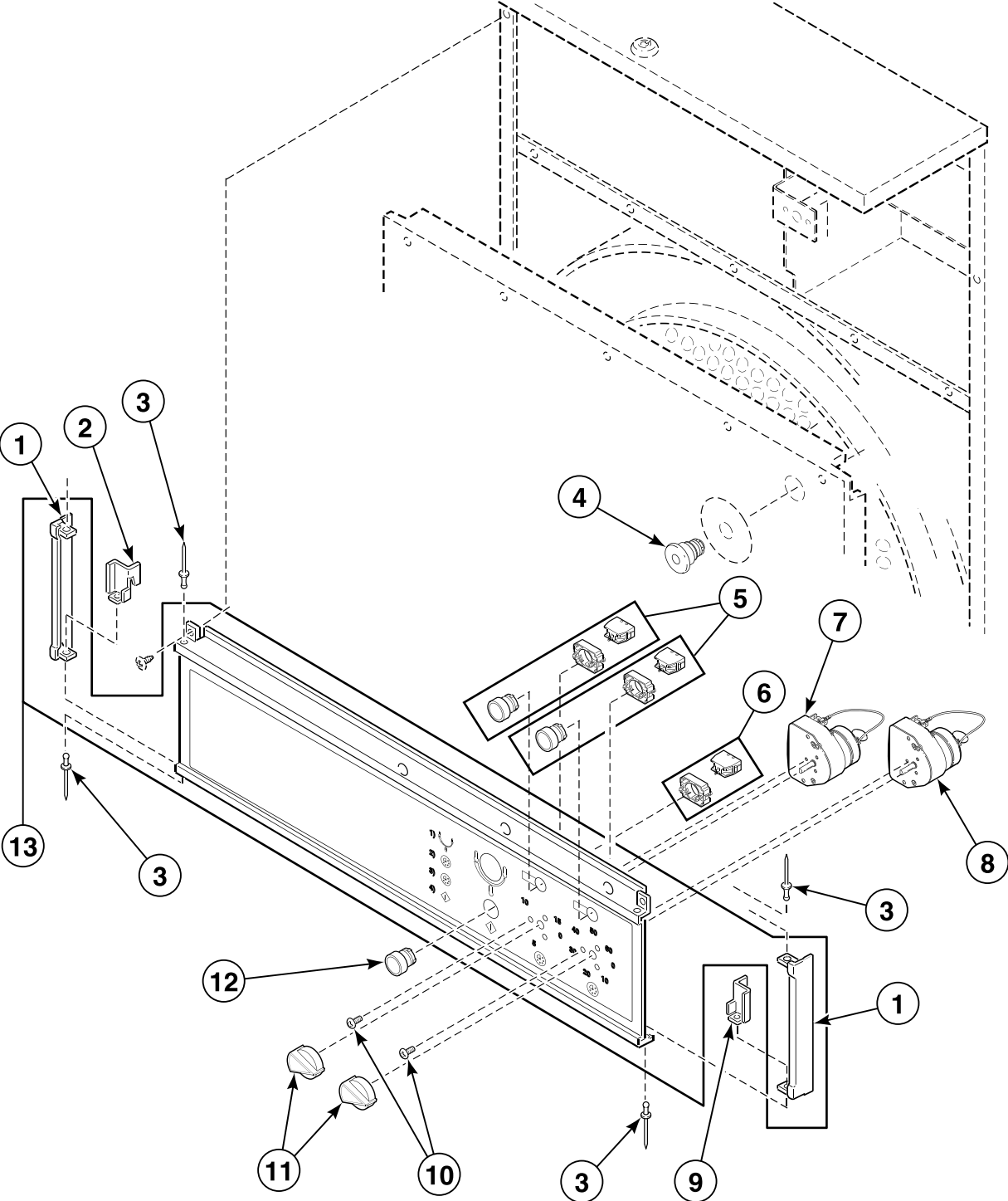
T019P_M414037

Control Panel Assembly - Non-CE Manual Timer Models

REF	PART NO.	DESCRIPTION	COMMENTS
1	M400527	Resistor Assembly	2 required; 208-240 Volt electric models; Greenwald
	M410992	Resistor Assembly	Mallory
2	M403924P	Control Panel Wire Harness Assembly	
3	M400785P	Timer	Cool-down; Greenwald; 15 minute
4	M400793	Timer Motor	Greenwald
5	M410900P	Timer Kit	Cool-down; Mallory
6	M400787P	Timer	Drying; Greenwald; 30 minute
	M400791P	Timer	Drying; Greenwald; 60 minute
7	M400794	Motor	Greenwald; 30 minute
	M400609	Timer Motor	Greenwald; 60 minute
8	M410901P	Timer Kit	Drying; Mallory; 60 minute
9	51780	Screw	
10	M400912P	Relay	Gas models; 480 Volt electric models
	M400911P	Relay	208-240 Volt electric models
11	M402917	Screw	Ground
12	N/A	Electrical Components Tray	
13	M401328	End Cap	
14	M401302	Control Panel Retainer	Right
15	M410390	Control Panel Assembly	ST models; Includes end caps
	N/A	Control Panel Assembly	JT models; Includes end caps
16	M411052	Screw	
17	M410927	Knob	JT models; Timer
	M400773	Knob	All other models; Timer
18	M400704	Pilot Light	208-240 Volt electric models
	JST-163-2	Pilot Light	Gas models; 480 Volt electric models
19	M400072	Screw	
20	M410391	Control Panel Assembly	ST models
	N/A	Control Panel Assembly	DT models
	N/A	Control Panel Assembly	JT models
21	M405750	Pop Rivet	
22	33562	Screw	
23	M401301	Control Panel Retainer	Left
24	M400954P	Push-to-Start Switch Kit	
25	N/A	Terminal Block	
26	M400071	Screw	
27	N/A	Fishpaper	

N/A = Part no longer available

Control Panel Assembly - CE Manual Timer Models



T416PZ3B_M414037

Control Panel Assembly - CE Manual Timer Models

REF	PART NO.	DESCRIPTION	COMMENTS
	N/A	Contact Block	Emergency stop
1	M401328	End Cap	
2	M401301	Control Panel Retainer	Left
3	M405750	Pop Rivet	
4	N/A	Emergency Stop Switch	
5	M412234	Indicator Light	
6	M412230	Contact Block	Push-to-start switch
7	M412080P	Timer	Mallory; Drying; 60 minute; 24 Volt
8	M412079P	Timer	Mallory; Cooling; 15 minute; 24 Volt
9	M401302	Control Panel Retainer	Right and center
10	M411052	Screw	
11	M400773	Knob	DC and SC models
	M410927	Knob	JC models
12	N/A	Pushbutton	
13	N/A	Control Panel Assembly	SC models; Includes end caps
	N/A	Control Panel Assembly	JC models; Includes end caps
	N/A	Control Panel Assembly	DC models; Includes end caps

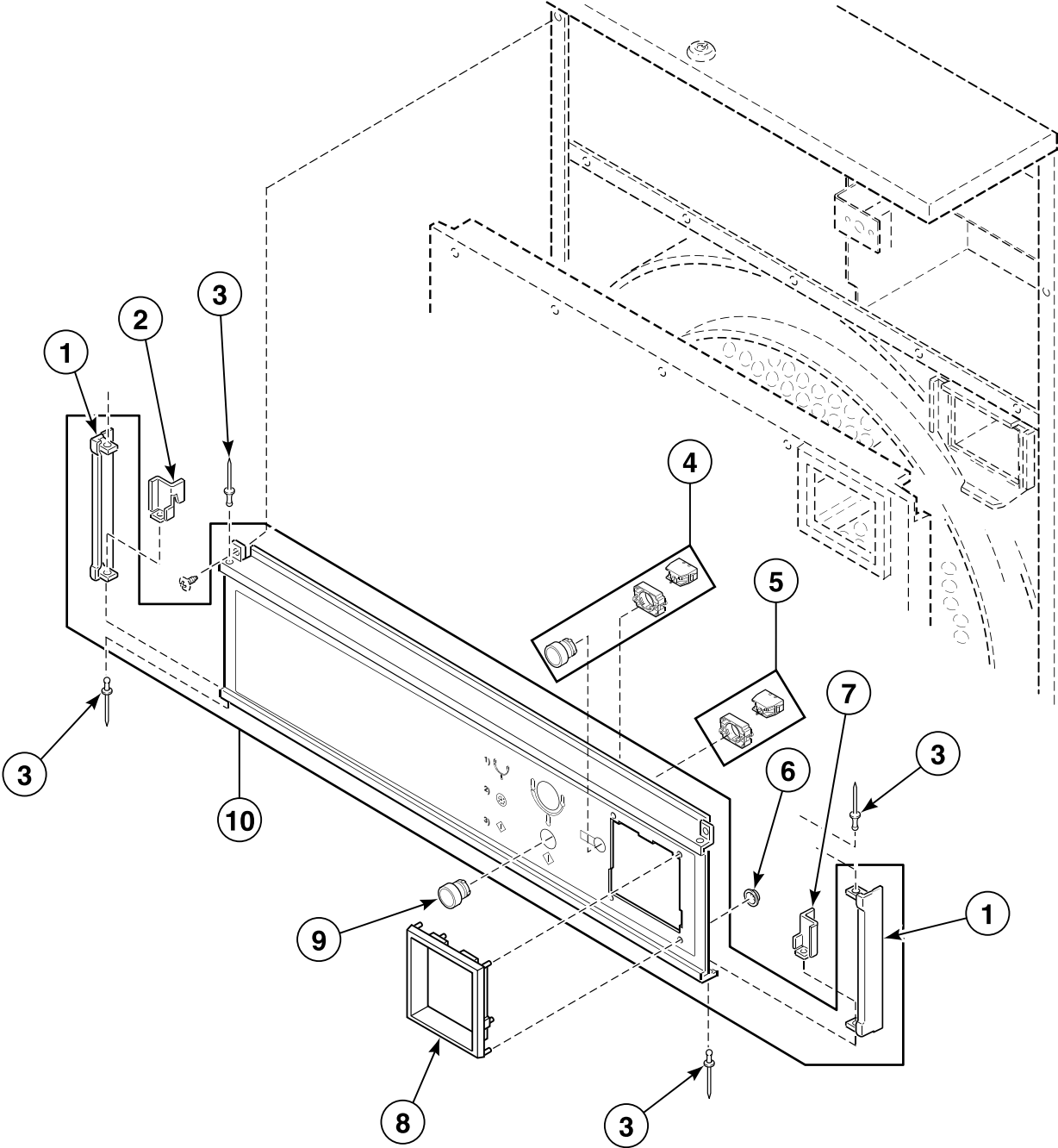
N/A = Part no longer available

Control Panel Assembly - Non-CE Coin Drop Models

REF	PART NO.	DESCRIPTION	COMMENTS
	70262701	Coin Meter Kit	.20 euro; Update kit for square face coin meter; Does not include motor
	70262801	Coin Meter Kit	.50 euro; Update kit for square face coin meter; Does not include motor
1	M401301	Control Panel Retainer	Left
2	M405750	Pop Rivet	
3	M400527	Resistor Assembly	2 required; 208-240 Volt electric models
4	N/A	Terminal Block	
5	M400071	Screw	
6	M402917	Screw	Ground
7	M400954P	Push-to-Start Switch Kit	
8	M403924P	Control Panel Wire Harness Assembly	
9	M401302	Control Panel Retainer	Right and center
10	M402508-12	Coin Meter	South Africa; 20 cents
	M402508-14	Coin Meter	Japan; 100 yen
	N/A	Coin Meter	Australia; 20 cents
	N/A	Coin Meter	France; 2 francs
	M402508-34	Coin Meter	Denmark; 1 krone
	M402508-36	Coin Meter	Token; STD 118-1
	N/A	Coin Meter	Canada; \$0.25; Order M405138P Coin Meter
	M402508-45	Coin Meter	Spain; 25 peseta
	N/A	Coin Meter	Token; STD 118-1
	M405138P	Coin Meter	USA and Canada; \$0.25/10 minutes
11	M401328	End Cap	
12	M400672	Nut	
13	M411027	Control Panel Assembly	JT models
	M410388	Control Panel Assembly	ST models
14	M403414	Shadow Box	
15	M404151	Run Light	
16	M400072	Screw	
17	N/A	Control Panel Assembly	ST models; Silver; Includes end caps
	N/A	Control Panel Assembly	ST models; Black; Includes end caps
	N/A	Control Panel Assembly	JT models; Includes end caps
18	33562	Screw	

N/A = Part no longer available

Control Panel Assembly - CE Coin Drop Models



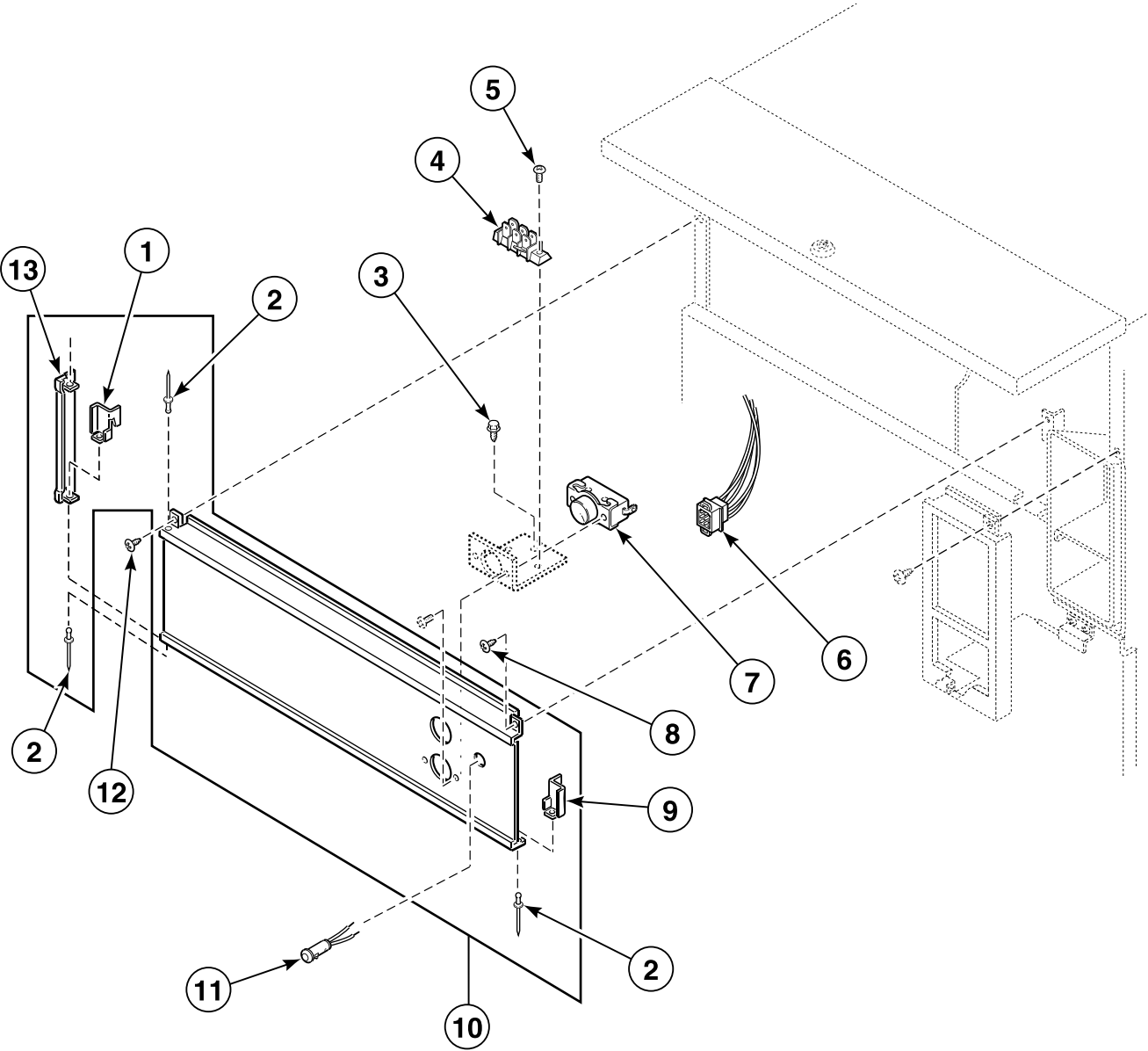
T417PZ3B_M414037

Control Panel Assembly - CE Coin Drop Models

REF	PART NO.	DESCRIPTION	COMMENTS
	M412542P	Coin Meter	England; 20 pence
	N/A	Coin Meter	Denmark; 1 krone
	M412546	Coin Meter	Token; STD 118-1
	M412547	Coin Meter	Token; STD 118-5
1	M401328	End Cap	
2	M401301	Control Panel Retainer	Left
3	M405750	Pop Rivet	
4	M412234	Indicator Light	
5	M412230	Contact Block	Push-to-start switch
6	M400672	Nut	
7	M401302	Control Panel Retainer	Right and center
8	M403414	Shadow Box	
9	N/A	Pushbutton	
10	M414195	Control Panel Assembly	SC models; Includes end caps
	N/A	Control Panel Assembly	JC models; Includes end caps

N/A = Part no longer available

Control Panel Assembly - Coin Slide Models



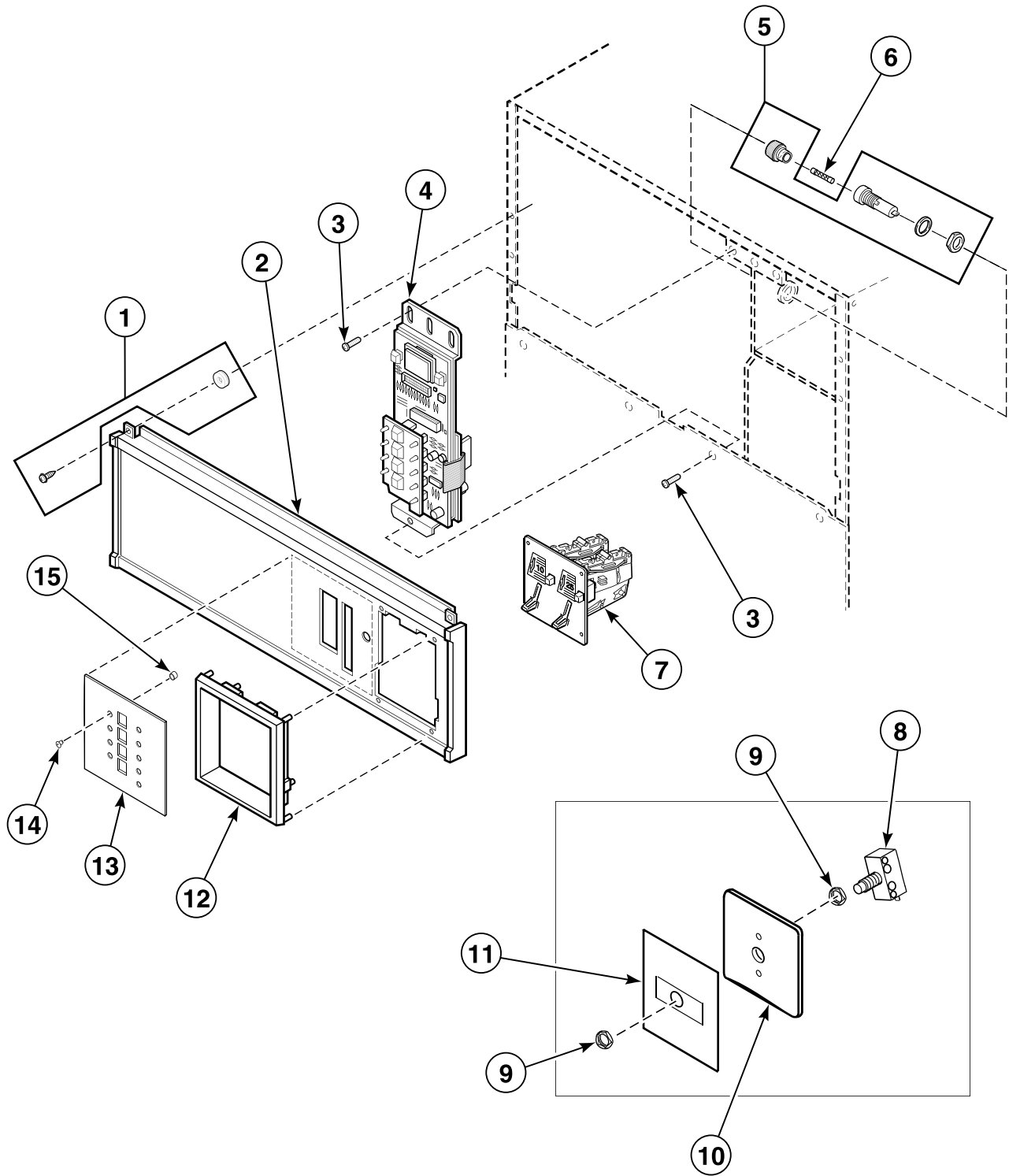
T344P_M414037

Control Panel Assembly - Coin Slide Models

REF	PART NO.	DESCRIPTION	COMMENTS
1	M401301	Control Panel Retainer	Left
2	M405750	Pop Rivet	
3	M400071	Screw	
4	N/A	Terminal Block	
5	M402917	Screw	Ground
6	M403924P	Control Panel Wire Harness Assembly	
7	M400954P	Push-to-Start Switch Kit	
8	M400072	Screw	
9	M401302	Control Panel Retainer	Right
10	N/A	Control Panel Assembly	S models
	N/A	Control Panel	J models
11	M404151	Run Light	
12	N/A	Screw	Includes washer
13	M401328	End Cap	

N/A = Part no longer available

Control Panel Assembly - Pushbutton Electronic Control Coin (MC) Models



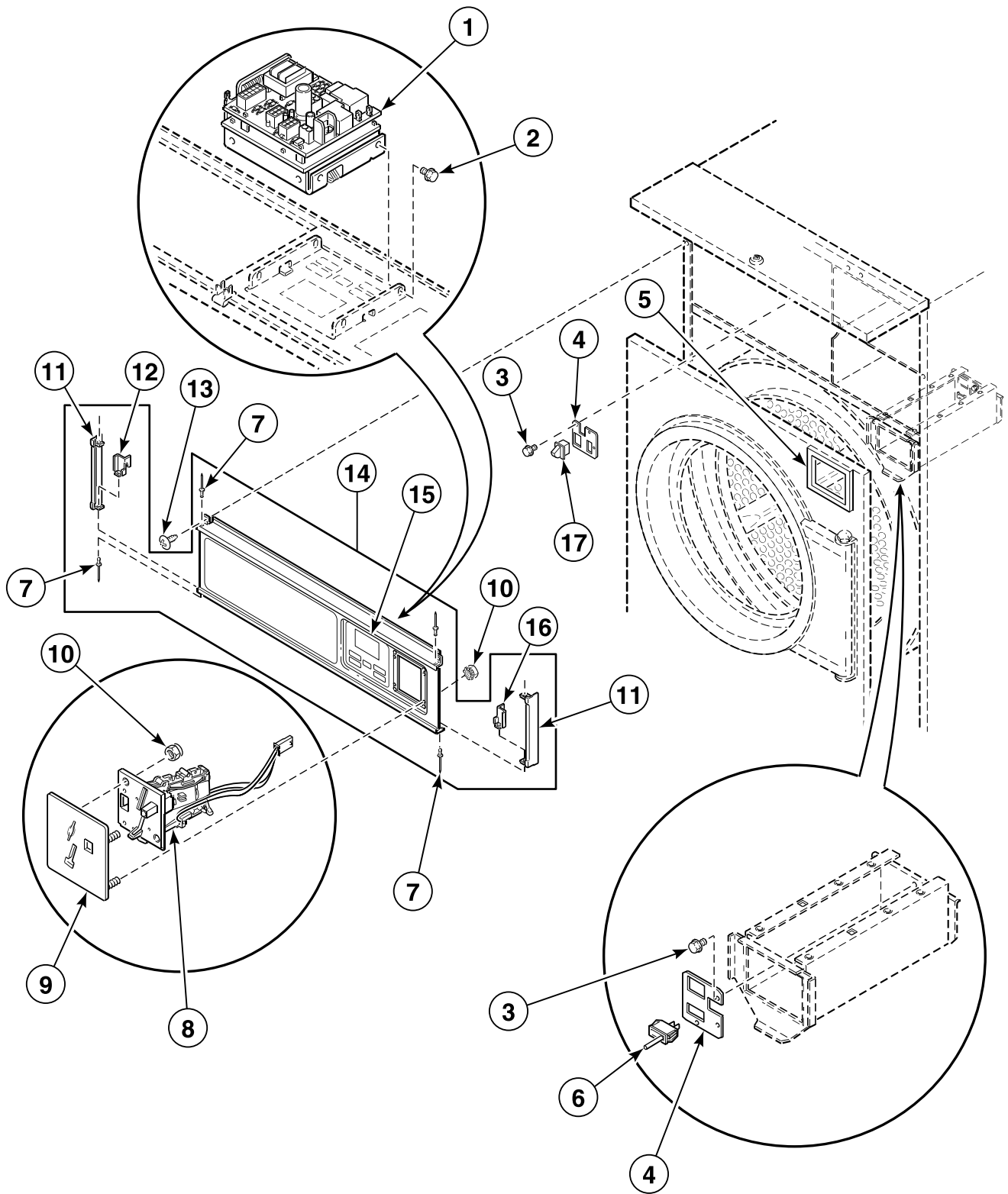
T061P_M414037

Control Panel Assembly - Pushbutton Electronic Control Coin (MC) Models

REF	PART NO.	DESCRIPTION	COMMENTS
	N/A	Wire Harness Assembly	DT, JT and ST models; Timer switch
	70286101P	Coin Drop Switch	Use with M414501P Coin Drop
	N/A	Control Panel Assembly	J models
1	N/A	Screw	
2	M410386	Control Panel Assembly	S models; Includes end caps
	N/A	Control Panel Assembly	J models; Includes end caps
3	M400664	Screw	
4	M413477P	Microprocessor Control Assembly	Models through Serial No. XTEK0569004TC
	M413478P	Microprocessor Control Assembly	Models starting Serial No. XTEK0569005TC
5	91024P	Fuse Receptacle	
6	M409997	Fuse	
7	N/A	Coin Drop	\$0.10 and \$0.25
	M414501P	Coin Drop	\$0.25
	70264801	Coin Drop	.50 euro; Slimline pre-EDC
	70264701	Coin Drop	.20 euro; Slimline pre-EDC
8	N/A	Switch	
9	N/A	Nut	
10	81637	Switch Plate	
11	N/A	Instruction Plate	
12	M403414	Shadow Box	
13	N/A	Control Panel Overlay	J models
	M406145	Control Panel Overlay Assembly	All other models
14	M406104	Electronic Lens	
15	N/A	Sleeve	

N/A = Part no longer available

Control Panel Assembly - Touch Pad Electronic Control Coin (EC) Models



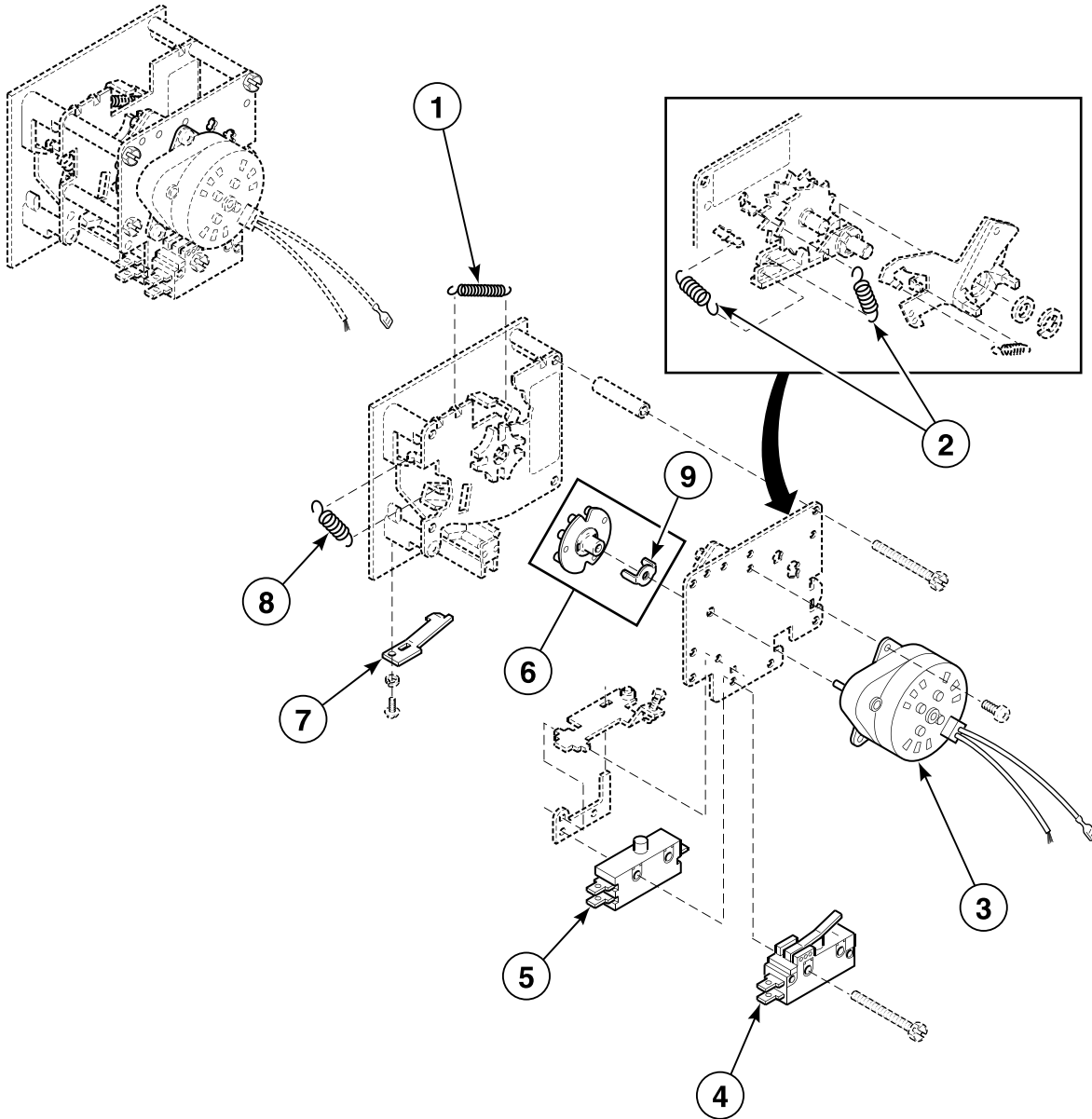
T259B_M414037

Control Panel Assembly - Touch Pad Electronic Control Coin (EC) Models

REF	PART NO.	DESCRIPTION	COMMENTS
	M414704	Thermistor	
	M411799	Control Panel Wire Harness Assembly	Control box
	N/A	Main Harness	
1	M414050P	Control Kit	120 Volt
	M414049P	Control Kit	24 Volt
	M411883P	Control Kit	230 Volt
2	501524	Screw	
3	430497	Screw	
4	M411595	Switch Mounting Plate	
5	M400131P	Shadow Box and Clip	
6	34536	Pushbutton Switch	
7	M405750	Pop Rivet	
8	M414549P	Coin Drop Kit	Token; STD 118-1
	M411602	Coin Drop	Canada; \$0.25
	N/A	Coin Drop	France; 2 franc
	N/A	Coin Drop	Hong Kong; \$5
	M414502	Coin Drop	Replaces .25 Airpax drop
	N/A	Coin Drop	South Korea; 500 won
	N/A	Coin Drop	Denmark; 1 krone
	N/A	Coin Drop	Belgium; 5 francs
	N/A	Coin Drop	Taiwan; 10 NT
	N/A	Coin Drop	South Africa; 2 cents
	N/A	Coin Drop	Thailand; 10 baht
	M412001	Coin Drop	USA; \$0.25
	70264801	Coin Drop	.50 euro; Slimline pre-EDC
	70264701	Coin Drop	.20 euro; Slimline pre-EDC
	70265101	Coin Drop	.50 euro; Slimline EDC
	70265201	Coin Drop	.20 euro; Slimline EDC
9	M411612	Coin Drop Front Plate	USA and Canada
	M411936	Front Plate	South Africa
10	23951	Nut	
11	M401328	End Cap	
12	M401301	Control Panel Retainer	Left
13	33562	Screw	
14	N/A	Control Panel Assembly	JT models
	M414210	Control Panel Assembly	JC models
	N/A	Control Panel Assembly	ST models
15	M413947	Overlay	ST models; Will need to be trimmed for tumblers with Airpax drop
	M413948	Overlay	JT models; Will need to be trimmed for tumblers with Airpax drop
16	M401302	Control Panel Retainer	Right
17	N/A	Switch	

N/A = Part no longer available

Single Coin Meter Components

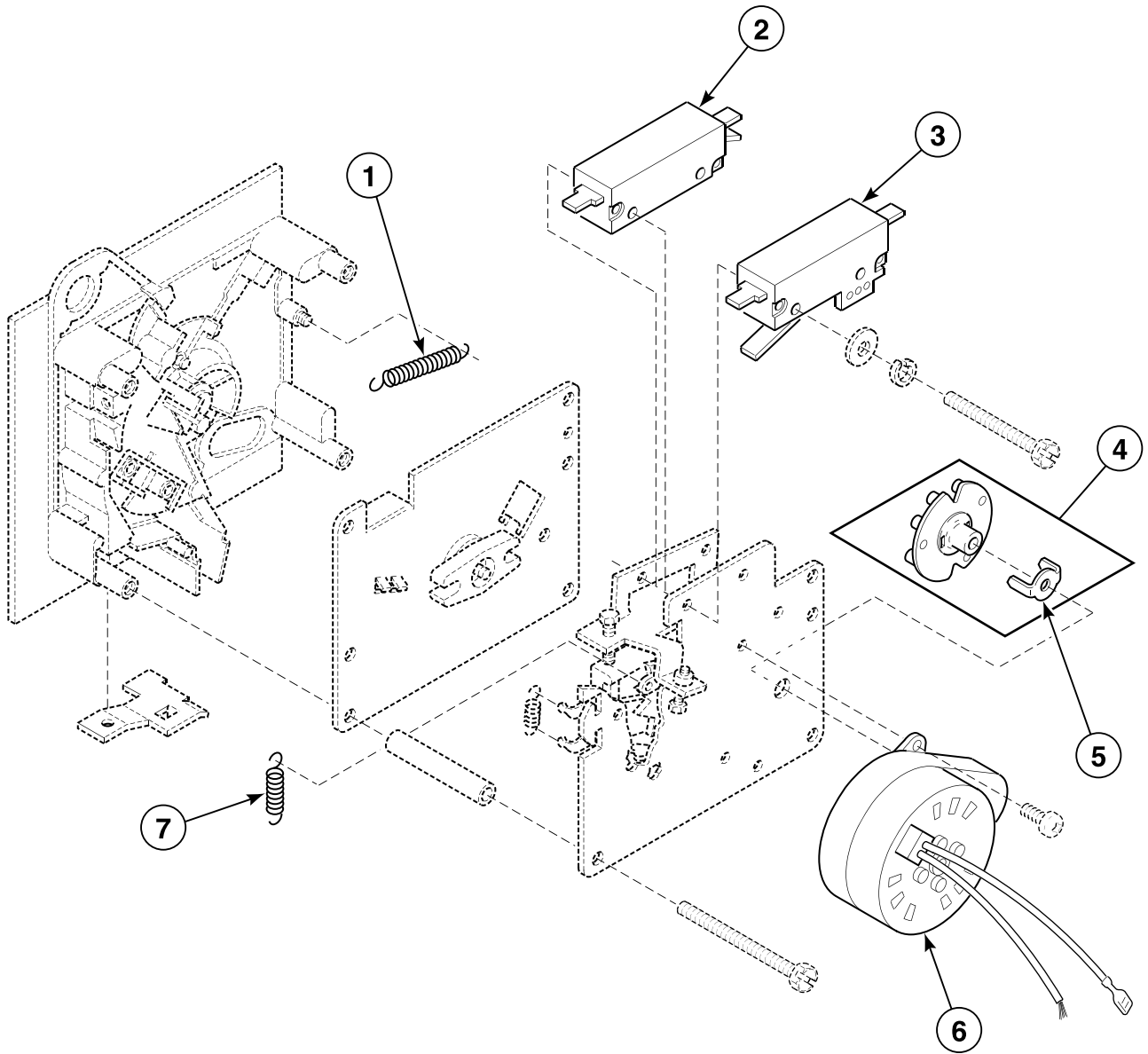


T022P_M414037

Single Coin Meter Components

REF	PART NO.	DESCRIPTION	COMMENTS
1	M405138A	Coin Carrier Spring	
2	M402455	Coil Spring	
3	M400609	Timer Motor	
4	M400947	Switch	Heat; Switch "B"
5	M400001	Single Throw Switch	Run; Switch "A"
6	M400734P	Timing Cam	2 pin
	M400735P	Timing Cam	3 pin
	M400736P	Timing Cam	4 pin
	M400737P	Timing Cam	5 pin
	M400738P	Timing Cam	6 pin
	M400739P	Timing Cam	7 pin
	M400740P	Timing Cam	8 pin
	M400741P	Timing Cam	9 pin
	M400732P	Timing Cam	10 pin
	M400733P	Timing Cam	12 pin
7	M406297	Coin Retainer Spring	
8	M405138A	Coin Carrier Spring	
	M405138B	Return Spring	For coin meters with 2 springs
9	M400754	Coin Meter Drive	

Dual Coin Meter



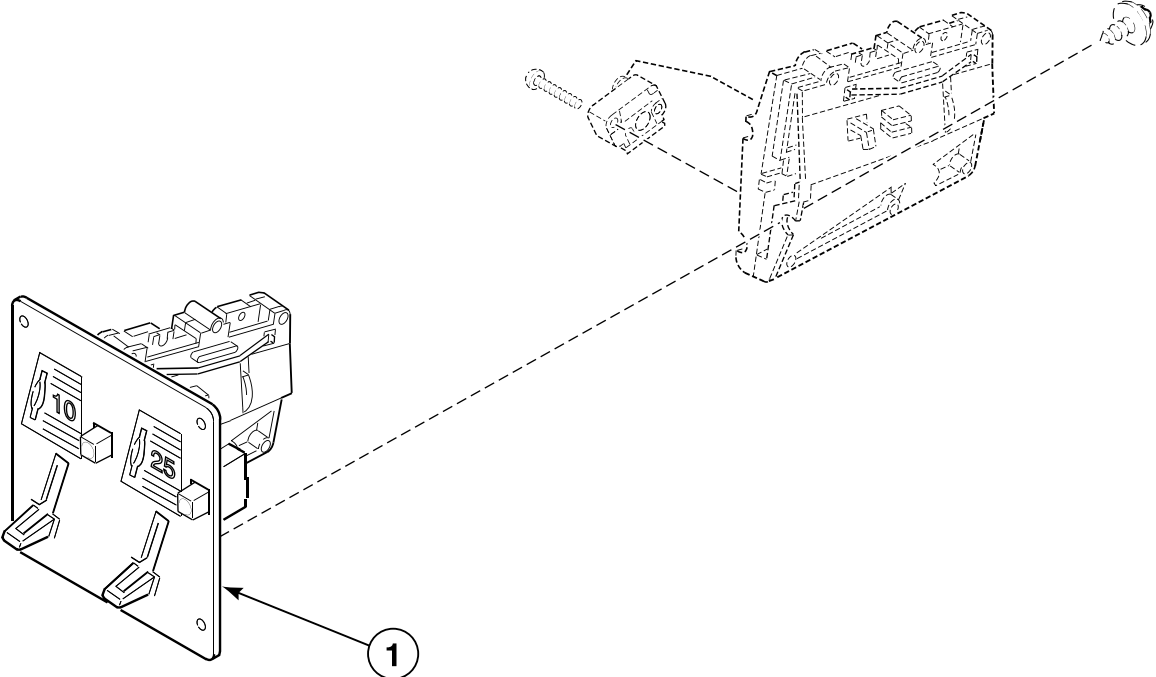
T023PZ3B_M414037

Dual Coin Meter

REF	PART NO.	DESCRIPTION	COMMENTS
	N/A	Dual Coin Meter	Not available as an assembly; Order M405138P Coin Meter
1	M400746	Return Spring	
2	M400001	Single Throw Switch	Run
3	M400947	Switch	Heat
4	M400734P	Timing Cam	2 pin; 30 minute
	M400735P	Timing Cam	3 pin; 20 minute
	M400736P	Timing Cam	4 pin; 15 minute
	M400737P	Timing Cam	5 pin; 12 minute
	M400738P	Timing Cam	6 pin; 10 minute
	M400739P	Timing Cam	7 pin; 8.5 minute
	M400740P	Timing Cam	8 pin; 7.5 minute
	M400741P	Timing Cam	9 pin; 6.6 minute
	M400732P	Timing Cam	10 pin; 6 minute
	M400733P	Timing Cam	12 pin; 5 minute
5	M400754	Coin Meter Drive	
6	M400609	Timer Motor	
7	N/A	Index Lever Spring	

N/A = Part no longer available

Coin Drop for Pushbutton Electronic Control Coin (MC) Models



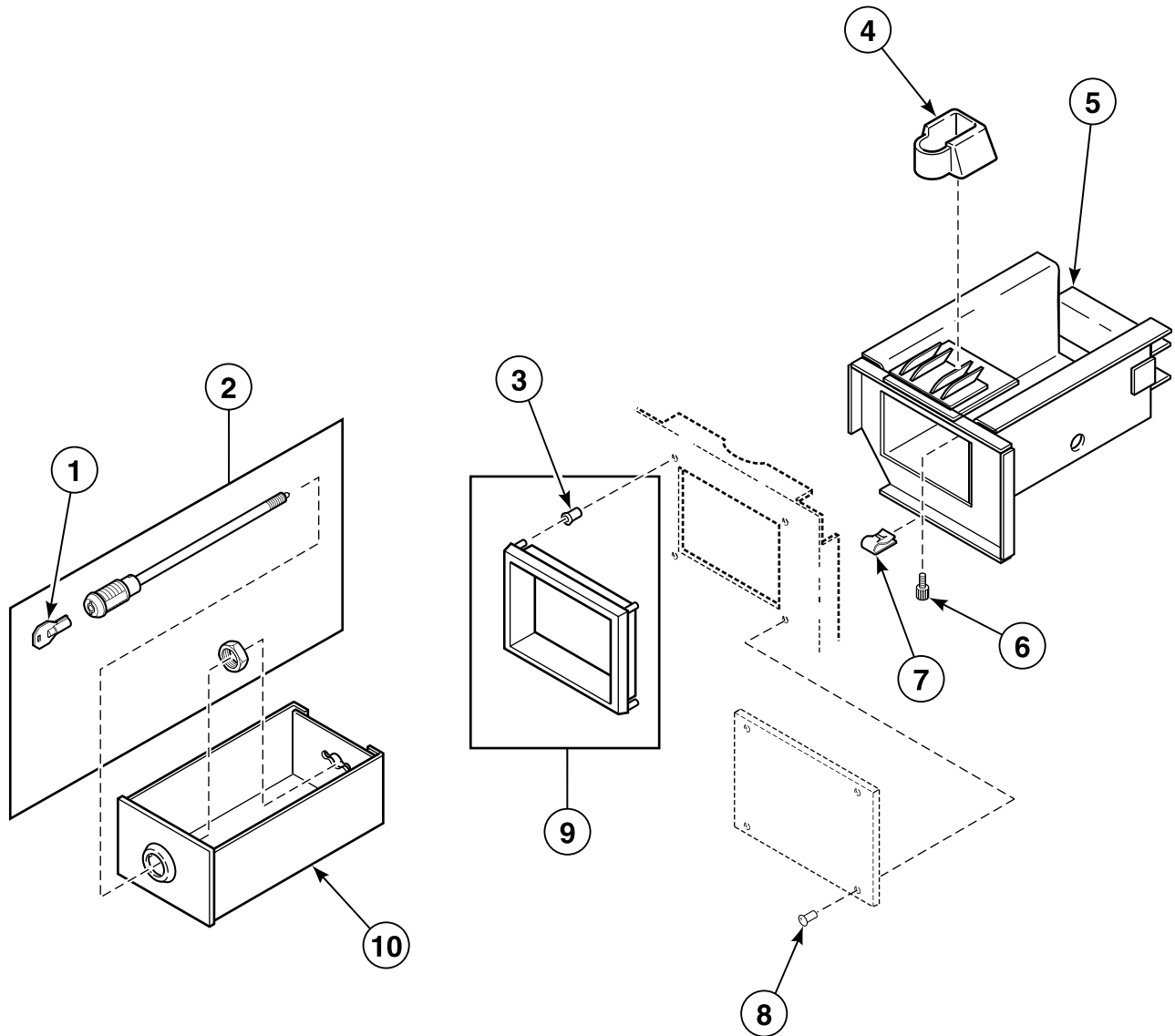
T342P_M414037

Coin Drop for Pushbutton Electronic Control Coin (MC) Models

REF	PART NO.	DESCRIPTION	COMMENTS
	70286101P	Coin Drop Switch	Use with M414501P Coin Drop
1	M414501P	Coin Drop	\$0.25
	N/A	Coin Drop	\$0.10 and \$0.25

N/A = Part no longer available

Coin Vault and Vault Guide Assembly



T346P_M414037

Coin Vault and Vault Guide Assembly

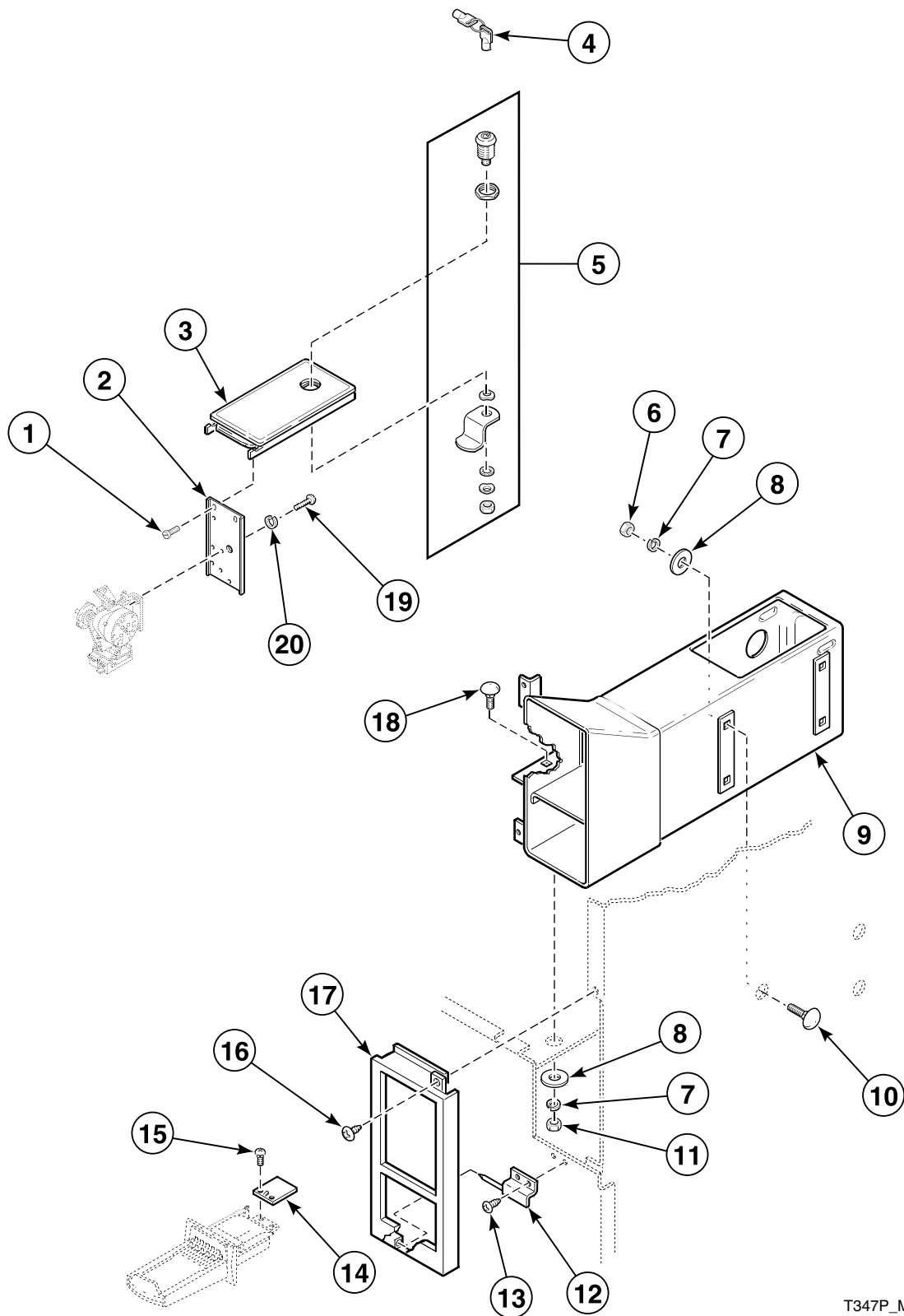
REF	PART NO.	DESCRIPTION	COMMENTS
1	N/A	Key	Must order by key code from price list (M401701-M401760)
2	N/A	Vault Lock and Key Assembly	Must order by key code from price list (M401581-M401640)
3	M400972	Shadow Box Clip	
4	M411882	Coin Chute	
5	N/A	Coin Vault Guide Assembly	For short drawer; Models through Serial No. 9312xxxx
	44102801	Coin Vault Assembly	For long drawer; Models starting Serial No. 9401xxxx
6	M400655	Screw	
7	M400974	Clip	
8	M400003	Pop Rivet	
9	M400131P	Shadow Box and Clip	Includes item 3
10	N/A	Coin Drawer Assembly	

* Add Letter To Designate Color. **B - Battina Green H - Harvest Gold K - Red L - Almond P - Turquoise V - Orange**
W - White X - Electric Blue

N/A = Part no longer available

Meter Case

Coin Slide Models



T347P_M414037

Meter Case

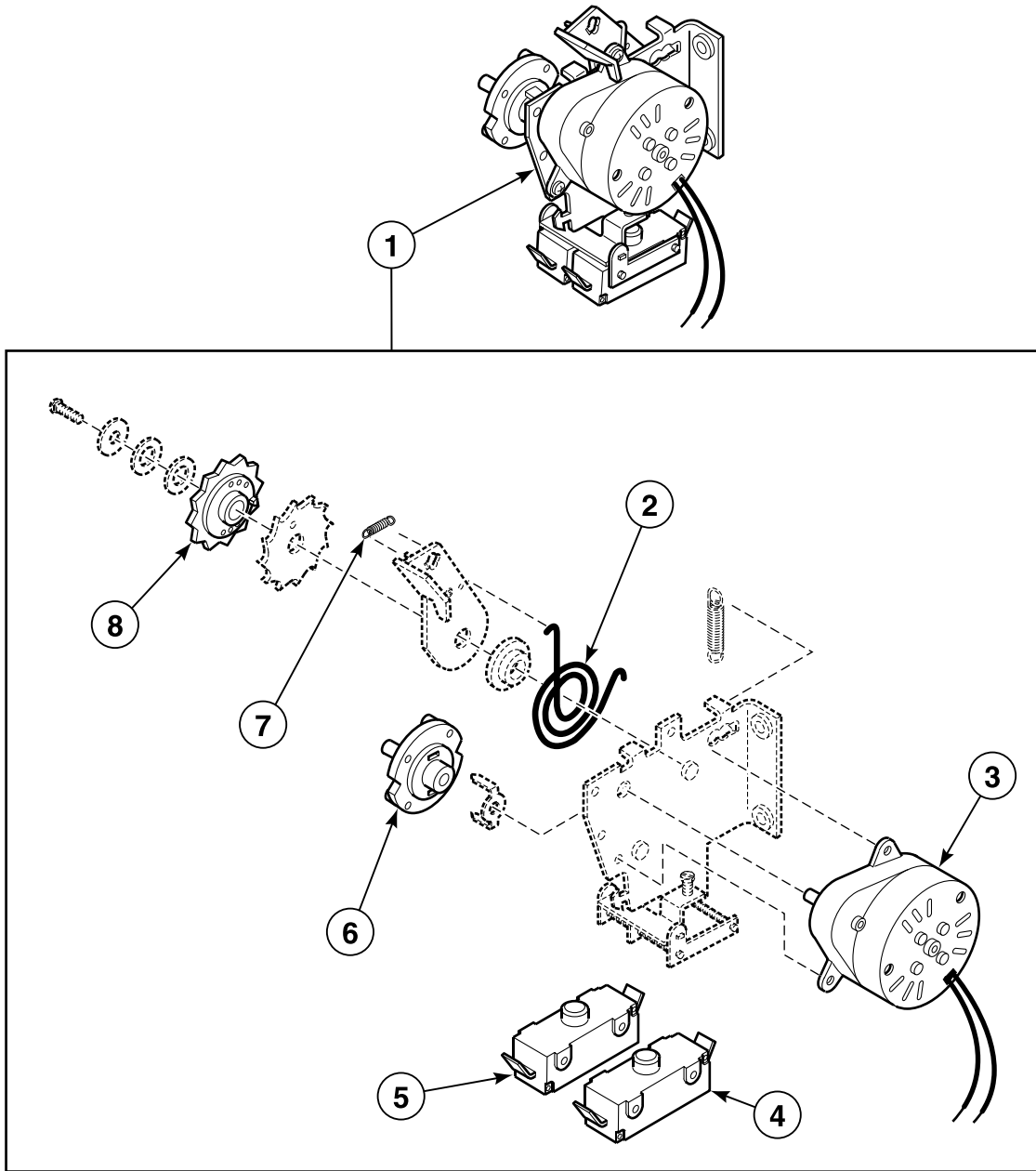
REF	PART NO.	DESCRIPTION	COMMENTS
	N/A	Mirror	Inside meter case assembly
1	52909	Screw	
2	N/A	Dryer Timer Bracket Kit	
3	35798*P	Service Door Assembly	
4	54612	Key	Service door
5	27260P	Lock Kit	Service door
6	20274	Nut	
7	M400014	Washer	
8	20279	Washer	
9	M410807*	Meter Case Assembly	
10	M402945	Bolt	
11	20274	Nut	
12	M405931	Hinge Assembly	
13	51780	Screw	
14	61031	Coin Slide Extension	
15	03950	Screw	Includes washer
16	N/A	Screw	Includes washer
17	M405884	Coin Slide	Escutcheon
18	33562	Screw	
19	03203	Screw	
20	21734	Washer	

* Add Letter To Designate Color. B - Battina Green H - Harvest Gold K - Red L - Almond P - Turquoise V - Orange
W - White X - Electric Blue

N/A = Part no longer available

Accumulator

Coin Slide Models



T299PZ3A_M414037

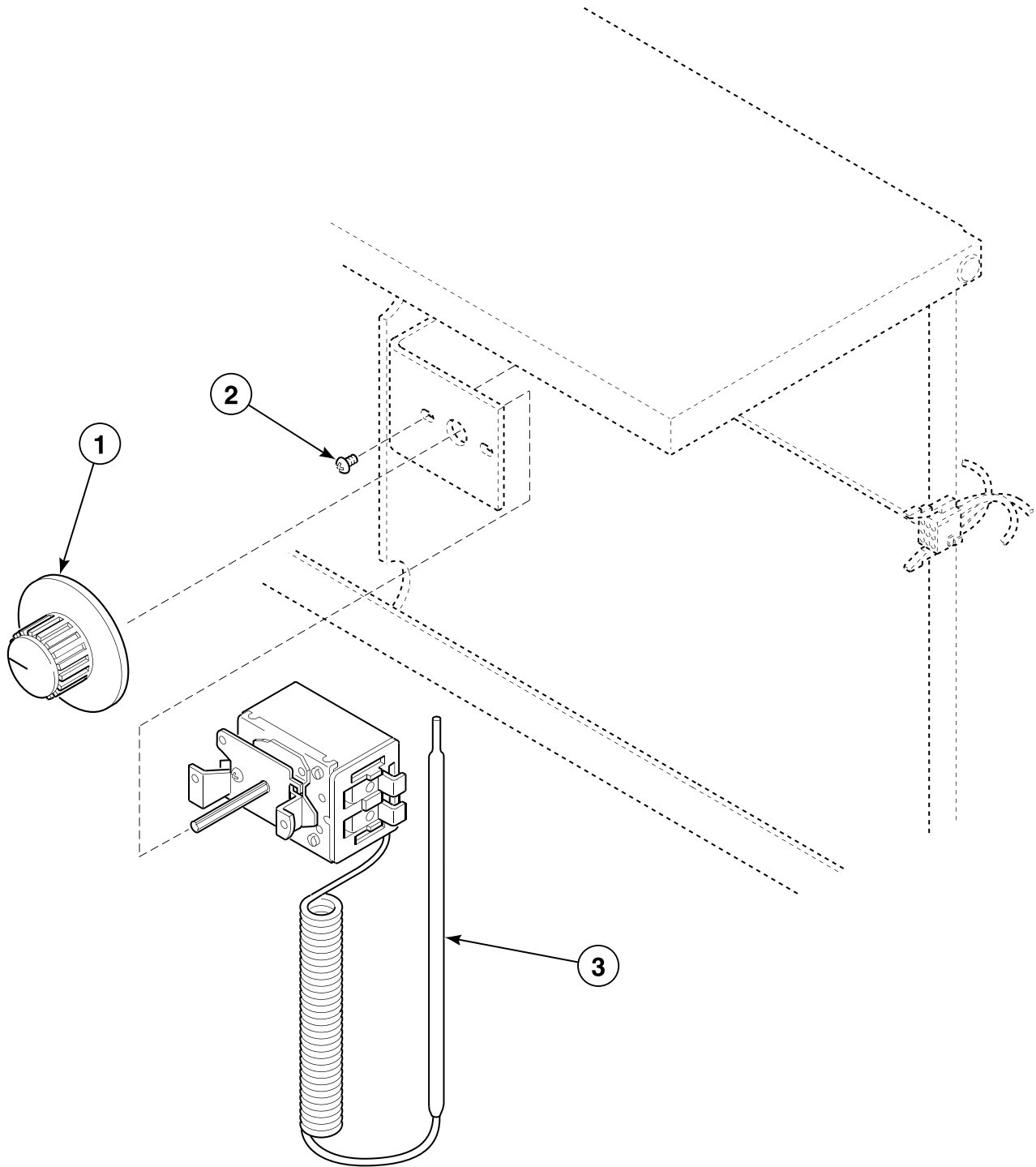
Accumulator

REF	PART NO.	DESCRIPTION	COMMENTS
1	M403422P	Accumulator	
2	53261	Spring	
3	M400609	Timer Motor	
4	M400947	Switch	Heat; Switch "B"
5	M400001	Single Throw Switch	Run; Switch "A"
6	53240	Timing Cam	3 pin
	53241	Timing Cam	4 pin
	M400239	Timing Cam	5 pin
	53242	Timing Cam	6 pin
	53243	Timing Cam	9 pin
7	N/A	Pawl Spring	
8	53239	Ratchet Wheel	

N/A = Part no longer available

Thermostat and Harness Assembly

Manual Timer and Coin Drop Models

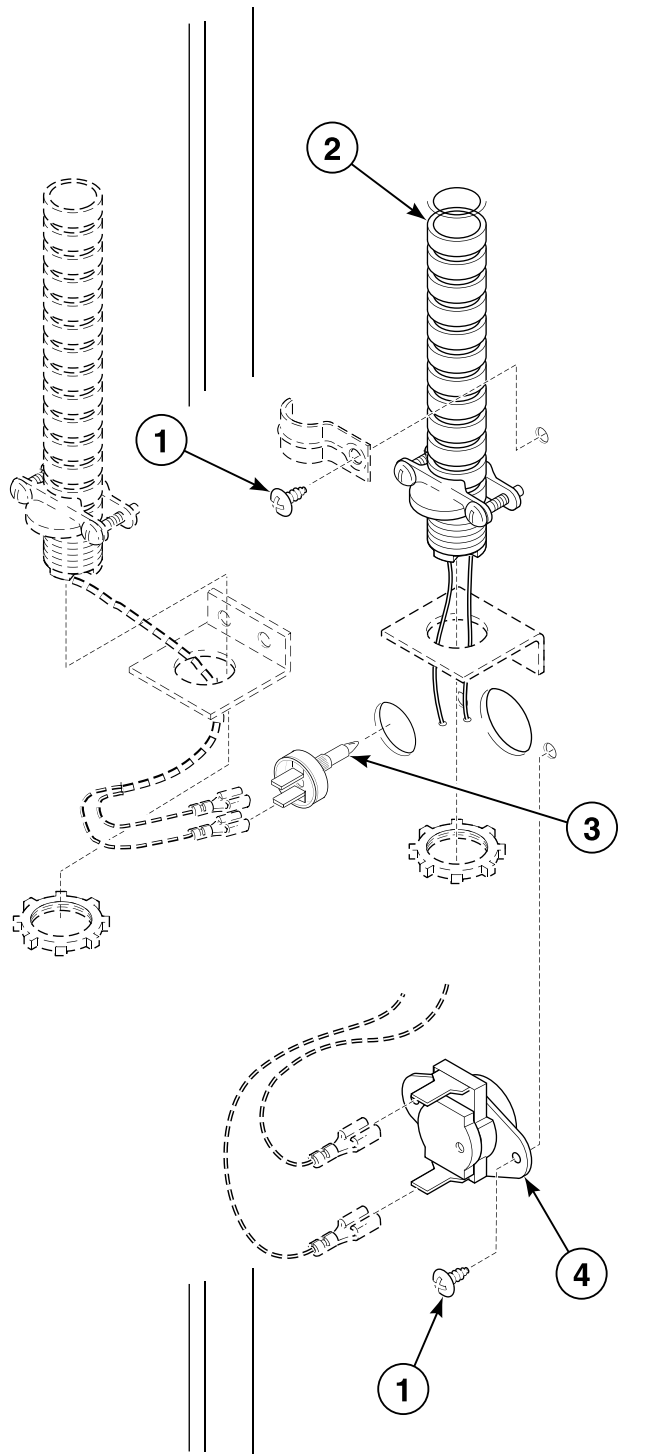


T054P_M414037

Thermostat and Harness Assembly

REF	PART NO.	DESCRIPTION	COMMENTS
1	M410928	Temperature Control Knob	J models
	M400777	Knob	D and S models
2	M400072	Screw	
3	M401251P	Thermostat	

Cabinet Thermostat



T345P_M414037

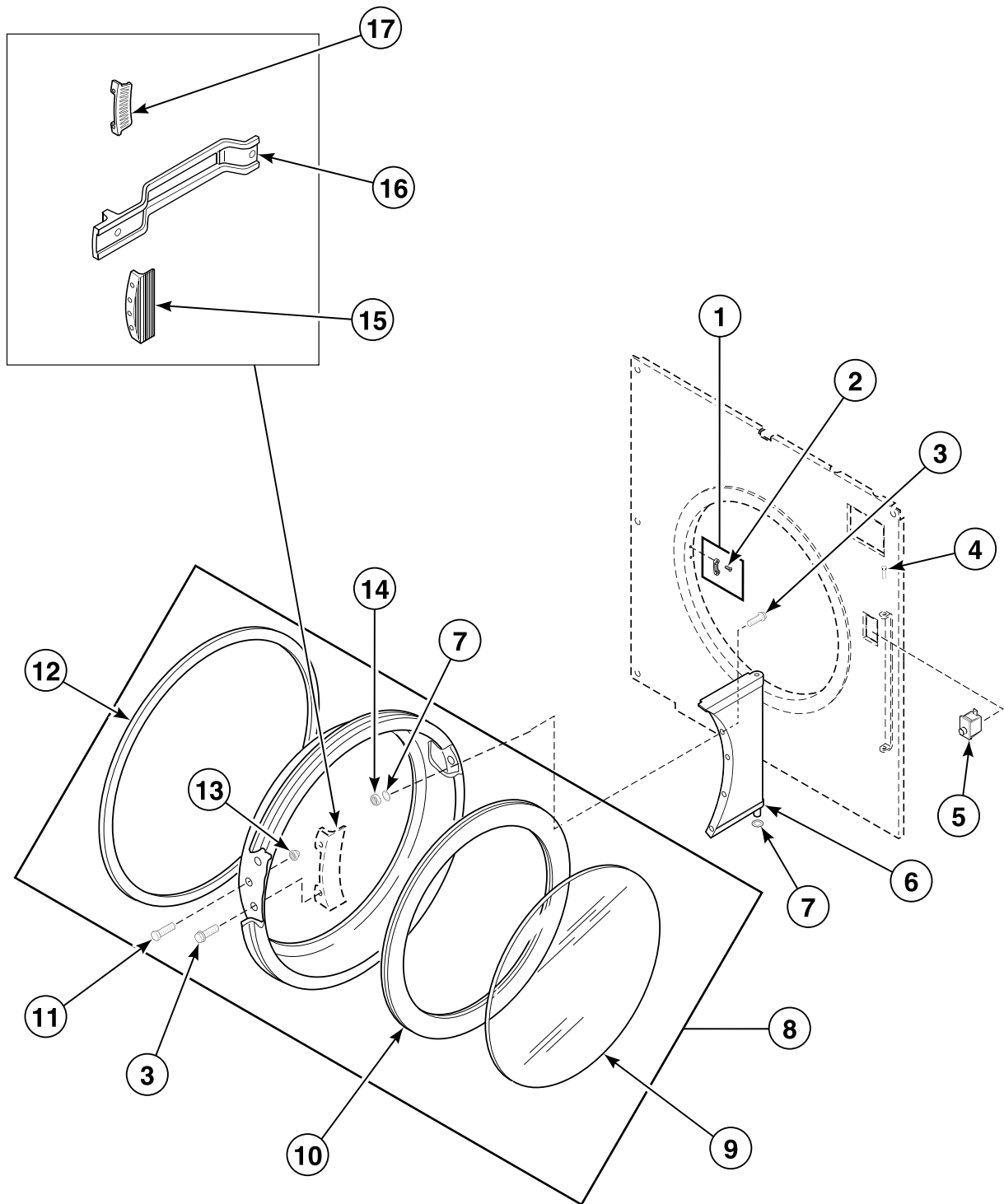
Cabinet Thermostat

REF	PART NO.	DESCRIPTION	COMMENTS
1	M400664	Screw	
2	N/A	Thermostat Harness	
3	M414704	Thermistor	EC control; Touchpad
	M4449P3	Sensor Kit	MC control starting Serial No. XTKE1162RH through XTKE0588496TM; Pushbutton
	M409114	Sensor	MC control starting Serial No. XTEX0588497TM; Pushbutton
4	M401257	High Limit Thermostat	Gas models
	M406412	Limit Thermostat	High limit; Electric models
	M411945	Manual Reset Thermostat	High limit; Australian; Gas models

N/A = Part no longer available

NOTE: EC = Touch Pad Electronic Control Coin, MC = Pushbutton Electronic Control Coin

Loading Door Assembly



T379PZ3C_M414037

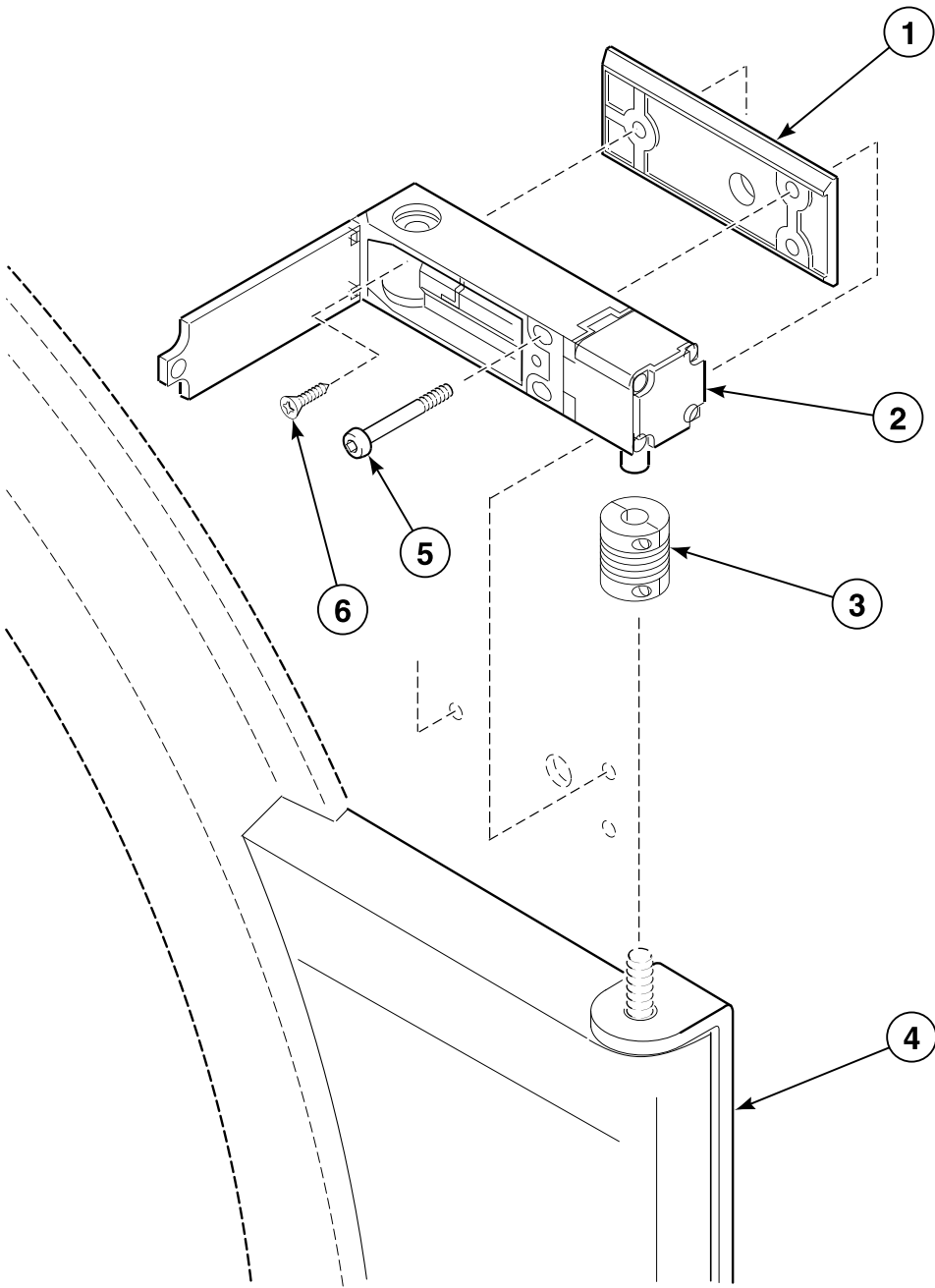
Loading Door Assembly

REF	PART NO.	DESCRIPTION	COMMENTS
1	M401223	Door Latch	
2	M400003	Pop Rivet	
3	M409385	Screw	
4	M400653	Hinge Pin	
5	M406119	Door Switch	Models JT30WG and ST30WG through Serial No. XTKE8431RF
	M406103	Door Switch	All other models
6	M406116*	Door Hinge Assembly	
	M406324	Hinge Assembly	Stainless steel
	N/A	Door Hinge Assembly	DC, JC and SC models
7	M400675	Washer	
8	430475	Door Assembly	Bar handle
	M400447P	Door Assembly	Chrome handle
	M410887	Door Assembly	Gray handle
9	70133601P	Door Glass	J models
	M400784P	Door Glass	D and S models
10	70211901P	Door Glass Seal Kit	
11	M400661	Screw	
12	M406129	Door Ring Gasket	
13	M414215	Nut	
14	23951	Nut	
15	70133501P	Replacement Door Handle Kit	Gray
16	430117	Door Handle	Bar type
17	M400133	Door Handle	Chrome

* Add Letter To Designate Color. B - Battina Green H - Harvest Gold K - Red L - Almond P - Turquoise V - Orange
W - White X - Electric Blue

N/A = Part no longer available

Door Switch - CE Models



T418P_M414037

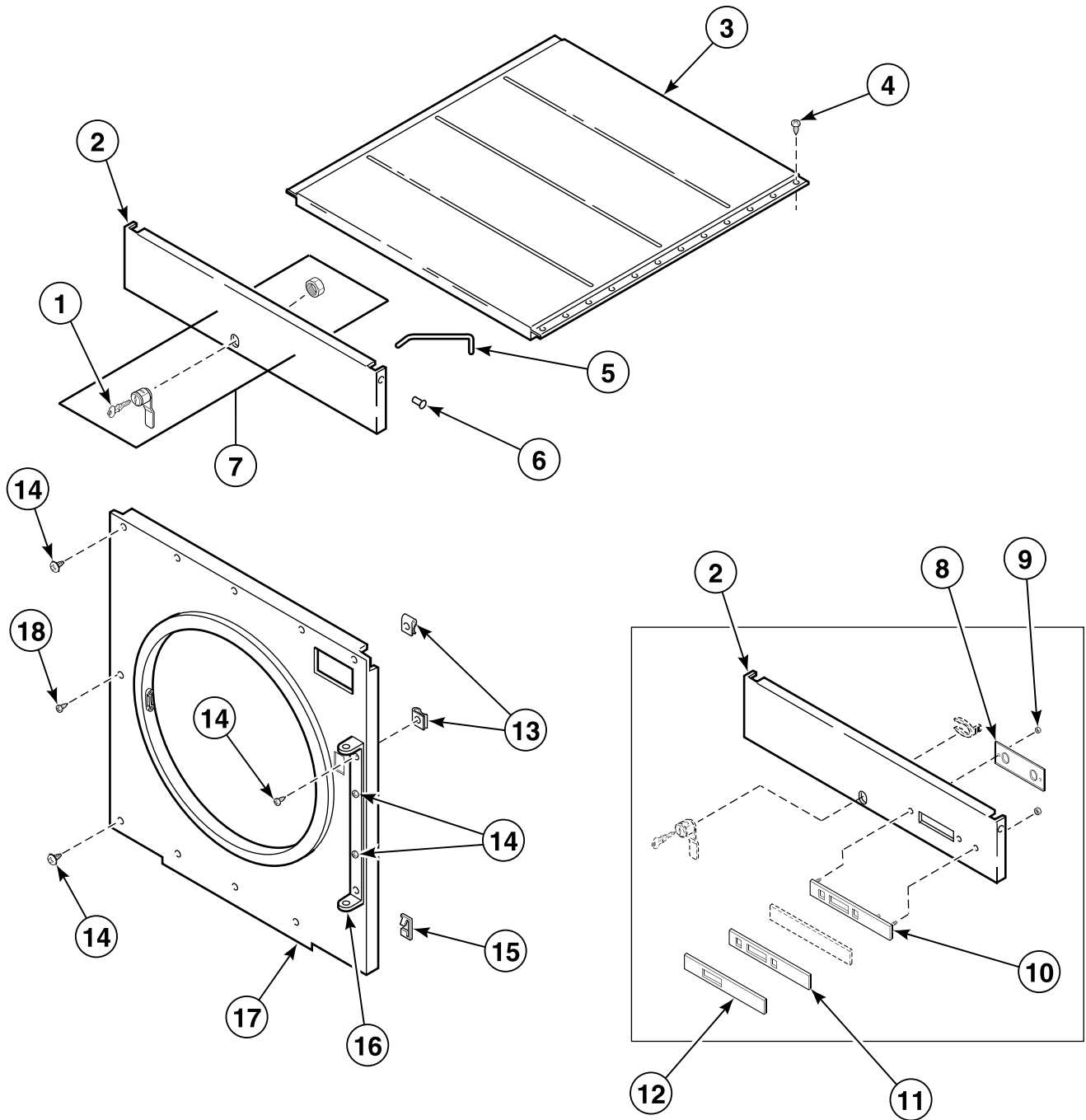
Door Switch - CE Models

REF	PART NO.	DESCRIPTION	COMMENTS
1	M412528	Switch Base	
2	M4842P3	Door Safety Switch Kit	
3	M412551	Flexible Coupler	
4	N/A	Door Hinge Assembly	
5	M412532	Screw	
6	M412531	Screw	

* Add Letter To Designate Color. B - Battina Green H - Harvest Gold K - Red L - Almond P - Turquoise V - Orange
W - White X - Electric Blue

N/A = Part no longer available

Top and Front Panels



T349P_M414037

Top and Front Panels

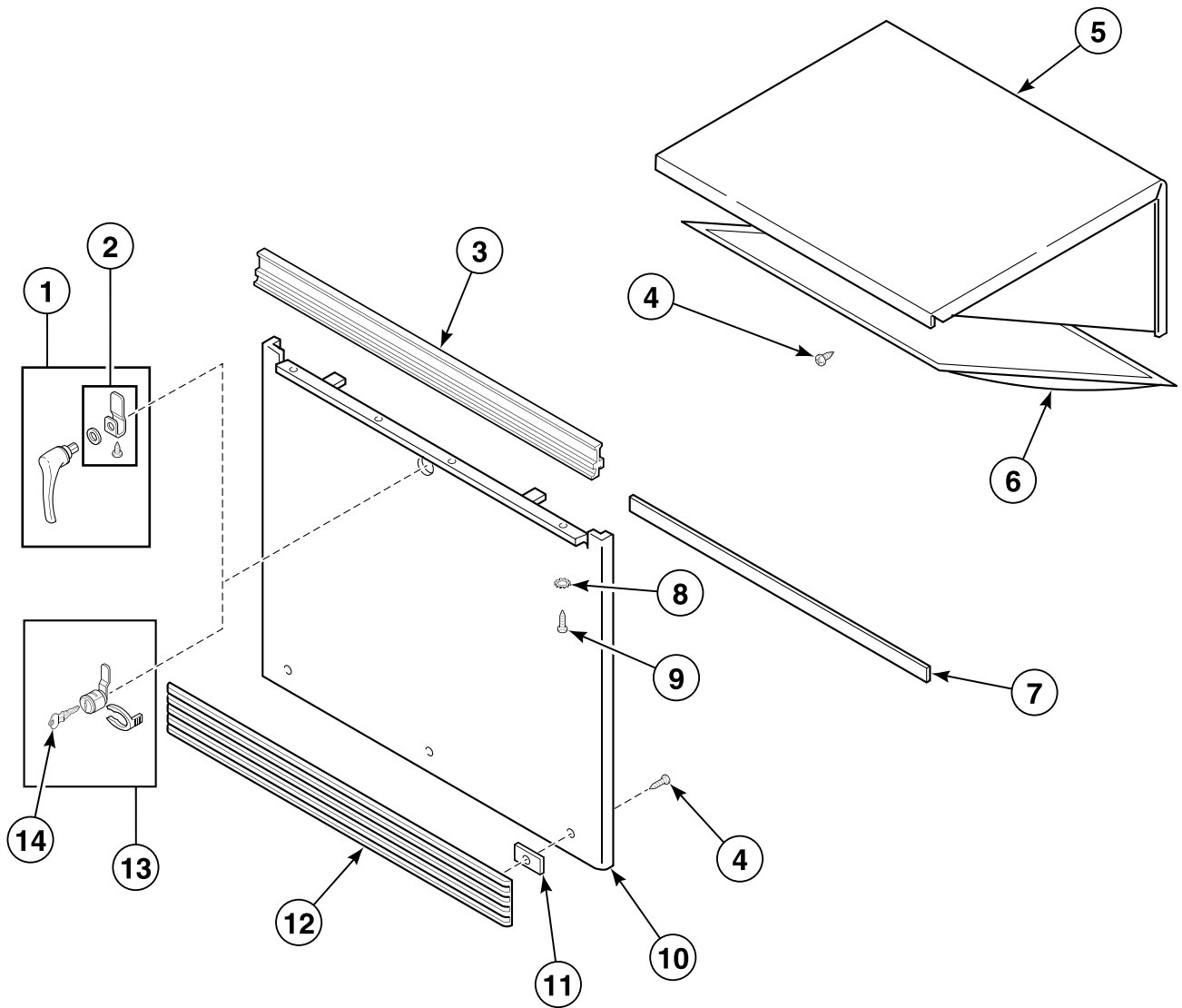
REF	PART NO.	DESCRIPTION	COMMENTS
1	M401680	Panel Key	
2	M406345*	Top Front Panel	DT, JT and ST gas models; DC, JC and SC electric models
	M406321	Top Front Panel	Stainless steel; DT, JT and ST gas coin drop, EDC and manual timer models
	M406164*	Top Front Panel	MC control
	N/A	Top Access Panel	Stainless steel; MC control
	M406465*	Top Front Panel Assembly	DT, JT and ST coin drop and manual timer models
	M413631*	Top Front Panel	DC, JC and SC gas models
3	N/A	Top Cover	
4	430497	Screw	
5	M400604	Support Rod	
6	M400713	Drive Rivet	
7	M406654P	Panel Lock	
8	N/A	Window	EC and MC controls
9	M400672	Nut	EC and MC controls
10	N/A	Nameplate Insert Frame	Metered MC control
	N/A	Frame Insert	Non-metered MC control
11	N/A	Display Insert	JT models; MC control
12	N/A	Display Insert	ST models; MC control
	M406630	Nameplate Assembly	JT models; Coin
	N/A	Display Insert	MC control
13	M400975	Clip	
14	N/A	Screw	
15	M400984	Clip	
16	431000*	Hinge Bracket	
17	M410881*P	Front Panel Kit	Coin drop; DT, JT and ST manual timer and electronic control models
	M409088P	Front Panel Kit	Stainless steel; WE and XG models
	M410880*P	Front Panel Kit	Coin slide models
	M411125*P	Front Panel Assembly Kit	DC, JC and SC models; Manual timer
18	M400664	Screw	

* Add Letter To Designate Color. B - Battina Green H - Harvest Gold K - Red L - Almond P - Turquoise V - Orange
W - White X - Electric Blue

N/A = Part no longer available

NOTE: EC = Touch Pad Electronic Control Coin, MC = Pushbutton Electronic Control Coin

Lint Panel and Compartment



T363PZ3B_M414037

Lint Panel and Compartment

REF	PART NO.	DESCRIPTION	COMMENTS
1	M400594P	Lint/Access Panel Handle	Manual timer models; 3 holes in panel
	M410243P	Handle and Cam Assembly	1 hole for handle
2	M400595	Cam and Screw	
3	N/A	Bumper Assembly	Black
	M410843	Lint Panel Bumper	Cocoa
	M406112	Bumper Assembly	
4	M400664	Screw	
5	M400515	Lint Hood Assembly	
6	M400523	Lint Screen Assembly	Models through Serial No. XTKE239255SE; 20 inches x 20 inches
	M400522	Lint Screen Assembly	Models starting Serial No. XTKE239256SE; 24 inches x 24 inches
7	M406113P	Bumper Trim	
8	03815	Washer	
9	430757	Screw	
10	M406110*P	Lint Panel Assembly	For lock
	M406327P	Lint Panel Assembly	Stainless steel; For lock
	M406523*P	Lint Panel Assembly	For handle
	N/A	Lint Panel	Stainless steel; For handle
	M410666*	Lint Panel Assembly	DC, JC and SC models
11	N/A	Retainer	
12	M414436P	Kickplate Kit	
13	M406654P	Panel Lock	
14	M401680	Panel Key	

* Add Letter To Designate Color. B - Battina Green H - Harvest Gold K - Red L - Almond P - Turquoise V - Orange
W - White X - Electric Blue

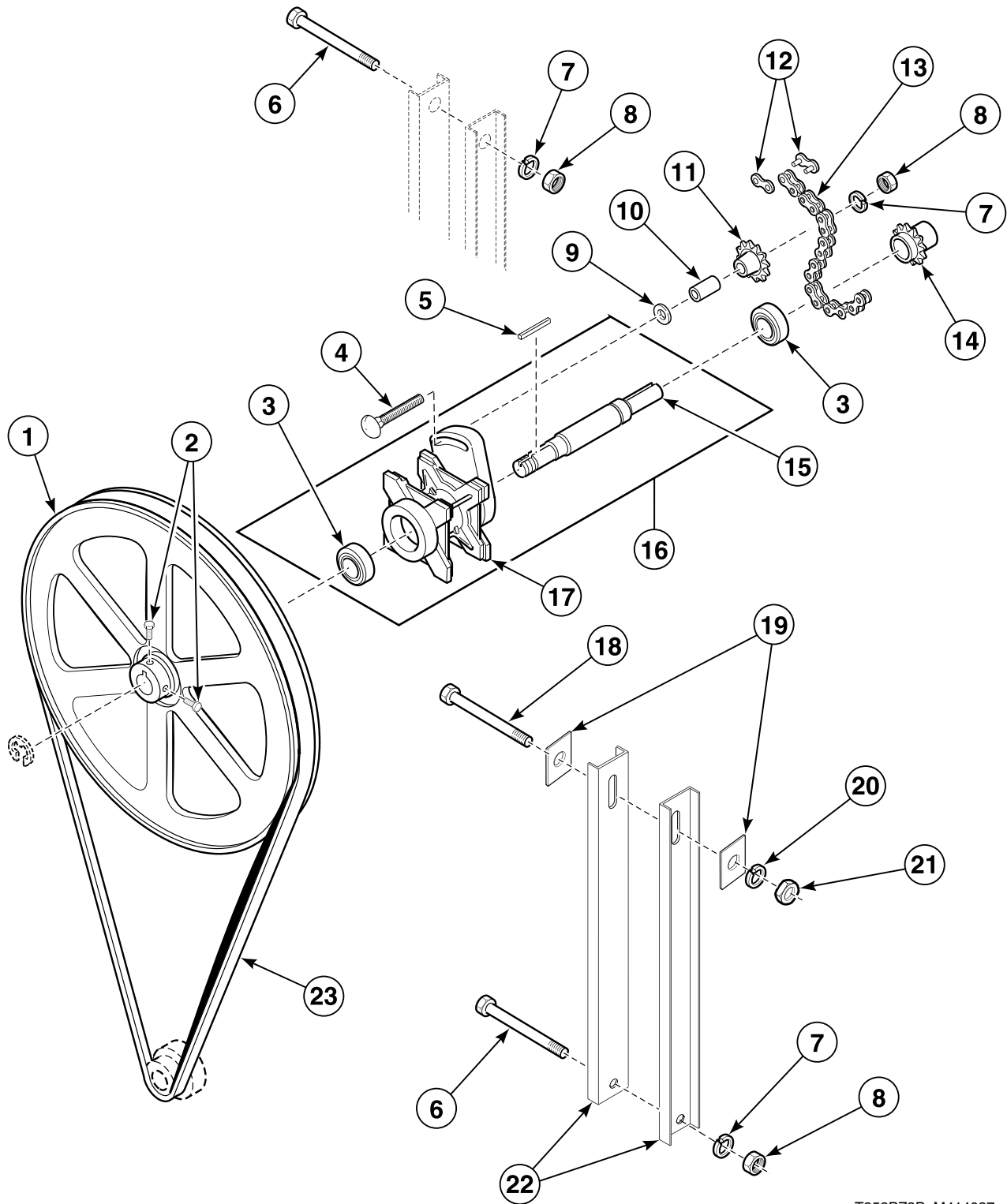
N/A = Part no longer available

Cylinder and Trunnion Assemblies

REF	PART NO.	DESCRIPTION	COMMENTS
1	M413921P	Ball Bearing	
2	M401946	Washer	
3	M400649	Bolt	
4	M400026	Nut	
5	M400650	Bolt	
6	M400592	Ball Bearing	
7	M400036	Nut	
8	M400023	Nut	
9	M400091P	Sprocket	Chain drive only; Includes item 12
10	M409385	Screw	
11	M400144	Trunnion Housing Casting	
12	M400010	Key	
13	M406073P	Trunnion Assembly	
14	M401930	Nut	
15	M400013	Washer	
16	M401947	Washer	
17	M406072P	Cylinder and Trunnion Assembly	
18	M400901	Rib Rod	
19	M406075P	Cylinder	Galvanized
	M409758	Cylinder Assembly	Stainless steel
20	M401349P	Trunnion Housing Assembly	
21	M402144	Felt Pad	

Chain Drive Components (Drawing 1 of 2)

Gas Models Through Serial No. XTKE01699RM



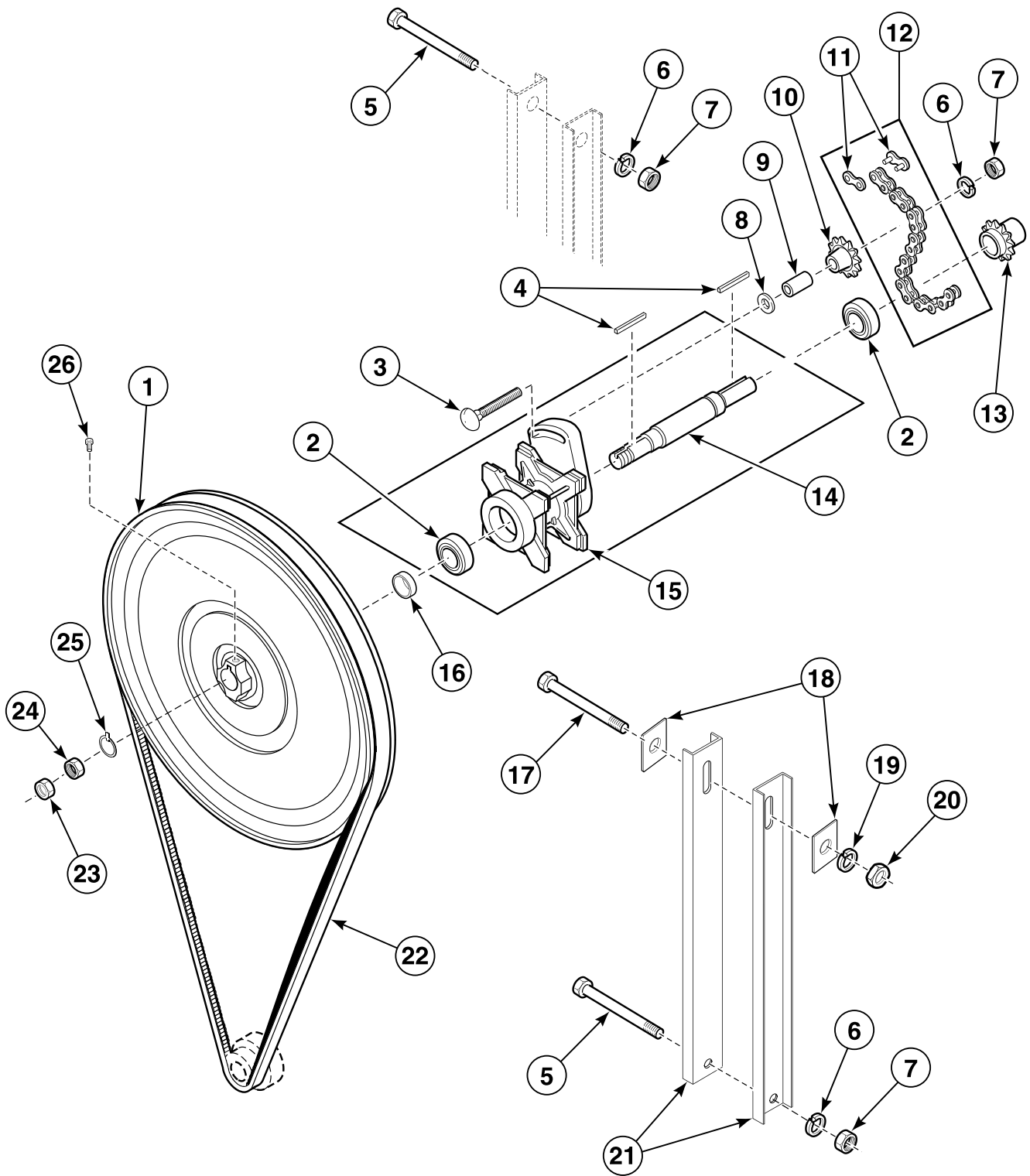
T352PZ3B_M414037

Chain Drive Components (Drawing 1 of 2)

REF	PART NO.	DESCRIPTION	COMMENTS
1	M400328	Sheave	Models through Serial No. XTKE01699RM
2	M400065	Screw	
3	M400592	Ball Bearing	
4	M412475	Bolt	
5	M401327	Key	
6	M405525	Screw	
7	M400014	Washer	
8	M400026	Nut	
9	M400081	Washer	Models through Serial No. XTKE01699RM
	M400080	Washer	Models starting Serial No. XTEK684495XN
10	M400755P	Chain Sleeve	
11	M401369P	Chain Sprocket	
12	M401360P	Chain Connecting Link	
13	M401425	Roller Chain	
14	M401366P	Sprocket	
15	M401374P	Idler Shaft	
16	M412229P	Idler Housing Kit	Models starting Serial No. XTEK684495XN; Does not include chain, link or belt
17	M412103P	Idler Housing Kit	
18	M400078	Bolt	
19	M400832	Washer	
20	M400013	Washer	
21	02428	Nut	
22	M413718	Guide Rail Channel	
23	M406083P	Belt	Models through Serial No. XTKE01699RM
	M406386	Motor Pulley Belt	Models starting Serial No. XTEK01700RM

Chain Drive Components (Drawing 2 of 2)

Gas and Electric Models Starting Serial No. XTKE017000RM Through Serial No. XTEK684494XN



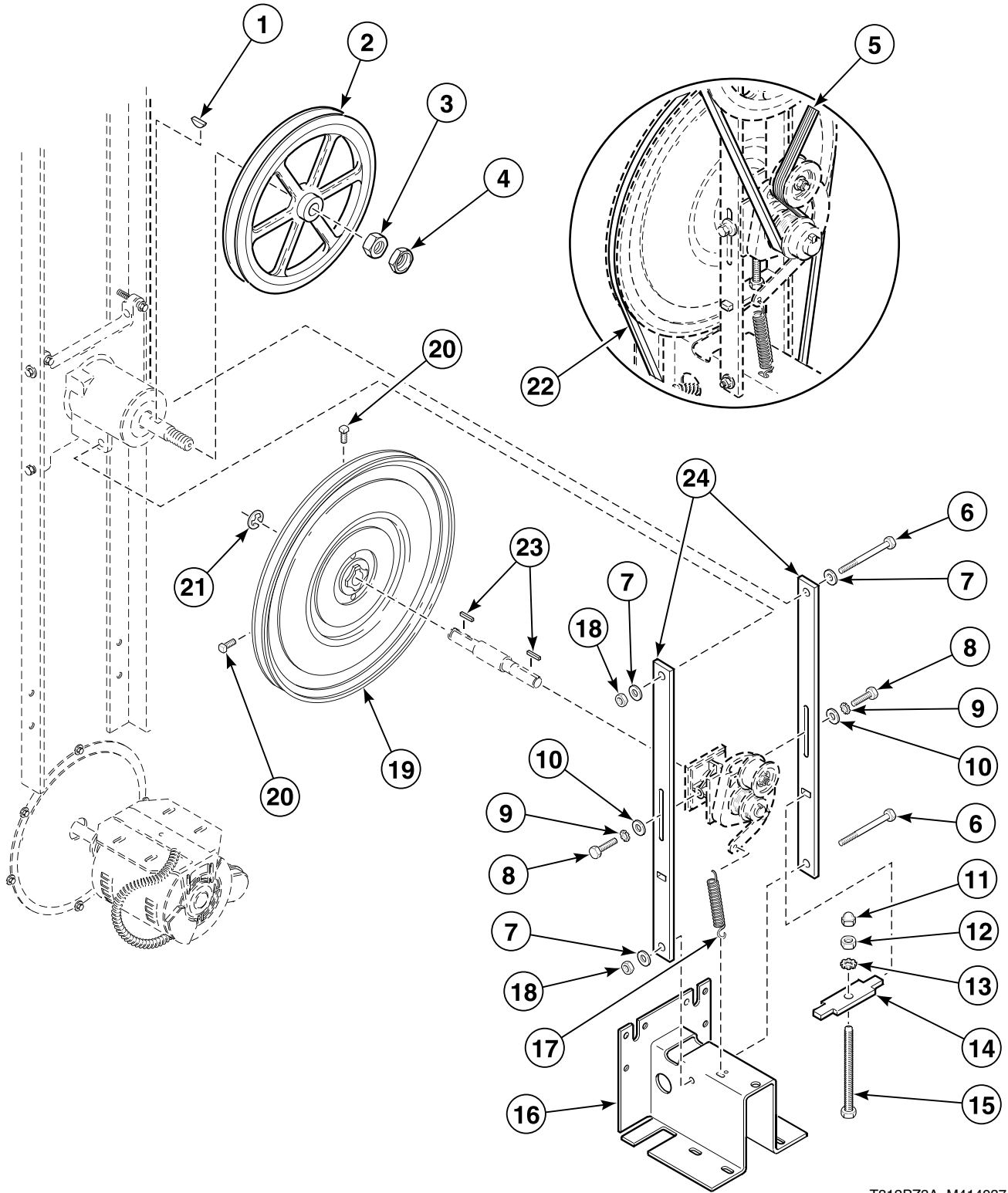
T353P_M414037

Chain Drive Components (Drawing 2 of 2)

REF	PART NO.	DESCRIPTION	COMMENTS
	M400399	Ring	Takes place of items 16 and 23-25 on models starting Serial No. XTEK684495XN
	M412229P	Idler Housing Kit	Does not include chain, link or belt
1	M406380	Idler Pulley	
2	M400592	Ball Bearing	
3	M412475	Bolt	
4	M401327	Key	
5	M405525	Screw	
6	M400014	Washer	
7	M400026	Nut	
8	M400081	Washer	
9	M400755P	Chain Sleeve	
10	M401369P	Chain Sprocket	
11	M401360P	Chain Connecting Link	
12	M401425	Roller Chain	Includes item 11
13	M401366P	Sprocket	
14	N/A	Idler Shaft	
15	M412103P	Idler Housing Kit	
16	N/A	Spacer	Models through Serial No. XTEK684494XN
17	M400078	Bolt	
18	M400832	Washer	
19	M400013	Washer	
20	02428	Nut	
21	M413718	Guide Rail Channel	
22	M406386	Motor Pulley Belt	
23	M400036	Nut	Models through Serial No. XTEK684494XN
24	M400023	Nut	Models through Serial No. XTEK684494XN
25	N/A	Washer	Models through Serial No. XTEK684494XN
26	M400065	Screw	

N/A = Part no longer available

Belt Drive Components

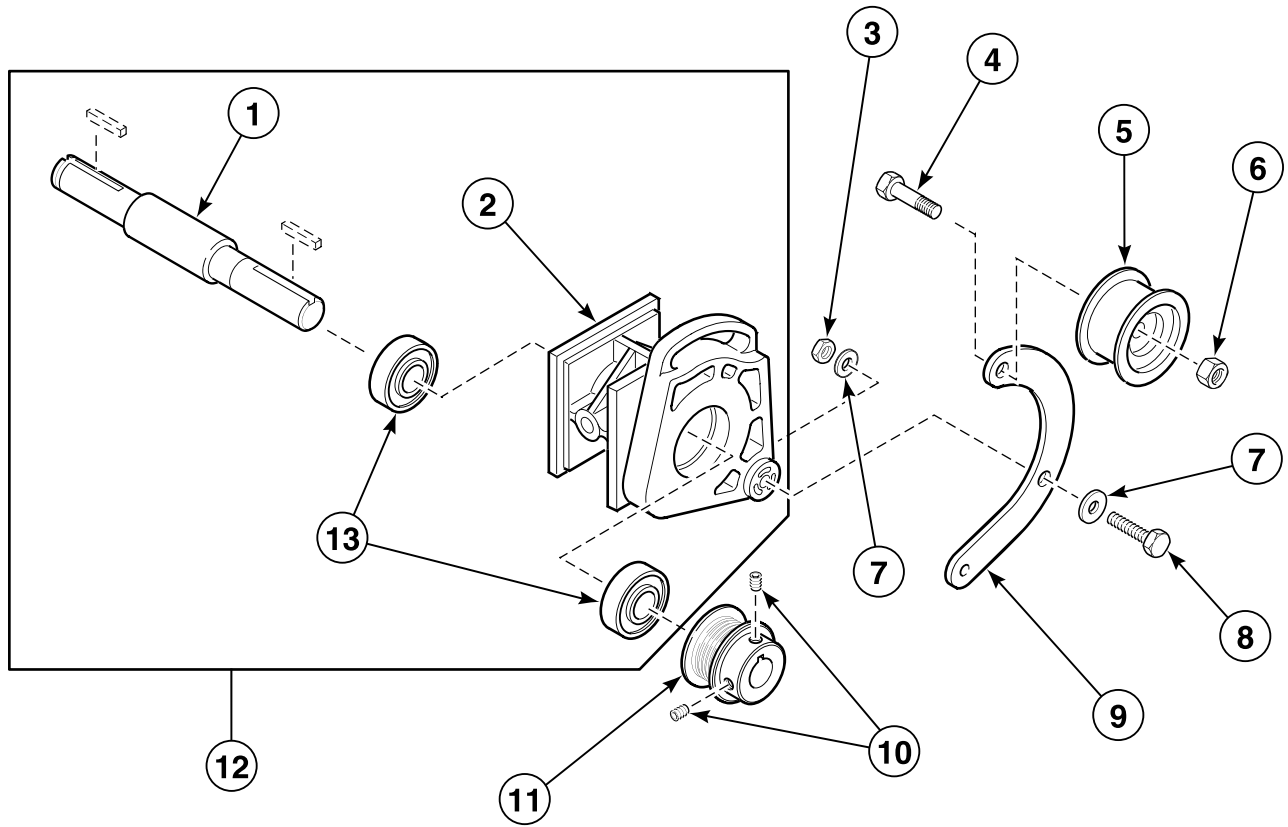


T312PZ3A_M414037

Belt Drive Components

REF	PART NO.	DESCRIPTION	COMMENTS
1	M400010	Key	
2	M412155	Micro V Sheave	
3	M400023	Nut	
4	M400036	Nut	
5	M411425P	Micro V Belt	DC, JC and SC models
	M411424P	Micro V Belt	DT, JT and ST models
6	430648	Screw	
7	M400014	Washer	
8	M400043	Screw	
9	M403958	Washer	
10	M400080	Washer	
11	M412626	Nut	
12	M404993	Nut	
13	M412188	Washer	
14	M414405	Tension Plate Assembly	
15	M412627	Screw	
16	M411483	Motor Bracket	
17	M412121	Extension Spring	
18	M400026	Nut	
19	M406380	Idler Pulley	Includes hardware
20	M400065	Screw	
21	M400399	Ring	
22	M406386	Motor Pulley Belt	
23	M401327	Key	
24	M412476	Guide Rail	

Belt Drive Idler Housing Assembly

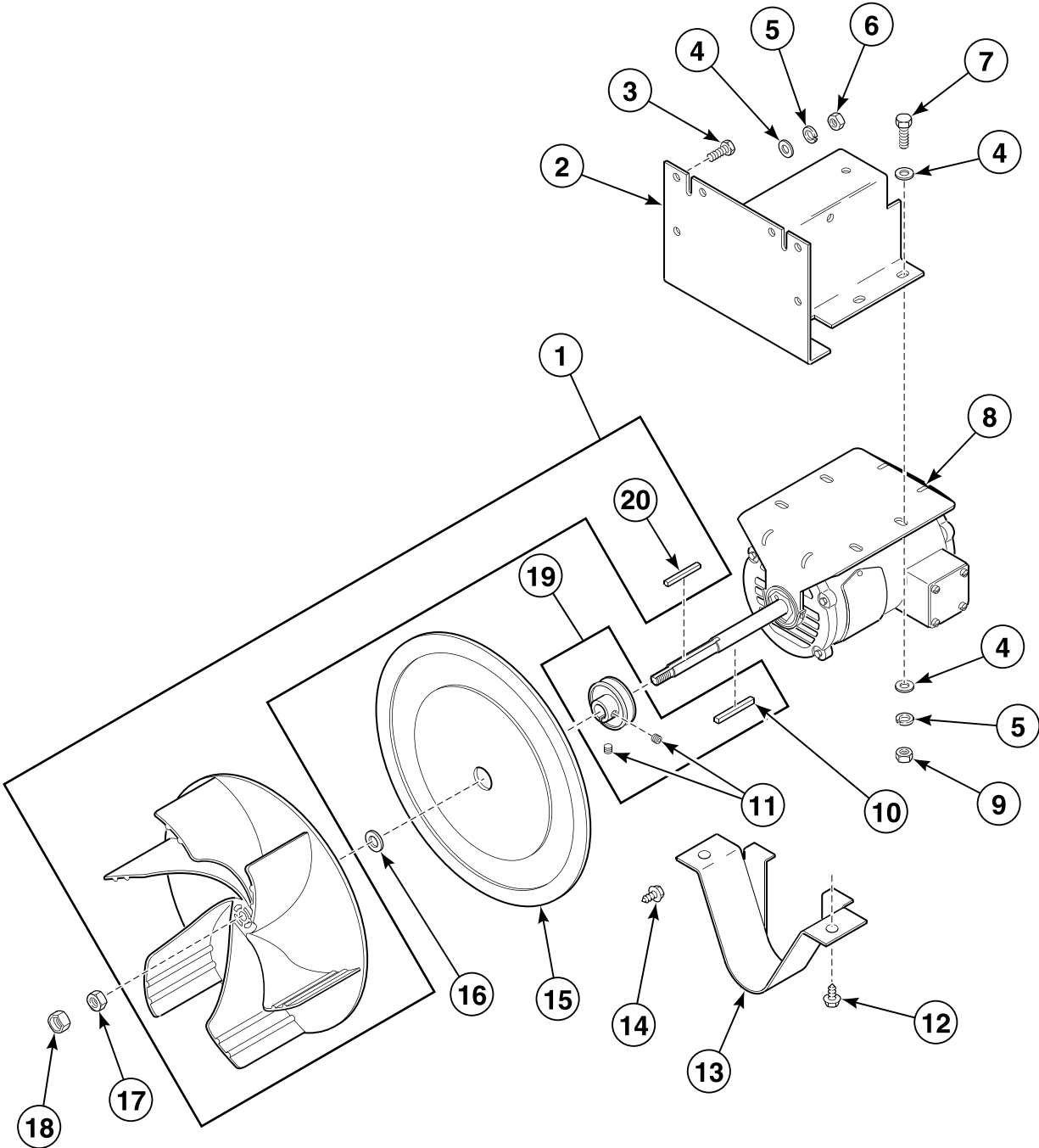


T313P_M414037

Belt Drive Idler Housing Assembly

REF	PART NO.	DESCRIPTION	COMMENTS
1	M412223P	Idler Shaft	
	M401374P	Idler Shaft	DC, JC and SC models
2	M412103P	Idler Housing Kit	
3	52566	Nut	
4	430648	Screw	
5	430619	Drum Idler Wheel Assembly	
6	56156	Nut	
7	M405535	Washer	
8	M412119	Bolt	
9	M414320P	Idler Arm Kit	Includes washers
10	M400077	Screw	
11	M411466P	Micro V Pulley	
12	M412229P	Idler Housing Kit	
13	430038	Support Bearing	

Fan and Motor Assembly



T032PZ3D_M414037

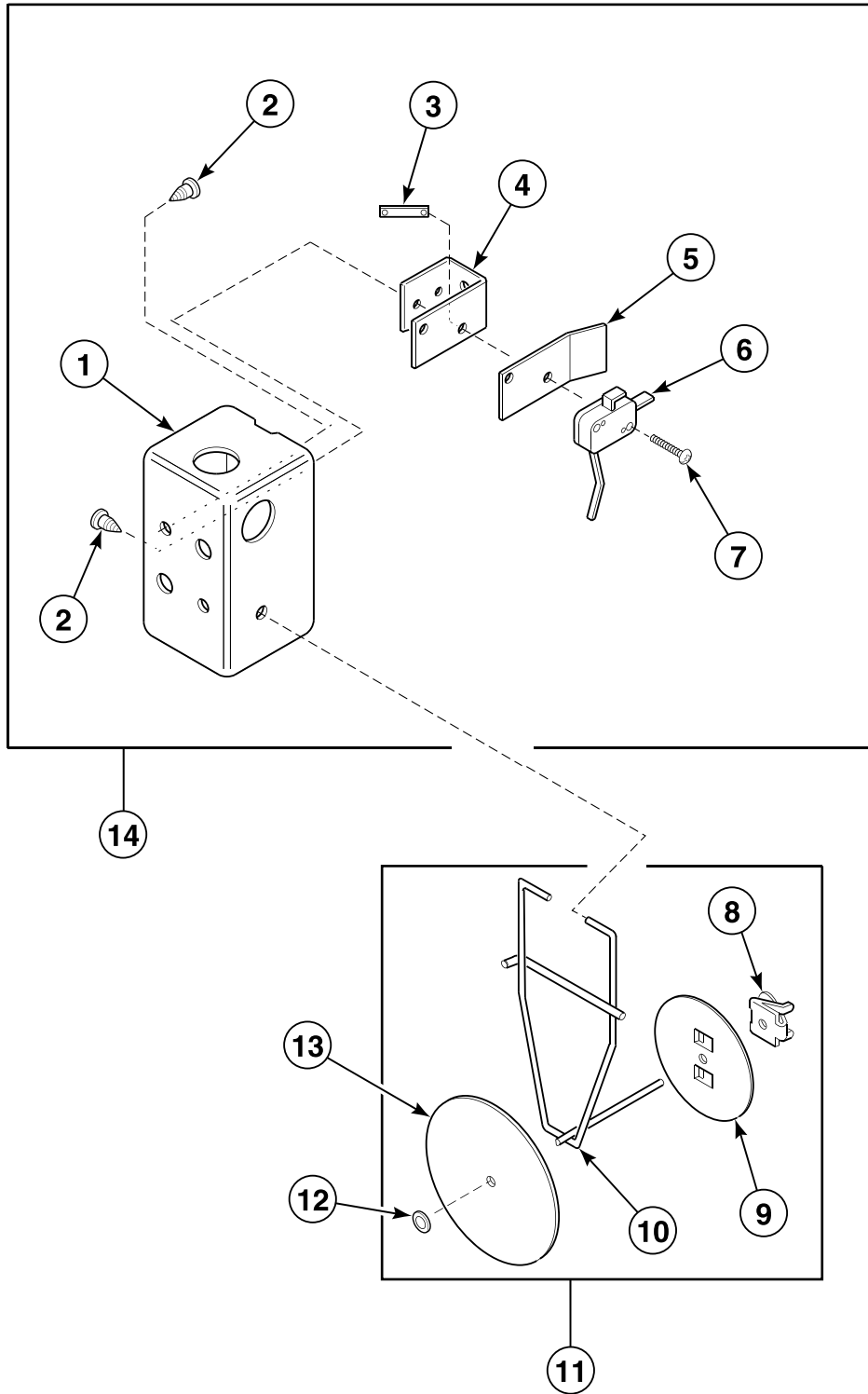
Fan and Motor Assembly

REF	PART NO.	DESCRIPTION	COMMENTS
	M409459	Motor Wire Harness Assembly	Quick disconnect; Gas models starting Serial No. XTEK684488YA; 120 Volt/60 Hertz/1 Phase; Non-MC control
	M409487	Motor Harness Assembly	Quick disconnect; Gas models starting Serial No. XTEK684488YA; 208-240 Volt/60 Hertz/1 Phase; Non-MC control
	M409485	Motor Harness Assembly	Quick disconnect; Gas models starting Serial No. XTEK684488YA; 120 Volt/60 Hertz/1 Phase; MC control
	N/A	Motor Wire Harness Assembly	Quick disconnect; Gas models starting Serial No. XTEK684488YA; 208-240 Volt/60 Hertz/1 Phase; MC control
	N/A	Motor Wire Harness Assembly	Quick disconnect; Electric models starting Serial No. XTEK684488YA; 208-240 Volt/60 Hertz/1 Phase
	M4426P3	Motor Hardware Kit	Includes items 10, 16-18 and 20
	M405419P	Motor Mounting Ring Kit	Standard connection motors
	M4525P3	Resilient Ring Kit	Quick disconnect motors
1	M400086P	Fan and Key	Includes item 20
2	M411483	Motor Bracket	
3	M401393	Bolt	
4	M400080	Washer	
5	M400013	Washer	
6	70142	Nut	
7	M400057	Screw	
8	M400379	Motor	Standard connection; Models through Serial No. XTEK684487YA; 208 Volt/60 Hertz/1Phase
	M411189P	Motor	Standard connection; 240 Volt/60 Hertz/3 Phase and 480 Volt/60 Hertz/3 Phase
	M4833P3	Motor Replacement Kit	240 Volt/60 Hertz/1 Phase standard connection; Models through Serial No. XTEK684487YA; 120 Volt/60 Hertz/1 Phase; Original M400383 Motor is no longer available, M4833P3 Motor Replacement Kit must be ordered which includes terminals
	44045901P	Fan Motor	Standard connection; Models through Serial No. XTEK684487YA; 230 Volt/50 Hertz/1 Phase
	44046001P	Fan Motor	Standard connection; Models through Serial No. XTEK684487YA; 230, 380 or 415 Volt/50 Hertz/3 Phase
	M4833P3	Motor Replacement Kit	Quick disconnect; Models starting Serial No. XTEK684488YA; 120, 208 or 240 Volt/60 Hertz/1Phase
	M409735P	Motor	Quick disconnect; Models starting Serial No. XTEK684488YA; 120 or 240 Volt/50 Hertz/1 Phase and 240, 380 or 415 Volt/50 Hertz/1 Phase
9	02428	Nut	
10	M400993	Key	Pulley
11	M400077	Screw	
12	M405188	Screw	
13	M413008	Belt Guard	
14	M410059	Screw	
15	M401362	Cover Plate	
16	M400991	Washer	
17	M400022	Nut	
18	M400034	Nut	
19	M406379P	Pulley	DT, JT and ST gas models starting Serial No. XTKE10700RM
	N/A	Pulley	All other models
20	M400994	Key	Fan

N/A = Part no longer available

NOTE: EC = Touch Pad Electronic Control Coin, MC = Pushbutton Electronic Control Coin

Airflow Switch and Vane Assembly

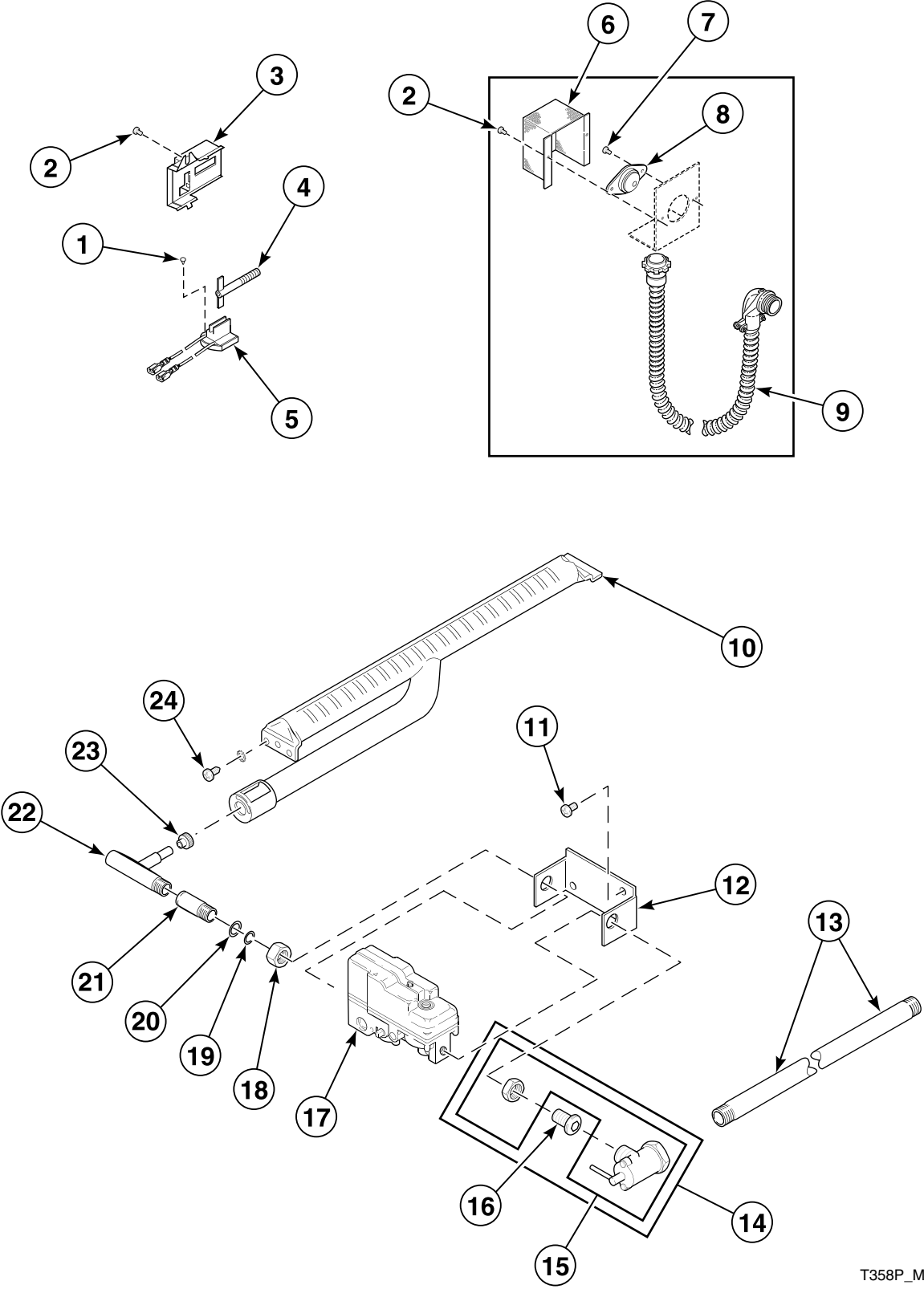


T356P_M414037

Airflow Switch and Vane Assembly

REF	PART NO.	DESCRIPTION	COMMENTS
1	M403235	Airflow Switch Handy Box	
2	M400664	Screw	
3	M400979	Nut	
4	M409202	Airflow Switch Bracket	
5	M400712	Airflow Switch Insulator Barrier	
6	M400944	Airflow Switch	DT, JT and ST models
	M412423	Actuator Switch	DC, JC and SC models
7	M401938	Screw	
8	M400976	Clip	
9	M400822	Counterweight	
10	M400753	Airflow Switch Vane Lever	
11	M400541	Vane Assembly	
12	M400977	Nut	
13	M400253	Vane	
14	M400539	Airflow Switch Box Assembly	

Burner Assembly for Glowbar Ignition



T358P_M414037

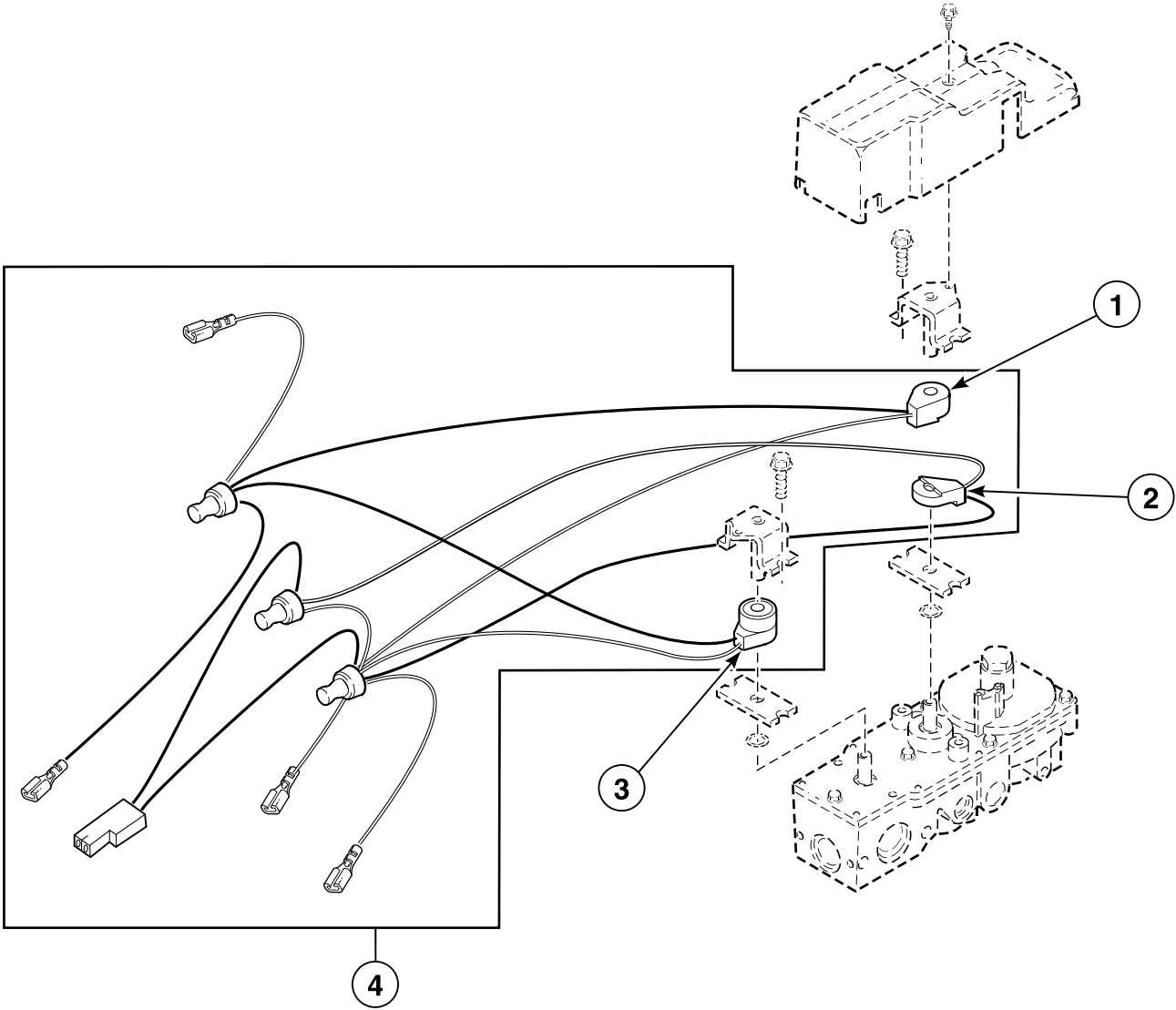
Burner Assembly for Glowbar Ignition

REF	PART NO.	DESCRIPTION	COMMENTS
1	56693	Screw	
2	M400664	Screw	Models through Serial No. XTKE010992RH
	51780	Screw	Models starting Serial No. XTKE010993RH
3	510213	Sensor	
4	55438P	Igniter	
5	M409136	Spring and Connector Assembly	
6	M414477	Thermostat Cover	
7	M402797	Screw	
8	M409433	Limit Thermostat	
9	M410058	Stove Wire Harness Assembly	
10	M405938	Burner Assembly	
11	M400664	Screw	Models through Serial No. XTKE010992RH
	M405188	Screw	Models starting Serial No. XTKE010993RH
12	M406098	Gas Valve Bracket	
13	M400749	Pipe	
14	M4854P3	Shut-Off Valve and Tailpiece Kit	Refer to note
15	44092101	Gas Shut-Off Valve Assembly	Refer to note
16	44092201	Tailpiece	1/2 inch NPT; Refer to note
	44092202	Tailpiece	1/2 inch BPT; Refer to note
17	N/A	N.G. Valve Kit	Natural Gas (N.G.); Refer to <i>Gas Valve Coils and Conversion Kits</i> section for component parts
	N/A	L.P. Valve Kit	Liquid Petroleum Gas (L.P.)
18	M401548	Nut	
19	M400605	Anti-Torque Ring	
20	M400606	Washer	
21	M406308	Manifold Pipe Assembly	
22	M4452P3	Spud Holder Kit	Models through Serial No. XTKE010992RH
	M403162	Spud Holder	Models starting Serial No. XTKE010993RH
23	M402995	Burner Orifice	N.G.; 0-2,000 feet; Drill no. 19
	M401002	Burner Orifice	N.G.; 2,001-4,000 feet; Drill no. 20
	M402996	Burner Orifice	N.G.; 4,001-6,000 feet; Drill no. 22
	M402997	Burner Orifice	N.G.; 6,001-8,000 feet; Drill no. 25
	M400998	Burner Orifice	N.G.; 6,001-10,000 feet; Drill no. 27
	M401007	Burner Orifice	L.P.; 0-2,000 feet; Drill no. 39
	M401015	Burner Orifice	L.P.; 2,001-4,000 feet; Drill no. 41
	M403017	Burner Orifice	L.P.; 4,001-6,000 feet; Drill no. 42
	M406184	Burner Orifice	L.P.; 6,001-8,000 feet; Drill no. 43
	M401011	Burner Orifice	L.P.; 8,001-10,000 feet; Drill no. 44
24	M400664	Screw	Models starting Serial No. XTKE010993RH

N/A = Part no longer available

NOTE: For replacement valves, M4742P3 N.G. Valve Kit or M4743P3 L.P. Valve Kit only, can **NOT** be used for or in place of original valves.

Gas Valve Coils and Conversion Kits for Glowbar Ignition



T359P_M414037

Gas Valve Coils and Conversion Kits for Glowbar Ignition

REF	PART NO.	DESCRIPTION	COMMENTS
	M4390P3	L.P. Conversion Kit	Natural Gas (N.G.) to Liquid Petroleum Gas (L.P.)
	M4389P3	N.G. Conversion Kit	L.P. to N.G.
1	56225B	Holding Coil	
2	56225C	Booster Coil	
3	56225D	Secondary Coil	
4	56225A	Coil Assembly Kit	

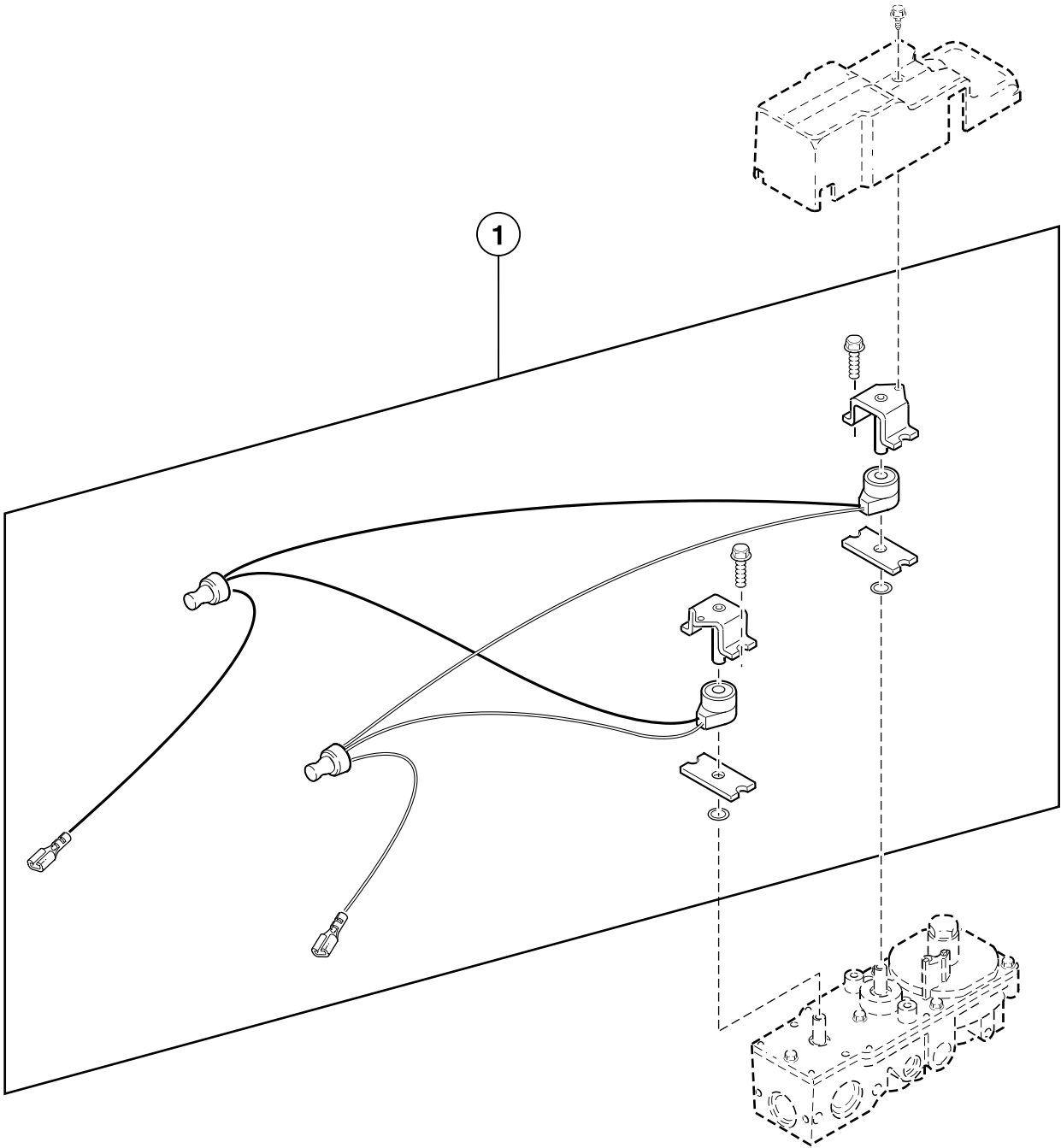
Burner Assembly for Instant Electronic Ignition

REF	PART NO.	DESCRIPTION	COMMENTS
1	M406934P	Spark Igniter	
2	M406936	Bracket	
3	M410599	Wire Harness Assembly	Instant electronic ignition
4	M406789P	Ignition Control	
5	M400664	Screw	
6	M414477	Thermostat Cover	
7	M402797	Screw	
8	M409433	Limit Thermostat	
9	M410058	Stove Wire Harness Assembly	
10	M405938	Burner Assembly	
11	M405188	Screw	
12	M406098	Gas Valve Bracket	
13	M400749	Pipe	
14	M4854P3	Shut-Off Valve and Tailpiece Kit	Refer to note
15	44092101	Gas Shut-Off Valve Assembly	Refer to note
16	44092201	Tailpiece	1/2 inch NPT; Refer to note
	44092202	Tailpiece	1/2 inch BPT; Refer to note
17	M4744P3	N.G. Valve Kit	Natural Gas (N.G.)
	M4745P3	L.P. Valve Kit	Liquid Petroleum Gas (L.P.)
18	M401548	Nut	
19	M400605	Anti-Torque Ring	
20	M400606	Washer	
21	M406308	Manifold Pipe Assembly	Includes item 20
22	M403162	Spud Holder	
23	M402995	Burner Orifice	N.G.; 0-2,000 feet; Drill no. 19
	M401002	Burner Orifice	N.G.; 2,001-4,000 feet; Drill no. 20
	M402996	Burner Orifice	N.G.; 4,001-6,000 feet; Drill no. 22
	M402997	Burner Orifice	N.G.; 6,001-8,000 feet; Drill no. 25
	M400998	Burner Orifice	N.G.; 6,001-10,000 feet; Drill no. 27
	M401007	Burner Orifice	L.P.; 0-2,000 feet; Drill no. 39
	M401015	Burner Orifice	L.P.; 2,001-4,000 feet; Drill no. 41
	M403017	Burner Orifice	L.P.; 4,001-6,000 feet; Drill no. 42
	M406184	Burner Orifice	L.P.; 6,001-8,000 feet; Drill no. 43
	M401011	Burner Orifice	L.P.; 8,001-10,000 feet; Drill no. 44
24	M400664	Screw	
25	M406788	High Voltage Lead	

N/A = Part no longer available

NOTE: For replacement valves, M4742P3 N.G. Valve Kit or M4743P3 L.P. Valve Kit only, can **NOT** be used for or in place of original valves.

Gas Valve Coils and Conversion Kits for Instant Electronic Ignition

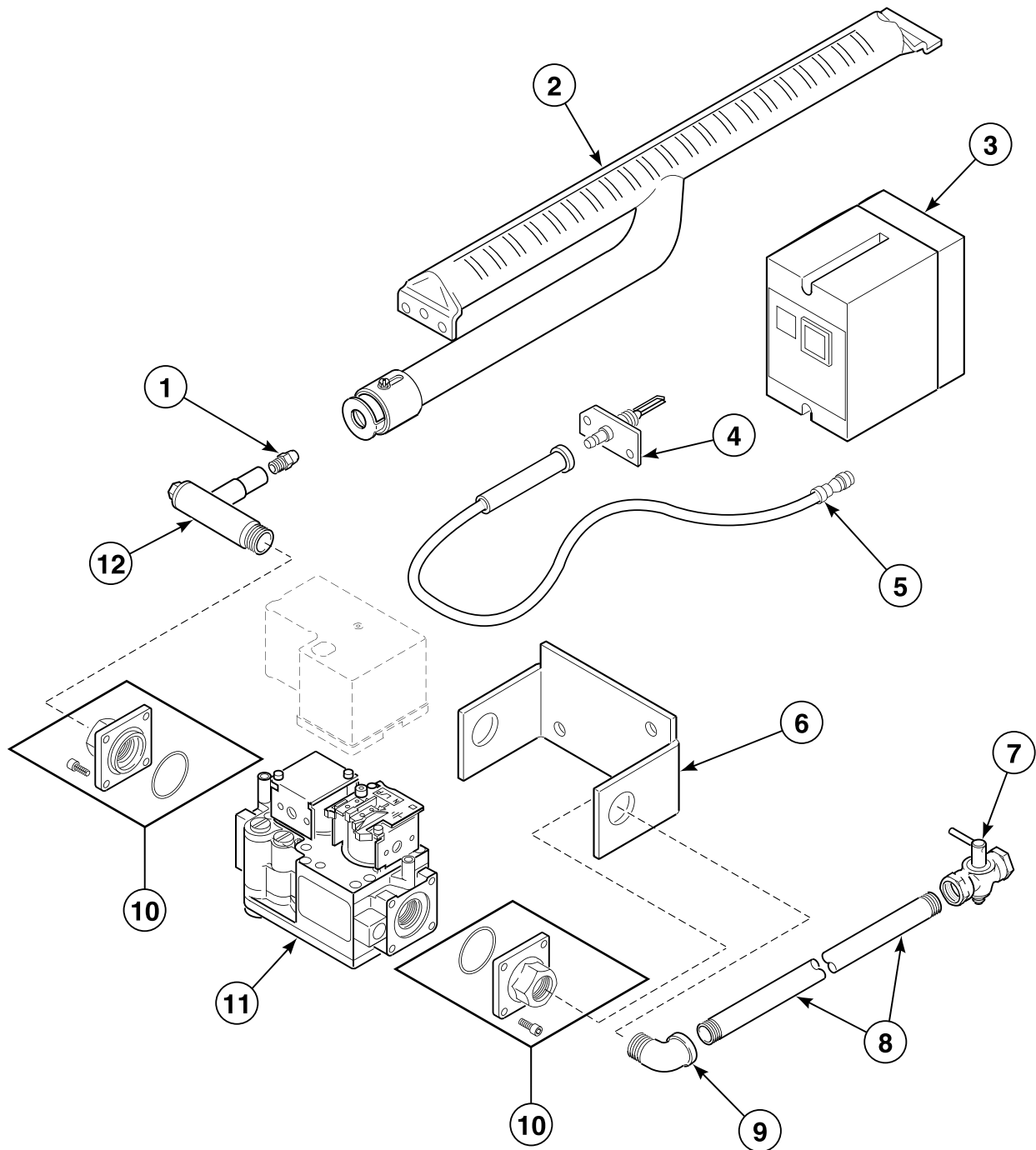


T361P_M414037

Gas Valve Coils and Conversion Kits for Instant Electronic Ignition

REF	PART NO.	DESCRIPTION	COMMENTS
	M4390P3	L.P. Conversion Kit	Natural Gas (N.G.) to Liquid Petroleum Gas (L.P.)
	M4389P3	N.G. Conversion Kit	L.P. to N.G.
1	M409253P	Instant Electronic Ignition Valve Coil Kit	

Gas Valve Assembly for Dungs/B-M System



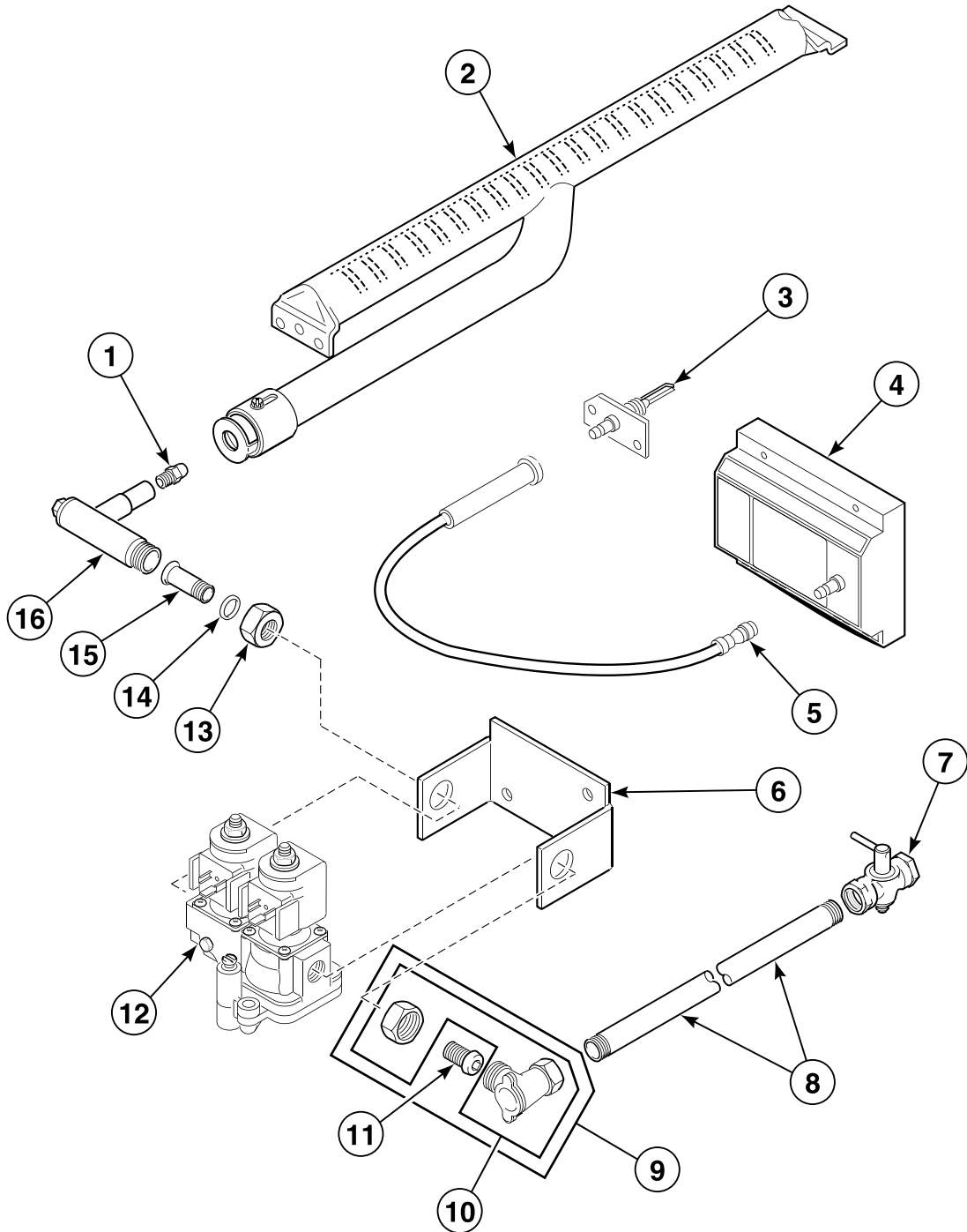
TMB2253P_M414037

Gas Valve Assembly for Dungs/B-M System

REF	PART NO.	DESCRIPTION	COMMENTS
1	M402995	Burner Orifice	Natural Gas (N.G.); 0-2,000 feet; Drill no. 19
	M401002	Burner Orifice	N.G.; 2,001-4,000 feet; Drill no. 20
	M402996	Burner Orifice	N.G.; 4,001-6,000 feet; Drill no. 22
	M402997	Burner Orifice	N.G.; 6,001-8,000 feet; Drill no. 25
	M400998	Burner Orifice	N.G.; 6,001-10,000 feet; Drill no. 27
	M401007	Burner Orifice	Liquid Petroleum Gas (L.P.); 0-2,000 feet; Drill no. 39
	M401015	Burner Orifice	L.P.; 2,001-4,000 feet; Drill no. 41
	M403017	Burner Orifice	L.P.; 4,001-6,000 feet; Drill no. 42
	M406184	Burner Orifice	L.P.; 6,001-8,000 feet; Drill no. 43
	M401011	Burner Orifice	L.P.; 8,001-10,000 feet; Drill no. 44
2	M410541	Burner Assembly	
3	M4898P3	Ignition Control	
4	M406934P	Spark Igniter	
5	604P3	Channel Ignition Kit	
6	N/A	Gas Valve Bracket	
7	M412562	Gas Shut-Off Valve	
8	M400749	Pipe	
9	H86070034	Street Elbow	
10	M412568	Gas Valve Flange Assembly	Includes gasket
11	N/A	Gas Valve	
12	N/A	Spud Holder	

N/A = Part no longer available

Channel/Johnson Gas System



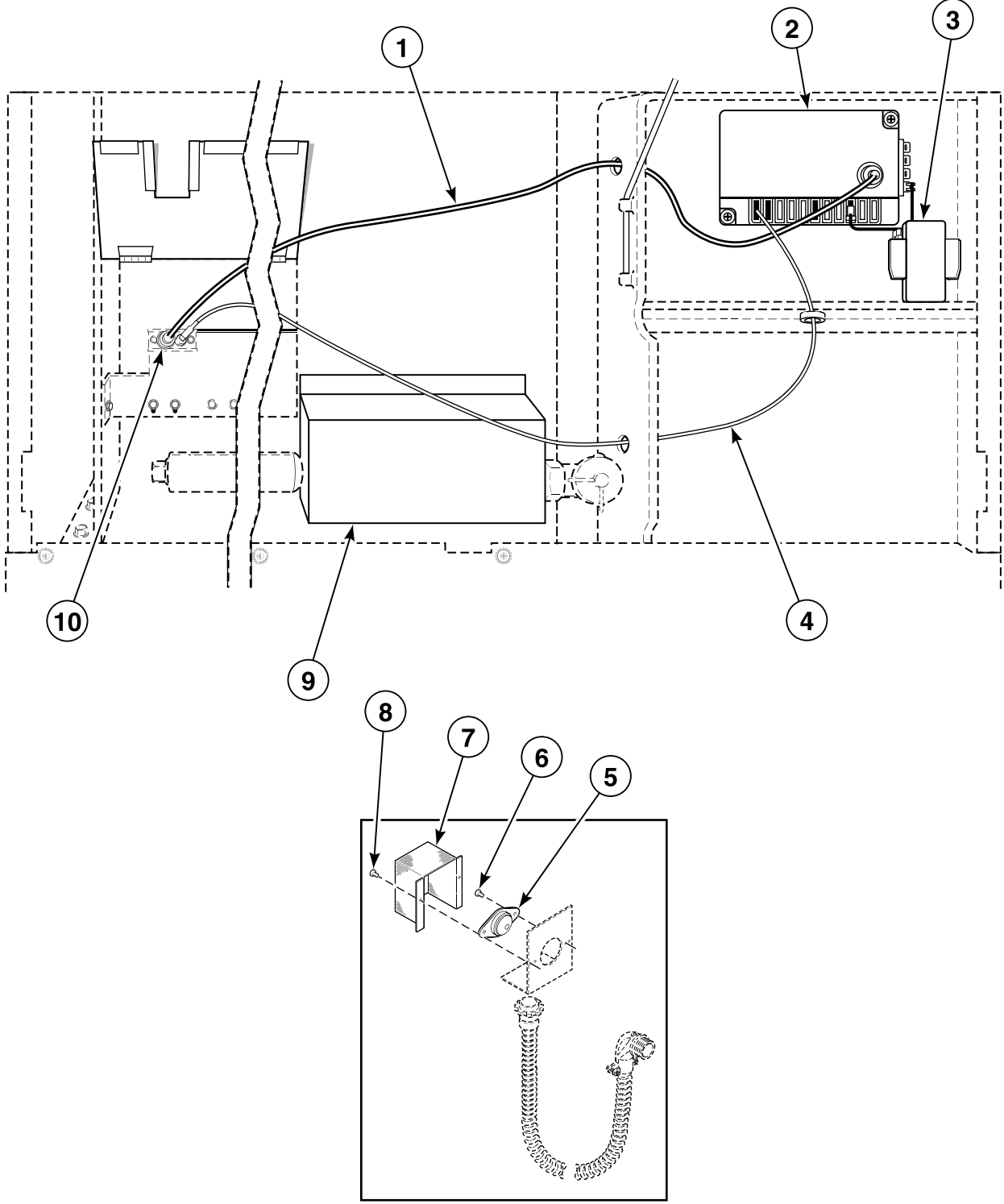
TMB2254P_M414037

Channel/Johnson Gas System

REF	PART NO.	DESCRIPTION	COMMENTS
	M413431	Pushbutton Switch	Ignition reset; Lighted
	M410220	Limit Thermostat	Manual reset
1	M402995	Burner Orifice	Natural Gas (N.G.); 0-2,000 feet; Drill no. 19
	M401002	Burner Orifice	N.G.; 2,001-4,000 feet; Drill no. 20
	M402996	Burner Orifice	N.G.; 4,001-6,000 feet; Drill no. 22
	M402997	Burner Orifice	N.G.; 6,001-8,000 feet; Drill no. 25
	M400998	Burner Orifice	N.G.; 6,001-10,000 feet; Drill no. 27
	M401007	Burner Orifice	Liquid Petroleum Gas (L.P.); 0-2,000 feet; Drill no. 39
	M401015	Burner Orifice	L.P.; 2,001-4,000 feet; Drill no. 41
	M403017	Burner Orifice	L.P.; 4,001-6,000 feet; Drill no. 42
	M406184	Burner Orifice	L.P.; 6,001-8,000 feet; Drill no. 43
	M401011	Burner Orifice	L.P.; 8,001-10,000 feet; Drill no. 44
2	M410541	Burner Assembly	
3	M406934P	Spark Igniter	
4	70367401P	Ignition Control	
5	M406881	High Voltage Lead	
6	M406814	Gas Valve Bracket	
7	M412562	Gas Shut-Off Valve	
8	M400749	Pipe	
9	M4854P3	Shut-Off Valve and Tailpiece Kit	
10	44092101	Gas Shut-Off Valve Assembly	
11	44092201	Tailpiece	1/2 inch NPT
	44092202	Tailpiece	1/2 inch BPT
12	M413332P	Gas Valve	
13	M401548	Nut	
14	M400605	Anti-Torque Ring	
15	N/A	Manifold Pipe Assembly	
16	M403162	Spud Holder	

N/A = Part no longer available

Burner Assembly for Australian Models



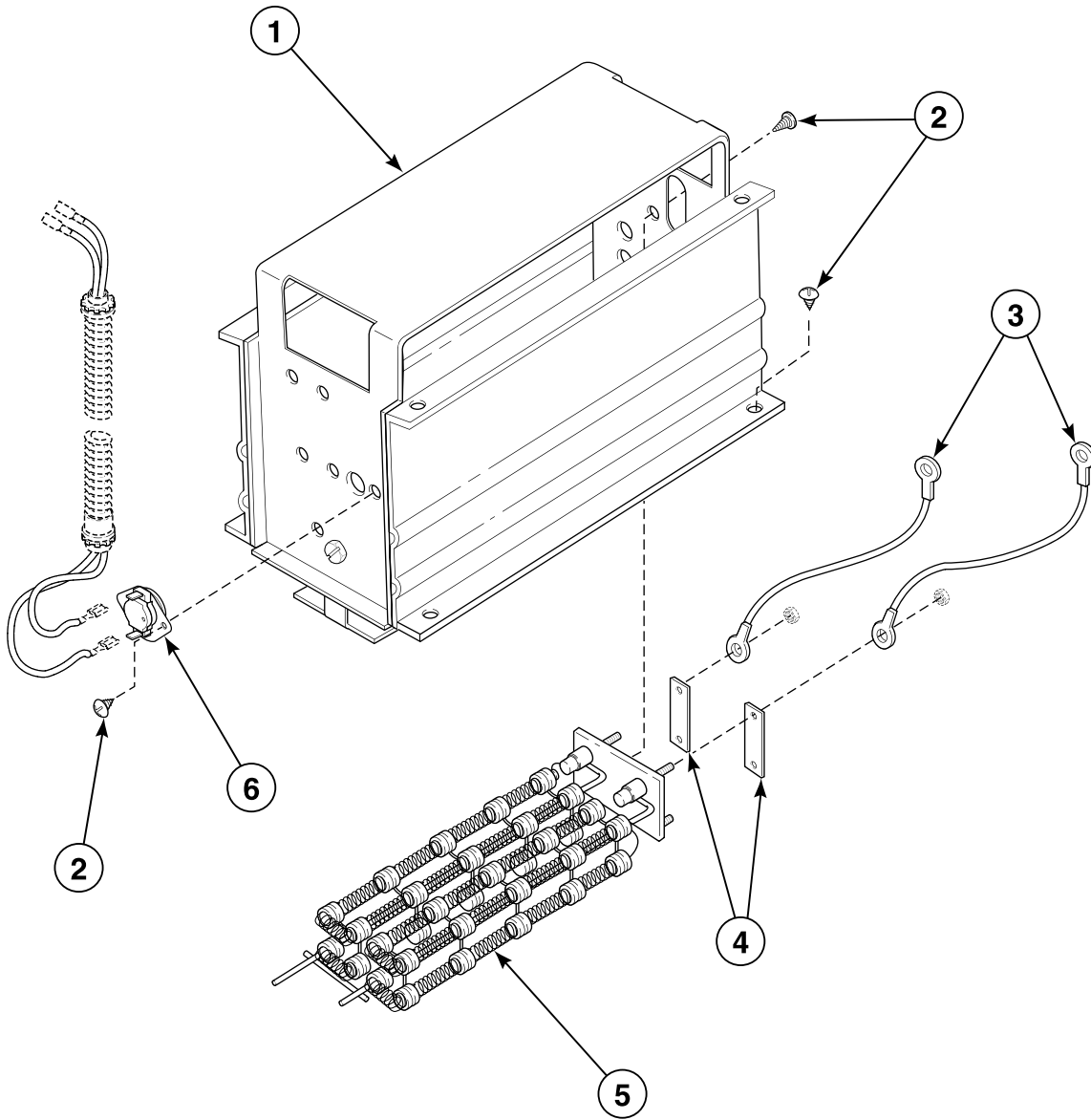
T517PE3B_M414037

Burner Assembly for Australian Models

REF	PART NO.	DESCRIPTION	COMMENTS
1	N/A	High Voltage Lead	
2	M410904P	Instant Electronic Ignition Control	
3	M411066	Transformer	
4	N/A	Sensor Jumper Wire	
5	M410220	Limit Thermostat	
6	M402797	Screw	
7	M414477	Thermostat Cover	
8	M400664	Screw	
9	M410907P	Gas Valve	Natural Gas (N.G.)
	M410908	Gas Valve	Liquid Petroleum Gas (L.P.)
10	M410905P	Spark Igniter	

N/A = Part no longer available

Electric Heater Assembly



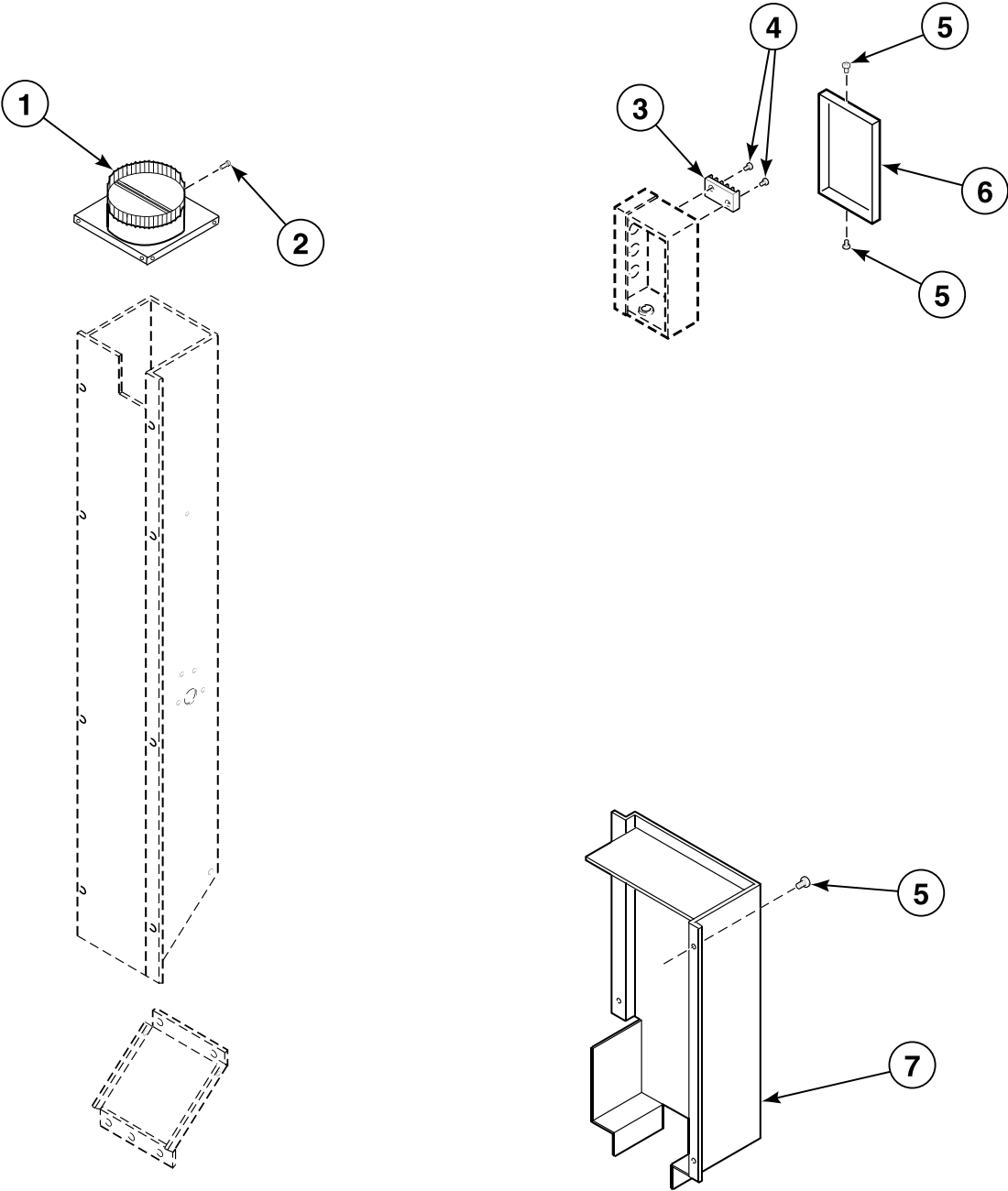
T231P_M414037

Electric Heater Assembly

REF	PART NO.	DESCRIPTION	COMMENTS
	M409302	Heater Assembly	21 kW; 480 Volt/60 Hertz/3 Phase
1	M406539	Heater Frame Assembly	
2	M400664	Screw	
3	M409304	Jumper Wire Assembly	Heater; 6 required; 208 Volt/60 Hertz/1 or 3 Phase
	N/A	Heater Wires	6 required for 240 Volt/60 Hertz/1 or 3 Phase; 3 required for 480 Volt/60 Hertz/3 Phase
	M403743	Jumper Wire Assembly	Heater; 1 required; 480 Volt/60 Hertz/3 Phase
4	M400869	Jumper Strip	21 kW; 6 required for 208-240 Volt/60 Hertz/1 or 3 Phase; 3 required for 480 Volt/60 Hertz/3 Phase
	M400866	Jumper Bar	21 kW; 2 required; 480 Volt/60 Hertz/3 Phase
5	M405230P	Heater Element	7 kW; 3 required; 208 Volt/60 Hertz/1 or 3 Phase
	M405253P	Heater Element	7 kW; 3 required; 240 Volt/60 Hertz/1 or 3 Phase, 480 Volt/60 Hertz/3 Phase
	M410946P	Heater Element	DC, JC and SC models; 6 kW; 220-380 Volt/50 Hertz/1 or 3 Phase
6	N/A	High Limit Thermostat	
	M401404	Limit Thermostat	DC, JC and SC models

N/A = Part no longer available

Rear Panel Covers



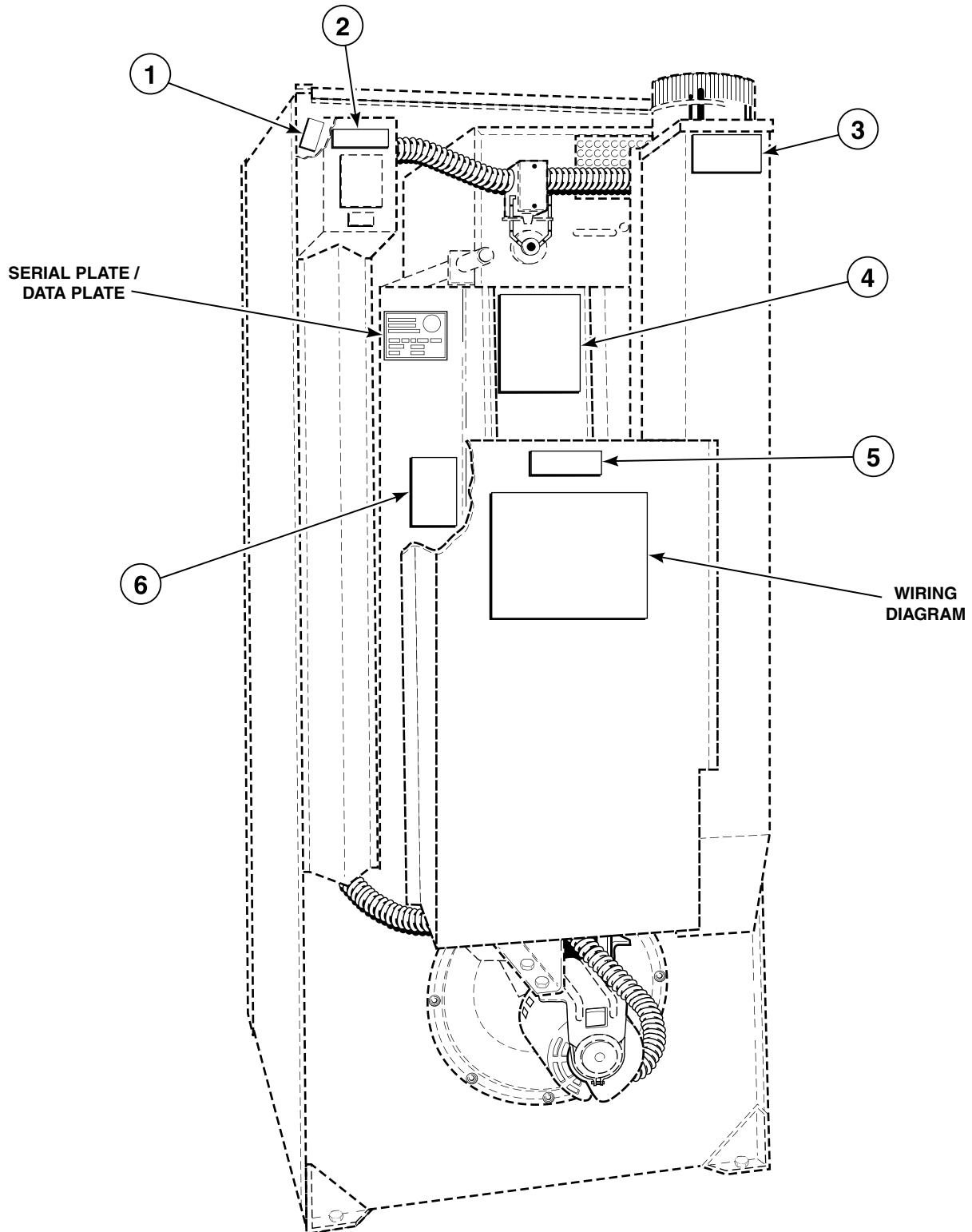
T362PZ3B_M414037

Rear Panel Covers

REF	PART NO.	DESCRIPTION	COMMENTS
1	N/A	Thimble	
2	M400795	Bumper	
3	M405363	Terminal Block	Gas models; 208-240 Volt/60 Hertz/1 Phase
	M405364	Terminal Block	Gas models; 120 Volt/60 Hertz/1 Phase
4	M405824	Screw	
5	51780	Screw	
6	M414352	Junction Box Cover	
7	M409467	Chain Guard Assembly	

N/A = Part no longer available

Warning Labels - Rear of Tumbler



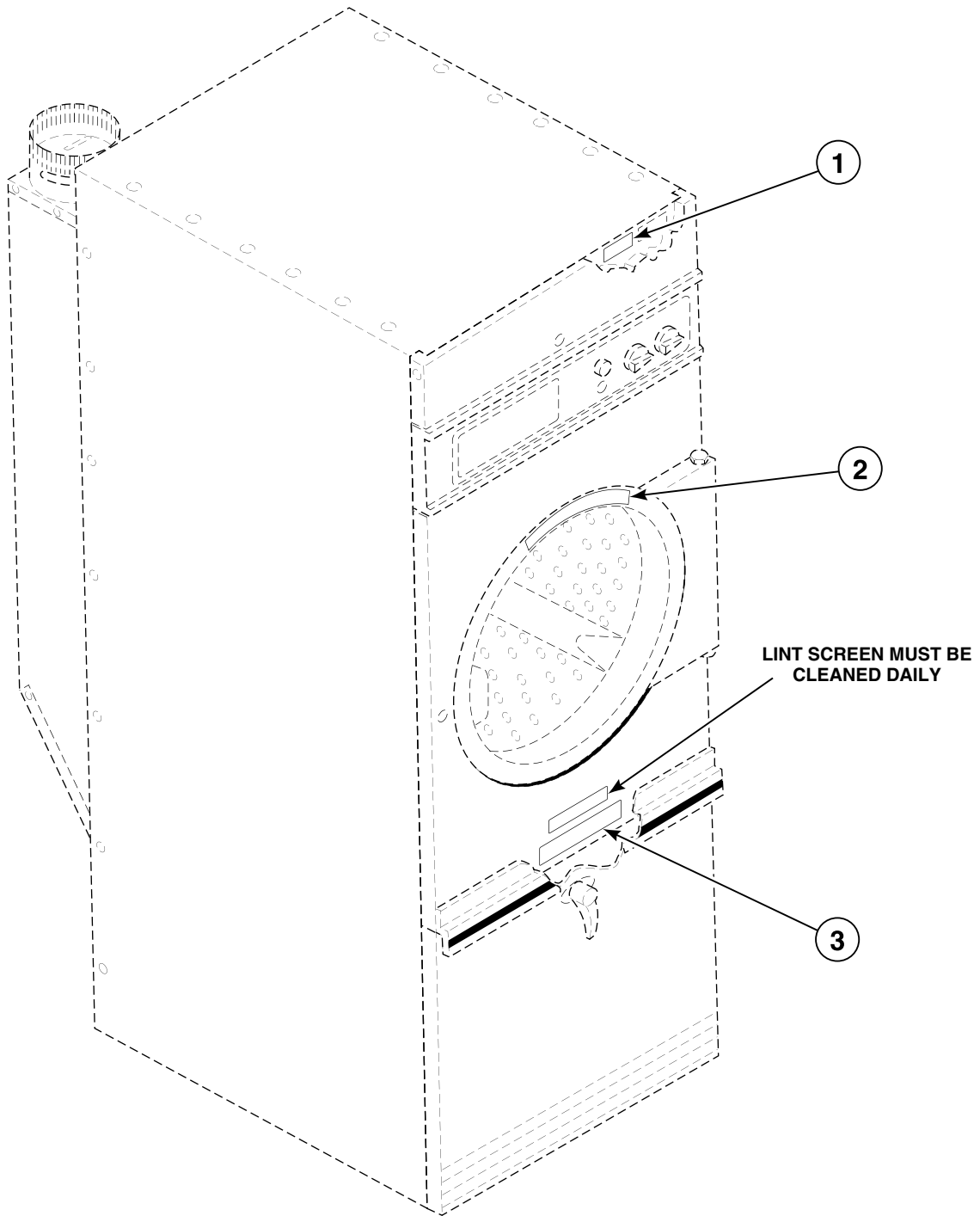
T232P_M414037

Warning Labels - Rear of Tumbler

REF	PART NO.	DESCRIPTION	COMMENTS
	N/A	Belt Warning Sticker	WARNING: Do Not Operate Without Guards in Place; Located at base of guard
1	M403047	Secure Ground Label	Secure Ground Wire to Ground Screw
2	500316	Warning Label	WARNING: Disconnect Power
3	M411815	Vent and Thimble Caution Label	CAUTION: Exhaust Vent
4	M403153	Installation Warning Label	Installation warning
5	M410083	Chain Guard Warning Sticker	WARNING: To Operate Machine Safely Chain Guards Must be in Place
6	M410082	Chain Guard Warning Sticker	WARNING: You are Exposed to Moving Parts. Do Not Operate Without Guards in Place

N/A = Part no longer available

Warning Labels - Front of Tumbler



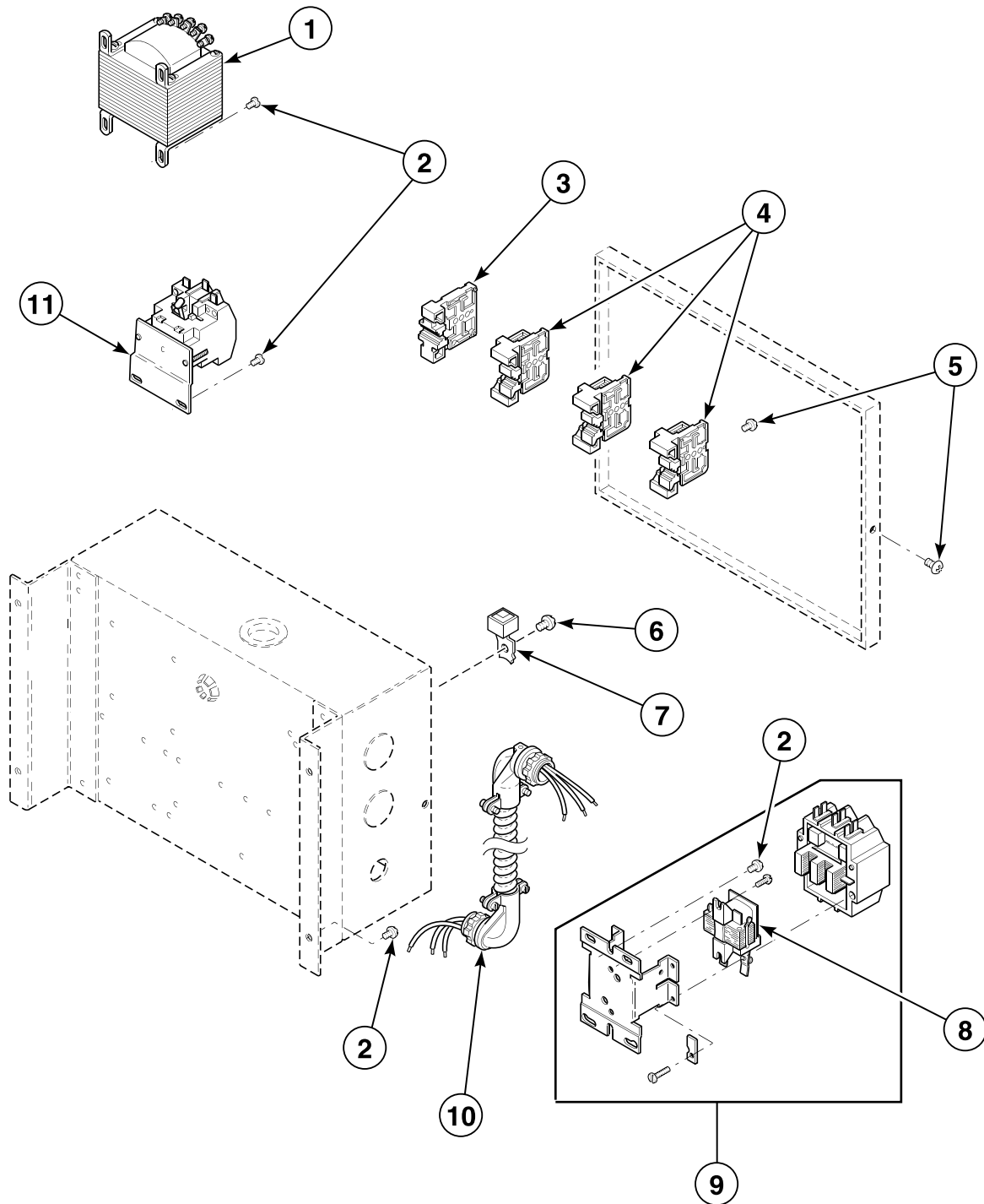
T230P_M414037

Warning Labels - Front of Tumbler

REF	PART NO.	DESCRIPTION	COMMENTS
1	500316	Warning Label	WARNING: Disconnect Power
2	N/A	Warning Label	WARNING: Control Panel; Electric models
	M410892	Warning Label	WARNING: Control Panel; Gas models
3	M411087	Lint Panel Warning Label	WARNING: Lint Screen

N/A = Part no longer available

Electrical Contactor Box Assembly - Models Through Serial No. 9406xxxx



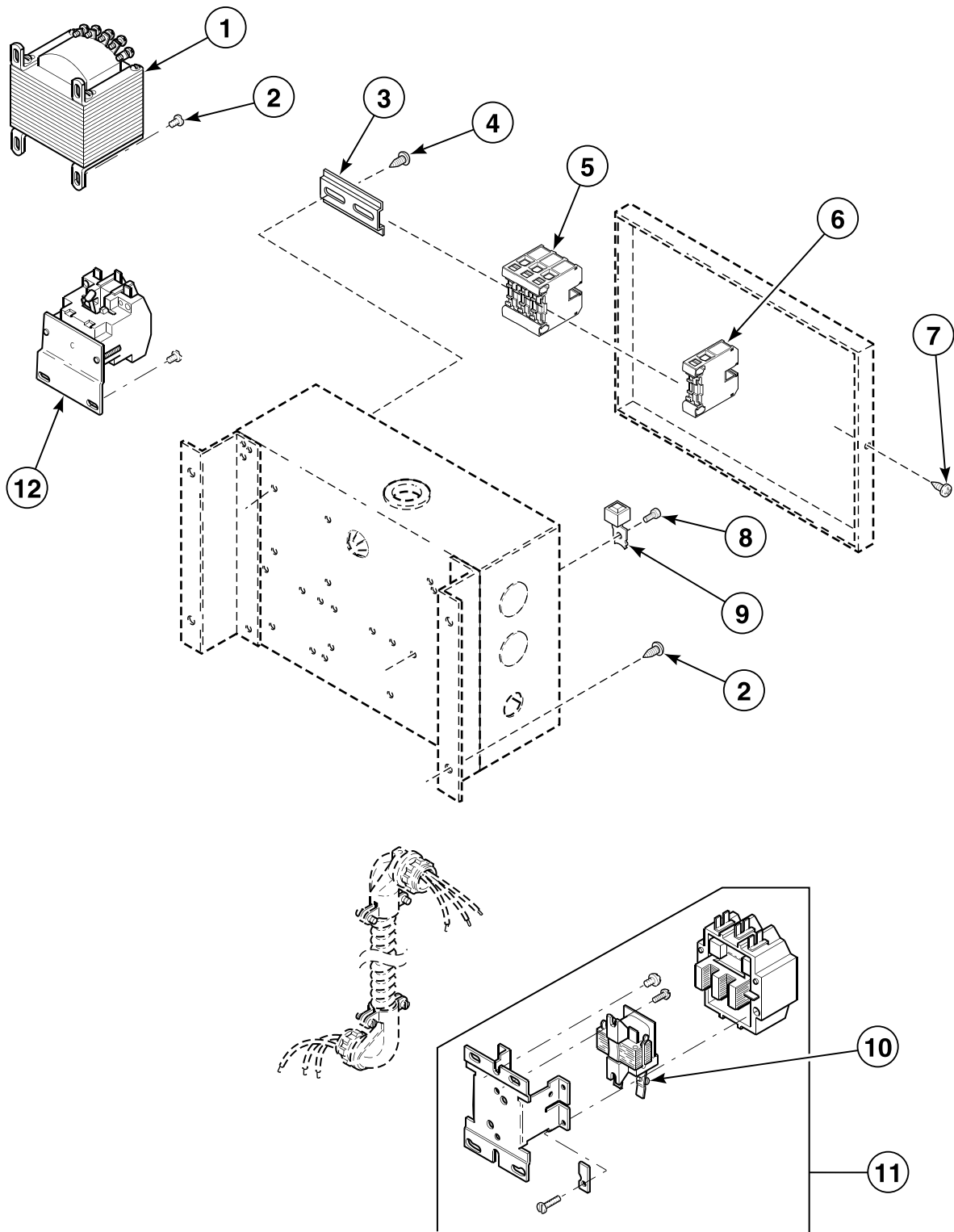
T303PZ3C_M414037

Electrical Contactor Box Assembly - Models Through Serial No. 9406xxxx

REF	PART NO.	DESCRIPTION	COMMENTS
	M412117	Jumper Wire Assembly	6 required; 208 Volt/60 Hertz/1 Phase
	M412116	Jumper Wire Assembly	3 required for 480 Volt/60 Hertz/3 Phase; 6 required for 208-240 Volt/60 Hertz/1 or 3 Phase
1	M401391P	Transformer	480 Volt
2	51780	Screw	
3	M400681	Terminal Block End	
4	M400685	Terminal Block	2 required for 208-240 Volt/1 Phase; 3 required for 208-240 or 480 Volt/3 Phase
5	M400664	Screw	
6	M402917	Screw	Ground
7	M411283	Ground Lug Connector	
8	N/A	Coil	
9	M400904P	Contactor	Heater; 208-240 Volt/1 or 3 Phase; Use 1 on 480 Volt
	M405116P	Contactor	Heater; 120 Volt coil; Used on some 480 Volt units
10	M406385	Wire Harness Assembly	208-240 Volt/1 or 3 Phase
	N/A	Wire Harness	480 Volt/3 Phase
11	M400910P	Contactor	Motor

N/A = Part no longer available

Electrical Contactor Box Assembly - Models Starting Serial No. 9406xxxxx



T364P_M414037

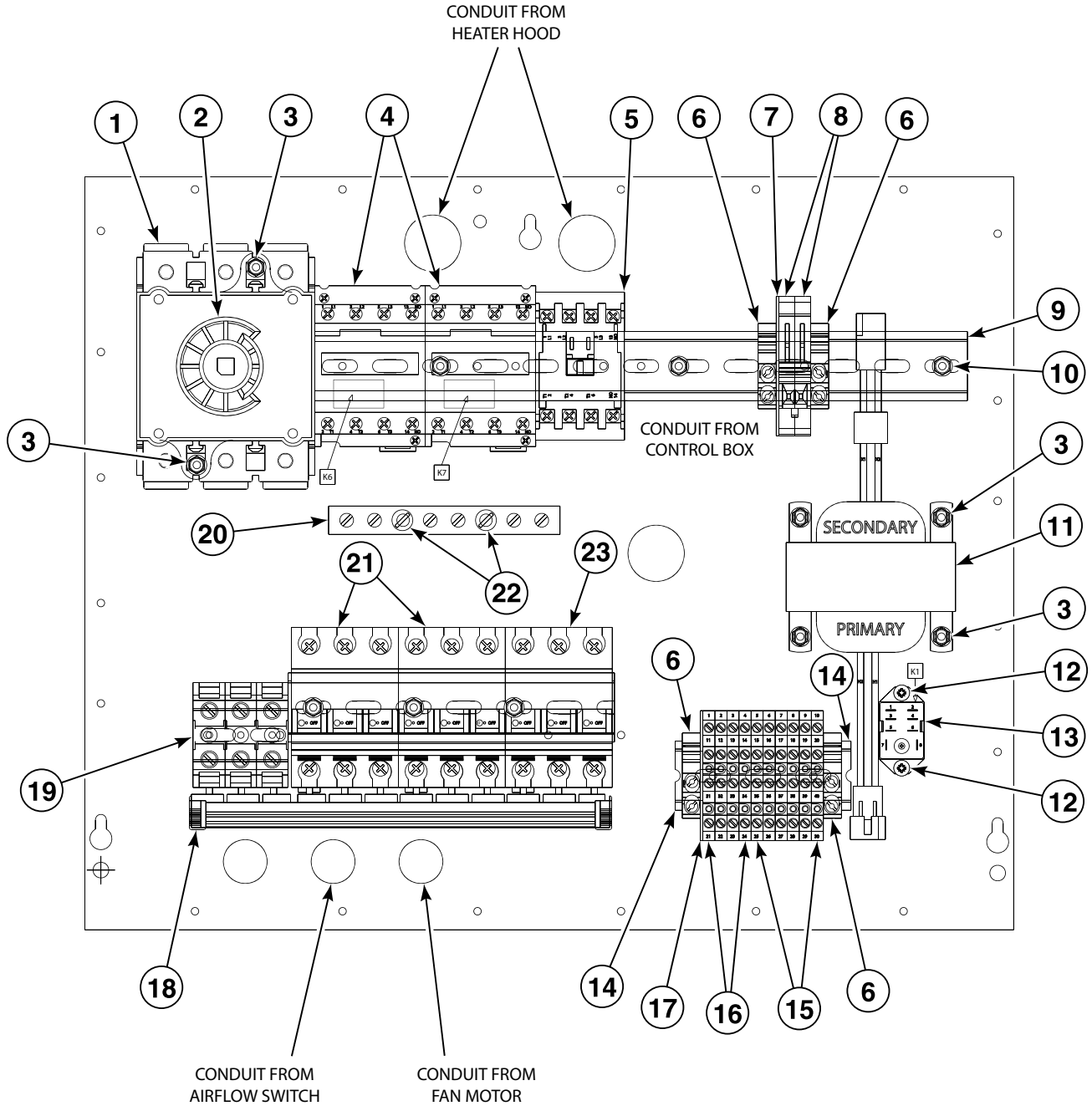
Electrical Contactor Box Assembly - Models Starting Serial No. 9406xxxxx

REF	PART NO.	DESCRIPTION	COMMENTS
	M412116	Jumper Wire Assembly	6 required for 208-240 Volt/1 or 3 Phase; 3 required for 380, 415 or 480 Volt/3 Phase
1	M401391P	Transformer	480 Volt
2	51780	Screw	
3	N/A	Din Rail	
4	430497	Screw	2 required
5	M412045	Terminal Block	
6	M412042	Terminal Block	380 or 415 Volt/50 Hertz/3 Phase
7	M400664	Screw	
8	M402917	Screw	Ground
9	M411283	Ground Lug Connector	
10	N/A	Coil	
11	M405116P	Contactor	Heater; 120 Volt control circuit
	M400904P	Contactor	Heater; 208-240 Volt control circuit
12	M400910P	Contactor	Motor; 240 Volt control circuit
	M400913P	Contactor	Motor; 120 Volt control circuit

N/A = Part no longer available

Contactor Box Assembly for CE Electric Manual Timer and Coin Drop Models

230 Volt/50 Hertz/3 Phase



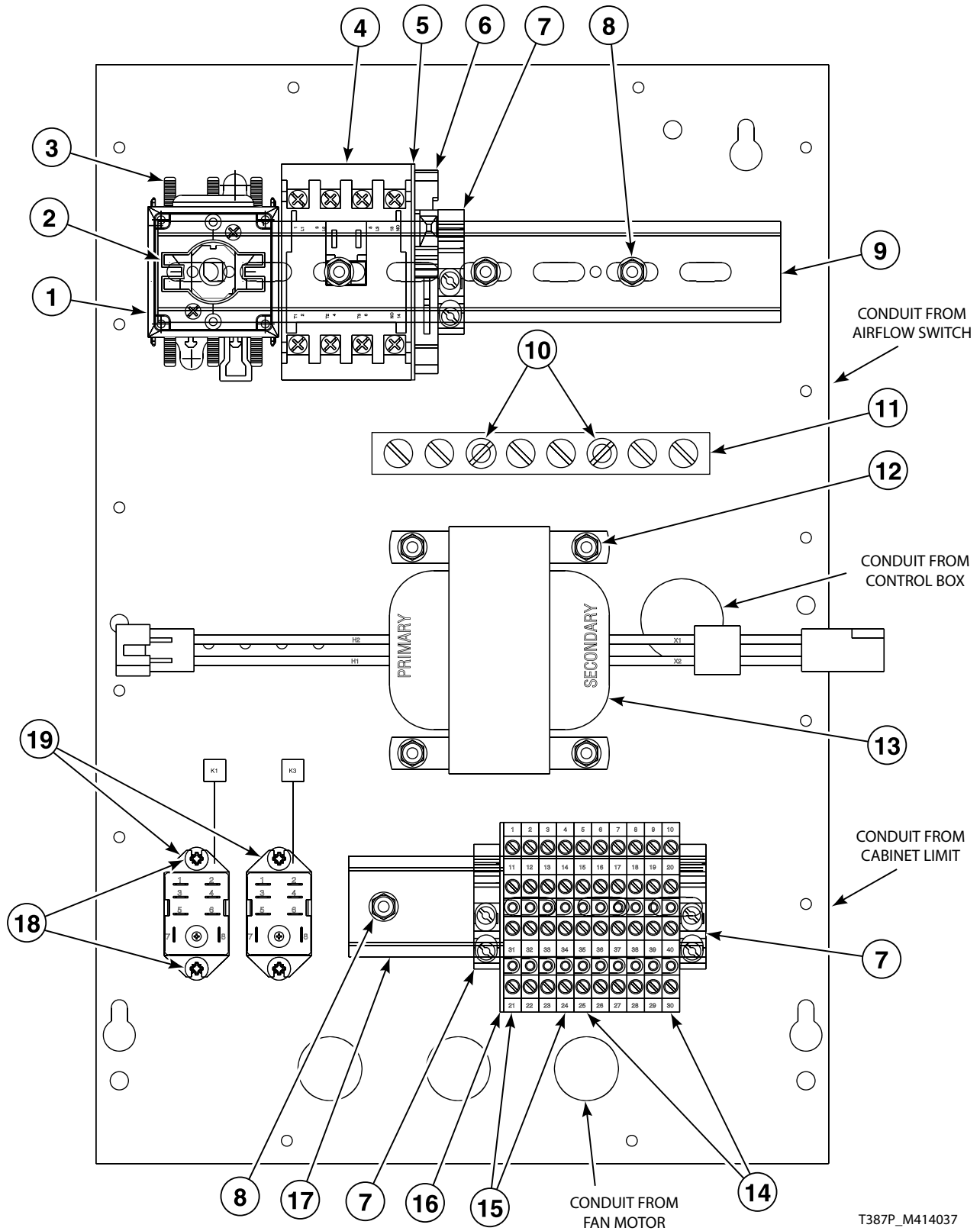
T385P_M414037

Contactor Box Assembly for CE Electric Manual Timer and Coin Drop Models

REF	PART NO.	DESCRIPTION	COMMENTS
	M412776P	Relay Harness Assembly	Dual timer models
	M412777	Relay Harness Assembly	Coin operated models
	M412641	Transformer Harness Assembly	Secondary
	M412642	Transformer Harness Assembly	Primary
	M412871	Jumper Harness Assembly	240 Volt/3 Phase
	M412367	Finger Guard	100 Amp
	502593	Fuse	250 Volt; .4 Amp
	M412694	Din Rail	48.3 mm; For item 19
	M412693	Din Rail	165.1 mm; For items 21 and 23
1	M412186	Mounting Switch Base	100 Amp; Includes 2 terminal blocks
2	M412371	Extension Handle	Includes 2 screws
3	33562	Screw	
4	M412403P	Contactor	Electric; 50 Amp
5	M412404P	Contactor	Motor; 9 Amp
6	70121001	End Stop	
7	M412540	End Section	
8	M412537	Terminal Block	Primary; Fuse holder
9	M412691	Din Rail	350.2 mm
10	51780	Screw	
11	M412477P	Transformer	240 Volt
12	501086	Screw	Dual timer models
13	M412534	Relay	24 Volt/50 or 60 Hertz/1 Phase; Dual timer models
14	M412692	Din Rail	88.9 mm
15	M412631	Terminal Block	2 circuit
16	M412632	Terminal Block	1 circuit
17	M412633	End Barrier	
18	M412757	Buss Bar Assembly	12 position
19	M412045	Terminal Block	3 pole
20	M412656	Ground Buss Assembly	
21	M412402	Circuit Breaker	3 pole; 32 Amp
22	M412688	Nut	
23	M412407	Circuit Breaker	3 pole; 8 Amp

Contactor Box Assembly for CE Gas Manual Timer Models

230 Volt/50 Hertz/1 Phase



Contactor Box Assembly for CE Gas Manual Timer Models

REF	PART NO.	DESCRIPTION	COMMENTS
	502593	Fuse	
	M412636	Relay Harness Assembly	K1, K2, K3; Manual timer
	M412641	Transformer Harness Assembly	Secondary
	M412642	Transformer Harness Assembly	Primary; 240 Volt
	N/A	Jumper Harness Assembly	240 Volt; Junction box
1	M412187	Mounting Switch Base	20 Amp; Includes 2 terminal blocks
2	M412370	Extension Handle	Includes 2 screws
3	M412366	Finger Guard	20 Amp
4	M412404P	Contactor	Motor; 9 Amp
5	M412540	End Section	
6	M412537	Terminal Block	Primary; Fuse holder
7	70121001	End Stop	
8	51780	Screw	
9	N/A	Din Rail	215.9 mm
10	M412688	Nut	
11	M412656	Ground Buss Assembly	
12	33562	Screw	
13	M412477P	Transformer	
14	M412631	Terminal Block	2 circuit
15	M412632	Terminal Block	1 circuit
16	M412633	End Barrier	
17	N/A	Din Rail	127 mm
18	501086	Screw	
19	M412534	Relay	24 Volt/50 or 60 Hertz/1 Phase

N/A = Part no longer available

Contactor Box Assembly for CE Electric Models with MT and CD Control Suffixes

400 Volt/50 Hertz/3 Phase



T391P_M414037

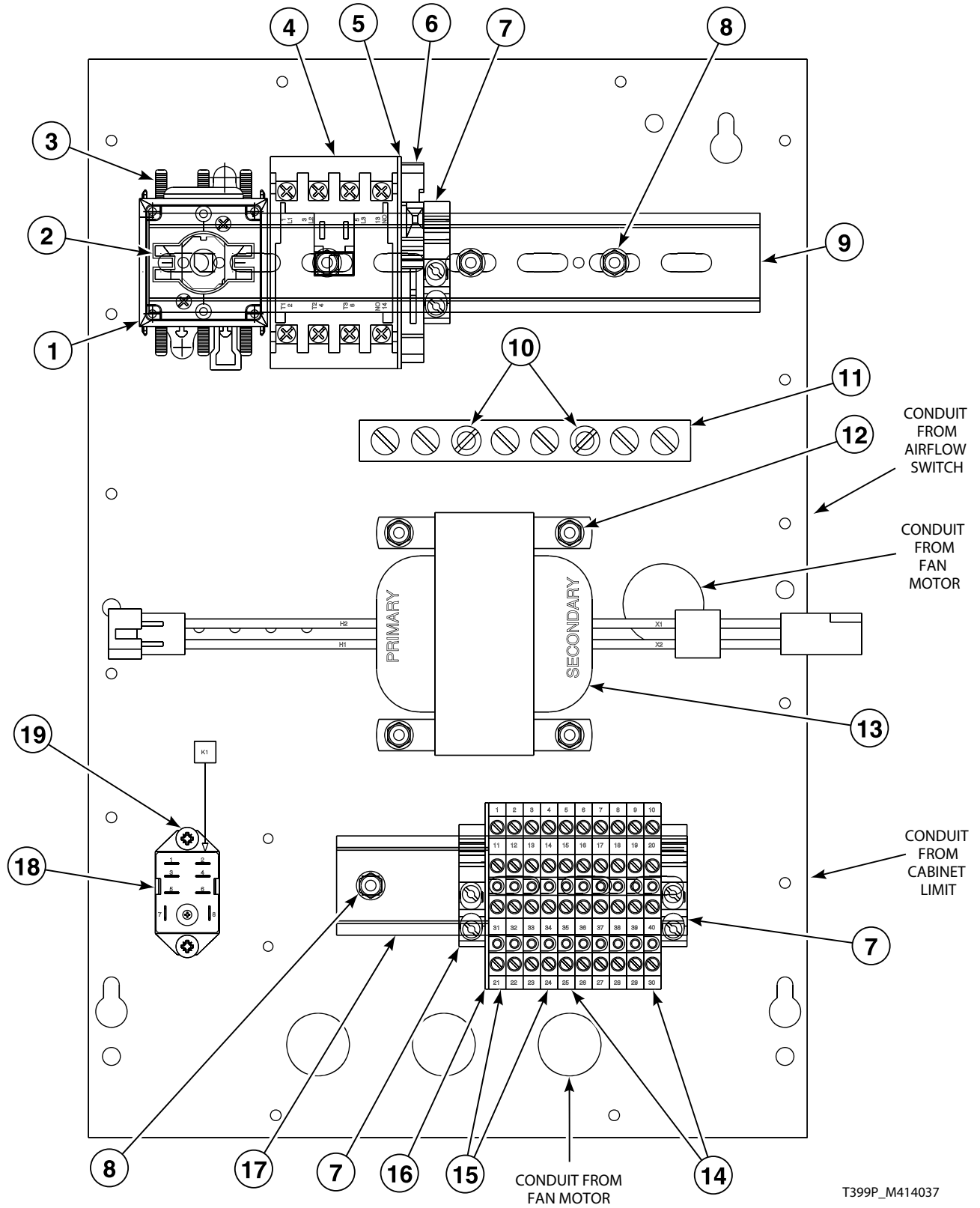
Contactor Box Assembly for CE Electric Models with MT and CD Control Suffixes

REF	PART NO.	DESCRIPTION	COMMENTS
	M412694	Din Rail	48.3 mm; For item 19
	M412996	Fuse	
	M412367	Finger Guard	100 Amp
	M412766	Relay Harness Assembly	Dual timer models
	N/A	Relay Harness Assembly	Coin models
	M412641	Transformer Harness Assembly	Secondary
	N/A	Jumper Harness Assembly	
1	M412186	Mounting Switch Base	100 Amp; Includes 2 terminal blocks
2	M412371	Extension Handle	Includes 2 screws
3	33562	Screw	
4	M412403P	Contactor	Electric; 50 Amp
5	M412404P	Contactor	Motor; 9 Amp
6	M412615	End Stop	
7	M412538	Terminal Block	Primary; Fuse holder
8	M412691	Din Rail	330.2 mm
9	51780	Screw	
10	M412412P	Transformer	
11	501086	Screw	Dual timer models
12	M412534	Relay	24 Volt/50 or 60 Hertz/1 Phase; Dual timer models
13	M412692	Din Rail	88.9 mm
14	70121001	End Stop	230 Volt
15	M412631	Terminal Block	2 circuit
16	M412632	Terminal Block	1 circuit
17	M412633	End Barrier	
18	M412756	Buss Bar Assembly	9 position
19	M412045	Terminal Block	3 pole
20	M412656	Ground Buss Assembly	
21	M412406	Circuit Breaker	3 pole; 40 Amp
22	M412407	Circuit Breaker	3 pole; 8 Amp
23	M412688	Nut	
24	M412693	Din Rail	165.1 mm

N/A = Part no longer available

Contactor Box Assembly for Gas Coin Drop Models

230 Volt/50 Hertz/1 Phase



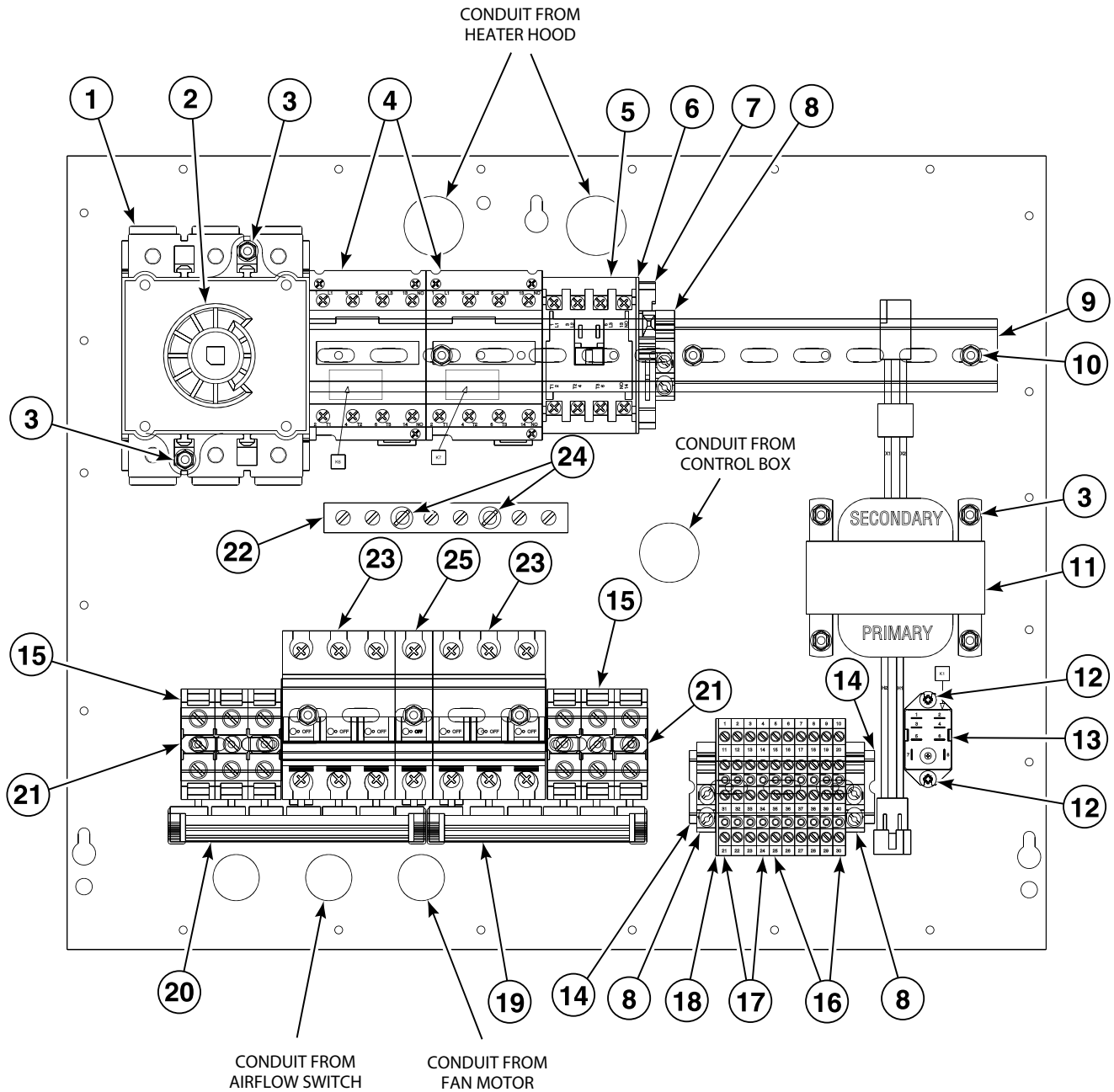
Contactor Box Assembly for Gas Coin Drop Models

REF	PART NO.	DESCRIPTION	COMMENTS
	502593	Fuse	
	N/A	Relay Harness Assembly	K2, K3
	M412641	Transformer Harness Assembly	Secondary
	M412642	Transformer Harness Assembly	Primary; 240 Volt
	N/A	Jumper Harness Assembly	240 Volt; Junction box
1	M412187	Mounting Switch Base	Includes 2 terminal blocks; 20 Amp
2	M412370	Extension Handle	
3	M412366	Finger Guard	20 Amp
4	M412404P	Contactor	Motor; 9 Amp
5	M412540	End Section	
6	M412537	Terminal Block	Primary; Fuse holder
7	70121001	End Stop	
8	51780	Screw	
9	N/A	Din Rail	215.9 mm
10	M412688	Nut	
11	M412656	Ground Buss Assembly	
12	33562	Screw	
13	M412477P	Transformer	
14	M412631	Terminal Block	2 circuit
15	M412632	Terminal Block	1 circuit
16	M412633	End Barrier	
17	N/A	Din Rail	127 mm
18	M412534	Relay	24 Volt/50 or 60 Hertz/1 Phase
19	501086	Screw	

N/A = Part no longer available

Contactor Box Assembly for Electric Coin Drop and Manual Timer Models

230 Volt/50 Hertz/1 Phase



T411P_M414037

Contactor Box Assembly for Electric Coin Drop and Manual Timer Models

REF	PART NO.	DESCRIPTION	COMMENTS
	N/A	Din Rail	127 mm; For items 23 and 25
	M412694	Din Rail	48.3 mm; For items 15 and 21
	502593	Fuse	250 Volt; .4 Amp
	M412367	Finger Guard	100 Amp
	M412776P	Relay Harness Assembly	Dual timer models
	M412777	Relay Harness Assembly	Coin operated models
	M412641	Transformer Harness Assembly	Secondary
	M412642	Transformer Harness Assembly	Primary
1	M412186	Mounting Switch Base	100 Amp; Includes 2 terminal blocks
2	M412371	Extension Handle	Includes 2 screws
3	33562	Screw	
4	M412403P	Contactor	Electric; 50 Amp
5	M412404P	Contactor	Motor; 9 Amp
6	M412540	End Section	
7	M412537	Terminal Block	Primary; Fuse holder
8	70121001	End Stop	
9	M412691	Din Rail	330.2 mm
10	51780	Screw	
11	M412477P	Transformer	240 Volt
12	501086	Screw	Dual timer models
13	M412534	Relay	24 Volt/50 or 60 Hertz/1 Phase; Dual timer models
14	M412692	Din Rail	88.9 mm
15	M412045	Terminal Block	3 pole
16	M412631	Terminal Block	2 circuit
17	M412632	Terminal Block	1 circuit
18	M412633	End Barrier	
19	N/A	Buss Bar Assembly	6 position
20	M412755	Buss Bar Assembly	7 position
21	M412415	Jumper Bar	
22	M412656	Ground Buss Assembly	
23	M412402	Circuit Breaker	3 pole; 32 Amp
24	M412688	Nut	
25	M412401	Circuit Breaker	1 pole; 8 Amp

N/A = Part no longer available

Wire Harness Table

PART NO.	DESCRIPTION	COMMENTS
M413545P	Main Harness	DC, JC and SC models; Manual timer and coin drop
M413547	Main Harness Assembly	DC, JC and SC models; EC control
N/A	Panel Harness Assembly	DC, JC and SC models; Manual timer
M413583	Control Panel Harness Assembly	DC, JC and SC models; EC control
N/A	Door Switch Harness Assembly	DC, JC and SC models; Coin drop and EC control
M412997	Gas Valve Harness Assembly	DC, JC and SC gas models; Models with BM gas valve, single coil connection
M413650	Gas Valve Harness Assembly	DC, JC and SC gas models; Models with Johnson gas valve, dual coil connections
N/A	Thermostat Harness Assembly	Control box; DC, JC and SC gas models; Manual timer and coin drop with bulb thermostat; Dungs ignition control
M413548	Ignition Control Harness Assembly	DC, JC and SC gas models; Manual timer and coin drop with bulb thermostat; Channel Products ignition control
N/A	Thermostat Harness Assembly	Control box; Electric models; Manual timer and coin drop with bulb thermostat
604P3	Channel Ignition Kit	Control box; DC, JC and SC gas models; Models with Dungs ignition control
N/A	Fan Motor Harness Assembly	DC, JC and SC models; 1 or 3 Phase models
M412635	Harness Assembly	DC, JC and SC gas models; Models with stove mounted airflow switch; To junction box
N/A	Airflow Harness Assembly	DC, JC and SC electric models; Models with cabinet mounted airflow switch; To control box
M412609	Stove Limit Harness Assembly	DC, JC and SC gas models; Models with stove mounted airflow switch
N/A	Cabinet Limit Harness Assembly	DC, JC and SC models
M412636	Relay Harness Assembly	DC, JC and SC gas models; Manual timer; K1, K2, K3
N/A	Relay Harness Assembly	DC, JC and SC gas models; Coin; K2, K3
N/A	Relay Harness Assembly	DC, JC and SC gas models; EC control; K2
M412766	Relay Harness Assembly	DC, JC and SC electric models; 380 or 415 Volt; Manual timer
M412776P	Relay Harness Assembly	DC, JC and SC electric models; 230 Volt; Manual timer
N/A	Relay Harness Assembly	DC, JC and SC electric models; 380 or 415 Volt; Coin drop
M412777	Relay Harness Assembly	DC, JC and SC electric models; 230 Volt; Coin drop
N/A	Jumper Harness Assembly	DC, JC and SC gas models; 230 Volt/1 Phase
N/A	Jumper Wire	DC, JC and SC gas models; 380 or 415 Volt/3 Phase
M412645	Jumper Wire Assembly	Ground; DC, JC and SC gas models; Dungs ignition control
M412801	Heater Cable Harness Assembly	DC, JC and SC electric models; 240 or 400 Volt
M412802	Heater Cable Harness Assembly	DC, JC and SC electric models; 230 Volt
M403924P	Control Panel Wire Harness Assembly	DT, JT and ST models; Manual timer, coin drop and coin slide
N/A	Wire Harness Assembly	DT, JT and ST models; MC control
M410058	Stove Wire Harness Assembly	Airflow switch to stove limit; DT, JT and ST gas models
M406385	Wire Harness Assembly	Contact box; DT, JT and ST electric models; 208-240 Volt/3 Phase

N/A = Part no longer available

NOTE: EC = Touch Pad Electronic Control Coin, MC = Pushbutton Electronic Control Coin

Parts Index

A

Accumulator	
M403422P	31
Actuator Switch	
M412423	57
Airflow Switch	
M400944	57
Airflow Switch Box Assembly	
M400539	57
Airflow Switch Bracket	
M409202	57
Airflow Switch Handy Box	
M403235	57
Airflow Switch Insulator Barrier	
M400712	57
Airflow Switch Vane Lever	
M400753	57
Anti-Torque Ring	
M400605	59, 63, 69

B

Ball Bearing	
M400592	45, 47, 49
M413921P	45
Belt	
M406083P	47
Belt Guard	
M413008	55
Bolt	
M400078	47, 49
M400649	45
M400650	45
M401393	55
M402945	29
M412119	53
M412475	47, 49
Booster Coil	
56225C	61
Bracket	
M406936	63
Bumper	
M400795	75
Bumper Assembly	
M406112	43
Bumper Trim	
M406113P	43
Burner Assembly	
M405938	59, 63
M410541	67, 69
Burner Orifice	
M400998	59, 63, 67, 69
M401002	59, 63, 67, 69
M401007	59, 63, 67, 69
M401011	59, 63, 67, 69
M401015	59, 63, 67, 69
M402995	59, 63, 67, 69
M402996	59, 63, 67, 69

M402997	59, 63, 67, 69
M403017	59, 63, 67, 69
M406184	59, 63, 67, 69
Buss Bar Assembly	
M412755	93
M412756	89
M412757	85

C

Cam and Screw	
M400595	43
Chain Connecting Link	
M401360P	47, 49
Chain Guard Assembly	
M409467	75
Chain Guard Warning Sticker	
M410082	77
M410083	77
Chain Sleeve	
M400755P	47, 49
Chain Sprocket	
M401369P	47, 49
Channel Ignition Kit	
604P3	67, 94
Circuit Breaker	
M412401	93
M412402	85, 93
M412406	89
M412407	85, 89
Clip	
M400974	27
M400975	41
M400976	57
M400984	41
Coil Assembly Kit	
56225A	61
Coil Spring	
M402455	21
Coin Carrier Spring	
M405138A	21
Coin Chute	
M411882	27
Coin Drop	
M411602	19
M412001	19
M414501P	17, 25
M414502	19
70264701	17, 19
70264801	17, 19
70265101	19
70265201	19
Coin Drop Front Plate	
M411612	19
Coin Drop Kit	
M414549P	19
Coin Drop Switch	
70286101P	17, 25
Coin Meter	
M402508-12	11
M402508-14	11

N/A items do not appear in index.

M402508-34	11
M402508-36	11
M402508-45	11
M405138P	11
M412542P	13
M412546	13
M412547	13
Coin Meter Drive	
M400754	21, 23
Coin Meter Kit	
70262701	11
70262801	11
Coin Retainer Spring	
M406297	21
Coin Slide	
M405884	29
Coin Slide Extension	
61031	29
Coin Vault Assembly	
44102801	27
Contact Block	
M412230	9, 13
Contact	
M400904P	81, 83
M400910P	81, 83
M400913P	83
M405116P	81, 83
M412403P	85, 89, 93
M412404P	85, 87, 89, 91, 93
Control Kit	
M411883P	19
M414049P	19
M414050P	19
Control Panel Assembly	
M410386	17
M410388	11
M410390	7
M410391	7
M411027	11
M414195	13
M414210	19
Control Panel Harness Assembly	
M413583	94
Control Panel Overlay Assembly	
M406145	17
Control Panel Retainer	
M401301	7, 9, 11, 13, 15, 19
M401302	7, 9, 11, 13, 15, 19
Control Panel Wire Harness Assembly	
M403924P	7, 11, 15, 94
M411799	19
Counterweight	
M400822	57
Cover Plate	
M401362	55
Cylinder	
M406075P	45
Cylinder and Trunnion Assembly	
M406072P	45
Cylinder Assembly	
M409758	45

D

Din Rail	
M412691	85, 89, 93
M412692	85, 89, 93
M412693	85, 89
M412694	85, 89, 93
Door Assembly	
M400447P	37
M410887	37
430475	37
Door Glass	
M400784P	37
70133601P	37
Door Glass Seal Kit	
70211901P	37
Door Handle	
M400133	37
430117	37
Door Hinge Assembly	
M406116*	37
Door Latch	
M401223	37
Door Ring Gasket	
M406129	37
Door Safety Switch Kit	
M4842P3	39
Door Switch	
M406103	37
M406119	37
Drive Rivet	
M400713	41
Drum Idler Wheel Assembly	
430619	53

E

Electronic Lens	
M406104	17
End Barrier	
M412633	85, 87, 89, 91, 93
End Cap	
M401328	7, 9, 11, 13, 15, 19
End Section	
M412540	85, 87, 91, 93
End Stop	
M412615	89
70121001	85, 87, 89, 91, 93
Extension Handle	
M412370	87, 91
M412371	85, 89, 93
Extension Spring	
M412121	51

F

Fan and Key	
M400086P	55
Fan Motor	
44045901P	55
44046001P	55

N/A items do not appear in index.

Felt Pad	
M402144	45
Finger Guard	
M412366	87, 91
M412367	85, 89, 93
Flexible Coupler	
M412551	39
Front Panel Assembly Kit	
M411125*P	41
Front Panel Kit	
M409088P	41
M410880*P	41
M410881*P	41
Front Plate	
M411936	19
Fuse	
M409997	17
M412996	89
502593	85, 87, 91, 93
Fuse Receptacle	
91024P	17

G

Gas Shut-Off Valve	
M412562	67, 69
Gas Shut-Off Valve Assembly	
44092101	59, 63, 69
Gas Valve	
M410907P	71
M410908	71
M413332P	69
Gas Valve Bracket	
M406098	59, 63
M406814	69
Gas Valve Flange Assembly	
M412568	67
Gas Valve Harness Assembly	
M412997	94
M413650	94
Ground Buss Assembly	
M412656	85, 87, 89, 91, 93
Ground Lug Connector	
M411283	81, 83
Guide Rail	
M412476	51
Guide Rail Channel	
M413718	47, 49

H

Handle and Cam Assembly	
M410243P	43
Harness Assembly	
M412635	94
Heater Assembly	
M409302	73
Heater Cable Harness Assembly	
M412801	94
M412802	94
Heater Element	
M405230P	73

M405253P	73
M410946P	73
Heater Frame Assembly	
M406539	73
High Limit Thermostat	
M401257	35
High Voltage Lead	
M406788	63
M406881	69
Hinge Assembly	
M405931	29
M406324	37
Hinge Bracket	
431000*	41
Hinge Pin	
M400653	37
Holding Coil	
56225B	61

I

Idler Arm Kit	
M414320P	53
Idler Housing Kit	
M412103P	47, 49, 53
M412229P	47, 49, 53
Idler Pulley	
M406380	49, 51
Idler Shaft	
M401374P	47, 53
M412223P	53
Igniter	
55438P	59
Ignition Control	
M406789P	63
M4898P3	67
70367401P	69
Ignition Control Harness Assembly	
M413548	94
Indicator Light	
M412234	9, 13
Installation Warning Label	
M403153	77
Instant Electronic Ignition Control	
M410904P	71
Instant Electronic Ignition Valve Coil Kit	
M409253P	65

J

Jumper Bar	
M400866	73
M412415	93
Jumper Harness Assembly	
M412871	85
Jumper Strip	
M400869	73
Jumper Wire Assembly	
M403743	73
M409304	73
M412116	81, 83
M412117	81

N/A items do not appear in index.

M412645	94
Junction Box Cover	
M414352	75

K

Key	
M400010	45, 51
M400993	55
M400994	55
M401327	47, 49, 51
54612	29
Kickplate Kit	
M414436P	43
Knob	
M400773	7, 9
M400777	33
M410927	7, 9

L

Limit Thermostat	
M401404	73
M406412	35
M409433	59, 63
M410220	69, 71
Lint Hood Assembly	
M400515	43
Lint Panel Assembly	
M406110*P	43
M406327P	43
M406523*P	43
M410666*	43
Lint Panel Bumper	
M410843	43
Lint Panel Warning Label	
M411087	79
Lint Screen Assembly	
M400522	43
M400523	43
Lint/Access Panel Handle	
M400594P	43
Lock Kit	
27260P	29
L.P. Conversion Kit	
M4390P3	61, 65
L.P. Valve Kit	
M4745P3	63

M

Main Harness	
M413545P	94
Main Harness Assembly	
M413547	94
Manifold Pipe Assembly	
M406308	59, 63
Manual Reset Thermostat	
M411945	35
Meter Case Assembly	
M410807*	29

Micro V Belt	
M411424P	51
M411425P	51
Micro V Pulley	
M411466P	53
Micro V Sheave	
M412155	51
Microprocessor Control Assembly	
M413477P	17
M413478P	17
Motor	
M400379	55
M400794	7
M409735P	55
M411189P	55
Motor Bracket	
M411483	51, 55
Motor Hardware Kit	
M4426P3	55
Motor Harness Assembly	
M409485	55
M409487	55
Motor Mounting Ring Kit	
M405419P	55
Motor Pulley Belt	
M406386	47, 49, 51
Motor Replacement Kit	
M4833P3	55
Motor Wire Harness Assembly	
M409459	55
Mounting Switch Base	
M412186	85, 89, 93
M412187	87, 91

N

Nameplate Assembly	
M406630	41
Nut	
M400022	55
M400023	45, 49, 51
M400026	45, 47, 49, 51
M400034	55
M400036	45, 49, 51
M400672	11, 13, 41
M400977	57
M400979	57
M401548	59, 63, 69
M401930	45
M404993	51
M412626	51
M412688	85, 87, 89, 91, 93
M414215	37
02428	47, 49, 55
20274	29
23951	19, 37
52566	53
56156	53
70142	55
N.G. Conversion Kit	
M4389P3	61, 65
N.G. Valve Kit	
M4744P3	63

N/A items do not appear in index.

O

Overlay	
M413947	19
M413948	19

P

Panel Key	
M401680	41, 43
Panel Lock	
M406654P	41, 43
Pilot Light	
JST-163-2	7
M400704	7
Pipe	
M400749	59, 63, 67, 69
Pop Rivet	
M400003	27, 37
M405750	7, 9, 11, 13, 15, 19
Pulley	
M406379P	55
Pushbutton Switch	
M413431	69
34536	19
Push-to-Start Switch Kit	
M400954P	7, 11, 15

R

Ratchet Wheel	
53239	31
Relay	
M400911P	7
M400912P	7
M412534	85, 87, 89, 91, 93
Relay Harness Assembly	
M412636	87, 94
M412766	89, 94
M412776P	85, 93, 94
M412777	85, 93, 94
Replacement Door Handle Kit	
70133501P	37
Resilient Ring Kit	
M4525P3	55
Resistor Assembly	
M400527	7, 11
M410992	7
Return Spring	
M400746	23
M405138B	21
Rib Rod	
M400901	45
Ring	
M400399	49, 51
Roller Chain	
M401425	47, 49
Run Light	
M404151	11, 15

S

Screw	
M400043	51
M400057	55
M400065	47, 49, 51
M400071	7, 11, 15
M400072	7, 11, 15, 33
M400077	53, 55
M400655	27
M400661	37
M400664	17, 35, 41, 43, 57, 59, 63, 71, 73, 81, 83
M401938	57
M402797	59, 63, 71
M402917	7, 11, 15, 81, 83
M405188	55, 59, 63
M405525	47, 49
M405824	75
M409385	37, 45
M410059	55
M411052	7, 9
M412531	39
M412532	39
M412627	51
03203	29
03950	29
33562	7, 11, 19, 29, 85, 87, 89, 91, 93
430497	19, 41, 83
430648	51, 53
430757	43
501086	85, 87, 89, 91, 93
501524	19
51780	7, 29, 59, 75, 81, 83, 85, 87, 89, 91, 93
52909	29
56693	59
Secondary Coil	
56225D	61
Secure Ground Label	
M403047	77
Sensor	
M409114	35
510213	59
Sensor Kit	
M4449P3	35
Service Door Assembly	
35798*P	29
Shadow Box	
M403414	11, 13, 17
Shadow Box and Clip	
M400131P	19, 27
Shadow Box Clip	
M400972	27
Sheave	
M400328	47
Shut-Off Valve and Tailpiece Kit	
M4854P3	59, 63, 69
Single Throw Switch	
M400001	21, 23, 31
Spark Igniter	
M406934P	63, 67, 69
M410905P	71
Spring	
53261	31
Spring and Connector Assembly	
M409136	59

N/A items do not appear in index.

Sprocket	
M400091P	45
M401366P	47, 49
Spud Holder	
M403162	59, 63, 69
Spud Holder Kit	
M4452P3	59
Stove Limit Harness Assembly	
M412609	94
Stove Wire Harness Assembly	
M410058	59, 63, 94
Street Elbow	
H86070034	67
Support Bearing	
430038	53
Support Rod	
M400604	41
Switch	
M400947	21, 23, 31
Switch Base	
M412528	39
Switch Mounting Plate	
M411595	19
Switch Plate	
81637	17

T

Tailpiece	
44092201	59, 63, 69
44092202	59, 63, 69
Temperature Control Knob	
M410928	33
Tension Plate Assembly	
M414405	51
Terminal Block	
M400685	81
M405363	75
M405364	75
M412042	83
M412045	83, 85, 89, 93
M412537	85, 87, 91, 93
M412538	89
M412631	85, 87, 89, 91, 93
M412632	85, 87, 89, 91, 93
Terminal Block End	
M400681	81
Thermistor	
M414704	19, 35
Thermostat	
M401251P	33
Thermostat Cover	
M414477	59, 63, 71
Timer	
M400785P	7
M400787P	7
M400791P	7
M412079P	9
M412080P	9
Timer Kit	
M410900P	7
M410901P	7

Timer Motor	
M400609	7, 21, 23, 31
M400793	7
Timing Cam	
M400239	31
M400732P	21, 23
M400733P	21, 23
M400734P	21, 23
M400735P	21, 23
M400736P	21, 23
M400737P	21, 23
M400738P	21, 23
M400739P	21, 23
M400740P	21, 23
M400741P	21, 23
53240	31
53241	31
53242	31
53243	31
Top Front Panel	
M406164*	41
M406321	41
M406345*	41
M413631*	41
Top Front Panel Assembly	
M406465*	41
Transformer	
M401391P	81, 83
M411066	71
M412412P	89
M412477P	85, 87, 91, 93
Transformer Harness Assembly	
M412641	85, 87, 89, 91, 93
M412642	85, 87, 91, 93
Trunnion Assembly	
M406073P	45
Trunnion Housing Assembly	
M401349P	45
Trunnion Housing Casting	
M400144	45

V

Vane	
M400253	57
Vane Assembly	
M400541	57
Vent and Thimble Caution Label	
M411815	77

W

Warning Label	
M410892	79
500316	77, 79
Washer	
M400013	45, 47, 49, 55
M400014	29, 47, 49, 51
M400080	47, 51, 55
M400081	47, 49
M400606	59, 63
M400675	37
M400832	47, 49
M400991	55

N/A items do not appear in index.

M401946	45
M401947	45
M403958	51
M405535	53
M412188	51
03815	43
20279	29
21734	29
Wire Harness Assembly	
M406385	81, 94
M410599	63
