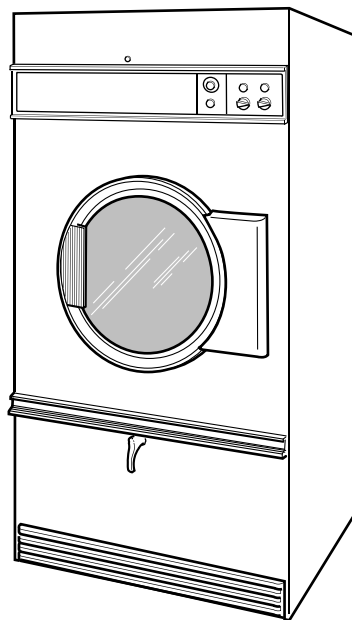


Drying Tumblers

75 Pound Capacity

Refer to Page 5 for Model Numbers



T012C_M411432

Table of Contents

Title	Page
Parts Ordering Information.....	3
Serial Plate Location	3
Model Identification	5
Control Panel Components for A, DT, JT and ST Manual Timer Models	6
Control Panel Assemblies for A, DT, JT and ST Manual Timer Models	8
Control Panel Assembly for DC, JC and SC Manual Timer Models	10
Control Panel Assembly for Rotary Coin Drop Models	12
Coin Meter	14
Coin Vault and Coin Drawer	16
OPL 120 Volt Micro Control	18
OPL 24 Volt Micro Control	20
Control Box Area.....	22
Access Panel and Top Cover	24
Front Panel and Door.....	26
Door Switch.....	28
Panels, Lint Hood Assembly and Lint Screen.....	30
Cylinder and Trunnion Assemblies	32
Trunnion Housing and Sprockets.....	34
Idler Drive Components For Belt/Chain Drive - Nonreversing Models.....	36
Idler Drive Components For Belt/Belt Drive - Nonreversing Models.....	38
Idler Housing Assembly For Belt/Belt Drive - Nonreversing Models.....	40
Idler Drive Components For Belt/Chain Drive - Reversing Models.....	42
Idler Drive Components For Belt/Belt Drive - Reversing Models	44
Idler Housing Assembly For Belt/Belt Drive - Reversing Models	46
Fan and Motor Components - FG and 634 Models	48
Fan and Motor Components - All Models Except FG and 634.....	50
Motor Components - All Models Except FG and 634.....	52
Cylinder Drive Motor and Components for Models Through 1996.....	54
Cylinder Drive Motor and Components for Models Starting 1996.....	56
Airflow Switch Assembly	58
Burner Assembly for Glow Bar Ignition	60
Burner Assembly for Australian Models.....	62
Gas Burner Components for Electronic Ignition.....	64
Gas Valve Components for Glow Bar Ignition	66
Gas Valve Components for Electronic Ignition	68
Gas Valve Assembly for Dungs/B-M System.....	70
Gas System	72
Burner Orifice - Non-CE Models	74
Burner Orifice - CE Models	76
Electric Heater Components and Thermostat for Models Through Serial No. 9304053995.....	78
Electric Heater Components and Thermostat for CE Models Starting Serial No. 9304053996.....	80

© Copyright 2007, Alliance Laundry Systems LLC

All rights reserved. No part of the contents of this book may be reproduced or transmitted in any form or by any means without the expressed written consent of the publisher.

Electric Heater Components and Thermostat for Non-CE Models Starting Serial No. 9304053996	82
Electric Heat Contactor Box Components for Models Through Serial No. OTCK9412024853.....	84
Junction Box	86
Steam Heater and Valve	88
Cabinet High Limit Thermostat and Backdraft Damper.....	90
Warning Labels	92
Reversing Control	94
Contactor Box Assembly Harnesses for OM Control Suffix	96
Contactor Box Assembly (Drawing 1 of 10)	98
Contactor Box Assembly (Drawing 2 of 10)	100
Contactor Box Assembly (Drawing 3 of 10)	102
Contactor Box Assembly (Drawing 4 of 10)	104
Contactor Box Assembly (Drawing 5 of 10)	106
Contactor Box Assembly Harnesses for CD, MM and MT Control Suffixes.....	108
Contactor Box Assembly (Drawing 6 of 10)	110
Contactor Box Assembly (Drawing 7 of 10)	112
Contactor Box Assembly (Drawing 8 of 10)	114
Contactor Box Assembly (Drawing 9 of 10)	116
Contactor Box Assembly (Drawing 10 of 10)	118
Accessory Box	120
Parts Index.....	123

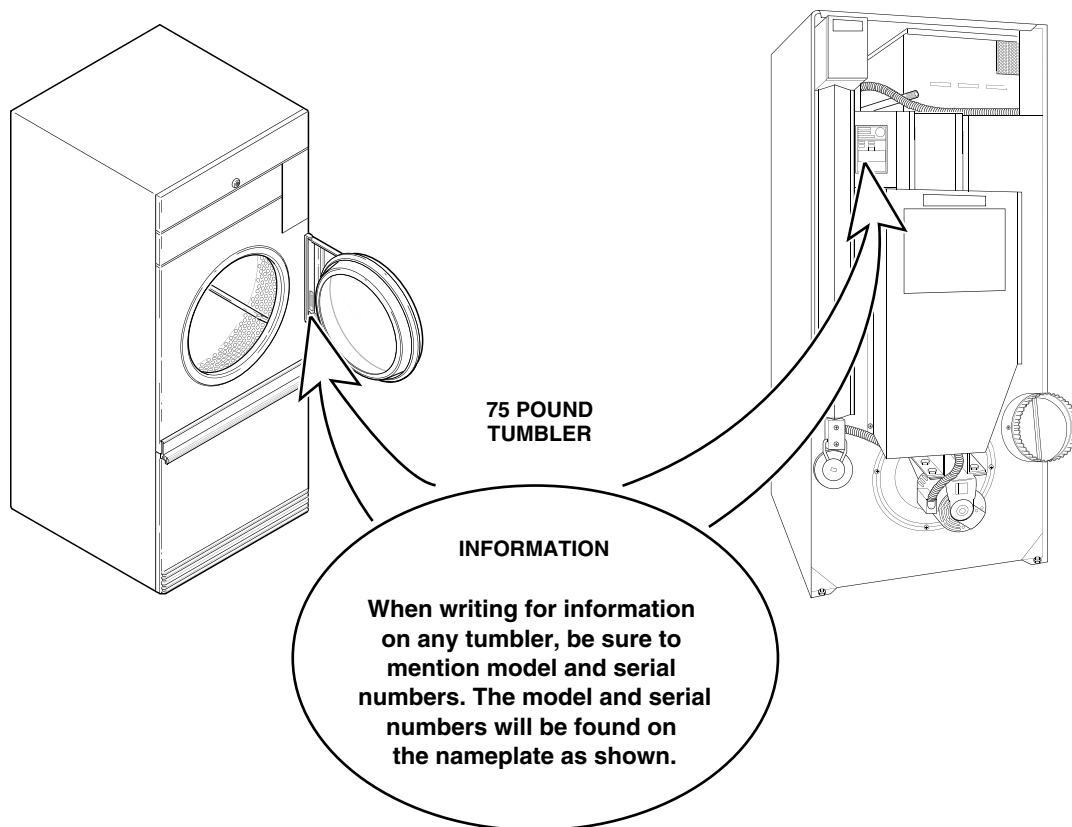
Parts Ordering Information

If literature or replacement parts are required, contact the source from whom the machine was purchased or contact Alliance Laundry Systems at (920) 748-3950 for the name and address of the nearest authorized parts distributor.

For technical assistance, call (920) 748-3121.

Serial Plate Location

When calling or writing about your product, be sure to mention model and serial numbers. Model and serial numbers are located on serial plate(s) as shown.



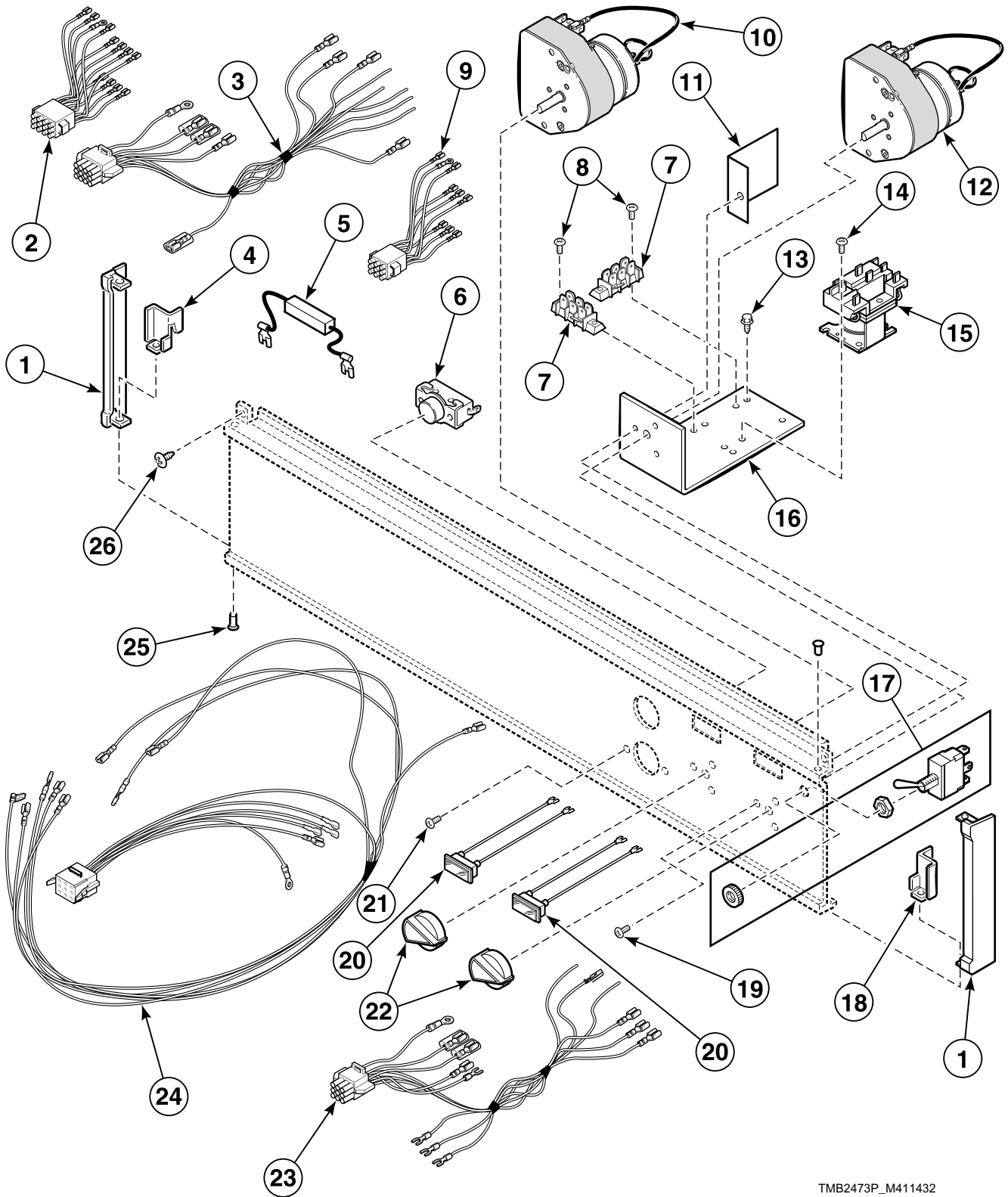
T419IE3A_M411432

Model Identification

Information in this manual is applicable to these tumbler models:

ATB75CG	DTB75CSH	JCB75CSH	JTB75CSL	ST75CE
ATB75CSH	DTB75CSL	JCB75CSL	JTB75EG	ST75CG
DCB75CE	DTB75EG	JT75CE	SC75CE	ST75CSH
DCB75CG	DTB75FG	JT75CG	SC75CG	ST75CSL
DCB75CSH	JC75CE	JT75CSH	SC75CSH	STB634
DCB75CSL	JC75CG	JT75CSL	SC75EG	STB75CE
DCB75FG	JC75CSH	JT75EG	SCB75CE	STB75CG
DTB634	JC75EG	JTB75CE	SCB75CG	STB75CSH
DTB75CE	JCB75CE	JTB75CG	SCB75CSH	STB75CSL
DTB75CG	JCB75CG	JTB75CSH	SCB75CSL	STB75EG

Control Panel Components for A, DT, JT and ST Manual Timer Models



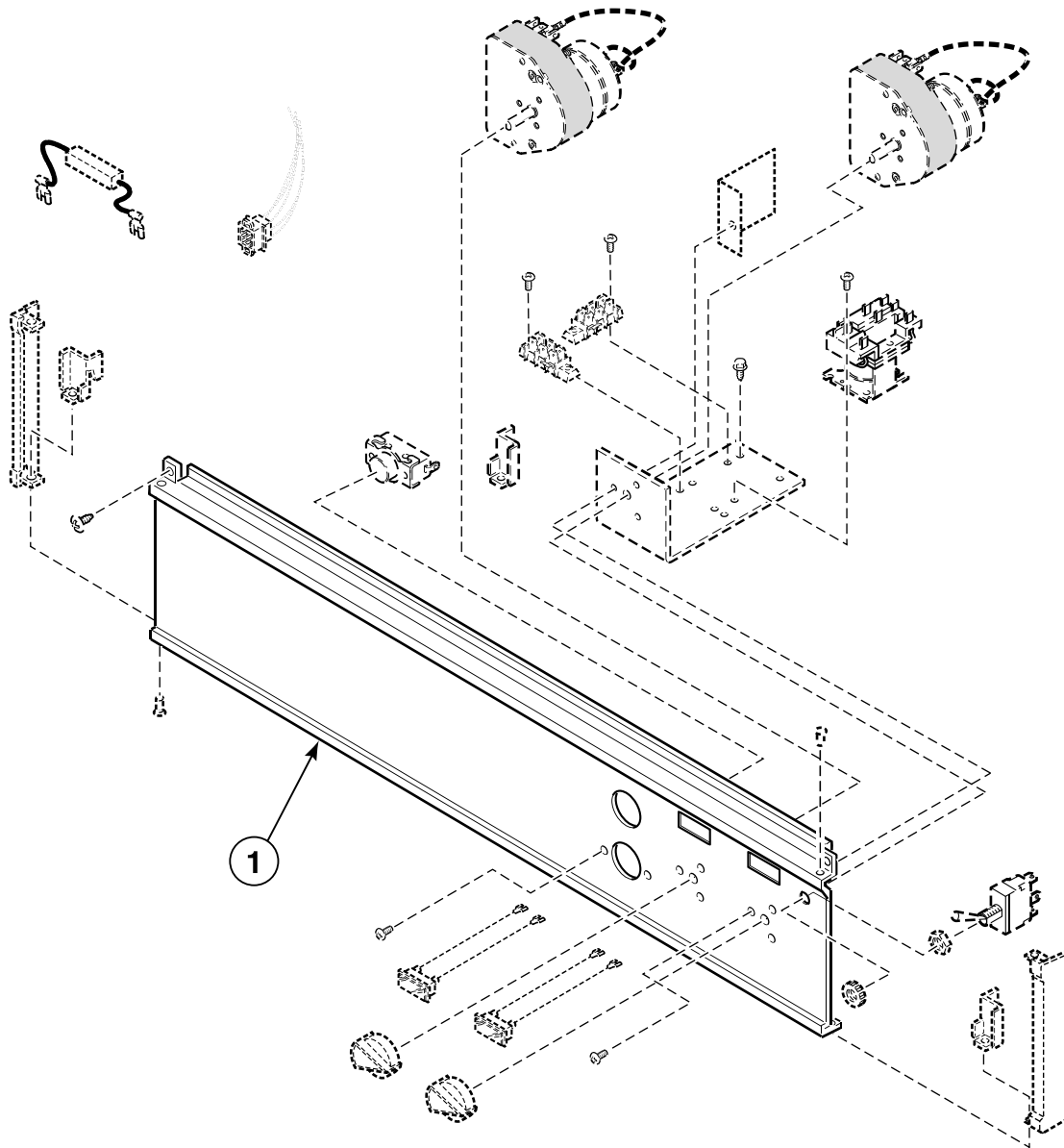
TMB2473P_M411432

Control Panel Components for A, DT, JT and ST Manual Timer Models

REF	PART NO.	DESCRIPTION	COMMENTS
1	M401328	End Cap	
2	M410488	Control Panel Wire Harness Assembly	Reversing gas models; 208-240 Volt/60 Hertz/3 Phase
	M405372	Wire Harness Assembly	
3	M410485	Control Wire Harness Assembly	Reversing gas models; 50 Hertz
	M410487	Control Wire Harness Assembly	Reversing gas models; 208-240 Volt/60 Hertz/3 Phase
	M410486	Control Box Wire Harness Assembly	Reversing electric and steam models
4	M401301	Control Panel Retainer	Left
5	M410992	Resistor Assembly	Robert Shaw Mallory timer; 208-240 Volt/60 Hertz control circuit
	M400527	Resistor Assembly	Greenwald timer; 208-240 Volt control circuit
6	M400954P	Push-to-Start Switch Kit	
7	N/A	Terminal Block	208-240 Volt/50 or 60 Hertz control circuit
8	M400071	Screw	
9	M403924P	Control Panel Wire Harness Assembly	Nonreversing
10	M410900P	Timer Kit	Cool-down; 15 minute; 120 Volt/60 Hertz control circuit
	M410902P	Timer Kit	Cool-down; 15 minute; 220 Volt/50 Hertz control circuit
11	N/A	Fishpaper	
12	M410901P	Timer Kit	Drying; 60 minute; 120 Volt/60 Hertz control circuit
	M410903P	Timer Kit	Drying; 60 minute; 220 Volt/50 Hertz control circuit
13	M402917	Screw	Ground
14	51780	Screw	
15	M400912P	Relay	120 Volt/60 Hertz control circuit
	M400911P	Relay	208-240 Volt/50 or 60 Hertz control circuit
16	N/A	Electrical Components Tray	
17	M400945	Toggle Switch	Reversing models; Includes nuts
	M413270	Rocker Switch	Reversing models
18	M401302	Control Panel Retainer	Right
19	M411052	Screw	
20	JST-163-2	Pilot Light	120 Volt/60 Hertz control circuit
	M400704	Pilot Light	208-240 Volt/50 or 60 Hertz control circuit
21	M400072	Screw	
22	M400773	Knob	A, DT and ST models except 634; Black with silver arrow
	M410927	Knob	Timer; JT models; Cocoa with white dot
23	M410640	Wire Harness Assembly	Gas models with manual timer; 480 Volt/60 Hertz/3 Phase
24	M405873	Wire Harness Assembly	Electric models with manual timer; 480 Volt
25	M405750	Pop Rivet	
26	33562	Screw	

N/A = Part no longer available

Control Panel Assemblies for A, DT, JT and ST Manual Timer Models



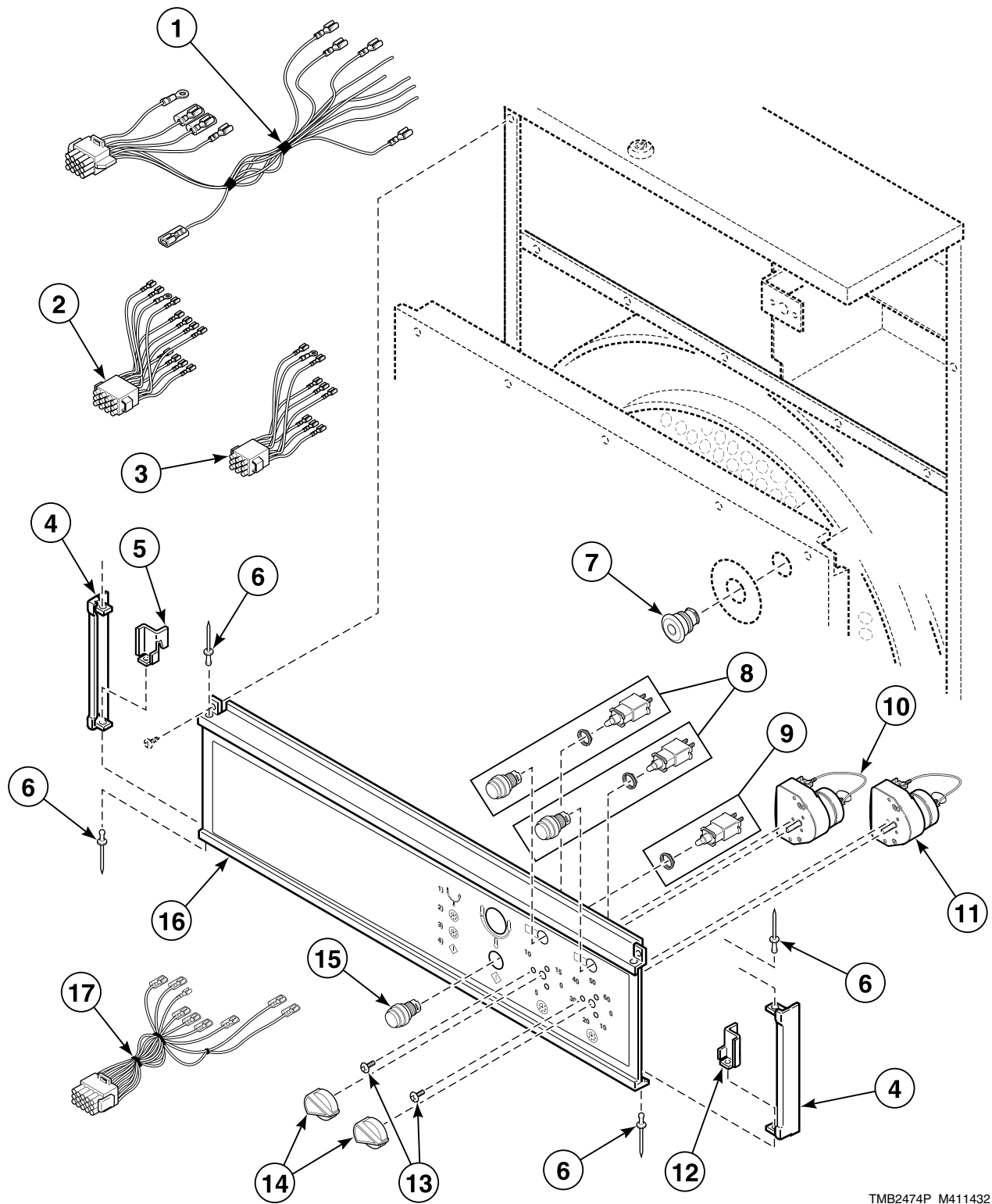
TMB2083P_M411432

Control Panel Assemblies for A, DT, JT and ST Manual Timer Models

REF	PART NO.	DESCRIPTION	COMMENTS
1	N/A	Control Panel Assembly	Generic nonreversing models; Includes end caps
	N/A	Control Panel Assembly	Generic reversing models; Includes end caps
	N/A	Control Panel Assembly	JT75 nonreversing models; Includes end caps
	M410660	Control Panel Assembly	JT75 reversing models; Includes end caps
	M413315	Control Panel Assembly	DT75 nonreversing models; Includes end caps
	M413316	Control Panel Assembly	DT75 reversing models; Includes end caps
	M410412	Control Panel Assembly	ST75 nonreversing models; Includes end caps
	N/A	Control Panel Assembly	ST75 reversing models; Includes end caps
	N/A	Control Panel Assembly	Complete; JT75 gas nonreversing models; 60 Hertz
	N/A	Control Panel Assembly	Complete; JT75 electric nonreversing models; 208-240 Volt/60 Hertz; 480 Volt/60 Hertz
	N/A	Control Panel Assembly	Complete; JT75 steam nonreversing models; 120 Volt/60 Hertz; 208-240 Volt/60 Hertz
	N/A	Control Panel Assembly	Complete; JT75 gas reversing models; 208-240 Volt/60 Hertz
	N/A	Control Panel Assembly	Complete; JT75 electric reversing models; 208-240 Volt/60 Hertz
	N/A	Control Panel Assembly	Complete; JT75 steam reversing models; 208-240 Volt/60 Hertz
	M410678	Control Panel Assembly	Complete; ST75 gas nonreversing models; 220 Volt/50 Hertz
	N/A	Control Panel Assembly	Complete; ST75 gas nonreversing models; 60 Hertz
	M410839	Control Panel Assembly	Complete; ST75 electric nonreversing models; 208-240 Volt/60 Hertz
	N/A	Control Panel Assembly	Complete; ST75 steam nonreversing models; 120 Volt/60 Hertz
	M410841	Control Panel Assembly	Complete; ST75 steam nonreversing models; 208-240 Volt/60 Hertz
	M410842	Control Panel Assembly	Complete; ST75 electric nonreversing models; 480 Volt/60 Hertz
	N/A	Control Panel Assembly	Complete; ST75 gas reversing models; 60 Hertz
	N/A	Control Panel Assembly	Complete; ST75 electric reversing models; 208-240 Volt/60 Hertz
	N/A	Control Panel Assembly	Complete; ST75 steam reversing models; 208-240 Volt/60 Hertz
	N/A	Control Panel Assembly	Nonreversing coin models; Includes end caps

N/A = Part no longer available

Control Panel Assembly for DC, JC and SC Manual Timer Models



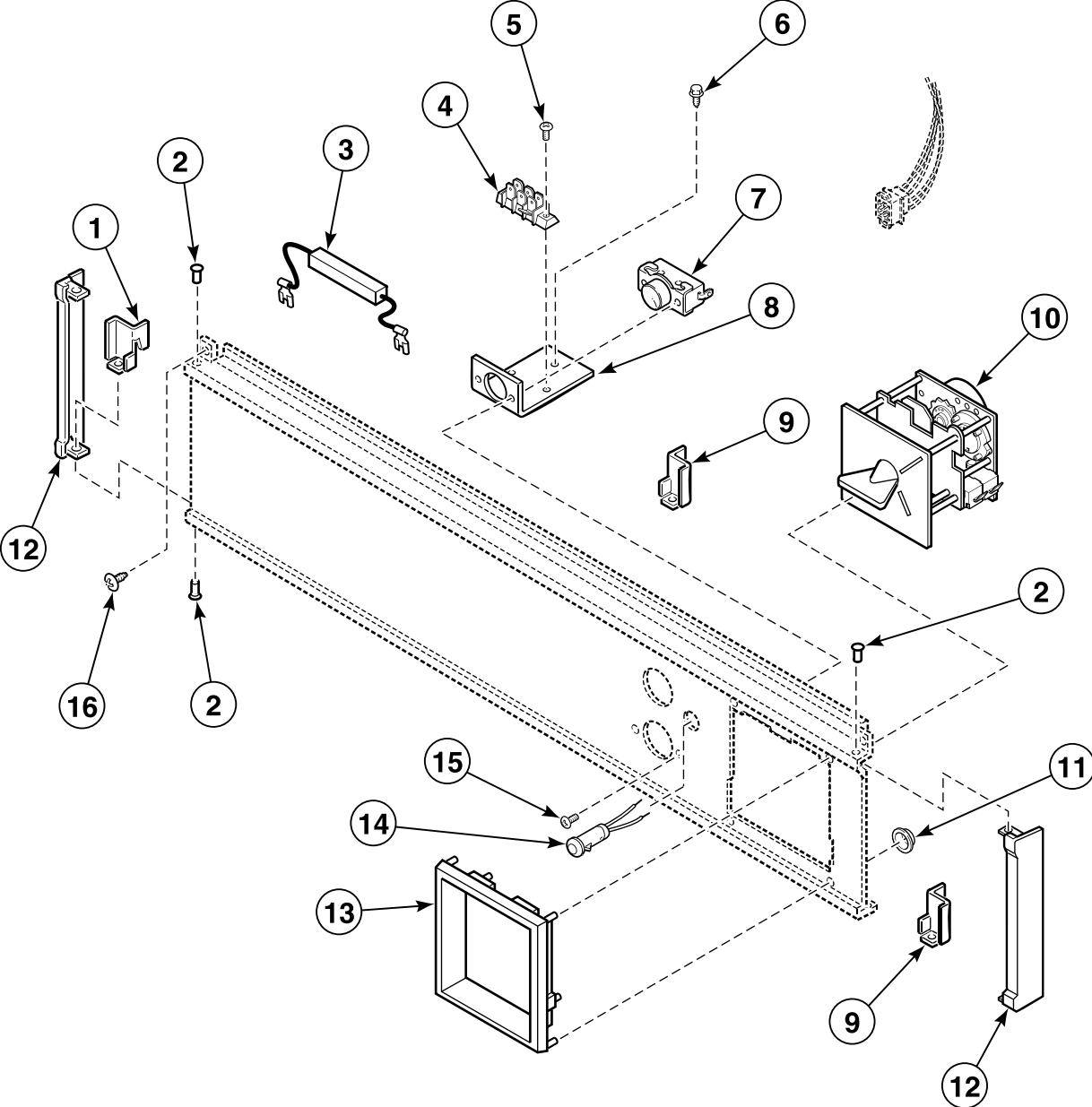
TMB2474P_M411432

Control Panel Assembly for DC, JC and SC Manual Timer Models

REF	PART NO.	DESCRIPTION	COMMENTS
1	M410485	Control Wire Harness Assembly	Reversing gas models; 50 Hertz
	M410486	Control Box Wire Harness Assembly	Reversing electric and steam models
	M410487	Control Wire Harness Assembly	Reversing gas models; 208-240 Volt/60 Hertz/3 Phase
2	M410488	Control Panel Wire Harness Assembly	Reversing gas models; 208-240 Volt/60 Hertz/3 Phase
3	M403924P	Control Panel Wire Harness Assembly	Nonreversing
4	M401328	End Cap	
5	M401301	Control Panel Retainer	Left
6	M405750	Pop Rivet	
7	44018701P	Emergency Stop Kit	
	44018801	Pushbutton	Emergency stop
8	M412234	Indicator Light	
9	M412230	Contact Block	Push-to-start
	44018701	Contact Block	
10	M412080P	Timer	Drying; 60 minute; 24 Volt
11	M412079P	Timer	Cooling; 15 minute; 24 Volt
12	M401302	Control Panel Retainer	Right and center
13	M411052	Screw	
14	M400773	Knob	DC and SC models
	M410927	Knob	JC models
15	N/A	Pushbutton	Push-to-start
16	M414203	Control Panel Assembly	SC models; Includes end caps
	M414204	Control Panel Assembly	SC models; Reversing; Includes end caps
	M414207	Control Panel Assembly	JC models; Includes end caps
	N/A	Control Panel Assembly	JC models; Reversing; Includes end caps
	N/A	Control Panel Assembly	DC models; Reversing; Includes end caps
	N/A	Control Panel Assembly	DC models; Includes end caps
17	M412446	Panel Harness Assembly	Reversing

N/A = Part no longer available

Control Panel Assembly for Rotary Coin Drop Models



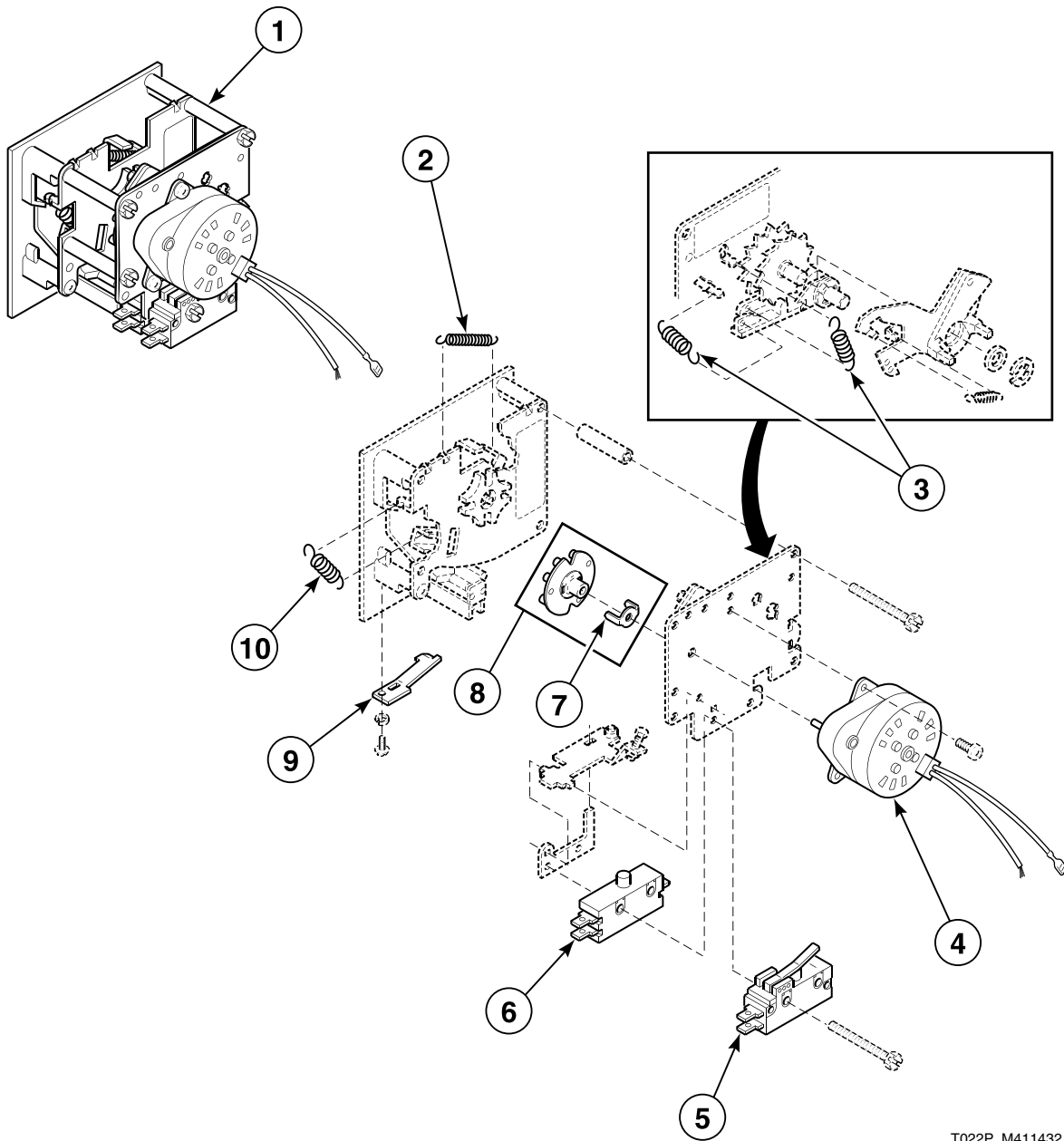
TMB2129P_M411432

Control Panel Assembly for Rotary Coin Drop Models

REF	PART NO.	DESCRIPTION	COMMENTS
1	M401301	Control Panel Retainer	Left
2	M405750	Pop Rivet	
3	N/A	Resistor	208-240 Volt/60 Hertz Greenwald timers
4	N/A	Terminal Block	
5	M400071	Screw	
6	M402917	Screw	Ground
7	M400954P	Push-to-Start Switch Kit	
8	N/A	Bracket	
9	M401302	Control Panel Retainer	Right
10	M405138P	Coin Meter	USA; \$.25/10 minutes; 120 Volt/60 Hertz
	M402508-14	Coin Meter	Japan; 100 yen; 120 Volt/60 Hertz
	M412546	Coin Meter	Token; STD118-1
	M412547	Coin Meter	Token; STD118-5
	N/A	Coin Meter	Australia; 1 dollar
	N/A	Coin Meter	Australia; 20 cents
	N/A	Coin Meter	Belgium; 5 Belgium francs and 5 francs; Single coin drop is not available
	N/A	Coin Meter	Denmark; 1 danish krone
	M402508-34	Coin Meter	Denmark; 1 krone; Single coin drop is not available
	M412542P	Coin Meter	England; 20 pence
	N/A	Coin Meter	France; 2 french francs and 5 french francs
	N/A	Coin Meter	France; 2 new francs
	N/A	Coin Meter	South Africa; Single coin drop; M411936 Front Plate
	M402508-12	Coin Meter	South Africa; 20 cents
	N/A	Coin Meter	South Africa; 50 cents
	N/A	Coin Meter	South Korea; 500 won; Single coin drop
	M402508-45	Coin Meter	Spain; 25 pesetas
	N/A	Coin Meter	Taiwan; 10 NT; Single coin drop
	N/A	Coin Meter	Thailand
	11	M400675	Washer
12	M401328	End Cap	
13	M403414	Shadow Box	
14	M404151	Run Light	120 Volt control circuit
	N/A	Run Light	208-240 Volt control circuit
15	M400072	Screw	
16	33562	Screw	

N/A = Part no longer available

Coin Meter



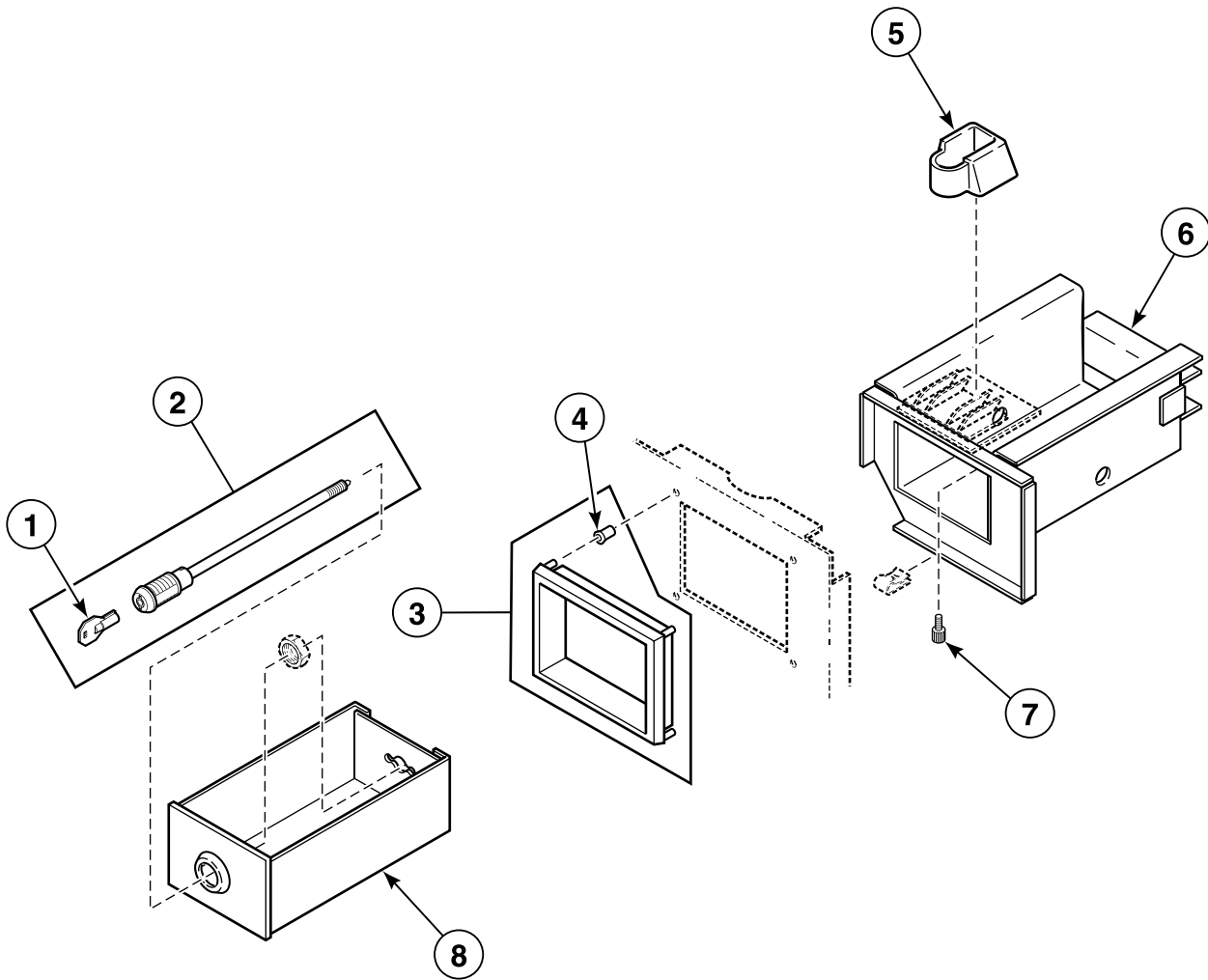
T022P_M411432

Coin Meter

REF	PART NO.	DESCRIPTION	COMMENTS
1	M405138P	Coin Meter	USA; \$.25/10 minutes; 120 Volt/60 Hertz
	M402508-14	Coin Meter	Japan; 100 yen; 120 Volt/60 Hertz
	M412546	Coin Meter	Token; STD118-1
	M412547	Coin Meter	Token; STD118-5
	N/A	Coin Meter	Australia; 1 dollar
	N/A	Coin Meter	Australia; 20 cents
	N/A	Coin Meter	Belgium; 5 Belgium francs and 5 francs; Single coin drop is not available
	N/A	Coin Meter	Denmark; 1 danish krone
	M402508-34	Coin Meter	Denmark; 1 krone; Single coin drop is not available
	M412542P	Coin Meter	England; 20 pence
	N/A	Coin Meter	France; 2 french francs and 5 french francs
	N/A	Coin Meter	France; 2 new francs
	N/A	Coin Meter	South Africa; Single coin drop; M411936 Front Plate
	M402508-12	Coin Meter	South Africa; 20 cents
	N/A	Coin Meter	South Africa; 50 cents
	N/A	Coin Meter	South Korea; 500 won; Single coin drop
	M402508-45	Coin Meter	Spain; 25 pesetas
	N/A	Coin Meter	Taiwan; 10 NT; Single coin drop
	N/A	Coin Meter	Thailand
	2	M405138B	Return Spring
3	M402455	Coil Spring	
4	M400609	Timer Motor	1/60 RPM; 120 Volt/60 Hertz
	M400611P	Motor	1/60 RPM; 240 Volt/60 Hertz
	M410789	Timer Motor	1/30 RPM; 240 Volt/50 Hertz
5	M400947	Switch	Heat
6	M400001	Single Throw Switch	Run
7	M400754	Coin Meter Drive	
8	M400732P	Timing Cam	10 pin
	M400733P	Timing Cam	12 pin
	M400734P	Timing Cam	2 pin
	M400735P	Timing Cam	3 pin
	M400736P	Timing Cam	4 pin
	M400737P	Timing Cam	5 pin
	M400738P	Timing Cam	6 pin
	M400739P	Timing Cam	7 pin
	M400740P	Timing Cam	8 pin
	M400741P	Timing Cam	9 pin
9	M406297	Coin Retainer Spring	
10	M405138A	Coin Carrier Spring	

N/A = Part no longer available

Coin Vault and Coin Drawer



TMB2130P_M411432

Coin Vault and Coin Drawer

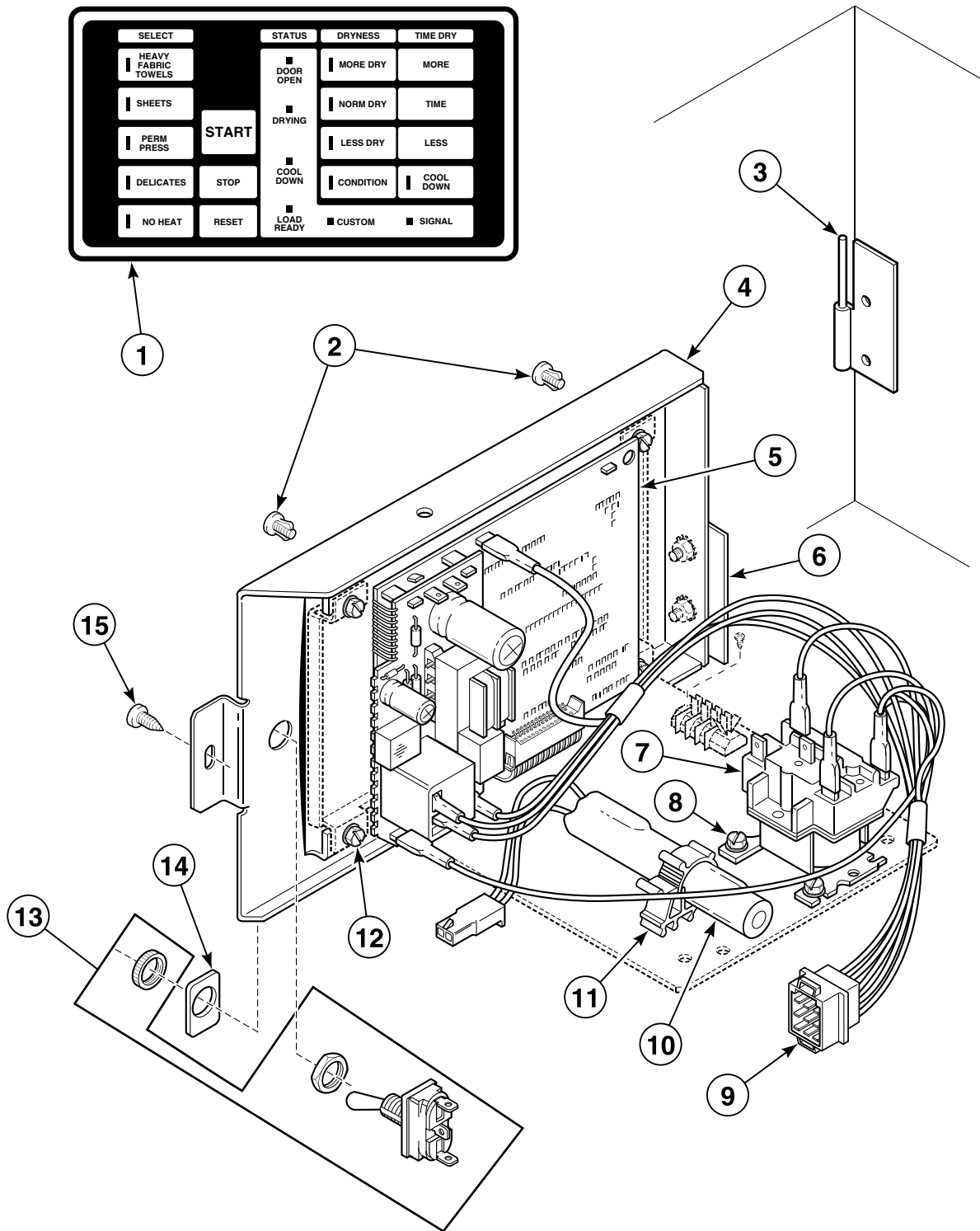
REF	PART NO.	DESCRIPTION	COMMENTS
1	M401701	Vault Key	For coin drawer locks; Specify HMX key code
2	M401581P	Lock and Key	For short coin drawer; Specify HMX key code
	M412004	Vault Lock	For long coin drawer; Specify HMX key code; Includes key
3	M400131P	Shadow Box and Clip	
4	M400972	Shadow Box Clip	
5	M411882	Coin Chute	
6	N/A	Coin Vault Guide Assembly	Short drawer
	44102801	Coin Vault Assembly	Long drawer
7	M400655	Screw	
8	N/A	Coin Drawer Assembly	Short
	M411890*	Coin Drawer Assembly	Long

* Add Letter To Designate Color. L - Almond W - White

N/A = Part no longer available

OPL 120 Volt Micro Control

MM Control Suffix



TMB2475P_M411432

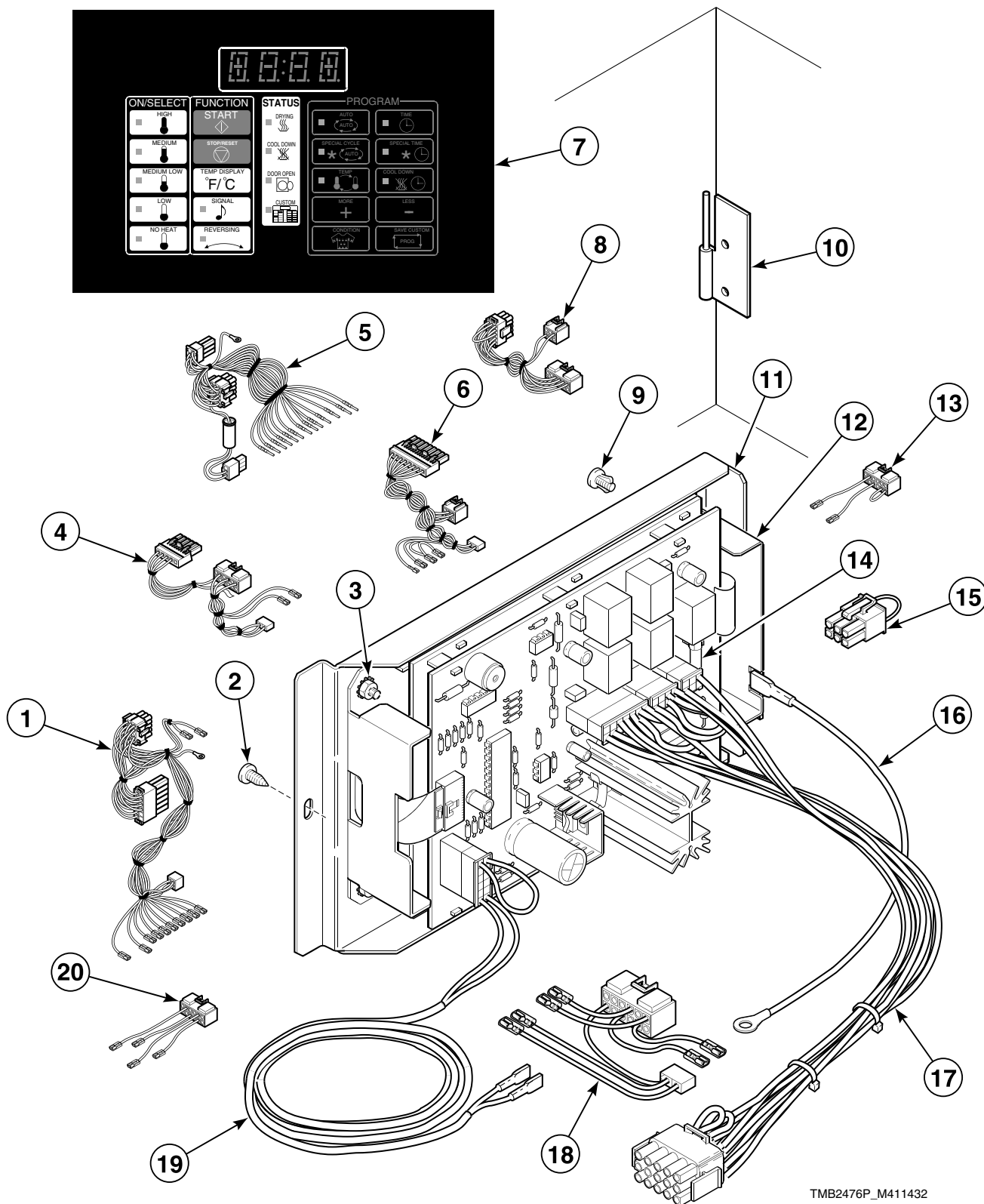
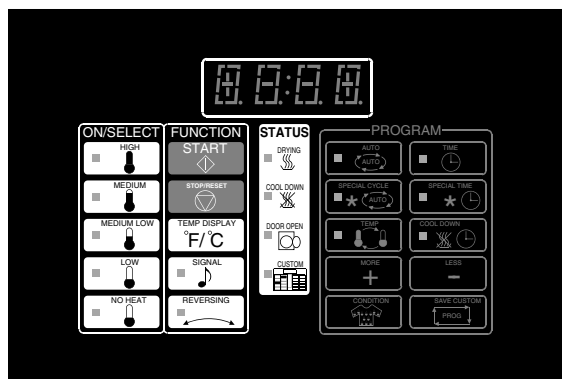
OPL 120 Volt Micro Control

REF	PART NO.	DESCRIPTION	COMMENTS
1	N/A	Microprocessor Overlay	Models ST75CG, STB634 and STB75CG
	M410704	Microprocessor Overlay	Models JT75CG and JTB75CG
	M412961	Microprocessor Overlay	Models DTB634 and DTB75CG
2	M410665	Hole Plug	
3	M410687	Hinge	Male
4	M410800	Mounting Plate	Round opening for switch
	M413397	Mounting Plate	Rectangular opening for switch
5	N/A	Electronic Control	120 Volt
6	N/A	Hinge	Female
7	M400912P	Relay	CR2; 120 Volt/1 Phase
8	M400044	Screw	
9	N/A	Wiring Harness Assembly	1 Phase; Nonreversing
	M411073	Control Box Wire Harness Assembly	3 Phase; Nonreversing
	N/A	Wiring Harness Assembly	3 Phase; Reversing
10	N/A	Battery	
11	N/A	Clamp	
12	N/A	Screw	
13	M400945	Toggle Switch	Reversing; Includes nuts
	M413270	Rocker Switch	Reversing
14	N/A	Switch Plate	Reversing
15	M400664	Screw	

N/A = Part no longer available

OPL 24 Volt Micro Control

OM Control Suffix



TMB2476P_M411432

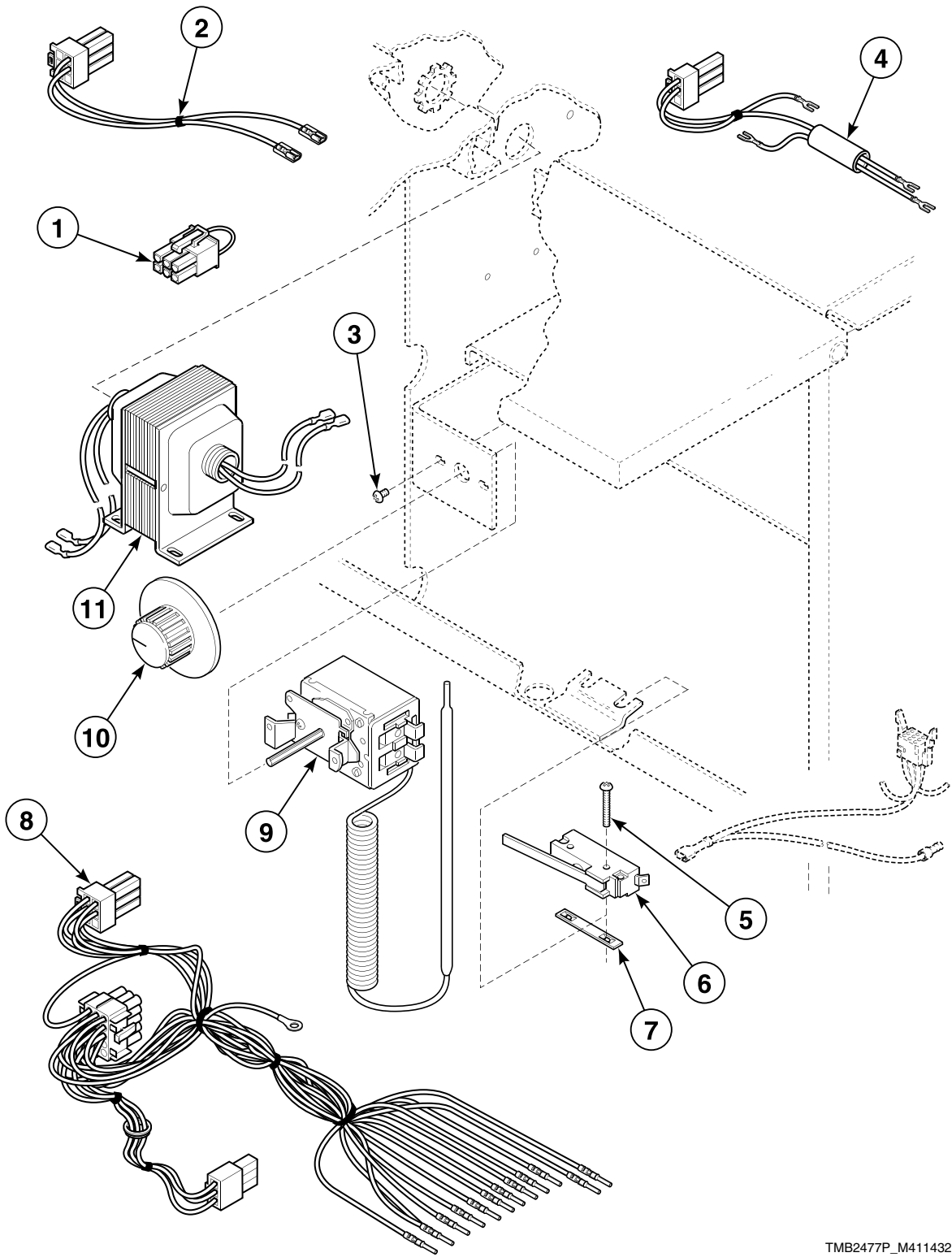
OPL 24 Volt Micro Control

REF	PART NO.	DESCRIPTION	COMMENTS
1	M413676P	Main Harness Assembly	Non-CE models
2	430497	Screw	
3	70054	Nut	
4	M413678	Control Box Harness Assembly	634 models
5	44098801	Main Harness	DC, JC and SC models
6	M413993	Control Box Harness Assembly	DC, JC and SC gas models; 50 Hertz/1 Phase
7	M413417	Microprocessor Overlay	Model STB75CG; Nonreversing
	N/A	Microprocessor Overlay	Models STB634 and STB75CG; Reversing
	N/A	Microprocessor Overlay	Model JTB75CG; Nonreversing
	M413422	Microprocessor Overlay	Model JTB75CG; Reversing
	M413425	Microprocessor Overlay	Model DTB75CG; Nonreversing
	M413426	Microprocessor Overlay	Models DTB634 and DTB75CG; Reversing
	N/A	Microprocessor Overlay	Models DCB75CG and SCB75CG; Nonreversing; Icon
	M413420	Microprocessor Overlay	Models DCB75CG and SCB75CG; Reversing; Icon
	M413423	Microprocessor Overlay	Model JCB75CG; Nonreversing; Icon
	N/A	Microprocessor Overlay	Model JCB75CG; Reversing; Icon
8	M413991	Control Panel Harness Assembly	DC, JC and SC reversing models
9	M410665	Hole Plug	
10	M410687	Hinge	Male
11	M413738	Micro Mounting Assembly	Includes hinge, plate and hardware
12	70228401P	Control Kit	24 Volt; 50 or 60 Hertz
13	M413679	Control Box Harness Assembly	Steam models
14	70406501	Fuse	1.25 Amp
15	M413168	Bypass Harness Assembly	DC, JC and SC steam models
16	M412645	Jumper Wire Assembly	Ignition cable
17	M413677	Micro Harness Assembly	
18	M413824	Control Box Harness Assembly	Gas models; Australian
19	M413560P	Sensor Cable Harness	Nonreversing
	M413551	Sensor Cable Harness Assembly	Reversing
20	M413680	Control Box Harness Assembly	Electric models

N/A = Part no longer available

Control Box Area

Manual Timer and Coin Drop Models

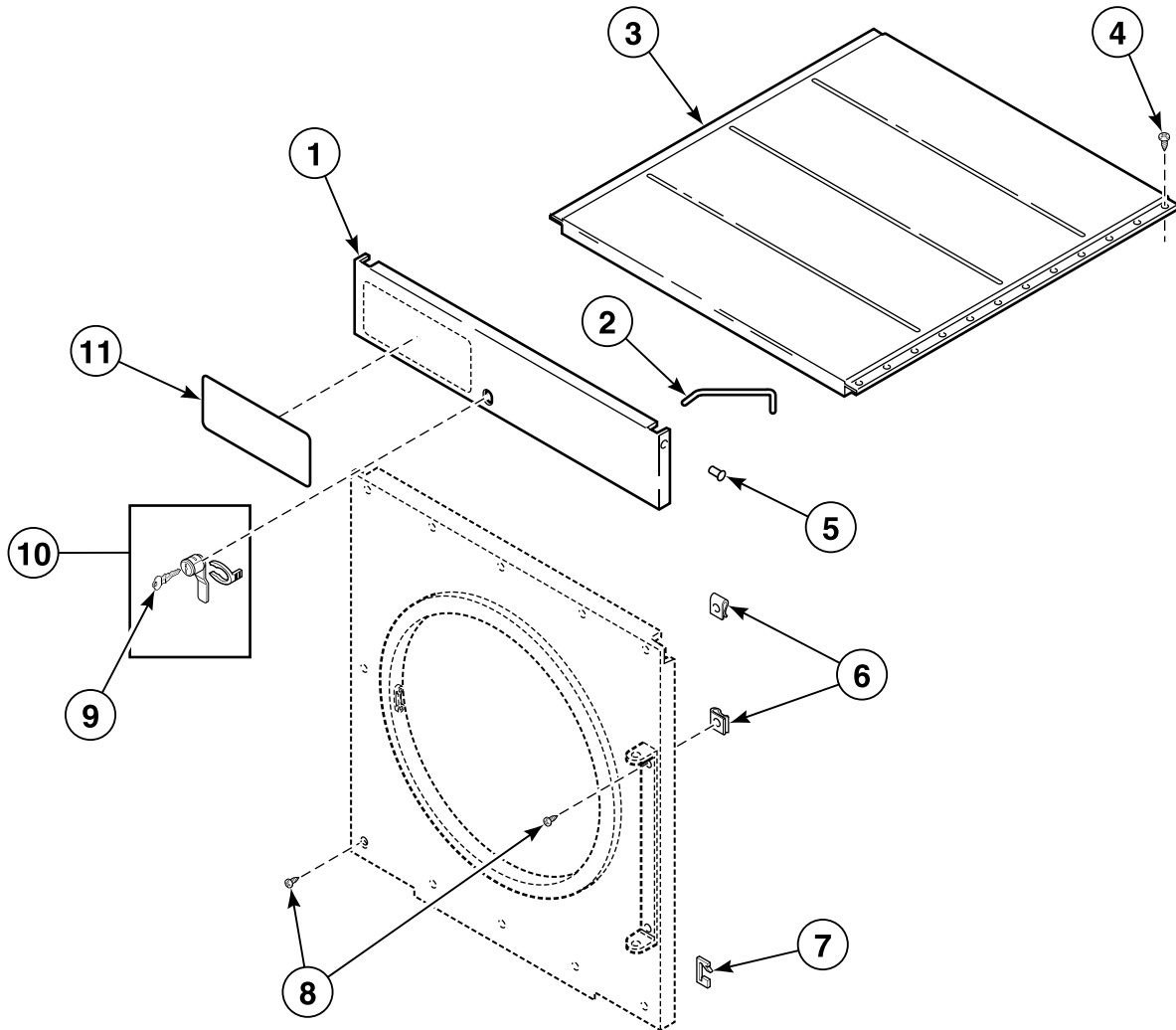


TMB2477P_M411432

Control Box Area

REF	PART NO.	DESCRIPTION	COMMENTS
1	M413168	Bypass Harness Assembly	DC, JC and SC steam models
2	M412603	Thermostat Harness Assembly	DC, JC and SC steam models with manual timer and mechanical coin drop with bulb thermostat; 50 Hertz
3	M400072	Screw	
4	M412459	Door Switch Harness Assembly	DC, JC and SC models
5	Q6516	Screw	
6	M400952	Door Switch	
7	M400981	Nut	
8	M413546	Main Harness Assembly	DC, JC and SC steam models
9	M406959P	Temperature Control Thermostat	Adjustable bulb
10	M400777	Knob	Temperature control; A, DT and ST models
	M410928	Temperature Control Knob	JT models
11	M401199P	Transformer Kit	120 Volt Primary/24 Volt Secondary
	M401391P	Transformer	208-600 Volt Primary/110 Volt Secondary
	M402650P	Transformer	208-240 Volt Primary/24 Volt Secondary

Access Panel and Top Cover



TMB2478P_M411432

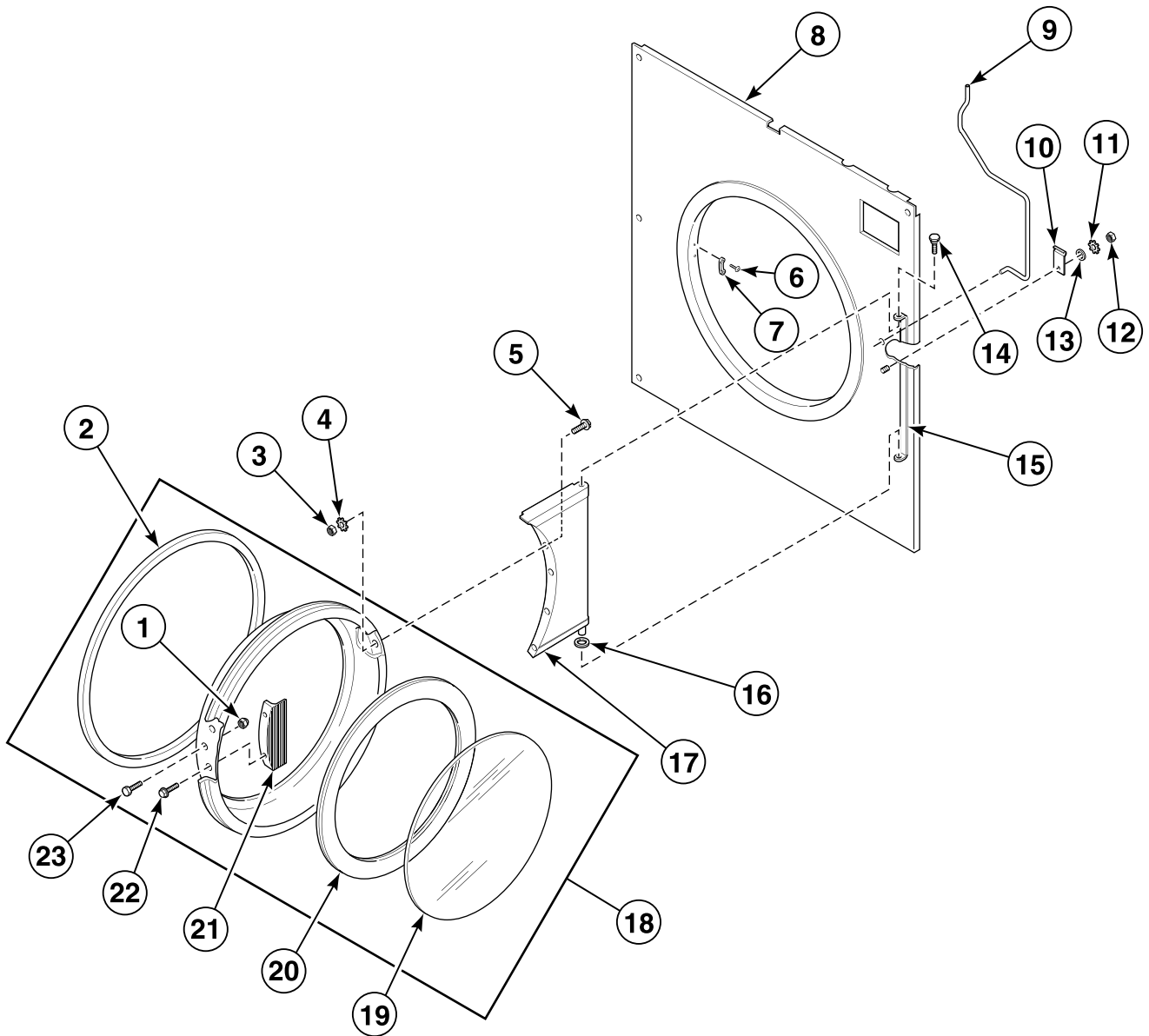
Access Panel and Top Cover

REF	PART NO.	DESCRIPTION	COMMENTS
	431287	Screw	Side panel; 7 per side
1	M414350	Top Front Panel	Manual dual timer and coin meter models; Stainless steel
	M414349*P	Top Front Panel Assembly	DC, JC and SC electric, steam, manual dual timer and coin meter models
	M410801*P	Top Front Access Panel	Models with MM and OM control suffixes
	M410802	Top Front Access Panel	Models with MM and OM control suffixes; Stainless steel
	N/A	Top Front Panel	DC, JC and SC gas models
2	M400604	Support Rod	
3	M403385	Top Cover Pan	
4	430497	Screw	
5	M400713	Drive Rivet	
6	M400975	Clip	
7	M400984	Clip	
8	N/A	Screw	
9	M401680	Panel Key	HMV10
	M401677	Panel Key	HMV7
10	M406654P	Panel Lock	Manual dual timer models; Includes key
	M410700	Lock and Key	Models with MM and OM control suffixes
11	M410355	Nameplate	ST microprocessor models
	M410988	Nameplate	JT microprocessor models
	M412963	Nameplate Overlay	DT microprocessor models
	70240801	Nameplate Overlay	A models

* Add Letter To Designate Color. B - Battina Green H - Harvest Gold K - Red L - Almond P - Turquoise V - Orange
W - White X - Electric Blue

N/A = Part no longer available

Front Panel and Door



TMB2256P_M411432

Front Panel and Door

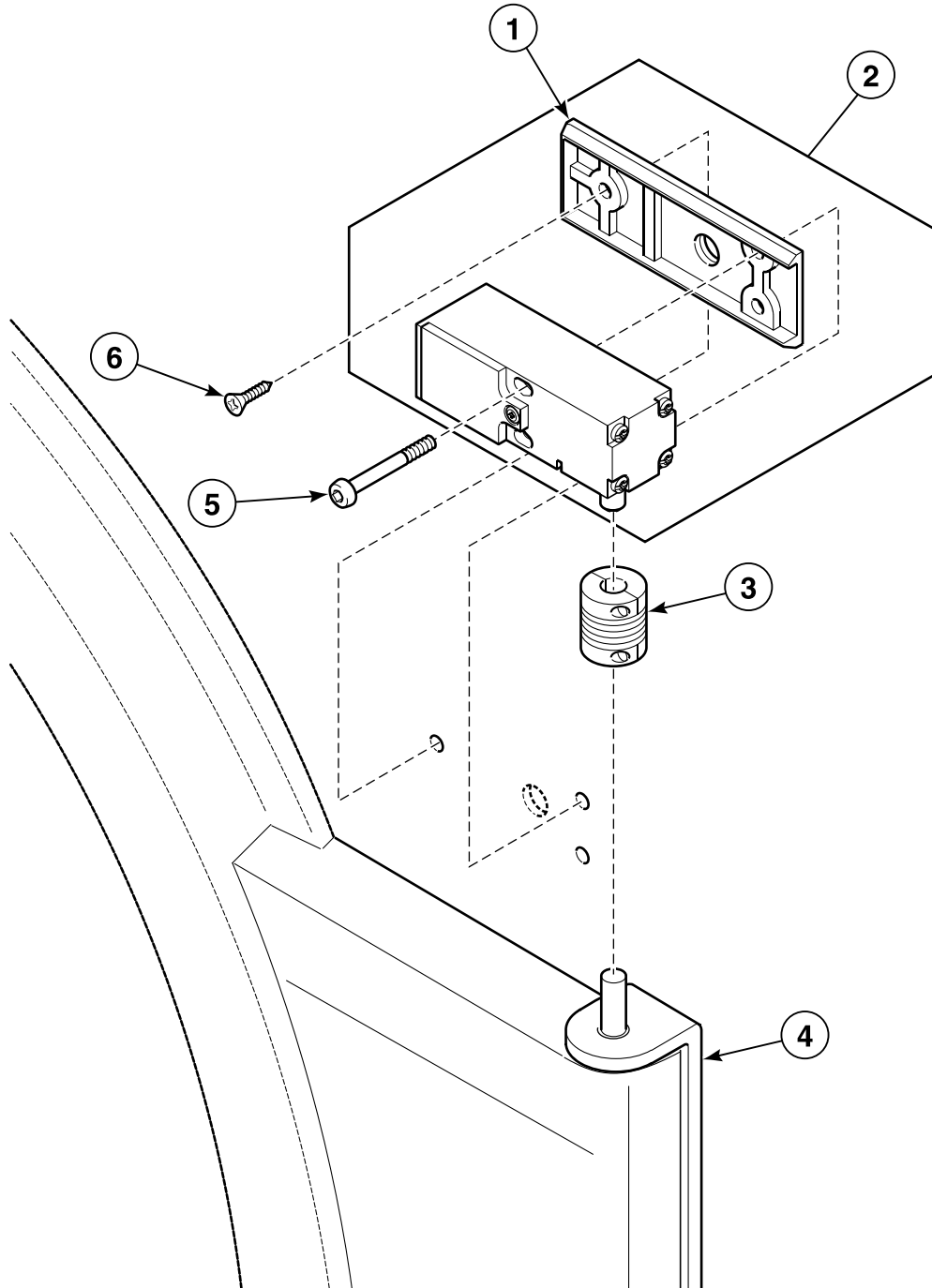
REF	PART NO.	DESCRIPTION	COMMENTS
	M4379P4	Tumbler Dolly Kit	
1	M414215	Nut	For M400447 Door Assembly and M410887 Door Assembly
2	M406129	Door Ring Gasket	
3	Q6163	Nut	
4	03815	Washer	
5	M400044	Screw	
6	M400003	Pop Rivet	
7	M401223	Door Latch	
8	M411129*P	Front Panel Assembly	Complete
	M411132P	Front Panel Assembly	Stainless steel
	M412792*P	Front Panel Assembly	DC, JC and SC models
	M410877*P	Front Panel Assembly	Coin models; Complete
	M410760P	Front Panel Assembly	Coin models; Stainless steel
9	M400603	Door Switch Rod	
10	M400402	Spring Clip	
11	M400017	Washer	
12	20275	Nut	
13	03189	Washer	
14	M400653	Hinge Pin	
15	431000*	Hinge Bracket	
	431044	Hinge Bracket	Stainless steel
16	M400675	Washer	
	M412530	Washer	DC, JC and SC models
17	M402714*	Door Hinge Assembly	
	M400514	Hinge Assembly	Stainless steel
	N/A	Door Hinge Assembly	DC, JC and SC models
18	M400447P	Door Assembly	Chrome handle
	M410887	Door Assembly	JT models
	430475	Door Assembly	D, JCB and ST models
19	M400784P	Door Glass	DT and ST models
	70133601P	Door Glass	JT models
20	70211901P	Door Glass Seal Kit	
21	M400133	Door Handle	Chrome
	430117	Door Handle	DT and ST models; Bar type
	70133501P	Replacement Door Handle Kit	JT models; Cocoa
22	M409385	Screw	
23	M400661	Screw	

* Add Letter To Designate Color. B - Battina Green H - Harvest Gold K - Red L - Almond P - Turquoise V - Orange
W - White X - Electric Blue

N/A = Part no longer available

Door Switch

DC, JC and SC Models



TMB2257P_M411432

Door Switch

REF	PART NO.	DESCRIPTION	COMMENTS
1	M412528	Switch Base	
2	M4842P3	Door Safety Switch Kit	Includes item 1
3	M412551	Flexible Coupler	
4	N/A	Door Hinge Assembly	
5	M412532	Screw	
6	M412531	Screw	

* Add Letter To Designate Color. B - Battina Green H - Harvest Gold K - Red L - Almond P - Turquoise V - Orange
W - White X - Electric Blue

N/A = Part no longer available

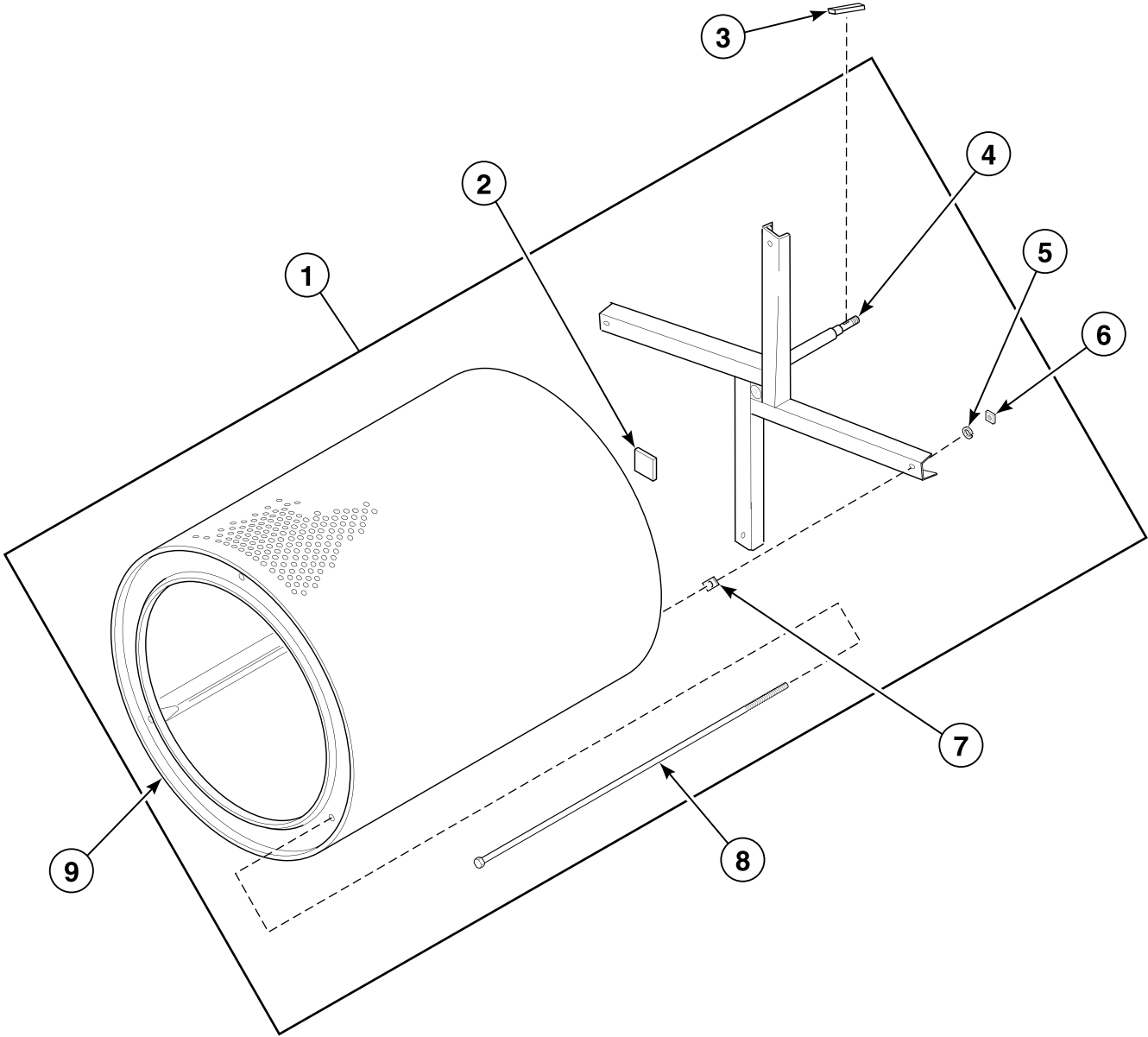
Panels, Lint Hood Assembly and Lint Screen

REF	PART NO.	DESCRIPTION	COMMENTS
1	M410243P	Handle and Cam Assembly	
2	M400595	Cam and Screw	
3	N/A	Bumper Assembly	Models through Serial No. 72958023; Includes 4 of M400657 Screw and 4 of 03815 Washer
	M410784	Lint Panel Bumper	DC and SC models; Black plastic; Models starting Serial No. 72958123
	M410845	Lint Panel Bumper	JT models; Cocoa
4	M400664	Screw	
5	M400515	Lint Hood Assembly	
6	M400522	Lint Screen Assembly	
7	M410542	Limit Thermostat	All models except EG; Attach to center pan above head
8	M414704	Thermistor	Micro models only; Threads into bracket; Attach to center pan above head
	M413212P	Thermistor Assembly	Replacement for early screw mounted thermistor
9	M401312	Thermostat Bracket	
10	N/A	Bumper Insert Trim	
11	430757	Screw	4 required for M410784 Lint Panel Bumper; Models starting Serial No. 72958123
12	M400464*P	Lint Panel Assembly	Plain; Models through Serial No. 72958023
	M402722*P	Lint Panel Assembly	Textured; Models through Serial No. 72958023
	M405646	Lint Panel Assembly	Stainless steel; Models through Serial No. 72958023
	M414796*P	Lint Panel Assembly	DT75, JT and STB models starting Serial No. 72958123
	M414797P	Lint Panel Assembly	Stainless steel; DT75, JT and STB models starting Serial No. 72958123
	M414798*P	Lint Panel Assembly	FG and 634 models
	M414799	Lint Panel Assembly	Stainless steel; FG and 634 models
13	M414438P	Kickplate Kit	Includes screws and nuts
14	M406654P	Panel Lock	HMV10; Includes key
15	M401680	Panel Key	HMV10

* Add Letter To Designate Color. B - Battina Green H - Harvest Gold K - Red L - Almond P - Turquoise V - Orange
W - White X - Electric Blue

N/A = Part no longer available

Cylinder and Trunnion Assemblies

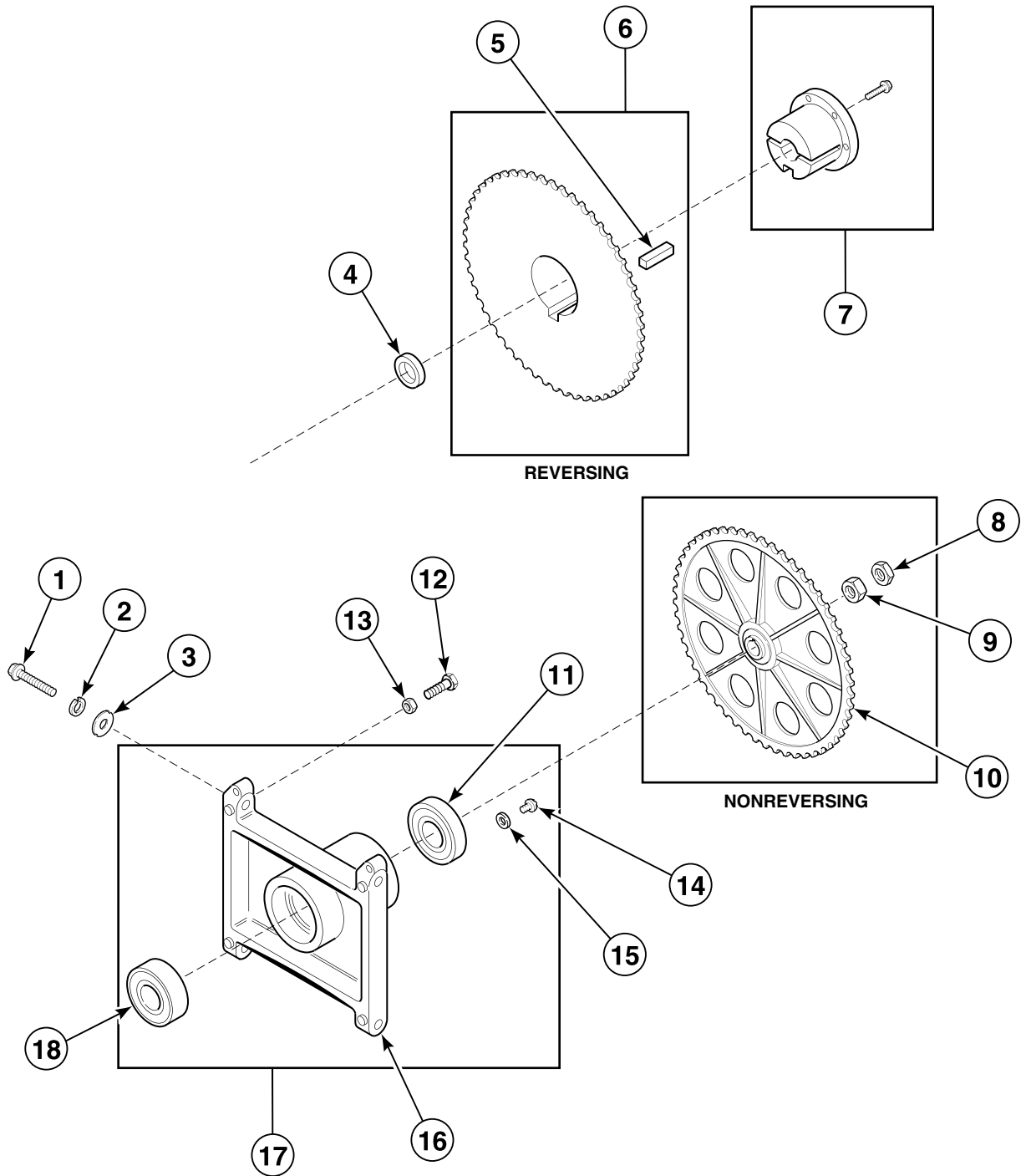


TMB2479P_M411432

Cylinder and Trunnion Assemblies

REF	PART NO.	DESCRIPTION	COMMENTS
	M4640P3	Trunnion and Bearing Assembly	Nonreversing; Anti-fretting; Includes bearings, trunnion and anti-seize compound
	M4641P3	Trunnion and Bearing Assembly	Reversing; Anti-fretting; Includes bearings, trunnion and anti-seize compound
1	M406906P	Cylinder and Trunnion Assembly	Nonreversing; Standard
	M409090P	Cylinder and Trunnion Assembly	Reversing; Standard
	M409015P	Cylinder and Trunnion Assembly	Nonreversing; Stainless steel
	M409091	Cylinder and Trunnion Assembly	Reversing; Stainless steel
2	M402144	Felt Pad	
3	M400008	Key	Half-moon; Nonreversing
	M405232	Key	Straight; Reversing
4	M413835P	Trunnion Kit	Nonreversing; Includes nuts
	M413836	Trunnion Assembly	Reversing
5	M400013	Washer	Nonreversing
	91200	Washer	Reversing
6	M404993	Nut	
7	M401402	Spacer	
8	M404992	Rib Rod	
9	M401985P	Cylinder	Galvanized
	M402517P	Cylinder	Stainless steel

Trunnion Housing and Sprockets

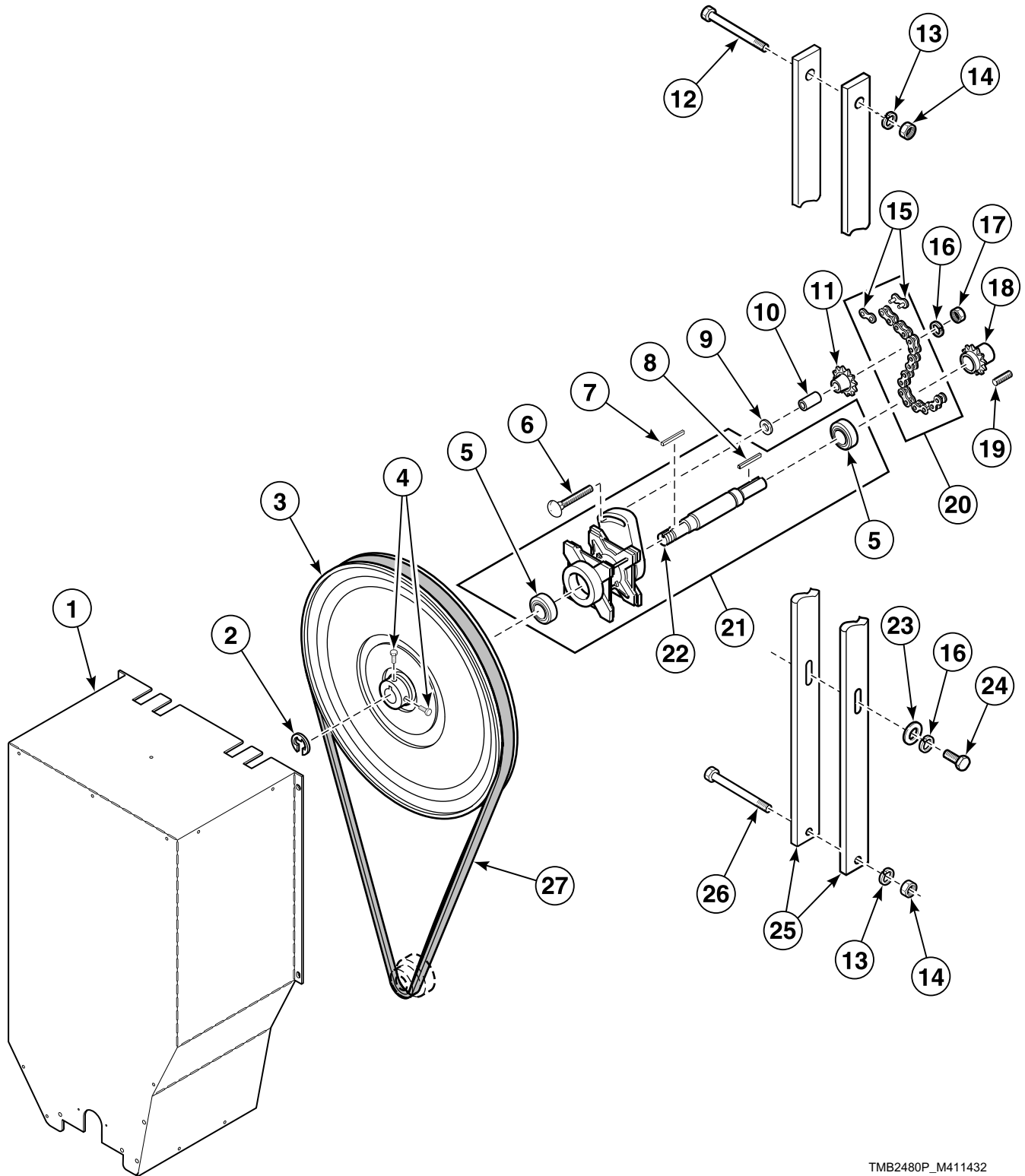


T491P_M411432

Trunnion Housing and Sprockets

REF	PART NO.	DESCRIPTION	COMMENTS
1	M400063	Screw	
2	91200	Washer	
3	M401946	Washer	
4	44024001	Spacer	Reversing
5	M405232	Key	Reversing
6	M403433P	Sprocket	Reversing; Includes item 5
7	M403432P	Bushing	Reversing
8	M400035	Nut	Nonreversing
9	M400033	Nut	Nonreversing
10	M400090P	Sprocket	Nonreversing; Includes key
11	F100136P	Bearing	Outer trunnion
12	M400650	Bolt	
13	20274	Nut	
14	M409385	Screw	
15	20103	Washer	
16	M413826	Trunnion Housing	
17	M413832	Trunnion Housing Assembly	
18	44041901P	Ball Bearing	Inner trunnion

Idler Drive Components For Belt/Chain Drive - Nonreversing Models

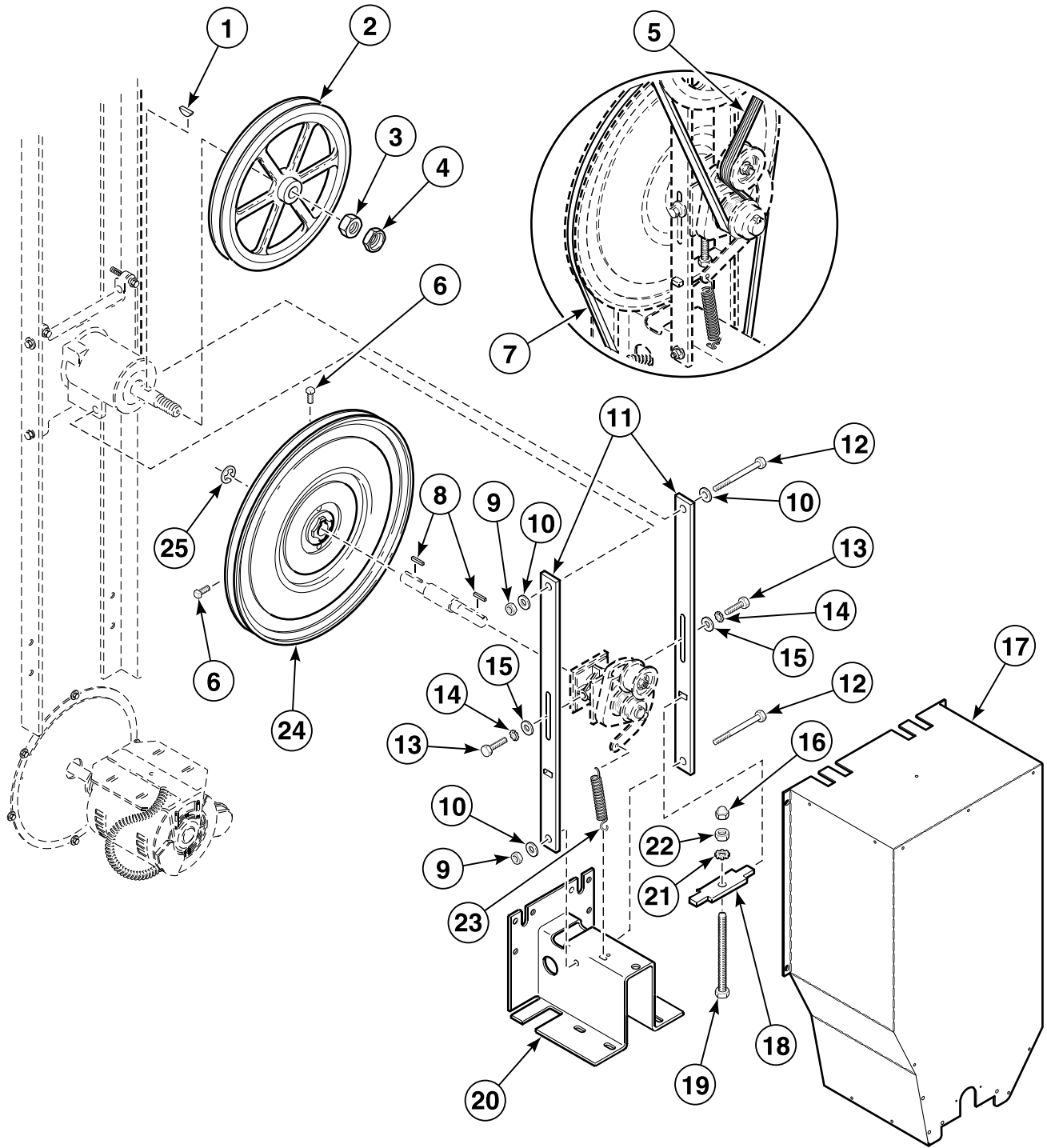


TMB2480P_M411432

Idler Drive Components For Belt/Chain Drive - Nonreversing Models

REF	PART NO.	DESCRIPTION	COMMENTS
1	M411467	Belt Guard Assembly	All models except EG; Models through Serial No. 0004xxxxx
	M414755	Belt Guard Assembly	All models except EG; Models starting Serial No. 0004xxxxx
	M409350	Chain Guard Assembly	EG models
2	M400399	Ring	
3	44086901P	Sheave Kit	Includes hardware
4	M400065	Screw	
5	M400592	Ball Bearing	
6	M412475	Bolt	
7	M401327	Key	
8	M400993	Key	
9	M400080	Washer	
10	M400755P	Chain Sleeve	
11	M401369P	Chain Sprocket	
12	M405525	Screw	
13	M400013	Washer	
14	02428	Nut	
15	M401360P	Chain Connecting Link	
16	M400014	Washer	
17	M400026	Nut	
18	M401365P	Sprocket	
19	62541	Screw	
20	M401425	Roller Chain	
21	M412228P	Idler Housing Kit	Includes bearings and guide rails; Does not include chain, link or belt
22	M412223P	Idler Shaft	
23	M400081	Washer	
24	M400061	Screw	
25	M412476	Guide Rail	
26	M405525	Screw	
27	M401182	Belt	

Idler Drive Components For Belt/Belt Drive - Nonreversing Models



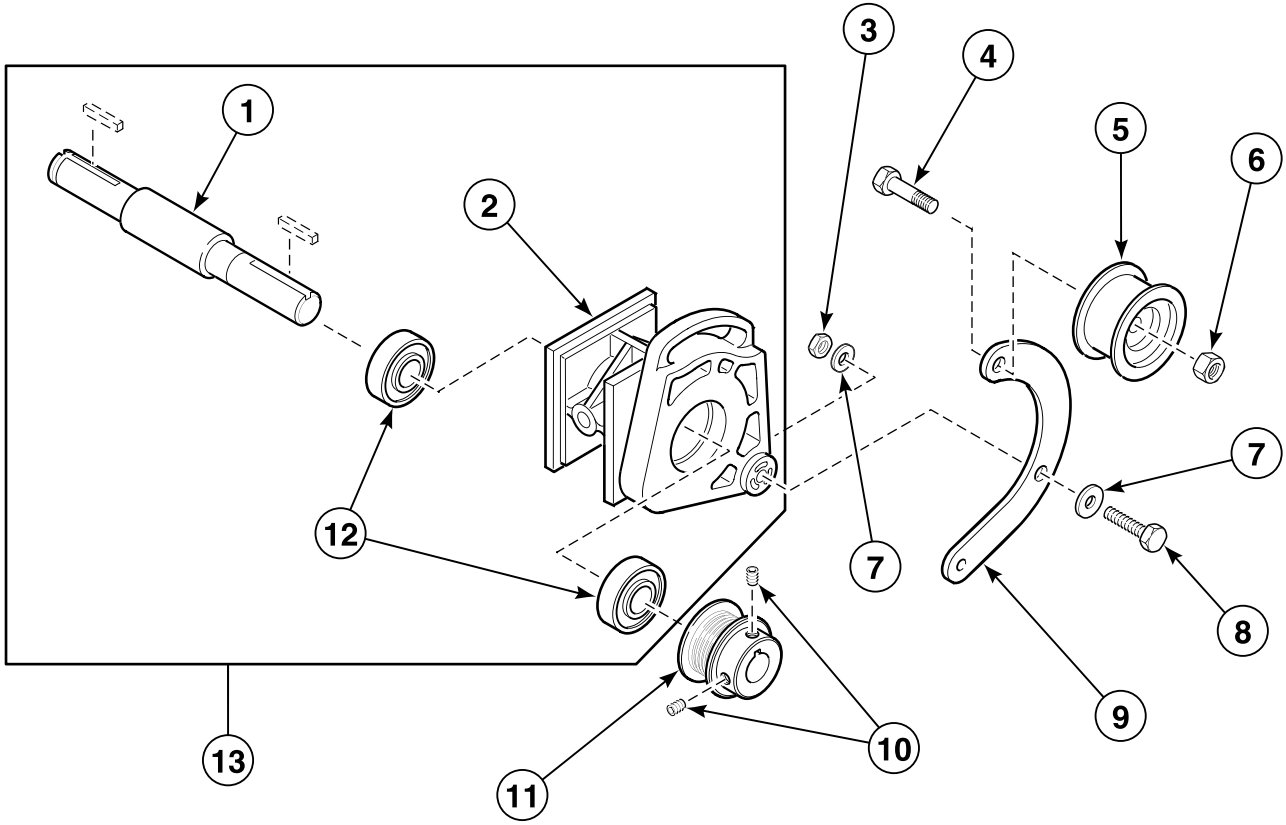
TMB2481P_M411432

Idler Drive Components For Belt/Belt Drive - Nonreversing Models

REF	PART NO.	DESCRIPTION	COMMENTS
1	M400008	Key	
2	M412156	Micro V Sheave	
3	M400033	Nut	
4	M400035	Nut	
5	M411425P	Micro V Belt	
6	M400065	Screw	
7	M401182	Belt	
8	M401327	Key	
9	M400026	Nut	
10	M400014	Washer	
11	M412476	Guide Rail	
12	M405525	Screw	
13	M400043	Screw	
14	M403958	Washer	
15	M400081	Washer	
16	M412626	Nut	
17	M411467	Belt Guard Assembly	All models except EG; Models through Serial No. 0004xxxxx
	M414755	Belt Guard Assembly	
18	M414405	Tension Plate Assembly	
19	M412627	Screw	
20	M411483	Motor Bracket	
21	M412188	Washer	
22	M404993	Nut	
23	M412120	Extension Spring	
24	44086901P	Sheave Kit	Includes hardware
25	M400399	Ring	

N/A = Part no longer available

Idler Housing Assembly For Belt/Belt Drive - Nonreversing Models

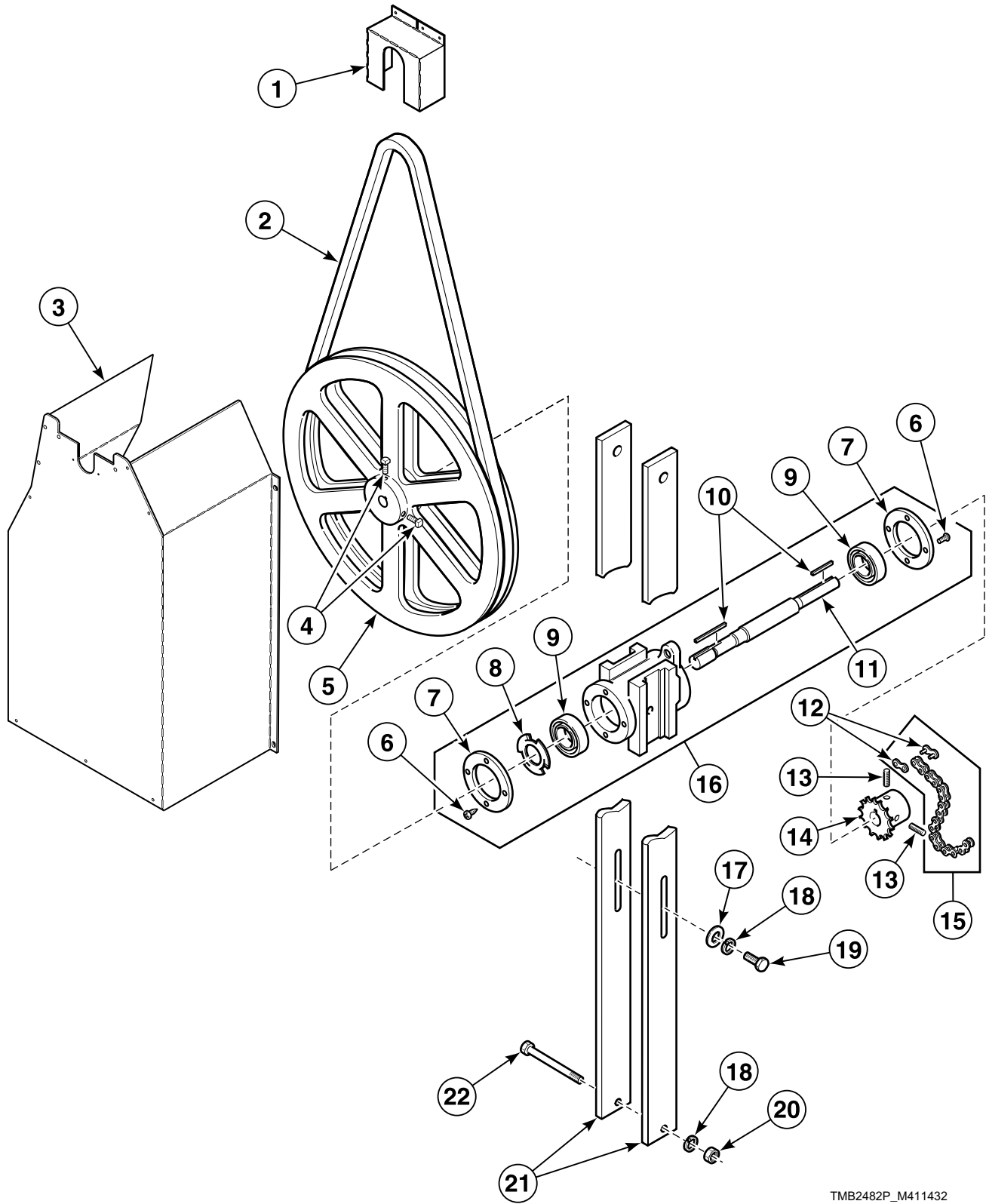


T313P_M411432

Idler Housing Assembly For Belt/Belt Drive - Nonreversing Models

REF	PART NO.	DESCRIPTION	COMMENTS
1	M412223P	Idler Shaft	
2	M412103P	Idler Housing Kit	
3	52566	Nut	
4	430648	Screw	
5	430619	Drum Idler Wheel Assembly	
6	56156	Nut	
7	M405535	Washer	
8	M412119	Bolt	
9	M414320P	Idler Arm Kit	
10	M400077	Screw	
11	M411466P	Micro V Pulley	
12	430038	Support Bearing	
13	M412228P	Idler Housing Kit	

Idler Drive Components For Belt/Chain Drive - Reversing Models

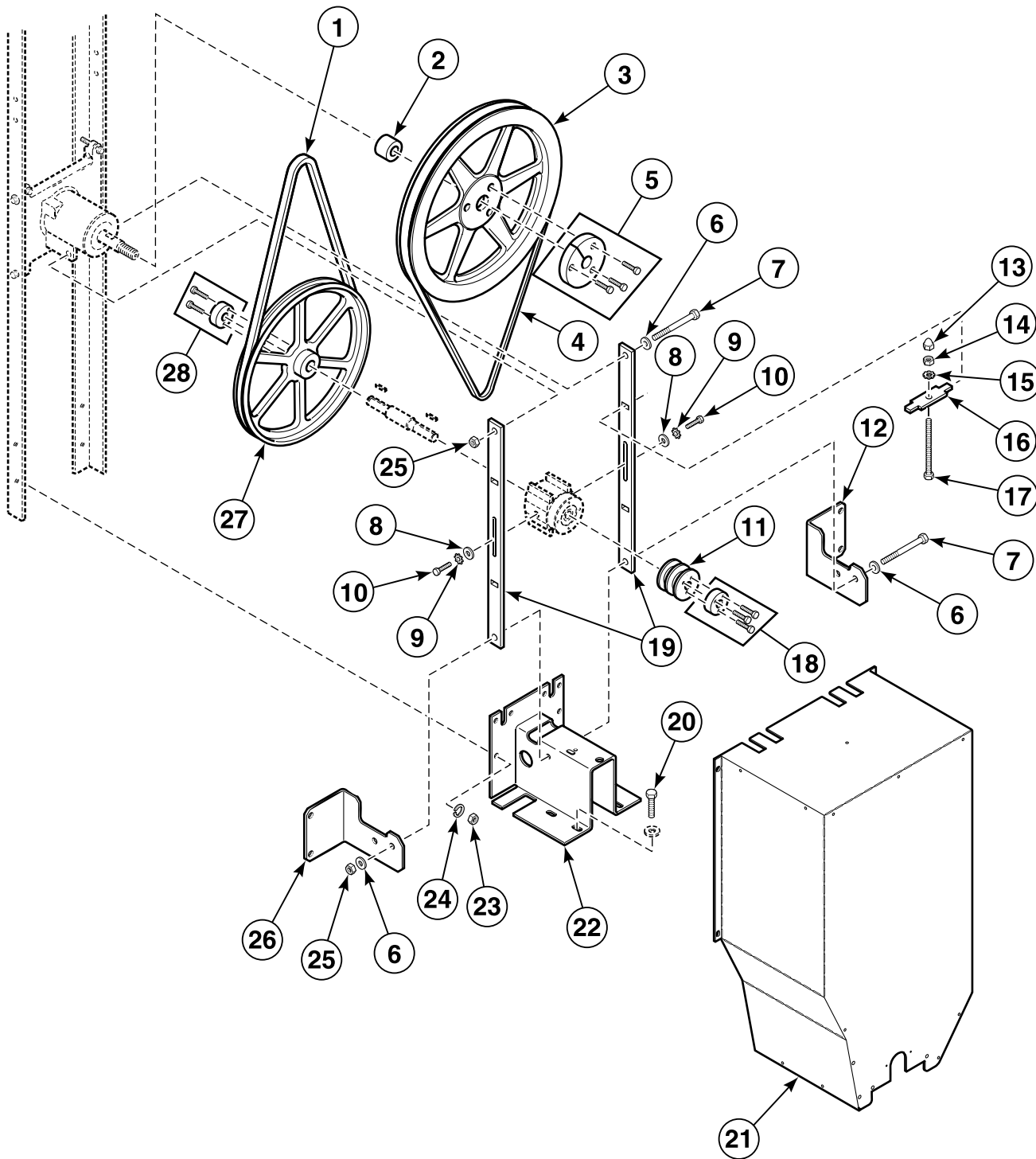


TMB2482P_M411432

Idler Drive Components For Belt/Chain Drive - Reversing Models

REF	PART NO.	DESCRIPTION	COMMENTS
1	M413541	Belt Guard	Upper
2	M411814P	Motor Belt	
3	M413627	Belt Guard Assembly	All models except EG; Models through Serial No. 0004xxxxx
	M414756	Belt Guard Assembly	All models except EG; Models starting Serial No. 0004xxxxx
4	M400065	Screw	
5	M400147	Single Sheave	
6	M409385	Screw	
7	M401370	Bearing Retainer	
8	M400401	Loading Spring	
9	M401375P	Ball Bearing	
10	M401327	Key	
11	M401371	Idler Shaft	
12	M400903	Connector Link	
13	62541	Screw	
14	M401364P	Sprocket	
15	M400597P	Roller Chain	
16	917P3	Idler Housing Kit	Includes bearings and rails
17	M400081	Washer	
18	M400014	Washer	
19	M405525	Screw	
20	M400026	Nut	
21	M412476	Guide Rail	
22	M405525	Screw	

Idler Drive Components For Belt/Belt Drive - Reversing Models

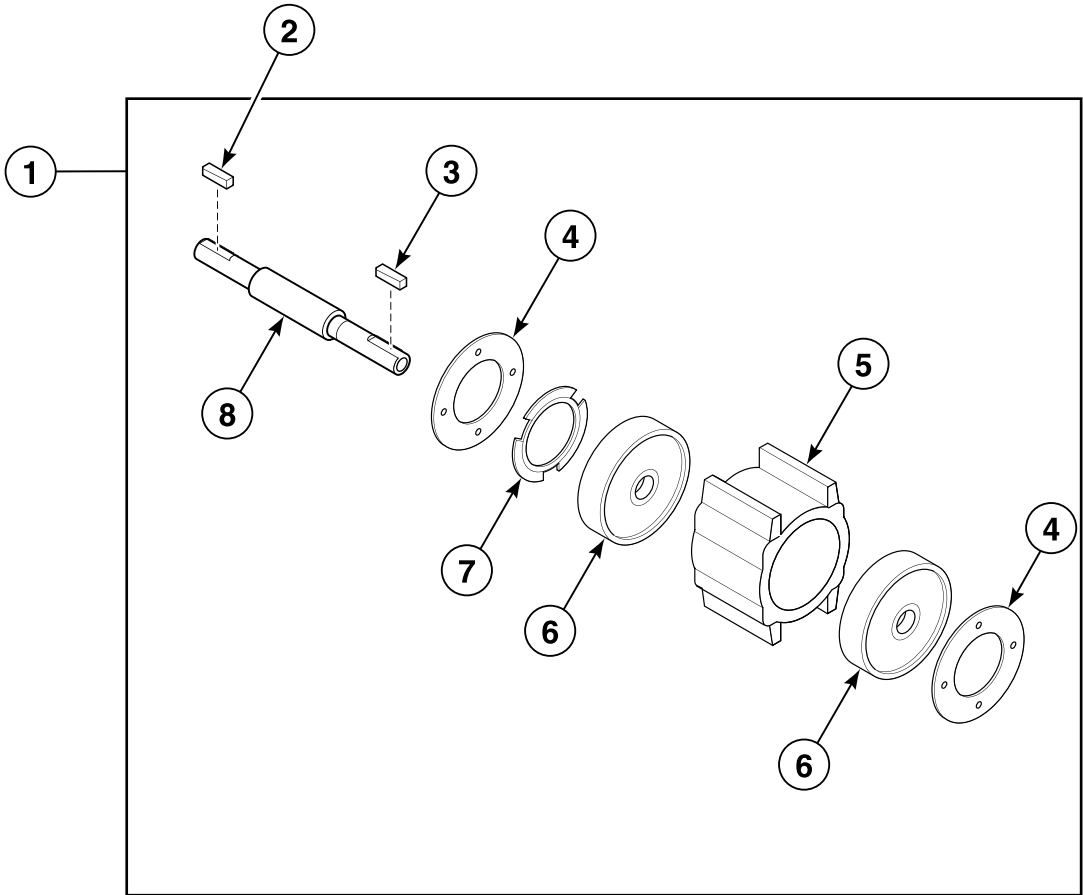


TMB2483P_M411432

Idler Drive Components For Belt/Belt Drive - Reversing Models

REF	PART NO.	DESCRIPTION	COMMENTS
1	M412981	Belt	Motor to idler
2	44024001	Spacer	
3	M412916	Double V Sheave	
4	M412090	Belt	2 required
5	M412086P	Bushing	Includes screws
6	M400014	Washer	
7	430648	Screw	
8	M400080	Washer	
9	M403958	Washer	
10	M400043	Screw	
11	M412884	Pulley	
12	M413268	Guide Rail Support	Right; Models DTB634 and DTB75FG
13	M412626	Nut	
14	M404993	Nut	
15	M412188	Washer	
16	M414405	Tension Plate Assembly	
17	M412627	Screw	
18	M412917P	Bushing	Includes screws
19	M412476	Guide Rail	
20	M400057	Screw	
21	M413629	Belt Guard Assembly	Models DTB634 and DTB75FG; Reversing; Models through Serial No. 0004xxxxx
	M414756	Belt Guard Assembly	Standard; Reversing; Models through Serial No. 0004xxxxx
	M413627	Belt Guard Assembly	Models through Serial No. 0004xxxxx
22	M411483	Motor Bracket	All models except FG
23	70142	Nut	
24	M400013	Washer	
25	M400026	Nut	
26	M413267	Guide Rail Support	Left; Models DTB634 and DTB75FG
27	M412931	Single V Sheave	Idler
28	M412885P	Bushing	Includes screws

Idler Housing Assembly For Belt/Belt Drive - Reversing Models

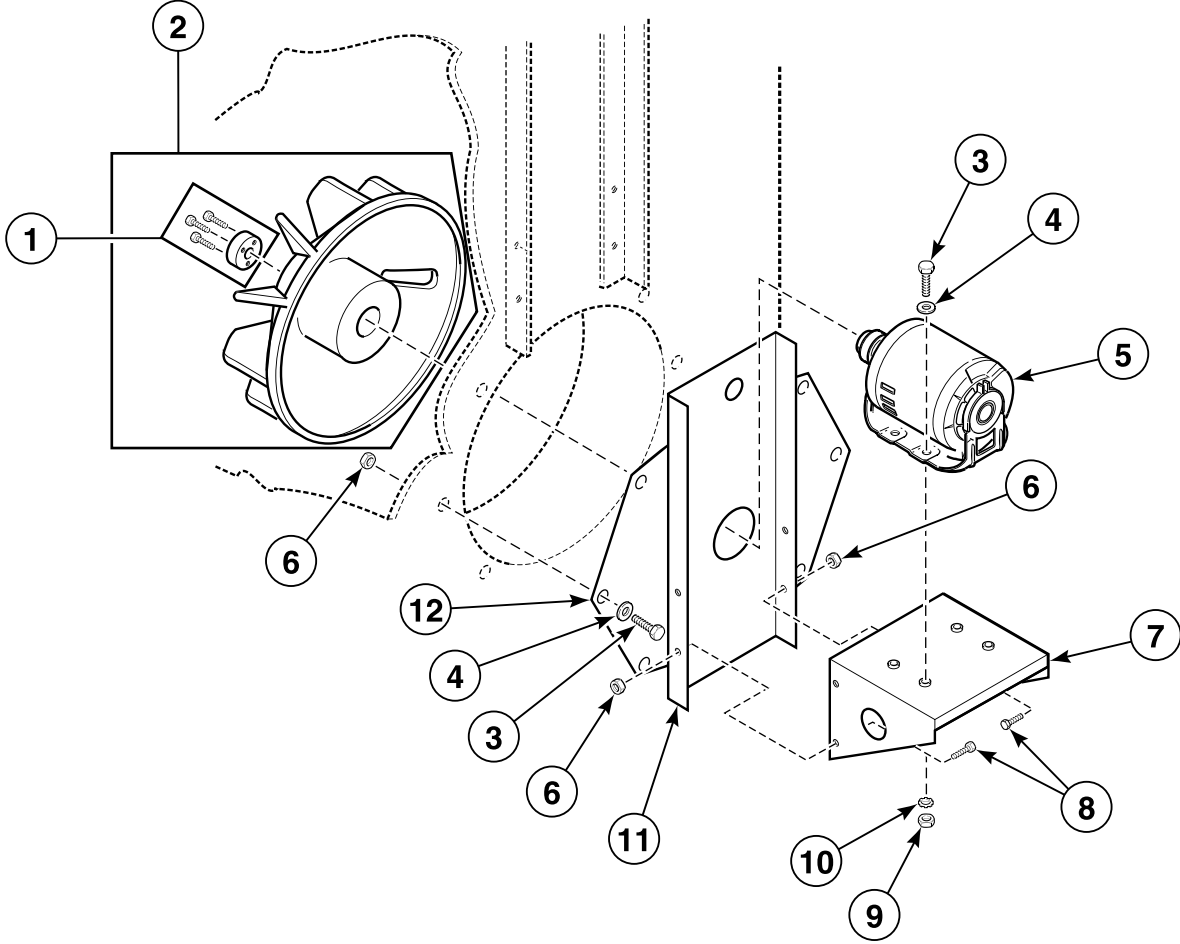


T323P_M411432

Idler Housing Assembly For Belt/Belt Drive - Reversing Models

REF	PART NO.	DESCRIPTION	COMMENTS
1	917P3	Idler Housing Kit	
2	M401327	Key	
3	M400993	Key	
4	M401370	Bearing Retainer	
5	M412612	Idler Housing	
6	M401375P	Ball Bearing	
7	M400401	Loading Spring	
8	M412099	Idler Shaft	

Fan and Motor Components - FG and 634 Models



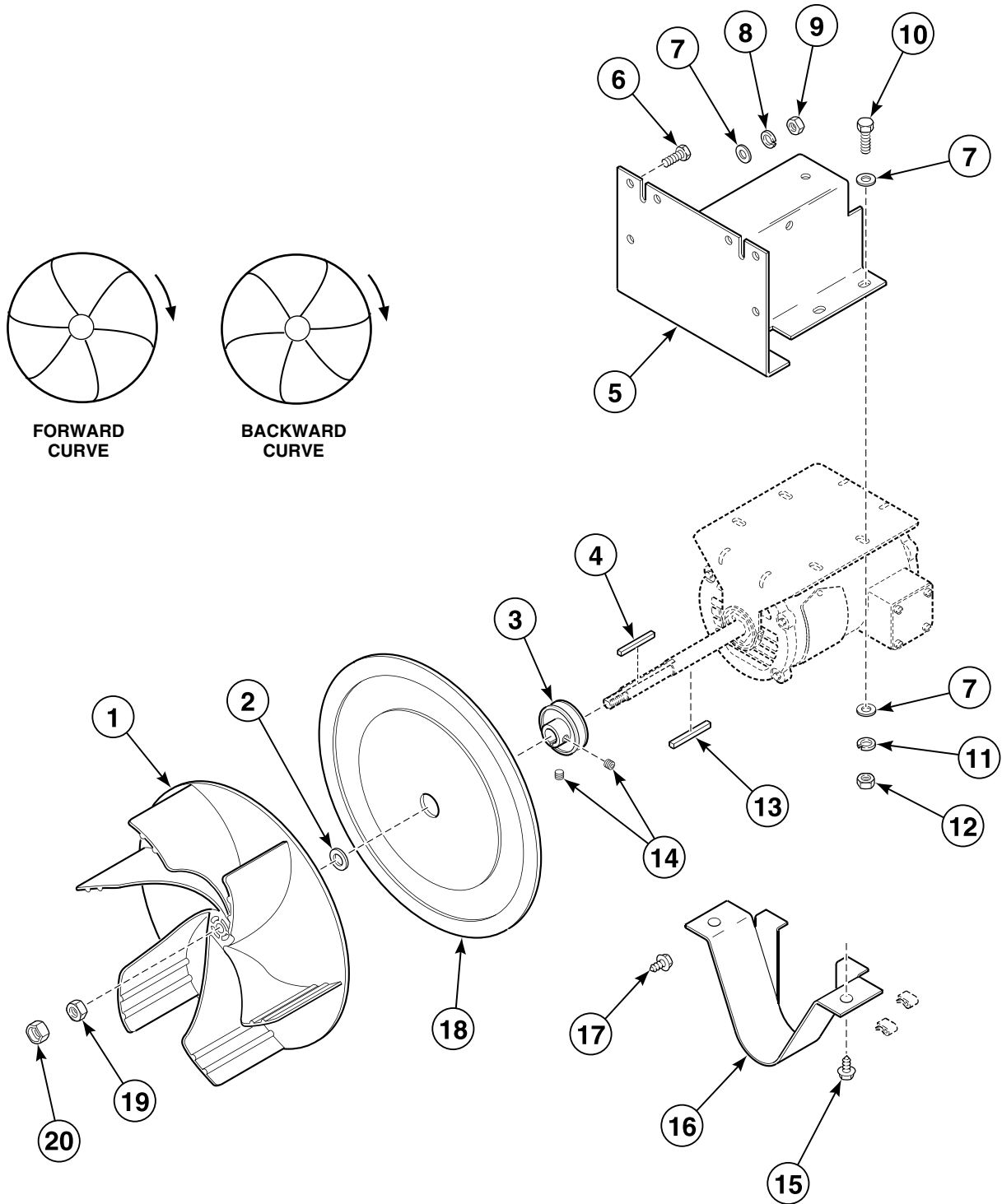
T473P_M411432

Fan and Motor Components - FG and 634 Models

REF	PART NO.	DESCRIPTION	COMMENTS
1	H87529111P	Bushing	Includes screws
2	M414546	Fan and Bushing Assembly	
3	M400057	Screw	
4	M400080	Washer	
5	44046301P	Motor	
	44046001P	Fan Motor	Reversing; 208 or 240 Volt/60 Hertz/3 Phase, 380 or 415 Volt/50 Hertz/3 Phase and 480 Volt/60 Hertz/3 Phase
6	20274	Nut	
7	M413391	Motor Base	
8	22688	Screw	
9	02428	Nut	
10	M400013	Washer	
11	N/A	Motor Channel	
12	M413399	Blower Cover	

N/A = Part no longer available

Fan and Motor Components - All Models Except FG and 634

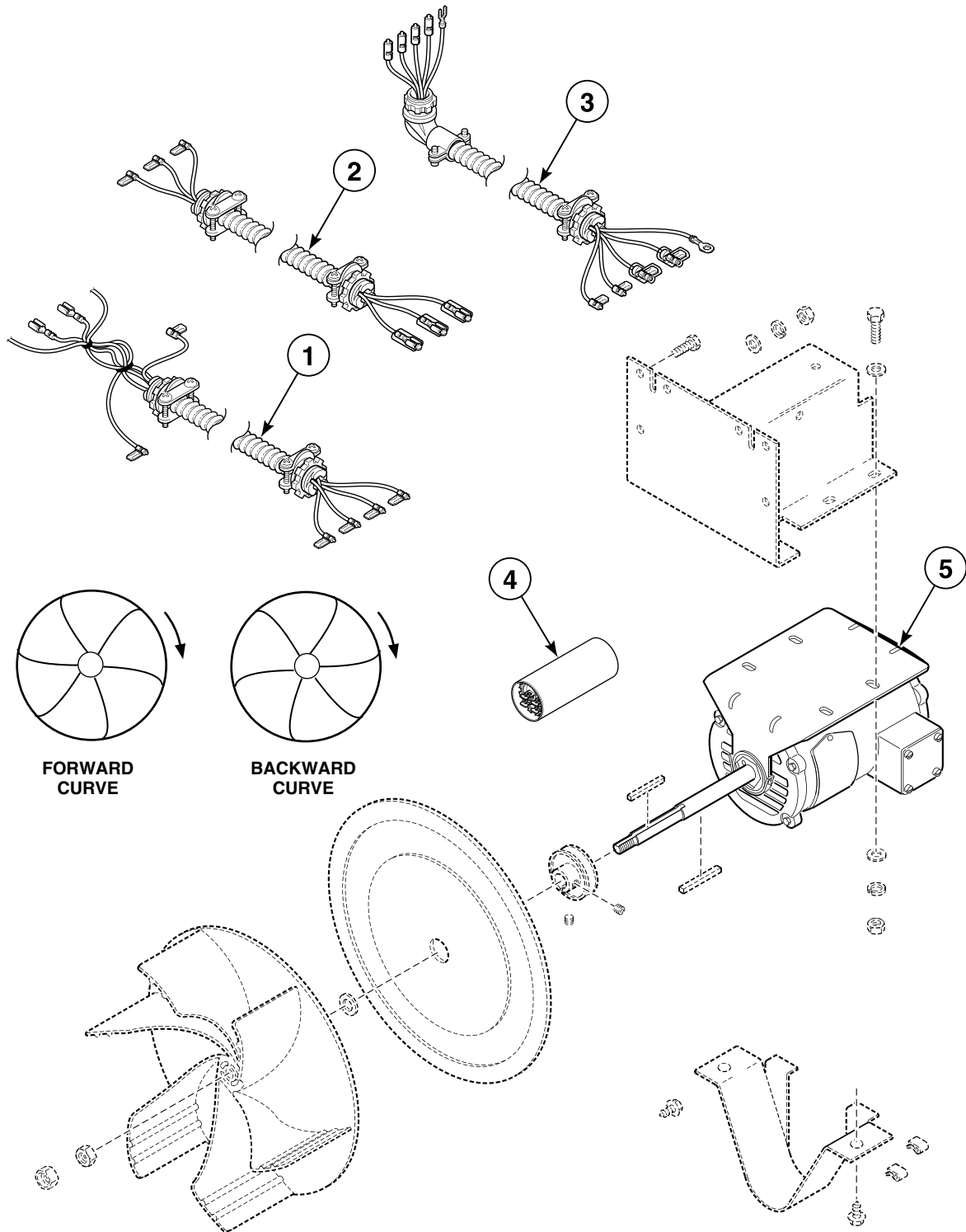


TMB2132P_M411432

Fan and Motor Components - All Models Except FG and 634

REF	PART NO.	DESCRIPTION	COMMENTS
	M4426P3	Motor Hardware Kit	Includes items 2, 4, 13, 19 and 20
	M405419P	Motor Mounting Ring Kit	Standard connection motors; 2 per package
	M4525P3	Resilient Ring Kit	Quick disconnect motors; 2 per package
1	M410088P	Fan	Forward curve; All models except EG and electric; Includes key
	M400086P	Fan and Key	Backward curve; EG and electric models
2	M400991	Washer	
3	M414566	Pulley	Nonreversing; 50 Hertz
	M414564	Pulley	Nonreversing; 60 Hertz
4	M400994	Key	Fan
5	M411483	Motor Bracket	
6	M401393	Bolt	
7	M400080	Washer	
8	M400014	Washer	
9	70142	Nut	
10	M400057	Screw	
11	M400013	Washer	
12	02428	Nut	
13	M400993	Key	Pulley
14	M400077	Screw	
15	M405188	Screw	
16	M413008	Belt Guard	
17	M410059	Screw	
18	M401362	Cover Plate	
19	M400022	Nut	
20	M400034	Nut	

Motor Components - All Models Except FG and 634

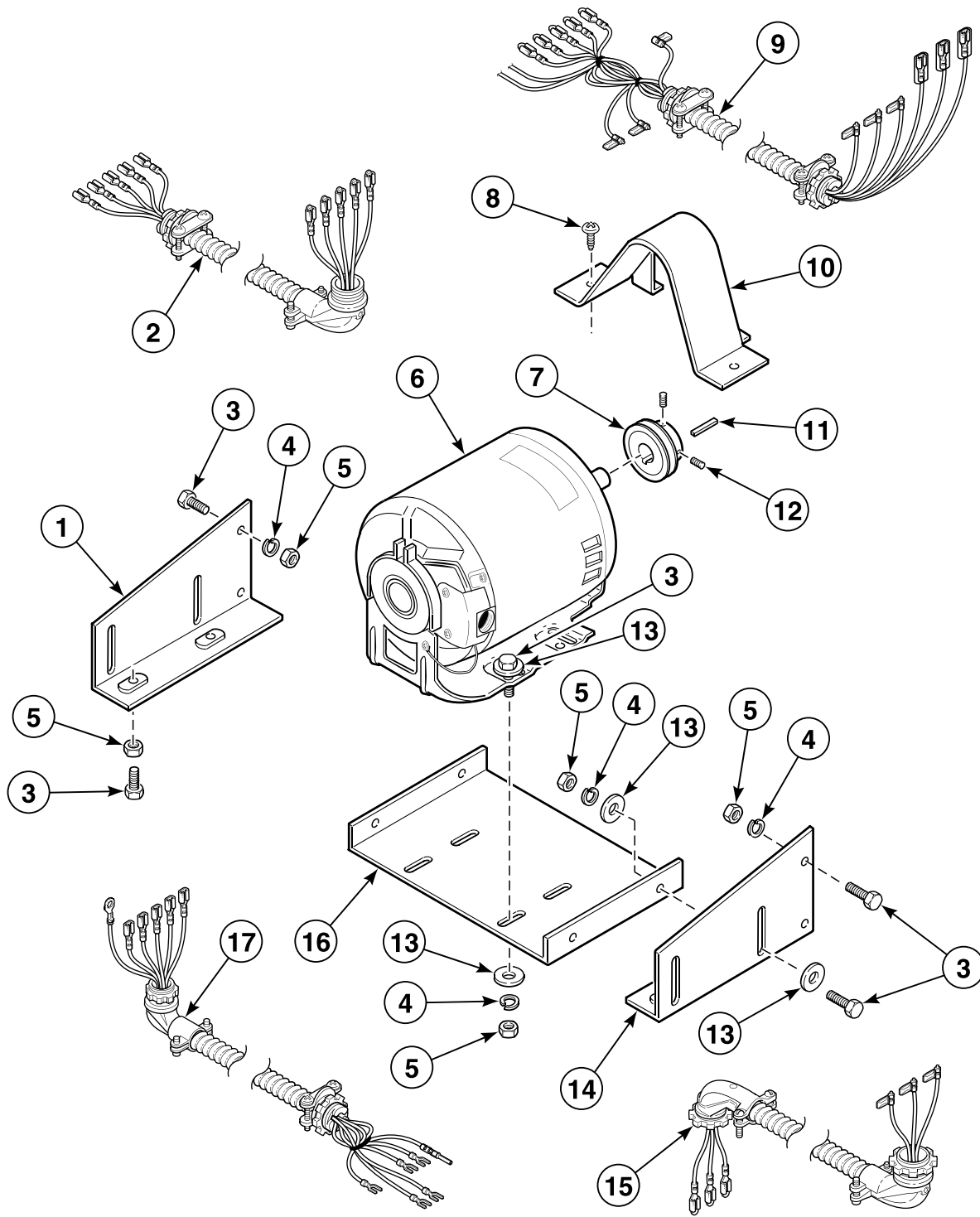


TMB2484P_M411432

Motor Components - All Models Except FG and 634

REF	PART NO.	DESCRIPTION	COMMENTS
1	M409489	Motor Wire Harness Assembly	Gas models; 1 Phase
	M409490	Motor Wire Harness Assembly	Gas and steam models with manual timer; 1 Phase; 2 wire
2	M413685	Fan Motor Harness Assembly	120-240 Volt/50 or 60 Hertz/1 Phase; 2 wire
	M413686	Fan Motor Harness Assembly	OM control suffix; 3 Phase
	M413755	Fan Motor Harness Assembly	OM control suffix; 1 Phase; 3 wire
3	M413281	Fan Motor Harness Assembly	Gas and steam models; 230 Volt/50 Hertz/1 Phase
4	M406291	Motor Capacitor	Standard connection; For M400383 Motor which is no longer available. Order M4833P3 Motor Replacement Kit which includes terminals
	M410302	Motor Capacitor	Standard connection; For M400390 Motor which is no longer available. Order M4834P3 Motor Replacement Kit which includes terminals
	M410301	Motor Capacitor	Standard connection; For M409735 Motor and M400382 Motor which are no longer available. Order M4857P3 Motor Replacement Kit which includes terminals
	M410296	Motor Capacitor	Quick connect; For M409438 Motor which is included in M4833P3 Motor Replacement Kit
	M410298	Motor Capacitor	Quick connect; For M412227 Motor
	M410300	Motor Capacitor	Quick connect; For M412225 Motor
	M411191P	Motor	Nonreversing models through Serial No. 684486YA; Gas and steam models: 120, 208 or 240 Volt/60 Hertz/1 Phase; Electric models: 208 or 240 Volt/60 Hertz/3 Phase
M412226	Motor	Nonreversing; Gas models: 208 Volt/50 Hertz/1 Phase; High pressure steam models: 240 Volt/50 Hertz/1 Phase; Electric models: 380 or 415 Volt/50 Hertz/3 Phase	
M411188P	Motor	Nonreversing models through Serial No. 684486YA; Gas and steam models: 208 or 240 Volt/60 Hertz/3 Phase; Gas and electric models: 480 Volt/60 Hertz/3 Phase	
M412227P	Motor	Nonreversing models starting Serial No. 684486YA; Gas and steam models: 120, 208 or 240 Volt/60 Hertz/1 Phase; Electric models: 208 or 240 Volt/60 Hertz/3 Phase	
44046201P	Motor	Nonreversing models starting Serial No. 684486YA; Gas and steam models: 208 or 240 Volt/60 Hertz/3 Phase; Gas and electric models: 480 Volt/60 Hertz/3 Phase	
M409735P	Motor	Reversing; Gas and high pressure steam models: 240 Volt/50 Hertz/1 Phase; Electric models: 240 Volt/50 Hertz/3 Phase	
M4833P3	Motor Replacement Kit	Reversing; Electric models: 208 Volt/60 Hertz/1 or 3 Phase and 240 Volt/60 Hertz/3 Phase	
44046001P	Fan Motor	Reversing; Gas and steam models: 208 or 240 Volt/60 Hertz/3 Phase; Gas, electric and high pressure steam models: 380 or 415 Volt/50 Hertz/3 Phase and 480 Volt/60 Hertz/3 Phase	

Cylinder Drive Motor and Components for Models Through 1996



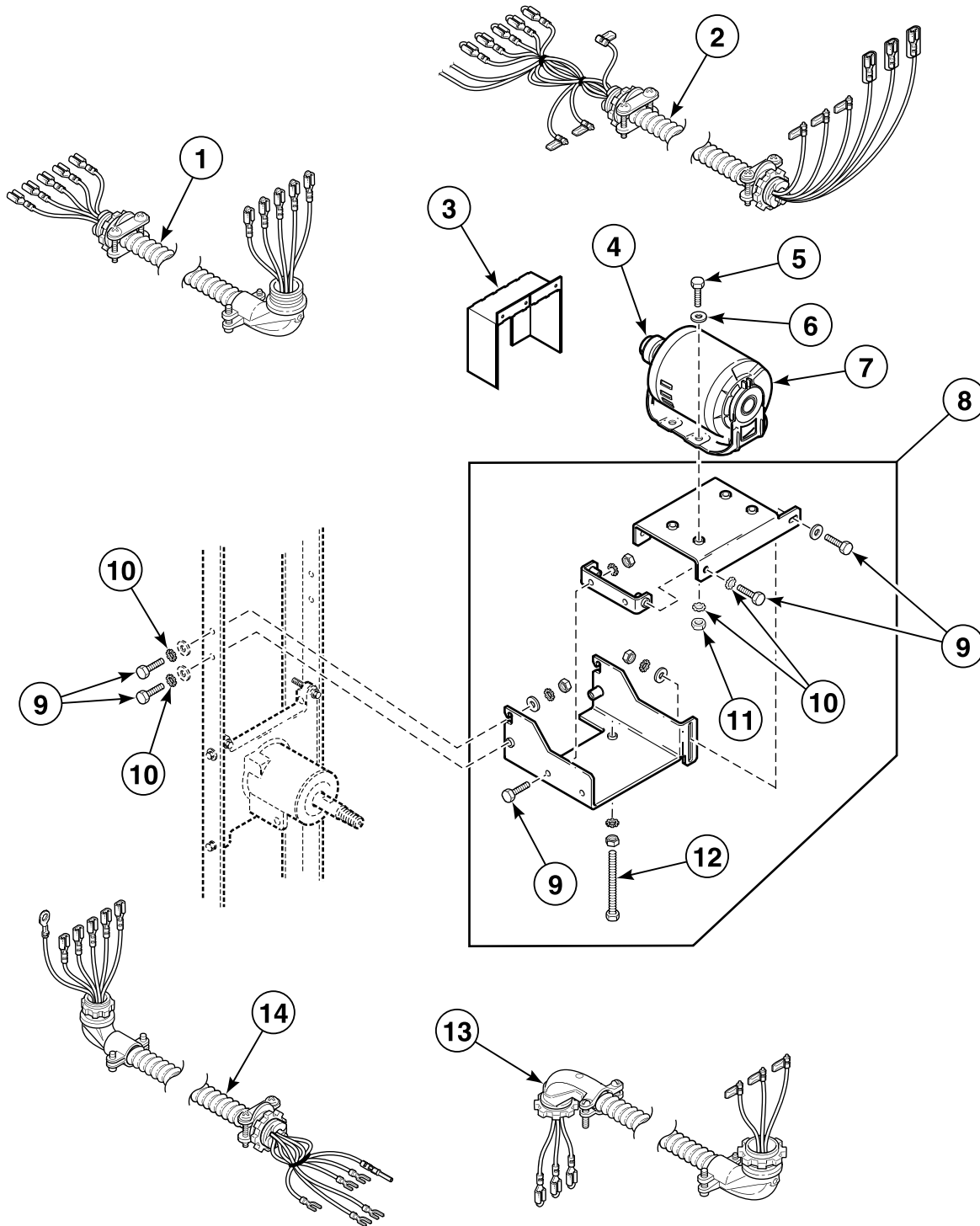
TMB2485P_M411432

Cylinder Drive Motor and Components for Models Through 1996

REF	PART NO.	DESCRIPTION	COMMENTS
1	M400520	Motor Bracket Assembly	Left
2	M412107	Motor Harness Assembly	Reversing; 50 or 60 Hertz/3 Phase
	M413687	Cylinder Motor Harness Assembly	Reversing models with OM control suffix; 1 Phase
3	M400057	Screw	
4	M400013	Washer	
5	02428	Nut	
6	M410852	Motor	1/3 hp; 208-240 Volt/60 Hertz/1 Phase
	M412519P	Motor Kit	1/3 hp; 208-240, 380, 415 or 480 Volt/50 or 60 Hertz/3 Phase
	M412520P	Motor Kit	1/3 hp; 240 Volt/50 Hertz/1 Phase
7	M414565	Pulley	
8	M405188	Screw	
9	M411828	Motor Harness Assembly	Gas models with manual timer; 208-240 Volt/60 Hertz/3 Phase
	M411827	Motor Wire Harness Assembly	Gas and electric models with manual timer; 3 Phase
10	M413008	Belt Guard	
11	M400993	Key	
12	M400065	Screw	
13	M400080	Washer	
14	M400521	Motor Bracket Assembly	Right
15	M413688	Cylinder Motor Harness Assembly	Reversing models with OM control suffix; 3 Phase
16	N/A	Motor Mounting Bracket	
17	M412745	Cylinder Motor Harness	DC, JC and SC gas and steam reversing models; 230 Volt/50 Hertz/1 Phase
	M412573	Cylinder Motor Harness Assembly	Reversing; 3 Phase

N/A = Part no longer available

Cylinder Drive Motor and Components for Models Starting 1996



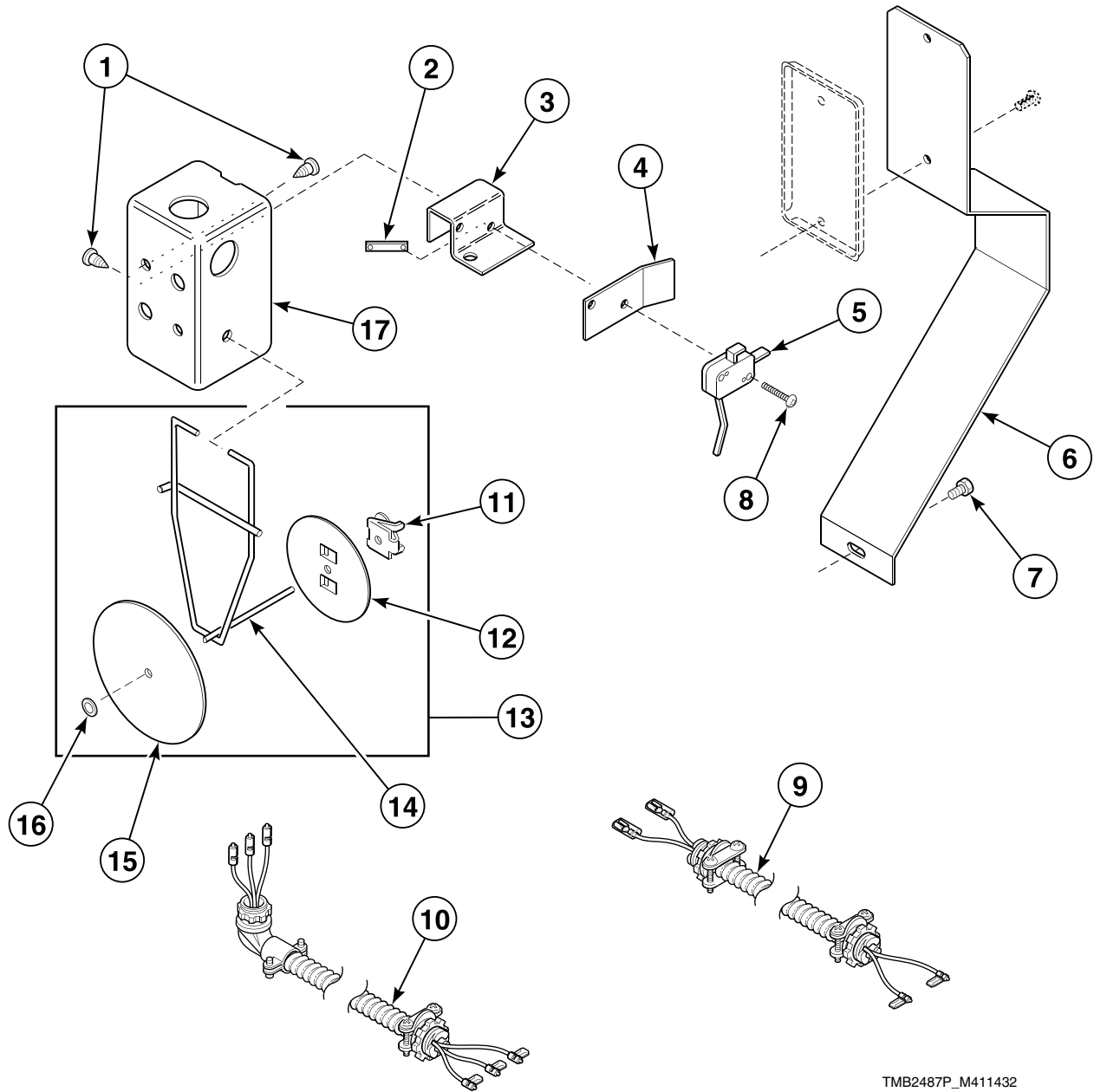
TMB2486P_M411432

Cylinder Drive Motor and Components for Models Starting 1996

REF	PART NO.	DESCRIPTION	COMMENTS
1	M412107	Motor Harness Assembly	Reversing; 50 or 60 Hertz/3 Phase
	M413687	Cylinder Motor Harness Assembly	Reversing models with OM control suffix; 1 Phase
2	M411828	Motor Harness Assembly	Gas models with manual timer; 208-240 Volt/60 Hertz/3 Phase
	M411827	Motor Wire Harness Assembly	Gas and electric models with manual timer; 3 Phase
3	M413541	Belt Guard	Upper
4	M414565	Pulley	60 Hertz
	M414567	Pulley	50 Hertz
5	M400057	Screw	
6	M400080	Washer	
7	M412519P	Motor Kit	3 Phase
	M412520P	Motor Kit	50 Hertz/1 Phase
8	M413617	Motor Mount Assembly	
9	27202	Screw	
10	02834	Washer	
11	02428	Nut	
12	M413565	Screw	
13	M413688	Cylinder Motor Harness Assembly	Reversing models with OM control suffix; 3 Phase
14	M412745	Cylinder Motor Harness	DC, JC and SC gas and steam reversing models; 230 Volt/50 Hertz/1 Phase
	M412573	Cylinder Motor Harness Assembly	Reversing; 3 Phase

Airflow Switch Assembly

Gas and Electric Models; Mounting on Rear of Cabinet

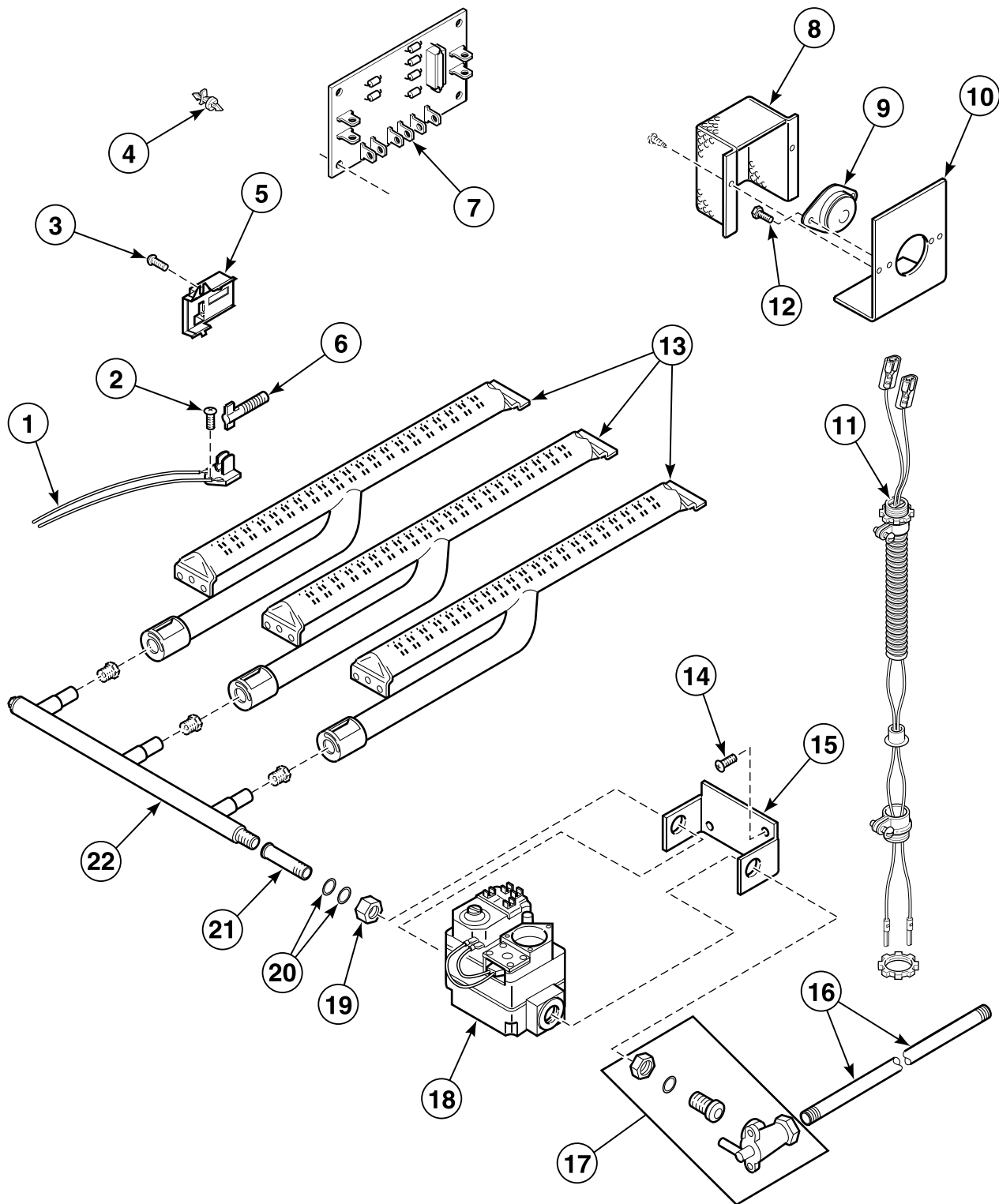


TMB2487P_M411432

Airflow Switch Assembly

REF	PART NO.	DESCRIPTION	COMMENTS
1	M400664	Screw	
2	M400979	Nut	
3	M409202	Airflow Switch Bracket	
4	M400712	Airflow Switch Insulator Barrier	
5	M400944	Airflow Switch	Australian and A, DT, JT and ST models
	M412423	Actuator Switch	DC, JC and SC models
6	M410544	Airflow Switch Guard	
7	430497	Screw	
8	M401938	Screw	
9	M413689	Airflow Switch Harness Assembly	A, DT, JT and ST models
10	M412575	Airflow Switch Harness Assembly	DC, JC and SC models with cabinet mounted airflow switch
11	M400976	Clip	
12	M400822	Counterweight	
13	M400541	Vane Assembly	
14	M400753	Airflow Switch Vane Lever	
15	M413475	Airflow Switch Vane	634 and FG models
	M400253	Vane	All other models
16	M400977	Nut	
17	M403235	Airflow Switch Handy Box	

Burner Assembly for Glow Bar Ignition



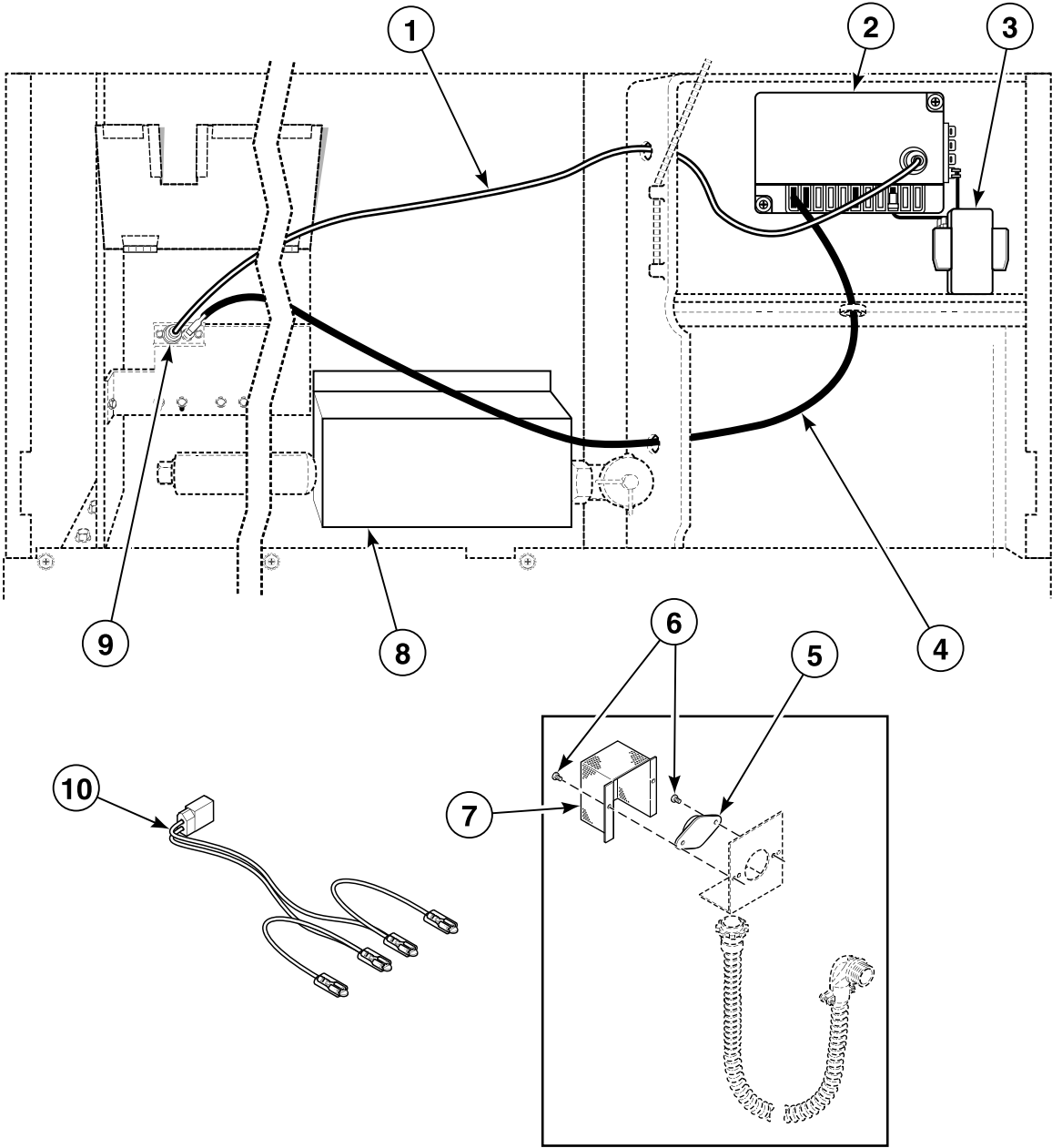
TMB2488P_M411432

Burner Assembly for Glow Bar Ignition

REF	PART NO.	DESCRIPTION	COMMENTS
	M4454P3	L.P. Conversion Kit	CG models; Used to convert Natural Gas (N.G.) to Liquid Petroleum Gas (L.P.)
	M4478P3	L.P. Conversion Kit	EG models; Used to convert N.G. to L.P.
	M4609P3	L.P. Conversion Kit	634 and FG models; Used to convert N.G. to L.P.
1	M402745P	Igniter Bracket Assembly	
2	56693	Screw	
3	M400664	Screw	
4	M405979	Circuit Board Support	
5	510213	Sensor	
6	55438P	Igniter	
7	M405897P	Diode Logic Board	Located in front control area
8	M414477	Thermostat Cover	
9	M410220	Limit Thermostat	EG models
	M401404	Limit Thermostat	All other models
10	M406882	Thermostat Bracket	
11	M412920	Thermostat Harness	DC, JC and SC models; 230 Volt/50 Hertz/1 Phase; With cabinet mounted airflow switch
12	M402797	Screw	
13	M405919	Burner Assembly	Models through Serial No. 724078ZF
	M410541	Burner Assembly	Models starting Serial No. 724078ZF
14	M405188	Screw	
15	N/A	Bracket	Models through Serial No. 724078ZF
	M406814	Gas Valve Bracket	Models starting Serial No. 724078ZF
16	M400749	Pipe	
17	M4854P3	Shut-Off Valve and Tailpiece Kit	
18	M405935P	Gas Valve	L.P.
	M405898	Gas Valve	N.G.
19	M401548	Nut	
20	M400605	Anti-Torque Ring	
21	M406681	Manifold Pipe Assembly	
22	M406810	Spud Holder Assembly	

N/A = Part no longer available

Burner Assembly for Australian Models



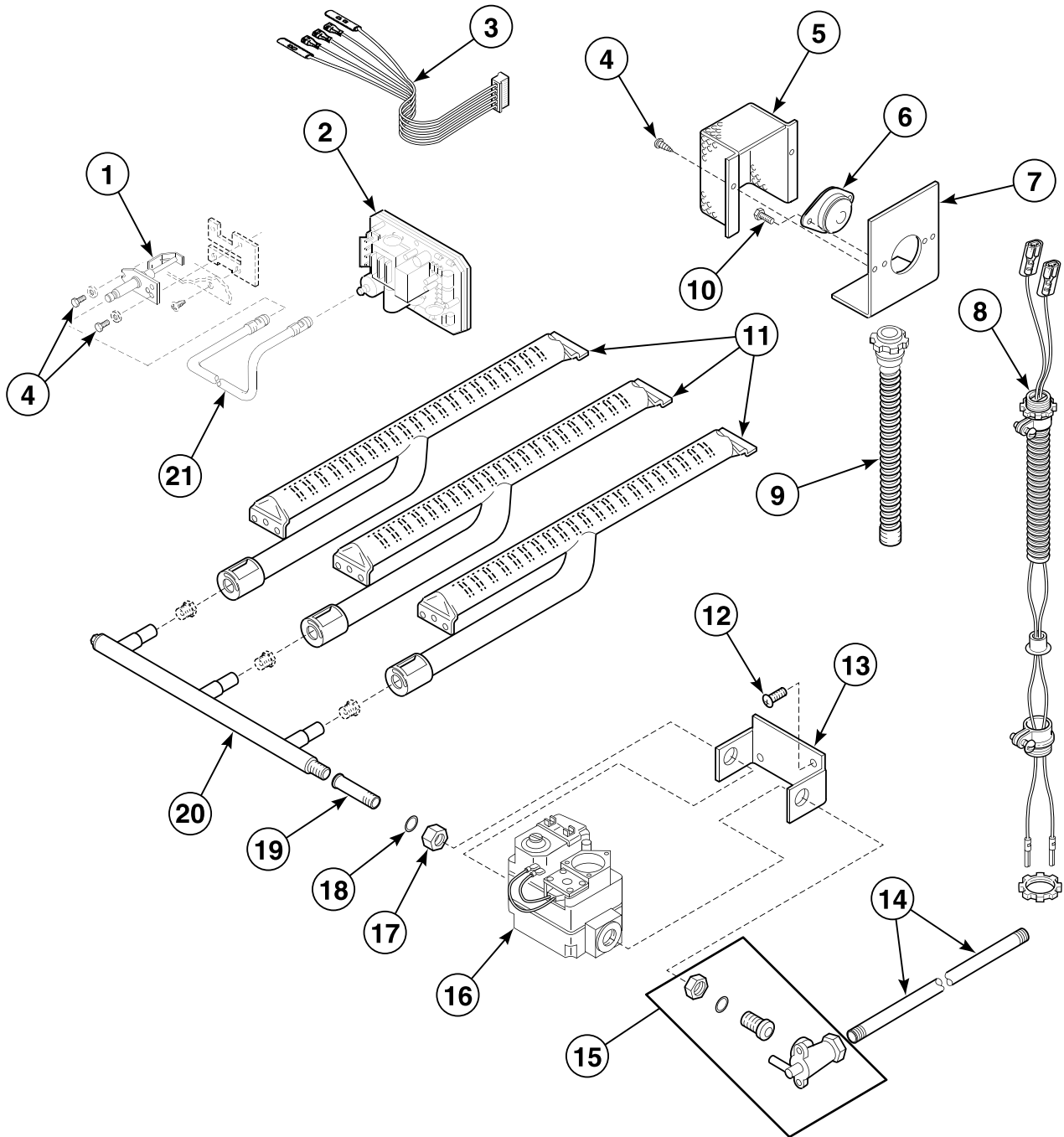
TMB2489P_M411432

Burner Assembly for Australian Models

REF	PART NO.	DESCRIPTION	COMMENTS
1	N/A	High Voltage Lead	
2	M410904P	Instant Electronic Ignition Control	24 Volt
3	M411066	Transformer	240 Volt Primary/24 Volt Secondary
4	N/A	Sensor Jumper Wire	
5	M410220	Limit Thermostat	
6	M400664	Screw	
7	M414477	Thermostat Cover	
8	M410907P	Gas Valve	Natural Gas (N.G.)
	M410908	Gas Valve	Liquid Petroleum Gas (L.P.)
9	M410905P	Spark Igniter	
10	M413650	Gas Valve Harness Assembly	OM control suffix; Dual coil connection; Johnson gas valve

N/A = Part no longer available

Gas Burner Components for Electronic Ignition



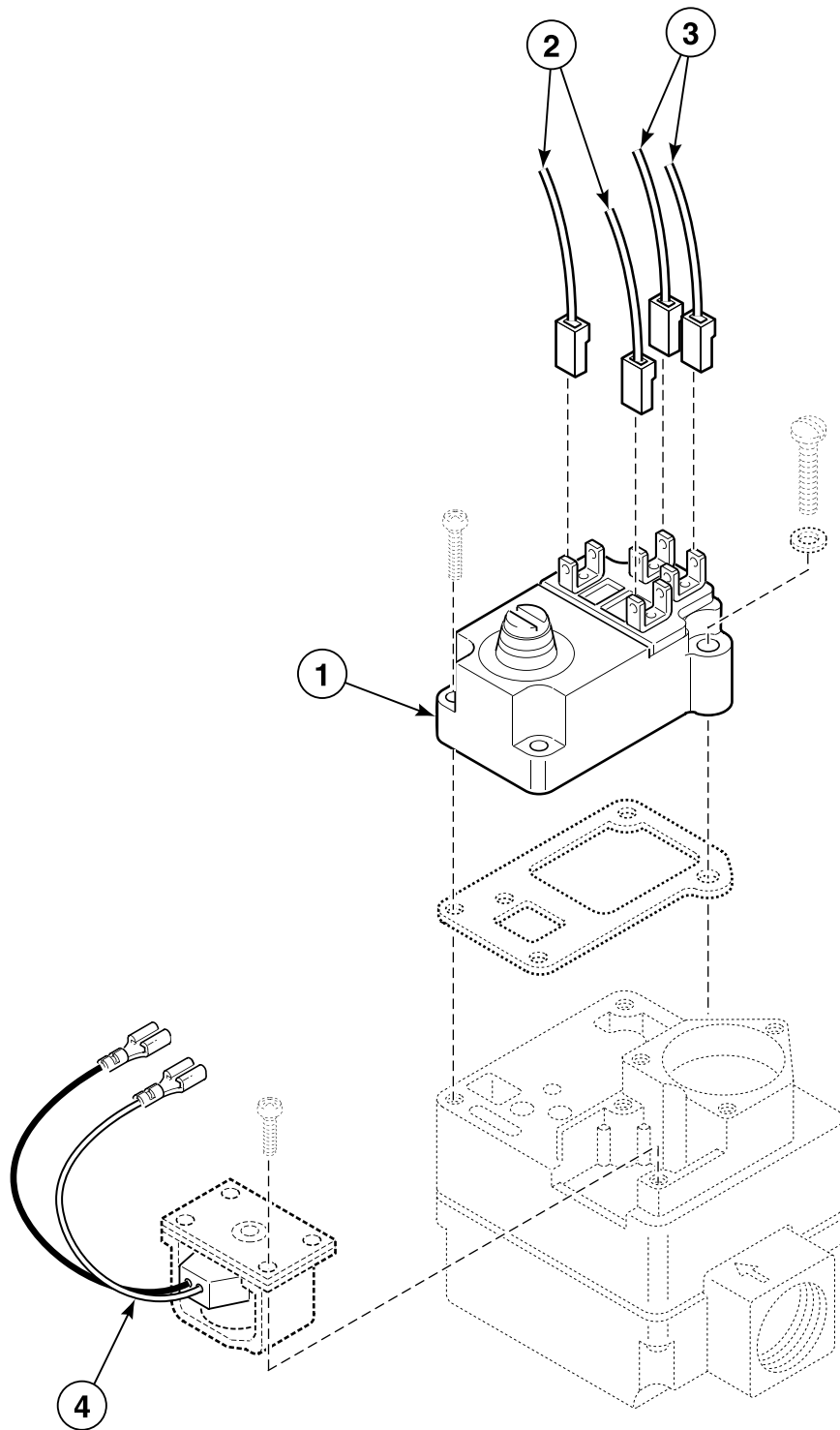
TMB2490P_M411432

Gas Burner Components for Electronic Ignition

REF	PART NO.	DESCRIPTION	COMMENTS
	M4454P3	L.P. Conversion Kit	CG models; Used to convert Natural Gas (N.G.) to Liquid Petroleum Gas (L.P.)
	M4478P3	L.P. Conversion Kit	EG models; Used to convert N.G. to L.P.
	M4609P3	L.P. Conversion Kit	634 and FG models; Used to convert N.G. to L.P.
1	M406934P	Spark Igniter	
2	M406789P	Ignition Control	MM and MT control suffixes; 120 Volt
	70367301P	Ignition Control	OM control suffix; 24 Volt
3	M406880	Ignition Wire Harness Assembly	MM and MT control suffixes
	M413678	Control Box Harness Assembly	OM control suffix
4	M400664	Screw	
5	M414477	Thermostat Cover	
6	M410220	Limit Thermostat	EG models
	M401404	Limit Thermostat	CG models
7	M406882	Thermostat Bracket	
8	M412920	Thermostat Harness	DC, JC and SC models; 230 Volt/50 Hertz/1 Phase; With cabinet mounted airflow switch
9	N/A	Stove Limit Wire Harness Assembly	MM and MT control suffixes
	M413691	Stove Limit Harness Assembly	OM control suffix
	M413499	Stove Limit Wire Harness Assembly	634 and FG models
10	M402797	Screw	
11	M405919	Burner Assembly	Models through Serial No. 724078ZF
	M410541	Burner Assembly	Models starting Serial No. 724078ZF
12	M405188	Screw	
13	M406814	Gas Valve Bracket	Models starting Serial No. 724078ZF
	M405945	Gas Valve Bracket	Models through Serial No. 724078ZF
14	M400749	Pipe	
15	M4854P3	Shut-Off Valve and Tailpiece Kit	
16	M409152P	Gas Valve Assembly	N.G.; MM and MT control suffixes; 120 Volt/60 Hertz
	M409153P	Gas Valve Assembly	L.P.; MM and MT control suffixes; 120 Volt/60 Hertz
	M409517P	Gas Valve	N.G.; MM and MT control suffixes; 120 Volt/50 Hertz
	M409561P	Gas Valve Assembly	L.P.; MM and MT control suffixes; 120 Volt/50 Hertz
	M413463P	Gas Valve	L.P.; OM control suffix; 24 Volt/50 Hertz
	M4897P3	L.P. Gas Valve Kit	OM control suffix; 24 Volt/60 Hertz
	M413467P	Gas Valve	N.G.; OM control suffix; 24 Volt/50 Hertz
	M413468P	Gas Valve	N.G.; OM control suffix; 24 Volt/60 Hertz
17	M401548	Nut	
18	M400605	Anti-Torque Ring	
19	M406681	Manifold Pipe Assembly	
20	M406810	Spud Holder Assembly	
21	M406881	High Voltage Lead	

N/A = Part no longer available

Gas Valve Components for Glow Bar Ignition



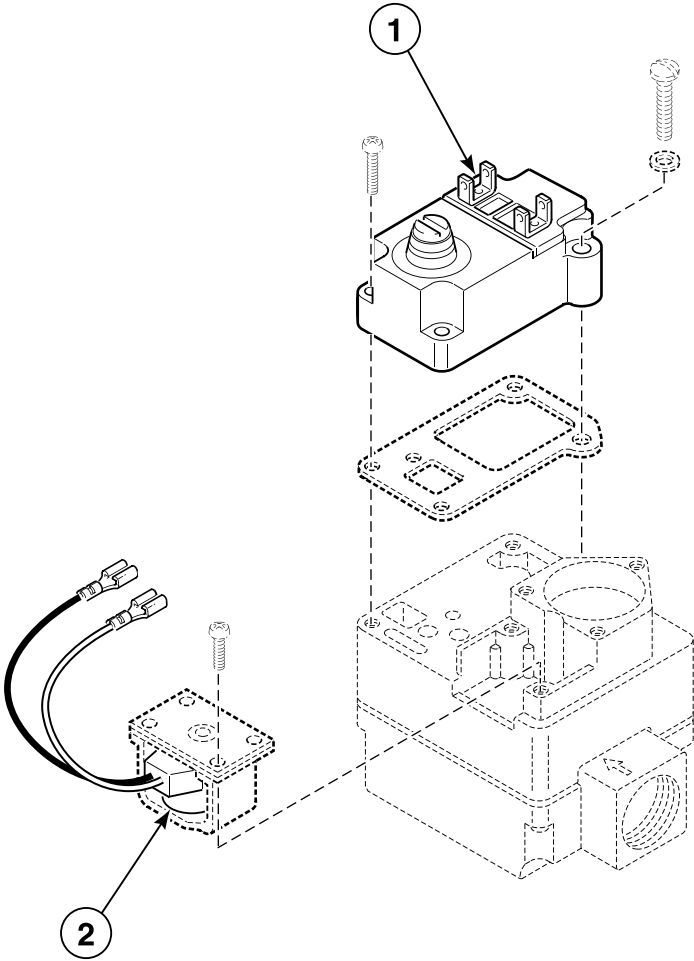
T043P_M411432

Gas Valve Components for Glow Bar Ignition

REF	PART NO.	DESCRIPTION	COMMENTS
	M405434	L.P. Valve Conversion Kit	To convert new coil for use on Liquid Petroleum Gas (L.P.) models
1	M405430	Main Coil	
2	M404866	Jumper Wire	Purple
3	M404868	Jumper Wire	Blue
4	N/A	Redundant Coil	Not available as a separate part, order new valve

N/A = Part no longer available

Gas Valve Components for Electronic Ignition



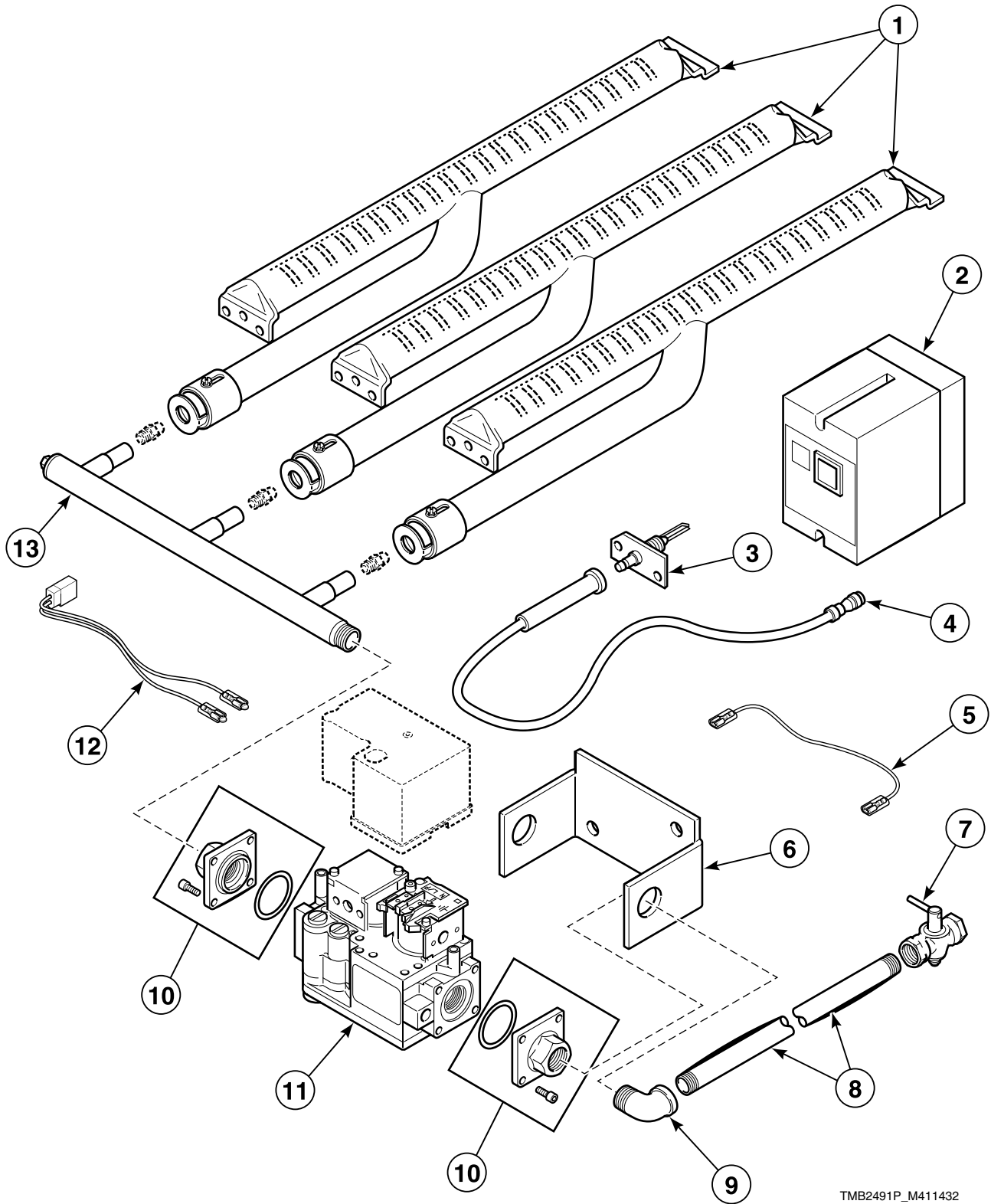
T043PZ3B_M411432

Gas Valve Components for Electronic Ignition

REF	PART NO.	DESCRIPTION	COMMENTS
	M405434	L.P. Valve Conversion Kit	Included with Liquid Petroleum Gas (L.P.) kits M4454P3 L.P. Conversion Kit and M4478P3 L.P. Conversion Kit
1	M411134	Gas Valve Main Coil	120 Volt
	44042901P	Gas Valve Coil	24 Volt; 60 Hertz
2	N/A	Redundant Coil	Not available as separate part, order new valve

N/A = Part no longer available

Gas Valve Assembly for Dungs/B-M System



TMB2491P_M411432

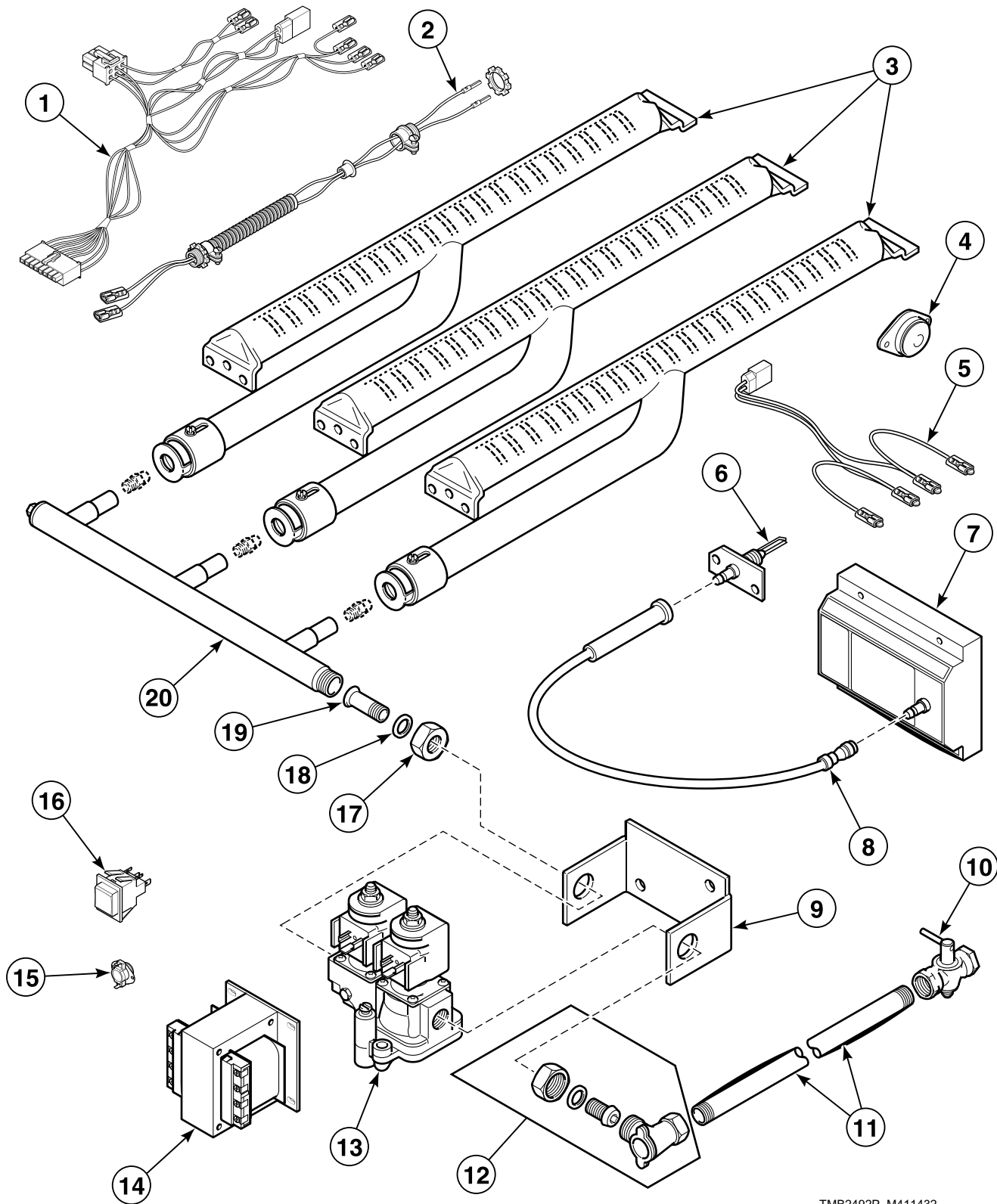
Gas Valve Assembly for Dungs/B-M System

REF	PART NO.	DESCRIPTION	COMMENTS
	607P3	Channel Ignition Kit	Replaces ignition control
1	M410541	Burner Assembly	
2	M4898P3	Ignition Control	
3	M406934P	Spark Igniter	
4	M413040	Ignition Control Cable	
5	M412645	Jumper Wire Assembly	Ground
6	N/A	Gas Valve Bracket	
7	M412562	Gas Shut-Off Valve	
8	M400749	Pipe	
9	H86070034	Street Elbow	
10	M412568	Gas Valve Flange Assembly	
11	N/A	Gas Valve	
12	M412997	Gas Valve Harness Assembly	DC, JC and SC models with OM control suffix; Single coil connection
13	N/A	Spud Holder	

N/A = Part no longer available

Gas System

Channel/Johnson



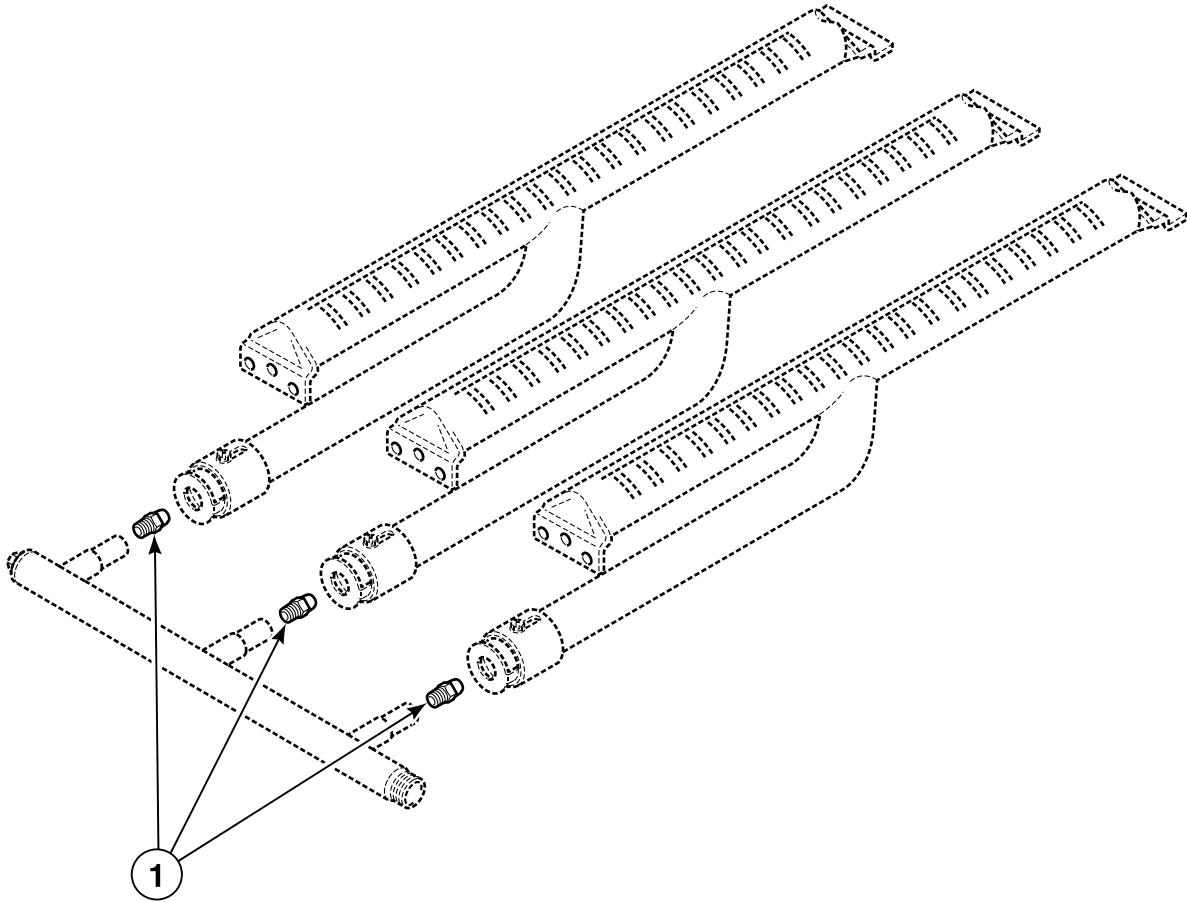
TMB2492P_M411432

Gas System

REF	PART NO.	DESCRIPTION	COMMENTS
1	M413548	Ignition Control Harness Assembly	DC, JC and SC models with manual timer and mechanical coin drop with bulb thermostat
2	M412920	Thermostat Harness	DC, JC and SC models; 230 Volt/50 Hertz/1 Phase; With cabinet mounted airflow switch
3	M410541	Burner Assembly	
4	N/A	Thermostat	
5	M413650	Gas Valve Harness Assembly	OM control suffix; Australian; Dual coil connection
6	M406934P	Spark Igniter	
7	70367401P	Ignition Control	
8	M406881	High Voltage Lead	
9	M406814	Gas Valve Bracket	
10	M412562	Gas Shut-Off Valve	
11	M400749	Pipe	
12	M4854P3	Shut-Off Valve and Tailpiece Kit	
13	M413332P	Gas Valve	
14	M413100P	Transformer	208-240 Volt/60 Hertz/3 Phase
15	M410220	Limit Thermostat	Manual reset
16	M413431	Pushbutton Switch	Lighted; CE models
17	M401548	Nut	
18	M400605	Anti-Torque Ring	
19	M413395	Manifold Pipe Assembly	
20	M406810	Spud Holder Assembly	

N/A = Part no longer available

Burner Orifice - Non-CE Models



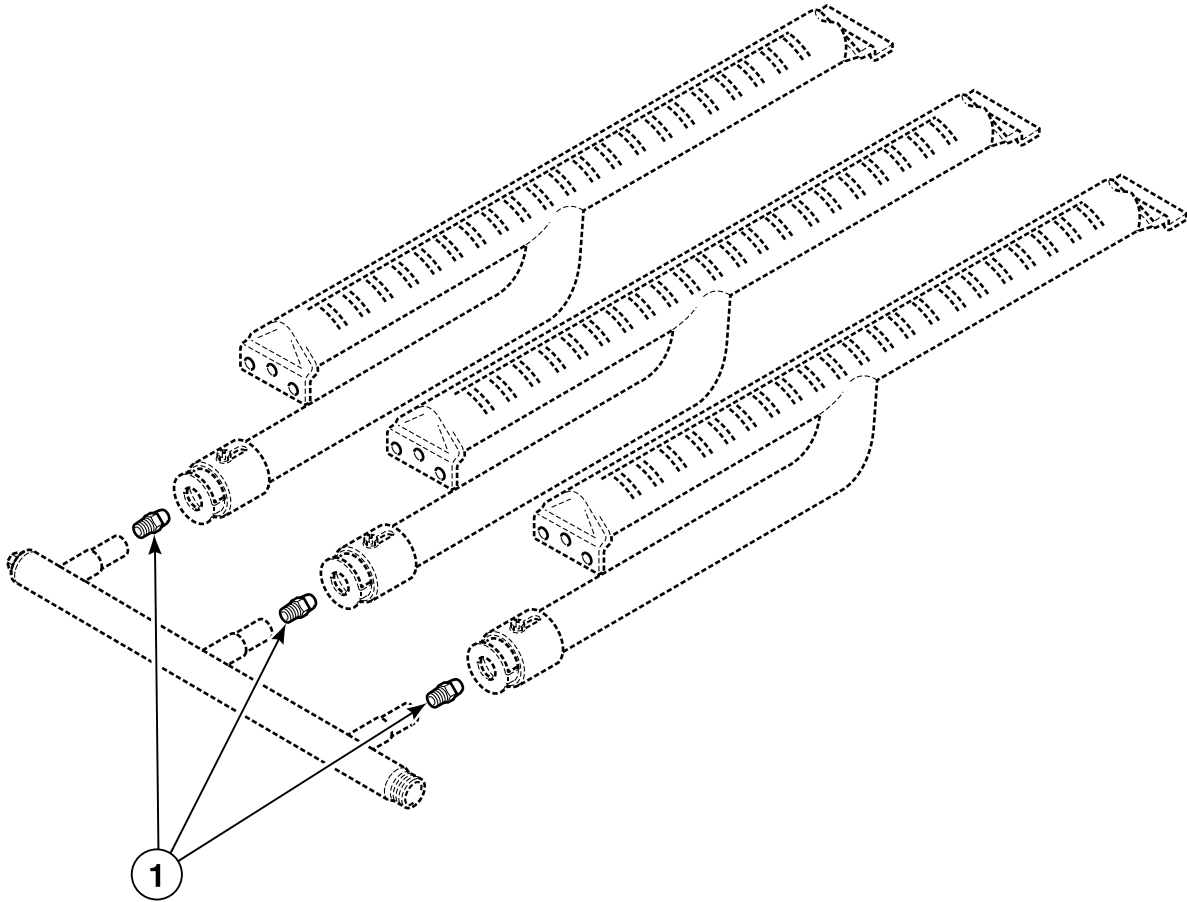
TMB2262P_M411432

Burner Orifice - Non-CE Models

REF	PART NO.	DESCRIPTION	COMMENTS
1	M401021	Burner Orifice	Natural Gas (N.G.); Drill no. 30 (3.3 mm); EG models 0-2,000 feet; CG and FG models 4,001-8,000 feet
	M401017	Burner Orifice	N.G.; Drill no. 31 (3.0 mm); EG models 2,001-6,000 feet; CG and FG models 6,001-10,000 feet
	N/A	Burner Orifice	N.G.; Drill no. 32 (2.9 mm); EG models 6,001-8,000 feet
	M401022	Burner Orifice	N.G.; Drill no. 33 (2.9 mm); EG models 8,001-10,000 feet
	M401001	Burner Orifice	Liquid Petroleum Gas (L.P.); Drill no. 48 (1.9 mm); EG models 0-2,000 feet; CG and FG models 6,001-8,000 feet
	M401018	Burner Orifice	L.P.; Drill no. 49 (1.8 mm); EG models 2,001-4,000 feet; CG and FG models 8,001-10,000 feet
	M401016	Burner Orifice	L.P.; Drill no. 50 (1.8 mm); EG models 4,001-6,000 feet
	M401019	Burner Orifice	L.P.; Drill no. 51 (1.7 mm); EG models 6,001-8,000 feet
	M401025	Burner Orifice	L.P.; Drill no. 52 (1.6 mm); EG models 8,001-10,000 feet
	M401002	Burner Orifice	N.G.; Drill no. 20 (4.1 mm); Models DTB634 and STB634 0-2,000 feet
	M401020	Burner Orifice	N.G.; Drill no. 23 (3.9 mm); Models DTB634 and STB634 2,001-4,000 feet
	M402997	Burner Orifice	N.G.; Drill no. 25 (3.8 mm); Models DTB634 and STB634 4,001-6,000 feet
	M400998	Burner Orifice	N.G.; Drill no. 27 (3.7 mm); Models DTB634 and STB634 6,001-8,000 feet
	M400997	Burner Orifice	N.G.; Drill no. 29 (3.4 mm); Models DTB634 and STB634 8,001-10,000 feet
	N/A	Burner Orifice	L.P.; Drill no. 40 (2.5 mm); Use M4743P3 L.P. Valve Kit to replace; Models DTB634 and STB634 0-2,000 feet
	M403017	Burner Orifice	L.P.; Drill no. 42 (2.4 mm); Models DTB634 and STB634 2,001-4,000 feet
	M406184	Burner Orifice	L.P.; Drill no. 43 (2.3 mm); Models DTB634 and STB634 4,001-6,000 feet
	M401011	Burner Orifice	L.P.; Drill no. 44 (2.2 mm); Models DTB634 and STB634 6,001-8,000 feet
	M401027	Burner Orifice	L.P.; Drill no. 45 (2.1 mm); Models DTB634 and STB634 8,001-10,000 feet
	M401014	Burner Orifice	N.G.; Drill no. 28 (3.6 mm); CG and FG models 0-2,000 feet
	M400997	Burner Orifice	N.G.; Drill no. 29 (3.4 mm); CG and FG models 2,001-4,000 feet
	M401027	Burner Orifice	L.P.; Drill no. 45 (2.1 mm); CG and FG models 0-2,000 feet
	M401003	Burner Orifice	L.P.; Drill no. 46 (2.1 mm); CG and FG models 2,001-4,000 feet
	M400999	Burner Orifice	L.P.; Drill no. 47 (2.0 mm); CG and FG models 4,001-6,000 feet

N/A = Part no longer available

Burner Orifice - CE Models



TMB2262P_M411432

Burner Orifice - CE Models

REF	PART NO.	DESCRIPTION	COMMENTS
1	N/A	Burner Orifice	Natural Gas (N.G.); 0-2,000 feet; 3 required; Drill no. 32 (2.9 mm); For BE**** and FR****; Group E+; Supply pressure of 20/25 mbar; No governor
	M401014	Burner Orifice	N.G.; 0-2,000 feet; 3 required; Drill no. 28 (3.6 mm); Group H for DK, NO, SE, FI, GB, IE, PT, ES, IT and AT; Group E for DE*; Group L for NL; Group LL for DE**; Supply pressure of 20 mbar for DK, NO, SE, FI, DE*, GB, IE, PT, ES, IT and AT; Supply pressure of 25 mbar for DE** and NL; Injector pressure of 8.9 mbar for DK, NO, SE, FI, DE*, GB, IE, PT, ES, IT and AT; Injector pressure of 12.6 mbar for DE** and NL
	M400999	Burner Orifice	Liquid Petroleum Gas (L.P.); 0-2,000 feet; 3 required; Drill no. 47 (2.0 mm); Group B/P for DK, NO, SE, FI, DE***, NL and AT***; Group + for BE, FR, GB, IE, PT, ES and IT; Supply pressure of 30 mbar for DK, NO, SE, FI, DE and NL; Supply pressure of 50 mbar for DE*** and AT***; Supply pressure of 28/37 mbar for BE, FR, GB, IE, PT, ES and IT; Injector pressure of 28.5 mbar for DE and AT; No governor for DK, NO, SE, FI, DE, NL, BE, FR, GB, IE, PT, ES and IT

N/A = Part no longer available

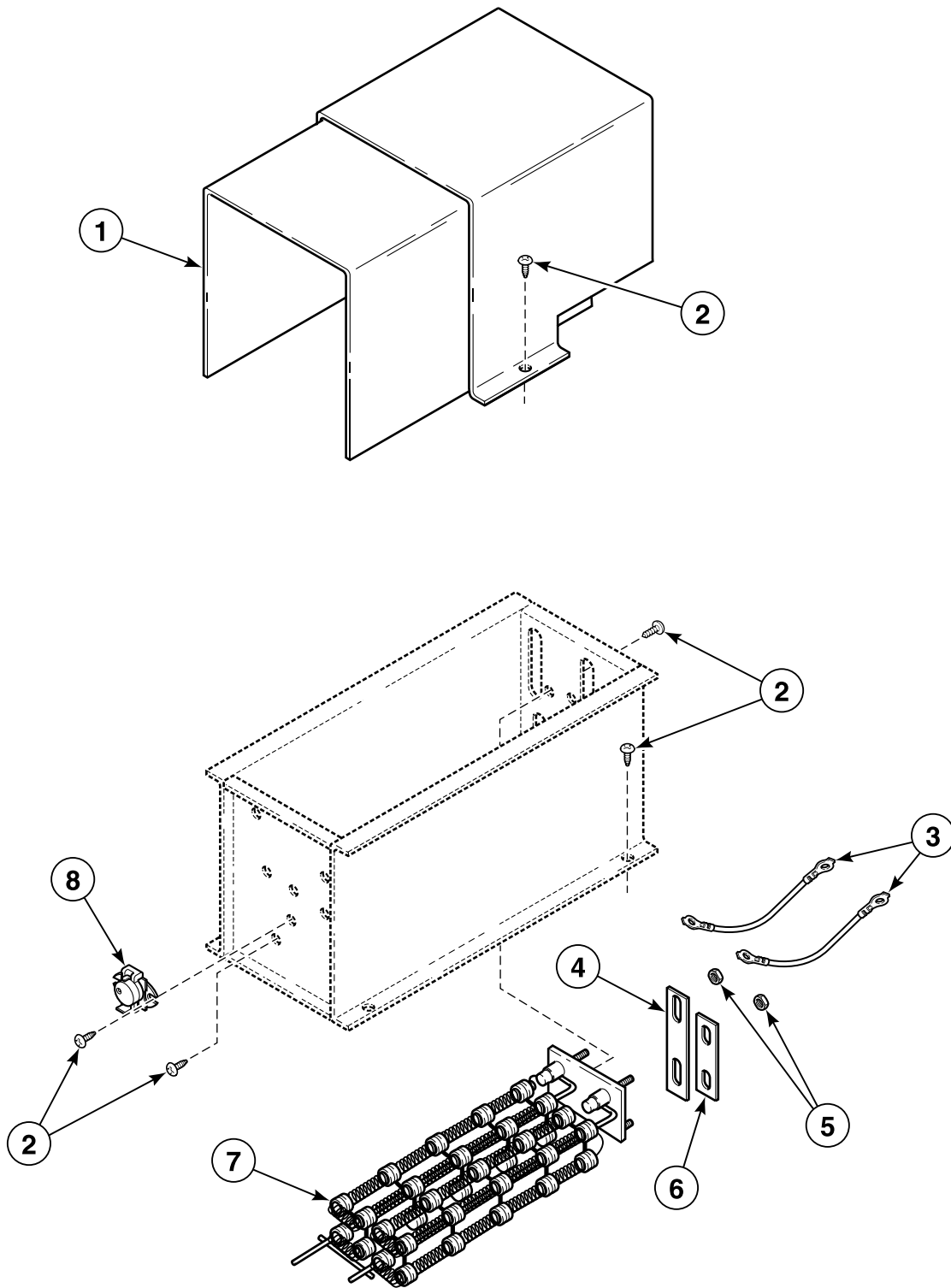
* NOTE: Group E with supply pressure of 20 mbar and injector pressure of 8.9 mbar

** NOTE: Group LL with supply pressure of 25 mbar and injector pressure of 12.6 mbar

*** NOTE: For L.P., Group B/P with 50 mbar supply pressure, convert using N.G. model, M411334 L.P. Conversion Kit and burner orifice

**** NOTE: For N.G., Group E+ applications, convert using L.P. model and replace burner orifice

Electric Heater Components and Thermostat for Models Through Serial No. 9304053995

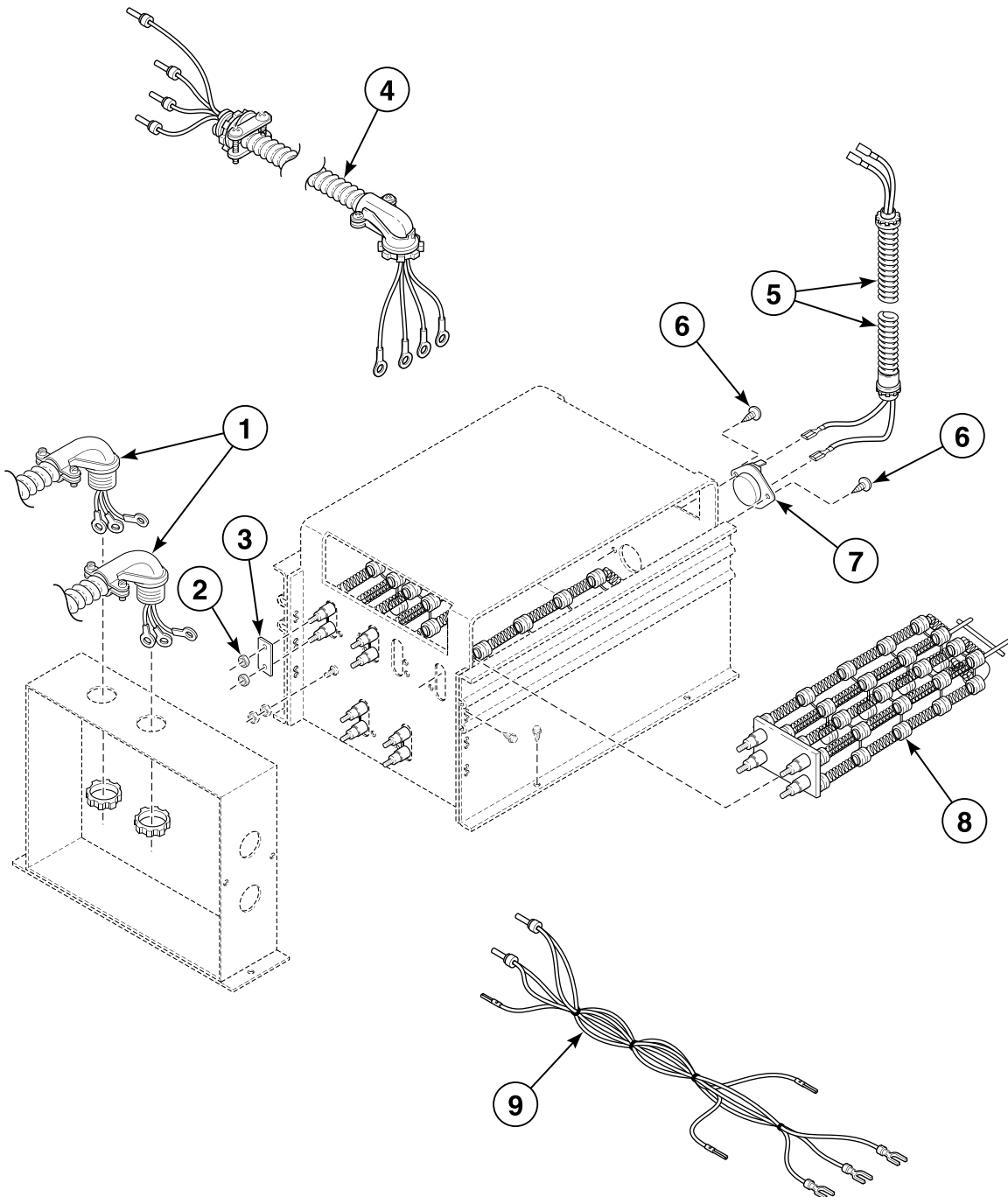


TMB2263P_M411432

Electric Heater Components and Thermostat for Models Through Serial No. 9304053995

REF	PART NO.	DESCRIPTION	COMMENTS
1	M401159	Hood Assembly	
2	M400664	Screw	
3	M401281	Jumper Wire Assembly	6 required for 208-240 Volt; 3 required for 415-480 Volt
	M403743	Jumper Wire Assembly	1 required for 480 Volt
4	M400866	Jumper Bar	3 required for 380-415 Volt; 2 required for 480 Volt
5	Q6163	Nut	
6	M400869	Jumper Strip	6 required for 208-240 Volt and 380-415 Volt; 3 required for 480 Volt
7	M405254P	Heater Element	3 required for 208 Volt/60 Hertz; 10 kW
	M405255P	Heater Element	3 required for 380 Volt/50 Hertz/3 Phase; 10 kW
	M405256P	Heater Element	3 required for 240 Volt/50 or 60 Hertz/3 Phase, 415 Volt/50 Hertz/3 Phase, 480 Volt/60 Hertz/3 Phase; 10 kW
8	M405943	Limit Thermostat	

Electric Heater Components and Thermostat for CE Models Starting Serial No. 9304053996



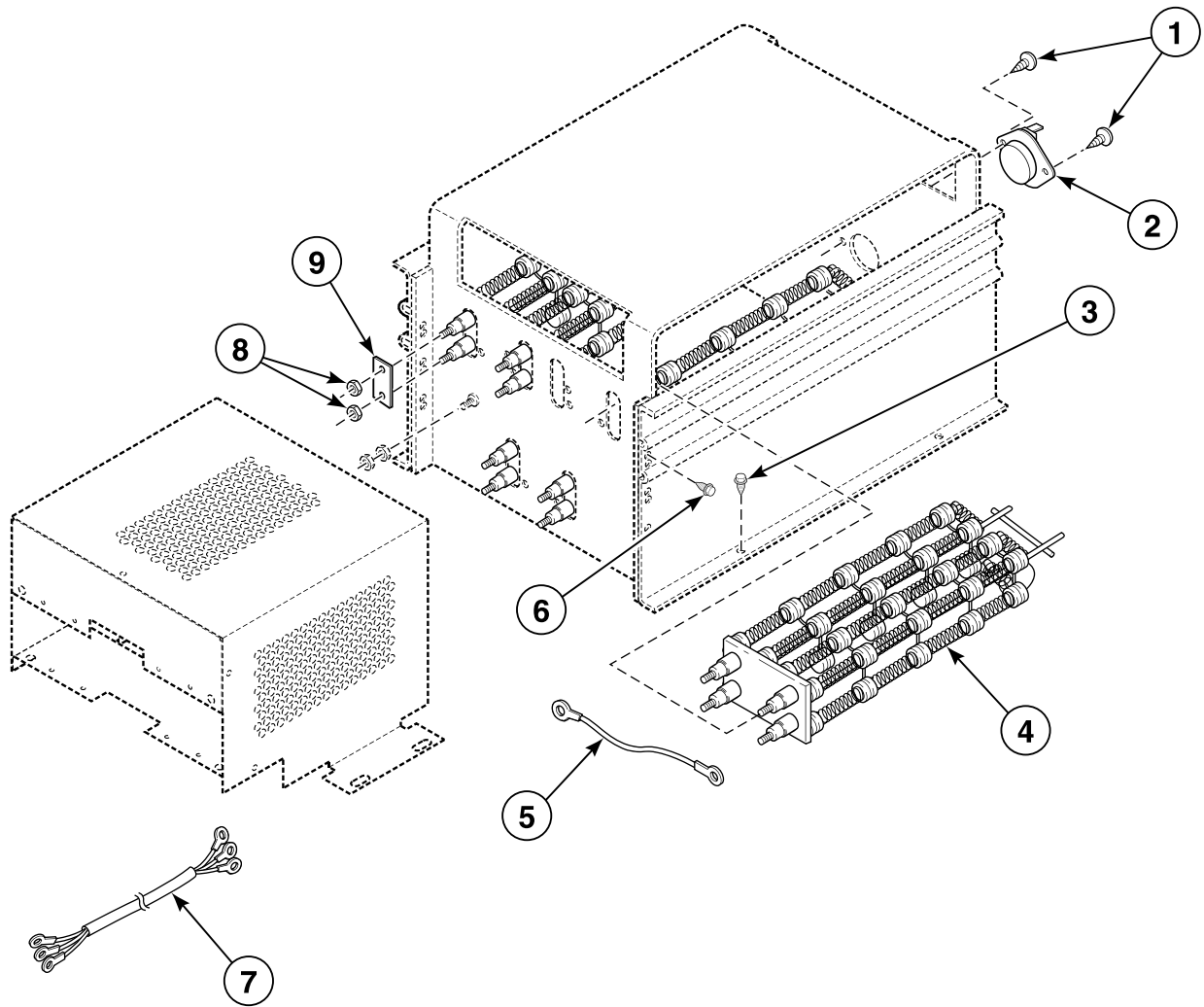
TMB2493P_M411432

Electric Heater Components and Thermostat for CE Models Starting Serial No. 9304053996

REF	PART NO.	DESCRIPTION	COMMENTS
1	M412287	Jumper Wire Assembly	4 1/2 inches; 1 required for 380 or 415 Volt; 2 required for 480 Volt
	M401281	Jumper Wire Assembly	Contactors to heater; 8 gauge; 6 required for 208-240 Volt; 3 required for 380, 415 or 480 Volt
	N/A	Jumper Wire Assembly	Reversing; 2 required for 208-240 Volt; 1 required for 380, 415 or 480 Volt
2	70054	Nut	
	Q6163	Nut	
3	M400866	Jumper Bar	6 required for 208-240, 380 or 415 Volt; 3 required for 480 Volt
	M400869	Jumper Strip	1 required for 480 Volt
4	M412801	Heater Cable Harness Assembly	240 or 400 Volt/3 Phase; Ground; 8 gauge; H1-H3
	M412802	Heater Cable Harness Assembly	230 Volt/50 Hertz/3 Phase; 8 gauge; H4-H6
5	N/A	Cord Assembly	
6	M400664	Screw	
7	M409433	Limit Thermostat	
8	M410939P	Heater Element	10 kW; 240, 415 or 480 Volt
	M410940P	Heater Element	10 kW; 208 Volt
	M410941P	Heater Element	10 kW; 380 Volt
	M412955P	Heater Element	7 kW; 240 Volt/50 Hertz/1 Phase
9	M412871	Jumper Harness Assembly	Models with manual timer; 230 Volt/50 Hertz/3 Phase

N/A = Part no longer available

Electric Heater Components and Thermostat for Non-CE Models Starting Serial No. 9304053996

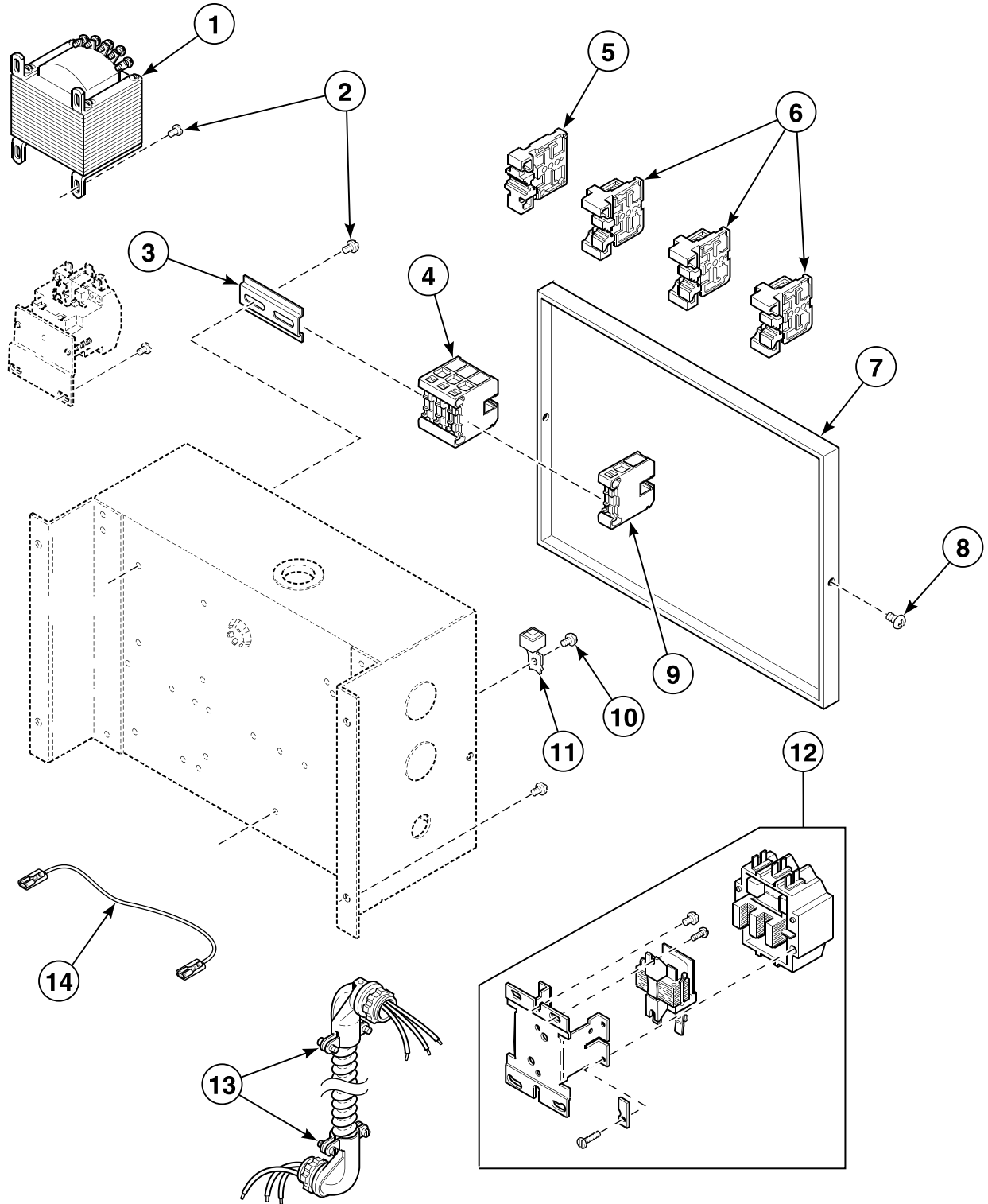


TMB1249P_M411432

Electric Heater Components and Thermostat for Non-CE Models Starting Serial No. 9304053996

REF	PART NO.	DESCRIPTION	COMMENTS
1	33562	Screw	
2	M409433	Limit Thermostat	21 kW; 240 Volt/50 Hertz/1 Phase
3	430497	Screw	
4	M410939P	Heater Element	10 kW; 240 Volt; 3 required for 240 Volt/60 Hertz/3 Phase, 400-415 Volt/50 Hertz/3 Phase and 480 Volt/60 Hertz/3 Phase
	M410940P	Heater Element	10 kW; 208 Volt; 3 required for 200 Volt/50 Hertz/3 Phase and 200-208 Volt/60 Hertz/3 Phase
	M410941P	Heater Element	10 kW; 220 Volt; 3 required for 380 Volt/50 Hertz/3 Phase
5	M412287	Jumper Wire Assembly	1 required for 380 Volt/50 Hertz/3 Phase and 400-415 Volt/50 Hertz/3 Phase; 2 required for 480 Volt/60 Hertz/3 Phase
6	70240301	Screw	
7	M413959	Heater Cable Assembly	OM control suffix; 8 gauge; H1-H3; 200 Volt/50 Hertz/3 Phase, 200-208 Volt/60 Hertz/3 Phase, 240 Volt/60 Hertz/3 Phase, 380 Volt/50 Hertz/3 Phase, 400-415 Volt/50 Hertz/3 Phase, 480 Volt/60 Hertz/3 Phase and 240 Volt/50 Hertz/1 Phase
	M413960	Heater Cable Assembly	OM control suffix; 8 gauge; H4-H6; 200 Volt/50 Hertz/3 Phase, 200-208 Volt/60 Hertz/3 Phase, 240 Volt/60 Hertz/3 Phase and 240 Volt/50 Hertz/1 Phase
8	70054	Nut	
9	M400866	Jumper Bar	380 Volt/50 Hertz/3 Phase, 400-415 Volt/50 Hertz/3 Phase and 480 Volt/60 Hertz/3 Phase
	M400869	Jumper Strip	3 required for 480 Volt/60 Hertz/3 Phase; 6 required for all others

Electric Heat Contactor Box Components for Models Through Serial No. OTCK9412024853



TMB2494P_M411432

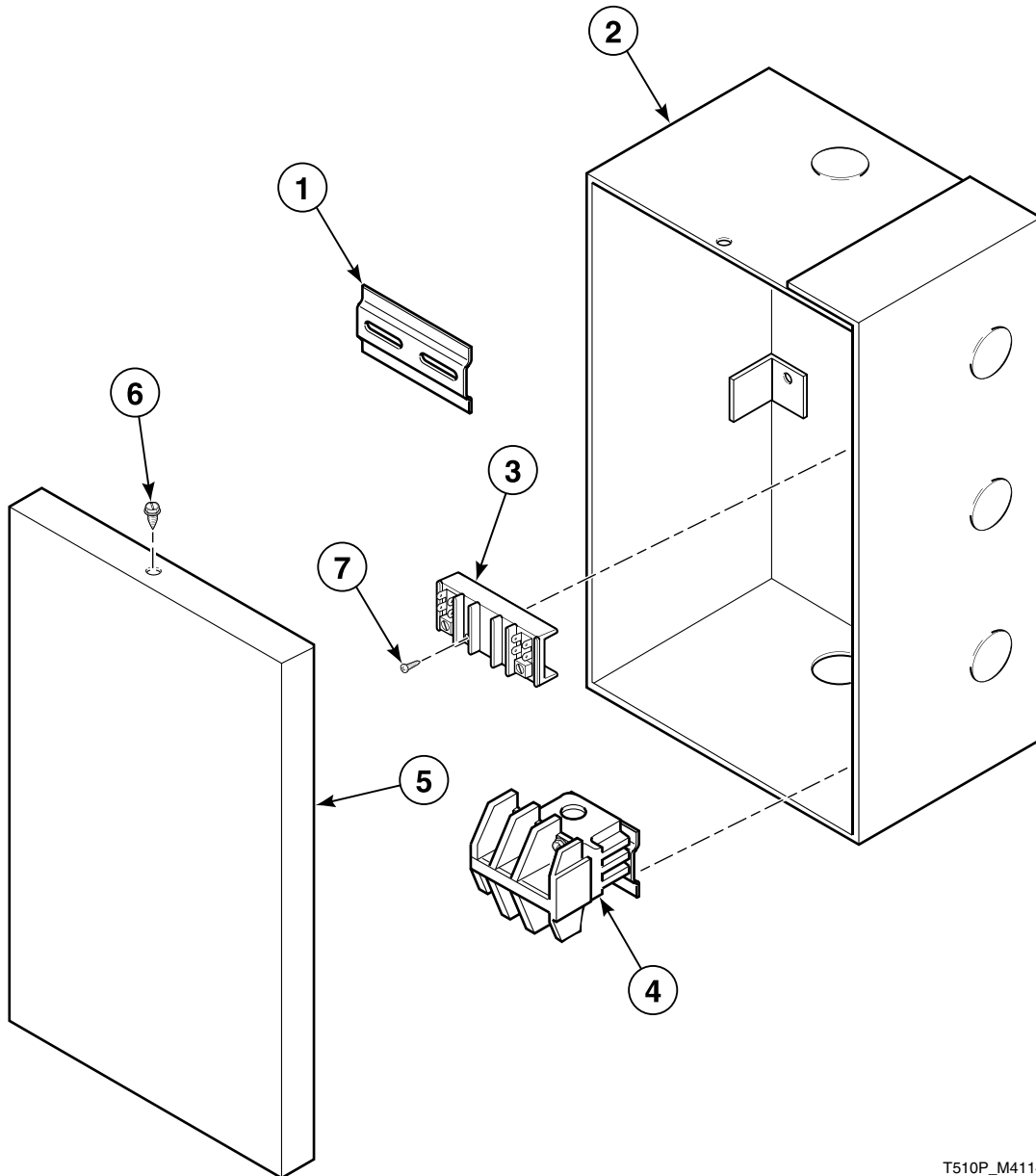
Electric Heat Contactor Box Components for Models Through Serial No. OTCK9412024853

REF	PART NO.	DESCRIPTION	COMMENTS
1	M401391P	Transformer	480 Volt and some later 208-240 Volt/3 Phase models
2	51780	Screw	
3	N/A	Din Rail	Models through Serial No. 9409xxxxx
4	M412045	Terminal Block	Models starting Serial No. 9409xxxxx
5	M400685	Terminal Block	3 required for 208-240 or 480 Volt; 2 required for 240 Volt/1 Phase; 4 required for 380 or 415 Volt/3 Phase
6	M400681	Terminal Block End	
7	M414351	Contactor Box Cover	
8	M400664	Screw	
9	M412042	Terminal Block	380 or 415 Volt/50 Hertz
10	M402917	Screw	Ground
11	M411283	Ground Lug Connector	
12	M405116P	Contactor	120 Volt control circuit
	M400905P	Contactor	240 Volt control circuit
13	N/A	Wire Harness Assembly	Nonreversing with junction box; 208-240, 380 or 415 Volt
14	M412117	Jumper Wire Assembly	6 required for 208-240 Volt/3 Phase; 3 required for 380, 415 or 480 Volt/3 Phase
	M412116	Jumper Wire Assembly	6 required for 240 Volt/1 Phase

N/A = Part no longer available

Junction Box

MM or MT Control Suffix for Reversing and Nonreversing Models

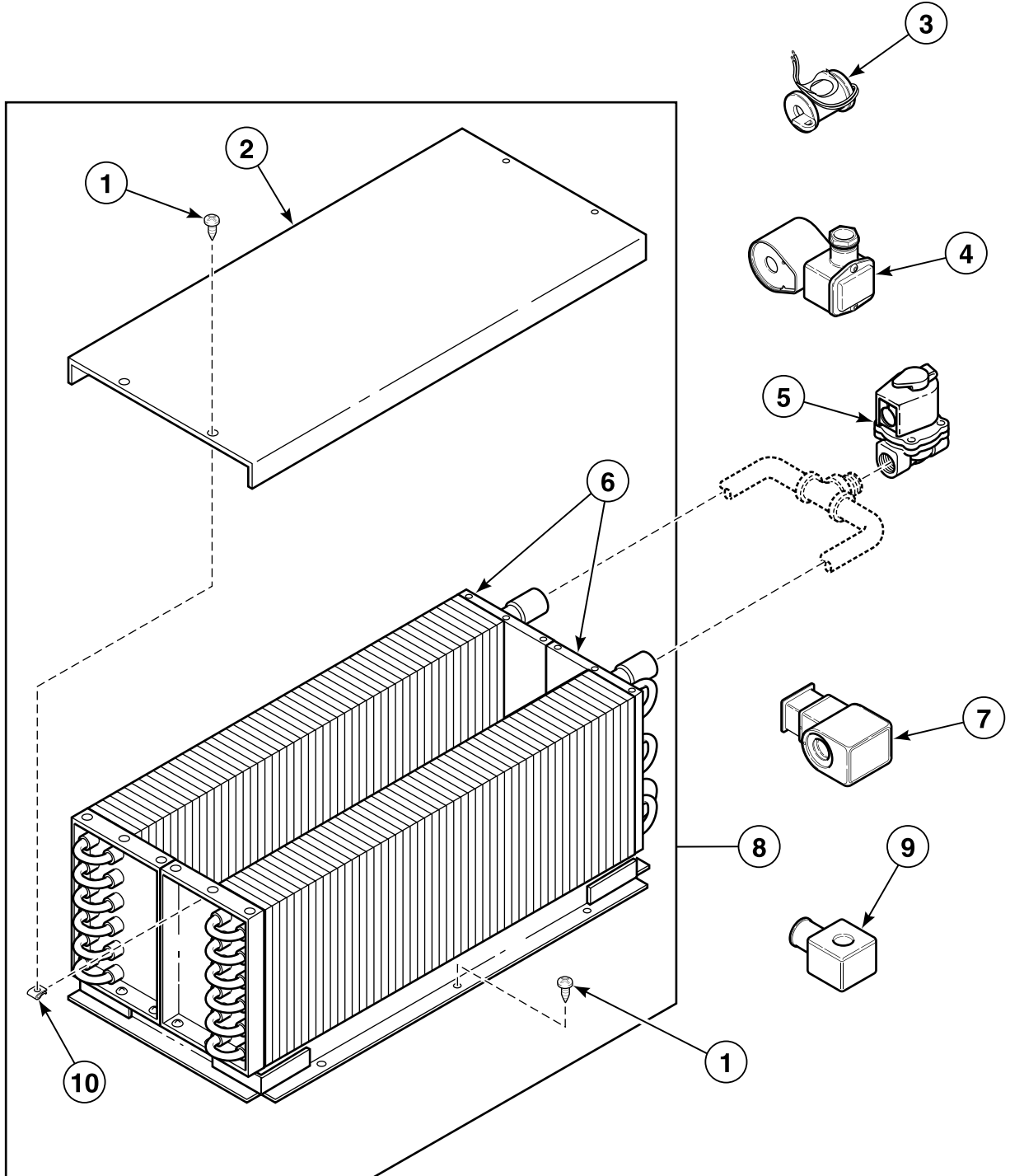


T510P_M411432

Junction Box

REF	PART NO.	DESCRIPTION	COMMENTS
1	M410501	Din Rail	
2	M410364	Junction Box Assembly	
3	M405364	Terminal Block	120 Volt; Gas and steam models
	M405363	Terminal Block	208-240 Volt; Gas models
4	M410529	Contactor	120 Volt
	M410457P	Contactor	208-240 or 480 Volt; Reversing
	431349	Relay	120 Volt/50 or 60 Hertz; MM control suffix (CRI)
5	M414352	Junction Box Cover	
6	51780	Screw	
7	M405824	Screw	

Steam Heater and Valve

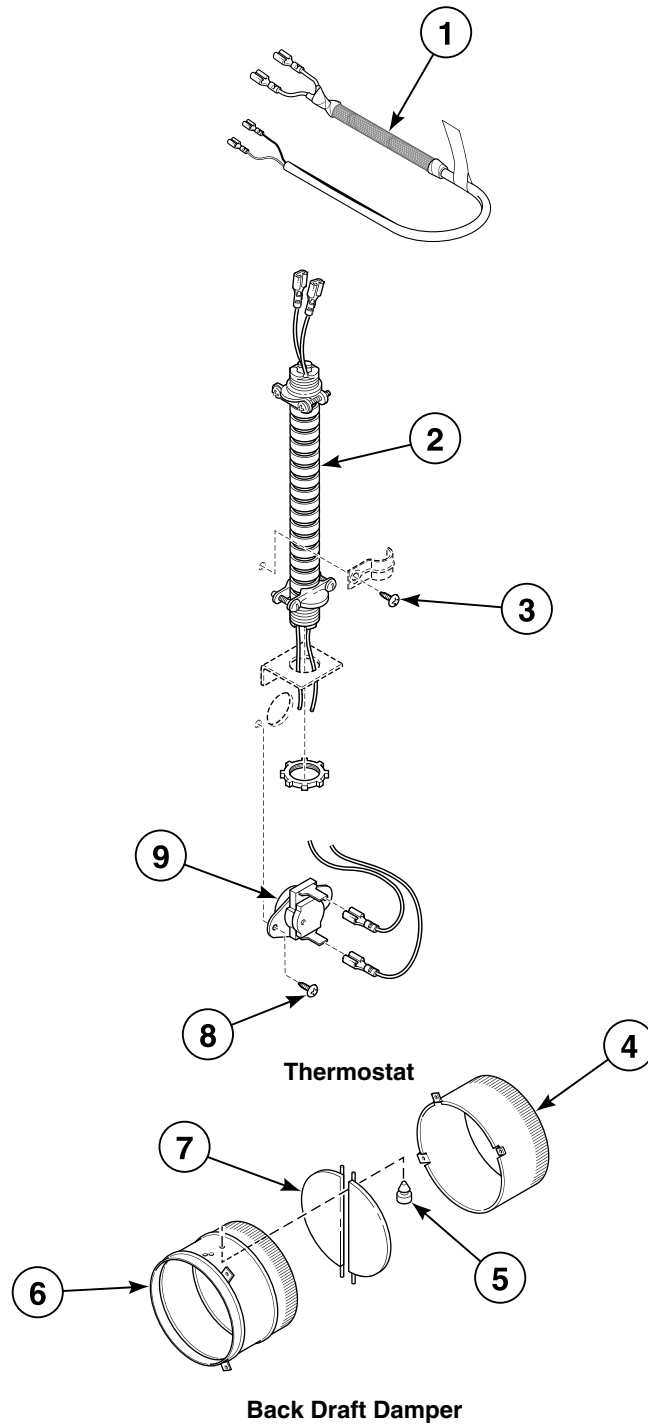


TMB2495P_M411432

Steam Heater and Valve

REF	PART NO.	DESCRIPTION	COMMENTS
1	M400664	Screw	
2	M400828	Low Pressure Steam Cover	
3	M413302	Steam Valve Coil	For M413298 Steam Valve; 240 Volt/50 Hertz
	M413301	Steam Valve Coil	For M413297 Steam Valve; 240 Volt/60 Hertz
4	M413299P	Steam Valve Coil	For M413295 Steam Valve; 120 Volt/60 Hertz
5	M413295P	Steam Valve	120 Volt/60 Hertz
	70351002P	Steam Valve	24 Volt/50 Hertz; DC, JC and SC models; A, DT, JT and ST models with OM control suffix
	M413298P	Steam Valve	240 Volt/50 Hertz
	M413297P	Steam Valve	240 Volt/60 Hertz
	70351001P	Steam Valve	24 Volt/60 Hertz; OM control suffix
6	M400637P	Steam Coil	2 required
7	70351012	Steam Solenoid	For 70351002 Steam Valve; 24 Volt/50 Hertz
8	M413572P	Steam Heater Assembly	
9	70351011P	Steam Solenoid	For 70351001P Steam Valve; 24 Volt/60 Hertz
10	M400974	Clip	

Cabinet High Limit Thermostat and Backdraft Damper



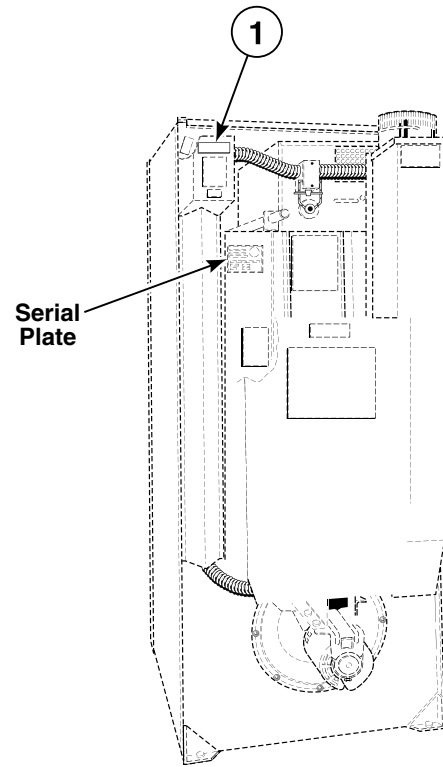
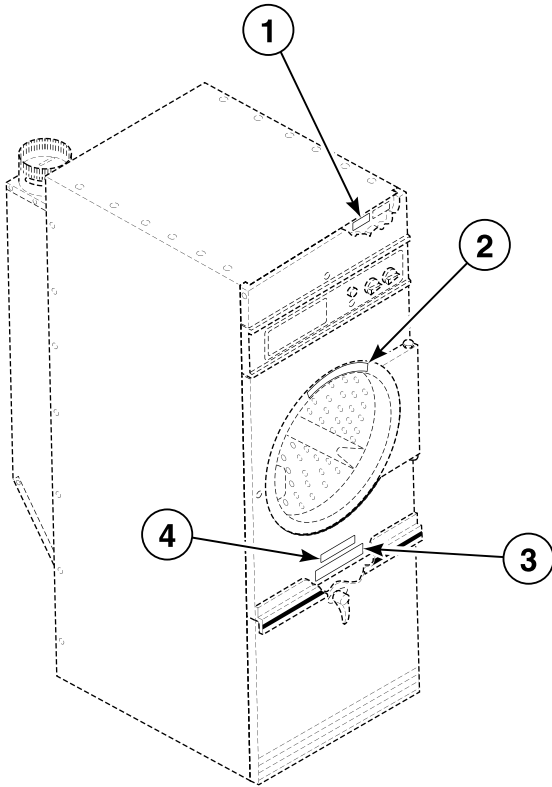
TMB2496P_M411432

Cabinet High Limit Thermostat and Backdraft Damper

REF	PART NO.	DESCRIPTION	COMMENTS
1	M412670	Cabinet Limit Harness Assembly	72 inches
2	N/A	Wire Harness Assembly	EG models
	M413693	Cabinet Limit Harness Assembly	All other models
3	430497	Screw	
4	M413173	Exhaust Thimble	10 inches
5	M400795	Bumper	
6	M412288	Exhaust Thimble Assembly	8 inches
7	M413382	Thimble Vane Assembly	10 inches; 2 required; Models DTB634 and STB634
	M400503	Thimble Vane Assembly	8 inches; 2 required; All other models
8	M400664	Screw	
9	M406412	Limit Thermostat	EG models
	M410542	Limit Thermostat	All other models

N/A = Part no longer available

Warning Labels



T384P_M411432

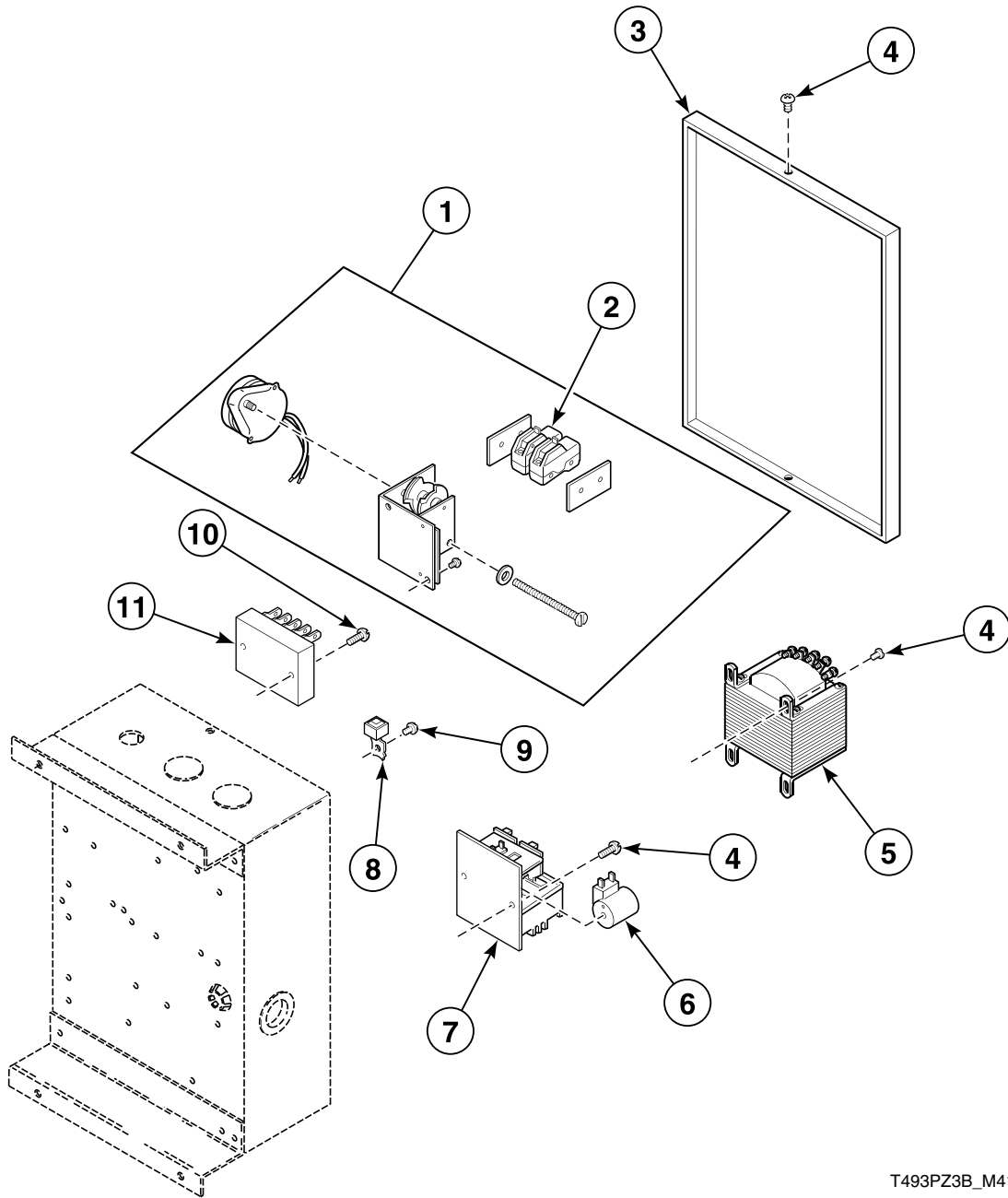
Warning Labels

REF	PART NO.	DESCRIPTION	COMMENTS
1	500316	Warning Label	Disconnect power; Models starting Serial No. OTCK9304053996
	505281	Disconnect Power Warning Label	Models through Serial No. OTCK9304053996
2	M410892	Warning Label	Control panel; Gas models starting Serial No. OTCK9304053996
	N/A	Warning Label	Control panel; Electric and steam models starting Serial No. OTCK9304053996
3	430527	Lint Compartment Label	D and S models; Lint screen on lint panel
	N/A	Lint Compartment Label	J models; Lint screen on lint panel
4	M411087	Lint Panel Warning Label	OM control suffix; Lint screen

N/A = Part no longer available

Reversing Control

MM and MT Control Suffixes



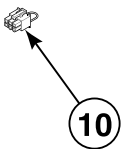
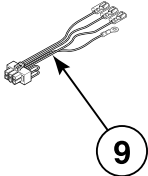
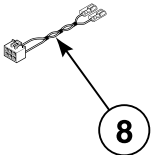
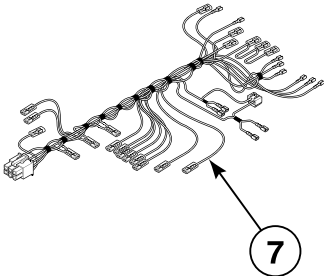
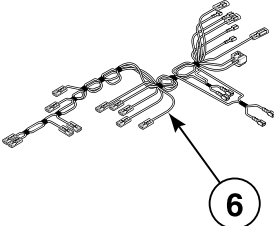
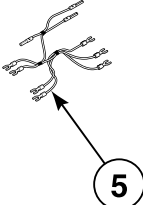
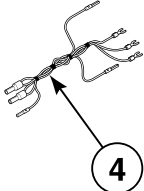
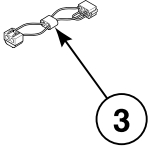
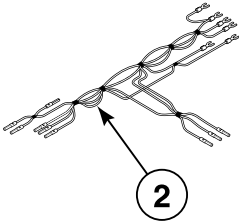
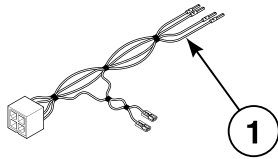
T493PZ3B_M411432

Reversing Control

REF	PART NO.	DESCRIPTION	COMMENTS
1	M401387P	Reversing Timer	4 terminals; Models through Serial No. 699763YG
	N/A	Reversing Timer	6 terminals; Models starting Serial No. 699763YG through 9408085248
2	N/A	Switch	
3	M414351	Contactora Box Cover	
4	430497	Screw	
5	M401391P	Transformer	100-600 Volt/60 Hertz
6	M400915	Coil	208-240 Volt; For M400906 Reversing Contactor
7	M400906P	Reversing Contactor	208-240 Volt/60 Hertz; Models through Serial No. 9408085249
	N/A	Reversing Contractor	120 Volt/60 Hertz; Models through Serial No. 9408085249
	M409744P	Reversing Contactor	240 Volt/50 Hertz; Models through Serial No. 9408085249
	M410515P	Reversing Contactor	240 Volt/50 Hertz; Models starting Serial No. 9408085249
	M4869P3	Contactora Kit	208-240 Volt/60 Hertz; Models starting Serial No. 9408085249; Reversing
	M4850P3	Reversing Contactor Kit	MM control suffix; Models starting Serial No. 9408085249
8	M411283	Ground Lug Connector	
9	M402917	Screw	Ground
10	N/A	Screw	
11	M411683	Reversing Timer	Solid State; Models starting Serial No. 9808085249

N/A = Part no longer available

Contactor Box Assembly Harnesses for OM Control Suffix



TMB2368P_M411432

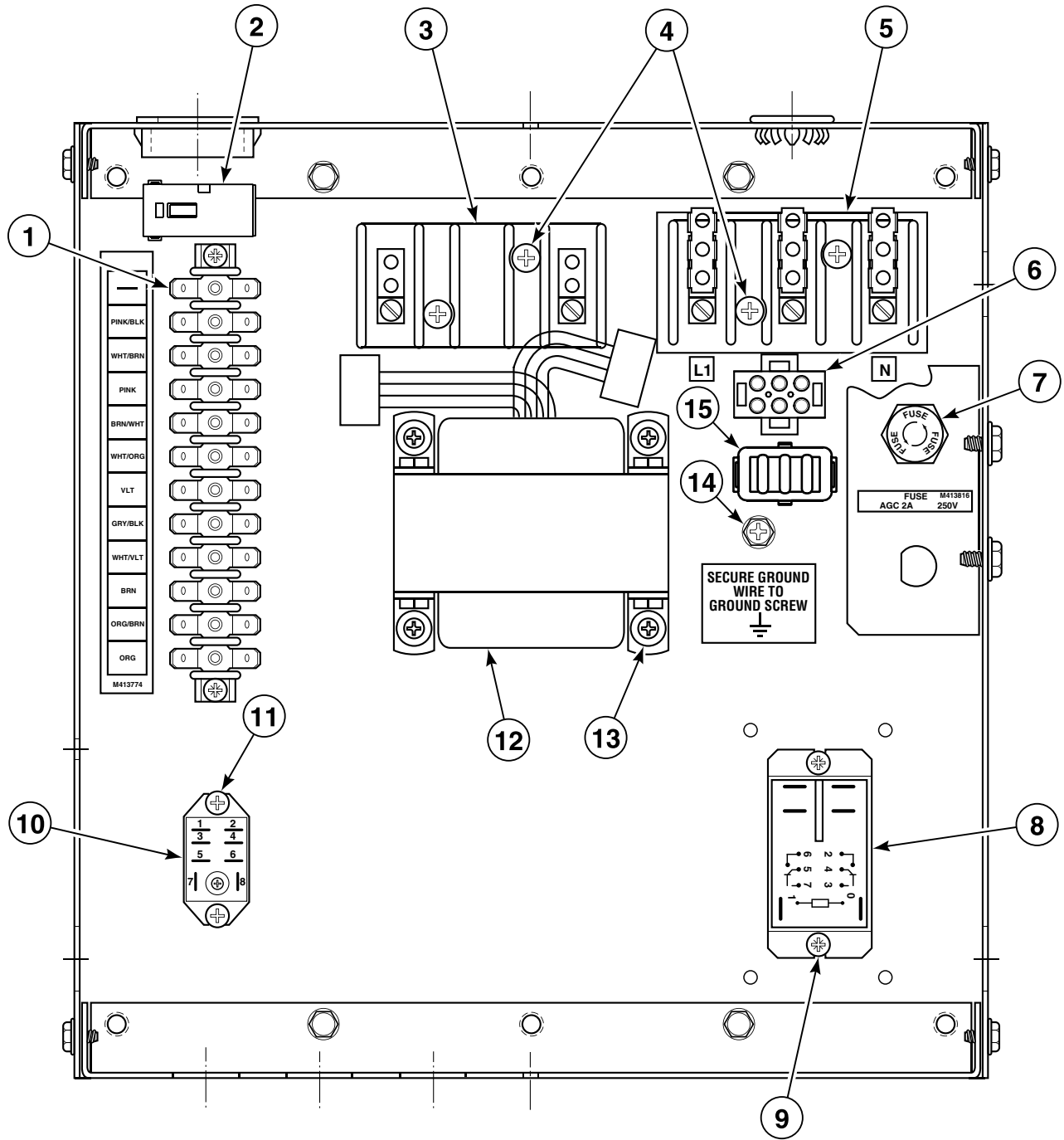
Contactor Box Assembly Harnesses for OM Control Suffix

REF	PART NO.	DESCRIPTION	COMMENTS
1	M414029	Transformer Harness Assembly	DC, JC and SC models; Secondary
	M414076	Transformer Harness Assembly	DC, JC and SC gas and steam models; Primary; 1 Phase
	M414028	Transformer Harness Assembly	DC, JC and SC electric and steam models; Primary; 3 Phase
2	M414032	Relay Harness Assembly	DC, JC and SC steam models
	M414150	Relay Harness Assembly	DC, JC and SC electric models; 380 or 415 Volt/50 Hertz/3 Phase
	N/A	Relay Harness Assembly	DC, JC and SC electric models; 230 Volt/50 Hertz/3 Phase; K2, K6 and K7
	M414224	Relay Harness Assembly	DC, JC and SC gas models; 230 Volt/50 Hertz/1 Phase; K2 and K3
3	M413505	Jumper Harness Assembly	Gas and steam models; 120 Volt/60 Hertz
	M413507	Jumper Configuration Assembly	240 Volt/50 or 60 Hertz
	M413506	Jumper Harness Assembly	208 Volt/60 Hertz
	M413508	Jumper Harness Assembly	380 Volt/50 Hertz
	M413509	Jumper Harness Assembly	415 Volt/50 Hertz
	M413510	Jumper Configuration Assembly	480 Volt/60 Hertz
4	N/A	Jumper Assembly	Gas and steam reversing models; 50 Hertz/1 Phase; Upper
	M413695	Jumper Assembly	Gas and steam reversing models; 50 Hertz/1 Phase; Lower
	M414078	Jumper Harness Assembly	DC, JC and SC electric models; 50 Hertz/3 Phase
	M414079P	Jumper Harness Assembly	DC, JC and SC electric models; 50 Hertz/3 Phase
	N/A	Jumper Harness Assembly	DC, JC and SC gas models; 50 Hertz/3 Phase
	N/A	Jumper Harness Assembly	DC, JC and SC models; Junction box; 240 Volt
	5	N/A	Reversing Jumper Harness Assembly
M412927		Reversing Jumper Harness Assembly	DC, JC and SC electric reversing models; 1 Phase; Lower
M412928		Reversing Jumper Harness Assembly	Electric reversing models; 3 Phase; Upper
M412929		Reversing Jumper Harness Assembly	Electric reversing models; 3 Phase; Lower
M413624		Reversing Contactor Jumper Assembly	Reversing; 3 Phase; Upper
N/A		Reversing Contactor Jumper Assembly	Reversing; 3 Phase; Lower
M414034		Reversing Contactor Harness Assembly	DC, JC and SC reversing models
6	M413754	Control Box Harness Assembly	1 Phase; 3 wire
	M413683P	Control Box Harness Assembly	3 Phase
7	M413684P	Contactor Box Harness Assembly	Reversing models; 3 Phase
8	M413681	Control Box Harness Assembly	Gas and steam models; 50 or 60 Hertz/1 Phase; 2 wire
9	M413878	Capacitor Network Harness Assembly	
10	M413168	Bypass Harness Assembly	Reversing models

N/A = Part no longer available

Contactor Box Assembly (Drawing 1 of 10)

Gas, Steam and Electric Models with OM Control Suffix
 120 Volt/60 Hertz/1 Phase; 240 Volt/50 Hertz/1 Phase



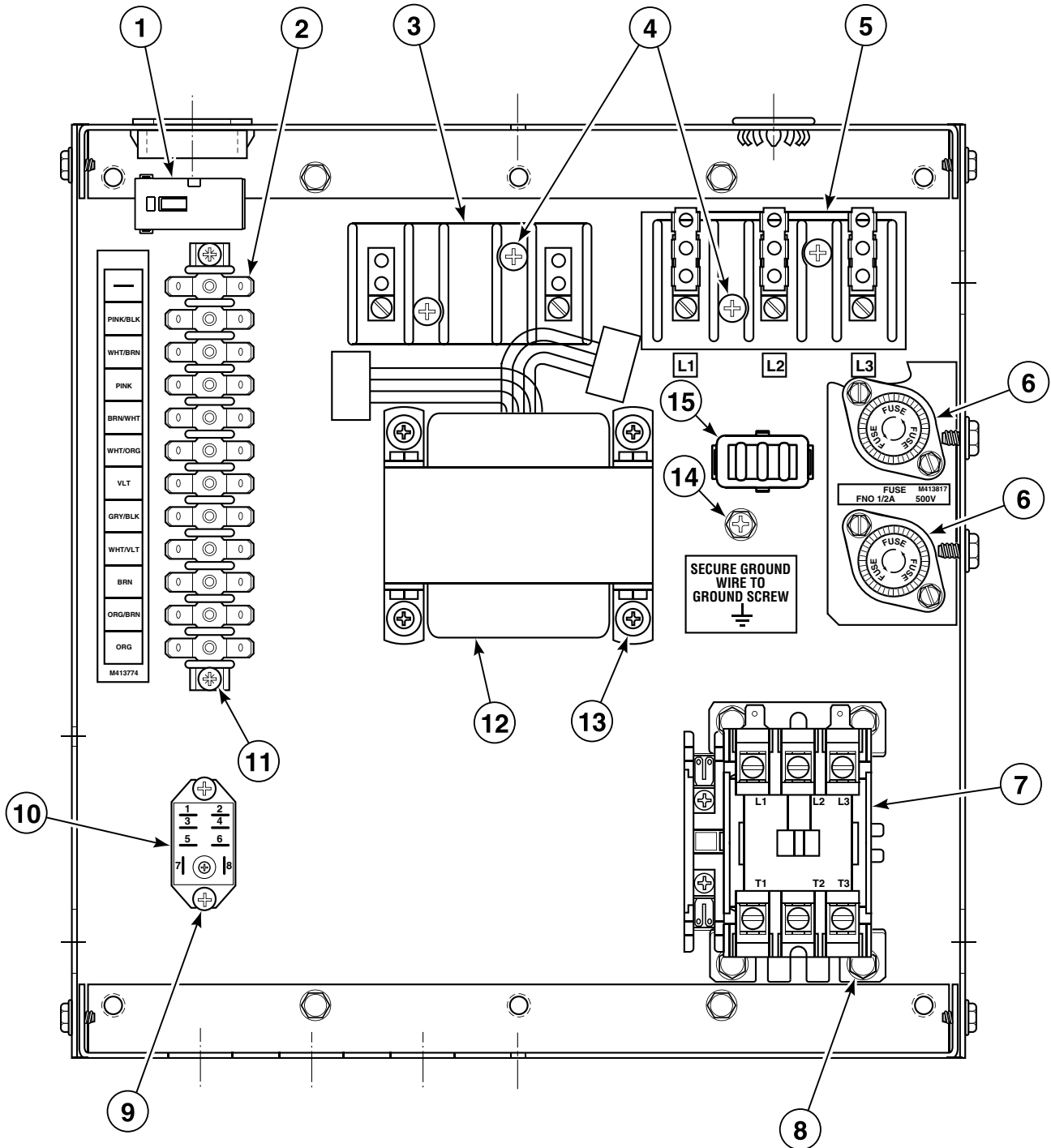
TMB2498P_M411432

Contactor Box Assembly (Drawing 1 of 10)

REF	PART NO.	DESCRIPTION	COMMENTS
1	M413542	Terminal Strip	
2	M413930P	Ferrite Core Assembly	Electric models
3	M405364	Terminal Block	2 pole
4	M405824	Screw	
5	430642	Terminal Block	3 pole
6	M413878	Capacitor Network Harness Assembly	
7	91024P	Fuse Receptacle	Use 23951 Nut to attach
	M413118	Fuse	250 Volt; 2 Amp
	M413623	Fuse	4 Amp; Secondary; Models DTB634 and STB634
	M414232	Fuse	3.5 Amp; Secondary; All other models
8	44044901P	Contactor	Motor
9	51778	Screw	
10	431349	Relay	120 Volt/60 Hertz/1 Phase; Gas and steam models
	430746	Relay	240 Volt/50 Hertz/1 Phase
11	M400071	Screw	
12	M414228P	Transformer	
13	M400044	Screw	
14	M402917	Screw	Ground
15	M413863	Network Capacitor Assembly	

Contactor Box Assembly (Drawing 2 of 10)

All Electric Models; Gas and Steam Models with OM Control Suffix
 208-240 Volt/60 Hertz/1 or 3 Phase; 380, 415 or 480 Volt/50 or 60 Hertz/3 Phase



TMB2499P_M411432

Contactor Box Assembly (Drawing 2 of 10)

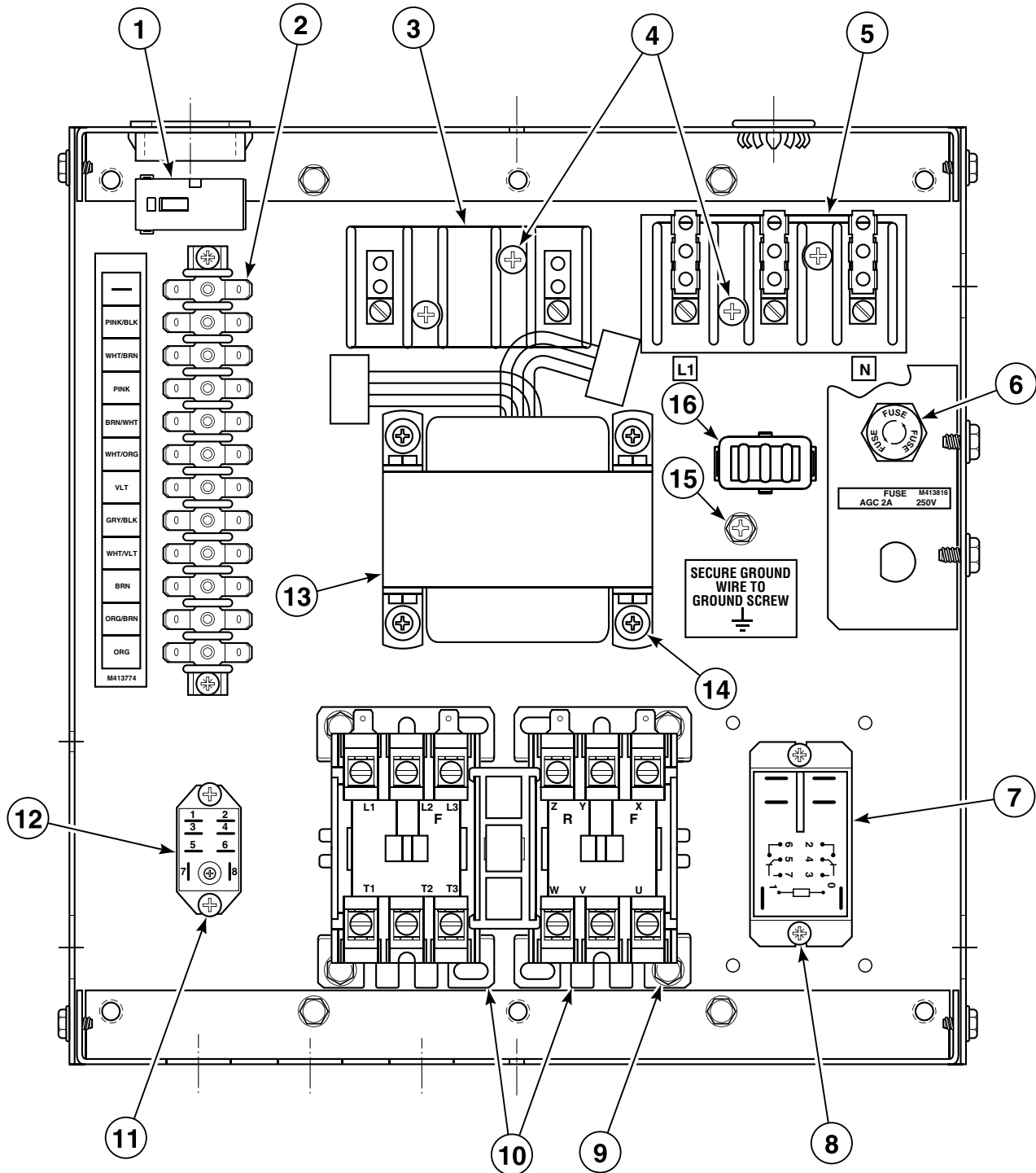
REF	PART NO.	DESCRIPTION	COMMENTS
1	M413930P	Ferrite Core Assembly	
2	M413542	Terminal Strip	
3	M405364	Terminal Block	2 pole
4	M405824	Screw	
5	430642	Terminal Block	3 pole
6	91024P	Fuse Receptacle	208-240 Volt/60 Hertz/1 or 3 Phase; Use 23951 Nut to attach
	M413544P	Fuse Holder	380, 415 or 480 Volt/50 or 60 Hertz/3 Phase
	M413621	Fuse	600 Volt; 0.5 Amp; 380, 415 or 480 Volt/50 or 60 Hertz/3 Phase
	M413118	Fuse	250 Volt; 2 Amp; 208-240 Volt/60 Hertz/1 or 3 Phase
	M413623	Fuse	4 Amp; Secondary; Models DTB634 and STB634
	M414232	Fuse	3.5 Amp; Secondary; All other models
7	M413614P	Fan Contactor	
8	51780	Screw	
9	M400071	Screw	
10	430746	Relay	208-240 Volt/60 Hertz
11	51778	Screw	
12	M414229P	Transformer	380, 415 or 480 Volt/50 or 60 Hertz/3 Phase
	M414228P	Transformer	208-240 Volt/60 Hertz/1 or 3 Phase
	M413100P	Transformer	208-240 Volt/60 Hertz/3 Phase
13	M400044	Screw	
14	M402917	Screw	Ground
15	M413863	Network Capacitor Assembly	

Contactor Box Assembly (Drawing 3 of 10)

REF	PART NO.	DESCRIPTION	COMMENTS
1	M413930P	Ferrite Core Assembly	
2	M413542	Terminal Strip	
3	M405364	Terminal Block	2 pole
4	M405824	Screw	
5	430642	Terminal Block	3 pole
6	91024P	Fuse Receptacle	Use 23951 Nut to attach
	M413118	Fuse	250 Volt; 2 Amp
	M413623	Fuse	4 Amp; Secondary
	M414232	Fuse	3.5 Amp; Secondary
7	M413614P	Fan Contactor	
8	51778	Screw	
9	M400071	Screw	
10	430746	Relay	
11	51780	Screw	
12	M414228P	Transformer	
13	M400044	Screw	
14	M402917	Screw	Ground
15	M413863	Network Capacitor Assembly	

Contactor Box Assembly (Drawing 4 of 10)

Gas, Steam and Electric Reversing Models with OM Control Suffix
240 Volt/50 Hertz/1 Phase



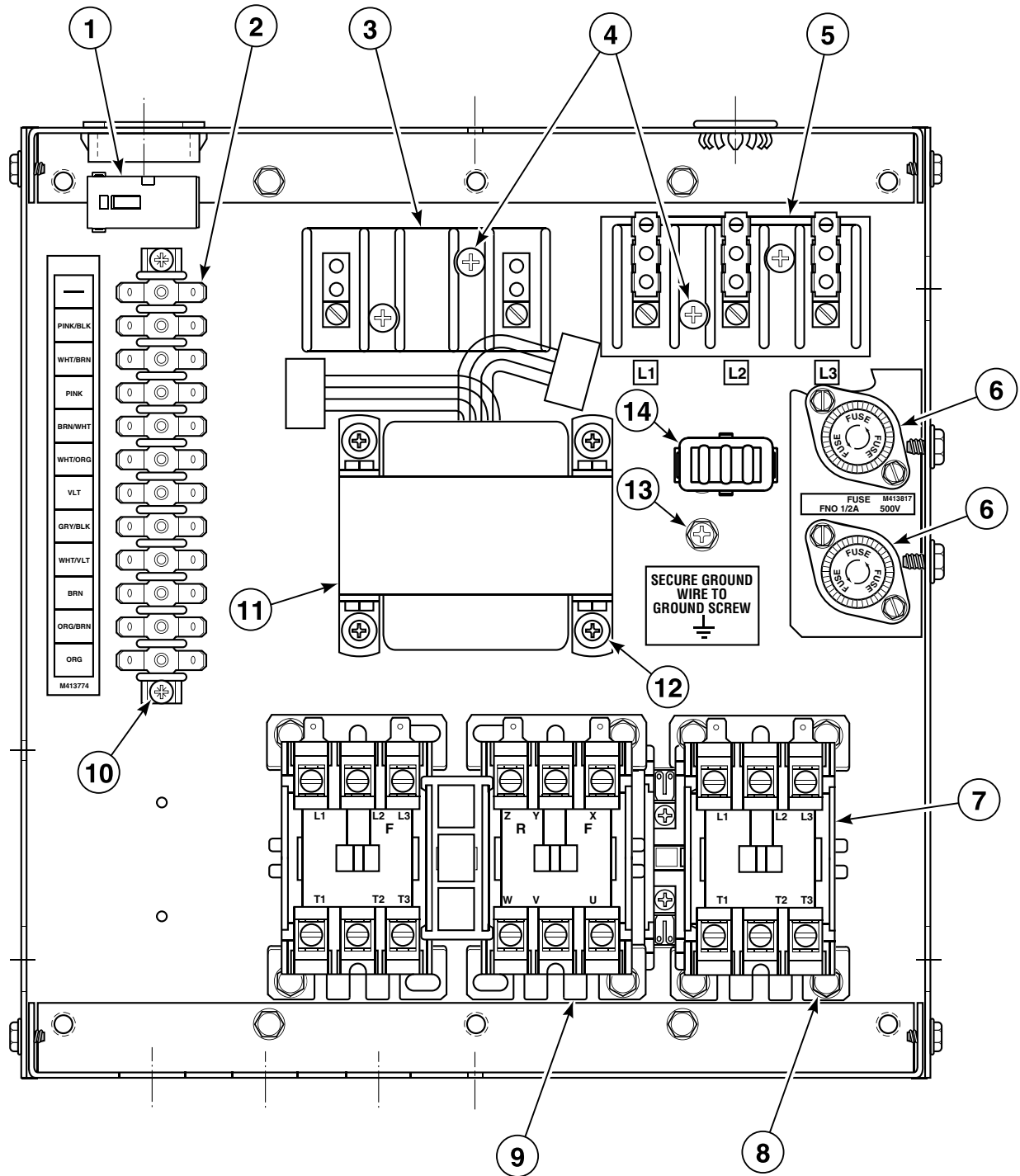
TMB2500P_M411432

Contactor Box Assembly (Drawing 4 of 10)

REF	PART NO.	DESCRIPTION	COMMENTS
1	M413930P	Ferrite Core Assembly	
2	M413542	Terminal Strip	
3	M405364	Terminal Block	2 pole
4	M405824	Screw	
5	430642	Terminal Block	3 pole
6	91024P	Fuse Receptacle	Use 23951 Nut to attach
	M413118	Fuse	250 Volt; 2 Amp
	M413623	Fuse	4 Amp; Secondary; Models DTB634 and STB634
	M414232	Fuse	3.5 Amp; Secondary; All other models
7	44044901P	Contactor	Motor
8	51778	Screw	
9	51780	Screw	
10	M413615P	Reversing Contactor	
11	M400071	Screw	
12	430746	Relay	
13	M414228P	Transformer	
14	M400044	Screw	
15	M402917	Screw	Ground
16	M413863	Network Capacitor Assembly	

Contactor Box Assembly (Drawing 5 of 10)

Reversing Models with OM Control Suffix
 208-240, 380, 415 or 480 Volt/50 or 60 Hertz/3 Phase

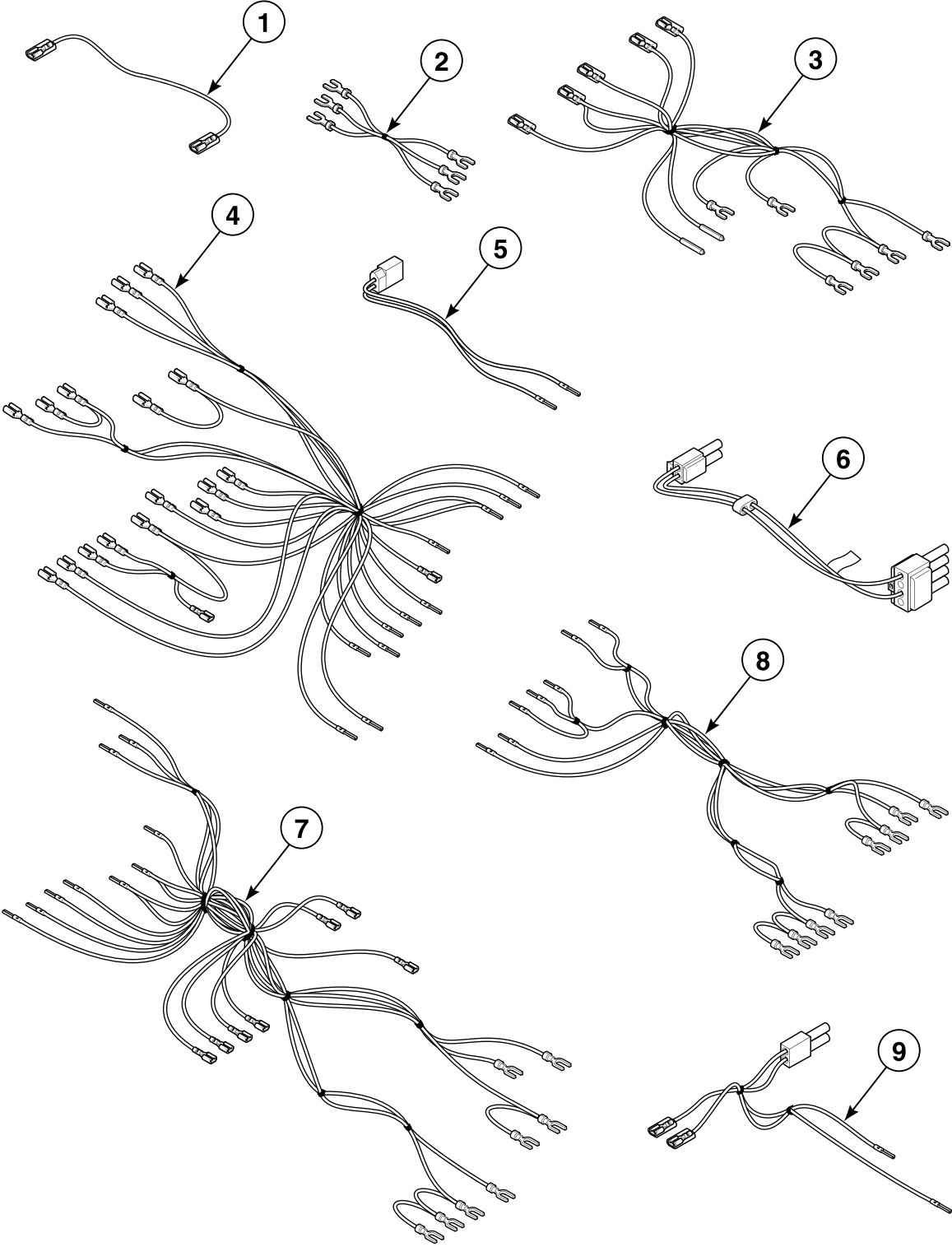


TMB2501P_M411432

Contactor Box Assembly (Drawing 5 of 10)

REF	PART NO.	DESCRIPTION	COMMENTS
1	M413930P	Ferrite Core Assembly	
2	M413542	Terminal Strip	
3	M405364	Terminal Block	2 pole
4	M405824	Screw	
5	430642	Terminal Block	3 pole
6	91024P	Fuse Receptacle	208-240 Volt/50 or 60 Hertz/3 Phase; Use 23951 Nut to attach
	M413544P	Fuse Holder	380, 415 or 480 Volt/50 or 60 Hertz/3 Phase
	M413118	Fuse	250 Volt; 2 Amp; 208-240 Volt/50 or 60 Hertz/3 Phase
	M413621	Fuse	600 Volt; 0.5 Amp; 380, 415 or 480 Volt/50 or 60 Hertz/3 Phase
	M413623	Fuse	4 Amp; Secondary; Models DTB634 and STB634
	M414232	Fuse	3.5 Amp; Secondary; All other models
7	M413614P	Fan Contactor	
8	51780	Screw	
9	M413615P	Reversing Contactor	
10	51778	Screw	
11	M414228P	Transformer	208-240 Volt/50 or 60 Hertz/3 Phase
12	M400044	Screw	
13	M402917	Screw	Ground
14	M413863	Network Capacitor Assembly	

Contactor Box Assembly Harnesses for CD, MM and MT Control Suffixes



TMB2497P_M411432

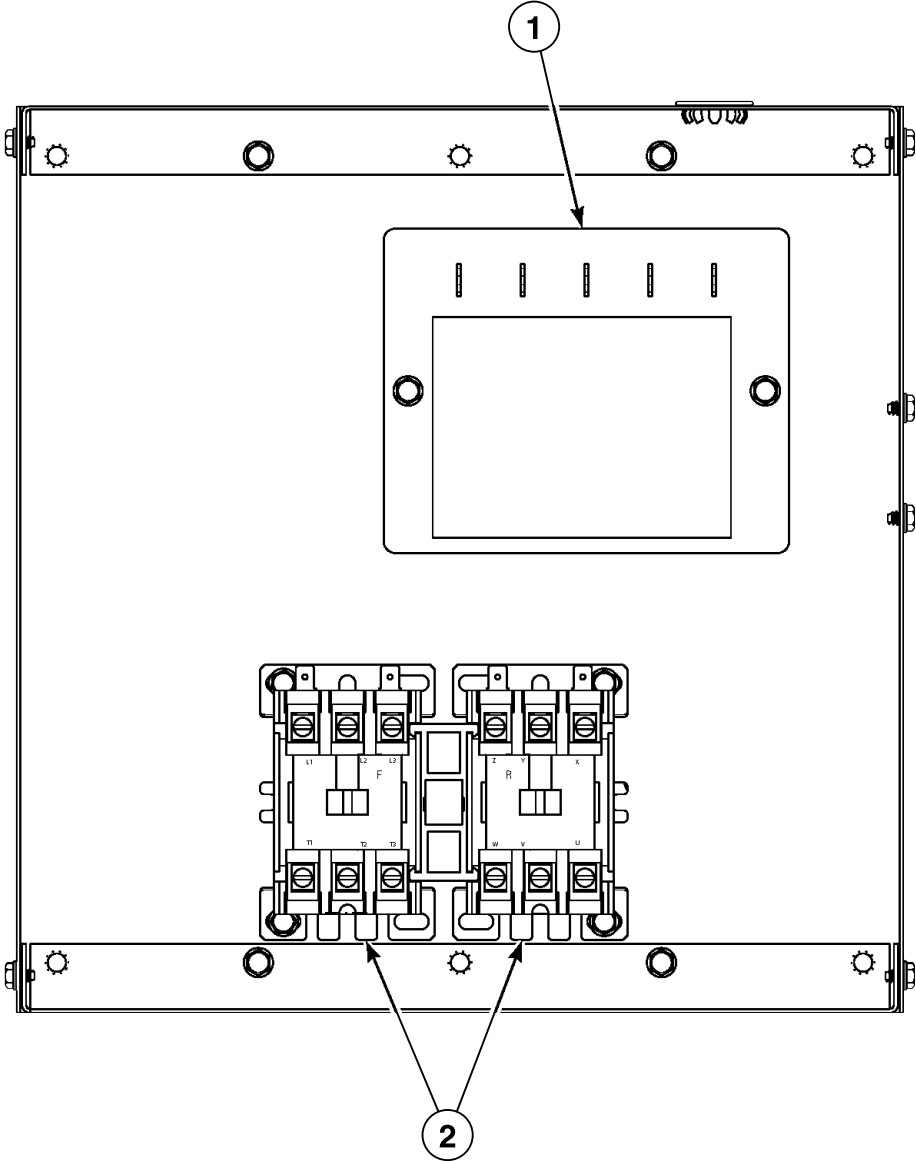
Contactor Box Assembly Harnesses for CD, MM and MT Control Suffixes

REF	PART NO.	DESCRIPTION	COMMENTS
1	M412740	Jumper Cable Wire	Electric models with CD and MT control suffix; 230 Volt/50 Hertz/1 Phase; 8 gauge; 5.75 inches
2	M412928	Reversing Jumper Harness Assembly	Electric models with MM and MT control suffix; Upper; 208-240 Volt/60 Hertz/3 Phase
	M412929	Reversing Jumper Harness Assembly	Electric models with MM and MT control suffix; Lower; 208-240 Volt/60 Hertz/3 Phase
3	N/A	Reversing Timer Harness Assembly	DC, JC and SC electric models with MM and MT control suffix; 208-240 Volt/60 Hertz/3 Phase
	N/A	Reversing Timer Harness Assembly	DC, JC and SC electric models with CD and MT control suffix; 230 Volt/50 Hertz/1 Phase
	M412930	Reversing Timer Harness Assembly	DC, JC and SC gas and steam models with MT control suffix; 230 Volt/50 Hertz/1 Phase
4	N/A	Relay Harness Assembly	Gas models; Coin; K2 and K3; 208-240 Volt/50 and 60 Hertz/1 or 3 Phase
	N/A	Relay Harness Assembly	DC, JC and SC steam models with MM and MT control suffix; Coin; 1 Phase; K2; 208-240 Volt/50 and 60 Hertz/1 or 3 Phase
	M412636	Relay Harness Assembly	DC, JC and SC gas models with MT control suffix; 230 Volt/50 Hertz/1 Phase; K1, K2 and K3
	N/A	Relay Harness Assembly	DC, JC and SC reversing steam models with MT control suffix; K1 and K2; 230, 380 and 415 Volt/50 Hertz/1 and 3 Phase
5	M412642	Transformer Harness Assembly	DC, JC and SC reversing models with MT control suffix; Primary; 230-240, 380 and 415 Volt/50 Hertz/1 Phase
6	M413509	Jumper Harness Assembly	Steam models with MT control suffix; 415 Volt/50 Hertz/3 Phase
	N/A	Jumper Harness Assembly	DC, JC and SC gas and steam models with MT control suffix; Junction box; 240 Volt/50 Hertz/1 Phase
	N/A	Jumper Wire	Steam models with MT control suffix; Junction box; 380 and 415 Volt/50 Hertz/3 Phase
7	M412776P	Relay Harness Assembly	DC, JC and SC electric models with dual timer; CD and MT control suffixes; K1; 230 Volt/50 Hertz/1 Phase
8	M412777	Relay Harness Assembly	Coin operated electric models with CD and MT control suffixes; 230 Volt/50 Hertz/1 Phase
9	M412641	Transformer Harness Assembly	DC, JC and SC electric models; CD and MT control suffixes; Secondary; 230 Volt/50 Hertz/1 Phase

N/A = Part no longer available

Contactor Box Assembly (Drawing 6 of 10)

Gas, Steam and Electric Reversing Models with MM or MT Control Suffixes
208-240 Volt/60 Hertz/3 Phase



TMB2264P_M411432

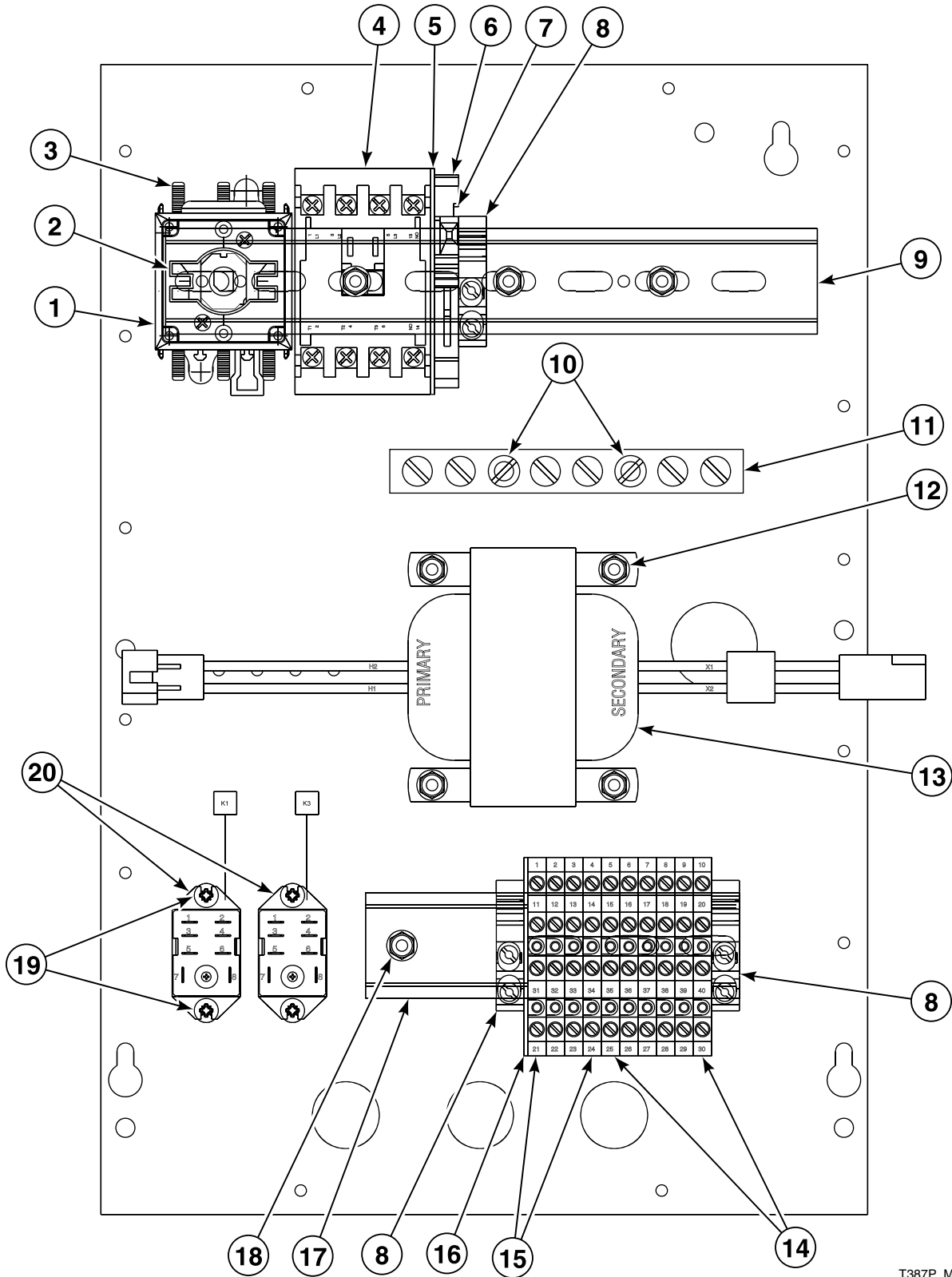
Contactor Box Assembly Harnesses for CD, MM and MT Control Suffixes

REF	PART NO.	DESCRIPTION	COMMENTS
1	M411683	Reversing Timer	Models starting Serial No. 9408xxxx
	N/A	Reversing Timer	Models starting Serial No. 699763Y6 through 9408xxxx
	M401387P	Reversing Timer	Models through Serial No. 699762Y6
2	M4850P3	Reversing Contactor Kit	MM control suffix
	M4869P3	Contactor Kit	MT control suffix

N/A = Part no longer available

Contactor Box Assembly (Drawing 7 of 10)

Gas Models with MT Control Suffix
230 Volt/50 Hertz/1 Phase



T387P_M411432

Contactor Box Assembly (Drawing 7 of 10)

REF	PART NO.	DESCRIPTION	COMMENTS
1	M412187	Mounting Switch Base	20 Amp; Includes 2 terminal blocks
2	M412370	Extension Handle	Includes 2 screws
3	M412366	Finger Guard	20 Amp
4	M412404P	Contactor	9 Amp
5	M412540	End Section	
6	M412537	Terminal Block	
7	502593	Fuse	
8	70121001	End Stop	230 Volt
9	N/A	Din Rail	215.9 mm
10	M412688	Nut	
11	M412656	Ground Buss Assembly	
12	33562	Screw	
13	M412477P	Transformer	230 Volt
14	M412631	Terminal Block	2 circuit
15	M412632	Terminal Block	1 circuit
16	M412633	End Barrier	
17	N/A	Din Rail	127 mm
18	51780	Screw	
19	501086	Screw	
20	M412534	Relay	24 Volt

N/A = Part no longer available

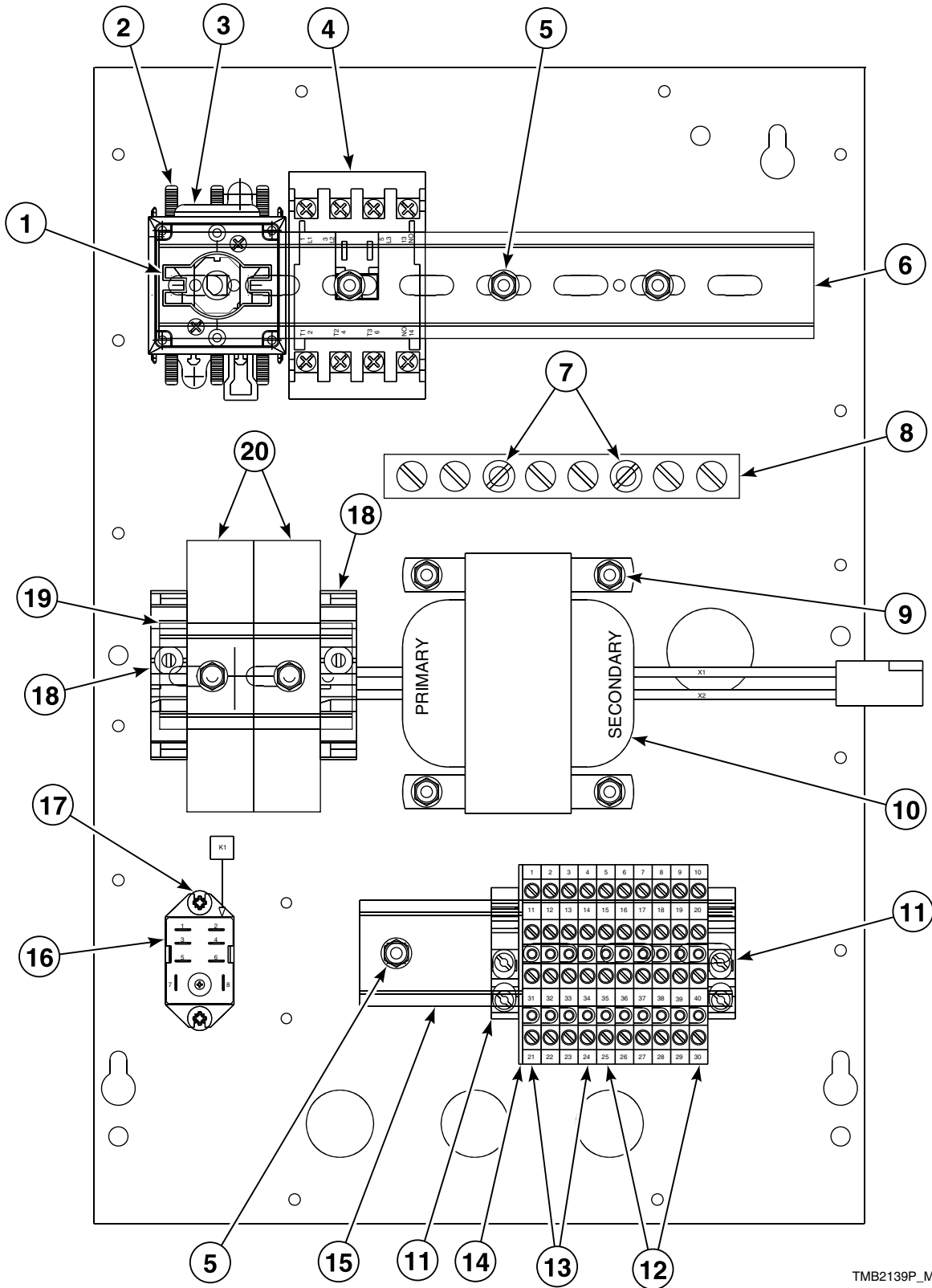
Contactor Box Assembly (Drawing 8 of 10)

REF	PART NO.	DESCRIPTION	COMMENTS
1	M412370	Extension Handle	Includes 2 screws; Cut-to-length; 20 Amp
2	M412366	Finger Guard	20 Amp
3	M412187	Mounting Switch Base	Includes 2 terminal blocks; 20 Amp
4	M412404P	Contactor	9 Amp
5	M412540	End Section	
6	M412537	Terminal Block	Primary; 230 Volt
7	502593	Fuse	
8	70121001	End Stop	230 Volt
9	51780	Screw	
10	N/A	Din Rail	215.9 mm
11	M412688	Nut	Used on back of item 12
12	M412656	Ground Buss Assembly	
13	33562	Screw	
14	M412477P	Transformer	230 Volt
15	M412631	Terminal Block	2 circuit
16	M412632	Terminal Block	1 circuit
17	M412633	End Barrier	
18	N/A	Din Rail	127 mm
19	M412534	Relay	24 Volt
20	501086	Screw	

N/A = Part no longer available

Contactor Box Assembly (Drawing 9 of 10)

Steam Models with MT Control Suffix
380 or 415 Volt/50 Hertz/3 Phase



TMB2139P_M411432

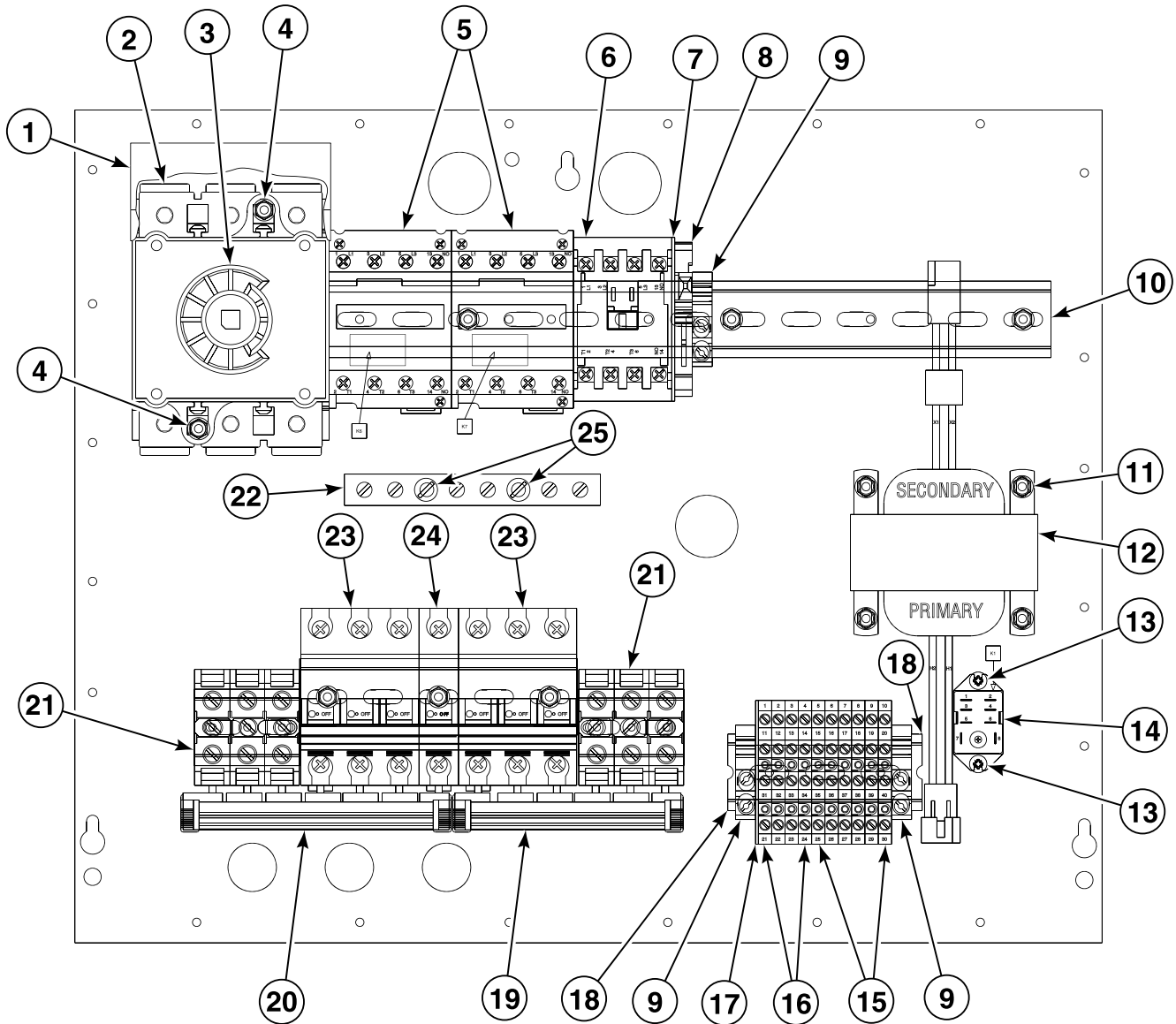
Contactor Box Assembly (Drawing 9 of 10)

REF	PART NO.	DESCRIPTION	COMMENTS
1	M412370	Extension Handle	Includes 2 screws
2	M412366	Finger Guard	20 Amp
3	M412187	Mounting Switch Base	Includes 2 terminal blocks; 20 Amp
4	M412404P	Contactor	9 Amp
5	51780	Screw	
6	N/A	Din Rail	215.9 mm
7	M412688	Nut	
8	M412656	Ground Buss Assembly	
9	33562	Screw	
10	M412412P	Transformer	400 Volt
11	70121001	End Stop	230 Volt
12	M412631	Terminal Block	2 circuit
13	M412632	Terminal Block	1 circuit
14	M412633	End Barrier	
15	N/A	Din Rail	127 mm
16	M412534	Relay	24 Volt
17	501086	Screw	
18	M412615	End Stop	
19	N/A	Din Rail	
20	M412538	Terminal Block	
	M412996	Fuse	Use inside terminal block

N/A = Part no longer available

Contactor Box Assembly (Drawing 10 of 10)

Electric Models with CD and MT Control Suffixes
230 Volt/50 Hertz/1 Phase



TMB2502P_M411432

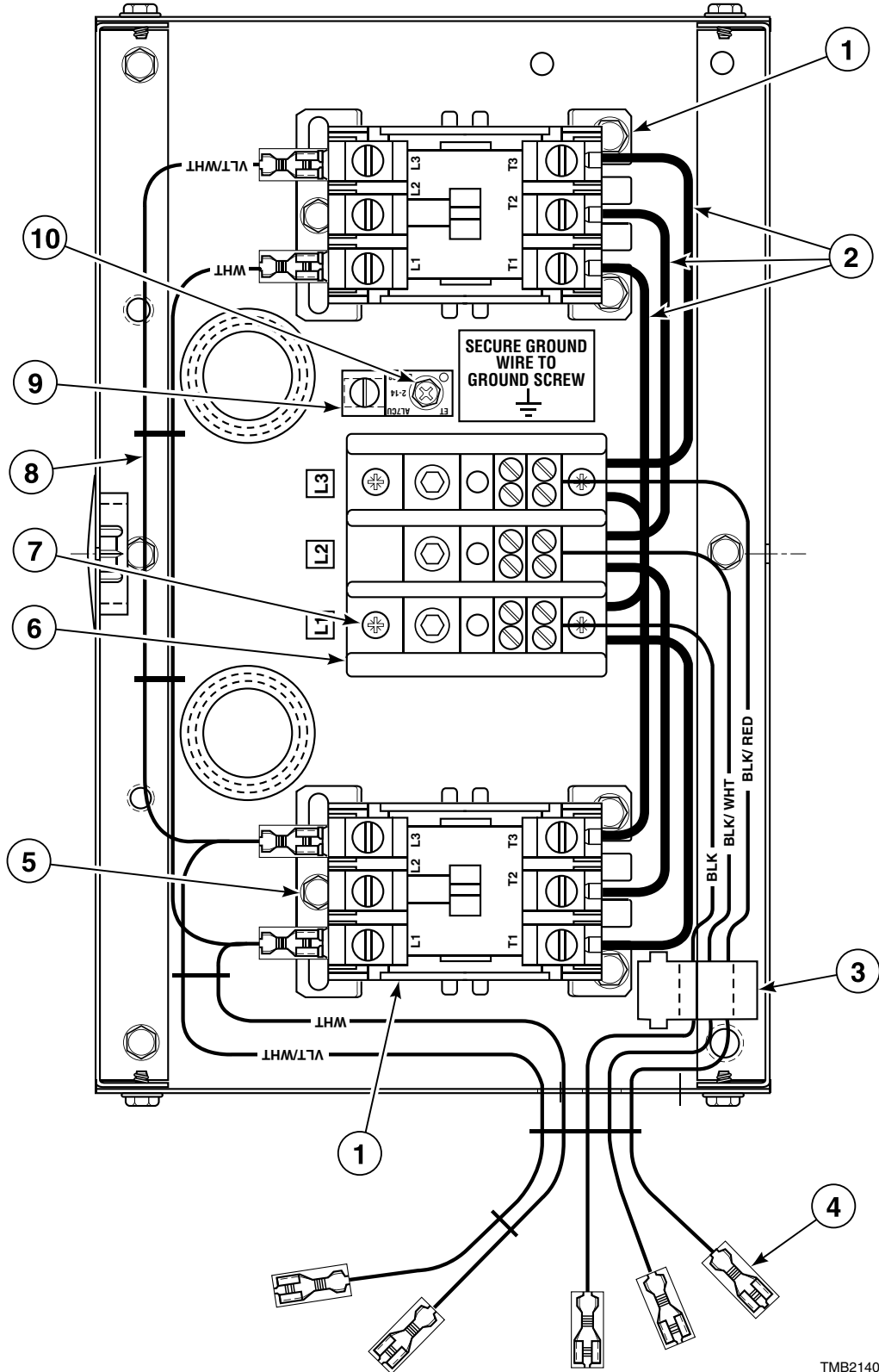
Contactor Box Assembly (Drawing 10 of 10)

REF	PART NO.	DESCRIPTION	COMMENTS
1	M412367	Finger Guard	100 Amp
2	M412186	Mounting Switch Base	Includes 2 terminal blocks; 100 Amp
3	M412371	Extension Handle	Includes 2 screws
4	33562	Screw	
5	M412403P	Contactor	50 Amp; Electric
6	M412404P	Contactor	9 Amp; Motor
7	M412540	End Section	230 Volt
8	M412537	Terminal Block	Primary; 230 Volt
	502593	Fuse	250 Volt; 0.4 Amp; Use inside terminal block
9	70121001	End Stop	230 Volt
10	M412691	Din Rail	330.2 mm
11	51780	Screw	
12	M412477P	Transformer	240 Volt
13	501086	Screw	Dual timer models
14	M412534	Relay	Dual timer models; 24 Volt
15	M412631	Terminal Block	2 circuit
16	M412632	Terminal Block	1 circuit
17	M412633	End Barrier	
18	M412692	Din Rail	88.9 mm
19	N/A	Buss Bar Assembly	6 position
20	M412755	Buss Bar Assembly	7 position
21	M412045	Terminal Block	3 pole
22	M412656	Ground Buss Assembly	
23	M412406	Circuit Breaker	3 pole; 40 Amp
24	M412401	Circuit Breaker	1 pole; 8 Amp
25	M412688	Nut	Use on back of item 22

N/A = Part no longer available

Accessory Box

Electric Models with OM Control Suffix



TMB2140P_M411432

Accessory Box

REF	PART NO.	DESCRIPTION	COMMENTS
1	70343301P	Contactator	2 required for 208-240 Volt
2	M413933	Jumper Cable Assembly	6 required for 208-240 Volt/50 or 60 Hertz/3 Phase; 4 required for 240 Volt/50 Hertz/1 Phase; 3 required for 380 or 480 Volt/50 or 60 Hertz/3 Phase
	M413934	Jumper Cable Assembly	2 required for 240 Volt/50 Hertz/1 Phase
3	M413930P	Ferrite Core Assembly	
4	44129001	Accessory Box Harness Assembly	240 Volt/50 Hertz/1 Phase
	44129101P	Accessory Box Harness Assembly	208-240 Volt/50 or 60 Hertz/3 Phase; 380 or 480 Volt/50 or 60 Hertz/3 Phase
5	51780	Screw	For item 1
6	M413864	Terminal Block	2 pole; 240 Volt/50 Hertz/1 Phase
	M413865	Terminal Block	3 pole; All 3 Phase
7	39733	Screw	
8	44129201P	Jumper Harness	208-240 Volt/50 or 60 Hertz/1 or 3 Phase
9	M411283	Ground Lug Connector	
10	M402917	Screw	Ground

Parts Index

A

Accessory Box Harness Assembly	
44129001	121
44129101P	121
Actuator Switch	
M412423	59
Airflow Switch	
M400944	59
Airflow Switch Bracket	
M409202	59
Airflow Switch Guard	
M410544	59
Airflow Switch Handy Box	
M403235	59
Airflow Switch Harness Assembly	
M412575	59
M413689	59
Airflow Switch Insulator Barrier	
M400712	59
Airflow Switch Vane	
M413475	59
Airflow Switch Vane Lever	
M400753	59
Anti-Torque Ring	
M400605	61, 65, 73

B

Ball Bearing	
M400592	37
M401375P	43, 47
44041901P	35
Bearing	
F100136P	35
Bearing Retainer	
M401370	43, 47
Belt	
M401182	37, 39
M412090	45
M412981	45
Belt Guard	
M413008	51, 55
M413541	43, 57
Belt Guard Assembly	
M411467	37, 39
M413627	43, 45
M413629	45
M414755	37, 39
M414756	43, 45
Blower Cover	
M413399	49
Bolt	
M400650	35
M401393	51
M412119	41
M412475	37
Bumper	
M400795	91

Burner Assembly	
M405919	61, 65
M410541	61, 65, 71, 73

Burner Orifice	
M400997	75
M400998	75
M400999	75, 77
M401001	75
M401002	75
M401003	75
M401011	75
M401014	75, 77
M401016	75
M401017	75
M401018	75
M401019	75
M401020	75
M401021	75
M401022	75
M401025	75
M401027	75
M402997	75
M403017	75
M406184	75

Bushing	
H87529111P	49
M403432P	35
M412086P	45
M412885P	45
M412917P	45

Buss Bar Assembly	
M412755	119

Bypass Harness Assembly	
M413168	21, 23, 97

C

Cabinet Limit Harness Assembly	
M412670	91
M413693	91
Cam and Screw	
M400595	31
Capacitor Network Harness Assembly	
M413878	97, 99
Chain Connecting Link	
M401360P	37
Chain Guard Assembly	
M409350	37
Chain Sleeve	
M400755P	37
Chain Sprocket	
M401369P	37
Channel Ignition Kit	
607P3	71
Circuit Board Support	
M405979	61
Circuit Breaker	
M412401	119
M412406	119
Clip	
M400974	89
M400975	25

N/A items do not appear in index.

Door Ring Gasket M406129	27
Door Safety Switch Kit M4842P3	29
Door Switch M400952	23
Door Switch Harness Assembly M412459	23
Door Switch Rod M400603	27
Double V Sheave M412916	45
Drive Rivet M400713	25
Drum Idler Wheel Assembly 430619	41

E

Emergency Stop Kit 44018701P	11
End Barrier M412633	113, 115, 117, 119
End Cap M401328	7, 11, 13
End Section M412540	113, 115, 119
End Stop M412615	117
70121001	113, 115, 117, 119
Exhaust Thimble M413173	91
Exhaust Thimble Assembly M412288	91
Extension Handle M412370	113, 115, 117
M412371	119
Extension Spring M412120	39

F

Fan M410088P	51
Fan and Bushing Assembly M414546	49
Fan and Key M400086P	51
Fan Contactor M413614P	101, 103, 107
Fan Motor 44046001P	49, 53
Fan Motor Harness Assembly M413281	53
M413685	53
M413686	53
M413755	53
Felt Pad M402144	33
Ferrite Core Assembly M413930P	99, 101, 103, 105, 107, 121

Finger Guard M412366	113, 115, 117
M412367	119
Flexible Coupler M412551	29
Front Panel Assembly M410760P	27
M410877*P	27
M411129*P	27
M411132P	27
M412792*P	27
Fuse M412996	117
M413118	99, 101, 103, 105, 107
M413621	101, 107
M413623	99, 101, 103, 105, 107
M414232	99, 101, 103, 105, 107
502593	113, 115, 119
70406501	21
Fuse Holder M413544P	101, 107
Fuse Receptacle 91024P	99, 101, 103, 105, 107

G

Gas Shut-Off Valve M412562	71, 73
Gas Valve M405898	61
M405935P	61
M409517P	65
M410907P	63
M410908	63
M413332P	73
M413463P	65
M413467P	65
M413468P	65
Gas Valve Assembly M409152P	65
M409153P	65
M409561P	65
Gas Valve Bracket M405945	65
M406814	61, 65, 73
Gas Valve Coil 44042901P	69
Gas Valve Flange Assembly M412568	71
Gas Valve Harness Assembly M412997	71
M413650	63, 73
Gas Valve Main Coil M411134	69
Ground Buss Assembly M412656	113, 115, 117, 119
Ground Lug Connector M411283	85, 95, 121
Guide Rail M412476	37, 39, 43, 45
Guide Rail Support M413267	45
M413268	45

N/A items do not appear in index.

H

Handle and Cam Assembly	
M410243P.....	31
Heater Cable Assembly	
M413959.....	83
M413960.....	83
Heater Cable Harness Assembly	
M412801.....	81
M412802.....	81
Heater Element	
M405254P.....	79
M405255P.....	79
M405256P.....	79
M410939P.....	81, 83
M410940P.....	81, 83
M410941P.....	81, 83
M412955P.....	81
High Voltage Lead	
M406881.....	65, 73
Hinge	
M410687.....	19, 21
Hinge Assembly	
M400514.....	27
Hinge Bracket	
431000*.....	27
431044.....	27
Hinge Pin	
M400653.....	27
Hole Plug	
M410665.....	19, 21
Hood Assembly	
M401159.....	79

I

Idler Arm Kit	
M414320P.....	41
Idler Housing	
M412612.....	47
Idler Housing Kit	
M412103P.....	41
M412228P.....	37, 41
917P3.....	43, 47
Idler Shaft	
M401371.....	43
M412099.....	47
M412223P.....	37, 41
Igniter	
55438P.....	61
Igniter Bracket Assembly	
M402745P.....	61
Ignition Control	
M406789P.....	65
M4898P3.....	71
70367301P.....	65
70367401P.....	73
Ignition Control Cable	
M413040.....	71
Ignition Control Harness Assembly	
M413548.....	73

Ignition Wire Harness Assembly	
M406880.....	65
Indicator Light	
M412234.....	11
Instant Electronic Ignition Control	
M410904P.....	63

J

Jumper Assembly	
M413695.....	97
Jumper Bar	
M400866.....	79, 81, 83
Jumper Cable Assembly	
M413933.....	121
M413934.....	121
Jumper Cable Wire	
M412740.....	109
Jumper Configuration Assembly	
M413507.....	97
M413510.....	97
Jumper Harness	
44129201P.....	121
Jumper Harness Assembly	
M412871.....	81
M413505.....	97
M413506.....	97
M413508.....	97
M413509.....	97, 109
M414078.....	97
M414079P.....	97
Jumper Strip	
M400869.....	79, 81, 83
Jumper Wire	
M404866.....	67
M404868.....	67
Jumper Wire Assembly	
M401281.....	79, 81
M403743.....	79
M412116.....	85
M412117.....	85
M412287.....	81, 83
M412645.....	21, 71
Junction Box Assembly	
M410364.....	87
Junction Box Cover	
M414352.....	87

K

Key	
M400008.....	33, 39
M400993.....	37, 47, 51, 55
M400994.....	51
M401327.....	37, 39, 43, 47
M405232.....	33, 35
Kickplate Kit	
M414438P.....	31
Knob	
M400773.....	7, 11
M400777.....	23
M410927.....	7, 11

N/A items do not appear in index.

L

Limit Thermostat	
M401404	61, 65
M405943	79
M406412	91
M409433	81, 83
M410220	61, 63, 65, 73
M410542	31, 91
Lint Compartment Label	
430527	93
Lint Hood Assembly	
M400515	31
Lint Panel Assembly	
M400464*P	31
M402722*P	31
M405646	31
M414796*P	31
M414797P	31
M414798*P	31
M414799	31
Lint Panel Bumper	
M410784	31
M410845	31
Lint Panel Warning Label	
M411087	93
Lint Screen Assembly	
M400522	31
Loading Spring	
M400401	43, 47
Lock and Key	
M401581P	17
M410700	25
Low Pressure Steam Cover	
M400828	89
L.P. Conversion Kit	
M4454P3	61, 65
M4478P3	61, 65
M4609P3	61, 65
L.P. Gas Valve Kit	
M4897P3	65
L.P. Valve Conversion Kit	
M405434	67, 69

M

Main Coil	
M405430	67
Main Harness	
44098801	21
Main Harness Assembly	
M413546	23
M413676P	21
Manifold Pipe Assembly	
M406681	61, 65
M413395	73
Micro Harness Assembly	
M413677	21
Micro Mounting Assembly	
M413738	21
Micro V Belt	
M411425P	39

Micro V Pulley	
M411466P	41
Micro V Sheave	
M412156	39
Microprocessor Overlay	
M410704	19
M412961	19
M413417	21
M413420	21
M413422	21
M413423	21
M413425	21
M413426	21
Motor	
M400611P	15
M409735P	53
M410852	55
M411188P	53
M411191P	53
M412226	53
M412227P	53
44046201P	53
44046301P	49
Motor Base	
M413391	49
Motor Belt	
M411814P	43
Motor Bracket	
M411483	39, 45, 51
Motor Bracket Assembly	
M400520	55
M400521	55
Motor Capacitor	
M406291	53
M410296	53
M410298	53
M410300	53
M410301	53
M410302	53
Motor Hardware Kit	
M4426P3	51
Motor Harness Assembly	
M411828	55, 57
M412107	55, 57
Motor Kit	
M412519P	55, 57
M412520P	55, 57
Motor Mount Assembly	
M413617	57
Motor Mounting Ring Kit	
M405419P	51
Motor Replacement Kit	
M4833P3	53
Motor Wire Harness Assembly	
M409489	53
M409490	53
M411827	55, 57
Mounting Plate	
M410800	19
M413397	19
Mounting Switch Base	
M412186	119
M412187	113, 115, 117

N/A items do not appear in index.

N

Nameplate	
M410355	25
M410988	25
Nameplate Overlay	
M412963	25
70240801	25
Network Capacitor Assembly	
M413863	99, 101, 103, 105, 107
Nut	
M400022	51
M400026	37, 39, 43, 45
M400033	35, 39
M400034	51
M400035	35, 39
M400977	59
M400979	59
M400981	23
M401548	61, 65, 73
M404993	33, 39, 45
M412626	39, 45
M412688	113, 115, 117, 119
M414215	27
Q6163	27, 79, 81
02428	37, 49, 51, 55, 57
20274	35, 49
20275	27
52566	41
56156	41
70054	21, 81, 83
70142	45, 51

P

Panel Harness Assembly	
M412446	11
Panel Key	
M401677	25
M401680	25, 31
Panel Lock	
M406654P	25, 31
Pilot Light	
JST-163-2	7
M400704	7
Pipe	
M400749	61, 65, 71, 73
Pop Rivet	
M400003	27
M405750	7, 11, 13
Pulley	
M412884	45
M414564	51
M414565	55, 57
M414566	51
M414567	57
Pushbutton	
44018801	11
Pushbutton Switch	
M413431	73
Push-to-Start Switch Kit	
M400954P	7, 13

N/A items do not appear in index.

R

Relay	
M400911P	7
M400912P	7, 19
M412534	113, 115, 117, 119
430746	99, 101, 103, 105
431349	87, 99
Relay Harness Assembly	
M412636	109
M412776P	109
M412777	109
M414032	97
M414150	97
M414224	97
Replacement Door Handle Kit	
70133501P	27
Resilient Ring Kit	
M4525P3	51
Resistor Assembly	
M400527	7
M410992	7
Return Spring	
M405138B	15
Reversing Contactor	
M400906P	95
M409744P	95
M410515P	95
M413615P	105, 107
Reversing Contactor Harness Assembly	
M414034	97
Reversing Contactor Jumper Assembly	
M413624	97
Reversing Contactor Kit	
M4850P3	95, 111
Reversing Jumper Harness Assembly	
M412927	97
M412928	97, 109
M412929	97, 109
Reversing Timer	
M401387P	95, 111
M411683	95, 111
Reversing Timer Harness Assembly	
M412930	109
Rib Rod	
M404992	33
Ring	
M400399	37, 39
Rocker Switch	
M413270	7, 19
Roller Chain	
M400597P	43
M401425	37
Run Light	
M404151	13

S

Screw	
M400043	39, 45
M400044	19, 27, 99, 101, 103, 105, 107
M400057	45, 49, 51, 55, 57
M400061	37

M400063	35
M400065	37, 39, 43, 55
M400071	7, 13, 99, 101, 103, 105
M400072	7, 13, 23
M400077	41, 51
M400655	17
M400661	27
M400664	19, 31, 59, 61, 63, 65, 79, 81, 85, 89, 91
M401938	59
M402797	61, 65
M402917	7, 13, 85, 95, 99, 101, 103, 105, 107, 121
M405188	51, 55, 61, 65
M405525	37, 39, 43
M405824	87, 99, 101, 103, 105, 107
M409385	27, 35, 43
M410059	51
M411052	7, 11
M412531	29
M412532	29
M412627	39, 45
M413565	57
Q6516	23
22688	49
27202	57
33562	7, 13, 83, 113, 115, 117, 119
39733	121
430497	21, 25, 59, 83, 91, 95
430648	41, 45
430757	31
431287	25
501086	113, 115, 117, 119
51778	99, 101, 103, 105, 107
51780	7, 85, 87, 101, 103, 105, 107, 113, 115, 117, 119, 121
56693	61
62541	37, 43
70240301	83
Sensor	
510213	61
Sensor Cable Harness	
M413560P	21
Sensor Cable Harness Assembly	
M413551	21
Shadow Box	
M403414	13
Shadow Box and Clip	
M400131P	17
Shadow Box Clip	
M400972	17
Sheave Kit	
44086901P	37, 39
Shut-Off Valve and Tailpiece Kit	
M4854P3	61, 65, 73
Single Sheave	
M400147	43
Single Throw Switch	
M400001	15
Single V Sheave	
M412931	45
Spacer	
M401402	33
44024001	35, 45
Spark Igniter	
M406934P	65, 71, 73
M410905P	63

Spring Clip	
M400402	27
Sprocket	
M400090P	35
M401364P	43
M401365P	37
M403433P	35
Spud Holder Assembly	
M406810	61, 65, 73
Steam Coil	
M400637P	89
Steam Heater Assembly	
M413572P	89
Steam Solenoid	
70351011P	89
70351012	89
Steam Valve	
M413295P	89
M413297P	89
M413298P	89
70351001P	89
70351002P	89
Steam Valve Coil	
M413299P	89
M413301	89
M413302	89
Stove Limit Harness Assembly	
M413691	65
Stove Limit Wire Harness Assembly	
M413499	65
Street Elbow	
H86070034	71
Support Bearing	
430038	41
Support Rod	
M400604	25
Switch	
M400947	15
Switch Base	
M412528	29

T

Temperature Control Knob	
M410928	23
Temperature Control Thermostat	
M406959P	23
Tension Plate Assembly	
M414405	39, 45
Terminal Block	
M400685	85
M405363	87
M405364	87, 99, 101, 103, 105, 107
M412042	85
M412045	85, 119
M412537	113, 115, 119
M412538	117
M412631	113, 115, 117, 119
M412632	113, 115, 117, 119
M413864	121
M413865	121
430642	99, 101, 103, 105, 107
Terminal Block End	
M400681	85

N/A items do not appear in index.

Terminal Strip	
M413542	99, 101, 103, 105, 107
Thermistor	
M414704	31
Thermistor Assembly	
M413212P	31
Thermostat Bracket	
M401312	31
M406882	61, 65
Thermostat Cover	
M414477	61, 63, 65
Thermostat Harness	
M412920	61, 65, 73
Thermostat Harness Assembly	
M412603	23
Thimble Vane Assembly	
M400503	91
M413382	91
Timer	
M412079P	11
M412080P	11
Timer Kit	
M410900P	7
M410901P	7
M410902P	7
M410903P	7
Timer Motor	
M400609	15
M410789	15
Timing Cam	
M400732P	15
M400733P	15
M400734P	15
M400735P	15
M400736P	15
M400737P	15
M400738P	15
M400739P	15
M400740P	15
M400741P	15
Toggle Switch	
M400945	7, 19
Top Cover Pan	
M403385	25
Top Front Access Panel	
M410801*P	25
M410802	25
Top Front Panel	
M414350	25
Top Front Panel Assembly	
M414349*P	25
Transformer	
M401391P	23, 85, 95
M402650P	23
M411066	63
M412412P	117
M412477P	113, 115, 119
M413100P	73, 101
M414228P	99, 101, 103, 105, 107
M414229P	101
Transformer Harness Assembly	
M412641	109
M412642	109
M414028	97
M414029	97
M414076	97

Transformer Kit	
M401199P	23
Trunnion and Bearing Assembly	
M4640P3	33
M4641P3	33
Trunnion Assembly	
M413836	33
Trunnion Housing	
M413826	35
Trunnion Housing Assembly	
M413832	35
Trunnion Kit	
M413835P	33
Tumbler Dolly Kit	
M4379P4	27

V

Vane	
M400253	59
Vane Assembly	
M400541	59
Vault Key	
M401701	17
Vault Lock	
M412004	17

W

Warning Label	
M410892	93
500316	93
Washer	
M400013	33, 37, 45, 49, 51, 55
M400014	37, 39, 43, 45, 51
M400017	27
M400080	37, 45, 49, 51, 55, 57
M400081	37, 39, 43
M400675	13, 27
M400991	51
M401946	35
M403958	39, 45
M405535	41
M412188	39, 45
M412530	27
02834	57
03189	27
03815	27
20103	35
91200	33, 35
Wire Harness Assembly	
M405372	7
M405873	7
M410640	7

N/A items do not appear in index.