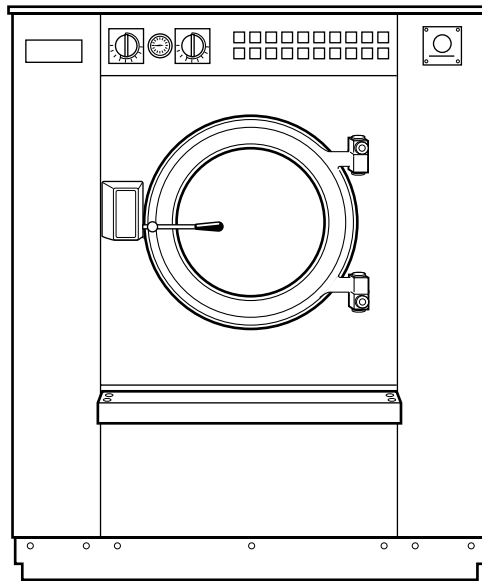


# Washer-Extractor

WX12230

Parts



CFS1080C

# Table of Contents

Title	Page
Parts Ordering Information .....	2
Nameplate Location .....	2
Model Identification .....	3
Cylinder, Shaft, Bearing Housing, Pulley and Belts .....	4
Cylinder, Shaft, Bearing Housing, Pulley and Belts .....	6
Chassis, Motors and Clutch Assembly .....	8
Chassis, Motors and Clutch Assembly .....	10
Chassis, Motors and Clutch Assembly .....	12
Panels .....	14
Panels .....	16
Door Assembly and Lock .....	18
Door Assembly and Lock .....	20
Control Panel, Control Tray and Controls .....	22
Control Panel, Control Tray and Controls .....	24
Control Panel, Control Tray and Controls .....	26
Dispenser, Cover, Hoses and Drain Valve .....	28
Dispenser, Cover, Hoses and Drain Valve .....	30
Water Inlet Valves and Hoses .....	32
Steam Inlet Valve and Fittings .....	34
Parts Index .....	37

© Copyright 2001, Alliance Laundry Systems LLC

All rights reserved. No part of the contents of this book may be reproduced or transmitted in any form or by any means without the expressed written consent of the publisher.

# Parts Ordering Information

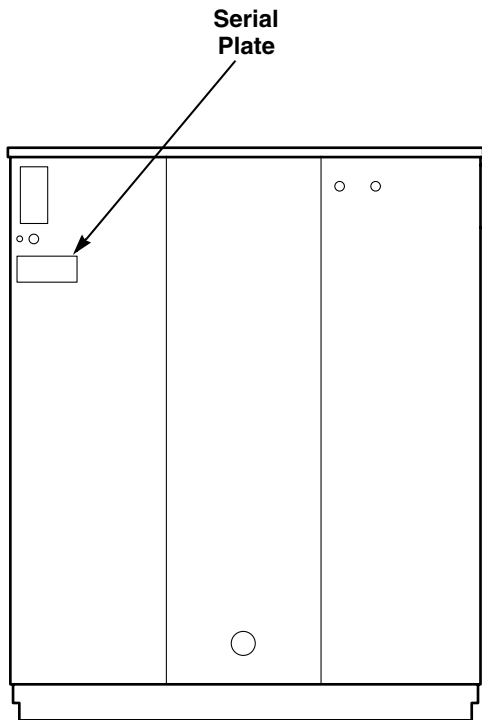
If literature or replacement parts are required, contact the source from whom the machine was purchased or contact Alliance Laundry Systems at (920) 748-3950 for the name of the nearest authorized parts distributor.

For technical assistance, call the following number:

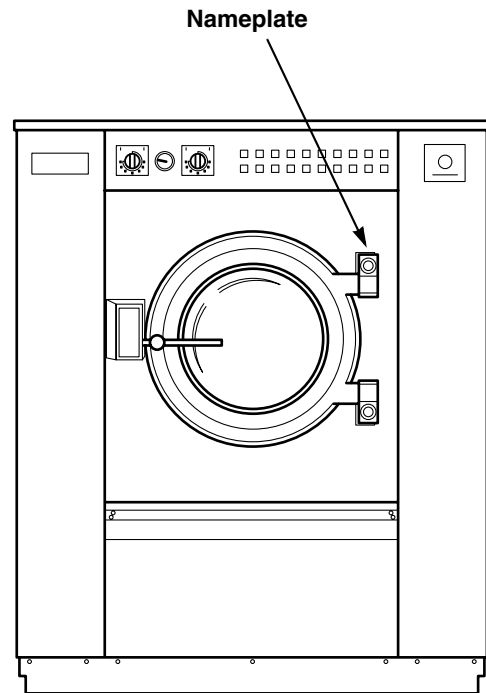
(850) 718-1026  
Marianna, Florida

## Nameplate Location

When calling or writing about your product, be sure to mention model and serial numbers. Model and serial numbers are located on nameplate and serial plate as shown.



CFS750P



CFS751P

# Model Identification

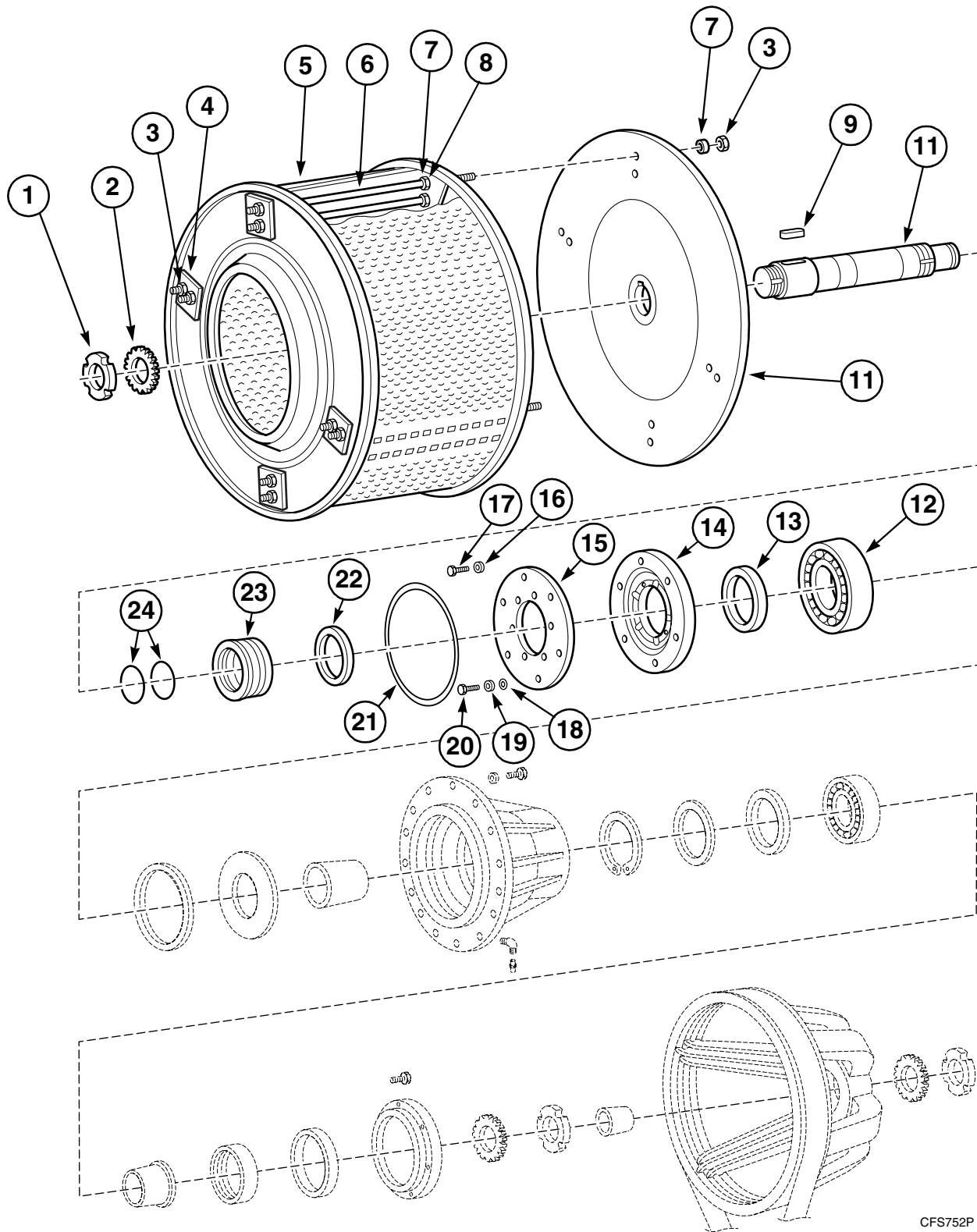
Information in this manual is applicable to these washer-extractors:

**WX12230**



# Cylinder, Shaft, Bearing Housing, Pulley and Belts

Page 1 of 2



CFS752P

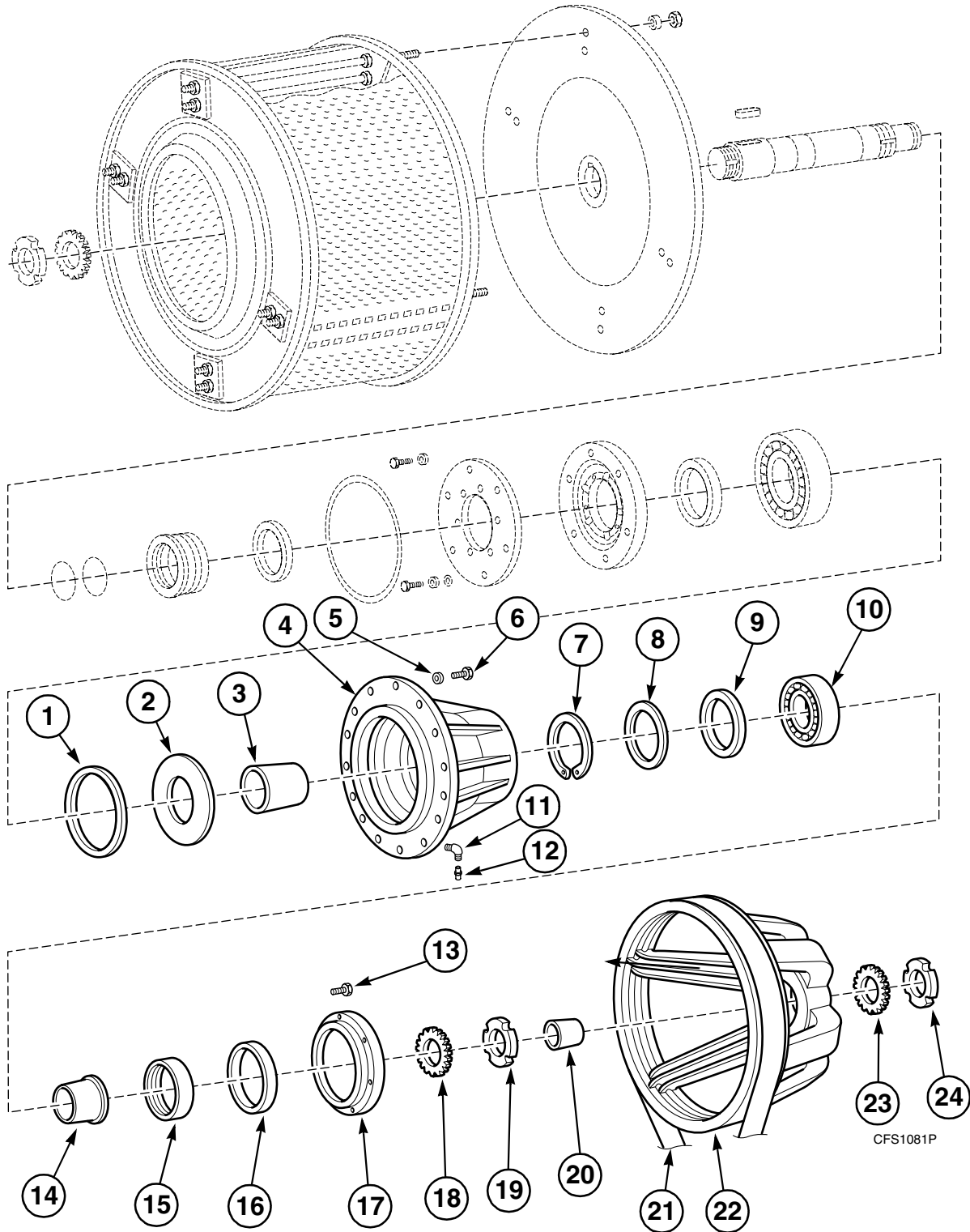
# Cylinder, Shaft, Bearing Housing, Pulley and Belts

Page 1 of 2

REF	PART #	DESCRIPTION	COMMENTS
	G243005	Cylinder and Shaft Assembly	Includes items 5 and 10
1	G163725	Locknut	
2	G163709	Lockwasher	
3	G149997	Nut	
4	G243071	Support Bracket	
5	G243089	Wash Basket Cylinder	
6	G243121	Rib Rod	
7	G162560	Washer	
8	G213819	Gasket	
9	G174748	Key	
10	G243063	Cylinder Shaft	
11	G243139	Cylinder Coupler	
12	G174334	Bearing	
13	G174433	Seal	
14	G221887	Front Seal Cover	
15	G249110	Seal Cover	
16	G175273	Gasket	
17	G175687	Screw	
18	G181321	Gasket	
19	G249136	Washer	
20	G144881	Screw	
21	G174417	Gasket	
22	G174391	V-Ring	
23	G249128	Gland	
24	G174425	O-Ring	

# Cylinder, Shaft, Bearing Housing, Pulley and Belts

Page 2 of 2





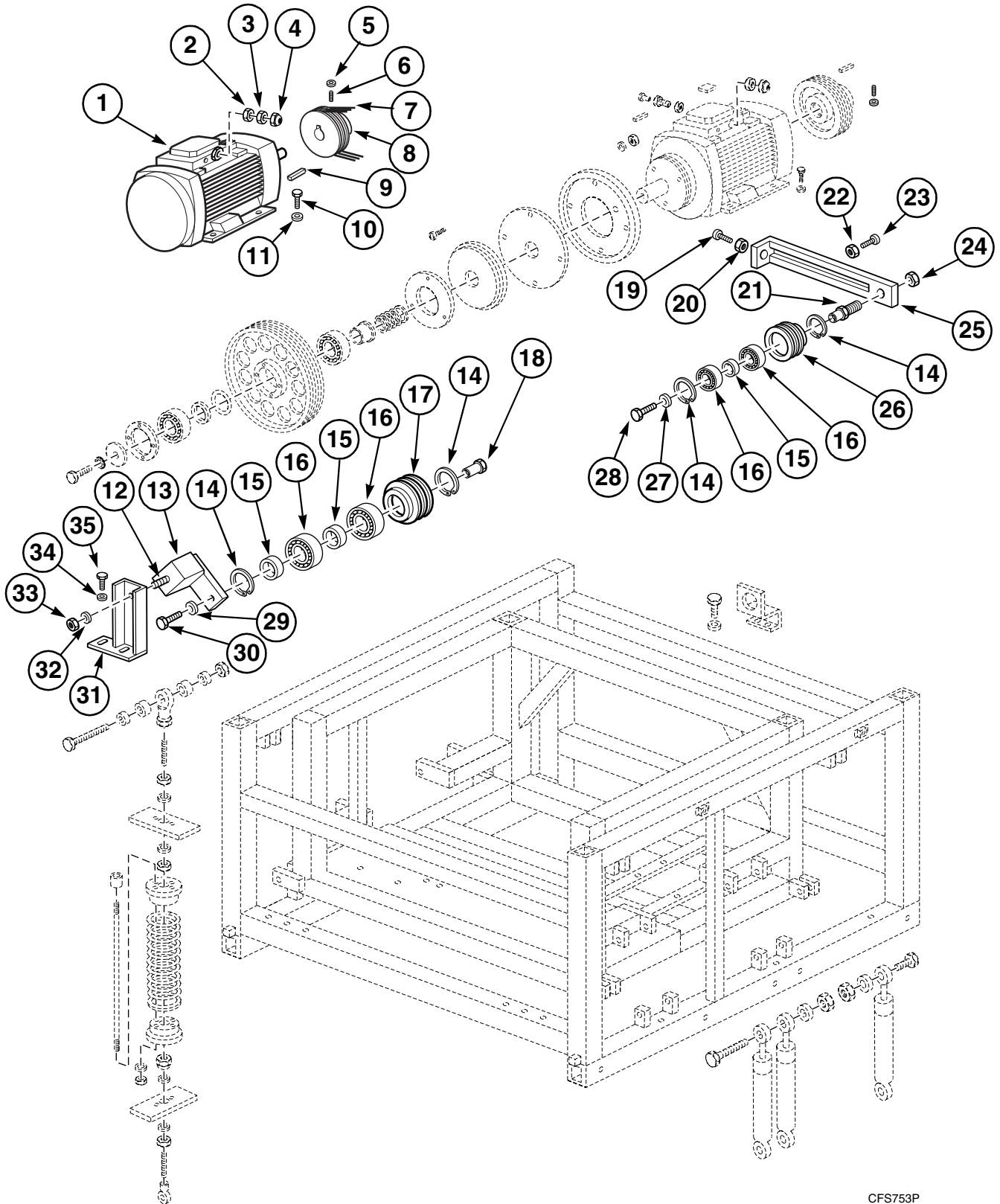
# Cylinder, Shaft, Bearing Housing, Pulley and Belts

Page 2 of 2

REF	PART #	DESCRIPTION	COMMENTS
1	G174375	Guide Ring	
2	G221846	Plate	
3	G221861	Spacer	
4	G222026	Bearing Housing	
5	G149385	Washer	
6	G176172	Screw	
7	G174409	Retainer Ring	
8	G221812	Grease Plate	
9	G174367	Guide Ring	
10	G174342	Bearing	
11	G174474	Fitting	
12	G200063	Bearing Housing Drain	
13	G144402	Allen Screw	
14	G174359	Disassembly Sleeve	
15	G221879	Seal Ring	
16	G147538	Seal	
17	G221895	Rear Seal Cover	
18	G163709	Lockwasher	
19	G163725	Locknut	
20	G134171	Sleeve	
21	G174458	Belt	
22	G243303	Cylinder Pulley	
23	G177873	Lockwasher	
24	G177881	Locknut	

# Chassis, Motors and Clutch Assembly

Page 1 of 3



CFS753P

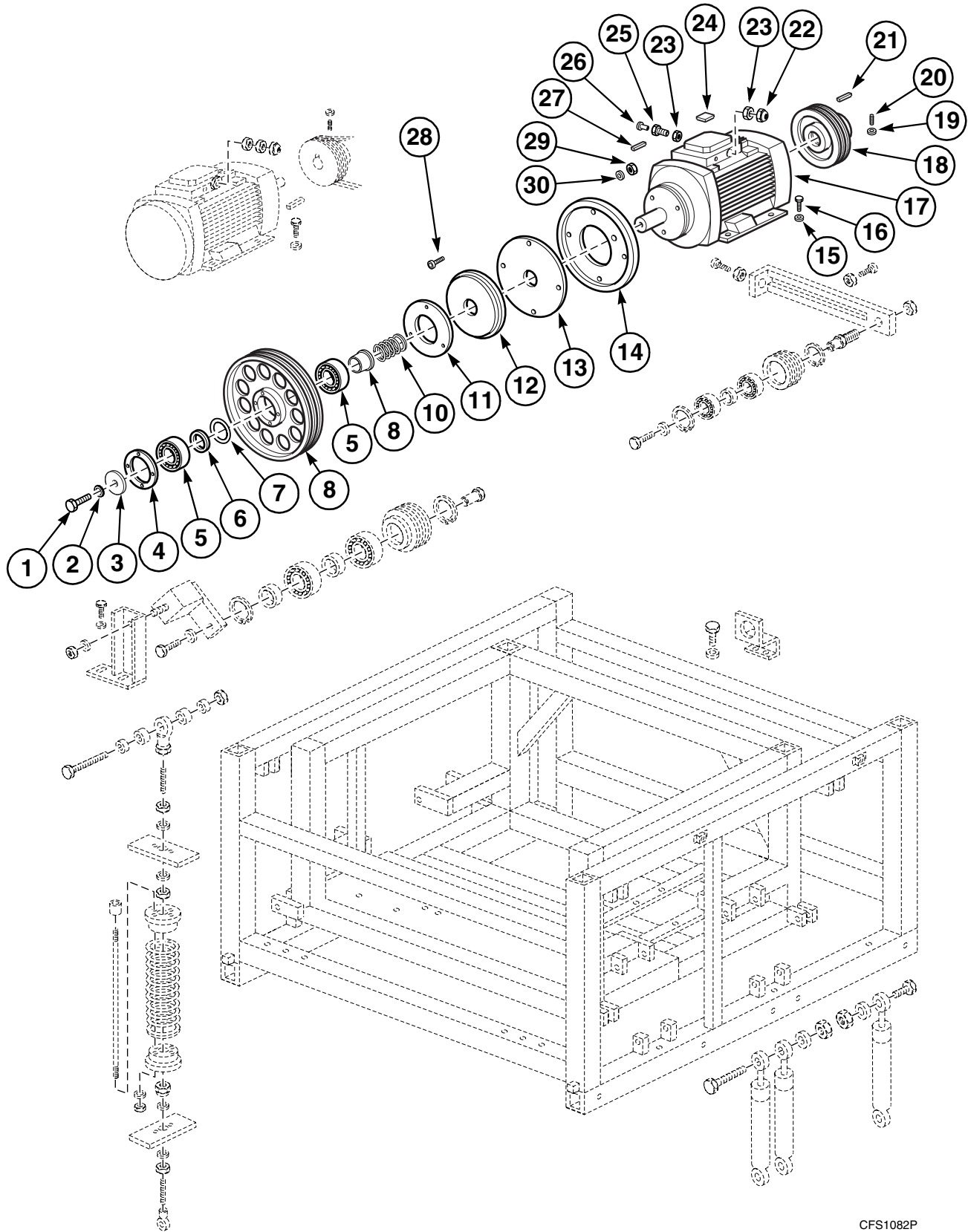
# Chassis, Motors and Clutch Assembly

Page 1 of 3

REF	PART #	DESCRIPTION	COMMENTS
1	G176305	Wash Motor	208/240 Volt
2	G140269	Counternut	
3	G140376	Gear Box	
4	G140178	Coupling	
5	G150193	Nut	
6	G175760	Allen Screw	
7	G174441	Belt	
8	G238006	Wash Motor Pulley	
9	G177899	Key	
10	G146799	Screw	
11	G149500	Washer	
12	G244533	Tightener Bolt	
13	G243352	Tightener Arm	
14	G131557	C-Ring	
15	G244509	Bearing Spacer	
16	G128512	Bearing	
17	G244491	Tightener Pulley	
18	G244517	Tightener Shaft	
19	G219014	Tightener Screw	
20	G150250	Nut	
21	G218941	Tightener Pulley Shaft	
22	G219071	Washer	
23	G176172	Screw	
24	G150326	Nut	
25	G244525	Tightener	
26	G219048	Tightener Pulley	
27	G115428	Washer	
28	G146480	Screw	
29	G149799	Washer	
30	G147009	Screw	
31	G243329	Tightener Bracket	
32	G149385	Washer	
33	G173260	Self-Blocking Nut	
34	G149419	Washer	
35	G147025	Screw	

# Chassis, Motors and Clutch Assembly

Page 2 of 3



CFS1082P

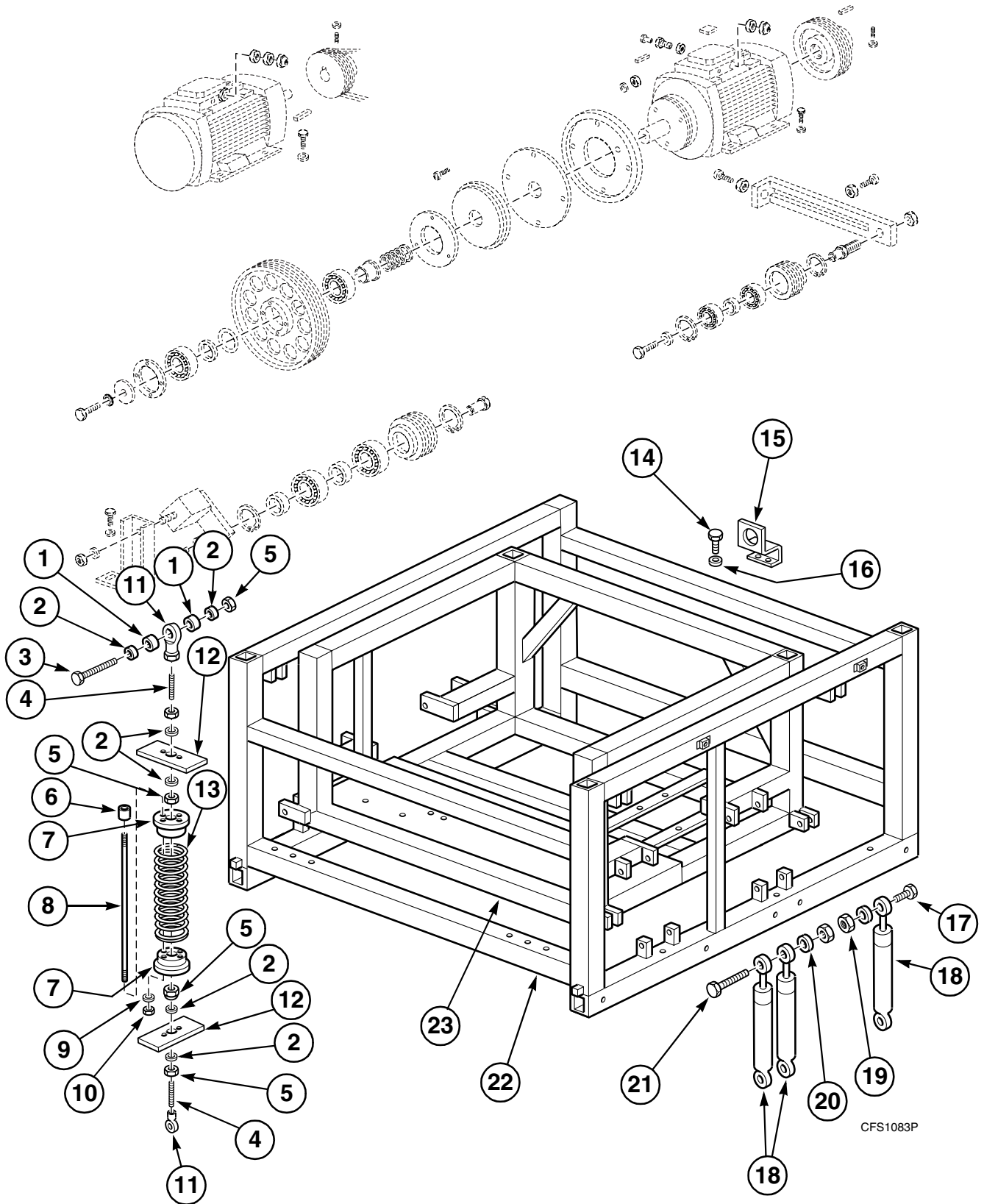
# Chassis, Motors and Clutch Assembly

Page 2 of 3

REF	PART #	DESCRIPTION	COMMENTS
	G174557	Complete Clutch Assembly	Includes items 11, 12 and 13
1	G176883	Screw	
2	G149682	Washer	
3	G238048	Clutch Pulley Washer	
4	G217489	Clutch Pulley Cover	
5	G174466	Bearing	
6	G228973	Clutch Pulley Separator	
7	G131599	Flexible Ring	
8	G222224	Clutch Pulley	
9	G238022	Clutch Pulley Sleeve	
10	G174565	Adjustment Washer	
11	G177923	Clutch Assembly	
12	G177915	Clutch Rotor	
13	G177907	Clutch Coil Frame	
14	G216366	Extract Motor Clamp	
15	G149500	Washer	
16	G146977	Screw	
17	G174404	Extract Motor	208/240 Volt
	G109819	Thermal Overload	
18	G220004	Extract Motor Pulley	
19	G150193	Nut	
20	G175760	Allen Screw	
21	G177899	Key	
22	G140194	Coupling	
23	G140269	Counternut	
24	G159707	2 Element Connection Board	
25	G101022	Gear Box	
26	G140095	Stuffing Box	
27	G176768	Key	
28	G144402	Allen Screw	
29	G164285	Self-Blocking Nut	
30	G149518	Washer	

# Chassis, Motors and Clutch Assembly

Page 3 of 3



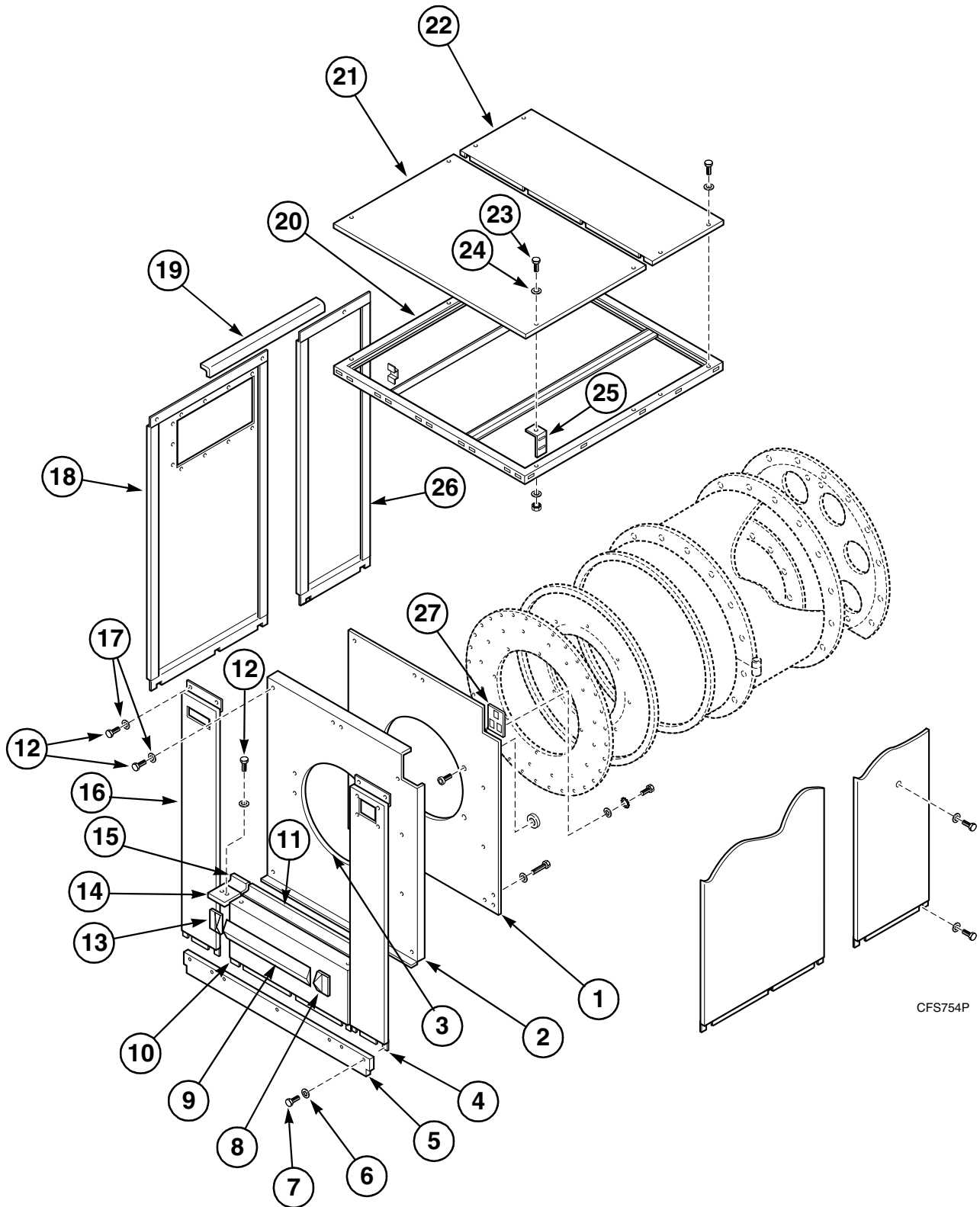
# Chassis, Motors and Clutch Assembly

Page 3 of 3

REF	PART #	DESCRIPTION	COMMENTS
1	G238055	Hinge Joint Separator	
2	G149385	Washer	
3	G175729	Screw	
4	G243980	Suspension Bolt	
5	G173260	Self-Blocking Nut	
6	G219998	Suspension Sleeve	
7	G243964	Suspension Clamp	
8	G243972	Suspension Bar	
9	G149419	Washer	
10	G150656	Self-Blocking Nut	
11	G174870	Hinge Joint Head	
12	G243956	Suspension Piece	
13	G174854	Suspension Spring	
14	G144964	Screw	
15	G243717	Drain Bracket	
16	G149351	Washer	
17	G175745	Screw	
18	G175091	Shock Absorber	
19	G150649	Self-Blocking Nut	
20	G149500	Washer	
21	G175737	Screw	
22	G243626	Fixed Chassis	
23	G243410	Suspended Chassis	

# Panels

Page 1 of 2



CFS754P



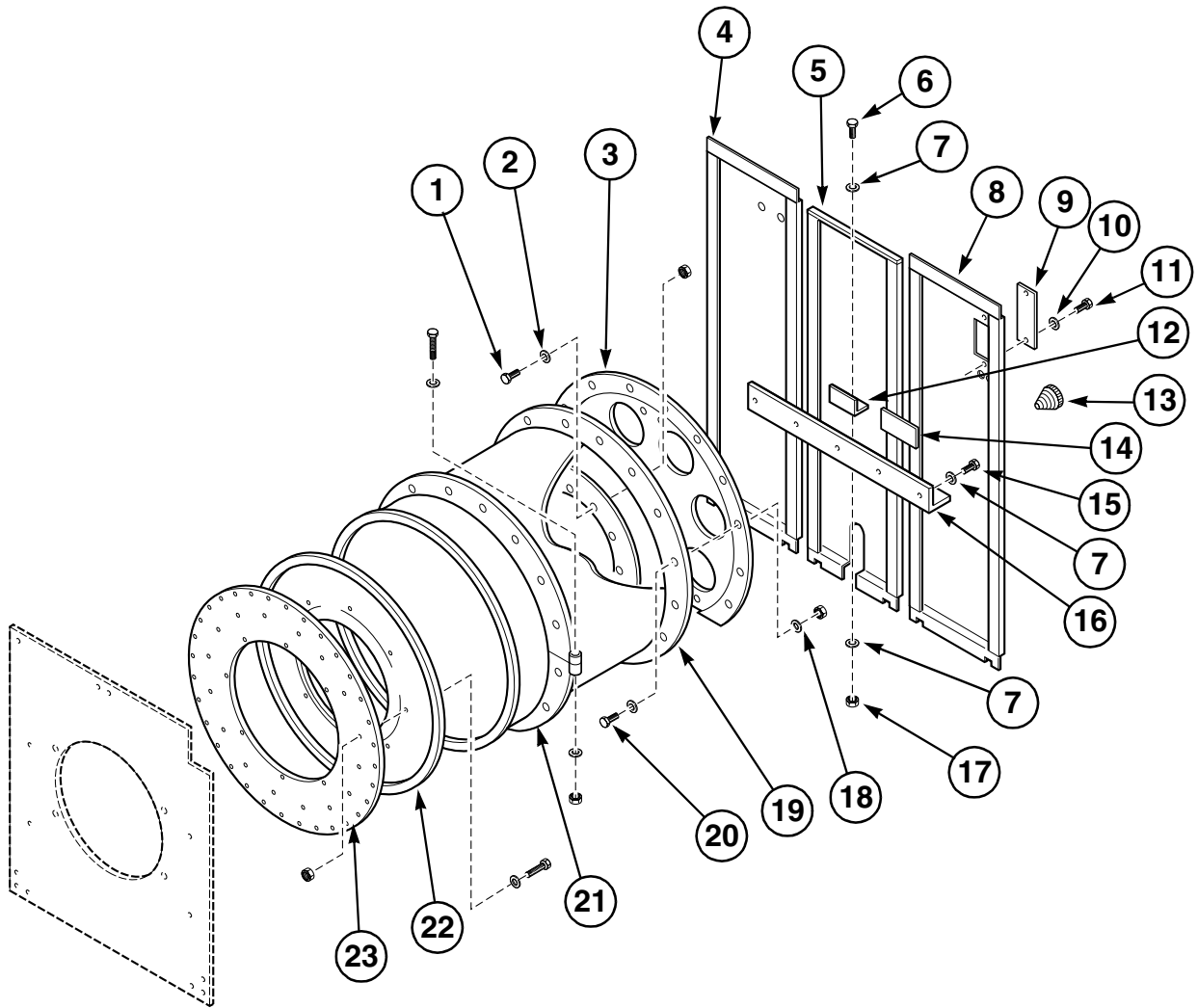
# Panels

Page 1 of 2

REF	PART #	DESCRIPTION	COMMENTS
1	G243386	Front Plate	
2	G213934	Front Cover	
3	G165472	Gasket	
4	G249359	Right Front Panel	
5	G249300	Front Toe Plate	
6	G149310	Washer	
7	F144907	Screw	
8	G174581	Terminal	
9	G242966	Protective Moulding	
10	G243014	Lower Front Cover	
11	G220046	Front Gasket	
12	G144964	Screw	
13	G174599	Terminal	
14	G242941	Lower Cover Supplement	
15	G220053	Front Gasket	
16	G249367	Left Front Panel	
17	G149351	Washer	
18	G245050	Left Front Side Panel	
19	G220038	Upper Cover Support	
20	G249300	Front Toe Plate	
21	G244996	Front Upper Cover	
22	G245001	Rear Upper Cover	
23	G146233	Screw	
24	G149526	Washer	
25	G242933	Microswitch Bracket	
26	G245035	Rear Side Panel	
27	G242925	Microswitch Drive	

# Panels

Page 2 of 2



CFS1084P

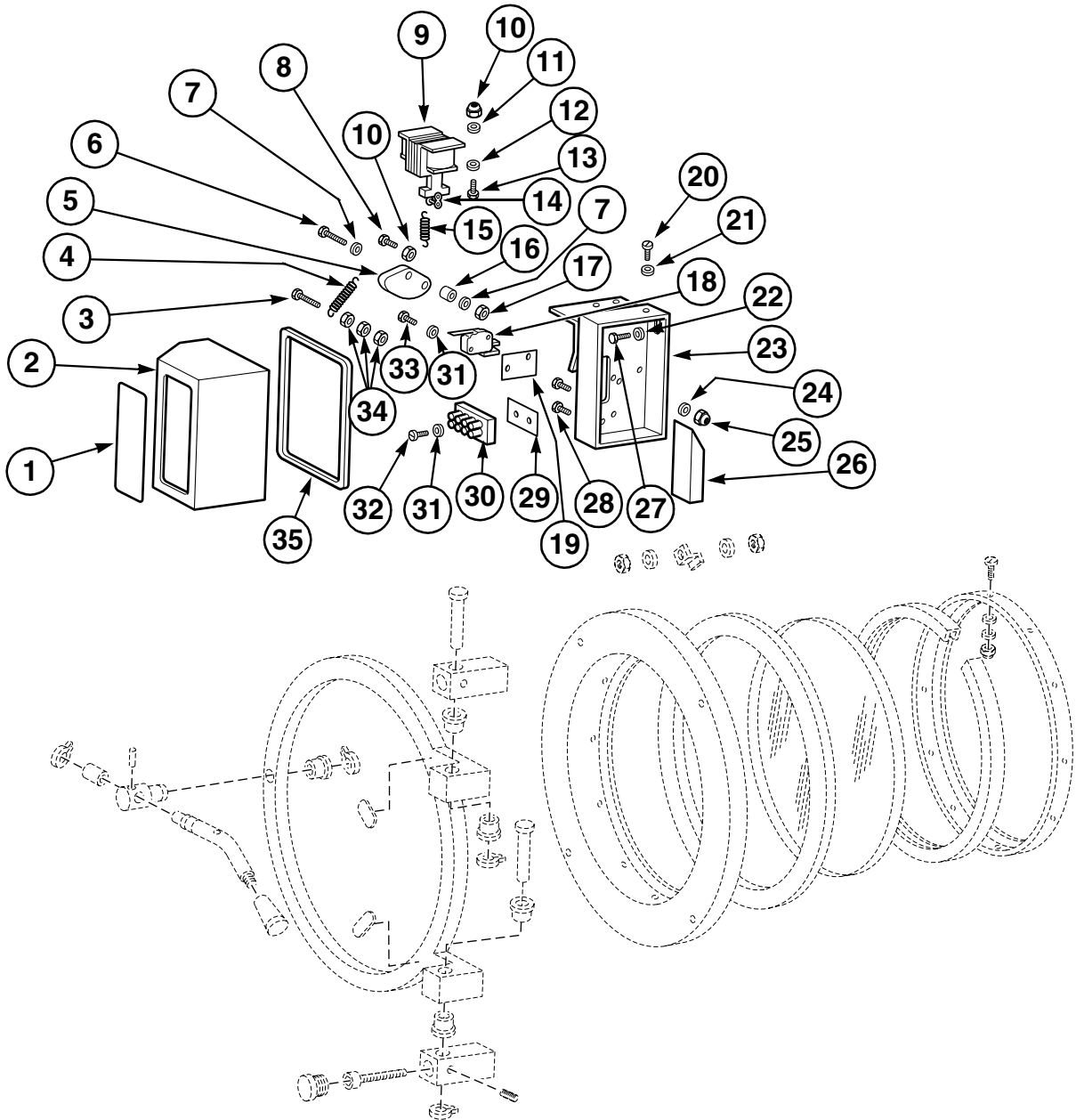
# Panels

Page 2 of 2

REF	PART #	DESCRIPTION	COMMENTS
1	G149351	Washer	
2	G144964	Screw	
3	G243436	Rear Plate	
4	G243048	Left Rear Side Panel	
5	G243022	Center Rear Cover	
6	G175729	Screw	
7	G149385	Washer	
8	G243030	Right Rear Side Cover	
9	G242974	Access Cover	
10	G149476	Washer	
11	G146076	Screw	
12	G245142	Drain Hose Clamp	
13	G139683	Cone	
14	G219543	Antivibration Bracket	
15	G175695	Screw	
16	G242958	Rear Plate Angle	
17	G173260	Self-Blocking Nut	
18	G149500	Washer	
19	G243170	Outer Drum	
20	G175679	Screw	
21	G243279	Outer Drum Clamp Ring	
22	G222000	Outer Drum Front Panel	
23	G222042	Outer Drum Front Crown	

# Door Assembly and Lock

Page 1 of 2



CFS755P

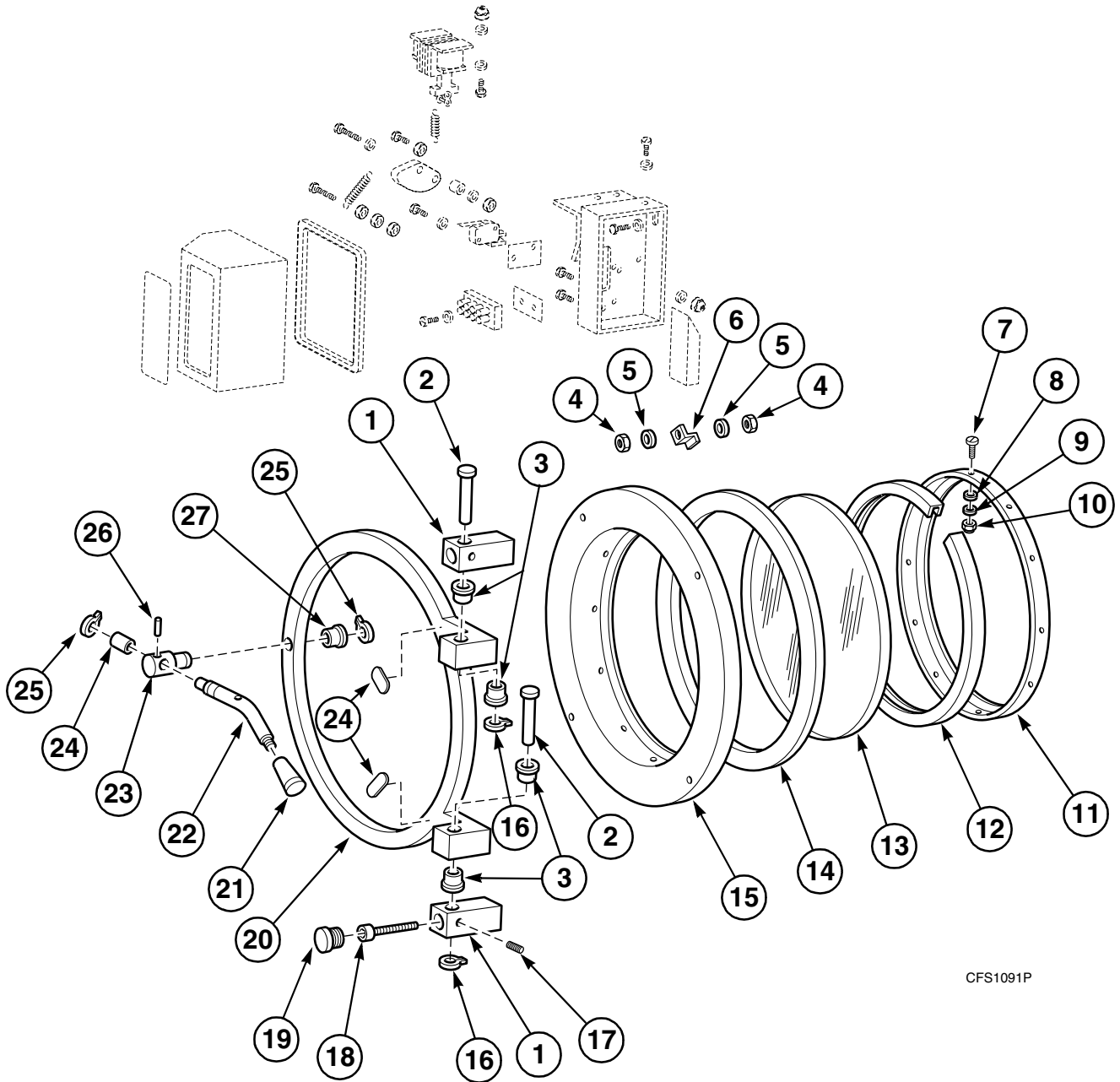
# Door Assembly and Lock

Page 1 of 2

REF	PART #	DESCRIPTION	COMMENTS
1	G181289	Door Safety Plate	
2	G244343	Box Cover	
3	G146142	Screw	
4	G175448	Safety Lock Spring	
5	G244301	Safety Lock Cam	
6	G146159	Screw	
7	G149526	Washer	
8	G146183	Screw	
9	G176552	Solenoid	
10	G150185	Nut	
11	G149476	Washer	
12	G149732	Washer	
13	G146258	Screw	
14	G105031	Straight Chain Coupling	
15	G174953	Safety Lock Spring	
16	G244319	Cam Sleeve	
17	G150227	Nut	
18	G245084	Door Microswitch	
19	G244327	Microswitch Insulation	
20	G145656	Screw	
21	G149369	Washer	
22	G149351	Washer	
23	G244095	Safety Lock Box	
24	G149484	Washer	
25	G149906	Nut	
26	G244285	Safety Lock Piece	
27	G144964	Screw	
28	G175620	Allen Screw	
29	G122564	Insulation	
30	G159715	Terminal Board	
31	G149484	Washer	
32	G146043	Screw	
33	G146050	Screw	
34	G150177	Nut	
35	G165472	Gasket	

# Door Assembly and Lock

Page 2 of 2



CFS1091P

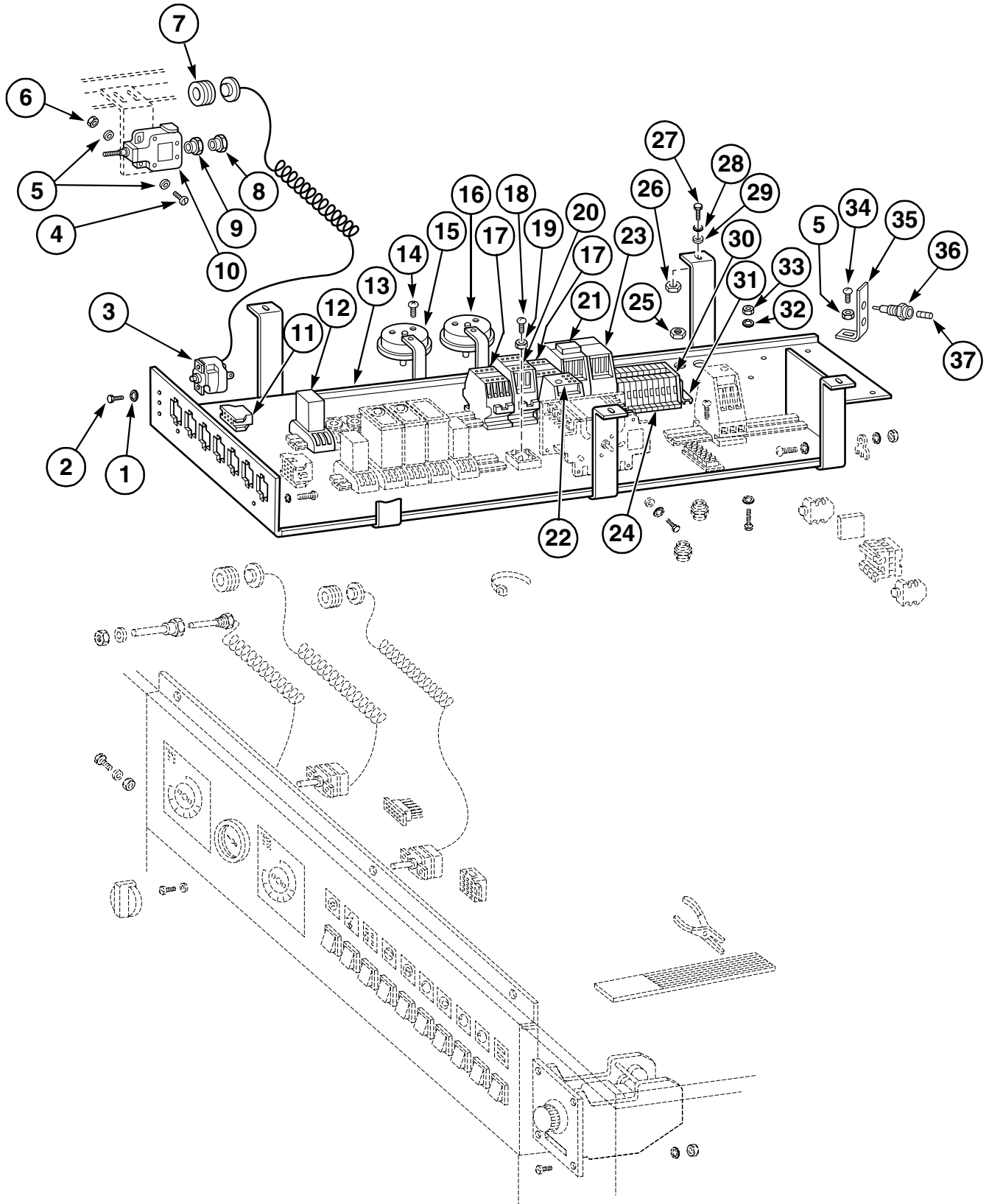
# Door Assembly and Lock

Page 2 of 2

REF	PART #	DESCRIPTION	COMMENTS
	G244194	Door Assembly	
1	G249292	Hinge	
2	G206995	Door Bolt	
3	G174482	Bearing	
4	G149948	Nut	
5	G149302	Washer	
6	G216820	Door Gasket Clip	
7	G145649	Screw	
8	G116129	Gasket	
9	G149328	Washer	
10	G150151	Nut	
11	G244210	Outer Ring	
12	G174920	Gasket	
13	G174912	Glass	
14	G176008	Door Gasket	
15	G244202	Door Ring	
16	G174524	C-Ring	
17	G175778	Allen Setscrew	
18	G175752	Allen Screw	
19	G176776	Plug	
20	G249326	Door Ring	
21	G175166	Cap	
22	G244186	Lock Lever	
23	G222489	Lock Bolt	
24	G174490	Bearing	
25	G174508	C-Ring	
26	G150920	Setscrew	
27	G128942	Bearing	

# Control Panel, Control Tray and Controls

Page 1 of 3



CFS756P



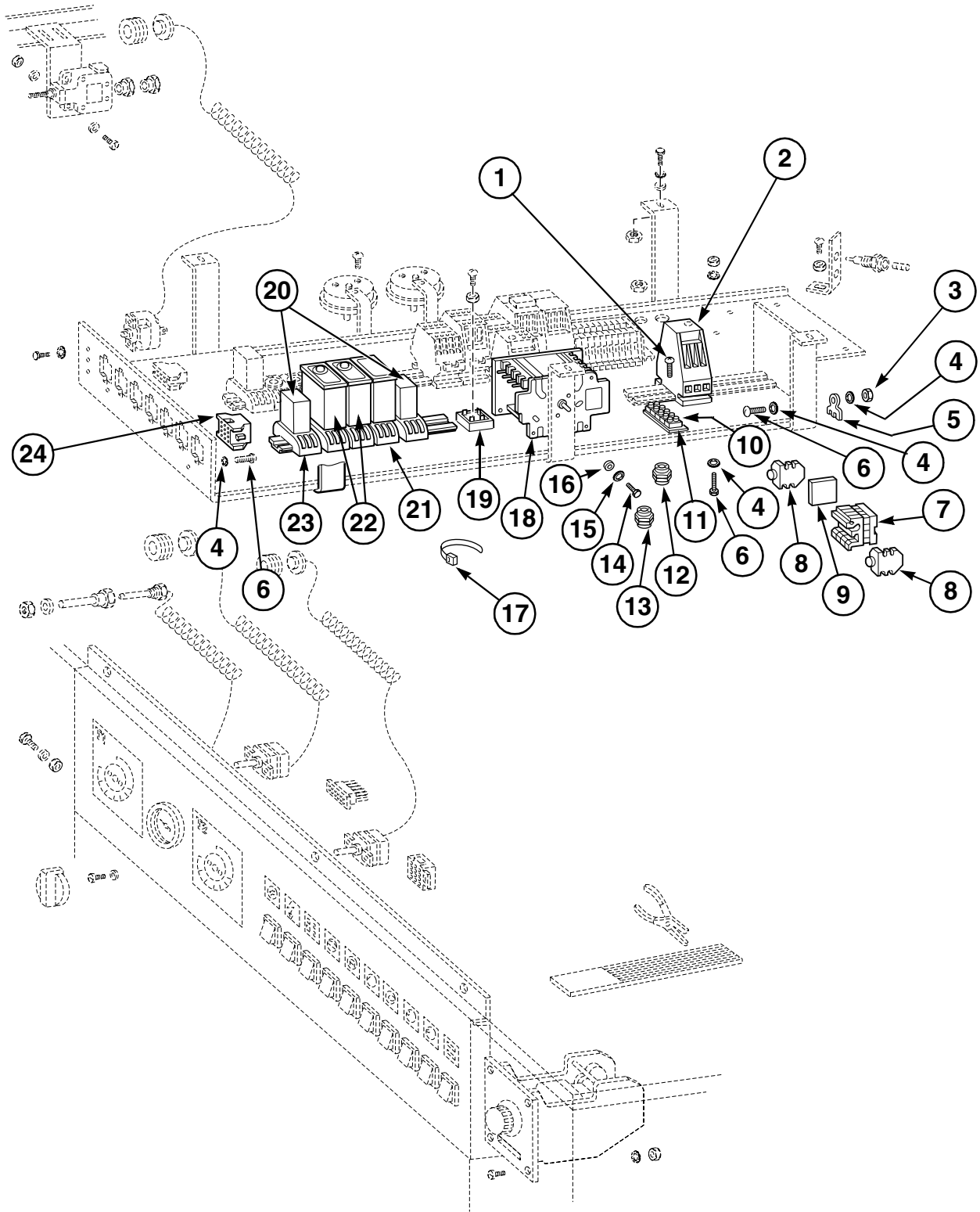
# Control Panel, Control Tray and Controls

Page 1 of 3

REF	PART #	DESCRIPTION	COMMENTS
1	G149732	Washer	
2	G146241	Screw	
3	G156729	Thermostat	
4	G146290	Screw	
5	G149534	Washer	
6	G176826	Self-Blocking Nut	
7	G157198	Grommet	
8	G140095	Stuffing-Box	
9	G140301	Gear Box	
10	G138537	Running End	
11	G139444	Terminal Block	
	G139352	Wire Terminal	
12	G136168	Relay	
13	G244681	Control Tray	
14	G166835	Screw	
15	G160218	Pressure Switch	
16	G163352	Pressure Switch	
17	G136010	Contactactor	
	G108407	Coil	
18	G146100	Screw	
19	G149476	Washer	
20	G136036	Contactactor	
	G108407	Coil	
21	G148627	Connection Delayer	
22	G168336	Thermical Relay	
23	G100933	Contactactor	
	G108407	Coil	
24	G155457	Terminal	
25	G140269	Nut	
26	G140244	Nut	
27	G146233	Screw	
28	G149716	Washer	
29	G149526	Washer	
30	G155275	End Cover	
31	G164673	Fixing Clamp	
32	G149724	Washer	
33	G150177	Nut	
34	G146175	Screw	
35	G244673	Fuse Bracket	
36	G122952	Control Protection Fuse	
	G137661	Bayonet Head	
37	G137653	Fuse Holder	

# Control Panel, Control Tray and Controls

Page 2 of 3



CFS1092P

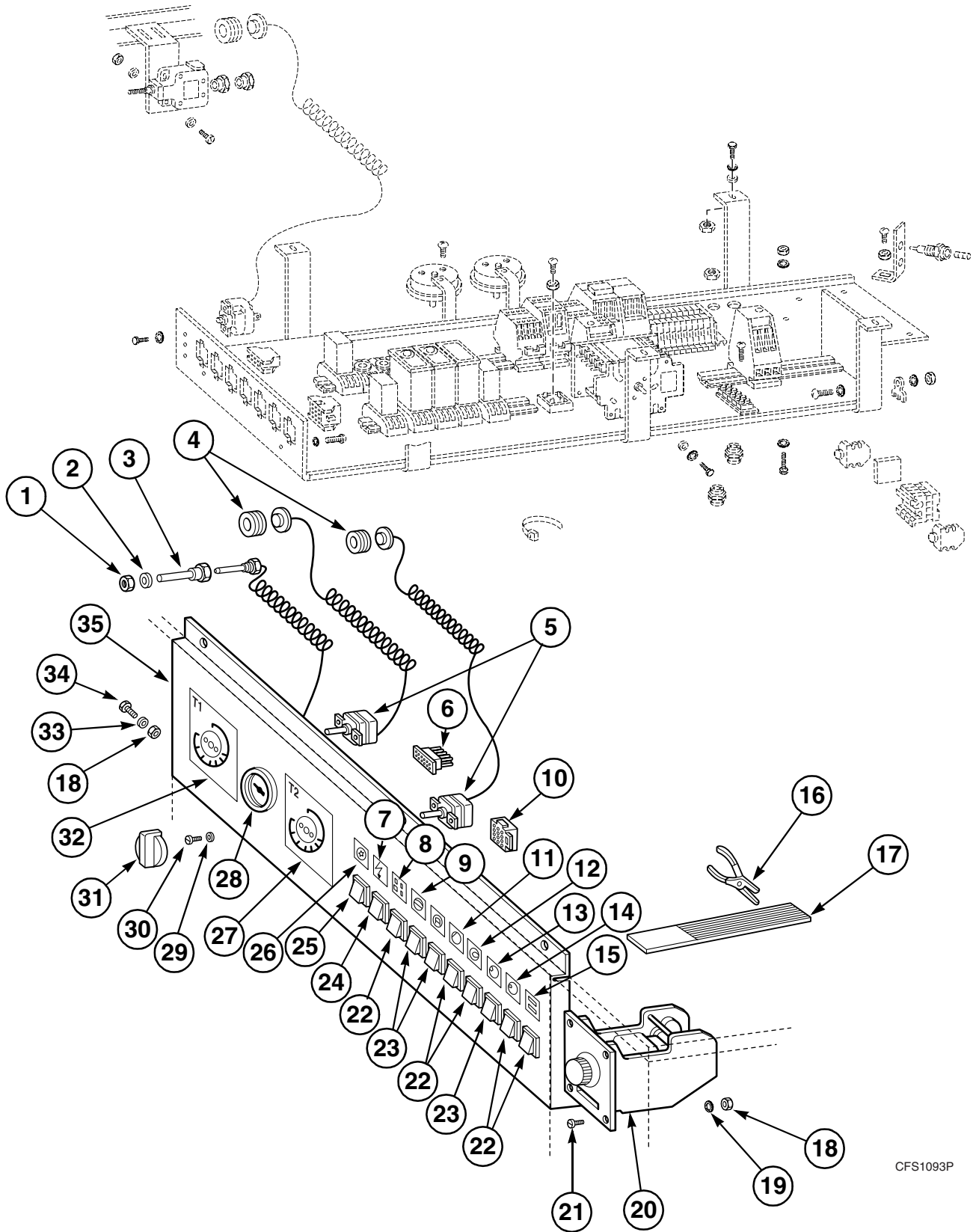
# Control Panel, Control Tray and Controls

Page 2 of 3

REF	PART #	DESCRIPTION	COMMENTS
1	G146043	Screw	
2	G174235	Thermical Relay	
3	G150177	Nut	
4	G149724	Washer	
5	G176248	Ground Lug	
6	G146142	Screw	
7	G155465	Terminal	
8	G155754	Fixing Clamp	
9	G155283	End Lid	
10	G176271	Terminal Block	
11	G215590	Insulator	
12	G140194	Coupling	
13	G140178	Coupling	
14	G146241	Screw	
15	G149732	Washer	
16	G149476	Washer	
17	G140434	Clamp	
18	G175174	Timer	
19	G175224	Rectifier Bridge	
20	G136168	Relay	
21	G176024	Timing Device	
22	G174821	Timing Device	
23	G135608	Base	
24	G139402	Terminal Block	
	G139352	Wire Terminal	

# Control Panel, Control Tray and Controls

Page 3 of 3



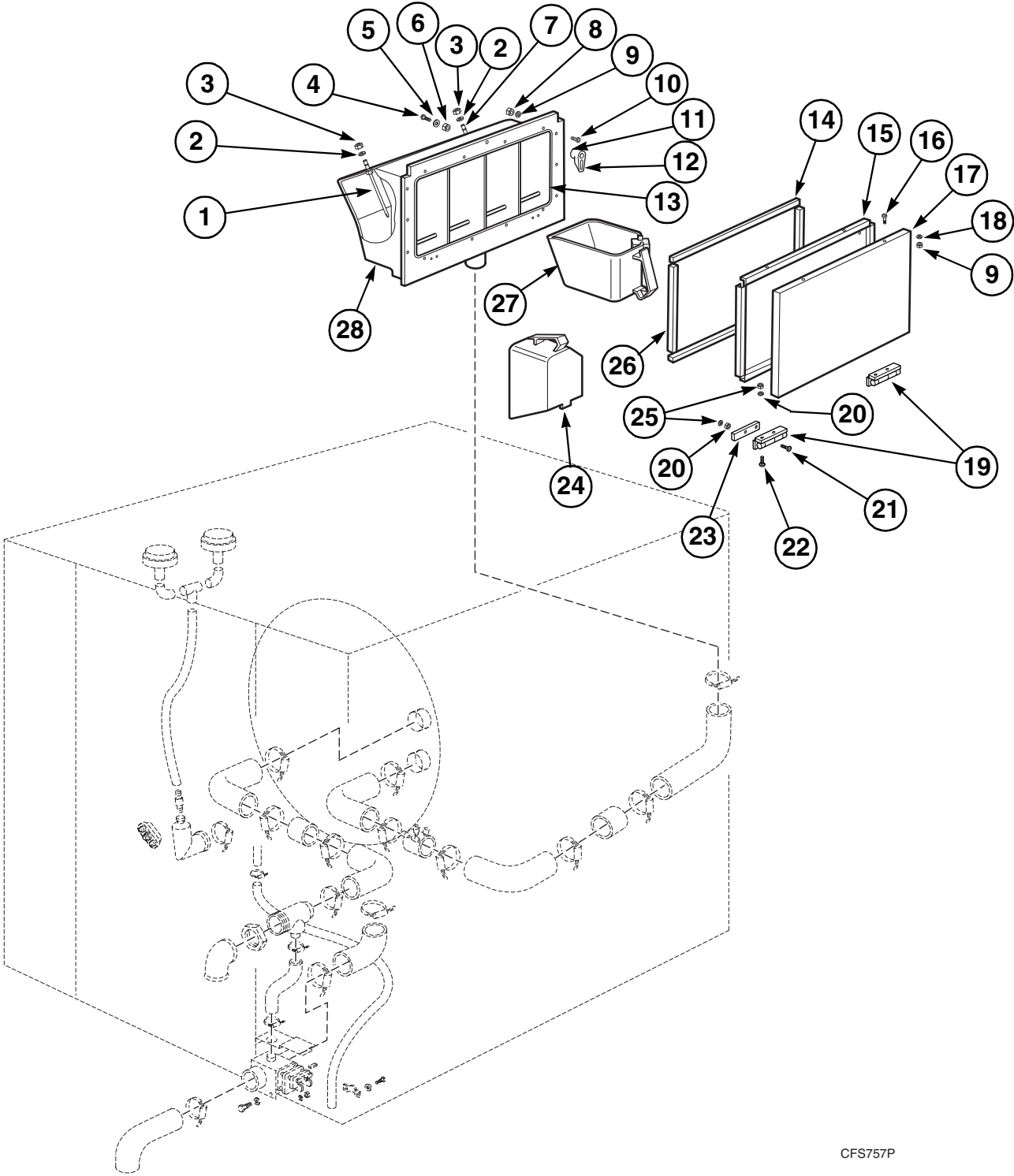
CFS1093P

# Control Panel, Control Tray and Controls

Page 3 of 3

REF	PART #	DESCRIPTION	COMMENTS
1	G236349	Nut	
2	G115857	Gasket	
3	G236844	Tube	
4	G146290	Screw	
5	G162982	Thermostat	
6	G176826	Self-Blocking Nut	
7	G175919	Tightener Plate	
8	G175927	Start-Stop Plate	
9	G175935	Water Inlet Plate A	
10	G139410	Terminal Block	
	G139337	Wire Terminal	
11	G175950	Temperature Plate T2	
12	G175968	Show Reverse Plate	
13	G175976	Drain Plate	
14	G175984	Extract Plate	
15	G175992	800 RPM Plate	
16	G166488	Card Punch	
17	G132969	Timer Card	
	G226274	Punch Timer Card	
18	G150185	Nut	
19	G149732	Washer	
20	G234385	Timer	Card Reader
	G143784	Motor Gear Box	
	G118984	Cam Microswitch	
	G162586	Start-Stop Microswitch	
	G161752	Timer Front	
	G161745	Timer Button	
21	G145649	Screw	
22	G138321	Reverser	
23	G138339	Push-Button	
24	G176743	Pilot	
25	G176750	Pilot	
26	G175901	Open Door Plate	
27	G181305	Thermostat Plate 2	
28	G135079	Thermometer	
29	G149732	Washer	
30	G145664	Flat Screw	
31	G174706	Control Knob	
32	G181297	Thermostat Plate 1	
33	G146266	Screw	
34	G149476	Washer	
35	G249342	Control Panel	

# Dispenser, Cover, Hoses and Drain Valve



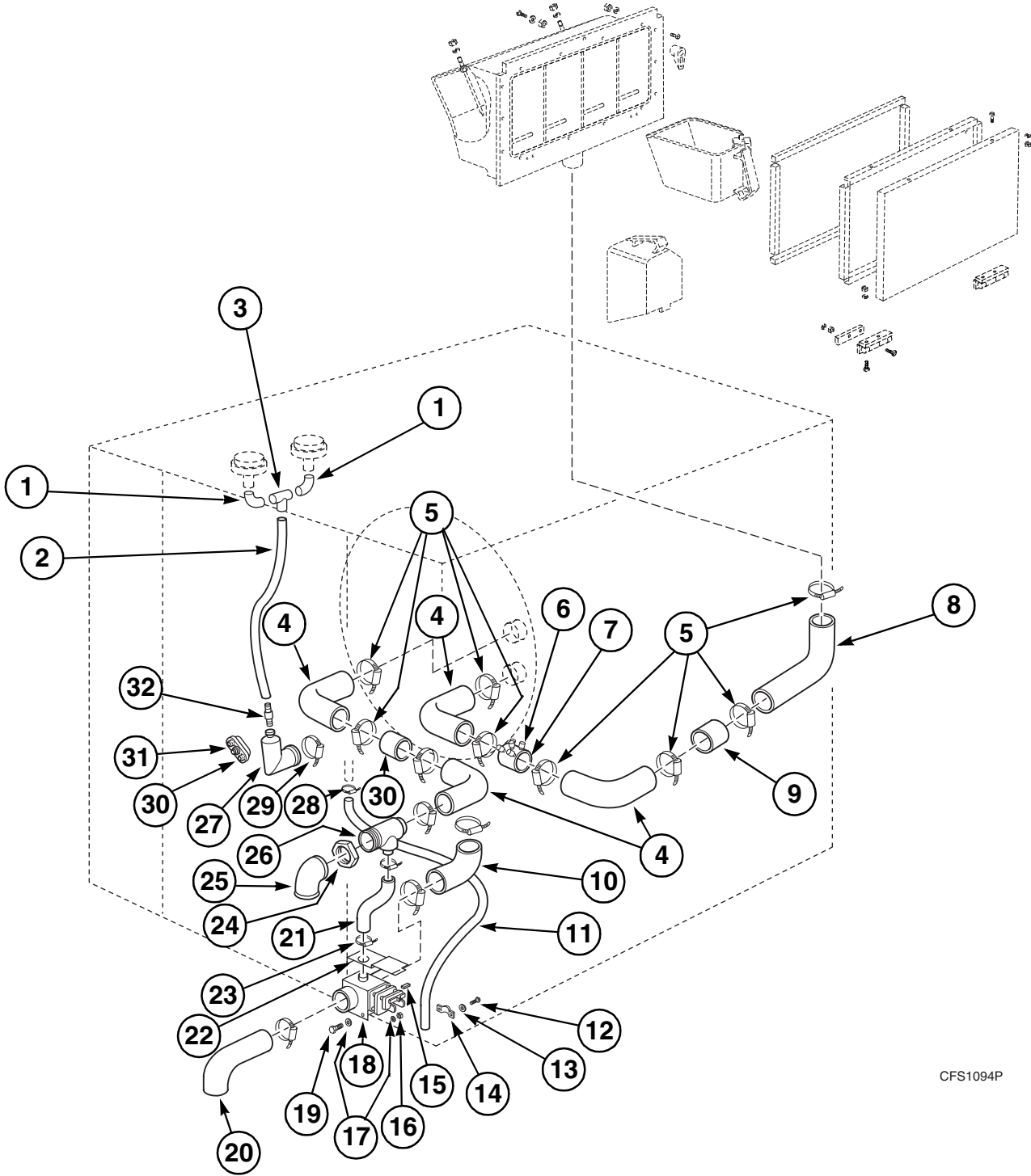
CFS757P

# Dispenser, Cover, Hoses and Drain Valve

Page 1 of 2

REF	PART #	DESCRIPTION	COMMENTS
1	G244467	Dispenser Hose	
2	G149393	Washer	
3	G150250	Nut	
4	G144907	Screw	
5	G115758	Washer	
6	G149419	Washer	
7	G242883	Dispenser Hose Coupling	
8	G176792	Self-Blocking Nut	
9	G149922	Nut	
10	G130468	Screw	
11	G220111	Washer	
12	G174540	Handle	
13	G176818	Gasket	
14	G244616	Dispenser Lid Gasket	
15	G244574	Dispenser Counterlid	
16	G145649	Screw	
17	G244566	Dispenser Lid	
18	G149328	Washer	
19	G176800	Hinge	
20	G152132	Washer	
21	G144758	Screw	
22	G176784	Screw	
23	G244590	Hinge Bracket	
24	G244806	Solid Soap Dispenser	
25	G149906	Nut	
26	G244608	Dispenser Lid Gasket	
27	G244855	Liquid Soap Dispenser	
28	G244376	Dispenser Box Set	

# Dispenser, Cover, Hoses and Drain Valve



CFS1094P

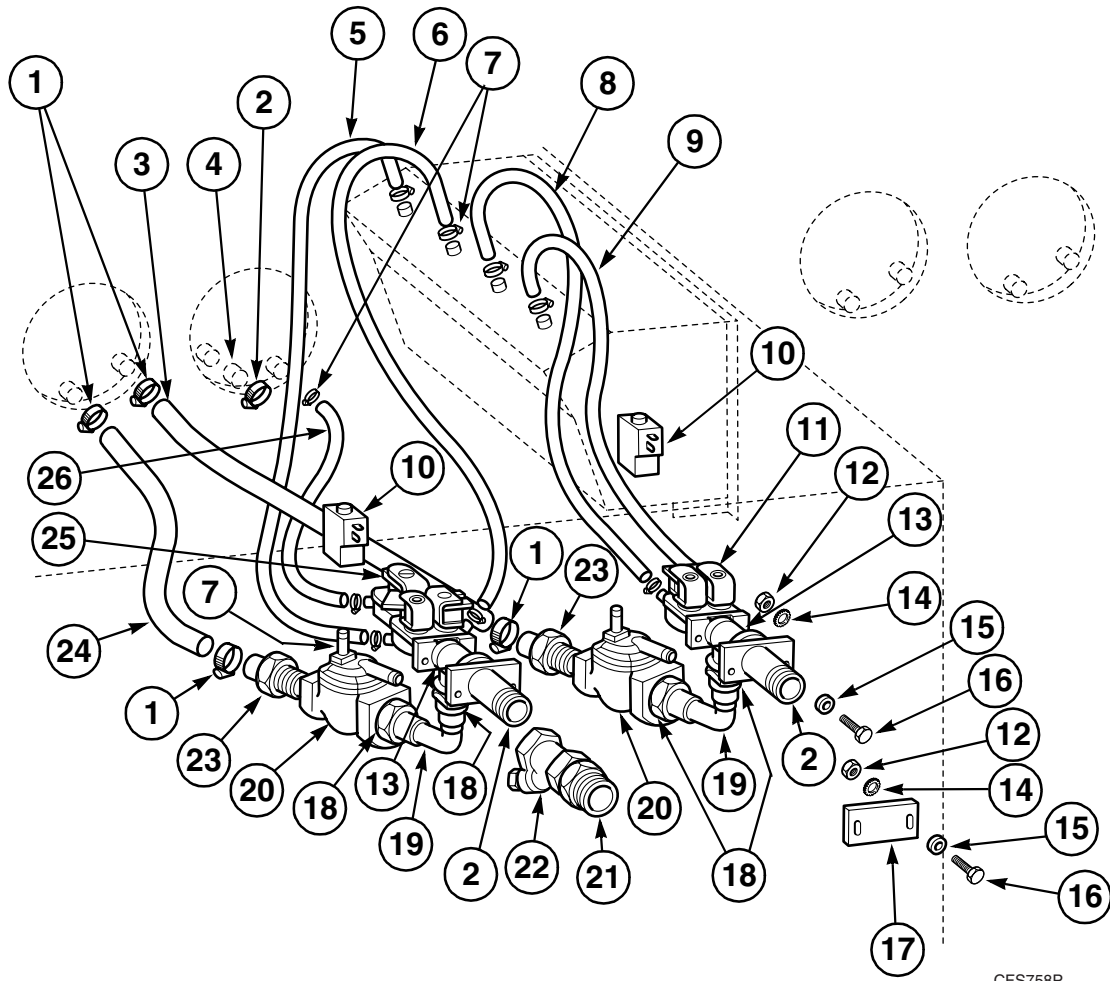


# Dispenser, Cover, Hoses and Drain Valve

Page 2 of 2

REF	PART #	DESCRIPTION	COMMENTS
1	G122408	Pressure Hose	
2	G244897	Pressure Hose	
3	G113357	Plastic "T"	
4	G175083	Water Inlet Elbow	
5	G132340	Clamp	
6	G156679	Cap	
7	G220061	Injector Assembly	Starting with Serial No. 580001
8	G163204	Drain Hose	
9	G243238	Water Inlet Hose	
10	G175075	Drain Hose	
11	G234047	Bearing Box Drain Hose	
12	G146274	Screw	
13	G149534	Washer	
14	G142133	Clip	
15	G159376	Terminal Insulator	
16	G149971	Nut	
17	G149310	Washer	
18	G163212	Drain Valve	
19	G144881	Screw	
20	G163253	Drain Outlet Hose	
21	G244905	Exhaust Hose	
22	G212795	Drain Protection	
23	G132282	Clamp	
24	G176370	Nut	
25	G181933	Threaded 2 inch PVC Drain Pipe	
26	G244152	Exhaust "T" Fitting	
27	G120964	Pressostat Intake Body	
28	G156109	Clamp	
29	G132290	Clamp	
30	G121970	Locking Piece	
31	G121962	Heater Inlet Lid	
32	G120956	Pressure Bulb	

# Water Inlet Valves and Hoses

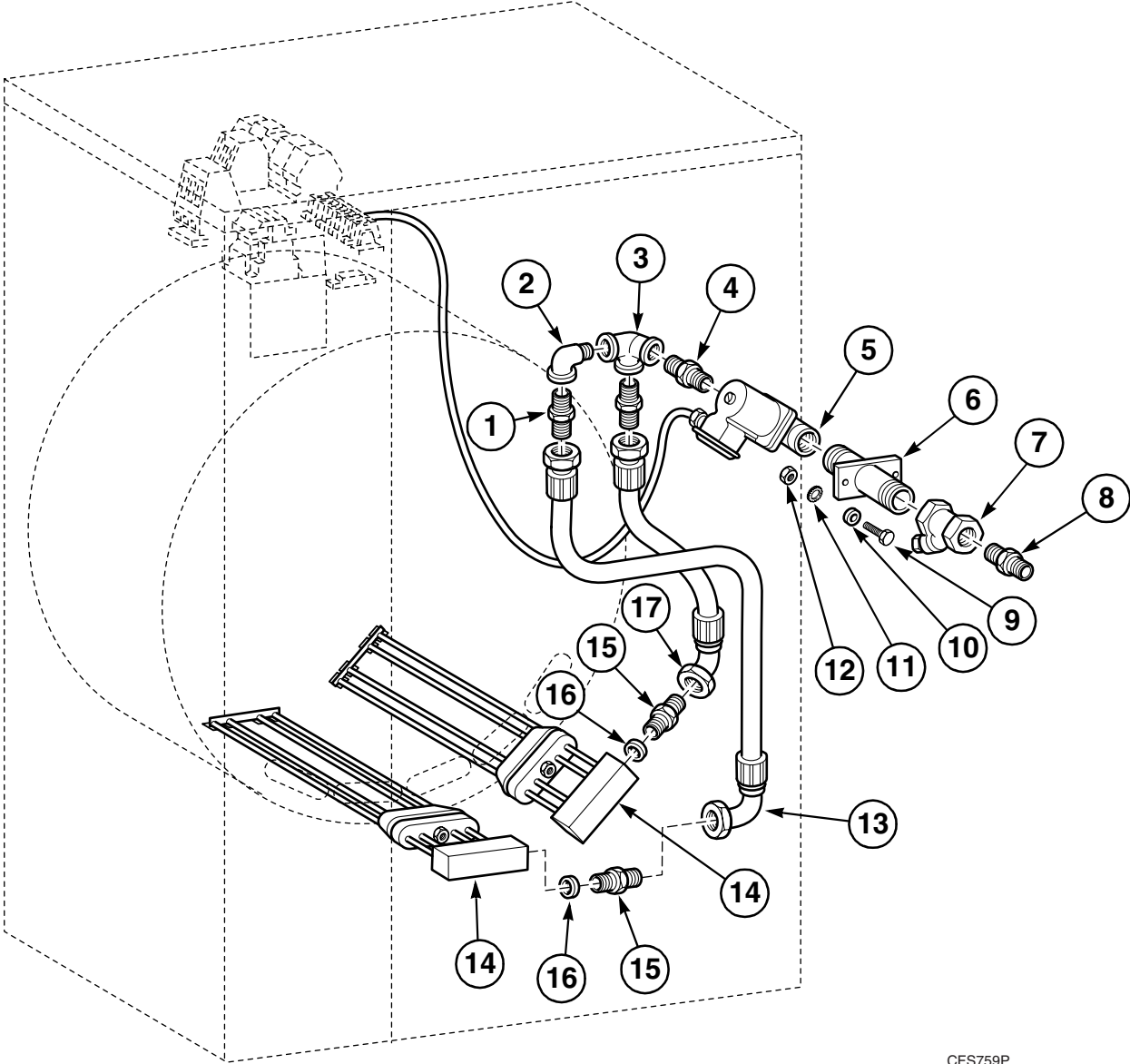


CFS758P

## Water Inlet Valves and Hoses

REF	PART #	DESCRIPTION	COMMENTS
1	G149609	Clamp	
2	G214502	Bracket	
3	G244921	Water Inlet Hose	
4	G149617	Cap	
5	G214320	Water Inlet Hose	
6	G163584	Water Inlet Hose	
7	G155150	Clamp	
8	G214395	Water Inlet Hose	
9	G117465	Water Inlet Hose	
10	G100834	Coil	
11	G156273	2 Track Valve	
	G142786	Coil	
	G160002	Diaphragm	
12	G150227	Nut	
13	G128769	"T" Fitting	
14	G149716	Washer	
15	G149526	Washer	
16	G146233	Screw	
17	G122713	Water Inlet Lid	
18	G129791	Sleeve	
19	G129361	Elbow	
20	G149591	Valve Body	
	G104067	Diaphragm	
	G166900	Piston	
21	G249516	Water Inlet Sleeve	
22	G133744	Screwed Filter	
23	G166793	Water Inlet Nut	
24	G244913	Water Inlet Hose	
25	G214536	3 Track Valve	
26	G214403	Water Inlet Hose	

# Steam Inlet Valve and Fittings



CFS759P

## Steam Inlet Valve and Fittings

REF	PART #	DESCRIPTION	COMMENTS
	G798850	Steam Heat Kit	
1	G176479	Coupling Screw	
2	G129502	Elbow	
3	G176461	Tee Elbow	
4	G129783	Fitting	
5	G100151	Inlet Valve	
	G159814	Coil	
	G159822	Diaphragm	
6	G244632	Steam Inlet	
7	G133736	Screwed Filter	
8	G249508	Steam Inlet Sleeve	
9	G146233	Hex Screw	
10	G149526	Washer	
11	G149716	Washer	
12	G150227	Hex Nut	
13	G175000	Steam Inlet Jointing	
14	G214916	Steam Distributor	
15	G217745	Steam Inlet Raccord	
16	G109777	Copper Gasket	
17	G175018	Steam Inlet Jointing	

# Parts Index

## A

Access Cover	
G242974 .....	17
Adjustment Washer	
G174565 .....	11
Allen Screw	
G144402 .....	7, 11
G175620 .....	19
G175752 .....	21
G175760 .....	9, 11
Allen Setscrew	
G175778 .....	21
Antivibration Bracket	
G219543 .....	17

## B

Base	
G135608 .....	25
Bayonet Head	
G137661 .....	23
Bearing	
G128512 .....	9
G128942 .....	21
G174334 .....	5
G174342 .....	7
G174466 .....	11
G174482 .....	21
G174490 .....	21
Bearing Box Drain Hose	
G234047 .....	31
Bearing Housing	
G222026 .....	7
Bearing Housing Drain	
G200063 .....	7
Bearing Spacer	
G244509 .....	9
Belt	
G174441 .....	9
G174458 .....	7
Box Cover	
G244343 .....	19
Bracket	
G214502 .....	33

## C

Cam Microswitch	
G118984 .....	27
Cam Sleeve	
G244319 .....	19
Cap	
G149617 .....	33
G156679 .....	31
G175166 .....	21
Card Punch	
G166488 .....	27

Center Rear Cover	
G243022 .....	17
Clamp	
G132282 .....	31
G132290 .....	31
G132340 .....	31
G140434 .....	25
G149609 .....	33
G155150 .....	33
G156109 .....	31
Clip	
G142133 .....	31
Clutch Assembly	
G177923 .....	11
Clutch Coil Frame	
G177907 .....	11
Clutch Pulley	
G222224 .....	11
Clutch Pulley Cover	
G217489 .....	11
Clutch Pulley Separator	
G228973 .....	11
Clutch Pulley Sleeve	
G238022 .....	11
Clutch Pulley Washer	
G238048 .....	11
Clutch Rotor	
G177915 .....	11
Coil	
G100834 .....	33
G108407 .....	23
G142786 .....	33
G159814 .....	35
Complete Clutch Assembly	
G174557 .....	11
Cone	
G139683 .....	17
Connection Delayer	
G148627 .....	23
Contactora	
G100933 .....	23
G136010 .....	23
G136036 .....	23
Control Knob	
G174706 .....	27
Control Panel	
G249342 .....	27
Control Protection Fuse	
G122952 .....	23
Control Tray	
G244681 .....	23
Copper Gasket	
G109777 .....	35
Counternut	
G140269 .....	9, 11
Coupling	
G140178 .....	9, 25
G140194 .....	11, 25
Coupling Screw	
G176479 .....	35
C-Ring	
G131557 .....	9

G174508 .....	21
G174524 .....	21
Cylinder and Shaft Assembly	
G243005 .....	5
Cylinder Coupler	
G243139 .....	5
Cylinder Pulley	
G243303 .....	7
Cylinder Shaft	
G243063 .....	5

---

## D

Diaphragm	
G104067 .....	33
G159822 .....	35
G160002 .....	33
Disassembly Sleeve	
G174359 .....	7
Dispenser Box Set	
G244376 .....	29
Dispenser Counterlid	
G244574 .....	29
Dispenser Hose	
G244467 .....	29
Dispenser Hose Coupling	
G242883 .....	29
Dispenser Lid	
G244566 .....	29
Dispenser Lid Gasket	
G244608 .....	29
G244616 .....	29
Door Assembly	
G244194 .....	21
Door Bolt	
G206995 .....	21
Door Gasket	
G176008 .....	21
Door Gasket Clip	
G216820 .....	21
Door Microswitch	
G245084 .....	19
Door Ring	
G244202 .....	21
G249326 .....	21
Door Safety Plate	
G181289 .....	19
Drain Bracket	
G243717 .....	13
Drain Hose	
G163204 .....	31
G175075 .....	31
Drain Hose Clamp	
G245142 .....	17
Drain Outlet Hose	
G163253 .....	31
Drain Plate	
G175976 .....	27
Drain Protection	
G212795 .....	31
Drain Valve	
G163212 .....	31

---

## E

800 RPM Plate	
G175992 .....	27
Elbow	
G129361 .....	33
G129502 .....	35
End Cover	
G155275 .....	23
End Lid	
G155283 .....	25
Exhaust Hose	
G244905 .....	31
Exhaust "T" Fitting	
G244152 .....	31
Extract Motor	
G174404 .....	11
Extract Motor Clamp	
G216366 .....	11
Extract Motor Pulley	
G220004 .....	11
Extract Plate	
G175984 .....	27

---

## F

Fitting	
G129783 .....	35
G174474 .....	7
Fixed Chassis	
G243626 .....	13
Fixing Clamp	
G155754 .....	25
G164673 .....	23
Flat Screw	
G145664 .....	27
Flexible Ring	
G131599 .....	11
Front Cover	
G213934 .....	15
Front Gasket	
G220046 .....	15
G220053 .....	15
Front Plate	
G243386 .....	15
Front Seal Cover	
G221887 .....	5
Front Toe Plate	
G249300 .....	15
Front Upper Cover	
G244996 .....	15
Fuse Bracket	
G244673 .....	23
Fuse Holder	
G137653 .....	23

---

## G

Gasket	
G115857 .....	27
G116129 .....	21

G165472	15, 19
G174417	5
G174920	21
G175273	5
G176818	29
G181321	5
G213819	5
<b>Gear Box</b>	
G101022	11
G140301	23
G140376	9
<b>Gland</b>	
G249128	5
<b>Glass</b>	
G174912	21
<b>Grease Plate</b>	
G221812	7
<b>Grommet</b>	
G157198	23
<b>Ground Lug</b>	
G176248	25
<b>Guide Ring</b>	
G174367	7
G174375	7

## H

<b>Handle</b>	
G174540	29
<b>Heater Inlet Lid</b>	
G121962	31
<b>Hex Nut</b>	
G150227	35
<b>Hex Screw</b>	
G146233	35
<b>Hinge</b>	
G176800	29
G249292	21
<b>Hinge Bracket</b>	
G244590	29
<b>Hinge Joint Head</b>	
G174870	13
<b>Hinge Joint Separator</b>	
G238055	13

## I

<b>Injector Assembly</b>	
G220061	31
<b>Inlet Valve</b>	
G100151	35
<b>Insulation</b>	
G122564	19
<b>Insulator</b>	
G215590	25

## K

<b>Key</b>	
G174748	5
G176768	11

G177899	9, 11
---------	-------

## L

<b>Left Front Panel</b>	
G249367	15
<b>Left Front Side Panel</b>	
G245050	15
<b>Left Rear Side Panel</b>	
G243048	17
<b>Liquid Soap Dispenser</b>	
G244855	29
<b>Lock Bolt</b>	
G222489	21
<b>Lock Lever</b>	
G244186	21
<b>Locking Piece</b>	
G121970	31
<b>Locknut</b>	
G163725	5, 7
G177881	7
<b>Lockwasher</b>	
G163709	5, 7
G177873	7
<b>Lower Cover Supplement</b>	
G242941	15
<b>Lower Front Cover</b>	
G243014	15

## M

<b>Microswitch Bracket</b>	
G242933	15
<b>Microswitch Drive</b>	
G242925	15
<b>Microswitch Insulation</b>	
G244327	19
<b>Motor Gear Box</b>	
G143784	27

## N

<b>Nut</b>	
G140244	23
G140269	23
G149906	19, 29
G149922	29
G149948	21
G149971	31
G149997	5
G150151	21
G150177	19, 23, 25
G150185	19, 27
G150193	9, 11
G150227	19, 33
G150250	9, 29
G150326	9
G176370	31
G236349	27



---

**O**

Open Door Plate	
G175901 .....	27
O-Ring	
G174425 .....	5
Outer Drum	
G243170 .....	17
Outer Drum Clamp Ring	
G243279 .....	17
Outer Drum Front Crown	
G222042 .....	17
Outer Drum Front Panel	
G222000 .....	17
Outer Ring	
G244210 .....	21

---

**P**

Pilot	
G176743 .....	27
G176750 .....	27
Piston	
G166900 .....	33
Plastic "T"	
G113357 .....	31
Plate	
G221846 .....	7
Plug	
G176776 .....	21
Pressostat Intake Body	
G120964 .....	31
Pressure Bulb	
G120956 .....	31
Pressure Hose	
G122408 .....	31
G244897 .....	31
Pressure Switch	
G160218 .....	23
G163352 .....	23
Protective Moulding	
G242966 .....	15
Punch Timer Card	
G226274 .....	27
Push-Button	
G138339 .....	27

---

**R**

Rear Plate	
G243436 .....	17
Rear Plate Angle	
G242958 .....	17
Rear Seal Cover	
G221895 .....	7
Rear Side Panel	
G245035 .....	15
Rear Upper Cover	
G245001 .....	15
Rectifier Bridge	
G175224 .....	25

Relay	
G136168 .....	23, 25
Retainer Ring	
G174409 .....	7
Reverser	
G138321 .....	27
Rib Rod	
G243121 .....	5
Right Front Panel	
G249359 .....	15
Right Rear Side Cover	
G243030 .....	17
Running End	
G138537 .....	23

---

**S**

Safety Lock Box	
G244095 .....	19
Safety Lock Cam	
G244301 .....	19
Safety Lock Piece	
G244285 .....	19
Safety Lock Spring	
G174953 .....	19
G175448 .....	19
Screw	
F144907 .....	15
G130468 .....	29
G144758 .....	29
G144881 .....	5, 31
G144907 .....	29
G144964 .....	13, 15, 17, 19
G145649 .....	21, 27, 29
G145656 .....	19
G146043 .....	19, 25
G146050 .....	19
G146076 .....	17
G146100 .....	23
G146142 .....	19, 25
G146159 .....	19
G146175 .....	23
G146183 .....	19
G146233 .....	15, 23, 33
G146241 .....	23, 25
G146258 .....	19
G146266 .....	27
G146274 .....	31
G146290 .....	23, 27
G146480 .....	9
G146799 .....	9
G146977 .....	11
G147009 .....	9
G147025 .....	9
G166835 .....	23
G175679 .....	17
G175687 .....	5
G175695 .....	17
G175729 .....	13, 17
G175737 .....	13
G175745 .....	13
G176172 .....	7, 9
G176784 .....	29
G176883 .....	11
Screwed Filter	
G133736 .....	35

G133744 .....	33
Seal	
G147538 .....	7
G174433 .....	5
Seal Cover	
G249110 .....	5
Seal Ring	
G221879 .....	7
Self-Blocking Nut	
G150649 .....	13
G150656 .....	13
G164285 .....	11
G173260 .....	9, 13, 17
G176792 .....	29
G176826 .....	23, 27
Setscrew	
G150920 .....	21
Shock Absorber	
G175091 .....	13
Show Reverse Plate	
G175968 .....	27
Sleeve	
G129791 .....	33
G134171 .....	7
Solenoid	
G176552 .....	19
Solid Soap Dispenser	
G244806 .....	29
Spacer	
G221861 .....	7
Start-Stop Microswitch	
G162586 .....	27
Start-Stop Plate	
G175927 .....	27
Steam Distributor	
G214916 .....	35
Steam Heat Kit	
G798850 .....	35
Steam Inlet	
G244632 .....	35
Steam Inlet Jointing	
G175000 .....	35
G175018 .....	35
Steam Inlet Raccord	
G217745 .....	35
Steam Inlet Sleeve	
G249508 .....	35
Straight Chain Coupling	
G105031 .....	19
Stuffing Box	
G140095 .....	11
Stuffing-Box	
G140095 .....	23
Support Bracket	
G243071 .....	5
Suspended Chassis	
G243410 .....	13
Suspension Bar	
G243972 .....	13
Suspension Bolt	
G243980 .....	13
Suspension Clamp	
G243964 .....	13

Suspension Piece	
G243956 .....	13
Suspension Sleeve	
G219998 .....	13
Suspension Spring	
G174854 .....	13

---

## T

"T" Fitting	
G128769 .....	33
Tee Elbow	
G176461 .....	35
Temperature Plate T2	
G175950 .....	27
Terminal	
G155457 .....	23
G155465 .....	25
G174581 .....	15
G174599 .....	15
Terminal Block	
G139402 .....	25
G139410 .....	27
G139444 .....	23
G176271 .....	25
Terminal Board	
G159715 .....	19
Terminal Insulator	
G159376 .....	31
Thermal Overload	
G109819 .....	11
Thermical Relay	
G168336 .....	23
G174235 .....	25
Thermometer	
G135079 .....	27
Thermostat	
G156729 .....	23
G162982 .....	27
Thermostat Plate 1	
G181297 .....	27
Thermostat Plate 2	
G181305 .....	27
Threaded 2 inch PVC Drain Pipe	
G181933 .....	31
3 Track Valve	
G214536 .....	33
Tightener	
G244525 .....	9
Tightener Arm	
G243352 .....	9
Tightener Bolt	
G244533 .....	9
Tightener Bracket	
G243329 .....	9
Tightener Plate	
G175919 .....	27
Tightener Pulley	
G219048 .....	9
G244491 .....	9
Tightener Pulley Shaft	
G218941 .....	9

Tightener Screw	
G219014 .....	9
Tightener Shaft	
G244517 .....	9
Timer	
G175174 .....	25
G234385 .....	27
Timer Button	
G161745 .....	27
Timer Card	
G132969 .....	27
Timer Front	
G161752 .....	27
Timing Device	
G174821 .....	25
G176024 .....	25
Tube	
G236844 .....	27
2 Element Connection Board	
G159707 .....	11
2 Track Valve	
G156273 .....	33

---

## U

Upper Cover Support	
G220038 .....	15

---

## V

Valve Body	
G149591 .....	33
V-Ring	
G174391 .....	5

---

## W

Wash Basket Cylinder	
G243089 .....	5
Wash Motor	
G176305 .....	9
Wash Motor Pulley	
G238006 .....	9
Washer	
G115428 .....	9
G115758 .....	29
G149302 .....	21
G149310 .....	15, 31
G149328 .....	21, 29
G149351 .....	13, 15, 17, 19
G149369 .....	19
G149385 .....	7, 9, 13, 17
G149393 .....	29
G149419 .....	9, 13, 29
G149476 .....	17, 19, 23, 25, 27
G149484 .....	19
G149500 .....	9, 11, 13, 17
G149518 .....	11
G149526 .....	15, 19, 23, 33, 35
G149534 .....	23, 31
G149682 .....	11
G149716 .....	23, 33, 35

G149724 .....	23, 25
G149732 .....	19, 23, 25, 27
G149799 .....	9
G152132 .....	29
G162560 .....	5
G219071 .....	9
G220111 .....	29
G249136 .....	5
Water Inlet Elbow	
G175083 .....	31
Water Inlet Hose	
G117465 .....	33
G163584 .....	33
G214320 .....	33
G214395 .....	33
G214403 .....	33
G243238 .....	31
G244913 .....	33
G244921 .....	33
Water Inlet Lid	
G122713 .....	33
Water Inlet Nut	
G166793 .....	33
Water Inlet Plate A	
G175935 .....	27
Water Inlet Sleeve	
G249516 .....	33
Wire Terminal	
G139337 .....	27
G139352 .....	23, 25