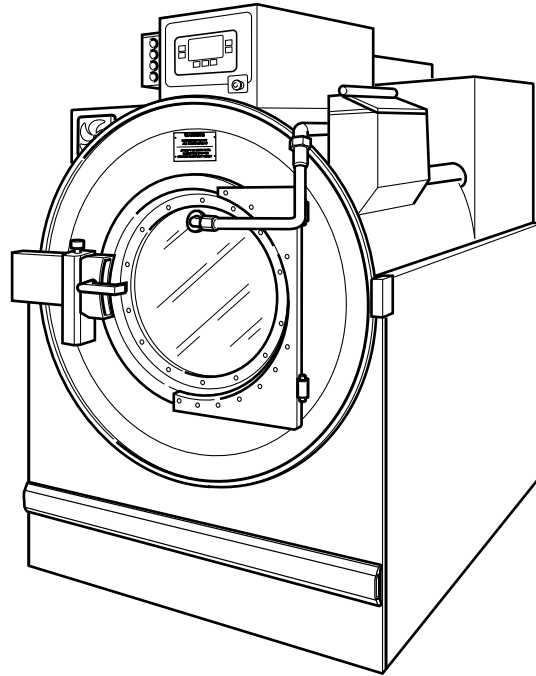


# Washer-Extractor

Pocket Hardmount

Refer to Page 3 for Model Numbers



PHM1422C\_F8165401



&



[www.partsking.com](http://www.partsking.com)

Part No. F8165401R6  
January 2012



# Table of Contents

Title	Page
Parts Ordering Information.....	2
Nameplate Location.....	2
Model Identification.....	3
Pocket Hardmount Washer-Extractor Product Overview - Model UW150TV.....	4
Pocket Hardmount Washer-Extractor Product Overview - Models UWL150T3V, UWN150T3V and UWU150T3V.....	6
Control Module (Drawing 1 of 3).....	8
Control Module (Drawing 2 of 3).....	10
Control Module (Drawing 3 of 3).....	12
AC Drive Box (Drawing 1 of 2).....	14
AC Drive Box (Drawing 2 of 2).....	16
Balance Switch, Rotation Sensor and Bearing Lubrication Components.....	18
Panels and Thermistor Sensor.....	20
Drive Box and Water Supply Box - Models Through 10/3/10.....	22
Drive Box and Water Supply Box - Models Starting 10/4/10.....	24
Door Assembly - Models Through 10/3/10.....	26
Door Assembly - Models Starting 10/4/10.....	28
Door Lock - Model UW150TV - Models Through 5/5/08.....	30
Door Lock - Models Starting 5/6/08.....	32
Jog Feature.....	34
Basket, Trunnion, Shell and Frame - Design 1 Models (Drawing 1 of 2).....	36
Basket, Trunnion, Shell and Frame - Design 1 Models (Drawing 2 of 2).....	38
Basket, Trunnion, Shell and Frame - Design 2 and 3 Models (Drawing 1 of 2).....	40
Basket, Trunnion, Shell and Frame - Design 2 and 3 Models (Drawing 2 of 2).....	42
Supply Dispenser.....	44
Water Supply Valve and Hoses to Supply Dispenser - Models Through 10/3/10.....	46
Water Supply Valve and Hoses to Supply Dispenser - Models Starting 10/4/10.....	48
Spray Plumbing Assembly - Models Through 10/3/10.....	50
Fill Plumbing Assembly - Models Through 10/3/10.....	52
Fill Plumbing Assembly - Models Starting 10/4/10.....	54
Spray Plumbing Assembly - Models Starting 10/4/10.....	56
Drain Plumbing - Design 1 Models.....	58
Drain Plumbing - Design 2 Models.....	60
Drain Plumbing - Design 3 Models.....	62
Motor, Belt and Pulley.....	64
Steam Heat Option - Models Through 10/3/10.....	66
Steam Heat Option - Models Starting 10/4/10 Through 1/3/11.....	68
Steam Heat Option - Models Starting 1/3/11.....	70
Special Tools.....	72
Parts Index.....	75

© Copyright 2012, Alliance Laundry Systems LLC

All rights reserved. No part of the contents of this book may be reproduced or transmitted in any form or by any means without the expressed written consent of the publisher.

# Parts Ordering Information

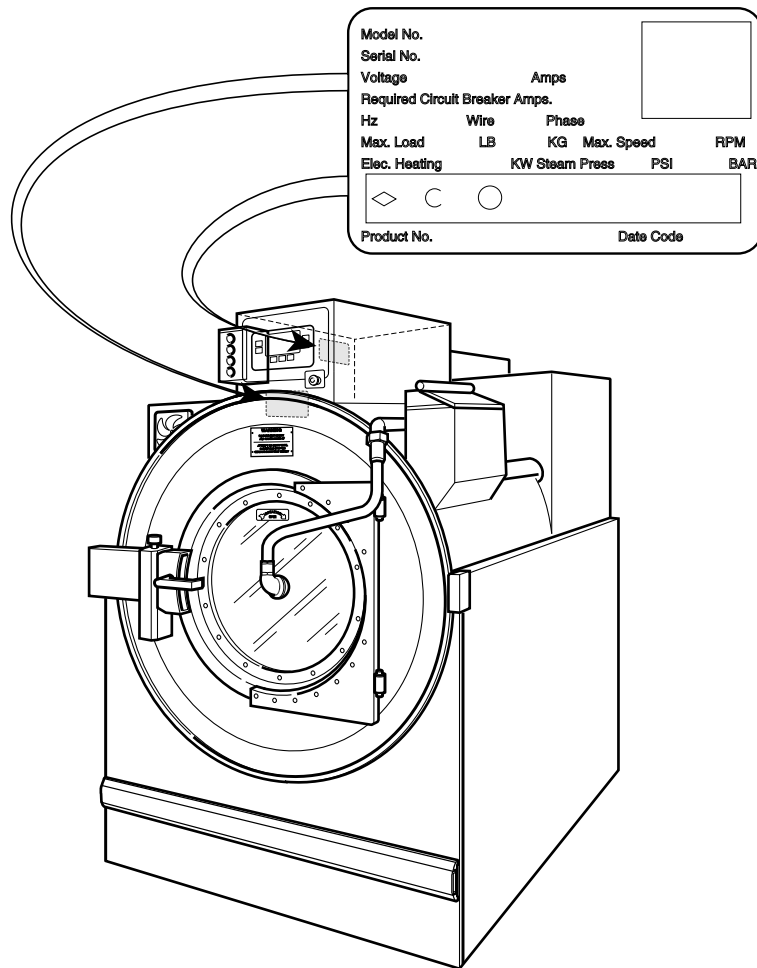
If literature or replacement parts are required, contact the source from whom the machine was purchased or contact Alliance Laundry Systems at (920) 748-3950 for the name and address of the nearest authorized parts distributor.

For technical assistance, call either of the numbers listed below:

(920) 748-3121 Ripon, Wisconsin  
+32 56 41 20 54 Wevelgem, Belgium

# Nameplate Location

When calling or writing about your product, be sure to mention model and serial numbers. Model and serial numbers are located on nameplate(s) as shown.



PHM2951P\_F8165401

## Model Identification

Information in this manual is applicable to these washer-extractor models:

UW150TV

UWL150T3V

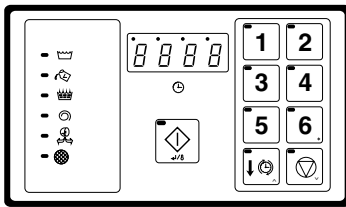
UWN150T3V

UWU150T3V

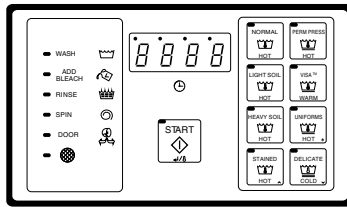
# Pocket Hardmount Washer-Extractor Product Overview - Model UW150TV

Model No. UW60AMXUB0001  
 Serial No. 00000000000  
 Voltage 200 – 240      Amps 10  
 Circuit Breaker 15 Amps  
 Hz 50 – 60      Wire 2/3      Phase S 3  
 Max. Load 60 LB      27 KG      Max. Speed 594 RPM  
 Elec. Heating N/A      Steam Press. N/A PSI      0.0 BAR

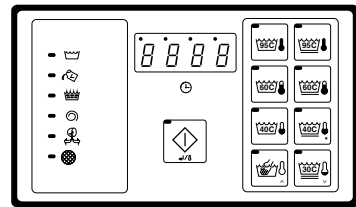
**Drawings:**  
 ETL Listed  
 Conforms To ANSI/UL Std. 1206, 3rd Ed  
 Certified To CAN/CSA Std. C22.2 No.53-1968



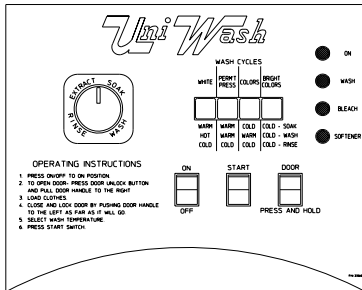
A-Control



B-Control (Domestic)



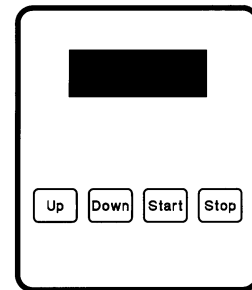
B-Control (International)



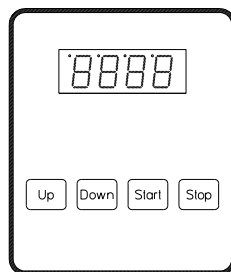
Mechanical Timer



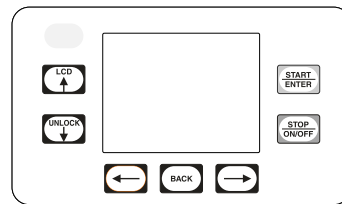
WE-6 Control



S-Computer



V-Computer



UniLinc Control

PHM2979P\_F8165401

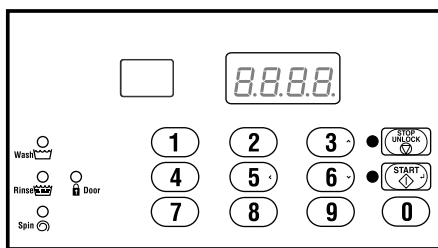
## Pocket Hardmount Washer-Extractor Product Overview - Model UW150TV

REF	PART NO.	DESCRIPTION	COMMENTS
1	-	Product Family	UW
2	-	Capacity (Pounds)	35 60 80 100 125 150
3	-	Control	A (A-Control) B (B-Control) M (Mechanical Timer) P (WE-6 Control) S (S-Computer) V (V-Computer) T (UniLinc Control)
4	-	Speed	2 (2-Speed) 3 (3-Speed) 4 (4-Speed) V (Variable-Speed)
5	-	Voltage	F (440-480/60/3/3) N (440-480/50-60/3/3) O (208-240/60/3/3) P (380-415/60-60/3/3) Q (200-208/220-240/50/60/3ph) R (380-415/440-480/50/60/3ph) X (200-220/220-240/50/60/1-3) Y (208-240/60/1/2)
6	-	OEM	U (Standard Specs)
7	-	Design Series	1-8

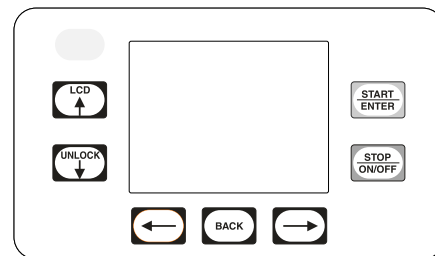
# Pocket Hardmount Washer-Extractor Product Overview - Models UWL150T3V, UWN150T3V and UWU150T3V

Model No. **UWN060T3VXU1001**  
 Serial No. **00000000000**  
 Voltage **200 – 240** Hz **50-60** Phase **3**  
 Number of wires : **3** FLA : **19** amps  
 Circuit Breaker Size : **30** amps  
 Max. Load : **60** LB **27** KG  
 Schematic :  
 Supply Water: **30 - 85** psi, **2 - 5.7** BAR

**Alliance**  
Laundry Systems



M30 Control



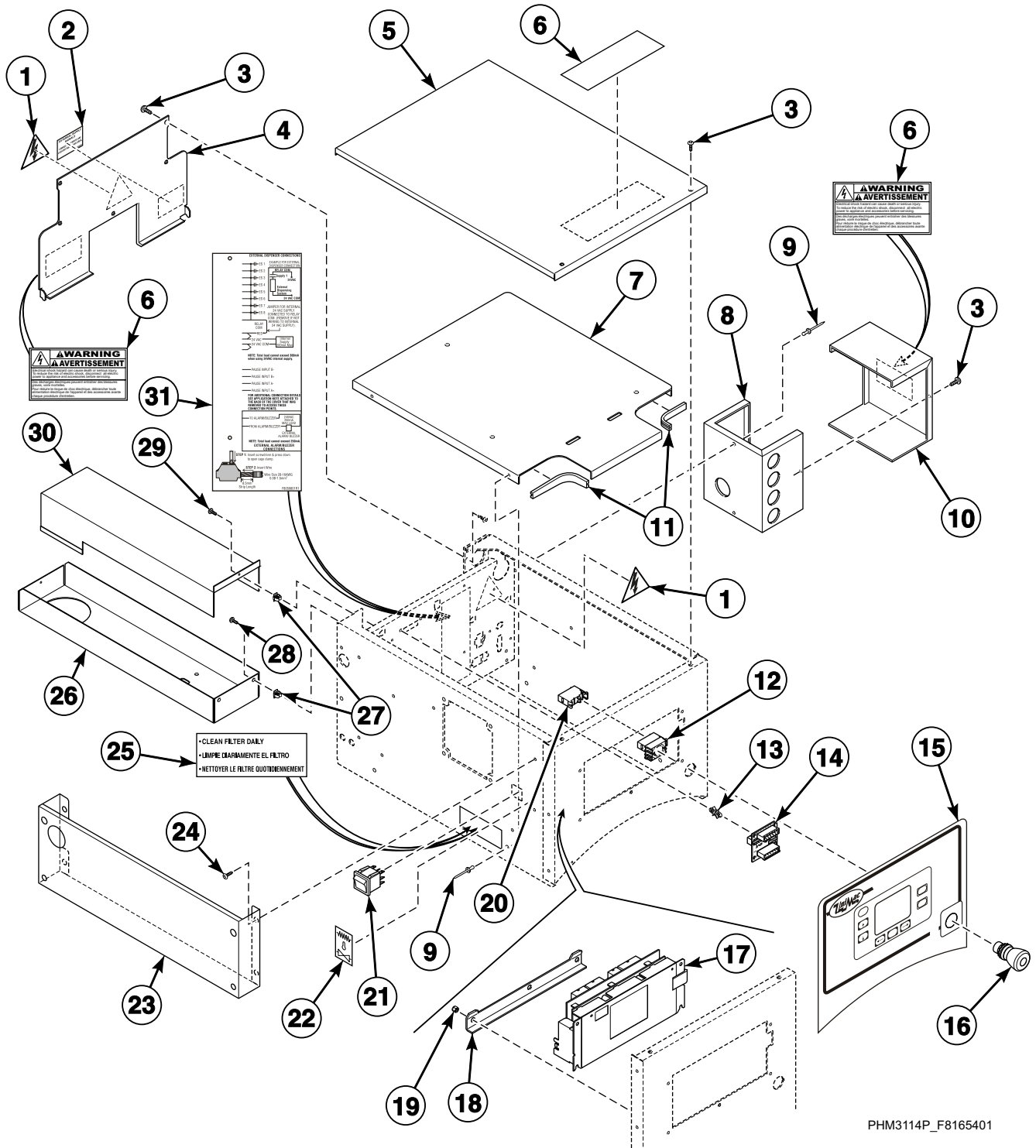
UniLinc Control

PHM3063P\_F8165401

## Pocket Hardmount Washer-Extractor Product Overview - Models UWL150T3V, UWN150T3V and UWU150T3V

REF	PART NO.	DESCRIPTION	COMMENTS
1	-	Product Family	UW
2	-	Market Approvals	N (Domestic ETL) L (International ETL) U (International CE)
3	-	Capacity (Dry Weight in Pounds)	035 060 080 100 125 150
4	-	Control	K (M30 Control) T (UniLinc Control)
5	-	Spray/Dispenser Feature	1 (No spray but with dispenser) 3 (With spray and dispenser)
6	-	Speed	2 (2-Speed) L (Low-Speed - 100/60) M (Medium-Speed - 180/120/60) V (Variable-Speed - 300/240/180/120/60)
7	-	Voltage	O (208/220-240/60/3/3) X (200-208/220/240/50/60/1/3) Q (200-208/220-240/50/60/3) R (380-415/440-480/50/60/3)
8	-	OEM	U
9	-	Design Series	1
10	-	Heat Feature	0 (Prep for steam) D (Direct steam) E (Electric heat) P (Prep for electric and steam heat)
11	-	Features and Options	

# Control Module (Drawing 1 of 3)

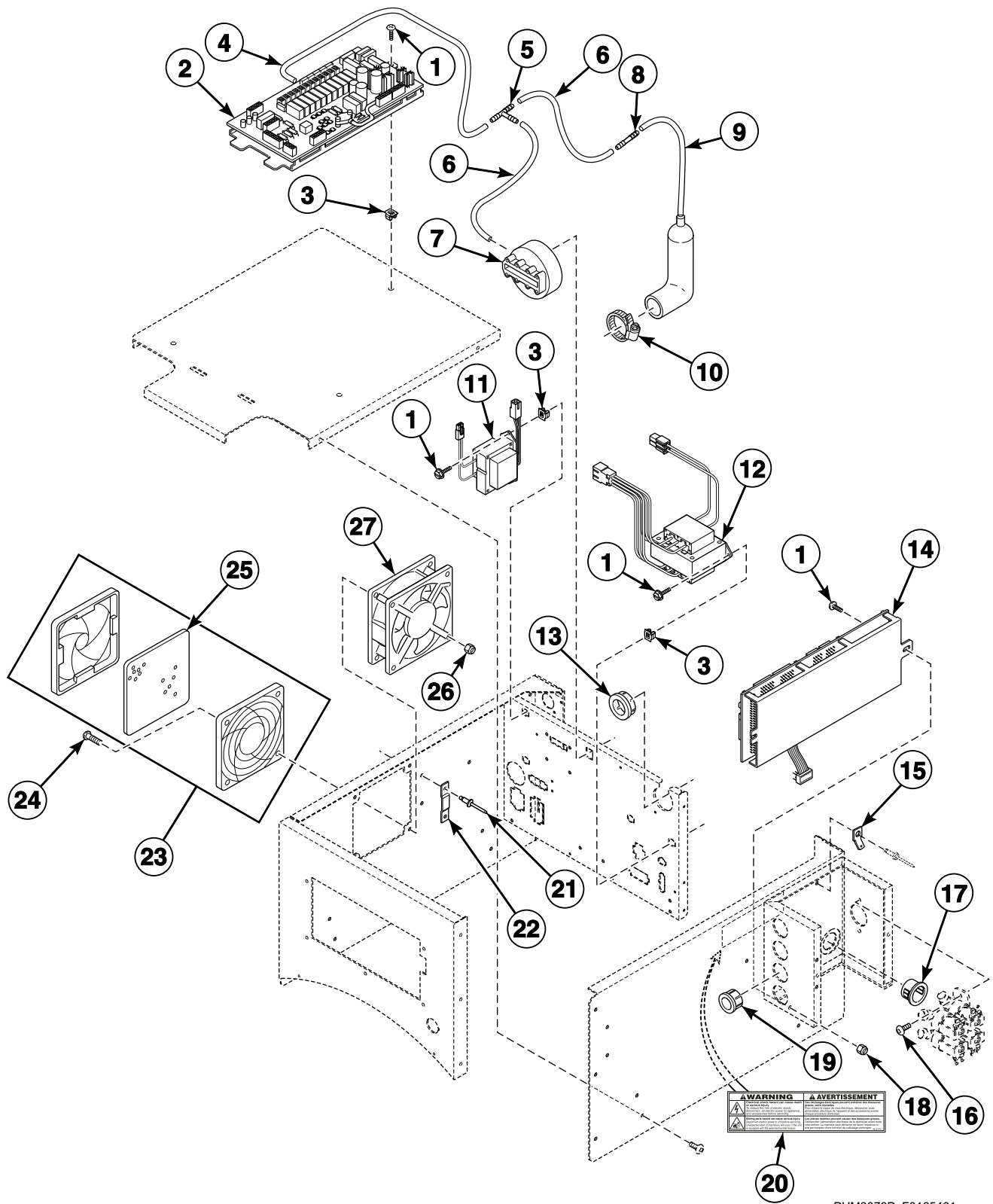


PHM3114P\_F8165401

## Control Module (Drawing 1 of 3)

REF	PART NO.	DESCRIPTION	COMMENTS
1	502511	Electrical Shock Label	
2	F8150201	External Supply Connection Decal	
3	F430174	Screw	
4	F8170501	Control Box Rear Panel	
5	F8170601	Control Box Top Panel	
6	F8233501	Warning Label	
7	F8055001	Control Box Contactor Panel	
8	F8055301	External Supply Box	Models through 10/3/10
9	F431210	Pop Rivet	Models through 10/3/10
10	F635365	External Supply Box Cover	Models through 10/3/10
11	F8152701	Trim	
12	F200233401	Contact Block Switch	
	F8060501	Emergency Stop Harness	
13	210098	PC Board Standoff	Network models
14	201341	Network Board Assembly	Network models
	NK205	Network Retrofit Kit	Includes item 29, 201341 Network Board Assembly, 210095 Communication Board, 210099 Communication Connector, 51780 Screw, 800219 Communication Wiring Harness Assembly, 44088501 Network Wire Harness Assembly and 803195 Conversion Label
15	F200311600	Control Module Decal	
16	F200233500	Emergency Stop Pushbutton	
17	F8107701P	Control Assembly	
18	F8036101	Control Board Bracket	
19	685846	Nut	
20	F8069501	Contact Switch	
21	F8368301	Steam-Electric Switch Label	Dual steam and electric heat
22	F8367701	Rocker Switch	Dual steam and electric heat
23	F8103001	Supply Controls Bracket	Model UW150TV; Models through 6/30/08
24	F430903	Screw	Model UW150TV; Models through 6/30/08
25	F200061000	Clean Filter Daily Decal	
26	F8073006	Control Harness Tray	Models through 10/3/10
	F8290305	Control Harness Tray	Models starting 10/4/10
27	70030501	Expansion Clip	
28	430497	Screw	
29	F8117601	Screw	
30	F8073106	Harness Tray Cover	Models through 10/3/10
	F8290806	Harness Tray Cover	Models starting 10/4/10
31	F8059801	External Supply Connection Decal	

# Control Module (Drawing 2 of 3)

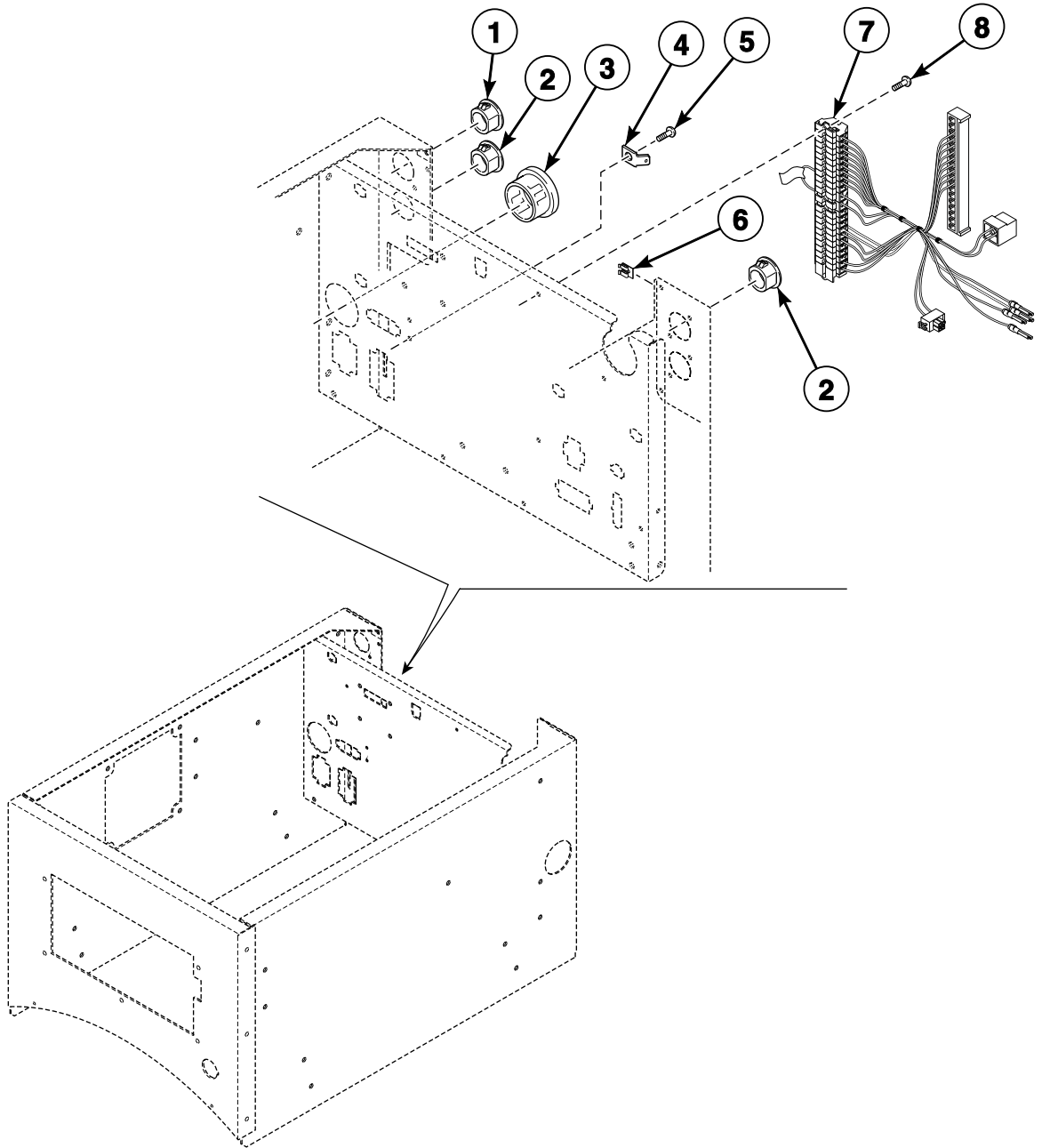


PHM3073P\_F8165401

## Control Module (Drawing 2 of 3)

REF	PART NO.	DESCRIPTION	COMMENTS
	F8028113	CFG Harness	
	44088501P	Network Wire Harness Assembly	
	F8028401	Output Auxiliary Power Harness	
	F8367801	Power Harness	Dual steam and electric heat
	F8060401P	Power Harness	All other heat
	F8030101P	Drive Control Harness	
	F8030501P	Interlock Switch Harness	
	M413506	Jumper Harness Assembly	208 Volt
	M413507	Jumper Configuration Assembly	240 Volt
	NK220	Network Controller Kit	
<b>1</b>	F8117601	Screw	Model UW150TV
	F8206901	Screw	All other models
<b>2</b>	F980P3	Control Assembly Kit	
	802492	Fuse	5 Amp
	802493	Fuse	2.5 Amp
<b>3</b>	70030501	Expansion Clip	
<b>4</b>	F8153901	Tubing	
<b>5</b>	F8246601	Tee	
<b>6</b>	F8339601	Tubing	
<b>7</b>	F8223001P	Water Pressure Switch	
<b>8</b>	F422500	Connector	
<b>9</b>	F200142	Air Trap Hose	
<b>10</b>	F200222	Hose Clamp	No. 12
<b>11</b>	201616	Transformer	External supply
<b>12</b>	210019P	Transformer Kit	Main control voltage
<b>13</b>	70346501	Bushing	
<b>14</b>	F8108501P	Output Assembly	
<b>15</b>	00177	Male Tab Terminal	Models through 10/3/10
<b>16</b>	F430948	Screw	Models through 10/3/10
<b>17</b>	M405340	Snap Bushing	Models through 10/3/10
<b>18</b>	F430232	Nut	
<b>19</b>	F140938	Snap Bushing	Models through 10/3/10
<b>20</b>	505281	Disconnect Power Warning Label	
<b>21</b>	F431210	Pop Rivet	
<b>22</b>	F8079401	Network Board Bracket	
<b>23</b>	F220900	Filter Retainer Guard	Includes item 25
<b>24</b>	F430910	Screw	
<b>25</b>	F200318900P	Filter	
<b>26</b>	F430231	Nut	
<b>27</b>	F110110	Muffin Fan	

# Control Module (Drawing 3 of 3)

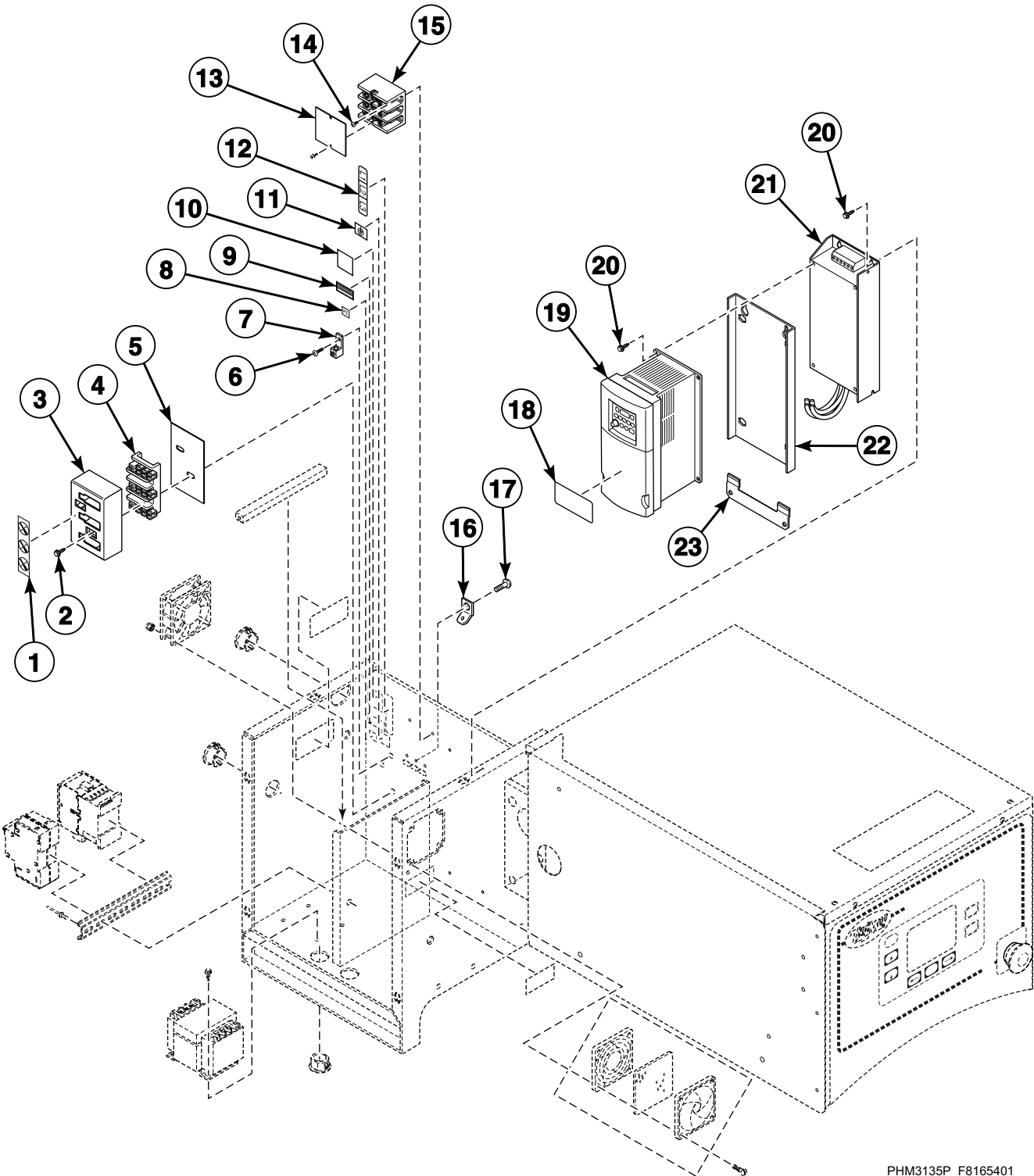


PHM3111P\_F8165401

## Control Module (Drawing 3 of 3)

REF	PART NO.	DESCRIPTION	COMMENTS
1	F180486	Cap Plug	Model UW150TV
	F8223901	Plug	All other models
2	F140527	Plug	Model UW150TV
	M400985	Plug	All other models
3	M402542	Snap Bushing	
4	00117	Female Pin Terminal	
5	51780	Screw	
6	M400984	Clip	
7	F8029501P	External Supply Harness	
8	F8136601	Screw	

# AC Drive Box (Drawing 1 of 2)

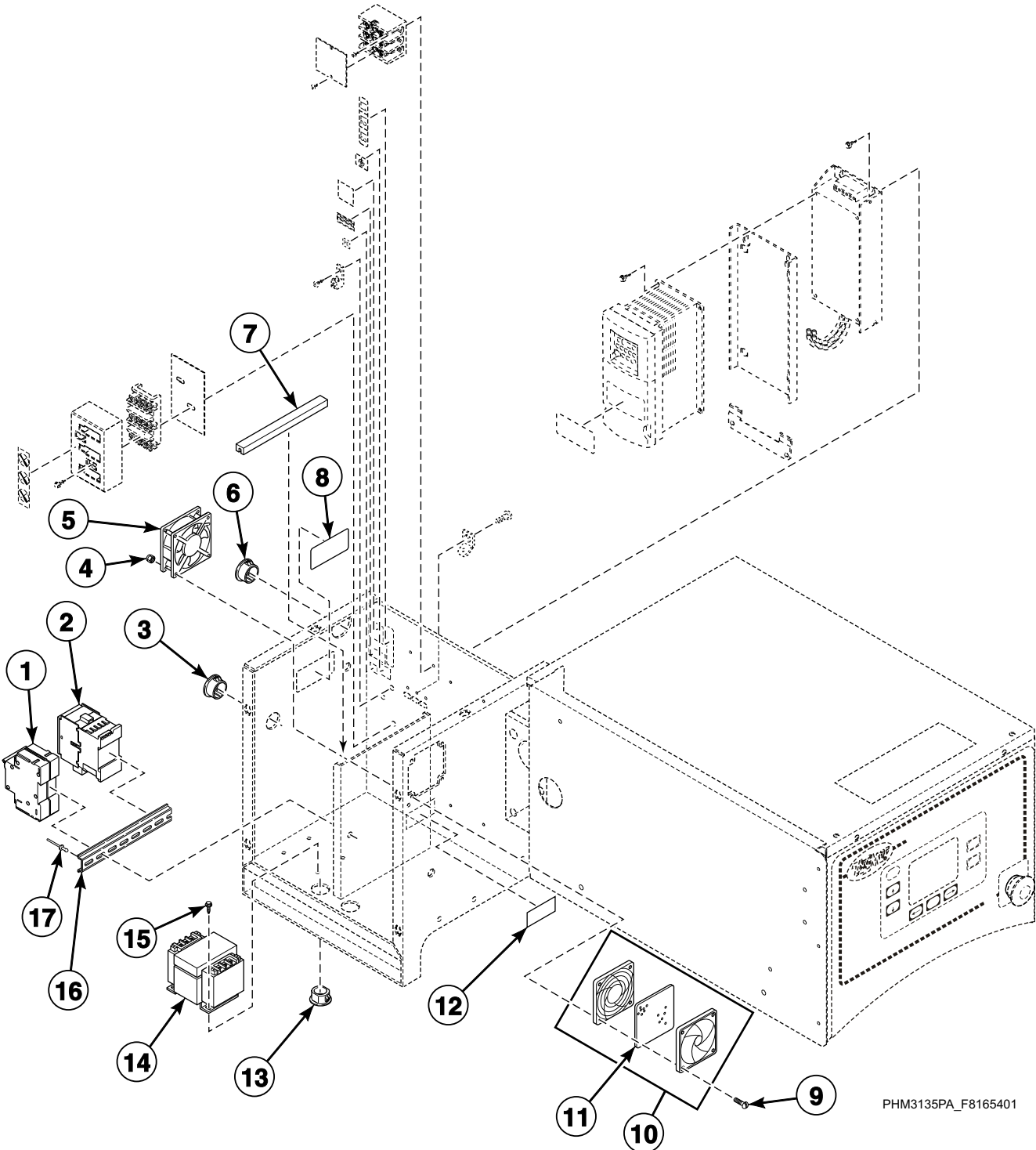


PHM3135P\_F8165401

## AC Drive Box (Drawing 1 of 2)

REF	PART NO.	DESCRIPTION	COMMENTS
	F8054601	Electric Heat Harness	Left
	F8054602	Electric Heat Harness	Middle
	F8054603	Electric Heat Harness	Right
	F8060001	Logic Supply Power Harness	
	F8028701	Output/Logic Harness	
	F8060301	Main Power Harness	
	F8054901	Electric Heat Coils Harness	KM8A
	F8054903	Electric Heat Coils Harness	KM8ABC
<b>1</b>	F8345901	Do Not Tamper Label	
<b>2</b>	M412105	Screw	Model UW150TV
	51783	Screw	All other models
<b>3</b>	70333001	Terminal Block Shield	
<b>4</b>	430642	Terminal Block	
<b>5</b>	M413862	Insulator	
<b>6</b>	51780	Screw	
<b>7</b>	00177	Male Tab Terminal	
<b>8</b>	M412096	Earth Terminal Sticker	
<b>9</b>	F8242201	Use Copper Conductors Only Caution Label	Models UWL150T3V, UWN150T3V and UWU150T3V
<b>10</b>	F230630	Ground Decal	
<b>11</b>	F230739	Ground Decal	
<b>12</b>	70218701	Wire Label	
<b>13</b>	44014901P	Power Distribution Block Cover	Electric heat
<b>14</b>	39733	Screw	Electric heat
<b>15</b>	M413865	Terminal Block	Electric heat
<b>16</b>	M411283	Ground Lug Connector	
<b>17</b>	F430903	Screw	
<b>18</b>	F8115501	Electric Shock Danger Label	
<b>19</b>	F8169673	AC Drive	R-voltage
	F8169672	AC Drive	Q-voltage
	F8027802	Drive Power Harness	
	F8030201P	Drive Control Harness	
<b>20</b>	M411072	Screw	
<b>21</b>	F8054001	EMI Filter	CE models; Q-voltage
	F8054002	EMI Filter	CE models; R-voltage
	F8129001	EMI Filter Power Harness	
<b>22</b>	F8386901	Drive Mounting Bracket	Models starting 10/4/10; Not required when EMI filter is used
<b>23</b>	F8322402	Drive Bracket	Models starting 10/4/10

# AC Drive Box (Drawing 2 of 2)

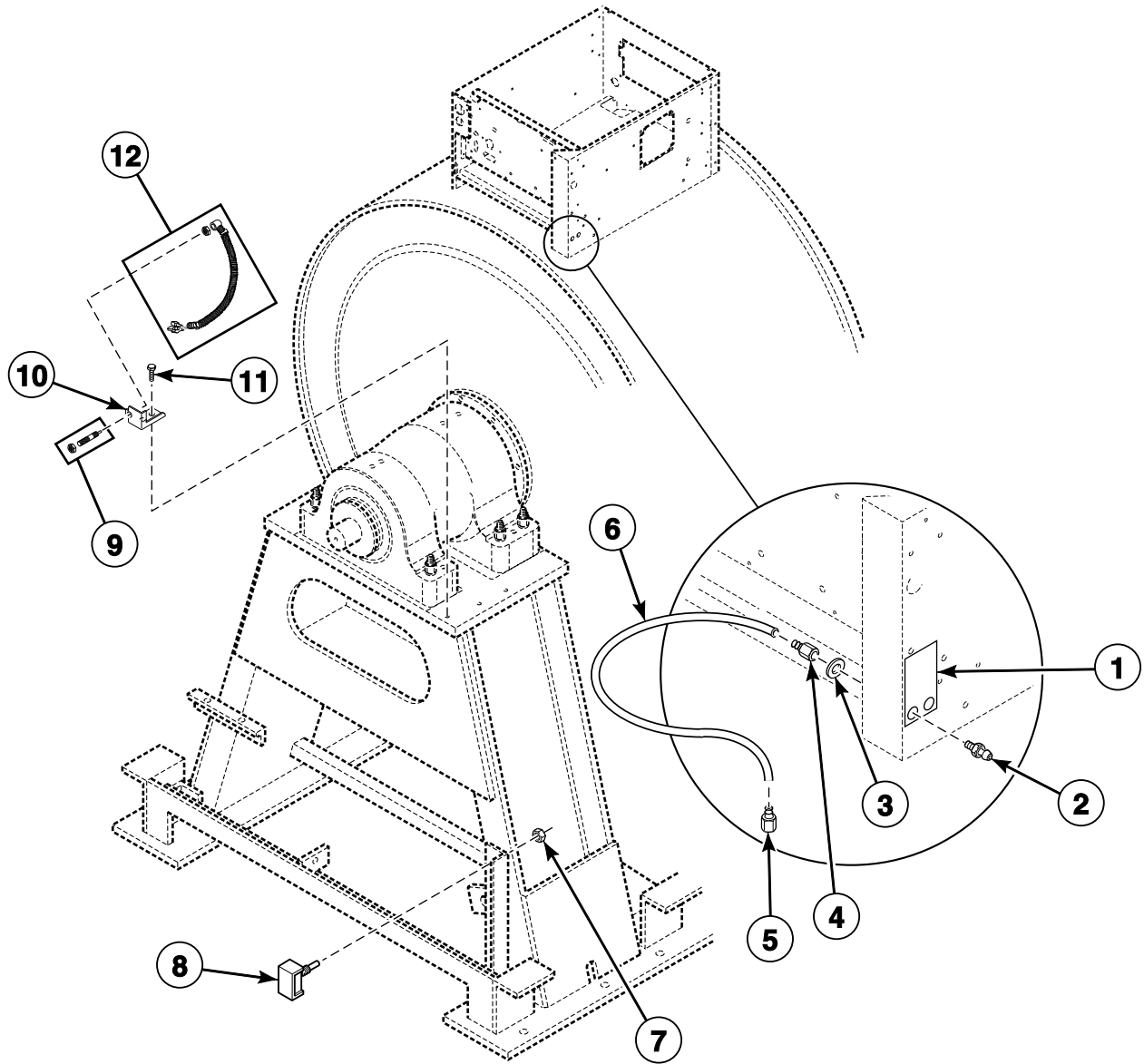


PHM3135PA\_F8165401

## AC Drive Box (Drawing 2 of 2)

REF	PART NO.	DESCRIPTION	COMMENTS
1	F8303001P	Circuit Breaker	R-voltage; Electric heat
	70256901P	Circuit Breaker	Q and R-voltage; Electric heat
	F8030001	Harness	Q and R-voltage
	F8030002P	Harness	Q and R-voltage
	F8060101	Step Down Power Harness	R-voltage
2	F330188P	Contactors	NX208; Q and R-voltage; Electric heat
3	M402542	Snap Bushing	Model UW150TV
	F8223901	Plug	All other models
4	F430231	Nut	
5	F110110	Muffin Fan	
	F8113901	Drive Fan Harness	
6	F8223801	Hole Plug	Models UWL150T3V, UWN150T3V and UWU150T3V
7	F8152703	Trim	
8	44127701	Warning Label	Models UWL150T3V, UWN150T3V and UWU150T3V
9	F8151201	Screw	
10	F220900	Filter Retainer Guard	Includes item 11
11	F200318900P	Filter	
12	F200061000	Clean Filter Daily Decal	
13	F8144101	Plug	
14	F360157P	Transformer	R-voltage
15	M411072	Screw	
16	F8134101	DIN Rail	
17	70058501	Pop Rivet	

# Balance Switch, Rotation Sensor and Bearing Lubrication Components

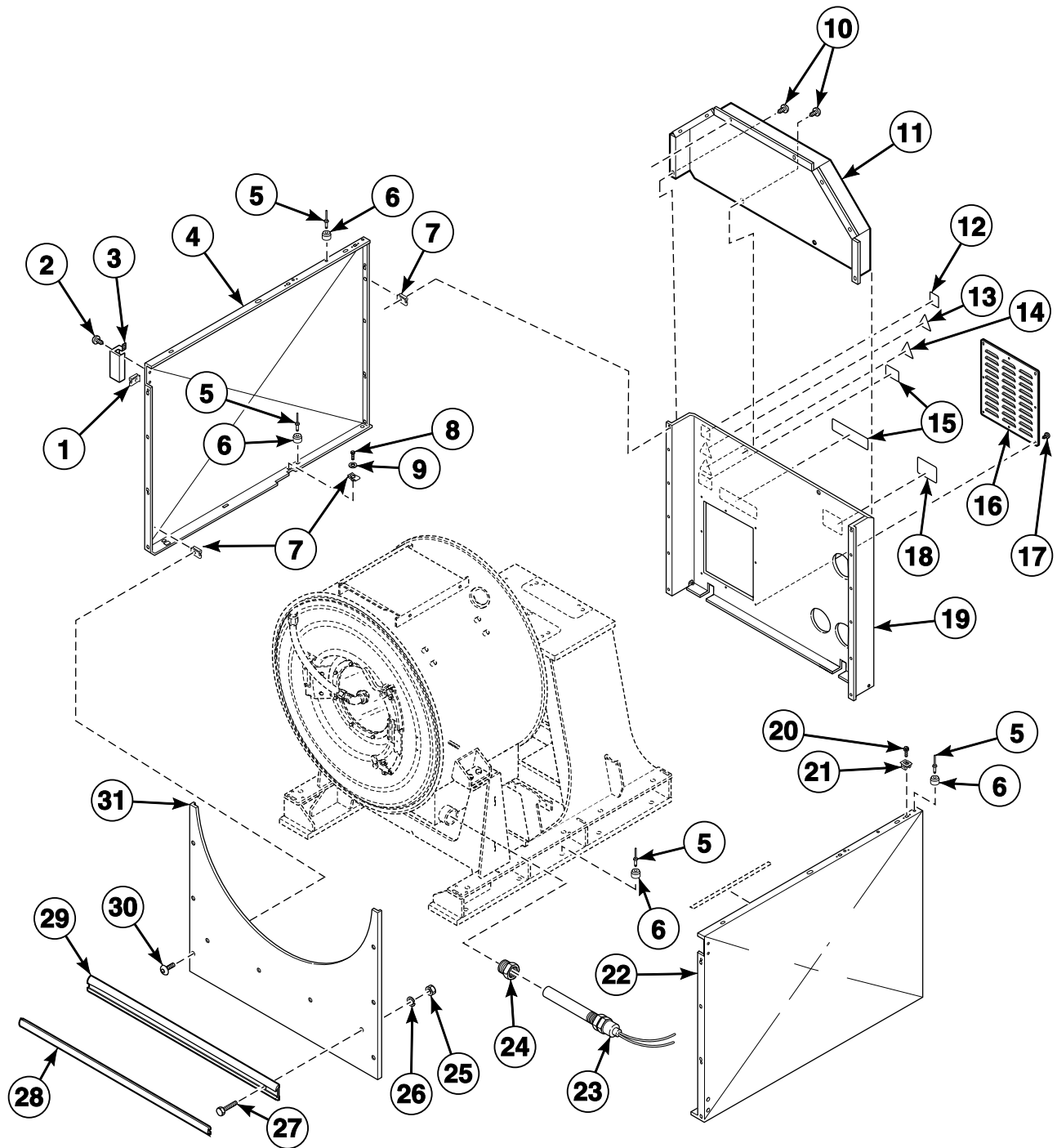


PHM3147\_F8165401

## Balance Switch, Rotation Sensor and Bearing Lubrication Components

REF	PART NO.	DESCRIPTION	COMMENTS
1	F231563	Grease Instruction Decal	
2	F190701	Grease Fitting	
3	F430332	Washer	
4	F422114	Air Coupling	
5	J1408004	Connector	
6	C000628P	Tubing	
7	H88412101	Nut	Design 1
8	F340906	Microswitch	Design 1
	F8204001	Vibration Switch	Design 2 and 3
9	F200126200P	Rotation Sensor Assembly	
10	F200090500	Rotation Sensor Bracket	
11	F200064000	Screw	
12	F8066401	Rotation Sensor Harness	

# Panels and Thermistor Sensor

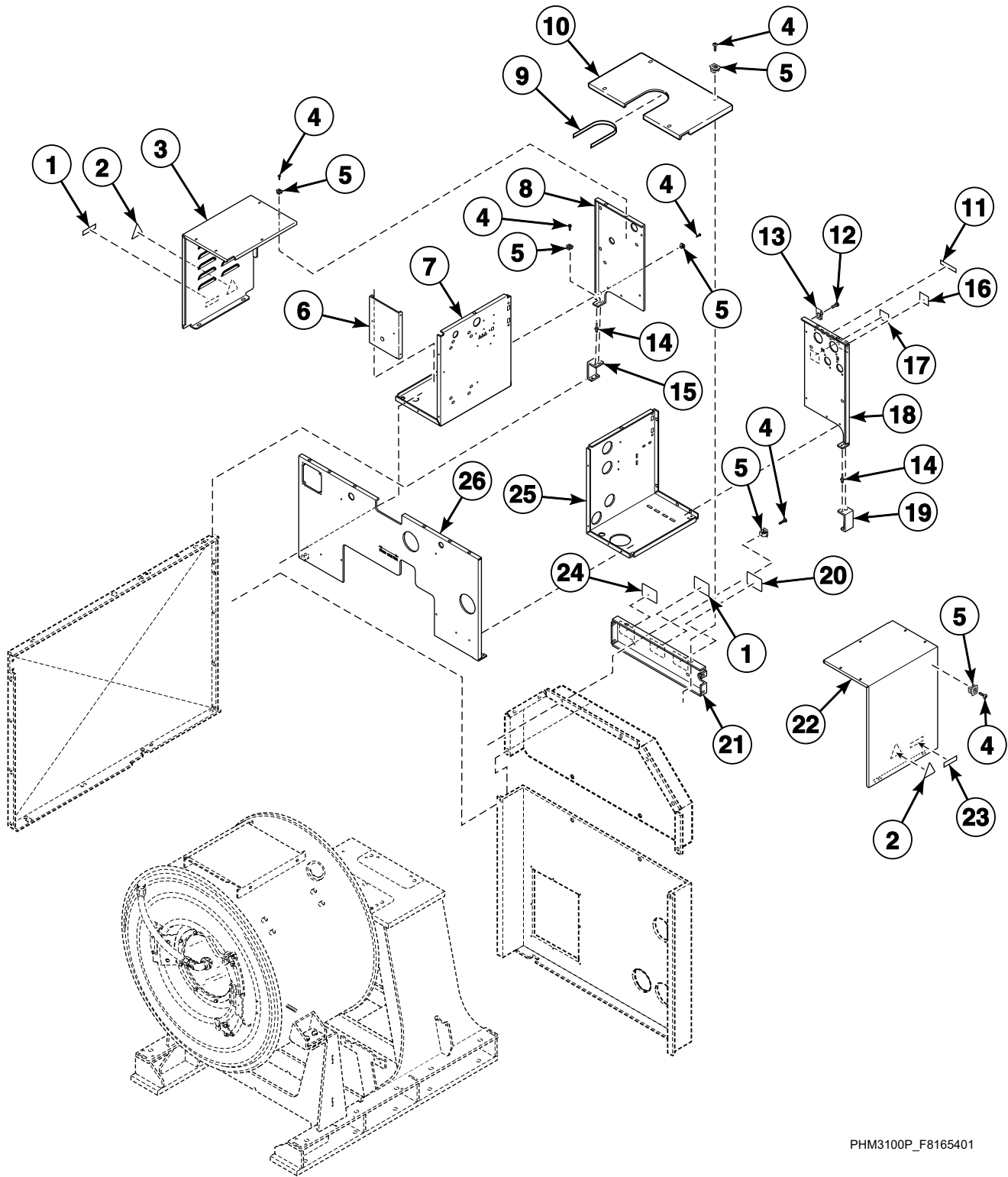


PHM3152P\_F8165401

## Panels and Thermistor Sensor

REF	PART NO.	DESCRIPTION	COMMENTS
1	F430264	Nut	
2	F430956	Screw	
3	F8098601	Side Panel Cover	
4	F8107502P	Left Side Panel	
5	M412763	Rivet	
6	56079	Panel Locator	
7	70030401	Nut	
8	20253	Screw	
9	M405535	Washer	
10	F8117601	Screw	Model UW150TV
	F8206901	Screw	All other models
11	F8244701	Upper Belt Guard	
12	F200318200	Cover Decal	
13	70360901	Belt Edging	
14	502511	Electrical Shock Label	
15	44127701	Warning Label	
16	F8117501	Belt Access Guard Panel	
17	F430174	Screw	
18	F8246401	Mount on Concrete Warning Label	
19	F8244801	Lower Belt Guard	Design 1
	F8338101	Lower Belt Guard Assembly	Design 2
20	M411072	Screw	
21	70030501	Expansion Clip	
22	F8107501P	Right Side Panel	
23	F370609	Thermistor Sensor	
24	F421936	Reducer Bushing	
25	F430211	Nut	
26	F431100	Washer	
27	F430921	Screw	
28	F150397	Extrusion Insert	Order 4 feet
29	F200079000	Rub Rail	
30	70182601	Screw	
31	F8096401P	Front Panel	

# Drive Box and Water Supply Box - Models Through 10/3/10

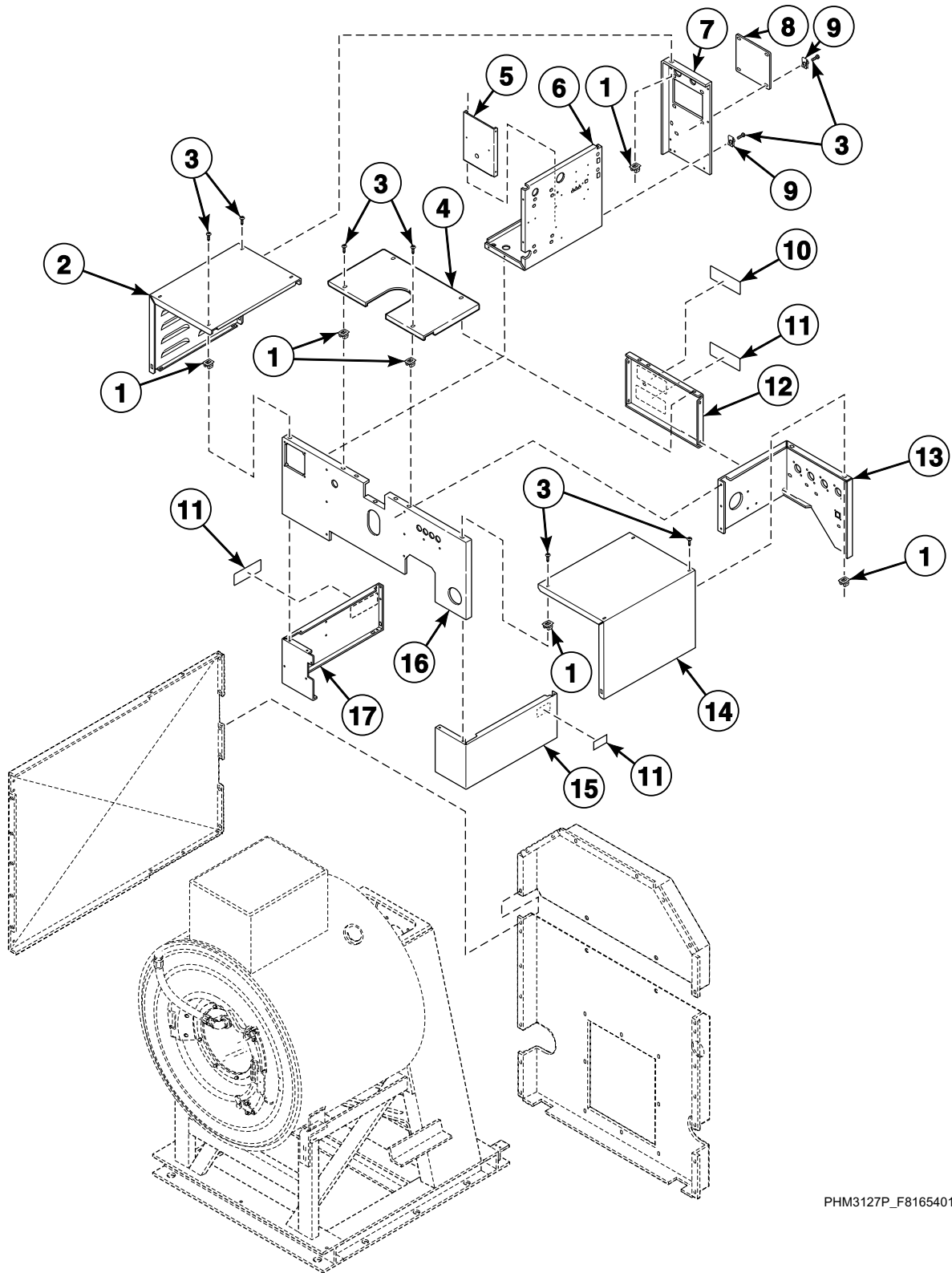


PHM3100P\_F8165401

## Drive Box and Water Supply Box - Models Through 10/3/10

REF	PART NO.	DESCRIPTION	COMMENTS
1	44127701	Warning Label	
2	502511	Electrical Shock Label	
3	F8109902	Left Side Cover	Model UW150TV
	F8289902	Left Side Cover	All other models
4	F8117601	Screw	Model UW150TV
	F8206901	Screw	All other models
5	70030501	Expansion Clip	
6	F8120201	Partition	
7	F8105201	Drive Box Bottom	Model UW150TV
	F8284001	Drive Box Bottom Panel	All other models
8	F8119002	Rear Drive Box Panel	Model UW150TV
	F8284102	Drive Box Rear Panel	All other models
9	F100284	Trim Seal	2 feet required
10	F8107201	Top Center Panel	
11	F230734	Water Line Caution Decal	
12	20253	Screw	
13	70030401	Nut	
14	70058501	Pop Rivet	
15	F8302604	Electrical Box Support Bracket	
16	F0231368-00	Cold Water Valve Decal	
17	F0231367-00	Hot Water Valve Decal	
18	F8119001	Rear Water Box Panel	Model UW150TV
	F8284101	Water Box Rear Panel	All other models
19	F8302603	Water Box Support Bracket	
20	F8099701	Conversion Label	200-208 VAC
	F8099801	Conversion Label	380-415 VAC
21	F8107301	Top Support Brace	
22	F8109901	Right Side Cover	Model UW150TV
	F8289901	Right Side Cover	All other models
23	F8233501	Warning Label	
24	F8211901	Hot Surface Warning Plate	
25	F8105301	Water Box Bottom	Model UW150TV
	F8283701	Water Box Bottom Panel	All other models
26	F8107401	Front Box Panel	Model UW150TV
	F8235601	Front Bulkhead Panel	All other models

# Drive Box and Water Supply Box - Models Starting 10/4/10

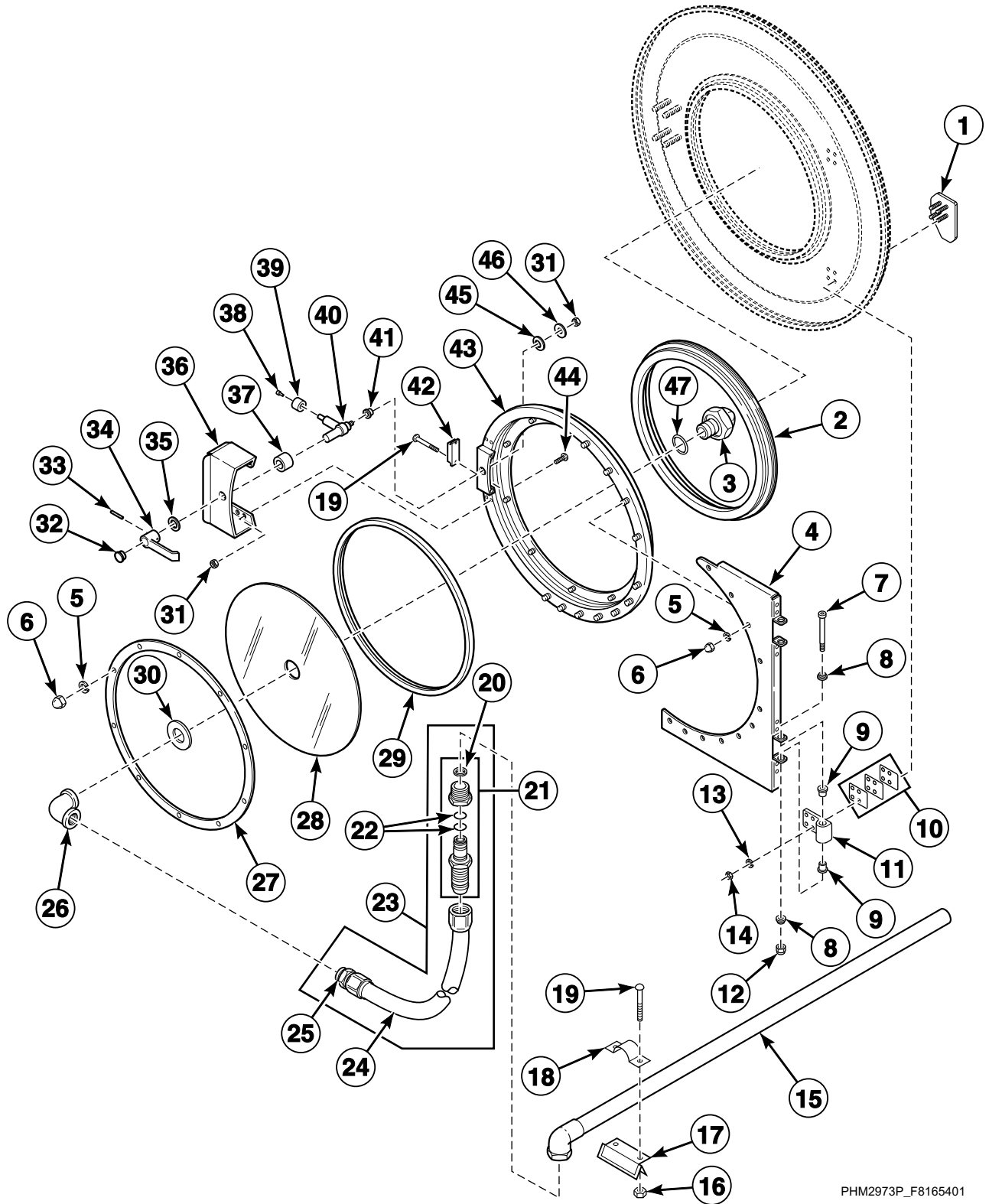


PHM3127P\_F8165401

## Drive Box and Water Supply Box - Models Starting 10/4/10

REF	PART NO.	DESCRIPTION	COMMENTS
1	70030501	Expansion Clip	
2	F8365002	Left Side Cover	
3	F8206901	Screw	
4	F8376302	Top Center Panel	
5	F8375901	Drive Box Partition	
6	F8375601	Drive Mounting Box	
7	F8376001	Drive Box Rear Panel	
8	F8377601	Electrical Access Panel	
9	F430264	Nut	
10	F8099701	Conversion Label	200-208 VAC
	F8099801	Conversion Label	380-415 VAC
11	44127701	Warning Label	
12	F8346504	Rear Center Panel	
13	F8374901	Back Water Panel	
14	F8365001	Right Side Cover	
15	F8233501	Warning Label	
16	F8364801	Side Water Box Panel	
17	F8374401	Front Bulkhead Panel	
18	F8364901	Side Electrical Box Panel	

# Door Assembly - Models Through 10/3/10

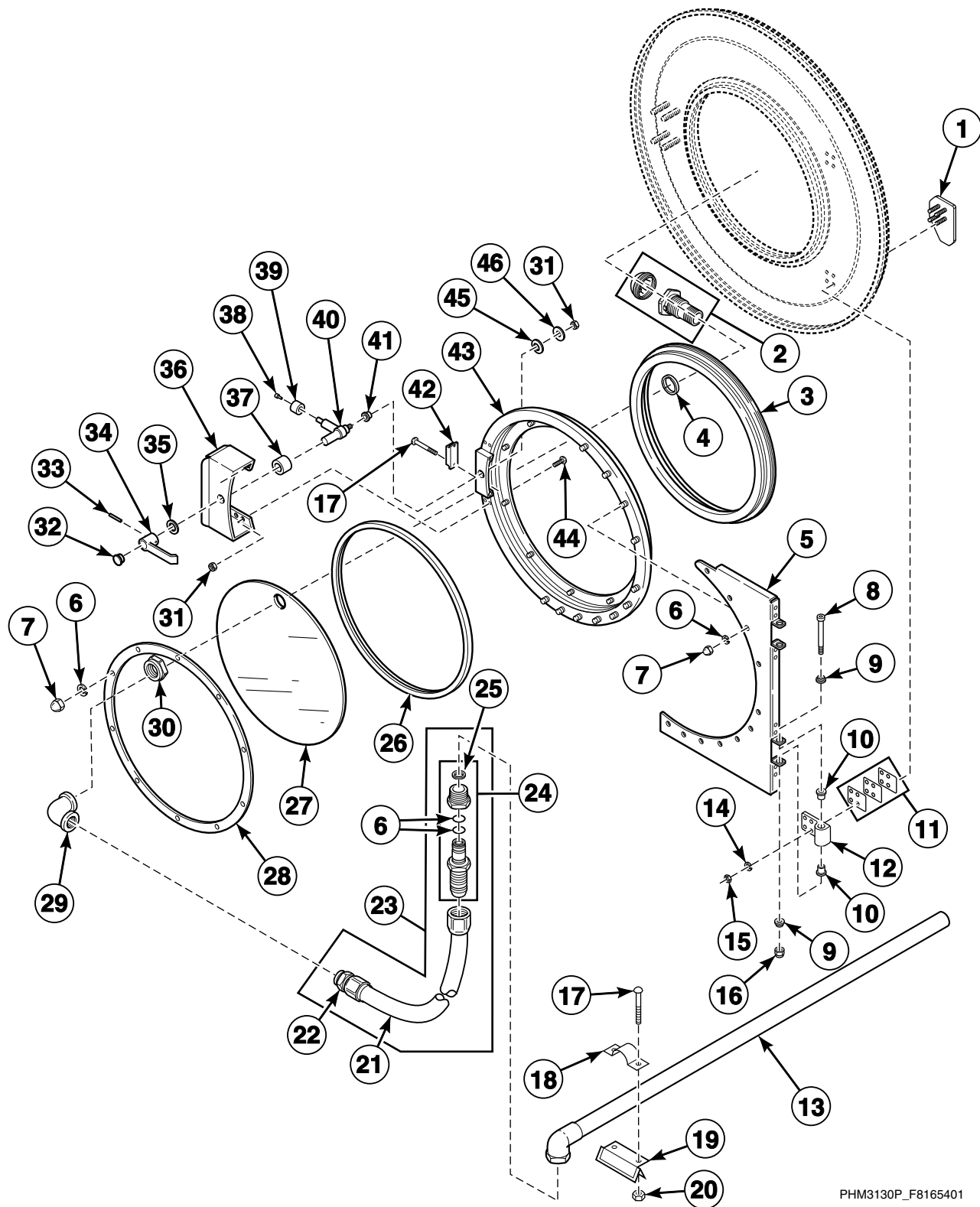


PHM2973P\_F8165401

## Door Assembly - Models Through 10/3/10

REF	PART NO.	DESCRIPTION	COMMENTS
1	F200074600	Hinge Support Assembly Weldment	
2	F8434802P	Door Gasket Kit	
3	F380301	Spray Rinse Nozzle	
4	F200077600	Door Hinge Bracket Assembly	
5	F431100	Washer	
6	F431026	Nut	
7	F200075400	Screw	
8	F200076900	Flange Bushing	
9	F200076800	Flange Bushing	
10	F200077400	Hinge Shim	
11	F200074300	Door Hinge	
12	F430233	Nut	
13	F431120	Washer	
14	F431002	Nut	
15	F8126202	Spray Pipe Assembly	
16	F431022	Nut	
17	F602901P	Spray Rinse Bracket Assembly	
18	F602880	Spray Rinse Strap	
19	F430917	Screw	
20	F310206	Ring Retainer	
21	F422108	Swivel Coupling	
22	F170200	O-Ring	
23	F730023	Spray Rinse Hose Kit	
24	F610068	Hose	
25	F422109	No-Swivel Coupling	
26	F422319	Elbow	
27	F200076100	Glass Retainer	
28	F200074400P	Glass	
29	F200076000	Door Glass Gasket	
30	F431905	Washer	
31	F431024	Nut	
32	F140563	Plug	
33	F431222	Spring Pin	
34	F150225	Door Handle	
35	F431907	Washer	
36	F8210001	Pivot Lock Cover Weldment	
37	F280253	Bushing	
38	F340502P	Switch Magnet	
39	F100145	Follower Cam	
40	F608536	Pivot Lock Weldment	
41	F280252	Bushing	
42	F8390801	Magnet	
43	F200075000	Door Weldment	
44	F0220908-02	Screw	
45	F431143	Washer	
46	F431142	Washer	
47	F170201	O-Ring	

# Door Assembly - Models Starting 10/4/10

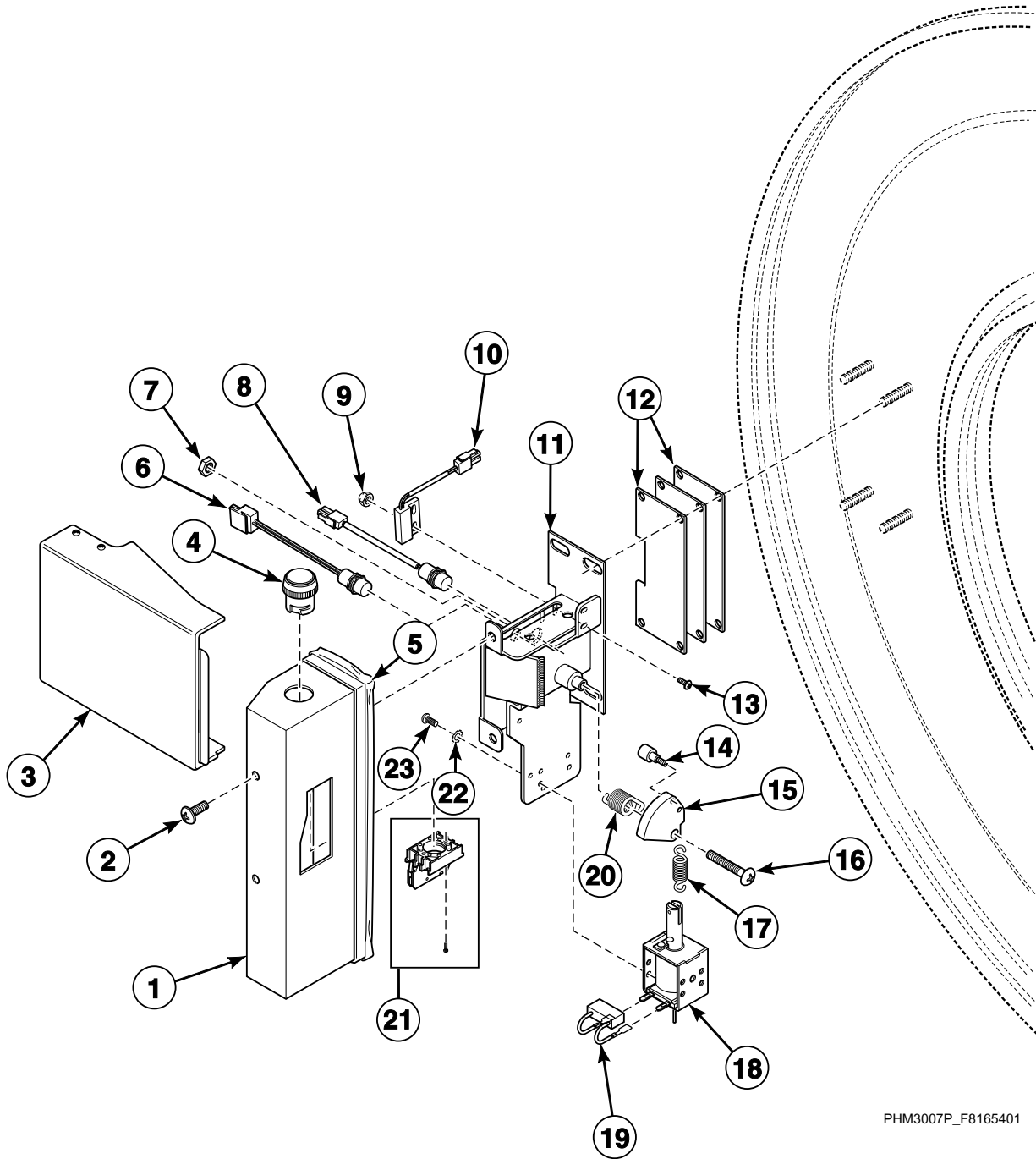


PHM3130P\_F8165401

## Door Assembly - Models Starting 10/4/10

REF	PART NO.	DESCRIPTION	COMMENTS
1	F200074600	Hinge Support Assembly Weldment	
2	F8356301	Door Spray Nozzle Assembly	
3	F8434802P	Door Gasket Kit	
4	F8322701	Spray Nozzle Gasket	
5	F200077600	Door Hinge Bracket Assembly	
6	F431100	Washer	
7	F431026	Nut	
8	F200075400	Screw	
9	F200076900	Flange Bushing	
10	F200076800	Flange Bushing	
11	F200077400	Hinge Shim	
12	F200074300	Door Hinge	
13	F8126202	Spray Pipe Assembly	
14	F431120	Washer	
15	F431002	Nut	
16	F430233	Nut	
17	F430917	Screw	
18	F602880	Spray Rinse Strap	
19	F602901P	Spray Rinse Bracket Assembly	
20	F431022	Nut	
21	F8380501	Spray Rinse Hose	
22	F422109	No-Swivel Coupling	
23	F8380001	Spray Rinse Hose Assembly	
24	F422108	Swivel Coupling	
25	F310206	Ring Retainer	
26	F200076000	Door Glass Gasket	
27	F8351001	High Hole Glass	
28	F200076100	Glass Retainer	
29	F422319	Elbow	
30	F8322601	Nut	
31	F431024	Nut	
32	F140563	Plug	
33	F431222	Spring Pin	
34	F150225	Door Handle	
35	F431907	Washer	
36	F8210001	Pivot Lock Cover Weldment	
37	F280253	Bushing	
38	F340502P	Switch Magnet	
39	F100145	Follower Cam	
40	F608536	Pivot Lock Weldment	
41	F280252	Bushing	
42	F8390801	Magnet	
43	F200075000	Door Weldment	
44	F0220908-02	Screw	
45	F431143	Washer	
46	F431142	Washer	

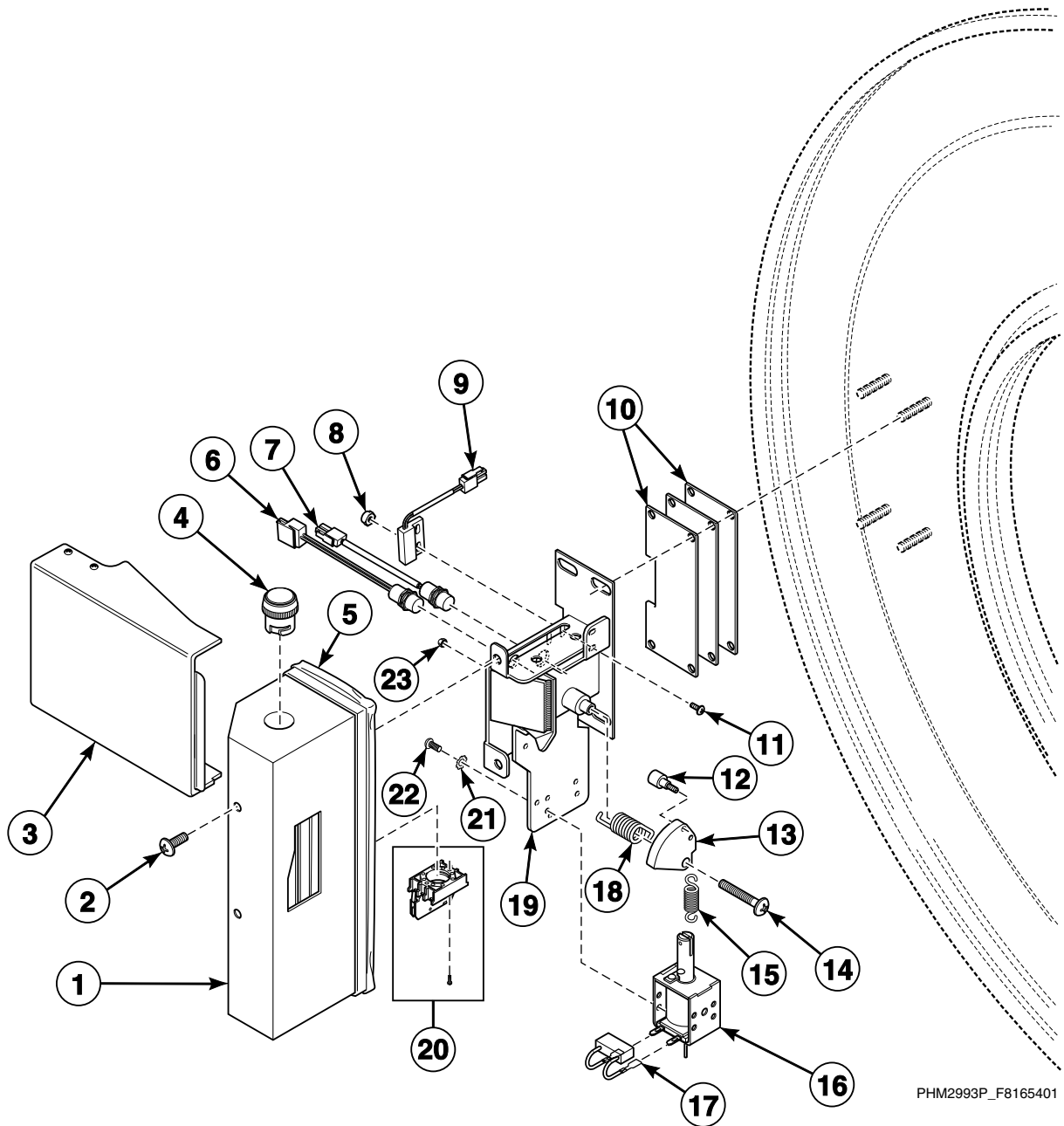
# Door Lock - Model UW150TV - Models Through 5/5/08



## Door Lock - Model UW150TV - Models Through 5/5/08

REF	PART NO.	DESCRIPTION	COMMENTS
	F8029301	Door Lock Harness	
1	F430985	Screw	
2	F8071201	Door Lock Cover	
3	F8115701	Door Conduit Guard	
4	F8069602	Momentary Pushbutton	
5	F170404	Trim	Order 3 feet
6	F8080401P	Magnetic Proximity Sensor Harness	3P
7	F430215	Nut	
8	F8080402P	Magnetic Proximity Sensor Harness	2P
9	F430231	Nut	
10	F8066801P	Reed Switch Assembly	
11	F8209801	Door Lock Bracket Weldment	
12	F606563	Door Lock Shim	
13	F430928	Screw	
14	F340502P	Switch Magnet	
15	F0150518-00	Door Lock Cam	
16	F430921	Screw	
17	F310107	Spring	
18	F0300130-00P	Solenoid	
19	F310133	Door Cam Torsion Spring	
20	F330217P	RC Network Filter	Includes F140627 Connector and F141022 Connector
21	F340444	Contact Block and Mounting Switch	
22	F431106	Washer	
23	F430995	Screw	

# Door Lock - Models Starting 5/6/08

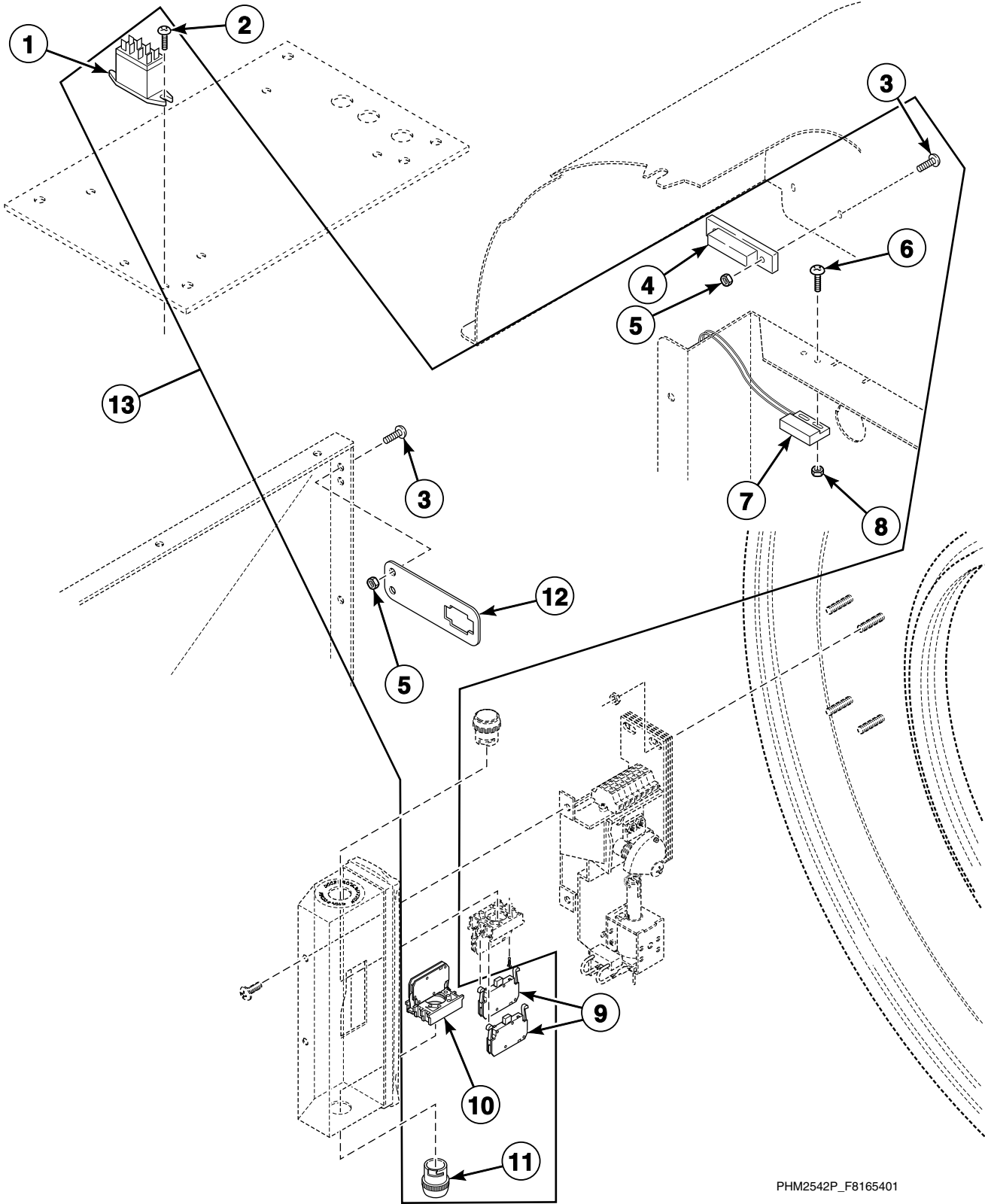


PHM2993P\_F8165401

## Door Lock - Models Starting 5/6/08

REF	PART NO.	DESCRIPTION	COMMENTS
	F8029301	Door Lock Harness	Design 1
	F8029303	Door Lock Harness	Design 2
1	F8071201	Door Lock Cover	
2	F430985	Screw	
3	F8115701	Door Conduit Guard	
4	F8069602	Momentary Pushbutton	
5	F170404	Trim	Order 3 feet
6	F8080401P	Magnetic Proximity Sensor Harness	3P
7	F8080402P	Magnetic Proximity Sensor Harness	2P
8	F430231	Nut	
9	F8066801P	Reed Switch Assembly	
10	F606563	Door Lock Shim	
11	F430928	Screw	
12	F340502P	Switch Magnet	
13	F0150518-00	Door Lock Cam	
14	F430921	Screw	
15	F310107	Spring	
16	F0300130-00P	Solenoid	
17	F330217P	RC Network Filter	Includes F140627 Connector and F141022 Connector
18	F310133	Door Cam Torsion Spring	
19	F8209801	Door Lock Bracket Weldment	
20	F340444	Contact Block and Mounting Switch	
21	F431106	Washer	
22	F430995	Screw	
23	F430215	Nut	

# Jog Feature



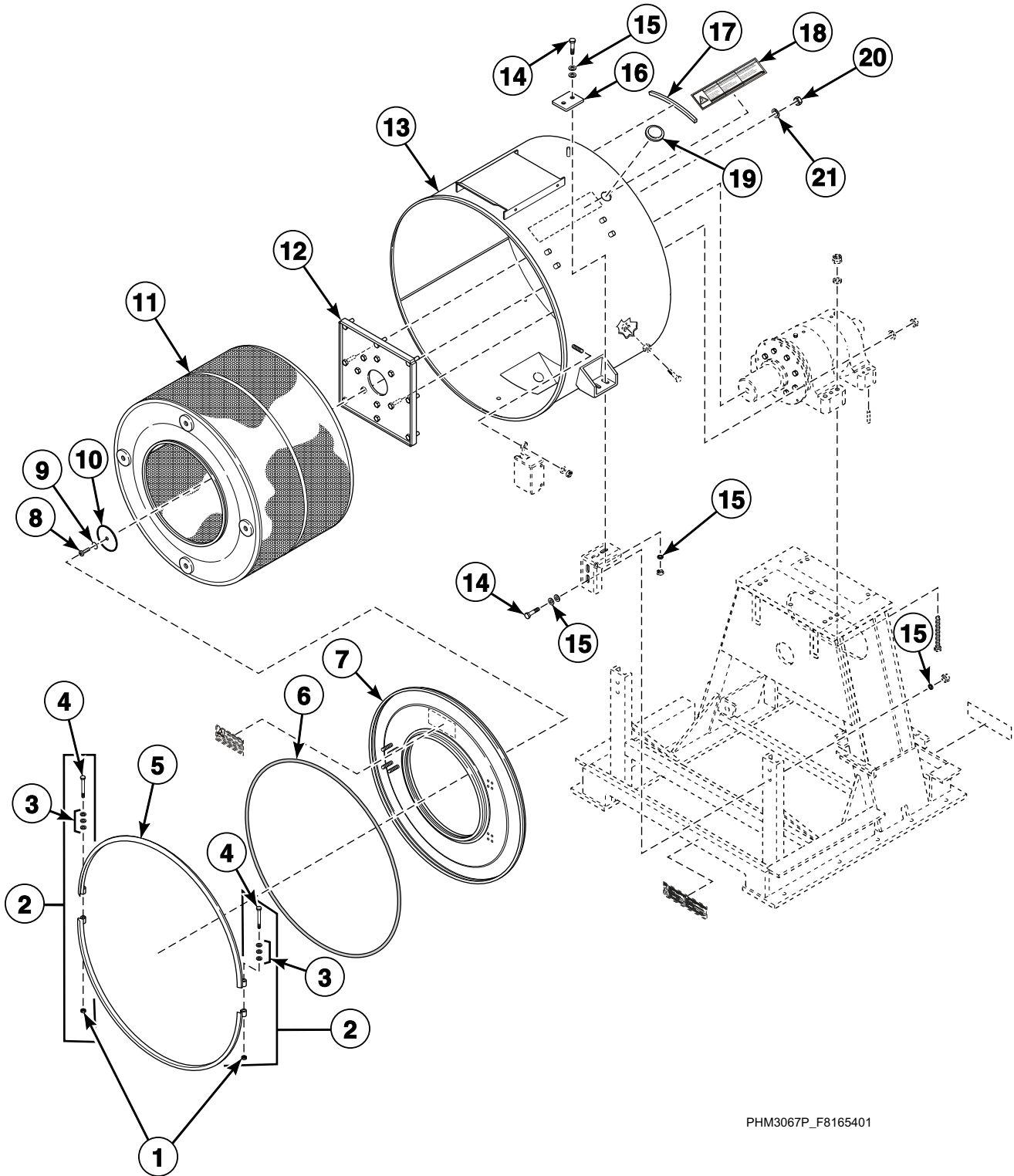
PHM2542P\_F8165401

# Jog Feature

REF	PART NO.	DESCRIPTION	COMMENTS
	F8068201P	Jog Option Harness	
1	F330230	Flange Relay	
2	N/A	Screw	
3	F430928	Screw	
4	F8390801	Magnet	
5	F430231	Nut	
6	F430266	Screw	
7	F200294300	Panel Safety Reed Switch Harness	
8	F430225	Nut	
9	F330170	Contact	800E-series; Models through 8/31/07
10	F340444	Contact Block and Mounting Switch	800E-series; Models through 8/31/07; NO; With mount
	F200233400	Contact Block Switch	800F-series; Models starting 9/1/07
11	N/A	Momentary Pushbutton	800E-series; Models through 8/31/07
	F8069902P	Button Kit	Used to convert from 800E-series to 800F-series; Includes F200233400 Contact Block Switch and F8069602 Momentary Pushbutton
	F8069602	Momentary Pushbutton	800F-series; Models starting 9/1/07
12	F200067200	Magnetic Switch Connection Bracket	
13	F079902300	Jog Feature Retrofit Kit	Includes F200311200 Jog Feature Retrofit Control Harness and items 1-12; Models with 1336-series AC Drive
	F200311200	Jog Feature Retrofit Control Harness	

N/A = Part no longer available

# Basket, Trunnion, Shell and Frame - Design 1 Models (Drawing 1 of 2)



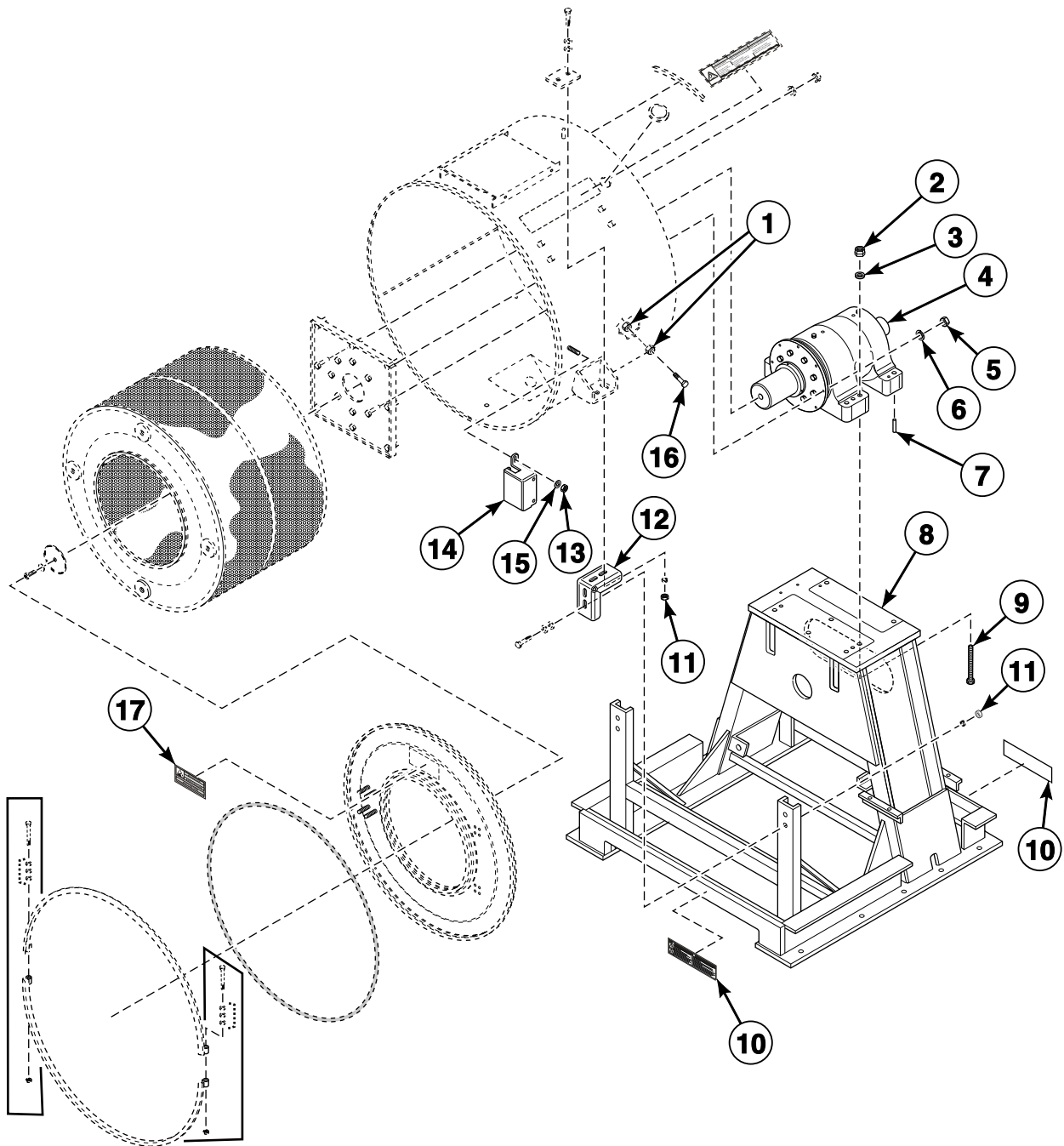
PHM3067P\_F8165401

## Basket, Trunnion, Shell and Frame - Design 1 Models (Drawing 1 of 2)

REF	PART NO.	DESCRIPTION	COMMENTS
1	F430215	Nut	
2	F791001	Shell Band Fastener Kit	Includes items 1, 3 and 4; 2 required
3	F430317	Washer	
4	F430518	Screw	
5	F200066600	Shell Band Weldment	2 required
6	F170120RP	Shell Band Gasket	Model UW150TV
	F8302004	Shell Band Gasket	All other models
7	F200075900P	Shell Front Weldment	
8	F200190800	Bolt	
9	F200088700	O-Ring	
10	F200068300	Basket Retainer Seal Plate	
11	F200068700	Basket Weldment	
12	N/A	Shell Reinforcement Plate Assembly	
13	F8095301	Shell Weldment	Model UW150TV
	F8273701	Shell Weldment	All other models
14	F430144	Screw	
15	F430311	Washer	
16	F601950	Washer	
17	F170404	Trim	6 feet required
18	F200085500	Moving Parts Plug Warning Decal	
19	F0200237-00	Plug	
20	M400013	Washer	
21	70142	Nut	

**N/A = Part no longer available**

# Basket, Trunnion, Shell and Frame - Design 1 Models (Drawing 2 of 2)



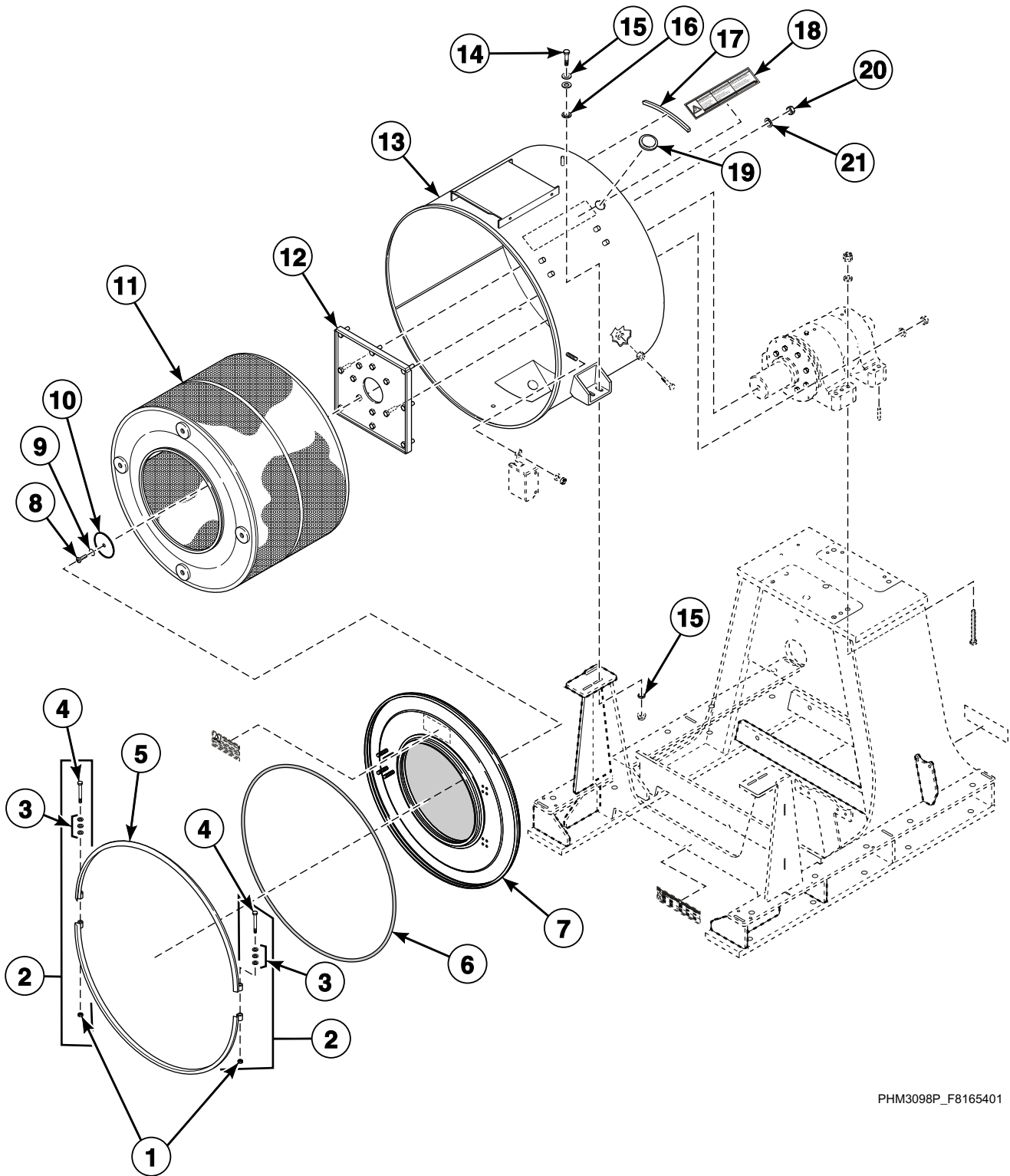
PHM3067PA\_F8165401

## Basket, Trunnion, Shell and Frame - Design 1 Models (Drawing 2 of 2)

REF	PART NO.	DESCRIPTION	COMMENTS
1	F431025	Nut	
2	F430248	Nut	
3	F0430350-00	Washer	
4	F200062000	Trunnion Assembly	Standard
	F200062001	Trunnion Assembly	With viton seals
	F949P3	Bearing Housing Assembly Kit	Standard; Includes items 22, 23, 25-27 and 29, F200190900 Threaded Insert, F421929 Hose Barb, 36801 Hose Clamp, F150389 Scupper, F200107P Water Hose, F200088500 O-Ring and F20088400 O-Ring
	F950P3	Bearing Housing Assembly Kit	Viton; Includes items 22, 23, 25-27 and 29, F200190900 Threaded Insert, F421929 Hose Barb, 36801 Hose Clamp, F150389 Scupper, F200107P Water Hose, F200088500 O-Ring and F20088400 O-Ring
	986P3	Seal Replacement Kit	Standard; Includes items 23, 26-28 and 30; F0430350-00 Washer, F150389 Scupper, F20062900 Seal, F200088300 O-Ring, F200088400 O-Ring, F200088500 O-Ring, F200107 Hose, F200190900 Threaded Insert, F410102 Sealant, F421929 Hose Barb, F430911 Screw, F8323001 Trunnion-to-Shell Adapter and 36801 Hose Clamp
	987P3	Seal Replacement Kit	Viton; Includes items 23, 26-28 and 30; F0430350-00 Washer, F150389 Scupper, F20062900 Seal, F200088300 O-Ring, F200088400 O-Ring, F200088500 O-Ring, F200107 Hose, F200190900 Threaded Insert, F410102 Sealant, F421929 Hose Barb, F430911 Screw, F8323001 Trunnion-to-Shell Adapter and 36801 Hose Clamp
	F404P4	Trunnion Replacement Tool Kit	
	F403P4	Trunnion Hoist Tool	
5	F431002	Nut	
6	F431120	Washer	
7	F8332401	Dowel Pin	7/16 x 3 inch
	F8332402	Dowel Pin	5/8 x 4 inch
8	N/A	Frame Weldment	
9	F8285601	Screw	
10	44127701	Warning Label	
11	430218	Nut	
12	F200073700	Shell Support Bracket	
13	F431026	Nut	
14	F8098601	Side Panel Cover	Right
15	F431100	Washer	
16	F432253	Screw	
17	F200085000	Hot Surface Warning Decal	

**N/A = Part no longer available**

# Basket, Trunnion, Shell and Frame - Design 2 and 3 Models (Drawing 1 of 2)



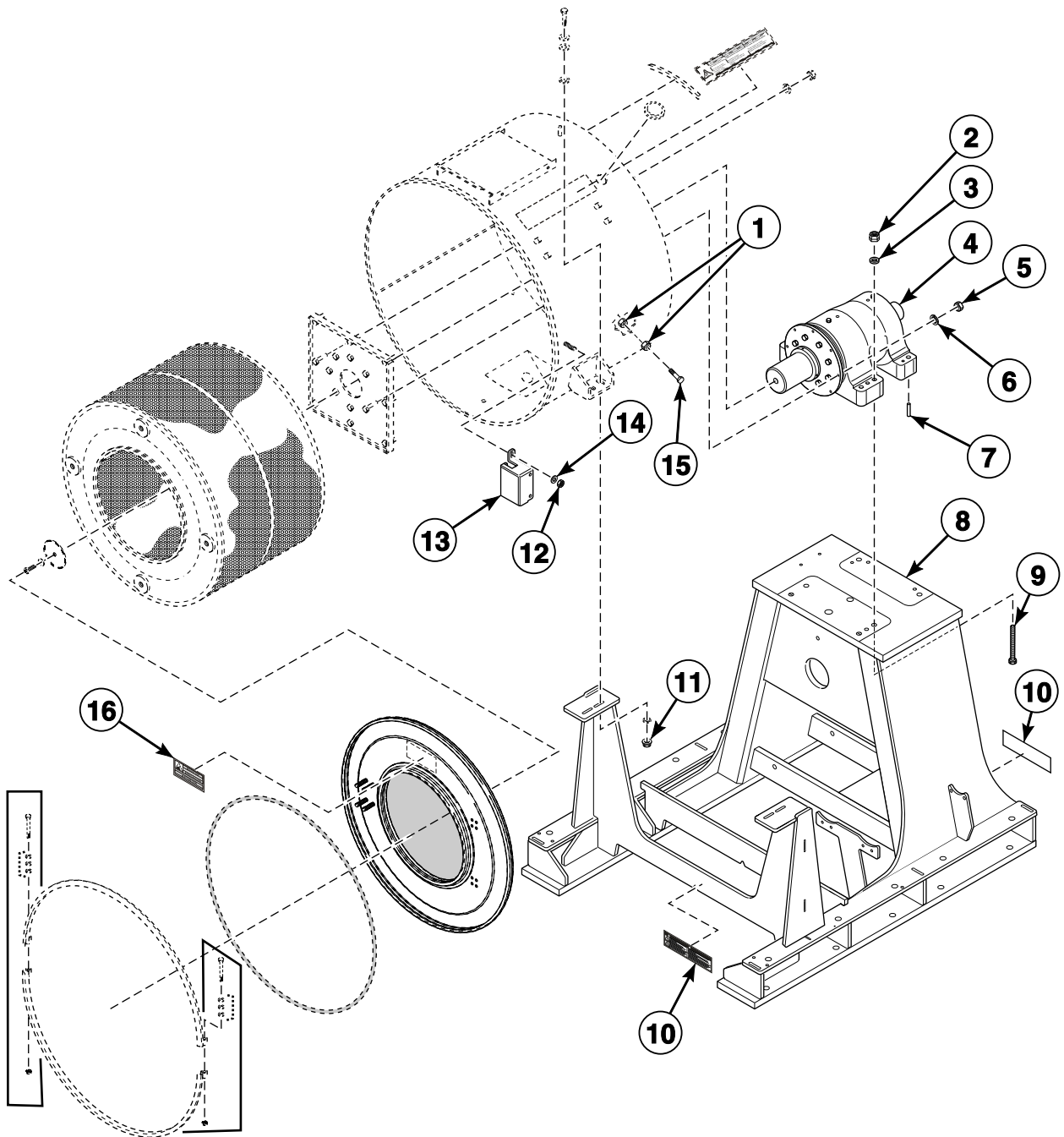
PHM3098P\_F8165401

## Basket, Trunnion, Shell and Frame - Design 2 and 3 Models (Drawing 1 of 2)

REF	PART NO.	DESCRIPTION	COMMENTS
1	F430215	Nut	
2	F791001	Shell Band Fastener Kit	Includes items 1, 3 and 4; 2 required
3	F430317	Washer	
4	F430518	Screw	
5	F200066600	Shell Band Weldment	2 required
6	F8302004	Shell Band Gasket	
7	F200075900P	Shell Front Weldment	
8	F200190800	Bolt	
9	F200088700	O-Ring	
10	F200068300	Basket Retainer Seal Plate	
11	F200068700	Basket Weldment	
12	N/A	Shell Reinforcement Plate Assembly	
13	F8273701	Shell Weldment	Models through 10/3/10
	F8378301	Shell Weldment	Models starting 10/4/10
14	800461	Screw	
15	F430311	Washer	
16	F8114401	Washer	
17	F170404	Trim	6 feet required
18	F200085500	Moving Parts Plug Warning Decal	
19	F0200237-00	Plug	
20	M400013	Washer	
21	70142	Nut	

**N/A = Part no longer available**

# Basket, Trunnion, Shell and Frame - Design 2 and 3 Models (Drawing 2 of 2)

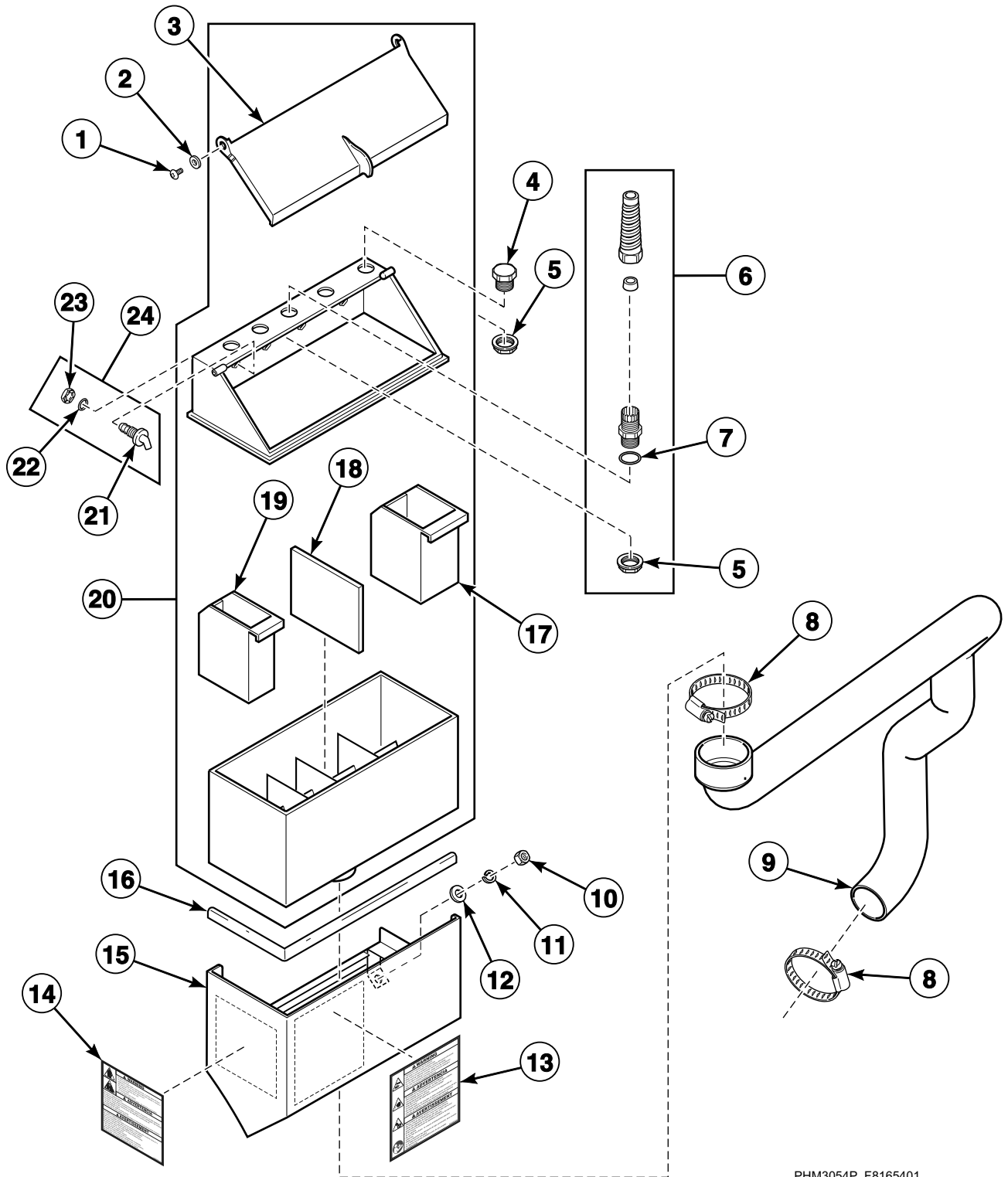


PHM3098PA\_F8165401

## Basket, Trunnion, Shell and Frame - Design 2 and 3 Models (Drawing 2 of 2)

REF	PART NO.	DESCRIPTION	COMMENTS
1	F431025	Nut	
2	F430248	Nut	
3	F0430350-00	Washer	
4	F200062000	Trunnion Assembly	Standard
	F200062001	Trunnion Assembly	With viton seals
	F949P3	Bearing Housing Assembly Kit	Standard; Includes items 22, 23, 25-27 and 29, F200190900 Threaded Insert, F421929 Hose Barb, 36801 Hose Clamp, F150389 Scupper, F200107P Water Hose, F200088500 O-Ring and F20088400 O-Ring
	F950P3	Bearing Housing Assembly Kit	Viton; Includes items 22, 23, 25-27 and 29, F200190900 Threaded Insert, F421929 Hose Barb, 36801 Hose Clamp, F150389 Scupper, F200107P Water Hose, F200088500 O-Ring and F20088400 O-Ring
	986P3	Seal Replacement Kit	Standard; Includes items 23, 26-28 and 30; F0430350-00 Washer, F150389 Scupper, F20062900 Seal, F200088300 O-Ring, F200088400 O-Ring, F200088500 O-Ring, F200107 Hose, F200190900 Threaded Insert, F410102 Sealant, F421929 Hose Barb, F430911 Screw, F8323001 Trunnion-to-Shell Adapter and 36801 Hose Clamp
	987P3	Seal Replacement Kit	Viton; Includes items 23, 26-28 and 30; F0430350-00 Washer, F150389 Scupper, F20062900 Seal, F200088300 O-Ring, F200088400 O-Ring, F200088500 O-Ring, F200107 Hose, F200190900 Threaded Insert, F410102 Sealant, F421929 Hose Barb, F430911 Screw, F8323001 Trunnion-to-Shell Adapter and 36801 Hose Clamp
	F404P4	Trunnion Replacement Tool Kit	
	F403P4	Trunnion Hoist Tool	
5	F431002	Nut	
6	F431120	Washer	
7	F8332401	Dowel Pin	7/16 x 2.5 inch
	F8332402	Dowel Pin	5/8 x 2.5 inch
8	F8306701	Frame Weldment	
9	F8285601	Screw	
10	44127701	Warning Label	
11	430576	Nut	
12	F431026	Nut	
13	F8098601	Side Panel Cover	Right
14	F431100	Washer	
15	F432253	Screw	
16	F200085000	Hot Surface Warning Decal	

# Supply Dispenser

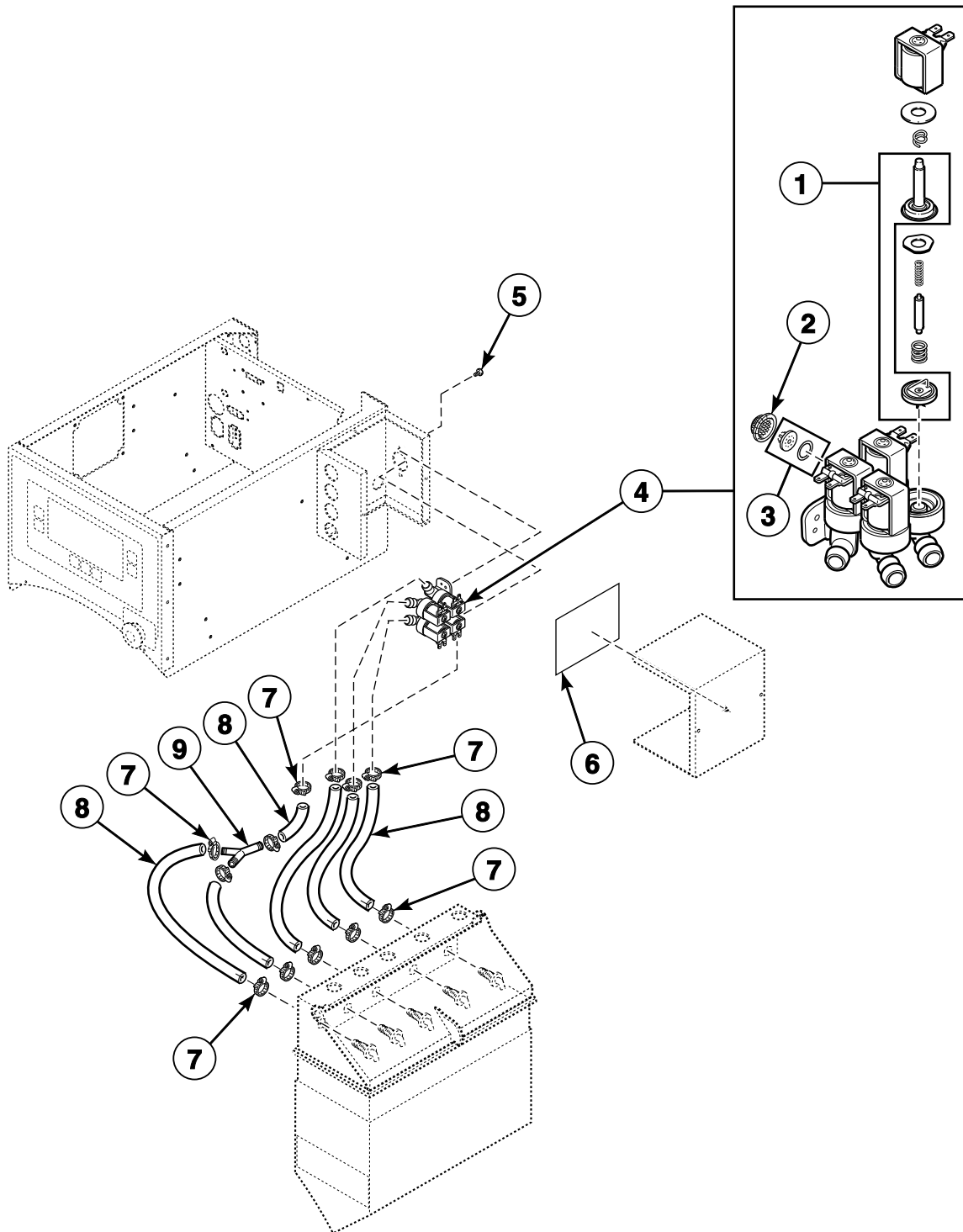


PHM3054P\_F8165401

# Supply Dispenser

REF	PART NO.	DESCRIPTION	COMMENTS
1	F430917	Screw	
2	F431133	Washer	
3	F0150514-00	Dispenser Lid	
4	F190304	Plug Cap	
5	F140340P	Strain Relief Connector	
6	F749802	Strain Relief Adapter Kit	Includes items 5 and 7
7	F170215	O-Ring	
8	F200213	Hose Clamp	No. 40
9	F200081300	Chemical Supply Hose	Model UW150TV
	F8281801	Chemical Supply Hose	All other models
10	F431005	Nut	
11	F431100	Washer	
12	F431147	Washer	
13	F200085300	Hot Water and Chemical Caution Decal	
14	F200085100	Spin Warning Decal	
15	F8024303	Dispenser Shroud Weldment	
16	F170400RP	Trim	
17	F150386	Chemical Supply Cup	32 ounce; 2 used
18	F0150525-00	Supply Dispenser Spacer	
19	F150385	Chemical Supply Cup	20 ounce; 3 used
20	F0150512-00P	Dispenser Assembly	Includes items 3 and 17-19
21	F8322001	Injection Nozzle	
22	F170208	O-Ring	
23	802292	Nut	
24	F730168	Injection Nozzle Kit	Includes items 21-23

# Water Supply Valve and Hoses to Supply Dispenser - Models Through 10/3/10



PHM2974P\_F8165401

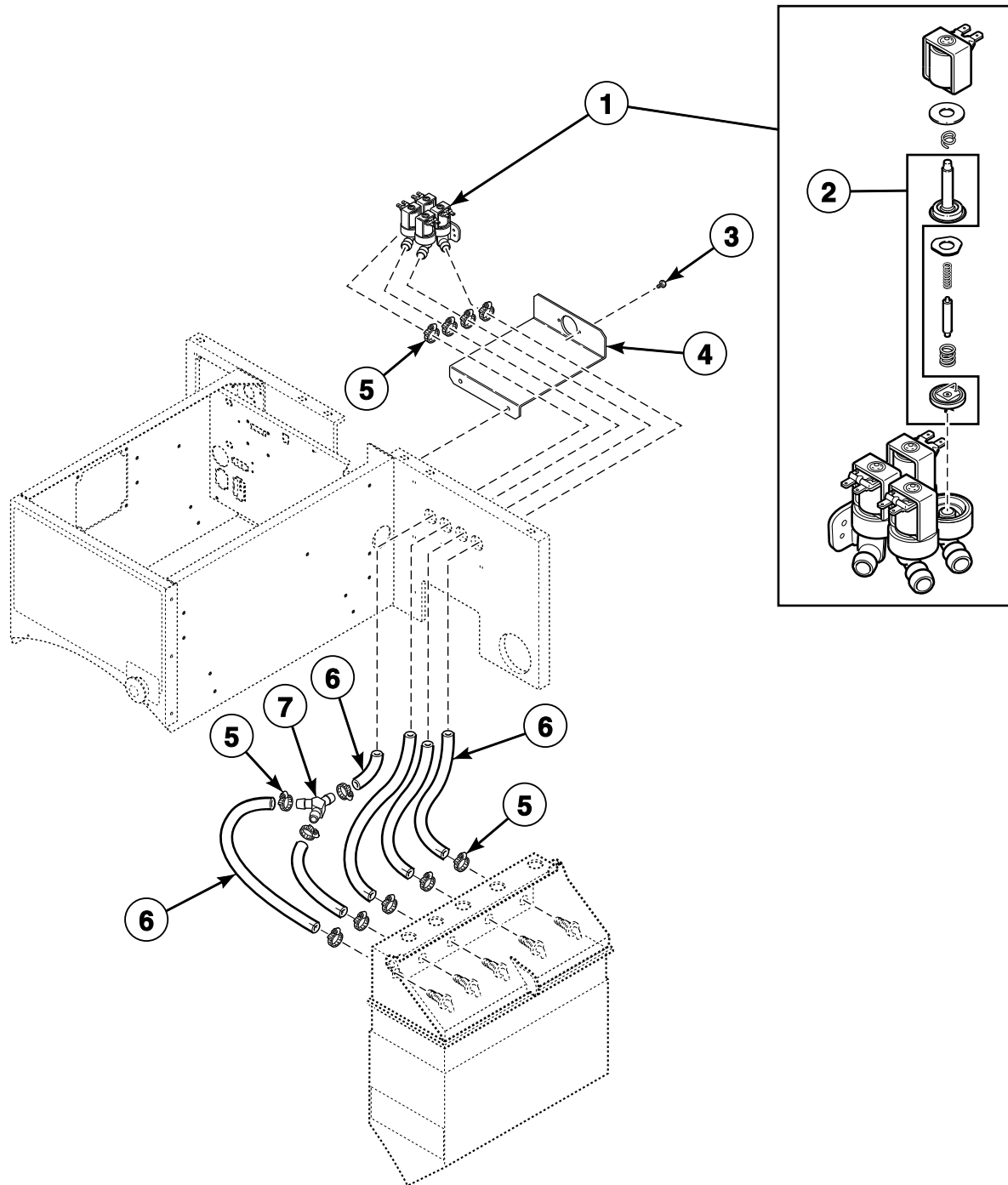
## Water Supply Valve and Hoses to Supply Dispenser - Models Through 10/3/10

REF	PART NO.	DESCRIPTION	COMMENTS
1	G582P3	Diaphragm and Guide Kit	
2	F270200	Strainer	
3	N/A	Flow Restrictor	8 liter
4	F381723P	4-Way Valve	220 Volt
	F8091601P	Dispenser Valve Harness	
5	F430948	Screw	
6	F230754	Water Valve Assembly Decal	
7	36801	Hose Clamp	No. 6
8	F200110P	Water Hose	
9	F422816	Y Connector	

**N/A = Part no longer available**

# Water Supply Valve and Hoses to Supply Dispenser - Models Starting 10/4/10

UWL, UWN and UWU Models

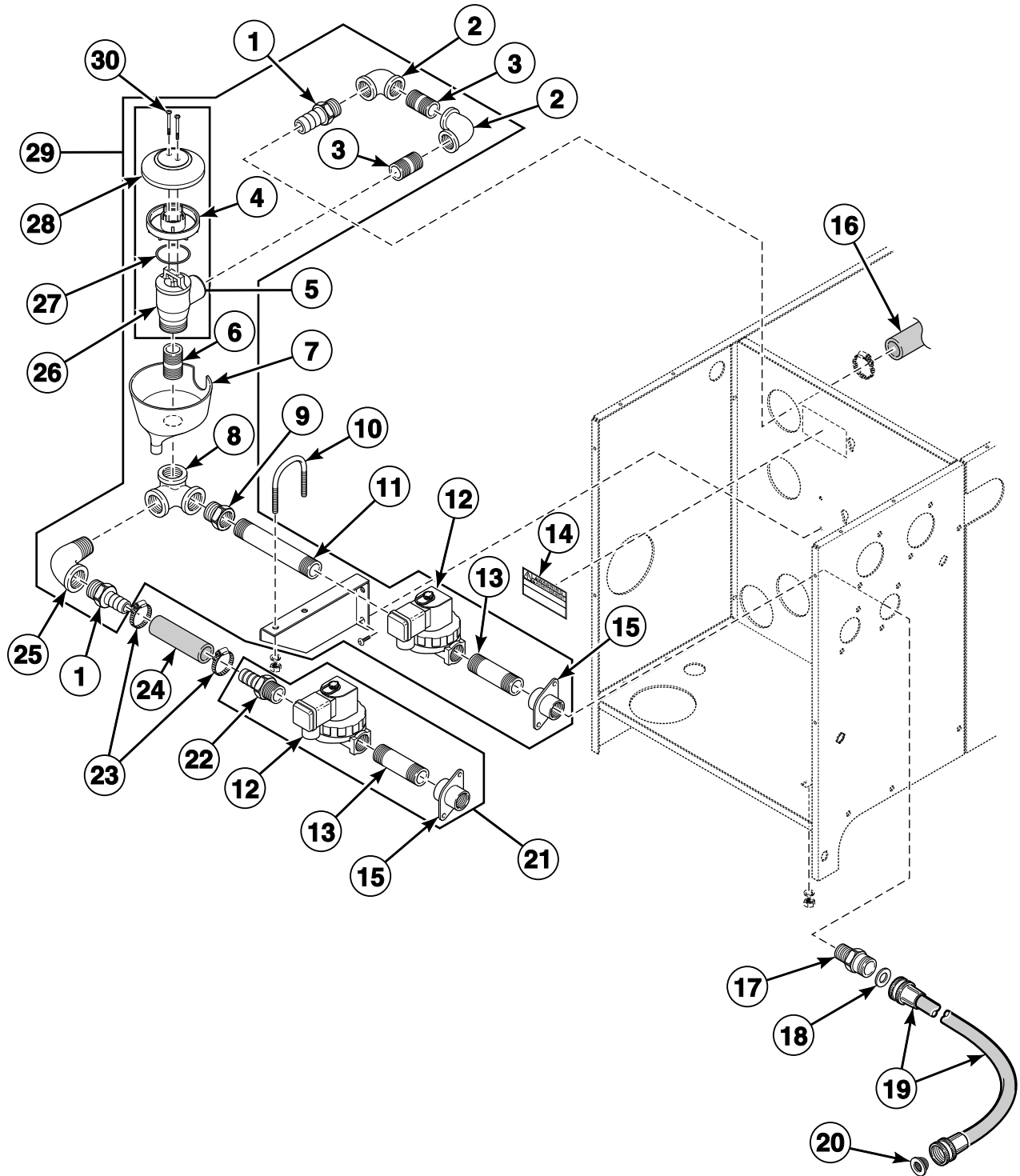


PHM3117P\_F8165401

## Water Supply Valve and Hoses to Supply Dispenser - Models Starting 10/4/10

REF	PART NO.	DESCRIPTION	COMMENTS
1	F8336601	4-Way Valve	240 Volt; Includes regulator
	F8347302	Dispenser Valve Harness	
2	G582P3	Diaphragm and Guide Kit	
3	F430948	Screw	
4	F8331901	Valve Mounting Bracket	
5	36801	Hose Clamp	No. 6
6	F200110P	Water Hose	
7	F422816	Y Connector	

# Spray Plumbing Assembly - Models Through 10/3/10

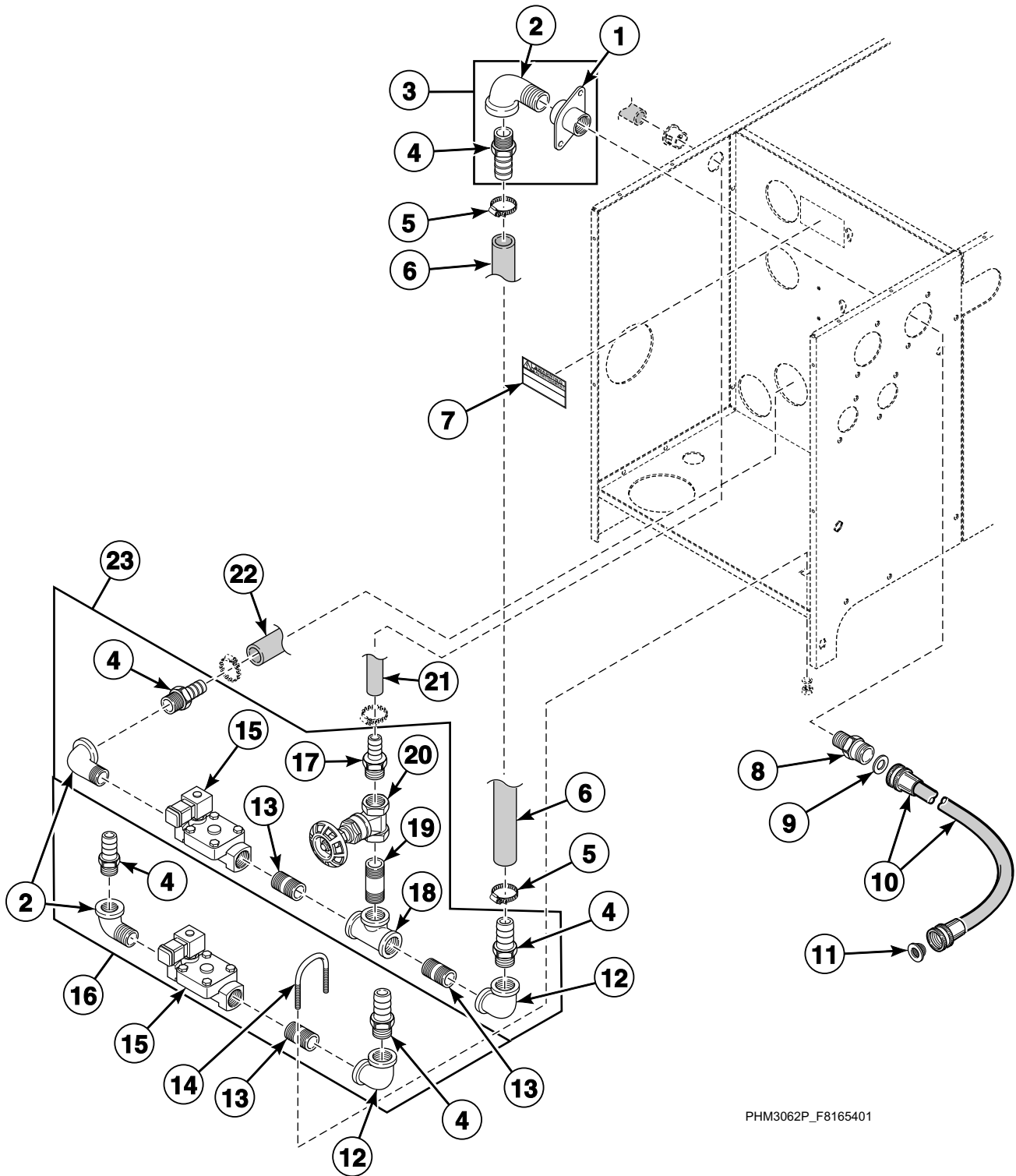


PHM3074P\_F8165401

## Spray Plumbing Assembly - Models Through 10/3/10

REF	PART NO.	DESCRIPTION	COMMENTS
	F8073601P	Supply/Fill Module Harness	
	F8073701P	Fill/Spray Valve Harness	
1	F421952	Hose Barb	
2	F420503	Elbow	
3	F8110201	Nipple	
4	F0380809-00	Containment Device	
5	F063754701P	Vacuum Breaker Valve	Includes items 4, 26-28 and 30
6	F420105	Nipple	
7	F8118401	Catch Basin	
8	F420509	Elbow	
9	F8100301	Reducer Bushing	
10	F200401P	U-Bolt Clamp	
11	F8110601	Nipple	
12	F381703P	Valve	
	F380996P	Water Valve Rebuild Kit	
13	F420103	Nipple	
14	F8233501	Warning Label	
15	F8154501	Coupling	
16	F200104P	Hose	Order 5 feet
17	F421908	Hose Adapter	Standard thread; 1 1/2 inch
	F421909	Hose Adapter	Standard thread; 3/4 inch
	F8265701	Adapter	Metric thread
18	F200503	Washer	
19	F200164	Water Hose	Standard thread; 3/4 inch
	F200166	Water Hose	Metric thread; 3/4 inch
	F200185	Water Hose	Standard thread; 1 inch
20	F8126601	Strainer	
21	F8116801	Cold Spray Plumbing Assembly	Includes items 12 and 22-24
22	F8110701	Hose Barb	
23	F200222	Hose Clamp	No. 12
24	F8137504	Hose	
25	F8118101	Street Elbow	
26	F380800P	Vacuum Breaker Valve	
27	F0170221-00	O-Ring	
28	F0380808-00	Vacuum Breaker Cap	
29	F8074702	Hot Spray Plumbing Assembly	Includes items 1-9, 11-13, 15, 25-28 and 30
30	F430938	Screw	

# Fill Plumbing Assembly - Models Through 10/3/10



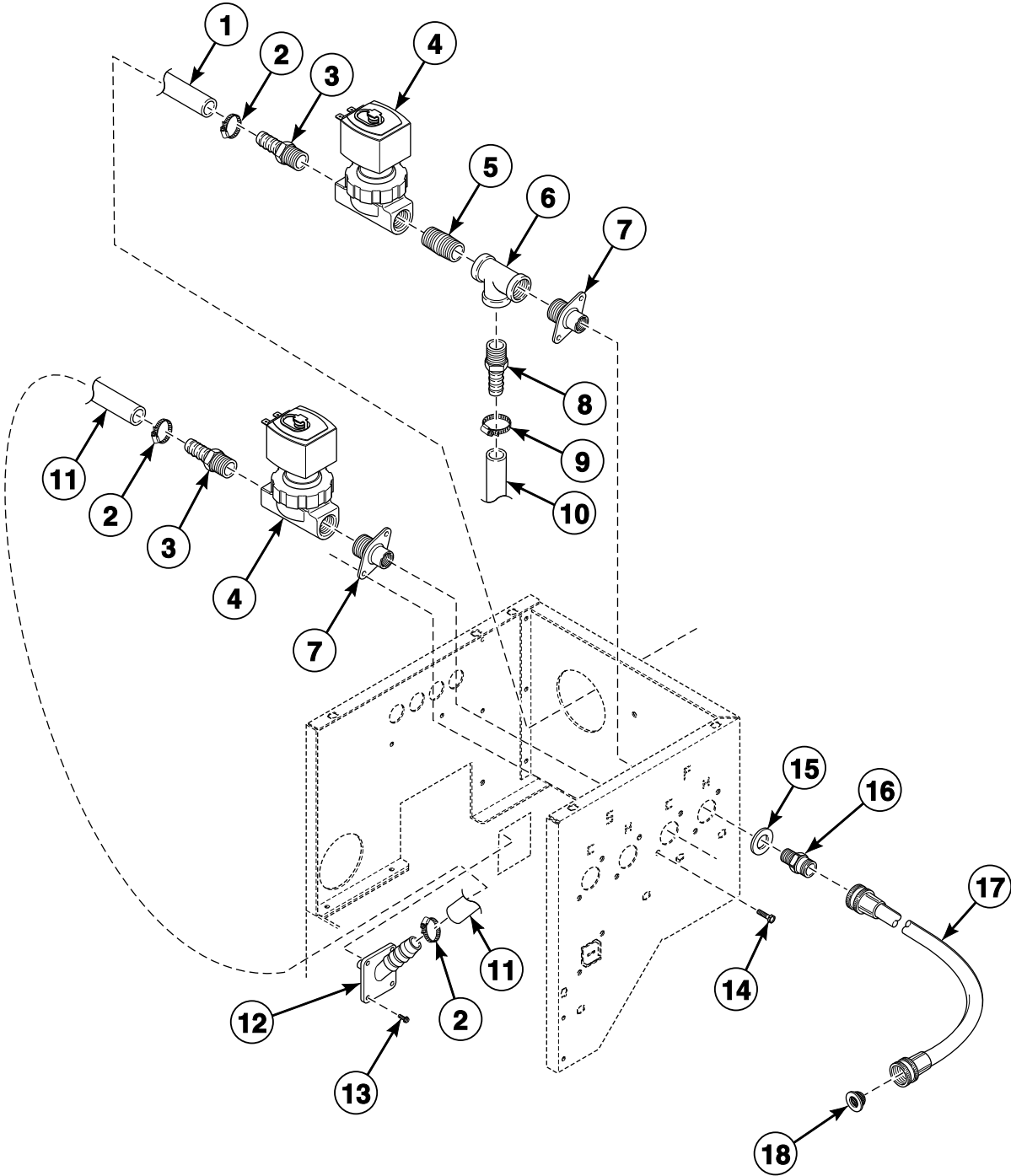
PHM3062P\_F8165401

## Fill Plumbing Assembly - Models Through 10/3/10

REF	PART NO.	DESCRIPTION	COMMENTS
	F8073601P	Supply/Fill Module Harness	
	F8073701P	Fill/Spray Valve Harness	
1	F8154503	Coupling	
2	F8118101	Street Elbow	
3	F8117102	Fill Plumbing Connection Assembly	Includes items 1, 2 and 4
4	F421952	Hose Barb	
5	F200222	Hose Clamp	No. 12
6	F8137502	Hose	
7	F8233501	Warning Label	
8	F421908	Hose Adapter	Standard thread; 1 1/2 inch
	F421909	Hose Adapter	Standard thread; 3/4 inch
	F8265701	Adapter	Metric thread
9	20290	Washer	
10	F200164	Water Hose	Standard thread; 3/4 inch
	F200166	Water Hose	Metric thread; 3/4 inch
	F200185	Water Hose	Standard thread; 1 inch
11	803615	Washer	
12	F8110001	Elbow	
13	F8110901	Nipple	
14	F200401P	U-Bolt Clamp	
15	F381733P	Valve	
	F0381007P	Water Valve Repair Kit	
16	F8109501	Cold Fill Plumbing Assembly	Includes items 2, 4, 13 and 18
17	F421964	Hose Barb	
18	F8118501	Tee	
19	F8079601	Nipple	
20	F380500	Gate Valve	
21	F200165	Water Hose	
22	C002657	Hose	
23	F8109701	Hot Fill Plumbing Assembly	Includes items 2, 4, 9, 11-13, 15 and 17-20

# Fill Plumbing Assembly - Models Starting 10/4/10

UWL, UWN and UWU Models



PHM3139P\_F8165401

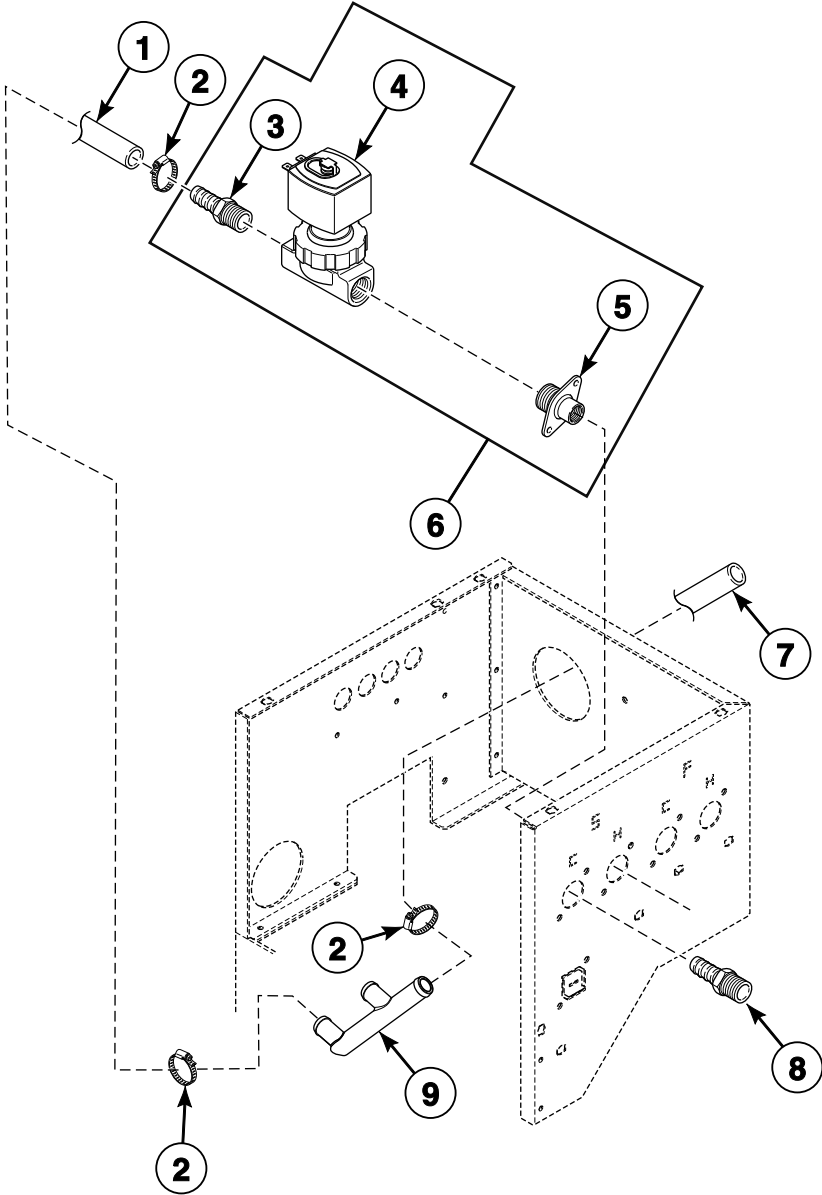
## Fill Plumbing Assembly - Models Starting 10/4/10

REF	PART NO.	DESCRIPTION	COMMENTS
	F8347501	Fill/Supply Harness	
	F8347104	Fill Valve Harness	
1	F8394002	Hose	
2	36801	Hose Clamp	No. 8
3	F421964	Hose Barb	
4	F8322901P	Valve	3/4 inch; Brass
5	C000417	Nipple	1/2 inch; Brass
6	N/A	Tee	
7	F8362703	Coupling	3/4 inch
8	F8110701	Hose Barb	
9	F200222	Hose Clamp	No. 12
10	F8394001	Hose	
11	F200165	Water Hose	
12	F8351601	Fill Port	
13	70442301	Screw	
14	20253	Screw	
15	20290	Washer	
16	F421968	Hose Adapter	Standard thread; 1 inch
	F8285801	Adapter	Metric thread
17	F200164	Water Hose	Standard thread
	F200166	Water Hose	Metric thread
18	803615	Washer	Filter

**N/A = Part no longer available**

# Spray Plumbing Assembly - Models Starting 10/4/10

Models with a 3 in the 8th Position

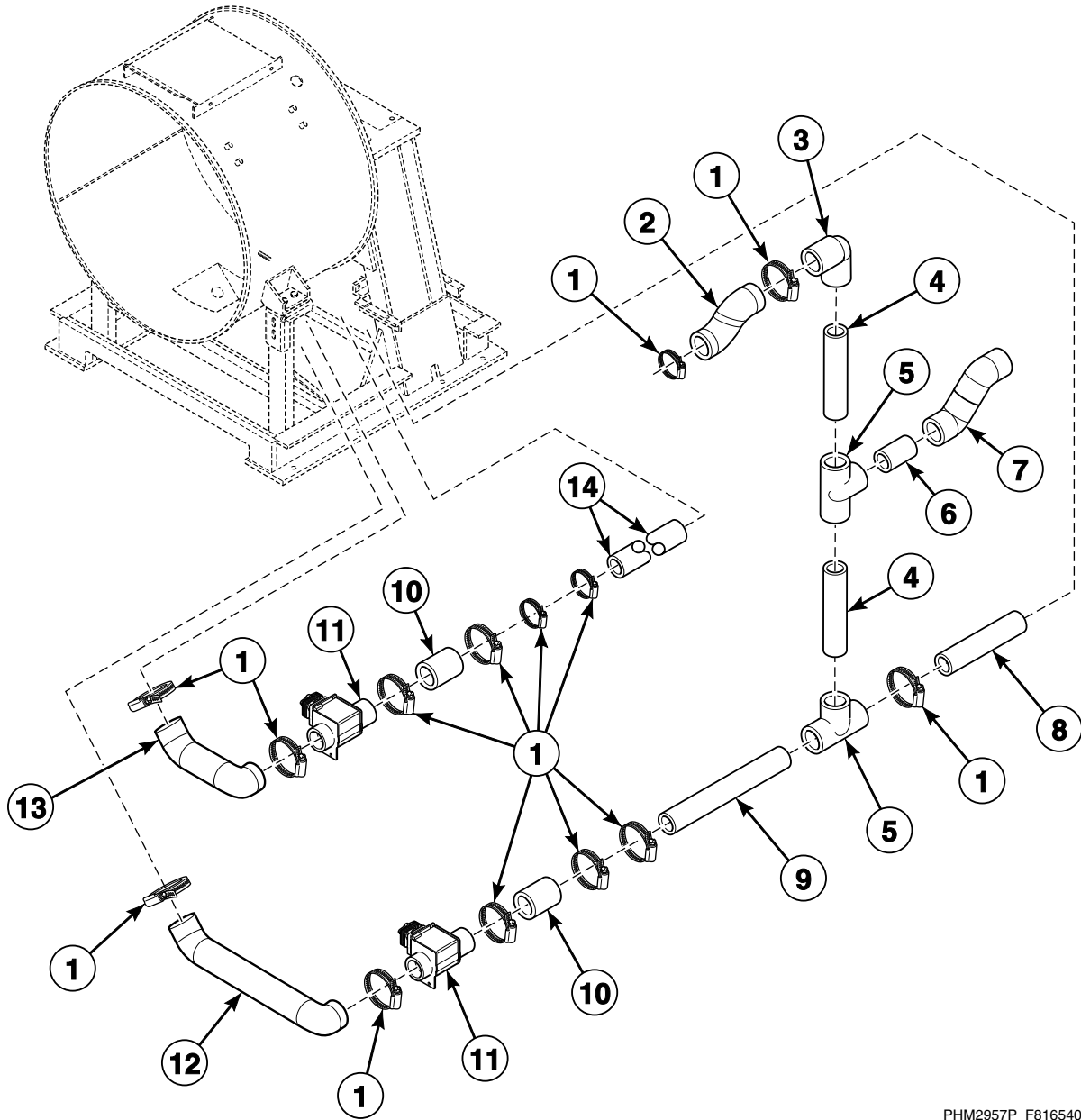


PHM3141P\_F8165401

## Spray Plumbing Assembly - Models Starting 10/4/10

REF	PART NO.	DESCRIPTION	COMMENTS
	F8347501	Fill/Supply Harness	
	F8347102	Fill Valve Harness	
1	F8232007	Hose	
2	36801	Hose Clamp	No. 8
3	F421930	Hose Barb	
4	F8322801P	Valve	1/2 inch; Brass
5	F8362701	Coupling	1/2 inch
6	F8288401	Fill Plumbing Assembly	Includes items 3-5
7	F8137505	Hose	
8	F421908	Hose Adapter	Standard
	F421949	Nipple	Metric
9	F8333201	Manifold	

# Drain Plumbing - Design 1 Models

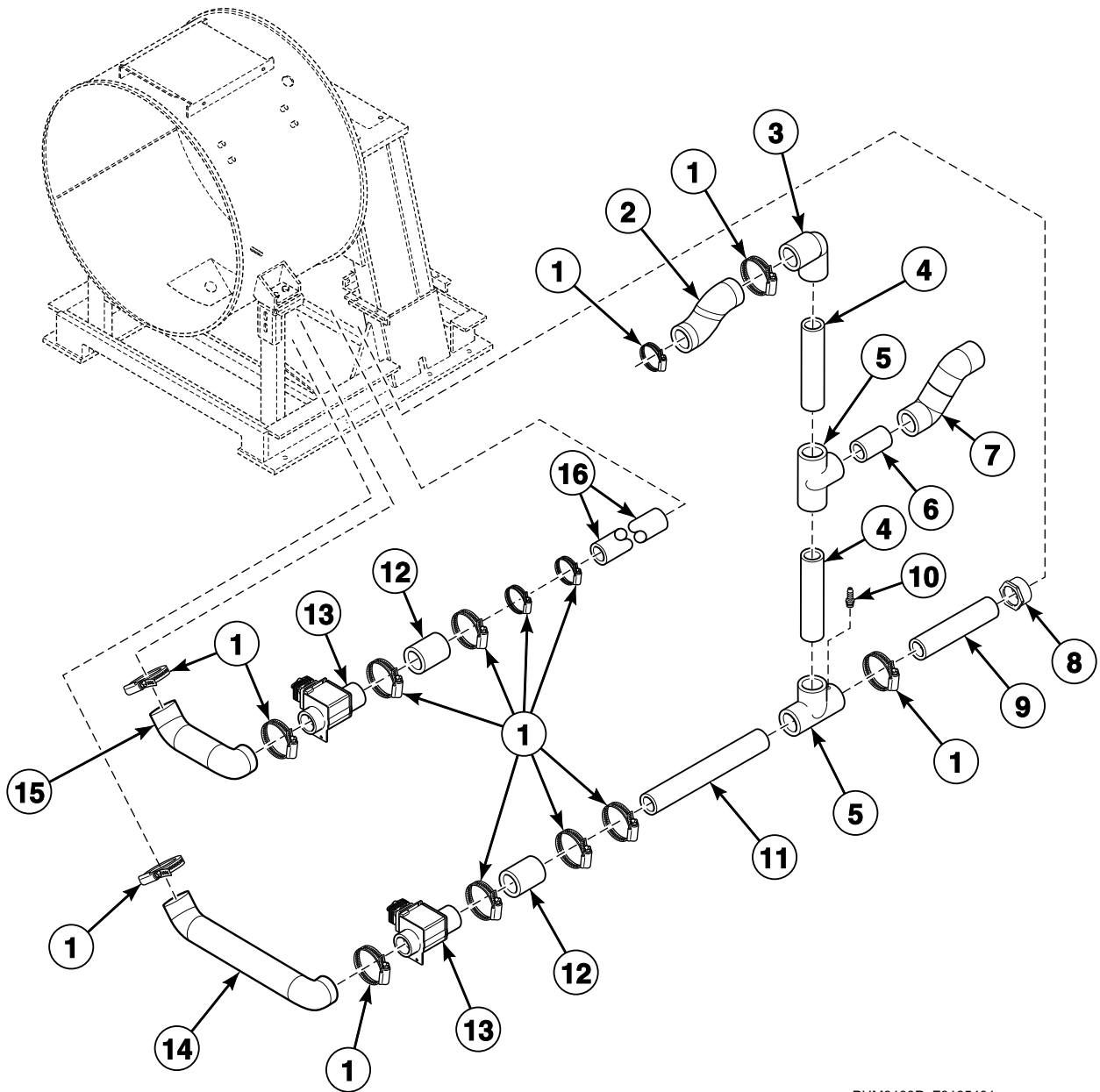


PHM2957P\_F8165401

## Drain Plumbing - Design 1 Models

REF	PART NO.	DESCRIPTION	COMMENTS
1	F200201	Hose Clamp	
2	F0150488-00	Overflow Hose	
3	F422901	Elbow	
4	F0602365-20	Pipe	
5	F422802	Tee	
6	F0602365-15	Pipe	
7	F422917	Elbow	
8	F0602365-02	Pipe	
9	F060236531	Pipe	
10	F200275800	Hose	
11	F200166402	Drain Valve Kit	
	F380933P	Drain Valve Motor	
12	F200081100	Drain Hose	
13	F200081200	Drain Hose	
14	F0602365-06	Pipe	

# Drain Plumbing - Design 2 Models



PHM3103P\_F8165401

## Drain Plumbing - Design 2 Models

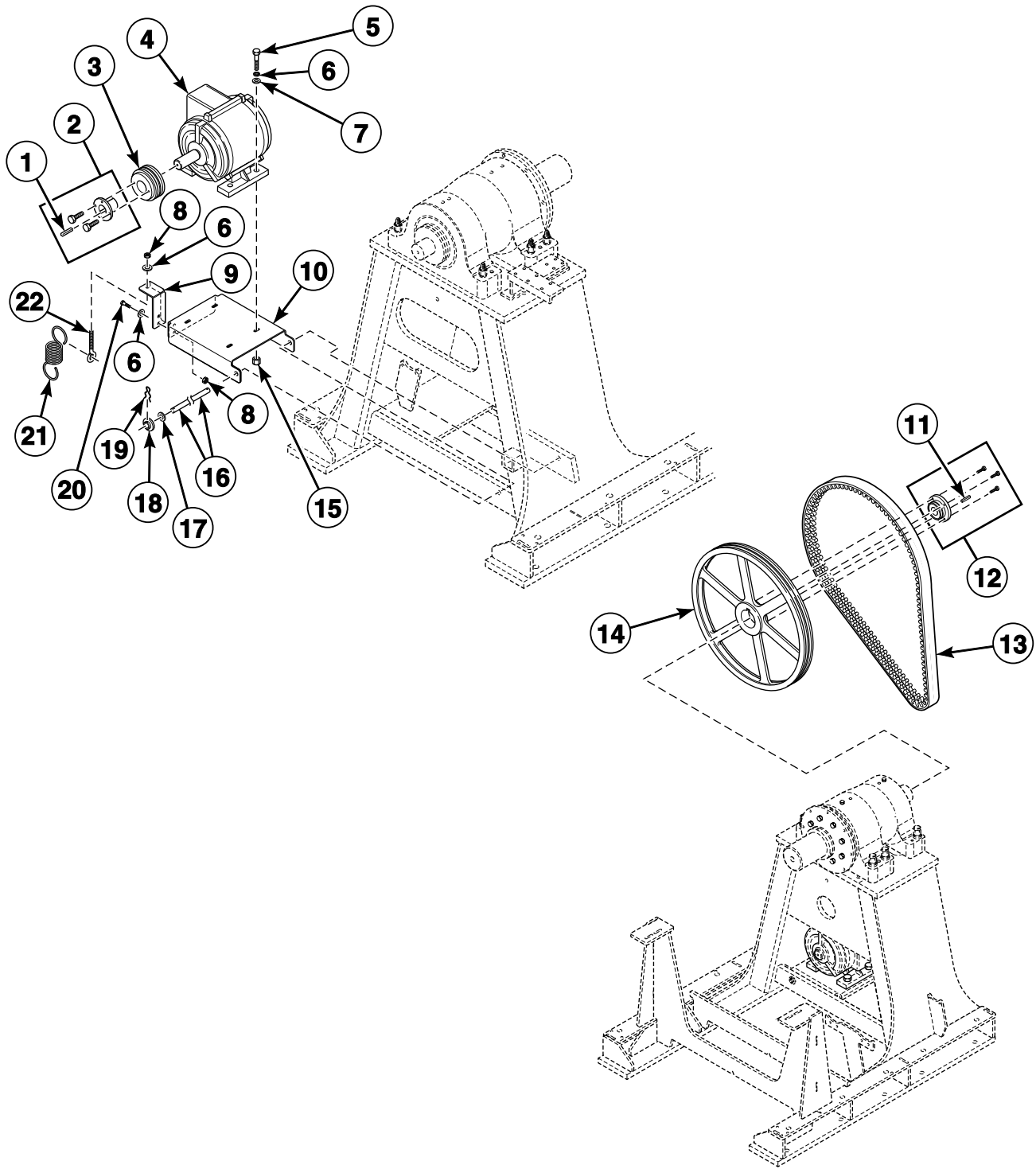
REF	PART NO.	DESCRIPTION	COMMENTS
1	F200201	Hose Clamp	
2	F0150488-00	Overflow Hose	
3	F422901	Elbow	
4	F0602365-20	Pipe	
5	F422802	Tee	
6	F0602365-15	Pipe	
7	F422917	Elbow	
8	F422602	Reducer Bushing	
9	F0602365-02	Pipe	
10	F421929	Hose Barb	
11	F0602365-14	Pipe	
12	F200275800	Hose	
13	F200166402	Drain Valve Kit	
	F380933P	Drain Valve Motor	
14	F8328401	Drain Hose	
15	F8328501	Drain Hose	
16	F060236532	Pipe	



## Drain Plumbing - Design 3 Models

REF	PART NO.	DESCRIPTION	COMMENTS
1	F200201	Hose Clamp	
2	F0150488-00	Overflow Hose	
3	F8386802	Molded Drain	
4	F421929	Hose Barb	
5	F422602	Reducer Bushing	
6	F200275800	Hose	
7	F200166402	Drain Valve Kit	
	F380933P	Drain Valve Motor	
8	F8328401	Drain Hose	
9	F8328501	Drain Hose	
10	F060236532	Pipe	

# Motor, Belt and Pulley



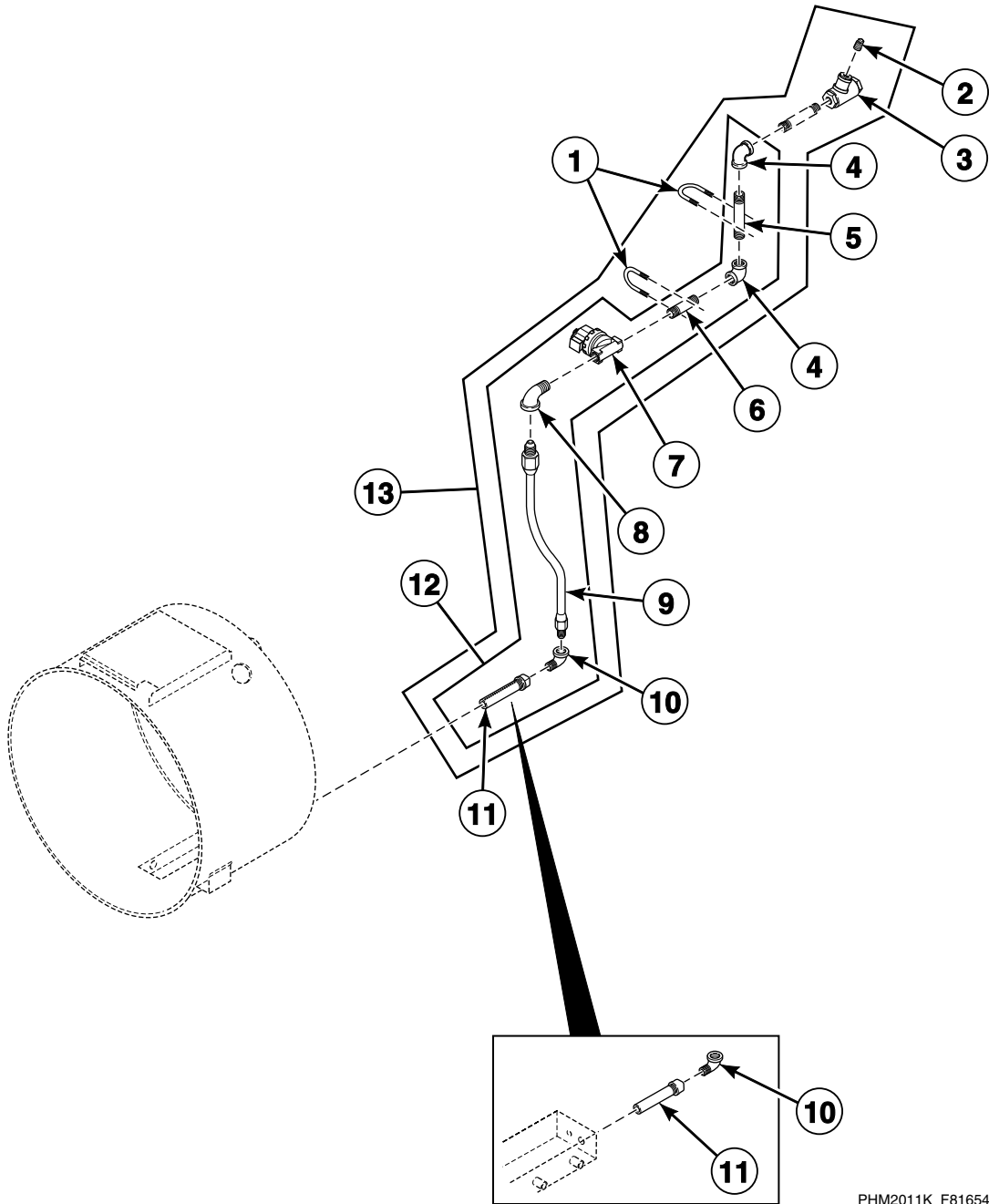
PHM3097P\_F8165401

# Motor, Belt and Pulley

REF	PART NO.	DESCRIPTION	COMMENTS
1	N/A	Key	
2	F280242	Motor Bushing	Includes screws and item 1; H - 1-3/8
3	F8061201P	Sheave Pulley	Motor; 2BK45H; 4.5 inch OD
	F280184	Pulley	3.4 inch OD
4	N/A	Motor	AC drive parameters must be compatible with the motor and motor pulley. Please request the AC drive parameter illustration for parameter verification when ordering a motor; Order F8356405 Motor Conversion Kit
	F8356408	Motor Conversion Kit	AC drive parameters must be compatible with the motor and motor pulley. Please request the AC drive parameter illustration for parameter verification when ordering a motor.
	F8334801	Motor	Models that have been retrofitted with F8356408 Motor Conversion Kit
5	800461	Screw	
6	M400081	Washer	
7	M400014	Washer	
8	F430218	Nut	
9	F200089300	Motor Tensioning Bracket	Design 1
	F8330801	Motor Tensioning Bracket	Design 2
10	F8213301	Motor Plate	Design 1
	F8311301	Motor Mount Bracket	Design 2
11	F602257	Key	
12	F280294P	Basket Pulley Bushing	Includes screws and item 11; 2-7/16
13	F8319601	Belt	BX120
14	F280412	Pulley	Basket; 2B305F
15	20274	Nut	
16	F200051200	Motor Support Rod	Design 1
	F8333601	Motor Support Rod	Design 2
17	901690	Washer	
18	F8333301	Flanged Bushing	
19	F430401	Cotter Pin	Design 1
	F8333701	Retaining Clip	Design 2
20	F430144	Screw	Design 1
	800461	Screw	Design 2
21	F310148	Tension Spring	
22	F8319501	Bolt	Design 1
	F8332201	Bolt	Design 2

N/A = Part no longer available

# Steam Heat Option - Models Through 10/3/10

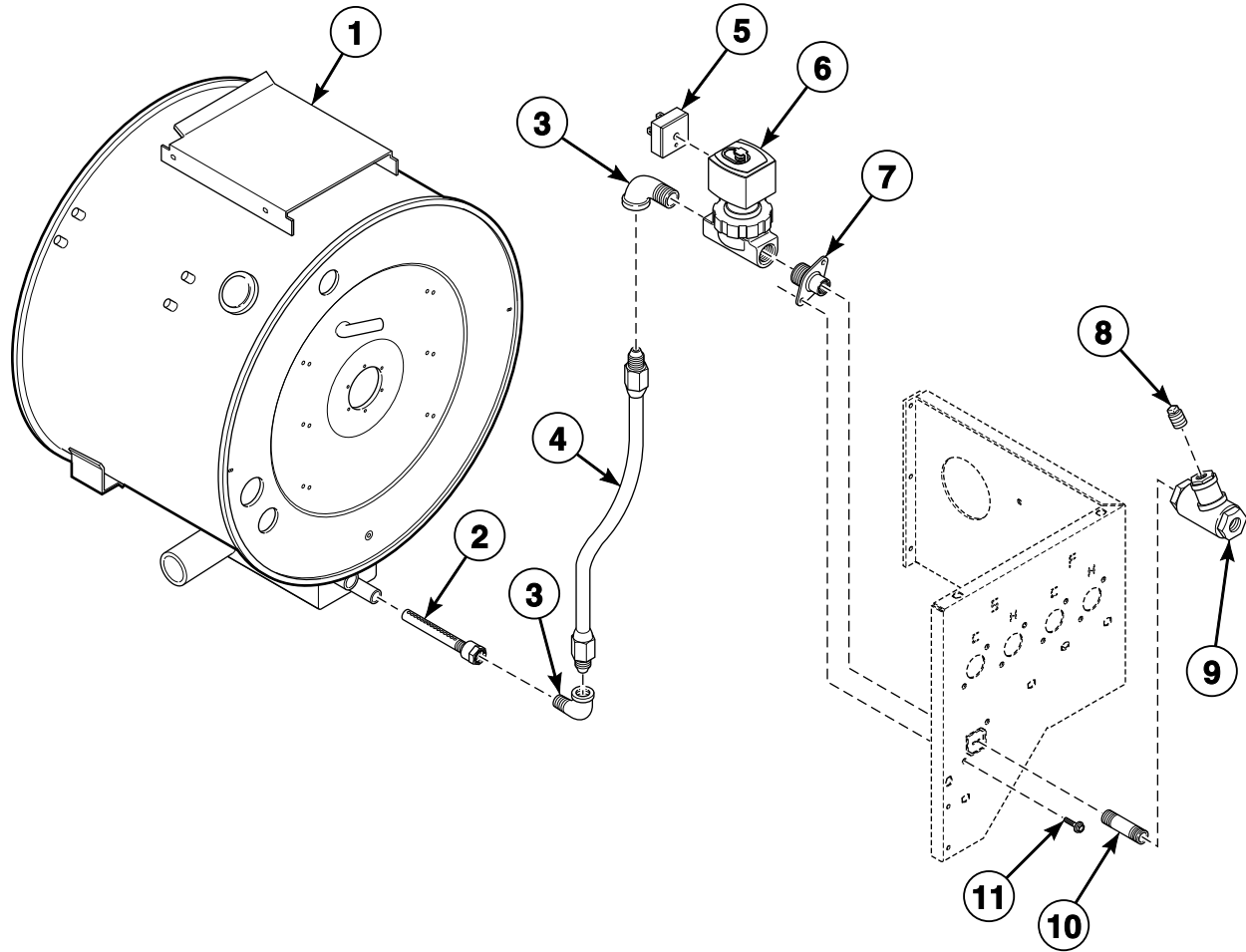


PHM2011K\_F8165401

## Steam Heat Option - Models Through 10/3/10

REF	PART NO.	DESCRIPTION	COMMENTS
1	F200401P	U-Bolt Clamp	
2	F420408	Plug	
3	F270308	Steam Filter	
4	F421107	Elbow	
5	H85101673	Pipe Nipple	
6	M411418	Pipe Nipple	
7	F380796P	Steam Valve	3/4 inch; 220 Volt; F380984P Steam Valve Repair Kit
8	M411264	Street Elbow	
9	F150494	Steam Hose	
10	F421707	Street Elbow	
11	F603132	Steam Injector Tube Assembly	
12	F635754P	Steam Kit	Includes items 4-11
13	F948P3	Steam Heat Kit	Includes items 1-12 and F8028302P Steam Heat Drain Valve Harness

# Steam Heat Option - Models Starting 10/4/10 Through 1/3/11

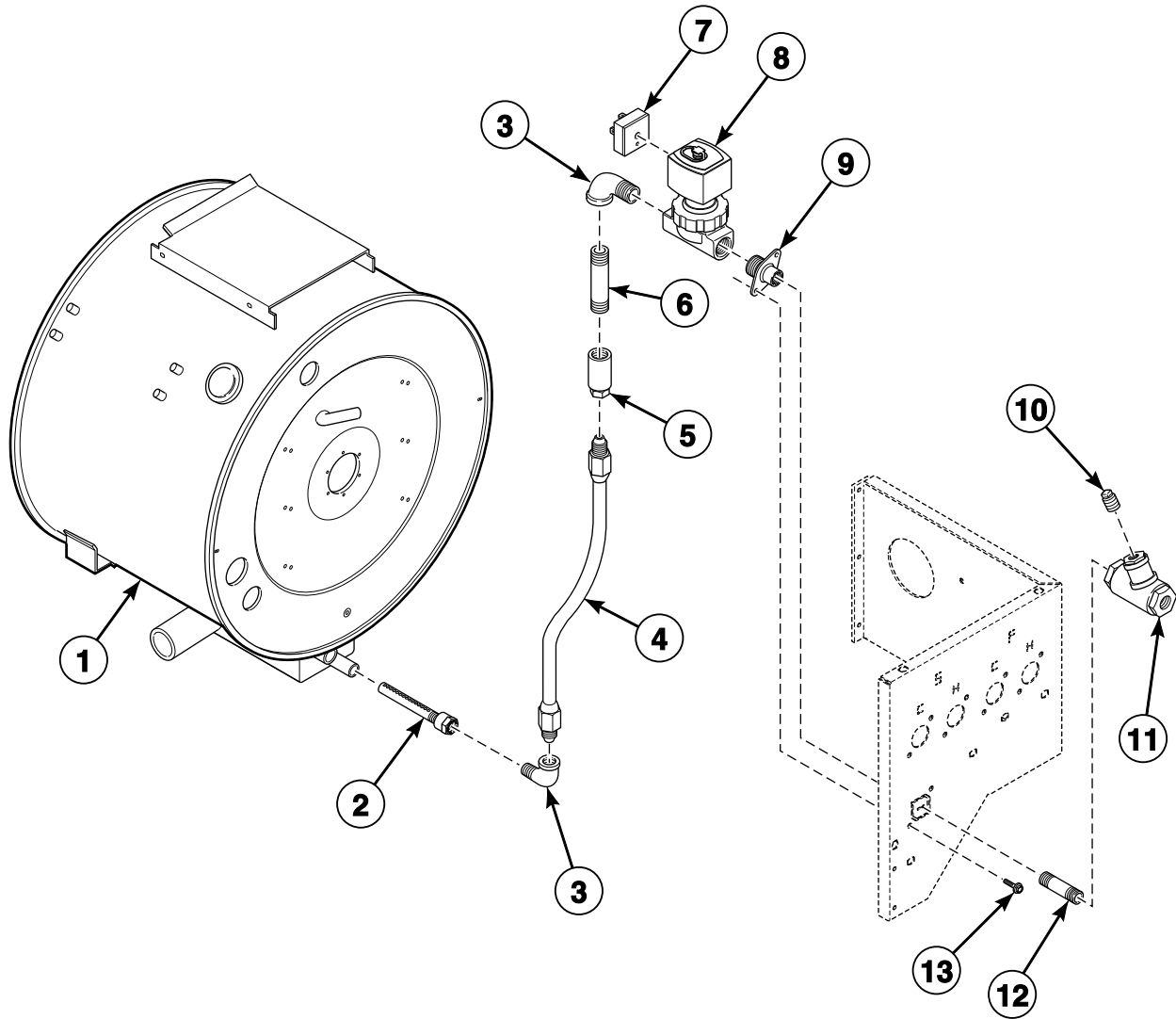


PHM2132K\_F8165401

## Steam Heat Option - Models Starting 10/4/10 Through 1/3/11

REF	PART NO.	DESCRIPTION	COMMENTS
	F8394501	Steam Assembly	Includes items 2-11
	F945P3	Steam Heat Kit	Includes items 2-11 and F8257002 Drain Valve Harness
<b>1</b>	F8378301	Shell Weldment	
<b>2</b>	F603132	Steam Injector Tube Assembly	
<b>3</b>	F421707	Street Elbow	
<b>4</b>	F150494	Steam Hose	
<b>5</b>	F8382301	Adapter	
<b>6</b>	F8322901P	Valve	3/4 inch; 220 Volt
<b>7</b>	F8362702	Coupling	
<b>8</b>	F420408	Plug	
<b>9</b>	F270308	Steam Filter	
<b>10</b>	901403	Pipe Nipple	
<b>11</b>	70321501	Screw	

# Steam Heat Option - Models Starting 1/3/11

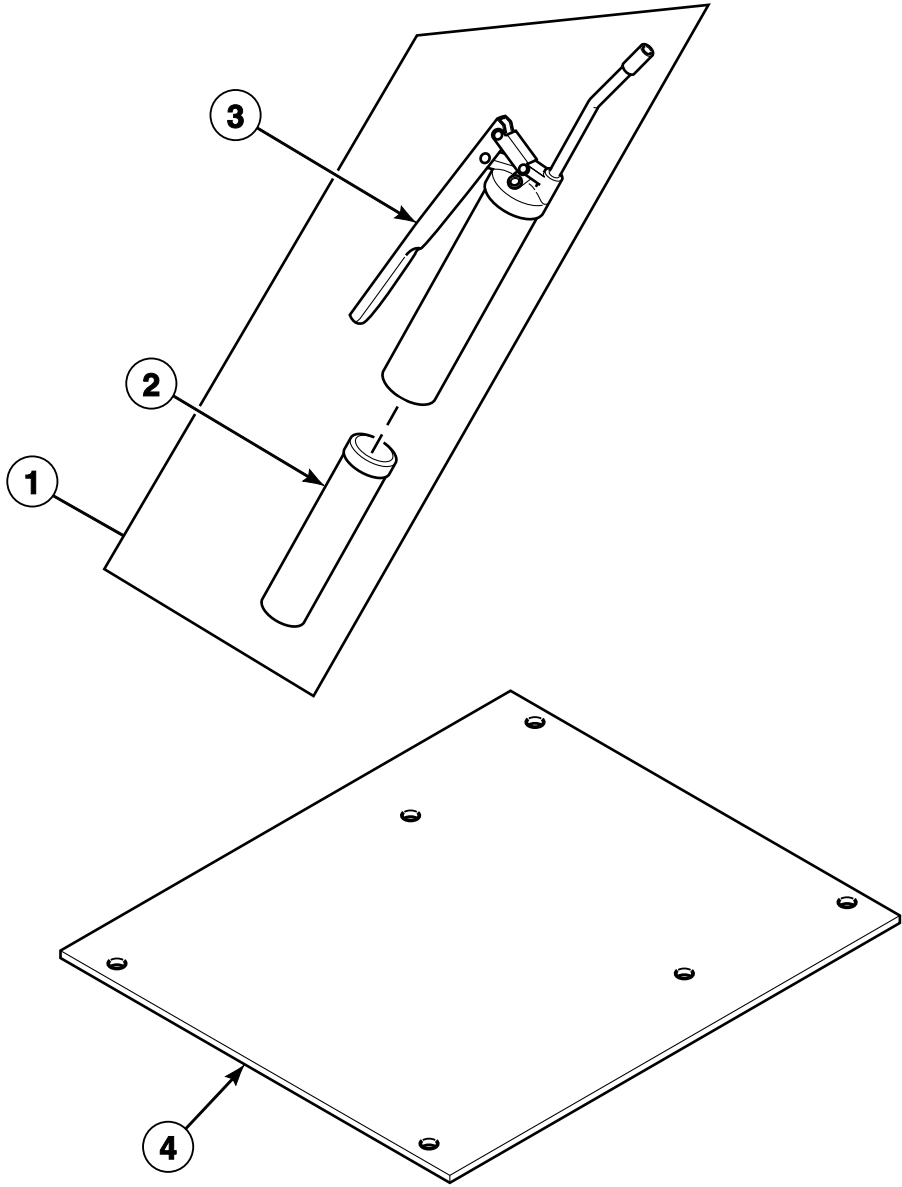


PHM3148\_F8165401

## Steam Heat Option - Models Starting 1/3/11

REF	PART NO.	DESCRIPTION	COMMENTS
	F8394601	Steam Assembly	Includes items 2-9
1	F8378301	Shell Weldment	
2	F603132	Steam Injector Tube Assembly	
3	F421707	Street Elbow	
4	F150494	Steam Hose	
5	F8155201	Coupling	
6	F421323	Nipple	
7	F8382301	Adapter	
8	F8322901P	Valve	3/4 inch; 220 Volt
9	F8362702	Coupling	
10	F420408	Plug	
11	F270308	Steam Filter	
12	901403	Pipe Nipple	
13	70321501	Screw	

# Special Tools



PHM2994P\_F8165401

# Special Tools

REF	PART NO.	DESCRIPTION	COMMENTS
	F923P3	Wet-Clean Kit	
	F922P3	Reuse Kit	
	F8167901	USB IR Device Assembly	
	F8133301	UniLinc PC and PDA Software CD	
	F8133701	UniLinc PC and PDA Software CD	Programmer's version
	F404P4	Trunnion Replacement Tool Kit	
	F403P4	Trunnion Hoist Tool	
<b>1</b>	F798700	Grease Gun Kit	Includes items 2 and 3
<b>2</b>	F210206P	Bearing Grease	
<b>3</b>	F210207P	Grease Gun	
<b>4</b>	F200192900	Rebar Frame Template	



# Parts Index

## A

AC Drive	
F8169672 .....	15
F8169673 .....	15
Adapter	
F8265701 .....	51, 53
F8285801 .....	55
F8382301 .....	69, 71
Air Coupling	
F422114 .....	19
Air Trap Hose	
F200142 .....	11

## B

Back Water Panel	
F8374901 .....	25
Basket Pulley Bushing	
F280294P .....	65
Basket Retainer Seal Plate	
F200068300 .....	37, 41
Basket Weldment	
F200068700 .....	37, 41
Bearing Grease	
F210206P .....	73
Bearing Housing Assembly Kit	
F949P3 .....	39, 43
F950P3 .....	39, 43
Belt	
F8319601 .....	65
Belt Access Guard Panel	
F8117501 .....	21
Belt Edging	
70360901 .....	21
Bolt	
F200190800 .....	37, 41
F8319501 .....	65
F8332201 .....	65
Bushing	
F280252 .....	27, 29
F280253 .....	27, 29
70346501 .....	11
Button Kit	
F8069902P .....	35

## C

Cap Plug	
F180486 .....	13
Catch Basin	
F8118401 .....	51
CFG Harness	
F8028113 .....	11
Chemical Supply Cup	
F150385 .....	45
F150386 .....	45

Chemical Supply Hose	
F200081300 .....	45
F8281801 .....	45
Circuit Breaker	
F8303001P .....	17
70256901P .....	17
Clean Filter Daily Decal	
F200061000 .....	9, 17
Clip	
M400984 .....	13
Cold Fill Plumbing Assembly	
F8109501 .....	53
Cold Spray Plumbing Assembly	
F8116801 .....	51
Cold Water Valve Decal	
F0231368-00 .....	23
Connector	
F422500 .....	11
J1408004 .....	19
Contact	
F330170 .....	35
Contact Block and Mounting Switch	
F340444 .....	31, 33, 35
Contact Block Switch	
F200233400 .....	35
F200233401 .....	9
Contact Switch	
F8069501 .....	9
Contacto	
F330188P .....	17
Containment Device	
F0380809-00 .....	51
Control Assembly	
F8107701P .....	9
Control Assembly Kit	
F980P3 .....	11
Control Board Bracket	
F8036101 .....	9
Control Box Contactor Panel	
F8055001 .....	9
Control Box Rear Panel	
F8170501 .....	9
Control Box Top Panel	
F8170601 .....	9
Control Harness Tray	
F8073006 .....	9
F8290305 .....	9
Control Module Decal	
F200311600 .....	9
Conversion Label	
F8099701 .....	23, 25
F8099801 .....	23, 25
Cotter Pin	
F430401 .....	65
Coupling	
F8154501 .....	51
F8154503 .....	53
F8155201 .....	71
F8362701 .....	57
F8362702 .....	69, 71
F8362703 .....	55

N/A items do not appear in index.

Cover Decal	
F200318200	21

## D

Diaphragm and Guide Kit	
G582P3	47, 49
DIN Rail	
F8134101	17
Disconnect Power Warning Label	
505281	11
Dispenser Assembly	
F0150512-00P	45
Dispenser Lid	
F0150514-00	45
Dispenser Shroud Weldment	
F8024303	45
Dispenser Valve Harness	
F8091601P	47
F8347302	49
Do Not Tamper Label	
F8345901	15
Door Cam Torsion Spring	
F310133	31, 33
Door Conduit Guard	
F8115701	31, 33
Door Gasket Kit	
F8434802P	27, 29
Door Glass Gasket	
F200076000	27, 29
Door Handle	
F150225	27, 29
Door Hinge	
F200074300	27, 29
Door Hinge Bracket Assembly	
F200077600	27, 29
Door Lock Bracket Weldment	
F8209801	31, 33
Door Lock Cam	
F0150518-00	31, 33
Door Lock Cover	
F8071201	31, 33
Door Lock Harness	
F8029301	31, 33
F8029303	33
Door Lock Shim	
F606563	31, 33
Door Spray Nozzle Assembly	
F8356301	29
Door Weldment	
F200075000	27, 29
Dowel Pin	
F8332401	39, 43
F8332402	39, 43
Drain Hose	
F200081100	59
F200081200	59
F8328401	61, 63
F8328501	61, 63
Drain Valve Kit	
F200166402	59, 61, 63
Drain Valve Motor	
F380933P	59, 61, 63

N/A items do not appear in index.

Drive Box Bottom	
F8105201	23
Drive Box Bottom Panel	
F8284001	23
Drive Box Partition	
F8375901	25
Drive Box Rear Panel	
F8284102	23
F8376001	25
Drive Bracket	
F8322402	15
Drive Control Harness	
F8030101P	11
F8030201P	15
Drive Fan Harness	
F8113901	17
Drive Mounting Box	
F8375601	25
Drive Mounting Bracket	
F8386901	15
Drive Power Harness	
F8027802	15

## E

Earth Terminal Sticker	
M412096	15
Elbow	
F420503	51
F420509	51
F421107	67
F422319	27, 29
F422901	59, 61
F422917	59, 61
F8110001	53
Electric Heat Coils Harness	
F8054901	15
F8054903	15
Electric Heat Harness	
F8054601	15
F8054602	15
F8054603	15
Electric Shock Danger Label	
F8115501	15
Electrical Access Panel	
F8377601	25
Electrical Box Support Bracket	
F8302604	23
Electrical Shock Label	
502511	9, 21, 23
Emergency Stop Harness	
F8060501	9
Emergency Stop Pushbutton	
F200233500	9
EMI Filter	
F8054001	15
F8054002	15
EMI Filter Power Harness	
F8129001	15
Expansion Clip	
70030501	9, 11, 21, 23, 25
External Supply Box	
F8055301	9

External Supply Box Cover F635365 .....	9
External Supply Connection Decal F8059801 .....	9
F8150201 .....	9
External Supply Harness F8029501P .....	13
Extrusion Insert F150397 .....	21

## F

Female Pin Terminal 00117 .....	13
Fill Plumbing Assembly F8288401 .....	57
Fill Plumbing Connection Assembly F8117102 .....	53
Fill Port F8351601 .....	55
Fill Valve Harness F8347102 .....	57
F8347104 .....	55
Fill/Spray Valve Harness F8073701P .....	51, 53
Fill/Supply Harness F8347501 .....	55, 57
Filter F200318900P .....	11, 17
Filter Retainer Guard F220900 .....	11, 17
Flange Bushing F200076800 .....	27, 29
F200076900 .....	27, 29
Flange Relay F330230 .....	35
Flanged Bushing F8333301 .....	65
Follower Cam F100145 .....	27, 29
Frame Weldment F8306701 .....	43
Front Box Panel F8107401 .....	23
Front Bulkhead Panel F8235601 .....	23
F8374401 .....	25
Front Panel F8096401P .....	21
Fuse 802492 .....	11
802493 .....	11

## G

Gate Valve F380500 .....	53
Glass F200074400P .....	27
Glass Retainer F200076100 .....	27, 29

Grease Fitting F190701 .....	19
Grease Gun F210207P .....	73
Grease Gun Kit F798700 .....	73
Grease Instruction Decal F231563 .....	19
Ground Decal F230630 .....	15
F230739 .....	15
Ground Lug Connector M411283 .....	15

## H

Harness F8030001 .....	17
F8030002P .....	17
Harness Tray Cover F8073106 .....	9
F8290806 .....	9
High Hole Glass F8351001 .....	29
Hinge Shim F200077400 .....	27, 29
Hinge Support Assembly Weldment F200074600 .....	27, 29
Hole Plug F8223801 .....	17
Hose C002657 .....	53
F200104P .....	51
F200275800 .....	59, 61, 63
F610068 .....	27
F8137502 .....	53
F8137504 .....	51
F8137505 .....	57
F8232007 .....	57
F8394001 .....	55
F8394002 .....	55
Hose Adapter F421908 .....	51, 53, 57
F421909 .....	51, 53
F421968 .....	55
Hose Barb F421929 .....	61, 63
F421930 .....	57
F421952 .....	51, 53
F421964 .....	53, 55
F8110701 .....	51, 55
Hose Clamp F200201 .....	59, 61, 63
F200213 .....	45
F200222 .....	11, 51, 53, 55
36801 .....	47, 49, 55, 57
Hot Fill Plumbing Assembly F8109701 .....	53
Hot Spray Plumbing Assembly F8074702 .....	51
Hot Surface Warning Decal F200085000 .....	39, 43
Hot Surface Warning Plate F8211901 .....	23

N/A items do not appear in index.

Hot Water and Chemical Caution Decal F200085300 .....	45
Hot Water Valve Decal F0231367-00 .....	23

## I

Injection Nozzle F8322001 .....	45
Injection Nozzle Kit F730168 .....	45
Insulator M413862 .....	15
Interlock Switch Harness F8030501P .....	11

## J

Jog Feature Retrofit Control Harness F200311200 .....	35
Jog Feature Retrofit Kit F079902300 .....	35
Jog Option Harness F8068201P .....	35
Jumper Configuration Assembly M413507 .....	11
Jumper Harness Assembly M413506 .....	11

## K

Key F602257 .....	65
----------------------	----

## L

Left Side Cover F8109902 .....	23
F8289902 .....	23
F8365002 .....	25
Left Side Panel F8107502P .....	21
Logic Supply Power Harness F8060001 .....	15
Lower Belt Guard F8244801 .....	21
F8338101 .....	21

## M

Magnet F8390801 .....	27, 29, 35
Magnetic Proximity Sensor Harness F8080401P .....	31, 33
F8080402P .....	31, 33
Magnetic Switch Connection Bracket F200067200 .....	35

Main Power Harness F8060301 .....	15
Male Tab Terminal 00177 .....	11, 15
Manifold F8333201 .....	57
Microswitch F340906 .....	19
Molded Drain F8386802 .....	63
Momentary Pushbutton F8069602 .....	31, 33, 35
Motor F8334801 .....	65
Motor Bushing F280242 .....	65
Motor Conversion Kit F8356405 .....	65
Motor Mount Bracket F8311301 .....	65
Motor Plate F8213301 .....	65
Motor Support Rod F200051200 .....	65
F8333601 .....	65
Motor Tensioning Bracket F200089300 .....	65
F8330801 .....	65
Mount on Concrete Warning Label F8246401 .....	21
Moving Parts Plug Warning Decal F200085500 .....	37, 41
Muffin Fan F110110 .....	11, 17

## N

Network Board Assembly 201341 .....	9
Network Board Bracket F8079401 .....	11
Network Controller Kit NK220 .....	11
Network Retrofit Kit NK205 .....	9
Network Wire Harness Assembly 44088501P .....	11
Nipple C000417 .....	55
F420103 .....	51
F420105 .....	51
F421323 .....	71
F421949 .....	57
F8079601 .....	53
F8110201 .....	51
F8110601 .....	51
F8110901 .....	53
No-Swivel Coupling F422109 .....	27, 29
Nut F430211 .....	21
F430215 .....	31, 33, 37, 41
F430218 .....	65

N/A items do not appear in index.

F430225	35
F430231	11, 17, 31, 33, 35
F430232	11
F430233	27, 29
F430248	39, 43
F430264	21, 25
F431002	27, 29, 39, 43
F431005	45
F431022	27, 29
F431024	27, 29
F431025	39, 43
F431026	27, 29, 39, 43
F8322601	29
H88412101	19
20274	65
430218	39
430576	43
685846	9
70030401	21, 23
70142	37, 41
802292	45

## O

O-Ring	
F0170221-00	51
F170200	27
F170201	27
F170208	45
F170215	45
F200088700	37, 41
Output Assembly	
F8108501P	11
Output Auxiliary Power Harness	
F8028401	11
Output/Logic Harness	
F8028701	15
Overflow Hose	
F0150488-00	59, 61, 63

## P

Panel Locator	
56079	21
Panel Safety Reed Switch Harness	
F200294300	35
Partition	
F8120201	23
PC Board Standoff	
210098	9
Pipe	
F0602365-02	59, 61
F0602365-06	59
F0602365-14	61
F0602365-15	59, 61
F0602365-20	59, 61
F060236531	59
F060236532	61, 63
Pipe Nipple	
H85101673	67
M411418	67
901403	69, 71
Pivot Lock Cover Weldment	
F8210001	27, 29

Pivot Lock Weldment	
F608536	27, 29
Plug	
F0200237-00	37, 41
F140527	13
F140563	27, 29
F420408	67, 69, 71
F8144101	17
F8223901	13, 17
M400985	13
Plug Cap	
F190304	45
Pop Rivet	
F431210	9, 11
70058501	17, 23
Power Distribution Block Cover	
44014901P	15
Power Harness	
F8060401P	11
F8367801	11
Pulley	
F280184	65
F280412	65

## R

RC Network Filter	
F330217P	31, 33
Rear Center Panel	
F8346504	25
Rear Drive Box Panel	
F8119002	23
Rear Water Box Panel	
F8119001	23
Rebar Frame Template	
F200192900	73
Reducer Bushing	
F421936	21
F422602	61, 63
F8100301	51
Reed Switch Assembly	
F8066801P	31, 33
Retaining Clip	
F8333701	65
Reuse Kit	
F922P3	73
Right Side Cover	
F8109901	23
F8289901	23
F8365001	25
Right Side Panel	
F8107501P	21
Ring Retainer	
F310206	27, 29
Rivet	
M412763	21
Rocker Switch	
F8367701	9
Rotation Sensor Assembly	
F200126200P	19
Rotation Sensor Bracket	
F200090500	19

N/A items do not appear in index.

Rotation Sensor Harness	
F8066401 .....	19
Rub Rail	
F200079000 .....	21

## S

### Screw

F0220908-02 .....	27, 29
F200064000 .....	19
F200075400 .....	27, 29
F430144 .....	37, 65
F430174 .....	9, 21
F430266 .....	35
F430518 .....	37, 41
F430903 .....	9, 15
F430910 .....	11
F430917 .....	27, 29, 45
F430921 .....	21, 31, 33
F430928 .....	31, 33, 35
F430938 .....	51
F430948 .....	11, 47, 49
F430956 .....	21
F430985 .....	31, 33
F430995 .....	31, 33
F432253 .....	39, 43
F8117601 .....	9, 11, 21, 23
F8136601 .....	13
F8151201 .....	17
F8206901 .....	11, 21, 23, 25
F8285601 .....	39, 43
M411072 .....	15, 17, 21
M412105 .....	15
20253 .....	21, 23, 55
39733 .....	15
430497 .....	9
51780 .....	13, 15
51783 .....	15
70182601 .....	21
70321501 .....	69, 71
70442301 .....	55
800461 .....	41, 65
Seal Replacement Kit	
986P3 .....	39, 43
987P3 .....	39, 43
Sheave Pulley	
F8061201P .....	65
Shell Band Fastener Kit	
F791001 .....	37, 41
Shell Band Gasket	
F170120RP .....	37
F8302004 .....	37, 41
Shell Band Weldment	
F200066600 .....	37, 41
Shell Front Weldment	
F200075900P .....	37, 41
Shell Support Bracket	
F200073700 .....	39
Shell Weldment	
F8095301 .....	37
F8273701 .....	37, 41
F8378301 .....	41, 69, 71
Side Electrical Box Panel	
F8364901 .....	25

Side Panel Cover	
F8098601 .....	21, 39, 43
Side Water Box Panel	
F8364801 .....	25
Snap Bushing	
F140938 .....	11
M402542 .....	13, 17
M405340 .....	11
Solenoid	
F0300130-00P .....	31, 33
Spin Warning Decal	
F200085100 .....	45
Spray Nozzle Gasket	
F8322701 .....	29
Spray Pipe Assembly	
F8126202 .....	27, 29
Spray Rinse Bracket Assembly	
F602901P .....	27, 29
Spray Rinse Hose	
F8380501 .....	29
Spray Rinse Hose Assembly	
F8380001 .....	29
Spray Rinse Hose Kit	
F730023 .....	27
Spray Rinse Nozzle	
F380301 .....	27
Spray Rinse Strap	
F602880 .....	27, 29
Spring	
F310107 .....	31, 33
Spring Pin	
F431222 .....	27, 29
Steam Assembly	
F8394501 .....	69
F8394601 .....	71
Steam Filter	
F270308 .....	67, 69, 71
Steam Heat Kit	
F945P3 .....	69
F948P3 .....	67
Steam Hose	
F150494 .....	67, 69, 71
Steam Injector Tube Assembly	
F603132 .....	67, 69, 71
Steam Kit	
F635754P .....	67
Steam Valve	
F380796P .....	67
Steam-Electric Switch Label	
F8368301 .....	9
Step Down Power Harness	
F8060101 .....	17
Strain Relief Adapter Kit	
F749802 .....	45
Strain Relief Connector	
F140340P .....	45
Strainer	
F270200 .....	47
F8126601 .....	51
Street Elbow	
F421707 .....	67, 69, 71
F8118101 .....	51, 53
M411264 .....	67

N/A items do not appear in index.

Supply Controls Bracket F8103001 .....	9
Supply Dispenser Spacer F0150525-00.....	45
Supply/Fill Module Harness F8073601P .....	51, 53
Switch Magnet F340502P .....	27, 29, 31, 33
Swivel Coupling F422108.....	27, 29

## T

Tee	
F422802 .....	59, 61
F8118501 .....	53
F8246601 .....	11
Tension Spring F310148.....	65
Terminal Block	
M413865 .....	15
430642 .....	15
Terminal Block Shield 70333001 .....	15
Thermistor Sensor F370609.....	21
Top Center Panel	
F8107201 .....	23
F8376302.....	25
Top Support Brace F8107301 .....	23
Transformer	
F360157P .....	17
201616 .....	11
Transformer Kit 210019P.....	11
Trim	
F170400RP .....	45
F170404 .....	31, 33, 37, 41
F8152701 .....	9
F8152703.....	17
Trim Seal F100284.....	23
Trunnion Assembly	
F200062000.....	39, 43
F200062001.....	39, 43
Trunnion Hoist Tool F403P4 .....	39, 43, 73
Trunnion Replacement Tool Kit F404P4 .....	39, 43, 73
Tubing	
C000628P .....	19
F8153901 .....	11
F8339601 .....	11

## U

U-Bolt Clamp F200401P .....	51, 53, 67
UniLinc PC and PDA Software CD	
F8133301 .....	73
F8133701 .....	73

Upper Belt Guard F8244701 .....	21
USB IR Device Assembly F8167901 .....	73
Use Copper Conductors Only Caution Label F8242201 .....	15

## V

Vacuum Breaker Cap F0380808-00.....	51
Vacuum Breaker Valve	
F063754701P.....	51
F380800P .....	51
Valve	
F381703P .....	51
F381733P.....	53
F8322801P .....	57
F8322901P .....	55, 69, 71
Valve Mounting Bracket F8331901 .....	49
Valve, 4-Way	
F381723P .....	47
F8336601 .....	49
Vibration Switch F8204001 .....	19

## W

Warning Label	
F8233501 .....	9, 23, 25, 51, 53
44127701 .....	17, 21, 23, 25, 39, 43
Washer	
F0430350-00 .....	39, 43
F200503 .....	51
F430311 .....	37, 41
F430317 .....	37, 41
F430332 .....	19
F431100 .....	21, 27, 29, 39, 43, 45
F431106 .....	31, 33
F431120 .....	27, 29, 39, 43
F431133 .....	45
F431142 .....	27, 29
F431143 .....	27, 29
F431147 .....	45
F431905 .....	27
F431907 .....	27, 29
F601950 .....	37
F8114401 .....	41
M400013 .....	37, 41
M400014 .....	65
M400081 .....	65
M405535 .....	21
20290 .....	53, 55
803615 .....	53, 55
901690 .....	65
Water Box Bottom F8105301 .....	23
Water Box Bottom Panel F8283701 .....	23
Water Box Rear Panel F8284101 .....	23

N/A items do not appear in index.

Water Box Support Bracket	
F8302603 .....	23
Water Hose	
F200110P .....	47, 49
F200164 .....	51, 53, 55
F200165 .....	53, 55
F200166 .....	51, 53, 55
F200185 .....	51, 53
Water Line Caution Decal	
F230734 .....	23
Water Pressure Switch	
F8223001P .....	11
Water Valve Assembly Decal	
F230754 .....	47
Water Valve Rebuild Kit	
F380996P .....	51
Water Valve Repair Kit	
F0381007P .....	53
Wet-Clean Kit	
F923P3 .....	73
Wire Label	
70218701 .....	15

---

## Y

Y Connector	
F422816 .....	47, 49

---