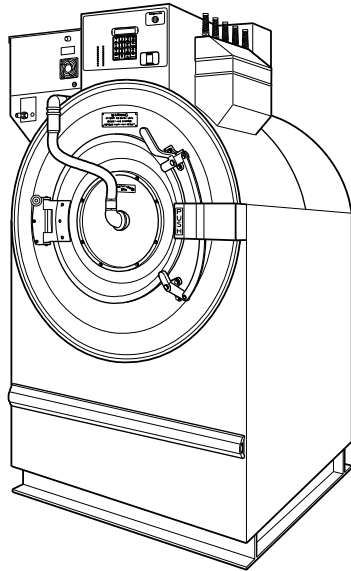


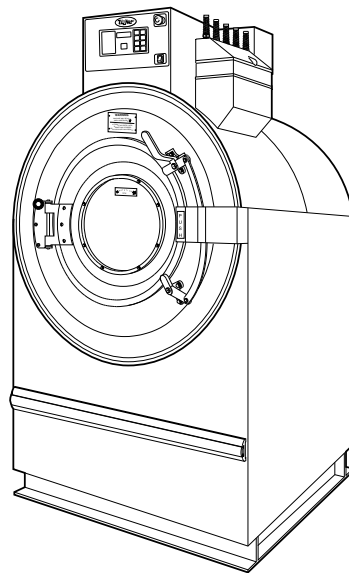
Washer-Extractor

Pocket Hardmount

Refer to Page 5 for Model Numbers



Models UW80PV and UW100PV



Models UW80AV, UW80VV, UW100AV and UW100VV

PHM1407C_F238015



&



Part No. F238015R16
January 2012

Table of Contents

Title	Page
Parts Ordering Information.....	3
Nameplate Location	3
Model Identification	5
Pocket Hardmount Washer-Extractor Product Overview	6
Decals	8
Control Module - Models UW80PV and UW100PV (Drawing 1 of 4).....	10
Control Module - Models UW80PV and UW100PV (Drawing 2 of 4).....	12
Control Module - Models UW80VV and UW100VV	14
Control Module - Models UW80AV and UW100AV	16
Control Module - Models UW80PV and UW100PV (Drawing 3 of 4).....	18
Control Module - Models UW80PV and UW100PV (Drawing 4 of 4).....	20
Control Module - Models UW80AV, UW80VV, UW100AV and UW100VV.....	22
Control Module (Drawing 1 of 2)	24
Control Module (Drawing 2 of 2)	26
Control Module - UW80PV and UW100PV Design 8 Models with 1336 Drives.....	28
Control Module - Models UW80PV and UW100PV - Design 8 Models with PowerFlex 40 AC Drive.....	30
Control Module - PowerFlex 40 Drive Kits	32
Balance Switch, Temperature Probe and Rotation Sensor	34
Front, Rear and Side Panels.....	36
Door and Spray Tube Assembly	38
Door Lock.....	40
Basket, Shell and Frame (Drawing 1 of 2)	42
Basket, Shell and Frame (Drawing 2 of 2)	44
Supply Dispenser	46
Water Supply Valve and Hoses to Supply Dispenser	48
Spray Plumbing - UW80PV and UW100PV Design 5 and 6 Models	50
Spray Plumbing - UW80PV and UW100PV Design 7 and 8 Models	52
Fill Plumbing - UW80PV and UW100PV Design 5 and 6 Models Through 2/02.....	54
Fill Plumbing - UW80PV and UW100PV Design 5 and 6 Models Starting 3/02.....	56
Fill Plumbing - Design 7 and 8 Models (Drawing 1 of 2).....	58
Fill Plumbing - Design 7 and 8 Models (Drawing 2 of 2).....	60
Drain System, Overflow and Vent Pipes.....	62
Motor, Pulley and Bearings.....	64
Electric Heat Option - Models UW80PV and UW100PV.....	66
Transformers and Steam Heat Option	68
Water-Saving System Option Main View - Design 5 and 6 UW100PV Models	70
Water-Saving System Option Main View - Design 7 and 8 UW100PV Models	72
Water-Saving System Option Pump Sub-Assembly - Model UW100PV	74
Water-Saving System Option Control Module Sub-Assembly - Model UW100PV	76
Water-Saving System Option Inlet - Model UW100PV	78
Wet-Clean Option Main View - Models UW80PV and UW100PV.....	80

© Copyright 2012, Alliance Laundry Systems LLC

All rights reserved. No part of the contents of this book may be reproduced or transmitted in any form or by any means without the expressed written consent of the publisher.

Wet-Clean Option Control Module - Models UW80PV and UW100PV	82
Security Fasteners	84
Special Tools	86
Motor Manufacturer Part Number on the Motor's Nameplate	88
Parts Index	89

Parts Ordering Information

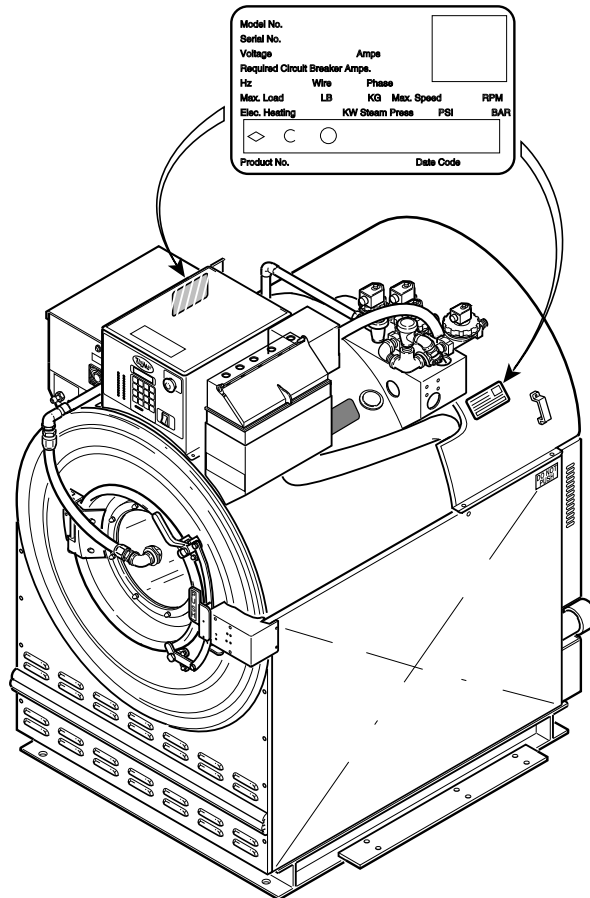
If literature or replacement parts are required, contact the source from whom the machine was purchased or contact Alliance Laundry Systems at (920) 748-3950 for the name and address of the nearest authorized parts distributor.

For technical assistance, call either of the numbers listed below:

(920) 748-3121 Ripon, Wisconsin
+32 56 41 20 54 Wevelgem, Belgium

Nameplate Location

When calling or writing about your product, be sure to mention model and serial numbers. Model and serial numbers are located on nameplate(s) as shown.



PHM2494P_F238015

Model Identification

Information in this manual is applicable to these washer-extractor models:

UW80AV
UW100AV

UW80PV
UW100PV

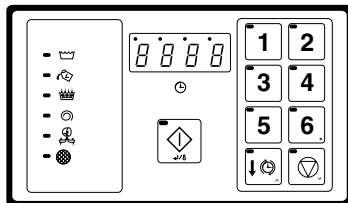
UW80VV
UW100VV

NOTE: This manual applies to models with either 5, 6, 7 or 8 in the 9th or 10th position in the model number (e.g. UW80PVQU600001)

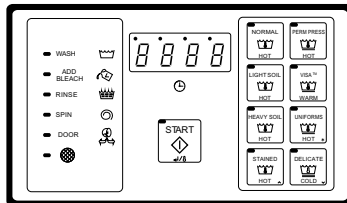
Pocket Hardmount Washer-Extractor Product Overview

Model No. UW60AMXUB0001
 Serial No. 0000000000
 Voltage 200 – 240 Amps 10
 Circuit Breaker 15 Amps
 Hz 50 – 60 Wire 2/3 Phase S 3
 Max. Load 60 LB 27 KG Max. Speed 594 RPM
 Elec. Heating N/A Steam Press. N/A PSI 0.0 BAR

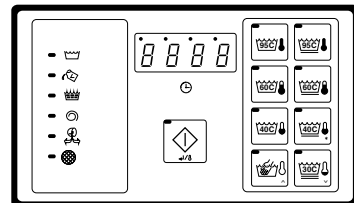
Drawings:
 ETL Listed
 Conforms To ANSI/UL Std. 1206, 3rd Ed
 Certified To CAN/CSA Std. C22.2 No.53-1968



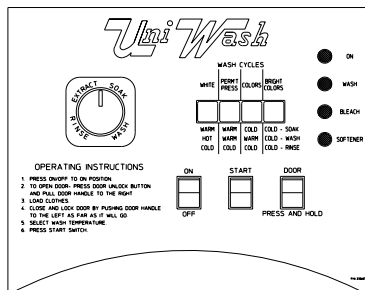
A-Control



B-Control (Domestic)



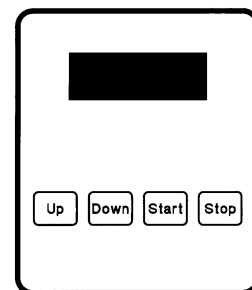
B-Control (International)



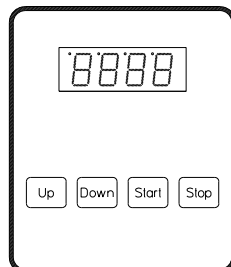
Mechanical Timer



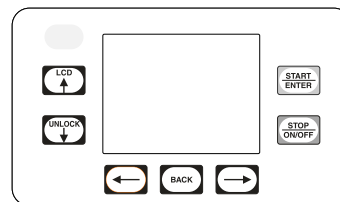
WE-6 Control



S-Computer



V-Computer



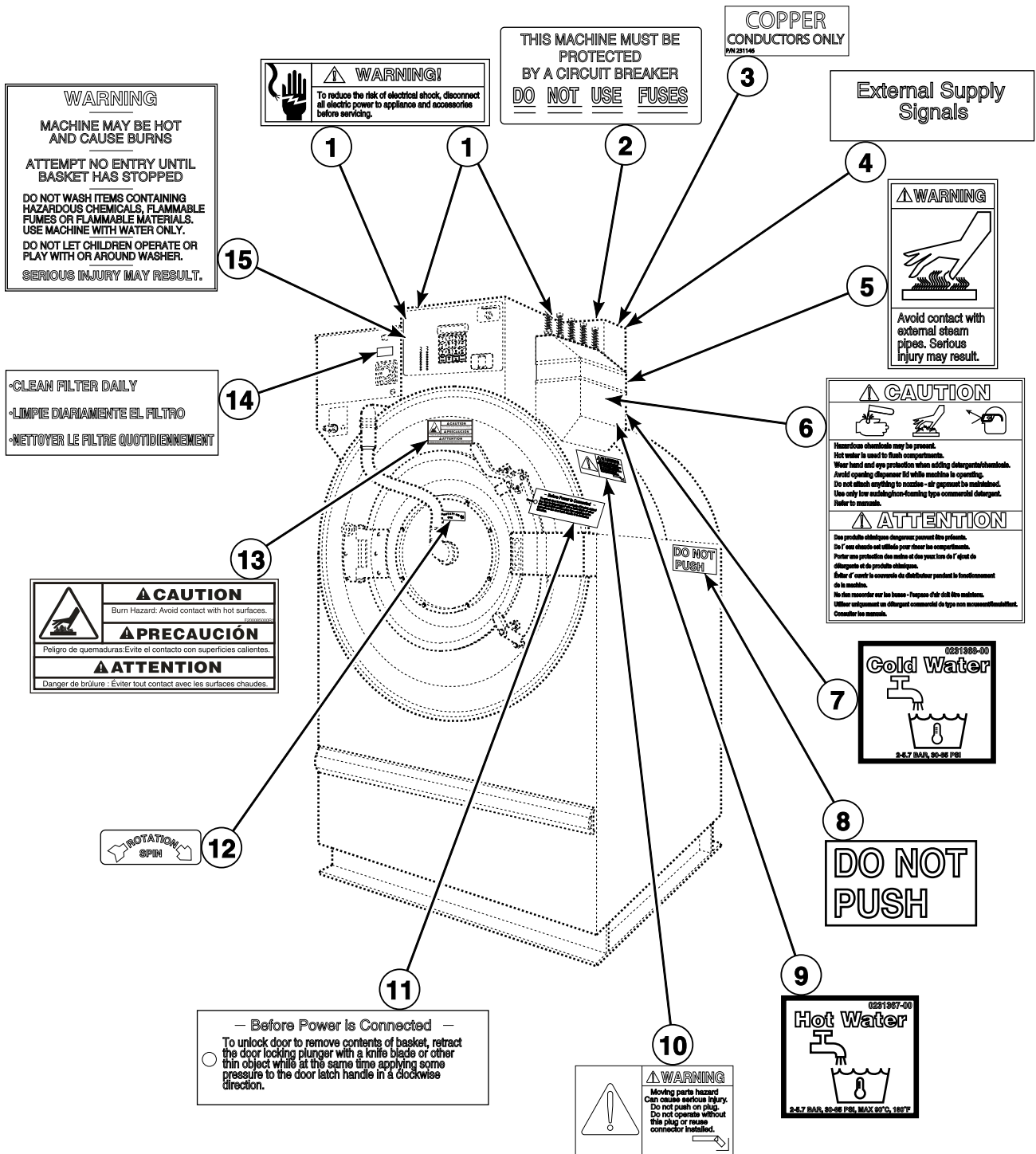
UniLinc Control

PHM2979P_F238015

Pocket Hardmount Washer-Extractor Product Overview

REF	PART NO.	DESCRIPTION	COMMENTS
1	-	Product Family	UW
2	-	Capacity (Pounds)	35 60 80 100 125 150
3	-	Control	A (A-Control) B (B-Control) M (Mechanical Timer) P (WE-6 Control) S (S-Computer) V (V-Computer) T (UniLinc Control)
4	-	Speed	2 (2-Speed) 3 (3-Speed) 4 (4-Speed) V (Variable-Speed)
5	-	Voltage	F (440-480/60/3/3) N (440-480/50-60/3/3) O (208-240/60/3/3) P (380-415/60-60/3/3) Q (200-208/220-240/50/60/3ph) R (380-415/440-480/50/60/3ph) X (200-220/220-240/50/60/1-3) Y (208-240/60/1/2)
6	-	OEM	U (Standard Specs)
7	-	Design Series	1-8

Decals

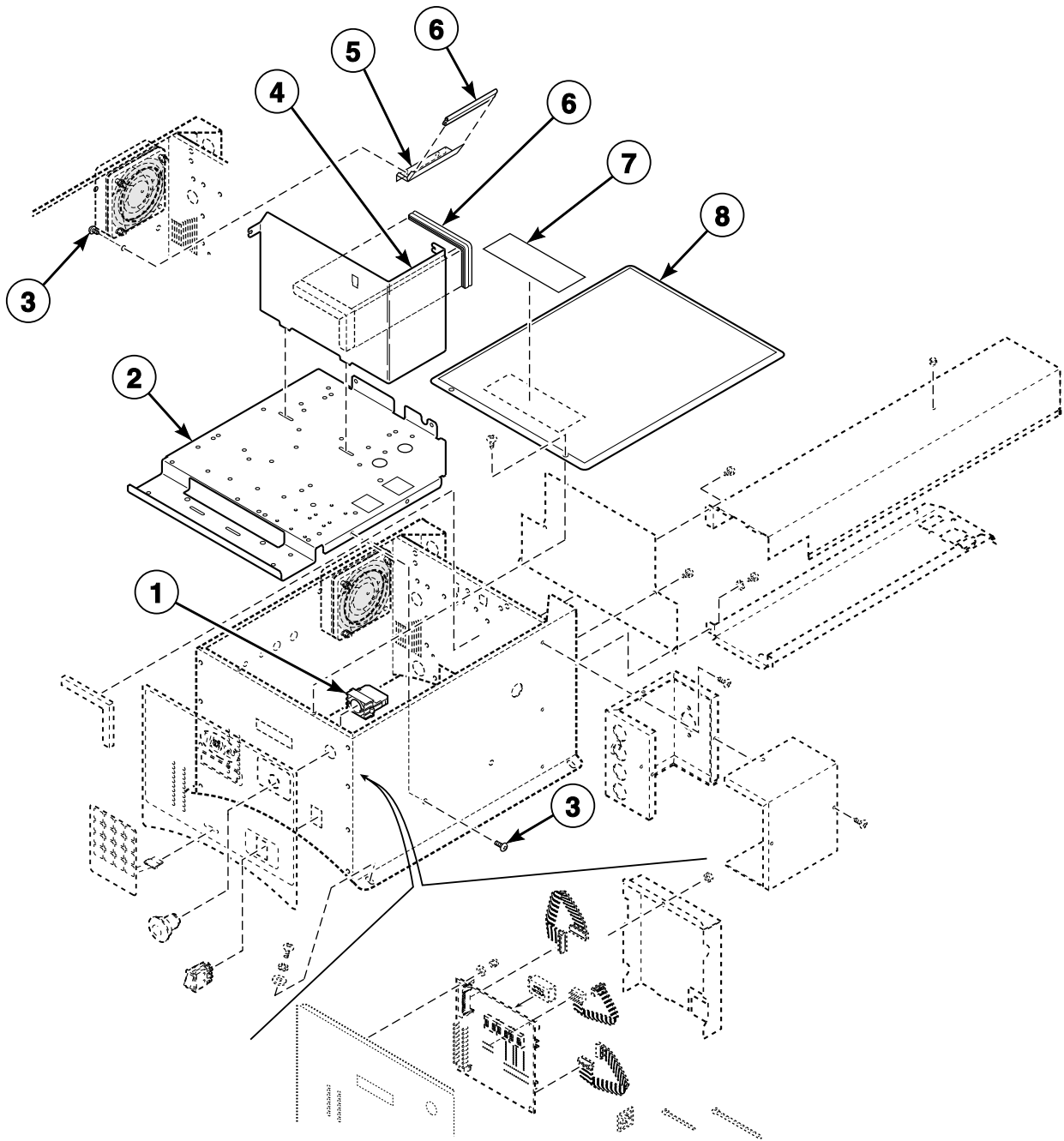


PHM2893P_F238015

Decals

REF	PART NO.	DESCRIPTION	COMMENTS
1	505281	Disconnect Power Warning Label	
2	F230301	This Machine Must Be Protected Decal	
3	F231146	Conductor Decal	
4	F230764-9	External Supply Connection Decal	N and P-voltage
	F231345-5	External Supply Caution Decal	N and P-voltage
	F231345-4	External Supply Caution Decal	Q-voltage
	F230764-10	External Supply Connection Decal	Q-voltage
5	F231380	Hot Surface Warning Decal	
6	F231436	Supply Dispenser Hazard Caution Decal	
7	F231368	Cold Water Valve Decal	
8	F230302	Do Not Push Decal	
9	F231367	Hot Water Valve Decal	
10	F0230112-00	Plug Removal Warning Decal	Models UW80PV and UW100PV
11	F230501	Before Power Is Connected Tag	
12	F230652	Clockwise Spin Rotation Decal	
13	F200085000	Hot Surface Warning Decal	
14	F200061000	Clean Filter Daily Decal	Models UW80PV and UW100PV; Design 8
15	F231065	Personal Injury Warning Decal	

Control Module - Models UW80PV and UW100PV (Drawing 1 of 4)



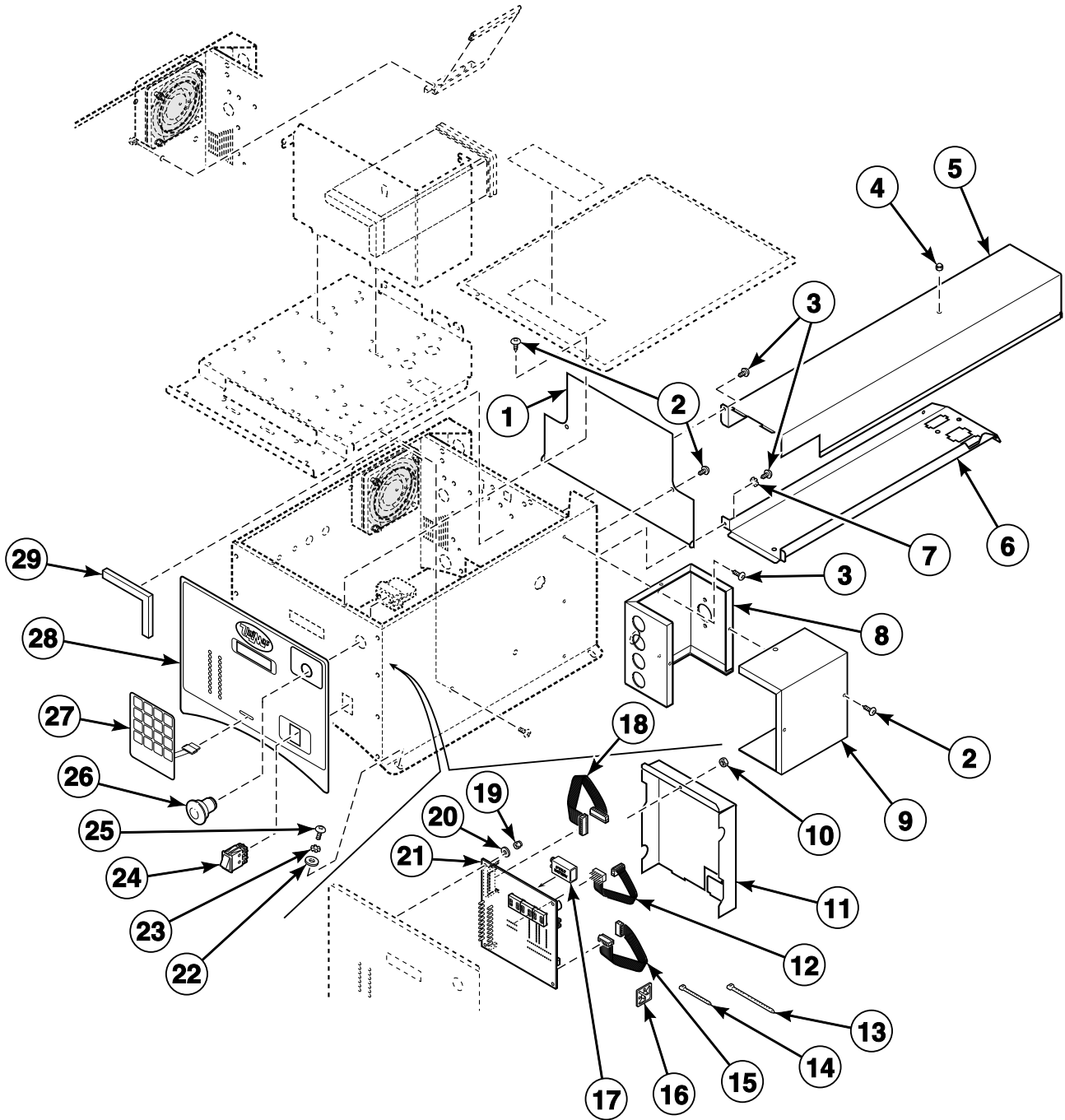
PHM2486P_F238015

Control Module - Models UW80PV and UW100PV (Drawing 1 of 4)

REF	PART NO.	DESCRIPTION	COMMENTS
1	F340445	Contact Block Switch	800E-series; Models through 8/31/07; Includes mounting base
	F200299500	Contact Block Switch	800E-series; Models through 8/31/07; Does not include mounting base
	F200233401	Contact Block Switch	800F-series; Models starting 9/1/07
2	N/A	Control Mounting Panel Assembly	
3	F430928	Screw	Design 7
4	F635366	AC Drive Partition	Design 5 and 6
	F0637753-00	AC Drive Partition Assembly	Design 7
5	F0637748-00	Air Flow Ramp Assembly	Design 7
6	F170404	Trim	Order 1 foot; Design 7
7	505281	Disconnect Power Warning Label	Warning: High voltage
8	F635456	Control Module Cover	

N/A = Part no longer available

Control Module - Models UW80PV and UW100PV (Drawing 2 of 4)



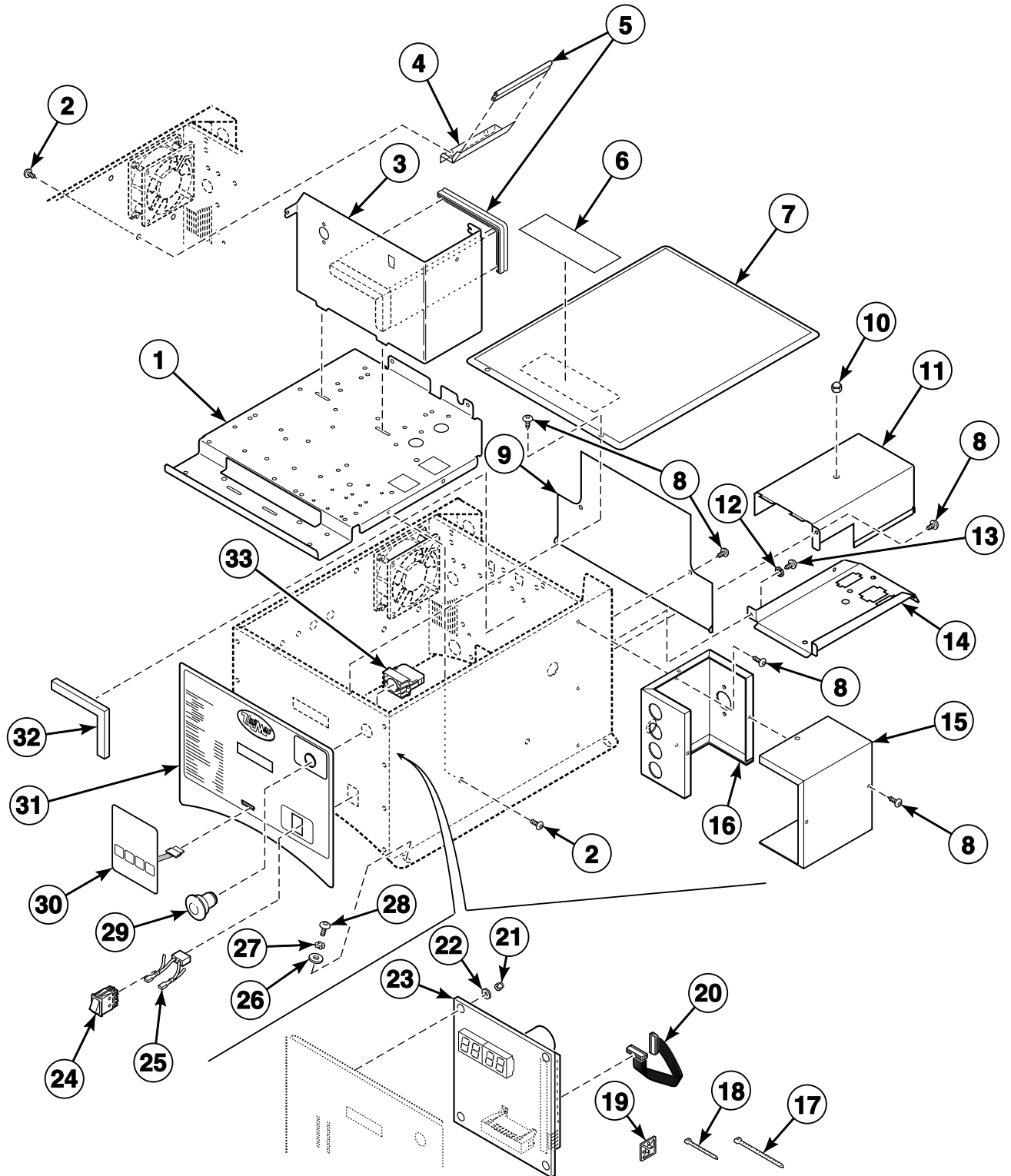
PHM2486PA_F238015

Control Module - Models UW80PV and UW100PV (Drawing 2 of 4)

REF	PART NO.	DESCRIPTION	COMMENTS
1	F635448	Electrical Access Panel	Design 5 and 6
	F0637549-00	Electrical Access Panel	Design 7 and 8
2	70240301	Screw	
3	F430917	Screw	
4	F431026	Nut	
5	F635480	Cable Tray Cover	Model UW80PV
	F635378	Cable Tray Cover	Model UW100PV
6	F0635615-03	Cable Tray Assembly	Model UW80PV
	F0635615-04	Cable Tray Assembly	Model UW100PV
7	F431113	Washer	
8	F635468	External Supply Box	
9	F635365	External Supply Box Cover	
10	F431000	Nut	
11	F606826	Computer Cover	
12	F140248P	Ribbon Cable	16 conductor; 15 inch; From computer board to interface board; J1 plug; DIP socket
13	F140606	Cable Tie	15 inch
14	F140605	Cable Tie	6 inch
15	F140218P	Ribbon Cable	16 conductor; 12 inch; From interface board to computer board; J8 plug
16	F140602	Tie Wrap Mounting Clamp	
17	F191101	Battery	9 Volt; Backup
18	F140219P	Ribbon Cable	26 conductor; 15 inch; From computer board to output board
19	F430231	Nut	
20	F431125	Washer	
21	F037062441P	WE-6 Computer	
22	F431123	Washer	
23	F431108	Washer	
24	F340412	Momentary Switch	Models through 5/26/04
	F200120100	Momentary Switch	Models starting 5/27/04
25	F8136401	Screw	
26	N/A	Emergency Stop Pushbutton	800E-series; Models through 8/31/07; Order F200233700P Emergency Stop Button Kit
	F200233700P	Emergency Stop Button Kit	Used to convert from 800E-series to 800F-series; Includes F200233500 Emergency Stop Pushbutton and F200233401 Contact Block Switch
	F200233500	Emergency Stop Pushbutton	800F-series; Models starting 9/1/07
27	F230724P	Keypad Decal	WE-6 keypad
28	F231562	Control Module Decal	WE-6 control module
29	F170151	Seal	Design 7

N/A = Part no longer available

Control Module - Models UW80VV and UW100VV



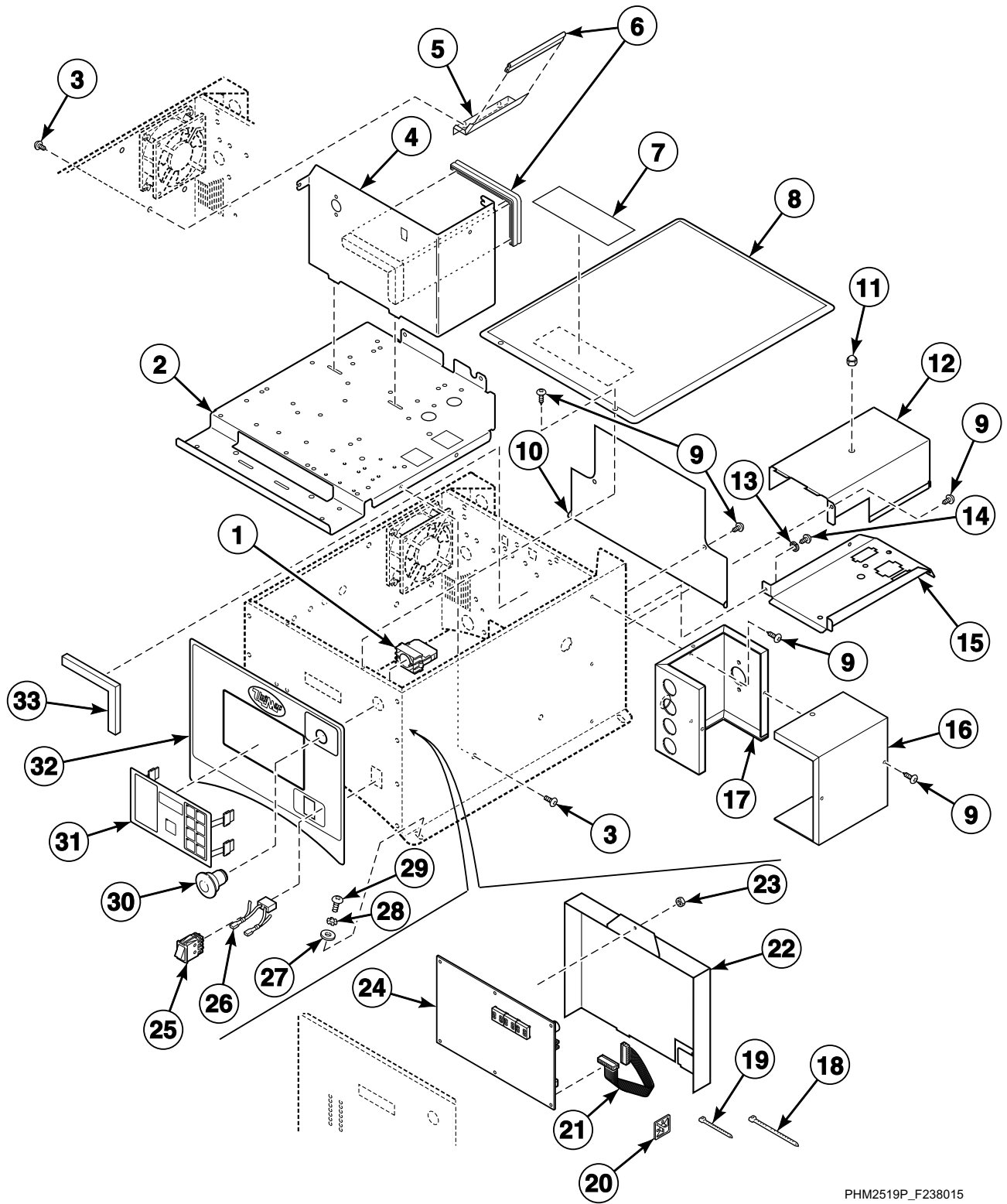
PHM2441P_F238015

Control Module - Models UW80VV and UW100VV

REF	PART NO.	DESCRIPTION	COMMENTS
1	N/A	Control Mounting Panel Assembly	
2	F430928	Screw	
3	F635366	AC Drive Partition	
4	F0637748-00	Air Flow Ramp Assembly	
5	F170404	Trim	Order 1 foot
6	505281	Disconnect Power Warning Label	
7	F634558	Control Module Cover	
8	70240301	Screw	
9	F0637549-00	Electrical Access Panel	
10	F431026	Nut	
11	F635480	Cable Tray Cover	Model UW80VV
	F635378	Cable Tray Cover	Model UW100VV
12	F431113	Washer	
13	F430917	Screw	
14	F0635615-03	Cable Tray Assembly	Model UW80VV
	F0635615-04	Cable Tray Assembly	Model UW100VV
15	F635365	External Supply Box Cover	
16	F635468	External Supply Box	
17	F140606	Cable Tie	15 inch
18	F140605	Cable Tie	6 inch
19	F140602	Tie Wrap Mounting Clamp	
20	F140219P	Ribbon Cable	26 conductor; 15 inch; Connects the microcomputer to the output board cca
21	F430231	Nut	
22	F431125	Washer	
23	F0370313-09P	Microcomputer	
24	F340412	Momentary Switch	Models through 5/26/04
	F200120100	Momentary Switch	Models starting 5/27/04
25	F330217P	RC Network Filter	Includes F140627 Connector and F141022 Connector
26	F431123	Washer	
27	F431108	Washer	
28	F8136401	Screw	
29	N/A	Emergency Stop Pushbutton	800E-series; Models through 8/31/07; Order F200233700P Emergency Stop Button Kit
	F200233700P	Emergency Stop Button Kit	Used to convert from 800E-series to 800F-series; Includes F200233500 Emergency Stop Pushbutton and F200233401 Contact Block Switch
	F200233500	Emergency Stop Pushbutton	800F-series; Models starting 9/1/07
30	F370576P	Keypad	
31	F231417	Control Module Decal	
32	F170151	Seal	Order 1 foot
33	F340445	Contact Block Switch	800E-series; Models through 8/31/07; Includes mounting base
	F200299500	Contact Block Switch	800E-series; Models through 8/31/07; Does not include mounting base
	F200233401	Contact Block Switch	800F-series; Models starting 9/1/07

N/A = Part no longer available

Control Module - Models UW80AV and UW100AV



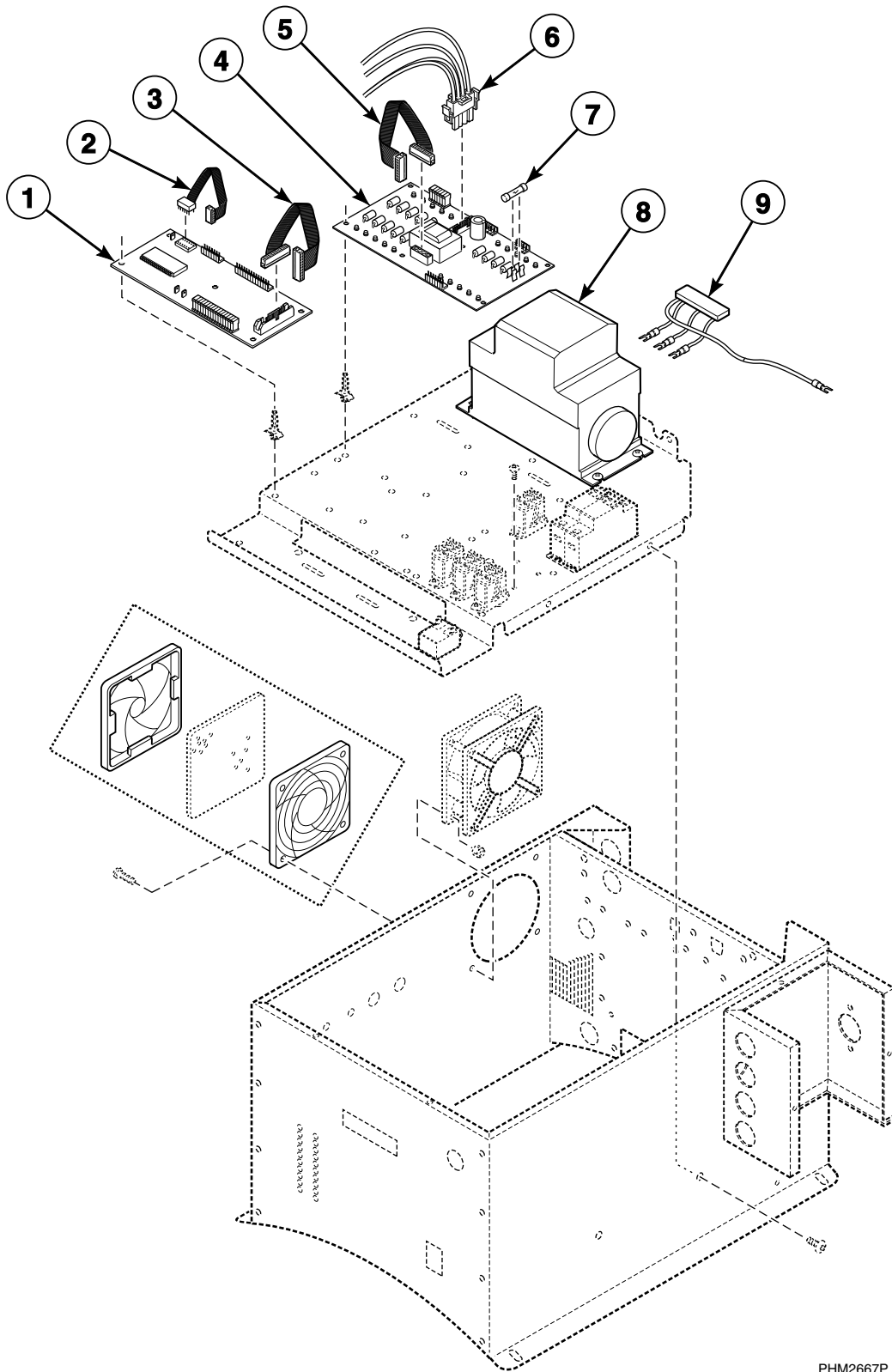
PHM2519P_F238015

Control Module - Models UW80AV and UW100AV

REF	PART NO.	DESCRIPTION	COMMENTS
1	F340445	Contact Block Switch	800E-series; Models through 8/31/07; Includes mounting base
	F200299500	Contact Block Switch	800E-series; Models through 8/31/07; Does not include mounting base
	F200233401	Contact Block Switch	800F-series; Models starting 9/1/07
2	N/A	Control Mounting Panel Assembly	
3	F430928	Screw	
4	F635366	AC Drive Partition	
5	F0637748-00	Air Flow Ramp Assembly	
6	F170404	Trim	Order 1 foot
7	505281	Disconnect Power Warning Label	
8	F634558	Control Module Cover	
9	70240301	Screw	
10	F0637549-00	Electrical Access Panel	
11	F431026	Nut	
12	F635480	Cable Tray Cover	Model UW80AV
	F635378	Cable Tray Cover	Model UW100AV
13	F431113	Washer	
14	F430917	Screw	
15	F0635615-03	Cable Tray Assembly	Model UW80AV
	F0635615-04	Cable Tray Assembly	Model UW100AV
16	F635365	External Supply Box Cover	
17	F635468	External Supply Box	
18	F140606	Cable Tie	15 inch
19	F140605	Cable Tie	6 inch
20	F140602	Tie Wrap Mounting Clamp	
21	F140219P	Ribbon Cable	26 conductor; 15 inch; Connects the microcomputer to the output board cca
22	F0636887-00	Control Cover	
23	F430231	Nut	
24	F037047530P	Computer	
25	F200120100	Momentary Switch	
26	F330217P	RC Network Filter	Includes F140627 Connector and F141022 Connector
27	F431123	Washer	
28	F431108	Washer	
29	F8136401	Screw	
30	N/A	Emergency Stop Pushbutton	800E-series; Models through 8/31/07; Order F200233700P Emergency Stop Button Kit
	F200233700P	Emergency Stop Button Kit	Used to convert from 800E-series to 800F-series; Includes F200233500 Emergency Stop Pushbutton and F200233401 Contact Block Switch
	F200233500	Emergency Stop Pushbutton	800F-series; Models starting 9/1/07
31	F023158231P	Keypad	
32	F0231565-00	Control Module Decal	
33	F170151	Seal	Order 1 foot

N/A = Part no longer available

Control Module - Models UW80PV and UW100PV (Drawing 3 of 4)



PHM2667P_F238015

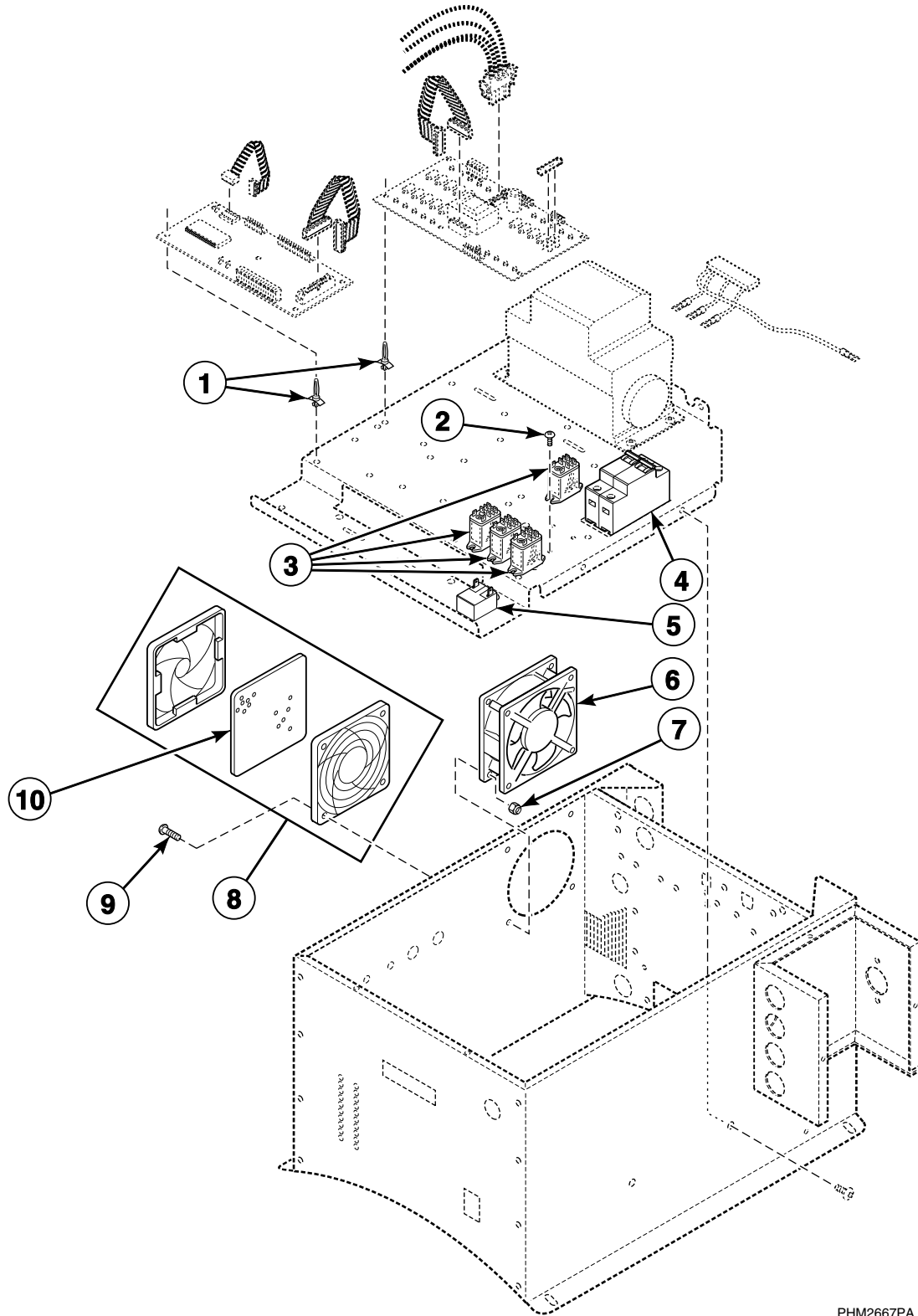
Control Module - Models UW80PV and UW100PV (Drawing 3 of 4)

REF	PART NO.	DESCRIPTION	COMMENTS	
1	F0370446-12P	Interface CCA	2 relay style	
2	F140218P	Ribbon Cable	16 conductor; 12 inch; From interface board to computer board; J8 plug	
3	F140248P	Ribbon Cable	16 conductor; 15 inch; From interface board to computer board; J1 plug; DIP socket	
4	F8321901P	Output CCA		
5	F140219P	Ribbon Cable	26 conductor; 15 inch; From computer to output board	
6	F784003P	Jumper Kit		
7	F350108	Fuse	1/8 Amp; Slo blo	
	F350109	Fuse	1/2 Amp; Fast blo	
	F350110	Fuse	1 Amp; Slo blo	
8	N/A	Drive Kit	Model UW80PV; Q-voltage, Design 5; Replaces F370853 Inverter Drive; Used with Magnetek/AO Smith F220237 Motor (Motor manufacturer Part No.* F-391995-61); Order F8171801 160 to PowerFlex 40 Drive Kit	
	N/A	Drive Kit	Model UW80PV; Q-voltage, Design 6 and 7; Replaces F370853 Inverter Drive; Used with Magnetek/AO Smith F220438 Motor (Motor manufacturer Part No.* F-392264-60); Order F8171802 160 to PowerFlex 40 Drive Kit	
	N/A	Drive Kit	Model UW80PV; N and P-voltage, Design 5; Replaces F370854 Inverter Drive; Used with Magnetek/AO Smith F220237 Motor (Motor manufacturer Part No.* F-391995-61); Order F8171901 160 to PowerFlex 40 Drive Kit	
	N/A	Drive Kit	Model UW80PV; N and P-voltage, Design 6 and 7; Replaces F370854 Inverter Drive; Used with Magnetek/AO Smith F220438 Motor (Motor manufacturer Part No.* F-392264-60); Order F8171902 160 to PowerFlex 40 Drive Kit	
	N/A	Drive Kit	Model UW100PV; Q-voltage, Design 5; Replaces F370853 Inverter Drive; Used with Magnetek/AO Smith F220438 Motor (Motor manufacturer Part No.* F-392264-60); Order F8172001 160 to PowerFlex 40 Drive Kit	
	N/A	Drive Kit	Model UW100PV; Q-voltage, Design 6 and 7; Replaces F370853 Inverter Drive; Used with Magnetek/AO Smith F220438 Motor (Motor manufacturer Part No.* F-392264-60); Order F8172002 160 to PowerFlex 40 Drive Kit	
	N/A	Drive Kit	Model UW100PV; N and P-voltage, Design 5; Replaces F370854 Inverter Drive; Used with Magnetek/AO Smith F220237 Motor (Motor manufacturer Part No.* F-391995-61); Order F8172101 160 to PowerFlex 40 Drive Kit	
	F8172104	160 to PowerFlex 40 Drive Kit	Model UW100PV; N and P-voltage, Design 6 and 7; Replaces F370854 Inverter Drive; Used with Magnetek/AO Smith F220438 Motor (Motor manufacturer Part No.* F-392264-60)	
	9	F200320901	AC Drive Radio Filter Assembly	

N/A = Part no longer available

* NOTE: Refer to the *Motor Manufacturer Part Number on the Motor's Nameplate* section for help with locating the motor manufacturer part number on the motor's nameplate.

Control Module - Models UW80PV and UW100PV (Drawing 4 of 4)

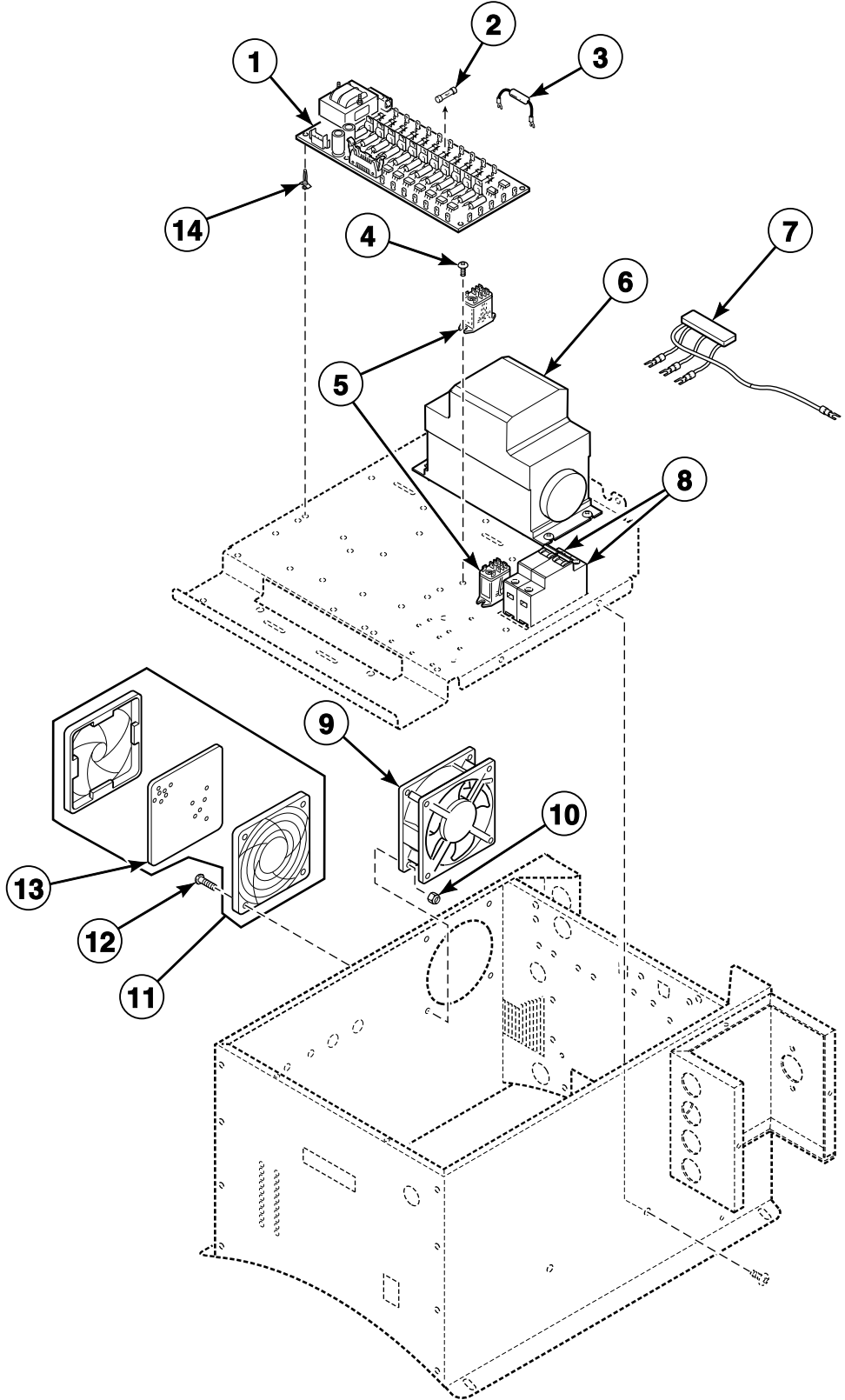


PHM2667PA_F238015

Control Module - Models UW80PV and UW100PV (Drawing 4 of 4)

REF	PART NO.	DESCRIPTION	COMMENTS
1	F180506	Standoff	
2	F0430165-00	Screw	
3	F330230	Flange Relay	220 Volt; 4 used
4	F8303001	Circuit Breaker	1 Amp
5	F300206	Buzzer	220 Volt
6	F110105	Muffin Fan	220 Volt; 4 inch; Design 5, 6 and 7
7	F430231	Nut	
8	F220900	Filter Retainer Guard	Includes item 18
9	F430910	Screw	
10	F200318900P	Filter	

Control Module - Models UW80AV, UW80VV, UW100AV and UW100VV



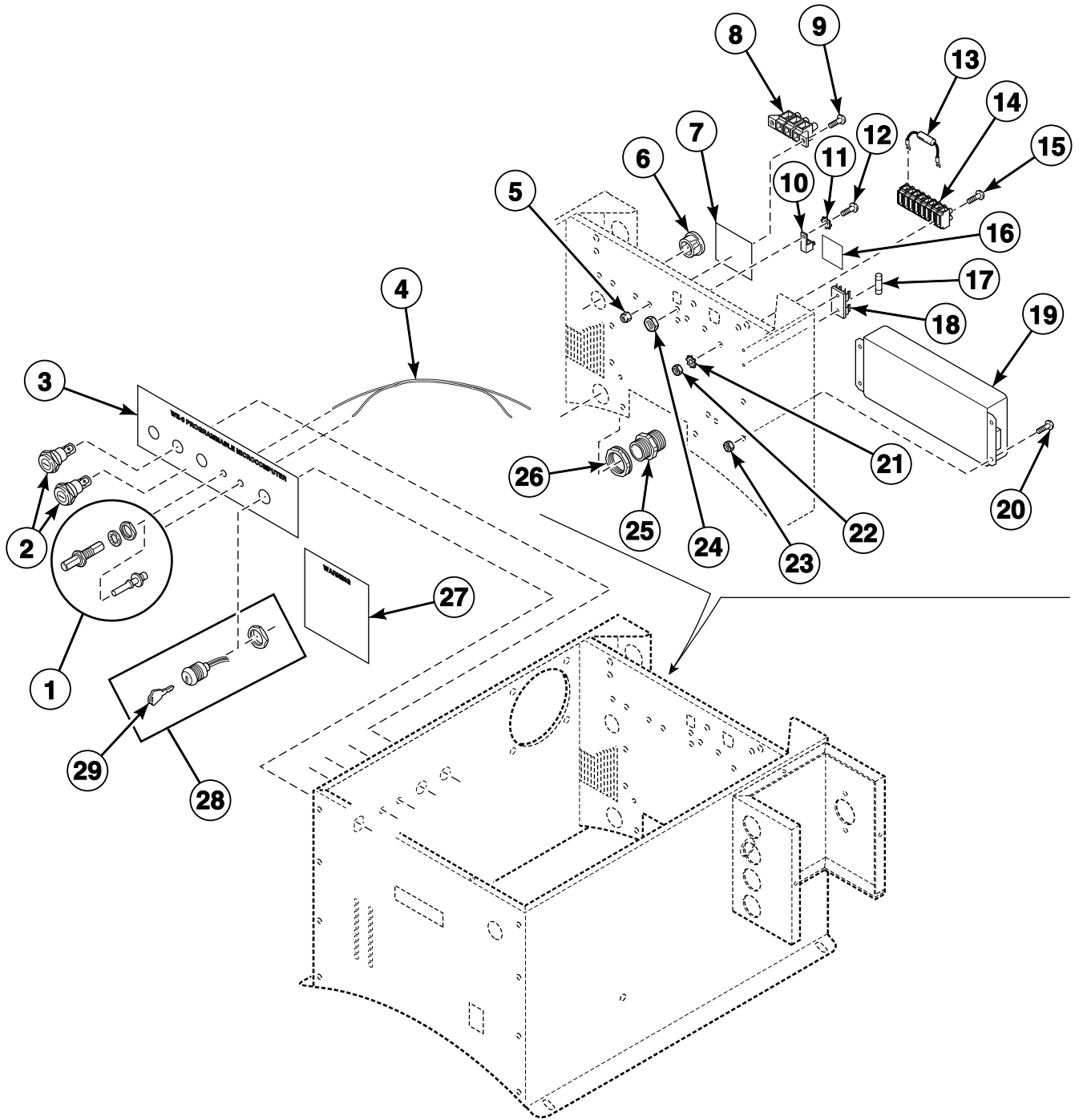
PHM2692P_F238015

Control Module - Models UW80AV, UW80VV, UW100AV and UW100VV

REF	PART NO.	DESCRIPTION	COMMENTS
1	F370447-6P	Output Board CCA	Models UW80VV and UW100VV
	F037044860-2	Output CCA	Models UW80AV and UW100AV
2	F350108	Fuse	1/8 Amp; Slo blo
	F350109	Fuse	1/2 Amp; Fast blo
	F350110	Fuse	1 Amp; Slo blo
	F350142	Fuse	2 Amp; Slo blo
3	F370116	Resistor	
4	F0430165-00	Screw	
5	F330230	Flange Relay	220 Volt
6	N/A	Inverter Drive	Q-voltage; Order PowerFlex Conversion Kit
	N/A	Inverter Drive	N-voltage; Order PowerFlex Conversion Kit
7	F200320900	AC Drive Radio Filter Assembly	
8	F8303001	Circuit Breaker	N-voltage
9	F110105	Muffin Fan	220 Volt; 4 inch
10	F430231	Nut	
11	F220900	Filter Retainer Guard	Includes item 12
12	F430910	Screw	
13	F200318900P	Filter	
14	F180506	Standoff	

N/A = Part no longer available

Control Module (Drawing 1 of 2)



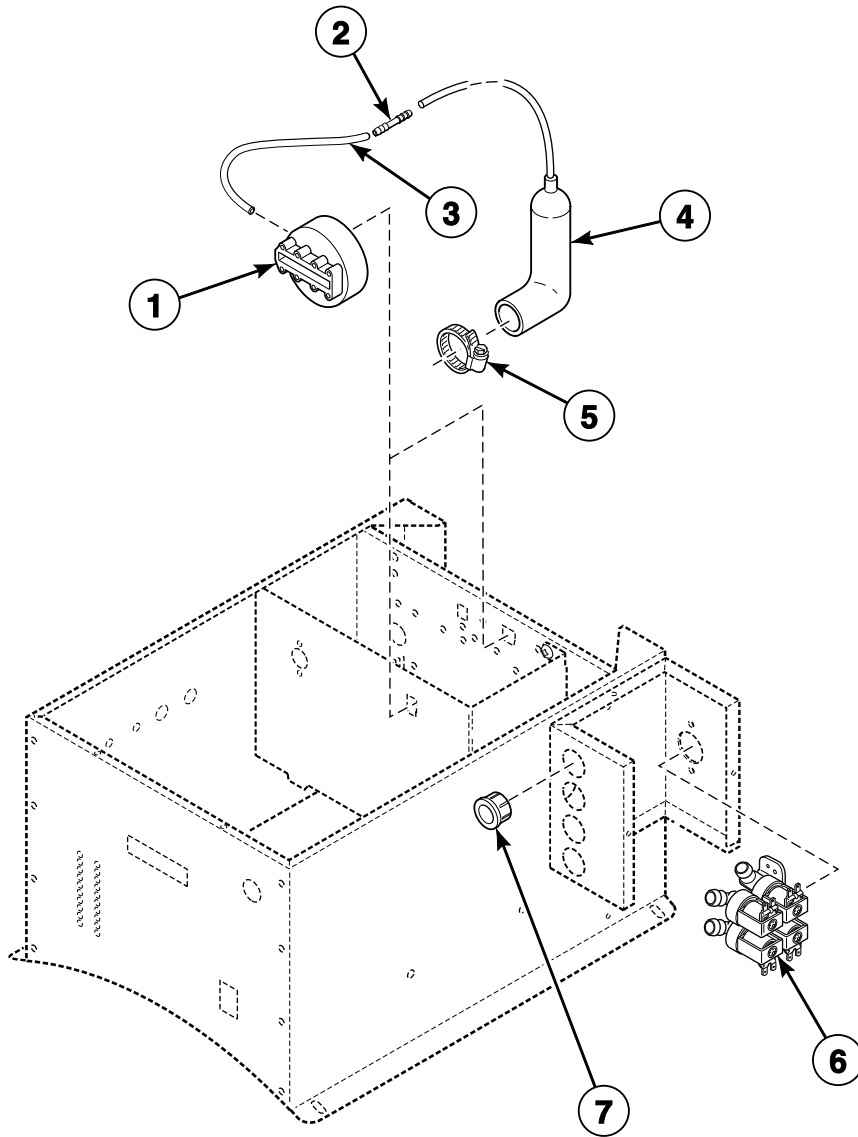
PHM2543P_F238015

Control Module (Drawing 1 of 2)

REF	PART NO.	DESCRIPTION	COMMENTS
1	F140575P	Connector	Models UW80PV and UW100PV; Gray
	F140576P	Connector	Models UW80PV and UW100PV; Blue
2	F350210	Circuit Breaker	2 Amp; 2 used; Models UW80PV and UW100PV; Models through 5/12/03
	F0350313-00P	Fuse Holder	Models UW80PV and UW100PV starting 5/12/03; All other models
	F350142	Fuse	Models UW80PV and UW100PV starting 5/12/03; All other models
3	F231564	Switch Mode Decal	Models UW80PV and UW100PV; Models through 5/12/03
	F0231632-00	Switch Mode Decal	Models UW80PV and UW100PV; Models starting 5/12/03
	F0231629-00	Fuse Decal	Models UW80AV, UW100AV, UW80VV and UW100VV
4	F604713	Cable Assembly	Models UW80PV and UW100PV
5	F431022	Nut	
6	F140909	Insulator Bushing	
7	F0231636-00	Input Block Decal	Input power connection
8	F140794-1	Input Power Block	
9	F430938	Screw	
10	F140734	Ground Terminal Lug	
11	F431106	Washer	
12	F430903	Screw	
13	F370116	Resistor	Models UW80PV and UW100PV
14	F140782	Terminal Block	Models UW80PV and UW100PV; 11 place
	F140776	Terminal Block	Models UW80AV, UW100AV, UW80VV and UW100VV; 8 place
15	F430995	Screw	
16	F230630	Ground Decal	
17	F350115	Fuse	3 Amp; Fast blo; 5 x 20 mm
18	F0350312-10	Fuse Holder	
19	F330284	EMI Filter	Models UW80PV and UW100PV; Option/export; Q-voltage
	F330283	EMI Filter	Models UW80PV and UW100PV; Option/export; N and P-voltage
	F8080001P	AC Drive Resistor Assembly	200 Volt
	F8079901P	AC Drive Resistor Assembly	400 Volt
20	F430909	Screw	
21	F431108	Washer	
22	F431006	Nut	
23	F431016	Nut	
24	F431000	Nut	
25	N/A	Connector	CE models; PG21
	F180486	Cap Plug	Used in place of items 25 and 26 on non-CE models
26	N/A	Nut	CE models
27	F231065	Personal Injury Warning Decal	
28	F200174600P	Keymode Assembly	Models UW80PV and UW100PV; N and P-voltage models starting 10/7/04 through 1/14/05; Includes item 29
	F340800P	Keymode Run/Program Switch	Models UW80PV and UW100PV; All other voltages; N and P-voltage through 10/6/04 and starting 1/15/05; Includes item 29
29	F370709	Program Key	Models UW80PV and UW100PV; Key code A153

N/A = Part no longer available

Control Module (Drawing 2 of 2)

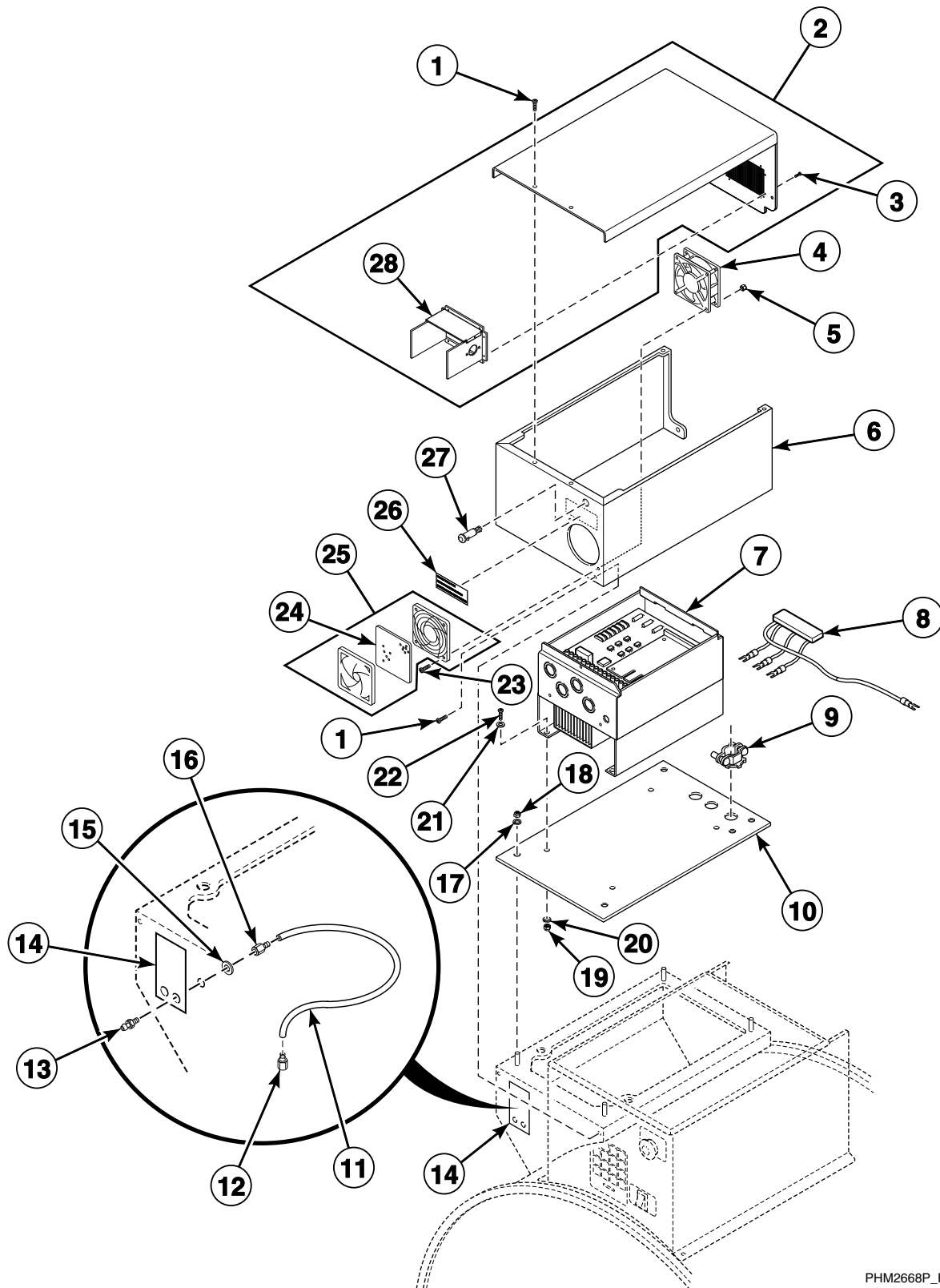


PHM2247P_F238015

Control Module (Drawing 2 of 2)

REF	PART NO.	DESCRIPTION	COMMENTS
1	F0340346-10P	Water Level Switch	
2	F422500	Connector	
3	F422404P	Tubing	
4	F200163	Air Trap Hose	
5	F200215	Hose Clamp	No. 28
6	F381723P	4-Way Valve	220 Volt
	G582P3	Diaphragm and Guide Kit	
7	F140938	Snap Bushing	

Control Module - UW80PV and UW100PV Design 8 Models with 1336 Drives



PHM2668P_F238015

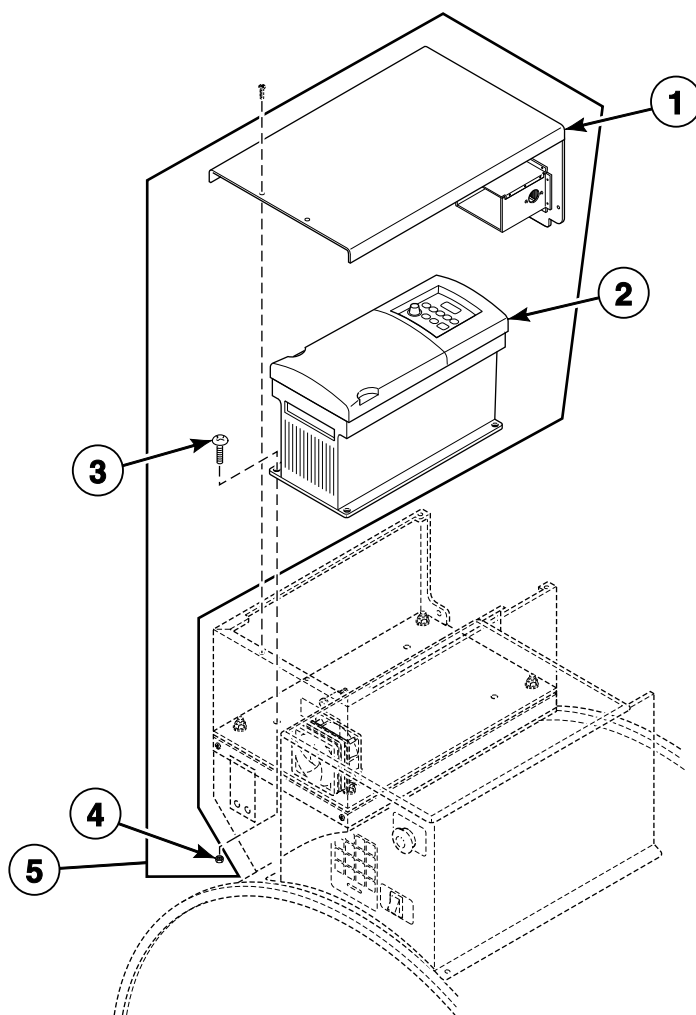
Control Module - UW80PV and UW100PV Design 8 Models with 1336 Drives

REF	PART NO.	DESCRIPTION	COMMENTS
1	F430986	Screw	
2	F200097600	Top Exhaust Panel Assembly	Includes items 3 and 28
3	F431215	Pop Rivet	
4	F110105	Muffin Fan	220 Volt; 4 inch
5	F430231	Nut	
6	F200097800	AC Drive Enclosure Weldment	
7	N/A	Drive Kit	Model UW80PV; N and P-voltage; Used with Magnetek/AO Smith F220438 Motor (Motor manufacturer Part No.* 392264); Order F079903101 PowerFlex 40 AC Drive Retrofit Kit
	N/A	Drive Kit	Model UW80PV; Q-voltage; Used with Magnetek/AO Smith F220438 Motor (Motor manufacturer Part No.* 392264); Order F079903100 PowerFlex 40 AC Drive Retrofit Kit
	N/A	Drive Kit	Model UW80PV; Q-voltage; Used with Magnetek/AO Smith F220438 Motor (Motor manufacturer Part No.* 392264); Order F079903200 PowerFlex 40 AC Drive Retrofit Kit
	N/A	Drive Kit	Model UW100PV; N and P-voltage; Used with Magnetek/AO Smith F220438 Motor (Motor manufacturer Part No.* 392264); Order F079903201 PowerFlex 40 AC Drive Retrofit Kit
8	F200320901	AC Drive Radio Filter Assembly	
9	F140312	Connector	
10	F8018200	Drive Mounting Plate Assembly	
11	C000628P	Tubing	
12	J1408004	Connector	
13	F190701	Grease Fitting	
14	F231563	Grease Instruction Decal	Lubrication
15	F430332	Washer	
16	F422114	Air Coupling	
17	F431100	Washer	
18	F431024	Nut	
19	F431004	Nut	
20	F431137	Washer	
21	F431101	Washer	
22	N/A	Screw	
23	F430910	Screw	
24	F200318900P	Filter	
25	F220900	Filter Retainer Guard	Includes item 24
26	F200061000	Clean Filter Daily Decal	
27	F350413	Light	
28	F200060700	AC Drive Exhaust Duct	

N/A = Part no longer available

* NOTE: Refer to the *Motor Manufacturer Part Number on the Motor's Nameplate* section for help with locating the motor manufacturer part number on the motor's nameplate.

Control Module - Models UW80PV and UW100PV - Design 8 Models with PowerFlex 40 AC Drive

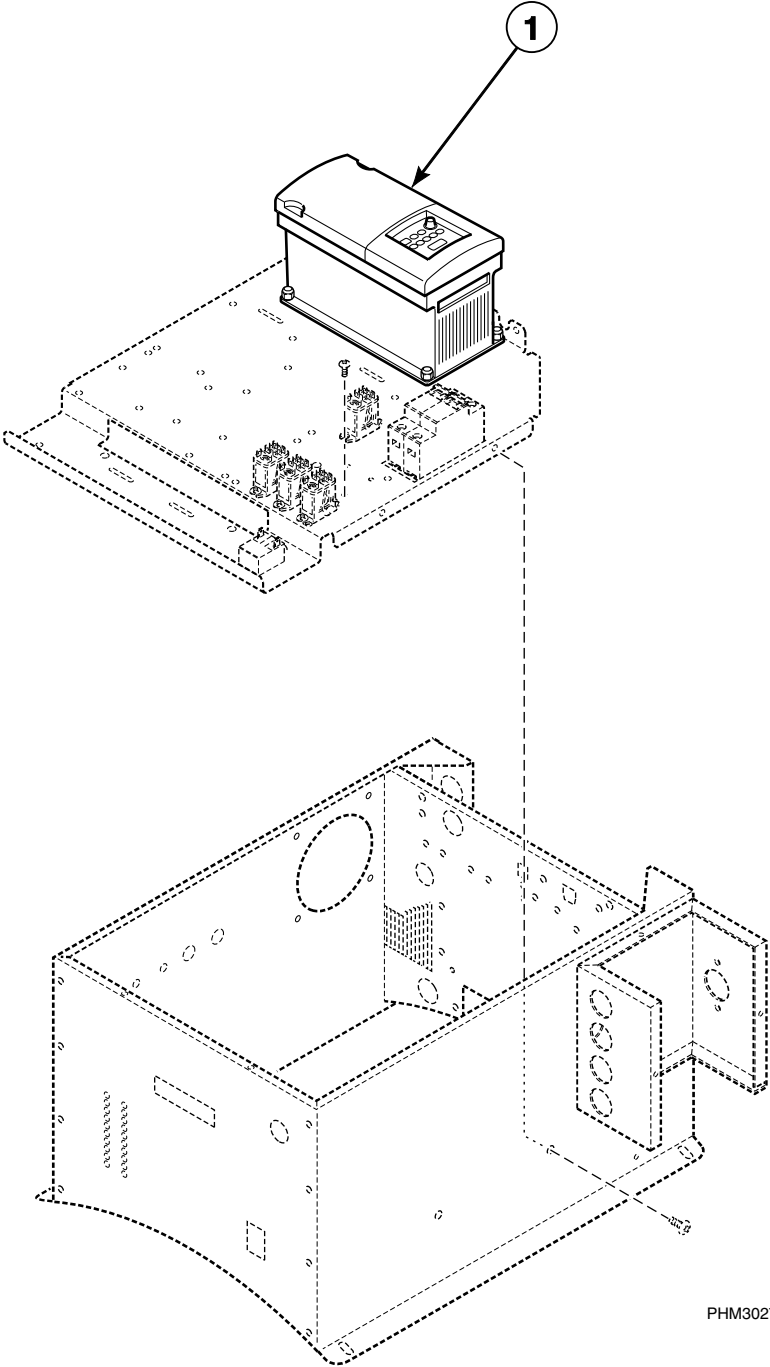


PHM2682P_F238015

Control Module - Models UW80PV and UW100PV - Design 8 Models with PowerFlex 40 AC Drive

REF	PART NO.	DESCRIPTION	COMMENTS
1	F200316100	Top Exhaust Panel Assembly	
2	F8169650	AC Drive	Model UW80PV; Q-voltage; Requires WE-6 computer software ID code ARW001 (F200276500 Software Chip)
	F8169651	AC Drive	Model UW80PV; N and P-voltage; Requires WE-6 computer software ID code ARWC01 (F200276500 Software Chip)
	F8169652	AC Drive	Model UW100PV; Q-voltage; Requires WE-6 computer software ID code ARWC01 (F200276500 Software Chip)
	F8169653	AC Drive	Model UW100PV; N and P-voltage; Requires WE-6 computer software ID code ARWC01 (F200276500 Software Chip)
3	F430920	Screw	
4	F431017	Nut	
5	F8324301	PowerFlex 40 AC Drive Retrofit Kit	Model UW80PV; Q-voltage; Includes items 1-4, F200276500 Software Chip, F140160 Wire (12 inches) and F140605 Cable Tie
	F8324401	PowerFlex 40 AC Drive Retrofit Kit	Model UW80PV; N and P-voltage; Includes items 1-4, F200276500 Software Chip, F140160 Wire (12 inches) and F140605 Cable Tie
	F8324302	PowerFlex 40 AC Drive Retrofit Kit	Model UW100PV; Q-voltage; Includes items 1-4, F200276500 Software Chip, F140160 Wire (12 inches) and F140605 Cable Tie
	F8324402	PowerFlex 40 AC Drive Retrofit Kit	Model UW100PV; N and P-voltage; Includes items 1-4, F200276500 Software Chip, F140160 Wire (12 inches) and F140605 Cable Tie

Control Module - PowerFlex 40 Drive Kits

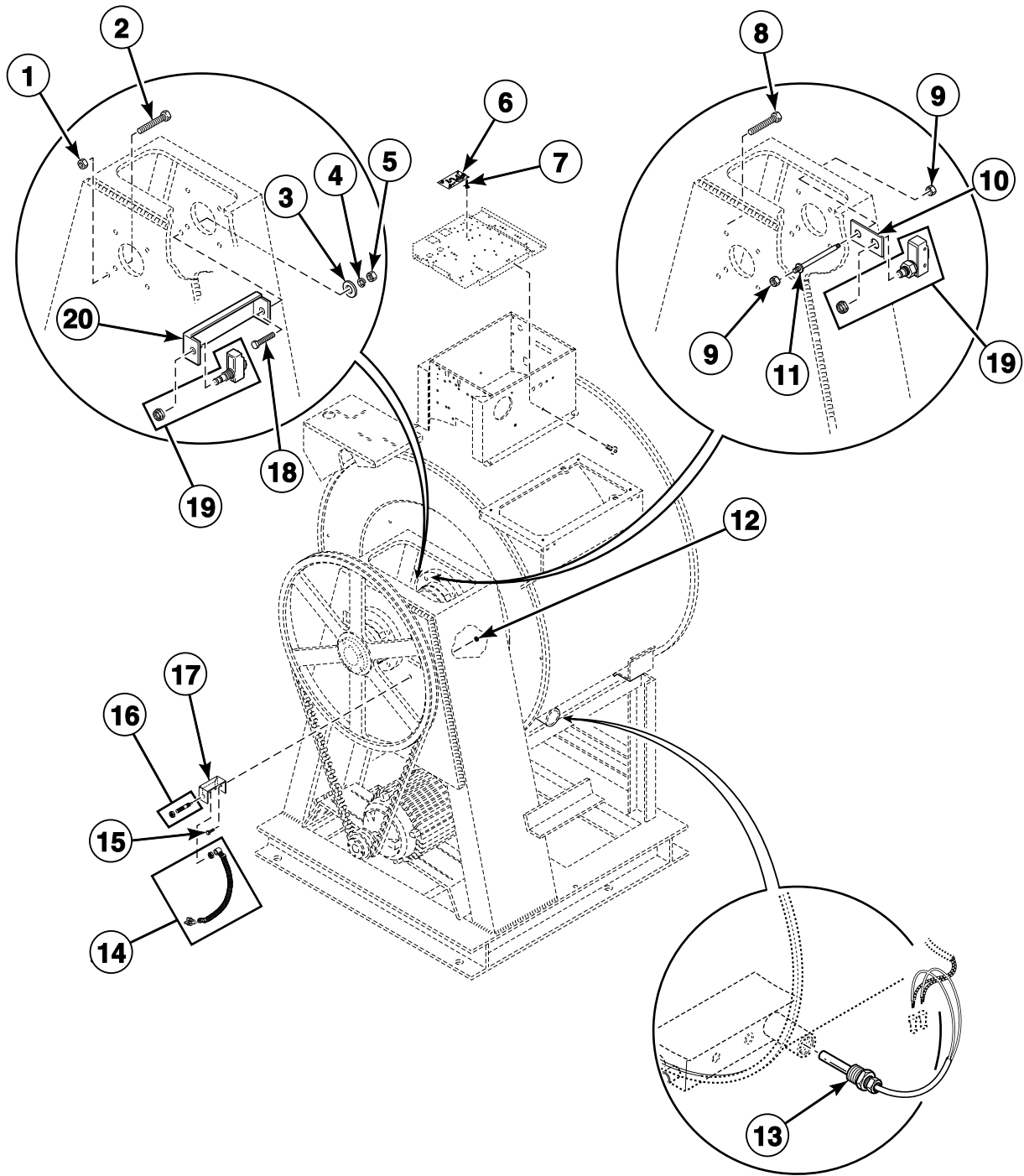


PHM3027P_F238015

Control Module - PowerFlex 40 Drive Kits

REF	PART NO.	DESCRIPTION	COMMENTS
1	F8171803	160 to PowerFlex 40 Drive Kit	Model UW80PV; Q-voltage design 5 models with Allen-Bradley 160-series drive and F220237 Motor; Includes F8169642 AC Drive
	F8171804	160 to PowerFlex 40 Drive Kit	Model UW80PV; Q-voltage design 6 and 7 models with Allen-Bradley 160-series drive and F220438 Motor; Includes F8169644 AC Drive
	F8171805	160 to PowerFlex 40 Drive Kit	Model UW80PV; Q-voltage design 6 and 7 models with Allen-Bradley 160-series drive and F8334701 Marathon motor; Includes F8169678 AC Drive
	F8171903	160 to PowerFlex 40 Drive Kit	Model UW80PV; P and N-voltage design 5 models with Allen-Bradley 160-series drive and F220237 Motor; Includes F8169643 AC Drive
	F8171904	160 to PowerFlex 40 Drive Kit	Model UW80PV; P and N-voltage design 6 and 7 models with Allen-Bradley 160-series drive and F220438 Motor; Includes F8169645 AC Drive
	F8171905	160 to PowerFlex 40 Drive Kit	Model UW80PV; P and N-voltage design 6 and 7 models with Allen-Bradley 160-series drive and F8334701 Marathon motor; Includes F8169679 AC Drive
	F8172003	160 to PowerFlex 40 Drive Kit	Model UW100PV; Q-voltage design 5 models with Allen-Bradley 160-series drive and F220237 Motor; Includes F8169646 AC Drive
	F8172004	160 to PowerFlex 40 Drive Kit	Model UW100PV; Q-voltage design 6 and 7 models with Allen-Bradley 160-series drive and F220438 Motor; Includes F8169648 AC Drive
	F8172005	160 to PowerFlex 40 Drive Kit	Model UW100PV; Q-voltage design 6 and 7 models with Allen-Bradley 160-series drive and F8334701 Marathon motor; Includes F8169680 AC Drive
	F8172103	160 to PowerFlex 40 Drive Kit	Model UW100PV; P and N-voltage design 5 models with Allen-Bradley 160-series drive and F220237 Motor; Includes F8103710 AC Drive
	F8172104	160 to PowerFlex 40 Drive Kit	Model UW100PV; P and N-voltage design 6 and 7 models with Allen-Bradley 160-series drive and F220438 Motor; Includes F8169649 AC Drive
	F8172105	160 to PowerFlex 40 Drive Kit	Model UW100PV; P and N-voltage design 6 and 7 models with Allen-Bradley 160-series drive and F8334701 Marathon motor; Includes F8169681 AC Drive
	F8255404	160 to PowerFlex 40 Drive Kit	Models UW80AV and UW80VV; Q-voltage design 7 and 8 models with Allen-Bradley 160-series drive; Includes F8169621 AC Drive
	F8255405	160 to PowerFlex 40 Drive Kit	Models UW100AV and UW100VV; Q-voltage design 7 and 8 models with Allen-Bradley 160-series drive; Includes F8169623 AC Drive
	F8255504	160 to PowerFlex 40 Drive Kit	Models UW80AV and UW80VV; P and N-voltage design 7 and 8 models with Allen-Bradley 160-series drive; Includes F8169622 AC Drive
	F8255505	160 to PowerFlex 40 Drive Kit	Models UW100AV and UW100PV; P and N-voltage design 7 and 8 models with Allen-Bradley 160-series drive; Includes F8169624 AC Drive
	F8324304	1336 to PowerFlex 40 Drive Kit	Model UW80PV; Q-voltage design 8 models with Allen-Bradley 1336-series drive and F8334701 Marathon motor; Includes F8169682 AC Drive
	F8324305	1336 to PowerFlex 40 Drive Kit	Model UW100PV; Q-voltage design 8 models with Allen-Bradley 1336-series drive and F8334701 Marathon motor; Includes F8169684 AC Drive
	F8324404	1336 to PowerFlex 40 Drive Kit	Model UW80PV; P and N-voltage design 8 models with Allen-Bradley 1336-series drive and F8334701 Marathon motor; Includes F8169683 AC Drive
	F8324405	1336 to PowerFlex 40 Drive Kit	Model UW100PV; P and N-voltage design 8 models with Allen-Bradley 1336-series drive and F8334701 Marathon motor; Includes F8169685 AC Drive

Balance Switch, Temperature Probe and Rotation Sensor

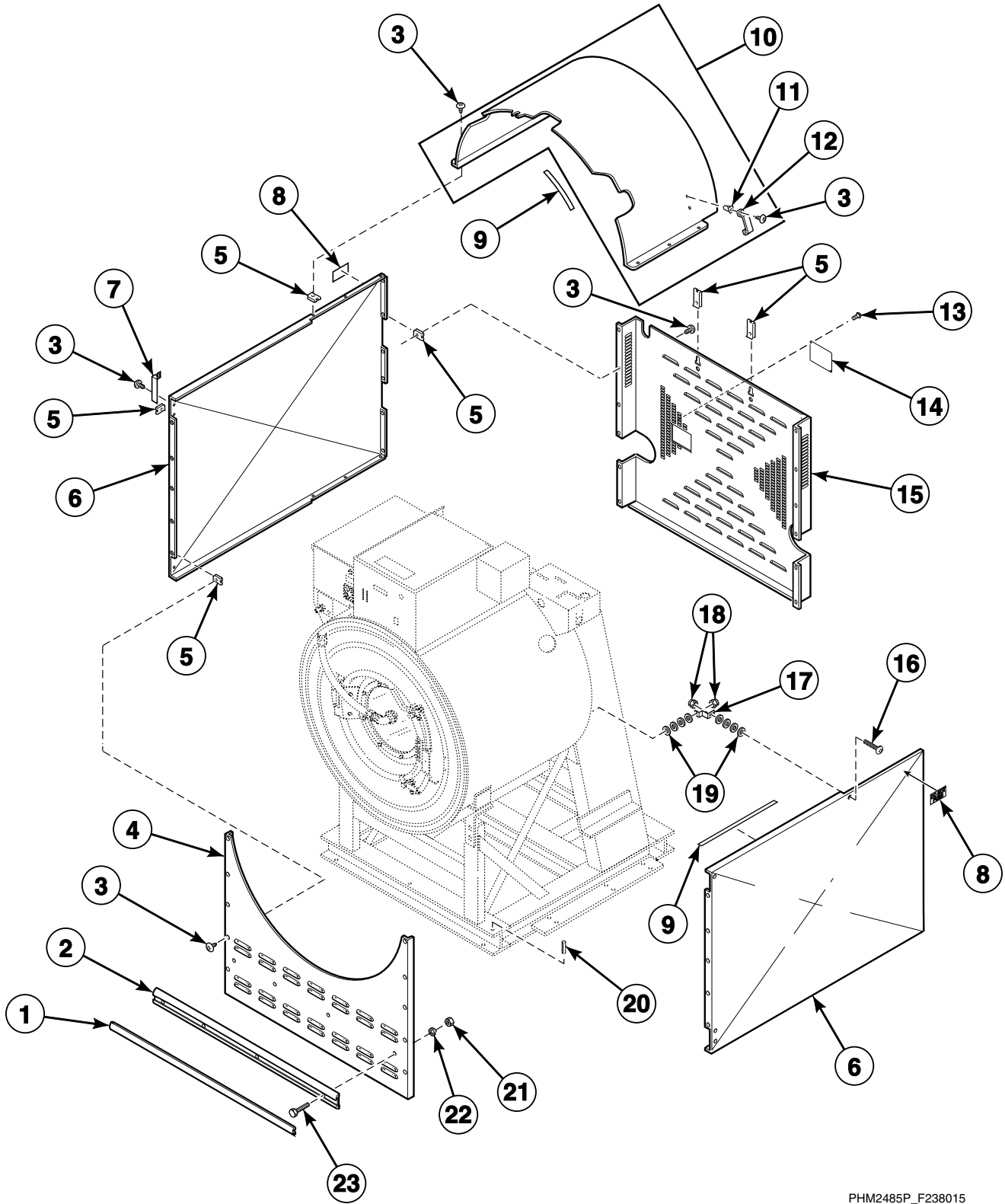


PHM2962P_F238015

Balance Switch, Temperature Probe and Rotation Sensor

REF	PART NO.	DESCRIPTION	COMMENTS
1	H88412101	Nut	Models through 10/7/07
2	F0430539-00	Bolt	Models through 10/7/07
3	M400081	Washer	
4	M400014	Washer	
5	20274	Nut	Models through 10/7/07
6	F200101300P	Rotation Sensor PCB	Models UW80PV and UW100PV
7	F180501	Standoff	Models UW80PV and UW100PV
8	F8111101	Screw	Models starting 10/8/07
9	44087301	Nut	Models starting 10/8/07
10	F8124301	Balance Switch Bracket	Models starting 10/8/07
11	F8122701	Screw	Models starting 10/8/07
12	F430218	Nut	Models UW80PV and UW100PV
13	F370606P	Temperature Probe	
14	F8066401	Rotation Sensor Harness	Models UW80PV and UW100PV
15	F430927	Screw	Models UW80PV and UW100PV
16	F200126200P	Rotation Sensor Assembly	Models UW80PV and UW100PV
	F079900800	Rotation Sensor Retrofit Kit	Models UW80PV and UW100PV; Includes items 6, 7, 12, 14, 15 and 17
17	F200122500	Rotation Sensor Bracket	Models UW80PV and UW100PV
18	800461	Screw	Models through 10/7/07
19	F340921	Switch	CE models
	F340924	Switch Extension	CE models; Use with F340921 Switch
	F340900	Interlock Switch	All other models
20	F601750	Balance Switch Bracket	Models through 10/7/07

Front, Rear and Side Panels

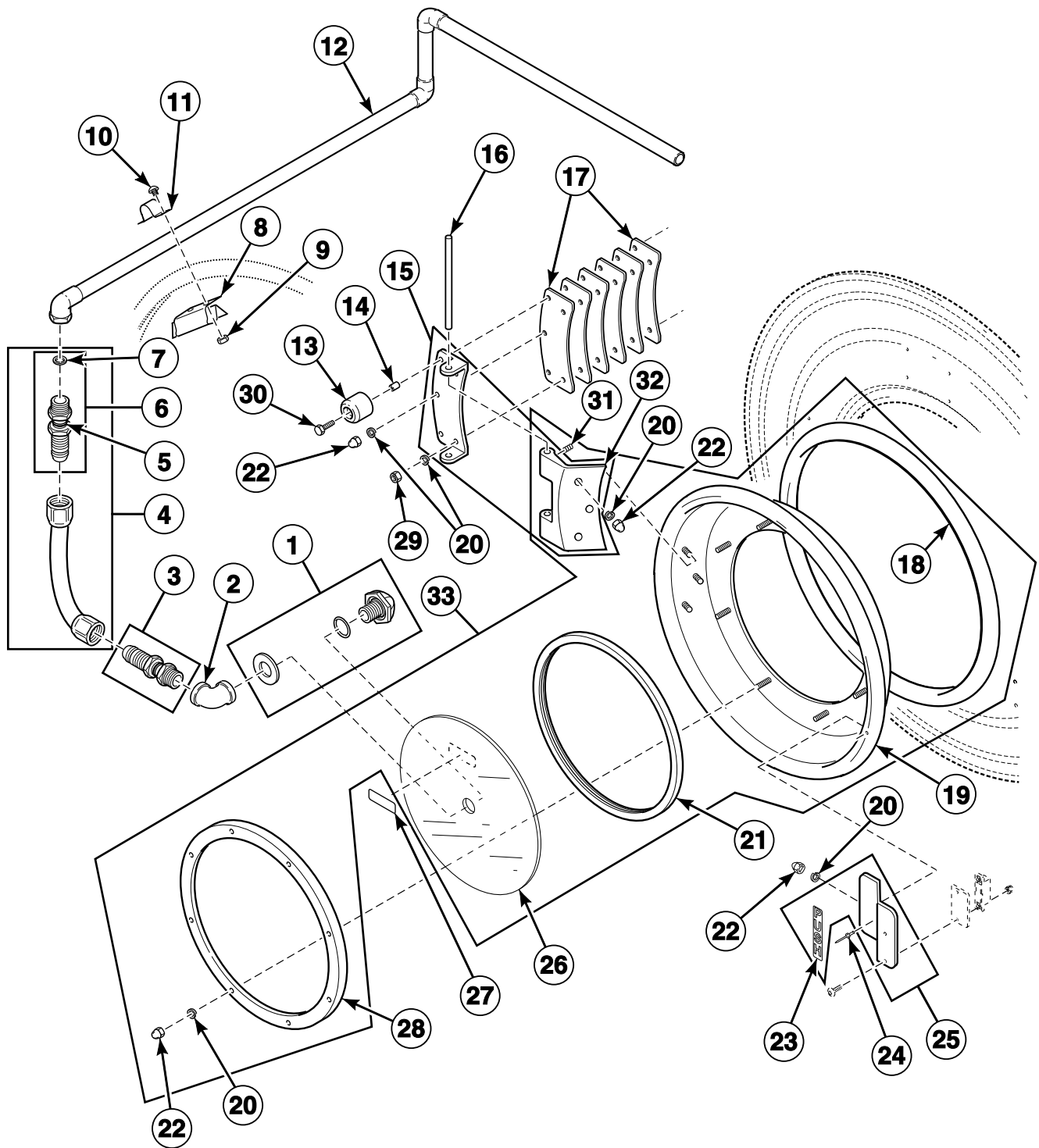


PHM2485P_F238015

Front, Rear and Side Panels

REF	PART NO.	DESCRIPTION	COMMENTS
1	F150397	Extrusion Insert	Order 4 feet
2	F150409	Rub Rail	
3	F430956	Screw	
4	F635668P	Front Panel	
5	F430264	Nut	Tinnerman
6	F635671	Side Panel	Models UW80AV, UW80PV and UW80VV
	F635670P	Side Panel	Models UW100AV, UW100PV and UW100VV
7	F607262	Side Panel Cover	
8	F230302	Do Not Push Decal	
9	F170400RP	Trim	
10	F635611	Cage Wrap Weldment	Model UW80PV design 5, 6, and 7; Models UW80AV and UW80VV; Includes items 3, 11 and 12
	F200092400	Cage Wrap Weldment	Model UW80PV design 8; Includes items 3, 11 and 12
	F635612	Cage Wrap Weldment	Model UW100PV design 5, 6 and 7; Models UW100AV and UW100VV; Includes items 3, 11 and 12
	F200092200	Cage Wrap Weldment	Model UW100PV design 8; Includes items 3, 11 and 12
11	F0431807-00	Nut	
12	F605324	Hose Strap	
13	70240301	Screw	
14	F200188300	Belt Inspection Port Cover	
15	F200188000P	Rear Panel	
16	F430921	Screw	
17	F601982	Side Panel Bracket	
18	F430215	Nut	
19	F430317	Washer	
20	F430415	Pin	
21	F430211	Nut	
22	F431100	Washer	
23	F430921	Screw	

Door and Spray Tube Assembly

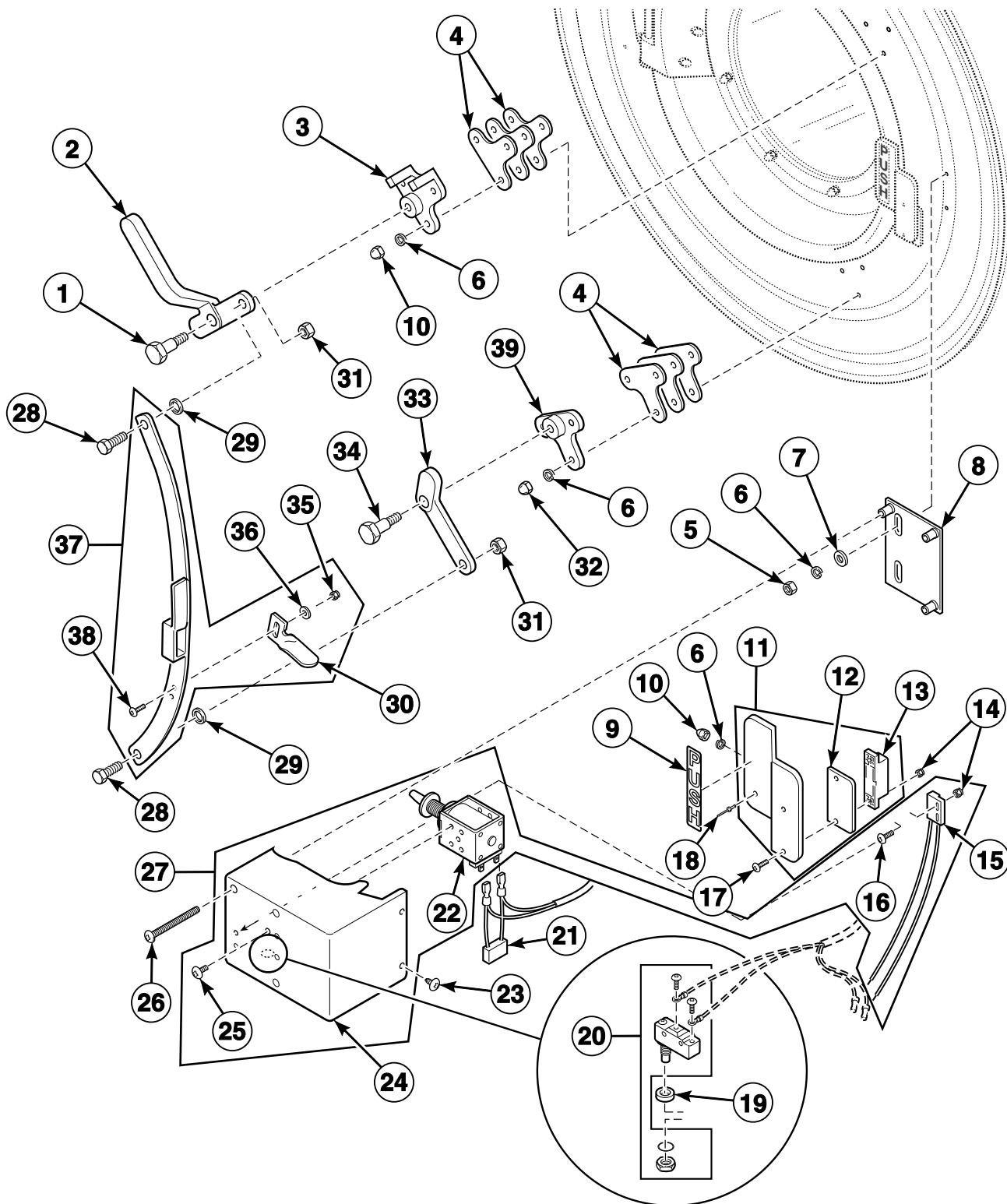


PHM2898P_F238015

Door and Spray Tube Assembly

REF	PART NO.	DESCRIPTION	COMMENTS
1	F730077	Spray Rinse Nozzle Kit	Models UW80PV and UW100PV
2	F422319	Elbow	Models UW80PV and UW100PV
3	F422109	No-Swivel Coupling	Models UW80PV and UW100PV
4	F730024	Spray Rinse Hose Kit	Models UW80PV and UW100PV; Includes items 5-7
5	F170200	O-Ring	Models UW80PV and UW100PV
6	F422108	Swivel Coupling	Models UW80PV and UW100PV
7	F310206	Ring Retainer	Models UW80PV and UW100PV
8	F602901P	Spray Rinse Bracket Assembly	Models UW80PV and UW100PV; Includes items 9 and 10
9	F431022	Nut	Models UW80PV and UW100PV
10	F430917	Screw	Models UW80PV and UW100PV
11	F602880	Spray Rinse Strap	Models UW80PV and UW100PV
12	F603696-5	Spray Rinse Tube Assembly	Model UW80PV
	F603696-6	Spray Rinse Tube Assembly	Model UW100PV
13	F150366	Door Bumper Moulding	
14	F430416	Door Bumper Bushing	
15	F200030600P	Door Hinge Strap Kit	Includes item 34
16	F601815	Door Hinge Pin	
17	F0610695-00	Door Butt Shim	
18	F170145	Door Gasket	Black
	F017014501	Door Gasket	Gray
19	F730307	Door Kit	Studded
20	F431100	Washer	
21	F170117	Door Glass Gasket	
22	F431026	Nut	
23	F230303	Push Decal	
24	F431210	Pop Rivet	
25	F746202-1	Push Handle Kit	Includes item 23
26	F290200P	Door Glass Kit	Models UW80PV and UW100PV; With hole
	F290201P	Glass	Models UW80AV, UW100AV, UW80VV and UW100VV; Without hole
27	F230652	Clockwise Spin Rotation Decal	
28	F601239	Door Glass Retainer	
29	F431005	Nut	
30	F430103	Screw	
31	F430502	Screw	
32	F200030600	Door Hinge Strap	
33	F730540	Door Kit	Models UW80PV and UW100PV; Includes items 18-23, 25, 26, 28, 31, 32, F410102 Clear Sealant, F340703 Magnet, F430232 Nut and F430909 Screw
	F200119601	Door Assembly	Models UW80AV, UW100AV, UW80VV and UW100VV; Includes items 18-23, 25, 26, 28, 31, 32, F340703 Magnet, F430231 Nut, F430916 Screw and F430917 Washer

Door Lock

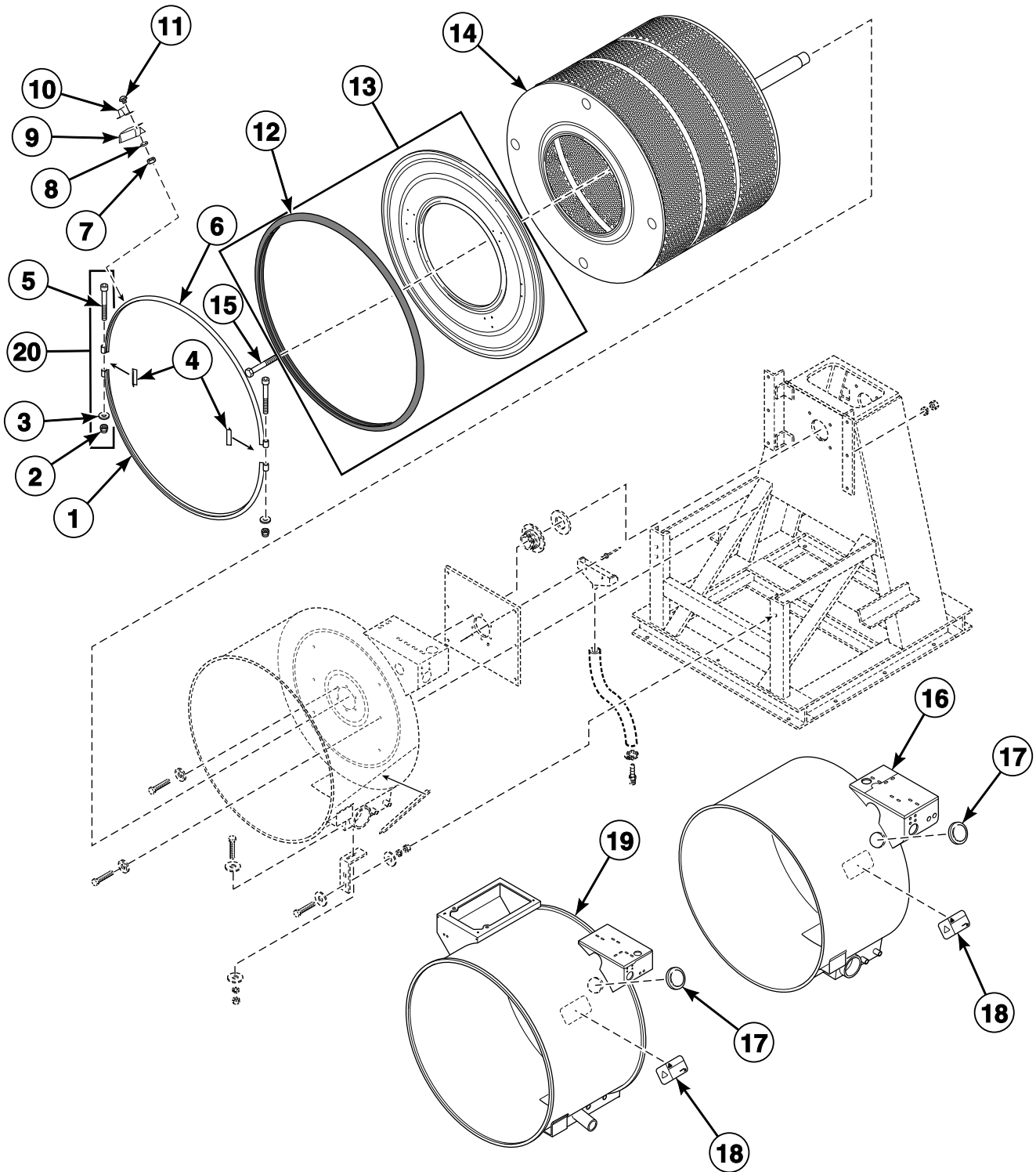


PHM1009P_F238015

Door Lock

REF	PART NO.	DESCRIPTION	COMMENTS
1	F430168	Screw	
2	F150203	Door Handle Casting	
3	F150201P	Top Latch Bracket Casting	
4	F602058	Door Latch Bracket Shim	
5	F430215	Nut	
6	F431100	Washer	
7	F431142	Washer	
8	F601129	Door Box Mounting Bracket	Models UW80AV, UW100AV, UW80VV and UW100VV
	F746806	Door Box Mounting Plate Kit	Models UW80PV and UW100PV
9	F230303	Push Decal	
10	F431026	Nut	
11	F746202-1	Push Handle Kit	Includes items 12, 13 and F607258 Push Handle Assembly
12	F603683	Door Push Brace	
13	F8390801	Magnet	
14	F430232	Nut	
15	F200321200	Magnetic Switch Assembly	
16	F430917	Screw	
17	F430909	Screw	
18	F431210	Pop Rivet	
19	F601055	Interlock Switch Spacer	
20	F340900	Interlock Switch	
21	F330217P	RC Network Filter	Includes F140627 Connector and F141022 Connector
22	F300129P	Door Lock Solenoid	
23	F430956	Screw	
24	F607202	Door Box	
25	F430995	Screw	
26	F430996	Screw	
27	F604888-1	Door Box Assembly	Includes items 14-16, 22, 24 and 25
28	F430927	Screw	
29	F431118	Washer	
30	F601639	Extension Arm Tab	
31	20274	Nut	
32	F431005	Nut	
33	F150204	Lower Door Latch Casting	
34	F430168	Screw	
35	F430231	Nut	
36	F431108	Washer	
37	F8062001	Extension Arm Assembly	Includes items 30, 35, 36 and 38
38	F430916	Screw	
39	F150202	Lower Door Latch Bracket Casting	

Basket, Shell and Frame (Drawing 1 of 2)



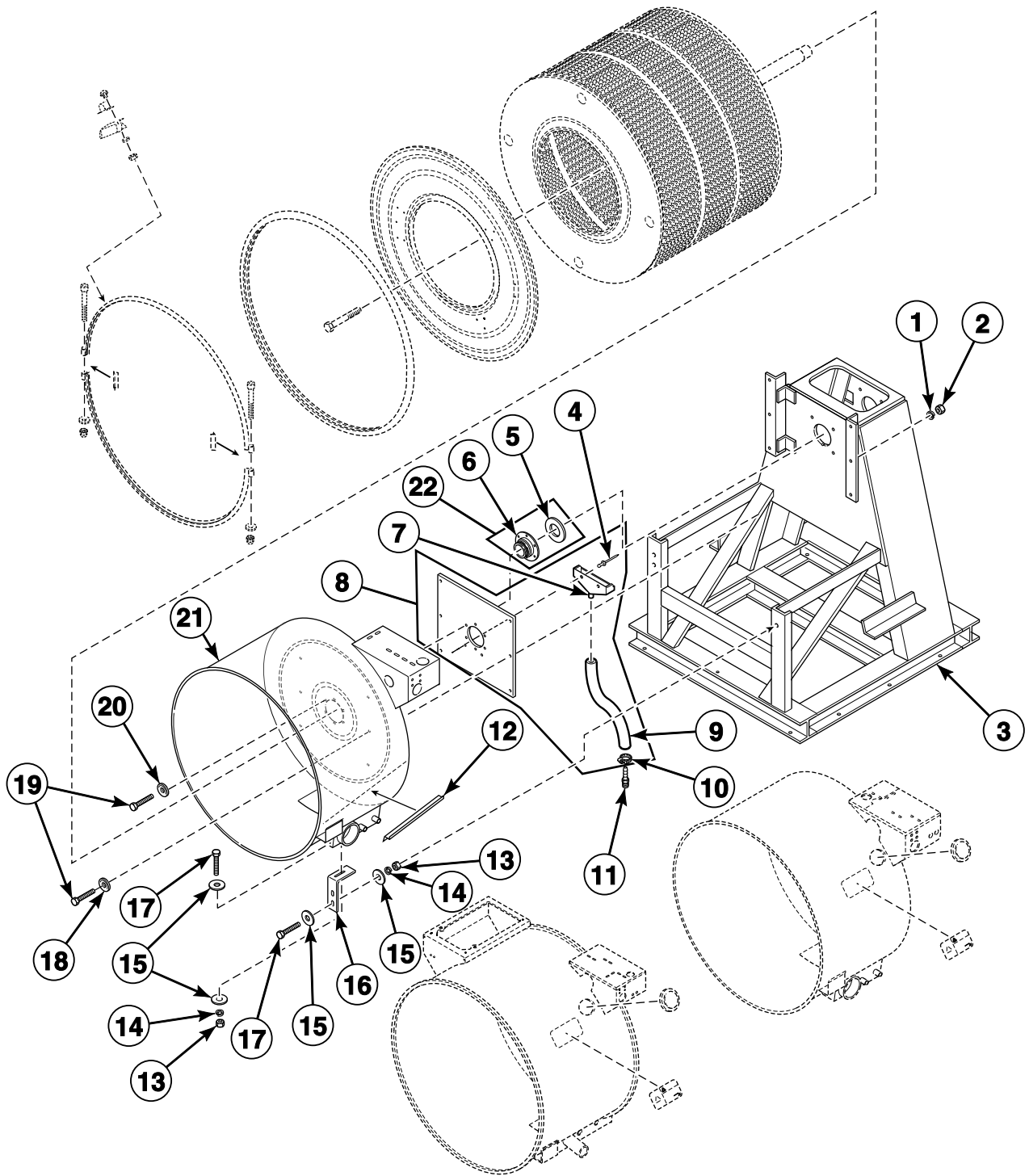
PHM2562P_F238015

Basket, Shell and Frame (Drawing 1 of 2)

REF	PART NO.	DESCRIPTION	COMMENTS
1	F603911	Shell Band Assembly	Bottom
2	F430215	Nut	
3	F430317	Washer	
4	F601216	Shell Gasket Shield	
5	F430518	Screw	
6	F603910	Shell Band Assembly	Top
7	F431022	Nut	
8	F431113	Washer	
9	F602901P	Spray Rinse Bracket Assembly	
10	F602880	Spray Rinse Strap	
11	F430917	Screw	
12	F170120RP	Shell Band Gasket	
13	F8011301P	Shell Front Kit	Includes item 12
14	F632403	Basket Assembly	Models UW80AV, UW80PV and UW80VV
	F630764	Basket Assembly	Models UW100AV, UW100PV and UW100VV
15	N/A	Screw	
16	N/A	Shell Weldment	Model UW80PV; Standard; Design 7
	N/A	Shell Weldment	Model UW80PV; Standard models with starch; Design 7
	N/A	Shell Weldment	Model UW80PV; Electric heat; Design 7
	N/A	Shell Weldment	Model UW80PV; Electric heat with starch; Design 7
	F0637540-00	Shell Weldment	Model UW100PV; Standard; Design 7
	F0637540-01	Shell Weldment	Model UW100PV; Standard models with starch; Design 7
	N/A	Shell Weldment	Model UW100PV; Electric heat; Design 7
17	F0200237-00	Plug	Models UW80PV and UW100PV; Design 7 and 8
18	F0230112-00	Plug Removal Warning Decal	Models UW80PV and UW100PV; Design 7 and 8
19	F063753804	Shell Weldment	Model UW80PV; Standard; Design 8
	F063754004	Shell Weldment	Model UW100PV; Standard; Design 8
20	F791001	Shell Band Fastener Kit	Includes items 2 and 3

N/A = Part no longer available

Basket, Shell and Frame (Drawing 2 of 2)

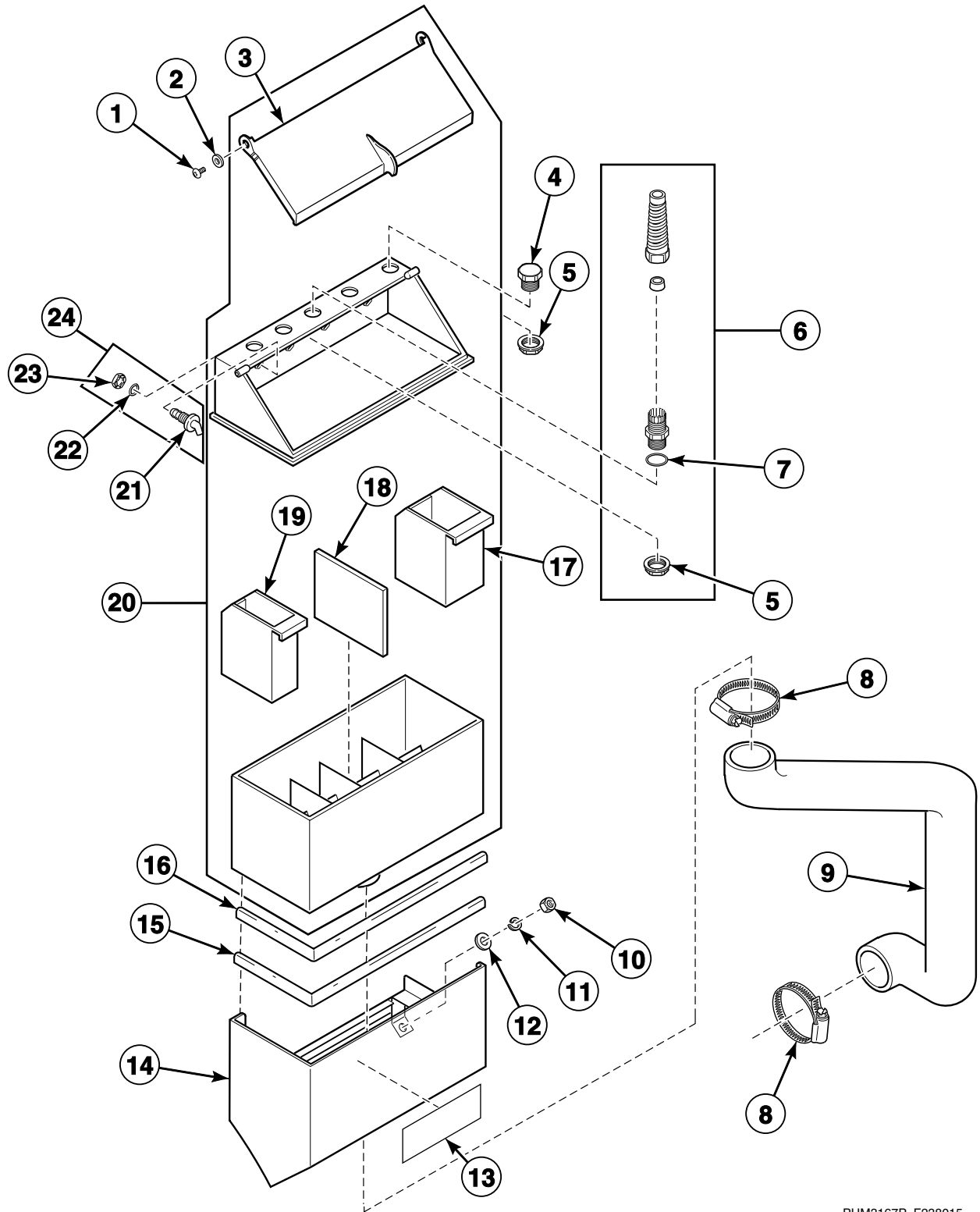


PHM2563P_F238015

Basket, Shell and Frame (Drawing 2 of 2)

REF	PART NO.	DESCRIPTION	COMMENTS
1	M400013	Washer	
2	70142	Nut	
3	F632394	Frame Assembly	Models UW80AV, UW80PV and UW80VV
	F632394-1	Frame Assembly	Model UW80PV; Close mount
	F630821-1	Frame Weldment	Models UW100AV, UW100PV and UW100VV
	F630821-2	Frame Weldment	Model UW100PV; Close mount
4	F431210	Pop Rivet	
5	F100204	Slinger	
6	F8162001	Face Seal	Standard
	F8161901	Face Seal	Viton
7	F150389	Scupper	
8	F8084201	Shell Reinforcement Plate Assembly	Includes items 4, 7, 9 and 10
9	F200107P	Water Hose	
10	36801	Hose Clamp	No. 6
11	F421929	Hose Barb	
12	F150364	Drip Rail	
13	20274	Nut	
14	M400014	Washer	
15	M400081	Washer	
16	F601806	Shell Mounting Bracket	
17	F430924	Screw	
18	F431116	Washer	
19	F430913	Screw	
20	F431112	Washer	
21	F634471	Shell Assembly	Model UW80PV; 4-1/2 inch sump; Standard models; Design 5 and 6
	F634471-1	Shell Assembly	Model UW80PV; 4-1/2 inch sump; Standard models with starch; Design 5 and 6
	F632397-1	Shell Assembly	Model UW80PV; 10-1/2 inch sump; Electric heat models; Design 5 and 6
	F632397-3	Shell Assembly	Model UW80PV; 10-1/2 inch sump; Electric heat models with starch; Design 5 and 6
	F634495	Shell Weldment	Model UW100PV; 4-1/2 inch sump; Standard models; Design 5 and 6
	F634495-1	Shell Weldment	Model UW100PV; 4-1/2 inch sump; Standard models with starch; Design 5 and 6
	F630760-1	Shell Weldment	Model UW100PV; 10-1/2 inch sump; Electric heat models; Design 5 and 6
	F063753802	Shell Weldment	Models UW80AV and UW80VV
	F634485	Shell Weldment	Models UW100AV and UW100VV
22	F798827-00	Seal Kit	Includes item 5, F170120RP Shell Band Gasket and sealant; Standard seal
	F798829-00	Seal Kit	Includes item 5, F170120RP Shell Band Gasket and sealant; Viton seal

Supply Dispenser

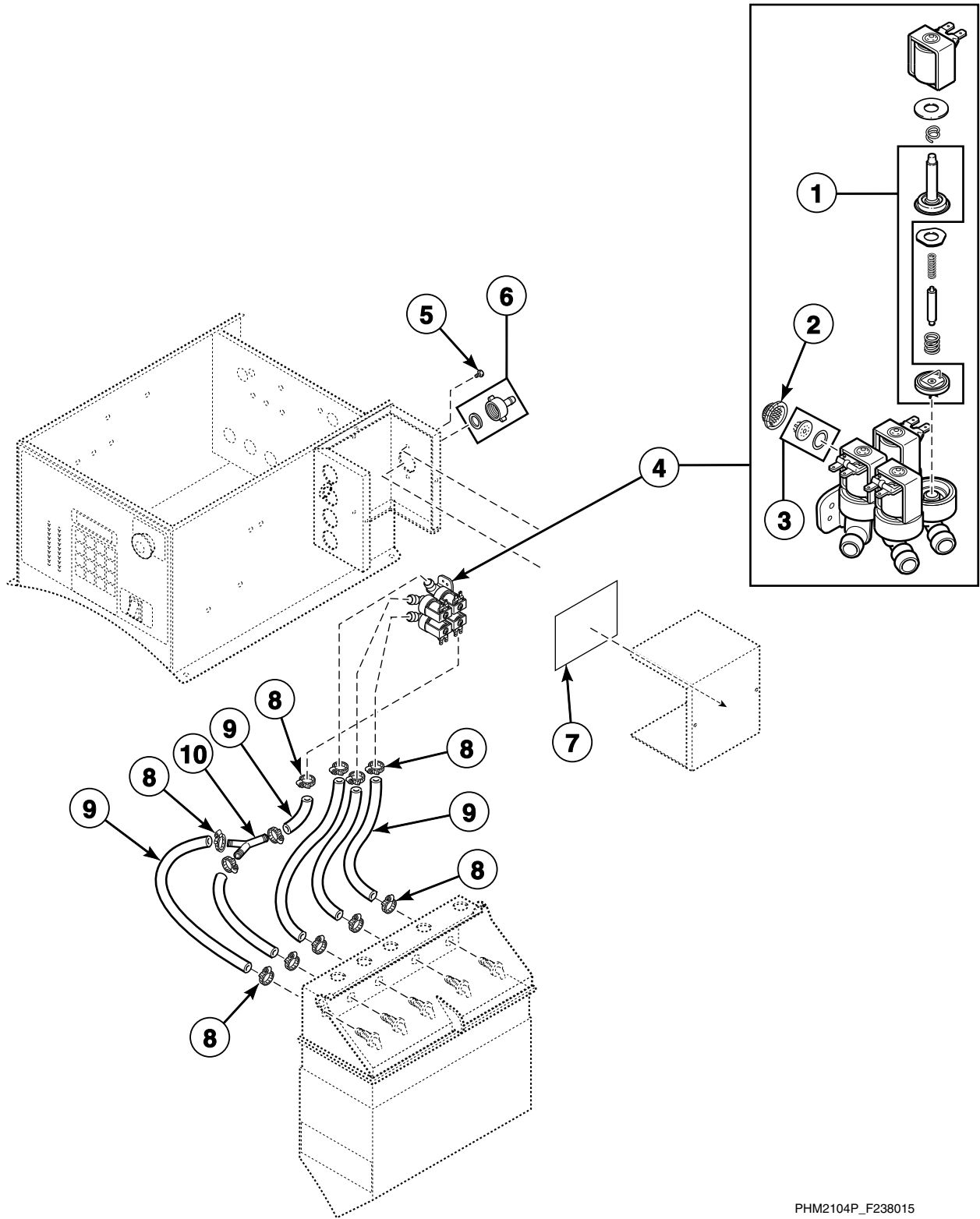


PHM3167P_F238015

Supply Dispenser

REF	PART NO.	DESCRIPTION	COMMENTS
1	F430917	Screw	
2	F8195301	Washer	
3	F0150514-00	Dispenser Lid	
4	F190304	Plug Cap	
5	F140340P	Strain Relief Connector	
6	F749802	Strain Relief Adapter Kit	Includes items 5 and 7
7	F170215	O-Ring	
8	F200213	Hose Clamp	No. 40
9	F150471	Chemical Supply Hose	Models UW80AV, UW80PV and UW80VV
	F150470	Chemical Supply Hose	Models UW100AV, UW100PV and UW100VV
10	F431005	Nut	
11	F431100	Washer	
12	F431147	Washer	
13	F231436	Supply Dispenser Hazard Caution Decal	
14	F8024301	Soap Dispenser Shroud Weldment	
15	F170400RP	Trim	
16	F170158P	Gasket	
17	F150386	Chemical Supply Cup	32 ounce; 2 required
18	F0150525-00	Supply Dispenser Spacer	
19	F150385	Chemical Supply Cup	20 ounce; 3 required
20	F0150512-00P	Dispenser Assembly	Includes items 3 and 17-19
21	F8322001	Injection Nozzle	
22	F170208	O-Ring	
23	802292	Nut	
24	F730168	Injection Nozzle Kit	Includes items 21-23

Water Supply Valve and Hoses to Supply Dispenser



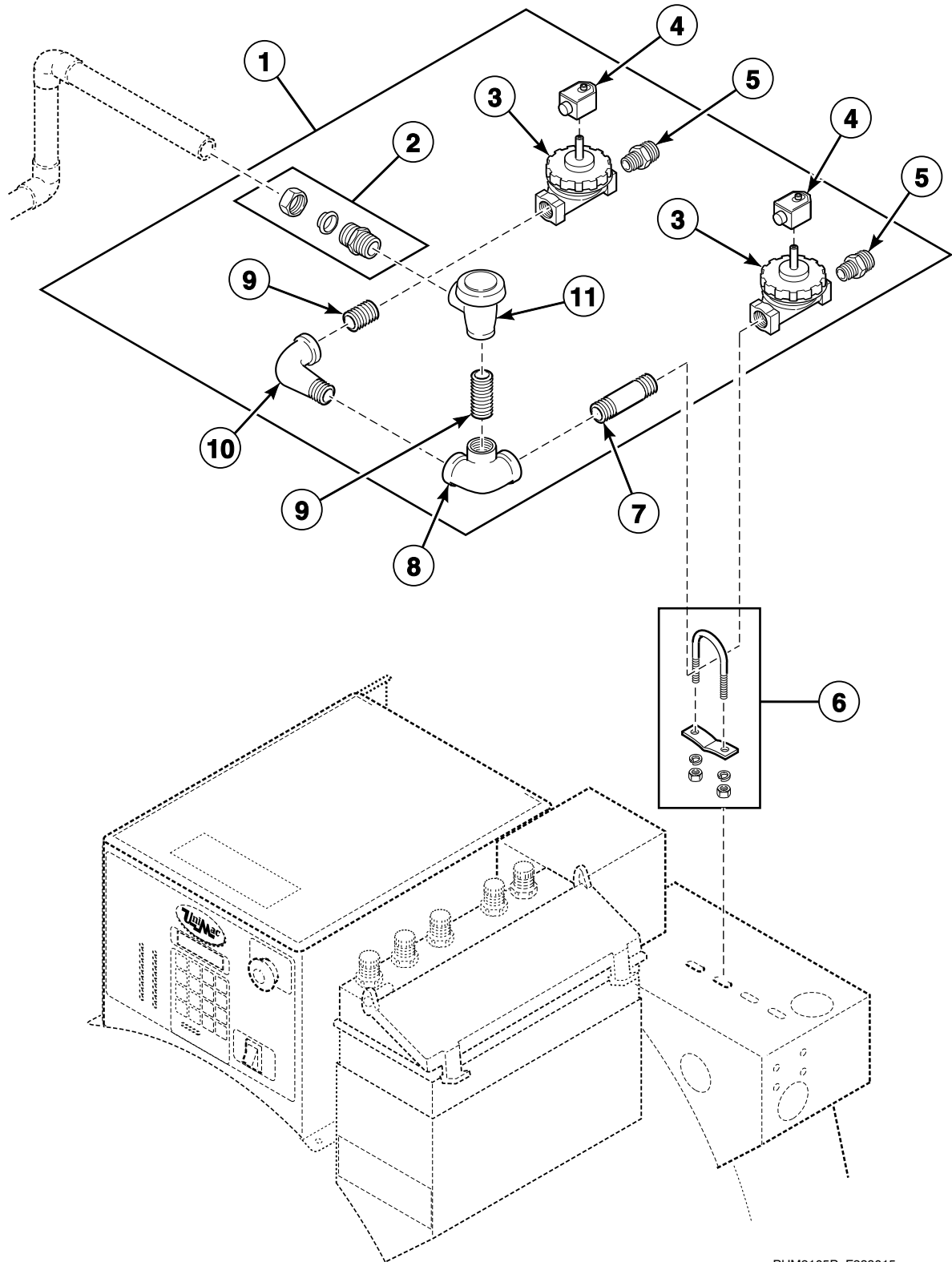
PHM2104P_F238015

Water Supply Valve and Hoses to Supply Dispenser

REF	PART NO.	DESCRIPTION	COMMENTS
1	G582P3	Diaphragm and Guide Kit	
2	F270200	Strainer	
3	N/A	Flow Restrictor	8 liter
4	F381723P	4-Way Valve	220 Volt
5	F430948	Screw	
6	F200302	Hose Connector	
7	F230754	Water Valve Assembly Decal	
8	36801	Hose Clamp	No. 6
9	F200110P	Water Hose	
10	F422816	Y Connector	

N/A = Part no longer available

Spray Plumbing - UW80PV and UW100PV Design 5 and 6 Models



PHM2105P_F238015

Spray Plumbing - UW80PV and UW100PV Design 5 and 6 Models

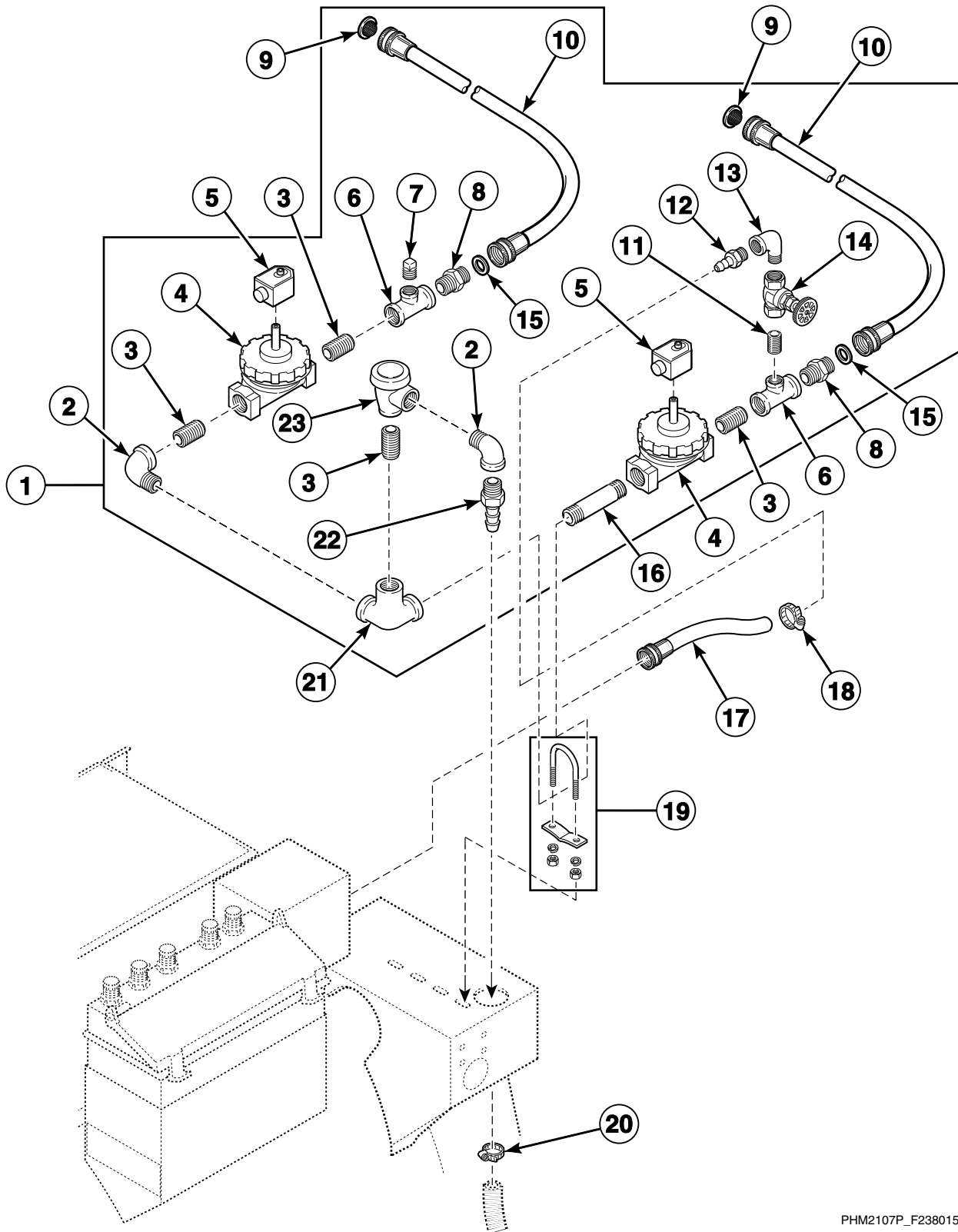
REF	PART NO.	DESCRIPTION	COMMENTS
1	N/A	Spray Plumbing Assembly	220 Volt; Includes items 2-5 and 7-11
	F633151-5	Spray Plumbing Assembly	220 Volt; Metric; Includes items 2-5 and 7-11
2	F422106	Tube Connector	
3	F381701P	Valve	3/4 inch; 220 Volt; Parker
	F141901P	DIN Harness Assembly	
	F380991P	Water Valve Repair Kit	3/4 inch
4	F380987P	DIN Coil	220 Volt
5	F421909	Hose Adapter	Standard thread
	F8265701	Adapter	Metric thread
6	F200401P	U-Bolt Clamp	
7	F420107	Nipple	
8	F420509	Elbow	
9	F420105	Nipple	
10	F420502	Street Elbow	
11	F380800P	Vacuum Breaker Valve	3/4 inch
	F380965P	Repair Kit	3/4 inch

N/A = Part no longer available

Spray Plumbing - UW80PV and UW100PV Design 7 and 8 Models

REF	PART NO.	DESCRIPTION	COMMENTS
1	F0637638-01	Spray Plumbing Assembly	220 Volt; Includes items 2-5 and 7-15
	F0637638-03	Spray Plumbing Assembly	220 Volt; Metric; Includes items 2-5 and 7-15
2	F422106	Tube Connector	
3	F380987P	DIN Coil	220 Volt
4	F381701P	Valve	3/4 inch; 220 Volt; Parker
	F141901P	DIN Harness Assembly	
	F380991P	Water Valve Repair Kit	3/4 inch
5	F421909	Hose Adapter	Standard thread
	F8265701	Adapter	Metric thread
6	F200401P	U-Bolt Clamp	
7	F420107	Nipple	
8	F420509	Elbow	
9	F420105	Nipple	
10	F420502	Street Elbow	
11	F380800P	Vacuum Breaker Valve	3/4 inch; Includes items 12-15; F380965P Repair Kit
	F0798922-00	Vacuum Breaker Kit	Includes items 12-15 and installation instructions
12	F0170221-00	O-Ring	
13	F0380809-00	Containment Device	
14	F0380808-00	Vacuum Breaker Cap	
15	F430938	Screw	

Fill Plumbing - UW80PV and UW100PV Design 5 and 6 Models Through 2/02

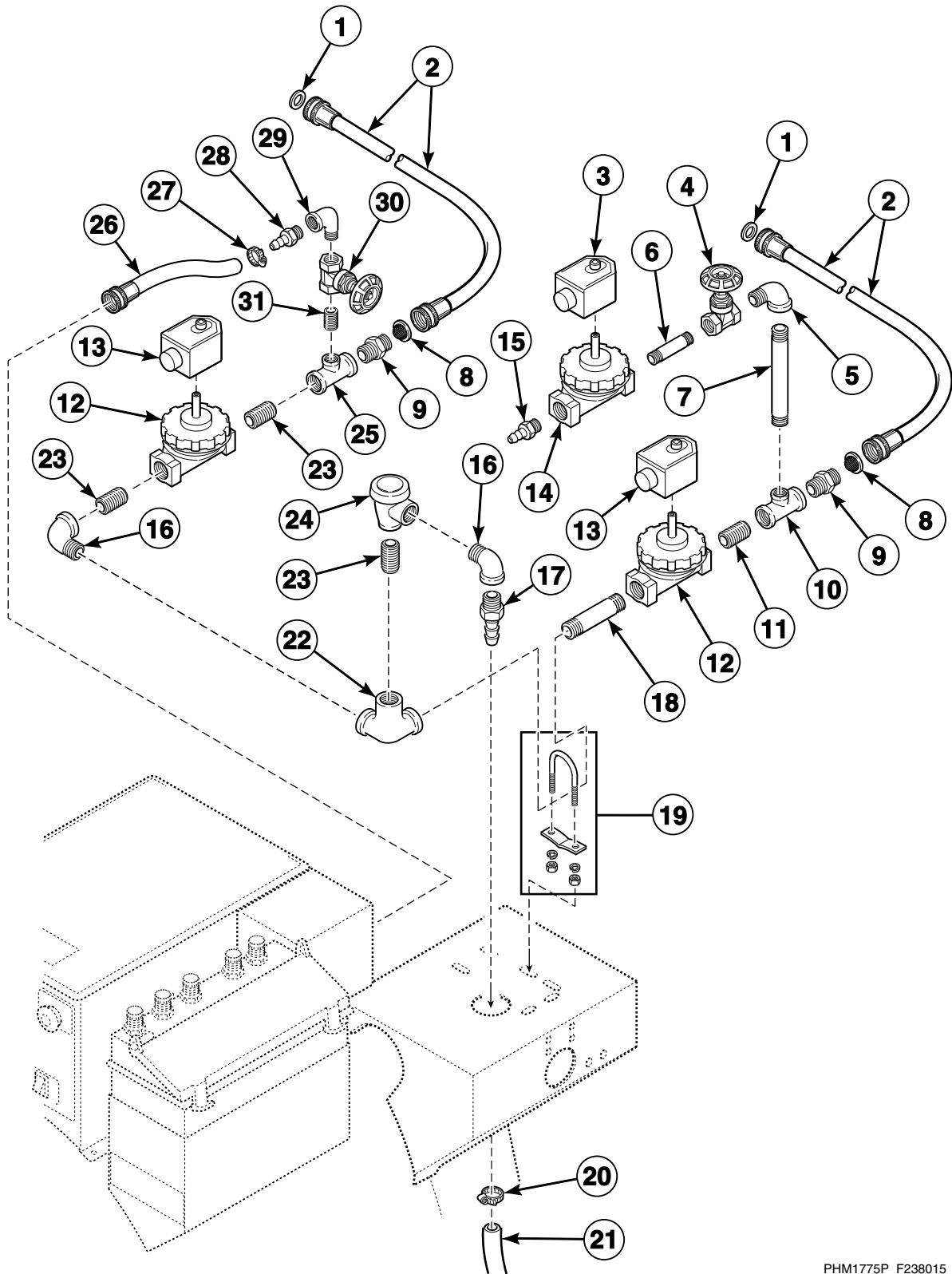


PHM2107P_F238015

Fill Plumbing - UW80PV and UW100PV Design 5 and 6 Models Through 2/02

REF	PART NO.	DESCRIPTION	COMMENTS
1	F633146-1	Fill Plumbing Assembly	220 Volt; Includes items 2-16 and 21-23
	F633419-1	Fill Plumbing Assembly	220 Volt; Starch; Includes items 2-16 and 21-23
	F633146-5	Fill Plumbing Assembly	220 Volt; Metric; Includes items 2-16 and 21-23
	F633419-5	Fill Plumbing Assembly	220 Volt; Metric; Starch; Includes items 2-16 and 21-23
2	F420502	Street Elbow	
3	F420105	Nipple	
4	F381701P	Valve	3/4 inch; 220 Volt; Parker; F380991P Water Valve Repair Kit
	F141901P	DIN Harness Assembly	
5	F380987P	DIN Coil	220 Volt
6	F420400	Tee	
7	F420408	Plug	
8	F421909	Hose Adapter	Standard thread
	F8265701	Adapter	Metric thread
9	803615	Washer	Filter
10	F200164	Water Hose	Standard thread
	F200166	Water Hose	Metric thread
11	F420101	Nipple	
12	F421903	Adapter	
13	F420500	Street Elbow	
14	F380500	Gate Valve	1/2 inch
15	20290	Washer	
16	F420107	Nipple	
17	F200509	Water Hose	
18	F200206	Hose Clamp	No. 4
19	F200401P	U-Bolt Clamp	
20	F200222	Hose Clamp	No. 12
21	F420509	Elbow	
22	F421951	Hose Barb	
23	F380800P	Vacuum Breaker Valve	3/4 inch
	F380965P	Repair Kit	3/4 inch

Fill Plumbing - UW80PV and UW100PV Design 5 and 6 Models Starting 3/02



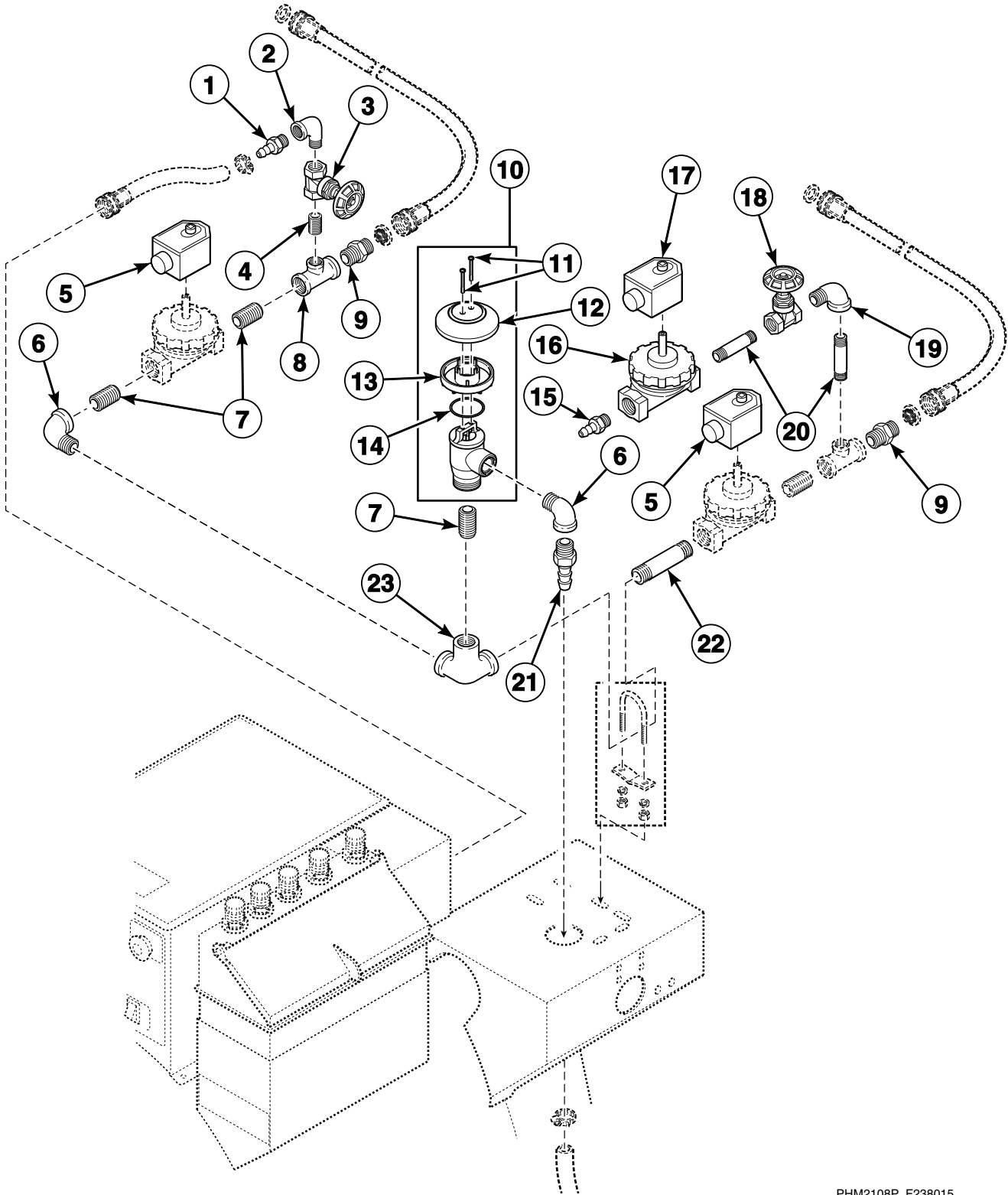
PHM1775P_F238015

Fill Plumbing - UW80PV and UW100PV Design 5 and 6 Models Starting 3/02

REF	PART NO.	DESCRIPTION	COMMENTS
	F633146-1	Fill Plumbing Assembly	220 Volt; Standard thread; Includes items 9, 12, 13, 16-18, 22-25 and 28-31
	F633146-5	Fill Plumbing Assembly	220 Volt; Metric thread; Includes items 9, 12, 13, 16-18, 22-25 and 28-31
	F633419-1	Fill Plumbing Assembly	220 Volt; Standard thread; Starch; Includes items 3-7, 9-18, 22-25 and 28-31
	F633419-5	Fill Plumbing Assembly	220 Volt; Metric thread; Starch; Includes items 3-7, 9-18, 22-25 and 28-31
1	20290	Washer	
2	F200164	Water Hose	Standard thread
	F200166	Water Hose	Metric thread
3	F380987P	DIN Coil	220 Volt; Starch
4	F380500	Gate Valve	Starch
5	F420500	Street Elbow	Starch
6	F420103	Nipple	Starch
7	N/A	Nipple	Starch
8	803615	Washer	Filter
9	F421909	Hose Adapter	Standard thread
	F8265701	Adapter	Metric thread
10	F420402	Tee	Starch
11	F420105	Nipple	Starch
12	F381701P	Valve	220 Volt; 3/4 inch; Parker; With DIN
	F141901P	DIN Harness Assembly	
	F380991P	Water Valve Repair Kit	3/4 inch
13	F380987P	DIN Coil	220 Volt
14	F381703P	Valve	220 Volt; Starch; 1/2 inch
	F141901P	DIN Harness Assembly	
	F380993P	Valve Repair Kit	Starch; 1/2 inch
15	F421964	Hose Barb	Starch
16	F420502	Street Elbow	
17	F421951	Hose Barb	
18	F420107	Nipple	
19	F200401P	U-Bolt Clamp	
20	F200222	Hose Clamp	No. 12
21	F200104P	Hose	
22	F420509	Elbow	
23	F420105	Nipple	
24	F380800P	Vacuum Breaker Valve	3/4 inch
	F380965P	Repair Kit	3/4 inch
25	F420402	Tee	
26	F200509	Water Hose	
27	F200206	Hose Clamp	No. 4
28	F421964	Hose Barb	
29	F420500	Street Elbow	
30	F380500	Gate Valve	1/2 inch
31	F420101	Nipple	

N/A = Part no longer available

Fill Plumbing - Design 7 and 8 Models (Drawing 1 of 2)



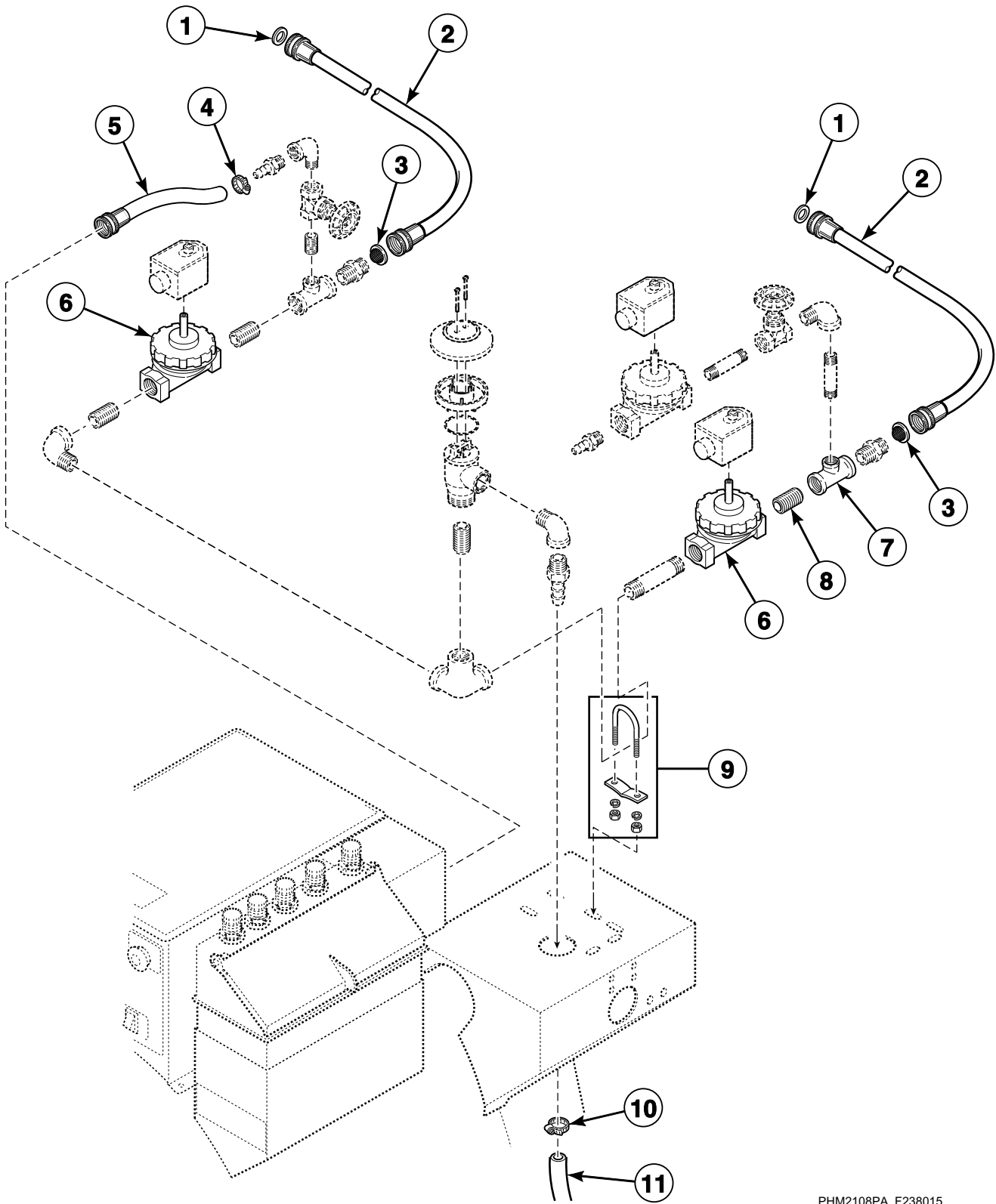
PHM2108P_F238015

Fill Plumbing - Design 7 and 8 Models (Drawing 1 of 2)

REF	PART NO.	DESCRIPTION	COMMENTS
	F0637637-01	Fill Plumbing Assembly	220 Volt; Standard thread; Includes items 1-14 and 21-23
	N/A	Fill Plumbing Assembly	220 Volt; Metric thread; Includes items 1-14 and 21-23
	N/A	Fill Plumbing Assembly	220 Volt; Standard thread; Starch; Design 7; Includes items 1-23
	N/A	Fill Plumbing Assembly	220 Volt; Metric thread; Starch; Design 7; Includes items 1-23
1	F421964	Hose Barb	
2	F420500	Street Elbow	
3	F380500	Gate Valve	
4	F420101	Nipple	
5	F380987P	DIN Coil	220 Volt
6	F420502	Street Elbow	
7	F420105	Nipple	
8	F420402	Tee	
9	F421909	Hose Adapter	Standard thread
	F8265701	Adapter	Metric thread
10	F063754701P	Vacuum Breaker Valve	3/4 inch; F380965P Repair Kit; Includes items 11-14
	F0798922-00	Vacuum Breaker Kit	Includes items 11-14
11	F430938	Screw	
12	F0380808-00	Vacuum Breaker Cap	
13	F0380809-00	Containment Device	
14	F0170221-00	O-Ring	
15	F421964	Hose Barb	Starch
16	F381703P	Valve	220 Volt; Starch; 1/2 inch
	F380993P	Valve Repair Kit	Starch; 1/2 inch
17	F380987P	DIN Coil	220 Volt; Starch
18	F380500	Gate Valve	Starch
19	F420500	Street Elbow	Starch
20	F420103	Nipple	Starch; Parker; With DIN
21	F421951	Hose Barb	
22	F420107	Nipple	
23	F420509	Elbow	

N/A = Part no longer available

Fill Plumbing - Design 7 and 8 Models (Drawing 2 of 2)

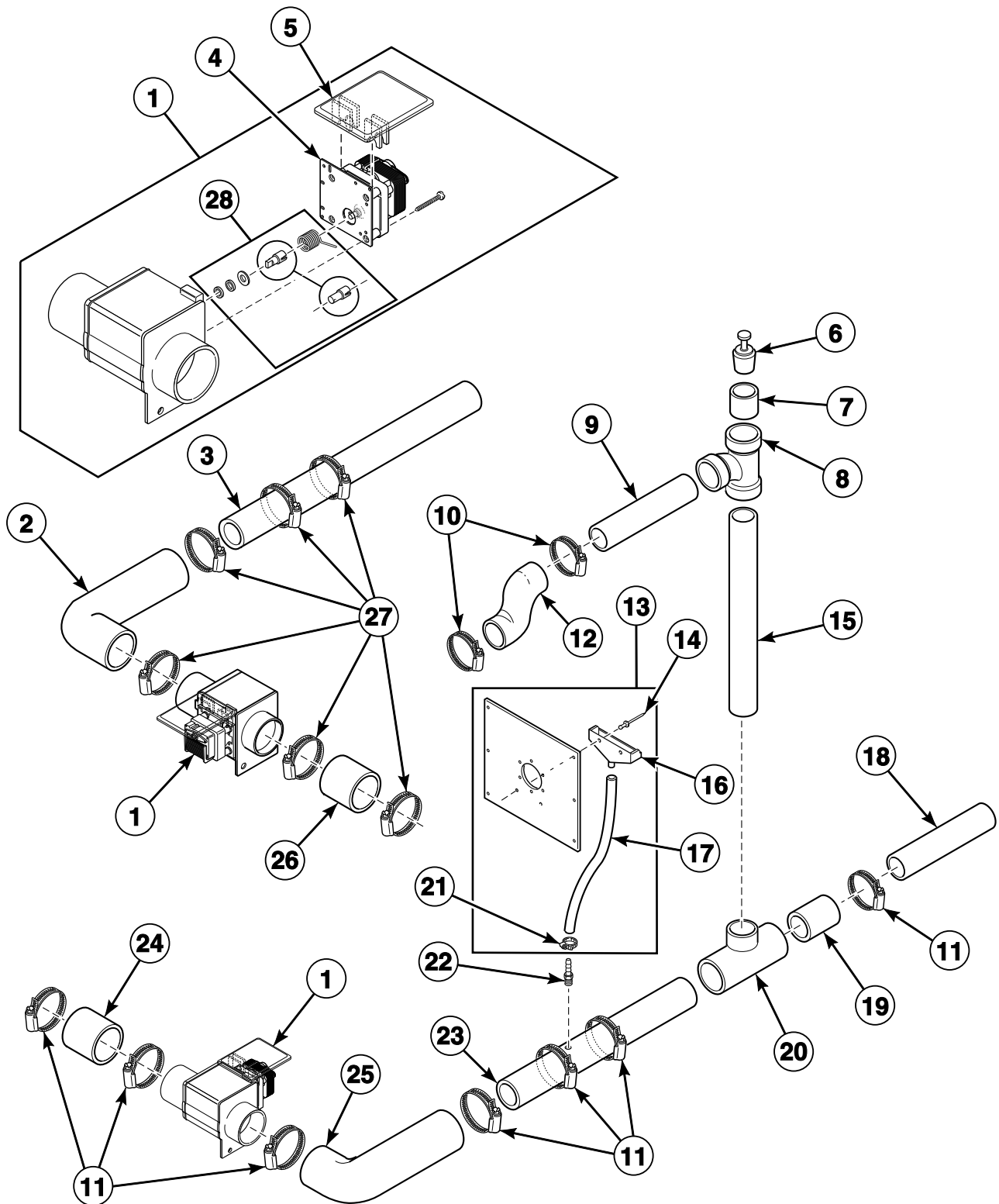


PHM2108PA_F238015

Fill Plumbing - Design 7 and 8 Models (Drawing 2 of 2)

REF	PART NO.	DESCRIPTION	COMMENTS
1	20290	Washer	
2	F200164	Water Hose	Standard thread
	F200166	Water Hose	Metric thread
3	803615	Washer	Filter
4	F200206	Hose Clamp	No. 4
5	F200509	Water Hose	
6	F381701P	Valve	220 Volt; 3/4 inch Parker; With DIN
	F141901P	DIN Harness Assembly	
	F380991P	Water Valve Repair Kit	3/4 inch
7	F420402	Tee	Starch
8	F420105	Nipple	Starch
9	F200401P	U-Bolt Clamp	
10	F200222	Hose Clamp	No. 12
11	F200104P	Hose	Order 6 feet

Drain System, Overflow and Vent Pipes

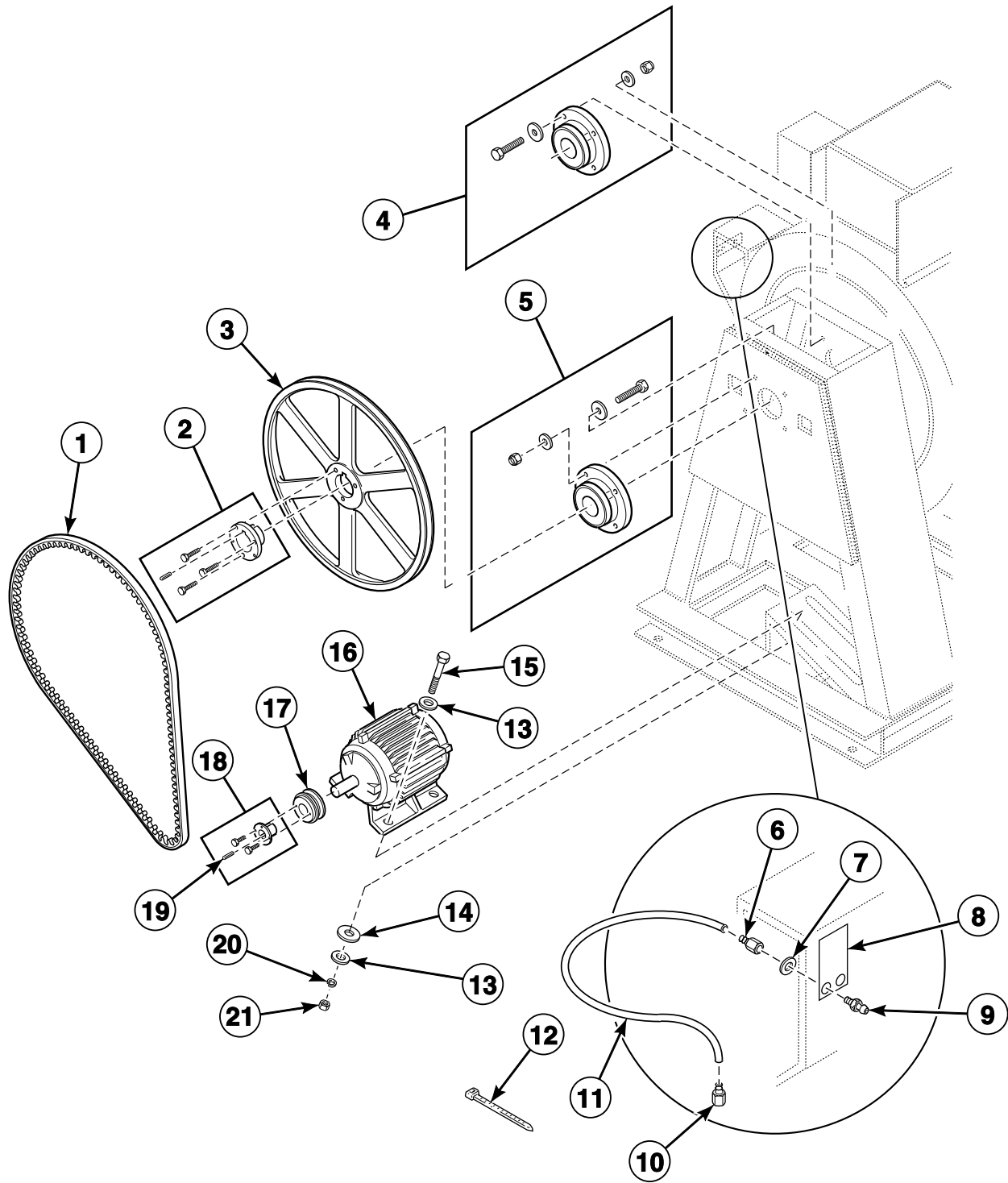


PHM2669P_F238015

Drain System, Overflow and Vent Pipes

REF	PART NO.	DESCRIPTION	COMMENTS
1	F200166402	Drain Valve Kit	
2	F150437	Drain Hose	Models UW80PV and UW100PV
3	F0602365-27	Pipe	Models UW80PV and UW100PV
4	F380933P	Drain Valve Motor	220 Volt; Round shaft
5	F200133600	Drain Valve Cover	
6	F380117	Vacuum Breaker	
7	F422508	Adapter	
8	F422801	Tee	
9	F0602365-14	Pipe	
10	F200213	Hose Clamp	No. 40
11	F200201	Hose Clamp	No. 56
12	F150309	Soap Dispenser Hose	
13	F8084201	Shell Reinforcement Plate Assembly	Includes items 16, 18, 19 and 23
14	F431210	Pop Rivet	
15	F0602364-25	Pipe	
16	F150389	Scupper	
17	F200107P	Water Hose	
18	F200165100	Drain Hose	Models UW80PV and UW100PV
	F610376P	Drain Hose	Models UW80AV, UW100AV, UW80VV and UW100VV
19	F0602365-09	Pipe	Models UW80AV, UW80PV and UW80VV
	F0602365-07	Pipe	Models UW100AV, UW100PV and UW100VV
20	F422803	Tee	
21	36801	Hose Clamp	No. 6
22	F421929	Hose Barb	
23	F0602365-24	Pipe	Models UW80AV, UW80PV and UW80VV
	F0602365-08	Pipe	Models UW100AV, UW100PV and UW100VV
24	F150442	Drain Hose	Front
25	F150437	Drain Hose	
26	F150442	Drain Hose	Models UW80PV and UW100PV; Front
27	F200201	Hose Clamp	Models UW80PV and UW100PV; No. 56
28	F380918	Main Drive Kit	

Motor, Pulley and Bearings



PHM2161P_F238015

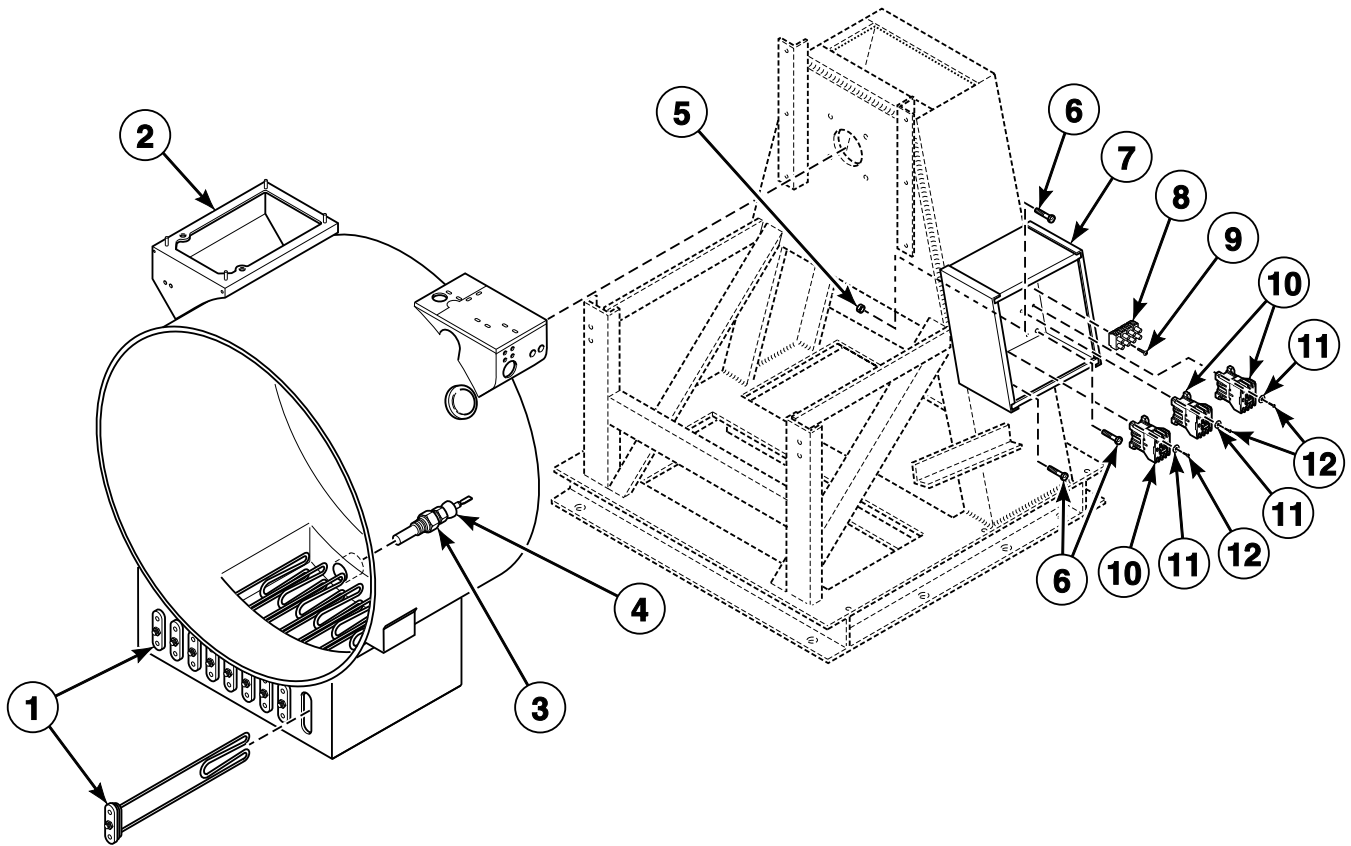
Motor, Pulley and Bearings

REF	PART NO.	DESCRIPTION	COMMENTS
1	F280355	Belt	Models UW80PV and UW100PV; BX108; 2 required
	F200140400P	Belt	Models UW80AV, UW100AV, UW80VV and UW100VV; Banded; 3VX1180
2	F280294P	Basket Pulley Bushing	Includes screws and key; 2-7/16 inch
3	F280412	Pulley	Models UW80PV and UW100PV; 2B305F
	F150268	Basket Pulley	Models UW80AV, UW100AV, UW80VV and UW100VV; 33V33505F
4	F798831-00	Front Bearing Kit	Includes seal and hardware
5	F745006	Rear Bearing Kit	
6	F422114	Air Coupling	
7	F430332	Washer	Design 5, 6 and 7
8	F231563	Grease Instruction Decal	Lubrication; Design 5, 6 and 7
9	F190701	Grease Fitting	Design 5, 6 and 7
	F745401	Manual Bearing Greasing Retrofit Kit	Includes items 9-11, F630433 Grease Manifold Bracket, F230745 Bearing Lubrication Instruction Decal, F320326 Grease Manifold, F430211 Nut, F430322 Washer, F430923 Screw, F430925 Screw and F431024 Nut
10	J1408004	Connector	Design 5, 6 and 7
11	C000628P	Tubing	Design 5, 6 and 7
12	F140605	Cable Tie	6 inch
13	M400081	Washer	
14	F430300	Washer	
15	F430993	Screw	
16	F220237P	Motor	Models UW80PV and UW100PV; Motor manufacturer Part No. *F391995-61; Design 5; F100108 and F100109P Bearings; AC drive parameters must be compatible with the motor and motor pulley. Please request the AC drive parameter illustration for parameter verification when ordering a motor.
	F8356404	Conversion Kit	Models UW80PV and UW100PV; Design 6, 7 and 8; AC drive parameters must be compatible with the motor and motor pulley. Please request the AC drive parameter illustration for parameter verification when ordering a motor; Includes F8334701 Motor
	F8125501	Motor Lead	Model UW100PV; Q-voltage; Design 8
	F220214MP	Motor	Models UW80AV, UW100AV, UW80VV and UW100VV; AC drive parameters must be compatible with the motor and motor pulley. Please request the AC drive parameter illustration for parameter verification when ordering a motor.
17	F280181	Pulley	Models UW80PV and UW100PV; 2BK34H
	C000795P	Motor Pulley	Models UW80AV, UW100AV, UW80VV and UW100VV; 3 groove; 2.65 inch OD
18	F280242	Motor Bushing	Models UW80PV and UW100PV; Includes screws and item 19; H - 1-3/8
	F280233P	Bushing	Models UW80AV, UW100AV, UW80VV and UW100VV; Includes item 19; JA 1 1/8
19	N/A	Key	
20	M400014	Washer	
21	20274	Nut	

N/A = Part no longer available

* NOTE: Refer to the *Motor Manufacturer Part Number on the Motor's Nameplate* section for help with locating the motor manufacturer part number on the motor's nameplate.

Electric Heat Option - Models UW80PV and UW100PV



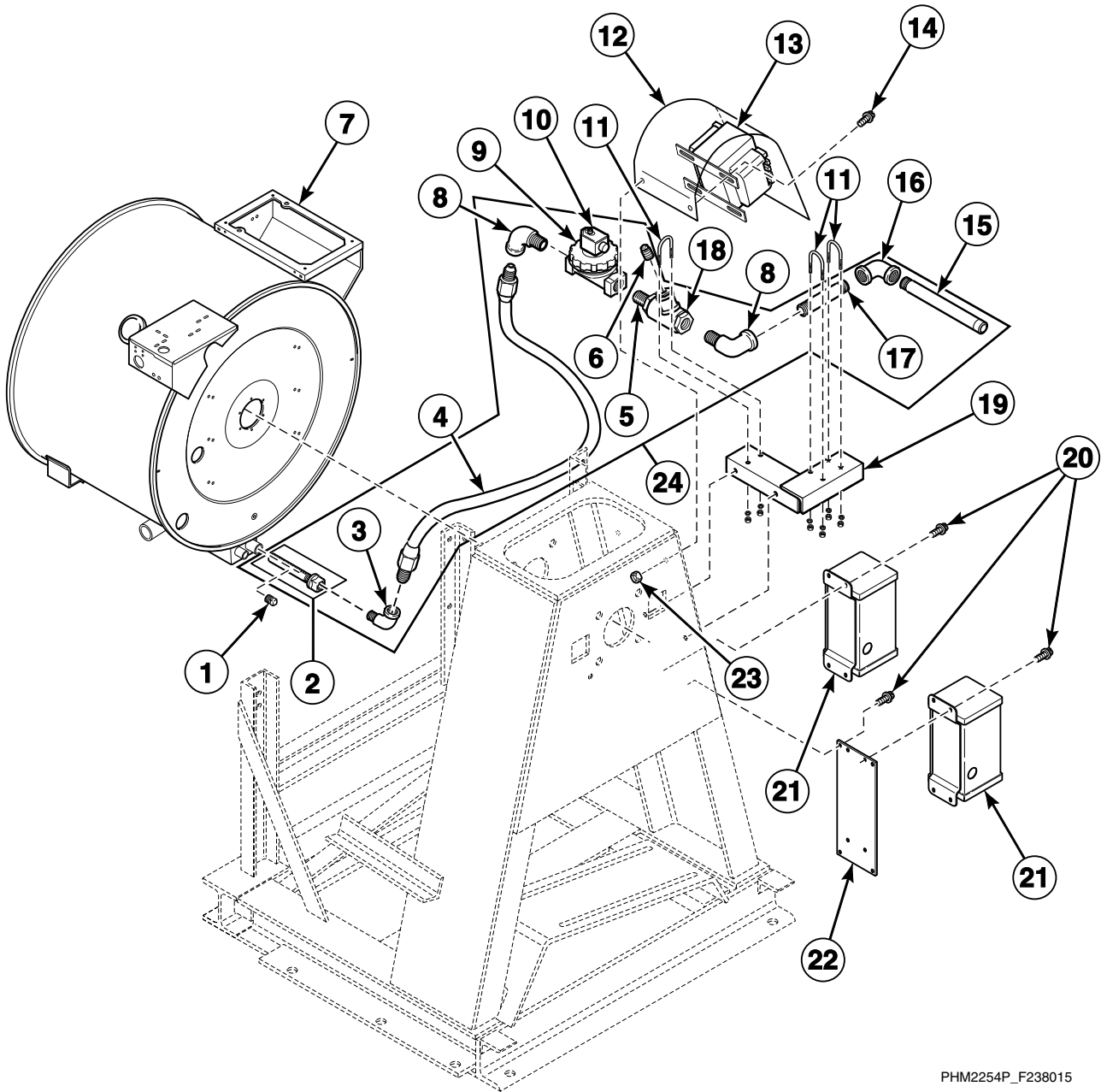
PHM2253P_F238015

Electric Heat Option - Models UW80PV and UW100PV

REF	PART NO.	DESCRIPTION	COMMENTS
1	F360203P	Heating Element	220 Volt; 9 used
2	F632397-1	Shell Assembly	Model UW80PV; 10-1/2 inch sump; Electric heat; Design 5 and 6
	F632397-3	Shell Assembly	Model UW80PV; 10-1/2 inch sump; Electric heat with starch; Design 5 and 6
	F630760-1	Shell Weldment	Model UW100PV; 10-1/2 inch sump; Electric heat; Design 5 and 6
	F0637536-00	Shell Weldment	Model UW80PV; Electric heat; Design 7
	N/A	Shell Weldment	Model UW80PV; Electric heat with starch; Design 7
	N/A	Shell Weldment	Model UW100PV; Electric heat; Design 7
	N/A	Shell Weldment	Model UW100PV; Electric heat with starch; Design 7
	F063765704	Shell Weldment	Model UW80PV; Electric heat; Design 8
	F063767104	Shell Weldment	Model UW100PV; Electric heat; Design 8
3	F421936	Reducer Bushing	
4	F370606P	Temperature Probe	
5	F430215	Nut	
6	F430107	Screw	
7	F140413	Box	
8	M413865	Terminal Block	
9	F430938	Screw	
10	F330188P	Contactor	220 Volt; NX208
11	F430311	Washer	
12	F430910	Screw	

N/A = Part no longer available

Transformers and Steam Heat Option



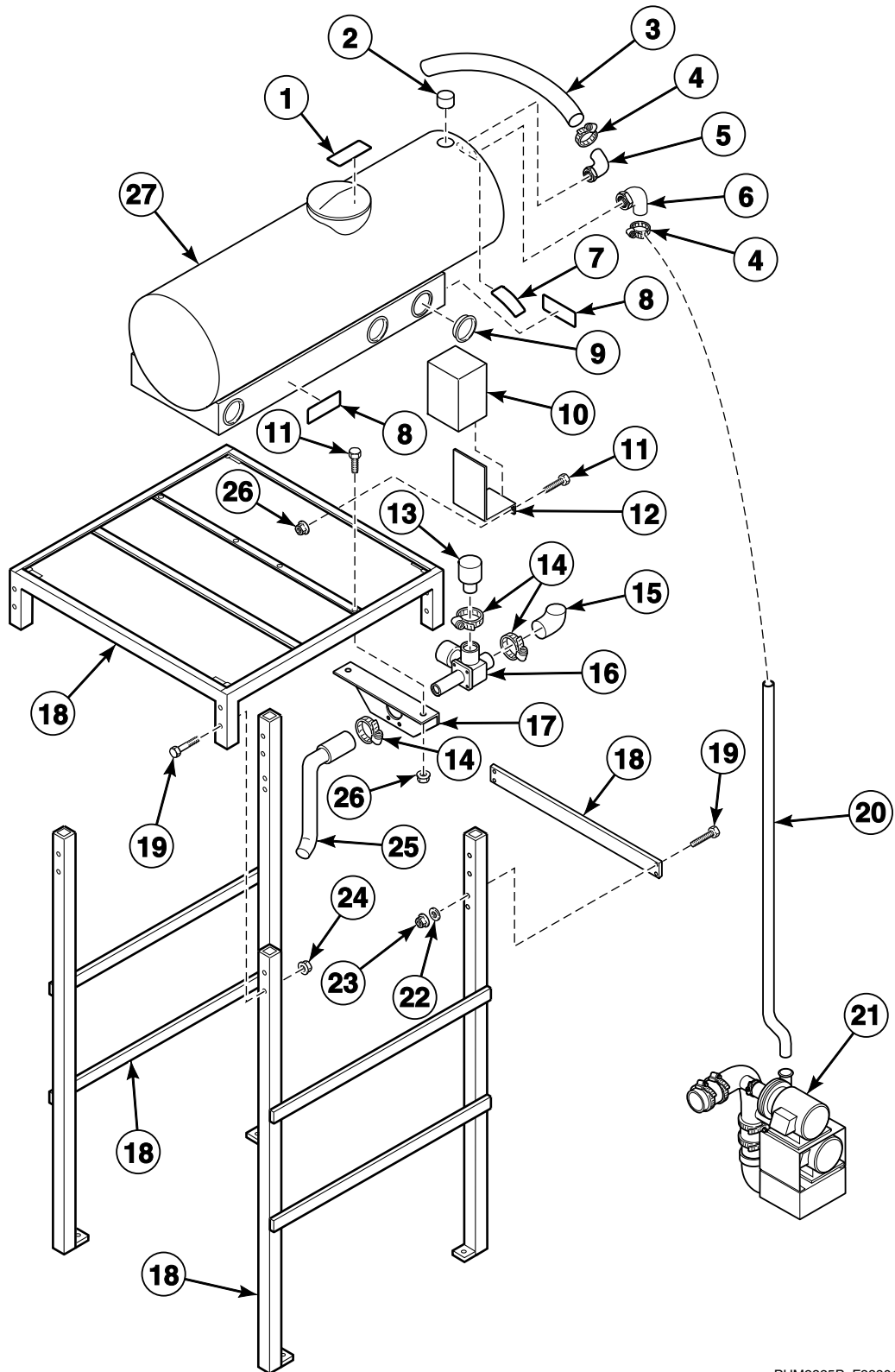
PHM2254P_F238015

Transformers and Steam Heat Option

REF	PART NO.	DESCRIPTION	COMMENTS
	F410300	Pipe Insulation	
1	F200202600	Plug	
2	F603131	Steam Injector Tube Assembly	
3	F421703	Street Elbow	Stainless steel
4	F200153P	Steam Hose	
5	F420708	Nipple	Models UW80AV, UW80PV and UW80VV
	F420710	Nipple	Models UW100AV, UW100PV and UW100VV
6	F420409	Plug	
7	F634471	Shell Assembly	Model UW80PV; Design 5 and 6
	F634471-1	Shell Assembly	Model UW80PV; Design 5 and 6; With starch
	N/A	Shell Weldment	Model UW80PV; Design 7
	N/A	Shell Weldment	Model UW80PV; Design 7; With starch
	F063753804	Shell Weldment	Model UW80PV; Design 8
	F634495	Shell Weldment	Model UW100PV; Design 5 and 6
	F634495-1	Shell Weldment	Model UW100PV; Design 5 and 6; With starch
	F0637540-00	Shell Weldment	Model UW100PV; Design 7
	F0637540-01	Shell Weldment	Model UW100PV; Design 7; With starch
	F063754004	Shell Weldment	Model UW100PV; Design 8
	F063753802	Shell Weldment	Models UW80AV and UW80VV
	F634485	Shell Weldment	Models UW100AV and UW100VV
8	H86070034	Street Elbow	
9	F380787P	Steam Valve	1/2 inch; 220 Volt; F380984 Steam Valve Repair Kit
10	F380987P	DIN Coil	220 Volt
11	F200401P	U-Bolt Clamp	Includes washers and nuts
12	F140425	Control Transformer Cover	
13	F360157P	Transformer	Models UW80PV and UW100PV; N and P-voltage
	F360156P	Transformer	Models UW80AV, UW100AV, UW80VV and UW100VV; N and P-voltage
14	F430935	Screw	
15	F420715	Nipple	Models UW80AV, UW80PV and UW80VV
	F420714	Nipple	Models UW100AV, UW100PV and UW100VV
16	70079601	Elbow	
17	F420711	Nipple	
18	F270307	Steam Filter	
19	F635634	Steam Bracket Weldment	
20	F430939	Screw	
21	F200031100	Transformer	Buckboost; N-voltage; 2 per machine
22	F631276	Transformer Adapter Plate	N-voltage models through 1/04
23	F430215	Nut	
24	F635653-2P	Steam Kit	Models UW80AV, UW80PV and UW80VV; Includes items 2-6, 8-10 and 15-18
	F635653-3P	Steam Kit	Models UW100AV, UW100PV and UW100VV; Includes items 2-6, 8-10 and 15-18

N/A = Part no longer available

Water-Saving System Option Main View - Design 5 and 6 UW100PV Models



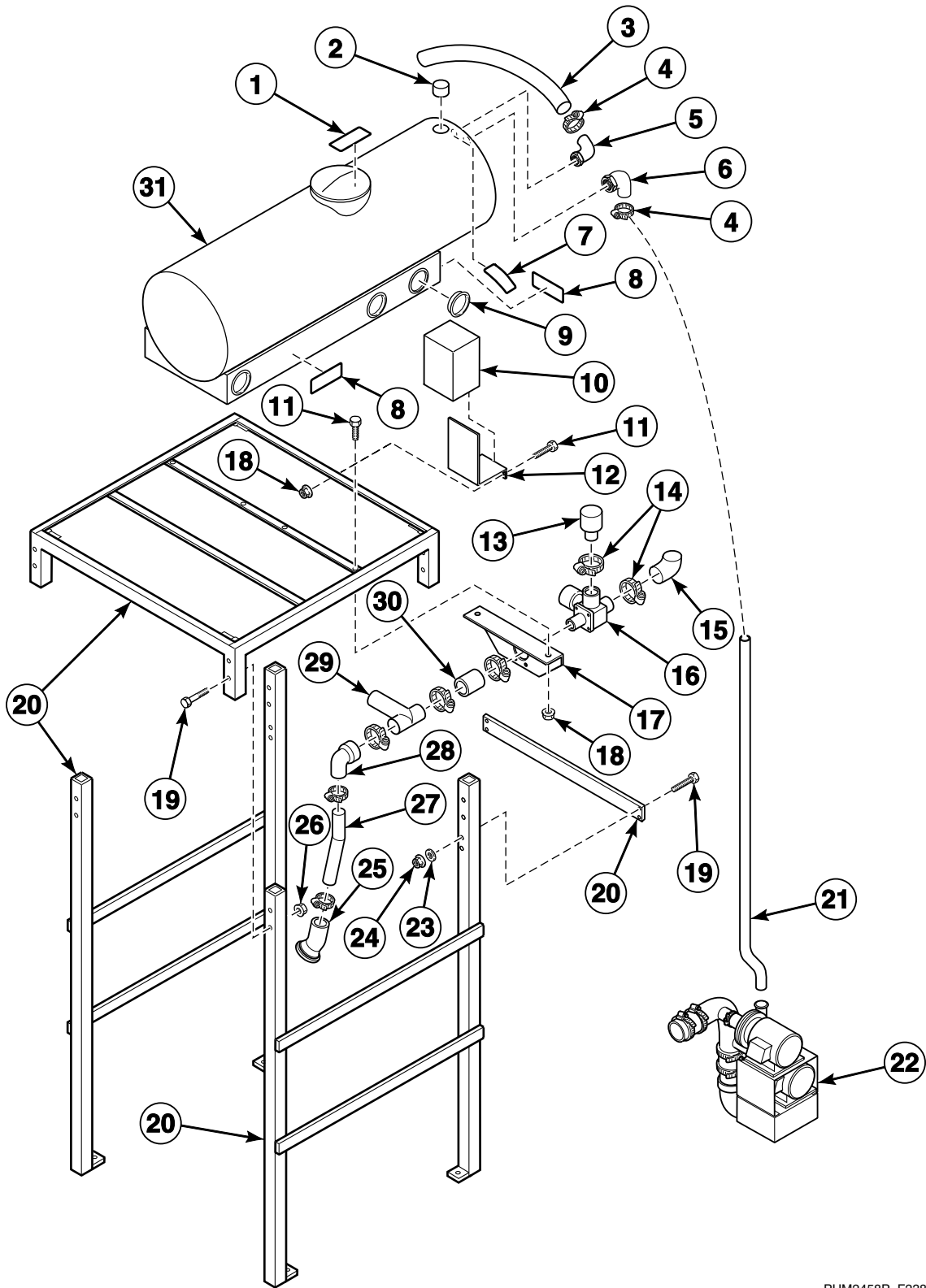
PHM2325P_F238015

Water-Saving System Option Main View - Design 5 and 6 UW100PV Models

REF	PART NO.	DESCRIPTION	COMMENTS
1	F231420	Top Cover Caution Decal	
2	F380117	Vacuum Breaker	
3	F150484	Reuse Overflow Hose	
4	F200215	Hose Clamp	No. 28
5	N/A	Elbow	
6	N/A	Elbow	
7	F231419	Do Not Obstruct Decal	
8	F231418	Do Not Climb Caution Decal	
9	N/A	Cap Plug	
10	N/A	Control Module Sub-Assembly	120 Volt
	N/A	Control Module Sub-Assembly	220 Volt
11	M400056	Screw	
12	F634191	Reuse Control Enclosure Mounting Bracket	
13	F422520	Reuse Drain Reducer	
14	F200213	Hose Clamp	No. 40
15	F422914	Reuse Drain Elbow	
16	F380635P	Reuse Drain Valve	
17	F634172	Drain Valve Bracket	
18	F634413	Reuse Frame Assembly	
19	F430996	Screw	
20	F200505	Reuse Inlet Hose	
21	F634674	Pump Sub-Assembly	
22	F431100	Washer	
23	F431026	Nut	
24	F430239	Nut	
25	F0637929-01	Tank Drain Sub-Assembly	
26	F430233	Nut	
27	F191008	Reuse Tank	

N/A = Part no longer available

Water-Saving System Option Main View - Design 7 and 8 UW100PV Models



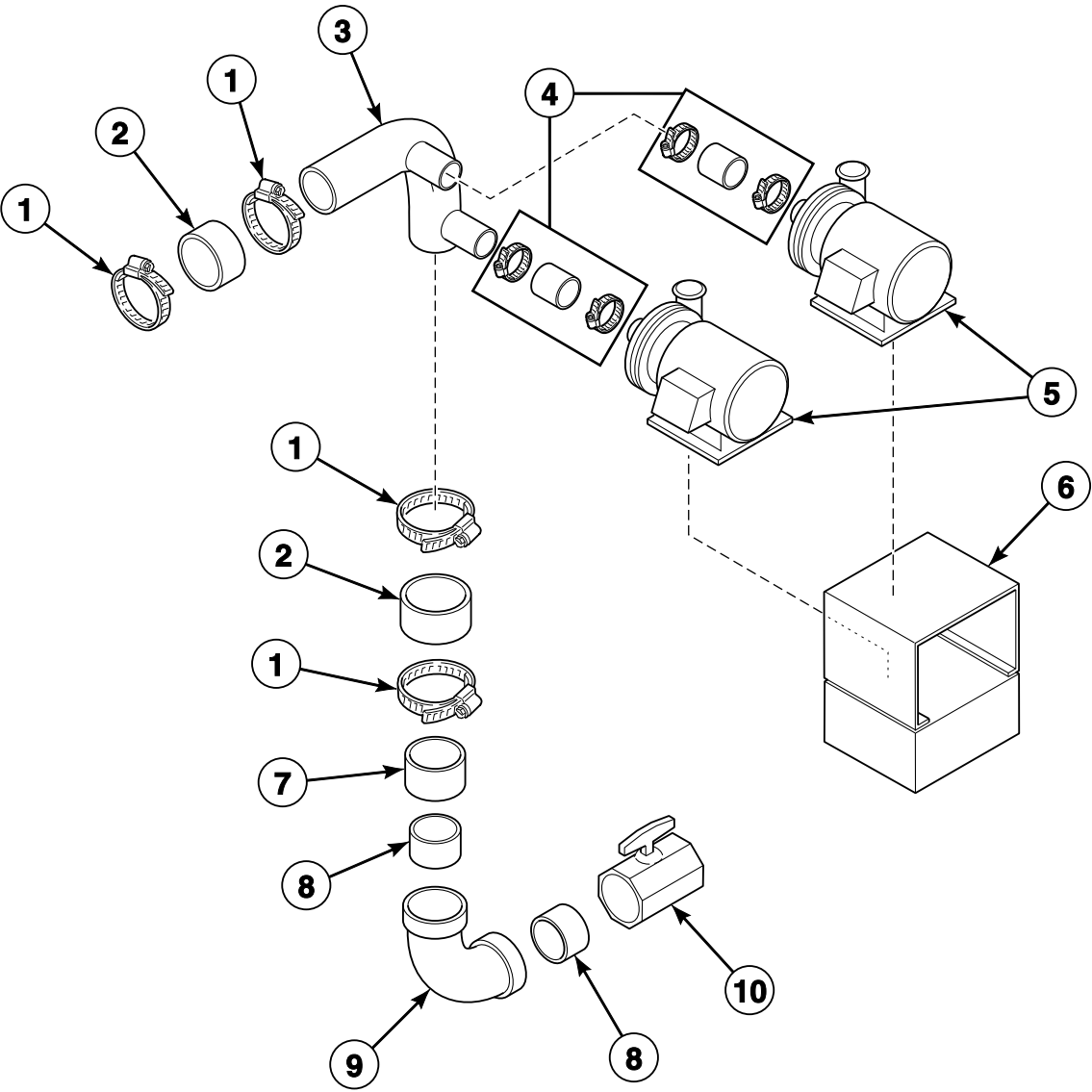
PHM2458P_F238015

Water-Saving System Option Main View - Design 7 and 8 UW100PV Models

REF	PART NO.	DESCRIPTION	COMMENTS
1	F231420	Top Cover Caution Decal	
2	F380117	Vacuum Breaker	
3	F150484	Reuse Overflow Hose	
4	F200215	Hose Clamp	No. 28
5	N/A	Elbow	
6	N/A	Elbow	
7	F231419	Do Not Obstruct Decal	
8	F231418	Do Not Climb Caution Decal	
9	N/A	Cap Plug	
10	N/A	Control Module Sub-Assembly	120 Volt
	N/A	Control Module Sub-Assembly	220 Volt
11	M400056	Screw	
12	F634191	Reuse Control Enclosure Mounting Bracket	
13	F422520	Reuse Drain Reducer	
14	F200213	Hose Clamp	No. 40
15	F422914	Reuse Drain Elbow	
16	F380635P	Reuse Drain Valve	
17	F634172	Drain Valve Bracket	
18	F430233	Nut	
19	F430996	Screw	
20	F634413	Reuse Frame Assembly	
21	F200505	Reuse Inlet Hose	
22	F634674	Pump Sub-Assembly	
23	F431100	Washer	
24	F431026	Nut	
25	F0637735-01	Water Reuse Hose	
26	F430239	Nut	
27	F0637736-01	Reuse Hose Adapter Weldment	
28	F0150486-02	Reuse Drain Hose	
29	F0634404-02	Water Reuse Tee Weldment	
30	F0200505-02	Reuse Inlet Hose	
31	F191008	Reuse Tank	

N/A = Part no longer available

Water-Saving System Option Pump Sub-Assembly - Model UW100PV

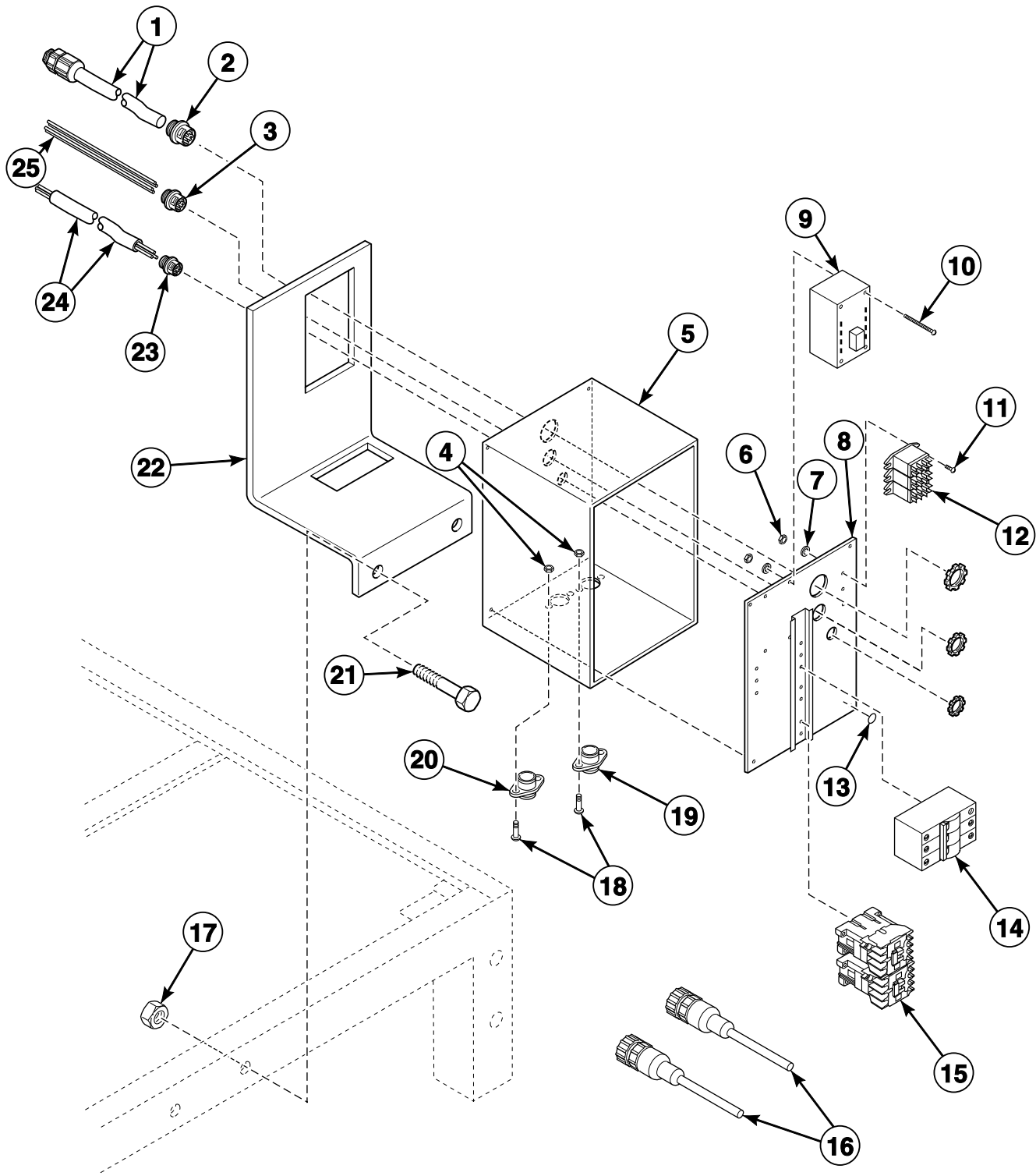


PHM789B_F238015

Water-Saving System Option Pump Sub-Assembly - Model UW100PV

REF	PART NO.	DESCRIPTION	COMMENTS
1	F200201	Hose Clamp	No. 56
2	F150442	Drain Hose	
3	F250707	Reuse Pump Manifold	
4	F422515	Tube Connector	
5	F270102P	Pump	
6	F634267	Reuse Pump Platform Assembly	
7	F150308	Overflow Hose	
8	F0602364-04	Pipe	
9	F422900	Elbow	
10	F380634	Ball Valve	

Water-Saving System Option Control Module Sub-Assembly - Model UW100PV



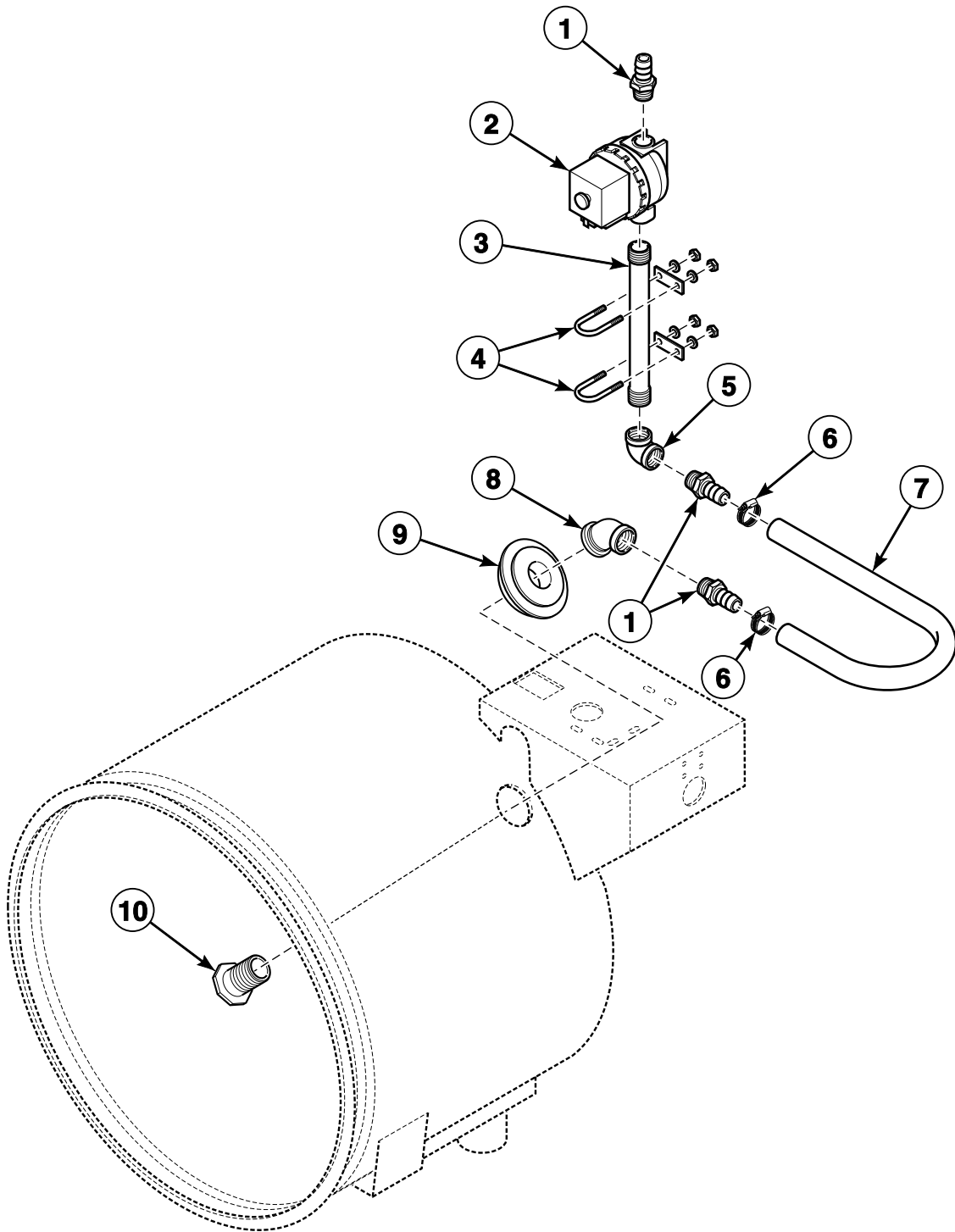
PHM2698P_F238015

Water-Saving System Option Control Module Sub-Assembly - Model UW100PV

REF	PART NO.	DESCRIPTION	COMMENTS
1	N/A	Reuse Control Cable Assembly	
2	F140331	Strain Relief Connector	Includes nut
3	F140328	Strain Relief Connector	Includes nut
4	F430231	Nut	
5	F140432	Box	
6	F431022	Nut	
7	F431113	Washer	
8	F634278	Control Panel Sub-Assembly	
9	F370437P	Relay CCA	120 Volt
10	F430910	Screw	
11	F430916	Screw	
12	F0330289-00	Flange Mount Relay	9 vdc
13	F230739	Ground Decal	
14	F350207P	Circuit Breaker	
15	F330175P	Contactors	120 Volt
16	F140254	Reuse Pump Motor Cable Assembly	B
	F140255	Reuse Pump Motor Cable Assembly	A
17	F430233	Nut	
18	F430928	Screw	
19	N/A	Pump A Harness Assembly	
20	F141876	Pump B Harness Assembly	
21	M400056	Screw	
22	F634191	Reuse Control Enclosure Mounting Bracket	
23	F140330	Strain Relief Connector	Includes nut
24	F140245	Cable	
25	45257	14 Gauge Wire	Order 15 feet; Gray
	N/A	14 Gauge Wire	Order 5 feet; Green/yellow

N/A = Part no longer available

Water-Saving System Option Inlet - Model UW100PV

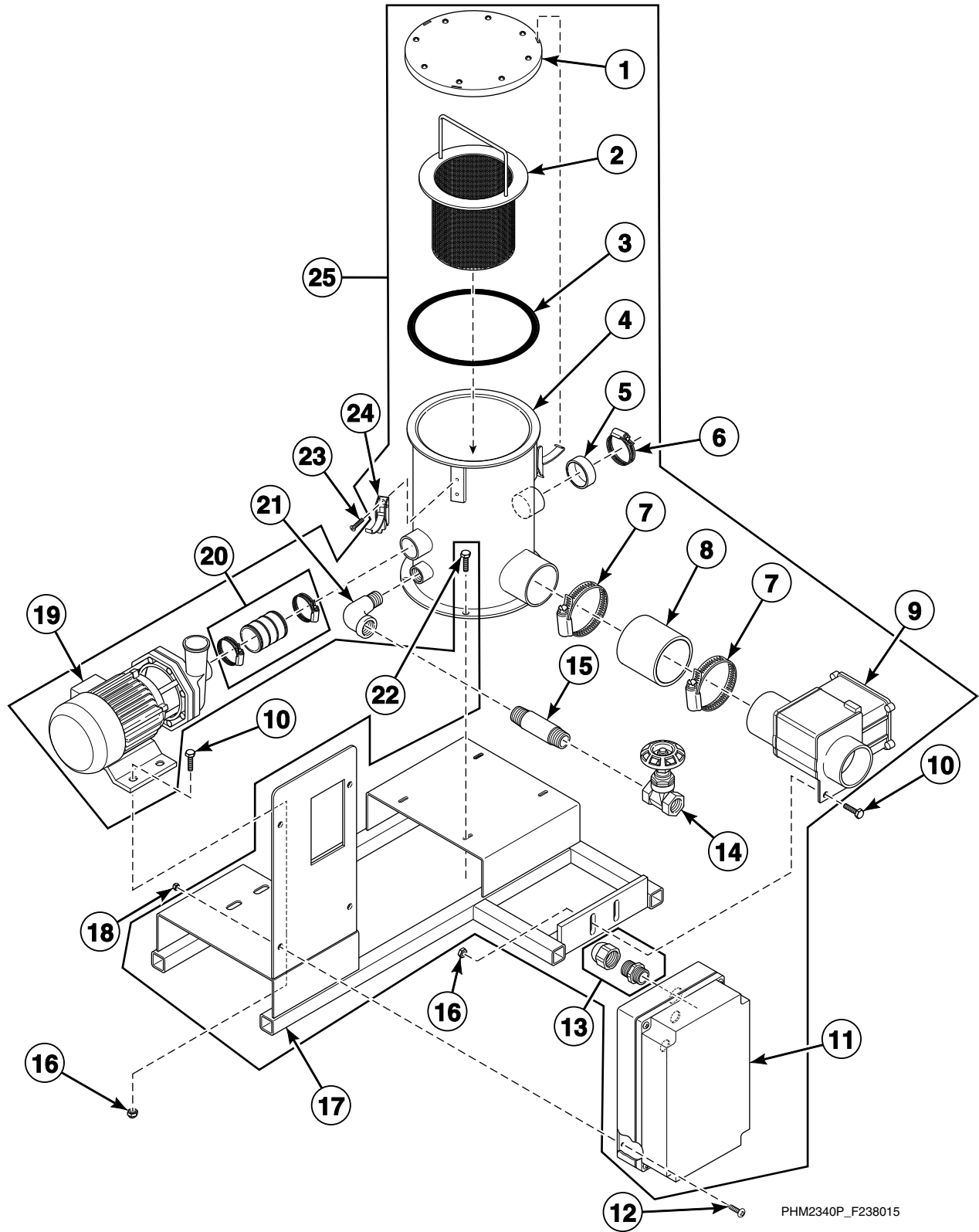


PHM2339P_F238015

Water-Saving System Option Inlet - Model UW100PV

REF	PART NO.	DESCRIPTION	COMMENTS
	F200099900	Auxiliary Water Reuse Inlet	Includes all items on this page
	F200096900	Extra Inlet Assembly	Includes items 1, 5, 9 and 10
1	F421951	Hose Barb	
2	F381701P	Valve	3/4 inch
3	F0421970-00	Nipple	
4	F200401P	U-Bolt Clamp	
5	F422314	Elbow	
6	F200222	Hose Clamp	No. 12
7	F200104P	Hose	
8	F422314	Elbow	
9	F200098900	Wet-Clean Inlet Grommet	
10	F200096800	Inlet Compression Weldment	

Wet-Clean Option Main View - Models UW80PV and UW100PV

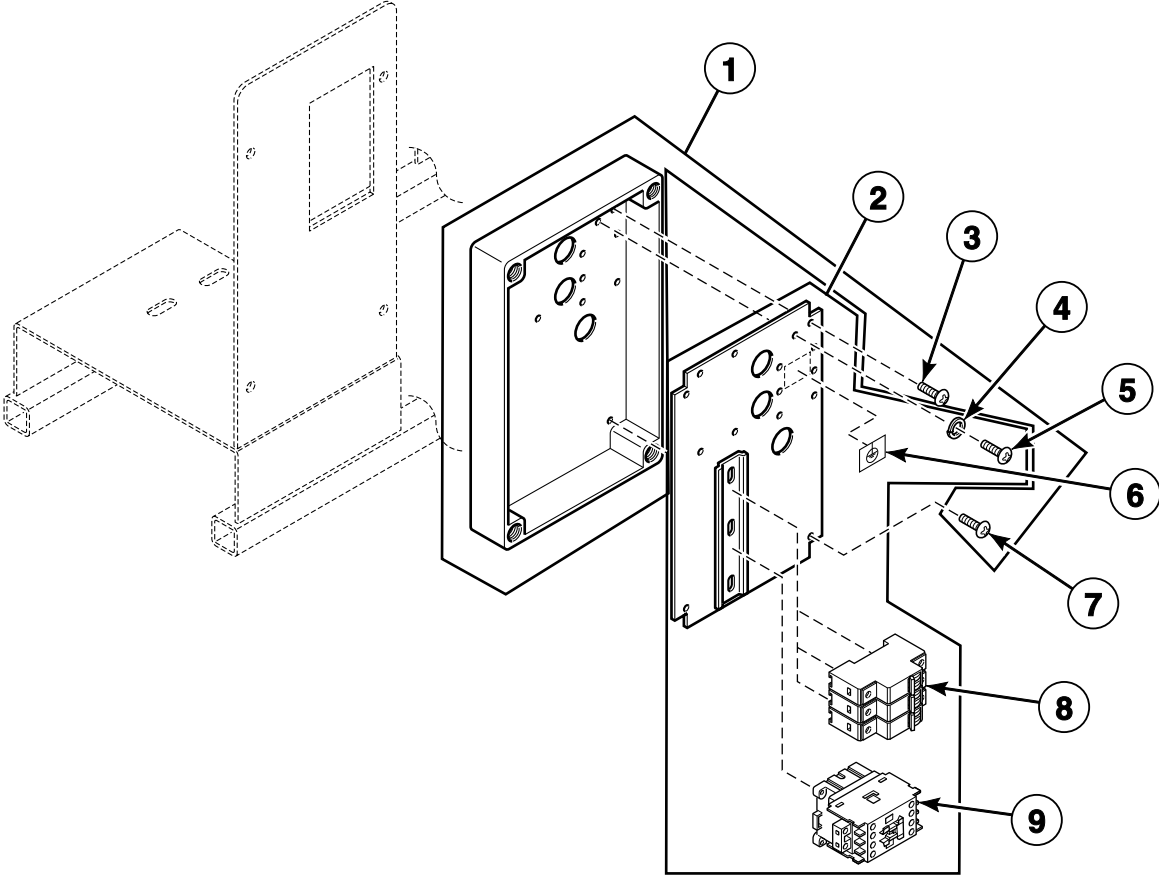


Wet-Clean Option Main View - Models UW80PV and UW100PV

REF	PART NO.	DESCRIPTION	COMMENTS
1	F630300	Cover Assembly	
2	F630298	Filter Basket Weldment	
3	F170218	Canister Cover O-Ring	
4	F632355	Drain Canister Weldment	
5	F150352	Overflow Plug	
6	F200215	Hose Clamp	No. 28
7	N/A	Hose Clamp	No. 48
8	F150442	Drain Hose	
9	F380636	Ball Valve	
10	F430939	Screw	
11	F635664	Control Module Sub-Assembly	
12	F430932	Screw	
13	F140329	Strain Relief Connector	PG13
14	F380500	Gate Valve	
15	F421915	Nipple	
16	F431024	Nut	
17	F632693-2	Canister Stand Weldment	
18	F430232	Nut	
19	F270102P	Pump	
20	F422515	Tube Connector	
21	F422304	Street Elbow	
22	F430923	Screw	
23	F430903	Screw	
24	F432201	Draw Latch	
25	N/A	Wet-Clean Canister Stand Assembly	Includes items 1-9, 11, 13-15, 17, 19-21 and 24

N/A = Part no longer available

Wet-Clean Option Control Module - Models UW80PV and UW100PV



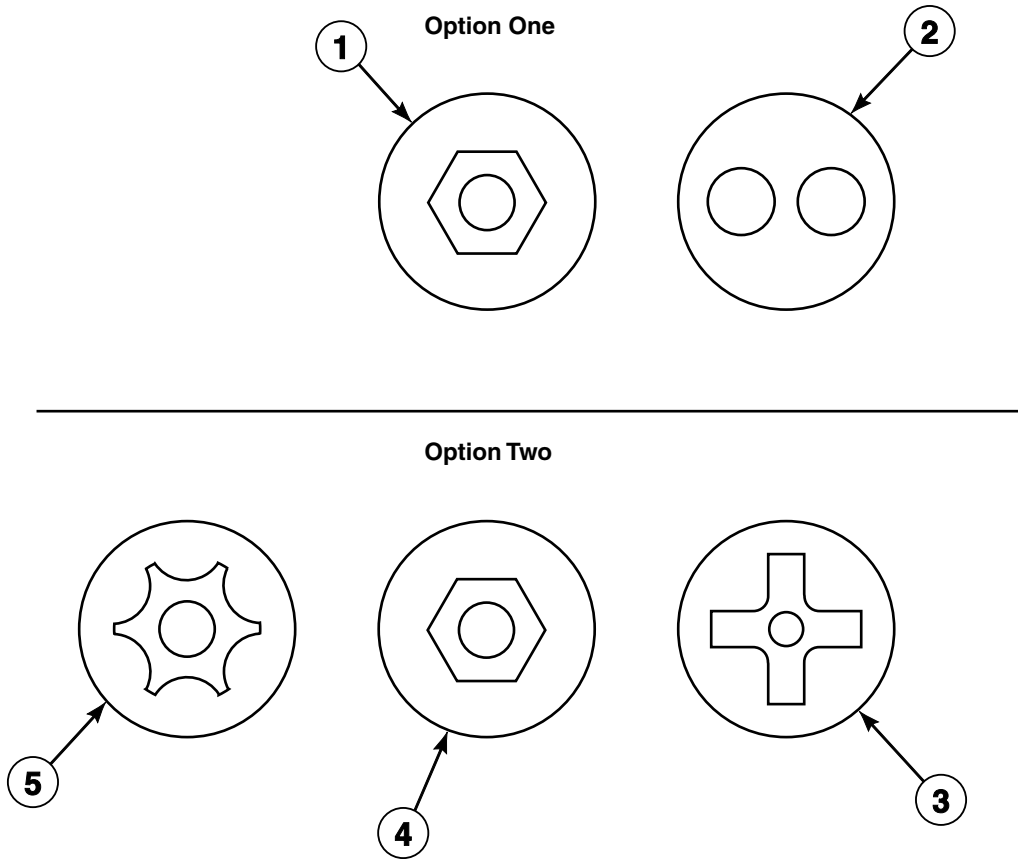
PHM2341P_F238015

Wet-Clean Option Control Module - Models UW80PV and UW100PV

REF	PART NO.	DESCRIPTION	COMMENTS
1	F140432	Box	Includes items 3 and 7
2	F634278	Control Panel Sub-Assembly	Includes items 4-6, 8 and 9
3	N/A	Screw	
4	N/A	Washer	
5	F430928	Screw	
6	F230739	Ground Decal	
7	N/A	Screw	
8	F350207P	Circuit Breaker	
9	F330177P	Contactors	

N/A = Part no longer available

Security Fasteners



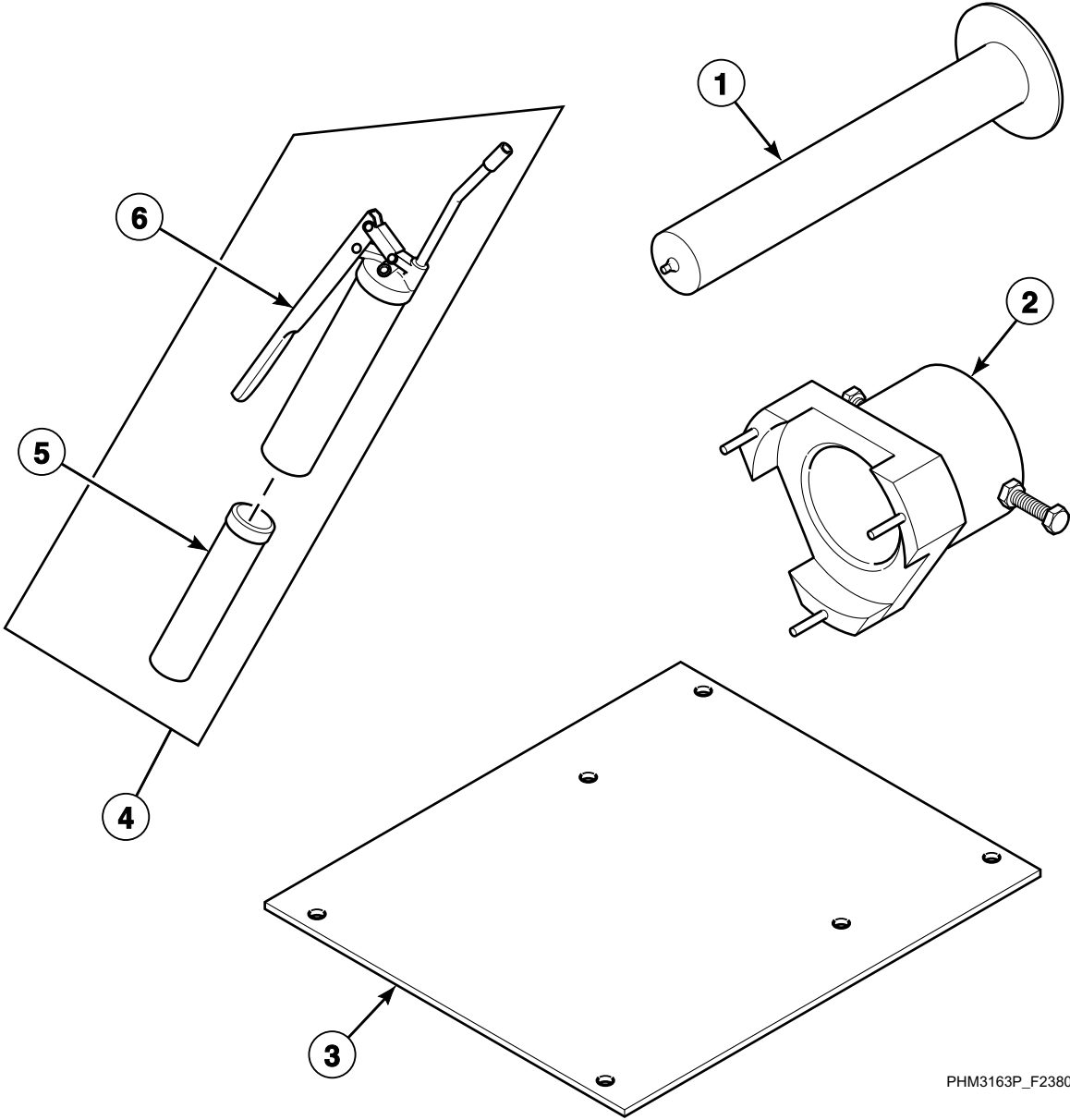
PHM2181P_F238015

Security Fasteners

REF	PART NO.	DESCRIPTION	COMMENTS
1	F0430275-00	Screw	No. 8; 32 x 1/2 inch; Used in place of F430956 Screw; Typical location is the side panels and module cover
	F430960	Screw	No. 10; 32 x 3/8 inch; Used in place of F430904 Screw; Typical location is the module to the shell
	N/A	Screw	Used in place of F430986 Screw; Typical location is the shell-mounted AC drive box
	F704906	Hex Bit	
2	F0430273-00	Screw	1/4 inch; 20 x 2-1/2 inch; Used in place of F430996 Screw; Typical location is the door box to the bracket
	F0430272-00	Screw	1/4 inch; 20 x 1-1/2 inch; Used in place of F430921 Screw; Typical location is the side panel to the bracket
	F0430274-00	Screw	1/4 inch; 20 x 1/2 inch; Used in place of F430925 Screw; Typical location is the drive box or the cover
	F704907	Spanner Bit	
3	F432260	Screw	1/4 inch; 20 x 2-1/2 inch; Used in place of F430996 Screw; Typical location is the door box to the bracket
	N/A	Phillips Bit	
4	N/A	Screw	1/4 inch; 20 x 1/2 inch; Used in place of F430925 Screw; Typical location is the drive box or cover
	N/A	Hex Bit	
5	F432259	Screw	No. 8; 32 x 1/2 inch; Used in place of F430956 Screw; Typical location is the side panels and module cover
	281P4	Torx Bit	

N/A = Part no longer available

Special Tools



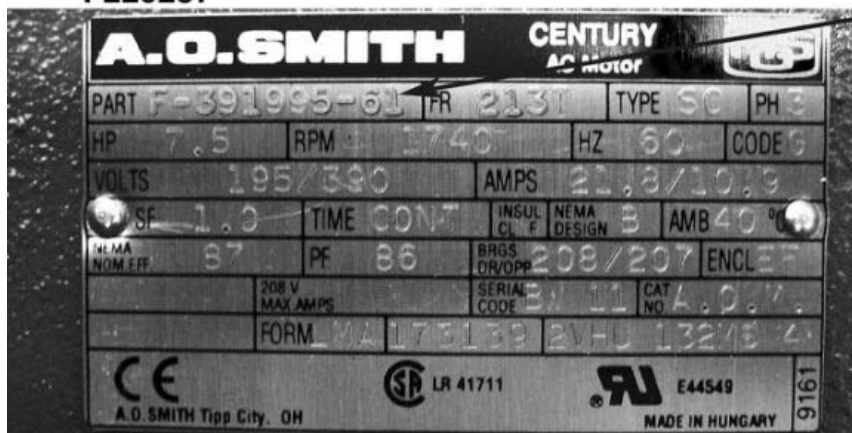
PHM3163P_F238015

Special Tools

REF	PART NO.	DESCRIPTION	COMMENTS
	F370851P	HIM Drive	Used with 160-series AC drives
	F730055-1	Mounting Bolt Kit	
	F798772	Rebar Frame Kit	Order with equipment
1	F633430	Shaft Assembly	
2	F200284800	Seal Alignment Fixture Assembly	
	F0100314-00	Shaft Seal Alignment Fixture	
3	F601648	Rebar Frame Template	
4	F798700	Grease Gun Kit	Includes items 5 and 6
5	F210206P	Bearing Grease	
6	F210207P	Grease Gun	

Motor Manufacturer Part Number on the Motor's Nameplate

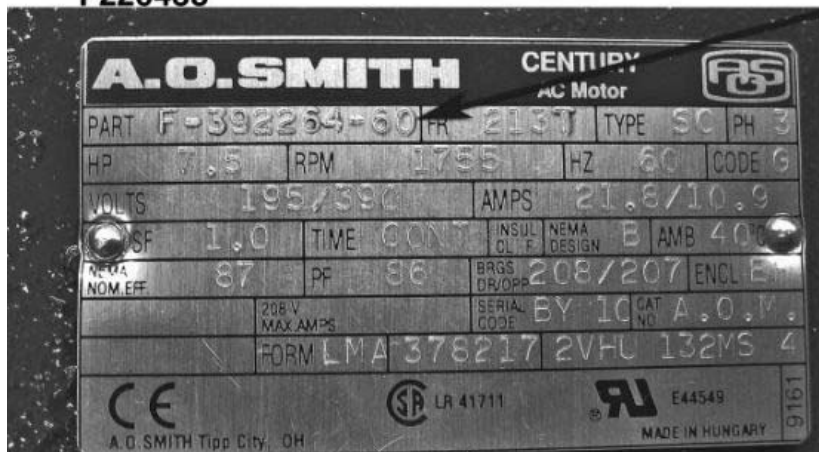
F220237



Motor
Manufacturer
Part No.
F-391995-61

PHM2366P

F220438



Motor
Manufacturer
Part No.
F-392264-60

PHM2367P

Parts Index

A

AC Drive	
F8169650	31
F8169651	31
F8169652	31
F8169653	31
AC Drive Enclosure Weldment	
F200097800	29
AC Drive Exhaust Duct	
F200060700	29
AC Drive Partition	
F635366	11, 15, 17
AC Drive Partition Assembly	
F0637753-00	11
AC Drive Radio Filter Assembly	
F200320900	23
F200320901	19, 29
AC Drive Resistor Assembly	
F8079901P	25
F8080001P	25
Adapter	
F421903	55
F422508	63
F8265701	51, 53, 55, 57, 59
Air Coupling	
F422114	29, 65
Air Flow Ramp Assembly	
F0637748-00	11, 15, 17
Air Trap Hose	
F200163	27
Auxiliary Water Reuse Inlet	
F200099900	79

B

Balance Switch Bracket	
F601750	35
F8124301	35
Ball Valve	
F380634	75
F380636	81
Basket Assembly	
F630764	43
F632403	43
Basket Pulley	
F150268	65
Basket Pulley Bushing	
F280294P	65
Battery	
F191101	13
Bearing Grease	
F210206P	87
Before Power Is Connected Tag	
F230501	9
Belt	
F200140400P	65
F280355	65

Belt Inspection Port Cover	
F200188300	37
Bolt	
F0430539-00	35
Box	
F140413	67
F140432	77, 83
Bushing	
F280233P	65
Buzzer	
F300206	21

C

Cable	
F140245	77
Cable Assembly	
F604713	25
Cable Tie	
F140605	13, 15, 17, 65
F140606	13, 15, 17
Cable Tray Assembly	
F0635615-03	13, 15, 17
F0635615-04	13, 15, 17
Cable Tray Cover	
F635378	13, 15, 17
F635480	13, 15, 17
Cage Wrap Weldment	
F200092200	37
F200092400	37
F635611	37
F635612	37
Canister Cover O-Ring	
F170218	81
Canister Stand Weldment	
F632693-2	81
Cap Plug	
F180486	25
Chemical Supply Cup	
F150385	47
F150386	47
Chemical Supply Hose	
F150470	47
F150471	47
Circuit Breaker	
F350207P	77, 83
F350210	25
F8303001	21, 23
Clean Filter Daily Decal	
F200061000	9, 29
Clockwise Spin Rotation Decal	
F230652	9, 39
Cold Water Valve Decal	
F231368	9
Computer	
F037047530P	17
Computer Cover	
F606826	13
Conductor Decal	
F231146	9

N/A items do not appear in index.

Connector		Door Box Mounting Bracket	
F140312	29	F601129	41
F140575P	25	Door Box Mounting Plate Kit	
F140576P	25	F746806	41
F422500	27	Door Bumper Bushing	
J1408004	29, 65	F430416	39
Contact Block Switch		Door Bumper Moulding	
F200233401	11, 15, 17	F150366	39
F200299500	11, 15, 17	Door Butt Shim	
F340445	11, 15, 17	F0610695-00	39
Contactactor		Door Gasket	
F330175P	77	F017014501	39
F330177P	83	F170145	39
F330188P	67	Door Glass Gasket	
Containment Device		F170117	39
F0380809-00	53, 59	Door Glass Kit	
Control Cover		F290200P	39
F0636887-00	17	Door Glass Retainer	
Control Module Cover		F601239	39
F634558	15, 17	Door Handle Casting	
F635456	11	F150203	41
Control Module Decal		Door Hinge Pin	
F0231565-00	17	F601815	39
F231417	15	Door Hinge Strap	
F231562	13	F200030600	39
Control Module Sub-Assembly		Door Hinge Strap Kit	
F635664	81	F200030600P	39
Control Panel Sub-Assembly		Door Kit	
F634278	77, 83	F730307	39
Control Transformer Cover		F730540	39
F140425	69	Door Latch Bracket Shim	
Conversion Kit		F602058	41
F8356404	65	Door Lock Solenoid	
Cover Assembly		F300129P	41
F630300	81	Door Push Brace	
		F603683	41
		Drain Canister Weldment	
		F632355	81
		Drain Hose	
		F150437	63
		F150442	63, 75, 81
		F200165100	63
		F610376P	63
		Drain Valve Bracket	
		F634172	71, 73
		Drain Valve Cover	
		F200133600	63
		Drain Valve Kit	
		F200166402	63
		Drain Valve Motor	
		F380933P	63
		Draw Latch	
		F432201	81
		Drip Rail	
		F150364	45
		Drive Kit, 1336 to PowerFlex 40	
		F8324304	33
		F8324305	33
		F8324404	33
		F8324405	33
		Drive Kit, 160 to PowerFlex 40	
		F8171803	33
		F8171804	33
		F8171805	33

D

Diaphragm and Guide Kit	
G582P3	27, 49
DIN Coil	
F380987P	51, 53, 55, 57, 59, 69
DIN Harness Assembly	
F141901P	51, 53, 55, 57, 61
Disconnect Power Warning Label	
505281	9, 11, 15, 17
Dispenser Assembly	
F0150512-00P	47
Dispenser Lid	
F0150514-00	47
Do Not Climb Caution Decal	
F231418	71, 73
Do Not Obstruct Decal	
F231419	71, 73
Do Not Push Decal	
F230302	9, 37
Door Assembly	
F200119601	39
Door Box	
F607202	41
Door Box Assembly	
F604888-1	41

N/A items do not appear in index.

F8171903.....	33
F8171904.....	33
F8171905.....	33
F8172003.....	33
F8172004.....	33
F8172005.....	33
F8172103.....	33
F8172104.....	19, 33
F8172105.....	33
F8255404.....	33
F8255405.....	33
F8255504.....	33
F8255505.....	33
Drive Mounting Plate Assembly	
F8018200.....	29

E

Elbow	
F420509.....	51, 53, 55, 57, 59
F422314.....	79
F422319.....	39
F422900.....	75
70079601.....	69
Electrical Access Panel	
F0637549-00.....	13, 15, 17
F635448.....	13
Emergency Stop Button Kit	
F200233700P.....	13, 15, 17
Emergency Stop Pushbutton	
F200233500.....	13, 15, 17
EMI Filter	
F330283.....	25
F330284.....	25
Extension Arm Assembly	
F8062001.....	41
Extension Arm Tab	
F601639.....	41
External Supply Box	
F635468.....	13, 15, 17
External Supply Box Cover	
F635365.....	13, 15, 17
External Supply Caution Decal	
F231345-4.....	9
F231345-5.....	9
External Supply Connection Decal	
F230764-10.....	9
F230764-9.....	9
Extra Inlet Assembly	
F200096900.....	79
Extrusion Insert	
F150397.....	37

F

Face Seal	
F8161901.....	45
F8162001.....	45
Fill Plumbing Assembly	
F0637637-01.....	59
F633146-1.....	55, 57
F633146-5.....	55, 57
F633419-1.....	55, 57

F633419-5.....	55, 57
Filter	
F200318900P.....	21, 23, 29
Filter Basket Weldment	
F630298.....	81
Filter Retainer Guard	
F220900.....	21, 23, 29
Flange Mount Relay	
F0330289-00.....	77
Flange Relay	
F330230.....	21, 23
Frame Assembly	
F632394.....	45
F632394-1.....	45
Frame Weldment	
F630821-1.....	45
F630821-2.....	45
Front Bearing Kit	
F798831-00.....	65
Front Panel	
F635668P.....	37
Fuse	
F350108.....	19, 23
F350109.....	19, 23
F350110.....	19, 23
F350115.....	25
F350142.....	23, 25
Fuse Decal	
F0231629-00.....	25
Fuse Holder	
F0350312-10.....	25
F0350313-00P.....	25

G

Gasket	
F170158P.....	47
Gate Valve	
F380500.....	55, 57, 59, 81
Glass	
F290201P.....	39
Grease Fitting	
F190701.....	29, 65
Grease Gun	
F210207P.....	87
Grease Gun Kit	
F798700.....	87
Grease Instruction Decal	
F231563.....	29, 65
Ground Decal	
F230630.....	25
F230739.....	77, 83
Ground Terminal Lug	
F140734.....	25

H

Heating Element	
F360203P.....	67
Hex Bit	
F704906.....	85

N/A items do not appear in index.

HIM Drive	
F370851P	87
Hose	
F200104P	57, 61, 79
Hose Adapter	
F421909	51, 53, 55, 57, 59
Hose Barb	
F421929	45, 63
F421951	55, 57, 59, 79
F421964	57, 59
Hose Clamp	
F200201	63, 75
F200206	55, 57, 61
F200213	47, 63, 71, 73
F200215	27, 71, 73, 81
F200222	55, 57, 61, 79
36801	45, 49, 63
Hose Connector	
F200302	49
Hose Strap	
F605324	37
Hot Surface Warning Decal	
F200085000	9
F231380	9
Hot Water Valve Decal	
F231367	9

I

Injection Nozzle	
F8322001	47
Injection Nozzle Kit	
F730168	47
Inlet Compression Weldment	
F200096800	79
Input Block Decal	
F0231636-00	25
Input Power Block	
F140794-1	25
Insulator Bushing	
F140909	25
Interface CCA	
F0370446-12P	19
Interlock Switch	
F340900	35, 41
Interlock Switch Spacer	
F601055	41

J

Jumper Kit	
F784003P	19

K

Keymode Assembly	
F200174600P	25
Keymode Run/Program Switch	
F340800P	25
Keypad	
F023158231P	17

N/A items do not appear in index.

F370576P	15
Keypad Decal	
F230724P	13

L

Light	
F350413	29
Lower Door Latch Bracket Casting	
F150202	41
Lower Door Latch Casting	
F150204	41

M

Magnet	
F8390801	41
Magnetic Switch Assembly	
F200321200	41
Main Drive Kit	
F380918	63
Manual Bearing Greasing Retrofit Kit	
F745401	65
Microcomputer	
F0370313-09P	15
Momentary Switch	
F200120100	13, 15, 17
F340412	13, 15
Motor	
F220214MP	65
F220237P	65
Motor Bushing	
F280242	65
Motor Lead	
F8125501	65
Motor Pulley	
C000795P	65
Mounting Bolt Kit	
F730055-1	87
Muffin Fan	
F110105	21, 23, 29

N

Nipple	
F0421970-00	79
F420101	55, 57, 59
F420103	57, 59
F420105	51, 53, 55, 57, 59, 61
F420107	51, 53, 55, 57, 59
F420708	69
F420710	69
F420711	69
F420714	69
F420715	69
F421915	81
No-Swivel Coupling	
F422109	39
Nut	
F0431807-00	37
F430211	37

F430215.....	37, 41, 43, 67, 69
F430218.....	35
F430231.....	13, 15, 17, 21, 23, 29, 41, 77
F430232.....	41, 81
F430233.....	71, 73, 77
F430239.....	71, 73
F430264.....	37
F431000.....	13, 25
F431004.....	29
F431005.....	39, 41, 47
F431006.....	25
F431016.....	25
F431017.....	31
F431022.....	25, 39, 43, 77
F431024.....	29, 81
F431026.....	13, 15, 17, 39, 41, 71, 73
H88412101.....	35
20274.....	35, 41, 45, 65
44087301.....	35
70142.....	45
802292.....	47

O

O-Ring	
F0170221-00.....	53, 59
F170200.....	39
F170208.....	47
F170215.....	47
Output Board CCA	
F370447-6P.....	23
Output CCA	
F037044860-2.....	23
F8321901P.....	19
Overflow Hose	
F150308.....	75
Overflow Plug	
F150352.....	81

P

Personal Injury Warning Decal	
F231065.....	9, 25
Pin	
F430415.....	37
Pipe	
F0602364-04.....	75
F0602364-25.....	63
F0602365-07.....	63
F0602365-08.....	63
F0602365-09.....	63
F0602365-14.....	63
F0602365-24.....	63
F0602365-27.....	63
Pipe Insulation	
F410300.....	69
Plug	
F0200237-00.....	43
F200202600.....	69
F420408.....	55
F420409.....	69
Plug Cap	
F190304.....	47

Plug Removal Warning Decal	
F0230112-00.....	9, 43
Pop Rivet	
F431210.....	39, 41, 45, 63
F431215.....	29
PowerFlex 40 AC Drive Retrofit Kit	
F8324301.....	31
F8324302.....	31
F8324401.....	31
F8324402.....	31
Program Key	
F370709.....	25
Pulley	
F280181.....	65
F280412.....	65
Pump	
F270102P.....	75, 81
Pump B Harness Assembly	
F141876.....	77
Pump Sub-Assembly	
F634674.....	71, 73
Push Decal	
F230303.....	39, 41
Push Handle Kit	
F746202-1.....	39, 41

R

RC Network Filter	
F330217P.....	15, 17, 41
Rear Bearing Kit	
F745006.....	65
Rear Panel	
F200188000P.....	37
Rebar Frame	
F798772.....	87
Rebar Frame Template	
F601648.....	87
Reducer Bushing	
F421936.....	67
Relay CCA	
F370437P.....	77
Repair Kit	
F380965P.....	51, 55, 57
Resistor	
F370116.....	23, 25
Reuse Control Enclosure Mounting Bracket	
F634191.....	71, 73, 77
Reuse Drain Elbow	
F422914.....	71, 73
Reuse Drain Hose	
F0150486-02.....	73
Reuse Drain Reducer	
F422520.....	71, 73
Reuse Drain Valve	
F380635P.....	71, 73
Reuse Frame Assembly	
F634413.....	71, 73
Reuse Hose Adapter Weldment	
F0637736-01.....	73
Reuse Inlet Hose	
F0200505-02.....	73
F200505.....	71, 73

N/A items do not appear in index.

Reuse Overflow Hose F150484	71, 73
Reuse Pump Manifold F250707	75
Reuse Pump Motor Cable Assembly F140254	77
F140255	77
Reuse Pump Platform Assembly F634267	75
Reuse Tank F191008	71, 73
Ribbon Cable F140218P	13, 19
F140219P	13, 15, 17, 19
F140248P	13, 19
Ring Retainer F310206	39
Rotation Sensor Assembly F200126200P	35
Rotation Sensor Bracket F200122500	35
Rotation Sensor Harness F8066401	35
Rotation Sensor PCB F200101300P	35
Rotation Sensor Retrofit Kit F079900800	35
Rub Rail F150409	37

S

Screw

F0430165-00	21, 23
F0430272-00	85
F0430273-00	85
F0430274-00	85
F0430275-00	85
F430103	39
F430107	67
F430168	41
F430502	39
F430518	43
F430903	25, 81
F430909	25, 41
F430910	21, 23, 29, 67, 77
F430913	45
F430916	41, 77
F430917	13, 15, 17, 39, 41, 43, 47
F430920	31
F430921	37
F430923	81
F430924	45
F430927	35, 41
F430928	11, 15, 17, 77, 83
F430932	81
F430935	69
F430938	25, 53, 59, 67
F430939	69, 81
F430948	49
F430956	37, 41
F430960	85
F430986	29
F430993	65
F430995	25, 41

F430996	41, 71, 73
F432259	85
F432260	85
F8111101	35
F8122701	35
F8136401	13, 15, 17
M400056	71, 73, 77
70240301	13, 15, 17, 37
800461	35
Scupper F150389	45, 63
Seal F170151	13, 15, 17
Seal Alignment Fixture Assembly F200284800	87
Seal Kit F798827-00	45
F798829-00	45
Shaft Assembly F633430	87
Shaft Seal Alignment Fixture F0100314-00	87
Shell Assembly F632397-1	45, 67
F632397-3	45, 67
F634471	45, 69
F634471-1	45, 69
Shell Band Assembly F603910	43
F603911	43
Shell Band Fastener Kit F791001	43
Shell Band Gasket F170120RP	43
Shell Front Kit F8011301P	43
Shell Gasket Shield F601216	43
Shell Mounting Bracket F601806	45
Shell Reinforcement Plate Assembly F8084201	45, 63
Shell Weldment F0637536-00	67
F063753802	45, 69
F063753804	43, 69
F0637540-00	43, 69
F0637540-01	43, 69
F063754004	43, 69
F063765704	67
F063767104	67
F630760-1	45, 67
F634485	45, 69
F634495	45, 69
F634495-1	45, 69
Side Panel F635670P	37
F635671	37
Side Panel Bracket F601982	37
Side Panel Cover F607262	37
Slinger F100204	45

N/A items do not appear in index.

Snap Bushing F140938	27
Soap Dispenser Hose F150309	63
Soap Dispenser Shroud Weldment F8024301	47
Spanner Bit F704907	85
Spray Plumbing Assembly F0637638-01	53
F0637638-03	53
F633151-5	51
Spray Rinse Bracket Assembly F602901P	39, 43
Spray Rinse Hose Kit F730024	39
Spray Rinse Nozzle Kit F730077	39
Spray Rinse Strap F602880	39, 43
Spray Rinse Tube Assembly F603696-5	39
F603696-6	39
Standoff F180501	35
F180506	21, 23
Steam Bracket Weldment F635634	69
Steam Filter F270307	69
Steam Hose F200153P	69
Steam Injector Tube Assembly F603131	69
Steam Kit F635653-2P	69
F635653-3P	69
Steam Valve F380787P	69
Strain Relief Adapter Kit F749802	47
Strain Relief Connector F140328	77
F140329	81
F140330	77
F140331	77
F140340P	47
Strainer F270200	49
Street Elbow F420500	55, 57, 59
F420502	51, 53, 55, 57, 59
F421703	69
F422304	81
H86070034	69
Supply Dispenser Hazard Caution Decal F231436	9, 47
Supply Dispenser Spacer F0150525-00	47
Switch F340921	35
Switch Extension F340924	35

Switch Mode Decal F0231632-00	25
F231564	25
Swivel Coupling F422108	39

T

Tank Drain Sub-Assembly F0637929-01	71
Tee F420400	55
F420402	57, 59, 61
F422801	63
F422803	63
Temperature Probe F370606P	35, 67
Terminal Block F140776	25
F140782	25
M413865	67
This Machine Must Be Protected Decal F230301	9
Tie Wrap Mounting Clamp F140602	13, 15, 17
Top Cover Caution Decal F231420	71, 73
Top Exhaust Panel Assembly F200097600	29
F200316100	31
Top Latch Bracket Casting F150201P	41
Torx Bit 281P4	85
Transformer F200031100	69
F360156P	69
F360157P	69
Transformer Adapter Plate F631276	69
Trim F170400RP	37, 47
F170404	11, 15, 17
Tube Connector F422106	51, 53
F422515	75, 81
Tubing C000628P	29, 65
F422404P	27

U

U-Bolt Clamp F200401P	51, 53, 55, 57, 61, 69, 79
--------------------------------	----------------------------

V

Vacuum Breaker F380117	63, 71, 73
Vacuum Breaker Cap F0380808-00	53, 59

N/A items do not appear in index.

Vacuum Breaker Kit F0798922-00.....	53, 59
Vacuum Breaker Valve F063754701P	59
F380800P	51, 53, 55, 57
Valve F381701P	51, 53, 55, 57, 61, 79
F381703P	57, 59
Valve Repair Kit F380993P	57, 59
Valve, 4-Way F381723P	27, 49

Y

Y Connector F422816	49
------------------------------	----

W

Washer F430300	65
F430311	67
F430317	37, 43
F430332	29, 65
F431100	29, 37, 39, 41, 47, 71, 73
F431101	29
F431106	25
F431108	13, 15, 17, 25, 41
F431112	45
F431113	13, 15, 17, 43, 77
F431116	45
F431118	41
F431123	13, 15, 17
F431125	13, 15
F431137	29
F431142	41
F431147	47
F8195301	47
M400013	45
M400014	35, 45, 65
M400081	35, 45, 65
20290	55, 57, 61
803615	55, 57, 61
Water Hose F200107P	45, 63
F200110P	49
F200164	55, 57, 61
F200166	55, 57, 61
F200509	55, 57, 61
Water Level Switch F0340346-10P	27
Water Reuse Hose F0637735-01	73
Water Reuse Tee Weldment F0634404-02	73
Water Valve Assembly Decal F230754	49
Water Valve Repair Kit F380991P	51, 53, 57, 61
Wet-Clean Inlet Grommet F200098900	79
WE-6 Computer F037062441P	13
Wire, 14 Gauge 45257	77

N/A items do not appear in index.