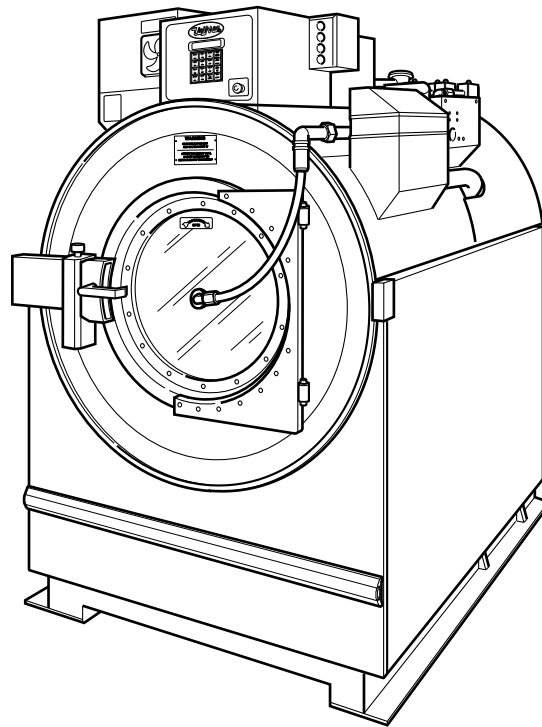


Washer-Extractor

Pocket Hardmount

UW150PV



PHM1394C_F232220



&



Part No. F232220R10
February 2012

Table of Contents

Title	Page
Parts Ordering Information.....	2
Nameplate Location.....	2
Model Identification.....	3
Pocket Hardmount Washer-Extractor Product Overview.....	4
Decals.....	6
Control Module (Drawing 1 of 4).....	8
Control Module (Drawing 2 of 4).....	10
Control Module (Drawing 3 of 4).....	12
Control Module (Drawing 4 of 4).....	14
AC Drive.....	16
PowerFlex 40 AC Drive.....	18
Front, Rear and Side Panels.....	20
Door Assembly.....	22
Door Lock.....	24
Jog Feature.....	26
Basket, Trunnion, Shell and Frame.....	28
Supply Dispenser.....	30
Fill Plumbing.....	32
Spray Plumbing.....	34
Drain Plumbing.....	36
Motor, Belt, Pulley and Transformers.....	38
Balance Switch and Rotation Sensor.....	40
Steam Heat Option.....	42
Security Fasteners.....	44
Special Tools.....	46
Parts Index.....	49

© Copyright 2012, Alliance Laundry Systems LLC

All rights reserved. No part of the contents of this book may be reproduced or transmitted in any form or by any means without the expressed written consent of the publisher.

Parts Ordering Information

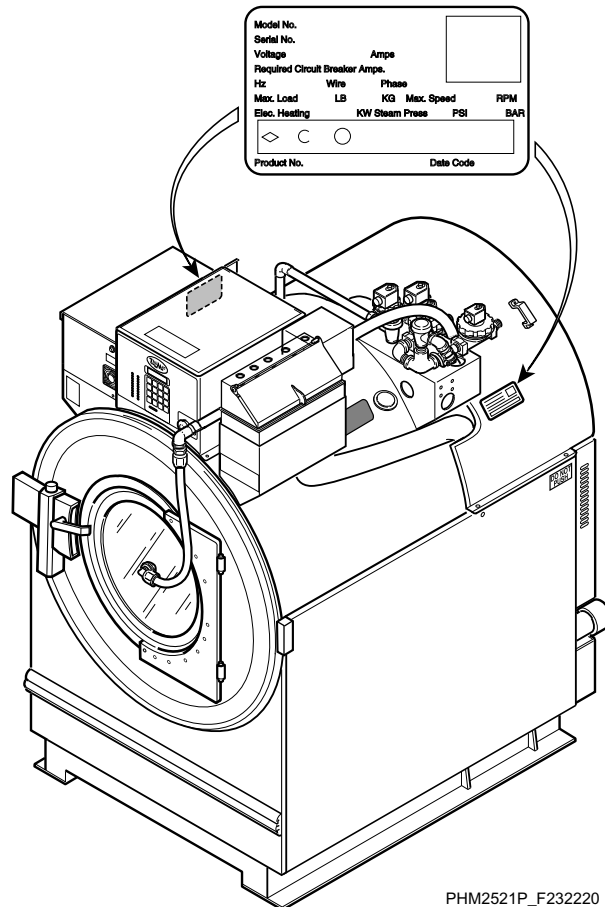
If literature or replacement parts are required, contact the source from whom the machine was purchased or contact Alliance Laundry Systems at (920) 748-3950 for the name and address of the nearest authorized parts distributor.

For technical assistance, call either of the numbers listed below:

(920) 748-3121 Ripon, Wisconsin
+32 56 41 20 54 Wevelgem, Belgium

Nameplate Location

When calling or writing about your product, be sure to mention model and serial numbers. Model and serial numbers are located on nameplate(s) as shown.



Model Identification

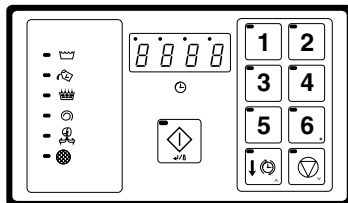
Information in this manual is applicable to this washer-extractor model:

UW150PV

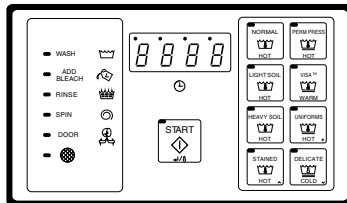
Pocket Hardmount Washer-Extractor Product Overview

Model No. UW60AMXUB0001
 Serial No. 0000000000
 Voltage 200 – 240 Amps 10
 Circuit Breaker 15 Amps
 Hz 50 – 60 Wire 2/3 Phase S 3
 Max. Load 60 LB 27 KG Max. Speed 594 RPM
 Elec. Heating N/A Steam Press. N/A PSI 0.0 BAR

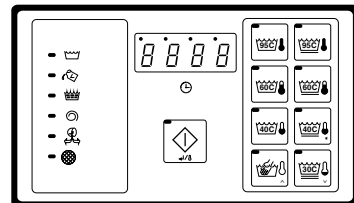
Drawings:
 ETL Listed
 Conforms To ANSI/UL Std. 1206, 3rd Ed
 Certified To CAN/CSA Std. C22.2 No.53-1968



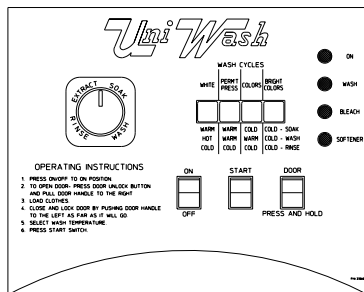
A-Control



B-Control (Domestic)



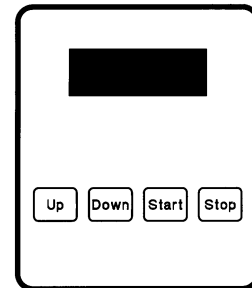
B-Control (International)



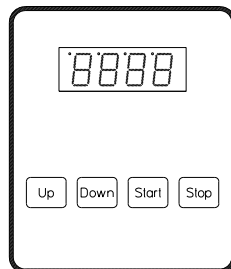
Mechanical Timer



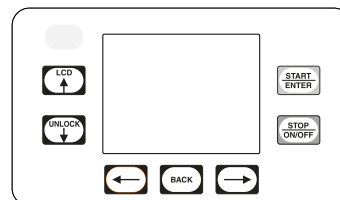
WE-6 Control



S-Computer



V-Computer



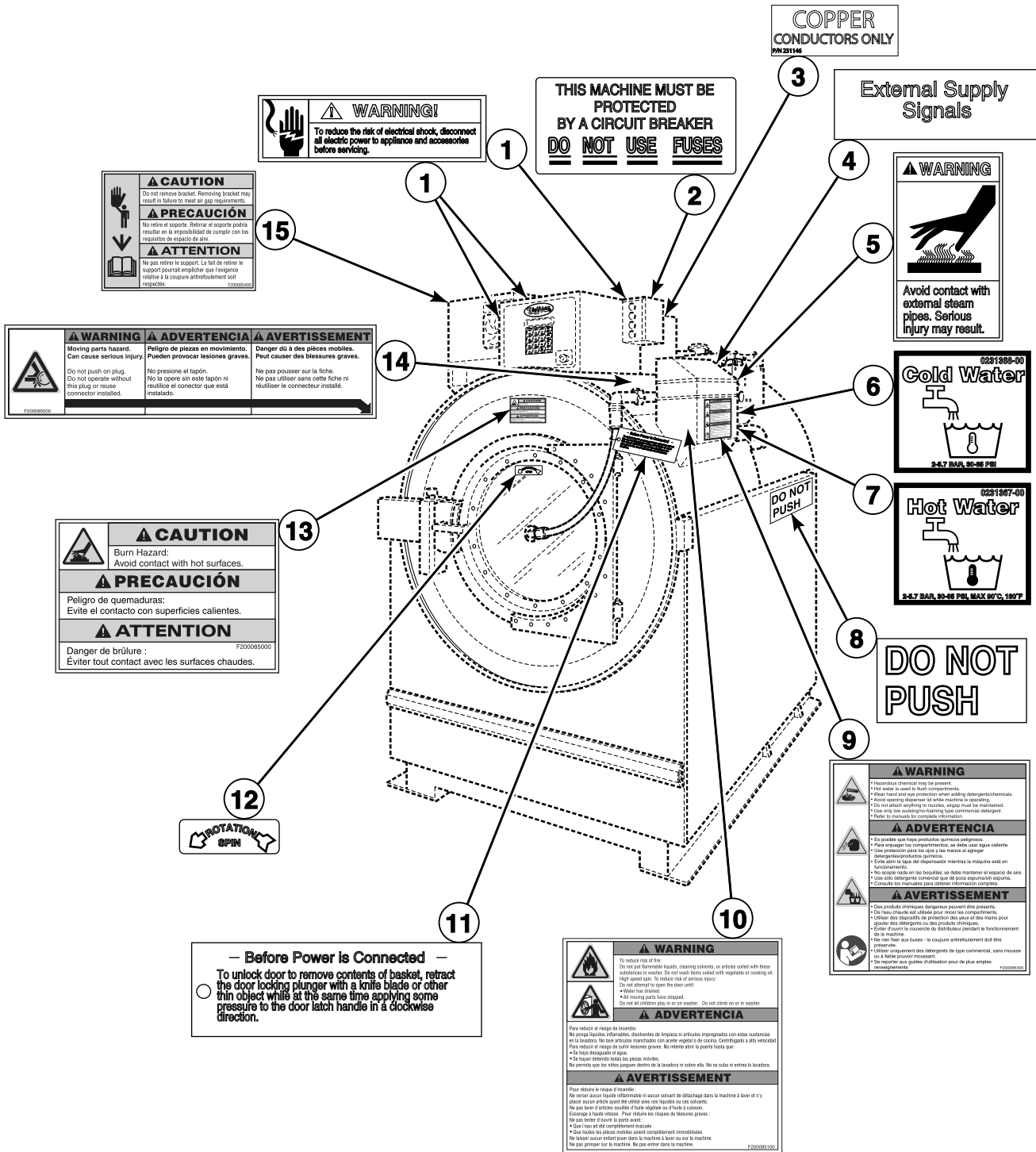
UniLinc Control

PHM2979P_F232220

Pocket Hardmount Washer-Extractor Product Overview

REF	PART NO.	DESCRIPTION	COMMENTS
1	-	Product Family	UW
2	-	Capacity (Pounds)	35 60 80 100 125 150
3	-	Control	A (A-Control) B (B-Control) M (Mechanical Timer) P (WE-6 Control) S (S-Computer) V (V-Computer) T (UniLinc Control)
4	-	Speed	2 (2-Speed) 3 (3-Speed) 4 (4-Speed) V (Variable-Speed)
5	-	Voltage	F (440-480/60/3/3) N (440-480/50-60/3/3) O (208-240/60/3/3) P (380-415/60-60/3/3) Q (200-208/220-240/50/60/3ph) R (380-415/440-480/50/60/3ph) X (200-220/220-240/50/60/1-3) Y (208-240/60/1/2)
6	-	OEM	U (Standard Specs)
7	-	Design Series	1-8

Decals



— Before Power is Connected —

To unlock door to remove contents of basket, retract the door locking plunger with a knife blade or other thin object while at the same time applying some pressure to the door latch handle in a clockwise direction.

	WARNING
	To reduce risk of fire: Do not put flammable liquids, cleaning solvents, or articles soaked with these substances in washer. Do not load items soaked with vegetable oil cooking oil. High speed spin. To reduce risk of serious injury: Do not attempt to open the door unit. • Washers have stopped. • Do not reach parts have stopped. Do not sit/lean over the door/washer. Do not climb on or in the washer.
	ADVERTENCIA
	Para reducir el riesgo de incendio: No ponga líquidos inflamables, disolventes de limpieza o artículos empapados con estas sustancias en la lavadora. No leve artículos empapados con aceite vegetal de cocina. Con alta velocidad de giro. Para reducir el riesgo de sufrir lesiones graves. No intente abrir la puerta hasta que: • Se haya detenido el agua. • Se haya detenido todas las piezas móviles. No permita que sus niños jueguen dentro de la lavadora ni sobre ella. No se suba ni entre a la lavadora.
	AVERTISSEMENT
	Pour réduire le risque d'incendie: Ne verse aucun liquide inflammable ni aucun solvant de nettoyage dans la machine à laver et n'y placez aucun article empapé avec de l'huile végétale ou d'huile de cuisson. Évitez la haute vitesse. Pour réduire le risque de blessures graves: Ne pas tenter d'ouvrir la porte avant: • Que l'eau ait été complètement évacuée. • Que toutes les pièces mobiles soient complètement immobilisées. Ne laissez aucun enfant jouer dans la machine à laver ni sur la machine. Ne pas grimper sur la machine. Ne pas entrer dans la machine.

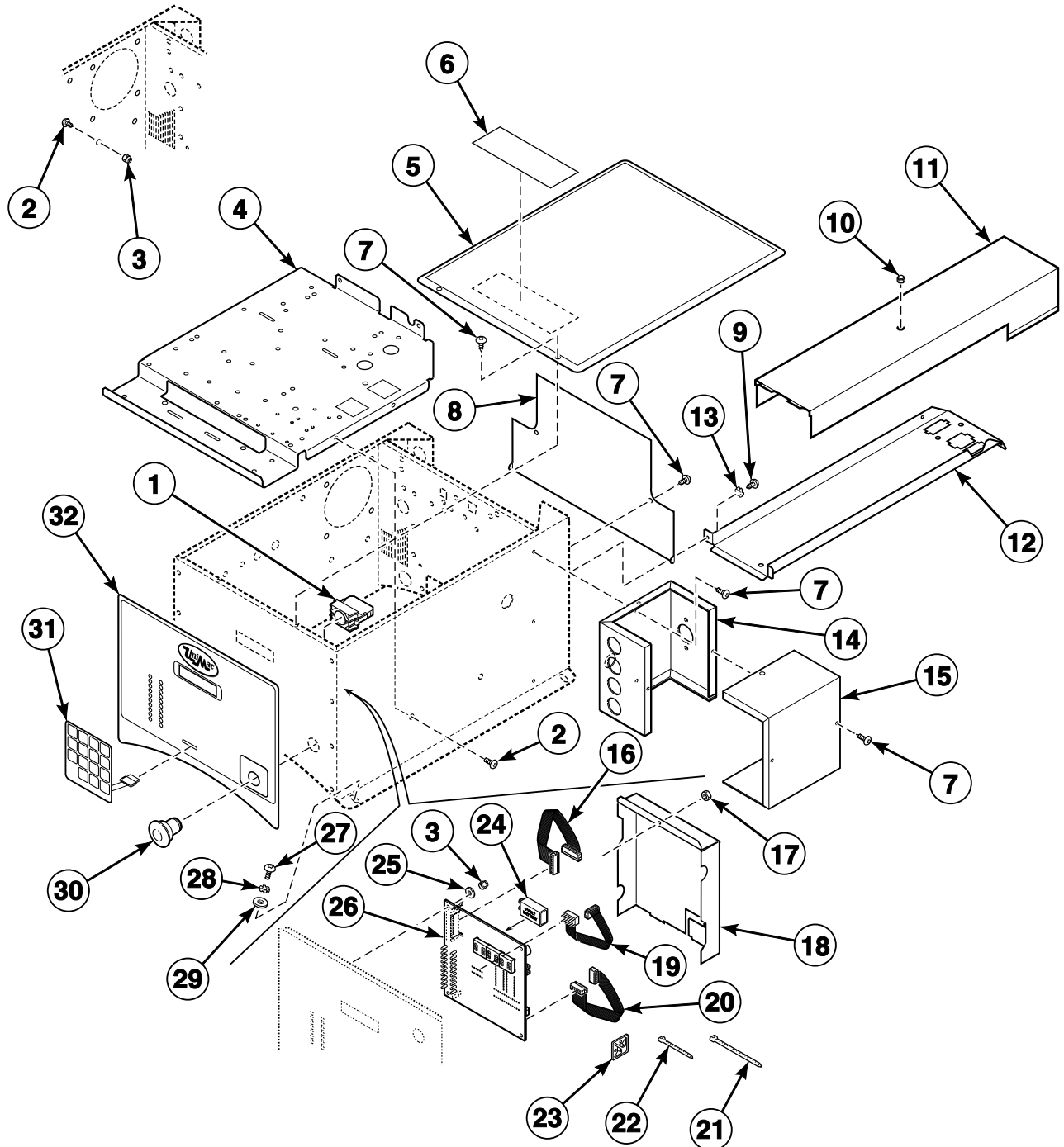
PHM2687P_F232220

Decals

REF	PART NO.	DESCRIPTION	COMMENTS
1	505281	Disconnect Power Warning Label	
2	F230301	This Machine Must Be Protected Decal	
3	F231146	Conductor Decal	
4	F230917-1	External Supply Connection Decal	English
	N/A	Decal	German
	N/A	Decal	French
5	F231380	Hot Surface Warning Decal	
6	F231368	Cold Water Valve Decal	
7	F231367	Hot Water Valve Decal	
8	F230302	Do Not Push Decal	
9	F200085300	Hot Water and Chemical Caution Decal	
10	F200085100	Spin Warning Decal	
11	F230501	Before Power Is Connected Tag	
12	F230693	Counterclockwise Spin Rotation Decal	
13	F200085000	Hot Surface Warning Decal	
14	F200085500	Moving Parts Plug Warning Decal	
15	F200085400	Do Not Connect Warning Decal	

N/A = Part no longer available

Control Module (Drawing 1 of 4)



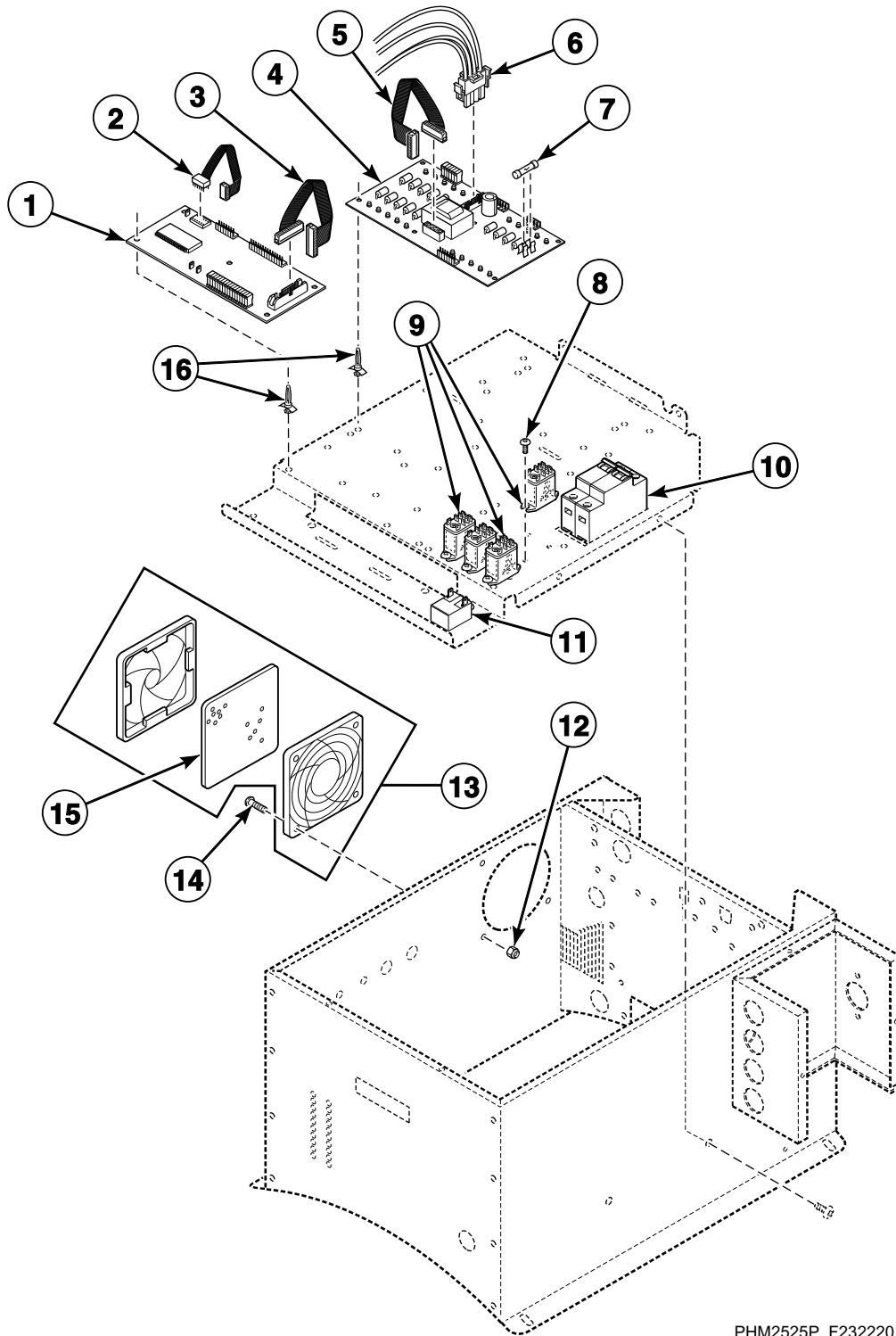
PHM2524P_F232220

Control Module (Drawing 1 of 4)

REF	PART NO.	DESCRIPTION	COMMENTS
1	F340445	Contact Block Switch	800E-series; Models through 8/31/07; Includes mounting base
	F200299500	Contact Block Switch	800E-series; Models through 8/31/07; Does not include mounting base
	F200233401	Contact Block Switch	800F-series; Models starting 9/1/07
2	F430928	Screw	
3	F430231	Nut	
4	N/A	Control Mounting Panel Assembly	
5	F635456	Control Module Cover	
6	505281	Disconnect Power Warning Label	
7	70240301	Screw	
8	F0637549-00	Electrical Access Panel	
9	F430917	Screw	
10	F431026	Nut	
11	F200078900	Cable Tray Cover	
12	F063561505	Cable Tray Assembly	
13	F431113	Washer	
14	F635468	External Supply Box	
15	F635365	External Supply Box Cover	
16	F140219P	Ribbon Cable	26 conductor; 15 inch; From computer to output cca
17	F431000	Nut	
18	F606826	Computer Cover	
19	F140248P	Ribbon Cable	16 conductor; 15 inch; From computer to interface cca; J1 plug; DIP socket
20	F140218P	Ribbon Cable	16 conductor; 12 inch; From interface cca to computer; J8 plug
21	F140606	Cable Tie	15 inch
22	F140605	Cable Tie	6 inch
23	F140602	Tie Wrap Mounting Clamp	
24	F191101	Battery	9 Volt; Backup
25	F431125	Washer	
26	F037062441P	WE-6 Computer	
27	F8136401	Screw	
28	F431108	Washer	
29	F431123	Washer	
30	N/A	Emergency Stop Pushbutton	800E-series; Models through 8/31/07; Replaced by F200233700P Emergency Stop Button Kit
	F200233700P	Emergency Stop Button Kit	Used to convert from 800E-series to 800F-series; Includes F200233500 Emergency Stop Pushbutton and F200233401 Contact Block Switch
	F200233500	Emergency Stop Pushbutton	800F-series; Models starting 9/1/07
31	F230724P	Keypad Decal	
32	F200205900	Control Module Decal	

N/A = Part no longer available

Control Module (Drawing 2 of 4)

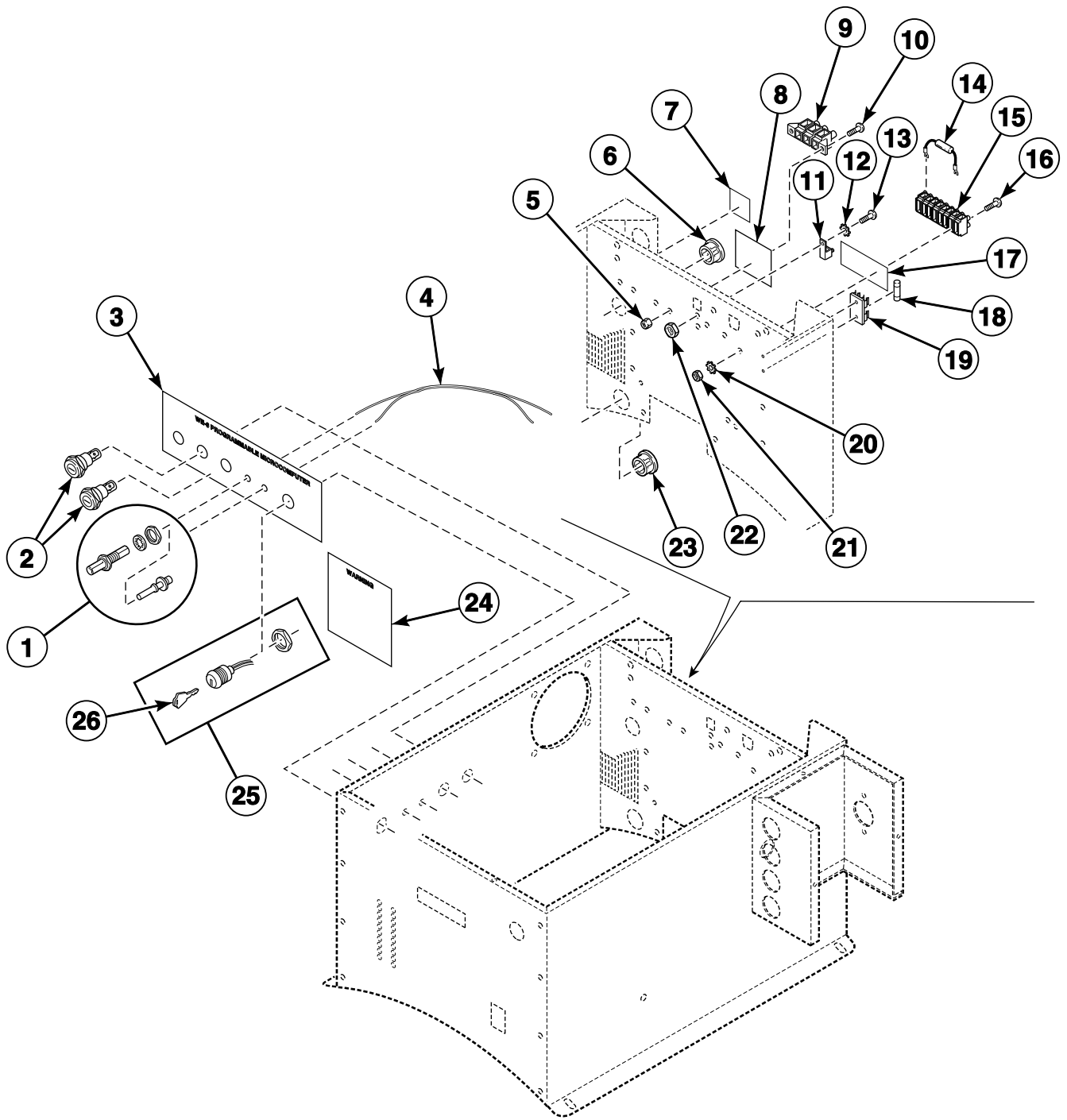


PHM2525P_F232220

Control Module (Drawing 2 of 4)

REF	PART NO.	DESCRIPTION	COMMENTS
1	F0370446-12P	Interface CCA	2 relay style
2	F140218P	Ribbon Cable	16 conductor; 12 inch; From interface cca to computer; J8 plug
3	F140248P	Ribbon Cable	16 conductor; 15 inch; From interface cca to computer; J1 plug; DIP socket
4	F8321901P	Output CCA	
5	F140219P	Ribbon Cable	26 conductor; 15 inch; From computer to output cca
6	F784003P	Jumper Kit	
7	F350108	Fuse	1/8 Amp; Slo blo
	F350109	Fuse	1/2 Amp; Fast blo
	F350110	Fuse	1 Amp; Slo blo
8	F0430165-00	Screw	
9	F330230	Flange Relay	220 Volt
10	F8303001P	Circuit Breaker	2 Amp
11	F300206	Buzzer	220 Volt
12	F430231	Nut	
13	F220900	Filter Retainer Guard	Includes item 15
14	F430910	Screw	
15	F200318900P	Filter	
16	F180506	Standoff	

Control Module (Drawing 3 of 4)

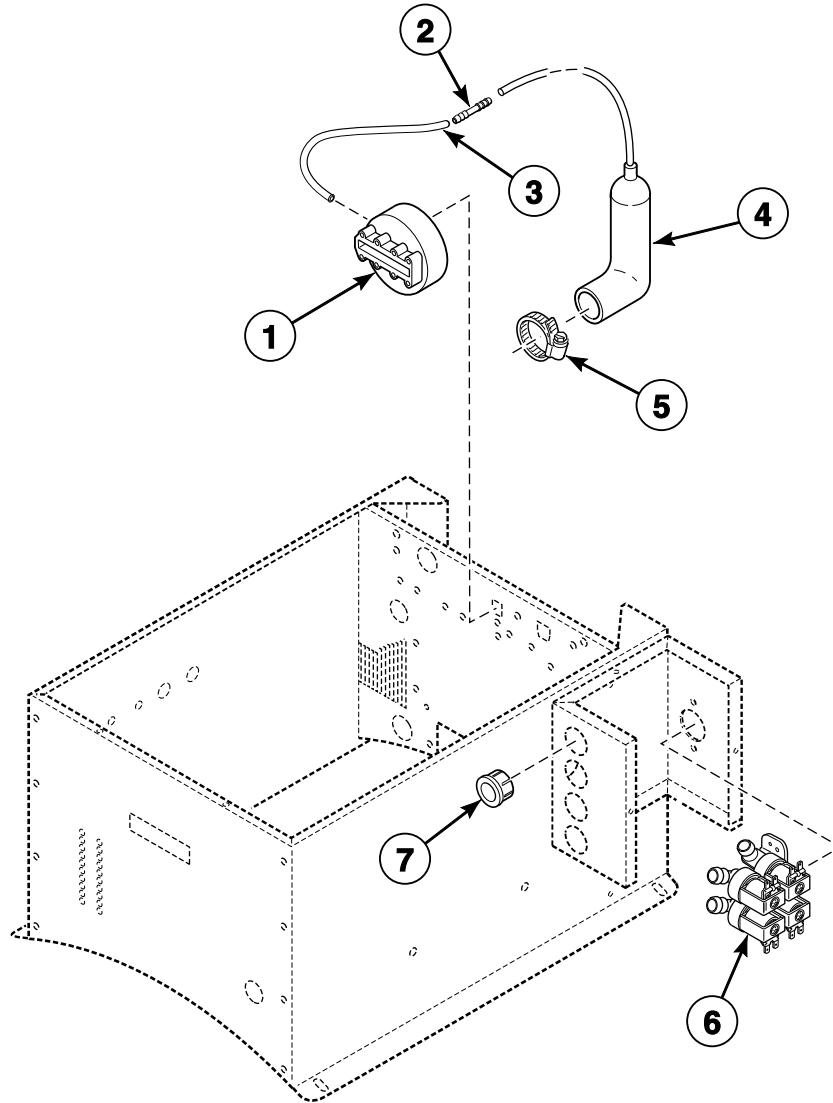


PHM2570P_F232220

Control Module (Drawing 3 of 4)

REF	PART NO.	DESCRIPTION	COMMENTS
1	F140575P	Connector	Gray
	F140576P	Connector	Blue
2	F0350313-00P	Fuse Holder	
	F350142	Fuse	
3	F0231632-00	Switch Mode Decal	
4	F604713	Cable Assembly	
5	F431022	Nut	
6	F140909	Insulator Bushing	
7	F231345-4	External Supply Caution Decal	Q-voltage
	F231345-5	External Supply Caution Decal	N and P-voltage
8	F0231636-00	Input Block Decal	Input power connection
9	F140794-1	Input Power Block	
10	F430938	Screw	
11	F140734	Ground Terminal Lug	
12	F431106	Washer	
13	F430903	Screw	
14	F370116	Resistor	12 K, 5w
15	F140782	Terminal Block	11 place
16	F430995	Screw	
17	F230764-10	External Supply Connection Decal	Q-voltage
	F230764-9	External Supply Connection Decal	N and P-voltage
18	F350115	Fuse	3 Amp; Fast blo
19	F0350312-10	Fuse Holder	
20	F431108	Washer	
21	F431006	Nut	
22	F431000	Nut	
23	F180486	Cap Plug	
24	F231065	Personal Injury Warning Decal	
25	F340800P	Keymode Run/Program Switch	Includes item 26; Q-voltage; N and P-voltage models through 10/6/04 and starting 1/15/05
	F200174600P	Keymode Assembly	Includes item 26; N and P-voltage models starting 10/7/04 through 1/14/05
26	F370709	Program Key	Key code A153

Control Module (Drawing 4 of 4)

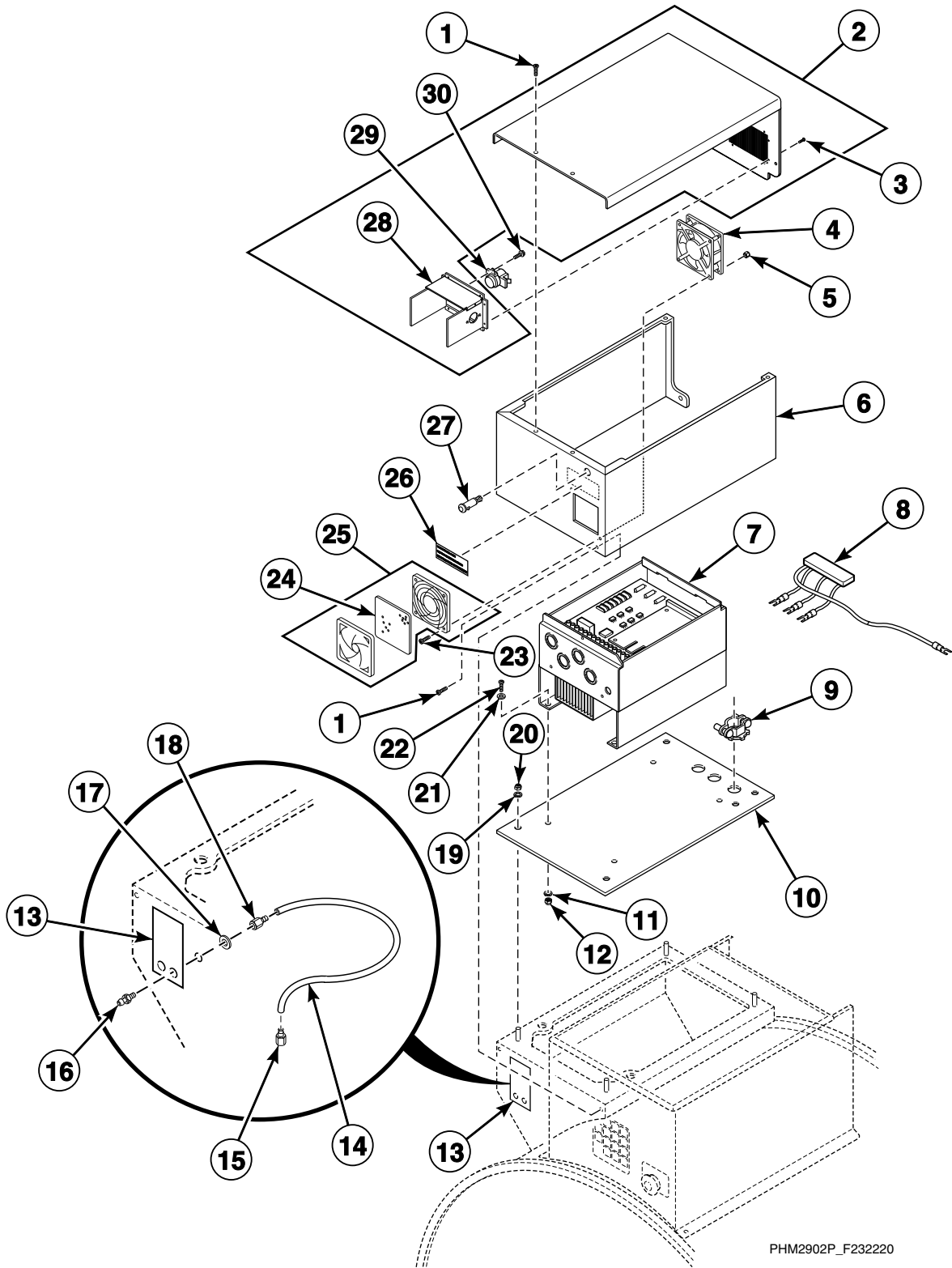


PHM2527P_F232220

Control Module (Drawing 4 of 4)

REF	PART NO.	DESCRIPTION	COMMENTS
1	F0340348-10P	Water Level Switch	
2	F422500	Connector	
3	F422404P	Tubing	
4	F200163	Air Trap Hose	
5	F200215	Hose Clamp	No. 28
6	F381723P	4-Way Valve	220 Volt
	G582P3	Diaphragm and Guide Kit	
7	F140938	Snap Bushing	

AC Drive



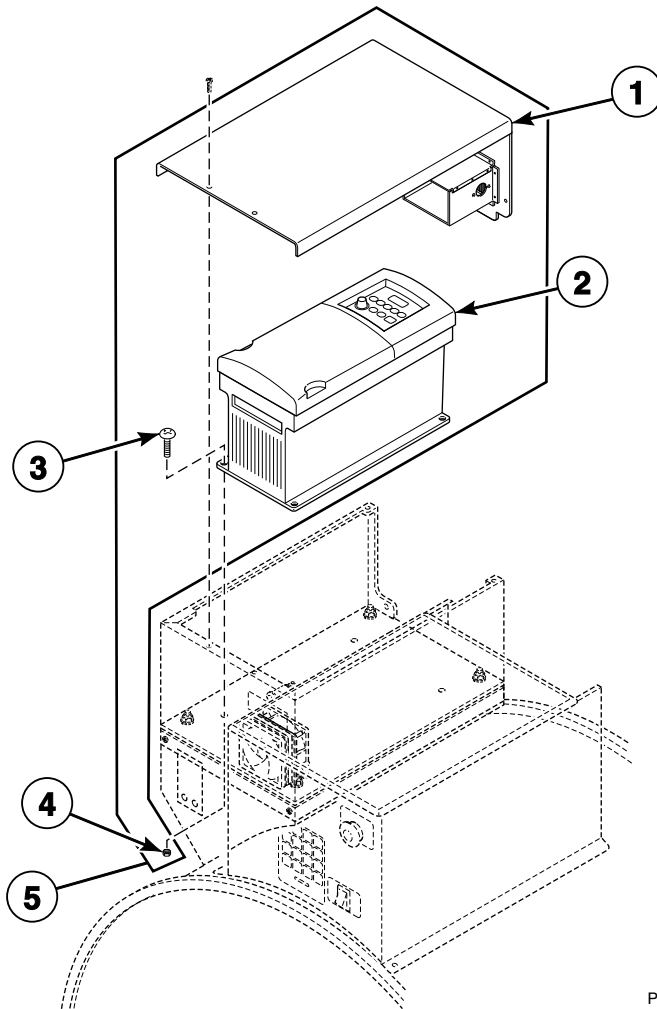
PHM2902P_F232220

AC Drive

REF	PART NO.	DESCRIPTION	COMMENTS
1	F430986	Screw	
2	F200097600	Top Exhaust Panel Assembly	Includes items 3 and 28; Used with F200276700 Drive
3	F431215	Pop Rivet	
4	F110105	Muffin Fan	220 Volt; 4 inch
5	F430231	Nut	
6	F200097800	AC Drive Enclosure Weldment	
7	F200276700	Drive	
8	F200320901	AC Drive Radio Filter Assembly	
9	F140312	Connector	
10	F8018200	Drive Mounting Plate Assembly	
11	F431137	Washer	
12	F431004	Nut	
13	F231563	Grease Instruction Decal	Lubrication
14	C000628P	Tubing	
15	J1408004	Connector	
16	F190701	Grease Fitting	
17	F430332	Washer	
18	F422114	Air Coupling	
19	F431100	Washer	
20	F431024	Nut	
21	F431101	Washer	
22	N/A	Screw	
23	F430910	Screw	
24	F200318900P	Filter	
25	F220900	Filter Retainer Guard	Includes item 24
26	F200061000	Clean Filter Daily Decal	
27	F350413	Light	
28	F200060700	AC Drive Exhaust Duct	
29	F290115	Thermostat	
30	F0430165-00	Screw	

N/A = Part no longer available

PowerFlex 40 AC Drive

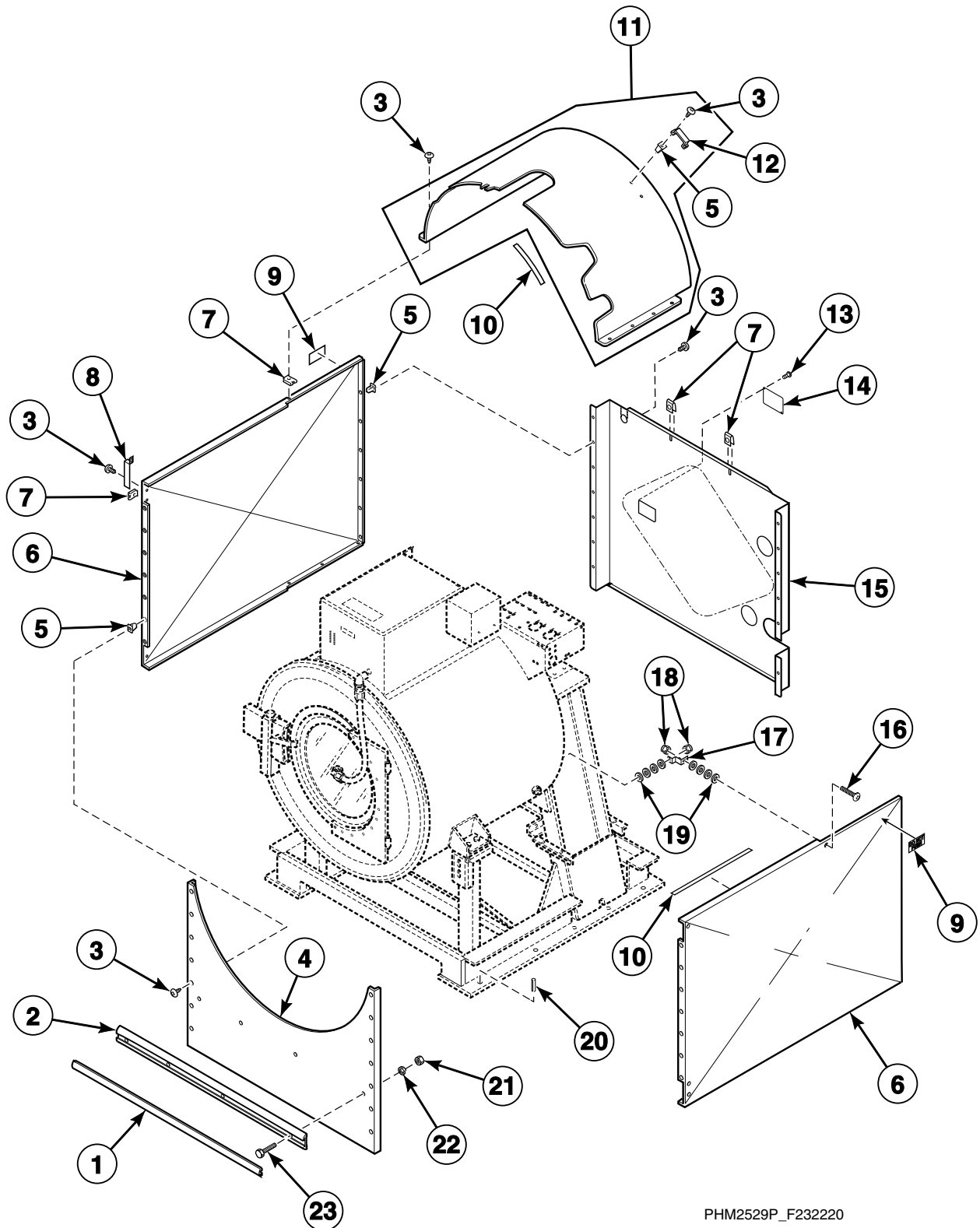


PHM2682P_F232220

PowerFlex 40 AC Drive

REF	PART NO.	DESCRIPTION	COMMENTS
1	F200316100	Top Exhaust Panel Assembly	Used with F8026901 AC Drive and F8027001 AC Drive
2	F8169654	PowerFlex 40 AC Drive	Q-voltage; Requires WE-6 computer software ID code ARWC01 (F200276500 Software Chip)
	F8169655	PowerFlex 40 AC Drive	N and P-voltage; Requires WE-6 computer software ID code ARWC01 (F200276500 Software Chip)
3	F430920	Screw	
4	F431017	Nut	
5	F8324303	1336 to PowerFlex 40 Drive Kit	Q-voltage; Includes items 1-4, F200276500 Software Chip, F140160 Wire (12 inches) and F140605 Cable Tie
	F8324403	1336 to PowerFlex 40 Drive Kit	N and P-voltage; Includes items 1-4, F200276500 Software Chip, F140160 Wire (12 inches) and F140605 Cable Tie

Front, Rear and Side Panels

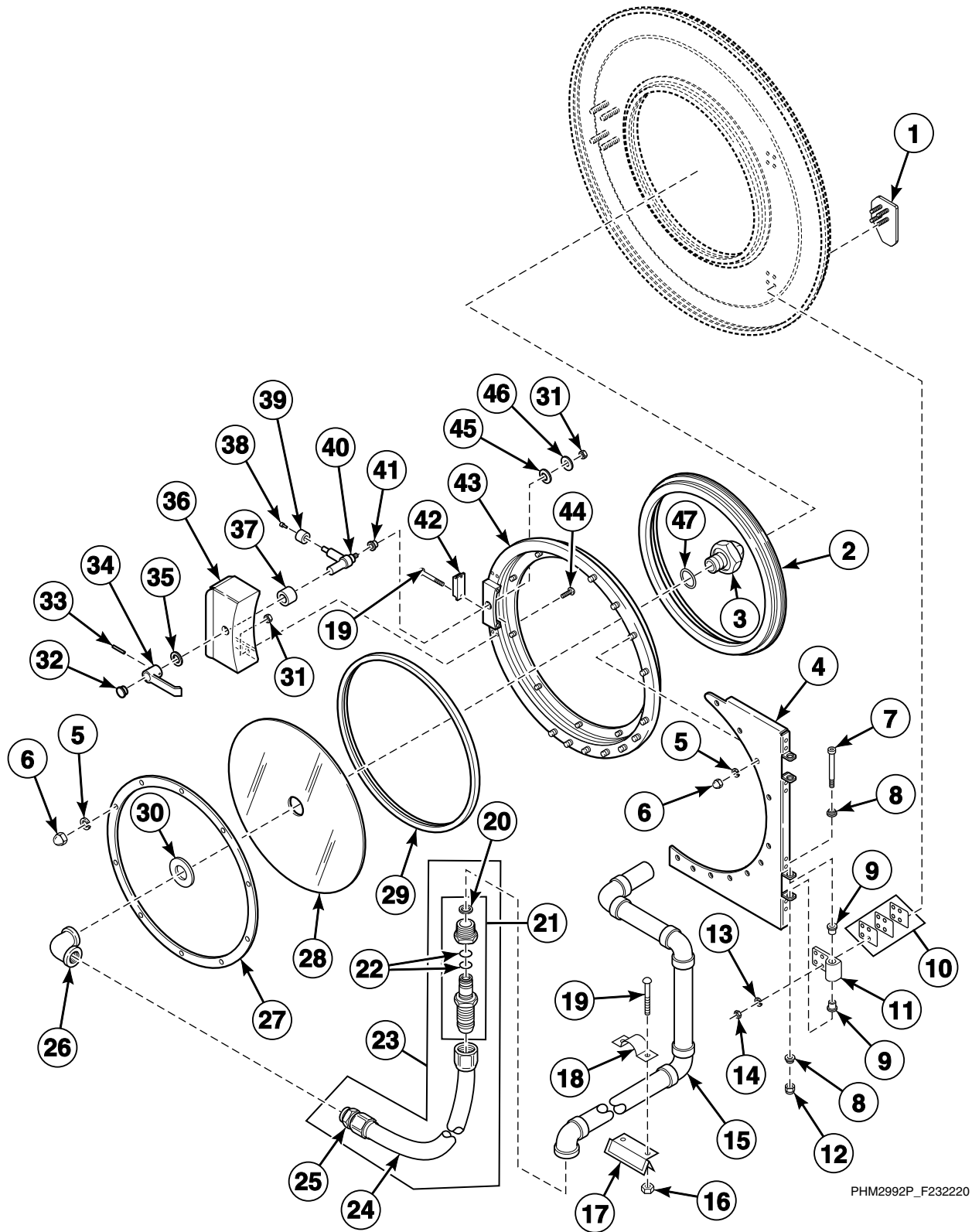


PHM2529P_F232220

Front, Rear and Side Panels

REF	PART NO.	DESCRIPTION	COMMENTS
1	F150397	Extrusion Insert	Order 4 feet
2	F200079000	Rub Rail	
3	F430956	Screw	
4	F200079500P	Front Panel	
5	F0431807-00	Nut	Plastic insert
6	F200079600	Side Panel	
7	F430264	Nut	Tinnerman
8	F607262	Side Panel Cover	
9	F230302	Do Not Push Decal	
10	F170400RP	Trim	
11	F200078300	Cage Wrap Assembly	Includes items 3, 5 and 12
12	F605324	Hose Strap	
13	70240301	Screw	
14	F200188300	Belt Inspection Port Cover	
15	F200079300	Rear Panel	
16	F430921	Screw	
17	F601982	Side Panel Bracket	
18	F430215	Nut	
19	F430317	Washer	
20	F430415	Pin	
21	F430211	Nut	
22	F431100	Washer	
23	F430921	Screw	

Door Assembly

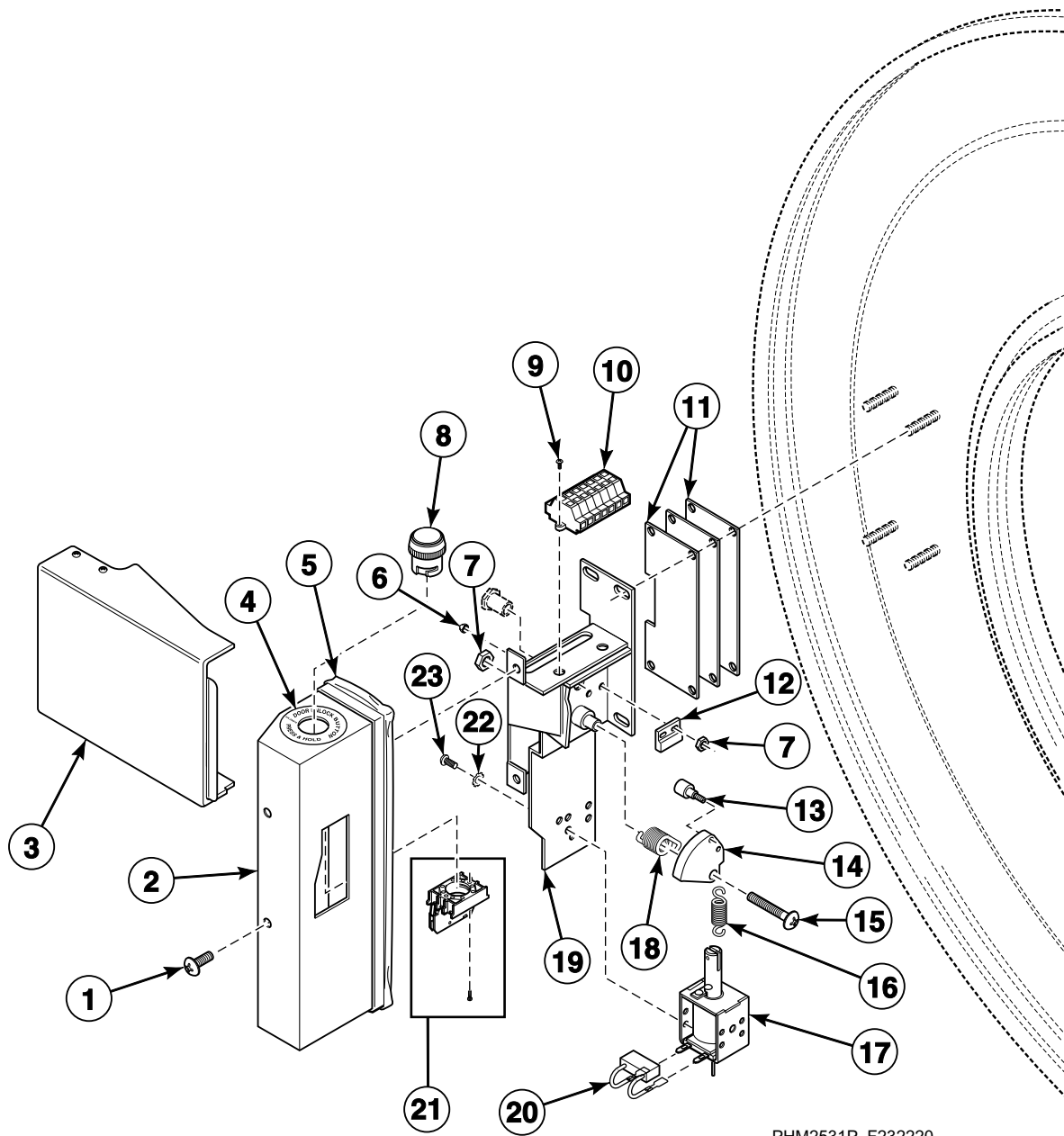


PHM2992P_F232220

Door Assembly

REF	PART NO.	DESCRIPTION	COMMENTS
1	F200074600	Hinge Support Assembly Weldment	
2	F8434802P	Door Gasket Kit	
3	F380301	Spray Rinse Nozzle	
4	F200077600	Door Hinge Bracket Assembly	
5	F431100	Washer	
6	F431026	Nut	
7	F200075400	Screw	
8	F200076900	Flange Bushing	
9	F200076800	Flange Bushing	
10	F200077400	Hinge Shim	
11	F200074300	Door Hinge	
12	F430233	Nut	
13	F431120	Washer	
14	F431002	Nut	
15	F200081400	Spray Rinse Tube Assembly	
16	F431022	Nut	
17	F602901P	Spray Rinse Bracket Assembly	
18	F602880	Spray Rinse Strap	
19	F430917	Screw	
20	F310206	Ring Retainer	
21	F422108	Swivel Coupling	
22	F170200	O-Ring	
23	F730023	Spray Rinse Hose Kit	
24	F610068	Hose	
25	F422109	No-Swivel Coupling	
26	F422319	Elbow	
27	F200076100	Glass Retainer	
28	F200074400P	Glass	
29	F200076000	Door Glass Gasket	
30	F431905	Washer	
31	F431024	Nut	
32	F140563	Plug	
33	F431222	Spring Pin	
34	F150225	Door Handle	
35	F431907	Washer	
36	F8210001	Pivot Lock Cover Weldment	
37	F280253	Bushing	
38	F340502P	Switch Magnet	
39	F100145	Follower Cam	
40	F608536	Pivot Lock Weldment	
41	F280252	Bushing	
42	F8390801	Magnet	
43	F200075000	Door Weldment	
44	F0220908-02	Screw	
45	F431143	Washer	
46	F431142	Washer	
47	F170201	O-Ring	

Door Lock



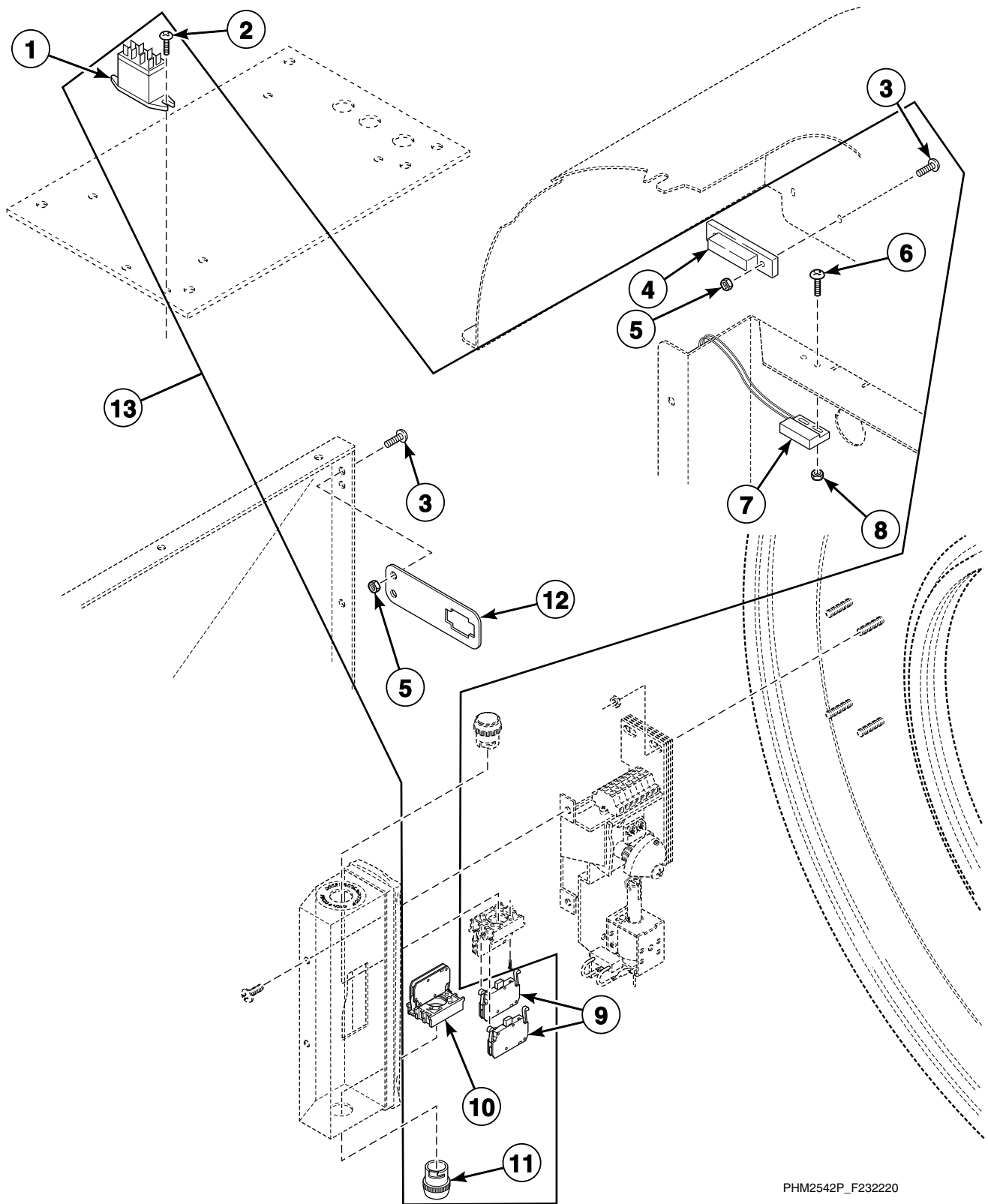
PHM2531P_F232220

Door Lock

REF	PART NO.	DESCRIPTION	COMMENTS
1	F430985	Screw	
2	F200089700	Door Lock Cover Weldment	
3	F200090300	Conduit Assembly Guard	
4	F230816	Door Unlock Decal	
5	F170404	Trim	Order 3 feet
6	F430231	Nut	
7	F430215	Nut	
8	N/A	Momentary Pushbutton	800E-Series; Models through 8/31/07; Replaced by F8069902P Button Kit
	F8069902P	Button Kit	Used to convert from 800E-Series to 800F-Series; Includes F200233400 Contact Block Switch and F8069602 Momentary Pushbutton
	F8069602	Momentary Pushbutton	800F-Series; Models starting 9/1/07
9	F430928	Screw	
10	F140766	Terminal	
11	F606563	Door Lock Shim	
12	F200321200	Magnetic Switch Assembly	
13	F340502P	Switch Magnet	
14	F0150518-00	Door Lock Cam	
15	F430921	Screw	
16	F310107	Spring	
17	F0300130-00P	Solenoid	
18	F310133	Door Cam Torsion Spring	
19	F200113500	Door Lock Bracket Weldment	
20	F330217P	RC Network Filter	Includes F140627 Connector and F141022 Connector
21	F340444	Contact Block and Mounting Switch	800E-Series; Models through 8/31/07; Normally open; With mount
	F200233400	Contact Block Switch	800F-Series; Models starting 9/1/07
22	F431106	Washer	
23	F430995	Screw	

N/A = Part no longer available

Jog Feature



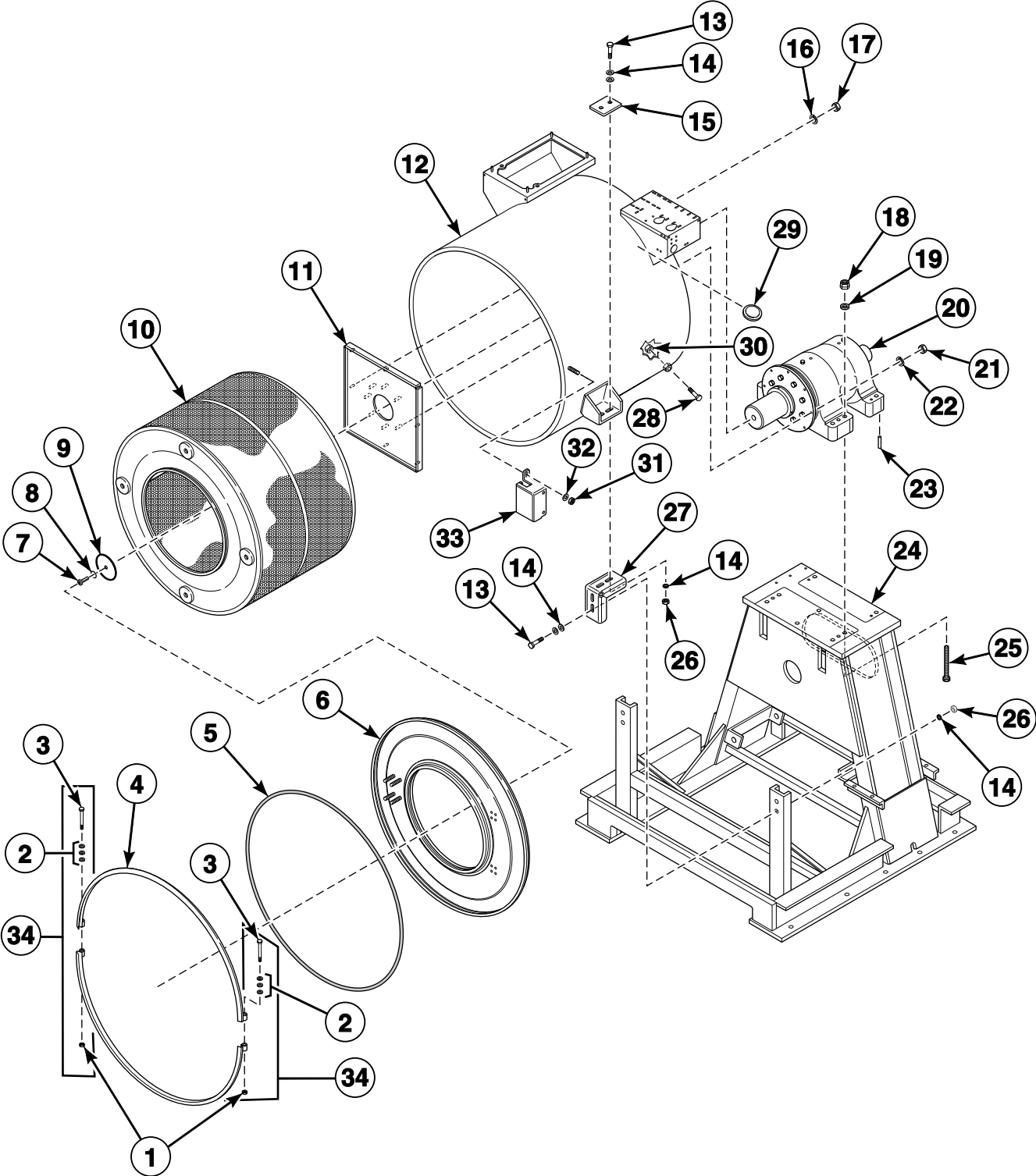
PHM2542P_F232220

Jog Feature

REF	PART NO.	DESCRIPTION	COMMENTS
1	F330230	Flange Relay	
2	F430482	Screw	
3	F430928	Screw	
4	F8390801	Magnet	
5	F430231	Nut	
6	F430266	Screw	
7	F200294300	Panel Safety Reed Switch Harness	
8	F430225	Nut	
9	F330170	Contact	800E-series; Models through 8/31/07
10	F340444	Contact Block and Mounting Switch	800E-series; Models through 8/31/07; Normally open; With mount
	F200233400	Contact Block Switch	800F-series; Models starting 9/1/07
11	N/A	Momentary Pushbutton	800E-series; Models through 8/31/07; Replaced by F8069902P Button Kit
	F8069902P	Button Kit	Used to convert from 800E-series to 800F-series; Includes F200233400 Contact Block Switch and F8069602 Momentary Pushbutton
	F8069602	Momentary Pushbutton	800F-series; Models starting 9/1/07
12	F200067200	Magnetic Switch Connection Bracket	
13	F079902300	Jog Feature Retrofit Kit	Includes F200311200 Jog Feature Retrofit Control Harness and items 1-12; Models with 1336-series AC Drive
	F200311200	Jog Feature Retrofit Control Harness	

N/A = Part no longer available

Basket, Trunnion, Shell and Frame

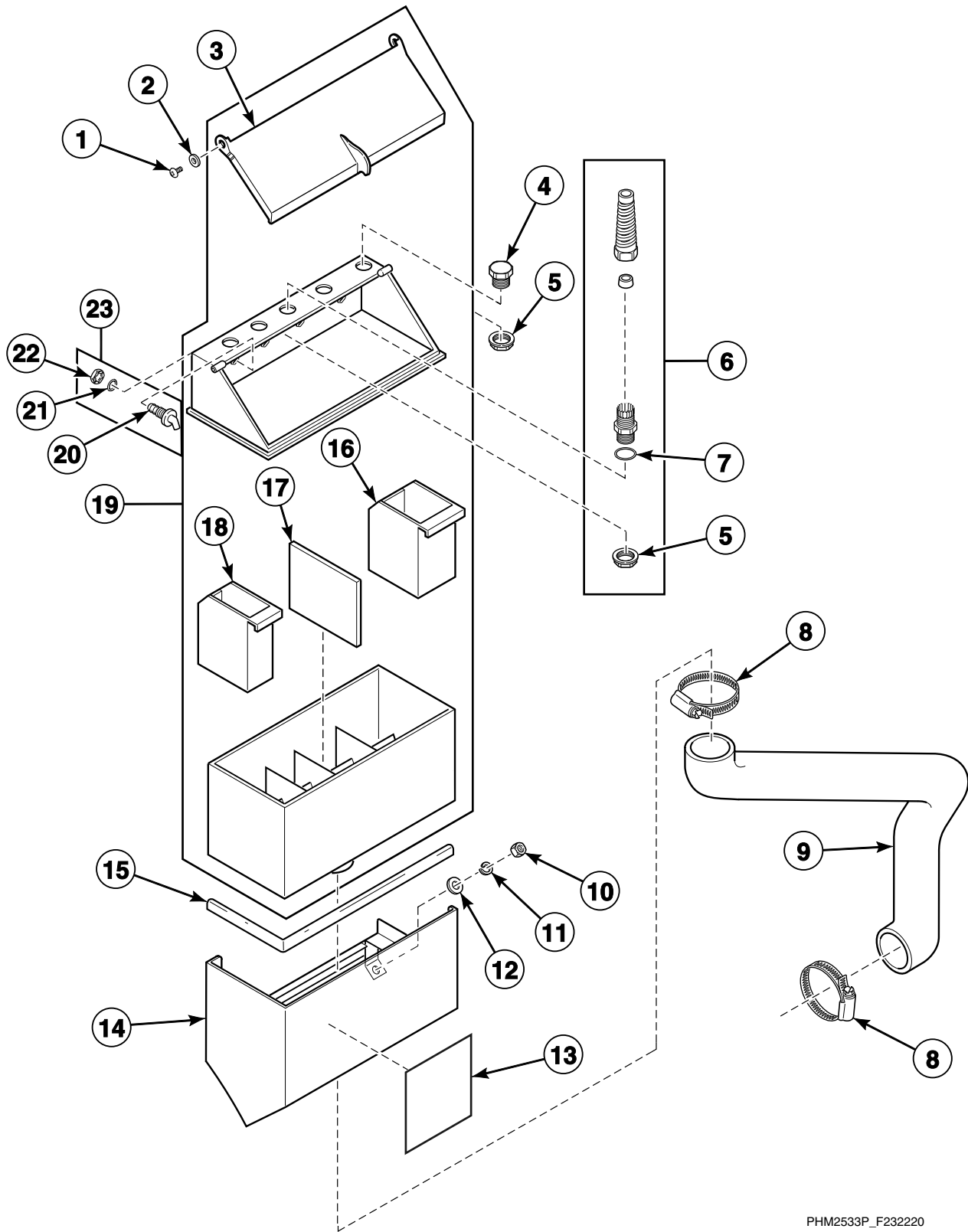


PHM2990P_F232220

Basket, Trunnion, Shell and Frame

REF	PART NO.	DESCRIPTION	COMMENTS
1	F430215	Nut	
2	F430317	Washer	
3	F430518	Screw	
4	F200066600	Shell Band Weldment	2 required
5	F170120RP	Shell Band Gasket	
6	F200075900P	Shell Front Weldment	
7	F200190800	Bolt	
8	F200088700	O-Ring	
9	F200068300	Basket Retainer Seal Plate	
10	F200068700	Basket Weldment	
11	F200065900	Shell Back Plate Weldment	
12	F200065000	Shell Weldment	
13	F430144	Screw	
14	F430311	Washer	
15	F601950	Washer	
16	M400013	Washer	
17	70142	Nut	
18	F430248	Nut	
19	F0430350-00	Washer	
20	F200062000	Trunnion Assembly	Standard
	F200062001	Trunnion Assembly	With viton seals
	F949P3	Bearing Housing Assembly Kit	Standard; Includes items 18, 19, 21, 22 and 25, F150389 Scupper, F200088400 O-Ring, F200088500 O-Ring, F200088600 O-Ring, F200107P Hose, F200190900 Threaded Insert, F210206P Grease, F410102 Sealant, F421929 Hose Barb, F8332401 Dowel Pin and F8332402 Dowel Pin
	F950P3	Bearing Housing Assembly Kit	Viton; Includes items 18, 19, 21, 22 and 25, F150389 Scupper, F200088400 O-Ring, F200088500 O-Ring, F200088600 O-Ring, F200107P Hose, F200190900 Threaded Insert, F210206P Grease, F410102 Sealant, F421929 Hose Barb, F8332401 Dowel Pin and F8332402 Dowel Pin
	F404P4	Trunnion Replacement Tool Kit	
	F403P4	Trunnion Hoist Tool	
	986P3	Seal Replacement Kit	Standard; Includes items 18, 21, 22 and 25, F0430350-00 Washer; F150389 Scupper, F200088300 O-Ring, F200088400 O-Ring, F2000885000 O-Ring, F200107 Hose, F200190900 Threaded Insert, F410102 Sealant, F421929 Hose Barb, F8323001 Trunnion to Shell Adapter, F8332401 Dowel Pin, F8332402 Dowel Pin, 36801 Hose Clamp and F200062900 Shaft Seal
	987P3	Seal Replacement Kit	Viton; Includes items 18, 21, 22 and 25, F0430350-00 Washer; F150389 Scupper, F200088300 O-Ring, F200088400 O-Ring, F2000885000 O-Ring, F200107 Hose, F200190900 Threaded Insert, F410102 Sealant, F421929 Hose Barb, F8323001 Trunnion to Shell Adapter, F8332401 Dowel Pin, F8332402 Dowel Pin, 36801 Hose Clamp and F200062901 Shaft Seal
21	F431002	Nut	
22	F431120	Washer	
23	F8332401	Dowel Pin	7/16 x 3 inches
	F8332402	Dowel Pin	5/8 x 4 inches
24	F200071000	Frame Weldment	
25	F8285601	Screw	
26	F430218	Nut	
27	F200073700	Shell Support Bracket	
28	F432253	Screw	
29	F0200237-00	Plug	
30	F431025	Nut	
31	F431026	Nut	
32	F431100	Washer	
33	F8098601	Side Panel Cover	
34	F791001	Shell Band Fastener Kit	Includes items 1- 3; 2 required

Supply Dispenser

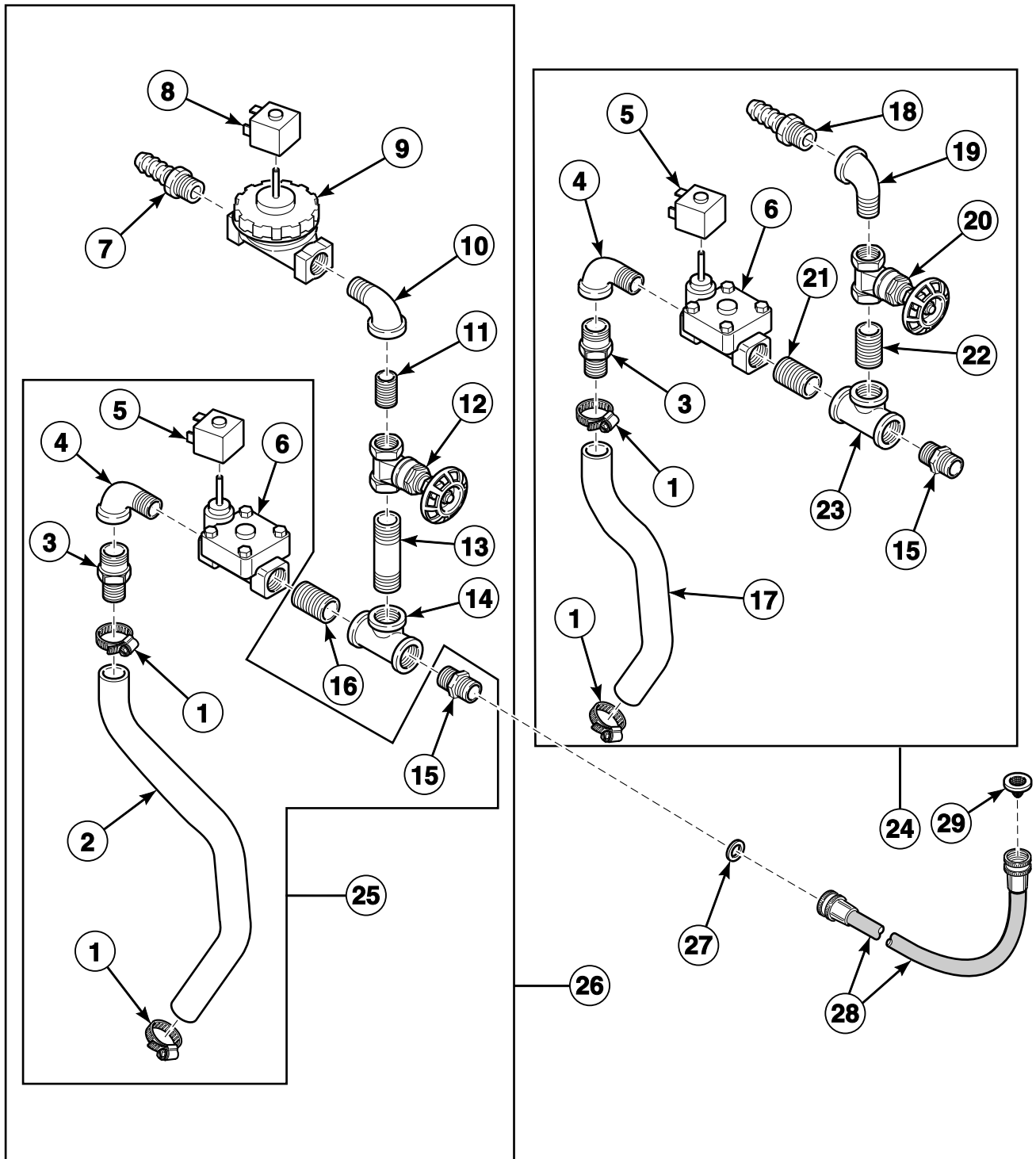


PHM2533P_F232220

Supply Dispenser

REF	PART NO.	DESCRIPTION	COMMENTS
1	F430917	Screw	
2	F8195301	Washer	
3	F0150514-00	Dispenser Lid	
4	F190304	Plug Cap	
5	F140340P	Strain Relief Connector	Includes F0431160-00 Nut
6	F749802	Strain Relief Adapter Kit	Includes items 5 and 7
7	F170215	O-Ring	
8	F200213	Hose Clamp	No. 40
9	F200081300	Chemical Supply Hose	
10	F431005	Nut	
11	F431100	Washer	
12	F431147	Washer	
13	F200085300	Hot Water and Chemical Caution Decal	
14	F8024303	Dispenser Shroud Weldment	
15	F170400RP	Trim	
16	F150386	Chemical Supply Cup	32 ounce; 2 used
17	F0150525-00	Supply Dispenser Spacer	
18	F150385	Chemical Supply Cup	20 ounce; 3 used
19	F0150512-00P	Dispenser Assembly	Includes items 3 and 16-18
20	F8322001	Injection Nozzle	
21	F170208	O-Ring	
22	802292	Nut	
23	F730168	Injection Nozzle Kit	Includes items 20-22

Fill Plumbing



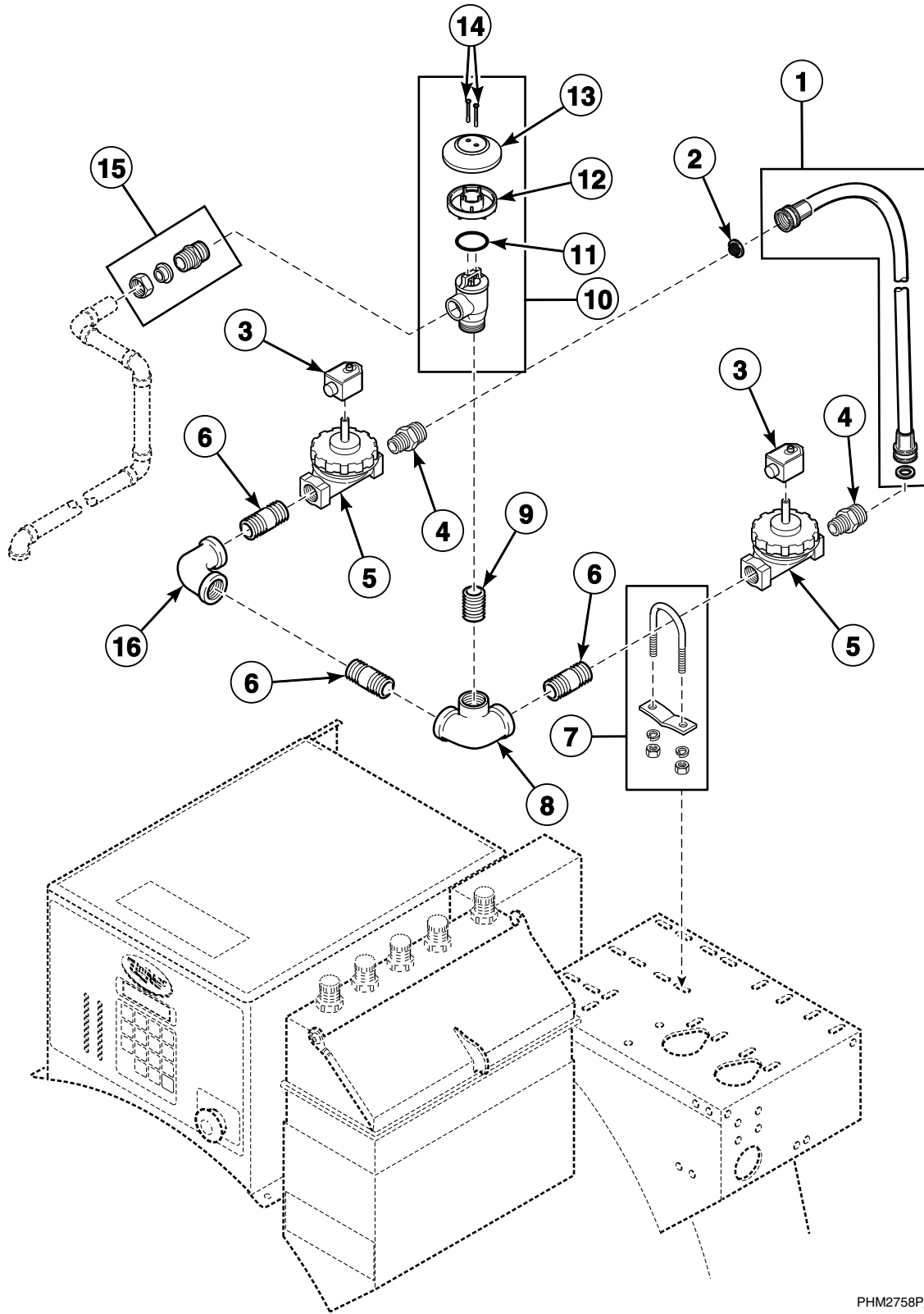
PHM2879P_F232220

Fill Plumbing

REF	PART NO.	DESCRIPTION	COMMENTS
1	F200204	Hose Clamp	No. 20
2	F200155P	Hose	
3	F421952	Hose Barb	
4	F422336	Street Elbow	
5	F380987P	DIN Coil	220 Volt
6	F381733P	Valve	220 Volt; 1 inch; F0381007P Water Valve Repair Kit
	F141901P	DIN Harness Assembly	
7	F421964	Hose Barb	Starch models
8	F380987P	DIN Coil	220 Volt; Starch models
9	F381703P	Valve	220 Volt; Starch models; 1/2 inch
	F141901P	DIN Harness Assembly	
	F380993P	Valve Repair Kit	
10	F422304	Street Elbow	Starch models
11	F421921	Nipple	Starch models
12	F380500	Gate Valve	Starch models
13	F421947	Nipple	Starch models
14	N/A	Tee	Starch models
15	F421968	Hose Adapter	Standard thread
	N/A	Inlet Nipple	Metric thread
16	F421965	Nipple	Starch models
17	F200155P	Hose	
18	F421964	Hose Barb	
19	F422304	Street Elbow	
20	F380500	Gate Valve	
21	F421965	Nipple	
22	F421921	Nipple	
23	N/A	Tee	
24	F0635821-00	Fill Plumbing Assembly	Hot; 220 Volt; Standard thread; Includes items 1, 3-6, 15 and 17-23
	F0635821-01	Fill Plumbing Assembly	Hot; 220 Volt; Metric thread; Includes items 1, 3-6, 15 and 17-23
25	F0635820-00	Fill Plumbing Assembly	Cold; 220 Volt; Standard thread; Includes items 1-6 and 15
	F0635820-02	Fill Plumbing Assembly	Cold; 220 Volt; Metric thread; Includes items 1-6 and 15
26	F0635820-01	Fill Plumbing Assembly	Cold; 220 Volt; Standard thread; With starch; Includes items 1-16
	F0635820-03	Fill Plumbing Assembly	Cold; 220 Volt; Metric thread; With starch; Includes items 1-16
27	F200503	Washer	
28	F200185	Water Hose	Standard thread
	F200193	Water Hose	Metric thread
29	F8126601	Strainer	

N/A = Part no longer available

Spray Plumbing

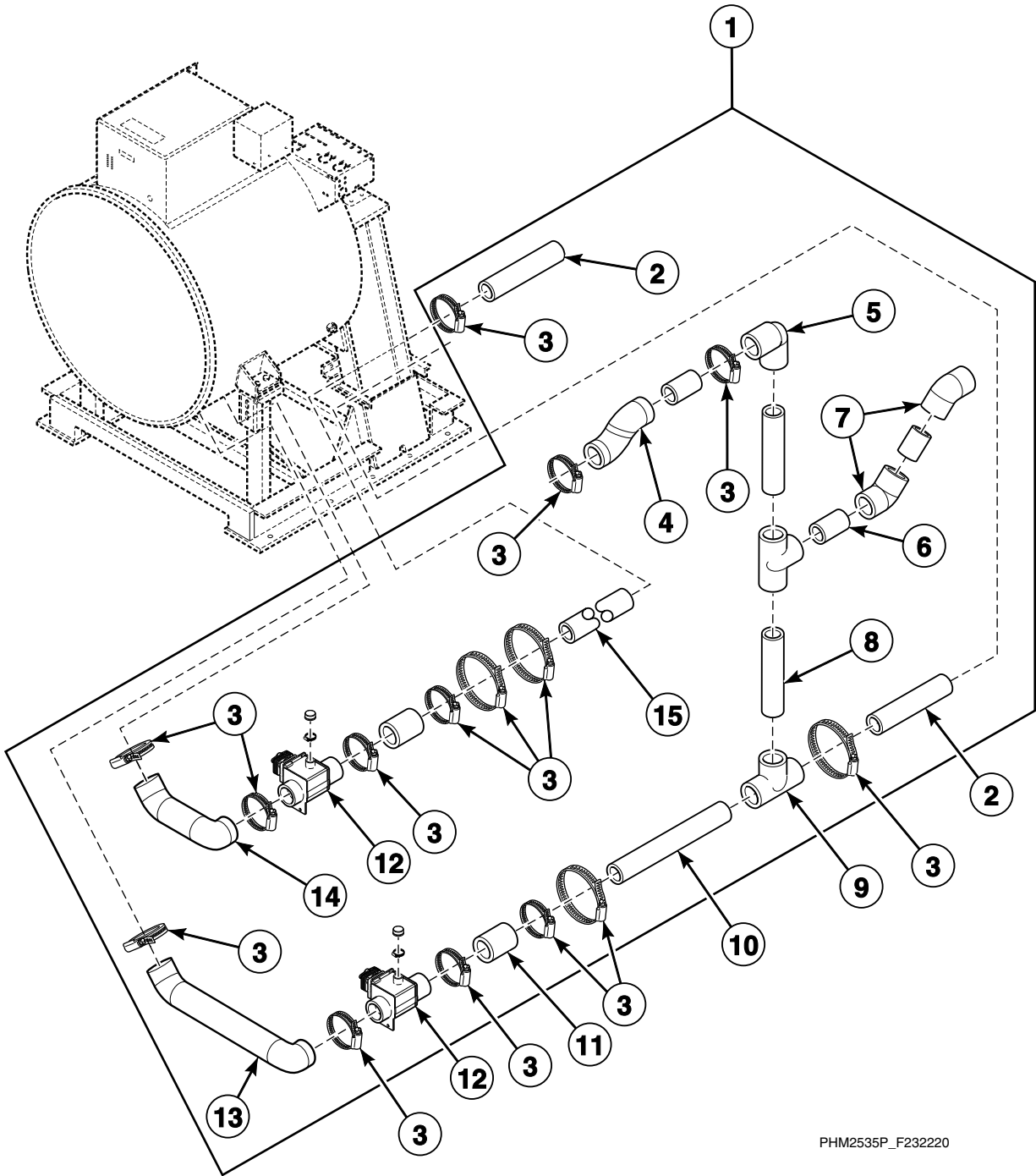


PHM2758P_F232220

Spray Plumbing

REF	PART NO.	DESCRIPTION	COMMENTS
1	F200164	Water Hose	Standard thread
	F200166	Water Hose	Metric thread
2	803615	Washer	
3	F380987P	DIN Coil	220 Volt
4	F421909	Hose Adapter	Standard thread
	F8265701	Adapter	Metric thread
5	F381701P	Valve	3/4 inch; Includes coil
	F141901P	DIN Harness Assembly	
	F380991P	Water Valve Repair Kit	
6	F421941	Nipple	
7	F200401P	U-Bolt Clamp	
8	F422332	Elbow	
9	C000417	Nipple	
10	F063754701P	Vacuum Breaker Valve	Includes items 10-14
	F0798922-00	Vacuum Breaker Kit	Includes items 10-14
11	F0170221-00	O-Ring	
12	F0380809-00	Containment Device	
13	F0380808-00	Vacuum Breaker Cap	
14	F430938	Screw	
15	F422106	Tube Connector	
16	F422314	Elbow	

Drain Plumbing

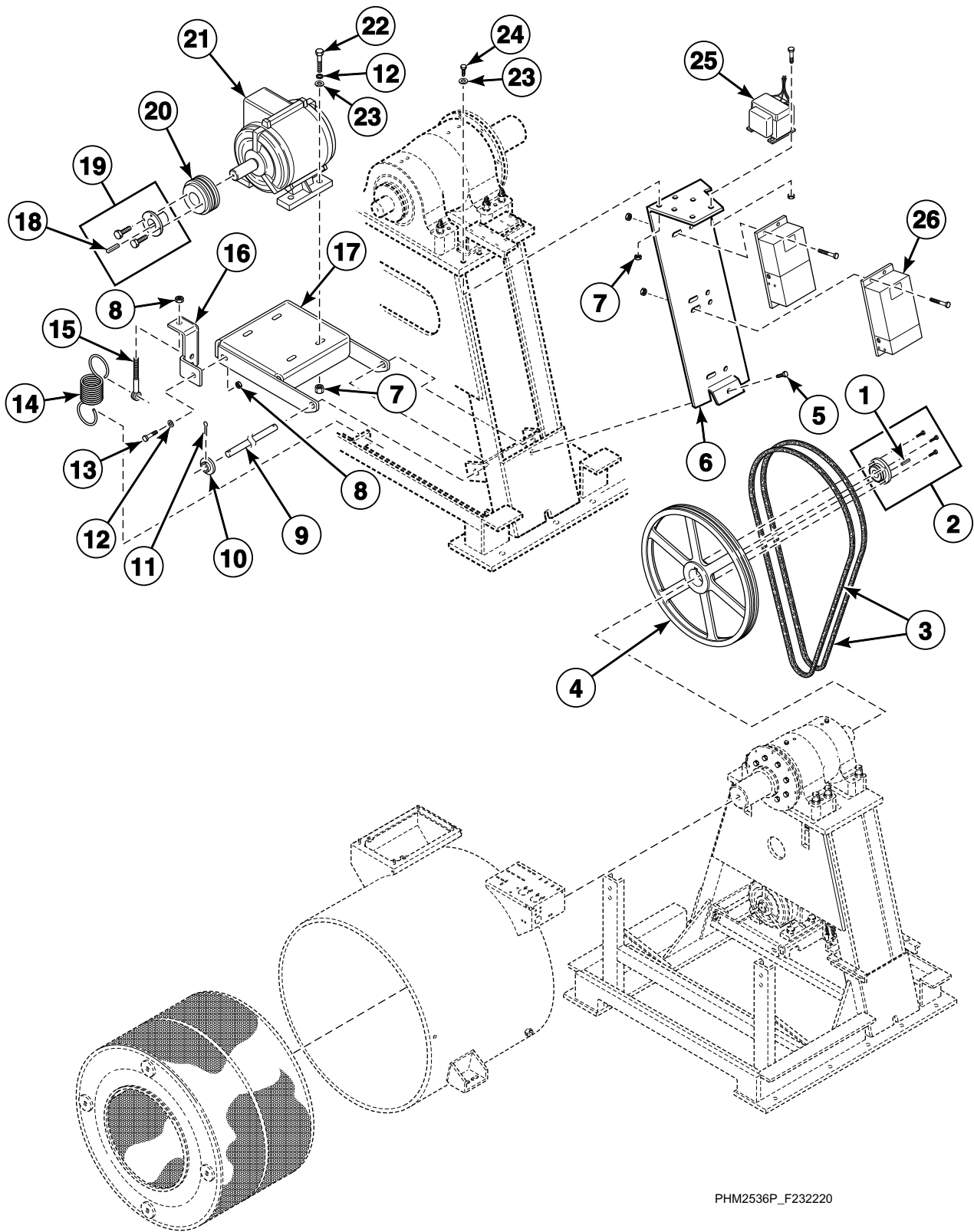


PHM2535P_F232220

Drain Plumbing

REF	PART NO.	DESCRIPTION	COMMENTS
	F380918	Main Drive Kit	
1	F200081000	Drain Assembly	
2	F0602365-02	Pipe	
3	F200201	Hose Clamp	
4	F0150488-00	Overflow Hose	
5	F422901	Elbow	
6	F0602365-15	Pipe	
7	F422917	Elbow	
8	F0602365-20	Pipe	
9	F422802	Tee	
10	F060236531	Pipe	
11	F200275800	Hose	
12	F200166402	Drain Valve Kit	
	F380933P	Drain Valve Motor	
13	F200081100	Drain Hose	
14	F200081200	Drain Hose	
15	F0602365-06	Pipe	

Motor, Belt, Pulley and Transformers



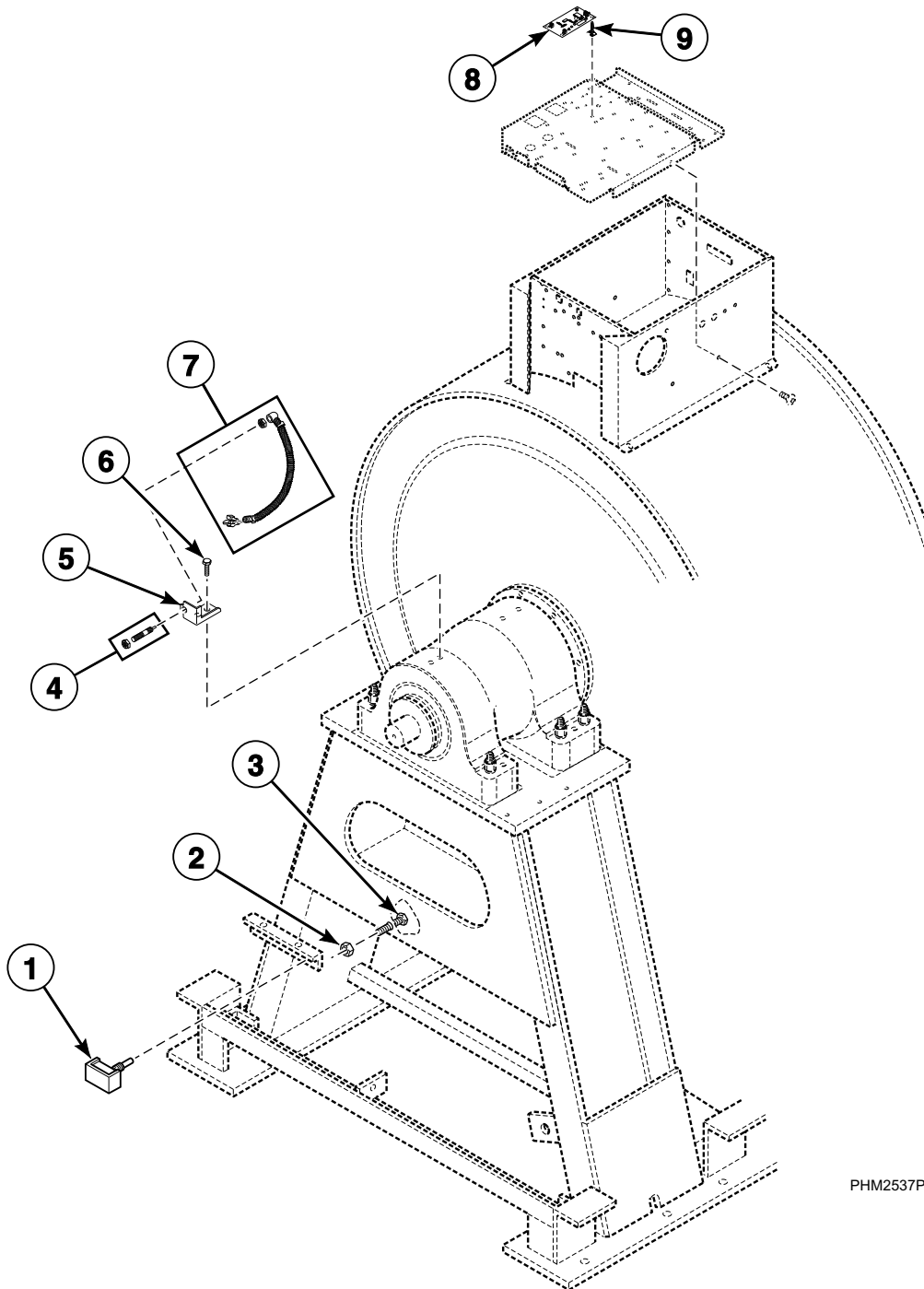
PHM2536P_F232220

Motor, Belt, Pulley and Transformers

REF	PART NO.	DESCRIPTION	COMMENTS
1	F602257	Key	
2	F280294P	Basket Pulley Bushing	Includes screws and item 1; 2-7/16
3	F200196400	Belt	BX120; 2 required
	F981P3	Belt Kit	Includes items 8, 12, 15, F8319601 Banded Belt and 800464 Washer
4	F280412	Pulley	Basket; 2B305F
5	M400056	Screw	
6	F200284200	Buckboost Mounting Plate	N and P-voltage
7	F430205	Nut	
8	F430218	Nut	
9	F200051200	Motor Support Rod	
10	901690	Washer	
11	F430401	Cotter Pin	
12	M400081	Washer	
13	F430144	Screw	
14	F310148	Tension Spring	
15	F8319501	Bolt	
16	F200089300	Motor Tensioning Bracket	
17	F200071400	Motor Plate	
18	F430817	Key	
19	F280242	Motor Bushing	Includes screws and item 18; H - 1-3/8
20	F280181	Pulley	Motor; 2BK34H; 2 groove; 3.55 inch OD
21	F200287200	Motor	AC drive parameters must be compatible with the motor pulley. Please request parameter illustration for parameter verification when ordering a motor.
22	800461	Screw	
23	M400014	Washer	
24	N/A	Screw	
25	F360157P	Transformer	
26	F200031200	Transformer	N and P-voltage

N/A = Part no longer available

Balance Switch and Rotation Sensor

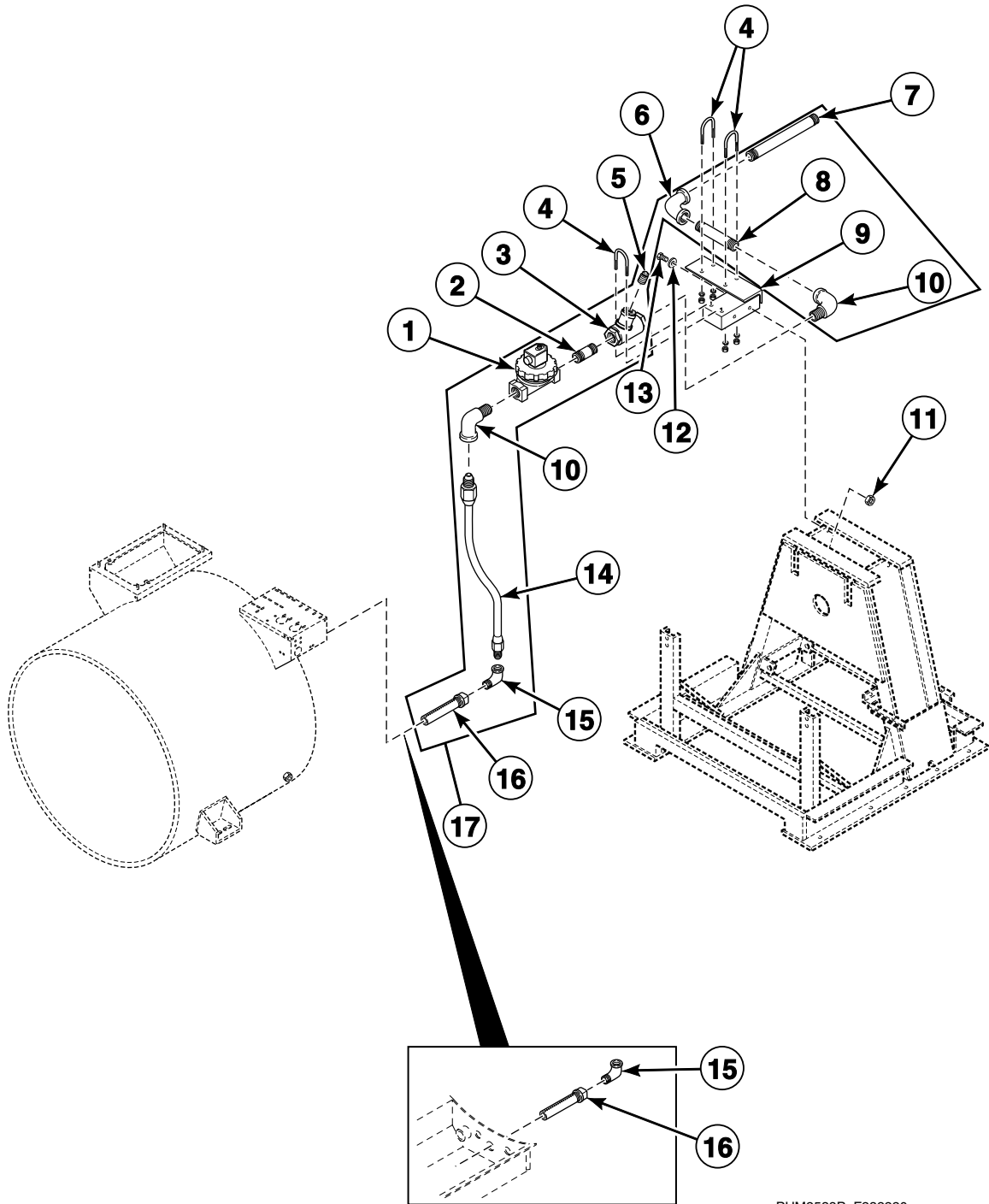


PHM2537P_F232220

Balance Switch and Rotation Sensor

REF	PART NO.	DESCRIPTION	COMMENTS
1	F340906	Microswitch	
2	H88412101	Nut	
3	F430124	Screw	
4	F200126200P	Rotation Sensor Assembly	
5	F200090500	Rotation Sensor Bracket	
6	F200064000	Screw	
7	F8066401	Rotation Sensor Harness	
8	F200101300P	Rotation Sensor PCB	
9	F180501	Standoff	

Steam Heat Option

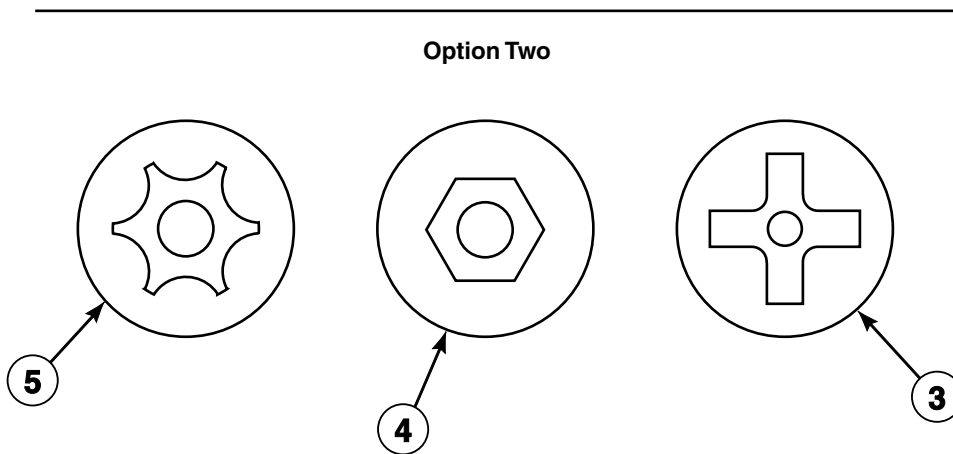
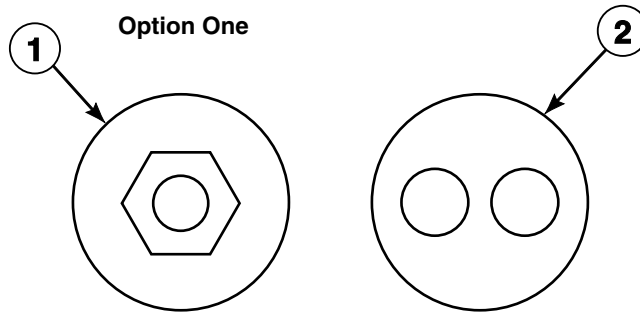


Steam Heat Option

REF	PART NO.	DESCRIPTION	COMMENTS
	F410300	Pipe Insulation	
1	F8322904	Steam Valve	3/4 inch; 120 Volt
	F380796P	Steam Valve	3/4 inch; 220 Volt
2	F420731	Nipple	
3	F270308	Steam Filter	
4	N/A	U-Bolt Clamp	Includes washers and nuts
5	F420408	Plug	
6	F421107	Elbow	
7	F420729	Nipple	
8	F420711	Nipple	
9	F635634	Steam Bracket Weldment	
10	H86070034	Street Elbow	
11	F430205	Nut	
12	M400014	Washer	
13	N/A	Screw	
14	F150494	Steam Hose	
15	F421707	Street Elbow	
16	F603132	Steam Injector Tube Assembly	
17	F200214201	Steam Plumbing Assembly	Includes items 1-3, 5-8, 10 and 14-16 and F410300 Pipe Insulation; 120 Volt
	F200214200	Steam Plumbing Assembly	Includes items 1-3, 5-8, 10 and 14-16 and F410300 Pipe Insulation; 220 Volt

N/A = Part no longer available

Security Fasteners



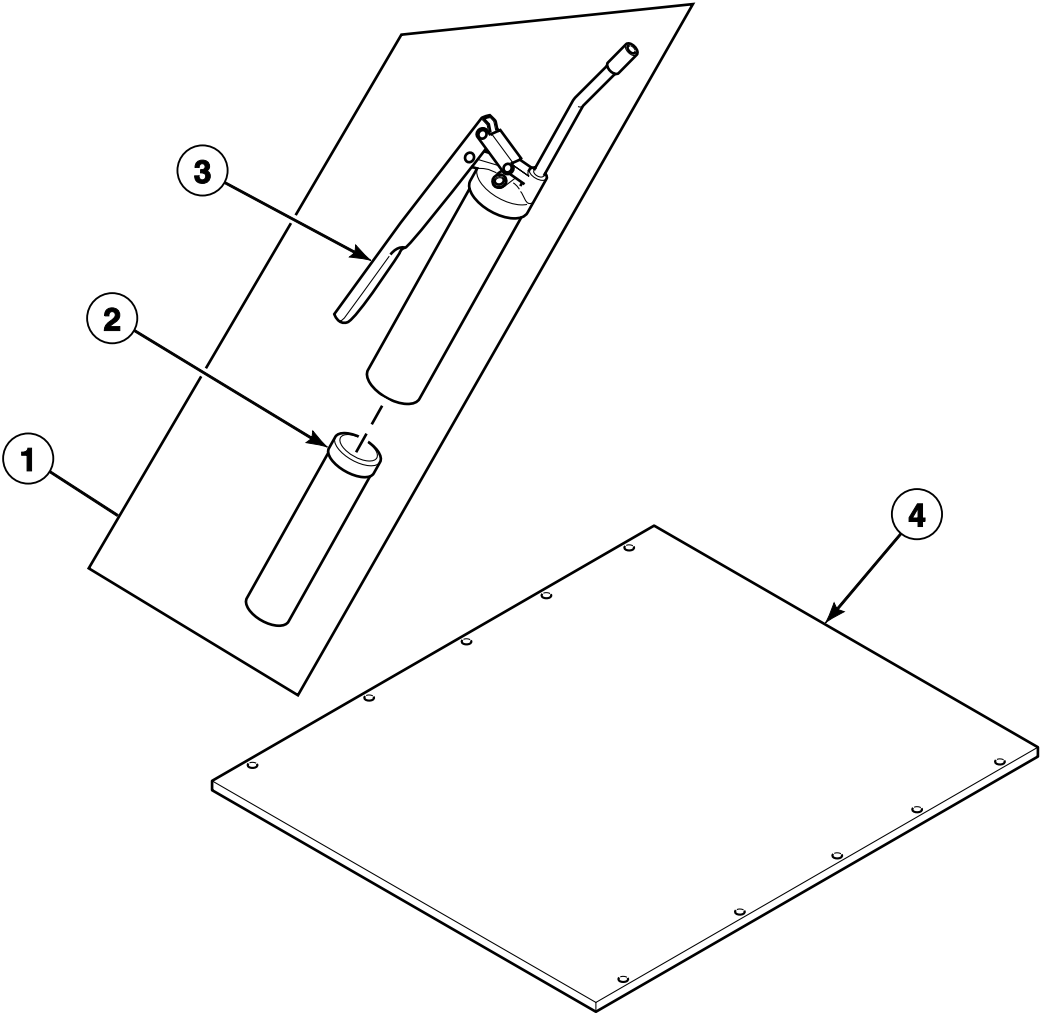
PHM2181P_F232220

Security Fasteners

REF	PART NO.	DESCRIPTION	COMMENTS
1	F0430275-00	Screw	No. 8; 32 x 1/2 inch; Used in place of F430956 Screw; Typical location is the side panels and module cover
	F430960	Screw	No. 10; 32 x 3/8 inch; Used in place of F430904 Screw; Typical location is the module to the shell
	N/A	Screw	Used in place of F430986 Screw; Typical location is the AC drive box
	F704906	Hex Bit	
2	F0430273-00	Screw	1/4 inch; 20 x 2-1/2 inch; Used in place of F430996 Screw; Typical location is the door box to the bracket
	F0430272-00	Screw	1/4 inch; 20 x 1-1/2 inch; Used in place of F430921 Screw; Typical location is the side panel to the bracket
	F0430274-00	Screw	1/4 inch; 20 x 1/2 inch; Used in place of F430925 Screw; Typical location is the drive box or the cover
	F704907	Spanner Bit	
3	F432260	Screw	1/4 inch; 20 x 2-1/2 inch; Used in place of F430996 Screw; Typical location is the door box to the bracket
	F704904	Phillips Bit	
4	N/A	Screw	1/4 inch; 20 x 1/2 inch; Used in place of F430925 Screw; Typical location is the drive box or cover
	F704897	Hex Bit	
5	F432259	Screw	No. 8; 32 x 1/2 inch; Used in place of F430956 Screw; Typical location is the side panels and module cover
	281P4	Torx Bit	

N/A = Part no longer available

Special Tools



PHM2991P_F232220

Special Tools

REF	PART NO.	DESCRIPTION	COMMENTS
	F404P4	Trunnion Replacement Tool Kit	
	F403P4	Trunnion Hoist Tool	
1	F798700	Grease Gun Kit	Includes items 2 and 3
2	F210206P	Bearing Grease	
3	F210207P	Grease Gun	
4	F200192900	Rebar Frame Template	

Parts Index

A

AC Drive Enclosure Weldment F200097800	17
AC Drive Exhaust Duct F200060700	17
AC Drive Radio Filter Assembly F200320901	17
Adapter F8265701	35
Air Coupling F422114	17
Air Trap Hose F200163	15

B

Basket Pulley Bushing F280294P	39	
Basket Retainer Seal Plate F200068300	29	
Basket Weldment F200068700	29	
Battery F191101	9	
Bearing Grease F210206P	47	
Bearing Housing Assembly Kit F949P3	29	
	F950P3	29
Before Power Is Connected Tag F230501	7	
Belt F200196400	39	
Belt Inspection Port Cover F200188300	21	
Belt Kit F981P3	39	
Bolt F200190800	29	
	F8319501	39
Buckboost Mounting Plate F200284200	39	
Bushing F280252	23	
	F280253	23
Button Kit F8069902P	25, 27	
Buzzer F300206	11	

C

Cable Assembly F604713	13
Cable Tie F140605	9

F140606	9	
Cable Tray Assembly F063561505	9	
Cable Tray Cover F200078900	9	
Cage Wrap Assembly F200078300	21	
Cap Plug F180486	13	
Chemical Supply Cup F150385	31	
	F150386	31
Chemical Supply Hose F200081300	31	
Circuit Breaker F8303001P	11	
Clean Filter Daily Decal F200061000	17	
Cold Water Valve Decal F231368	7	
Computer Cover F606826	9	
Conductor Decal F231146	7	
Conduit Assembly Guard F200090300	25	
Connector F140312	17	
	F140575P	13
	F140576P	13
	F422500	15
	J1408004	17
Contact F330170	27	
Contact Block and Mounting Switch F340444	25, 27	
Contact Block Switch F200233400	25, 27	
	F200233401	9
	F200299500	9
	F340445	9
Containment Device F0380809-00	35	
Control Module Cover F635456	9	
Control Module Decal F200205900	9	
Cotter Pin F430401	39	
Counterclockwise Spin Rotation Decal F230693	7	

D

Diaphragm and Guide Kit G582P3	15
DIN Coil F380987P	33, 35
DIN Harness Assembly F141901P	33, 35

N/A items do not appear in index.

Disconnect Power Warning Label 505281	7, 9
Dispenser Assembly F0150512-00P	31
Dispenser Lid F0150514-00.....	31
Dispenser Shroud Weldment F8024303.....	31
Do Not Connect Warning Decal F200085400.....	7
Do Not Push Decal F230302.....	7, 21
Door Cam Torsion Spring F310133.....	25
Door Gasket Kit F8434802P	23
Door Glass Gasket F200076000.....	23
Door Handle F150225.....	23
Door Hinge F200074300.....	23
Door Hinge Bracket Assembly F200077600.....	23
Door Lock Bracket Weldment F200113500.....	25
Door Lock Cam F0150518-00.....	25
Door Lock Cover Weldment F200089700.....	25
Door Lock Shim F606563.....	25
Door Unlock Decal F230816.....	25
Door Weldment F200075000.....	23
Dowel Pin F8332401	29
F8332402.....	29
Drain Assembly F200081000.....	37
Drain Hose F200081100.....	37
F200081200.....	37
Drain Valve Kit F200166402.....	37
Drain Valve Motor F380933P	37
Drive F200276700.....	17
Drive Kit, 1336 to PowerFlex 40 F8324303.....	19
F8324403.....	19
Drive Mounting Plate Assembly F8018200.....	17

E

Elbow F421107	43
F422314.....	35
F422319.....	23
F422332.....	35

N/A items do not appear in index.

F422901	37
F422917	37
Electrical Access Panel F0637549-00	9
Emergency Stop Button Kit F200233700P	9
Emergency Stop Pushbutton F200233500	9
External Supply Box F635468	9
External Supply Box Cover F635365	9
External Supply Caution Decal F231345-4	13
F231345-5	13
External Supply Connection Decal F230764-10	13
F230764-9	13
F230917-1	7
Extrusion Insert F150397	21

F

Fill Plumbing Assembly F0635820-00	33
F0635820-01	33
F0635820-02	33
F0635820-03	33
F0635821-00	33
F0635821-01	33
Filter F200318900P	11, 17
Filter Retainer Guard F220900	11, 17
Flange Bushing F200076800	23
F200076900	23
Flange Relay F330230	11, 27
Follower Cam F100145	23
Frame Weldment F200071000	29
Front Panel F200079500P	21
Fuse F350108	11
F350109	11
F350110	11
F350115	13
F350142	13
Fuse Holder F0350312-10	13
F0350313-00P.....	13

G

Gate Valve F380500	33
Glass F200074400P	23

Glass Retainer F200076100	23
Grease Fitting F190701	17
Grease Gun F210207P	47
Grease Gun Kit F798700	47
Grease Instruction Decal F231563	17
Ground Terminal Lug F140734	13

H

Hex Bit F704897	45
F704906	45
Hinge Shim F200077400	23
Hinge Support Assembly Weldment F200074600	23
Hose F200155P	33
F200275800	37
F610068	23
Hose Adapter F421909	35
F421968	33
Hose Barb F421952	33
F421964	33
Hose Clamp F200201	37
F200204	33
F200213	31
F200215	15
Hose Strap F605324	21
Hot Surface Warning Decal F200085000	7
F231380	7
Hot Water and Chemical Caution Decal F200085300	7, 31
Hot Water Valve Decal F231367	7

I

Injection Nozzle F8322001	31
Injection Nozzle Kit F730168	31
Input Block Decal F0231636-00	13
Input Power Block F140794-1	13
Insulator Bushing F140909	13
Interface CCA F0370446-12P	11

J

Jog Feature Retrofit Control Harness F200311200	27
Jog Feature Retrofit Kit F079902300	27
Jumper Kit F784003P	11

K

Key F430817	39
F602257	39
Keymode Assembly F200174600P	13
Keymode Run/Program Switch F340800P	13
Keypad Decal F230724P	9

L

Light F350413	17
------------------------	----

M

Magnet F8390801	23, 27
Magnetic Switch Assembly F200321200	25
Magnetic Switch Connection Bracket F200067200	27
Main Drive Kit F380918	37
Microswitch F340906	41
Momentary Pushbutton F8069602	25, 27
Motor F200287200	39
Motor Bushing F280242	39
Motor Plate F200071400	39
Motor Support Rod F200051200	39
Motor Tensioning Bracket F200089300	39
Moving Parts Plug Warning Decal F200085500	7
Muffin Fan F110105	17

N/A items do not appear in index.

N

Nipple	
C000417	35
F420711	43
F420729	43
F420731	43
F421921	33
F421941	35
F421947	33
F421965	33
No-Swivel Coupling	
F422109	23
Nut	
F0431807-00	21
F430205	39, 43
F430211	21
F430215	21, 25, 29
F430218	29, 39
F430225	27
F430231	9, 11, 17, 25, 27
F430233	23
F430248	29
F430264	21
F431000	9, 13
F431002	23, 29
F431004	17
F431005	31
F431006	13
F431017	19
F431022	13, 23
F431024	17, 23
F431025	29
F431026	9, 23, 29
H88412101	41
70142	29
802292	31

O

O-Ring	
F0170221-00	35
F170200	23
F170201	23
F170208	31
F170215	31
F200088700	29
Output CCA	
F8321901P	11
Overflow Hose	
F0150488-00	37

P

Panel Safety Reed Switch Harness	
F200294300	27
Personal Injury Warning Decal	
F231065	13
Phillips Bit	
F704904	45
Pin	
F430415	21

Pipe	
F0602365-02	37
F0602365-06	37
F0602365-15	37
F0602365-20	37
F060236531	37
Pipe Insulation	
F410300	43
Pivot Lock Cover Weldment	
F8210001	23
Pivot Lock Weldment	
F608536	23
Plug	
F0200237-00	29
F140563	23
F420408	43
Plug Cap	
F190304	31
Pop Rivet	
F431215	17
PowerFlex 40 AC Drive	
F8169654	19
F8169655	19
Program Key	
F370709	13
Pulley	
F280181	39
F280412	39

R

RC Network Filter	
F330217P	25
Rear Panel	
F200079300	21
Rebar Frame Template	
F200192900	47
Resistor	
F370116	13
Ribbon Cable	
F140218P	9, 11
F140219P	9, 11
F140248P	9, 11
Ring Retainer	
F310206	23
Rotation Sensor Assembly	
F200126200P	41
Rotation Sensor Bracket	
F200090500	41
Rotation Sensor Harness	
F8066401	41
Rotation Sensor PCB	
F200101300P	41
Rub Rail	
F200079000	21

S

Screw	
F0220908-02	23
F0430165-00	11, 17
F0430272-00	45

N/A items do not appear in index.

F0430273-00.....	45	Spray Rinse Nozzle	
F0430274-00.....	45	F380301	23
F0430275-00.....	45	Spray Rinse Strap	
F200064000.....	41	F602880	23
F200075400.....	23	Spray Rinse Tube Assembly	
F430124.....	41	F200081400	23
F430144.....	29, 39	Spring	
F430266.....	27	F310107	25
F430482.....	27	Spring Pin	
F430518.....	29	F431222	23
F430903.....	13	Standoff	
F430910.....	11, 17	F180501	41
F430917.....	9, 23, 31	F180506	11
F430920.....	19	Steam Bracket Weldment	
F430921.....	21, 25	F635634	43
F430928.....	9, 25, 27	Steam Filter	
F430938.....	13, 35	F270308	43
F430956.....	21	Steam Hose	
F430960.....	45	F150494	43
F430985.....	25	Steam Injector Tube Assembly	
F430986.....	17	F603132	43
F430995.....	13, 25	Steam Plumbing Assembly	
F432253.....	29	F200214200	43
F432259.....	45	F200214201	43
F432260.....	45	Steam Valve	
F8136401.....	9	F380796P.....	43
F8285601.....	29	F8322904	43
M400056.....	39	Strain Relief Adapter Kit	
70240301.....	9, 21	F749802	31
800461.....	39	Strain Relief Connector	
Seal Replacement Kit		F140340P.....	31
986P3.....	29	Strainer	
987P3.....	29	F8126601	33
Shell Back Plate Weldment		Street Elbow	
F200065900.....	29	F421707	43
Shell Band Fastener Kit		F422304	33
F791001.....	29	F422336	33
Shell Band Gasket		H86070034	43
F170120RP.....	29	Supply Dispenser Spacer	
Shell Band Weldment		F0150525-00.....	31
F200066600.....	29	Switch Magnet	
Shell Front Weldment		F340502P.....	23, 25
F200075900P.....	29	Switch Mode Decal	
Shell Support Bracket		F0231632-00.....	13
F200073700.....	29	Swivel Coupling	
Shell Weldment		F422108	23
F200065000.....	29		
Side Panel			
F200079600.....	21		
Side Panel Bracket			
F601982.....	21		
Side Panel Cover			
F607262.....	21		
F8098601.....	29		
Snap Bushing			
F140938.....	15		
Solenoid			
F0300130-00P.....	25		
Spanner Bit			
F704907.....	45		
Spin Warning Decal			
F200085100.....	7		
Spray Rinse Bracket Assembly			
F602901P.....	23		
Spray Rinse Hose Kit			
F730023.....	23		

T

Tee	
F422802	37
Tension Spring	
F310148	39
Terminal	
F140766	25
Terminal Block	
F140782	13
Thermostat	
F290115	17
This Machine Must Be Protected Decal	
F230301	7
Tie Wrap Mounting Clamp	
F140602	9

N/A items do not appear in index.

Top Exhaust Panel Assembly	
F200097600	17
F200316100	19
Torx Bit	
281P4	45
Transformer	
F200031200	39
F360157P	39
Trim	
F170400RP	21, 31
F170404	25
Trunnion Assembly	
F200062000	29
F200062001	29
Trunnion Hoist Tool	
F403P4	29, 47
Trunnion Replacement Tool Kit	
F404P4	29, 47
Tube Connector	
F422106	35
Tubing	
C000628P	17
F422404P	15

F431137	17
F431142	23
F431143	23
F431147	31
F431905	23
F431907	23
F601950	29
F8195301	31
M400013	29
M400014	39, 43
M400081	39
803615	35
901690	39
Water Hose	
F200164	35
F200166	35
F200185	33
F200193	33
Water Level Switch	
F0340348-10P	15
Water Valve Repair Kit	
F380991P	35
WE-6 Computer	
F037062441P	9

U

U-Bolt Clamp	
F200401P	35

V

Vacuum Breaker Cap	
F0380808-00	35
Vacuum Breaker Kit	
F0798922-00	35
Vacuum Breaker Valve	
F063754701P	35
Valve	
F381701P	35
F381703P	33
F381733P	33
Valve Repair Kit	
F380993P	33
Valve, 4-Way	
F381723P	15

W

Washer	
F0430350-00	29
F200503	33
F430311	29
F430317	21, 29
F430332	17
F431100	17, 21, 23, 29, 31
F431101	17
F431106	13, 25
F431108	9, 13
F431113	9
F431120	23, 29
F431123	9
F431125	9

N/A items do not appear in index.