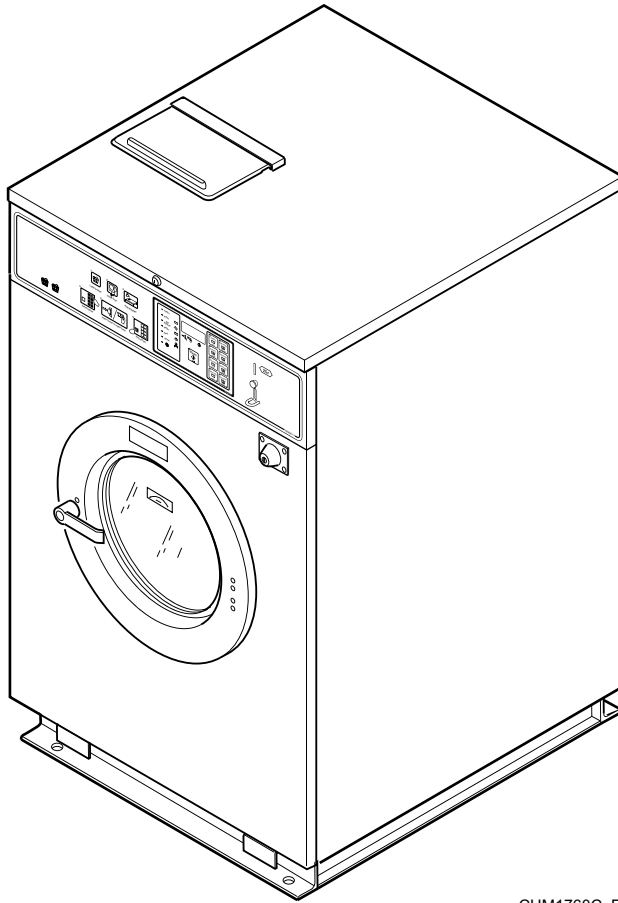


Washer-Extractor

Cabinet Hardmount

A or B Control

Refer to Page 5 for Model Numbers



CHM1760C_F232194

Table of Contents

Title	Page
Parts Ordering Information.....	3
Nameplate Location	3
Model Identification	5
Decals	6
Control Module - Models Through 7/14/04	8
AC Drive Box - Variable Speed and F Speed Models Through 7/14/04	10
Control Module - AC, AL, AX, AY, BC, BL, BX and BY Models Starting 7/14/04.....	12
Control Module - AN and BN Models Starting 7/15/04	14
AC Drive Box - 30, 40, 60 Pound HC, SC and UC Variable and F Speed Models Starting 7/15/04.....	16
AC Drive Box - HC20 Variable Speed Models Starting 7/15/04.....	18
Coin Meter Mounting Assembly, Water Level Switch and Keypad	20
Output Board CCA, Computer, Interface CCA and Thermostat.....	22
Control Panel Assembly and Control Panel Decals - All Models Except AN and BN Models (Drawing 1 of 3)	24
Control Panel Assembly and Control Panel Decals - All Models Except AN and BN Models (Drawing 2 of 3)	26
Control Panel Assembly and Control Panel Decals - All Models Except AN and BN Models (Drawing 3 of 3)	28
Control Panel Assembly, Controls and Control Panel Decals - AN and BN Models.....	30
Optional Coin Box	32
Flush Mount Coin Meter Assembly - AC, AX, BC and BX Models (Drawing 1 of 2)	34
Flush Mount Coin Meter Assembly - AC, AX, BC and BX Models (Drawing 2 of 2)	36
Electronic Coin Meter Assembly - AC, AX, BC and BX Models.....	38
Fill Plumbing Assembly and External Supply Assembly	40
Supply Hose and Filter (Optional)	42
Drain Valve Assembly - 20, 25 and 30 Pound DC, HC, SC and UC Models	44
Drain Valve Assembly - 40, 50 and 60 Pound DC, HC, SC and UC Models	46
Drain, Hoses and Air Trap	48
Drain Hoses and Air Trap - DC60, HC50, HC60, SC50, SC60, UC50 and UC60 Models with Heat Shell.....	50
Pump Drain Option - DC30, HC30, SC30 and UC30 E-Voltage Models	52
Pump Drain Option - All Models Except DC30, HC30, SC30 and UC30 E-Voltage Models.....	54
Door (Drawing 1 of 3).....	56
Door (Drawing 2 of 3).....	58
Door (Drawing 3 of 3).....	60
Door Lock - AC, AL, AX, AY, BC, BL, BX and BY Models.....	62
Door Lock - AN and BN Models.....	64
Inner and Outer Front Panels - AN, AY, BL, BN and BY Models.....	66
Inner and Outer Front Panels - AC, AL, AX, BC and BX Models.....	68
Panels (Drawing 1 of 3)	70
Panels (Drawing 2 of 3)	72
Panels (Drawing 3 of 3)	74
Basket, Shell, Frame and Trunnion (Drawing 1 of 3).....	76
Basket, Shell, Frame and Trunnion (Drawing 2 of 3).....	78
Basket, Shell, Frame and Trunnion (Drawing 3 of 3).....	80

© Copyright 2008, Alliance Laundry Systems LLC

All rights reserved. No part of the contents of this book may be reproduced or transmitted in any form or by any means without the expressed written consent of the publisher.

Balance Switch - HC60, SC60 and UC60 Variable Speed Models.....	82
Motor, Pulley, Belt and Capacitors - 20, 25 and 30 Pound Capacity Models (Drawing 1 of 3).....	84
Motor, Pulley, Belt and Capacitors - 20, 25 and 30 Pound Capacity Models (Drawing 2 of 3).....	86
Motor, Pulley, Belt and Capacitors - 20, 25 and 30 Pound Capacity Models (Drawing 3 of 3).....	88
Motor, Pulley and Belt Assembly - 40, 50 and 60 Pound Capacity Models (Drawing 1 of 2).....	90
Motor, Pulley and Belt Assembly - 40, 50 and 60 Pound Capacity Models (Drawing 2 of 2).....	92
Steam Heat Kit.....	94
Electric Heat Kit	96
Special Tools	98
Parts Index.....	101

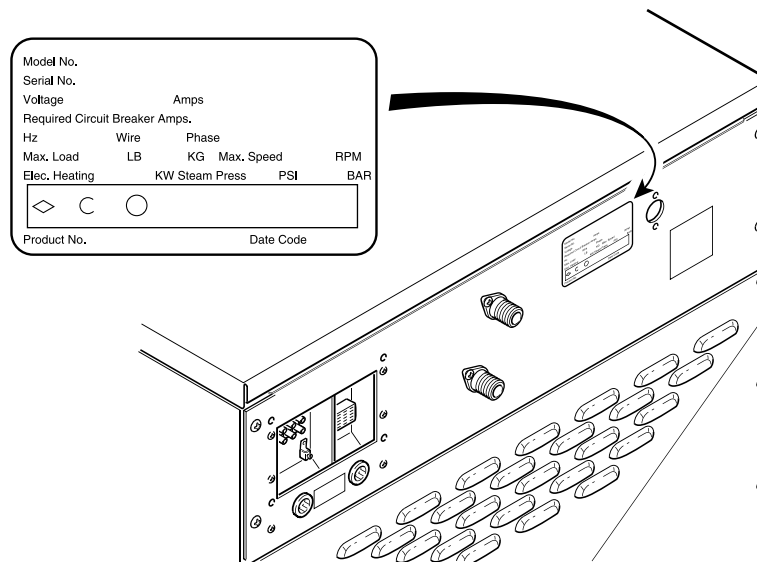
Parts Ordering Information

If literature or replacement parts are required, contact the source from whom the machine was purchased or contact Alliance Laundry Systems at (920) 748-3950 for the name and address of the nearest authorized parts distributor.

For technical assistance, call (920) 748-3121.

Nameplate Location

When calling or writing about your product, be sure to mention model and serial numbers. Model and serial numbers are located on nameplate(s) as shown.



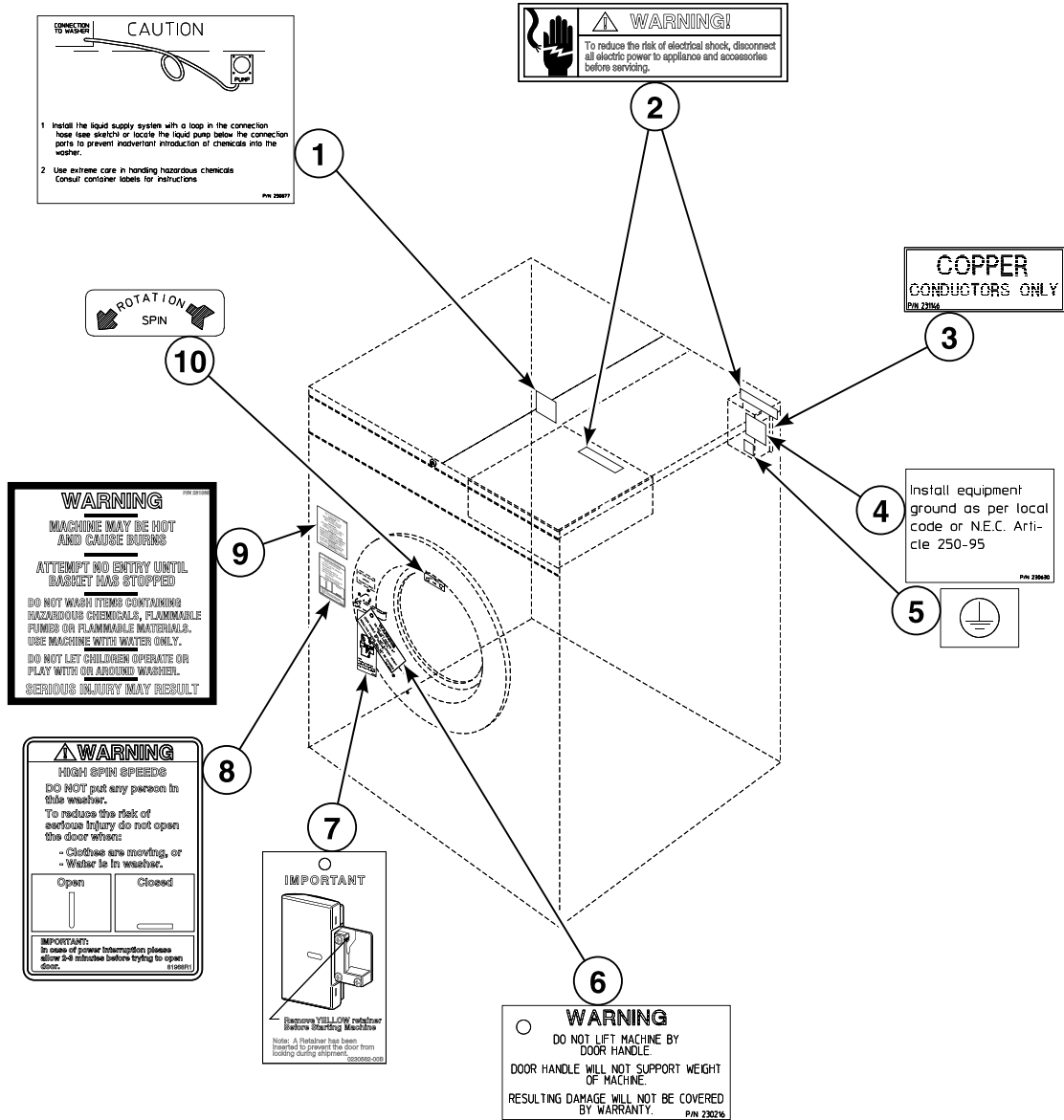
CHM2411P_F232194

Model Identification

Information in this manual is applicable to these washer-extractor models:

DC20AC2	HC30BY2	HC60BX2	SC30BC2	SC60AXF
DC30AC2	HC40AC2	HC60BXF	SC30BL2	SC60AY2
DC40AC2	HC40ACV	HC60BY2	SC30BN2	SC60AYF
DC60AC2	HC40AL2	HC60BYF	SC30BX2	SC60AYV
HC20AC2	HC40AX2	SC20AC2	SC30BY2	SC60BC2
HC20ACV	HC40AY2	SC20ACV	SC40AC2	SC60BCF
HC20AL2	HC40BC2	SC20AL2	SC40ACV	SC60BL2
HC20AX2	HC40BL2	SC20AN2	SC40AL2	SC60BLF
HC20AY2	HC40BN2	SC20AX2	SC40AN2	SC60BN2
HC20BC2	HC40BX2	SC20AY2	SC40ANV	SC60BNF
HC20BL2	HC40BY2	SC20AYV	SC40AX2	SC60BX2
HC20BN2	HC50BC2	SC20BC2	SC40AY2	SC60BXF
HC20BX2	HC50BL2	SC20BL2	SC40AYV	SC60BY2
HC20BY2	HC50BN2	SC20BN2	SC40BC2	SC60BYF
HC25AC2	HC50BX2	SC20BX2	SC40BL2	UC20AN2
HC25AL2	HC50BY2	SC20BY2	SC40BN2	UC20BN2
HC25AX2	HC60AC2	SC25AC2	SC40BX2	UC30AN2
HC25AY2	HC60ACF	SC25AL2	SC40BY2	UC30BN2
HC25BC2	HC60ACV	SC25AX2	SC50BC2	UC40AN2
HC25BL2	HC60AL2	SC25AY2	SC50BL2	UC40ANV
HC25BX2	HC60ALF	SC25BC2	SC50BN2	UC40BN2
HC25BY2	HC60AX2	SC25BL2	SC50BX2	UC50BN2
HC30AC2	HC60AXF	SC25BX2	SC50BY2	UC60AN2
HC30ACV	HC60AY2	SC25BY2	SC60AC2	UC60ANF
HC30AL2	HC60AYF	SC30AC2	SC60ACF	UC60ANV
HC30AX2	HC60BC2	SC30ACV	SC60ACV	UC60BN2
HC30AY2	HC60BCF	SC30AL2	SC60AL2	UC60BNF
HC30BC2	HC60BL2	SC30AN2	SC60ALF	
HC30BL2	HC60BLF	SC30AX2	SC60AN2	
HC30BN2	HC60BN2	SC30AY2	SC60ANV	
HC30BX2	HC60BNF	SC30AYV	SC60AX2	

Decals

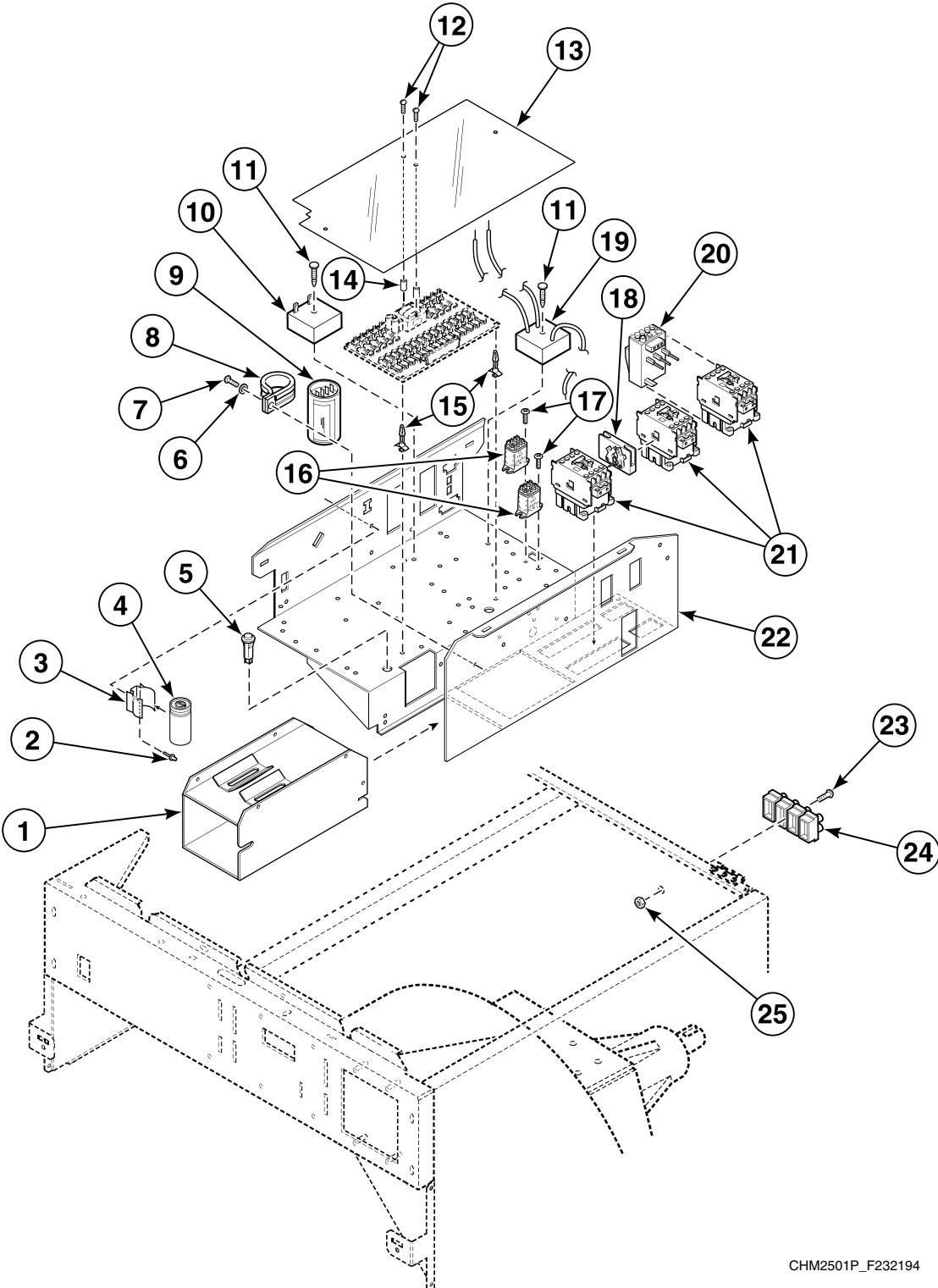


CHM2500P_F232194

Decals

REF	PART NO.	DESCRIPTION	COMMENTS
1	F230877	Liquid Supply Decal	AN and BN models
2	505281	Disconnect Power Warning Label	
3	F231146	Conductor Decal	
4	F230630	Ground Decal	
5	F230739	Ground Decal	
6	F230216	Do Not Lift Decal	
7	F230528	Remove Door Lock Tag	AN and BN models
8	81968	Door Warning Label	
9	F231065	Personal Injury Warning Decal	
10	F230693	Counterclockwise Spin Rotation Decal	English
	F230914	Spin Rotation Decal	Universal

Control Module - Models Through 7/14/04

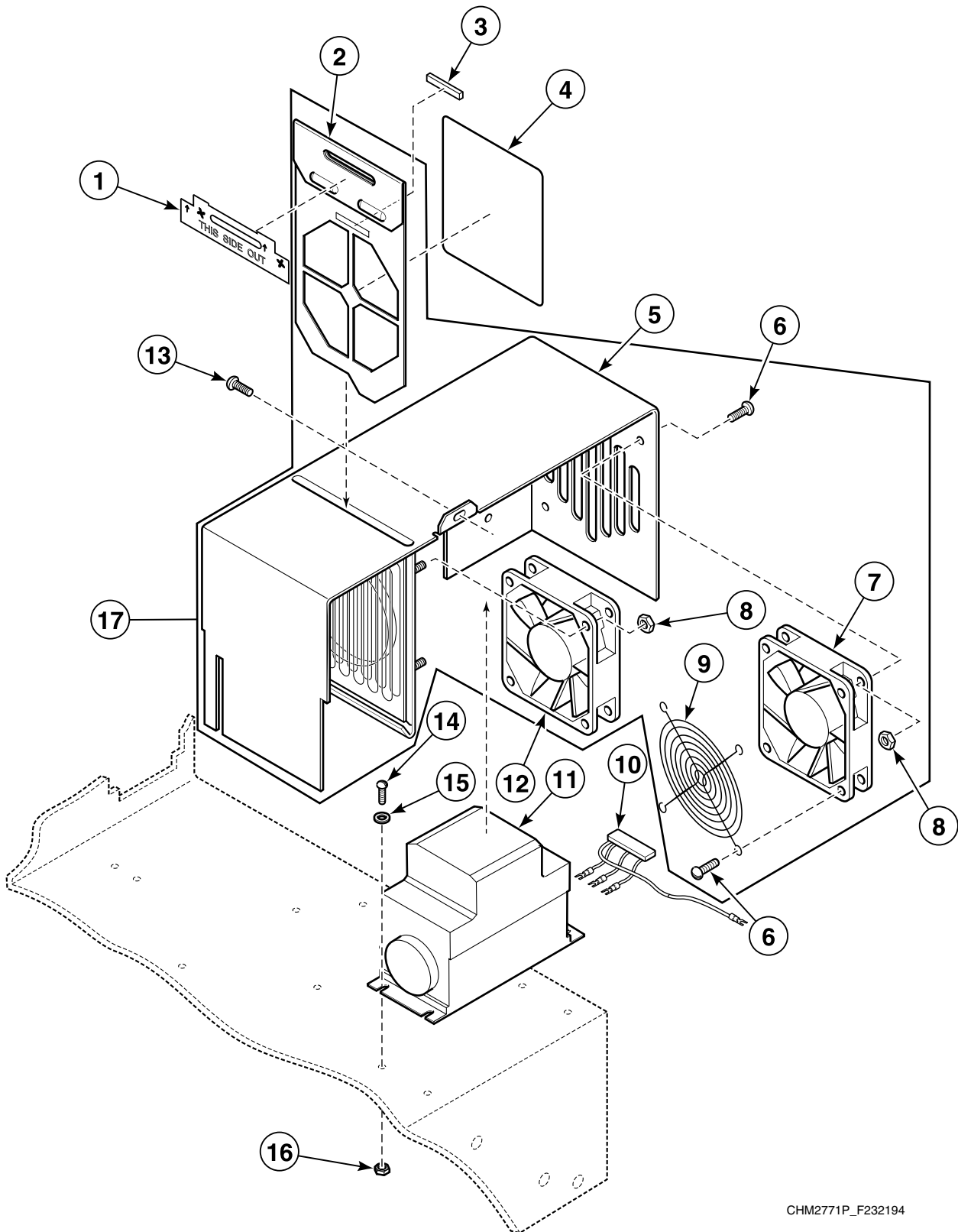


CHM2501P_F232194

Control Module - Models Through 7/14/04

REF	PART NO.	DESCRIPTION	COMMENTS
1	F0637138-00	Coin Box Cover Assembly	Models through 8/15/02
	F0637455-00	Coin Box Assembly	Models starting 8/16/02
2	F431215	Pop Rivet	
3	F0320211-00	Capacitor Mounting Bracket	
4	F370225P	Capacitor	
5	F350404	Signal Light	Red
6	F430311	Washer	
7	F430177	Screw	
8	F0340722-00	Switch Clamp	
9	F340002	Motor Switch	All 1 Phase models except B-voltage models
10	F0330404-00	Timer	Models through 8/5/05
11	F0432316-00	Ratchet Fastener	Models through 8/5/05
12	F431702	Screw	
13	F0170427-00	Output Board Cover	
14	F431806	Nut	
15	F180501	Standoff	
16	F330230	Flange Relay	Models through 8/5/05
17	F0430165-00	Screw	Models through 8/5/05
18	F330186P	Interlock Contactor	
19	F200296100P	Time Delay Assembly	
20	F0330192-00P	Overload Contactor	HC20, HC25, HC30, SC20, SC25, SC30, UC20 and UC30 models
	F330403P	Overload Contactor	HC40, SC40 and UC40 models with AO Smith motors
	F0330191-00P	Overload Contactor	HC40, HC50, SC40, SC50, UC40 and UC50 models with Elmo motors
21	F330177P	Contactor	
22	F0636682-00	Module Box Assembly	2 speed models
	F0636185-01	Module Box Tray	Variable speed and F speed models
23	F430938	Screw	Used with F140748, F140747 and F140746 Input Power Block
	F430903	Screw	Used with F0140795-00, F0140798-00 and F0140799-00 Input Block
24	F140748	Input Power Block	2 terminal; AC, AL, AX, AY, BC, BL, BX and BY models
	F140747	Input Power Block	3 terminal; AC, AL, AX, AY, BC, BL, BX and BY models
	F140746	Input Power Block	4 terminal; AC, AL, AX, AY, BC, BL, BX and BY models
	F0140795-00	Input Block	2 terminal; BN models; AC, AL, AX, AY, BC, BL, BX and BY models with heat or pump
	F0140798-00P	Input Block	3 terminal; BN models; AC, AL, AX, AY, BC, BL, BX and BY models with heat or pump
	F0140799-00	Input Block	4 terminal; BN models; AC, AL, AX, AY, BC, BL, BX and BY models with heat or pump
25	F430231	Nut	Used with F140748, F140747 and F140746 Input Power Block
	F430232	Nut	Used with F0140795-00, F0140798-00 and F0140799-00 Input Block

AC Drive Box - Variable Speed and F Speed Models Through 7/14/04

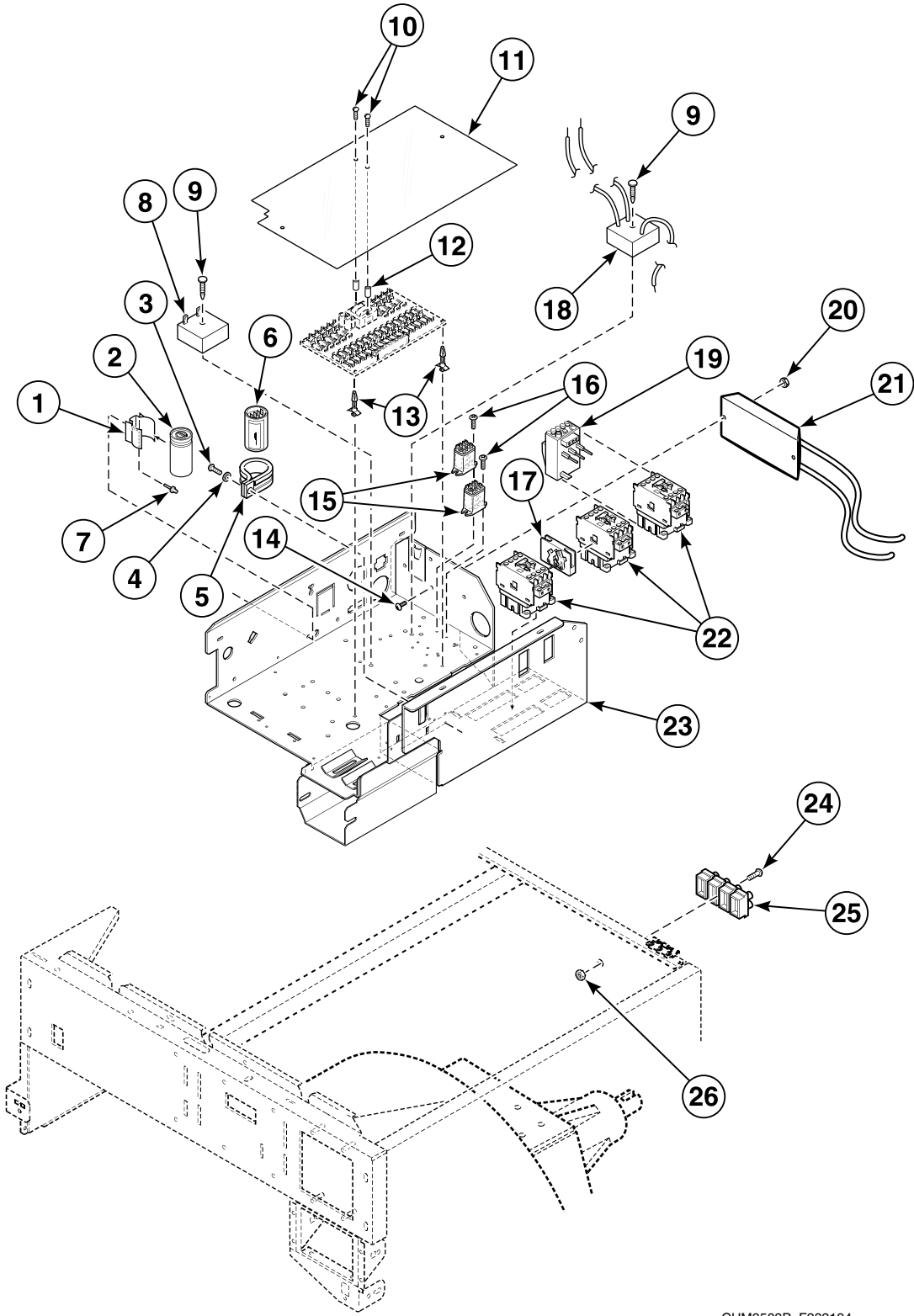


CHM2771P_F232194

AC Drive Box - Variable Speed and F Speed Models Through 7/14/04

REF	PART NO.	DESCRIPTION	COMMENTS
1	F231377	Filter Handle Decal	
2	F633321	Cooling Fan Filter Slide	
3	F140639	Velcro	
4	F0270321-00P	Filter	
5	F0637199-00	AC Drive Cover Sub-Assembly	
6	F430916	Screw	
7	F110110	Muffin Fan	
8	F430231	Nut	
9	F0220922-00	Fan Guard	
10	F200320900	AC Drive Radio Filter Assembly	
11	F370857	Inverter Drive	HC20, HC30, HC40, SC40 and UC40 models; 230 Volt
	F370858	Inverter Drive	HC20, HC30, HC40, SC40 and UC40 models; 460 Volt
	F370843	Inverter Drive	HC60, SC60 and UC60 models; 230 Volt
	F370844	Inverter Drive	HC60, SC60 and UC60 models; 460 Volt
12	F110105	Muffin Fan	
13	F430174	Screw	
14	F430976	Screw	
15	F431133	Washer	
16	F430232	Nut	
17	F0636888-00	AC Drive Cover Assembly	Includes items 2, 5-9 and 12

Control Module - AC, AL, AX, AY, BC, BL, BX and BY Models Starting 7/14/04

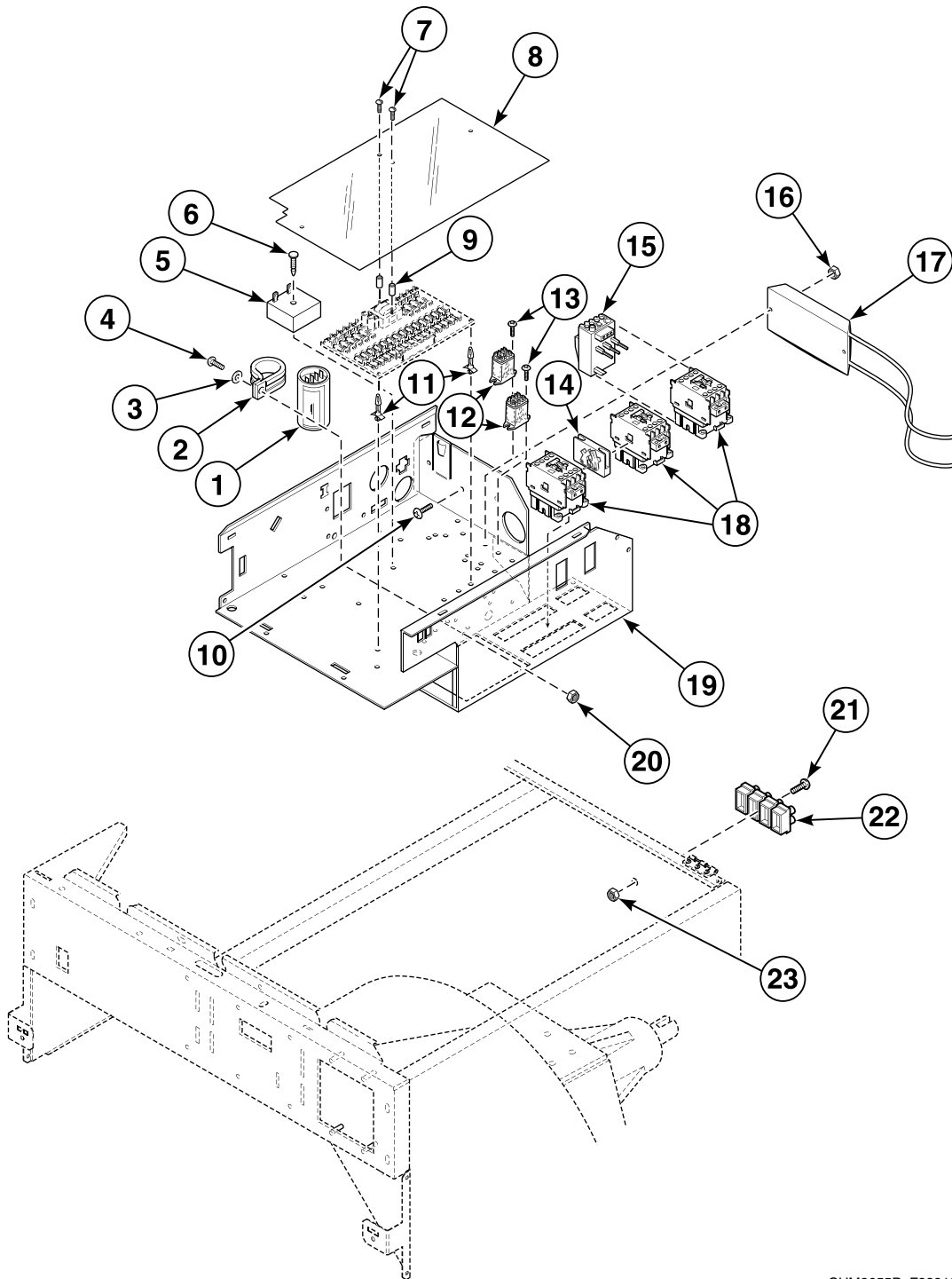


CHM2503P_F232194

Control Module - AC, AL, AX, AY, BC, BL, BX and BY Models Starting 7/14/04

REF	PART NO.	DESCRIPTION	COMMENTS
1	F0320211-00	Capacitor Mounting Bracket	
2	F370225P	Capacitor	
3	F430177	Screw	
4	F430311	Washer	
5	F0340722-00	Switch Clamp	
6	F340002	Motor Switch	All 1 Phase models except B-voltage models
7	F431215	Pop Rivet	
8	F0330404-00	Timer	Models through 8/5/05
9	F0432316-00	Ratchet Fastener	Models through 8/5/05
10	F431702	Screw	
11	F0170427-00	Output Board Cover	
12	F431806	Nut	
13	F180501	Standoff	
14	F430909	Screw	
15	F330230	Flange Relay	Models through 8/5/05
16	F0430165-00	Screw	Models through 8/5/05
17	F330186P	Interlock Contactor	
18	F200296100P	Time Delay Assembly	
19	F0330192-00P	Overload Contactor	DC20, DC30, HC20, HC25, HC30, SC20, SC25 and SC30 models
	F0330191-00P	Overload Contactor	DC40, HC40, HC50, SC40 and SC50 models with Elmo motors
20	F431016	Nut	
21	F8080001	AC Drive Resistor Assembly	HC60 and SC60 variable speed and F speed models; 200 Volt
	F8079901P	AC Drive Resistor Assembly	HC60 and SC60 variable speed and F speed models; 400 Volt
22	F330177P	Contactor	
23	F200100101	Module Box Assembly	2 speed models
	F200100103	Module Box Assembly	Variable speed and F speed models
24	F430938	Screw	Used with F140748, F140747 and F140746 Input Power Block
	F430903	Screw	Used with F0140795-00, F0140798-00 and F0140799-00 Input Block
25	F140748	Input Power Block	2 terminal
	F140747	Input Power Block	3 terminal
	F140746	Input Power Block	4 terminal
	F0140795-00	Input Block	2 terminal; Models with heat or pump
	F0140798-00P	Input Block	3 terminal; Models with heat or pump
	F0140799-00	Input Block	4 terminal; Models with heat or pump
26	F430231	Nut	Used with F140748, F140747 and F140746 Input Power Block
	F430232	Nut	Used with F0140795-00, F0140798-00 and F0140799-00 Input Block

Control Module - AN and BN Models Starting 7/15/04

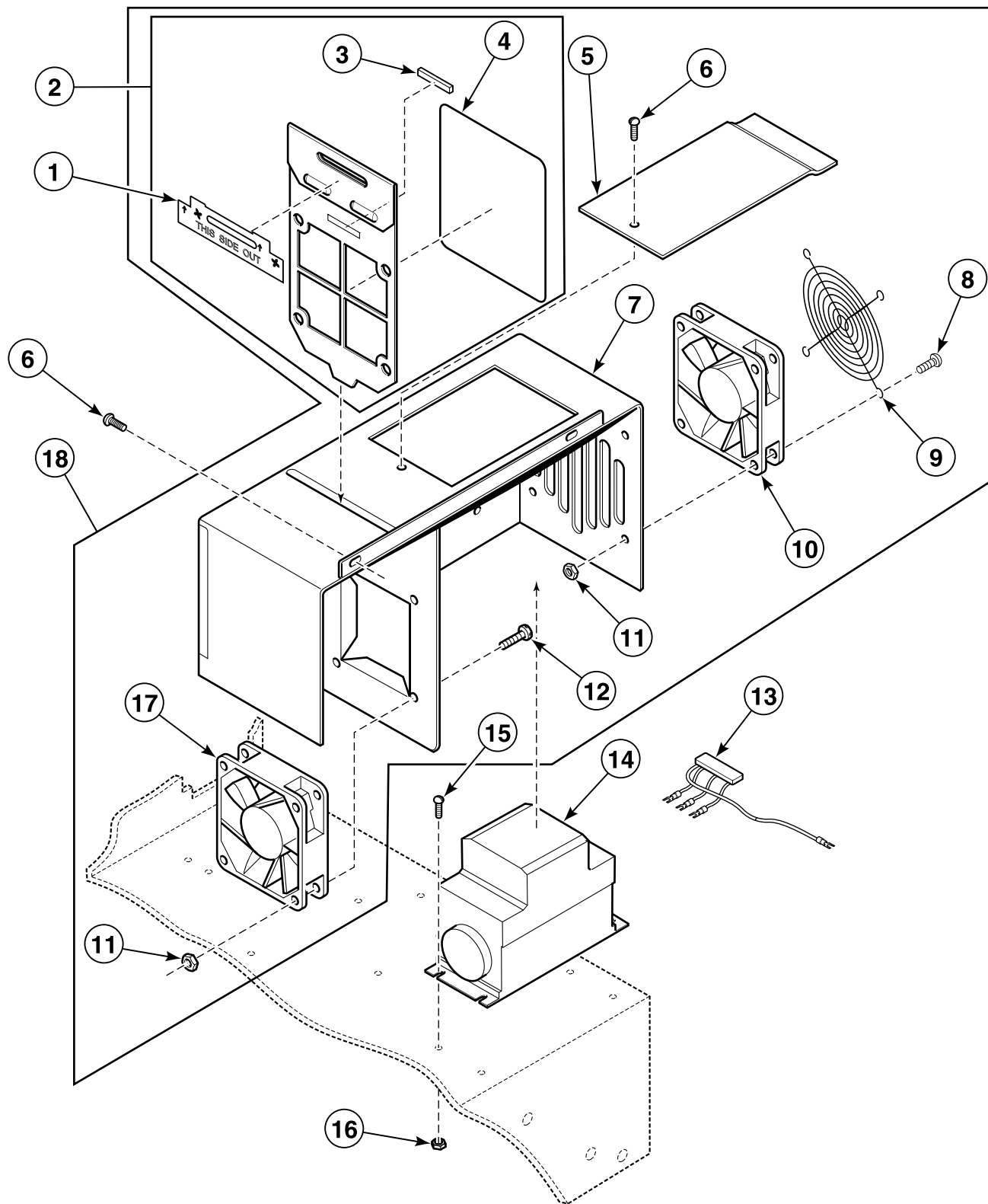


CHM2655P_F232194

Control Module - AN and BN Models Starting 7/15/04

REF	PART NO.	DESCRIPTION	COMMENTS
1	F340002	Motor Switch	All 1 Phase models except B-voltage models
2	F0340722-00	Switch Clamp	
3	F430311	Washer	
4	F430916	Screw	
5	F0330404-00	Timer	Models through 2/10/05
6	F0432316-00	Ratchet Fastener	Models through 2/10/05
7	F431702	Screw	
8	F0170427-00	Output Board Cover	
9	F431806	Nut	
10	F430909	Screw	
11	F180501	Standoff	
12	F330230	Flange Relay	Models through 2/10/05
13	F0430165-00	Screw	Models through 2/10/05
14	F330186P	Interlock Contactor	
15	F0330192-00P	Overload Contactor	HC20, HC25, HC30, SC20, SC25, SC30, UC20 and UC30 models
	F330190P	Contactor	HC40, HC50, SC40, SC50, UC40 and UC50 models with Elmo motors
16	F431016	Nut	
17	F8080001	AC Drive Resistor Assembly	HC60, SC60 and UC60 variable speed and F speed models; 200 Volt
	F8079901P	AC Drive Resistor Assembly	HC60, SC60 and UC60 variable speed and F speed models; 400 Volt
18	F330177P	Contactor	
19	F200100100	Module Box Assembly	2 speed models
	F200100102	Module Box Assembly	Variable and F speed models
20	F430231	Nut	
21	F430903	Screw	
22	F0140795-00	Input Block	2 terminal
	F0140798-00P	Input Block	3 terminal
	F0140799-00	Input Block	4 terminal
23	F430232	Nut	

AC Drive Box - 30, 40, 60 Pound HC, SC and UC Variable and F Speed Models Starting 7/15/04

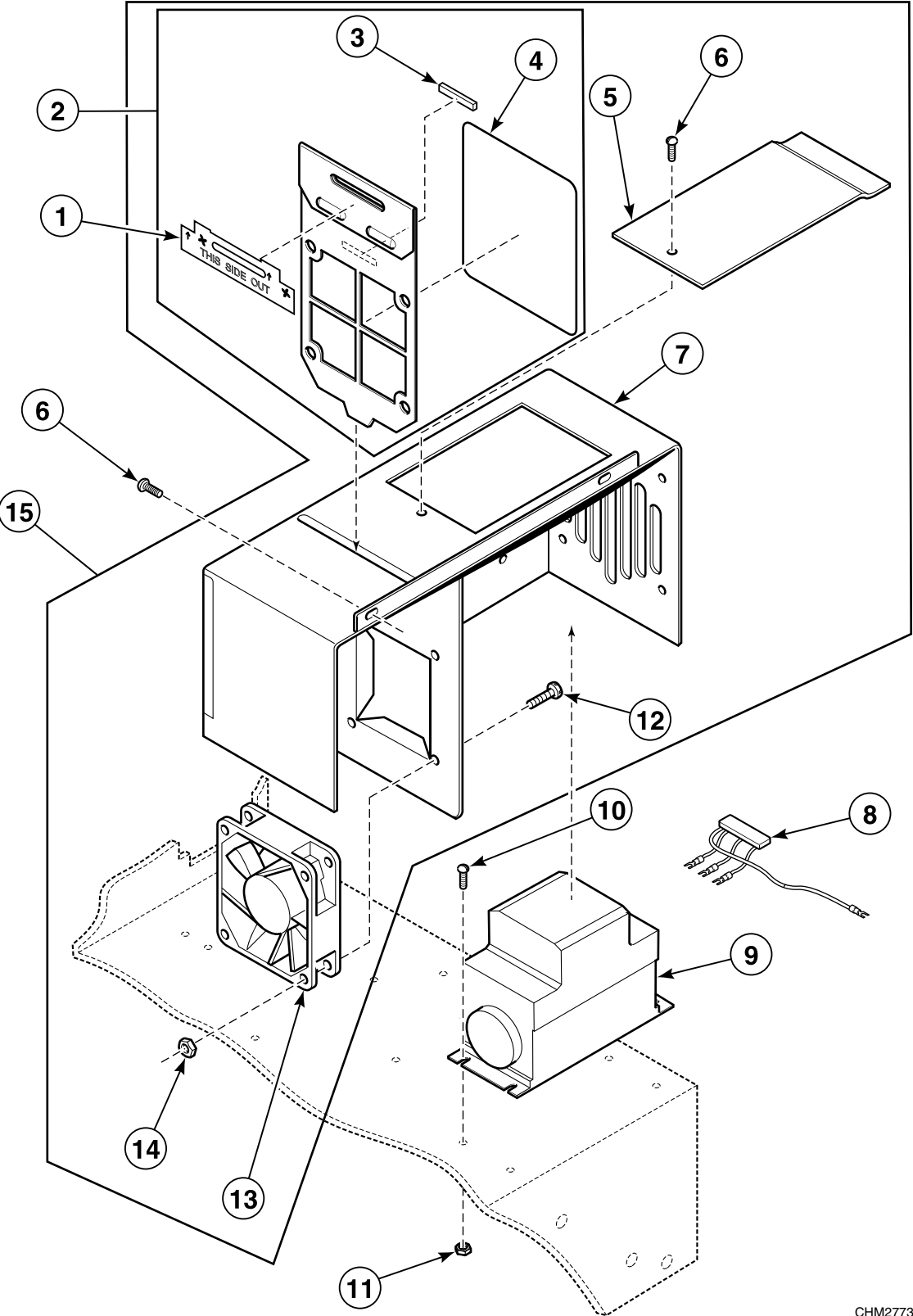


CHM2772P_F232194

AC Drive Box - 30, 40, 60 Pound HC, SC and UC Variable and F Speed Models Starting 7/15/04

REF	PART NO.	DESCRIPTION	COMMENTS
1	F231377	Filter Handle Decal	
2	F8026401	Air Filter Assembly	Includes items 1, 3 and 4
3	F140639	Velcro	
4	F0270321-00P	Filter	
5	F200181500	Display Window Cover	
6	F430174	Screw	
7	F200100201	AC Drive Cover Assembly	
8	F430922	Screw	
9	F0220922-00	Fan Guard	
10	F110110	Muffin Fan	
11	F430231	Nut	
12	F430916	Screw	
13	F200320900	AC Drive Radio Filter Assembly	
14	F370857	Inverter Drive	HC40, SC40 and UC40 models; 230 Volt
	F370858	Inverter Drive	HC40, SC40 and UC40 models; 460 Volt
	F370843	Inverter Drive	HC60, SC60 and UC60 models; 230 Volt
	F370844	Inverter Drive	HC60, SC60 and UC60 models; 460 Volt
15	F430976	Screw	
16	F430232	Nut	
17	F110105	Muffin Fan	
18	F200146800P	AC Drive Cover Assembly	Includes items 2, 5-12 and 17

AC Drive Box - HC20 Variable Speed Models Starting 7/15/04

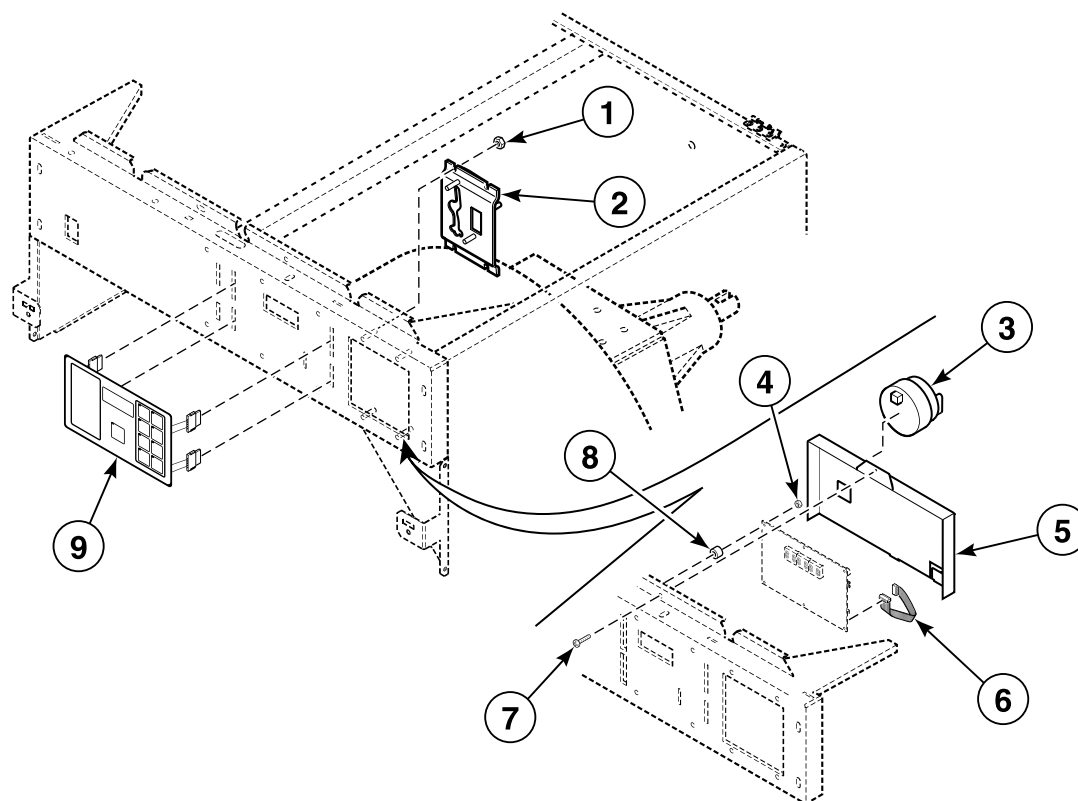


CHM2773P_F232194

AC Drive Box - HC20 Variable Speed Models Starting 7/15/04

REF	PART NO.	DESCRIPTION	COMMENTS
1	F231377	Filter Handle Decal	
2	F8026401	Air Filter Assembly	Includes items 1, 3 and 4
3	F140639	Velcro	
4	F0270321-00P	Filter	
5	F200181500	Display Window Cover	
6	F430174	Screw	
7	F200100201	AC Drive Cover Assembly	
8	F200320900	AC Drive Radio Filter Assembly	
9	F370857	Inverter Drive	230 Volt
	F370858	Inverter Drive	460 Volt
10	F430976	Screw	
11	F430232	Nut	
12	F430916	Screw	
13	F110105	Muffin Fan	
14	F430231	Nut	
15	F200146801	AC Drive Cover Assembly	Includes items 2, 5-7 and 12-14

Coin Meter Mounting Assembly, Water Level Switch and Keypad



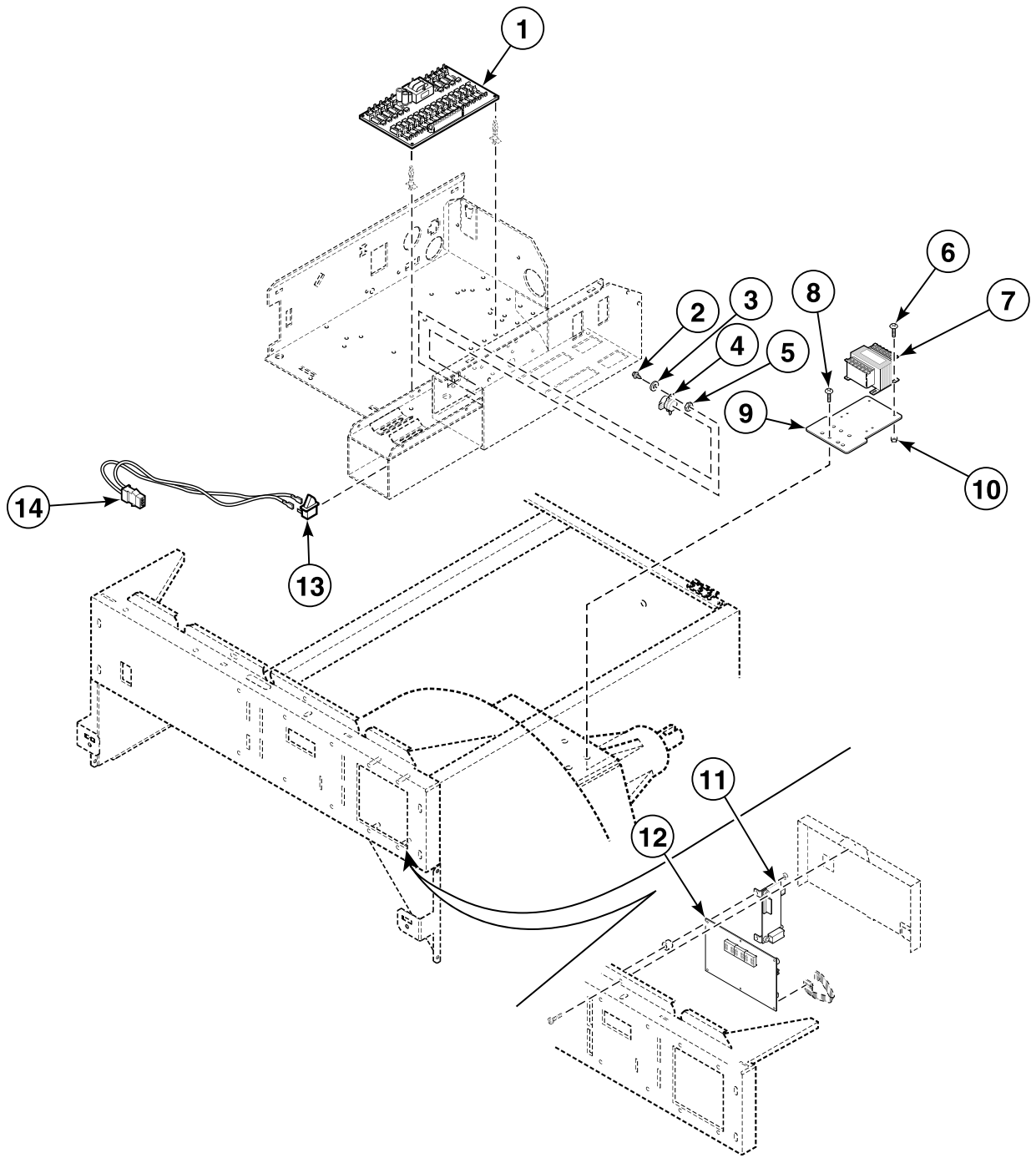
CHM2404P_F232194

Coin Meter Mounting Assembly, Water Level Switch and Keypad

REF	PART NO.	DESCRIPTION	COMMENTS
	F200040300P	Communication Box Kit	HCAC, HCAL, HCAX and HCAY US models
	F200041700P	Communication Box Kit	HCAC, HCAL, HCAX and HCAY international models
	F200041800P	Communication Box Kit	SCAC, SCAL, SCAN, SCAX and SCAY international models
	F200098500P	Communication Box Kit	HCBC, HCBL, HCBN, HCBX and HCBY US models
	F200098600P	Communication Box Kit	SCBC, SCBL, SCBN, SCBX and SCBY US models
	F200098700P	Communication Box Kit	SCBC, SCBL, SCBN, SCBX and SCBY international models
1	F430220	Nut	AC, AX, BC and BX models
	F431017	Nut	AY and BY models
2	F0636707-00	Mounting Bracket Assembly	Single drop; AC, AX, BC and BX models; BN models with an on/off switch
	F635319	Mounting Bracket Assembly	Dual drop; AC, AX, BC and BX models
	F0636445-00	Coin Meter Mounting Kit	Single drop; AC, AX, BC and BX models; Includes item 1
	F0636445-01	Coin Meter Mounting Assembly	Dual drop; AC, AX, BC and BX models; Includes item 1
	F0636445-02	On/Off Switch Assembly	AN and BN models; Includes item 1 and the on/off switch
	F635320	Mounting Bracket Assembly	AY and BY models
3	F0340343-10P	Water Level Switch	DC20, DC30, HC20, HC25, HC30, SC20, SC25, SC30, UC20 and UC30 models
	F8134602P	Pressure Switch	DC40, HC40, SC40 and UC40 models
	F0340345-10P	Water Level Switch	DC60, HC50, HC60, SC50, SC60, UC50 and UC60 models
	F0340350-00	Water Pressure Switch	Heat safety
4	F430231	Nut	
5	F0634903-00	Control Cover	
6	F140219P	Ribbon Cable	Connects the computer to the output board cca
7	F430928	Screw	
8	N/A	Standoff	
9	F0231582-03P	Keypad	SCBC, SCBL, SCBX and SCBY models; English
	F0231582-06P	Keypad	SCBC, SCBL, SCBX and SCBY models; Icon
	F0231582-07P	Keypad	HCBC, HCBL, HCBX and HCBY models; English
	F0231582-01P	Keypad	SCBN and UCBN models; English
	F0231582-05P	Keypad	SCBN and UCBN models; Icon
	F0231582-08P	Keypad	HCBN models; English
	F8132501P	Keypad	DCAC, SCAC, SCAL, SCAX and SCAY models; English
	F0231582-16P	Keypad	DCAC, SCAC, SCAL, SCAX and SCAY models; Icon
	F0231582-17P	Keypad	HCAC, HCAL, HCAX and HCAY models; English
	F0231582-19	Keypad	HCAC, HCAL, HCAX and HCAY models; Icon
	F023158231	Keypad	SCAN and UCAN models; Icon

N/A = Part no longer available

Output Board CCA, Computer, Interface CCA and Thermostat



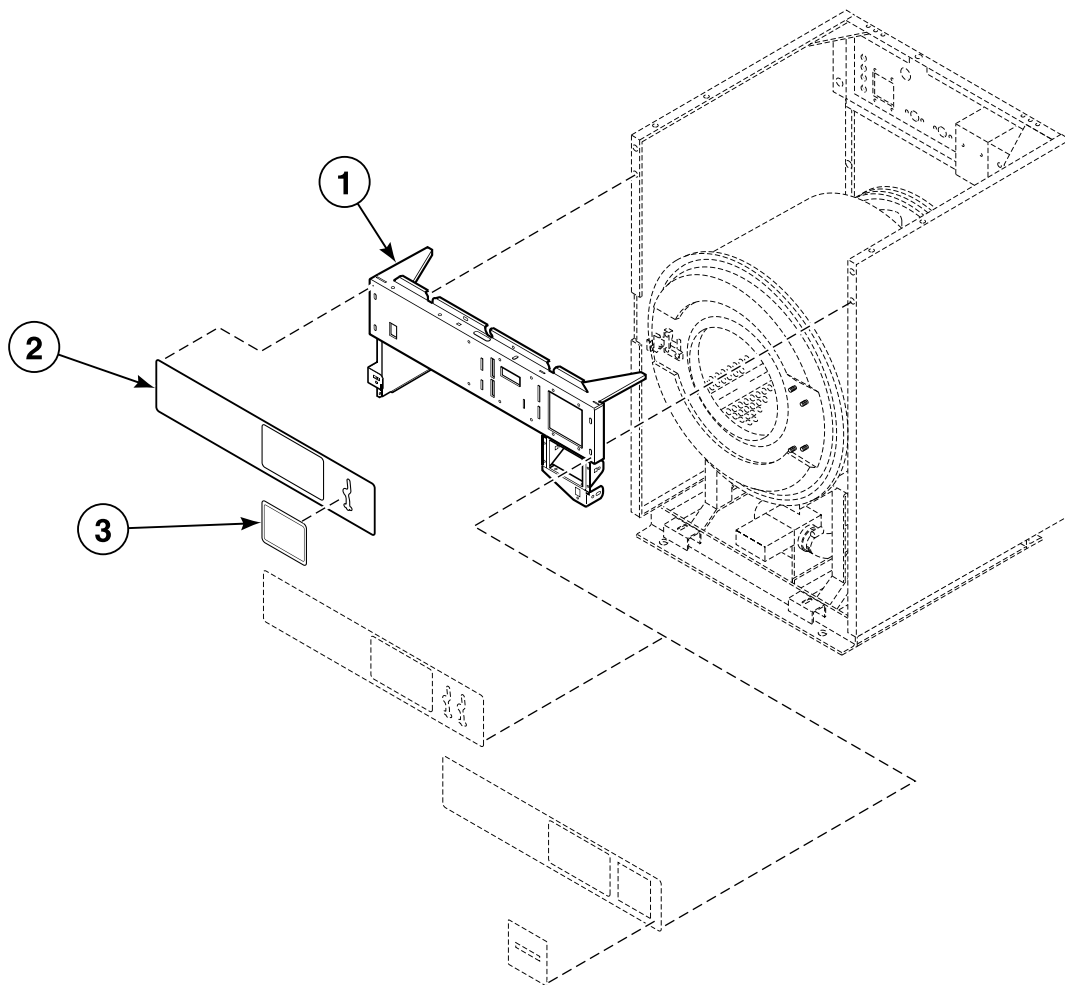
CHM2711P_F232194

Output Board CCA, Computer, Interface CCA and Thermostat

REF	PART NO.	DESCRIPTION	COMMENTS
1	F037044860-1	Output CCA	AC, AL, AX, AY, BC, BL, BX and BY models
	F037044860-2	Output CCA	AN and BN models
2	F430928	Screw	Variable speed and F speed models
3	F431113	Washer	Variable speed and F speed models
4	F0290116-00	Thermostat	Variable speed and F speed models
5	F431022	Nut	Variable speed and F speed models
6	F430108	Screw	
7	F360117P	Transformer	B-voltage models
	F360156	Transformer	F and H-voltage models
8	F430107	Screw	
9	F200167700	Transformer Mounting Bracket	
10	F430215	Nut	
11	F200017400P	Interface CCA	AY models
	F200209200	Interface CCA	AC, AL, AX and AY models
	F350108	Fuse	1/8 Amp
	F350109	Fuse	1/2 Amp
	F350110	Fuse	1 Amp
12	F0370455-00P	Computer	BC, BL, BX and BY 2 speed models
	F0370455-40P	Computer	BC, BL, BX and BY 2 speed models with the pump drain option
	F0370455-01P	Computer	BC, BL, BX and BY 2 speed models with heat
	F0370455-41P	Computer	BC, BL, BX and BY 2 speed models with heat and the pump drain option
	F0370455-10P	Computer	BC, BL, BX and BY F speed models
	F0370455-20P	Computer	BN 2 speed models
	F0370455-60P	Computer	BN 2 speed models with the pump drain option
	F0370452-21P	Computer	BN 2 speed models with heat
	N/A	Computer	BN 2 speed models with heat and pump drain option
	F0370452-30P	Computer	BN F speed models
	F0370452-31P	Computer	BN F speed models with heat
	F037046500P	Computer	AC, AL and AX 2 speed models
	F037046501P	Computer	AC, AL and AX 2 speed models with heat
	F037046530P	Computer	AC, AL and AX variable speed and F speed models
	F037046580P	Computer	AY 2 speed models
	F037046592P	Computer	AY F speed models
	F037047520P	Computer	AN 2 speed models
F037047530P	Computer	AN variable speed models	
13	F340435	Momentary Switch	AC and AX models
14	F200137700P	Coin Box Audit Harness	AC and AX models

N/A = Part no longer available

Control Panel Assembly and Control Panel Decals - All Models Except AN and BN Models (Drawing 1 of 3)

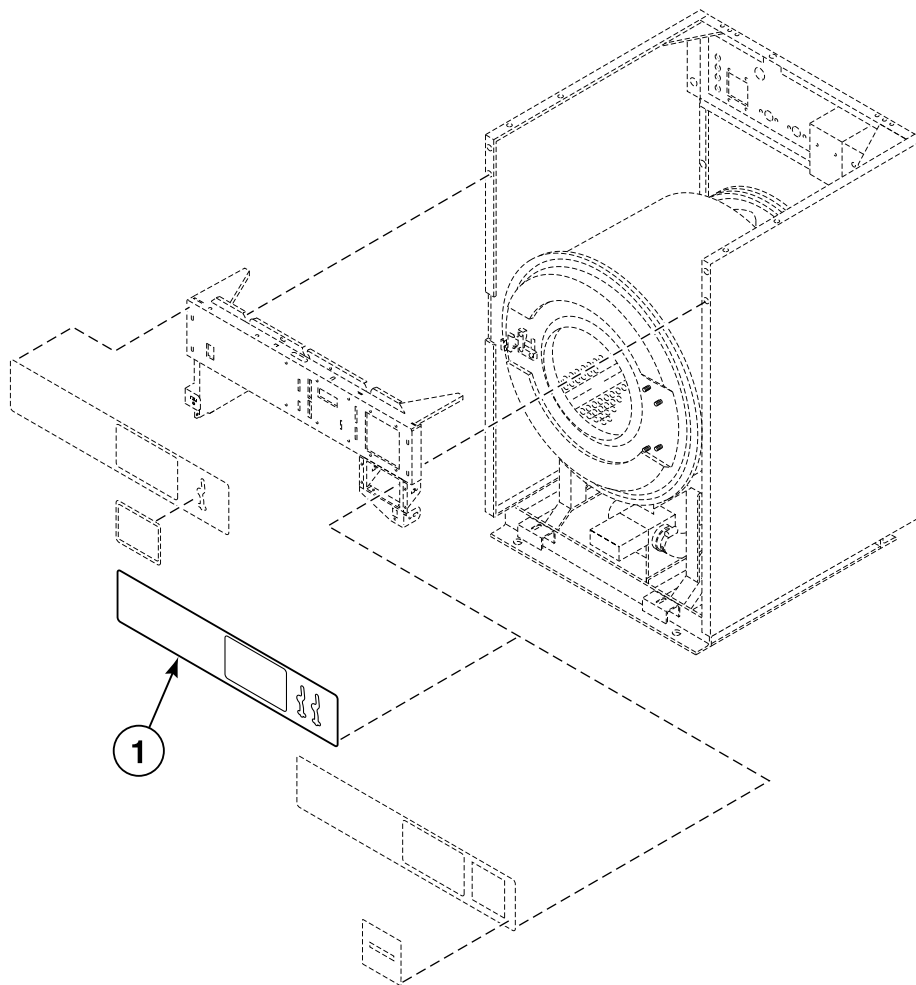


CHM2510P_F232194

Control Panel Assembly and Control Panel Decals - All Models Except AN and BN Models (Drawing 1 of 3)

REF	PART NO.	DESCRIPTION	COMMENTS
1	F0634889-00	Control Panel Assembly	DC20, HC20, HC25, SC20 and SC25 models
	F0636522-00	Control Panel Assembly	DC30, HC30 and SC30 models
	F0636590-00	Control Panel Assembly	DC40, HC40 and SC40 models
	F0635838-00	Control Panel Assembly	DC60, HC50, HC60, SC50 and SC60 models
2	F0231606-11	Control Panel Decal	Models DC20AC2, SC20AC2, SC20ACV, SC20AL2, SC20AX2, SC20BC2, SC20BL2, SC20BX2, SC25AC2, SC25AL2, SC25AX2, SC25BC2, SC25BL2 and SC25BX2; Single coin drop
	F0231606-21	Control Panel Decal	Models DC30AC2, SC30AC2, SC30ACV, SC30AL2, SC30AX2, SC30BC2, SC30BL2 and SC30BX2; Single coin drop
	F0231606-31	Control Panel Decal	Models DC40AC2, SC40AC2, SC40ACV, SC40AL2, SC40AX2, SC40BC2, SC40BL2 and SC40BX2; Single coin drop
	F200018141	Control Panel Decal	Models DC60AC2, SC50BC2, SC50BL2, SC50BX2, SC60AC2, SC60ACF, SC60ACV, SC60AL2, SC60ALF, SC60AX2, SC60AXF, SC60BC2, SC60BCF, SC60BL2, SC60BLF, SC60BX2 and SC60BXF; Single coin drop
	F0231589-11	Control Panel Decal	Models HC20AC2, HC20AL2, HC20AX2, HC20BC2, HC20BL2, HC20BX2, HC25AC2, HC25AL2, HC25AX2, HC25BC2, HC25BL2 and HC25BX2; Single coin drop
	F0231589-21	Control Panel Decal	Models HC30AC2, HC30AL2, HC30AX2, HC30BC2, HC30BL2 and HC30BX2; Single coin drop
	F0231589-31	Control Panel Decal	Models HC40AC2, HC40AL2, HC40AX2, HC40BC2, HC40BL2 and HC40BX2; Single coin drop
	F0231589-41	Control Panel Decal	Models HC50BC2, HC50BL2, HC50BX2, HC60AC2, HC60ACF, HC60BC2, HC60BCF, HC60BX2, HC60BXF, SC60AL2, SC60ALF, SC60AX2 and SC60AXF; Single coin drop
3	70246301	Coin Drop Overlay	SCBL models

Control Panel Assembly and Control Panel Decals - All Models Except AN and BN Models (Drawing 2 of 3)

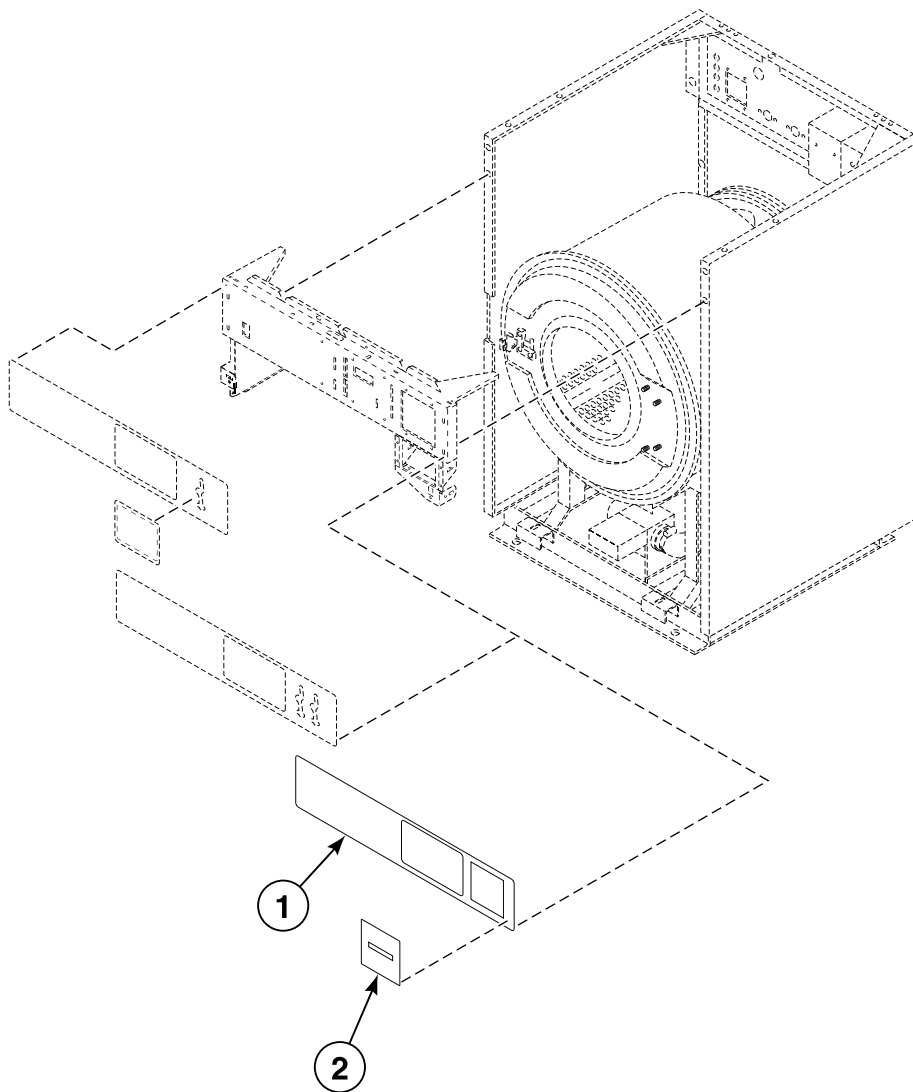


CHM2511P_F232194

Control Panel Assembly and Control Panel Decals - All Models Except AN and BN Models (Drawing 2 of 3)

REF	PART NO.	DESCRIPTION	COMMENTS
1	F0231606-12	Control Panel Decal	Models DC20AC2, SC20AC2, SC20ACV, SC20AX2, SC20BC2, SC20BX2, SC25AC2, SC25AX2, SC25BC2 and SC25BX2; Dual coin drop
	F0231606-22	Control Panel Decal	Models DC30AC2, SC30AC2, SC30ACV, SC30AX2, SC30BC2 and SC30BX2; Dual coin drop
	F0231606-32	Control Panel Decal	Models DC40AC2, SC40AC2, SC40ACV, SC40AX2, SC40BC2 and SC40BX2; Dual coin drop
	F0231606-42	Control Panel Decal	Models DC60AC2, SC50BC2, SC50BX2, SC60AC2, SC60ACF, SC60ACV, SC60AX2, SC60AXF, SC60BC2, SC60BCF, SC60BX2 and SC60BXF; Dual coin drop
	F200018142	Control Panel Decal	Models SC60AC2, SC60ACF, SC60AX2, SC60AXF, SC50BC2, SC50BX2, SC60BC2, SC60BCF, SC60BX2 and SC60BXF; Dual coin drop
	F0231589-12	Control Panel Decal	Models HC20AC2, HC20AX2, HC20BC2, HC20BX2, HC25AC2, HC25AX2, HC25BC2 and HC25BX2; Dual coin drop
	F0231589-22	Control Panel Decal	Models HC30AC2, HC30AX2, HC30BC2 and HC30BX2; Dual coin drop
	F0231589-32	Control Panel Decal	Models HC40AC2, HC40AX2, HC40BC2 and HC40BX2; Dual coin drop
	F0231589-42	Control Panel Decal	Models HC50BC2, HC50BX2, HC60AC2, HC60ACF, HC60AX2, HC60AXF, HC60BC2, HC60BCF, HC60BX2 and HC60BXF; Dual coin drop

Control Panel Assembly and Control Panel Decals - All Models Except AN and BN Models (Drawing 3 of 3)

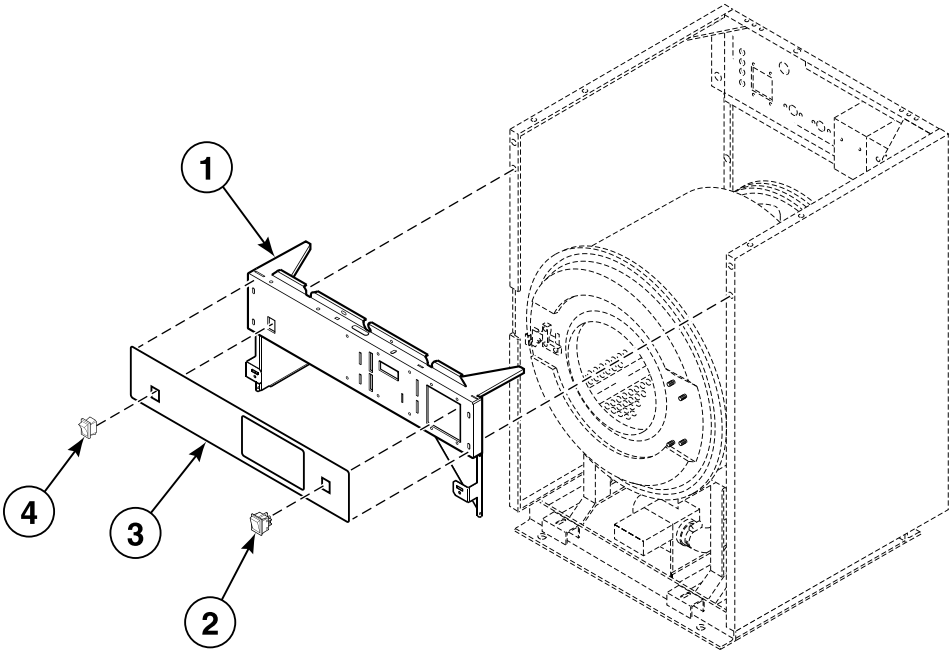


CHM2455P_F232194

Control Panel Assembly and Control Panel Decals - All Models Except AN and BN Models (Drawing 3 of 3)

REF	PART NO.	DESCRIPTION	COMMENTS
1	F0231606-11	Control Panel Decal	Models SC20AY2, SC20AYV and SC25AY2
	F0231606-13	Control Panel Decal	Models SC20BY2 and SC25BY2
	F0231606-21	Control Panel Decal	Models SC30AY2 and SC30AYV
	F0231606-23	Control Panel Decal	Model SC30BY2
	F0231606-31	Control Panel Decal	Models SC40AY2 and SC40AYV
	F0231606-33	Control Panel Decal	Model SC40BY2
	F200018143	Control Panel Decal	Models SC50BY2 and SC60BY2
	F200018141	Control Panel Decal	Models SC60AY2, SC60AYF and SC60AYV
	F0231589-13	Control Panel Decal	Models HC20AY2, HC20BY2, HC25AY2 and HC25BY2
	F200047423	Control Panel Decal	Model HC30BY2
	F0231589-21	Control Panel Decal	Model HC30AY2
	F0231589-33	Control Panel Decal	Model HC40BY2
	F0231589-31	Control Panel Decal	Model HC40AY2
	F0231589-43	Control Panel Decal	Models HC50BY2, HC60BY2 and HC60BYF
	F0231589-41	Control Panel Decal	Models HC60AY2 and HC60AYF
2	F200116200	Overlay Decal	HCAY models
	F200116201	Overlay Decal	SCAY models

Control Panel Assembly, Controls and Control Panel Decals - AN and BN Models

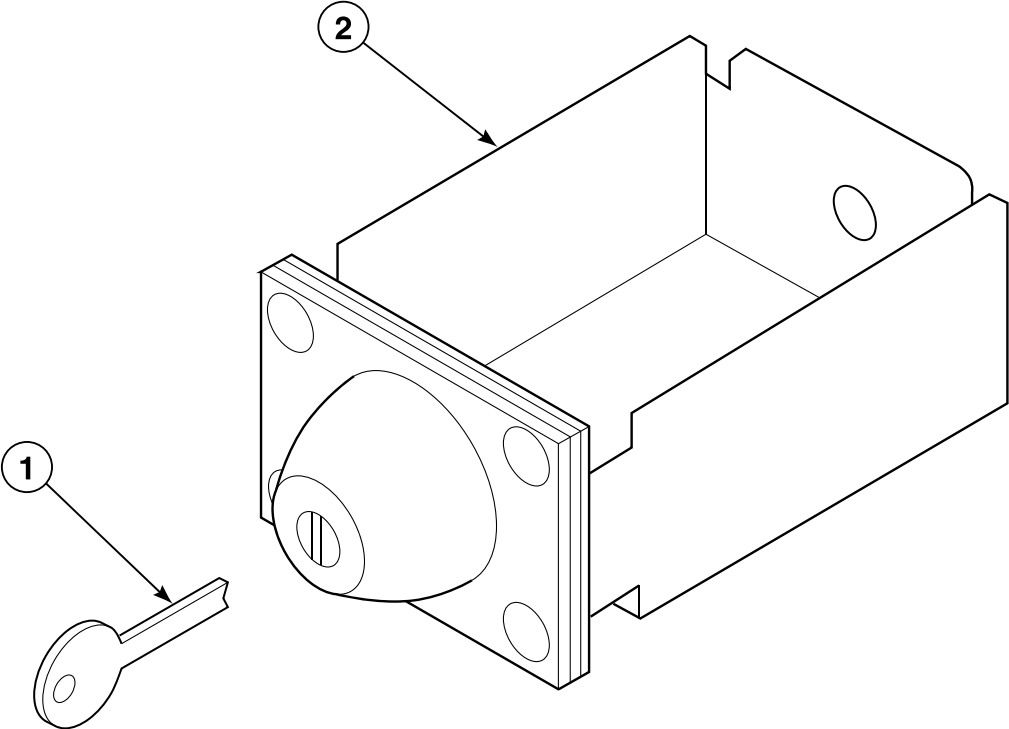


CHM2552P_F232194

Control Panel Assembly, Controls and Control Panel Decals - AN and BN Models

REF	PART NO.	DESCRIPTION	COMMENTS
1	F0634889-01	Control Panel Assembly	Models HC20BN2, SC20AN2, SC20BN2, UC20AN2 and UC20BN2
	F0636522-01	Control Panel Assembly	Models HC30BN2, SC30AN2, SC30BN2, UC30AN2 and UC30BN2
	F0636590-01	Control Panel Assembly	Models HC40BN2, SC40AN2, SC40ANV, SC40BN2, UC40AN2, UC40ANV and UC40BN2
	F0635838-01	Control Panel Assembly	HC50, HC60, SC50, SC60, UC50 and UC60 models
2	F340411	Rocker Switch	Red
3	F0231616-11	Control Panel Decal	Models SC20AN2 and SC20BN2
	F0231616-21	Control Panel Decal	Models SC30AN2 and SC30BN2
	F0231616-31	Control Panel Decal	Models SC40AN2, SC40ANV and SC40BN2
	F0231616-41	Control Panel Decal	Models SC50BN2, SC60AN2, SC60ANV, SC60BN2 and SC60BNF
	F0231613-11	Control Panel Decal	Models UC20AN2 and UC20BN2
	F0231613-21	Control Panel Decal	Models UC30AN2 and UC30BN2
	F0231613-31	Control Panel Decal	Models UC40AN2, UC40ANV and UC40BN2
	F0231613-41	Control Panel Decal	Models UC50BN2, UC60AN2, UC60ANF, UC60ANV, UC60BN2 and UC60BNF
	F0231593-11	Control Panel Decal	Model HC20BN2
	F0231593-21	Control Panel Decal	Model HC30BN2
	F0231593-31	Control Panel Decal	Model HC40BN2
	F0231593-41	Control Panel Decal	Models HC50BN2, HC60BN2 and HC60BNF
	4	F200120100	Momentary Switch
F340412		Momentary Switch	Models starting 5/27/04

Optional Coin Box



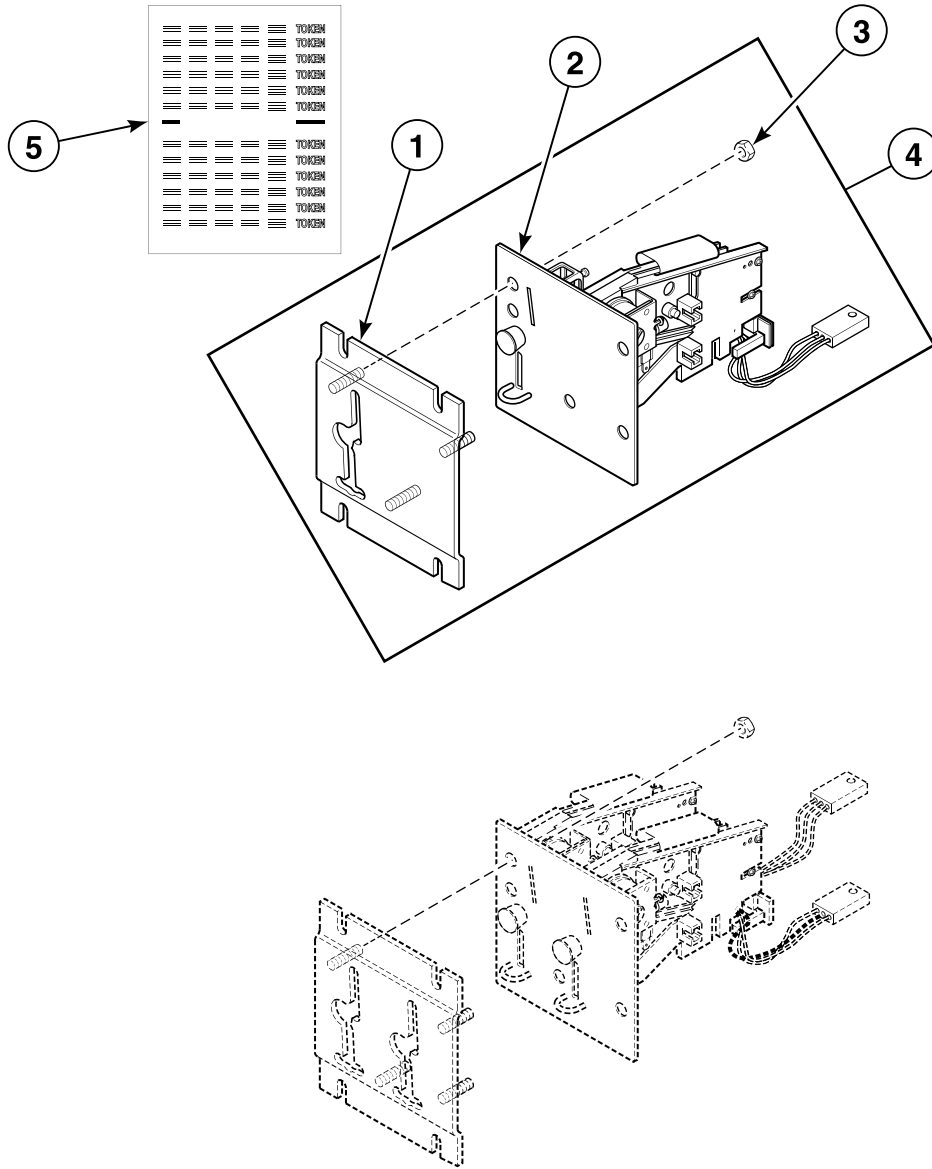
CHM1764P_F232194

Optional Coin Box

REF	PART NO.	DESCRIPTION	COMMENTS
1	F160420	Key	UG21
	F160421	Key	UG22
	F160422	Key	UG23
	F160423	Key	UG24
	F160424	Key	UG25
2	F160672	Coin Box	UG21
	F160673	Coin Box	UG22
	N/A	Coin Box	UG23
	N/A	Coin Box	UG24
	N/A	Coin Box	UG25

N/A = Part no longer available

Flush Mount Coin Meter Assembly - AC, AX, BC and BX Models (Drawing 1 of 2)



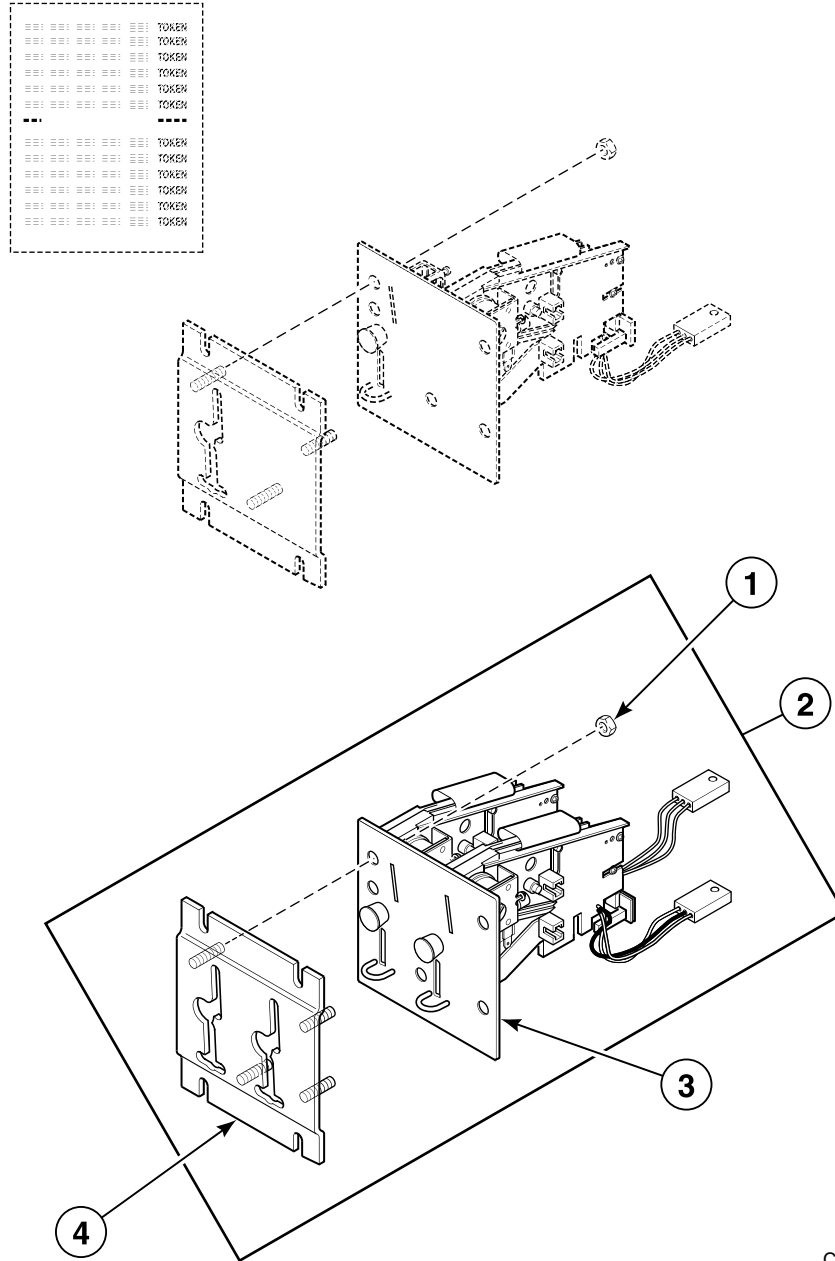
CHM2512P_F232194

Flush Mount Coin Meter Assembly - AC, AX, BC and BX Models (Drawing 1 of 2)

REF	PART NO.	DESCRIPTION	COMMENTS
1	F0636707-00	Mounting Bracket Assembly	Single drop
2	38464P	Coin Drop Assembly	Single drop; Canada .25
	N/A	Coin Drop Assembly	Single drop; Australia .20
	N/A	Coin Drop Assembly	Single drop; Belgium 5 franc
	N/A	Coin Drop Assembly	Single drop; Denmark 2 krone
	N/A	Coin Drop Assembly	Single drop; United Kingdom 20 pence
	N/A	Coin Drop Assembly	Single drop; France 2 franc
	N/A	Coin Drop Assembly	Single drop; Hong Kong 5 dollar
	N/A	Coin Drop Assembly	Single drop; Italy 500 lirraiget
	N/A	Coin Drop Assembly	Single drop; Japan 100 yen
	N/A	Coin Drop Assembly	Single drop; Korea 500 won
	N/A	Coin Drop Assembly	Single drop; South Africa 2 rand
	N/A	Coin Drop Assembly	Single drop; Spain 100 peseta
	N/A	Coin Drop Assembly	Single drop; Thailand 10 baht
	N/A	Coin Drop Assembly	Single drop; .886 token
	N/A	Coin Drop Assembly	Single drop; 1.000 token
	N/A	Coin Drop Assembly	Single drop; Jeton 08 token
	38479P	Coin Drop	Single drop; U.S. quarter
	N/A	Coin Drop Assembly	Single drop; .800 token
	38462P	Coin Drop Assembly	Single drop; .880 token
	38463	Coin Drop Assembly	Single drop; .990 token
	N/A	Coin Drop Assembly	Single drop; Jeton WH121 token
	N/A	Coin Meter	Single drop; Jeton .08 token
3	F430220	Nut	Single drop
4	F20001000P	Coin Meter Assembly	Single drop; U.S. quarter; Includes items 1-3
	F200010006	Coin Meter Assembly	Single drop; .800 token; Includes items 1-3
	F200010007	Coin Meter Assembly	Single drop; .880 token; Includes items 1-3
	F200010009	Coin Meter Assembly	Single drop; .990 token; Includes items 1-3
	F200010011	Coin Meter Assembly	Single drop; Jeton WH121 token; Includes items 1-3
	F200010012	Coin Meter Assembly	Single drop; Jeton .08 token; Includes items 1-3
5	38725	Coin Identification Paper	

N/A = Part no longer available

Flush Mount Coin Meter Assembly - AC, AX, BC and BX Models (Drawing 2 of 2)



CHM2513P_F232194

Flush Mount Coin Meter Assembly - AC, AX, BC and BX Models (Drawing 2 of 2)

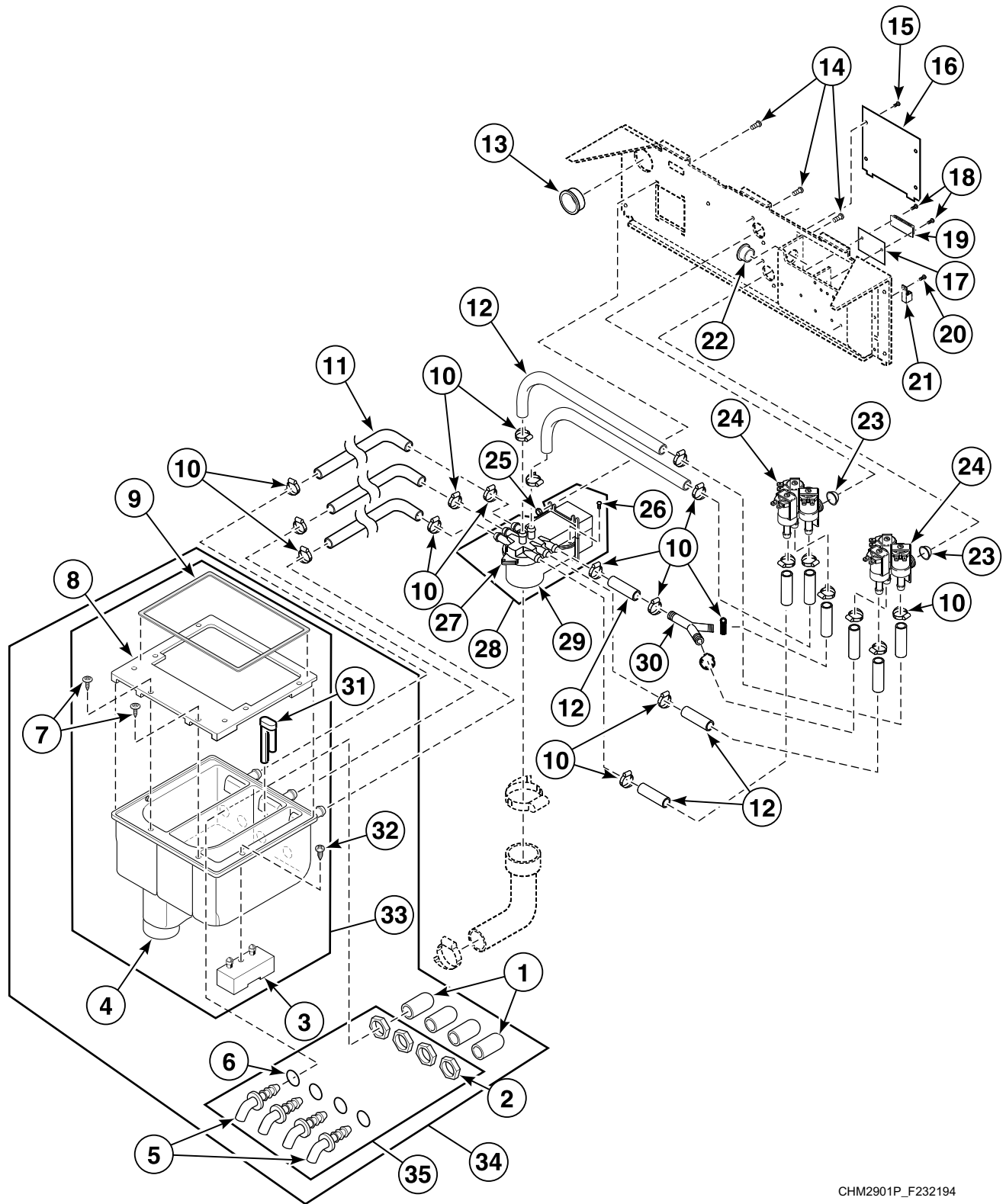
REF	PART NO.	DESCRIPTION	COMMENTS
1	F430220	Nut	Single drop
2	F200010001	Coin Meter Assembly	Dual drop; Australia .20 and 1; Includes items 1, 3 and 4
	F200010002	Coin Meter Assembly	Dual drop; 100 and 500 yen; Includes items 1, 3 and 4
	F200010003	Coin Meter Assembly	Dual drop; Canada \$1 and .25; Includes items 1, 3 and 4
	F200010004	Coin Meter Assembly	Dual drop; New Zealand .20 and 1; Includes items 1, 3 and 4
	F200010005	Coin Meter Assembly	Dual drop; U.S. \$1 and .25; Includes items 1, 3 and 4
	F200010008	Coin Meter Assembly	Dual drop; .50 and 2.00 euro; Includes items 1, 3 and 4
	F200010010	Coin Meter Assembly	Dual drop; 10 and 50 Taiwan; Includes items 1, 3 and 4
	3	N/A	Coin Meter
N/A		Coin Meter	Dual drop; Belgium 5 and 20 franc
N/A		Coin Meter	Dual drop; Denmark 1 and 5 krone
N/A		Coin Meter	Dual drop; Denmark 5 and 10 krone
38472		Coin Drop Assembly	Dual drop; United Kingdom 20 pence and 1 pound
N/A		Coin Meter	Dual drop; .20 and .50 euro
210195		Coin Drop Assembly	Dual drop; .20 and 1.00 euro
210196		Coin Drop Assembly	Dual drop; .50 and 1.00 euro
N/A		Coin Meter	Dual drop; 2 and 5 franc
N/A		Coin Meter	Dual drop; 2 and 10 franc
39157		Coin Drop Assembly	Dual drop; Israel 1 and 5 shekel
38521		Coin Drop Assembly	Dual drop; Korea 100 and 500 won
N/A		Coin Meter	Dual drop; Spain 100 and 500 peseta
N/A		Coin Drop Assembly	Dual drop; Australia .20 and 1
N/A		Coin Drop Assembly	Dual drop; Japan 100 and 500 yen
N/A		Coin Drop Assembly	Dual drop; Canada \$1 and .25
N/A		Coin Drop Assembly	Dual drop; New Zealand .20 and 1
70256402P		Coin Drop	Dual drop; U.S. \$1 and .25
F0160737-00		Coin Meter	Dual drop; .50 and 2.00 euro
70281102		Coin Drop Assembly	Dual drop; 10 and 50 Taiwan dollar
N/A		Coin Meter	Dual drop; Taiwan 5 and 10 dollar
4	F635319	Mounting Bracket Assembly	Dual drop

N/A = Part no longer available

Electronic Coin Meter Assembly - AC, AX, BC and BX Models

REF	PART NO.	DESCRIPTION	COMMENTS
1	38725	Coin Identification Paper	
2	F635319	Mounting Bracket Assembly	
3	F430220	Nut	
4	CK095	Electronic Coin Drop Kit	U.S., Canada, Japan and Taiwan
	70294101P	Electronic Coin Drop Assembly	U.S., Canada, Japan and Taiwan
	CK099	Electronic Coin Drop Kit	Australia, New Zealand, Hong Kong, South Korea and Malaysia
	70294105P	Electronic Coin Drop Assembly	Australia, New Zealand, Hong Kong, South Korea and Malaysia
	CK100	Electronic Coin Drop Kit	United Kingdom and euro
	70294103P	Electronic Coin Drop Assembly	United Kingdom and euro
	CK101	Electronic Coin Drop Kit	Denmark, Norway and euro
	70294104	Electronic Coin Drop Assembly	Denmark, Norway and euro
	CK103	Electronic Coin Drop Kit	Euro, Lithuania and Latvia
	70294107	Electronic Coin Drop Assembly	Euro, Lithuania and Latvia
	CK106	Electronic Coin Drop Kit	Singapore, China, Russia and Malaysia
	70294109	Electronic Coin Drop Assembly	Singapore, China, Russia and Malaysia
	70294106	Electronic Coin Drop Assembly	U.S., Ecuador and Mexico
	70294111	Electronic Coin Drop Assembly	.10 - 2.00 Euro
CK109	Electronic Coin Drop Kit	.10 - 2.00 Euro	
5	F8035701	Capacitor	
6	F140602	Tie Wrap Mounting Clamp	
7	F8034701P	Pulse Expander Assembly	
8	F140605	Cable Tie	
9	F430108	Screw	
10	210019P	Transformer	
11	F430107	Screw	
12	F200167700	Transformer Mounting Bracket	
13	F430215	Nut	
14	70295101	Overlay	SC models; Black
	70295301	Overlay	HC models; Gray
15	F200008700	Access Transformer Harness	
16	F200021600	Coin Meter Assembly	U.S., Canada, Japan and Taiwan; Includes items 2-4
	F200021601	Coin Meter Assembly	Australia, New Zealand, Hong Kong, South Korea and Malaysia; Includes items 2-4
	F200021602	Coin Meter Assembly	United Kingdom and euro; Includes items 2-4
	F200021603	Coin Meter Assembly	Denmark, Norway and euro; Includes items 2-4
	F200021604	Coin Meter Assembly	U.S., Ecuador and Mexico; Includes items 2-4
	F200021605	Coin Meter Assembly	Euro, Lithuania and Latvia; Includes items 2-4
	F8177901	Coin Meter Assembly	.10 - 2.00 Euro; Includes items 2-4
17	CK501	Electronic Coin Drop Kit	Includes items 2, 3, 5-8, 10, 14 and 15

Fill Plumbing Assembly and External Supply Assembly



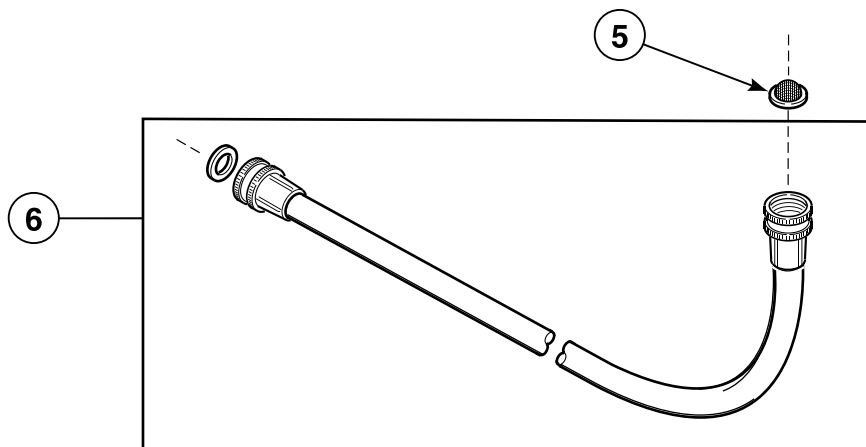
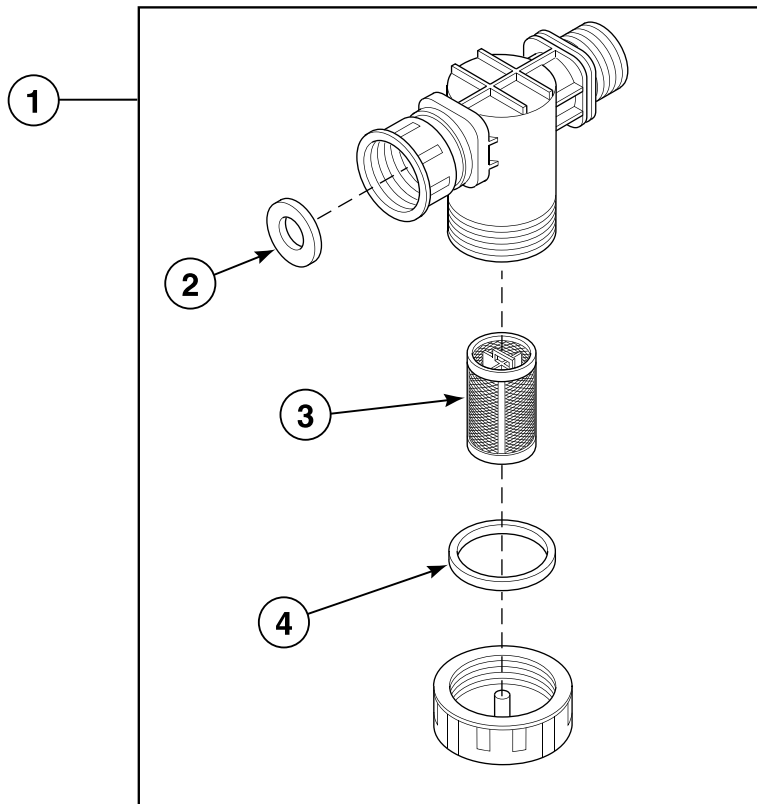
CHM2901P_F232194

Fill Plumbing Assembly and External Supply Assembly

REF	PART NO.	DESCRIPTION	COMMENTS
1	F190303	Cap	
2	802292	Nut	
3	F0150504-00	Supply Dispenser Standoff	
4	F0150505-01	Soap Dispenser Sub-Assembly	
5	F380300	Injection Nozzle	
6	F170208	O-Ring	
7	F430956	Screw	
8	F0150503-00	Supply Dispenser Bezel	
9	F0170190-00P	Bezel Gasket	
10	36801	Hose Clamp	No. 6
11	N/A	Vacuum Breaker Hose	DC20, HC20, SC20 and UC20 models
	F0200244-01	Vacuum Breaker Hose	DC30, HC25, HC30, SC25, SC30 and UC30 models
	F0200244-00	Vacuum Breaker Hose	DC40, DC60, HC40, HC50, HC60, SC40, SC50, SC60, UC40, UC50 and UC60 models
12	F200108P	Water Hose	
13	F200139500	Grommet	AN and BN models
14	F430948	Screw	
15	F430174	Screw	
16	F602533	Input Power Connection Box Cover	
17	F231376-3	External Supply Connection Decal	B, F and H-voltage models
	F231376-2	External Supply Connection Decal	C-voltage models
	F231376-4	External Supply Connection Decal	D, E, J, O and Y-voltage models
18	F430916	Screw	
19	F140766	Terminal	8 place
20	F430903	Screw	
21	F140734	Ground Terminal Lug	
22	F170615	Grommet	Models through 6/29/05
	F140938	Snap Bushing	Models starting 6/30/05
23	F270200	Strainer	
24	F0381738-00P	3-Way Valve	Standard thread; Cold; 240 Volt
	F0381737-00P	3-Way Valve	Standard thread; Hot; 240 Volt
	F0381736-00P	3-Way Valve	Metric thread; Cold; 240 Volt
	F0381750-00P	3-Way Valve	Metric thread; Hot; 240 Volt
25	F430231	Nut	
26	F430177	Screw	
27	F0150329-00	Vacuum Breaker Top	
28	F603031	Vacuum Breaker Assembly	Includes items 26 and 27
29	F150330	Vacuum Breaker Bottom	
30	F422808	Y Connector	
31	F150390	Siphon Tube	
32	F0430268-00	Screw	
33	F200202210	Supply Dispenser Assembly	Includes items 3, 7-9, 31 and 32; AC, AL, AX, AY, BC, BL, BX and BY models
34	F200202201	Supply Dispenser Assembly	Includes items 1-3, 5-9, 31 and 32; AN and BN models
35	F730168	Injection Nozzle Kit	Includes items 2 and 6

N/A = Part no longer available

Supply Hose and Filter (Optional)

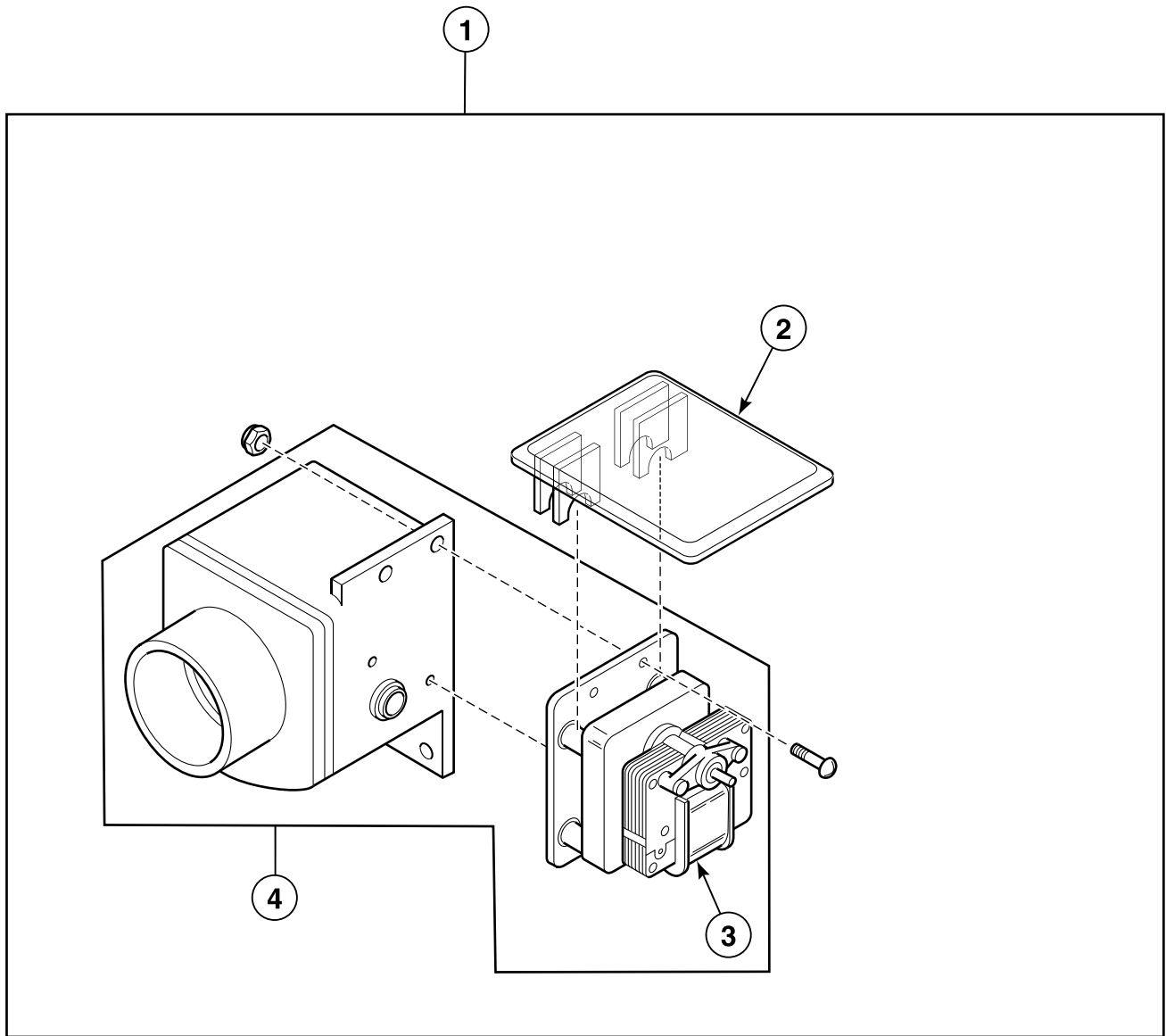


B091P_F232194

Supply Hose and Filter (Optional)

REF	PART NO.	DESCRIPTION	COMMENTS
1	F270306P	Filter	Standard thread
	F270305	Filter	Metric thread
2	20290	Washer	
3	F270406	Replacement Filter	.11 mm
	F270405	Replacement Filter	.25 mm
4	F270407	Filter Housing Cap Gasket	
5	F270300	Filter Screen	
6	F200116	Water Hose	3/8 inch; Standard thread
	F200164	Water Hose	3/4 inch; Standard thread
	F200165	Water Hose	3/8 inch; Metric thread
	F200166	Water Hose	3/4 inch; Metric thread

Drain Valve Assembly - 20, 25 and 30 Pound DC, HC, SC and UC Models

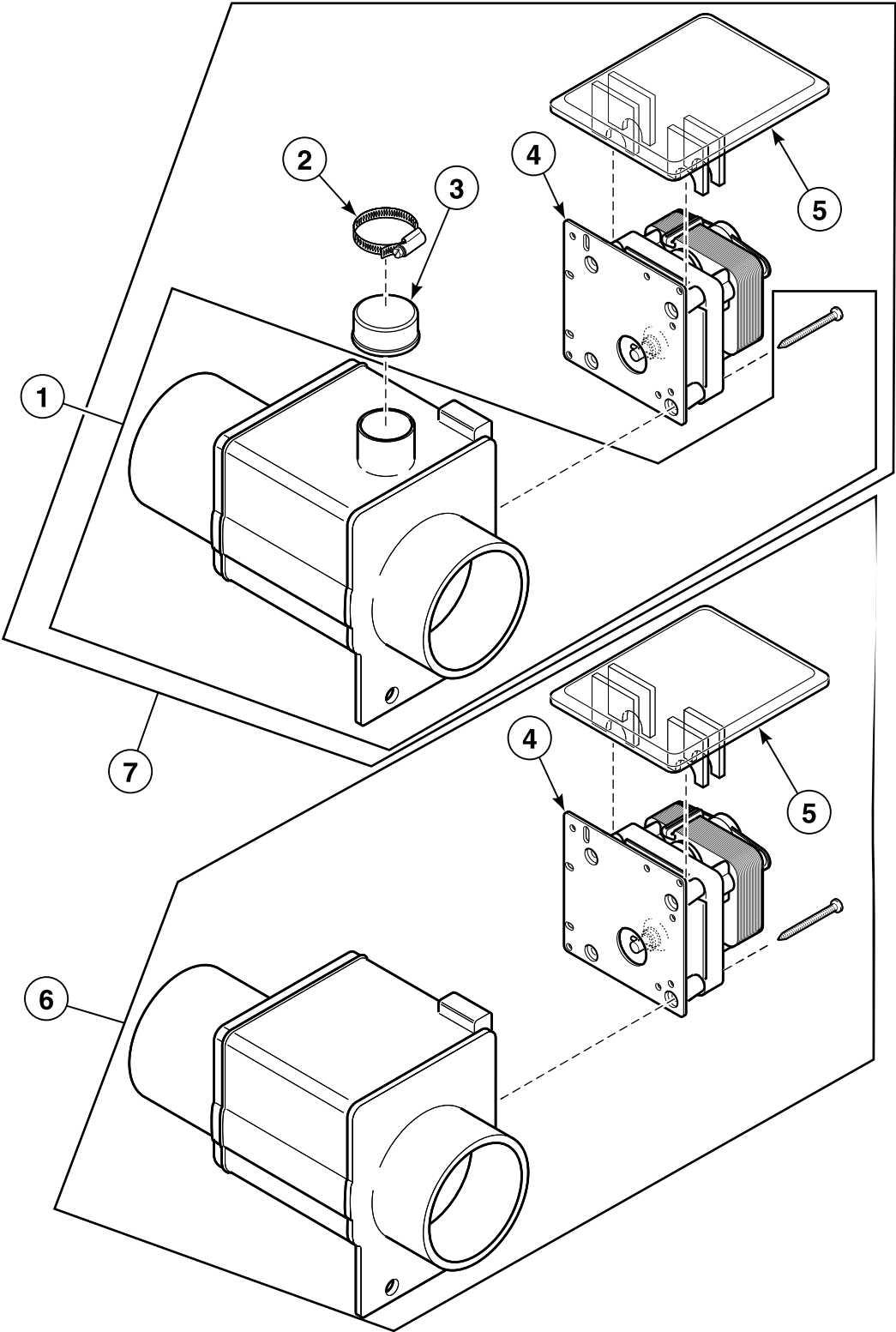


CHM2450P_F232194

Drain Valve Assembly - 20, 25 and 30 Pound DC, HC, SC and UC Models

REF	PART NO.	DESCRIPTION	COMMENTS
1	F603175	Drain Valve Assembly	220 Volt; Includes all items on the page, including the screw and nut
2	F200133600	Drain Valve Cover	
3	F380933P	Drain Valve Motor	Round shaft; 220 Volt
	G159764P	Drain Valve Motor and Gear Box Assembly	Keyed shaft; 220 Volt
	F380972P	Drain Valve Motor	Keyed shaft; 240 Volt
4	F380619	Drain Valve	220 Volt; Includes item 3

Drain Valve Assembly - 40, 50 and 60 Pound DC, HC, SC and UC Models

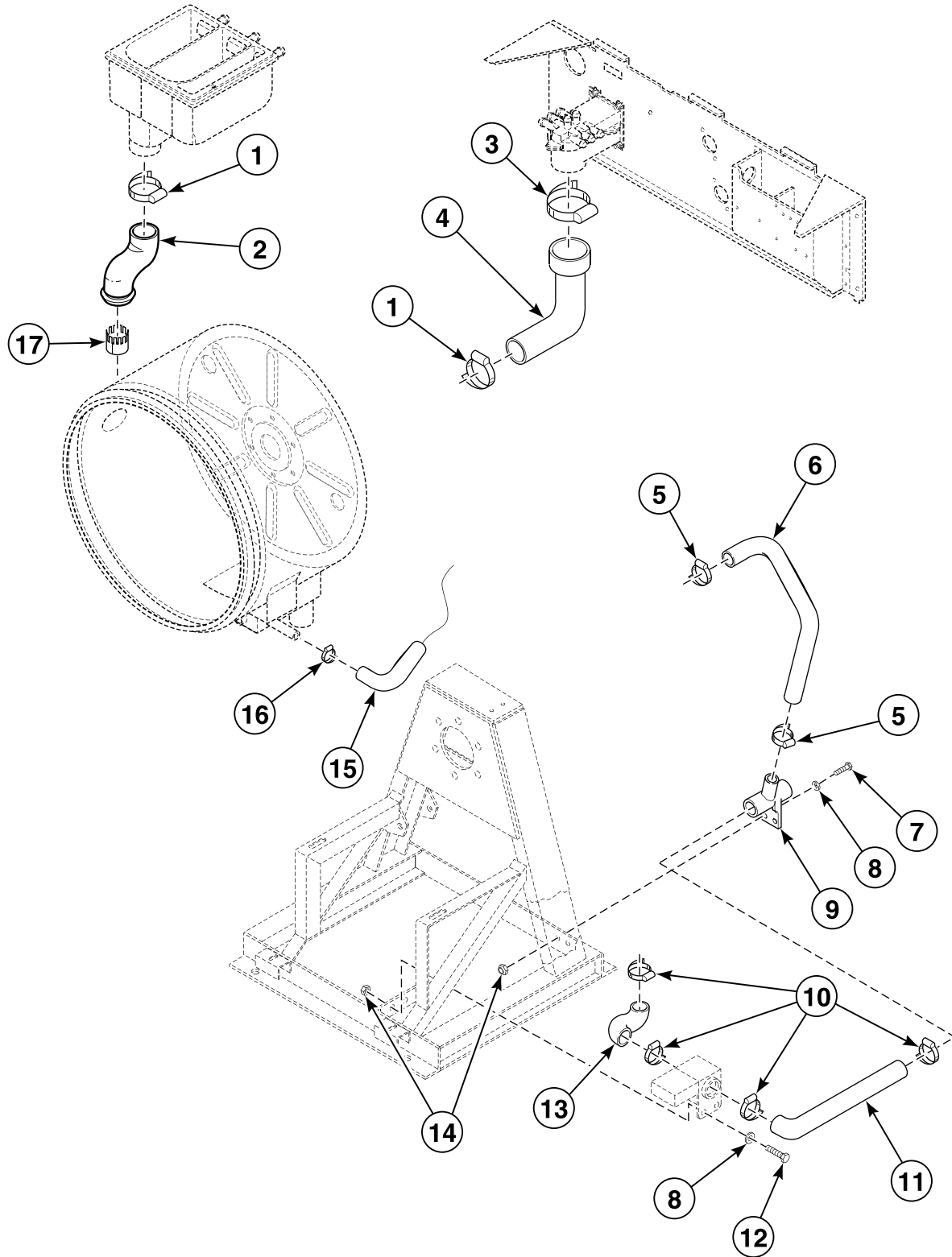


CHM2480P_F232194

Drain Valve Assembly - 40, 50 and 60 Pound DC, HC, SC and UC Models

REF	PART NO.	DESCRIPTION	COMMENTS
1	F038062900	Drain Valve	220 Volt; Includes screw
2	F200215	Hose Clamp	No. 28
3	F150352	Overflow Plug	
4	F380933P	Drain Valve Motor	Round shaft; 220 Volt
	G159764P	Drain Valve Motor and Gear Box Assembly	Keyed shaft; 220 Volt
	F380972P	Drain Valve Motor	Keyed shaft; 240 Volt
5	F200133600	Drain Valve Cover	
6	F200166402	Drain Valve Kit	220 Volt; Includes items 4, 5 and screw
7	F200166400	Drain Valve Kit	220 Volt heat option models; Includes items 2-5 and screw

Drain, Hoses and Air Trap



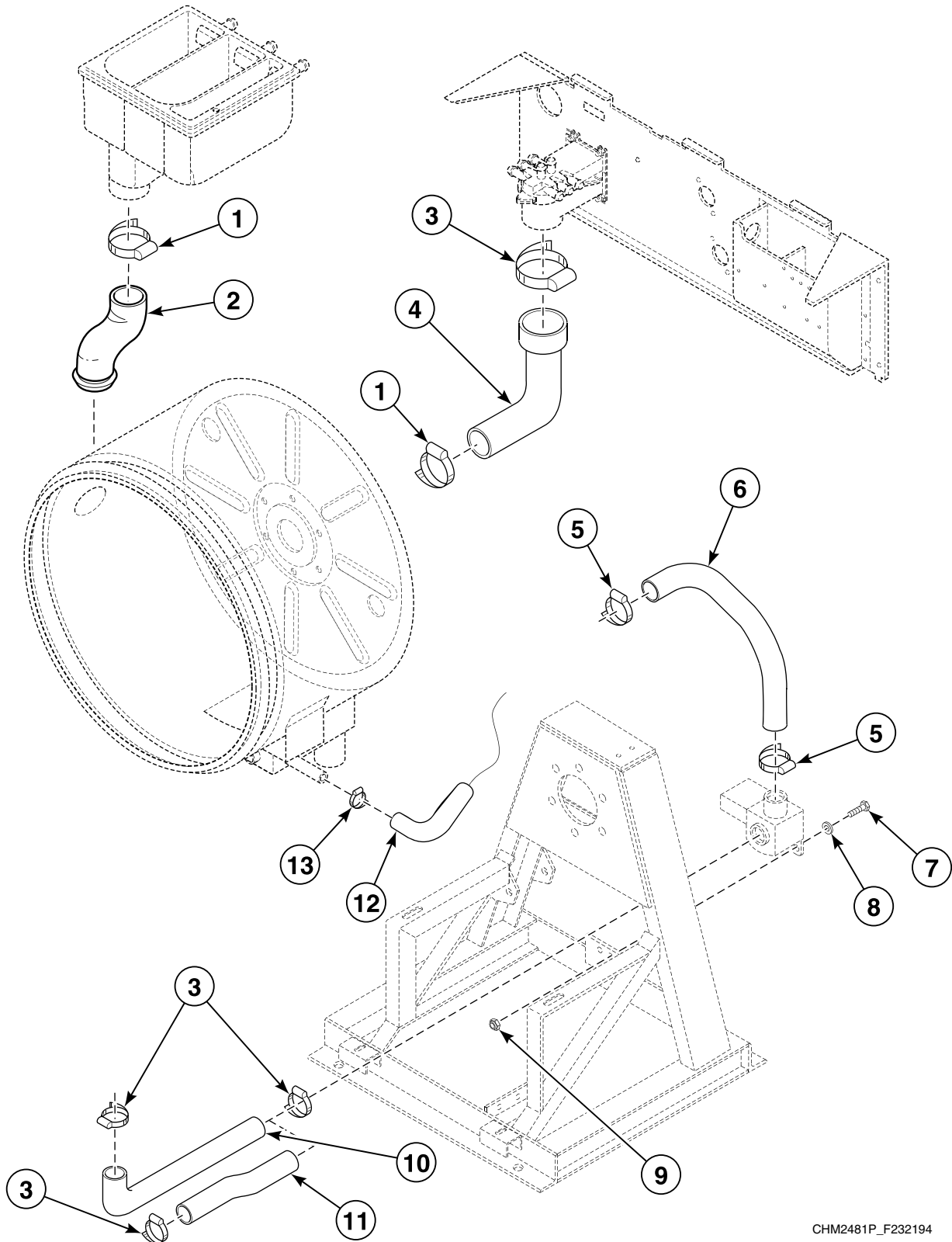
CHM2843P_F232194

Drain, Hoses and Air Trap

REF	PART NO.	DESCRIPTION	COMMENTS
1	F200213	Hose Clamp	No. 40
2	F8061601	Supply Dispenser Hose	HC25 and SC25 models
	F0200236-01	Supply Dispenser Hose	DC20, DC30, HC20, HC30, SC20, SC30, UC20 and UC30 models
	F8071701	Supply Dispenser Hose	DC40, DC60, HC40, HC50, HC60, SC40, SC50, SC60, UC40, UC50 and UC60 models
3	N/A	Hose Clamp	No. 48
4	F150321	Vacuum Breaker Hose	DC20, DC30, DC40, HC20, HC30, HC40, SC20, SC30, SC40, UC20, UC30 and UC40 models
	F150372	Fill Hose	HC25 and SC25 models
	F150340	Vacuum Breaker Hose	HC50, SC50 and UC50 models
	F0150340-01	Vacuum Breaker Fill Hose	DC60, HC60, SC60 and UC60 models
5	F200215	Hose Clamp	No. 28
6	F200125800	Overflow Hose	DC20, DC30, HC20, HC25, HC30, SC20, SC25, SC30, UC20 and UC30 models
	F0200238-00	Overflow Hose	HC40, SC40 and UC40 models through 1/25/05
	F200185200	Drain Hose	DC40, HC40, SC40 and UC40 models starting 1/26/05
	F150332	Overflow Hose	DC60, HC50, HC60, SC50, SC60, UC50 and UC60 models
7	F430103	Screw	
8	F430317	Washer	
9	F8017101	Drain Connector Tee	DC20, DC30, HC20, HC25, HC30, SC20, SC25, SC30, UC20 and UC30 models
	F150398	Drain Tee	DC40, DC60, HC40, HC50, HC60, SC40, SC50, SC60, UC40, UC50 and UC60 models
10	F200213	Hose Clamp	DC20, DC30, DC40, HC20, HC25, HC30, HC40, SC20, SC25, SC30, SC40, UC20, UC30 and UC40 models
	N/A	Hose Clamp	DC60, HC50, HC60, SC50, SC60, UC50 and UC60 models
11	F150311	Rear Drain Hose	DC20, HC20, SC20 and UC20 models
	F0150331-00	Drain Hose	DC30, HC25, HC30, SC25, SC30 and UC30 models; Rear
	F0200239-00	Rear Drain Hose	HC40, SC40 and UC40 models through 1/25/05
	F200185300	Drain Hose	DC40, HC40, SC40 and UC40 models starting 1/26/05
	F200123500	Drain Hose	DC60, HC50, HC60, SC50, SC60, UC50 and UC60 models
12	F430103	Screw	
13	F150312	Front Drain Hose	DC20, DC30, HC20, HC25, HC30, SC20, SC25, SC30, UC20 and UC30 models
	F0200240-00	Front Drain Hose	DC40, HC40, SC40 and UC40 models
	F8035801	Front Drain Hose	DC60, HC50, HC60, SC50, SC60, UC50 and UC60 models
14	F430215	Nut	
15	F200142	Air Trap Hose	
16	F200222	Hose Clamp	No. 12
17	F150419	Supply Dispenser Baffle	Optional; Used to prevent water from entering the supply dispenser during an extraction step

N/A = Part no longer available

Drain Hoses and Air Trap - DC60, HC50, HC60, SC50, SC60, UC50 and UC60 Models with Heat Shell



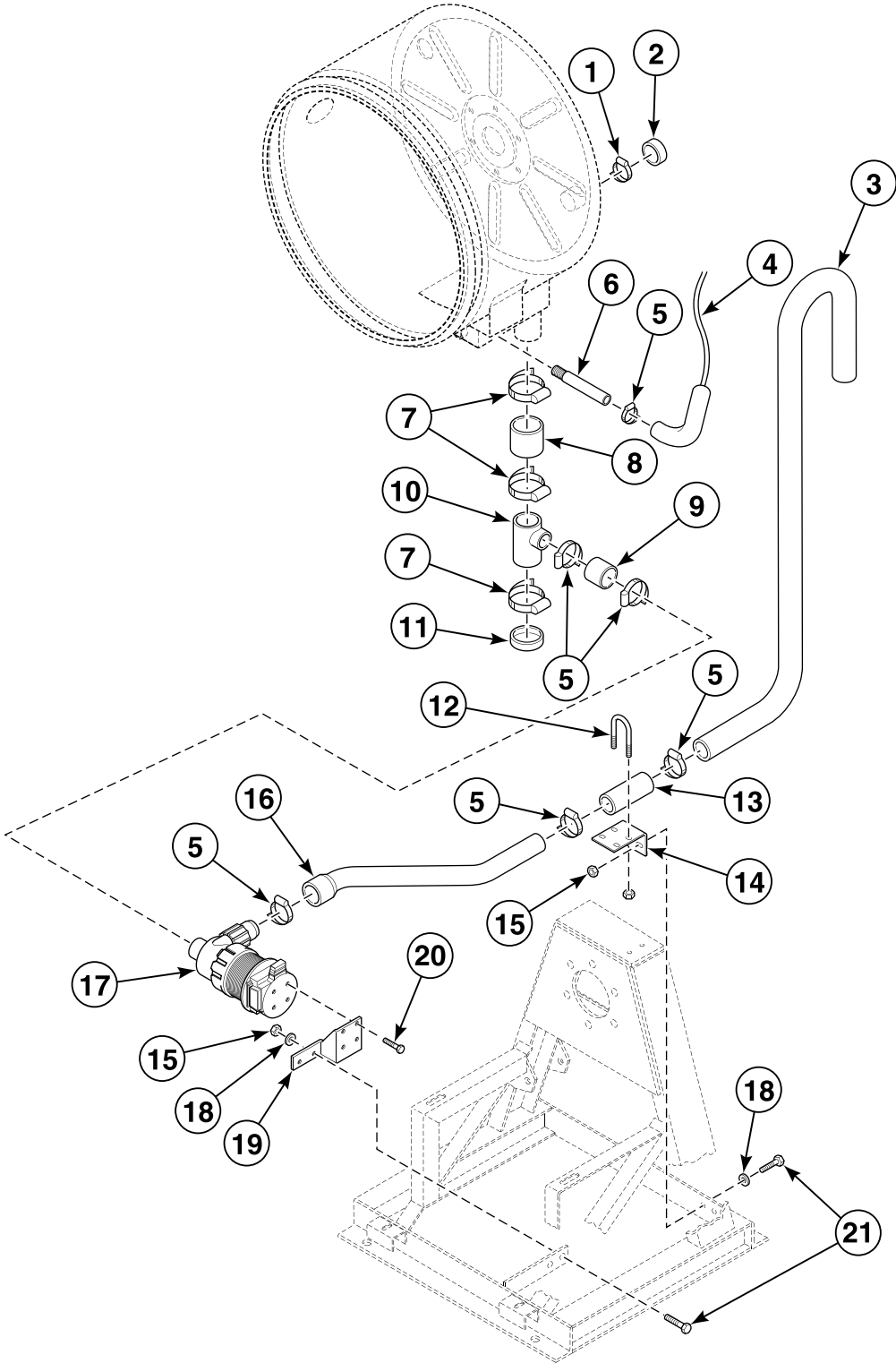
CHM2481P_F232194

Drain Hoses and Air Trap - DC60, HC50, HC60, SC50, SC60, UC50 and UC60 Models with Heat Shell

REF	PART NO.	DESCRIPTION	COMMENTS
1	F200213	Hose Clamp	No. 40
2	F8071701	Supply Dispenser Hose	
3	N/A	Hose Clamp	No. 48
4	F0150340-01	Vacuum Breaker Fill Hose	
5	F200215	Hose Clamp	No. 28
6	F150332	Overflow Hose	
7	F430103	Screw	
8	F430317	Washer	
9	F430215	Nut	
10	F150356	Drain Hose	HC50, SC50 and UC50 models
11	F0150524-00	Sump Drain Hose	DC60, HC60, SC60 and UC60 models
12	F200142	Air Trap Hose	
13	F200222	Hose Clamp	No. 12

N/A = Part no longer available

Pump Drain Option - DC30, HC30, SC30 and UC30 E-Voltage Models



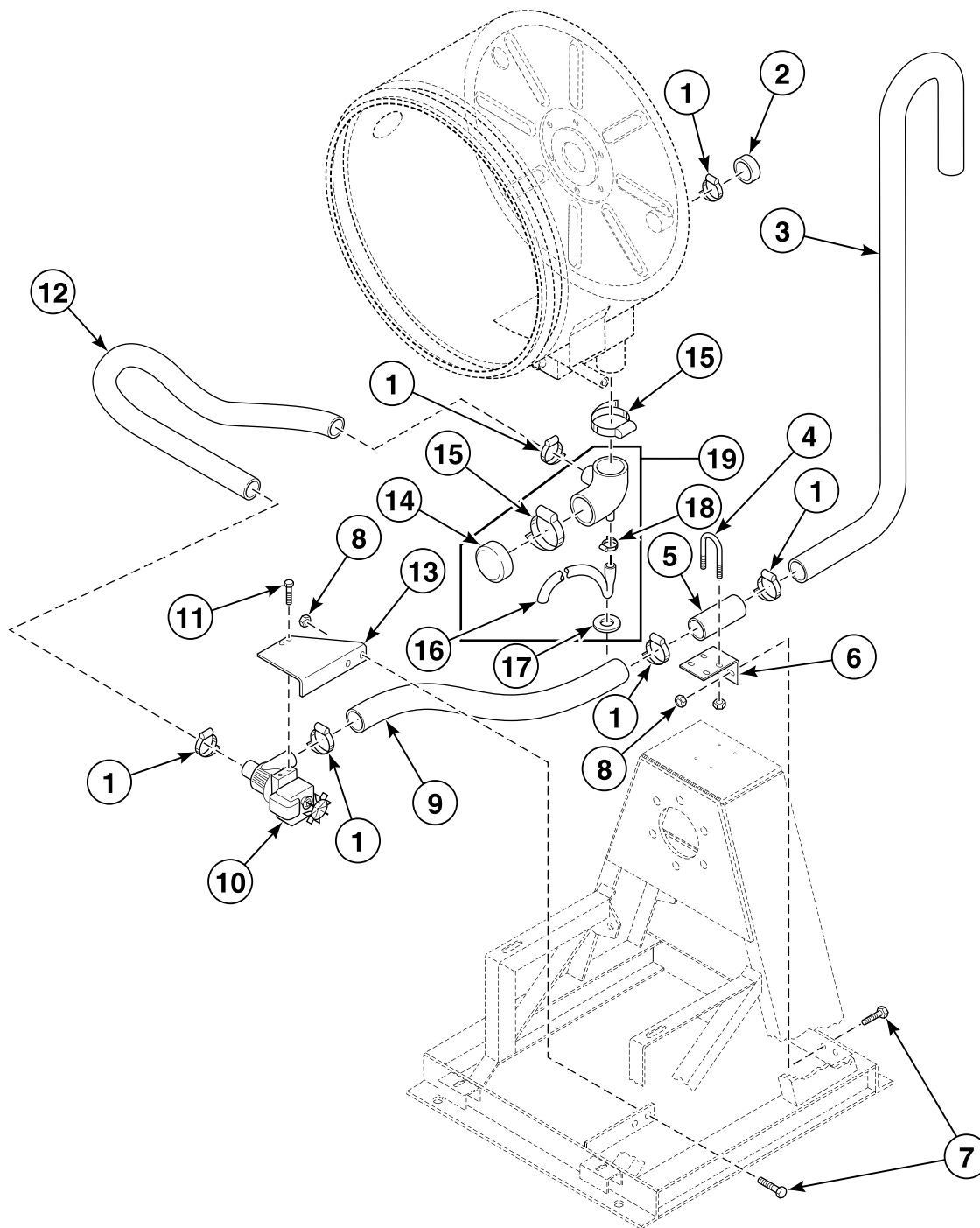
CHM2303P_F232194

Pump Drain Option - DC30, HC30, SC30 and UC30 E-Voltage Models

REF	PART NO.	DESCRIPTION	COMMENTS
1	F200215	Hose Clamp	No. 28
2	F150352	Overflow Plug	
3	F150343	Rear Pump Drain Hose	
4	F200142	Air Trap Hose	
5	F200204	Hose Clamp	No. 20
6	F634178	Air Chamber Nipple	
7	F200213	Hose Clamp	No. 40
8	F200123400	Drain Hose	
9	F634177	Pump Inlet Hose	
10	F633819	Pump Drain Trap Weldment	
11	F150443	Plug	
12	F200401P	U-Bolt Clamp	Includes nuts
13	N/A	Pipe	
14	F604147	Pump Drain Rear Connecting Bracket	
15	F430215	Nut	
16	F150482	Pump Drain Outlet Hose	
17	F634463P	Pump	
18	F430317	Washer	
19	F634114	Pump Mounting Bracket	
20	F430179	Screw	
21	F430107	Screw	

N/A = Part no longer available

Pump Drain Option - All Models Except DC30, HC30, SC30 and UC30 E-Voltage Models

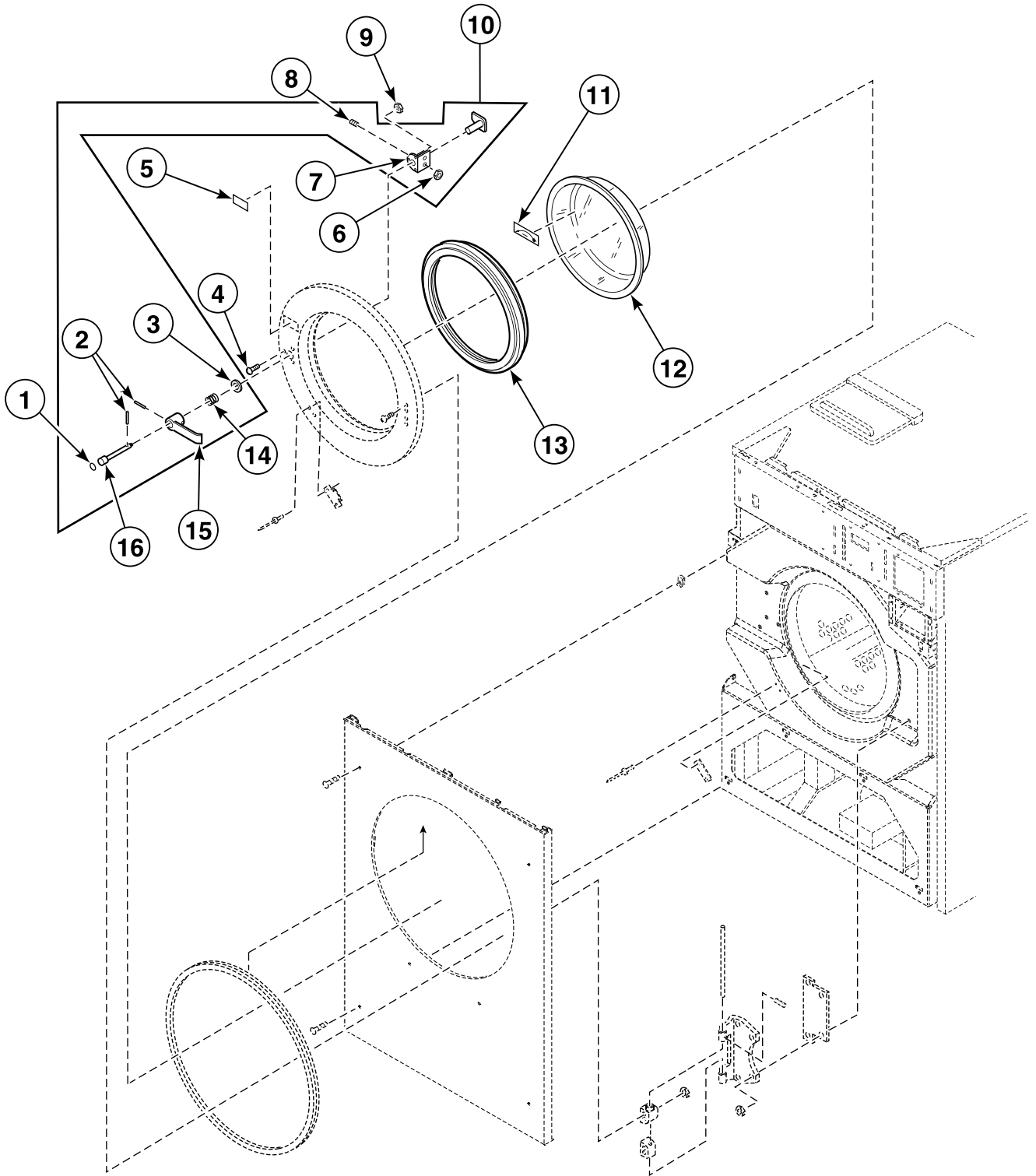


CHM2561P_F232194

Pump Drain Option - All Models Except DC30, HC30, SC30 and UC30 E-Voltage Models

REF	PART NO.	DESCRIPTION	COMMENTS
1	F200204	Hose Clamp	No. 20
2	F150352	Overflow Plug	
3	F150343	Rear Pump Drain Hose	
4	F200401P	U-Bolt Clamp	Includes nuts
5	F603827-1	Pipe	
6	F604147	Pump Drain Rear Connecting Bracket	
7	F430107	Screw	
8	F430215	Nut	
9	F200115	Hose	
10	F270119P	Drain Pump	120 Volt
	F270104P	Pump	220 Volt/50 Hertz
	F200000900P	Pump	220 Volt/60 Hertz
11	F430519	Screw	
12	F200195	Hose	
13	F609694	Pump Drain Trap Mounting Bracket	
14	F150443	Plug	
15	F200213	Hose Clamp	No. 40
16	F606192-5	Tubing	
17	F430310	Washer	
18	F200217	Hose Clamp	
19	F630326P	Pump Drain Trap Assembly	Includes items 14-18

Door (Drawing 1 of 3)

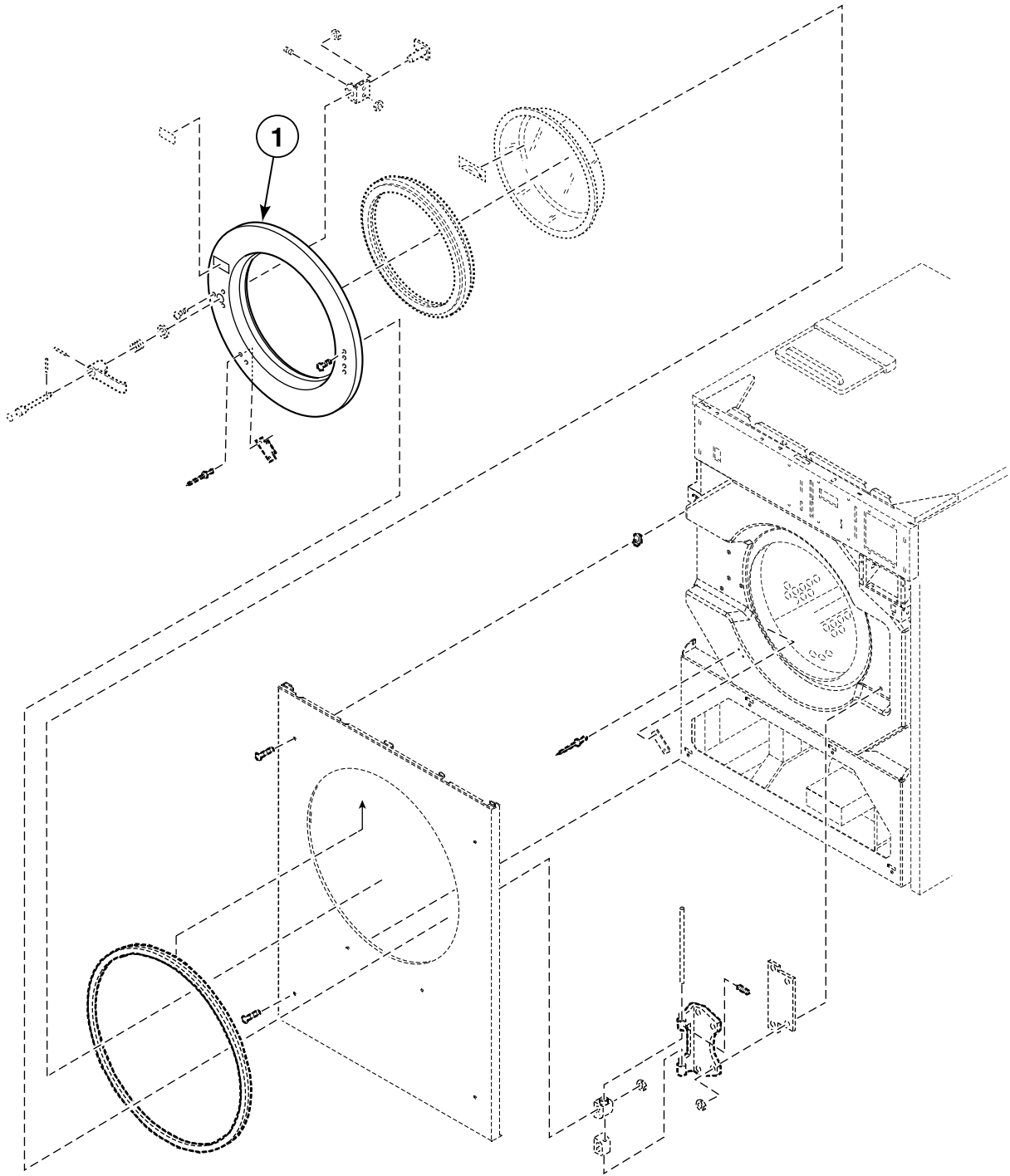


CHM2516P_F232194

Door (Drawing 1 of 3)

REF	PART NO.	DESCRIPTION	COMMENTS
1	F230662	Red Dot Decal	
2	F431222	Spring Pin	
3	F431916	Washer	
4	F430976	Screw	
5	F230661	Push Red Button Decal	
6	F431041	Nut	
7	F0150273-00	Door Spacer	
8	F430532	Screw	DC20, HC20, HC25, SC20, SC25 and UC20 models
	F430533	Screw	DC30, DC40, DC60, HC30, HC40, HC50, HC60, SC30, SC40, SC50, UC30, UC40, UC50 and UC60 models
9	F430232	Nut	
10	F730155	Door Handle Kit	Includes items 1-3, 6-8 and 14-16
11	F230693	Counterclockwise Spin Rotation Decal	English
	F230914	Spin Rotation Decal	Universal
12	F290205P	Door Glass Kit	DC20, HC20, HC25, SC20, SC25 and UC20 models
	F290207P	Door Glass Kit	DC30, HC30, SC30 and UC30 models
	F290208P	Door Glass	DC40, DC60, HC40, HC50, HC60, SC40, SC50, SC60, UC40, UC50 and UC60 models
13	F200000200	Door Gasket	DC20, HC20, HC25, SC20, SC25 and UC20 models; Pantone
	F200000202	Door Gasket	DC20, HC20, HC25, SC20, SC25 and UC20 models; Black
	F170123-1	Door Gasket	DC30, HC30, SC30 and UC30 models; Pantone
	F017012302	Door Gasket	DC30, HC30, SC30 and UC30 models; Black
	F170124-1	Door Gasket	DC40, DC60, HC40, HC50, HC60, SC40, SC50, SC60, UC40, UC50 and UC60 models; Pantone
	F017012402	Door Gasket	DC40, DC60, HC40, HC50, HC60, SC40, SC50, SC60, UC40, UC50 and UC60 models; Black
14	F310125	Door Lock Spring	
15	F150225	Door Handle	
16	F320300	Pushbutton Rod	

Door (Drawing 2 of 3)

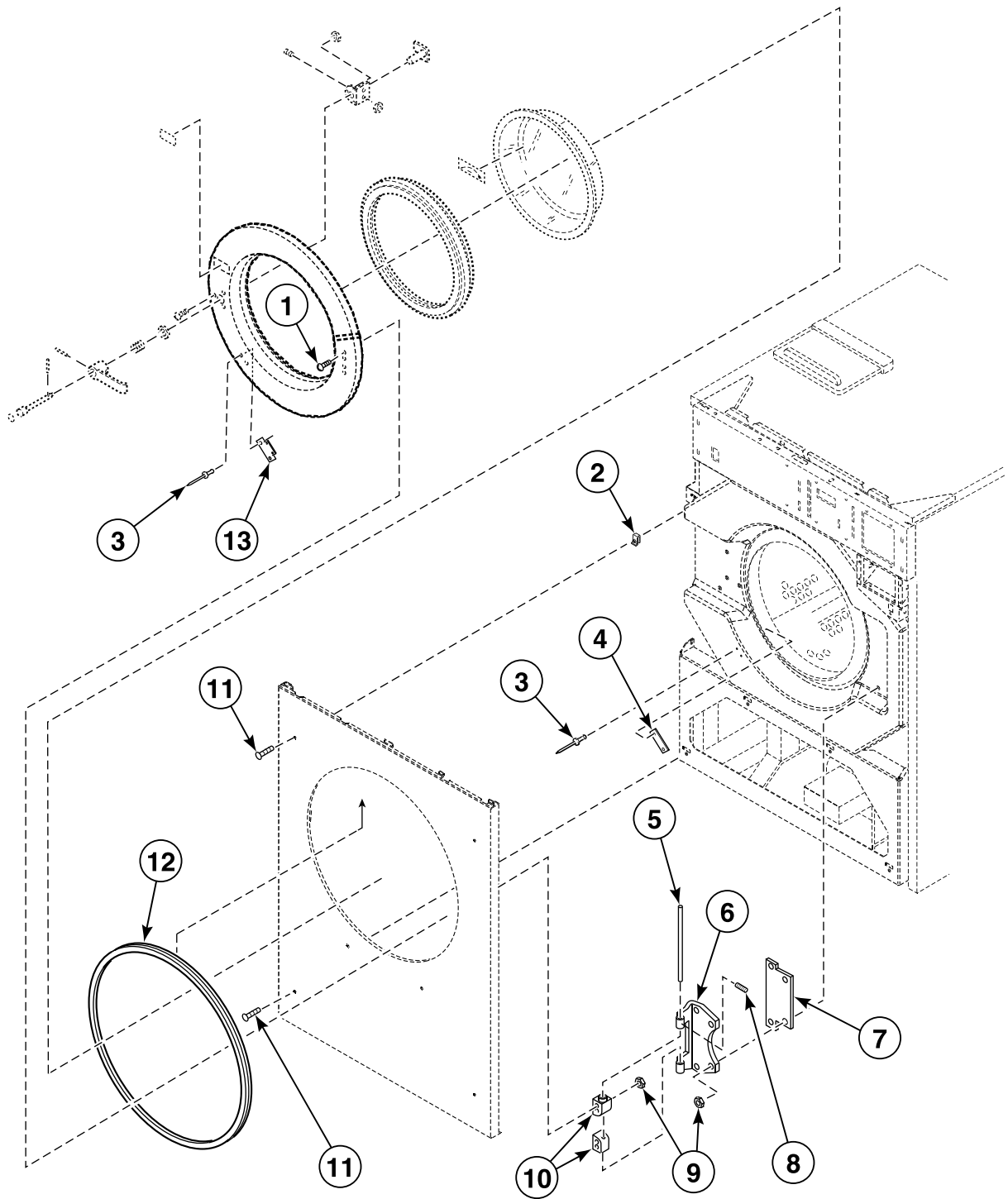


CHM2517P_F232194

Door (Drawing 2 of 3)

REF	PART NO.	DESCRIPTION	COMMENTS
1	F604079-4	Door Assembly	DC20, HC20, HC25, SC20 and SC25 AC, AL, AX, AY, BC, BL, BX and BY models; Includes F430215 Nut, F340703 Magnet, door spacer, door glass, handle, gasket, hinge, latch arm and pushbutton rod; Pantone gasket
	F8150301	Door Assembly	DC20, HC20, HC25, SC20 and SC25 AC, AL, AX, AY, BC, BL, BX and BY models; Includes F430215 Nut, F340703 Magnet, F0150273-00 Door Spacer, F150225 Door Handle, F0602431-02 Door Stamping, F200000202 Door Gasket, F200212901 Door Hinge Assembly, F290205 Door Glass, F430232 Nut, F430532 Screw, F430533 Screw, F430916 Screw, F430974 Bolt, F430976 Screw, F431022 Nut, F431024 Nut, F431041 Nut, F431113 Washer, F431123 Washer, F431222 Spring Pin, F431907 Washer, F431916 Washer and F200095500 Latch Arm Sub-Assembly; Black gasket
	F604079-5	Door Assembly	HC20, SC20 and UC20 AN and BN models; Includes F430215 Nut, F340703 Magnet, door spacer, door glass, handle, gasket, hinge, latch arm and pushbutton rod; Pantone gasket
	F603239-4	Door Assembly	DC30, HC30 and SC30 AC, AL, AX, AY, BC, BL, BX and BY models; Includes F430215 Nut, F340703 Magnet, door spacer, door glass, handle, gasket, hinge, latch arm and pushbutton rod; Pantone gasket
	F8150401	Door Assembly	DC30, HC30 and SC30 AC, AL, AX, AY, BC, BL, BX and BY models; Includes F430215 Nut, F340703 Magnet, F0150225-00 Door Spacer, F017012302 Door Gasket, F0602837-02 Door Stamping, F200212901 Door Hinge Assembly, F290207 Door Glass, F430232 Nut, F430533 Screw, F430916 Screw, F430974 Bolt, F430976 Screw, F431022 Nut, F431041 Nut, F431113 Washer, F431123 Washer, F431222 Spring Pin, F431907 Washer, F200095500 Latch Arm Sub-Assembly and F230662 Red Dot Decal; Black gasket
	F060323905	Door Assembly	HC30, SC30 and UC30 AN and BN models; Includes F430215 Nut, F340703 Magnet, door spacer, door glass, handle, gasket, hinge, latch arm and pushbutton rod; Pantone gasket
	F603901-4	Door Assembly	DC40, DC60, HC40, HC50, HC60, SC40, SC50 and SC60 AC, AL, AX, AY, BC, BL, BX and BY models; Includes F430215 Nut, F340703 Magnet, door spacer, door glass, handle, gasket, hinge, latch arm and pushbutton rod; Pantone gasket
	F8150501	Door Assembly	DC40, DC60, HC40, HC50, HC60, SC40, SC50 and SC60 AC, AL, AX, AY, BC, BL, BX and BY models; Includes F430215 Nut, F340703 Magnet, F0150225-00 Door Handle, F0150273-00 Door Spacer, F017012402 Door Gasket, F200095500 Latch Arm Sub-Assembly, F200213200 Door Hinge Assembly, F200321500 Door Magnet Shim, F230662 Red Dot Decal, F290208 Door Glass, F430232 Nut, F430533 Screw, F430916 Screw, F430974 Bolt, F430976 Screw, F431022 Nut, F431041 Nut, F431113 Washer, F431123 Washer, F431222 Spring Pin, F431907 Washer, F431916 Washer and F602842-2 Door; Black gasket
	F603901-5	Door Assembly	HC40, HC50, HC60, SC40, SC50, SC60, UC40, UC50 and UC60 AN and BN models; Includes F430215 Nut, F340703 Magnet, door spacer, door glass, handle, gasket, hinge, latch arm and pushbutton rod; Pantone gasket

Door (Drawing 3 of 3)

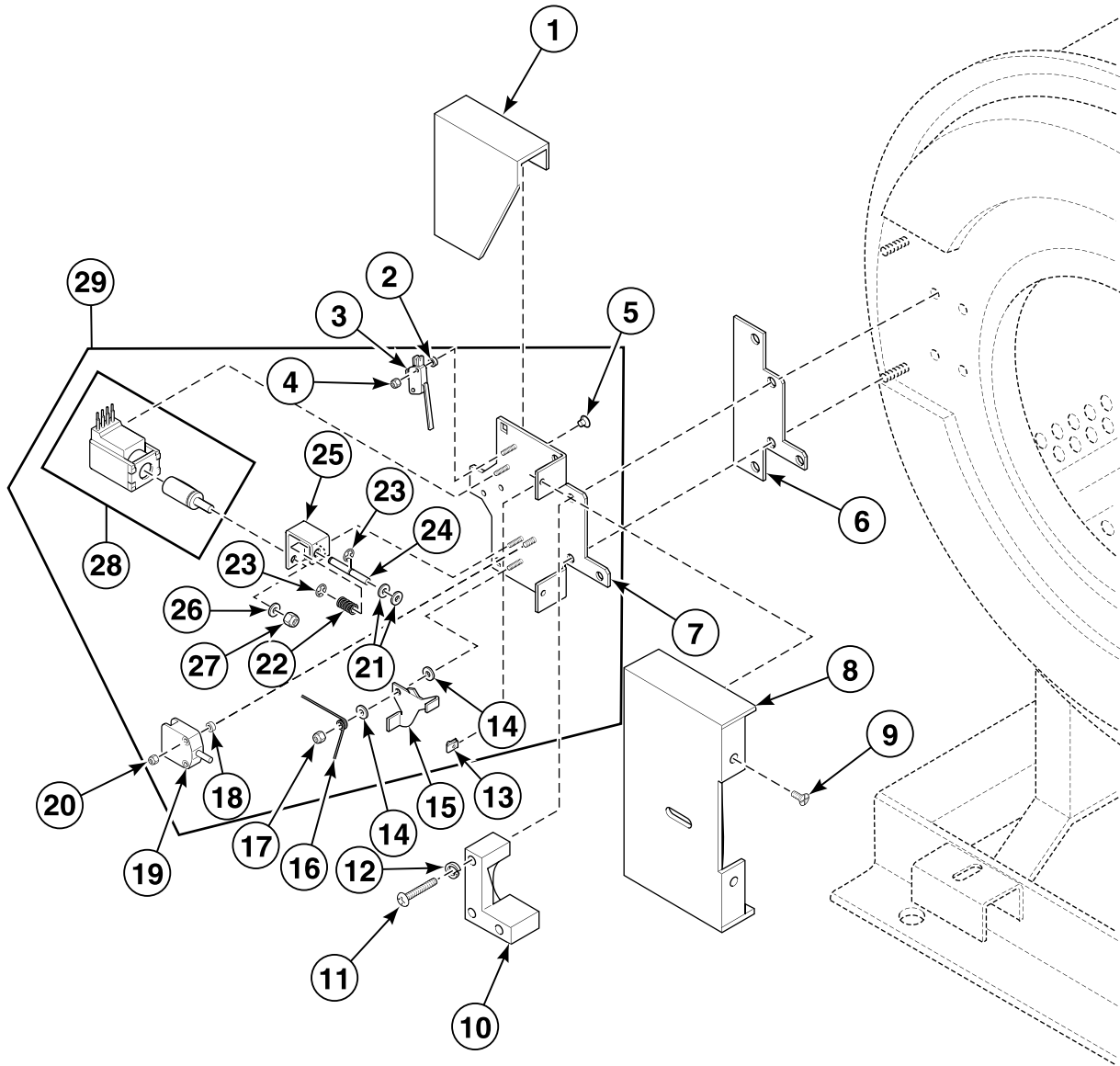


CHM2517PA_F232194

Door (Drawing 3 of 3)

REF	PART NO.	DESCRIPTION	COMMENTS
1	F430906	Screw	
2	F430264	Nut	Tinnerman
3	F431223	Pop Rivet	
4	F631990	Magnetic Switch Assembly	2 speed models
	F200321300	Magnetic Switch Assembly	Variable speed and F speed models
5	F602813-2	Rod	DC20, DC30, HC20, HC25, HC30, SC20, SC25, SC30, UC20 and UC30 models
	F602813-3	Rod	DC40, DC60, HC40, HC50, HC60, SC40, SC50, SC60, UC40, UC50 and UC60 models
6	F190216P	Door Hinge	
7	F200131000P	Door Hinge Shim Kit	Includes 2 shims; Use as needed
8	F430536	Screw	
9	F430215	Nut	
10	F150271	Door Mount	
11	F430956	Screw	
12	F015050100P	Trim	
13	F340703	Magnet	AN, BN and CE AC, AL, AX, AY, BC, BL, BX and BY models

Door Lock - AC, AL, AX, AY, BC, BL, BX and BY Models

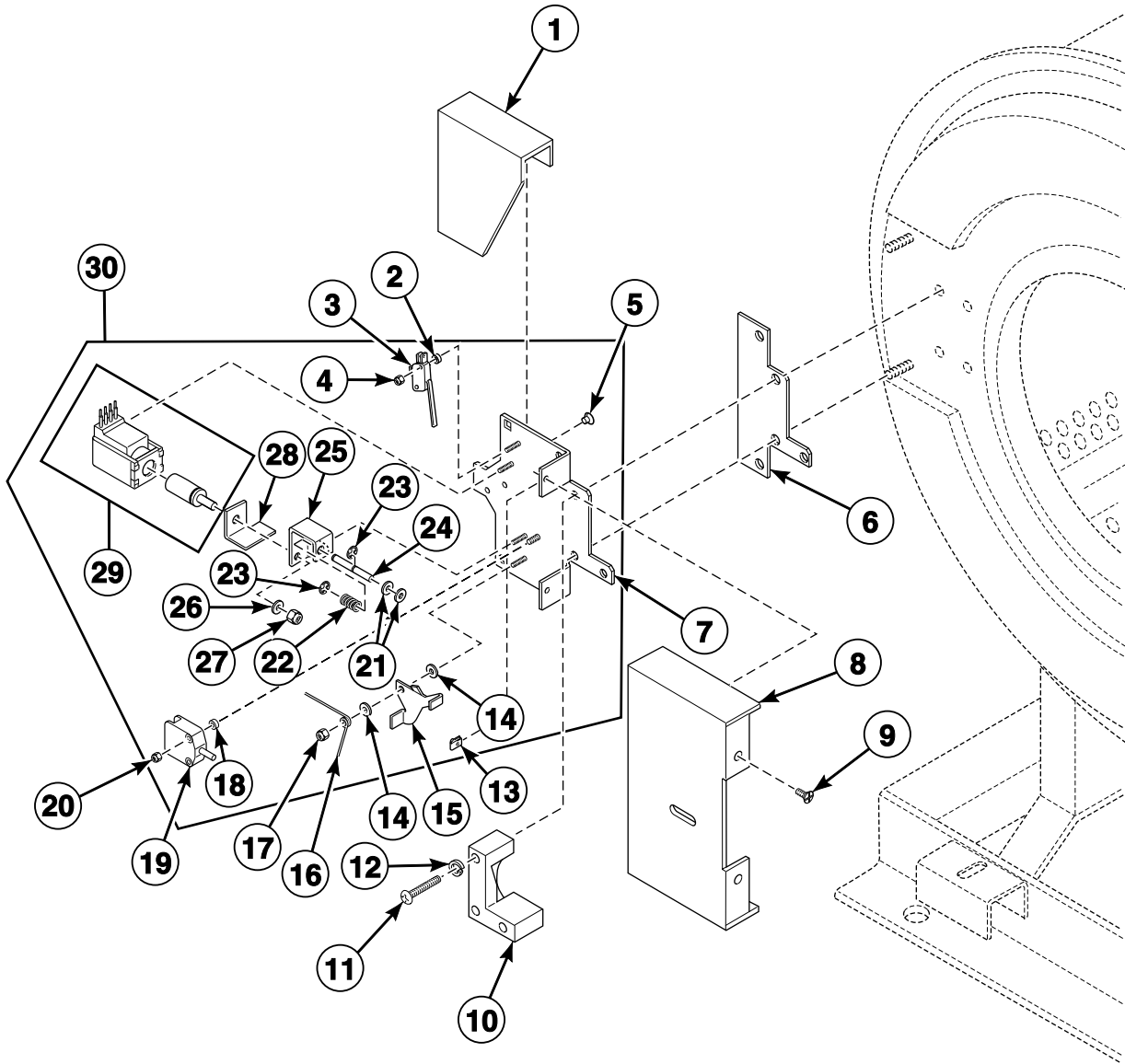


CHM2844P_F232194

Door Lock - AC, AL, AX, AY, BC, BL, BX and BY Models

REF	PART NO.	DESCRIPTION	COMMENTS
1	F320200	Door Lock Splash Shield	
2	F431901	Spacer	
3	F200203200	Door Lock Microswitch	
4	F430225	Nut	
5	F430977	Screw	
6	F8059701	Door Lock Plate Shim	
7	F8066701	Door Lock Plate Assembly	
8	F603003	Door Lock Assembly Cover	
9	F430956	Screw	
10	F150261	Door Lock Catch Casting	
11	F430982	Screw	
12	F431100	Washer	
13	F430264	Nut	
14	F431902	Washer	
15	F0636636-00	Door Lock Switch Lever	
16	F310110	Door Lock Torsion Spring	
17	F430232	Nut	
18	F431901	Spacer	
19	F340200	Door Switch	
20	F430231	Nut	
21	F431147	Washer	
22	F310137	Door Lock Pin Release Spring	
23	F310205	E-Ring Retainer	
24	F431231	Door Locking Linkage Pin	
25	F150455	Door Lock Pin Linkage	
26	F431123	Washer	
27	F431017	Nut	
28	F300124P	Solenoid	Includes harness
29	F200321400	Door Lock Assembly	2 speed models without heat; Includes door lock switch harness, magnetic switch assembly, rivet and items 2-5, 7 and 13-28
	F200321401	Door Lock Assembly	2 speed models with heat; Includes door lock switch harness, magnetic switch assembly, rivet and items 2-5, 7 and 13-28
	F200321402	Door Lock Assembly	Variable speed and F speed models without heat; Includes door lock switch harness, door lock solenoid harness, magnetic switch assembly, screw, nut and items 2-5, 7 and 13-28
	F200321403	Door Lock Assembly	Variable speed and F speed models with heat; Includes door lock switch harness, door lock solenoid harness, magnetic switch assembly, screw, nut and items 2-5, 7 and 13-28

Door Lock - AN and BN Models

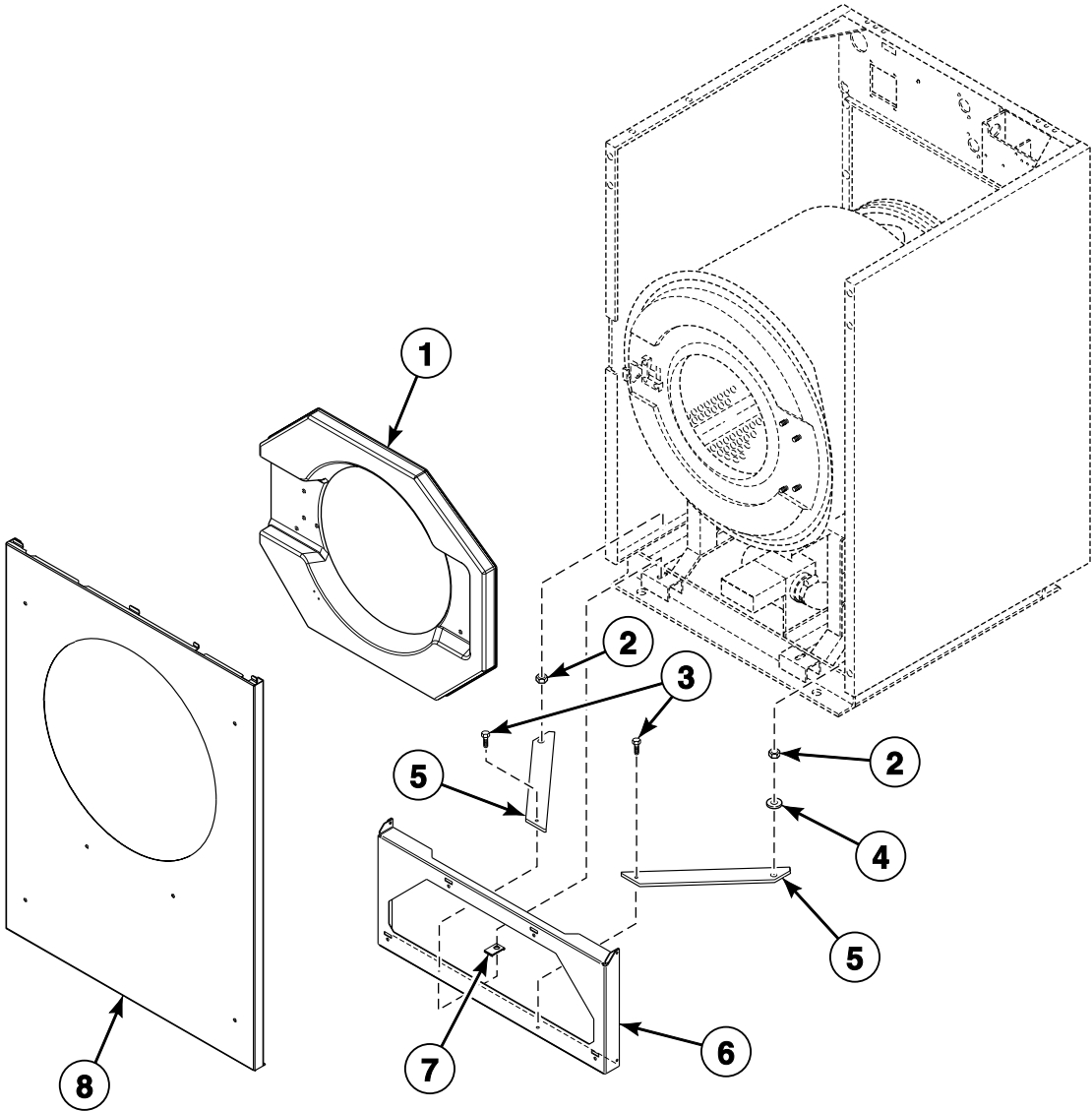


CHM2845P_F232194

Door Lock - AN and BN Models

REF	PART NO.	DESCRIPTION	COMMENTS
1	F320200	Door Lock Splash Shield	
2	F431901	Spacer	
3	F200203200	Door Lock Microswitch	
4	F430225	Nut	
5	F430977	Screw	
6	F8059701	Door Lock Plate Shim	
7	F8066701	Door Lock Plate Assembly	
8	F603003	Door Lock Assembly Cover	
9	F430956	Screw	
10	F150261	Door Lock Catch Casting	
11	F430982	Screw	
12	F431100	Washer	
13	F430264	Nut	
14	F431902	Washer	
15	F0636636-00	Door Lock Switch Lever	
16	F310110	Door Lock Torsion Spring	
17	F430232	Nut	
18	F431901	Spacer	
19	F340200	Door Switch	
20	F430231	Nut	
21	F431147	Washer	
22	F310137	Door Lock Pin Release Spring	
23	F310205	E-Ring Retainer	
24	F431231	Door Locking Linkage Pin	
25	F150455	Door Lock Pin Linkage	
26	F431123	Washer	
27	F431017	Nut	
28	F0636103-00	Door Lock Retainer Latch	
29	F0300131-00P	Door Lock Solenoid	220 Volt
30	F200136801	Door Lock Assembly	C-voltage models; Includes items 2-5, 7, 13-29 and the wire harness
	F200136800P	Door Lock Assembly	All other voltage models; Includes items 2-5, 7, 13-29 and the wire harness

Inner and Outer Front Panels - AN, AY, BL, BN and BY Models



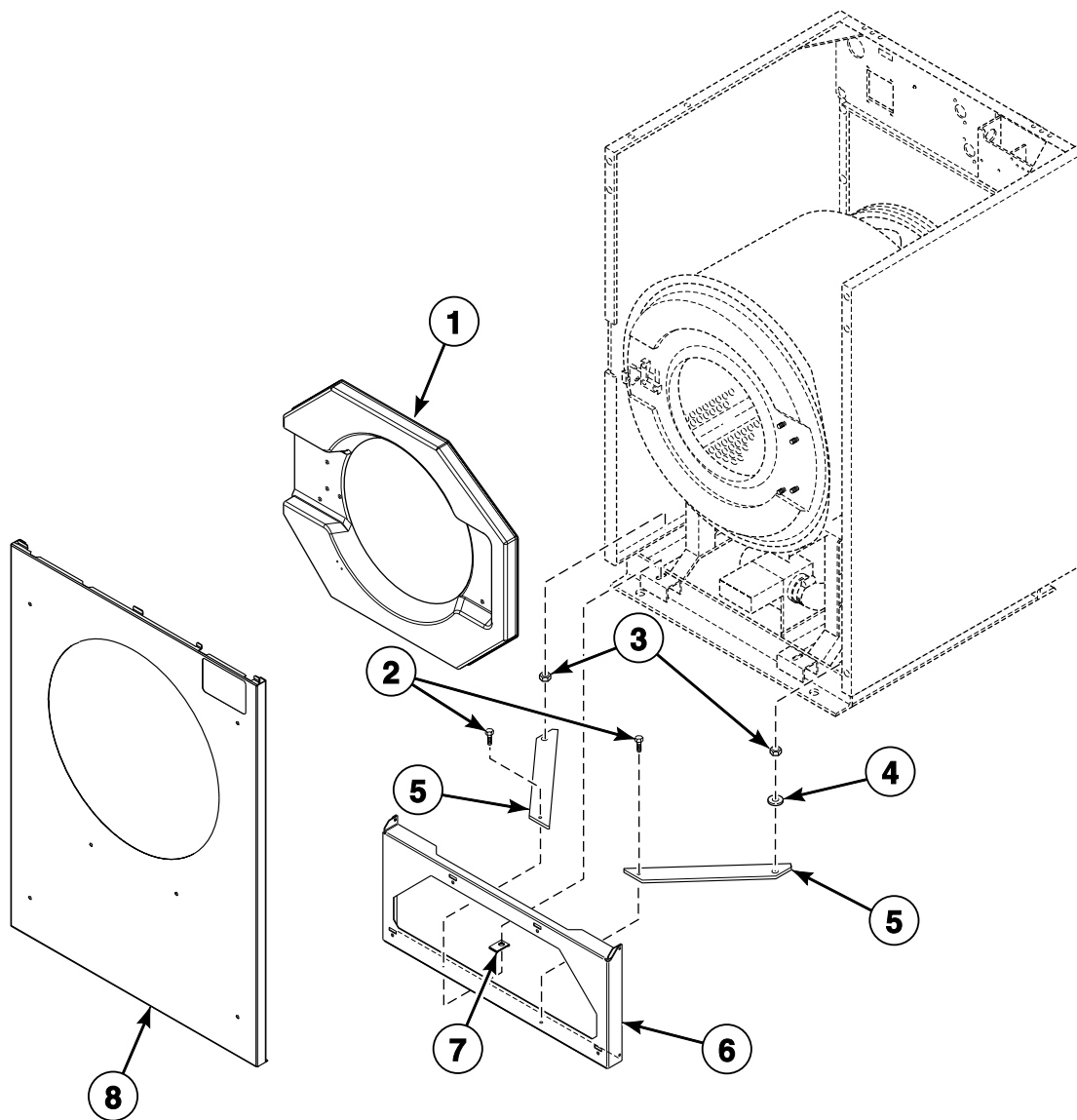
CHM2518P_F232194

Inner and Outer Front Panels - AN, AY, BL, BN and BY Models

REF	PART NO.	DESCRIPTION	COMMENTS
1	F634668-1	Door Bezel	SC20 and UC20 models
	F634668-2	Door Bezel	HC20 models
	F170417-1	Door Bezel	SC30 and UC30 models
	F634472-2	Door Bezel	HC30 models
	F0170426-00	Door Bezel	SC40, SC50, SC60, UC40, UC50 and UC60 models
	F0170426-10	Door Bezel	HC40, HC50 and HC60 models
2	F430233	Nut	HC40, SC40 and UC40 models
3	F430174	Screw	HC40, SC40 and UC40 models
4	M405535	Washer	HC40, SC40 and UC40 models
5	F200168900	Cabinet Corner Stiffener	HC40, SC40 and UC40 models
6	F634800	Cabinet Brace	HC20, SC20 and UC20 models
	F634801	Cabinet Brace	HC30, SC30 and UC30 models
	F0636217-00	Cabinet Brace	HC40, SC40 and UC40 models
	F634803P	Cabinet Brace	HC50, HC60, SC50, SC60, UC50 and UC60 models
7	F430264	Nut	
8	F634683-1P	Front Panel	Stainless steel; HC20, SC20 and UC20 models
	N/A	Front Panel	Almond; HC20, SC20 and UC20 models
	N/A	Front Panel	White; HC20, SC20 and UC20 models
	F634837-1	Front Panel	Stainless steel; HC25 and SC25 models
	F8200402P	Front Panel	Stainless steel; HC30, SC30 and UC30 models
	F634666-2	Front Panel	Almond; HC30, SC30 and UC30 models
	F634666-5	Front Panel	White; HC30, SC30 and UC30 models
	F8200502P	Front Panel	Stainless steel; HC40, SC40 and UC40 models
	N/A	Front Panel	White; HC40, SC40 and UC40 models
	F8200602P	Front Panel	Stainless steel; HC50, HC60, SC50, SC60, UC50 and UC60 models
	F634765-5	Front Panel	White; HC50, HC60, SC50, SC60, UC50 and UC60 models

N/A = Part no longer available

Inner and Outer Front Panels - AC, AL, AX, BC and BX Models



CHM2519P_F232194

Inner and Outer Front Panels - AC, AL, AX, BC and BX Models

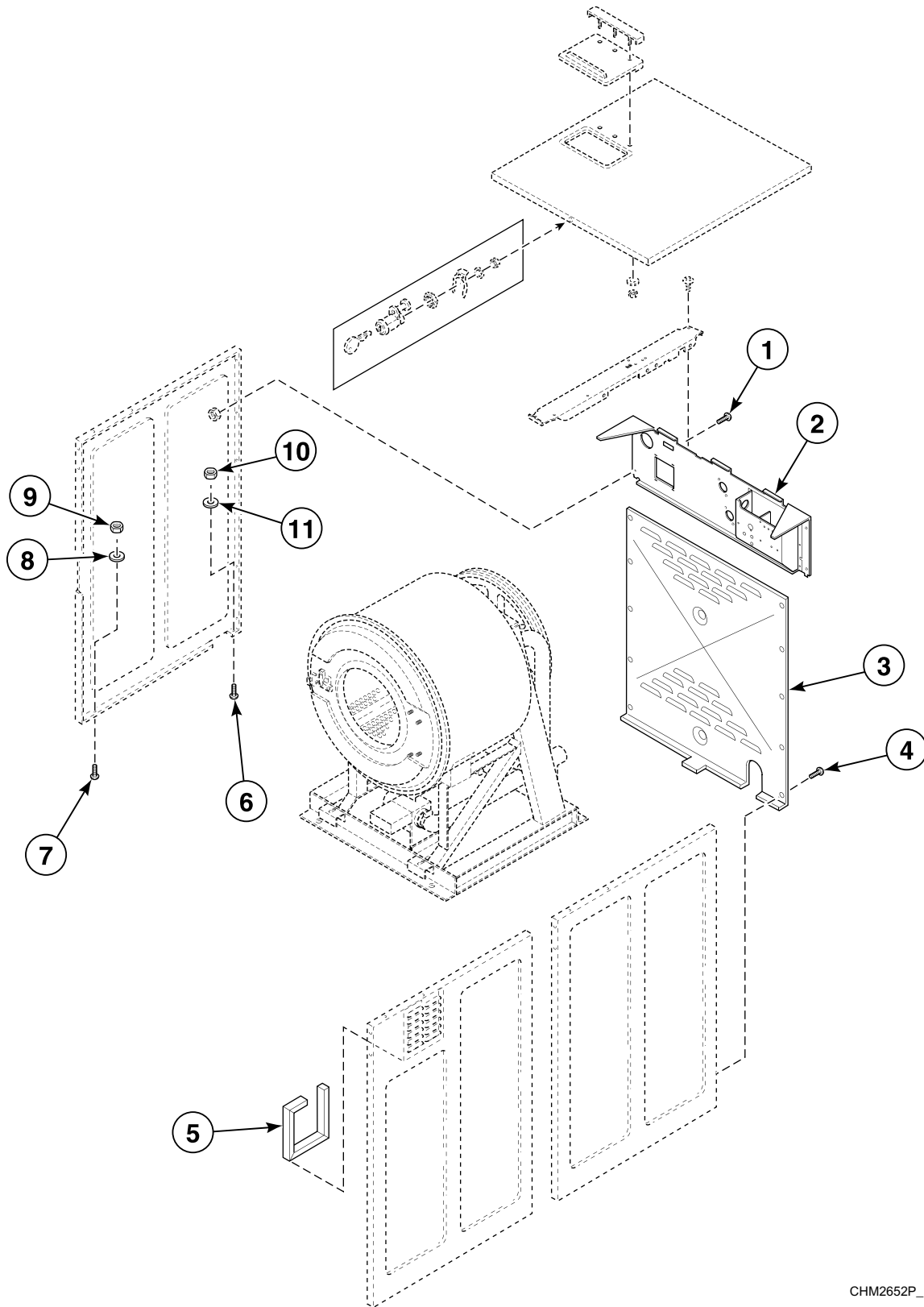
REF	PART NO.	DESCRIPTION	COMMENTS
1	F634668-1	Door Bezel	DC20, SC20 and SC25 models
	F634668-2	Door Bezel	HC20 and HC25 models
	F170417-1	Door Bezel	DC30 and SC30 models
	F634472-2	Door Bezel	HC30 models
	F0170426-00	Door Bezel	DC40, DC60, SC40, SC50 and SC60 models
	F0170426-10	Door Bezel	HC40, HC50 and HC60 models
2	F430174	Screw	DC40, HC40 and SC40 models
3	F430233	Nut	DC40, HC40 and SC40 models
4	M405535	Washer	DC40, HC40 and SC40 models
5	F200168900	Cabinet Corner Stiffener	DC40, HC40 and SC40 models
6	F634800	Cabinet Brace	DC20, HC20, HC25, SC20 and SC25 models
	F634801	Cabinet Brace	DC30, HC30 and SC30 models
	F0636217-00	Cabinet Brace	DC40, HC40 and SC40 models
	F634803P	Cabinet Brace	DC60, HC50, HC60, SC50 and SC60 models
7	F430264	Nut	
8	F634682-1P	Front Panel	Stainless steel; DC20, HC20 and SC20 models
	F634682-2	Front Panel	Almond; DC20, HC20 and SC20 models
	F634682-5	Front Panel	White; DC20, HC20 and SC20 models
	F634682-6	Front Panel	Orange; DC20, HC20 and SC20 models
	F634836-1P	Front Panel	Stainless steel; HC25 and SC25 models
	F634836-2	Front Panel	Almond; HC25 and SC25 models
	N/A	Front Panel	White; HC25 and SC25 models
	F634836-6	Front Panel	Orange; HC25 and SC25 models
	F8200401P	Front Panel	Stainless steel; DC30, HC30 and SC30 models
	F634665-2	Front Panel	Almond; DC30, HC30 and SC30 models
	F634665-5	Front Panel	White; DC30, HC30 and SC30 models
	F0635983-00P	Front Panel	Stainless steel; DC40, HC40 and SC40 models
	N/A	Front Panel	White; DC40, HC40 and SC40 models
	F8200601P	Front Panel	Stainless steel; DC60, HC50, HC60, SC50 and SC60 models
	F634764-2	Front Panel	Almond; DC60, HC50, HC60, SC50 and SC60 models
	F634764-5	Front Panel	White; DC60, HC50, HC60, SC50 and SC60 models
	F634764-6	Front Panel	Orange; DC60, HC50, HC60, SC50 and SC60 models

N/A = Part no longer available

Panels (Drawing 1 of 3)

REF	PART NO.	DESCRIPTION	COMMENTS
1	F190805-1	Key	
2	F0190808-00P	Lid Lock Pin	
3	F431024	Nut	
4	F431147	Washer	
5	F200270500	Supply Dispenser Lid	
6	F630430	Lid Clamp Assembly	
7	F063618900P	Top Cover Assembly	DC20, HC20, SC20 and UC20 models; Includes items 1-6
	F063659800P	Top Cover Assembly	HC25 and SC25 models; Includes items 1-6
	F063652000P	Top Cover Assembly	DC30, HC30, SC30 and UC30 models; Includes items 1-6
	F063664000P	Top Cover Assembly	DC40, HC40, SC40 and UC40 models; Includes items 1-6
	F063632700	Top Cover Assembly	HC50, SC50 and UC50 models; Includes items 1-6
	F063771200P	Top Cover Assembly	DC60, HC60, SC60 and UC60 models; Includes items 1-6
8	F430174	Screw	
9	F0636131-00	Cabinet Brace	DC20, HC20, SC20 and UC20 models
	F0636596-00	Cabinet Brace	HC25 and SC25 models
	F0636518-00	Cabinet Brace	DC30, HC30, SC30 and UC30 models
	F0636218-00	Cabinet Brace	DC40, HC40, SC40 and UC40 models
	F0636320-00	Cabinet Brace	HC50, SC50 and UC50 models
	F0637632-00	Cabinet Brace	DC60, HC60, SC60 and UC60 models

Panels (Drawing 2 of 3)



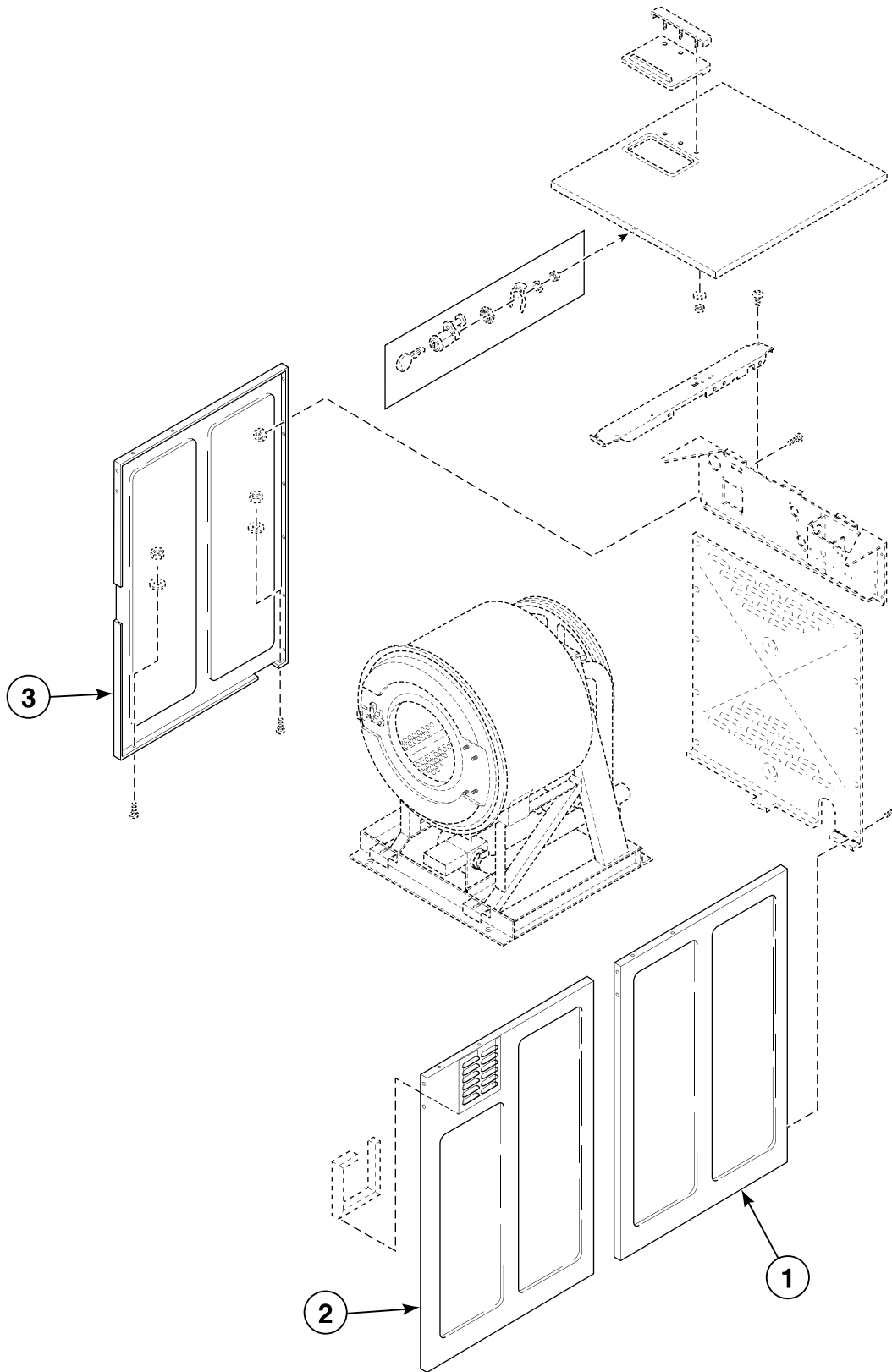
CHM2652P_F232194

Panels (Drawing 2 of 3)

REF	PART NO.	DESCRIPTION	COMMENTS
1	F430925	Screw	
2	F0636138-00	Valve Panel Assembly	DC20, HC20, HC25, SC20, SC25 and UC20 standard models
	F0636138-01	Valve Panel Assembly	DC20, HC20, HC25, SC20, SC25 and UC20 models with heat
	F0636521-00	Valve Panel Assembly	DC30, HC30, SC30 and UC30 standard models
	F0636521-01	Valve Panel Assembly	DC30, HC30, SC30 and UC30 models with heat
	F0636524-01	Valve Panel Assembly	DC40, HC40, SC40 and UC40 standard models
	F0636524-03	Valve Panel Sub-Assembly	DC40, HC40, SC40 and UC40 models with heat
	F0636297-00	Valve Panel Assembly	DC60, HC50, HC60, SC50, SC60, UC50 and UC60 standard models
	F0636297-01	Valve Panel Assembly	DC60, HC50, HC60, SC50, SC60, UC50 and UC60 models with heat
3	F757000	Rear Panel Kit	DC20, HC20, SC20 and UC20 models; Includes item 4
	F757001	Rear Panel Kit	HC25 and SC25 models; Includes item 4
	F0636321-00P	Rear Panel	DC30, HC30, SC30 and UC30 models
	F0636220-00P	Rear Panel	DC40, HC40, SC40 and UC40 models
	F757002	Rear Panel Kit	HC50, SC50 and UC50 models; Includes item 4
	F200022900P	Rear Panel	DC60, HC60, SC60 and UC60 models
4	F430174	Screw	
5	F0100316-00P	Ventilation Seal	Variable speed and F speed models
6	M400056	Screw	
7	F430107	Screw	
8	F0430348-00	Washer	
9	F431024	Nut	
10	F430233	Nut	
11	N/A	Washer	

N/A = Part no longer available

Panels (Drawing 3 of 3)

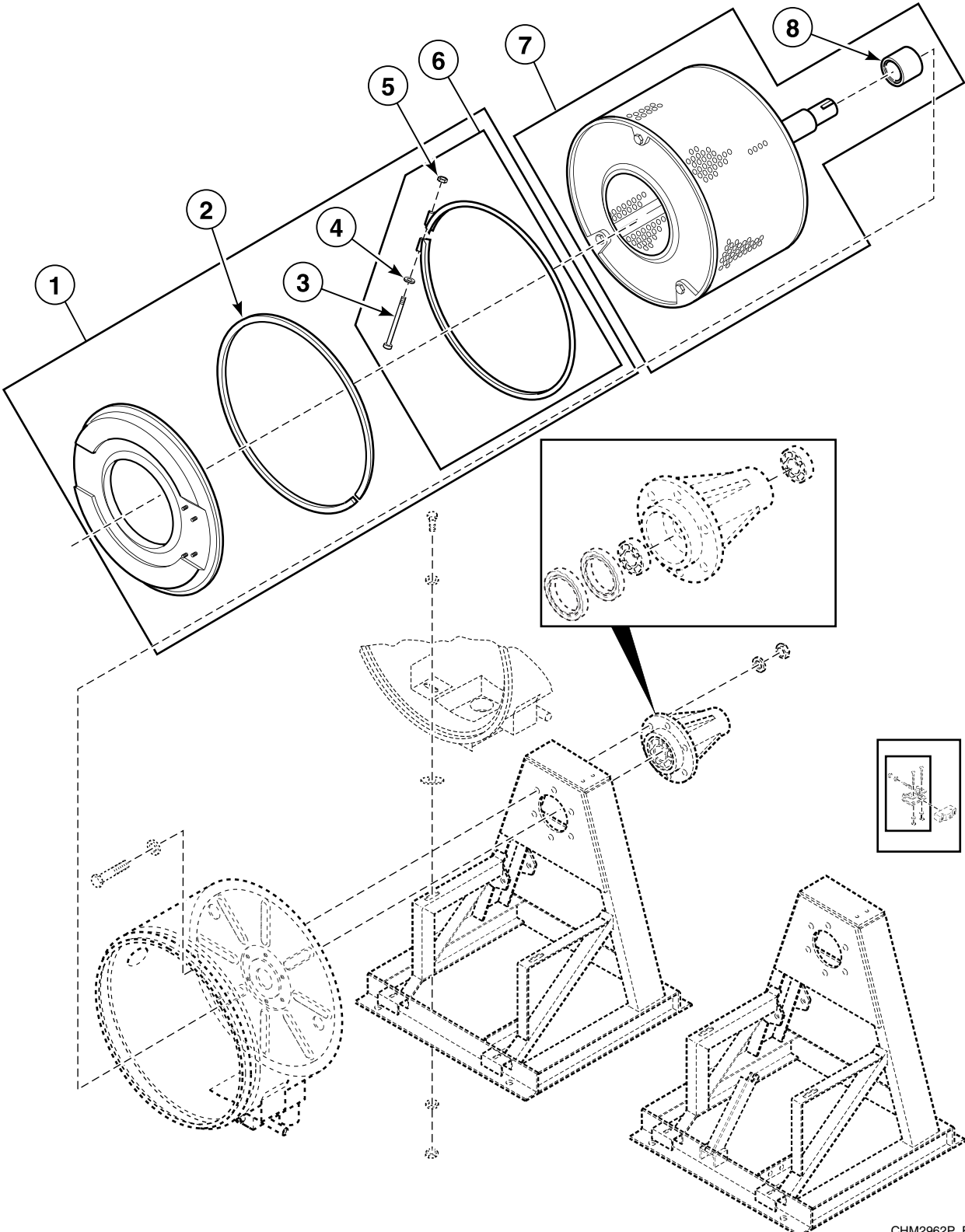


CHM2652PA_F232194

Panels (Drawing 3 of 3)

REF	PART NO.	DESCRIPTION	COMMENTS	
1	F0636135-00P	Right Side Panel	DC20, HC20, SC20 and UC20 2 speed models; stainless steel	
	F0636594-00P	Right Side Panel	Right; HC25 and SC25 models; stainless steel	
	F0636515-00P	Side Panel	Right; DC30, HC30, SC30 and UC30 2 speed models; stainless steel	
	F0635981-00P	Side Panel	Right; DC40, HC40, SC40 and UC40 2 speed models; stainless steel	
	F0636300-00P	Side Panel	Right; HC50, SC50 and UC50 models; stainless steel	
	F0637630-00P	Side Panel	Right; DC60, HC60, SC60 and UC60 2 speed models; stainless steel	
	F8157301	Right Side Panel	DC20, HC20, SC20 and UC20 2 speed models; Vinyl	
	F8156601	Right Side Panel	HC25 and SC25 models; Vinyl	
	F8155501	Right Side Panel	DC30, HC30, SC30 and UC30 2 speed models; Vinyl	
	F8155701	Right Side Panel	DC40, HC40, SC40 and UC40 2 speed models; Vinyl	
	F8160001	Right Side Panel	HC50, SC50 and UC50 models; Vinyl	
	F8160301	Right Side Panel	DC60, HC60, SC60 and UC60 2 speed models; Vinyl	
	2	F200178900P	Side Panel Assembly	Right; Model HC20ACV; stainless steel
		F8178001	Side Panel	Right; Model SC20ACV; Vinyl
F200178400		Panel Assembly	Right; Model HC30ACV; stainless steel	
F200178200		Side Panel Assembly	Right; Model HC40ACV; stainless steel	
F200171500P		Side Panel Assembly	Right; HC60, SC60 and UC60 variable and F speed models; stainless steel	
F8178101		Side Panel	Right; Model HC30ACV; Vinyl	
F8178201		Side Panel Assembly	Right; Model HC40ACV Vinyl	
F8178401		Side Panel Assembly	Right; HC60, SC60 and UC60 variable and F speed models; Vinyl	
3	F0636136-00P	Left Side Panel	DC20, HC20, SC20 and UC20 models; stainless steel	
	F0636595-00P	Left Side Panel	HC25 and SC25 models; stainless steel	
	F0636516-00P	Side Panel	Left; DC30, HC30, SC30 and UC30 models; stainless steel	
	F0635982-00P	Side Panel	Left; DC40, HC40, SC40 and UC40 models; stainless steel	
	F0636299-00	Side Panel	Left; HC50, SC50 and UC50 models; stainless steel	
	F0637628-00P	Side Panel	Left; DC60, HC60, SC60 and UC60 models; stainless steel	
	F8157401	Left Side Panel	DC20, HC20, SC20 and UC20 2 speed models; Vinyl	
	F8156701	Left Side Panel	HC25 and SC25 models; Vinyl	
	F8155601	Left Side Panel	DC30, HC30, SC30 and UC30 2 speed models; Vinyl	
	F8155901	Left Side Panel	DC40, HC40, SC40 and UC40 2 speed models; Vinyl	
	F8159901	Left Side Panel	HC50, SC50 and UC50 models; Vinyl	
	F8160101	Left Side Panel	DC60, HC60, SC60 and UC60 2 speed models; Vinyl	

Basket, Shell, Frame and Trunnion (Drawing 1 of 3)

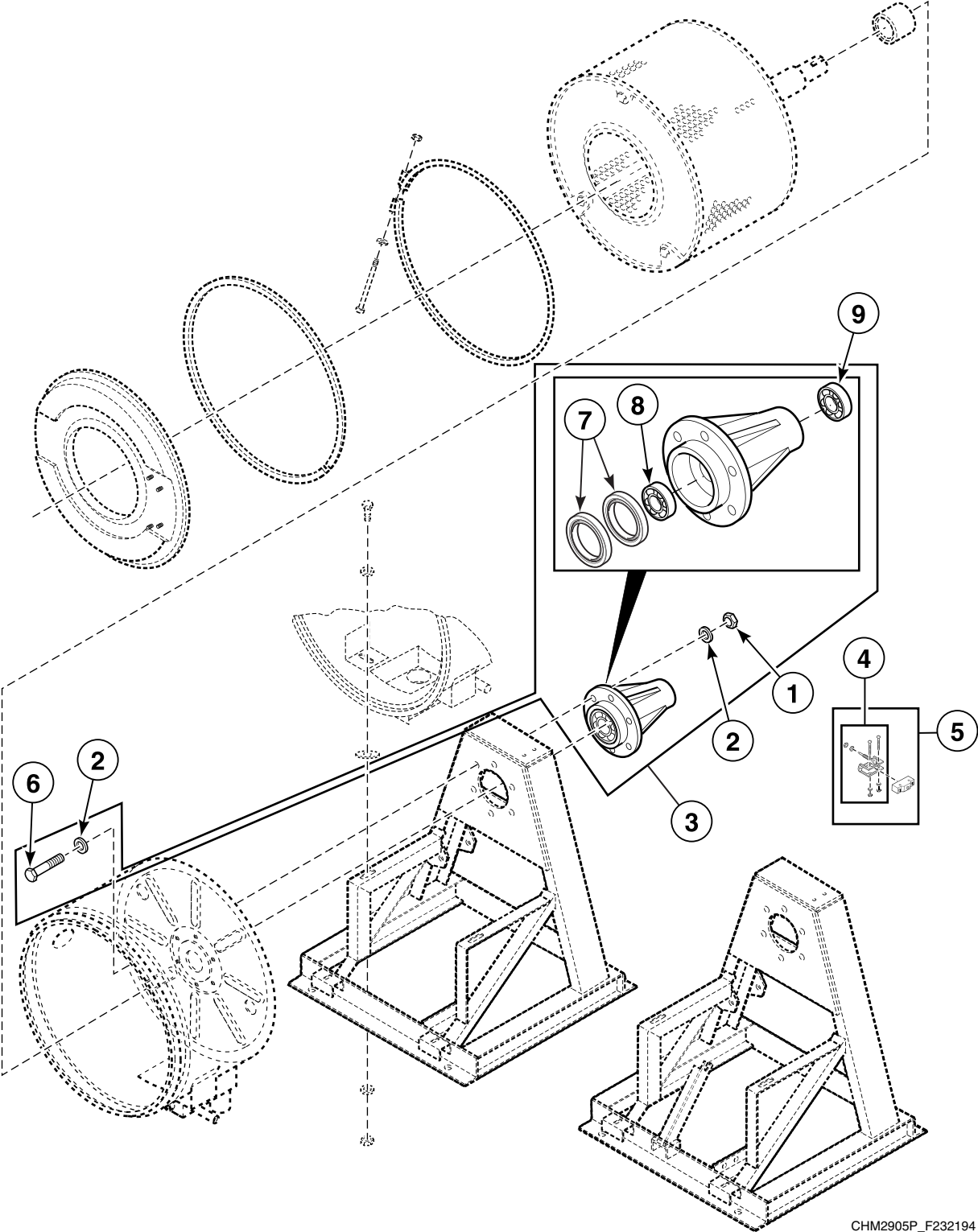


CHM2962P_F232194

Basket, Shell, Frame and Trunnion (Drawing 1 of 3)

REF	PART NO.	DESCRIPTION	COMMENTS
1	F741300P	Shell Front Kit	DC20, HC20, HC25, SC20, SC25 and UC20 models; Includes items 2-6
	F632006	Shell Front Assembly	DC30, HC30, SC30 and UC30 models; Includes items 2-6
	F0636283-00P	Shell Front Assembly	DC40, HC40, SC40 and UC40 models
	F741302-01	Shell Front Kit	DC60, HC50, HC60, SC50, SC60, UC50 and UC60 models; Includes items 2-6
2	F792000	Shell Front Gasket Kit	
3	F430518	Screw	
4	F430317	Washer	
5	F430215	Nut	
6	F741700	Shell Band Kit	DC20, HC20, HC25, SC20, SC25 and UC20 models; Includes items 3-5
	F631977	Shell Band Assembly	DC30, HC30, SC30 and UC30 models; Includes items 3-5
	F741701	Shell Band Kit	DC40, HC40, SC40 and UC40 models; Includes items 3-5
	F741702	Shell Band Kit	DC60, HC50, HC60, SC50, SC60, UC50 and UC60 models; Includes items 3-5
7	F8123501	Basket Assembly	DC20, HC20, SC20 and UC20 models through 11/6/06 that have been retrofitted with F934P3 Upgrade Kit or models starting 11/7/06; Includes item 8
	F8116001	Basket Assembly	DC40, HC40, SC40 and UC40 models through 10/14/07 that have been retrofitted with F941P3 Upgrade Kit or models starting 10/15/07; Includes item 8
	F934P3	Upgrade Kit	HC20, SC20 and UC20 models through 11/6/06; Includes item 8, F8123501 Basket Assembly and F747001 Trunnion Kit
	F941P3	Upgrade Kit	DC40, HC40, SC40 and UC40 models through 10/14/07; Includes item 8, F8116001 Basket Assembly and F747003 Trunnion Kit
	F8123601	Basket Assembly	HC25 and SC25 models; Includes item 8
	F8114201	Basket Assembly	DC30, HC30, SC30 and UC30 2 speed models; Includes item 8
	F0635965-00	Basket Assembly	DC40, HC40, SC40 and UC40 models through 10/14/07; Includes item 8
	F8123701	Basket Assembly	HC30 variable speed models; Includes item 8
	F603900-1	Basket Assembly	HC50, SC50 and UC50 models; Includes item 8
	F8116201	Basket Assembly	DC60, HC60, SC60 and UC60 models; Includes item 8
8	F8114302	Shaft Seal Sleeve	DC20, HC20, SC20 and UC20 models through 11/6/06 that have been retrofitted with F934P3 Upgrade Kit or models starting 11/7/06; HC25 and SC25 models
	F8114304	Shaft Seal Sleeve	DC40, HC40 and SC40 models through 10/14/07 that have been retrofitted with F941P3 Upgrade Kit or models starting 10/15/07
	F200215100	Shaft Seal Sleeve	HC20, SC20 and UC20 models through 11/6/06
	F8114303	Shaft Seal Sleeve	DC30, HC30, SC30 and UC30 2 speed models
	F200215300	Shaft Seal Sleeve	DC40, HC40, SC40 and UC40 models through 10/14/07
	F200215400	Shaft Seal Sleeve	HC50, SC50 and UC50 models
	F8114305	Shaft Seal Sleeve	DC60, HC60, SC60 and UC60 models
	F8114304	Shaft Seal Sleeve	HC30 variable speed models

Basket, Shell, Frame and Trunnion (Drawing 2 of 3)

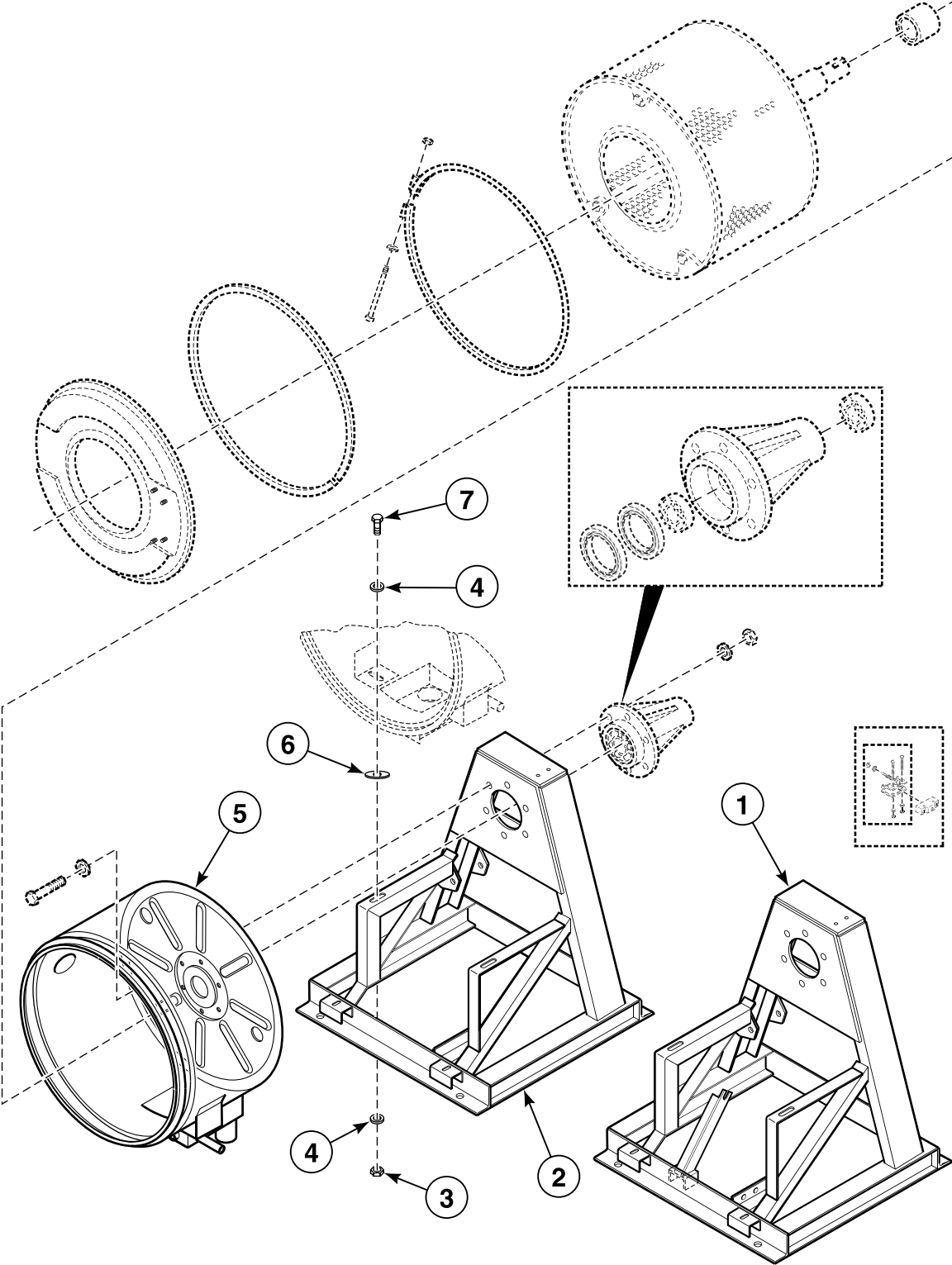


CHM2905P_F232194

Basket, Shell, Frame and Trunnion (Drawing 2 of 3)

REF	PART NO.	DESCRIPTION	COMMENTS
1	F430239	Nut	DC20, DC30, HC20, HC25, HC30, SC20, SC25, SC30, UC20 and UC30 models
	F430240	Nut	DC40, DC60, HC40, HC50, HC60, SC40, SC50, SC60, UC40, UC50 and UC60 models
2	F431128	Washer	DC20, DC30, HC20, HC25, HC30, SC20, SC25, SC30, UC20 and UC30 models
	F431131	Washer	DC40, DC60, HC40, HC50, HC60, SC40, SC50, SC60, UC40, UC50 and UC60 models
3	F747000	Trunnion Kit	HC20, SC20 and UC20 models through 11/6/06; Includes items 1, 2, 6-9 and F792000 Shell Front Gasket Kit
	F747001	Trunnion Kit	DC20, HC20, SC20 and UC20 models through 11/6/06 that have been retrofitted with F943P3 Upgrade Kit or models starting 11/7/06; HC25 and SC25 models; Includes items 1, 2, 6-9 and F792000 Shell Front Gasket Kit
	F747003	Trunnion Kit	DC40, HC40, SC40 and UC40 models through 10/14/07 that have been retrofitted with F941P3 Upgrade Kit or models starting 10/15/07; HC30 variable speed models; Includes items 1, 2, 6, 7, 9 and F792000 Shell Front Gasket Kit
	F747002	Trunnion Kit	DC30, HC30, SC30 and UC30 2 speed models; DC40, HC40, SC40 and UC40 models through 10/14/07; Includes items 1, 2, 6-9 and F792000 Shell Front Gasket Kit
	F747004	Trunnion Kit	HC50, SC50 and UC50 models; Includes items 1, 2, 6-9 and F792000 Shell Front Gasket Kit
	F747005	Trunnion Kit	DC60, HC60, SC60 and UC60 models; Includes items 1, 2, 6-9 and F792000 Shell Front Gasket Kit
4	F340901	Door Hinge Switch	Models HC20ACV, HC30ACV and HC40ACV
5	F340913	Switch Extension	Models HC20ACV, HC30ACV and HC40ACV
	F340900	Interlock Switch	Model HC60ACV
6	F430949	Screw	DC20, HC20, HC25, SC20, SC25 and UC20 models
	F430987	Screw	DC30, DC40, DC60, HC30, HC40, HC50, HC60, SC30, SC40, SC50, SC60, UC30, UC40, UC50 and UC60 models
7	F100208	Shaft Seal	DC20, HC20, SC20 and UC20 models
	F100242	Shaft Seal	HC25 and SC25 models
	F100228	Shaft Seal	DC30, DC40, HC30, HC40, SC30, SC40, UC30 and UC40 models
	F100229	Shaft Seal	HC50, SC50 and UC50 models
	F100241	Shaft Seal	DC60, HC60, SC60 and UC60 models
8	F100137	Bearing	DC20, HC20, SC20 and UC20 models starting 11/7/06; HC30 variable speed models; HC25 and SC25 models; 6308 2RS C3
	F100109P	Motor Bearing	HC20, SC20 and UC20 models through 11/6/06
	F100123P	Bearing	HC30, SC30 and UC30 2 speed models; DC40, DC60, HC40, HC50, SC40, SC50, UC40 and UC50 models; 6309 2RS
	F100135	Bearing	DC60, HC60, SC60 and UC60 models; 6313 2RS C3
	9	F100108	Bearing
F100136P		Bearing	DC20, HC20, SC20 and UC20 models starting 11/7/06; HC25 and SC25 models; 6307 2RS C3
F100109P		Motor Bearing	HC20, SC20 and UC20 models through 11/6/06
F100134		Bearing	HC30 variable speed models; DC60, HC60, SC60 and UC60 models; 6310 2RS C3
F100122		Bearing	HC50, SC50 and UC50 models; 6312 2RS C3

Basket, Shell, Frame and Trunnion (Drawing 3 of 3)



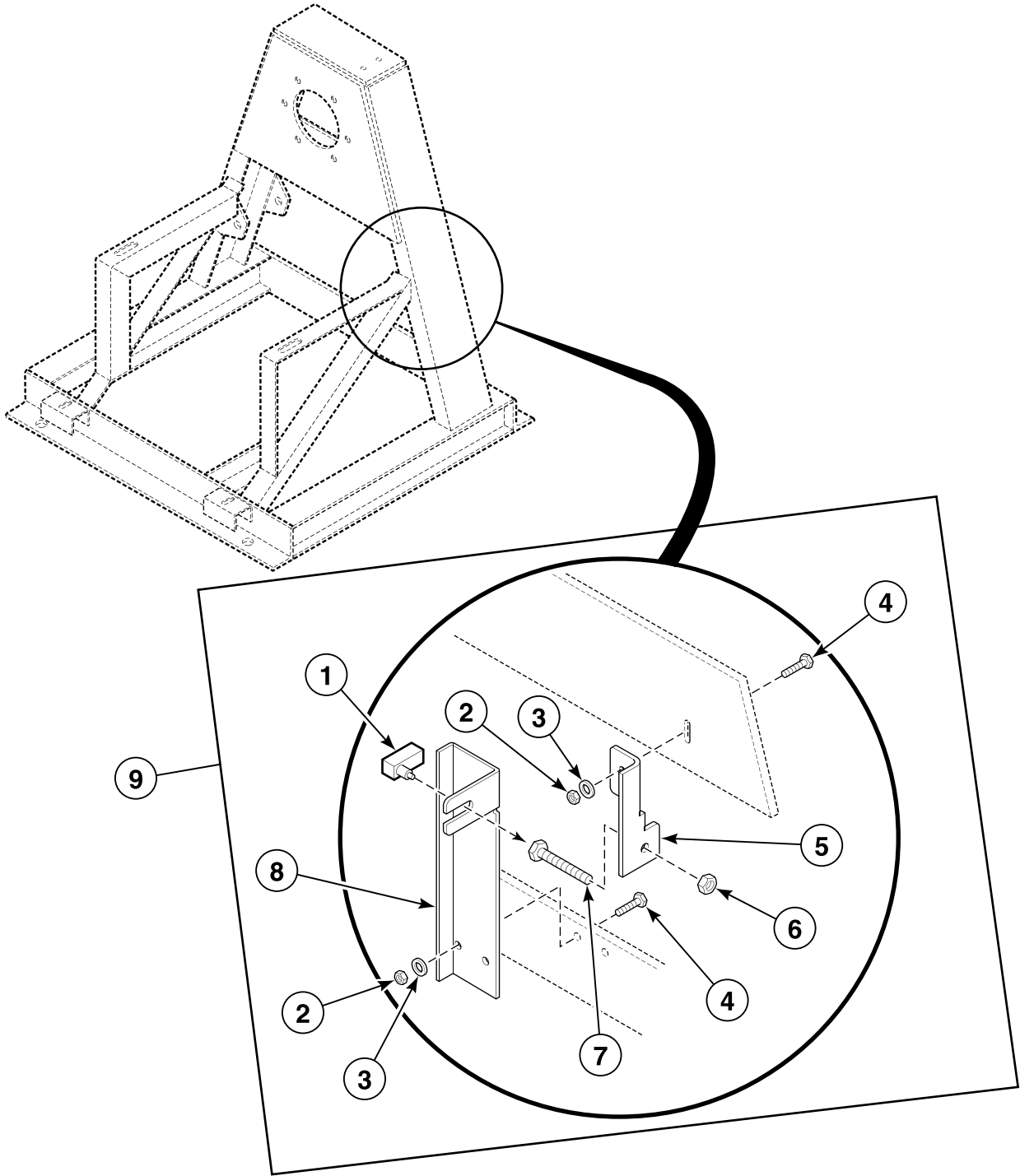
CHM2963P_F232194

Basket, Shell, Frame and Trunnion (Drawing 3 of 3)

REF	PART NO.	DESCRIPTION	COMMENTS
1	F633950	Frame Assembly	Model HC20ACV
	F634291	Frame Assembly	Model HC30ACV
	F200195301	Frame Weldment	Model HC40ACV standard starting 1/26/06
	F200195302	Frame Weldment	Model HC40ACV with heat option starting 1/26/06
	F0636108-01	Frame Weldment	Model HC40ACV standard through 1/25/06
	N/A	Frame Assembly	Model HC40ACV with heat option through 1/25/06
	F0637645-01	Frame Assembly	HC60, SC60 and UC60 F speed and variable speed models
2	F607003	Frame Assembly	DC20, HC20, SC20 and UC20 2 speed models
	F606178	Frame Assembly	HC25 and SC25 models
	F630232	Frame Assembly	DC30, HC30, SC30 and UC30 2 speed models
	F0636108-00	Frame Weldment	HC40, SC40 and UC40 2 speed models through 1/25/05
	F200195300	Frame Weldment	DC40, HC40, SC40 and UC40 2 speed models starting 1/26/05
	F607005	Frame Assembly	HC50, SC50 and UC50 models
	F0637645-00	Frame Assembly	DC60, HC60, SC60 and UC60 2 speed models
3	F430218	Nut	
4	F430301	Washer	
5	F063638801	Shell Weldment	DC20, HC20, SC20 and UC20 models; Standard
	F063659201	Shell Weldment	HC25 and SC25 models; Standard
	F0636555-00	Shell Weldment	DC30, HC30, SC30 and UC30 models; Standard
	F063597402	Shell Weldment	HC40, SC40 and UC40 models through 1/25/05; Standard
	F200195402	Shell Weldment	DC40, HC40, SC40 and UC40 models starting 1/26/05; Standard
	F0636460-00	Shell Weldment	HC50, SC50 and UC50 models; Standard
	F0637659-00	Shell Weldment	DC60, HC60, SC60 and UC60 models; Standard
6	F430303	Washer	HC50, SC50 and UC50 models
7	F430942	Screw	

N/A = Part no longer available

Balance Switch - HC60, SC60 and UC60 Variable Speed Models

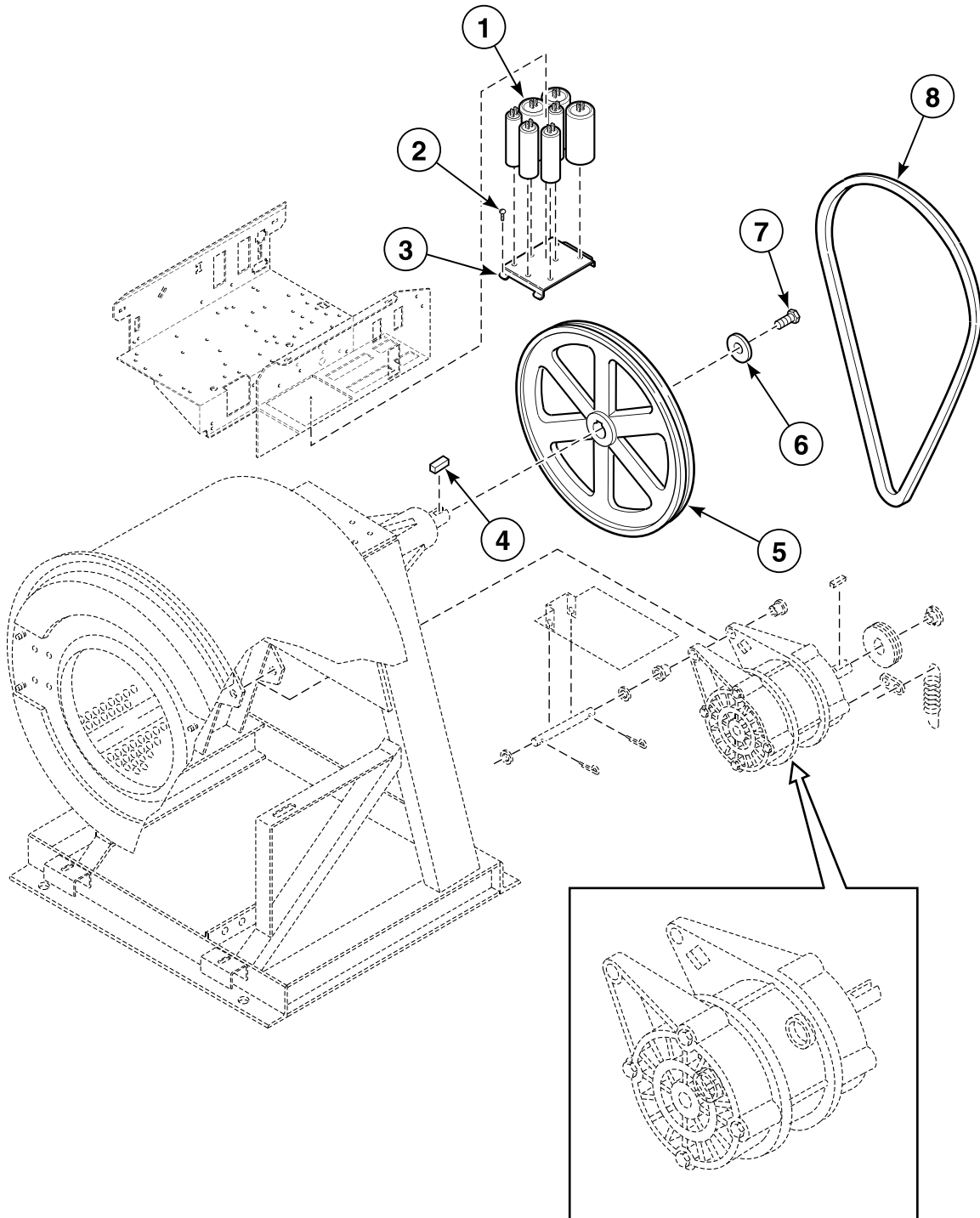


CHM2400P_F232194

Balance Switch - HC60, SC60 and UC60 Variable Speed Models

REF	PART NO.	DESCRIPTION	COMMENTS
1	F340900	Interlock Switch	
2	F430233	Nut	
3	F430304	Washer	
4	F430104	Screw	
5	F200027400	Upper Out-of-Balance Switch Bracket	
6	F431001	Nut	
7	F0430540-00	Bolt	
8	F200023000	Lower Out-of-Balance Switch Bracket	
9	F200023100	Out-of-Balance Mounting Bracket Assembly	Includes items 1-8

Motor, Pulley, Belt and Capacitors - 20, 25 and 30 Pound Capacity Models (Drawing 1 of 3)



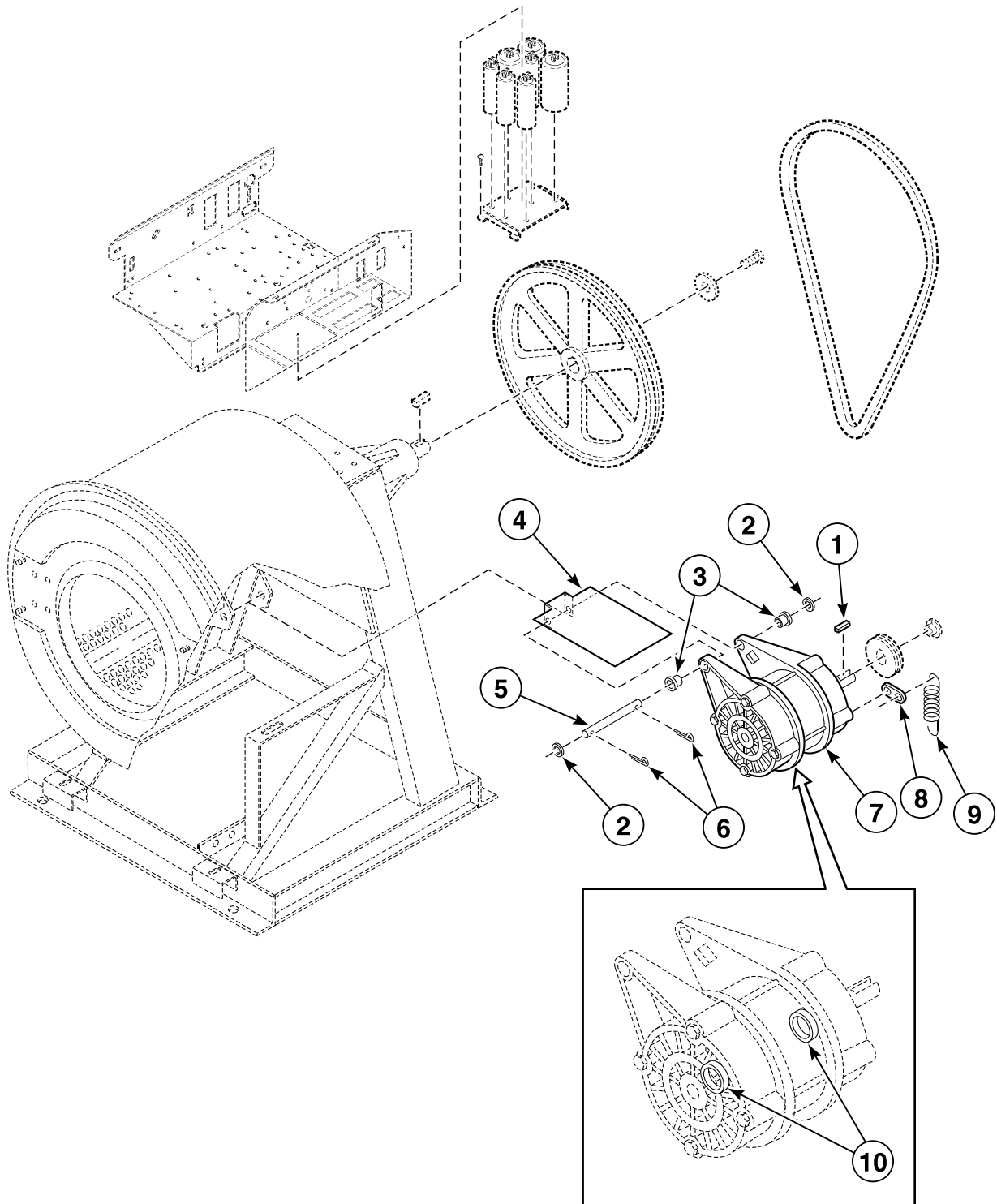
CHM2635P_F232194

Motor, Pulley, Belt and Capacitors - 20, 25 and 30 Pound Capacity Models (Drawing 1 of 3)

REF	PART NO.	DESCRIPTION	COMMENTS
1	F370230	Capacitor	10 Microfarad; 1 Phase models; HC25, HC30, SC25, SC30 and UC30 E-voltage models with Elmo motors and the pump drain option - 2 used
	F370224P	Capacitor	20 Microfarad; 1 Phase models; HC25, HC30, SC25, SC30 and UC30 Y-voltage models with Elmo motors - 4 used; HC25, HC30, SC25, SC30 and UC30 E-voltage models with Elmo motors - 3 used
	F370223	Capacitor	25 Microfarad; 1 Phase models; HC20, SC20 and UC20 Y-voltage models with Elmo motors - 1 used
	F370222	Capacitor	50 Microfarad; 1 Phase models; HC20, SC20 and UC20 Y-voltage models with Elmo motors - 1 used
	F370221	Capacitor	100 Microfarad; 1 Phase models; HC20, SC20 and UC20 B-voltage models with Elmo motors - 2 used; HC25, HC30, SC25, SC30 and UC30 E-voltage models with Elmo motors - 2 used
	F370220	Capacitor	130 Microfarad; 1 Phase models; HC20, SC20 and UC20 B-voltage models with Elmo motors - 1 used; HC25, HC30, SC25, SC30 and UC30 Y-voltage models with Elmo motors - 1 used
2	F430482	Screw	
3	F0637425-00	Capacitor Mounting Plate	
4	F430801	Key	
5	F280168	Pulley	DC20, HC20, SC20 and UC20 2 speed models; HC25 and SC25 models
	F280172	Sheave Pulley	DC30, HC30, SC30 and UC30 2 speed models
	F150270	Basket Pulley	HC20 variable speed models
	F150269	Basket Pulley	HC30 variable speed models
6	F0431159-00	Washer	
7	F430927	Screw	
8	F280343	Belt	DC20, HC20, SC20 and UC20 2 speed models; C, D and J-voltage models; 3V-730
	F0280380-00	Belt	DC20, HC20, SC20 and UC20 2 speed models; E-voltage models; 3V-720; Replaces F280343 Belt
	F280337	Belt	DC20, HC20, SC20 and UC20 2 speed models; B, F, H, O and Y-voltage models; 3V-710
	F280343	Belt	DC20, HC20, SC20 and UC20 2 speed models; F and H-voltage models with heat; 3V-730; Replaces F280337 Belt
	N/A	Belt	HC20 variable speed models
	F280368P	Belt	HC30 variable speed models
	F280337	Belt	HC25 and SC25 models; C, D, F, H, J, O and Y-voltage models; 3V-710
	F0280380-00	Belt	HC25 and SC25 models; E-voltage models; 3V-720; Replaces F280337 Belt
	F280321	Belt	DC30, HC30, SC30 and UC30 2 speed models; 3V-800

N/A = Part no longer available

Motor, Pulley, Belt and Capacitors - 20, 25 and 30 Pound Capacity Models (Drawing 2 of 3)

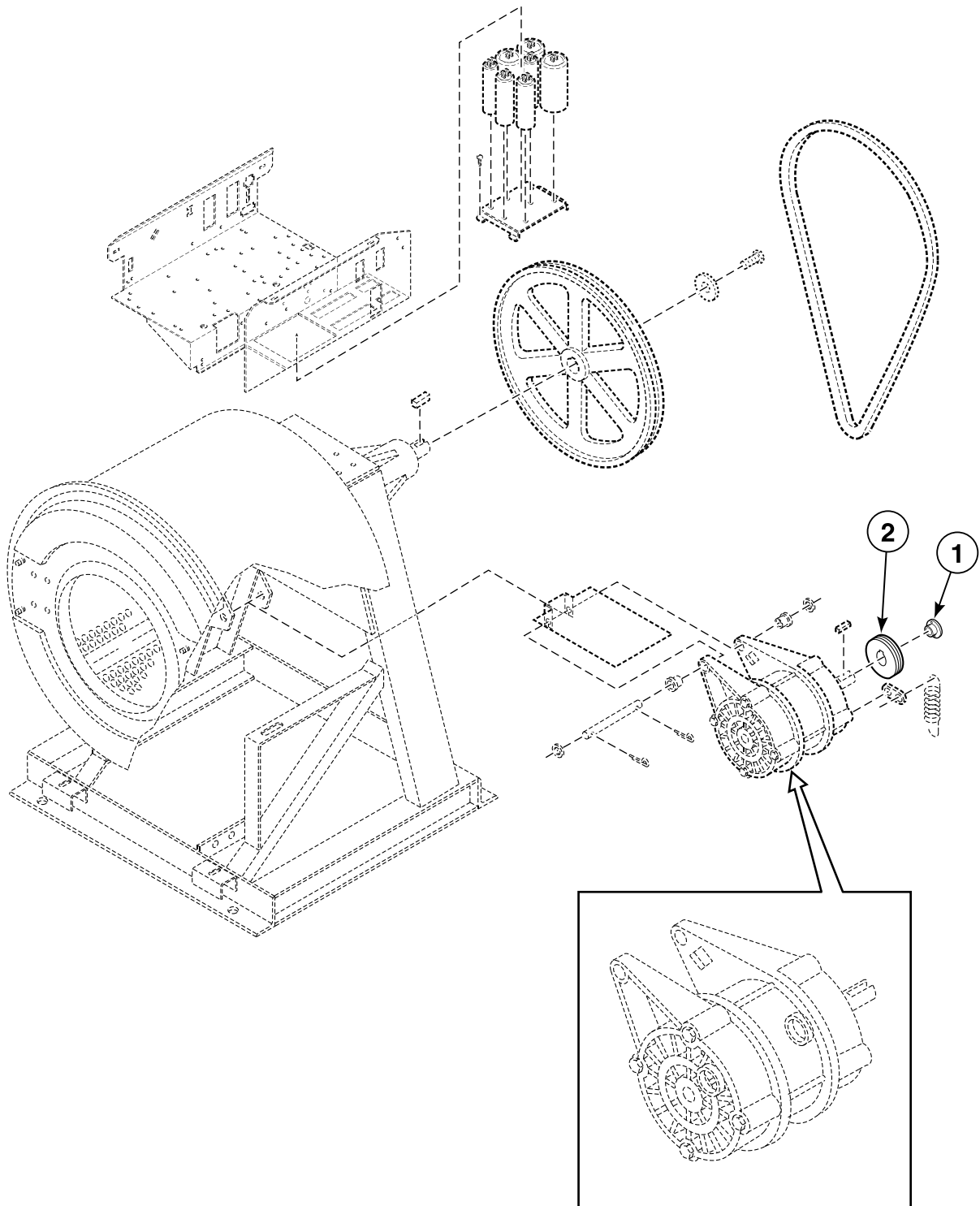


CHM2636P_F232194

Motor, Pulley, Belt and Capacitors - 20, 25 and 30 Pound Capacity Models (Drawing 2 of 3)

REF	PART NO.	DESCRIPTION	COMMENTS
1	F430802	Key	
2	F430325	Washer	
3	F200186100	Motor Support Bushing	
4	F200216900	Motor Drip Shield	
5	F602844	Motor Support Rod	
6	F430401	Cotter Pin	
7	F022039600P	Motor	DC20, HC20, SC20 and UC20 models; D and J-voltage models; Replaces F220350 and F220352 Motor; Order F280427 Pulley and H87529111P Bushing when replacing either F220350 or F220352 Motor; Includes item 3
	F022032500P	Motor	DC20, HC20, SC20 and UC20 models; C, F and H-voltage models with or without heat; Includes item 3
	F220125P	Motor	DC20, HC20, SC20 and UC20 models; E-voltage models; Replaces F220117 and F220130 Motor; Order F280427 Pulley and F280298P Pulley Bushing when replacing either F220117 or F220130 Motor; Includes item 3
	F022039600P	Motor	DC20, HC20, SC20 and UC20 models; O-voltage models; Replaces F220320 Motor; Order F280170 Pulley when replacing F220320 Motor; Includes item 3
	F220110P	Motor	DC20, HC20, SC20 and UC20 models; B-voltage models; Includes item 3
	F022012800P	Motor	DC20, HC20, SC20 and UC20 models; Y-voltage models; Includes item 3
	F220352	Motor	DC20, HC20, SC20 and UC20 models; D-voltage models
	F220389	Motor	HC25 and SC25 models; D and J-voltage models
	F220125P	Motor	HC25 and SC25 models; E-voltage models; Includes item 3
	F022038800P	Motor	DC30, HC25, HC30, SC25, SC30 and UC30 models; C, F and H-voltage models; Includes item 3
	F022038700P	Motor	DC30, HC25, HC30, SC25, SC30 and UC30 models; O-voltage models; Includes item 3
	F220389	Motor	DC30, HC30, SC30 and UC30 models; D and J-voltage models
	F022012400P	Motor	DC30, HC25, HC30, SC25, SC30 and UC30 models; Y-voltage models; Includes item 3
	F220125P	Motor	DC30, HC30, SC30 and UC30 models; E-voltage models; Includes item 3
8	F601515	Clip	Elmo only
9	F310124	Extension Spring	
10	F100124	Motor Bearing	

Motor, Pulley, Belt and Capacitors - 20, 25 and 30 Pound Capacity Models (Drawing 3 of 3)

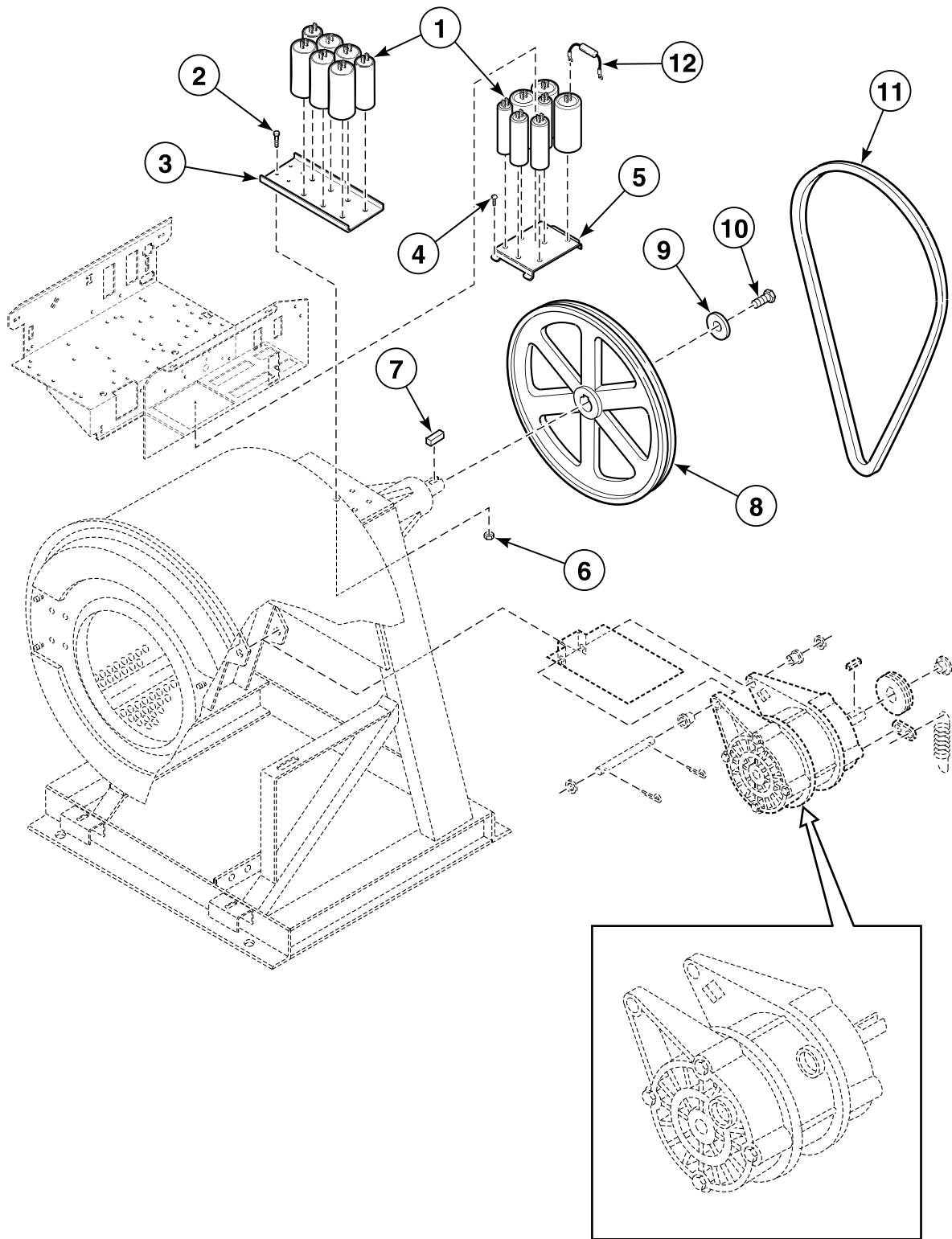


CHM2637P_F232194

Motor, Pulley, Belt and Capacitors - 20, 25 and 30 Pound Capacity Models (Drawing 3 of 3)

REF	PART NO.	DESCRIPTION	COMMENTS	
1	H87529111P	Bushing	DC20, HC20, SC20 and UC20 2 speed models; C, D, G and J-voltage models	
	H87529111P	Bushing	HC20, SC20 and UC20 2 speed models; E-voltage models; Models through 5/23/02	
	F280298P	Pulley Bushing	DC20, HC20, SC20 and UC20 2 speed models; E-voltage models; Models starting 5/24/02	
	F280298P	Pulley Bushing	DC20, HC20, SC20 and UC20 2 speed models; B, F, H and O-voltage models; F and H-voltage models with heat	
	H87529111P	Bushing	HC25 and SC25 models; C, D and J-voltage models	
	F280298P	Pulley Bushing	HC25 and SC25 models; E-voltage models; Replaces F280214 Motor Bushing	
	F280298P	Pulley Bushing	HC25 and SC25 models; Y-voltage models; Replaces F220209 Bushing	
	H87529111P	Bushing	DC30, HC30, SC30 and UC30 2 speed models; C, D and J-voltage models	
	F280225P	Bushing	DC30, HC30, SC30 and UC30 2 speed models; E-voltage models	
	F280298P	Pulley Bushing	HC20 and HC30 variable speed models	
	2	F280427	Pulley	DC20, HC20, SC20 and UC20 2 speed models; C, D, E, G and J-voltage models; Replaces F280184 Pulley; Replacement of F280184 Pulley requires H87529111P Bushing
		F280427	Pulley	DC20, HC20, SC20 and UC20 2 speed models; E-voltage models; Replaces F280184 Pulley and H87529111P Bushing; Replacement of F280184 Pulley requires F280298P Pulley Bushing
		F280170	Pulley	DC20, HC20, SC20 and UC20 2 speed models; B, F, H, O and Y-voltage models
F280170		Pulley	DC20, HC20, SC20 and UC20 2 speed models; F and H-voltage models with heat	
F280427		Pulley	HC25 and SC25 models; C, D and J-voltage models; Replaces F280184 Pulley; Replacement of F280184 Pulley requires H87529111P Bushing; H87529111P Bushing is used with F280427 Pulley	
F280427		Pulley	HC25 and SC25 models; E-voltage models; Replaces F280180 Pulley; Replacement of F280180 Pulley requires F280298P Pulley Bushing; F280298P Pulley Bushing is used with F280427 Pulley	
F280170		Pulley	HC25 and SC25 models; F, H and O-voltage models	
F280416		Pulley	HC25 and SC25 models; L and Y-voltage models; Replaces F280139 Pulley and F280298P Pulley Bushing; F280298P Pulley Bushing is used with F280416 Pulley	
F280418		Pulley	DC30, HC30, SC30 and UC30 2 speed models; C and D-voltage models; Replaces F280283 Pulley; Replacement of F280283 Pulley requires H87529111P Bushing; H87529111P Bushing is used with F280418 Pulley	
F280423		Pulley	DC30, HC30, SC30 and UC30 2 speed models; E-voltage models; F280225P Bushing is used with F280423 Pulley	
F280284		Pulley	DC30, HC30, SC30 and UC30 2 speed models; F, H and O-voltage models	
F280281		Motor Pulley	DC30, HC30, SC30 and UC30 models; Y-voltage models; Replaces F280198 Pulley	
F280287		Drive Motor Pulley	HC20 and HC30 variable speed models	

Motor, Pulley and Belt Assembly - 40, 50 and 60 Pound Capacity Models (Drawing 1 of 2)

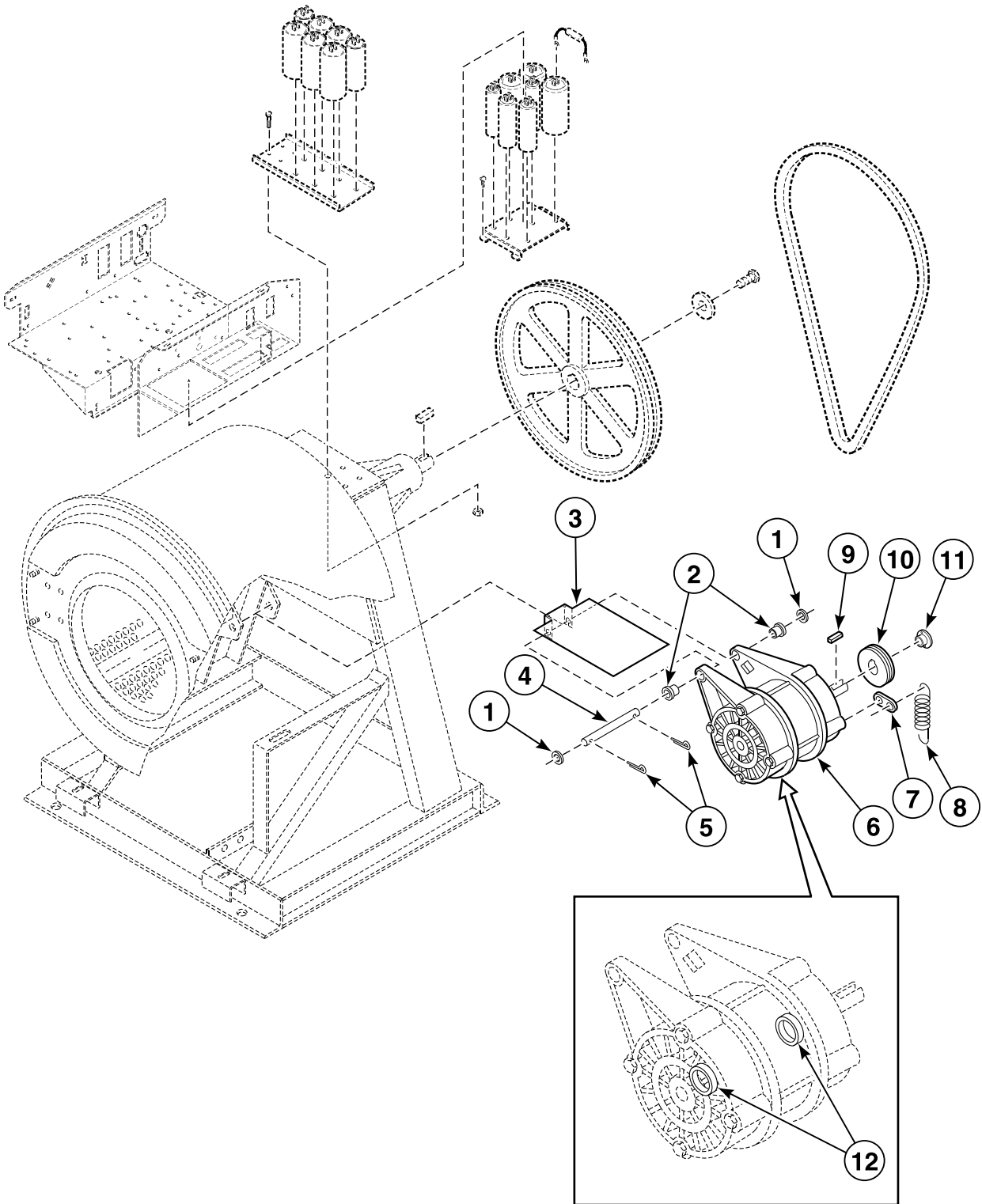


CHM2841P_F232194

Motor, Pulley and Belt Assembly - 40, 50 and 60 Pound Capacity Models (Drawing 1 of 2)

REF	PART NO.	DESCRIPTION	COMMENTS
1	F370224P	Capacitor	20 Microfarad; 1 Phase models; HC40, SC40 and UC40 Y-voltage models with Elmo motors - 1 used; HC50, SC50 and UC50 Y-voltage models with Elmo motors - 3 used
	F370223	Capacitor	25 Microfarad; 1 Phase models; HC40, SC40 and UC40 Y-voltage models with Elmo motors - 1 used
	F370222	Capacitor	50 Microfarad; 1 Phase models; HC40, SC40 and UC40 Y-voltage models with Elmo motors - 1 used; HC40, SC40 and UC40 Y-voltage models with Century motors - 1 used; HC50, SC50 and UC50 Y-voltage models with Elmo motors - 2 used
	F370220	Capacitor	130 Microfarad; 1 Phase models; HC40, SC40 and UC40 Y-voltage models with Century motors - 1 used; HC50, SC50 and UC50 Y-voltage models with Elmo motors - 3 used
	F370218	Capacitor	160 Microfarad; 1 Phase models; HC40, SC40 and UC40 Y-voltage models with Elmo motors - 1 used; HC40, SC40 and UC40 Y-voltage models with Century motors - 1 used
2	F430107	Screw	HC50, SC50 and UC50 1 Phase models
3	F200033500	Capacitor Mounting Bracket	HC50, SC50 and UC50 1 Phase models
4	F430482	Screw	DC40, HC40, SC40 and UC40 models
5	F0637425-00	Capacitor Mounting Plate	DC40, HC40, SC40 and UC40 models
6	F431024	Nut	HC50, SC50 and UC50 1 Phase models
7	F430801	Key	
8	F280197	Pulley	DC40, HC40, SC40 and UC40 2 speed models
	F280173	Pulley	HC50, SC50 and UC50 models; DC60, HC60, SC60 and UC60 2 speed models
	F150269	Basket Pulley	HC40, SC40 and UC40 variable speed models
	F200299700	Basket Pulley	HC60, SC60 and UC60 variable and F speed models
9	F431115	Washer	
10	F430100	Screw	
11	F280341	Belt	DC40, HC40, SC40 and UC40 2 speed C, D and J-voltage models; 3V-850
	F280342	Belt	DC40, HC40, SC40 and UC40 2 speed F, H, O and Y-voltage models; 3V-830
	F280373	Belt	HC50, SC50 and UC50 C, D and J-voltage models; 3V-90.65; Replaces F280304 Belt in 50 Hertz models
	F280304	Belt	HC50, SC50 and UC50 F, H, O and Y-voltage models; HC60, SC60 and UC60 2 speed models of every other voltage besides X; 3V-900
	F280369P	Belt	HC40, SC40 and UC40 variable speed models
	F280366P	Belt	DC60, HC60, SC60 and UC60 2 speed X-voltage models; HC60, SC60 and UC60 variable and F speed models
12	F370116	Resistor	Used with F370218 Capacitor

Motor, Pulley and Belt Assembly - 40, 50 and 60 Pound Capacity Models (Drawing 2 of 2)

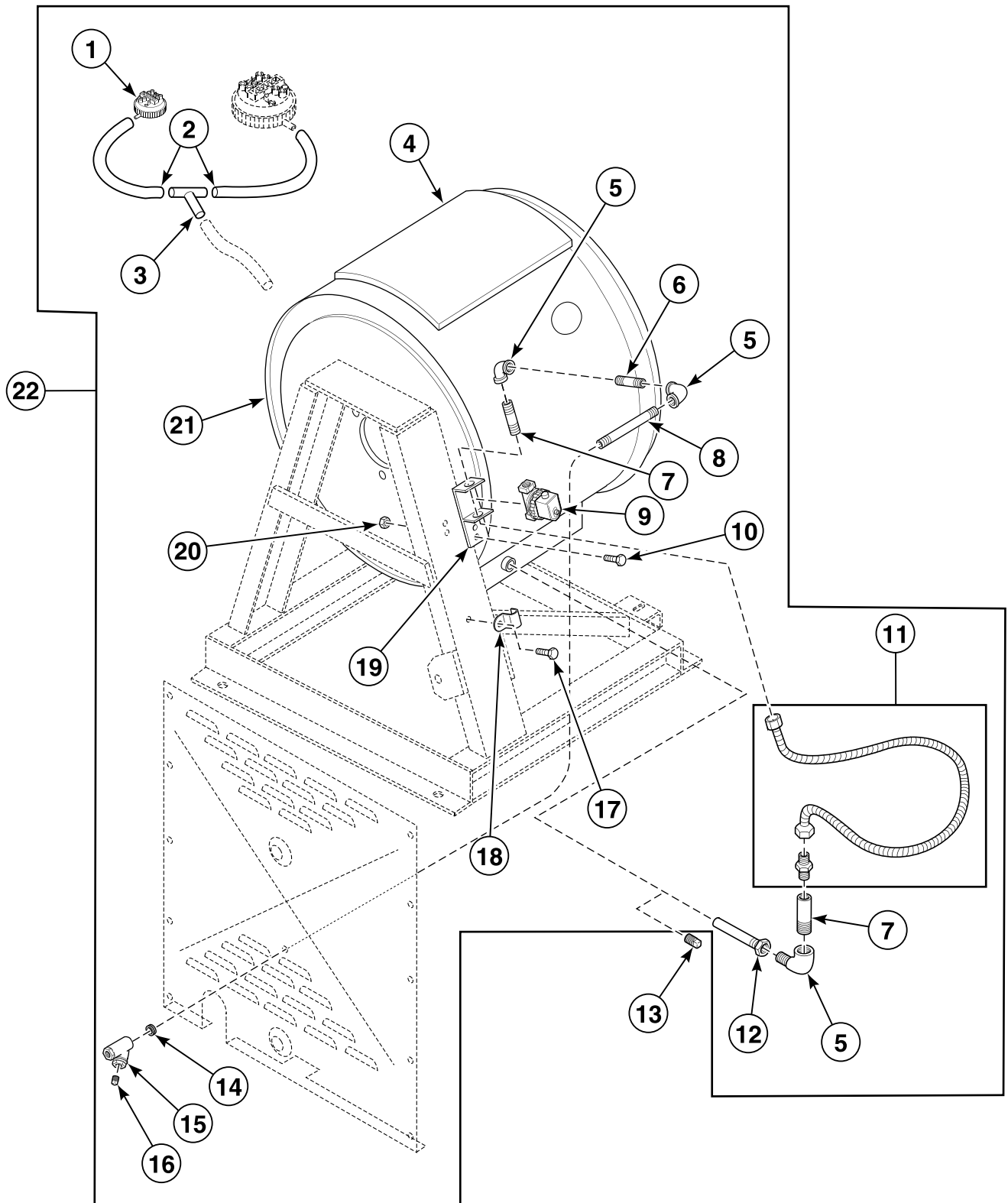


CHM2842P_F232194

Motor, Pulley and Belt Assembly - 40, 50 and 60 Pound Capacity Models (Drawing 2 of 2)

REF	PART NO.	DESCRIPTION	COMMENTS
1	F430325	Washer	
2	F200186100	Motor Support Bushing	
3	F200216900	Motor Drip Shield	DC40, HC40, SC40 and UC40 all voltages except for Y-voltage models
	F200280700	Motor Drip Shield	DC40, HC40, SC40 and UC40 Y-voltage models; DC60, HC50, HC60, SC50, SC60, UC50 and UC60 models
4	F603059	Motor Support Rod	DC40, HC40, SC40 and UC40 models
	F603897	Motor Support Rod	DC60, HC50, HC60, SC50, SC60, UC50 and UC60 models
5	F430401	Cotter Pin	
6	F0220321-00P	Motor	DC40, HC40, SC40 and UC40 2 speed O-voltage models; Includes item 2
	F0220120-01P	Motor	DC40, HC40, SC40 and UC40 2 speed Y-voltage models starting Serial No. 3020329162; HC50, SC50 and UC50 Y-voltage models; Includes item 2
	F0798912-00	Motor Retrofit Kit	DC40, HC40, SC40 and UC40 2 speed Y-voltage models through Serial No. 3020329161; Used to convert from F0220137-00 Motor to F0220120-01 Motor
	F022032600P	Motor	DC40, HC40, SC40 and UC40 2 speed C and F-voltage models
	F220394P	Motor	HC40, SC40 and UC40 variable speed models; Includes item 2
	F220354	Motor	DC60, HC50, HC60, SC50, SC60, UC50 and UC60 models; D-voltage models
	F022032200P	Motor	DC60, HC50, HC60, SC50, SC60, UC50 and UC60 models; J and O-voltage models; Includes item 2
	F220327P	Motor	DC60, HC50, HC60, SC50, SC60, UC50 and UC60 models; C, F and H-voltage models; Includes item 2
	F220234P	Motor	DC60, HC60, SC60 and UC60 models; P and X-voltage models; Includes item 2
7	F601515	Clip	Elmo only
8	F310124	Extension Spring	
9	F430802	Key	
10	F280418	Pulley	DC40, HC40, SC40 and UC40 2 speed models; C, D and J-voltage models; Replaces F280185 Motor Pulley; F280298 Pulley Bushing is used with F280418 Pulley
	F280281	Motor Pulley	DC40, HC40, SC40 and UC40 2 speed models; F, H, O and Y-voltage models
	F280422P	Pulley	DC60, HC50, HC60, SC50, SC60, UC50 and UC60 2 speed models; C, D and J-voltage models; Replaces F280186 Pulley; F280225 Bushing is used with F280422 Pulley
	F280177P	Motor Pulley	DC60, HC50, HC60, SC50, SC60, UC50 and UC60 2 speed models; F, H, O and Y-voltage models
	F280287	Drive Motor Pulley	HC40, HC60, SC40, SC60, UC40 and UC60 variable and F speed models; DC60, HC60, SC60 and UC60 2 speed X-voltage models
11	F280298P	Pulley Bushing	DC40, DC60, HC40, SC40 and UC40 2 speed C, D and J-voltage models; HC60, SC60 and UC60 2 speed X-voltage models; HC60, SC60 and UC60 variable and F speed models
	F280225P	Bushing	HC50, SC50 and UC50 models; C, D and J-voltage models
	F280209	Motor Pulley Bushing	HC40, SC40 and UC40 variable speed models
12	F100124	Motor Bearing	

Steam Heat Kit



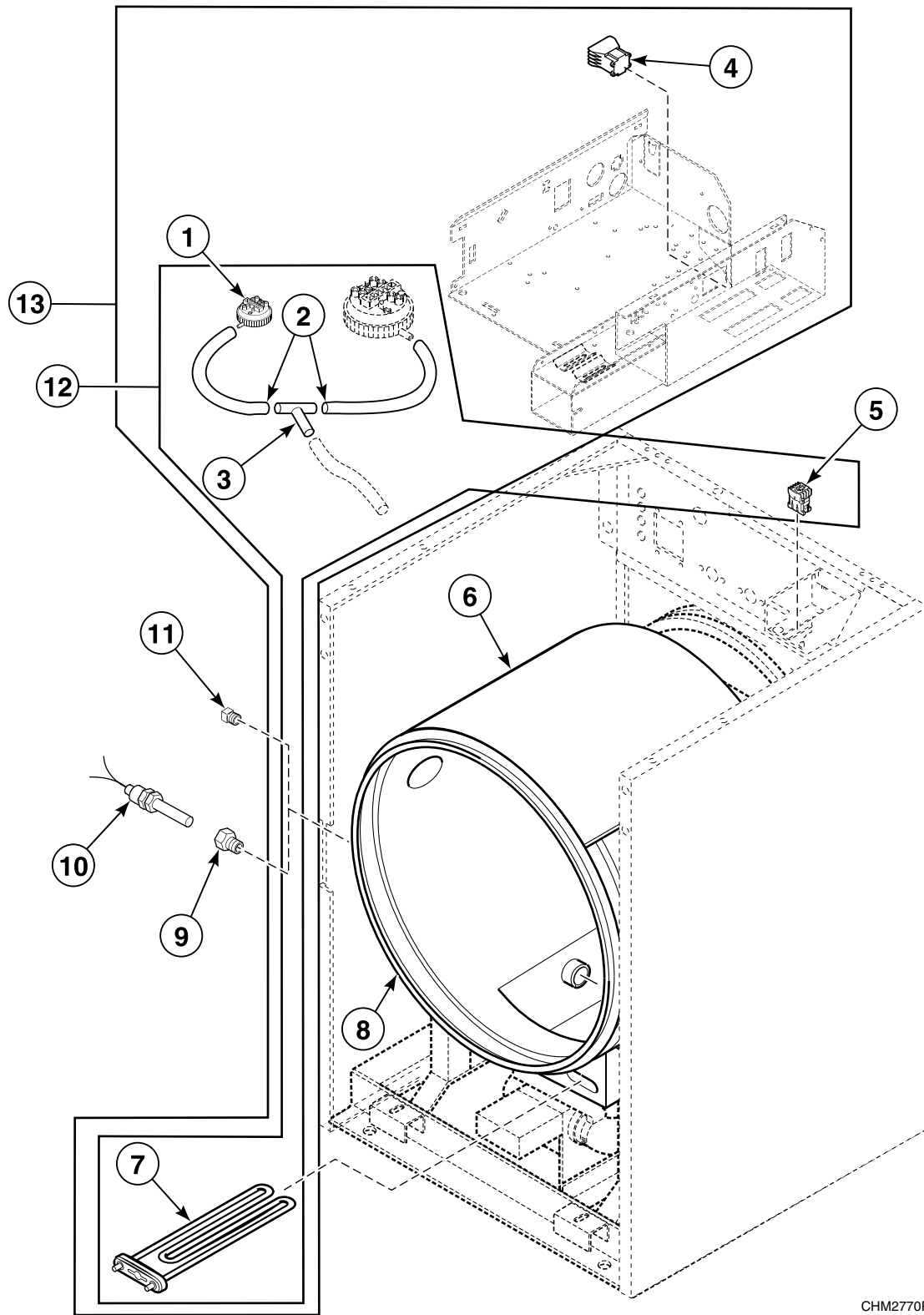
CHM2634P_F232194

Steam Heat Kit

REF	PART NO.	DESCRIPTION	COMMENTS
1	F0340350-00	Water Pressure Switch	Heat safety
2	F422404P	Tubing	
3	F422806	Tee	
4	F410301	Fiberglass Blanket	
5	70079601	Elbow	
6	F420708	Nipple	
7	F420707	Nipple	
8	70214101	Pipe Nipple	
9	F380787P	Steam Valve	220 Volt
10	F430108	Screw	
11	F200153P	Steam Hose	DC40, HC40, SC40 and UC40 Y-voltage models
	F200154	Steam Hose	All models except DC40, HC40, SC40 and UC40 Y-voltage models
	F410300	Pipe Insulation	
12	F603131	Steam Injector Tube Assembly	
13	F200202600	Plug	
14	F170604	Grommet	
15	F270307	Steam Filter	
16	F420409	Plug	
17	F430115	Screw	
18	N/A	Cable Strap	
19	F601186	Steam Bracket Assembly	
20	F430215	Nut	
21	F0636601-00	Shell Weldment	DC20, HC20, SC20 and UC20 all voltages besides E models; Heat option
	F0637054-00	Shell Weldment	DC20, HC20, SC20 and UC20 E-voltage models; Heat option
	F0636700-00	Shell Weldment	HC25 and SC25 models; Heat option
	F0636704-00	Shell Weldment	DC30, HC30, SC30 and UC30 models; Heat option
	F200199700	Shell Weldment	HC40, SC40 and UC40 models through 1/25/05; Heat option
	F200199700	Shell Weldment	DC40, HC40, SC40 and UC40 models starting 1/26/05; Heat option
	F0636747-00	Shell Weldment	HC50, SC50 and UC50 models; Heat option
F0637661-00	Shell Weldment	DC60, HC60, SC60 and UC60 models; Heat option	
22	F200092800	Steam Heat Kit	Includes items 1-12, 14-20 and harness

N/A = Part no longer available

Electric Heat Kit

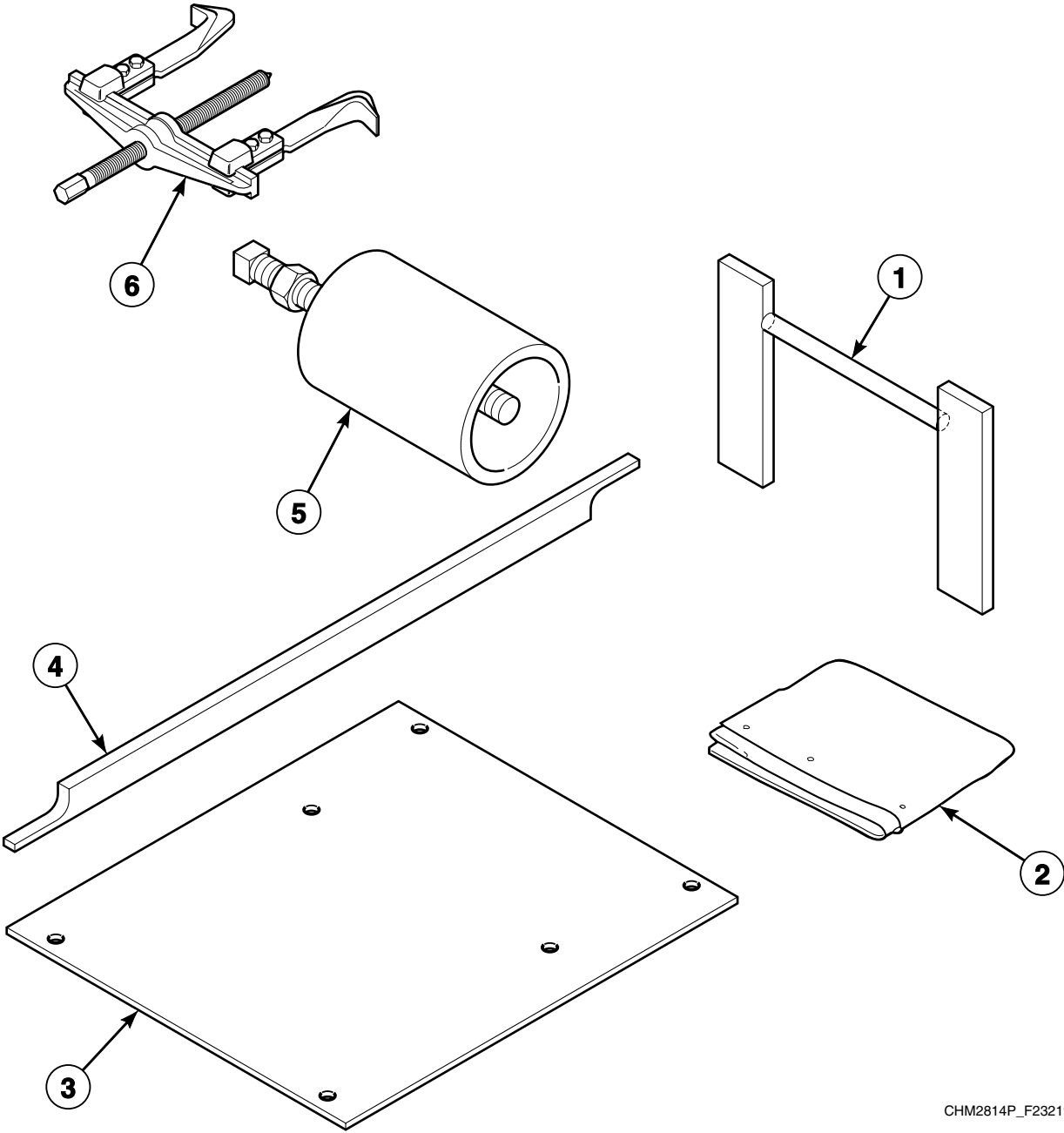


CHM2770P_F232194

Electric Heat Kit

REF	PART NO.	DESCRIPTION	COMMENTS
1	F0340350-00	Water Pressure Switch	Heat safety
2	F422404P	Tubing	
3	F422806	Tee	
4	F330177P	Contactora	DC20, DC30, HC20, HC25, HC30, SC20, SC20, SC30, UC20 and UC30 all voltages besides E and Y-voltage models; HC40, SC40 and UC40 D and J-voltage models
	F330188P	Contactora	DC20, HC20, SC20 and UC20 E and Y-voltage models
	F330179P	Contactora	DC40, HC40, SC40 and UC40 C, F and H-voltage models
	F330182	Contactora	DC40, HC40, SC40 and UC40 O and Q-voltage models
5	F330188P	Contactora	DC60, HC50, HC60, SC50, SC60, UC50 and UC60 models; All voltages besides F-voltage models
	F330182	Contactora	DC60, HC50, HC60, SC50, SC60, UC50 and UC60 F-voltage models
6	F410301	Fiberglass Blanket	
7	F360205P	Element	DC20, HC20, SC20 and UC20 2 speed models except for E-voltage models; DC30, DC40, DC60, HC25, HC30, HC50, HC60, SC25, SC30, SC50, SC60, UC30, UC50 and UC60 models
	F360206P	Heating Element	DC20, HC20, SC20 and UC20 F speed, variable speed and E-voltage 2 speed models
	F0360210-00	Heating Element	DC40, HC40, SC40 and UC40 models
8	F0636601-00	Shell Weldment	DC20, HC20, SC20 and UC20 all voltages besides E-voltage models; Heat option
	F0637054-00	Shell Weldment	DC20, HC20, SC20 and UC20 E-voltage models
	F0636700-00	Shell Weldment	HC25 and SC25 models; Heat option
	F0636704-00	Shell Weldment	DC30, HC30, SC30 and UC30 models; Heat option
	F200199700	Shell Weldment	HC40, SC40 and UC40 models through 1/25/05; Heat option
	F200199700	Shell Weldment	DC40, HC40, SC40 and UC40 models starting 1/26/05; Heat option
	F0636747-00	Shell Weldment	HC50, SC50 and UC50 models; Heat option
	F0637661-00	Shell Weldment	DC60, HC60, SC60 and UC60 models; Heat option
9	F421936	Reducer Bushing	
10	F8045001	Temperature Probe Assembly	
11	F200202600	Plug	
12	F200092702	Electric Heat Kit	DC60, HC50, HC60, SC50, SC60, UC50 and UC60 models; Includes items 1-3 and 5-7, harness and installation instructions
13	F200092700	Electric Heat Kit	DC20, DC30, HC20, HC25, HC30, SC20, SC25, SC30, UC20 and UC30 models; Includes items 1-4, 6 and 7, harness and installation instructions
	F200092701	Electric Heat Kit	DC40, HC40, SC40 and UC40 models; Includes items 1-4, 6 and 7, harness and installation instructions

Special Tools



CHM2814P_F232194

Special Tools

REF	PART NO.	DESCRIPTION	COMMENTS
1	F460131	Basket Pulley Puller Tool	
2	F450127	Template	HC50, SC50 and UC50 models
	F450246	Template	HC25 and SC25 models
3	F608707	Bolt Layout Mounting Template	HC20, SC20 and UC20 models
	F608708	Bolt Layout Mounting Template	HC25 and SC25 models
	F631796	Bolt Layout Mounting Template	HC30, SC30 and UC30 models
	F0637047-00	Bolt Layout Mounting Template	HC40, SC40 and UC40 models
	F608710	Bolt Layout Mounting Template	HC50, HC60, SC50, SC60, UC50 and UC60 models
4	N/A	Basket Pulley Alignment Bar	HC50, SC50 and UC50 models
5	F798001	Basket Pulley Kit	HC20, HC25, SC20, SC25 and UC20 models
	F798002	Basket Puller Kit	HC40, SC40 and UC40 models
	F798003	Basket Puller Kit	HC50, HC60, SC50, SC60, UC50 and UC60 models
6	F460129	Bearing Puller Tool	

N/A = Part no longer available

Parts Index

A

AC Drive Cover Assembly	
F0636888-00.....	11
F200100201.....	17, 19
F200146800P.....	17
F200146801.....	19
AC Drive Cover Sub-Assembly	
F0637199-00.....	11
AC Drive Radio Filter Assembly	
F200320900.....	11, 17, 19
AC Drive Resistor Assembly	
F8079901P.....	13, 15
F8080001.....	13, 15
Access Transformer Harness	
F200008700.....	39
Air Chamber Nipple	
F634178.....	53
Air Filter Assembly	
F8026401.....	17, 19
Air Trap Hose	
F200142.....	49, 51, 53

B

Basket Assembly	
F0635965-00.....	77
F603900-1.....	77
F8114201.....	77
F8116001.....	77
F8116201.....	77
F8123501.....	77
F8123601.....	77
F8123701.....	77
Basket Puller Kit	
F798002.....	99
F798003.....	99
Basket Pulley	
F150269.....	85, 91
F150270.....	85
F200299700.....	91
Basket Pulley Kit	
F798001.....	99
Basket Pulley Puller Tool	
F460131.....	99
Bearing	
F100108.....	79
F100122.....	79
F100123P.....	79
F100134.....	79
F100135.....	79
F100136P.....	79
F100137.....	79
Bearing Puller Tool	
F460129.....	99
Belt	
F0280380-00.....	85
F280304.....	91
F280321.....	85
F280337.....	85

F280341.....	91
F280342.....	91
F280343.....	85
F280366P.....	91
F280368P.....	85
F280369P.....	91
F280373.....	91
Bezel Gasket	
F0170190-00P.....	41
Bolt	
F0430540-00.....	83
Bolt Layout Mounting Template	
F0637047-00.....	99
F608707.....	99
F608708.....	99
F608710.....	99
F631796.....	99
Bushing	
F280225P.....	89, 93
H87529111P.....	89

C

Cabinet Brace	
F0636131-00.....	71
F0636217-00.....	67, 69
F0636218-00.....	71
F0636320-00.....	71
F0636518-00.....	71
F0636596-00.....	71
F0637632-00.....	71
F634800.....	67, 69
F634801.....	67, 69
F634803P.....	67, 69
Cabinet Corner Stiffener	
F200168900.....	67, 69
Cable Tie	
F140605.....	39
Cap	
F190303.....	41
Capacitor	
F370218.....	91
F370220.....	85, 91
F370221.....	85
F370222.....	85, 91
F370223.....	85, 91
F370224P.....	85, 91
F370225P.....	9, 13
F370230.....	85
F8035701.....	39
Capacitor Mounting Bracket	
F0320211-00.....	9, 13
F200033500.....	91
Capacitor Mounting Plate	
F0637425-00.....	85, 91
Clip	
F601515.....	87, 93
Coin Box	
F160672.....	33
F160673.....	33
Coin Box Assembly	
F0637455-00.....	9

N/A items do not appear in index.

Coin Box Audit Harness		F037046501P	23
F200137700P	23	F037046530P	23
Coin Box Cover Assembly		F037046580P	23
F0637138-00	9	F037046592P	23
Coin Drop		F037047520P	23
38479P	35	F037047530P	23
70256402P	37	Conductor Decal	
Coin Drop Assembly		F231146	7
210195	37	Contactors	
210196	37	F330177P	9, 13, 15, 97
38462P	35	F330179P	97
38463	35	F330182	97
38464P	35	F330188P	97
38472	37	F330190P	15
38521	37	Control Cover	
39157	37	F0634903-00	21
70281102	37	Control Panel Assembly	
Coin Drop Overlay		F0634889-00	25
70246301	25	F0634889-01	31
Coin Identification Paper		F0635838-00	25
38725	35, 39	F0635838-01	31
Coin Meter		F0636522-00	25
F0160737-00	37	F0636522-01	31
Coin Meter Assembly		F0636590-00	25
F200010000P	35	F0636590-01	31
F200010001	37	Control Panel Decal	
F200010002	37	F0231589-11	25
F200010003	37	F0231589-12	27
F200010004	37	F0231589-13	29
F200010005	37	F0231589-21	25, 29
F200010006	35	F0231589-22	27
F200010007	35	F0231589-31	25, 29
F200010008	37	F0231589-32	27
F200010009	35	F0231589-33	29
F200010010	37	F0231589-41	25, 29
F200010011	35	F0231589-42	27
F200010012	35	F0231589-43	29
F200021600	39	F0231593-11	31
F200021601	39	F0231593-21	31
F200021602	39	F0231593-31	31
F200021603	39	F0231593-41	31
F200021604	39	F0231606-11	25, 29
F200021605	39	F0231606-12	27
F8177901	39	F0231606-13	29
Coin Meter Mounting Assembly		F0231606-21	25, 29
F0636445-01	21	F0231606-22	27
Coin Meter Mounting Kit		F0231606-23	29
F0636445-00	21	F0231606-31	25, 29
Communication Box Kit		F0231606-32	27
F200040300P	21	F0231606-33	29
F200041700P	21	F0231606-42	27
F200041800P	21	F0231613-11	31
F200098500P	21	F0231613-21	31
F200098600P	21	F0231613-31	31
F200098700P	21	F0231613-41	31
Computer		F0231616-11	31
F0370452-21P	23	F0231616-21	31
F0370452-30P	23	F0231616-31	31
F0370452-31P	23	F0231616-41	31
F0370455-00P	23	F200018141	25, 29
F0370455-01P	23	F200018142	27
F0370455-10P	23	F200018143	29
F0370455-20P	23	F20007423	29
F0370455-40P	23	Cooling Fan Filter Slide	
F0370455-41P	23	F633321	11
F0370455-60P	23	Cotter Pin	
F037046500P	23	F430401	87, 93

N/A items do not appear in index.

Counterclockwise Spin Rotation Decal F230693.....	7, 57
--	-------

D

Disconnect Power Warning Label 505281	7
Display Window Cover F200181500.....	17, 19
Do Not Lift Decal F230216.....	7
Door Assembly	
F060323905.....	59
F603239-4.....	59
F603901-4.....	59
F603901-5.....	59
F604079-4.....	59
F604079-5.....	59
F8150301.....	59
F8150401.....	59
F8150501.....	59
Door Bezel	
F0170426-00.....	67, 69
F0170426-10.....	67, 69
F170417-1.....	67, 69
F634472-2.....	67, 69
F634668-1.....	67, 69
F634668-2.....	67, 69
Door Gasket	
F017012302.....	57
F017012402.....	57
F170123-1.....	57
F170124-1.....	57
F200000200.....	57
F200000202.....	57
Door Glass	
F290208P	57
Door Glass Kit	
F290205P	57
F290207P	57
Door Handle	
F150225.....	57
Door Handle Kit	
F730155.....	57
Door Hinge	
F190216P	61
Door Hinge Shim Kit	
F200131000P	61
Door Hinge Switch	
F340901	79
Door Lock Assembly	
F200136800P	65
F200136801.....	65
F200321400.....	63
F200321401.....	63
F200321402.....	63
F200321403.....	63
Door Lock Assembly Cover	
F603003.....	63, 65
Door Lock Catch Casting	
F150261.....	63, 65
Door Lock Microswitch	
F200203200.....	63, 65

Door Lock Pin Linkage F150455	63, 65
Door Lock Pin Release Spring F310137	63, 65
Door Lock Plate Assembly F8066701	63, 65
Door Lock Plate Shim F8059701	63, 65
Door Lock Retainer Latch F0636103-00.....	65
Door Lock Solenoid F0300131-00P.....	65
Door Lock Splash Shield F320200	63, 65
Door Lock Spring F310125	57
Door Lock Switch Lever F0636636-00.....	63, 65
Door Lock Torsion Spring F310110	63, 65
Door Locking Linkage Pin F431231	63, 65
Door Mount F150271	61
Door Spacer F0150273-00.....	57
Door Switch F340200	63, 65
Door Warning Label 81968	7
Drain Connector Tee F8017101	49
Drain Hose	
F0150331-00.....	49
F150356	51
F200123400.....	53
F200123500.....	49
F200185200.....	49
F200185300.....	49
Drain Pump F270119P.....	55
Drain Tee F150398	49
Drain Valve	
F038062900.....	47
F380619	45
Drain Valve Assembly F603175	45
Drain Valve Cover F200133600.....	45, 47
Drain Valve Kit	
F200166400.....	47
F200166402.....	47
Drain Valve Motor	
F380933P.....	45, 47
F380972P.....	45, 47
Drain Valve Motor and Gear Box Assembly G159764P	45, 47
Drive Motor Pulley F280287	89, 93

N/A items do not appear in index.

E

Elbow	
70079601	95
Electric Heat Kit	
F200092700	97
F200092701	97
F200092702	97
Electronic Coin Drop Assembly	
70294101P	39
70294103P	39
70294104	39
70294105P	39
70294106	39
70294107	39
70294109	39
70294111	39
Electronic Coin Drop Kit	
CK095	39
CK099	39
CK100	39
CK101	39
CK103	39
CK106	39
CK501	39
Electronic Coin Drop Kit	
CK109	39
Element	
F360205P	97
E-Ring Retainer	
F310205	63, 65
Extension Spring	
F310124	87, 93
External Supply Connection Decal	
F231376-2	41
F231376-3	41
F231376-4	41

F

Fan Guard	
F0220922-00	11, 17
Fiberglass Blanket	
F410301	95, 97
Fill Hose	
F150372	49
Filter	
F0270321-00P	11, 17, 19
F270305	43
F270306P	43
Filter Handle Decal	
F231377	11, 17, 19
Filter Housing Cap Gasket	
F270407	43
Filter Screen	
F270300	43
Flange Relay	
F330230	9, 13, 15
Frame Assembly	
F0637645-00	81
F0637645-01	81
F606178	81
F607003	81

F607005	81
F630232	81
F633950	81
F634291	81
Frame Weldment	
F0636108-00	81
F0636108-01	81
F200195300	81
F200195301	81
F200195302	81
Front Drain Hose	
F0200240-00	49
F150312	49
F8035801	49
Front Panel	
F0635983-00P	69
F634665-2	69
F634665-5	69
F634666-2	67
F634666-5	67
F634682-1P	69
F634682-2	69
F634682-5	69
F634682-6	69
F634683-1P	67
F634764-2	69
F634764-5	69
F634764-6	69
F634765-5	67
F634836-1P	69
F634836-2	69
F634836-6	69
F634837-1	67
F8200401P	69
F8200402P	67
F8200502P	67
F8200601P	69
F8200602P	67
Fuse	
F350108	23
F350109	23
F350110	23

G

Grommet	
F170604	95
F170615	41
F200139500	41
Ground Decal	
F230630	7
F230739	7
Ground Terminal Lug	
F140734	41

H

Heating Element	
F0360210-00	97
F360206P	97
Hose	
F200115	55
F200195	55

N/A items do not appear in index.

Hose Clamp	
F200204	53, 55
F200213	49, 51, 53, 55
F200215	47, 49, 51, 53
F200217	55
F200222	49, 51
36801	41

I

Injection Nozzle	
F380300	41
Injection Nozzle Kit	
F730168	41
Input Block	
F0140795-00	9, 13, 15
F0140798-00P	9, 13, 15
F0140799-00	9, 13, 15
Input Power Block	
F140746	9, 13
F140747	9, 13
F140748	9, 13
Input Power Connection Box Cover	
F602533	41
Interface CCA	
F200017400P	23
F200209200	23
Interlock Contactor	
F330186P	9, 13, 15
Interlock Switch	
F340900	79, 83
Inverter Drive	
F370843	11, 17
F370844	11, 17
F370857	11, 17, 19
F370858	11, 17, 19

K

Key	
F160420	33
F160421	33
F160422	33
F160423	33
F160424	33
F190805-1	71
F430801	85, 91
F430802	87, 93
Keypad	
F0231582-01P	21
F0231582-03P	21
F0231582-05P	21
F0231582-06P	21
F0231582-07P	21
F0231582-08P	21
F0231582-16P	21
F0231582-17P	21
F0231582-19	21
F023158231	21
F8132501P	21

L

Left Side Panel	
F0636136-00P	75
F0636595-00P	75
F8155601	75
F8155901	75
F8156701	75
F8157401	75
F8159901	75
F8160101	75
Lid Clamp Assembly	
F630430	71
Lid Lock Pin	
F0190808-00P	71
Liquid Supply Decal	
F230877	7
Lower Out-of-Balance Switch Bracket	
F200023000	83

M

Magnet	
F340703	61
Magnetic Switch Assembly	
F200321300	61
F631990	61
Module Box Assembly	
F0636682-00	9
F200100100	15
F200100101	13
F200100102	15
F200100103	13
Module Box Tray	
F0636185-01	9
Momentary Switch	
F200120100	31
F340412	31
F340435	23
Motor	
F0220120-01P	93
F022012400P	87
F022012800P	87
F0220321-00P	93
F022032200P	93
F022032500P	87
F022032600P	93
F022038700P	87
F022038800P	87
F022039600P	87
F220110P	87
F220125P	87
F220234P	93
F220327P	93
F220352	87
F220354	93
F220389	87
F220394P	93
Motor Bearing	
F100109P	79
F100124	87, 93
Motor Drip Shield	
F200216900	87, 93
F200280700	93

N/A items do not appear in index.

Motor Pulley	
F280177P	93
F280281	89, 93
Motor Pulley Bushing	
F280209	93
Motor Retrofit Kit	
F0798912-00	93
Motor Support Bushing	
F200186100	87, 93
Motor Support Rod	
F602844	87
F603059	93
F603897	93
Motor Switch	
F340002	9, 13, 15
Mounting Bracket Assembly	
F0636707-00	21, 35
F635319	21, 37, 39
F635320	21
Muffin Fan	
F110105	11, 17, 19
F110110	11, 17

N

Nipple	
F420707	95
F420708	95
Nut	
F430215	23, 39, 49, 51, 53, 55, 61, 77, 95
F430218	81
F430220	21, 35, 37, 39
F430225	63, 65
F430231	9, 11, 13, 15, 17, 19, 21, 41, 63, 65
F430232	9, 11, 13, 15, 17, 19, 57, 63, 65
F430233	67, 69, 73, 83
F430239	79
F430240	79
F430264	61, 63, 65, 67, 69
F431001	83
F431016	13, 15
F431017	21, 63, 65
F431022	23
F431024	71, 73, 91
F431041	57
F431806	9, 13, 15
802292	41

O

On/Off Switch Assembly	
F0636445-02	21
O-Ring	
F170208	41
Out-of-Balance Mounting Bracket Assembly	
F200023100	83
Output Board Cover	
F0170427-00	9, 13, 15
Output CCA	
F037044860-1	23
F037044860-2	23
Overflow Hose	
F0200238-00	49

F150332	49, 51
F200125800	49
Overflow Plug	
F150352	47, 53, 55
Overlay	
70295101	39
70295301	39
Overlay Decal	
F200116200	29
F200116201	29
Overload Contactor	
F0330191-00P	9, 13
F0330192-00P	9, 13, 15
F330403P	9

P

Panel Assembly	
F200178400	75
Personal Injury Warning Decal	
F231065	7
Pipe	
F603827-1	55
Pipe Insulation	
F410300	95
Pipe Nipple	
70214101	95
Plug	
F150443	53, 55
F200202600	95, 97
F420409	95
Pop Rivet	
F431215	9, 13
F431223	61
Pressure Switch	
F8134602P	21
Pulley	
F280168	85
F280170	89
F280173	91
F280197	91
F280284	89
F280416	89
F280418	89, 93
F280422P	93
F280423	89
F280427	89
Pulley Bushing	
F280298P	89, 93
Pulse Expander Assembly	
F8034701P	39
Pump	
F200000900P	55
F270104P	55
F634463P	53
Pump Drain Outlet Hose	
F150482	53
Pump Drain Rear Connecting Bracket	
F604147	53, 55
Pump Drain Trap Assembly	
F630326P	55
Pump Drain Trap Mounting Bracket	
F609694	55

N/A items do not appear in index.

Pump Drain Trap Weldment F633819.....	53
Pump Inlet Hose F634177.....	53
Pump Mounting Bracket F634114.....	53
Push Red Button Decal F230661.....	57
Pushbutton Rod F320300.....	57

R

Ratchet Fastener F0432316-00.....	9, 13, 15
Rear Drain Hose F0200239-00..... F150311.....	49 49
Rear Panel F0636220-00P..... F0636321-00P..... F200022900P.....	73 73 73
Rear Panel Kit F757000..... F757001..... F757002.....	73 73 73
Rear Pump Drain Hose F150343.....	53, 55
Red Dot Decal F230662.....	57
Reducer Bushing F421936.....	97
Remove Door Lock Tag F230528.....	7
Replacement Filter F270405..... F270406.....	43 43
Resistor F370116.....	91
Ribbon Cable F140219P.....	21
Right Side Panel F0636135-00P..... F0636594-00P..... F8155501..... F8155701..... F8156601..... F8157301..... F8160001..... F8160301.....	75 75 75 75 75 75 75 75
Rocker Switch F340411.....	31
Rod F602813-2..... F602813-3.....	61 61
F430103.....	49, 51
F430104.....	83
F430107.....	23, 39, 53, 55, 73, 91
F430108.....	23, 39, 95
F430115.....	95
F430174.....	11, 17, 19, 41, 67, 69, 71, 73
F430177.....	9, 13, 41
F430179.....	53
F430482.....	85, 91
F430518.....	77
F430519.....	55
F430532.....	57
F430533.....	57
F430536.....	61
F430903.....	9, 13, 15, 41
F430906.....	61
F430909.....	13, 15
F430916.....	11, 15, 17, 19, 41
F430922.....	17
F430925.....	73
F430927.....	85
F430928.....	21, 23
F430938.....	9, 13
F430942.....	81
F430948.....	41
F430949.....	79
F430956.....	41, 61, 63, 65
F430976.....	11, 17, 19, 57
F430977.....	63, 65
F430982.....	63, 65
F430987.....	79
F431702.....	9, 13, 15
M400056.....	73
Shaft Seal F100208..... F100228..... F100229..... F100241..... F100242.....	79 79 79 79 79
Shaft Seal Sleeve F200215100..... F200215300..... F200215400..... F8114302..... F8114303..... F8114304..... F8114305.....	77 77 77 77 77 77 77
Sheave Pulley F280172.....	85
Shell Band Assembly F631977.....	77
Shell Band Kit F741700..... F741701..... F741702.....	77 77 77
Shell Front Assembly F0636283-00P..... F632006.....	77 77
Shell Front Gasket Kit F792000.....	77
Shell Front Kit F741300P..... F741302-01.....	77 77
Shell Weldment F063597402..... F063638801..... F0636460-00.....	81 81 81

S

Screw F0430165-00..... F0430268-00..... F430100.....	9, 13, 15 41 91
---	-----------------------

N/A items do not appear in index.

U

U-Bolt Clamp	
F200401P	53, 55
Upgrade Kit	
F934P3	77
F941P3	77
Upper Out-of-Balance Switch Bracket	
F200027400	83

V

Vacuum Breaker Assembly	
F603031	41
Vacuum Breaker Bottom	
F150330	41
Vacuum Breaker Fill Hose	
F0150340-01	49, 51
Vacuum Breaker Hose	
F0200244-00	41
F0200244-01	41
F150321	49
F150340	49
Vacuum Breaker Top	
F0150329-00	41
Valve Panel Assembly	
F0636138-00	73
F0636138-01	73
F0636297-00	73
F0636297-01	73
F0636521-00	73
F0636521-01	73
F0636524-01	73
Valve Panel Sub-Assembly	
F0636524-03	73
Valve, 3-Way	
F0381736-00P	41
F0381737-00P	41
F0381738-00P	41
F0381750-00P	41
Velcro	
F140639	11, 17, 19
Ventilation Seal	
F0100316-00P	73

W

Washer	
F0430348-00	73
F0431159-00	85
F430301	81
F430303	81
F430304	83
F430310	55
F430311	9, 13, 15
F430317	49, 51, 53, 77
F430325	87, 93
F431100	63, 65
F431113	23
F431115	91
F431123	63, 65
F431128	79

F431131	79
F431133	11
F431147	63, 65, 71
F431902	63, 65
F431916	57
M405535	67, 69
20290	43

Water Hose	
F200108P	41
F200116	43
F200164	43
F200165	43
F200166	43

Water Level Switch	
F0340343-10P	21
F0340345-10P	21

Water Pressure Switch	
F0340350-00	21, 95, 97

Y

Y Connector	
F422808	41

N/A items do not appear in index.

