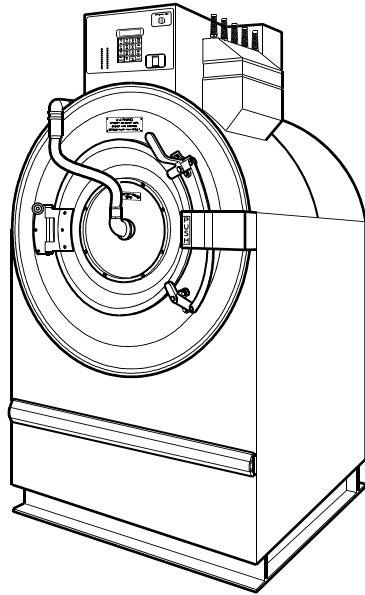


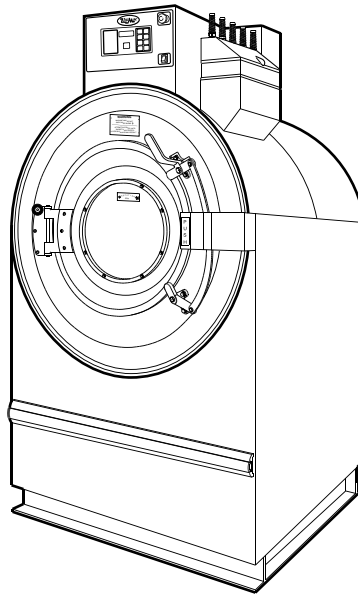
Washer-Extractor

Pocket Hardmount

Refer to Page 5 for Model Numbers



UW60PV



UW60AV and UW60VV

PHM1410C_F232167

Table of Contents

Title	Page
Parts Ordering Information.....	3
Nameplate Location	3
Model Identification	5
Decals	6
Control Module - Model UW60PV (Drawing 1 of 4)	8
Control Module - Model UW60VV (Drawing 1 of 4)	10
Control Module - Model UW60AV (Drawing 1 of 4)	12
Control Module - Model UW60PV (Drawing 2 of 4)	14
Control Module - Models UW60AV and UW60VV (Drawing 2 of 4).....	16
Control Module (Drawing 3 of 4)	18
Control Module (Drawing 4 of 4)	20
AC Drive - Model UW60PV (Drawing 1 of 3)	22
AC Drive - Model UW60PV (Drawing 2 of 3)	24
AC Drive - Model UW60PV (Drawing 3 of 3)	26
Balance Switch, Temperature Probe and Rotation Sensor	28
Supply Dispenser.....	30
Spray Plumbing - Design 5 and 6 UW60PV Models	32
Spray Plumbing - Design 7 and 8 UW60PV Models	34
Fill Plumbing - Design 5 and 6 UW60PV Models Through 2/29/02	36
Fill Plumbing - Design 5 and 6 UW60PV Models Starting 3/1/02	38
Fill Plumbing - Design 7 and 8 UW60PV Models.....	40
Fill Plumbing - Models UW60AV and UW60VV	42
Drain System, Overflow and Vent Pipes.....	44
Basket, Shell and Frame (Drawing 1 of 2)	46
Basket, Shell and Frame (Drawing 2 of 2)	48
Door and Spray Tube.....	50
Door Lock.....	52
Front, Side and Rear Panels.....	54
Motor and Pulley - Model UW60PV	56
Motor and Pulley - Models UW60AV and UW60VV.....	58
Electric Heat Option	60
Steam Heat Option and Transformers	62
Water-Saving System Main View - Design 5 and 6 UW60PV Models	64
Water-Saving System Main View - Design 7 and 8 UW60PV Models	66
Water-Saving System Pump Sub-Assembly - Model UW60PV	68
Water-Saving System Control Module Sub-Assembly - Model UW60PV	70
Auxiliary Water Reuse Inlet - Model UW60PV	72
Wet-Clean Assembly Main View - Model UW60PV	74
Wet-Clean Assembly Control Module - Model UW60PV	76
Security Fasteners	78
Special Tools	80

© Copyright 2008, Alliance Laundry Systems LLC

All rights reserved. No part of the contents of this book may be reproduced or transmitted in any form or by any means without the expressed written consent of the publisher.

Motor Manufacturer Part Number Location on the Motor's Nameplate..... 82
Parts Index..... 85

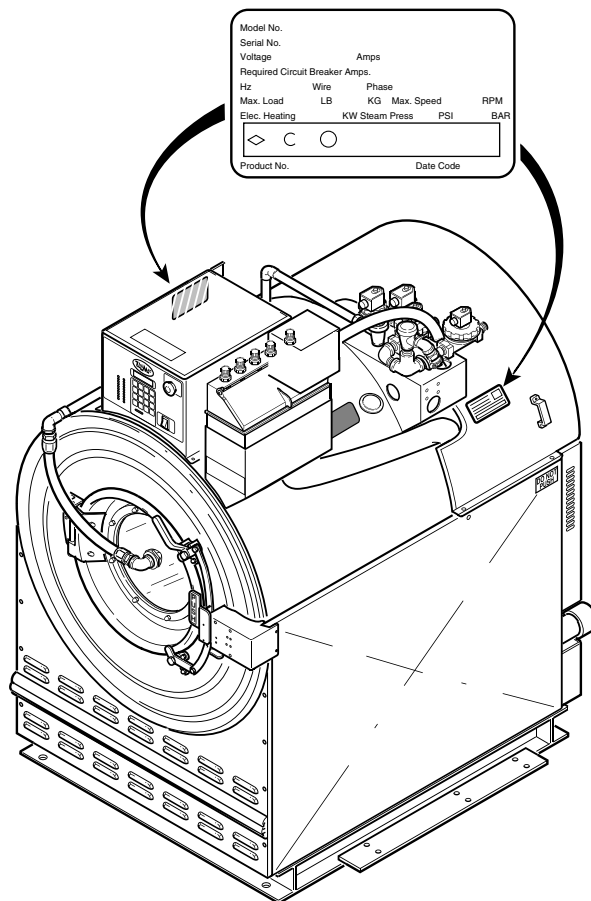
Parts Ordering Information

If literature or replacement parts are required, contact the source from whom the machine was purchased or contact Alliance Laundry Systems at (920) 748-3950 for the name and address of the nearest authorized parts distributor.

For technical assistance, call (920) 748-3121.

Nameplate Location

When calling or writing about your product, be sure to mention model and serial numbers. Model and serial numbers are located on nameplate(s) as shown.



PHM2462P_F232167

Model Identification

Information in this manual is applicable to these washer-extractor models:

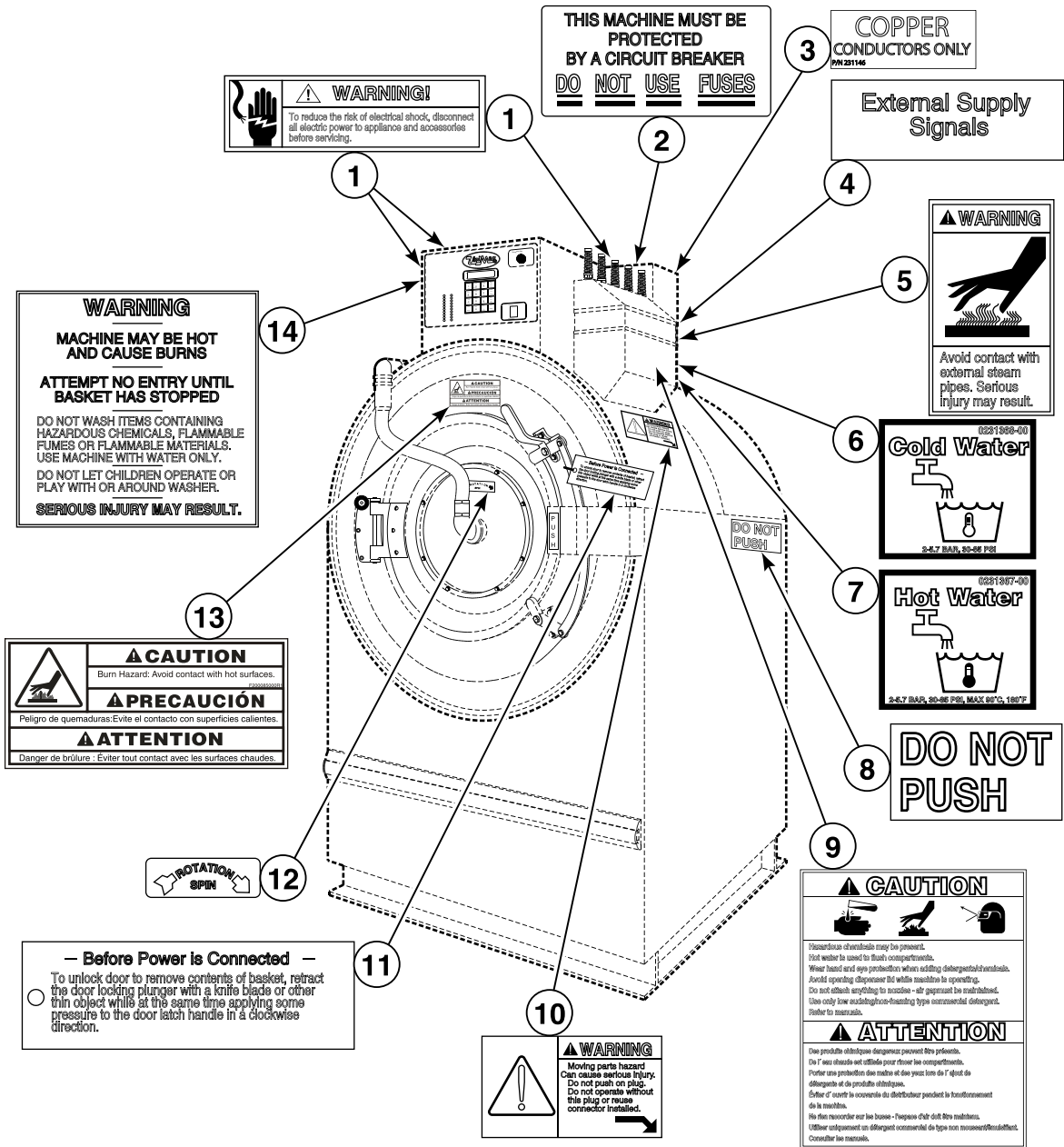
UW60AV

UW60PV

UW60VV

NOTE: This manual applies to models with either 5, 6, 7 or 8 in the 9th position in the model number (e.g. UW60PVQU50001).

Decals

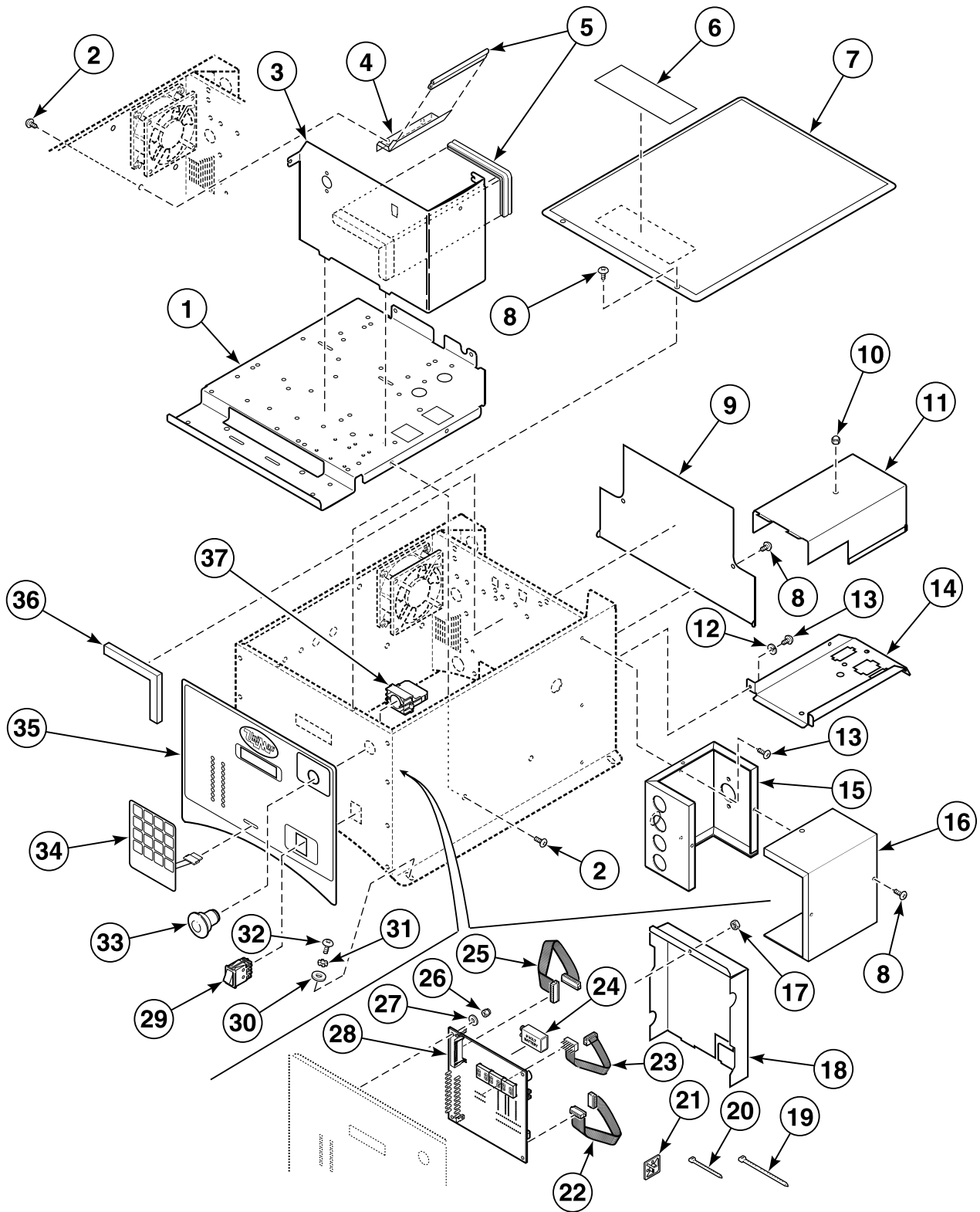


PHM2896P_F232167

Decals

REF	PART NO.	DESCRIPTION	COMMENTS
1	505281	Disconnect Power Warning Label	
2	F230301	This Machine Must Be Protected Decal	
3	F231146	Conductor Decal	
4	F231345-4	External Supply Caution Decal	
5	F231380	Hot Surface Warning Decal	
6	F231368	Cold Water Valve Decal	
7	F231367	Hot Water Valve Decal	
8	F230302	Do Not Push Decal	
9	F231436	Supply Dispenser Hazard Caution Decal	
10	F0230112-00	Plug Removal Warning Decal	Model UW60PV
11	F230501	Before Power Is Connected Tag	
12	F230652	Clockwise Spin Rotation Decal	
13	F200085000	Hot Surface Warning Decal	
14	F231065	Personal Injury Warning Decal	

Control Module - Model UW60PV (Drawing 1 of 4)



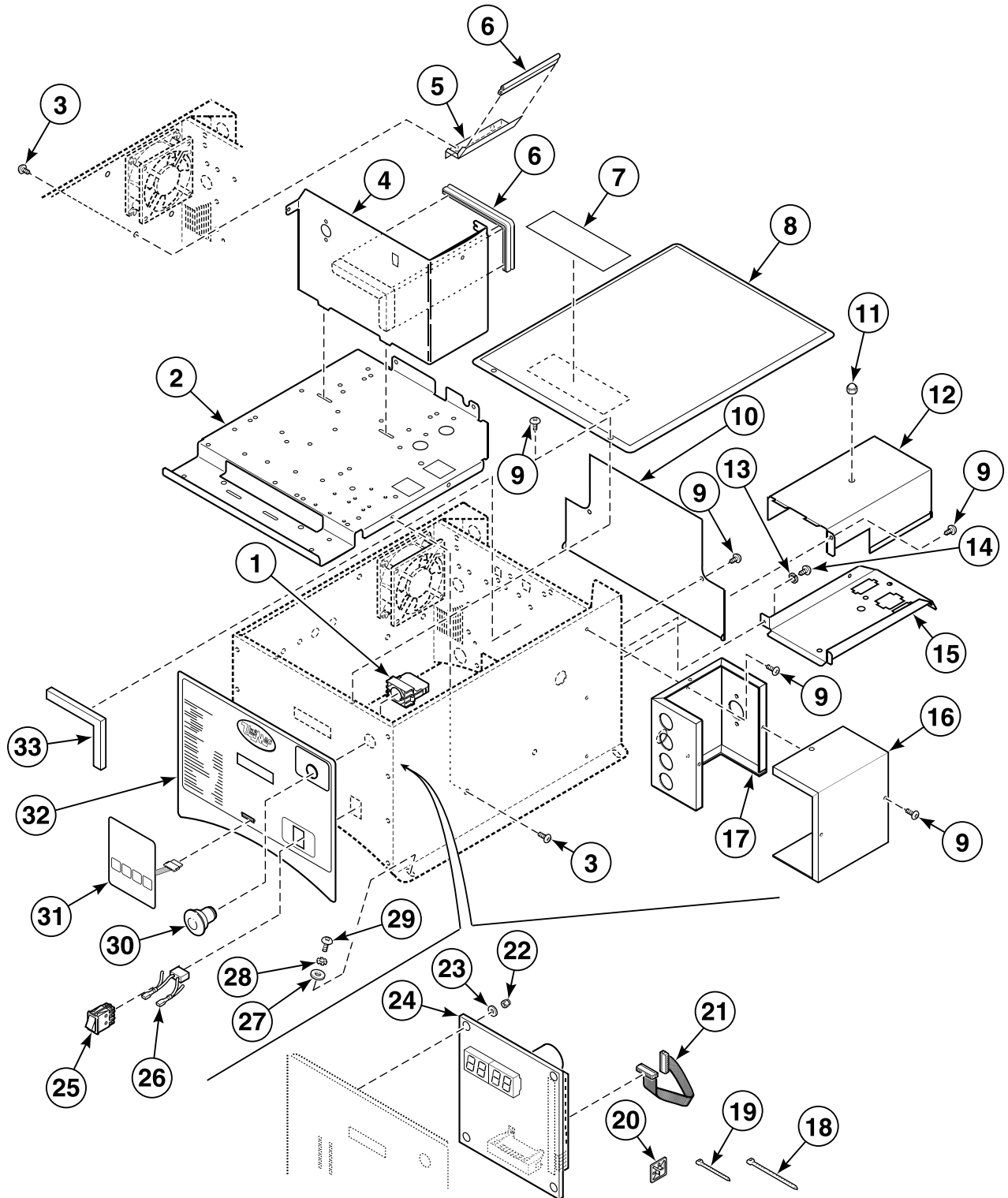
PHM2344P_F232167

Control Module - Model UW60PV (Drawing 1 of 4)

REF	PART NO.	DESCRIPTION	COMMENTS
1	N/A	Control Mounting Panel Assembly	
2	F430928	Screw	
3	F0637753-00	AC Drive Partition Assembly	
4	F0637748-00	Air Flow Ramp Assembly	
5	F170404	Trim	Order 1 foot
6	505281	Disconnect Power Warning Label	
7	F635456	Control Module Cover	
8	70240301	Screw	
9	F635448	Electrical Access Panel	Design 5 and 6 models
	F0637549-00	Electrical Access Panel	Design 7 and 8 models
10	F431026	Nut	
11	F635476	Cable Tray Cover	
12	F431113	Washer	
13	F430917	Screw	
14	F635615-2	Cable Tray Assembly	
15	F635468	External Supply Box	
16	F635365	External Supply Box Cover	
17	F431000	Nut	
18	F606826	Computer Cover	
19	F140606	Cable Tie	15 inch
20	F140605	Cable Tie	6 inch
21	F140602	Tie Wrap Mounting Clamp	
22	F140218P	Ribbon Cable	16 conductor; 12 inch; From interface cca to computer; J8 plug
23	F140248P	Ribbon Cable	16 conductor; 15 inch; From computer to interface cca; J1 plug; DIP socket
24	F191101	Battery	9 Volt; Backup
25	F140219P	Ribbon Cable	26 conductor; 15 inch; From computer to output cca
26	F430231	Nut	
27	F431125	Washer	
28	F037062441P	WE-6 Computer	
29	F340412	Momentary Switch	Models through 5/26/04
	F200120100	Momentary Switch	Models starting 5/27/04
30	F431123	Washer	
31	F431108	Washer	
32	F8136401	Screw	
33	F340718	Emergency Stop Pushbutton	800E-series; Models through 9/30/07
	F200233700P	Emergency Stop Button Kit	Used to convert from 800E-series to 800F-series; Includes F200233500 Emergency Stop Pushbutton and F200233401 Contact Block Switch
	F200233500	Emergency Stop Pushbutton	800F-series; Models starting 10/1/07
34	F230724P	Keypad Decal	
35	F231562	Control Module Decal	
36	F0170191-00	Seal	Order 1 foot; N, P and Q-voltage models
	F170151	Seal	Order 1 foot; T and X-voltage models
37	F340445	Contact Block Switch	800E-series; Models through 9/30/07
	F200233401	Contact Block Switch	800F-series; Models starting 10/1/07

N/A = Part no longer available

Control Module - Model UW60VV (Drawing 1 of 4)



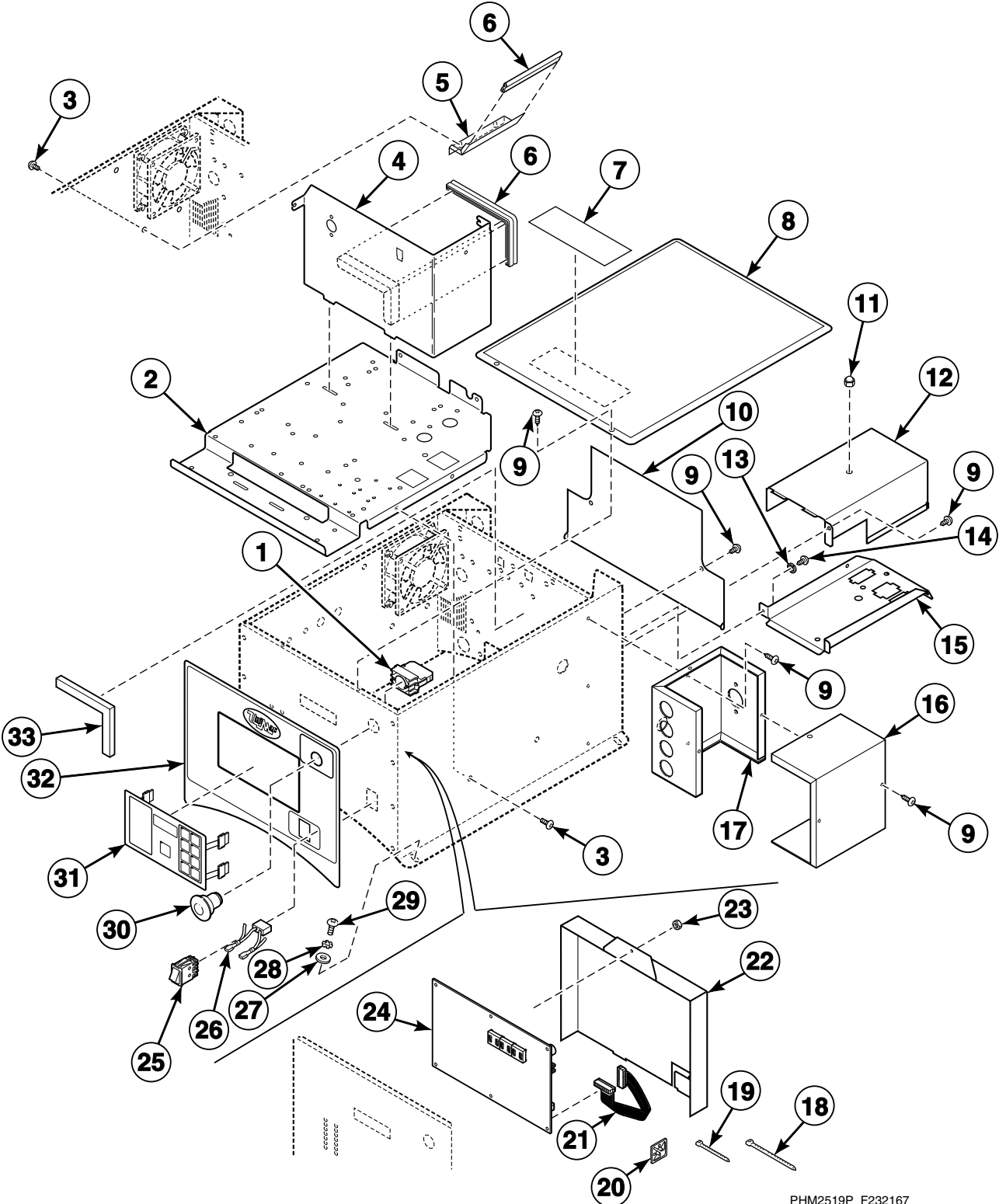
PHM2441P_F232167

Control Module - Model UW60VV (Drawing 1 of 4)

REF	PART NO.	DESCRIPTION	COMMENTS
1	F340445	Contact Block Switch	800E-series; Models through 9/30/07
	F200233401	Contact Block Switch	800F-series; Models starting 10/1/07
2	N/A	Control Mounting Panel Assembly	
3	F430928	Screw	
4	F635366	AC Drive Partition	
5	F0637748-00	Air Flow Ramp Assembly	
6	F170404	Trim	Order 1 foot
7	505281	Disconnect Power Warning Label	
8	F634558	Control Module Cover	
9	70240301	Screw	
10	F0637549-00	Electrical Access Panel	
11	F431026	Nut	
12	F635476	Cable Tray Cover	
13	F431113	Washer	
14	F430917	Screw	
15	F635615-2	Cable Tray Assembly	
16	F635365	External Supply Box Cover	
17	F635468	External Supply Box	
18	F140606	Cable Tie	15 inch
19	F140605	Cable Tie	6 inch
20	F140602	Tie Wrap Mounting Clamp	
21	F140219P	Ribbon Cable	26 conductor; 15 inch; Connects the microcomputer to the output board cca
22	F430231	Nut	
23	F431125	Washer	
24	F0370313-09P	Microcomputer	
25	F340412	Momentary Switch	Models through 5/26/04
	F200120100	Momentary Switch	Models starting 5/27/04
26	F330217P	RC Network Filter	Includes F140627 Connector and F141022 Connector
27	F431123	Washer	
28	F431108	Washer	
29	F8136401	Screw	
30	F340718	Emergency Stop Pushbutton	800E-series; Models through 9/30/07
	F200233700P	Emergency Stop Button Kit	Used to convert from 800E-series to 800F-series; Includes F200233500 Emergency Stop Pushbutton and F200233401 Contact Block Switch
	F200233500	Emergency Stop Pushbutton	800F-series; Models starting 10/1/07
31	F370576P	Keypad	
32	F231417	Control Module Decal	
33	F0170191-00	Seal	Order 1 foot

N/A = Part no longer available

Control Module - Model UW60AV (Drawing 1 of 4)



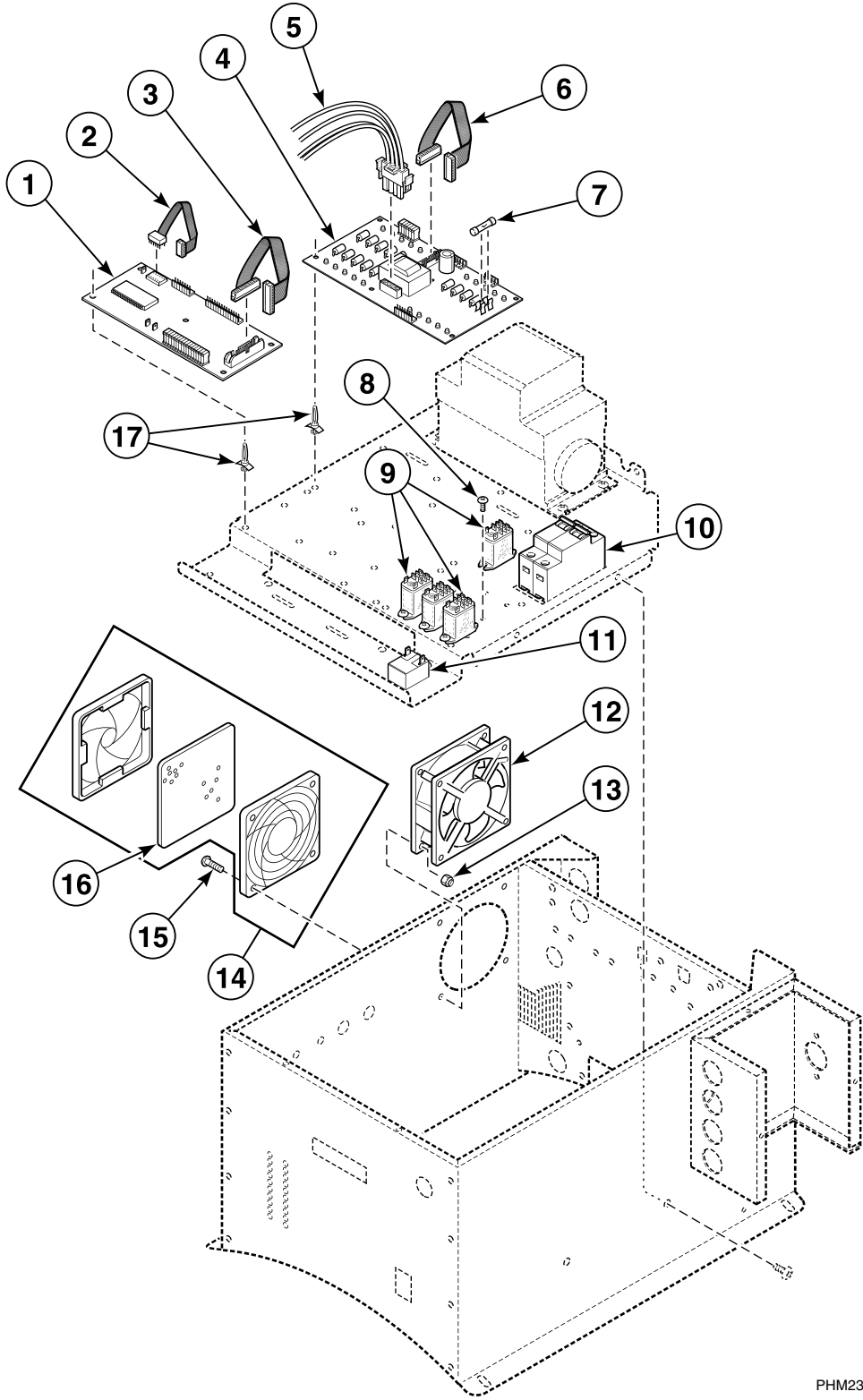
PHM2519P_F232167

Control Module - Model UW60AV (Drawing 1 of 4)

REF	PART NO.	DESCRIPTION	COMMENTS
1	F340445	Contact Block Switch	800E-series; Models through 9/30/07
	F200233401	Contact Block Switch	800F-series; Models starting 10/1/07
2	N/A	Control Mounting Panel Assembly	
3	F430928	Screw	
4	F635366	AC Drive Partition	
5	F0637748-00	Air Flow Ramp Assembly	
6	F170404	Trim	Order 1 foot
7	505281	Disconnect Power Warning Label	
8	F634558	Control Module Cover	
9	70240301	Screw	
10	F0637549-00	Electrical Access Panel	
11	F431026	Nut	
12	F635476	Cable Tray Cover	
13	F431113	Washer	
14	F430917	Screw	
15	F635615-2	Cable Tray Assembly	
16	F635365	External Supply Box Cover	
17	F635468	External Supply Box	
18	F140606	Cable Tie	15 inch
19	F140605	Cable Tie	6 inch
20	F140602	Tie Wrap Mounting Clamp	
21	F140219P	Ribbon Cable	26 conductor; 15 inch; Connects the microcomputer to the output board cca
22	F0636887-00	Control Cover	
23	F430231	Nut	
24	F037047530P	Computer	
25	F200120100	Momentary Switch	
26	F330217P	RC Network Filter	Includes F140627 Connector and F141022 Connector
27	F431123	Washer	
28	F431108	Washer	
29	F8136401	Screw	
30	F340718	Emergency Stop Pushbutton	800E-series; Models through 9/30/07
	F200233700P	Emergency Stop Button Kit	Used to convert from 800E-series to 800F-series; Includes F200233500 Emergency Stop Pushbutton and F200233401 Contact Block Switch
	F200233500	Emergency Stop Pushbutton	800F-series; Models starting 10/1/07
31	F023158231	Keypad	
32	F0231565-00	Control Module Decal	
33	F0170191-00	Seal	Order 1 foot

N/A = Part no longer available

Control Module - Model UW60PV (Drawing 2 of 4)

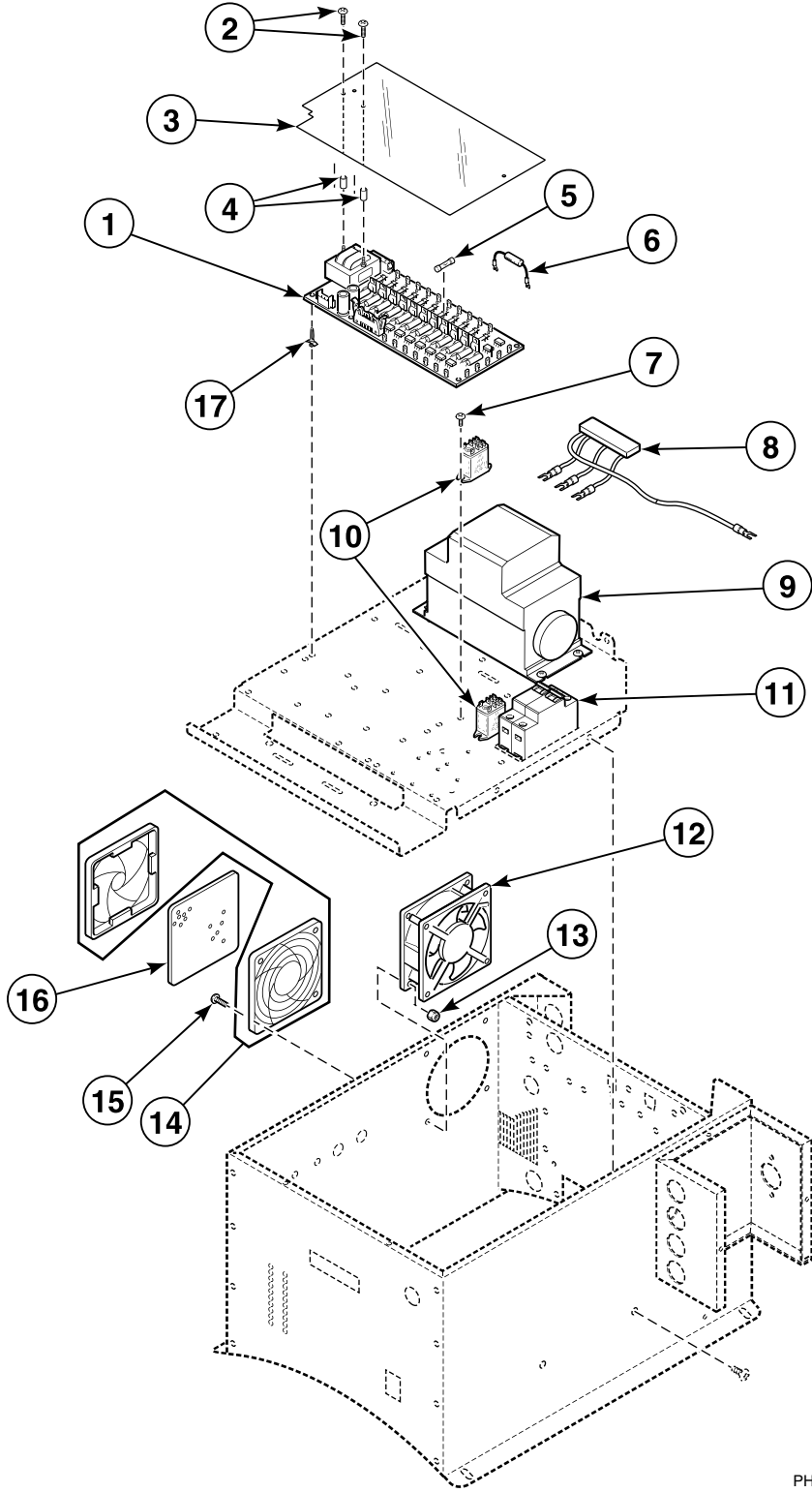


PHM2380P_F232167

Control Module - Model UW60PV (Drawing 2 of 4)

REF	PART NO.	DESCRIPTION	COMMENTS
1	F0370446-12P	Interface CCA	2 relay style
2	F140218P	Ribbon Cable	16 conductor; 12 inch; From interface cca to computer; J8 plug
3	F140248P	Ribbon Cable	16 conductor; 15 inch; From interface cca to computer; J1 plug; DIP socket
4	F0370454-10P	Output CCA	
5	F784003P	Jumper Kit	
6	F140219P	Ribbon Cable	26 conductor; 15 inch; From computer to output cca
7	F350108	Fuse	1/8 Amp; Slo blo
	F350109	Fuse	1/2 Amp; Fast blo
	F350110	Fuse	1 Amp; Slo blo
8	F0430165-00	Screw	
9	F330230	Flange Relay	220 Volt
10	F350216	Circuit Breaker	N and P-voltage models
11	F300206	Buzzer	220 Volt
12	F110105	Muffin Fan	220 Volt; 4 inch
13	F430231	Nut	
14	F220900	Filter Retainer Guard	Includes item 16
15	F430910	Screw	
16	F200318900	Filter	
17	F180506	Standoff	

Control Module - Models UW60AV and UW60VV (Drawing 2 of 4)

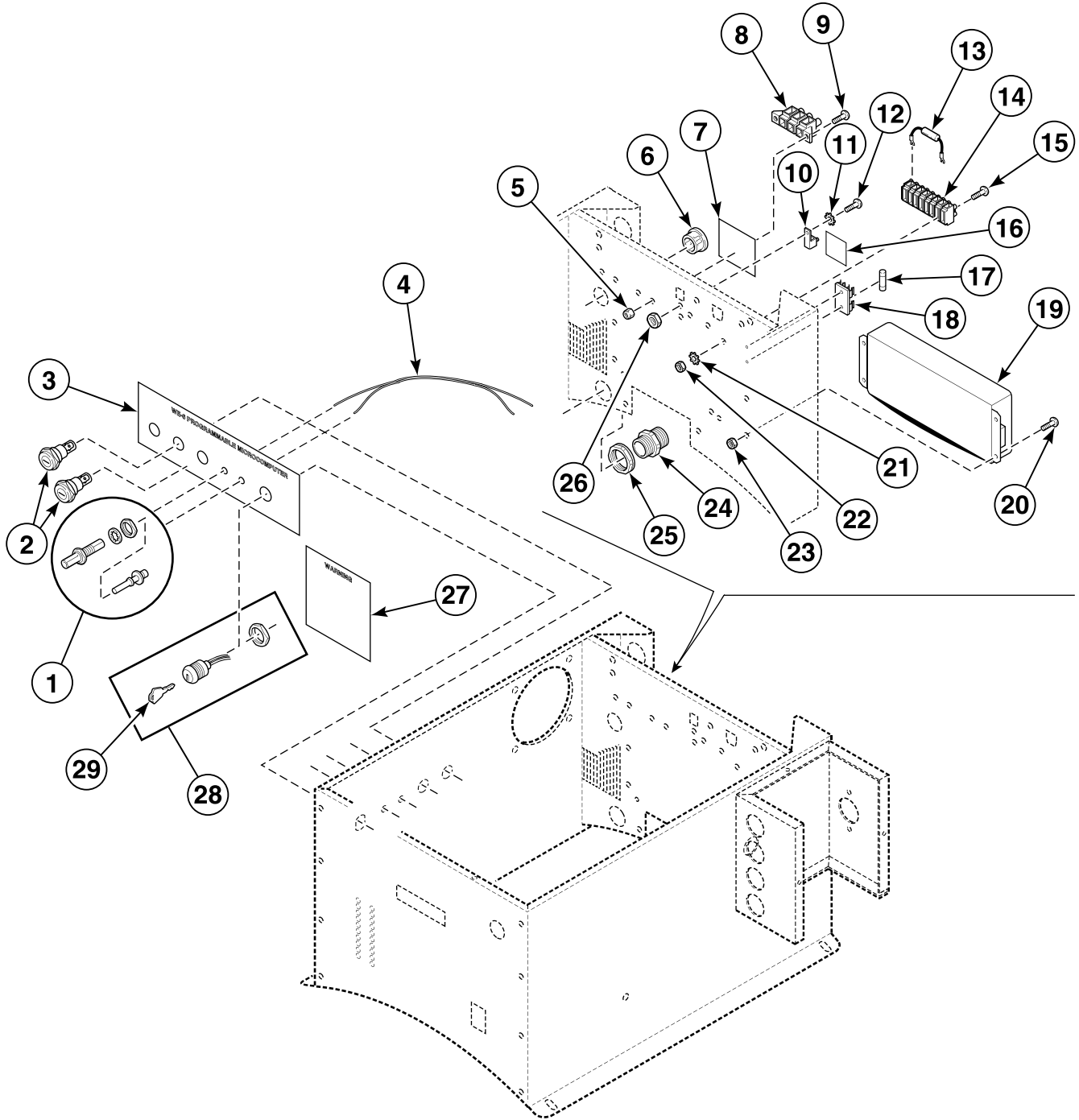


PHM2680P_F232167

Control Module - Models UW60AV and UW60VV (Drawing 2 of 4)

REF	PART NO.	DESCRIPTION	COMMENTS
1	F370447-6P	Output Board CCA	Model UW60VV
	F037044860-2	Output CCA	Model UW60AV
2	F431702	Screw	Model UW60AV
3	F0170427-00	Output Board Cover	Model UW60AV
4	F431806	Nut	Model UW60AV
5	F350108	Fuse	1/8 Amp; Slo blo
	F350109	Fuse	1/2 Amp; Fast blo
	F350110	Fuse	1 Amp; Slo blo
	F350142	Fuse	2 Amp; Slo blo
6	F370116	Resistor	
7	F0430165-00	Screw	
8	F200320900	AC Drive Radio Filter Assembly	
9	F370843	Inverter Drive	X-voltage models
	F370844	Inverter Drive	N-voltage models
10	F330230	Flange Relay	220 Volt
11	F350216	Circuit Breaker	N-voltage models
12	F110105	Muffin Fan	220 Volt; 4 inch
13	F430231	Nut	
14	F220900	Filter Retainer Guard	
15	F430910	Screw	
16	F200318900	Filter	
17	F180506	Standoff	

Control Module (Drawing 3 of 4)



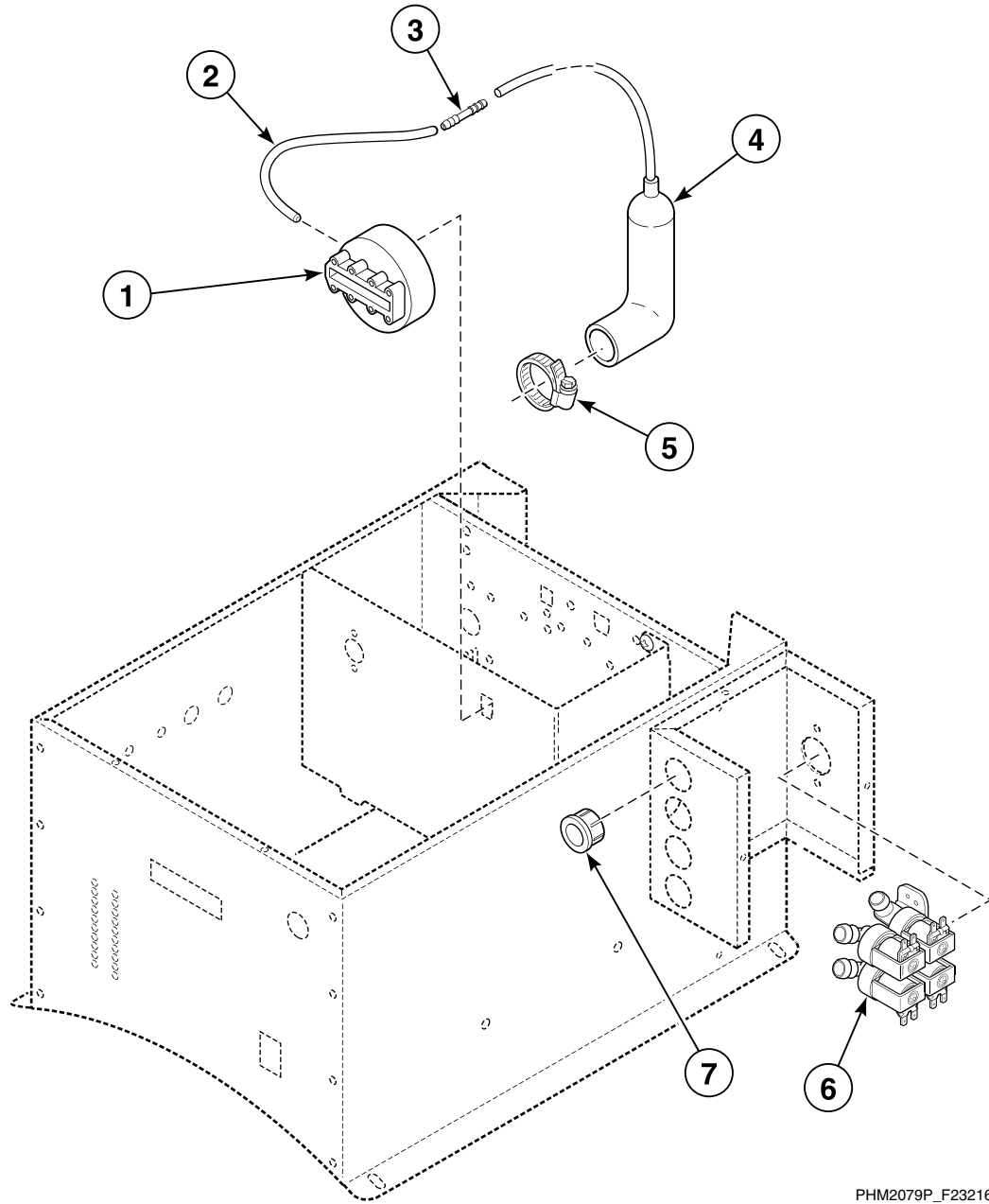
PHM2543P_F232167

Control Module (Drawing 3 of 4)

REF	PART NO.	DESCRIPTION	COMMENTS
1	F140575P	Connector	Model UW60PV; Gray
	F140576	Connector	Model UW60PV; Blue
2	F350218	Circuit Breaker	1 Amp; Model UW60PV through 5/11/03
	F350210	Circuit Breaker	2 Amp; Model UW60PV through 5/11/03
	F0350313-00P	Fuse Holder	Model UW60PV starting 5/12/03; Model UW60VV
	F350142	Fuse	2 Amp; Slo blo; Model UW60PV starting 5/12/03; Model UW60VV
3	F231564	Switch Mode Decal	Model UW60PV through 5/11/03
	F0231632-00	Switch Mode Decal	Model UW60PV starting 5/12/03
	F0231629-00	Fuse Decal	Model UW60VV
4	F604713	Cable Assembly	Model UW60PV
5	F431022	Nut	
6	F140909	Insulator Bushing	
7	F0231636-00	Input Block Decal	
8	F140794-1	Input Power Block	
9	F430938	Screw	
10	F140734	Ground Terminal Lug	
11	F431106	Washer	
12	F430903	Screw	
13	F370116	Resistor	Model UW60PV
14	F140782	Terminal Block	11 place
15	F430995	Screw	
16	F230630	Ground Decal	
17	F350115	Fuse	3 Amp; Fast blo
18	F0350312-10	Fuse Holder	
19	F330280P	EMI Filter	400 Volt/3 Phase; CE models
	F330284	EMI Filter	200 Volt/3 Phase; CE models
	F8080001	AC Drive Resistor Assembly	200 Volt; Optional
	F8079901P	AC Drive Resistor Assembly	400 Volt; Optional
20	F430909	Screw	
21	F431108	Washer	
22	F431006	Nut	
23	F431013	Nut	
24	N/A	Connector	CE models; PG21
	F180486	Cap Plug	Used in place of items 25 and 26 on non-CE models
25	F430265	Nut	CE models
26	F431000	Nut	
27	F231065	Personal Injury Warning Decal	Model UW60PV
28	F200174600P	Keymode Assembly	Includes item 29; Model UW60PV; N and P-voltage models starting 10/7/04 and through 1/14/05
	C000320P	Keymode Run/Program Switch	Includes item 29; Model UW60PV; N and P-voltage models through 10/6/04 and starting 1/15/05; All other voltage models
29	F370709	Program Key	Model UW60PV; A153

N/A = Part no longer available

Control Module (Drawing 4 of 4)

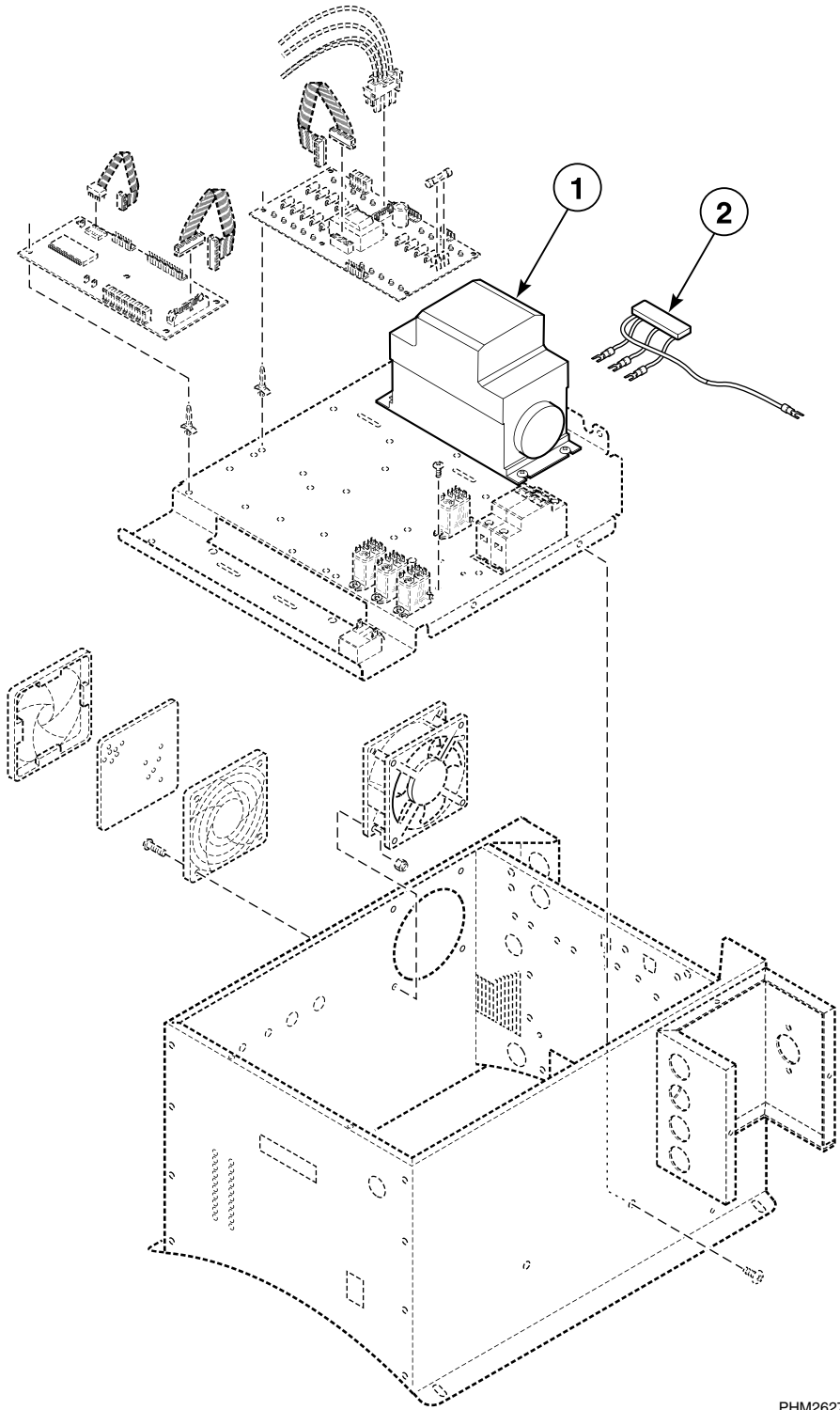


PHM2079P_F232167

Control Module (Drawing 4 of 4)

REF	PART NO.	DESCRIPTION	COMMENTS
1	F0340347-10P	Water Level Switch	
2	F422500	Connector	
3	F422404P	Tubing	
4	F200142	Air Trap Hose	
5	F200215	Hose Clamp	No. 28
6	F381723P	4-Way Valve	220 Volt
7	F140938	Snap Bushing	

AC Drive - Model UW60PV (Drawing 1 of 3)



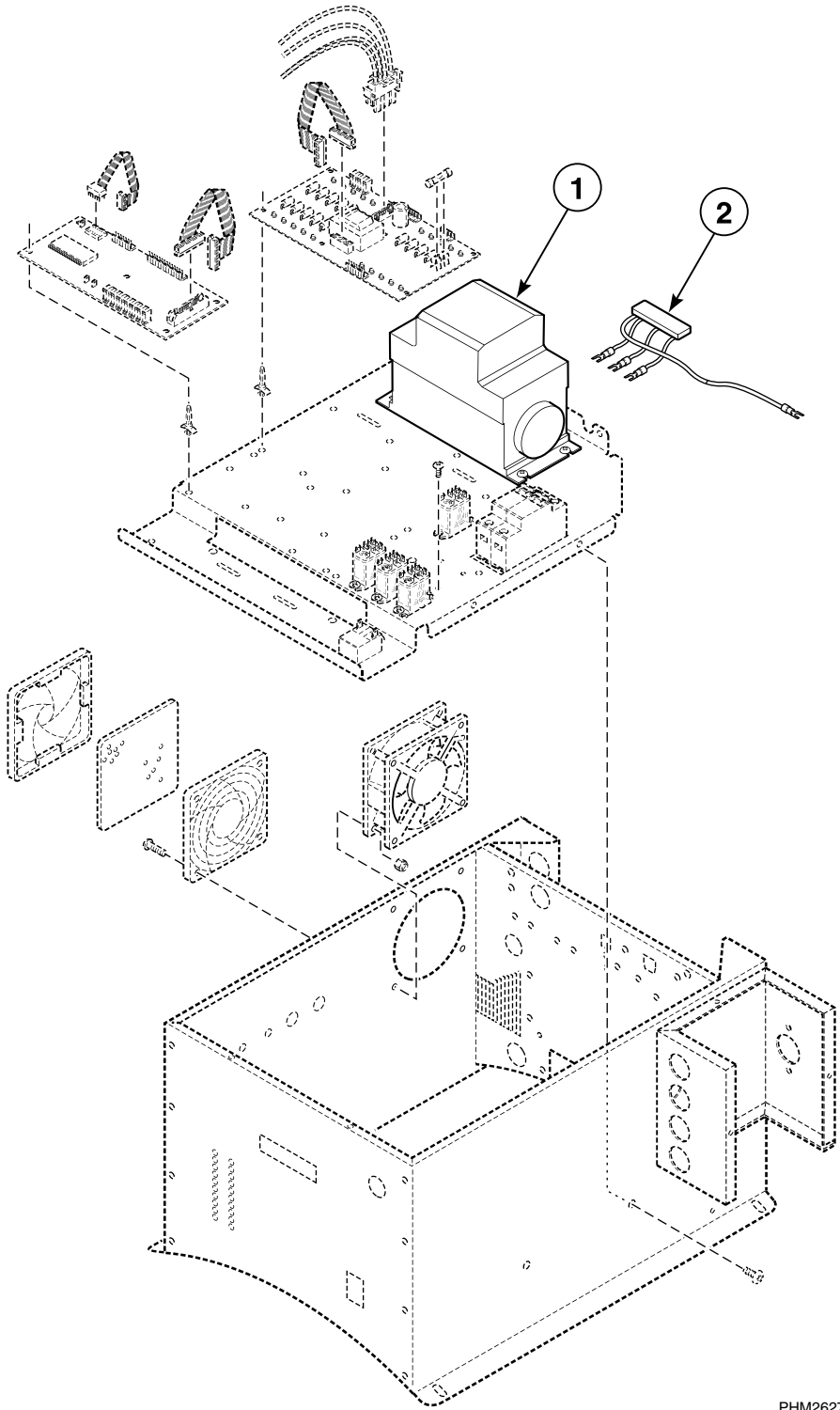
PHM2627P_F232167

AC Drive - Model UW60PV (Drawing 1 of 3)

REF	PART NO.	DESCRIPTION	COMMENTS
1	F0370853-792	160-Series AC Drive Kit	Q-voltage models that have previously been updated from the 1305-series drive using either F079892911, F079893110, F079892911 or F079893110 1305 to 160-Series AC Drive Retrofit Kit; Used with F220236 Motor (Motor manufacturer Part No. F-391994-61) and a 3.2-inch motor pulley; NOTE: If the washer-extractor was updated from the 1305-series drive to the 160-series drive using F079893110 1305 to 160-Series AC Drive Retrofit Kit, also order F330284 EMI Filter
	F0370853-801	160-Series AC Drive Kit	Q-voltage models that have previously been updated from the 1305-series drive using either F079893800 or F079894600 1305 to 160-Series AC Drive Retrofit Kit; Used with F220214U Motor (Motor manufacturer Part No. G68094) and a 3.2-inch motor pulley
	F0370853-802	160-Series AC Drive Kit	Q-voltage models that have previously been updated from the 1305-series drive to the 160-series drive using either F079894000 or F079894800 1305 to 160-Series AC Drive Retrofit Kit; Used with F220214 Motor (Premium Efficiency; Motor manufacturer Part No. H309) and a 3.2-inch motor pulley
	F0370853-803	160-Series AC Drive Kit	Q-voltage models that have previously been updated from the 1305-series drive to the 160-series drive using either F079894200 or F079895000 1305 to 160-Series AC Drive Retrofit Kit; Used with F220214 Motor (Premium Efficiency; Motor manufacturer Part No. A431) and a 3.2-inch motor pulley
	F0370853-804	160-Series AC Drive Kit	Q-voltage models that have previously been updated from the 1305-series drive to the 160-series drive using either F079894400 or F079895200 1305 to 160-Series AC Drive Retrofit Kit; Used with F220434 Motor (Motor manufacturer Part No. 7695) and a 3.2-inch motor pulley
	F0370853-790	160-Series AC Drive Kit	Q-voltage design 6, 7 or 8 models; Replaces F370843 Inverter Drive; Used with F220236 Motor (Motor manufacturer Part No. F-391994-61)
	F0370853-791	160-Series AC Drive Kit	Q-voltage design 5 models; Replaces F370843 Inverter Drive; Used with F220236 Motor (Motor manufacturer Part No. F-391994-61) and a 3.4-inch motor pulley
	F0370853-793	160-Series AC Drive Kit	Q-voltage design 5 models; Used with F220214M Motor (Motor manufacturer Part No. 9-391718-60); Includes a 3.2-inch motor pulley
	F0370853-STK	160-Series AC Drive Kit	Unprogrammed drive
2	F200320900	AC Drive Radio Filter Assembly	

NOTE: Refer to the *Motor Manufacturer Part Number Location on the Motor's Nameplate* section for motor manufacturer part number location information.

AC Drive - Model UW60PV (Drawing 2 of 3)



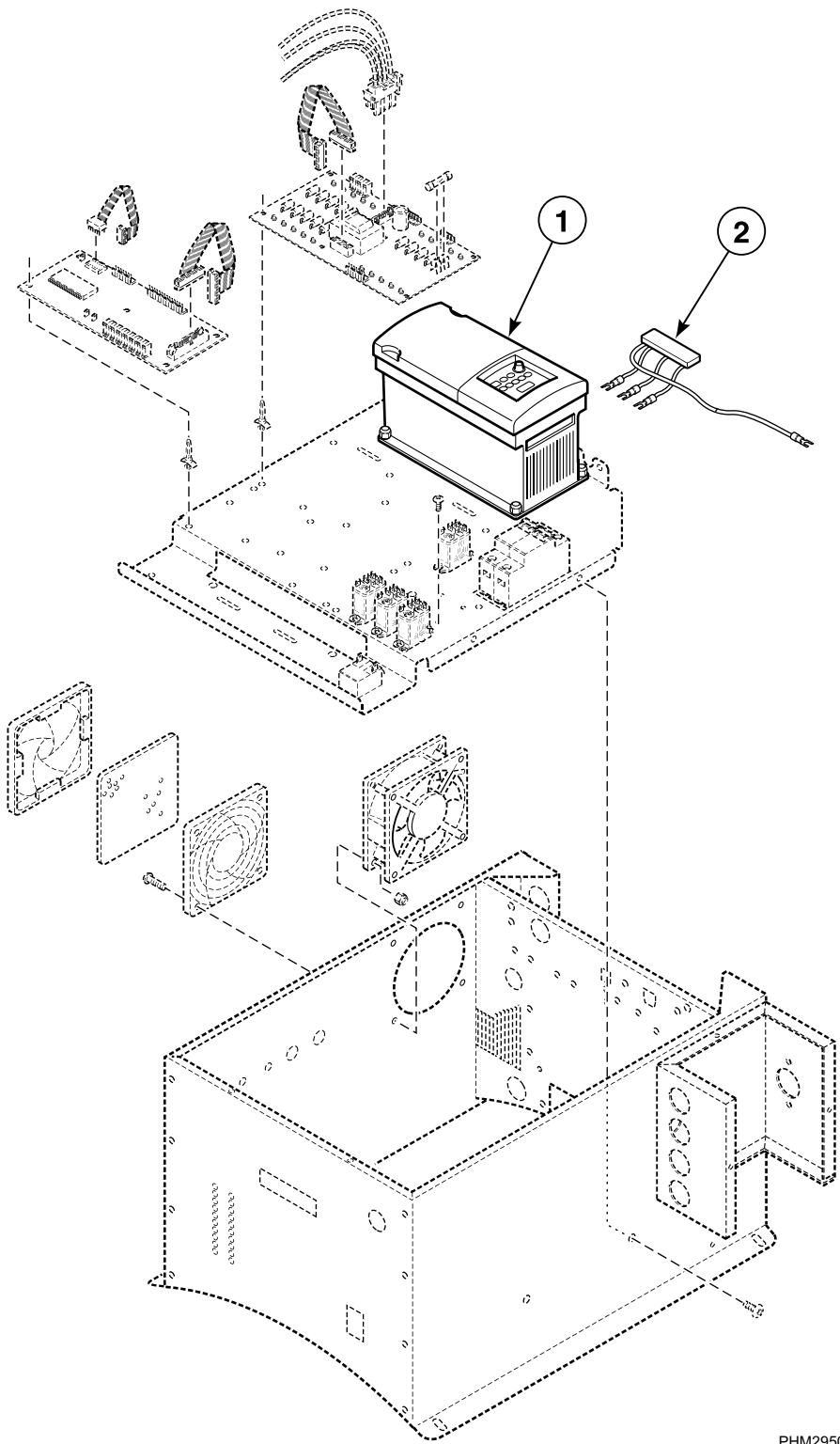
PHM2627P_F232167

AC Drive - Model UW60PV (Drawing 2 of 3)

REF	PART NO.	DESCRIPTION	COMMENTS
1	F0370854-792	160-Series AC Drive Kit	N and P-voltage models that have previously been updated from the 1305-series drive using either F079893010, F079893210, F079893010 or F079893210 1305 to 160-Series AC Drive Retrofit Kit; Used with F220236 Motor (Motor manufacturer Part No. F-391994-61) and a 3.2-inch motor pulley; NOTE: If the washer-extractor was updated from the 1305-series drive to the 160-series drive using F079893210 1305 to 160-Series AC Drive Retrofit Kit, also order F330283 EMI Filter
	F0370854-801	160-Series AC Drive Kit	N and P-voltage models that have previously been updated from the 1305-series drive using either F079893900 or F079894700 1305 to 160-Series AC Drive Retrofit Kit; Used with F220214U Motor (Motor manufacturer Part No. G68094) and a 3.2-inch motor pulley
	F0370854-802	160-Series AC Drive Kit	N and P-voltage models that have previously been updated from the 1305-series drive to the 160-series drive using either F079894100 or F079894900 1305 to 160-Series AC Drive Retrofit Kit; Used with F220214 Motor (Premium Efficiency; Motor manufacturer Part No. H309) and a 3.2-inch motor pulley
	F0370854-803	160-Series AC Drive Kit	N and P-voltage models that have previously been updated from the 1305-series drive to the 160-series drive using either F079894300 or F079895100 1305 to 160-Series AC Drive Retrofit Kit; Used with F220214 Motor (Premium Efficiency; Motor manufacturer Part No. A431) and a 3.2-inch motor pulley
	F0370854-804	160-Series AC Drive Kit	N and P-voltage models that have previously been updated from the 1305-series drive to the 160-series drive using either F079894500 or F079895300 1305 to 160-Series AC Drive Retrofit Kit; Used with F220434 Motor (Motor manufacturer Part No. 7695) and a 3.2-inch motor pulley
	F0370854-790	160-Series AC Drive Kit	N and P-voltage design 6, 7 or 8 models; Replaces F370844 Inverter Drive; Used with F220236 Motor (Motor manufacturer Part No. F-391994-61)
	F0370854-791	160-Series AC Drive Kit	N and P-voltage design 5 models; Replaces F370844 Inverter Drive; Used with F220236 Motor (Motor manufacturer Part No. F-391994-61) and a 3.4-inch motor pulley
	F0370854-794	160-Series AC Drive Kit	N and P-voltage design 5 models; Used with F220214M Motor (Motor manufacturer Part No. 9-391718-60) and a 3.4-inch motor pulley
	F0370853-772	160-Series AC Drive Kit	T-voltage design 6, 7 or 8 models; Used with F220214M Motor (Motor manufacturer Part No. 9-391718-60)
	F0370853-790	160-Series AC Drive Kit	Q, T and X-voltage design 6, 7 or 8 models; Replaces F370853 Inverter Drive; Used with F220236 Motor (Motor manufacturer Part No. F-391994-61)
	F0370853-781	160-Series AC Drive Kit	T-voltage design 5 models; Replaces F370853 Inverter Drive; Used with F220236 Motor (Motor manufacturer Part No. F-391994-61)
	N/A	160-Series AC Drive Kit	T-voltage design 5 models; Replaces F370853 Inverter Drive; Used with F220214M Motor (Motor manufacturer Part No. 9-391718-60); Replaced by F8171608 Mitsubishi to PowerFlex 40 Drive Kit
	F0370853-STK	160-Series AC Drive Kit	Unprogrammed drive; 200 Volt application
	F0370854-STK	160-Series AC Drive Kit	Unprogrammed drive; 400 Volt application
2	F200320900	AC Drive Radio Filter Assembly	

NOTE: Refer to the Motor Manufacturer Part Number Location on the Motor's Nameplate for motor manufacturer part number location information.

AC Drive - Model UW60PV (Drawing 3 of 3)



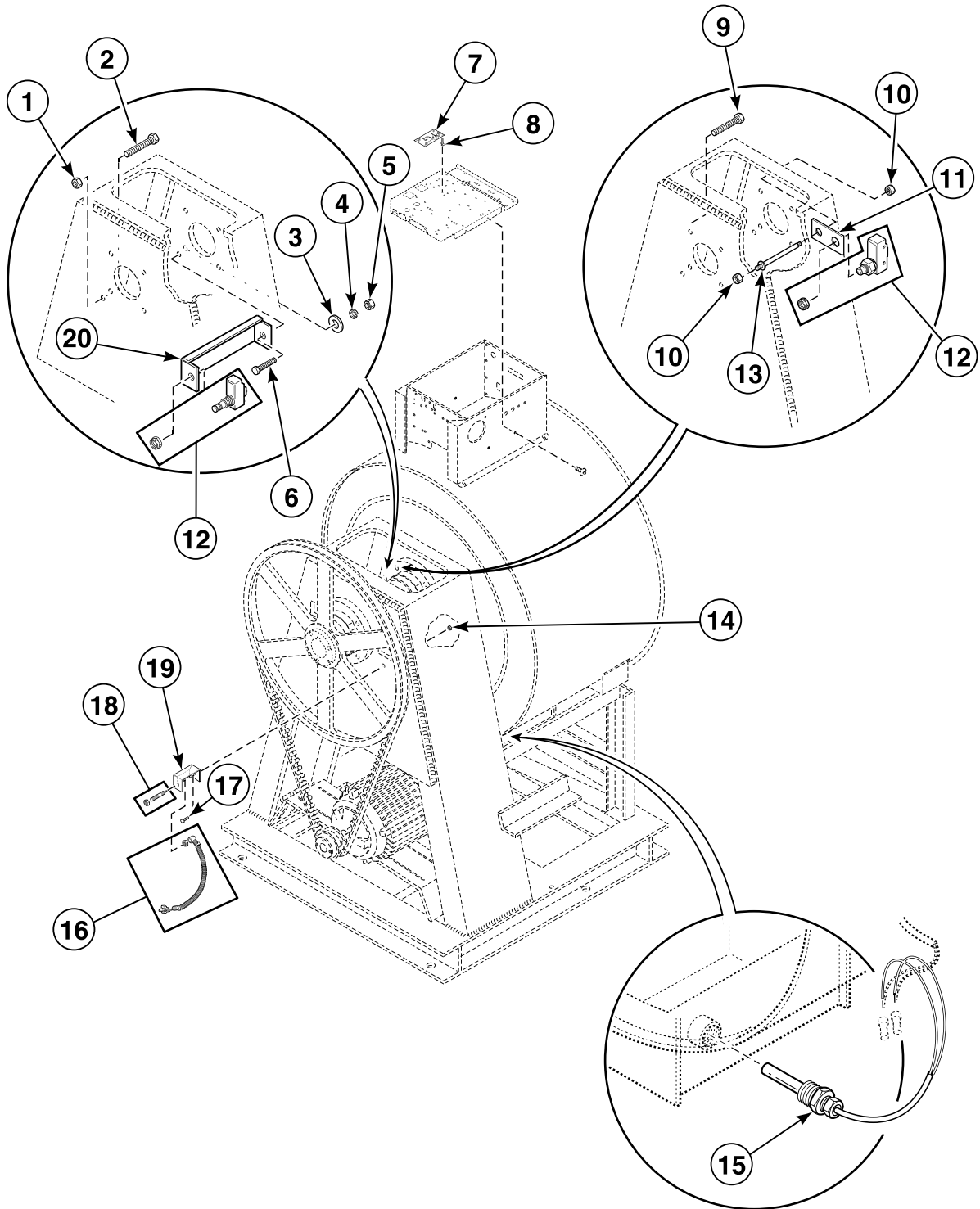
PHM2950P_F232167

AC Drive - Model UW60PV (Drawing 3 of 3)

REF	PART NO.	DESCRIPTION	COMMENTS
1	F8171607	Mitsubishi to PowerFlex 40 Drive Kit	Q and T-voltage models with Mitsubishi A-series drive and Motor F220214U; Includes AC Drive F8103604
	F8171608	Mitsubishi to PowerFlex 40 Drive Kit	Q and T-voltage models with Mitsubishi A-series drive and Motor F220214M; Includes AC Drive F8103607
	F8171609	Mitsubishi to PowerFlex 40 Drive Kit	Q and T-voltage models with Mitsubishi A-series drive and Motor F220236; Includes AC Drive F8103607
	F8171706	Mitsubishi to PowerFlex 40 Drive Kit	N and P-voltage models with Mitsubishi A-series drive and Motor F220214U; Includes AC Drive F8103704
	F8171707	Mitsubishi to PowerFlex 40 Drive Kit	N and P-voltage models with Mitsubishi A-series drive and Motor F220236; Includes AC Drive F8103706
	F8171710	Mitsubishi to PowerFlex 40 Drive Kit	N and P-voltage models with Mitsubishi A-series drive and Motor F220214M; Includes AC Drive F8103705
	F8171601	1305 to PowerFlex 40 Drive Kit	N and P-voltage models with Allen-Bradley 1305-series drive and Motor F220214U; Includes AC Drive F8103604
	F8171606	1305 to PowerFlex 40 Drive Kit	N and P-voltage models with Allen-Bradley 1305-series drive and Motor F220214M; Includes AC Drive F8103607
	F8171610	1305 to PowerFlex 40 Drive Kit	N and P-voltage models with Allen-Bradley 1305-series drive and Motor F220236; Includes AC Drive F8103608
	F8171708	1305 to PowerFlex 40 Drive Kit	N and P-voltage models with Allen-Bradley 1305-series drive and Motor F220214U; Includes AC Drive F8103704
	F8171709	1305 to PowerFlex 40 Drive Kit	N and P-voltage models with Allen-Bradley 1305-series drive and Motor F220236; Includes AC Drive F8103706
	F8171711	1305 to PowerFlex 40 Drive Kit	N and P-voltage models with Allen-Bradley 1305-series drive and Motor F220214M; Includes AC Drive F8103705
2	F200320900	AC Drive Radio Filter Assembly	

NOTE: Refer to the *Motor Manufacturer Part Number Location on the Motor's Nameplate* for motor manufacturer part number location information.

Balance Switch, Temperature Probe and Rotation Sensor

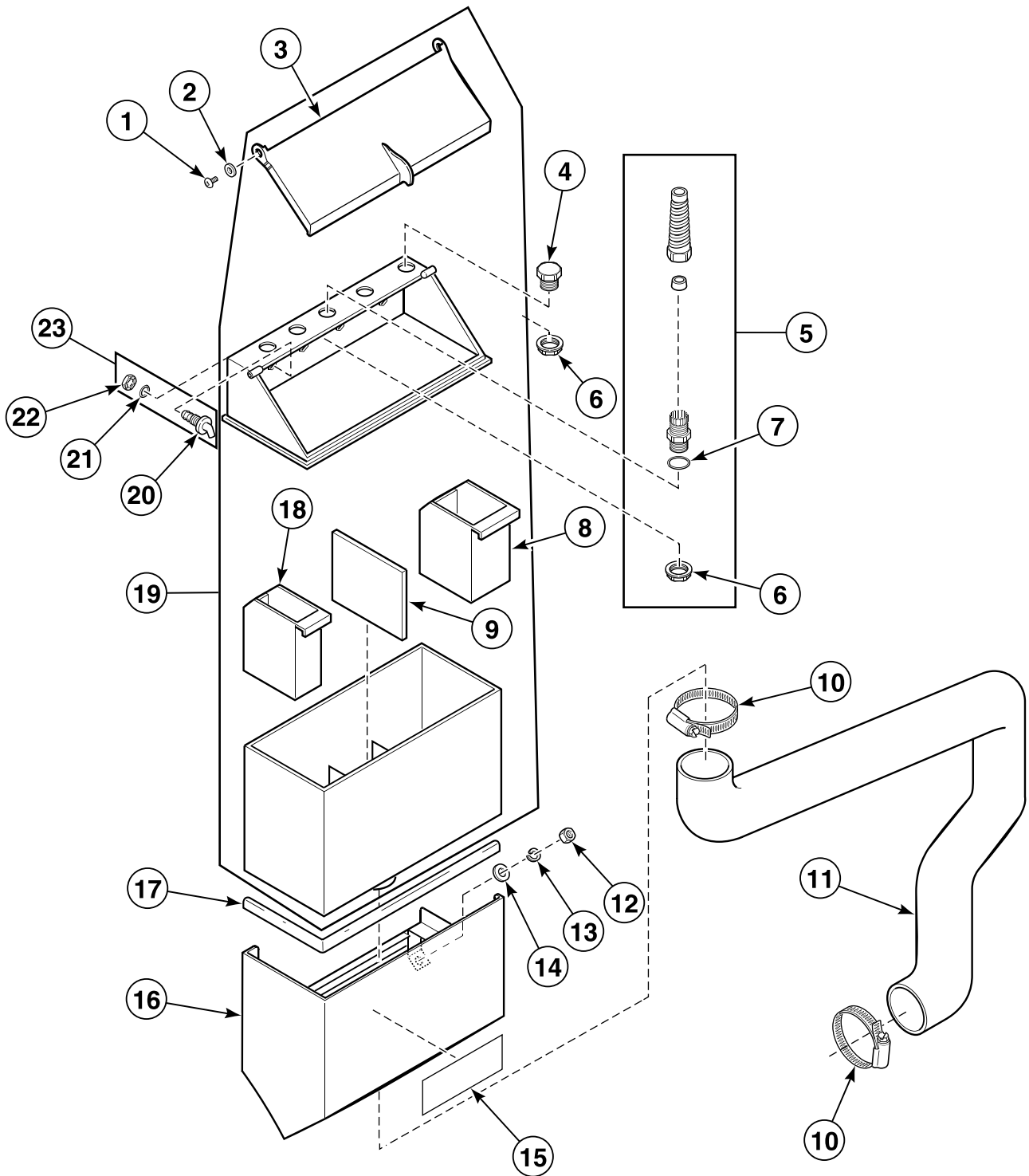


PHM2964P_F232167

Balance Switch, Temperature Probe and Rotation Sensor

REF	PART NO.	DESCRIPTION	COMMENTS
1	H88412101	Nut	Models through 10/7/07
2	F0430540-00	Bolt	Models through 10/7/07
3	M400081	Washer	
4	M400014	Washer	
5	F430205	Nut	Models through 10/7/07
6	800461	Screw	Models through 10/7/07
7	F200101300P	Rotation Sensor PCB	Model UW60PV
8	F180501	Standoff	Model UW60PV
9	F8122701	Screw	Models starting 10/8/07
10	44087301	Nut	Models starting 10/8/07
11	F8124301	Balance Switch Bracket	Models starting 10/8/07
	F340921	Switch	CE models
12	F340900	Interlock Switch	
	F340924	Switch Extension	CE models; Use with F340921 Switch
13	F8111101	Screw	Models starting 10/8/07
14	F430218	Nut	Model UW60PV
15	F370606P	Temperature Probe	
16	F200126201	Rotation Sensor Assembly Harness	Model UW60PV
17	F430927	Screw	Model UW60PV
18	F200126200P	Rotation Sensor Assembly	Model UW60PV
	F079900801P	Rotation Sensor Retrofit Kit	Model UW60PV; Includes items 7, 8, 14, 16, 17 and 19
19	F200122502	Rotation Sensor Bracket	Model UW60PV
20	F601750	Balance Switch Bracket	Models through 10/7/07

Supply Dispenser

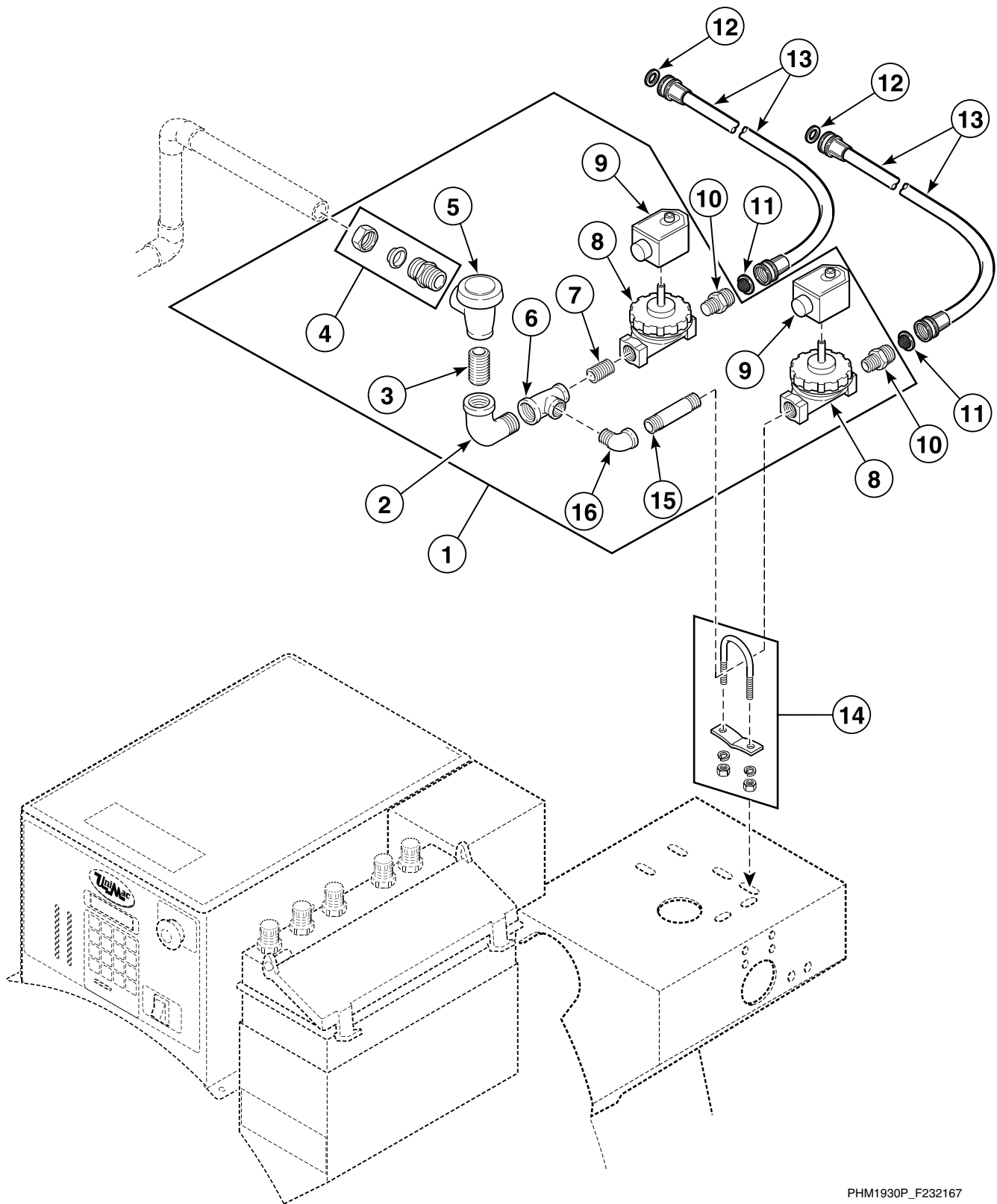


PHM2281P_F232167

Supply Dispenser

REF	PART NO.	DESCRIPTION	COMMENTS
1	F430917	Screw	
2	F8195301	Washer	
3	F0150514-00	Dispenser Lid	
4	F190304	Plug Cap	
5	F749802	Strain Relief Adapter Kit	Includes items 6 and 7
6	F140340P	Strain Relief Connector	Includes F0431160-00 Nut
7	F170215	O-Ring	
8	F150386	Chemical Supply Cup	32 ounce
9	F0150525-00	Supply Dispenser Spacer	
10	F200213	Hose Clamp	No. 40
11	F150469	Chemical Supply Hose	
12	F431005	Nut	
13	F431100	Washer	
14	F431147	Washer	
15	F231436	Supply Dispenser Hazard Caution Decal	
16	F8024301	Soap Dispenser Shroud Weldment	
17	F170400RP	Trim	
18	F150385	Chemical Supply Cup	20 ounce
19	F0150512-00P	Dispenser Assembly	Includes items 3, 8, 9 and 18
20	F380300	Injection Nozzle	
21	F170208	O-Ring	
22	802292	Nut	
23	F730168	Injection Nozzle Kit	Includes items 20-22

Spray Plumbing - Design 5 and 6 UW60PV Models

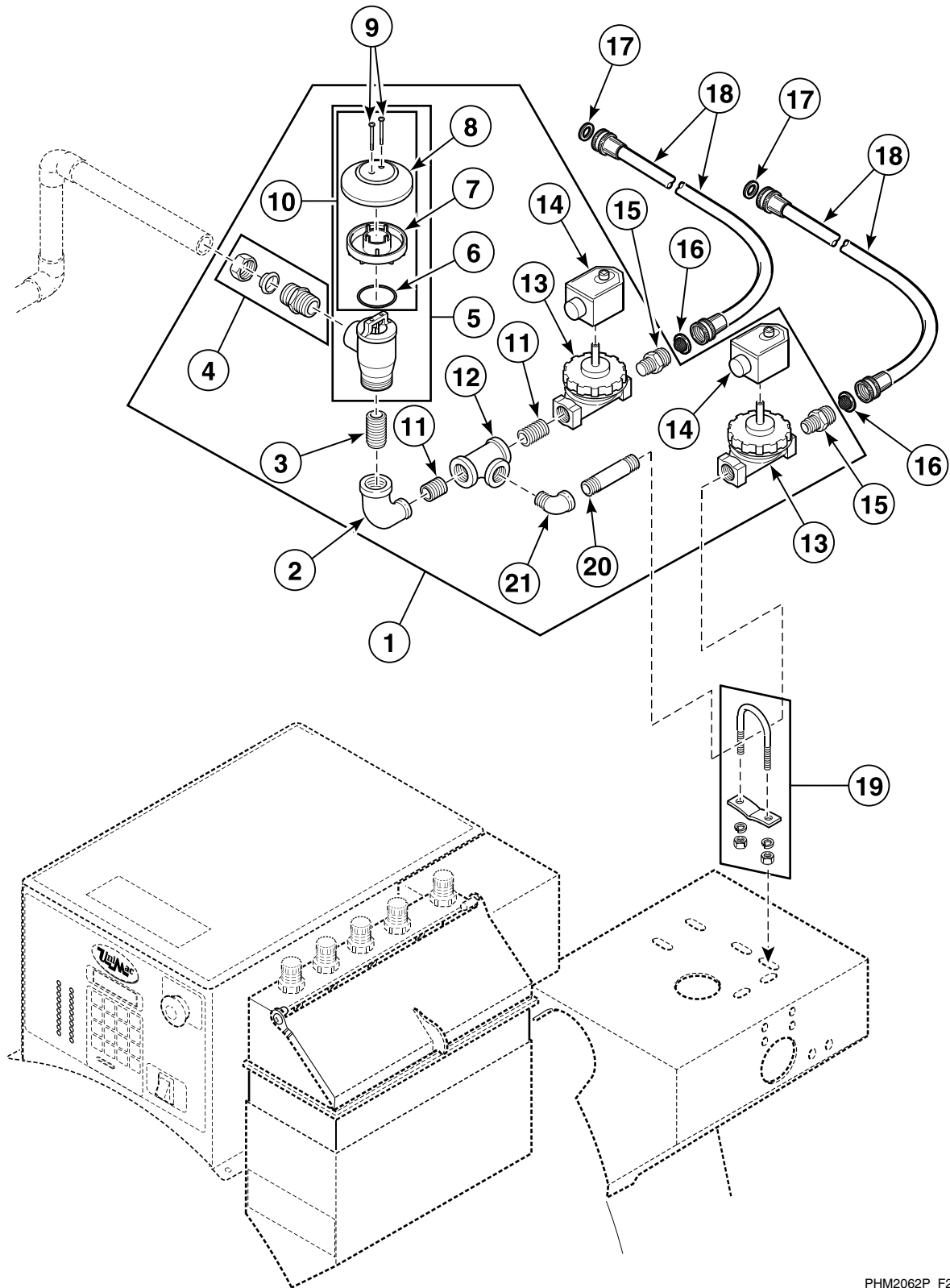


PHM1930P_F232167

Spray Plumbing - Design 5 and 6 UW60PV Models

REF	PART NO.	DESCRIPTION	COMMENTS
1	F633150-1	Spray Plumbing Assembly	220 Volt; Standard thread; Includes items 2-10, 15 and 16
	F633150-5	Spray Plumbing Assembly	220 Volt; Metric thread; Includes items 2-10, 15 and 16
2	F420502	Street Elbow	
3	F420105	Nipple	
4	F422106	Tube Connector	
5	F380800P	Vacuum Breaker Valve	3/4 inch; F380965P Repair Kit
6	F420401	Tee	
7	F420101	Nipple	
8	F381703P	Valve	220 Volt; 1/2 inch; F380993P Valve Repair Kit; Parker
9	F380987P	DIN Coil	220 Volt; F141901 DIN Harness
10	F421908	Hose Adapter	Standard thread
	F421949	Nipple	Metric thread
11	F270300	Filter Screen	
12	20290	Washer	
13	F200164	Water Hose	Standard thread
	F200166	Water Hose	Metric thread
14	F200401P	U-Bolt Clamp	
15	F420103	Nipple	
16	F420500	Street Elbow	

Spray Plumbing - Design 7 and 8 UW60PV Models

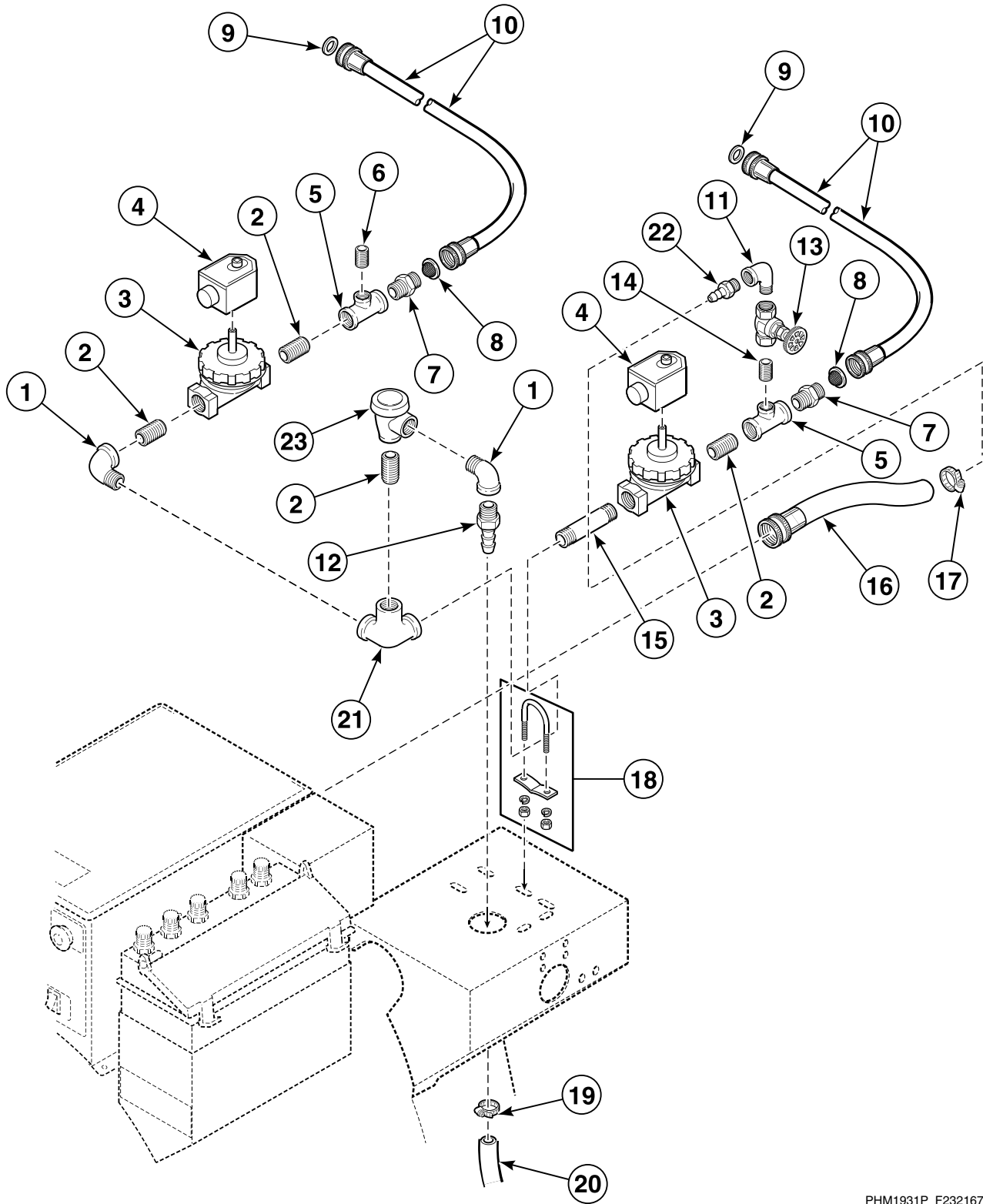


PHM2062P_F232167

Spray Plumbing - Design 7 and 8 UW60PV Models

REF	PART NO.	DESCRIPTION	COMMENTS
1	F0637633-01	Spray Plumbing Assembly	220 Volt; Includes items 2-5, 11-15, 20 and 21
	F0637633-03	Spray Plumbing Assembly	220 Volt; Metric thread; Includes items 2-5, 11-15, 20 and 21
2	F0422918-00	Elbow	
3	F420105	Nipple	
4	F422106	Tube Connector	
5	F063754701P	Vacuum Breaker Valve	3/4 inch; Includes items 6-9; F380965P Repair Kit
6	F0170221-00	O-Ring	
7	F0380809-00	Containment Device	
8	F0380808-00	Vacuum Breaker Cap	
9	F430938	Screw	
10	F0798922-00	Vacuum Breaker Kit	Includes items 6-9 and installation instructions
11	F420101	Nipple	
12	F420400	Tee	
13	F381703P	Valve	220 Volt; 1/2 inch; F380993P Valve Repair Kit; Parker
14	F380987P	DIN Coil	220 Volt; F141901 DIN Harness
15	F421908	Hose Adapter	Standard thread
	F421949	Nipple	Metric thread
16	F270300	Filter Screen	
17	20290	Washer	
18	F200164	Water Hose	Standard thread
	F200166	Water Hose	Metric thread
19	F200401P	U-Bolt Clamp	
20	F420103	Nipple	
21	F420500	Street Elbow	

Fill Plumbing - Design 5 and 6 UW60PV Models Through 2/29/02

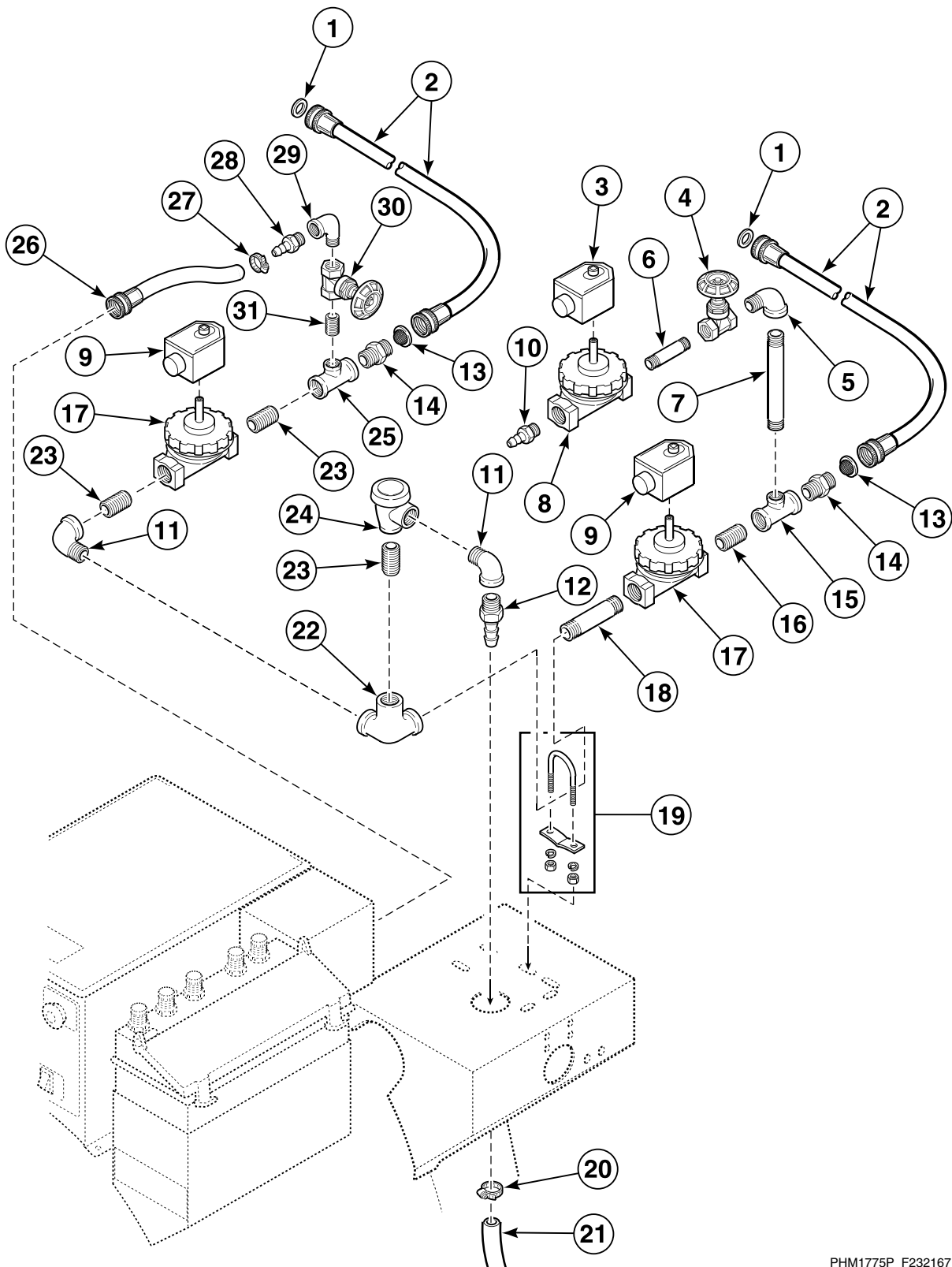


PHM1931P_F232167

Fill Plumbing - Design 5 and 6 UW60PV Models Through 2/29/02

REF	PART NO.	DESCRIPTION	COMMENTS
	F633146-1	Fill Plumbing Assembly	Standard thread; Includes items 3-7, 11-15 and 21-23
	F633419-1	Fill Plumbing Assembly	Standard thread; Starch; Includes items 3-7, 11-15 and 21-23
	F633146-5	Fill Plumbing Assembly	Metric thread; Includes items 3-7, 11-15 and 21-23
	F633419-5	Fill Plumbing Assembly	Metric thread; Starch; Includes items 3-7, 11-15 and 21-23
1	F420502	Street Elbow	
2	F420105	Nipple	
3	F381701P	Valve	220 Volt; 3/4 inch; F380991P Valve Repair Kit; Parker
4	F380987P	DIN Coil	220 Volt; F141901 DIN Harness
5	F420402	Tee	
6	F420408	Plug	
7	F421909	Hose Adapter	Standard thread
	F421306	Nipple	Metric thread
8	F270300	Filter Screen	
9	20290	Washer	
10	F200164	Water Hose	Standard thread
	F200166	Water Hose	Metric thread
11	F420500	Street Elbow	
12	F421951	Hose Barb	
13	F380500	Gate Valve	1/2 inch
14	F420101	Nipple	
15	F420107	Nipple	
16	F200509	Water Hose	
17	F200206	Hose Clamp	No. 4
18	F200401P	U-Bolt Clamp	
19	F200222	Hose Clamp	No. 12
20	F200111P	Water Hose	
21	F420509	Elbow	
22	F421964	Hose Barb	
23	F380800P	Vacuum Breaker Valve	3/4 inch; Vacuum breaker; F380965P Repair Kit

Fill Plumbing - Design 5 and 6 UW60PV Models Starting 3/1/02



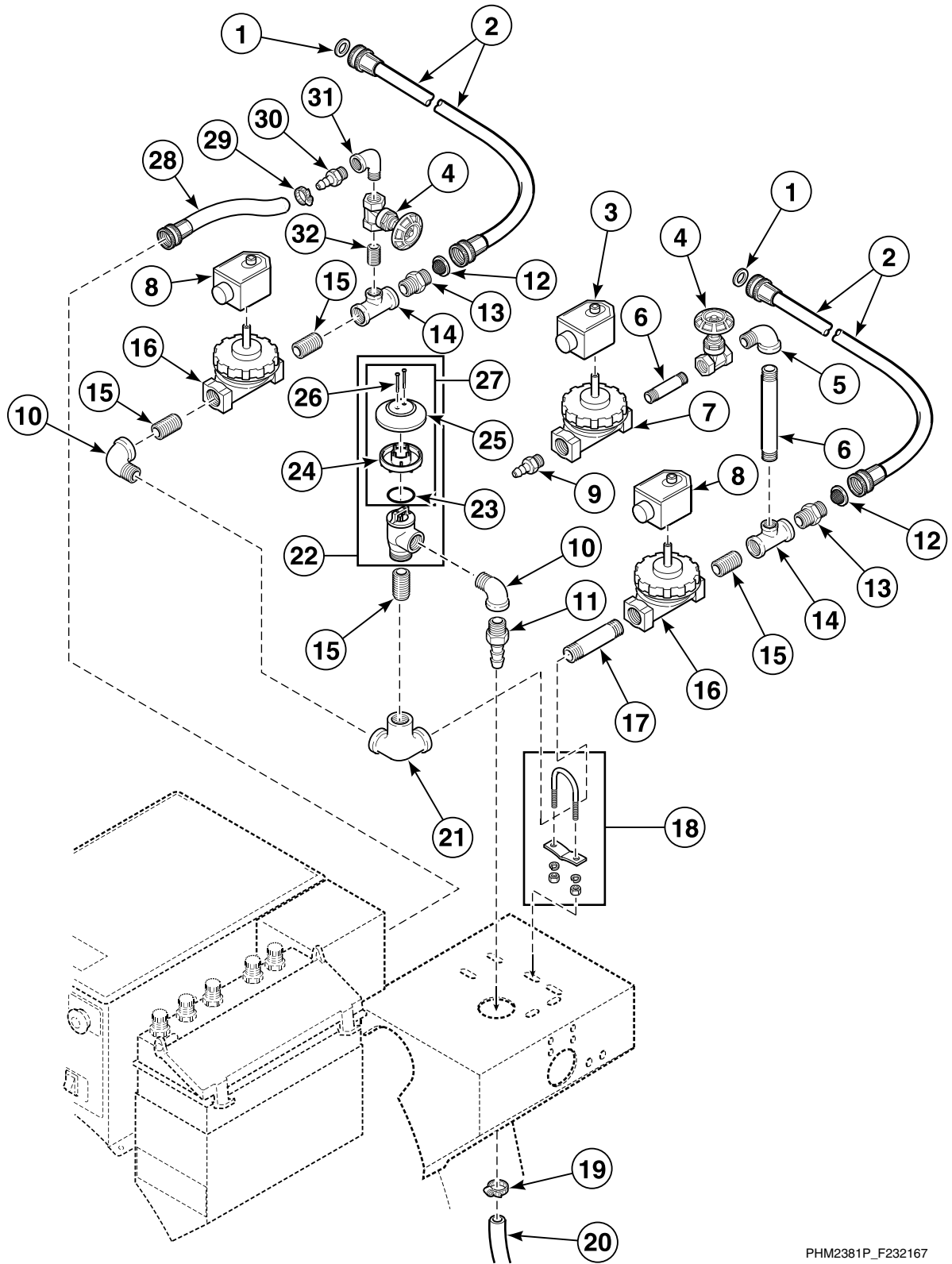
PHM1775P_F232167

Fill Plumbing - Design 5 and 6 UW60PV Models Starting 3/1/02

REF	PART NO.	DESCRIPTION	COMMENTS
	F633146-1	Fill Plumbing Assembly	220 Volt; Standard thread; Includes items 9, 11, 12, 14, 17, 18, 22-25 and 28-31
	F633146-5	Fill Plumbing Assembly	220 Volt; Metric thread; Includes items 9, 11, 12, 14, 17, 18, 22-25 and 28-31
	F633419-1	Fill Plumbing Assembly	220 Volt; Standard thread; Starch; Includes items 3-12, 14-18, 22-25 and 28-31
	F633419-5	Fill Plumbing Assembly	220 Volt; Metric thread; Starch; Includes items 3-12, 14-18, 22-25 and 28-31
1	20290	Washer	
2	F200164	Water Hose	Standard thread
	F200166	Water Hose	Metric thread
3	F380987P	DIN Coil	220 Volt; Starch models; F141901 DIN Harness
4	F380500	Gate Valve	Starch models
5	F420500	Street Elbow	Starch models
6	F420103	Nipple	Starch models
7	N/A	Nipple	Starch models
8	F381703P	Valve	220 Volt; Starch models; 1/2 inch; Parker
	F380993P	Valve Repair Kit	Starch models; 1/2 inch
9	F380987P	DIN Coil	220 Volt; F141901 DIN Harness
10	F421964	Hose Barb	Starch models
11	F420502	Street Elbow	
12	F421951	Hose Barb	
13	F270300	Filter Screen	
14	F421909	Hose Adapter	Standard thread
	F421306	Nipple	Metric thread
15	F420402	Tee	Starch models
16	F420105	Nipple	Starch models
17	F381701P	Valve	220 Volt; 3/4 inch; Parker
	F380991P	Water Valve Repair Kit	3/4 inch
18	F420107	Nipple	
19	F200401P	U-Bolt Clamp	
20	F200222	Hose Clamp	No. 12
21	F200111P	Water Hose	
22	F420509	Elbow	
23	F420105	Nipple	
24	F380800P	Vacuum Breaker Valve	3/4 inch
	F380965P	Repair Kit	3/4 inch
25	F420402	Tee	
26	F200509	Water Hose	
27	F200206	Hose Clamp	No. 4
28	F421964	Hose Barb	
29	F420500	Street Elbow	
30	F380500	Gate Valve	
31	F420101	Nipple	

N/A = Part no longer available

Fill Plumbing - Design 7 and 8 UW60PV Models

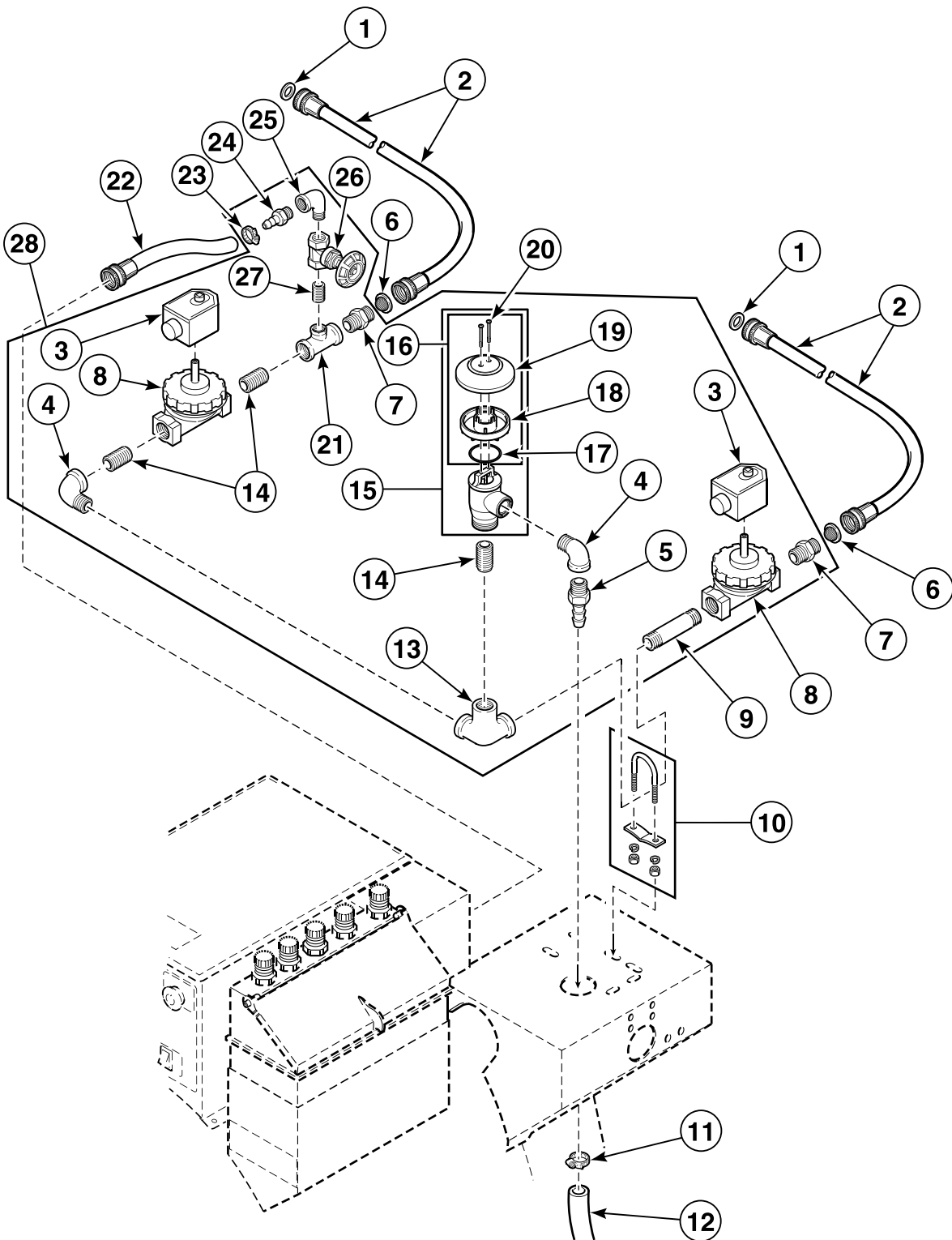


PHM2381P_F232167

Fill Plumbing - Design 7 and 8 UW60PV Models

REF	PART NO.	DESCRIPTION	COMMENTS
	F0637637-01	Fill Plumbing Assembly	220 Volt; Standard thread; Includes items 8, 10, 11, 13, 16, 17, 21-27 and 30-32
	F0637637-03	Fill Plumbing Assembly	220 Volt; Metric thread; Includes items 8, 10, 11, 13, 16, 17, 21-27 and 30-32
	F0637640-00	Fill Plumbing Assembly	220 Volt; Standard thread; Starch; Includes items 3-11, 13-17, 21-27 and 30-32
	F0637640-01	Fill Plumbing Assembly	220 Volt; Metric thread; Starch; Includes items 3-11, 13-17, 21-27 and 30-32
1	20290	Washer	
2	F200164	Water Hose	Standard thread
	F200166	Water Hose	Metric thread
3	F380987P	DIN Coil	220 Volt; Starch models; F141901 DIN Harness
4	F380500	Gate Valve	
5	F420500	Street Elbow	Starch models
6	F420103	Nipple	Starch models
7	F381703P	Valve	220 Volt; Starch models; 1/2 inch; Parker
	F380993P	Valve Repair Kit	Starch models; 1/2 inch
8	F380987P	DIN Coil	220 Volt; F141901 DIN Harness
9	F421964	Hose Barb	Starch models
10	F420502	Street Elbow	
11	F421951	Hose Barb	
12	F270300	Filter Screen	
13	F421909	Hose Adapter	Standard thread
	F421306	Nipple	Metric thread
14	F420402	Tee	
15	F420105	Nipple	
16	F381701P	Valve	220 Volt; 3/4 inch; Parker
	F380991P	Water Valve Repair Kit	3/4 inch
17	F420107	Nipple	
18	F200401P	U-Bolt Clamp	
19	F200222	Hose Clamp	No. 12
20	F200111P	Water Hose	
21	F420509	Elbow	
22	F063754701P	Vacuum Breaker Valve	3/4 inch; Includes item 27; F380965P Repair Kit
23	F0170221-00	O-Ring	
24	F0380809-00	Containment Device	
25	F0380808-00	Vacuum Breaker Cap	
26	F430938	Screw	
27	F0798922-00	Vacuum Breaker Kit	Includes items 23-26 and installation instructions
28	F200509	Water Hose	
29	F200206	Hose Clamp	No. 4
30	F421964	Hose Barb	
31	F420500	Street Elbow	
32	F420101	Nipple	

Fill Plumbing - Models UW60AV and UW60VV

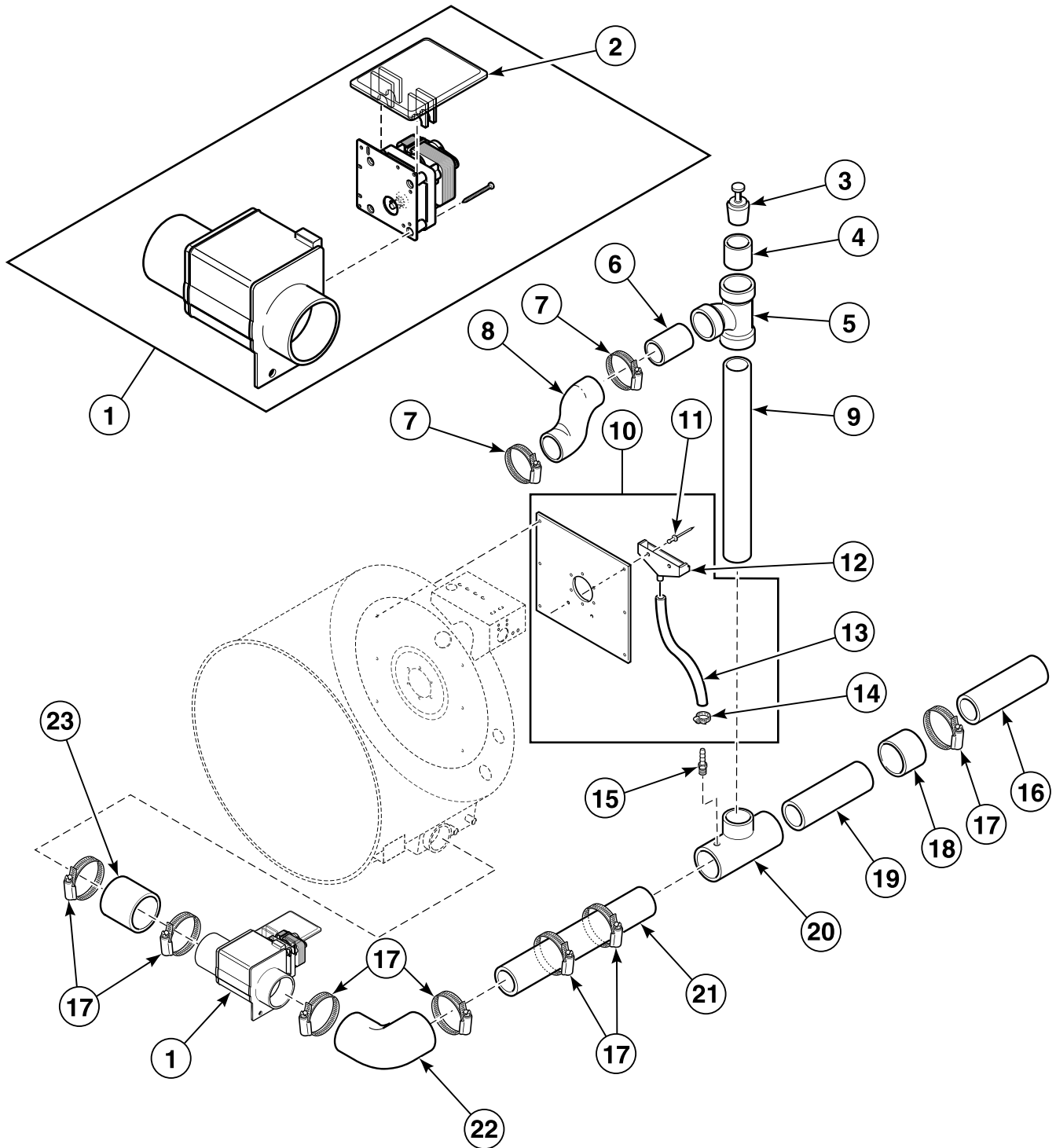


PHM2045P_F232167

Fill Plumbing - Models UW60AV and UW60VV

REF	PART NO.	DESCRIPTION	COMMENTS
1	20290	Washer	
2	F200164	Water Hose	Standard thread
	F200166	Water Hose	Metric thread
3	F380987P	DIN Coil	220 Volt
4	F420502	Street Elbow	
5	F421951	Hose Barb	
6	F270300	Filter Screen	
7	F421909	Hose Adapter	Standard thread
	F421306	Nipple	Metric thread
8	F381701P	Valve	220 Volt; 3/4 inch
	F380991P	Water Valve Repair Kit	3/4 inch
9	F420107	Nipple	
10	F200401P	U-Bolt Clamp	
11	F200222	Hose Clamp	No. 12
12	F200111P	Water Hose	
13	F420509	Elbow	
14	F420105	Nipple	
15	F063754701P	Vacuum Breaker Valve	3/4 inch; Includes item 16; F380965P Repair Kit
16	F0798922-00	Vacuum Breaker Kit	Includes items 17-20
17	F0170221-00	O-Ring	
18	F0380809-00	Containment Device	
19	F0380808-00	Vacuum Breaker Cap	
20	F430938	Screw	
21	F420402	Tee	
22	F200509	Water Hose	
23	F200206	Hose Clamp	No. 4
24	F421964	Hose Barb	
25	F420500	Street Elbow	
26	F380500	Gate Valve	
27	F420101	Nipple	
28	F0637637-01	Fill Plumbing Assembly	220 Volt; Standard thread; Includes items 3-5, 7-9, 13-21 and 23-27
	F0637637-03	Fill Plumbing Assembly	220 Volt; Metric thread; Includes items 3-5, 7-9, 13-21 and 23-27

Drain System, Overflow and Vent Pipes



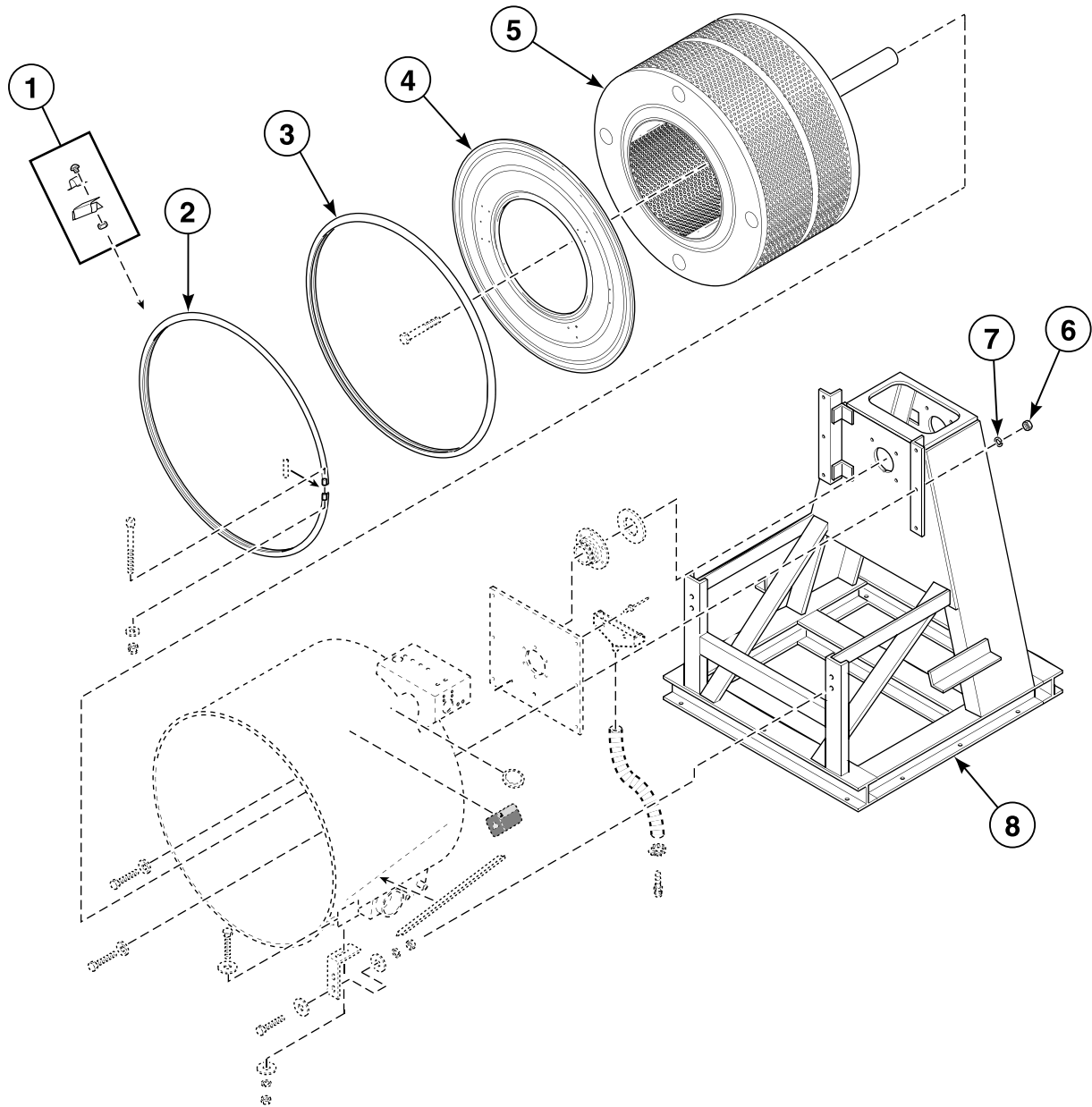
PHM2621P_F232167

Drain System, Overflow and Vent Pipes

REF	PART NO.	DESCRIPTION	COMMENTS
1	F200166402	Drain Valve Kit	220 Volt; Includes item 2
	F380918	Main Drive Kit	
2	F200133600	Drain Valve Cover	
3	F380117	Vacuum Breaker	
4	F422508	Adapter	
5	F422801	Tee	
6	N/A	Pipe	
7	F200213	Hose Clamp	No. 40
8	F150309	Soap Dispenser Hose	
9	F0602364-25	Pipe	
10	F741600	Shell Reinforcement Plate Kit	Includes items 11-14
11	F431210	Pop Rivet	
12	F150389	Scupper	
13	F200107P	Water Hose	
14	36801	Hose Clamp	No. 6
15	F421929	Hose Barb	
16	F200165100	Drain Hose	
17	F200201	Hose Clamp	No. 56
18	F422602	Reducer Bushing	
19	F0602365-01	Pipe	
20	F422803	Tee	
21	F0602365-22	Pipe	
22	F150438	Drain Hose	Rear
23	F150442	Drain Hose	Front

N/A = Part no longer available

Basket, Shell and Frame (Drawing 1 of 2)

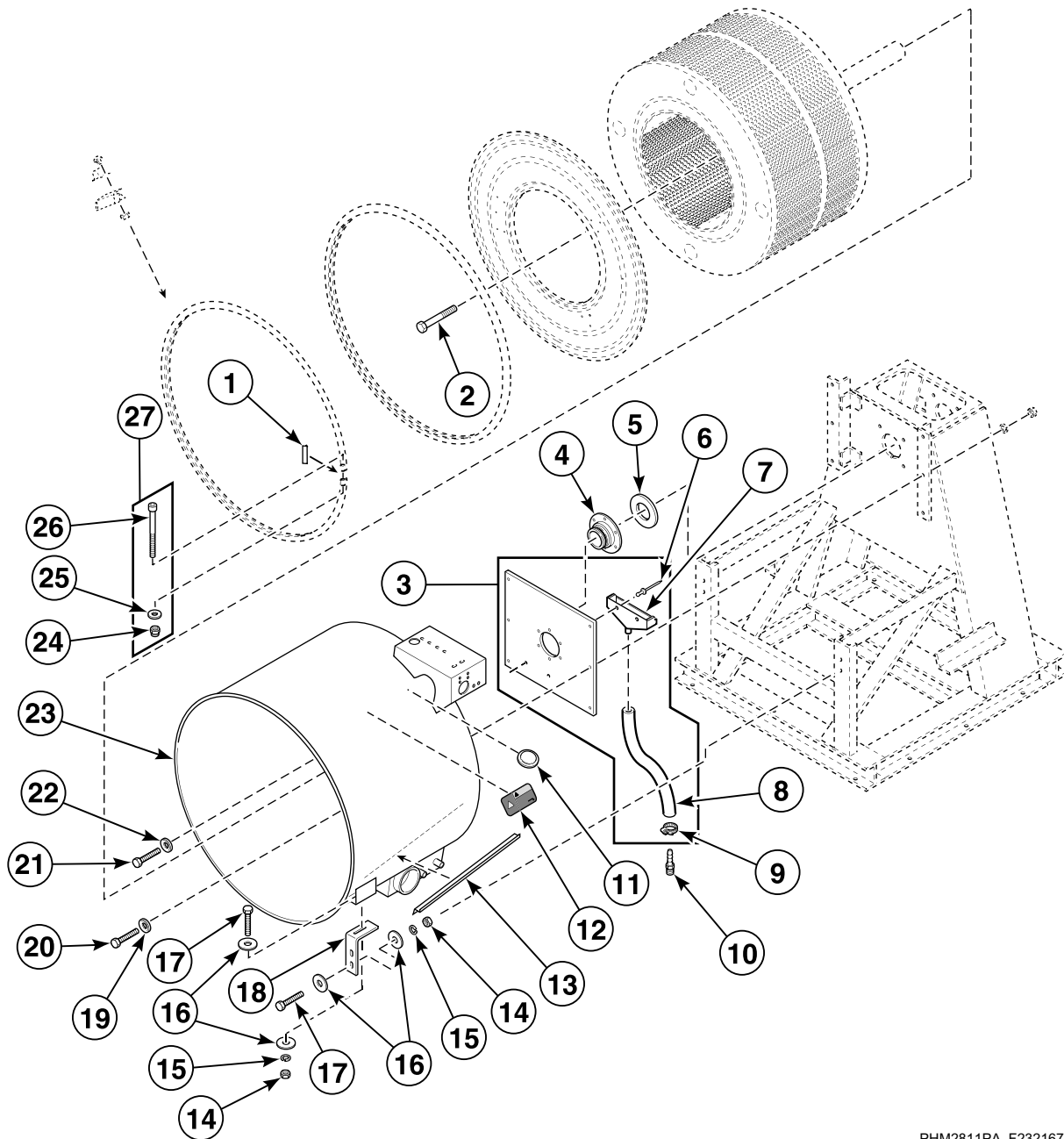


PHM2811P_F232167

Basket, Shell and Frame (Drawing 1 of 2)

REF	PART NO.	DESCRIPTION	COMMENTS
1	F602901P	Spray Rinse Bracket Assembly	Model UW60PV; Includes F430917 Screw and F431022 Nut
2	F603344P	Shell Band Assembly	
3	F170120RP	Shell Band Gasket	
4	F8135801P	Shell Front Weldment	
	F200119900P	Shell Front Assembly	Includes top latch bracket casting, lower door latch bracket casting, door butt, door butt shim, door latch shim, door bumper bushing and door bumper moulding
5	F632015	Basket Assembly	
6	70142	Nut	
7	M400013	Washer	
8	F633436	Frame Assembly	Model UW60PV
	F633378	Frame Assembly	Models UW60AV and UW60VV; Standard
	F633378-2	Frame Assembly	Models UW60AV and UW60VV; Close mount

Basket, Shell and Frame (Drawing 2 of 2)

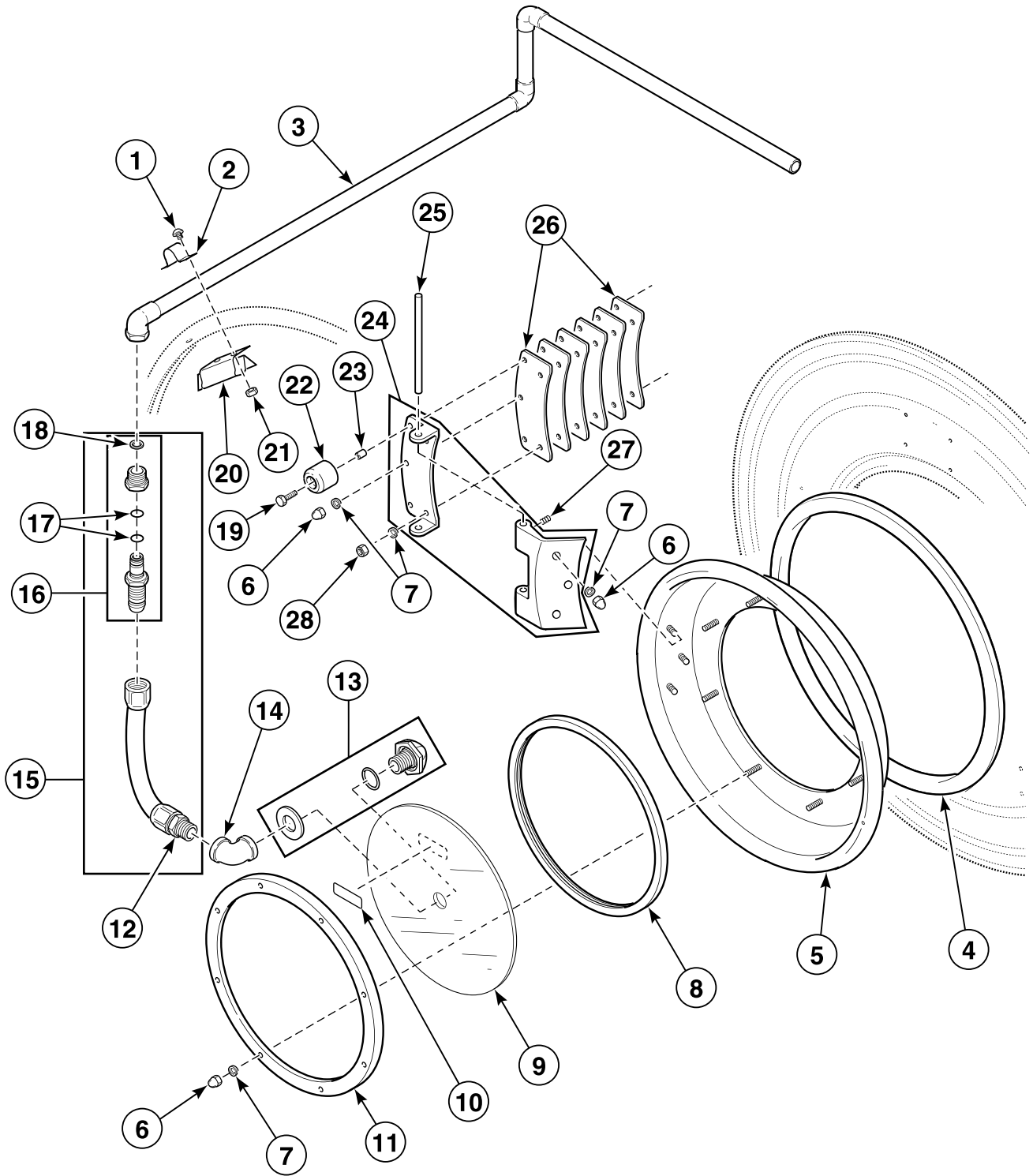


PHM2811PA_F232167

Basket, Shell and Frame (Drawing 2 of 2)

REF	PART NO.	DESCRIPTION	COMMENTS
1	F601216	Shell Gasket Shield	
2	F430992	Screw	
3	F741600	Shell Reinforcement Plate Kit	Includes items 6-9
4	F010029701P	Face Seal	Standard
	F8162201	Face Seal	Viton
	F798819-00	Seal Kit	Includes items 20-22, 24-26, F170120RP Shell Band Gasket, F410102 Clear Sealant and F431210 Pop Rivet
5	F100203	Slinger	
6	F431210	Pop Rivet	
7	F150389	Scupper	
8	F200107P	Water Hose	
9	36801	Hose Clamp	No. 6
10	F421929	Hose Barb	
11	F0200237-00	Plug	Model UW60PV; Design 7 and 8 models
12	F0230112-00	Plug Removal Warning Decal	Model UW60PV; Design 7 and 8 models
13	F150364	Drip Rail	Attach with silicone
14	F430205	Nut	
15	M400014	Washer	
16	M400081	Washer	
17	800461	Screw	
18	F601806	Shell Mounting Bracket	
19	F431116	Washer	
20	F430924	Screw	
21	F430935	Screw	
22	F431112	Washer	
23	F634436	Shell Weldment	Model UW60PV; Standard; Order items 11 and 12 when retrofitting onto a design 5 or design 6 model
	F0634436-01	Shell Weldment	Model UW60PV; Standard with starch; Order items 11 and 12 when retrofitting onto a design 5 or 6 model
	F0633208-01	Shell Weldment	Model UW60PV; Electric heat; Order items 11 and 12 when retrofitting onto a design 5 or 6 model
	F0633208-03	Shell Weldment	Model UW60PV; Electric heat with starch; Order items 11 and 12 when retrofitting onto a design 5 or 6 model
	F634438	Shell Assembly	Models UW60AV and UW60VV; Standard
	F0633208-05	Shell Weldment	Models UW60AV and UW60VV; Electric heat
24	F430215	Nut	
25	F430317	Washer	
26	F430500	Screw	
27	F791001	Shell Band Fastener Kit	Includes items 24-26

Door and Spray Tube



PHM2897P_F232167

Door and Spray Tube

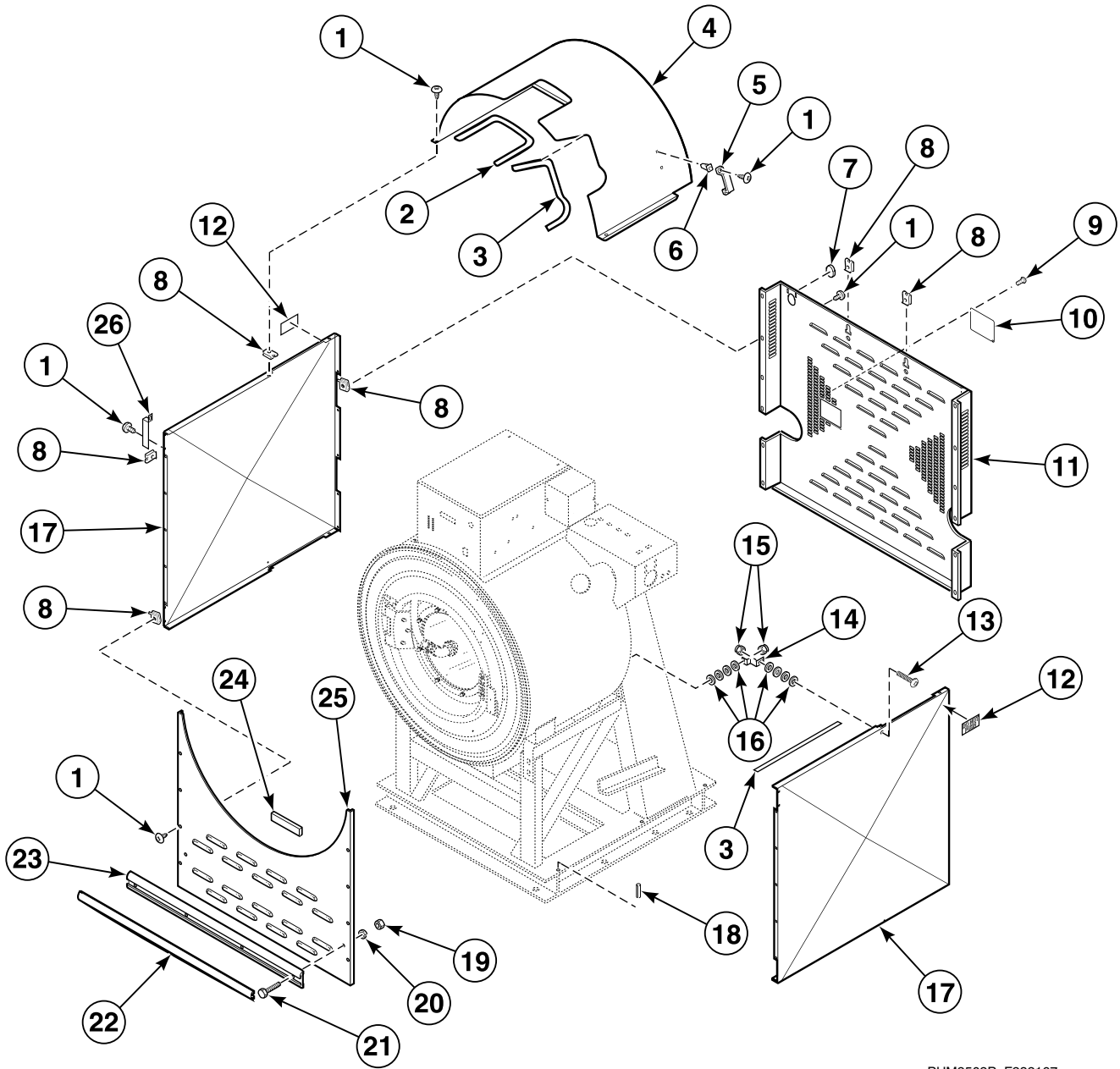
REF	PART NO.	DESCRIPTION	COMMENTS
1	F430917	Screw	Model UW60PV
2	F602880	Spray Rinse Strap	Model UW60PV
3	F603696-9	Spray Rinse Tube Assembly	Model UW60PV
4	F170145	Door Gasket	Black
	F017014501	Door Gasket	Gray
5	F730307	Door Kit	Includes studs
	F730539	Door Kit	Includes items 2, 4, 6-9, 11 and 27
6	F431026	Nut	
7	F431100	Washer	
8	F170117	Door Glass Gasket	
9	F290200P	Door Glass Kit	Model UW60PV; With hole
	F290201P	Glass	Models UW60AV and UW60VV; Without hole
10	F230652	Clockwise Spin Rotation Decal	
11	F601239	Door Glass Retainer	
12	F422109	No-Swivel Coupling	Model UW60PV
13	F730077	Spray Rinse Nozzle Kit	Model UW60PV
14	F422319	Elbow	Model UW60PV
15	F730026	Spray Rinse Hose Assembly	Model UW60PV; Includes items 12 and 16-18
16	F422108	Swivel Coupling	Model UW60PV
17	F170200	O-Ring	Model UW60PV
18	F310206	Ring Retainer	Model UW60PV
19	F430103	Screw	
20	F602901P	Spray Rinse Bracket Assembly	Model UW60PV; Includes items 1 and 21
21	F431022	Nut	Model UW60PV
22	F150366	Door Bumper Moulding	
23	F430416	Door Bumper Bushing	
24	F200030600P	Door Hinge Strap Kit	
25	F601815	Door Hinge Pin	
26	F0610695-00	Door Butt Shim	
27	F430502	Screw	
28	F430205	Nut	

N/A = Part no longer available

Door Lock

REF	PART NO.	DESCRIPTION	COMMENTS
1	F430168	Screw	
2	F150203	Door Handle Casting	
3	F150201	Top Latch Bracket Casting	
4	F602058	Door Latch Bracket Shim	
5	F431100	Washer	
6	F431026	Nut	
7	F431002	Nut	
8	F150204	Lower Door Latch Casting	
9	F150202	Lower Door Latch Bracket Casting	
10	F430215	Nut	
11	F431142	Washer	
12	F605525	Door Box Mounting Plate Assembly	
13	F230303	Push Decal	
14	F609427	Handle Weldment	
	F746201-1	Push Handle Kit	Includes items 13, 15-17 and 21
15	F609822	Handle Spacer	Optional
16	F340703	Magnet	
17	F430231	Nut	
18	F430231	Nut	
19	F200321200	Magnetic Switch Assembly	
20	F430917	Screw	
21	F430909	Screw	
22	F431210	Pop Rivet	
23	F601055	Interlock Switch Spacer	
24	F340900	Interlock Switch	
	F340906	Microswitch	CE models; Includes rubber boot
25	F330217P	RC Network Filter	Includes F140627 Connector and F141022 Connector
26	F430956	Screw	
27	F300129P	Door Lock Solenoid	220 Volt
28	F609728	Solenoid Spacer	
29	F606630	Door Box	
	F603666	Door Box Assembly	Includes items 18-20, 27 and 30
30	F430995	Screw	
31	F430921	Screw	
32	F430927	Screw	
33	F431118	Washer	
34	F603005	Extension Arm Tab	
35	F430916	Screw	
36	F746803	Extension Arm Kit	Includes items 7, 17, 32-35 and 37
37	F431108	Washer	

Front, Side and Rear Panels

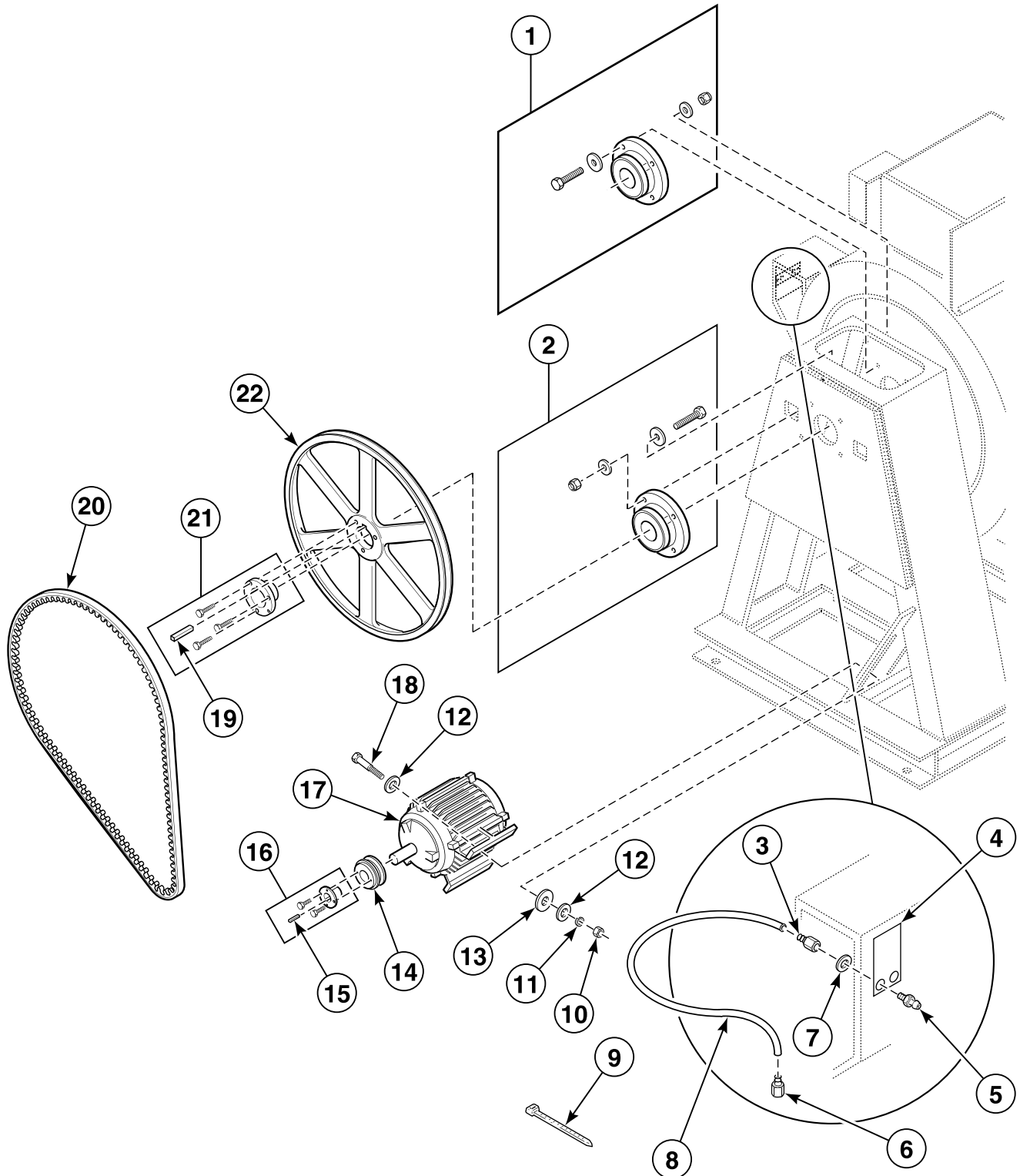


PHM2502P_F232167

Front, Side and Rear Panels

REF	PART NO.	DESCRIPTION	COMMENTS
1	F430956	Screw	
2	F100284	Trim Seal	Order 2 feet
3	F170400RP	Trim	
4	F635610	Cage Wrap Weldment	Includes items 1, 5 and 6
5	F605324	Hose Strap	
6	F431804	Nut	Plastic insert
7	F180511	Cap Plug	
8	F430264	Nut	Tinnerman
9	70240301	Screw	
10	F200188300	Belt Inspection Port Cover	
11	F200187900P	Rear Panel	
12	F230302	Do Not Push Decal	
13	F432234	Screw	
14	F601982	Side Panel Bracket	
15	F430215	Nut	
16	F430317	Washer	
17	F635648P	Side Panel	Reversible
18	F430415	Pin	
19	F430211	Nut	
20	F431100	Washer	
21	F430921	Screw	
22	F150397	Extrusion Insert	Order 3 feet
23	F150408	Rub Rail	
24	F170110	Sponge	
25	F635649	Front Panel	
26	F606667	Side Panel Cover	

Motor and Pulley - Model UW60PV

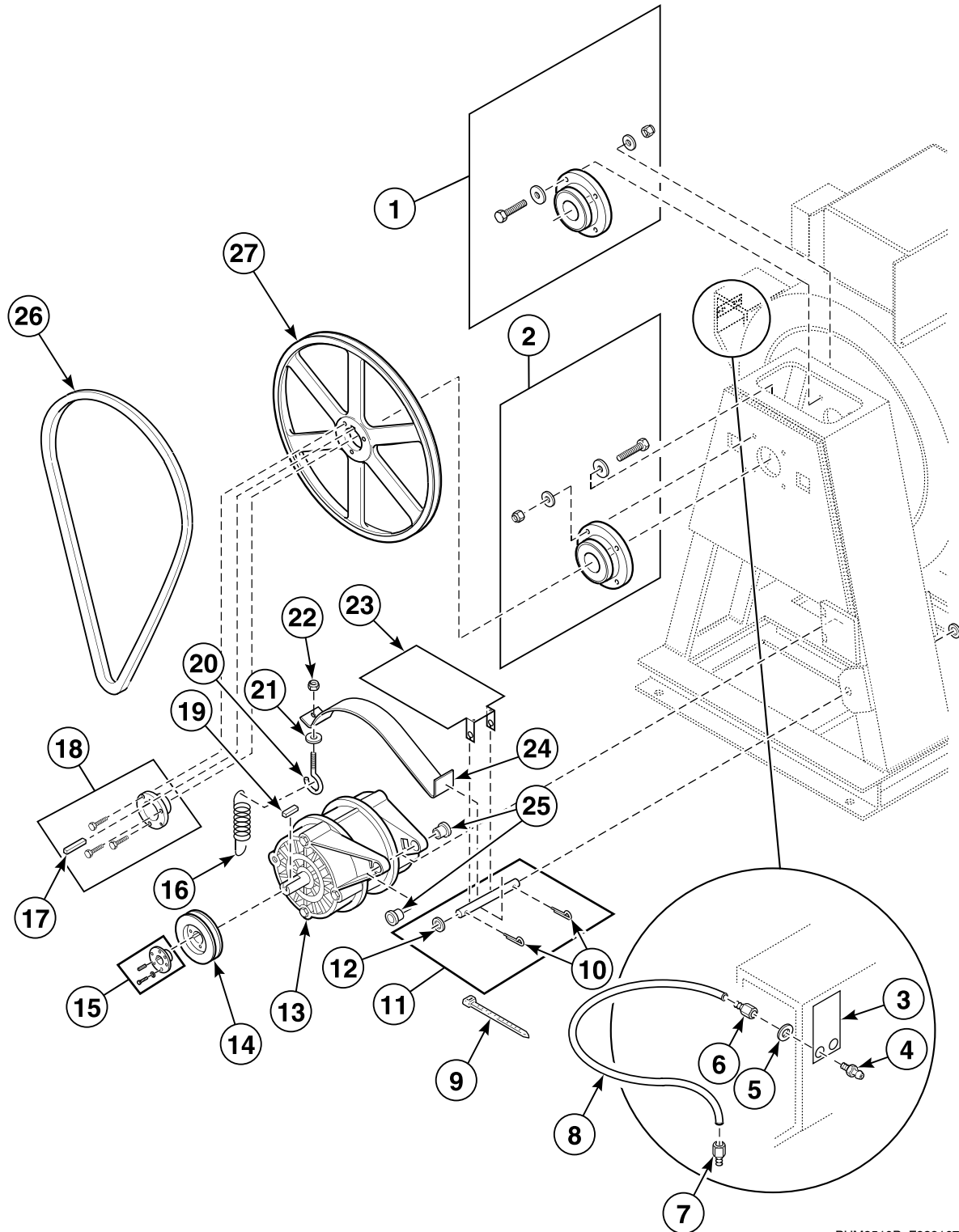


PHM2086P_F232167

Motor and Pulley - Model UW60PV

REF	PART NO.	DESCRIPTION	COMMENTS
1	F798824-00	Front Bearing Kit	Includes F010029701 Face Seal, F100203 Slinger, F170120R Shell Band Gasket, F170125 Shell Band Seal, F200001600 Shell Band Gasket, F410102 Clear Sealant, F430137 Screw, F430210 Nut, F430211 Nut, F430317 Washer, F430325 Washer, F430500 Screw, F430935 Screw, F431005 Nut, F431100 Washer, F431112 Washer, F431210 Pop Rivet and F704853 Key
	F100150	Bearing	
2	F745010	Rear Bearing Kit	Includes F430136 Screw, F704854 Key, F430200 Nut and F430327 Washer
	F100150	Bearing	
3	F422114	Air Coupling	
4	F231563	Grease Instruction Decal	
5	F190701	Grease Fitting	
6	J1408004	Connector	
7	F430332	Washer	
8	F200190P	Tubing	
9	F140605	Cable Tie	
10	F430205	Nut	
11	M400014	Washer	
12	M400081	Washer	
13	F430300	Washer	
14	F280146	Pulley	BK34H; All design 5 models and design 8 models starting 2/28/05
	F280182P	Pulley	BK32H; Design 6 and 7 models and design 8 models through 2/27/05
15	F430802	Key	
16	F280211P	Motor Pulley Bushing	1-1/8 inch; Includes item 15
17	F220236P	Motor	195-390 Volt; 5 hp; Replaces F220236 Motor and F220214 Motor; AC drive parameters must be compatible with the motor; Please request the AC drive parameter and illustration for parameter verification when ordering a motor
18	F430993	Screw	
19	F430803	Key	
20	F280353	Belt	BX96
21	F280409P	Bushing	2-7/16 inch; Includes item 19
22	F280410	Pulley	IB255K

Motor and Pulley - Models UW60AV and UW60VV

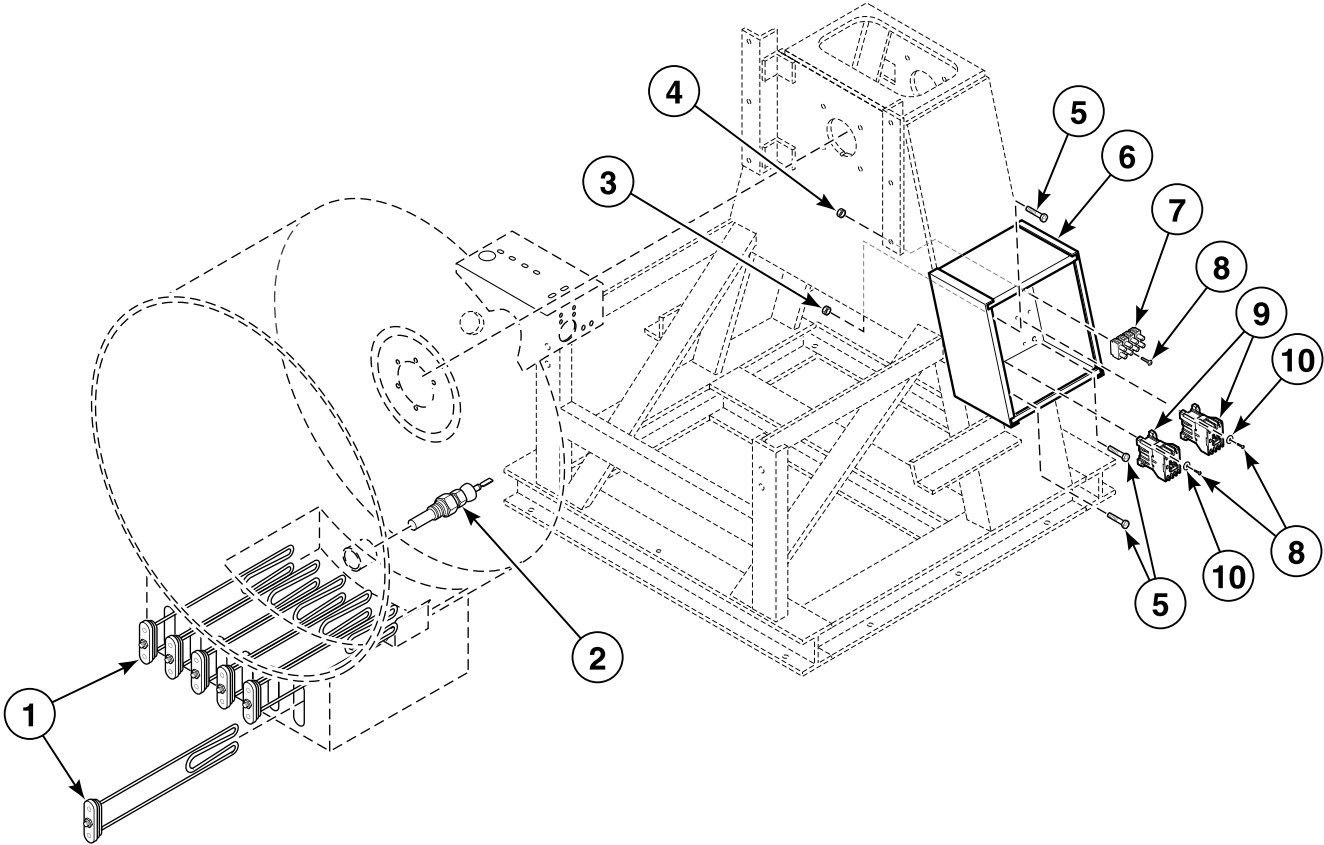


PHM2510P_F232167

Motor and Pulley - Models UW60AV and UW60VV

REF	PART NO.	DESCRIPTION	COMMENTS
1	F798824-00	Front Bearing Kit	Includes F170120 Shell Band Gasket, F410102 Clear Sealant, F170125 Shell Band Seal, F010029701 Face Seal, F100150 Bearing, F100203 Slinger, F430137 Screw, F430201 Nut, F430211 Nut, F430317 Washer, F430325 Washer, F430500 Screw, F430935 Screw, F431005 Nut, F431100 Washer, F431112 Washer, F431210 Pop Rivet and F704853 Key
2	F745010	Rear Bearing Kit	Includes hardware
3	F231563	Grease Instruction Decal	
4	F190701	Grease Fitting	
5	F430332	Washer	
6	F422114	Air Coupling	
7	J1408004	Connector	
8	F200190P	Tubing	
9	F140605	Cable Tie	6 inch
10	F430401	Cotter Pin	
11	F730076	Motor Support Rod Kit	Includes items 10 and 12
12	F430325	Washer	
13	F220234P	Motor	208-240 Volt or 440-480 Volt/3 Phase; Includes item 25
14	F0280384-00	Motor Pulley	Poly-V; 10 groove
15	F280209	Motor Pulley Bushing	G 7/8; Includes screws, washers and key
16	F310127	Spring	
17	F430801	Key	
18	F280409P	Bushing	2-7/16; Maska
19	F430802	Key	
20	F0430720-00	Bolt	
21	M400080	Washer	
22	F430233	Nut	
23	F200216900	Motor Drip Shield	
24	F602166	Motor Adjustment Strap	
25	F200186100	Motor Support Bushing	Nylon
26	F0280381-00P	Belt	Poly-V; 10 groove; 980J10-KR150
27	F0280288-01	Basket Pulley	Poly-V; Flat; 2 7/16 hub; 24 inch

Electric Heat Option

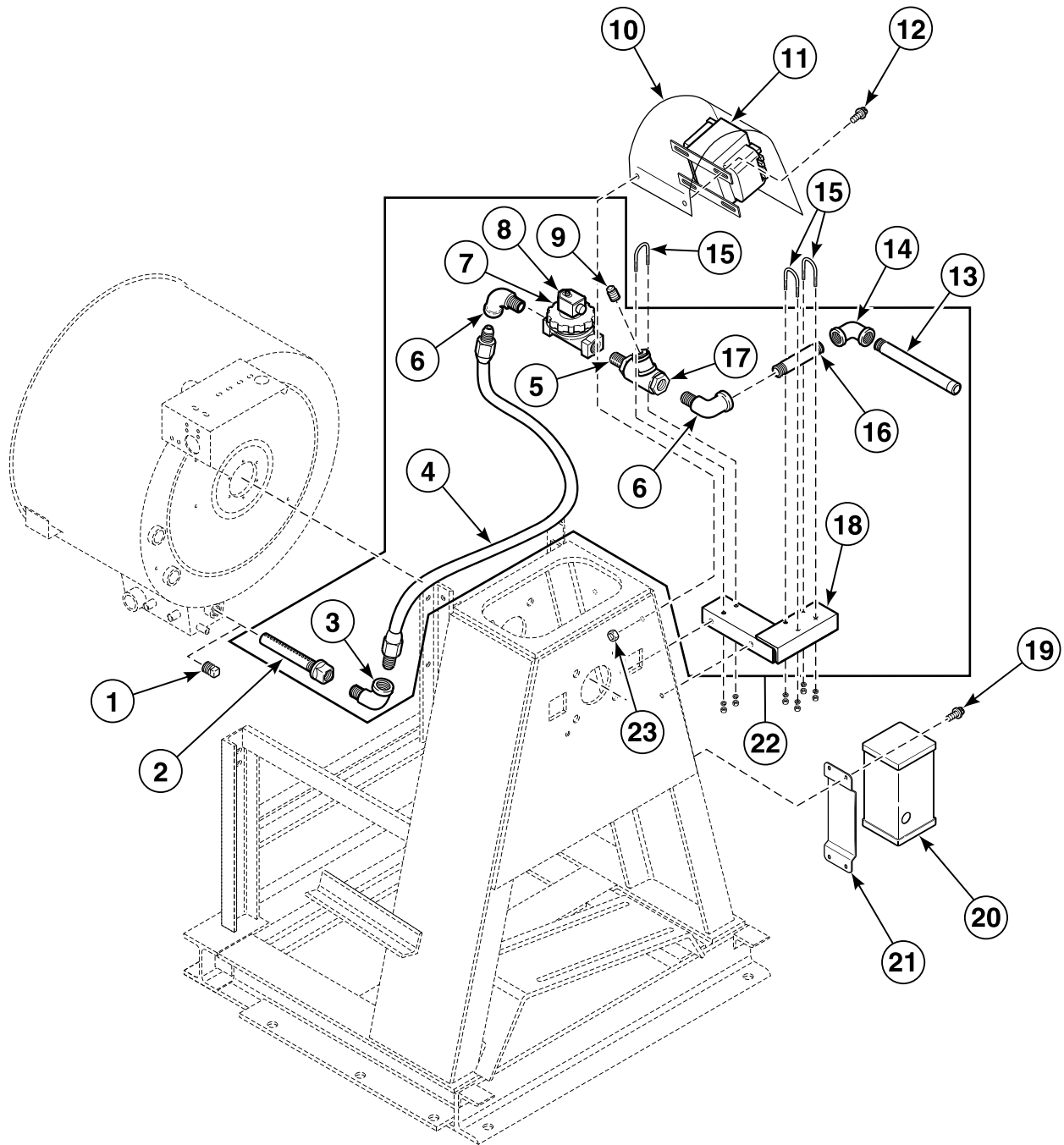


PHM2087P_F232167

Electric Heat Option

REF	PART NO.	DESCRIPTION	COMMENTS
1	F360203P	Heating Element	6 required
2	F370606P	Temperature Probe	
3	F430215	Nut	
4	F430231	Nut	
5	F430938	Screw	
6	F140413	Box	
7	F140747	Input Power Block	N and P-voltage models
	F140770	Input Terminal Block	Q-voltage models
8	F430107	Screw	
9	F330188P	Contactor	220 Volt
10	F430311	Washer	

Steam Heat Option and Transformers



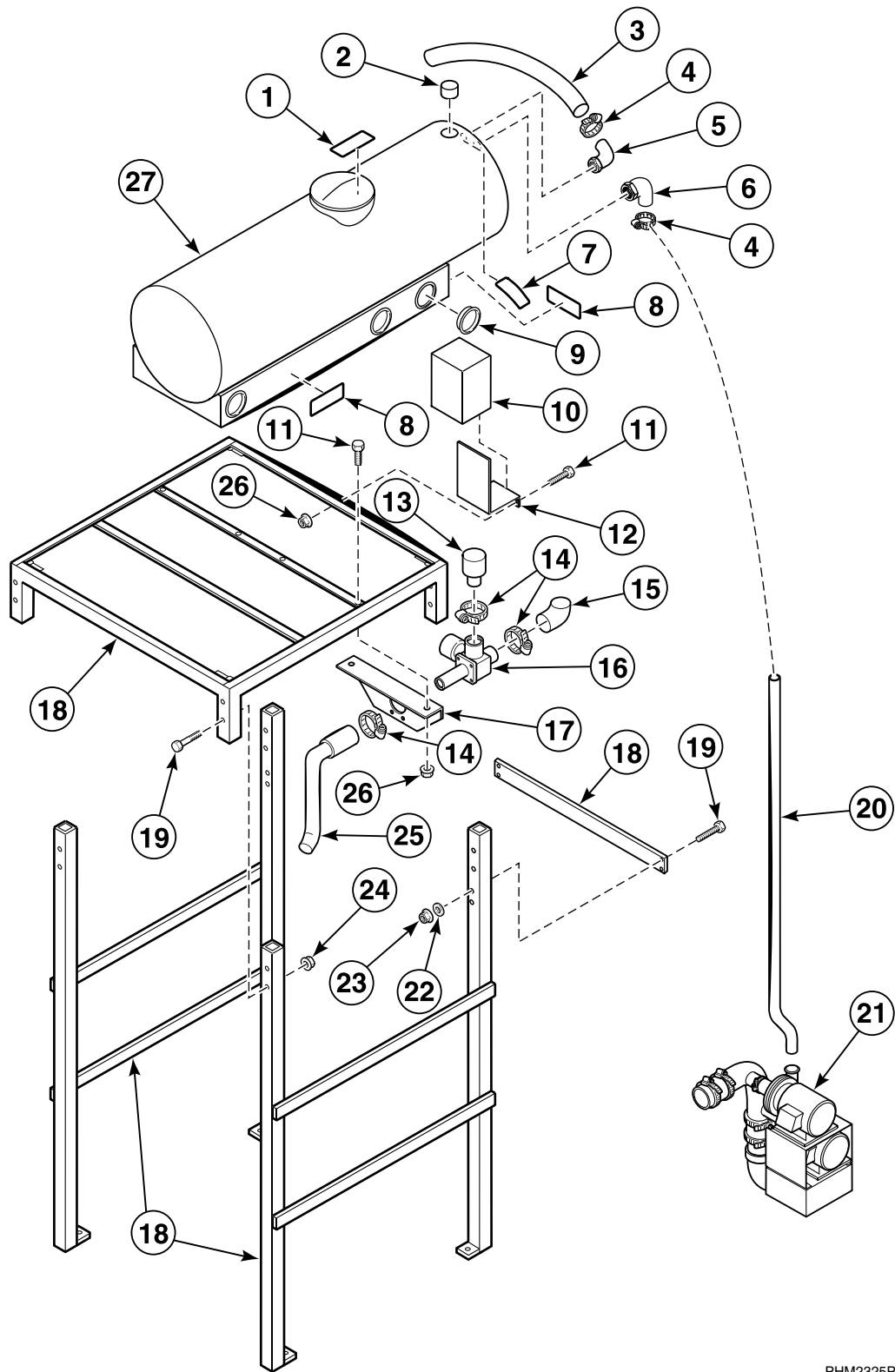
PHM2816P_F232167

Steam Heat Option and Transformers

REF	PART NO.	DESCRIPTION	COMMENTS
	F410300	Pipe Insulation	
1	F200202600	Plug	
2	F603131	Steam Injector Tube Assembly	
3	F421703	Street Elbow	
4	F200517	Steam Hose	
5	F420708	Nipple	
6	H86070034	Street Elbow	
7	F380787P	Steam Valve	1/2 inch; 220 Volt; F380984P Steam Valve Repair Kit
8	F380987P	DIN Coil	220 Volt
9	F420409	Plug	
10	F140425	Control Transformer Cover	
11	F360156	Transformer	N and P-voltage models
12	F430935	Screw	
13	F420719	Nipple	
14	70079601	Elbow	
15	F200401P	U-Bolt Clamp	Includes washers and nuts
16	F420710	Nipple	
17	F270307	Steam Filter	1/2 inch
18	F635634	Steam Bracket Weldment	
19	F430104	Screw	
20	F200031000	Transformer	Buckboost; N-voltage models; 2 per machine
21	N/A	Transformer Adapter Plate	N-voltage models
22	F635653P	Steam Plumbing Assembly	220 Volt; Includes items 2-9, 13, 14, 16-18 and F410300 Pipe Insulation
23	F430215	Nut	

N/A = Part no longer available

Water-Saving System Main View - Design 5 and 6 UW60PV Models



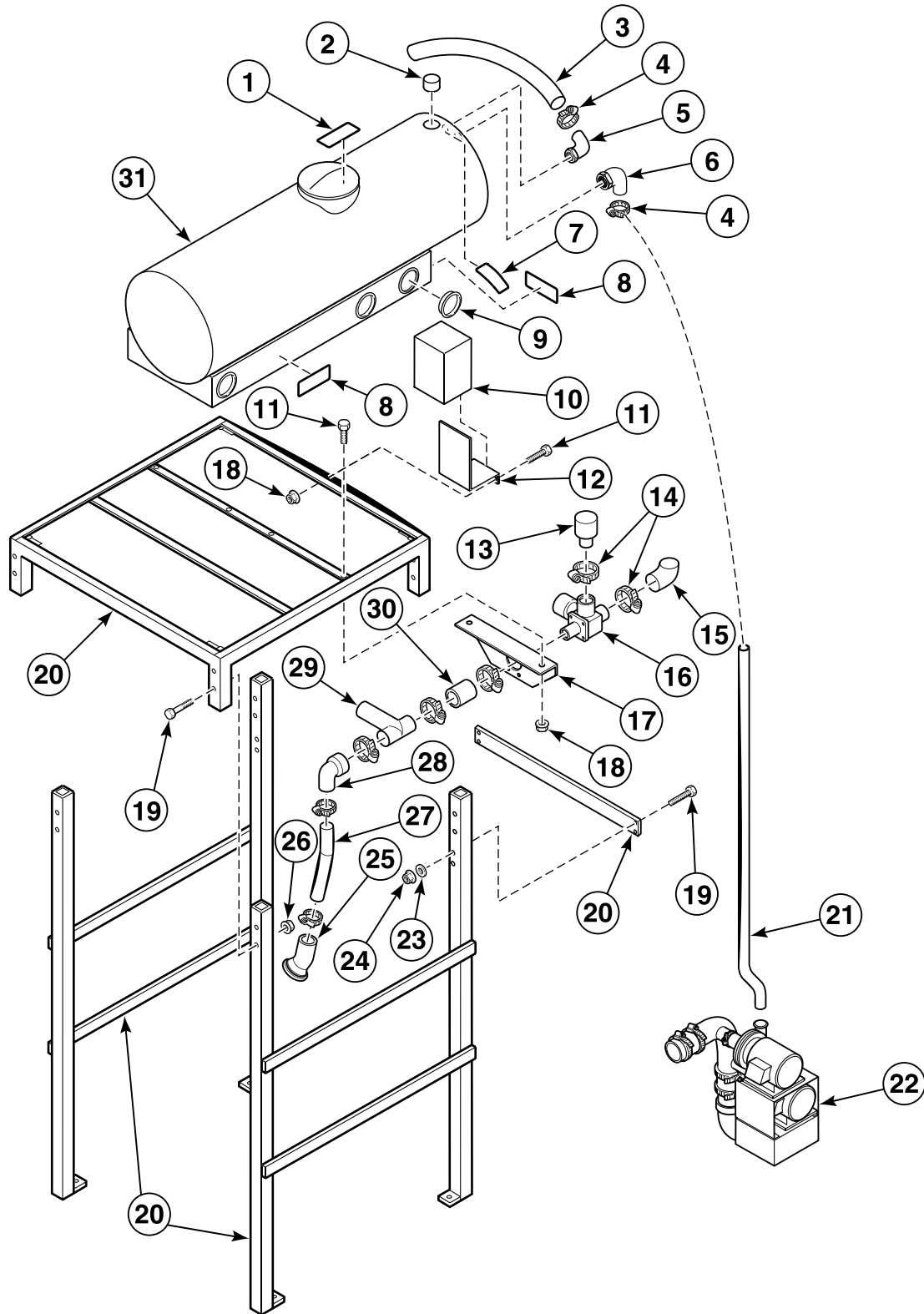
PHM2325P_F232167

Water-Saving System Main View - Design 5 and 6 UW60PV Models

REF	PART NO.	DESCRIPTION	COMMENTS
1	F231420	Top Cover Caution Decal	
2	F380117	Vacuum Breaker	
3	F150484	Reuse Overflow Hose	
4	F200215	Hose Clamp	No. 28
5	N/A	Elbow	
6	N/A	Elbow	
7	F231419	Do Not Obstruct Decal	
8	F231418	Do Not Climb Caution Decal	
9	N/A	Cap Plug	
10	N/A	Control Module Sub-Assembly	120 Volt
	F0634673-01	Control Module Sub-Assembly	220 Volt
11	M400056	Screw	
12	F634191	Reuse Control Enclosure Mounting Bracket	
13	F422520	Reuse Drain Reducer	
14	F200213	Hose Clamp	No. 40
15	F422914	Reuse Drain Elbow	
16	F380635P	Reuse Drain Valve	
17	F634172	Drain Valve Bracket	
18	F634413	Reuse Frame Assembly	
19	F430996	Screw	
20	F200505	Reuse Inlet Hose	
21	F634674	Pump Sub-Assembly	
22	F431100	Washer	
23	F431026	Nut	
24	F430239	Nut	
25	F0637929-01	Tank Drain Sub-Assembly	
26	F430233	Nut	
27	F191008	Reuse Tank	

N/A = Part no longer available

Water-Saving System Main View - Design 7 and 8 UW60PV Models



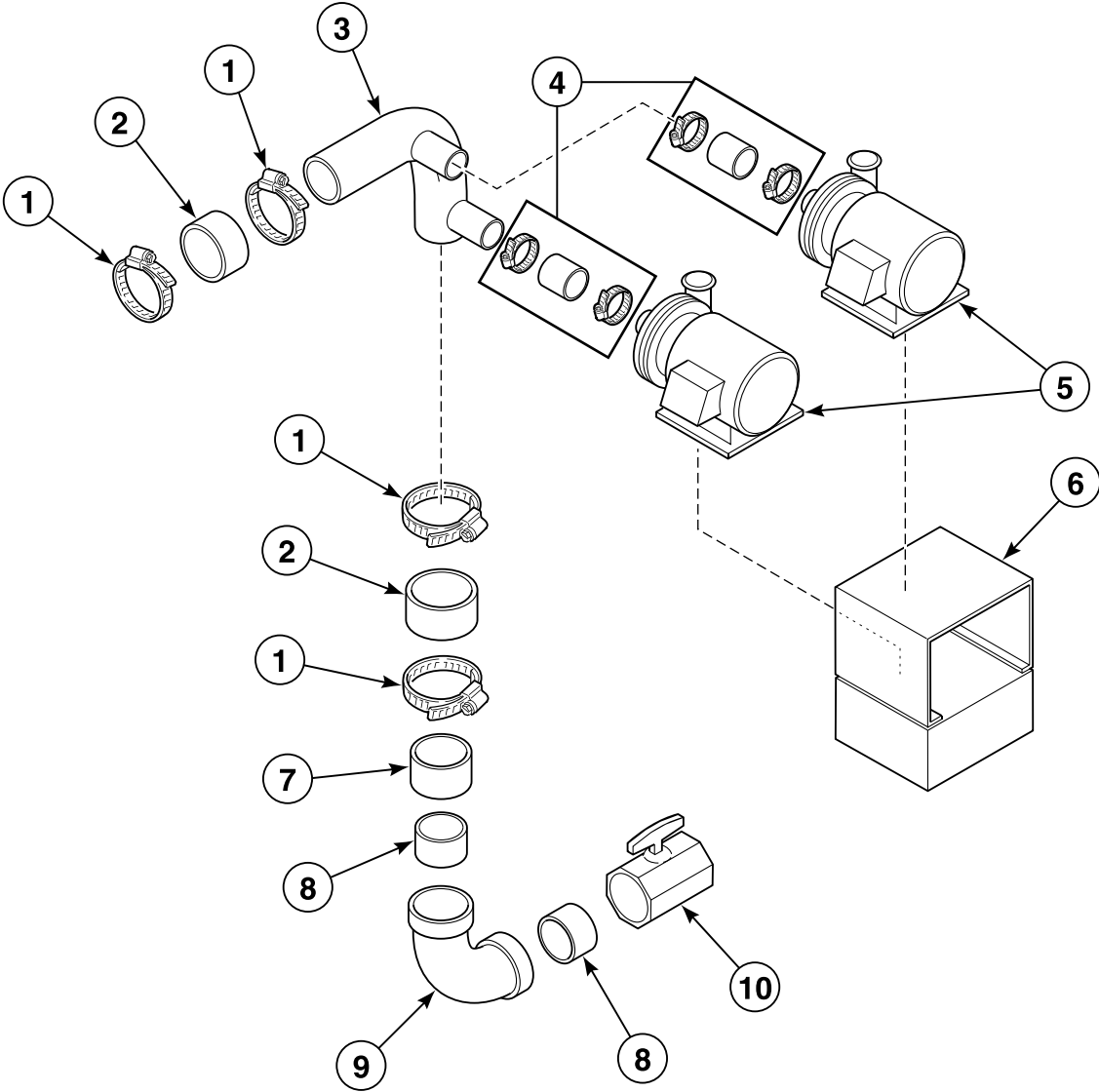
PHM2458P_F232167

Water-Saving System Main View - Design 7 and 8 UW60PV Models

REF	PART NO.	DESCRIPTION	COMMENTS
1	F231420	Top Cover Caution Decal	
2	F380117	Vacuum Breaker	
3	F150484	Reuse Overflow Hose	
4	F200215	Hose Clamp	No. 28
5	N/A	Elbow	
6	N/A	Elbow	
7	F231419	Do Not Obstruct Decal	
8	F231418	Do Not Climb Caution Decal	
9	N/A	Cap Plug	
10	N/A	Control Module Sub-Assembly	120 Volt
	F0634673-01	Control Module Sub-Assembly	220 Volt
11	M400056	Screw	
12	F634191	Reuse Control Enclosure Mounting Bracket	
13	F422520	Reuse Drain Reducer	
14	F200213	Hose Clamp	No. 40
15	F422914	Reuse Drain Elbow	
16	F380635P	Reuse Drain Valve	
17	F634172	Drain Valve Bracket	
18	F430233	Nut	
19	F430996	Screw	
20	F634413	Reuse Frame Assembly	
21	F200505	Reuse Inlet Hose	
22	F634674	Pump Sub-Assembly	
23	F431100	Washer	
24	F431026	Nut	
25	F0637735-01	Water Reuse Hose	
26	F430239	Nut	
27	F0637736-00	Reuse Hose Adapter Weldment	
28	F0150486-01	Reuse Drain Hose	
29	F0634404-01	Water Reuse Tee Weldment	
30	F0200505-02	Reuse Inlet Hose	
31	F191008	Reuse Tank	

N/A = Part no longer available

Water-Saving System Pump Sub-Assembly - Model UW60PV

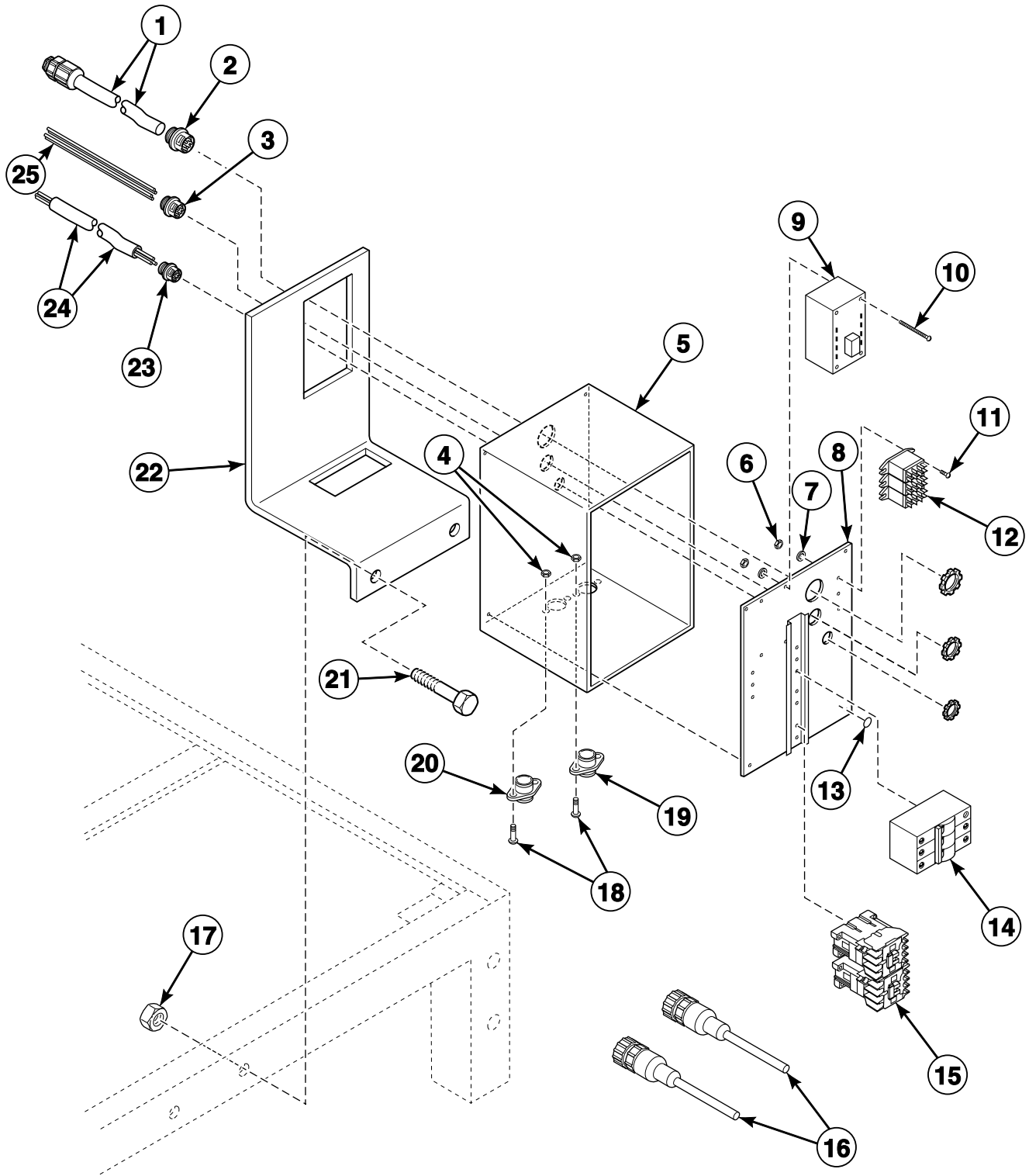


PHM789B_F232167

Water-Saving System Pump Sub-Assembly - Model UW60PV

REF	PART NO.	DESCRIPTION	COMMENTS
1	F200201	Hose Clamp	No. 56
2	F150442	Drain Hose	
3	F250707	Reuse Pump Manifold	
4	F422515	Tube Connector	
5	F270102P	Pump	
6	F634267	Reuse Pump Platform Assembly	
7	F150308	Overflow Hose	
8	F0602364-04	Pipe	
9	F422900	Elbow	
10	F380634	Ball Valve	

Water-Saving System Control Module Sub-Assembly - Model UW60PV



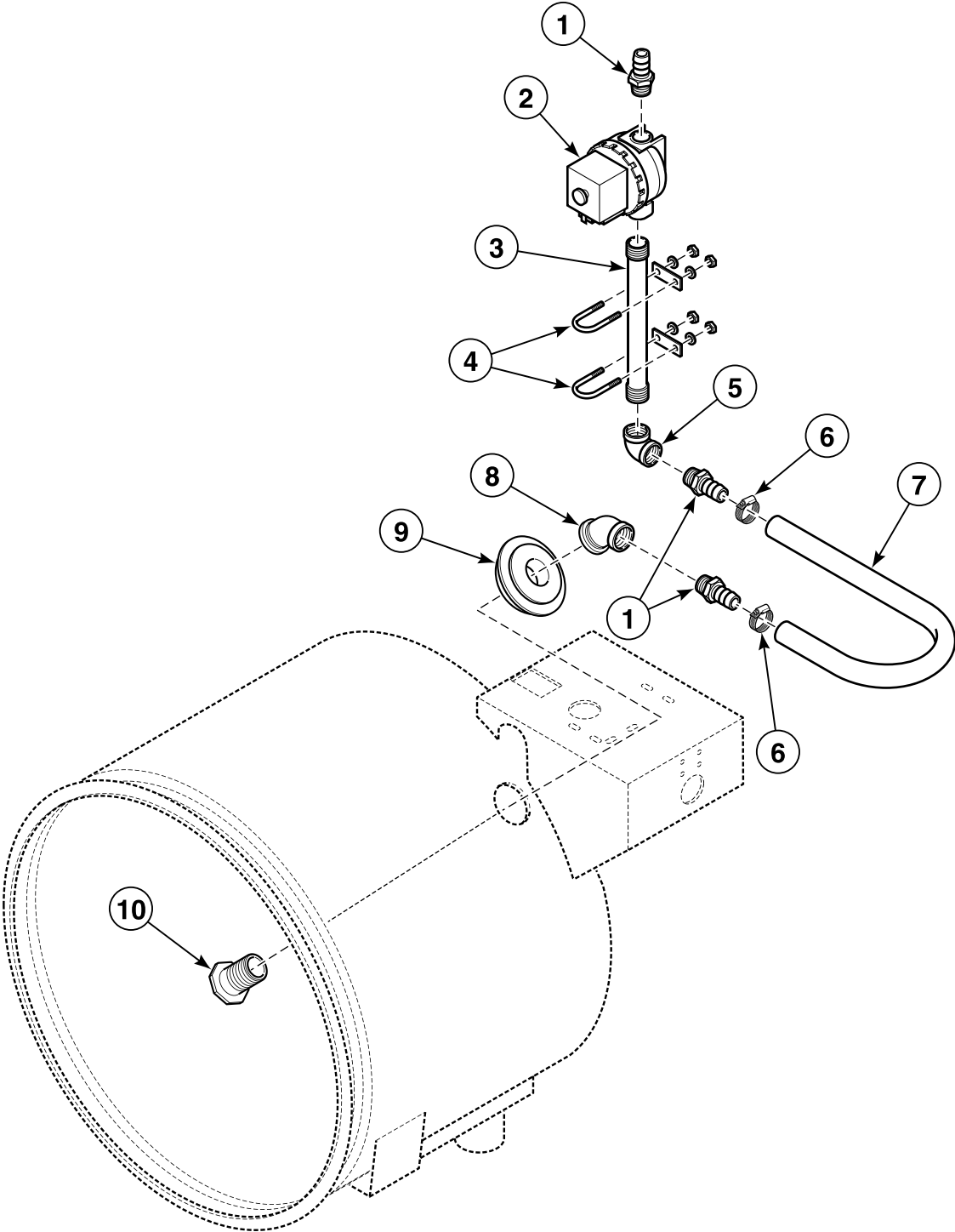
PHM2698P_F232167

Water-Saving System Control Module Sub-Assembly - Model UW60PV

REF	PART NO.	DESCRIPTION	COMMENTS
1	F140256	Reuse Control Cable Assembly	
2	F140331	Strain Relief Connector	Includes nut
3	F140328	Strain Relief Connector	Includes nut
4	F430231	Nut	
5	F140432	Box	
6	F431022	Nut	
7	F431113	Washer	
8	F634278	Control Panel Sub-Assembly	
9	F370438P	Relay CCA	
10	F430910	Screw	
11	F430916	Screw	
12	F0330289-00	Flange Mount Relay	9 vdc
13	F230739	Ground Decal	
14	F350207P	Circuit Breaker	
15	F330177P	Contactor	
16	F140254	Reuse Pump Motor Cable Assembly	B
	F140255	Reuse Pump Motor Cable Assembly	A
17	F430233	Nut	
18	F430928	Screw	
19	F141875	Pump A Harness Assembly	
20	F141876	Pump B Harness Assembly	
21	M400056	Screw	
22	F634191	Reuse Control Enclosure Mounting Bracket	
23	F140330	Strain Relief Connector	Includes nut
24	F140245	Cable	
25	45257	14 Gauge Wire	Order 15 feet; Gray
	N/A	14 Gauge Wire	Order 5 feet; Green/yellow

N/A = Part no longer available

Auxiliary Water Reuse Inlet - Model UW60PV

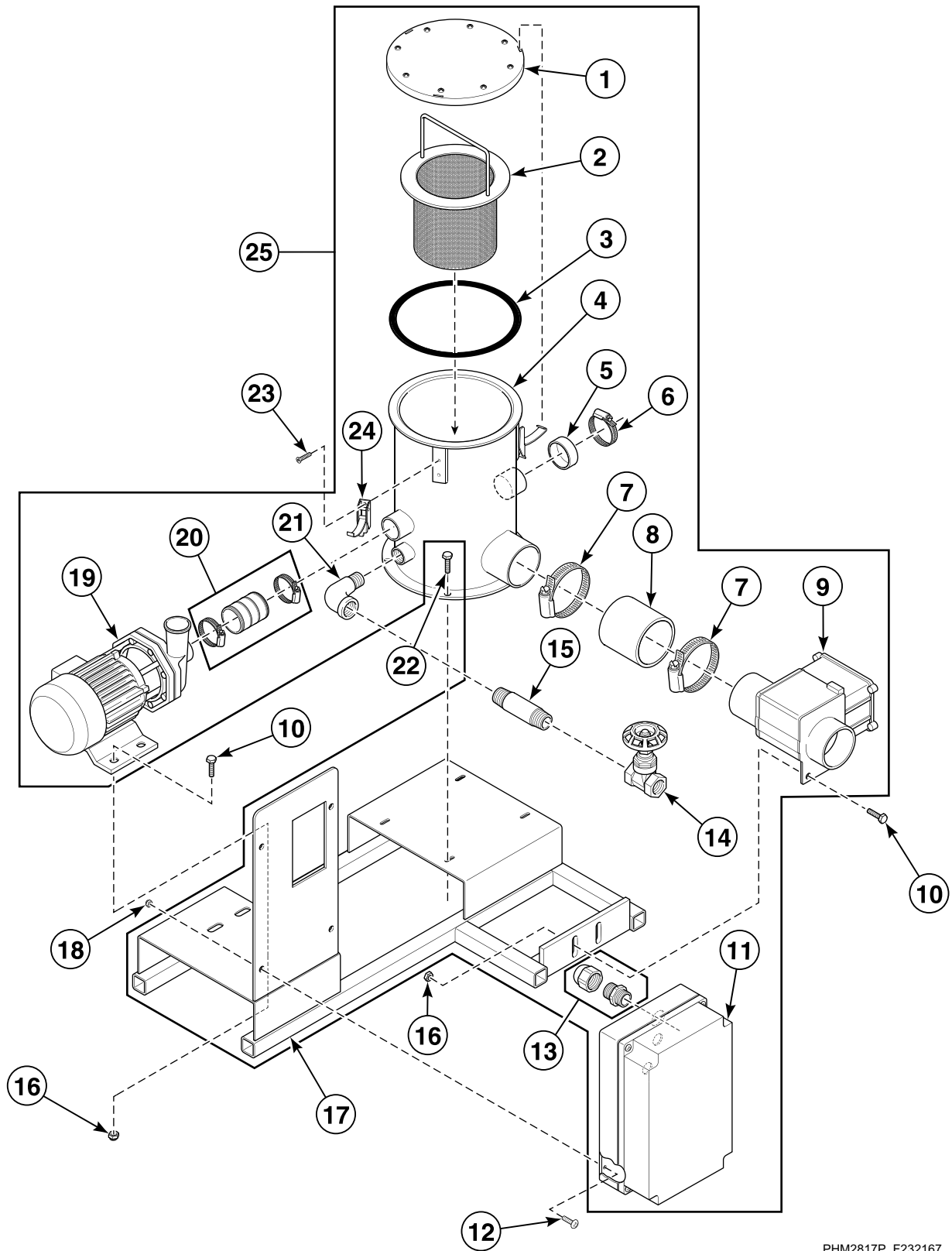


PHM2339P_F232167

Auxiliary Water Reuse Inlet - Model UW60PV

REF	PART NO.	DESCRIPTION	COMMENTS
	F200099900	Auxiliary Water Reuse Inlet	Includes all items on this page
	F200096900	Extra Inlet Assembly	Includes items 1, 5, 9 and 10
1	F421951	Hose Barb	
2	F381701P	Valve	3/4 inch
3	F0421970-00	Nipple	
4	F200401P	U-Bolt Clamp	
5	F422314	Elbow	
6	F200222	Hose Clamp	No. 12
7	F200104P	Hose	
8	F422314	Elbow	
9	F200098900	Wet-Clean Inlet Grommet	
10	F200096800	Inlet Compression Weldment	

Wet-Clean Assembly Main View - Model UW60PV



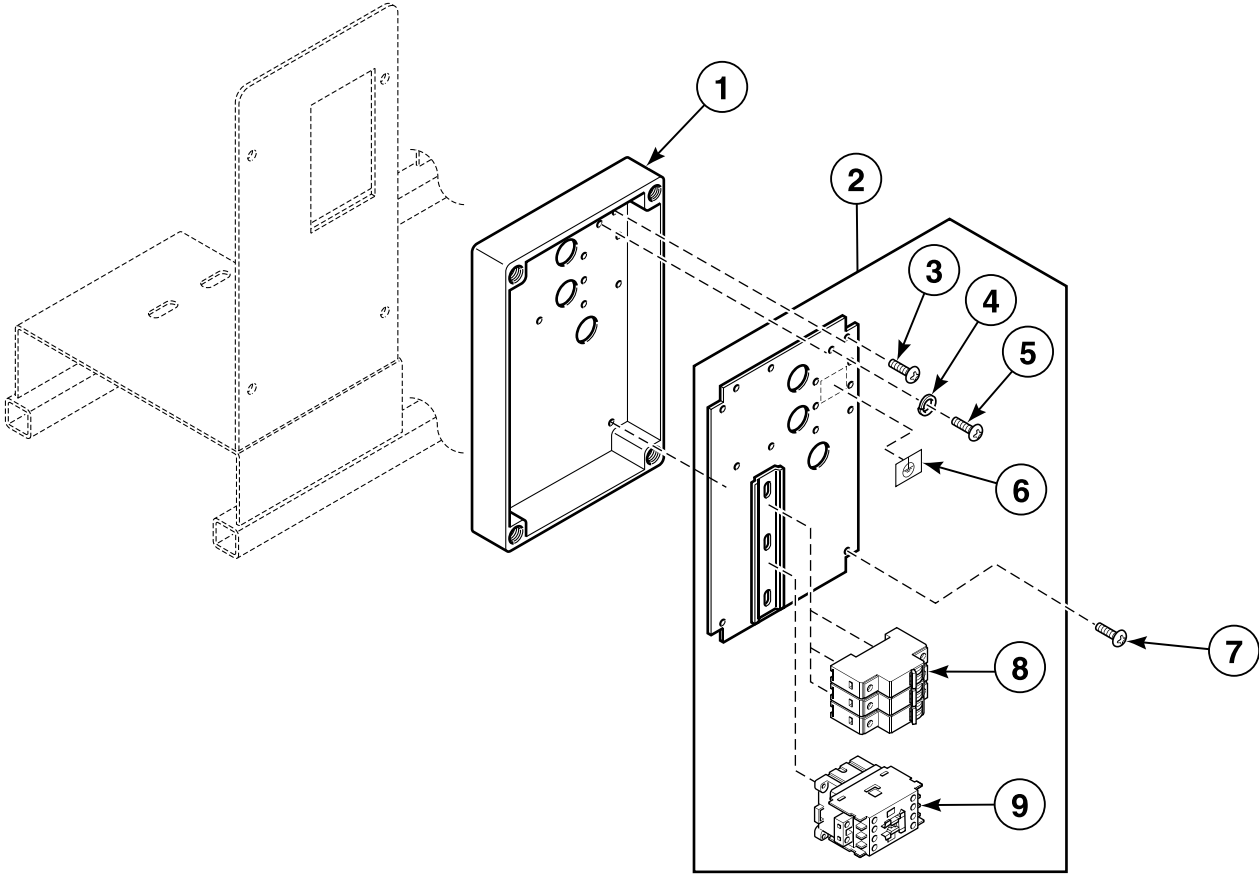
PHM2817P_F232167

Wet-Clean Assembly Main View - Model UW60PV

REF	PART NO.	DESCRIPTION	COMMENTS
1	F630300	Cover Assembly	
2	F630298	Filter Basket Weldment	
3	F170218	Canister Cover O-Ring	
4	F632355	Drain Canister Weldment	
5	F150352	Overflow Plug	
6	F200215	Hose Clamp	No. 28
7	N/A	Hose Clamp	No. 48
8	F150442	Drain Hose	
9	F380636	Ball Valve	
10	F430939	Screw	
11	F635664	Control Module Sub-Assembly	
12	F430932	Screw	
13	F140329	Strain Relief Connector	PG13
14	F380500	Gate Valve	
15	F421915	Nipple	
16	F431024	Nut	
17	F632693-2	Canister Stand Weldment	
18	F430232	Nut	
19	F270102P	Pump	
20	F422515	Tube Connector	
21	F422304	Street Elbow	
22	F430923	Screw	
23	F430903	Screw	
24	F432201	Draw Latch	
25	F0632800-02	Wet-Clean Canister Stand Assembly	Includes items 1-9, 11, 13-15, 17, 19-21 and 24

N/A = Part no longer available

Wet-Clean Assembly Control Module - Model UW60PV



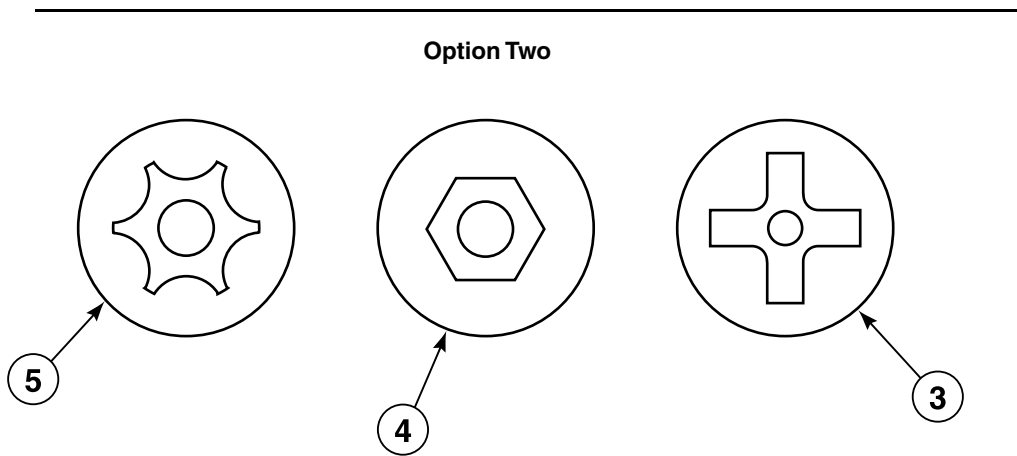
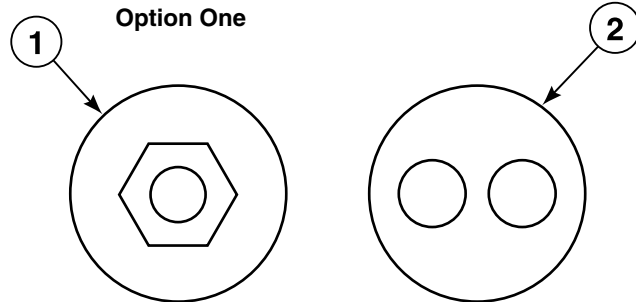
PHM2818P_F232167

Wet-Clean Assembly Control Module - Model UW60PV

REF	PART NO.	DESCRIPTION	COMMENTS
1	F140432	Box	Includes items 3 and 7
2	F634278	Control Panel Sub-Assembly	Includes items 4-6, 8 and 9
3	N/A	Screw	
4	N/A	Washer	
5	F430928	Screw	
6	F230739	Ground Decal	
7	N/A	Screw	
8	F350207P	Circuit Breaker	
9	F330177P	Contacto	

N/A = Part no longer available

Security Fasteners



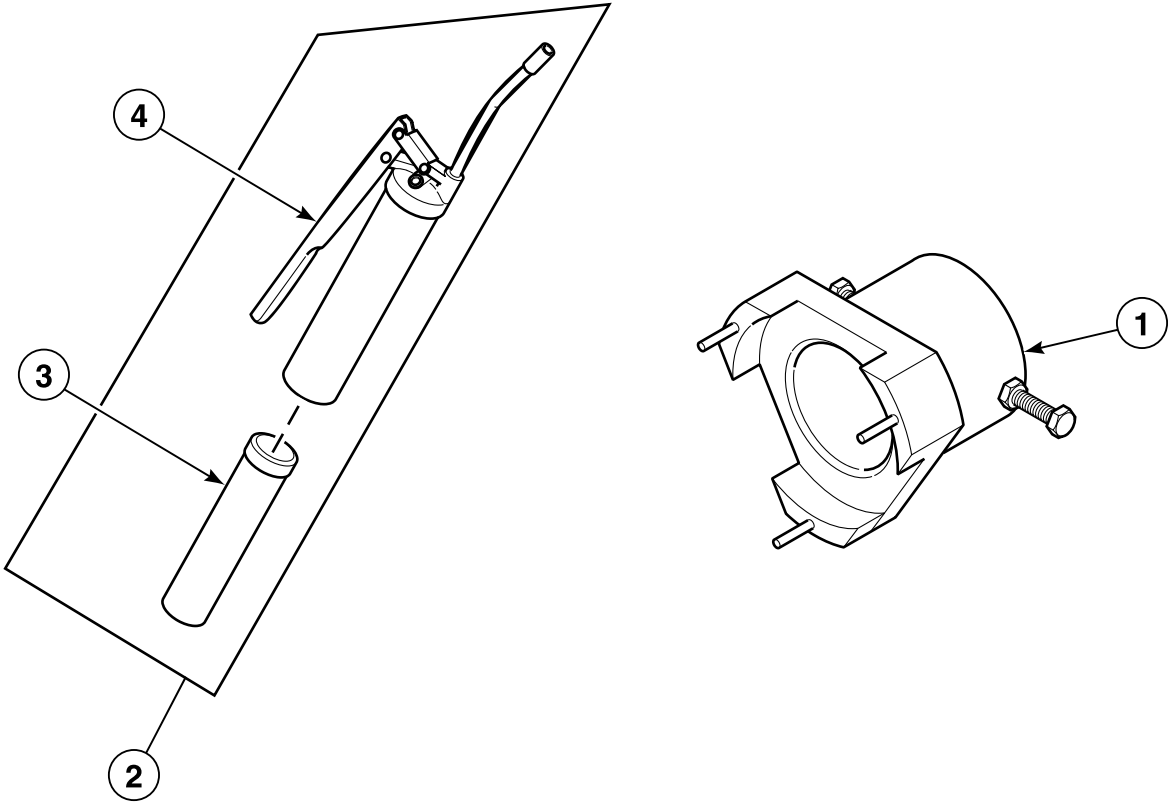
PHM2181P_F232167

Security Fasteners

REF	PART NO.	DESCRIPTION	COMMENTS
1	F0430275-00	Screw	No. 8; 32 x 1/2 inch; Used in place of F430956 Screw; Typical location is the side panels and module cover
	F430960	Screw	No. 10; 32 x 3/8 inch; Used in place of F430904 Screw; Typical location is the module to the shell
	F704906	Hex Bit	
2	F0430273-00	Screw	1/4 inch; 20 x 2-1/2 inch; Used in place of F430996 Screw; Typical location is the door box to the bracket
	F0430272-00	Screw	1/4 inch; 20 x 1-1/2 inch; Used in place of F430921 Screw; Typical location is the side panel to the bracket
	F0430274-00	Screw	1/4 inch; 20 x 1/2 inch; Used in place of F430925 Screw; Typical location is the drive box or the cover
	F704907	Spanner Bit	
3	F432260	Screw	1/4 inch; 20 x 2-1/2 inch; Used in place of F430996 Screw; Typical location is the door box to the bracket
	F704904	Phillips Bit	
4	N/A	Screw	1/4 inch; 20 x 1/2 inch; Used in place of F430925 Screw; Typical location is the drive box or cover
	F704897	Hex Bit	
5	F432259	Screw	No. 8; 32 x 1/2 inch; Used in place of F430956 Screw; Typical location is the side panels and module cover
	281P4	Torx Bit	

N/A = Part no longer available

Special Tools



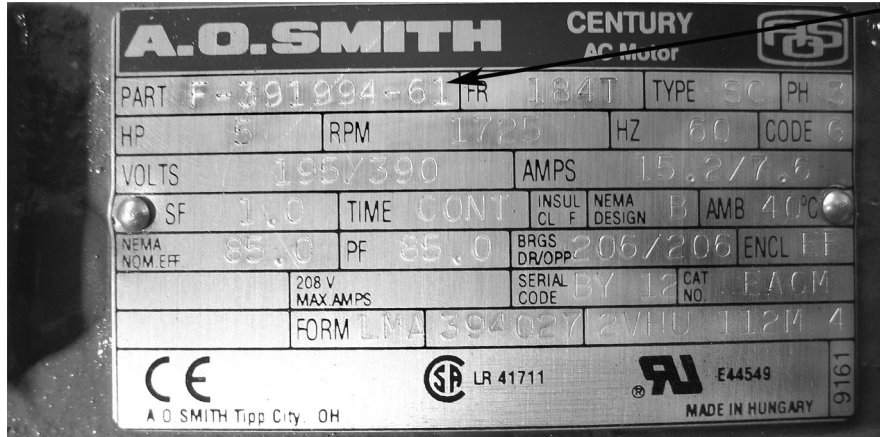
PHM2702P_F232167

Special Tools

REF	PART NO.	DESCRIPTION	COMMENTS
	F370851P	HIM Drive	Used with 160-series AC drives
1	F200274700	Seal Alignment Fixture Assembly	
2	F798700	Grease Gun Kit	Includes items 3 and 4
3	F210206P	Bearing Grease	
4	F210207P	Grease Gun	

Motor Manufacturer Part Number Location on the Motor's Nameplate

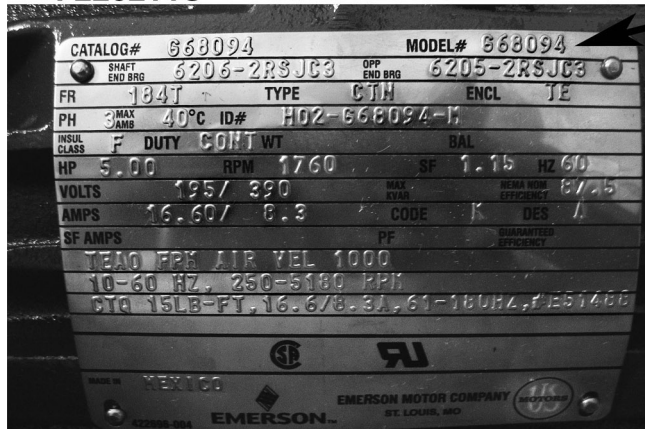
F220236



Motor
Manufacturer
Part No.
F-391994-61

PHM2364P

F220214U

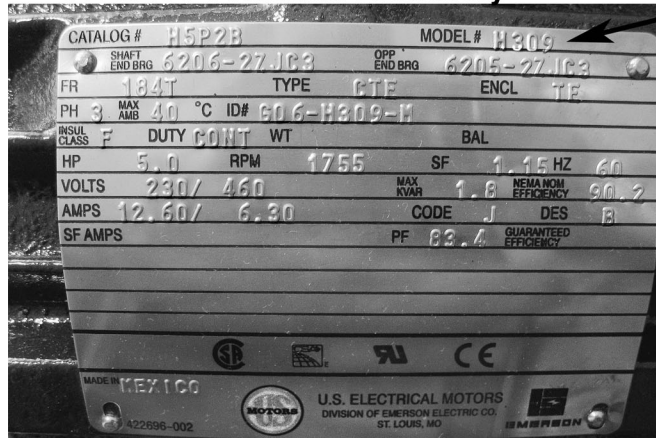


Motor
Manufacturer
Part No.
G68094

PHM2599P

Motor Manufacturer Part Number Location on the Motor's Nameplate

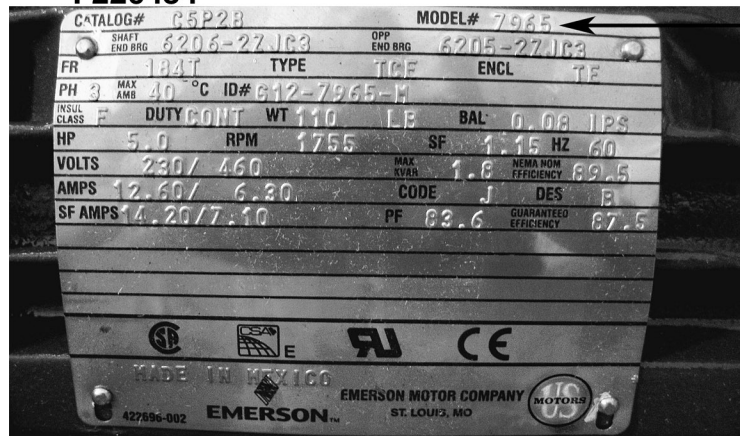
F220214 Premium Efficiency



Motor Manufacturer Part No. H309 OR A431

PHM2360P

F220434

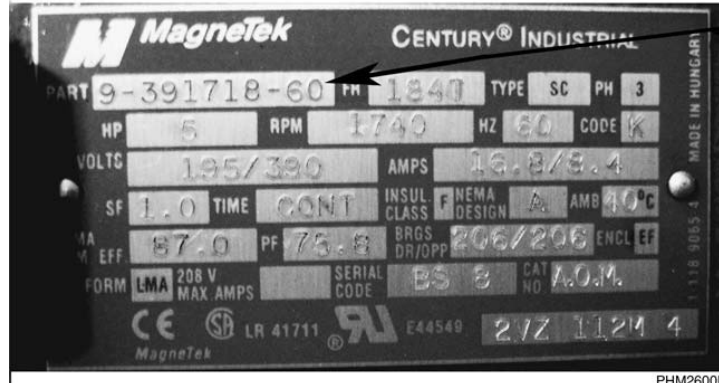


Motor Manufacturer Part No. 7965

PHM2365P

Motor Manufacturer Part Number Location on the Motor's Nameplate

F220214M



Motor
Manufacturer
Part No.
9-391718-60

PHM2600P

Parts Index

A

AC Drive Kit, 160-Series	
F0370853-STK.....	23, 25
F0370853-772.....	25
F0370853-781.....	25
F0370853-790.....	23, 25
F0370853-791.....	23
F0370853-792.....	23
F0370853-793.....	23
F0370853-801.....	23
F0370853-802.....	23
F0370853-803.....	23
F0370853-804.....	23
F0370854-STK.....	25
F0370854-790.....	25
F0370854-791.....	25
F0370854-792.....	25
F0370854-794.....	25
F0370854-801.....	25
F0370854-802.....	25
F0370854-803.....	25
F0370854-804.....	25
AC Drive Partition	
F635366.....	11, 13
AC Drive Partition Assembly	
F0637753-00.....	9
AC Drive Radio Filter Assembly	
F200320900.....	17, 23, 25, 27
AC Drive Resistor Assembly	
F8079901P.....	19
F8080001.....	19
Adapter	
F422508.....	45
Air Coupling	
F422114.....	57, 59
Air Flow Ramp Assembly	
F0637748-00.....	9, 11, 13
Air Trap Hose	
F200142.....	21
Auxiliary Water Reuse Inlet	
F200099900.....	73

B

Balance Switch Bracket	
F601750.....	29
F8124301.....	29
Ball Valve	
F380634.....	69
F380636.....	75
Basket Assembly	
F632015.....	47
Basket Pulley	
F0280288-01.....	59
Battery	
F191101.....	9
Bearing	
F100150.....	57

Bearing Grease	
F210206P.....	81
Before Power Is Connected Tag	
F230501.....	7
Belt	
F0280381-00P.....	59
F280353.....	57
Belt Inspection Port Cover	
F200188300.....	55
Bolt	
F0430540-00.....	29
F0430720-00.....	59
Box	
F140413.....	61
F140432.....	71, 77
Bushing	
F280409P.....	57, 59
Buzzer	
F300206.....	15

C

Cable	
F140245.....	71
Cable Assembly	
F604713.....	19
Cable Tie	
F140605.....	9, 11, 13, 57, 59
F140606.....	9, 11, 13
Cable Tray Assembly	
F635615-2.....	9, 11, 13
Cable Tray Cover	
F635476.....	9, 11, 13
Cage Wrap Weldment	
F635610.....	55
Canister Cover O-Ring	
F170218.....	75
Canister Stand Weldment	
F632693-2.....	75
Cap Plug	
F180486.....	19
F180511.....	55
Chemical Supply Cup	
F150385.....	31
F150386.....	31
Chemical Supply Hose	
F150469.....	31
Circuit Breaker	
F350207P.....	71, 77
F350210.....	19
F350216.....	15, 17
F350218.....	19
Clockwise Spin Rotation Decal	
F230652.....	7, 51
Cold Water Valve Decal	
F231368.....	7
Computer	
F037047530P.....	13
Computer Cover	
F606826.....	9

N/A items do not appear in index.

Conductor Decal F231146.....	7
Connector F140575P	19
F140576.....	19
F1408004.....	57
F422500.....	21
J1408004	59
Contact Block Switch F200233401.....	9, 11, 13
F340445.....	9, 11, 13
Contactactor F330177P	71, 77
F330188P	61
Containment Device F0380809-00.....	35, 41, 43
Control Cover F0636887-00.....	13
Control Module Cover F634558.....	11, 13
F635456.....	9
Control Module Decal F0231565-00.....	13
F231417.....	11
F231562.....	9
Control Module Sub-Assembly F0634673-01.....	65, 67
F635664.....	75
Control Panel Sub-Assembly F634278.....	71, 77
Control Transformer Cover F140425.....	63
Cotter Pin F430401	59
Cover Assembly F630300.....	75

D

DIN Coil F380987P	33, 35, 37, 39, 41, 43, 63
Disconnect Power Warning Label 505281	7, 9, 11, 13
Dispenser Assembly F0150512-00P	31
Dispenser Lid F0150514-00.....	31
Do Not Climb Caution Decal F231418.....	65, 67
Do Not Obstruct Decal F231419.....	65, 67
Do Not Push Decal F230302.....	7, 55
Door Box F606630.....	53
Door Box Assembly F603666.....	53
Door Box Mounting Plate Assembly F605525.....	53
Door Bumper Bushing F430416.....	51
Door Bumper Moulding F150366.....	51

N/A items do not appear in index.

Door Butt Shim F0610695-00.....	51
Door Gasket F017014501	51
F170145	51
Door Glass Gasket F170117	51
Door Glass Kit F290200P.....	51
Door Glass Retainer F601239	51
Door Handle Casting F150203	53
Door Hinge Pin F601815	51
Door Hinge Strap Kit F200030600P.....	51
Door Kit F730307	51
F730539	51
Door Latch Bracket Shim F602058	53
Door Lock Solenoid F300129P.....	53
Drain Canister Weldment F632355	75
Drain Hose F150438	45
F150442	45, 69, 75
F200165100	45
Drain Valve Bracket F634172	65, 67
Drain Valve Cover F200133600	45
Drain Valve Kit F200166402	45
Draw Latch F432201	75
Drip Rail F150364	49
Drive Kit, 1305 to PowerFlex 40 F8171601	27
F8171606	27
F8171610	27
F8171708	27
F8171709	27
F8171711	27

E

Elbow F0422918-00.....	35
F420509	37, 39, 41, 43
F422314	73
F422319	51
F422900	69
70079601	63
Electrical Access Panel F0637549-00.....	9, 11, 13
F635448	9
Emergency Stop Button Kit F200233700P.....	9, 11, 13

Emergency Stop Pushbutton	
F200233500	9, 11, 13
F340718	9, 11, 13
EMI Filter	
F330280P	19
F330284	19
Extension Arm Kit	
F746803	53
Extension Arm Tab	
F603005	53
External Supply Box	
F635468	9, 11, 13
External Supply Box Cover	
F635365	9, 11, 13
External Supply Caution Decal	
F231345-4	7
Extra Inlet Assembly	
F200096900	73
Extrusion Insert	
F150397	55

F

Face Seal	
F010029701P	49
F8162201	49
Fill Plumbing Assembly	
F0637637-01	41, 43
F0637637-03	41, 43
F0637640-00	41
F0637640-01	41
F633146-1	37, 39
F633146-5	37, 39
F633419-1	37, 39
F633419-5	37, 39
Filter	
F200318900	15, 17
Filter Basket Weldment	
F630298	75
Filter Retainer Guard	
F220900	15, 17
Filter Screen	
F270300	33, 35, 37, 39, 41, 43
Flange Mount Relay	
F0330289-00	71
Flange Relay	
F330230	15, 17
Frame Assembly	
F633378	47
F633378-2	47
F633436	47
Front Bearing Kit	
F798824-00	57, 59
Front Panel	
F635649	55
Fuse	
F350108	15, 17
F350109	15, 17
F350110	15, 17
F350115	19
F350142	17, 19
Fuse Decal	
F0231629-00	19

Fuse Holder	
F0350312-10	19
F0350313-00P	19

G

Gate Valve	
F380500	37, 39, 41, 43, 75
Glass	
F290201P	51
Grease Fitting	
F190701	57, 59
Grease Gun	
F210207P	81
Grease Gun Kit	
F798700	81
Grease Instruction Decal	
F231563	57, 59
Ground Decal	
F230630	19
F230739	71, 77
Ground Terminal Lug	
F140734	19

H

Handle Spacer	
F609822	53
Handle Weldment	
F609427	53
Heating Element	
F360203P	61
Hex Bit	
F704897	79
F704906	79
HIM Drive	
F370851P	81
Hose	
F200104P	73
Hose Adapter	
F421908	33, 35
F421909	37, 39, 41, 43
Hose Barb	
F421929	45, 49
F421951	37, 39, 41, 43, 73
F421964	37, 39, 41, 43
Hose Clamp	
F200201	45, 69
F200206	37, 39, 41, 43
F200213	31, 45, 65, 67
F200215	21, 65, 67, 75
F200222	37, 39, 41, 43, 73
36801	45, 49
Hose Strap	
F605324	55
Hot Surface Warning Decal	
F200085000	7
F231380	7
Hot Water Valve Decal	
F231367	7

N/A items do not appear in index.

I

Injection Nozzle F380300	31
Injection Nozzle Kit F730168	31
Inlet Compression Weldment F200096800	73
Input Block Decal F0231636-00	19
Input Power Block F140747	61
F140794-1	19
Input Terminal Block F140770	61
Insulator Bushing F140909	19
Interface CCA F0370446-12P	15
Interlock Switch F340900	29, 53
Interlock Switch Spacer F601055	53
Inverter Drive F370843	17
F370844	17

J

Jumper Kit F784003P	15
------------------------------	----

K

Key F430801	59
F430802	57, 59
F430803	57
Keymode Assembly F200174600P	19
Keymode Run/Program Switch C000320P	19
Keypad F023158231	13
F370576P	11
Keypad Decal F230724P	9

L

Lower Door Latch Bracket Casting F150202	53
Lower Door Latch Casting F150204	53

M

Magnet F340703	53
Magnetic Switch Assembly F200321200	53
Main Drive Kit F380918	45
Microcomputer F0370313-09P	11
Microswitch F340906	53
Mitsubishi to PowerFlex 40 Drive Kit F8171607	27
F8171608	27
F8171609	27
F8171706	27
F8171707	27
F8171710	27
Momentary Switch F200120100	9, 11, 13
F340412	9, 11
Motor F220234P	59
F220236P	57
Motor Adjustment Strap F602166	59
Motor Drip Shield F200216900	59
Motor Pulley F0280384-00	59
Motor Pulley Bushing F280209	59
F280211P	57
Motor Support Bushing F200186100	59
Motor Support Rod Kit F730076	59
Muffin Fan F110105	15, 17

N

Nipple F0421970-00	73
F420101	33, 35, 37, 39, 41, 43
F420103	33, 35, 39, 41
F420105	33, 35, 37, 39, 41, 43
F420107	37, 39, 41, 43
F420708	63
F420710	63
F420719	63
F421306	37, 39, 41, 43
F421915	75
F421949	33, 35
No-Swivel Coupling F422109	51
Nut F430205	29, 49, 51, 57
F430211	55
F430215	49, 53, 55, 61, 63
F430218	29
F430231	9, 11, 13, 15, 17, 53, 61, 71

N/A items do not appear in index.

F430232.....	75
F430233.....	59, 65, 67, 71
F430239.....	65, 67
F430264.....	55
F430265.....	19
F431000.....	9, 19
F431002.....	53
F431005.....	31
F431006.....	19
F431013.....	19
F431022.....	19, 51, 71
F431024.....	75
F431026.....	9, 11, 13, 51, 53, 65, 67
F431804.....	55
F431806.....	17
H88412101.....	29
44087301.....	29
70142.....	47
802292.....	31

O

O-Ring	
F0170221-00.....	35, 41, 43
F170200.....	51
F170208.....	31
F170215.....	31
Output Board CCA	
F370447-6P.....	17
Output Board Cover	
F0170427-00.....	17
Output CCA	
F037044860-2.....	17
F0370454-10P.....	15
Overflow Hose	
F150308.....	69
Overflow Plug	
F150352.....	75

P

Personal Injury Warning Decal	
F231065.....	7, 19
Phillips Bit	
F704904.....	79
Pin	
F430415.....	55
Pipe	
F0602364-04.....	69
F0602364-25.....	45
F0602365-01.....	45
F0602365-22.....	45
Pipe Insulation	
F410300.....	63
Plug	
F0200237-00.....	49
F200202600.....	63
F420408.....	37
F420409.....	63
Plug Cap	
F190304.....	31
Plug Removal Warning Decal	
F0230112-00.....	7, 49

Pop Rivet	
F431210.....	45, 49, 53
Program Key	
F370709.....	19
Pulley	
F280146.....	57
F280182P.....	57
F280410.....	57
Pump	
F270102P.....	69, 75
Pump A Harness Assembly	
F141875.....	71
Pump B Harness Assembly	
F141876.....	71
Pump Sub-Assembly	
F634674.....	65, 67
Push Decal	
F230303.....	53
Push Handle Kit	
F746201-1.....	53

R

RC Network Filter	
F330217P.....	11, 13, 53
Rear Bearing Kit	
F745010.....	57, 59
Rear Panel	
F200187900P.....	55
Reducer Bushing	
F422602.....	45
Relay CCA	
F370438P.....	71
Repair Kit	
F380965P.....	39
Resistor	
F370116.....	17, 19
Reuse Control Cable Assembly	
F140256.....	71
Reuse Control Enclosure Mounting Bracket	
F634191.....	65, 67, 71
Reuse Drain Elbow	
F422914.....	65, 67
Reuse Drain Hose	
F0150486-01.....	67
Reuse Drain Reducer	
F422520.....	65, 67
Reuse Drain Valve	
F380635P.....	65, 67
Reuse Frame Assembly	
F634413.....	65, 67
Reuse Hose Adapter Weldment	
F0637736-00.....	67
Reuse Inlet Hose	
F0200505-02.....	67
F200505.....	65, 67
Reuse Overflow Hose	
F150484.....	65, 67
Reuse Pump Manifold	
F250707.....	69
Reuse Pump Motor Cable Assembly	
F140254.....	71

N/A items do not appear in index.

F140255.....	71
Reuse Pump Platform Assembly F634267.....	69
Reuse Tank F191008.....	65, 67
Ribbon Cable F140218P.....	9, 15
F140219P.....	9, 11, 13, 15
F140248P.....	9, 15
Ring Retainer F310206.....	51
Rotation Sensor Assembly F200126200P.....	29
Rotation Sensor Assembly Harness F200126201.....	29
Rotation Sensor Bracket F200122502.....	29
Rotation Sensor PCB F200101300P.....	29
Rotation Sensor Retrofit Kit F079900801P.....	29
Rub Rail F150408.....	55

S

Screw

F0430165-00.....	15, 17
F0430272-00.....	79
F0430273-00.....	79
F0430274-00.....	79
F0430275-00.....	79
F430103.....	51
F430104.....	63
F430107.....	61
F430168.....	53
F430500.....	49
F430502.....	51
F430903.....	19, 75
F430909.....	19, 53
F430910.....	15, 17, 71
F430916.....	53, 71
F430917.....	9, 11, 13, 31, 51, 53
F430921.....	53, 55
F430923.....	75
F430924.....	49
F430927.....	29, 53
F430928.....	9, 11, 13, 71, 77
F430932.....	75
F430935.....	49, 63
F430938.....	19, 35, 41, 43, 61
F430939.....	75
F430956.....	53, 55
F430960.....	79
F430992.....	49
F430993.....	57
F430995.....	19, 53
F430996.....	65, 67
F431702.....	17
F432234.....	55
F432259.....	79
F432260.....	79
F8111101.....	29
F8122701.....	29
F8136401.....	9, 11, 13
M400056.....	65, 67, 71

70240301.....	9, 11, 13, 55
800461.....	29, 49
Scupper F150389.....	45, 49
Seal F0170191-00.....	9, 11, 13
F170151.....	9
Seal Alignment Fixture Assembly F200274700.....	81
Seal Kit F798819-00.....	49
Shell Assembly F634438.....	49
Shell Band Assembly F603344P.....	47
Shell Band Fastener Kit F791001.....	49
Shell Band Gasket F170120RP.....	47
Shell Front Assembly F200119900P.....	47
Shell Front Weldment F8135801P.....	47
Shell Gasket Shield F601216.....	49
Shell Mounting Bracket F601806.....	49
Shell Reinforcement Plate Kit F741600.....	45, 49
Shell Weldment F0633208-01.....	49
F0633208-03.....	49
F0633208-05.....	49
F0634436-01.....	49
F634436.....	49
Side Panel F635648P.....	55
Side Panel Bracket F601982.....	55
Side Panel Cover F606667.....	55
Slinger F100203.....	49
Snap Bushing F140938.....	21
Soap Dispenser Hose F150309.....	45
Soap Dispenser Shroud Weldment F8024301.....	31
Solenoid Spacer F609728.....	53
Spanner Bit F704907.....	79
Sponge F170110.....	55
Spray Plumbing Assembly F0637633-01.....	35
F0637633-03.....	35
F633150-1.....	33
F633150-5.....	33
Spray Rinse Bracket Assembly F602901P.....	47, 51
Spray Rinse Hose Assembly F730026.....	51

N/A items do not appear in index.

Spray Rinse Nozzle Kit F730077	51
Spray Rinse Strap F602880	51
Spray Rinse Tube Assembly F603696-9	51
Spring F310127	59
Standoff F180501	29
F180506	15, 17
Steam Bracket Weldment F635634	63
Steam Filter F270307	63
Steam Hose F200517	63
Steam Injector Tube Assembly F603131	63
Steam Plumbing Assembly F635653P	63
Steam Valve F380787P	63
Strain Relief Adapter Kit F749802	31
Strain Relief Connector F140328	71
F140329	75
F140330	71
F140331	71
F140340P	31
Street Elbow F420500	33, 35, 37, 39, 41, 43
F420502	33, 37, 39, 41, 43
F421703	63
F422304	75
H86070034	63
Supply Dispenser Hazard Caution Decal F231436	7, 31
Supply Dispenser Spacer F0150525-00	31
Switch F340921	29
Switch Extension F340924	29
Switch Mode Decal F0231632-00	19
F231564	19
Swivel Coupling F422108	51

T

Tank Drain Sub-Assembly F0637929-01	65
Tee F420400	35
F420401	33
F420402	37, 39, 41, 43
F422801	45
F422803	45
Temperature Probe F370606P	29, 61

Terminal Block F140782	19
This Machine Must Be Protected Decal F230301	7
Tie Wrap Mounting Clamp F140602	9, 11, 13
Top Cover Caution Decal F231420	65, 67
Top Latch Bracket Casting F150201	53
Torx Bit 281P4	79
Transformer F200031000	63
F360156	63
Trim F170400RP	31, 55
F170404	9, 11, 13
Trim Seal F100284	55
Tube Connector F422106	33, 35
F422515	69, 75
Tubing F200190P	57, 59
F422404P	21

U

U-Bolt Clamp F200401P	33, 35, 37, 39, 41, 43, 63, 73
--------------------------------	--------------------------------

V

Vacuum Breaker F380117	45, 65, 67
Vacuum Breaker Cap F0380808-00	35, 41, 43
Vacuum Breaker Kit F0798922-00	35, 41, 43
Vacuum Breaker Valve F063754701P	35, 41, 43
F380800P	33, 37, 39
Valve F381701P	37, 39, 41, 43, 73
F381703P	33, 35, 39, 41
Valve Repair Kit F380993P	39, 41
Valve, 4-Way F381723P	21

W

Washer F430300	57
F430311	61
F430317	49, 55
F430325	59
F430332	57, 59
F431100	31, 51, 53, 55, 65, 67
F431106	19

N/A items do not appear in index.

F431108.....	9, 11, 13, 19, 53
F431112.....	49
F431113.....	9, 11, 13, 71
F431116.....	49
F431118.....	53
F431123.....	9, 11, 13
F431125.....	9, 11
F431142.....	53
F431147.....	31
F8195301.....	31
M400013.....	47
M400014.....	29, 49, 57
M400080.....	59
M400081.....	29, 49, 57
20290.....	33, 35, 37, 39, 41, 43
Water Hose	
F200107P.....	45, 49
F200111P.....	37, 39, 41, 43
F200164.....	33, 35, 37, 39, 41, 43
F200166.....	33, 35, 37, 39, 41, 43
F200509.....	37, 39, 41, 43
Water Level Switch	
F0340347-10P.....	21
Water Reuse Hose	
F0637735-01.....	67
Water Reuse Tee Weldment	
F0634404-01.....	67
Water Valve Repair Kit	
F380991P.....	39, 41, 43
Wet-Clean Canister Stand Assembly	
F0632800-02.....	75
Wet-Clean Inlet Grommet	
F200098900.....	73
WE-6 Computer	
F037062441P.....	9
Wire, 14 Gauge	
45257.....	71
