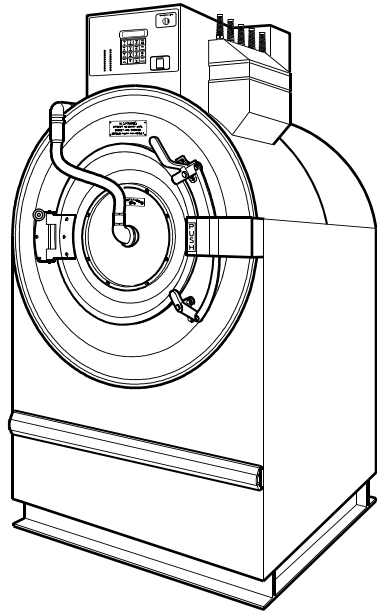


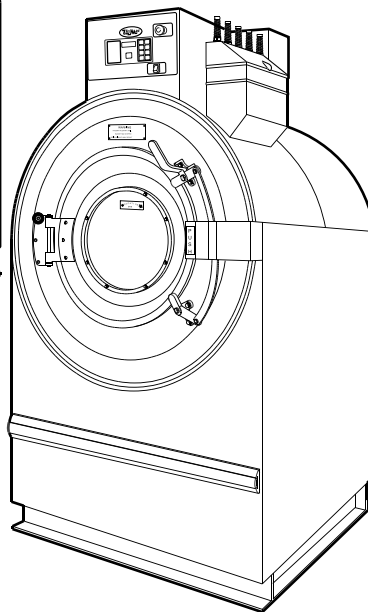
Washer-Extractor

Pocket Hardmount

Refer to Page 3 for Model Numbers



Models UW60P2 and UW60P3



Model UW60B2

PHM1411C_F232166

Table of Contents

Title	Page
Parts Ordering Information.....	2
Nameplate Location	2
Model Identification	3
Decals	4
Control Module - Model UW60B2 (Drawing 1 of 3).....	6
Control Module - Model UW60B2 (Drawing 2 of 3).....	8
Control Module - Model UW60B2 (Drawing 3 of 3).....	10
Control Module - Models UW60P2 and UW60P3 (Drawing 1 of 4).....	12
Control Module - Models UW60P2 and UW60P3 (Drawing 2 of 4).....	14
Control Module - Models UW60P2 and UW60P3 (Drawing 3 of 4).....	16
Control Module - Models UW60P2 and UW60P3 (Drawing 4 of 4).....	18
Balance Switch, Temperature Probe and Rotation Sensor	20
Supply Dispenser.....	22
Spray Plumbing - Design 5 UW60P2 and UW60P3 Models	24
Spray Plumbing - Design 7 and 8 UW60P2 and UW60P3 Models.....	26
Fill Plumbing - Design 5 UW60P2 and UW60P3 Models Through 2/29/02	28
Fill Plumbing - Design 5 UW60P2 and UW60P3 Models Starting 3/1/02	30
Fill Plumbing - Design 7 and 8 UW60P2 and UW60P3 Models.....	32
Fill Plumbing - Model UW60B2	34
Drain System, Overflow and Vent Pipes.....	36
Basket, Shell and Frame.....	38
Door and Spray Tube.....	40
Door Lock.....	42
Front, Side and Rear Panels.....	44
Motor and Pulley - Models UW60B2 and UW60P2.....	46
Motor and Pulley - Model UW60P3.....	48
Electric Heat Option	50
Steam Heat Option and Transformers	52
Security Fasteners	54
Special Tools	56
Parts Index.....	59

© Copyright 2008, Alliance Laundry Systems LLC

All rights reserved. No part of the contents of this book may be reproduced or transmitted in any form or by any means without the expressed written consent of the publisher.

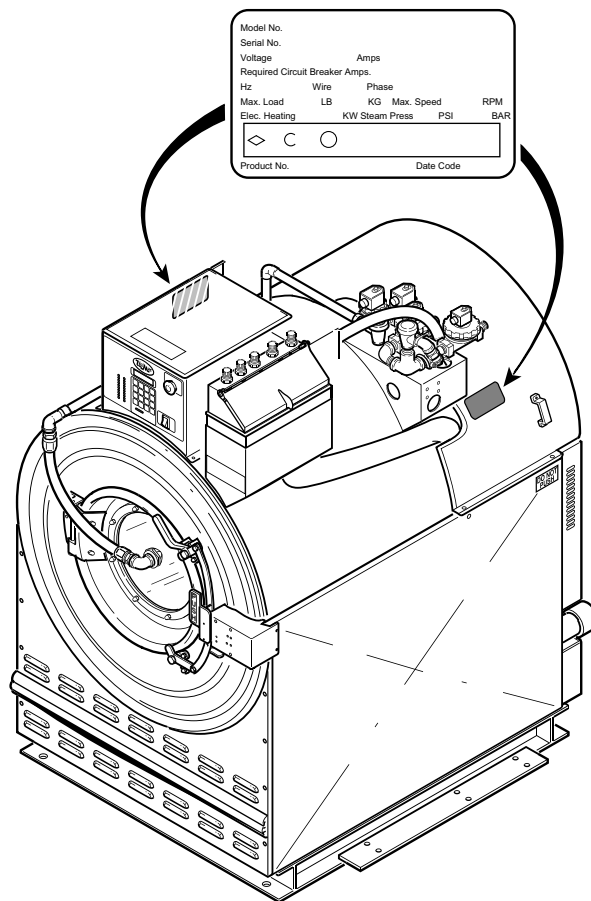
Parts Ordering Information

If literature or replacement parts are required, contact the source from whom the machine was purchased or contact Alliance Laundry Systems at (920) 748-3950 for the name and address of the nearest authorized parts distributor.

For technical assistance, call (920) 748-3121.

Nameplate Location

When calling or writing about your product, be sure to mention model and serial numbers. Model and serial numbers are located on nameplate(s) as shown.



PHM2382P_F232166

Model Identification

Information in this manual is applicable to these washer-extractor models:

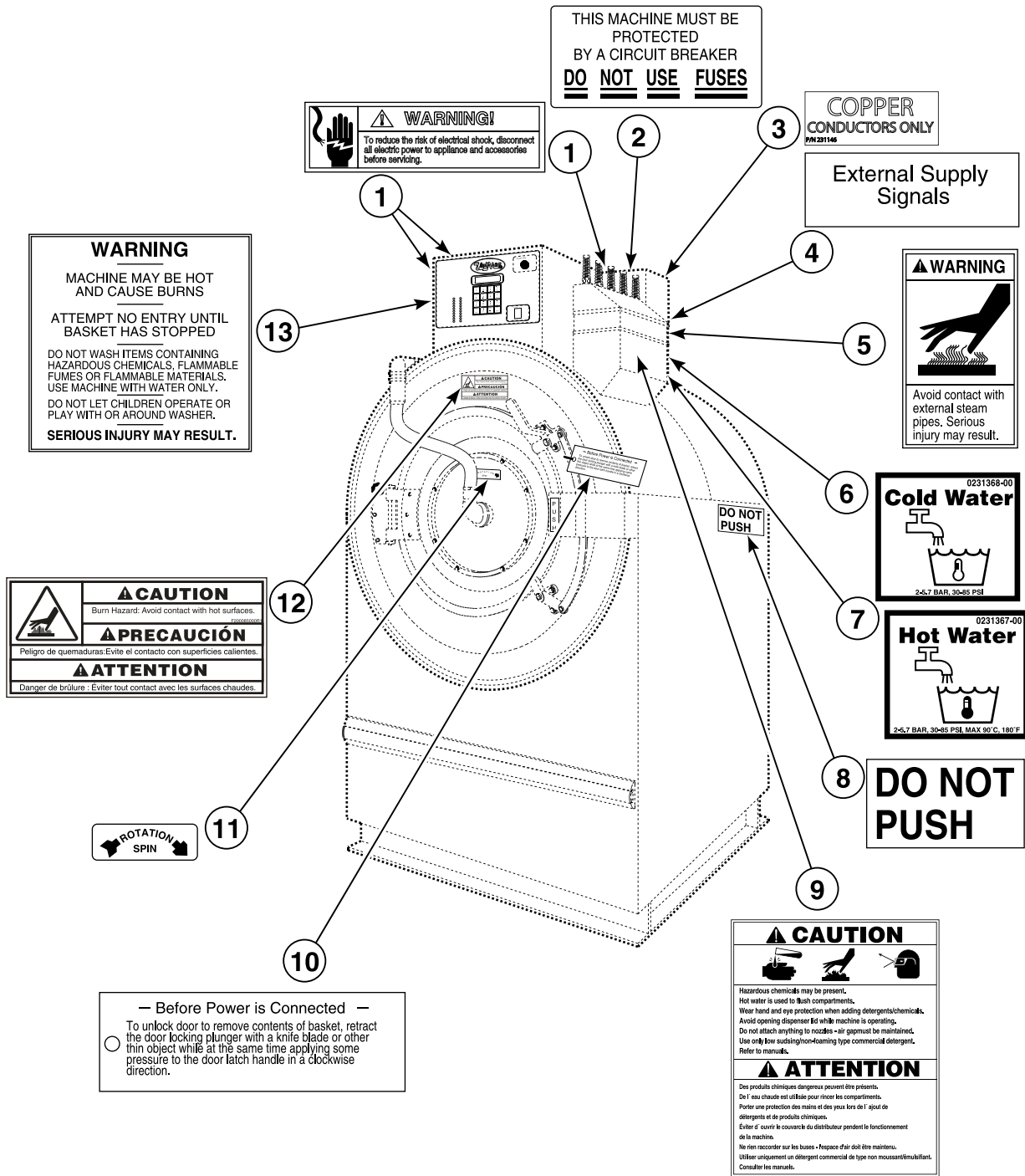
UW60B2

UW60P2

UW60P3

NOTE: Models with 5, 7 or 8 in the 9th position in the model number (e.g. UW60P2OU50001).

Decals

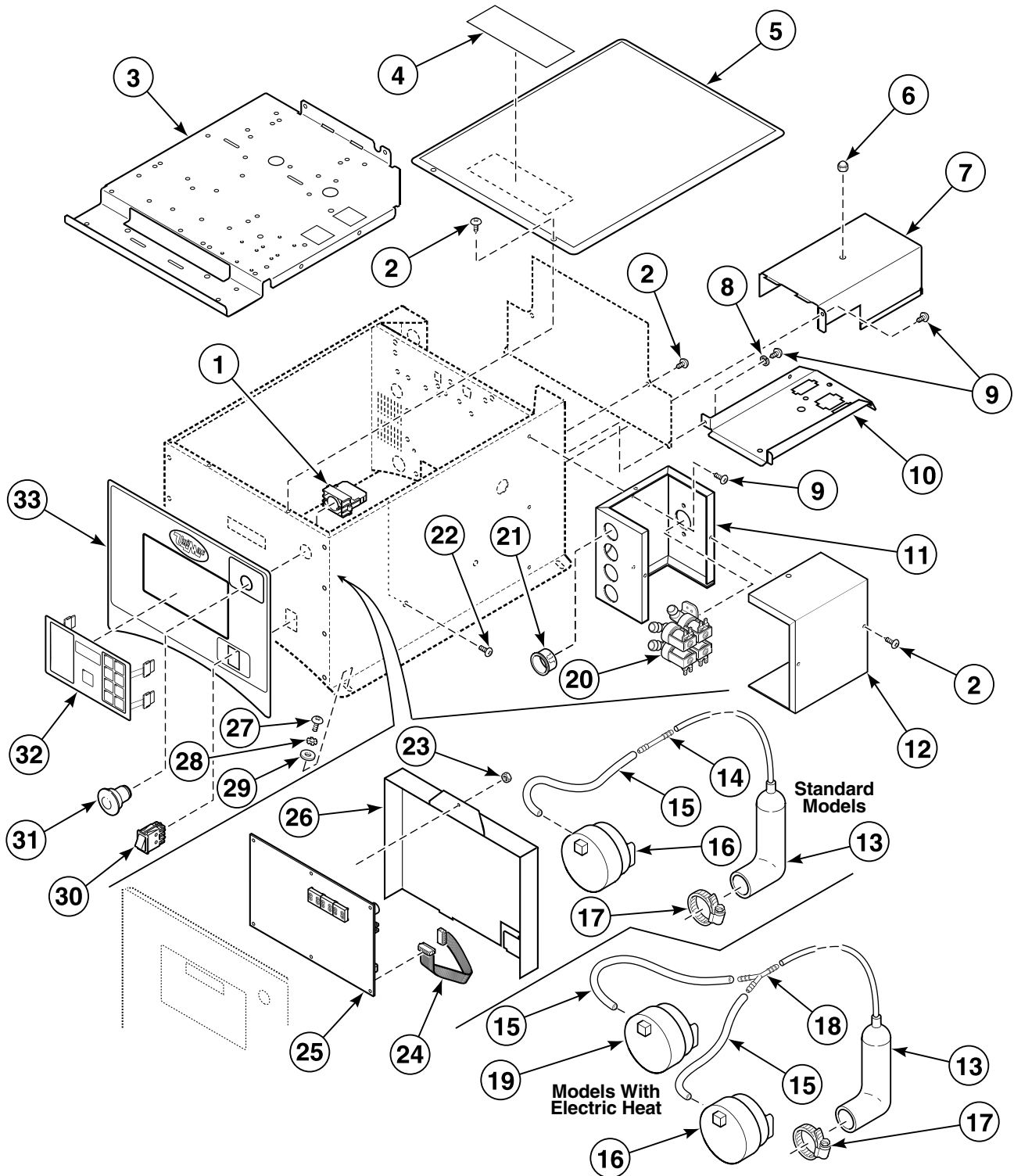


PHM2894P_F232166

Decals

REF	PART NO.	DESCRIPTION	COMMENTS
1	505281	Disconnect Power Warning Label	
2	F230301	This Machine Must Be Protected Decal	
3	F231146	Conductor Decal	
4	F231345-4	External Supply Caution Decal	
5	F231380	Hot Surface Warning Decal	
6	F231368	Cold Water Valve Decal	
7	F231367	Hot Water Valve Decal	
8	F230302	Do Not Push Decal	
9	F231436	Supply Dispenser Hazard Caution Decal	
10	F230501	Before Power Is Connected Tag	
11	F230652	Clockwise Spin Rotation Decal	
12	F200085000	Hot Surface Warning Decal	
13	F231065	Personal Injury Warning Decal	

Control Module - Model UW60B2 (Drawing 1 of 3)



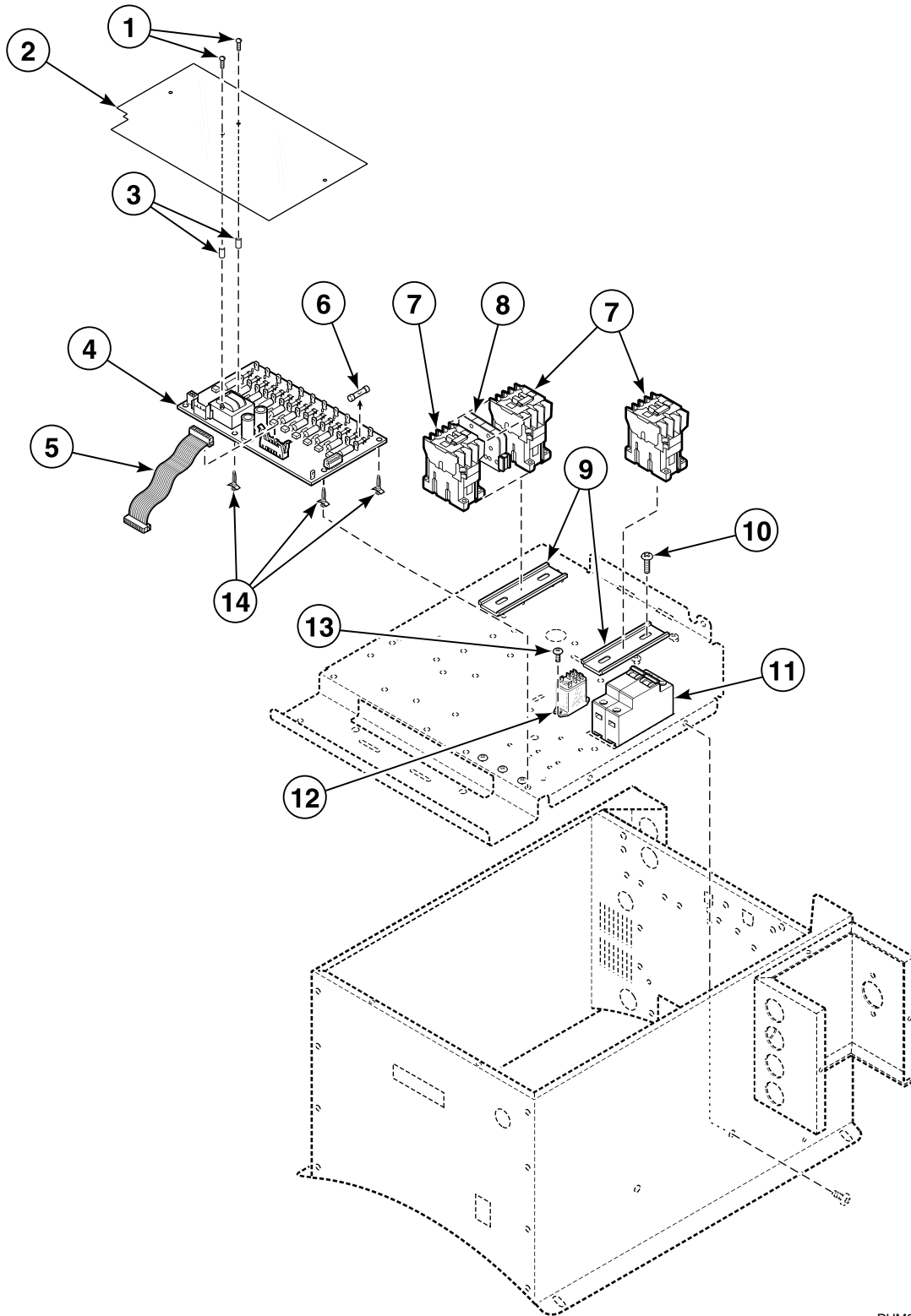
PHM2433P_F232166

Control Module - Model UW60B2 (Drawing 1 of 3)

REF	PART NO.	DESCRIPTION	COMMENTS
1	F340445	Contact Block Switch	800E-series
	F200233700P	Emergency Stop Button Kit	Used to convert from 800E-series to 800F-series; Includes F200233401 Contact Block Switch and F200233500 Emergency Stop Pushbutton
	F200233401	Contact Block Switch	800F-series
2	70240301	Screw	
3	N/A	Control Mounting Panel Assembly	
4	505281	Disconnect Power Warning Label	
5	F635456	Control Module Cover	
6	F431026	Nut	
7	F635476	Cable Tray Cover	
8	F431113	Washer	
9	F430917	Screw	
10	F635615-1	Cable Tray Assembly	
11	F635468	External Supply Box	
12	F635365	External Supply Box Cover	
13	F200142	Air Trap Hose	
14	F422500	Connector	
15	F422404P	Tubing	
16	F0340347-10P	Water Level Switch	
17	F200215	Hose Clamp	No. 28
18	F422806	Tee	
19	F0340350-00	Water Pressure Switch	1 level
20	F381723P	4-Way Valve	
21	F140938	Snap Bushing	
22	F430928	Screw	
23	F431000	Nut	
24	F140247	Ribbon Cable	26 pin; 8 inch
25	F0370455-20P	Computer	
26	F0636887-00	Control Cover	
27	F8136401	Screw	
28	F431108	Washer	
29	F431123	Washer	
30	F340412	Momentary Switch	Models through 5/26/04
	F200120100	Momentary Switch	Models starting 5/27/04
31	F340718	Emergency Stop Pushbutton	800E-series
	F200233500	Emergency Stop Pushbutton	800F-series
32	F0231582-01P	Keypad	
33	F0231565-00	Control Module Decal	

N/A = Part no longer available

Control Module - Model UW60B2 (Drawing 2 of 3)

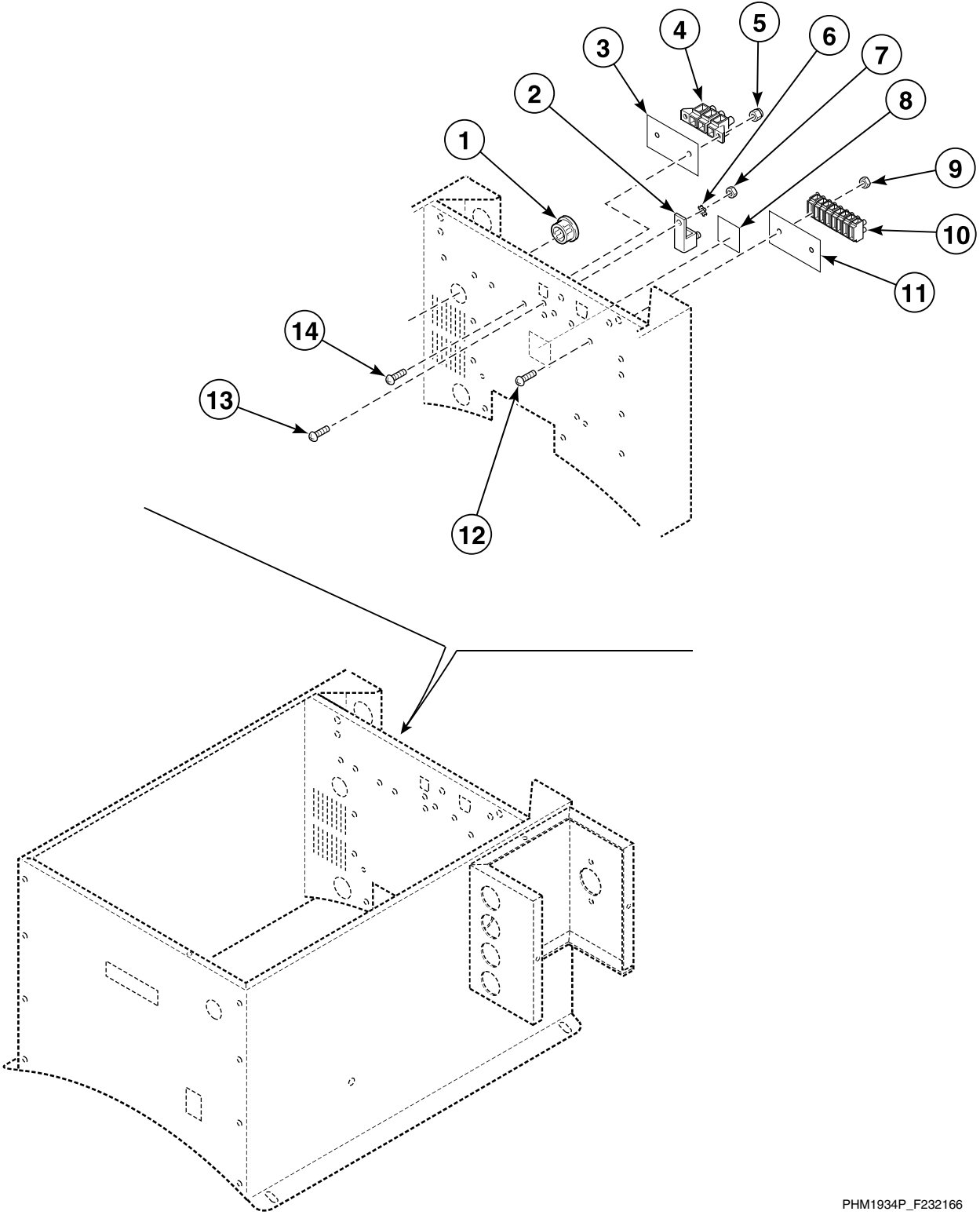


PHM2128P_F232166

Control Module - Model UW60B2 (Drawing 2 of 3)

REF	PART NO.	DESCRIPTION	COMMENTS
1	F431702	Screw	
2	F0170427-00	Output Board Cover	
3	F431806	Nut	
4	F037044860-2	Output CCA	
5	F140247	Ribbon Cable	26 pin; 8 inch
6	F350110	Fuse	1 Amp; Slo blo
	F350109	Fuse	1/2 Amp; Fast blo
	F350108	Fuse	1/8 Amp; Slo blo
7	F330177P	Contactor	
8	F330186P	Interlock Contactor	
9	F602595-5	DIN Contactor Mounting Rail	
10	F430903	Screw	
11	F350217	Circuit Breaker	C and F-voltage models
12	F330230	Flange Relay	220 Volt
13	F430928	Screw	
14	F180501	Standoff	

Control Module - Model UW60B2 (Drawing 3 of 3)

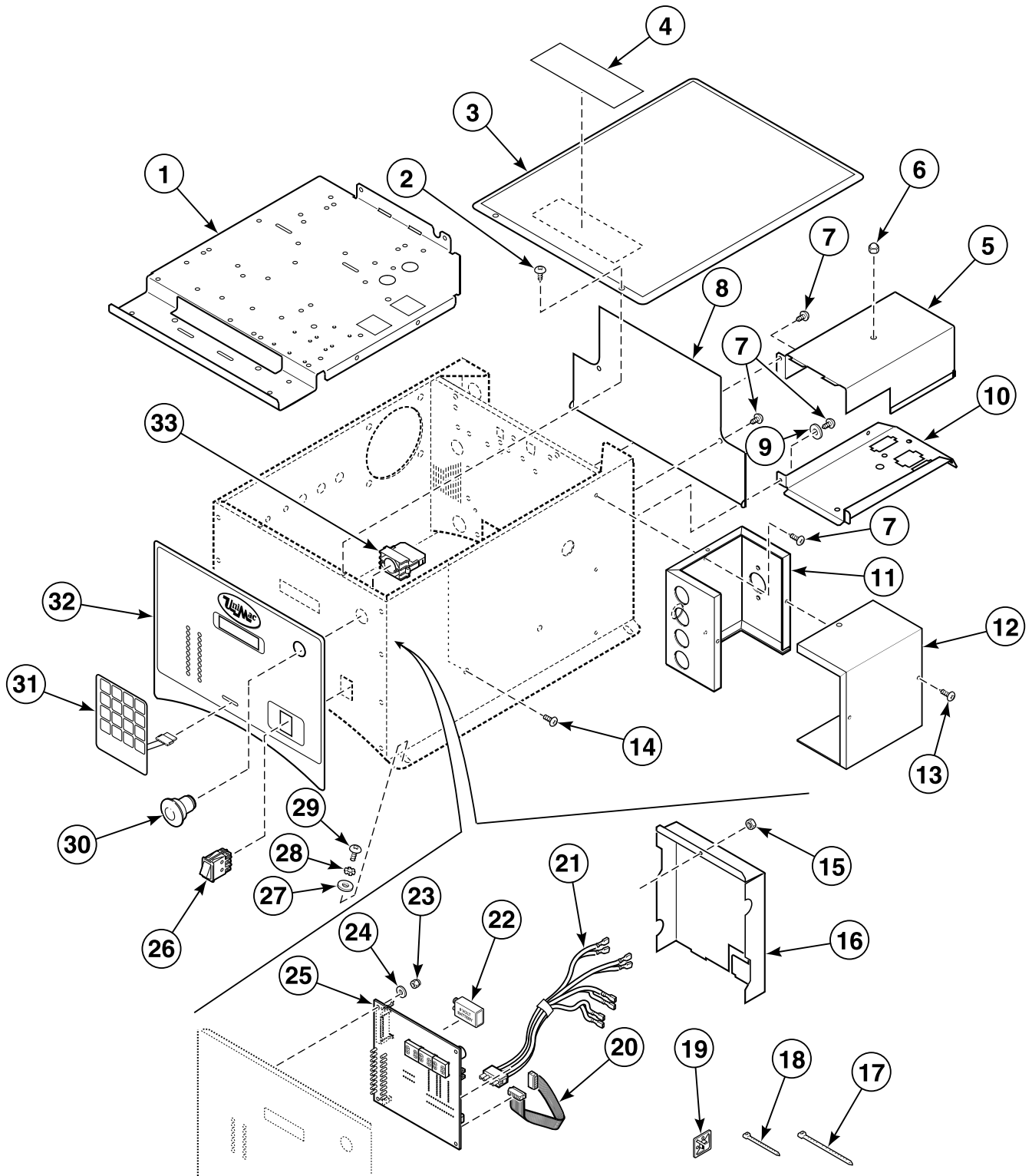


PHM1934P_F232166

Control Module - Model UW60B2 (Drawing 3 of 3)

REF	PART NO.	DESCRIPTION	COMMENTS
1	F140909	Insulator Bushing	
2	F140734	Ground Terminal Lug	
3	F231437	Input Power Decal	
4	F140794-1	Input Power Block	
5	F430231	Nut	
6	F431106	Washer	
7	F431000	Nut	
8	F230630	Ground Decal	
9	F430231	Nut	
10	F140776	Terminal Block	
11	F230764-11	External Supply Connection Decal	O-voltage models
	F230764-12	External Supply Connection Decal	F-voltage models
12	F430910	Screw	
13	F430995	Screw	
14	F430920	Screw	

Control Module - Models UW60P2 and UW60P3 (Drawing 1 of 4)



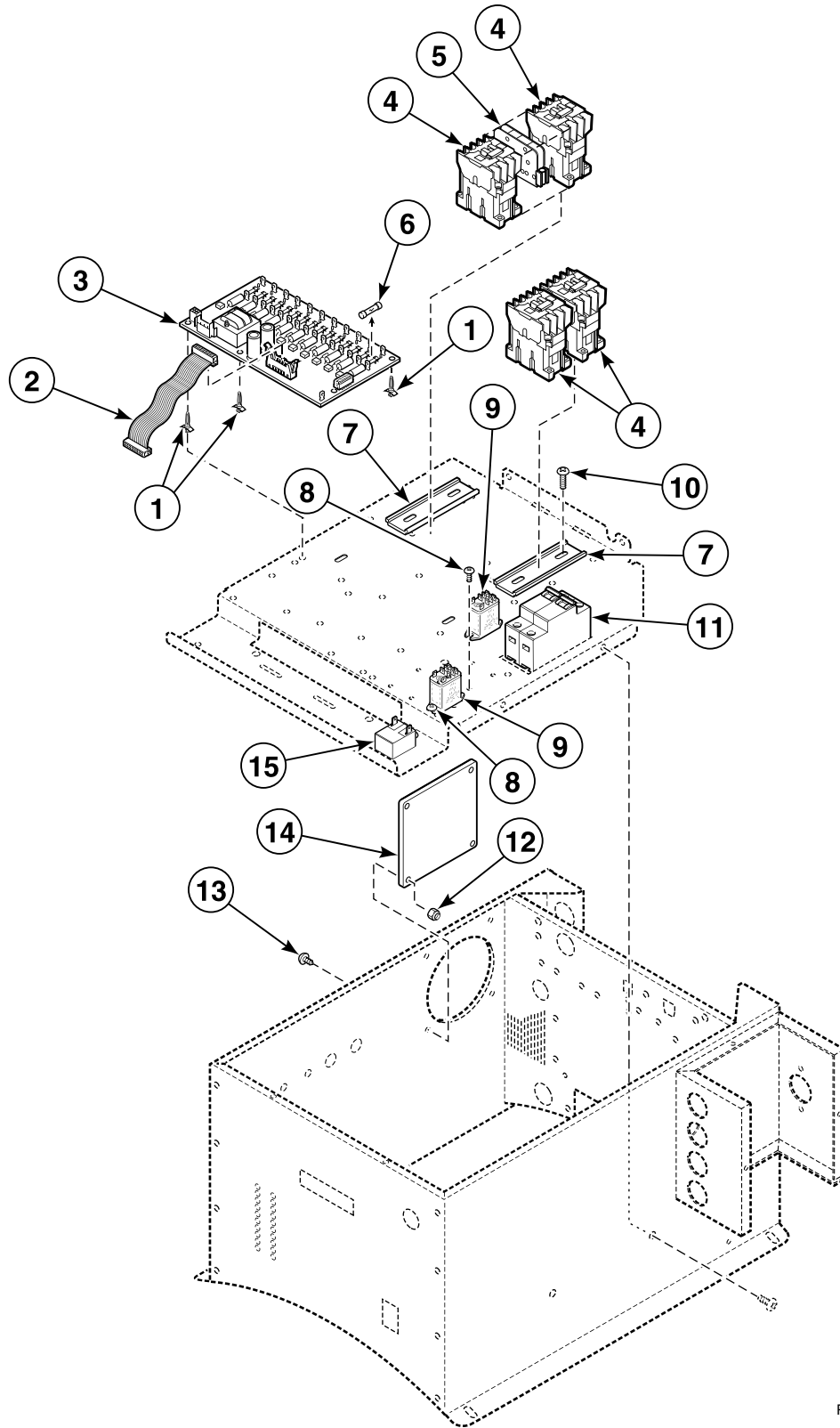
PHM2343P_F232166

Control Module - Models UW60P2 and UW60P3 (Drawing 1 of 4)

REF	PART NO.	DESCRIPTION	COMMENTS
1	N/A	Control Mounting Panel Assembly	
2	70240301	Screw	
3	F635456	Control Module Cover	
4	505281	Disconnect Power Warning Label	
5	F635478	Cable Tray Cover	
6	F431026	Nut	
7	F430917	Screw	
8	F635448	Electrical Access Panel	Design 5 models
	F0637549-00	Electrical Access Panel	Design 7 and 8 models
9	F431113	Washer	
10	F635615-1	Cable Tray Assembly	
11	F635468	External Supply Box	
12	F633435	External Supply Box Cover	
13	F430174	Screw	
14	F430928	Screw	
15	F431000	Nut	
16	F606826	Computer Cover	
17	F140606	Cable Tie	15 inch
18	F140605	Cable Tie	6 inch
19	F140602	Tie Wrap Mounting Clamp	
20	F140219P	Ribbon Cable	26-pin; 15 inch; Connects computer to output cca
21	F0141930-00	Computer Input Harness	
22	F191101	Battery	9 Volt; Backup
23	F430231	Nut	
24	F431125	Washer	
25	F370534-00P	WE-6 Computer	
26	F340412	Momentary Switch	Models through 5/26/04
	F200120100	Momentary Switch	Models starting 5/27/04
27	F431123	Washer	
28	F431108	Washer	
29	F8136401	Screw	
30	F340718	Emergency Stop Pushbutton	800E-series
	F200233500	Emergency Stop Pushbutton	800F-series
31	F230724P	Keypad Decal	
32	F231562	Control Module Decal	
33	F340445	Contact Block Switch	800E-series
	F200233700P	Emergency Stop Button Kit	Used to convert from 800E-series to 800F-series; Includes F200233401 Contact Block Switch and F200233500 Emergency Stop Pushbutton
	F200233401	Contact Block Switch	800F-series

N/A = Part no longer available

Control Module - Models UW60P2 and UW60P3 (Drawing 2 of 4)

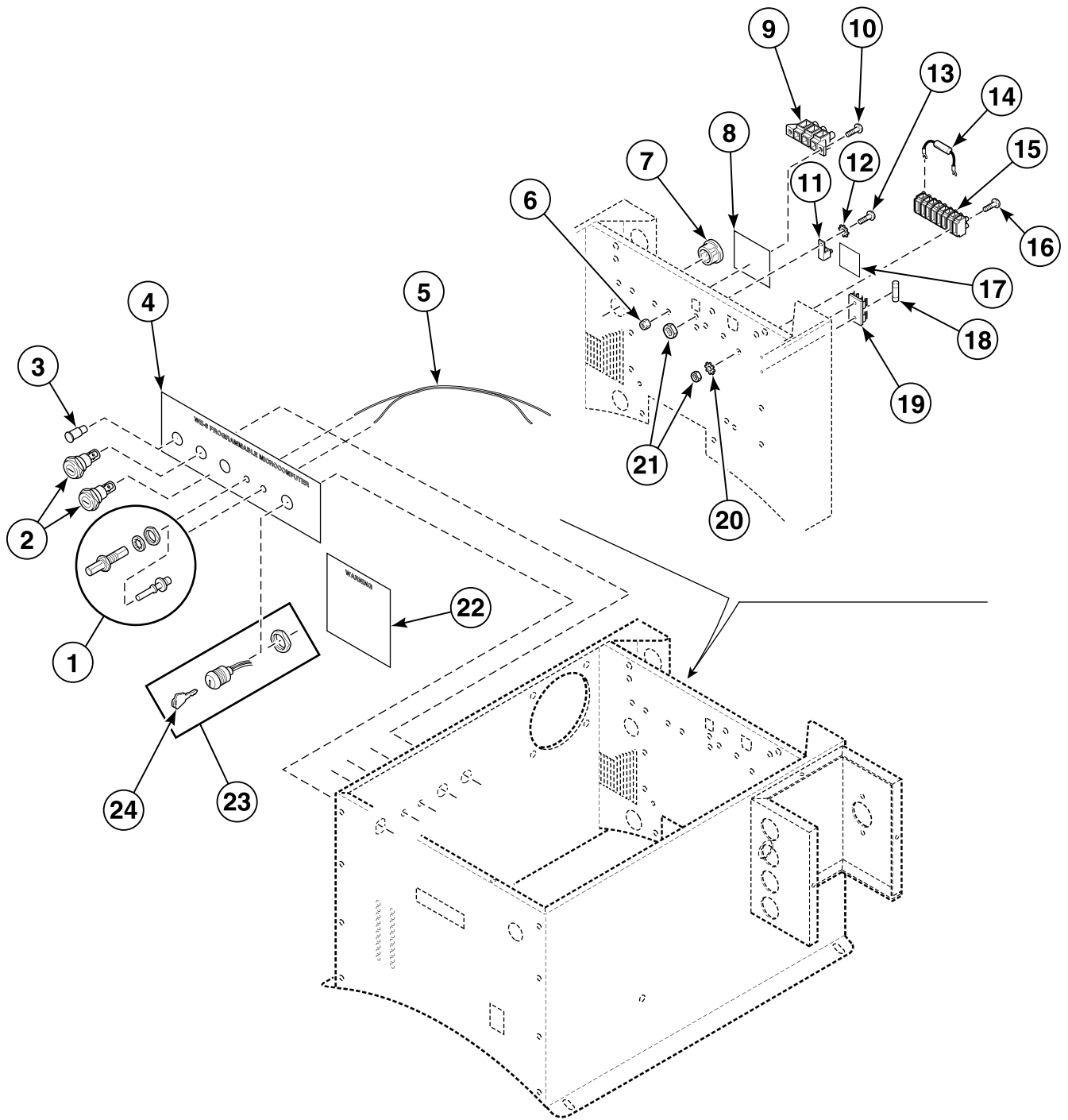


PHM2650P_F232166

Control Module - Models UW60P2 and UW60P3 (Drawing 2 of 4)

REF	PART NO.	DESCRIPTION	COMMENTS
1	F180506	Standoff	
2	F140219P	Ribbon Cable	26-pin; 15 inch; Connects computer to output cca
3	F0370442-10P	Output CCA	
4	F330177P	Contactora	
5	F330186P	Interlock Contactora	
6	F350110	Fuse	1 Amp; Slo blo
	F350109	Fuse	1/2 Amp; Fast blo
	F350108	Fuse	1/8 Amp; Slo blo
7	F602595-5	DIN Contactora Mounting Rail	
8	F430928	Screw	
9	F330230	Flange Relay	220 Volt
10	F430903	Screw	
11	F350216	Circuit Breaker	F-voltage models
12	F430231	Nut	
13	F430910	Screw	
14	F220900	Filter Retainer Guard	
15	F300206	Buzzer	220 Volt

Control Module - Models UW60P2 and UW60P3 (Drawing 3 of 4)

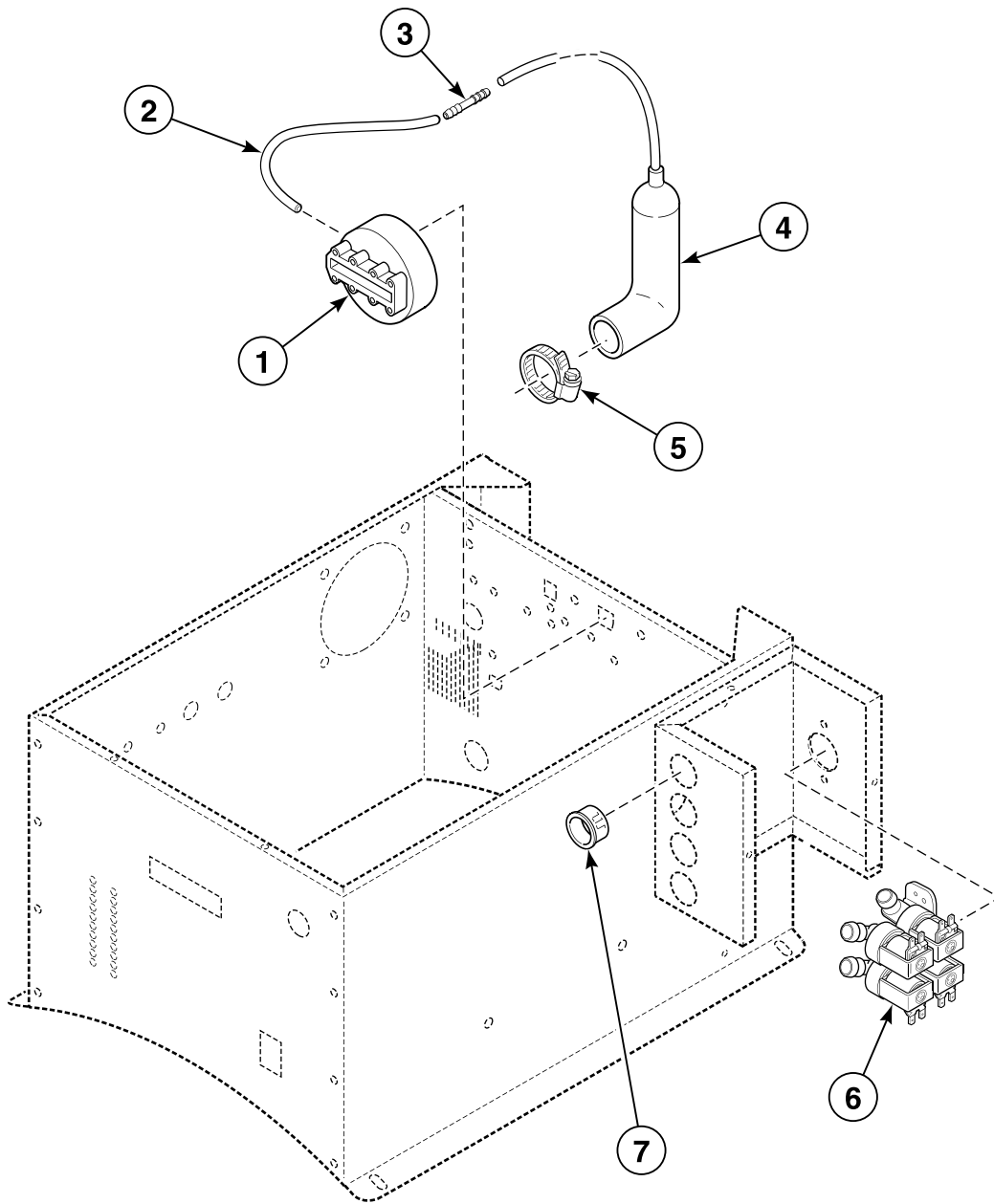


PHM2548P_F232166

Control Module - Models UW60P2 and UW60P3 (Drawing 3 of 4)

REF	PART NO.	DESCRIPTION	COMMENTS
1	F140575P	Connector	Gray
	F140576	Connector	Blue
2	F350218	Circuit Breaker	1 Amp; Models through 5/11/03
	F0350313-00P	Fuse Holder	Models starting 5/12/03
	F350142	Fuse	2 Amp; Slo blo; Models starting 5/12/03
3	F350404	Signal Light	Red; 220 Volt
4	F231581	Switch Mode Decal	Models through 5/11/03
	F0231632-01	Switch Mode Decal	Models starting 5/12/03
5	F604713	Cable Assembly	
6	F431022	Nut	
7	F140909	Insulator Bushing	
8	F0231636-00	Input Block Decal	
9	F140794-1	Input Power Block	
10	F430938	Screw	
11	F140734	Ground Terminal Lug	
12	F431106	Washer	
13	F430903	Screw	
14	F370116	Resistor	12k, 5w
15	F140776	Terminal Block	8 place
16	F430910	Screw	
17	F230630	Ground Decal	
18	F350115	Fuse	3 Amp; Fast blo
19	F0350312-10	Fuse Holder	
20	F431108	Washer	
21	F431000	Nut	
22	F231065	Personal Injury Warning Decal	
23	F340800P	Keymode Run/Program Switch	Includes item 24
24	F370709	Program Key	A153

Control Module - Models UW60P2 and UW60P3 (Drawing 4 of 4)

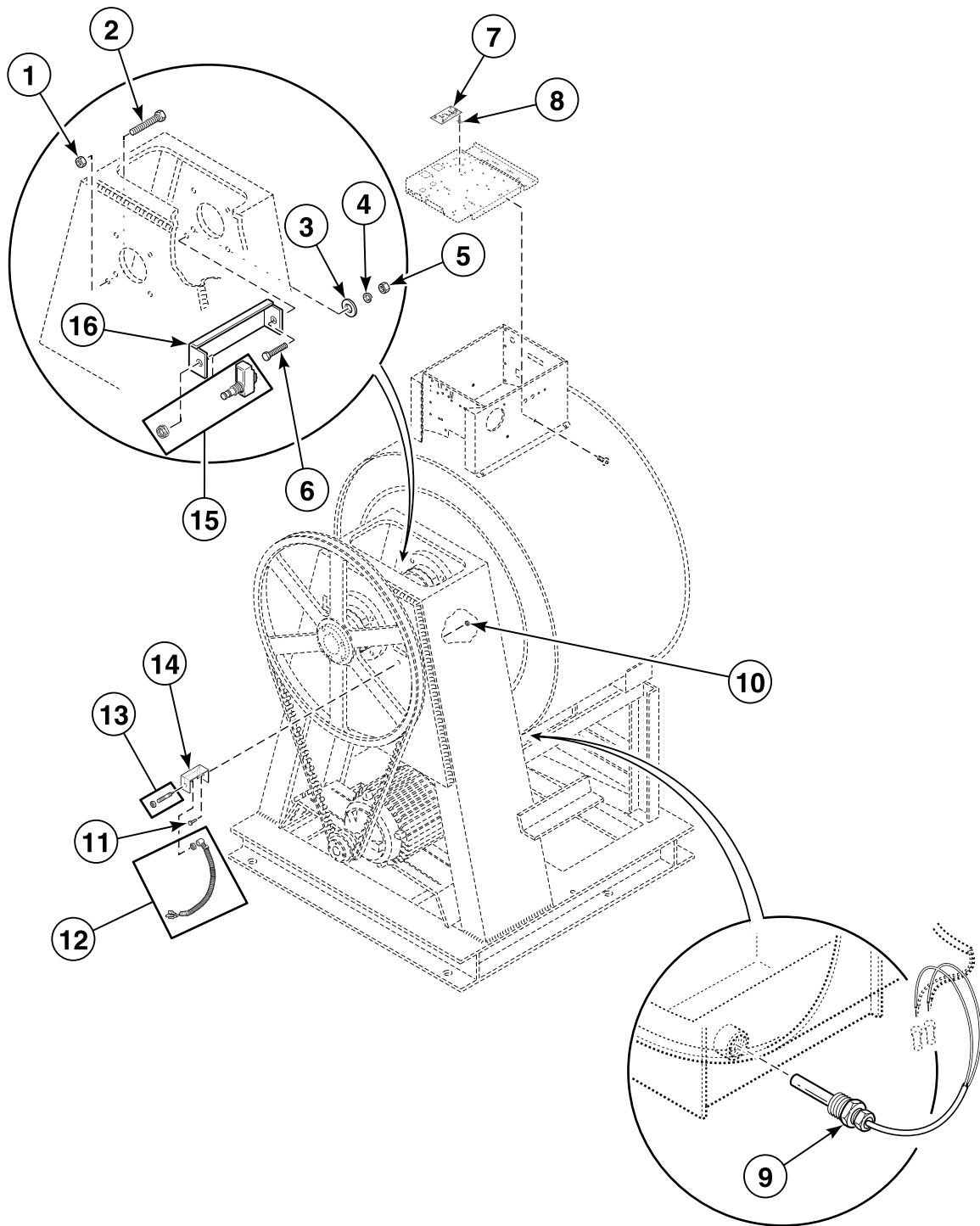


PHM2061P_F232166

Control Module - Models UW60P2 and UW60P3 (Drawing 4 of 4)

REF	PART NO.	DESCRIPTION	COMMENTS
1	F0340347-10P	Water Level Switch	
2	F422404P	Tubing	
3	F422500	Connector	
4	F200142	Air Trap Hose	
5	F200215	Hose Clamp	No. 28
6	F381723P	4-Way Valve	220 Volt
7	F140938	Snap Bushing	

Balance Switch, Temperature Probe and Rotation Sensor

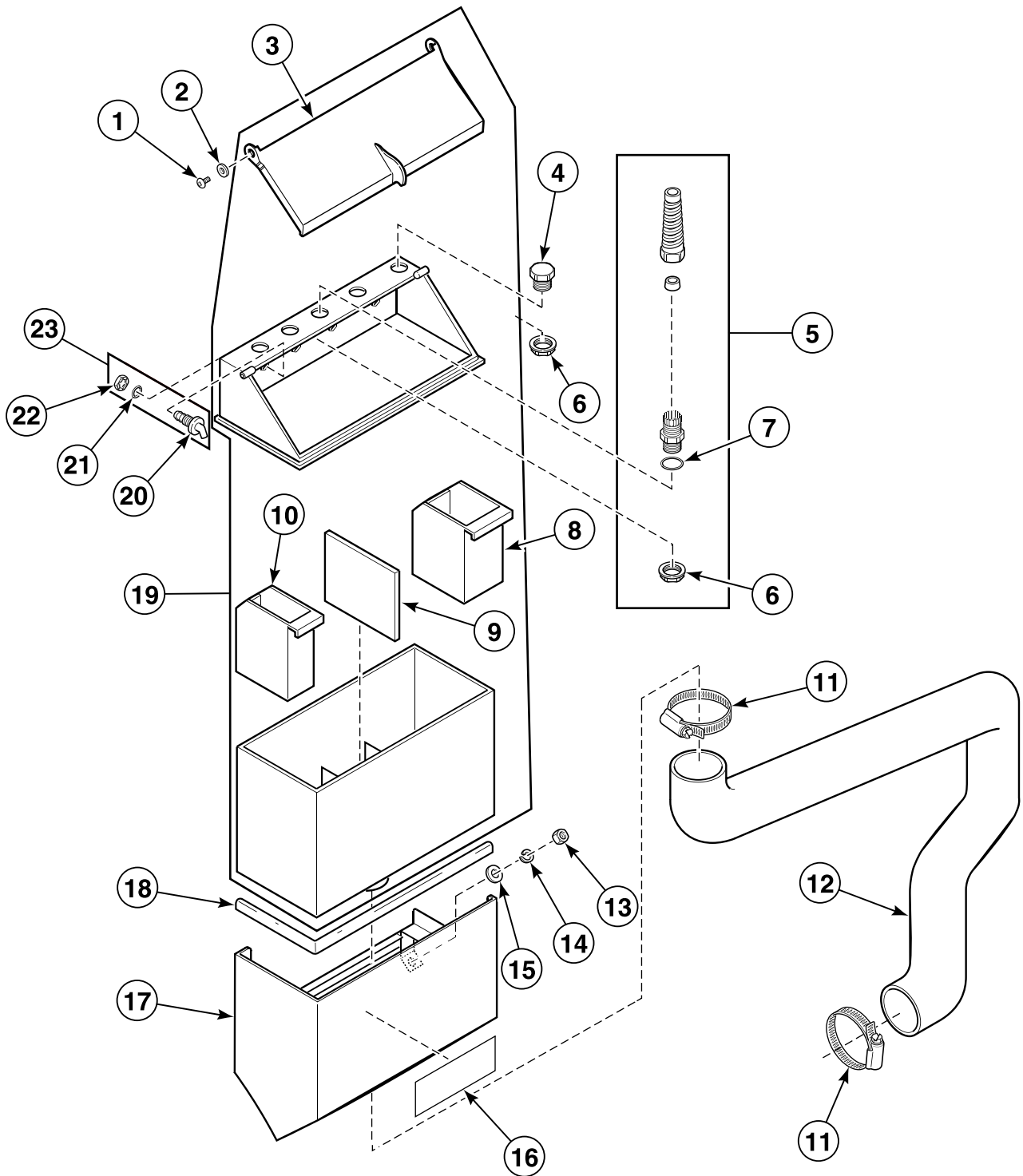


PHM2499P_F232166

Balance Switch, Temperature Probe and Rotation Sensor

REF	PART NO.	DESCRIPTION	COMMENTS
1	F430206	Nut	Models UW60P2 and UW60P3; Used through 10/14/07
	44087301	Nut	Models UW60P2 and UW60P3; Used starting 10/15/07
2	F0430539-00	Bolt	Models UW60P2 and UW60P3; Used through 10/14/07
	F8111101	Screw	Models UW60P2 and UW60P3; Used starting 10/15/07
3	F430301	Washer	Models UW60P2 and UW60P3
4	M400014	Washer	Models UW60P2 and UW60P3
5	F430205	Nut	Models UW60P2 and UW60P3; Used through 10/14/07
	44087301	Nut	Models UW60P2 and UW60P3; Used starting 10/15/07
6	800461	Screw	Models UW60P2 and UW60P3; Used through 10/14/07
	F8122701	Screw	Models UW60P2 and UW60P3; Used starting 10/15/07
7	F200101300P	Rotation Sensor PCB	Models UW60P2 and UW60P3
8	F180501	Standoff	Models UW60P2 and UW60P3
9	F370606P	Temperature Probe	
10	F430218	Nut	Models UW60P2 and UW60P3
11	F430927	Screw	Models UW60P2 and UW60P3
12	F200126201	Rotation Sensor Assembly Harness	Models UW60P2 and UW60P3
13	F200126200P	Rotation Sensor Assembly	Models UW60P2 and UW60P3
	F079900801P	Rotation Sensor Retrofit Kit	Includes items 7, 8, 10-12 and 14; Models UW60P2 and UW60P3
14	F200122502	Rotation Sensor Bracket	Models UW60P2 and UW60P3
15	F340900	Interlock Switch	Models UW60P2 and UW60P3
16	F601750	Balance Switch Bracket	Models UW60P2 and UW60P3; Used through 10/14/07
	F8124301	Balance Switch Bracket	Models UW60P2 and UW60P3; Used starting 10/15/07

Supply Dispenser

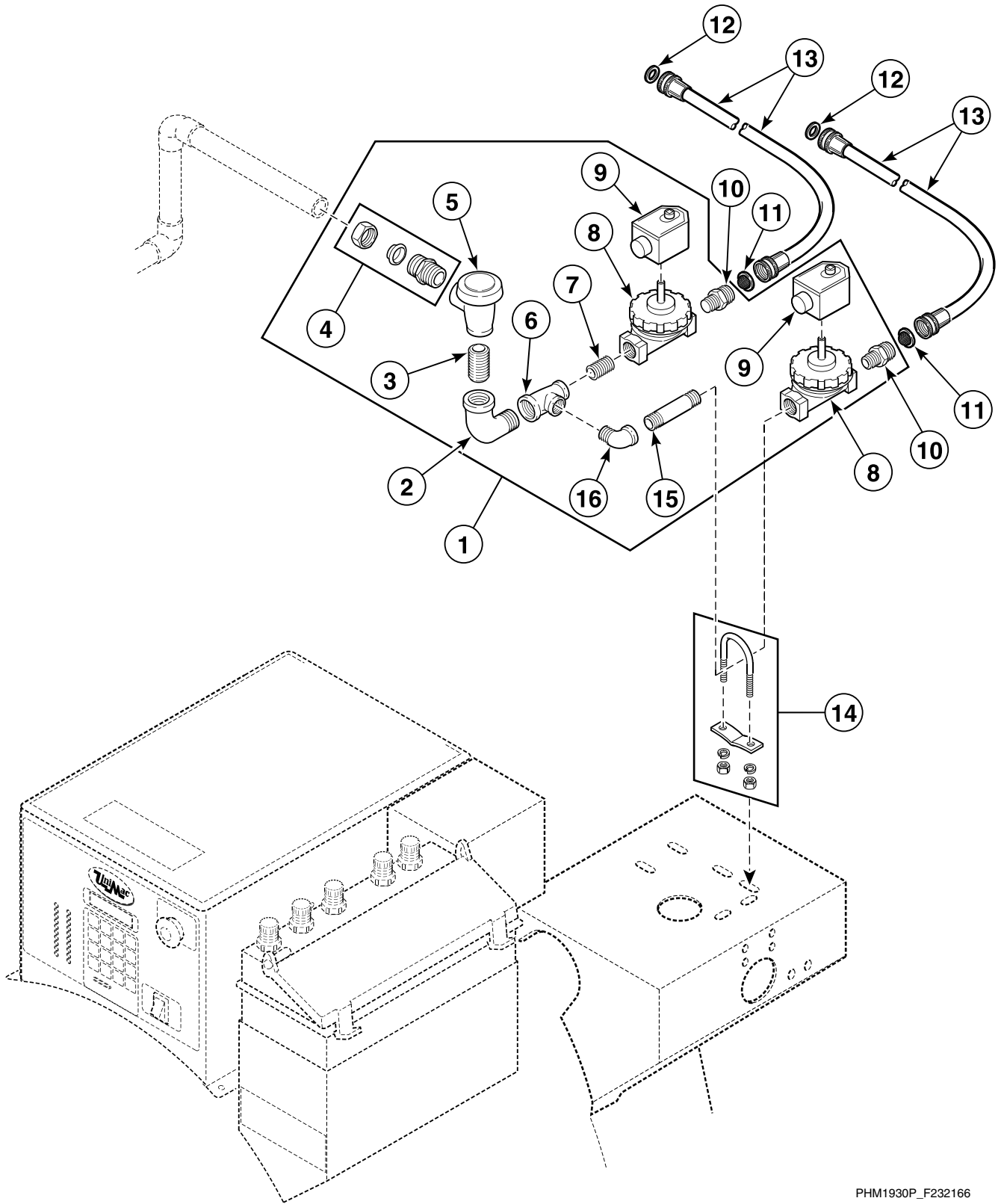


PHM2281P_F232166

Supply Dispenser

REF	PART NO.	DESCRIPTION	COMMENTS
1	F430917	Screw	
2	F431133	Washer	
3	F0150514-00	Dispenser Lid	
4	F190304	Plug Cap	
5	F749802	Strain Relief Adapter Kit	Includes items 6 and 7
6	F140340P	Strain Relief Connector	
7	F170215	O-Ring	
8	F150386	Chemical Supply Cup	32 ounce
9	F0150525-00	Supply Dispenser Spacer	
10	F150385	Chemical Supply Cup	20 ounce
11	F200213	Hose Clamp	No. 40
12	F150469	Chemical Supply Hose	
13	F431005	Nut	
14	F431100	Washer	
15	F431147	Washer	
16	F231436	Supply Dispenser Hazard Caution Decal	
17	F8024301	Soap Dispenser Shroud Weldment	
18	F170400RP	Trim	
19	F0150512-00P	Dispenser Assembly	Includes items 3 and 8-10
20	F380300	Injection Nozzle	
21	F170208	O-Ring	
22	802292	Nut	
23	F730168	Injection Nozzle Kit	Includes items 20-22

Spray Plumbing - Design 5 UW60P2 and UW60P3 Models

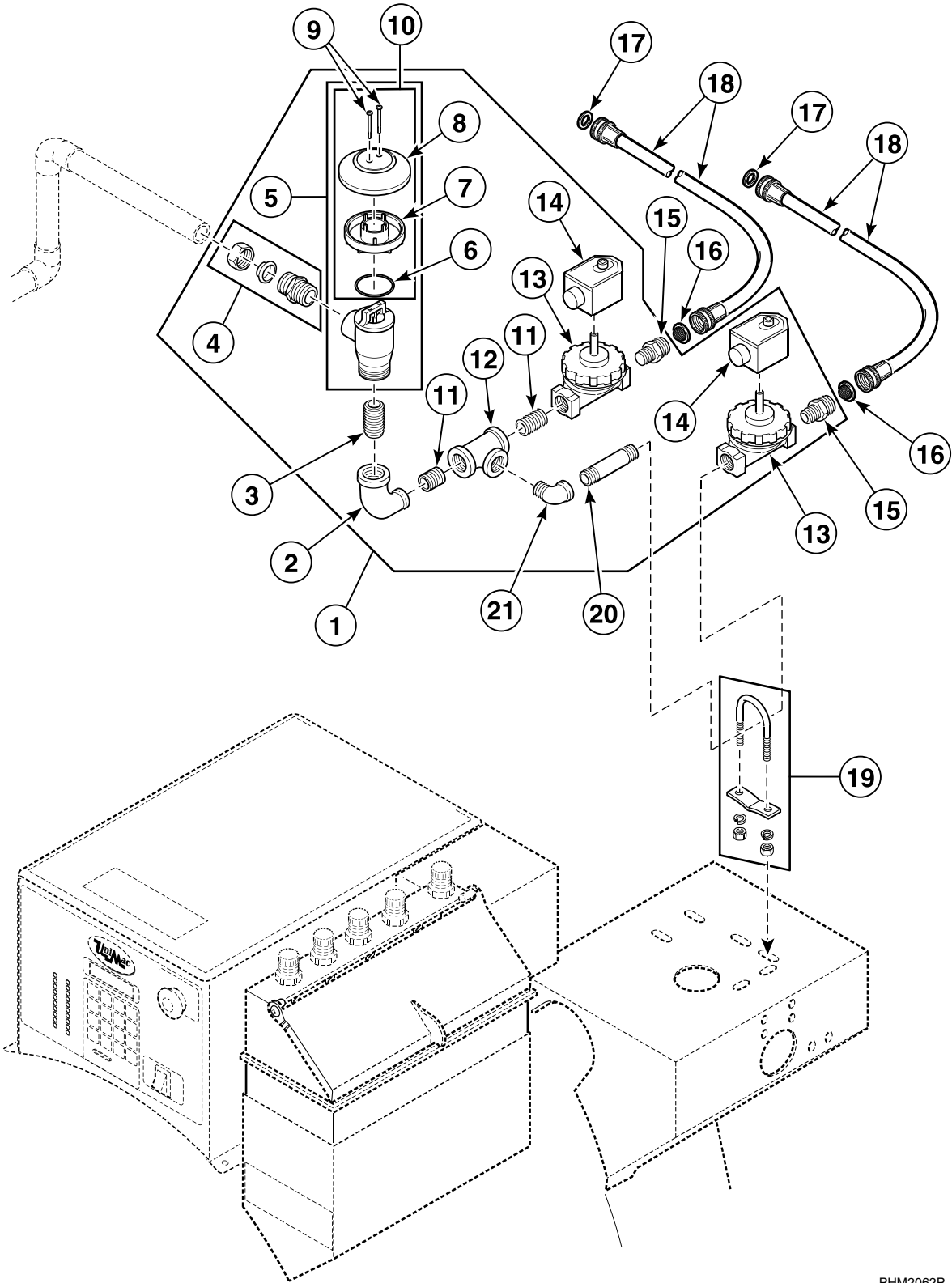


PHM1930P_F232166

Spray Plumbing - Design 5 UW60P2 and UW60P3 Models

REF	PART NO.	DESCRIPTION	COMMENTS
1	F633150-1	Spray Plumbing Assembly	220 Volt; Standard thread; Includes items 2-10, 15 and 16
	F633150-5	Spray Plumbing Assembly	220 Volt; Metric thread; Includes items 2-10, 15 and 16
2	F420502	Street Elbow	
3	F420105	Nipple	
4	F422106	Tube Connector	
5	F380800P	Vacuum Breaker Valve	3/4 inch; F380965 Repair Kit
6	F420401	Tee	
7	F420101	Nipple	
8	F381703P	Valve	220 Volt; With DIN; 1/2 inch; F380993 Valve Repair Kit
	F141901	DIN Harness	
9	F380987P	DIN Coil	220 Volt
10	F421908	Hose Adapter	Standard thread
	F421949	Nipple	Metric thread
11	F270300	Filter Screen	
12	20290	Washer	
13	F200164	Water Hose	Standard thread
	F200166	Water Hose	Metric thread
14	F200401P	U-Bolt Clamp	Includes hardware
15	F420103	Nipple	
16	F420500	Street Elbow	

Spray Plumbing - Design 7 and 8 UW60P2 and UW60P3 Models

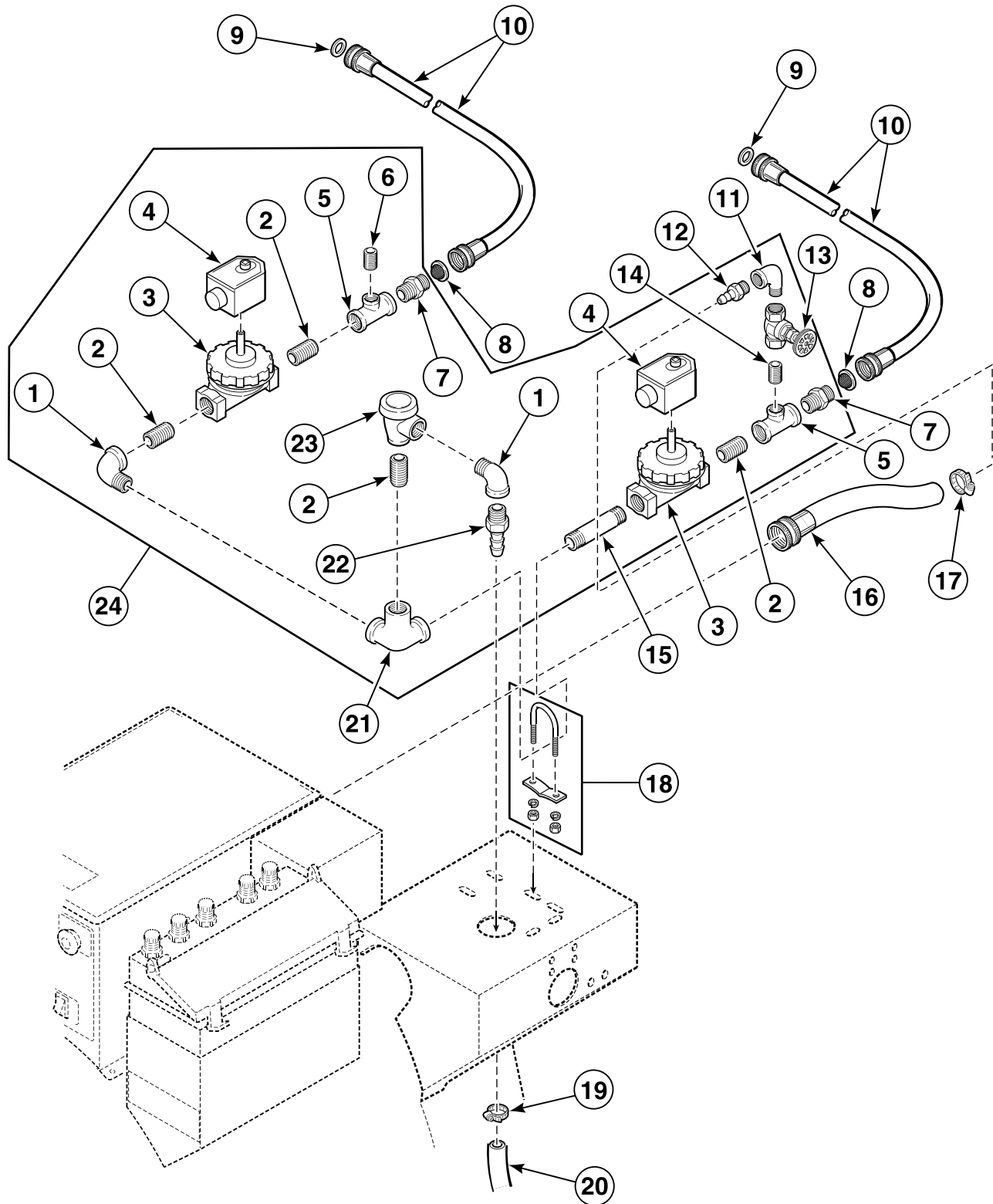


PHM2062P_F232166

Spray Plumbing - Design 7 and 8 UW60P2 and UW60P3 Models

REF	PART NO.	DESCRIPTION	COMMENTS
1	F0637633-01	Spray Plumbing Assembly	220 Volt; Standard thread; Includes items 2-5, 11-16, 20 and 21
	F0637633-03	Spray Plumbing Assembly	220 Volt; Metric thread; Includes items 2-5, 11-16, 20 and 21
2	F0422918-00	Elbow	
3	F420105	Nipple	
4	F422106	Tube Connector	
5	F063754701P	Vacuum Breaker Valve	3/4 inch; Includes item 10; F380965 Repair Kit
6	F0170221-00	O-Ring	
7	F0380809-00	Containment Device	
8	F0380808-00	Vacuum Breaker Cap	
9	F430938	Screw	
10	F0798922-00	Vacuum Breaker Kit	Includes items 6-9 and installation instructions
11	F420101	Nipple	
12	F420400	Tee	
13	F381703P	Valve	220 Volt; 1/2 inch; F380993 Valve Repair Kit
	F141901	DIN Harness	
14	F380987P	DIN Coil	220 Volt
15	F421908	Hose Adapter	Standard thread
	F421949	Nipple	Metric thread
16	F270300	Filter Screen	
17	20290	Washer	
18	F200164	Water Hose	Standard thread
	F200166	Water Hose	Metric thread
19	F200401P	U-Bolt Clamp	Includes hardware
20	F420103	Nipple	
21	F420500	Street Elbow	

Fill Plumbing - Design 5 UW60P2 and UW60P3 Models Through 2/29/02

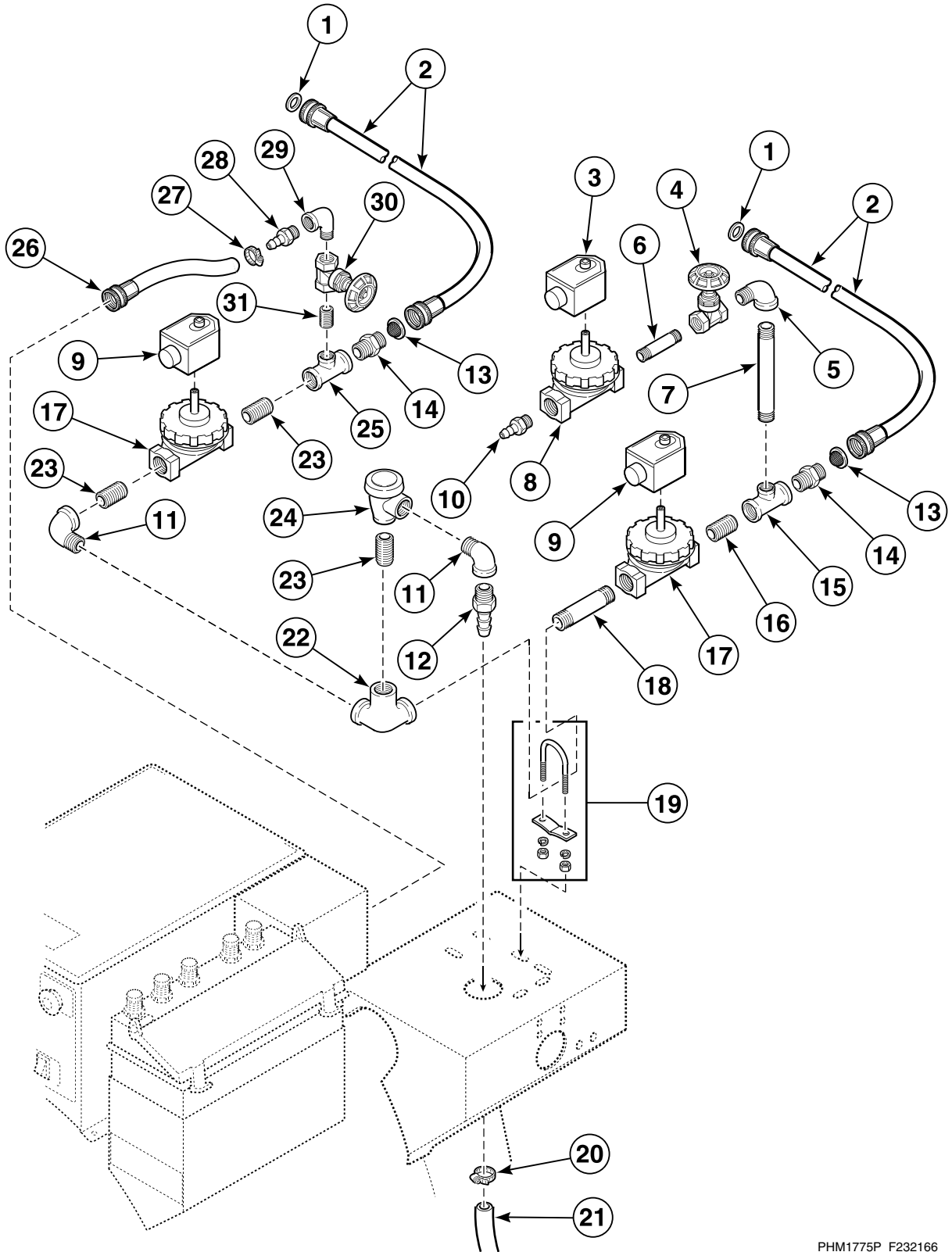


PHM1931P_F232166

Fill Plumbing - Design 5 UW60P2 and UW60P3 Models Through 2/29/02

REF	PART NO.	DESCRIPTION	COMMENTS
1	F420502	Street Elbow	
2	F420105	Nipple	
3	F381701P	Valve	220 Volt; With DIN; 3/4 inch; F380991 Valve Repair Kit
	F141901	DIN Harness	
4	F380987P	DIN Coil	220 Volt
5	F420400	Tee	
6	F420408	Plug	
7	F421909	Hose Adapter	Standard thread
	F421306	Nipple	Metric thread
8	F270300	Filter Screen	
9	20290	Washer	
10	F200164	Water Hose	Standard thread
	F200166	Water Hose	Metric thread
11	F420500	Street Elbow	
12	F421951	Hose Barb	
13	F380500	Gate Valve	
14	F420101	Nipple	
15	F420103	Nipple	
16	F200509	Water Hose	
17	F200206	Hose Clamp	No. 4
18	F200401P	U-Bolt Clamp	
19	F200222	Hose Clamp	No. 12
20	F200111P	Water Hose	
21	F420509	Elbow	
22	F421964	Hose Barb	
23	F380800P	Vacuum Breaker Valve	3/4 inch; F380965 Repair Kit
24	F633146-1	Fill Plumbing Assembly	Standard thread; Includes items 1-7, 11-15 and 21-23
	F633419-1	Fill Plumbing Assembly	Standard thread; Starch; Includes items 1-7, 11-15 and 21-23
	F633146-5	Fill Plumbing Assembly	Metric thread; Includes items 1-7, 11-15 and 21-23
	F633419-5	Fill Plumbing Assembly	Metric thread; Starch; Includes items 1-7, 11-15 and 21-23

Fill Plumbing - Design 5 UW60P2 and UW60P3 Models Starting 3/1/02



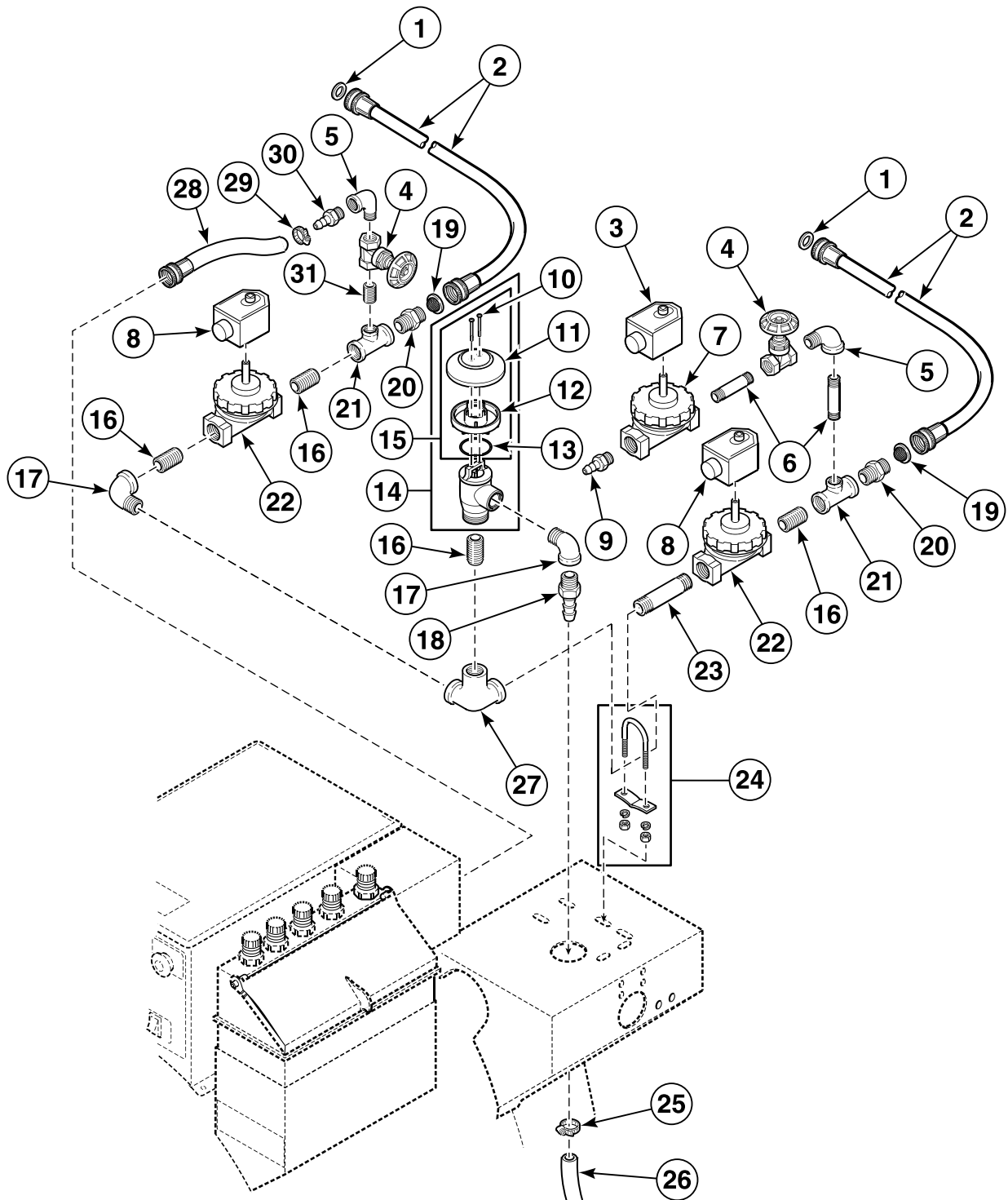
PHM1775P_F232166

Fill Plumbing - Design 5 UW60P2 and UW60P3 Models Starting 3/1/02

REF	PART NO.	DESCRIPTION	COMMENTS
	F633146-1	Fill Plumbing Assembly	220 Volt; Standard thread; Includes items 9, 11, 12, 14, 17, 18, 22-25 and 28-31
	F633146-5	Fill Plumbing Assembly	220 Volt; Metric thread; Includes items 9, 11, 12, 14, 17, 18, 22-25 and 28-31
	F633419-1	Fill Plumbing Assembly	220 Volt; Standard thread; Starch; Includes items 3-12, 14-18, 22-25 and 28-31
	F633419-5	Fill Plumbing Assembly	220 Volt; Metric thread; Starch; Includes items 3-12, 14-18, 22-25 and 28-31
1	20290	Washer	
2	F200164	Water Hose	Standard thread
	F200166	Water Hose	Metric thread
3	F380987P	DIN Coil	220 Volt; Starch models
4	F380500	Gate Valve	Starch models
5	F420500	Street Elbow	Starch models
6	F420103	Nipple	Starch models
7	N/A	Nipple	Starch models
8	F381703P	Valve	220 Volt; Starch models; 1/2 inch
	F141901	DIN Harness	
	F380993P	Valve Repair Kit	Starch models; 1/2 inch
9	F380987P	DIN Coil	220 Volt
10	F421964	Hose Barb	Starch models
11	F420502	Street Elbow	
12	F421951	Hose Barb	
13	F270300	Filter Screen	
14	F421909	Hose Adapter	Standard thread
	F421306	Nipple	Metric thread
15	F420402	Tee	Starch models
16	F420105	Nipple	Starch models
17	F381701P	Valve	220 Volt; 3/4 inch
	F141901	DIN Harness	
	F380991P	Water Valve Repair Kit	3/4 inch
18	F420107	Nipple	
19	F200401P	U-Bolt Clamp	
20	F200222	Hose Clamp	No. 12
21	F200111P	Water Hose	
22	F420509	Elbow	
23	F420105	Nipple	
24	F380800P	Vacuum Breaker Valve	3/4 inch
	F380965P	Repair Kit	3/4 inch
25	F420402	Tee	
26	F200509	Water Hose	
27	F200206	Hose Clamp	No. 4
28	F421964	Hose Barb	
29	F420500	Street Elbow	
30	F380500	Gate Valve	
31	F420101	Nipple	

N/A = Part no longer available

Fill Plumbing - Design 7 and 8 UW60P2 and UW60P3 Models

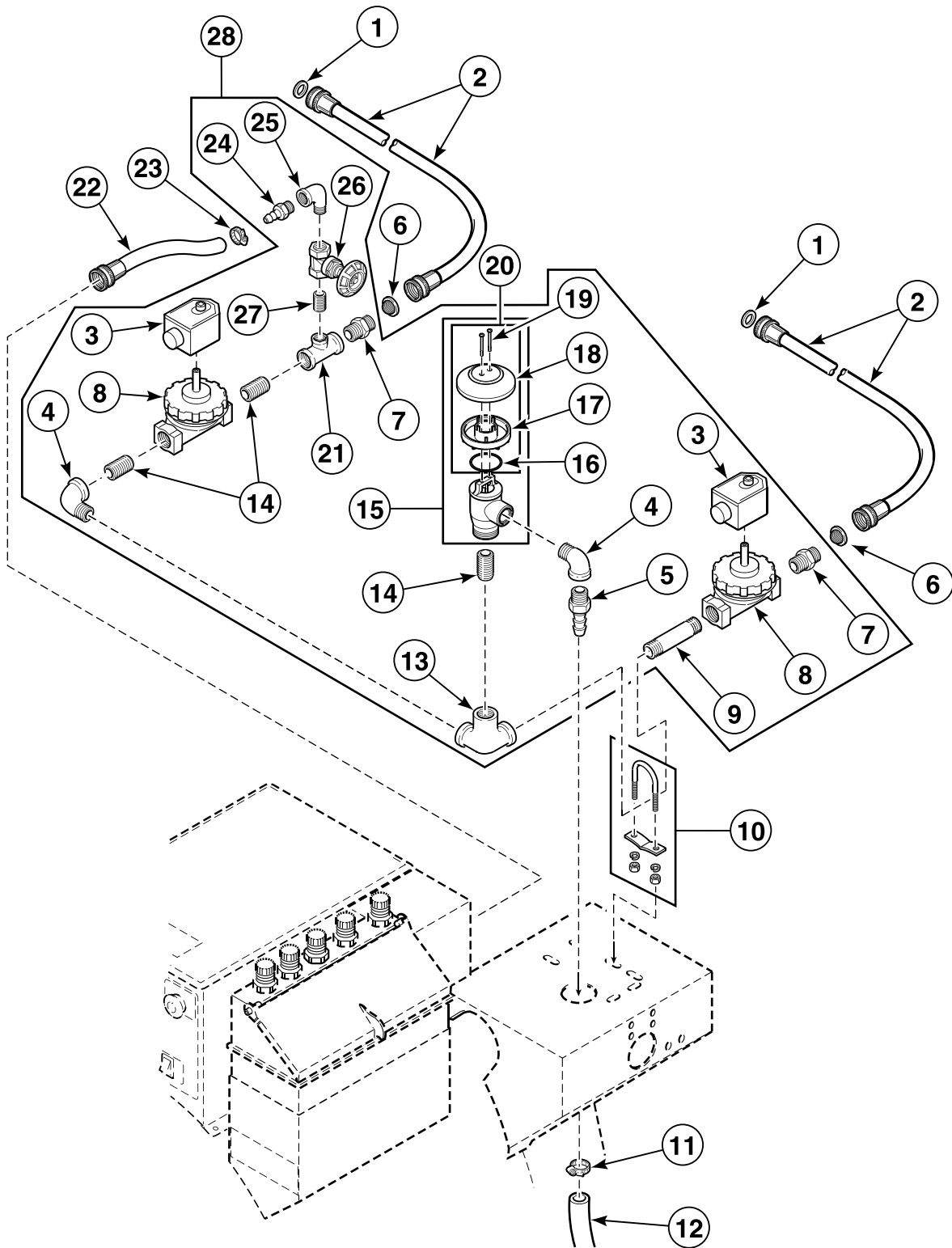


PHM2069P_F232166

Fill Plumbing - Design 7 and 8 UW60P2 and UW60P3 Models

REF	PART NO.	DESCRIPTION	COMMENTS
	F0637637-01	Fill Plumbing Assembly	220 Volt; Standard thread; Includes items 10-14, 16-18, 20, 23, 24, 28, 29 and 32-35
	F0637637-03	Fill Plumbing Assembly	220 Volt; Metric thread; Includes items 10-14, 16-18, 20, 23, 24, 28, 29 and 32-35
	F0637640-00	Fill Plumbing Assembly	220 Volt; Standard thread; Starch; Includes items 3-7, 20-24, 28, 29 and 32-35
	F0637640-01	Fill Plumbing Assembly	220 Volt; Metric thread; Starch; Includes items 3-7, 20-24, 28, 29 and 32-35
1	20290	Washer	
2	F200164	Water Hose	Standard thread
	F200166	Water Hose	Metric thread
3	F380987P	DIN Coil	220 Volt; Starch models
4	F380500	Gate Valve	Starch models
5	F420500	Street Elbow	Starch models
6	F420103	Nipple	Starch models
7	F381703P	Valve	220 Volt; Starch models; 1/2 inch
	F141901	DIN Harness	
	F380993P	Valve Repair Kit	Starch models; 1/2 inch
8	F380987P	DIN Coil	220 Volt
9	F421964	Hose Barb	Starch models
10	F430938	Screw	
11	F0380808-00	Vacuum Breaker Cap	
12	F0380809-00	Containment Device	
13	F0170221-00	O-Ring	
14	F063754701P	Vacuum Breaker Valve	3/4 inch; Includes items 10-13; F380965 Repair Kit
15	F0798922-00	Vacuum Breaker Kit	Includes items 10-13 and installation instructions
16	F420105	Nipple	
17	F420502	Street Elbow	
18	F421951	Hose Barb	
19	F270300	Filter Screen	
20	F421909	Hose Adapter	Standard thread
	F421306	Nipple	Metric thread
21	F420402	Tee	
22	F381701P	Valve	220 Volt; 3/4 inch
	F141901	DIN Harness	
	F380991P	Water Valve Repair Kit	3/4 inch
23	F420107	Nipple	
24	F200401P	U-Bolt Clamp	
25	F200222	Hose Clamp	No. 12
26	F200111P	Water Hose	
27	F420509	Elbow	
28	F200509	Water Hose	
29	F200206	Hose Clamp	No. 4
30	F421964	Hose Barb	
31	F420101	Nipple	

Fill Plumbing - Model UW60B2

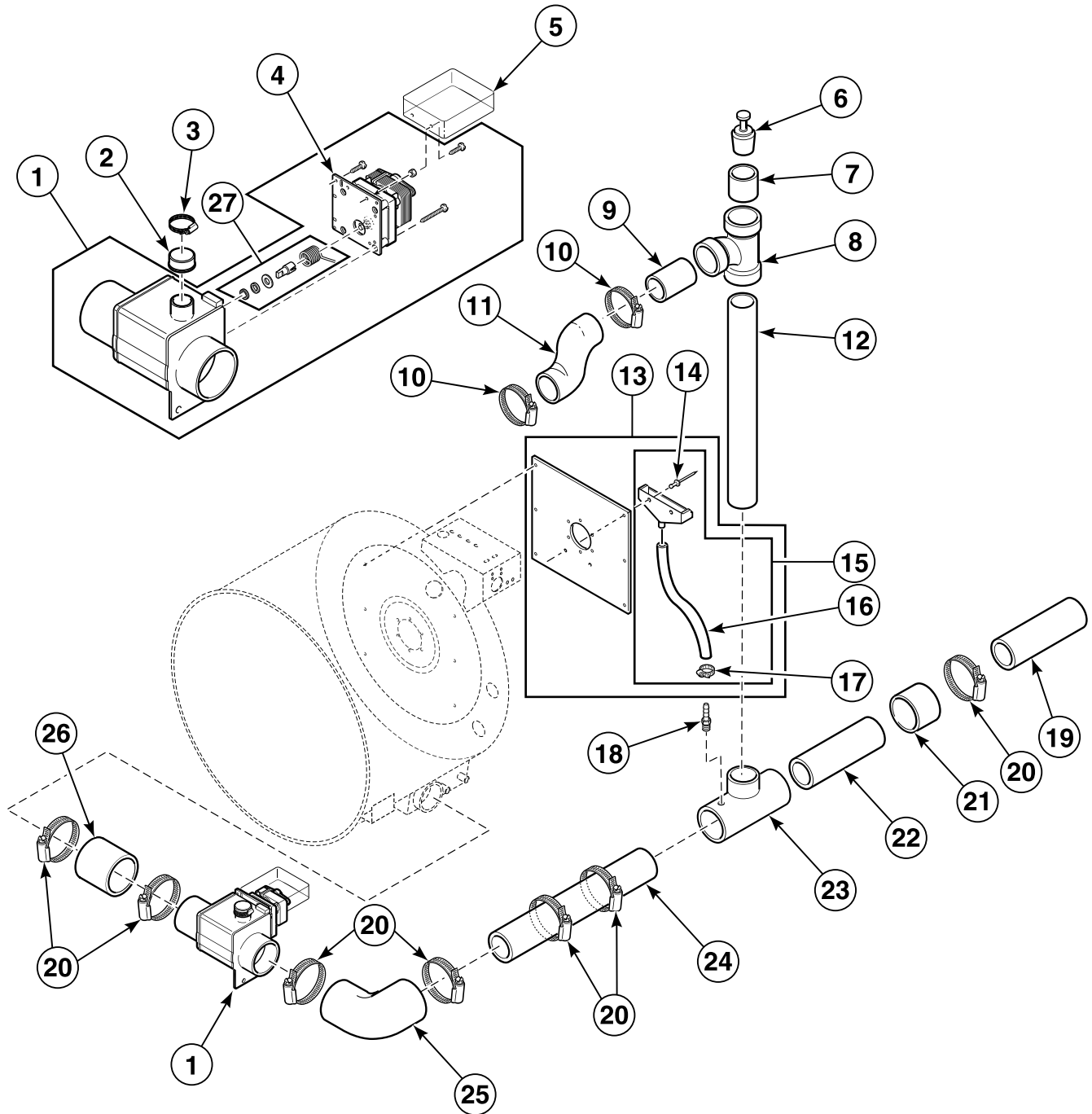


PHM2045P_F232166

Fill Plumbing - Model UW60B2

REF	PART NO.	DESCRIPTION	COMMENTS
1	20290	Washer	
2	F200164	Water Hose	Standard thread
	F200166	Water Hose	Metric thread
3	F380987P	DIN Coil	220 Volt; Din Harness Part Number F141901
4	F420502	Street Elbow	
5	F421951	Hose Barb	
6	F270300	Filter Screen	
7	F421909	Hose Adapter	Standard thread
	F421306	Nipple	Metric thread
8	F381701P	Valve	220 Volt; 3/4 inch
	F380991P	Water Valve Repair Kit	3/4 inch
9	F420107	Nipple	
10	F200401P	U-Bolt Clamp	
11	F200222	Hose Clamp	No. 12
12	F200111P	Water Hose	
13	F420509	Elbow	
14	F420105	Nipple	
15	F063754701P	Vacuum Breaker Valve	3/4 inch; Includes item 20; F380965 Repair Kit
16	F0170221-00	O-Ring	
17	F0380809-00	Containment Device	
18	F0380808-00	Vacuum Breaker Cap	
19	F430938	Screw	
20	F0798922-00	Vacuum Breaker Kit	Includes items 16-19
21	F420402	Tee	
22	F200509	Water Hose	
23	F200206	Hose Clamp	No. 4
24	F421964	Hose Barb	
25	F420500	Street Elbow	
26	F380500	Gate Valve	
27	F420101	Nipple	
28	F0637637-01	Fill Plumbing Assembly	220 Volt; Standard thread; Includes items 3-5, 7-9, 13-19, 21 and 24-27
	F0637637-03	Fill Plumbing Assembly	220 Volt; Metric thread; Includes items 3-5, 7-9, 13-19, 21 and 24-27

Drain System, Overflow and Vent Pipes

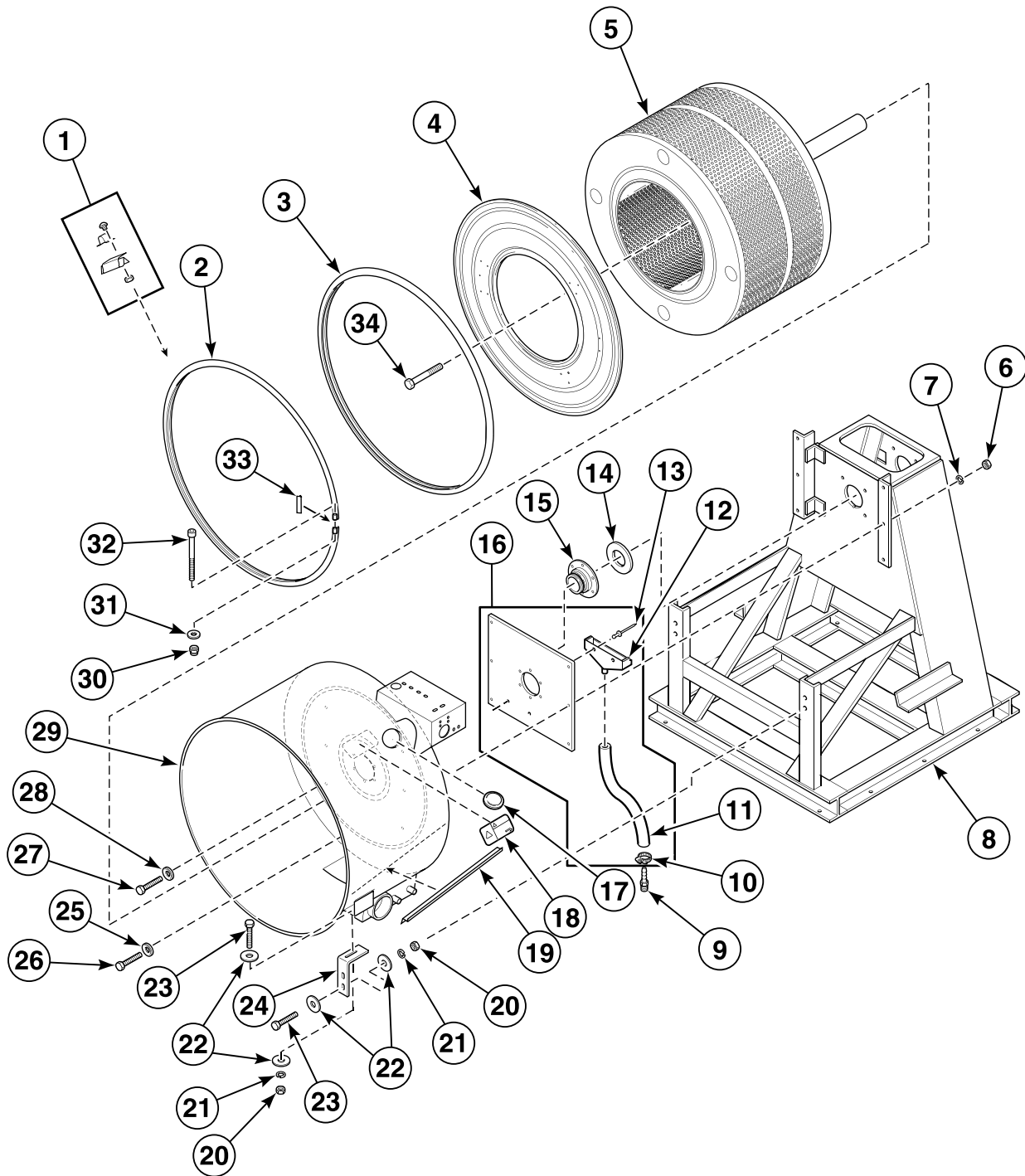


PHM2630P_F232166

Drain System, Overflow and Vent Pipes

REF	PART NO.	DESCRIPTION	COMMENTS
1	F200166402	Drain Valve Kit	Models UW60P2 and UW60P3; Includes item 5
2	F150352	Overflow Plug	Model UW60B2
3	F200215	Hose Clamp	Model UW60B2; No. 28
4	F380933P	Drain Valve Motor	Model UW60B2; 220 Volt
5	F200133600	Drain Valve Cover	
6	F380117	Vacuum Breaker	
7	F422508	Adapter	
8	F422801	Tee	
9	F0602364-10	Pipe	
10	F200213	Hose Clamp	No. 40
11	F150309	Soap Dispenser Hose	
12	F0602364-25	Pipe	
13	F741600	Shell Reinforcement Plate Kit	Includes item 15
14	F431210	Pop Rivet	
15	F150389	Scupper	Includes items 14, 16 and 17
16	F200107P	Water Hose	
17	36801	Hose Clamp	No. 6
18	F421929	Hose Barb	
19	F200165100	Drain Hose	
20	F200201	Hose Clamp	No. 56
21	F422602	Reducer Bushing	
22	F0602365-01	Pipe	
23	F422803	Tee	
24	F0602365-22	Pipe	
25	F150438	Drain Hose	Rear
26	F150442	Drain Hose	Front
27	F380918	Main Drive Kit	

Basket, Shell and Frame

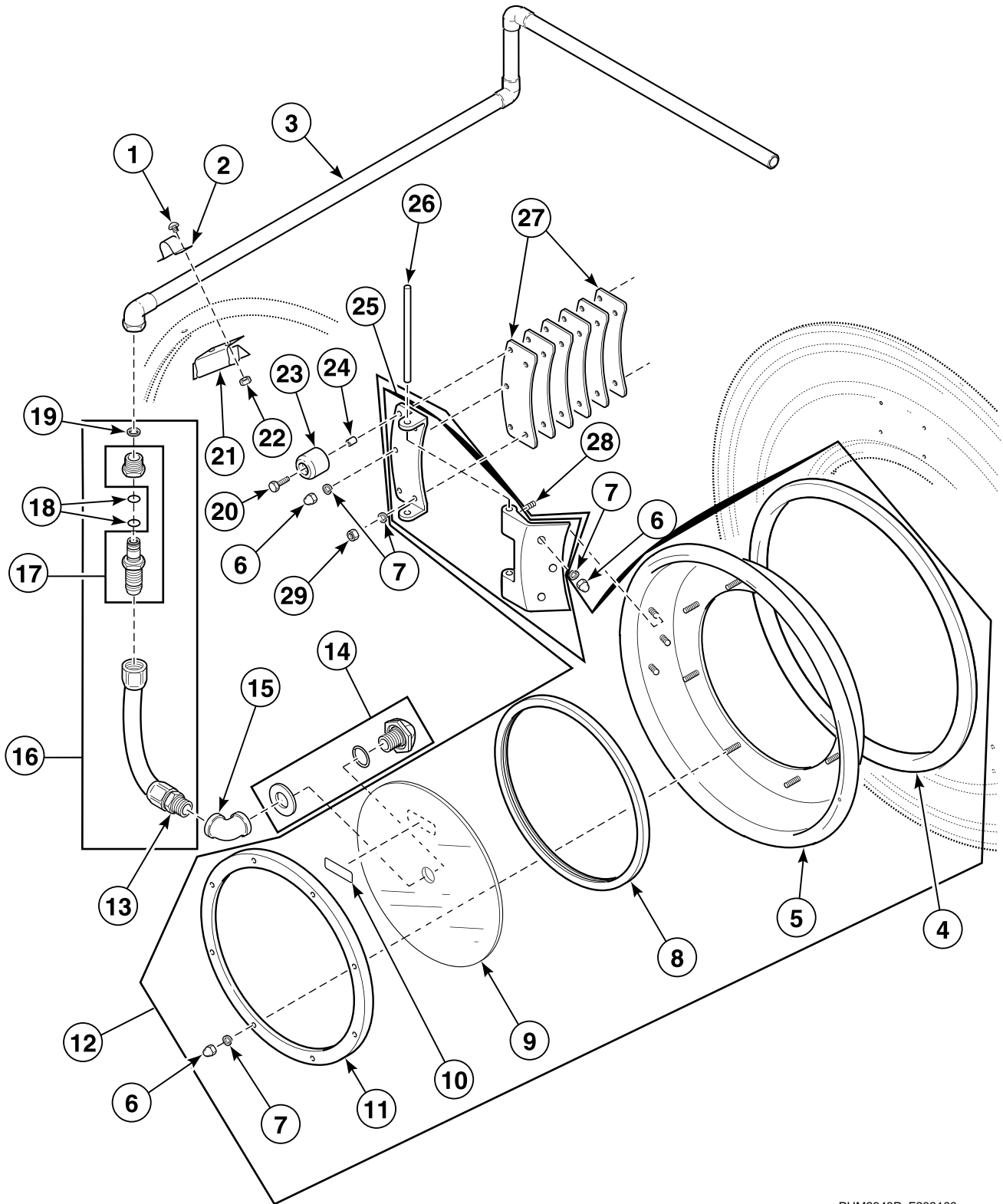


PHM2926P_F232166

Basket, Shell and Frame

REF	PART NO.	DESCRIPTION	COMMENTS
1	F602901P	Spray Rinse Bracket Assembly	Models UW60P2 and UW60P3
2	F603344P	Shell Band Assembly	
3	F170120RP	Shell Band Gasket	
4	F609200P	Shell Front Weldment	
	F200119900P	Shell Front Assembly	Includes item 4, top latch bracket casting, lower door latch bracket casting, door butt, bushing, door latch shim, door butt shim and door bumper moulding
5	F632015	Basket Assembly	
6	F430212	Nut	
7	F430321	Washer	
8	F633378	Frame Assembly	Models UW60B2 and UW60P2
	F633378-2	Frame Assembly	Models UW60B2 and UW60P2; Close mount
	F633376	Frame Assembly	Model UW60P3
	F633376-2	Frame Assembly	Model UW60P3; Close mount
9	F421929	Hose Barb	
10	36801	Hose Clamp	No. 6
11	F200107P	Water Hose	
12	F150389	Scupper	
13	F431210	Pop Rivet	
14	F100203	Slinger	
15	F8162101	Face Seal	Standard
	F798819-00	Seal Kit	Standard; Includes items 3, 14, 27, 28 and 30-32, sealant and installation instructions
	F8162201	Face Seal	Viton
16	F741600	Shell Reinforcement Plate Kit	Includes items 10-13
17	F0200237-00	Plug	
18	F0230112-00	Plug Removal Warning Decal	
19	F150364	Drip Rail	Attach with silicone
20	F430205	Nut	
21	M400014	Washer	
22	F430301	Washer	
23	800461	Screw	
24	F601806	Shell Mounting Bracket	
25	F431116	Washer	
26	F430924	Screw	
27	F430935	Screw	
28	F431112	Washer	
29	F0634436-02	Shell Weldment	Standard
	F0634436-03	Shell Weldment	Standard with starch
	F0633208-05	Shell Weldment	Electric heat
	F0633208-07	Shell Weldment	Electric heat with starch
30	F430215	Nut	
31	F430317	Washer	
32	F430518	Screw	
	F791001	Shell Band Fastener Kit	Includes items 30 and 31
33	F601216	Shell Gasket Shield	
34	F430992	Screw	

Door and Spray Tube

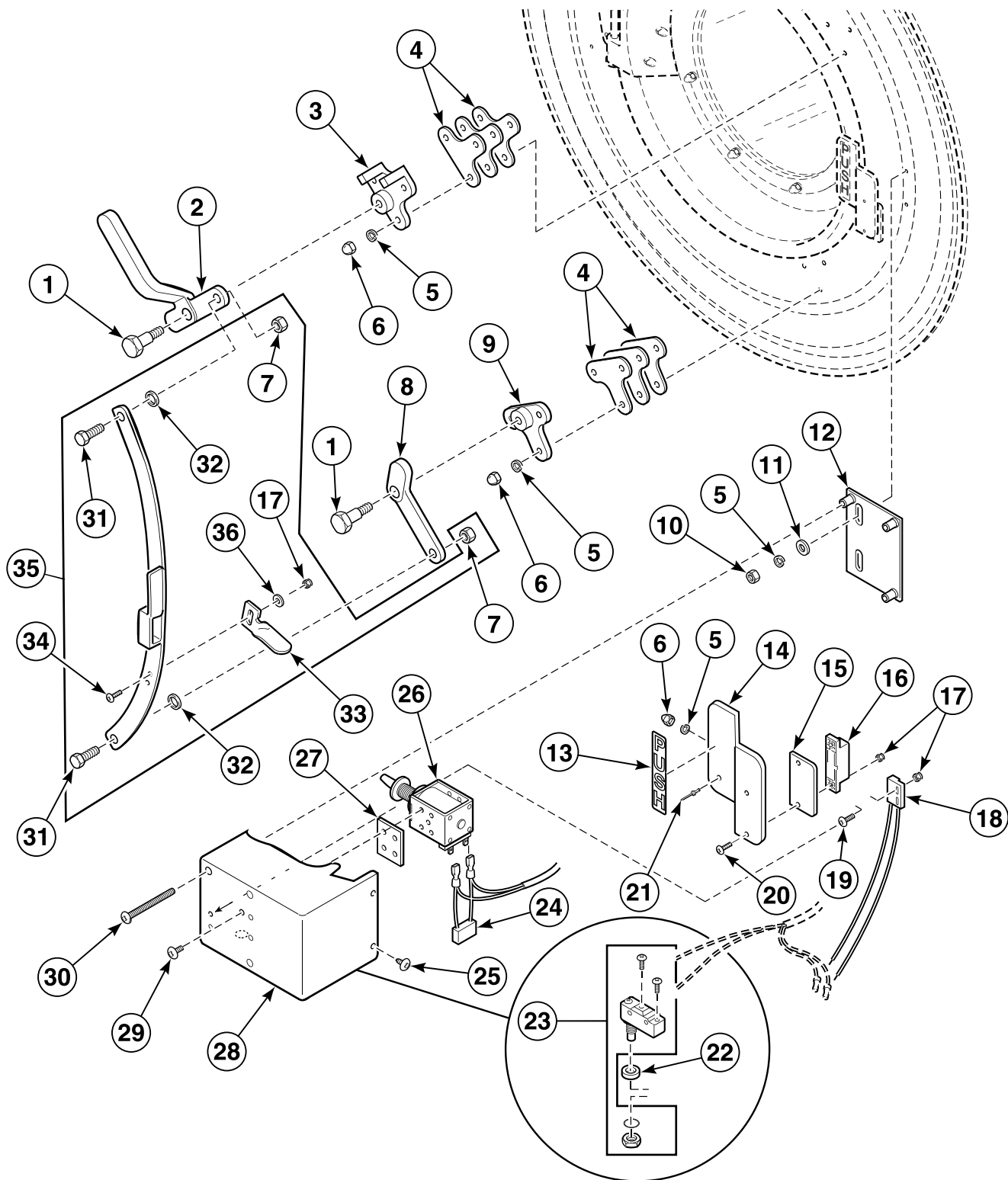


PHM2943P_F232166

Door and Spray Tube

REF	PART NO.	DESCRIPTION	COMMENTS
1	F430917	Screw	Models UW60P2 and UW60P3
2	F602880	Spray Rinse Strap	Models UW60P2 and UW60P3
3	F603696-9	Spray Rinse Tube Assembly	Models UW60P2 and UW60P3
4	F170145	Door Gasket	Black
	F017014501	Door Gasket	Gray
5	F730307	Door Kit	Includes studs
6	F431026	Nut	
7	F431100	Washer	
8	F170117	Door Glass Gasket	
9	F290201P	Glass	Model UW60B2; Without hole
	F290200P	Door Glass Kit	Models UW60P2 and UW60P3; With hole
10	F230607	Rotation Decal	
11	F601239	Door Glass Retainer	
12	F730095	Door Kit	Model UW60B2; Includes items 4-11, 25, 28, F230303 Push Decal, F410102 Clear Sealant and F605694 Push Handle Assembly
	F730539	Door Kit	Models UW60P2 and UW60P3; Includes items 4-11, 25, 28, magnet, door push handle and door push brace
13	F422109	No-Swivel Coupling	Models UW60P2 and UW60P3
14	F730077	Spray Rinse Nozzle Kit	Models UW60P2 and UW60P3
15	F422319	Elbow	Models UW60P2 and UW60P3
16	F730026	Spray Rinse Hose Assembly	Includes items 13 and 17; Models UW60P2 and UW60P3
17	F422108	Swivel Coupling	Models UW60P2 and UW60P3
18	F170200	O-Ring	Models UW60P2 and UW60P3
19	F310206	Ring Retainer	Models UW60P2 and UW60P3
20	F430103	Screw	
21	F602901P	Spray Rinse Bracket Assembly	Models UW60P2 and UW60P3
22	F431022	Nut	Models UW60P2 and UW60P3
23	F150366	Door Bumper Moulding	
24	F430416	Door Bumper Bushing	
25	F200030600P	Door Hinge Strap Kit	
26	F601815	Door Hinge Pin	
27	F0610695-00	Door Butt Shim	
28	F430502	Screw	
29	F430205	Nut	

Door Lock

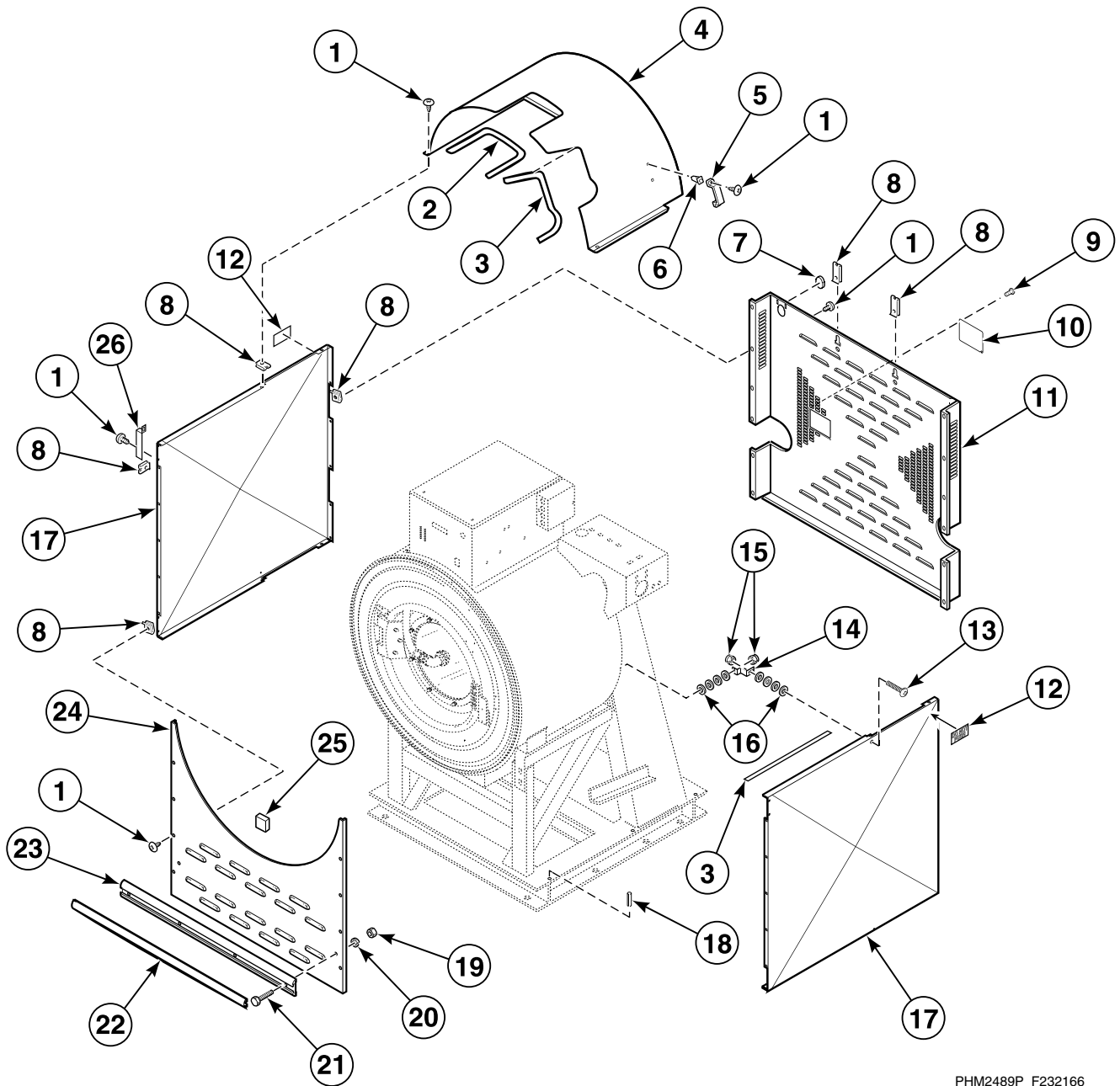


PHM2157P_F232166

Door Lock

REF	PART NO.	DESCRIPTION	COMMENTS
1	F430168	Screw	
2	F150203	Door Handle Casting	
3	F150201	Top Latch Bracket Casting	
4	F602058	Door Latch Bracket Shim	
5	F431100	Washer	
6	F431026	Nut	
7	F431002	Nut	
8	F150204	Lower Door Latch Casting	
9	F150202	Lower Door Latch Bracket Casting	
10	F430215	Nut	
11	F431142	Washer	
12	F605525	Door Box Mounting Plate Assembly	
13	F230303	Push Decal	
14	F609427	Handle Weldment	
	F746201-1	Push Handle Kit	Includes items 15-17 and 20
15	F609822	Handle Spacer	Use as needed
16	F340703	Magnet	
17	F430231	Nut	
18	F200321200	Magnetic Switch Assembly	
19	F430917	Screw	
20	F430909	Screw	
21	F431210	Pop Rivet	
22	F601055	Interlock Switch Spacer	
23	F340900	Interlock Switch	
24	F330217P	RC Network Filter	
25	F430956	Screw	
26	F300129P	Door Lock Solenoid	220 Volt
27	F609728	Solenoid Spacer	
28	F606630	Door Box	
	F603666	Door Box Assembly	Includes items 17-19, 26 and 29
29	F430995	Screw	
30	F430996	Screw	
31	F430927	Screw	
32	F431118	Washer	
33	F603005	Extension Arm Tab	
34	F430916	Screw	
35	F746803	Extension Arm Kit	Includes items 7, 17, 31-34 and 36
36	F431108	Washer	

Front, Side and Rear Panels

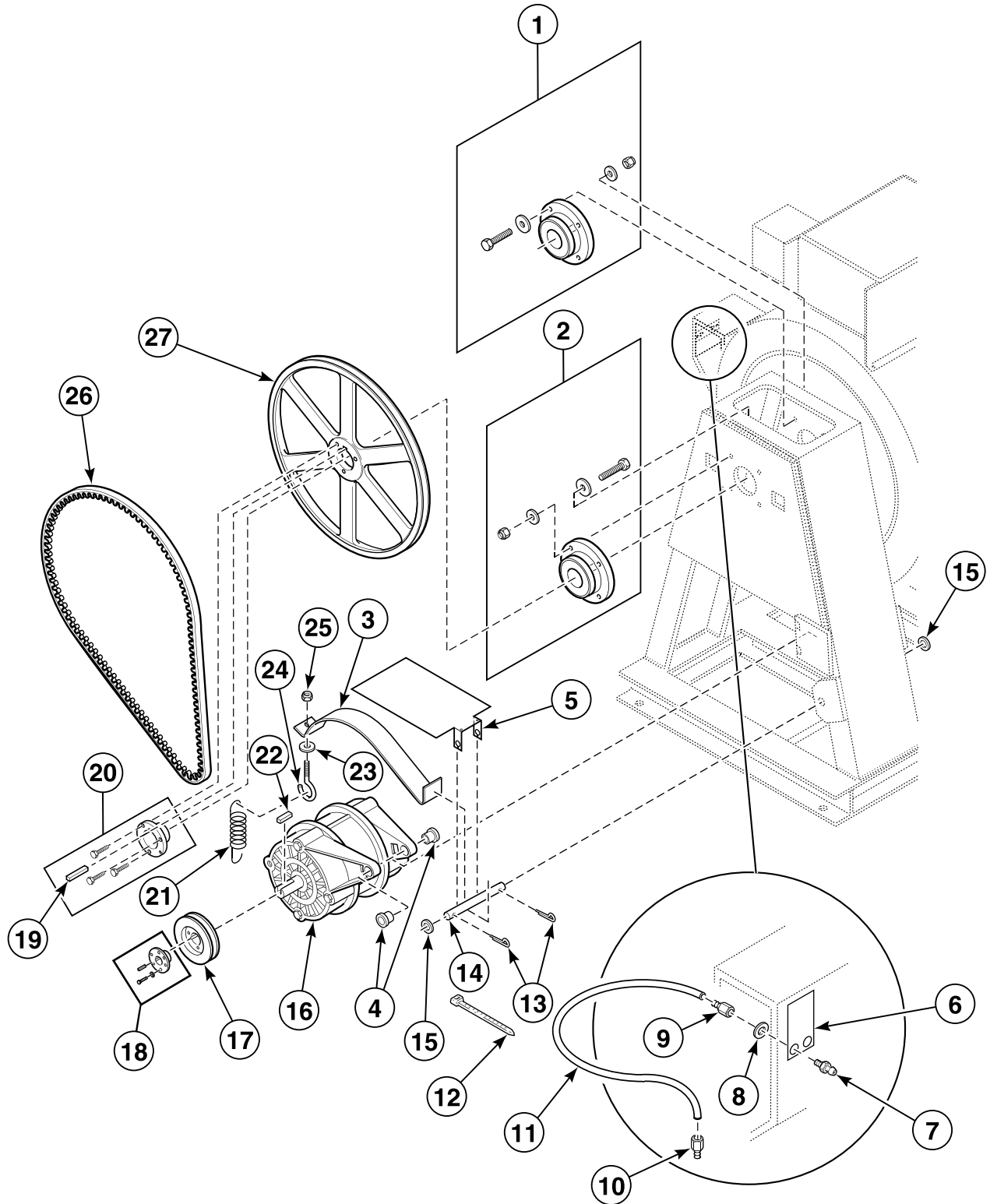


PHM2489P_F232166

Front, Side and Rear Panels

REF	PART NO.	DESCRIPTION	COMMENTS
1	F430956	Screw	
2	F100284	Trim Seal	Order 2 feet
3	F170400RP	Trim	
4	F635610	Cage Wrap Weldment	
5	F605324	Hose Strap	
6	F431804	Nut	Plastic insert
7	F180511	Cap Plug	
8	F430264	Nut	Tinnerman
9	70240301	Screw	
10	F200188300	Belt Inspection Port Cover	
11	F200187900P	Rear Panel	
12	F230302	Do Not Push Decal	
13	F432234	Screw	
14	F601982	Side Panel Bracket	
15	F430215	Nut	
16	F430317	Washer	
17	F635648P	Side Panel	Reversible
18	F430415	Pin	
19	F430211	Nut	
20	F431100	Washer	
21	F430921	Screw	
22	F150397	Extrusion Insert	Order 3 feet
23	F150408	Rub Rail	
24	F635649	Front Panel	
25	F170110	Sponge	
26	F606667	Side Panel Cover	

Motor and Pulley - Models UW60B2 and UW60P2

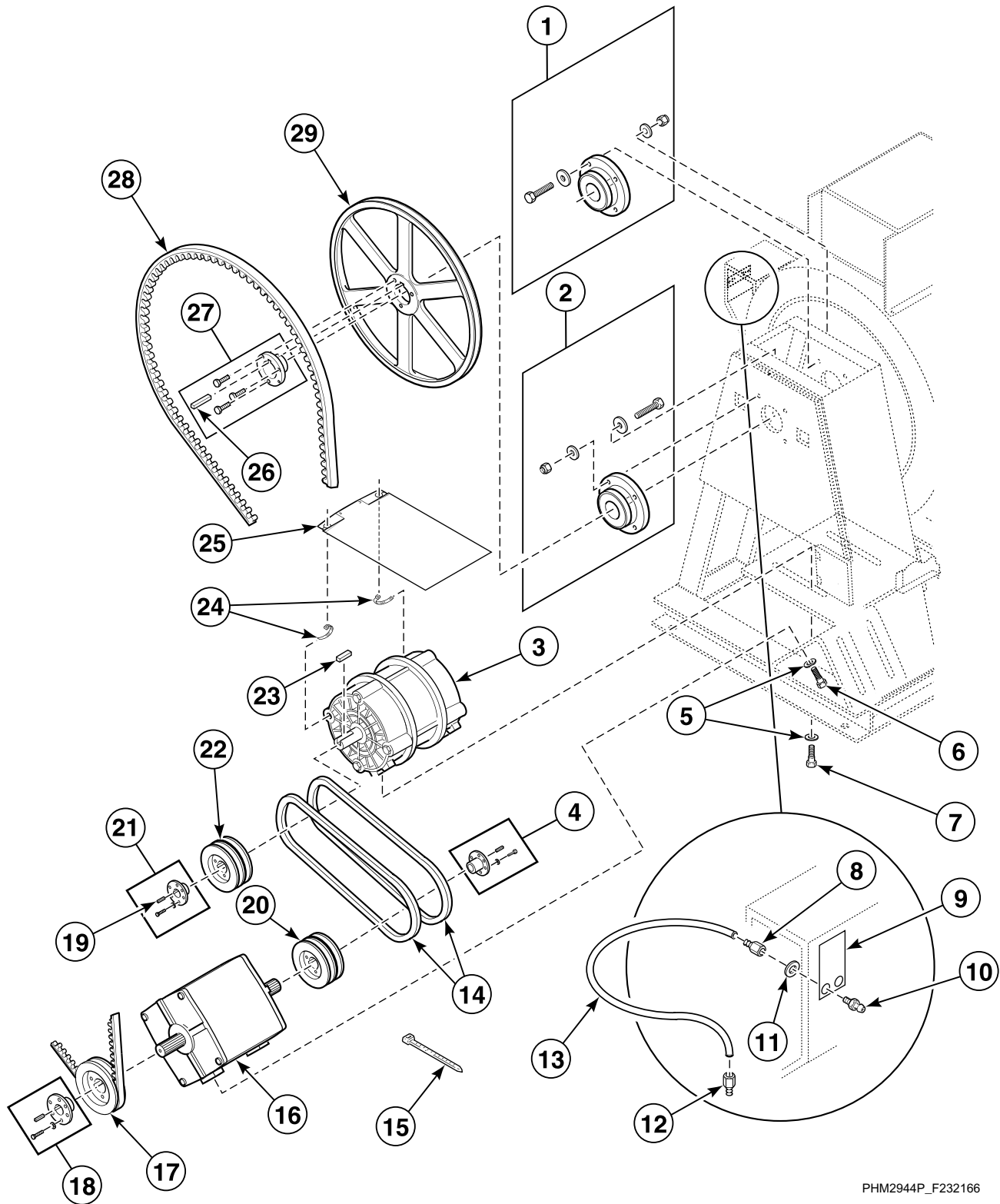


PHM2511P_F232166

Motor and Pulley - Models UW60B2 and UW60P2

REF	PART NO.	DESCRIPTION	COMMENTS
1	F798824-00	Front Bearing Kit	Includes seal and hardware
2	F745010	Rear Bearing Kit	Includes hardware
3	F602166	Motor Adjustment Strap	
4	F200186100	Motor Support Bushing	2 required
5	F200280700	Motor Drip Shield	
6	F231563	Grease Instruction Decal	Lubrication
7	F190701	Grease Fitting	
8	F430332	Washer	
9	F422114	Air Coupling	
10	J1408004	Connector	
11	F200190P	Tubing	
12	F140605	Cable Tie	6 inch
13	F430401	Cotter Pin	
14	F730076	Motor Support Rod Kit	
15	F430310	Washer	
16	F0220302-00P	Motor	208 or 240 Volt/3 Phase; Includes item 4
	F220303P	Motor	380 or 415 Volt/50 Hertz/3 Phase; 440 or 480 Volt/60 Hertz/3 Phase; Includes item 4
17	F280146	Pulley	BK34H
18	F280214	Motor Bushing	H-78
19	F430801	Key	
20	F280409P	Bushing	2-7/16; Includes item 19
21	F310127	Spring	
22	F430802	Key	
23	F430153	Bolt	
24	F430304	Washer	
25	F430233	Nut	
26	F280309	Belt	BX100
27	F280410	Pulley	1B255K

Motor and Pulley - Model UW60P3

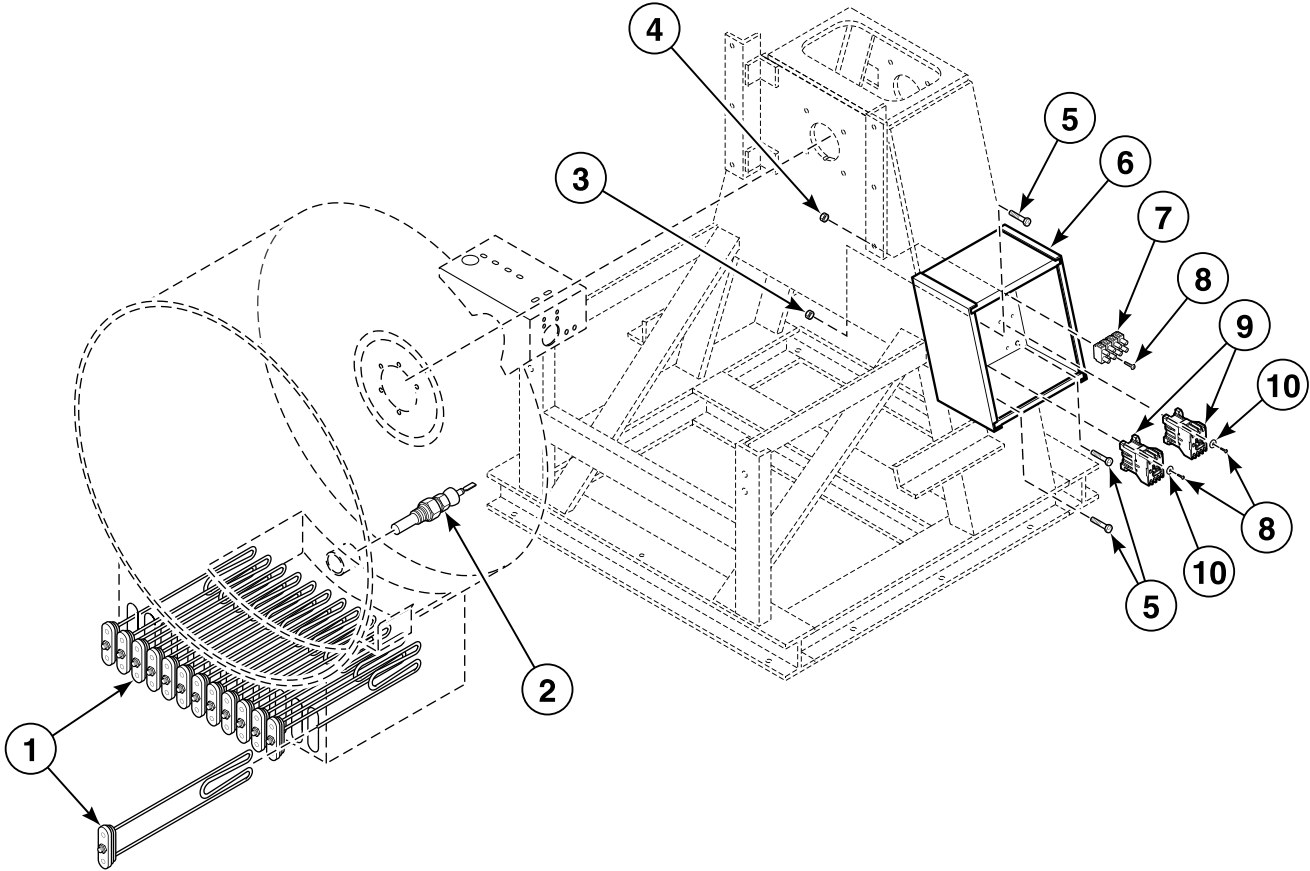


PHM2944P_F232166

Motor and Pulley - Model UW60P3

REF	PART NO.	DESCRIPTION	COMMENTS
1	F798824-00	Front Bearing Kit	Includes seal and hardware
2	F745010	Rear Bearing Kit	Includes hardware
3	F220412P	Motor	208 or 240 Volt; Wash
	F220425P	Motor	380 or 415 Volt; Wash
4	F280297	Pulley Bushing	SH; 1-1/8; Extract; Inside
5	M400014	Washer	
6	F430116	Screw	
7	800461	Screw	
8	F422114	Air Coupling	
9	F231563	Grease Instruction Decal	Lubrication
10	F190701	Grease Fitting	
11	F430332	Washer	
12	J1408004	Connector	
13	F200190P	Tubing	
14	F280351	Belt	3V355; 2 required
15	F140605	Cable Tie	6 inch
16	F220413P	Motor	208 or 240 Volt; Extract
	F220303P	Motor	380 or 415 Volt/50 Hertz; 440 or 480 Volt/60 Hertz
17	F280132	Pulley	BK45H; Extract; Outside
18	F280211P	Motor Pulley Bushing	H-1-1/8; Extract; Outside; Includes hardware and key
19	F430802	Key	
20	F280408	Pulley	2GR3V6SH; Extract; Inside
21	F280298P	Pulley Bushing	JA 7/8; Includes item 19 and hardware; Wash
22	F280299	Pulley	2G3V28JA; Wash
23	F430803	Key	
24	F140605	Cable Tie	
25	F200216900	Motor Drip Shield	
26	F430801	Key	
27	F280409P	Bushing	2-7/16; Includes item 26 and hardware
28	F280309	Belt	BX100
29	F280410	Pulley	1B255K

Electric Heat Option

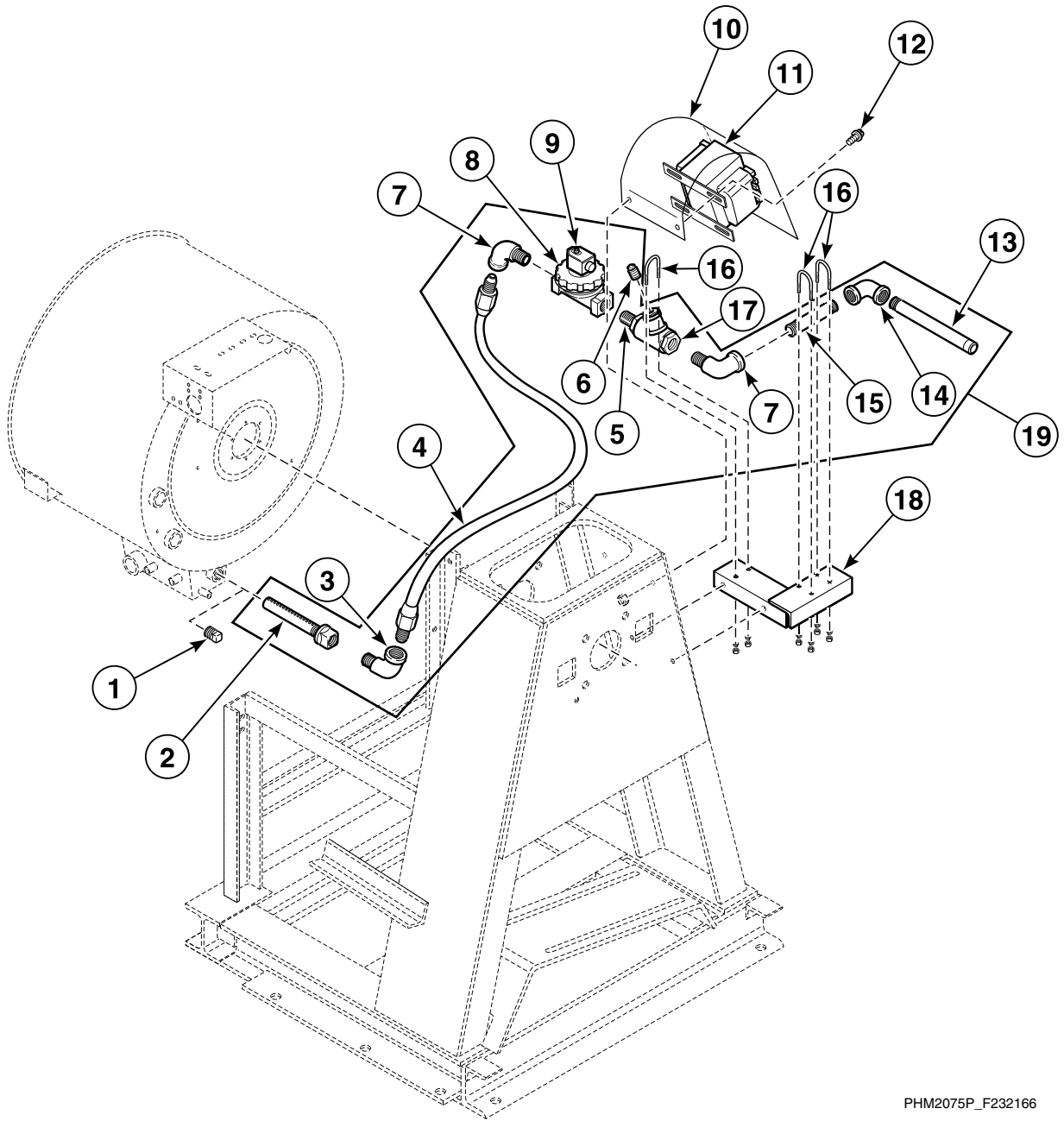


PHM2074P_F232166

Electric Heat Option

REF	PART NO.	DESCRIPTION	COMMENTS
1	F360203P	Heating Element	6 required
2	F370606P	Temperature Probe	
3	F430215	Nut	
4	F430231	Nut	
5	F430938	Screw	
6	F140413	Box	
7	F140770	Input Terminal Block	Used with O and Q-voltage models
	F140747	Input Power Block	Used with F, N and P-voltage models
8	F430910	Screw	
9	F330188P	Contactactor	220 Volt
10	F430311	Washer	

Steam Heat Option and Transformers

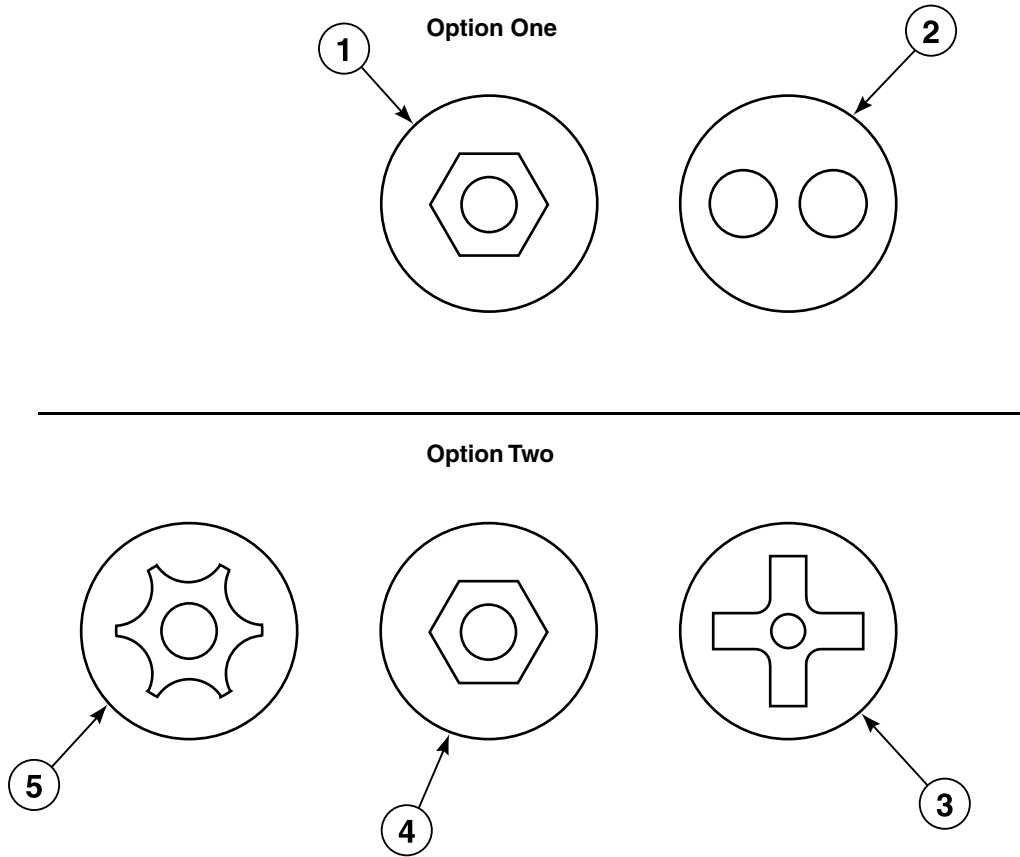


PHM2075P_F232166

Steam Heat Option and Transformers

REF	PART NO.	DESCRIPTION	COMMENTS
	F410300	Pipe Insulation	
1	F200202600	Plug	
2	F603131	Steam Injector Tube Assembly	
3	F421703	Street Elbow	
4	F200517	Steam Hose	
5	F420708	Nipple	
6	F420409	Plug	
7	H86070034	Street Elbow	
8	F380787P	Steam Valve	1/2 inch; 220 Volt; F380984 Steam Valve Repair Kit
9	F380987P	DIN Coil	220 Volt
10	F140425	Control Transformer Cover	
11	F360156	Transformer	Used on F-voltage models
12	F430935	Screw	
13	F420719	Nipple	
14	70079601	Elbow	
15	F420710	Nipple	
16	F200401P	U-Bolt Clamp	Includes washers and nuts
17	F270307	Steam Filter	
18	F635634	Steam Bracket Weldment	
19	F635653P	Steam Plumbing Assembly	220 Volt; Includes items 2-9, 13-15, 17 and pipe insulation

Security Fasteners



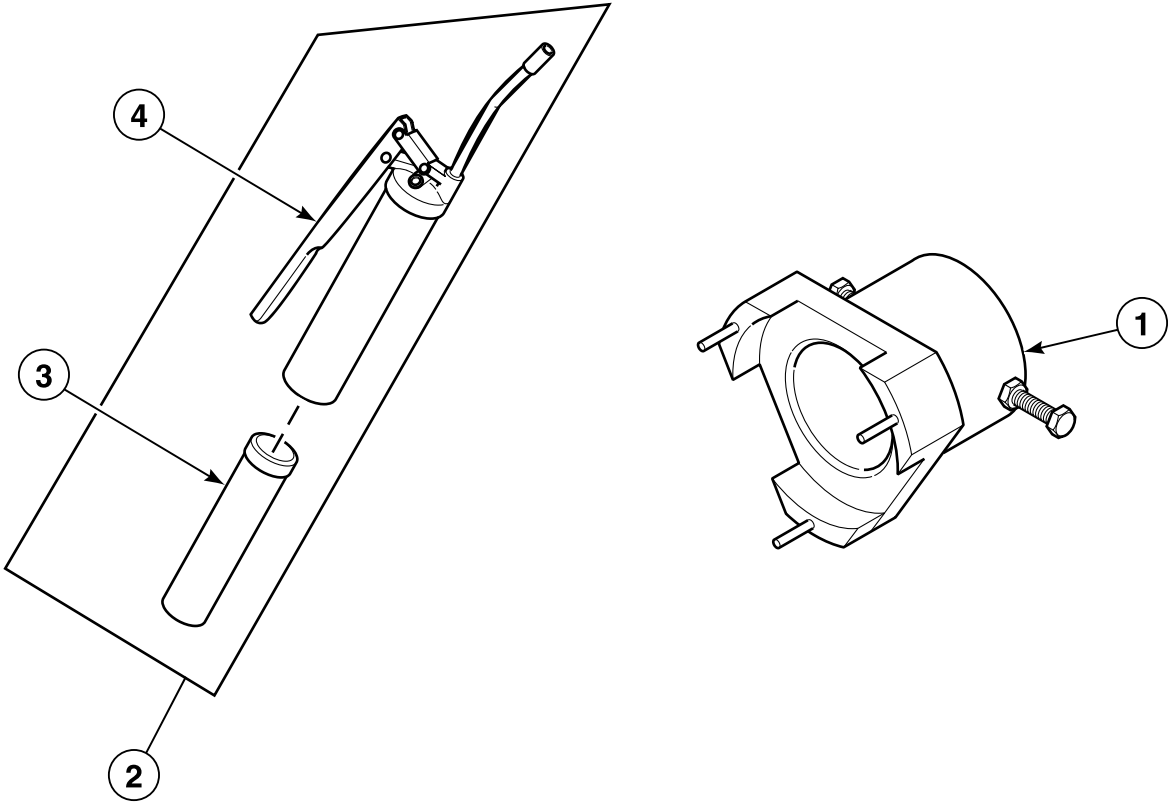
PHM2181P_F232166

Security Fasteners

REF	PART NO.	DESCRIPTION	COMMENTS
1	F0430275-00	Screw	No. 8; 32 x 1/2 inch; Used in place of F430956 Screw; Typical location is the side panels and module cover
	F430960	Screw	No. 10; 32 x 3/8 inch; Used in place of F430904 Screw; Typical location is the module to the shell
	F704906	Hex Bit	
2	F0430273-00	Screw	1/4 inch; 20 x 2-1/2 inch; Used in place of F430996 Screw; Typical location is the door box to the bracket
	F0430272-00	Screw	1/4 inch; 20 x 1-1/2 inch; Used in place of F430921 Screw; Typical location is the side panel to the bracket
	F0430274-00	Screw	1/4 inch; 20 x 1/2 inch; Used in place of F430925 Screw; Typical location is the drive box or the cover
	F704907	Spanner Bit	
3	F432260	Screw	1/4 inch; 20 x 2-1/2 inch; Used in place of F430996 Screw; Typical location is the door box to the bracket
	F704904	Phillips Bit	
4	N/A	Screw	1/4 inch; 20 x 1/2 inch; Used in place of F430925 Screw; Typical location is the drive box or cover
	F704897	Hex Bit	
5	F432259	Screw	No. 8; 32 x 1/2 inch; Used in place of F430956 Screw; Typical location is the side panels and module cover
	281P4	Torx Bit	

N/A = Part no longer available

Special Tools



PHM2702P_F232166

Special Tools

REF	PART NO.	DESCRIPTION	COMMENTS
1	F200274700	Seal Alignment Fixture Assembly	
2	F798700	Grease Gun Kit	Includes items 3 and 4
3	F210206P	Bearing Grease	
4	F210207P	Grease Gun	

Parts Index

A

Adapter	
F422508	37
Air Coupling	
F422114	47, 49
Air Trap Hose	
F200142	7, 19

B

Balance Switch Bracket	
F601750	21
F8124301	21
Basket Assembly	
F632015	39
Battery	
F191101	13
Bearing Grease	
F210206P	57
Before Power Is Connected Tag	
F230501	5
Belt	
F280309	47, 49
F280351	49
Belt Inspection Port Cover	
F200188300	45
Bolt	
F0430539-00	21
F430153	47
Box	
F140413	51
Bushing	
F280409P	47, 49
Buzzer	
F300206	15

C

Cable Assembly	
F604713	17
Cable Tie	
F140605	13, 47, 49
F140606	13
Cable Tray Assembly	
F635615-1	7, 13
Cable Tray Cover	
F635476	7
F635478	13
Cage Wrap Weldment	
F635610	45
Cap Plug	
F180511	45
Chemical Supply Cup	
F150385	23
F150386	23

Chemical Supply Hose	
F150469	23
Circuit Breaker	
F350216	15
F350217	9
F350218	17
Clockwise Spin Rotation Decal	
F230652	5
Cold Water Valve Decal	
F231368	5
Computer	
F0370455-20P	7
Computer Cover	
F606826	13
Computer Input Harness	
F0141930-00	13
Conductor Decal	
F231146	5
Connector	
F140575P	17
F140576	17
F422500	7, 19
J1408004	47, 49
Contact Block Switch	
F200233401	13
F340445	7, 13
Contacto	
F330177P	9, 15
F330188P	51
Containment Device	
F0380809-00	27, 33, 35
Control Cover	
F0636887-00	7
Control Module Cover	
F635456	7, 13
Control Module Decal	
F0231565-00	7
F231562	13
Control Transformer Cover	
F140425	53
Cotter Pin	
F430401	47

D

DIN Coil	
F380987P	25, 27, 29, 31, 33, 35, 53
DIN Contactor Mounting Rail	
F602595-5	9, 15
DIN Harness	
F141901	25, 27, 29, 31, 33
Disconnect Power Warning Label	
505281	5, 7, 13
Dispenser Assembly	
F0150512-00P	23
Dispenser Lid	
F0150514-00	23
Do Not Push Decal	
F230302	5, 45

N/A items do not appear in index.

Door Box F606630	43
Door Box Assembly F603666	43
Door Box Mounting Plate Assembly F605525	43
Door Bumper Bushing F430416	41
Door Bumper Moulding F150366	41
Door Butt Shim F0610695-00	41
Door Gasket F017014501	41
F170145	41
Door Glass Gasket F170117	41
Door Glass Kit F290200P	41
Door Glass Retainer F601239	41
Door Handle Casting F150203	43
Door Hinge Pin F601815	41
Door Hinge Strap Kit F200030600P	41
Door Kit F730095	41
F730307	41
F730539	41
Door Latch Bracket Shim F602058	43
Door Lock Solenoid F300129P	43
Drain Hose F150438	37
F150442	37
F200165100	37
Drain Valve Cover F200133600	37
Drain Valve Kit F200166402	37
Drain Valve Motor F380933P	37
Drip Rail F150364	39

E

Elbow F0422918-00	27
F420509	29, 31, 33, 35
F422319	41
70079601	53
Electrical Access Panel F0637549-00	13
F635448	13
Emergency Stop Button Kit F200233700P	7, 13
Emergency Stop Pushbutton F200233500	7, 13
F340718	7, 13

N/A items do not appear in index.

Extension Arm Kit F746803	43
Extension Arm Tab F603005	43
External Supply Box F635468	7, 13
External Supply Box Cover F633435	13
F635365	7
External Supply Caution Decal F231345-4	5
External Supply Connection Decal F230764-11	11
F230764-12	11
Extrusion Insert F150397	45

F

Face Seal F8162101	39
F8162201	39
Fill Plumbing Assembly F0637637-01	33, 35
F0637637-03	33, 35
F0637640-00	33
F0637640-01	33
F633146-1	29, 31
F633146-5	29, 31
F633419-1	29, 31
F633419-5	29, 31
Filter Retainer Guard F220900	15
Filter Screen F270300	25, 27, 29, 31, 33, 35
Flange Relay F330230	9, 15
Frame Assembly F633376	39
F633376-2	39
F633378	39
F633378-2	39
Front Bearing Kit F798824-00	47, 49
Front Panel F635649	45
Fuse F350108	9, 15
F350109	9, 15
F350110	9, 15
F350115	17
F350142	17
Fuse Holder F0350312-10	17
F0350313-00P	17

G

Gate Valve F380500	29, 31, 33, 35
Glass F290201P	41

Grease Fitting F190701	47, 49
Grease Gun F210207P	57
Grease Gun Kit F798700	57
Grease Instruction Decal F231563	47, 49
Ground Decal F230630	11, 17
Ground Terminal Lug F140734	11, 17

H

Handle Spacer F609822	43
Handle Weldment F609427	43
Heating Element F360203P	51
Hex Bit F704897	55
F704906	55
Hose Adapter F421908	25, 27
F421909	29, 31, 33, 35
Hose Barb F421929	37, 39
F421951	29, 31, 33, 35
F421964	29, 31, 33, 35
Hose Clamp F200201	37
F200206	29, 31, 33, 35
F200213	23, 37
F200215	7, 19, 37
F200222	29, 31, 33, 35
36801	37, 39
Hose Strap F605324	45
Hot Surface Warning Decal F200085000	5
F231380	5
Hot Water Valve Decal F231367	5

I

Injection Nozzle F380300	23
Injection Nozzle Kit F730168	23
Input Block Decal F0231636-00	17
Input Power Block F140747	51
F140794-1	11, 17
Input Power Decal F231437	11
Input Terminal Block F140770	51

Insulator Bushing F140909	11, 17
Interlock Contactor F330186P	9, 15
Interlock Switch F340900	21, 43
Interlock Switch Spacer F601055	43

K

Key F430801	47, 49
F430802	47, 49
F430803	49
Keymode Run/Program Switch F340800P	17
Keypad F0231582-01P	7
Keypad Decal F230724P	13

L

Lower Door Latch Bracket Casting F150202	43
Lower Door Latch Casting F150204	43

M

Magnet F340703	43
Magnetic Switch Assembly F200321200	43
Main Drive Kit F380918	37
Momentary Switch F200120100	7, 13
F340412	7, 13
Motor F0220302-00P	47
F220303P	47, 49
F220412P	49
F220413P	49
F220425P	49
Motor Adjustment Strap F602166	47
Motor Bushing F280214	47
Motor Drip Shield F200216900	49
F200280700	47
Motor Pulley Bushing F280211P	49
Motor Support Bushing F200186100	47
Motor Support Rod Kit F730076	47

N/A items do not appear in index.

N

Nipple	
F420101.....	25, 27, 29, 31, 33, 35
F420103.....	25, 27, 29, 31, 33
F420105.....	25, 27, 29, 31, 33, 35
F420107.....	31, 33, 35
F420708.....	53
F420710.....	53
F420719.....	53
F421306.....	29, 31, 33, 35
F421949.....	25, 27
No-Swivel Coupling	
F422109.....	41
Nut	
F430205.....	21, 39, 41
F430206.....	21
F430211.....	45
F430212.....	39
F430215.....	39, 43, 45, 51
F430218.....	21
F430231.....	11, 13, 15, 43, 51
F430233.....	47
F430264.....	45
F431000.....	7, 11, 13, 17
F431002.....	43
F431005.....	23
F431022.....	17, 41
F431026.....	7, 13, 41, 43
F431804.....	45
F431806.....	9
44087301.....	21
802292.....	23

O

O-Ring	
F0170221-00.....	27, 33, 35
F170200.....	41
F170208.....	23
F170215.....	23
Output Board Cover	
F0170427-00.....	9
Output CCA	
F0370442-10P.....	15
F037044860-2.....	9
Overflow Plug	
F150352.....	37

P

Personal Injury Warning Decal	
F231065.....	5, 17
Phillips Bit	
F704904.....	55
Pin	
F430415.....	45
Pipe	
F0602364-10.....	37
F0602364-25.....	37
F0602365-01.....	37
F0602365-22.....	37

Pipe Insulation	
F410300.....	53
Plug	
F0200237-00.....	39
F200202600.....	53
F420408.....	29
F420409.....	53
Plug Cap	
F190304.....	23
Plug Removal Warning Decal	
F0230112-00.....	39
Pop Rivet	
F431210.....	37, 39, 43
Program Key	
F370709.....	17
Pulley	
F280132.....	49
F280146.....	47
F280299.....	49
F280408.....	49
F280410.....	47, 49
Pulley Bushing	
F280297.....	49
F280298P.....	49
Push Decal	
F230303.....	43
Push Handle Kit	
F746201-1.....	43

R

RC Network Filter	
F330217P.....	43
Rear Bearing Kit	
F745010.....	47, 49
Rear Panel	
F200187900P.....	45
Reducer Bushing	
F422602.....	37
Repair Kit	
F380965P.....	31
Resistor	
F370116.....	17
Ribbon Cable	
F140219P.....	13, 15
F140247.....	7, 9
Ring Retainer	
F310206.....	41
Rotation Decal	
F230607.....	41
Rotation Sensor Assembly	
F200126200P.....	21
Rotation Sensor Assembly Harness	
F200126201.....	21
Rotation Sensor Bracket	
F200122502.....	21
Rotation Sensor PCB	
F200101300P.....	21
Rotation Sensor Retrofit Kit	
F079900801P.....	21
Rub Rail	
F150408.....	45

N/A items do not appear in index.

S

Screw

F0430272-00.....	55	F0634436-03.....	39
F0430273-00.....	55	Side Panel	
F0430274-00.....	55	F635648P.....	45
F0430275-00.....	55	Side Panel Bracket	
F430103.....	41	F601982.....	45
F430116.....	49	Side Panel Cover	
F430168.....	43	F606667.....	45
F430174.....	13	Signal Light	
F430502.....	41	F350404.....	17
F430518.....	39	Slinger	
F430903.....	9, 15, 17	F100203.....	39
F430909.....	43	Snap Bushing	
F430910.....	11, 15, 17, 51	F140938.....	7, 19
F430916.....	43	Soap Dispenser Hose	
F430917.....	7, 13, 23, 41, 43	F150309.....	37
F430920.....	11	Soap Dispenser Shroud Weldment	
F430921.....	45	F8024301.....	23
F430924.....	39	Solenoid Spacer	
F430927.....	21, 43	F609728.....	43
F430928.....	7, 9, 13, 15	Spanner Bit	
F430935.....	39, 53	F704907.....	55
F430938.....	17, 27, 33, 35, 51	Sponge	
F430956.....	43, 45	F170110.....	45
F430960.....	55	Spray Plumbing Assembly	
F430992.....	39	F0637633-01.....	27
F430995.....	11, 43	F0637633-03.....	27
F430996.....	43	F633150-1.....	25
F431702.....	9	F633150-5.....	25
F432234.....	45	Spray Rinse Bracket Assembly	
F432259.....	55	F602901P.....	39, 41
F432260.....	55	Spray Rinse Hose Assembly	
F8111101.....	21	F730026.....	41
F8122701.....	21	Spray Rinse Nozzle Kit	
F8136401.....	7, 13	F730077.....	41
70240301.....	7, 13, 45	Spray Rinse Strap	
800461.....	21, 39, 49	F602880.....	41
Scupper		Spray Rinse Tube Assembly	
F150389.....	37, 39	F603696-9.....	41
Seal Alignment Fixture Assembly		Spring	
F200274700.....	57	F310127.....	47
Seal Kit		Standoff	
F798819-00.....	39	F180501.....	9, 21
Shell Band Assembly		F180506.....	15
F603344P.....	39	Steam Bracket Weldment	
Shell Band Fastener Kit		F635634.....	53
F791001.....	39	Steam Filter	
Shell Band Gasket		F270307.....	53
F170120RP.....	39	Steam Hose	
Shell Front Assembly		F200517.....	53
F200119900P.....	39	Steam Injector Tube Assembly	
Shell Front Weldment		F603131.....	53
F609200P.....	39	Steam Plumbing Assembly	
Shell Gasket Shield		F635653P.....	53
F601216.....	39	Steam Valve	
Shell Mounting Bracket		F380787P.....	53
F601806.....	39	Strain Relief Adapter Kit	
Shell Reinforcement Plate Kit		F749802.....	23
F741600.....	37, 39	Strain Relief Connector	
Shell Weldment		F140340P.....	23
F0633208-05.....	39	Street Elbow	
F0633208-07.....	39	F420500.....	25, 27, 29, 31, 33, 35
F0634436-02.....	39	F420502.....	25, 29, 31, 33, 35
		F421703.....	53
		H86070034.....	53

N/A items do not appear in index.

Supply Dispenser Hazard Caution Decal F231436	5, 23
Supply Dispenser Spacer F0150525-00	23
Switch Mode Decal F0231632-01	17
F231581	17
Swivel Coupling F422108	41

T

Tee	
F420400	27, 29
F420401	25
F420402	31, 33, 35
F422801	37
F422803	37
F422806	7
Temperature Probe F370606P	21, 51
Terminal Block F140776	11, 17
This Machine Must Be Protected Decal F230301	5
Tie Wrap Mounting Clamp F140602	13
Top Latch Bracket Casting F150201	43
Torx Bit 281P4	55
Transformer F360156	53
Trim F170400RP	23, 45
Trim Seal F100284	45
Tube Connector F422106	25, 27
Tubing F200190P	47, 49
F422404P	7, 19

U

U-Bolt Clamp F200401P	25, 27, 29, 31, 33, 35, 53
--------------------------------	----------------------------

V

Vacuum Breaker F380117	37
Vacuum Breaker Cap F0380808-00	27, 33, 35
Vacuum Breaker Kit F0798922-00	27, 33, 35
Vacuum Breaker Valve F063754701P	27, 33, 35
F380800P	25, 29, 31
Valve F381701P	29, 31, 33, 35

N/A items do not appear in index.

F381703P	25, 27, 31, 33
Valve Repair Kit F380993P	31, 33
Valve, 4-Way F381723P	7, 19

W

Washer	
F430301	21, 39
F430304	47
F430310	47
F430311	51
F430317	39, 45
F430321	39
F430332	47, 49
F431100	23, 41, 43, 45
F431106	11, 17
F431108	7, 13, 17, 43
F431112	39
F431113	7, 13
F431116	39
F431118	43
F431123	7, 13
F431125	13
F431133	23
F431142	43
F431147	23
M400014	21, 39, 49
20290	25, 27, 29, 31, 33, 35
Water Hose	
F200107P	37, 39
F200111P	29, 31, 33, 35
F200164	25, 27, 29, 31, 33, 35
F200166	25, 27, 29, 31, 33, 35
F200509	29, 31, 33, 35
Water Level Switch F0340347-10P	7, 19
Water Pressure Switch F0340350-00	7
Water Valve Repair Kit F380991P	31, 33, 35
WE-6 Computer F370534-00P	13