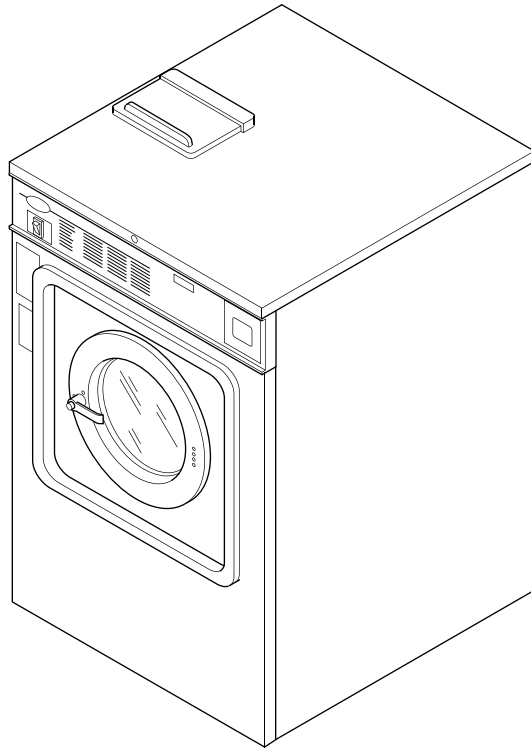


# Washer-Extractor

Cabinet Freestanding  
Refer to Page 3 for Model Numbers



U026P\_F232017



# Table of Contents

Title	Page
Parts Ordering Information.....	2
Nameplate Location .....	2
Model Identification .....	3
Decals .....	4
Control Module.....	6
AC Drive - 160 AC Drive .....	8
AC Drive - 1305 AC Drive .....	10
Panels .....	12
Upper Front Panel, Control Panel Decal and Controls .....	14
Supply Dispenser.....	16
Supply Dispenser Connections.....	18
Clamps and Hoses.....	20
Water Inlet Valves, Hoses and Vacuum Breaker .....	22
Door Assembly and Middle Front Cover .....	24
New Style Door Handle.....	26
Door Lock - Models Through 12/11/00 .....	28
Door Lock - Models Starting 12/11/00 .....	30
Basket, Shell and Shell Front.....	32
Temperature Probe and Air Trap Hose.....	34
Drain Valve, Hoses and Frame Assembly .....	36
Motor, Belt, Pulley and Suspension .....	38
Parts Index.....	41

© Copyright 2007, Alliance Laundry Systems LLC

All rights reserved. No part of the contents of this book may be reproduced or transmitted in any form or by any means without the expressed written consent of the publisher.

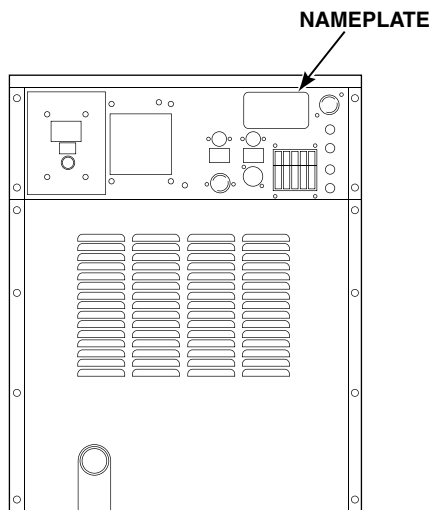
## Parts Ordering Information

If literature or replacement parts are required, contact the source from whom the machine was purchased or contact Alliance Laundry Systems at (920) 748-3950 for the name and address of the nearest authorized parts distributor.

For technical assistance, call (920) 748-3121.

## Nameplate Location

When calling or writing about your product, be sure to mention model and serial numbers. Model and serial numbers are located on nameplate(s) as shown.



U098P\_F232017

## Model Identification

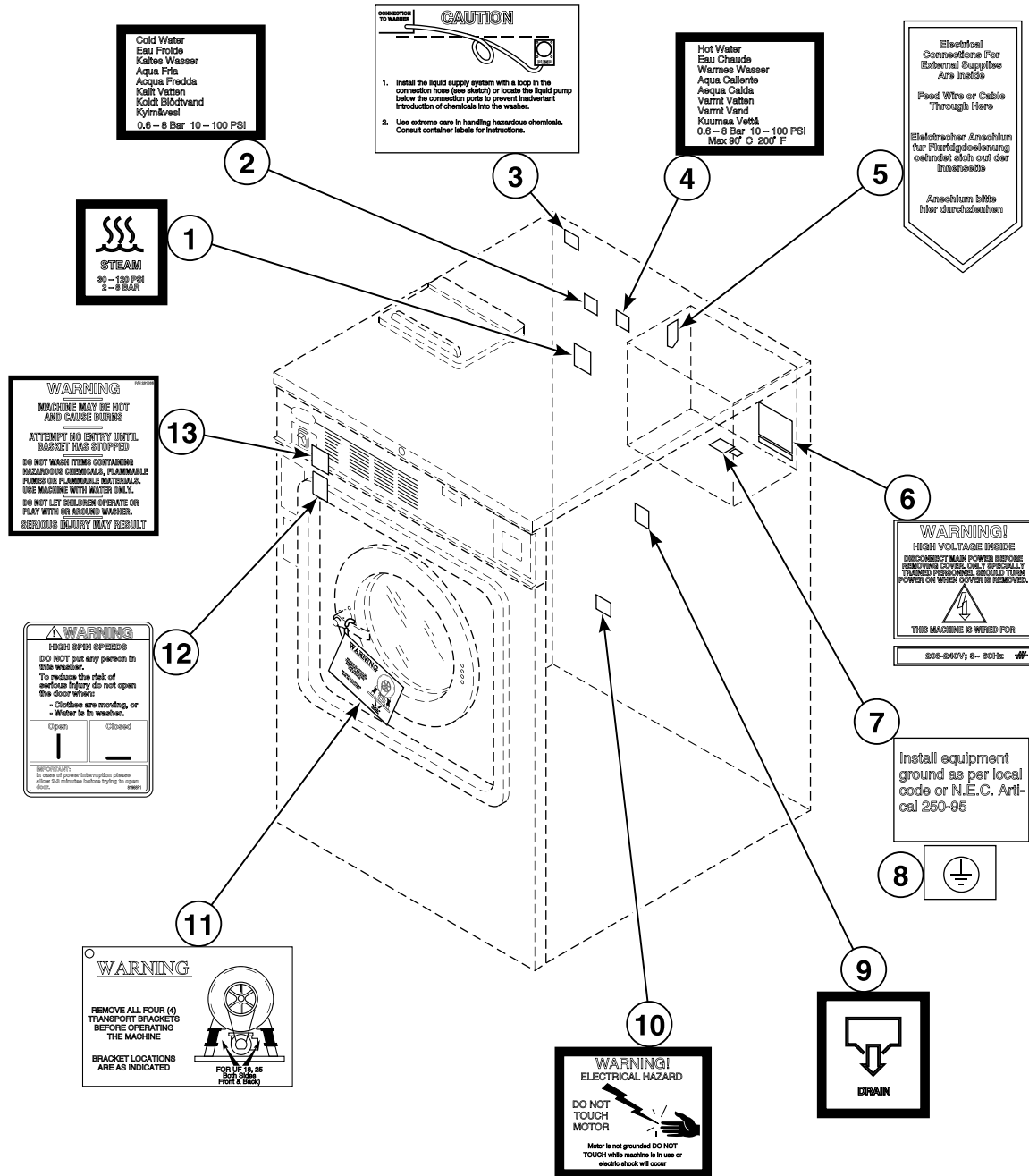
Information in this manual is applicable to these washer-extractor models:

HF18VNV  
HF25VNV

SF18VNV  
SF25VNV

UF18VNV  
UF25VNV

# Decals



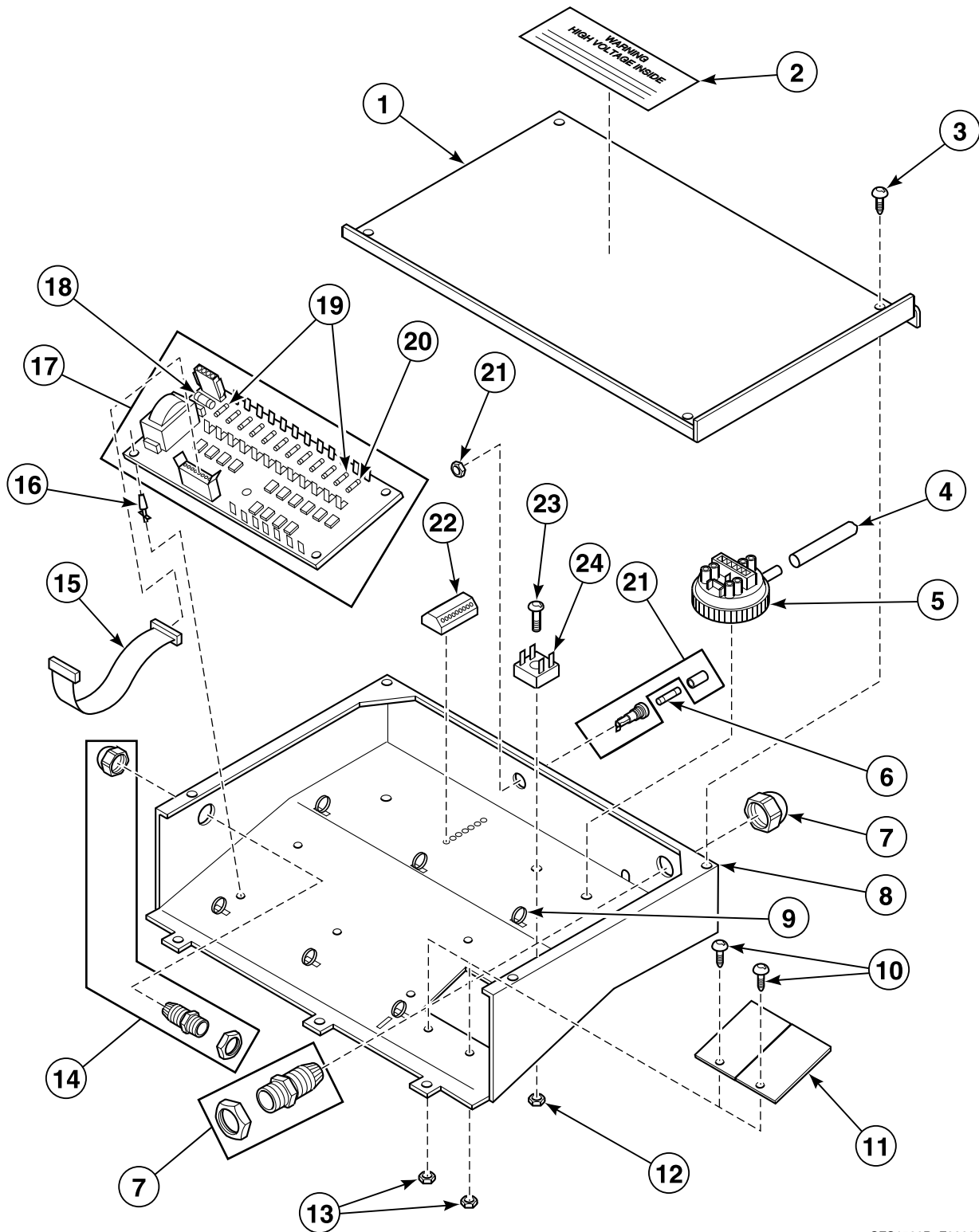
CFS1935P\_F232017

# Decals

REF	PART NO.	DESCRIPTION	COMMENTS
1	F231147	Steam Decal	
2	F230857	Cold Water Decal	
3	F230877	Liquid Supply Decal	
4	F230856	Hot Water Decal	
5	N/A	Electric Warning Decal	
6	505281	Disconnect Power Warning Label	
7	F230630	Ground Decal	
8	F230739	Ground Decal	
9	F231150	Drain Decal	
10	F230831	Electric Hazard Warning Decal	
11	F230560	Remove Transformer Bracket Warning Tag	
12	81968	Door Warning Label	
13	F231065	Personal Injury Warning Decal	

**N/A = Part no longer available**

# Control Module



CFS1520P\_F232017

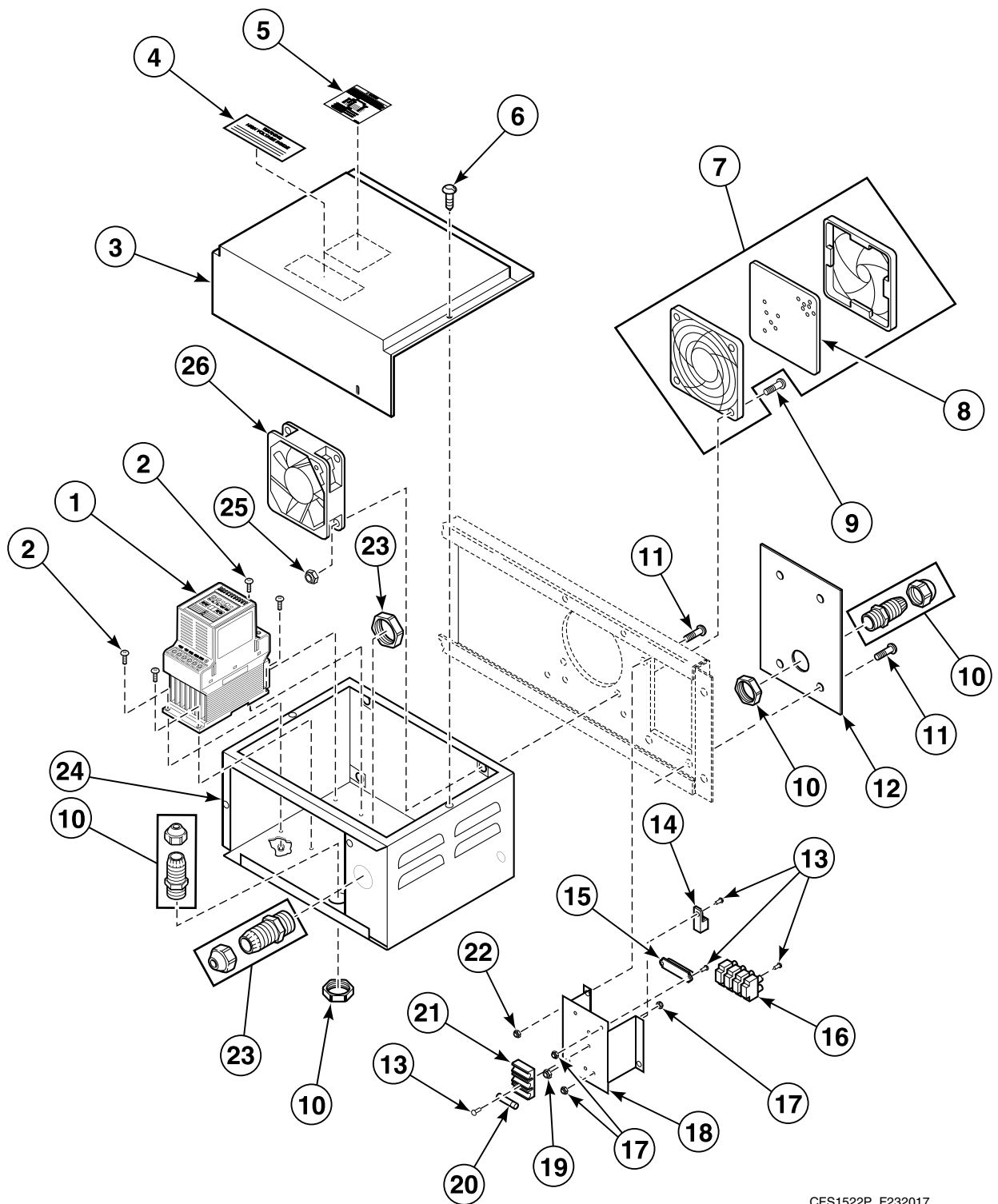


# Control Module

REF	PART NO.	DESCRIPTION	COMMENTS
1	F609487	Electrical Panel Cover	
2	505281	Disconnect Power Warning Label	
3	F430174	Screw	
4	F200142	Air Trap Hose	
5	F0340343-10P	Water Level Switch	
	F0340350-00	Water Pressure Switch	Heat safety
6	F350131	Fuse	2 Amp
7	F140224	Strain Relief Connector	PG29
8	F609486	Electrical Box	
9	00445SG	Spade Terminal	
10	F430928	Screw	
11	N/A	Coin Drop Cover	
12	F430220	Nut	
13	F430231	Nut	
14	F140331	Strain Relief Connector	PG21
15	F140247	Ribbon Cable	26 pin; 8 inches
16	F180501	Standoff	
17	F370447P	Output Board CCA	
18	F350108	Fuse	1/8 Amp
19	F350109	Fuse	1/2 Amp
20	F350110	Fuse	1 Amp
21	F350304P	Fuse Holder	
22	F140883	Jumper	
23	F430994	Screw	
24	F370310	Bridge Rectifier	

**N/A = Part no longer available**

# AC Drive - 160 AC Drive

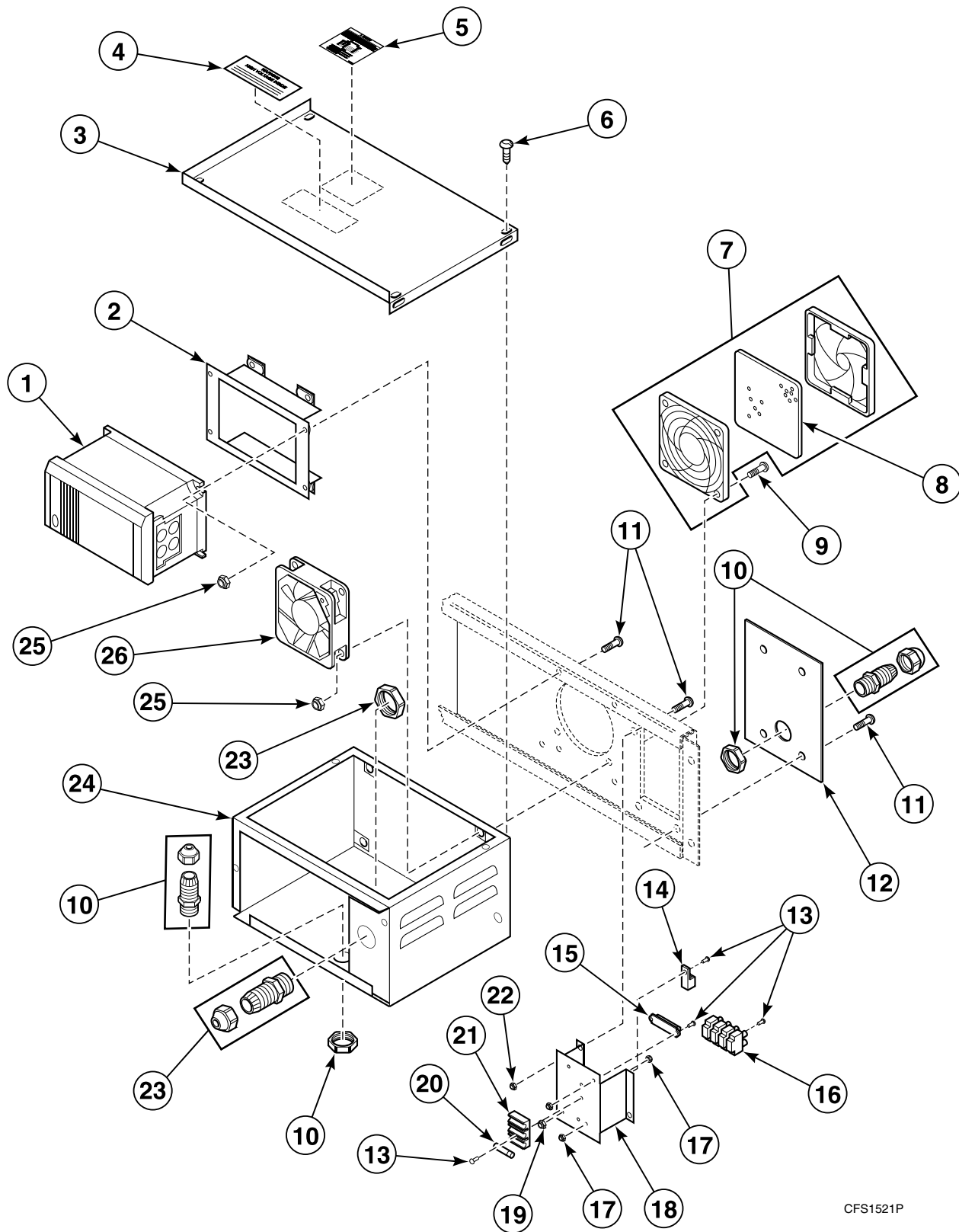


CFS1522P\_F232017

## AC Drive - 160 AC Drive

REF	PART NO.	DESCRIPTION	COMMENTS
1	F370855	Inverter Drive	Models HF18VNV, SF18VNV and UF18VNV; Q and T-voltage models
	F370856	Inverter Drive	Models HF18VNV, SF18VNV and UF18VNV; P-voltage models
	F370857	Inverter Drive	Models HF25VNV, SF25VNV and UF25VNV; Q and T-voltage models
	F370858	Inverter Drive	Models HF25VNV, SF25VNV and UF25VNV; P-voltage models
2	F430976	Screw	
3	F0634847-00	AC Drive Box Cover	
4	F231416	AC Drive Caution Decal	
5	F231299	Control Transformer Decal	
6	F430174	Screw	
7	F220900	Filter Retainer Guard	
8	F200318900	Filter	
9	F430910	Screw	
10	F140329	Strain Relief Connector	PG13.5
11	F430929	Screw	
12	F609484	Connection Box Cover	
13	F430938	Screw	
14	F140734	Ground Terminal Lug	
15	F140766	Terminal	8 place
16	F140747	Input Power Block	
17	F430231	Nut	
18	F609483	Connection Box	
19	F430232	Nut	
20	F350128	Fuse	
21	F350304P	Fuse Holder	
22	F431005	Nut	
23	F140331	Strain Relief Connector	PG21
24	F634848	AC Drive Box Assembly	
25	F430215	Nut	
26	F110106	Muffin Fan	1.5 inch; 102 cubic feet per minute
	F220899	Fan	1 inch; 77 cubic feet per minute

# AC Drive - 1305 AC Drive

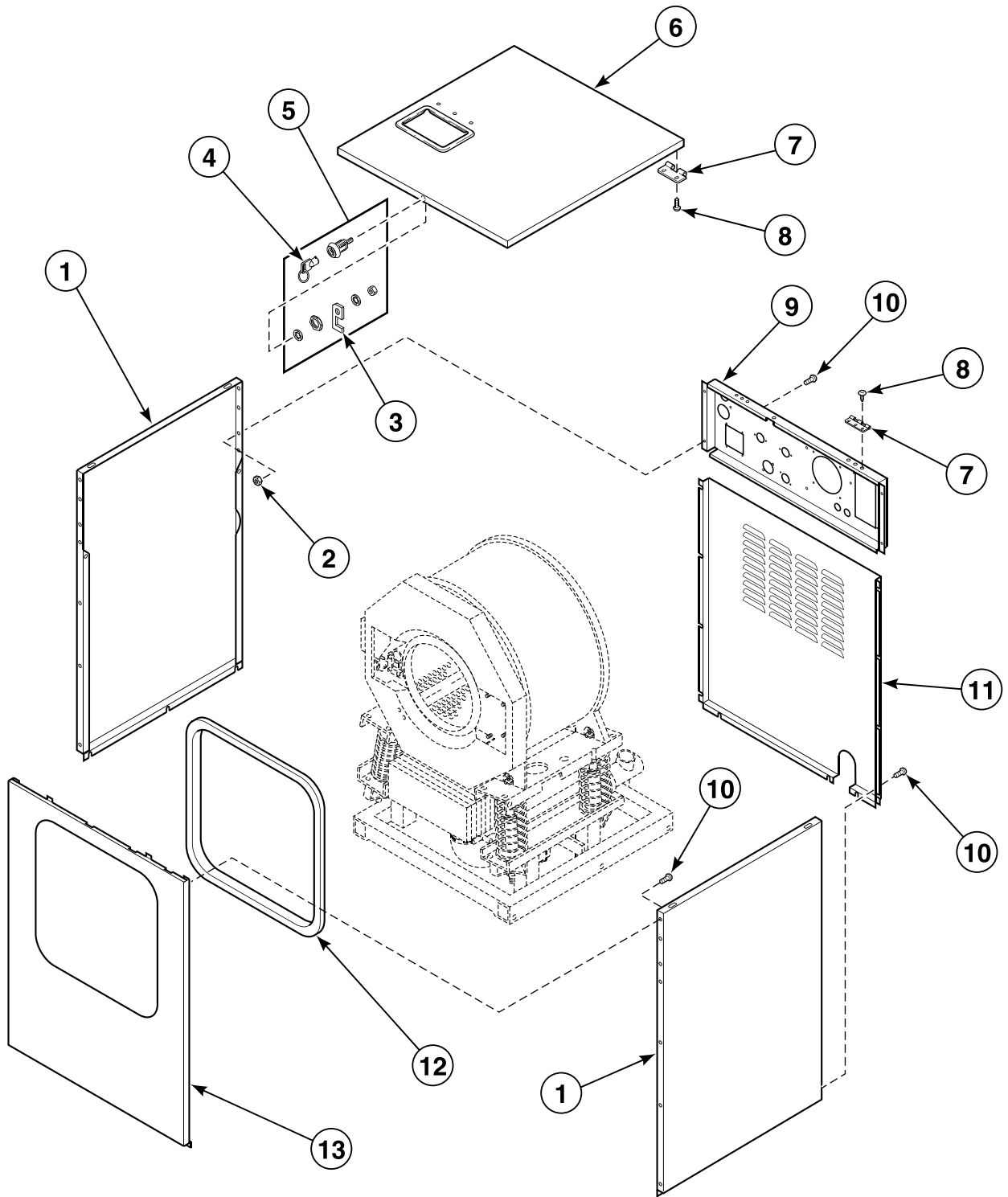


CFS1521P

## AC Drive - 1305 AC Drive

REF	PART NO.	DESCRIPTION	COMMENTS
1	F370811	Inverter Drive	Models HF18VNV, SF18VNV and UF18VNV; Q and T-voltage models
	F370812	Inverter Drive	Models HF18VNV, SF18VNV and UF18VNV; P-voltage models
	F370813	Inverter Drive	Models HF25VNV, SF25VNV and UF25VNV; Q and T-voltage models
	F370858	Inverter Drive	Models HF25VNV, SF25VNV and UF25VNV; P-Voltage models
2	F609489	AC Drive Mounting Bracket	Models HF18VNV, SF18VNV and UF18VNV
	F609563	AC Drive Mounting Bracket	Models HF25VNV, SF25VNV and UF25VNV
3	F609487	Electrical Panel Cover	
4	F231416	AC Drive Caution Decal	
5	F231299	Control Transformer Decal	
6	F430174	Screw	
7	F220900	Filter Retainer Guard	
8	F200318900	Filter	
9	F430910	Screw	
10	F140329	Strain Relief Connector	PG13.5
11	F430929	Screw	
12	F609484	Connection Box Cover	
13	F430938	Screw	
14	F140734	Ground Terminal Lug	
15	F140766	Terminal	8 place
16	F140747	Input Power Block	
17	F430231	Nut	
18	F609483	Connection Box	
19	F430232	Nut	
20	F350128	Fuse	
21	F350304P	Fuse Holder	
22	F431005	Nut	
23	F140331	Strain Relief Connector	PG21
24	F634848	AC Drive Box Assembly	
25	F430215	Nut	
26	F110106	Muffin Fan	1.5 inch; 102 cubic feet per minute
	F220899	Fan	1 inch; 77 cubic feet per minute

# Panels



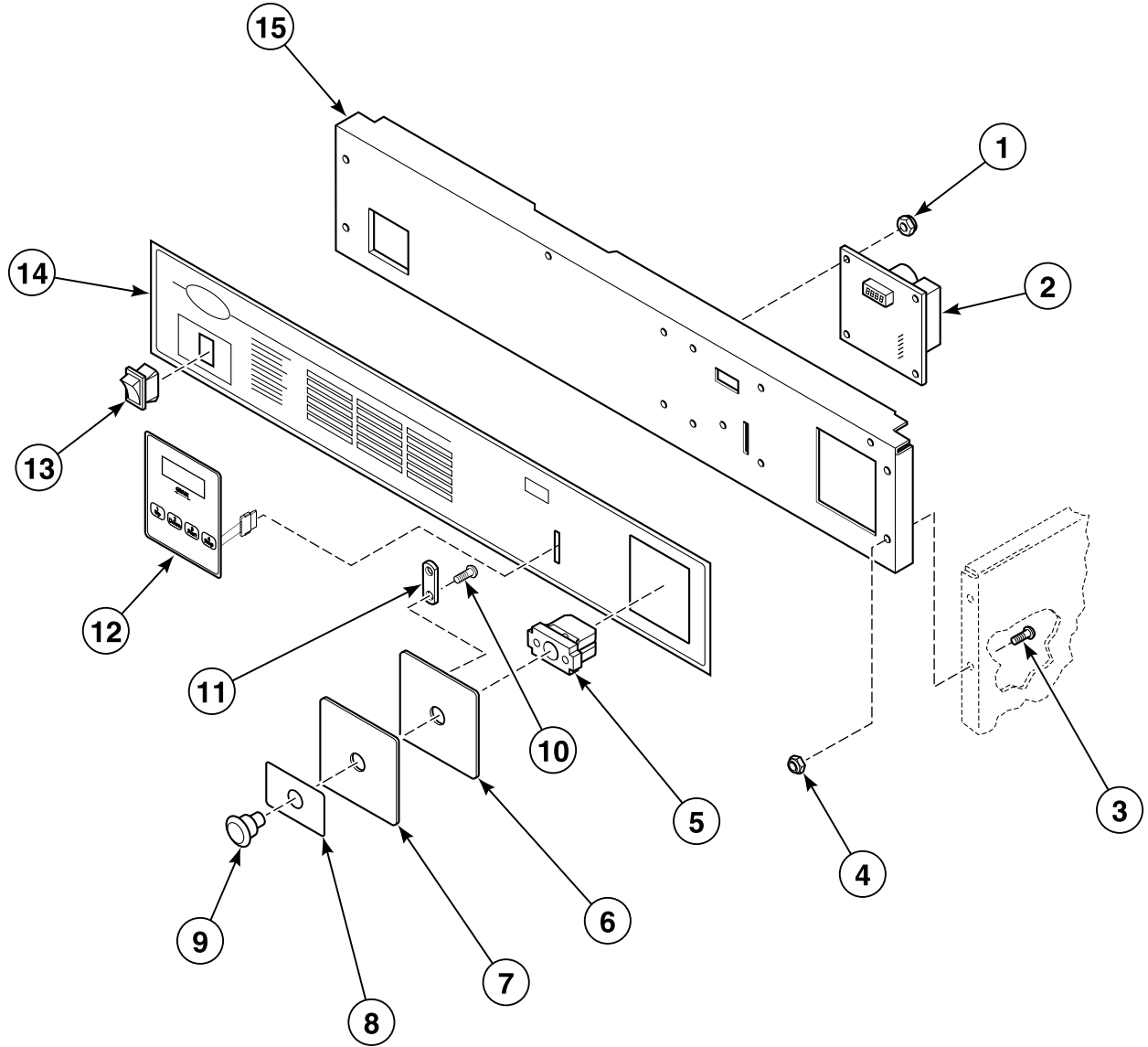
CFS1897P\_F232017

# Panels

REF	PART NO.	DESCRIPTION	COMMENTS
1	F609478	Side Panel	Models HF18VNV, SF18VNV and UF18VNV
	F609573	Side Panel	Models HF25VNV, SF25VNV and UF25VNV
2	F431024	Nut	
3	F602753	Top Cover Latch	
4	F160562	Key	
5	F190802P	Lid Lock	Includes items 3 and 4
6	F632976	Top Cover Assembly	Models HF18VNV, SF18VNV and UF18VNV
	F632976-1	Top Cover Assembly	Models HF25VNV, SF25VNV and UF25VNV
7	F190203P	Take-Apart Hinge	
8	F430174	Screw	
9	N/A	Valve Panel	Models HF18VNV, SF18VNV and UF18VNV
	N/A	Valve Panel	Models HF25VNV, SF25VNV and UF25VNV
10	F430925	Screw	
11	F609477	Rear Cover	Models HF18VNV, SF18VNV and UF18VNV
	F609568	Rear Cover	Models HF25VNV, SF25VNV and UF25VNV
12	F170180P	Front Cover Gasket	
13	F609480	Front Cover	Models HF18VNV, SF18VNV and UF18VNV
	F609572	Front Cover	Models HF25VNV, SF25VNV and UF25VNV

**N/A = Part no longer available**

# Upper Front Panel, Control Panel Decal and Controls



CFS1898P\_F232017

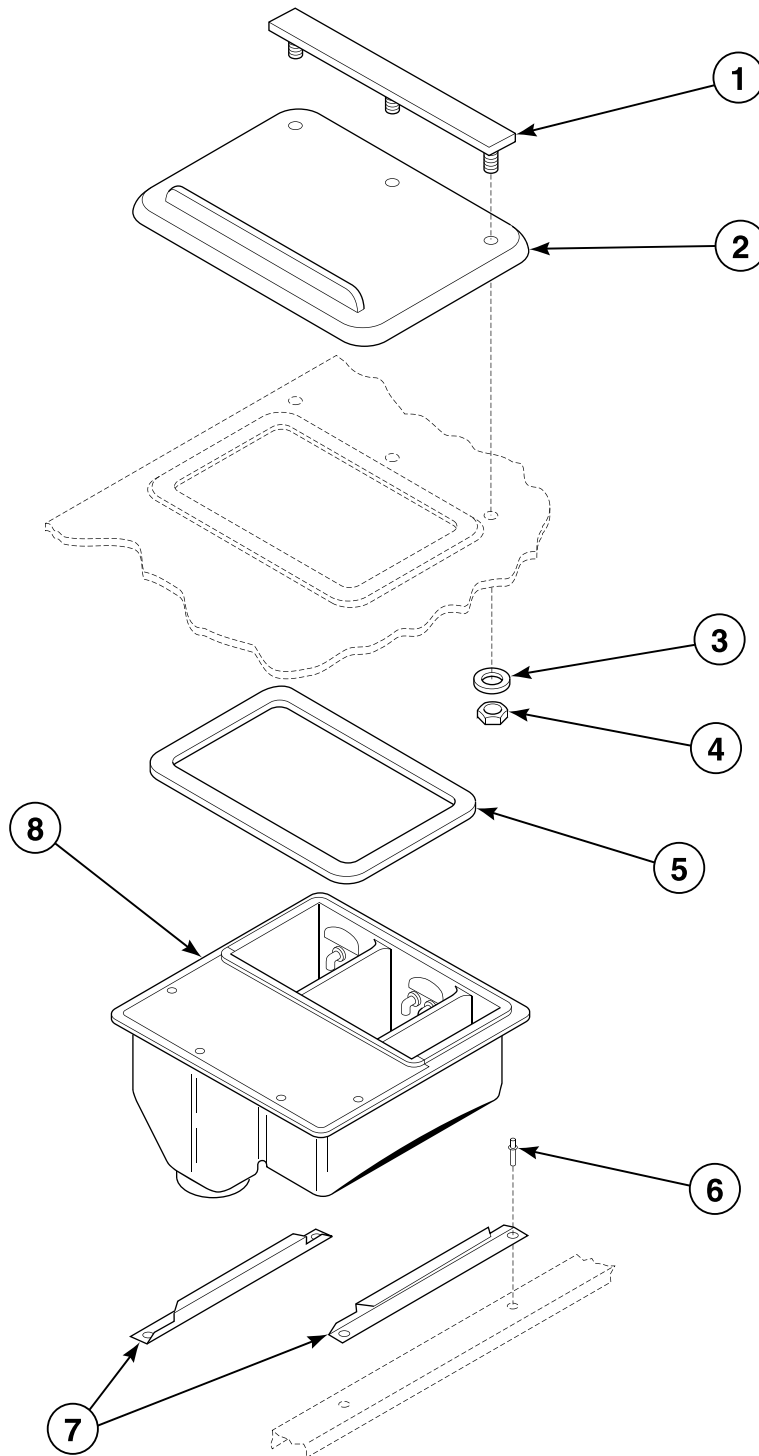


## Upper Front Panel, Control Panel Decal and Controls

REF	PART NO.	DESCRIPTION	COMMENTS
1	F430231	Nut	
2	F370313-10P	V-Series Microcomputer Board Kit	
3	F430925	Screw	
4	F431024	Nut	
5	F340445	Contact Block Switch	800E-series
	F200233401	Contact Block Switch	800F-series
6	F609512	Emergency Stop Weldment	
7	N/A	Panel Decal	
8	F231083	Emergency Stop Decal	
9	F340718	Emergency Stop Pushbutton	800E-series
	F200233500	Emergency Stop Pushbutton	800F-series
	F200233700P	Emergency Stop Button Kit	800E-series to 800F-series conversion; Includes F200233500 Emergency Stop Pushbutton and F200233401 Contact Block Switch
10	F430986	Screw	
11	F601515	Clip	
12	F370576P	Keypad	
13	F340412	Momentary Switch	
14	F231159	Control Panel Decal	Model SF18VNV; Models through 2/00; May be used on models made after 2/00
	N/A	Control Panel Decal	Model SF18VNV; Icon; Models starting 2/00
	F231160	Control Panel Decal	Model SF25VNV; Models through 2/00; May be used on models made after 2/00
	N/A	Control Panel Decal	Model SF25VNV; Models starting 2/00
	N/A	Control Panel Decal	Model UF18VNV; United States; Models through 2/00; May be used on models made after 2/00
	N/A	Control Panel Decal	Model UF18VNV; European; Models through 2/00; May be used on models made after 2/00
	N/A	Control Panel Decal	Model UF18VNV; Models starting 2/00
	N/A	Control Panel Decal	Model UF18VNV; Icon; Models starting 2/00
	F231402	Overlay	Model UF25VNV; United States; Models through 2/00; May be used on models made after 2/00
	F231145	Control Panel Decal	Model UF25VNV; European; Models through 2/00; May be used on models made after 2/00
	F0231583-03	Control Panel Decal	Model UF25VNV; Models starting 2/00
	N/A	Control Panel Decal	Model UF25VNV; Icon; Models starting 2/00
	F231240	Control Panel Decal	Model HF18VNV
	F231242	Control Panel Decal	Model HF25VNV
15	N/A	Control Panel	Models HF18VNV, SF18VNV and UF18VNV
	N/A	Control Panel	Models HF25VNV, SF25VNV and UF25VNV

**N/A = Part no longer available**

# Supply Dispenser

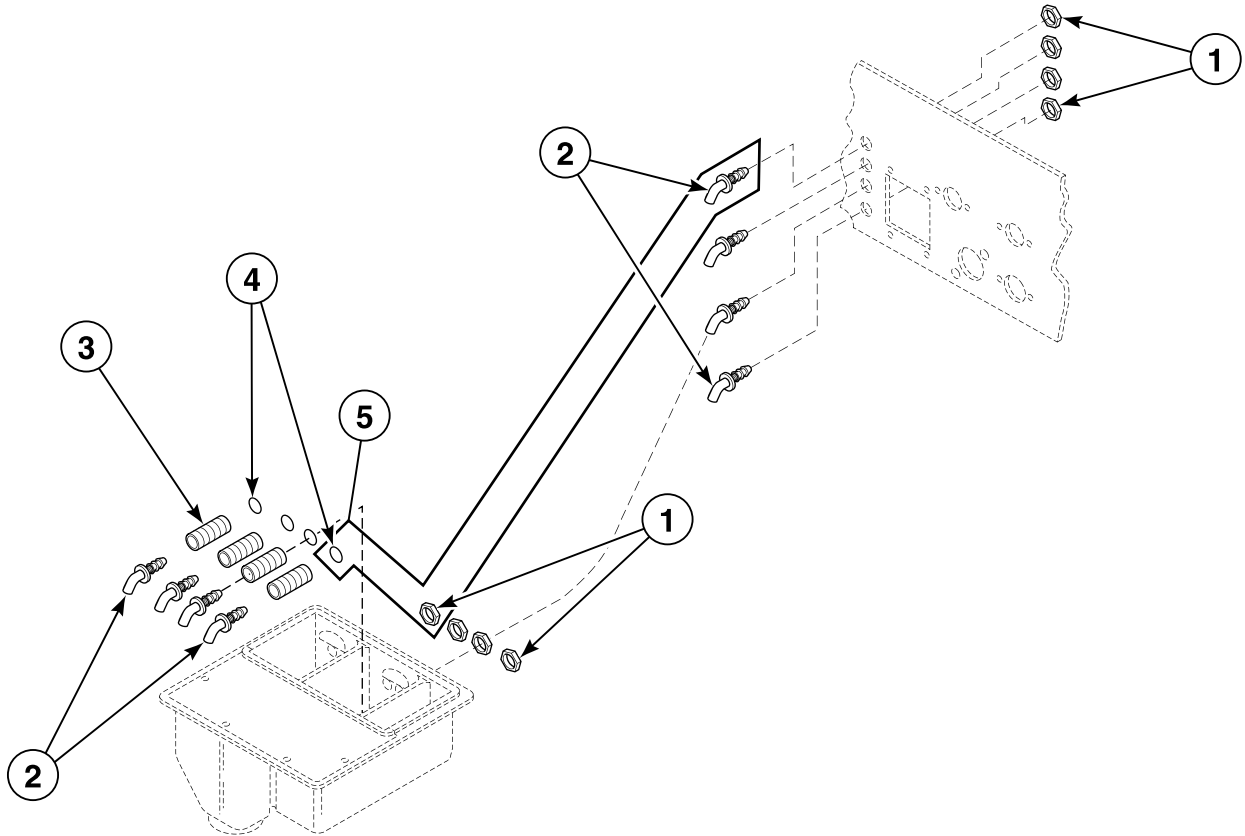


U027P\_F232017

# Supply Dispenser

REF	PART NO.	DESCRIPTION	COMMENTS
1	F630430	Lid Clamp Assembly	
2	F200270501	Supply Dispenser Lid	
3	F430317	Washer	
4	F431005	Nut	
5	F170170	Supply Dispenser Gasket	
6	F431215	Pop Rivet	
7	F602722	Mounting Bracket	
8	F602374-2	Soap Dispenser	4 nozzle
	F602374-3	Supply Dispenser	5 nozzle

# Supply Dispenser Connections

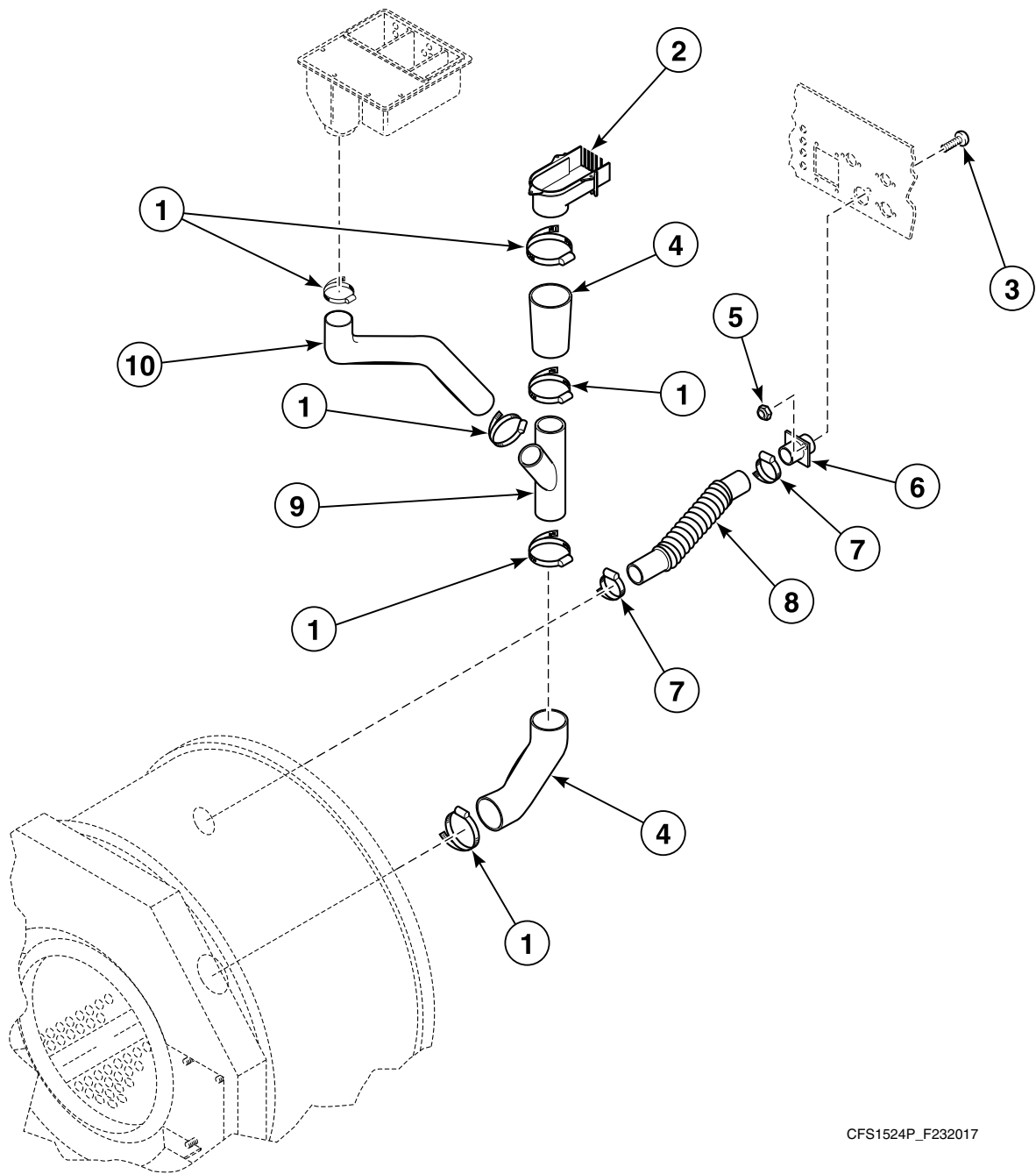


CFS897P\_F232017

# Supply Dispenser Connections

REF	PART NO.	DESCRIPTION	COMMENTS
1	F430224	Nut	
2	F380300	Injection Nozzle	
3	F190303	Cap	Remove for chemical dispenser hookup
4	F170208	O-Ring	
5	F730168	Injection Nozzle Kit	Includes items 1, 2 and 4

# Clamps and Hoses

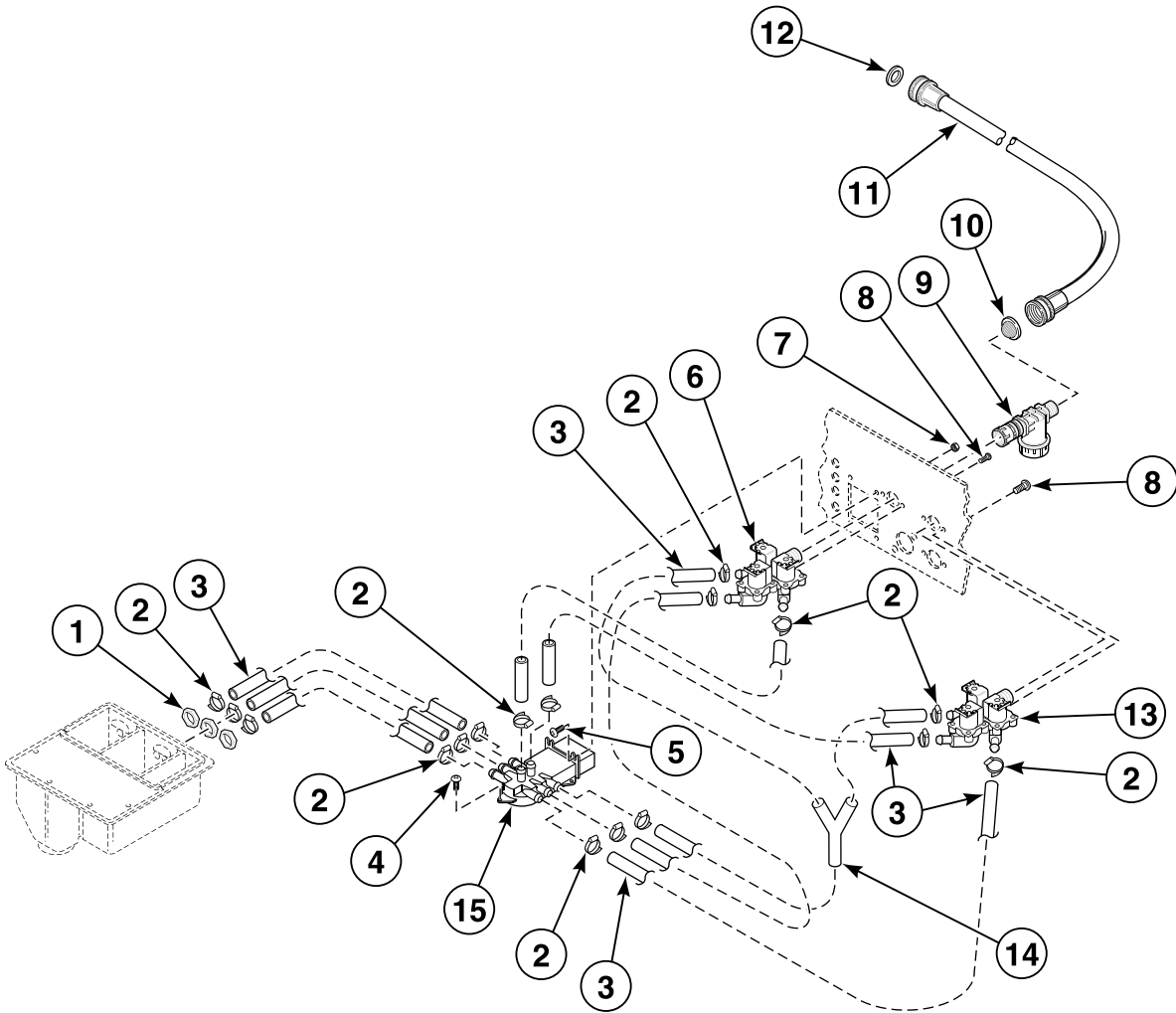


CFS1524P\_F232017

## Clamps and Hoses

REF	PART NO.	DESCRIPTION	COMMENTS
1	F200213	Hose Clamp	No. 40
2	F150330	Vacuum Breaker Bottom	
3	F430925	Screw	
4	F150436	Fill Hose	
5	F431024	Nut	
6	F422517	Vent Nipple	
7	F200204	Hose Clamp	No. 20
8	F200170	Vent Hose	
9	F421612	Wye	
10	F150454	Supply Hose	

# Water Inlet Valves, Hoses and Vacuum Breaker



CFS1899P\_F232017

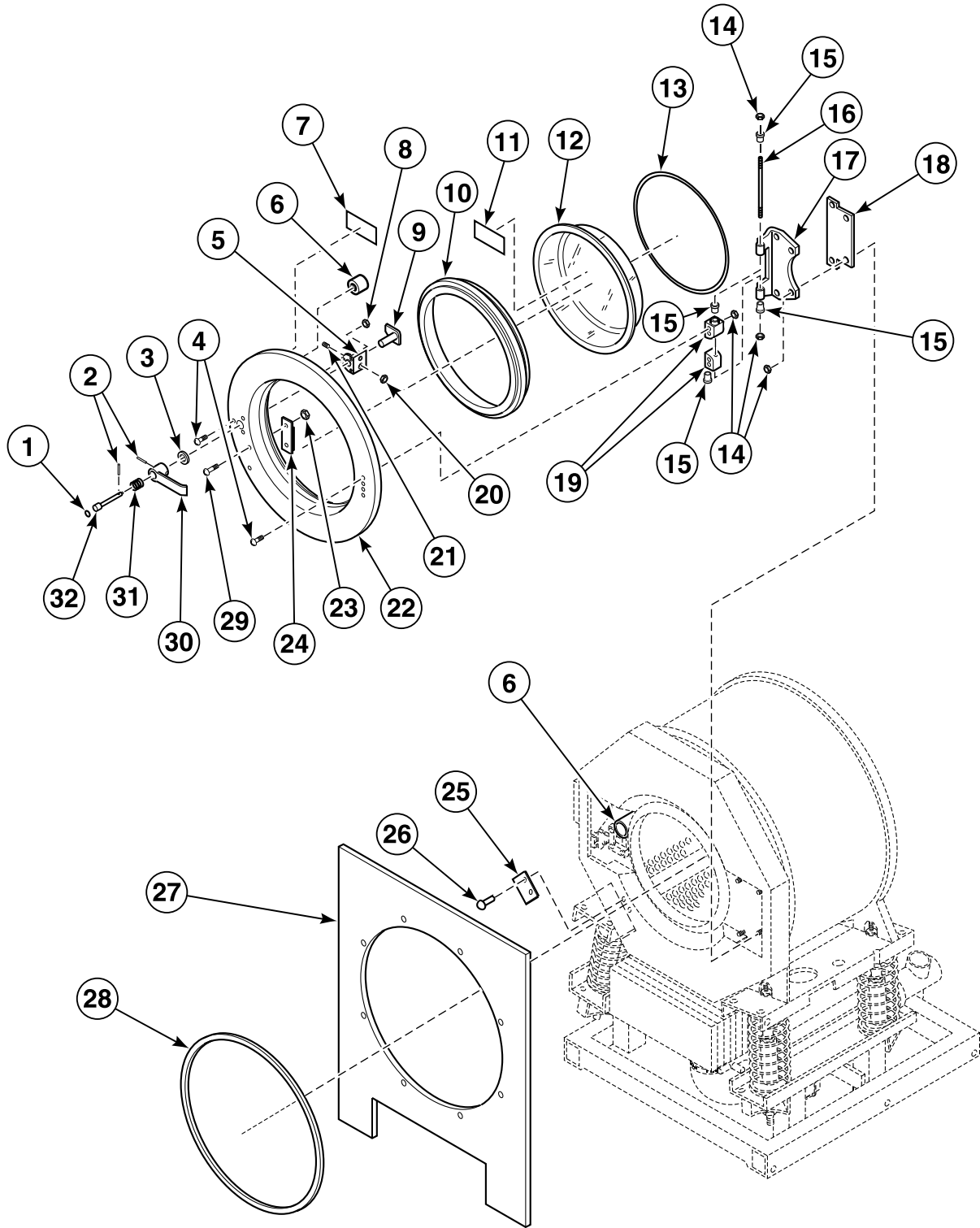


## Water Inlet Valves, Hoses and Vacuum Breaker

REF	PART NO.	DESCRIPTION	COMMENTS
1	F430224	Nut	
2	36801	Hose Clamp	No. 8
3	F200108P	Water Hose	Order 2 feet per hose
4	F430174	Screw	
5	F430976	Screw	
6	F381720P	3-Way Valve	120 Volt; Standard thread; Cold
	F381725P	3-Way Valve	120 Volt; Metric thread; Cold
	F381718P	3-Way Valve	220 Volt; Metric thread; Cold
	N/A	Valve Repair Kit	
7	F430232	Nut	
8	F430948	Screw	
9	F270306P	Filter	Optional
10	F270300	Filter Screen	
11	F200164	Water Hose	
12	20290	Washer	
13	F381728P	3-Way Valve	120 Volt; Standard thread; Hot; Includes flow restrictor
	F381725P	3-Way Valve	120 Volt; Metric thread; Hot; Includes flow restrictor
	F380727P	1-Way Valve	220 Volt; Metric thread; Hot; Includes flow restrictor
	N/A	Valve Repair Kit	
14	F422808	Y Connector	
15	F0150329-00	Vacuum Breaker Top	

**N/A = Part no longer available**

# Door Assembly and Middle Front Cover



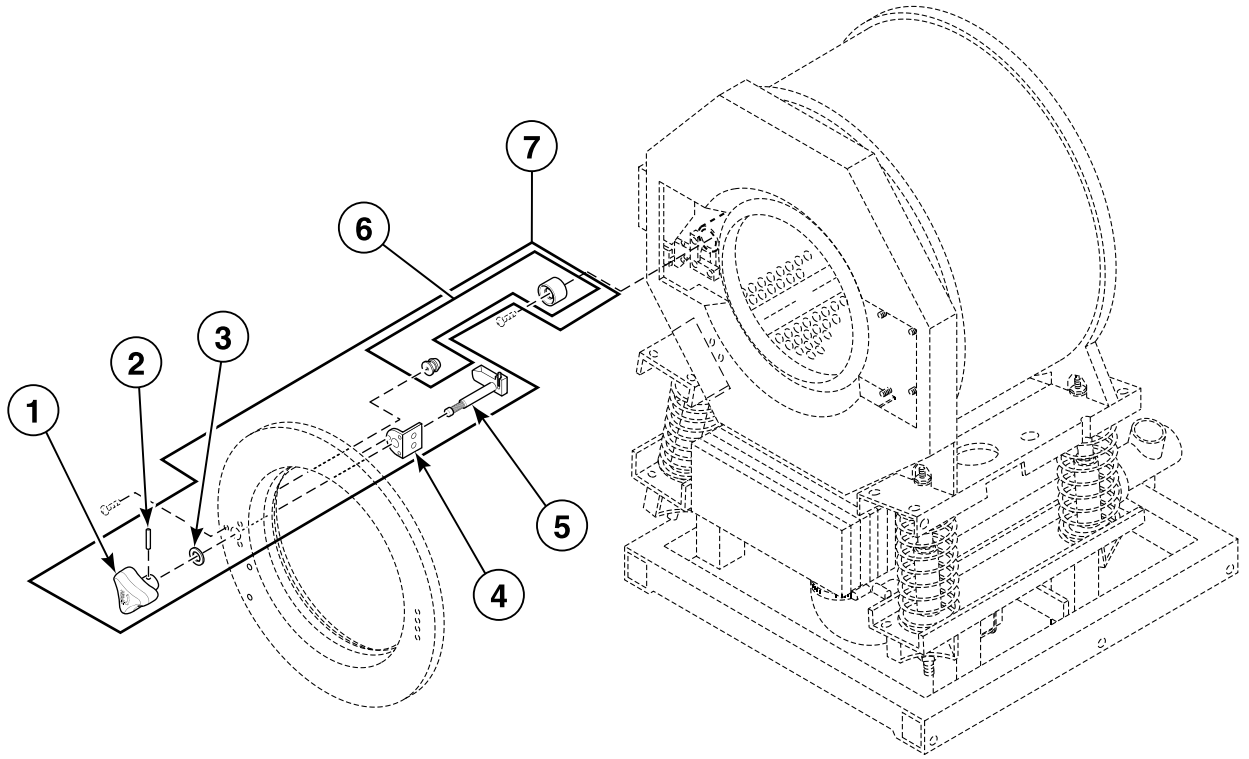
CFS1531P\_F232017

## Door Assembly and Middle Front Cover

REF	PART NO.	DESCRIPTION	COMMENTS
1	F230662	Red Dot Decal	
2	F431222	Spring Pin	
3	F431916	Washer	
4	F430976	Screw	
5	F432305	Door Holder Spacer	
6	F150267P	Door Holder	
7	F230661	Push Red Button Decal	
8	F430232	Nut	
9	F730155	Door Handle Kit	Includes items 1-3, 20, 21, 31, F0150273-00 Door Spacer and F200095500 Latch Arm Sub-Assembly
10	F200000201	Door Gasket	Models HF18VNV, SF18VNV and UF18VNV
	F170123-1	Door Gasket	Models HF25VNV, SF25VNV and UF25VNV
11	F230693	Counterclockwise Spin Rotation Decal	
12	F290205P	Door Glass Kit	Models HF18VNV, SF18VNV and UF18VNV
	F290207P	Door Glass Kit	Models HF25VNV, SF25VNV and UF25VNV
13	F170209	O-Ring	Models HF18VNV, SF18VNV and UF18VNV
	F170219	O-Ring	Models HF25VNV, SF25VNV and UF25VNV
14	F431024	Nut	
15	F100160	Bearing	
16	F630794	Door Hinge Rod	
17	F633791P	Door Hinge	
18	F200131000P	Door Hinge Shim Kit	Includes 2 shims
19	F633790	Door Mount	
20	F431041	Nut	
21	F430532	Screw	Models HF18VNV, SF18VNV and UF18VNV
	F430533	Screw	Models HF25VNV, SF25VNV and UF25VNV
22	F602431-3	Door Stamping	Models HF18VNV, SF18VNV and UF18VNV
	N/A	Door Stamping	Models HF25VNV, SF25VNV and UF25VNV
23	F430231	Nut	
24	F340703	Magnet	
25	F300128P	Door Release Solenoid	
26	F431215	Pop Rivet	
27	F609494	Middle Front Cover	Models HF18VNV, SF18VNV and UF18VNV
	F630596	Middle Front Cover	Models HF25VNV, SF25VNV and UF25VNV
28	F015050100P	Trim	
29	F430916	Screw	
30	F150225	Door Handle	
31	F310125	Door Lock Spring	
32	F320300	Pushbutton Rod	

N/A = Part no longer available

# New Style Door Handle

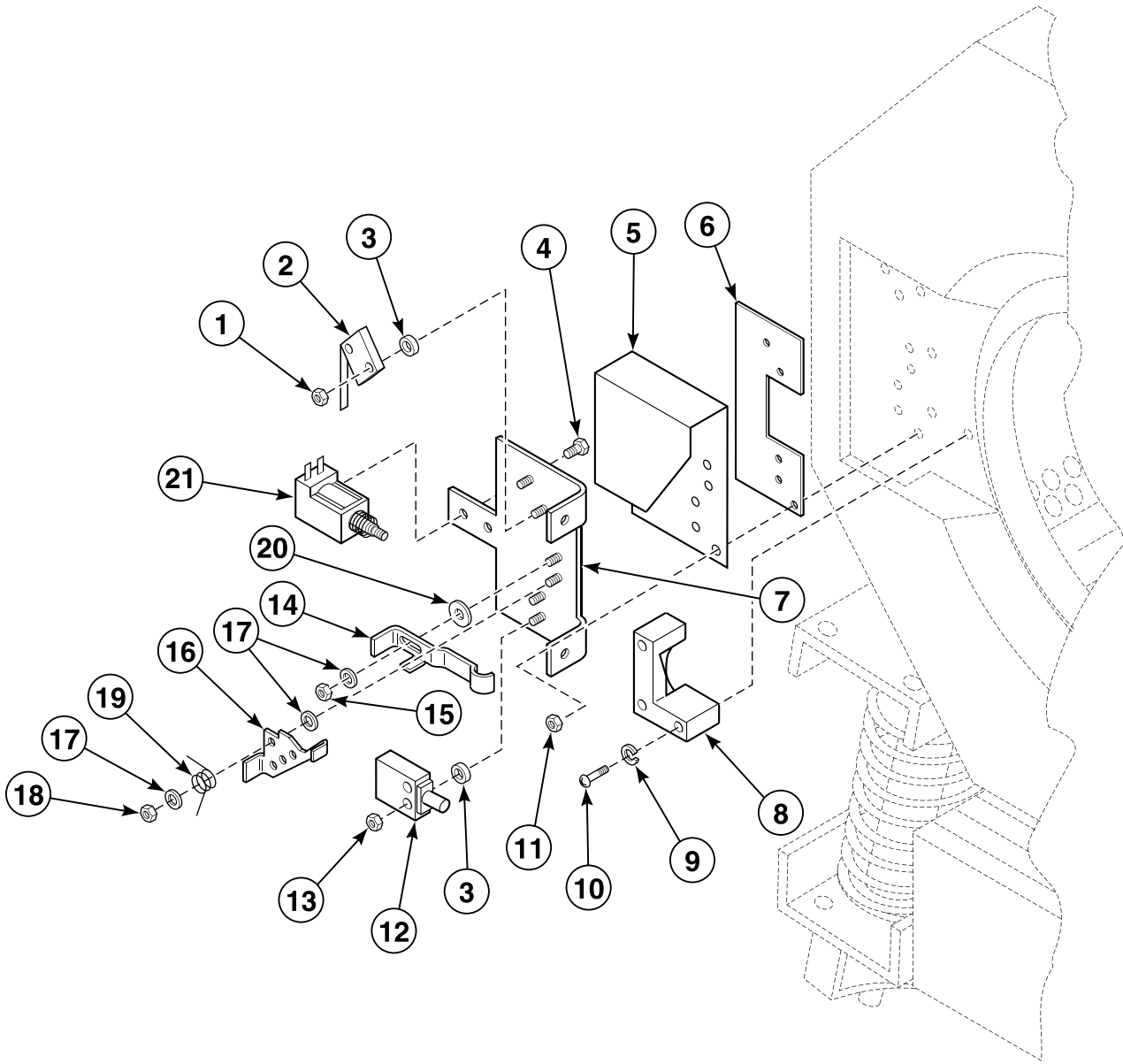


CFS1045B\_F232017

## New Style Door Handle

REF	PART NO.	DESCRIPTION	COMMENTS
1	F0637564-00	Door Knob	
2	F431222	Spring Pin	
3	F431916	Washer	
4	F0637563-00	Door Handle Spacer	
5	F0637734-00	Latch Arm Upgrade Sub-Assembly	
6	F150267P	Door Holder	
7	F0637582-00	Door Handle Upgrade Kit	Includes items 1-6; This assembly can only be installed onto machines equipped with the pin style door lock

# Door Lock - Models Through 12/11/00

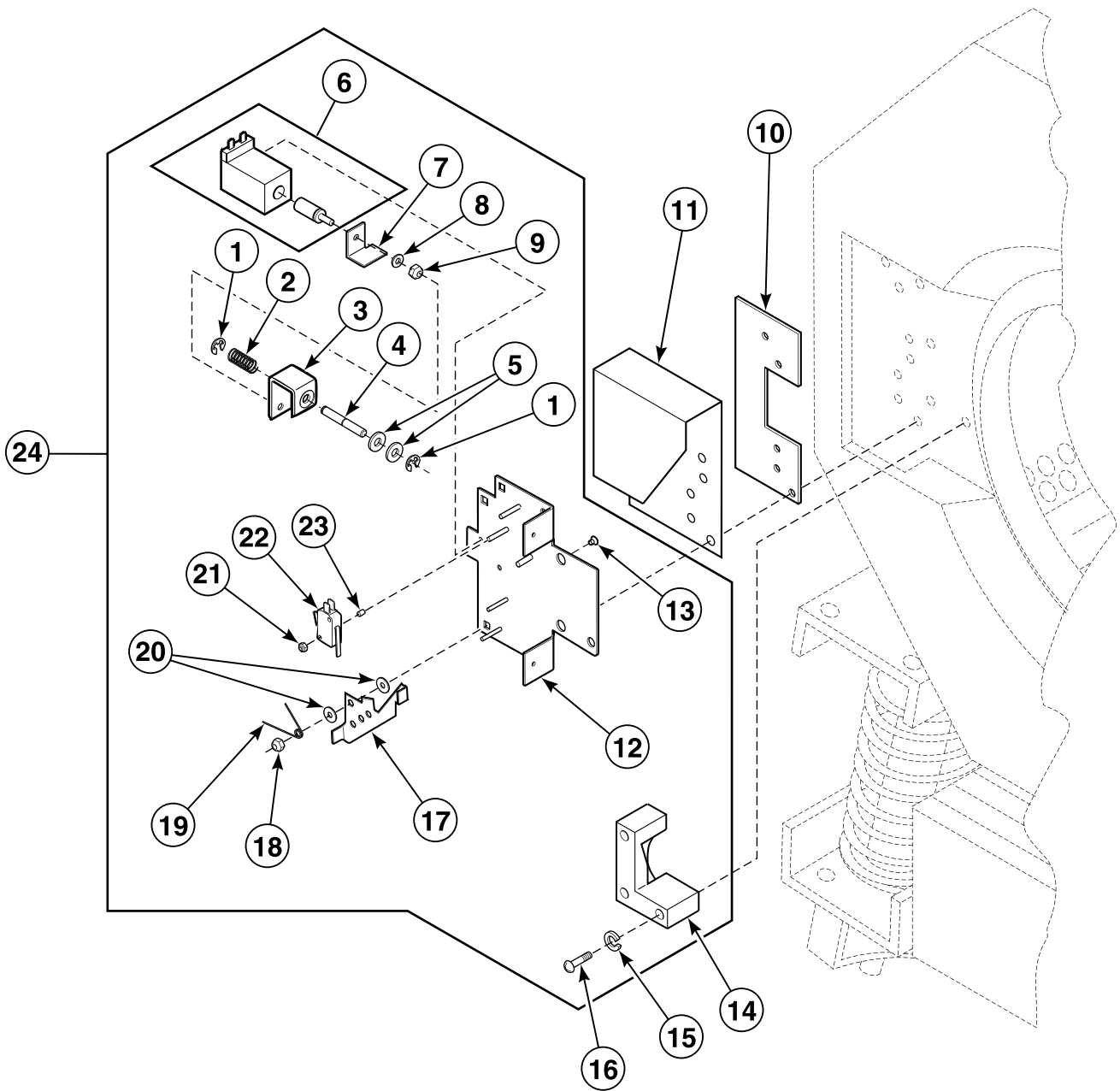


CFS1914P\_F232017

## Door Lock - Models Through 12/11/00

REF	PART NO.	DESCRIPTION	COMMENTS
	F340710	Door Lock Switch	120 Volt; Includes items 12, 15, wiring, connectors, cable ties, position magnet, screw, rivets, reed switch assembly, templates, drawing and installation instructions
1	F430225	Nut	
2	F200203200	Door Lock Microswitch	
3	F431901	Spacer	
4	F430977	Screw	
5	F320200	Door Lock Splash Shield	
6	F603185	Door Lock Plate Shim	
7	F633084	Door Lock Plate Sub-Assembly	
8	F609501	Door Lock Catch	
9	F431100	Washer	
10	F430921	Screw	
11	F431024	Nut	
12	F340200	Door Switch	
13	F430232	Nut	
14	F605382	Pushbutton Stop	
15	F430231	Nut	
16	F605381	Door Lock Lever	
17	F431902	Washer	Nylon
18	F430225	Nut	
19	F310110	Door Lock Torsion Spring	
20	F431147	Washer	Nylon
21	F300128P	Door Release Solenoid	

# Door Lock - Models Starting 12/11/00



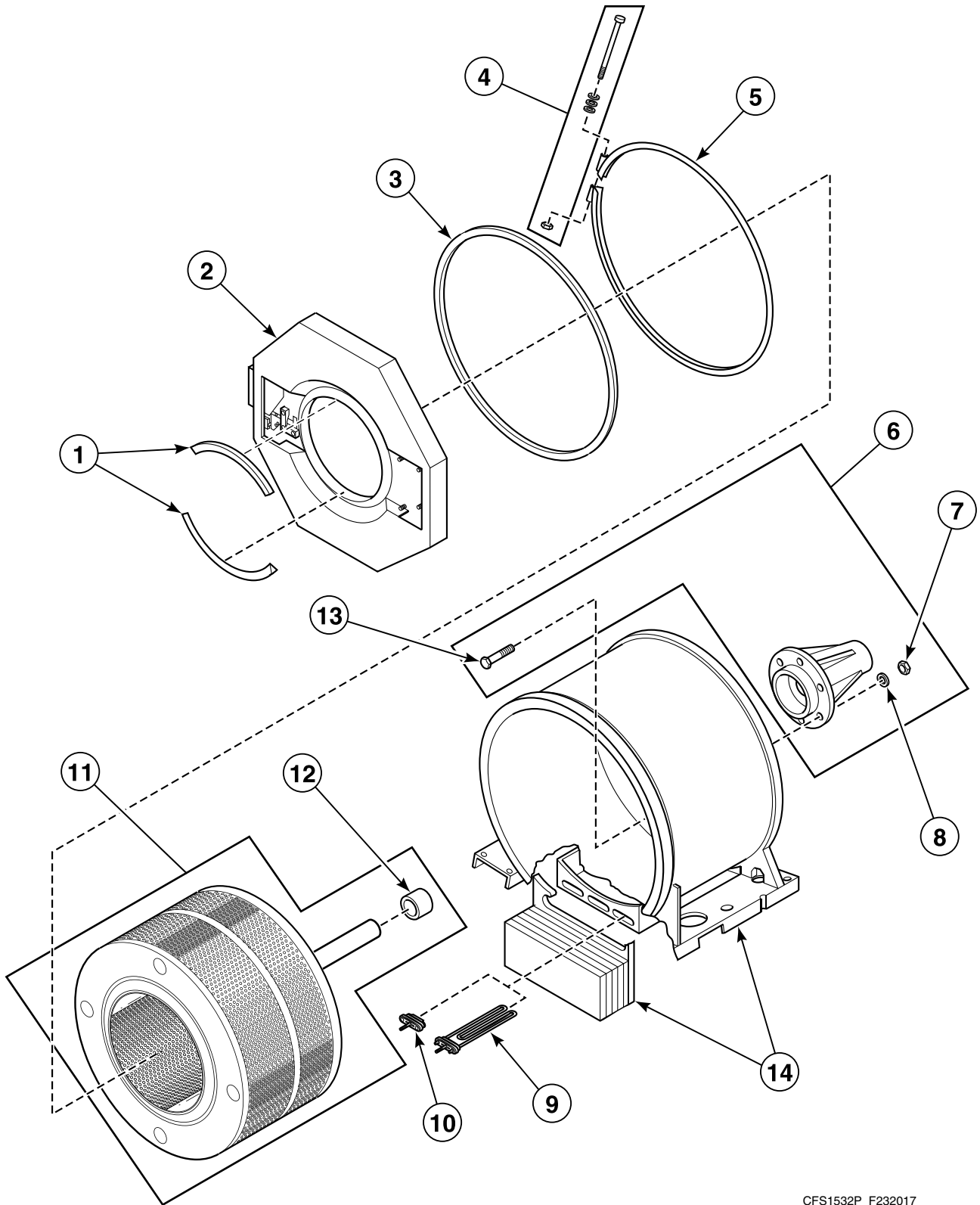
CFS1777P\_F232017



## Door Lock - Models Starting 12/11/00

REF	PART NO.	DESCRIPTION	COMMENTS
1	F310205	E-Ring Retainer	
2	F310137	Door Lock Pin Release Spring	
3	F150455	Door Lock Pin Linkage	
4	F431231	Door Locking Linkage Pin	
5	F430317	Washer	
6	F300128P	Door Release Solenoid	
7	F0636103-00	Door Lock Retainer Latch	
8	F431123	Washer	
9	F431017	Nut	
10	F603185	Door Lock Plate Shim	
11	F320200	Door Lock Splash Shield	
12	F633084	Door Lock Plate Sub-Assembly	
13	F430977	Screw	
14	F150261	Door Lock Catch Casting	
15	F431100	Washer	
16	F430921	Screw	
17	F605381	Door Lock Lever	
18	F430232	Nut	
19	F310110	Door Lock Torsion Spring	
20	F431902	Washer	
21	F430225	Nut	
22	F200203200	Door Lock Microswitch	
23	F431901	Spacer	
24	F0798815-00	Pin Lock Conversion Kit	Includes items 1-9 and 12-23

# Basket, Shell and Shell Front



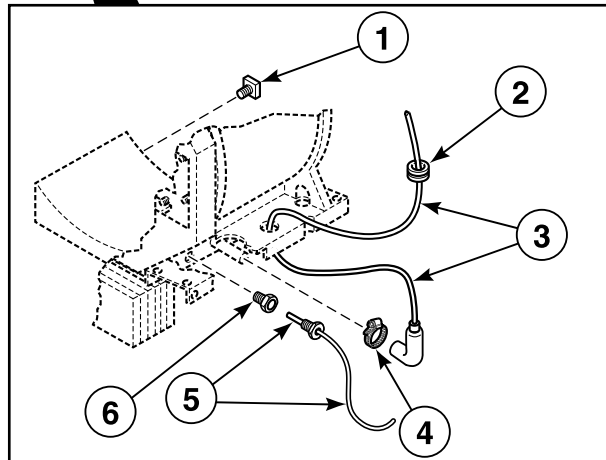
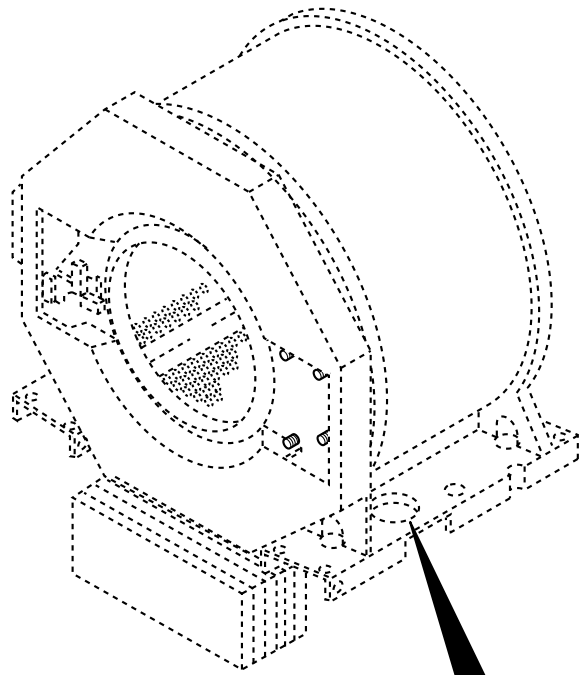
CFS1532P\_F232017

## Basket, Shell and Shell Front

REF	PART NO.	DESCRIPTION	COMMENTS
1	F170401P	Gasket	
2	F609446	Shell Front Weldment	Models HF18VNV, SF18VNV and UF18VNV
	F630391	Shell Front Weldment	Models HF25VNV, SF25VNV and UF25VNV
3	F200001600P	Shell Band Gasket	
4	F791001	Shell Band Fastener Kit	
5	F602757	Shell Band Assembly	Models HF18VNV, SF18VNV and UF18VNV
	F631977	Shell Band Assembly	Models HF25VNV, SF25VNV and UF25VNV
6	F747006-01	Trunnion Kit	Models HF18VNV, SF18VNV and UF18VNV; Includes items 7, 8 and 13
	F747007-01	Trunnion Kit	Models HF25VNV, SF25VNV and UF25VNV; Includes items 7, 8 and 13
7	F430240	Nut	
8	F431131	Washer	
9	F360206P	Heating Element	
10	F360202	Heating Element Plug	
11	N/A	Basket Assembly	Models HF18VNV, SF18VNV and UF18VNV; Includes item 12
	F8129501	Basket Assembly	Models HF25VNV, SF25VNV and UF25VNV; Includes item 12
12	F400379	Shaft Sleeve	Models HF18VNV, SF18VNV and UF18VNV
	F400380	Shaft Sleeve	Models HF25VNV, SF25VNV and UF25VNV
13	F430987	Screw	
14	N/A	Shell Assembly	Models HF18VNV, SF18VNV and UF18VNV
	F609557	Shell Assembly	Models HF25VNV, SF25VNV and UF25VNV

**N/A = Part no longer available**

# Temperature Probe and Air Trap Hose

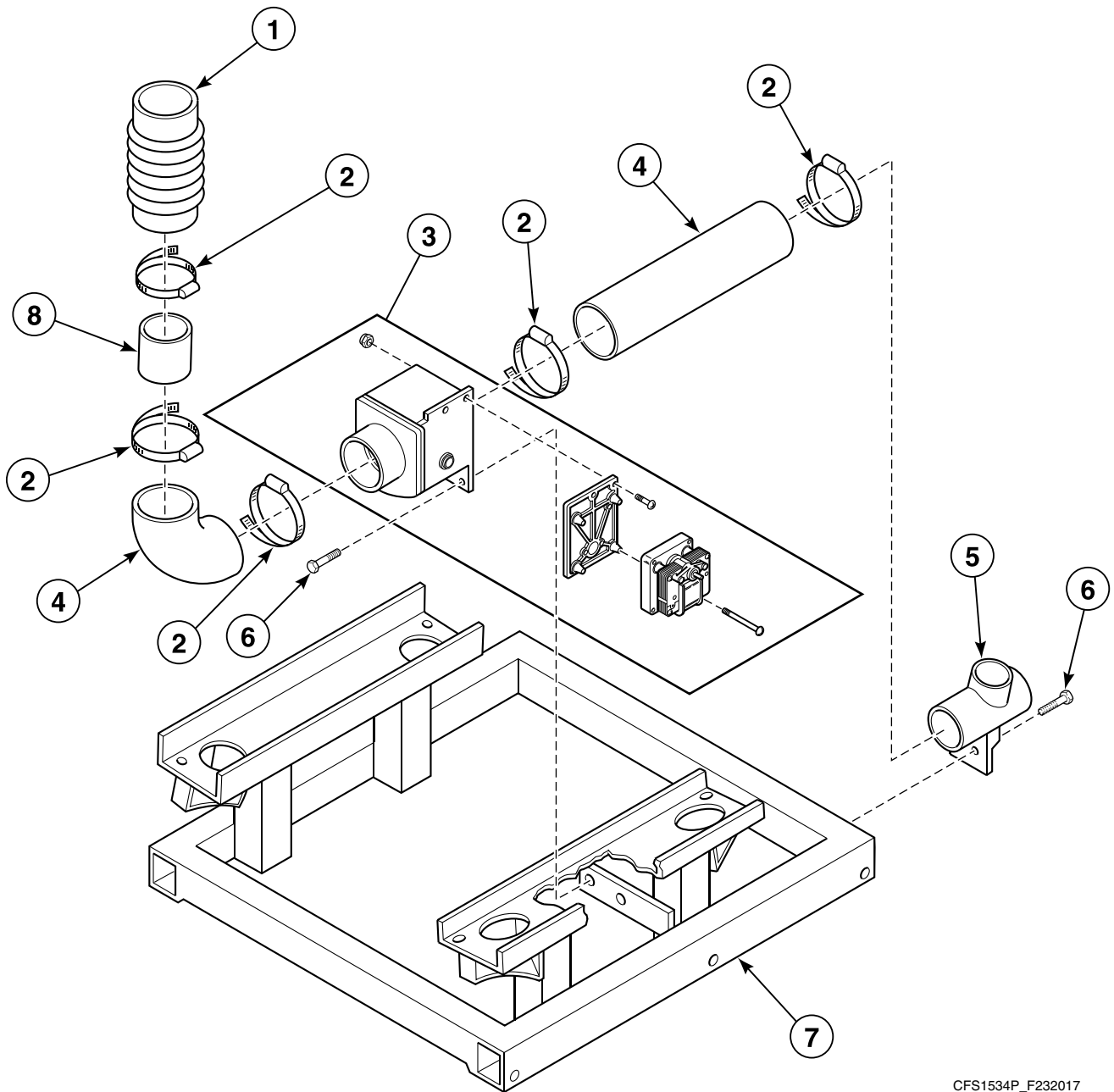


CFS1900P\_F232017

## Temperature Probe and Air Trap Hose

REF	PART NO.	DESCRIPTION	COMMENTS
1	F421507	Plug	
2	F170604	Grommet	
3	F200142	Air Trap Hose	
4	F200205	Hose Clamp	No. 10
5	F370606P	Temperature Probe	
6	F421936	Reducer Bushing	

# Drain Valve, Hoses and Frame Assembly

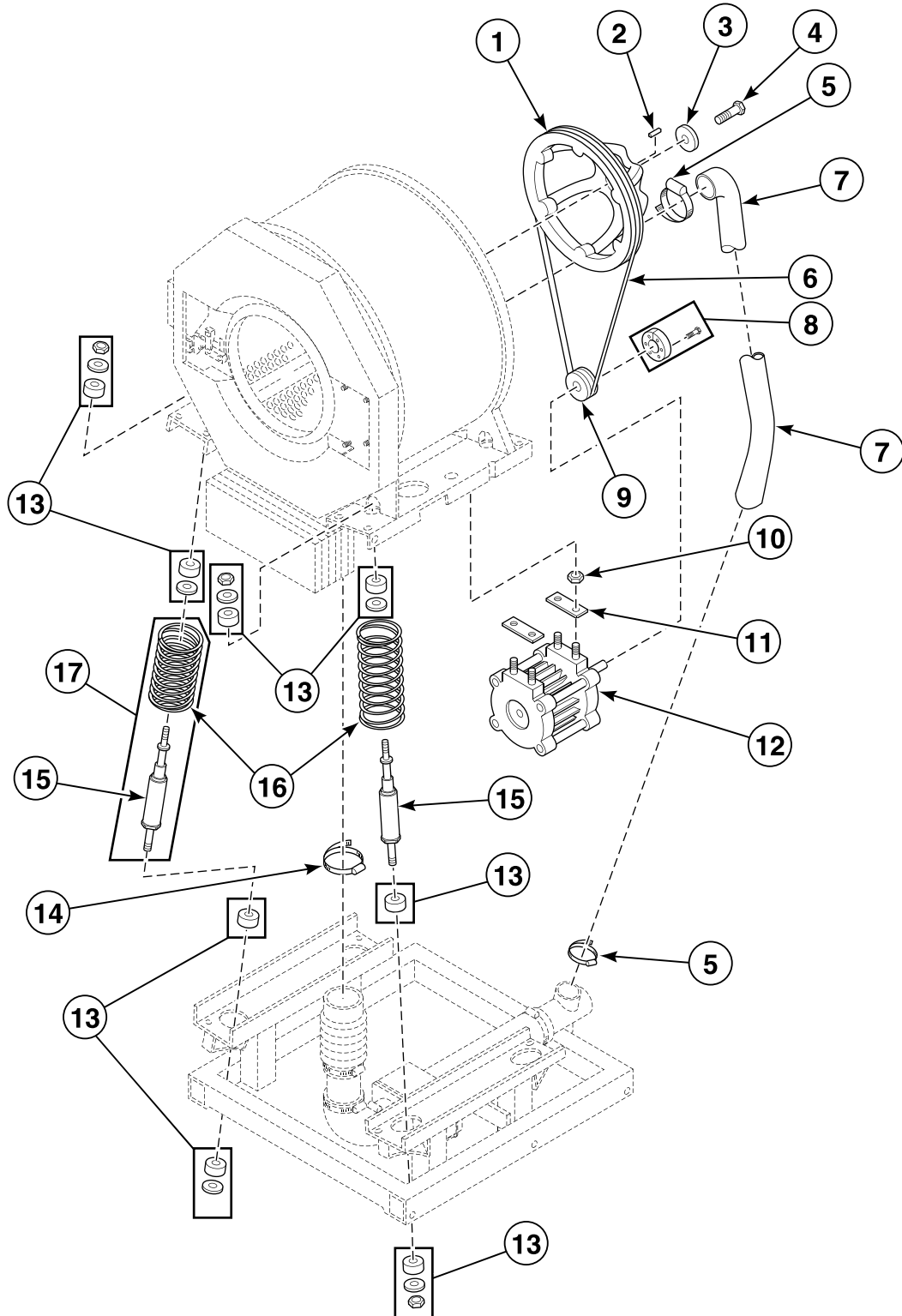


CFS1534P\_F232017

## Drain Valve, Hoses and Frame Assembly

REF	PART NO.	DESCRIPTION	COMMENTS
1	F200171	Supply Hose	
2	F200213	Hose Clamp	No. 40
3	F380618	Drain Valve	120 Volt
	F380619	Drain Valve	220 Volt
4	F150311	Rear Drain Hose	Models HF18VNV, SF18VNV and UF18VNV
	F0150331-00	Drain Hose	Rear; Models HF25VNV, SF25VNV and UF25VNV
5	F8017101	Drain Connector Tee	
6	F430103	Screw	
7	F609474	Frame Assembly	Models HF18VNV, SF18VNV and UF18VNV
	F609552	Frame Assembly	Models HF25VNV, SF25VNV and UF25VNV
8	F602794-1	Tubing	

# Motor, Belt, Pulley and Suspension



CFS1535P\_F232017



## Motor, Belt, Pulley and Suspension

REF	PART NO.	DESCRIPTION	COMMENTS
1	F150262	Basket Pulley	
2	F430801	Key	
3	F605985F	Pulley Cover Plate	
4	F430100	Screw	
5	F200215	Hose Clamp	No. 28
6	F280406	Belt	Models HF18VNV, SF18VNV and UF18VNV
	F280407	Belt	Models HF25VNV, SF25VNV and UF25VNV
7	F150394	Overflow Hose	
8	F280298P	Pulley Bushing	Includes screws
9	F280278	Pulley	Models through 1/15/99
	F280416	Pulley	Models starting 1/15/99 through 7/19/99
	F280432	Motor Pulley	Models starting 7/19/99 through 2/21/00
	F280416	Pulley	Models starting 2/21/00 through present
10	F430233	Nut	
11	F632370	Motor Shim	
12	F220233	Motor	Models HF18VNV, SF18VNV and UF18VNV; Models through 1/15/99
	N/A	Motor	Models HF18VNV, SF18VNV and UF18VNV; Models starting 1/15/99 through 2/21/00
	F220239	Motor	Models HF18VNV, SF18VNV and UF18VNV; Models starting 2/21/00 through present
	N/A	Motor	Models HF25VNV, SF25VNV and UF25VNV; Models through 2/28/00
	F220240	Motor	Models HF25VNV, SF25VNV and UF25VNV; Models starting 2/28/00 through present
13	F250706	Shock Mounting Hardware	Includes nuts, washers and bushings
14	F200213	Hose Clamp	No. 40
15	F250504	Shock Absorber	
16	F310136	Compression Spring	Models HF18VNV, SF18VNV and UF18VNV
	F310138	Compression Spring	Models HF25VNV, SF25VNV and UF25VNV
17	F790209	Shock and Spring Kit	Models HF18VNV, SF18VNV and UF18VNV; Includes items 15 and 16

**N/A = Part no longer available**



# Parts Index

## A

AC Drive Box Assembly F634848 .....	9, 11
AC Drive Box Cover F0634847-00 .....	9
AC Drive Caution Decal F231416 .....	9, 11
AC Drive Mounting Bracket F609489 .....	11
F609563 .....	11
Air Trap Hose F200142 .....	7, 35

## B

Basket Assembly F8129501 .....	33
Basket Pulley F150262 .....	39
Bearing F100160 .....	25
Belt F280406 .....	39
F280407 .....	39
Bridge Rectifier F370310 .....	7

## C

Cap F190303 .....	19
Clip F601515 .....	15
Cold Water Decal F230857 .....	5
Compression Spring F310136 .....	39
F310138 .....	39
Connection Box F609483 .....	9, 11
Connection Box Cover F609484 .....	9, 11
Contact Block Switch F200233401 .....	15
F340445 .....	15
Control Panel Decal F0231583-03 .....	15
F231145 .....	15
F231159 .....	15
F231160 .....	15
F231240 .....	15
F231242 .....	15
Control Transformer Decal F231299 .....	9, 11
Counterclockwise Spin Rotation Decal F230693 .....	25

## D

Disconnect Power Warning Label 505281 .....	5, 7
Door Gasket F170123-1 .....	25
F200000201 .....	25
Door Glass Kit F290205P .....	25
F290207P .....	25
Door Handle F150225 .....	25
Door Handle Kit F730155 .....	25
Door Handle Spacer F0637563-00 .....	27
Door Handle Upgrade Kit F0637582-00 .....	27
Door Hinge F633791P .....	25
Door Hinge Rod F630794 .....	25
Door Hinge Shim Kit F200131000P .....	25
Door Holder F150267P .....	25, 27
Door Holder Spacer F432305 .....	25
Door Knob F0637564-00 .....	27
Door Lock Catch F609501 .....	29
Door Lock Catch Casting F150261 .....	31
Door Lock Lever F605381 .....	29, 31
Door Lock Microswitch F200203200 .....	29, 31
Door Lock Pin Linkage F150455 .....	31
Door Lock Pin Release Spring F310137 .....	31
Door Lock Plate Shim F603185 .....	29, 31
Door Lock Plate Sub-Assembly F633084 .....	29, 31
Door Lock Retainer Latch F0636103-00 .....	31
Door Lock Splash Shield F320200 .....	29, 31
Door Lock Spring F310125 .....	25
Door Lock Switch F340710 .....	29
Door Lock Torsion Spring F310110 .....	29, 31
Door Locking Linkage Pin F431231 .....	31

N/A items do not appear in index.

Door Mount	
F633790 .....	25
Door Release Solenoid	
F300128P .....	25, 29, 31
Door Stamping	
F602431-3 .....	25
Door Switch	
F340200 .....	29
Door Warning Label	
81968 .....	5
Drain Connector Tee	
F8017101 .....	37
Drain Decal	
F231150 .....	5
Drain Hose	
F0150331-00 .....	37
Drain Valve	
F380618 .....	37
F380619 .....	37

## E

Electric Hazard Warning Decal	
F230831 .....	5
Electrical Box	
F609486 .....	7
Electrical Panel Cover	
F609487 .....	7, 11
Emergency Stop Button Kit	
F200233700P .....	15
Emergency Stop Decal	
F231083 .....	15
Emergency Stop Pushbutton	
F200233500 .....	15
F340718 .....	15
Emergency Stop Weldment	
F609512 .....	15
E-Ring Retainer	
F310205 .....	31

## F

Fan	
F220899 .....	9, 11
Fill Hose	
F150436 .....	21
Filter	
F200318900 .....	9, 11
F270306P .....	23
Filter Retainer Guard	
F220900 .....	9, 11
Filter Screen	
F270300 .....	23
Frame Assembly	
F609474 .....	37
F609552 .....	37
Front Cover	
F609480 .....	13
F609572 .....	13
Front Cover Gasket	
F170180P .....	13

Fuse	
F350108 .....	7
F350109 .....	7
F350110 .....	7
F350128 .....	9, 11
F350131 .....	7
Fuse Holder	
F350304P .....	7, 9, 11

## G

Gasket	
F170401P .....	33
Grommet	
F170604 .....	35
Ground Decal	
F230630 .....	5
F230739 .....	5
Ground Terminal Lug	
F140734 .....	9, 11

## H

Heating Element	
F360206P .....	33
Heating Element Plug	
F360202 .....	33
Hose Clamp	
F200204 .....	21
F200205 .....	35
F200213 .....	21, 37, 39
F200215 .....	39
36801 .....	23
Hot Water Decal	
F230856 .....	5

## I

Injection Nozzle	
F380300 .....	19
Injection Nozzle Kit	
F730168 .....	19
Input Power Block	
F140747 .....	9, 11
Inverter Drive	
F370811 .....	11
F370812 .....	11
F370813 .....	11
F370855 .....	9
F370856 .....	9
F370857 .....	9
F370858 .....	9, 11

## J

Jumper	
F140883 .....	7

N/A items do not appear in index.

---

**K**

Key	F160562 .....	13
	F430801 .....	39
Keypad	F370576P .....	15

---

**L**

Latch Arm Upgrade Sub-Assembly	F0637734-00 .....	27
Lid Clamp Assembly	F630430 .....	17
Lid Lock	F190802P .....	13
Liquid Supply Decal	F230877 .....	5

---

**M**

Magnet	F340703 .....	25
Middle Front Cover	F609494 .....	25
	F630596 .....	25
Momentary Switch	F340412 .....	15
Motor	F220233 .....	39
	F220239 .....	39
	F220240 .....	39
Motor Pulley	F280432 .....	39
Motor Shim	F632370 .....	39
Mounting Bracket	F602722 .....	17
Muffin Fan	F110106 .....	9, 11

---

**N**

Nut	F430215 .....	9, 11
	F430220 .....	7
	F430224 .....	19, 23
	F430225 .....	29, 31
	F430231 .....	7, 9, 11, 15, 25, 29
	F430232 .....	9, 11, 23, 25, 29, 31
	F430233 .....	39
	F430240 .....	33
	F431005 .....	9, 11, 17
	F431017 .....	31
	F431024 .....	13, 15, 21, 25, 29
	F431041 .....	25

---

**O**

O-Ring	F170208 .....	19
	F170209 .....	25
	F170219 .....	25
Output Board CCA	F370447P .....	7
Overflow Hose	F150394 .....	39
Overlay	F231402 .....	15

---

**P**

Personal Injury Warning Decal	F231065 .....	5
Pin Lock Conversion Kit	F0798815-00 .....	31
Plug	F421507 .....	35
Pop Rivet	F431215 .....	17, 25
Pulley	F280278 .....	39
	F280416 .....	39
Pulley Bushing	F280298P .....	39
Pulley Cover Plate	F605985F .....	39
Push Red Button Decal	F230661 .....	25
Pushbutton Rod	F320300 .....	25
Pushbutton Stop	F605382 .....	29

---

**R**

Rear Cover	F609477 .....	13
	F609568 .....	13
Rear Drain Hose	F150311 .....	37
Red Dot Decal	F230662 .....	25
Reducer Bushing	F421936 .....	35
Remove Transformer Bracket Warning Tag	F230560 .....	5
Ribbon Cable	F140247 .....	7

---

**S**

Screw	F430100 .....	39
	F430103 .....	37
	F430174 .....	7, 9, 11, 13, 23

---

N/A items do not appear in index.

F430532	25
F430533	25
F430910	9, 11
F430916	25
F430921	29, 31
F430925	13, 15, 21
F430928	7
F430929	9, 11
F430938	9, 11
F430948	23
F430976	9, 23, 25
F430977	29, 31
F430986	15
F430987	33
F430994	7
Shaft Sleeve	
F400379	33
F400380	33
Shell Assembly	
F609557	33
Shell Band Assembly	
F602757	33
F631977	33
Shell Band Fastener Kit	
F791001	33
Shell Band Gasket	
F200001600P	33
Shell Front Weldment	
F609446	33
F630391	33
Shock Absorber	
F250504	39
Shock and Spring Kit	
F790209	39
Shock Mounting Hardware	
F250706	39
Side Panel	
F609478	13
F609573	13
Soap Dispenser	
F602374-2	17
Spacer	
F431901	29, 31
Spade Terminal	
00445SG	7
Spring Pin	
F431222	25, 27
Standoff	
F180501	7
Steam Decal	
F231147	5
Strain Relief Connector	
F140224	7
F140329	9, 11
F140331	7, 9, 11
Supply Dispenser	
F602374-3	17
Supply Dispenser Gasket	
F170170	17
Supply Dispenser Lid	
F200270501	17
Supply Hose	
F150454	21
F200171	37

---

## T

Take-Apart Hinge	
F190203P	13
Temperature Probe	
F370606P	35
Terminal	
F140766	9, 11
Top Cover Assembly	
F632976	13
F632976-1	13
Top Cover Latch	
F602753	13
Trim	
F015050100P	25
Trunnion Kit	
F747006-01	33
F747007-01	33
Tubing	
F602794-1	37

---

## V

Vacuum Breaker Bottom	
F150330	21
Vacuum Breaker Top	
F0150329-00	23
Valve, 1-Way	
F380727P	23
Valve, 3-Way	
F381718P	23
F381720P	23
F381725P	23
F381728P	23
Vent Hose	
F200170	21
Vent Nipple	
F422517	21
V-Series Microcomputer Board Kit	
F370313-10P	15

---

## W

Washer	
F430317	17, 31
F431100	29, 31
F431123	31
F431131	33
F431147	29
F431902	29, 31
F431916	25, 27
20290	23
Water Hose	
F200108P	23
F200164	23
Water Level Switch	
F0340343-10P	7
Water Pressure Switch	
F0340350-00	7
Wye	
F421612	21

N/A items do not appear in index.

---

**Y**

Y Connector  
F422808 ..... 23

---

