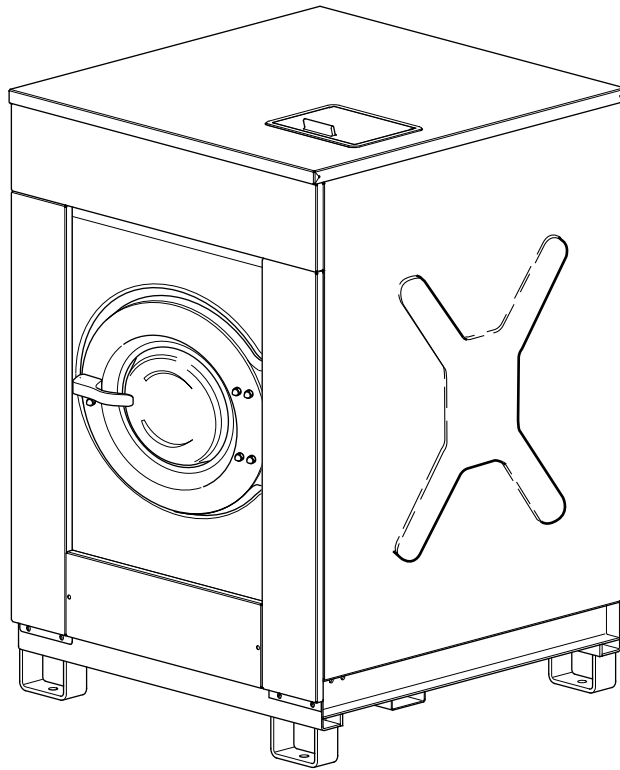


Washer-Extractor

Refer to Page 3 for Model Numbers



CFD22C_D1125



&



Part No. D1125R3
February 2012

Table of Contents

Title	Page
Parts Ordering Information.....	2
Nameplate Location.....	2
Model Identification.....	3
Cabinet Freestanding Washer-Extractor Product Overview.....	4
Frame.....	6
Shock Absorber.....	8
Shell and Basket.....	10
Bearing Housing.....	12
Basket, Pulley and Belt.....	14
Wash Motor and Belt.....	16
Spin Motor and Belt.....	18
Drain Plumbing.....	20
Drain Valve - Normally Open.....	22
Drain Valve - Normally Closed.....	24
Door Lock.....	26
Door.....	28
Door Handle.....	30
Control Panel - 10-Button Mechanical Timer.....	32
Control Panel - 5-Button Mechanical Timer.....	34
Control Panel - Micro-20.....	36
Control Panel - PC30.....	38
Electrical Component Mounting Plate - Micro-20 and Sigma.....	40
Electrical Component Mounting Plate - Mechanical Timer Models.....	42
Electrical Component Mounting Plate - PC30.....	44
Coin Meter and Coin Vault.....	46
Right Side, Front, Lower Rear and Top Panels.....	48
Left Side, Lower Front and Upper Back Panels.....	50
Upper Back Panel - OPL Models.....	52
Upper Back Panel - Coin Models.....	54
Balance Switch.....	56
Supply Dispenser.....	58
Electric and Steam Heating Options.....	60
Soap Pump.....	62
Parts Index.....	65

© Copyright 2012, Alliance Laundry Systems LLC

All rights reserved. No part of the contents of this book may be reproduced or transmitted in any form or by any means without the expressed written consent of the publisher.

Parts Ordering Information

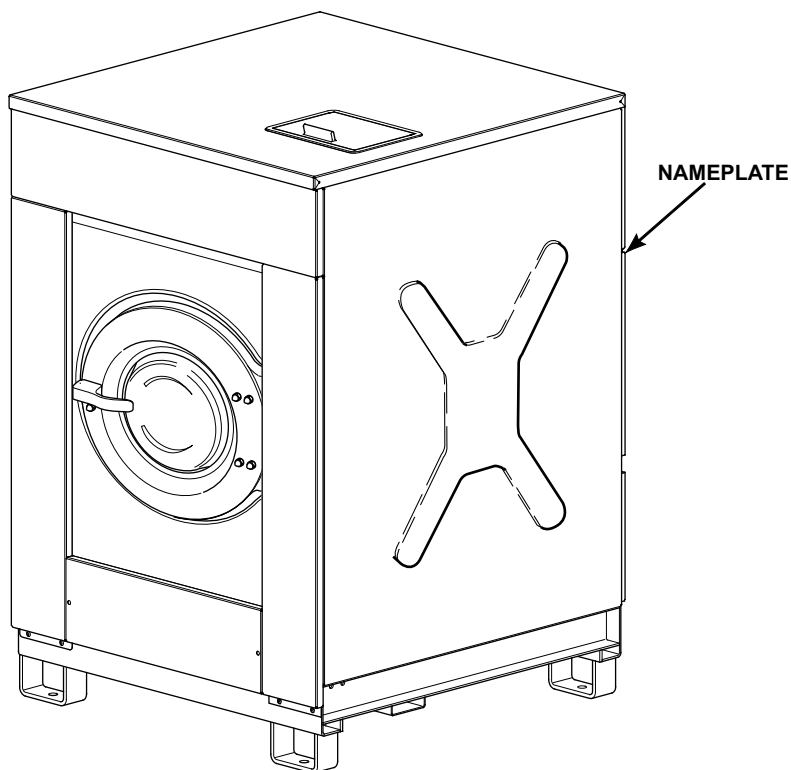
If literature or replacement parts are required, contact the source from whom the machine was purchased or contact Alliance Laundry Systems at (920) 748-3950 for the name and address of the nearest authorized parts distributor.

For technical assistance, call either of the numbers listed below:

(920) 748-3121 Ripon, Wisconsin
+32 56 41 20 54 Wevelgem, Belgium

Nameplate Location

When calling or writing about your product, be sure to mention model and serial numbers. Model and serial numbers are located on nameplate(s) as shown.



CFD22CA_D1125

Model Identification



Information in this manual is applicable to these washer-extractor models:

HF65_CAM-TIMER
HF65_CYGNUS-PRO
HF65_MICRO-20_COIN
HF65_MICRO-20_OPL
HF65_PC30
HF65_PS40
HF65_PS40F
HF65_SIGMA_COIN
HF65_SIGMA_OPL

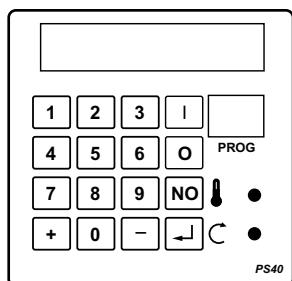
HF76_CAM-TIMER
HF76_MICRO-20_COIN
HF76_MICRO-20_OPL
HF76_PC30
HF76_PS40
HF76_PS40F
HF76_SIGMA_COIN
HF76_SIGMA_OPL

HF95_CAM-TIMER
HF95_MICRO-20_COIN
HF95_MICRO-20_OPL
HF95_PC30
HF95_PS40
HF95_PS40F
HF95_SIGMA_COIN
HF95_SIGMA_OPL

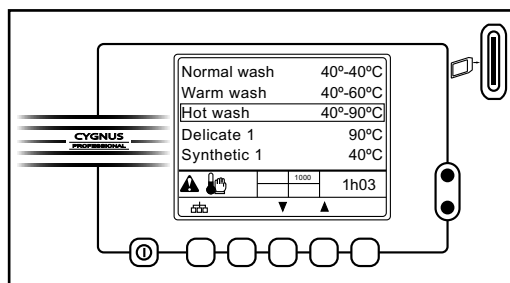
Cabinet Freestanding Washer-Extractor Product Overview

Type:	HF 65P	Nr:	07110580147
Voltage:	3 ~ 380V 50Hz	Weight:	1787 kg
Motor:	7.5 kW 20 A	Capacity:	575 L
Heating:	36 kW 60 A	Dry Load:	57 kg
Total:	43.50 kW	Drum:	980 mm
Kinetic energy:	23257N/M	Speed:	800 rpm
Manufactured in:	2007		
Water Pressure: min. 2.07 max. 5.86 Kg/cm ² IPX4 min. 20.7 max. 58.6 N/cm ²			
sfc 741295			
 Alliance International BVBA Nieuwstraat 146 8560 Wevelgem Belgium Tel: +32 56 41 20 54 Fax: +32 56 41 86 74 www.ipso.be			

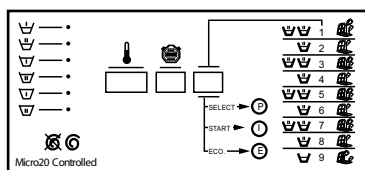
Label 1



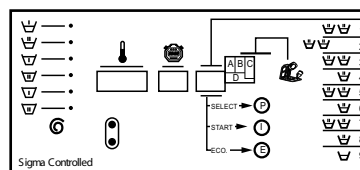
PS40



Cygnus Professional



Micro 20



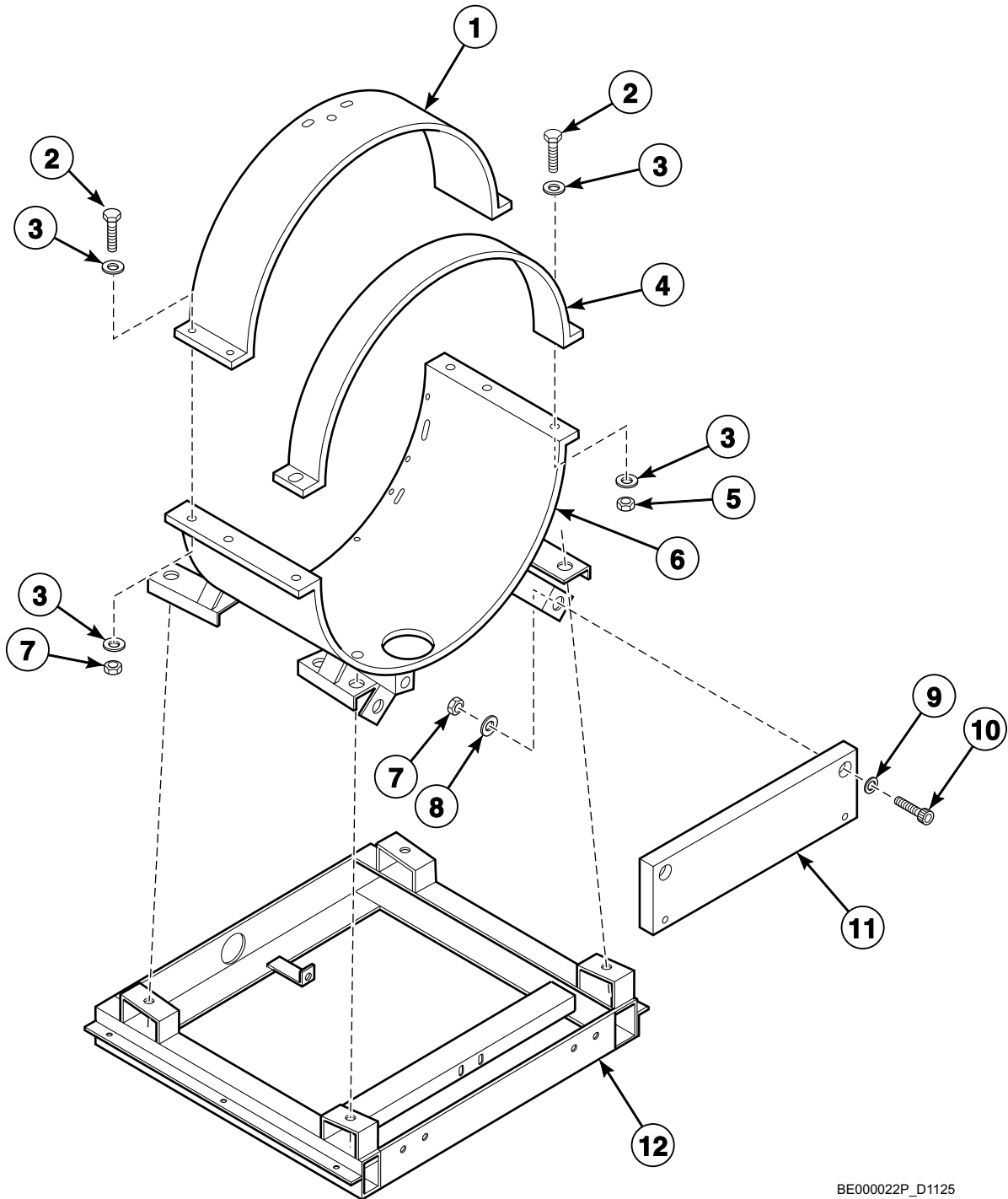
Sigma

CFD301P_D1125

Cabinet Freestanding Washer-Extractor Product Overview

REF	PART NO.	DESCRIPTION	COMMENTS
1	-	Product Family	HF
2	-	Capacity	65 76 95

Frame

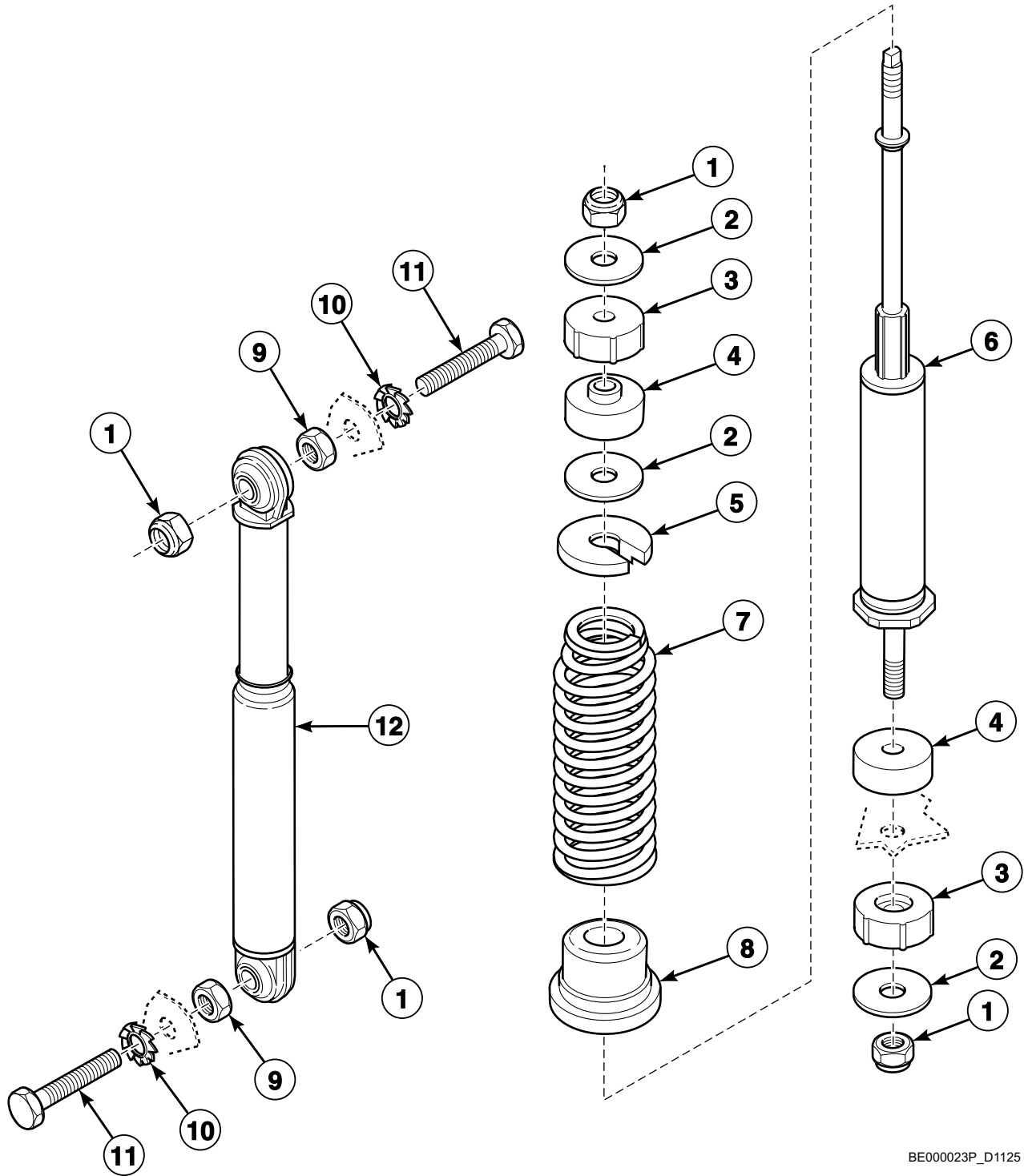


BE000022P_D1125

Frame

REF	PART NO.	DESCRIPTION	COMMENTS
1	115/00108/00	Tightening Ring	
2	206/00030/00	Bolt	
3	201/00010/00	Washer	
4	115/00109/00	Tightening Ring	
5	204/00110/00	Nut	
6	115/00102/00	Shell	HF65 models
	115/00106/00	Shell	HF76 models
	115/00116/00	Shell	HF95 models
7	204/00112/00	Nut	
8	201/00013/00	Washer	
9	201/00014/00	Washer	
10	206/00055/00	Screw	
11	113/00035/00	Counterweight	
12	113/00039/00	Base	HF65 and HF76 models
	113/00048/00	Base	HF95 models

Shock Absorber

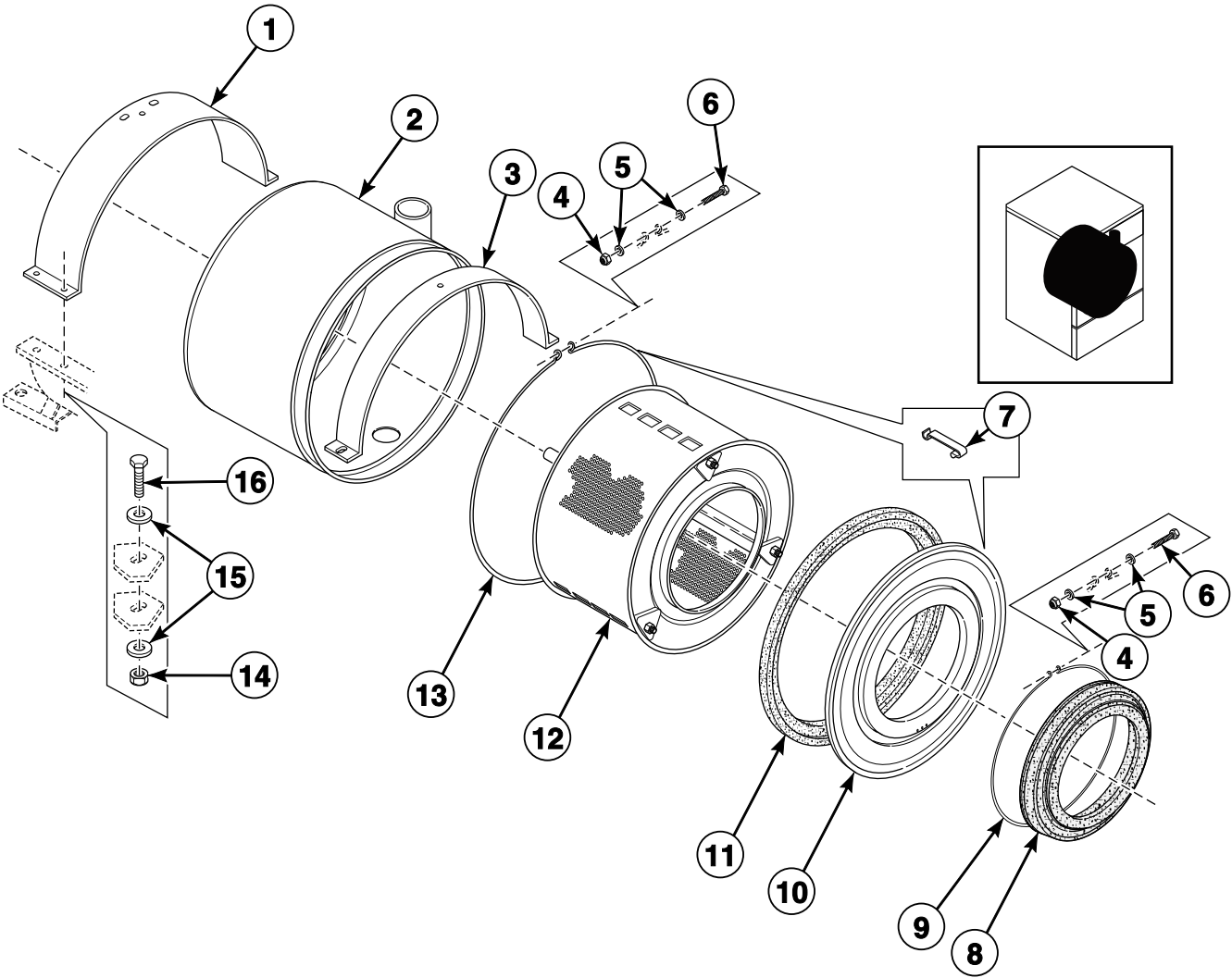


BE000023P_D1125

Shock Absorber

REF	PART NO.	DESCRIPTION	COMMENTS
1	204/00110/00	Nut	
2	201/00015/00	Washer	
3	247/00007/00	Fastening Rubber	
4	247/00006/00	Fastening Rubber	
5	247/00001/04	Spring Holder Top	
6	247/00001/02	Shock Absorber	Without spring
	247/00001/00	Shock Absorber	HF65 and HF76 models; Black; Includes spring
	247/00001/05	Shock Absorber	HF95 models; Red; Includes spring
7	247/00001/01	Suspension Spring	Black; 4.8 mm diameter
	247/00009/00	Suspension Spring	Red; 5 mm diameter
8	247/00001/03	Spring Seat Bottom	
9	204/00003/00	Nut	
10	203/00002/00	Washer	
11	206/00030/30	Bolt	
12	247/00005/00	Shock Absorber	

Shell and Basket

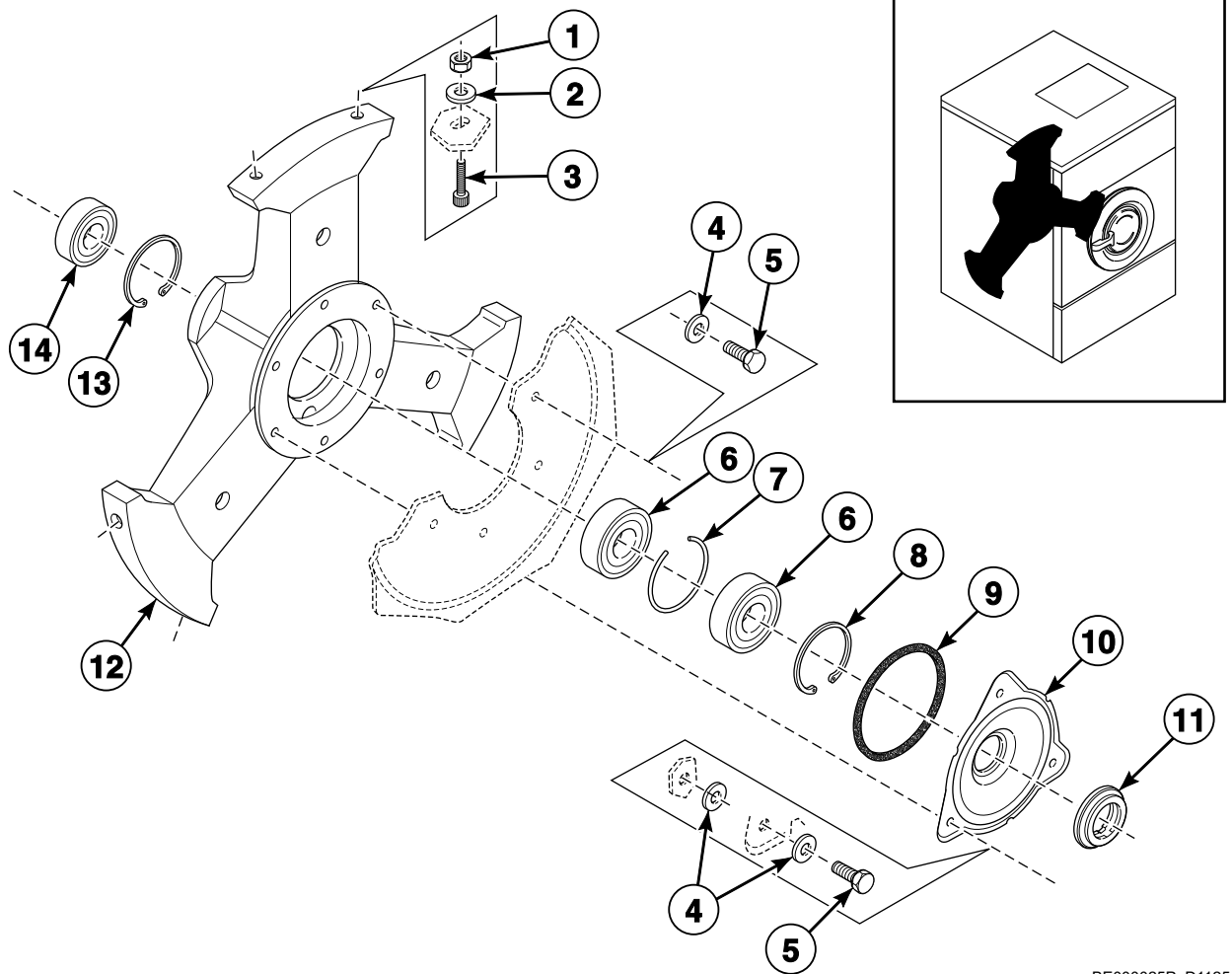


BE000024P_D1125

Shell and Basket

REF	PART NO.	DESCRIPTION	COMMENTS
1	115/00108/00	Tightening Ring	
2	118/10054/00	Tub	HF65 models; Boiler fed
	118/10058/00	Tub	HF65 models; Steam heat
	118/10056/00	Tub	HF65 models; Electric heat
	118/10060/00	Tub	HF65 models; Electric and steam heat
	118/10055/00	Tub	HF76 models; Boiler fed
	118/10059/00	Tub	HF76 models; Steam heat
	118/10057/00	Tub	HF76 models; Electric heat
	118/10061/00	Tub	HF76 models; Electric and steam heat
	118/10097/00	Tub	HF95 models; Boiler fed
	118/10100/00	Tub	HF95 models; Steam heat
	118/10098/00	Tub	HF95 models; Electric heat
	118/10099/00	Tub	HF95 models; Electric and steam heat
3	115/00109/00	Tightening Ring	
4	204/00009/00	Nut	
5	202/00003/00	Washer	
6	206/00011/00	Bolt	
7	217/00008/00	Tub Front Panel Clip	
8	223/00122/00	Door Boot	
9	238/00017/00	Boot and Clamp Assembly	
10	118/00054/03	Tub Front Panel	
11	217/00006/00	Front Panel Gasket Kit	
12	111/01953/00	Basket	HF65 models
	123/10002/00	Basket	HF76 models
	120/10031/00	Cylinder and Trunnion Assembly	HF95 models
13	217/00007/00	Tub Front Ring Clamp	
14	204/00110/00	Nut	
15	201/00010/00	Washer	
16	206/00053/00	Screw	

Bearing Housing

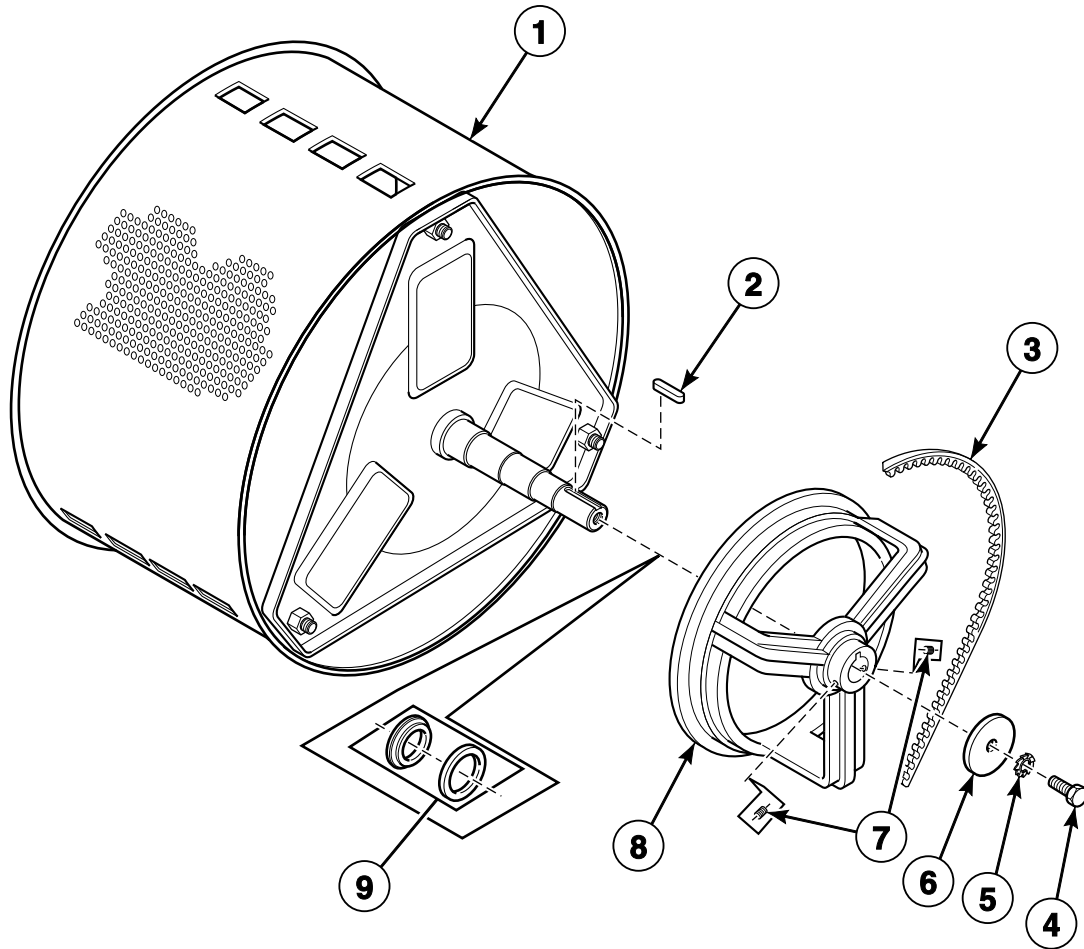


BE000025P_D1125

Bearing Housing

REF	PART NO.	DESCRIPTION	COMMENTS
1	204/00111/00	Nut	
2	201/00009/00	Washer	
3	206/00053/00	Screw	
4	201/00201/00	Washer	
5	205/00102/00	Bolt	
6	215/00001/03	Ball Bearing	
7	212/00030/00	Retaining Ring	
8	212/00028/00	Retaining Ring	
9	217/00002/00	O-Ring	
10	117/00001/00	Seal Cover	
11	217/00003/00	Shaft Seal	
12	115/00201/00	Housing	
13	252/00027/00	Retaining Ring	
14	215/00001/02	Ball Bearing	

Basket, Pulley and Belt



BE000026P_D1125

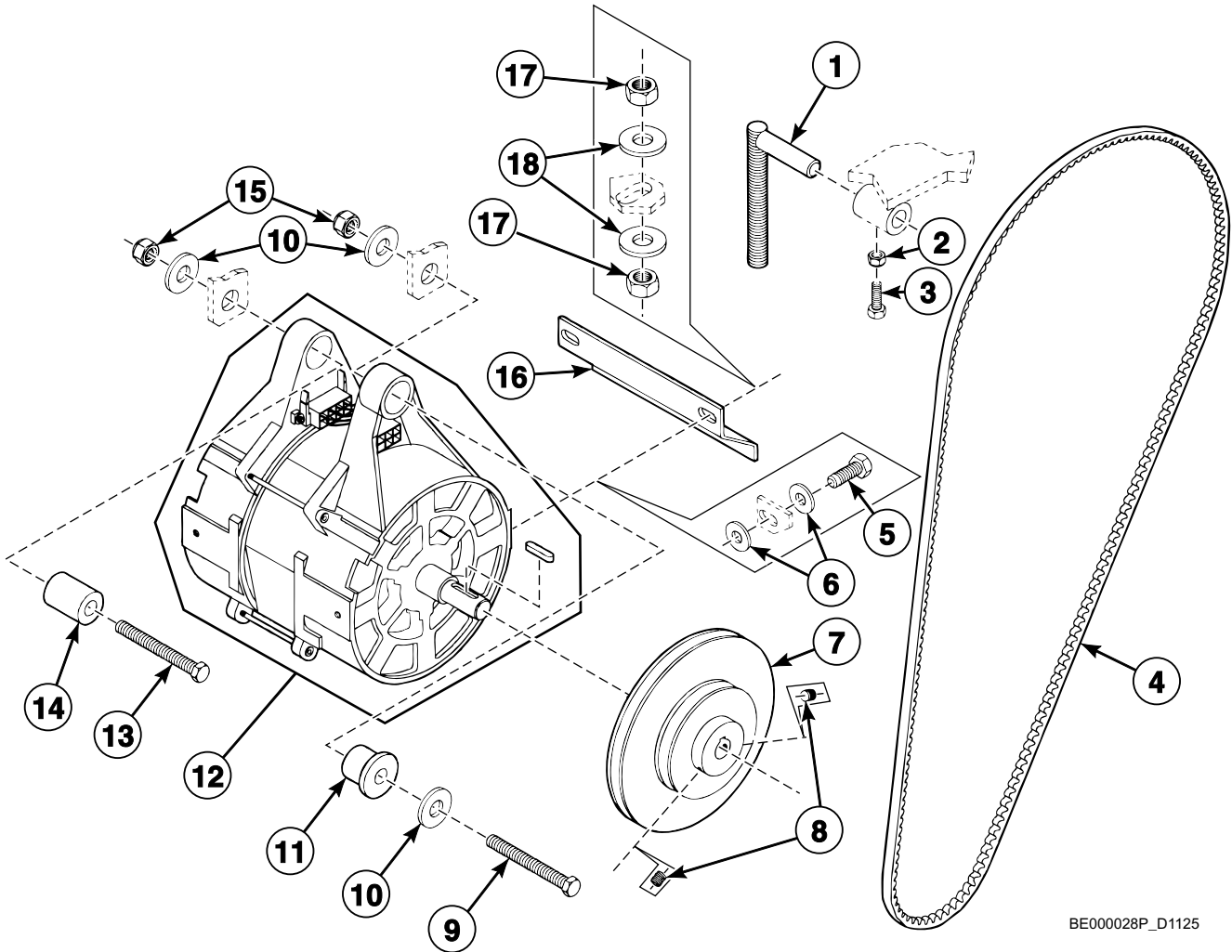
Basket, Pulley and Belt

REF	PART NO.	DESCRIPTION	COMMENTS
1	111/01953/00	Basket	HF65 models
	123/10002/00	Basket	HF76 models
	120/10031/00	Cylinder and Trunnion Assembly	HF95 models
2	216/00007/00	Cylinder Shaft Key	
3	226/00101/00	Belt	
4	206/00003/00	Bolt	
5	203/00001/00	Washer	
6	201/00003/00	Washer	
7	206/00056/00	Screw	
8	226/00071/00	Pulley	
9	217/00004/00	Counter Ring	

Wash Motor and Belt

REF	PART NO.	DESCRIPTION	COMMENTS
1	115/00150/00	Motor Mount Bushing	
2	201/00013/00	Washer	
3	206/00045/00	Bolt	
4	227/00111/00	Motor Kit	EB65
	227/00012/00	Motor	EB85
5	226/00068/00	V Belt Pulley	
6	206/00056/00	Screw	
7	226/00093/00	Belt	
8	202/00002/00	Washer	
9	206/00010/00	Bolt	
10	113/00037/00	Belt Plate	HF65 and HF76 models
	113/00040/00	Belt Plate	HF95 models
11	204/00012/00	Nut	
12	201/00001/00	Washer	
13	206/00014/00	Bolt	
14	204/00005/00	Nut	
15	113/00038/00	Belt Rod	
16	204/00112/00	Nut	
17	115/00105/00	Tube	

Spin Motor and Belt

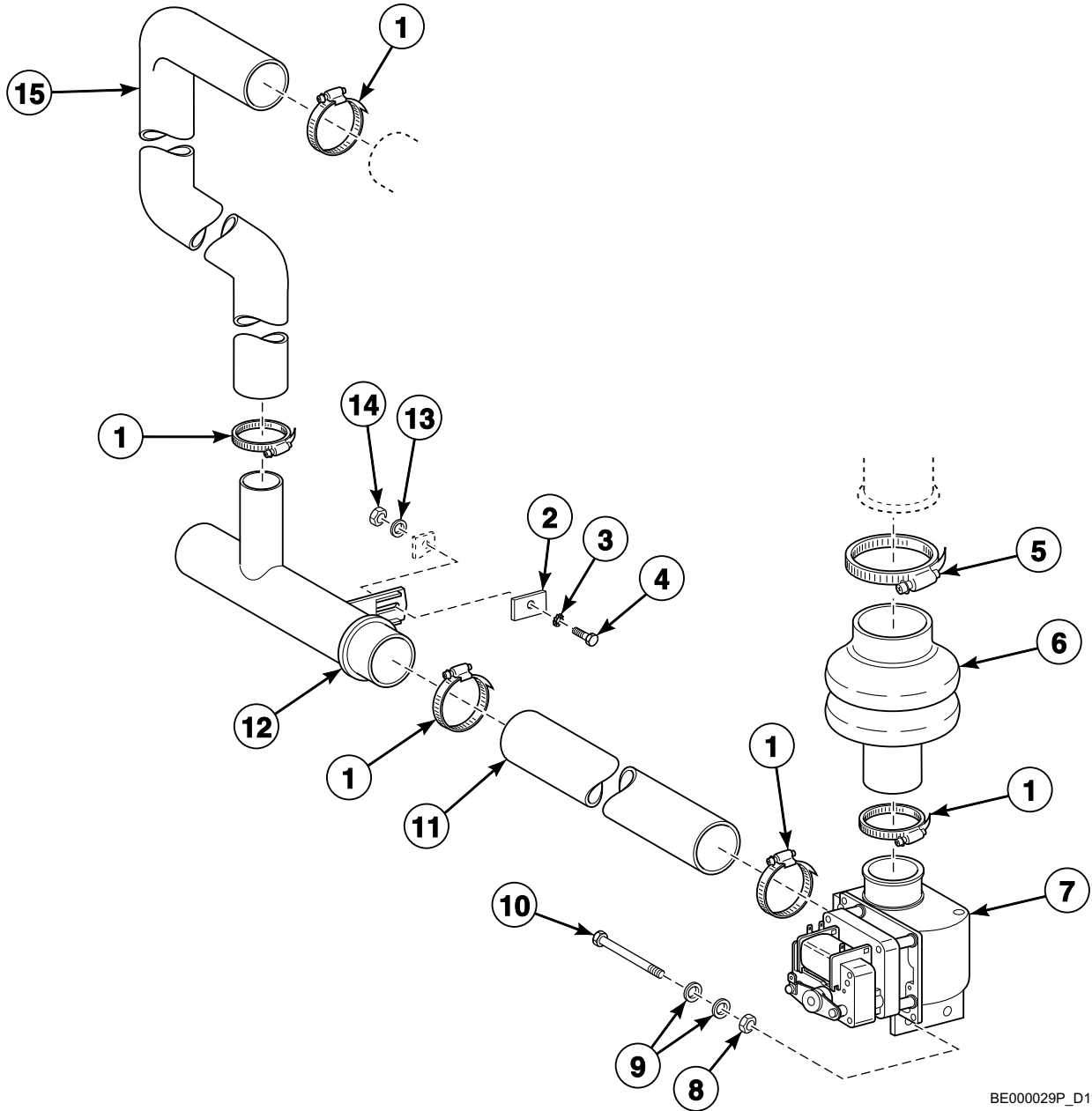


BE000028P_D1125

Spin Motor and Belt

REF	PART NO.	DESCRIPTION	COMMENTS
1	113/00038/00	Belt Rod	
2	204/00005/00	Nut	
3	206/00014/00	Bolt	
4	226/00101/00	Belt	
5	206/00010/00	Bolt	
6	202/00002/00	Washer	
7	226/00085/00	Pulley	50 Hertz
	226/00086/00	V Belt Pulley	60 Hertz
8	206/00056/00	Screw	
9	206/00045/00	Bolt	
10	201/00013/00	Washer	
11	115/00150/00	Motor Mount Bushing	
12	227/00111/00	Motor Kit	EB65
	227/00112/00	Motor Kit	EB85
13	206/00013/00	Bolt	
14	115/00105/00	Tube	
15	204/00112/00	Nut	
16	113/00037/00	Belt Plate	HF65 and HF76 models
	113/00040/00	Belt Plate	HF95 models
17	204/00012/00	Nut	
18	201/00001/00	Washer	

Drain Plumbing

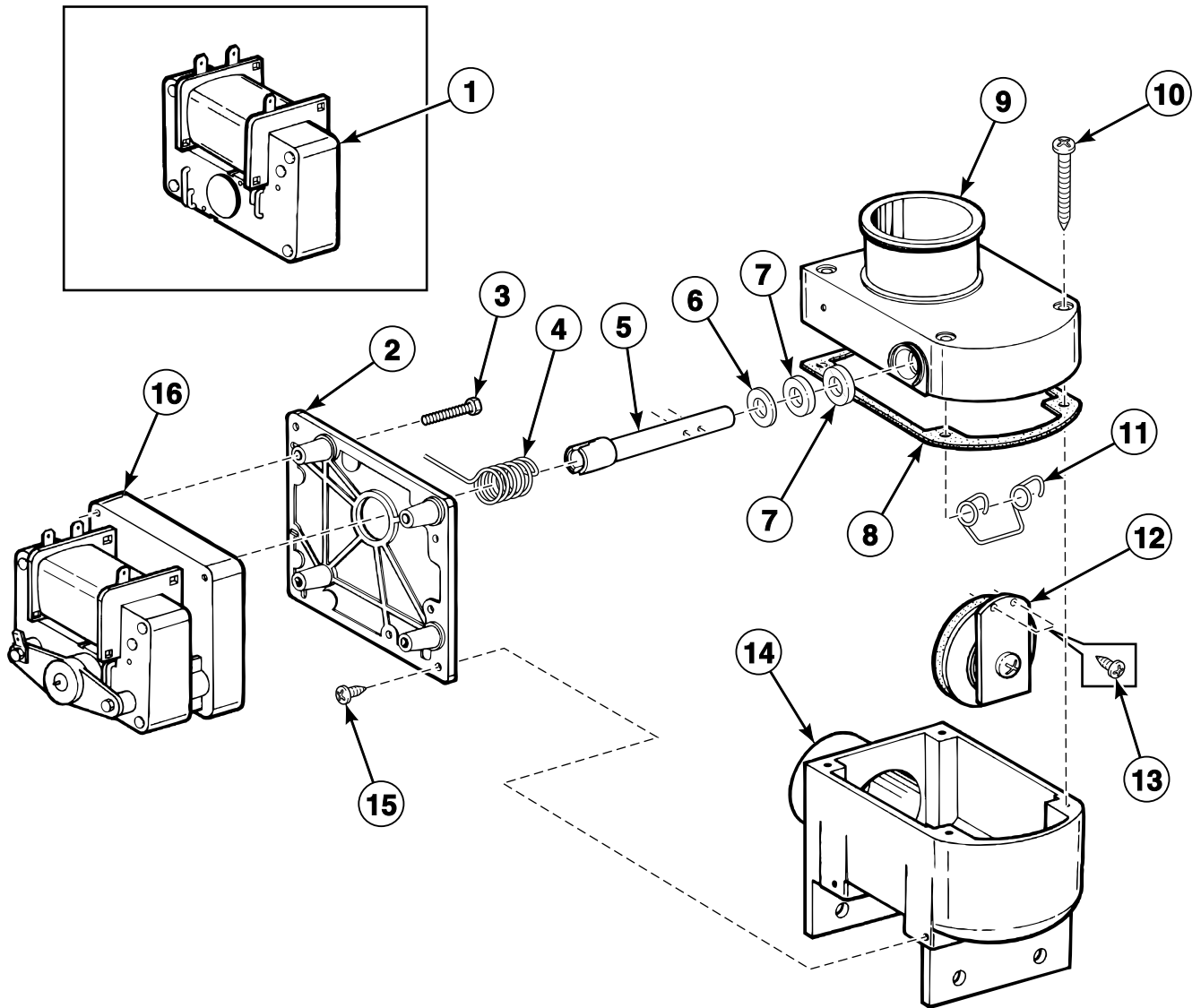


BE000029P_D1125

Drain Plumbing

REF	PART NO.	DESCRIPTION	COMMENTS
1	223/00013/00	Hose Clamp	
2	101/00007/00	Outlet Pipe Plate Assembly	
3	203/00004/00	Washer	
4	206/00033/00	Bolt	
5	223/00014/00	Hose Clamp	
6	223/00129/00	Tub Drain Valve	
7	209/00256/00	Drain Valve	NO
	209/00292/00	Exhaust Valve	NC
8	204/00109/00	Nut	
9	202/00002/00	Washer	
10	206/00068/00	Bolt	
11	223/00137/00	Valve Exhaust	HF65 and HF76 models
	223/00138/00	Valve Exhaust	HF95 models
12	223/00105/00	Drain Pipe	
13	202/00003/00	Washer	
14	204/00005/00	Nut	
15	223/00084/00	Overflow Pipe	

Drain Valve - Normally Open

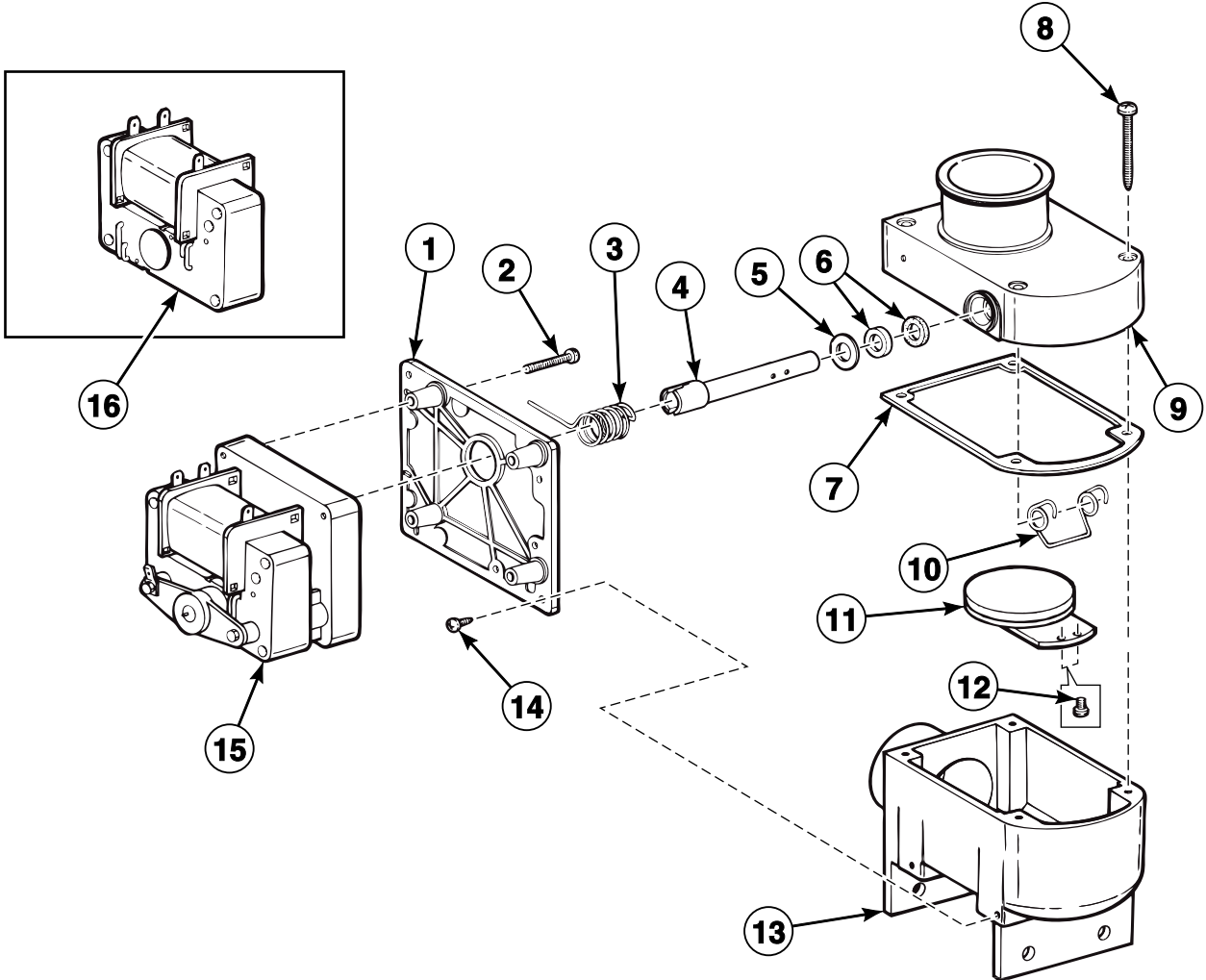


BE000030AP_D1125

Drain Valve - Normally Open

REF	PART NO.	DESCRIPTION	COMMENTS
1	209/00203/21	Coil	24 Volt
	209/00052/21	Coil	115 Volt/60 Hertz
	209/00051/21	Coil	220 Volt/50 or 60 Hertz
2	209/00025/07	Drain Valve Motor Mounting Plate	
3	209/00025/08	Screw	
4	209/00025/13	Drain Valve Spring	
5	209/00025/15	Valve Axle	
6	209/00025/12	Washer	
7	209/00025/10	Drain Valve Shaft Seal	
8	209/00025/02	Drain Housing Gasket	
9	209/00256/05	Valve	
10	209/00025/06	Screw	
11	209/00025/03	Drain Valve Spring	
12	209/00025/16	Sealing Plate Assembly	
13	209/00025/09	Screw	
14	209/00256/01	Valve	
15	209/00170/05	Screw	
16	209/00203/11	Drain Valve Motor	24 Volt
	209/00052/11	Drain Valve Motor	110 Volt/60 Hertz
	209/00051/11	Drain Valve Motor	220 Volt/50 or 60 Hertz

Drain Valve - Normally Closed

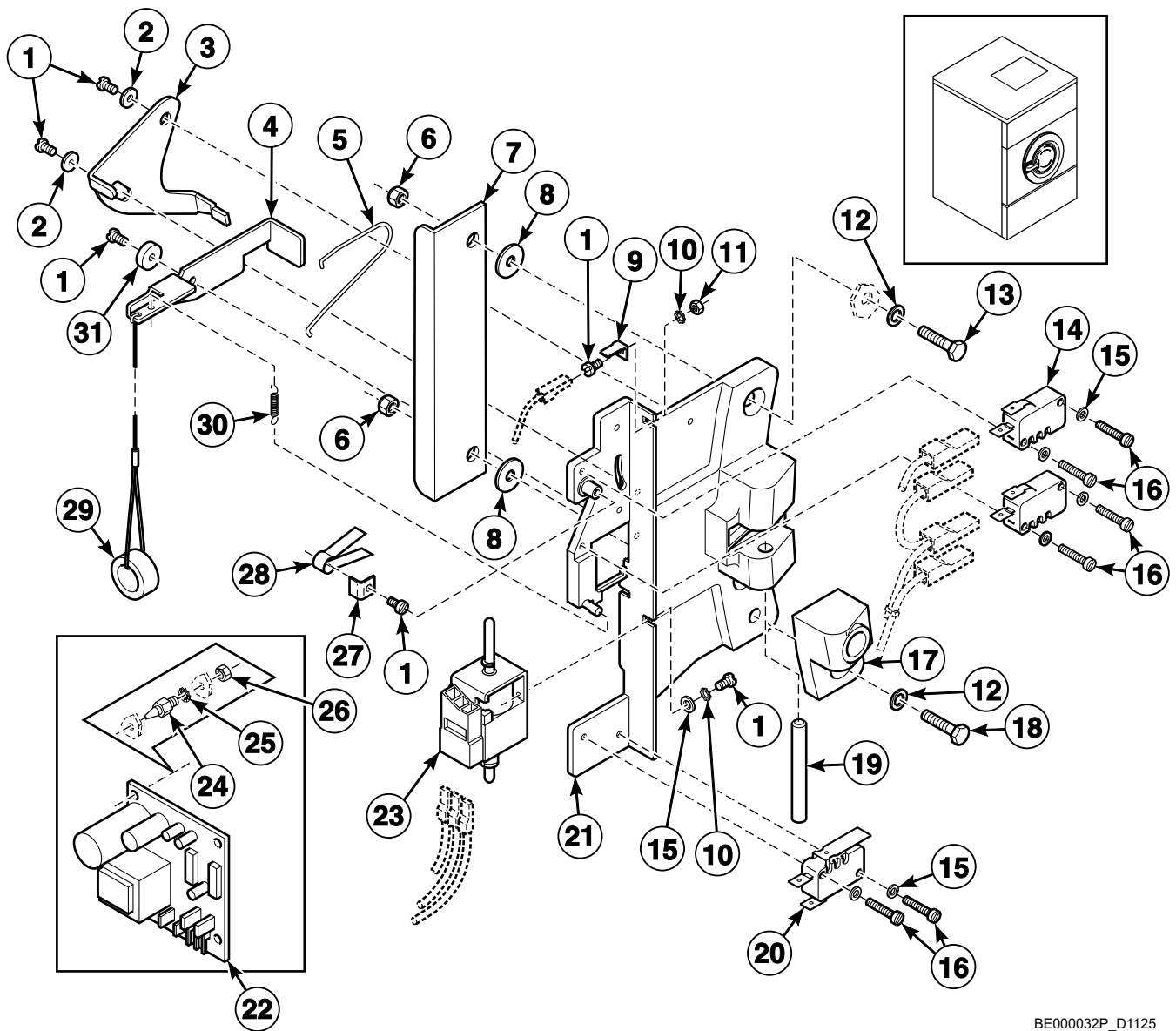


BE000031AP_D1125

Drain Valve - Normally Closed

REF	PART NO.	DESCRIPTION	COMMENTS
1	209/00025/07	Drain Valve Motor Mounting Plate	
2	209/00025/08	Screw	
3	209/00170/02	Drain Valve Spring	
4	209/00025/15	Valve Axle	
5	209/00025/12	Washer	
6	209/00025/10	Drain Valve Shaft Seal	
7	209/00025/02	Drain Housing Gasket	
8	209/00025/06	Screw	
9	209/00256/05	Valve	
10	209/00025/03	Drain Valve Spring	
11	209/00025/16	Sealing Plate Assembly	
12	209/00025/09	Screw	
13	209/00256/01	Valve	
14	209/00170/05	Screw	
15	209/00203/12	Drain Valve Motor	24 Volt
	209/00052/12	Drain Valve Motor	110 Volt/60 Hertz
	209/00170/06	Drain Valve Motor Assembly	220 Volt/50 or 60 Hertz
16	209/00203/21	Coil	24 Volt
	209/00052/21	Coil	115 Volt/60 Hertz
	209/00051/21	Coil	220 Volt/50 or 60 Hertz

Door Lock

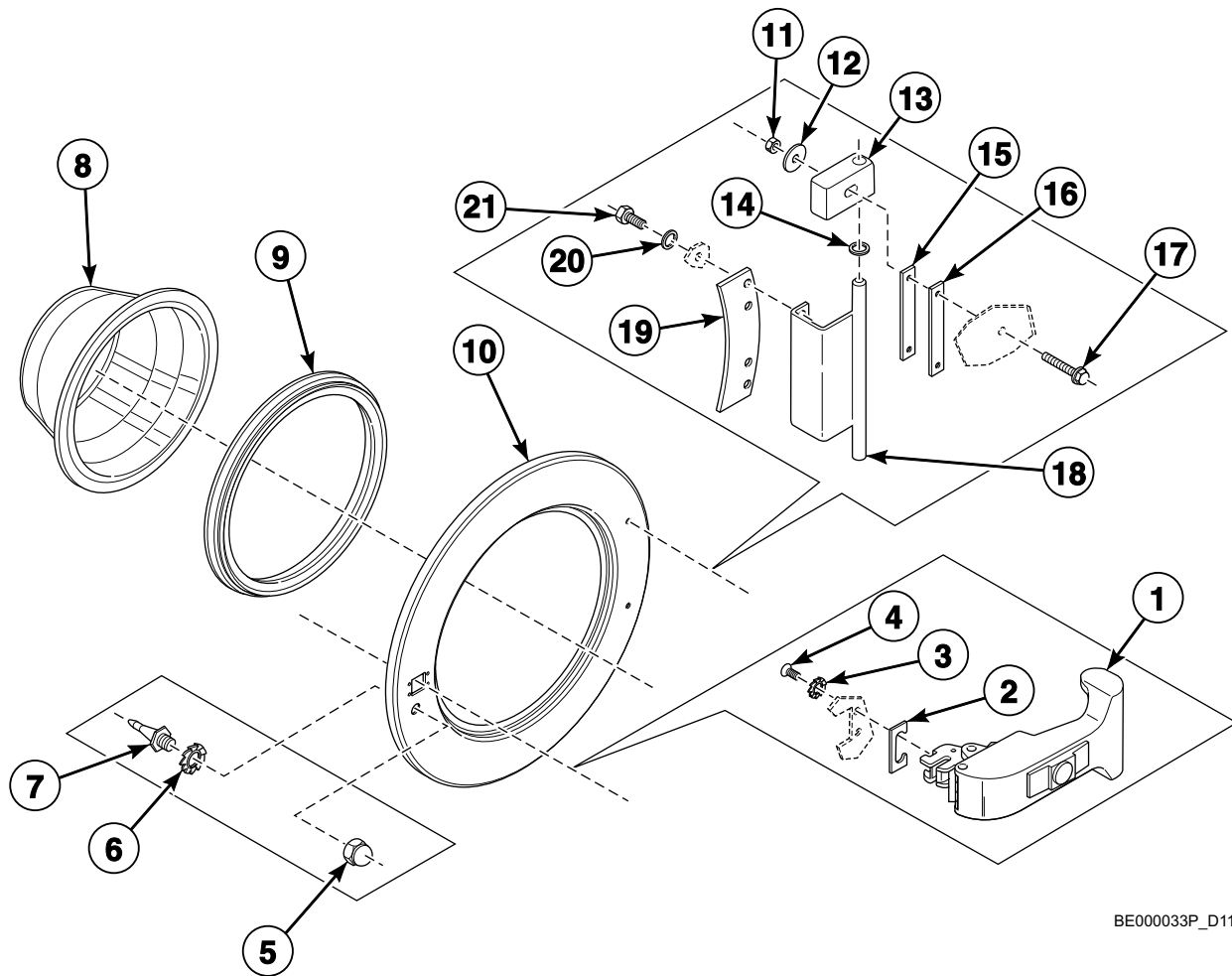


BE000032P_D1125

Door Lock

REF	PART NO.	DESCRIPTION	COMMENTS
1	207/00135/00	Screw	
2	201/00017/00	Washer	
3	217/00052/05	Switch Lever	
4	217/00052/04	Interlock Lever	
5	224/00040/00	Lever Spring	
6	204/00009/00	Nut	
7	117/00052/08	Lock Protection Plate	
8	201/00006/00	Washer	
9	210/10015/00	Ground Terminal	
10	203/00007/00	Washer	
11	204/00008/00	Nut	
12	202/00101/00	Washer	
13	205/00103/00	Bolt	
14	209/00272/00	Door Lock Microswitch	
15	201/00018/00	Washer	
16	207/00009/00	Screw	
17	217/00052/02	Door Lock Pin Kit	
18	205/00115/00	Bolt	
19	217/00017/03	Lock Shaft	
20	209/00273/00	Light Microswitch	
21	217/00052/01	Door Lock Assembly	
22	209/00275/04	Door Lock Board	
23	209/00274/00	Door Lock Solenoid	
24	211/00120/00	Standoff	
25	203/00006/00	Washer	
26	204/00007/00	Nut	
27	217/00052/08	Washer	
28	224/00049/00	Door Lock Spring	
29	224/00015/00	Door Latch Cord	
30	224/00043/00	Interlock Coil Spring	
31	217/00052/03	Door Lock Spacer	

Door

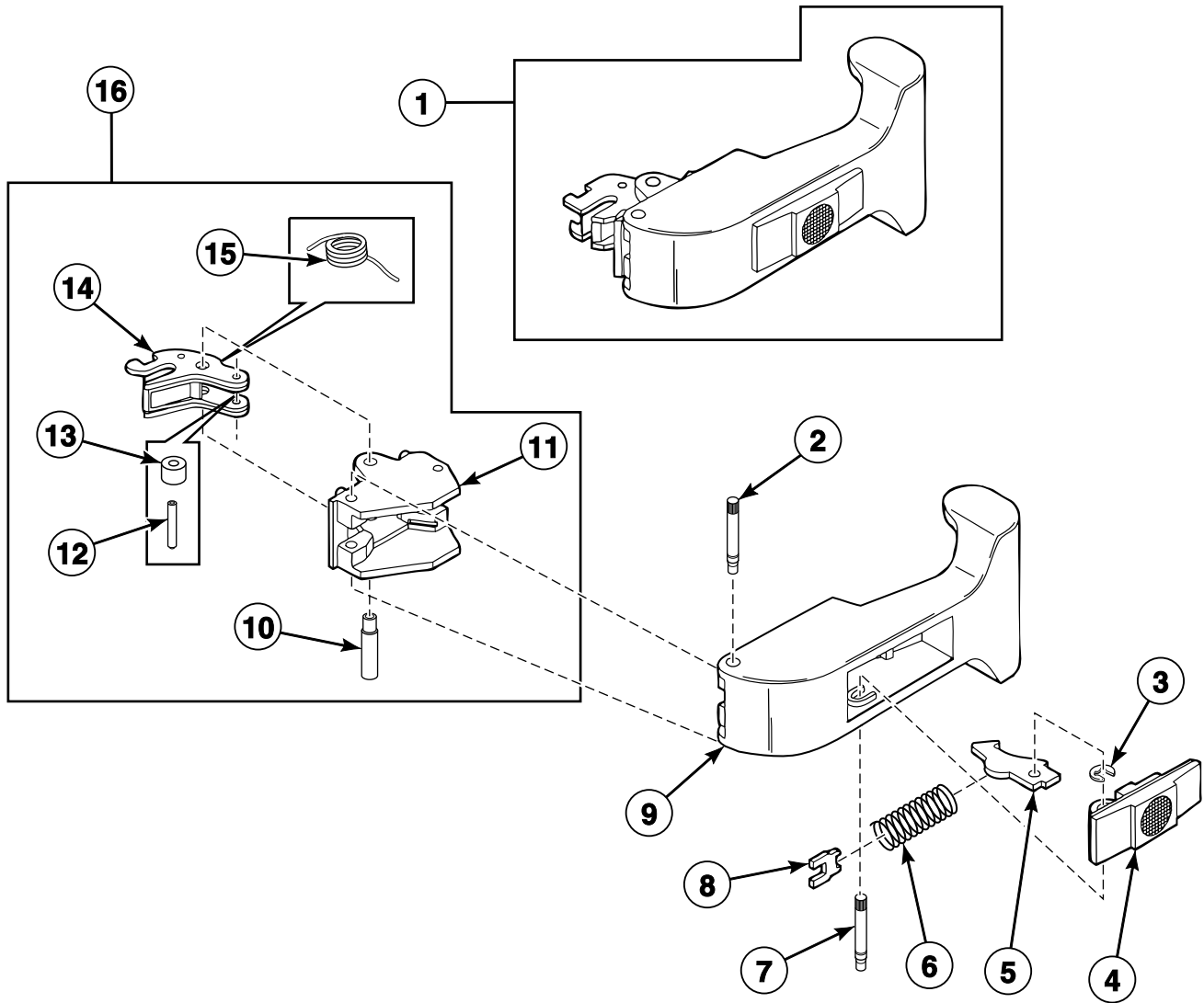


BE000033P_D1125

Door

REF	PART NO.	DESCRIPTION	COMMENTS
1	217/00051/00	Door Handle	
2	217/00016/00	Door Handle Stop	
3	203/00008/00	Washer	
4	207/00107/00	Screw	
5	204/00103/00	Nut	
6	203/00011/00	Washer	
7	211/00109/00	Door Lock Pin Kit	
8	217/00022/00	Door Glass	
9	217/00015/00	Door Glass Seal	
10	118/00046/10	Door Frame	
11	204/00106/00	Nut	
12	202/00108/00	Washer	
13	217/00009/02	Door Hinge Assembly	
14	202/00104/00	Washer	
15	117/00011/00	Door Hinge Spacer	
16	117/00010/00	Door Hinge Spacer	
17	207/00126/00	Screw	
18	221/00005/00	Door Hinge	
19	118/00065/00	Door Hinge Plate Assembly	
20	202/00101/00	Washer	
21	205/00107/00	Bolt	

Door Handle

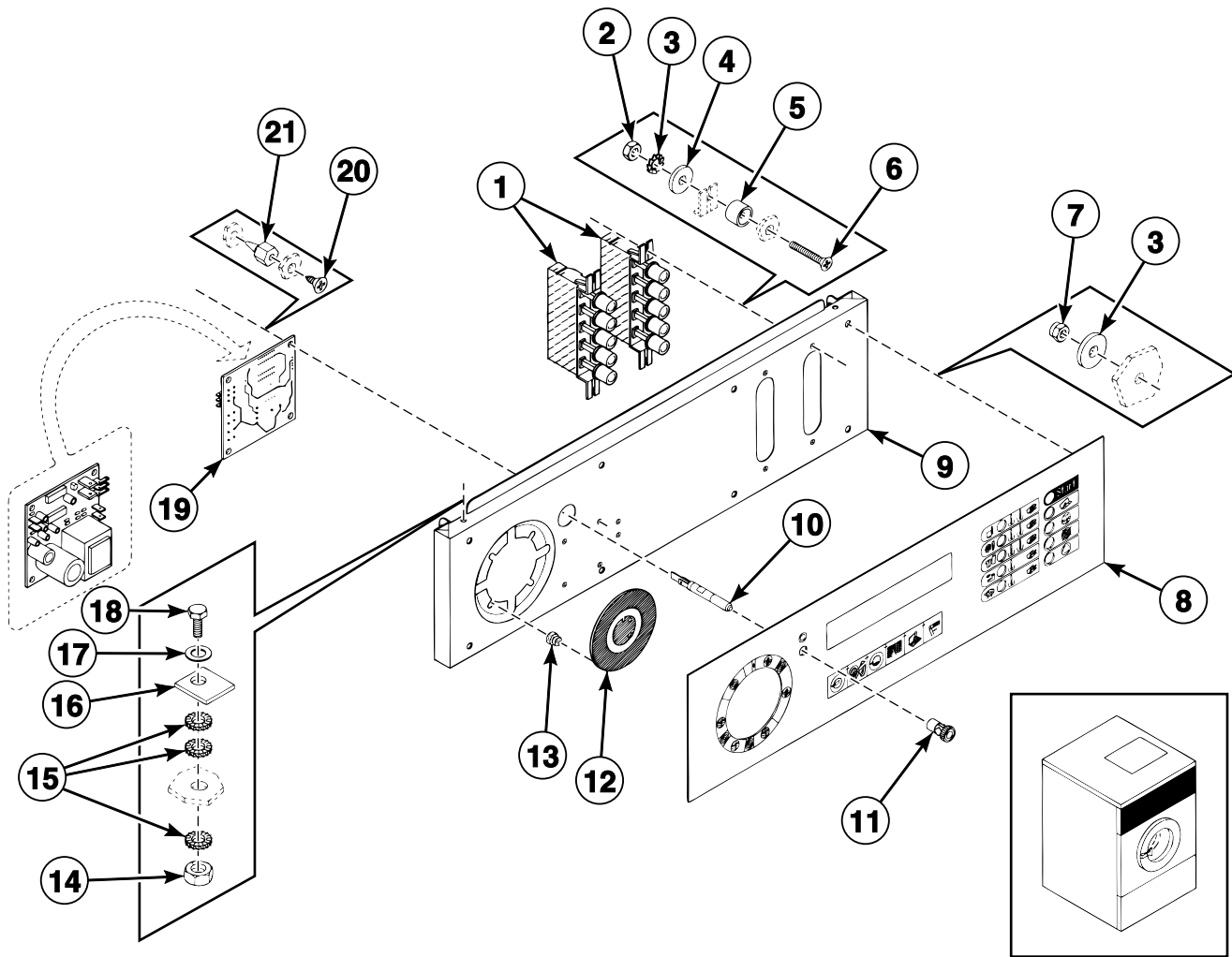


BE000034AP_D1125

Door Handle

REF	PART NO.	DESCRIPTION	COMMENTS
1	217/00051/00	Door Handle	
2	217/00013/09	Door Mounting Pin	
3	217/00013/11	Door Circlip	
4	217/00013/12	Door Handle	
5	217/00013/13	Door Handle Hook	
6	217/00013/14	Door Handle Spring	
7	217/00013/15	Door Handle Locking Pin	
8	217/00013/16	Door Handle Assembly Plate	
9	217/00051/10	Door Handle	
10	217/00013/08	Door Locking Pin	
11	217/00013/07	Door Locking Grip	
12	217/00013/05	Door Axle Roller	
13	217/00013/06	Door Roller	
14	217/00013/04	Door Handle Latch	
15	217/00013/03	Door Lock Spring	
16	217/00051/14	Door Handle Latch	

Control Panel - 10-Button Mechanical Timer

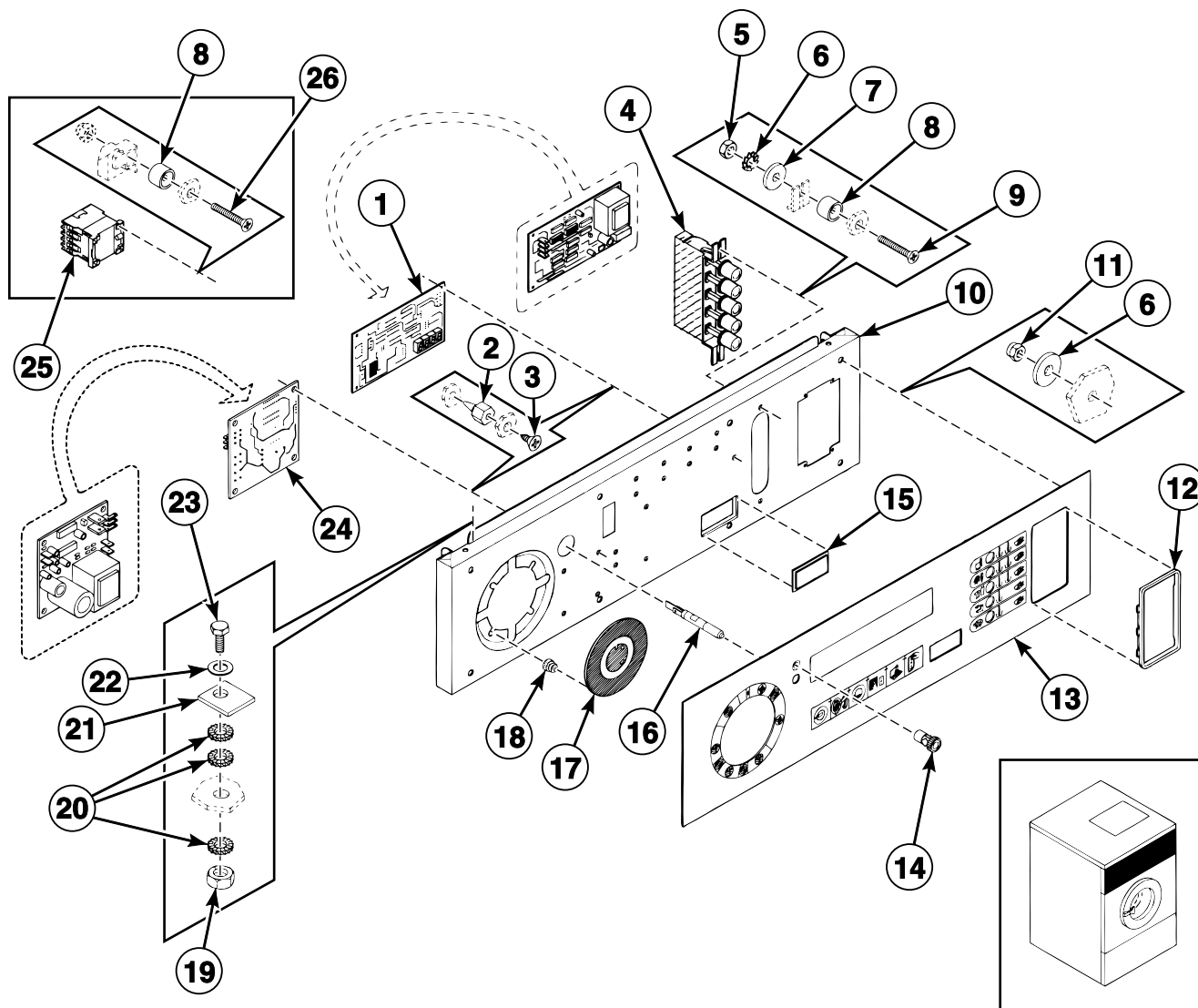


BE000037P_D1125

Control Panel - 10-Button Mechanical Timer

REF	PART NO.	DESCRIPTION	COMMENTS
1	209/00175/01	Pushbutton	
2	204/00007/00	Nut	
3	203/00006/00	Washer	
4	204/00004/00	Nut	
5	211/10156/00	Program Switch Separator	
6	207/00032/00	Screw	
7	204/00114/00	Nut	
8	225/00219/ABL	Panel Face	
9	111/00225/01	Upper Front Panel	
10	209/00151/00	Lamp	
11	209/00152/00	Lens Cover	Red
	209/00154/00	Lens Cover	Orange
12	225/00078/00	Program Indicator	
13	225/10023/00	Fastener	
14	204/00006/00	Nut	
15	203/00005/00	Washer	
16	117/00042/00	Retaining Ring	
17	202/00003/00	Washer	
18	205/00106/00	Bolt	
19	209/00275/04	Door Lock Board	
20	208/00024/00	Screw	
21	211/00125/00	Printboard Separator	

Control Panel - 5-Button Mechanical Timer

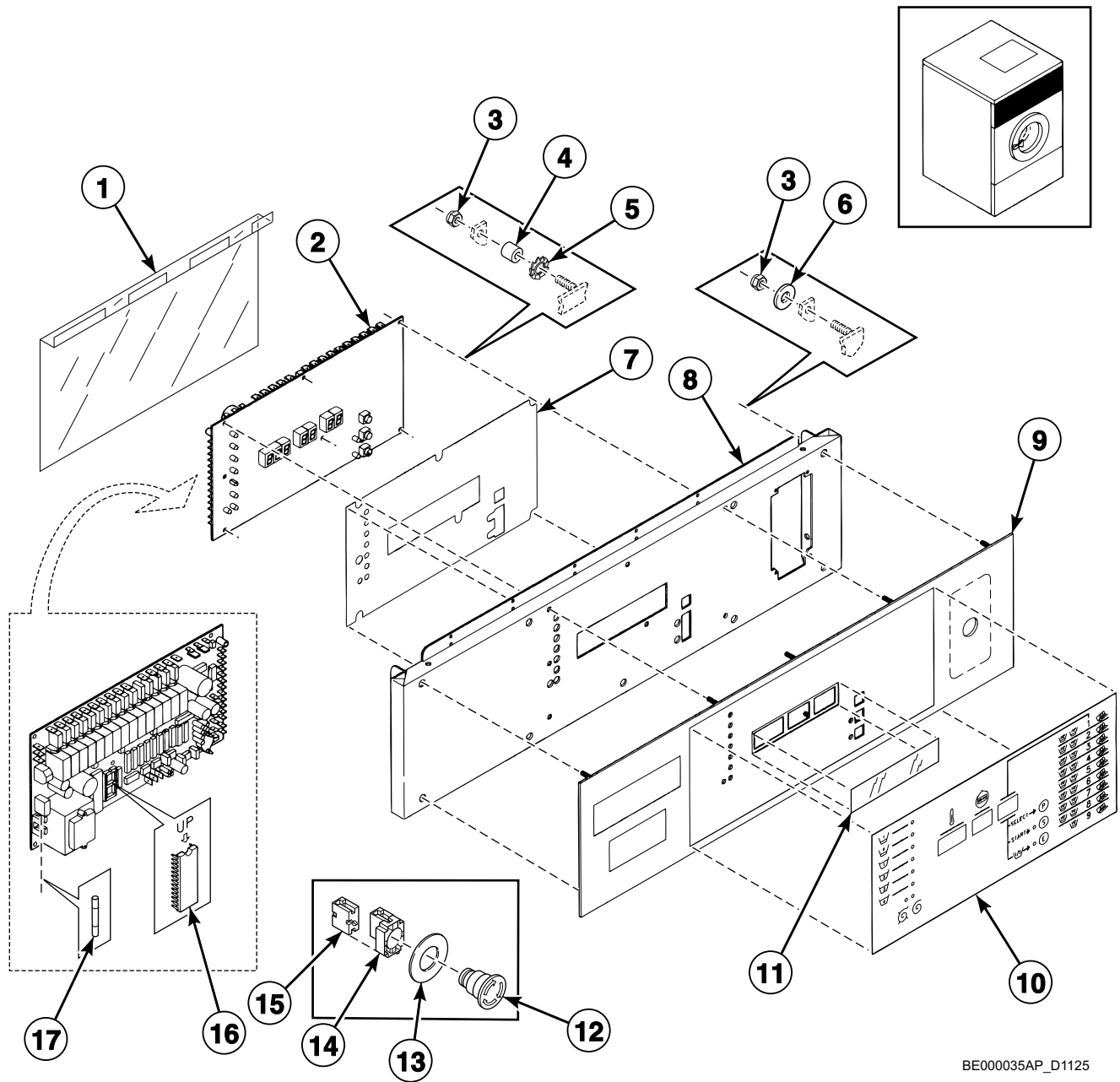


BE000038P_D1125

Control Panel - 5-Button Mechanical Timer

REF	PART NO.	DESCRIPTION	COMMENTS
1	209/00217/00	Coin Display	
2	211/00125/00	Printboard Separator	
3	208/00024/00	Screw	
4	209/00175/01	Pushbutton	
5	204/00007/00	Nut	
6	203/00006/00	Washer	
7	202/00004/00	Washer	
8	211/10156/00	Program Switch Separator	
9	207/00032/00	Screw	
10	111/00225/02	Upper Front Panel	
11	204/00114/00	Nut	
12	225/00020/00	Coin Meter Frame	
13	225/00220/ABL	Front Panel	Symbols
14	209/00152/00	Lens Cover	Red
	209/00154/00	Lens Cover	Orange
15	223/10066/00	Display	
16	209/00151/00	Lamp	
17	225/00078/00	Program Indicator	
18	225/10023/00	Fastener	
19	204/00006/00	Nut	
20	203/00005/00	Washer	
21	117/00042/00	Retaining Ring	
22	202/00003/00	Washer	
23	205/00106/00	Bolt	
24	209/00275/04	Door Lock Board	
25	209/00124/00	Contactactor	
26	206/00036/00	Bolt	

Control Panel - Micro-20

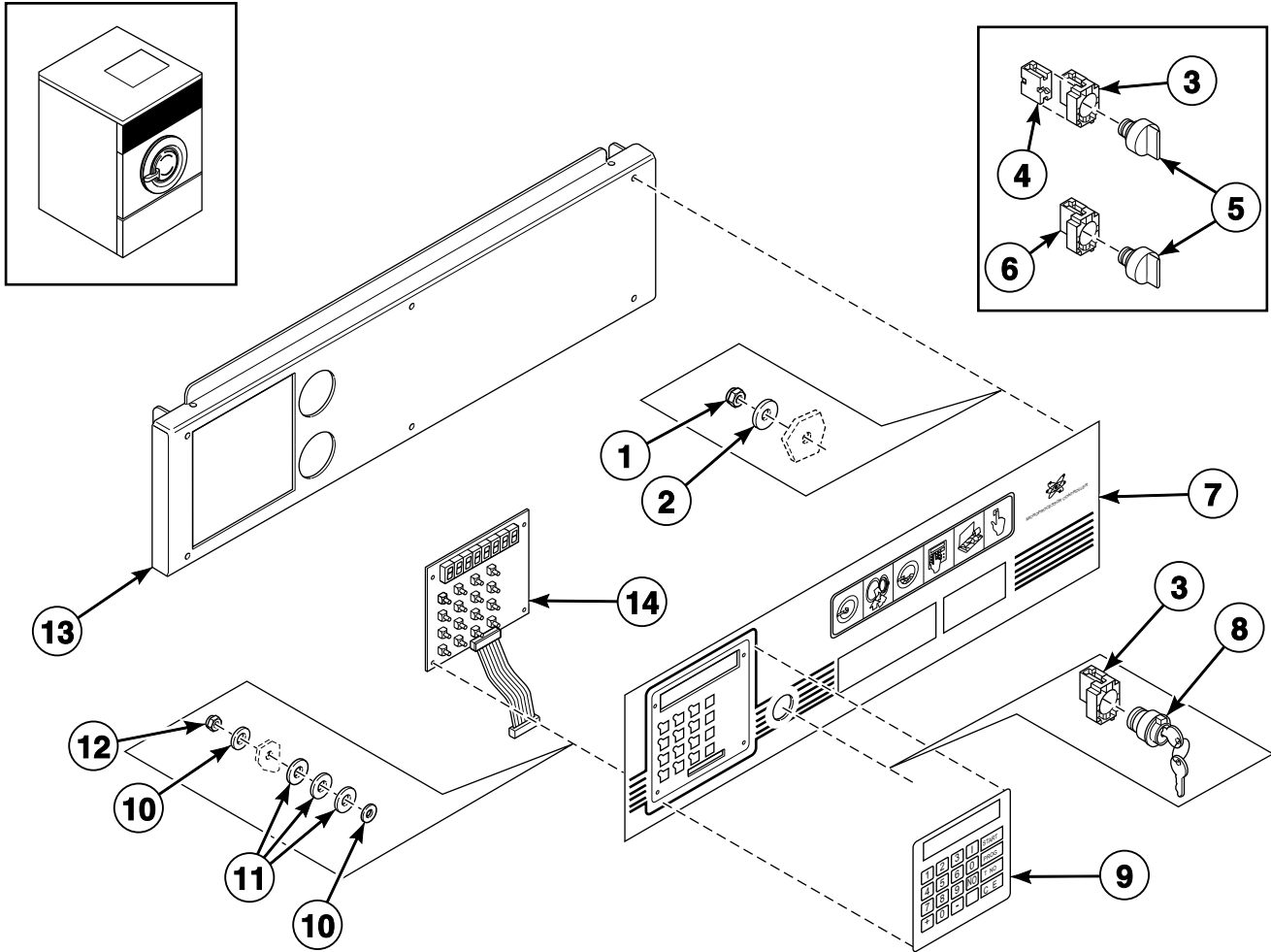


BE000035AP_D1125

Control Panel - Micro-20

REF	PART NO.	DESCRIPTION	COMMENTS
1	229/00262/00	Circuit Board Cover	
2	209/00440/00	Printboard	
3	204/00114/00	Nut	
4	211/00122/00	Standoff	
5	203/00006/00	Washer	
6	201/00008/00	Washer	
7	229/00255/00	Insulating Sticker	
8	111/00182/00	Upper Front Panel	Models HF65_MICRO-20_COIN, HF76_MICRO-20_COIN and HF95_MICRO-20_COIN
	111/00182/10	Upper Front Panel	Models HF65_MICRO-20_OPL, HF76_MICRO-20_OPL and HF95_MICRO-20_OPL
9	225/00293/AOL	Front Panel	Models HF65_MICRO-20_COIN, HF76_MICRO-20_COIN and HF95_MICRO-20_COIN
	225/00294/AOL	Front Panel	Models HF65_MICRO-20_OPL, HF76_MICRO-20_OPL and HF95_MICRO-20_OPL
10	225/00309/00	Sticker	Models HF65_MICRO-20_OPL, HF76_MICRO-20_OPL and HF95_MICRO-20_OPL
	225/00308/00	Sticker	Models HF65_MICRO-20_COIN, HF76_MICRO-20_COIN and HF95_MICRO-20_COIN
11	225/00316/00	Plexi Frame	
12	209/00248/00	Mushroom Pushbutton	
13	209/00520/00	Telem Sticker	
14	209/00099/05	Contact	
15	209/00099/06	Contact Switch	
16	209/00266/01	Eprom	
17	209/00439/00	Fuse	

Control Panel - PC30

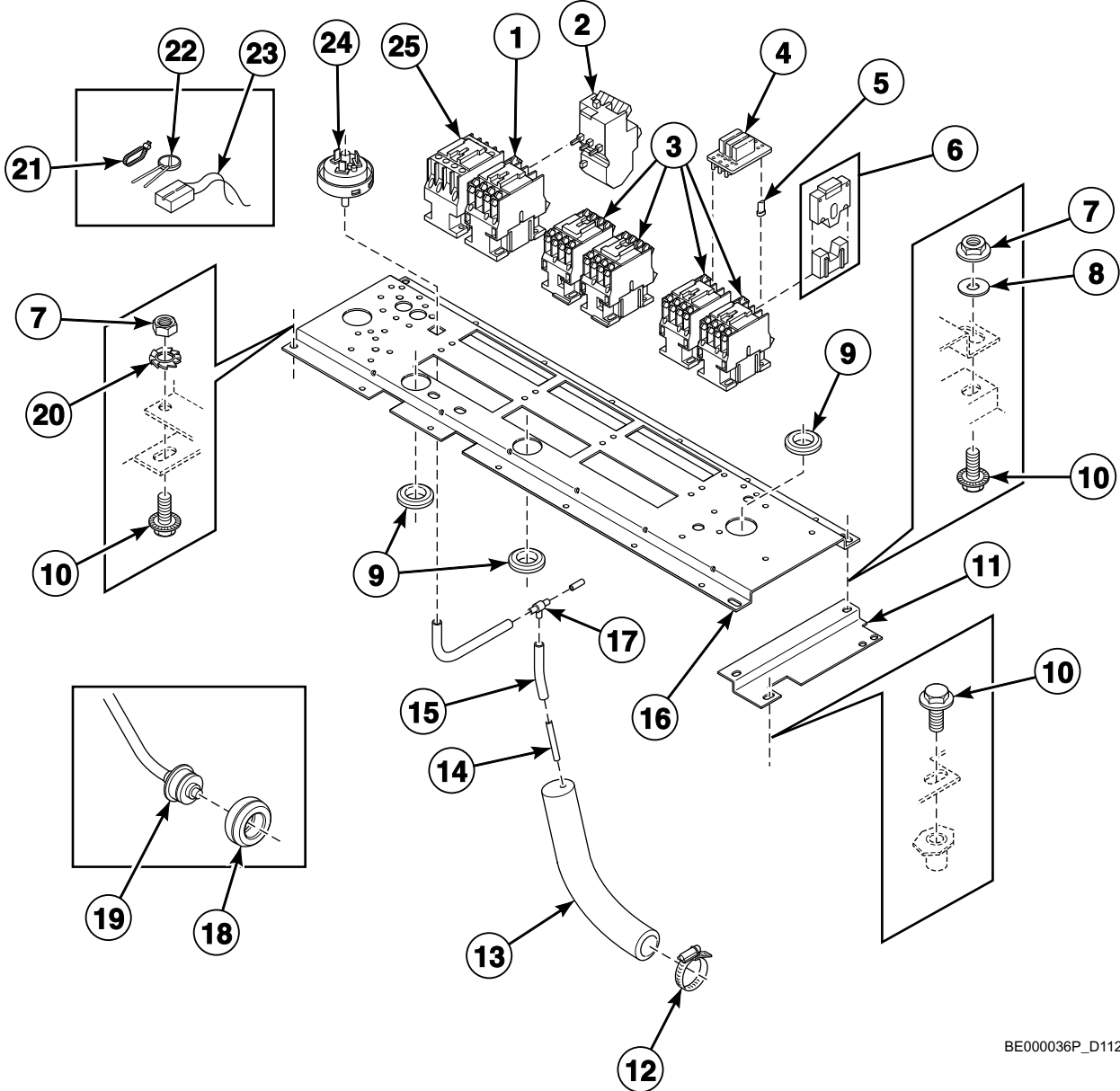


BE000040P_D1125

Control Panel - PC30

REF	PART NO.	DESCRIPTION	COMMENTS
1	204/00114/00	Nut	
2	201/00008/00	Washer	
3	209/00099/05	Contact	
4	209/00099/07	Contact Switch	NO
	209/00099/06	Contact Switch	NC
5	209/00099/09	Button	
6	209/00253/00	Emergency Stop Button Kit	
7	225/00304/00	Front Panel	
8	209/00326/00	Programming Switch	
9	229/00245/00	Label	
10	223/00123/00	Washer	
11	223/00051/10	Washer	
12	204/00116/00	Nut	
13	111/00226/00	Upper Front Panel	
14	209/00323/01	Keyboard	

Electrical Component Mounting Plate - Micro-20 and Sigma

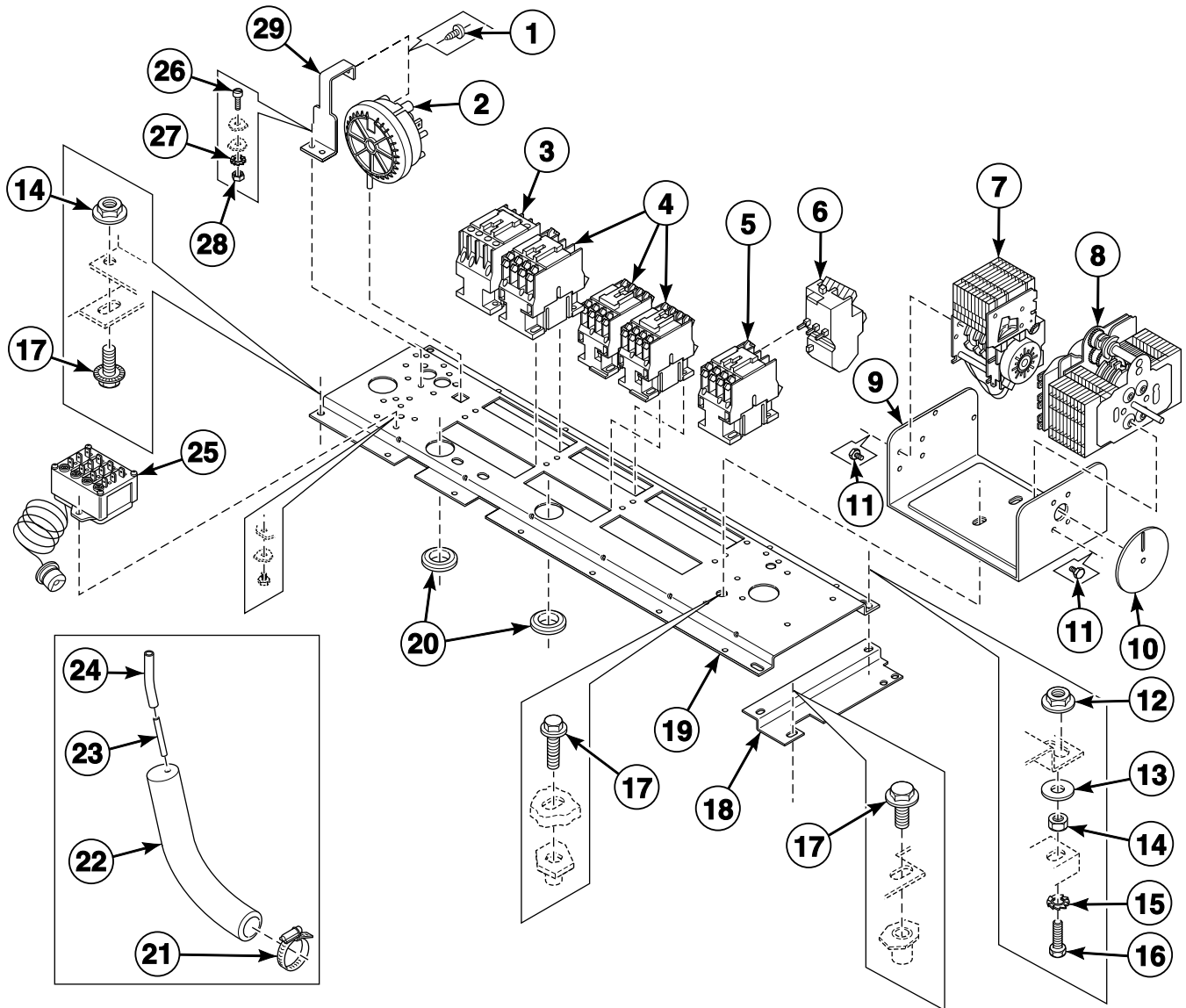


BE000036P_D1125

Electrical Component Mounting Plate - Micro-20 and Sigma

REF	PART NO.	DESCRIPTION	COMMENTS
1	209/00041/05	Contactator	
2	209/00264/00	Protector	4-6 Amp
	209/00263/00	Protector	2.5-4 Amp
3	209/00041/03	Contactator	
4	209/00452/01	Printboard	
5	209/00452/02	Lug Holder	
6	209/00279/00	Lock	
7	204/00005/00	Nut	
8	201/00007/00	Washer	
9	223/00198/00	Grommet	
10	206/00099/00	Bolt	
11	111/00146/00	Assembly Plate	
12	223/00011/00	Hose Clamp	
13	223/00015/00	Level Switch Elbow	
14	223/00016/00	Hose Barb	
15	223/00082/00	Pressure Hose	
16	111/00191/10	Mounting Plate	HF65 and HF76 models
	111/00037/10	Mounting Plate	HF95 models
17	223/00173/00	T-Piece	
18	225/10004/00	Thermostat Seal	
19	209/00309/02	Thermostat Assembly	
20	203/00004/00	Washer	
21	211/00108/00	Fastener	
22	209/00356/00	Noise Suppressor	
23	209/00320/00	Filter	
24	209/00007/50	Pressure Switch	
25	209/00148/02	Contactator	LC1D1810M7
	209/00041/04	Contactator	LC1D0901M7

Electrical Component Mounting Plate - Mechanical Timer Models

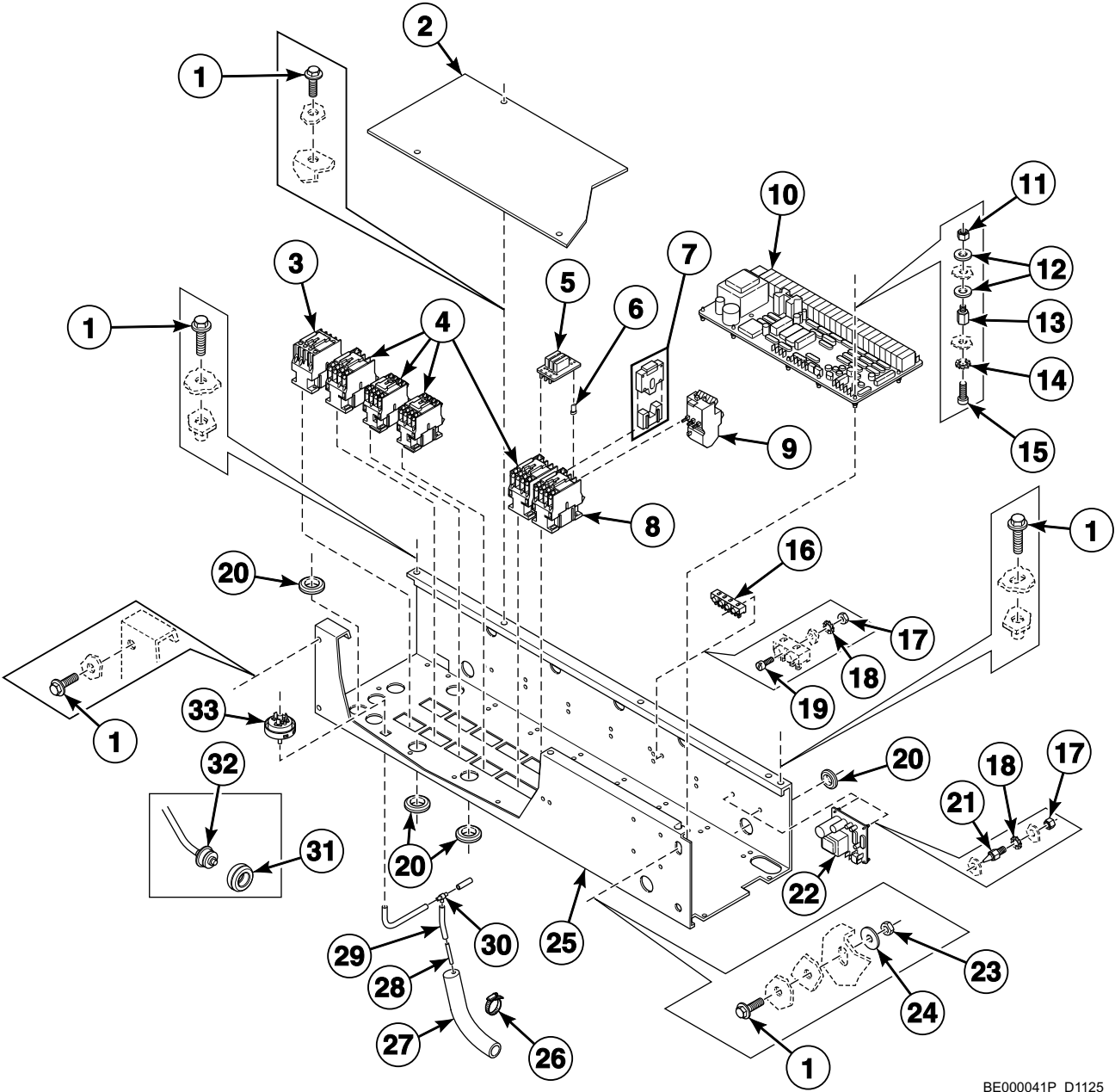


BE000039P_D1125

Electrical Component Mounting Plate - Mechanical Timer Models

REF	PART NO.	DESCRIPTION	COMMENTS
1	208/00007/00	Screw	
2	209/00007/30	Pressure Switch	
3	209/00041/04	Contactactor	LC1D09
	209/00148/02	Contactactor	LC1D18
	209/00177/02	Contactactor	LC1D25
	209/00149/02	Contactactor	LC1D39
4	209/00041/03	Contactactor	
5	209/00041/05	Contactactor	
6	209/00264/00	Protector	4-6 Amp
	209/00263/00	Protector	2.5-4 Amp
7	209/00012/00	Reversing Timer	
8	209/00108/00	Timer	Green
	209/00107/00	Timer	Yellow
9	111/00016/00	Mounting Plate	
10	225/00001/00	Program Indicator	
11	206/00021/00	Screw	
12	206/00101/00	Nut	
13	201/00007/00	Washer	
14	204/00005/00	Nut	
15	203/00004/00	Washer	
16	206/00013/00	Bolt	
17	206/00099/00	Bolt	
18	111/00146/00	Assembly Plate	
19	111/00191/10	Mounting Plate	HF65 and HF76 models
	111/00037/10	Mounting Plate	HF95 models
20	223/00198/00	Grommet	
21	223/00011/00	Hose Clamp	
22	223/00015/00	Level Switch Elbow	
23	223/00016/00	Hose Barb	
24	223/00082/00	Pressure Hose	
25	209/00243/00	Thermostat	
26	207/00008/00	Screw	
27	203/00006/00	Washer	
28	204/00007/00	Nut	
29	111/00424/00	Pressure Switch Bracket	

Electrical Component Mounting Plate - PC30

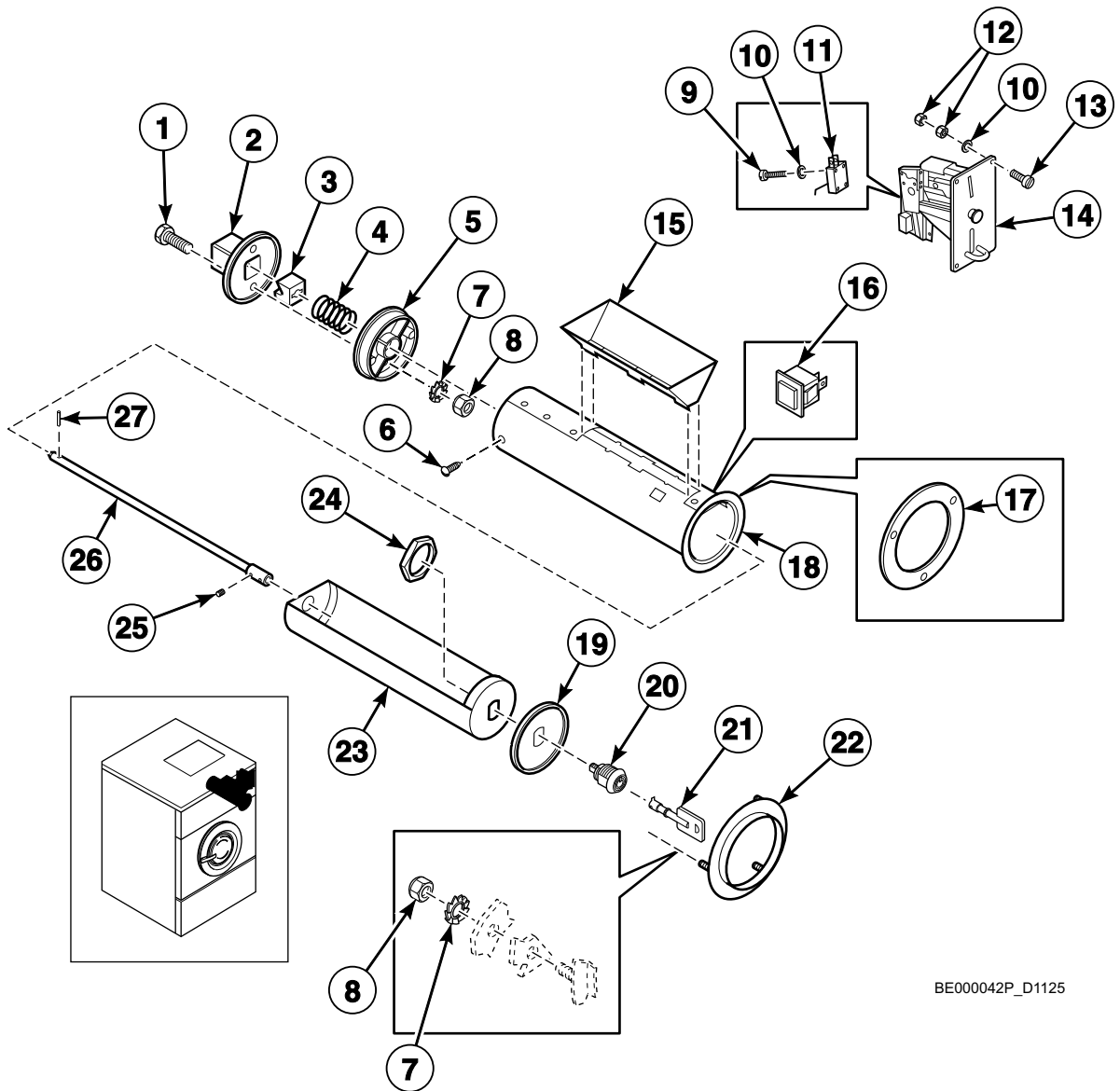


BE000041P_D1125

Electrical Component Mounting Plate - PC30

REF	PART NO.	DESCRIPTION	COMMENTS
1	206/00099/00	Bolt	
2	111/00139/01	Assembly Cover Plate	HF65 and HF76 models
	111/00140/01	Assembly Cover Plate	HF95 models
3	209/00041/04	Contactactor	LC1D09
	209/00148/02	Contactactor	LC1D18
4	209/00041/03	Contactactor	
5	209/00452/01	Printboard	
6	209/00452/02	Lug Holder	
7	209/00279/00	Lock	
8	209/00041/05	Contactactor	
9	209/00264/00	Protector	4-6 Amp
	209/00263/00	Protector	2.5-4 Amp
10	209/00323/02	Printboard	
11	204/00116/00	Nut	
12	223/00123/00	Washer	
13	206/00141/00	Separator	
14	203/00007/00	Washer	
15	207/00135/00	Screw	
16	209/00005/00	Terminal Block	
17	204/00007/00	Nut	
18	203/00006/00	Washer	
19	207/00003/00	Screw	
20	223/00198/00	Grommet	
21	211/00120/00	Standoff	
22	209/00275/04	Door Lock Board	
23	204/00005/00	Nut	
24	201/00006/00	Washer	
25	111/00139/00	Assembly Plate	HF65 and HF76 models
	111/00140/00	Assembly Plate	HF95 models
26	223/00011/00	Hose Clamp	
27	223/00015/00	Level Switch Elbow	
28	223/00016/00	Hose Barb	
29	223/00082/00	Pressure Hose	
30	223/00173/00	T-Piece	
31	225/10004/00	Thermostat Seal	
32	209/00309/02	Thermostat Assembly	
33	209/00007/50	Pressure Switch	

Coin Meter and Coin Vault

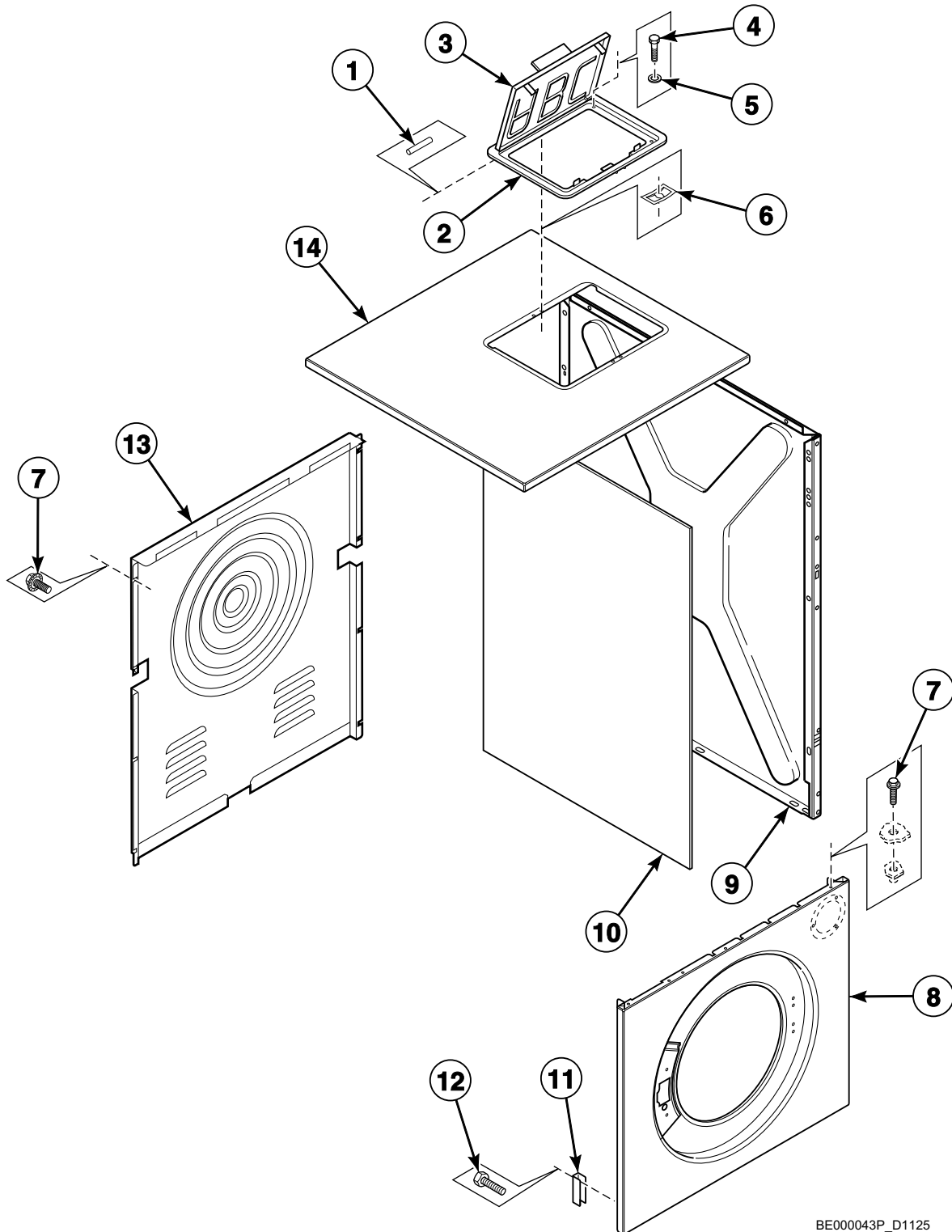


BE000042P_D1125

Coin Meter and Coin Vault

REF	PART NO.	DESCRIPTION	COMMENTS
1	206/00033/00	Bolt	
2	211/00070/01	Outer Cabinet Lock	
3	211/00070/02	Washer	
4	211/00070/04	Spring	
5	211/00070/03	Inner Coin Box	
6	208/00007/00	Screw	
7	203/00004/00	Washer	
8	204/00005/00	Nut	
9	207/00009/00	Screw	
10	203/00007/00	Washer	
11	209/00060/00	Coin Drop	
12	204/00008/00	Nut	
13	207/00108/00	Screw	
14	209/00305/00	Coin Meter	
15	211/00071/00	Coin Box	
16	209/00396/00	Pushbutton	
17	111/00100/00	Coin Box Ring Assembly	
18	211/00100/00	Outer Coin Box	
19	111/00068/00	Front Plate	
20	211/00065/00	Coin Box Lock	
21	211/00065/02	Coin Box Key	
22	111/00066/00	Coin Box Ring	
23	111/00067/00	Coin Box	
24	211/00065/01	Nut	
25	206/00038/00	Screw	
26	111/00069/00	Spindle	
27	208/00013/00	Roll Pin	

Right Side, Front, Lower Rear and Top Panels

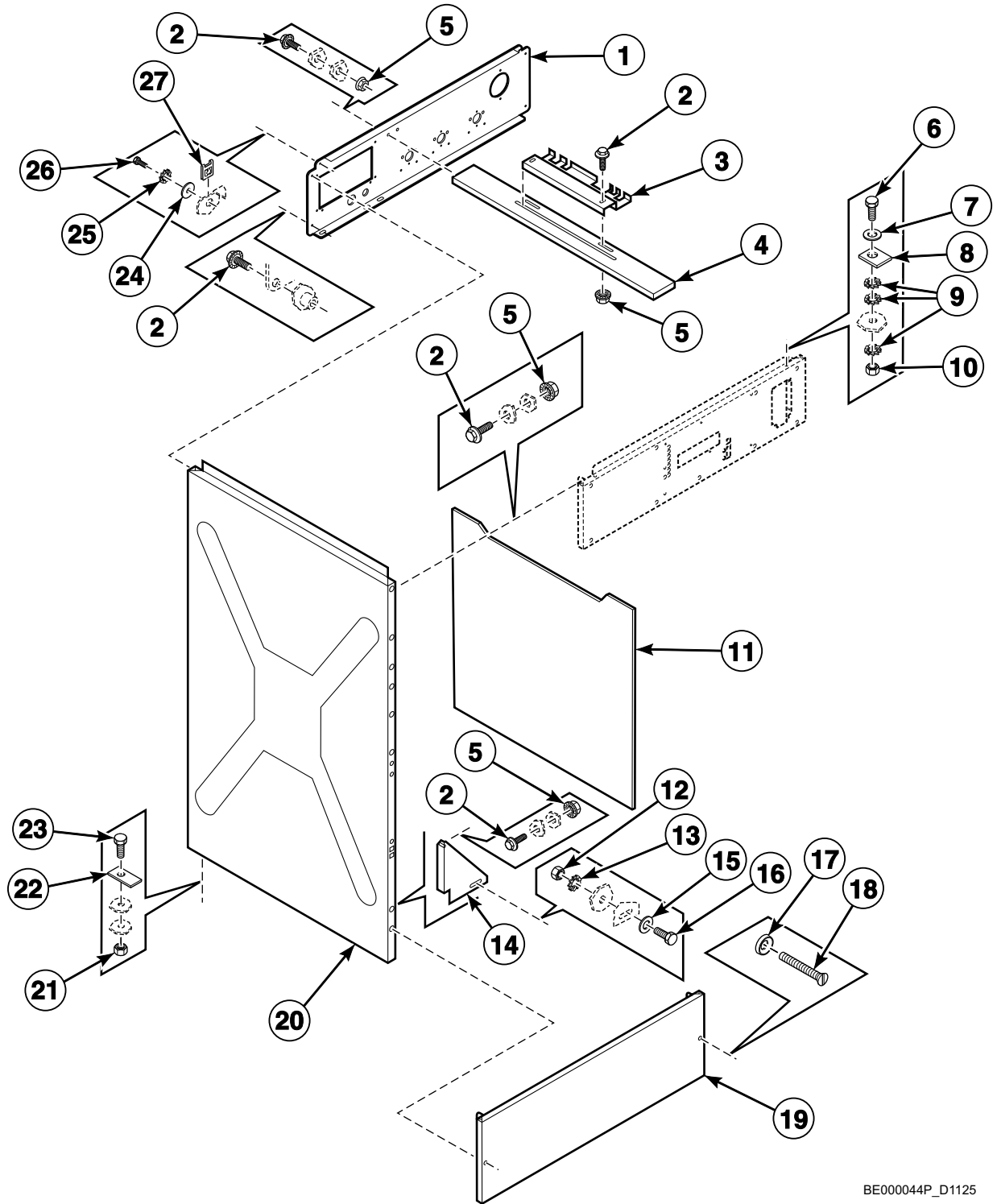


BE000043P_D1125

Right Side, Front, Lower Rear and Top Panels

REF	PART NO.	DESCRIPTION	COMMENTS
1	223/00103/04	Soap Dispenser Cover Hinge Rod	
2	223/00103/03	Soap Dispenser Frame	
3	223/00103/01	Soap Dispenser Cover	
4	205/00105/00	Bolt	
5	202/00101/00	Washer	
6	208/00104/00	Nut	
7	206/00099/00	Bolt	
8	111/00147/00	Lower Front Panel	OPL; Stainless steel
	111/03148/00	Lower Front Panel	Coin; Epoxy
	111/00148/00	Lower Front Panel	Coin; Stainless steel
9	111/32123/00	Side Panel	HF65 and HF76 models; Stainless steel
	111/33123/00	Side Panel	HF65 and HF76 models; Epoxy
	111/00136/00	Side Panel	HF95 models; Stainless steel
	111/03136/00	Side Panel	HF95 models; Epoxy
10	246/00079/00	Side Panel Gasket	
11	111/10089/01	Reinforcement Plate	
12	206/00114/00	Bolt	
13	111/00055/BO	Rear Panel	
14	111/32141/00	Top Panel	HF65 and HF76 models; Stainless steel
	111/33141/00	Top Panel	HF65 and HF76 models; Epoxy
	111/32141/BO	Top Panel	HF65 and HF76 models; Lock
	111/32105/00	Top Panel	HF95 models; Stainless steel
	111/33105/00	Top Panel	HF95 models; Epoxy

Left Side, Lower Front and Upper Back Panels

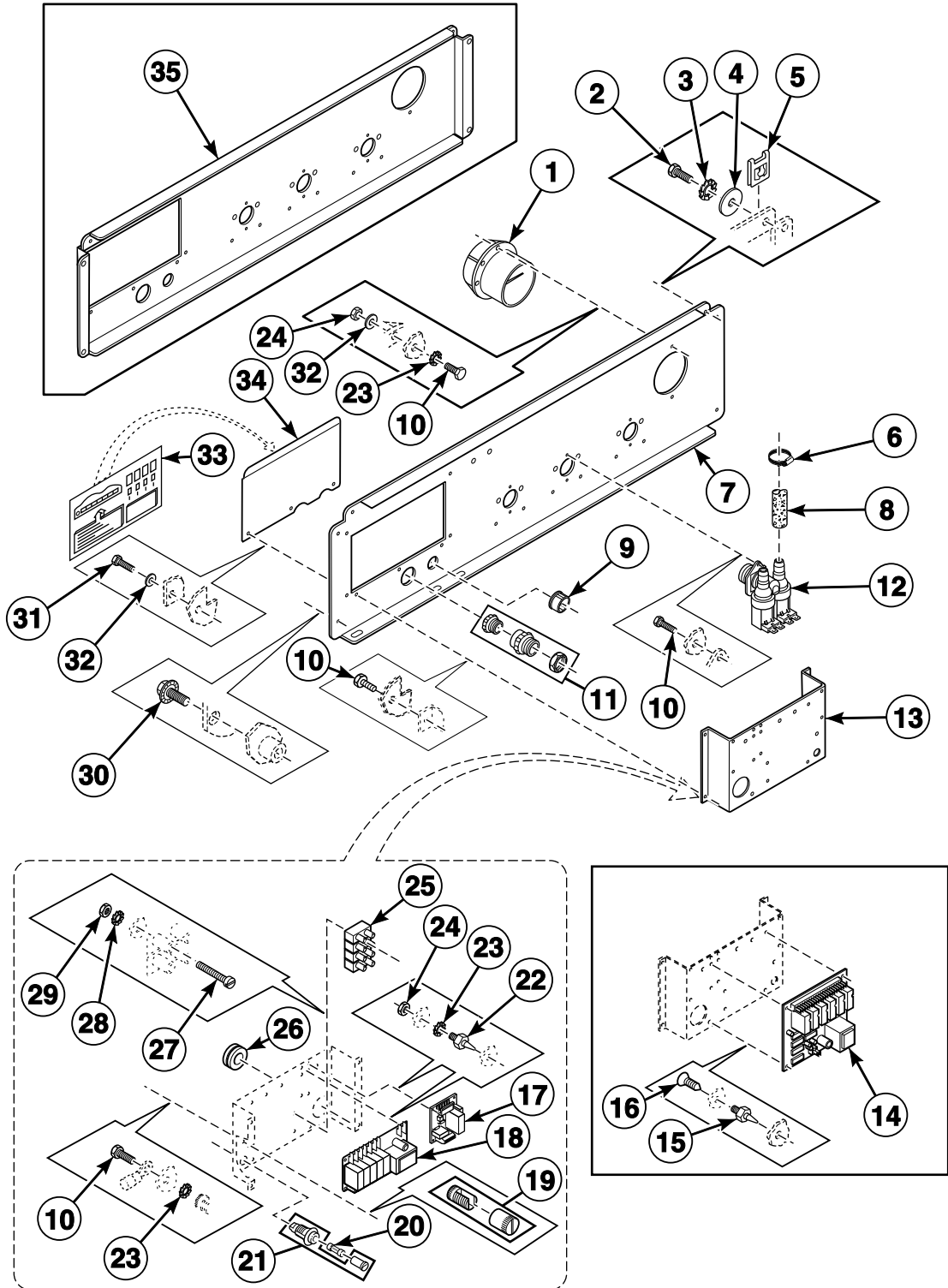


BE000044P_D1125

Left Side, Lower Front and Upper Back Panels

REF	PART NO.	DESCRIPTION	COMMENTS
1	111/01161/10	Backbridge	
2	206/00099/00	Bolt	
3	111/00117/00	Soap Box Support Plate	
4	111/00110/20	Support Plate	HF65 and HF76 models; 1-piece
	111/00110/10	Support Plate	HF65 and HF76 models; 2-piece
	111/00129/10	Support Plate	HF95 models; 2-piece
	111/00129/20	Support Plate	HF95 models; 1-piece
5	206/00101/00	Nut	
6	205/00106/00	Bolt	
7	202/00003/00	Washer	
8	117/00042/00	Retaining Ring	
9	203/00005/00	Washer	
10	204/00006/00	Nut	
11	246/00079/00	Side Panel Gasket	
12	204/00003/00	Nut	
13	203/00002/00	Washer	
14	111/00118/00	Triangle Support	Left
	111/00109/00	Triangle Support	Right
15	201/00010/00	Washer	
16	206/00005/00	Bolt	
17	208/00009/00	Washer	
18	208/00130/00	Screw	
19	111/32131/00	Lower Front Panel	Stainless steel
	111/33131/00	Lower Front Panel	Epoxy
20	111/32123/00	Side Panel	HF65 and HF76 models; Stainless steel
	111/33123/00	Side Panel	HF65 and HF76 models; Epoxy
	111/00136/00	Side Panel	HF95 models; Stainless steel
	111/03136/00	Side Panel	HF95 models; Epoxy
21	204/00004/00	Nut	
22	101/00007/00	Outlet Pipe Plate Assembly	
23	205/00104/00	Bolt	
24	201/00004/00	Washer	
25	203/00015/00	Washer	
26	208/00001/00	Screw	
27	208/00025/00	Nut	

Upper Back Panel - OPL Models



BE000045P_D1125

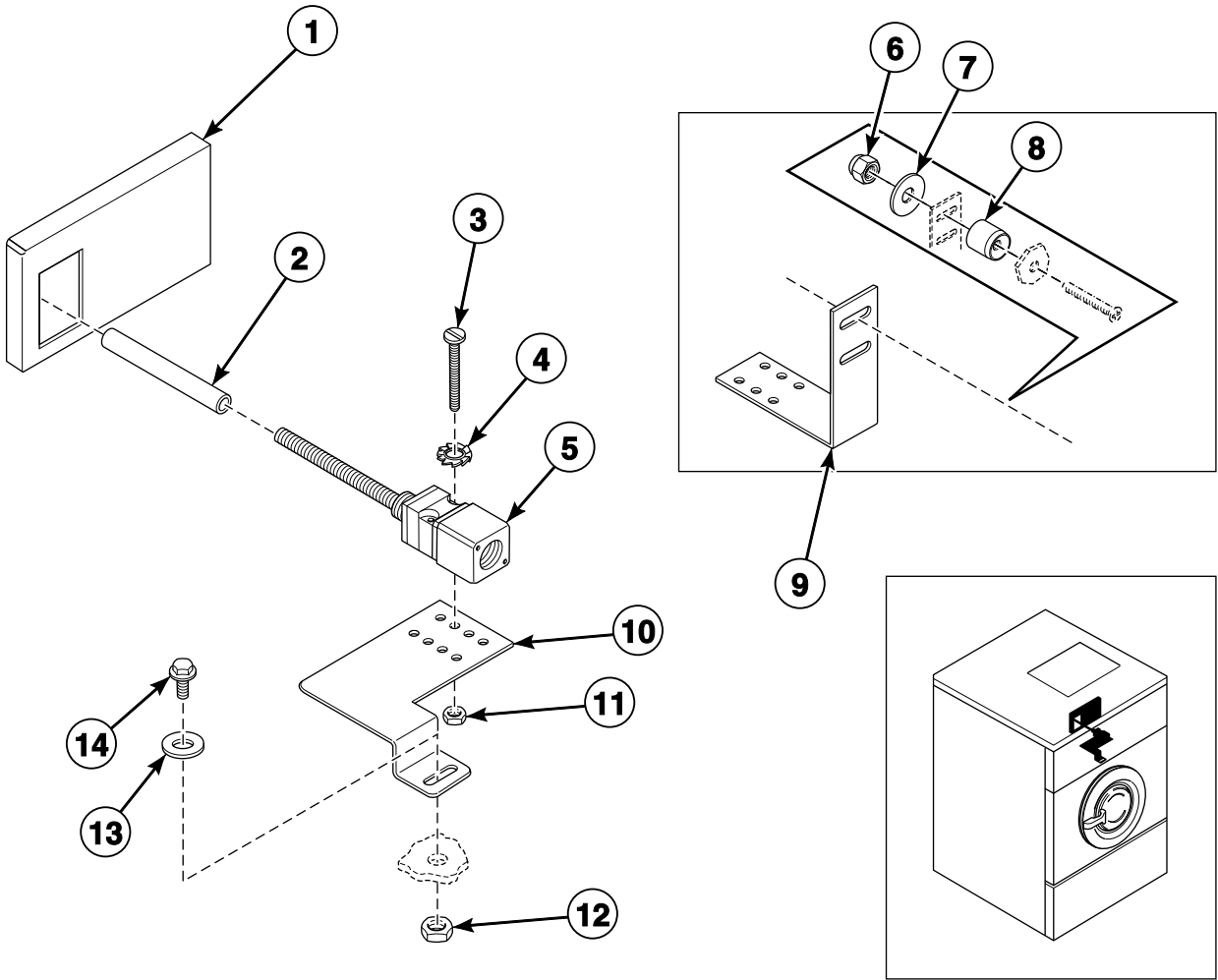
Upper Back Panel - OPL Models

REF	PART NO.	DESCRIPTION	COMMENTS
1	223/00102/07	Hose Vent	
2	208/00001/00	Screw	
3	203/00015/00	Washer	
4	201/00006/00	Washer	
5	208/00025/00	Nut	
6	223/00010/00	Hose Clamp	
7	111/01161/10	Backbridge	
8	223/00044/00	Water Hose	
9	211/00098/00	Plug	
10	206/00027/00	Bolt	
11	211/00023/00	Nut	
12	209/00110/00	2-Way Inlet Valve	
13	111/00188/03	Assembly Plate	
14	209/00408/00	Printboard	
15	211/00125/00	Printboard Separator	
16	208/00024/00	Screw	
17	209/00438/00	Central Control Board	
18	209/00218/01	Printboard	
19	209/00006/00	Terminal	
20	209/00195/00	Fuse	
21	209/00202/00	Fuse Holder	
22	211/00120/00	Standoff	
23	203/00006/00	Washer	
24	204/00007/00	Nut	
25	209/00058/00	Terminal Block	
26	225/00027/00	Cable Duct	
27	207/00014/00	Screw	
28	203/00007/00	Washer	
29	204/00008/00	Nut	
30	206/00099/00	Bolt	
31	205/00113/00	Bolt	
32	202/00004/00	Washer	
33	229/00068/00	Sticker	
34	111/00426/01	Electrical Connection Cover	
35	111/01161/20	Backbridge	

Upper Back Panel - Coin Models

REF	PART NO.	DESCRIPTION	COMMENTS
1	204/00008/00	Nut	
2	202/00004/00	Washer	
3	203/00006/00	Washer	
4	206/00027/00	Bolt	
5	208/00001/00	Screw	
6	203/00015/00	Washer	
7	201/00006/00	Washer	
8	208/00002/00	Nut	
9	203/00007/00	Washer	
10	207/00014/00	Screw	
11	209/00058/00	Terminal Block	
12	209/00195/00	Fuse	
13	209/00202/00	Fuse Holder	
14	209/00006/00	Terminal	
15	223/00010/00	Hose Clamp	
16	111/31104/00	Backbridge	
17	223/00044/01	Water Hose	
18	209/00110/00	2-Way Inlet Valve	
19	209/00408/00	Printboard	
20	211/00120/00	Standoff	
21	204/00007/00	Nut	
22	211/00087/00	Plug	
23	211/00023/00	Nut	
24	206/00099/00	Bolt	
25	205/00113/00	Bolt	
26	111/00200/00	Cover Plate	
27	229/00068/01	Electrical Connection Sticker	
28	211/00112/00	Button	
29	223/00102/07	Hose Vent	

Balance Switch

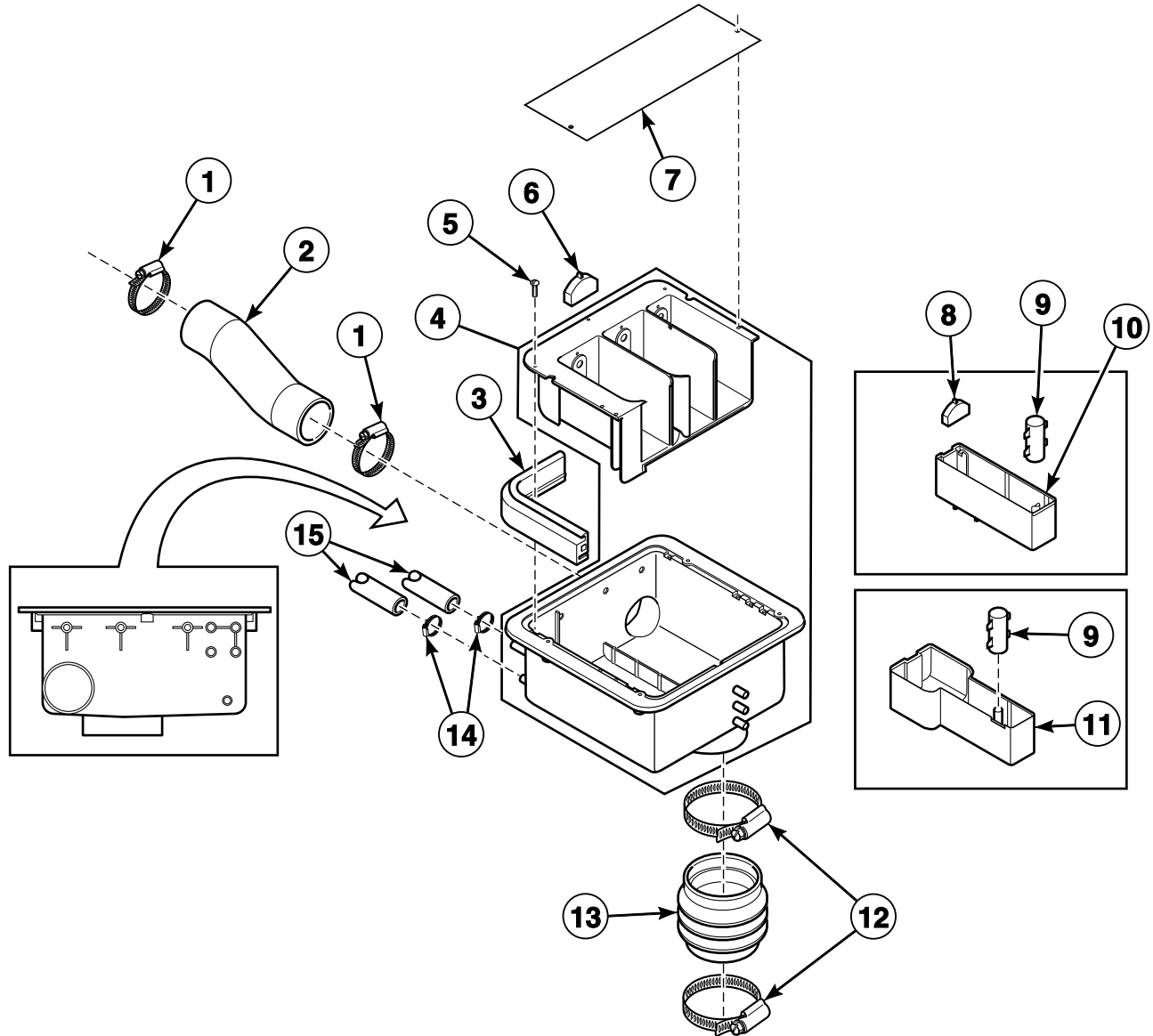


BE000047P_D1125

Balance Switch

REF	PART NO.	DESCRIPTION	COMMENTS
1	111/00108/00	Tilt Detector Plate	
2	223/00201/00	Out-of-Balance Switch Boot	
3	207/00018/00	Screw	
4	203/00006/00	Washer	
5	209/00255/00	Out-of-Balance Switch	
6	204/00114/00	Nut	
7	201/00008/00	Washer	
8	211/10156/00	Program Switch Separator	
9	111/00107/00	Tilt Switch Bracket	
10	111/00107/01	Tilt Switch Bracket	
11	204/00007/00	Nut	
12	204/00005/00	Nut	
13	202/00003/00	Washer	
14	206/00099/00	Bolt	

Supply Dispenser

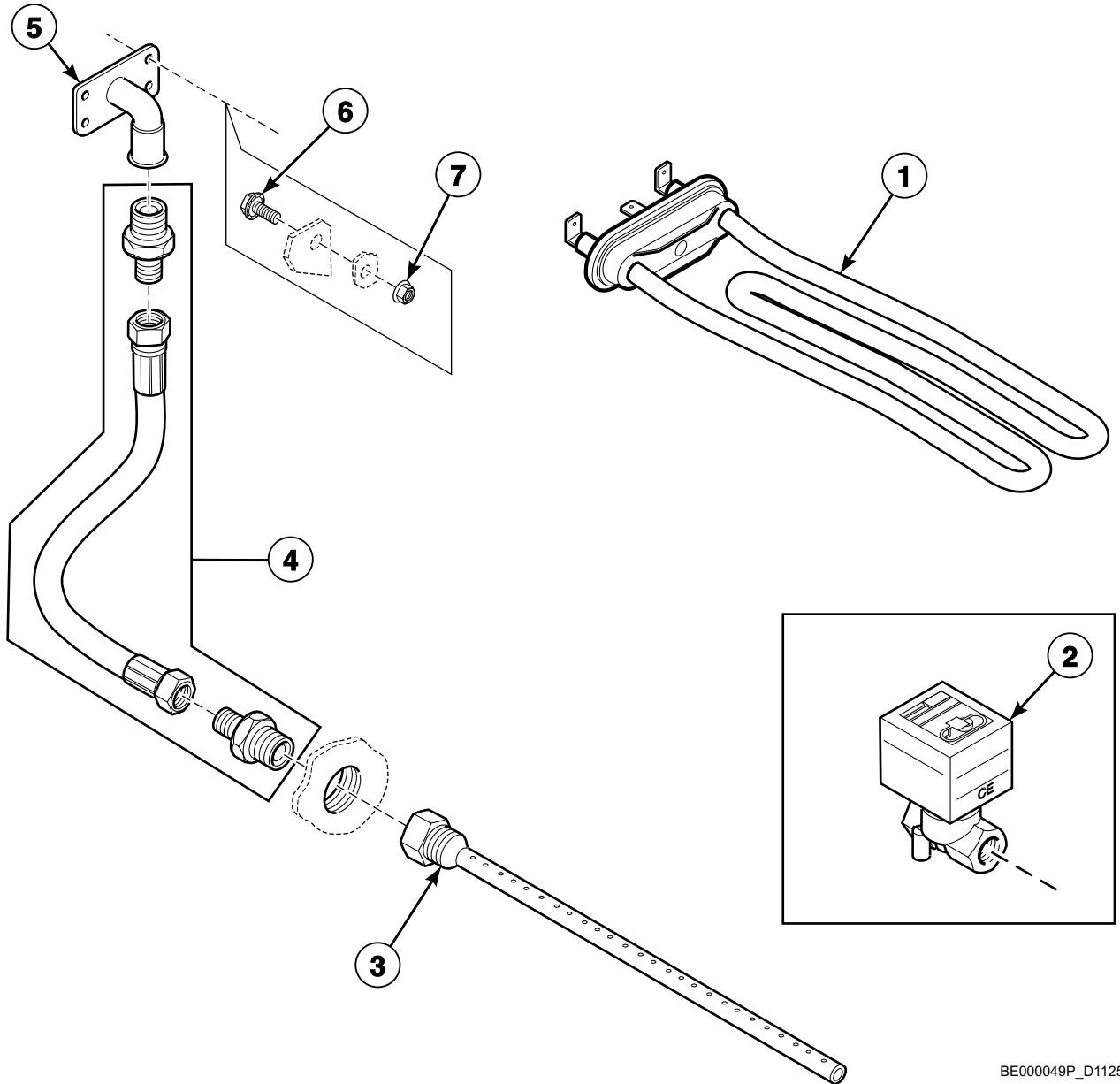


CFD354P_D1125

Supply Dispenser

REF	PART NO.	DESCRIPTION	COMMENTS
1	223/00014/00	Hose Clamp	
2	223/00107/03	Vent Hose	PB3WE55/73
	223/00107/02	Vent Hose	PB3WE110/132
3	223/00109/00	Soap Dispenser Gasket	
4	223/00102/30	Soap Dispenser Assembly	
5	B12347501	Screw	
6	223/00102/06	Soap Spray Nozzle	
7	123/00107/00	Anti-Splash Plate	Sigma control models
	123/00103/06	Soap Box Assembly Plate	All other models
8	223/00102/05	Softener Spray Nozzle	
9	223/00102/04	Soap Dispenser Rinse Siphon	
10	223/00102/03	Rinse Insert	
11	223/00102/08	Liquid Soap Dispenser Insert	
12	223/00023/00	Hose Clamp	
13	223/00115/00	Hose	
14	223/00010/00	Hose Clamp	
15	223/00044/01	Water Hose	

Electric and Steam Heating Options

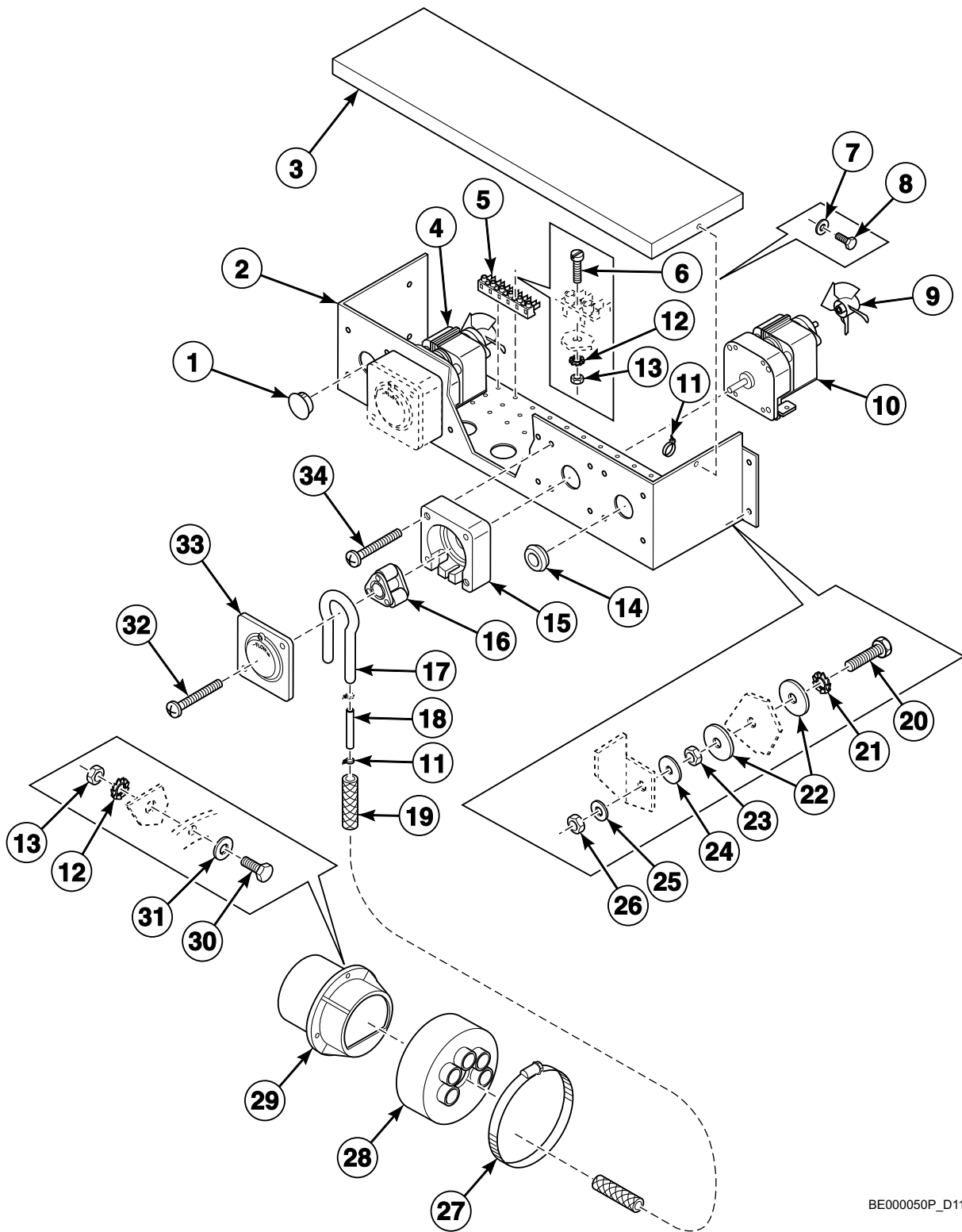


BE000049P_D1125

Electric and Steam Heating Options

REF	PART NO.	DESCRIPTION	COMMENTS
1	209/00116/01	Heating Element	1400W; 220 Volt
	209/00024/01	Heating Element	2000W; 220 Volt
	209/00049/01	Heating Element	3000W; 220 Volt
	209/00050/01	Heating Element	4000W; 380 Volt
2	209/00189/00	Steam Valve	
3	118/00062/00	Steam Injector	
4	217/00025/00	Steam Hose	
5	118/00109/00	Steam Inlet	
6	206/00099/00	Bolt	
7	206/00101/00	Nut	

Soap Pump



BE000050P_D1125

Soap Pump

REF	PART NO.	DESCRIPTION	COMMENTS
1	211/00087/00	Plug	
2	111/00190/00	Pump Assembly Plate	
3	111/00190/01	Pump Top Plate	
4	209/00413/00	Detergent Pump	
5	210/10007/00	Connection	
6	207/00003/00	Screw	
7	202/00109/00	Washer	
8	205/00113/00	Bolt	
9	209/00413/08	Motor	
10	209/00413/06	Fan Motor	
11	211/00088/00	Cable Tie	
12	203/00006/00	Washer	
13	204/00007/00	Nut	
14	223/00198/00	Grommet	
15	209/00413/10	Pump Housing	
16	209/00413/07	Pressure Roller	
17	209/00413/03	Hose	
18	223/00180/01	Hose	
19	223/00179/00	Soap Injector Hose	
20	205/00103/00	Bolt	
21	203/00004/00	Washer	
22	202/00108/00	Washer	
23	204/00005/00	Nut	
24	202/00106/00	Washer	
25	202/00101/00	Washer	
26	204/00009/00	Nut	
27	223/00014/00	Hose Clamp	
28	223/00160/00	Liquid Soap Hose	
29	223/00102/07	Hose Vent	
30	206/00027/00	Bolt	
31	202/00004/00	Washer	
32	209/00413/05	Screw	
33	209/00413/09	Cover Plate	
34	209/00413/04	Screw	

Parts Index

A

Anti-Splash Plate	
123/00107/00	59
Assembly Cover Plate	
111/00139/01	45
111/00140/01	45
Assembly Plate	
111/00139/00	45
111/00140/00	45
111/00146/00	41, 43
111/00188/03	53

B

Backbridge	
111/01161/10	51, 53
111/01161/20	53
111/31104/00	55
Ball Bearing	
215/00001/02	13
215/00001/03	13
Base	
113/00039/00	7
113/00048/00	7
Basket	
111/01953/00	11, 15
123/10002/00	11, 15
Belt	
226/00093/00	17
226/00101/00	15, 19
Belt Plate	
113/00037/00	17, 19
113/00040/00	17, 19
Belt Rod	
113/00038/00	17, 19
Bolt	
205/00102/00	13
205/00103/00	27, 63
205/00104/00	51
205/00105/00	49
205/00106/00	33, 35, 51
205/00107/00	29
205/00113/00	53, 55, 63
205/00115/00	27
206/00003/00	15
206/00005/00	51
206/00010/00	17, 19
206/00011/00	11
206/00013/00	19, 43
206/00014/00	17, 19
206/00027/00	53, 55, 63
206/00030/00	7
206/00030/30	9
206/00033/00	21, 47
206/00036/00	35
206/00045/00	17, 19
206/00068/00	21
206/00099/00	41, 43, 45, 49, 51, 53, 55, 57, 61
206/00114/00	49

Boot and Clamp Assembly	
238/00017/00	11
Button	
209/00099/09	39
211/00112/00	55

C

Cable Duct	
225/00027/00	53
Cable Tie	
211/00088/00	63
Central Control Board	
209/00438/00	53
Circuit Board Cover	
229/00262/00	37
Coil	
209/00051/21	23, 25
209/00052/21	23, 25
209/00203/21	23, 25
Coin Box	
111/00067/00	47
211/00071/00	47
Coin Box Key	
211/00065/02	47
Coin Box Lock	
211/00065/00	47
Coin Box Ring	
111/00066/00	47
Coin Box Ring Assembly	
111/00100/00	47
Coin Display	
209/00217/00	35
Coin Drop	
209/00060/00	47
Coin Meter	
209/00305/00	47
Coin Meter Frame	
225/00020/00	35
Connection	
210/10007/00	63
Contact	
209/00099/05	37, 39
Contact Switch	
209/00099/06	37, 39
209/00099/07	39
Contacto	
209/00041/03	41, 43, 45
209/00041/04	41, 43, 45
209/00041/05	41, 43, 45
209/00124/00	35
209/00148/02	41, 43, 45
209/00149/02	43
209/00177/02	43
Counter Ring	
217/00004/00	15
Counterweight	
113/00035/00	7
Cover Plate	
111/00200/00	55

N/A items do not appear in index.

209/00413/09	63
Cylinder and Trunnion Assembly	
120/10031/00	11, 15
Cylinder Shaft Key	
216/00007/00	15

D

Detergent Pump	
209/00413/00	63
Display	
223/10066/00	35
Door Axle Roller	
217/00013/05	31
Door Boot	
223/00122/00	11
Door Circlip	
217/00013/11	31
Door Frame	
118/00046/10	29
Door Glass	
217/00022/00	29
Door Glass Seal	
217/00015/00	29
Door Handle	
217/00013/12	31
217/00051/00	29, 31
217/00051/10	31
Door Handle Assembly Plate	
217/00013/16	31
Door Handle Hook	
217/00013/13	31
Door Handle Latch	
217/00013/04	31
217/00051/14	31
Door Handle Locking Pin	
217/00013/15	31
Door Handle Spring	
217/00013/14	31
Door Handle Stop	
217/00016/00	29
Door Hinge	
221/00005/00	29
Door Hinge Assembly	
217/00009/02	29
Door Hinge Plate Assembly	
118/00065/00	29
Door Hinge Spacer	
117/00010/00	29
117/00011/00	29
Door Latch Cord	
224/00015/00	27
Door Lock Assembly	
217/00052/01	27
Door Lock Board	
209/00275/04	27, 33, 35, 45
Door Lock Microswitch	
209/00272/00	27
Door Lock Pin Kit	
211/00109/00	29
217/00052/02	27

Door Lock Solenoid	
209/00274/00	27
Door Lock Spacer	
217/00052/03	27
Door Lock Spring	
217/00013/03	31
224/00049/00	27
Door Locking Grip	
217/00013/07	31
Door Locking Pin	
217/00013/08	31
Door Mounting Pin	
217/00013/09	31
Door Roller	
217/00013/06	31
Drain Housing Gasket	
209/00025/02	23, 25
Drain Pipe	
223/00105/00	21
Drain Valve	
209/00256/00	21
Drain Valve Motor	
209/00051/11	23
209/00052/11	23
209/00052/12	25
209/00203/11	23
209/00203/12	25
Drain Valve Motor Assembly	
209/00170/06	25
Drain Valve Motor Mounting Plate	
209/00025/07	23, 25
Drain Valve Shaft Seal	
209/00025/10	23, 25
Drain Valve Spring	
209/00025/03	23, 25
209/00025/13	23
209/00170/02	25

E

Electrical Connection Cover	
111/00426/01	53
Electrical Connection Sticker	
229/00068/01	55
Emergency Stop Button Kit	
209/00253/00	39
Eprom	
209/00266/01	37
Exhaust Valve	
209/00292/00	21

F

Fan Motor	
209/00413/06	63
Fastener	
211/00108/00	41
225/10023/00	33, 35
Fastening Rubber	
247/00006/00	9
247/00007/00	9

N/A items do not appear in index.

Filter	209/00320/00	41
Front Panel	225/00220/ABL	35
	225/00293/AOL	37
	225/00294/AOL	37
	225/00304/00	39
Front Panel Gasket Kit	217/00006/00	11
Front Plate	111/00068/00	47
Fuse	209/00195/00	53, 55
	209/00439/00	37
Fuse Holder	209/00202/00	53, 55

G

Grommet	223/00198/00	41, 43, 45, 63
Ground Terminal	210/10015/00	27

H

Heating Element	209/00024/01	61
	209/00049/01	61
	209/00050/01	61
	209/00116/01	61
Hose	209/00413/03	63
	223/00115/00	59
	223/00180/01	63
Hose Barb	223/00016/00	41, 43, 45
Hose Clamp	223/00010/00	53, 55, 59
	223/00011/00	41, 43, 45
	223/00013/00	21
	223/00014/00	21, 59, 63
	223/00023/00	59
Hose Vent	223/00102/07	53, 55, 63
Housing	115/00201/00	13

I

Inlet Valve, 2-Way	209/00110/00	53, 55
Inner Coin Box	211/00070/03	47
Insulating Sticker	229/00255/00	37
Interlock Coil Spring	224/00043/00	27
Interlock Lever	217/00052/04	27

K

Keyboard	209/00323/01	39
----------	--------------	----

L

Label	229/00245/00	39
Lamp	209/00151/00	33, 35
Lens Cover	209/00152/00	33, 35
	209/00154/00	33, 35
Level Switch Elbow	223/00015/00	41, 43, 45
Lever Spring	224/00040/00	27
Light Microswitch	209/00273/00	27
Liquid Soap Dispenser Insert	223/00102/08	59
Liquid Soap Hose	223/00160/00	63
Lock	209/00279/00	41, 45
Lock Protection Plate	117/00052/08	27
Lock Shaft	217/00017/03	27
Lower Front Panel	111/00147/00	49
	111/00148/00	49
	111/03148/00	49
	111/32131/00	51
	111/33131/00	51
Lug Holder	209/00452/02	41, 45

M

Motor	209/00413/08	63
	227/00012/00	17
Motor Kit	227/00111/00	17, 19
	227/00112/00	19
Motor Mount Bushing	115/00150/00	17, 19
Mounting Plate	111/00016/00	43
	111/00037/10	41, 43
	111/00191/10	41, 43
Mushroom Pushbutton	209/00248/00	37

N

Noise Suppressor	209/00356/00	41
------------------	--------------	----

N/A items do not appear in index.

Nut	
204/00003/00	9, 51
204/00004/00	33, 51
204/00005/00	17, 19, 21, 41, 43, 45, 47, 57, 63
204/00006/00	33, 35, 51
204/00007/00	27, 33, 35, 43, 45, 53, 55, 57, 63
204/00008/00	27, 47, 53, 55
204/00009/00	11, 27, 63
204/00012/00	17, 19
204/00103/00	29
204/00106/00	29
204/00109/00	21
204/00110/00	7, 9, 11
204/00111/00	13
204/00112/00	7, 17, 19
204/00114/00	33, 35, 37, 39, 57
204/00116/00	39, 45
206/00101/00	43, 51, 61
208/00002/00	55
208/00025/00	51, 53
208/00104/00	49
211/00023/00	53, 55
211/00065/01	47

O

O-Ring	
217/00002/00	13
Outer Cabinet Lock	
211/00070/01	47
Outer Coin Box	
211/00100/00	47
Outlet Pipe Plate Assembly	
101/00007/00	21, 51
Out-of-Balance Switch	
209/00255/00	57
Out-of-Balance Switch Boot	
223/00201/00	57
Overflow Pipe	
223/00084/00	21

P

Panel Face	
225/00219/ABL	33
Plexi Frame	
225/00316/00	37
Plug	
211/00087/00	55, 63
211/00098/00	53
Pressure Hose	
223/00082/00	41, 43, 45
Pressure Roller	
209/00413/07	63
Pressure Switch	
209/00007/30	43
209/00007/50	41, 45
Pressure Switch Bracket	
111/00424/00	43
Printboard	
209/00218/01	53
209/00323/02	45
209/00408/00	53, 55

209/00440/00	37
209/00452/01	41, 45
Printboard Separator	
211/00125/00	33, 35, 53
Program Indicator	
225/00001/00	43
225/00078/00	33, 35
Program Switch Separator	
211/10156/00	33, 35, 57
Programming Switch	
209/00326/00	39
Protector	
209/00263/00	41, 43, 45
209/00264/00	41, 43, 45
Pulley	
226/00071/00	15
226/00085/00	19
Pump Assembly Plate	
111/00190/00	63
Pump Housing	
209/00413/10	63
Pump Top Plate	
111/00190/01	63
Pushbutton	
209/00175/01	33, 35
209/00396/00	47

R

Rear Panel	
111/00055/BO	49
Reinforcement Plate	
111/10089/01	49
Retaining Ring	
117/00042/00	33, 35, 51
212/00028/00	13
212/00030/00	13
252/00027/00	13
Reversing Timer	
209/00012/00	43
Rinse Insert	
223/00102/03	59
Roll Pin	
208/00013/00	47

S

Screw	
B12347501	59
206/00021/00	43
206/00038/00	47
206/00053/00	11, 13
206/00055/00	7
206/00056/00	15, 17, 19
207/00003/00	45, 63
207/00008/00	43
207/00009/00	27, 47
207/00014/00	53, 55
207/00018/00	57
207/00032/00	33, 35
207/00107/00	29
207/00108/00	47
207/00126/00	29

N/A items do not appear in index.

207/00135/00	27, 45
208/00001/00	51, 53, 55
208/00007/00	43, 47
208/00024/00	33, 35, 53
208/00130/00	51
209/00025/06	23, 25
209/00025/08	23, 25
209/00025/09	23, 25
209/00170/05	23, 25
209/00413/04	63
209/00413/05	63
Seal Cover	
117/00001/00	13
Sealing Plate Assembly	
209/00025/16	23, 25
Separator	
206/00141/00	45
Shaft Seal	
217/00003/00	13
Shell	
115/00102/00	7
115/00106/00	7
115/00116/00	7
Shock Absorber	
247/00001/00	9
247/00001/02	9
247/00001/05	9
247/00005/00	9
Side Panel	
111/00136/00	49, 51
111/03136/00	49, 51
111/32123/00	49, 51
111/33123/00	49, 51
Side Panel Gasket	
246/00079/00	49, 51
Soap Box Assembly Plate	
123/00103/06	59
Soap Box Support Plate	
111/00117/00	51
Soap Dispenser Assembly	
223/00102/30	59
Soap Dispenser Cover	
223/00103/01	49
Soap Dispenser Cover Hinge Rod	
223/00103/04	49
Soap Dispenser Frame	
223/00103/03	49
Soap Dispenser Gasket	
223/00109/00	59
Soap Dispenser Rinse Siphon	
223/00102/04	59
Soap Injector Hose	
223/00179/00	63
Soap Spray Nozzle	
223/00102/06	59
Softener Spray Nozzle	
223/00102/05	59
Spindle	
111/00069/00	47
Spring	
211/00070/04	47
Spring Holder Top	
247/00001/04	9
Spring Seat Bottom	
247/00001/03	9

Standoff	
211/00120/00	27, 45, 53, 55
211/00122/00	37
Steam Hose	
217/00025/00	61
Steam Injector	
118/00062/00	61
Steam Inlet	
118/00109/00	61
Steam Valve	
209/00189/00	61
Sticker	
225/00308/00	37
225/00309/00	37
229/00068/00	53
Support Plate	
111/00110/10	51
111/00110/20	51
111/00129/10	51
111/00129/20	51
Suspension Spring	
247/00001/01	9
247/00009/00	9
Switch Lever	
217/00052/05	27

T

Telem Sticker	
209/00520/00	37
Terminal	
209/00006/00	53, 55
Terminal Block	
209/00005/00	45
209/00058/00	53, 55
Thermostat	
209/00243/00	43
Thermostat Assembly	
209/00309/02	41, 45
Thermostat Seal	
225/10004/00	41, 45
Tightening Ring	
115/00108/00	7, 11
115/00109/00	7, 11
Tilt Detector Plate	
111/00108/00	57
Tilt Switch Bracket	
111/00107/00	57
111/00107/01	57
Timer	
209/00107/00	43
209/00108/00	43
Top Panel	
111/32105/00	49
111/32141/BO	49
111/32141/00	49
111/33105/00	49
111/33141/00	49
T-Piece	
223/00173/00	41, 45
Triangle Support	
111/00109/00	51
111/00118/00	51

N/A items do not appear in index.

Tub	
118/10054/00	11
118/10055/00	11
118/10056/00	11
118/10057/00	11
118/10058/00	11
118/10059/00	11
118/10060/00	11
118/10061/00	11
118/10097/00	11
118/10098/00	11
118/10099/00	11
118/10100/00	11
Tub Drain Valve	
223/00129/00	21
Tub Front Panel	
118/00054/03	11
Tub Front Panel Clip	
217/00008/00	11
Tub Front Ring Clamp	
217/00007/00	11
Tube	
115/00105/00	17, 19

201/00014/00	7
201/00015/00	9
201/00017/00	27
201/00018/00	27
201/00201/00	13
202/00002/00	17, 19, 21
202/00003/00	11, 21, 33, 35, 51, 57
202/00004/00	35, 53, 55, 63
202/00101/00	27, 29, 49
202/00104/00	29
202/00106/00	63
202/00108/00	29, 63
202/00109/00	63
203/00001/00	15
203/00002/00	9, 51
203/00004/00	21, 41, 43, 47, 63
203/00005/00	33, 35, 51
203/00006/00	27, 33, 35, 37, 43, 45, 53, 55, 57, 63
203/00007/00	27, 45, 47, 53, 55
203/00008/00	29
203/00011/00	29
203/00015/00	51, 53, 55
208/00009/00	51
209/00025/12	23, 25
211/00070/02	47
217/00052/08	27
2202/00101/00	63
223/00051/10	39
223/00123/00	39, 45

U

Upper Front Panel	
111/00182/00	37
111/00182/10	37
111/00225/01	33
111/00225/02	35
111/00226/00	39

Water Hose	
223/00044/00	53
223/00044/01	55, 59

V

V Belt Pulley	
226/00068/00	17
226/00086/00	19
Valve	
209/00256/01	23, 25
209/00256/05	23, 25
Valve Axle	
209/00025/15	23, 25
Valve Exhaust	
223/00137/00	21
223/00138/00	21
Vent Hose	
223/00107/02	59
223/00107/03	59

W

Washer	
201/00001/00	17, 19
201/00003/00	15
201/00004/00	51
201/00006/00	27, 45, 53, 55
201/00007/00	41, 43
201/00008/00	37, 39, 57
201/00009/00	13
201/00010/00	7, 11, 51
201/00013/00	7, 17, 19

N/A items do not appear in index.