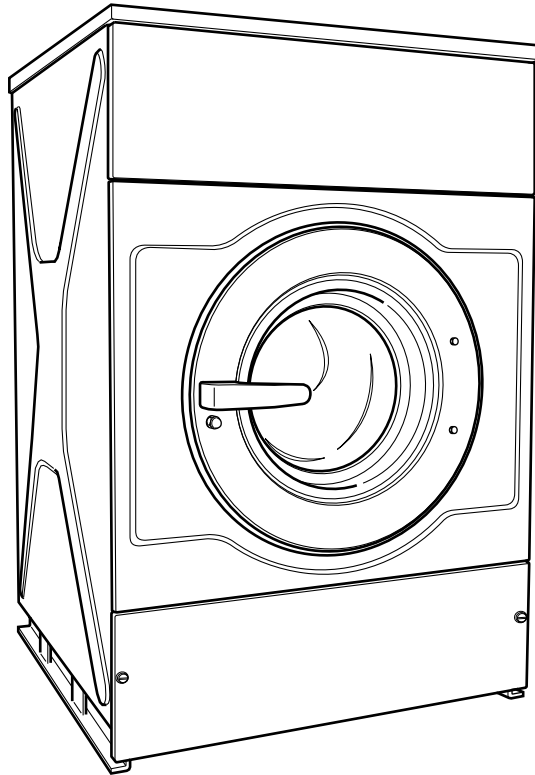


Washer-Extractor

Cabinet Freestanding
Refer to Page 5 for Model Numbers



CFD21C_D0903



&



www.partsking.com

Part No. D0903R6
February 2012

Table of Contents

Title	Page
Parts Ordering Information.....	3
Nameplate Location.....	3
Model Identification.....	5
Cabinet Freestanding Washer-Extractor Product Overview.....	6
Frame.....	8
Shock Absorber.....	10
Shell and Basket - Models Through 3/31/07.....	12
Shell and Basket - Models Starting 4/1/07.....	14
Bearing Housing.....	16
Basket, Pulley and Belt - Models Through 3/31/07.....	18
Basket, Pulley and Belt - Models Starting 4/1/07.....	20
Motor and Belt.....	22
Drain Plumbing - Single Outlet Drain Piece with Water Level Detection on Drain Valve-Models Through 8/11/10	24
Drain Plumbing - Single Outlet Drain Piece with Water Level Detection on Drain Hose-Models Starting 8/12/10	26
Drain Plumbing - Dual Outlet Drain Piece with Water Level Detection on Drain Hose.....	28
Drain Plumbing - Models with Pump Drain.....	30
Drain Plumbing - Models with Pump Drain and Frontal Access.....	32
Door Lock.....	34
Door.....	36
Control Panel - Cygnus Professional.....	38
Control Panel - Cygnus Premium OPL.....	40
Control Panel - Cygnus Premium OPL with Frontal Supply Dispenser.....	42
Control Panel - Cygnus Premium Coin.....	44
Control Panel - Cygnus Premium Coin with Frontal Supply Dispenser.....	46
Control Panel - Cygnus Standard/Commercial OPL.....	48
Control Panel - Cygnus Standard/Commercial OPL with Frontal Supply Dispenser.....	50
Control Panel - Cygnus Standard/Commercial Coin.....	52
Control Panel - Cygnus Standard/Commercial Coin with Frontal Supply Dispenser.....	54
Control Panel - Micro-20 OPL.....	56
Control Panel - Sigma OPL.....	58
Control Panel - Micro-20 and Sigma Coin.....	60
Control Panel - PS40F.....	62
Coin Drop - Mechanical Coin Meter.....	64
Coin Drop - Electronic Coin Meter.....	66
Middle Front, Top, Lower Rear and Right Side Panels.....	68
Left Side, Upper Rear and Lower Front Panels.....	70
Upper Back Panel with Circular Ventilation - Models Through 12/31/05.....	72
Upper Back Panel with Rectangular Ventilation - Models Through 12/31/05.....	74
Upper Back Panel - Models Starting 1/1/06.....	76
Inverter Drive - Models Through 9/30/08.....	78
Inverter Drive - Models Starting 10/1/08.....	80

© Copyright 2012, Alliance Laundry Systems LLC

All rights reserved. No part of the contents of this book may be reproduced or transmitted in any form or by any means without the expressed written consent of the publisher.

Main Switch and Noise Filter	82
Soap Injection Printboard, Network Connection Printboard and Noise Filter - Sigma, PS40F and Micro-20	84
Central Operating Panel, Network Connection and Soap Injection Printboards - Cygnus Models	86
Relay, Network Connection and Main Printboards - Cygnus Models	88
Electrical Component Mounting Plate - Models Through 2/22/09.....	90
Electrical Component Mounting Plate - Models Starting 2/23/09.....	92
Balance Switch	94
Supply Dispenser - Models with Frontal Supply Dispenser	96
Supply Dispenser with Round Ventilation Opening	98
Supply Dispenser with Rectangular Ventilation Opening.....	100
Electric and Steam Heating Options	102
Soap Pumps	104
Parts Index.....	107

Parts Ordering Information

If literature or replacement parts are required, contact the source from whom the machine was purchased or contact Alliance Laundry Systems at (920) 748-3950 for the name and address of the nearest authorized parts distributor.

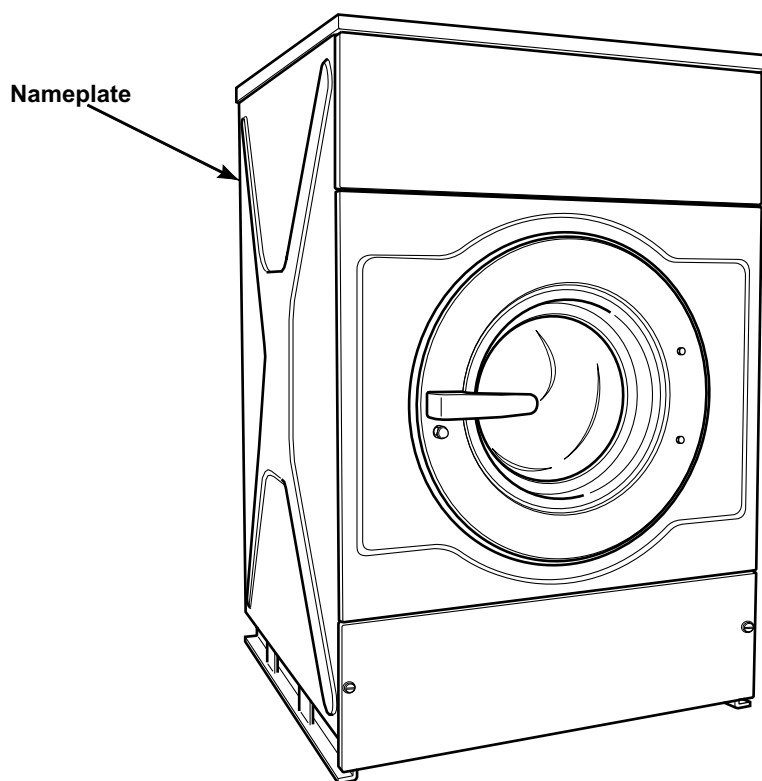
For technical assistance, call either of the numbers listed below:

(920) 748-3121 Ripon, Wisconsin

+32 56 41 20 54 Wevelgem, Belgium

Nameplate Location

When calling or writing about your product, be sure to mention model and serial numbers. Model and serial numbers are located on nameplate(s) as shown.





CFD21CA_D0903



Model Identification

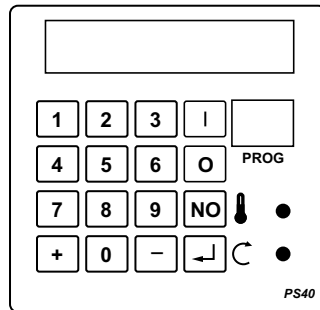
Information in this manual is applicable to these washer-extractor models:

CHC030ANH	IHC030ANH	IHC135ANH
CHC030MNH	IHC030MCH	IHC135MCH
CHC035ANH	IHC030MDH	IHC135MDH
CHC035MNH	IHC030MEH	IHC135MEH
HC135_CYGNUS-COMM_COIN	IHC030MLH	IHC135MLH
HC135_CYGNUS-COMM_OPL	IHC030MNH	IHC135MNH
HC135_CYGNUS-PREM_COIN	IHC030MXH	IHC135MRH
HC135_CYGNUS-PREM_OPL	IHC030MYH	IHC135MXH
HC135_CYGNUS-PRO	IHC030SCH	IHC135MYH
HC135_CYGNUS-STANDARD_COIN	IHC030SDH	IHC135SCH
HC135_CYGNUS-STANDARD_OPL	IHC030SEH	IHC135SDH
HC135_MICRO-20_COIN	IHC030SLH	IHC135SEH
HC135_MICRO-20_OPL	IHC030SRH	IHC135SLH
HC135_PS40F	IHC030SXH	IHC135SRH
HC135_SIGMA_COIN	IHC030SYH	IHC135SXH
HC135_SIGMA_OPL	IHC035ANH	IHC135SYH
HC165_CYGNUS-COMM_COIN	IHC035MCH	IHC135ZNH
HC165_CYGNUS-COMM_OPL	IHC035MDH	IHC165ANH
HC165_CYGNUS-PREM_COIN	IHC035MEH	IHC165MCH
HC165_CYGNUS-PREM_OPL	IHC035MLH	IHC165MDH
HC165_CYGNUS-PRO	IHC035MNH	IHC165MEH
HC165_CYGNUS-STANDARD_COIN	IHC035MXH	IHC165MLH
HC165_CYGNUS-STANDARD_OPL	IHC035MYH	IHC165MNH
HC165_MICRO-20_COIN	IHC035SCH	IHC165MRH
HC165_MICRO-20_OPL	IHC035SDH	IHC165MXH
HC165_PS40F	IHC035SEH	IHC165MYH
HC165_SIGMA_COIN	IHC035SLH	IHC165SCH
HC165_SIGMA_OPL	IHC035SRH	IHC165SDH
	IHC035SXH	IHC165SEH
	IHC035SYH	IHC165SLH
		IHC165SRH
		IHC165SXH
		IHC165SYH
		IHC165ZNH

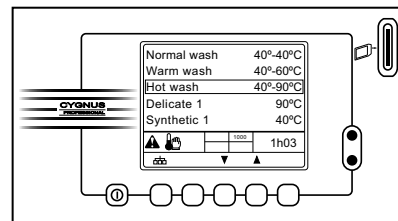
Cabinet Freestanding Washer-Extractor Product Overview

Type:	HC60C	Nr: 07110WD0339
Voltage:	3 ~ 400V 50Hz	Weight: 181 kg
Motor:	0.55kW 2.5A	Capacity: 73 L
Heating:	9kW 16A	Dry Load: 7,3 kg
Total:	9.55 kW	Drum: 530 mm
Kinetic energy:	592 Nm	Speed: 700 rpm
Manufactured in:	2007	
Water Pressure: min. 2.07 max. 5.86 Kg/cm ² IPX4 min. 20.7 max. 58.6 N/cm ²		
sfc 741837		
Alliance International BVBA Nieuwstraat 146 8560 Wevelgem Belgium Tel: +32 56 41 20 54 Fax: +32 56 41 86 74 www.ipso.be		
		

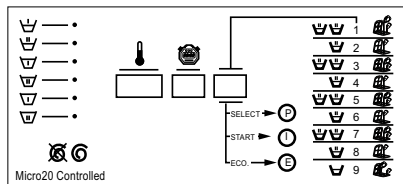
Model No: 1HC025MNHX10U03	Serial No: 0803440291
Volts Hertz: 208-240 50/60	Type: WFF75
Phase: 1 - 3	
Amps: 6 amps	Capacity: 18/7 lbs/kg
Recommended Circuit Breaker: 15 amps	Water Pressure: 30-85 psi
Interrupt Current: 10 kA	Pressure: 2.07-5.86 bar
Motor: 1 hp	Max Speed: 700 rpm
0,75 kW	Net Weight: 400 lbs
Elec Heat: N/A kW	181 kg
Steam heat: N/A psi	IPX4
N/A bar	
Alliance International BVBA Made in Belgium	
	TEL 1-920-748-3121 www.comlaundry.com
	



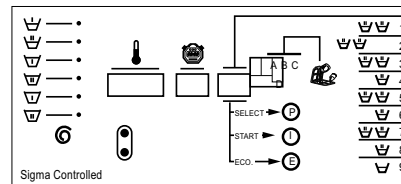
PS40



Cygnus Professional



Micro 20



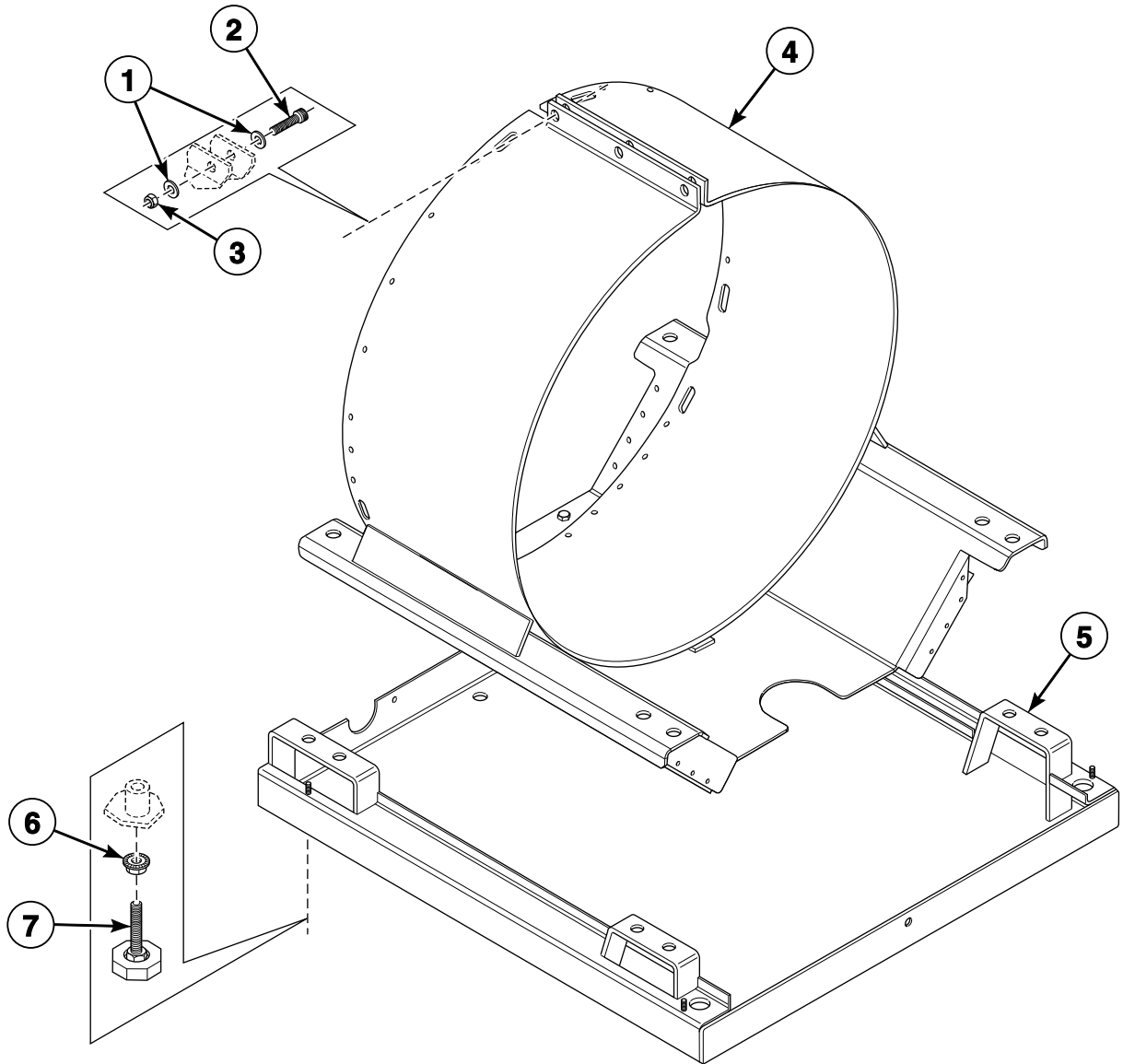
Sigma

CFD297P_D0903

Cabinet Freestanding Washer-Extractor Product Overview

REF	PART NO.	DESCRIPTION	COMMENTS
1	-	Product Family	CHC HC IHC
2	-	Capacity	30 35 135 165
3	-	Control	A (PS40F) Cygnus-Comm Cygnus-Prem Cygnus-Standard M (Micro-20) S (Sigma) Z (Cygnus-Pro)
4	-	Actuation	C (Coin Drop Meter) D (Dual Coin Drop) E (Electronic Drop) L (Prep for Remote or Central Pay) N (Non-Coin) R (Smart Card Ready) X (Prep for Coin) Y (Card Ready)
5	-	Speed	H (High Speed)
6	-	Voltage	N (440-480/50-60/3/3) P (380-415/50-60/3/3) Q (208-240/50-60/3/3) X (200-240/50-60/1/3)
7	-	Design	1

Frame

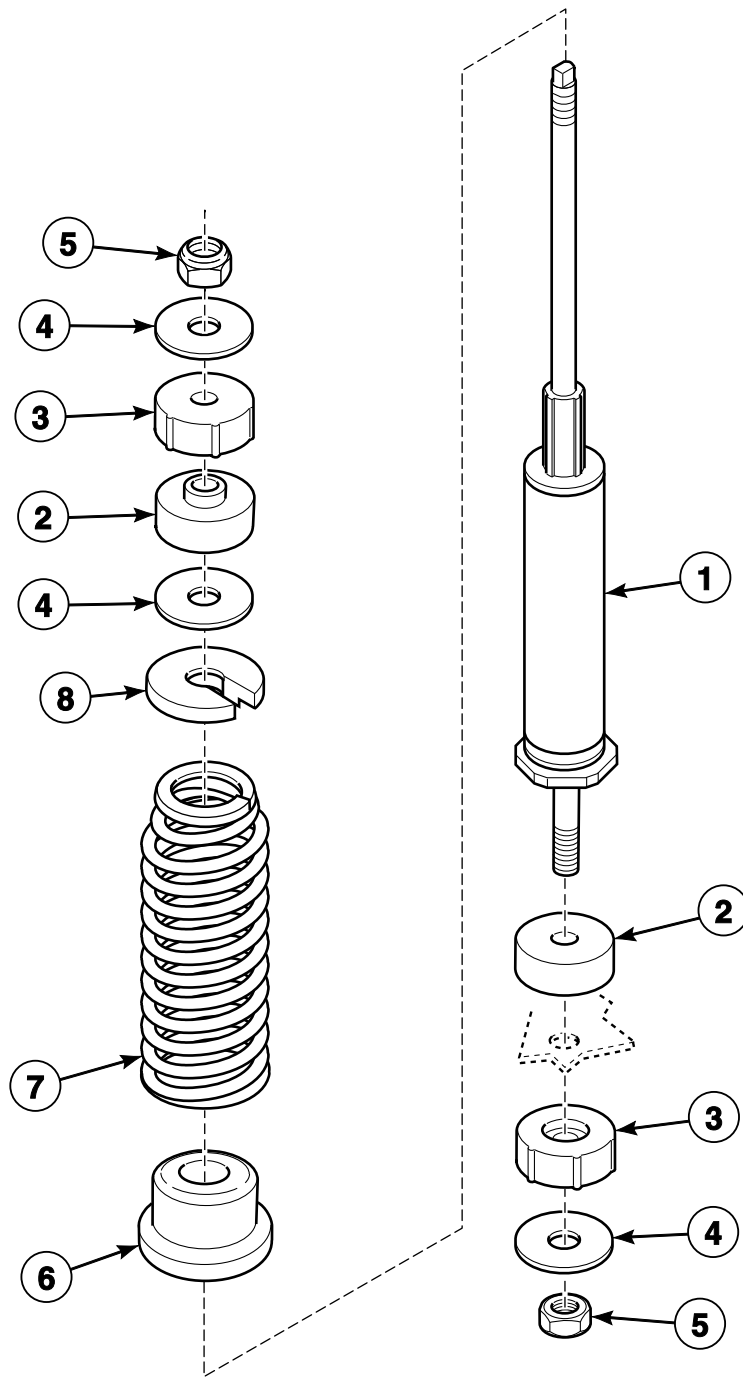


BE000654P_D0903

Frame

REF	PART NO.	DESCRIPTION	COMMENTS
1	201/00005/00	Washer	
2	206/00053/00	Screw	
3	204/00111/00	Nut	
4	152/00107/00	Tub Support	*30 and *135 models
	152/00108/00	Tub Support	*35 and *165 models
5	152/00103/50	Frame	*30 and *135 models
	152/00111/50	Frame	*35 and *165 models
6	206/00106/00	Nut	
7	252/00006/00	Leveling Leg	

Shock Absorber

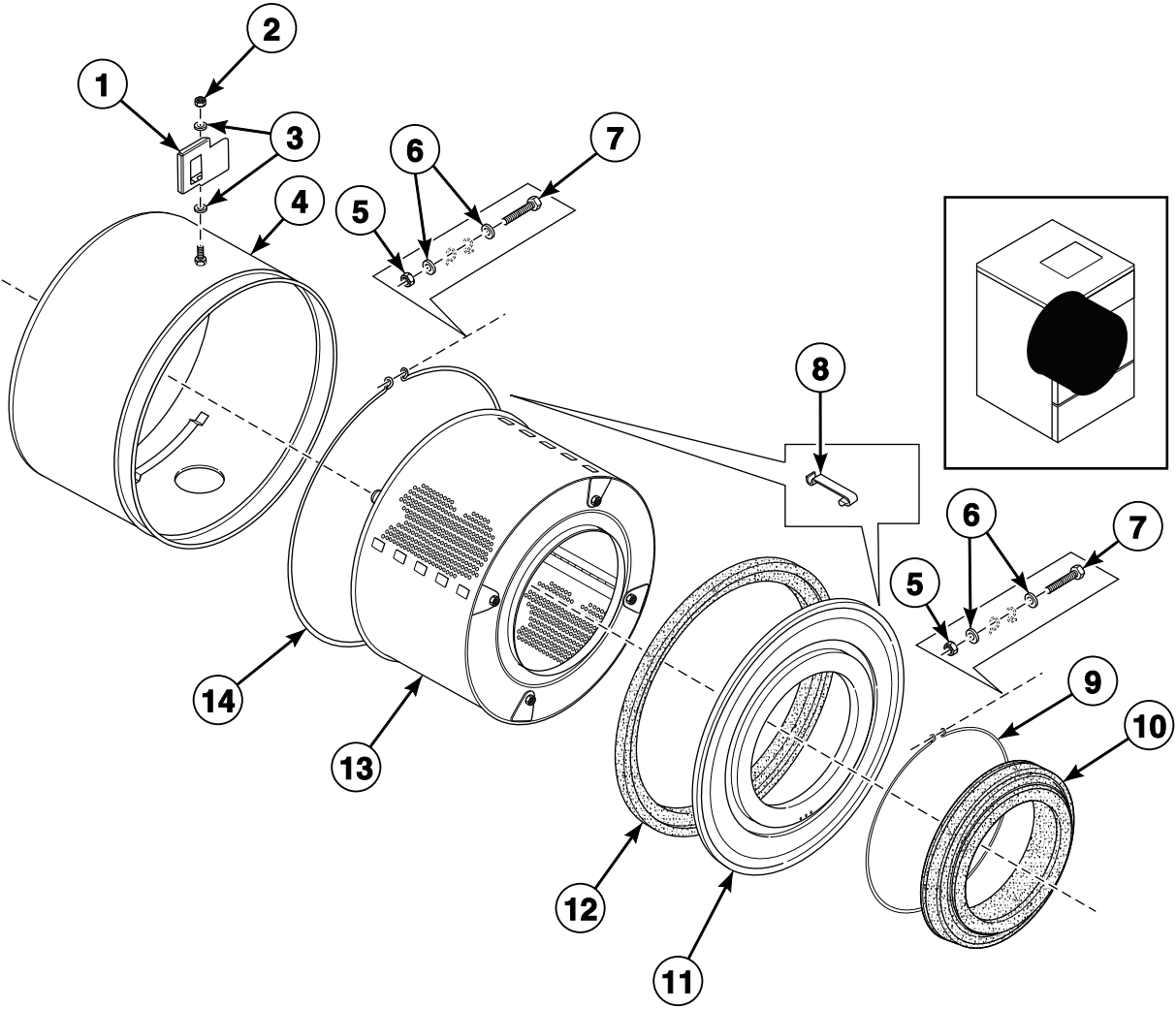


BE000626P_D0903

Shock Absorber

REF	PART NO.	DESCRIPTION	COMMENTS
1	247/00002/02	Shock Absorber	
	247/00003/00	Shock Absorber	*35 and *165 models; Includes items 1, 2, 4, 6, 8 and 247/00002/01 Suspension Spring
2	247/00006/00	Fastening Rubber	
3	247/00007/00	Fastening Rubber	
4	201/00015/00	Washer	
5	204/00110/00	Nut	
6	247/00001/03	Spring Seat Bottom	
7	247/00002/01	Suspension Spring	Blue; 5.5 mm diameter
	247/00001/01	Suspension Spring	Black; 4.8 mm diameter
	247/00002/00	Shock Absorber	Includes items 2, 4 and 247/00001/01 Suspension Spring
8	247/00001/04	Spring Holder Top	

Shell and Basket - Models Through 3/31/07

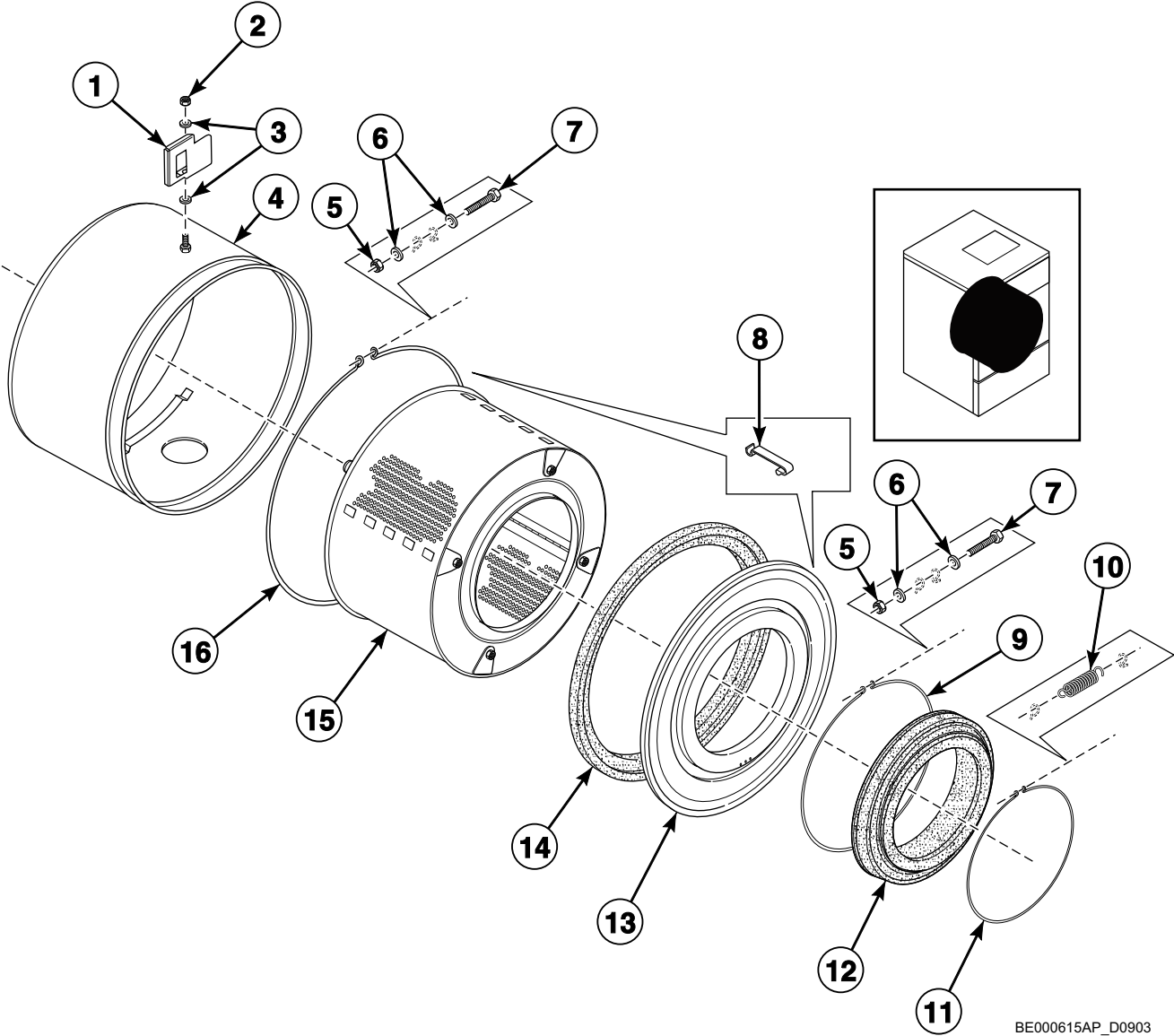


BE000615P_D0903

Shell and Basket - Models Through 3/31/07

REF	PART NO.	DESCRIPTION	COMMENTS
1	111/01854/00	Tilt Detector Plate	
2	204/00110/00	Nut	
3	201/00010/00	Washer	
4	117/00203/00	Tub	*30 and *135 models; Electric heat
	117/00203/50	Tub	*30 and *135 models; Boiler fed
	B12329201	Tub	*35 and *165 models; Electric heat
	B12329301	Tub	*35 and *165 models; Boiler fed
5	204/00009/00	Nut	
6	202/00003/00	Washer	
7	206/00011/00	Bolt	
8	217/00008/00	Tub Front Panel Clip	
9	238/00017/00	Boot and Clamp Assembly	
10	255/00123/00	Boot	
11	119/00049/00	Tub Front Panel	
12	223/00242/00	Tub Front Gasket	
13	111/01809/00	Cylinder and Shaft Assembly	*30 and *135 models
	111/01810/00	Drum and Axle Assembly	*35 and *165 models
14	219/00007/00	Tub Front Ring Clamp	

Shell and Basket - Models Starting 4/1/07

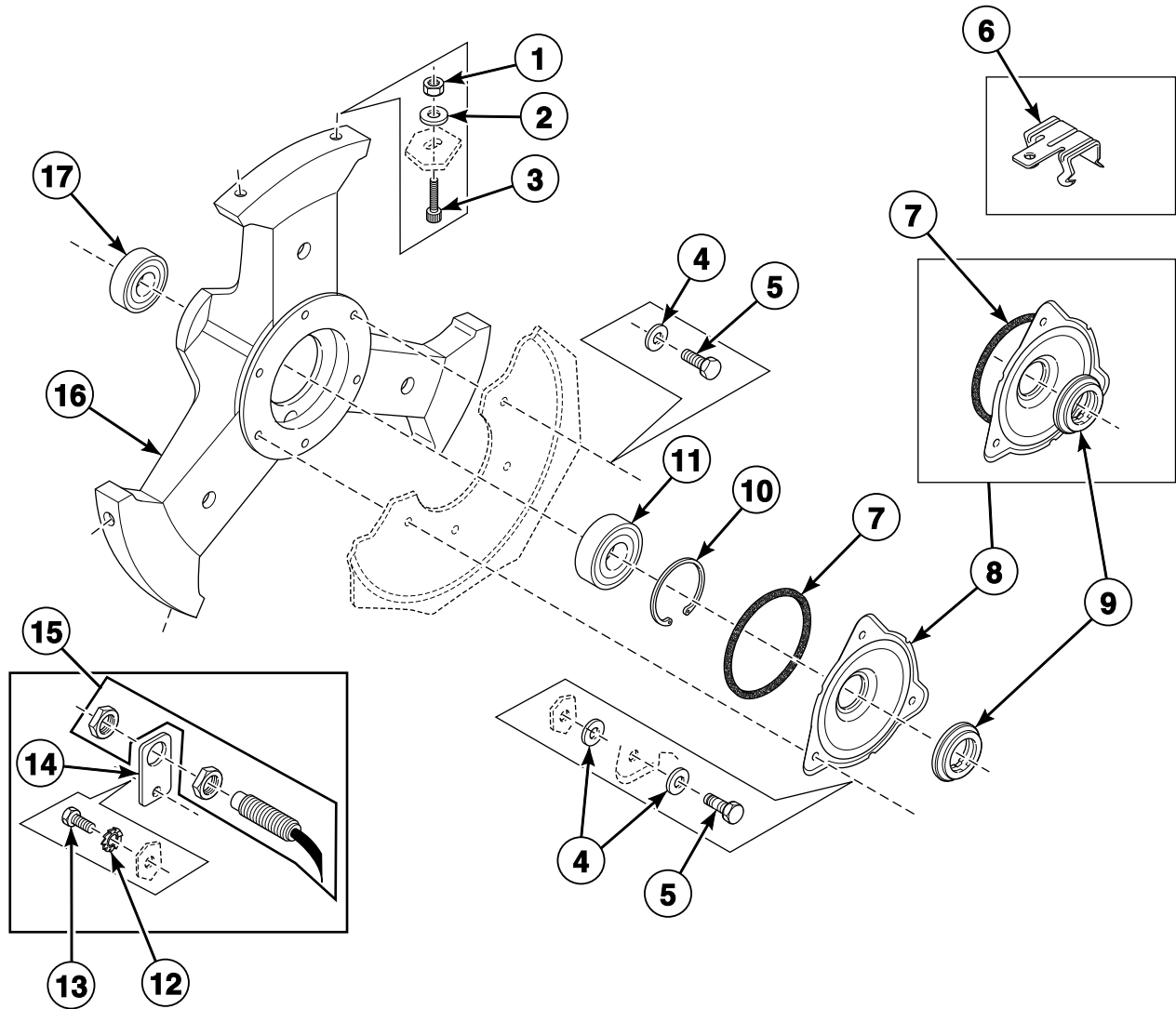


BE000615AP_D0903

Shell and Basket - Models Starting 4/1/07

REF	PART NO.	DESCRIPTION	COMMENTS
1	111/01854/00	Tilt Detector Plate	
2	204/00110/00	Nut	
3	201/00010/00	Washer	
4	117/00203/00	Tub	*30 and *135 models; Electric heat; Models through 6/21/09
	B12328901	Tub	*30 and *135 models; Electric heat; Models starting 6/22/09
	117/00203/50	Tub	*30 and *135 models; Boiler fed; Models through 6/21/09
	B12329001	Tub	*30 and *135 models; Boiler fed; Models starting 6/22/09
	B12329301	Tub	*35 and *165 models; Electric heat and boiler fed
	B12329201	Tub	*35 and *165 models; Electric heat; Models starting 6/22/09
5	204/00009/00	Nut	
6	201/00007/00	Washer	
7	206/00032/00	Bolt	
8	217/00008/00	Tub Front Panel Clip	
9	238/00017/00	Boot and Clamp Assembly	
10	238/00014/00	Spring	
11	238/00013/00	Spring	
12	255/00123/00	Boot	
13	119/00049/00	Tub Front Panel	
14	223/00242/00	Tub Front Gasket	
15	B12326301	Drum and Axle	*30 and *135 models through 1/30/11; Used with 119/00001/01 Seal Holder Assembly
	B12326701	Drum and Axle	*35 and *165 models through 1/30/11; Used with 119/00001/01 Seal Holder Assembly
	B12380101	Basket and Shaft Assembly	*30 and *135 models starting 1/31/11; 3 mm; Used with B12333701 Seal Plate Assembly
	B12380201	Basket and Shaft Assembly	*30 and *135 models starting 1/31/11; 9 mm; Used with B12333701 Seal Plate Assembly
	B12380501	Basket and Shaft Assembly	*35 and *165 models starting 1/31/11; 3 mm; Used with B12333701 Seal Plate Assembly
	B12380601	Basket and Shaft Assembly	*35 and *165 models starting 1/31/11; 9 mm; Used with B12333701 Seal Plate Assembly
16	219/00007/00	Tub Front Ring Clamp	

Bearing Housing

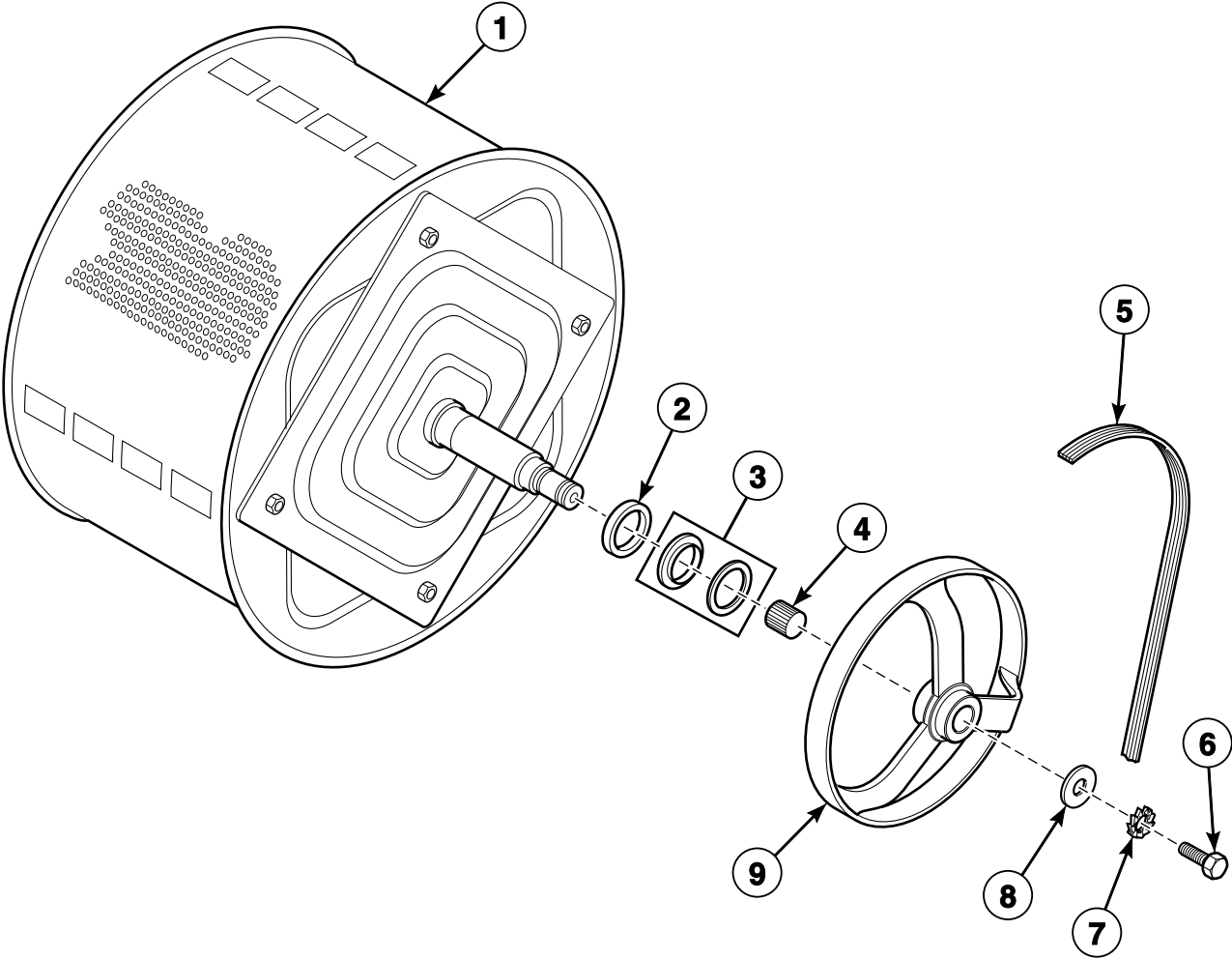


BE000616P_D0903

Bearing Housing

REF	PART NO.	DESCRIPTION	COMMENTS
1	204/00111/00	Nut	
2	201/00012/00	Washer	
3	206/00057/00	Screw	
4	201/00201/00	Washer	
5	205/00102/00	Bolt	
6	224/00051/00	Caddy Bracket	4H58-4
	224/00052/00	Caddy Bracket	4H912
7	217/00002/00	O-Ring	
8	119/00001/01	Seal Holder Assembly	Models through 1/30/11; Used with 111/01922/00 Drum or 111/01923/00 Drum
	B12333701	Seal Plate Assembly	Models starting 1/31/11; Used with B12380101 Basket, B12380201 Basket, B12380501 Basket or B12380601 Basket
9	219/00003/00	Shaft Seal	
10	212/00006/00	Retainer Ring	
11	212/00004/00	Ball Bearing	
12	203/00004/00	Washer	
13	205/00104/00	Bolt	
14	152/00055/00	Speed Detector Bracket	
15	210/00074/00	Speed Detector	With connector
	209/00400/00	Speed Detector	Without connector
16	152/10118/01	Bearing Housing Assembly	
17	212/00024/00	Ball Bearing	

Basket, Pulley and Belt - Models Through 3/31/07

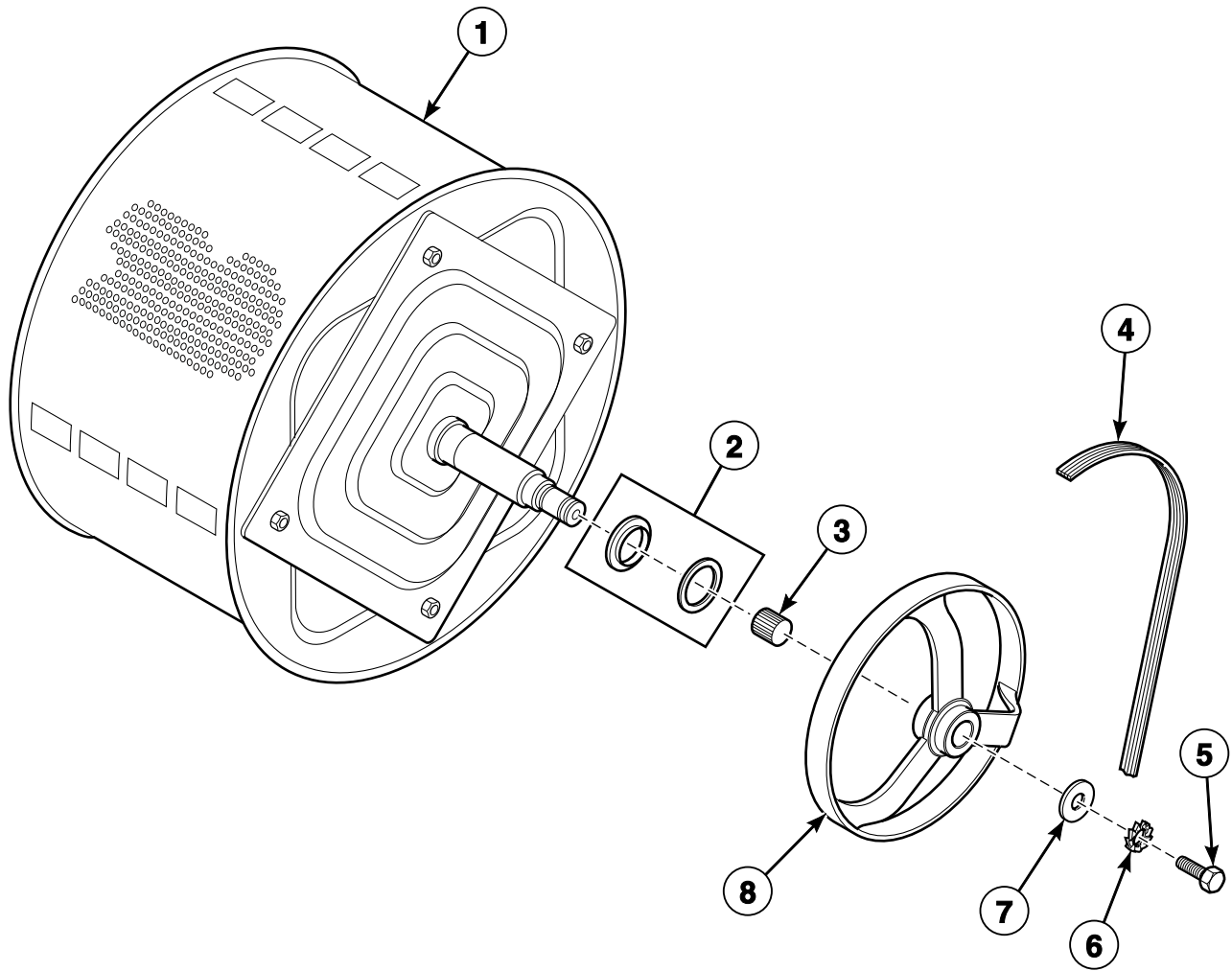


BE000617P_D0903

Basket, Pulley and Belt - Models Through 3/31/07

REF	PART NO.	DESCRIPTION	COMMENTS
1	B12326301	Drum and Axle	*30 and *135 models through 1/30/11; Used with 119/00001/01 Seal Holder Assembly
	B12326701	Drum and Axle	*35 and *165 models through 1/30/11; Used with 119/00001/01 Seal Holder Assembly
	B12380101	Basket and Shaft Assembly	*30 and *135 models starting 1/31/11; 3 mm; Used with B12333701 Seal Plate Assembly
	B12380201	Basket and Shaft Assembly	*30 and *135 models starting 1/31/11; 9 mm; Used with B12333701 Seal Plate Assembly
	B12380501	Basket and Shaft Assembly	*35 and *165 models starting 1/31/11; 3 mm; Used with B12333701 Seal Plate Assembly
	B12380601	Basket and Shaft Assembly	*35 and *165 models starting 1/31/11; 9 mm; Used with B12333701 Seal Plate Assembly
2	217/00101/00	Bearing Spacer	
3	219/00004/00	Counter Ring	
4	215/00004/00	Tolerance Ring	
5	226/00121/00	V Belt	
6	206/00005/00	Bolt	
7	203/00002/00	Washer	
8	201/00015/00	Washer	
9	255/00117/00	Pulley	

Basket, Pulley and Belt - Models Starting 4/1/07

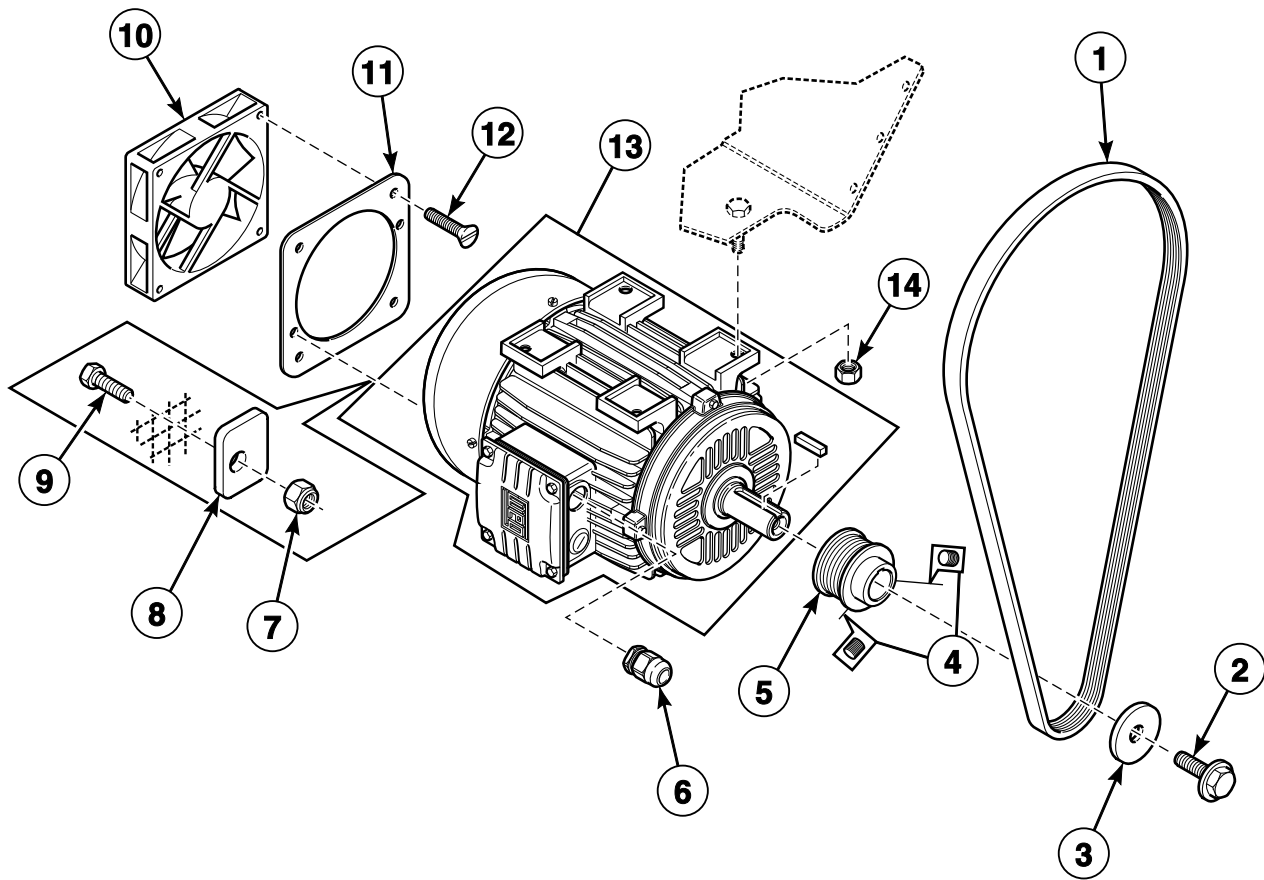


BE000839P_D0903

Basket, Pulley and Belt - Models Starting 4/1/07

REF	PART NO.	DESCRIPTION	COMMENTS
1	B12326301	Drum and Axle	*30 and *135 models
	B12326701	Drum and Axle	*35 and *165 models
2	219/00004/00	Counter Ring	
3	215/00004/00	Tolerance Ring	
4	226/00121/00	V Belt	
5	206/00005/00	Bolt	
6	203/00002/00	Washer	
7	201/00015/00	Washer	
8	255/00117/00	Pulley	

Motor and Belt

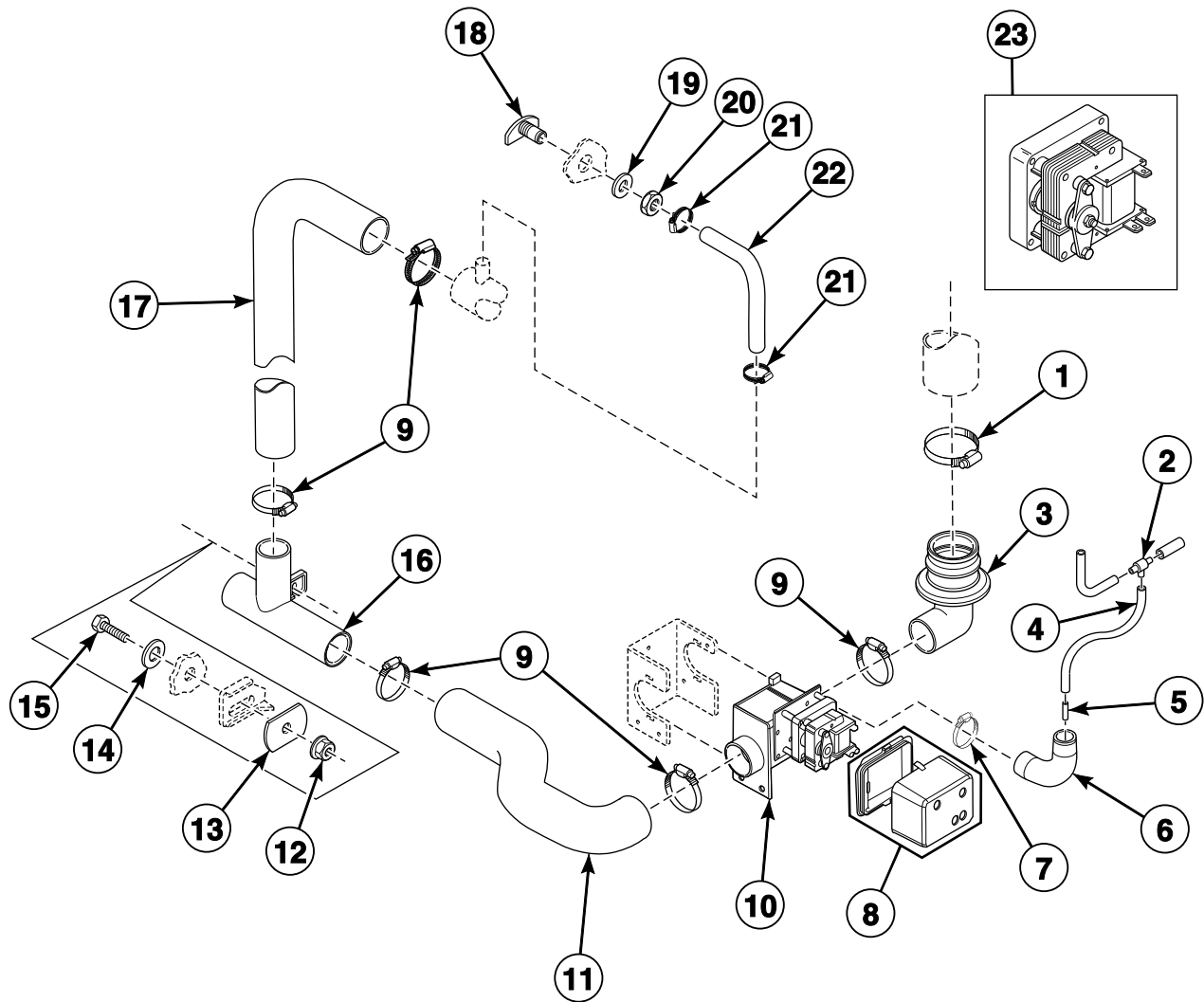


BE000618AP_D0903

Motor and Belt

REF	PART NO.	DESCRIPTION	COMMENTS
1	226/00121/00	V Belt	
2	206/00099/00	Bolt	
3	201/00006/00	Washer	
4	206/00056/00	Screw	
5	226/00123/00	Motor Pulley	
6	211/00168/00	Cordlock	
7	204/00115/00	Nut	
8	117/00042/00	Retaining Ring	
9	206/00054/00	Bolt	
10	209/00465/00	Fan	
11	152/00044/03	Fan Plate Assembly	
12	207/00117/00	Screw	
13	227/00127/00	Motor	
14	204/00109/00	Nut	

Drain Plumbing - Single Outlet Drain Piece with Water Level Detection on Drain Valve-Models Through 8/11/10

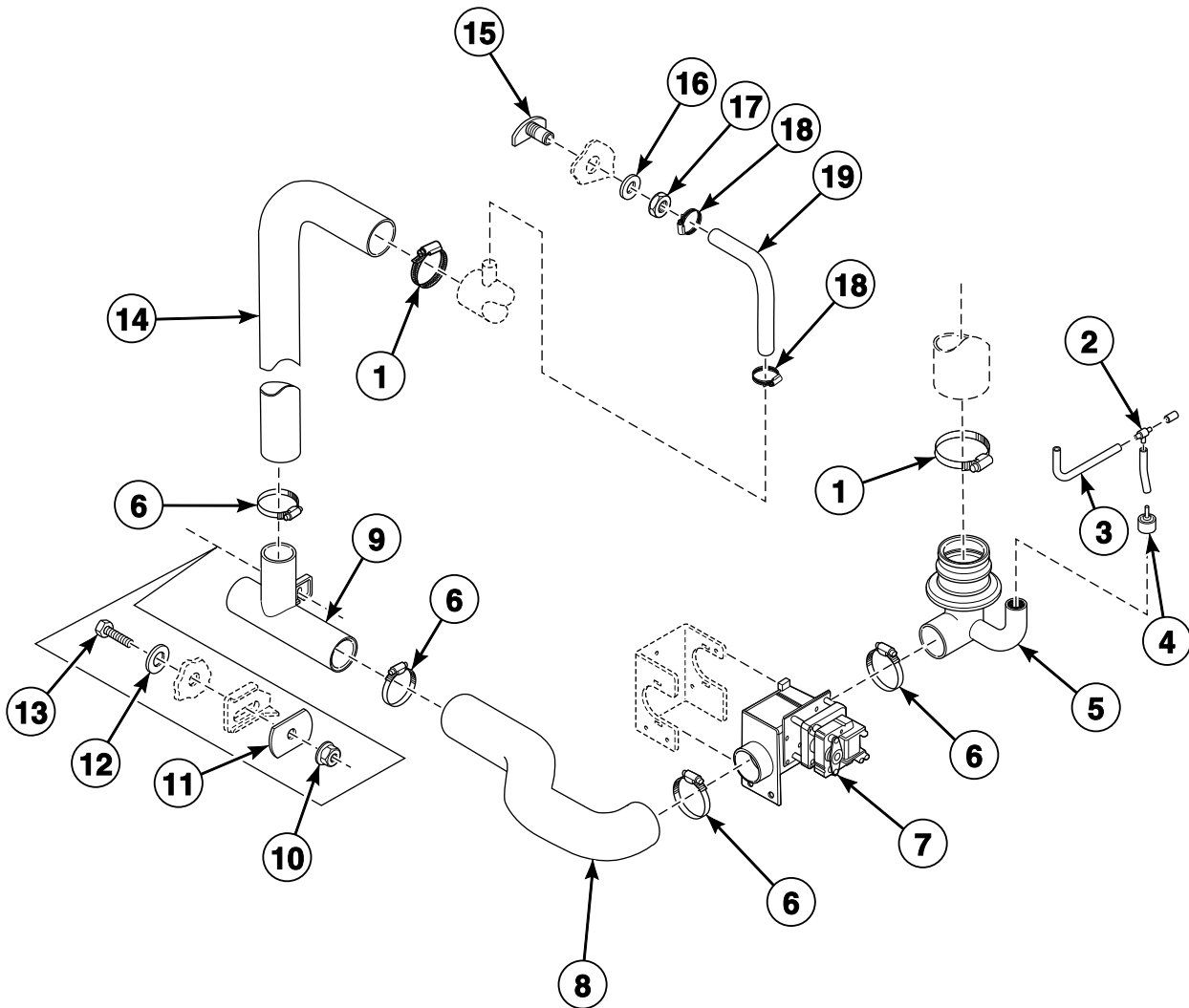


BE000619CP_D0903

Drain Plumbing - Single Outlet Drain Piece with Water Level Detection on Drain Valve-Models Through 8/11/10

REF	PART NO.	DESCRIPTION	COMMENTS
1	223/00014/00	Hose Clamp	
2	223/00173/10	Pressure Switch Hose Tee	
3	223/00316/00	Trap	
4	223/00333/00	Pressure Hose	
5	223/00016/00	Hose Barb	
6	223/00210/00	Pressure Switch Elbow	
7	223/00011/00	Hose Clamp	
8	209/00643/01	Drain Valve Coil Cover	
9	223/00013/00	Hose Clamp	
10	209/00643/00	Drain Valve	
11	223/00303/00	Drain Valve Hose	
12	206/00101/00	Nut	
13	101/00007/00	Outlet Pipe Plate Assembly	
14	201/00007/00	Washer	
15	206/00033/00	Bolt	
16	223/00146/00	Drain Piece	
17	223/00150/00	Overflow Hose	
18	223/00001/04	Prewash and Mainwash Nozzle	
19	201/00002/00	Washer	
20	204/00201/00	Nut	
21	223/00010/00	Hose Clamp	
22	223/00044/00	Water Hose	
23	209/00643/11	Motor	

Drain Plumbing - Single Outlet Drain Piece with Water Level Detection on Drain Hose-Models Starting 8/12/10

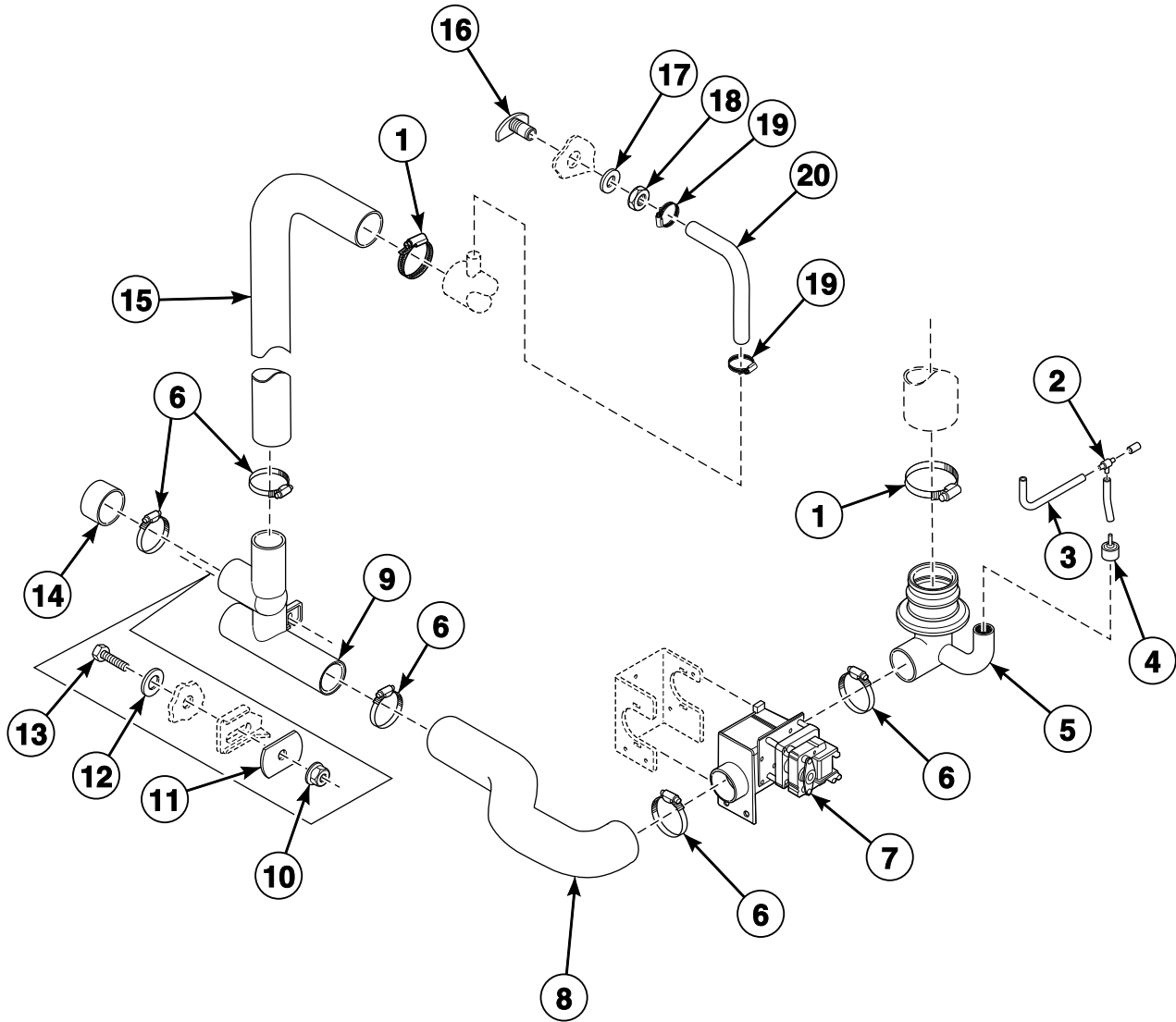


BE000619P_D0903

Drain Plumbing - Single Outlet Drain Piece with Water Level Detection on Drain Hose-Models Starting 8/12/10

REF	PART NO.	DESCRIPTION	COMMENTS
1	223/00014/00	Hose Clamp	
2	223/00173/10	Pressure Switch Hose Tee	
3	223/00333/00	Pressure Hose	
4	223/00035/02	Pressure Switch Cap	
5	255/00010/00	Tub to Drain Valve Hose	
6	223/00013/00	Hose Clamp	
7	209/00463/00	Drain Valve	
8	223/00303/00	Drain Valve Hose	
9	223/00146/00	Drain Piece	
10	206/00101/00	Nut	
11	101/00007/00	Outlet Pipe Plate Assembly	
12	201/00007/00	Washer	
13	206/00033/00	Bolt	
14	223/00150/00	Overflow Hose	
15	223/00001/04	Prewash and Mainwash Nozzle	
16	201/00002/00	Washer	
17	204/00201/00	Nut	
18	223/00010/00	Hose Clamp	
19	223/00044/01	Water Hose	

Drain Plumbing - Dual Outlet Drain Piece with Water Level Detection on Drain Hose

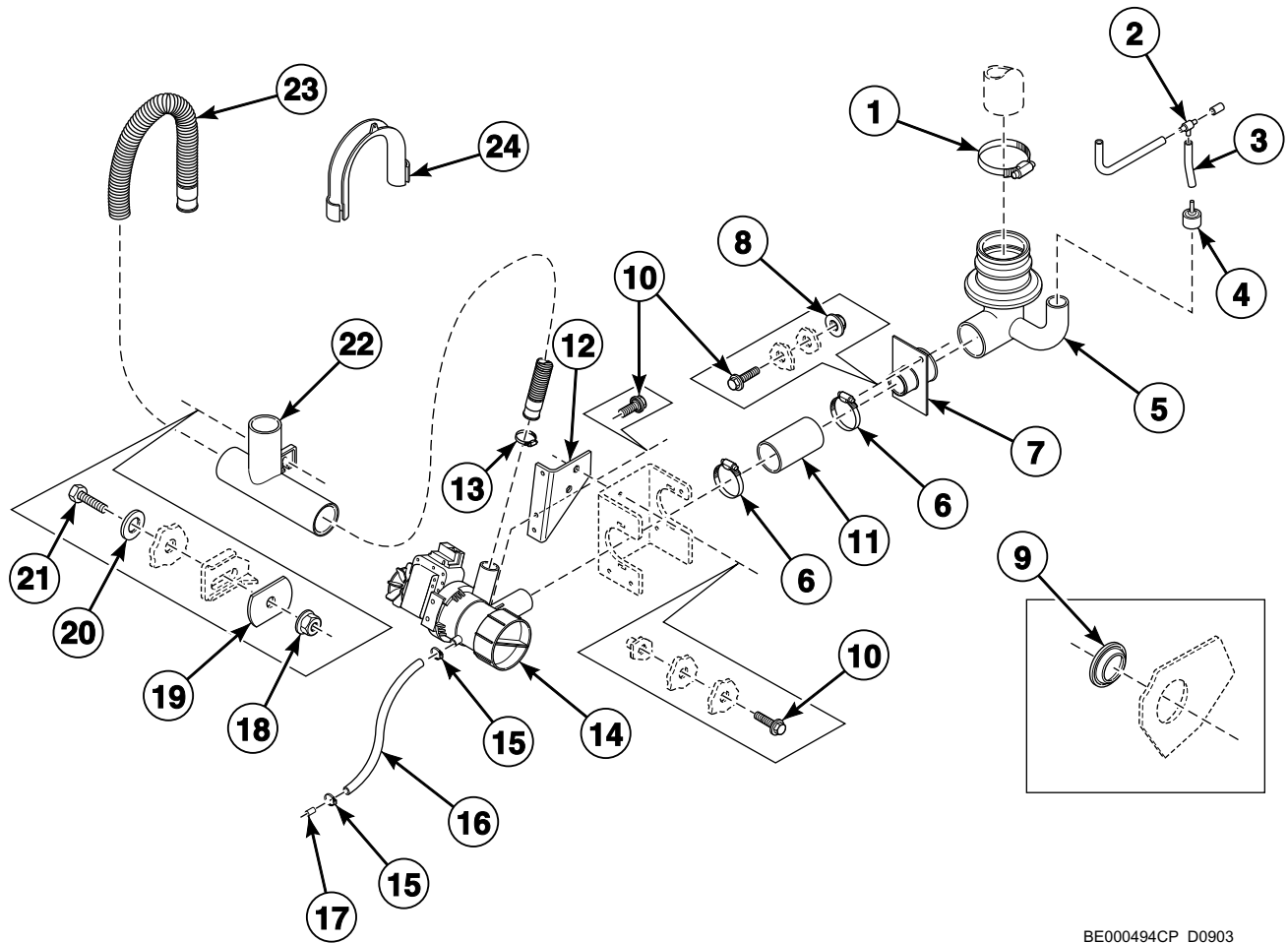


BE000619AP_D0903

Drain Plumbing - Dual Outlet Drain Piece with Water Level Detection on Drain Hose

REF	PART NO.	DESCRIPTION	COMMENTS
1	223/00014/00	Hose Clamp	
2	223/00173/10	Pressure Switch Hose Tee	
3	223/00333/00	Pressure Hose	
4	223/00035/02	Pressure Switch Cap	
5	255/00010/00	Tub to Drain Valve Hose	
6	223/00013/00	Hose Clamp	
7	209/00463/00	Drain Valve	
8	223/00303/00	Drain Valve Hose	
9	223/00297/00	Drain Pipe	
10	206/00101/00	Nut	
11	101/00007/00	Outlet Pipe Plate Assembly	
12	201/00007/00	Washer	
13	206/00033/00	Bolt	
14	223/00294/00	Drain Pipe Cap	
15	223/00150/00	Overflow Hose	
16	223/00001/04	Prewash and Mainwash Nozzle	
17	201/00002/00	Washer	
18	204/00201/00	Nut	
19	223/00010/00	Hose Clamp	
20	223/00044/01	Water Hose	

Drain Plumbing - Models with Pump Drain

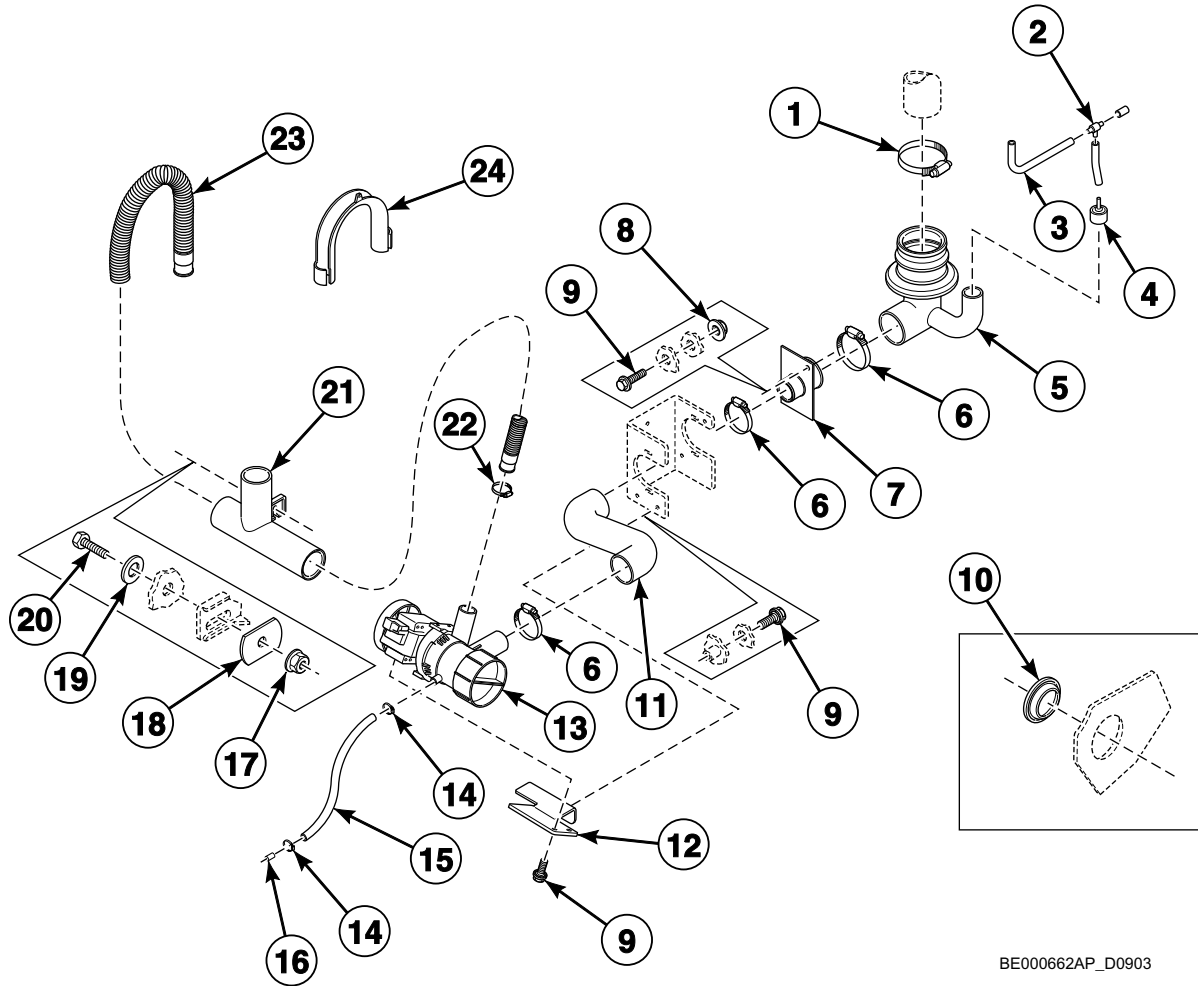


BE000494CP_D0903

Drain Plumbing - Models with Pump Drain

REF	PART NO.	DESCRIPTION	COMMENTS
1	223/00014/00	Hose Clamp	
2	223/00173/10	Pressure Switch Hose Tee	
3	223/00333/00	Pressure Hose	
4	223/00035/02	Pressure Switch Cap	
5	255/00010/00	Tub to Drain Valve Hose	
6	223/00012/00	Hose Clamp	
7	155/00155/00	Drain Piece	
8	206/00105/00	Nut	
9	255/00019/00	Stopper	
10	206/00099/00	Bolt	
11	255/00017/00	Connecting Piece	
12	155/00159/00	Pump Support	
13	223/00011/00	Hose Clamp	
14	209/00560/00	Hanging Drain Pump	
15	223/00009/00	Clamp	
16	223/00159/00	Pipe	
17	223/00162/00	Stopper	
18	206/00101/00	Nut	
19	101/00007/00	Outlet Pipe Plate Assembly	
20	201/00007/00	Washer	
21	206/00033/00	Bolt	
22	223/00146/00	Drain Piece	
23	223/00157/01	Drain Pipe Kit	
24	223/00157/02	Drain Pipe Kit	

Drain Plumbing - Models with Pump Drain and Frontal Access

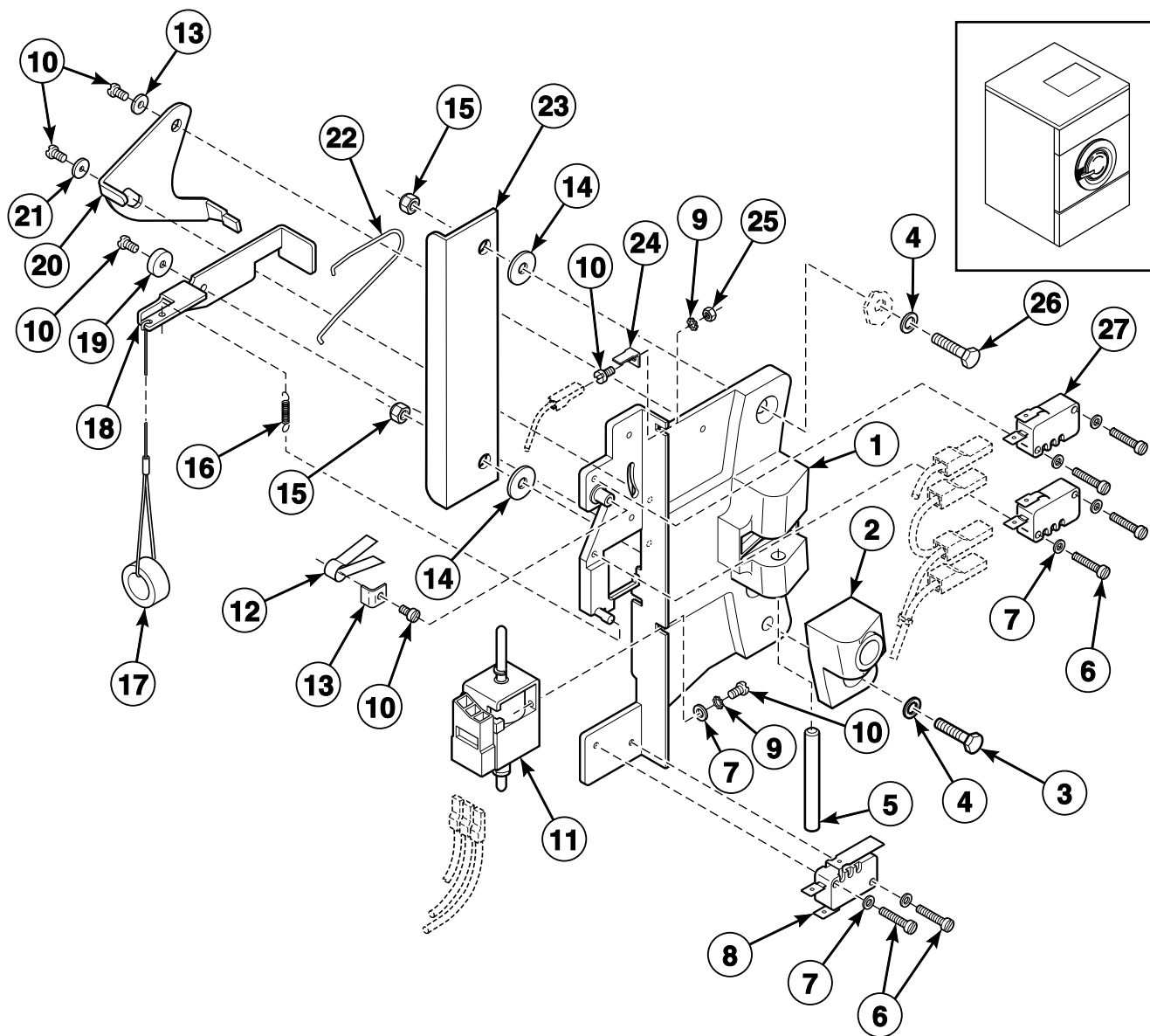


BE000662AP_D0903

Drain Plumbing - Models with Pump Drain and Frontal Access

REF	PART NO.	DESCRIPTION	COMMENTS
1	223/00014/00	Hose Clamp	
2	223/00173/10	Pressure Switch Hose Tee	
3	223/00333/00	Pressure Hose	
4	223/00035/02	Pressure Switch Cap	
5	255/00010/00	Tub to Drain Valve Hose	
6	223/00012/00	Hose Clamp	
7	155/00155/00	Drain Piece	
8	206/00105/00	Nut	
9	206/00099/00	Bolt	
10	255/00019/00	Stopper	
11	223/00307/00	Drain Hose	
12	111/00288/10	Pump Support	
13	209/00646/00	Pump	50 Hertz
	209/00647/00	Pump	60 Hertz
14	223/00009/00	Clamp	
15	223/00159/00	Pipe	
16	223/00162/00	Stopper	
17	206/00101/00	Nut	
18	101/00007/00	Outlet Pipe Plate Assembly	
19	201/00007/00	Washer	
20	206/00033/00	Bolt	
21	223/00146/00	Drain Piece	
22	223/00011/00	Hose Clamp	
23	223/00157/01	Drain Pipe Kit	
24	223/00157/02	Drain Pipe Kit	

Door Lock

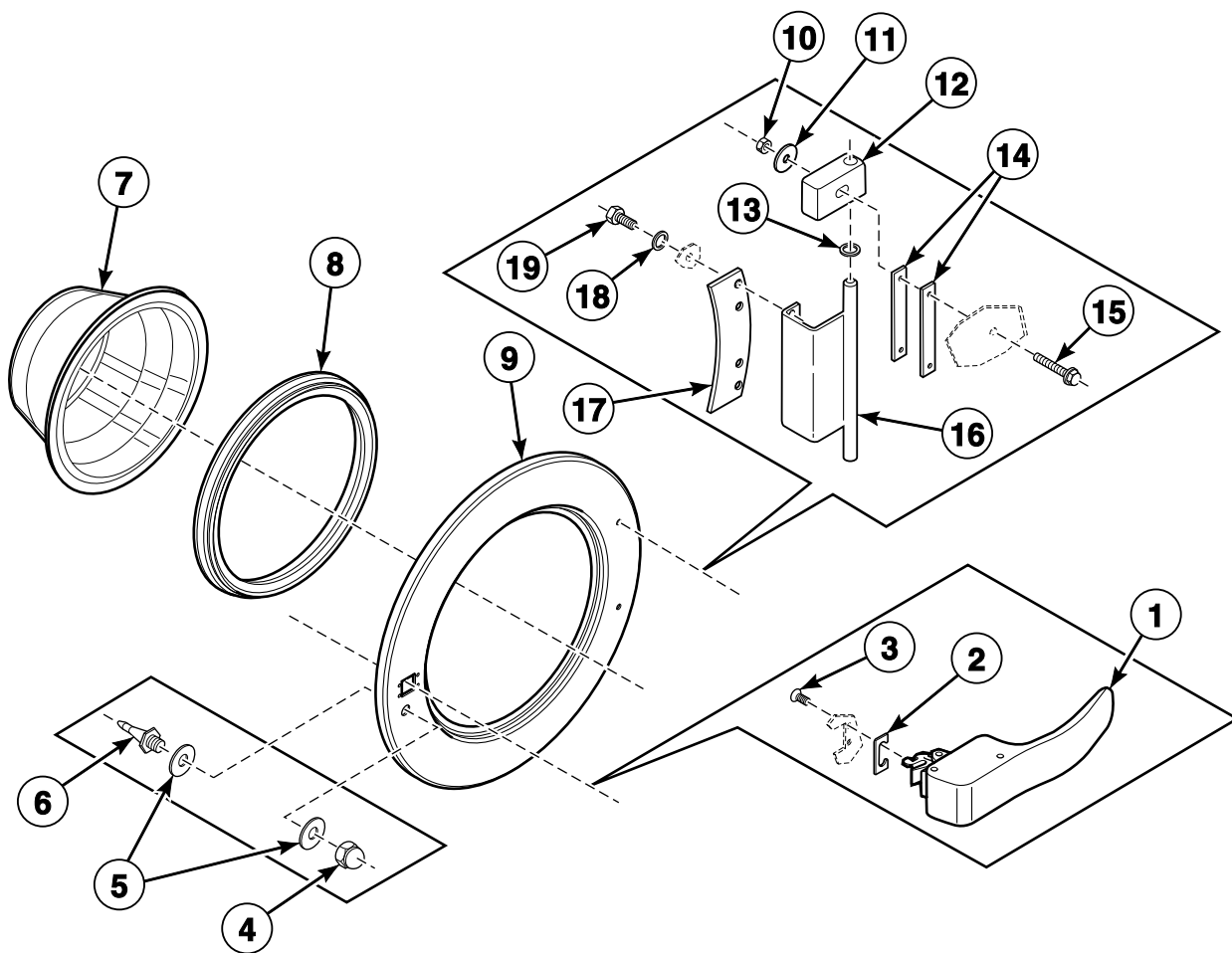


BE000112BP_D0903

Door Lock

REF	PART NO.	DESCRIPTION	COMMENTS
1	217/00052/01A	Door Lock Assembly	
	217/00052/00A	Door Lock Assembly	Includes items 1-7, 11-13 and 16-27
2	217/00052/11	Door Lock Pin Kit	
3	205/00115/00	Bolt	
4	202/00101/00	Washer	
5	217/00017/03	Lock Shaft	
6	207/00009/00	Screw	
7	201/00018/00	Washer	
8	209/00273/00	Light Microswitch	
9	203/00007/00	Washer	
10	207/00135/00	Screw	
11	209/00703/50	Door Solenoid	
12	224/00049/00	Door Lock Spring	
13	201/00017/00	Washer	
14	201/00006/00	Washer	
15	204/00009/00	Nut	
16	224/00043/00	Interlock Coil Spring	
17	224/00015/00	Door Latch Cord	
18	217/00052/04	Interlock Lever	
19	217/00052/03	Door Lock Spacer	
20	217/00052/05	Switch Lever	
21	202/00124/00	Washer	
22	224/00040/00	Lever Spring	
23	117/00052/08	Lock Protection Plate	
24	210/10015/00	Ground Terminal	
25	204/00008/00	Nut	
26	205/00103/00	Bolt	
27	209/00272/00	Door Lock Microswitch	

Door

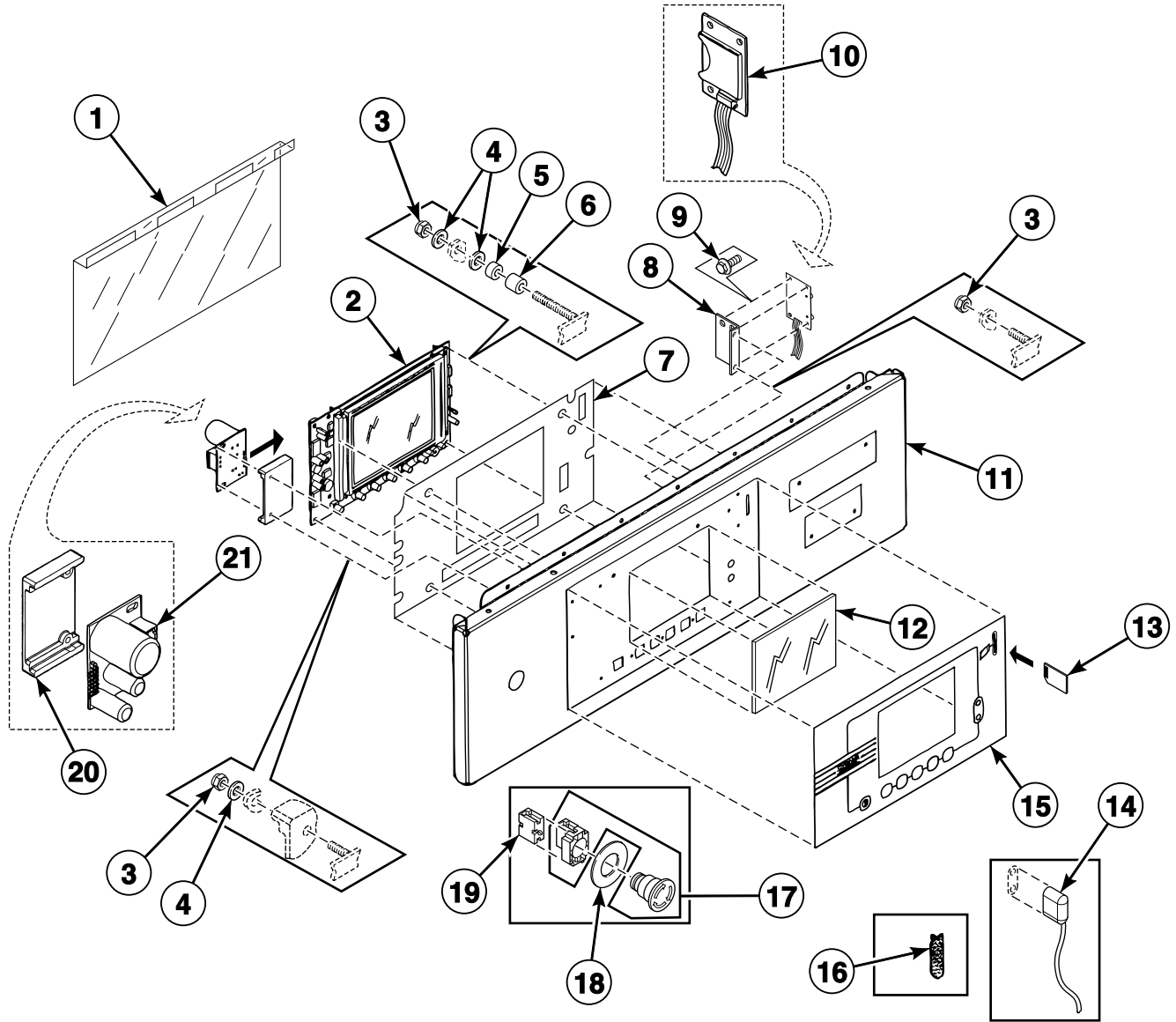


BE000033DP_D0903

Door

REF	PART NO.	DESCRIPTION	COMMENTS
1	217/00059/00	Door Handle	HC and IHC models; Black
	217/00065/00	Door Handle	CHC and HC models; Gray
2	217/00016/00	Door Handle Stop	
3	207/00107/00	Screw	
4	204/00103/00	Nut	
5	202/00111/00	Washer	
6	211/00109/02	Door Lock Pin Kit	
7	217/00023/00	Door Glass	
8	217/00015/00	Door Glass Seal	
9	118/00046/10	Door Frame	
10	204/00106/00	Nut	
11	202/00108/00	Washer	
12	217/00009/02	Door Hinge Assembly	
13	202/00104/00	Washer	
14	117/00010/00	Door Hinge Spacer	
15	207/00126/00	Screw	
16	221/00005/00	Door Hinge	
17	118/00065/00	Door Hinge Plate Assembly	
18	202/00101/00	Washer	
19	205/00107/00	Bolt	

Control Panel - Cygnus Professional

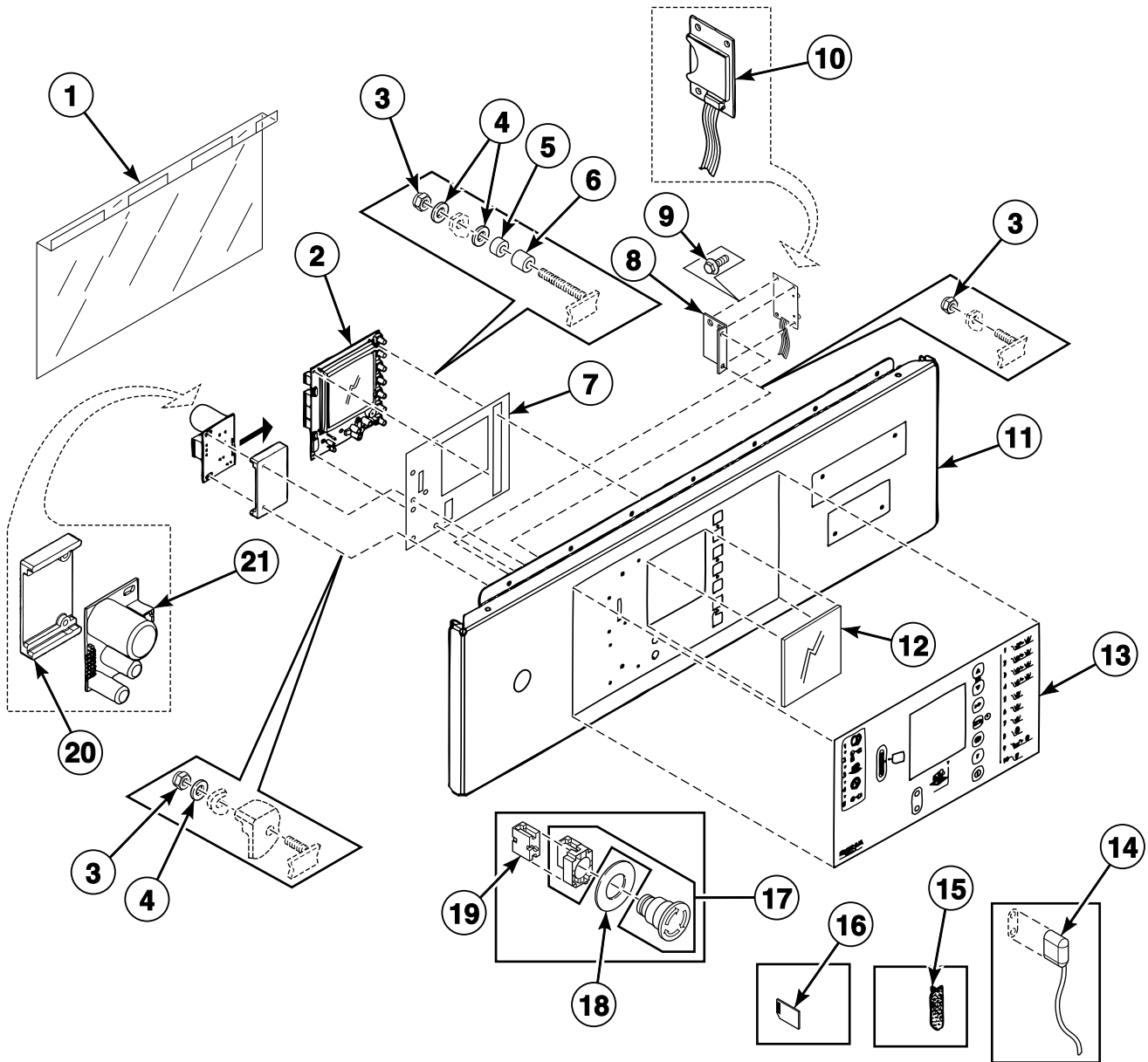


BE000804CP_D0903

Control Panel - Cygnus Professional

REF	PART NO.	DESCRIPTION	COMMENTS
1	229/00289/00	Circuit Board Cover	
2	209/02002/00	Display PC-Board	
3	204/00116/00	Nut	
4	223/00123/00	Washer	
5	211/00128/00	Printboard Separator	
6	211/00122/00	Standoff	
7	229/00268/00	Insulating Sticker	
8	111/01893/00	Printboard Support Card	
9	211/00145/00	Standoff	
10	B12305201	Memory Card PC-Board	Models prior to 4/5/11 require a firmware upgrade
	210/00221/00	Dataflash Card Display Cable	
11	111/01845/00	Upper Front Panel	
12	225/00321/00	Plexi Frame	
13	209/02022/00	Datacard	
14	210/00902/00	Infrared Cable	
15	225/10313/00	Operating Sticker	Without datacard opening
	225/10426/00	Operating Sticker	With datacard opening
16	223/00348/00	Datacard Cover	
17	209/00099/20	Emergency Switch Pushbutton	
18	209/00520/00	Telem Sticker	
19	209/00099/26	Contact Switch	
20	223/00374/00	Mounting Plate	
21	209/02010/00	Door Lock PC-Board	

Control Panel - Cygnus Premium OPL



BE000871AP_D0903

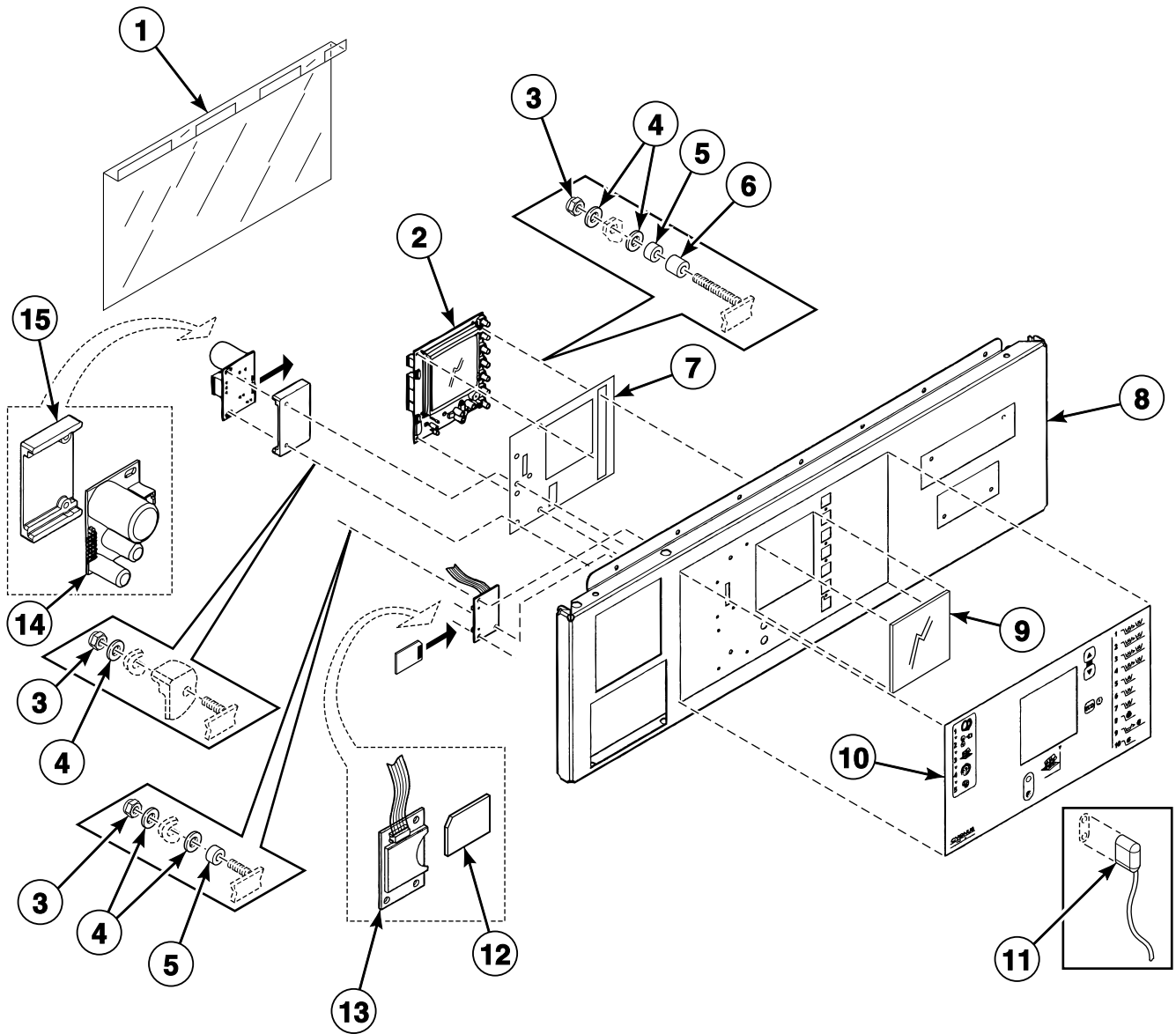
Control Panel - Cygnus Premium OPL

REF	PART NO.	DESCRIPTION	COMMENTS
1	229/00289/00	Circuit Board Cover	
2	209/02015/02	Printboard	
3	204/00116/00	Nut	
4	223/00123/00	Washer	
5	211/00128/00	Printboard Separator	
6	211/00122/00	Standoff	
7	229/00291/00	Insulating Sticker	
8	111/01893/00	Printboard Support Card	
9	211/00145/00	Standoff	
10	B12305201	Memory Card PC-Board	Models prior to 4/5/11 require a firmware upgrade
	210/00221/00	Dataflash Card Display Cable	
11	111/01902/00	Operating Panel	
12	225/00323/00	Plexi Frame	
13	225/10404/00	Operating Sticker	With datacard opening
	225/10427/00	Operating Sticker	Without datacard opening
14	210/00902/00	Infrared Cable	
15	223/00348/00	Datacard Cover	
16	209/02022/00	Datacard	
17	209/00099/20	Emergency Switch Pushbutton	
18	209/00520/00	Telem Sticker	
19	209/00099/26	Contact Switch	
20	223/00374/00	Mounting Plate	
21	209/02010/00	Door Lock PC-Board	

Control Panel - Cygnus Premium OPL with Frontal Supply Dispenser

REF	PART NO.	DESCRIPTION	COMMENTS
1	229/00289/00	Circuit Board Cover	
2	209/02015/02	Printboard	
3	204/00116/00	Nut	
4	223/00123/00	Washer	
5	211/00128/00	Printboard Separator	
6	211/00122/00	Standoff	
7	229/00291/00	Insulating Sticker	
8	111/01906/00	Operating Panel	
9	225/00323/00	Plexi Frame	
10	225/10404/00	Operating Sticker	With datacard opening
	225/10427/00	Operating Sticker	Without datacard opening
11	210/00902/00	Infrared Cable	
12	209/00099/20	Emergency Switch Pushbutton	
13	209/00520/00	Telem Sticker	
14	209/00099/26	Contact Switch	
15	209/02022/00	Datacard	
16	B12305201	Memory Card PC-Board	Models prior to 4/5/11 require a firmware upgrade
	210/00221/00	Dataflash Card Display Cable	
17	209/02010/00	Door Lock PC-Board	
18	223/00374/00	Mounting Plate	

Control Panel - Cygnus Premium Coin

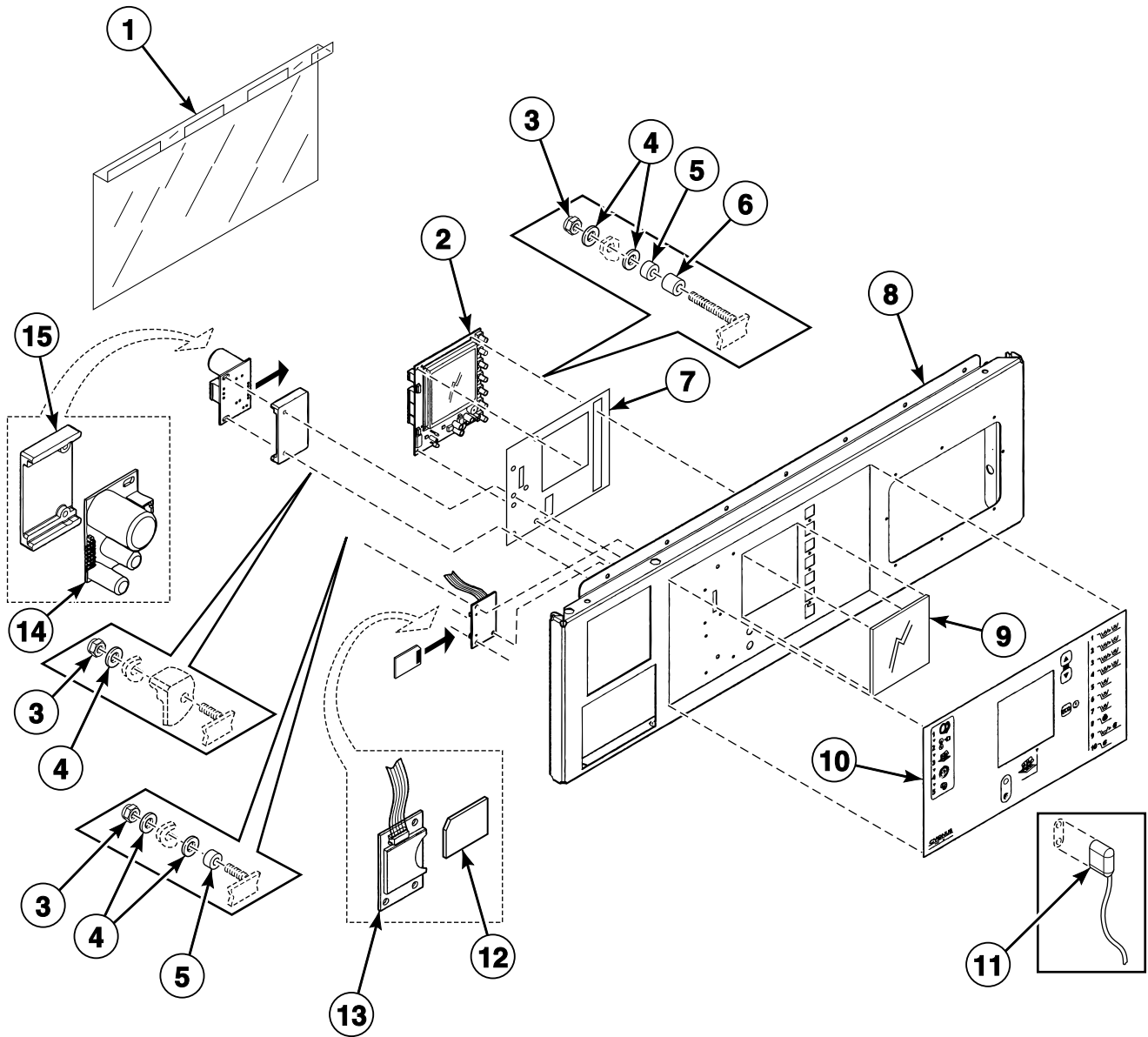


BE000872AP_D0903

Control Panel - Cygnus Premium Coin

REF	PART NO.	DESCRIPTION	COMMENTS
1	229/00289/00	Circuit Board Cover	
2	209/02015/02	Printboard	
3	204/00116/00	Nut	
4	223/00123/00	Washer	
5	211/00128/00	Printboard Separator	
6	211/00122/00	Standoff	
7	229/00291/00	Insulating Sticker	
8	111/01903/00	Operating Panel	
9	225/00323/00	Plexi Frame	
10	225/10403/00	Operating Sticker	
11	210/00902/00	Infrared Cable	
12	209/02022/00	Datacard	
13	B12305201	Memory Card PC-Board	Models prior to 4/5/11 require a firmware upgrade
	210/00221/00	Dataflash Card Display Cable	
14	209/02010/00	Door Lock PC-Board	
15	223/00374/00	Mounting Plate	

Control Panel - Cygnus Premium Coin with Frontal Supply Dispenser

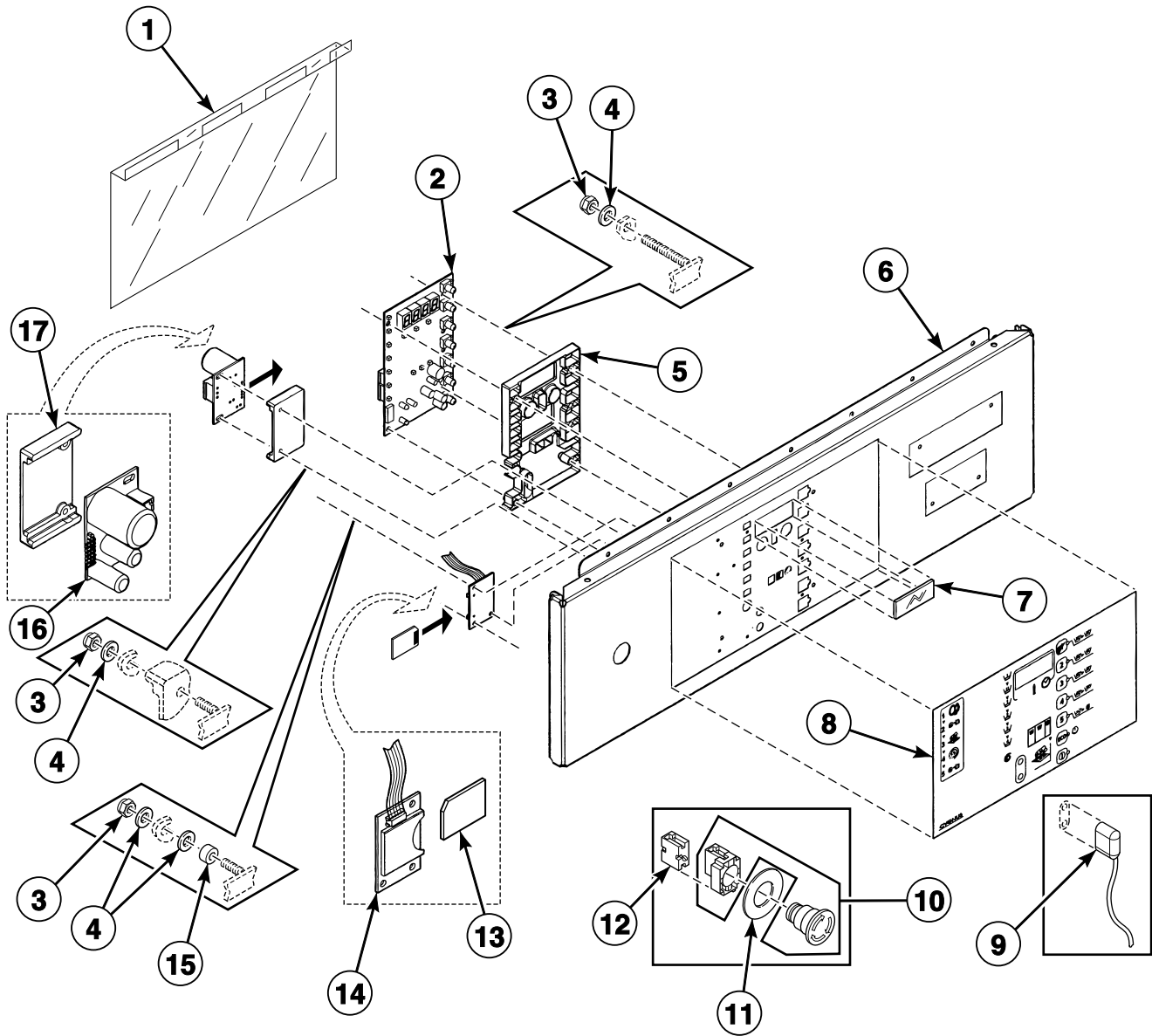


BE000873AP_D0903

Control Panel - Cygnus Premium Coin with Frontal Supply Dispenser

REF	PART NO.	DESCRIPTION	COMMENTS
1	229/00289/00	Circuit Board Cover	
2	209/02015/02	Printboard	
3	204/00116/00	Nut	
4	223/00123/00	Washer	
5	211/00128/00	Printboard Separator	
6	211/00122/00	Standoff	
7	229/00291/00	Insulating Sticker	
8	111/01907/00	Operating Panel	
9	225/00323/00	Plexi Frame	
10	225/10403/00	Operating Sticker	
11	210/00902/00	Infrared Cable	
12	209/02022/00	Datacard	
13	B12305201	Memory Card PC-Board	Models prior to 4/5/11 require a firmware upgrade
	210/00221/00	Dataflash Card Display Cable	
14	209/02010/00	Door Lock PC-Board	
15	223/00374/00	Mounting Plate	

Control Panel - Cygnus Standard/Commercial OPL

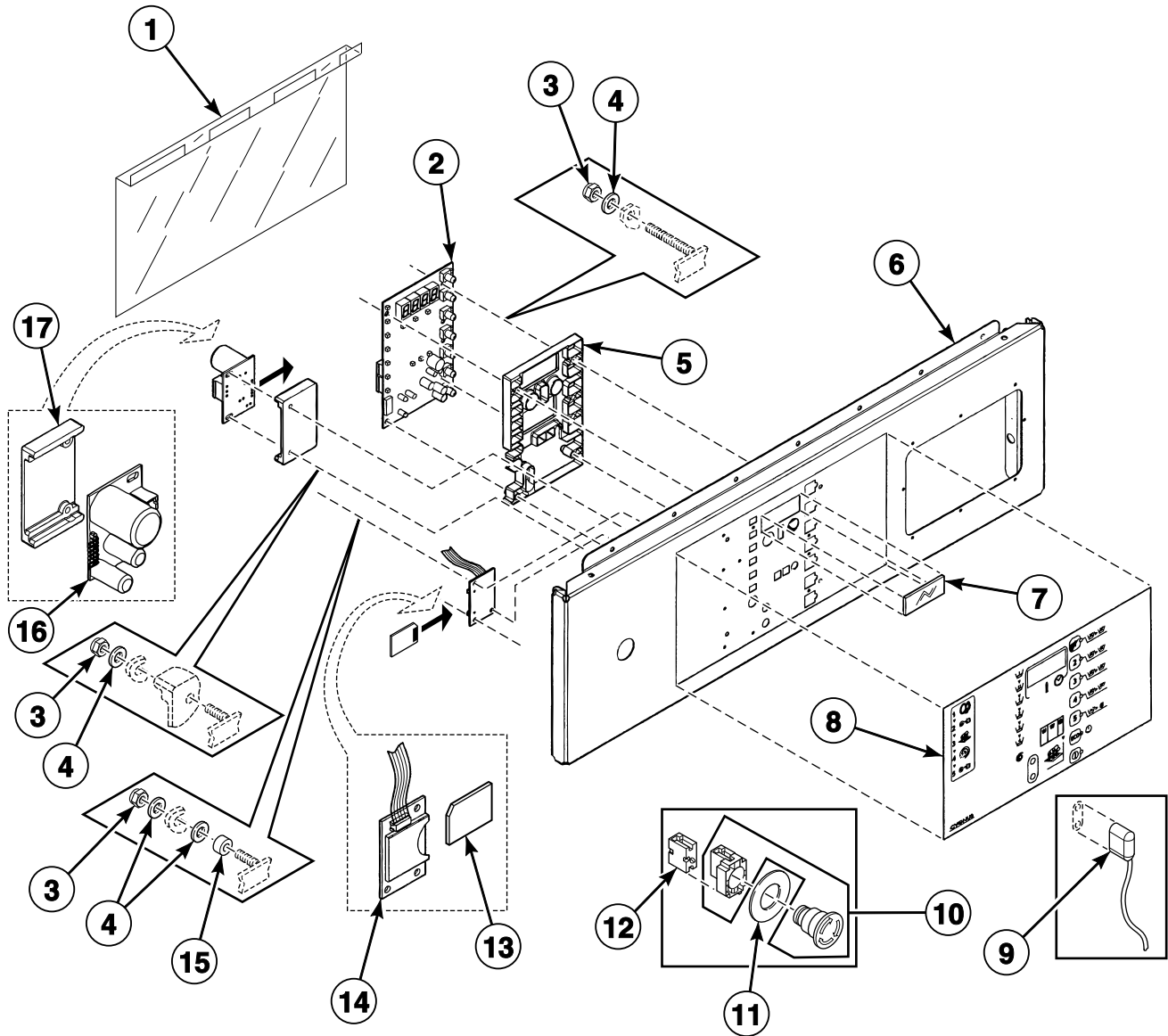


BE000867AP_D0903

Control Panel - Cygnus Standard/Commercial OPL

REF	PART NO.	DESCRIPTION	COMMENTS
1	229/00289/00	Circuit Board Cover	
2	209/02001/02	Printboard	
3	204/00116/00	Nut	
4	223/00123/00	Washer	
5	223/00330/00	Protection LED	
6	111/01828/00	Operating Panel	
7	225/00322/00	Plexi Frame	
8	225/10307/00	Operating Sticker	Models HC135_CYGNUS-STANDARD_OPL and HC165_CYGNUS-STANDARD_OPL
	225/10308/00	Operating Sticker	Models HC135_CYGNUS-COMM_OPL and HC165_CYGNUS-COMM_COIN
9	210/00902/00	Infrared Cable	
10	209/00248/20	Mushroom Pushbutton	
11	209/00520/00	Telem Sticker	
12	209/00099/26	Contact Switch	
13	209/02022/00	Datacard	
14	B12305201	Memory Card PC-Board	Models prior to 4/5/11 require a firmware upgrade
	210/00221/00	Dataflash Card Display Cable	
15	211/00128/00	Printboard Separator	
16	209/02010/00	Door Lock PC-Board	
17	223/00374/00	Mounting Plate	

Control Panel - Cygnus Standard/Commercial OPL with Frontal Supply Dispenser

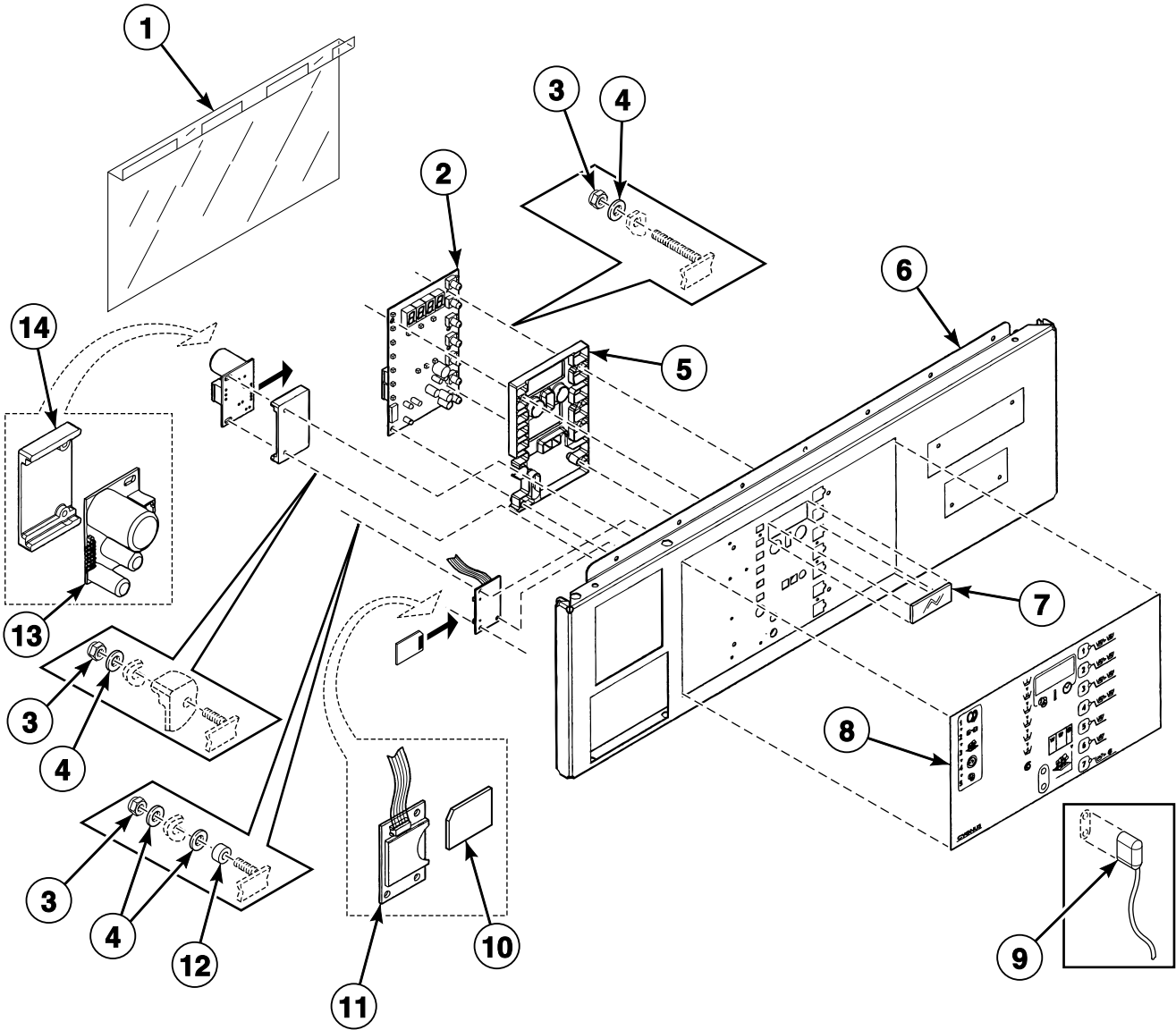


BE000868AP_D0903

Control Panel - Cygnus Standard/Commercial OPL with Frontal Supply Dispenser

REF	PART NO.	DESCRIPTION	COMMENTS
1	229/00289/00	Circuit Board Cover	
2	209/02001/02	Printboard	
3	204/00116/00	Nut	
4	223/00123/00	Washer	
5	223/00330/00	Protection LED	
6	111/01829/00	Operating Panel	
7	225/00322/00	Plexi Frame	
8	225/10307/00	Operating Sticker	Models HC135_CYGNUS-STANDARD_OPL and HC165_CYGNUS-STANDARD_OPL
	225/10308/00	Operating Sticker	Models HC135_CYGNUS-COMM_OPL and HC165_CYGNUS-COMM_OPL
9	210/00902/00	Infrared Cable	
10	209/00248/20	Mushroom Pushbutton	
11	209/00520/00	Telem Sticker	
12	209/00099/26	Contact Switch	
13	209/02022/00	Datacard	
14	B12305201	Memory Card PC-Board	Models prior to 4/5/11 require a firmware upgrade
	210/00221/00	Dataflash Card Display Cable	
15	211/00128/00	Printboard Separator	
16	209/02010/00	Door Lock PC-Board	
17	223/00374/00	Mounting Plate	

Control Panel - Cygnus Standard/Commercial Coin

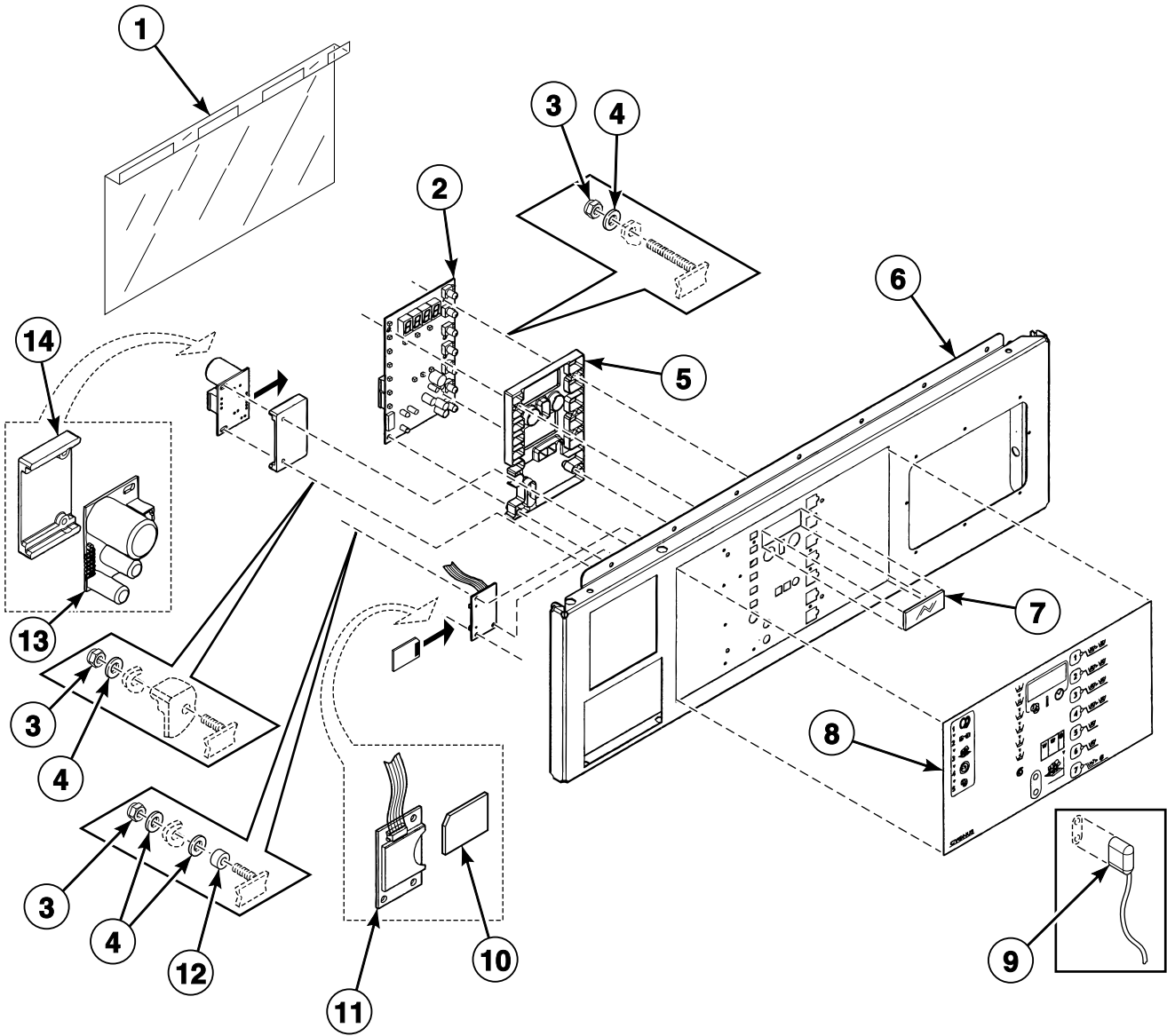


BE000874AP_D0903

Control Panel - Cygnus Standard/Commercial Coin

REF	PART NO.	DESCRIPTION	COMMENTS
1	229/00289/00	Circuit Board Cover	
2	209/02001/02	Printboard	
3	204/00116/00	Nut	
4	223/00123/00	Washer	
5	223/00330/00	Protection LED	
6	111/01819/00	Operating Panel	
7	225/00322/00	Plexi Frame	
8	225/10305/00	Operating Sticker	Models HC135_CYGNUS-STANDARD_COIN and HC165_CYGNUS-STANDARD_COIN
	225/10306/00	Operating Sticker	Models HC135_CYGNUS-COMM_COIN and HC165_CYGNUS-COMM_COIN
9	210/00902/00	Infrared Cable	
10	209/02022/00	Datacard	
11	B12305201	Memory Card PC-Board	Models prior to 4/5/11 require a firmware upgrade
	210/00221/00	Dataflash Card Display Cable	
12	211/00128/00	Printboard Separator	
13	209/02010/00	Door Lock PC-Board	
14	223/00374/00	Mounting Plate	

Control Panel - Cygnus Standard/Commercial Coin with Frontal Supply Dispenser

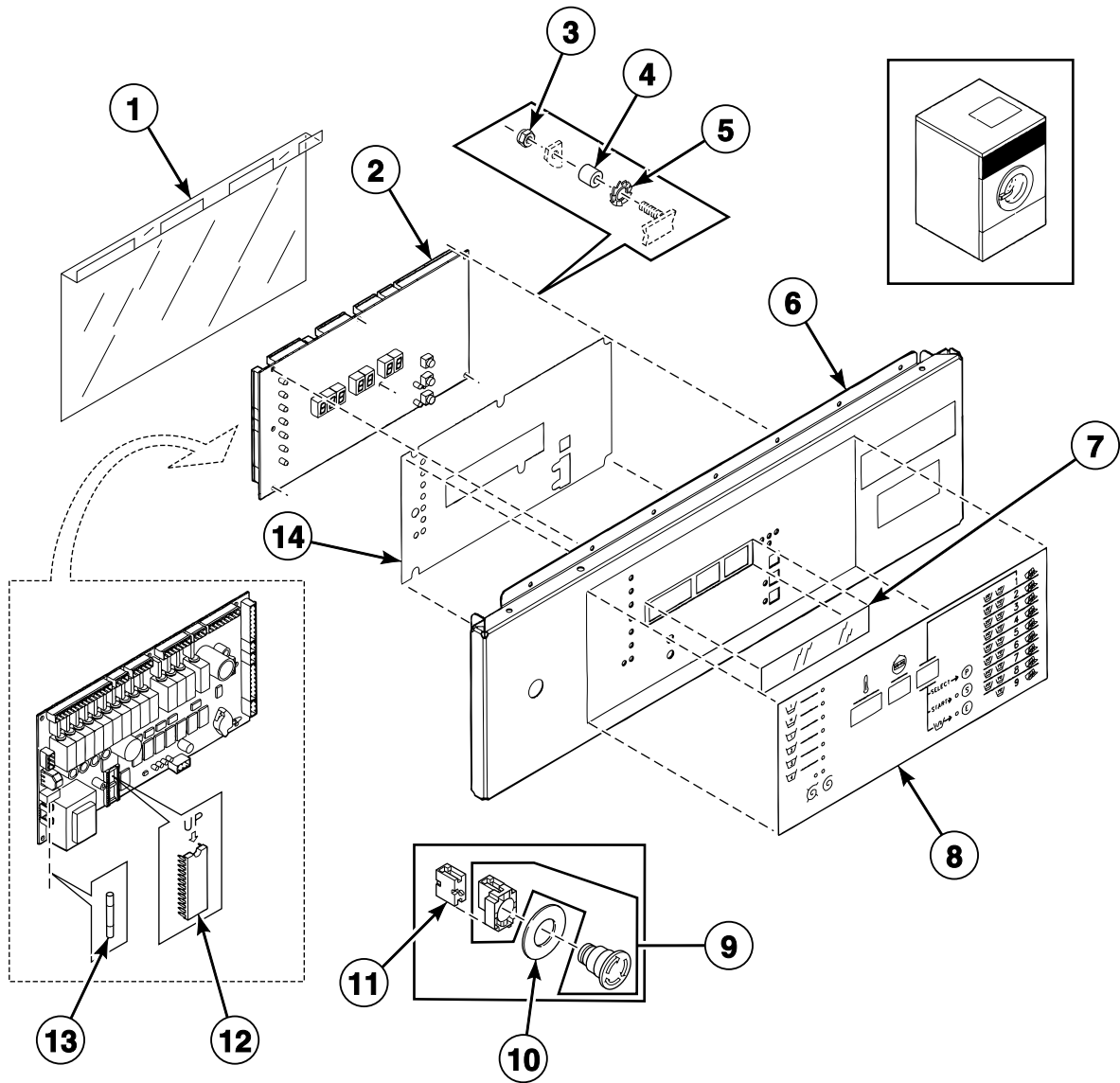


BE000869AP_D0903

Control Panel - Cygnus Standard/Commercial Coin with Frontal Supply Dispenser

REF	PART NO.	DESCRIPTION	COMMENTS
1	229/00289/00	Circuit Board Cover	
2	209/02001/02	Printboard	
3	204/00116/00	Nut	
4	223/00123/00	Washer	
5	223/00330/00	Protection LED	
6	111/01829/00	Operating Panel	
7	225/00322/00	Plexi Frame	
8	225/10305/00	Operating Sticker	Models HC135_CYGNUS-STANDARD_COIN and HC165_CYGNUS-STANDARD_COIN
	225/10306/00	Operating Sticker	Models HC135_CYGNUS-COMM_COIN and HC165_CYGNUS-COMM_COIN
9	210/00902/00	Infrared Cable	
10	209/02022/00	Datacard	
11	B12305201	Memory Card PC-Board	Models prior to 4/5/11 require a firmware upgrade
	210/00221/00	Dataflash Card Display Cable	
12	211/00128/00	Printboard Separator	
13	209/02010/00	Door Lock PC-Board	
14	223/00374/00	Mounting Plate	

Control Panel - Micro-20 OPL

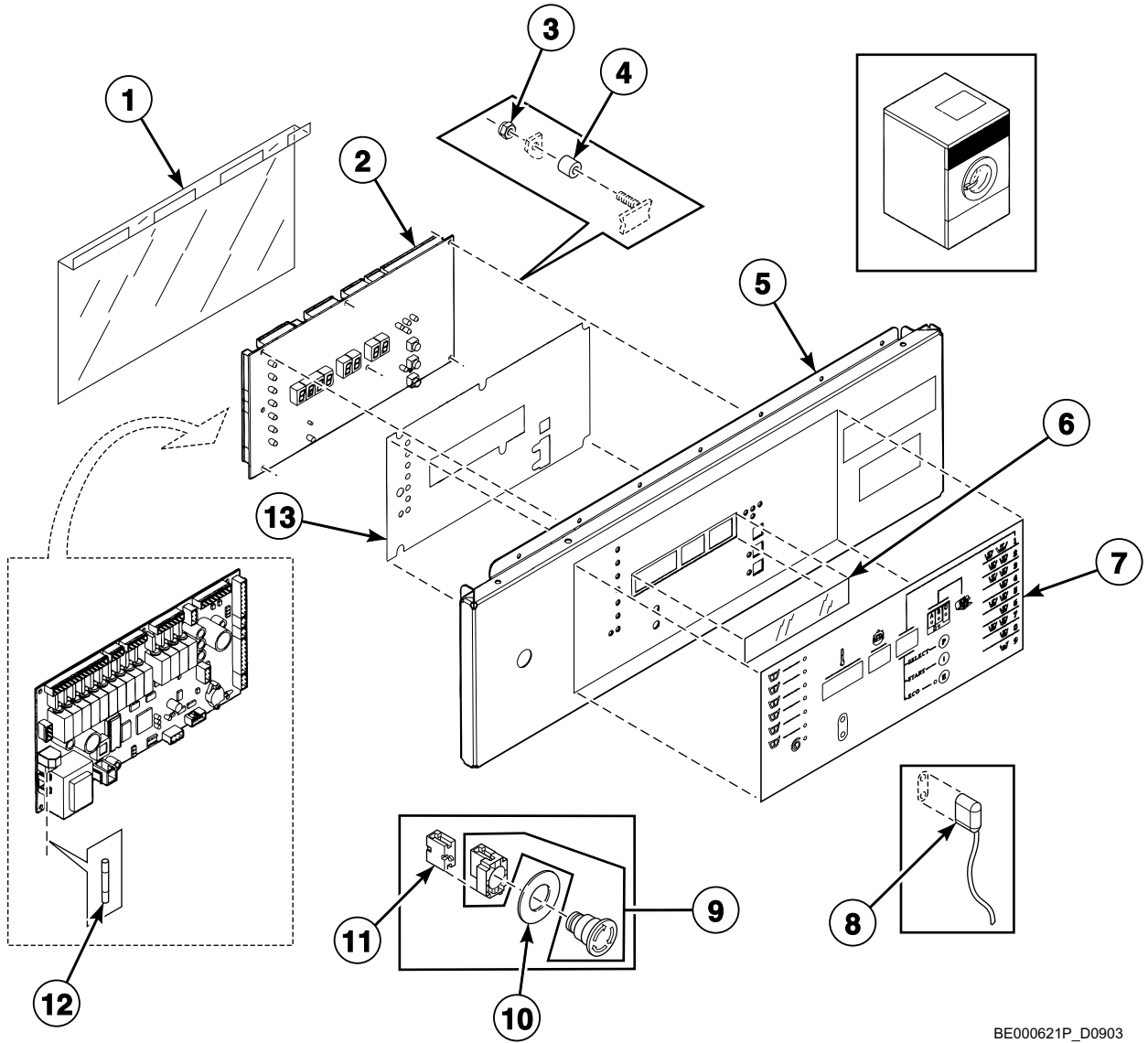


BE000620P_D0903

Control Panel - Micro-20 OPL

REF	PART NO.	DESCRIPTION	COMMENTS
1	229/00262/00	Circuit Board Cover	
2	209/00440/70	Printboard	220 Volt
	209/00440/80	Printboard	115 Volt
3	204/00114/00	Nut	
4	211/00122/00	Standoff	
5	203/00006/00	Washer	
6	111/01816/00	Upper Front Panel	
7	225/00316/00	Plexi Frame	
8	225/00407/00	Keypad Sticker	
9	209/00248/20	Mushroom Pushbutton	
10	209/00520/00	Telem Sticker	
11	209/00099/26	Contact Switch	
12	209/00266/01	Eprom	Standard software
13	209/00372/01	Fuse	125 mA; Used with 209/00552/02 Printboard
	209/00439/00	Fuse	500 mA
14	229/00255/00	Insulating Sticker	

Control Panel - Sigma OPL

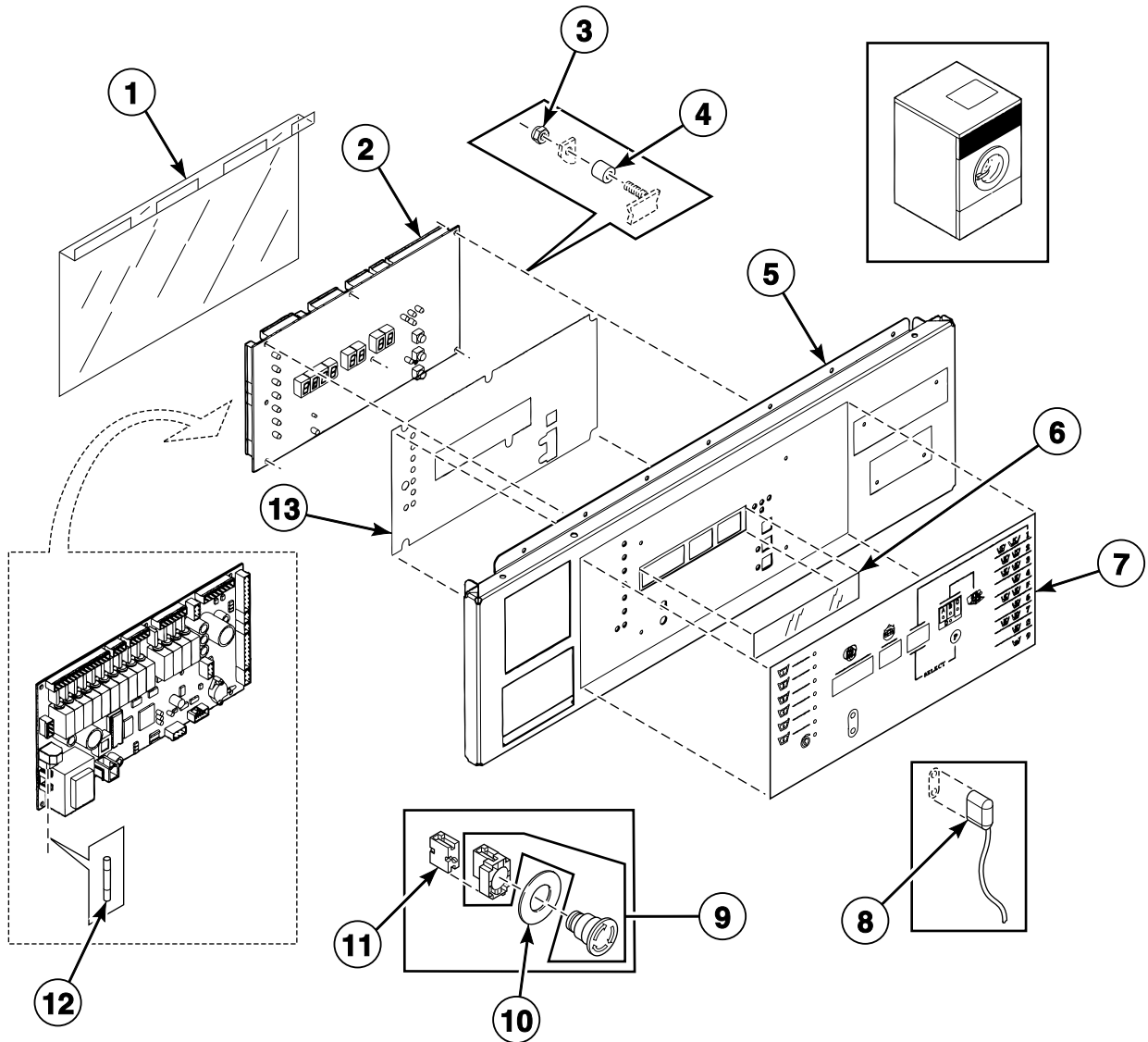


BE000621P_D0903

Control Panel - Sigma OPL

REF	PART NO.	DESCRIPTION	COMMENTS
1	229/00262/00	Circuit Board Cover	
2	209/00547/00	Control Board	
3	204/00114/00	Nut	
4	211/00122/00	Standoff	
5	111/01816/00	Upper Front Panel	
6	225/00316/00	Plexi Frame	
7	225/00404/00	Operating Sticker	
8	210/00902/00	Infrared Cable	
9	209/00248/20	Mushroom Pushbutton	
10	209/00520/00	Telem Sticker	
11	209/00099/26	Contact Switch	
12	209/00372/01	Fuse	125 mA
13	229/00255/00	Insulating Sticker	

Control Panel - Micro-20 and Sigma Coin

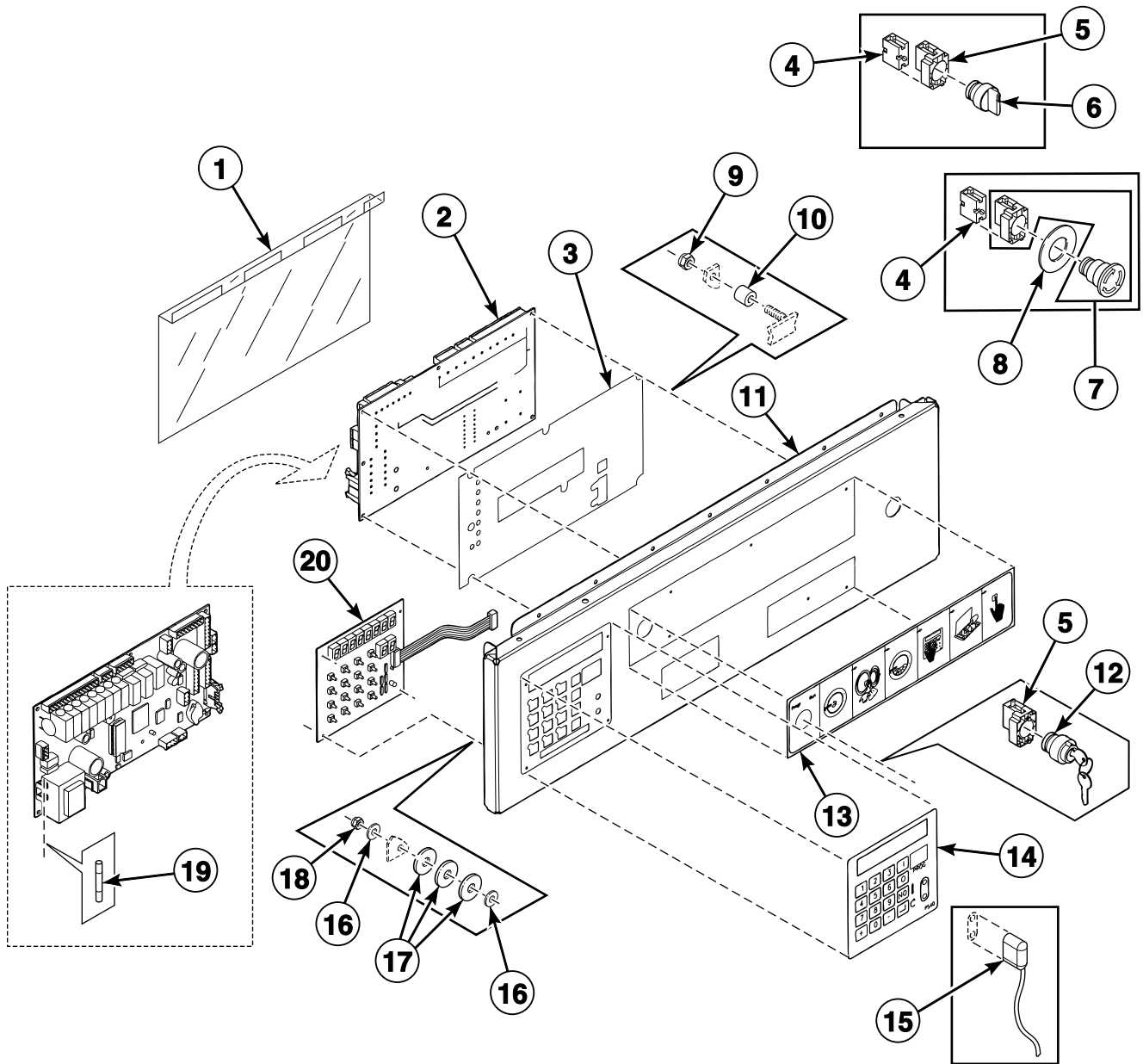


BE000629P_D0903

Control Panel - Micro-20 and Sigma Coin

REF	PART NO.	DESCRIPTION	COMMENTS
1	229/00262/00	Circuit Board Cover	
2	209/00547/00	Control Board	
3	204/00114/00	Nut	
4	211/00122/00	Standoff	
5	111/01811/00	Facia Panel	
6	225/00316/00	Plexi Frame	
7	225/00403/00	Decal	Sigma models
	225/00406/00	Operating Label	Micro-20 models
8	210/00902/00	Infrared Cable	
9	209/00248/20	Mushroom Pushbutton	
10	209/00520/00	Telem Sticker	
11	209/00099/26	Contact Switch	
12	209/00372/01	Fuse	125 mA
13	229/00255/00	Insulating Sticker	

Control Panel - PS40F

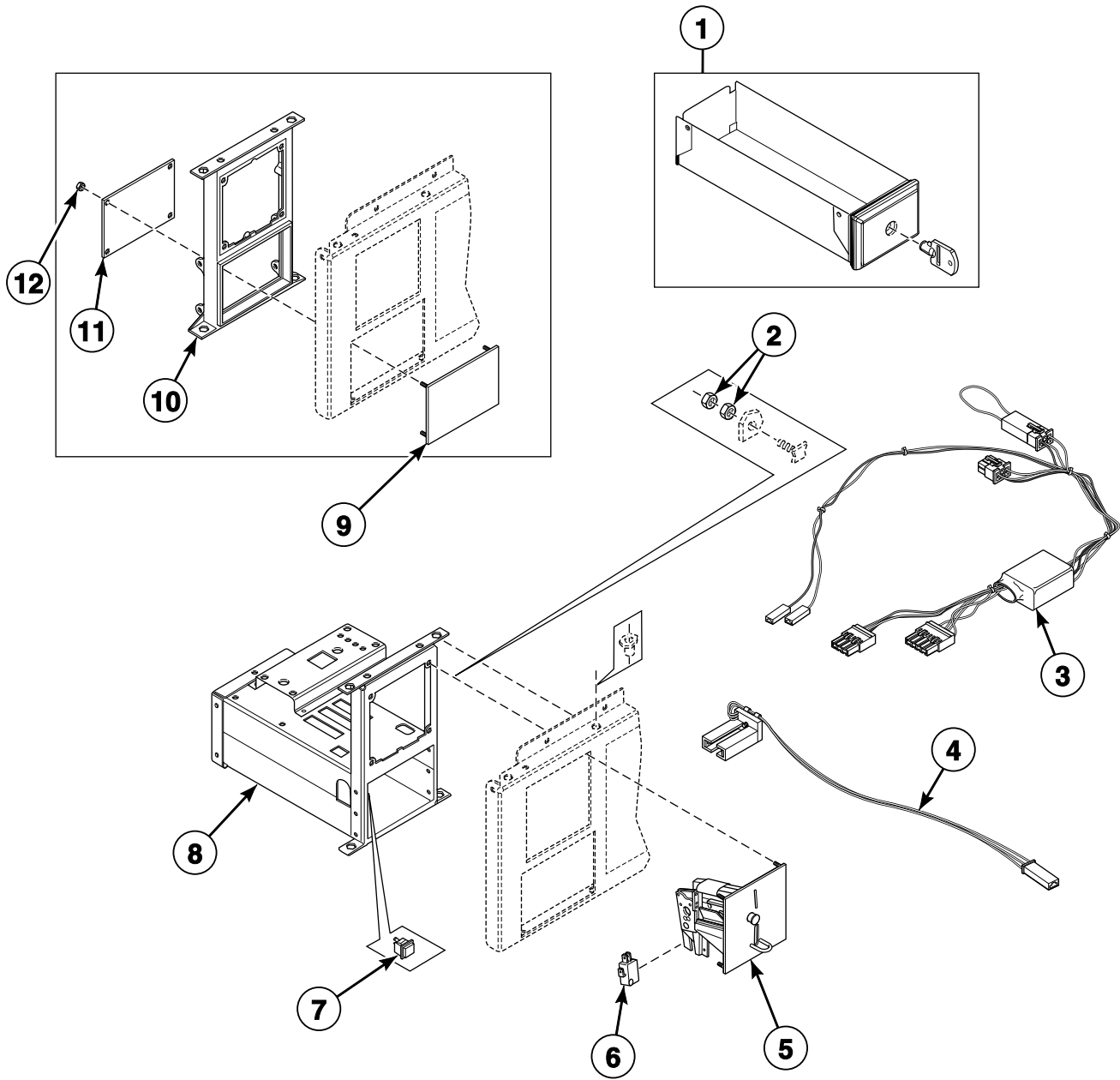


BE000622P_D0903

Control Panel - PS40F

REF	PART NO.	DESCRIPTION	COMMENTS
1	229/00262/00	Circuit Board Cover	
2	B12351701	Main Board	
3	229/00255/00	Insulating Sticker	
4	209/00099/26	Contact Switch	
5	209/00099/25	Switch Base	
6	209/00099/29	Switch Knob	
7	209/00248/20	Mushroom Pushbutton	
8	209/00520/00	Telem Sticker	
9	204/00114/00	Nut	
10	211/00122/00	Standoff	
11	111/01850/00	Facia Panel	HC and IHC models
	111/01912/00	Upper Front Panel	CHC and HC models
12	209/00326/20	Programming Key Contact Switch	
13	225/00400/00	Operating Sticker	
14	225/00397/00	Label	
15	210/00902/00	Infrared Cable	
16	223/00123/00	Washer	
17	223/00051/10	Washer	
18	204/00116/00	Nut	
19	209/00372/01	Fuse	125 mA; Used with 209/00552/02 Printboard
	209/00552/11	Fuse	80 mA; Used with B12351701 Main Board
20	209/00552/01	Keypad	

Coin Drop - Mechanical Coin Meter

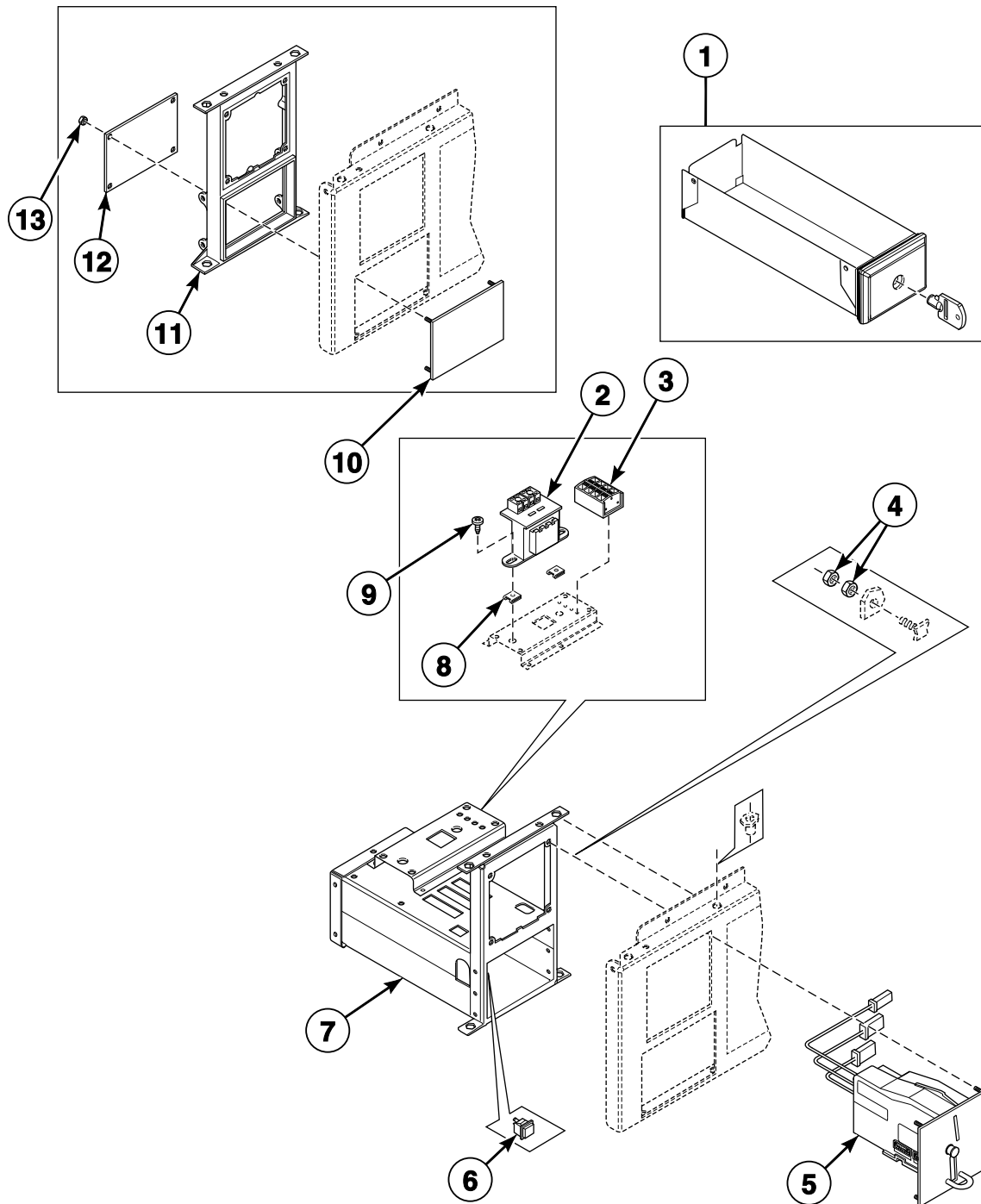


CFD512P_D0903

Coin Drop - Mechanical Coin Meter

REF	PART NO.	DESCRIPTION	COMMENTS
	B12388101	Single Drop Optical Sensor Kit	Includes items 3 and 4
	B12388102	Dual Drop Optical Sensor Kit	Includes items 3 and 4
1	254/00077/00	Coin Box	
	254/00077/02	Key	
2	204/00008/00	Nut	
3	B12359901	Wire Assembly	Micro-20 and Sigma models
4	209/00781/00	Optical Switch	Micro-20 and Sigma models
5	B12311224	Coin Drop	Mechanical; Jeton 5K
	B12311206	Coin Drop	Mechanical; Jeton 7K
	B12311201	Coin Drop	Mechanical; Jeton 10K
	B12311210	Coin Drop	Mechanical; Jeton 12K
	B12311252	Coin Drop	Mechanical; Jeton 10K and .5 euro
	B12311211	Coin Drop	Mechanical; Jeton 7K and 1 euro
	B12323901	Coin Drop	Mechanical; Jeton 15K and 7K
	B12311204	Coin Drop	Mechanical; Jeton gettone
	B12311234	Coin Drop	Mechanical; Jeton crouzet
	B12311247	Coin Drop	Mechanical; Jeton 118-1
	B12311248	Coin Drop	Mechanical; Jeton 118-5
	B12311222	Coin Drop	Mechanical; 1 euro
	B12311214	Coin Drop	Mechanical; .5 euro
	B12311202	Coin Drop	Mechanical; .5 and 1 euro
	B12311239	Coin Drop	Mechanical; .5 and 2 euro
	B12311205	Coin Drop	Mechanical; .2 and 1 euro
	B11211209	Coin Drop	Mechanical; .2 and .5 euro
	B12311218	Coin Drop	Mechanical; 1 and 1 euro
	B12311219	Coin Drop	Mechanical; 1 and 2 euro
	B12311203	Coin Drop	Mechanical; 1 and 2 frank
	B12311207	Coin Drop	Mechanical; 1 Deense kroon
	B12311225	Coin Drop	Mechanical; 10 Deense kronen
	B12311235	Coin Drop	Mechanical; 10 Tsjechische kronen
	B12311244	Coin Drop	Mechanical; 10 Noorse kronen
	B12311208	Coin Drop	Mechanical; 100 and 500 yen
	B12311212	Coin Drop	Mechanical; 15K
	B12311215	Coin Drop	Mechanical; 1 kro
	B12311226	Coin Drop	Mechanical; Australia 1.00
	B12311216	Coin Drop	Mechanical; Australia .2 and 1.00
	B12311220	Coin Drop	Mechanical; New Zealand 1.00
	B12311221	Coin Drop	Mechanical; .5 and 2 zwitsers
	B12311241	Coin Drop	Mechanical; Hong Kong 1.00
	B12311249	Coin Drop	Mechanical; Hong Kong 5.00
	B12311301	Coin Drop	Mechanical; U.S. \$0.25
	B12311302	Coin Drop	Mechanical; U.S. \$0.25 and \$1.00
	B12311304	Coin Drop	Mechanical; Canada 1.00 and .25
	B12323401	Coin Drop	Mechanical; Singapore 1.00
6	209/00600/01P	Switch	
7	209/00396/00	Pushbutton	
8	152/00112/00	Mechanical Coin Meter Housing	
9	111/01001/00	Top Panel	Gray
	111/01000/00	Front Plate	Black
10	217/00060/00	Fastening Piece	
11	111/01002/00	Backplate	
12	204/00116/00	Nut	

Coin Drop - Electronic Coin Meter

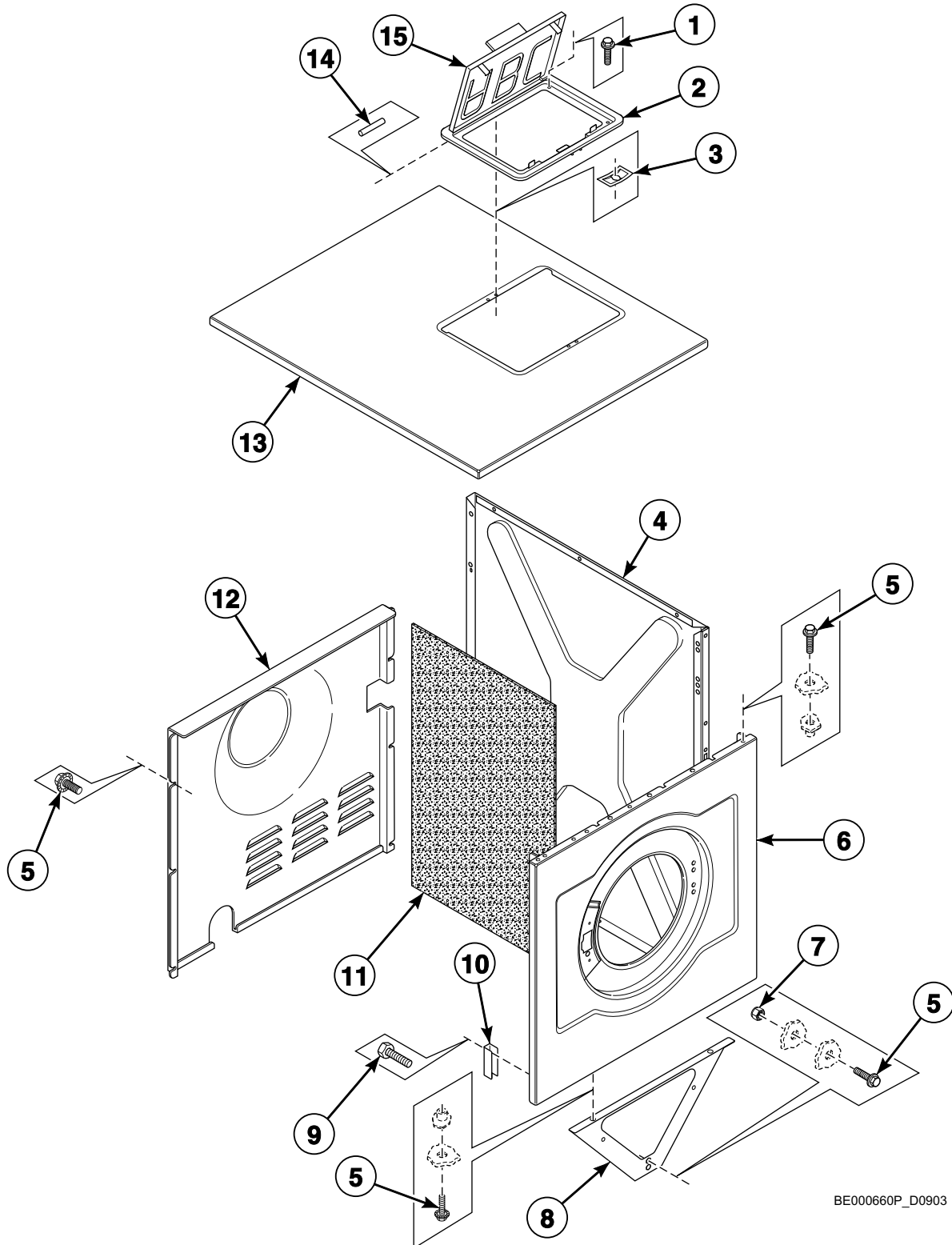


CFD511P_D0903

Coin Drop - Electronic Coin Meter

REF	PART NO.	DESCRIPTION	COMMENTS
1	254/00077/00	Coin Box	
	254/00077/02	Key	
2	209/00682/00	Transformer	
3	209/00683/00	Input Block	
4	204/00008/00	Nut	
5	B12311401	Coin Drop	Electronic; Cygnus models
6	209/00396/00	Pushbutton	
7	152/00112/50	Electronic Coin Meter Housing	
8	208/00002/00	Nut	
9	208/00014/00	Screw	
10	111/01001/00	Top Panel	Gray
	111/01000/00	Front Plate	Black
11	217/00060/00	Fastening Piece	
12	111/01002/00	Backplate	
13	204/00116/00	Nut	

Middle Front, Top, Lower Rear and Right Side Panels

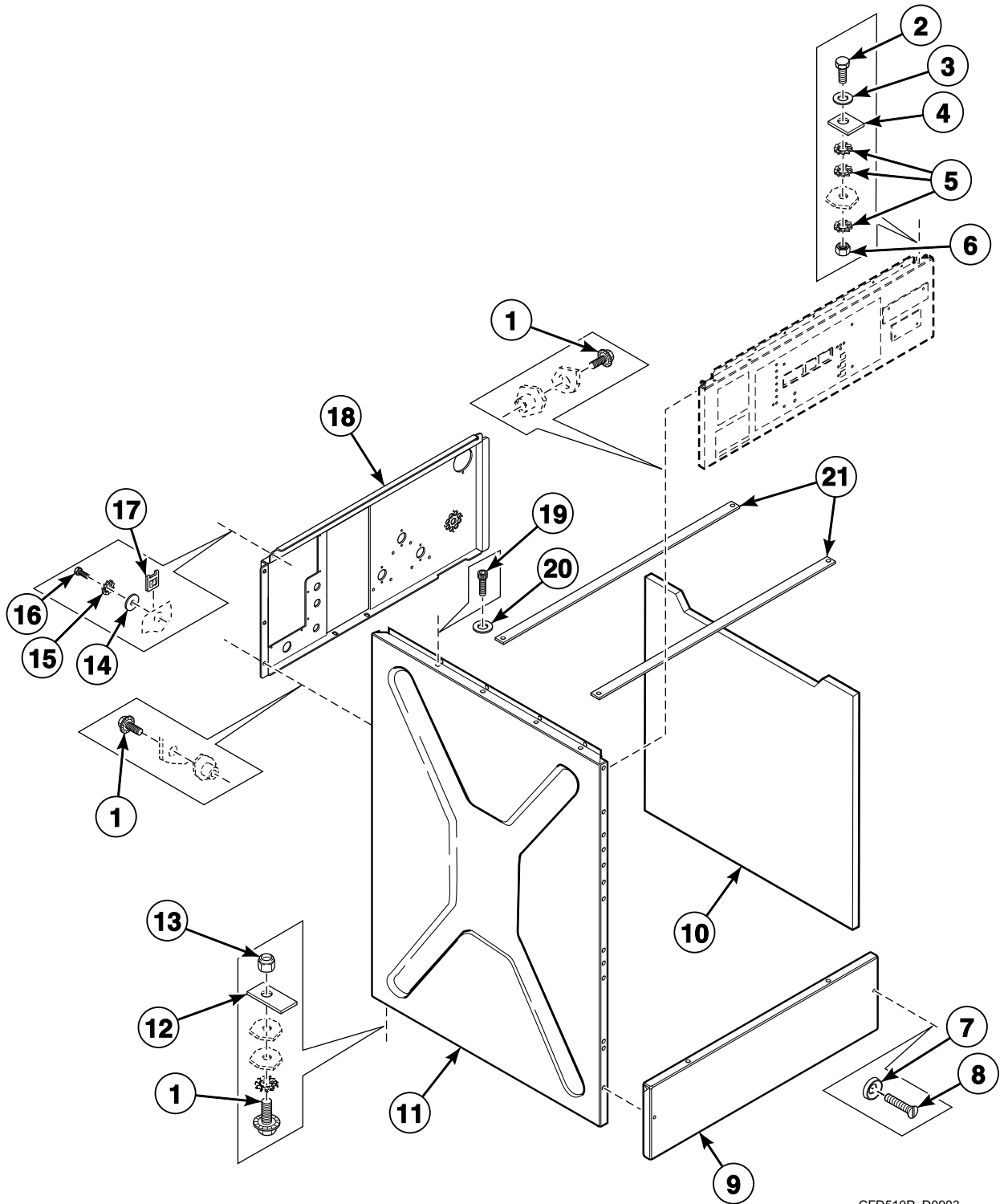


BE000660P_D0903

Middle Front, Top, Lower Rear and Right Side Panels

REF	PART NO.	DESCRIPTION	COMMENTS
1	207/00125/00	Bolt	
2	223/00103/03	Soap Dispenser Frame	
3	208/00104/00	Nut	
4	111/22723/10	Side Panel	*30 and *135 models; Stainless steel
	111/22728/10	Side Panel	*35 and *165 models; Stainless steel
	111/60035/00	Side Panel	*30 and *135 models; Black
	111/60036/00	Side Panel	*35 and *165 models; Black
5	206/00099/00	Bolt	
6	111/01802/00	Front Panel	
7	204/00009/00	Nut	
8	155/00144/00	Reinforcing Triangle	
9	206/00114/00	Bolt	
10	111/10089/01	Reinforcement Plate	
11	246/00079/00	Side Panel Gasket	
12	152/00053/02	Back Panel	
13	111/22741/00	Top Panel	*30 and *135 models
	111/22743/00	Top Panel	*35 and *165 models
14	223/00103/04	Soap Dispenser Cover Hinge Rod	
15	223/00103/01	Soap Dispenser Cover	

Left Side, Upper Rear and Lower Front Panels

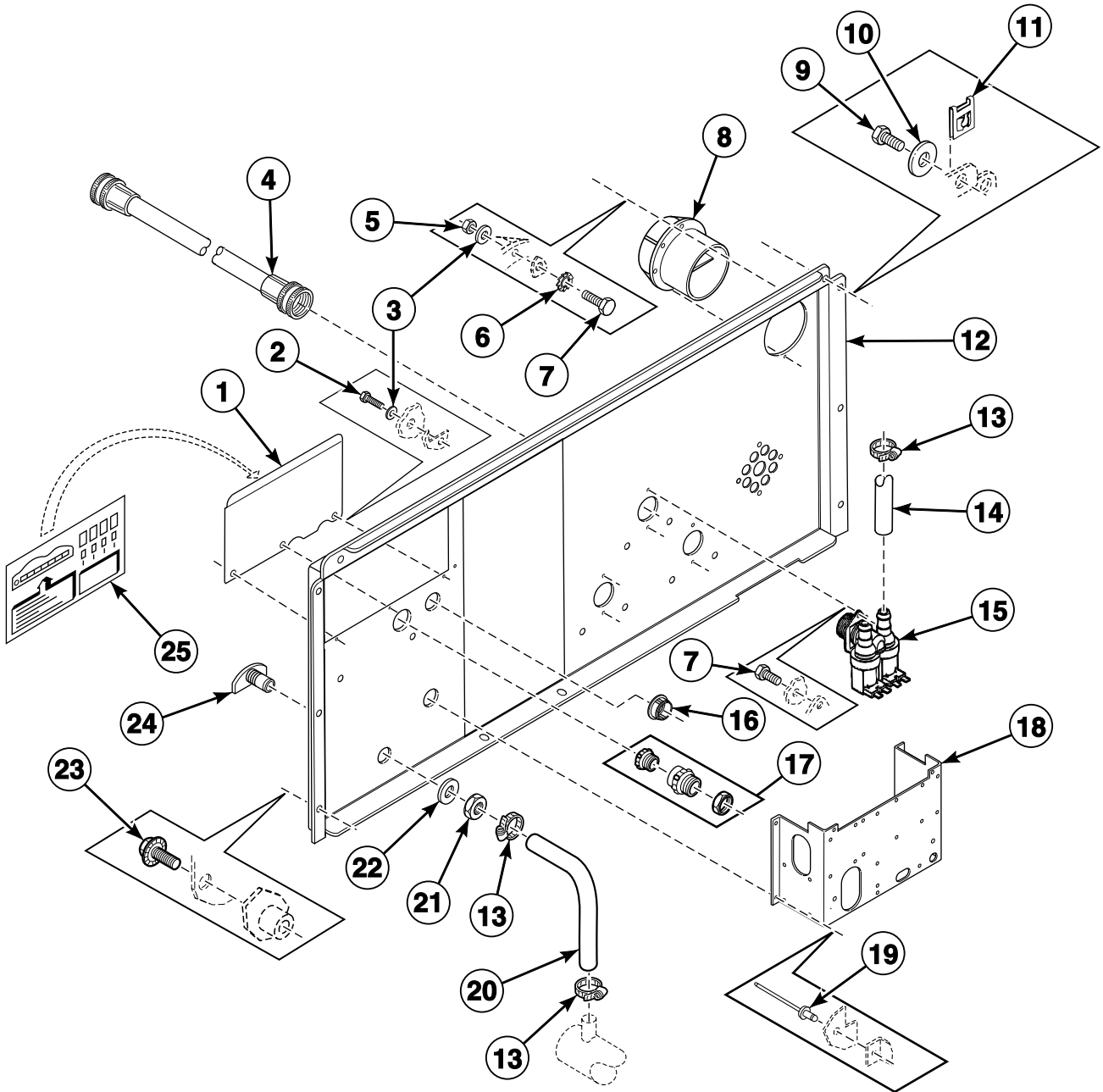


CFD510P_D0903

Left Side, Upper Rear and Lower Front Panels

REF	PART NO.	DESCRIPTION	COMMENTS
1	206/00099/00	Bolt	
2	205/00106/00	Bolt	
3	202/00003/00	Washer	
4	117/00042/00	Retaining Ring	
5	203/00005/00	Washer	
6	204/00006/00	Nut	
7	208/00009/00	Washer	
8	207/00101/00	Screw	
9	111/01803/00	Lower Front Panel	
10	246/00079/00	Side Panel Gasket	
11	111/22723/10	Side Panel	*30 and *135 models; Stainless steel
	111/22728/10	Side Panel	*35 and *165 models; Stainless steel
	111/60035/00	Side Panel	*30 and *135 models; Black
	111/60036/00	Side Panel	*35 and *165 models; Black
12	101/00007/00	Outlet Pipe Plate Assembly	
13	204/00009/00	Nut	
14	201/00006/00	Washer	
15	203/00015/00	Washer	
16	208/00014/00	Screw	
17	208/00025/00	Nut	
18	111/01833/00	Backbridge	
19	206/00113/00	Screw	
20	B12421401	Washer	
21	111/00969/00	Crossbar	

Upper Back Panel with Circular Ventilation - Models Through 12/31/05

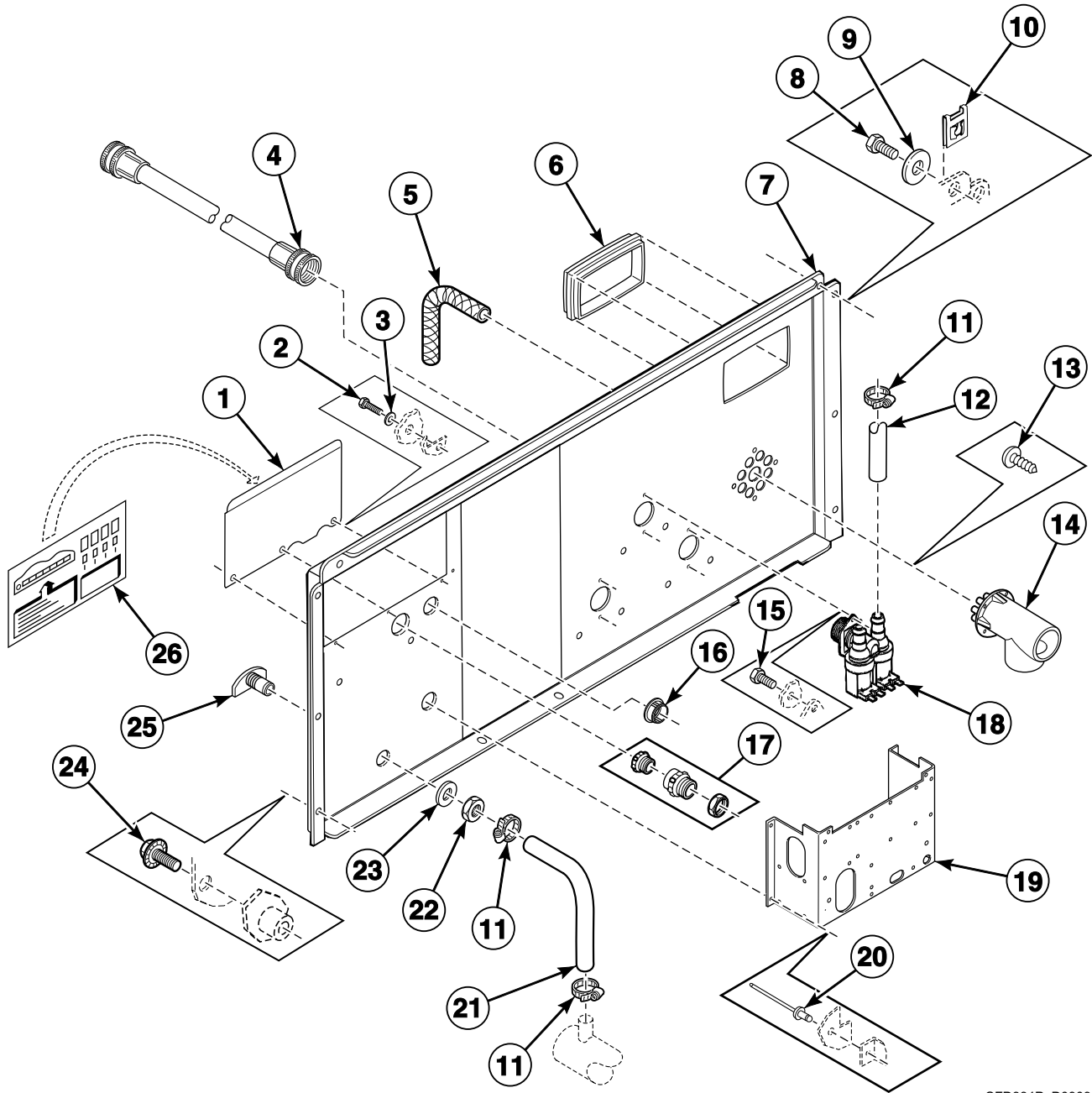


CFD333P_D0903

Upper Back Panel with Circular Ventilation - Models Through 12/31/05

REF	PART NO.	DESCRIPTION	COMMENTS
1	111/00094/10	Electrical Connection Plate	
2	206/00014/00	Bolt	
3	202/00004/00	Washer	
4	F200164	Water Hose	Standard thread
	F200166	Water Hose	Metric thread
5	203/00006/00	Washer	
6	204/00007/00	Nut	
7	206/00027/00	Bolt	
8	223/00102/07	Hose Vent	
9	208/00014/00	Screw	
10	201/00006/00	Washer	
11	208/00002/00	Nut	
12	111/01822/00	Backbridge	
13	223/00010/00	Hose Clamp	
14	223/00044/01	Water Hose	
15	209/00110/00	2-Way Inlet Valve	Metric thread
	209/00803/00	2-Way Inlet Valve	Standard thread; G581P3 Repair Kit
16	211/00091/00	Plug	
17	211/00168/00	Cordlock	
18	111/00188/06	Electrical Connection Plate	
19	208/00017/00	Rivet	
20	223/00044/00	Water Hose	
21	204/00201/00	Nut	
22	201/00002/00	Washer	
23	206/00099/00	Bolt	
24	223/00001/04	Prewash and Mainwash Nozzle	
25	229/00068/02	Electrical Connection Sticker	

Upper Back Panel with Rectangular Ventilation - Models Through 12/31/05

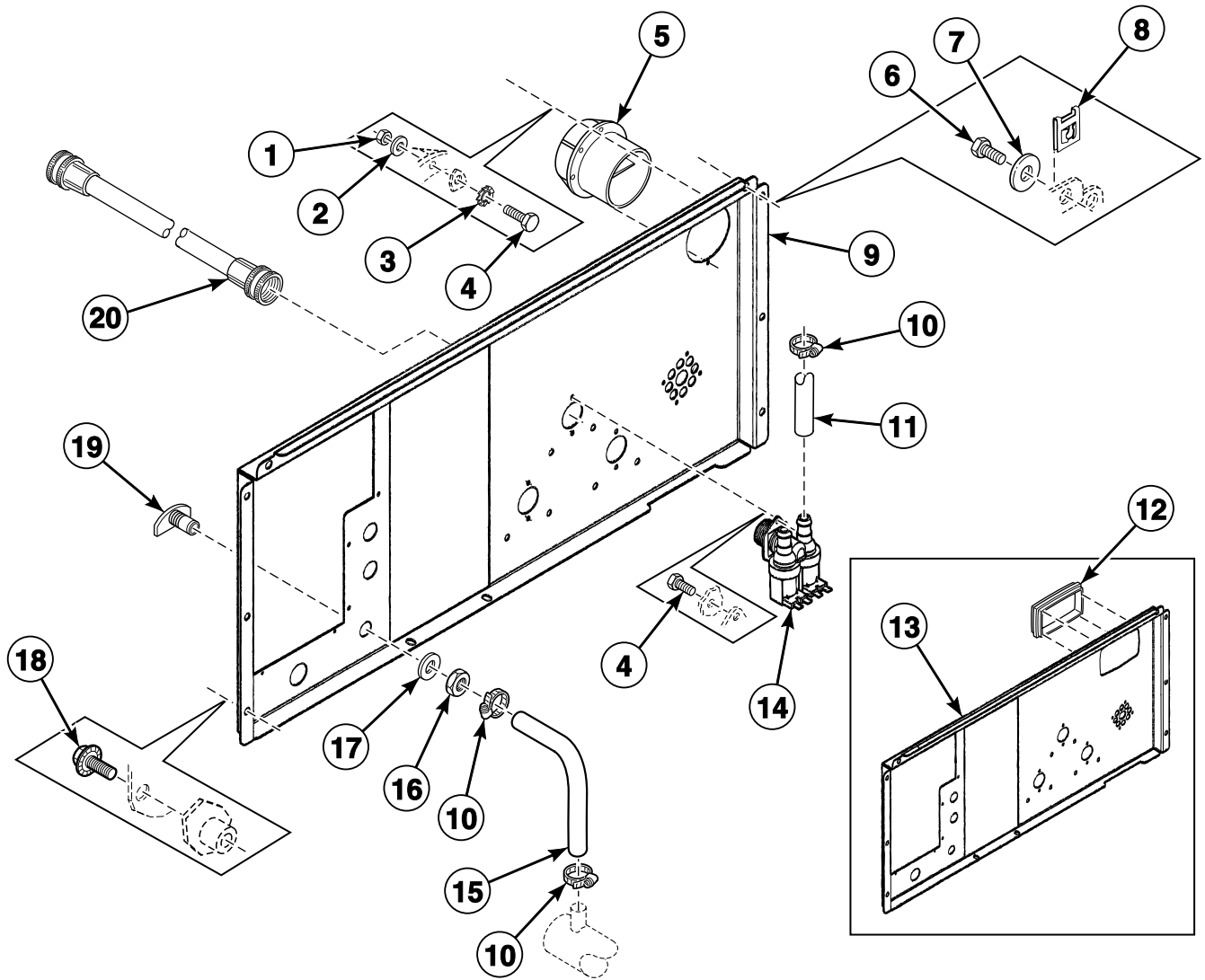


CFD334P_D0903

Upper Back Panel with Rectangular Ventilation - Models Through 12/31/05

REF	PART NO.	DESCRIPTION	COMMENTS
1	111/00094/10	Electrical Connection Plate	
2	206/00014/00	Bolt	
3	202/00004/00	Washer	
4	F200164	Water Hose	Standard thread
	F200166	Water Hose	Metric thread
5	223/00179/10	Pressure Hose	
6	223/00226/00	Vent Tube	
7	111/01859/00	Backbridge	
8	208/00014/00	Screw	
9	201/00006/00	Washer	
10	208/00025/00	Nut	
11	223/00010/00	Hose Clamp	
12	223/00044/00	Water Hose	
13	208/00130/00	Screw	
14	223/00250/00	Liquid Soap Manifold	
15	206/00027/00	Bolt	
16	211/00091/00	Plug	
17	211/00168/00	Cordlock	
18	209/00110/00	2-Way Inlet Valve	Metric thread
	209/00803/00	2-Way Inlet Valve	Standard thread; G581P3 Repair Kit
19	111/00188/06	Electrical Connection Plate	
20	208/00017/00	Rivet	
21	223/00044/00	Water Hose	
22	204/00201/00	Nut	
23	201/00002/00	Washer	
24	206/00099/00	Bolt	
25	223/00001/04	Prewash and Mainwash Nozzle	
26	229/00068/02	Electrical Connection Sticker	

Upper Back Panel - Models Starting 1/1/06

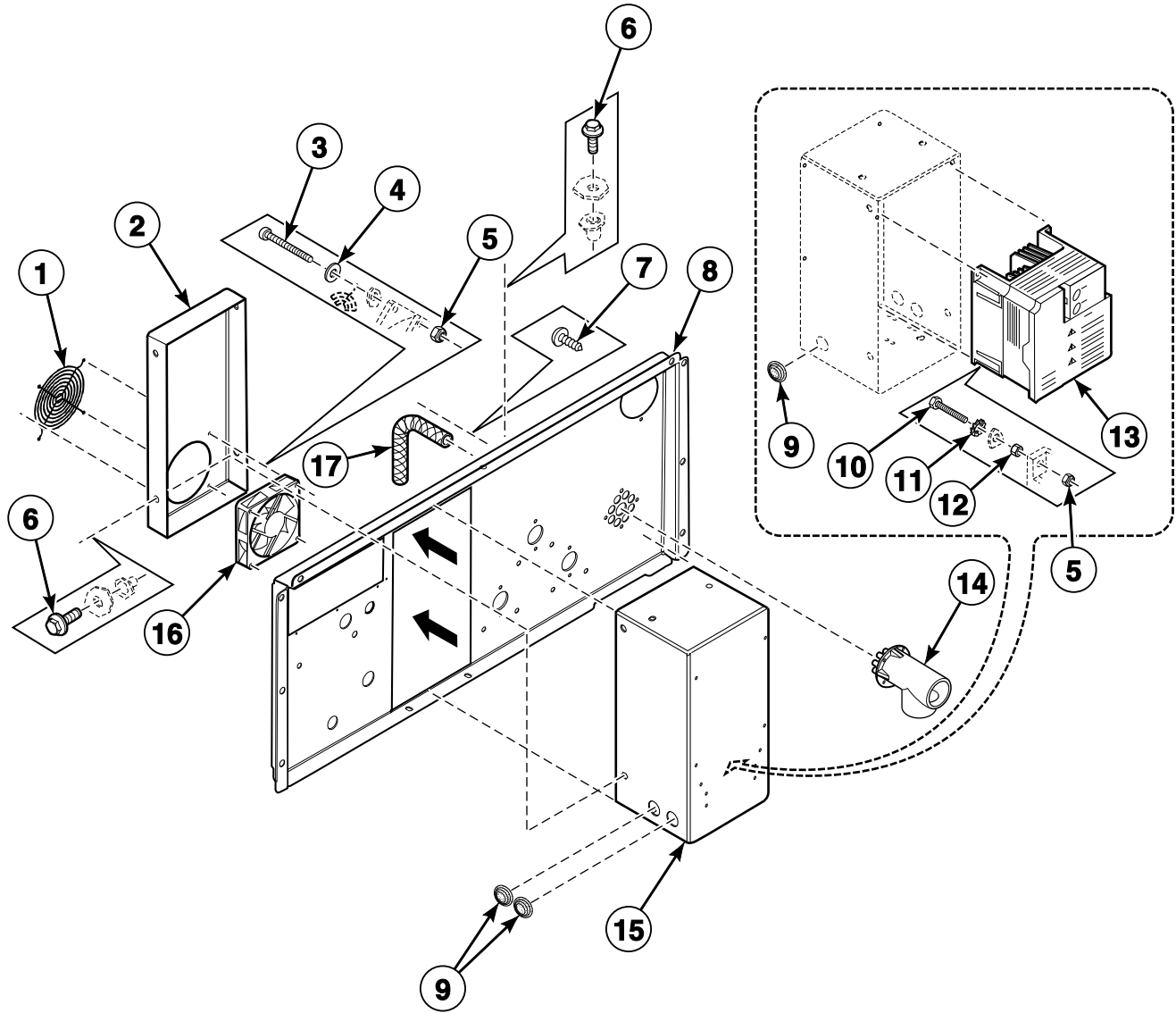


CFD332P_D0903

Upper Back Panel - Models Starting 1/1/06

REF	PART NO.	DESCRIPTION	COMMENTS
1	204/00007/00	Nut	
2	202/00004/00	Washer	
3	203/00006/00	Washer	
4	206/00027/00	Bolt	
5	223/00102/07	Hose Vent	
6	208/00014/00	Screw	
7	201/00006/00	Washer	
8	208/00002/00	Nut	
9	111/01833/00	Backbridge	Circular ventilation
10	223/00010/00	Hose Clamp	
11	223/00044/00	Water Hose	
12	223/00226/00	Vent Tube	
13	111/01833/10	Backbridge	Rectangular ventilation
14	209/00110/00	2-Way Inlet Valve	Metric thread
	209/00803/00	2-Way Inlet Valve	Standard thread; G581P3 Repair Kit
15	223/00044/01	Water Hose	
16	204/00201/00	Nut	
17	201/00002/00	Washer	
18	206/00099/00	Bolt	
19	223/00001/04	Prewash and Mainwash Nozzle	
20	F200164	Water Hose	Standard thread
	F200166	Water Hose	Metric thread

Inverter Drive - Models Through 9/30/08



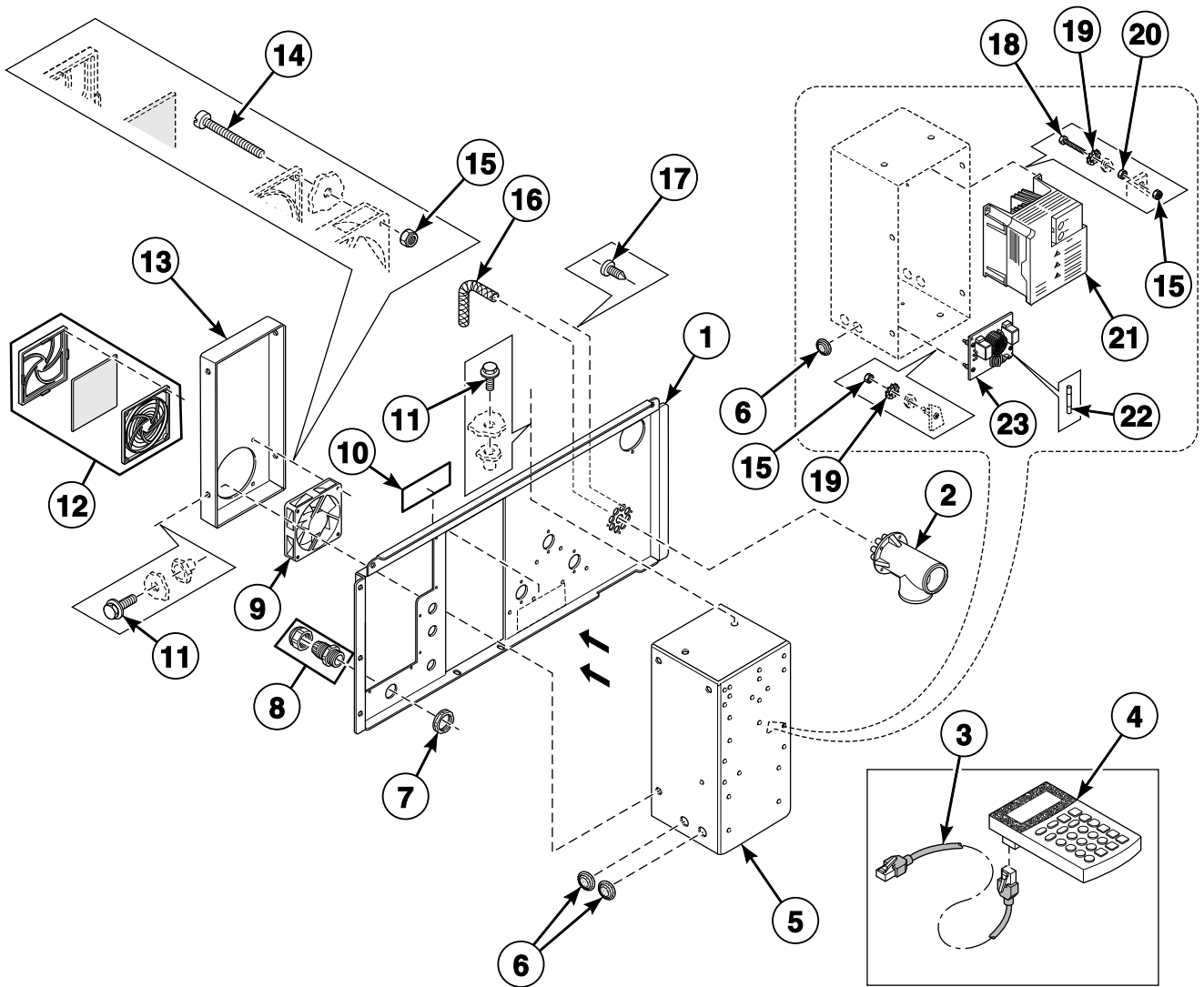
BE000639P_D0903

Inverter Drive - Models Through 9/30/08

REF	PART NO.	DESCRIPTION	COMMENTS
1	209/00287/01	Fan Grill	
2	111/01174/01	Inverter Box Cover	
3	207/00121/00	Screw	
4	202/00004/00	Washer	
5	204/00114/00	Nut	
6	206/00099/00	Bolt	
7	208/00130/00	Screw	
8	111/01822/00	Backbridge	
9	223/00174/00	Grommet	
10	206/00088/00	Bolt	
11	203/00006/00	Washer	
12	204/00007/00	Nut	
13	N/A	Inverter Drive	FR-E520 series; 1x230 Volt
	227/00168/00	Inverter Drive	FR-E540 series; 3x400 Volt
14	223/00250/00	Liquid Soap Manifold	
15	111/01174/00	Inverter Drive Box	
16	209/00287/00	Cooling Fan	
17	223/00179/10	Pressure Hose	

N/A = Part no longer available

Inverter Drive - Models Starting 10/1/08



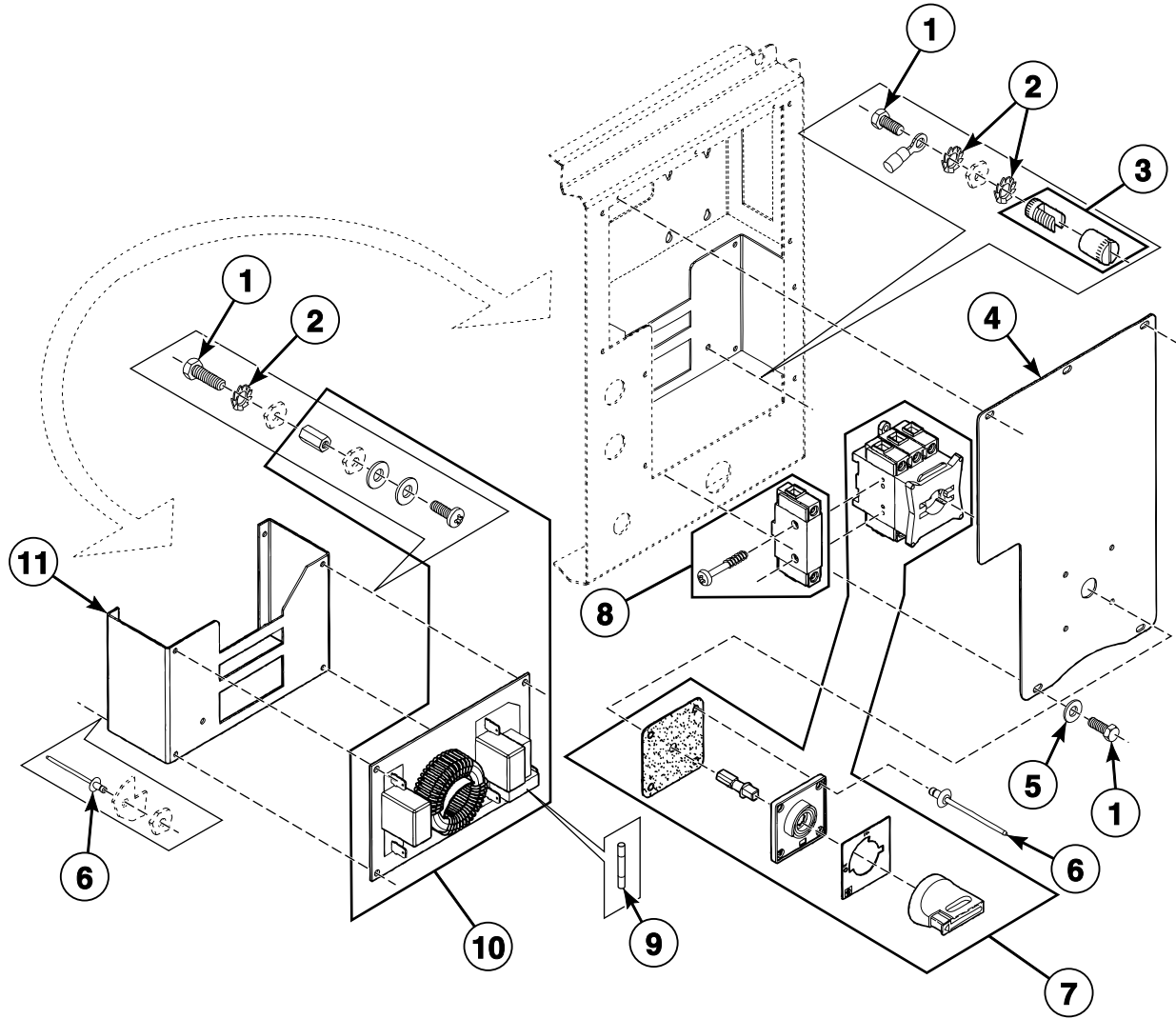
CFD507P_D0903

Inverter Drive - Models Starting 10/1/08

REF	PART NO.	DESCRIPTION	COMMENTS
1	111/01833/00	Backbridge	
2	223/00250/00	Liquid Soap Manifold	
3	227/00171/10	Parameter Unit Program Cable	
4	227/00171/00	Parameter Unit Assembly	Hand held
	F8410901	Parameter Unit Assembly	Inverter mounted; Used with 500 series inverter drives
5	111/01174/00	Inverter Drive Box	
6	223/00174/00	Grommet	
7	271/35946/00	Nut	
8	271/35945/00	Nut	
9	209/00287/00	Cooling Fan	
10	B12355001	Voltage Discharge Decal	
11	206/00099/00	Bolt	
12	209/00465/11	Fan Filter	Includes filter and holder
	209/00465/21	Filter	Filter only
13	111/01174/01	Inverter Box Cover	
14	207/00021/00	Screw	
15	204/00114/00	Nut	
16	223/00179/10	Pressure Hose	
17	208/00130/00	Screw	
18	206/00088/00	Bolt	
19	203/00006/00	Washer	
20	204/00007/00	Nut	
21	N/A	Inverter Drive	FR-E520 series; 1x230 Volt
	227/00168/00	Inverter Drive	FR-E540 series; 3x400 Volt
	227/00229/00	Inverter Drive	FR-D720 series; 1x230 Volt; *135 and *165 models with Cygnus controls
	227/00237/00	Inverter Drive	FR-D740 series; 3x400 Volt; *135 and *165 models with Cygnus controls
	F8420909	Inverter Drive	700 series; *030 and *135 models with Micro-20, PS40F and Sigma controls; 200 Volt/1 Phase; Models with 1.5 kW motor
	F8420910	Inverter Drive	700 series; *030 and *135 models with Micro-20, PS40F and Sigma controls; 400 Volt/3 Phase; Models with 1.5 kW motor
	F8420911	Inverter Drive	700 series; *035 and *165 models with Micro-20, PS40F and Sigma controls; 200 Volt/1 Phase; Models with 1.5 kW motor
	F8420912	Inverter Drive	700 series; *035 and *165 models with Micro-20, PS40F and Sigma controls; 400 Volt/3 Phase; Models with 1.5 kW motor
	F8420809	Inverter Drive Kit	700 series; *030 and *135 models with Micro-20, PS40F and Sigma controls; 200 Volt/1 Phase; Models with 1.5 kW motor; Includes F8420909 Drive, F8409501 Mounting Plate Assembly and F430903 Screw
	F8420810	Inverter Drive Kit	700 series; *030 and *135 models with Micro-20, PS40F and Sigma controls; 400 Volt/3 Phase; Models with 1.5 kW motor; Includes F8420910 Drive, F8409501 Mounting Plate Assembly and F430903 Screw
	F8420811	Inverter Drive Kit	700 series; *035 and *165 models with Micro-20, PS40F and Sigma controls; 200 Volt/1 Phase; Models with 1.5 kW motor; Includes F8420911 Drive, F8409501 Mounting Plate Assembly and F430903 Screw
	F8420812	Inverter Drive Kit	700 series; *035 and *165 models with Micro-20, PS40F and Sigma controls; 400 Volt/3 Phase; Models with 1.5 kW motor; Includes F8420912 Drive, F8409501 Mounting Plate Assembly and F430903 Screw
22	209/00468/00	Fuse	3.15 A; Used with B12339401 Noise Filter
23	B12339401	Noise Filter	

N/A = Part no longer available

Main Switch and Noise Filter

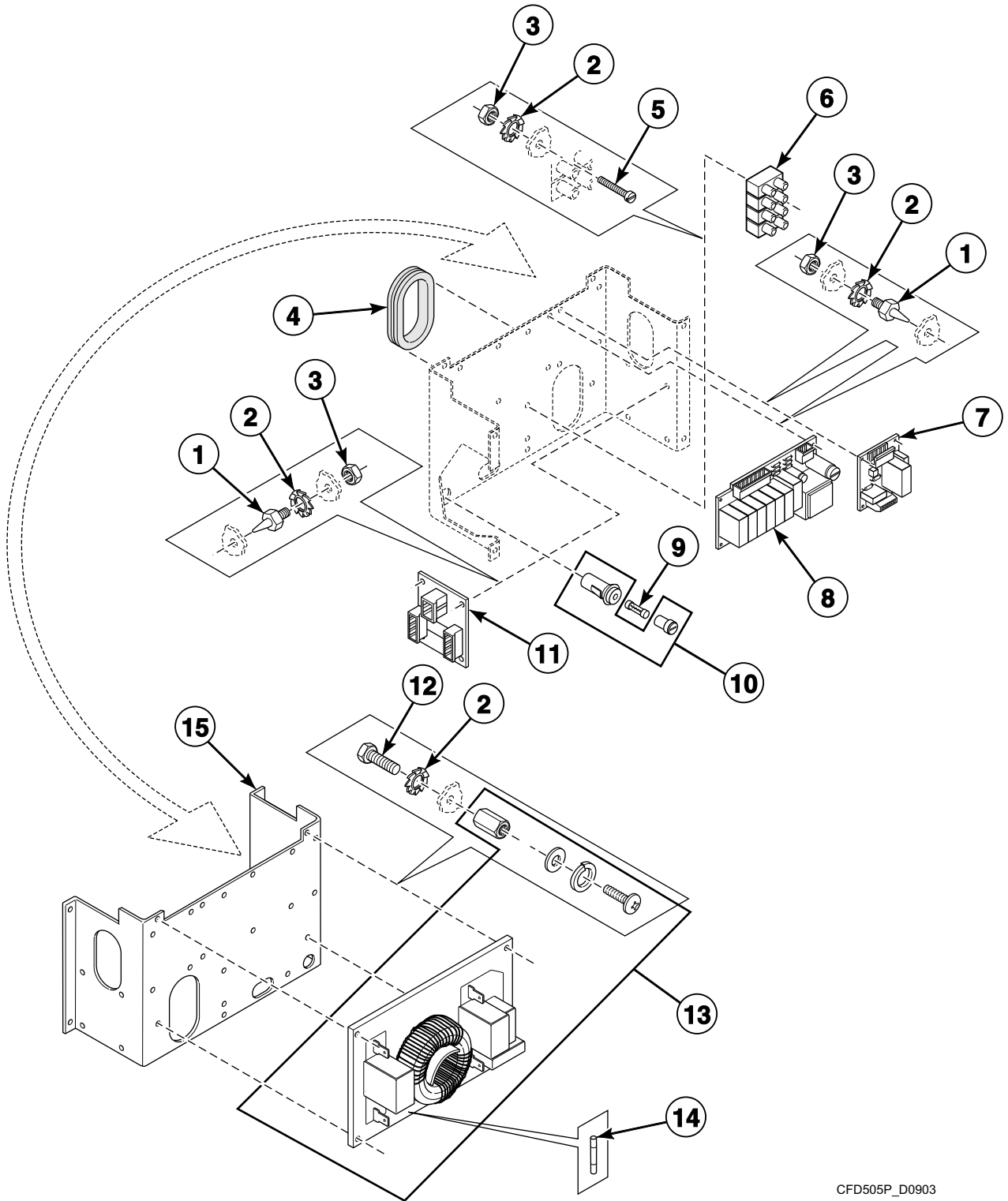


CFD504P_D0903

Main Switch and Noise Filter

REF	PART NO.	DESCRIPTION	COMMENTS
1	206/00027/00	Bolt	
2	203/00006/00	Washer	
3	209/00006/01	Ground Terminal	
4	111/01834/00	Main Switch Cover	
5	202/00004/00	Washer	
6	208/00017/00	Rivet	
7	209/00529/00	Main Switch	25A
	209/00672/00	Main Switch	40A
	209/00526/00	Main Switch	80A
8	209/00530/00	Terminal Block	25A
	209/00527/00	Terminal Block	63/80A
9	B12389501	Fuse	3.15 A, 500 Volt; Used with 227/00242/00 Filter
	209/00468/00	Fuse	3.15 A; Used with B12339301 Noise Filter and B12339401 Noise Filter
10	B12339301	Noise Filter	16A1
	B12339401	Noise Filter	30A1
	227/00242/00	Filter	8A3
	227/00162/00	Noise Filter	15A3
	227/00163/00	Noise Filter	27A3
	B12331701	Filter	55A3
	B12352301	Filter	64A3
11	111/01837/01	Filter Bracket	

Soap Injection Printboard, Network Connection Printboard and Noise Filter - Sigma, PS40F and Micro-20

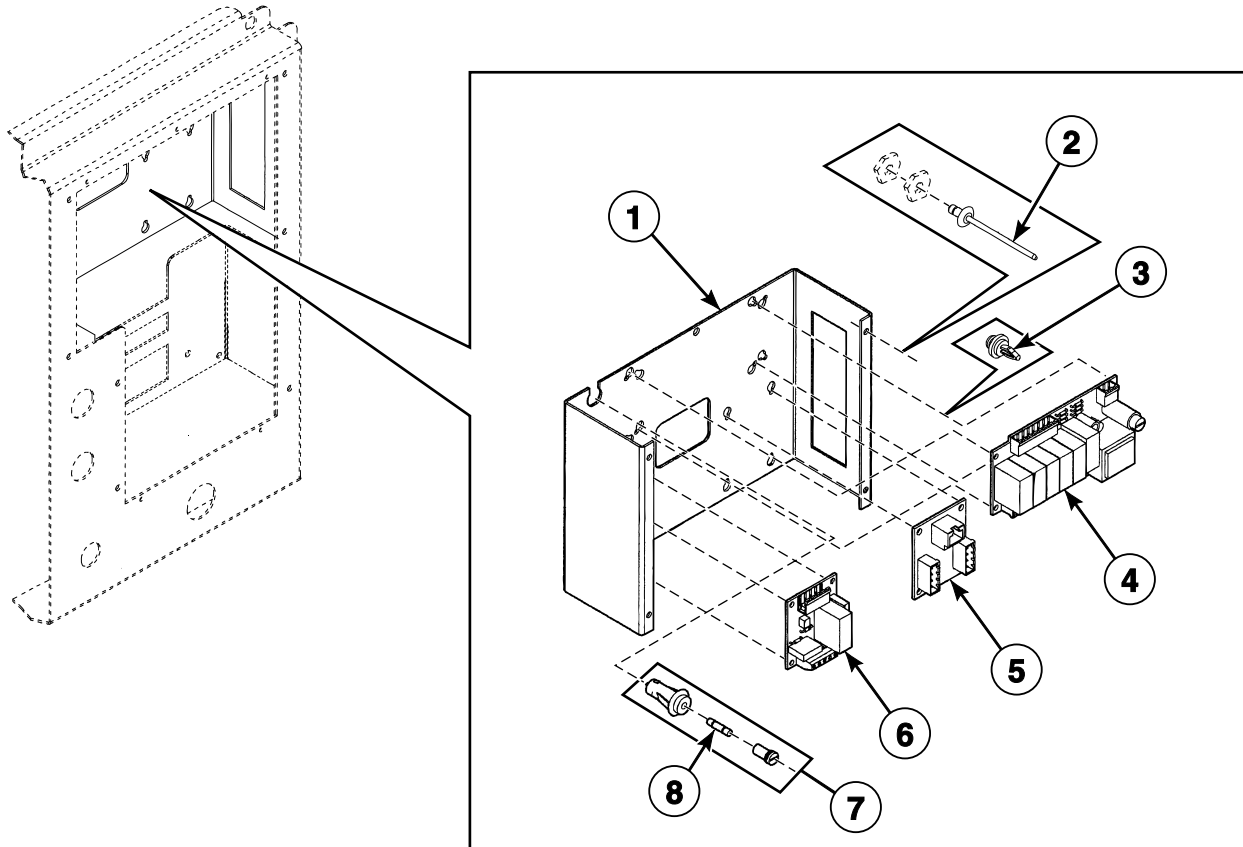


CFD505P_D0903

Soap Injection Printboard, Network Connection Printboard and Noise Filter - Sigma, PS40F and Micro-20

REF	PART NO.	DESCRIPTION	COMMENTS
1	211/00120/00	Standoff	
2	203/00006/00	Washer	
3	204/00007/00	Nut	
4	223/00203/00	Grommet	
5	207/00031/00	Screw	
6	209/00058/00	Terminal Block	
7	209/00438/50	Central Control Board	
8	209/00218/13	Soap Injection PCB with Fuse	
9	209/00468/00	Fuse	3 Amp
10	209/00202/00	Fuse Holder	
	209/00202/01	Fuse Holder	Includes item 9
11	209/00540/01	Network Connection Printboard	
12	206/00027/00	Bolt	
13	B12339301	Noise Filter	16A1
	B12339401	Noise Filter	30A1
	227/00242/00	Filter	8A3
	227/00162/00	Noise Filter	15A3
	227/00163/00	Noise Filter	27A3
	B12331701	Filter	55A3
	B12352301	Filter	64A3
14	B12389501	Fuse	3.15 A, 500 Volt; Used with 227/00242/00 Filter
	209/00468/00	Fuse	3.15 A; Used with B12339301 Noise Filter and B12339401 Noise Filter
15	111/00188/06	Electrical Connection Plate	

Central Operating Panel, Network Connection and Soap Injection Printboards - Cygnus Models

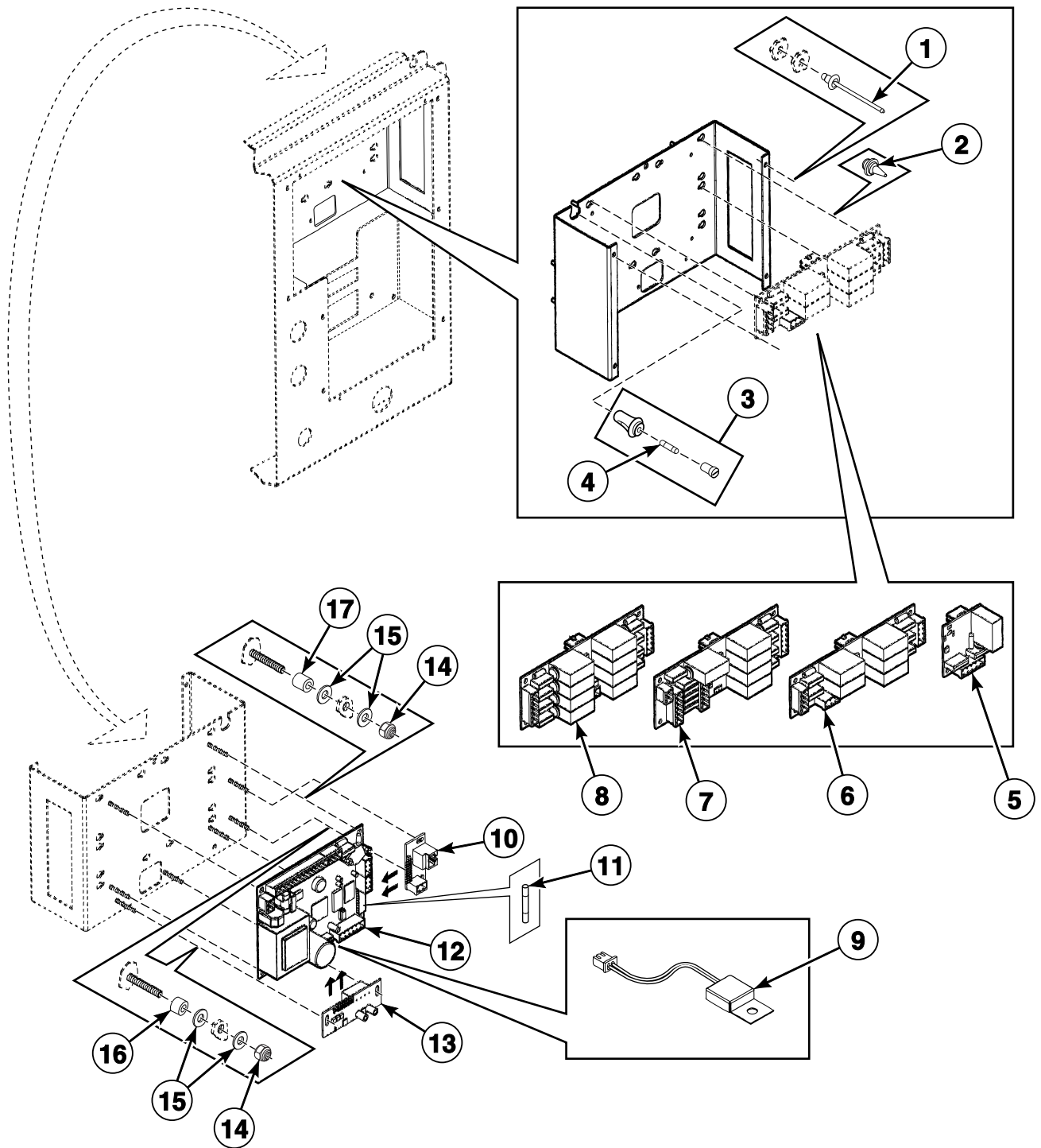


BE000800P_D0903

Central Operating Panel, Network Connection and Soap Injection Printboards - Cygnus Models

REF	PART NO.	DESCRIPTION	COMMENTS
1	111/01838/10	Printboard Support	
2	208/00017/00	Rivet	
3	211/00146/00	Standoff	
4	209/00218/13	Soap Injection PCB with Fuse	
5	209/00540/01	Network Connection Printboard	
6	209/00438/50	Central Control Board	
7	209/00202/00	Fuse Holder	
	209/00202/01	Fuse Holder	Includes item 8
8	209/00468/00	Fuse	3 Amp

Relay, Network Connection and Main Printboards - Cygnus Models

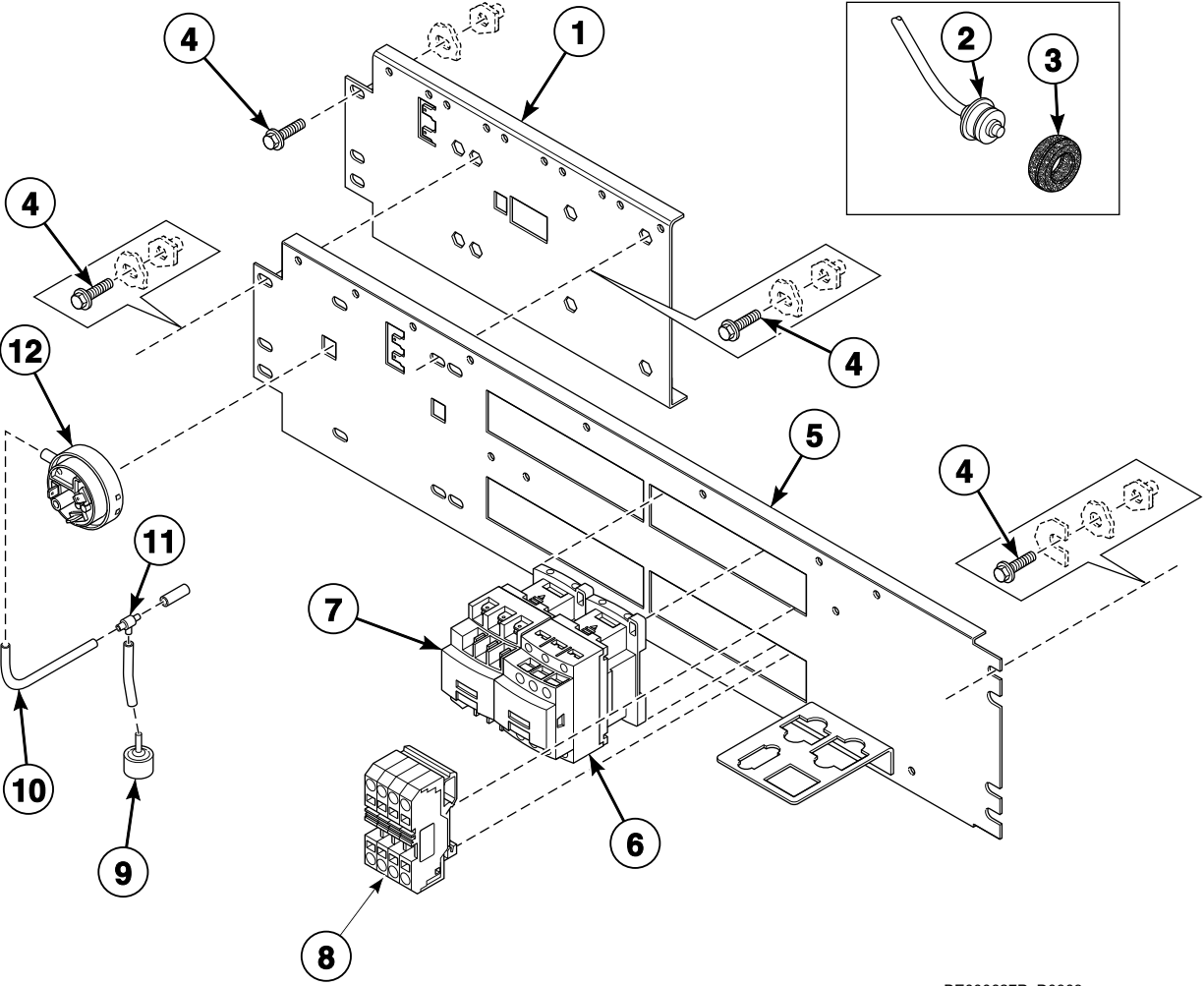


CFD502P_D0903

Relay, Network Connection and Main Printboards - Cygnus Models

REF	PART NO.	DESCRIPTION	COMMENTS
1	208/00017/00	Rivet	
2	211/00146/00	Standoff	
3	209/00202/00	Fuse Holder	
	209/00202/01	Fuse Holder	Includes item 4
4	209/00468/00	Fuse	3 Amp
5	209/02016/00	Relay PC-Board	1-1
6	209/02005/00	Detergent PC-Board	1-5
7	209/02014/00	Relay PC-Board	5-5
8	209/02008/00	Detergent PC-Board	1-8
9	209/02020/00	ID Chip	
10	209/02006/00	Inverter PC-Board	
11	209/00372/01	Fuse	125 mA; Used with 209/02000/25 Microprocessor
	B12360001	Fuse	1.25 A; Used with 209/02025/00 Microprocessor
12	209/02025/00	Microprocessor	
13	209/02007/00	Network Connection Printboard	
14	204/00116/00	Nut	
15	223/00123/00	Washer	
16	211/00128/00	Printboard Separator	
17	211/00122/00	Standoff	

Electrical Component Mounting Plate - Models Through 2/22/09

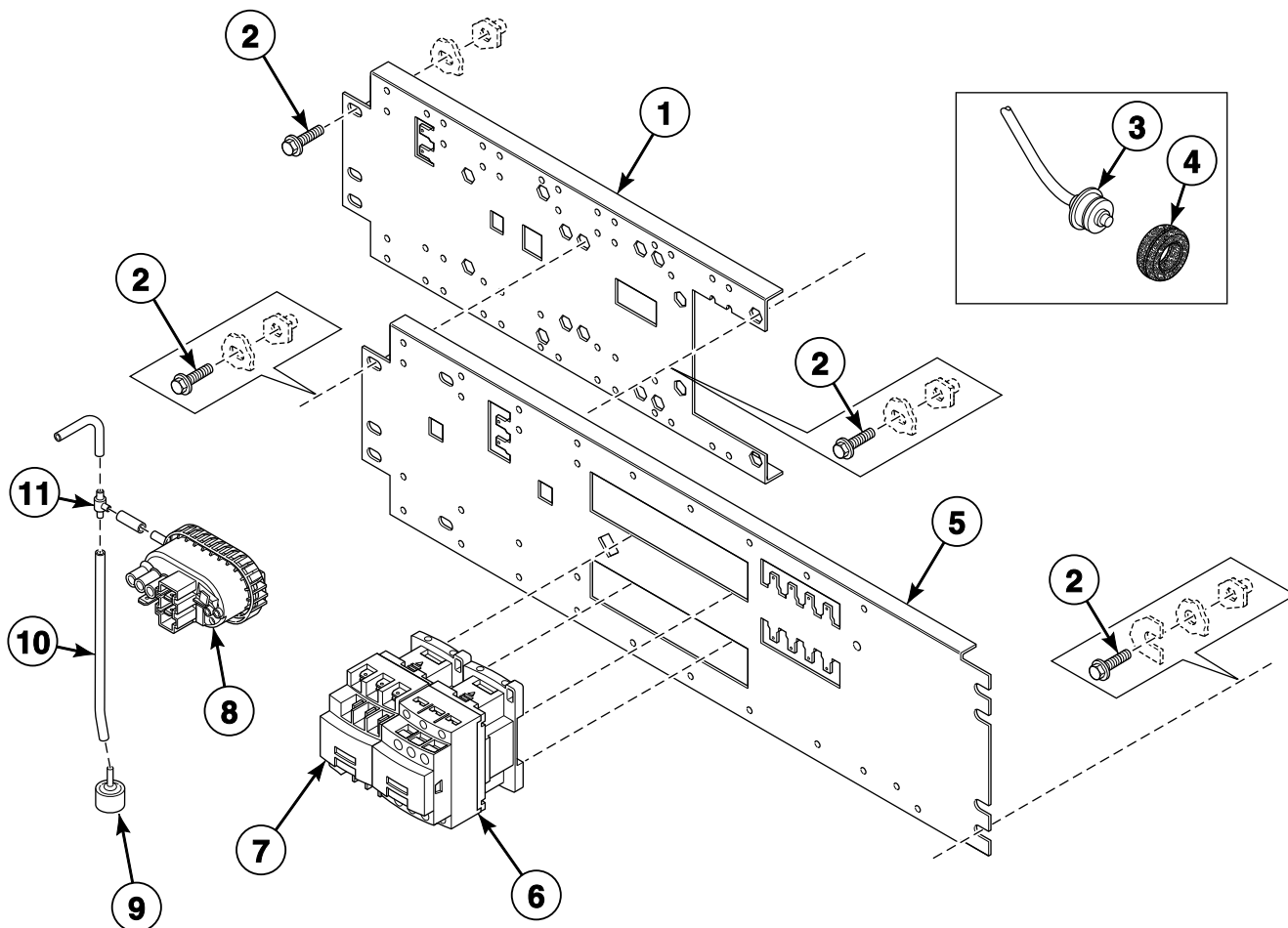


BE000627P_D0903

Electrical Component Mounting Plate - Models Through 2/22/09

REF	PART NO.	DESCRIPTION	COMMENTS
1	111/10003/40	Electrical Component Mounting Plate	
2	210/01064/16	Thermostat	Cygnus control models
	210/00020/00	Thermostat	All other models
3	225/10004/00	Thermostat Seal	
4	206/00099/00	Bolt	
5	111/10003/30	Electrical Component Mounting Plate	
	111/10003/10	Support Connector	
6	209/06148/02	Heating Contactor	
7	209/00641/04	Heating Contactor	
8	209/00619/00	Overload Contactor	2 pole; 6 mm; Gray; 2006-1201
	209/00620/00	Overload Contactor	2 pole; 6 mm; Blue; 2006-1204
	209/00621/00	Overload Contactor	3 pole; 6 mm; Blue; 2006-1304
	209/00622/00	Overload Contactor	3 pole; 6 mm; Gray; 2006-1301
	209/00623/00	Overload Contactor	2 pole; 10 mm; Gray; 2010-1201
	209/00624/00	Overload Contactor	2 pole; 10 mm; Blue; 2010-1204
	209/00625/00	Overload Contactor	3 pole; 10 mm; Gray; 2010-1301
9	223/00035/02	Pressure Switch Cap	
10	223/00333/00	Pressure Hose	
11	223/00173/10	Pressure Switch Hose Tee	
12	209/00027/10	Pressure Switch	

Electrical Component Mounting Plate - Models Starting 2/23/09

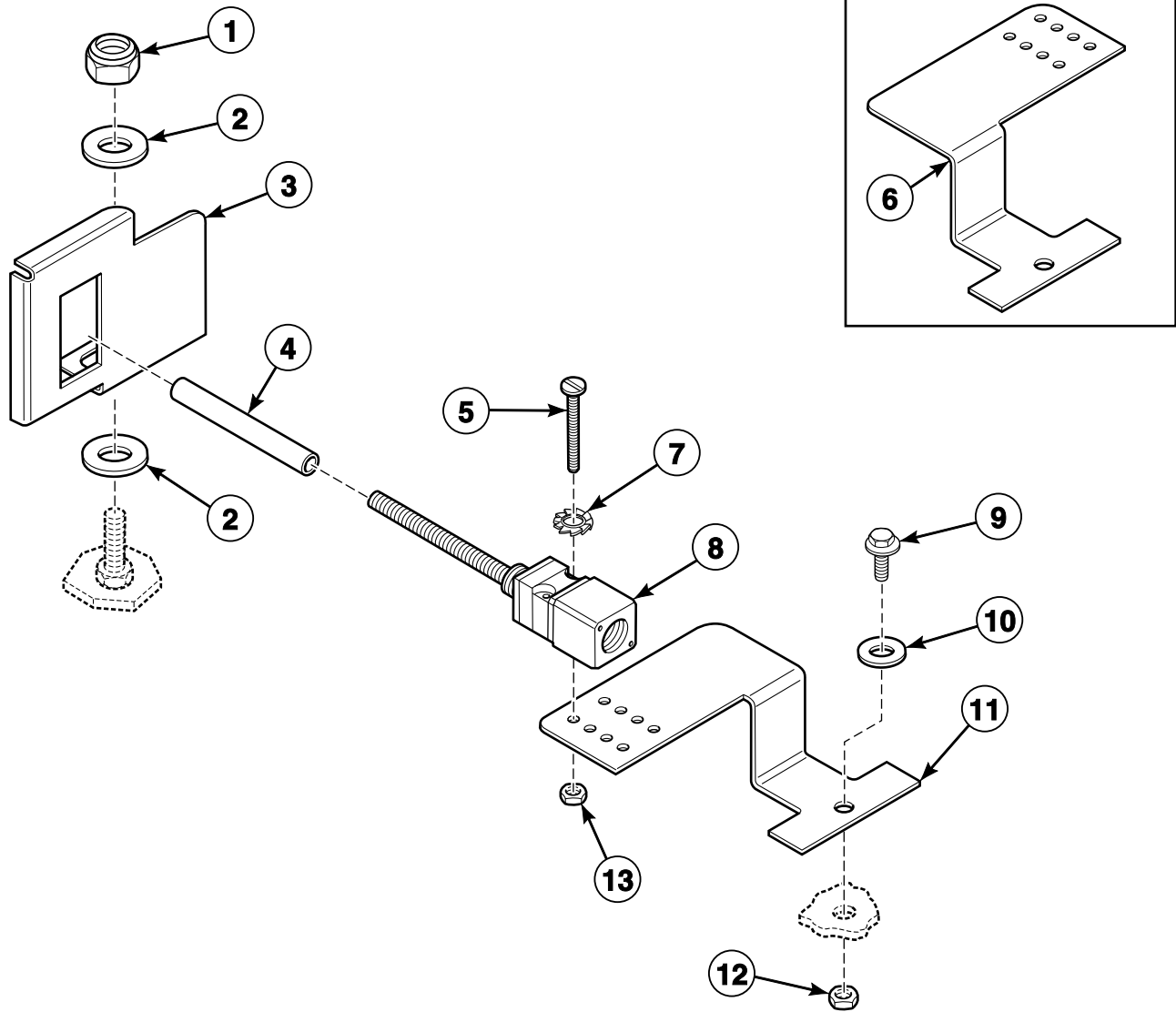


BE000802AP_D0903

Electrical Component Mounting Plate - Models Starting 2/23/09

REF	PART NO.	DESCRIPTION	COMMENTS
1	111/10003/40	Electrical Component Mounting Plate	
2	206/00099/00	Bolt	
3	210/01064/16	Thermostat	Cygnus control models
	210/00020/00	Thermostat	All other models
4	225/10004/00	Thermostat Seal	
5	111/10003/50	Electrical Component Bridge	
6	209/06148/02	Heating Contactor	LC1D18P7
7	209/00641/04	Heating Contactor	LC1D0901M7
8	209/00027/10	Pressure Switch	
9	223/00035/02	Pressure Switch Cap	
10	223/00333/00	Pressure Hose	
11	223/00173/10	Pressure Switch Hose Tee	

Balance Switch

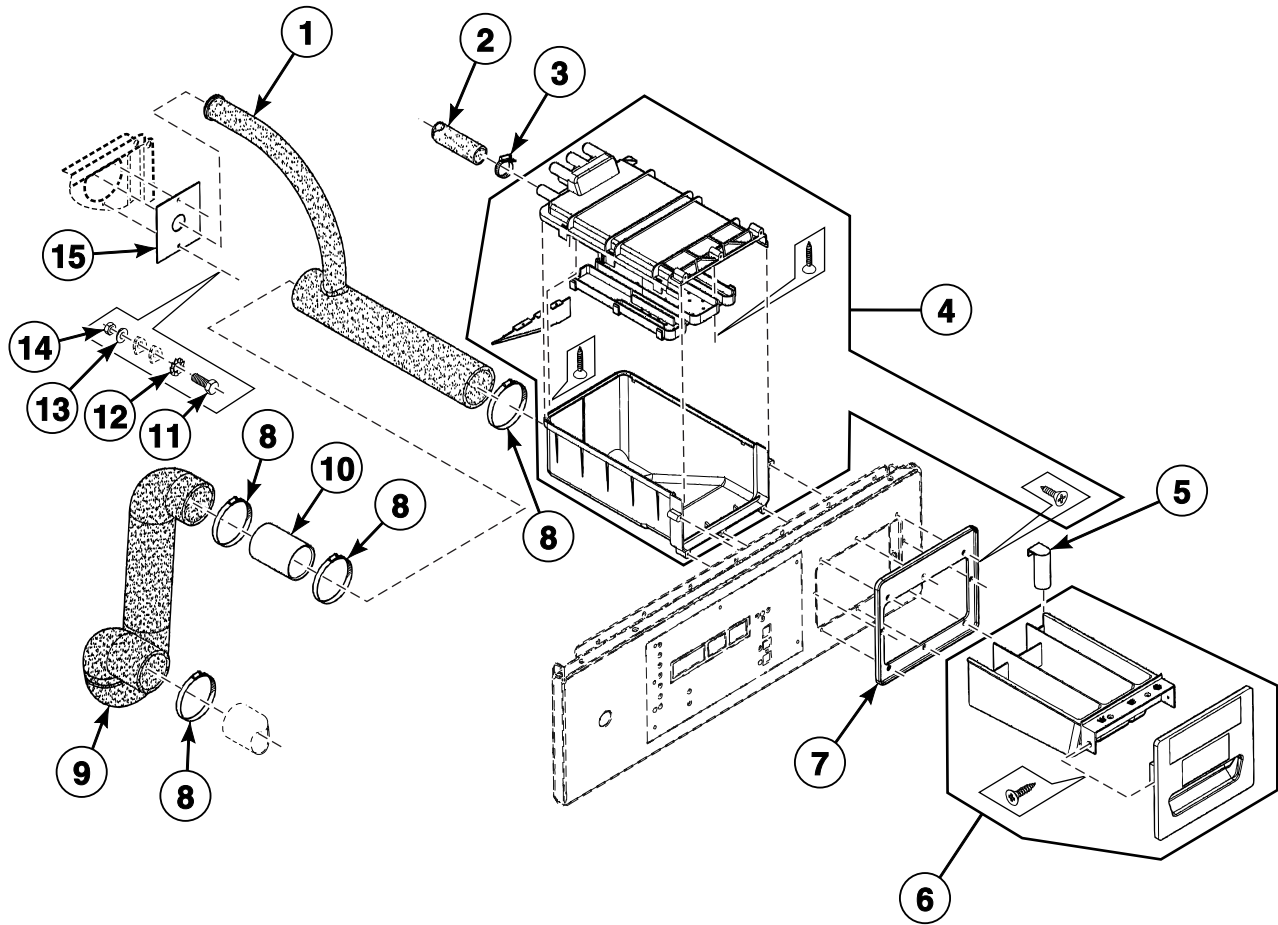


BE000625AP_D0903

Balance Switch

REF	PART NO.	DESCRIPTION	COMMENTS
1	204/00110/00	Nut	
2	201/00010/00	Washer	
3	111/01854/00	Tilt Detector Plate	
4	223/00246/00	Out-of-Balance Switch Boot	
5	207/00018/00	Screw	
6	111/01856/00	Tilt Switch Support	Left
7	203/00006/00	Washer	
8	209/00255/00	Out-of-Balance Switch	
9	206/00099/00	Bolt	
10	201/00006/00	Washer	
11	111/01855/00	Tilt Switch Support	Right
12	204/00005/00	Nut	
13	204/00007/00	Nut	

Supply Dispenser - Models with Frontal Supply Dispenser

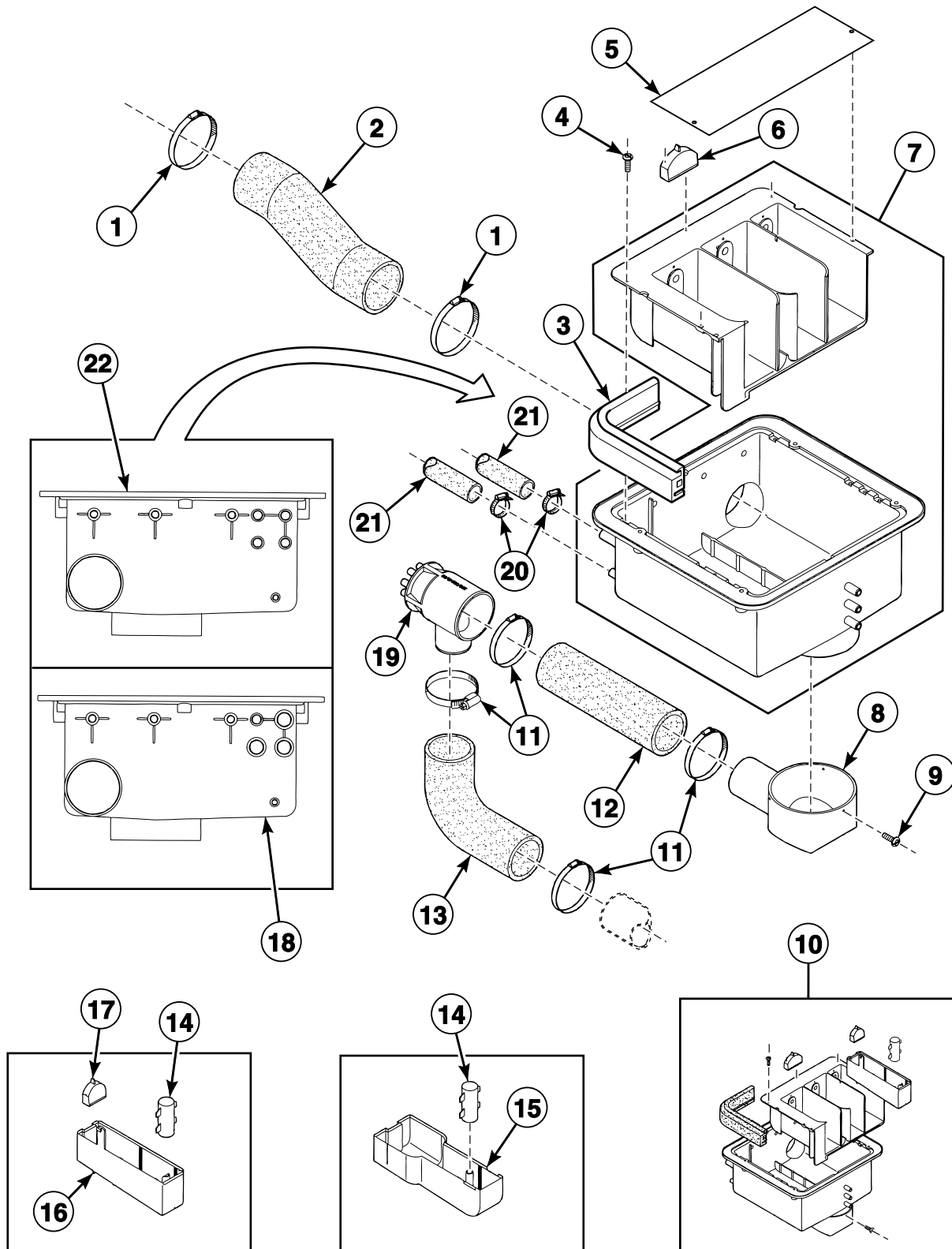


BE000663AP_D0903

Supply Dispenser - Models with Frontal Supply Dispenser

REF	PART NO.	DESCRIPTION	COMMENTS
1	223/00286/00	Hose	
2	223/00044/01	Water Hose	
3	223/00010/00	Hose Clamp	
4	223/00280/00	Outer Soapbox	
5	223/00280/03	Front Soapbox Siphon	
6	223/00280/20	Inner Soapbox	
7	223/00280/07	Soapbox Handle	
8	223/00013/00	Hose Clamp	
9	223/00298/00	Hose	
10	118/00118/03	Tube	
11	206/00027/00	Bolt	
12	203/00006/00	Washer	
13	202/00004/00	Washer	
14	204/00007/00	Nut	
15	155/00161/00	Pump Support	

Supply Dispenser with Round Ventilation Opening

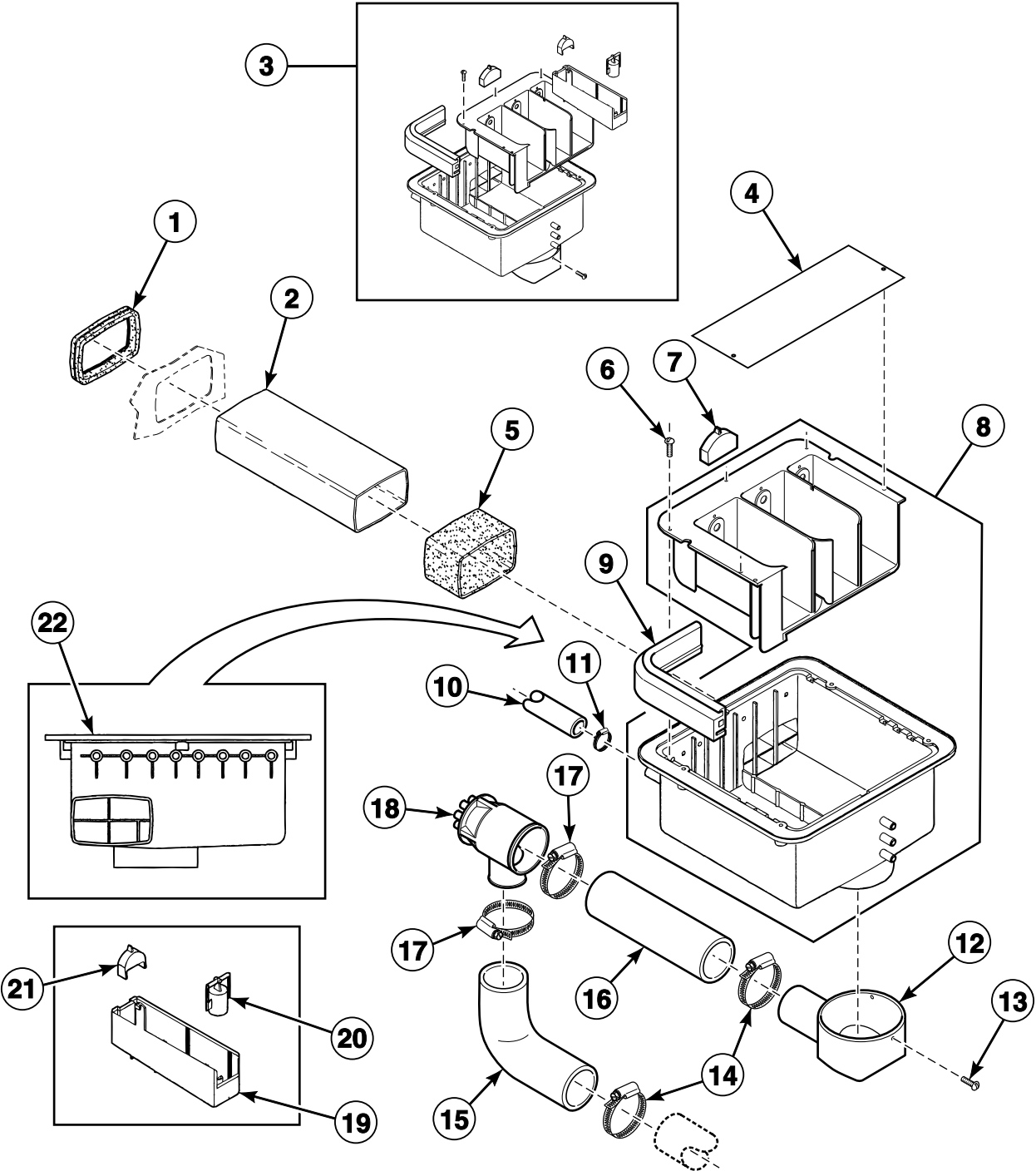


CFD330P_D0903

Supply Dispenser with Round Ventilation Opening

REF	PART NO.	DESCRIPTION	COMMENTS
1	223/00014/00	Hose Clamp	
2	223/00107/00	Soap Dispenser Air Breather Hose	
	223/00107/01	Ventilating Hose	
	223/00107/03	Vent Hose	
	223/00197/00	Vent Hose	
	223/00107/02	Vent Hose	
3	223/00109/00	Soap Dispenser Gasket	
4	B12347501	Screw	
5	123/00107/00	Anti-Splash Plate	Sigma control models
	123/00103/06	Soap Box Assembly Plate	All other models
6	223/00102/06	Soap Spray Nozzle	
7	223/00102/30	Soap Dispenser Assembly	
8	223/00195/00	Dispenser Drain Funnel	
9	B12350903	Screw	
10	223/00102/50	Soap Dispenser Assembly	
11	223/00013/00	Hose Clamp	
12	223/00261/00	Soap Dispenser Hose	
	223/00262/00	Siphon Break Dispenser Hose	*30 and *135 models
13	223/00266/00	Siphon Break Hose	Models through 12/7/10
	B12310307	Siphon Break Hose	Models starting 12/8/10
14	223/00102/04	Soap Dispenser Rinse Siphon	
15	223/00102/08	Liquid Soap Dispenser Insert	
16	223/00102/03	Rinse Insert	
17	223/00102/05	Softener Spray Nozzle	
18	223/00102/40	Exterior Box	PB4
19	223/00250/00	Liquid Soap Manifold	*35 and *165 models
20	223/00010/00	Hose Clamp	
21	223/00044/01	Water Hose	
22	223/00102/30	Soap Dispenser Assembly	PB3

Supply Dispenser with Rectangular Ventilation Opening

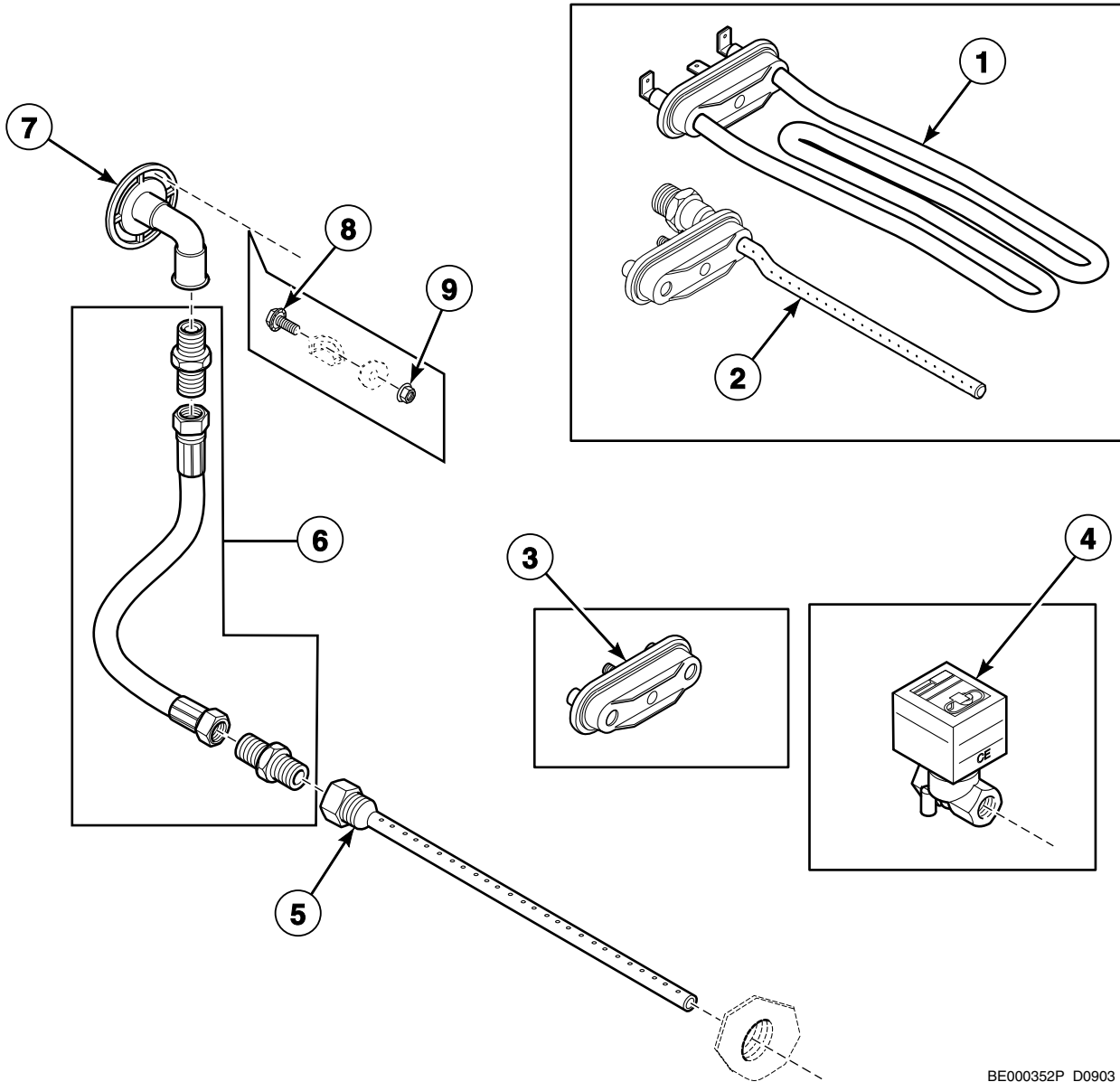


CFD331P_D0903

Supply Dispenser with Rectangular Ventilation Opening

REF	PART NO.	DESCRIPTION	COMMENTS
1	223/00226/00	Vent Tube	
2	223/00229/00	Vent Tube	
3	223/00222/00	Soap Dispenser	
4	123/00107/00	Anti-Splash Plate	Sigma control models
	123/00103/06	Soap Box Assembly Plate	All other models
5	223/00245/00	Shrink Fit	
6	B12347501	Screw	
7	223/00102/06	Soap Spray Nozzle	
8	223/00222/02	Interior Box	
9	223/00109/00	Soap Dispenser Gasket	
10	223/00044/00	Water Hose	
11	223/00010/00	Hose Clamp	
12	223/00195/00	Dispenser Drain Funnel	
13	B12350903	Screw	
14	223/00013/00	Hose Clamp	
15	223/00266/00	Siphon Break Hose	
16	223/00261/00	Soap Dispenser Hose	*30 and *135 models
	223/00262/00	Siphon Break Dispenser Hose	*35 and *165 models
17	223/00013/00	Hose Clamp	
18	223/00250/00	Liquid Soap Manifold	
19	223/00222/05	Rinsing Box	
20	223/00222/04	Siphon Break	
21	223/00222/03	Softener Spray Nozzle	
22	223/00222/60	Outer and Inner Box Kit	

Electric and Steam Heating Options

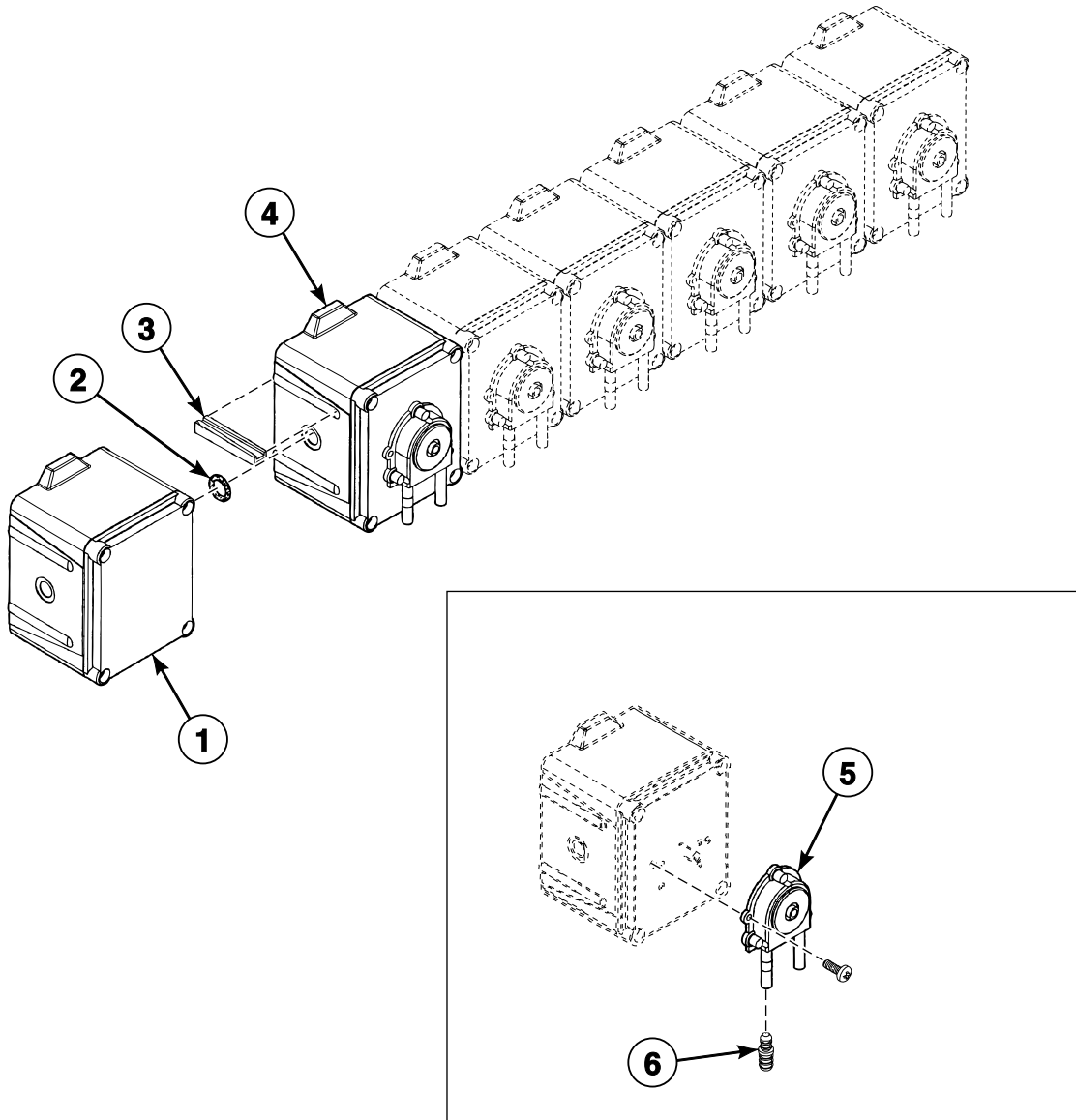


BE000352P_D0903

Electric and Steam Heating Options

REF	PART NO.	DESCRIPTION	COMMENTS
1	209/00581/10	Heating Element	4000W
	209/00562/20	Heating Element	3000W
	209/00563/20	Heating Element	2000W
	209/00564/20	Heating Element	1400W
2	118/00105/01	Steam Injector	
3	209/00196/00	Heating Element Plug	
4	209/00477/00	Steam Valve	
5	119/00082/00	Steam Injector	
6	217/00025/00	Steam Hose	
7	118/01063/00	Steam Inlet	
8	206/00099/00	Bolt	
9	206/00101/00	Nut	

Soap Pumps



BE000527AP_D0903

Soap Pumps

REF	PART NO.	DESCRIPTION	COMMENTS
1	209/00554/01	Soap Pump Assembly	1 pump and 1 feeding pump
	209/00554/02	Soap Pump Assembly	2 pumps and 1 feeding pump
	209/00554/03	Soap Pump Assembly	3 pumps and 1 feeding pump
	209/00554/04	Soap Pump Assembly	4 pumps and 1 feeding pump
	209/00554/05	Soap Pump Assembly	5 pumps and 1 feeding pump
	209/00554/06	Soap Pump Assembly	6 pumps and 1 feeding pump
	209/00554/51	Feeding Liquid Soap Dosing Pump	
2	209/00554/52	Liquid Soap Dosing Pump O-Ring	
3	209/00554/53	Liquid Soap Dosing Pump Connection Piece	
4	209/00554/50	Pump	
5	209/00554/98	Hose	
6	209/00554/99	Hose Connector	

Parts Index

A

Anti-Splash Plate
123/00107/00 99, 101

B

Back Panel
152/00053/02 69

Backbridge
111/01822/00 73, 79
111/01833/00 71, 77, 81
111/01833/10 77
111/01859/00 75

Backplate
111/01002/00 65, 67

Ball Bearing
212/00004/00 17
212/00024/00 17

Basket and Shaft Assembly
B12380101 15, 19
B12380201 15, 19
B12380501 15, 19
B12380601 15, 19

Bearing Housing Assembly
152/10118/01 17

Bearing Spacer
217/00101/00 19

Bolt
205/00102/00 17
205/00103/00 35
205/00104/00 17
205/00106/00 71
205/00107/00 37
205/00115/00 35
206/00005/00 19, 21
206/00011/00 13
206/00014/00 73, 75
206/00027/00 73, 75, 77, 83, 85, 97
206/00032/00 15
206/00033/00 25, 27, 29, 31, 33
206/00054/00 23
206/00088/00 79, 81
206/00099/00 23, 31, 33, 69, 71, 73, 75,
77, 79, 81, 91, 93, 95, 103
206/00114/00 69
207/00125/00 69

Boot
255/00123/00 13, 15

Boot and Clamp Assembly
238/00017/00 13, 15

C

Caddy Bracket
224/00051/00 17
224/00052/00 17

Central Control Board
209/00438/50 85, 87

Circuit Board Cover
229/00262/00 57, 59, 61, 63
229/00289/00 39, 41, 43, 45, 47, 49, 51, 53, 55

Clamp
223/00009/00 31, 33

Coin Box
254/00077/00 65, 67

Coin Drop
B11211209 65
B12311201 65
B12311202 65
B12311203 65
B12311204 65
B12311205 65
B12311206 65
B12311207 65
B12311208 65
B12311210 65
B12311211 65
B12311212 65
B12311214 65
B12311215 65
B12311216 65
B12311218 65
B12311219 65
B12311220 65
B12311221 65
B12311222 65
B12311224 65
B12311225 65
B12311226 65
B12311234 65
B12311235 65
B12311239 65
B12311241 65
B12311244 65
B12311247 65
B12311248 65
B12311249 65
B12311252 65
B12311301 65
B12311302 65
B12311304 65
B12311401 67
B12323401 65
B12323901 65

Connecting Piece
255/00017/00 31

Contact Switch
209/00099/26 39, 41, 43, 49, 51, 57, 59, 61, 63

Control Board
209/00547/00 59, 61

Cooling Fan
209/00287/00 79, 81

Cordlock
211/00168/00 23, 73, 75

Counter Ring
219/00004/00 19, 21

Crossbar
111/00969/00 71

Cylinder and Shaft Assembly
111/01809/00 13

N/A items do not appear in index.

D

Datacard	209/02022/00	39, 41, 43, 45, 47, 49, 51, 53, 55
Datacard Cover	223/00348/00	39, 41
Dataflash Card Display Cable	210/00221/00	39, 41, 43, 45, 47, 49, 51, 53, 55
Decal	225/00403/00	61
Detergent PC-Board	209/02005/00	89
	209/02008/00	89
Dispenser Drain Funnel	223/00195/00	99, 101
Display PC-Board	209/02002/00	39
Door Frame	118/00046/10	37
Door Glass	217/00023/00	37
Door Glass Seal	217/00015/00	37
Door Handle	217/00059/00	37
	217/00065/00	37
Door Handle Stop	217/00016/00	37
Door Hinge	221/00005/00	37
Door Hinge Assembly	217/00009/02	37
Door Hinge Plate Assembly	118/00065/00	37
Door Hinge Spacer	117/00010/00	37
Door Latch Cord	224/00015/00	35
Door Lock Assembly	217/00052/00A	35
	217/00052/01A	35
Door Lock Microswitch	209/00272/00	35
Door Lock PC-Board	209/02010/00	39, 41, 43, 45, 47, 49, 51, 53, 55
Door Lock Pin Kit	211/00109/02	37
	217/00052/11	35
Door Lock Spacer	217/00052/03	35
Door Lock Spring	224/00049/00	35
Door Solenoid	209/00703/50	35
Drain Hose	223/00307/00	33
Drain Piece	155/00155/00	31, 33
	223/00146/00	25, 27, 31, 33
Drain Pipe	223/00297/00	29

Drain Pipe Cap	223/00294/00	29
Drain Pipe Kit	223/00157/01	31, 33
	223/00157/02	31, 33
Drain Valve	209/00463/00	27, 29
	209/00643/00	25
Drain Valve Coil Cover	209/00643/01	25
Drain Valve Hose	223/00303/00	25, 27, 29
Drum and Axle	B12326301	15, 19, 21
	B12326701	15, 19, 21
Drum and Axle Assembly	111/01810/00	13
Dual Drop Optical Sensor Kit	B12388102	65

E

Electrical Component Bridge	111/10003/50	93
Electrical Component Mounting Plate	111/10003/30	91
	111/10003/40	91, 93
Electrical Connection Plate	111/00094/10	73, 75
	111/00188/06	73, 75, 85
Electrical Connection Sticker	229/00068/02	73, 75
Electronic Coin Meter Housing	152/00112/50	67
Emergency Switch Pushbutton	209/00099/20	39, 41, 43
Eprom	209/00266/01	57
Exterior Box	223/00102/40	99

F

Facia Panel	111/01811/00	61
	111/01850/00	63
Fan	209/00465/00	23
Fan Filter	209/00465/11	81
Fan Grill	209/00287/01	79
Fan Plate Assembly	152/00044/03	23
Fastening Piece	217/00060/00	65, 67
Fastening Rubber	247/00006/00	11
	247/00007/00	11
Feeding Liquid Soap Dosing Pump	209/00554/51	105

N/A items do not appear in index.

Filter	
B12331701	83, 85
B12352301	83, 85
209/00465/21	81
227/00242/00	83, 85
Filter Bracket	
111/01837/01	83
Frame	
152/00103/50	9
152/00111/50	9
Front Panel	
111/01802/00	69
Front Plate	
111/01000/00	65, 67
Front Soapbox Siphon	
223/00280/03	97
Fuse	
B12360001	89
B12389501	83, 85
209/00372/01	57, 59, 61, 63, 89
209/00439/00	57
209/00468/00	81, 83, 85, 87, 89
209/00552/11	63
Fuse Holder	
209/00202/00	85, 87, 89
209/00202/01	85, 87, 89

G

Grommet	
223/00174/00	79, 81
223/00203/00	85
Ground Terminal	
209/00006/01	83
210/10015/00	35

H

Hanging Drain Pump	
209/00560/00	31
Heating Contactor	
209/00641/04	91, 93
209/06148/02	91, 93
Heating Element	
209/00562/20	103
209/00563/20	103
209/00564/20	103
209/00581/10	103
Heating Element Plug	
209/00196/00	103
Hose	
209/00554/98	105
223/00286/00	97
223/00298/00	97
Hose Barb	
223/00016/00	25
Hose Clamp	
223/00010/00	25, 27, 29, 73, 75, 77, 97, 99, 101
223/00011/00	25, 31, 33
223/00012/00	31, 33
223/00013/00	25, 27, 29, 97, 99, 101
223/00014/00	25, 27, 29, 31, 33, 99

Hose Connector	
209/00554/99	105
Hose Vent	
223/00102/07	73, 77

I

ID Chip	
209/02020/00	89
Infrared Cable	
210/00902/00	39, 41, 43, 45, 47, 49, 51, 53, 55, 59, 61, 63
Inlet Valve, 2-Way	
209/00110/00	73, 75, 77
209/00803/00	73, 75, 77
Inner Soapbox	
223/00280/20	97
Input Block	
209/00683/00	67
Insulating Sticker	
229/00255/00	57, 59, 61, 63
229/00268/00	39
229/00291/00	41, 43, 45, 47
Interior Box	
223/00222/02	101
Interlock Coil Spring	
224/00043/00	35
Interlock Lever	
217/00052/04	35
Inverter Box Cover	
111/01174/01	79, 81
Inverter Drive	
F8420909	81
F8420910	81
F8420911	81
F8420912	81
227/00168/00	79, 81
227/00229/00	81
227/00237/00	81
Inverter Drive Box	
111/01174/00	79, 81
Inverter Drive Kit	
F8420809	81
F8420810	81
F8420811	81
F8420812	81
Inverter PC-Board	
209/02006/00	89

K

Key	
254/00077/02	65, 67
Keypad	
209/00552/01	63
Keypad Sticker	
225/00407/00	57

N/A items do not appear in index.

L

Label	
225/00397/00	63
Leveling Leg	
252/00006/00	9
Lever Spring	
224/00040/00	35
Light Microswitch	
209/00273/00	35
Liquid Soap Dispenser Insert	
223/00102/08	99
Liquid Soap Dosing Pump Connection Piece	
209/00554/53	105
Liquid Soap Dosing Pump O-Ring	
209/00554/52	105
Liquid Soap Manifold	
223/00250/00	75, 79, 81, 99, 101
Lock Protection Plate	
117/00052/08	35
Lock Shaft	
217/00017/03	35
Lower Front Panel	
111/01803/00	71

M

Main Board	
B12351701	63
Main Switch	
209/00526/00	83
209/00529/00	83
209/00672/00	83
Main Switch Cover	
111/01834/00	83
Mechanical Coin Meter Housing	
152/00112/00	65
Memory Card PC Board	
B12305201	45
Memory Card PC-Board	
B12305201	39, 41, 43, 47, 49, 51, 53, 55
Microprocessor	
209/02025/00	89
Motor	
209/00643/11	25
227/00127/00	23
Motor Pulley	
226/00123/00	23
Mounting Plate	
223/00374/00	39, 41, 43, 45, 47, 49, 51, 53, 55
Mushroom Pushbutton	
209/00248/20	49, 51, 57, 59, 61, 63

N

Network Connection Printboard	
209/00540/01	85, 87
209/02007/00	89

Noise Filter	
B12339301	83, 85
B12339401	81, 83, 85
227/00162/00	83, 85
227/00163/00	83, 85
Nut	
204/00005/00	95
204/00006/00	71
204/00007/00	73, 77, 79, 81, 85, 95, 97
204/00008/00	35, 65, 67
204/00009/00	13, 15, 35, 69, 71
204/00103/00	37
204/00106/00	37
204/00109/00	23
204/00110/00	11, 13, 15, 95
204/00111/00	9, 17
204/00114/00	57, 59, 61, 63, 79, 81
204/00115/00	23
204/00116/00	39, 41, 43, 45, 47, 49, 51, 53, 55, 63, 65, 67, 89
204/00201/00	25, 27, 29, 73, 75, 77
206/00101/00	25, 27, 29, 31, 33, 103
206/00105/00	31, 33
206/00106/00	9
208/00002/00	67, 73, 77
208/00025/00	71, 75
208/00104/00	69
271/35945/00	81
271/35946/00	81

O

Operating Label	
225/00406/00	61
Operating Panel	
111/01819/00	53
111/01828/00	49
111/01829/00	51, 55
111/01902/00	41
111/01903/00	45
111/01906/00	43
111/01907/00	47
Operating Sticker	
225/00400/00	63
225/00404/00	59
225/10305/00	53, 55
225/10306/00	53, 55
225/10307/00	49, 51
225/10308/00	49, 51
225/10313/00	39
225/10403/00	45, 47
225/10404/00	41, 43
225/10426/00	39
225/10427/00	41, 43
Optical Switch	
209/00781/00	65
O-Ring	
217/00002/00	17
Outer and Inner Box Kit	
223/00222/60	101
Outer Soapbox	
223/00280/00	97
Outlet Pipe Plate Assembly	
101/00007/00	25, 27, 29, 31, 33, 71

N/A items do not appear in index.

Out-of-Balance Switch	
209/00255/00	95
Out-of-Balance Switch Boot	
223/00246/00	95
Overflow Hose	
223/00150/00	25, 27, 29
Overload Contactor	
209/00619/00	91
209/00620/00	91
209/00621/00	91
209/00622/00	91
209/00623/00	91
209/00624/00	91
209/00625/00	91

P

Parameter Unit Assembly	
F8410901	81
227/00171/00	81
Parameter Unit Program Cable	
227/00171/10	81
Pipe	
223/00159/00	31, 33
Plexi Frame	
225/00316/00	57, 59, 61
225/00321/00	39
225/00322/00	49, 51, 53, 55
225/00323/00	41, 43, 45, 47
Plug	
211/00091/00	73, 75
Pressure Hose	
223/00179/10	75, 79, 81
223/00333/00	25, 27, 29, 31, 33, 91, 93
Pressure Switch	
209/00027/10	91, 93
Pressure Switch Cap	
223/00035/02	27, 29, 31, 33, 91, 93
Pressure Switch Elbow	
223/00210/00	25
Pressure Switch Hose Tee	
223/00173/10	25, 27, 29, 31, 33, 91, 93
Prewash and Mainwash Nozzle	
223/00001/04	25, 27, 29, 73, 75, 77
Printboard	
209/00440/70	57
209/02001/02	49, 51, 53, 55
209/02015/02	41, 43, 45, 47
Printboard Micro-20	
209/00440/80	57
Printboard Separator	
211/00128/00	39, 41, 43, 45, 47, 49, 51, 53, 55, 89
Printboard Support	
111/01838/10	87
Printboard Support Card	
111/01893/00	39, 41
Programming Key Contact Switch	
209/00326/20	63
Protection LED	
223/00330/00	49, 51, 53, 55
Pulley	
255/00117/00	19, 21

Pump	
209/00554/50	105
209/00646/00	33
209/00647/00	33
Pump Support	
111/00288/10	33
155/00159/00	31
155/00161/00	97
Pushbutton	
209/00396/00	65, 67

R

Reinforcement Plate	
111/10089/01	69
Reinforcing Triangle	
155/00144/00	69
Relay PC-Board	
209/02014/00	89
209/02016/00	89
Retainer Ring	
212/00006/00	17
Retaining Ring	
117/00042/00	23, 71
Rinse Insert	
223/00102/03	99
Rinsing Box	
223/00222/05	101
Rivet	
208/00017/00	73, 75, 83, 87, 89

S

Screw	
B12347501	99, 101
B12350903	99, 101
206/00053/00	9
206/00056/00	23
206/00057/00	17
206/00113/00	71
207/00009/00	35
207/00018/00	95
207/00021/00	81
207/00031/00	85
207/00101/00	71
207/00107/00	37
207/00117/00	23
207/00121/00	79
207/00126/00	37
207/00135/00	35
208/00014/00	67, 71, 73, 75, 77
208/00130/00	75, 79, 81
Seal Holder Assembly	
119/00001/01	17
Seal Plate Assembly	
B12333701	17
Shaft Seal	
219/00003/00	17
Shock Absorber	
247/00002/00	11
247/00002/02	11
247/00003/00	11

N/A items do not appear in index.

Shrink Fit 223/00245/00	101	Spring Holder Top 247/00001/04	11
Side Panel 111/22723/10	69, 71	Spring Seat Bottom 247/00001/03	11
111/22728/10	69, 71	Standoff 211/00120/00	85
111/60035/00	69, 71	211/00122/00 ...	39, 41, 43, 45, 47, 57, 59, 61, 63, 89
111/60036/00	69, 71	211/00145/00	39, 41
Side Panel Gasket 246/00079/00	69, 71	211/00146/00	87, 89
Single Drop Optical Sensor Kit B12388101	65	Steam Hose 217/00025/00	103
Siphon Break 223/00222/04	101	Steam Injector 118/00105/01	103
Siphon Break Dispenser Hose 223/00262/00	99, 101	119/00082/00	103
Siphon Break Hose B12310307	99	Steam Inlet 118/01063/00	103
223/00266/00	99, 101	Steam Valve 209/00477/00	103
Soap Box Assembly Plate 123/00103/06	99, 101	Stopper 223/00162/00	31, 33
Soap Dispenser 223/00222/00	101	255/00019/00	31, 33
Soap Dispenser Air Breather Hose 223/00107/00	99	Support Connector 111/10003/10	91
Soap Dispenser Assembly 223/00102/30	99	Suspension Spring 247/00001/01	11
223/00102/50	99	247/00002/01	11
Soap Dispenser Cover 223/00103/01	69	Switch 209/00600/01P	65
Soap Dispenser Cover Hinge Rod 223/00103/04	69	Switch Base 209/00099/25	63
Soap Dispenser Frame 223/00103/03	69	Switch Knob 209/00099/29	63
Soap Dispenser Gasket 223/00109/00	99, 101	Switch Lever 217/00052/05	35
Soap Dispenser Hose 223/00261/00	99, 101		
Soap Dispenser Rinse Siphon 223/00102/04	99		
Soap Injection PCB with Fuse 209/00218/13	85, 87		
Soap Pump Assembly 209/00554/01	105		
209/00554/02	105		
209/00554/03	105		
209/00554/04	105		
209/00554/05	105		
209/00554/06	105		
Soap Spray Nozzle 223/00102/06	99, 101		
Soapbox Handle 223/00280/07	97		
Softener Spray Nozzle 223/00102/05	99		
223/00222/03	101		
Speed Detector 209/00400/00	17		
210/00074/00	17		
Speed Detector Bracket 152/00055/00	17		
Spring 238/00013/00	15		
238/00014/00	15		

T

Telem Sticker 209/00520/00	39, 41, 43, 49, 51, 57, 59, 61, 63
Terminal Block 209/00058/00	85
209/00527/00	83
209/00530/00	83
Thermostat 210/00020/00	91, 93
210/01064/16	91, 93
Thermostat Seal 225/10004/00	91, 93
Tilt Detector Plate 111/01854/00	13, 15, 95
Tilt Switch Support 111/01855/00	95
111/01856/00	95
Tolerance Ring 215/00004/00	19, 21
Top Panel 111/01001/00	65, 67
111/22741/00	69
111/22743/00	69
Transformer 209/00682/00	67
Trap 223/00316/00	25

N/A items do not appear in index.

Tub	B12328901	15	202/00101/00	35, 37
	B12329001	15	202/00104/00	37
	B12329201	13, 15	202/00108/00	37
	B12329301	13, 15	202/00111/00	37
	117/00203/00	13, 15	202/00124/00	35
	117/00203/50	13, 15	203/00002/00	19, 21
Tub Front Gasket			203/00004/00	17
223/00242/00	13, 15		203/00005/00	71
Tub Front Panel			203/00006/00	57, 73, 77, 79, 81, 83, 85, 95, 97
119/00049/00	13, 15		203/00007/00	35
Tub Front Panel Clip			203/00015/00	71
217/00008/00	13, 15		208/00009/00	71
Tub Front Ring Clamp			223/00051/10	63
219/00007/00	13, 15		223/00123/00	39, 41, 43, 45, 47, 49, 51, 53, 55, 63, 89
Tub Support			Water Hose	
152/00107/00	9		F200164	73, 75, 77
152/00108/00	9		F200166	73, 75, 77
Tub to Drain Valve Hose			223/00044/00	25, 73, 75, 77, 101
255/00010/00	27, 29, 31, 33		223/00044/01	27, 29, 73, 77, 97, 99
Tube			Wire Assembly	
118/00118/03	97		B12359901	65

U

Upper Front Panel		
111/01816/00	57, 59	
111/01845/00	39	
111/01912/00	63	

V

V Belt		
226/00121/00	19, 21, 23	
Vent Hose		
223/00107/02	99	
223/00107/03	99	
223/00197/00	99	
Vent Tube		
223/00226/00	75, 77, 101	
223/00229/00	101	
Ventilating Hose		
223/00107/01	99	
Voltage Discharge Decal		
B12355001	81	

W

Washer		
B12421401	71	
201/00002/00	25, 27, 29, 73, 75, 77	
201/00005/00	9	
201/00006/00	23, 35, 71, 73, 75, 77, 95	
201/00007/00	15, 25, 27, 29, 31, 33	
201/00010/00	13, 15, 95	
201/00012/00	17	
201/00015/00	11, 19, 21	
201/00017/00	35	
201/00018/00	35	
201/00201/00	17	
202/00003/00	13, 71	
202/00004/00	73, 75, 77, 79, 83, 97	

N/A items do not appear in index.

