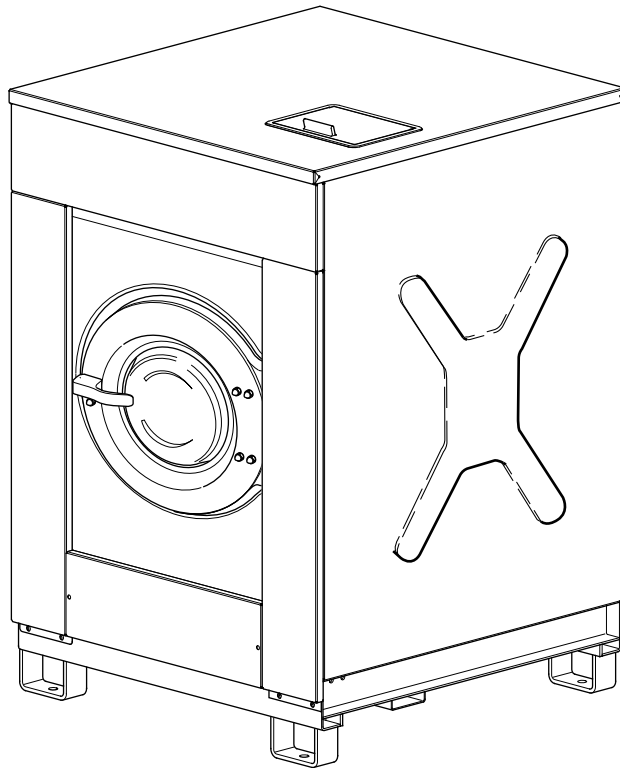


Washer-Extractor

Refer to Page 3 for Model Numbers



CFD22C_D0341



&



Part No. D0341R2
February 2012

Table of Contents

Title	Page
Parts Ordering Information.....	2
Nameplate Location.....	2
Model Identification.....	3
Cabinet Freestanding Washer-Extractor Product Overview.....	4
Base and Shock Absorber.....	6
Shell.....	8
Bearing Housing.....	10
Basket, Pulley and Belt.....	12
Motor.....	14
Drain Plumbing - Single Drain.....	16
Drain Plumbing - Dual Drain.....	18
Drain Valve - Normally Open.....	20
Drain Valve - Normally Closed.....	22
Door Lock.....	24
Door.....	26
Door Handle.....	28
Control Module - PC30.....	30
Electrical Component Mounting Plate - Models with KEB Inverter Drive.....	32
Electrical Component Mounting Plate - Models with Mitsubishi Inverter Drive.....	34
Inverter Drive.....	36
Main Switch and Printboard.....	38
Left Side, Front and Top Panels.....	40
Right Side and Rear Panels.....	42
Upper Back Panel - Models with KEB Inverter Drive.....	44
Upper Back Panel (Drawing 1 of 2).....	46
Upper Back Panel (Drawing 2 of 2).....	48
Water Inlet Valves.....	50
Supply Dispenser Plumbing - Models with Mueller Valves.....	52
Supply Dispenser Plumbing - Models with Dhnfoss Valves.....	54
Overflow and Inlet Plumbing.....	56
Supply Dispenser.....	58
Liquid Supply Pump - Through Supply Dispenser.....	60
Liquid Supply Pump - Through Door Glass.....	62
Electric and Steam Heating Options.....	64
Balance Switch.....	66
Parts Index.....	69

© Copyright 2012, Alliance Laundry Systems LLC

All rights reserved. No part of the contents of this book may be reproduced or transmitted in any form or by any means without the expressed written consent of the publisher.

Parts Ordering Information

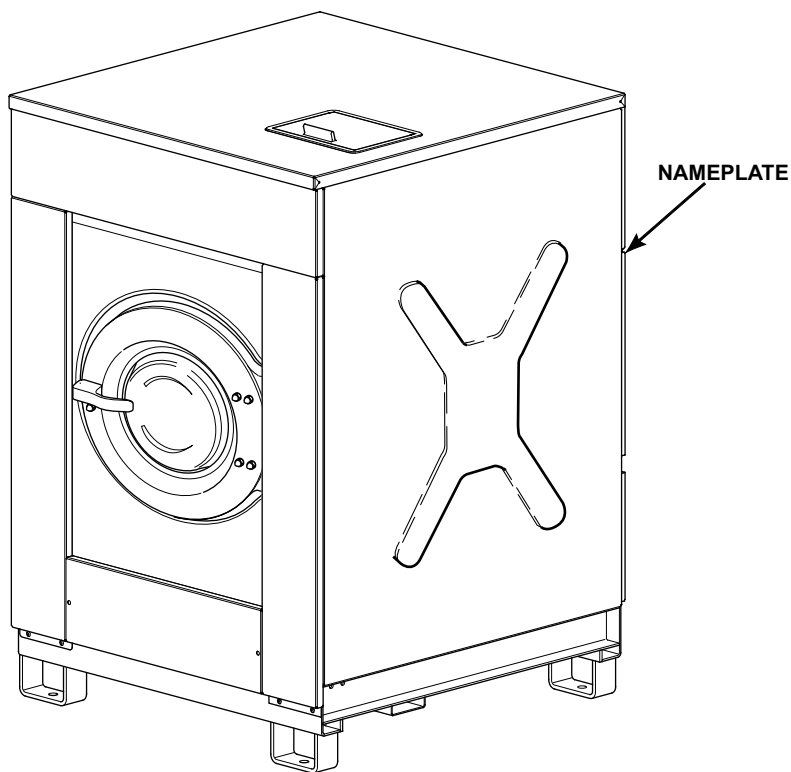
If literature or replacement parts are required, contact the source from whom the machine was purchased or contact Alliance Laundry Systems at (920) 748-3950 for the name and address of the nearest authorized parts distributor.

For technical assistance, call either of the numbers listed below:

(920) 748-3121 Ripon, Wisconsin
+32 56 41 20 54 Wevelgem, Belgium

Nameplate Location

When calling or writing about your product, be sure to mention model and serial numbers. Model and serial numbers are located on nameplate(s) as shown.



CFD22CA_D0341

Model Identification



Information in this manual is applicable to these washer-extractor models:

HF450_PC30
HF450_PS40
HF450_PS40F

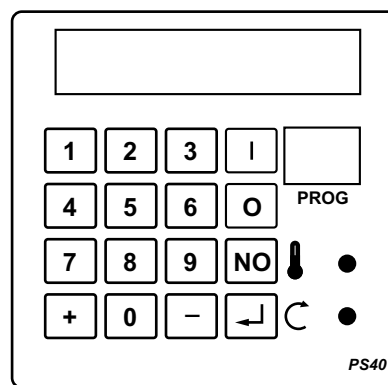
HF570_PC30
HF570_PS40
HF570_PS40F

Cabinet Freestanding Washer-Extractor Product Overview

1 2

Type:	HF450P	Nr:	07110580147
Voltage:	3 ~ 380V 50Hz	Weight:	1787 kg
Motor:	7.5 kW 20 A	Capacity:	575 L
Heating:	36 kW 60 A	Dry Load:	57 kg
Total:	43.50 kW	Drum:	980 mm
Kinetic energy:	23257N/M	Speed:	800 rpm
Manufactured in:	2007		
Water Pressure: min. 2.07 max. 5.86 Kg/cm ² IPX4 min. 20.7 max. 58.6 N/cm ²			
sfc 741295			
 Alliance International BVBA Nieuwstraat 146 8560 Wevelgem Belgium Tel: +32 56 41 20 54 Fax: +32 56 41 86 74 www.ipsobelgium.be			

Label 1



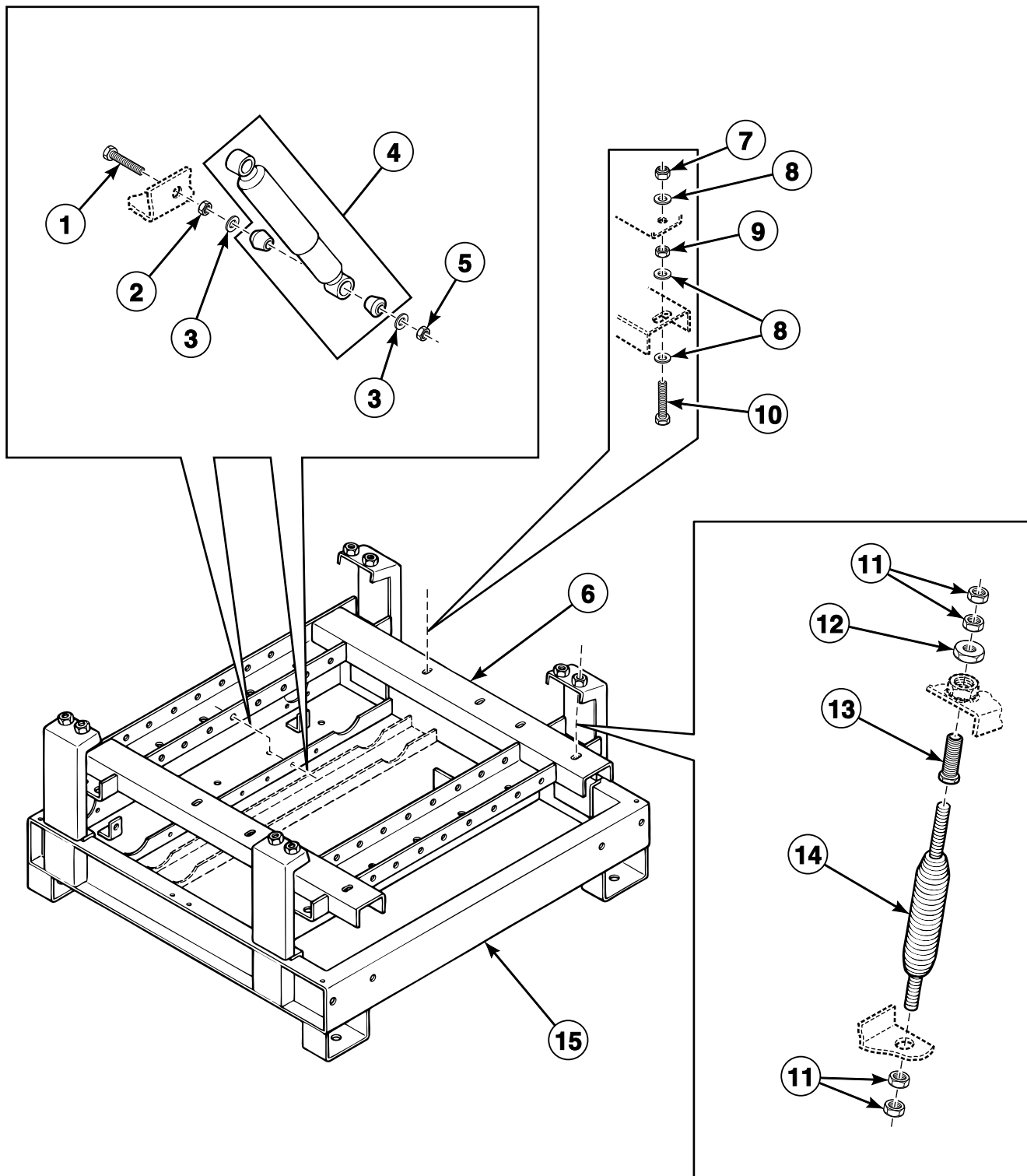
PS40

CFD304P_D0341

Cabinet Freestanding Washer-Extractor Product Overview

REF	PART NO.	DESCRIPTION	COMMENTS
1	-	Product Family	HF
2	-	Capacity	450 570

Base and Shock Absorber

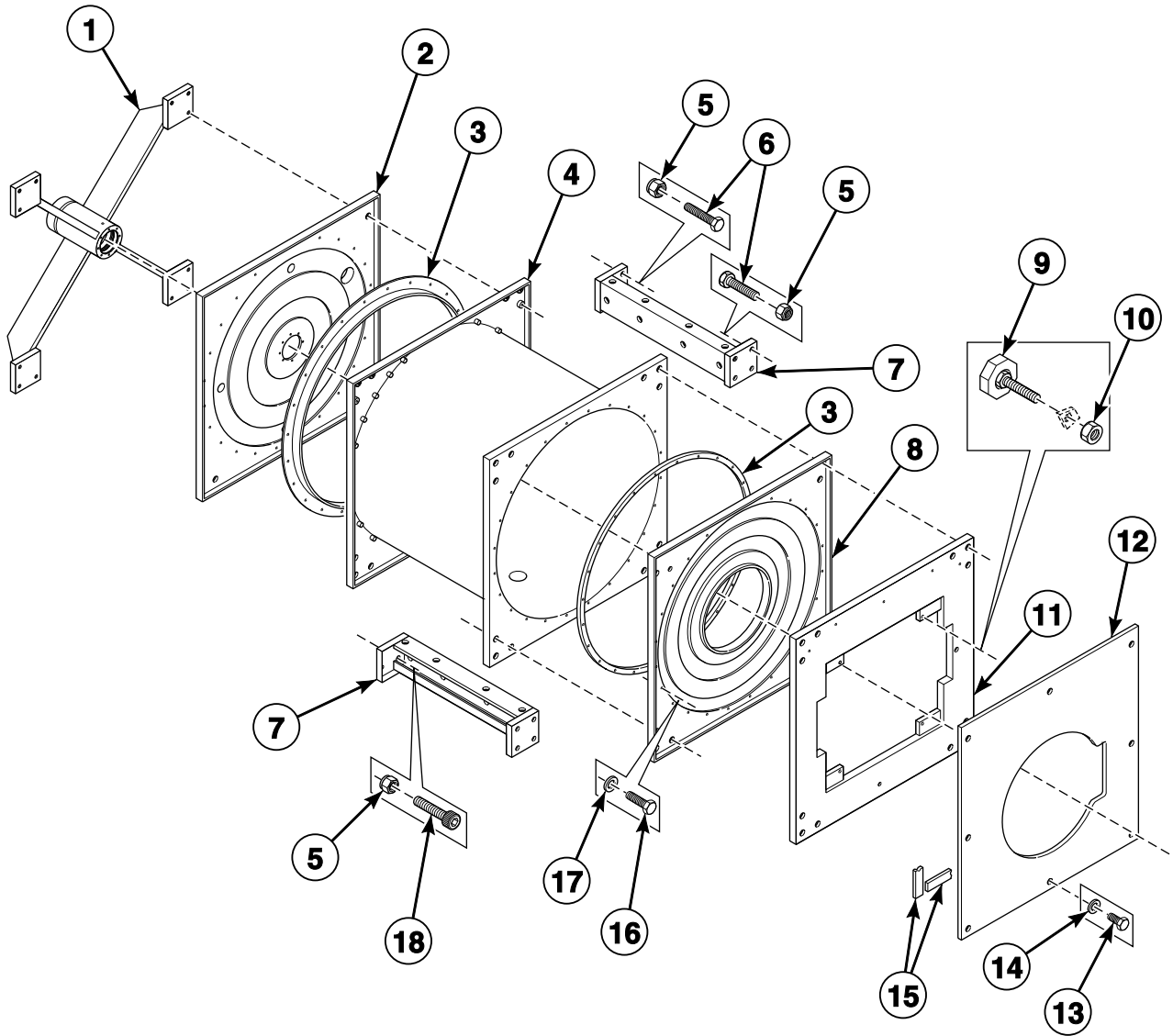


BE000051P_D0341

Base and Shock Absorber

REF	PART NO.	DESCRIPTION	COMMENTS
1	206/00045/00	Bolt	
2	204/00001/00	Nut	
3	201/00013/00	Washer	
4	247/00008/00	Shock Absorber	
5	204/00112/00	Nut	
6	153/00011/00	Tub Support	HF450 models
	153/00012/00	Tub Support	HF570 models
7	204/00113/00	Nut	
8	201/00001/00	Washer	
9	204/00019/00	Nut	
10	206/00070/00	Bolt	
11	204/00012/00	Nut	
12	204/00016/00	Nut	
13	224/00046/00	Bolt	
14	B12456301	Suspension Spring	
15	153/00009/00	Frame	HF450 models
	153/00010/00	Frame	HF570 models

Shell

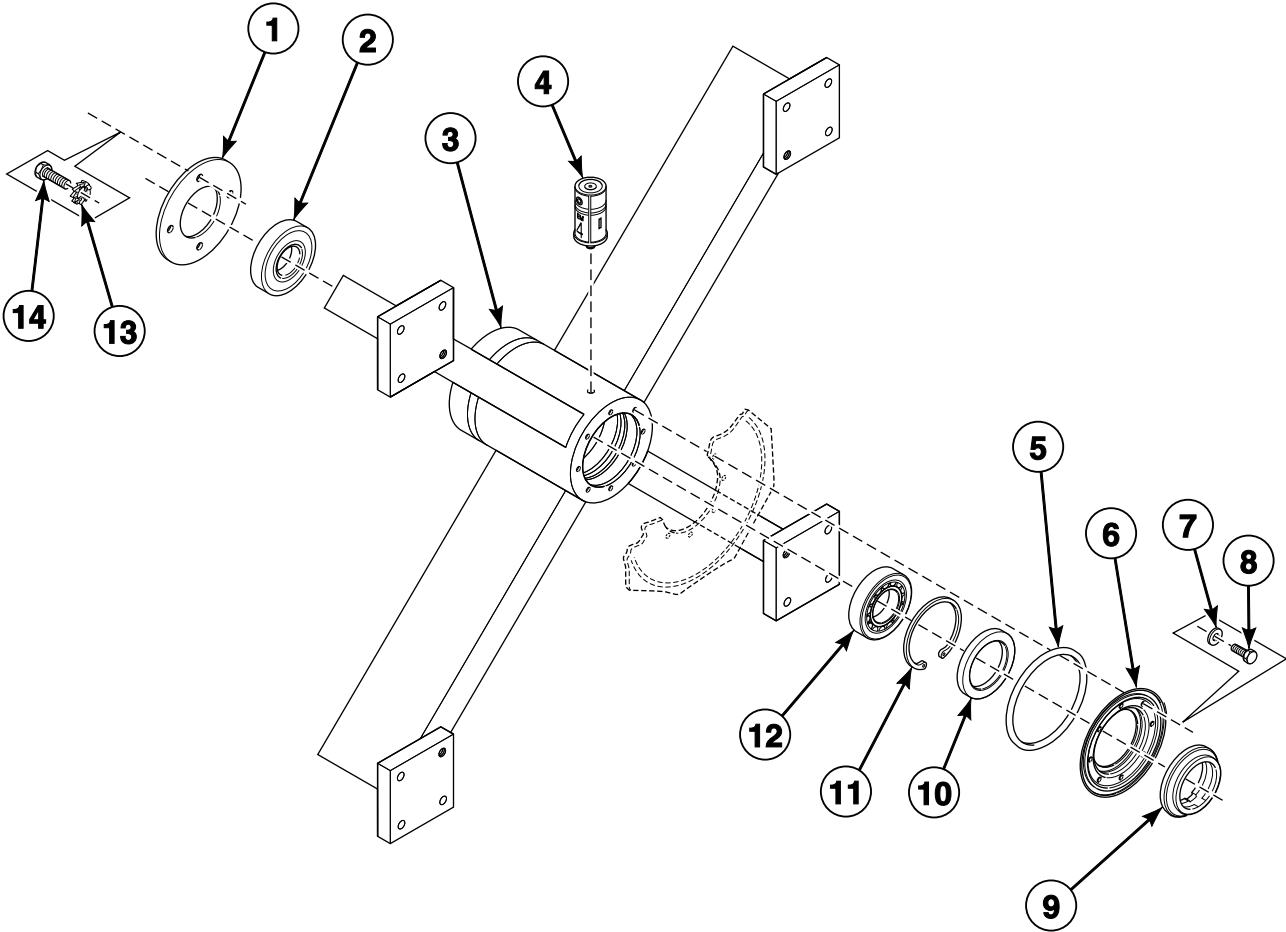


BE000052P_D0341

Shell

REF	PART NO.	DESCRIPTION	COMMENTS
1	253/00002/00	Bearing Housing	
2	153/00014/00	Back Panel	
3	223/00168/00	Tub Gasket	
4	153/00019/00	Tub	HF450 models
	153/00020/00	Tub	HF570 models
5	204/00113/00	Nut	
6	206/00122/00	Bolt	
7	153/00022/00	Tub Support	HF450 models
	153/00023/00	Tub Support	HF570 models
8	153/00013/00	Front Panel	
9	252/00006/00	Leveling Leg	
10	204/00003/00	Nut	
11	153/00004/00	Counterweight	
12	153/00101/00	Front Panel Plate	
13	205/00102/00	Bolt	
14	202/00105/00	Washer	
15	246/00092/00	Gasket	
16	205/00105/00	Bolt	
17	202/00110/00	Washer	
18	206/00125/00	Screw	

Bearing Housing

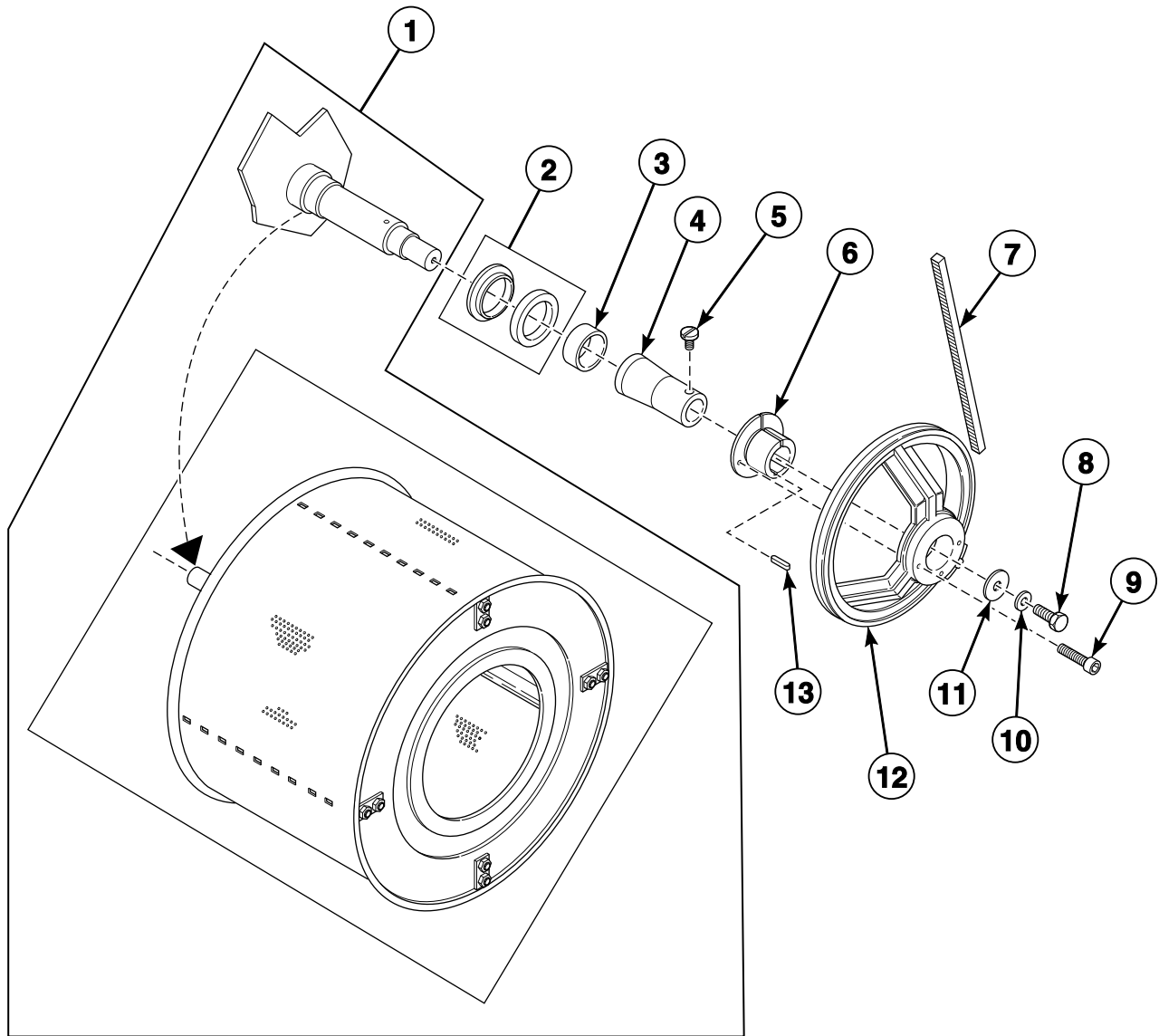


BE000053AP_D0341

Bearing Housing

REF	PART NO.	DESCRIPTION	COMMENTS
1	153/00041/00	Bearing Cover Plate	
2	212/00004/00	Ball Bearing	
3	253/00002/00	Bearing Housing	
4	212/00002/00	Lubricator	
5	231/00036/00	O-Ring	
6	131/00035/00	Seal Cover Plate	
7	201/00202/00	Washer	
8	205/00104/00	Bolt	
9	231/00037/00	Shaft Seal	
10	253/00009/00	Grease Ring	
11	253/00008/00	Cerclips	
12	253/00007/00	Bearing	
13	203/00002/00	Washer	
14	206/00006/00	Bolt	

Basket, Pulley and Belt

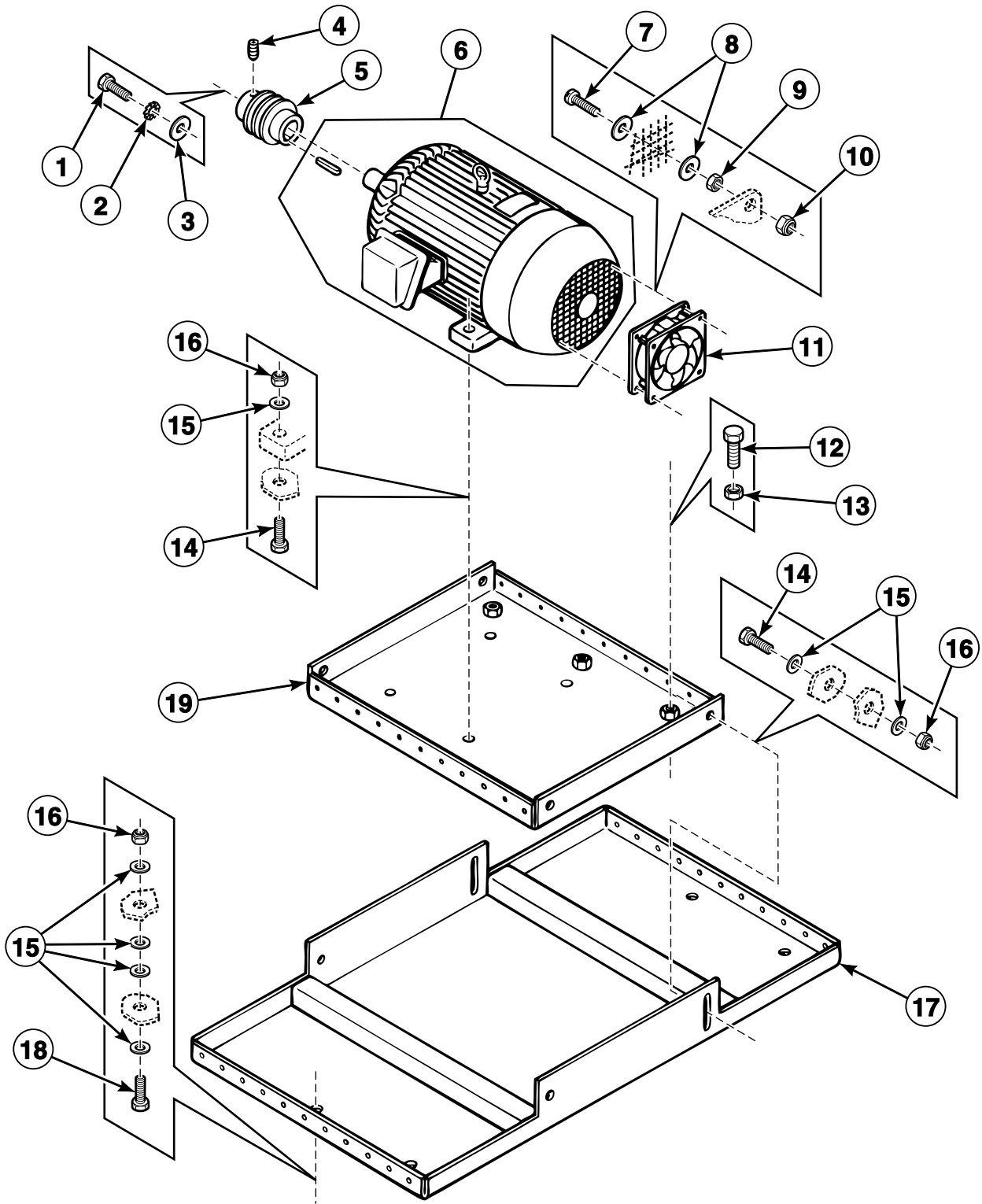


BE000054P_D0341

Basket, Pulley and Belt

REF	PART NO.	DESCRIPTION	COMMENTS
1	153/00035/00	Drum and Axle	HF450 models
	153/00036/00	Drum and Axle	HF570 models
2	232/00008/00	Counter Ring	
3	253/00007/00	Bearing	
4	153/00005/00	Pipe	
5	207/00110/00	Screw	
6	212/00009/01	Pulley Hub	
7	253/00010/00	V-Belt	2280 mm long; Used with 253/00013/00 Pulley and 253/00011/00 Motor
	226/00116/00	V-Belt	2300 mm long; Used with 253/00024/00 Pulley and 227/00132/00 Motor
8	206/00004/00	Bolt	
9	212/00009/02	Bolt	
10	203/00001/00	Washer	
11	201/00011/00	Washer	
12	226/00090/00	Pulley	
	253/00026/01	Pulley	Includes clamping bushing
13	212/00026/00	Key	

Motor

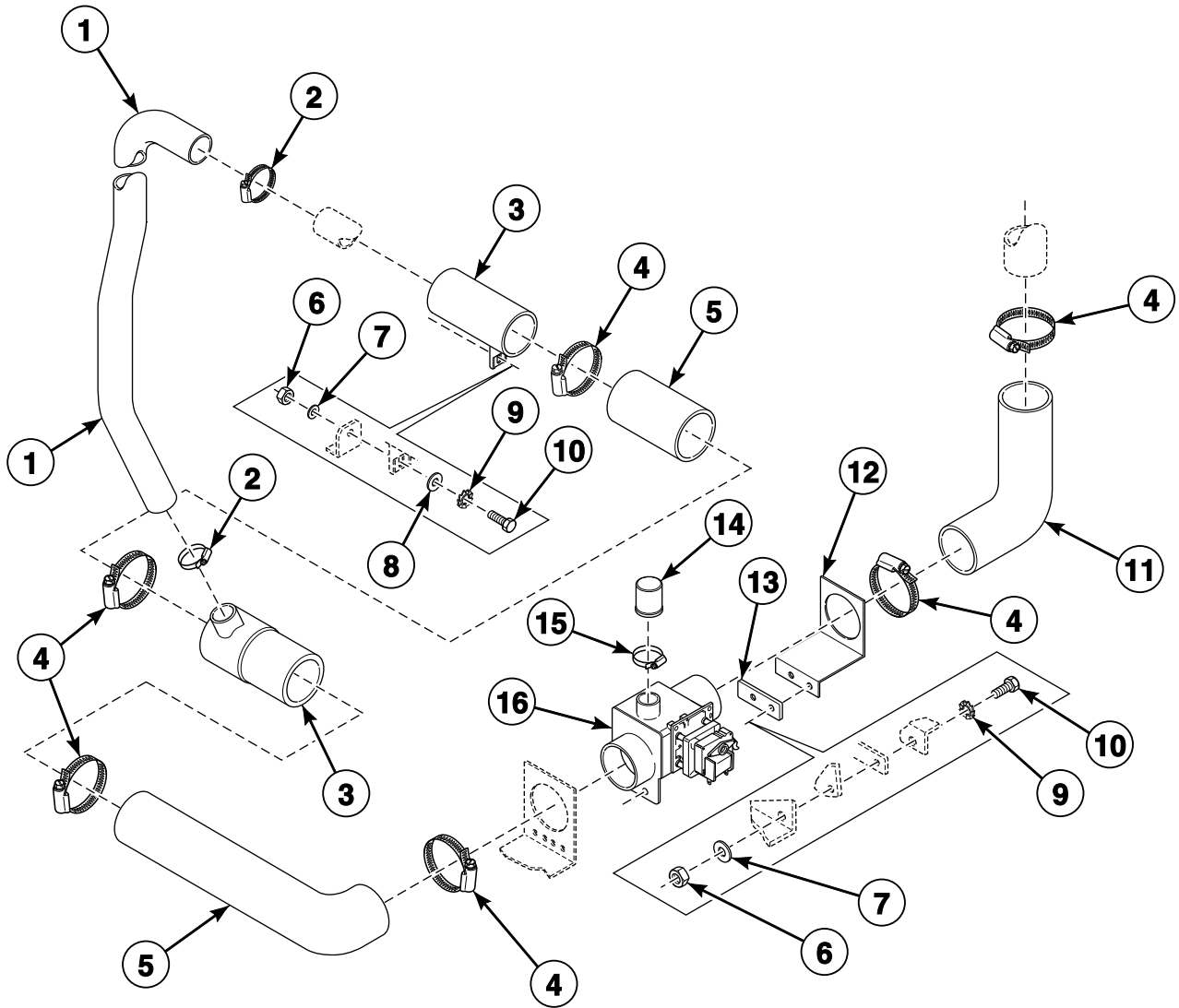


BE000055P_D0341

Motor

REF	PART NO.	DESCRIPTION	COMMENTS
1	206/00004/00	Bolt	
2	203/00001/00	Washer	
3	201/00011/00	Washer	
4	206/00031/00	Screw	
5	253/00013/00	Pulley	Used with 253/00010/00 Belt and 253/00011/00 Motor
	253/00024/00	Pulley	Used with 226/00116/00 Belt and 227/00132/00 Motor
6	253/00011/00	Motor	Used with 253/00010/00 Belt and 253/00013/00 Pulley
	227/00132/00	Motor	Used with 226/00116/00 Belt and 253/00024/00 Pulley
7	207/00003/00	Screw	
8	201/00008/00	Washer	
9	204/00007/00	Nut	
10	204/00114/00	Nut	
11	209/00287/00	Cooling Fan	
12	206/00122/00	Bolt	
13	204/00012/00	Nut	
14	248/00114/00	Bolt	
15	201/00001/00	Washer	
16	204/00113/00	Nut	
17	153/00024/00	Motor Plate	
18	206/00072/00	Bolt	
19	153/00025/00	Motor Plate	

Drain Plumbing - Single Drain

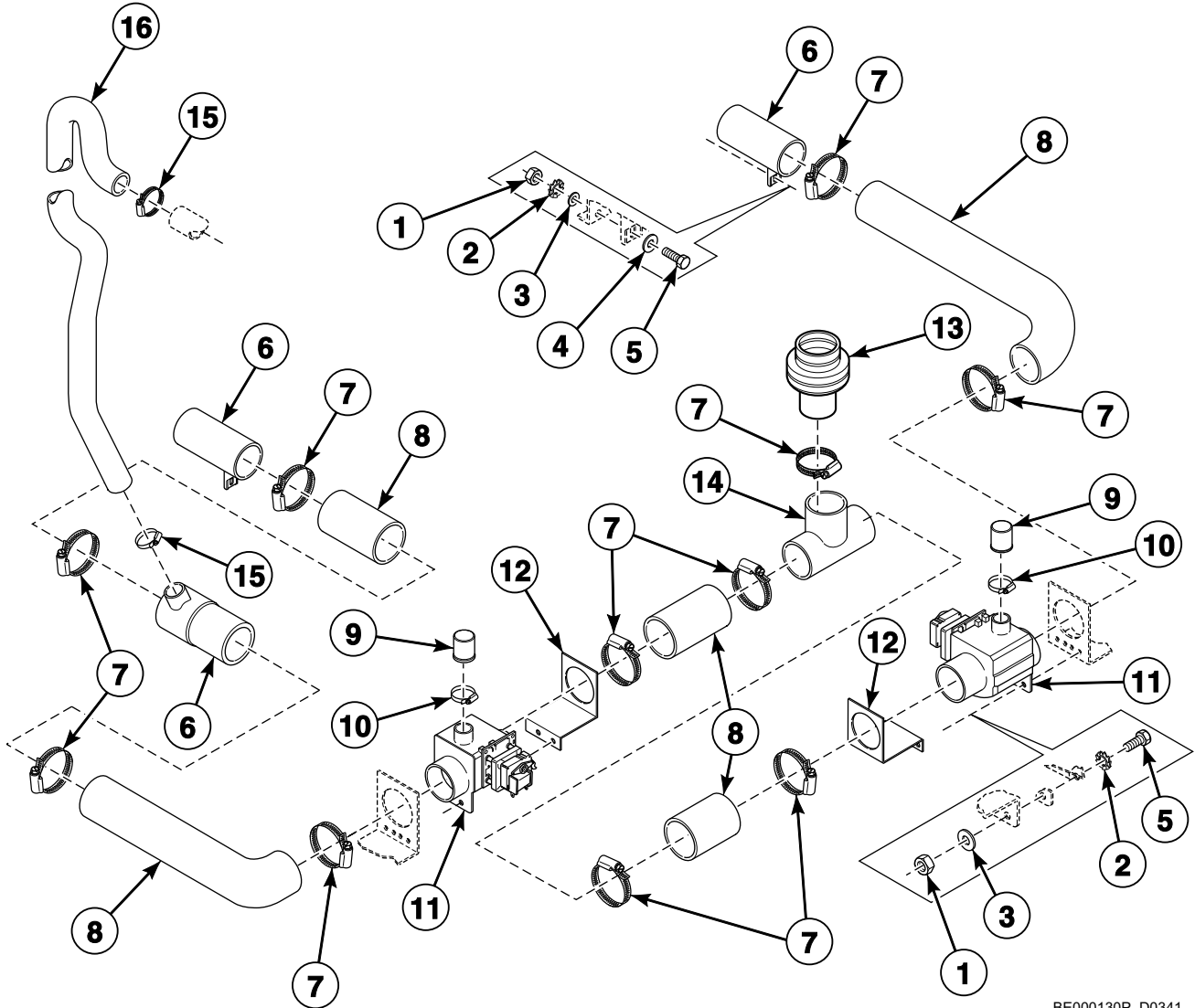


BE000056P_D0341

Drain Plumbing - Single Drain

REF	PART NO.	DESCRIPTION	COMMENTS
1	223/00184/00	Overflow Hose	
2	223/00013/00	Hose Clamp	
3	223/00106/00	Drain Pipe	
4	223/00071/00	Hose Clamp	
5	223/00141/00	Drain Valve to Drain Pipe Hose	
6	204/00004/00	Nut	
7	202/00002/00	Washer	
8	201/00010/00	Washer	
9	203/00003/00	Washer	
10	206/00009/00	Bolt	
11	223/00133/00	Drain Tub to Drain Valve Hose	
12	115/00147/00	Drain Valve Plate Assembly	
13	115/00147/01	Drain Valve Plate Assembly	
14	223/00086/00	Drain Valve Overflow Plug	
15	223/00012/00	Hose Clamp	
16	209/00075/00	Drain Valve	NO
	209/00171/00	Drain Valve	NC

Drain Plumbing - Dual Drain

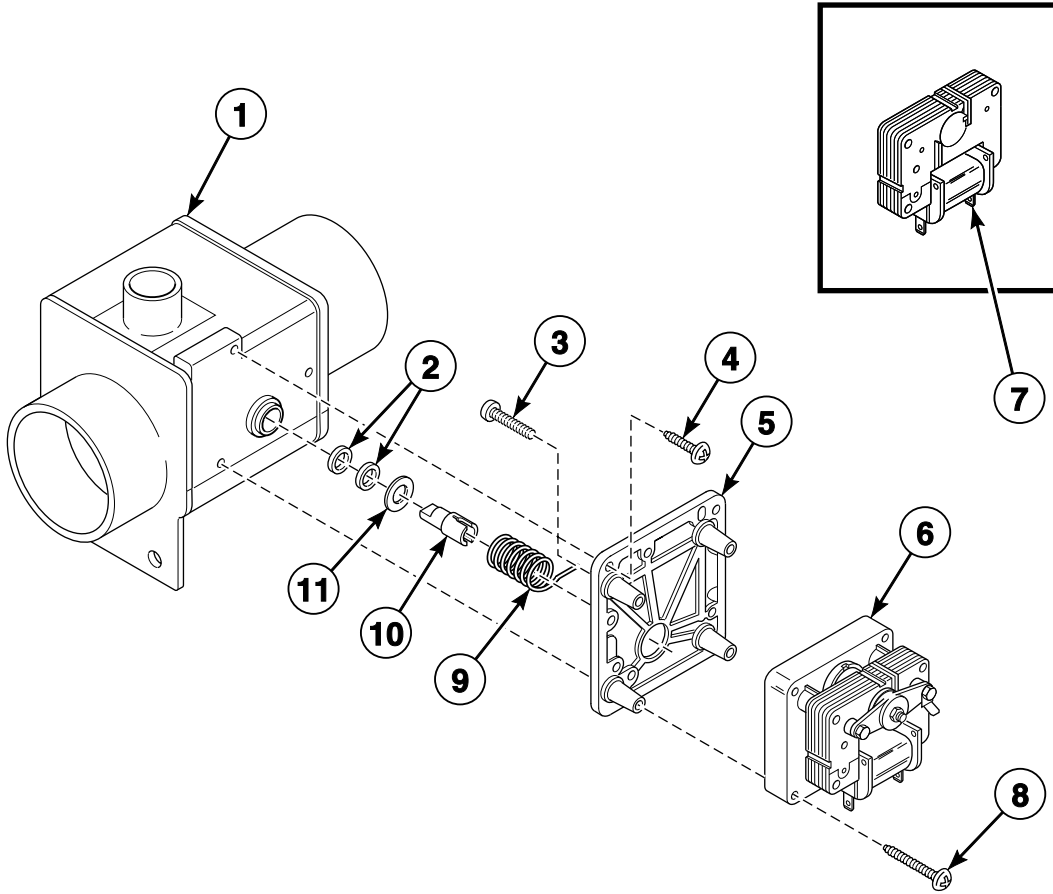


BE000130P_D0341

Drain Plumbing - Dual Drain

REF	PART NO.	DESCRIPTION	COMMENTS
1	204/00004/00	Nut	
2	203/00003/00	Washer	
3	202/00002/00	Washer	
4	201/00010/00	Washer	
5	206/00009/00	Bolt	
6	223/00106/00	Drain Pipe	
7	223/00071/00	Hose Clamp	
8	223/00141/00	Drain Valve to Drain Pipe Hose	
9	223/00086/00	Drain Valve Overflow Plug	
10	223/00012/00	Hose Clamp	
11	209/00075/00	Drain Valve	
12	115/00147/00	Drain Valve Plate Assembly	
13	223/00170/00	Exhaust Valve Hose	
14	253/00028/00	T-Piece	
15	223/00013/00	Hose Clamp	
16	223/00184/00	Overflow Hose	

Drain Valve - Normally Open

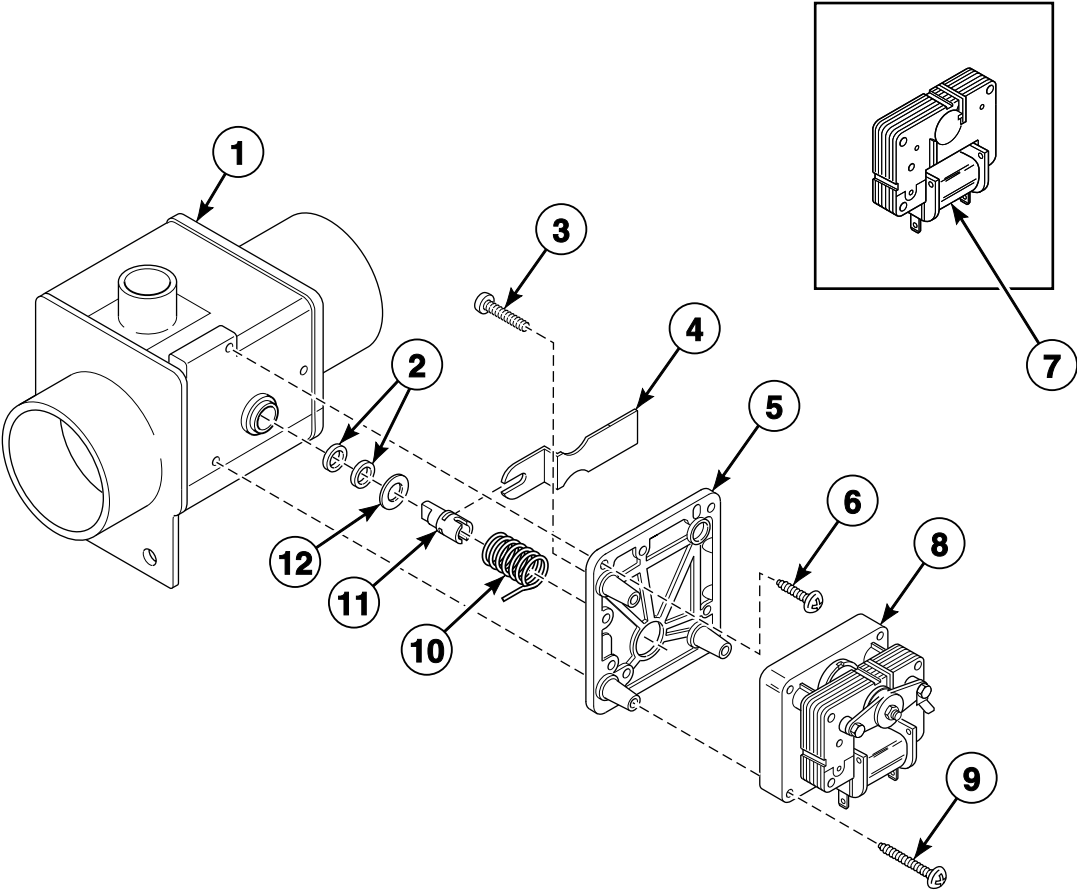


BE000058P_D0341

Drain Valve - Normally Open

REF	PART NO.	DESCRIPTION	COMMENTS
1	209/00075/05	Drain Valve	
2	209/00025/10	Drain Valve Shaft Seal	
3	209/00025/08	Screw	
4	209/00170/05	Screw	
5	209/00025/07	Drain Valve Motor Mounting Plate	
6	209/00203/11	Drain Valve Motor	24 Volt
	209/00052/11	Drain Valve Motor	110 Volt/60 Hertz
	209/00051/11	Drain Valve Motor	220 Volt/50 or 60 Hertz
7	209/00203/21	Coil	24 Volt
	209/00052/21	Coil	115 Volt/60 Hertz
	209/00051/21	Coil	220 Volt/50 or 60 Hertz
8	209/00170/07	Screw	
9	209/00025/13	Drain Valve Spring	
10	209/00170/10	Drain Valve Shaft	
11	209/00170/09	Washer	

Drain Valve - Normally Closed

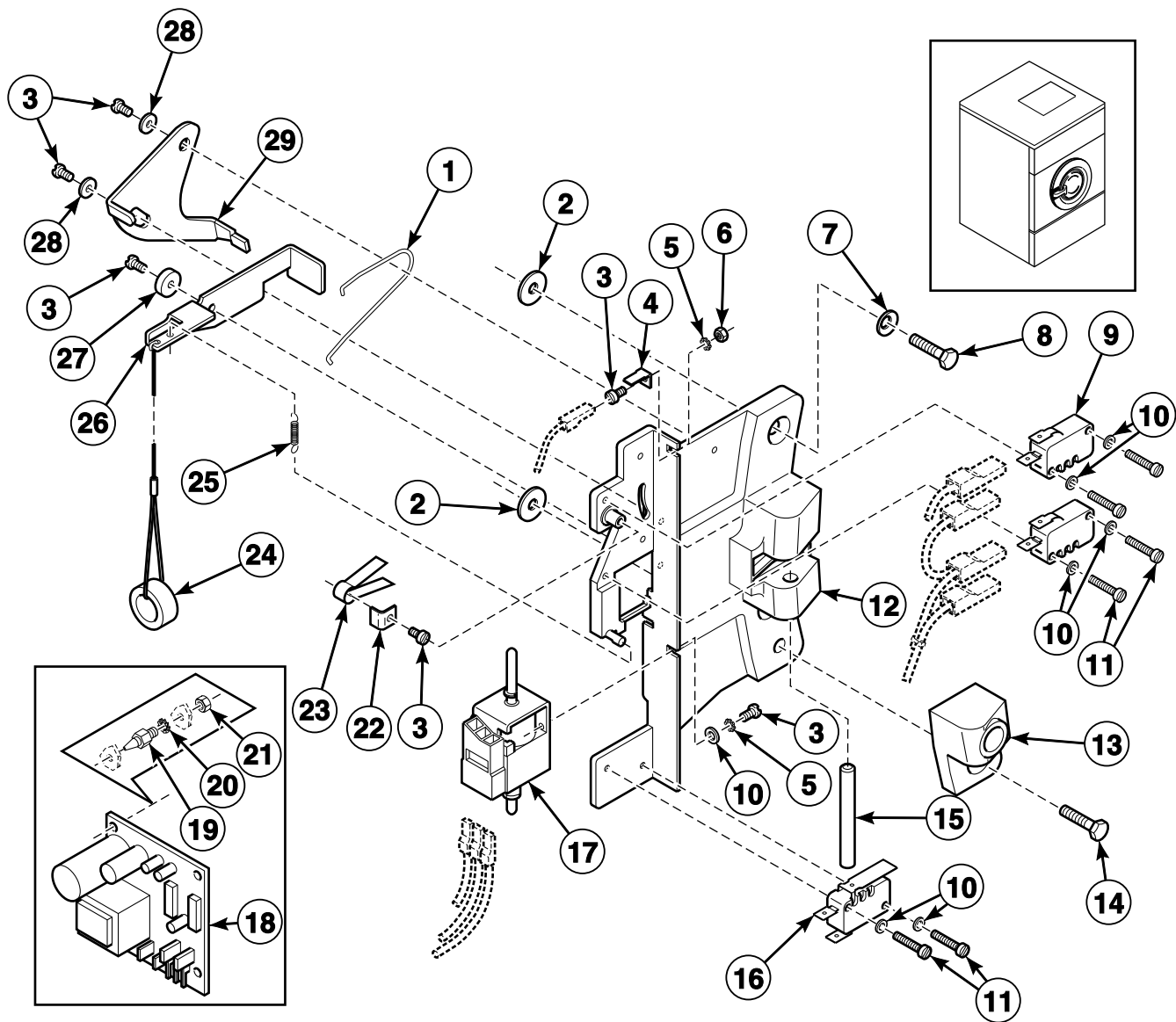


BE000057P_D0341

Drain Valve - Normally Closed

REF	PART NO.	DESCRIPTION	COMMENTS
1	209/00075/05	Drain Valve	
2	209/00025/10	Drain Valve Shaft Seal	
3	209/00025/08	Screw	
4	209/00115/11	Drain Valve Handle	
5	209/00115/04	Drain Valve Motor Mounting Plate	
6	209/00170/05	Screw	
7	209/00212/11	Coil	24 Volt
	209/00052/21	Coil	115 Volt/60 Hertz
	209/00051/21	Coil	220 Volt/50 or 60 Hertz
8	209/00203/12	Drain Valve Motor	24 Volt
	209/00052/12	Drain Valve Motor	110 Volt/60 Hertz
	209/00170/06	Drain Valve Motor Assembly	220 Volt/50 or 60 Hertz
9	209/00170/07	Screw	
10	209/00170/02	Drain Valve Spring	
11	209/00170/10	Drain Valve Shaft	
12	209/00025/12	Washer	

Door Lock

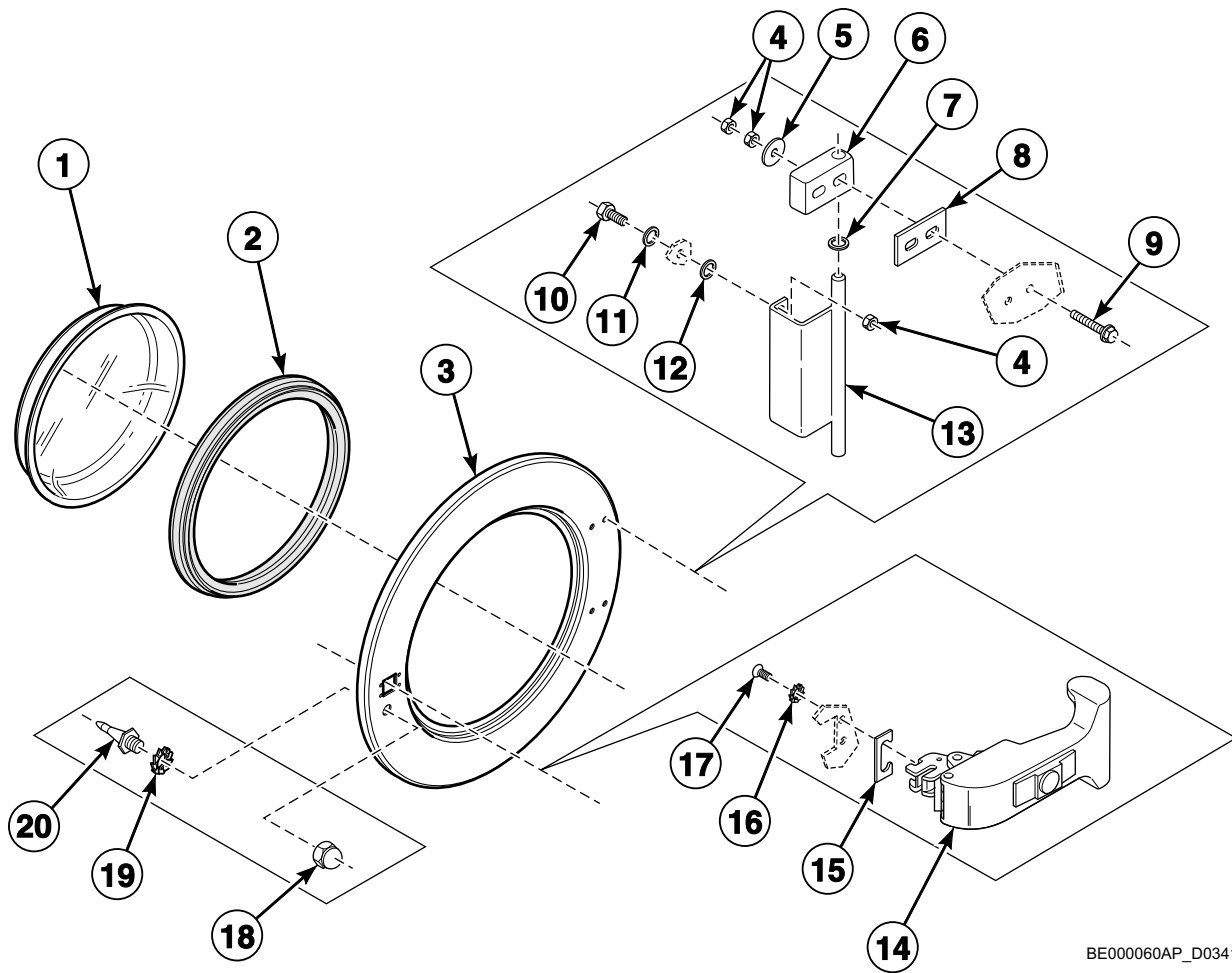


BE000059AP_D0341

Door Lock

REF	PART NO.	DESCRIPTION	COMMENTS
1	224/00040/00	Lever Spring	
2	217/00021/00	O-Ring	
3	207/00135/00	Screw	
4	210/10015/00	Ground Terminal	
5	203/00007/00	Washer	
6	204/00008/00	Nut	
7	203/00010/00	Washer	
8	207/00103/00	Screw	
9	209/00272/00	Door Lock Microswitch	
10	201/00018/00	Washer	
11	207/00009/00	Screw	
12	217/00052/01	Door Lock Assembly	
13	217/00052/02	Door Lock Pin Kit	
14	207/00102/00	Screw	
15	217/00017/03	Lock Shaft	
16	209/00273/00	Light Microswitch	
17	209/00274/00	Door Lock Solenoid	
18	209/00275/04	Door Lock Board	
19	211/00120/00	Standoff	
20	203/00006/00	Washer	
21	204/00007/00	Nut	
22	217/00052/08	Washer	
23	224/00049/00	Door Lock Spring	
24	224/00015/00	Door Latch Cord	
25	224/00043/00	Interlock Coil Spring	
25	217/00052/04	Interlock Lever	
27	217/00052/03	Door Lock Spacer	
28	201/00017/00	Washer	
29	217/00052/05	Switch Lever	

Door

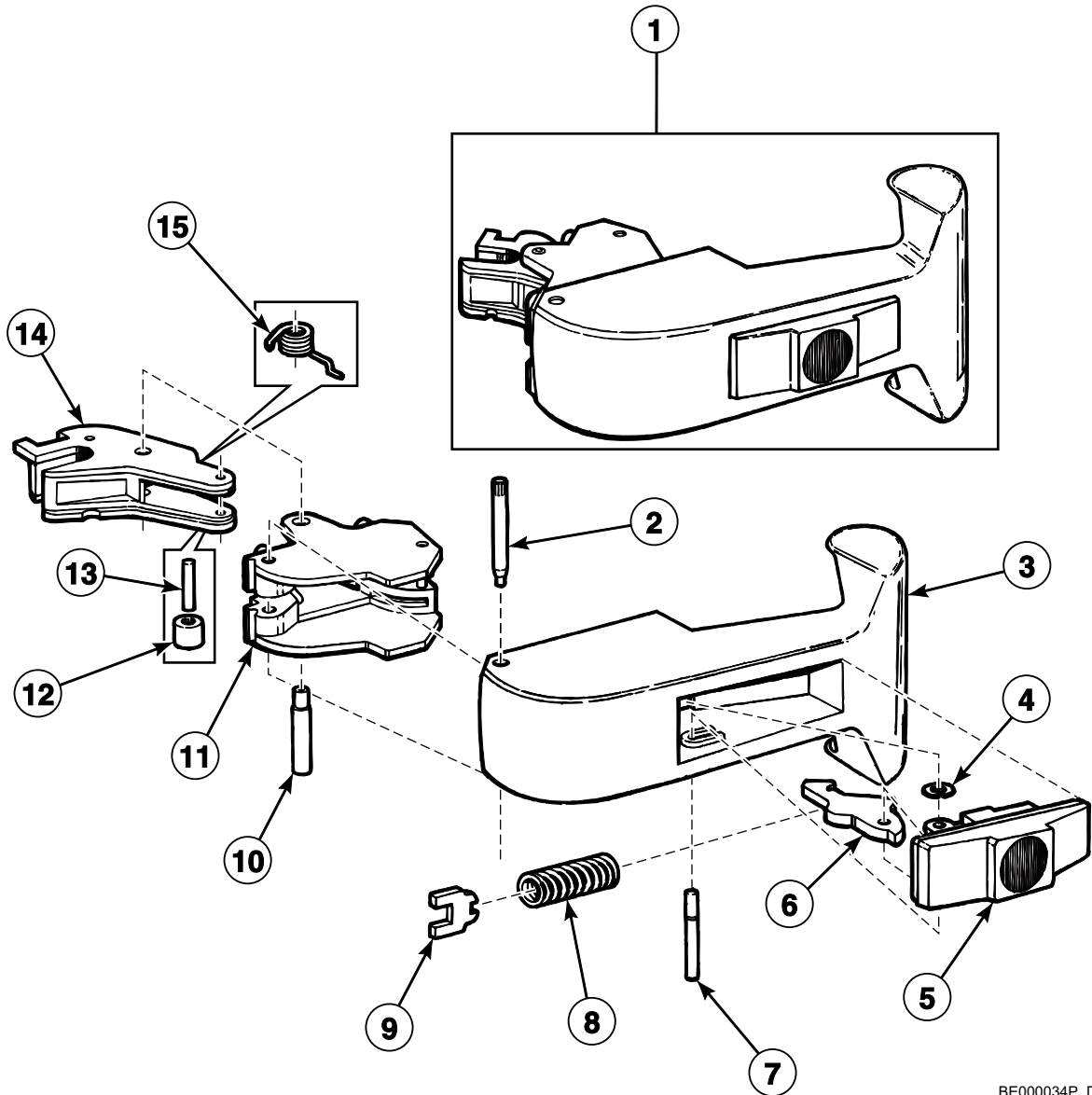


BE000060AP_D0341

Door

REF	PART NO.	DESCRIPTION	COMMENTS
1	231/00004/00	Door Glass	
2	223/00068/00	Door Glass Seal	
3	118/00125/00	Door	
4	204/00106/00	Nut	
5	202/00108/00	Washer	
6	253/00022/00	Door Hinge Block	
7	202/00104/00	Washer	
8	117/00010/00	Door Hinge Spacer	2 mm
9	207/00126/00	Screw	
10	205/00104/00	Bolt	
11	202/00101/00	Washer	
12	217/00021/00	O-Ring	
13	131/00046/00	Hinge	
14	217/00051/00	Door Handle	
15	217/00016/00	Door Handle Stop	
16	203/00008/00	Washer	
17	207/00020/00	Screw	
18	204/00103/00	Nut	
19	203/00011/00	Washer	
20	211/00109/00	Door Lock Pin Kit	

Door Handle

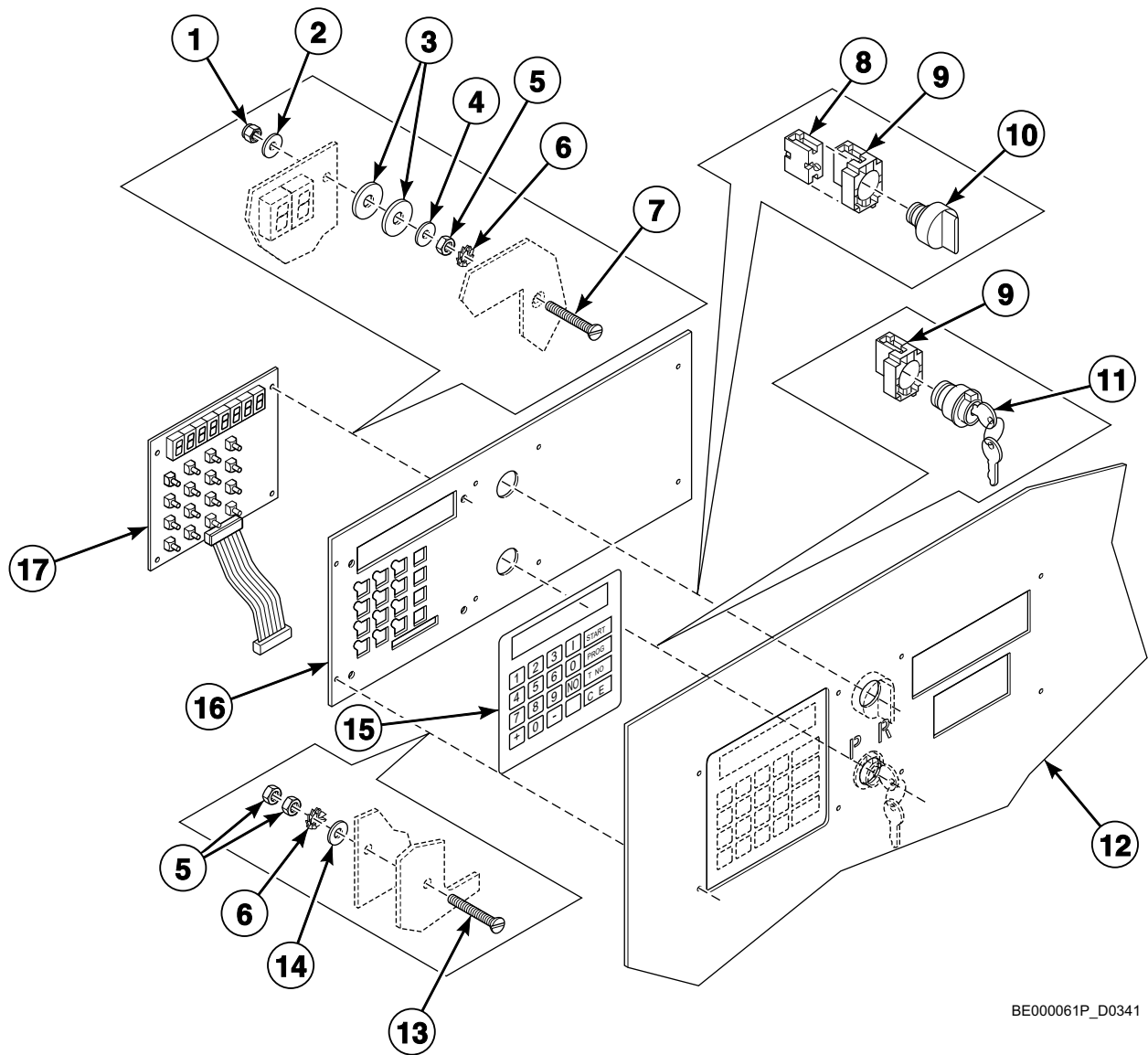


BE000034P_D0341

Door Handle

REF	PART NO.	DESCRIPTION	COMMENTS
1	217/00051/00	Door Handle	
2	217/00013/09	Door Mounting Pin	
3	217/00051/10	Door Handle	
4	217/00013/11	Door Circlip	
5	217/00013/12	Door Handle	
6	217/00013/13	Door Handle Hook	
7	217/00013/15	Door Handle Locking Pin	
8	217/00013/14	Door Handle Spring	
9	217/00013/16	Door Handle Assembly Plate	
10	217/00013/08	Door Locking Pin	
11	217/00013/07	Door Locking Grip	
12	217/00013/06	Door Roller	
13	217/00013/05	Door Axle Roller	
14	217/00013/04	Door Handle Latch	
15	217/00013/03	Door Lock Spring	

Control Module - PC30



BE000061P_D0341

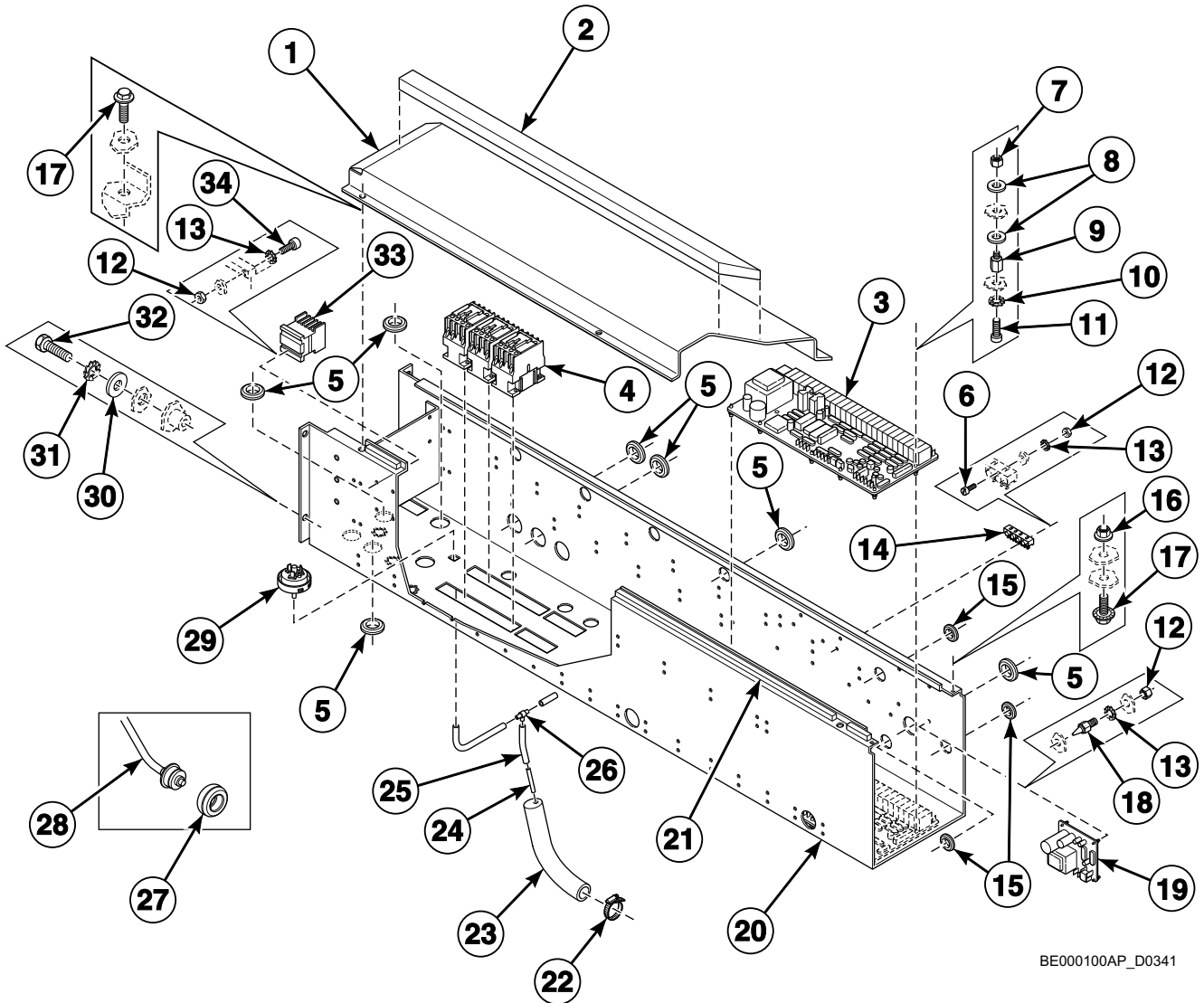
Control Module - PC30

REF	PART NO.	DESCRIPTION	COMMENTS
1	204/00116/00	Nut	
2	223/00123/00	Washer	
3	223/00051/10	Washer	
4	201/00008/00	Washer	
5	204/00008/00	Nut	
6	203/00007/00	Washer	
7	207/00025/00	Screw	
8	209/00099/06	Contact Switch	
9	209/00099/05	Contact	
10	209/00099/09	Button	
11	209/00326/00	Programming Switch	
12	153/00107/00	Front Panel	
13	207/00108/00	Screw	
14	202/00004/00	Washer	
15	229/00245/00	Label	
16	173/00012/00	Mounting Plate	
17	209/00323/01	Keyboard	

Electrical Component Mounting Plate - Models with KEB Inverter Drive

REF	PART NO.	DESCRIPTION	COMMENTS
1	206/00099/00	Bolt	
2	246/00149/00	Gasket	
3	153/00111/01	Top Cover Plate	HF450 models
	153/00112/01	Top Cover Plate	HF570 models
4	209/00266/08	Thermostat	
5	225/10004/00	Thermostat Seal	
6	211/00120/00	Standoff	
7	203/00006/00	Washer	
8	204/00007/00	Nut	
9	209/00323/02	Printboard	
10	209/00141/00	Plug	
11	209/00124/00	Contactactor	
12	207/00003/00	Screw	
13	225/00027/00	Cable Duct	
14	225/00019/00	Holder	
15	209/00005/00	Terminal Block	
16	209/00275/04	Door Lock Board	
17	246/00092/00	Gasket	
18	153/00111/00	Assembly Plate	HF450 models
	153/00112/00	Assembly Plate	HF570 models
19	223/00011/00	Hose Clamp	
20	223/00015/00	Level Switch Elbow	
21	223/00016/00	Hose Barb	
22	223/00082/00	Pressure Hose	
23	223/00035/01	Hose Tee	
24	209/00007/50	Pressure Switch	
25	209/00148/02	Contactactor	

Electrical Component Mounting Plate - Models with Mitsubishi Inverter Drive



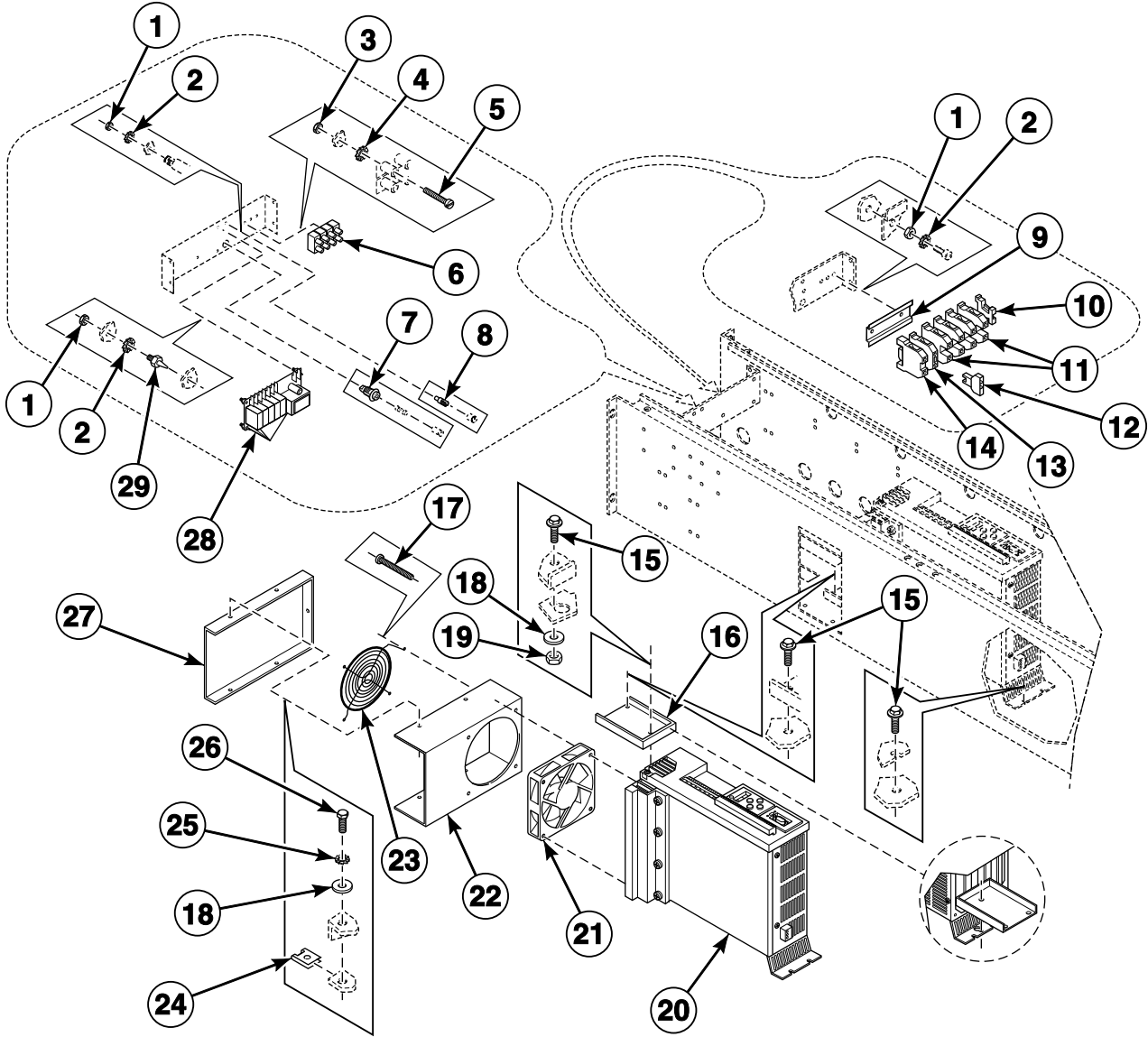
BE000100AP_D0341

Electrical Component Mounting Plate - Models with Mitsubishi Inverter Drive

REF	PART NO.	DESCRIPTION	COMMENTS
1	153/00112/01	Top Cover Plate	HF570 models
	153/00111/01	Top Cover Plate	HF450 models
2	246/00149/00	Gasket	
3	209/00323/02	Printboard	
4	209/00148/02	Contactactor	
5	223/00198/00	Grommet	
6	207/00008/00	Screw	
7	204/00116/00	Nut	
8	223/00123/00	Washer	
9	206/00141/00	Separator	
10	203/00007/00	Washer	
11	207/00135/00	Screw	
12	204/00007/00	Nut	
13	203/00006/00	Washer	
14	209/00005/00	Terminal Block	
15	223/00174/00	Grommet	
16	206/00101/00	Nut	
17	206/00099/00	Bolt	
18	211/00120/00	Standoff	
19	209/00275/04	Door Lock Board	
20	153/00111/00	Assembly Plate	HF450 models
	153/00112/00	Assembly Plate	HF570 models
21	246/00092/00	Gasket	
22	223/00011/00	Hose Clamp	
23	223/00210/00	Pressure Switch Elbow	
24	223/00016/00	Hose Barb	
25	223/00212/00	Pressure Switch Hose	
26	223/00035/01	Hose Tee	
27	225/10004/00	Thermostat Seal	
28	209/00266/08	Thermostat	
29	209/00007/50	Pressure Switch	
30	201/00007/00	Washer	
31	203/00004/00	Washer	
32	205/00105/00	Bolt	
33	209/00124/00	Contactactor	
34	207/00003/00	Screw	

Inverter Drive

Models with Mitsubishi Inverter Drive



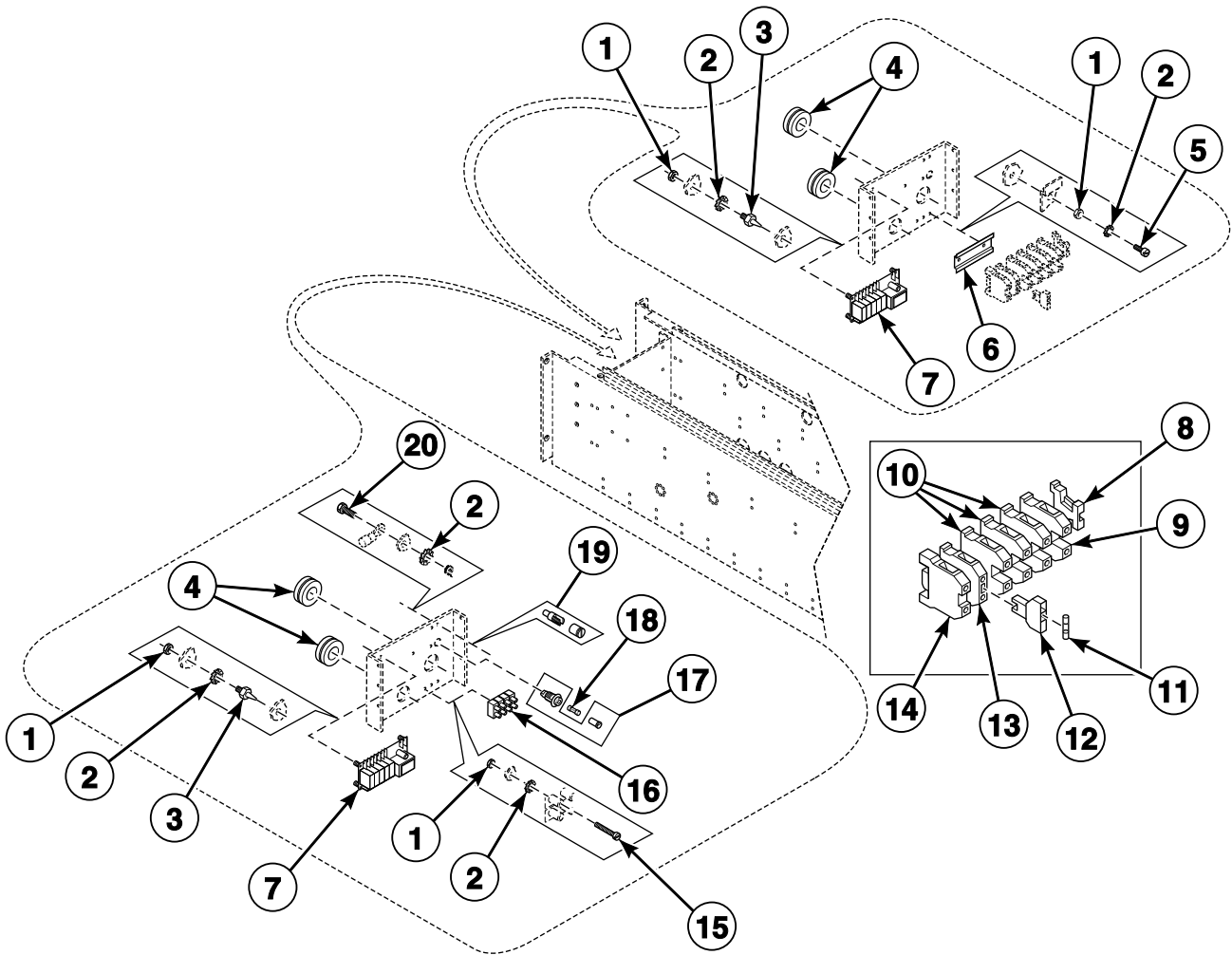
BE000072P_D0341

Inverter Drive

REF	PART NO.	DESCRIPTION	COMMENTS
1	204/00007/00	Nut	
2	203/00006/00	Washer	
3	204/00008/00	Nut	
4	203/00007/00	Washer	
5	207/00014/00	Screw	
6	209/00057/00	Terminal	3 pole
	209/00058/00	Terminal Block	4 pole
7	209/00202/00	Fuse Holder	
8	209/00006/00	Terminal	
9	720/00110/01	Rail	
10	209/00319/00	Clamp	
11	209/00317/02	Clamp	
	209/00317/01	Clamp	
12	209/00318/02	Clamp	
13	209/00318/01	Clamp	
14	209/00317/04	Clamp	
15	206/00099/00	Bolt	
16	153/00111/02	Assembly Plate	
17	227/00120/03	Screw	
18	201/00007/00	Washer	
19	204/00106/00	Nut	
20	227/00120/00	Inverter	
21	227/00120/02	Fan	
22	153/00111/03	Inverter Box	
23	227/00120/01	Fan	
24	208/00002/00	Nut	
25	203/00005/00	Washer	
26	208/00001/00	Screw	
27	153/00111/04	Inverter Top	
28	209/00218/01	Printboard	
29	211/00120/00	Standoff	

Main Switch and Printboard

Models with Mitsubishi Inverter Drive

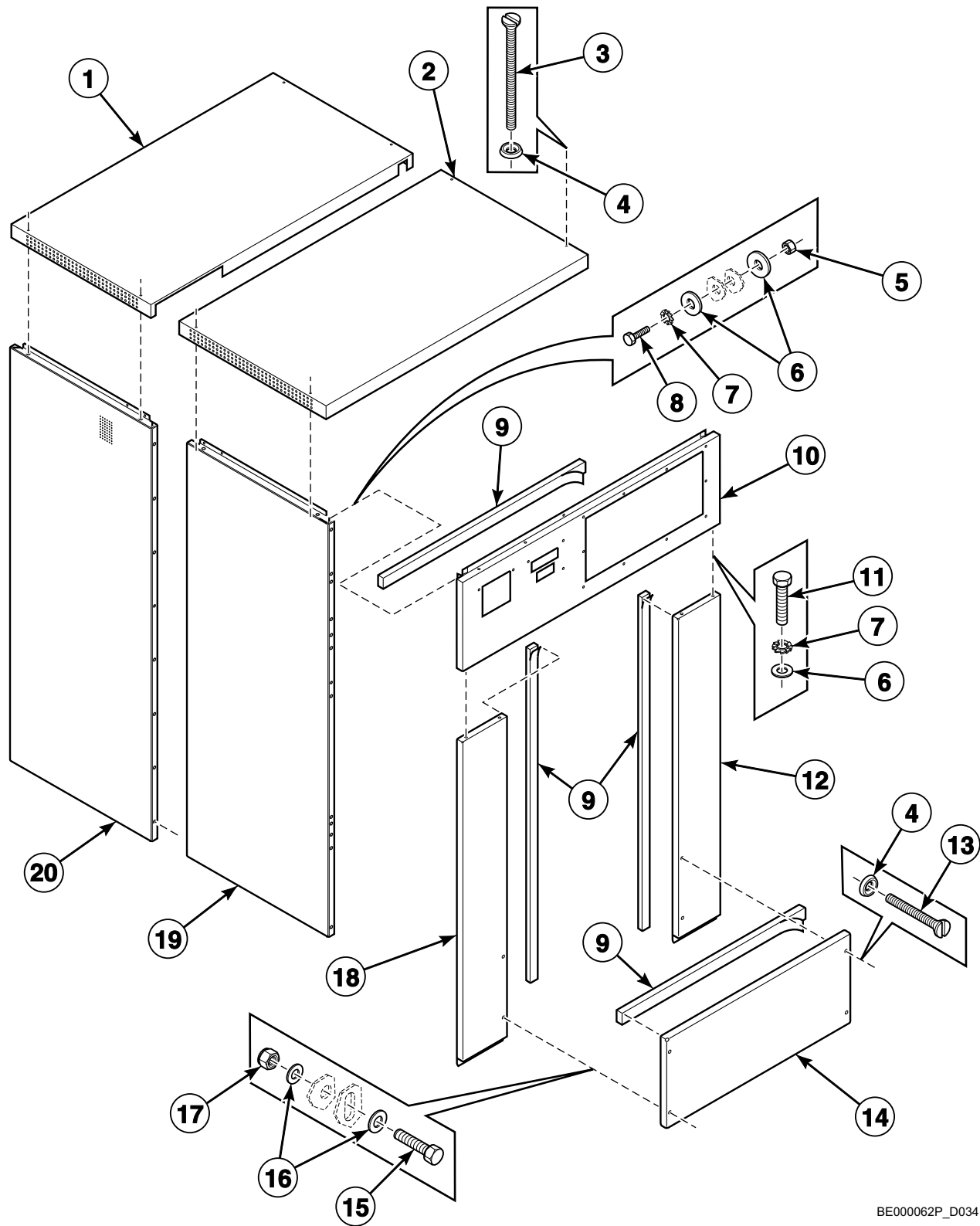


BE000101P_D0341

Main Switch and Printboard

REF	PART NO.	DESCRIPTION	COMMENTS
1	204/00007/00	Nut	
2	203/00006/00	Washer	
3	211/00120/00	Standoff	
4	223/00198/00	Grommet	
5	207/00008/00	Screw	
6	720/00110/01	Rail	
7	209/00218/01	Printboard	
8	209/00319/00	Clamp	
9	209/00317/02	Clamp	
10	209/00317/01	Clamp	
11	209/00468/00	Fuse	
12	209/00318/02	Clamp	
13	209/00318/01	Clamp	
14	209/00317/04	Clamp	
15	207/00031/00	Screw	
16	209/00058/00	Terminal Block	
17	209/00202/00	Fuse Holder	
18	209/00195/00	Fuse	
19	209/00006/00	Terminal	
20	206/00027/00	Bolt	

Left Side, Front and Top Panels

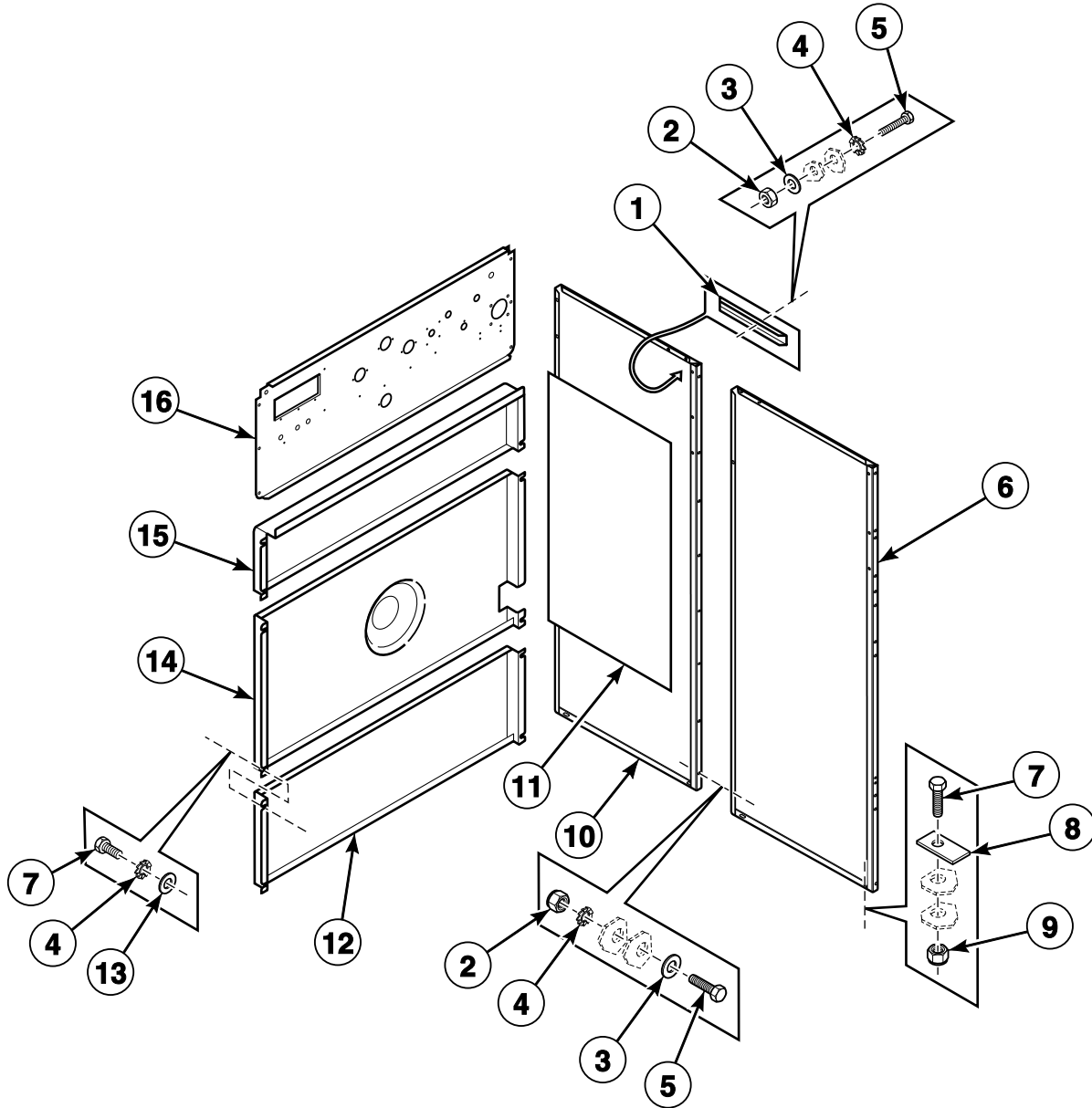


BE000062P_D0341

Left Side, Front and Top Panels

REF	PART NO.	DESCRIPTION	COMMENTS
1	153/00033/02	Rear Cabinet Top	HF450 models
	153/00034/02	Rear Cabinet Top	HF570 models
2	153/00033/01	Front Cabinet Top	HF450 models
	153/00034/01	Front Cabinet Top	HF570 models
3	207/00123/00	Screw	
4	208/00009/00	Washer	
5	204/00106/00	Nut	
6	202/00106/00	Washer	
7	203/00004/00	Washer	
8	205/00104/00	Bolt	
9	246/00149/00	Gasket	
10	153/00107/00	Front Panel	
11	205/00105/00	Bolt	
12	153/00110/00	Front Panel	
13	207/00101/00	Screw	
14	153/00113/00	Lower Front Panel	
15	206/00042/00	Bolt	
16	202/00111/00	Washer	
17	204/00109/00	Nut	
18	153/00109/00	Front Panel	
19	153/00104/00	Side Panel	HF450 models
	153/00106/00	Side Panel	HF570 models
20	153/00103/00	Side Panel	HF450 models
	153/00105/00	Side Panel	HF570 models

Right Side and Rear Panels

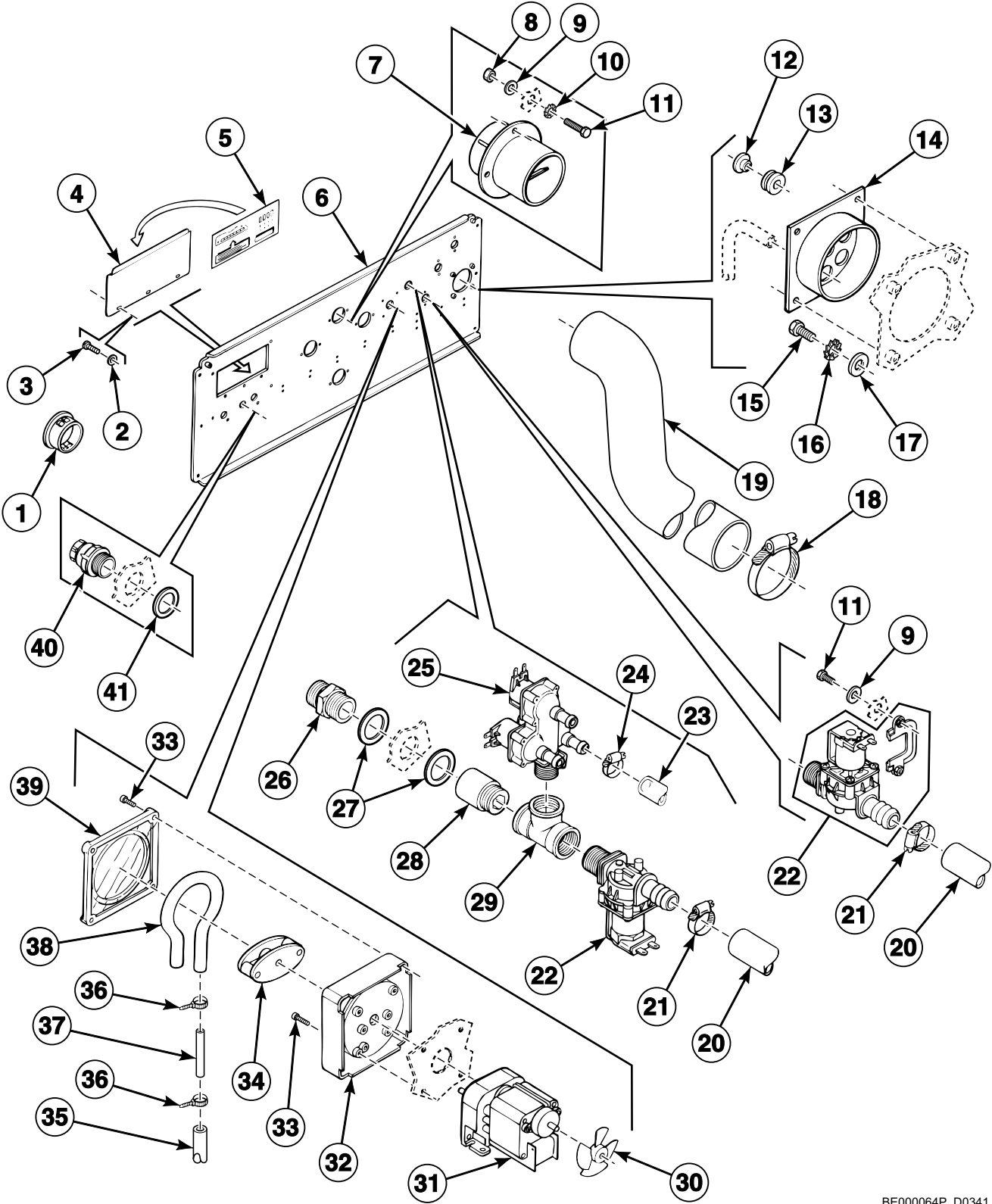


BE000063P_D0341

Right Side and Rear Panels

REF	PART NO.	DESCRIPTION	COMMENTS
1	153/00103/01	Side Panel Support Assembly	
2	204/00106/00	Nut	
3	202/00110/00	Washer	
4	203/00004/00	Washer	
5	205/00104/00	Bolt	
6	153/00103/00	Side Panel	HF450 models
	153/00105/00	Side Panel	HF570 models
7	205/00105/00	Bolt	
8	101/00007/00	Outlet Pipe Plate Assembly	
9	204/00009/00	Nut	
10	153/00104/00	Side Panel	HF450 models
	153/00106/00	Side Panel	HF570 models
11	246/00079/00	Side Panel Gasket	
12	153/00114/C0	Back Panel Support Assembly	
13	202/00106/00	Washer	
14	153/00114/B0	Back Panel Support Assembly	
15	153/00114/A0	Upper Back Panel	
16	153/00027/00	Backbridge	

Upper Back Panel - Models with KEB Inverter Drive



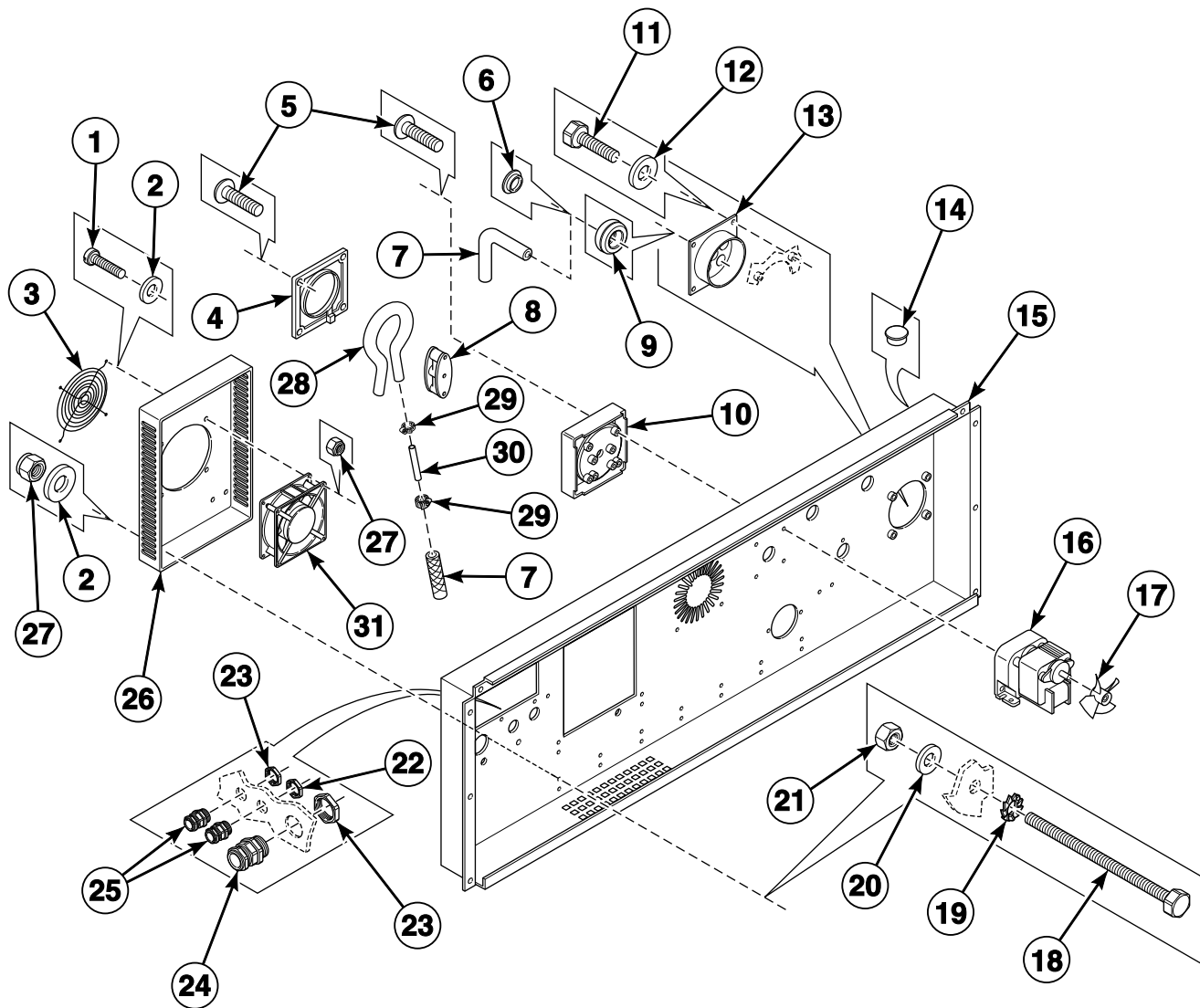
BE000064P_D0341

Upper Back Panel - Models with KEB Inverter Drive

REF	PART NO.	DESCRIPTION	COMMENTS
1	211/00087/00	Plug	30 mm diameter
	211/00084/00	Plug	20.5 mm diameter
2	202/00102/00	Washer	
3	207/00110/00	Screw	
4	140/00010/00	Cover Plate	
5	229/00250/00	Label	
6	153/00027/00	Backbridge	
7	223/00102/07	Hose Vent	
8	204/00007/00	Nut	
9	202/00004/00	Washer	
10	203/00006/00	Washer	
11	206/00027/00	Bolt	
12	211/00129/00	Plug	
13	225/00019/00	Holder	
14	153/00043/00	Inlet	
15	205/00104/00	Bolt	
16	203/00004/00	Washer	
17	202/00101/00	Washer	
18	223/00014/00	Hose Clamp	
19	223/00185/00	Hose	
20	223/00059/00	Water Hose	
21	223/00011/00	Hose Clamp	
22	209/00137/00	Inlet Valve	
23	223/00044/00	Water Hose	
24	223/00010/00	Hose Clamp	
25	209/00277/00	3-Way Inlet Valve	
26	223/00121/00	Connector	
27	223/00042/00	O-Ring	
28	711/00058/00	Extension Piece	
29	223/00043/00	T-Piece	
30	209/00420/05	Fan	
31	209/00420/04	Motor	
32	209/00420/02	Pump Housing	
33	209/00420/07	Screw	
34	209/00420/03	Pressure Roller	
35	223/00179/00	Soap Injector Hose	
36	211/00088/00	Cable Tie	
37	223/00180/00	Soap Injector Hose	
38	209/00420/01	Hose	
39	209/00420/06	Cover Plate	
40	211/00022/01	Nut	
41	211/00022/00	Nut	

Upper Back Panel (Drawing 1 of 2)

Models with Mitsubishi Inverter Drive



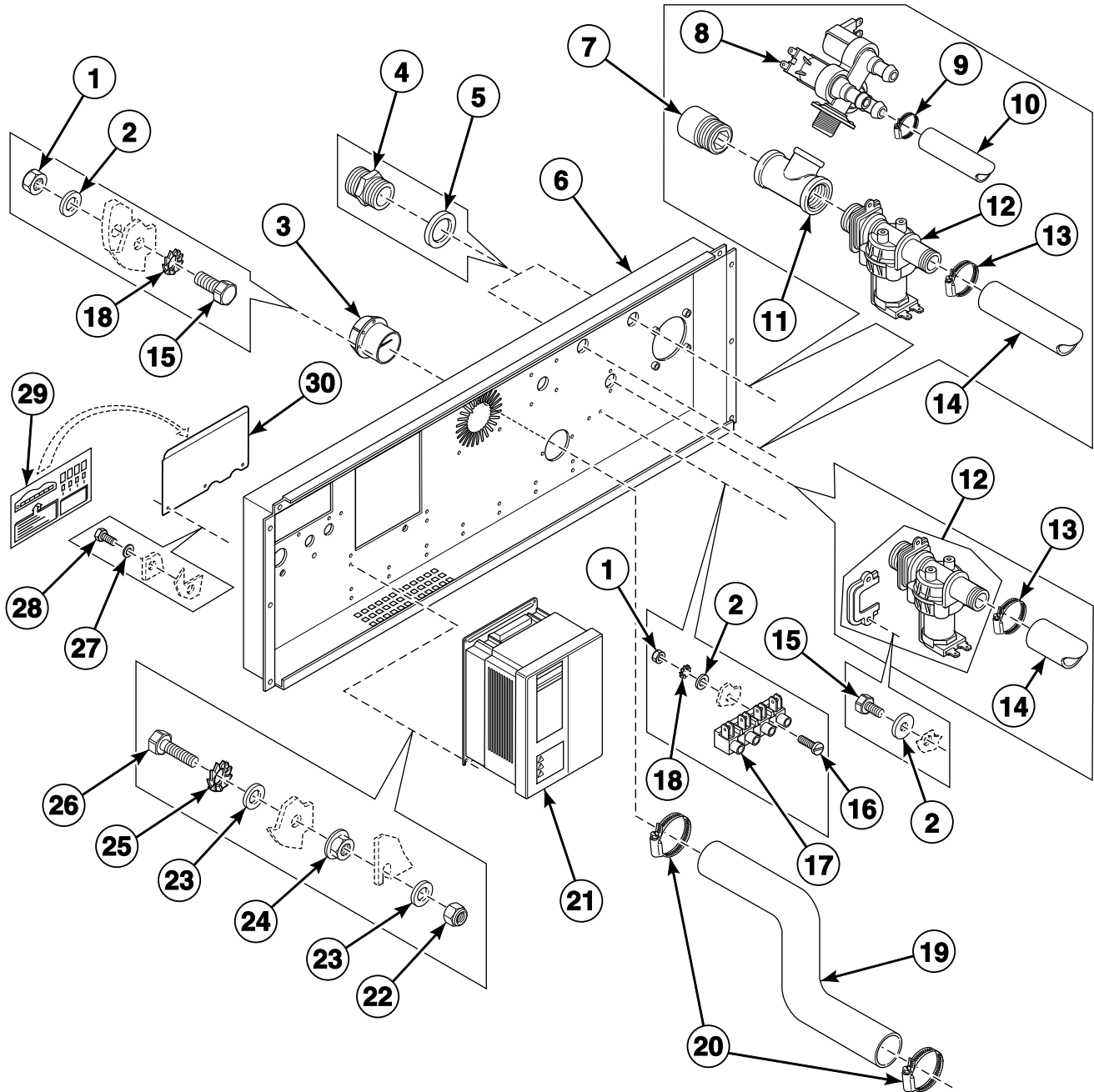
BE000097P_D0341

Upper Back Panel (Drawing 1 of 2)

REF	PART NO.	DESCRIPTION	COMMENTS
1	207/00105/00	Screw	
2	202/00004/00	Washer	
3	209/00465/01	Fan Grill	
4	209/00420/06	Cover Plate	
5	209/00420/07	Screw	
6	211/00129/00	Plug	
7	223/00179/00	Soap Injector Hose	
8	209/00420/03	Pressure Roller	
9	223/00174/00	Grommet	
10	209/00420/02	Pump Housing	
11	205/00104/00	Bolt	
12	202/00110/00	Washer	
13	153/00043/00	Inlet	
14	211/00087/00	Plug	
15	153/00027/01	Backbridge	
16	209/00420/04	Motor	
17	209/00420/05	Fan	
18	206/00136/00	Bolt	
19	203/00006/00	Washer	
20	202/00101/00	Washer	
21	204/00007/00	Nut	
22	211/00097/01	Cordlock	
23	211/00118/00	Cordlock	
24	211/00097/00	Cordlock	
25	211/00117/00	Cordlock	
26	153/00027/02	Fan Cover	
27	204/00114/00	Nut	
28	209/00420/01	Hose	
29	211/00088/00	Cable Tie	
30	223/00180/00	Soap Injector Hose	
31	209/00287/00	Cooling Fan	

Upper Back Panel (Drawing 2 of 2)

Models with Mitsubishi Inverter Drive

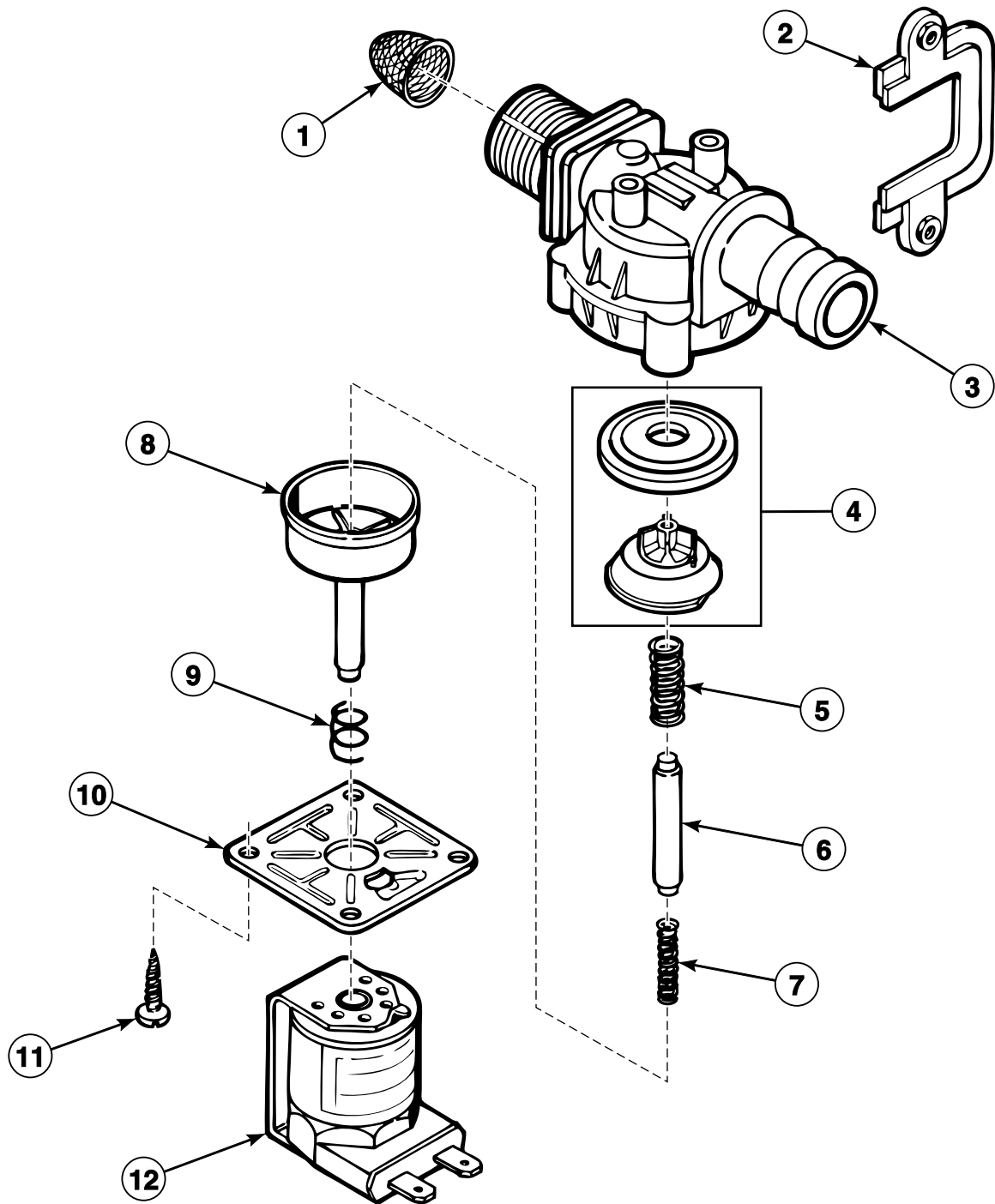


BE000098P_D0341

Upper Back Panel (Drawing 2 of 2)

REF	PART NO.	DESCRIPTION	COMMENTS
1	204/00007/00	Nut	
2	202/00004/00	Washer	
3	223/00102/07	Hose Vent	
4	223/00121/00	Connector	
5	223/00042/00	O-Ring	
6	153/00027/01	Backbridge	
7	711/00058/00	Extension Piece	
8	209/00277/00	3-Way Inlet Valve	
9	223/00010/00	Hose Clamp	
10	223/00044/00	Water Hose	
11	223/00043/00	T-Piece	
12	209/00137/00	Inlet Valve	
13	223/00011/00	Hose Clamp	
14	223/00059/00	Water Hose	
15	206/00027/00	Bolt	
16	207/00105/00	Screw	
17	209/00005/00	Terminal Block	
18	203/00006/00	Washer	
19	223/00211/00	Vent Hose	
20	223/00071/00	Hose Clamp	
21	227/00131/00	Inverter	HF570 models; 7.5 kW
	227/00130/00	Inverter	HF450 models; 5.5 kW
22	204/00009/00	Nut	
23	202/00101/00	Washer	
24	206/00101/00	Nut	
25	203/00004/00	Washer	
26	205/00103/00	Bolt	
27	207/00110/00	Screw	
28	202/00102/00	Washer	
29	229/00250/00	Label	
30	140/00010/00	Cover Plate	

Water Inlet Valves

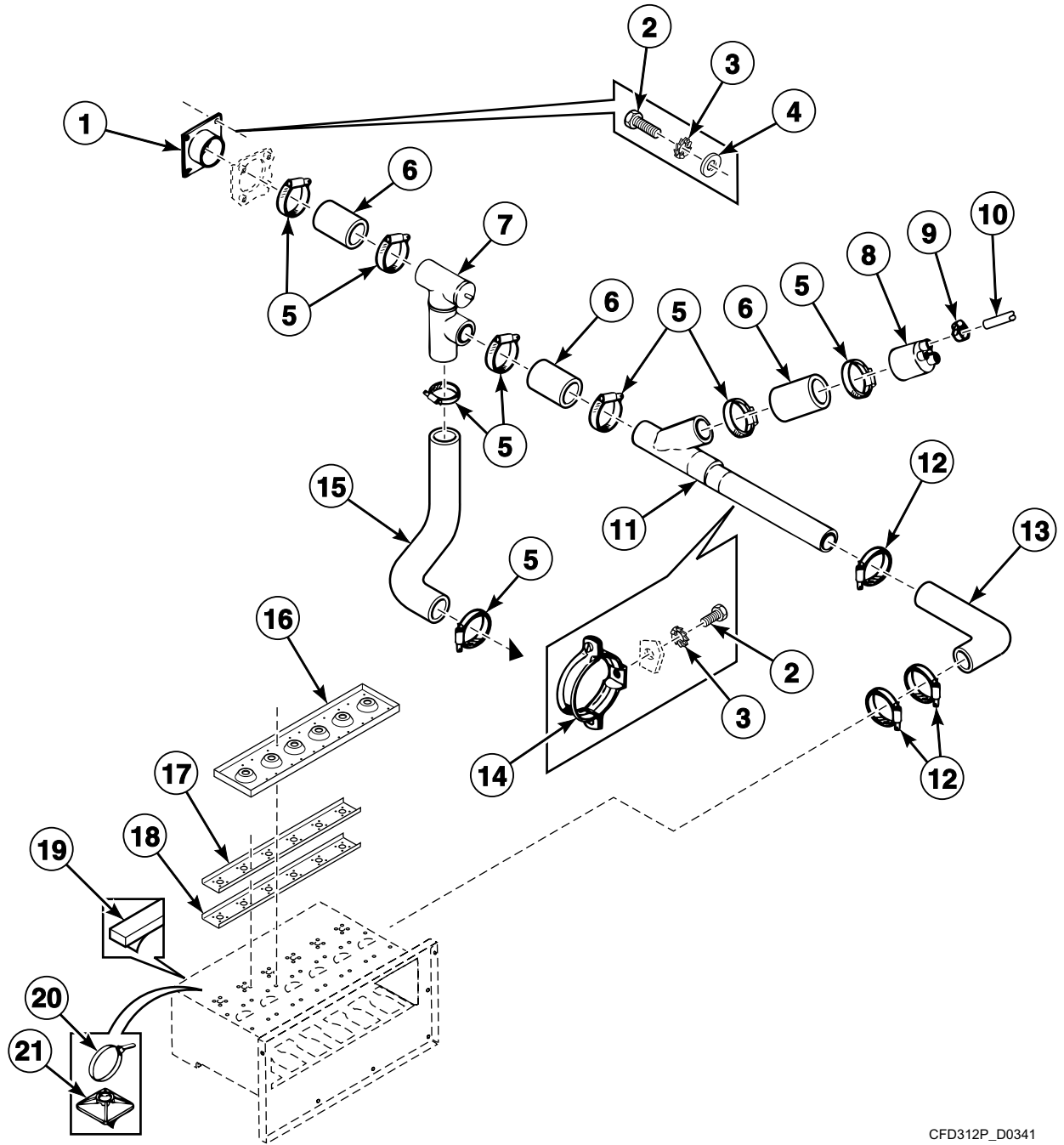


BE000065P_D0341

Water Inlet Valves

REF	PART NO.	DESCRIPTION	COMMENTS
1	223/00060/00	Filter	
2	209/00137/04	Inlet Valve Plate	
3	209/00137/02	Valve	
4	209/00138/01	Diaphragm	
5	209/00090/19	Diaphragm Spring	
6	209/00138/02	Inlet Valve	
7	209/00138/05	Spring	
8	209/00138/03	Spring	
9	209/00090/02	Spring	
10	209/00137/03	Valve Plate	
11	209/00090/03	Screw	
12	209/00090/01	Inlet Valve Solenoid	

Supply Dispenser Plumbing - Models with Mueller Valves

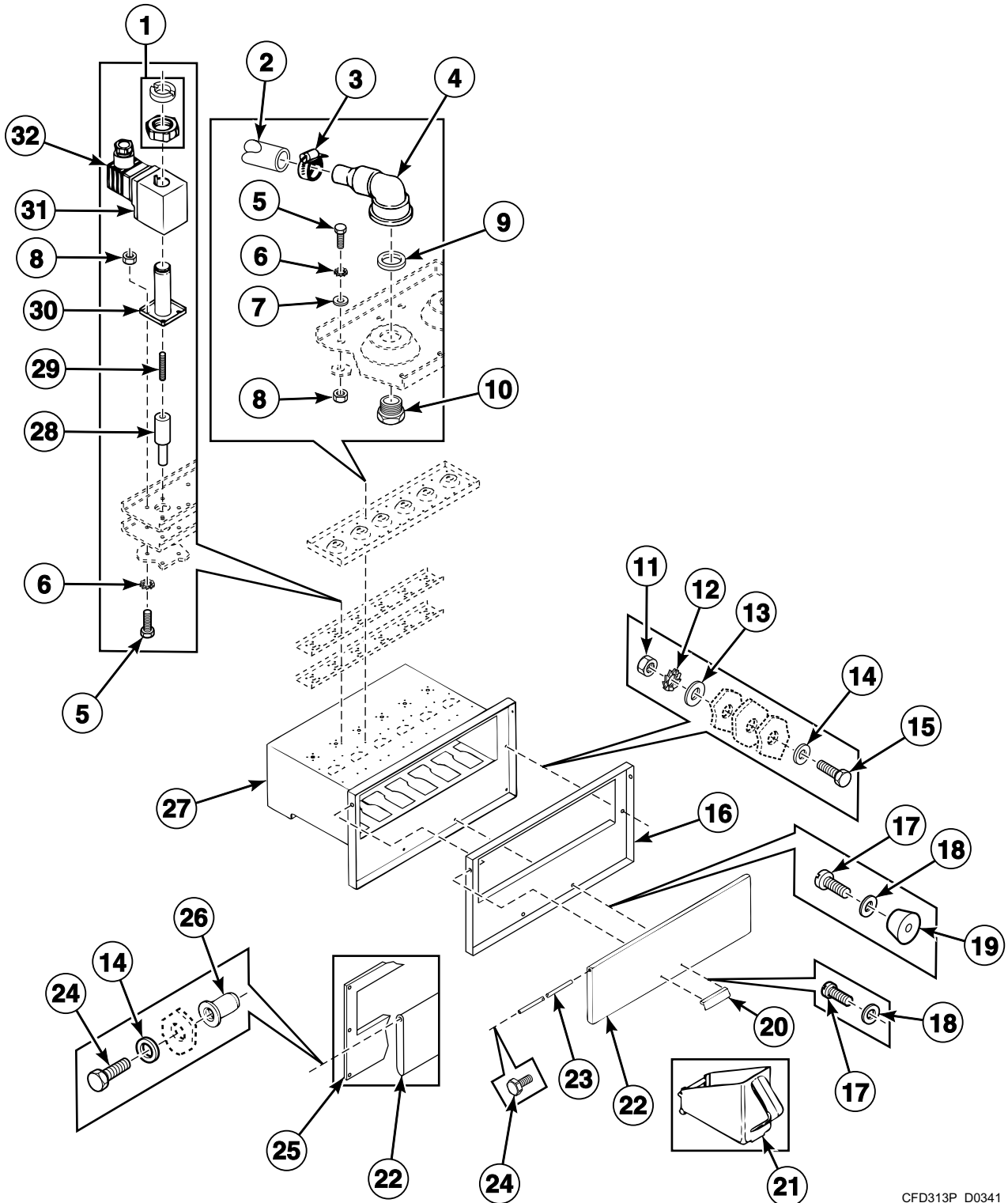


CFD312P_D0341

Supply Dispenser Plumbing - Models with Mueller Valves

REF	PART NO.	DESCRIPTION	COMMENTS
1	153/00043/00	Inlet	
2	207/00111/00	Screw	
3	203/00004/00	Washer	
4	202/00101/00	Washer	
5	223/00071/00	Hose Clamp	
6	223/00183/00	Drain Hose	
7	253/00020/00	T-Piece	
8	223/00289/00	Water Inlet Grid	
9	223/00011/00	Hose Clamp	
10	223/00059/00	Water Hose	
11	253/00021/00	Reducing Tee	
12	223/00014/00	Hose Clamp	
13	223/00186/00	Hose	
14	253/00019/00	Clamp	
15	223/00187/00	Soap Dispenser to Tub Hose	
16	153/00026/01	Assembly Plate Spray	
17	153/00026/02	Inlet Valve Plate	
18	153/00026/06	Inlet Valve Plate	Upper
19	246/00181/00	Rubber Strip	
20	211/00088/00	Cable Tie	
21	211/00104/00	Tie Holder	

Supply Dispenser Plumbing - Models with Dhnfoss Valves

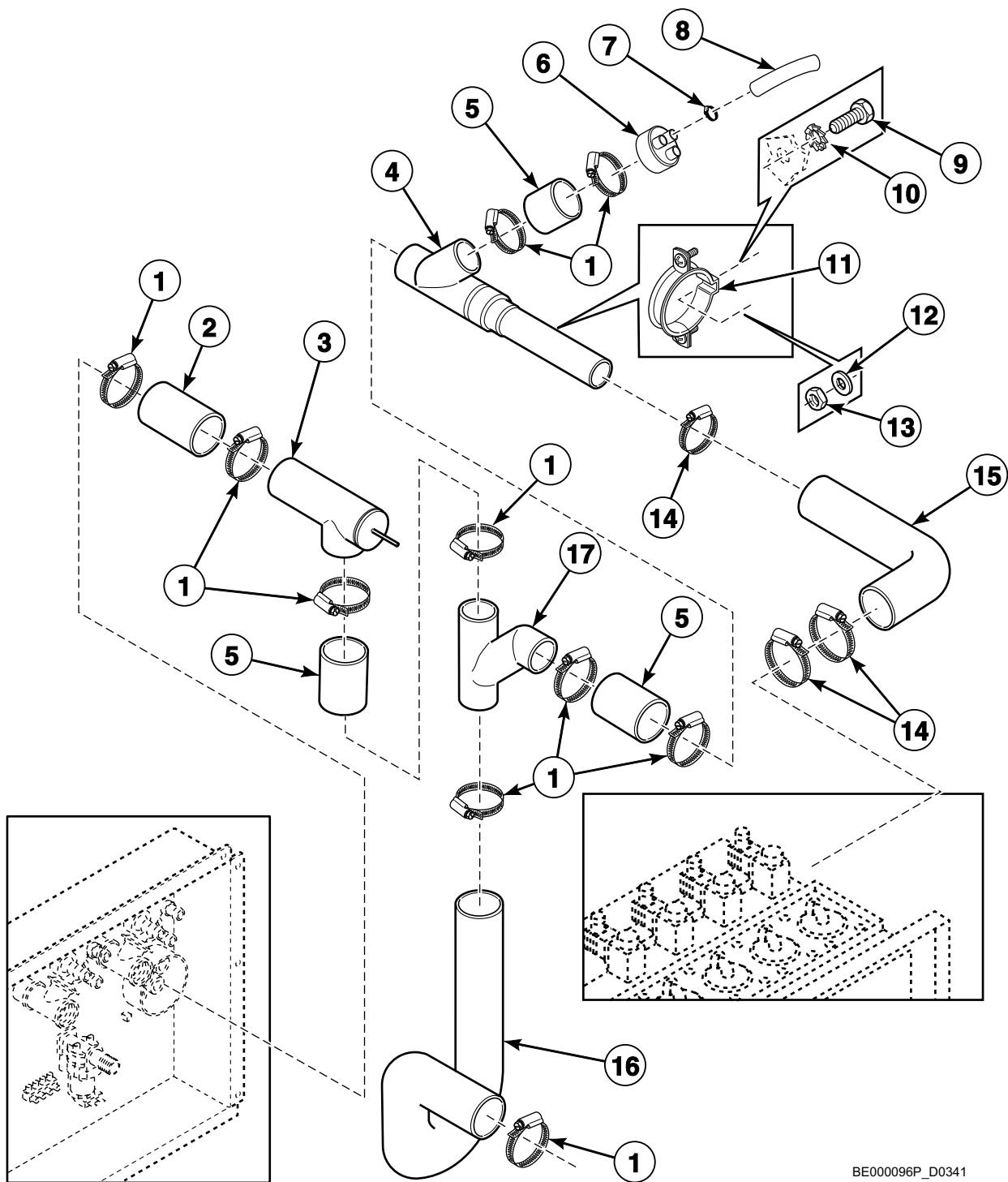


CFD313P_D0341

Supply Dispenser Plumbing - Models with Dhnfoss Valves

REF	PART NO.	DESCRIPTION	COMMENTS
1	209/01306/00	Nut	
2	223/00044/00	Water Hose	
3	223/00011/00	Hose Clamp	
4	211/10149/00	Flow Nozzle	
5	205/00116/00	Bolt	
6	203/00006/00	Washer	
7	202/00109/00	Washer	
8	204/00105/00	Nut	
9	223/00176/00	O-Ring	
10	211/10147/00	Mounting Piece	
11	204/00106/00	Nut	
12	203/00004/00	Washer	
13	202/00106/00	Washer	
14	202/00101/00	Washer	
15	207/00103/00	Screw	
16	153/00026/24	Front Panel	
17	207/00110/00	Screw	
18	202/00102/00	Washer	
19	223/00008/01	Handle Grommet	
20	223/00008/05	Soap Dispenser Cover Handle	
21	253/00012/00	Soap Dispenser	
22	153/00026/12	Soap Dispenser Cover	
23	153/00026/13	Hinge	
24	205/00107/00	Bolt	
25	153/00026/14	Front Panel	
26	204/00301/00	Bushing	
27	153/00026/99	Soap Dispenser	
28	211/10158/00	Valve Guide	
29	224/00048/00	Spring	
30	209/00306/04	Core Holder	
31	209/00306/02	Coil	
32	209/00306/18	Terminal Connector	

Overflow and Inlet Plumbing

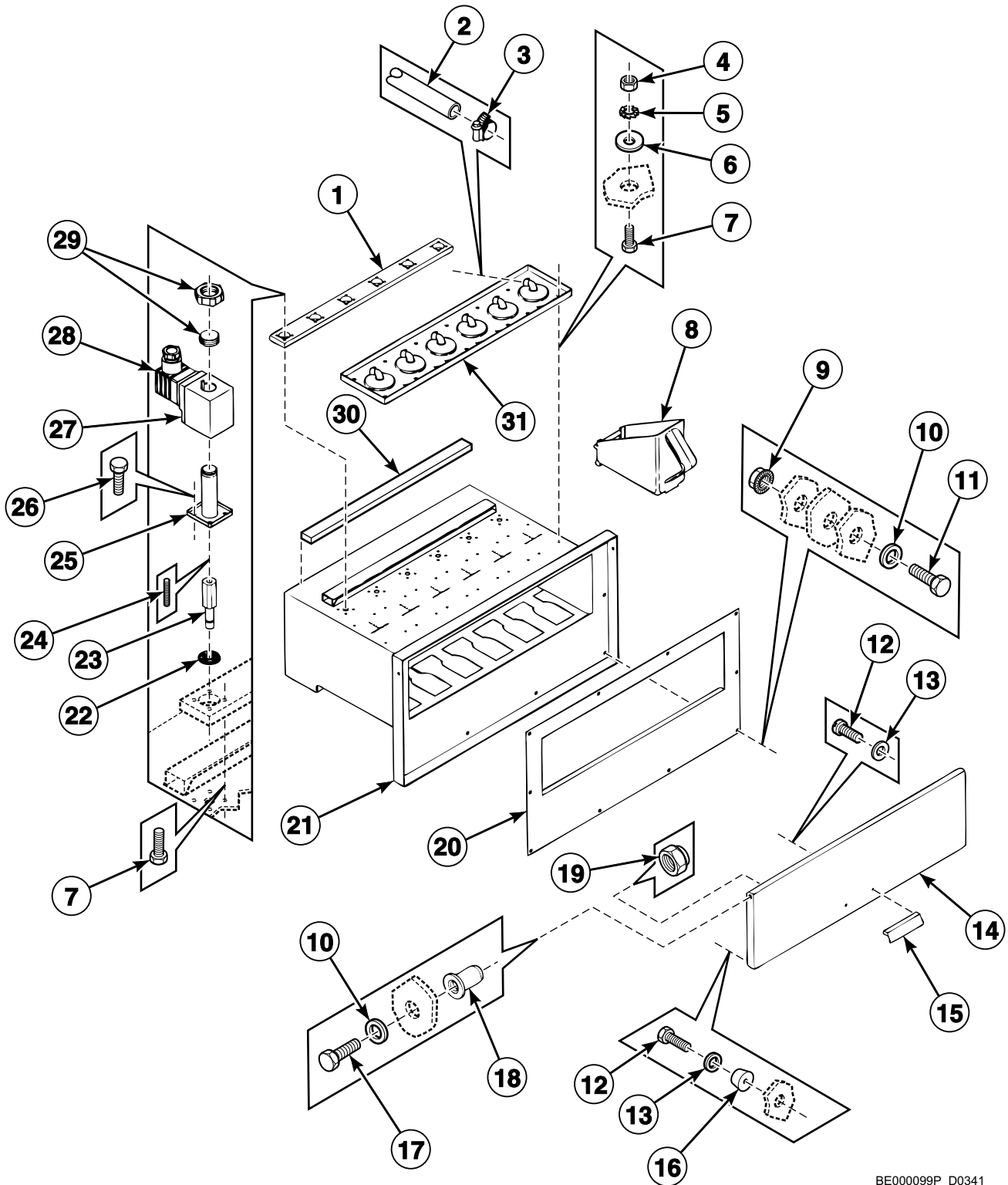


BE000096P_D0341

Overflow and Inlet Plumbing

REF	PART NO.	DESCRIPTION	COMMENTS
1	223/00071/00	Hose Clamp	
2	223/00219/00	Soap Inlet Hose Kit	
3	253/00029/00	Elbow	
4	253/00021/00	Reducing Tee	
5	223/00141/00	Drain Valve to Drain Pipe Hose	
6	223/00289/00	Water Inlet Grid	
7	223/00011/00	Hose Clamp	
8	223/00059/00	Water Hose	
9	205/00105/00	Bolt	
10	203/00004/00	Washer	
11	253/00019/00	Clamp	
12	202/00110/00	Washer	
13	204/00106/00	Nut	
14	223/00014/00	Hose Clamp	
15	223/00186/00	Hose	
16	223/00187/00	Soap Dispenser to Tub Hose	

Supply Dispenser

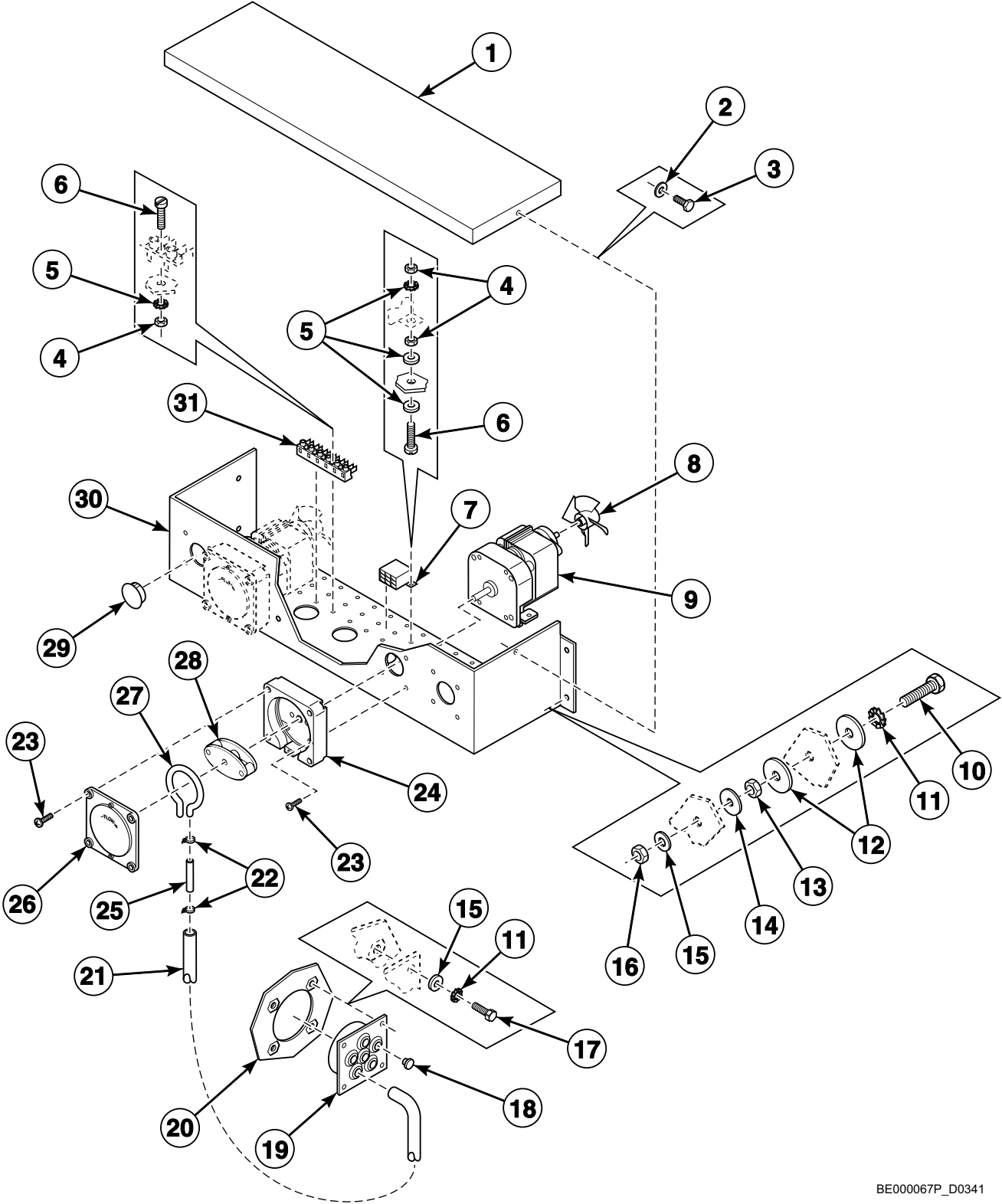


BE000099P_D0341

Supply Dispenser

REF	PART NO.	DESCRIPTION	COMMENTS
1	253/00027/00	Assembly Plate	
2	223/00044/00	Water Hose	
3	223/00011/00	Hose Clamp	
4	204/00105/00	Nut	
5	203/00006/00	Washer	
6	202/00109/00	Washer	
7	205/00116/00	Bolt	
8	253/00012/00	Soap Dispenser	
9	206/00101/00	Nut	
10	202/00101/00	Washer	
11	205/00105/00	Bolt	
12	207/00110/00	Screw	
13	202/00102/00	Washer	
14	153/00026/12	Soap Dispenser Cover	
15	223/00008/05	Soap Dispenser Cover Handle	
16	223/00008/01	Handle Grommet	
17	207/00126/00	Screw	
18	204/00301/00	Bushing	
19	204/00009/00	Nut	
20	153/00026/14	Front Panel	
21	153/00026/99	Soap Dispenser	
22	223/00208/00	Washer	
23	211/10158/00	Valve Guide	
24	224/00048/00	Spring	
25	209/00306/04	Core Holder	
26	205/00120/00	Bolt	
27	209/00306/02	Coil	
28	209/00306/18	Terminal Connector	
29	209/01306/00	Nut	
30	246/00181/00	Rubber Strip	
31	153/00026/01	Assembly Plate Spray	

Liquid Supply Pump - Through Supply Dispenser

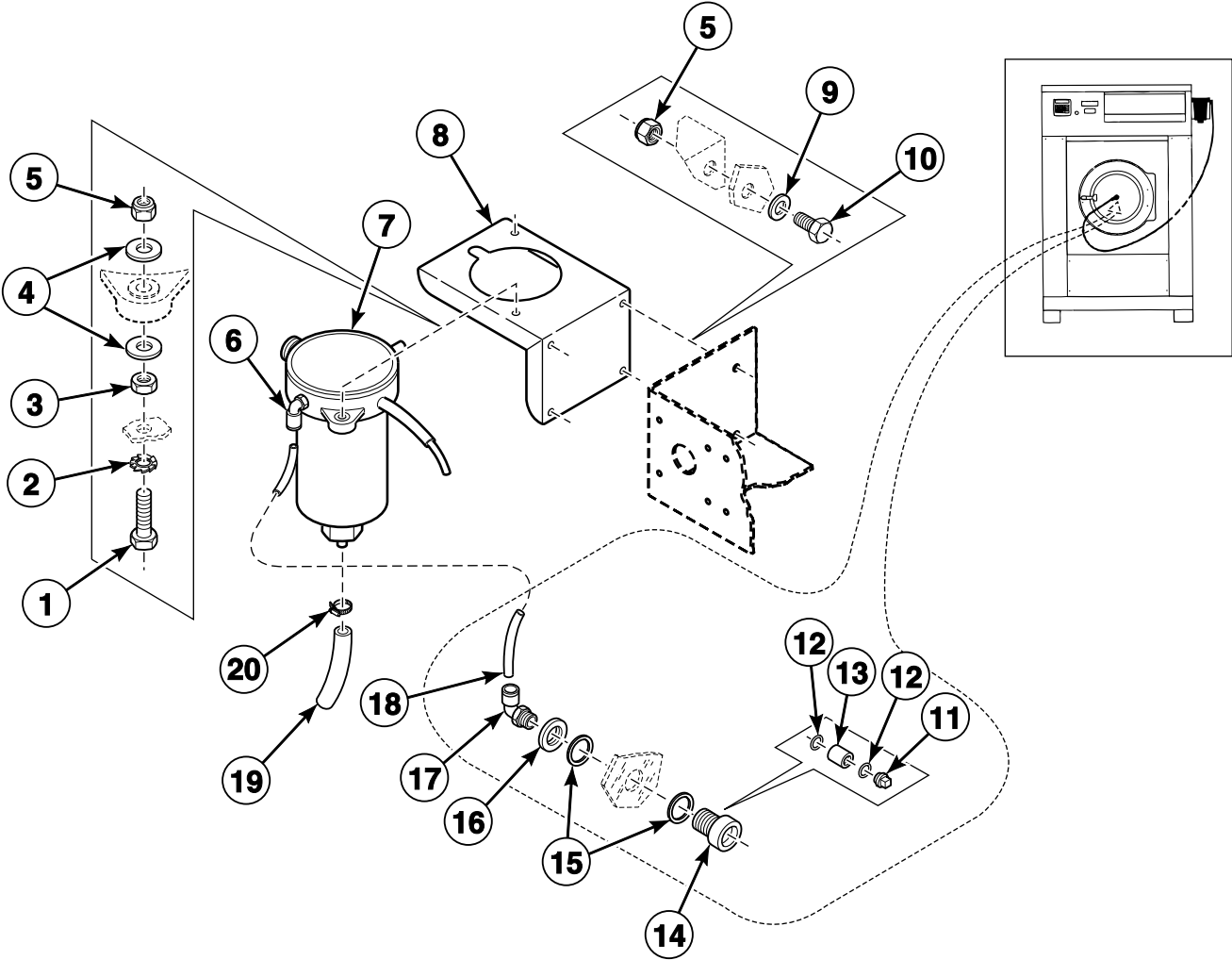


BE000067P_D0341

Liquid Supply Pump - Through Supply Dispenser

REF	PART NO.	DESCRIPTION	COMMENTS
1	111/00234/01	Pump Flow Top	
2	202/00109/00	Washer	
3	205/00113/00	Bolt	
4	204/00007/00	Nut	
5	203/00006/00	Washer	
6	207/00003/00	Screw	
7	209/00141/00	Plug	
8	209/00420/05	Fan	
9	209/00420/04	Motor	
10	205/00103/00	Bolt	
11	203/00004/00	Washer	
12	202/00108/00	Washer	
13	204/00005/00	Nut	
14	202/00106/00	Washer	
15	202/00101/00	Washer	
16	204/00009/00	Nut	
17	205/00104/00	Bolt	
18	211/00129/00	Plug	
19	153/00043/00	Inlet	
20	225/00019/00	Holder	
21	223/00179/00	Soap Injector Hose	
22	211/00088/00	Cable Tie	
23	209/00420/07	Screw	
24	209/00420/02	Pump Housing	
25	223/00180/00	Soap Injector Hose	
26	209/00420/06	Cover Plate	
27	209/00420/01	Hose	
28	209/00420/03	Pressure Roller	
29	211/00087/00	Plug	
30	111/00234/00	Pump Flow Assembly	
31	210/10007/00	Connection	

Liquid Supply Pump - Through Door Glass

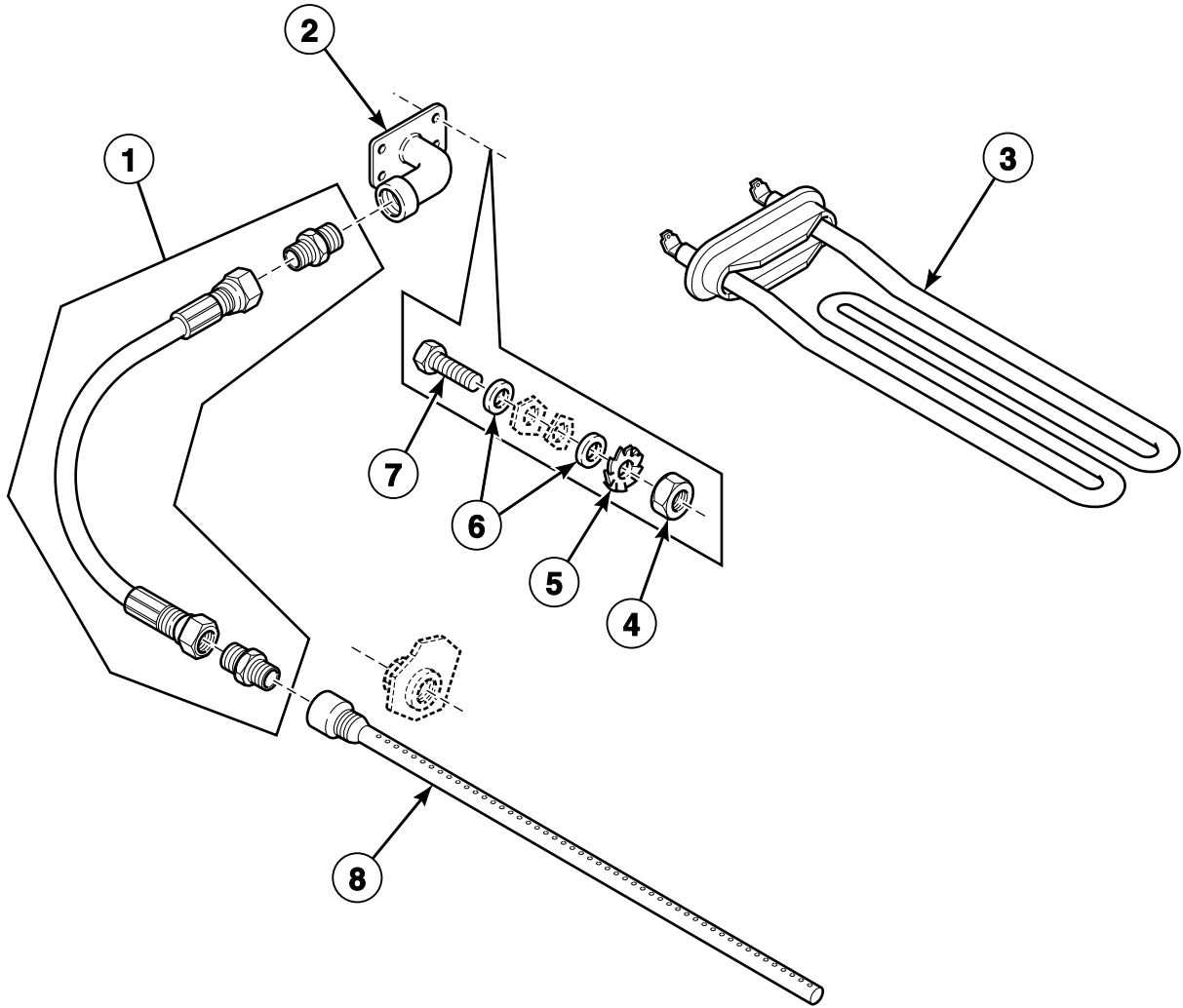


BE000068P_D0341

Liquid Supply Pump - Through Door Glass

REF	PART NO.	DESCRIPTION	COMMENTS
1	205/00103/00	Bolt	
2	203/00004/00	Washer	
3	204/00106/00	Nut	
4	202/00101/00	Washer	
5	204/00009/00	Nut	
6	223/00181/00	Soap Injector Elbow Coupling	
7	209/00369/00	Liquid Soap Spray Pump	
8	111/10179/00	Spray Pump Mounting Plate	
9	201/00007/00	Washer	
10	205/00107/00	Bolt	
11	223/00178/00	Soap Injector Orifice	
12	223/00177/00	O-Ring	
13	211/00126/00	Soap Injector Orifice Nipple	
14	211/00127/00	Soap Injector Connector	
15	223/00176/00	O-Ring	
16	211/10106/00	Nut	
17	223/00182/00	Soap Injector Coupling	
18	223/00180/00	Soap Injector Hose	
19	223/00179/00	Soap Injector Hose	
20	211/00088/00	Cable Tie	

Electric and Steam Heating Options

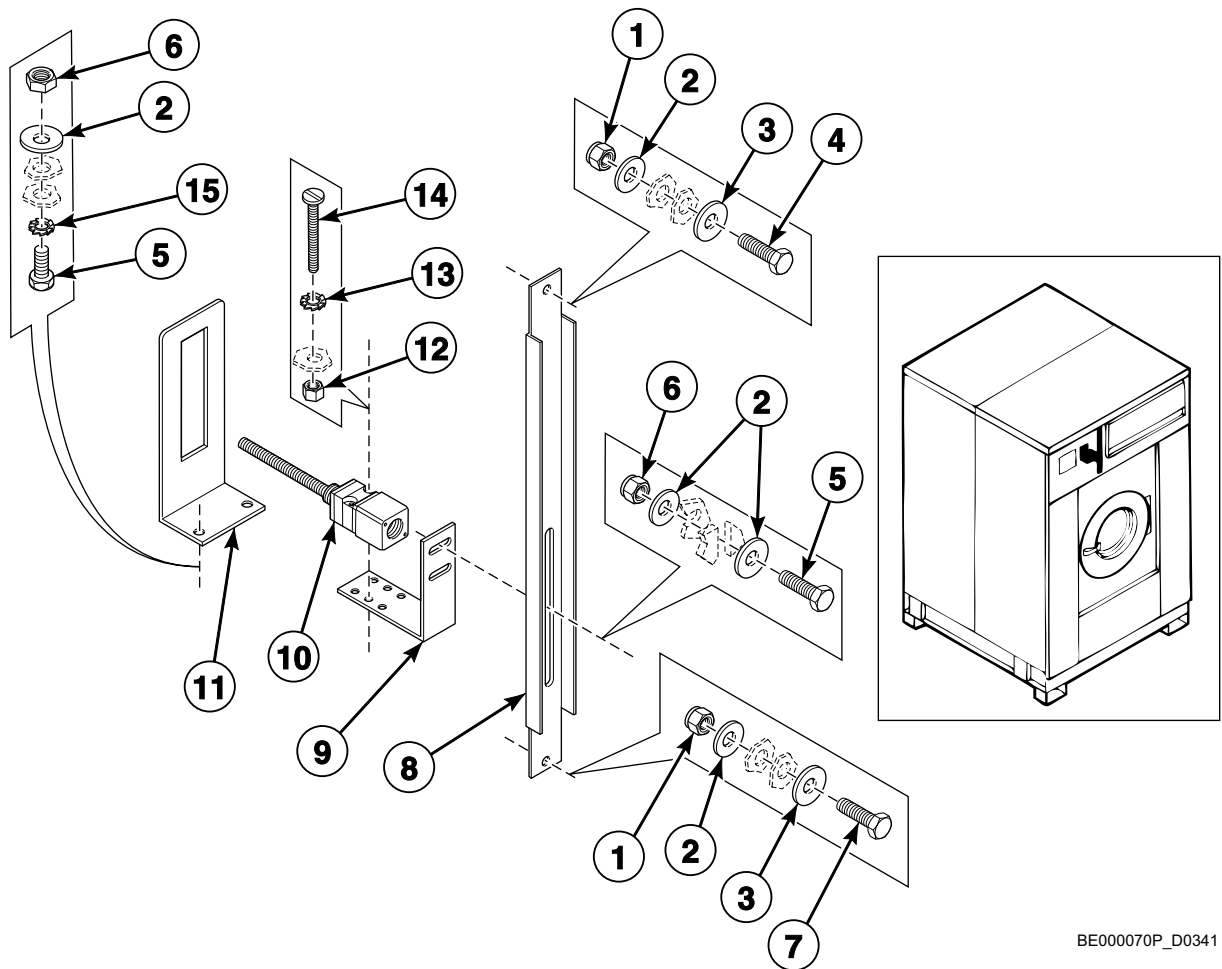


BE000069P_D0341

Electric and Steam Heating Options

REF	PART NO.	DESCRIPTION	COMMENTS
1	217/00026/00	Steam Hose	
2	153/00047/00	Steam Connection Inlet	
3	209/00049/00	Heating Element	3000W; 220/240 Volt
	209/00581/00	Heating Element	4000W; 380 Volt
4	204/00106/00	Nut	
5	203/00004/00	Washer	
6	202/00106/00	Washer	
7	205/00105/00	Bolt	
8	153/00048/00	Steam Injector	

Balance Switch



BE000070P_D0341

Balance Switch

REF	PART NO.	DESCRIPTION	COMMENTS
1	204/00009/00	Nut	
2	202/00106/00	Washer	
3	202/00101/00	Washer	
4	205/00107/00	Bolt	
5	205/00104/00	Bolt	
6	204/00106/00	Nut	
7	207/00111/00	Screw	
8	153/00045/00	Out-of-Balance Switch Plate	
9	111/00107/00	Tilt Switch Bracket	
10	209/00255/00	Out-of-Balance Switch	
11	153/00046/00	Out-of-Balance Detector Plate	
12	204/00105/00	Nut	
13	206/00006/00	Bolt	
14	207/00018/00	Screw	
15	203/00004/00	Washer	

Parts Index

A

Assembly Plate	
153/00111/00	33, 35
153/00111/02	37
153/00112/00	33, 35
253/00027/00	59
Assembly Plate Spray	
153/00026/01	53, 59

B

Back Panel	
153/00014/00	9
Back Panel Support Assembly	
153/00114/B0	43
153/00114/C0	43
Backbridge	
153/00027/00	43, 45
153/00027/01	47, 49
Ball Bearing	
212/00004/00	11
Bearing	
253/00007/00	11, 13
Bearing Cover Plate	
153/00041/00	11
Bearing Housing	
253/00002/00	9, 11
Bolt	
205/00102/00	9
205/00103/00	49, 61, 63
205/00104/00	11, 27, 41, 43, 45, 47, 61, 67
205/00105/00	9, 35, 41, 43, 57, 59, 65
205/00107/00	55, 63, 67
205/00113/00	61
205/00116/00	55, 59
205/00120/00	59
206/00004/00	13, 15
206/00006/00	11, 67
206/00009/00	17, 19
206/00027/00	39, 45, 49
206/00042/00	41
206/00045/00	7
206/00070/00	7
206/00072/00	15
206/00099/00	33, 35, 37
206/00122/00	9, 15
206/00136/00	47
212/00009/02	13
224/00046/00	7
248/00114/00	15
Bushing	
204/00301/00	55, 59
Button	
209/00099/09	31

C

Cable Duct	
225/00027/00	33
Cable Tie	
211/00088/00	45, 47, 53, 61, 63
Cerclips	
253/00008/00	11
Clamp	
209/00317/01	37, 39
209/00317/02	37, 39
209/00317/04	37, 39
209/00318/01	37, 39
209/00318/02	37, 39
209/00319/00	37, 39
253/00019/00	53, 57
Coil	
209/00051/21	21, 23
209/00052/21	21, 23
209/00203/21	21
209/00212/11	23
209/00306/02	55, 59
Connection	
210/10007/00	61
Connector	
223/00121/00	45, 49
Contact	
209/00099/05	31
Contact Switch	
209/00099/06	31
Contacto	
209/00124/00	33, 35
209/00148/02	33, 35
Cooling Fan	
209/00287/00	15, 47
Cordlock	
211/00097/00	47
211/00097/01	47
211/00117/00	47
211/00118/00	47
Core Holder	
209/00306/04	55, 59
Counter Ring	
232/00008/00	13
Counterweight	
153/00004/00	9
Cover Plate	
140/00010/00	45, 49
209/00420/06	45, 47, 61

D

Diaphragm	
209/00138/01	51
Diaphragm Spring	
209/00090/19	51
Door	
118/00125/00	27

N/A items do not appear in index.

Door Axle Roller 217/00013/05	29	Drain Valve Handle 209/00115/11	23
Door Circlip 217/00013/11	29	Drain Valve Motor 209/00051/11	21
Door Glass 231/00004/00	27	209/00052/11	21
Door Glass Seal 223/00068/00	27	209/00052/12	23
Door Handle 217/00013/12	29	209/00203/11	21
217/00051/00	27, 29	209/00203/12	23
217/00051/10	29	Drain Valve Motor Assembly 209/00170/06	23
Door Handle Assembly Plate 217/00013/16	29	Drain Valve Motor Mounting Plate 209/00025/07	21
Door Handle Hook 217/00013/13	29	209/00115/04	23
Door Handle Latch 217/00013/04	29	Drain Valve Overflow Plug 223/00086/00	17, 19
Door Handle Locking Pin 217/00013/15	29	Drain Valve Plate Assembly 115/00147/00	17, 19
Door Handle Spring 217/00013/14	29	115/00147/01	17
Door Handle Stop 217/00016/00	27	Drain Valve Shaft 209/00170/10	21, 23
Door Hinge Block 253/00022/00	27	Drain Valve Shaft Seal 209/00025/10	21, 23
Door Hinge Spacer 117/00010/00	27	Drain Valve Spring 209/00025/13	21
Door Latch Cord 224/00015/00	25	209/00170/02	23
Door Lock Assembly 217/00052/01	25	Drain Valve to Drain Pipe Hose 223/00141/00	17, 19, 57
Door Lock Board 209/00275/04	25, 33, 35	Drum and Axle 153/00035/00	13
Door Lock Microswitch 209/00272/00	25	153/00036/00	13
Door Lock Pin Kit 211/00109/00	27		
217/00052/02	25		
Door Lock Solenoid 209/00274/00	25		
Door Lock Spacer 217/00052/03	25		
Door Lock Spring 217/00013/03	29		
224/00049/00	25		
Door Locking Grip 217/00013/07	29		
Door Locking Pin 217/00013/08	29		
Door Mounting Pin 217/00013/09	29		
Door Roller 217/00013/06	29		
Drain Hose 223/00183/00	53		
Drain Pipe 223/00106/00	17, 19		
Drain Tub to Drain Valve Hose 223/00133/00	17		
Drain Valve 209/00075/00	17, 19		
209/00075/05	21, 23		
209/00171/00	17		

E

Elbow 253/00029/00	57
Exhaust Valve Hose 223/00170/00	19
Extension Piece 711/00058/00	45, 49

F

Fan 209/00420/05	45, 47, 61
227/00120/01	37
227/00120/02	37
Fan Cover 153/00027/02	47
Fan Grill 209/00465/01	47
Filter 223/00060/00	51
Flow Nozzle 211/10149/00	55
Frame 153/00009/00	7
153/00010/00	7
Front Cabinet Top 153/00033/01	41
153/00034/01	41

N/A items do not appear in index.

Front Panel	
153/00013/00	9
153/00026/14	55, 59
153/00026/24	55
153/00107/00	31, 41
153/00109/00	41
153/00110/00	41
Front Panel Plate	
153/00101/00	9
Fuse	
209/00195/00	39
209/00468/00	39
Fuse Holder	
209/00202/00	37, 39

G

Gasket	
246/00092/00	9, 33, 35
246/00149/00	33, 35, 41
Grease Ring	
253/00009/00	11
Grommet	
223/00174/00	35, 47
223/00198/00	35, 39
Ground Terminal	
210/10015/00	25

H

Handle Grommet	
223/00008/01	55, 59
Heating Element	
209/00049/00	65
209/00581/00	65
Hinge	
131/00046/00	27
153/00026/13	55
Holder	
225/00019/00	33, 45, 61
Hose	
209/00420/01	45, 47, 61
223/00185/00	45
223/00186/00	53, 57
Hose Barb	
223/00016/00	33, 35
Hose Clamp	
223/00010/00	45, 49
223/00011/00	33, 35, 45, 49, 53, 55, 57, 59
223/00012/00	17, 19
223/00013/00	17, 19
223/00014/00	45, 53, 57
223/00071/00	17, 19, 49, 53, 57
Hose Tee	
223/00035/01	33, 35
Hose Vent	
223/00102/07	45, 49

I

Inlet	
153/00043/00	45, 47, 53, 61
Inlet Valve	
209/00137/00	45, 49
209/00138/02	51
Inlet Valve Plate	
153/00026/02	53
153/00026/06	53
209/00137/04	51
Inlet Valve Solenoid	
209/00090/01	51
Inlet Valve, 3-Way	
209/00277/00	45, 49
Interlock Coil Spring	
224/00043/00	25
Interlock Lever	
217/00052/04	25
Inverter	
227/00120/00	37
227/00130/00	49
227/00131/00	49
Inverter Box	
153/00111/03	37
Inverter Top	
153/00111/04	37

K

Key	
212/00026/00	13
Keyboard	
209/00323/01	31

L

Label	
229/00245/00	31
229/00250/00	45, 49
Level Switch Elbow	
223/00015/00	33
Leveling Leg	
252/00006/00	9
Lever Spring	
224/00040/00	25
Light Microswitch	
209/00273/00	25
Liquid Soap Spray Pump	
209/00369/00	63
Lock Shaft	
217/00017/03	25
Lower Front Panel	
153/00113/00	41
Lubricator	
212/00002/00	11

N/A items do not appear in index.

M

Motor	
209/00420/04	45, 47, 61
227/00132/00	15
253/00011/00	15
Motor Plate	
153/00024/00	15
153/00025/00	15
Mounting Piece	
211/10147/00	55
Mounting Plate	
173/00012/00	31

N

Nut	
204/00001/00	7
204/00003/00	9
204/00004/00	17, 19
204/00005/00	61
204/00007/00	15, 25, 33, 35, 37, 39, 45, 47, 49, 61
204/00008/00	25, 31, 37
204/00009/00	43, 49, 59, 61, 63, 67
204/00012/00	7, 15
204/00016/00	7
204/00019/00	7
204/00103/00	27
204/00105/00	55, 59, 67
204/00106/00	27, 37, 41, 43, 55, 57, 63, 65, 67
204/00109/00	41
204/00112/00	7
204/00113/00	7, 9, 15
204/00114/00	15, 47
204/00116/00	31, 35
206/00101/00	35, 49, 59
208/00002/00	37
209/01306/00	55, 59
211/00022/00	45
211/00022/01	45
211/10106/00	63

O

O-Ring	
217/00021/00	25, 27
223/00042/00	45, 49
223/00176/00	55, 63
223/00177/00	63
231/00036/00	11
Outlet Pipe Plate Assembly	
101/00007/00	43
Out-of-Balance Detector Plate	
153/00046/00	67
Out-of-Balance Switch	
209/00255/00	67
Out-of-Balance Switch Plate	
153/00045/00	67
Overflow Hose	
223/00184/00	17, 19

P

Pipe	
153/00005/00	13
Plug	
209/00141/00	33, 61
211/00084/00	45
211/00087/00	45, 47, 61
211/00129/00	45, 47, 61
Pressure Hose	
223/00082/00	33
Pressure Roller	
209/00420/03	45, 47, 61
Pressure Switch	
209/00007/50	33, 35
Pressure Switch Elbow	
223/00210/00	35
Pressure Switch Hose	
223/00212/00	35
Printboard	
209/00218/01	37, 39
209/00323/02	33, 35
Programming Switch	
209/00326/00	31
Pulley	
226/00090/00	13
253/00013/00	15
253/00024/00	15
253/00026/01	13
Pulley Hub	
212/00009/01	13
Pump Flow Assembly	
111/00234/00	61
Pump Flow Top	
111/00234/01	61
Pump Housing	
209/00420/02	45, 47, 61

R

Rail	
720/00110/01	37, 39
Rear Cabinet Top	
153/00033/02	41
153/00034/02	41
Reducing Tee	
253/00021/00	53, 57
Rubber Strip	
246/00181/00	53, 59

S

Screw	
206/00031/00	15
206/00125/00	9
207/00003/00	15, 33, 35, 61
207/00008/00	35, 39
207/00009/00	25
207/00014/00	37
207/00018/00	67
207/00020/00	27

N/A items do not appear in index.

207/00025/00	31
207/00031/00	39
207/00101/00	41
207/00102/00	25
207/00103/00	25, 55
207/00105/00	47, 49
207/00108/00	31
207/00110/00	13, 45, 49, 55, 59
207/00111/00	53, 67
207/00123/00	41
207/00126/00	27, 59
207/00135/00	25, 35
208/00001/00	37
209/00025/08	21, 23
209/00090/03	51
209/00170/05	21, 23
209/00170/07	21, 23
209/00420/07	45, 47, 61
227/00120/03	37
Seal Cover Plate	
131/00035/00	11
Separator	
206/00141/00	35
Shaft Seal	
231/00037/00	11
Shock Absorber	
247/00008/00	7
Side Panel	
153/00103/00	41, 43
153/00104/00	41, 43
153/00105/00	41, 43
153/00106/00	41, 43
Side Panel Gasket	
246/00079/00	43
Side Panel Support Assembly	
153/00103/01	43
Soap Dispenser	
153/00026/99	55, 59
253/00012/00	55, 59
Soap Dispenser Cover	
153/00026/12	55, 59
Soap Dispenser Cover Handle	
223/00008/05	55, 59
Soap Dispenser to Tub Hose	
223/00187/00	53, 57
Soap Injector Connector	
211/00127/00	63
Soap Injector Coupling	
223/00182/00	63
Soap Injector Elbow Coupling	
223/00181/00	63
Soap Injector Hose	
223/00179/00	45, 47, 61, 63
223/00180/00	45, 47, 61, 63
Soap Injector Orifice	
223/00178/00	63
Soap Injector Orifice Nipple	
211/00126/00	63
Soap Inlet Hose Kit	
223/00219/00	57
Spray Pump Mounting Plate	
111/10179/00	63

Spring	
209/00090/02	51
209/00138/03	51
209/00138/05	51
224/00048/00	55, 59
Standoff	
211/00120/00	25, 33, 35, 37, 39
Steam Connection Inlet	
153/00047/00	65
Steam Hose	
217/00026/00	65
Steam Injector	
153/00048/00	65
Suspension Spring	
B12456301	7
Switch Lever	
217/00052/05	25

T

Terminal	
209/00006/00	37, 39
209/00057/00	37
Terminal Block	
209/00005/00	33, 35, 49
209/00058/00	37, 39
Terminal Connector	
209/00306/18	55, 59
Thermostat	
209/00266/08	33, 35
Thermostat Seal	
225/10004/00	33, 35
Tie Holder	
211/00104/00	53
Tilt Switch Bracket	
111/00107/00	67
Top Cover Plate	
153/00111/01	33, 35
153/00112/01	33, 35
T-Piece	
223/00043/00	45, 49
253/00020/00	53
253/00028/00	19
Tub	
153/00019/00	9
153/00020/00	9
Tub Gasket	
223/00168/00	9
Tub Support	
153/00011/00	7
153/00012/00	7
153/00022/00	9
153/00023/00	9

U

Upper Back Panel	
153/00114/AO	43

N/A items do not appear in index.

V

Valve	209/00137/02	51
Valve Guide	211/10158/00	55, 59
Valve Plate	209/00137/03	51
V-Belt	226/00116/00	13
	253/00010/00	13
Vent Hose	223/00211/00	49

W

Washer	201/00001/00	7, 15
	201/00007/00	35, 37, 63
	201/00008/00	15, 31
	201/00010/00	17, 19
	201/00011/00	13, 15
	201/00013/00	7
	201/00017/00	25
	201/00018/00	25
	201/00202/00	11
	202/00002/00	17, 19
	202/00004/00	31, 45, 47, 49
	202/00101/00	27, 45, 47, 49, 53, 55, 59, 61, 63, 67
	202/00102/00	45, 49, 55, 59
	202/00104/00	27
	202/00105/00	9
	202/00106/00	41, 43, 55, 61, 65, 67
	202/00108/00	27, 61
	202/00109/00	55, 59, 61
	202/00110/00	9, 43, 47, 57
	202/00111/00	41
	203/00001/00	13, 15
	203/00002/00	11
	203/00003/00	17, 19
	203/00004/00	35, 41, 43, 45, 49, 53, 55, 57, 61, 63, 65, 67
	203/00005/00	37
	203/00006/00	25, 33, 35, 37, 39, 45, 47, 49, 55, 59, 61
	203/00007/00	25, 31, 35, 37
	203/00008/00	27
	203/00010/00	25
	203/00011/00	27
	208/00009/00	41
	209/00025/12	23
	209/00170/09	21
	217/00052/08	25
	223/00051/10	31
	223/00123/00	31, 35
	223/00208/00	59
Water Hose	223/00044/00	45, 49, 55, 59
	223/00059/00	45, 49, 53, 57
Water Inlet Grid	223/00289/00	53, 57

N/A items do not appear in index.