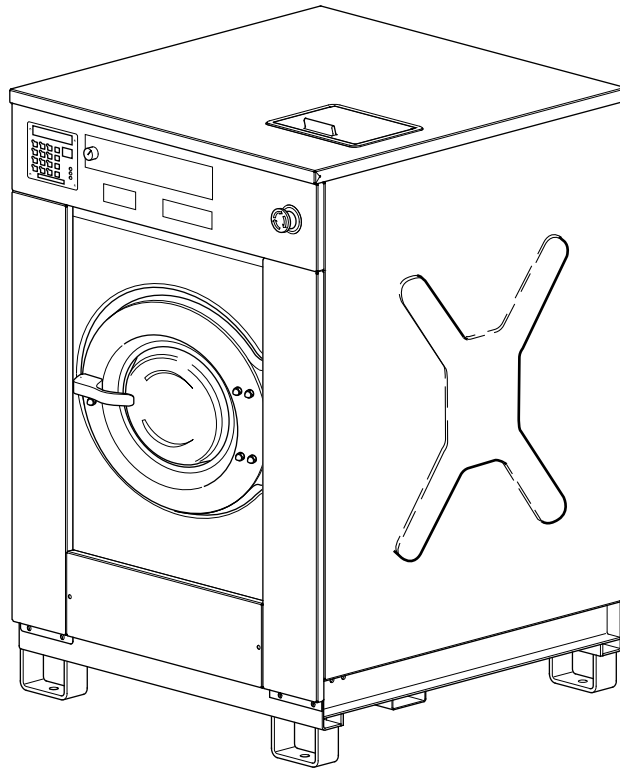


# Washer-Extractor

Refer to Page 5 for Model Numbers



CFD12C\_D0237



&



[www.partsking.com](http://www.partsking.com)

Part No. D0237R6  
February 2012



# Table of Contents

Title	Page
Parts Ordering Information.....	3
Nameplate Location.....	3
Model Identification.....	5
Frame - *50, *55, *176 and *234 Models.....	6
Frame - *75 and *304 Models.....	8
Shock and Spring Assembly - *50 and *176 Models; *55 and *234 Models Through 6/20/11.....	10
Shock and Spring Assembly - *55 and *234 Models Starting 6/21/11.....	12
Shock and Spring Assembly - *75 and *304 Models.....	14
Tub and Drum - *50, *55, *176 and *234 Models (Drawing 1 of 3).....	16
Tub and Drum - *50, *55, *176 and *234 Models (Drawing 2 of 3).....	18
Tub and Drum - *50, *55, *176 and *234 Models (Drawing 3 of 3).....	20
Tub and Drum - *75 and *304 Models.....	22
Bearing Assembly - *50, *55, *176 and *234 Models.....	24
Bearing Assembly - *75 and *304 Models.....	26
Drum, Pulley and Belt - *50, *55, *176 and *234 Models.....	28
Drum, Pulley and Belt - *75 and *304 Models (Drawing 1 of 2).....	30
Drum, Pulley and Belt - *75 and *304 Models (Drawing 2 of 2).....	32
Motor - *50, *55, *176 and *234 Models.....	34
Motor - *75 and *304 Models.....	36
Drain Assembly - *50, *55, *176 and *234 Models.....	38
Single Drain Assembly - *75 and *304 Models.....	40
Dual Drain Assembly - *75 and *304 Models.....	42
Door Lock.....	44
Door.....	46
Control Panel - Cygnus Professional OPL Models.....	48
Control Panel - Cygnus Premium OPL Models.....	50
Control Panel - Cygnus Premium Coin Models.....	52
Control Panel - Cygnus Standard/Commercial OPL Models.....	54
Control Panel - Cygnus Standard/Commercial Coin Models.....	56
Control Panel - Micro-20.....	58
Control Panel - Sigma.....	60
Control Panel - PS40F.....	62
Control Panel - PC30.....	64
Coin Meter - Coin Models.....	66
Coin Drop - Electronic Coin Meter.....	68
Front, Left Side and Upper Back Panels - *50, *55, *176 and *234 Models.....	70
Front and Left Side Panels - *75 and *304 Models.....	72
Top, Right Side and Lower Back Panels - *50, *55, *176 and *234 Models.....	74
Top, Right Side and Lower Back Panels - *75 and *304 Models.....	76
Upper Back Panel - *50, *55, *176 and *234 Models (Drawing 1 of 3).....	78
Upper Back Panel - *50, *55, *176 and *234 Models (Drawing 2 of 3).....	80

© Copyright 2012, Alliance Laundry Systems LLC

All rights reserved. No part of the contents of this book may be reproduced or transmitted in any form or by any means without the expressed written consent of the publisher.

Upper Back Panel - *50, *55, *176 and *234 Models (Drawing 3 of 3) .....	82
Upper Back Panel - *75 and *304 Models (Drawing 1 of 3) .....	84
Upper Back Panel - *75 and *304 Models (Drawing 2 of 3) .....	86
Upper Back Panel - *75 and *304 Models (Drawing 3 of 3) .....	88
Electrical Connection Assembly .....	90
Electrical Connection Assembly - *50, *55, *176 and *234 Models .....	92
Control Module - *50, *55, *176 and *234 Models .....	94
Control Module - *75 and *304 Models .....	96
Balance Switch .....	98
Supply Dispenser (Drawing 1 of 5) .....	100
Supply Dispenser (Drawing 2 of 5) .....	102
Supply Dispenser (Drawing 3 of 5) .....	104
Supply Dispenser (Drawing 4 of 5) .....	106
Supply Dispenser (Drawing 5 of 5) .....	108
Steam and Electric Heating Options .....	110
Soap Pump .....	112
Spray Pump .....	114
Parts Index .....	117

## Parts Ordering Information

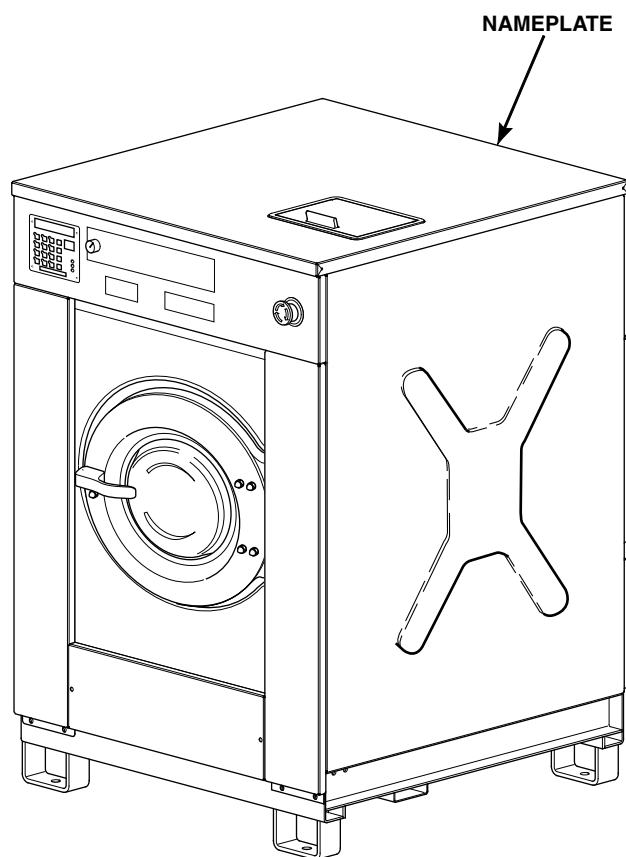
If literature or replacement parts are required, contact the source from whom the machine was purchased or contact Alliance Laundry Systems at (920) 748-3950 for the name and address of the nearest authorized parts distributor.

For technical assistance, call either of the numbers listed below:

(920) 748-3121 Ripon, Wisconsin  
+32 56 41 20 54 Wevelgem, Belgium

## Nameplate Location

When calling or writing about your product, be sure to mention model and serial numbers. Model and serial numbers are located on nameplate(s) as shown.



CFD12CA\_D0237

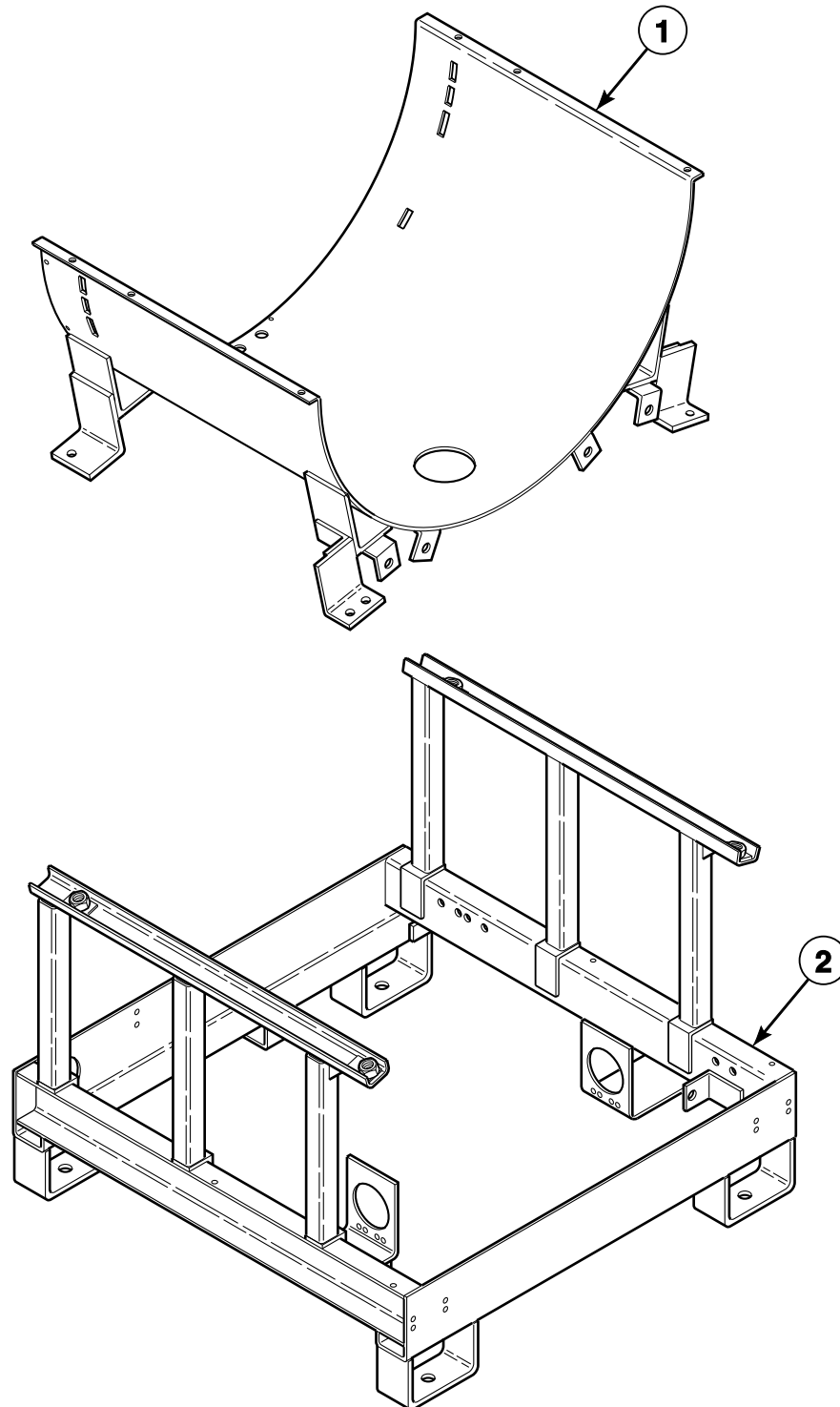


## Model Identification

Information in this manual is applicable to these washer-extractor models:

CHF055ANH	HF176_CAM-TIMER	IHF055ANH
CHF055MNH	HF176_MICRO-20_COIN	IHF055MNH
CHF075ANH	HF176_MICRO-20_OPL	IHF075ANH
CHF075MNH	HF176_PC30	IHF075MNH
CHF234ANH	HF176_PS40	IHF234ANH
CHF234MNH	HF176_PS40F	IHF234MNH
CHF304ANH	HF176_SIGMA_COIN	IHF234ZNH
CHF304MNH	HF176_SIGMA_OPL	IHF304ANH
CSHW50P	HF234_CAM-TIMER	IHF304MNH
CSHW75P	HF234_CYGNUS-COMM_COIN	IHF304ZNH
	HF234_CYGNUS-COMM_OPL	
	HF234_CYGNUS-PREM_COIN	
	HF234_CYGNUS-PREM_OPL	
	HF234_CYGNUS-PRO	
	HF234_CYGNUS-STANDARD_COIN	
	HF234_CYGNUS-STANDARD_OPL	
	HF234_MICRO-20_COIN	
	HF234_MICRO-20_OPL	
	HF234_PC30	
	HF234_PS40	
	HF234_PS40F	
	HF234_SIGMA_COIN	
	HF234_SIGMA_OPL	
	HF304_CAM-TIMER	
	HF304_CYGNUS-COMM_COIN	
	HF304_CYGNUS-COMM_OPL	
	HF304_CYGNUS-PREM_COIN	
	HF304_CYGNUS-PREM_OPL	
	HF304_CYGNUS-PRO	
	HF304_CYGNUS-STANDARD_COIN	
	HF304_CYGNUS-STANDARD_OPL	
	HF304_MICRO-20_COIN	
	HF304_MICRO-20_OPL	
	HF304_PC30	
	HF304_PS40	
	HF304_PS40F	
	HF304_SIGMA_COIN	
	HF304_SIGMA_OPL	

# Frame - \*50, \*55, \*176 and \*234 Models

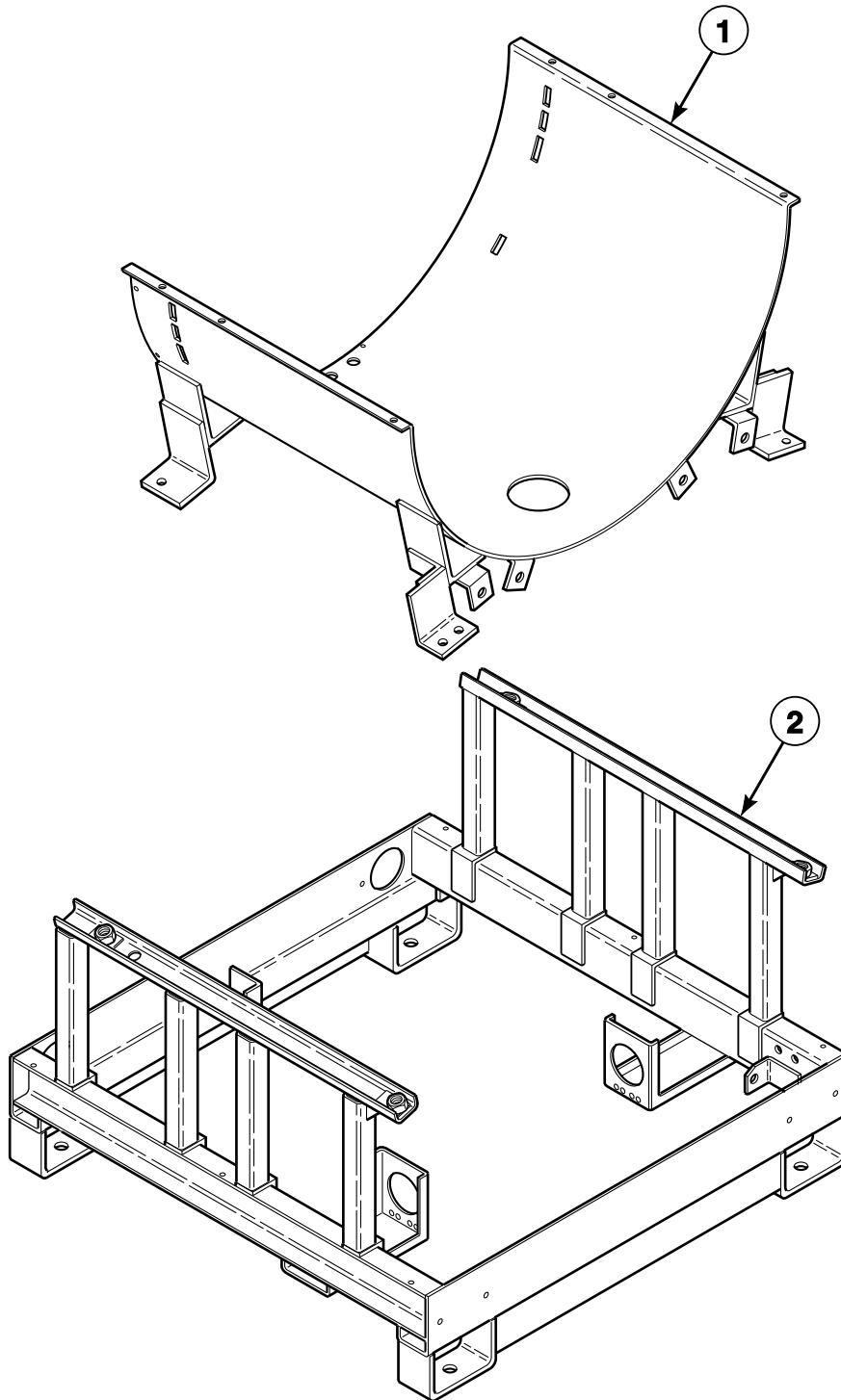


CFD43P\_D0237

## Frame - \*50, \*55, \*176 and \*234 Models

REF	PART NO.	DESCRIPTION	COMMENTS
1	115/00144/00	Tub Support	
2	114/00019/50	Frame	

# Frame - \*75 and \*304 Models

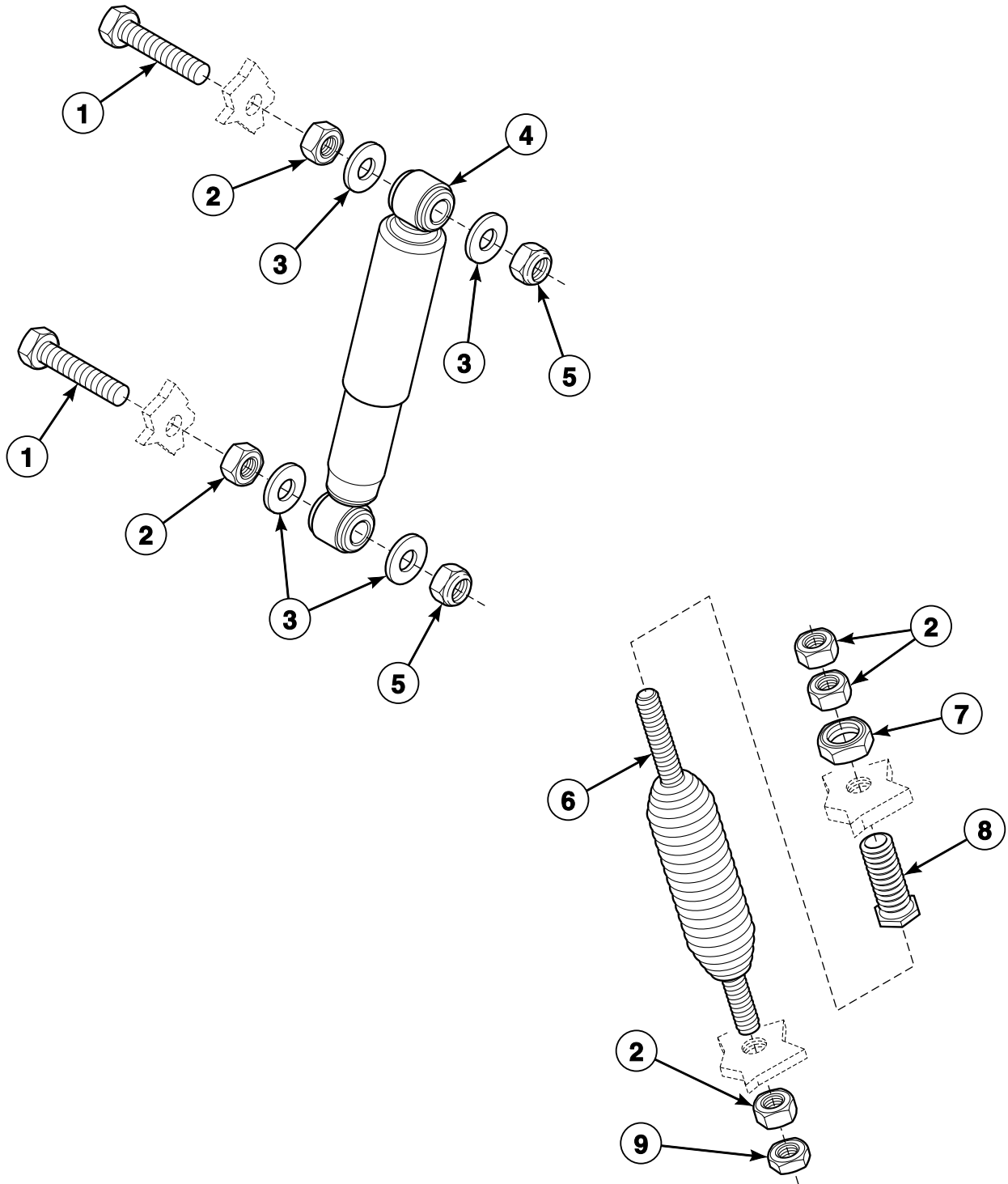


CFD44P\_D0237

## Frame - \*75 and \*304 Models

REF	PART NO.	DESCRIPTION	COMMENTS
1	115/00118/00	Tub Support	
2	114/00018/50	Frame	

# Shock and Spring Assembly - \*50 and \*176 Models; \*55 and \*234 Models Through 6/20/11

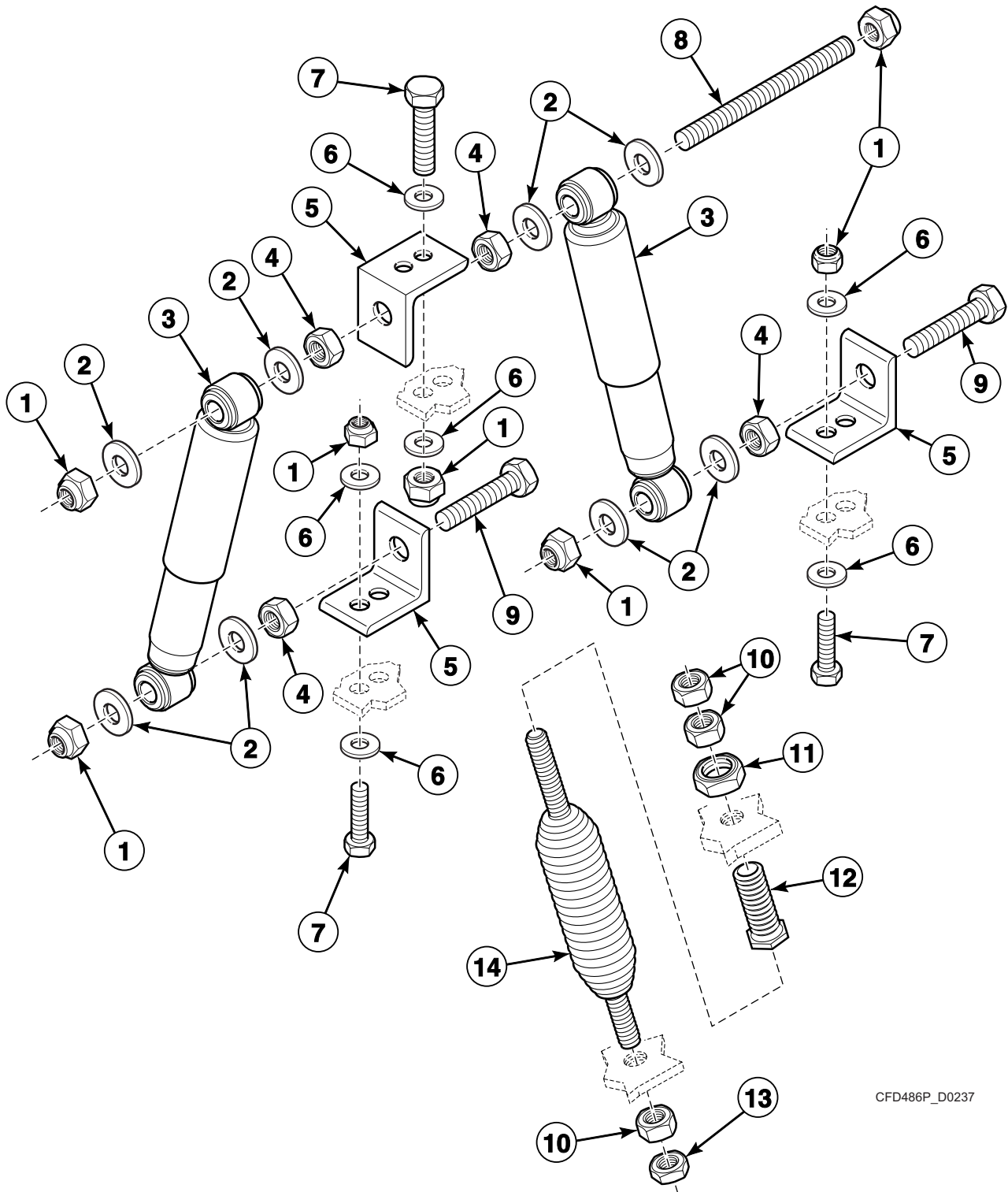


CFD26P\_D0237

## Shock and Spring Assembly - \*50 and \*176 Models; \*55 and \*234 Models Through 6/20/11

REF	PART NO.	DESCRIPTION	COMMENTS
	B12419101	Shock Absorber Service Kit	Used to convert to the dual shock absorber configuration
1	206/00153/00	Bolt	
2	204/00012/00	Nut	
3	201/00023/00	Washer	
4	247/00008/00	Shock Absorber	
5	204/00113/00	Nut	
6	B12387101	Suspension Spring	
7	204/00016/00	Nut	
8	224/00046/00	Bolt	
9	204/00019/00	Nut	

# Shock and Spring Assembly - \*55 and \*234 Models Starting 6/21/11

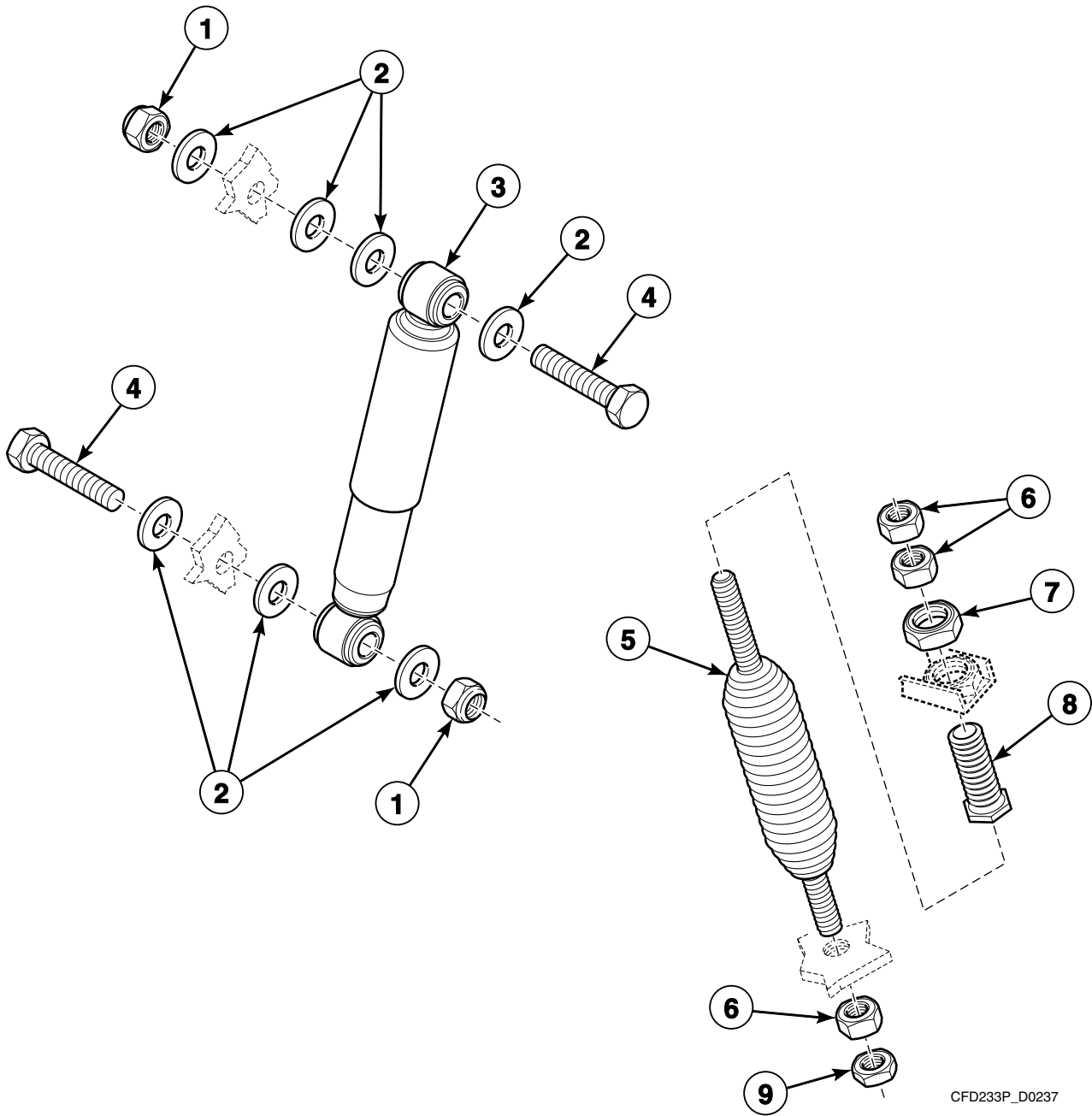


CFD486P\_D0237

## Shock and Spring Assembly - \*55 and \*234 Models Starting 6/21/11

REF	PART NO.	DESCRIPTION	COMMENTS
1	204/00113/00	Nut	
2	201/00001/00	Washer	
3	247/00008/00	Shock Absorber	
4	204/00012/00	Nut	
5	B12418401	Support	
6	201/00010/00	Washer	
7	206/00087/00	Bolt	
8	115/00117/14	V-Belt Clip	
9	206/00153/00	Bolt	
10	204/00012/00	Nut	
11	204/00016/00	Nut	
12	224/00046/00	Bolt	
13	204/00019/00	Nut	
14	B12387101	Suspension Spring	

# Shock and Spring Assembly - \*75 and \*304 Models

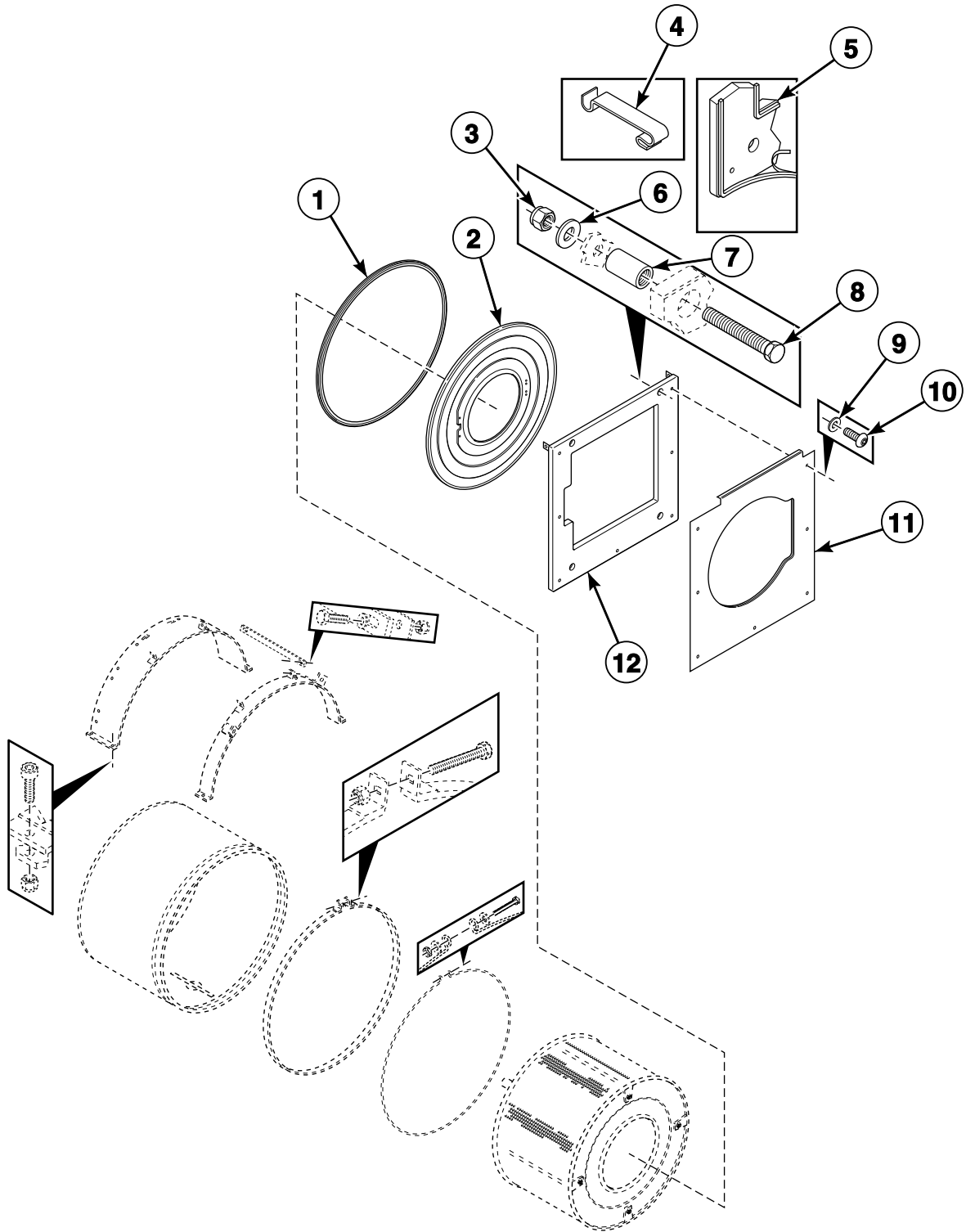


CFD233P\_D0237

## Shock and Spring Assembly - \*75 and \*304 Models

REF	PART NO.	DESCRIPTION	COMMENTS
1	204/00113/00	Nut	
2	201/00001/00	Washer	
3	247/00008/00	Shock Absorber	
4	206/00153/00	Bolt	
5	B12440101	Suspension Spring	
6	204/00012/00	Nut	
7	204/00016/00	Nut	
8	224/00046/00	Bolt	
9	204/00019/00	Nut	

# Tub and Drum - \*50, \*55, \*176 and \*234 Models (Drawing 1 of 3)

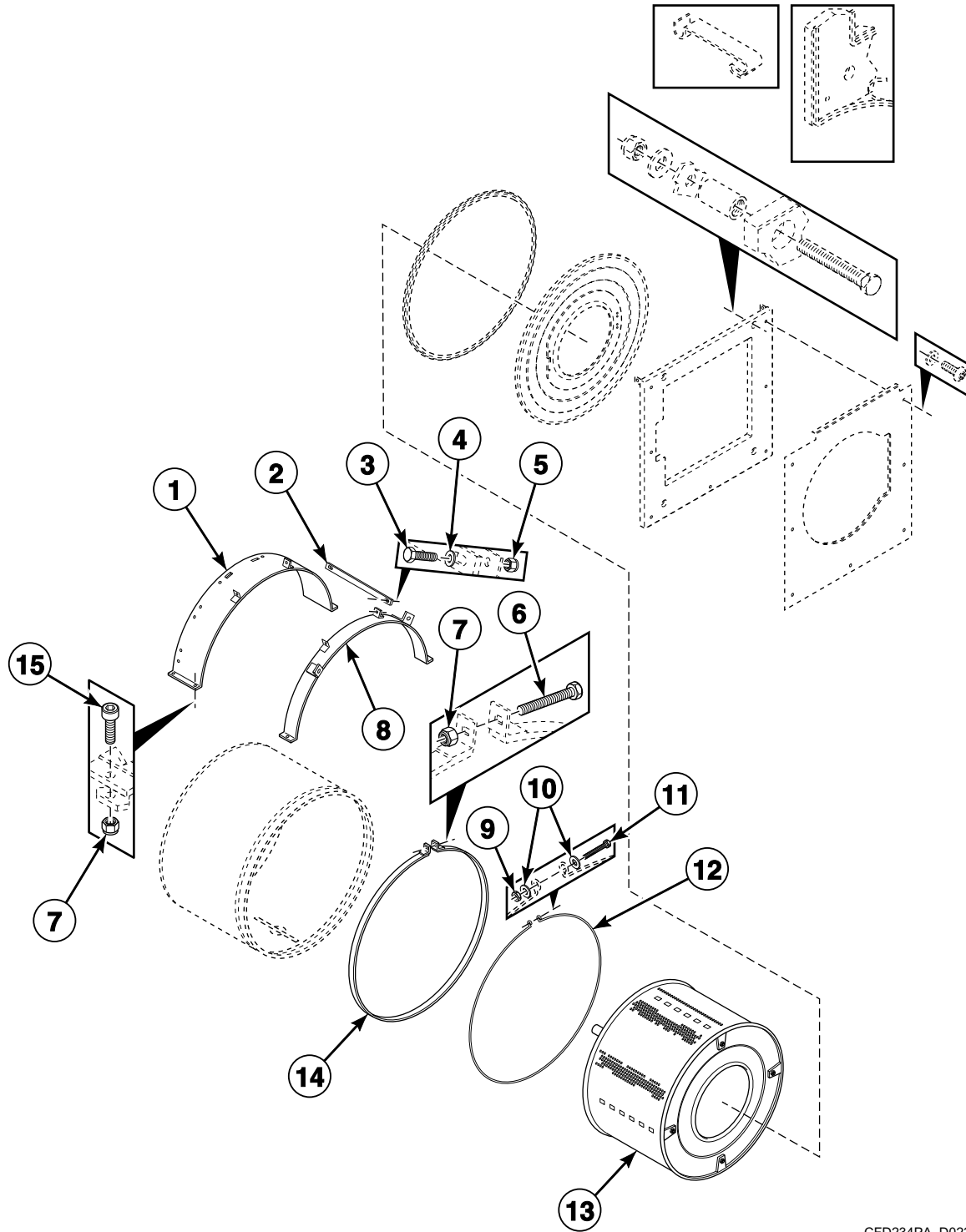


CFD234P\_D0237

## Tub and Drum - \*50, \*55, \*176 and \*234 Models (Drawing 1 of 3)

REF	PART NO.	DESCRIPTION	COMMENTS
1	223/00242/00	Tub Front Gasket	
2	138/00001/00	Tub Front	
3	204/00113/00	Nut	
4	217/00008/00	Tub Front Panel Clip	
5	246/00092/00	Gasket	Per meter
6	201/00001/00	Washer	
7	115/00151/00	Spacer	
8	206/00071/00	Bolt	
9	202/00112/00	Washer	
10	205/00103/00	Bolt	
11	111/05015/00	Door Front Panel	
12	115/00140/00	Counterweight	

# Tub and Drum - \*50, \*55, \*176 and \*234 Models (Drawing 2 of 3)



CFD234PA\_D0237

## Tub and Drum - \*50, \*55, \*176 and \*234 Models (Drawing 2 of 3)

REF	PART NO.	DESCRIPTION	COMMENTS
1	N/A	Tightening Ring	
2	N/A	Tightening Ring Assembly	Models CHF055ANH, CHF055MNH, CHF234ANH, CHF234MNH, CSHW50P, IHF055ANH, IHF055MNH, IHF234ANH, IHF234MNH and IHF234ZNH
3	206/00009/00	Bolt	
4	201/00010/00	Washer	
5	204/00109/00	Nut	
6	206/00066/00	Bolt	
7	204/00111/00	Nut	
8	N/A	Tightening Ring	*50 and *176 models
	115/00161/00	Tub Front Mounting Strap	*55 and *234 models
9	204/00009/00	Nut	
10	201/00007/00	Washer	
11	206/00032/00	Bolt	
12	238/00011/00	Tub Clamp Ring	
13	B12327101	Cylinder and Shaft Assembly	*50, *55 and *234 models; Models through 1/30/11; Used with 119/00001/01 Seal Holder Assembly
	B12380901	Basket	*50, *55 and *234 models; Models starting 1/31/11; 3 mm; Used with B12333701 Seal Holder Assembly
	B12381001	Basket	*50, *55 and *234 models; Models starting 1/31/11; 9 mm; Used with B12333701 Seal Holder Assembly
	123/10011/00	Drum	*176 models
14	137/00008/00	Tub Mounting Strap	*50, *55 and *234 models
15	206/00111/00	Screw	

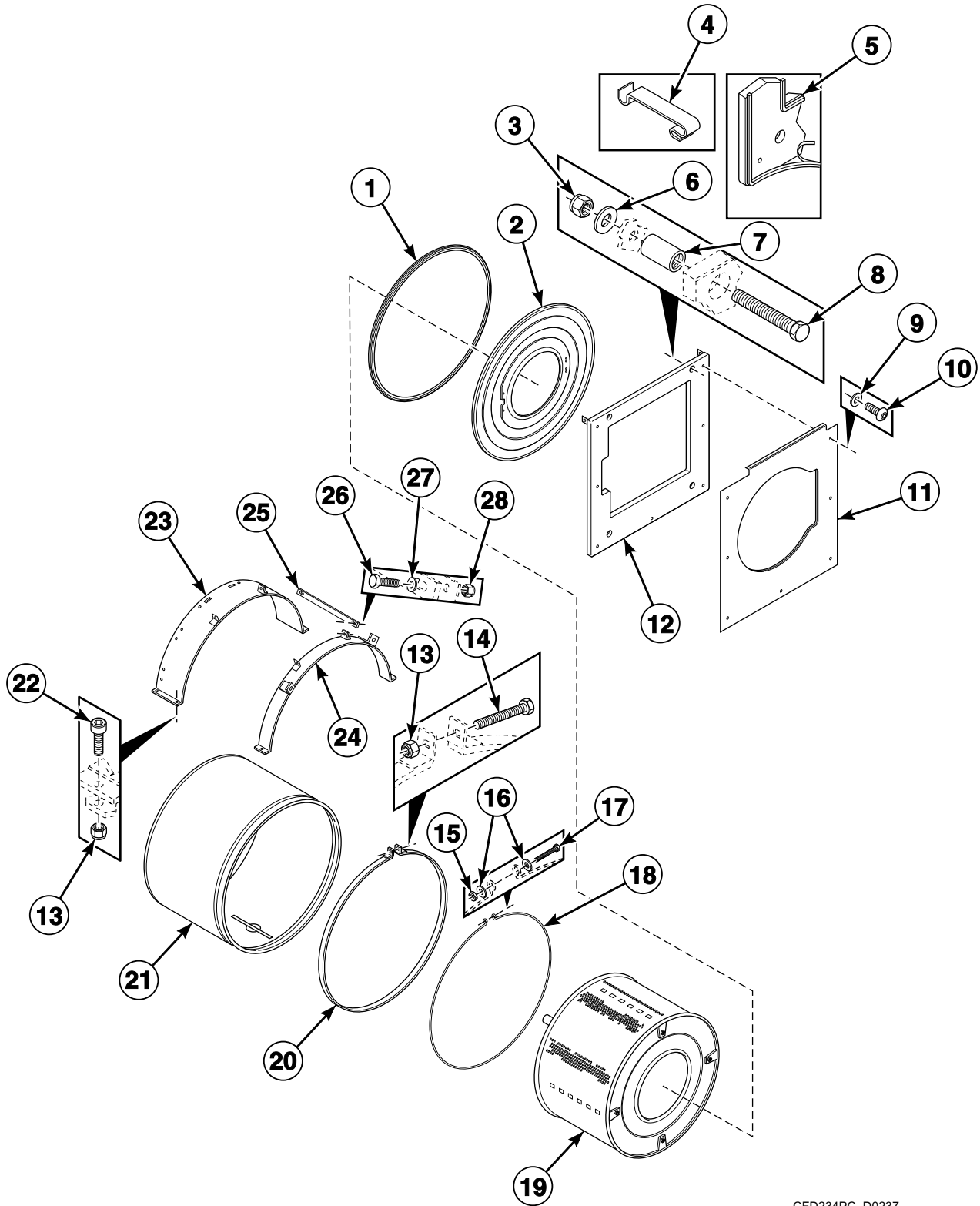
N/A = Part no longer available



## Tub and Drum - \*50, \*55, \*176 and \*234 Models (Drawing 3 of 3)

REF	PART NO.	DESCRIPTION	COMMENTS
1	B12330101	Tub	*50, *55 and *234 models; Electric
	119/00251/00	Tub	*50, *55 and *234 models; Steam heat
	B12330201	Tub	*50, *55 and *234 models; Boiler
	119/00250/00	Tub	*50, *55 and *234 models; Electric and steam heat
	119/00246/00	Tub	*176 models; Electric
	B12330701	Tub	*176 models; Steam heat
	119/00243/00	Tub	*176 models; Boiler
	119/00245/00	Tub	*176 models; Electric and steam heat
	119/00253/00	Tub	*50, *55 and *234 models; Electric and steam heat with circulation pump
	119/00248/00	Tub	*176 models; Electric and steam heat with circulation pump

# Tub and Drum - \*75 and \*304 Models



CFD234PC\_D0237

## Tub and Drum - \*75 and \*304 Models

REF	PART NO.	DESCRIPTION	COMMENTS
1	231/00001/00	Tub Front Gasket	
2	131/00002/00	Front Panel	
3	204/00113/00	Nut	
4	217/00008/00	Tub Front Panel Clip	
5	246/00092/00	Gasket	Per meter
6	201/00001/00	Washer	
7	115/00151/00	Spacer	
8	206/00071/00	Bolt	
9	202/00101/00	Washer	
10	205/00103/00	Bolt	
11	111/32945/00	Door Front Panel	
12	115/00136/00	Counterweight	
13	204/00009/00	Nut	
14	206/00066/00	Bolt	
15	204/00009/00	Nut	
16	201/00007/00	Washer	
17	206/00032/00	Bolt	
18	231/00010/00	Tub Front Ring Clamp	
19	N/A	Drum	Models through 12/31/07
	B12327301	Drum	Models starting 1/1/08
20	131/00010/00	Tub Strap	
21	119/10208/00	Tub	Boiler
	119/10210/00	Tub	Steam heating
	B12330501	Tub	Electric and steam heat
22	206/00111/00	Screw	
23	N/A	Tightening Ring	
24	115/00163/00	Tub Tightening Ring	
25	N/A	Tightening Ring Assembly	
26	206/00009/00	Bolt	
27	201/00010/00	Washer	
28	204/00109/00	Nut	

**N/A = Part no longer available**

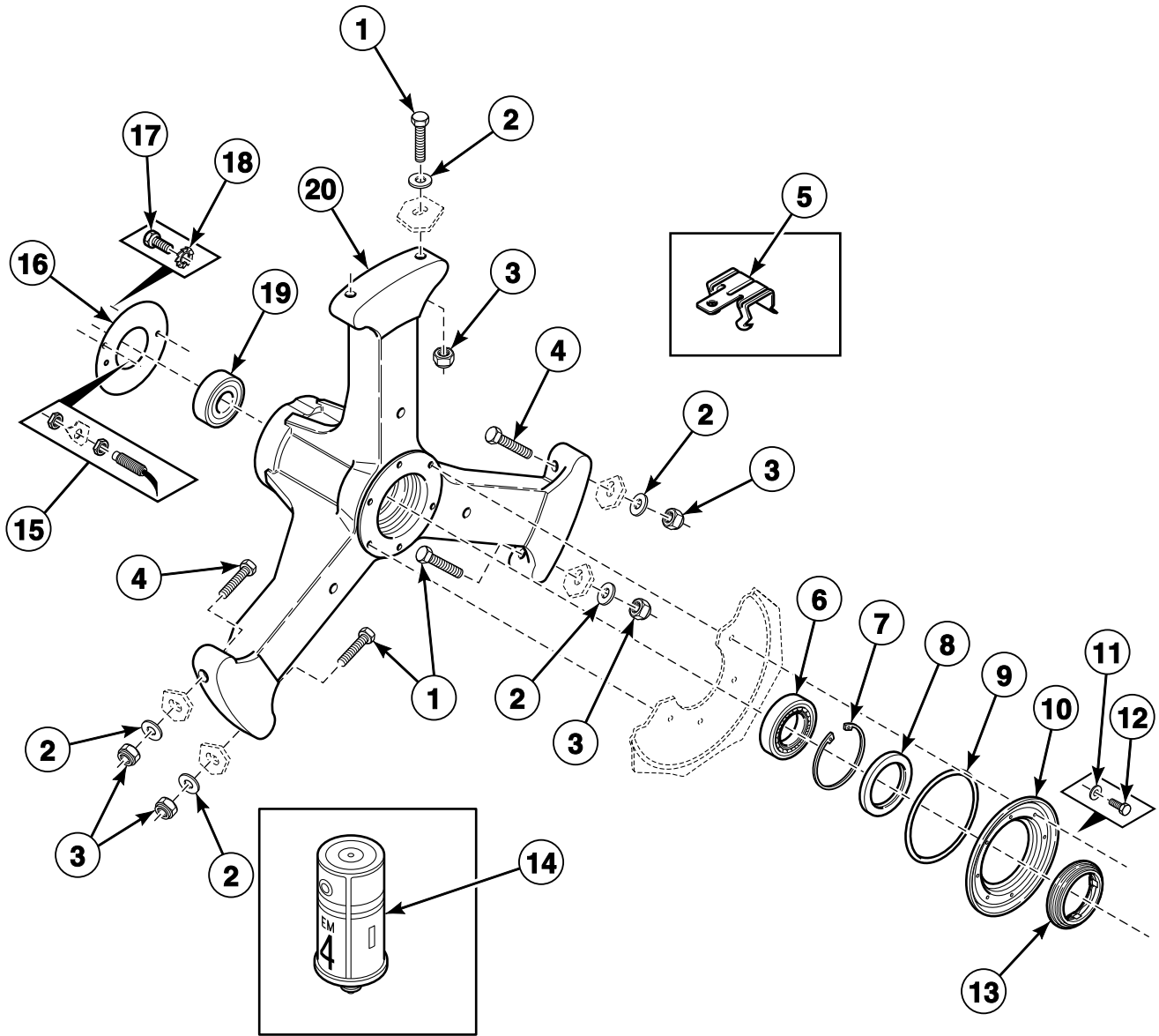


## Bearing Assembly - \*50, \*55, \*176 and \*234 Models

REF	PART NO.	DESCRIPTION	COMMENTS
	891P3	Bearing Replacement Kit	Includes 9001117 Seal Holder Assembly, 9001225 Washer, 9001272 Bolt, 9001438 Bearing, 9001483 Counter Ring, 2230024240 Gasket, 9001548 Gasket, F100134 Bearing and F8388601P Inlet Deflector
	385P4	Bearing Replacement Tool Kit	
1	N/A	Speed Detector Support	
2	209/00400/00	Speed Detector	
3	203/00004/00	Washer	
4	205/00104/00	Bolt	
5	224/00051/00	Caddy Bracket	
	224/00052/00	Caddy Bracket	
6	201/00201/00	Washer	
7	205/00104/00	Bolt	
8	212/00004/00	Ball Bearing	
9	212/00006/00	Retainer Ring	
10	217/00002/00	O-Ring	
11	119/00001/00	Seal Plate	
12	219/00003/00	Shaft Seal	
13	119/00001/01	Seal Holder Assembly	Models through 1/30/11; Used with 123/10015/00 Cylinder and Shaft Assembly
	B12333701	Seal Plate Assembly	Models starting 1/31/11; Used with B12380901 Basket and B12381001 Basket
14	205/00102/00	Bolt	
15	201/00202/00	Washer	
16	139/10006/00	Bearing Housing Assembly	Includes items 8, 9, 17 and 18
17	212/00037/00	Retainer Ring	
18	212/00024/01	Ball Bearing	
19	204/00113/00	Nut	
20	201/00001/00	Washer	
21	248/00114/00	Bolt	

N/A = Part no longer available

# Bearing Assembly - \*75 and \*304 Models

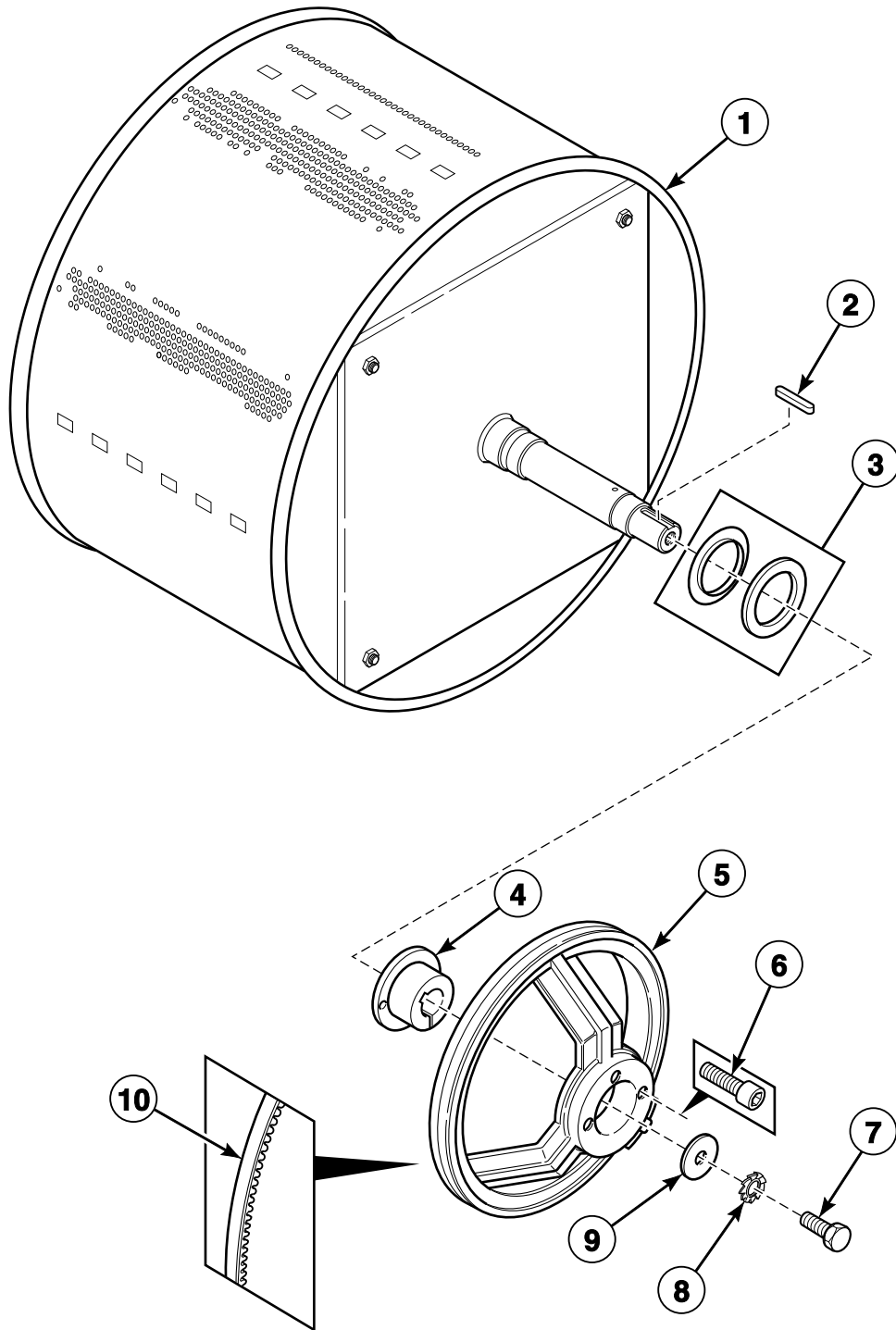


CFD236P\_D0237

## Bearing Assembly - \*75 and \*304 Models

REF	PART NO.	DESCRIPTION	COMMENTS
	892P3	Bearing Replacement Kit	Includes 9001134 Shaft Seal, 9001226 Washer, 9001274 Bolt, 9001437 Lubricator, 9001438 Bearing, 9001439 Bearing, 9001441 Grease Ring, 9001548 Gasket, 9001601 Counter Ring, 9001744 Seal Holder Assembly and F8388601P Inlet Deflector
	385P4	Bearing Replacement Tool Kit	
1	206/00122/00	Bolt	
2	201/00001/00	Washer	
3	204/00113/00	Nut	
4	206/00047/00	Bolt	
5	224/00052/00	Caddy Bracket	
	224/00051/00	Caddy Bracket	
6	212/00005/00	Roller Bearing	
7	212/00006/00	Retainer Ring	
8	212/00007/00	Grease Ring	
9	231/00036/00	O-Ring	
10	131/00035/00	Seal Cover Plate	
11	201/00202/00	Washer	
12	205/00104/00	Bolt	
13	231/00037/00	Shaft Seal	
14	212/00002/00	Lubricator	
15	209/00400/00	Speed Detector	
16	112/00004/00	Bearing Housing Cover	
17	206/00010/00	Bolt	
18	203/00003/00	Washer	
19	212/00004/00	Ball Bearing	
20	212/00036/00	Bearing Housing Assembly	
	212/00036/01	Bearing Housing Assembly	

# Drum, Pulley and Belt - \*50, \*55, \*176 and \*234 Models



CFD37P\_D0237

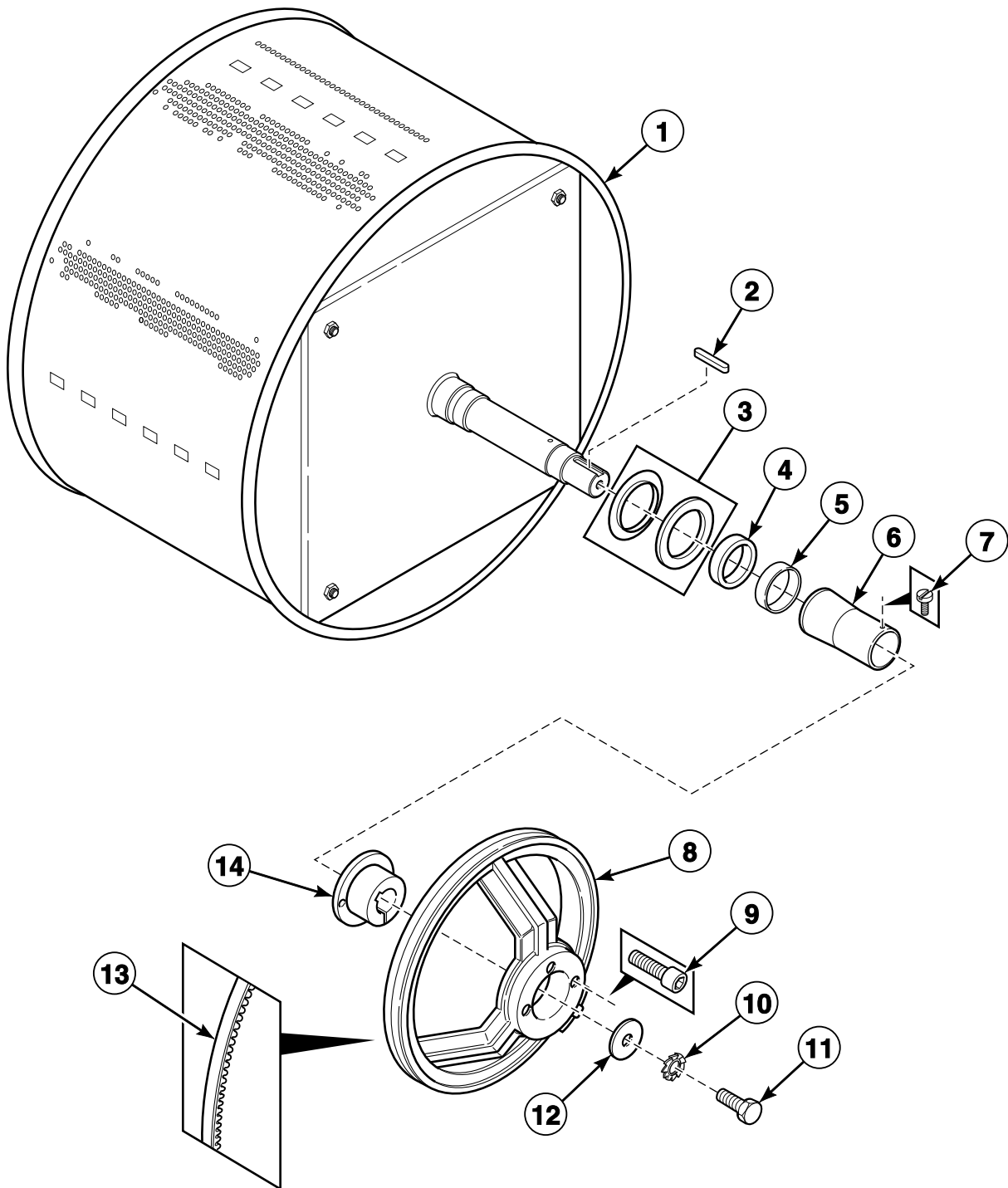
## Drum, Pulley and Belt - \*50, \*55, \*176 and \*234 Models

REF	PART NO.	DESCRIPTION	COMMENTS
1	B12327101	Cylinder and Shaft Assembly	*50, *55 and *234 models; Models through 1/30/11; Used with 119/00001/01 Seal Holder Assembly
	B12380901	Basket	*50, *55 and *234 models; Models starting 1/31/11; Used with B12333701 Seal Holder Assembly; 3 mm
	B12381001	Basket	*50, *55 and *234 models; Models starting 1/31/11; Used with B12333701 Seal Holder Assembly; 9 mm
	123/10011/00	Drum	*176 models
2	212/00026/00	Key	
3	219/00004/00	Counter Ring	
4	239/00005/01	Pulley Hub	
5	226/00100/01	Pulley	Models through Serial No. 08010230051
	226/00148/00	Pulley	Models starting Serial No. 08010230052
	967P3	Pulleys and Belt Kit	Models through Serial No. 08010230051; Includes 226/00148/00 Pulley, 226/00149/00 Belt and 185/00086/00 Pulley
6	N/A	Bolt	
7	206/00004/00	Bolt	
8	203/00001/00	Washer	
9	201/00011/00	Washer	
10	226/00102/01	Belt	Models through Serial No. 08010230051
	226/00149/00	Belt	Models starting Serial No. 08010230052

N/A = Part no longer available

# Drum, Pulley and Belt - \*75 and \*304 Models (Drawing 1 of 2)

Models Through Serial No. 10040300102



CFD46P\_D0237

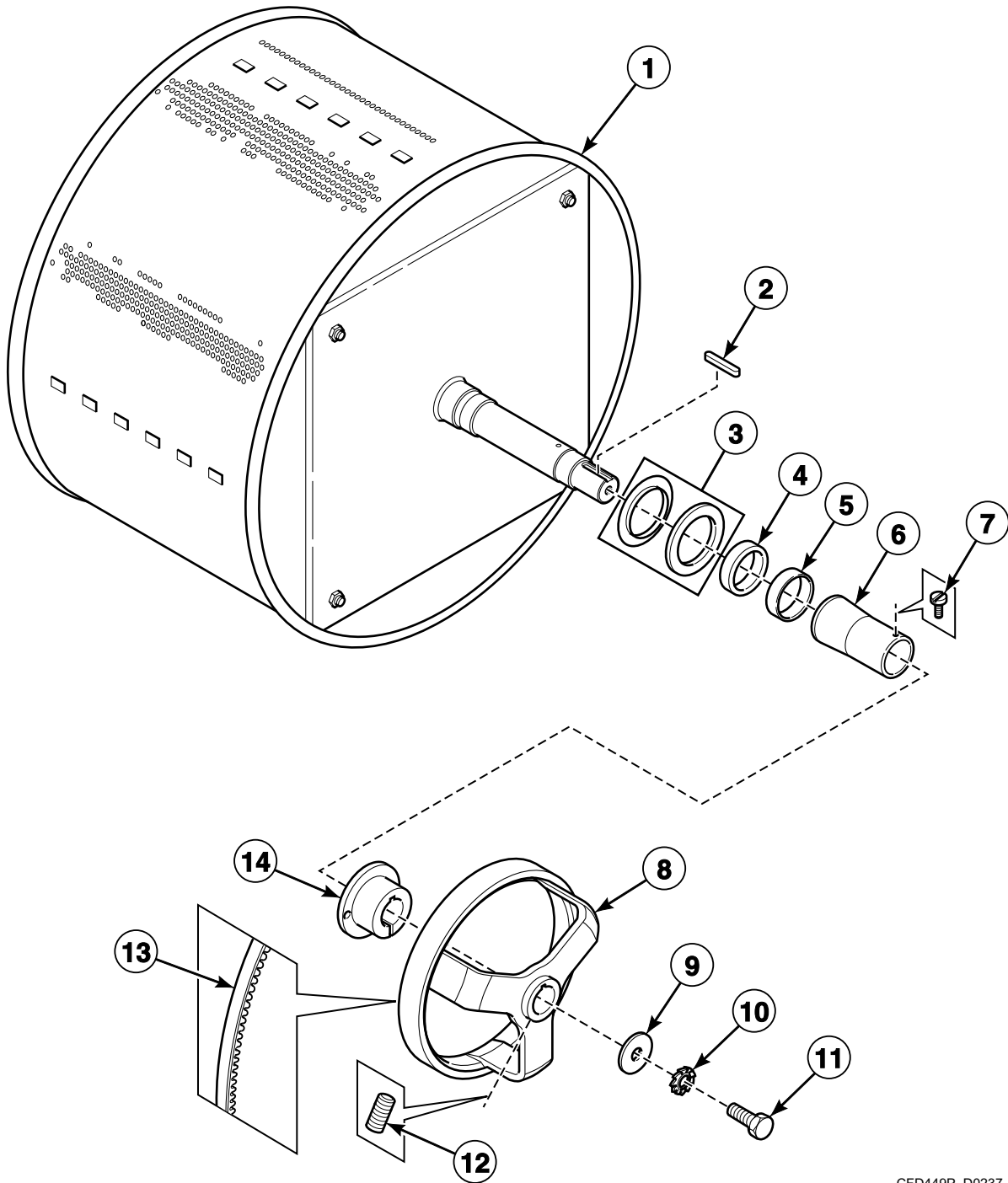
## Drum, Pulley and Belt - \*75 and \*304 Models (Drawing 1 of 2)

REF	PART NO.	DESCRIPTION	COMMENTS
1	N/A	Drum	Models through 12/31/07
	B12327301	Drum	Models starting 1/1/08
2	212/00026/00	Key	
3	232/00008/00	Counter Ring	
4	132/00009/00	Shaft Seal	
5	212/00005/00	Roller Bearing	
6	232/00020/00	Bearing Spacer	
7	207/00110/00	Screw	
8	253/00025/01	Pulley	
9	212/00009/02	Bolt	For pulley hub
10	203/00001/00	Washer	
11	204/00004/00	Nut	
12	201/00011/00	Washer	
13	226/00118/00	Belt	
14	212/00009/01	Pulley Hub	Models through 12/31/07
	239/00005/01	Pulley Hub	Models starting 1/1/08

**N/A = Part no longer available**

# Drum, Pulley and Belt - \*75 and \*304 Models (Drawing 2 of 2)

Models Starting Serial No. 10040300103



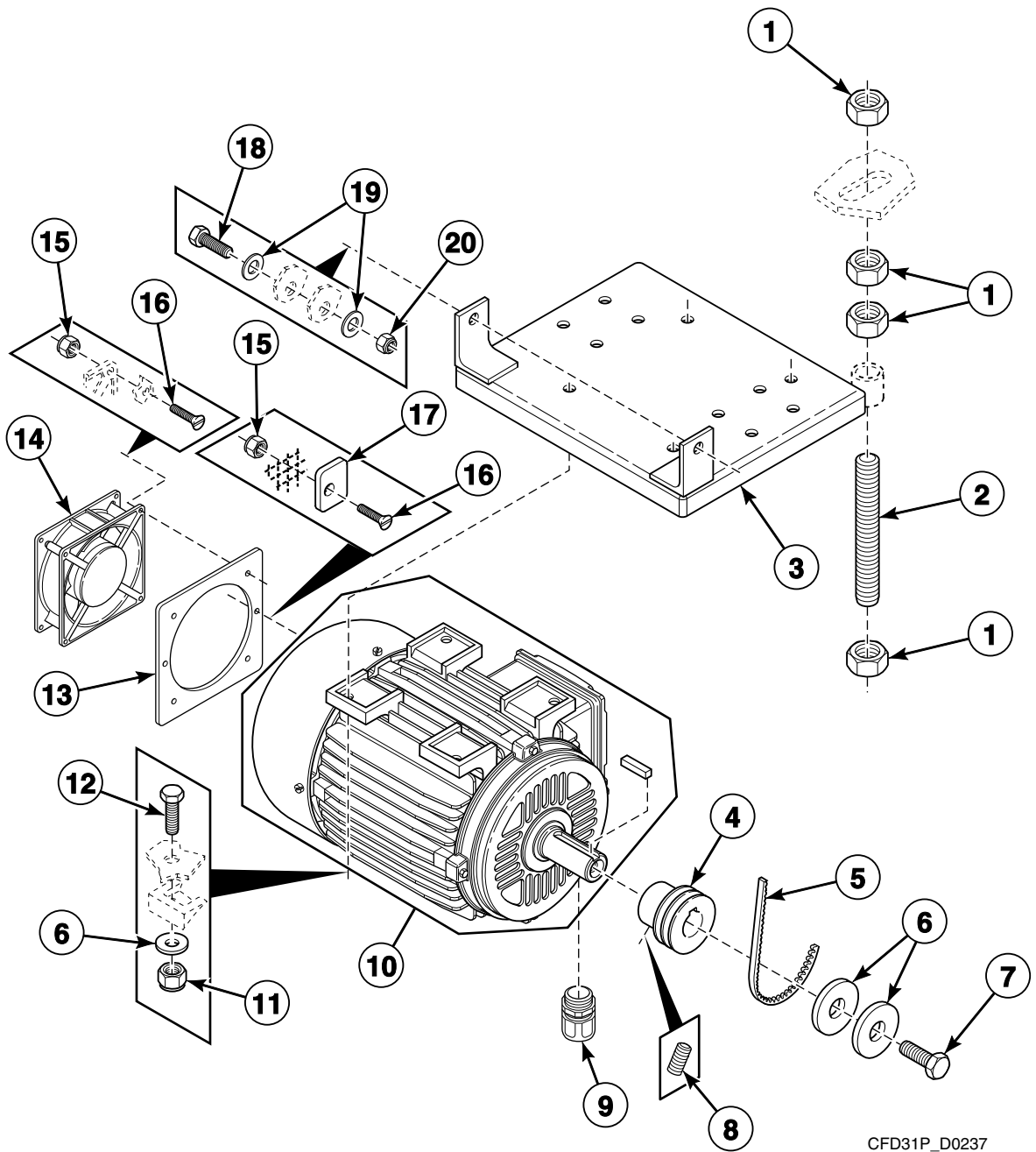
CFD449P\_D0237

## Drum, Pulley and Belt - \*75 and \*304 Models (Drawing 2 of 2)

REF	PART NO.	DESCRIPTION	COMMENTS
1	N/A	Drum	Models through 12/31/07
	B12327301	Drum	Models starting 1/1/08
2	212/00026/00	Key	
3	232/00008/00	Counter Ring	
4	132/00009/00	Shaft Seal	
5	212/00005/00	Roller Bearing	
6	232/00020/00	Bearing Spacer	
7	207/00110/00	Screw	
8	226/00150/00	Pulley	
9	201/00011/00	Washer	
10	203/00001/00	Washer	
11	204/00004/00	Nut	
12	206/00056/00	Screw	
13	226/00151/00	Belt	
14	212/00009/01	Pulley Hub	Models through 12/31/07
	132/00005/01	Pulley Hub	Models starting 1/1/08

**N/A = Part no longer available**

# Motor - \*50, \*55, \*176 and \*234 Models



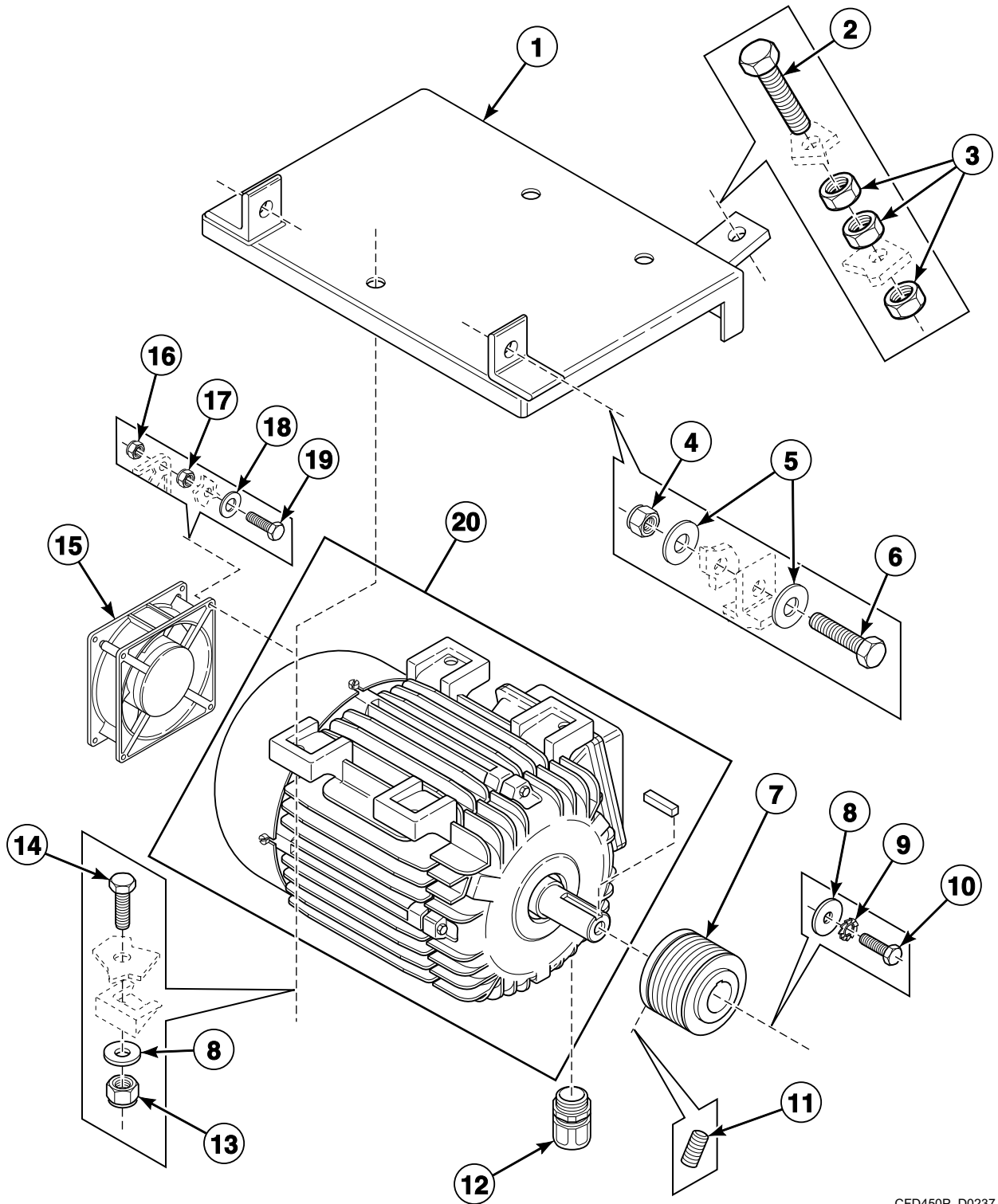
CFD31P\_D0237

## Motor - \*50, \*55, \*176 and \*234 Models

REF	PART NO.	DESCRIPTION	COMMENTS
1	204/00019/00	Nut	
2	N/A	Tightening Belt Piece	
3	115/10126/00	Motor Plate	*55 and *234 models
	115/00155/00	Motor Plate	*50 and *176 models
4	226/00105/00	Pulley	Models through Serial No. 08010230051
	185/00086/00	Pulley	Models starting Serial No. 08010230052
5	226/00102/01	Belt	Models through Serial No. 08010230051
	226/00149/00	Belt	Models starting Serial No. 08010230052
6	201/00004/00	Washer	
7	206/00006/00	Bolt	
8	206/00049/00	Screw	
9	211/00138/00	Cordlock	
10	227/00139/00	Motor	3.00 kW; 220 or 380 Volt/50 or 60 Hertz
11	204/00111/00	Nut	
12	206/00003/00	Bolt	
13	111/00243/00	Intermediate Fan Motor Plate	
14	209/00287/00	Cooling Fan	
15	204/00115/00	Nut	
16	207/00002/00	Screw	
17	117/00042/00	Retaining Ring	
18	206/00072/00	Bolt	
19	201/00002/00	Washer	
20	204/00113/00	Nut	

**N/A = Part no longer available**

# Motor - \*75 and \*304 Models

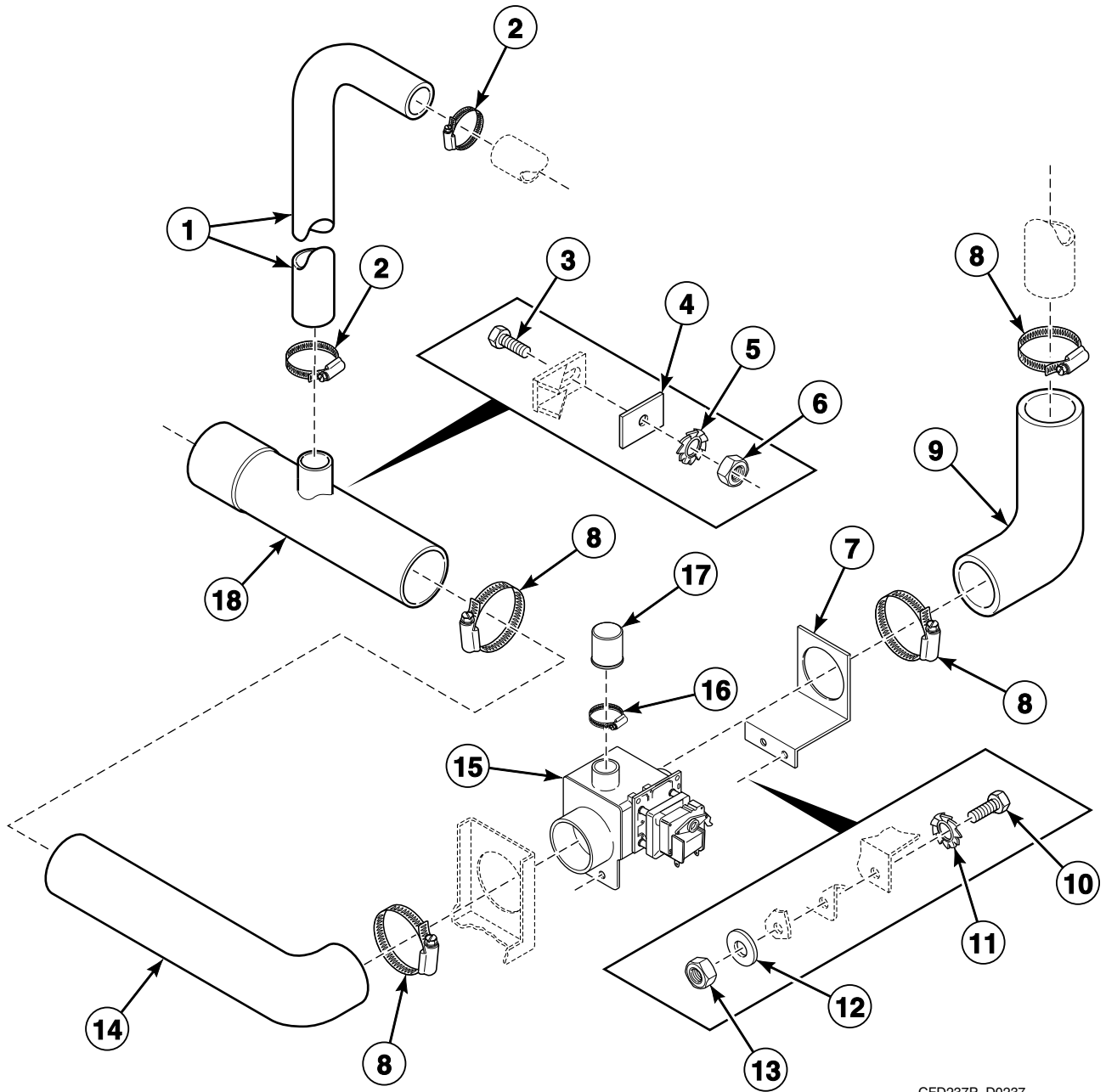


CFD450P\_D0237

## Motor - \*75 and \*304 Models

REF	PART NO.	DESCRIPTION	COMMENTS
1	115/10117/00	Motor Plate	
2	206/00047/00	Bolt	
3	204/00012/00	Nut	
4	204/00113/00	Nut	
5	201/00001/00	Washer	
6	206/00072/00	Bolt	
7	226/00117/00	Pulley	Models through Serial No. 10040300102
	206/00152/00	Pulley	Models starting Serial No. 10040300103
8	201/00004/00	Washer	
9	203/00002/00	Washer	
10	206/00006/00	Bolt	
11	206/00056/00	Screw	
12	211/00138/00	Cordlock	
13	204/00111/00	Nut	
14	206/00003/00	Bolt	
15	209/00287/00	Cooling Fan	
16	204/00114/00	Nut	
17	204/00007/00	Nut	
18	203/00006/00	Washer	
19	207/00031/00	Screw	
20	227/00115/00	Motor	4 kW; 220 or 380 Volt/50 or 60 Hertz

# Drain Assembly - \*50, \*55, \*176 and \*234 Models

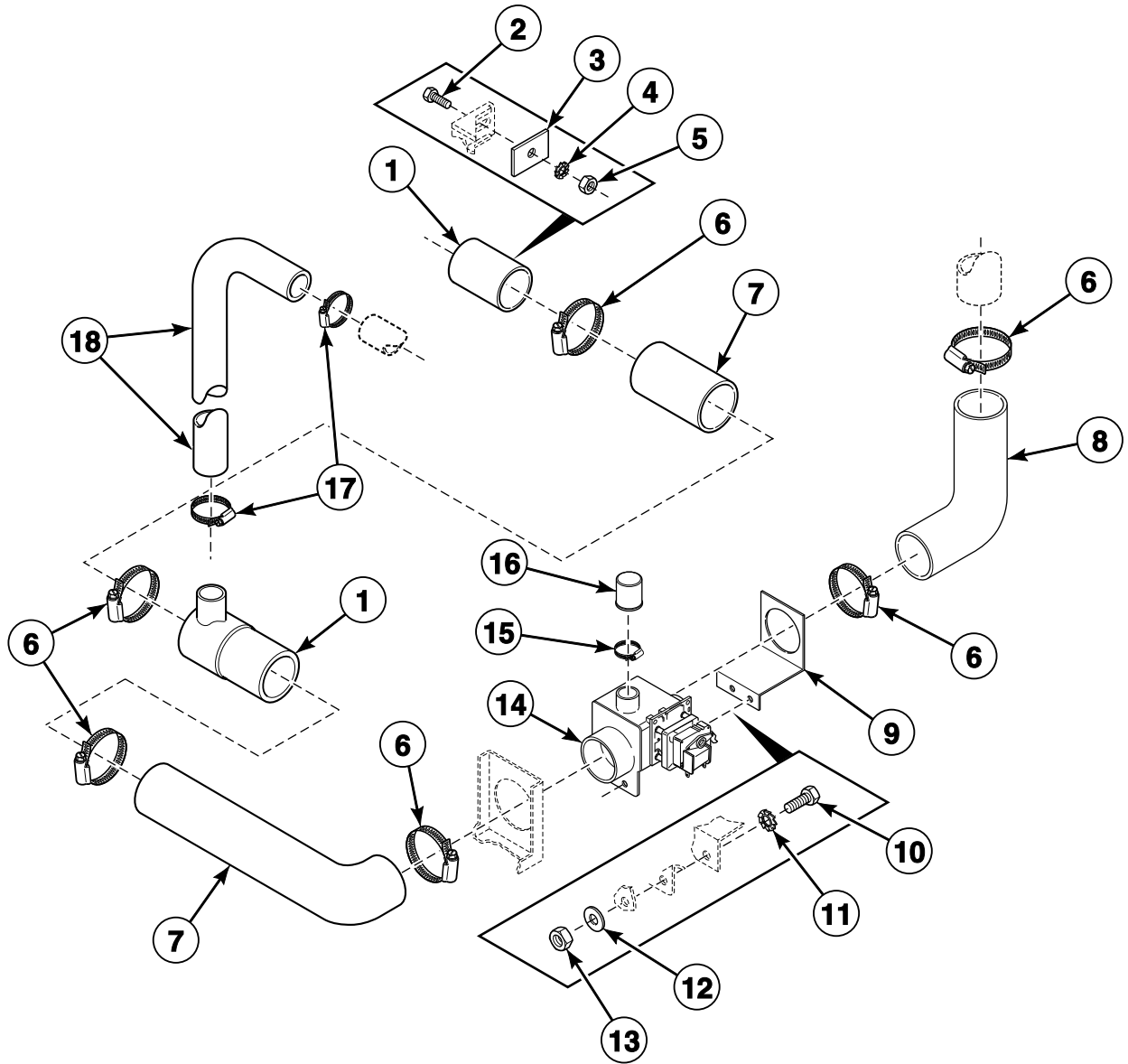


CFD237P\_D0237

## Drain Assembly - \*50, \*55, \*176 and \*234 Models

REF	PART NO.	DESCRIPTION	COMMENTS
1	223/00131/00	Overflow Hose	
2	223/00013/00	Hose Clamp	
3	205/00103/00	Bolt	
4	101/00007/00	Outlet Pipe Plate Assembly	
5	203/00004/00	Washer	
6	204/00106/00	Nut	
7	114/00010/00	Drain Valve Plate Assembly	
8	223/00071/00	Hose Clamp	
9	223/00133/00	Drain Tub to Drain Valve Hose	
10	206/00009/00	Bolt	
11	203/00003/00	Washer	
12	202/00002/00	Washer	
13	204/00004/00	Nut	
14	223/00135/00	Drain Valve to Drain Pipe Hose	
15	209/00075/00	Drain Valve	
16	223/00012/00	Hose Clamp	
17	223/00086/00	Drain Valve Overflow Plug	
18	223/00106/00	Drain Pipe	

# Single Drain Assembly - \*75 and \*304 Models

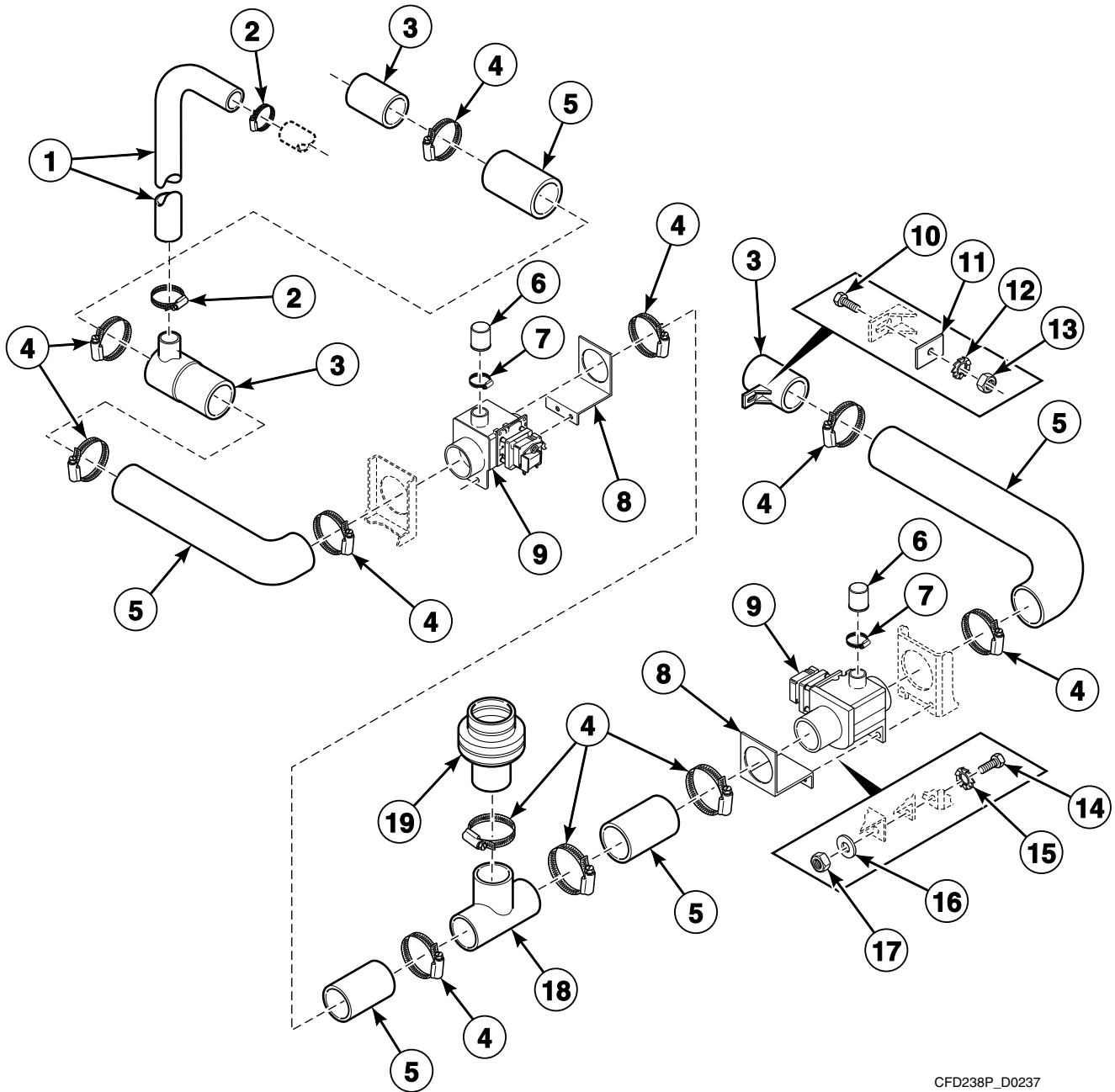


CFD27P\_D0237

## Single Drain Assembly - \*75 and \*304 Models

REF	PART NO.	DESCRIPTION	COMMENTS
1	223/00106/00	Drain Pipe	
2	205/00103/00	Bolt	
3	101/00007/00	Outlet Pipe Plate Assembly	
4	203/00004/00	Washer	
5	204/00106/00	Nut	
6	223/00071/00	Hose Clamp	
7	223/00141/00	Drain Valve to Drain Pipe Hose	
8	223/00133/00	Drain Tub to Drain Valve Hose	
9	114/00010/00	Drain Valve Plate Assembly	
10	206/00009/00	Bolt	
11	203/00003/00	Washer	
12	202/00002/00	Washer	
13	204/00004/00	Nut	
14	209/00075/00	Drain Valve	240 Volt/50 or 60 Hertz; NO
	209/00171/00	Drain Valve	240 Volt/50 or 60 Hertz; NC
15	223/00012/00	Hose Clamp	
16	223/00086/00	Drain Valve Overflow Plug	
17	223/00013/00	Hose Clamp	
18	223/00131/00	Overflow Hose	

# Dual Drain Assembly - \*75 and \*304 Models

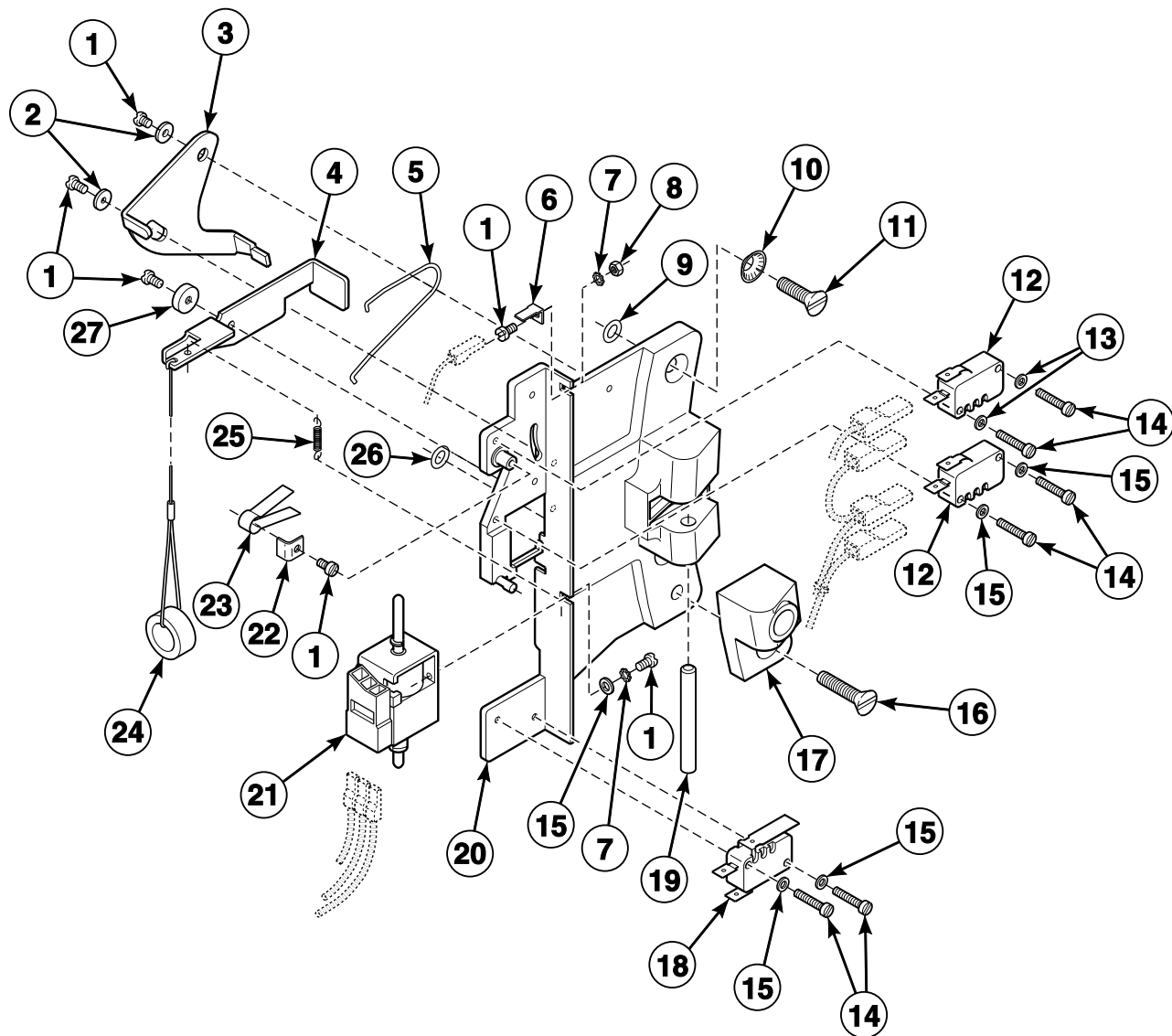


CFD238P\_D0237

## Dual Drain Assembly - \*75 and \*304 Models

REF	PART NO.	DESCRIPTION	COMMENTS
1	223/00131/00	Overflow Hose	
2	223/00013/00	Hose Clamp	
3	223/00106/00	Drain Pipe	
4	223/00071/00	Hose Clamp	
5	223/00141/00	Drain Valve to Drain Pipe Hose	
6	223/00086/00	Drain Valve Overflow Plug	
7	223/00012/00	Hose Clamp	
8	114/00010/00	Drain Valve Plate Assembly	
9	209/00075/00	Drain Valve	
10	205/00103/00	Bolt	
11	101/00007/00	Outlet Pipe Plate Assembly	
12	203/00004/00	Washer	
13	204/00106/00	Nut	
14	206/00009/00	Bolt	
15	203/00003/00	Washer	
16	202/00002/00	Washer	
17	204/00004/00	Nut	
18	253/00006/00	T-Piece	
19	223/00170/00	Exhaust Valve Hose	

# Door Lock

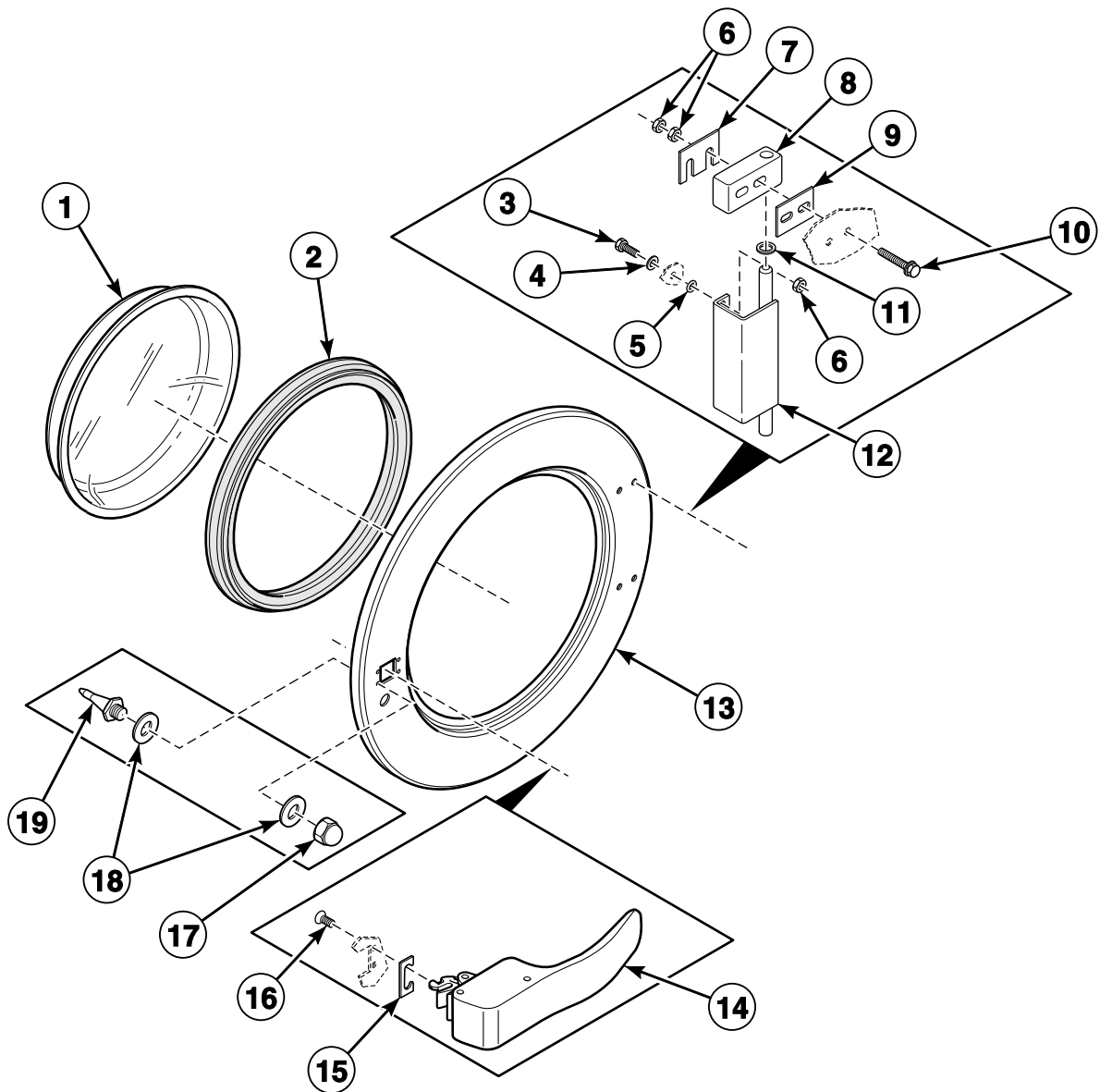


CFD8P\_D0237

# Door Lock

REF	PART NO.	DESCRIPTION	COMMENTS
1	207/00135/00	Screw	
2	201/00017/00	Washer	
3	217/00052/05	Switch Lever	
4	217/00052/04	Interlock Lever	
5	224/00040/00	Lever Spring	
6	210/10015/00	Ground Terminal	
7	203/00007/00	Washer	
8	204/00008/00	Nut	
9	217/00021/00	O-Ring	
10	203/00010/00	Washer	
11	207/00103/00	Screw	
12	209/00272/00	Door Lock Microswitch	
13	201/00018/00	Washer	
14	207/00009/00	Screw	
15	201/00018/00	Washer	
16	207/00102/00	Screw	
17	217/00052/02	Door Lock Pin Kit	
18	209/00273/00	Light Microswitch	
19	217/00017/03	Lock Shaft	
20	217/00052/01A	Door Lock Assembly	
21	209/00274/00	Door Lock Solenoid	
22	217/00052/08	Washer	
23	224/00049/00	Door Lock Spring	
24	224/00015/00	Door Latch Cord	
25	224/00043/00	Interlock Coil Spring	
26	217/00021/00	O-Ring	
27	217/00052/03	Door Lock Spacer	

# Door

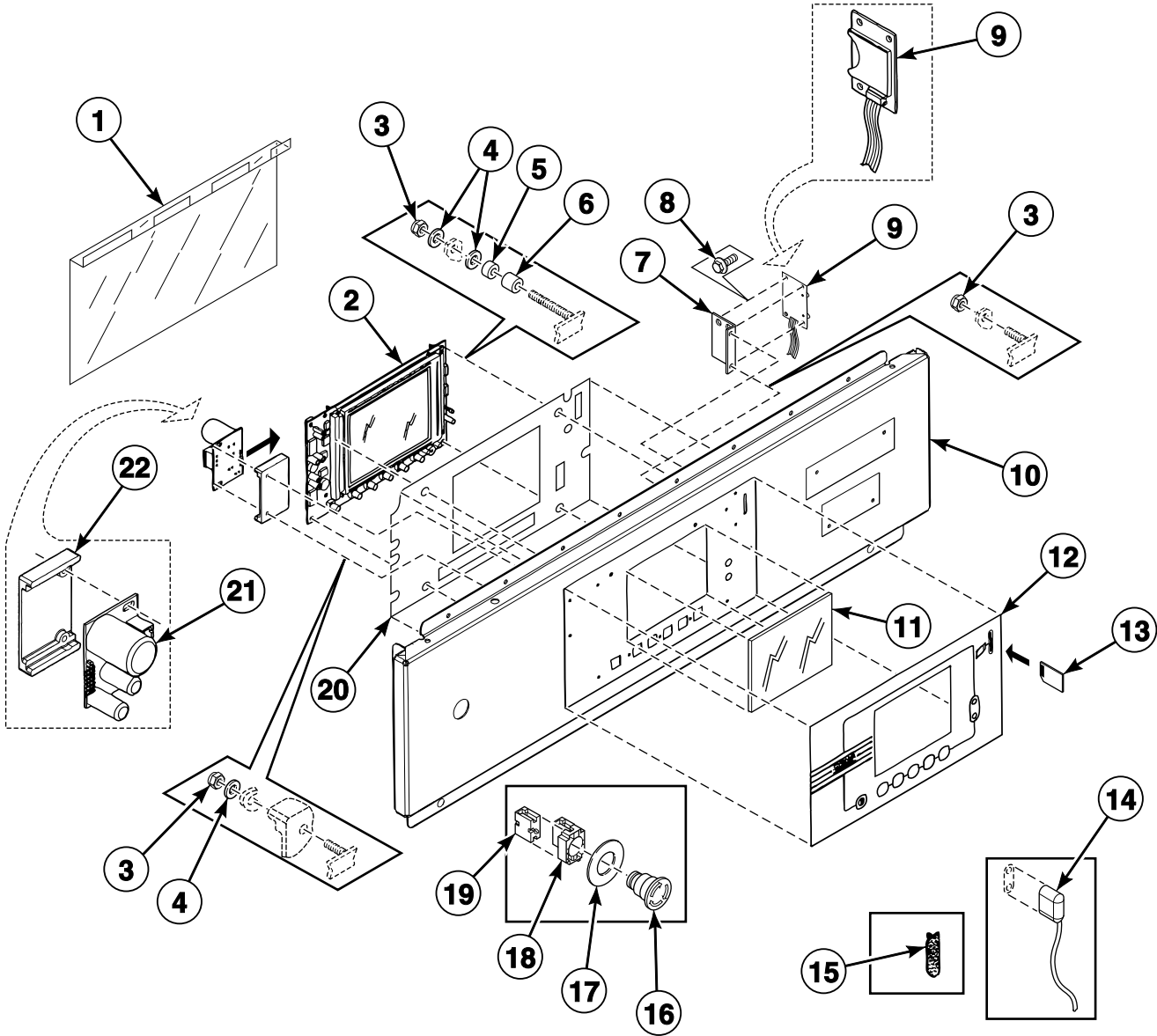


CFD239P\_D0237

# Door

REF	PART NO.	DESCRIPTION	COMMENTS
1	231/00004/00	Door Glass	
2	223/00068/00	Door Glass Seal	
3	205/00104/00	Bolt	
4	202/00101/00	Washer	
5	217/00021/00	O-Ring	
6	204/00106/00	Nut	
7	111/00003/00	Door Hinge Plate Assembly	
8	253/00022/00	Door Hinge Block	
9	118/00122/00	Door Hinge Spacer	1.5 mm
	118/00124/00	Door Hinge Spacer	2 mm
10	207/00126/00	Screw	
11	202/00104/00	Washer	
12	221/00004/00	Hinge	Fixed part
13	131/00003/00	Door Panel	
14	217/00059/00	Door Handle	
15	217/00016/00	Door Handle Stop	
16	207/00107/00	Screw	
17	204/00103/00	Nut	
18	202/00111/00	Washer	
19	211/00109/01	Door Lock Pin Kit	

# Control Panel - Cygnus Professional OPL Models

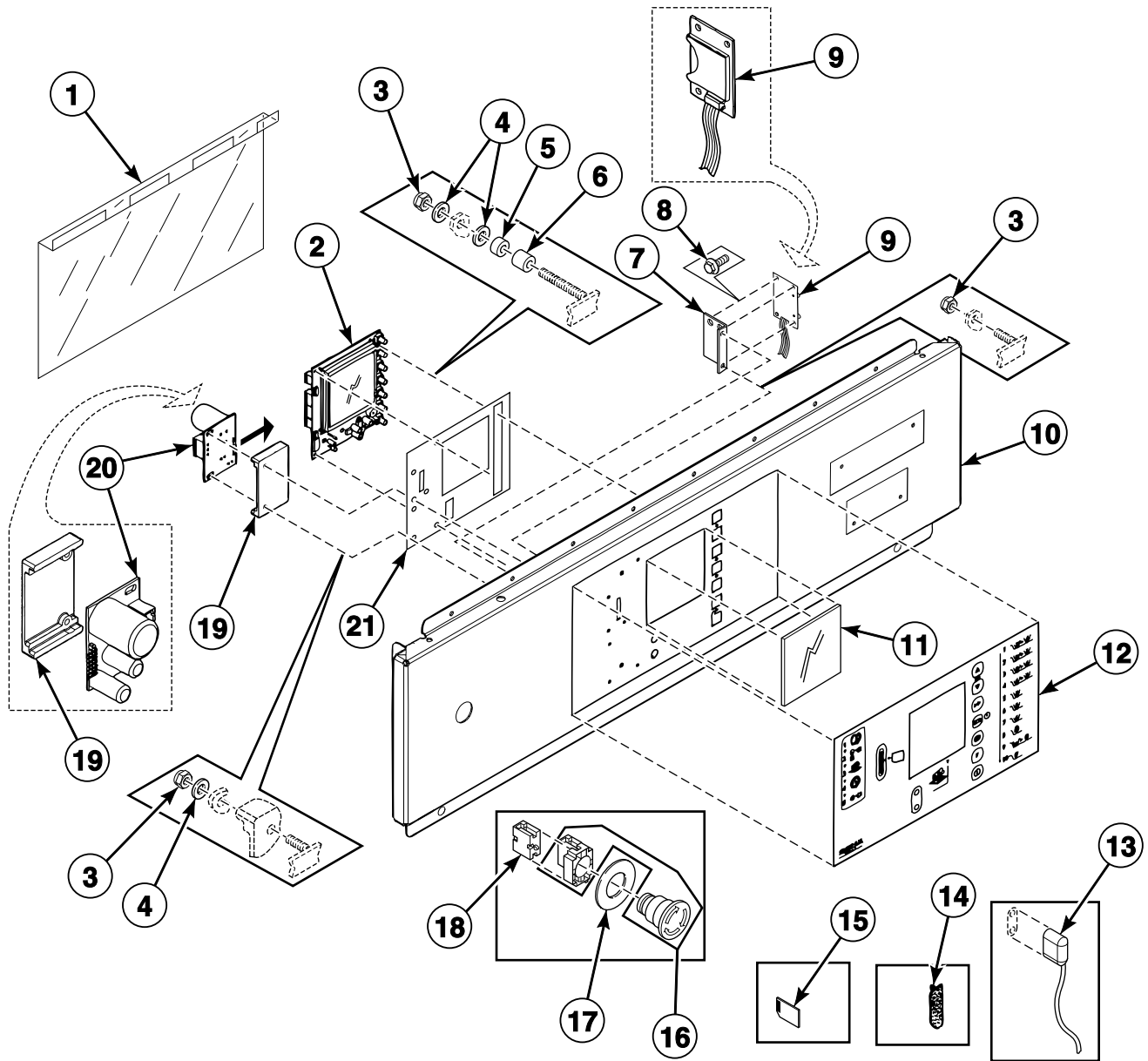


BE000885P\_D0237

## Control Panel - Cygnus Professional OPL Models

REF	PART NO.	DESCRIPTION	COMMENTS
1	229/00289/00	Circuit Board Cover	
2	209/02002/00	Display PC-Board	
3	204/00116/00	Nut	
4	223/00123/00	Washer	
5	211/00128/00	Printboard Separator	
6	211/00122/00	Standoff	
7	111/01893/00	Printboard Support Card	
8	211/00145/00	Standoff	
9	209/02013/00	Memory Card PC-Board	
	210/00221/00	Dataflash Card Display Cable	
10	150/01812/00	Upper Front Panel	
11	225/00321/00	Plexi Frame	
12	225/10313/00	Operating Sticker	
	225/10426/00	Operating Sticker	
13	209/02022/00	Datacard	
14	210/00902/00	Infrared Cable	
15	223/00348/00	Datacard Cover	
16	209/00099/20	Emergency Switch Pushbutton	
17	209/00520/00	Telem Sticker	
18	209/00099/26	Contact Switch	
19	229/00268/00	Insulating Sticker	
20	209/02010/00	Door Lock PC-Board	
21	223/00374/00	Mounting Plate	

# Control Panel - Cygnus Premium OPL Models

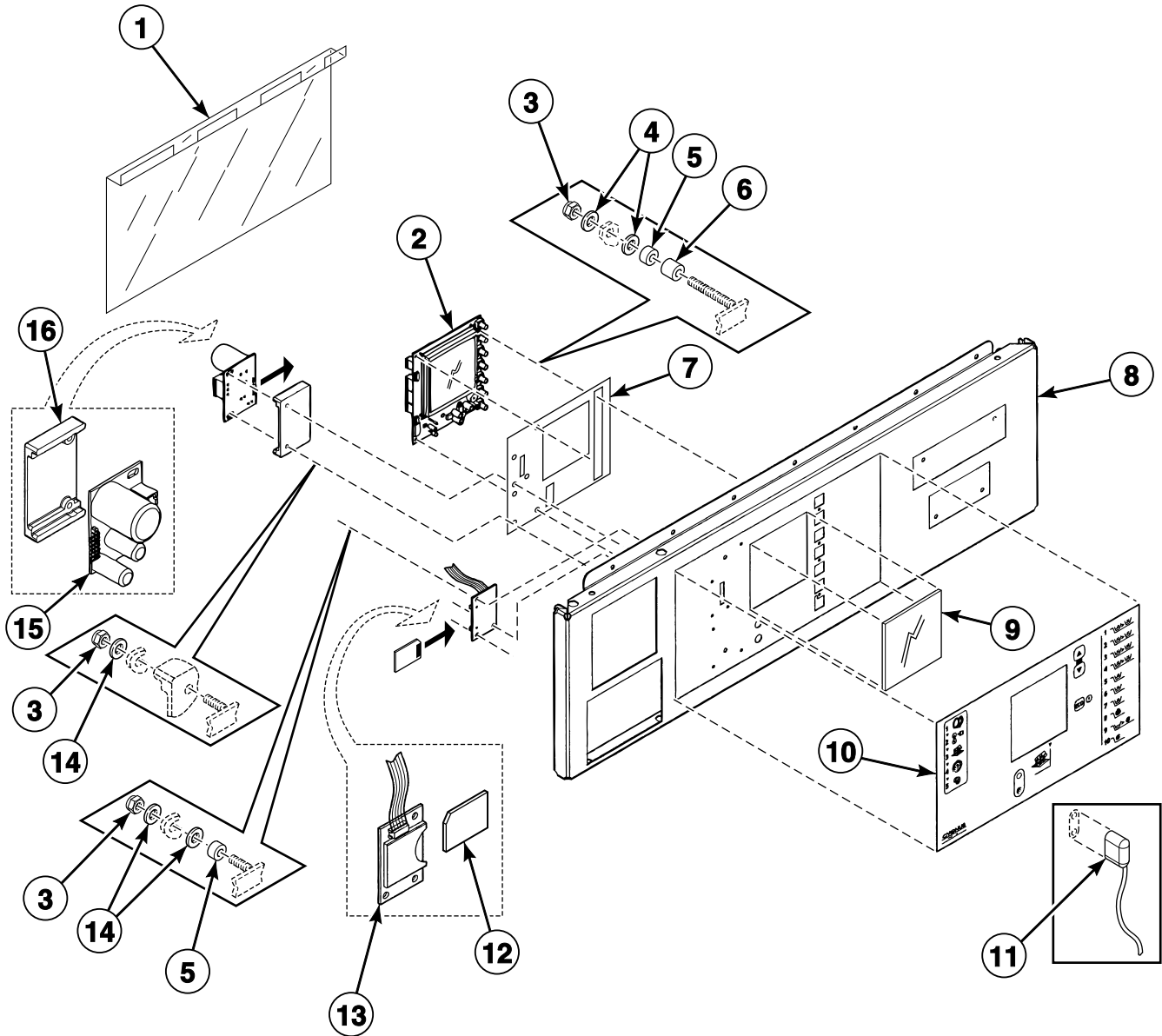


BE000886P\_D0237

## Control Panel - Cygnus Premium OPL Models

REF	PART NO.	DESCRIPTION	COMMENTS
1	229/00289/00	Circuit Board Cover	
2	209/02015/02	Printboard	Cygnus premium
3	204/00116/00	Nut	
4	223/00123/00	Washer	
5	211/00128/00	Printboard Separator	
6	211/00122/00	Standoff	
7	111/01893/00	Printboard Support Card	
8	211/00145/00	Standoff	
9	209/02013/00	Memory Card PC-Board	
	210/00221/00	Dataflash Card Display Cable	
10	111/01910/00	Upper Front Panel	
11	225/00323/00	Plexi Frame	
12	225/10404/00	Operating Sticker	Cygnus premium OPL with dataflash memory card
	225/10405/00	Operating Sticker	Cygnus premium central panel and start
	225/10427/00	Operating Sticker	Cygnus premium OPL with dataflash memory card inside
13	210/00902/00	Infrared Cable	
14	223/00348/00	Datacard Cover	
15	209/02022/00	Datacard	
16	209/00099/20	Emergency Switch Pushbutton	
17	209/00520/00	Telem Sticker	
18	209/00099/26	Contact Switch	
19	223/00374/00	Mounting Plate	
20	209/02010/00	Door Lock PC-Board	
21	229/00291/00	Insulating Sticker	

# Control Panel - Cygnus Premium Coin Models

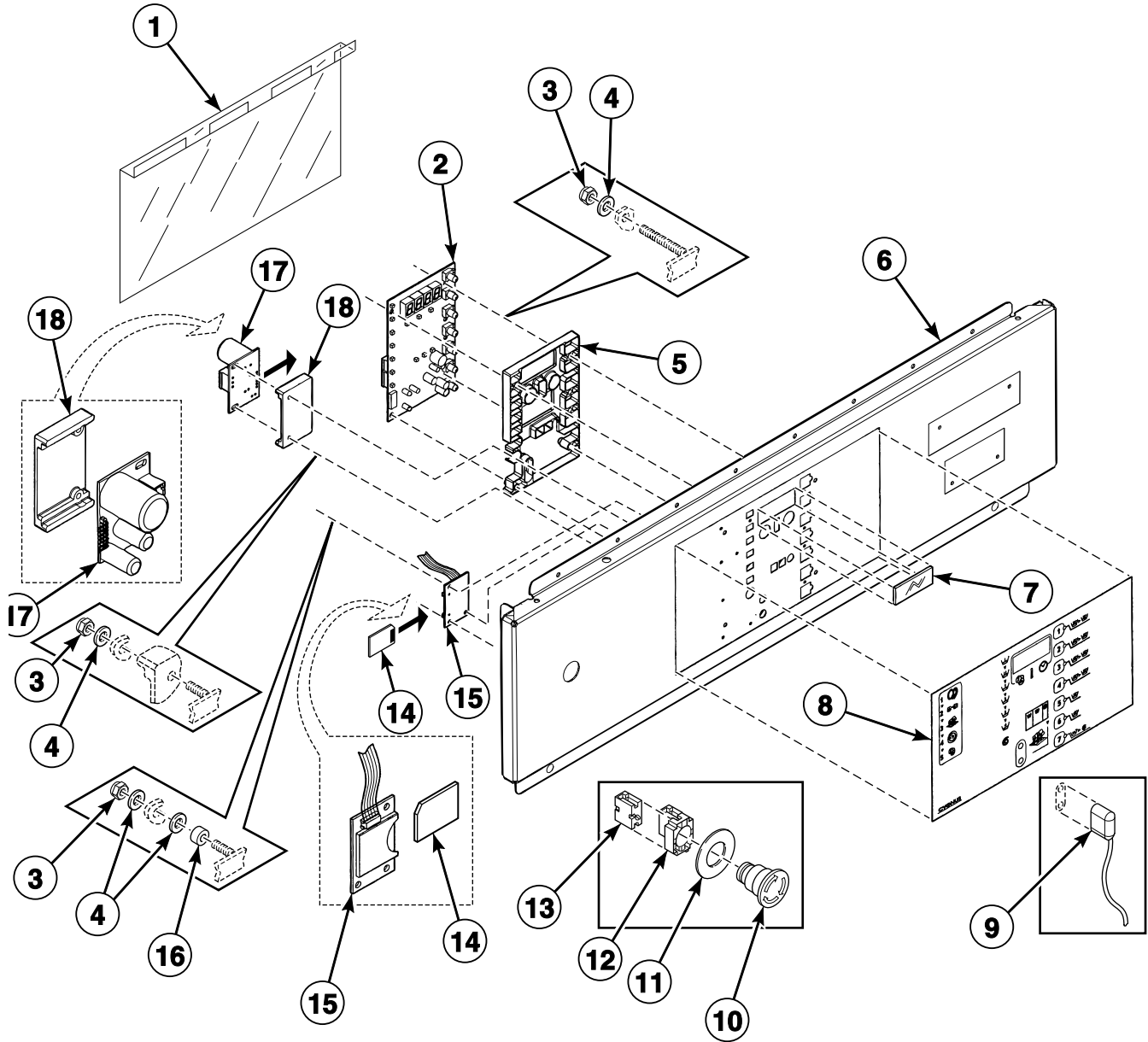


BE000872AP\_D0237

## Control Panel - Cygnus Premium Coin Models

REF	PART NO.	DESCRIPTION	COMMENTS
1	229/00289/00	Circuit Board Cover	
2	209/02015/02	Printboard	Cygnus premium
3	204/00116/00	Nut	
4	223/00123/00	Washer	
5	211/00128/00	Printboard Separator	
6	211/00122/00	Standoff	
7	229/00291/00	Insulating Sticker	
8	111/01911/00	Upper Front Panel	
9	225/00323/00	Plexi Frame	
10	225/10403/00	Operating Sticker	
11	210/00901/00	Optic Cable	
12	209/02022/00	Datacard	
13	209/02013/00	Memory Card PC-Board	
	210/00221/00	Dataflash Card Display Cable	
14	209/02010/00	Door Lock PC-Board	
15	223/00374/00	Mounting Plate	

# Control Panel - Cygnus Standard/Commercial OPL Models

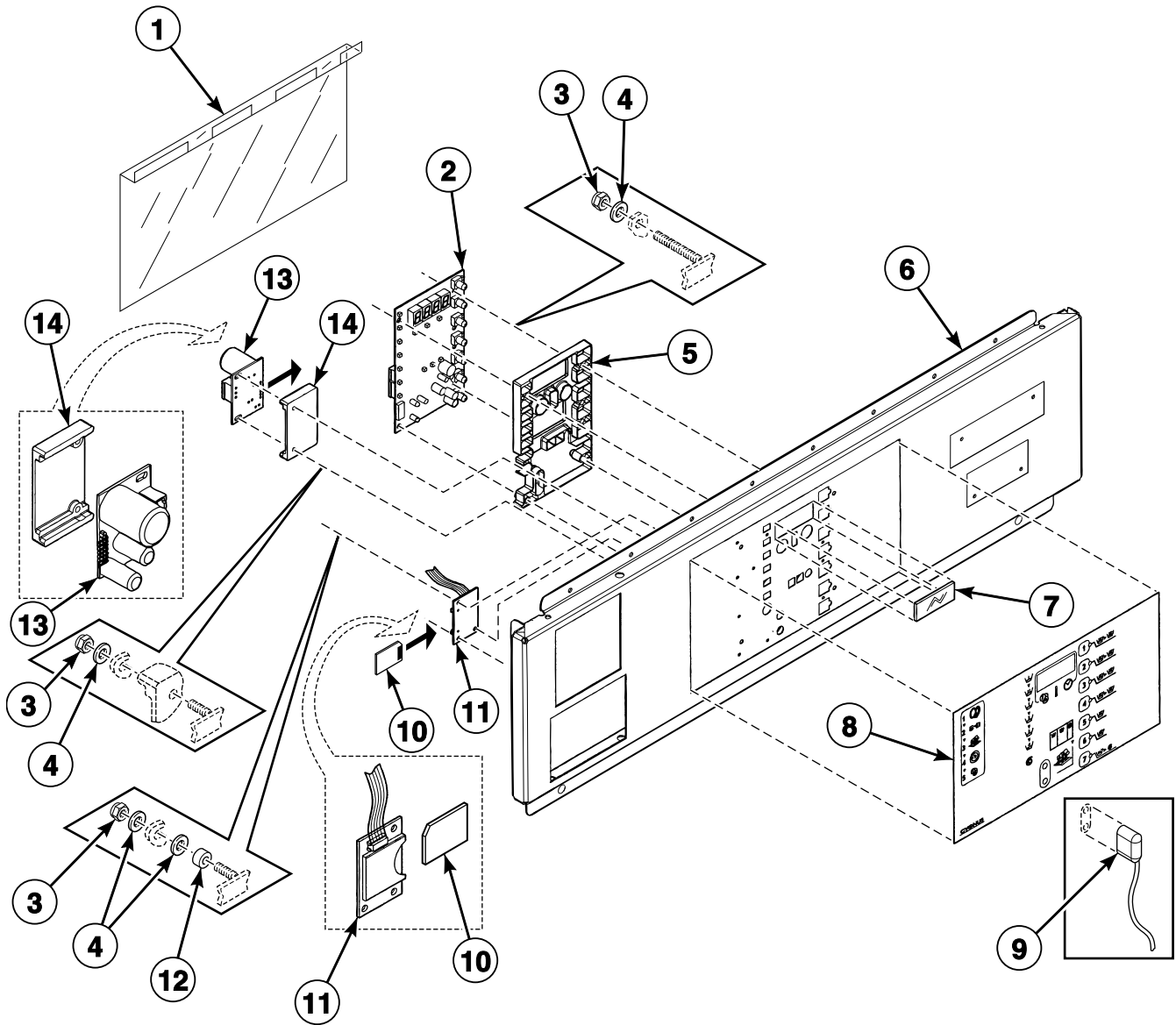


BE000888P\_D0237

## Control Panel - Cygnus Standard/Commercial OPL Models

REF	PART NO.	DESCRIPTION	COMMENTS
1	229/00289/00	Circuit Board Cover	
2	209/02001/02	Printboard	
3	204/00116/00	Nut	
4	223/00123/00	Washer	
5	223/00330/00	Protection LED	
6	111/01908/00	Upper Front Panel	
7	225/00322/00	Plexi Frame	
8	225/10307/00	Operating Sticker	Models HF234_CYGNUS-STANDARD_OPL and HF304_CYGNUS-STANDARD_OPL
	225/10308/00	Operating Sticker	Models HF234_CYGNUS-COMM_OPL and HF304_CYGNUS-COMM_OPL
9	210/00901/00	Optic Cable	
10	209/00248/20	Mushroom Pushbutton	
11	209/00520/00	Telem Sticker	
12	209/00099/20	Emergency Switch Pushbutton	
13	209/00099/26	Contact Switch	
14	209/02022/00	Datacard	
15	209/02013/00	Memory Card PC-Board	
	210/00221/00	Dataflash Card Display Cable	
16	211/00128/00	Printboard Separator	
17	209/02010/00	Door Lock PC-Board	
18	223/00374/00	Mounting Plate	

# Control Panel - Cygnus Standard/Commercial Coin Models

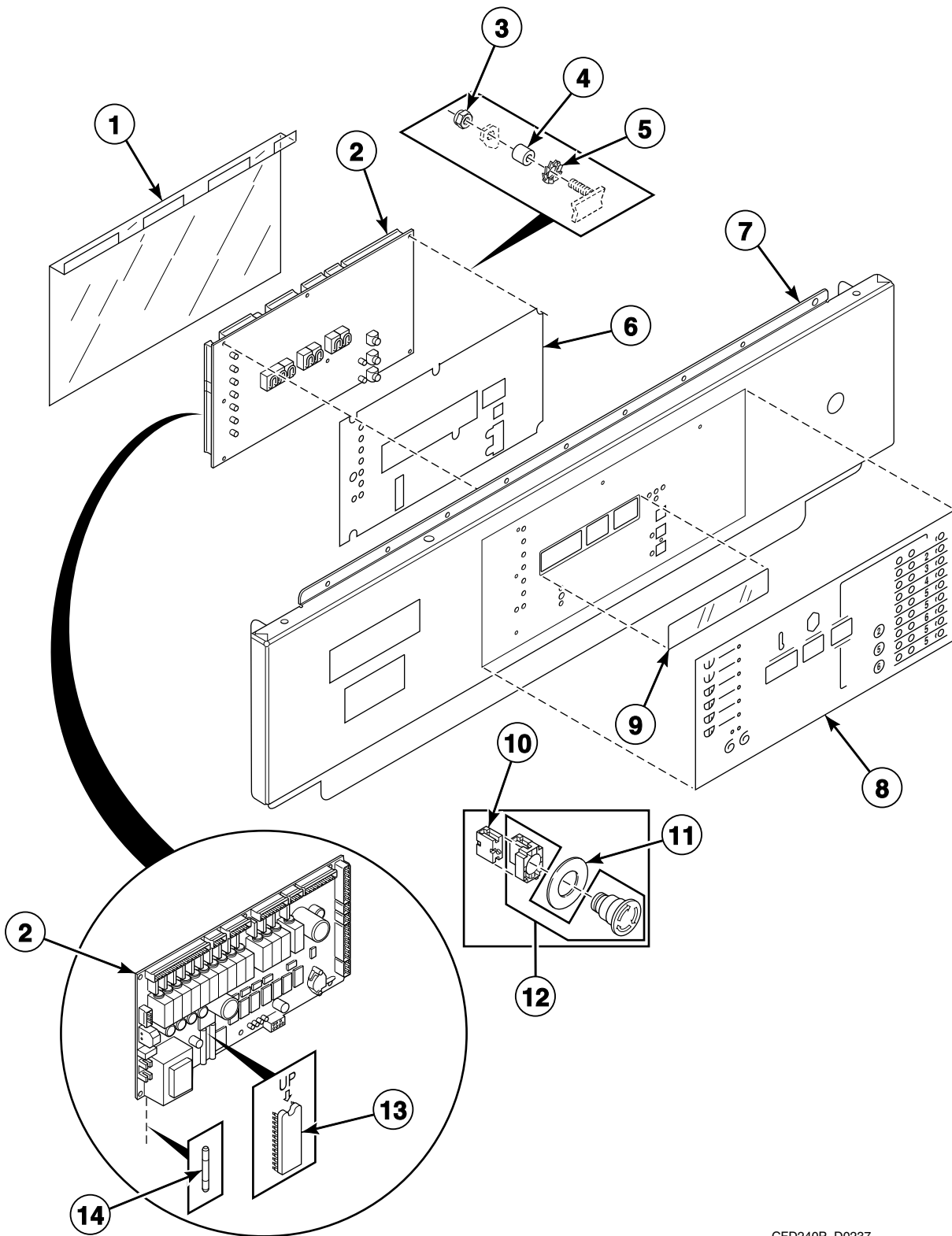


BE000889P\_D0237

## Control Panel - Cygnus Standard/Commercial Coin Models

REF	PART NO.	DESCRIPTION	COMMENTS
1	229/00289/00	Circuit Board Cover	
2	209/02001/02	Printboard	
3	204/00116/00	Nut	
4	223/00123/00	Washer	
5	223/00330/00	Protection LED	
6	111/01909/00	Upper Front Panel	
7	225/00322/00	Plexi Frame	
8	225/10305/00	Operating Sticker	Models HF234_CYGNUS-STANDARD_COIN and HF304_CYGNUS-STANDARD_COIN
	225/10306/00	Operating Sticker	Models HF234_CYGNUS-COMM_COIN and HF304_CYGNUS-COMM_COIN
9	210/00901/00	Optic Cable	
10	209/02022/00	Datacard	
11	209/02013/00	Memory Card PC-Board	
	210/00221/00	Dataflash Card Display Cable	
12	211/00128/00	Printboard Separator	
13	209/02010/00	Door Lock PC-Board	
14	223/00374/00	Mounting Plate	

# Control Panel - Micro-20

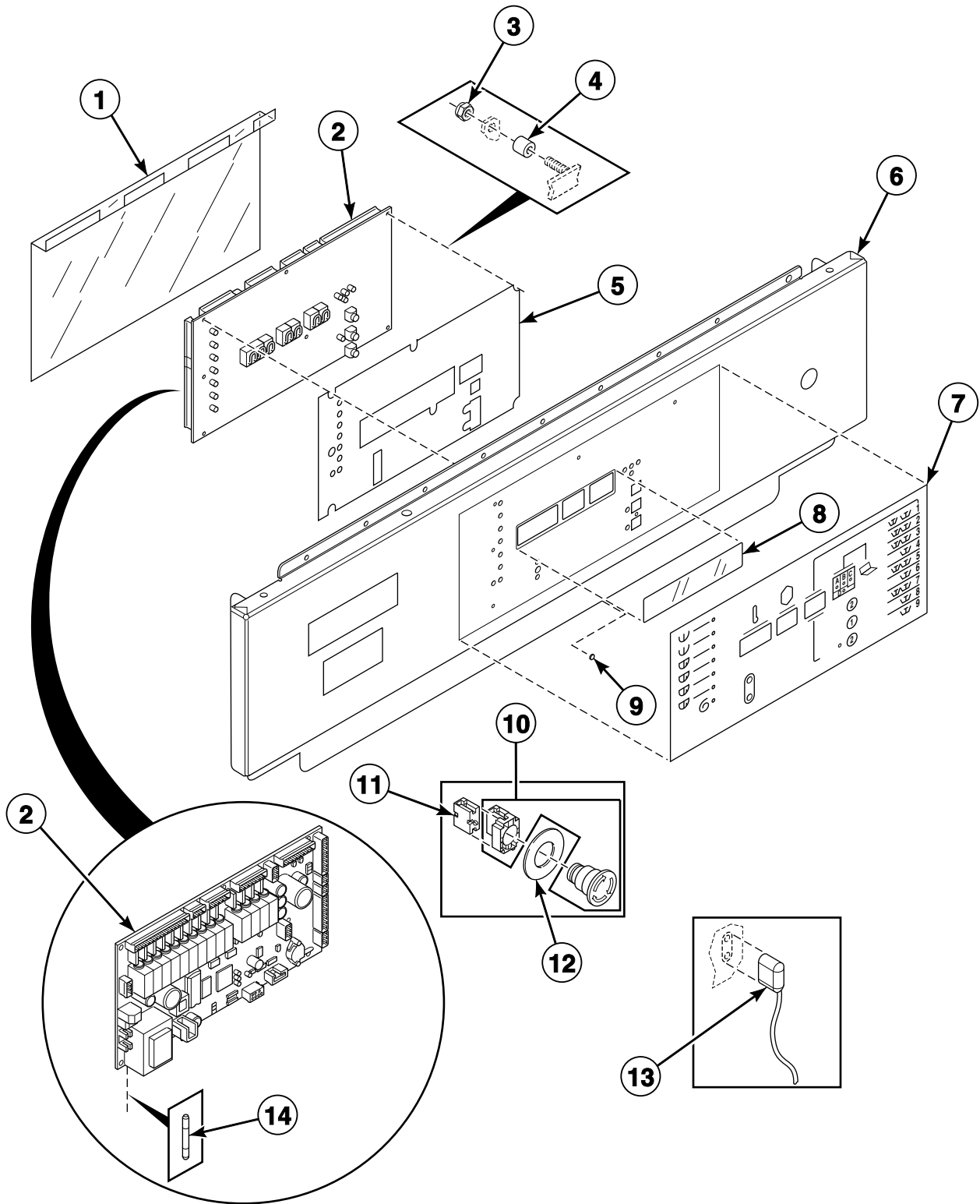


CFD240P\_D0237

## Control Panel - Micro-20

REF	PART NO.	DESCRIPTION	COMMENTS
1	229/00262/00	Circuit Board Cover	
2	209/00440/00	Printboard	
3	204/00114/00	Nut	
4	211/00122/00	Standoff	
5	203/00006/00	Washer	
6	229/00255/00	Insulating Sticker	
7	111/01706/00	Upper Front Panel	Models CHF055MNH, CHF234MNH, HF176_MICRO-20_COIN, HF176_MICRO-20_OPL, HF234_MICRO-20_COIN, HF234_MICRO-20_OPL, IHF055MNH and IHF234MNH
	111/01712/00	Upper Front Panel	Models CHF075MNH, CHF304MNH, HF304_MICRO-20_COIN, HF304_MICRO-20_OPL, IHF075MNH and IHF304MNH
8	225/00408/00	Operating Sticker	No-ECO and no-TEMP
	225/00407/00	Keypad Sticker	Neutral Micro 20 OPL
9	225/00316/00	Plexi Frame	
10	209/00099/26	Contact Switch	
11	209/00520/00	Telem Sticker	
12	209/00248/20	Mushroom Pushbutton	
13	209/00266/01	Eprom	
14	209/00439/00	Fuse	

# Control Panel - Sigma

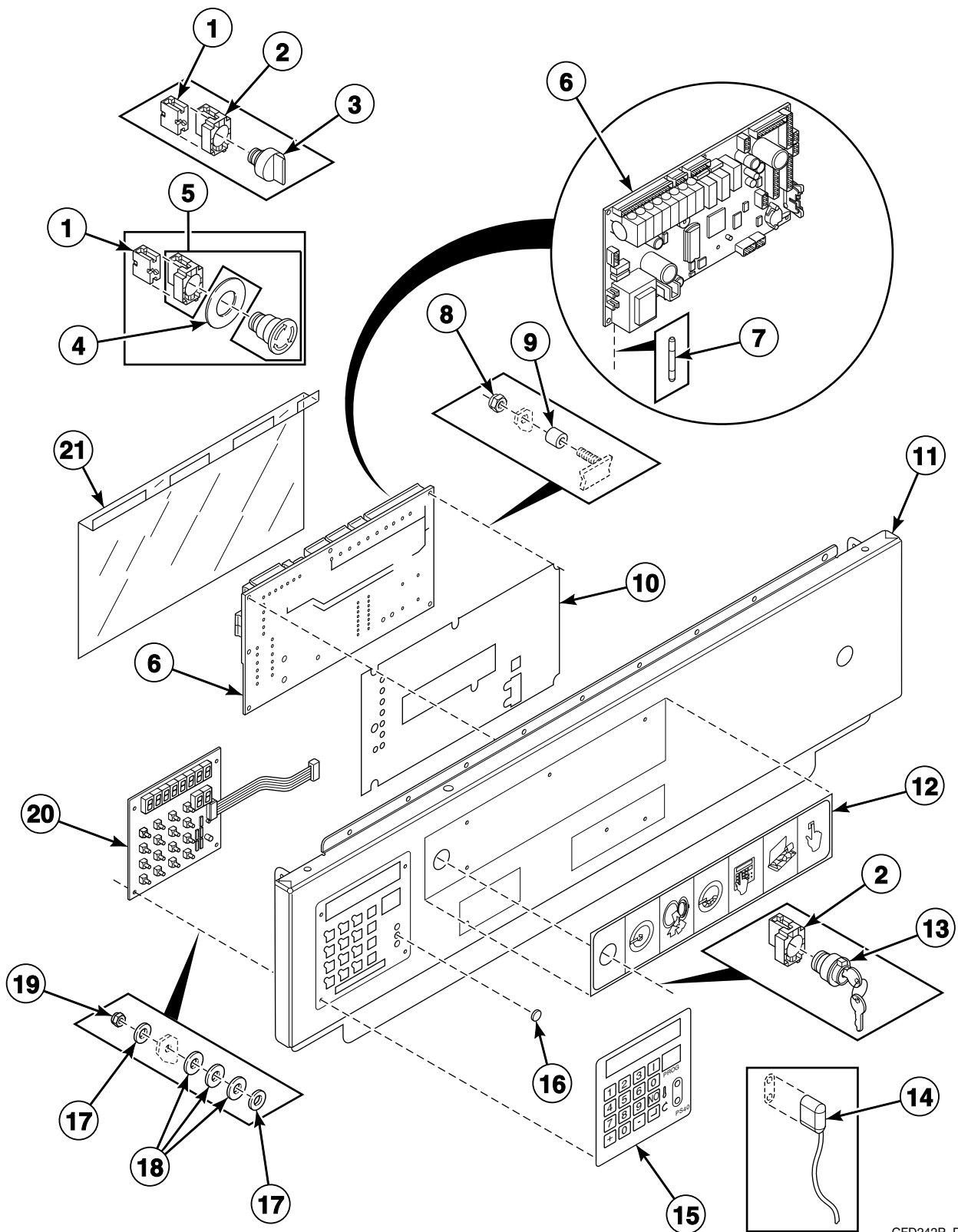


CFD241P\_D0237

## Control Panel - Sigma

REF	PART NO.	DESCRIPTION	COMMENTS
1	229/00262/00	Circuit Board Cover	
2	209/00547/00	Control Board	
3	204/00114/00	Nut	
4	211/00122/00	Standoff	
5	229/00255/00	Insulating Sticker	
6	111/01706/00	Upper Front Panel	Models HF176_SIGMA_COIN, HF176_SIGMA_OPL, HF234_SIGMA_COIN and HF234_SIGMA_OPL
	111/01712/00	Upper Front Panel	Models HF304_SIGMA_COIN and HF304_SIGMA_OPL
7	225/00404/00	Operating Sticker	Neutral Sigma OPL
	225/00405/00	Operating Sticker	Central panel operation Sigma no-TEMP and ECO
8	225/00316/00	Plexi Frame	
9	202/00120/00	Metal Disc	
10	209/00248/20	Mushroom Pushbutton	
11	209/00099/26	Contact Switch	
12	209/00520/00	Telem Sticker	
13	210/00902/00	Infrared Cable	
14	209/00439/00	Fuse	

# Control Panel - PS40F



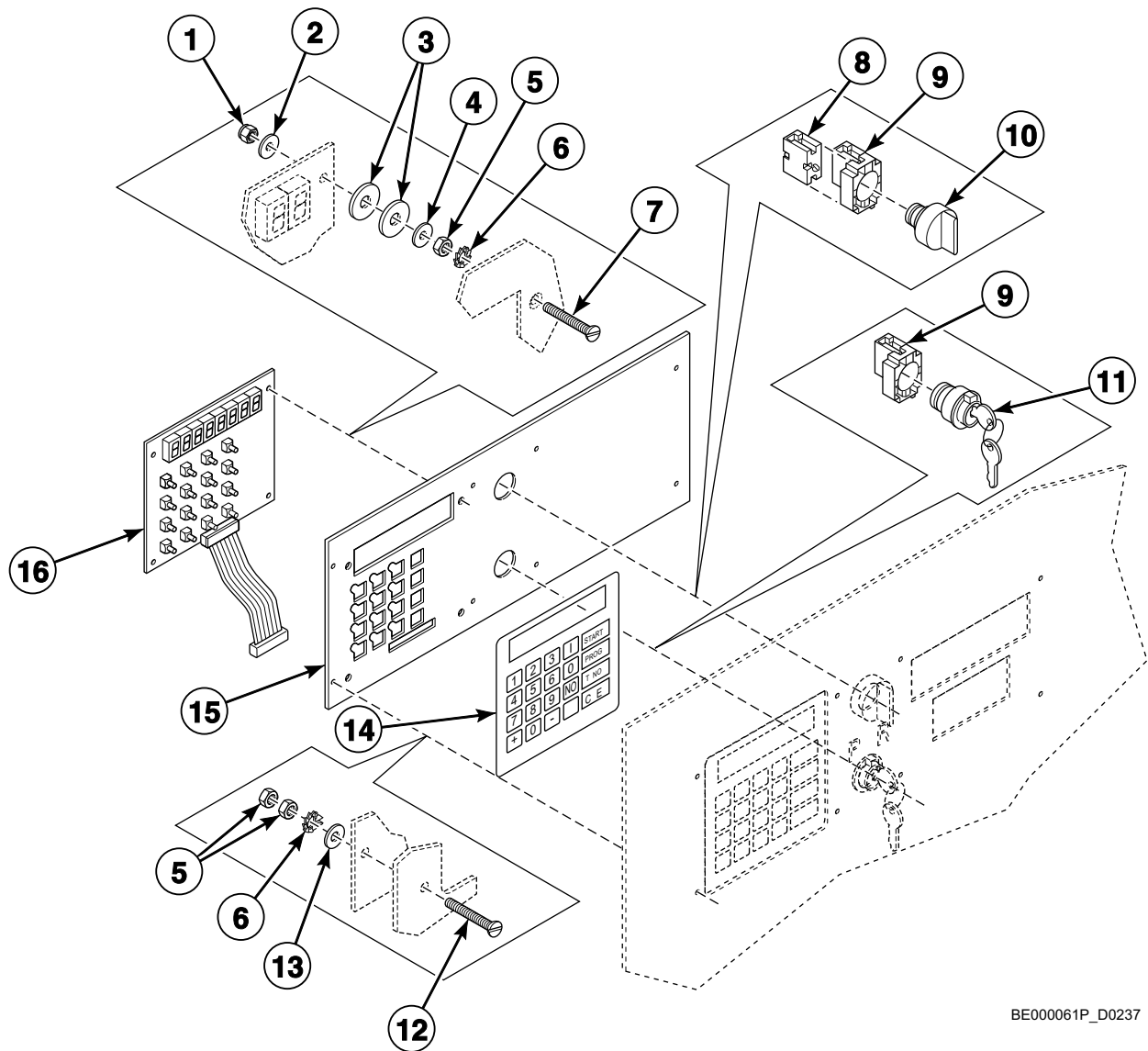
CFD242P\_D0237

## Control Panel - PS40F

REF	PART NO.	DESCRIPTION	COMMENTS
1	209/00099/26	Contact Switch	
2	209/00099/25	Switch Base	
3	209/00099/29	Switch Knob	
4	209/00520/00	Telem Sticker	
5	209/00248/20	Mushroom Pushbutton	
6	B12351701	Main Board	
7	209/00372/01	Fuse	
8	204/00114/00	Nut	
9	211/00122/00	Standoff	
10	229/00255/00	Insulating Sticker	
11	111/01708/00	Front Panel	Models CHF055ANH, CHF234ANH, HF176_PS40F, HF234_PS40F, IHF055ANH and IHF234ANH
	111/01714/00	Upper Front Panel	Models CHF075ANH, CHF304ANH, HF304_PS40F, IHF075ANH and IHF304ANH
12	225/00400/00	Operating Sticker	
13	209/00326/20	Programming Key Contact Switch	With key
14	210/00902/00	Infrared Cable	
15	225/00397/00	Label	
16	202/00120/00	Metal Disc	
17	223/00123/00	Washer	
18	N/A	Washer	
19	204/00116/00	Nut	
20	209/00552/01	Keypad	
21	229/00262/00	Circuit Board Cover	

**N/A = Part no longer available**

# Control Panel - PC30

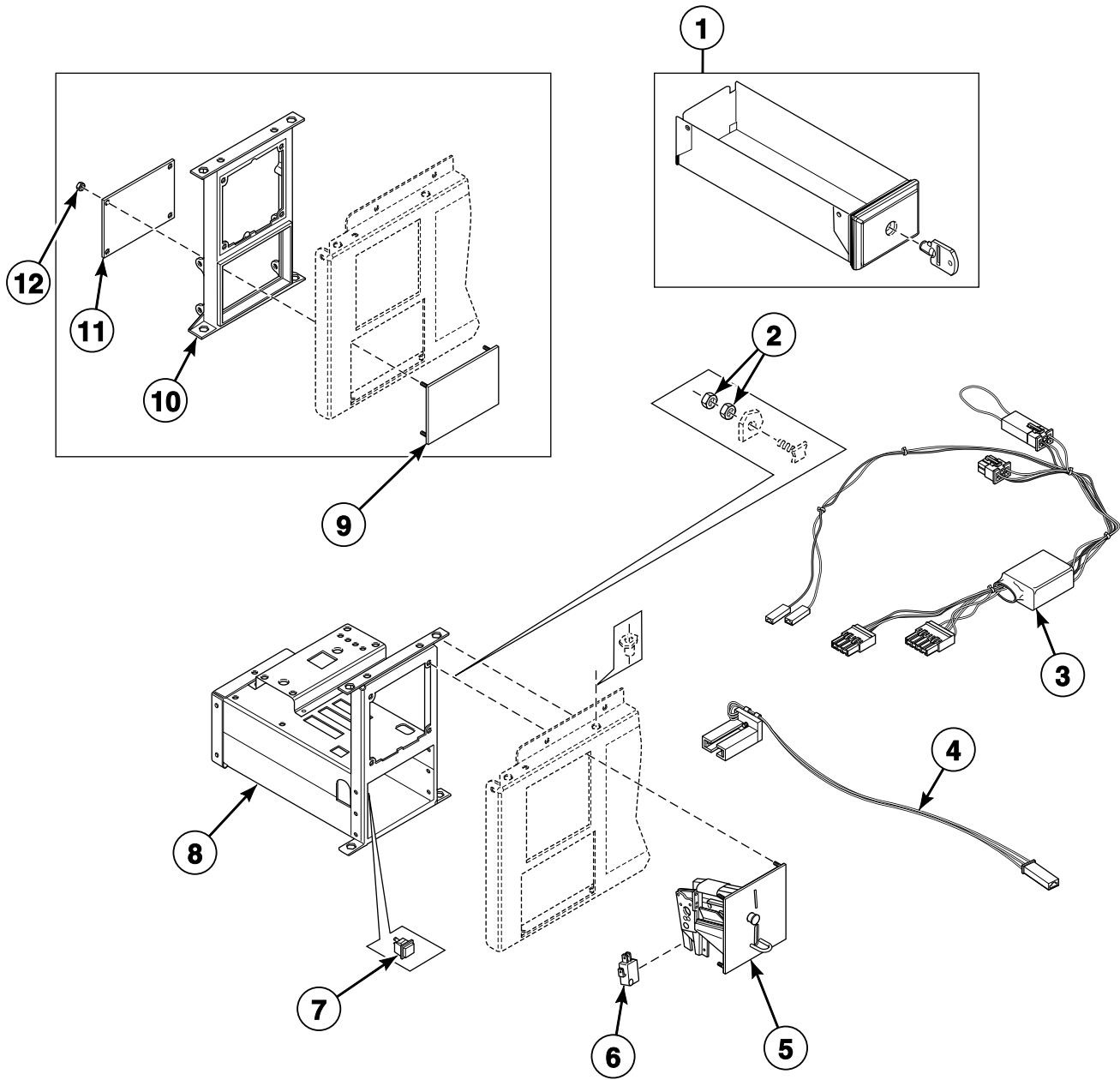


BE000061P\_D0237

## Control Panel - PC30

REF	PART NO.	DESCRIPTION	COMMENTS
1	204/00116/00	Nut	
2	223/00123/00	Washer	
3	223/00051/10	Washer	
4	201/00008/00	Washer	
5	204/00008/00	Nut	
6	203/00007/00	Washer	
7	207/00025/00	Screw	
8	209/00099/06	Contact Switch	
9	209/00099/05	Contact	
10	209/00099/09	Button	
11	209/00326/00	Programming Switch	
12	207/00108/00	Screw	
13	202/00004/00	Washer	
14	229/00245/00	Label	
15	173/00012/00	Mounting Plate	
16	209/00323/01	Keyboard	

# Coin Meter - Coin Models

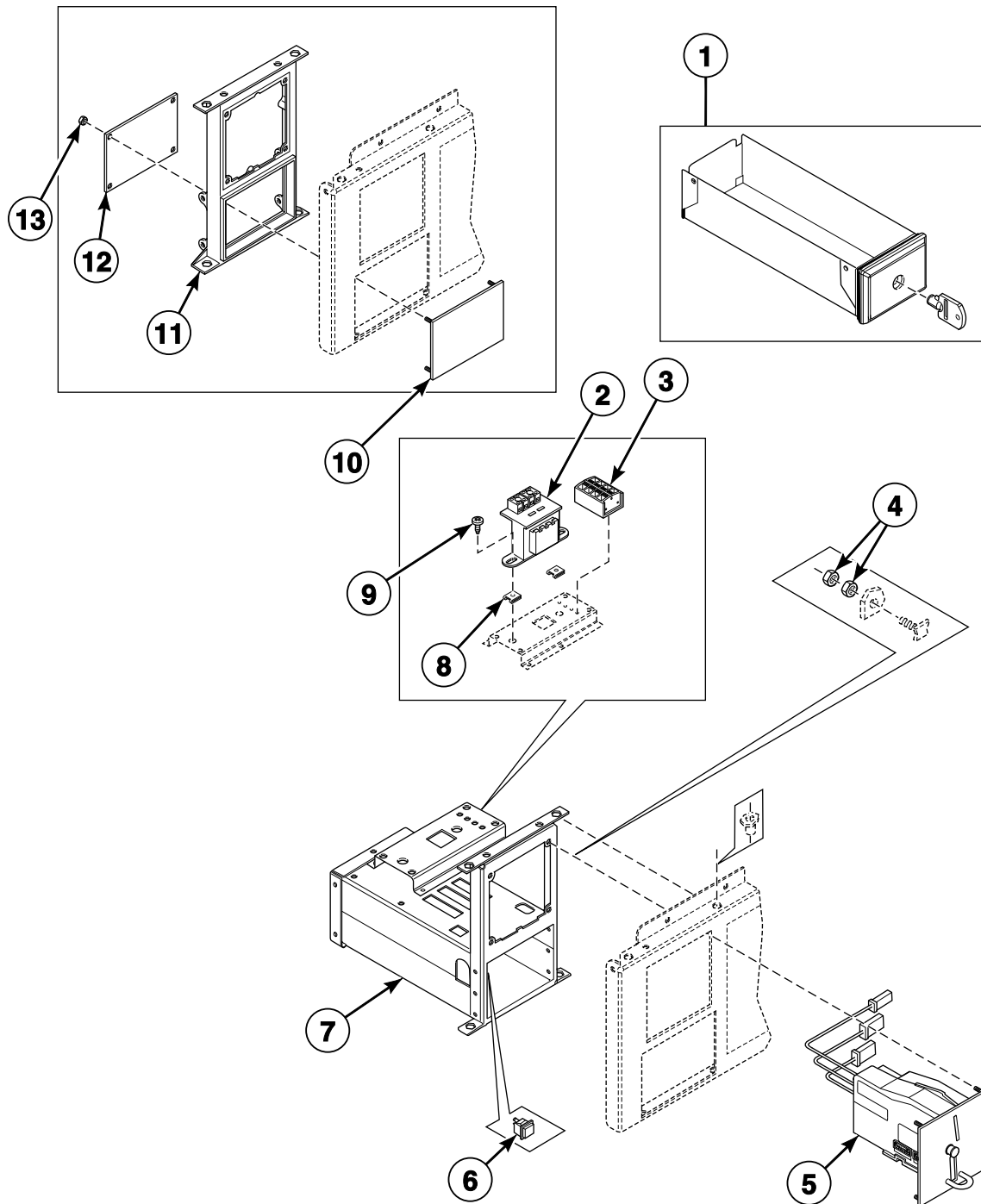


CFD512P\_D0237

## Coin Meter - Coin Models

REF	PART NO.	DESCRIPTION	COMMENTS
	B12388101	Single Drop Optical Sensor Kit	Includes items 3 and 4
	B12388102	Dual Drop Optical Sensor Kit	Includes items 3 and 4
1	254/00077/00	Coin Box	
	254/00077/02	Key	
2	204/00008/00	Nut	
3	B12359901	Wire Assembly	Micro-20 and Sigma models
4	209/00781/00	Optical Switch	Micro-20 and Sigma models
5	B12311224	Coin Drop	Mechanical; Jeton 5K
	B12311206	Coin Drop	Mechanical; Jeton 7K
	B12311201	Coin Drop	Mechanical; Jeton 10K
	B12311210	Coin Drop	Mechanical; Jeton 12K
	B12311252	Coin Drop	Mechanical; Jeton 10K and .5 euro
	B12311211	Coin Drop	Mechanical; Jeton 7K and 1 euro
	B12323901	Coin Drop	Mechanical; Jeton 15K and 7K
	B12311204	Coin Drop	Mechanical; Jeton gettone
	B12311234	Coin Drop	Mechanical; Jeton crouzet
	B12311247	Coin Drop	Mechanical; Jeton 118-1
	B12311248	Coin Drop	Mechanical; Jeton 118-5
	B12311222	Coin Drop	Mechanical; 1 euro
	B12311214	Coin Drop	Mechanical; .5 euro
	B12311202	Coin Drop	Mechanical; .5 and 1 euro
	B12311239	Coin Drop	Mechanical; .5 and 2 euro
	B12311205	Coin Drop	Mechanical; .2 and 1 euro
	B11211209	Coin Drop	Mechanical; .2 and .5 euro
	B12311218	Coin Drop	Mechanical; 1 and 1 euro
	B12311219	Coin Drop	Mechanical; 1 and 2 euro
	B12311203	Coin Drop	Mechanical; 1 and 2 frank
	B12311207	Coin Drop	Mechanical; 1 Deense kroon
	B12311225	Coin Drop	Mechanical; 10 Deense kronen
	B12311235	Coin Drop	Mechanical; 10 Tsjechische kronen
	B12311244	Coin Drop	Mechanical; 10 Noorse kronen
	B12311208	Coin Drop	Mechanical; 100 and 500 yen
	B12311212	Coin Drop	Mechanical; 15K
	B12311215	Coin Drop	Mechanical; 1 kro
	B12311226	Coin Drop	Mechanical; Australia 1.00
	B12311216	Coin Drop	Mechanical; Australia .2 and 1.00
	B12311220	Coin Drop	Mechanical; New Zealand 1.00
	B12311221	Coin Drop	Mechanical; .5 and 2 zwitsers
	B12311241	Coin Drop	Mechanical; Hong Kong 1.00
	B12311249	Coin Drop	Mechanical; Hong Kong 5.00
	B12311301	Coin Drop	Mechanical; U.S. \$0.25
	B12311302	Coin Drop	Mechanical; U.S. \$0.25 and \$1.00
	B12311304	Coin Drop	Mechanical; Canada 1.00 and .25
	B12323401	Coin Drop	Mechanical; Singapore 1.00
6	209/00600/01P	Switch	
7	209/00396/00	Pushbutton	
8	152/00112/00	Mechanical Coin Meter Housing	
9	111/01001/00	Top Panel	Gray
	111/01000/00	Front Plate	Black
10	217/00060/00	Fastening Piece	
11	111/01002/00	Backplate	
12	204/00116/00	Nut	

# Coin Drop - Electronic Coin Meter

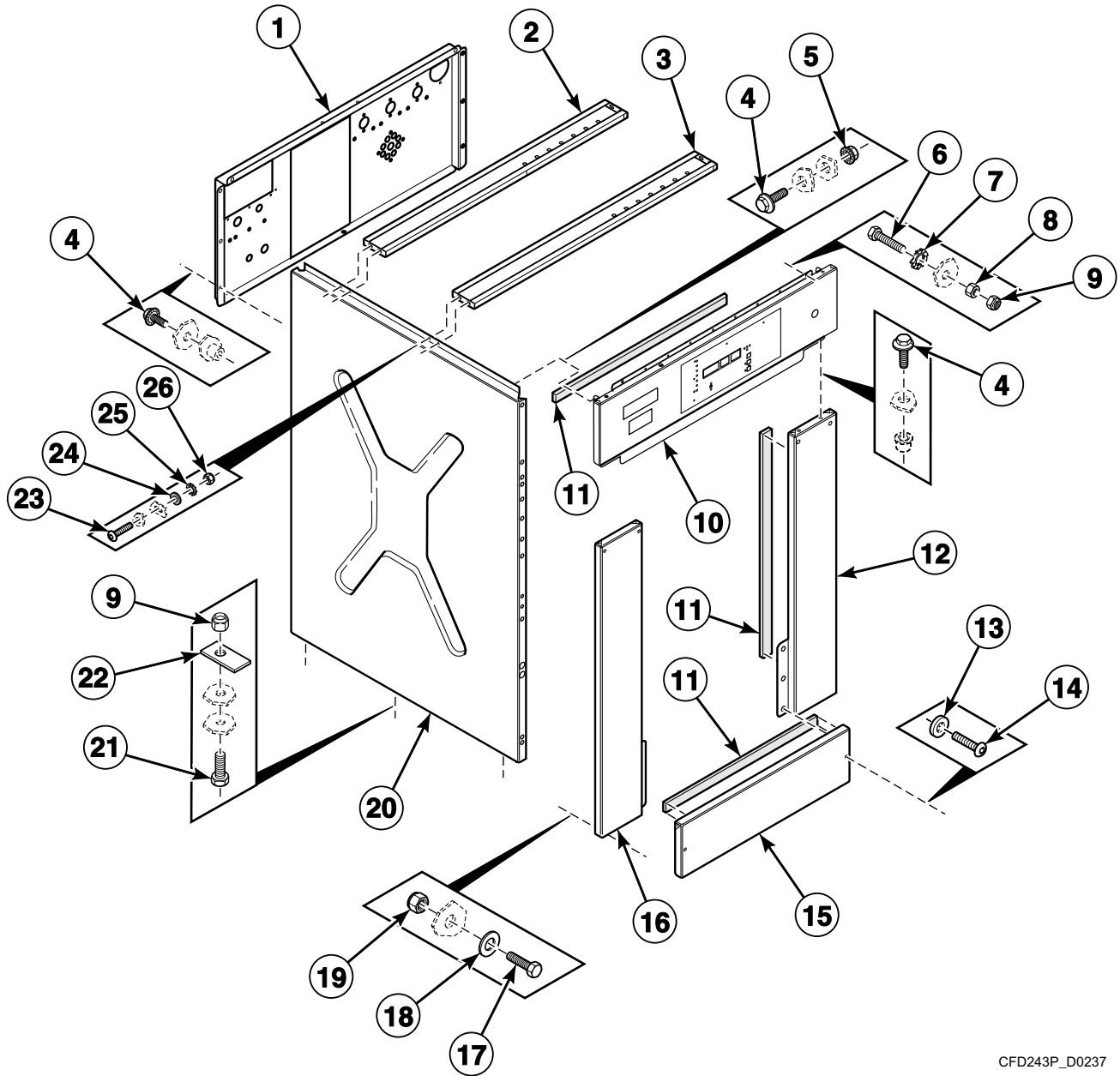


CFD511P\_D0237

## Coin Drop - Electronic Coin Meter

REF	PART NO.	DESCRIPTION	COMMENTS
1	254/00077/00	Coin Box	
	254/00077/02	Key	
2	209/00682/00	Transformer	
3	209/00683/00	Input Block	
4	204/00008/00	Nut	
5	B12311401	Coin Drop	Electronic; Cygnus models
6	209/00396/00	Pushbutton	
7	152/00112/50	Electronic Coin Meter Housing	
8	208/00002/00	Nut	
9	208/00014/00	Screw	
10	111/01001/00	Top Panel	Gray
	111/01000/00	Front Plate	Black
11	217/00060/00	Fastening Piece	
12	111/01002/00	Backplate	
13	204/00116/00	Nut	

# Front, Left Side and Upper Back Panels - \*50, \*55, \*176 and \*234 Models

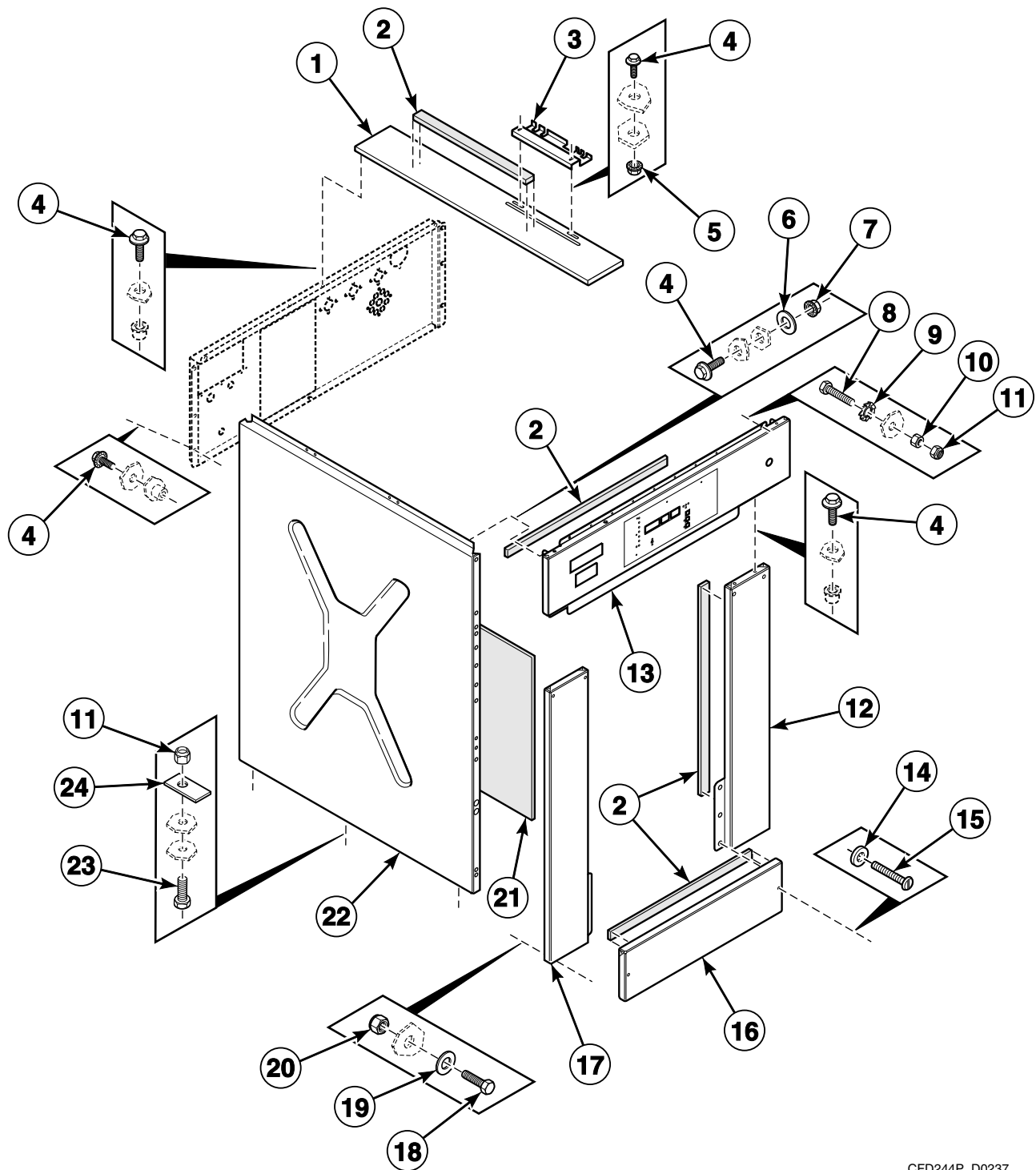


CFD243P\_D0237

## Front, Left Side and Upper Back Panels - \*50, \*55, \*176 and \*234 Models

REF	PART NO.	DESCRIPTION	COMMENTS
1	111/01158/90	Backbridge	
2	111/10102/00	Dispenser Rear Mounting Plate	
3	111/10101/00	Dispenser Front Mounting Plate	
4	206/00099/00	Bolt	
5	206/00101/00	Nut	
6	205/00103/00	Bolt	
7	203/00004/00	Washer	
8	204/00106/00	Nut	
9	204/00009/00	Nut	
10	111/01706/00	Upper Front Panel	
11	246/00149/00	Gasket	
12	111/32957/50	Right Front Panel	
13	208/00009/00	Washer	
14	207/00101/00	Screw	
15	111/32943/00	Kickplate	
16	111/32951/50	Left Front Panel	
17	206/00042/00	Bolt	
18	201/00010/00	Washer	
19	204/00109/00	Nut	
20	111/32727/00	Side Panel	*176 models
	140/00007/00	Side Panel	*50, *55 and *234 models
21	205/00105/00	Bolt	
22	101/00007/00	Outlet Pipe Plate Assembly	
23	207/00032/00	Screw	
24	202/00004/00	Washer	
25	203/00006/00	Washer	
26	204/00007/00	Nut	

# Front and Left Side Panels - \*75 and \*304 Models

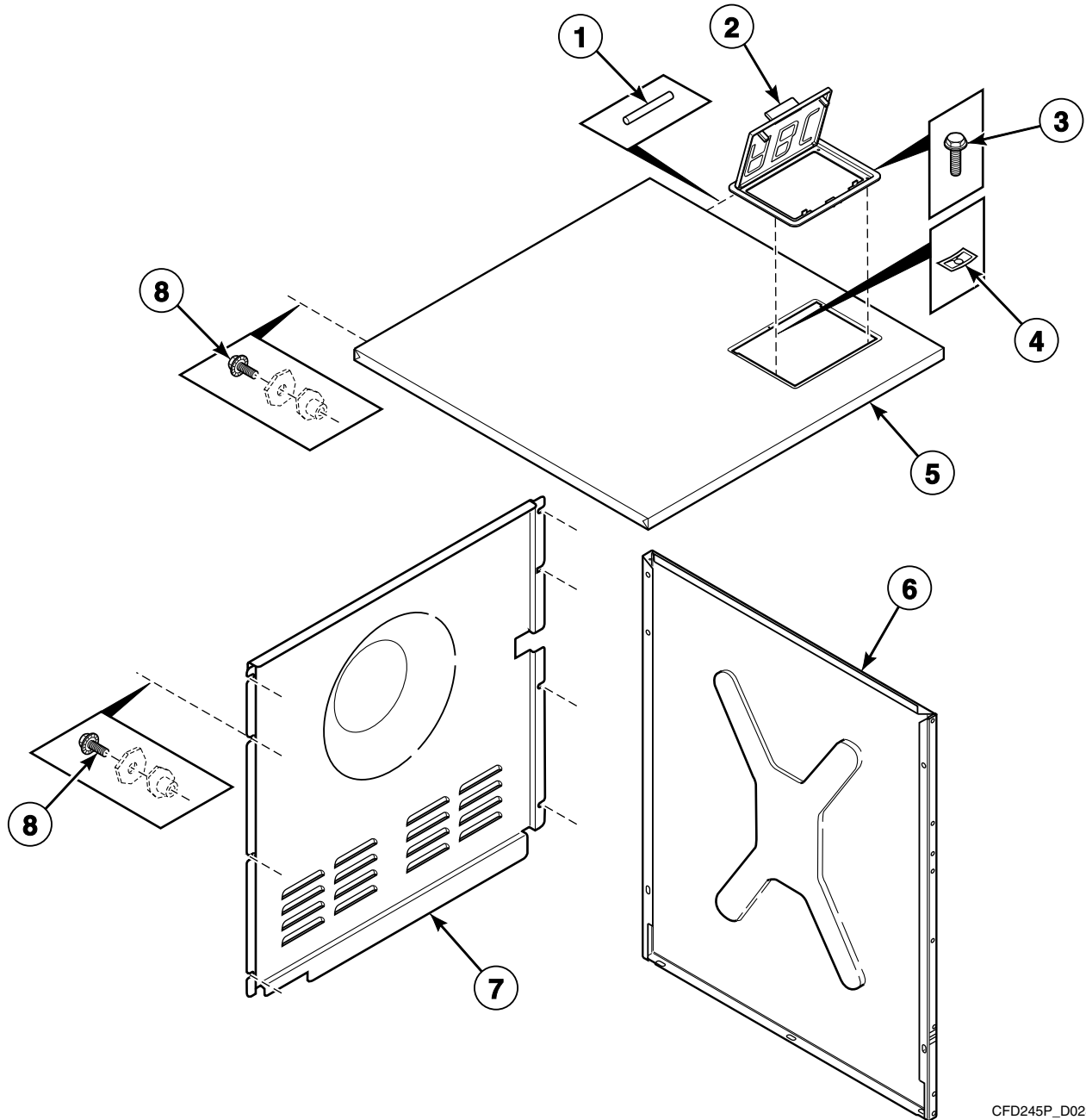


CFD244P\_D0237

## Front and Left Side Panels - \*75 and \*304 Models

REF	PART NO.	DESCRIPTION	COMMENTS
1	111/00207/00	Dispenser Mounting Plate	
2	246/00149/00	Gasket	
3	111/00117/00	Soap Box Support Plate	
4	206/00099/00	Bolt	
5	206/00101/00	Nut	
6	201/00006/00	Washer	
7	204/00005/00	Nut	
8	205/00103/00	Bolt	
9	203/00004/00	Washer	
10	204/00106/00	Nut	
11	204/00009/00	Nut	
12	111/32960/00	Right Front Panel	
13	111/01712/00	Upper Front Panel	
14	208/00009/00	Washer	
15	207/00101/00	Screw	
16	111/32943/00	Kickplate	
17	111/32948/00	Left Front Panel	
18	206/00042/00	Bolt	
19	201/00010/00	Washer	
20	204/00109/00	Nut	
21	246/00079/00	Side Panel Gasket	
22	133/00126/00	Side Panel	
23	205/00105/00	Bolt	
24	101/00007/00	Outlet Pipe Plate Assembly	

# Top, Right Side and Lower Back Panels - \*50, \*55, \*176 and \*234 Models

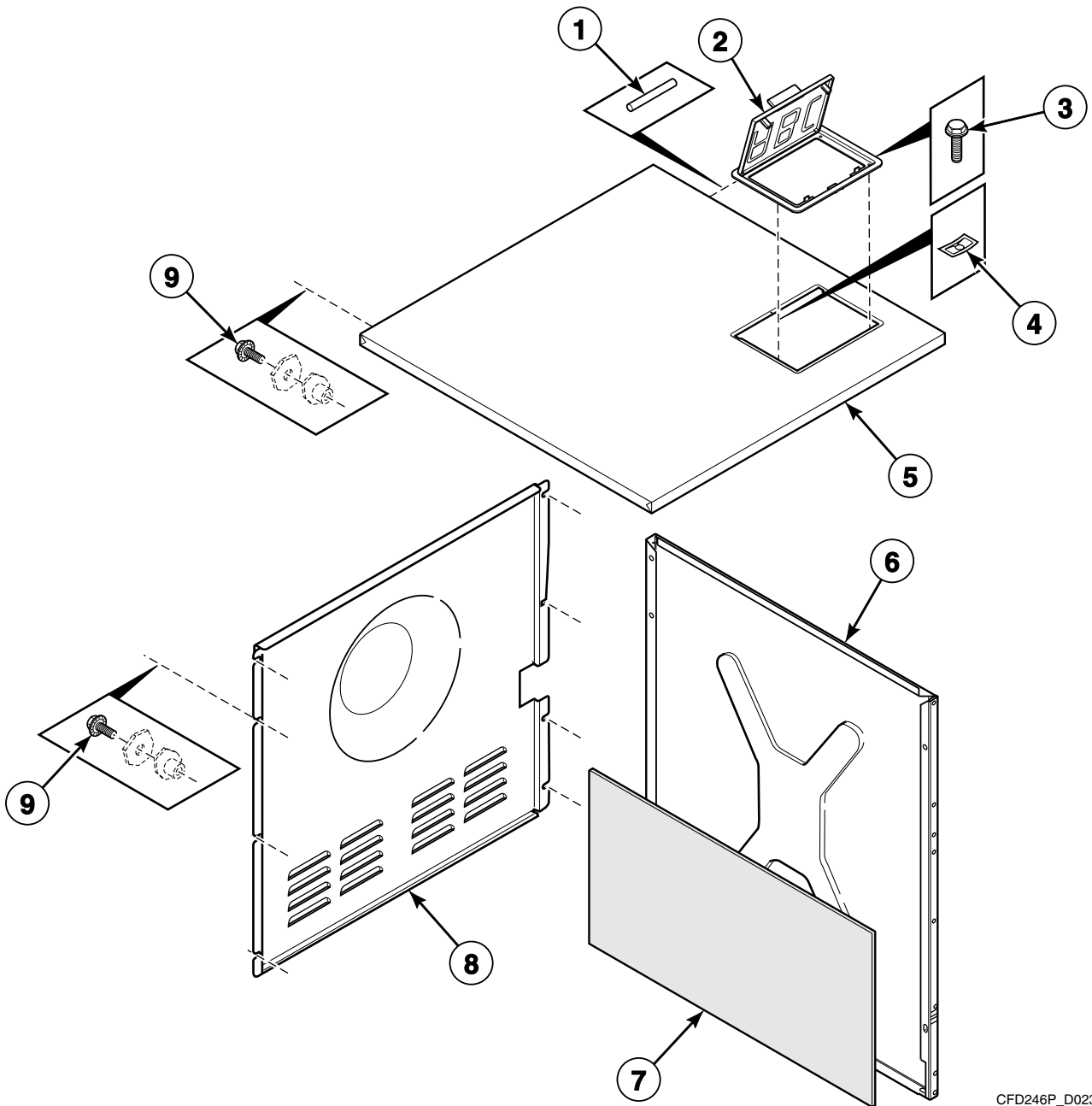


CFD245P\_D0237

## Top, Right Side and Lower Back Panels - \*50, \*55, \*176 and \*234 Models

REF	PART NO.	DESCRIPTION	COMMENTS
1	223/00103/04	Soap Dispenser Cover Hinge Rod	
2	223/00103/01	Soap Dispenser Cover	
3	207/00131/00	Bolt	
4	208/00104/00	Nut	
5	140/00045/01	Top Panel	*50, *55 and *234 models
	111/32961/00	Cabinet Top Panel	*176 models
6	140/00007/00	Side Panel	*50, *55 and *234 models
	111/32727/00	Side Panel	*176 models
7	111/00127/10	Rear Panel	
8	206/00099/00	Bolt	

# Top, Right Side and Lower Back Panels - \*75 and \*304 Models

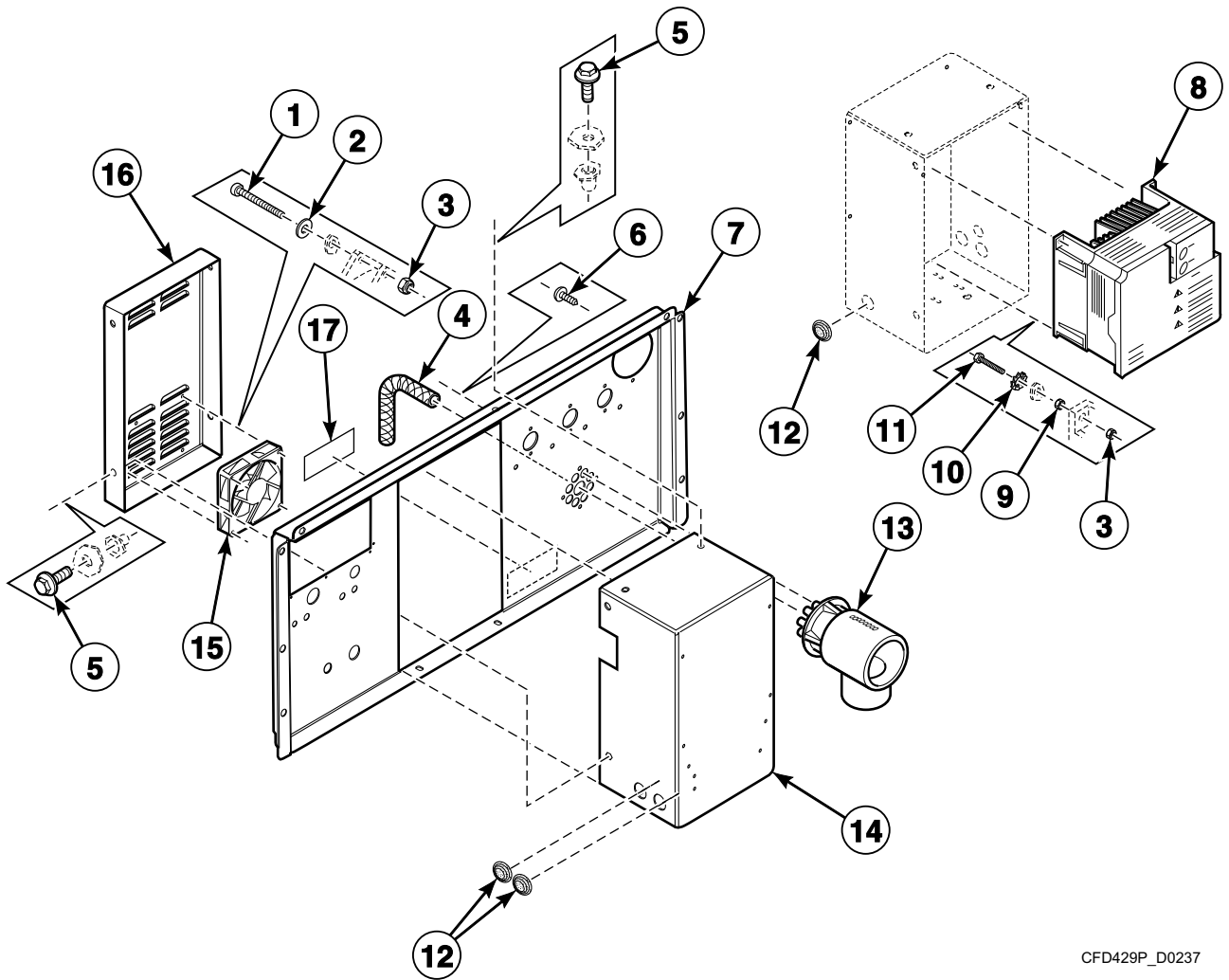


CFD246P\_D0237

## Top, Right Side and Lower Back Panels - \*75 and \*304 Models

REF	PART NO.	DESCRIPTION	COMMENTS
1	223/00103/04	Soap Dispenser Cover Hinge Rod	
2	223/00103/01	Soap Dispenser Cover	
3	207/00131/00	Bolt	
4	208/00104/00	Nut	
5	111/05013/00	Top Panel	
6	133/00126/00	Side Panel	
7	246/00079/00	Side Panel Gasket	
8	111/00126/10	Rear Panel	
9	206/00099/00	Bolt	

# Upper Back Panel - \*50, \*55, \*176 and \*234 Models (Drawing 1 of 3)



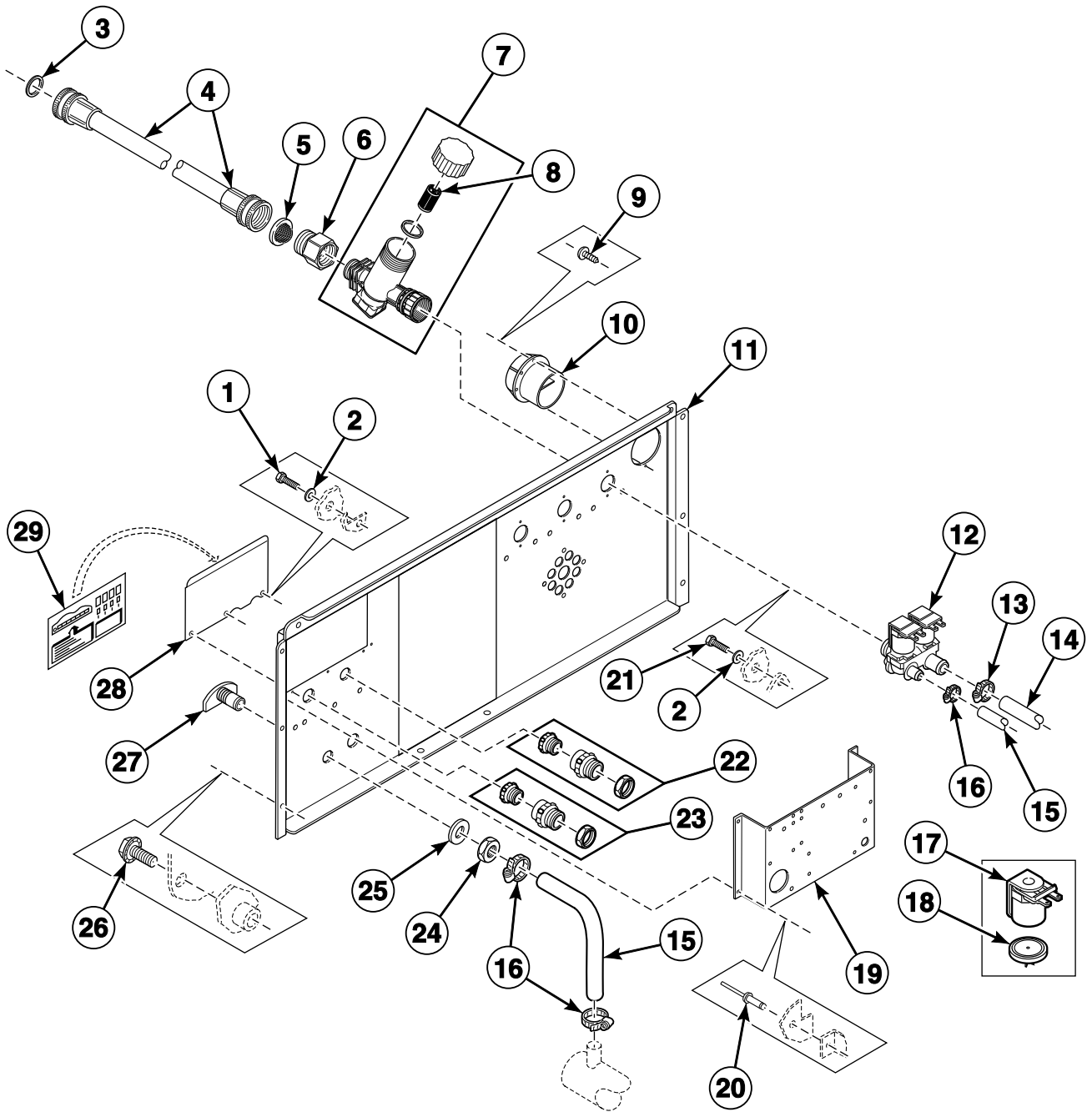
CFD429P\_D0237

## Upper Back Panel - \*50, \*55, \*176 and \*234 Models (Drawing 1 of 3)

REF	PART NO.	DESCRIPTION	COMMENTS
	F8410901	Parameter Unit Assembly	Mounts to the inverter drive; Used with 500-series inverter drives
	227/00171/00	Parameter Unit Assembly	Hand held
1	206/00136/00	Bolt	
2	202/00004/00	Washer	
3	204/00114/00	Nut	
4	223/00179/10	Pressure Hose	
5	206/00099/00	Bolt	
6	208/00130/00	Screw	
7	111/01158/90	Backbridge	
8	N/A	Inverter	FR-E520; 1x230 Volt
	227/00169/00	Inverter	FR-E540; 3x400 Volt
	227/00230/00	Inverter	FR-D720; 1x230 Volt; Cygnus models
	227/00238/00	Inverter	FR-D740; 3x400 Volt; Cygnus models
	F8421005	Inverter Kit	700-series; 200 Volt, 1 Phase; Models with 3.0 kW motor and V-belt; Includes F8421105 Drive; All other models except CSHW50P
	F8421006	Inverter Kit	700-series; 400 Volt, 3 Phase; Models with 3.0 kW motor and V-belt; Includes F8421106 Drive; All other models except CSHW50P
	F8421007	Inverter Kit	700-series; 200 Volt, 1 Phase; Models with 3.0 kW motor and flat belt; Includes F8421107 Drive; All other models except CSHW50P
	F8421008	Inverter Kit	700-series; 400 Volt, 3 Phase; Models with 3.0 kW motor and flat belt; Includes F8421108 Drive; All other models except CSHW50P
	F8421105	Drive	700-series; 200 Volt, 1 Phase; Models with 3.0 kW motor and V-belt; All other models except CSHW50P
	F8421106	Drive	700-series; 400 Volt, 3 Phase; Models with 3.0 kW motor and V-belt; All other models except CSHW50P
	F8421107	Drive	700-series; 200 Volt, 1 Phase; Models with 3.0 kW motor and flat belt; All other models except CSHW50P
	F8421108	Drive	700-series; 400 Volt, 3 Phase; Models with 3.0 kW motor and flat belt; All other models except CSHW50P
9	204/00007/00	Nut	
10	203/00005/00	Washer	
11	205/00108/00	Bolt	
12	223/00174/00	Grommet	
13	223/00249/00	Liquid Soap Manifold	
14	111/01150/00	Inverter Drive Box	
15	209/00287/00	Cooling Fan	
16	111/01158/11	Inverter Box Cover	
17	B12355001	Voltage Discharge Decal	

**N/A = Part no longer available**

# Upper Back Panel - \*50, \*55, \*176 and \*234 Models (Drawing 2 of 3)



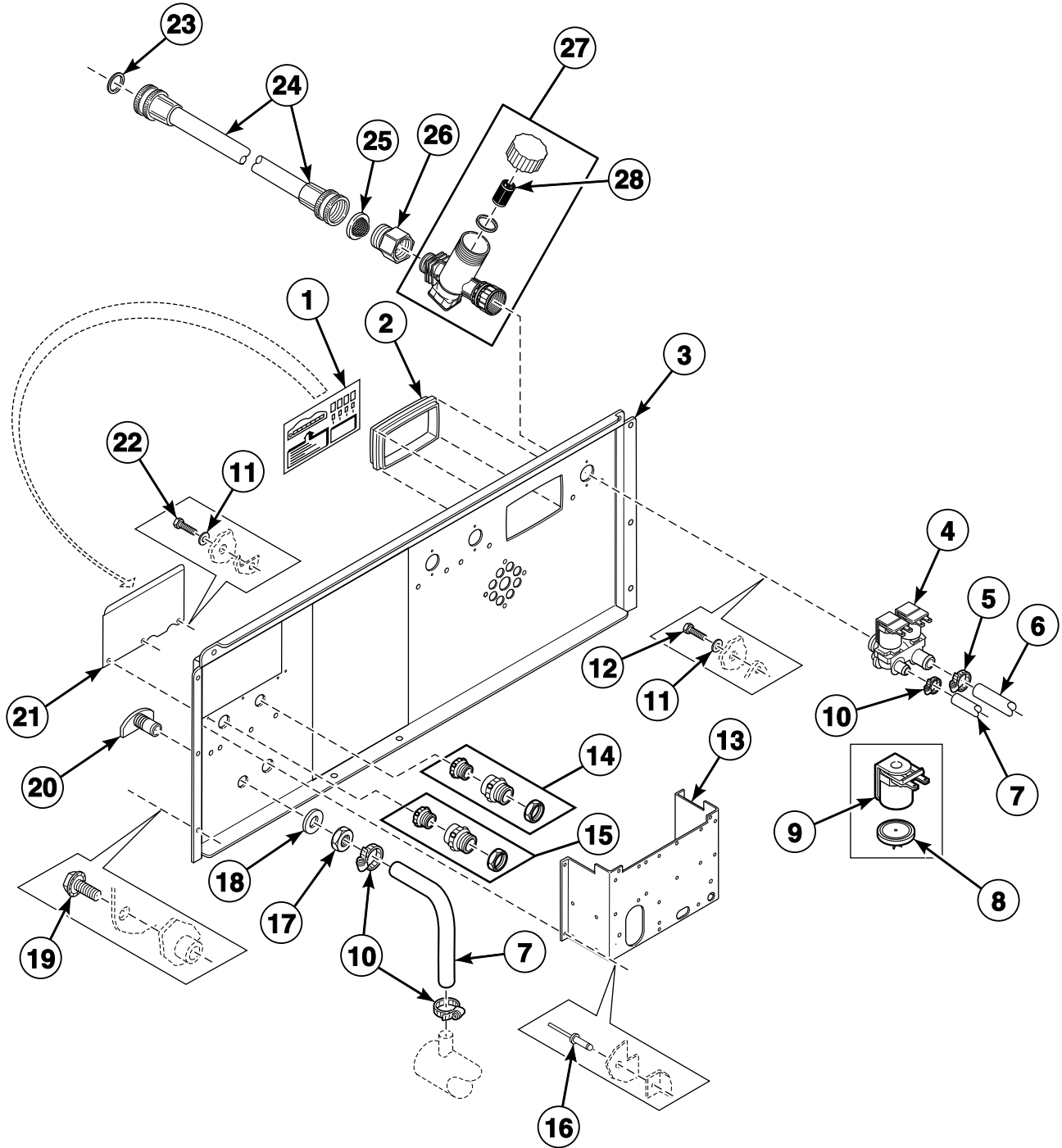
CFD443P\_D0237

## Upper Back Panel - \*50, \*55, \*176 and \*234 Models (Drawing 2 of 3)

REF	PART NO.	DESCRIPTION	COMMENTS
1	205/00113/00	Bolt	
2	202/00004/00	Washer	
3	20290	Washer	
4	F200164	Water Hose	Standard thread
	F200166	Water Hose	Metric thread
5	803615	Washer	
6	9001990	Water Valve Adapter	Converts from standard to metric thread
7	209/00385/00	Filter	
8	209/00385/01	Filter	
9	211/00093/00	Rivet	
10	223/00102/07	Hose Vent	
11	111/01158/90	Backbridge	
12	209/00419/00	2-Way Inlet Valve	220 Volt; Standard thread
	209/00316/00	2-Way Inlet Valve	220 Volt; Metric thread
13	223/00011/00	Hose Clamp	
14	223/00059/00	Water Hose	Diameter 20 mm; Per meter
15	223/00044/00	Water Hose	Diameter 13 mm; Per meter
16	223/00010/00	Hose Clamp	
17	209/00090/01	Inlet Valve Solenoid	
18	209/00316/02	Diaphragm	
19	N/A	Electrical Connection Plate Assembly	
20	208/00017/00	Rivet	
21	206/00027/00	Bolt	
22	211/00123/00	Cordlock	
23	211/00138/00	Cordlock	
24	204/00201/00	Nut	
25	201/00002/00	Washer	
26	206/00099/00	Bolt	
27	223/00001/04	Prewash and Mainwash Nozzle	
28	111/00094/10	Electrical Connection Plate	
29	229/00068/02	Electrical Connection Sticker	

N/A = Part no longer available

# Upper Back Panel - \*50, \*55, \*176 and \*234 Models (Drawing 3 of 3)



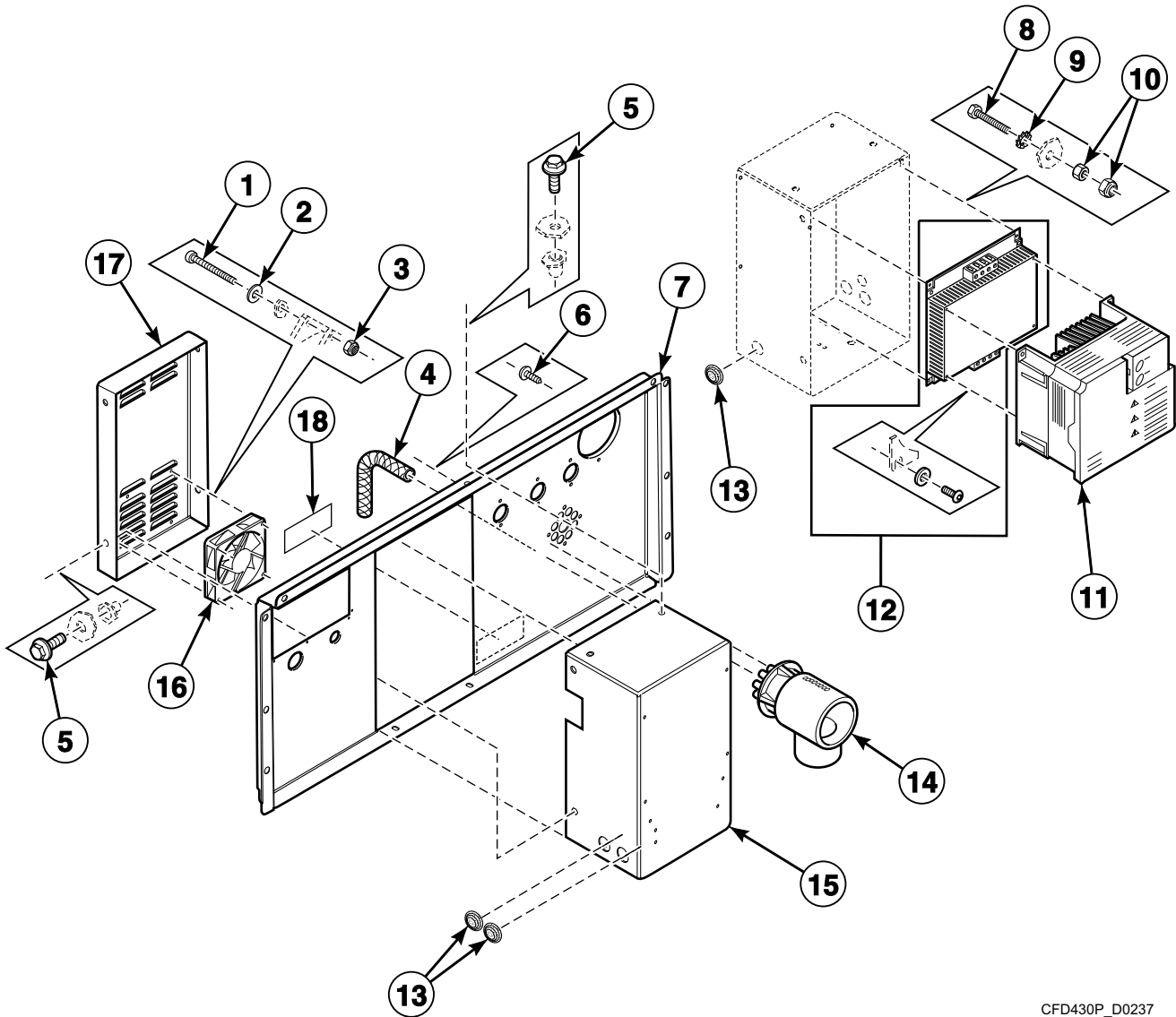
CFD444P\_D0237

## Upper Back Panel - \*50, \*55, \*176 and \*234 Models (Drawing 3 of 3)

REF	PART NO.	DESCRIPTION	COMMENTS
	211/00093/00	Rivet	
1	229/00068/02	Electrical Connection Sticker	
2	223/00226/00	Vent Tube	
3	111/01158/35	Backbridge	
4	209/00419/00	2-Way Inlet Valve	220 Volt; Standard thread
	209/00316/00	2-Way Inlet Valve	220 Volt; Metric thread
5	223/00011/00	Hose Clamp	
6	223/00059/00	Water Hose	Diameter 20 mm; Per meter
7	223/00044/00	Water Hose	Diameter 13 mm; Per meter
8	209/00316/02	Diaphragm	
9	209/00090/01	Inlet Valve Solenoid	
10	223/00010/00	Hose Clamp	
11	202/00004/00	Washer	
12	206/00027/00	Bolt	
13	N/A	Electrical Connection Plate Assembly	
14	211/00123/00	Cordlock	
15	211/00138/00	Cordlock	
16	208/00017/00	Rivet	
17	204/00201/00	Nut	
18	201/00002/00	Washer	
19	206/00099/00	Bolt	
20	223/00001/04	Prewash and Mainwash Nozzle	
21	111/00094/10	Electrical Connection Plate	
22	205/00113/00	Bolt	
23	20290	Washer	
24	F200164	Water Hose	Standard thread
	F200166	Water Hose	Metric thread
25	803615	Washer	
26	9001990	Water Valve Adapter	Converts from standard to metric thread
27	209/00385/00	Filter	
28	209/00385/01	Filter	

N/A = Part no longer available

# Upper Back Panel - \*75 and \*304 Models (Drawing 1 of 3)

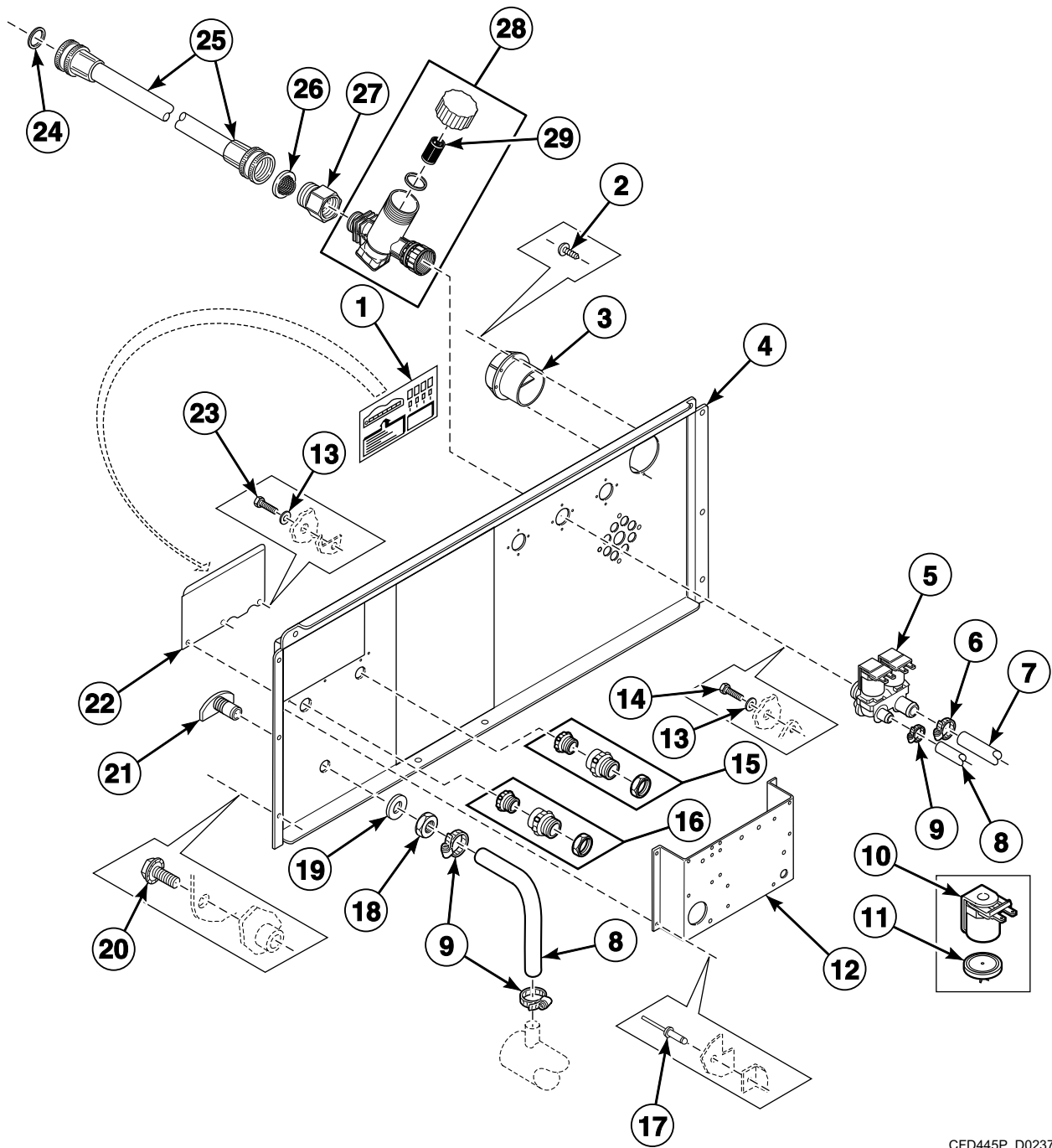


CFD430P\_D0237

## Upper Back Panel - \*75 and \*304 Models (Drawing 1 of 3)

REF	PART NO.	DESCRIPTION	COMMENTS
	F8410901	Parameter Unit Assembly	Mounts to the inverter drive; Used with 500-series inverter drives
	227/00171/00	Parameter Unit Assembly	Hand held
<b>1</b>	206/00136/00	Bolt	
<b>2</b>	202/00004/00	Washer	
<b>3</b>	204/00114/00	Nut	
<b>4</b>	223/00179/10	Pressure Hose	
<b>5</b>	206/00099/00	Bolt	
<b>6</b>	208/00130/00	Screw	
<b>7</b>	111/01166/90	Backbridge	
<b>8</b>	205/00108/00	Bolt	
<b>9</b>	203/00005/00	Washer	
<b>10</b>	204/00107/00	Nut	
<b>11</b>	227/00133/00	Inverter	FR-E520; 3x230 Volt
	227/00134/00	Inverter	FR-E540; 3x400 Volt
	227/00224/00	Inverter	FR-D720; 3x230 Volt; Cygnus models
	227/00231/00	Inverter	FR-D740; 3x400 Volt; Cygnus models
	F8421009	Inverter Kit	700-series; 200 Volt, 3 Phase; Models with 4.0 kW motor and V-belt; Includes F8421109 Drive; All other models except CSHW75P
	F8421010	Inverter Kit	700-series; 400 Volt, 3 Phase; Models with 4.0 kW motor and V-belt; Includes F8421110 Drive; All other models except CSHW75P
	F8421011	Inverter Kit	700-series; 200 Volt, 3 Phase; Models with 4.0 kW motor and flat belt; Includes F8421111 Drive; All other models except CSHW75P
	F8421012	Inverter Kit	700-series; 400 Volt, 3 Phase; Models with 4.0 kW motor and flat belt; Includes F8421112 Drive; All other models except CSHW75P
	F8421109	Drive	700-series; 200 Volt, 3 Phase; Models with 4.0 kW motor and V-belt; All other models except CSHW75P
	F8421110	Drive	700-series; 400 Volt, 3 Phase; Models with 4.0 kW motor and V-belt; All other models except CSHW75P
	F8421111	Drive	700-series; 200 Volt, 3 Phase; Models with 4.0 kW motor and flat belt; All other models except CSHW75P
	F8421112	Drive	700-series; 400 Volt, 3 Phase; Models with 4.0 kW motor and flat belt; All other models except CSHW75P
<b>12</b>	227/00163/00	Noise Filter	3.7 kW
<b>13</b>	223/00174/00	Grommet	
<b>14</b>	223/00249/00	Liquid Soap Manifold	
<b>15</b>	111/01149/00	Inverter Drive Box	
<b>16</b>	209/00287/00	Cooling Fan	
<b>17</b>	111/01158/11	Inverter Box Cover	
<b>18</b>	B12355001	Voltage Discharge Decal	

# Upper Back Panel - \*75 and \*304 Models (Drawing 2 of 3)



CFD445P\_D0237

## Upper Back Panel - \*75 and \*304 Models (Drawing 2 of 3)

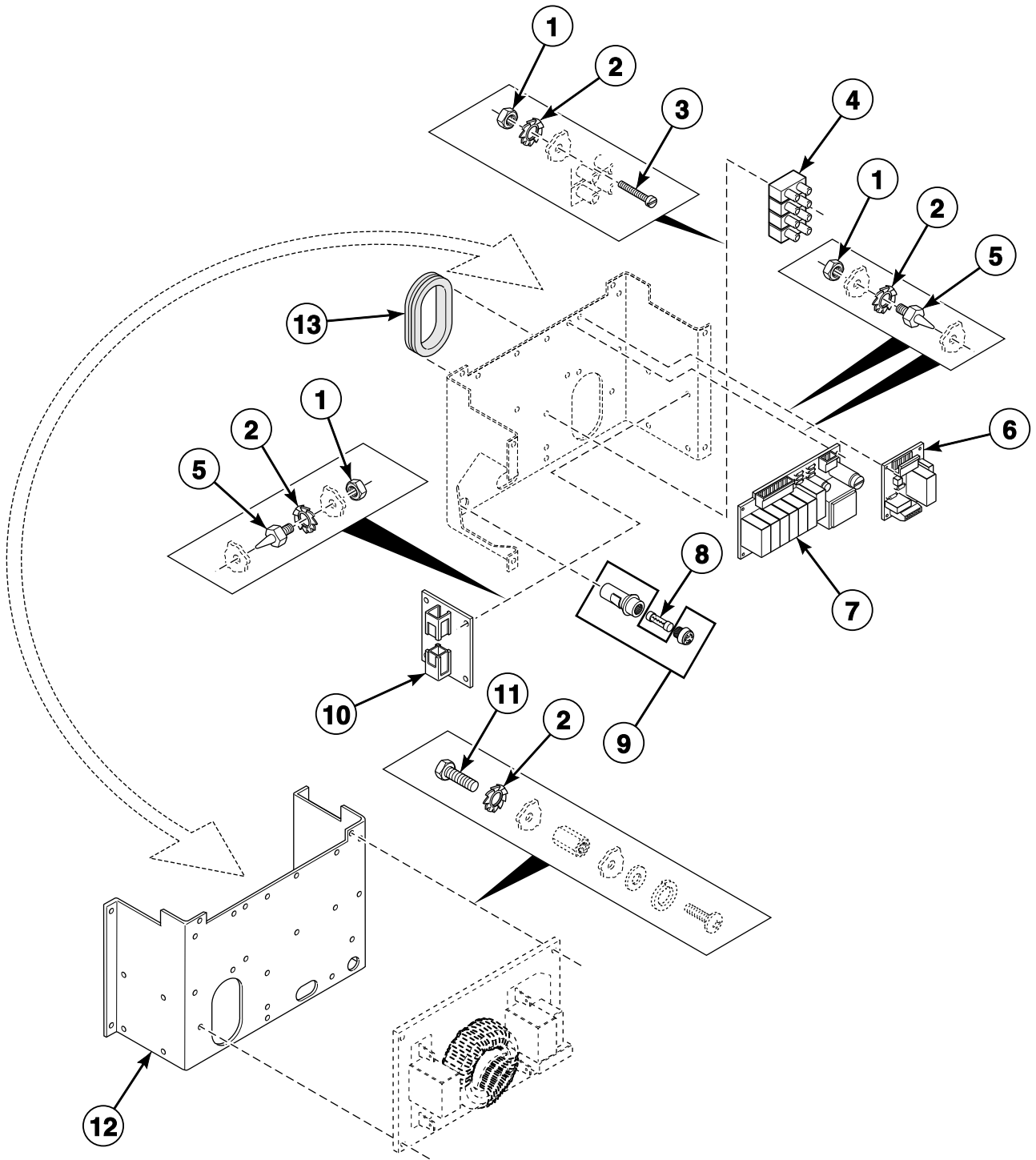
REF	PART NO.	DESCRIPTION	COMMENTS
1	229/00068/02	Electrical Connection Sticker	
2	211/00093/00	Rivet	
3	223/00102/07	Hose Vent	
4	111/01166/90	Backbridge	
5	209/00316/00	2-Way Inlet Valve	220 Volt
6	223/00011/00	Hose Clamp	
7	223/00059/00	Water Hose	Diameter 20 mm; Per meter
8	223/00044/00	Water Hose	Diameter 13 mm; Per meter
9	223/00010/00	Hose Clamp	
10	209/00090/01	Inlet Valve Solenoid	220 Volt
11	209/00316/02	Diaphragm	
12	111/00188/06	Electrical Connection Plate	
13	202/00004/00	Washer	
14	206/00027/00	Bolt	
15	211/00123/00	Cordlock	
16	211/00138/00	Cordlock	
17	208/00017/00	Rivet	
18	204/00201/00	Nut	
19	201/00002/00	Washer	
20	206/00099/00	Bolt	
21	223/00001/04	Prewash and Mainwash Nozzle	
22	111/00094/10	Electrical Connection Plate	
23	206/00014/00	Bolt	
24	20290	Washer	
25	F200164	Water Hose	Standard thread
	F200166	Water Hose	Metric thread
26	803615	Washer	
27	9001990	Water Valve Adapter	Converts from standard to metric thread
28	209/00385/00	Filter	
29	209/00385/01	Filter	



## Upper Back Panel - \*75 and \*304 Models (Drawing 3 of 3)

REF	PART NO.	DESCRIPTION	COMMENTS
	209/00316/02	Diaphragm	
1	229/00068/02	Electrical Connection Sticker	
2	223/00226/00	Vent Tube	
3	111/01166/70	Backbridge	
4	209/00316/00	2-Way Inlet Valve	220 Volt
5	223/00011/00	Hose Clamp	
6	223/00059/00	Water Hose	Diameter 20 mm; Per meter
7	223/00044/00	Water Hose	Diameter 13 mm; Per meter
8	209/00090/01	Inlet Valve Solenoid	
9	211/00093/00	Rivet	
10	223/00010/00	Hose Clamp	
11	111/00188/06	Electrical Connection Plate	
12	202/00004/00	Washer	
13	206/00027/00	Bolt	
14	211/00123/00	Cordlock	
15	211/00138/00	Cordlock	
16	208/00017/00	Rivet	
17	204/00201/00	Nut	
18	201/00002/00	Washer	
19	206/00099/00	Bolt	
20	223/00001/04	Prewash and Mainwash Nozzle	
21	111/00094/10	Electrical Connection Plate	
22	206/00014/00	Bolt	
23	20290	Washer	
24	F200164	Water Hose	Standard thread
	F200166	Water Hose	Metric thread
25	803615	Washer	
26	9001990	Water Valve Adapter	Converts from standard to metric thread
27	209/00385/00	Filter	
28	209/00385/01	Filter	

# Electrical Connection Assembly

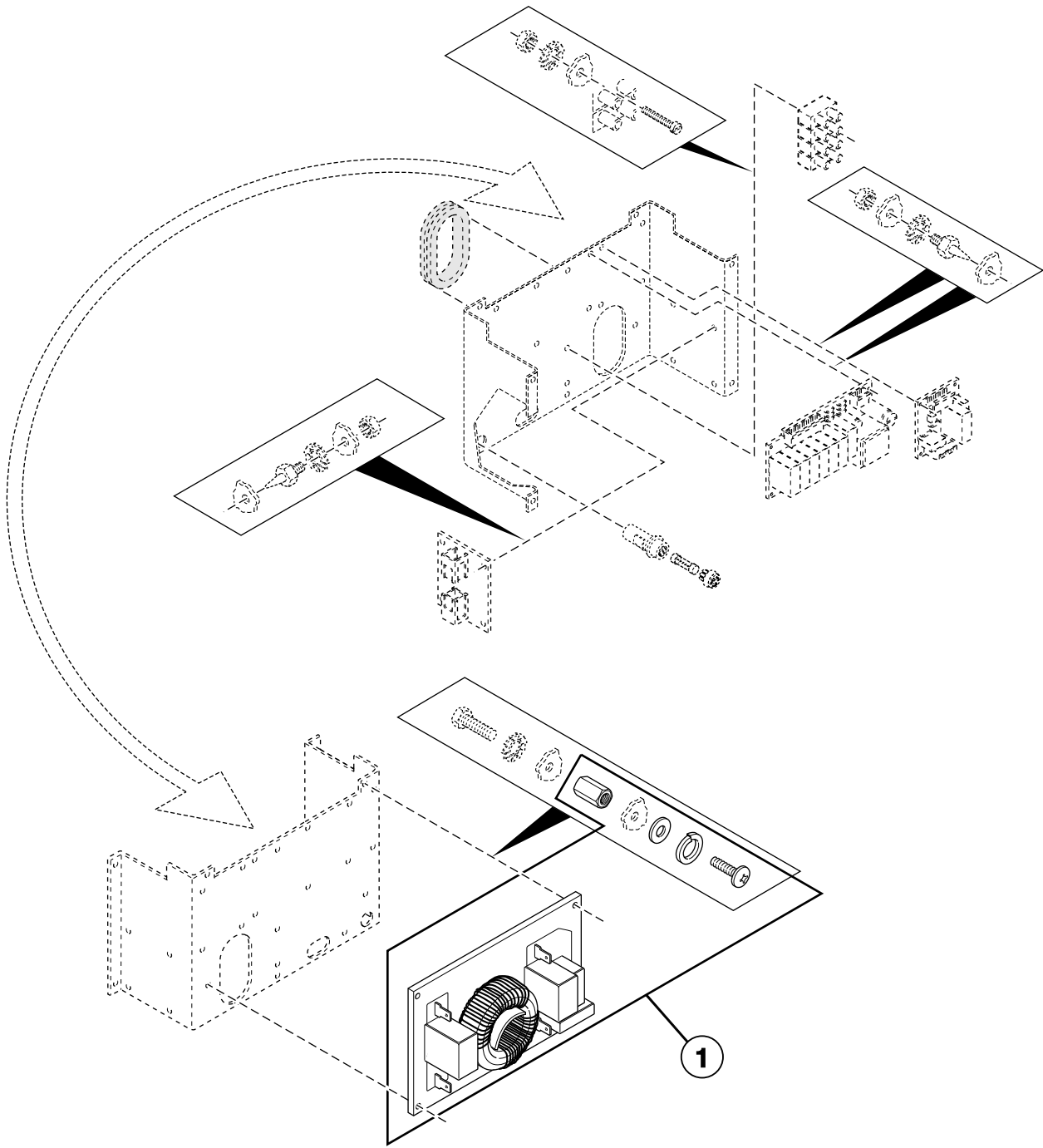


CFD253P\_D0237

# Electrical Connection Assembly

REF	PART NO.	DESCRIPTION	COMMENTS
1	204/00007/00	Nut	
2	203/00006/00	Washer	
3	207/00031/00	Screw	
4	209/00058/00	Terminal Block	4 pole
5	211/00120/00	Standoff	For printboards
6	209/00438/50	Central Control Board	240 Volt
7	209/00218/13	Soap Injection PCB with Fuse	For soap injection with fuse; 220 Volt
8	209/00468/00	Fuse	3 Amp
9	209/00202/00	Fuse Holder	
10	209/00540/00	Network Connection Printboard	
11	206/00027/00	Bolt	
12	111/00188/06	Electrical Connection Plate	
13	223/00203/00	Grommet	

# Electrical Connection Assembly - \*50, \*55, \*176 and \*234 Models

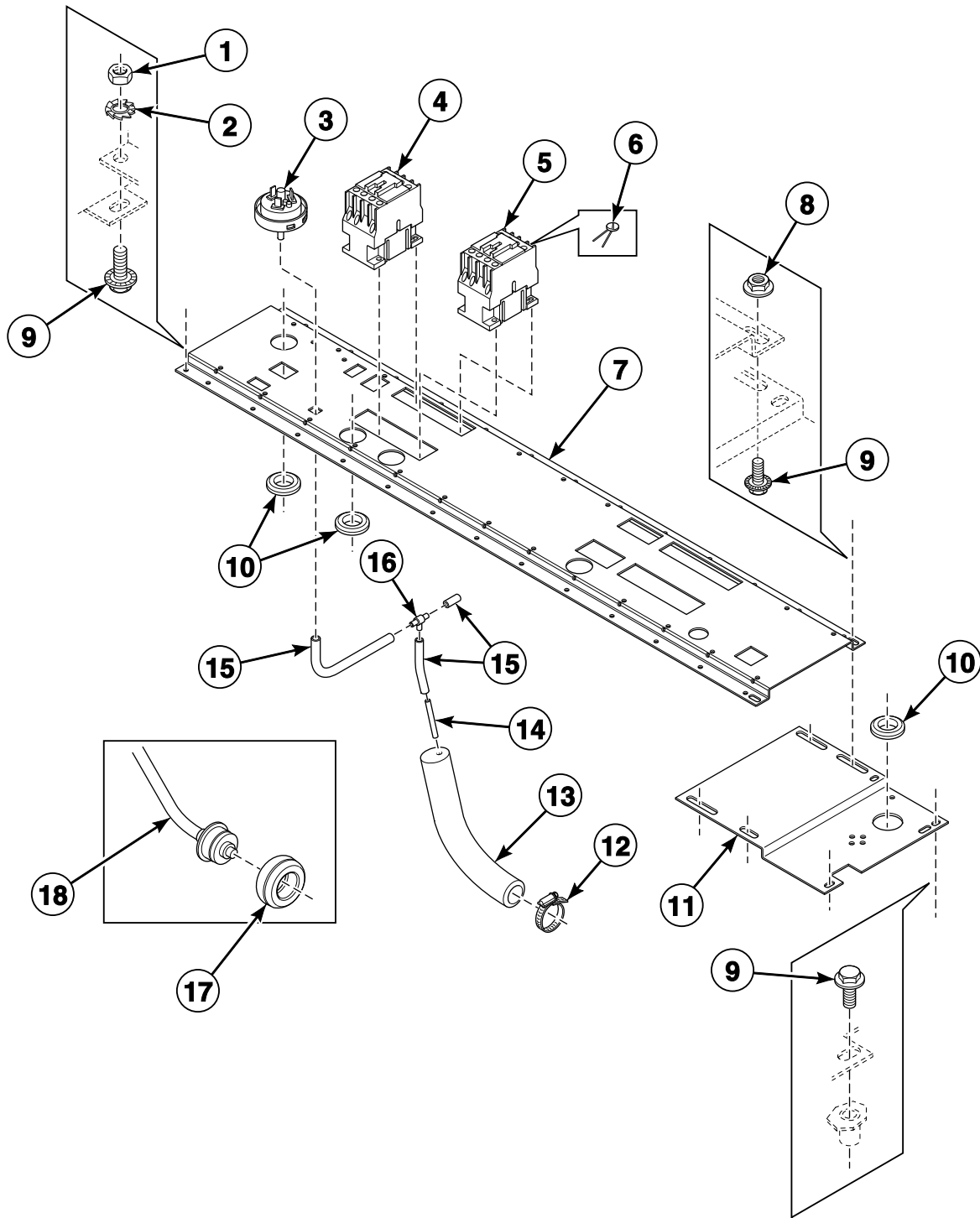


CFD253PA\_D0237

# Electrical Connection Assembly - \*50, \*55, \*176 and \*234 Models

REF	PART NO.	DESCRIPTION	COMMENTS
1	227/00177/00	Filter	B0301044/16A1
	227/00242/00	Filter	B0211098/16A3
	227/00179/00	Filter	B0211067/40A3
	227/00180/00	Filter	B0308117/45A1

# Control Module - \*50, \*55, \*176 and \*234 Models

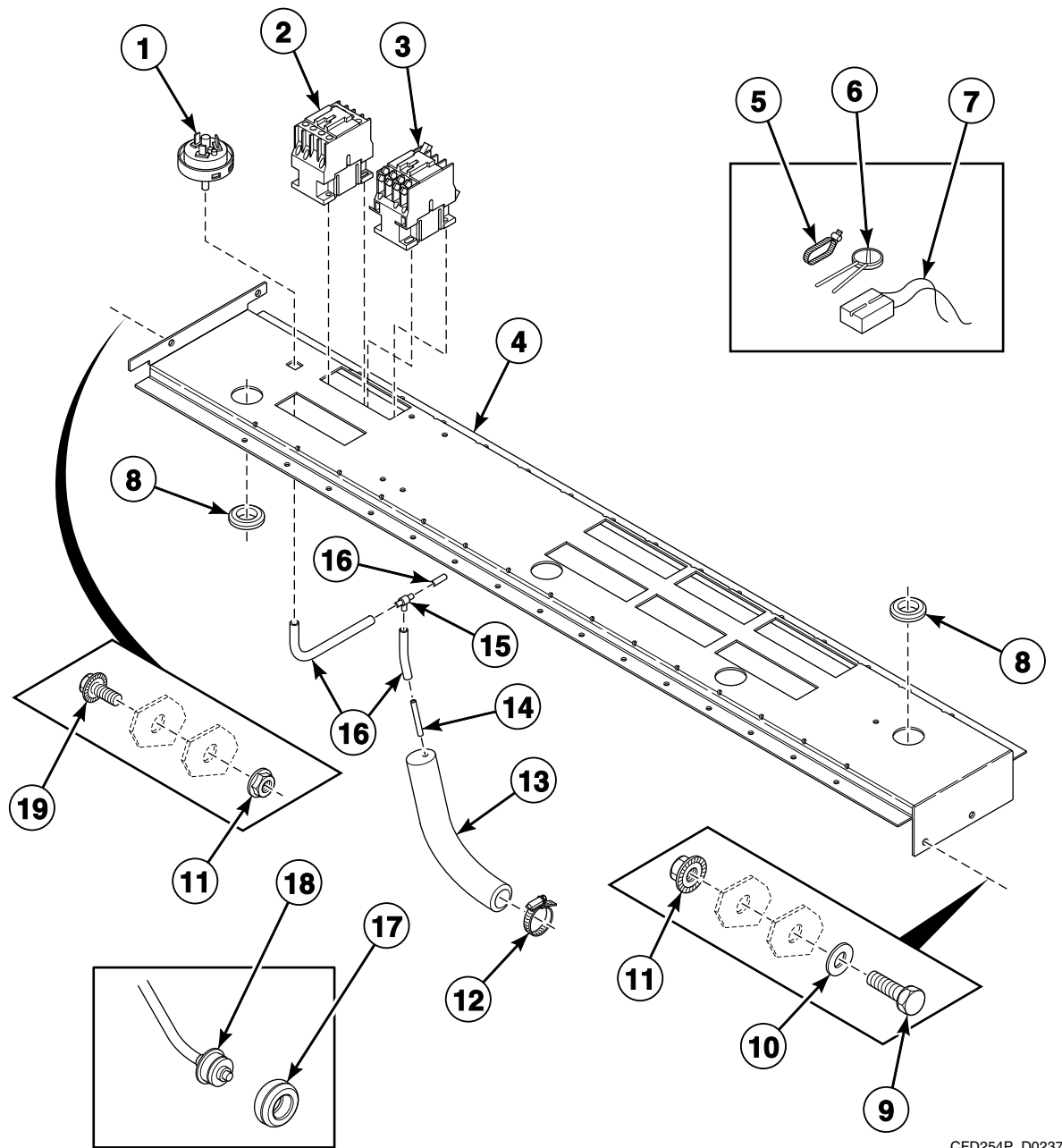


CFD75P\_D0237

## Control Module - \*50, \*55, \*176 and \*234 Models

REF	PART NO.	DESCRIPTION	COMMENTS
1	204/00005/00	Nut	
2	203/00004/00	Washer	
3	209/00007/50	Pressure Switch	1 level
4	209/00041/04	Contacto	Heating
5	209/00148/02	Contacto	
6	209/00356/00	Noise Suppressor	
7	111/00197/30	Electrical Components Plate	*50, *55 and *234 models
	111/01019/10	Mounting Plate	*176 models; For electrical components
8	206/00101/00	Nut	
9	206/00099/00	Bolt	
10	223/00198/00	Grommet	
11	140/00021/00	Electrical Component Extension Plate	
12	223/00011/00	Hose Clamp	
13	223/00210/00	Pressure Switch Elbow	
14	223/00016/00	Hose Barb	
15	223/00212/00	Pressure Switch Hose	
16	223/00173/10	Pressure Switch Hose Tee	For safety water level switch
17	225/10004/00	Thermostat Seal	For temperature sensor
18	210/01064/16	Thermostat	

# Control Module - \*75 and \*304 Models

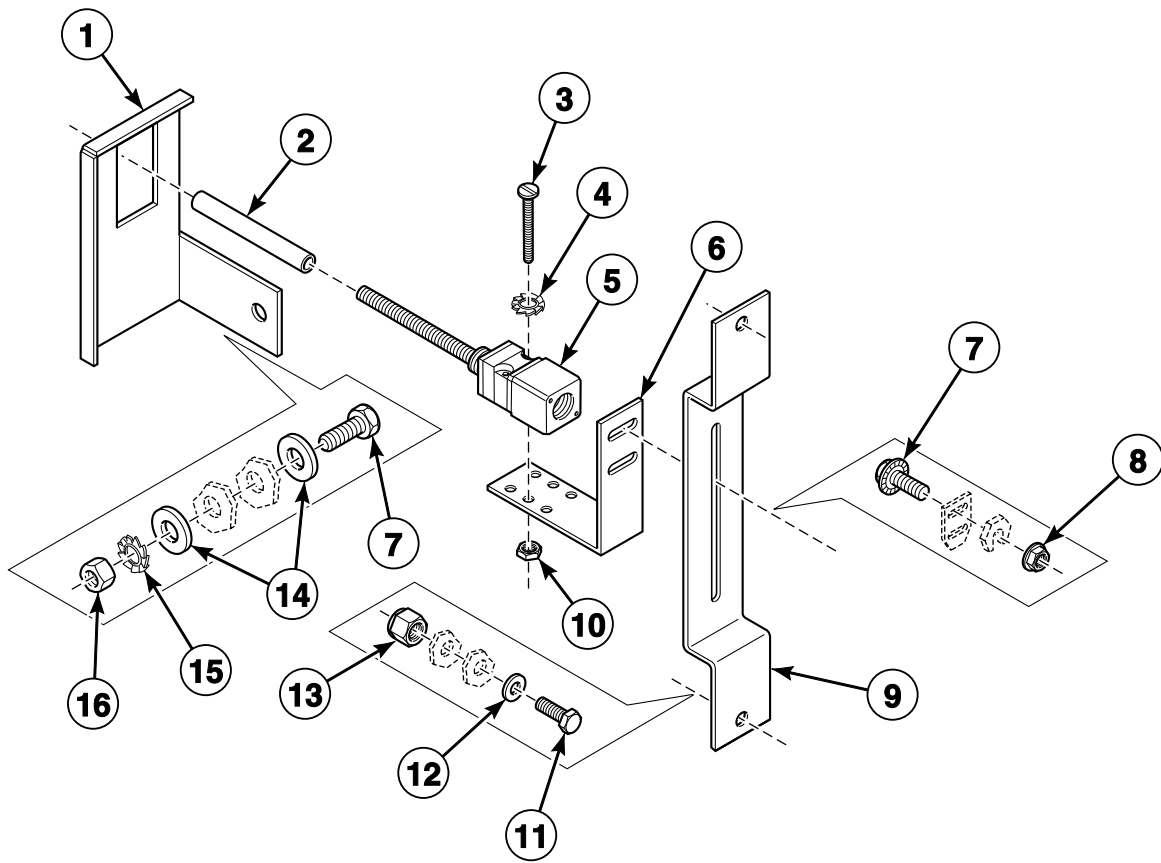


CFD254P\_D0237

## Control Module - \*75 and \*304 Models

REF	PART NO.	DESCRIPTION	COMMENTS
1	209/00007/50	Pressure Switch	1 level
2	209/00041/04	Contactora	Heating
3	209/00148/02	Contactora	
4	111/01028/00	Electrical Components Plate	
5	211/00108/00	Fastener	Nylon
6	209/00356/00	Noise Suppressor	
7	209/00320/01	Varistor	
8	223/00198/00	Grommet	
9	205/00107/00	Bolt	
10	202/00101/00	Washer	
11	206/00101/00	Nut	
12	223/00011/00	Hose Clamp	
13	223/00210/00	Pressure Switch Elbow	
14	223/00016/00	Hose Barb	
15	223/00173/10	Pressure Switch Hose Tee	For safety water level switch
16	223/00212/00	Pressure Switch Hose	
17	225/10004/00	Thermostat Seal	For temperature sensor
18	210/01064/16	Thermostat	Cygnus control models
	210/01304/16	Thermostat	All other models
19	206/00099/00	Bolt	

# Balance Switch

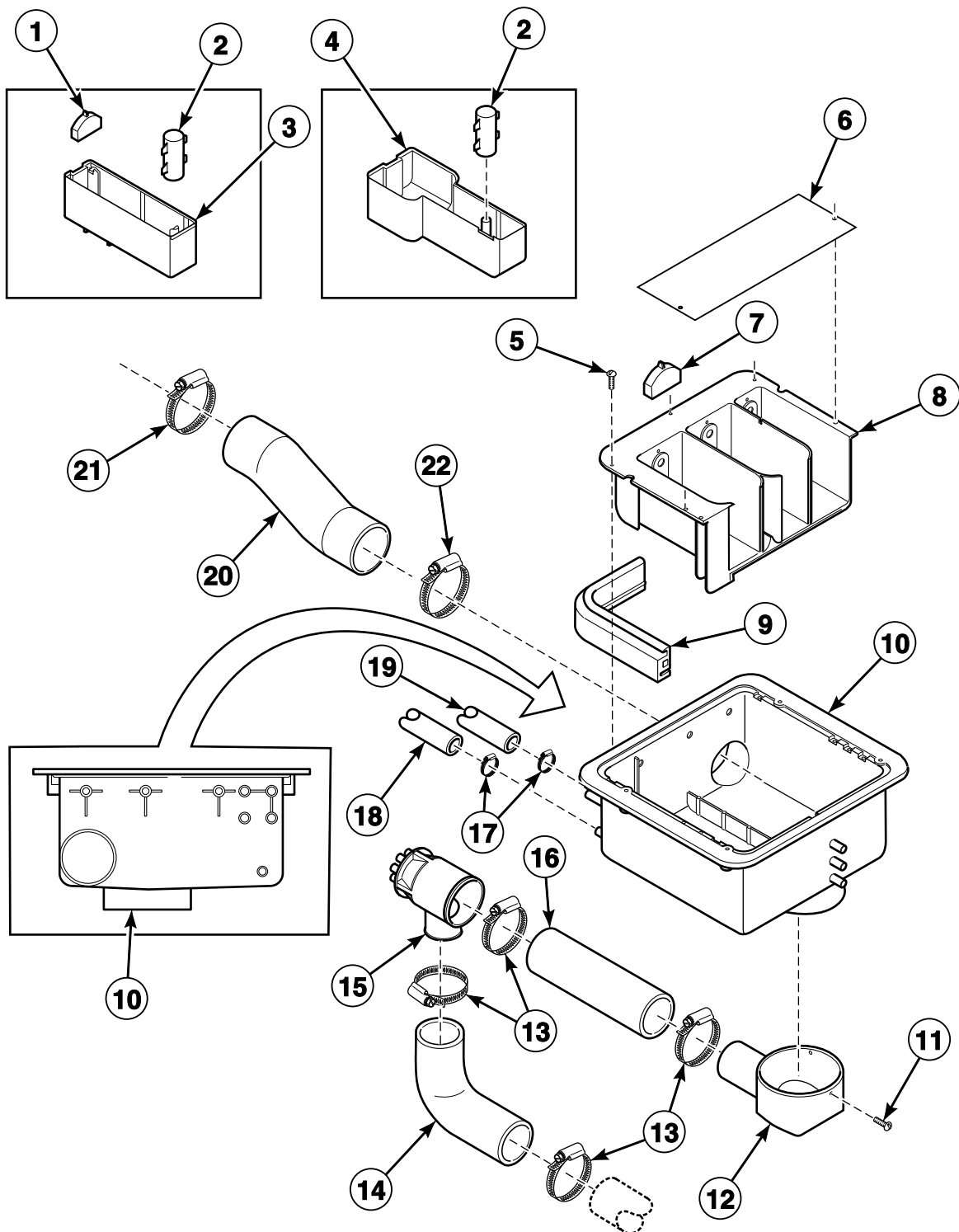


CFD28P\_D0237

# Balance Switch

REF	PART NO.	DESCRIPTION	COMMENTS
1	111/32959/00	Out-of-Balance Switch Bracket	
2	223/00246/00	Out-of-Balance Switch Boot	
3	207/00018/00	Screw	
4	203/00006/00	Washer	
5	209/00255/00	Out-of-Balance Switch	
6	111/00107/00	Tilt Switch Bracket	
7	206/00099/00	Bolt	
8	206/00101/00	Nut	
9	111/00255/01	Out-of-Balance Switch Bracket	
10	204/00007/00	Nut	
11	205/00107/00	Bolt	
12	202/00101/00	Washer	
13	204/00009/00	Nut	
14	201/00010/00	Washer	
15	203/00003/00	Washer	
16	204/00004/00	Nut	

# Supply Dispenser (Drawing 1 of 5)



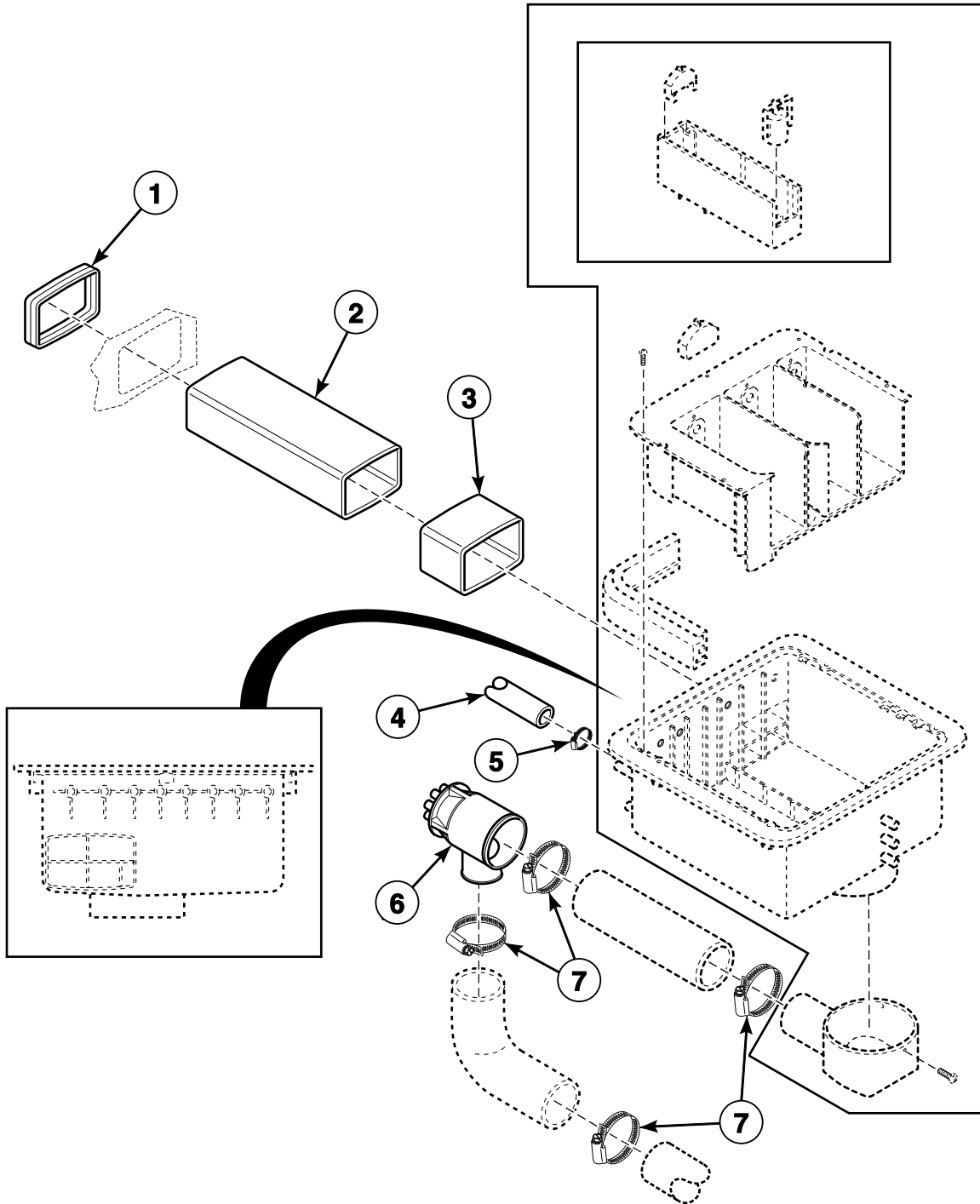
CFD447P\_D0237

## Supply Dispenser (Drawing 1 of 5)

REF	PART NO.	DESCRIPTION	COMMENTS
1	223/00102/05	Softener Spray Nozzle	
2	223/00102/04	Soap Dispenser Rinse Siphon	
3	223/00102/03	Rinse Insert	
4	223/00102/08	Liquid Soap Dispenser Insert	
5	B12347501	Screw	
6	123/00107/00	Anti-Splash Plate	Sigma control models
	123/00103/06	Soap Box Assembly Plate	All other models
7	223/00102/06	Soap Spray Nozzle	
8	N/A	Soap Dispenser Insert	
9	223/00109/00	Soap Dispenser Gasket	
10	223/00102/30	Soap Dispenser Assembly	
	223/00102/60	Dispenser Assembly	
11	B12350903	Screw	
12	223/00196/00	Dispenser Drain Funnel	
13	223/00071/00	Hose Clamp	
14	B12322402	Siphon Break Hose	*50, *75, *176 and *304 models
	B12322401	Siphon Break Hose	*55 and *234 models
15	223/00249/00	Liquid Soap Manifold	
16	223/00263/00	Siphon Break Dispenser Hose	*50, *55, *176 and *234 models
	223/00264/00	Siphon Break Dispenser Hose	*75 and *304 models
17	223/00010/00	Hose Clamp	
18	223/00044/01	Water Hose	Diameter 13 mm; Per meter
19	223/00059/00	Water Hose	Diameter 20 mm; Per meter
20	223/00107/06	Vent Hose	
	223/00107/01	Ventilating Hose	
21	223/00014/00	Hose Clamp	

**N/A = Part no longer available**

# Supply Dispenser (Drawing 2 of 5)

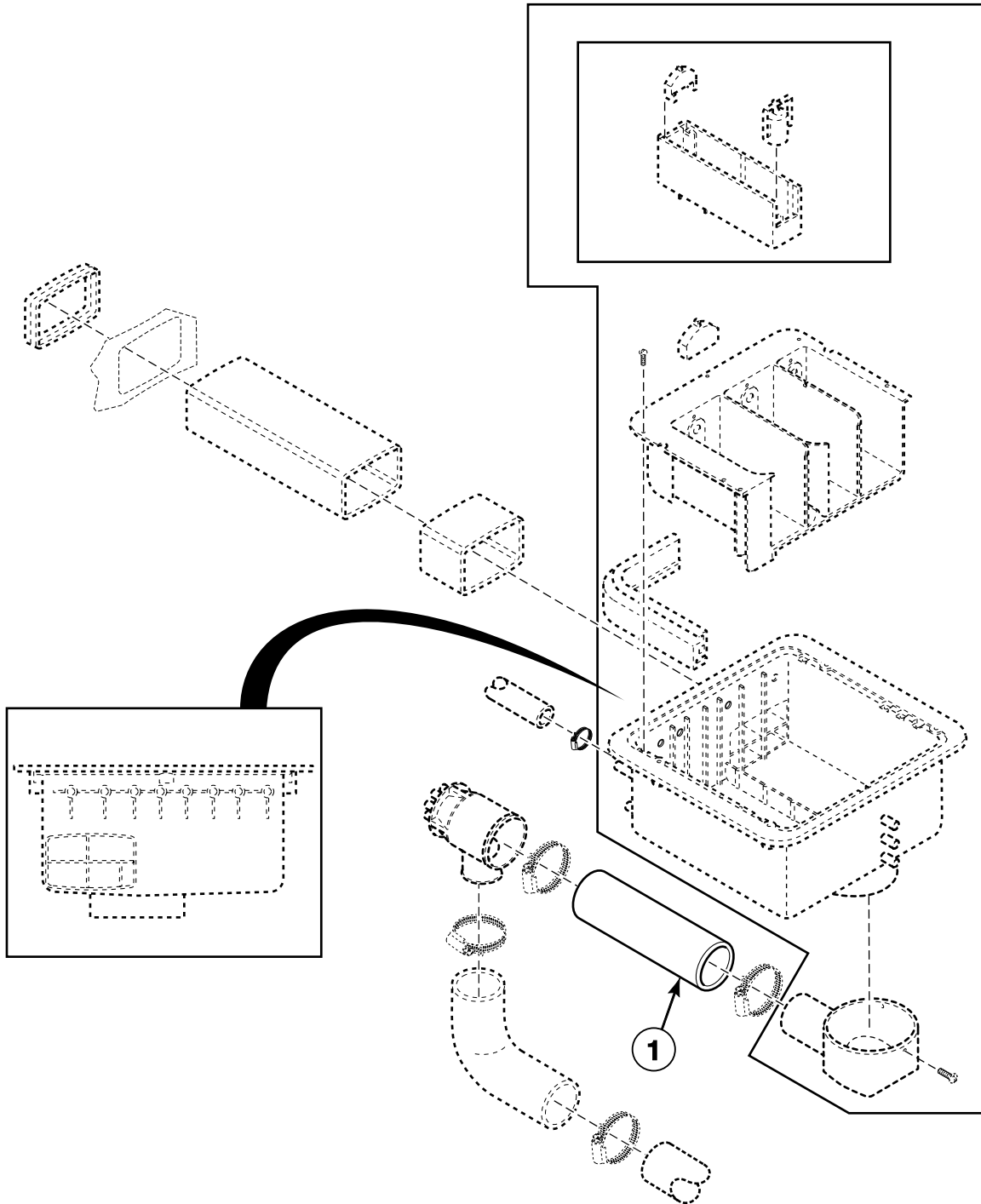


CFD255P\_D0237

## Supply Dispenser (Drawing 2 of 5)

REF	PART NO.	DESCRIPTION	COMMENTS
1	223/00226/00	Vent Tube	
2	223/00229/00	Vent Tube	
3	223/00245/00	Shrink Fit	
4	223/00044/00	Water Hose	Diameter 13 mm; Per meter
	223/00059/00	Water Hose	Diameter 20 mm; Per meter
5	223/00010/00	Hose Clamp	
6	223/00249/00	Liquid Soap Manifold	*50, *55, *176 and *234 models
	223/00250/00	Liquid Soap Manifold	*75 and *304 models
7	223/00071/00	Hose Clamp	*50, *55, *176 and *234 models
	223/00013/00	Hose Clamp	*75 and *304 models

# Supply Dispenser (Drawing 3 of 5)

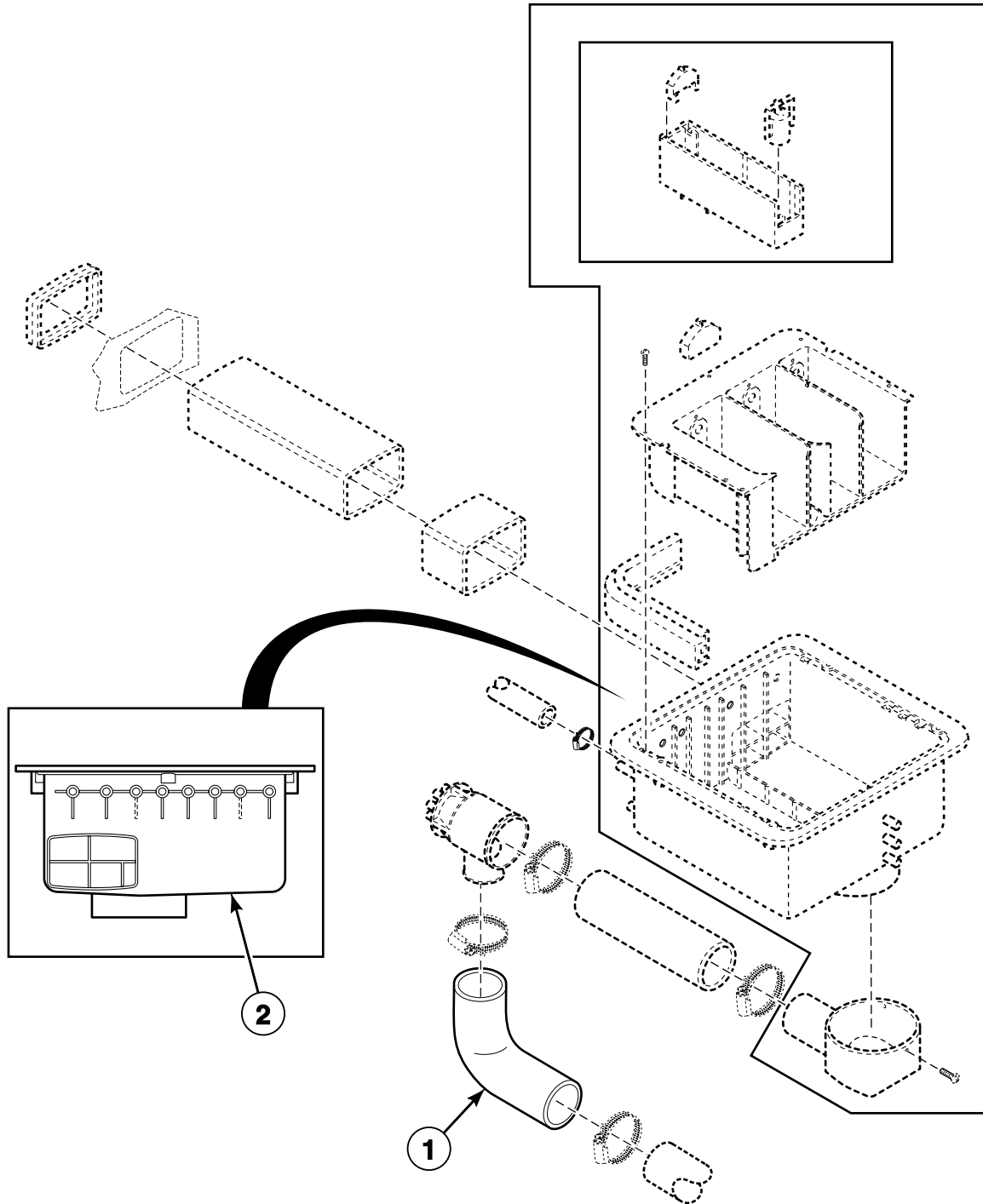


CFD255PB\_D0237

## Supply Dispenser (Drawing 3 of 5)

REF	PART NO.	DESCRIPTION	COMMENTS
1	223/00264/00	Siphon Break Dispenser Hose	*50, *55, *176 and *234 models
	223/00263/00	Siphon Break Dispenser Hose	*50, *55, *176 and *234 models
	223/00260/00	Siphon Break Dispenser Hose	*75 and *304 models
	223/00261/00	Soap Dispenser Hose	*75 and *304 models
	223/00262/00	Siphon Break Dispenser Hose	*75 and *304 models

# Supply Dispenser (Drawing 4 of 5)

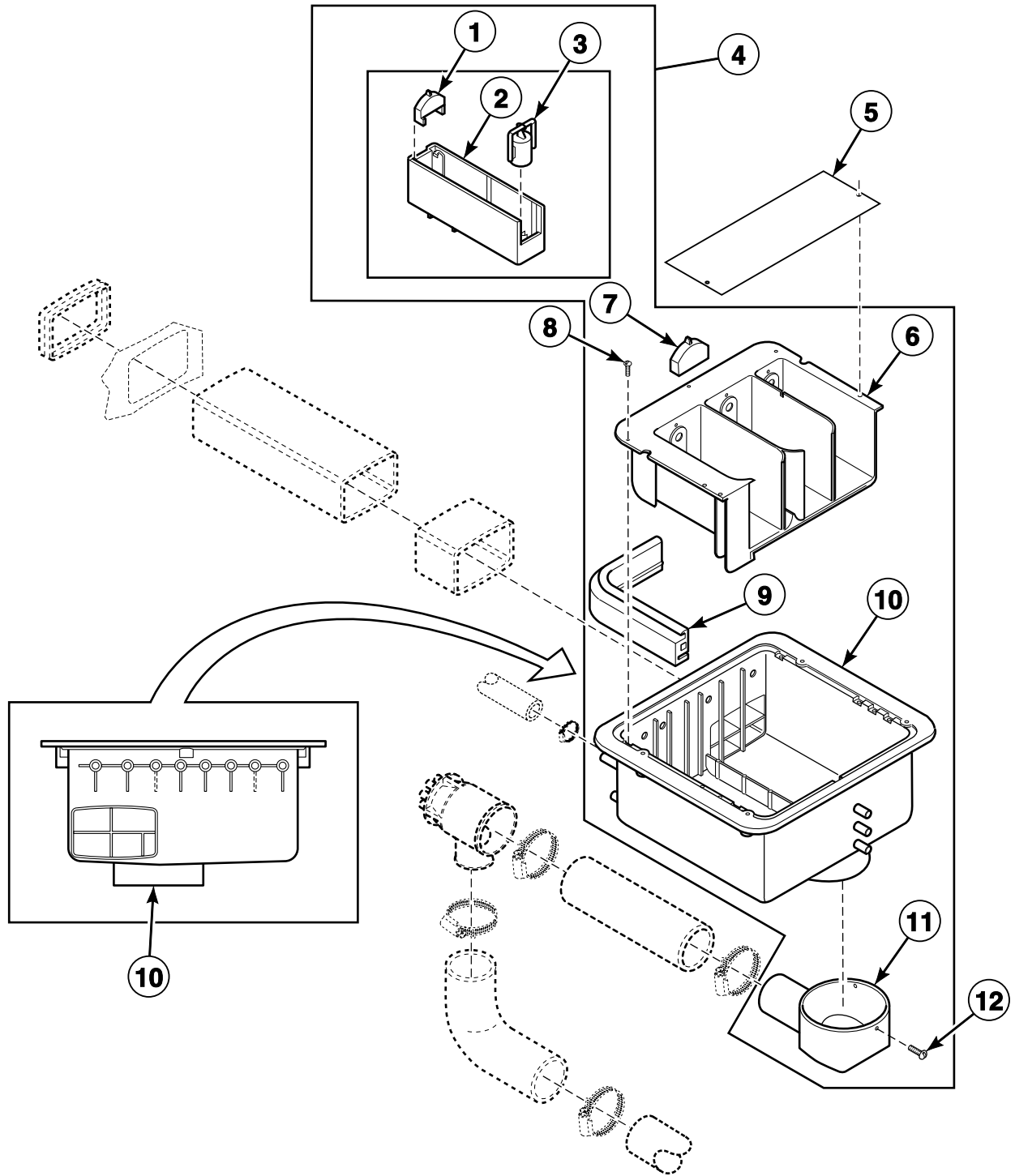


CFD255PC\_D0237

## Supply Dispenser (Drawing 4 of 5)

REF	PART NO.	DESCRIPTION	COMMENTS
1	B12322402	Siphon Break Hose	*50, *75, *176 and *304 models
	B12322401	Siphon Break Hose	*55 and *234 models
2	223/00222/60	Outer and Inner Box Kit	

# Supply Dispenser (Drawing 5 of 5)

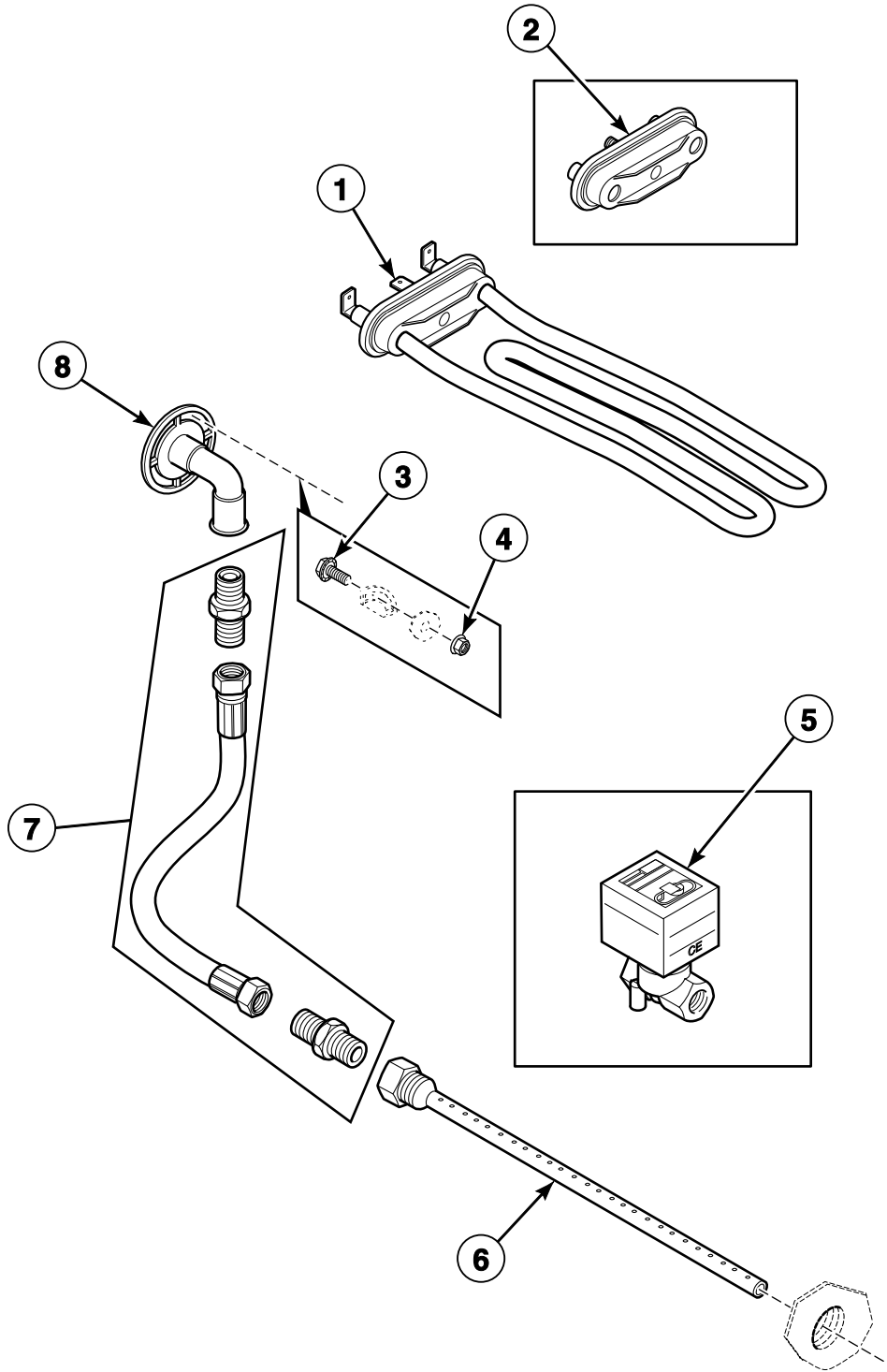


CFD448P\_D0237

## Supply Dispenser (Drawing 5 of 5)

REF	PART NO.	DESCRIPTION	COMMENTS
1	223/00222/03	Softener Spray Nozzle	
2	223/00222/05	Rinsing Box	
3	223/00222/04	Siphon Break	
4	223/00240/00	Soap Dispenser	*50, *55, *176 and *234 models
	223/00222/00	Soap Dispenser	*75 and *304 models
5	123/00107/00	Anti-Splash Plate	Sigma control models
	123/00103/06	Soap Box Assembly Plate	All other models
6	223/00222/02	Interior Box	
7	223/00102/06	Soap Spray Nozzle	
8	B12347501	Screw	
9	223/00109/00	Soap Dispenser Gasket	
10	223/00222/60	Outer and Inner Box Kit	
11	223/00196/00	Dispenser Drain Funnel	*50, *55, *176 and *234 models
	223/00195/00	Dispenser Drain Funnel	*75 and *304 models
12	B12350903	Screw	

# Steam and Electric Heating Options

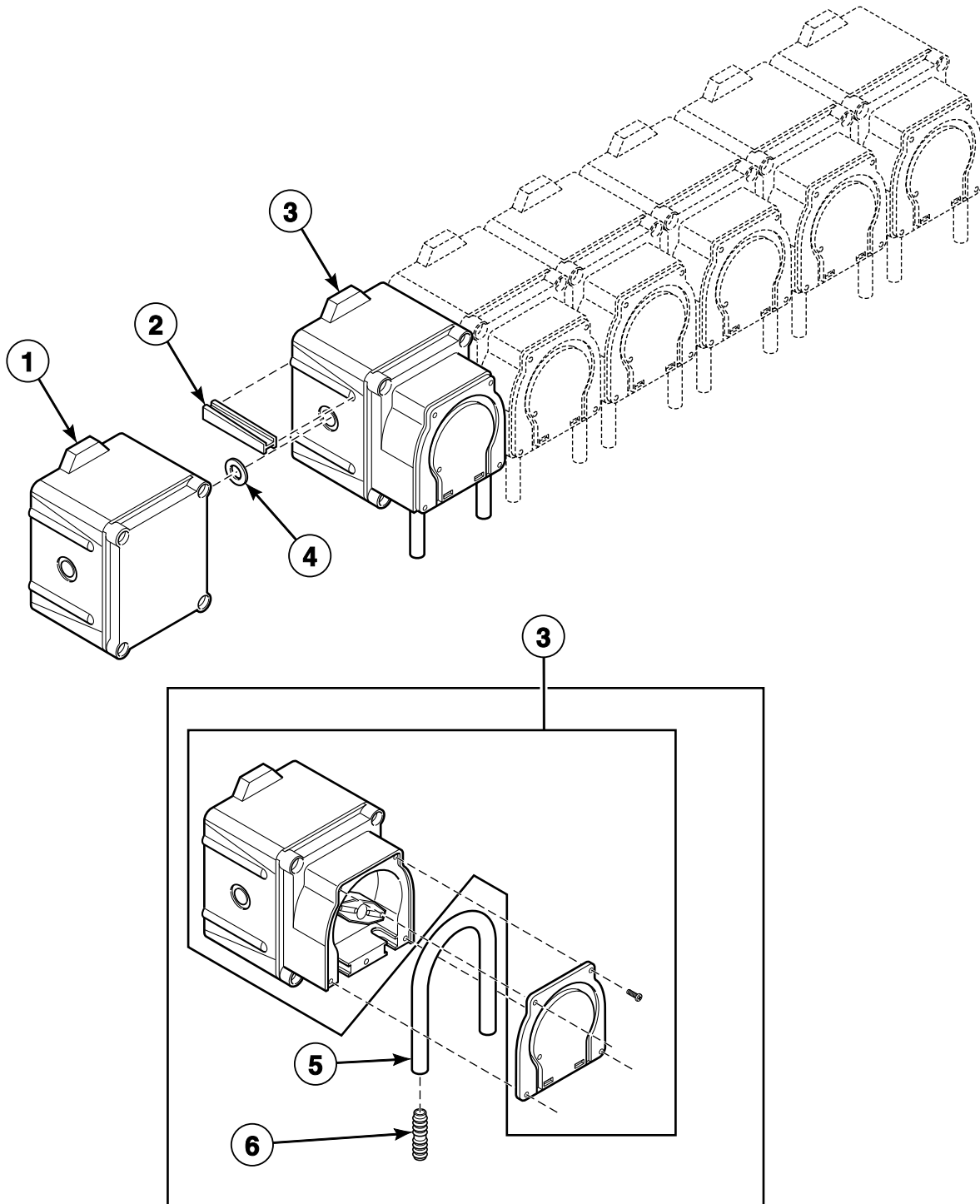


CFD29P\_D0237

## Steam and Electric Heating Options

REF	PART NO.	DESCRIPTION	COMMENTS
1	209/00581/10	Heating Element	4000 W; 220/240 Volt
	209/00563/20	Heating Element	2000 W; 220/240 Volt
	209/00564/20	Heating Element	1400 W; 220/240 Volt
	209/00562/20	Heating Element	3000 W; 220/240 Volt
2	209/00196/00	Heating Element Plug	
3	206/00099/00	Bolt	
4	206/00101/00	Nut	
5	209/00476/00	Steam Valve	
6	119/00082/00	Steam Injector	300 mm
	117/00039/00	Steam Injector	220 mm
	153/00048/00	Steam Injector	480 mm
7	217/00025/00	Steam Hose	3/8 inch; 400 mm
	217/00026/00	Steam Hose	1/2 inch; 400 mm
8	118/01063/00	Steam Inlet	3/8 inch
	153/01047/00	Steam Inlet	1/2 inch

# Soap Pump

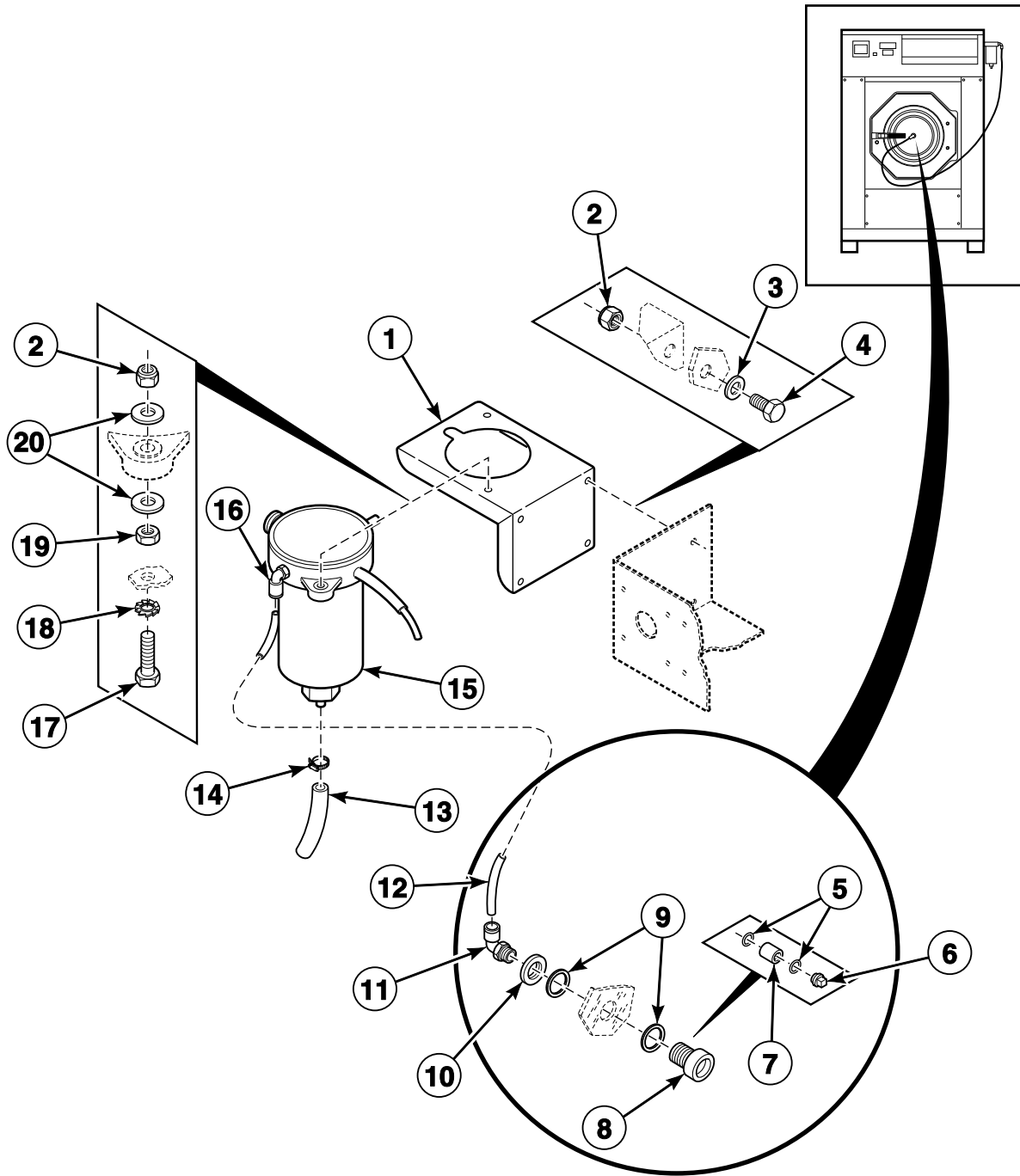


CFD256P\_D0237

# Soap Pump

REF	PART NO.	DESCRIPTION	COMMENTS
1	209/00555/01	Soap Pump Assembly	Feeding plus 1 large pump
	209/00555/02	Soap Pump Assembly	Feeding plus 2 large pumps
	209/00555/03	Soap Pump Assembly	Feeding plus 3 large pumps
	209/00555/04	Soap Pump Assembly	Feeding plus 4 large pumps
	209/00555/05	Soap Pump Assembly	Feeding plus 5 large pumps
	209/00555/06	Soap Pump Assembly	Feeding plus 6 large pumps
	209/00554/51	Feeding Liquid Soap Dosing Pump	
2	209/00554/53	Liquid Soap Dosing Pump Connection Piece	
3	209/00555/50	Liquid Soap Dosing Pump	Large pump
4	209/00554/52	Liquid Soap Dosing Pump O-Ring	
5	209/00555/98	Dosing Pump Hose	
6	209/00555/99	Dosing Pump Hose Connector	

# Spray Pump



CFD257P\_D0237

# Spray Pump

REF	PART NO.	DESCRIPTION	COMMENTS
1	111/10179/00	Spray Pump Mounting Plate	
2	204/00009/00	Nut	
3	201/00007/00	Washer	
4	205/00107/00	Bolt	
5	223/00177/00	O-Ring	
6	223/00178/00	Soap Injector Orifice	
7	211/00126/00	Soap Injector Orifice Nipple	
8	211/00127/00	Soap Injector Connector	
9	223/00176/00	O-Ring	
10	211/10106/00	Nut	
11	223/00182/00	Soap Injector Coupling	
12	223/00180/00	Soap Injector Hose	
13	223/00179/10	Pressure Hose	
14	211/00088/00	Cable Tie	
15	209/00369/00	Liquid Soap Spray Pump	
16	223/00181/00	Soap Injector Elbow Coupling	
17	205/00103/00	Bolt	
18	203/00004/00	Washer	
19	204/00106/00	Nut	
20	202/00101/00	Washer	



# Parts Index

## A

Anti-Splash Plate  
123/00107/00 ..... 101, 109

## B

Backbridge  
111/01158/35 ..... 83  
111/01158/90 ..... 71, 79, 81  
111/01166/70 ..... 89  
111/01166/90 ..... 85, 87

Backplate  
111/01002/00 ..... 67, 69

Ball Bearing  
212/00004/00 ..... 25, 27  
212/00024/01 ..... 25

Basket  
B12380901 ..... 19, 29  
B12381001 ..... 19, 29

Bearing Housing Assembly  
139/10006/00 ..... 25  
212/00036/00 ..... 27  
212/00036/01 ..... 27

Bearing Housing Cover  
112/00004/00 ..... 27

Bearing Replacement Kit  
891P3 ..... 25  
892P3 ..... 27

Bearing Replacement Tool Kit  
385P4 ..... 25, 27

Bearing Spacer  
232/00020/00 ..... 31, 33

Belt  
226/00102/01 ..... 29, 35  
226/00118/00 ..... 31  
226/00149/00 ..... 29, 35  
226/00151/00 ..... 33

Bolt  
205/00102/00 ..... 25  
205/00103/00 ..... 17, 23, 39, 41, 43, 71, 73, 115  
205/00104/00 ..... 25, 27, 47  
205/00105/00 ..... 71, 73  
205/00107/00 ..... 97, 99, 115  
205/00108/00 ..... 79, 85  
205/00113/00 ..... 81, 83  
206/00003/00 ..... 35, 37  
206/00004/00 ..... 29  
206/00006/00 ..... 35, 37  
206/00009/00 ..... 19, 23, 39, 41, 43  
206/00010/00 ..... 27  
206/00014/00 ..... 87, 89  
206/00027/00 ..... 81, 83, 87, 89, 91  
206/00032/00 ..... 19, 23  
206/00042/00 ..... 71, 73  
206/00047/00 ..... 27, 37  
206/00066/00 ..... 19, 23  
206/00071/00 ..... 17, 23  
206/00072/00 ..... 35, 37  
206/00087/00 ..... 13

206/00099/00 ..... 71, 73, 75, 77, 79, 81, 83,  
85, 87, 89, 95, 97, 99, 111

206/00122/00 ..... 27  
206/00136/00 ..... 79, 85  
206/00153/00 ..... 11, 13, 15  
207/00131/00 ..... 75, 77  
212/00009/02 ..... 31  
224/00046/00 ..... 11, 13, 15  
248/00114/00 ..... 25

Button  
209/00099/09 ..... 65

## C

Cabinet Top Panel  
111/32961/00 ..... 75

Cable Tie  
211/00088/00 ..... 115

Caddy Bracket  
224/00051/00 ..... 25, 27  
224/00052/00 ..... 25, 27

Central Control Board  
209/00438/50 ..... 91

Circuit Board Cover  
229/00262/00 ..... 59, 61, 63  
229/00289/00 ..... 49, 51, 53, 55, 57

Clip  
224/00052/00 ..... 25

Coin Box  
254/00077/00 ..... 67, 69

Coin Drop  
B11211209 ..... 67  
B12311201 ..... 67  
B12311202 ..... 67  
B12311203 ..... 67  
B12311204 ..... 67  
B12311205 ..... 67  
B12311206 ..... 67  
B12311207 ..... 67  
B12311208 ..... 67  
B12311210 ..... 67  
B12311211 ..... 67  
B12311212 ..... 67  
B12311214 ..... 67  
B12311215 ..... 67  
B12311216 ..... 67  
B12311218 ..... 67  
B12311219 ..... 67  
B12311220 ..... 67  
B12311221 ..... 67  
B12311222 ..... 67  
B12311224 ..... 67  
B12311225 ..... 67  
B12311226 ..... 67  
B12311234 ..... 67  
B12311235 ..... 67  
B12311239 ..... 67  
B12311241 ..... 67  
B12311244 ..... 67  
B12311247 ..... 67  
B12311248 ..... 67  
B12311249 ..... 67  
B12311252 ..... 67

N/A items do not appear in index.

B12311301	67
B12311302	67
B12311304	67
B12311401	69
B12323401	67
B12323901	67
Contact	
209/00099/05	65
Contact Switch	
209/00099/06	65
209/00099/26	49, 51, 55, 59, 61, 63
Contactactor	
209/00041/04	95, 97
209/00148/02	95, 97
Control Board	
209/00547/00	61
Cooling Fan	
209/00287/00	35, 37, 79, 85
Cordlock	
211/00123/00	81, 83, 87, 89
211/00138/00	35, 37, 81, 83, 87, 89
Counter Ring	
219/00004/00	29
232/00008/00	31, 33
Counterweight	
115/00136/00	23
115/00140/00	17
Cylinder and Shaft Assembly	
B12327101	19, 29

## D

Datacard	
209/02022/00	49, 51, 53, 55, 57
Datacard Cover	
223/00348/00	49, 51
Dataflash Card Display Cable	
210/00221/00	49, 51, 53, 55, 57
Diaphragm	
209/00316/02	81, 83, 87, 89
Dispenser Assembly	
223/00102/60	101
Dispenser Drain Funnel	
223/00195/00	109
223/00196/00	101, 109
Dispenser Front Mounting Plate	
111/10101/00	71
Dispenser Mounting Plate	
111/00207/00	73
Dispenser Rear Mounting Plate	
111/10102/00	71
Display PC-Board	
209/02002/00	49
Door Front Panel	
111/05015/00	17
111/32945/00	23
Door Glass	
231/00004/00	47
Door Glass Seal	
223/00068/00	47
Door Handle	
217/00059/00	47

Door Handle Stop	
217/00016/00	47
Door Hinge Block	
253/00022/00	47
Door Hinge Plate Assembly	
111/00003/00	47
Door Hinge Spacer	
118/00122/00	47
118/00124/00	47
Door Latch Cord	
224/00015/00	45
Door Lock Assembly	
217/00052/01A	45
Door Lock Microswitch	
209/00272/00	45
Door Lock PC-Board	
209/02010/00	49, 51, 53, 55, 57
Door Lock Pin Kit	
211/00109/01	47
217/00052/02	45
Door Lock Solenoid	
209/00274/00	45
Door Lock Spacer	
217/00052/03	45
Door Lock Spring	
224/00049/00	45
Door Panel	
131/00003/00	47
Dosing Pump Hose	
209/00555/98	113
Dosing Pump Hose Connector	
209/00555/99	113
Drain Pipe	
223/00106/00	39, 41, 43
Drain Tub to Drain Valve Hose	
223/00133/00	39, 41
Drain Valve	
209/00075/00	39, 41, 43
209/00171/00	41
Drain Valve Overflow Plug	
223/00086/00	39, 41, 43
Drain Valve Plate Assembly	
114/00010/00	39, 41, 43
Drain Valve to Drain Pipe Hose	
223/00135/00	39
223/00141/00	41, 43
Drive	
F8421105	79
F8421109	85
F8421110	85
F8421111	85
F8421112	85
Drum	
B12327301	23, 31, 33
123/10011/00	19, 29
Dual Drop Optical Sensor Kit	
B12388102	67

## E

Electrical Component Extension Plate	
140/00021/00	95

N/A items do not appear in index.

Electrical Components Plate	
111/00197/30 .....	95
111/01028/00 .....	97
Electrical Connection Plate	
111/00094/10 .....	81, 83, 87, 89
111/00188/06 .....	87, 89, 91
Electrical Connection Sticker	
229/00068/02 .....	81, 83, 87, 89
Electronic Coin Meter Housing	
152/00112/50 .....	69
Emergency Switch Pushbutton	
209/00099/20 .....	49, 51, 55
Eprom	
209/00266/01 .....	59
Exhaust Valve Hose	
223/00170/00 .....	43

## F

Fastener	
211/00108/00 .....	97
Fastening Piece	
217/00060/00 .....	67, 69
Feeding Liquid Soap Dosing Pump	
209/00554/51 .....	113
Filter	
209/00385/00 .....	81, 83, 87, 89
209/00385/01 .....	81, 83, 87, 89
227/00177/00 .....	93
227/00179/00 .....	93
227/00180/00 .....	93
227/00242/00 .....	93
Frame	
114/00018/50 .....	9
114/00019/50 .....	7
Front Panel	
111/01708/00 .....	63
131/00002/00 .....	23
Front Plate	
111/01000/00 .....	67, 69
Fuse	
209/00372/01 .....	63
209/00439/00 .....	59, 61
209/00468/00 .....	91
Fuse Holder	
209/00202/00 .....	91

## G

Gasket	
246/00092/00 .....	17, 23
246/00149/00 .....	71, 73
Grease Ring	
212/00007/00 .....	27
Grommet	
223/00174/00 .....	79, 85
223/00198/00 .....	95, 97
223/00203/00 .....	91
Ground Terminal	
210/10015/00 .....	45

## H

Heating Element	
209/00562/20 .....	111
209/00563/20 .....	111
209/00564/20 .....	111
209/00581/10 .....	111
Heating Element Plug	
209/00196/00 .....	111
Hinge	
221/00004/00 .....	47
Hose Barb	
223/00016/00 .....	95, 97
Hose Clamp	
223/00010/00 .....	81, 83, 87, 89, 101, 103
223/00011/00 .....	81, 83, 87, 89, 95, 97
223/00012/00 .....	39, 41, 43
223/00013/00 .....	39, 41, 43, 103
223/00014/00 .....	101
223/00071/00 .....	39, 41, 43, 101, 103
Hose Vent	
223/00102/07 .....	81, 87

## I

Infrared Cable	
210/00902/00 .....	49, 51, 61, 63
Inlet Valve Solenoid	
209/00090/01 .....	81, 83, 87, 89
Inlet Valve, 2-Way	
209/00316/00 .....	81, 83, 87, 89
209/00419/00 .....	81, 83
Input Block	
209/00683/00 .....	69
Insulating Sticker	
229/00255/00 .....	59, 61, 63
229/00268/00 .....	49
229/00291/00 .....	51, 53
Interior Box	
223/00222/02 .....	109
Interlock Coil Spring	
224/00043/00 .....	45
Interlock Lever	
217/00052/04 .....	45
Intermediate Fan Motor Plate	
111/00243/00 .....	35
Inverter	
227/00133/00 .....	85
227/00134/00 .....	85
227/00169/00 .....	79
227/00224/00 .....	85
227/00230/00 .....	79
227/00231/00 .....	85
227/00238/00 .....	79
Inverter Box Cover	
111/01158/11 .....	79, 85
Inverter Drive Box	
111/01149/00 .....	85
111/01150/00 .....	79
Inverter Kit	
F8421005 .....	79
F8421006 .....	79
F8421007 .....	79

N/A items do not appear in index.

F8421008.....	79
F8421009.....	85
F8421010.....	85
F8421011.....	85
F8421012.....	85

## K

Key	
212/00026/00.....	29, 31, 33
254/00077/02.....	67, 69
Keyboard	
209/00323/01.....	65
Keypad	
209/00552/01.....	63
Keypad Sticker	
225/00407/00.....	59
Kickplate	
111/32943/00.....	71, 73

## L

Label	
225/00397/00.....	63
229/00245/00.....	65
Left Front Panel	
111/32948/00.....	73
111/32951/50.....	71
Lever Spring	
224/00040/00.....	45
Light Microswitch	
209/00273/00.....	45
Liquid Soap Dispenser Insert	
223/00102/08.....	101
Liquid Soap Dosing Pump	
209/00555/50.....	113
Liquid Soap Dosing Pump Connection Piece	
209/00554/53.....	113
Liquid Soap Dosing Pump O-Ring	
209/00554/52.....	113
Liquid Soap Manifold	
223/00249/00.....	79, 85, 101, 103
223/00250/00.....	103
Liquid Soap Spray Pump	
209/00369/00.....	115
Lock Shaft	
217/00017/03.....	45
Lubricator	
212/00002/00.....	27

## M

Main Board	
B12351701.....	63
Mechanical Coin Meter Housing	
152/00112/00.....	67
Memory Card PC-Board	
209/02013/00.....	49, 51, 53, 55, 57
Metal Disc	
202/00120/00.....	61, 63

Motor	
227/00115/00.....	37
227/00139/00.....	35
Motor Plate	
115/00155/00.....	35
115/10117/00.....	37
115/10126/00.....	35
Mounting Plate	
111/01019/10.....	95
173/00012/00.....	65
223/00374/00.....	49, 51, 53, 55, 57
Mushroom Pushbutton	
209/00248/20.....	55, 59, 61, 63

## N

Noise Filter	
227/00163/00.....	85
Noise Suppressor	
209/00356/00.....	95, 97
Nut	
204/00004/00.....	31, 33, 39, 41, 43, 99
204/00005/00.....	73, 95
204/00007/00.....	37, 71, 79, 91, 99
204/00008/00.....	45, 65, 67, 69
204/00009/00.....	19, 23, 71, 73, 99, 115
204/00012/00.....	11, 13, 15, 37
204/00016/00.....	11, 13, 15
204/00019/00.....	11, 13, 15, 35
204/00103/00.....	47
204/00106/00.....	39, 41, 43, 47, 71, 73, 115
204/00107/00.....	85
204/00109/00.....	19, 23, 71, 73
204/00111/00.....	19, 35, 37
204/00113/00.....	11, 13, 15, 17, 23, 25, 27, 35, 37
204/00114/00.....	37, 59, 61, 63, 79, 85
204/00115/00.....	35
204/00116/00.....	49, 51, 53, 55, 57, 63, 65, 67, 69
204/00201/00.....	81, 83, 87, 89
206/00101/00.....	71, 73, 95, 97, 99, 111
208/00002/00.....	69
208/00104/00.....	75, 77
211/10106/00.....	115

## O

Operating Sticker	
225/00400/00.....	63
225/00404/00.....	61
225/00405/00.....	61
225/00408/00.....	59
225/10305/00.....	57
225/10306/00.....	57
225/10307/00.....	55
225/10308/00.....	55
225/10313/00.....	49
225/10403/00.....	53
225/10404/00.....	51
225/10405/00.....	51
225/10426/00.....	49
225/10427/00.....	51
Optic Cable	
210/00901/00.....	53, 55, 57
Optical Switch	
209/00781/00.....	67

N/A items do not appear in index.

O-Ring	
217/00002/00	25
217/00021/00	45, 47
223/00176/00	115
223/00177/00	115
231/00036/00	27
Outer and Inner Box Kit	
223/00222/60	107, 109
Outlet Pipe Plate Assembly	
101/00007/00	39, 41, 43, 71, 73
Out-of-Balance Switch	
209/00255/00	99
Out-of-Balance Switch Boot	
223/00246/00	99
Out-of-Balance Switch Bracket	
111/00255/01	99
111/32959/00	99
Overflow Hose	
223/00131/00	39, 41, 43

## P

Parameter Unit Assembly	
F8410901	79, 85
227/00171/00	79, 85
Plexi Frame	
225/00316/00	59, 61
225/00321/00	49
225/00322/00	55, 57
225/00323/00	51, 53
Pressure Hose	
223/00179/10	79, 85, 115
Pressure Switch	
209/00007/50	95, 97
Pressure Switch Elbow	
223/00210/00	95, 97
Pressure Switch Hose	
223/00212/00	95, 97
Pressure Switch Hose Tee	
223/00173/10	95, 97
Prewash and Mainwash Nozzle	
223/00001/04	81, 83, 87, 89
Printboard	
209/00440/00	59
209/02001/02	55, 57
209/02015/02	51, 53
Printboard Connection Network	
209/00540/00	91
Printboard Separator	
211/00128/00	49, 51, 53, 55, 57
Printboard Support Card	
111/01893/00	49, 51
Programming Key Contact Switch	
209/00326/20	63
Programming Switch	
209/00326/00	65
Protection LED	
223/00330/00	55, 57
Pulley	
185/00086/00	35
226/00100/01	29
226/00105/00	35
226/00117/00	37

226/00148/00	29
226/00150/00	33
226/00152/00	37
253/00025/01	31
Pulley Hub	
132/00005/01	33
212/00009/01	31, 33
239/00005/01	29, 31
Pulleys and Belt Kit	
967P3	29
Pushbutton	
209/00396/00	67, 69

## R

Rear Panel	
111/00126/10	77
111/00127/10	75
Retainer Ring	
212/00006/00	25, 27
212/00037/00	25
Retaining Ring	
117/00042/00	35
Right Front Panel	
111/32957/50	71
111/32960/00	73
Rinse Insert	
223/00102/03	101
Rinsing Box	
223/00222/05	109
Rivet	
208/00017/00	81, 83, 87, 89
211/00093/00	81, 83, 87, 89
Roller Bearing	
212/00005/00	27, 31, 33

## S

Screw	
B12347501	101, 109
B12350903	101, 109
206/00049/00	35
206/00056/00	33, 37
206/00111/00	19, 23
207/00002/00	35
207/00009/00	45
207/00018/00	99
207/00025/00	65
207/00031/00	37, 91
207/00032/00	71
207/00101/00	71, 73
207/00102/00	45
207/00103/00	45
207/00107/00	47
207/00108/00	65
207/00110/00	31, 33
207/00126/00	47
207/00135/00	45
208/00014/00	69
208/00130/00	79, 85
Seal Cover Plate	
131/00035/00	27

N/A items do not appear in index.

Seal Holder Assembly 119/00001/01 .....	25	Soap Injector Orifice 223/00178/00 .....	115
Seal Plate 119/00001/00 .....	25	Soap Injector Orifice Nipple 211/00126/00 .....	115
Seal Plate Assembly B12333701 .....	25	Soap Pump Assembly 209/00555/01 .....	113
Shaft Seal 132/00009/00 .....	31, 33	209/00555/02 .....	113
219/00003/00 .....	25	209/00555/03 .....	113
231/00037/00 .....	27	209/00555/04 .....	113
Shock Absorber 247/00008/00 .....	11, 13, 15	209/00555/05 .....	113
Shock Absorber Service Kit B12419101 .....	11	209/00555/06 .....	113
Shrink Fit 223/00245/00 .....	103	Soap Spray Nozzle 223/00102/06 .....	101, 109
Side Panel 111/32727/00 .....	71, 75	Softener Spray Nozzle 223/00102/05 .....	101
133/00126/00 .....	73, 77	223/00222/03 .....	109
140/00007/00 .....	71, 75	Spacer 115/00151/00 .....	17, 23
Side Panel Gasket 246/00079/00 .....	73, 77	Speed Detector 209/00400/00 .....	25, 27
Single Drop Optical Sensor Kit B12388101 .....	67	Spray Pump Mounting Plate 111/10179/00 .....	115
Siphon Break 223/00222/04 .....	109	Standoff 211/00120/00 .....	91
Siphon Break Dispenser Hose 223/00260/00 .....	105	211/00122/00 .....	49, 51, 53, 59, 61, 63
223/00262/00 .....	105	211/00145/00 .....	49, 51
223/00263/00 .....	101, 105	Steam Hose 217/00025/00 .....	111
223/00264/00 .....	101, 105	217/00026/00 .....	111
Siphon Break Hose B12322401 .....	101, 107	Steam Injector 117/00039/00 .....	111
B12322402 .....	101, 107	119/00082/00 .....	111
Soap Box Assembly Plate 123/00103/06 .....	101, 109	153/00048/00 .....	111
Soap Box Support Plate 111/00117/00 .....	73	Steam Inlet 118/01063/00 .....	111
Soap Dispenser 223/00222/00 .....	109	153/01047/00 .....	111
223/00240/00 .....	109	Steam Valve 209/00476/00 .....	111
Soap Dispenser Assembly 223/00102/30 .....	101	Support B12418401 .....	13
Soap Dispenser Cover 223/00103/01 .....	75, 77	Suspension Spring B12387101 .....	11, 13
Soap Dispenser Cover Hinge Rod 223/00103/04 .....	75, 77	B12440101 .....	15
Soap Dispenser Gasket 223/00109/00 .....	101, 109	Switch 209/00600/01P .....	67
Soap Dispenser Hose 223/00261/00 .....	105	Switch Base 209/00099/25 .....	63
Soap Dispenser Rinse Siphon 223/00102/04 .....	101	Switch Knob 209/00099/29 .....	63
Soap Injection PCB with Fuse 209/00218/13 .....	91	Switch Lever 217/00052/05 .....	45
Soap Injector Connector 211/00127/00 .....	115		
Soap Injector Coupling 223/00182/00 .....	115		
Soap Injector Elbow Coupling 223/00181/00 .....	115		
Soap Injector Hose 223/00180/00 .....	115		

## T

Telem Sticker 209/00520/00 .....	49, 51, 55, 59, 61, 63
Terminal Block 209/00058/00 .....	91
Thermostat 210/01064/16 .....	95, 97
210/01304/16 .....	97
Thermostat Seal 225/10004/00 .....	95, 97

N/A items do not appear in index.

Tilt Switch Bracket	
111/00107/00	99
Top Panel	
111/01001/00	67, 69
111/05013/00	77
140/00045/01	75
T-Piece	
253/00006/00	43
Transformer	
209/00682/00	69
Tub	
B12330101	21
B12330201	21
B12330501	23
B12330701	21
119/00243/00	21
119/00245/00	21
119/00246/00	21
119/00248/00	21
119/00250/00	21
119/00251/00	21
119/00253/00	21
119/10208/00	23
119/10210/00	23
Tub Clamp Ring	
238/00011/00	19
Tub Front	
138/00001/00	17
Tub Front Clamp Ring	
231/00010/00	23
Tub Front Gasket	
223/00242/00	17
231/00001/00	23
Tub Front Mounting Strap	
115/00161/00	19
Tub Front Panel Clip	
217/00008/00	17, 23
Tub Mounting Strap	
137/00008/00	19
Tub Strap	
131/00010/00	23
Tub Support	
115/00118/00	9
115/00144/00	7
Tub Tightening Ring	
115/00163/00	23

## U

Upper Front Panel	
111/01706/00	59, 61, 71
111/01712/00	59, 61, 73
111/01714/00	63
111/01908/00	55
111/01909/00	57
111/01910/00	51
111/01911/00	53
150/01812/00	49

## V

Varistor	
209/00320/01	97

V-Belt Clip	
115/00117/14	13
Vent Hose	
223/00107/06	101
Vent Tube	
223/00226/00	83, 89, 103
223/00229/00	103
Ventilating Hose	
223/00107/01	101
Voltage Discharge Decal	
B12355001	79, 85

## W

Washer	
201/00001/00	13, 15, 17, 23, 25, 27, 37
201/00002/00	35, 81, 83, 87, 89
201/00004/00	35, 37
201/00006/00	73
201/00007/00	19, 23, 115
201/00008/00	65
201/00010/00	13, 19, 23, 71, 73, 99
201/00011/00	29, 31, 33
201/00017/00	45
201/00018/00	45
201/00023/00	11
201/00201/00	25
201/00202/00	25, 27
20290	81, 83, 87, 89
202/00002/00	39, 41, 43
202/00004/00	65, 71, 79, 81, 83, 85, 87, 89
202/00101/00	23, 47, 97, 99, 115
202/00104/00	47
202/00111/00	47
202/00112/00	17
203/00001/00	29, 31, 33
203/00002/00	37
203/00003/00	27, 39, 41, 43, 99
203/00004/00	25, 39, 41, 43, 71, 73, 95, 115
203/00005/00	79, 85
203/00006/00	37, 59, 71, 91, 99
203/00007/00	45, 65
203/00010/00	45
208/00009/00	71, 73
217/00052/08	45
223/00051/10	65
223/00123/00	49, 51, 53, 55, 57, 63, 65
803615	81, 83, 87, 89
Water Hose	
F200164	81, 83, 87, 89
F200166	81, 83, 87, 89
223/00044/00	81, 83, 87, 89, 103
223/00044/01	101
223/00059/00	81, 83, 87, 89, 101, 103
Water Valve Adapter	
9001990	81, 83, 87, 89
Wire Assembly	
B12359901	67

N/A items do not appear in index.

