

Washer-Extractor

Refer to Page 5 for Model Numbers



&



Part No. D0073R5
March 2012

Table of Contents

Title	Page
Parts Ordering Information.....	3
Nameplate Location.....	3
Model Identification.....	5
Washer-Extractor Product Overview.....	6
MDP100 and MDP300 Drain Plumbing (Drawing 1 of 3).....	8
MDP100 and MDP300 Drain Plumbing (Drawing 2 of 3).....	10
MDP100 and MDP300 Drain Plumbing (Drawing 3 of 3).....	12
MDP90 Drain Plumbing.....	14
Drain Valve - 2 Inch with Lid.....	16
MDP100 Drain Valve - Normally Open.....	18
MDP100 Drain Valve - Normally Closed.....	20
MDP300 Drain Valve - Normally Open.....	22
MDP300 Drain Valve - Normally Closed.....	24
MDP90 Drain Valve - Normally Open.....	26
MDP90 Drain Valve - Normally Closed.....	28
Upper Back Panel.....	30
Water Inlet Valves.....	32
Water Inlet Valves - Invesys.....	34
Water Inlet Valves - Elbi and Techno.....	36
Water Inlet Valves - Techno.....	38
PB2 Supply Dispenser - Models Through 12/31/1991.....	40
PB3 Supply Dispenser - Models Starting 1/1/1992.....	42
Control Panel - Ram Stetter.....	44
Control Panel - Fiber.....	46
Control Panel - 10 Button.....	48
Control Panel - PLC9 OPL.....	50
Control Panel - PLC9 Coin.....	52
Control Panel - PC20 and PC30.....	54
Control Panel Decals - 10 Button.....	56
Electrical Component Mounting Plate - Boiler Fed or Steam Heat Models.....	58
Electrical Component Mounting Plate - Ram Stetter Control.....	60
Electrical Component Mounting Plate - Fiber Control.....	62
Electrical Component Mounting Plate - 10 Button Control.....	64
Electrical Component Mounting Plate - PC30 Control.....	66
Door Lock (Drawing 1 of 4).....	68
Door Lock (Drawing 2 of 4).....	70
Door Lock (Drawing 3 of 4).....	72
Door Lock (Drawing 4 of 4).....	74
Door Handle.....	76
Door.....	78
Shell and Basket.....	80

© Copyright 2012, Alliance Laundry Systems LLC

All rights reserved. No part of the contents of this book may be reproduced or transmitted in any form or by any means without the expressed written consent of the publisher.

Tub.....	82
Bearing Housing	84
Pulley and Belt	86
Top and Back Panels.....	88
Front and Side Panels	90
Supply Dispenser Cover	92
Motor.....	94
Inverter Drive	96
Frame.....	98
Coin Vault	100
Transformer, Motor Thermal Protector and Program Indicator.....	102
Coin Meter	104
Capacitor, Coin Meter and Heating Element Plug	106
Parts Index.....	109

Parts Ordering Information

If literature or replacement parts are required, contact the source from whom the machine was purchased or contact Alliance Laundry Systems at (920) 748-3950 for the name and address of the nearest authorized parts distributor.

For technical assistance, call either of the numbers listed below:

(920) 748-3121 Ripon, Wisconsin

+32 56 41 20 54 Wevelgem, Belgium

Nameplate Location



When calling or writing about your product, be sure to mention model and serial numbers. Model and serial numbers are located on nameplate(s).

Model Identification



Information in this manual is applicable to these washer-extractor models:

CWE030AN2	IWE030AN2	IWE132AN2	WE110_CAM-TIMER
CWE030MC2	IWE030MC2	IWE132MC2	WE110_CYGNUS-PRO
CWE030MD2	IWE030MD2	IWE132MD2	WE110_MICRO-20
CWE030ME2	IWE030ME2	IWE132ME2	WE110_MICRO-9
CWE030ML2	IWE030MN2	IWE132ML2	WE110_PC30
CWE030MN2	IWE030MX2	IWE132MN2	WE110_PS40
CWE030MX2	IWE030MY2	IWE132MX2	WE110_PS40F
CWE030MY2	IWE030SC2	IWE132MY2	WE110_SIGMA
CWE035AN2	IWE030SD2	IWE132SC2	WE132_CAM-TIMER
CWE035MC2	IWE030SE2	IWE132SD2	WE132_CYGNUS-PRO
CWE035MD2	IWE030SL2	IWE132SE2	WE132_MICRO-20
CWE035ME2	IWE030SR2	IWE132SL2	WE132_MICRO-9
CWE035ML2	IWE030SX2	IWE132SR2	WE132_PC30
CWE035MN2	IWE030SY2	IWE132SX2	WE132_PS40
CWE035MX2	IWE035AN2	IWE132SY2	WE132_PS40F
CWE035MY2	IWE035MC2	IWE165AN2	WE132_SIGMA
CWE132AN2	IWE035MD2	IWE165MC2	WE165_CAM-TIMER
CWE132MC2	IWE035ME2	IWE165MD2	WE165_CYGNUS-PRO
CWE132MD2	IWE035ML2	IWE165ME2	WE165_MICRO-20
CWE132ME2	IWE035MN2	IWE165ML2	WE165_MICRO-9
CWE132ML2	IWE035MX2	IWE165MN2	WE165_PC30
CWE132MN2	IWE035MY2	IWE165MX2	WE165_PS40
CWE132MX2	IWE035SC2	IWE165MY2	WE165_PS40F
CWE132MY2	IWE035SD2	IWE165SC2	WE165_SIGMA
CWE165AN2	IWE035SE2	IWE165SD2	
CWE165MC2	IWE035SL2	IWE165SE2	
CWE165MD2	IWE035SR2	IWE165SL2	
CWE165ME2	IWE035SX2	IWE165SR2	
CWE165ML2	IWE035SY2	IWE165SX2	
CWE165MN2		IWE165SY2	
CWE165MX2			
CWE165MY2			

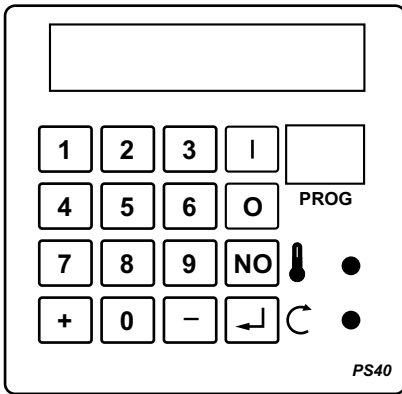
Washer-Extractor Product Overview

Type:	WE132C	Nr: 07110WD0339
Voltage:	3 ~ 400V 50Hz	Weight: 181 kg
Motor:	0.55kW 2.5A	Capacity: 73 L
Heating:	9kW 16A	Dry Load: 7,3 kg
Total:	9.55 kW	Drum: 530 mm
Kinetic energy:	592 Nm	Speed: 700 rpm
Manufactured in:	2007	
Water Pressure: min. 2.07 max. 5.86 Kg/cm ² IPX4 min. 20.7 max. 58.6 N/cm ²		
sfc 741837		
Alliance International BVBA Nieuwstraat 146 8560 Wevelgem Belgium Tel: +32 56 41 20 54 Fax: +32 56 41 86 74 www.ipso.be		
		

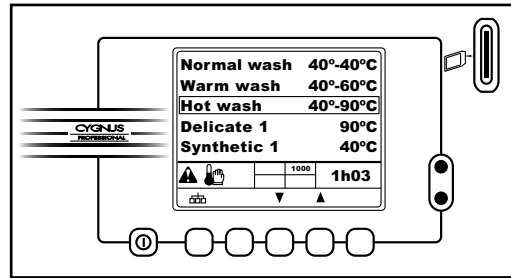
Label 1

Model No:	IWE030MC2X1U01	Serial No: 0710WD0152
Volts/Hertz:	208-240 50/60	Type: WFF75
Phase:	1 - 3	
Amps:	6 amps	Capacity: 18/7 lbs/kg
Recommended		Water 30-85 psi
Circuit Breaker:	15 amps	Pressure: 2.07-5.86 bar
Interrupt Current:	10 kA	Max Speed: 700 rpm
Motor:	1 hp 0,75 kW	Net Weight: 400 lbs 181 kg
Elec Heat:	N/A kW	IPX4
Steam heat:	N/A psi N/A bar	
Alliance International BVBA Made in Belgium		
 TEL 1-920-748-3121 www.comlaundry.com		CONFORMS TO ANSIUL STD Z157 CERTIFIED TO CAN/CSA STD C22.2 NO.169-94

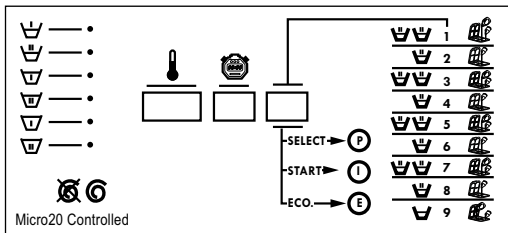
Label 2



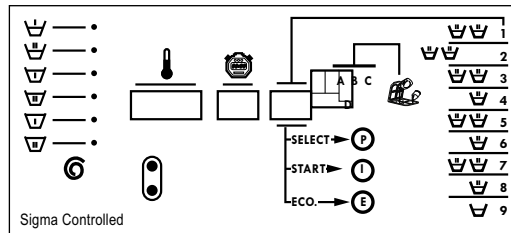
PS40



Cygnus Professional



Micro 20



Sigma

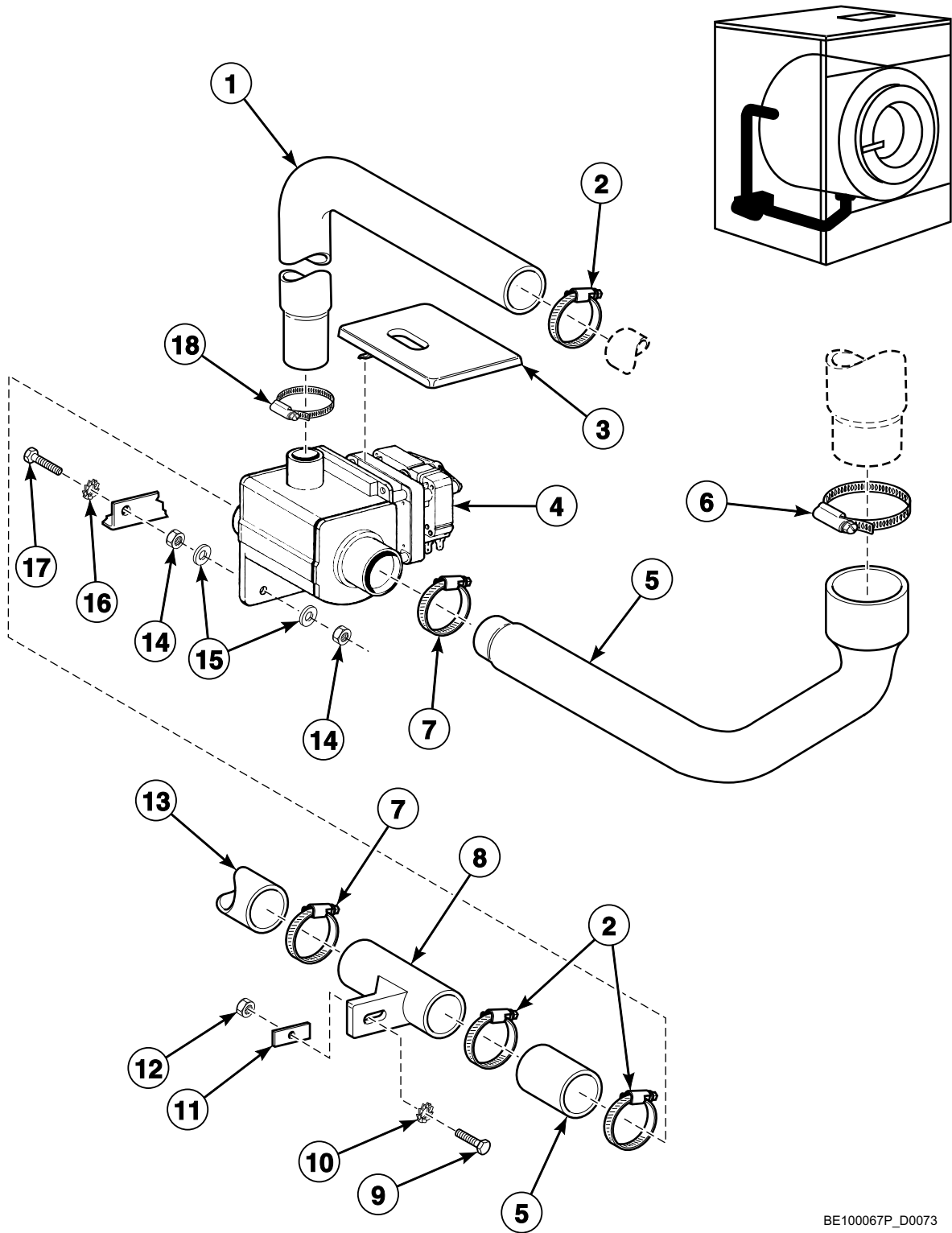
CFD310P_D0073

Washer-Extractor Product Overview

REF	PART NO.	DESCRIPTION	COMMENTS
1	-	Product Family	CWE IWE WE
2	-	Capacity	030 035 110 132 165
3	-	Control	A (PS40F) CAM-Timer Cygnus-Pro Micro-9 M (Micro-20) PC30 PS40 S (Sigma)
4	-	Actuation	C (Coin Drop Meter) D (Dual Coin Drop) E (Electronic Drop) L (Prep for Remote or Central Pay) N (Non-Coin) R (Smart Card Ready) X (Prep for Coin) Y (Card Ready)
5	-	Speed	2 (Normal Spin)
6	-	Voltage	N (440-480/50-60/3/3) P (380-415/50-60/3/3) Q (208-240/50-60/3/3) X (200-240/50-60/1/3)
7	-	Design	1

MDP100 and MDP300 Drain Plumbing (Drawing 1 of 3)

Water Level Sensor on Tub; Overflow Through Drain Valve



BE100067P_D0073

MDP100 and MDP300 Drain Plumbing (Drawing 1 of 3)

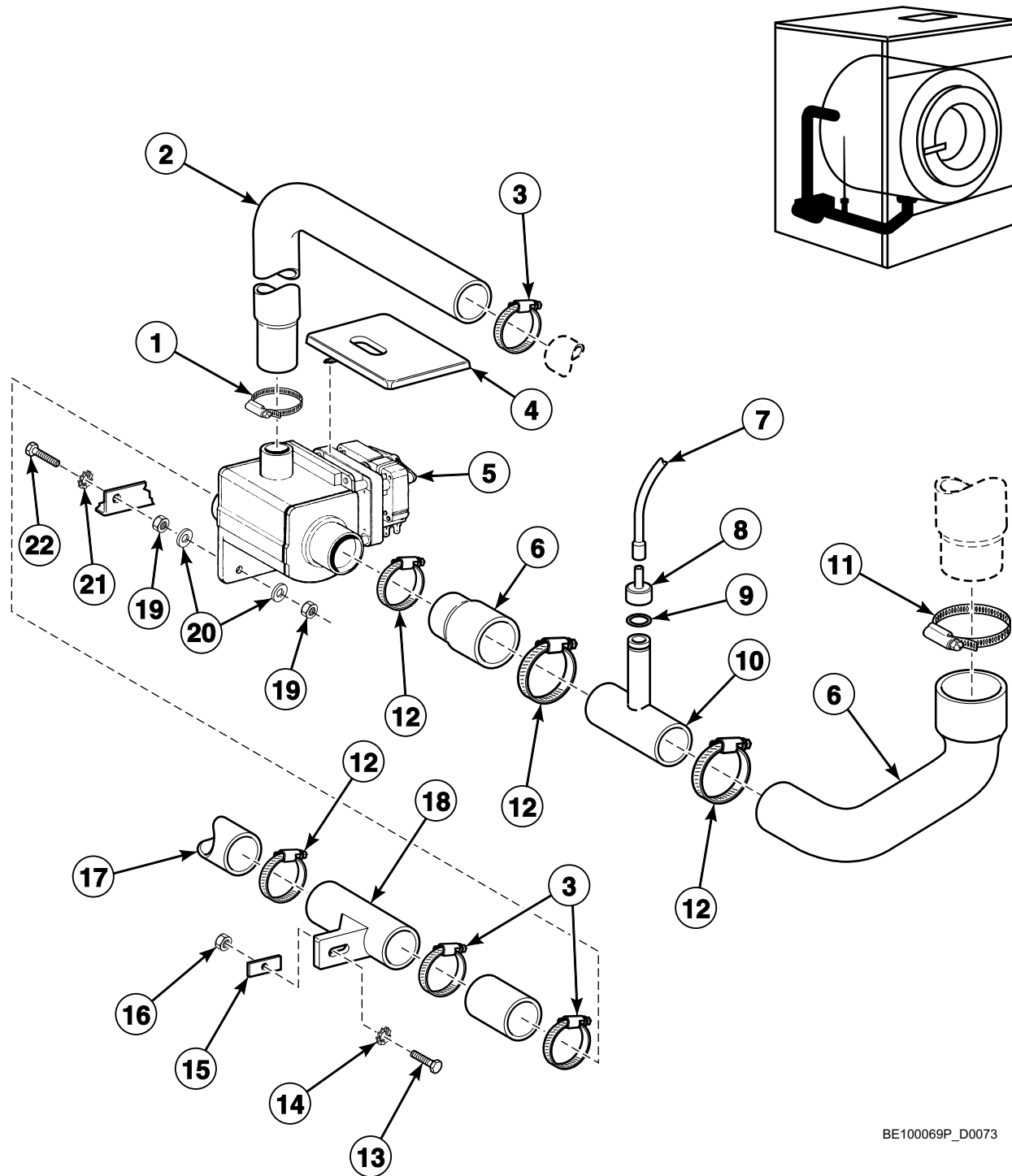
REF	PART NO.	DESCRIPTION	COMMENTS
1	223/00130/00	Overflow Hose	
2	223/00013/00	Hose Clamp	
3	113/00026/00	Drain Valve Covering	
4	209/00203/00	Drain Valve	24 Volt/50 Hertz; NO
	209/00052/00	Drain Valve	115 Volt/60 Hertz; NO
	209/00051/00	Drain Valve	240 Volt/50 or 60 Hertz; NO; MDP100
	209/00075/00	Drain Valve	240 Volt/50 or 60 Hertz; NO; MDP300
	209/00115/00	Drain Valve	240 Volt/50 or 60 Hertz; NC; MDP100
	209/00171/00	Drain Valve	240 Volt/50 or 60 Hertz; NC; MDP300
5	223/00046/00	Drain Hose	MDP100
	223/00072/00	Drain Hose	MDP300
6	223/00014/00	Hose Clamp	
7	223/00013/00	Hose Clamp	MDP100
	223/00057/00	Clamp	MDP300
8	223/00025/00	Outlet Pipe	
9	206/00014/00	Bolt	
10	203/00004/00	Washer	
11	101/00007/00	Outlet Pipe Plate Assembly	
12	204/00005/00	Nut	
13	223/00054/00	Drain Elbow	MDP100
	223/00056/00	Drain Elbow	MDP300
14	204/00004/00	Nut	
15	202/00002/00	Washer	
16	203/00003/00	Washer	
17	206/00010/00	Bolt	
18	223/00012/00	Hose Clamp	

MDP100 and MDP300 Drain Plumbing (Drawing 2 of 3)

REF	PART NO.	DESCRIPTION	COMMENTS
1	223/00112/00	Exhaust Valve	
2	223/00012/00	Hose Clamp	
3	223/00086/00	Drain Valve Overflow Plug	
4	113/00026/00	Drain Valve Covering	
5	209/00203/00	Drain Valve	24 Volt/50 Hertz; NO
	209/00052/00	Drain Valve	115 Volt/60 Hertz; NO
	209/00051/00	Drain Valve	240 Volt/50 or 60 Hertz; NO; MDP100
	209/00075/00	Drain Valve	240 Volt/50 or 60 Hertz; NO; MDP300
	209/00115/00	Drain Valve	240 Volt/50 or 60 Hertz; NC; MDP100
	209/00171/00	Drain Valve	240 Volt/50 or 60 Hertz; NC; MDP300
6	223/00014/00	Hose Clamp	
7	223/00013/00	Hose Clamp	
8	206/00010/00	Bolt	
9	202/00002/00	Washer	
10	203/00003/00	Washer	
11	204/00004/00	Nut	
12	223/00111/00	Overflow Pipe	
13	223/00105/00	Drain Pipe	

MDP100 and MDP300 Drain Plumbing (Drawing 3 of 3)

Water Level Sensor on Drain; Overflow Through Drain Valve

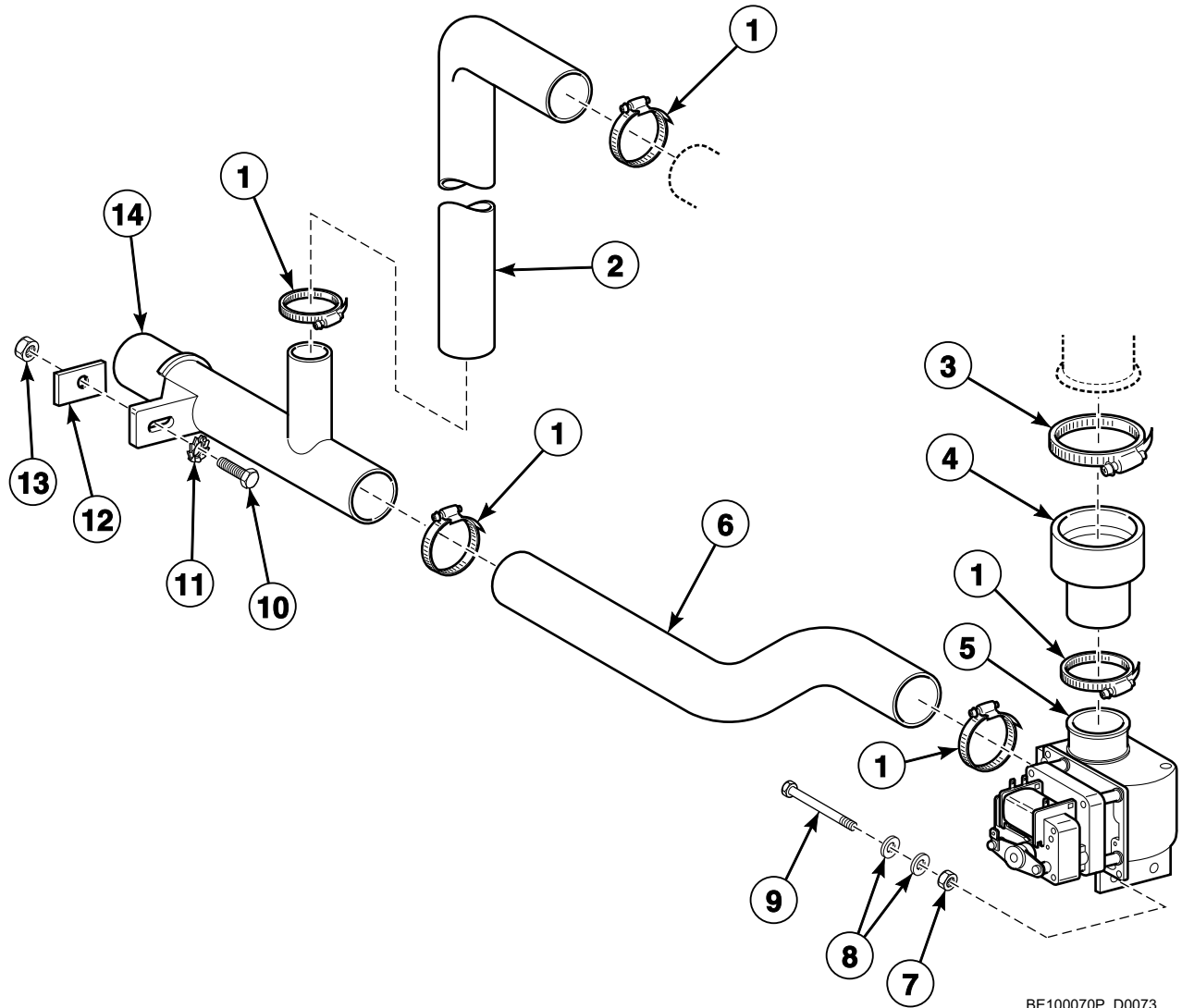


BE100069P_D0073

MDP100 and MDP300 Drain Plumbing (Drawing 3 of 3)

REF	PART NO.	DESCRIPTION	COMMENTS
1	223/00012/00	Hose Clamp	
2	223/00130/00	Overflow Hose	
3	223/00013/00	Hose Clamp	
4	113/00026/00	Drain Valve Covering	
5	209/00203/00	Drain Valve	24 Volt/50 Hertz; NO
	209/00052/00	Drain Valve	115 Volt/60 Hertz; NO
	209/00051/00	Drain Valve	240 Volt/50 or 60 Hertz; NO; MDP100
	209/00075/00	Drain Valve	240 Volt/50 or 60 Hertz; NO; MDP300
	209/00115/00	Drain Valve	240 Volt/50 or 60 Hertz; NC; MDP100
	209/00171/00	Drain Valve	240 Volt/50 or 60 Hertz; NC; MDP300
6	223/00046/00	Drain Hose	MDP100
	223/00072/00	Drain Hose	MDP300
7	223/00036/00	Pressure Hose	
8	223/00035/02	Pressure Switch Cap	
9	223/00035/03	O-Ring	
10	223/00083/00	Pressure Hose	
	223/00035/01	Hose Tee	
11	223/00014/00	Hose Clamp	
12	223/00013/00	Hose Clamp	MDP100
	223/00057/00	Clamp	MDP300
13	206/00014/00	Bolt	
14	203/00004/00	Washer	
15	101/00007/00	Outlet Pipe Plate Assembly	
16	204/00005/00	Nut	
17	223/00054/00	Drain Elbow	MDP100
	223/00056/00	Drain Elbow	MDP300
18	223/00025/00	Outlet Pipe	
19	204/00004/00	Nut	
20	202/00002/00	Washer	
21	203/00003/00	Washer	
22	206/00010/00	Bolt	

MDP90 Drain Plumbing

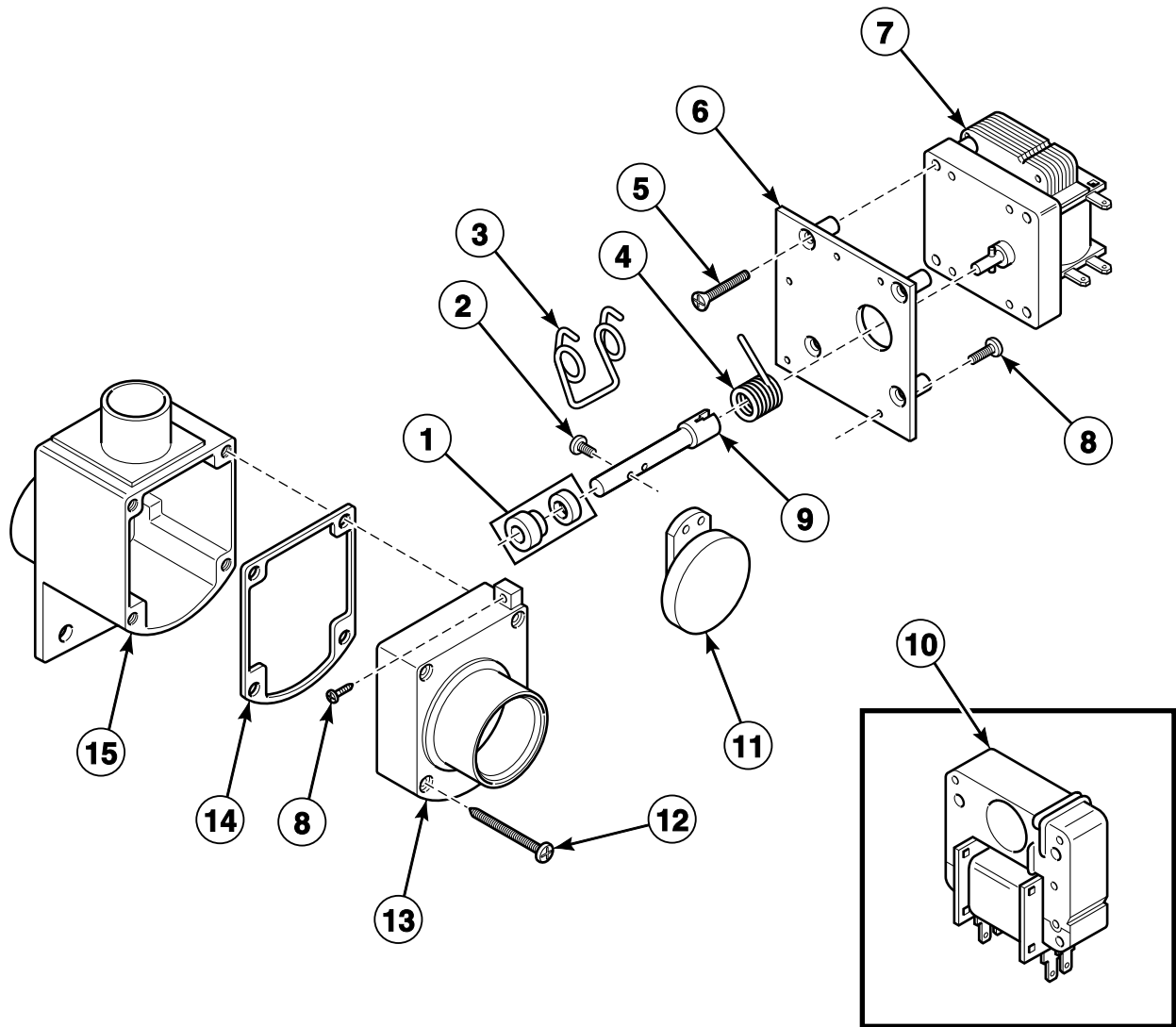


BE100070P_D0073

MDP90 Drain Plumbing

REF	PART NO.	DESCRIPTION	COMMENTS
1	223/00013/00	Hose Clamp	
2	223/00130/00	Overflow Hose	
3	223/00014/00	Hose Clamp	
4	223/00116/00	Tub Drain Exhaust Valve	
5	209/00256/00	Drain Valve	NO
	209/00292/00	Exhaust Valve	NC
6	223/00145/00	Valve	
7	204/00109/00	Nut	
8	202/00002/00	Washer	
9	206/00068/00	Bolt	
10	206/00014/00	Bolt	
11	203/00004/00	Washer	
12	101/00007/00	Outlet Pipe Plate Assembly	
13	204/00005/00	Nut	
14	223/00105/00	Drain Pipe	

Drain Valve - 2 Inch with Lid

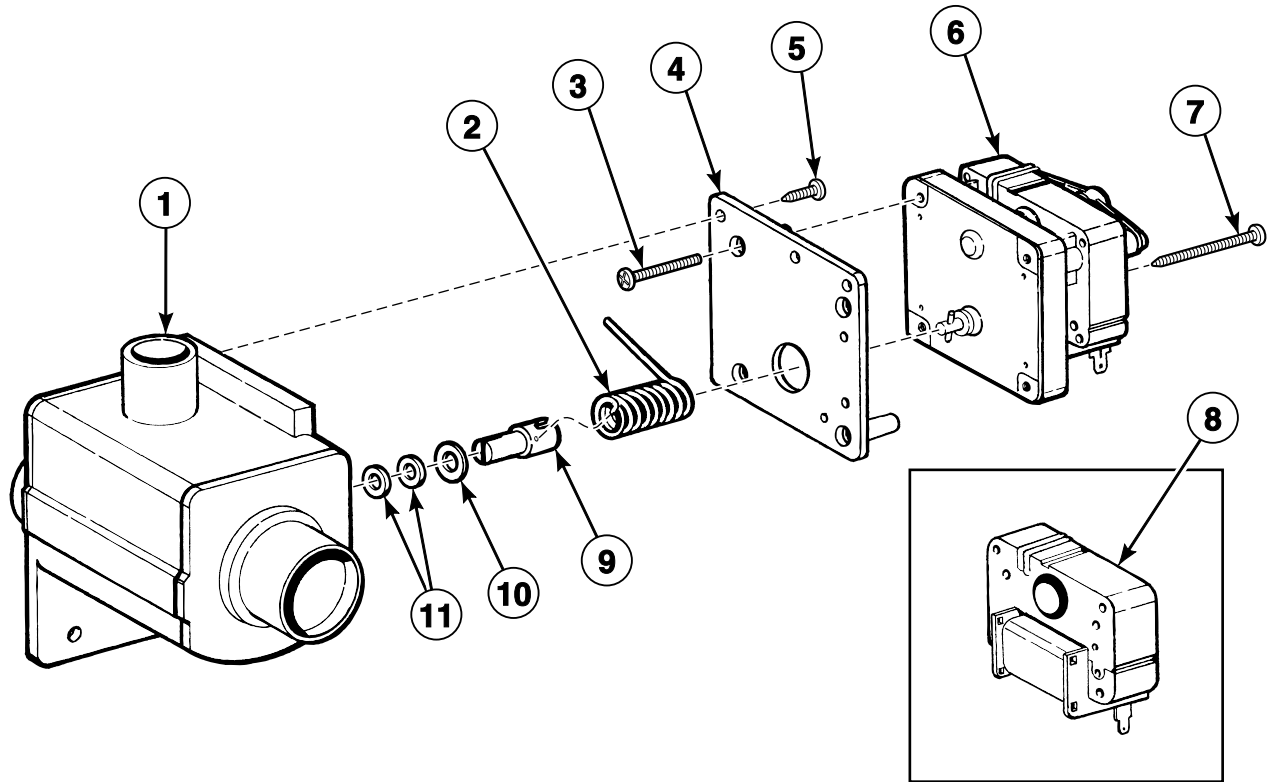


BE100031P_D0073

Drain Valve - 2 Inch with Lid

REF	PART NO.	DESCRIPTION	COMMENTS
1	209/00025/10	Drain Valve Shaft Seal	
2	209/00025/09	Screw	
3	209/00025/03	Drain Valve Spring	
4	209/00025/13	Drain Valve Spring	
5	209/00025/08	Screw	
6	209/00025/07	Drain Valve Motor Mounting Plate	
7	209/00203/11	Drain Valve Motor	24 Volt
	209/00052/11	Drain Valve Motor	110 Volt/60 Hertz
	209/00051/11	Drain Valve Motor	220 Volt/50 or 60 Hertz
8	209/00025/04	Screw	
9	209/00025/15	Valve Axle	
10	209/00203/21	Coil	24 Volt
	209/00052/21	Coil	115 Volt/60 Hertz
	209/00051/21	Coil	220 Volt/50 or 60 Hertz
11	209/00025/16	Sealing Plate Assembly	
12	209/00025/06	Screw	
13	209/00025/05	Valve Housing	
14	209/00025/02	Drain Housing Gasket	
15	209/00025/01	Exhaust Valve Housing	

MDP100 Drain Valve - Normally Open

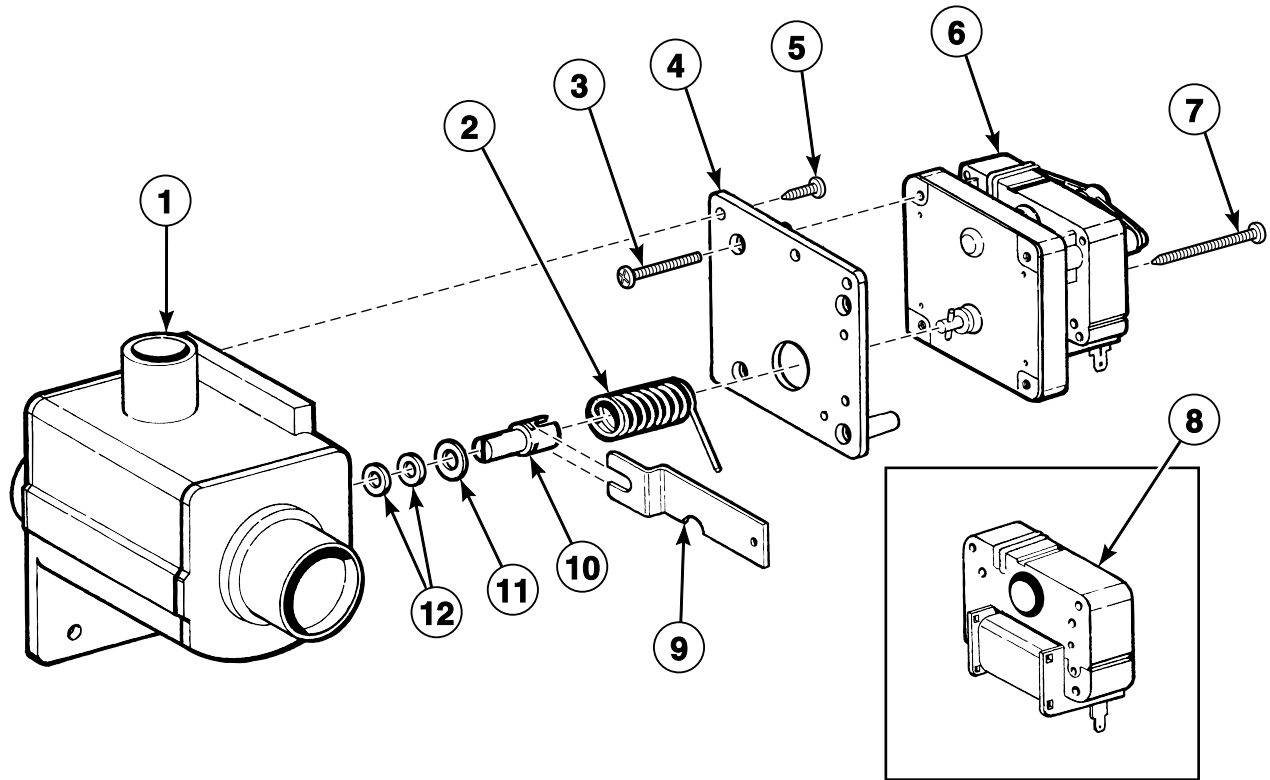


BE100032P_D0073

MDP100 Drain Valve - Normally Open

REF	PART NO.	DESCRIPTION	COMMENTS
1	209/00170/01	Exhaust Valve	
2	209/00170/02	Drain Valve Spring	
3	209/00025/08	Screw	
4	209/00170/04	Motor Mounting Plate	
5	209/00170/05	Screw	
6	209/00203/12	Drain Valve Motor	24 Volt
	209/00052/12	Drain Valve Motor	110 Volt/60 Hertz
	209/00170/06	Drain Valve Motor Assembly	220 Volt/50 or 60 Hertz
7	209/00170/07	Screw	
8	209/00203/21	Coil	24 Volt
	209/00052/21	Coil	115 Volt/60 Hertz
	209/00051/21	Coil	220 Volt/50 or 60 Hertz
9	209/00170/10	Drain Valve Shaft	
10	209/00025/12	Washer	
11	209/00025/10	Drain Valve Shaft Seal	

MDP100 Drain Valve - Normally Closed

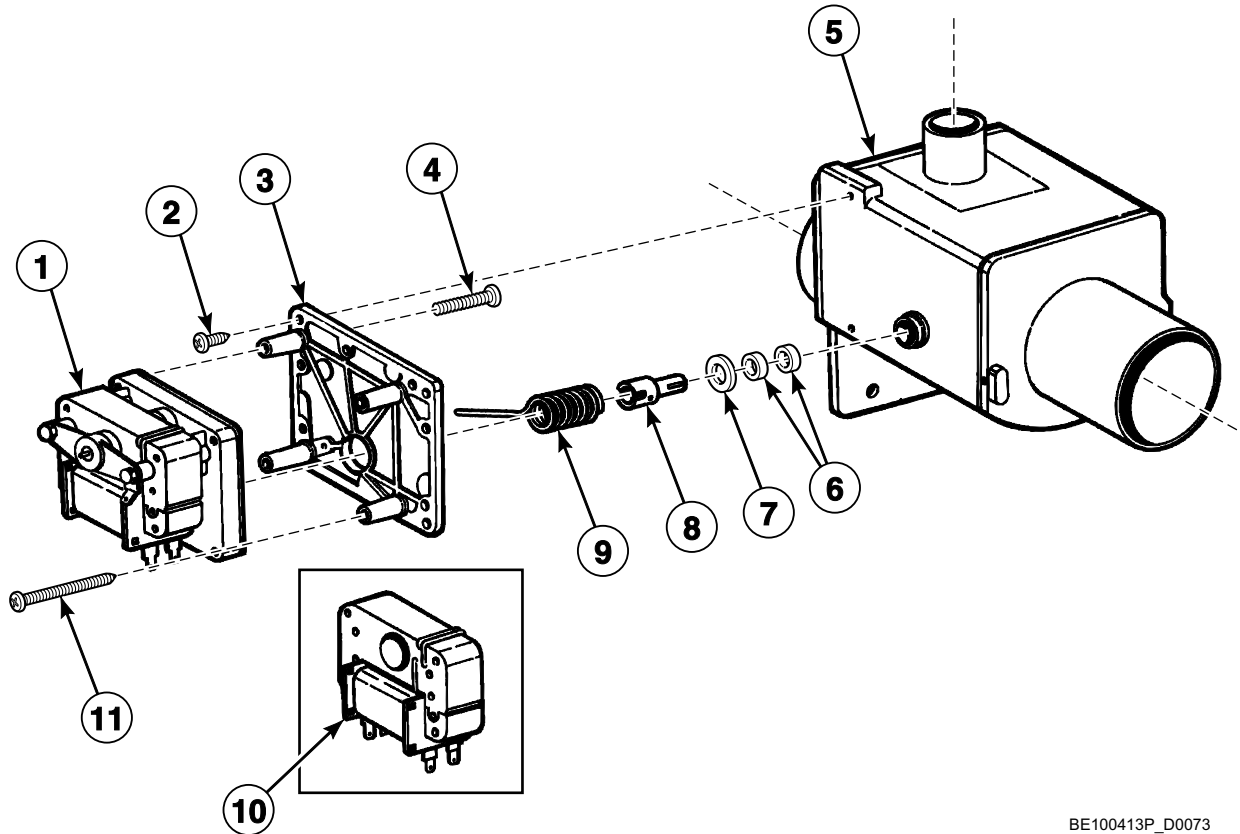


BE100033P_D0073

MDP100 Drain Valve - Normally Closed

REF	PART NO.	DESCRIPTION	COMMENTS
1	209/00170/01	Exhaust Valve	
2	209/00025/13	Drain Valve Spring	
3	209/00025/08	Screw	
4	209/00115/04	Drain Valve Motor Mounting Plate	
5	209/00170/05	Screw	
6	209/00203/11	Drain Valve Motor	24 Volt
	209/00052/11	Drain Valve Motor	110 Volt/60 Hertz
	209/00051/11	Drain Valve Motor	220 Volt/50 or 60 Hertz
7	209/00170/07	Screw	
8	209/00203/21	Coil	24 Volt
	209/00052/21	Coil	115 Volt/60 Hertz
	209/00051/21	Coil	220 Volt/50 or 60 Hertz
9	209/00115/11	Drain Valve Handle	
10	209/00170/10	Drain Valve Shaft	
11	209/00025/12	Washer	
12	209/00025/10	Drain Valve Shaft Seal	

MDP300 Drain Valve - Normally Open

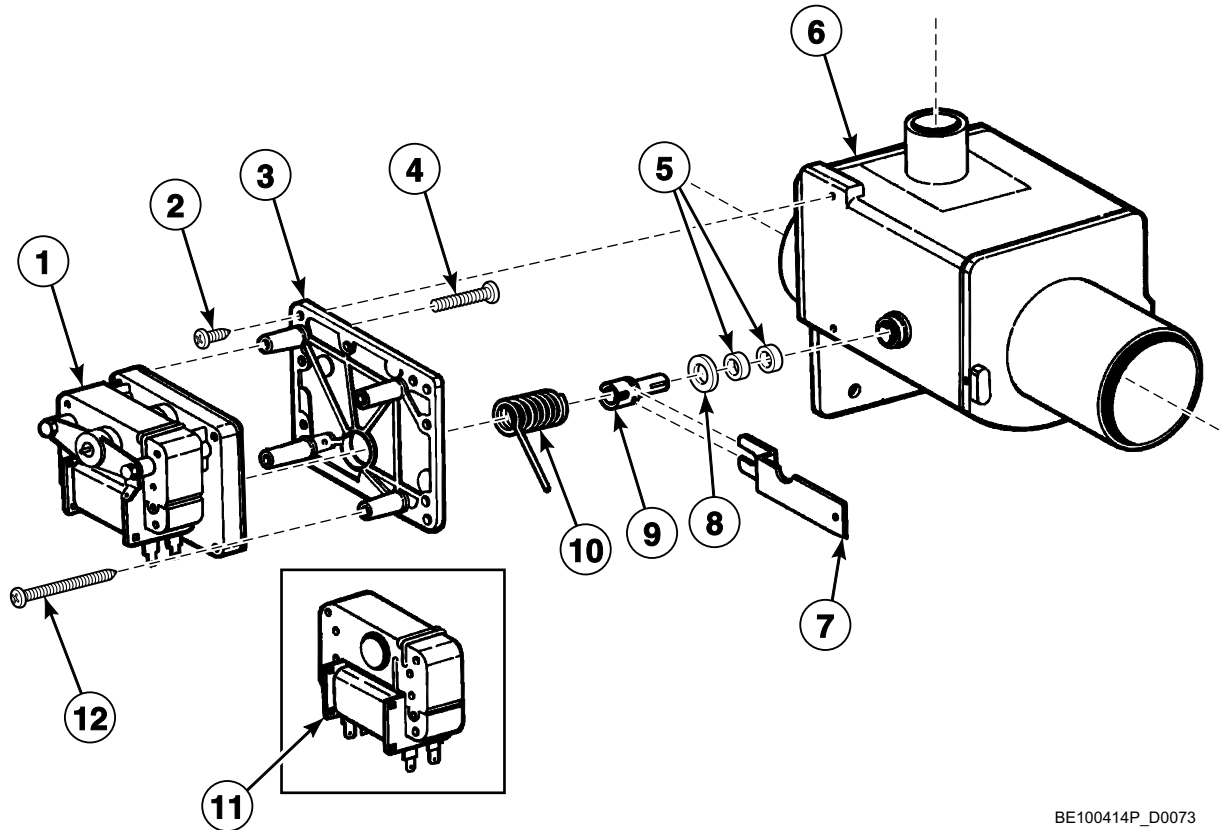


BE100413P_D0073

MDP300 Drain Valve - Normally Open

REF	PART NO.	DESCRIPTION	COMMENTS
1	209/00203/11	Drain Valve Motor	24 Volt
	209/00052/11	Drain Valve Motor	110 Volt/60 Hertz
	209/00051/11	Drain Valve Motor	220 Volt/50 or 60 Hertz
2	209/00170/05	Screw	
3	209/00025/07	Drain Valve Motor Mounting Plate	
4	209/00025/08	Screw	
5	209/00075/05	Drain Valve	
6	209/00025/10	Drain Valve Shaft Seal	
7	209/00025/12	Washer	
8	209/00170/10	Drain Valve Shaft	
9	209/00025/13	Drain Valve Spring	
10	209/00203/21	Coil	24 Volt
	209/00052/21	Coil	115 Volt/60 Hertz
	209/00051/21	Coil	220 Volt/50 or 60 Hertz
11	209/00170/07	Screw	

MDP300 Drain Valve - Normally Closed

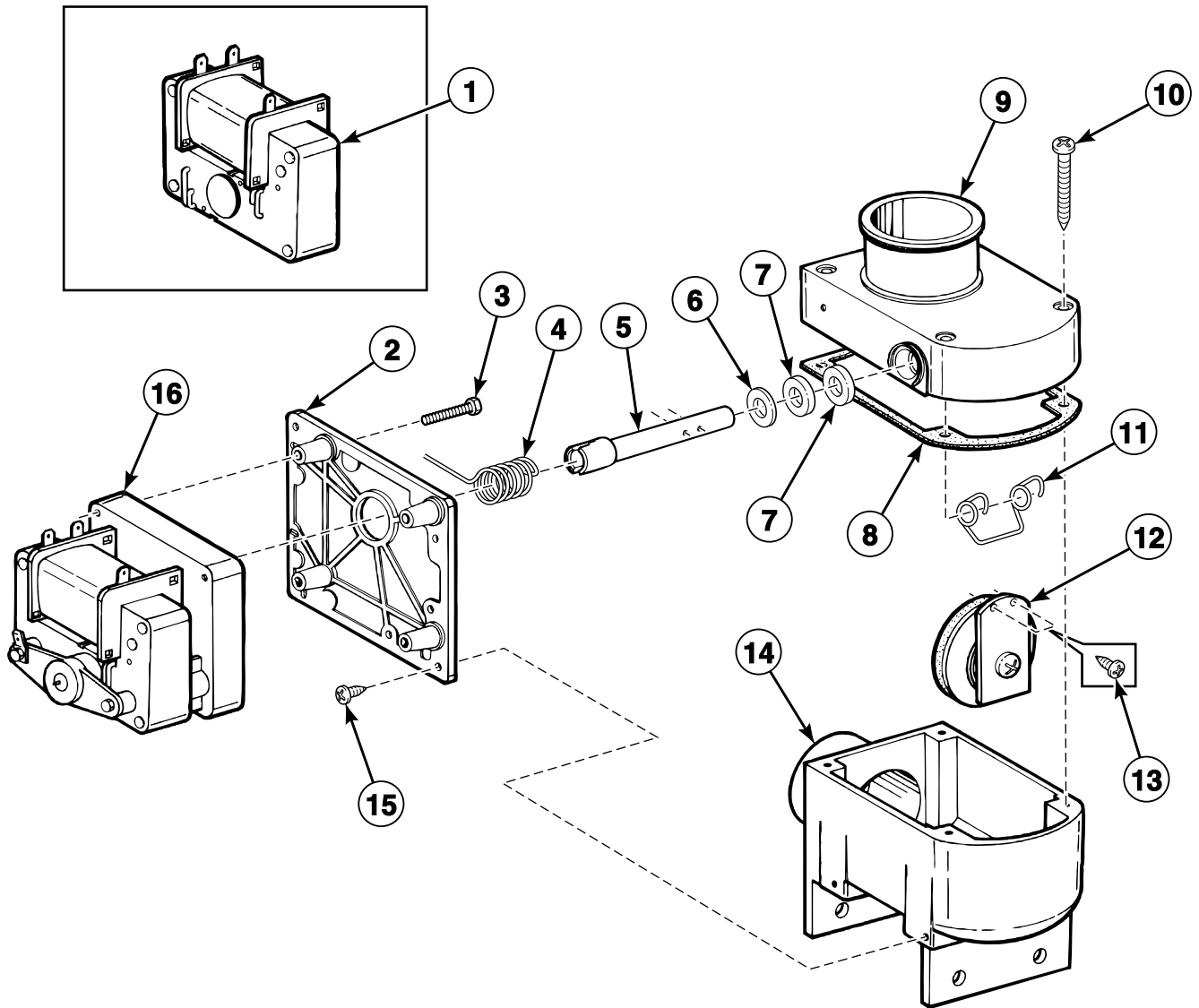


BE100414P_D0073

MDP300 Drain Valve - Normally Closed

REF	PART NO.	DESCRIPTION	COMMENTS
1	209/00203/12	Drain Valve Motor	24 Volt
	209/00052/12	Drain Valve Motor	110 Volt/60 Hertz
	209/00170/06	Drain Valve Motor Assembly	220 Volt/50 or 60 Hertz
2	209/00170/05	Screw	
3	209/00115/04	Drain Valve Motor Mounting Plate	
4	209/00025/08	Screw	
5	209/00025/10	Drain Valve Shaft Seal	
6	209/00075/05	Drain Valve	
7	209/00115/11	Drain Valve Handle	
8	209/00025/12	Washer	
9	209/00170/10	Drain Valve Shaft	
10	209/00170/02	Drain Valve Spring	
11	209/00212/11	Coil	24 Volt
	209/00211/11	Coil	115 Volt/60 Hertz
	209/00051/21	Coil	220 Volt/50 or 60 Hertz
12	209/00170/07	Screw	

MDP90 Drain Valve - Normally Open

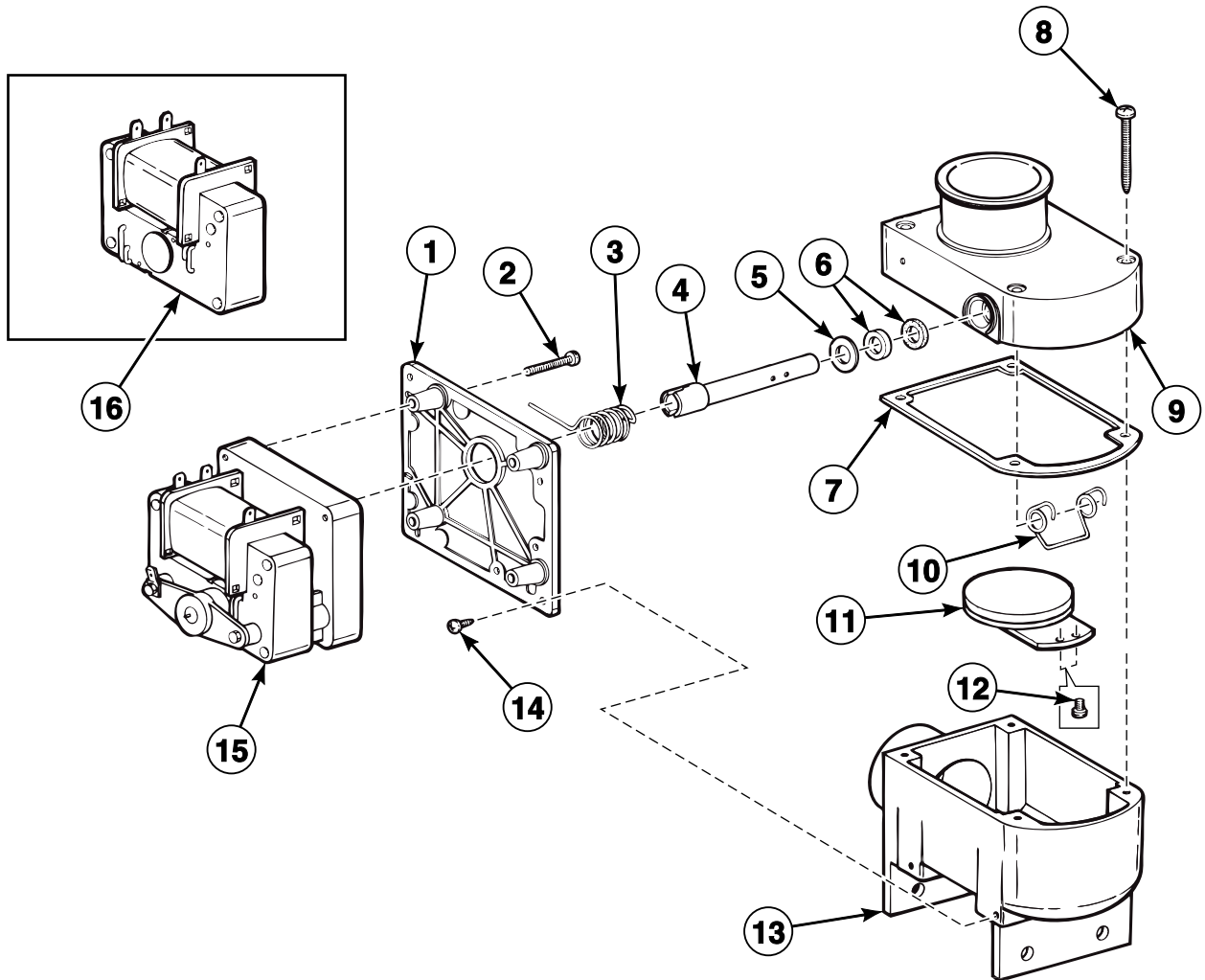


BE000030AP_D0073

MDP90 Drain Valve - Normally Open

REF	PART NO.	DESCRIPTION	COMMENTS
1	209/00203/21	Coil	24 Volt
	209/00052/21	Coil	115 Volt/60 Hertz
	209/00051/21	Coil	220 Volt/50 or 60 Hertz
2	209/00025/07	Drain Valve Motor Mounting Plate	
3	209/00025/08	Screw	
4	209/00025/13	Drain Valve Spring	
5	209/00025/15	Valve Axle	
6	209/00025/12	Washer	
7	209/00025/10	Drain Valve Shaft Seal	
8	209/00025/02	Drain Housing Gasket	
9	209/00256/05	Valve	
10	209/00025/06	Screw	
11	209/00025/03	Drain Valve Spring	
12	209/00025/16	Sealing Plate Assembly	
13	209/00025/09	Screw	
14	209/00256/01	Valve	
15	209/00170/05	Screw	
16	209/00203/11	Drain Valve Motor	24 Volt
	209/00052/11	Drain Valve Motor	110 Volt/60 Hertz
	209/00051/11	Drain Valve Motor	220 Volt/50 or 60 Hertz

MDP90 Drain Valve - Normally Closed

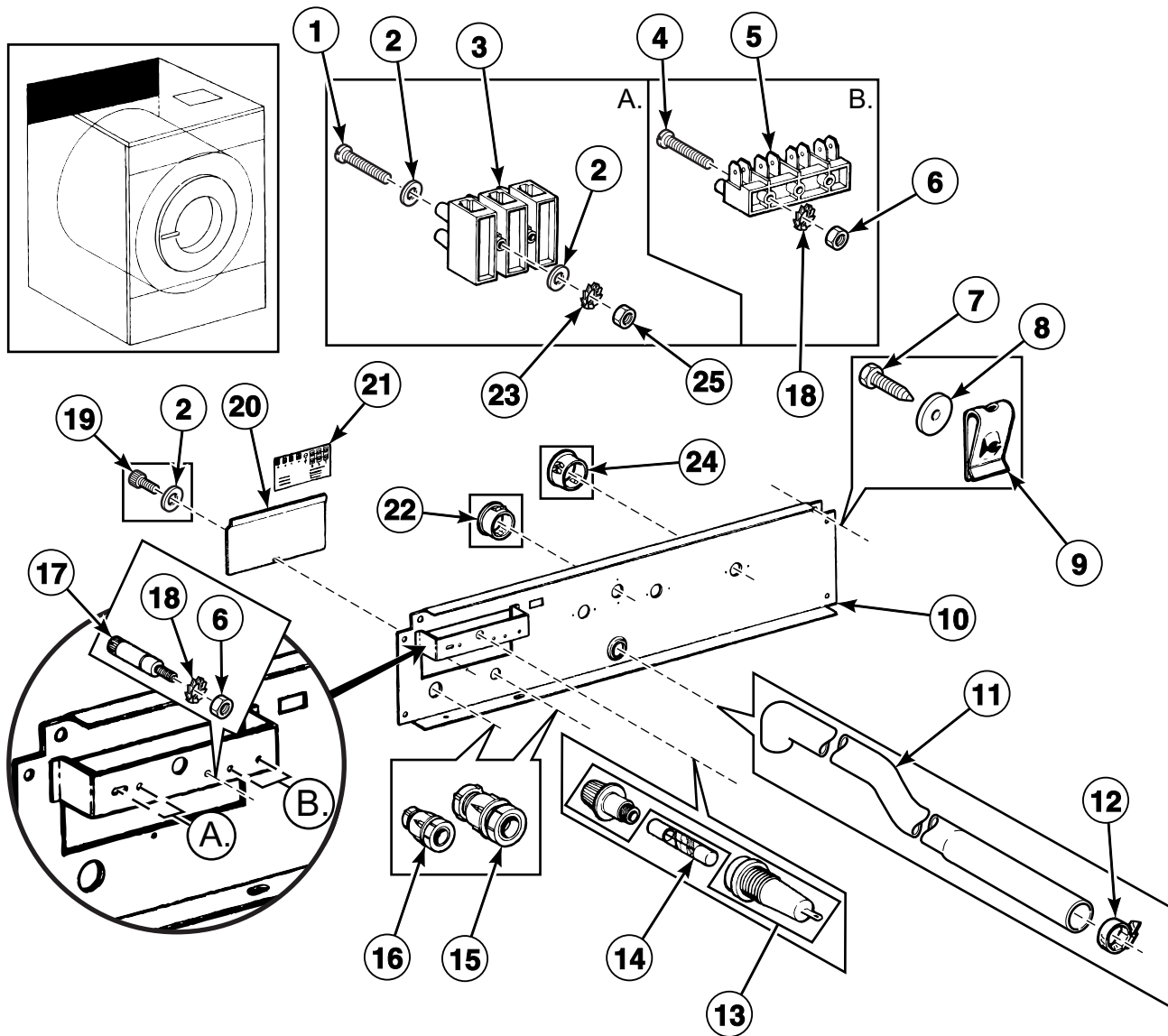


BE000031AP_D0073

MDP90 Drain Valve - Normally Closed

REF	PART NO.	DESCRIPTION	COMMENTS
1	209/00025/07	Drain Valve Motor Mounting Plate	
2	209/00025/08	Screw	
3	209/00170/02	Drain Valve Spring	
4	209/00025/15	Valve Axle	
5	209/00025/12	Washer	
6	209/00025/10	Drain Valve Shaft Seal	
7	209/00025/02	Drain Housing Gasket	
8	209/00025/06	Screw	
9	209/00256/05	Valve	
10	209/00025/03	Drain Valve Spring	
11	209/00025/16	Sealing Plate Assembly	
12	209/00025/09	Screw	
13	209/00256/01	Valve	
14	209/00170/05	Screw	
15	209/00203/12	Drain Valve Motor	24 Volt
	209/00052/12	Drain Valve Motor	110 Volt/60 Hertz
	209/00170/06	Drain Valve Motor Assembly	220 Volt/50 or 60 Hertz
16	209/00203/21	Coil	24 Volt
	209/00052/21	Coil	115 Volt/60 Hertz
	209/00051/21	Coil	220 Volt/50 or 60 Hertz

Upper Back Panel

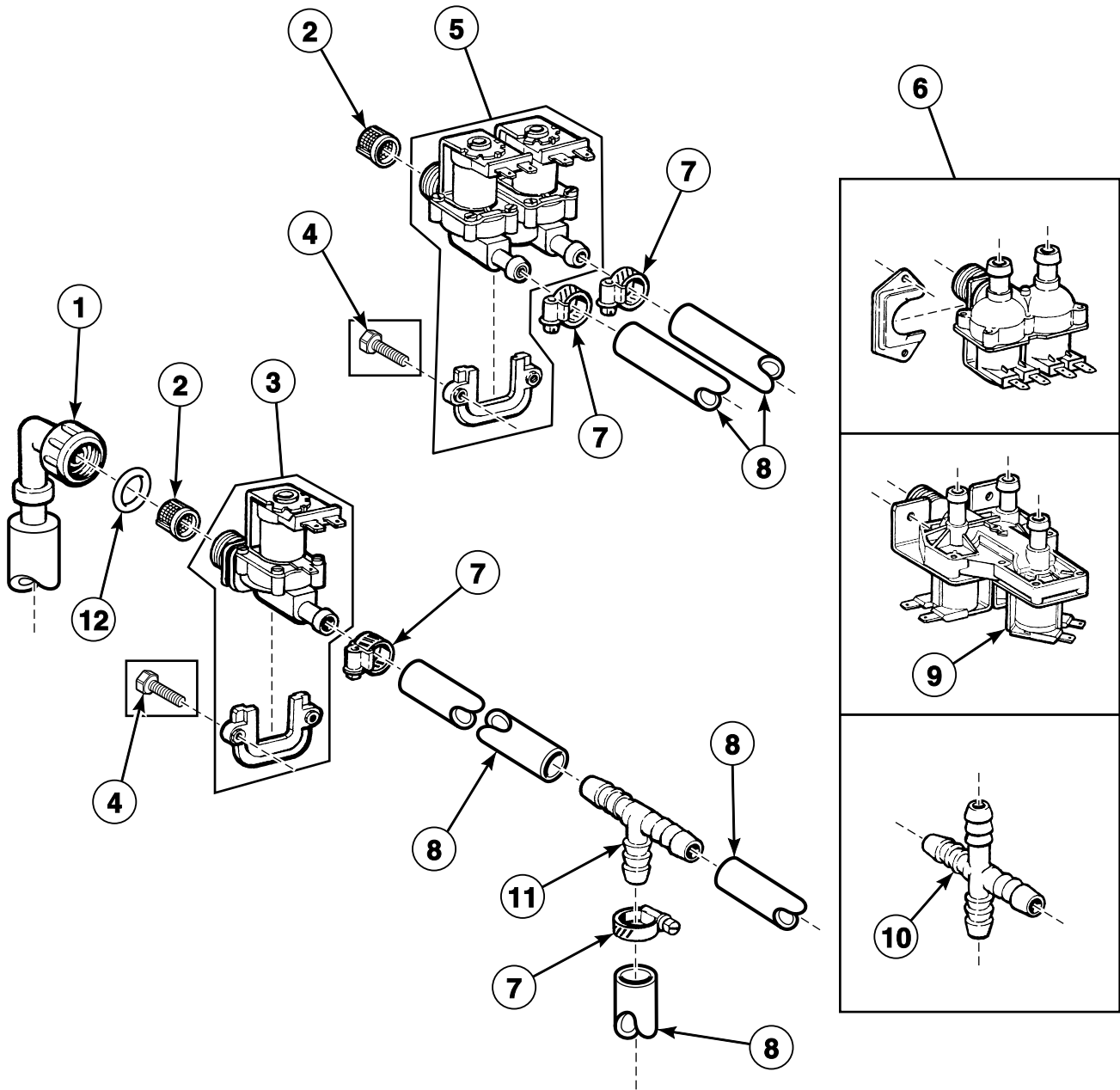


BE100071P_D0073

Upper Back Panel

REF	PART NO.	DESCRIPTION	COMMENTS
1	207/00006/00	Screw	
2	202/00004/00	Washer	
3	209/00057/00	Terminal	
4	207/00003/00	Screw	
5	209/00005/00	Terminal Block	
6	204/00007/00	Nut	
7	208/00001/00	Screw	
8	201/00007/00	Washer	
9	208/00002/00	Nut	
10	111/00086/00	Rear Panel	PB3 supply dispenser
	111/01164/10	Backbridge	PB2 and PB3 supply dispensers
	111/00040/00	Rear Panel	PB2 supply dispenser
	111/00040/AO	Rear Panel	PB2 supply dispenser with overflow
11	223/00018/00	Hose	
12	223/00011/00	Hose Clamp	
13	209/00202/00	Fuse Holder	
14	209/00195/00	Fuse	
15	211/00097/00	Cordlock	
16	211/00022/00	Nut	
17	209/00006/00	Terminal	
18	203/00006/00	Washer	
19	208/00007/00	Screw	
20	111/00200/00	Cover Plate	
21	229/00001/00	Sticker	
22	211/00084/00	Plug	20.5 mm diameter
	211/00085/00	Stopper	25.5 mm diameter
23	203/00007/00	Washer	
24	211/00086/00	Stopper	28 mm diameter
	211/00087/00	Plug	30 mm diameter
25	204/00008/00	Nut	

Water Inlet Valves

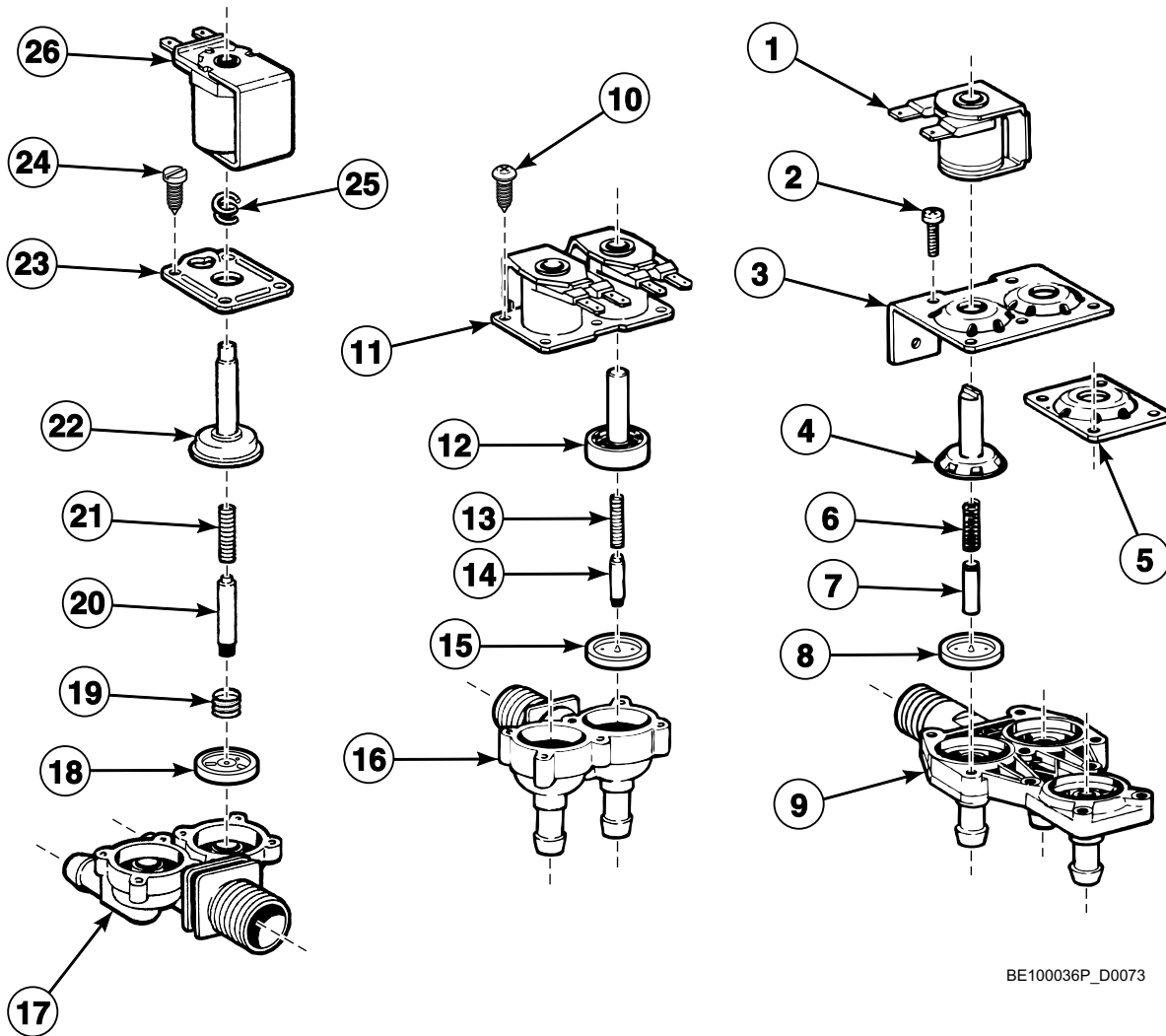


BE100035P_D0073

Water Inlet Valves

REF	PART NO.	DESCRIPTION	COMMENTS
1	F200165	Water Hose	
2	223/00060/00	Filter	Mueller
	209/00001/10	Filter	Elbi
	223/00051/08	Filter	Techno
3	209/00276/00	Inlet Valve	
4	207/00004/00	Screw	
5	209/00110/00	2-Way Inlet Valve	
6	209/00110/00	2-Way Inlet Valve	BSP
	209/00370/00	2-Way Inlet Valve	USA
7	223/00010/00	Hose Clamp	
8	223/00044/00	Water Hose	
9	209/00277/00	3-Way Inlet Valve	
10	223/00073/00	Connector	
11	223/00041/00	Water Inlet Tee	
12	223/00049/01	Joint	

Water Inlet Valves - Invesys

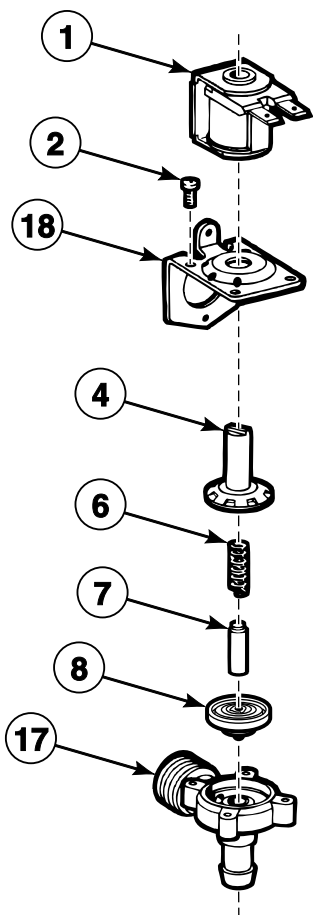


BE100036P_D0073

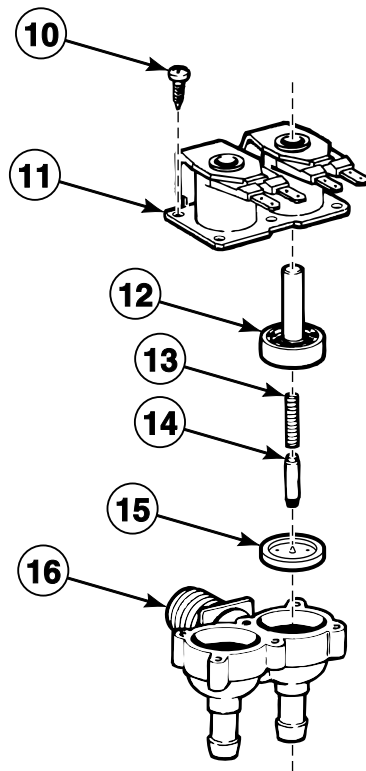
Water Inlet Valves - Invesys

REF	PART NO.	DESCRIPTION	COMMENTS
1	209/00001/01	Coil	
2	209/00001/02	Screw	
3	209/00001/03	2-Way Plate	
4	209/00001/04	Core Holder	
5	209/00001/11	1-Way Plate	
6	209/00001/05	Spring	
7	209/00001/06	Core	
8	209/00001/07	Diaphragm	
9	209/00001/08	3-Way Inlet Valve	Elbi
	209/00112/12	3-Way Valve	Mueller
10	223/00051/01	Screw	
11	223/00051/02	2-Way Inlet Valve	
12	223/00051/03	Core Holder	
13	223/00051/04	Spring	
14	223/00051/05	Core	
15	223/00051/06	Diaphragm	
16	209/00114/08	2-Way Valve	Elbi
17	209/00090/12	2-Way Valve	
18	209/00090/08	Diaphragm	
19	209/00090/15	Spring	
20	209/00090/07	Core	
21	209/00090/06	Spring	
22	209/00090/05	Core Holder	
23	209/00045/07	Assembly Plate	
24	209/00090/03	Screw	
25	209/00090/02	Spring	
26	209/00178/01	Inlet Valve Solenoid	115 Volt
	209/00090/01	Inlet Valve Solenoid	220 Volt

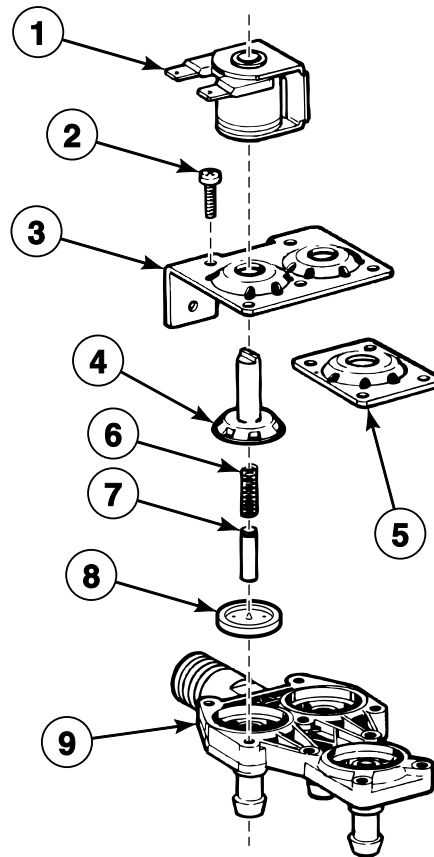
Water Inlet Valves - Elbi and Techno



ELBI



TECHNO



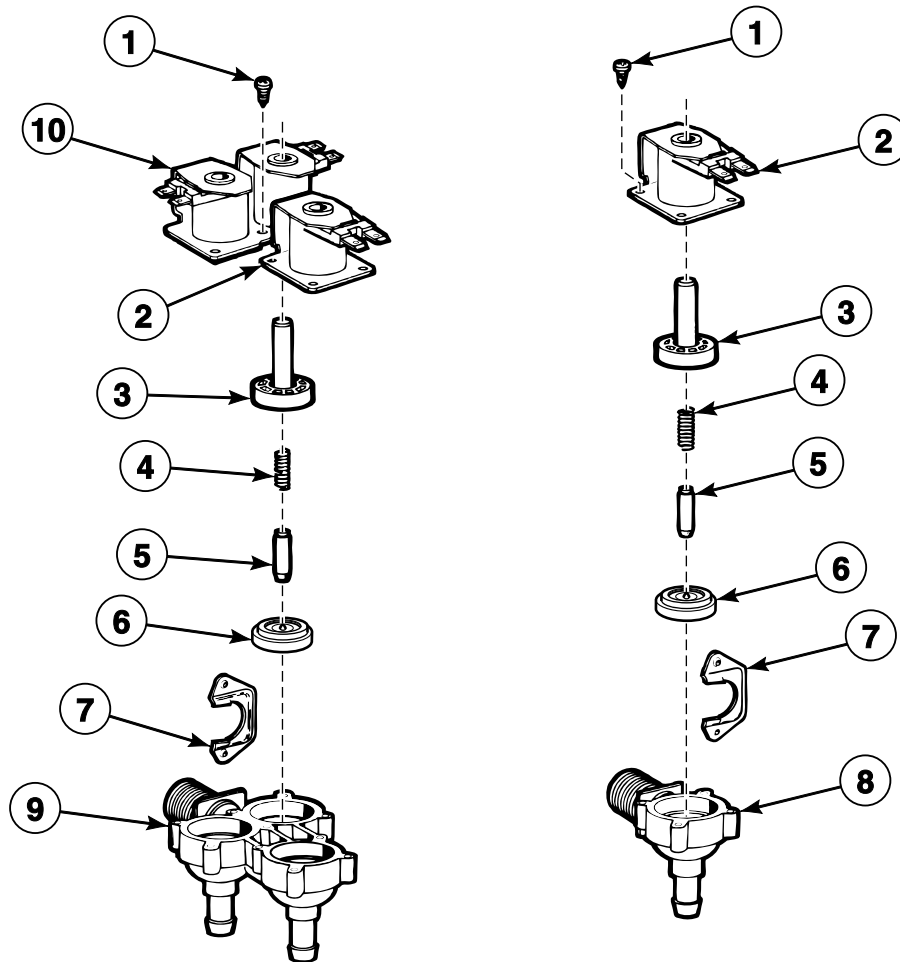
ELBI

BE100008P_D0073

Water Inlet Valves - Elbi and Techno

REF	PART NO.	DESCRIPTION	COMMENTS
1	209/00001/01	Coil	
2	209/00001/02	Screw	
3	209/00001/03	2-Way Plate	
4	209/00001/04	Core Holder	
5	209/00001/11	1-Way Plate	
6	209/00001/05	Spring	
7	209/00001/06	Core	
8	209/00001/07	Diaphragm	
9	209/00001/08	3-Way Inlet Valve	
10	223/00051/01	Screw	
11	223/00051/02	2-Way Inlet Valve	
12	223/00051/03	Core Holder	
13	223/00051/04	Spring	
14	223/00051/05	Core	
15	223/00051/06	Diaphragm	
16	223/00051/07	2-Way Inlet Valve	
17	209/00048/08	1-Way Inlet Valve	
18	209/00048/03	1-Outlet Plate	

Water Inlet Valves - Techno

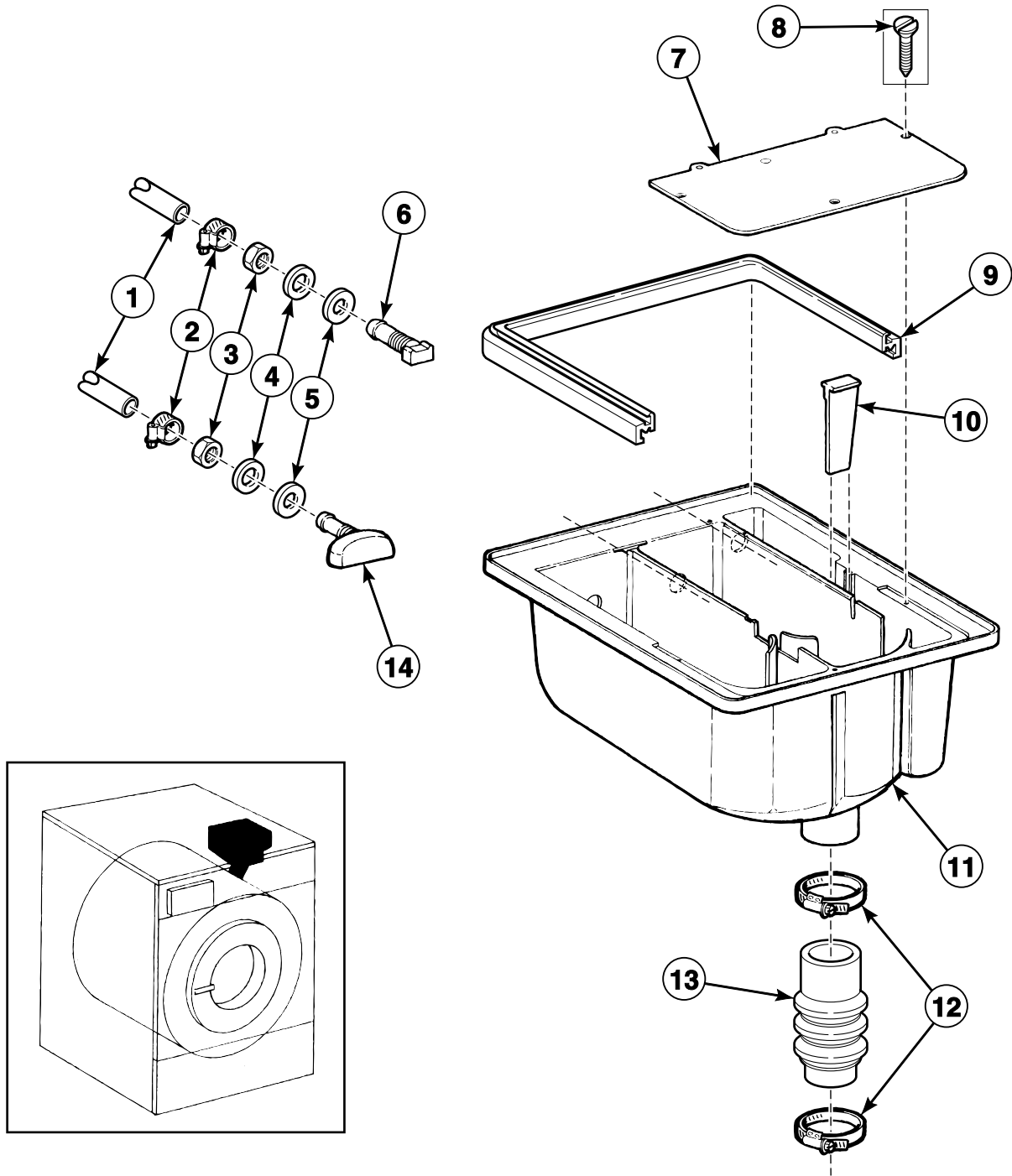


BE100009P_D0073

Water Inlet Valves - Techno

REF	PART NO.	DESCRIPTION	COMMENTS
1	223/00051/01	Screw	
2	223/00051/11	Coil	
3	223/00051/03	Core Holder	
4	223/00051/04	Spring	
5	223/00051/05	Core	
6	223/00051/06	Diaphragm	
7	223/00051/09	Plate	
8	223/00051/12	1-Way Inlet Valve	
9	223/00051/13	3-Way Inlet Valve	
10	223/00051/02	2-Way Inlet Valve	

PB2 Supply Dispenser - Models Through 12/31/1991

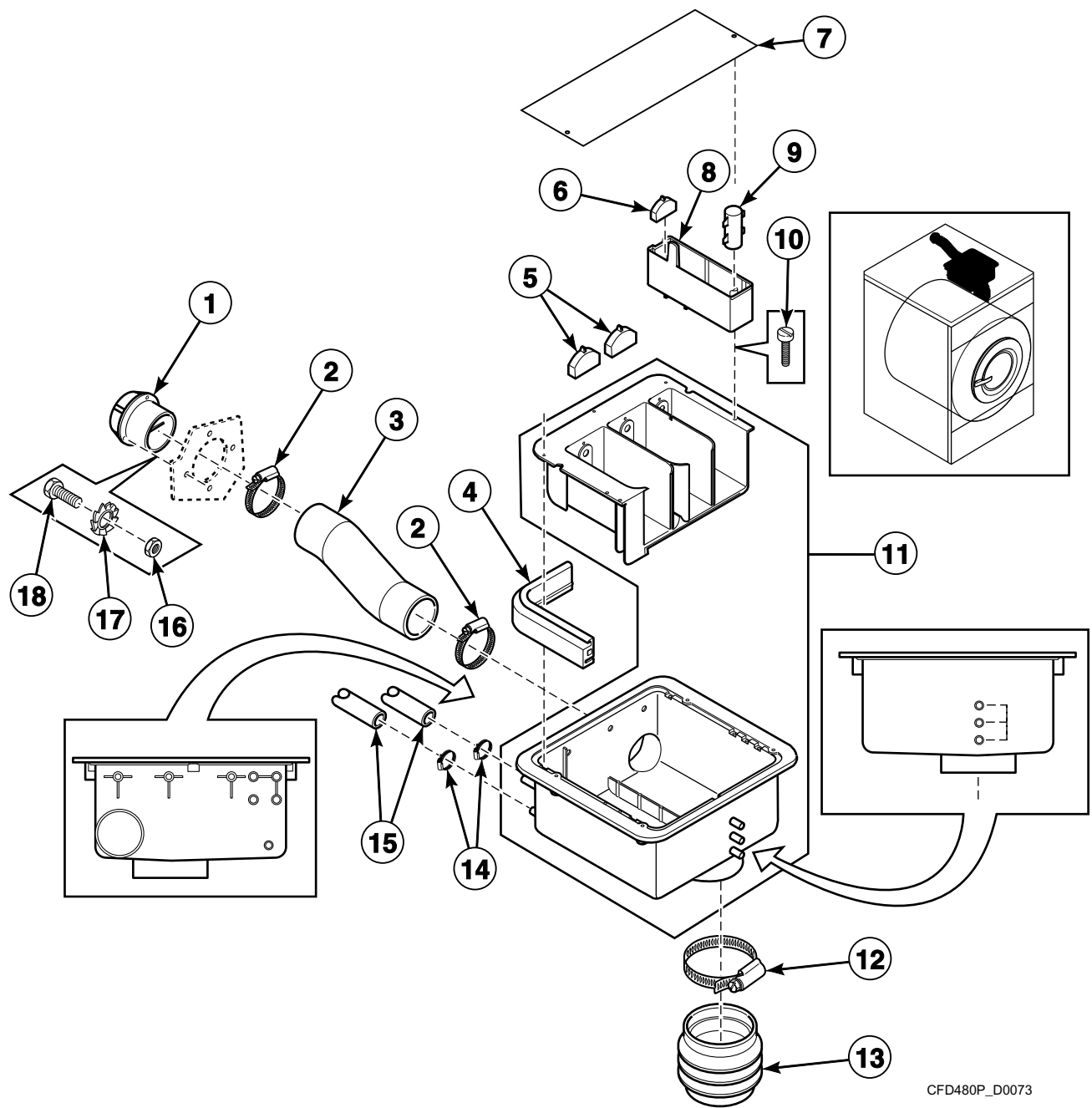


BE100072P_D0073

PB2 Supply Dispenser - Models Through 12/31/1991

REF	PART NO.	DESCRIPTION	COMMENTS
1	223/00044/00	Water Hose	
2	223/00010/00	Hose Clamp	
3	204/00201/00	Nut	
4	201/00002/00	Washer	
5	223/00001/07	Washer	
6	223/00001/05	Injector	
7	223/00001/06	Mounting Plate	
8	208/00130/00	Screw	
9	223/00003/00	Lid Seal	
10	223/00001/03	Separator Plate	
11	223/00001/01	Soap Dispenser	
12	223/00013/00	Hose Clamp	
13	223/00007/00	Hose	
14	223/00001/04	Prewash and Mainwash Nozzle	

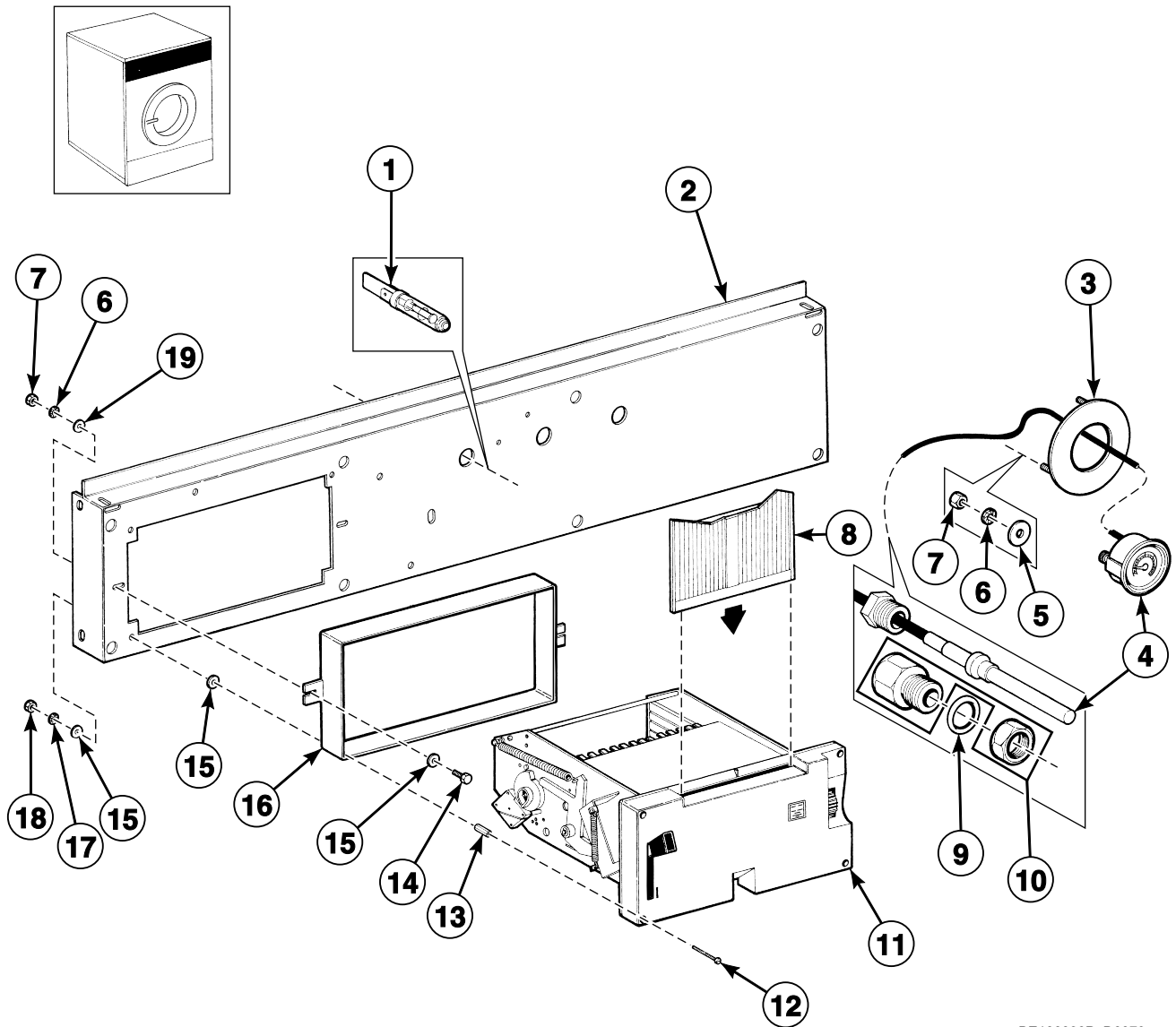
PB3 Supply Dispenser - Models Starting 1/1/1992



PB3 Supply Dispenser - Models Starting 1/1/1992

REF	PART NO.	DESCRIPTION	COMMENTS
1	223/00102/07	Hose Vent	
2	223/00013/00	Hose Clamp	
3	223/00107/02	Vent Hose	*30, *110 and *132 models
	223/00107/00	Soap Dispenser Air Breather Hose	*35 and *165 models
4	223/00109/00	Soap Dispenser Gasket	
5	223/00102/06	Soap Spray Nozzle	
6	223/00102/05	Softener Spray Nozzle	
7	123/00107/00	Anti-Splash Plate	Sigma models
	123/00103/06	Soap Box Assembly Plate	All other models
8	223/00102/03	Rinse Insert	
9	223/00102/04	Soap Dispenser Rinse Siphon	
10	208/00130/00	Screw	
11	223/00102/30	Soap Dispenser Assembly	
12	223/00023/00	Hose Clamp	
13	223/00115/00	Hose	
14	223/00010/00	Hose Clamp	
15	223/00044/00	Water Hose	
16	204/00105/00	Nut	
17	203/00008/00	Washer	
18	207/00106/00	Screw	

Control Panel - Ram Stetter

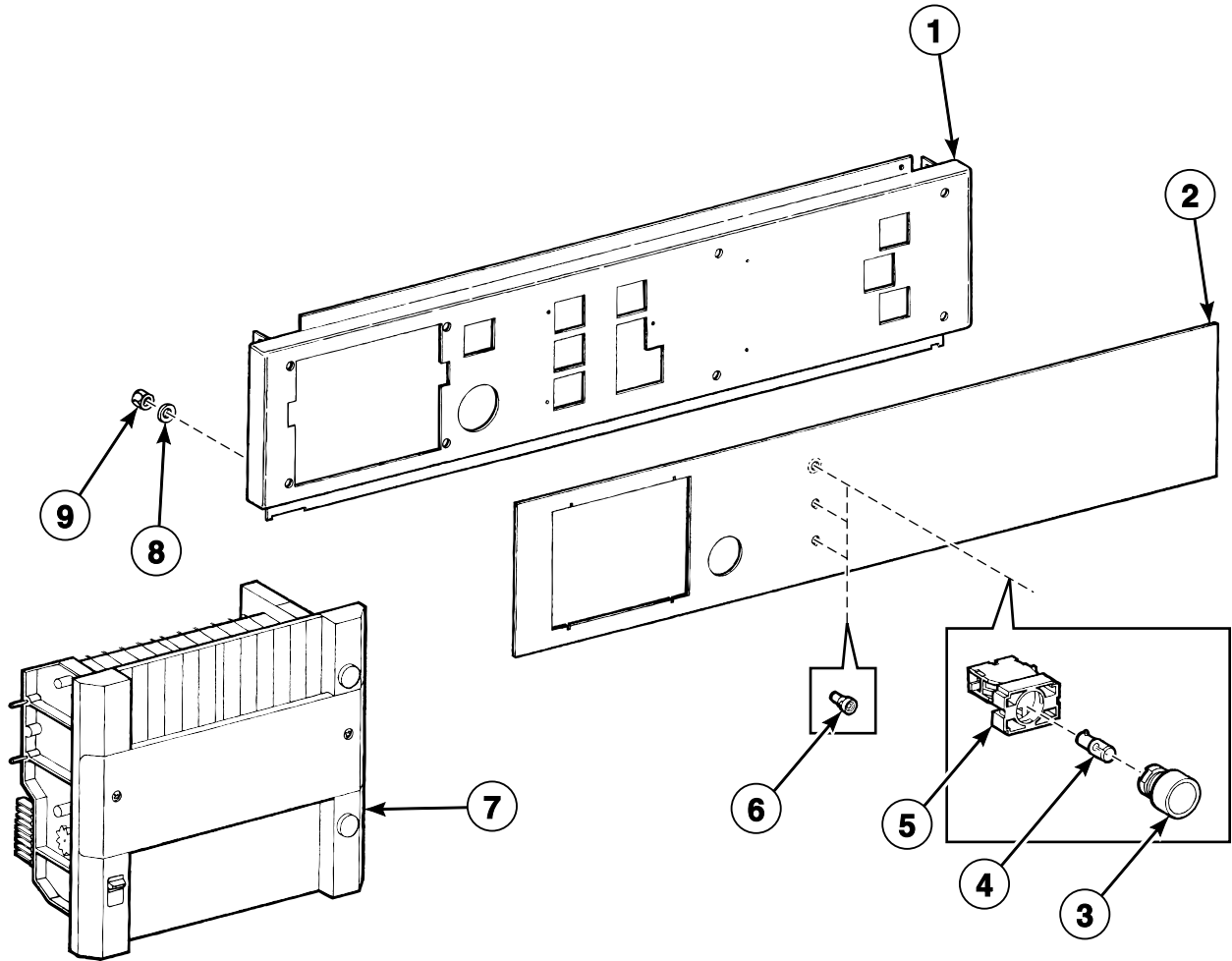


BE100039P_D0073

Control Panel - Ram Stetter

REF	PART NO.	DESCRIPTION	COMMENTS
1	209/00151/00	Lamp	
2	111/00044/00	Front Panel	
3	111/10140/00	Assembly Plate	
4	211/00115/00	Thermostat	
5	201/00008/00	Washer	
6	203/00006/00	Washer	
7	204/00007/00	Nut	
8	209/00082/00	Program Card	
9	223/00065/01	Washer	
10	223/00065/00	Thermostat Seal	
11	209/00081/00	Timer	
12	207/00011/00	Screw	
13	224/00036/00	Fastener	
14	206/00027/00	Bolt	
15	202/00004/00	Washer	
16	111/00079/00	Assembly Plate	
17	203/00007/00	Washer	
18	204/00008/00	Nut	
19	202/00003/00	Washer	

Control Panel - Fiber

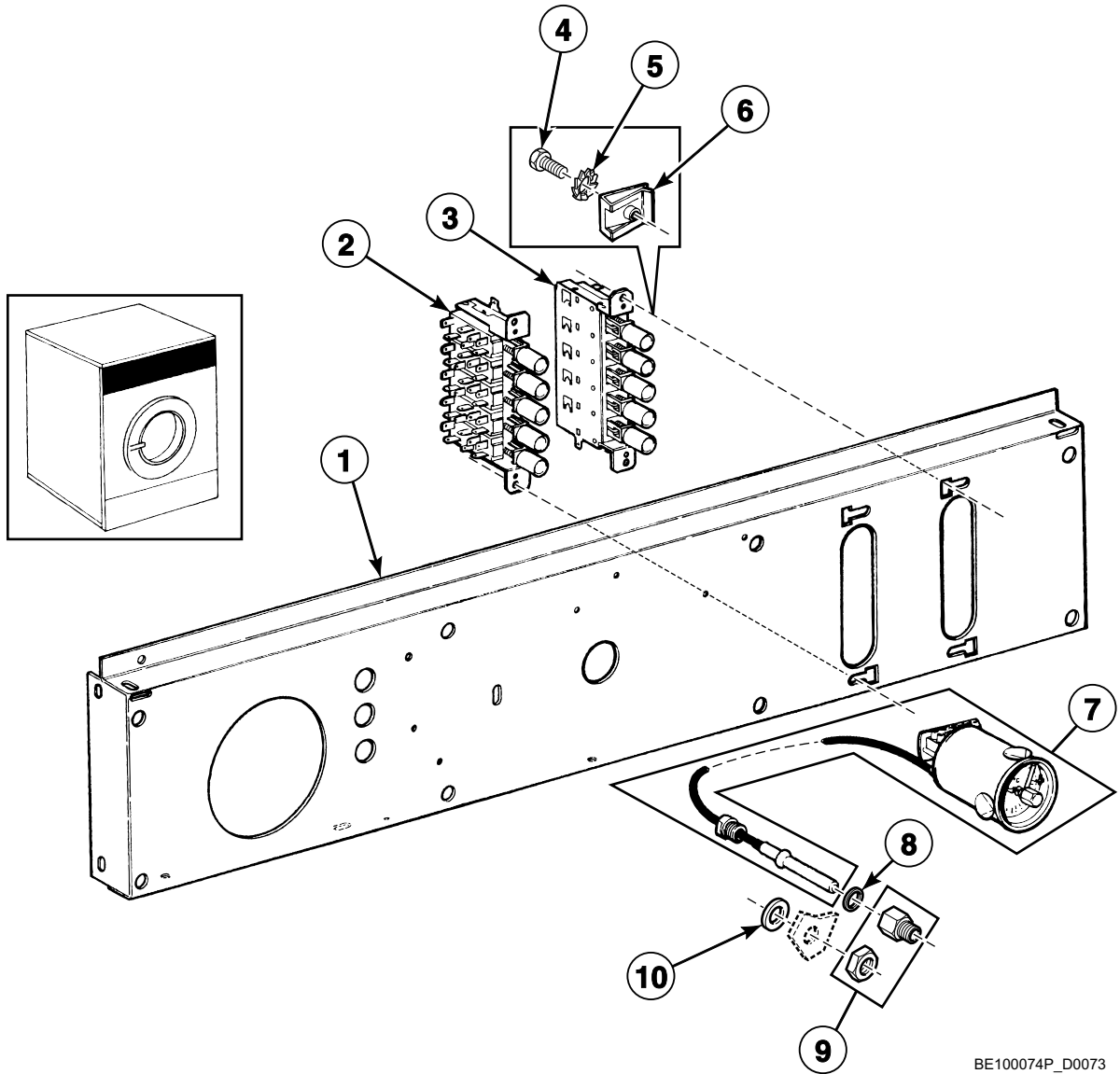


BE100041P_D0073

Control Panel - Fiber

REF	PART NO.	DESCRIPTION	COMMENTS
1	111/10176/00	Front Panel	
2	225/00277/AOL	Front Panel	
3	209/00254/21	Pushbutton	
4	209/00249/00	Pilot Light	
5	209/00254/00	Pushbutton	
6	209/00152/00	Lens Cover	
7	209/00257/00	Card Reader	
8	201/00008/00	Washer	
9	204/00007/00	Nut	

Control Panel - 10 Button

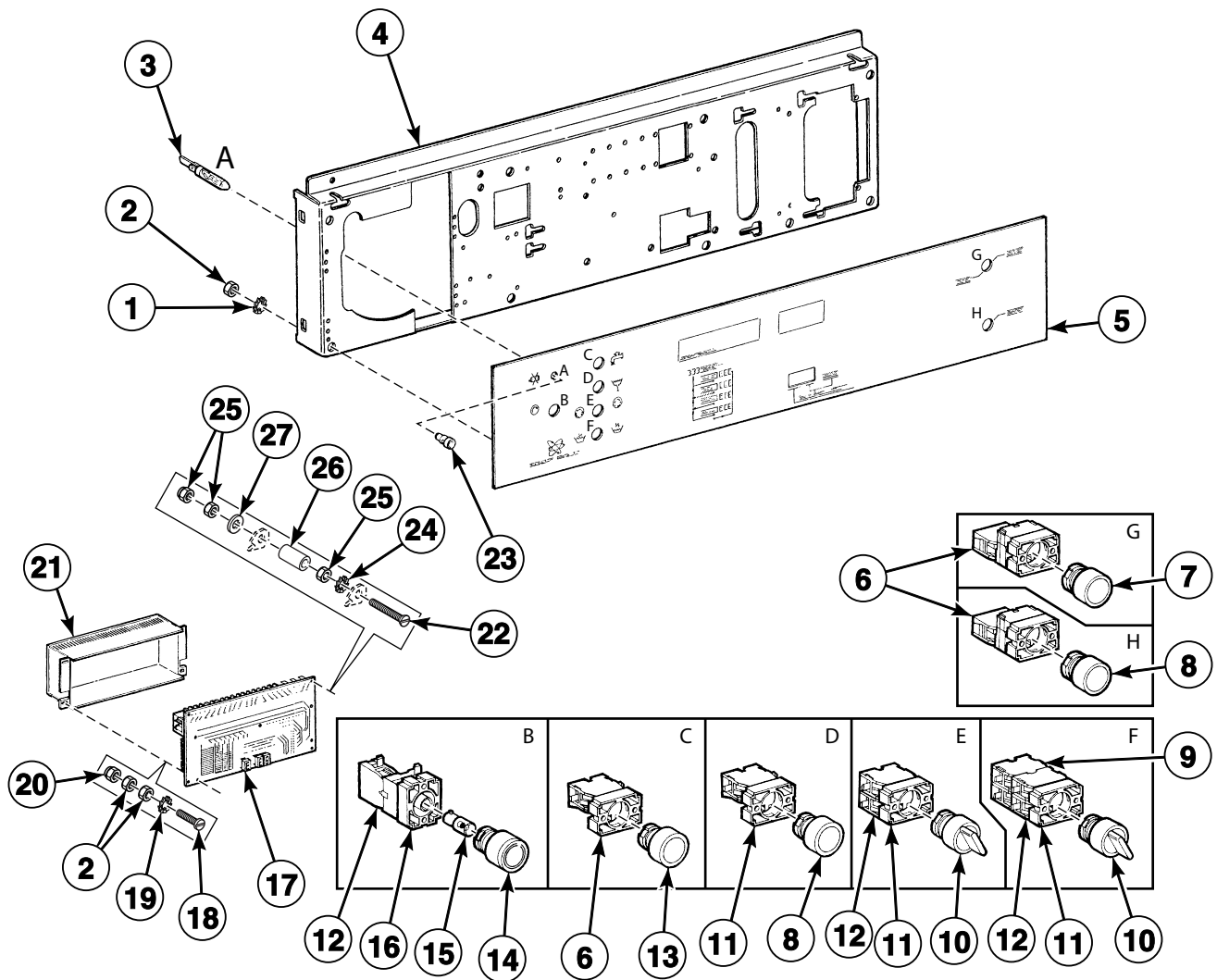


BE100074P_D0073

Control Panel - 10 Button

REF	PART NO.	DESCRIPTION	COMMENTS
1	111/00091/00	Front Bridge	
	111/00043/00	Front Panel	Coin models
	111/00084/00	Front Panel	OPL models
2	209/00175/00	Selector Switch	
3	209/00176/00	Selector Switch	
4	206/00016/00	Bolt	
5	203/00005/00	Washer	
6	204/00013/00	Nut	
7	209/00143/00	Thermostat	3 temperature
	209/00144/00	Thermostat	2 temperature
8	223/00065/02	Thermostat Joint	
9	223/00065/00	Thermostat Seal	
10	223/00065/01	Washer	

Control Panel - PLC9 OPL

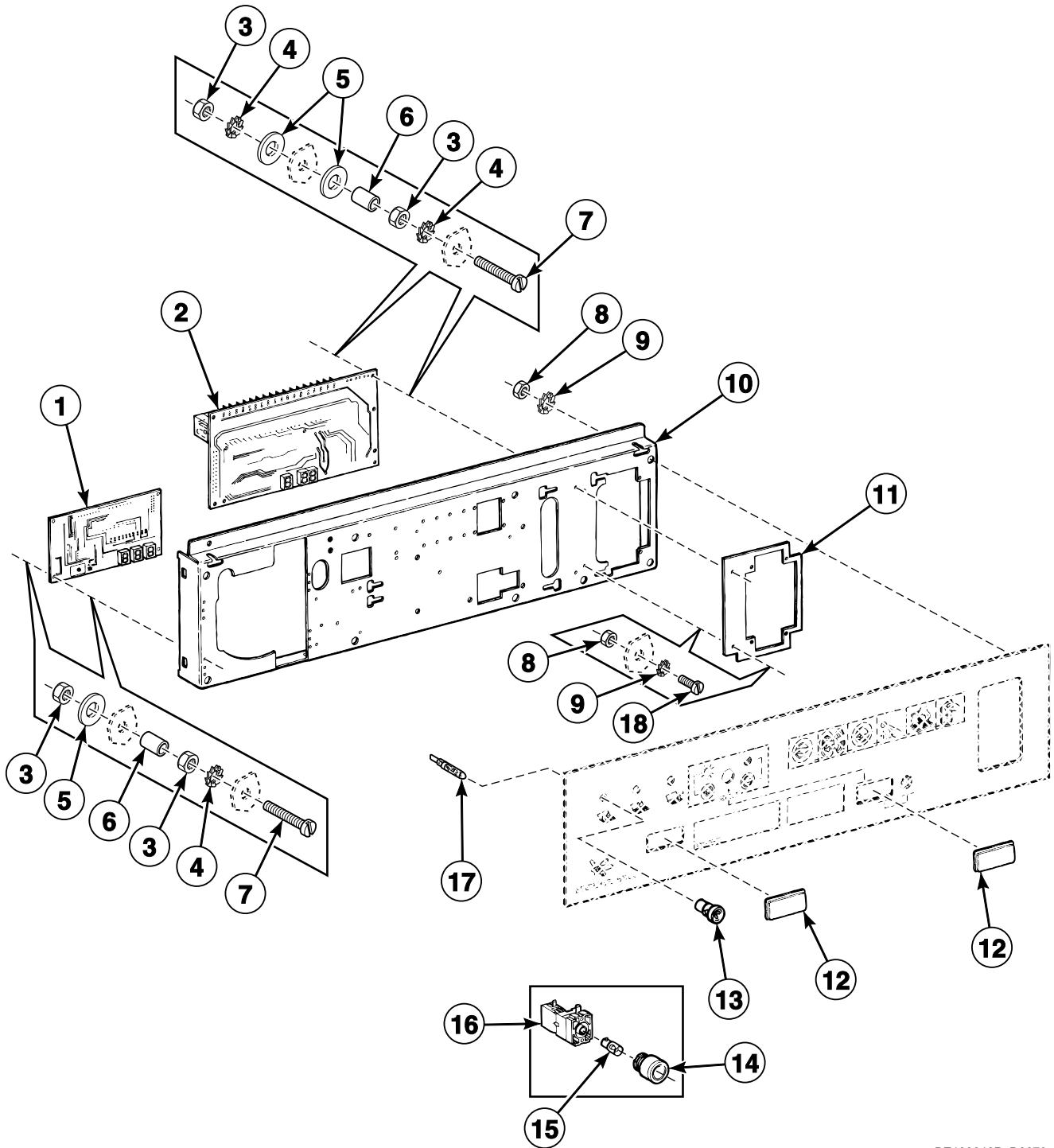


BE100045P_D0073

Control Panel - PLC9 OPL

REF	PART NO.	DESCRIPTION	COMMENTS
1	201/00008/00	Washer	
2	204/00007/00	Nut	
3	209/00151/00	Lamp	
4	111/10174/00	Front Panel	
5	225/00266/AOL	Front Panel	
6	209/00099/05	Contact	
7	209/00099/04	Button	
8	209/00252/00	Button	
9	209/00099/06	Contact Switch	
10	209/00099/08	Button	
11	209/00253/00	Emergency Stop Button Kit	
12	209/00099/07	Contact Switch	
13	209/00251/00	Button	
14	209/00280/01	Button	
15	209/00249/00	Pilot Light	
16	209/00254/00	Pushbutton	
17	209/00266/00	Timer	
18	207/00008/00	Screw	
19	203/00006/00	Washer	
20	204/00114/00	Nut	
21	111/32106/00	Plate	
22	207/00025/00	Screw	
23	209/00152/00	Lens Cover	
24	203/00007/00	Washer	
25	204/00008/00	Nut	
26	211/00106/00	Spacer	
27	223/00123/00	Washer	

Control Panel - PLC9 Coin

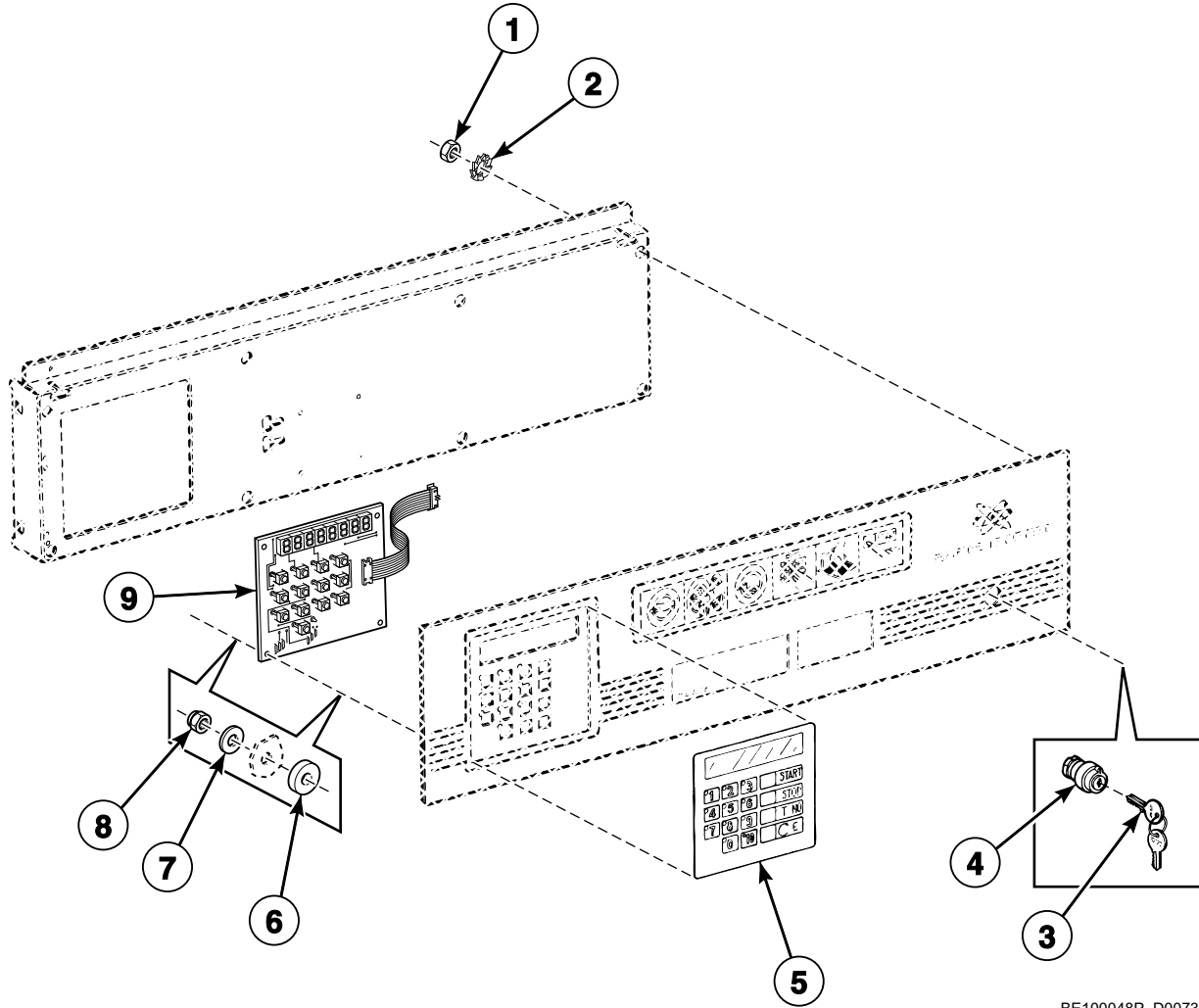


BE100046P_D0073

Control Panel - PLC9 Coin

REF	PART NO.	DESCRIPTION	COMMENTS
1	209/00217/00	Coin Display	
2	209/00266/00	Timer	
3	204/00008/00	Nut	
4	203/00007/00	Washer	
5	223/00123/00	Washer	
6	211/00106/00	Spacer	
7	207/00025/00	Screw	
8	204/00007/00	Nut	
9	203/00006/00	Washer	
10	111/10174/00	Front Panel	
11	111/00062/00	Assembly Plate	
12	223/10066/00	Display	
13	209/00154/00	Lens Cover	Orange
	209/00152/00	Lens Cover	Red
14	209/00280/01	Button	
15	209/00249/00	Pilot Light	
16	209/00099/07	Contact Switch	
	209/00254/00	Pushbutton	
17	209/00151/00	Lamp	
18	207/00008/00	Screw	

Control Panel - PC20 and PC30

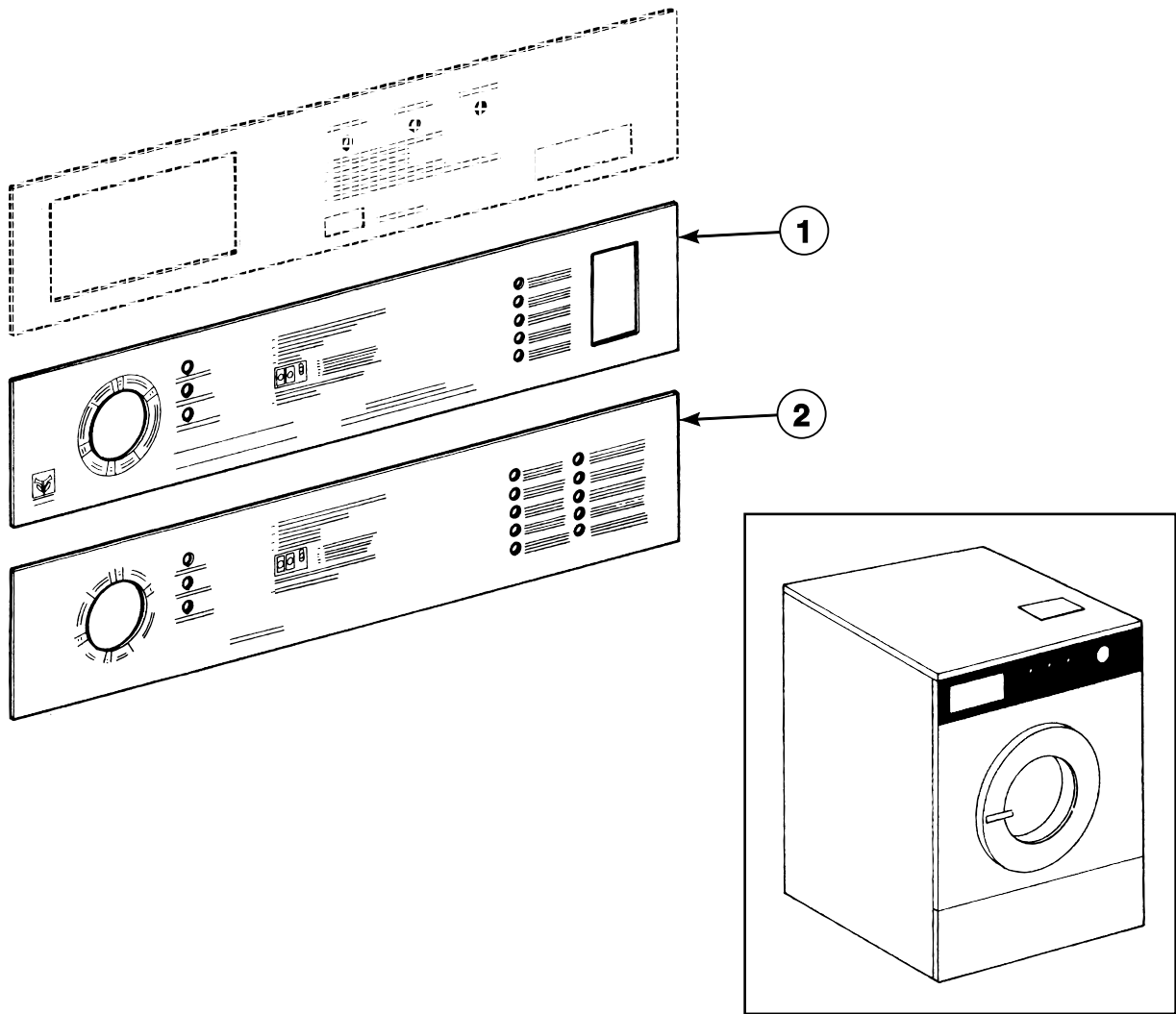


BE100048P_D0073

Control Panel - PC20 and PC30

REF	PART NO.	DESCRIPTION	COMMENTS
1	204/00007/00	Nut	
2	203/00006/00	Washer	
3	209/00326/00	Programming Switch	
4	209/00099/05	Contact	
5	229/00244/00	Keypad	
6	201/00008/00	Washer	
7	202/00004/00	Washer	
8	204/00116/00	Nut	
9	209/00290/02	Keyboard	

Control Panel Decals - 10 Button

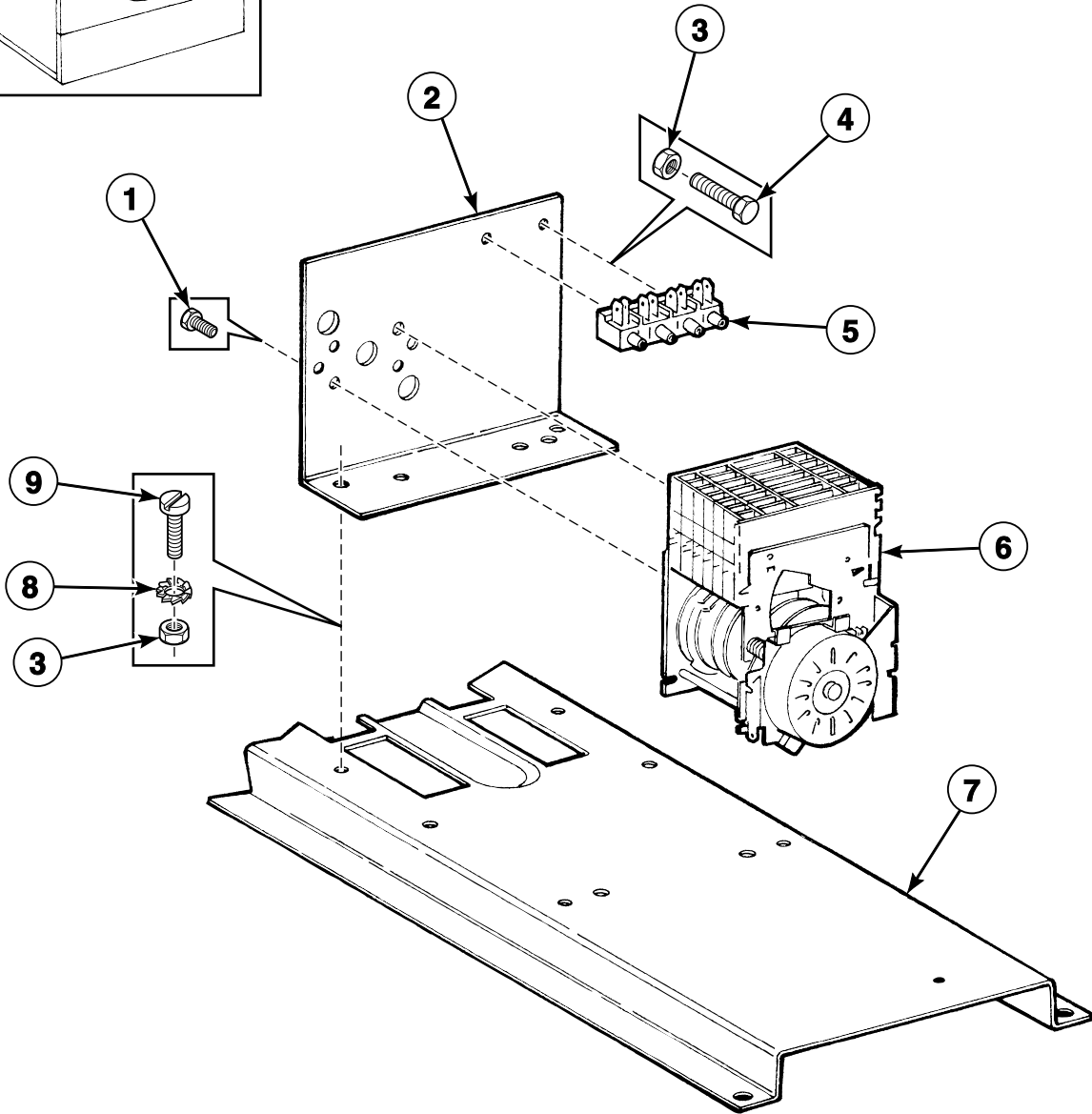
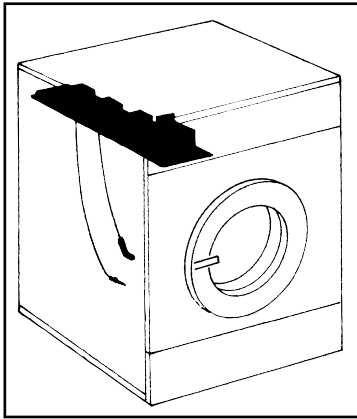


BE100083P_D0073

Control Panel Decals - 10 Button

REF	PART NO.	DESCRIPTION	COMMENTS
1	225/00287/ABL	Front Panel	Coin models
2	225/00153/ABL	Front Panel	OPL models

Electrical Component Mounting Plate - Boiler Fed or Steam Heat Models

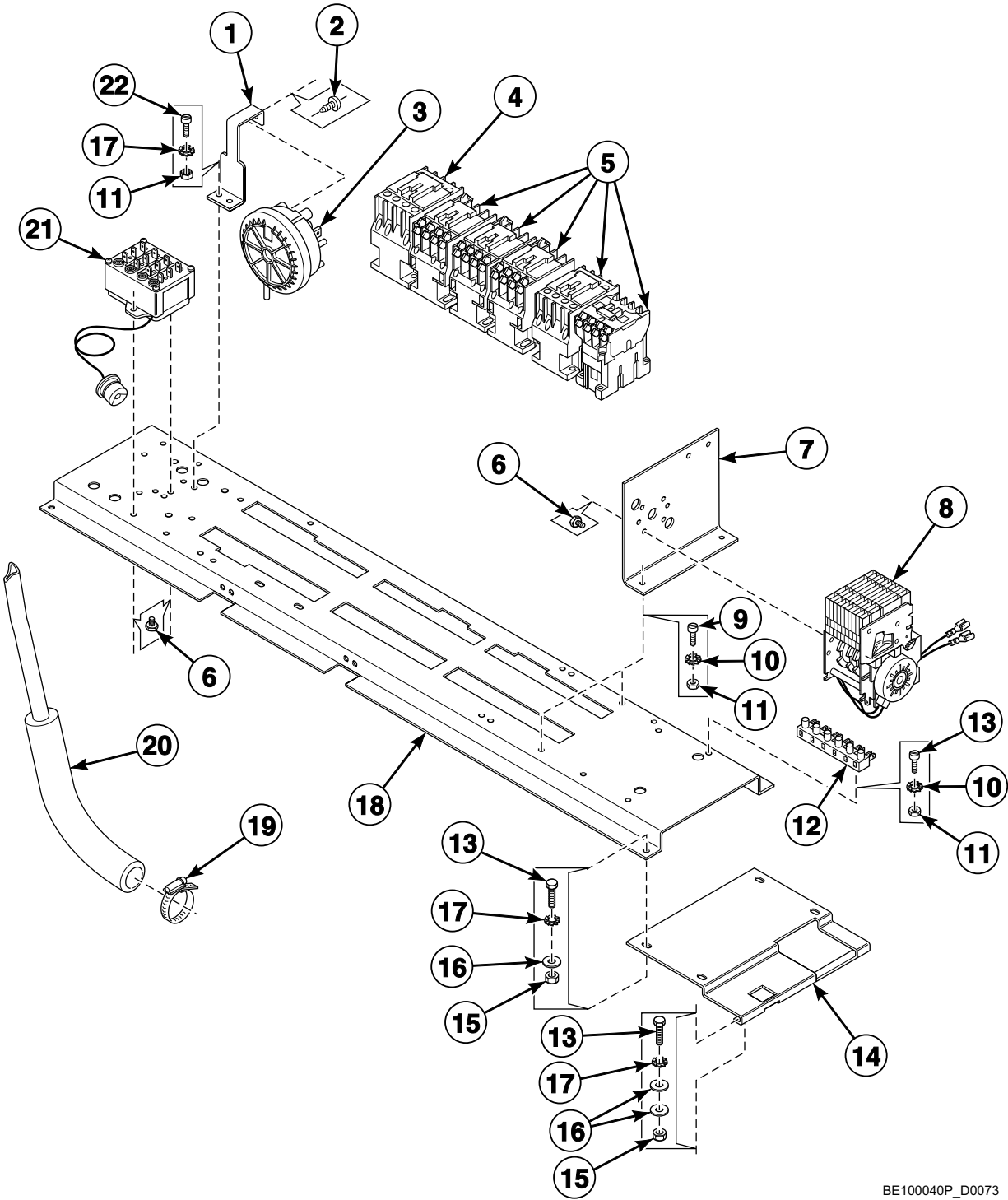


BE100038P_D0073

Electrical Component Mounting Plate - Boiler Fed or Steam Heat Models

REF	PART NO.	DESCRIPTION	COMMENTS
1	206/00021/00	Screw	
2	111/00035/00	Mounting Plate	
3	204/00007/00	Nut	
4	207/00008/00	Screw	
5	209/00005/00	Terminal Block	
6	209/00040/00	Timer	110 Volt/60 Hertz
	209/00012/00	Reversing Timer	220 Volt/50 Hertz
	209/00013/00	Reversing Timer	220 Volt/60 Hertz
7	111/00124/00	Mounting Plate	*30, *110 and *132 models
	111/00039/AO	Mounting Plate	*35 and *165 models
8	203/00008/00	Washer	
9	207/00004/00	Screw	

Electrical Component Mounting Plate - Ram Stetter Control

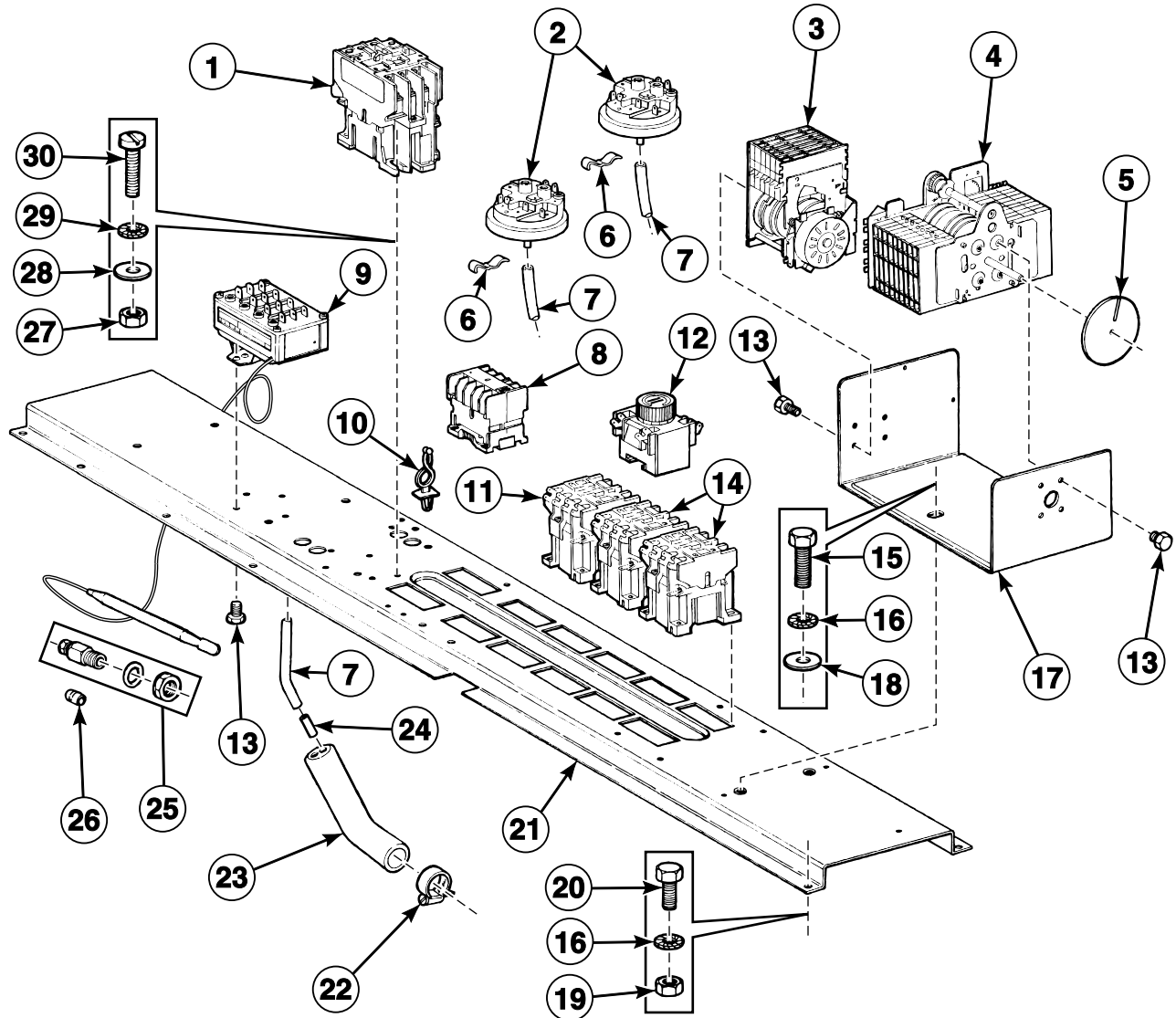


BE100040P_D0073

Electrical Component Mounting Plate - Ram Stetter Control

REF	PART NO.	DESCRIPTION	COMMENTS
1	111/00424/00	Pressure Switch Bracket	
2	208/00007/00	Screw	
3	209/00007/30	Pressure Switch	
4	209/06150/02	Contactora	LC1D5011M5
	209/00177/02	Contactora	LC1D2510M5
	209/00148/02	Contactora	LC1D1810M5
	209/00041/04	Contactora	LC1D0901M5
	209/00149/02	Contactora	LC1D3210M5
	209/00056/02	Contactora	LC1D4011M5
5	209/00041/03	Contactora	
6	206/00021/00	Screw	
7	111/00035/00	Mounting Plate	
8	209/00012/00	Reversing Timer	220 Volt/50 Hertz
	209/00013/00	Reversing Timer	220 Volt/60 Hertz
9	207/00004/00	Screw	
10	203/00006/00	Washer	
11	204/00007/00	Nut	
12	210/10007/00	Connection	
13	206/00015/00	Bolt	
14	111/00145/00	Assembly Plate	
15	204/00005/00	Nut	
16	202/00003/00	Washer	
17	203/00004/00	Washer	
18	111/00037/AO	Assembly Plate	*30, *110 and *132 models
	111/00038/AO	Assembly Plate	*35 and *165 models
19	223/00011/00	Hose Clamp	
20	223/00120/00	Pressure Hose Kit	
21	209/00243/00	Thermostat	
22	207/00008/00	Screw	

Electrical Component Mounting Plate - Fiber Control

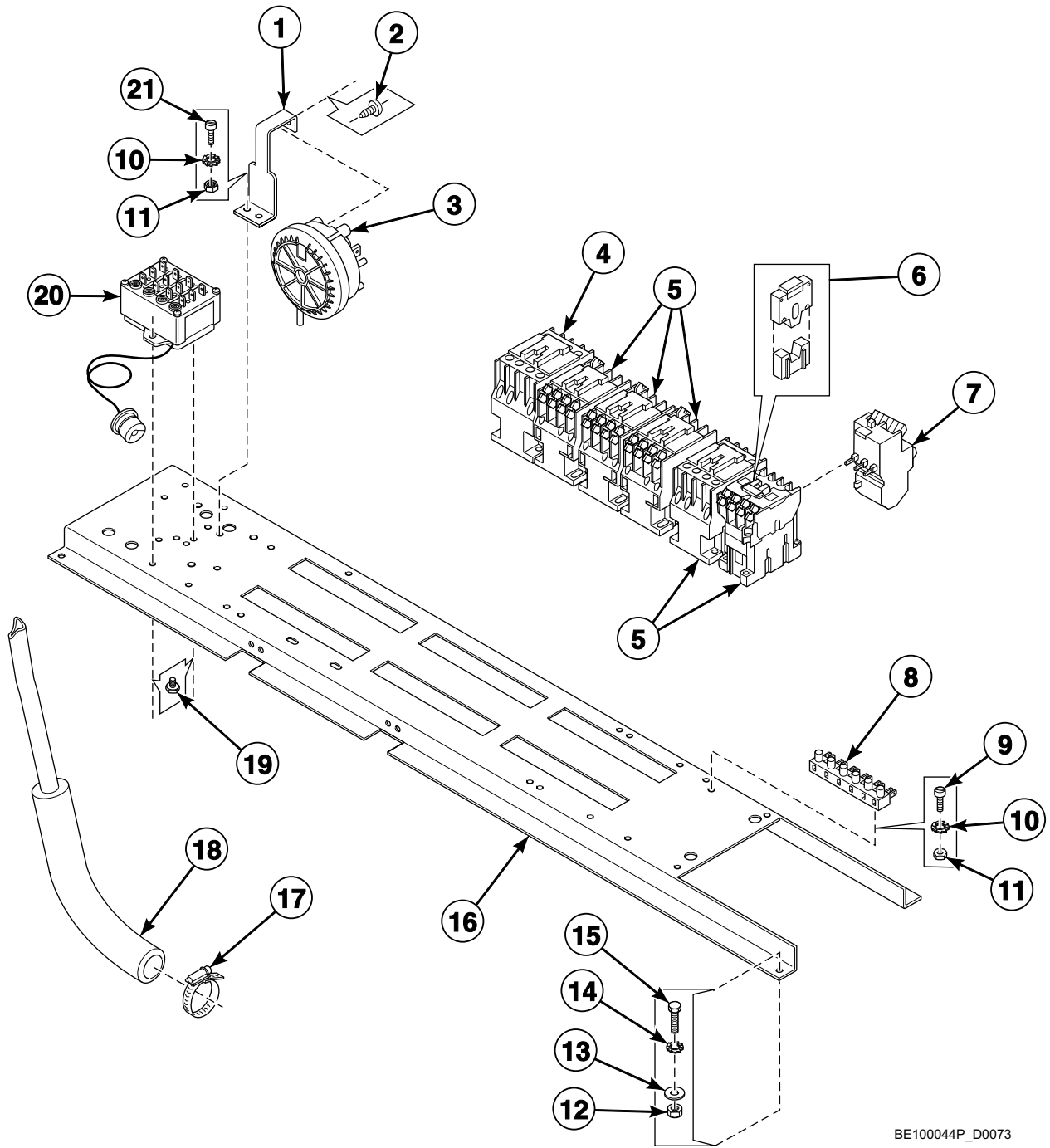


BE100073P_D0073

Electrical Component Mounting Plate - Fiber Control

REF	PART NO.	DESCRIPTION	COMMENTS
1	209/00041/04	Contactactor	LC1D0901M5
	209/00148/02	Contactactor	LC1D1810M5
	209/00149/02	Contactactor	LC1D3210M5
	209/06150/02	Contactactor	LC1D5011M5
	209/00177/02	Contactactor	LC1D2510M5
	209/00056/02	Contactactor	LC1D4011M5
2	209/00007/10	Water Level Switch	
3	209/00012/00	Reversing Timer	IO858; 220 Volt/60 Hertz
	209/00013/00	Reversing Timer	IO861; 220 Volt/60 Hertz
	209/00040/00	Timer	IO970; 110 Volt/60 Hertz
4	209/00109/00	Timer	IO829; 220 Volt/60 Hertz; Green
	209/00108/00	Timer	IO609; 220 Volt/50 Hertz; Green
	209/00107/00	Timer	IO1134; 220 Volt/60 Hertz
	209/00165/00	Timer	IO1650; 110 Volt/60 Hertz
5	225/00001/00	Program Indicator	
6	209/00007/01	Clip	
7	223/00017/00	Pressure Hose	
8	209/00124/00	Contactactor	
9	209/00054/00	Thermostat	
	209/00243/00	Thermostat	
10	211/00083/00	Wire Holder	
11	209/00041/04	Contactactor	LC1D0901M5
	209/00042/02	Contactactor	LC1D09019F7
12	209/00101/02	Switch	LADT49
	209/00103/02	Switch	LA3-DR49
13	206/00021/00	Screw	
14	209/00041/03	Contactactor	LC1D09019M7
	209/00042/02	Contactactor	LC1D09019F7
15	206/00014/00	Bolt	
16	203/00004/00	Washer	
17	111/00016/00	Mounting Plate	
18	201/00007/00	Washer	
19	204/00005/00	Nut	
20	206/00015/00	Bolt	
21	111/00037/AO	Assembly Plate	*30, *110 and *132 models
	111/00038/AO	Assembly Plate	*35 and *165 models
22	223/00011/00	Hose Clamp	
23	223/00015/00	Level Switch Elbow	
24	223/00016/00	Hose Barb	
25	223/00038/00	Seal Assembly	
26	223/00048/00	Ring	
27	204/00007/00	Nut	
28	202/00004/00	Washer	
29	203/00006/00	Washer	
30	207/00003/00	Screw	

Electrical Component Mounting Plate - 10 Button Control

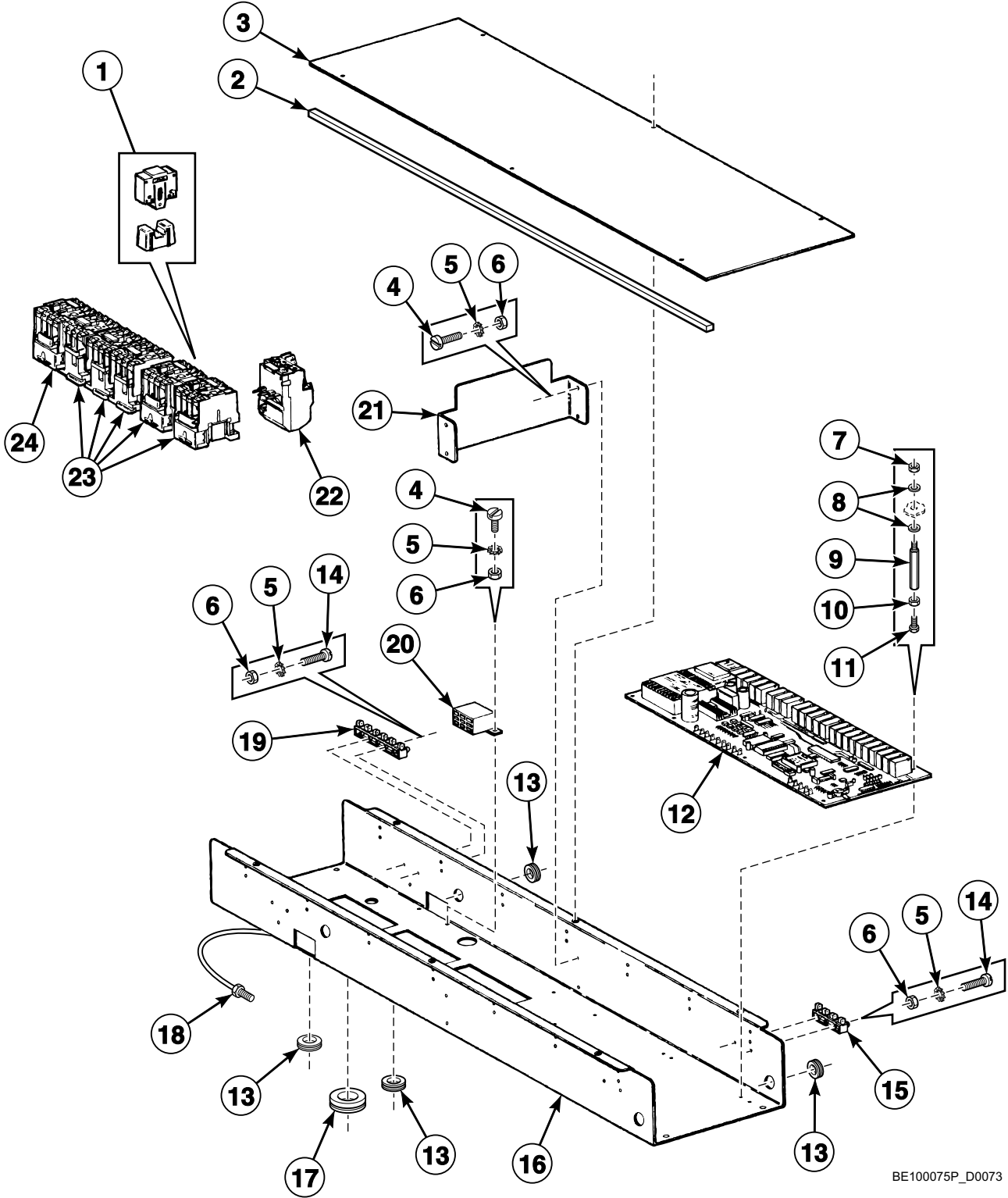


BE100044P_D0073

Electrical Component Mounting Plate - 10 Button Control

REF	PART NO.	DESCRIPTION	COMMENTS
1	111/00424/00	Pressure Switch Bracket	
2	208/00007/00	Screw	
3	209/00007/30	Pressure Switch	
4	209/00177/02	Contactactor	LC1D2510M5
	209/00041/04	Contactactor	LC1D0901M5
	209/00056/02	Contactactor	LC1D4011M5
	209/06150/02	Contactactor	LC1D5011M5
	209/00149/02	Contactactor	LC1D3210M5
	209/00148/02	Contactactor	LC1D1810M5
5	209/00041/03	Contactactor	
6	209/00279/00	Lock	
7	209/00299/00	Protector	LR2-D13169/9-13A
	209/00132/00	Protector	LR1-D09321/13-18A
	209/00285/00	Protector	LR2-D1312/5,5-8A
	209/00283/00	Protector	LR2-D1306/1-1,6A
	209/00264/00	Protector	LR2-D1310/4-6A
	209/00263/00	Protector	LR2-D1308/2,5-4A
	209/00284/00	Protector	LR2-D1307/1,6-2,5A
	209/00265/00	Protector	LR2-D1314/7-10A
8	209/00005/00	Terminal Block	
9	207/00003/00	Screw	
10	203/00006/00	Washer	
11	204/00007/00	Nut	
12	204/00005/00	Nut	
13	202/00003/00	Washer	
14	203/00004/00	Washer	
15	206/00015/00	Bolt	
16	111/00124/00	Mounting Plate	*30, *110 and *132 models
	111/00039/AO	Mounting Plate	*35 and *165 models
17	223/00011/00	Hose Clamp	
18	223/00120/00	Pressure Hose Kit	
19	206/00021/00	Screw	
20	209/00243/00	Thermostat	
21	207/00008/00	Screw	

Electrical Component Mounting Plate - PC30 Control

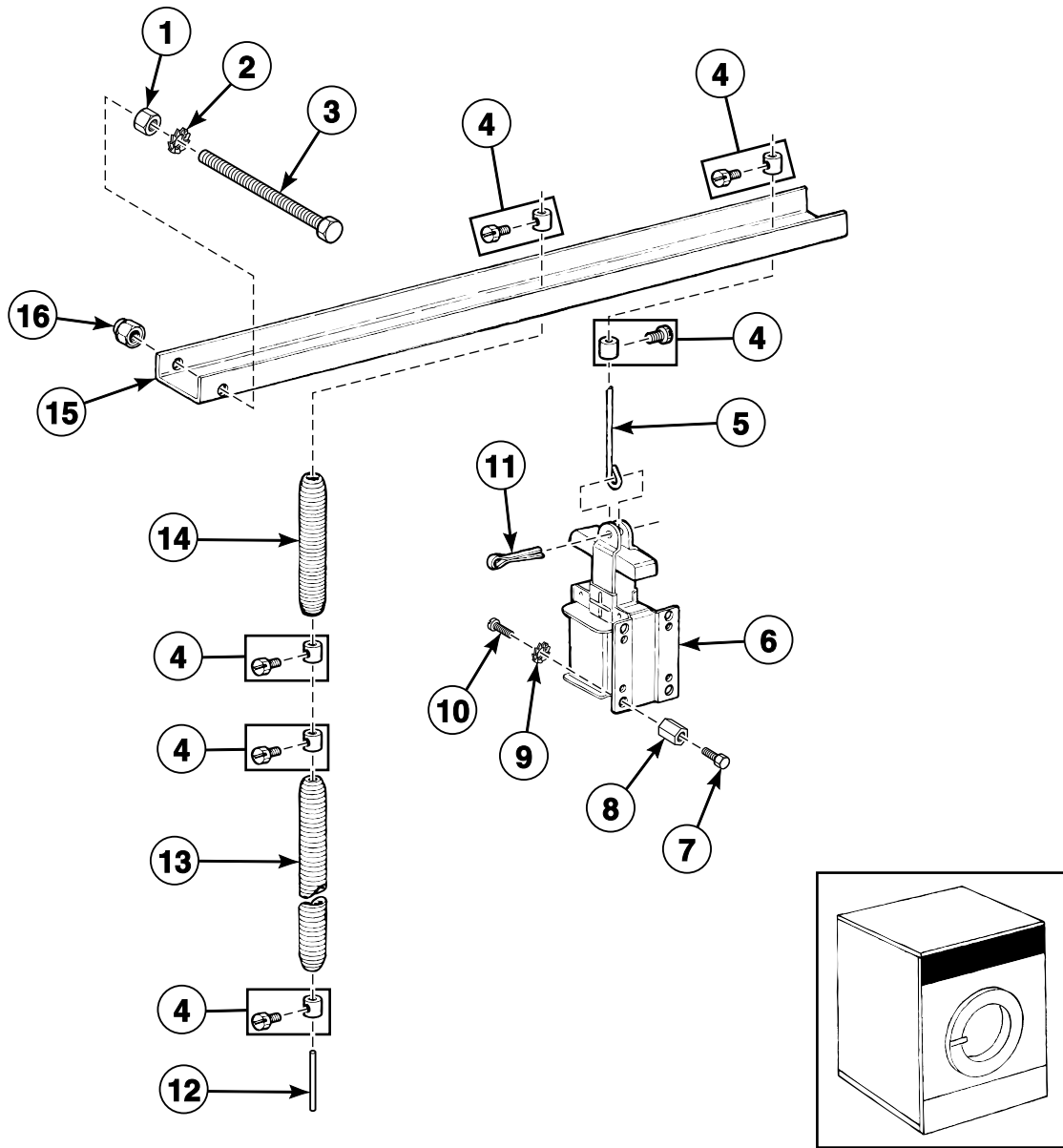


BE100075P_D0073

Electrical Component Mounting Plate - PC30 Control

REF	PART NO.	DESCRIPTION	COMMENTS
1	209/00279/00	Lock	
2	246/00092/00	Gasket	
3	111/00105/00	Cover Plate	
	111/00142/00	Cover Plate	
4	207/00004/00	Screw	
5	203/00006/00	Washer	
6	204/00007/00	Nut	
7	204/00008/00	Nut	
8	223/00123/00	Washer	
9	111/00138/00	Axle	
10	203/00007/00	Washer	
11	207/00118/00	Screw	
12	209/00290/01	Printboard	
13	225/00019/00	Holder	
14	207/00003/00	Screw	
15	209/00005/00	Terminal Block	
16	111/00139/00	Assembly Plate	Models WE110_PC30 and WE132_PC30
	111/00143/00	Assembly Plate	Model WE165_PC30
17	225/00027/00	Cable Duct	
18	209/00290/06	Detector	
19	210/10007/00	Connection	
20	209/00141/00	Plug	
21	111/00137/00	Assembly Plate	
22	209/00263/00	Protector	LR2-D1308/2,5-4A
	209/00264/00	Protector	LR2-D1310/4-6A
	209/00265/00	Protector	LR2-D1314/7-10A
	209/00284/00	Protector	LR2-D1307/1,6-2,5A
	209/00285/00	Protector	LR2-D1312/5,5-8A
	209/00132/00	Protector	LR1-D09321/13-18A
	209/00299/00	Protector	LR2-D13169/9-13A
	209/00283/00	Protector	LR2-D1306/1-1,6A
23	209/00041/03	Contacto	
24	209/00148/02	Contacto	LC1D1810M5
	209/06150/02	Contacto	LC1D5011M5
	209/00056/02	Contacto	LC1D4011M5
	209/00149/02	Contacto	LC1D3210M5
	209/00177/02	Contacto	LC1D2510M5
	209/00041/04	Contacto	LC1D0901M5

Door Lock (Drawing 1 of 4)

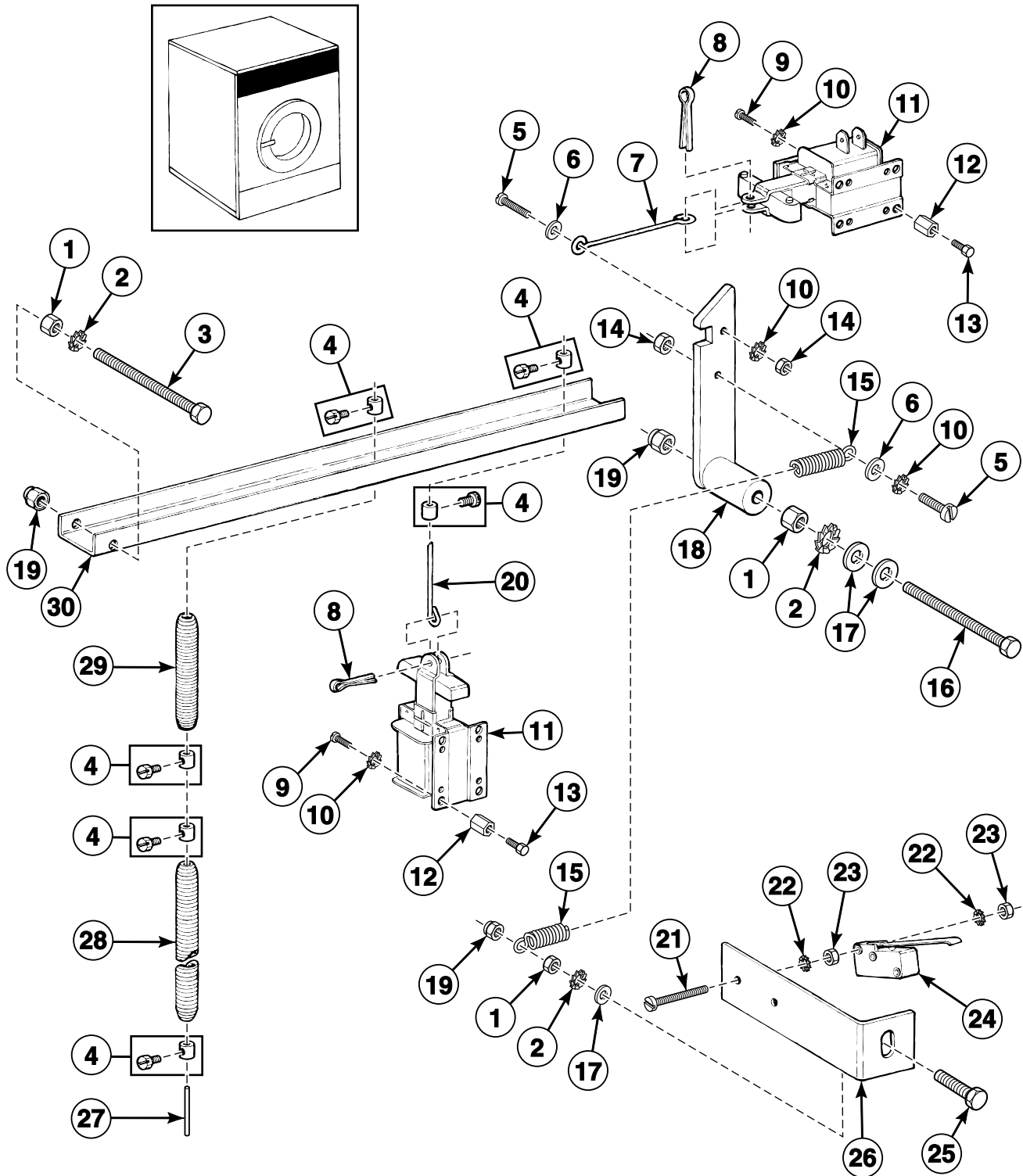


BE100049P_D0073

Door Lock (Drawing 1 of 4)

REF	PART NO.	DESCRIPTION	COMMENTS
1	204/00005/00	Nut	
2	203/00004/00	Washer	
3	206/00012/00	Bolt	
4	208/00008/00	Clamp	
5	124/00004/00	Connection Rod	
6	309/00028/00	Door Solenoid	110 Volt/60 Hertz
	209/00017/00	Door Interlock Coil	220 Volt/50 Hertz
	209/00018/00	Door Interlock Coil	220 Volt/60 Hertz
7	206/00021/00	Screw	
8	224/00006/00	Solenoid	
9	203/00006/00	Washer	
10	207/00004/00	Screw	
11	208/00003/00	Cotter Pin	
12	124/00005/00	Wire Bridge	
13	224/00007/00	Spring	
14	224/00008/00	Spring	
15	124/00002/00	Bridge	
16	204/00009/00	Nut	

Door Lock (Drawing 2 of 4)

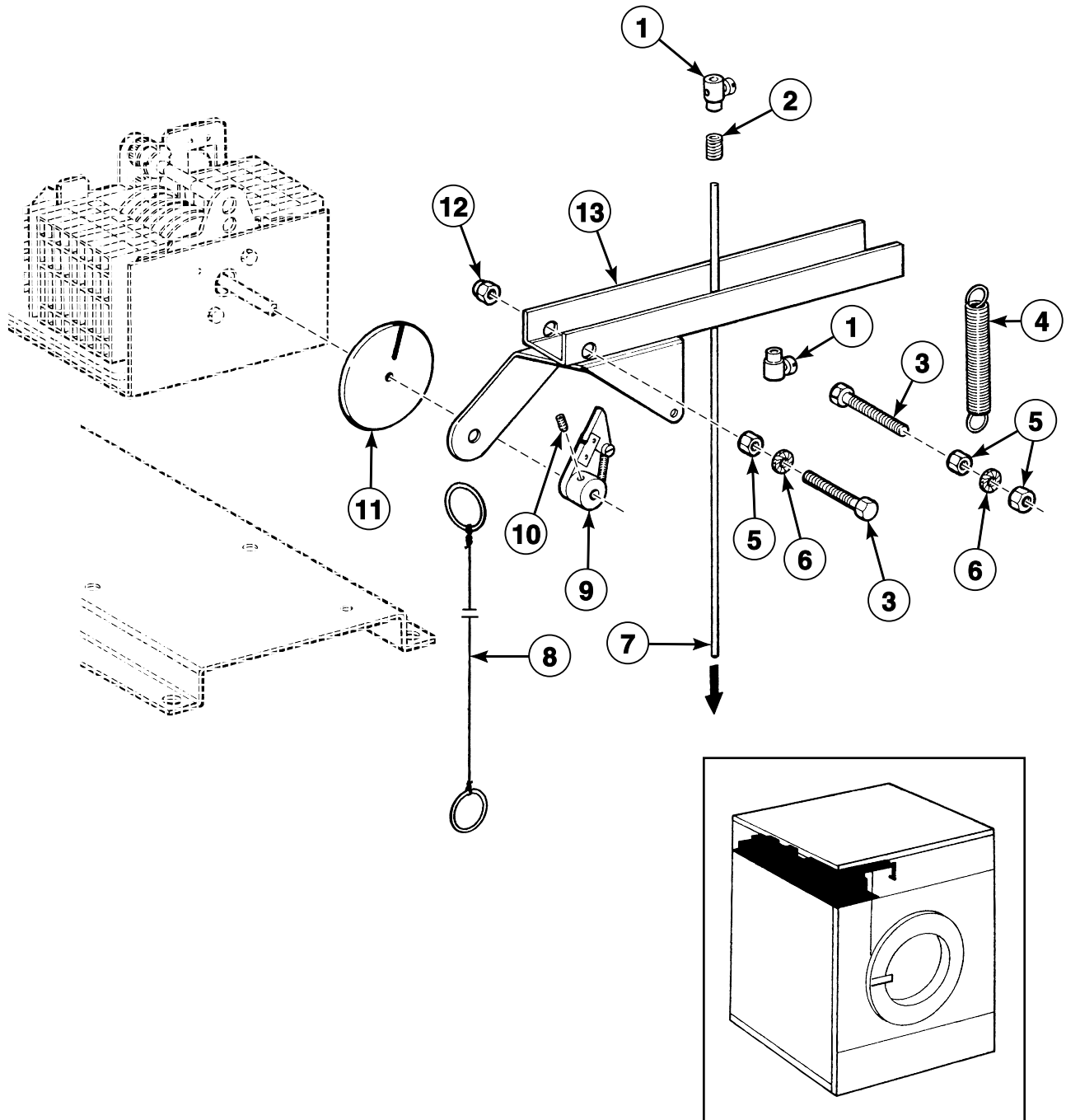


BE100050P_D0073

Door Lock (Drawing 2 of 4)

REF	PART NO.	DESCRIPTION	COMMENTS
1	204/00005/00	Nut	
2	203/00004/00	Washer	
3	206/00012/00	Bolt	
4	208/00008/00	Clamp	
5	207/00003/00	Screw	
6	202/00004/00	Washer	
7	124/00029/00	Unlatching Wire	
8	208/00003/00	Cotter Pin	
9	207/00004/00	Screw	
10	203/00006/00	Washer	
11	309/00028/00	Door Solenoid	110 Volt/60 Hertz
	209/00017/00	Door Interlock Coil	220 Volt/50 Hertz
	209/00018/00	Door Interlock Coil	220 Volt/60 Hertz
12	224/00006/00	Solenoid	
13	206/00021/00	Screw	
14	204/00007/00	Nut	
15	224/00021/00	Lock Spring	
16	206/00011/00	Bolt	
17	202/00003/00	Washer	
18	124/00020/00	Lock	
19	204/00009/00	Nut	
20	124/00004/00	Connection Rod	
21	207/00006/00	Screw	
22	203/00007/00	Washer	
23	204/00008/00	Nut	
24	209/00145/00	Microswitch	
25	206/00015/00	Bolt	
26	124/00023/00	Assembly Plate	
27	124/00005/00	Wire Bridge	
28	224/00007/00	Spring	
29	224/00008/00	Spring	
30	124/00019/00	Panel	

Door Lock (Drawing 3 of 4)

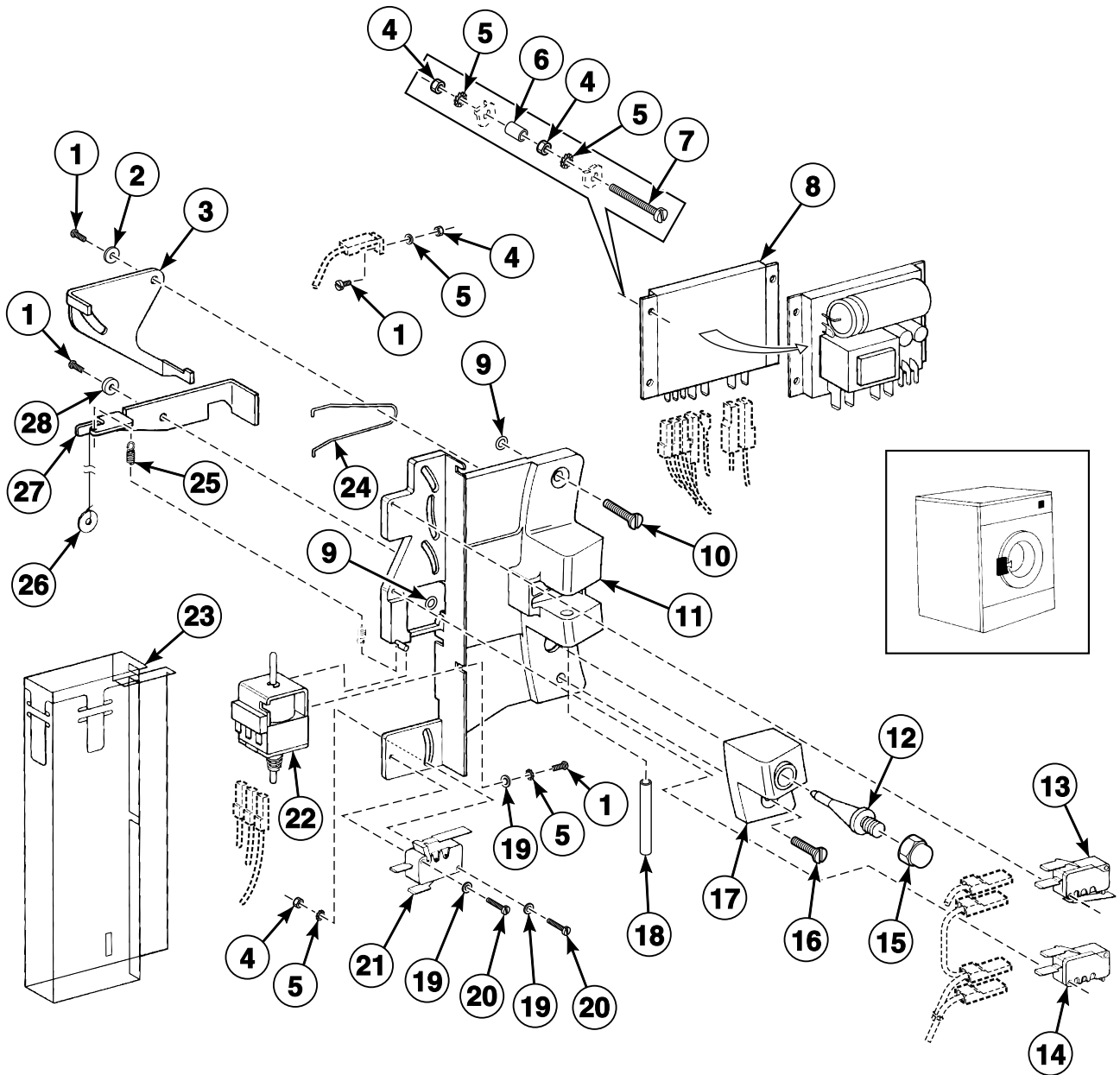


BE100051P_D0073

Door Lock (Drawing 3 of 4)

REF	PART NO.	DESCRIPTION	COMMENTS
1	208/00008/00	Clamp	
2	217/00020/00	Spring	
3	206/00012/00	Bolt	
4	224/00009/00	Door Lock Spring	
5	204/00005/00	Nut	
6	203/00004/00	Washer	
7	124/00005/00	Wire Bridge	
8	224/00015/00	Door Latch Cord	
9	124/00010/00	Door Lock	
10	206/00018/00	Screw	
11	225/00001/00	Program Indicator	
12	204/00009/00	Nut	
13	124/00013/00	Bridge	

Door Lock (Drawing 4 of 4)

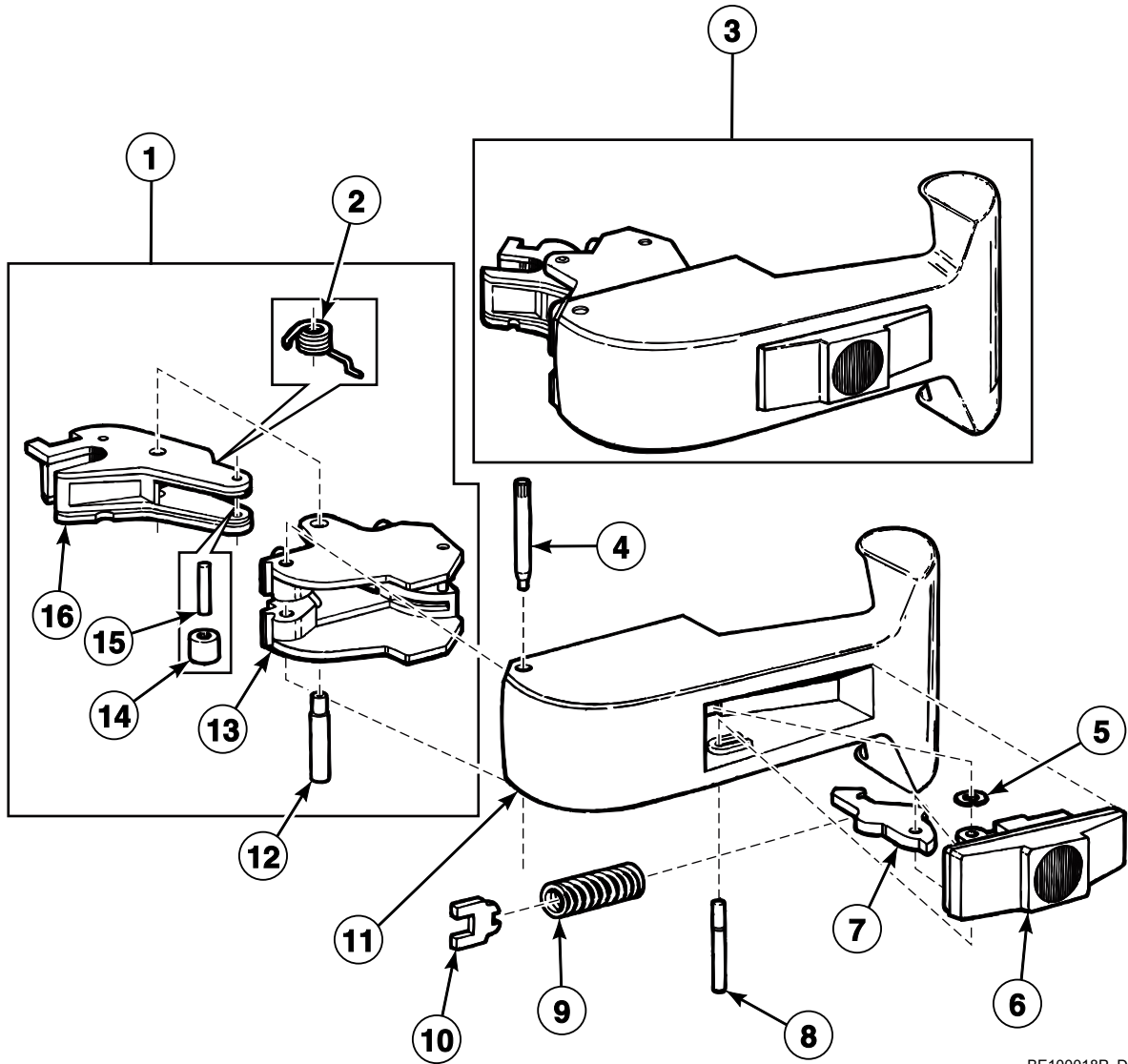


BE100076P_D0073

Door Lock (Drawing 4 of 4)

REF	PART NO.	DESCRIPTION	COMMENTS
1	207/00135/00	Screw	
2	217/00052/03	Door Lock Spacer	
3	217/00052/05	Switch Lever	
4	204/00008/00	Nut	
5	203/00007/00	Washer	
6	211/00106/00	Spacer	
7	207/00006/00	Screw	
8	209/00275/04	Door Lock Board	
9	217/00021/00	O-Ring	
10	207/00103/00	Screw	
11	217/00052/01	Door Lock Assembly	
12	211/00109/00	Door Lock Pin Kit	
13	209/00271/00	Microswitch	
14	209/00272/00	Door Lock Microswitch	
15	204/00103/00	Nut	
16	207/00102/00	Screw	
17	217/00052/02	Door Lock Pin Kit	
18	217/00017/03	Lock Shaft	
19	201/00018/00	Washer	
20	207/00109/00	Screw	
21	209/00273/00	Light Microswitch	
22	209/00274/00	Door Lock Solenoid	
23	211/00110/00	Lock	
24	224/00040/00	Lever Spring	
25	224/00043/00	Interlock Coil Spring	
26	224/00015/00	Door Latch Cord	
27	217/00052/04	Interlock Lever	
28	201/00017/00	Washer	

Door Handle

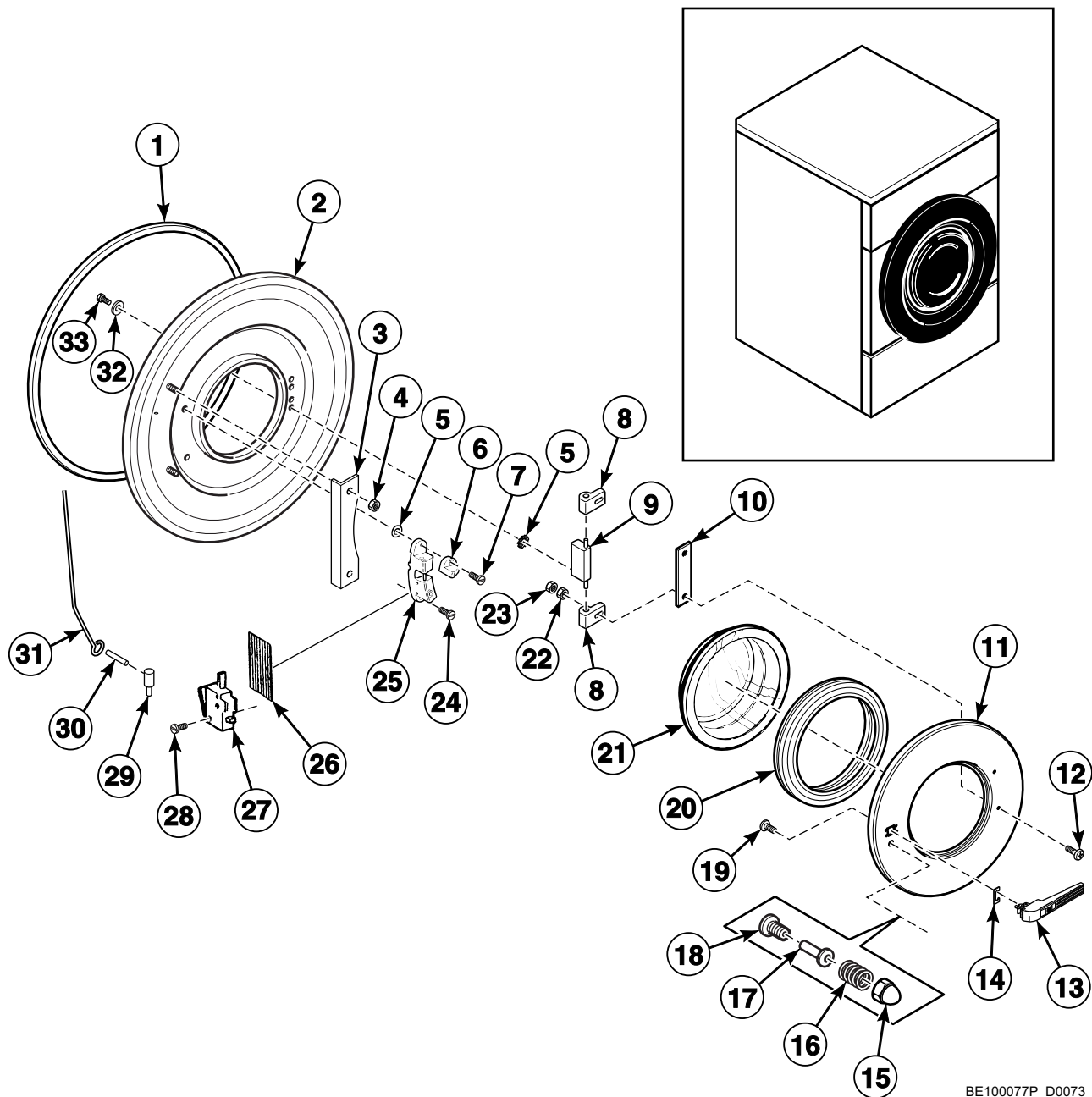


BE100018P_D0073

Door Handle

REF	PART NO.	DESCRIPTION	COMMENTS
1	217/00013/02	Door Handle	
2	217/00013/03	Door Lock Spring	
3	217/00051/00	Door Handle	
4	217/00013/09	Door Mounting Pin	
5	217/00013/11	Door Circlip	
6	217/00013/12	Door Handle	
7	217/00013/13	Door Handle Hook	
8	217/00013/15	Door Handle Locking Pin	
9	217/00013/14	Door Handle Spring	
10	217/00013/16	Door Handle Assembly Plate	
11	217/00051/10	Door Handle	
12	217/00013/08	Door Locking Pin	
13	217/00013/07	Door Locking Grip	
14	217/00013/06	Door Roller	
15	217/00013/05	Door Axle Roller	
16	217/00013/04	Door Handle Latch	

Door

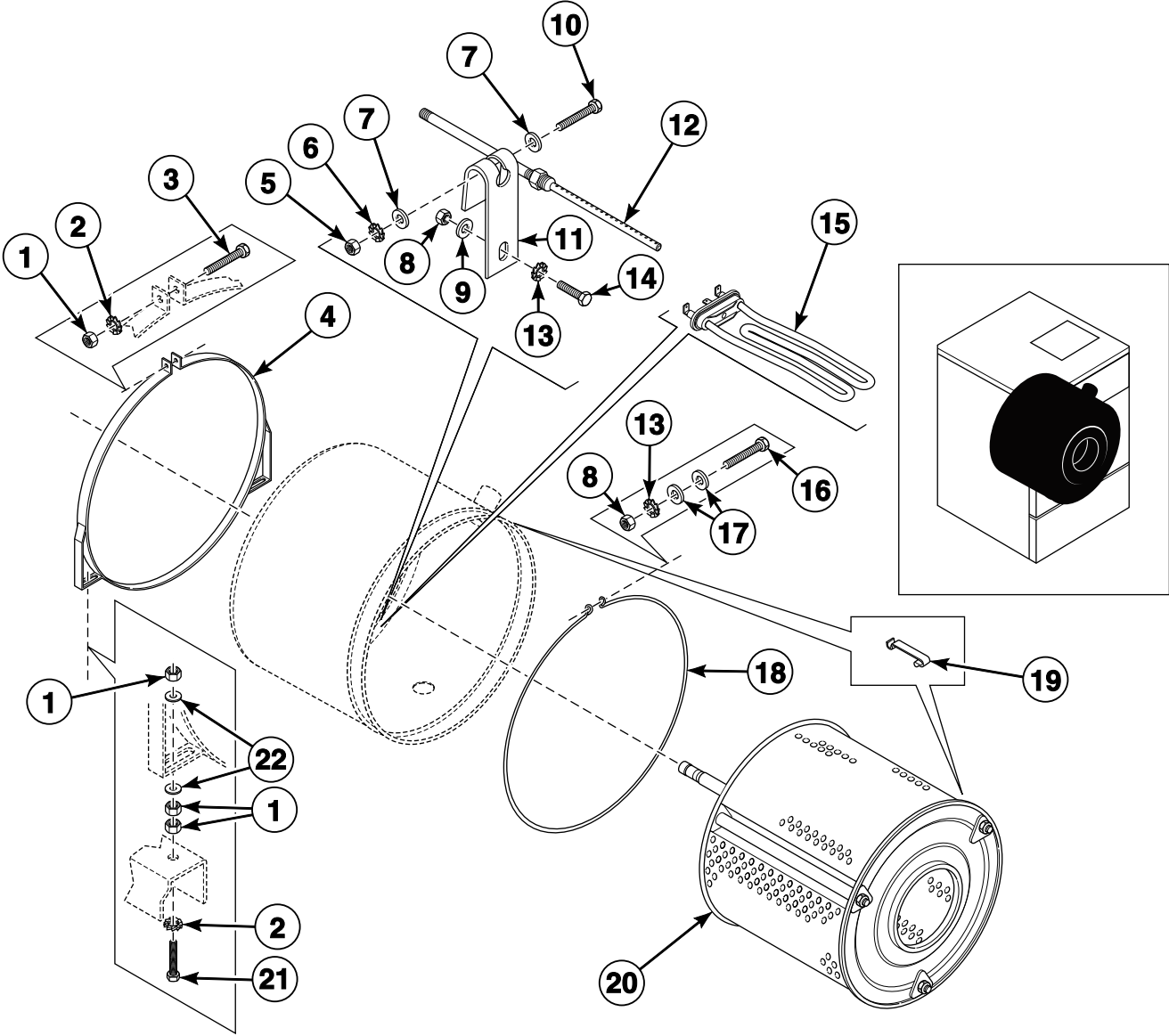


BE100077P_D0073

Door

REF	PART NO.	DESCRIPTION	COMMENTS
1	219/00006/00	Tub Front Gasket	
2	135/00033/00	Tub Front	
3	124/00001/00	Protection Plate	
4	204/00005/00	Nut	
5	217/00021/00	O-Ring	
6	217/00017/02	Protection Block	
7	207/00102/00	Screw	
8	217/00009/02	Door Hinge Assembly	
9	217/00009/01	Door Hinge	
10	117/00010/00	Door Hinge Spacer	1 mm
	117/00011/00	Door Hinge Spacer	2 mm
11	118/00064/00	Door	Octagonal
	118/00046/10	Door Frame	Round
12	207/00116/00	Screw	
13	217/00051/00	Door Handle	
14	217/00016/00	Door Handle Stop	
15	204/00103/00	Nut	
16	217/00020/00	Spring	
17	211/00105/00	Pin	
18	217/00019/00	Holder	
19	207/00107/00	Screw	
20	223/00070/00	Shell Front Gasket	
21	217/00014/00	Door Glass	
22	202/00003/00	Washer	
23	204/00106/00	Nut	
24	207/00103/00	Screw	
25	217/00017/00	Door Lock Assembly	
26	217/00038/00	Insulation Plate	
27	209/00023/00	Door Switch	
28	207/00109/00	Screw	
29	224/00003/00	Interlock Pin	
30	208/00004/00	Pin	
31	124/00005/00	Wire Bridge	
32	202/00101/00	Washer	
33	205/00104/00	Bolt	

Shell and Basket

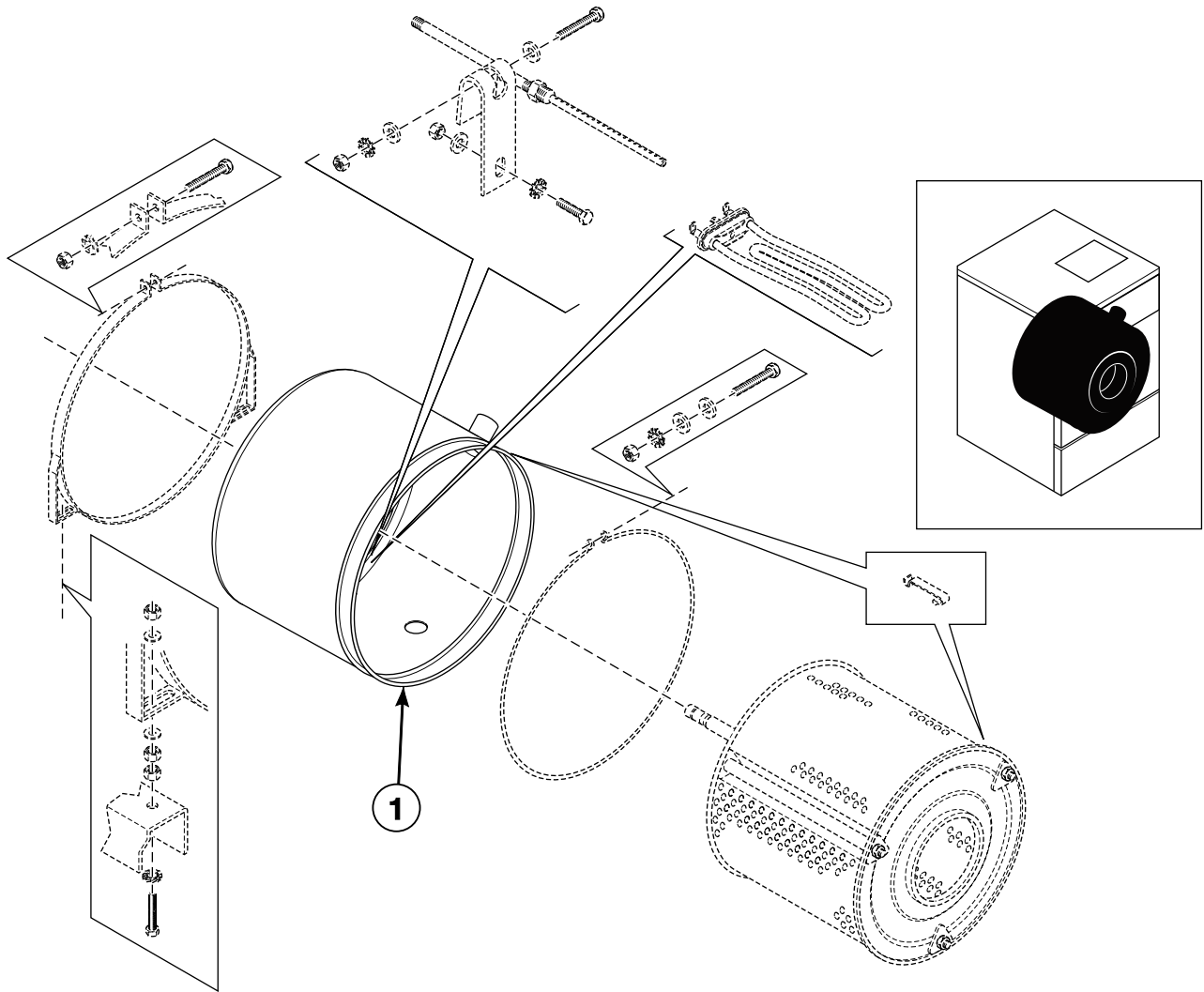


BE100078P_D0073

Shell and Basket

REF	PART NO.	DESCRIPTION	COMMENTS
1	204/00002/00	Nut	
2	203/00001/00	Washer	
3	206/00001/00	Screw	
4	119/00038/00	Tub Ring	
5	204/00004/00	Nut	
6	203/00003/00	Washer	
7	202/00002/00	Washer	
8	204/00005/00	Nut	
9	201/00007/00	Washer	
10	206/00007/00	Screw	
11	113/00025/00	Steam Injector Plate Assembly	
12	119/00039/00	Steam Injector	*110 models
	119/00040/00	Steam Injector	*30, *35, *132 and *165 models
13	203/00004/00	Washer	
14	206/00013/00	Bolt	
15	209/00116/00	Heating Element	1400W; 220 Volt
	209/00563/30	Heating Element	2000W; 220/240 Volt
	209/00049/00	Heating Element	3000W; 220/240 Volt
	209/00581/00	Heating Element	4000W; 380 Volt
16	206/00011/00	Bolt	
17	202/00003/00	Washer	
18	219/00007/00	Tub Front Ring Clamp	
19	217/00008/00	Tub Front Panel Clip	
20	136/10004/00	Drum and Axle	*110 models; 1304; 3.5 mm diameter
	136/00011/00	Cylinder and Shaft	*110 models; 1304; 4.5 mm diameter
	136/00007/00	Cylinder and Shaft	*110 models; 1304; 9 mm diameter
	122/10011/00	Cylinder and Shaft	*110 models; 1430; 3.5 mm diameter
	122/00014/00	Cylinder and Shaft	*110 models; 1430; 9 mm diameter
	136/00017/00	Cylinder and Shaft	*30 and *132 models; 1304; 3.5 mm diameter
	136/10008/00	Cylinder and Shaft	*30 and *132 models; 1304; 9 mm diameter
	122/00030/00	Cylinder and Shaft	*30 and *132 models; 1430; 3.5 mm diameter
	122/10015/00	Cylinder and Shaft	*30 and *132 models; 1430; 9 mm diameter
	111/01958/00	Cylinder and Shaft	*35 and *165 models; 1304; 3.5 mm diameter
	136/00009/00	Cylinder and Shaft	*35 and *165 models; 1304; 9 mm diameter
	111/01958/00	Cylinder and Shaft	*35 and *165 models; 1430; 3.5 mm diameter
	122/00016/00	Cylinder and Shaft	*35 and *165 models; 1430; 9 mm diameter
21	206/00002/00	Bolt	
22	201/00005/00	Washer	

Tub

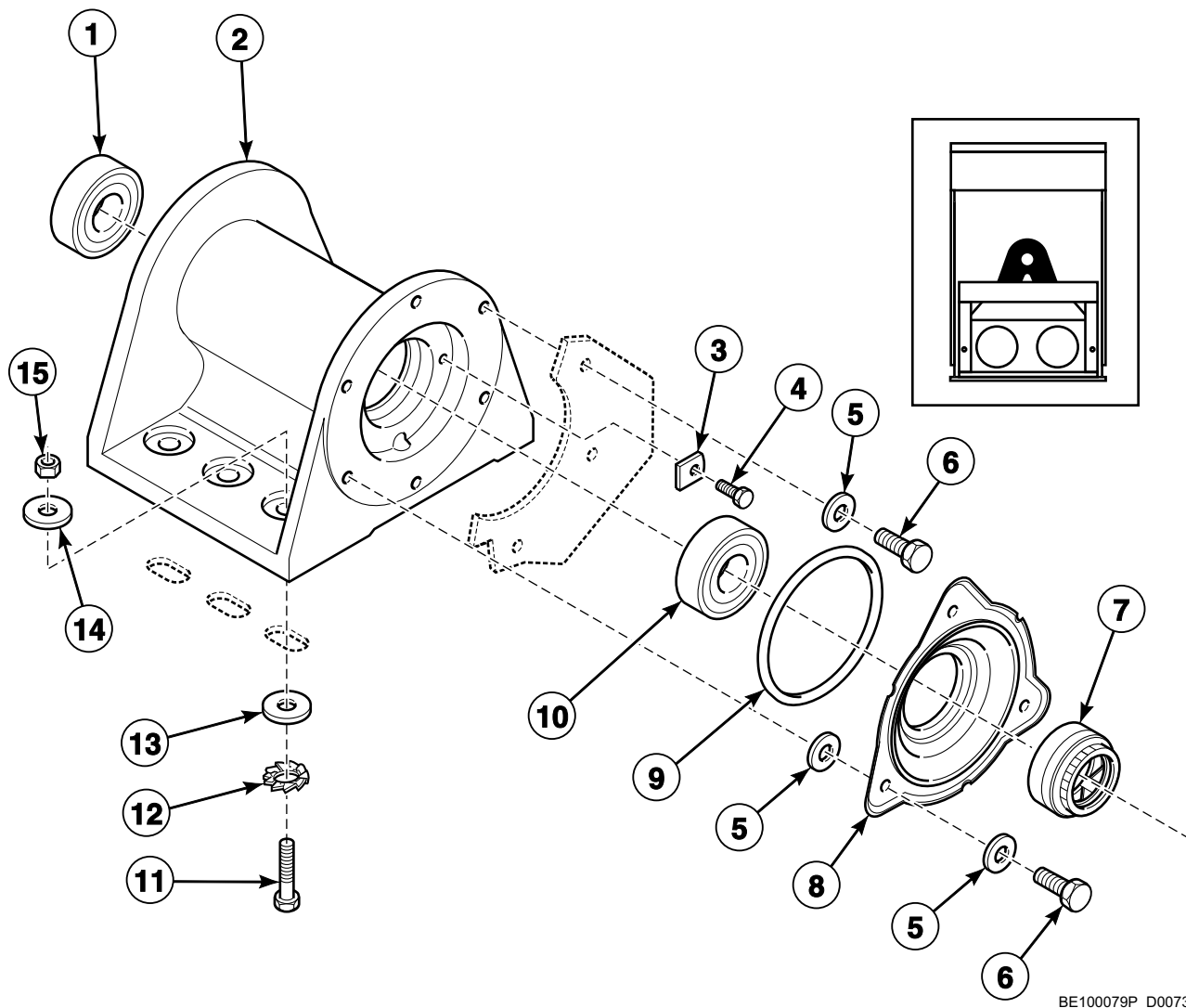


BE100078PA_D0073

Tub

REF	PART NO.	DESCRIPTION	COMMENTS
1	135/00001/00	Tub	*110 models; 1304; PB2; 3 inlets; Boiler
	135/00004/00	Tub	*110 models; 1304; PB2; 3 inlets; Electric heat
	117/00078/00	Tub	*110 models; 1430; PB3; Boiler
	117/00090/01	Tub	*110 models; 1304; PB3; Boiler
	135/00010/00	Tub	*110 models; 1304; PB2; Boiler
	135/00016/00	Tub	*110 models; 1304; PB2; Electric heat
	117/00090/00	Tub	*110 models; 1304; PB3; Boiler
	135/00007/00	Tub	*110 models; 1304; PB2; 3 inlets; Steam heat
	135/00013/00	Tub	*110 models; 1304; PB2; 2 inlets; Electric heat
	117/00099/00	Tub	*110 models; 1304; PB3; Electric and steam heat
	117/00087/00	Tub	*110 models; 1430; PB3; Electric and steam heat
	117/00099/01	Tub	*110 models; 1304; PB3; Electric and steam heat
	117/00093/00	Tub	*110 models; 1304; PB3; Electric heat
	117/00081/00	Tub	*110 models; 1430; PB3; Electric heat
	117/00093/01	Tub	*110 models; 1304; PB3; Electric heat
	117/00084/00	Tub	*110 models; 1430; PB3; Steam heat
	117/00096/01	Tub	*110 models; 1304; PB3; Steam heat
	117/00096/00	Tub	*110 models; 1304; PB3; Steam heat
	117/00088/00	Tub	*30 and *132 models; 1430; PB3; Electric and steam heat
	117/00094/00	Tub	*30 and *132 models; 1304; PB3; Electric heat
	117/00082/00	Tub	*30 and *132 models; 1430; PB3; Electric heat
	135/00002/00	Tub	*30 and *132 models; 1304; PB2; 3 inlets; Boiler
	117/00097/00	Tub	*30 and *132 models; 1304; PB3; Steam heat
	135/00008/00	Tub	*30 and *132 models; 1304; PB2; 3 inlets; Steam heat
	117/00085/00	Tub	*30 and *132 models; 1430; PB3; Steam heat
	135/00014/00	Tub	*30 and *132 models; 1304; PB2; 2 inlets; Electric heat
	117/00091/00	Tub	*30 and *132 models; 1304; PB3; Boiler
	117/00100/00	Tub	*30 and *132 models; 1304; PB3; Electric and steam heat
	135/00011/00	Tub	*30 and *132 models; 1304; PB2; 2 inlets; Boiler
	117/00079/00	Tub	*30 and *132 models; 1430; PB3; Boiler
	135/00005/00	Tub	*30 and *132 models; 1304; PB2; 3 inlets; Electric heat
	135/00017/00	Tub	*30 and *132 models; 1304; PB2; 2 inlets; Steam heat
	135/00003/00	Tub	*35 and *165 models; 1304; PB2; 3 inlets; Boiler
	135/00006/00	Tub	*35 and *165 models; 1304; PB2; 3 inlets; Electric heat
	135/00009/00	Tub	*35 and *165 models; 1304; PB2; 3 inlets; Steam heat
	135/00012/00	Tub	*35 and *165 models; 1304; PB2; 2 inlets; Boiler
	135/00015/00	Tub	*35 and *165 models; 1304; PB2; 2 inlets; Electric heat
	135/00018/00	Tub	*35 and *165 models; 1304; PB2; 2 inlets; Steam heat
	117/00092/00	Tub	*35 and *165 models; 1304; PB3; Boiler
	117/00080/00	Tub	*35 and *165 models; 1430; PB3; Boiler
	117/00101/00	Tub	*35 and *165 models; 1304; PB3; Electric and steam heat
	117/00089/00	Tub	*35 and *165 models; 1430; PB3; Electric and steam heat
	117/00095/00	Tub	*35 and *165 models; 1304; PB3; Electric heat
	117/00083/00	Tub	*35 and *165 models; 1430; PB3; Electric heat
	117/00098/00	Tub	*35 and *165 models; 1304; PB3; Steam heat
	117/00086/00	Tub	*35 and *165 models; 1430; PB3; Steam heat

Bearing Housing

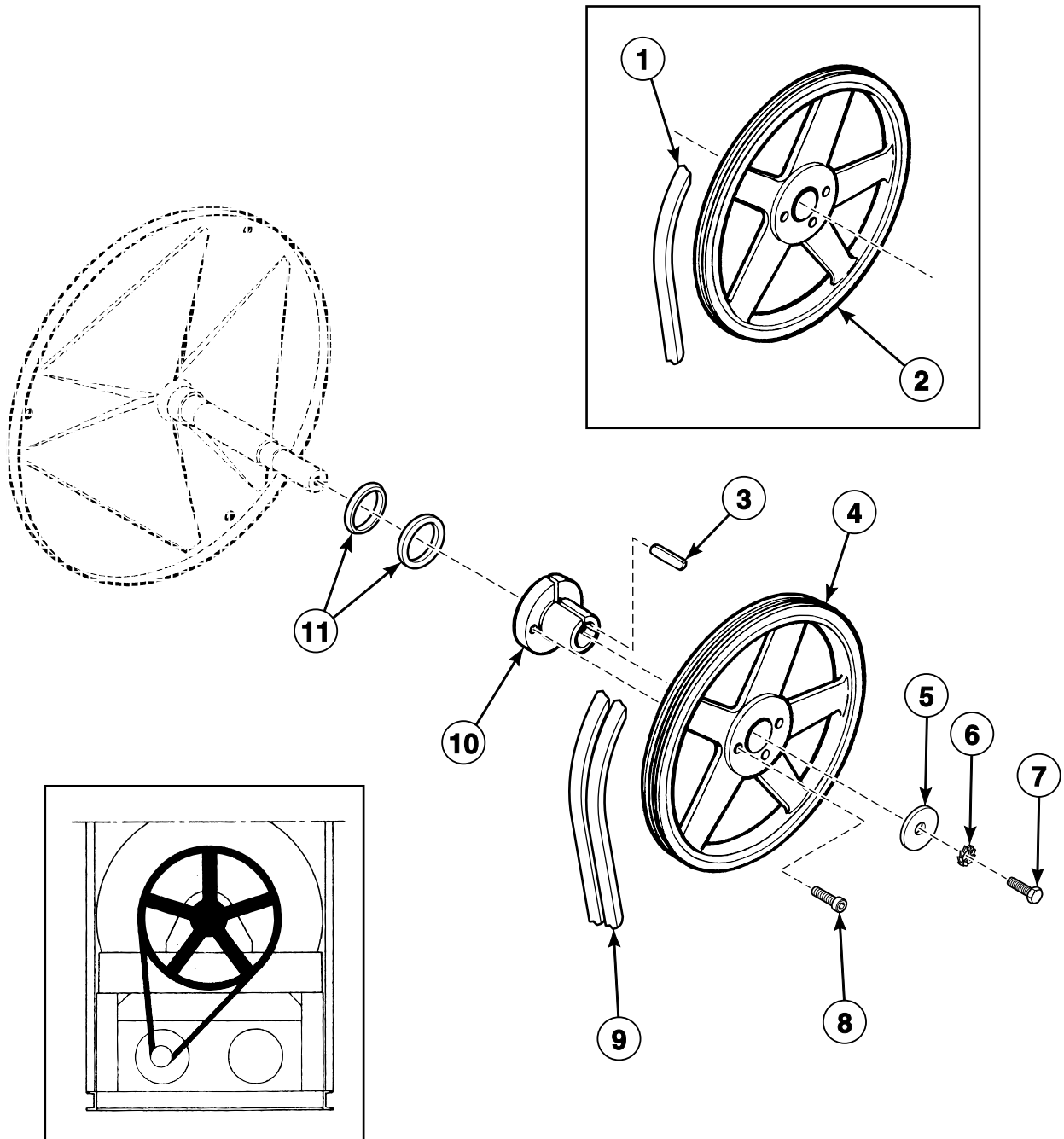


BE100079P_D0073

Bearing Housing

REF	PART NO.	DESCRIPTION	COMMENTS
	KBRGWE165	Bearing Kit	Includes items 1, 5, 6 and 10, 219/00004/00 Counter Ring and 223/00242/20 Shell Front Gasket
1	216/00001/02	Ball Bearing	
2	116/00001/00	Bearing Housing	
3	117/00042/00	Retaining Ring	
4	207/00111/00	Screw	
5	201/00201/00	Washer	
6	205/00102/00	Bolt	
7	219/00003/00	Shaft Seal	
8	119/00001/00	Seal Plate	
9	217/00002/00	O-Ring	
10	216/00001/03	Ball Bearing	
11	206/00001/00	Screw	
12	203/00001/00	Washer	
13	201/00012/00	Washer	
14	201/00013/00	Washer	
15	204/00002/00	Nut	

Pulley and Belt

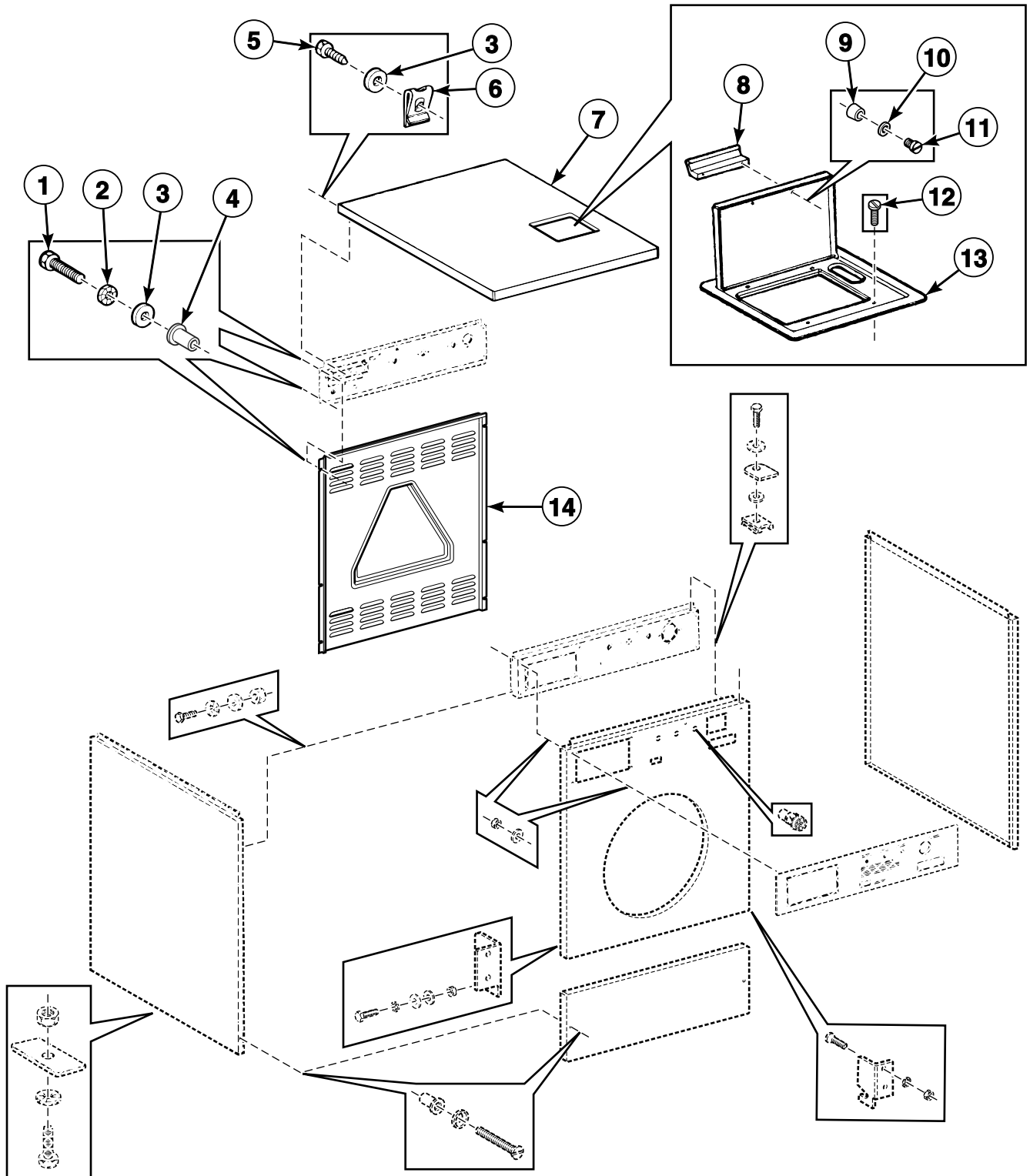


BE100080P_D0073

Pulley and Belt

REF	PART NO.	DESCRIPTION	COMMENTS
1	226/00055/00	V-Belt	XPA; 12.5 x 1857
	226/00032/00	V-Belt	SPA; 1882
	226/00033/00	V-Belt	SPA; 1900
2	216/00002/00	Pulley	
3	216/00002/04	Cylinder Shaft Key	
4	216/00003/00	Pulley	
5	201/00003/00	Washer	
6	203/00001/00	Washer	
7	206/00004/00	Bolt	
8	212/00016/02	Screw	
9	226/00057/00	V-Belt	Models without an inverter drive
	226/00115/00	V-Belt	Models with an inverter drive
10	216/00003/02	Fastening Ring	
11	219/00004/00	Counter Ring	

Top and Back Panels

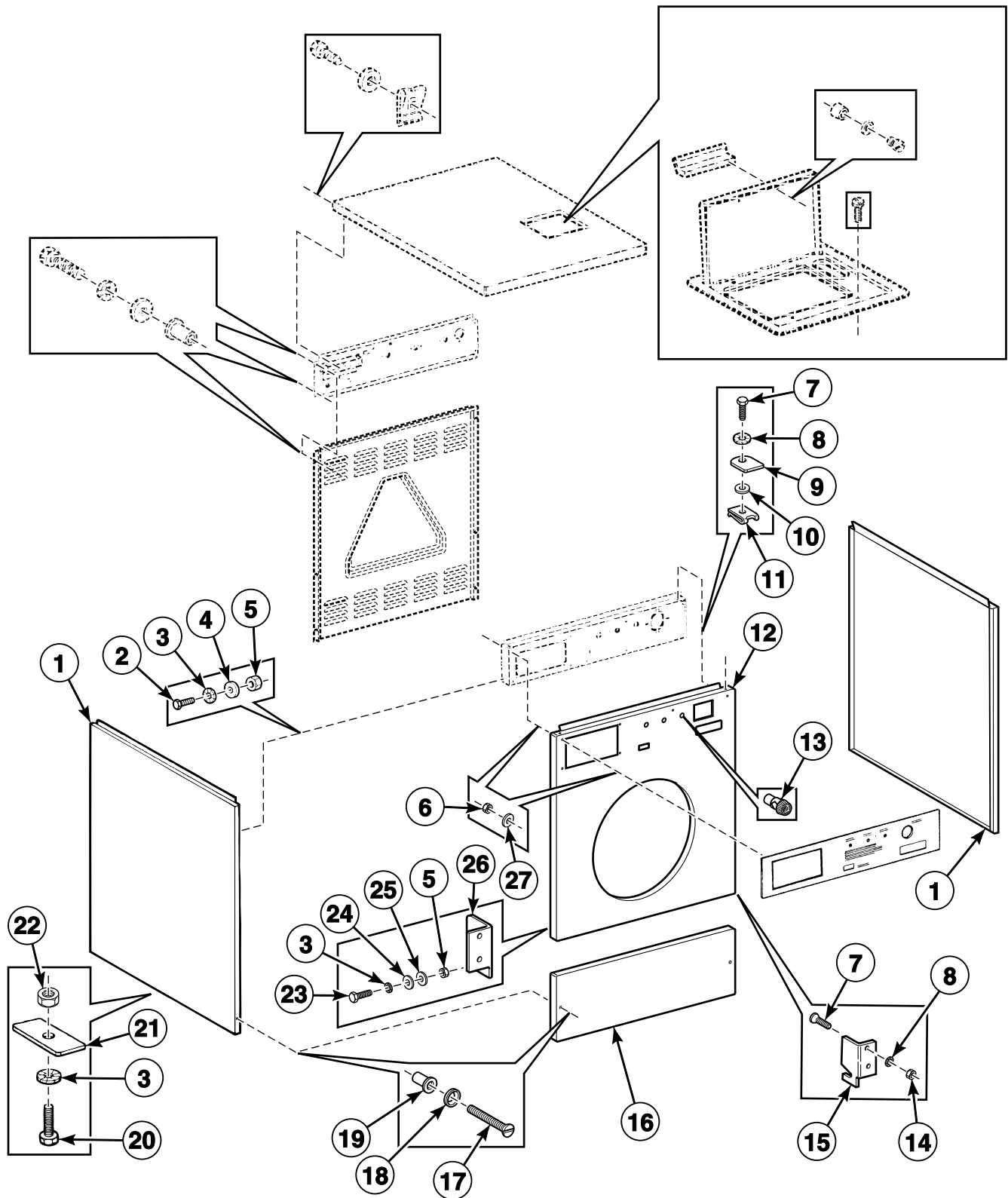


BE100081P_D0073

Top and Back Panels

REF	PART NO.	DESCRIPTION	COMMENTS
1	206/00014/00	Bolt	
2	203/00004/00	Washer	
3	201/00007/00	Washer	
4	204/00301/00	Bushing	
5	208/00001/00	Screw	
6	208/00002/00	Nut	
7	111/22701/00	Top Panel	*30, *110 and *132 models; PB2
	111/10148/00	Top Panel	*30, *110 and *132 models; Almond; PB2
	111/00901/00	Top Panel	*30, *110 and *132 models; Blue; PB2
	111/01001/00	Top Panel	*30, *110 and *132 models; Green; PB2
	111/01101/00	Top Panel	*30, *110 and *132 models; Orange; PB2
	111/01201/00	Top Panel	*30, *110 and *132 models; White; PB2
	111/01301/00	Top Panel	*30, *110 and *132 models; Yellow; PB2
	111/22741/00	Top Panel	*30, *110 and *132 models; PB3
	111/10154/00	Top Panel	*30, *110 and *132 models; Almond; PB3
	111/00941/00	Top Panel	*30, *110 and *132 models; Blue; PB3
	111/01041/00	Top Panel	*30, *110 and *132 models; Green; PB3
	111/01141/00	Top Panel	*30, *110 and *132 models; Orange; PB3
	111/01241/00	Top Panel	*30, *110 and *132 models; White; PB3
	111/01341/00	Top Panel	*30, *110 and *132 models; Yellow; PB3
	111/22703/00	Top Panel	*35 and *165 models; PB2
	111/22704/00	Top Panel	*35 and *165 models; PB2; Lock
	111/10147/00	Top Panel	*35 and *165 models; Almond; PB2
	111/00903/00	Top Panel	*35 and *165 models; Blue; PB2
	111/01003/00	Top Panel	*35 and *165 models; Green; PB2
	111/01103/00	Top Panel	*35 and *165 models; Orange; PB2
	111/01203/00	Top Panel	*35 and *165 models; White; PB2
	111/01303/00	Top Panel	*35 and *165 models; Yellow; PB2
	111/22743/00	Top Panel	*35 and *165 models; PB3
	111/22744/00	Top Panel	*35 and *165 models; PB3; Lock
	111/10155/00	Top Panel	*35 and *165 models; Almond; PB3
	111/00943/00	Top Panel	*35 and *165 models; Blue; PB3
	111/01043/00	Top Panel	*35 and *165 models; Green; PB3
	111/01143/00	Top Panel	*35 and *165 models; Orange; PB3
	111/01343/00	Top Panel	*35 and *165 models; Yellow; PB3
8	223/00008/05	Soap Dispenser Cover Handle	
9	223/00008/01	Handle Grommet	
10	202/00102/00	Washer	
11	207/00110/00	Screw	
12	207/00105/00	Screw	
13	123/00008/02	Soap Dispenser Lid	
	123/00008/04	Hinge Pin	
	123/00008/03	Soap Dispenser Frame	
14	111/00036/11	Back Panel	
	111/40001/00	Back Panel	

Front and Side Panels

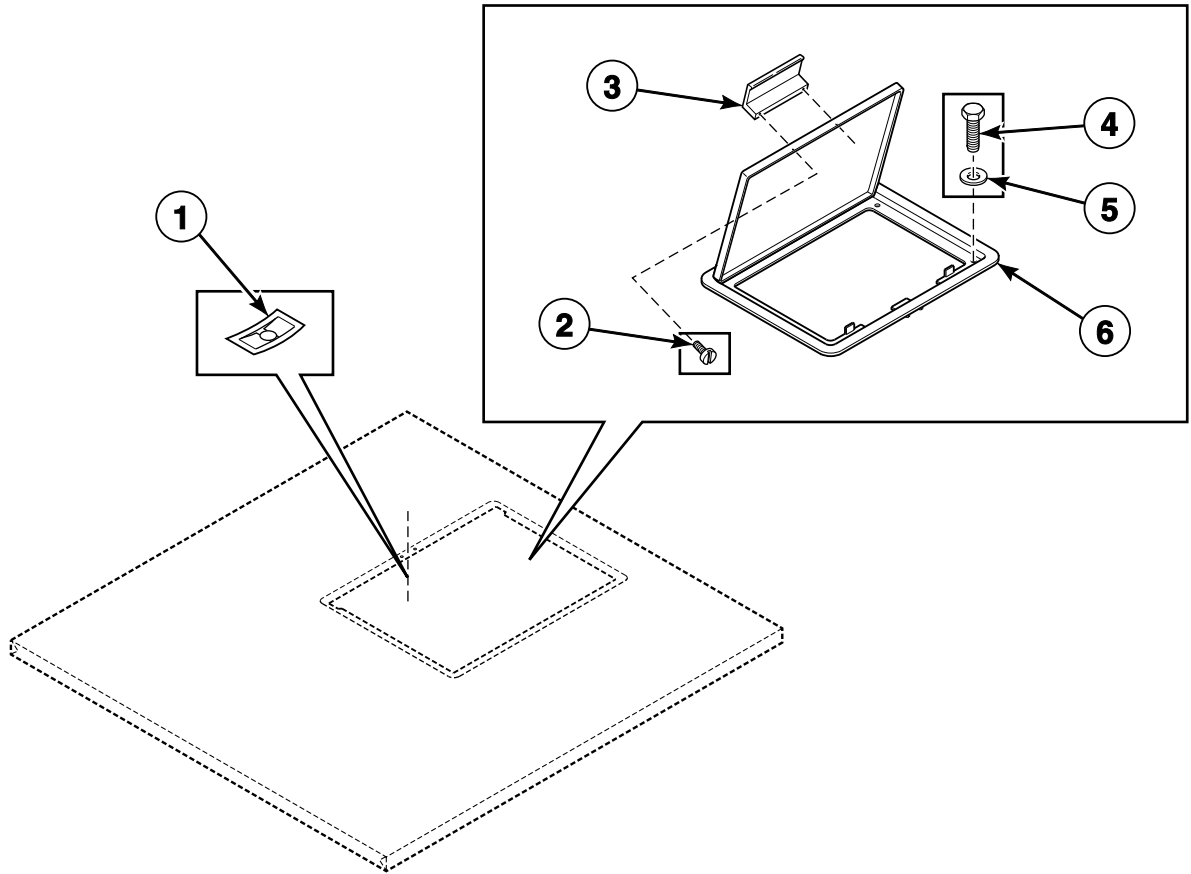


BE100081PA_D0073

Front and Side Panels

REF	PART NO.	DESCRIPTION	COMMENTS
1	111/22723/00	Side Panel	*30, *110 and *132 models
	111/22728/10	Side Panel	*35 and *165 models
2	206/00015/00	Bolt	
3	203/00004/00	Washer	
4	202/00003/00	Washer	
5	204/00005/00	Nut	
6	204/00007/00	Nut	
7	205/00106/00	Bolt	
8	203/00005/00	Washer	
9	117/00042/00	Retaining Ring	
10	202/00103/00	Washer	
11	204/00013/00	Nut	
12	111/22752/00	Front Panel	Coin; Octagonal
	111/10172/00	Front Panel	Coin; Almond; Octagonal
	111/00952/00	Front Panel	Coin; Blue; Octagonal
	111/01152/00	Front Panel	Coin; Orange; Octagonal
	111/01252/00	Front Panel	Coin; White; Octagonal
	111/01352/00	Front Panel	Coin; Yellow; Octagonal
	111/22712/00	Front Panel	Coin; Round
	111/10149/00	Front Panel	Coin; Almond; Round
	111/01312/00	Front Panel	Coin; Blue; Round
	111/01412/00	Front Panel	Coin; Green; Round
	111/01512/00	Front Panel	Coin; Orange; Round
	111/01212/00	Front Panel	Coin; White; Round
	111/01612/00	Front Panel	Coin; Yellow; Round
	111/22711/00	Front Panel	OPL; Round
	111/01211/00	Front Panel	OPL; White; Round
	111/01311/00	Front Panel	OPL; Blue; Round
	111/01411/00	Front Panel	OPL; Green; Round
	111/01511/00	Front Panel	OPL; Orange; Round
	111/01611/00	Front Panel	OPL; Yellow; Round
	111/10150/00	Front Panel	OPL; Almond; Round
	111/22751/00	Front Panel	OPL; Octagonal
	111/10171/00	Front Panel	OPL; Almond; Octagonal
	111/00951/00	Front Panel	OPL; Blue; Octagonal
	111/01151/00	Front Panel	OPL; Orange; Octagonal
	111/01251/00	Front Panel	OPL; White; Octagonal
	111/01351/00	Front Panel	OPL; Yellow; Octagonal
13	209/00152/00	Lens Cover	Red
	209/00154/00	Lens Cover	Orange
14	204/00107/00	Nut	
15	111/00002/00	Hook	
16	111/22731/00	Lower Front Panel	
	111/10151/00	Lower Front Panel	Almond
	111/01331/00	Lower Front Panel	Blue
	111/01431/00	Lower Front Panel	Green
	111/01531/00	Lower Front Panel	Orange
	111/01231/00	Lower Front Panel	White
111/01631/00	Lower Front Panel	Yellow	
17	207/00101/00	Screw	
18	208/00009/00	Washer	
19	204/00011/00	Nut	
	204/00104/00	Nut	
20	205/00105/00	Bolt	
21	101/00007/00	Outlet Pipe Plate Assembly	
22	204/00106/00	Nut	
23	205/00104/00	Bolt	
24	201/00007/00	Washer	
25	201/00006/00	Washer	
26	111/00001/00	Hook	
27	201/00008/00	Washer	

Supply Dispenser Cover

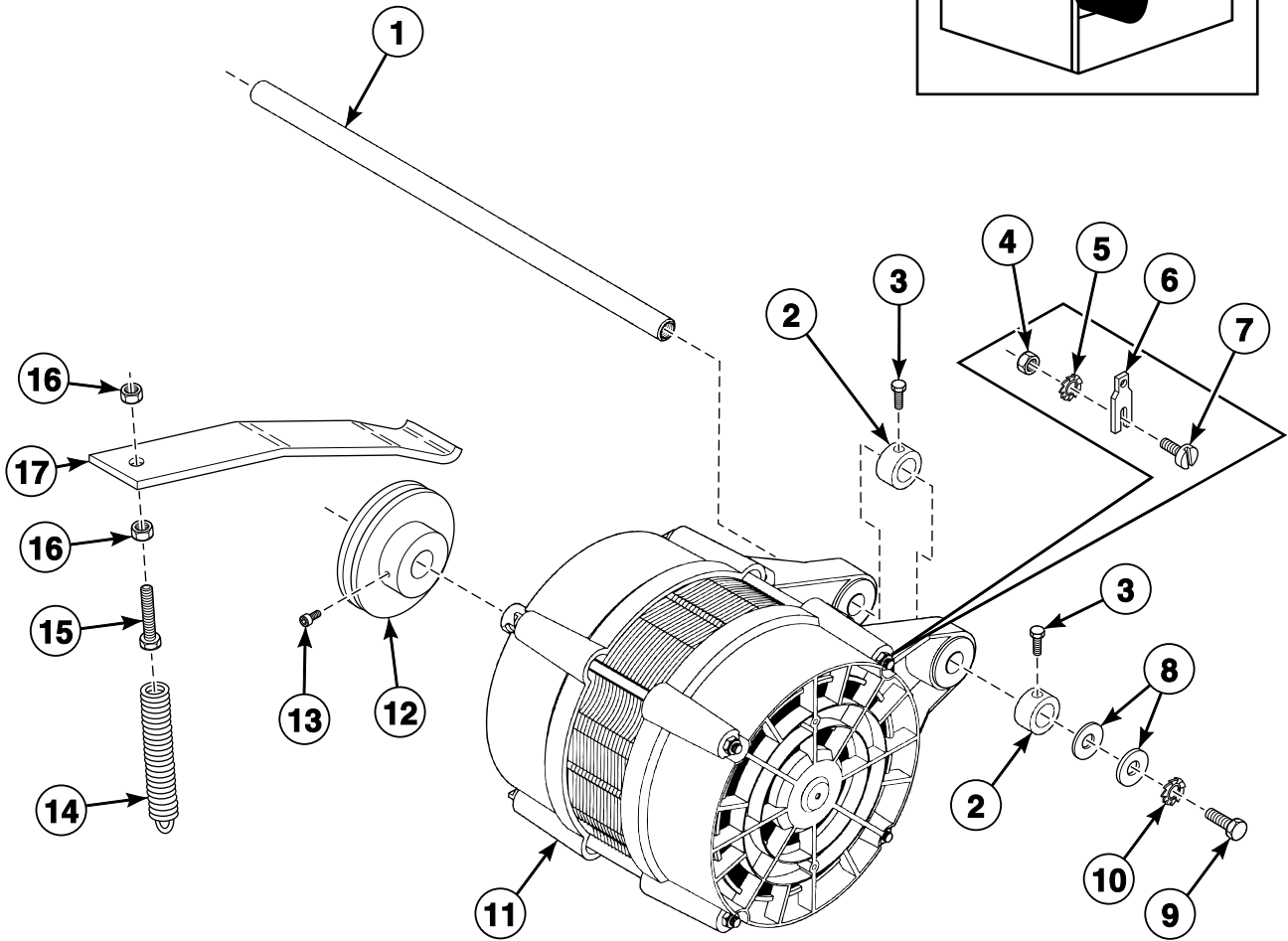
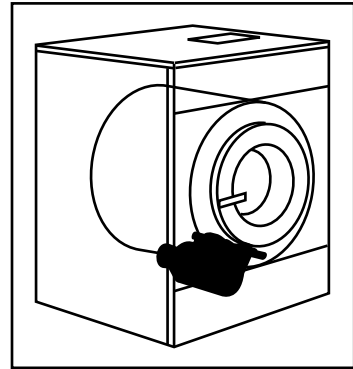


BE100082P_D0073

Supply Dispenser Cover

REF	PART NO.	DESCRIPTION	COMMENTS
1	208/00104/00	Nut	
2	207/00133/00	Screw	
3	223/00008/05	Soap Dispenser Cover Handle	
4	205/00106/00	Bolt	
5	202/00003/00	Washer	
6	123/00103/01	Soap Dispenser Cover	
	223/00103/02	Soap Dispenser Frame	
	123/00103/03	Soap Dispenser Cover Hinge	

Motor

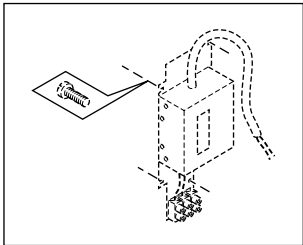
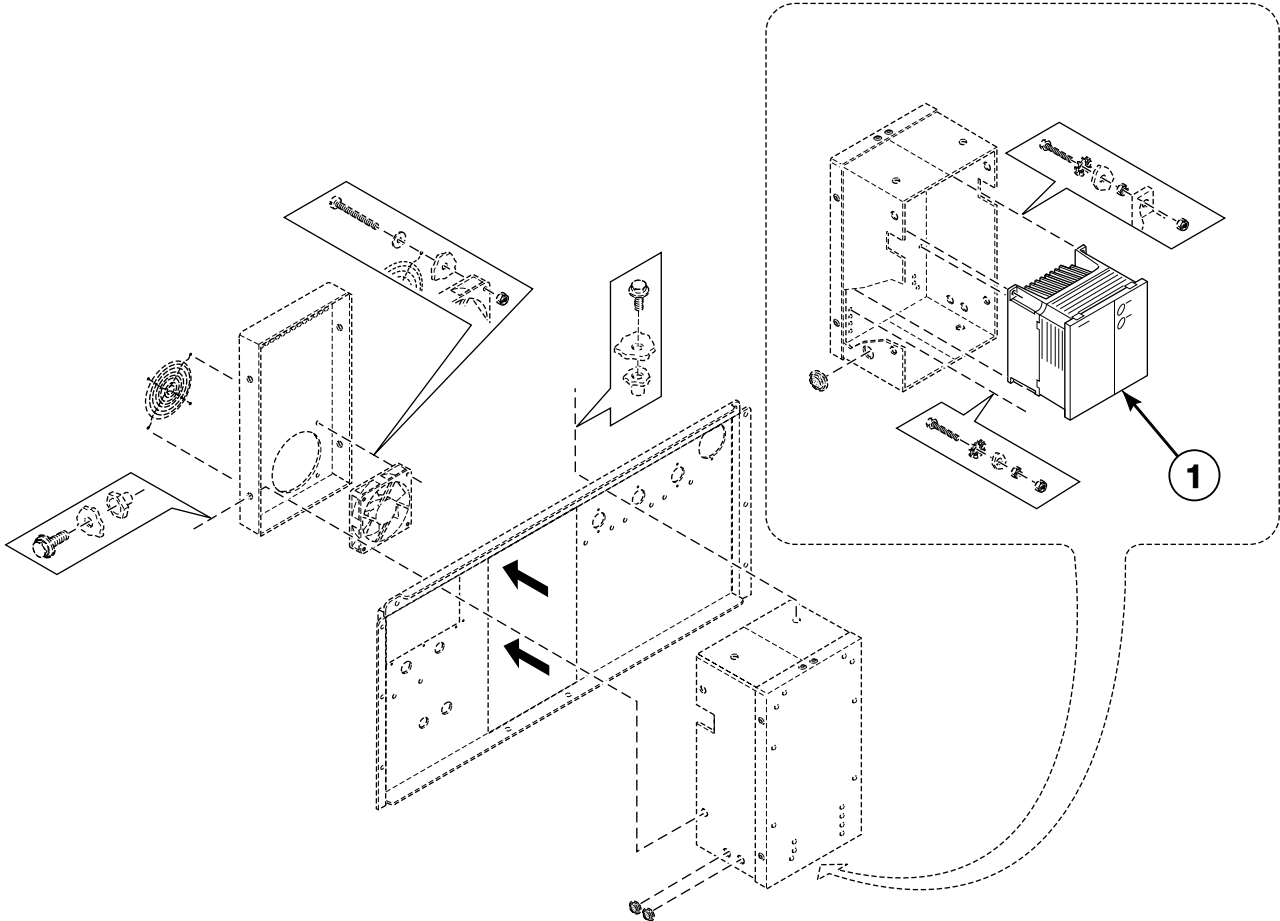


BE100084P_D0073

Motor

REF	PART NO.	DESCRIPTION	COMMENTS
1	126/00051/00	Spindle	
	126/00052/00	Motor Axle	
2	226/00054/00	Safety Ring	
3	206/00015/00	Bolt	
4	204/00007/00	Nut	
5	203/00006/00	Washer	
6	209/00043/00	Terminal	
7	207/00003/00	Screw	
8	201/00010/00	Washer	
9	206/00006/00	Bolt	
10	203/00002/00	Washer	
11	228/00108/01	Motor	Elmo; 220 Volt/50 Hertz; Models without an inverter drive
	228/00109/01	Motor	Elmo; 220 Volt/60 Hertz; Models without an inverter drive
	228/00105/01	Motor	Elmo; 208-240 Volt/60 Hertz; Models without an inverter drive
	228/00106/00	Motor	Elmo; 208-240 Volt/60 Hertz; Models without an inverter drive
	228/00104/00	Motor	Elmo; 260 or 440 Volt/60 Hertz; Models without an inverter drive
	228/00001/01	Motor	Elmo; 220 or 380 Volt/50 Hertz; Models without an inverter drive
	228/00004/01	Motor	Elmo; 220 or 380 Volt/50 Hertz; Models without an inverter drive
	228/00103/01	Motor	Elmo; 220 or 380 Volt/60 Hertz; Models without an inverter drive
	228/00101/01	Motor	Elmo; 220 or 380 Volt/60 Hertz; Models without an inverter drive
	228/00002/01	Motor	Elmo; 380-415 Volt/50 Hertz; Models without an inverter drive
	228/00003/01	Motor	Elmo; 400-440 Volt/50 Hertz; Models without an inverter drive
	228/00005/01	Motor	Elmo; 400-440 Volt/50 Hertz; Models without an inverter drive
	227/00018/00	Motor	208-240 Volt/60 Hertz; Models without an inverter drive
	227/00014/00	Motor	220 or 380 Volt/50 Hertz; Models without an inverter drive
	227/00015/00	Motor	220 or 380 Volt/50 Hertz; Models without an inverter drive
	227/00017/00	Motor	380-415 Volt/50 Hertz; Models without an inverter drive
	227/00127/00	Motor	Models with an inverter drive
12	226/00058/00	Pulley	*35 and *165 models; 72 mm; 50 Hertz
	226/00061/00	Pulley	*35 and *165 models; 79 mm; 50 Hertz
	226/00062/00	Pulley	*35 and *165 models; 65 mm; 60 Hertz
	226/00053/00	Pulley	*30, *110 and *132 models; 72 mm; 50 Hertz
	226/00059/00	Pulley	*30, *110 and *132 models; 79 mm; 50 Hertz
	226/00060/00	Pulley	*30, *110 and *132 models; 65 mm; 60 Hertz
	226/00036/00	Pulley	*110 models; 113 mm; 50 Hertz
	226/00083/00	Pulley	*110 models; 90 mm; 60 Hertz
13	206/00017/00	Rivet	
14	226/00010/00	Motor Spring	
15	206/00007/00	Screw	
16	204/00004/00	Nut	
17	126/00056/00	Belt Tensioner	

Inverter Drive

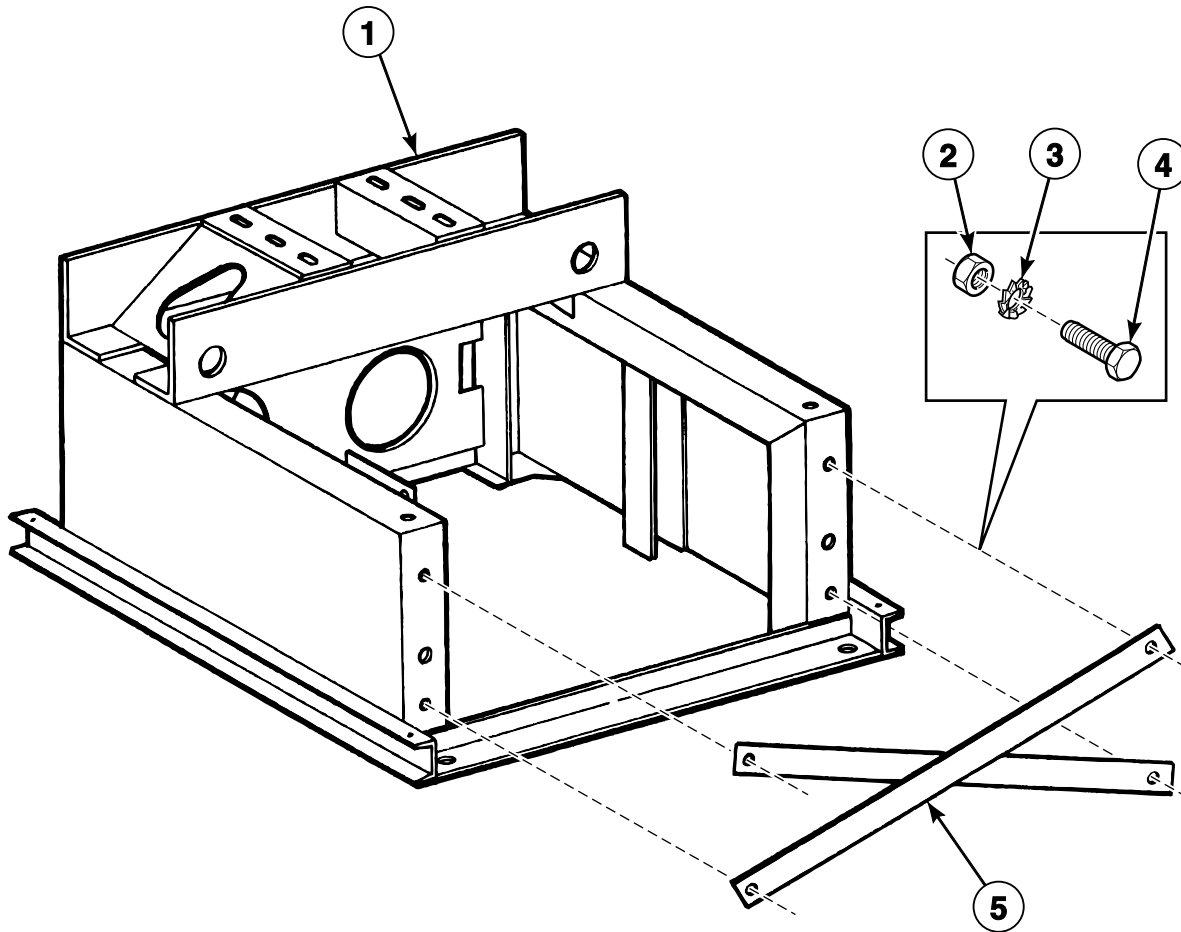


BE000371P_D0073

Inverter Drive

REF	PART NO.	DESCRIPTION	COMMENTS
1	F8421205	Inverter Drive Kit	*30 and *132 models; 200 Volt/1 Phase; Includes F8421305 Inverter Drive, F8409501 Mounting Plate Assembly and F430903 Screw
	F8421206	Inverter Drive Kit	*30 and *132 models; 400 Volt/3 Phase; Includes F8421306 Inverter Drive, F8409501 Mounting Plate Assembly and F430903 Screw
	F8421305	Inverter Drive	*30 and *132 models; 200 Volt/1 Phase
	F8421306	Inverter Drive	*30 and *132 models; 400 Volt/3 Phase
	F8421207	Inverter Drive Kit	*35 and *165 models; 200 Volt/1 Phase; Includes F8421307 Inverter Drive, F8409501 Mounting Plate Assembly and F430903 Screw
	F8421208	Inverter Drive Kit	*35 and *165 models; 400 Volt/3 Phase; Includes F8421308 Inverter Drive, F8409501 Mounting Plate Assembly and F430903 Screw
	F8421307	Inverter Drive	*35 and *165 models; 200 Volt/1 Phase
	F8421308	Inverter Drive	*35 and *165 models; 400 Volt/3 Phase

Frame

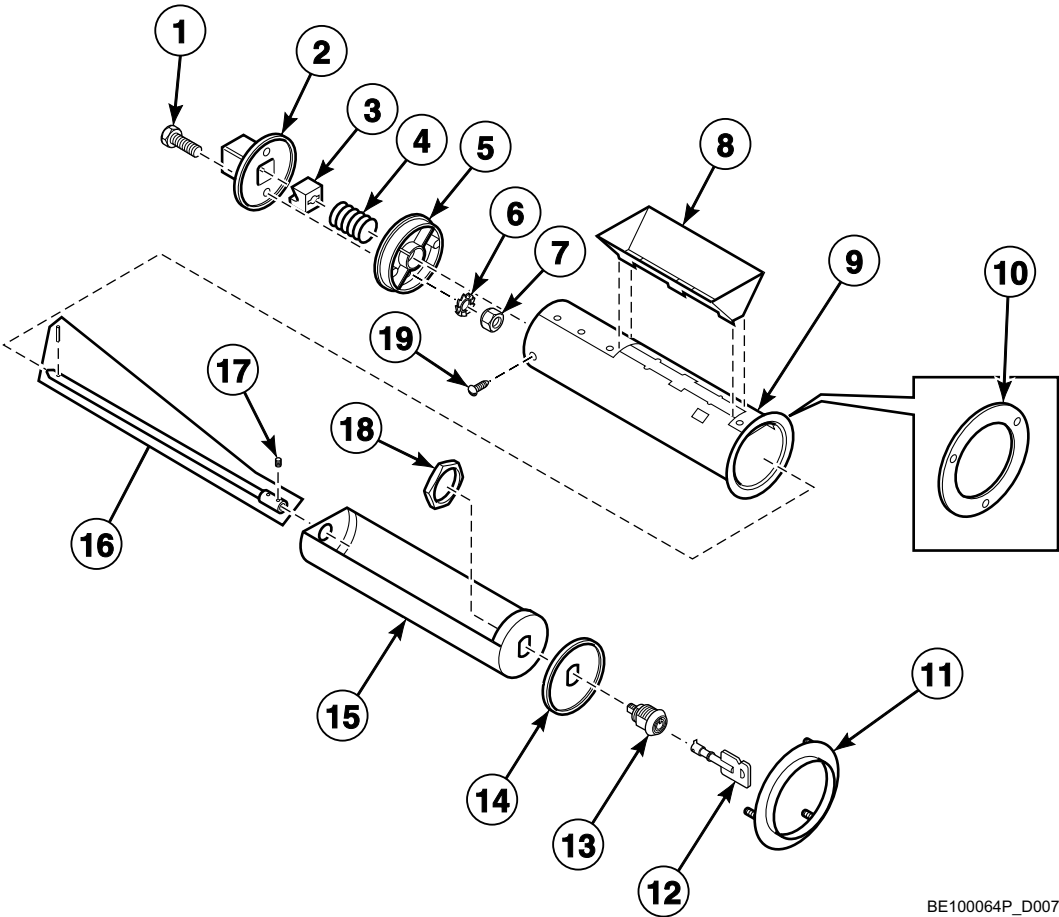


BE100085P_D0073

Frame

REF	PART NO.	DESCRIPTION	COMMENTS
1	114/00012/00	Base	*30 and *132 models
	114/00013/00	Base	*35 and *165 models
	114/00011/00	Base	*110 models; Models with 1 motor
	114/00014/00	Base	*110 models; Models with 2 motors
2	204/00002/00	Nut	
3	203/00001/00	Washer	
4	206/00003/00	Bolt	
5	114/00006/00	Cross	

Coin Vault

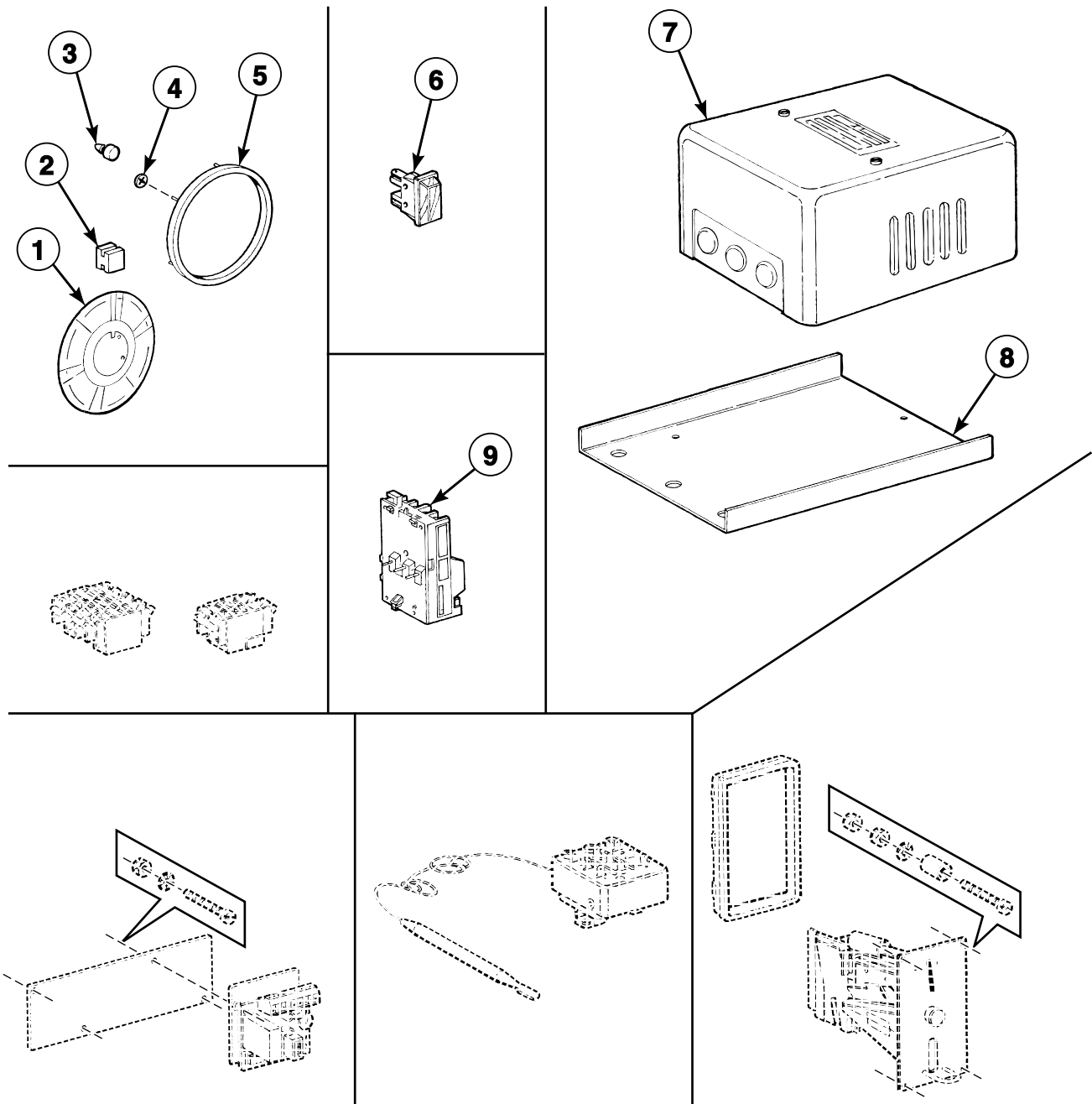


BE100064P_D0073

Coin Vault

REF	PART NO.	DESCRIPTION	COMMENTS
1	206/00033/00	Bolt	
2	211/00070/01	Outer Cabinet Lock	
3	211/00070/02	Washer	
4	211/00070/04	Spring	
5	211/00070/03	Inner Coin Box	
6	201/00007/00	Washer	
7	204/00005/00	Nut	
8	211/00071/00	Coin Box	
9	211/00100/00	Outer Coin Box	
10	111/00100/00	Coin Box Ring Assembly	
11	111/00066/00	Coin Box Ring	
12	211/00065/02	Coin Box Key	
13	211/00065/00	Coin Box Lock	
14	111/00068/00	Front Plate	
15	111/00067/00	Coin Box	
16	111/00069/00	Spindle	
17	206/00038/00	Screw	
18	211/00065/01	Nut	
19	208/00007/00	Screw	

Transformer, Motor Thermal Protector and Program Indicator

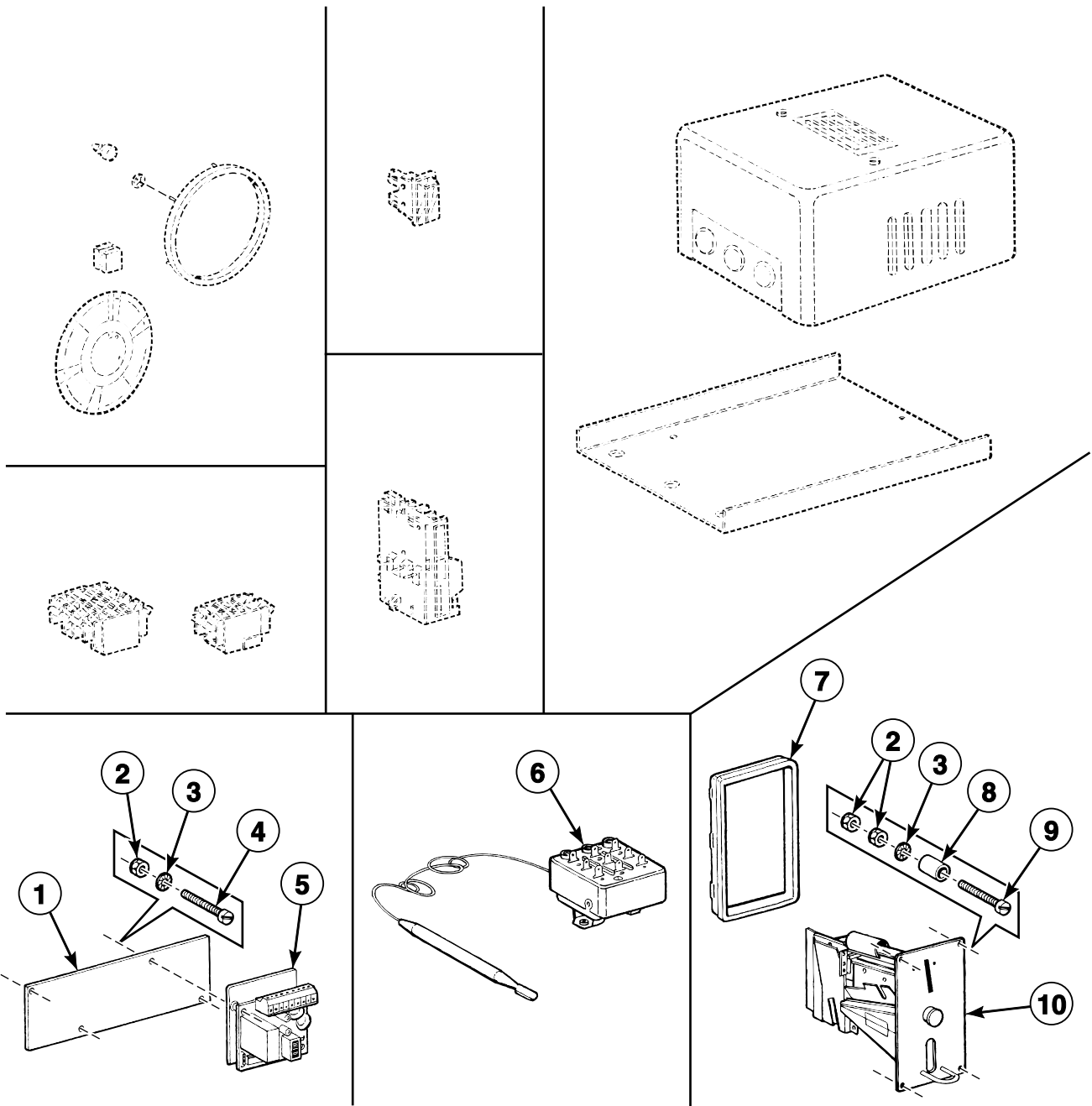


BE100065P_D0073

Transformer, Motor Thermal Protector and Program Indicator

REF	PART NO.	DESCRIPTION	COMMENTS
1	225/00002/00	Program Indicator	Dutch 1; 6 parts
	225/00009/00	Program Indicator	Polish 1; 6 parts
	225/00006/00	Program Indicator	Spanish 1; 6 parts
	225/00007/00	Program Indicator	Norwegian 1; 6 parts
	225/00003/00	Program Indicator	French 1; 6 parts
	225/00004/00	Program Indicator	English 1; 6 parts
	225/10061/00	Program Indicator	Spanish 2; 5 parts
	225/00005/00	Program Indicator	German 1
	225/10000/00	Program Indicator	
	225/10001/00	Program Indicator	English 1
	225/10001/01	Program Indicator	English 2
	225/10167/00	Program Indicator	
	225/00078/00	Program Indicator	Neutral 2
	2	223/00053/00	Fastening Rubber
3	225/10023/00	Fastener	
4	208/00010/00	Washer	
5	225/00014/00	Ring	
6	209/00125/00	Button	
7	209/00311/00	Transformer	
8	111/00075/00	Assembly Plate	
9	209/00283/00	Protector	LR2-D1306/1-1,6A
	209/00284/00	Protector	LR2-D1307/1,6-2,5A
	209/00264/00	Protector	LR2-D1310/4-6A
	209/00285/00	Protector	LR2-D1312/5,5-8A
	209/00299/00	Protector	LR2-D13169/9-13A
	209/00132/00	Protector	LR1-DO9321/13-18A
	209/00265/00	Protector	LR2-D1314/7-10A
	209/00263/00	Protector	LR2-D1308/2,5-4A

Coin Meter

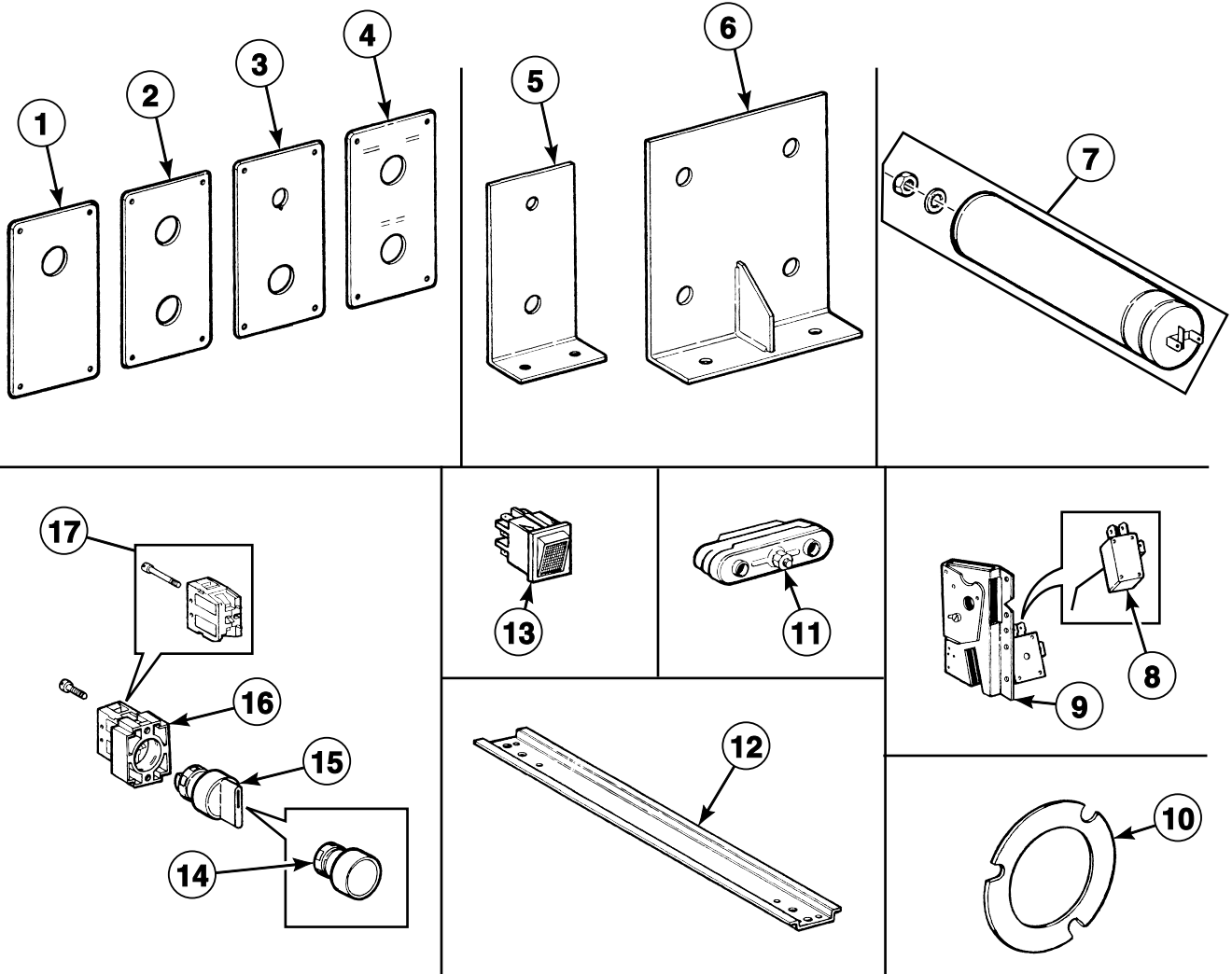


BE100065PA_D0073

Coin Meter

REF	PART NO.	DESCRIPTION	COMMENTS
1	111/00095/00	Assembly Plate	
2	204/00008/00	Nut	
3	203/00007/00	Washer	
4	207/00009/00	Screw	
5	209/00113/00	Electronic Stepper	
6	209/00054/00	Thermostat	
7	225/00020/00	Coin Meter Frame	
8	211/00050/00	Mounting Assembly	
9	207/00108/00	Screw	
10	209/00070/00	Coin Meter	Token; 15K
	209/00063/00	Coin Meter	5 BF or 1 FF
	209/00061/00	Coin Meter	Token; 7K
	209/00270/00	Coin Meter	10 FF or 1 FF
	209/00237/00	Coin Meter	10 FF or 2 FF
	209/00068/00	Coin Meter	Token; 10K
	209/00069/00	Coin Meter	Token; 12K
	209/00157/00	Coin Meter	2 FF
	209/00238/00	Coin Meter	5 FF or 2 FF
	209/00215/00	Coin Meter	0.25 HFL or 1 HFL
	209/00214/00	Coin Meter	0.25 HFL
	209/00111/10	Coin Meter	\$.25
	209/00111/00	Coin Meter	\$.25
	209/00216/00	Coin Meter	100 yen
	209/00060/00	Coin Drop	Token; 5K
	209/00117/00	Coin Meter	20 BF or 5 BF
	209/00305/00	Coin Meter	20 BF or 50 BF
	209/00278/00	Coin Meter	100 yen or 500 yen
	209/00289/00	Coin Meter	10 FF or 5 FF
	209/00156/00	Coin Meter	Token; Gettone per
	209/00064/00	Coin Meter	Australia; .20
	209/00159/00	Coin Meter	20 BF
	209/00245/00	Coin Meter	10 FF
	209/00297/00	Coin Meter	50 BF

Capacitor, Coin Meter and Heating Element Plug



BE100066P_D0073

Capacitor, Coin Meter and Heating Element Plug

REF	PART NO.	DESCRIPTION	COMMENTS
1	211/10131/00	Front Plate	
2	211/10132/00	Front Plate	
3	211/10133/00	Front Plate	
4	211/10134/00	Front Plate	
5	111/10138/00	Assembly Plate	
6	111/00034/00	Assembly Plate	
7	209/00078/00	Capacitor	20 mF; 400 Volt
	209/00080/00	Capacitor	25 mF; 400 Volt
	209/00034/00	Capacitor	40 mF; 320 Volt
	209/00033/00	Capacitor	50 mF; 320 Volt
	209/00077/00	Capacitor	50 mF; 330 Volt
	209/00079/00	Capacitor	60 mF; 330 Volt
	209/00035/00	Capacitor	100 mF; 330 Volt
8	209/00060/12	Coin Drop Microswitch	
9	211/10127/00	Stacker	Drop shaft coin meter; Left
	211/10128/00	Stacker	Drop shaft coin meter; Right
	211/10142/00	Coin Meter	Stacker; 10K
	211/10126/00	Coin Meter	Stacker; 5BF
	211/10125/00	Coin Meter	Stacker; 5FF
	211/10123/00	Coin Meter	Stacker; 10FF
	211/10144/00	Coin Meter	Stacker; 12K
	211/10124/00	Coin Meter	Stacker; 5K
	211/10145/00	Coin Meter	Stacker; 2FF
10	211/00051/00	Rubber Seal	
11	209/00196/00	Heating Element Plug	
12	111/00074/00	Rail	
13	209/00181/00	Button	
14	209/00099/03	Button	ZB2-BA3; Green
	209/00099/04	Button	ZB2-BA4; Red
15	209/00099/08	Button	ZB2-BD5
	209/00099/09	Button	ZB2-BD2
16	209/00099/05	Contact	
17	209/00099/06	Contact Switch	ZB2-BE102
	209/00099/07	Contact Switch	ZB2-BE101

Parts Index

A

Anti-Splash Plate	
123/00107/00	43
Assembly Plate	
111/00034/00	107
111/00037/AO	61, 63
111/00038/AO	61, 63
111/00062/00	53
111/00075/00	103
111/00079/00	45
111/00095/00	105
111/00137/00	67
111/00139/00	67
111/00143/00	67
111/00145/00	61
111/10138/00	107
111/10140/00	45
124/00023/00	71
209/00045/07	35
Axle	
111/00138/00	67

B

Back Panel	
111/00036/11	89
111/40001/00	89
Backbridge	
111/01164/10	31
Ball Bearing	
216/00001/02	85
216/00001/03	85
Base	
114/00011/00	99
114/00012/00	99
114/00013/00	99
114/00014/00	99
Bearing Housing	
116/00001/00	85
Bearing Kit	
KBRGWE165	85
Belt Tensioner	
126/00056/00	95
Bolt	
205/00102/00	85
205/00104/00	79, 91
205/00105/00	91
205/00106/00	91, 93
206/00002/00	81
206/00003/00	99
206/00004/00	87
206/00006/00	95
206/00010/00	9, 11, 13
206/00011/00	71, 81
206/00012/00	69, 71, 73
206/00013/00	81
206/00014/00	9, 13, 15, 63, 89
206/00015/00	61, 63, 65, 71, 91, 95
206/00016/00	49
206/00027/00	45

206/00033/00	101
206/00068/00	15
Bridge	
124/00002/00	69
124/00013/00	73
Bushing	
204/00301/00	89
Button	
209/00099/03	107
209/00099/04	51, 107
209/00099/08	51, 107
209/00099/09	107
209/00125/00	103
209/00181/00	107
209/00251/00	51
209/00252/00	51
209/00280/01	51, 53

C

Cable Duct	
225/00027/00	67
Capacitor	
209/00033/00	107
209/00034/00	107
209/00035/00	107
209/00077/00	107
209/00078/00	107
209/00079/00	107
209/00080/00	107
Card Reader	
209/00257/00	47
Clamp	
208/00008/00	69, 71, 73
223/00057/00	9, 13
Clip	
209/00007/01	63
Coil	
209/00001/01	35, 37
209/00051/21	17, 19, 21, 23, 25, 27, 29
209/00052/21	17, 19, 21, 23, 27, 29
209/00203/21	17, 19, 21, 23, 27, 29
209/00211/11	25
209/00212/11	25
223/00051/11	39
Coin Box	
111/00067/00	101
211/00071/00	101
Coin Box Key	
211/00065/02	101
Coin Box Lock	
211/00065/00	101
Coin Box Ring	
111/00066/00	101
Coin Box Ring Assembly	
111/00100/00	101
Coin Display	
209/00217/00	53
Coin Drop	
209/00060/00	105

N/A items do not appear in index.

Coin Drop Microswitch	
209/00060/12	107
Coin Meter	
209/00061/00	105
209/00063/00	105
209/00064/00	105
209/00068/00	105
209/00069/00	105
209/00070/00	105
209/00111/00	105
209/00111/10	105
209/00117/00	105
209/00156/00	105
209/00157/00	105
209/00159/00	105
209/00214/00	105
209/00215/00	105
209/00216/00	105
209/00237/00	105
209/00238/00	105
209/00245/00	105
209/00270/00	105
209/00278/00	105
209/00289/00	105
209/00297/00	105
209/00305/00	105
211/10123/00	107
211/10124/00	107
211/10125/00	107
211/10126/00	107
211/10142/00	107
211/10144/00	107
211/10145/00	107
Coin Meter Frame	
225/00020/00	105
Connection	
210/10007/00	61, 67
Connection Rod	
124/00004/00	69, 71
Connector	
223/00073/00	33
Contact	
209/00099/05	51, 55, 107
Contact Switch	
209/00099/06	51, 107
209/00099/07	51, 107
209/00099/26	53
Contactactor	
209/00041/03	61, 63, 65, 67
209/00041/04	61, 63, 65, 67
209/00042/02	63
209/00056/02	61, 63, 65, 67
209/00124/00	63
209/00148/02	61, 63, 65, 67
209/00149/02	61, 63, 65, 67
209/00177/02	61, 63, 65, 67
209/06150/02	61, 63, 65, 67
Cordlock	
211/00097/00	31
Core	
209/00001/06	35, 37
209/00090/07	35
223/00051/05	35, 37, 39
Core Holder	
209/00001/04	35, 37
209/00090/05	35
223/00051/03	35, 37, 39

Cotter Pin	
208/00003/00	69, 71
Counter Ring	
219/00004/00	87
Cover Plate	
111/00105/00	67
111/00142/00	67
111/00200/00	31
Cross	
114/00006/00	99
Cylinder and Shaft	
111/01958/00	81
122/00014/00	81
122/00016/00	81
122/00030/00	81
122/10011/00	81
122/10015/00	81
136/00007/00	81
136/00009/00	81
136/00011/00	81
136/00017/00	81
136/10008/00	81
Cylinder Shaft Key	
216/00002/04	87

D

Detector	
209/00290/06	67
Diaphragm	
209/00001/07	35, 37
209/00090/08	35
223/00051/06	35, 37, 39
Display	
223/10066/00	53
Door	
118/00064/00	79
Door Axle Roller	
217/00013/05	77
Door Circlip	
217/00013/11	77
Door Frame	
118/00046/10	79
Door Glass	
217/00014/00	79
Door Handle	
217/00013/02	77
217/00013/12	77
217/00051/00	77, 79
217/00051/10	77
Door Handle Assembly Plate	
217/00013/16	77
Door Handle Hook	
217/00013/13	77
Door Handle Latch	
217/00013/04	77
Door Handle Locking Pin	
217/00013/15	77
Door Handle Spring	
217/00013/14	77
Door Handle Stop	
217/00016/00	79
Door Hinge	
217/00009/01	79

N/A items do not appear in index.

Door Hinge Assembly 217/00009/02	79
Door Hinge Spacer 117/00010/00	79
117/00011/00	79
Door Interlock Coil 209/00017/00	69, 71
209/00018/00	69, 71
Door Latch Cord 224/00015/00	73, 75
Door Lock 124/00010/00	73
Door Lock Assembly 217/00017/00	79
217/00052/01	75
Door Lock Board 209/00275/04	75
Door Lock Microswitch 209/00272/00	75
Door Lock Pin Kit 211/00109/00	75
217/00052/02	75
Door Lock Solenoid 209/00274/00	75
Door Lock Spacer 217/00052/03	75
Door Lock Spring 217/00013/03	77
224/00009/00	73
Door Locking Grip 217/00013/07	77
Door Locking Pin 217/00013/08	77
Door Mounting Pin 217/00013/09	77
Door Roller 217/00013/06	77
Door Solenoid 309/00028/00	69, 71
Door Switch 209/00023/00	79
Drain Elbow 223/00054/00	9, 13
223/00056/00	9, 13
Drain Hose 223/00046/00	9, 13
223/00072/00	9, 13
Drain Housing Gasket 209/00025/02	17, 27, 29
Drain Pipe 223/00105/00	11, 15
Drain Valve 209/00051/00	9, 11, 13
209/00052/00	9, 11, 13
209/00075/00	9, 11, 13
209/00075/05	23, 25
209/00115/00	9, 11, 13
209/00171/00	9, 11, 13
209/00203/00	9, 11, 13
209/00256/00	15
Drain Valve Covering 113/00026/00	9, 11, 13
Drain Valve Handle 209/00115/11	21, 25

Drain Valve Motor 209/00051/11	17, 21, 23, 27
209/00052/11	17, 21, 23, 27
209/00052/12	19, 25, 29
209/00203/11	17, 21, 23, 27
209/00203/12	19, 25, 29
Drain Valve Motor Assembly 209/00170/06	19, 25, 29
Drain Valve Motor Mounting Plate 209/00025/07	17, 23, 27, 29
209/00115/04	21, 25
Drain Valve Overflow Plug 223/00086/00	11
Drain Valve Shaft 209/00170/10	19, 21, 23, 25
Drain Valve Shaft Seal 209/00025/10	17, 19, 21, 23, 25, 27, 29
Drain Valve Spring 209/00025/03	17, 27, 29
209/00025/13	17, 21, 23, 27
209/00170/02	19, 25, 29
Drum and Axle 136/10004/00	81

E

Electronic Stepper 209/00113/00	105
Emergency Stop Button Kit 209/00253/00	51
Exhaust Valve 209/00170/01	19, 21
209/00292/00	15
223/00112/00	11
Exhaust Valve Housing 209/00025/01	17

F

Fastener 224/00036/00	45
225/10023/00	103
Fastening Ring 216/00003/02	87
Fastening Rubber 223/00053/00	103
Filter 209/00001/10	33
223/00051/08	33
223/00060/00	33
Front Bridge 111/00091/00	49
Front Panel 111/00043/00	49
111/00044/00	45
111/00084/00	49
111/00951/00	91
111/00952/00	91
111/01151/00	91
111/01152/00	91
111/01211/00	91
111/01212/00	91
111/01251/00	91

N/A items do not appear in index.

111/01252/00	91
111/01311/00	91
111/01312/00	91
111/01352/00	91
111/01411/00	91
111/01412/00	91
111/01511/00	91
111/01512/00	91
111/01611/00	91
111/01612/00	91
111/10149/00	91
111/10150/00	91
111/10171/00	91
111/10172/00	91
111/10174/00	51, 53
111/10176/00	47
111/22711/00	91
111/22712/00	91
111/22751/00	91
111/22752/00	91
225/00153/ABL	57
225/00266/AOL	51
225/00277/AOL	47
225/00287/ABL	57
Front Plate	
111/00068/00	101
211/10131/00	107
211/10132/00	107
211/10133/00	107
211/10134/00	107
Fuse	
209/00195/00	31
Fuse Holder	
209/00202/00	31

G

Gasket	
246/00092/00	67

H

Handle Grommet	
223/00008/01	89
Heating Element	
209/00049/00	81
209/00116/00	81
209/00563/30	81
209/00581/00	81
Heating Element Plug	
209/00196/00	107
Hinge Pin	
123/00008/04	89
Holder	
217/00019/00	79
225/00019/00	67
Hook	
111/00001/00	91
111/00002/00	91
Hose	
223/00007/00	41
223/00018/00	31
223/00115/00	43

Hose Barb	
223/00016/00	63
Hose Clamp	
223/00010/00	33, 41, 43
223/00011/00	31, 61, 63, 65
223/00012/00	9, 11, 13
223/00013/00	9, 11, 13, 15, 41, 43
223/00014/00	9, 11, 13, 15
223/00023/00	43
Hose Tee	
223/00035/01	13
Hose Vent	
223/00102/07	43

I

Injector	
223/00001/05	41
Inlet Valve	
209/00276/00	33
Inlet Valve Solenoid	
209/00090/01	35
209/00178/01	35
Inlet Valve, 1-Way	
209/00048/08	37
223/00051/12	39
Inlet Valve, 2-Way	
209/00110/00	33
209/00370/00	33
223/00051/02	35, 37, 39
223/00051/07	37
Inlet Valve, 3-Way	
209/00001/08	35, 37
209/00277/00	33
223/00051/13	39
Inner Coin Box	
211/00070/03	101
Insulation Plate	
217/00038/00	79
Interlock Coil Spring	
224/00043/00	75
Interlock Lever	
217/00052/04	75
Interlock Pin	
224/00003/00	79
Inverter Drive	
F8421305	97
F8421306	97
F8421307	97
F8421308	97
Inverter Drive Kit	
F8421205	97
F8421206	97
F8421207	97
F8421208	97

J

Joint	
223/00049/01	33

K

Keyboard	
209/00290/02	55
Keypad	
229/00244/00	55

L

Lamp	
209/00151/00	45, 51, 53
Lens Cover	
209/00152/00	47, 51, 53, 91
209/00154/00	53, 91
Level Switch Elbow	
223/00015/00	63
Lever Spring	
224/00040/00	75
Lid Seal	
223/00003/00	41
Light Microswitch	
209/00273/00	75
Lock	
124/00020/00	71
209/00279/00	65, 67
211/00110/00	75
Lock Shaft	
217/00017/03	75
Lock Spring	
224/00021/00	71
Lower Front Panel	
111/01231/00	91
111/01331/00	91
111/01351/00	91
111/01431/00	91
111/01531/00	91
111/01631/00	91
111/10151/00	91
111/22731/00	91

M

Microswitch	
209/00145/00	71
209/00271/00	75
Motor	
227/00014/00	95
227/00015/00	95
227/00017/00	95
227/00018/00	95
227/00127/00	95
228/00001/01	95
228/00002/01	95
228/00003/01	95
228/00004/01	95
228/00005/01	95
228/00101/01	95
228/00103/01	95
228/00104/00	95
228/00105/01	95
228/00106/00	95
228/00108/01	95

228/00109/01	95
Motor Axle	
126/00052/00	95
Motor Mounting Plate	
209/00170/04	19
Motor Spring	
226/00010/00	95
Mounting Assembly	
211/00050/00	105
Mounting Plate	
111/00016/00	63
111/00035/00	59, 61
111/00039/AO	59, 65
111/00124/00	59, 65
223/00001/06	41

N

Nut	
204/00002/00	81, 85, 99
204/00004/00	9, 11, 13, 81, 95
204/00005/00	9, 13, 15, 61, 63, 65, 69, 71, 73, 79, 81, 91, 101
204/00007/00	31, 45, 47, 51, 53, 55, 59, 61, 63, 65, 67, 71, 91, 95
204/00008/00	31, 45, 51, 53, 67, 71, 75, 105
204/00009/00	69, 71, 73
204/00011/00	91
204/00013/00	49, 91
204/00103/00	75, 79
204/00104/00	91
204/00105/00	43
204/00106/00	79, 91
204/00107/00	91
204/00109/00	15
204/00114/00	51
204/00116/00	55
204/00201/00	41
208/00002/00	31, 89
208/00104/00	93
211/00022/00	31
211/00065/01	101

O

O-Ring	
217/00002/00	85
217/00021/00	75, 79
223/00035/03	13
Outer Cabinet Lock	
211/00070/01	101
Outer Coin Box	
211/00100/00	101
Outlet Pipe	
223/00025/00	9, 13
Outlet Pipe Plate Assembly	
101/00007/00	9, 13, 15, 91
Overflow Hose	
223/00130/00	9, 13, 15
Overflow Pipe	
223/00111/00	11

N/A items do not appear in index.

P

Panel	
124/00019/00	71
Pilot Light	
209/00249/00	47, 51, 53
Pin	
208/00004/00	79
211/00105/00	79
Plate	
111/32106/00	51
223/00051/09	39
Plate, 1-Outlet	
209/00048/03	37
Plate, 1-Way	
209/00001/11	35, 37
Plate, 2-Way	
209/00001/03	35, 37
Plug	
209/00141/00	67
211/00084/00	31
211/00087/00	31
Pressure Hose	
223/00017/00	63
223/00036/00	13
223/00083/00	13
Pressure Hose Kit	
223/00120/00	61, 65
Pressure Switch	
209/00007/30	61, 65
Pressure Switch Bracket	
111/00424/00	61, 65
Pressure Switch Cap	
223/00035/02	13
Prewash and Mainwash Nozzle	
223/00001/04	41
Printboard	
209/00290/01	67
Program Card	
209/00082/00	45
Program Indicator	
225/00001/00	73
225/00002/00	103
225/00003/00	103
225/00004/00	103
225/00005/00	103
225/00006/00	103
225/00007/00	103
225/00009/00	103
225/00078/00	103
225/10000/00	103
225/10001/00	103
225/10001/01	103
225/10061/00	103
225/10167/00	103
Programming Switch	
209/00326/00	55
Program Indicator	
225/00001/00	63
Protection Block	
217/00017/02	79
Protection Plate	
124/00001/00	79

Protector	
209/00132/00	65, 67, 103
209/00263/00	65, 67, 103
209/00264/00	65, 67, 103
209/00265/00	65, 67, 103
209/00283/00	65, 67, 103
209/00284/00	65, 67, 103
209/00285/00	65, 67, 103
209/00299/00	65, 67, 103

Pulley	
216/00002/00	87
216/00003/00	87
226/00036/00	95
226/00053/00	95
226/00058/00	95
226/00059/00	95
226/00060/00	95
226/00061/00	95
226/00062/00	95
226/00083/00	95

Pushbutton	
209/00254/00	47, 51, 53
209/00254/21	47

R

Rail	
111/00074/00	107
Rear Panel	
111/00040/AO	31
111/00040/00	31
111/00086/00	31
Retaining Ring	
117/00042/00	85, 91
Reversing Timer	
209/00012/00	59, 61, 63
209/00013/00	59, 61, 63
Ring	
223/00048/00	63
225/00014/00	103
Rinse Insert	
223/00102/03	43
Rivet	
206/00017/00	95
Rubber Seal	
211/00051/00	107

S

Safety Ring	
226/00054/00	95
Screw	
206/00001/00	81, 85
206/00007/00	81, 95
206/00018/00	73
206/00021/00	59, 61, 63, 65, 69, 71
206/00038/00	101
20700004/00	61, 67
207/00003/00	31, 63, 65, 67, 71, 95
207/00004/00	33, 59, 69, 71
207/00006/00	31, 71, 75
207/00008/00	51, 53, 59, 61, 65
207/00009/00	105
207/00011/00	45

N/A items do not appear in index.

201/00003/00	87
201/00005/00	81
201/00006/00	91
201/00007/00	31, 63, 81, 89, 91, 101
201/00008/00	45, 47, 51, 55, 91
201/00010/00	95
201/00012/00	85
201/00013/00	85
201/00017/00	75
201/00018/00	75
201/00201/00	85
202/00002/00	9, 11, 13, 15, 81
202/00003/00	45, 61, 65, 71, 79, 81, 91, 93
202/00004/00	31, 45, 55, 63, 71
202/00101/00	79
202/00102/00	89
202/00103/00	91
203/00001/00	81, 85, 87, 99
203/00002/00	95
203/00003/00	9, 11, 13, 81
203/00004/00	9, 13, 15, 61, 63, 65, 69, 71, 73, 81, 89, 91
203/00005/00	49, 91
203/00006/00	31, 45, 51, 53, 55, 61, 63, 65, 67, 69, 71, 95
203/00007/00	31, 45, 51, 53, 67, 71, 75, 105
203/00008/00	43, 59
208/00009/00	91
208/00010/00	103
209/00025/12	19, 21, 23, 25, 27, 29
211/00070/02	101
223/00001/07	41
223/00065/01	45, 49
223/00123/00	51, 53, 67
Water Hose	
F200165	33
223/00044/00	33, 41, 43
Water Inlet Tee	
223/00041/00	33
Water Level Switch	
209/00007/10	63
Wire Bridge	
124/00005/00	69, 71, 73, 79
Wire Holder	
211/00083/00	63
