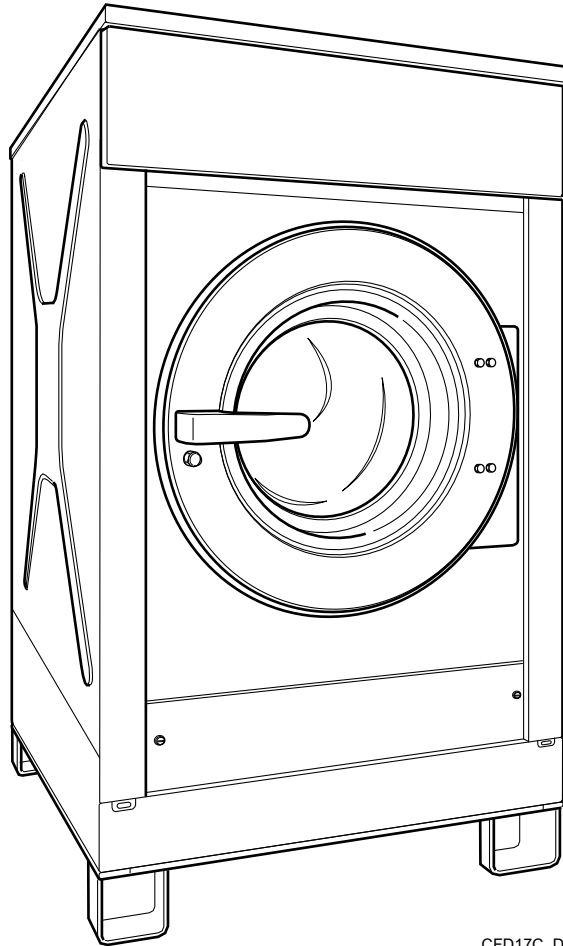


Washer-Extractor

Cabinet Freestanding
Refer to Page 5 for Model Numbers



CFD17C_D0050



&



www.partsking.com

Part No. D0050R4
February 2012

Table of Contents

| Title | Page |
|---|------|
| Parts Ordering Information..... | 3 |
| Nameplate Location..... | 3 |
| Model Identification..... | 5 |
| Cabinet Freestanding Washer-Extractor Product Overview (Drawing 1 of 2)..... | 6 |
| Cabinet Freestanding Washer-Extractor Product Overview (Drawing 2 of 2)..... | 8 |
| Frame..... | 10 |
| Shock and Spring Assembly..... | 12 |
| Shock and Spring Assembly - Models Starting 3/31/10..... | 14 |
| Shell and Basket..... | 16 |
| Bearing Assembly - Models Through 2/21/10..... | 18 |
| Bearing Assembly - Models Starting 2/22/10..... | 20 |
| Basket, Pulley and Belt..... | 22 |
| Motor and Belt..... | 24 |
| Drain Assembly - Models Through 3/30/10..... | 26 |
| Drain Assembly - Models Starting 3/31/10..... | 28 |
| Door Lock..... | 30 |
| Door..... | 32 |
| Control Panel - SX Models..... | 34 |
| Control Panel - UX Models..... | 36 |
| Control Panel - Cygnus Professional OPL Models..... | 38 |
| Control Panel - Cygnus Premium OPL Models..... | 40 |
| Control Panel - Cygnus Premium Coin Models..... | 42 |
| Control Panel - Cygnus Standard/Commercial OPL Models..... | 44 |
| Control Panel - Cygnus Standard/Commercial Coin Models..... | 46 |
| Control Panel - Micro-20 OPL Models..... | 48 |
| Control Panel - Micro-20 and Sigma Coin Models..... | 50 |
| Control Panel - Sigma OPL Models..... | 52 |
| Control Panel - PS40F Models..... | 54 |
| Coin Drop - Mechanical Coin Meter..... | 56 |
| Coin Drop - Electronic Coin Meter..... | 58 |
| Top, Right Side and Lower Back Panels..... | 60 |
| Front, Left Side and Upper Back Panels..... | 62 |
| Upper Back Panel - Cygnus Control Models..... | 64 |
| Upper Back Panel with Circular Ventilation - All Models Except Cygnus Control..... | 66 |
| Upper Back Panel with Rectangular Ventilation - All Models Except Cygnus Control..... | 68 |
| AC Drive - Cygnus Control Models..... | 70 |
| AC Drive - All Models Except Cygnus Control..... | 72 |
| Main Switch and Noise Filter..... | 74 |
| Soap Injection, Network Connection and Central Operating Panel Connection Printboards..... | 76 |
| Soap Injection Printboard, Network Connection Printboard and Noise Filter - All Models Except Cygnus Control..... | 78 |
| Relay, Frequency Inverter, Network Connection and Main Printboards - Cygnus Control Models..... | 80 |

© Copyright 2012, Alliance Laundry Systems LLC

All rights reserved. No part of the contents of this book may be reproduced or transmitted in any form or by any means without the expressed written consent of the publisher.

| | |
|--|----|
| Control Module..... | 82 |
| Balance Switch | 84 |
| Supply Dispenser with Round Ventilation Opening | 86 |
| Supply Dispenser with Rectangular Ventilation Opening..... | 88 |
| Electric and Steam Heating Options | 90 |
| Soap Pumps | 92 |
| Liquid Supply Pump | 94 |
| Parts Index..... | 97 |

Parts Ordering Information

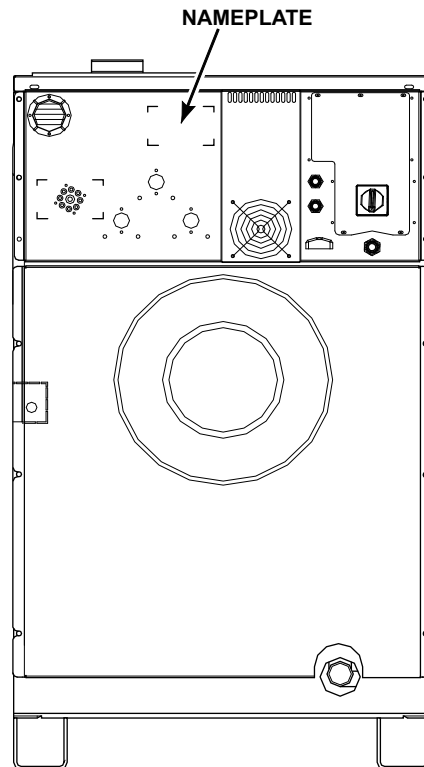
If literature or replacement parts are required, contact the source from whom the machine was purchased or contact Alliance Laundry Systems at (920) 748-3950 for the name and address of the nearest authorized parts distributor.

For technical assistance, call either of the numbers listed below:

(920) 748-3121 Ripon, Wisconsin
+32 56 41 20 54 Wevelgem, Belgium

Nameplate Location

When calling or writing about your product, be sure to mention model and serial numbers. Model and serial numbers are located on nameplate(s) as shown.



CFD280P_D0050

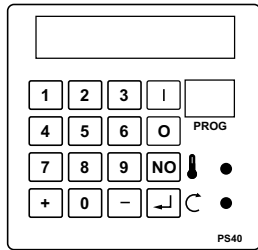
Model Identification

Information in this manual is applicable to these washer-extractor models:

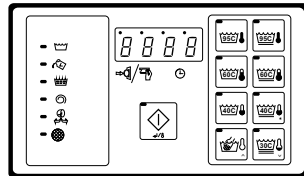
| | | | |
|-----------|----------------------------|-----------|-----------|
| CHF033ANH | HF150_CYGNUS-COMM_COIN | IHF033ANH | IHF185ANH |
| CHF033MCH | HF150_CYGNUS-COMM_OPL | IHF033MCH | IHF185MCH |
| CHF033MDH | HF150_CYGNUS-PREM_COIN | IHF033MDH | IHF185MDH |
| CHF033MEH | HF150_CYGNUS-PREM_OPL | IHF033MEH | IHF185MEH |
| CHF033MLH | HF150_CYGNUS-PRO | IHF033MLH | IHF185MLH |
| CHF033MNH | HF150_CYGNUS-STANDARD_COIN | IHF033MNH | IHF185MNH |
| CHF033MXH | HF150_CYGNUS-STANDARD_OPL | IHF033MXH | IHF185MXH |
| CHF033MYH | HF150_MICRO-20_COIN | IHF033MYH | IHF185MYH |
| CHF045ANH | HF150_MICRO-20_OPL | IHF033SCH | IHF185SCH |
| CHF045MCH | HF150_PS40F | IHF033SDH | IHF185SDH |
| CHF045MDH | HF150_SIGMA_COIN | IHF033SEH | IHF185SEH |
| CHF045MEH | HF150_SIGMA_OPL | IHF033SLH | IHF185SLH |
| CHF045MLH | HF185_CYGNUS-COMM_COIN | IHF033SRH | IHF185SRH |
| CHF045MNH | HF185_CYGNUS-COMM_OPL | IHF033SXH | IHF185SXH |
| CHF045MXH | HF185_CYGNUS-PREM_COIN | IHF033SYH | IHF185SYH |
| CHF045MYH | HF185_CYGNUS-PREM_OPL | IHF045ANH | IHF185ZNH |
| CHF150ANH | HF185_CYGNUS-PRO | IHF045MCH | SX33BVPA7 |
| CHF150MCH | HF185_CYGNUS-STANDARD_COIN | IHF045MDH | SX33BVQA7 |
| CHF150MDH | HF185_CYGNUS-STANDARD_OPL | IHF045MEH | SX33BVXA7 |
| CHF150MEH | HF185_MICRO-20_COIN | IHF045MLH | SX33BVXM7 |
| CHF150MLH | HF185_MICRO-20_OPL | IHF045MNH | SX40BVPA7 |
| CHF150MNH | HF185_PS40F | IHF045MXH | SX40BVQA7 |
| CHF150MXH | HF185_SIGMA_COIN | IHF045MYH | SX40BVXA7 |
| CHF150MYH | HF185_SIGMA_OPL | IHF045SCH | SX40BVXM7 |
| CHF185ANH | | IHF045SDH | UX33PVNA7 |
| CHF185MCH | | IHF045SEH | UX33PVPA7 |
| CHF185MDH | | IHF045SLH | UX33PVQA7 |
| CHF185MEH | | IHF045SRH | UX33PVQM7 |
| CHF185MLH | | IHF045SXH | UX33PVXA7 |
| CHF185MNH | | IHF045SYH | UX33PVXM7 |
| CHF185MXH | | IHF150ANH | UX40PVNA7 |
| CHF185MYH | | IHF150MCH | UX40PVPA7 |
| | | IHF150MDH | UX40PVQA7 |
| | | IHF150MEH | UX40PVQM7 |
| | | IHF150MLH | UX40PVXA7 |
| | | IHF150MNH | UX40PVXM7 |
| | | IHF150MXH | |
| | | IHF150MYH | |
| | | IHF150SCH | |
| | | IHF150SDH | |
| | | IHF150SEH | |
| | | IHF150SLH | |
| | | IHF150SRH | |
| | | IHF150SXH | |
| | | IHF150SYH | |
| | | IHF150ZNH | |

Cabinet Freestanding Washer-Extractor Product Overview (Drawing 1 of 2)

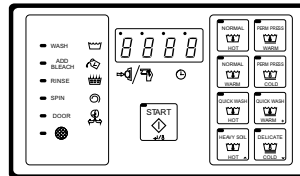
| | | | |
|---|--|--|--|
| Model No: IHF150MNHX10U02 | | Serial No: 0805F50119 | |
| Volts Hertz: 200-240 50/60 | | Type: HF150C | |
| Phase: 1/3 | | Capacity: 35/14,5 lbs/kg | |
| Amps: 16 amps | | Water Pressure: 30-85 psi | |
| Recommended Circuit Breaker: 20 amps | | Pressure: 2.07-5.86 bar | |
| Interrupt Current: 10 kA | | Max Speed: 1000 rpm | |
| Motor: 3 hp | | Net Weight: 811 lbs | |
| Elec Heat: N/A kW | | Weight: 368 kg | |
| Steam heat: N/A psi | | IPX4 | |
| Steam heat: N/A bar | | | |
| sfc: 750047 | | | |
| <p>Alliance International BVBA Made in Belgium</p> <p>TEL 1-920-748-3121 www.comlaundry.com</p> | | <p>106749 C LISTED US Conforms to ANSI/UL STD 2157 Certified to CAN/CSA STD. C22.2 NO 149-94</p> | |



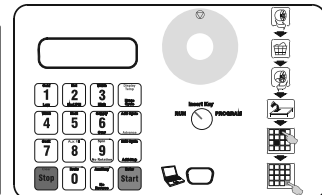
PS40



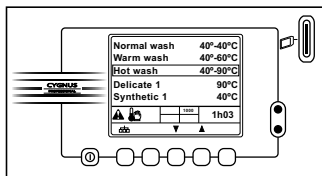
B Computer (International)



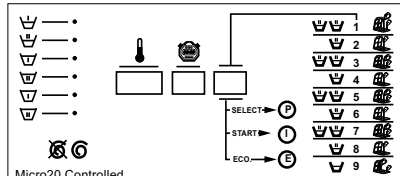
B Computer (Domestic)



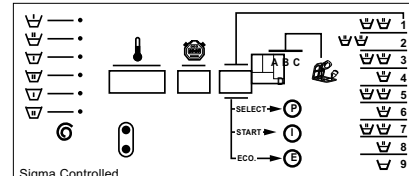
WE-8 Micro



Cygnus Professional



Micro 20



Sigma

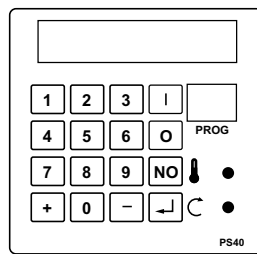
CFD295P_D0050

Cabinet Freestanding Washer-Extractor Product Overview (Drawing 1 of 2)

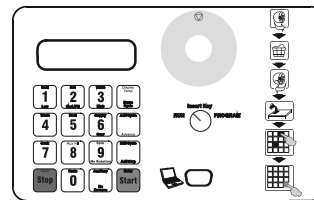
| REF | PART NO. | DESCRIPTION | COMMENTS |
|-----|----------|----------------|---|
| 1 | - | Product Family | CHF HF IHF SX UX |
| 2 | - | Capacity | 033 045 33 40 150 185 |
| 3 | - | Control | A (PS40F) B (B Computer) Cygnus-Comm Cygnus-Prem Cygnus-Standard M (Micro-20) P (WE-8 Computer) S (Sigma) Z (Cygnus-Pro) |
| 4 | - | Actuation | C (Coin Drop Meter) D (Dual Coin Drop) E (Electronic Drop) L (Prep for Remote or Central Pay) N (Non-Coin) R (Smart Card Ready) X (Prep for Coin) Y (Card Ready) |
| 5 | - | Speed | H (High) V (Variable) |
| 6 | - | Voltage | N (440-480/50-60/3/3) P (380-415/50-60/3/3) Q (200-240/50-60/3/3) X (200-240/50-60/1/3) |
| 7 | - | Design | 1 |

Cabinet Freestanding Washer-Extractor Product Overview (Drawing 2 of 2)

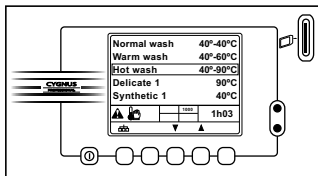
| | | |
|--|---------------|--|
| Type: | 1 | 2 |
| | HF150C | No: 08050F50123 |
| Voltage: | 3 ~ 380V 50Hz | Poids: 368 kg |
| Moteur: | 2,2 kW 10,00 | Capacité: 145 L |
| Chauffage: | 18 kW 30 A | Linge sec: 14,5 Kg |
| Total: | 20.20 kW | Tambour: 680 mm |
| Energie cinétique: | 2736 N | Vitesse: 1000 rpm |
| Fabriquée en: | 2008 | |
| Water pressure: min 4 - max 6 bar IPX4 | | |
| sfc: 750068 | | |
| Alliance International BVBA  IPSO | | Nieuwstraat 146 8560 Wevelgem Belgium Tel: +32 56 41 20 54 Fax: +32 56 41 86 74 www.ipso.be |
|  | | |



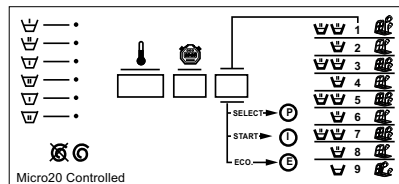
PS40



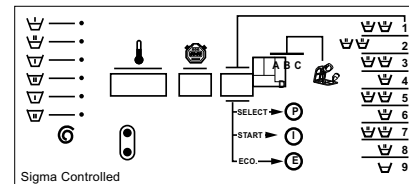
WE-8 Micro



Cygnus Professional



Micro 20



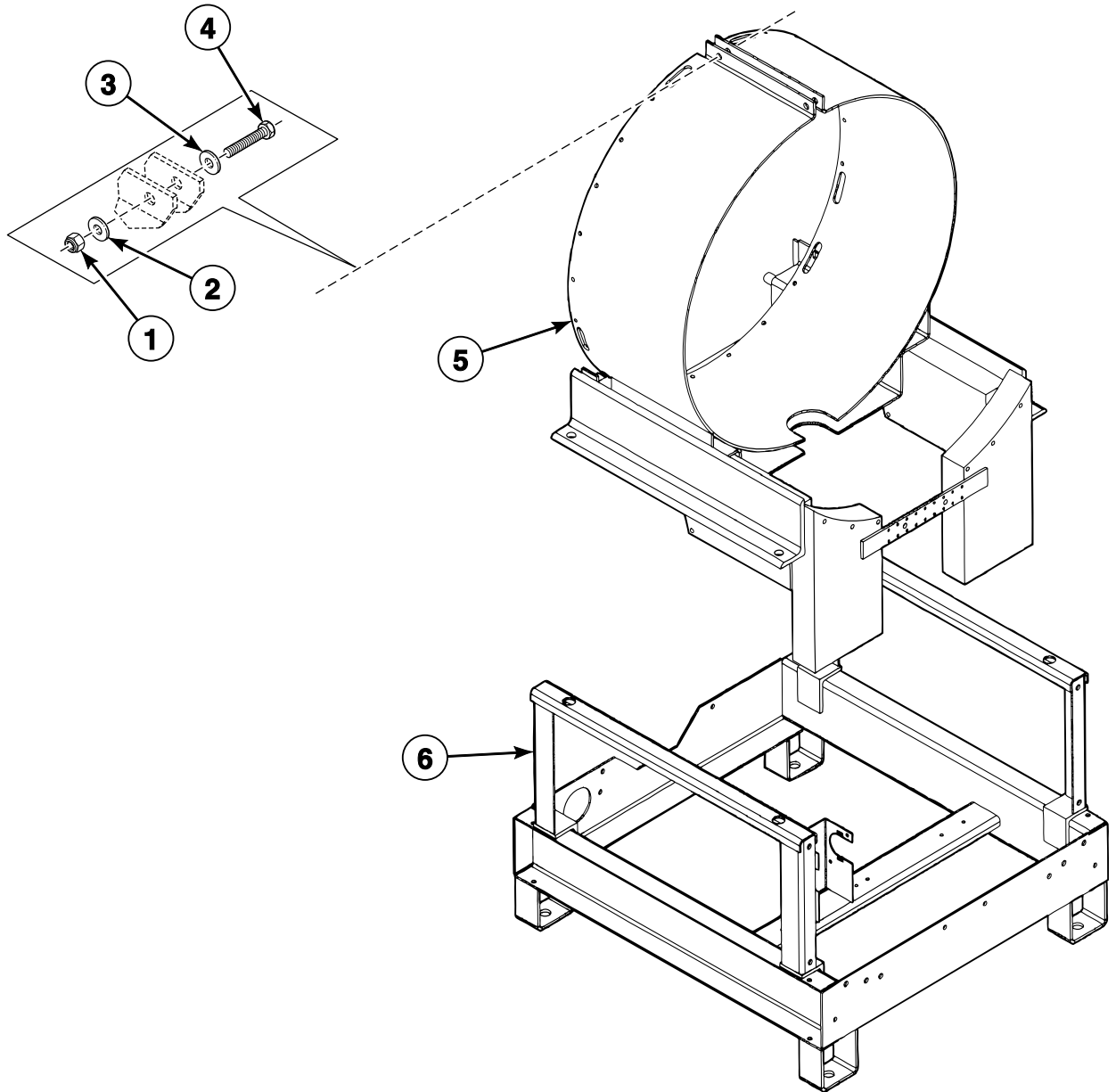
Sigma

CFD281P_D0050

Cabinet Freestanding Washer-Extractor Product Overview (Drawing 2 of 2)

| REF | PART NO. | DESCRIPTION | COMMENTS |
|-----|----------|----------------|------------|
| 1 | - | Product Family | HF |
| 2 | - | Capacity | 150 185 |

Frame

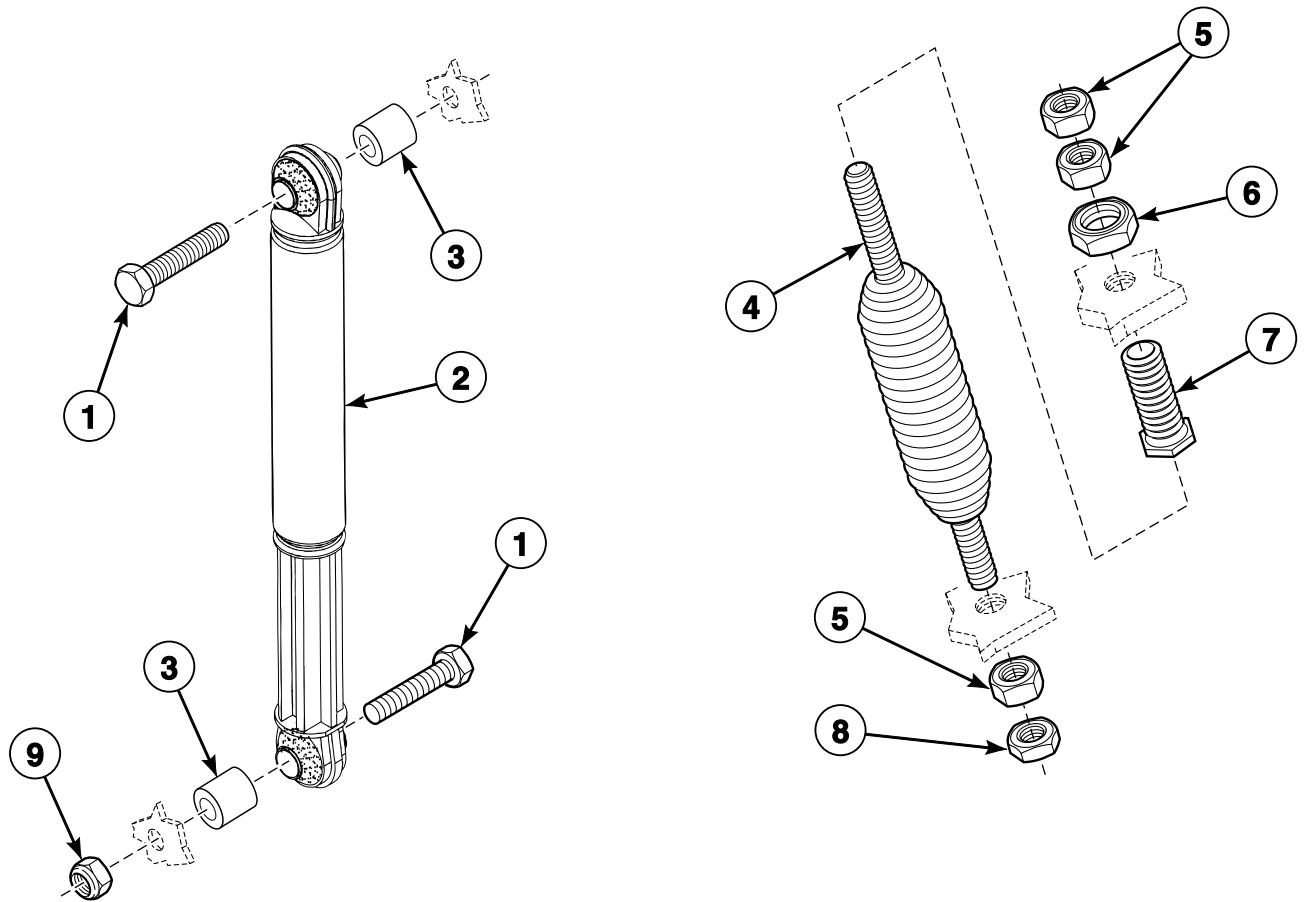


BE000632P_D0050

Frame

| REF | PART NO. | DESCRIPTION | COMMENTS |
|-----|--------------|----------------------|--------------------------|
| 1 | 204/00111/00 | Nut | |
| 2 | 201/00005/00 | Washer | |
| 3 | 203/00001/00 | Washer | |
| 4 | 206/00053/00 | Screw | |
| 5 | 150/00108/00 | Tub Support Assembly | *33 and *150 models |
| | 185/00108/00 | Tub Support Assembly | *40, *45 and *185 models |
| 6 | 150/00111/50 | Frame | *33 and *150 models |
| | 185/00111/50 | Frame | *40, *45 and *185 models |

Shock and Spring Assembly

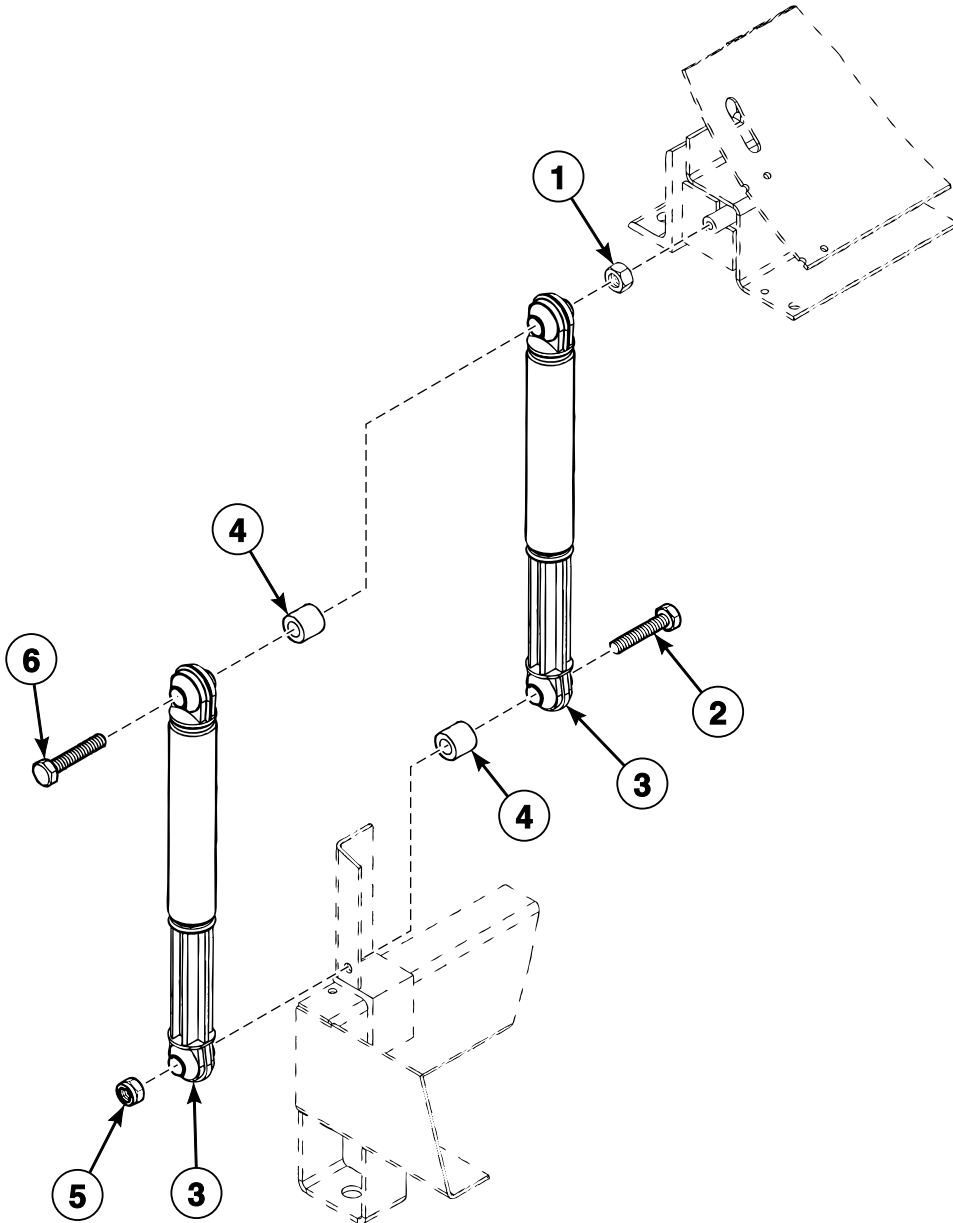


BE000647P_D0050

Shock and Spring Assembly

| REF | PART NO. | DESCRIPTION | COMMENTS |
|-----|--------------|-------------------|----------|
| 1 | 206/00037/00 | Bolt | |
| 2 | 247/00004/00 | Shock Absorber | |
| 3 | 224/00054/00 | Separator | |
| 4 | 247/00010/01 | Suspension Spring | |
| 5 | 204/00012/00 | Nut | |
| 6 | 204/00016/00 | Nut | |
| 7 | 224/00046/00 | Bolt | |
| 8 | 204/00019/00 | Nut | |
| 9 | 204/00110/00 | Nut | |

Shock and Spring Assembly - Models Starting 3/31/10

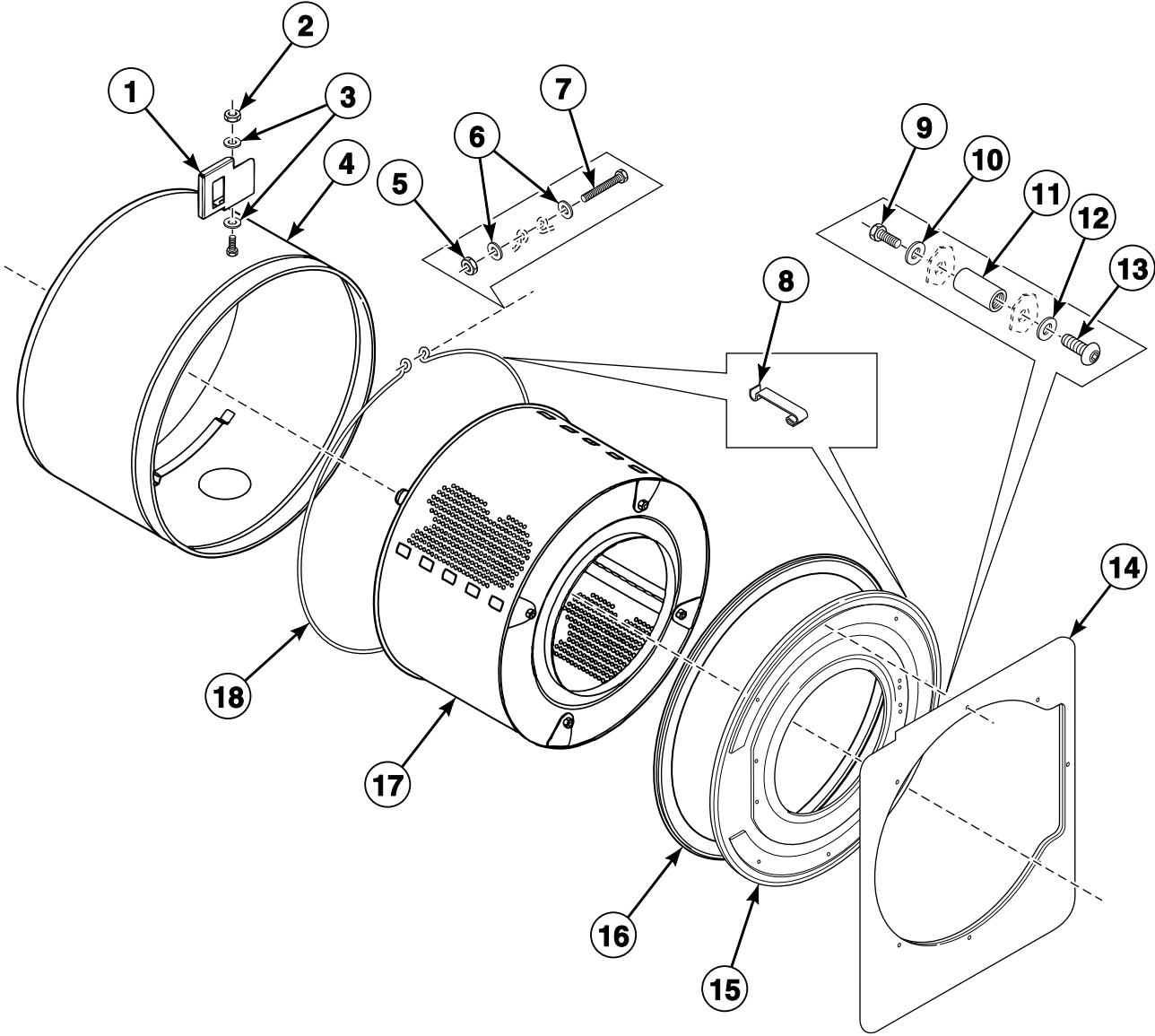


CFD336P_D0050

Shock and Spring Assembly - Models Starting 3/31/10

| REF | PART NO. | DESCRIPTION | COMMENTS |
|-----|--------------|----------------|----------|
| 1 | 9001248 | Nut | |
| 2 | 206/00052/00 | Bolt | |
| 3 | 9001614 | Shock Absorber | |
| 4 | 224/00054/00 | Separator | |
| 5 | 9001263 | Nut | |
| 6 | 206/00060/00 | Bolt | |

Shell and Basket

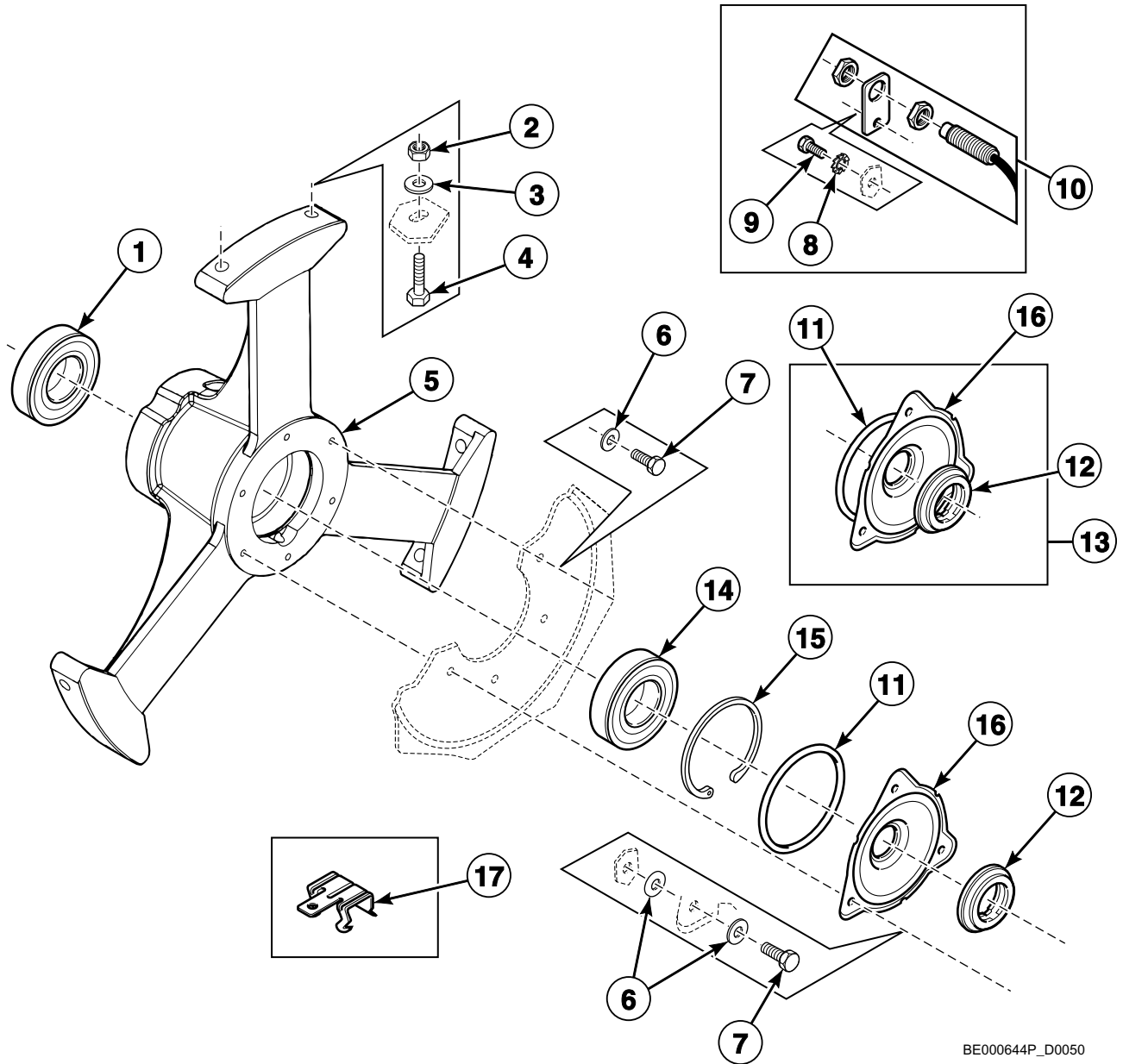


BE000642P_D0050

Shell and Basket

| REF | PART NO. | DESCRIPTION | COMMENTS |
|-----|--------------|----------------------|--|
| 1 | 111/01854/00 | Tilt Detector Plate | |
| 2 | 204/00110/00 | Nut | |
| 3 | 201/00010/00 | Washer | |
| 4 | B12329501 | Tub | *33 and *150 models; Electric heat; Models through Serial No. 10080F50178 |
| | B12329601 | Tub | *33 and *150 models; Boiler; Models through Serial No. 10080F50178 |
| | B12329701 | Tub | *33 and *150 models; Standard and with steam heat; Models through Serial No. 10080F50178 |
| | B12329801 | Tub | *40, *45 and *185 models; Electric heat; Models through Serial No. 10080F80161 |
| | B12329901 | Tub | *40, *45 and *185 models; Boiler; Models through Serial No. 10080F80161 |
| | B12330001 | Tub | *40, *45 and *185 models; Standard and with steam heat; Models through Serial No. 10080F80161 |
| | B12328501 | Tub | *33 and *150 models; Electric heat; Models starting Serial No. 10080F50178 |
| | B12328601 | Outer Tub | *33 and *150 models; Boiler; Models starting Serial No. B10080F50178 |
| | B12328701 | Outer Tub | *33 and *150 models; Standard and with steam heat; Models starting Serial No. B10080F50178 |
| | B12323801 | Tub | *40, *45 and *185 models; Electric heat; Models starting Serial No. B10080F80161 |
| | B12328801 | Tub | *40, *45 and *185 models; Boiler; Models starting Serial No. B10080F80161 |
| | B12330001 | Tub | *40, *45 and *185 models; Standard and with steam heat; Models starting Serial No. B10080F80161 |
| 5 | 204/00009/00 | Nut | |
| 6 | 201/00007/00 | Washer | |
| 7 | 206/00032/00 | Bolt | |
| 8 | 217/00008/00 | Tub Front Panel Clip | |
| 9 | 205/00107/00 | Bolt | |
| 10 | 201/00202/00 | Washer | |
| 11 | 150/00210/00 | Coupling | |
| 12 | 202/00101/00 | Washer | |
| 13 | 208/00120/00 | Screw | |
| 14 | 150/10113/00 | Front Plate | |
| 15 | 185/00049/00 | Tub Front Panel | |
| 16 | 223/00242/00 | Tub Front Gasket | Sold per meter |
| 17 | 136/00021/00 | Drum | *33 and *150 models; Models before 1/31/11; Used with 119/00001/01 Seal Holder Assembly |
| | B12380301 | Drum | *33 and *150 models; Models starting 1/31/11; 3 mm; Used with B12333701 Seal Plate Assembly |
| | B12380401 | Drum | *33 and *150 models; Models starting 1/31/11; 9 mm; Used with B12333701 Seal Plate Assembly |
| | B12326901 | Drum | *40, *45 and *185 models; Models before 1/31/11; Used with 119/00001/01 Seal Holder Assembly |
| | B12380701 | Drum | *40, *45 and *185 models; Models starting 1/31/11; 3 mm; Used with B12333701 Seal Plate Assembly |
| | B12380801 | Drum | *40, *45 and *185 models; Models starting 1/31/11; 9 mm; Used with B12333701 Seal Plate Assembly |
| 18 | 219/00007/00 | Tub Front Ring Clamp | |

Bearing Assembly - Models Through 2/21/10

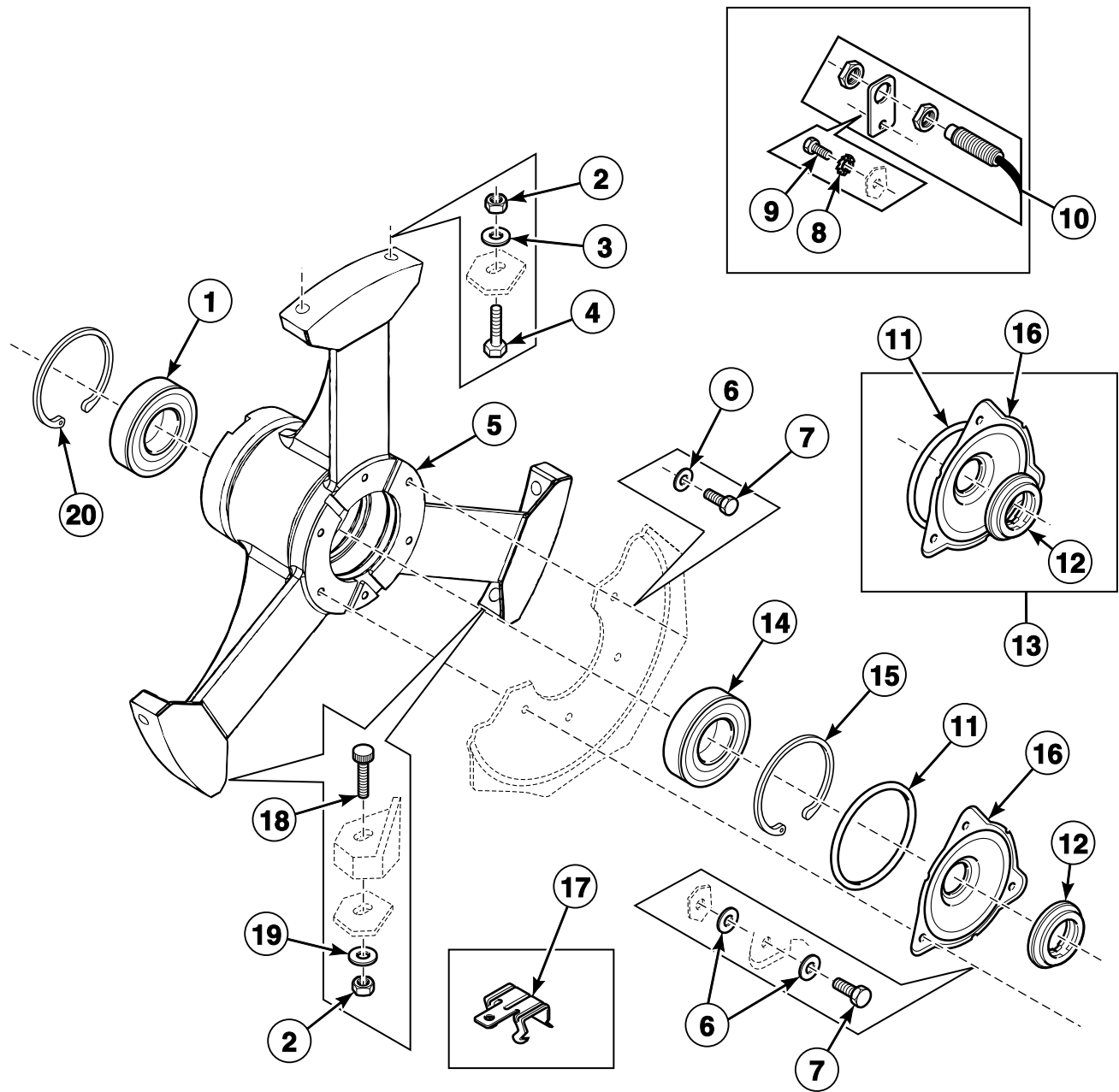


BE000644P_D0050

Bearing Assembly - Models Through 2/21/10

| REF | PART NO. | DESCRIPTION | COMMENTS |
|-----|--------------|----------------------|------------------|
| 1 | 212/00024/00 | Ball Bearing | |
| 2 | 204/00111/00 | Nut | |
| 3 | 201/00012/00 | Washer | |
| 4 | 206/00057/00 | Screw | |
| 5 | 150/00118/01 | Bearing Housing | |
| 6 | 201/00201/00 | Washer | |
| 7 | 205/00102/00 | Bolt | |
| 8 | 203/00004/00 | Washer | |
| 9 | 205/00104/00 | Bolt | |
| 10 | 210/00213/00 | Speed Detector | Cygnus models |
| | 210/00074/00 | Speed Detector | All other models |
| 11 | 217/00002/00 | O-Ring | |
| 12 | 219/00004/00 | Counter Ring | |
| 13 | 119/00001/01 | Seal Holder Assembly | |
| 14 | 212/00004/00 | Ball Bearing | |
| 15 | 212/00006/00 | Retainer Ring | |
| 16 | 219/00001/00 | Seal Cover | |
| 17 | 224/00051/00 | Caddy Bracket | 4H58-4 |
| | 224/00052/00 | Caddy Bracket | 4H912 |

Bearing Assembly - Models Starting 2/22/10

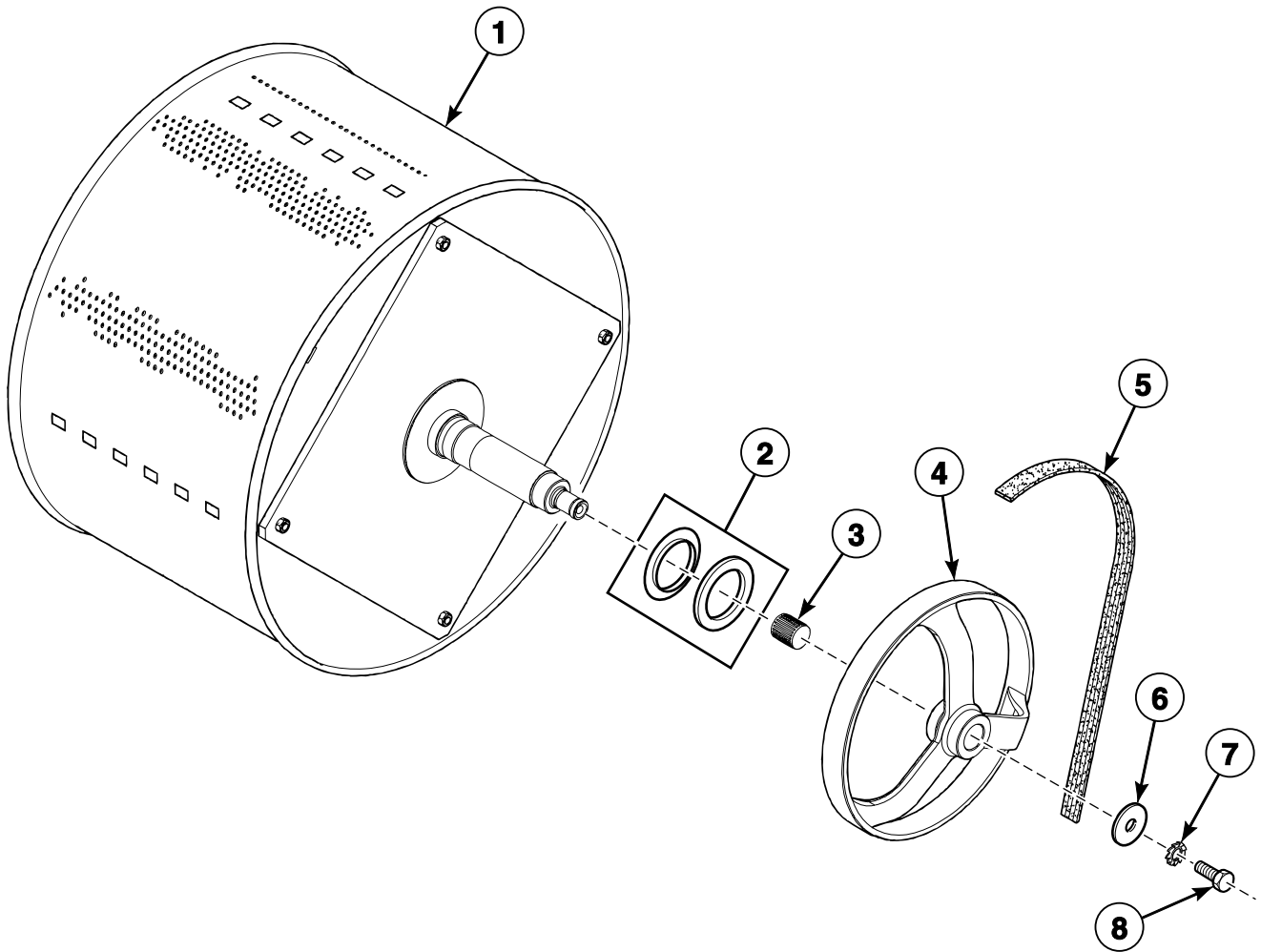


CFD340P_D0050

Bearing Assembly - Models Starting 2/22/10

| REF | PART NO. | DESCRIPTION | COMMENTS |
|-----|--------------|----------------------|---|
| 1 | 212/00024/00 | Ball Bearing | |
| 2 | 204/00112/00 | Nut | |
| 3 | 201/00012/00 | Washer | |
| 4 | 206/00187/00 | Screw | |
| 5 | 150/00118/01 | Bearing Housing | |
| | 150/10118/00 | Bearing Housing | Includes items 1 and 14 |
| 6 | 201/00201/00 | Washer | |
| 7 | 205/00102/00 | Bolt | |
| 8 | 203/00004/00 | Washer | |
| 9 | 205/00104/00 | Bolt | |
| 10 | 210/00213/00 | Speed Detector | Cygnus models |
| | 210/00074/00 | Speed Detector | All other models |
| 11 | 217/00002/00 | O-Ring | Models through 1/30/11; Used with 136/00021/00 Drum or B12326901 Drum |
| 12 | 219/00003/00 | Shaft Seal | Models through 1/30/11; Used with 136/00021/00 Drum or B12326901 Drum |
| 13 | 119/00001/01 | Seal Holder Assembly | Models through 1/30/11; Used with 136/00021/00 Drum or B12326901 Drum |
| | B12333701 | Seal Plate Assembly | Models starting 1/31/11; Used with B12380301, B12380401, B12380701 or B12380801 Drums |
| 14 | 212/00004/00 | Ball Bearing | |
| 15 | 212/00006/00 | Retainer Ring | |
| 16 | 219/00001/00 | Seal Cover | Models through 1/30/11; Used with 136/00021/00 Drum or B12326901 Drum |
| 17 | 224/00051/00 | Caddy Bracket | 4H58-4 |
| | 224/00052/00 | Caddy Bracket | 4H912 |
| 18 | 206/00055/00 | Screw | |
| 19 | 201/00013/00 | Washer | |
| 20 | 212/00037/00 | Retainer Ring | |

Basket, Pulley and Belt

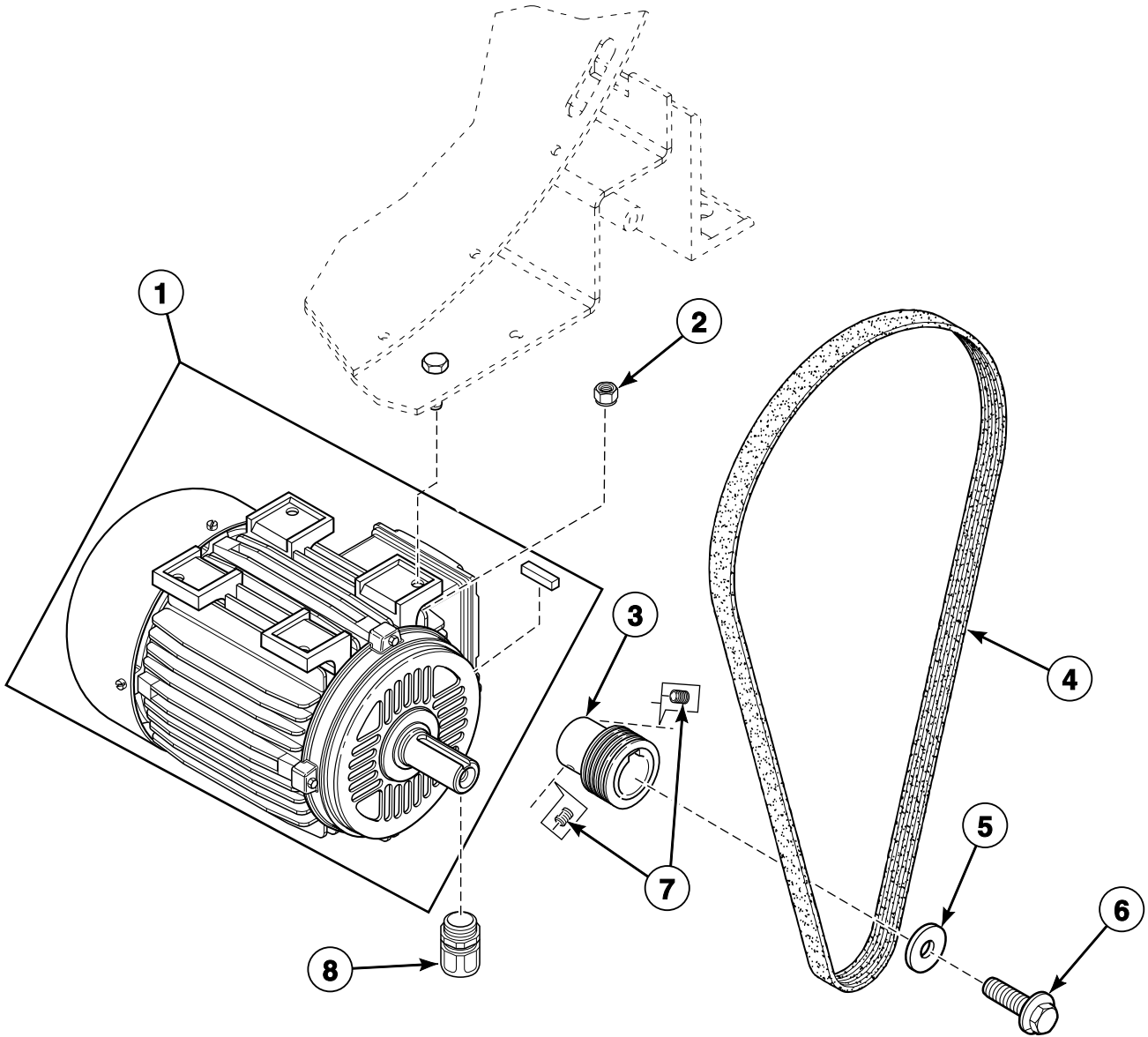


BE000645P_D0050

Basket, Pulley and Belt

| REF | PART NO. | DESCRIPTION | COMMENTS |
|-----|--------------|----------------|--|
| 1 | 136/00021/00 | Drum | *33 and *150 models; Models through 1/30/11; Used with 119/00001/01 Seal Holder Assembly |
| | B12380301 | Drum | *33 and *150 models; Models starting 1/31/11; 3 mm; Used with B12333701 Shaft Holder Assembly |
| | B12380401 | Drum | *33 and *150 models; Models starting 1/31/11; 9 mm; Used with B12333701 Shaft Holder Assembly |
| | B12326901 | Drum | *40, *45 and *185 models; Models through 1/30/11; Used with 119/00001/01 Seal Holder Assembly |
| | B12380701 | Drum | *40, *45 and *185 models; Models starting 1/31/11; 3 mm; Used with B12333701 Shaft Holder Assembly |
| | B12380801 | Drum | *40, *45 and *185 models; Models starting 1/31/11; 9 mm; Used with B12333701 Shaft Holder Assembly |
| 2 | 219/00004/00 | Counter Ring | |
| 3 | 215/00004/00 | Tolerance Ring | |
| 4 | 255/00117/00 | Pulley | |
| 5 | 226/00124/00 | V Belt | |
| 6 | 201/00015/00 | Washer | |
| 7 | 203/00002/00 | Washer | |
| 8 | 206/00005/00 | Bolt | |

Motor and Belt

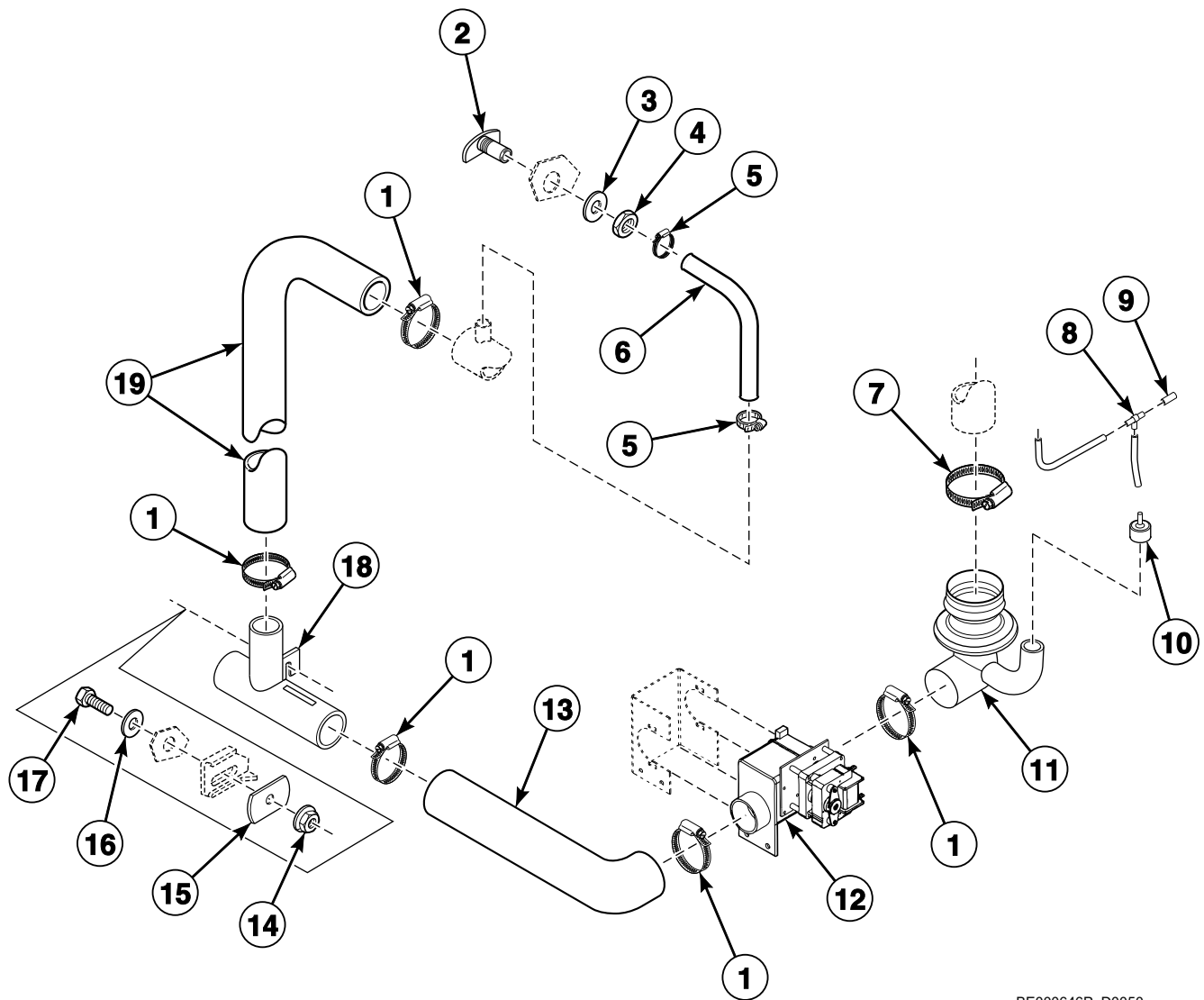


BE000643P_D0050

Motor and Belt

| REF | PART NO. | DESCRIPTION | COMMENTS |
|-----|--------------|-------------|----------|
| 1 | 227/00128/00 | Motor | |
| 2 | 204/00110/00 | Nut | |
| 3 | 185/00086/00 | Pulley | |
| 4 | 226/00124/00 | V Belt | |
| 5 | 201/00004/00 | Washer | |
| 6 | 206/00006/00 | Bolt | |
| 7 | 206/00056/00 | Screw | |
| 8 | 211/00168/00 | Cordlock | |

Drain Assembly - Models Through 3/30/10

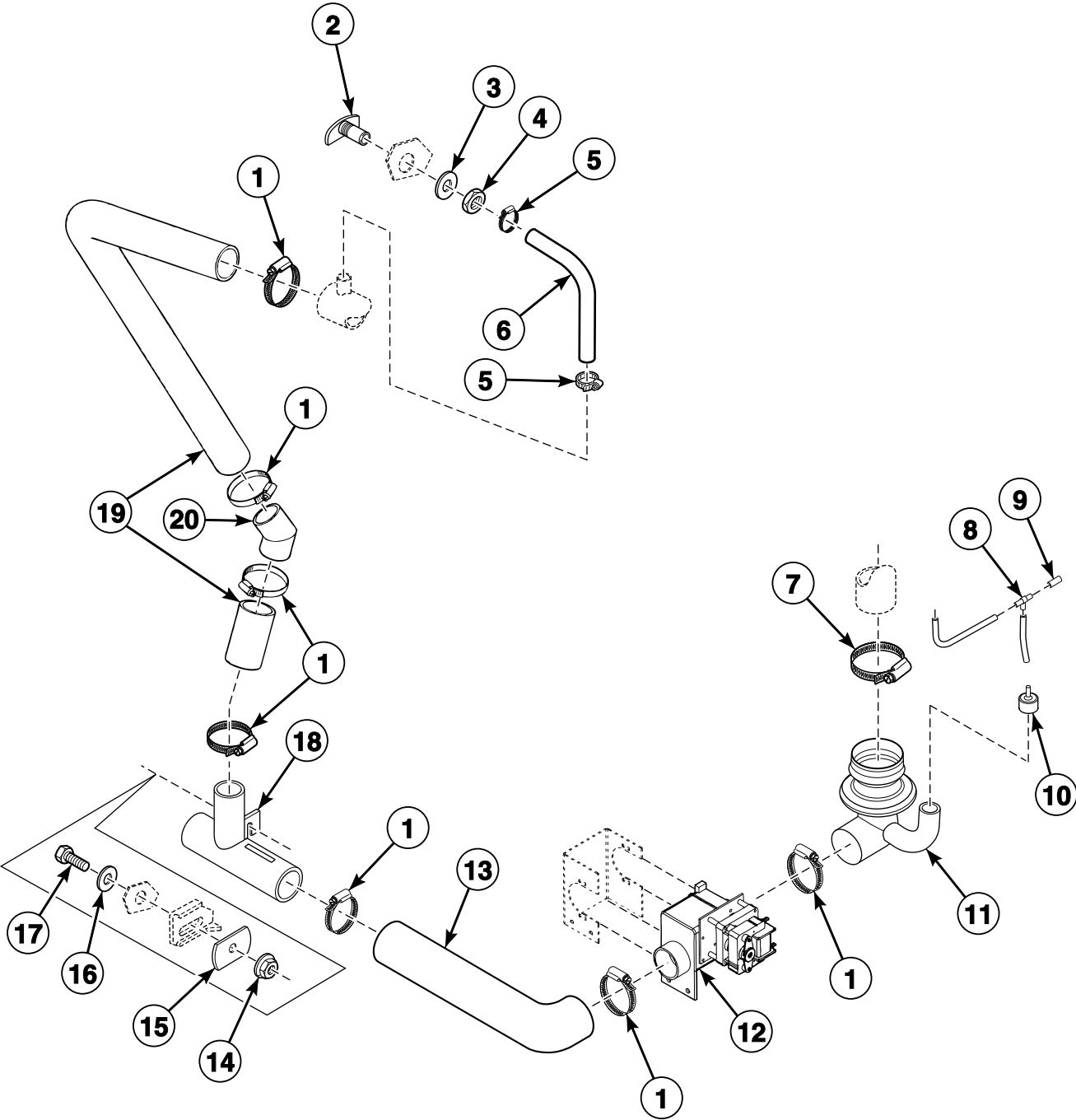


BE000646P_D0050

Drain Assembly - Models Through 3/30/10

| REF | PART NO. | DESCRIPTION | COMMENTS |
|-----|--------------|----------------------------|----------------|
| 1 | 223/00013/00 | Hose Clamp | |
| 2 | 223/00001/00 | Soap Box | |
| 3 | 201/00002/00 | Washer | |
| 4 | 204/00201/00 | Nut | |
| 5 | 223/00010/00 | Hose Clamp | |
| 6 | 223/00044/01 | Water Hose | Sold per meter |
| 7 | 223/00014/00 | Hose Clamp | |
| 8 | 223/00173/10 | Pressure Switch Hose Tee | |
| 9 | 223/00333/00 | Pressure Hose | Sold per meter |
| 10 | 223/00035/02 | Pressure Switch Cap | |
| 11 | 255/00010/00 | Tub to Drain Valve Hose | |
| 12 | 209/00463/00 | Drain Valve | |
| 13 | 223/00309/00 | Drain Hose | |
| 14 | 206/00101/00 | Nut | |
| 15 | 101/00007/00 | Outlet Pipe Plate Assembly | |
| 16 | 201/00007/00 | Washer | |
| 17 | 206/00033/00 | Bolt | |
| 18 | 223/00146/00 | Drain Piece | |
| 19 | 223/00150/00 | Overflow Hose | |

Drain Assembly - Models Starting 3/31/10

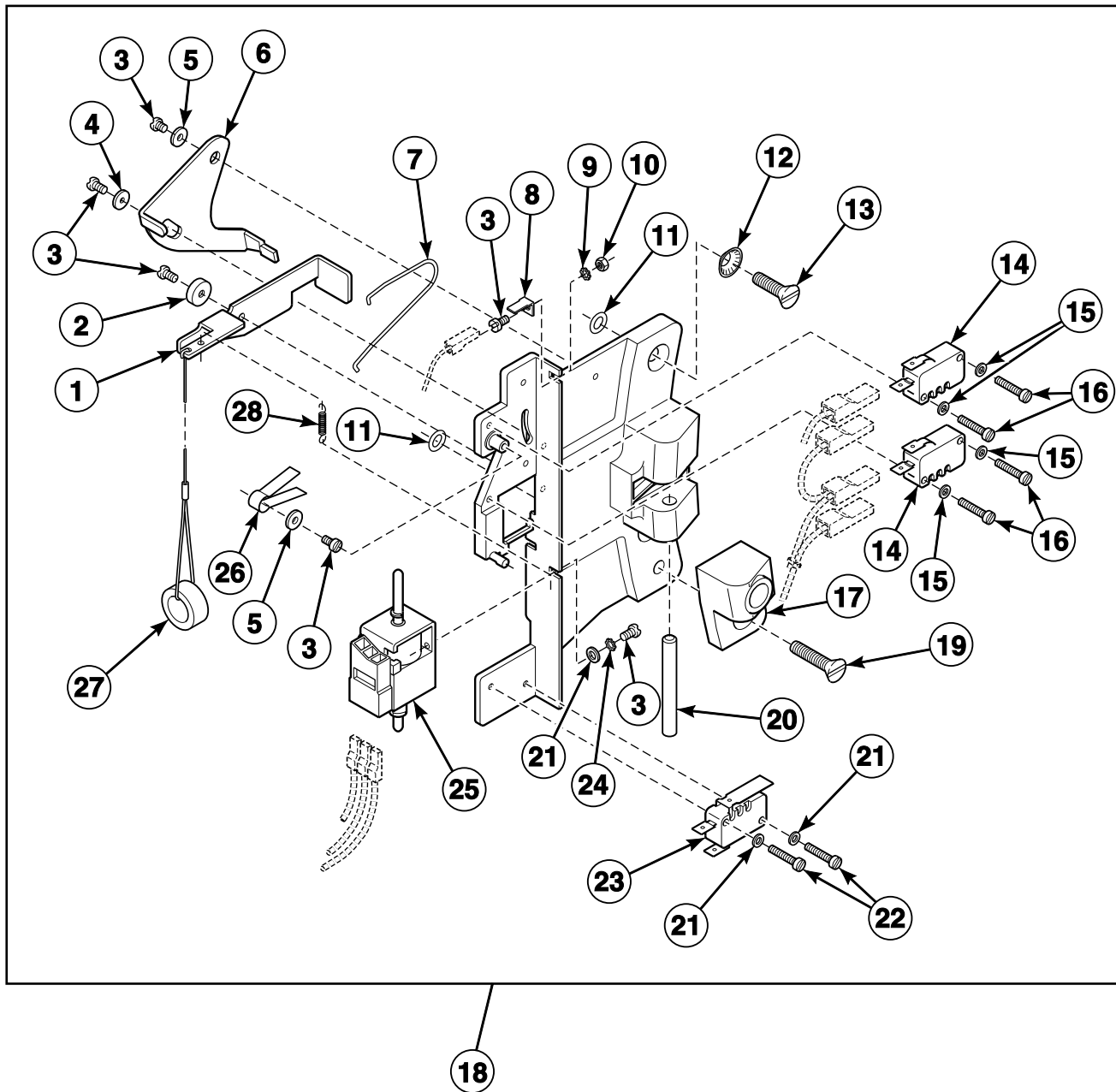


CFD339P_D0050

Drain Assembly - Models Starting 3/31/10

| REF | PART NO. | DESCRIPTION | COMMENTS |
|-----|--------------|----------------------------|----------------|
| 1 | 223/00013/00 | Hose Clamp | |
| 2 | 223/00001/00 | Soap Box | |
| 3 | 201/00002/00 | Washer | |
| 4 | 204/00201/00 | Nut | |
| 5 | 223/00010/00 | Hose Clamp | |
| 6 | 223/00044/01 | Water Hose | Sold per meter |
| 7 | 223/00014/00 | Hose Clamp | |
| 8 | 223/00173/10 | Pressure Switch Hose Tee | |
| 9 | 223/00333/00 | Pressure Hose | Sold per meter |
| 10 | 223/00035/02 | Pressure Switch Cap | |
| 11 | 255/00010/00 | Tub to Drain Valve Hose | |
| 12 | 209/00463/00 | Drain Valve | |
| 13 | 223/00309/00 | Drain Hose | |
| 14 | 206/00101/00 | Nut | |
| 15 | 101/00007/00 | Outlet Pipe Plate Assembly | |
| 16 | 201/00007/00 | Washer | |
| 17 | 206/00033/00 | Bolt | |
| 18 | 223/00146/00 | Drain Piece | |
| 19 | 223/00150/00 | Overflow Hose | |
| 20 | 223/00419/00 | Elbow | |

Door Lock

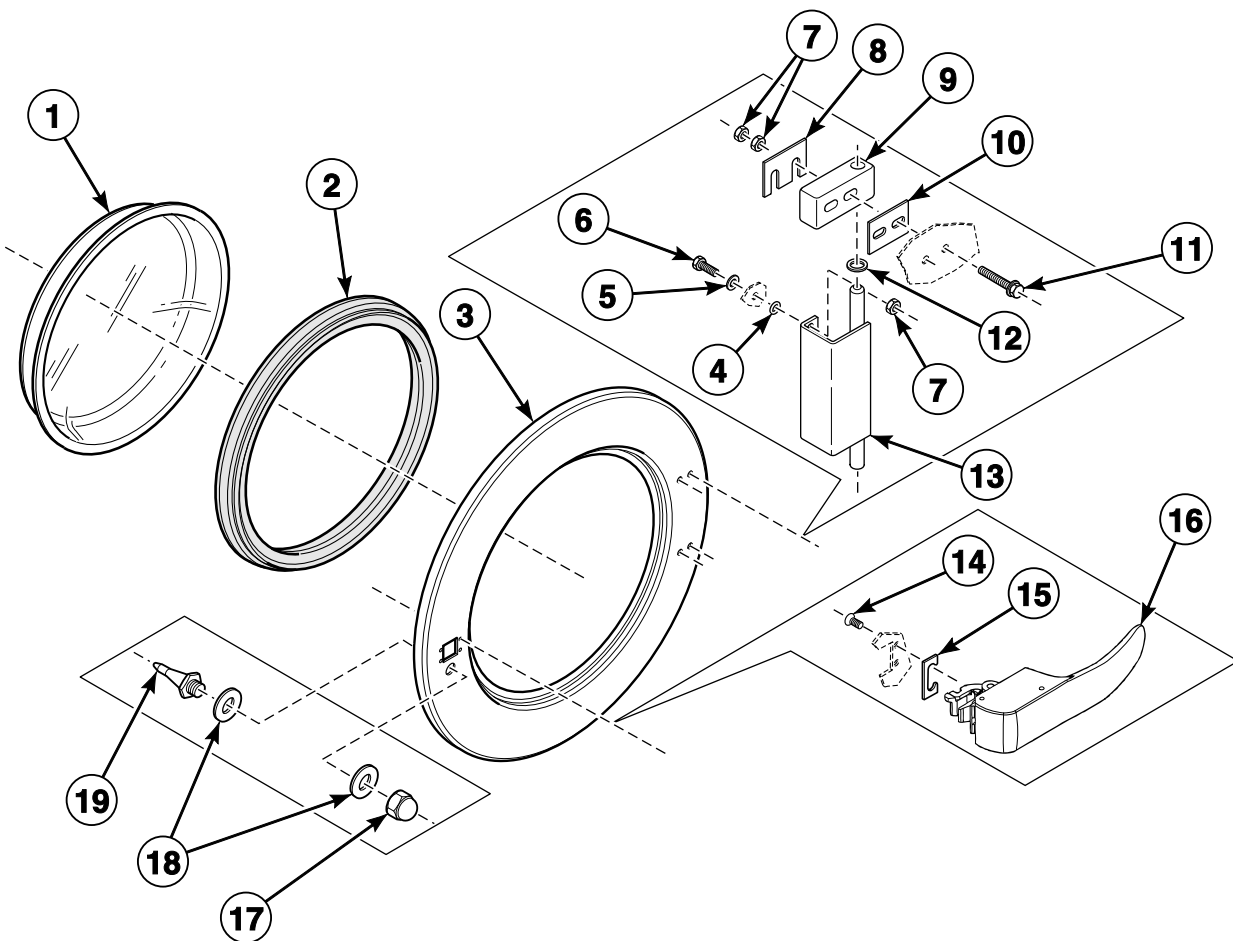


CFD128P_D0050

Door Lock

| REF | PART NO. | DESCRIPTION | COMMENTS |
|-----|---------------|-----------------------|----------|
| 1 | 217/00052/04 | Interlock Lever | |
| 2 | 217/00052/03 | Door Lock Spacer | |
| 3 | 207/00135/00 | Screw | |
| 4 | 202/00124/00 | Washer | |
| 5 | 201/00017/00 | Washer | |
| 6 | 217/00052/05 | Switch Lever | |
| 7 | 224/00040/00 | Lever Spring | |
| 8 | 210/10015/00 | Ground Terminal | |
| 9 | 203/00007/00 | Washer | |
| 10 | 204/00008/00 | Nut | |
| 11 | 217/00021/00 | O-Ring | |
| 12 | 203/00010/00 | Washer | |
| 13 | 207/00103/00 | Screw | |
| 14 | 209/00272/00 | Door Lock Microswitch | |
| 15 | 201/00018/00 | Washer | |
| 16 | 207/00009/00 | Screw | |
| 17 | 217/00052/11 | Door Lock Pin Kit | |
| 18 | 217/00052/01A | Door Lock Assembly | |
| 19 | 207/00102/00 | Screw | |
| 20 | 217/00017/03 | Lock Shaft | |
| 21 | 201/00018/00 | Washer | |
| 22 | 207/00009/00 | Screw | |
| 23 | 209/00273/00 | Light Microswitch | |
| 24 | 203/00007/00 | Washer | |
| 25 | 209/00703/50 | Door Solenoid | |
| 26 | 224/00049/00 | Door Lock Spring | |
| 27 | 217/00052/07 | Door Release Wire | |
| 28 | 224/00043/00 | Interlock Coil Spring | |

Door

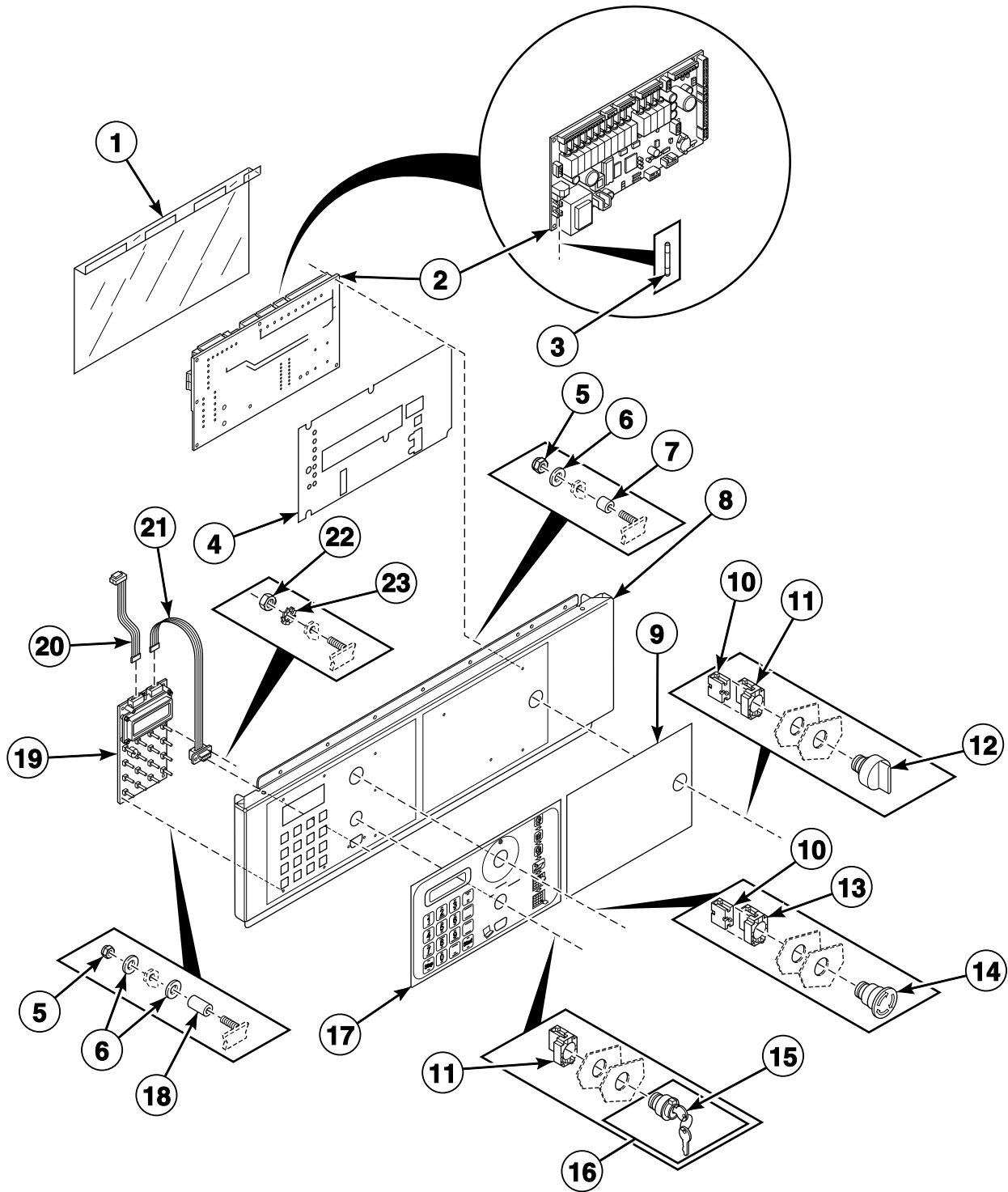


BE000190CP_D0050

Door

| REF | PART NO. | DESCRIPTION | COMMENTS |
|-----|--------------|---------------------------|----------|
| 1 | 231/00004/00 | Door Glass | |
| 2 | 223/00068/00 | Door Glass Seal | |
| 3 | 118/00125/00 | Door | |
| 4 | 217/00021/00 | O-Ring | |
| 5 | 202/00101/00 | Washer | |
| 6 | 205/00104/00 | Bolt | |
| 7 | 204/00106/00 | Nut | |
| 8 | 111/00003/00 | Door Hinge Plate Assembly | |
| 9 | 253/00022/00 | Door Hinge Block | |
| 10 | 118/00122/00 | Door Hinge Spacer | 1.5 mm |
| | 118/00124/00 | Door Hinge Spacer | 2 mm |
| 11 | 207/00126/00 | Screw | |
| 12 | 202/00104/00 | Washer | |
| 13 | 221/00004/00 | Hinge | |
| 14 | 207/00107/00 | Screw | |
| 15 | 217/00016/00 | Door Handle Stop | |
| 16 | 217/00059/00 | Door Handle | |
| 17 | 204/00103/00 | Nut | |
| 18 | 202/00111/00 | Washer | |
| 19 | 211/00109/02 | Door Lock Pin Kit | |

Control Panel - SX Models

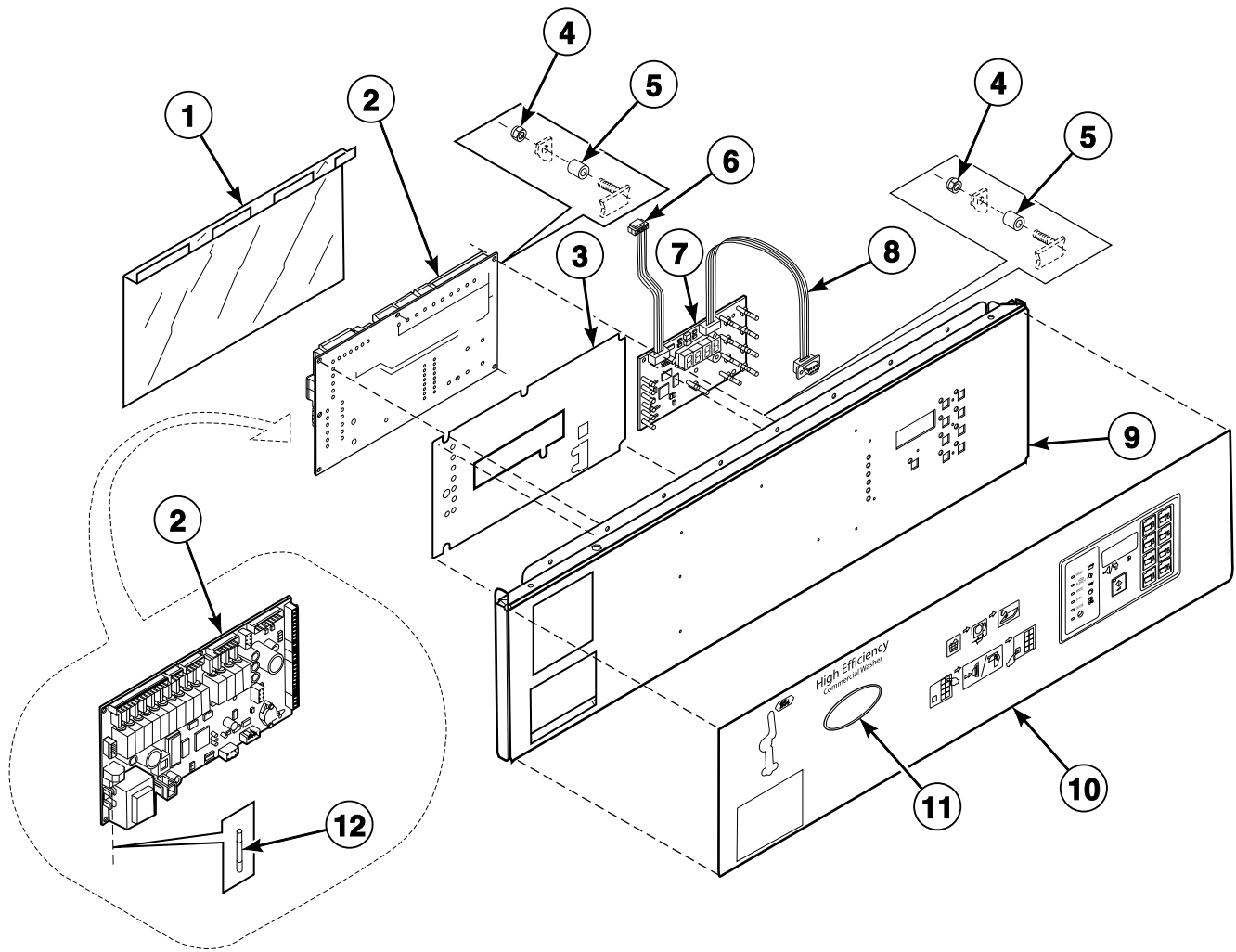


CFD188P_D0050

Control Panel - SX Models

| REF | PART NO. | DESCRIPTION | COMMENTS |
|-----|--------------|--------------------------------|-------------------------|
| 1 | 229/00289/00 | Circuit Board Cover | |
| 2 | 9001414 | Main Control | |
| 3 | 9001379 | Fuse | |
| 4 | 229/00255/00 | Insulating Sticker | |
| 5 | 9001269 | Nut | |
| 6 | 9001523 | Washer | |
| 7 | 9001425 | Spacer | |
| 8 | 9001050 | Control Panel | |
| 9 | 9001563 | Overlay | |
| 10 | 44018901 | Contact Block | |
| 11 | 9001356 | Switch Base | |
| 12 | 9002072 | Switch Knob | Steam and electric heat |
| 13 | 44018701 | Contact Block | |
| 14 | 44018801 | Pushbutton | |
| 15 | 9001756 | Programming Key | |
| 16 | 9001378 | Programming Key Contact Switch | Includes item 15 |
| 17 | F9001561 | Overlay | Control |
| 18 | 9001659 | Spacer | |
| 19 | 209/00580/03 | Display | |
| 20 | 9001417 | Flat Cable | |
| 21 | 9001418 | Programming Cable | |
| 22 | 9001253 | Nut | |
| 23 | 9001244 | Washer | |

Control Panel - UX Models



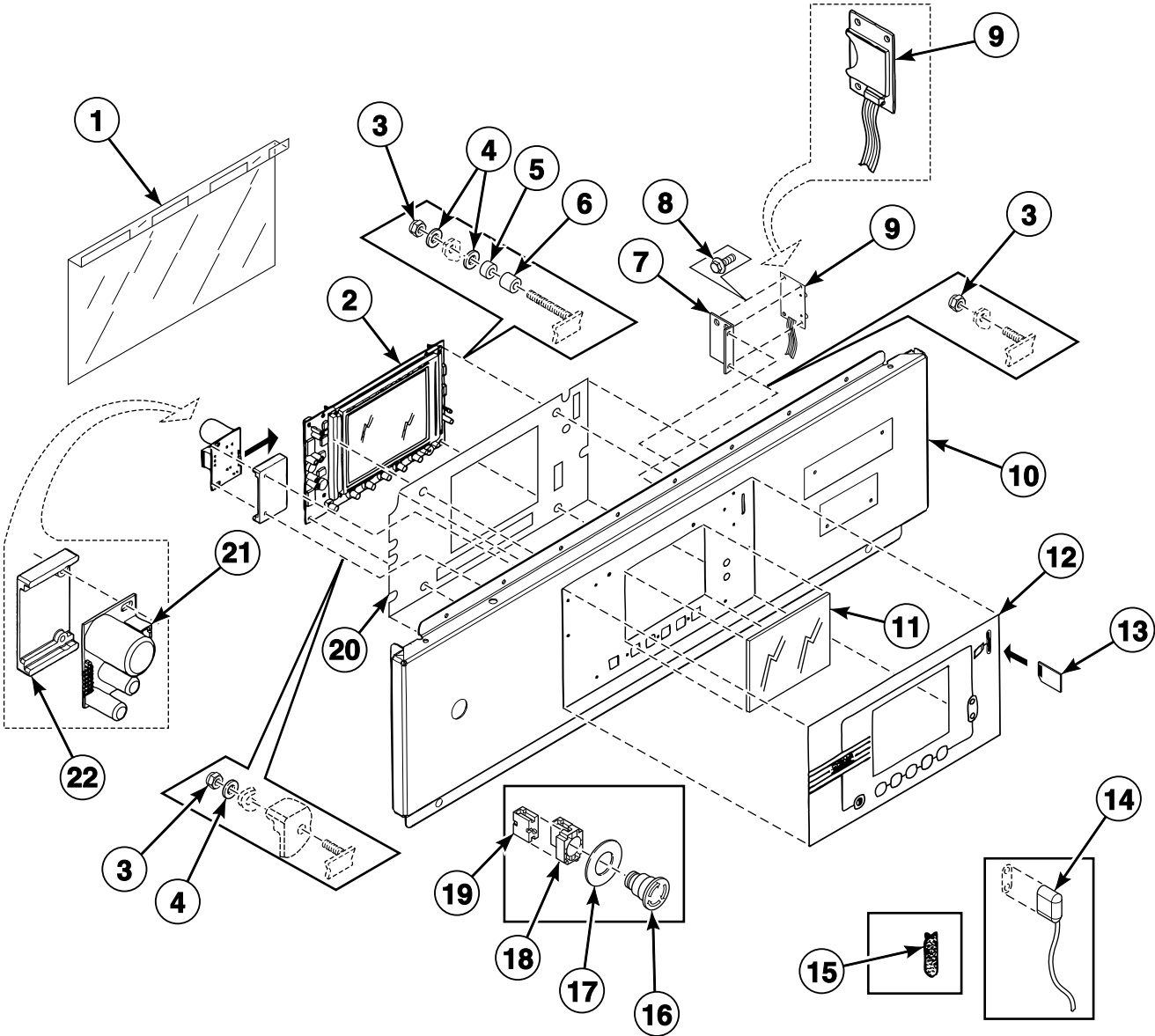
CFD166P_D0050

Control Panel - UX Models

| REF | PART NO. | DESCRIPTION | COMMENTS |
|-----|--------------|---------------------|----------------|
| 1 | 229/00283/00 | Graphic Overlay | |
| 2 | 9001414 | Main Control | |
| 3 | 229/00255/00 | Insulating Sticker | |
| 4 | 9001269 | Nut | |
| 5 | 9001425 | Spacer | |
| 6 | 9001417 | Flat Cable | Program switch |
| 7 | 9002063 | Computer Board | |
| 8 | 9001418 | Programming Cable | |
| 9 | N/A | Control Panel | |
| 10 | 9002073 | Control Panel Decal | Icon |
| | 9002074 | Control Panel Decal | English |
| 11 | 800921 | Domed Label | Blue text |
| | 800922 | Domed Label | Yellow text |
| | 800923 | Domed Label | Red text |
| 12 | 9001379 | Fuse | |

N/A = Part no longer available

Control Panel - Cygnus Professional OPL Models

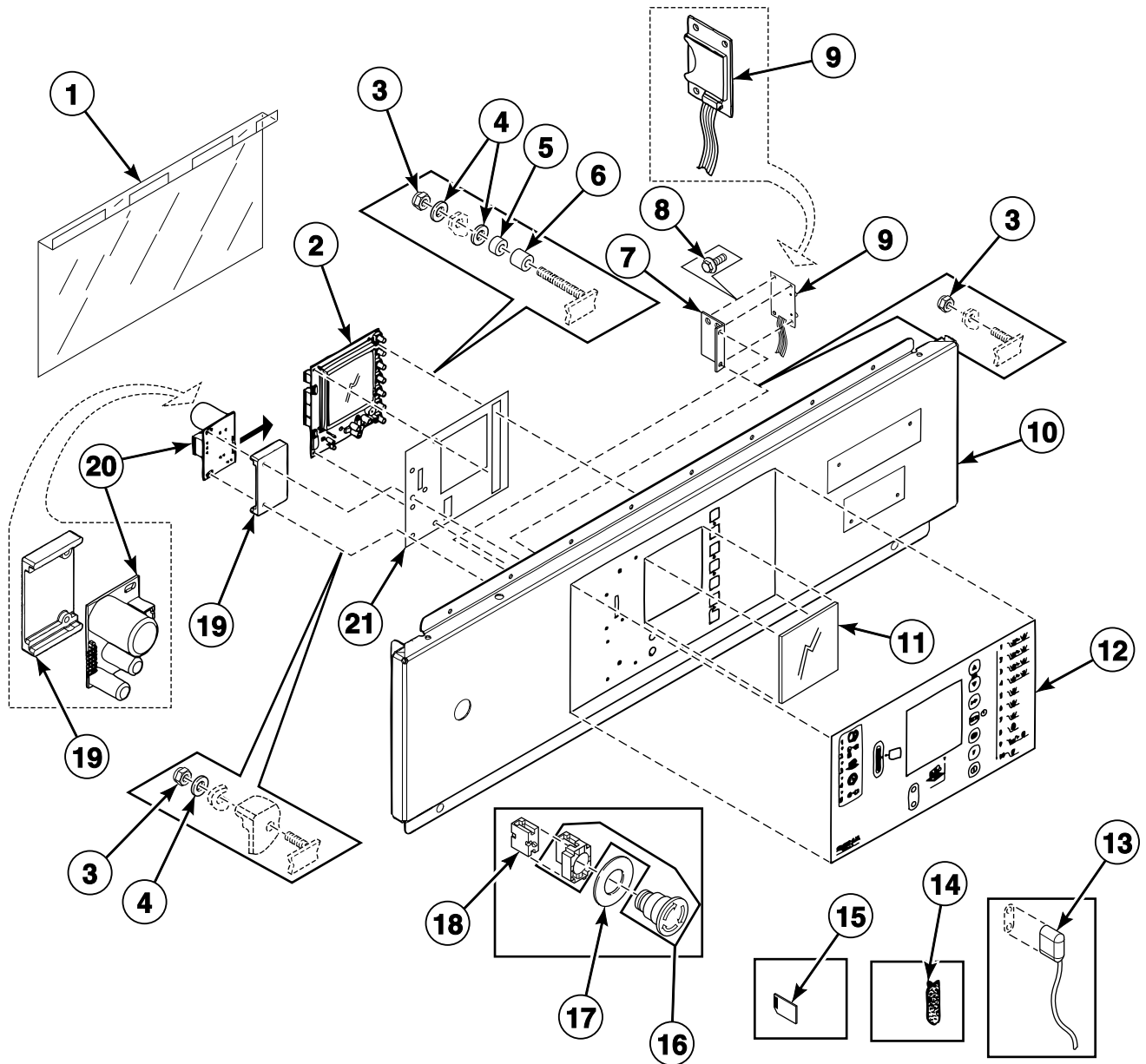


BE000885P_D0050

Control Panel - Cygnus Professional OPL Models

| REF | PART NO. | DESCRIPTION | COMMENTS |
|-----|--------------|------------------------------|---|
| 1 | 229/00289/00 | Circuit Board Cover | |
| 2 | 209/02002/00 | Display PC-Board | |
| 3 | 204/00116/00 | Nut | |
| 4 | 223/00123/00 | Washer | |
| 5 | 211/00128/00 | Printboard Separator | |
| 6 | 211/00122/00 | Standoff | |
| 7 | 111/01893/00 | Printboard Support Card | |
| 8 | 211/00145/00 | Standoff | |
| 9 | B12305201 | Memory Card PC-Board | Models prior to 4/5/11 require a firmware upgrade |
| | 210/00221/00 | Dataflash Card Display Cable | |
| 10 | 150/01812/00 | Upper Front Panel | |
| 11 | 225/00321/00 | Plexi Frame | |
| 12 | 225/10313/00 | Operating Sticker | |
| | 225/10426/00 | Operating Sticker | |
| 13 | 209/02022/00 | Datacard | |
| 14 | 210/00902/00 | Infrared Cable | |
| 15 | 223/00348/00 | Datacard Cover | |
| 16 | 209/00099/20 | Emergency Switch Pushbutton | |
| 17 | 209/00520/00 | Telem Sticker | |
| 18 | 209/00099/26 | Contact Switch | |
| 19 | 229/00268/00 | Insulating Sticker | |
| 20 | 209/02010/00 | Door Lock PC-Board | |
| 21 | 223/00374/00 | Mounting Plate | |

Control Panel - Cygnus Premium OPL Models

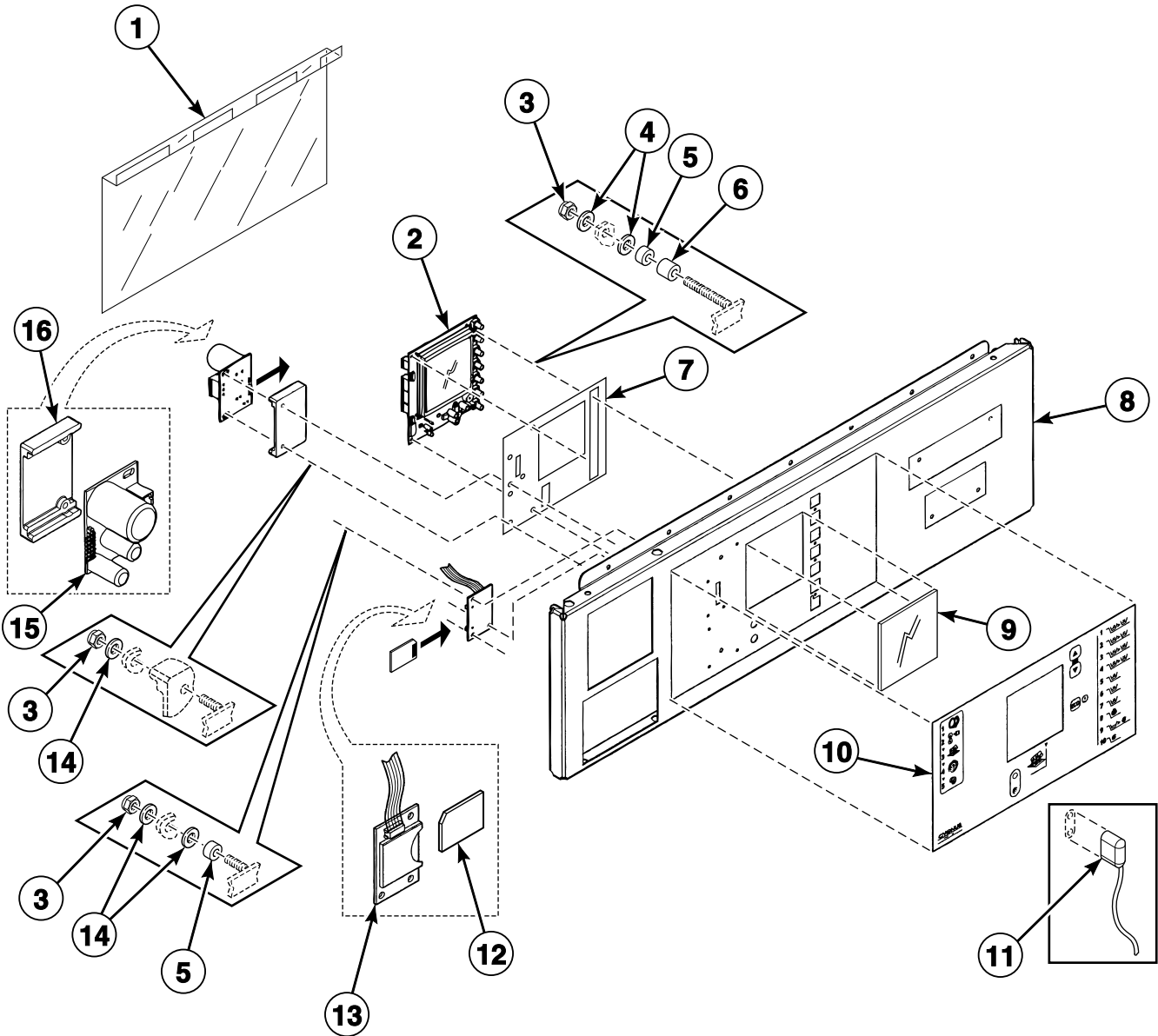


BE000886P_D0050

Control Panel - Cygnus Premium OPL Models

| REF | PART NO. | DESCRIPTION | COMMENTS |
|-----|--------------|------------------------------|--|
| 1 | 229/00289/00 | Circuit Board Cover | |
| 2 | 209/02015/02 | Printboard | Cygnus premium |
| 3 | 204/00116/00 | Nut | |
| 4 | 223/00123/00 | Washer | |
| 5 | 211/00128/00 | Printboard Separator | |
| 6 | 211/00122/00 | Standoff | |
| 7 | 111/01893/00 | Printboard Support Card | |
| 8 | 211/00145/00 | Standoff | |
| 9 | B12305201 | Memory Card PC-Board | Models prior to 4/5/11 require a firmware upgrade |
| | 210/00221/00 | Dataflash Card Display Cable | |
| 10 | 111/01910/00 | Upper Front Panel | |
| 11 | 225/00323/00 | Plexi Frame | |
| 12 | 225/10404/00 | Operating Sticker | Cygnus premium OPL with dataflash memory card |
| | 225/10405/00 | Operating Sticker | Cygnus premium central panel and start |
| | 225/10427/00 | Operating Sticker | Cygnus premium OPL with dataflash memory card inside |
| 13 | 210/00902/00 | Infrared Cable | |
| 14 | 223/00348/00 | Datacard Cover | |
| 15 | 209/02022/00 | Datacard | |
| 16 | 209/00099/20 | Emergency Switch Pushbutton | |
| 17 | 209/00520/00 | Telem Sticker | |
| 18 | 209/00099/26 | Contact Switch | |
| 19 | 223/00374/00 | Mounting Plate | |
| 20 | 209/02010/00 | Door Lock PC-Board | |
| 21 | 229/00291/00 | Insulating Sticker | |

Control Panel - Cygnus Premium Coin Models

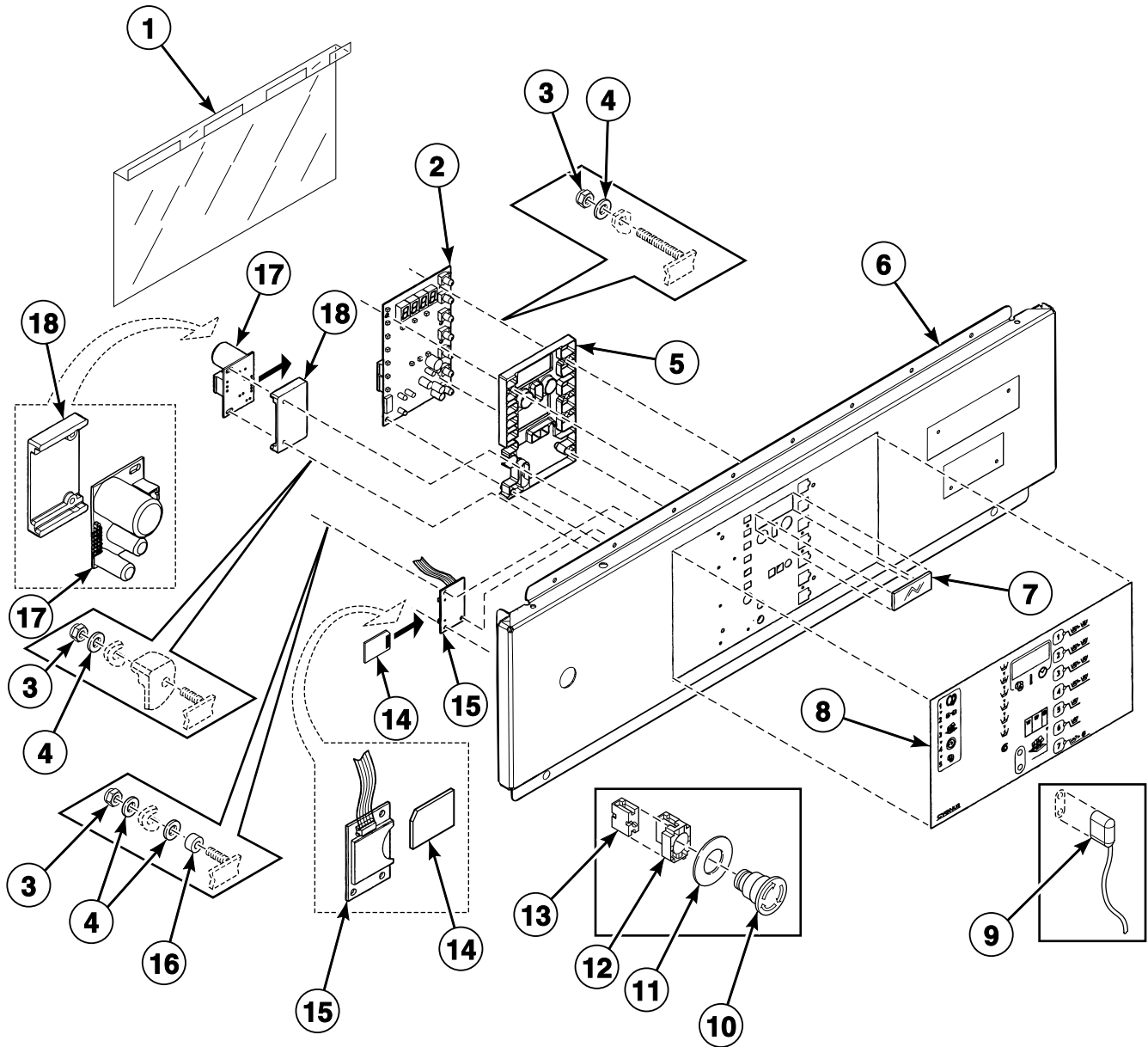


BE000872AP_D0050

Control Panel - Cygnus Premium Coin Models

| REF | PART NO. | DESCRIPTION | COMMENTS |
|-----|--------------|------------------------------|---|
| 1 | 229/00289/00 | Circuit Board Cover | |
| 2 | 209/02015/02 | Printboard | Cygnus premium |
| 3 | 204/00116/00 | Nut | |
| 4 | 223/00123/00 | Washer | |
| 5 | 211/00128/00 | Printboard Separator | |
| 6 | 211/00122/00 | Standoff | |
| 7 | 229/00291/00 | Insulating Sticker | |
| 8 | 111/01911/00 | Upper Front Panel | |
| 9 | 225/00323/00 | Plexi Frame | |
| 10 | 225/10403/00 | Operating Sticker | |
| 11 | 210/00901/00 | Optic Cable | |
| 12 | 209/02022/00 | Datacard | |
| 13 | B12305201 | Memory Card PC-Board | Models prior to 4/5/11 require a firmware upgrade |
| | 210/00221/00 | Dataflash Card Display Cable | |
| 14 | 209/02010/00 | Door Lock PC-Board | |
| 15 | 223/00374/00 | Mounting Plate | |

Control Panel - Cygnus Standard/Commercial OPL Models

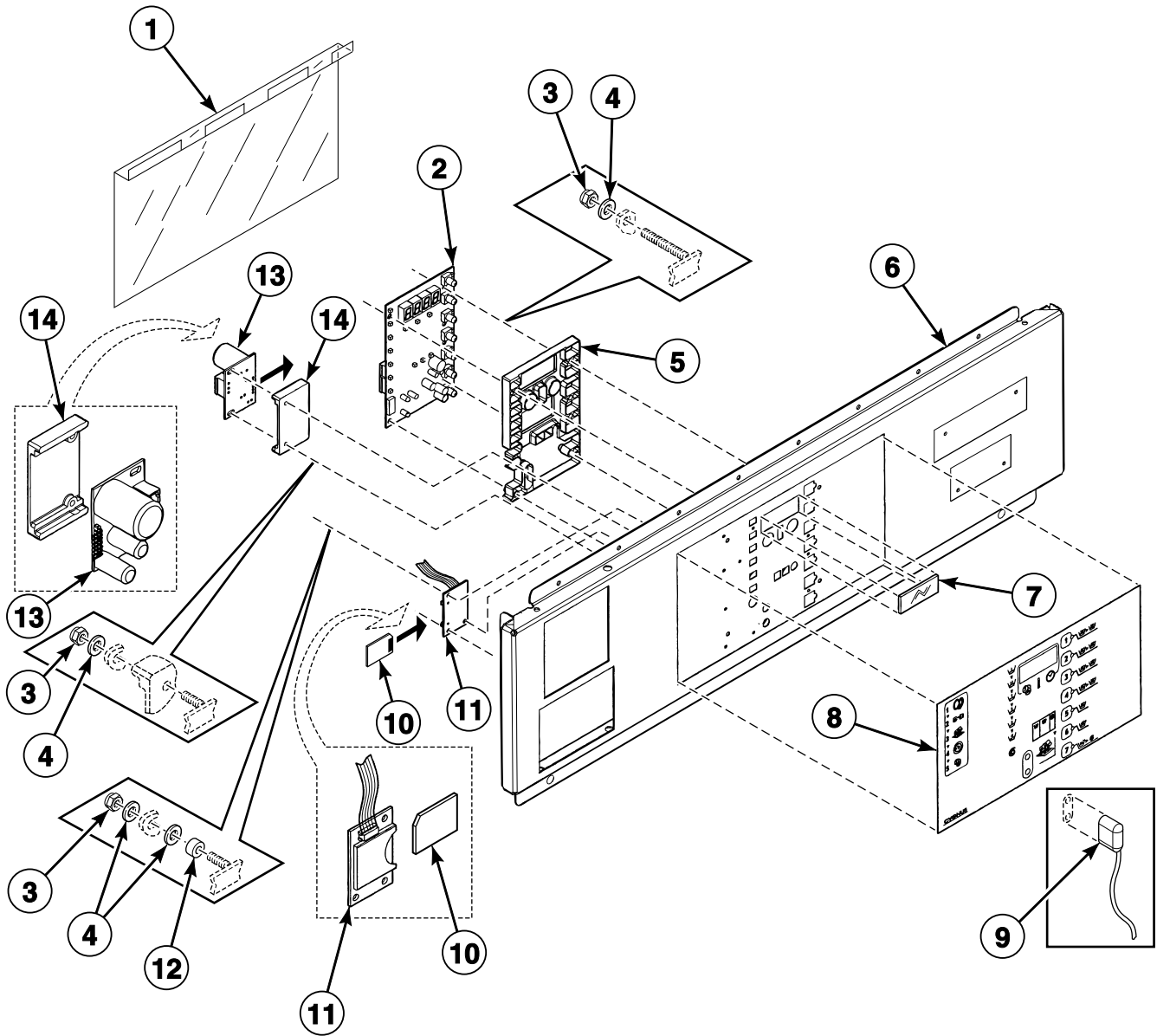


BE000888P_D0050

Control Panel - Cygnus Standard/Commercial OPL Models

| REF | PART NO. | DESCRIPTION | COMMENTS |
|-----|--------------|------------------------------|--|
| 1 | 229/00289/00 | Circuit Board Cover | |
| 2 | 209/02001/02 | Printboard | |
| 3 | 204/00116/00 | Nut | |
| 4 | 223/00123/00 | Washer | |
| 5 | 223/00330/00 | Protection LED | |
| 6 | 111/01908/00 | Upper Front Panel | |
| 7 | 225/00322/00 | Plexi Frame | |
| 8 | 225/10307/00 | Operating Sticker | Models HF150_CYGNUS-STANDARD_OPL and HF185_CYGNUS-STANDARD_OPL |
| | 225/10308/00 | Operating Sticker | Models HF150_CYGNUS-COMM_OPL and HF185_CYGNUS-COMM_OPL |
| 9 | 210/00901/00 | Optic Cable | |
| 10 | 209/00248/20 | Mushroom Pushbutton | |
| 11 | 209/00520/00 | Telem Sticker | |
| 12 | 209/00099/20 | Emergency Switch Pushbutton | |
| 13 | 209/00099/26 | Contact Switch | |
| 14 | 209/02022/00 | Datacard | |
| 15 | B12305201 | Memory Card PC-Board | Models prior to 4/5/11 require a firmware upgrade |
| | 210/00221/00 | Dataflash Card Display Cable | |
| 16 | 211/00128/00 | Printboard Separator | |
| 17 | 209/02010/00 | Door Lock PC-Board | |
| 18 | 223/00374/00 | Mounting Plate | |

Control Panel - Cygnus Standard/Commercial Coin Models

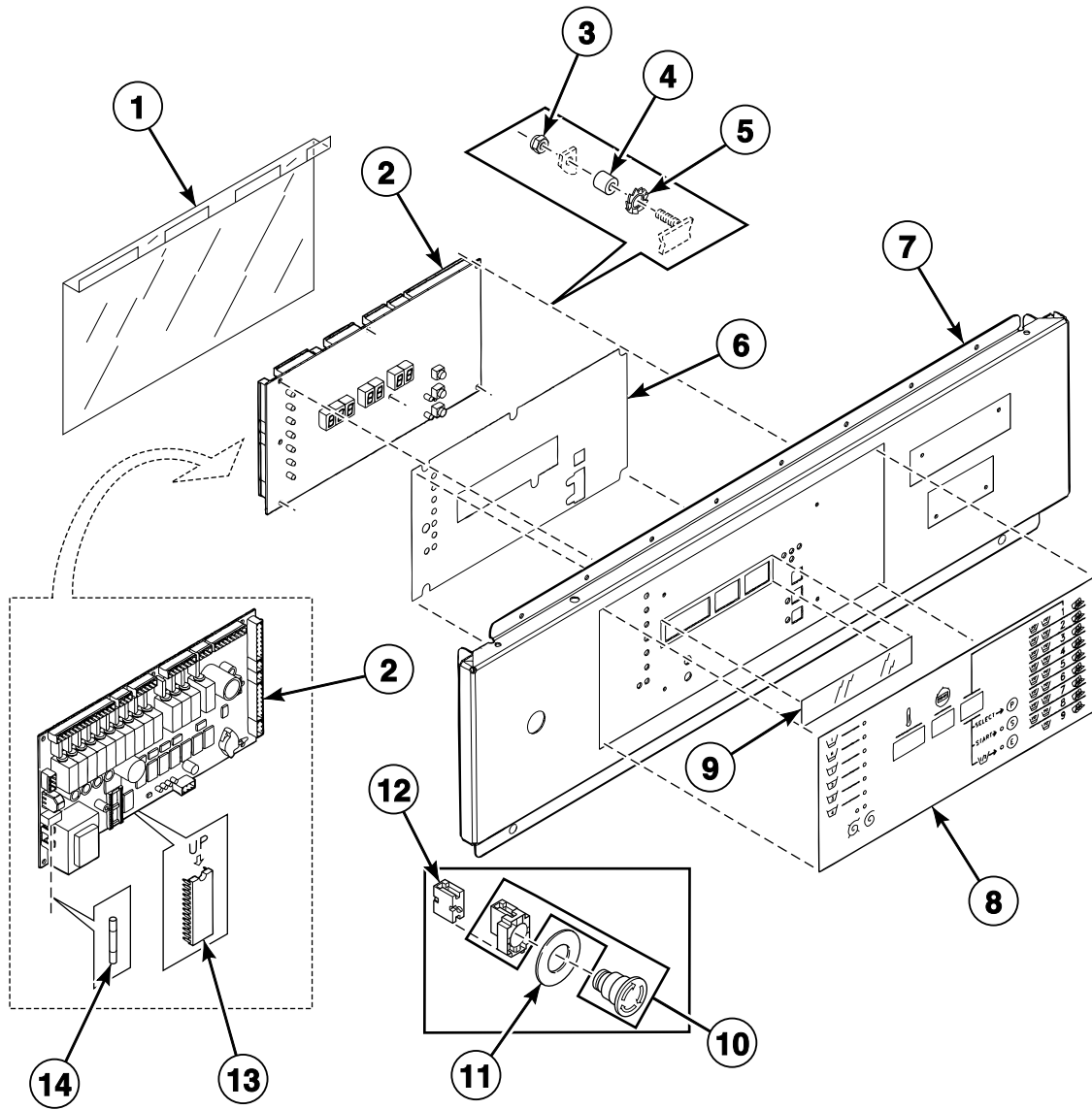


BE000889P_D0050

Control Panel - Cygnus Standard/Commercial Coin Models

| REF | PART NO. | DESCRIPTION | COMMENTS |
|-----|--------------|------------------------------|--|
| 1 | 229/00289/00 | Circuit Board Cover | |
| 2 | 209/02001/02 | Printboard | |
| 3 | 204/00116/00 | Nut | |
| 4 | 223/00123/00 | Washer | |
| 5 | 223/00330/00 | Protection LED | |
| 6 | 111/01909/00 | Upper Front Panel | |
| 7 | 225/00322/00 | Plexi Frame | |
| 8 | 225/10305/00 | Operating Sticker | Models HF150_CYGNUS-STANDARD_COIN and HF185_CYGNUS-STANDARD_COIN |
| | 225/10306/00 | Operating Sticker | Models HF150_CYGNUS-COMM_COIN and HF185_CYGNUS-COMM_COIN |
| 9 | 210/00901/00 | Optic Cable | |
| 10 | 209/02022/00 | Datacard | |
| 11 | B12305201 | Memory Card PC-Board | Models prior to 4/5/11 require a firmware upgrade |
| | 210/00221/00 | Dataflash Card Display Cable | |
| 12 | 211/00128/00 | Printboard Separator | |
| 13 | 209/02010/00 | Door Lock PC-Board | |
| 14 | 223/00374/00 | Mounting Plate | |

Control Panel - Micro-20 OPL Models

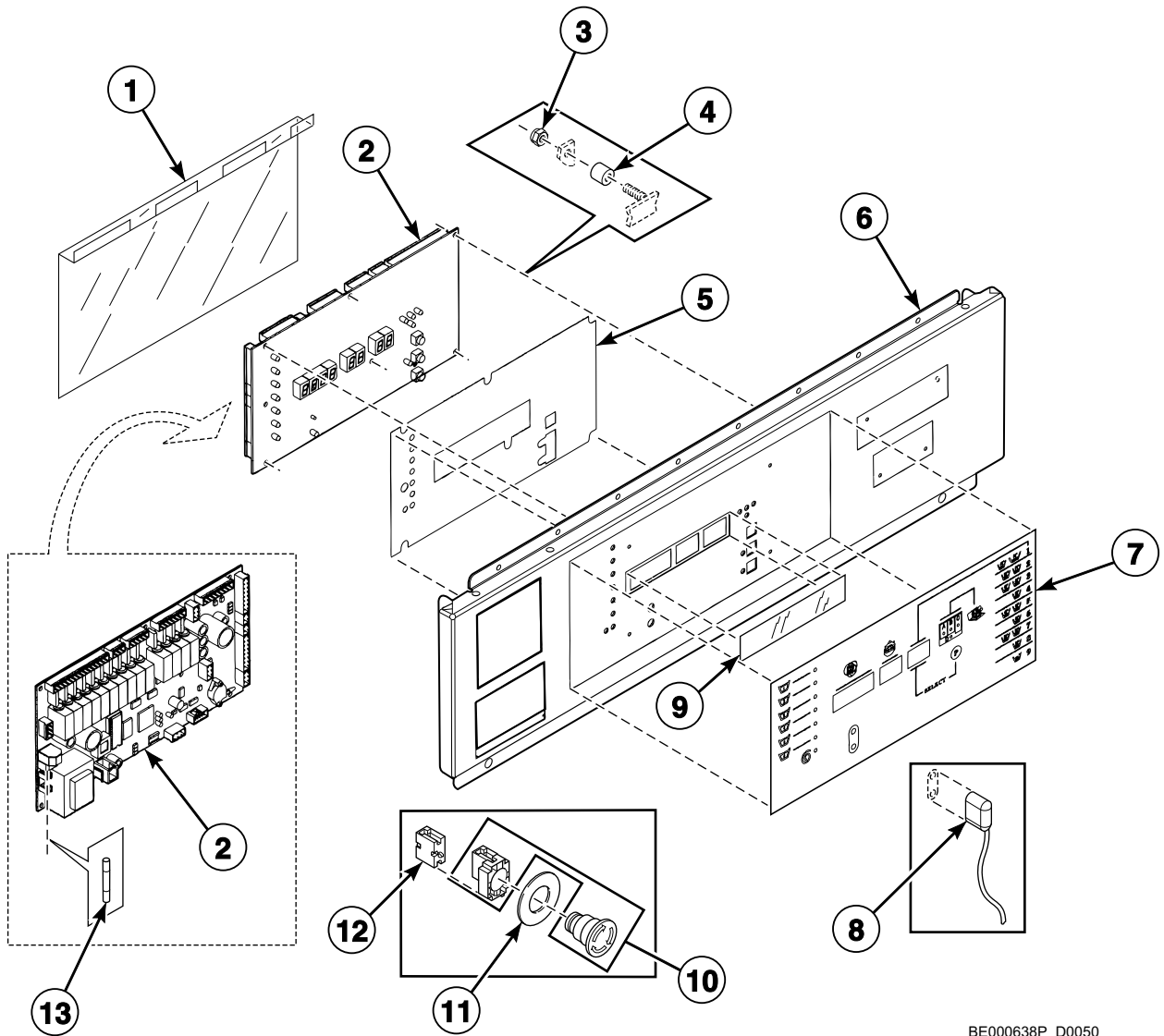


BE000635P_D0050

Control Panel - Micro-20 OPL Models

| REF | PART NO. | DESCRIPTION | COMMENTS |
|-----|--------------|---------------------|------------------|
| 1 | 229/00262/00 | Circuit Board Cover | |
| 2 | 209/00440/00 | Printboard | 230 Volt |
| | 209/00440/70 | Printboard | 220 Volt |
| 3 | 204/00114/00 | Nut | |
| 4 | 211/00122/00 | Standoff | |
| 5 | 203/00006/00 | Washer | |
| 6 | 229/00255/00 | Insulating Sticker | |
| 7 | 150/01816/00 | Upper Front Panel | |
| 8 | 225/00408/00 | Operating Sticker | |
| | 225/00407/00 | Keypad Sticker | |
| 9 | 225/00316/00 | Plexi Frame | |
| 10 | 209/00248/20 | Mushroom Pushbutton | |
| 11 | 209/00520/00 | Telem Sticker | |
| 12 | 209/00099/26 | Contact Switch | |
| 13 | 209/00266/01 | Eprom | |
| 14 | 209/00439/00 | Fuse | 500 mA; 250 Volt |

Control Panel - Micro-20 and Sigma Coin Models

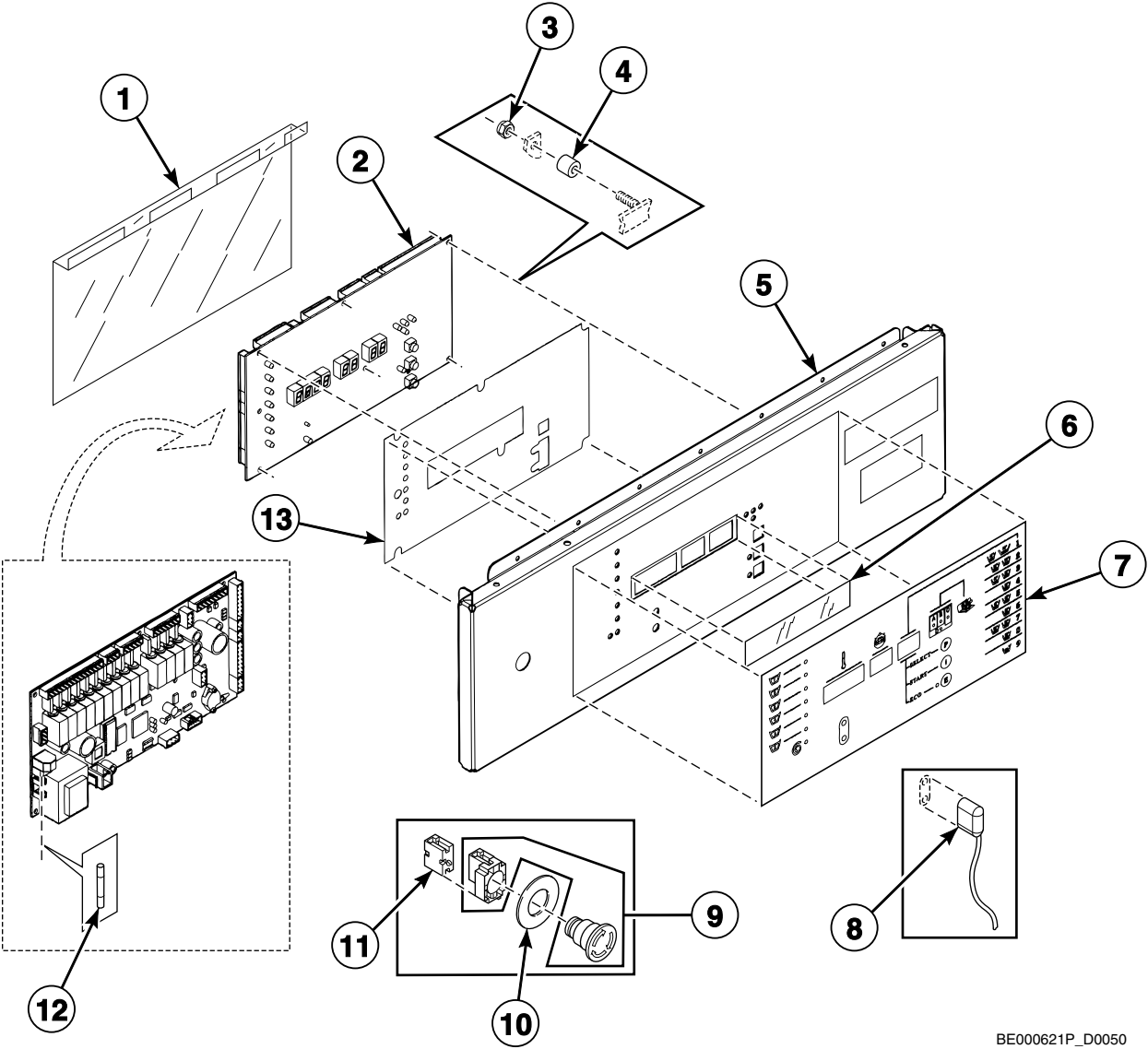


BE000638P_D0050

Control Panel - Micro-20 and Sigma Coin Models

| REF | PART NO. | DESCRIPTION | COMMENTS |
|-----|--------------|---------------------|---------------------------|
| 1 | 229/00262/00 | Circuit Board Cover | |
| 2 | 209/00547/00 | Control Board | Sigma models |
| | 209/00440/70 | Printboard | Micro-20 models; 220 Volt |
| | 209/00440/80 | Printboard | Micro-20 models; 115 Volt |
| 3 | 204/00114/00 | Nut | |
| 4 | 211/00122/00 | Standoff | |
| 5 | 229/00255/00 | Insulating Sticker | |
| 6 | 150/01811/00 | Upper Front Panel | |
| 7 | 225/00403/00 | Decal | Sigma models |
| | 225/00406/00 | Operating Label | Micro-20 models |
| 8 | 210/00902/00 | Infrared Cable | |
| 9 | 225/00316/00 | Plexi Frame | |
| 10 | 209/00248/20 | Mushroom Pushbutton | |
| 11 | 209/00520/00 | Telem Sticker | |
| 12 | 209/00099/26 | Contact Switch | |
| 13 | 209/00439/00 | Fuse | 500 mA; 250 Volt |

Control Panel - Sigma OPL Models

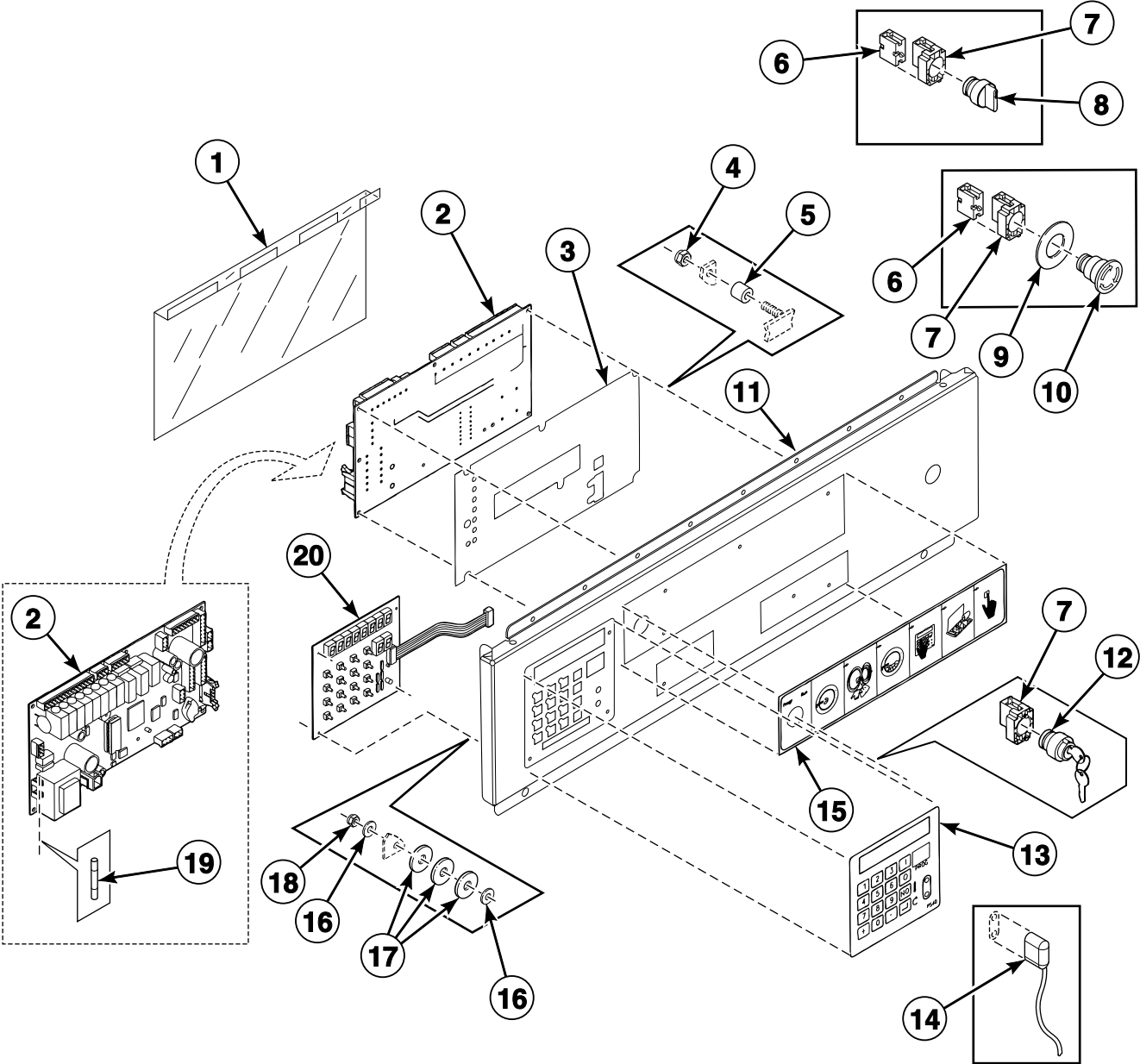


BE000621P_D0050

Control Panel - Sigma OPL Models

| REF | PART NO. | DESCRIPTION | COMMENTS |
|-----|--------------|---------------------|------------------|
| 1 | 229/00262/00 | Circuit Board Cover | |
| 2 | 209/00547/00 | Control Board | |
| 3 | 204/00114/00 | Nut | |
| 4 | 211/00122/00 | Standoff | |
| 5 | 150/01816/00 | Upper Front Panel | |
| 6 | 225/00316/00 | Plexi Frame | |
| 7 | 225/00404/00 | Operating Sticker | |
| | 225/00405/00 | Operating Sticker | Central panel |
| 8 | 210/00902/00 | Infrared Cable | |
| 9 | 209/00248/20 | Mushroom Pushbutton | |
| 10 | 209/00520/00 | Telem Sticker | |
| 11 | 209/00099/26 | Contact Switch | |
| 12 | 209/00439/00 | Fuse | 500 mA; 250 Volt |
| 13 | 229/00255/00 | Insulating Sticker | |

Control Panel - PS40F Models

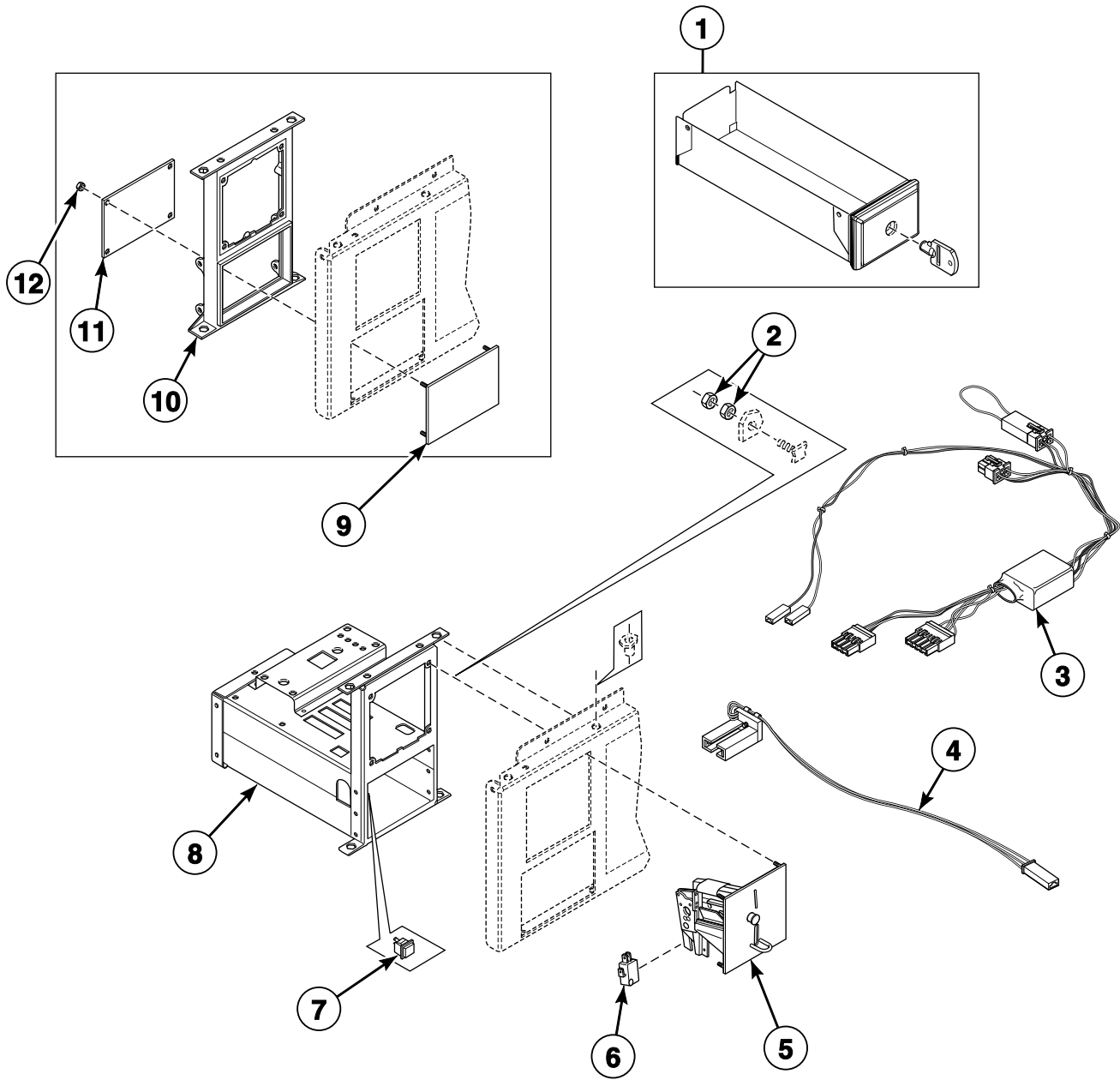


BE000636P_D0050

Control Panel - PS40F Models

| REF | PART NO. | DESCRIPTION | COMMENTS |
|-----|--------------|---------------------|----------|
| 1 | 229/00262/00 | Circuit Board Cover | |
| 2 | B12351701 | Main Board | |
| 3 | 229/00255/00 | Insulating Sticker | |
| 4 | 204/00114/00 | Nut | |
| 5 | 211/00122/00 | Standoff | |
| 6 | 209/00099/26 | Contact Switch | |
| 7 | 209/00099/25 | Switch Base | |
| 8 | 209/00099/29 | Switch Knob | |
| 9 | 209/00520/00 | Telem Sticker | |
| 10 | 209/00248/20 | Mushroom Pushbutton | |
| 11 | 150/01850/00 | Upper Front Panel | |
| 12 | 209/00326/00 | Programming Switch | |
| 13 | 225/00397/00 | Label | |
| 14 | 210/00902/00 | Infrared Cable | |
| 15 | 225/00400/00 | Operating Sticker | |
| 16 | 223/00123/00 | Washer | |
| 17 | 223/00051/10 | Washer | |
| 18 | 204/00116/00 | Nut | |
| 19 | 209/00372/01 | Fuse | 125 mA |
| 20 | 209/00552/01 | Keypad | |

Coin Drop - Mechanical Coin Meter

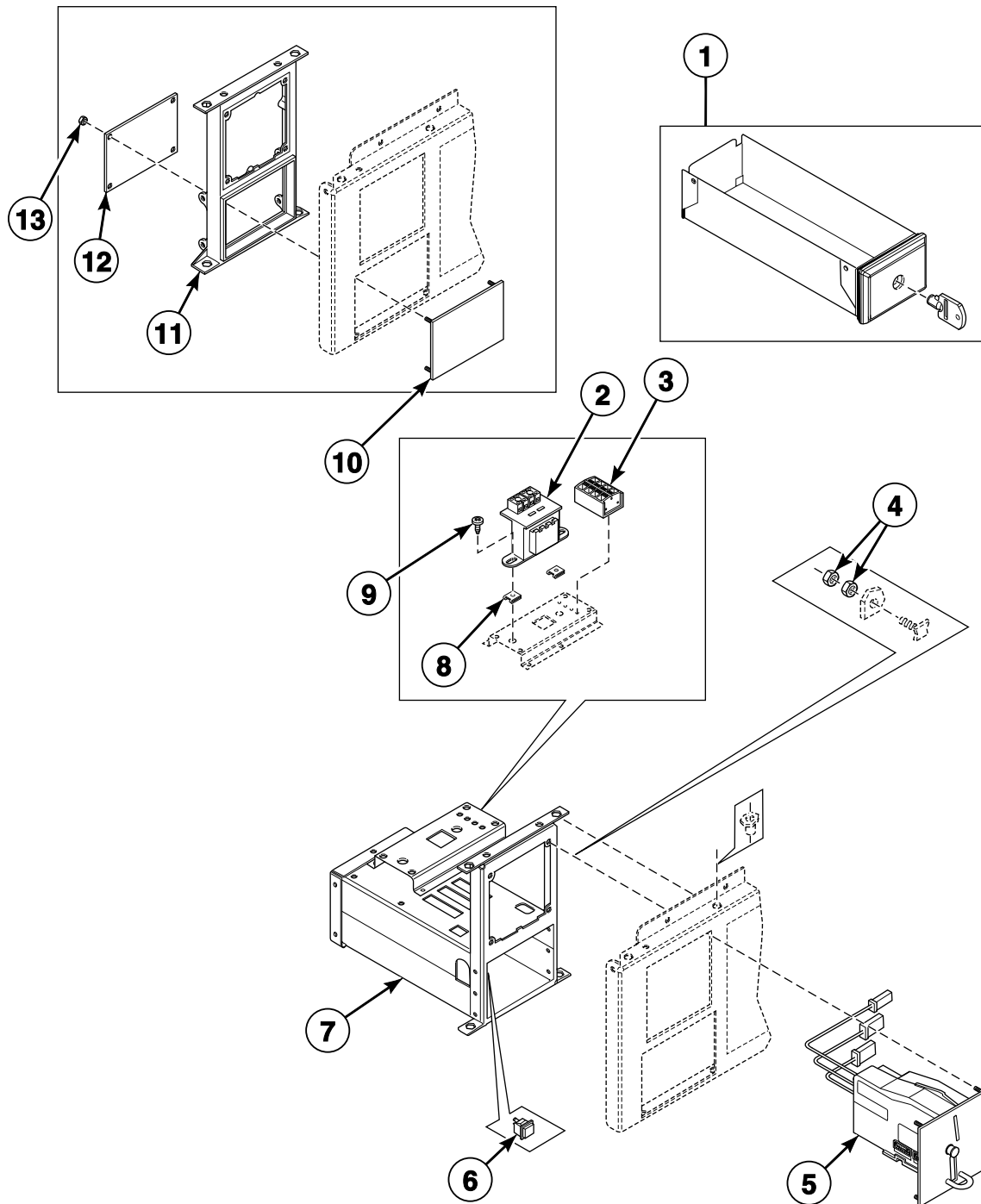


CFD512P_D0050

Coin Drop - Mechanical Coin Meter

| REF | PART NO. | DESCRIPTION | COMMENTS |
|-----|---------------|--------------------------------|------------------------------------|
| | B12388101 | Single Drop Optical Sensor Kit | Includes items 3 and 4 |
| | B12388102 | Dual Drop Optical Sensor Kit | Includes items 3 and 4 |
| 1 | 254/00077/00 | Coin Box | |
| | 254/00077/02 | Key | |
| 2 | 204/00008/00 | Nut | |
| 3 | B12359901 | Wire Assembly | Micro-20 and Sigma models |
| 4 | 209/00781/00 | Optical Switch | Micro-20 and Sigma models |
| 5 | B12311224 | Coin Drop | Mechanical; Jeton 5K |
| | B12311206 | Coin Drop | Mechanical; Jeton 7K |
| | B12311201 | Coin Drop | Mechanical; Jeton 10K |
| | B12311210 | Coin Drop | Mechanical; Jeton 12K |
| | B12311252 | Coin Drop | Mechanical; Jeton 10K and .5 euro |
| | B12311211 | Coin Drop | Mechanical; Jeton 7K and 1 euro |
| | B12323901 | Coin Drop | Mechanical; Jeton 15K and 7K |
| | B12311204 | Coin Drop | Mechanical; Jeton gettone |
| | B12311234 | Coin Drop | Mechanical; Jeton crouzet |
| | B12311247 | Coin Drop | Mechanical; Jeton 118-1 |
| | B12311248 | Coin Drop | Mechanical; Jeton 118-5 |
| | B12311222 | Coin Drop | Mechanical; 1 euro |
| | B12311214 | Coin Drop | Mechanical; .5 euro |
| | B12311202 | Coin Drop | Mechanical; .5 and 1 euro |
| | B12311239 | Coin Drop | Mechanical; .5 and 2 euro |
| | B12311205 | Coin Drop | Mechanical; .2 and 1 euro |
| | B11211209 | Coin Drop | Mechanical; .2 and .5 euro |
| | B12311218 | Coin Drop | Mechanical; 1 and 1 euro |
| | B12311219 | Coin Drop | Mechanical; 1 and 2 euro |
| | B12311203 | Coin Drop | Mechanical; 1 and 2 frank |
| | B12311207 | Coin Drop | Mechanical; 1 Deense kroon |
| | B12311225 | Coin Drop | Mechanical; 10 Deense kronen |
| | B12311235 | Coin Drop | Mechanical; 10 Tsjechische kronen |
| | B12311244 | Coin Drop | Mechanical; 10 Noorse kronen |
| | B12311208 | Coin Drop | Mechanical; 100 and 500 yen |
| | B12311212 | Coin Drop | Mechanical; 15K |
| | B12311215 | Coin Drop | Mechanical; 1 kro |
| | B12311226 | Coin Drop | Mechanical; Australia 1.00 |
| | B12311216 | Coin Drop | Mechanical; Australia .2 and 1.00 |
| | B12311220 | Coin Drop | Mechanical; New Zealand 1.00 |
| | B12311221 | Coin Drop | Mechanical; .5 and 2 zwitsers |
| | B12311241 | Coin Drop | Mechanical; Hong Kong 1.00 |
| | B12311249 | Coin Drop | Mechanical; Hong Kong 5.00 |
| | B12311301 | Coin Drop | Mechanical; U.S. \$0.25 |
| | B12311302 | Coin Drop | Mechanical; U.S. \$0.25 and \$1.00 |
| | B12311304 | Coin Drop | Mechanical; Canada 1.00 and .25 |
| | B12323401 | Coin Drop | Mechanical; Singapore 1.00 |
| 6 | 209/00600/01P | Switch | |
| 7 | 209/00396/00 | Pushbutton | |
| 8 | 152/00112/00 | Mechanical Coin Meter Housing | |
| 9 | 111/01001/00 | Top Panel | Gray |
| | 111/01000/00 | Front Plate | Black |
| 10 | 217/00060/00 | Fastening Piece | |
| 11 | 111/01002/00 | Backplate | |
| 12 | 204/00116/00 | Nut | |

Coin Drop - Electronic Coin Meter

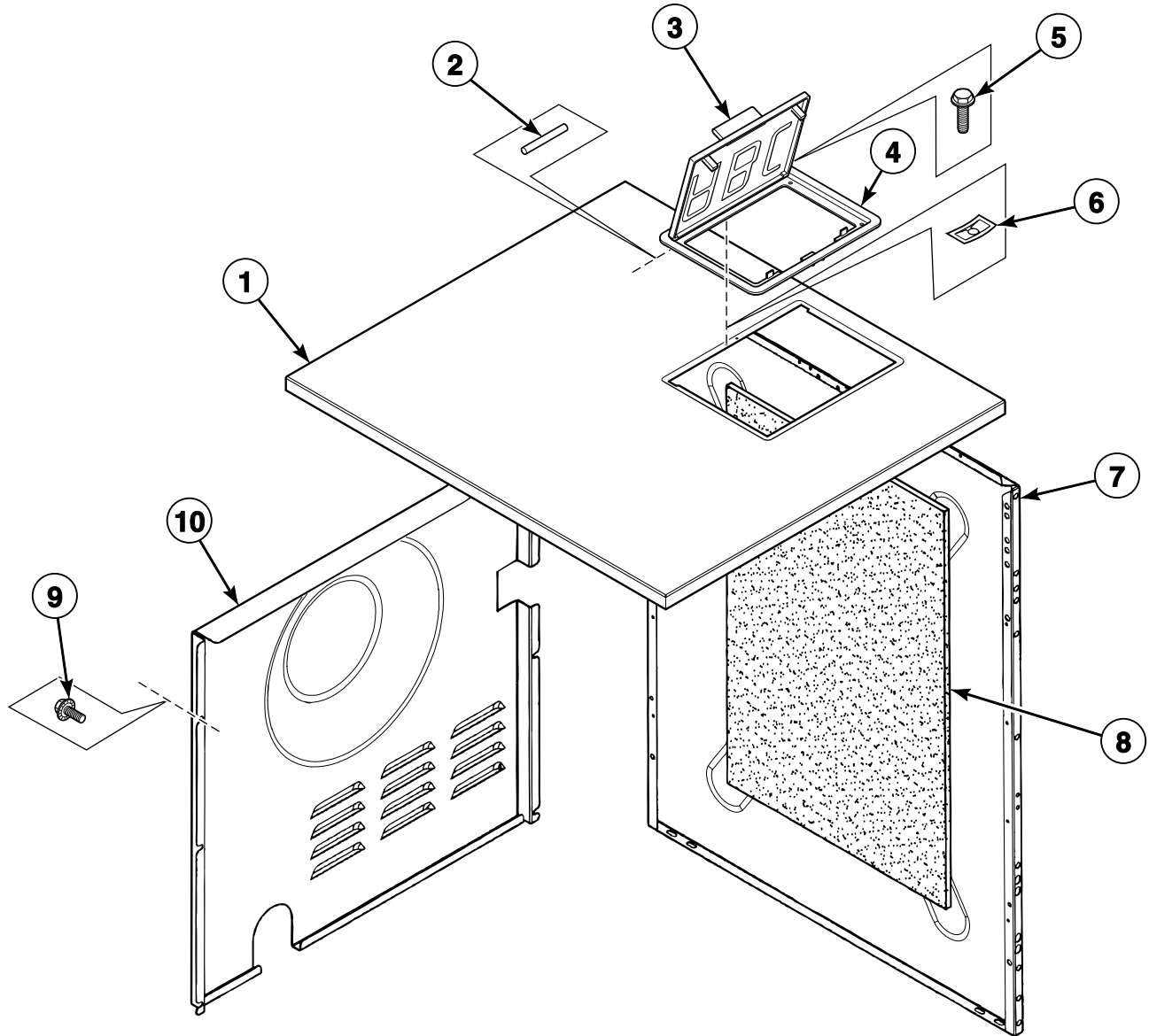


CFD511P_D0050

Coin Drop - Electronic Coin Meter

| REF | PART NO. | DESCRIPTION | COMMENTS |
|-----|--------------|-------------------------------|---------------------------|
| 1 | 254/00077/00 | Coin Box | |
| | 254/00077/02 | Key | |
| 2 | 209/00682/00 | Transformer | |
| 3 | 209/00683/00 | Input Block | |
| 4 | 204/00008/00 | Nut | |
| 5 | B12311401 | Coin Drop | Electronic; Cygnus models |
| 6 | 209/00396/00 | Pushbutton | |
| 7 | 152/00112/50 | Electronic Coin Meter Housing | |
| 8 | 208/00002/00 | Nut | |
| 9 | 208/00014/00 | Screw | |
| 10 | 111/01001/00 | Top Panel | Gray |
| | 111/01000/00 | Front Plate | Black |
| 11 | 217/00060/00 | Fastening Piece | |
| 12 | 111/01002/00 | Backplate | |
| 13 | 204/00116/00 | Nut | |

Top, Right Side and Lower Back Panels

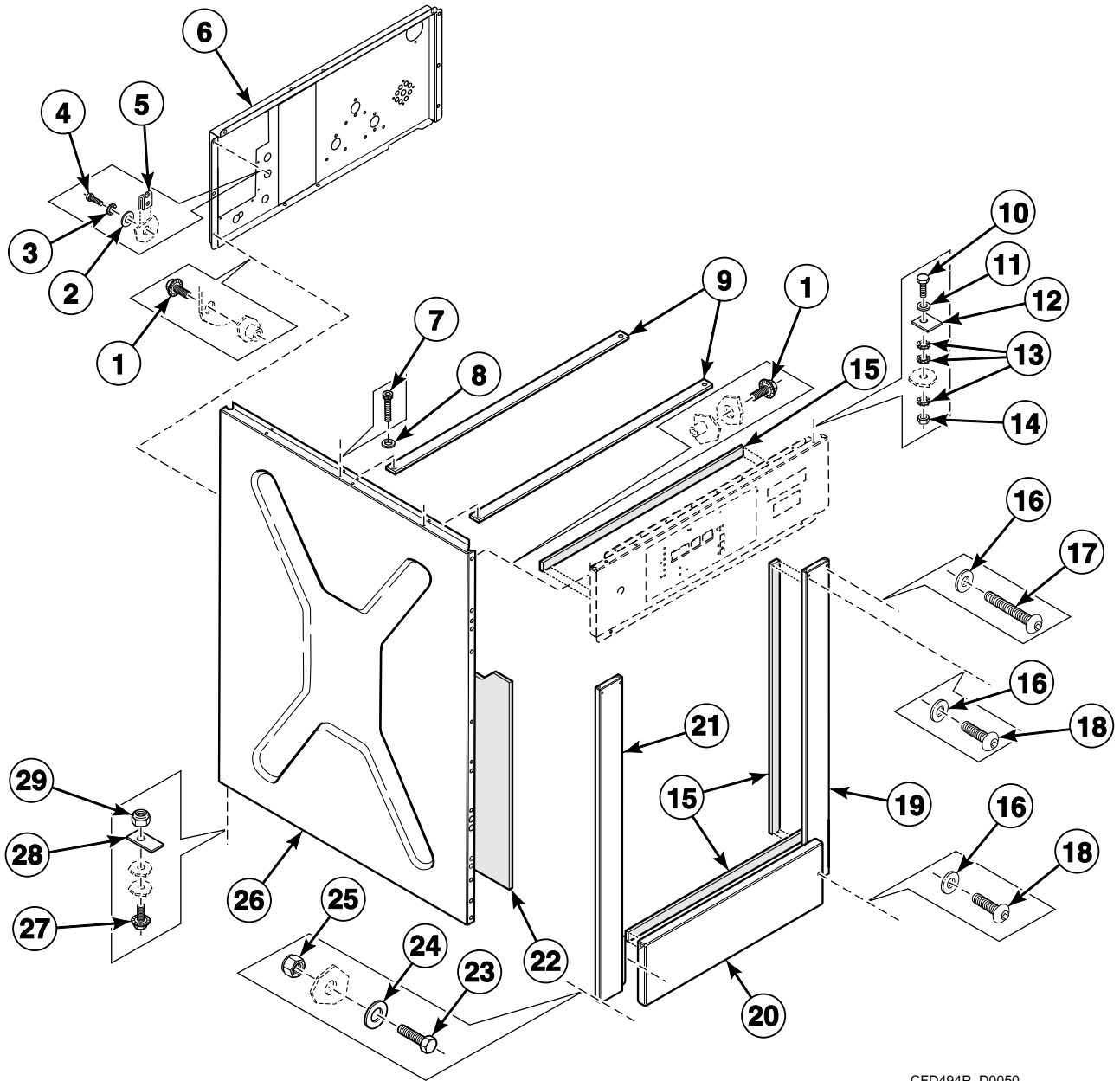


BE000633P_D0050

Top, Right Side and Lower Back Panels

| REF | PART NO. | DESCRIPTION | COMMENTS |
|-----|--------------|--------------------------------|--|
| 1 | 111/22741/00 | Top Panel | *33 and *150 models; Stainless steel |
| | 111/50004/00 | Top Panel | *33 and *150 models; White |
| | 111/22743/00 | Top Panel | *40, *45 and *185 models; Stainless steel |
| | 111/50005/00 | Top Panel | *40, *45 and *185 models; White |
| 2 | 223/00103/04 | Soap Dispenser Cover Hinge Rod | |
| 3 | 223/00103/01 | Soap Dispenser Cover | |
| 4 | 223/00103/03 | Soap Dispenser Frame | |
| 5 | 207/00125/00 | Bolt | |
| 6 | 208/00104/00 | Nut | |
| 7 | 111/22723/10 | Side Panel | *33 and *150 models; Stainless steel; Right |
| | 111/50035/00 | Side Panel | *33 and *150 models; White; Right |
| | 111/22728/10 | Side Panel | *40, *45 and *185 models; Stainless steel; Right |
| | 111/50036/00 | Side Panel | *40, *45 and *185 models; White; Right |
| 8 | 246/00079/00 | Side Panel Gasket | |
| 9 | 206/00099/00 | Bolt | |
| 10 | 152/00053/02 | Back Panel | |

Front, Left Side and Upper Back Panels

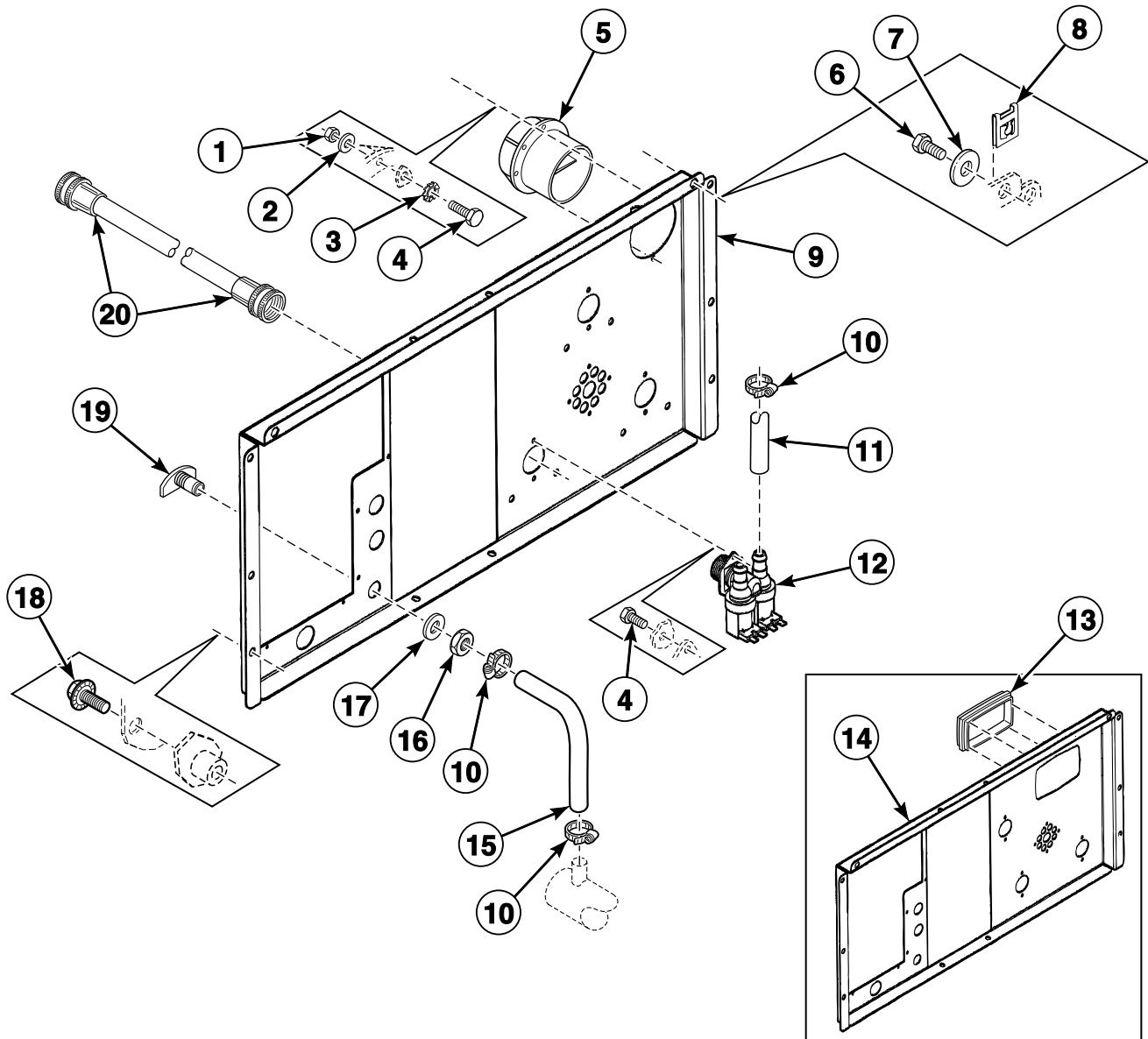


CFD494P_D0050

Front, Left Side and Upper Back Panels

| REF | PART NO. | DESCRIPTION | COMMENTS |
|-----|--------------|----------------------------|---|
| 1 | 206/00099/00 | Bolt | |
| 2 | 201/00006/00 | Washer | |
| 3 | 203/00015/00 | Washer | |
| 4 | 208/00014/00 | Screw | |
| 5 | 208/00025/00 | Nut | |
| 6 | 111/01833/00 | Backbridge | |
| 7 | 206/00113/00 | Screw | |
| 8 | B12421401 | Washer | |
| 9 | 111/00969/00 | Crossbar | |
| | 155/00162/00 | Crossbar Soap Dispenser | |
| 10 | 205/00106/00 | Bolt | |
| 11 | 202/00003/00 | Washer | |
| 12 | 117/00042/00 | Retaining Ring | |
| 13 | 203/00005/00 | Washer | |
| 14 | 204/00006/00 | Nut | |
| 15 | 246/00149/00 | Gasket | |
| 16 | 201/00007/00 | Washer | |
| 17 | 208/00121/00 | Screw | |
| 18 | 208/00124/00 | Screw | |
| 19 | 150/00003/10 | Right Front Panel | Stainless steel |
| | 111/50049/00 | Right Front Panel | White |
| 20 | 150/01803/00 | Lower Front Panel | Stainless steel |
| | 111/50051/00 | Lower Front Panel | White |
| 21 | 150/00003/20 | Left Front Panel | Stainless steel |
| | 111/50050/00 | Left Front Panel | White |
| 22 | 246/00079/00 | Side Panel Gasket | |
| 23 | 206/00042/00 | Bolt | |
| 24 | 201/00010/00 | Washer | |
| 25 | 204/00109/00 | Nut | |
| 26 | 111/22723/10 | Side Panel | *33 and *150 models; Stainless steel; Left |
| | 111/50035/00 | Side Panel | *33 and *150 models; White; Left |
| | 111/22728/10 | Side Panel | *40, *45 and *185 models; Stainless steel; Left |
| | 111/50036/00 | Side Panel | *40, *45 and *185 models; White; Left |
| 27 | 205/00105/00 | Bolt | |
| 28 | 101/00007/00 | Outlet Pipe Plate Assembly | |
| 29 | 204/00009/00 | Nut | |

Upper Back Panel - Cygnus Control Models

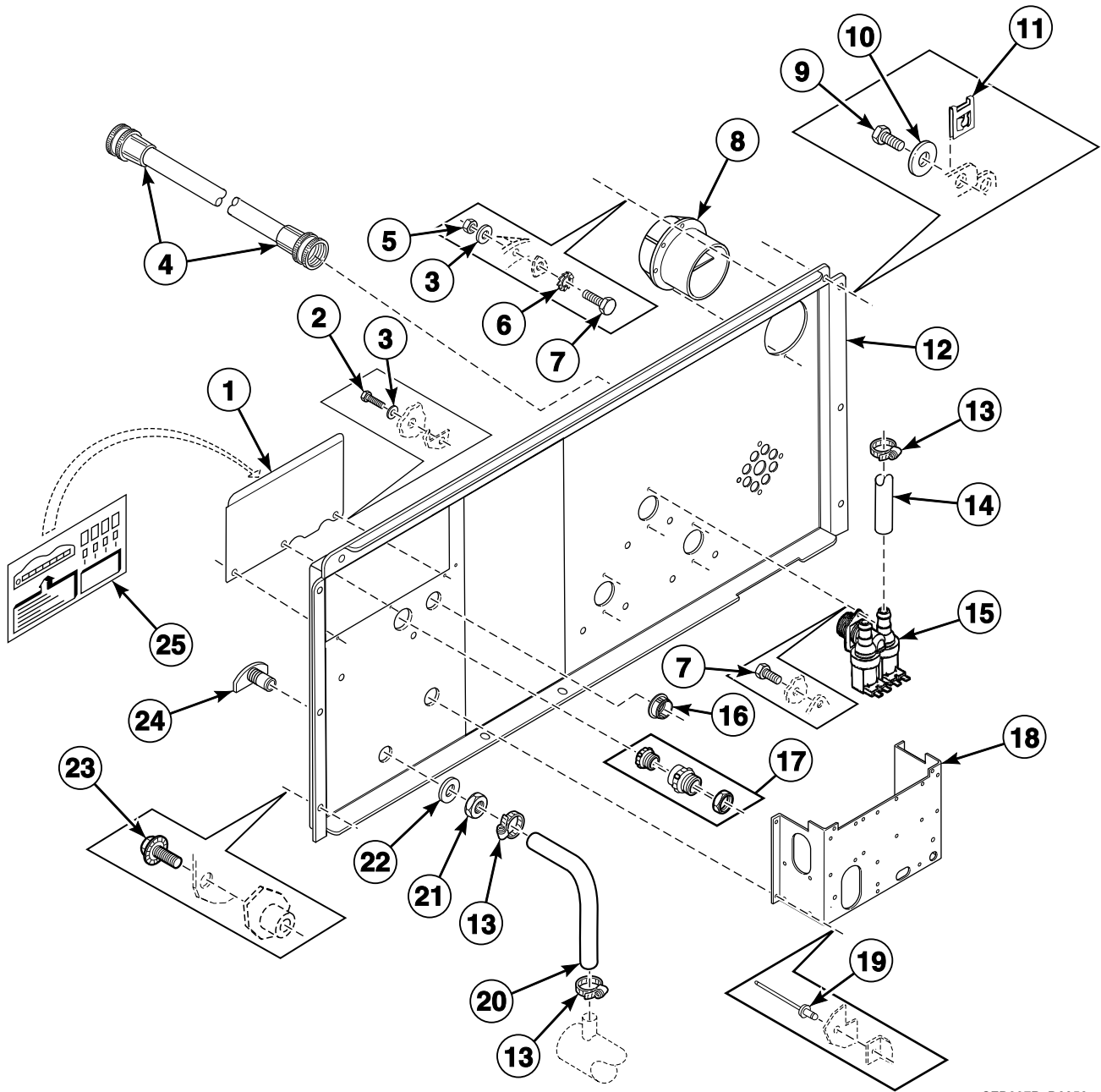


CFD328P_D0050

Upper Back Panel - Cygnus Control Models

| REF | PART NO. | DESCRIPTION | COMMENTS |
|-----|--------------|-----------------------------|------------------------------------|
| 1 | 204/00007/00 | Nut | |
| 2 | 202/00004/00 | Washer | |
| 3 | 203/00006/00 | Washer | |
| 4 | 206/00027/00 | Bolt | |
| 5 | 223/00102/07 | Hose Vent | |
| 6 | 208/00014/00 | Screw | |
| 7 | 201/00006/00 | Washer | |
| 8 | 208/00002/00 | Nut | |
| 9 | 111/01833/00 | Backbridge | Circular ventilation |
| 10 | 223/00010/00 | Hose Clamp | |
| 11 | 223/00044/00 | Water Hose | |
| 12 | 209/00110/00 | 2-Way Inlet Valve | Metric thread |
| | 209/00803/00 | 2-Way Inlet Valve | Standard thread; G581P3 Repair Kit |
| 13 | 223/00226/00 | Vent Tube | |
| 14 | 111/01833/10 | Backbridge | Rectangular ventilation |
| 15 | 223/00044/01 | Water Hose | |
| 16 | 204/00201/00 | Nut | |
| 17 | 201/00002/00 | Washer | |
| 18 | 206/00099/00 | Bolt | |
| 19 | 223/00001/04 | Prewash and Mainwash Nozzle | |
| 20 | F200164 | Water Hose | Standard thread |
| | F200166 | Water Hose | Metric thread |

Upper Back Panel with Circular Ventilation - All Models Except Cygnus Control

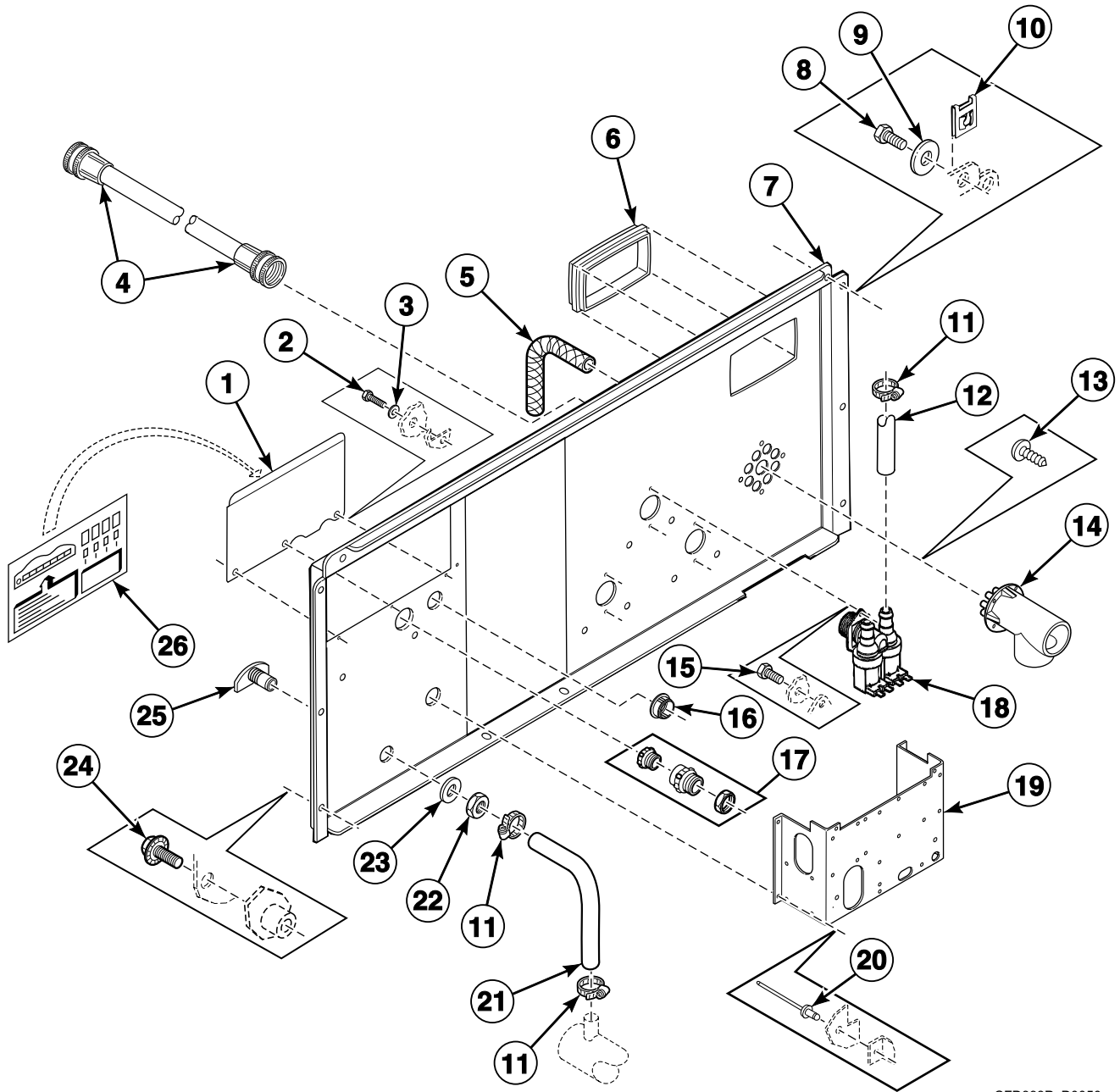


CFD337P_D0050

Upper Back Panel with Circular Ventilation - All Models Except Cygnus Control

| REF | PART NO. | DESCRIPTION | COMMENTS |
|-----|--------------|-------------------------------|------------------------------------|
| 1 | 111/00094/10 | Electrical Connection Plate | |
| 2 | 206/00014/00 | Bolt | |
| 3 | 202/00004/00 | Washer | |
| 4 | F200164 | Water Hose | Standard thread |
| | F200166 | Water Hose | Metric thread |
| 5 | 204/00007/00 | Nut | |
| 6 | 203/00006/00 | Washer | |
| 7 | 206/00027/00 | Bolt | |
| 8 | 223/00102/07 | Hose Vent | |
| 9 | 208/00014/00 | Screw | |
| 10 | 201/00006/00 | Washer | |
| 11 | 208/00002/00 | Nut | |
| 12 | 111/01822/00 | Backbridge | |
| 13 | 223/00010/00 | Hose Clamp | |
| 14 | 223/00044/01 | Water Hose | |
| 15 | 209/00110/00 | 2-Way Inlet Valve | Metric thread |
| | 209/00803/00 | 2-Way Inlet Valve | Standard thread; G581P3 Repair Kit |
| 16 | 211/00091/00 | Plug | |
| 17 | 211/00168/00 | Cordlock | |
| 18 | 111/00188/06 | Electrical Connection Plate | |
| 19 | 208/00017/00 | Rivet | |
| 20 | 223/00044/00 | Water Hose | |
| 21 | 204/00201/00 | Nut | |
| 22 | 201/00002/00 | Washer | |
| 23 | 206/00099/00 | Bolt | |
| 24 | 223/00001/04 | Prewash and Mainwash Nozzle | |
| 25 | 229/00068/02 | Electrical Connection Sticker | |

Upper Back Panel with Rectangular Ventilation - All Models Except Cygnus Control

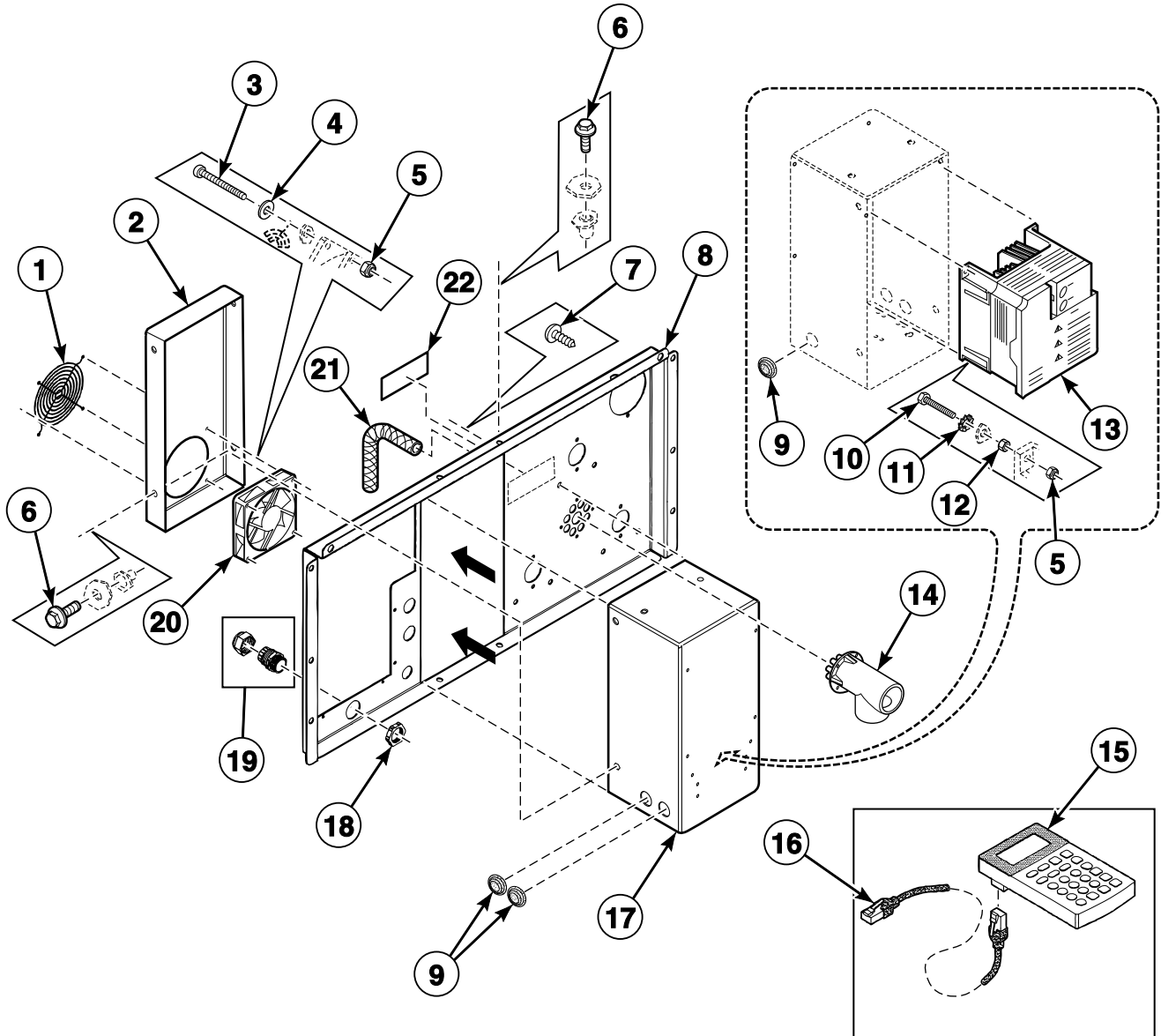


CFD338P_D0050

Upper Back Panel with Rectangular Ventilation - All Models Except Cygnus Control

| REF | PART NO. | DESCRIPTION | COMMENTS |
|-----|--------------|-------------------------------|------------------------------------|
| 1 | 111/00094/10 | Electrical Connection Plate | |
| 2 | 206/00014/00 | Bolt | |
| 3 | 202/00004/00 | Washer | |
| 4 | F200164 | Water Hose | Standard thread |
| | F200166 | Water Hose | Metric thread |
| 5 | 223/00179/10 | Pressure Hose | |
| 6 | 223/00226/00 | Vent Tube | |
| 7 | 111/01859/00 | Backbridge | |
| 8 | 208/00014/00 | Screw | |
| 9 | 201/00006/00 | Washer | |
| 10 | 208/00025/00 | Nut | |
| 11 | 223/00010/00 | Hose Clamp | |
| 12 | 223/00044/00 | Water Hose | |
| 13 | 208/00130/00 | Screw | |
| 14 | 223/00250/00 | Liquid Soap Manifold | |
| 15 | 206/00027/00 | Bolt | |
| 16 | 211/00091/00 | Plug | |
| 17 | 211/00168/00 | Cordlock | |
| 18 | 209/00110/00 | 2-Way Inlet Valve | Metric thread |
| | 209/00803/00 | 2-Way Inlet Valve | Standard thread; G581P3 Repair Kit |
| 19 | 111/00188/06 | Electrical Connection Plate | |
| 20 | 208/00017/00 | Rivet | |
| 21 | 223/00044/00 | Water Hose | |
| 22 | 204/00201/00 | Nut | |
| 23 | 201/00002/00 | Washer | |
| 24 | 206/00099/00 | Bolt | |
| 25 | 223/00001/04 | Prewash and Mainwash Nozzle | |
| 26 | 229/00068/02 | Electrical Connection Sticker | |

AC Drive - Cygnus Control Models



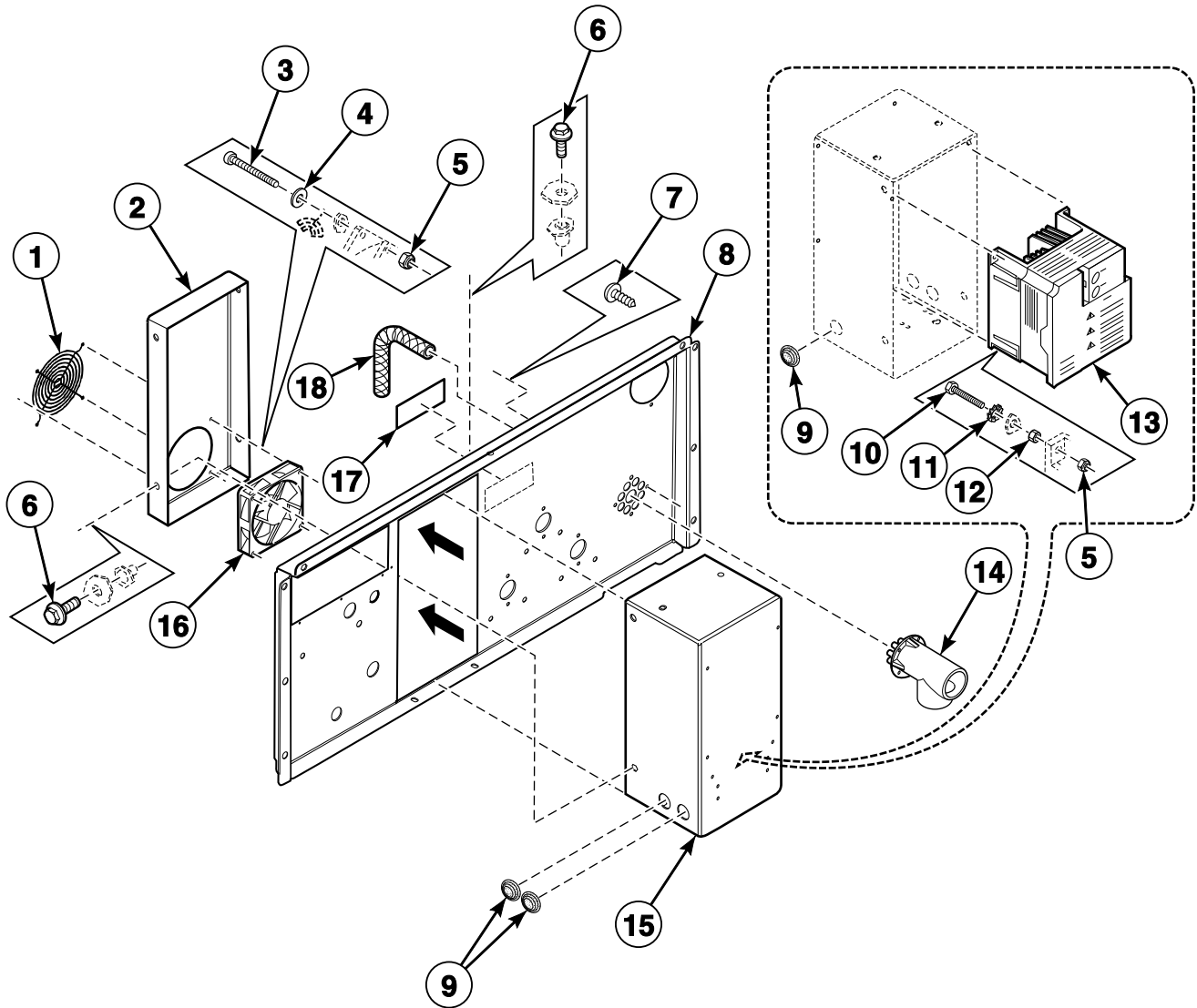
CFD459P_D0050

AC Drive - Cygnus Control Models

| REF | PART NO. | DESCRIPTION | COMMENTS |
|-----|--------------|------------------------------|--|
| 1 | 209/00287/01 | Fan Grill | |
| 2 | 111/01174/01 | Inverter Box Cover | |
| 3 | 207/00121/00 | Screw | |
| 4 | 202/00004/00 | Washer | |
| 5 | 204/00114/00 | Nut | |
| 6 | 206/00099/00 | Bolt | |
| 7 | 208/00130/00 | Screw | |
| 8 | 111/01833/00 | Backbridge | |
| 9 | 223/00174/00 | Grommet | |
| 10 | 206/00088/00 | Bolt | |
| 11 | 203/00006/00 | Washer | |
| 12 | 204/00007/00 | Nut | |
| 13 | N/A | Inverter Drive | FR-E520 series; 1 x 230 Volt |
| | 227/00168/00 | Inverter Drive | FR-E540 series; 3 x 400 Volt |
| | 227/00237/00 | Inverter Drive | FR-D740 series; 3 x 400 Volt |
| | 227/00229/00 | Inverter Drive | FR-D720 series; 1 x 230 Volt |
| 14 | 223/00250/00 | Liquid Soap Manifold | |
| 15 | 227/00171/00 | Parameter Unit Assembly | Hand held |
| | F8410901 | Parameter Unit Assembly | Used with 500-series inverter drives; Inverter mounted |
| 16 | 227/00171/10 | Parameter Unit Program Cable | |
| 17 | 111/01174/00 | Inverter Drive Box | |
| 18 | 271/35946/00 | Nut | |
| 19 | 271/35945/00 | Nut | |
| 20 | 209/00287/00 | Cooling Fan | |
| 21 | 223/00179/10 | Pressure Hose | |
| 22 | B12355001 | Voltage Discharge Decal | |

N/A = Part no longer available

AC Drive - All Models Except Cygnus Control

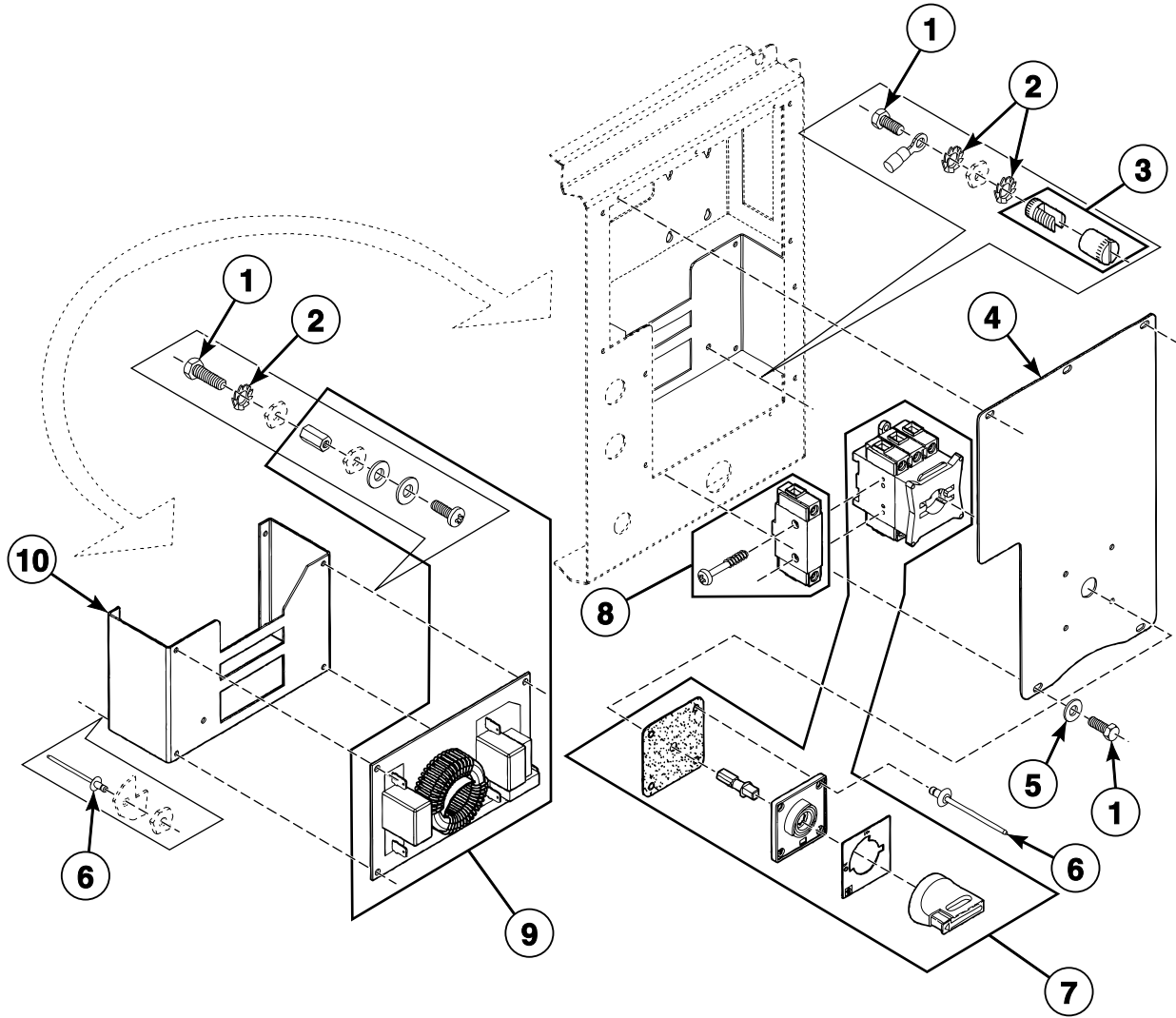


CFD560P_D0050

AC Drive - All Models Except Cygnus Control

| REF | PART NO. | DESCRIPTION | COMMENTS |
|-----------|--------------|-------------------------|---|
| | F8410901 | Parameter Unit Assembly | Used with 500-series inverter drives; Inverter mounted |
| | 227/00171/00 | Parameter Unit Assembly | Hand held |
| 1 | 209/00287/01 | Fan Grill | |
| 2 | 111/01174/01 | Inverter Box Cover | |
| 3 | 207/00121/00 | Screw | |
| 4 | 202/00004/00 | Washer | |
| 5 | 204/00114/00 | Nut | |
| 6 | 206/00099/00 | Bolt | |
| 7 | 208/00130/00 | Screw | |
| 8 | 111/01822/00 | Backbridge | |
| 9 | 223/00174/00 | Grommet | |
| 10 | 206/00088/00 | Bolt | |
| 11 | 203/00006/00 | Washer | |
| 12 | 204/00007/00 | Nut | |
| 13 | N/A | Inverter Drive | FR-E520 series; 1 x 230 Volt |
| | 227/00168/00 | Inverter Drive | FR-E540 series; 3 x 400 Volt |
| | F8421101 | Drive | 700-series; *33 and *150 PS40F, Micro-20 and Sigma control models; Models SX33BVPA7, SX33BVQA7, SX33BVXA7, SX33BVXM7, UX33PVPA7, UX33PVQA7, UX33PVQM7, UX33PVXA7 and UX33PVXM7; 200 Volt/1 Phase; Models with 2.2 kW motor |
| | F8421102 | Drive | 700-series; *33 and *150 PS40F, Micro-20 and Sigma control models; Model UX33PVNA7; 400 Volt/3 Phase; Models with 2.2 kW motor |
| | F8421103 | Drive | 700-series; *45 and *185 PS40F, Micro-20 and Sigma control models; Models SX40BVPA7, SX40BVQA7, SX40BVXA7, SX40BVXM7, UX40PVPA7, UX40PVQA7, UX40PVQM7, UX40PVXA7 and UX40PVXM7; 200 Volt/1 Phase; Models with 2.2 kW motor |
| | F8421104 | Drive | 700-series; *45 and *185 PS40F, Micro-20 and Sigma control models; Model UX40PVNA7; 400 Volt/3 Phase; Models with 2.2 kW motor |
| | F8421001 | Inverter Kit | 700-series; *33 and *150 PS40F, Micro-20 and Sigma control models; Models SX33BVPA7, SX33BVQA7, SX33BVXA7, SX33BVXM7, UX33PVPA7, UX33PVQA7, UX33PVQM7, UX33PVXA7 and UX33PVXM7; 200 Volt/1 Phase; Models with 2.2 kW motor; Includes F8421101 Drive, F8409501 Mounting Plate Assembly and F430903 Screw |
| | F8421002 | Inverter Kit | 700-series; *33 and *150 PS40F, Micro-20 and Sigma control models; Model UX33PVNA7; 400 Volt/3 Phase; Models with 2.2 kW motor; Includes F8421102 Drive, F8409501 Mounting Plate Assembly and F430903 Screw |
| | F8421003 | Inverter Kit | 700-series; *45 and *185 PS40F, Micro-20 and Sigma control models; Models SX40BVPA7, SX40BVQA7, SX40BVXA7, SX40BVXM7, UX40PVPA7, UX40PVQA7, UX40PVQM7, UX40PVXA7 and UX40PVXM7; 200 Volt/1 Phase; Models with 2.2 kW motor; Includes F8421103 Drive, F8409501 Mounting Plate Assembly and F430903 Screw |
| | F8421004 | Inverter Kit | 700-series; *45 and *185 PS40F, Micro-20 and Sigma control models; Model UX40PVNA7; 400 Volt/3 Phase; Models with 2.2 kW motor; Includes F8421104 Drive, F8409501 Mounting Plate Assembly and F430903 Screw |
| 14 | 223/00250/00 | Liquid Soap Manifold | |
| 15 | 111/01174/00 | Inverter Drive Box | |
| 16 | 209/00287/00 | Cooling Fan | |
| 17 | B12355001 | Voltage Discharge Decal | |
| 18 | 223/00179/10 | Pressure Hose | |

Main Switch and Noise Filter

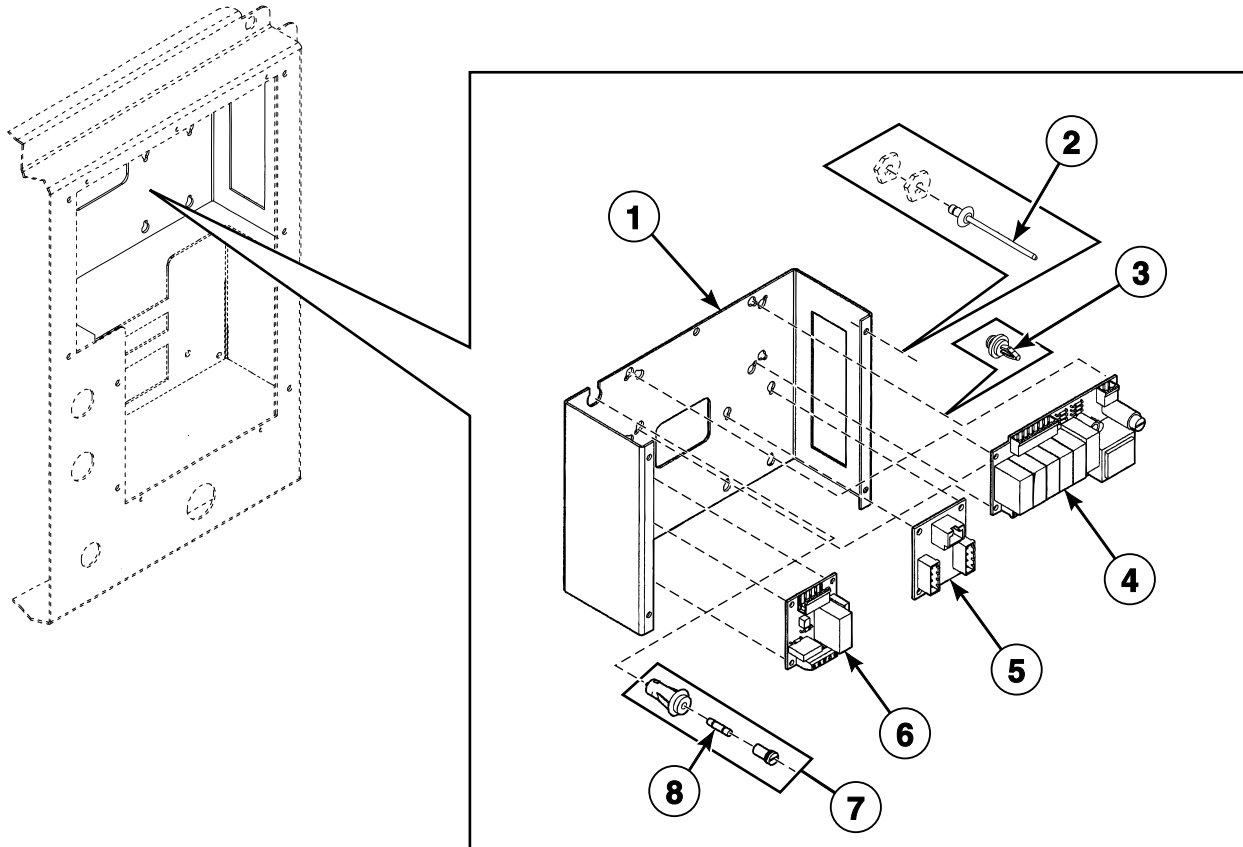


BE000799P_D0050

Main Switch and Noise Filter

| REF | PART NO. | DESCRIPTION | COMMENTS |
|-----|--------------|-------------------|----------|
| 1 | 206/00027/00 | Bolt | |
| 2 | 203/00006/00 | Washer | |
| 3 | 209/00006/01 | Ground Terminal | |
| 4 | 111/01834/00 | Main Switch Cover | |
| 5 | 202/00004/00 | Washer | |
| 6 | 208/00017/00 | Rivet | |
| 7 | 209/00529/00 | Main Switch | 25A |
| | 209/00672/00 | Main Switch | 40A |
| | 209/00526/00 | Main Switch | 80A |
| 8 | 209/00530/00 | Terminal Block | 25A |
| | 209/00527/00 | Terminal Block | 63/80A |
| 9 | 227/00177/00 | Filter | 16A1 |
| | 227/00242/00 | Filter | 16A3 |
| | 227/00179/00 | Filter | 40A3 |
| | 227/00180/00 | Filter | 45A1 |
| | 227/00183/00 | Filter | 53A3 |
| 10 | 111/01837/01 | Filter Bracket | |

Soap Injection, Network Connection and Central Operating Panel Connection Printboards

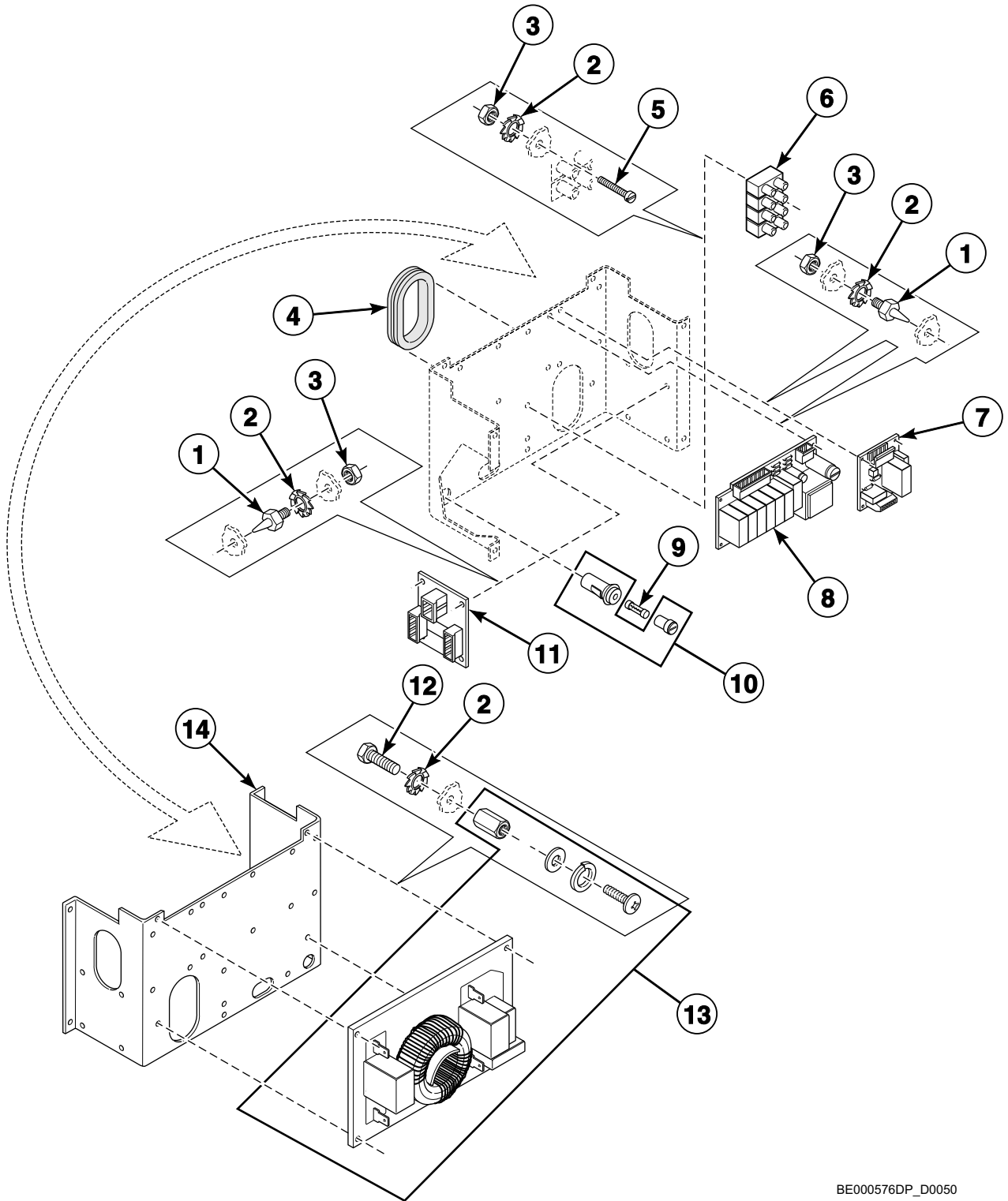


BE000800P_D0050

Soap Injection, Network Connection and Central Operating Panel Connection Printboards

| REF | PART NO. | DESCRIPTION | COMMENTS |
|-----|--------------|-------------------------------|-----------------|
| 1 | 111/01838/10 | Printboard Support | |
| 2 | 208/00017/00 | Rivet | |
| 3 | 211/00146/00 | Standoff | |
| 4 | 209/00218/13 | Soap Injection PCB with Fuse | |
| 5 | 209/00540/01 | Network Connection Printboard | |
| 6 | 209/00438/50 | Central Control Board | |
| 7 | 209/00202/00 | Fuse Holder | |
| | 209/00202/01 | Fuse Holder | Includes item 8 |
| 8 | 209/00468/00 | Fuse | 3 Amp |

Soap Injection Printboard, Network Connection Printboard and Noise Filter - All Models Except Cygnus Control

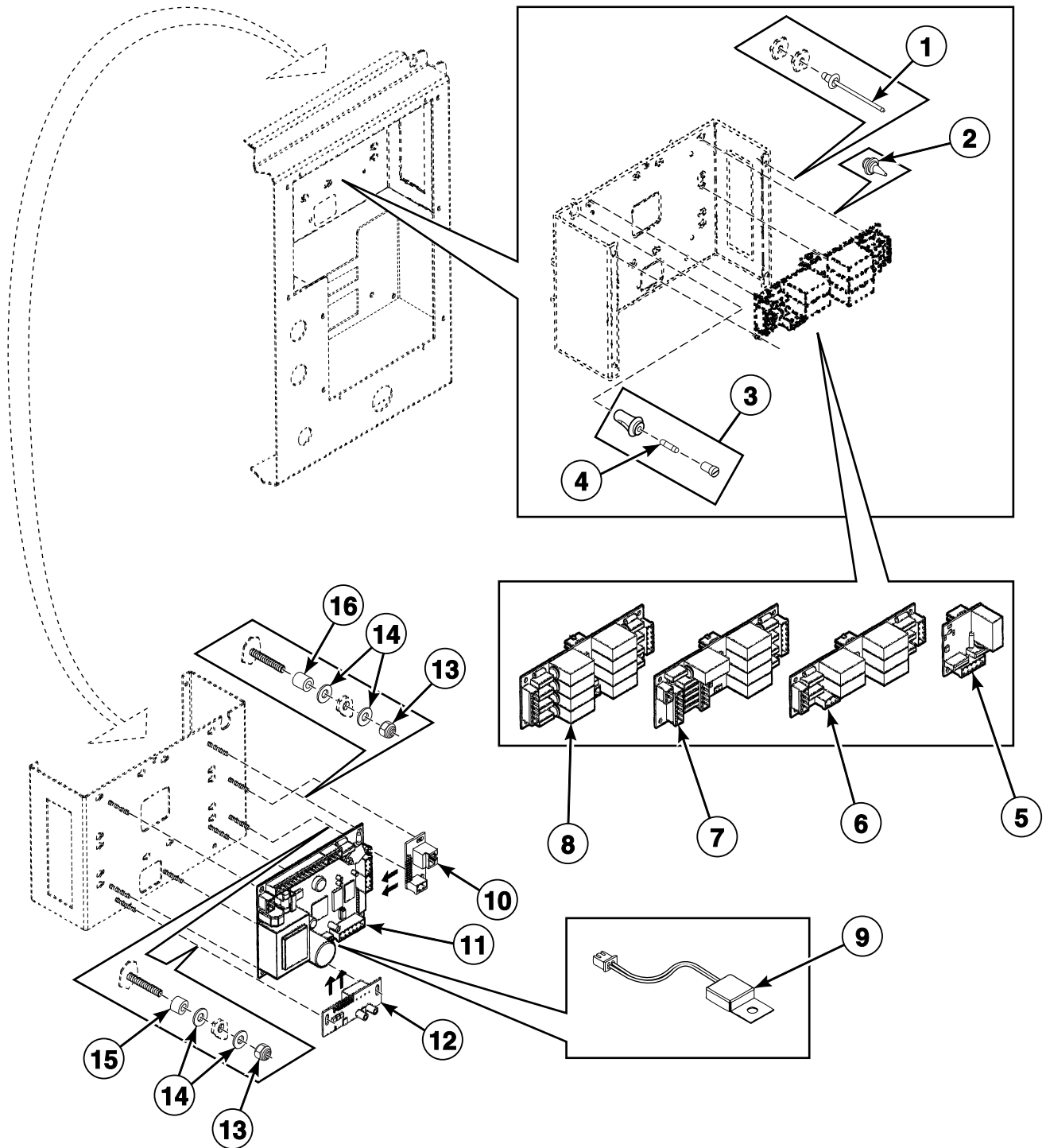


BE000576DP_D0050

Soap Injection Printboard, Network Connection Printboard and Noise Filter - All Models Except Cygnus Control

| REF | PART NO. | DESCRIPTION | COMMENTS |
|-----|--------------|-------------------------------|-----------------|
| 1 | 211/00120/00 | Standoff | |
| 2 | 203/00006/00 | Washer | |
| 3 | 204/00007/00 | Nut | |
| 4 | 223/00203/00 | Grommet | |
| 5 | 207/00031/00 | Screw | |
| 6 | 209/00058/00 | Terminal Block | |
| 7 | 209/00438/50 | Central Control Board | |
| 8 | 209/00218/13 | Soap Injection PCB with Fuse | |
| 9 | 209/00468/00 | Fuse | |
| 10 | 209/00202/00 | Fuse Holder | |
| | 209/00202/01 | Fuse Holder | Includes item 9 |
| 11 | 209/00540/01 | Network Connection Printboard | |
| 12 | 206/00027/00 | Bolt | |
| 13 | 227/00177/00 | Filter | 16A1 |
| | 227/00242/00 | Filter | 16A3 |
| | 227/00179/00 | Filter | 40A3 |
| | 227/00180/00 | Filter | 45A1 |
| | 227/00183/00 | Filter | 53A3 |
| 14 | 111/00188/06 | Electrical Connection Plate | |

Relay, Frequency Inverter, Network Connection and Main Printboards - Cygnus Control Models

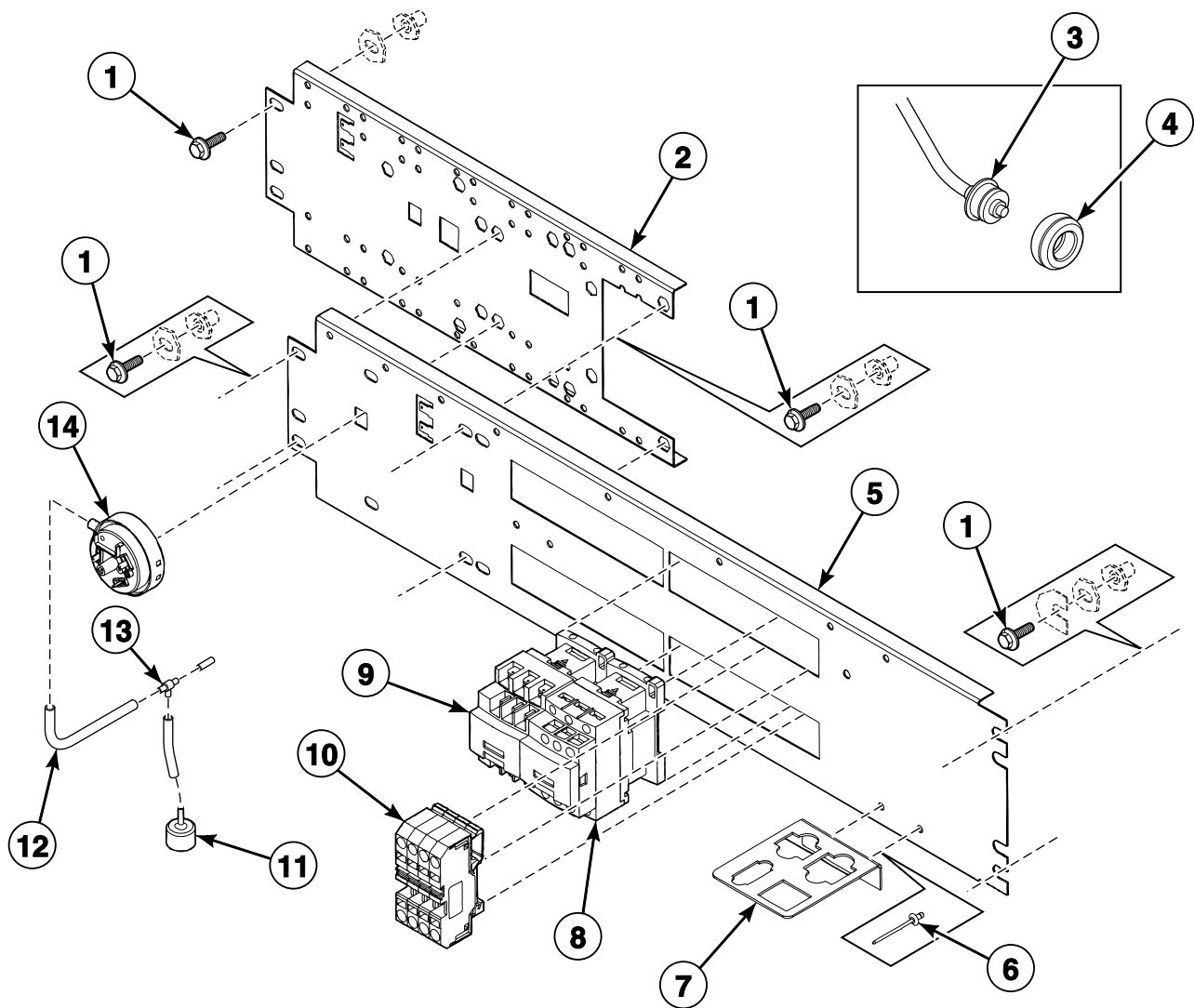


BE000801AP_D0050

Relay, Frequency Inverter, Network Connection and Main Printboards - Cygnus Control Models

| REF | PART NO. | DESCRIPTION | COMMENTS |
|-----|--------------|-------------------------------|-----------------|
| 1 | 208/00017/00 | Rivet | |
| 2 | 211/00146/00 | Standoff | |
| 3 | 209/00468/00 | Fuse | 3 Amp |
| 4 | 209/00202/00 | Fuse Holder | |
| | 209/00202/01 | Fuse Holder | Includes item 3 |
| 5 | 209/02016/00 | Relay PC-Board | 1 in, 1 out |
| 6 | 209/02005/00 | Detergent PC-Board | 1 in, 5 out |
| 7 | 209/02014/00 | Relay PC-Board | 5 in, 5 out |
| 8 | 209/02008/00 | Detergent PC-Board | 1 in, 8 out |
| 9 | 209/02020/00 | ID Chip | |
| 10 | 209/02006/00 | Inverter PC-Board | |
| 11 | 209/02025/00 | Microprocessor | |
| 12 | 209/02007/00 | Network Connection Printboard | |
| 13 | 204/00116/00 | Nut | |
| 14 | 223/00123/00 | Washer | |
| 15 | 211/00128/00 | Printboard Separator | |
| 16 | 211/00122/00 | Standoff | |

Control Module

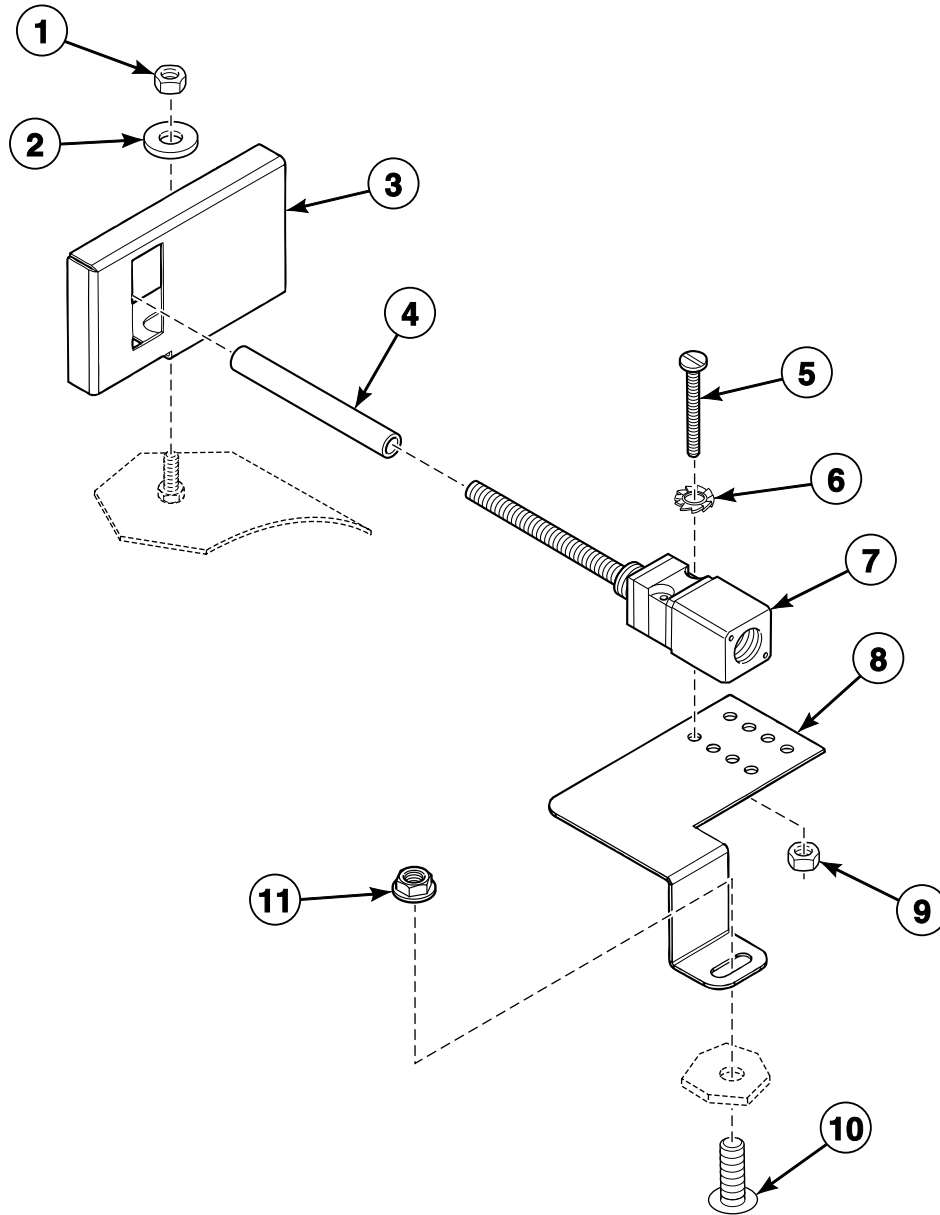


BE000802P_D0050

Control Module

| REF | PART NO. | DESCRIPTION | COMMENTS |
|-----|--------------|-------------------------------------|-----------------------|
| 1 | 206/00099/00 | Bolt | |
| 2 | 111/10003/40 | Electrical Component Mounting Plate | |
| 3 | 210/00020/00 | Thermostat | Cygnus control models |
| | 210/01064/16 | Thermostat | All other models |
| 4 | 225/10004/00 | Thermostat Seal | |
| 5 | 111/10003/30 | Electrical Component Mounting Plate | |
| 6 | 208/00017/00 | Rivet | |
| 7 | 111/10003/10 | Support Connector | |
| 8 | 209/06148/02 | Heating Contactor | |
| 9 | 209/00641/04 | Heating Contactor | |
| 10 | 209/00619/00 | Overload Contactor | 2006-1201 |
| | 209/00620/00 | Overload Contactor | 2006-1204 |
| | 209/00621/00 | Overload Contactor | 2006-1304 |
| | 209/00622/00 | Overload Contactor | 2006-1301 |
| | 209/00623/00 | Overload Contactor | 2010-1201 |
| | 209/00624/00 | Overload Contactor | 2010-1204 |
| | 209/00625/00 | Overload Contactor | 2010-1301 |
| | 209/00619/01 | Connection Clamp | 2 pole; 6 mm |
| | 209/00622/01 | Connection Clamp | 3 pole; 6 mm |
| | 209/00625/01 | Connection Clamp | 3 pole; 10 mm |
| 11 | 223/00035/02 | Pressure Switch Cap | |
| 12 | 223/00333/00 | Pressure Hose | |
| 13 | 223/00173/10 | Pressure Switch Hose Tee | |
| 14 | 209/00027/10 | Pressure Switch | |

Balance Switch



BE000536AP_D0050

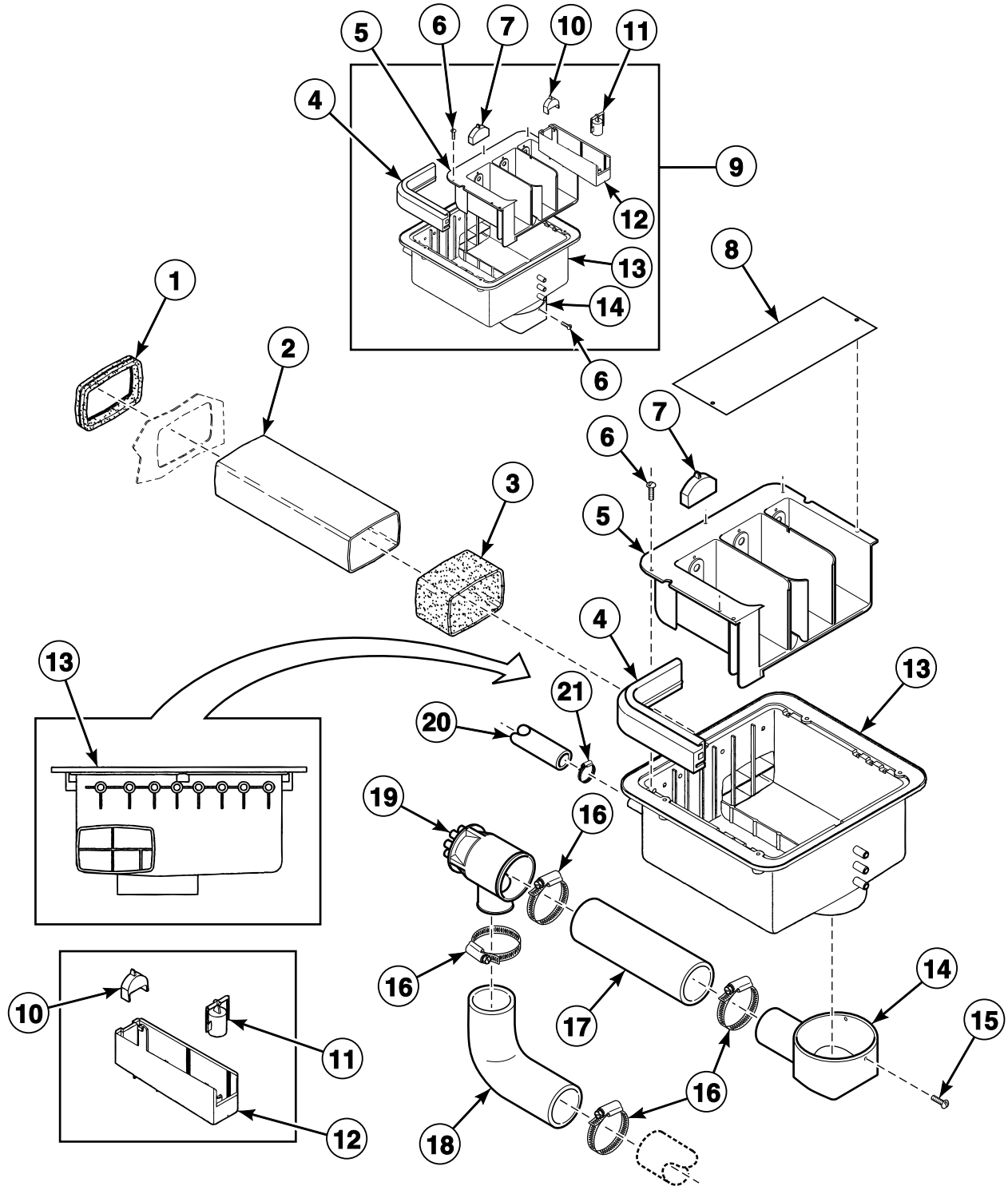
Balance Switch

| REF | PART NO. | DESCRIPTION | COMMENTS |
|-----|--------------|----------------------------|----------|
| 1 | 204/00110/00 | Nut | |
| 2 | 201/00010/00 | Washer | |
| 3 | 111/00108/01 | Tilt Detector Plate | |
| 4 | 223/00246/00 | Out-of-Balance Switch Boot | |
| 5 | 207/00018/00 | Screw | |
| 6 | 203/00006/00 | Washer | |
| 7 | 209/00255/00 | Out-of-Balance Switch | |
| 8 | 111/00107/01 | Tilt Switch Bracket | |
| 9 | 204/00007/00 | Nut | |
| 10 | 208/00120/00 | Screw | |
| 11 | 206/00101/00 | Nut | |

Supply Dispenser with Round Ventilation Opening

| REF | PART NO. | DESCRIPTION | COMMENTS |
|-----|--------------|----------------------------------|--------------------------|
| 1 | 223/00014/00 | Hose Clamp | |
| 2 | 223/00107/00 | Soap Dispenser Air Breather Hose | *33 and *150 models |
| | 223/00107/01 | Ventilating Hose | *40, *45 and *185 models |
| 3 | 223/00109/00 | Soap Dispenser Gasket | |
| 4 | B12347501 | Screw | |
| 5 | 123/00107/00 | Anti-Splash Plate | Sigma control models |
| | 123/00103/06 | Soap Box Assembly Plate | All other models |
| 6 | 223/00102/06 | Soap Spray Nozzle | |
| 7 | 223/00102/30 | Soap Dispenser Assembly | |
| 8 | 223/00195/00 | Dispenser Drain Funnel | |
| 9 | B12350903 | Screw | |
| 10 | 223/00102/50 | Soap Dispenser Assembly | |
| 11 | 223/00013/00 | Hose Clamp | |
| 12 | 223/00261/00 | Soap Dispenser Hose | *33 and *150 models |
| | 223/00262/00 | Siphon Break Dispenser Hose | *40, *45 and *185 models |
| 13 | B12310304 | Siphon Break Hose | *33 and *150 models |
| | B12322404 | Siphon Break Hose | *40, *45 and *185 models |
| 14 | 223/00102/04 | Soap Dispenser Rinse Siphon | |
| 15 | 223/00102/08 | Liquid Soap Dispenser Insert | |
| 16 | 223/00102/03 | Rinse Insert | |
| 17 | 223/00102/05 | Softener Spray Nozzle | |
| 18 | 223/00102/40 | Exterior Box | |
| 19 | 223/00250/00 | Liquid Soap Manifold | |
| 20 | 223/00010/00 | Hose Clamp | |
| 21 | 223/00044/01 | Water Hose | |

Supply Dispenser with Rectangular Ventilation Opening

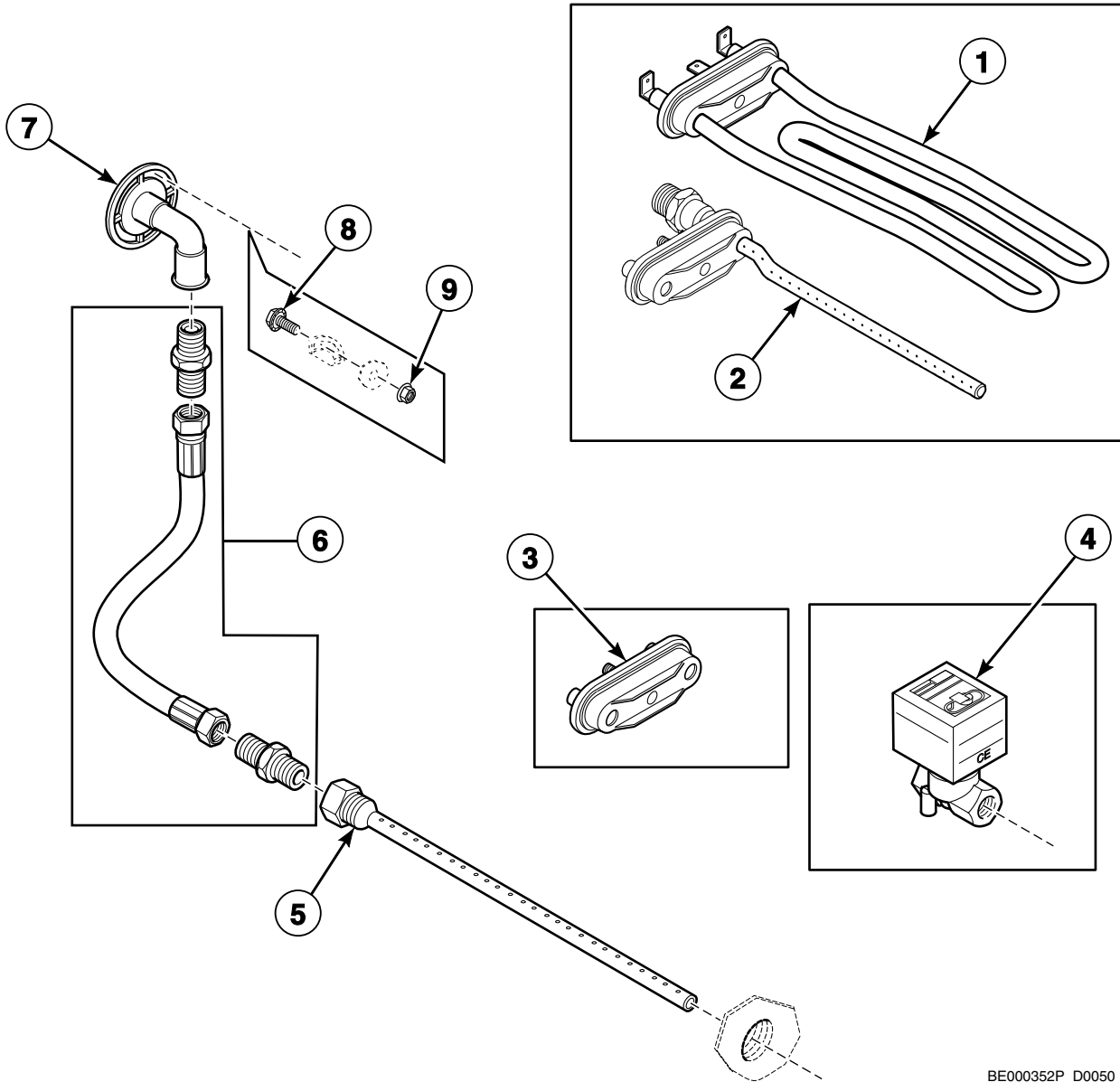


CFD331P_D0050

Supply Dispenser with Rectangular Ventilation Opening

| REF | PART NO. | DESCRIPTION | COMMENTS |
|-----|--------------|-----------------------------|--------------------------|
| 1 | 223/00226/00 | Vent Tube | |
| 2 | 223/00229/00 | Vent Tube | |
| 3 | 223/00245/00 | Shrink Fit | |
| 4 | 223/00109/00 | Soap Dispenser Gasket | |
| 5 | 223/00222/02 | Interior Box | |
| 6 | B12347501 | Screw | |
| 7 | 223/00102/06 | Soap Spray Nozzle | |
| 8 | 123/00107/00 | Anti-Splash Plate | Sigma control models |
| | 123/00103/06 | Soap Box Assembly Plate | All other models |
| 9 | 223/00222/00 | Soap Dispenser | |
| 10 | 223/00222/03 | Softener Spray Nozzle | |
| 11 | 223/00222/04 | Siphon Break | |
| 12 | 223/00222/05 | Rinsing Box | |
| 13 | 223/00222/60 | Outer and Inner Box Kit | |
| 14 | 223/00195/00 | Dispenser Drain Funnel | |
| 15 | B12350903 | Screw | |
| 16 | 223/00013/00 | Hose Clamp | |
| 17 | 223/00261/00 | Soap Dispenser Hose | *33 and *150 models |
| | 223/00262/00 | Siphon Break Dispenser Hose | *40, *45 and *185 models |
| 18 | 223/00265/00 | Siphon Break Hose | |
| 19 | 223/00250/00 | Liquid Soap Manifold | |
| 20 | 223/00044/00 | Water Hose | |
| 21 | 223/00010/00 | Hose Clamp | |

Electric and Steam Heating Options

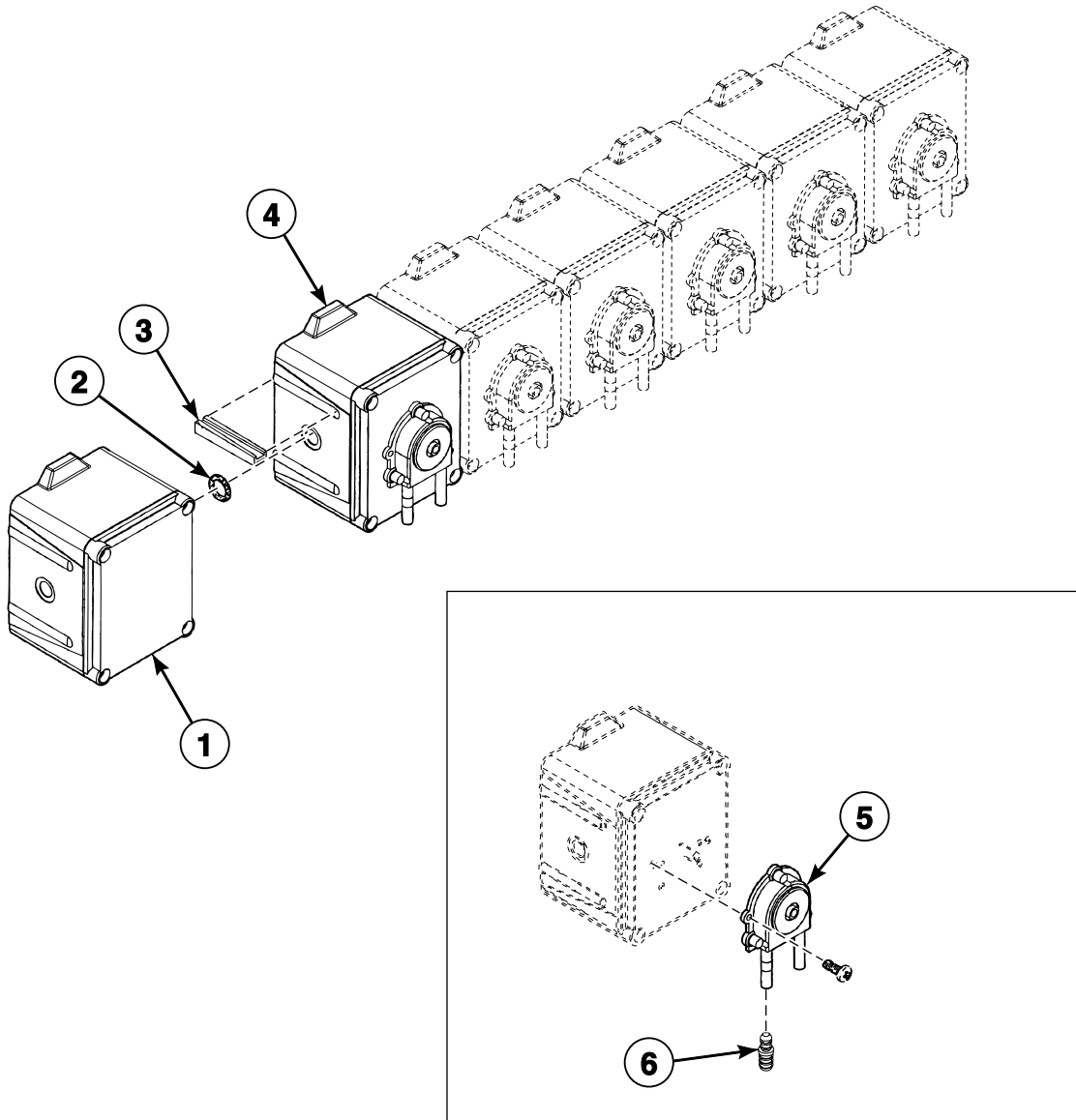


BE000352P_D0050

Electric and Steam Heating Options

| REF | PART NO. | DESCRIPTION | COMMENTS |
|-----|--------------|----------------------|----------|
| 1 | 209/00581/10 | Heating Element | 4000W |
| | 209/00562/10 | Heating Element | 3000W |
| | 209/00563/20 | Heating Element | 2000W |
| | 209/00564/10 | Heating Element | 1400W |
| 2 | 118/00105/01 | Steam Injector | |
| 3 | 209/00196/00 | Heating Element Plug | |
| 4 | 209/00477/00 | Steam Valve | |
| 5 | 119/00082/00 | Steam Injector | |
| 6 | 217/00025/00 | Steam Hose | |
| 7 | 118/01063/00 | Steam Inlet | |
| 8 | 206/00099/00 | Bolt | |
| 9 | 206/00101/00 | Nut | |

Soap Pumps

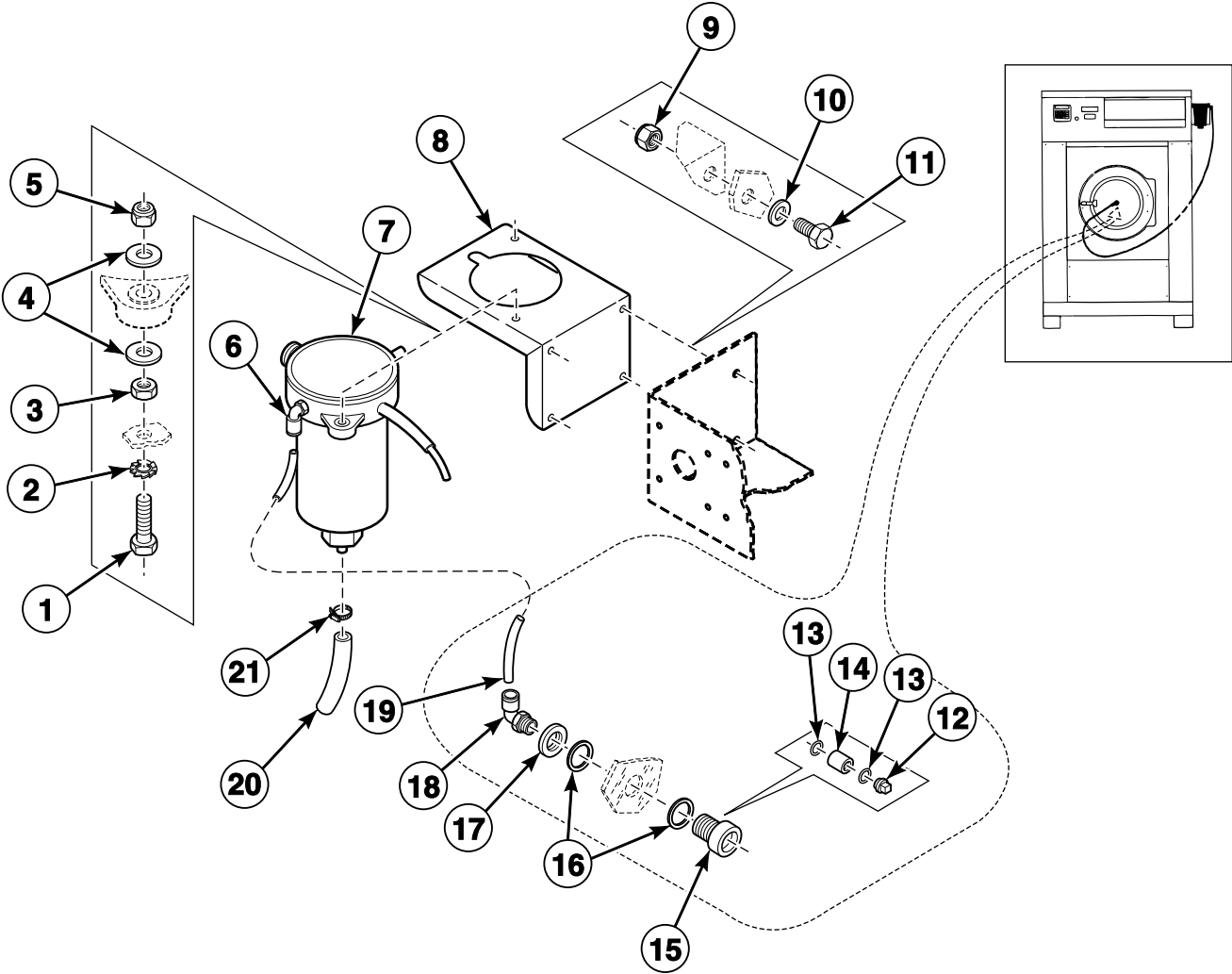


BE000527AP_D0050

Soap Pumps

| REF | PART NO. | DESCRIPTION | COMMENTS |
|-----|--------------|--|----------|
| 1 | 209/00554/01 | Soap Pump Assembly | 1 pump |
| | 209/00554/02 | Soap Pump Assembly | 2 pumps |
| | 209/00554/03 | Soap Pump Assembly | 3 pumps |
| | 209/00554/04 | Soap Pump Assembly | 4 pumps |
| | 209/00554/05 | Soap Pump Assembly | 5 pumps |
| | 209/00554/06 | Soap Pump Assembly | 6 pumps |
| | 209/00554/51 | Feeding Liquid Soap Dosing Pump | |
| 2 | 209/00554/52 | Liquid Soap Dosing Pump O-Ring | |
| 3 | 209/00554/53 | Liquid Soap Dosing Pump Connection Piece | |
| 4 | 209/00554/50 | Pump | |
| 5 | 209/00554/98 | Hose | |
| 6 | 209/00554/99 | Hose Connector | |

Liquid Supply Pump



BE000068P_D0050

Liquid Supply Pump

| REF | PART NO. | DESCRIPTION | COMMENTS |
|-----|--------------|------------------------------|----------|
| 1 | 205/00103/00 | Bolt | |
| 2 | 203/00004/00 | Washer | |
| 3 | 204/00106/00 | Nut | |
| 4 | 202/00101/00 | Washer | |
| 5 | 204/00009/00 | Nut | |
| 6 | 223/00181/00 | Soap Injector Elbow Coupling | |
| 7 | 209/00369/00 | Liquid Soap Spray Pump | |
| 8 | 111/10179/00 | Spray Pump Mounting Plate | |
| 9 | 204/00009/00 | Nut | |
| 10 | 201/00007/00 | Washer | |
| 11 | 205/00107/00 | Bolt | |
| 12 | 223/00178/00 | Soap Injector Orifice | |
| 13 | 223/00177/00 | O-Ring | |
| 14 | 211/00126/00 | Soap Injector Orifice Nipple | |
| 15 | 211/00127/00 | Soap Injector Connector | |
| 16 | 223/00176/00 | O-Ring | |
| 17 | 211/10106/00 | Nut | |
| 18 | 223/00182/00 | Soap Injector Coupling | |
| 19 | 223/00180/00 | Soap Injector Hose | |
| 20 | 223/00179/10 | Pressure Hose | |
| 21 | 211/00088/00 | Cable Tie | |

Parts Index

A

Anti-Splash Plate
123/00107/00 87, 89

B

Back Panel
152/00053/02 61

Backbridge
111/01822/00 67, 73
111/01833/00 63, 65, 71
111/01833/10 65
111/01859/00 69

Backplate
111/01002/00 57, 59

Ball Bearing
212/00004/00 19, 21
212/00024/00 19, 21

Bearing Housing
150/00118/01 19, 21
150/10118/00 21

Bolt
205/00102/00 19, 21
205/00103/00 95
205/00104/00 19, 21, 33
205/00105/00 63
205/00106/00 63
205/00107/00 17, 95
206/00005/00 23
206/00006/00 25
206/00014/00 67, 69
206/00027/00 65, 67, 69, 75, 79
206/00032/00 17
206/00033/00 27, 29
206/00037/00 13
206/00042/00 63
206/00052/00 15
206/00060/00 15
206/00088/00 71, 73
206/00099/00 61, 63, 65, 67, 69, 71, 73, 83, 91
207/00125/00 61
224/00046/00 13

C

Cable Tie
211/00088/00 95

Caddy Bracket
224/00051/00 19, 21
224/00052/00 19, 21

Central Control Board
209/00438/50 77, 79

Circuit Board Cover
229/00262/00 49, 51, 53, 55
229/00289/00 35, 39, 41, 43, 45, 47

Coin Box
254/00077/00 57, 59

Coin Drop

B11211209 57
B12311201 57
B12311202 57
B12311203 57
B12311204 57
B12311205 57
B12311206 57
B12311207 57
B12311208 57
B12311210 57
B12311211 57
B12311212 57
B12311214 57
B12311215 57
B12311216 57
B12311218 57
B12311219 57
B12311220 57
B12311221 57
B12311222 57
B12311224 57
B12311225 57
B12311226 57
B12311234 57
B12311235 57
B12311239 57
B12311241 57
B12311244 57
B12311247 57
B12311248 57
B12311249 57
B12311252 57
B12311301 57
B12311302 57
B12311304 57
B12311401 59
B12323401 57
B12323901 57

Computer Board

9002063 37

Connection Clamp

209/00619/01 83
209/00622/01 83
209/00625/01 83

Contact Block

44018701 35
44018901 35

Contact Switch

209/00099/26 39, 41, 45, 49, 51, 53, 55

Control Board

209/00547/00 51, 53

Control Panel

9001050 35

Control Panel Decal

9002073 37
9002074 37

Cooling Fan

209/00287/00 71, 73

Cordlock

211/00168/00 25, 67, 69

Counter Ring

219/00004/00 19, 23

N/A items do not appear in index.

| | | |
|-------------------------|--------------|----|
| Coupling | 150/00210/00 | 17 |
| Crossbar | 111/00969/00 | 63 |
| Crossbar Soap Dispenser | 155/00162/00 | 63 |

D

| | | |
|------------------------------|---------------|--------------------|
| Datacard | 209/02022/00 | 39, 41, 43, 45, 47 |
| Datacard Cover | 223/00348/00 | 39, 41 |
| Dataflash Card Display Cable | 210/00221/00 | 39, 41, 43, 45, 47 |
| Decal | 225/00403/00 | 51 |
| Detergent PC-Board | 209/02005/00 | 81 |
| | 209/02008/00 | 81 |
| Dispenser Drain Funnel | 223/00195/00 | 87, 89 |
| Display | 209/00580/03 | 35 |
| Display PC-Board | 209/02002/00 | 39 |
| Domed Label | 800921 | 37 |
| | 800922 | 37 |
| | 800923 | 37 |
| Door | 118/00125/00 | 33 |
| Door Glass | 231/00004/00 | 33 |
| Door Glass Seal | 223/00068/00 | 33 |
| Door Handle | 217/00059/00 | 33 |
| Door Handle Stop | 217/00016/00 | 33 |
| Door Hinge Block | 253/00022/00 | 33 |
| Door Hinge Plate Assembly | 111/00003/00 | 33 |
| Door Hinge Spacer | 118/00122/00 | 33 |
| | 118/00124/00 | 33 |
| Door Lock Assembly | 217/00052/01A | 31 |
| Door Lock Microswitch | 209/00272/00 | 31 |
| Door Lock PC-Board | 209/02010/00 | 39, 41, 43, 45, 47 |
| Door Lock Pin Kit | 211/00109/02 | 33 |
| | 217/00052/11 | 31 |
| Door Lock Spacer | 217/00052/03 | 31 |
| Door Lock Spring | 224/00049/00 | 31 |
| Door Release Wire | 217/00052/07 | 31 |

| | | |
|------------------------------|--------------|--------|
| Door Solenoid | 209/00703/50 | 31 |
| Drain Hose | 223/00309/00 | 27, 29 |
| Drain Piece | 223/00146/00 | 27, 29 |
| Drain Valve | 209/00463/00 | 27, 29 |
| Drive | F8421101 | 73 |
| | F8421102 | 73 |
| | F8421103 | 73 |
| | F8421104 | 73 |
| Drum | B12326901 | 17, 23 |
| | B12380301 | 17, 23 |
| | B12380401 | 17, 23 |
| | B12380701 | 17, 23 |
| | 136/00021/00 | 17, 23 |
| Dual Drop Optical Sensor Kit | B12388102 | 57 |

E

| | | |
|-------------------------------------|--------------|------------|
| Elbow | 223/00419/00 | 29 |
| Electrical Component Mounting Plate | 111/10003/30 | 83 |
| | 111/10003/40 | 83 |
| Electrical Connection Plate | 111/00094/10 | 67, 69 |
| | 111/00188/06 | 67, 69, 79 |
| Electrical Connection Sticker | 229/00068/02 | 67, 69 |
| Electronic Coin Meter Housing | 152/00112/50 | 59 |
| Emergency Switch Pushbutton | 209/00099/20 | 39, 41, 45 |
| Eprom | 209/00266/01 | 49 |
| Exterior Box | 223/00102/40 | 87 |

F

| | | |
|---------------------------------|--------------|--------|
| Fan Grill | 209/00287/01 | 71, 73 |
| Fastening Piece | 217/00060/00 | 57, 59 |
| Feeding Liquid Soap Dosing Pump | 209/00554/51 | 93 |
| Filter | 227/00177/00 | 75, 79 |
| | 227/00179/00 | 75, 79 |
| | 227/00180/00 | 75, 79 |
| | 227/00183/00 | 75, 79 |
| | 227/00242/00 | 75, 79 |
| Filter Bracket | 111/01837/01 | 75 |
| Flat Cable | 9001417 | 35, 37 |

N/A items do not appear in index.

| | |
|--------------------|------------|
| Frame | |
| 150/00111/50 | 11 |
| 185/00111/50 | 11 |
| Front Plate | |
| 111/01000/00 | 57, 59 |
| 150/10113/00 | 17 |
| Fuse | |
| 209/00372/01 | 55 |
| 209/00439/00 | 49, 51, 53 |
| 209/00468/00 | 77, 79, 81 |
| 9001379 | 35, 37 |
| Fuse Holder | |
| 209/00202/00 | 77, 79, 81 |
| 209/00202/01 | 77, 79, 81 |

G

| | |
|--------------------|--------|
| Gasket | |
| 246/00149/00 | 63 |
| Graphic Overlay | |
| 229/00283/00 | 37 |
| Grommet | |
| 223/00174/00 | 71, 73 |
| 223/00203/00 | 79 |
| Ground Terminal | |
| 209/00006/01 | 75 |
| 210/10015/00 | 31 |

H

| | |
|----------------------|----------------------------|
| Heating Contactor | |
| 209/00641/04 | 83 |
| 209/06148/02 | 83 |
| Heating Element | |
| 209/00562/10 | 91 |
| 209/00563/20 | 91 |
| 209/00564/10 | 91 |
| 209/00581/10 | 91 |
| Heating Element Plug | |
| 209/00196/00 | 91 |
| Hinge | |
| 221/00004/00 | 33 |
| Hose | |
| 209/00554/98 | 93 |
| Hose Clamp | |
| 223/00010/00 | 27, 29, 65, 67, 69, 87, 89 |
| 223/00013/00 | 27, 29, 87, 89 |
| 223/00014/00 | 27, 29, 87 |
| Hose Connector | |
| 209/00554/99 | 93 |
| Hose Vent | |
| 223/00102/07 | 65, 67 |

I

| | |
|--------------------|--------------------|
| ID Chip | |
| 209/02020/00 | 81 |
| Infrared Cable | |
| 210/00902/00 | 39, 41, 51, 53, 55 |
| Inlet Valve, 2-Way | |
| 209/00110/00 | 65, 67, 69 |

| | |
|-----------------------|------------------------|
| 209/00803/00 | 65, 67, 69 |
| Input Block | |
| 209/00683/00 | 59 |
| Insulating Sticker | |
| 229/00255/00 | 35, 37, 49, 51, 53, 55 |
| 229/00268/00 | 39 |
| 229/00291/00 | 41, 43 |
| Interior Box | |
| 223/00222/02 | 89 |
| Interlock Coil Spring | |
| 224/00043/00 | 31 |
| Interlock Lever | |
| 217/00052/04 | 31 |
| Inverter Box Cover | |
| 111/01174/01 | 71, 73 |
| Inverter Drive | |
| 227/00168/00 | 71, 73 |
| 227/00229/00 | 71 |
| 227/00237/00 | 71 |
| Inverter Drive Box | |
| 111/01174/00 | 71, 73 |
| Inverter Kit | |
| F8421001 | 73 |
| F8421002 | 73 |
| F8421003 | 73 |
| F8421004 | 73 |
| Inverter PC-Board | |
| 209/02006/00 | 81 |

K

| | |
|--------------------|--------|
| Key | |
| 254/00077/02 | 57, 59 |
| Keypad | |
| 209/00552/01 | 55 |
| Keypad Sticker | |
| 225/00407/00 | 49 |

L

| | |
|--|--------------------|
| Label | |
| 225/00397/00 | 55 |
| Left Front Panel | |
| 111/50050/00 | 63 |
| 150/00003/20 | 63 |
| Lever Spring | |
| 224/00040/00 | 31 |
| Light Microswitch | |
| 209/00273/00 | 31 |
| Liquid Soap Dispenser Insert | |
| 223/00102/08 | 87 |
| Liquid Soap Dosing Pump Connection Piece | |
| 209/00554/53 | 93 |
| Liquid Soap Dosing Pump O-Ring | |
| 209/00554/52 | 93 |
| Liquid Soap Manifold | |
| 223/00250/00 | 69, 71, 73, 87, 89 |
| Liquid Soap Spray Pump | |
| 209/00369/00 | 95 |
| Lock Shaft | |
| 217/00017/03 | 31 |

N/A items do not appear in index.

| | |
|--------------------|----|
| Lower Front Panel | |
| 111/50051/00 | 63 |
| 150/01803/00 | 63 |

M

| | |
|-------------------------------|--------------------|
| Main Board | |
| B12351701 | 55 |
| Main Control | |
| 9001414 | 35, 37 |
| Main Switch | |
| 209/00526/00 | 75 |
| 209/00529/00 | 75 |
| 209/00672/00 | 75 |
| Main Switch Cover | |
| 111/01834/00 | 75 |
| Mechanical Coin Meter Housing | |
| 152/00112/00 | 57 |
| Memory Card PC-Board | |
| B12305201 | 39, 41, 43, 45, 47 |
| Microprocessor | |
| 209/02025/00 | 81 |
| Motor | |
| 227/00128/00 | 25 |
| Mounting Plate | |
| 223/00374/00 | 39, 41, 43, 45, 47 |
| Mushroom Pushbutton | |
| 209/00248/20 | 45, 49, 51, 53, 55 |

N

| | |
|-------------------------------|------------------------------------|
| Network Connection Printboard | |
| 209/00540/01 | 77, 79 |
| 209/02007/00 | 81 |
| Nut | |
| 204/00006/00 | 63 |
| 204/00007/00 | 65, 67, 71, 73, 79, 85 |
| 204/00008/00 | 31, 57, 59 |
| 204/00009/00 | 17, 63, 95 |
| 204/00012/00 | 13 |
| 204/00016/00 | 13 |
| 204/00019/00 | 13 |
| 204/00103/00 | 33 |
| 204/00106/00 | 33, 95 |
| 204/00109/00 | 63 |
| 204/00110/00 | 13, 17, 25, 85 |
| 204/00111/00 | 11, 19 |
| 204/00112/00 | 21 |
| 204/00114/00 | 49, 51, 53, 55, 71, 73 |
| 204/00116/00 | 39, 41, 43, 45, 47, 55, 57, 59, 81 |
| 204/00201/00 | 27, 29, 65, 67, 69 |
| 206/00101/00 | 27, 29, 85, 91 |
| 208/00002/00 | 59, 65, 67 |
| 208/00025/00 | 63, 69 |
| 208/00104/00 | 61 |
| 211/10106/00 | 95 |
| 271/35945/00 | 71 |
| 271/35946/00 | 71 |
| 9001248 | 15 |
| 9001253 | 35 |
| 9001263 | 15 |
| 9001269 | 35, 37 |

O

| | |
|----------------------------|------------|
| Operating Label | |
| 225/00406/00 | 51 |
| Operating Sticker | |
| 225/00400/00 | 55 |
| 225/00404/00 | 53 |
| 225/00405/00 | 53 |
| 225/00408/00 | 49 |
| 225/10305/00 | 47 |
| 225/10306/00 | 47 |
| 225/10307/00 | 45 |
| 225/10308/00 | 45 |
| 225/10313/00 | 39 |
| 225/10403/00 | 43 |
| 225/10404/00 | 41 |
| 225/10405/00 | 41 |
| 225/10426/00 | 39 |
| 225/10427/00 | 41 |
| Optic Cable | |
| 210/00901/00 | 43, 45, 47 |
| Optical Switch | |
| 209/00781/00 | 57 |
| O-Ring | |
| 217/00002/00 | 19, 21 |
| 217/00021/00 | 31, 33 |
| 223/00176/00 | 95 |
| 223/00177/00 | 95 |
| Outer and Inner Box Kit | |
| 223/00222/60 | 89 |
| Outer Tub | |
| B12328601 | 17 |
| B12328701 | 17 |
| Outlet Pipe Plate Assembly | |
| 101/00007/00 | 27, 29, 63 |
| Out-of-Balance Switch | |
| 209/00255/00 | 85 |
| Out-of-Balance Switch Boot | |
| 223/00246/00 | 85 |
| Overflow Hose | |
| 223/00150/00 | 27, 29 |
| Overlay | |
| F9001561 | 35 |
| 9001563 | 35 |
| Overload Contactor | |
| 209/00619/00 | 83 |
| 209/00620/00 | 83 |
| 209/00621/00 | 83 |
| 209/00622/00 | 83 |
| 209/00623/00 | 83 |
| 209/00624/00 | 83 |
| 209/00625/00 | 83 |

P

| | |
|------------------------------|------------|
| Parameter Unit Assembly | |
| F8410901 | 71, 73 |
| 227/00171/00 | 71, 73 |
| Parameter Unit Program Cable | |
| 227/00171/10 | 71 |
| Plexi Frame | |
| 225/00316/00 | 49, 51, 53 |
| 225/00321/00 | 39 |

N/A items do not appear in index.

| | |
|---------------------------------------|------------------------|
| 225/00322/00 | 45, 47 |
| 225/00323/00 | 41, 43 |
| Plug | |
| 211/00091/00 | 67, 69 |
| Pressure Hose | |
| 223/00179/10 | 69, 71, 73, 95 |
| 223/00333/00 | 27, 29, 83 |
| Pressure Switch | |
| 209/00027/10 | 83 |
| Pressure Switch Cap | |
| 223/00035/02 | 27, 29, 83 |
| Pressure Switch Hose Tee | |
| 223/00173/10 | 27, 29, 83 |
| Prewash and Mainwash Nozzle | |
| 223/00001/04 | 65, 67, 69 |
| Printboard | |
| 209/00440/00 | 49 |
| 209/00440/70 | 49, 51 |
| 209/00440/80 | 51 |
| 209/02001/02 | 45, 47 |
| 209/02015/02 | 41, 43 |
| Printboard Separator | |
| 211/00128/00 | 39, 41, 43, 45, 47, 81 |
| Printboard Support | |
| 111/01838/10 | 77 |
| Printboard Support Card | |
| 111/01893/00 | 39, 41 |
| Programming Cable | |
| 9001418 | 35, 37 |
| Programming Key | |
| 9001756 | 35 |
| Programming Key Contact Switch | |
| 9001378 | 35 |
| Programming Switch | |
| 209/00326/00 | 55 |
| Protection LED | |
| 223/00330/00 | 45, 47 |
| Pulley | |
| 185/00086/00 | 25 |
| 255/00117/00 | 23 |
| Pump | |
| 209/00554/50 | 93 |
| Pushbutton | |
| 209/00396/00 | 57, 59 |
| 44018801 | 35 |

R

| | |
|--------------------------|--------|
| Relay PC-Board | |
| 209/02014/00 | 81 |
| 209/02016/00 | 81 |
| Retainer Ring | |
| 212/00006/00 | 19, 21 |
| 212/00037/00 | 21 |
| Retaining Ring | |
| 117/00042/00 | 63 |
| Right Front Panel | |
| 111/50049/00 | 63 |
| 150/00003/10 | 63 |
| Rinse Insert | |
| 223/00102/03 | 87 |
| Rinsing Box | |
| 223/00222/05 | 89 |

| | |
|--------------------|------------------------|
| Rivet | |
| 208/00017/00 | 67, 69, 75, 77, 81, 83 |

S

| | |
|---------------------------------------|--------------------|
| Screw | |
| B12347501 | 87, 89 |
| B12350903 | 87, 89 |
| 206/00053/00 | 11 |
| 206/00055/00 | 21 |
| 206/00056/00 | 25 |
| 206/00057/00 | 19 |
| 206/00113/00 | 63 |
| 206/00187/00 | 21 |
| 207/00009/00 | 31 |
| 207/00018/00 | 85 |
| 207/00031/00 | 79 |
| 207/00102/00 | 31 |
| 207/00103/00 | 31 |
| 207/00107/00 | 33 |
| 207/00121/00 | 71, 73 |
| 207/00126/00 | 33 |
| 207/00135/00 | 31 |
| 208/00014/00 | 59, 63, 65, 67, 69 |
| 208/00120/00 | 17, 85 |
| 208/00121/00 | 63 |
| 208/00124/00 | 63 |
| 208/00130/00 | 69, 71, 73 |
| Seal Cover | |
| 219/00001/00 | 19, 21 |
| Seal Holder Assembly | |
| 119/00001/01 | 19, 21 |
| Seal Plate Assembly | |
| B12333701 | 21 |
| Separator | |
| 224/00054/00 | 13, 15 |
| Shaft Seal | |
| 219/00003/00 | 21 |
| Shock Absorber | |
| 247/00004/00 | 13 |
| 9001614 | 15 |
| Shrink Fit | |
| 223/00245/00 | 89 |
| Side Panel | |
| 111/22723/10 | 61, 63 |
| 111/22728/10 | 61, 63 |
| 111/50035/00 | 61, 63 |
| 111/50036/00 | 61, 63 |
| Side Panel Gasket | |
| 246/00079/00 | 61, 63 |
| Single Drop Optical Sensor Kit | |
| B12388101 | 57 |
| Siphon Break | |
| 223/00222/04 | 89 |
| Siphon Break Dispenser Hose | |
| 223/00262/00 | 87, 89 |
| Siphon Break Hose | |
| B12310304 | 87 |
| B12322404 | 87 |
| 223/00265/00 | 89 |
| Soap Box | |
| 223/00001/00 | 27, 29 |
| Soap Box Assembly Plate | |
| 123/00103/06 | 87, 89 |

N/A items do not appear in index.

| | | | |
|--|--------------------------------|--|----------------------------|
| Soap Dispenser 223/00222/00 | 89 | Steam Inlet 118/01063/00 | 91 |
| Soap Dispenser Air Breather Hose 223/00107/00 | 87 | Steam Valve 209/00477/00 | 91 |
| Soap Dispenser Assembly 223/00102/30 | 87 | Support Connector 111/10003/10 | 83 |
| 223/00102/50 | 87 | Suspension Spring 247/00010/01 | 13 |
| Soap Dispenser Cover 223/00103/01 | 61 | Switch 209/00600/01P | 57 |
| Soap Dispenser Cover Hinge Rod 223/00103/04 | 61 | Switch Base 209/00099/25 | 55 |
| Soap Dispenser Frame 223/00103/03 | 61 | 9001356 | 35 |
| Soap Dispenser Gasket 223/00109/00 | 87, 89 | Switch Knob 209/00099/29 | 55 |
| Soap Dispenser Hose 223/00261/00 | 87, 89 | 9002072 | 35 |
| Soap Dispenser Rinse Siphon 223/00102/04 | 87 | Switch Lever 217/00052/05 | 31 |
| Soap Injection PCB with Fuse 209/00218/13 | 77, 79 | | |
| Soap Injector Connector 211/00127/00 | 95 | <hr/> | |
| Soap Injector Coupling 223/00182/00 | 95 | T | |
| Soap Injector Elbow Coupling 223/00181/00 | 95 | Telem Sticker 209/00520/00 | 39, 41, 45, 49, 51, 53, 55 |
| Soap Injector Hose 223/00180/00 | 95 | Terminal Block 209/00058/00 | 79 |
| Soap Injector Orifice 223/00178/00 | 95 | 209/00527/00 | 75 |
| Soap Injector Orifice Nipple 211/00126/00 | 95 | 209/00530/00 | 75 |
| Soap Pump Assembly 209/00554/01 | 93 | Thermostat 210/00020/00 | 83 |
| 209/00554/02 | 93 | 210/01064/16 | 83 |
| 209/00554/03 | 93 | Thermostat Seal 225/10004/00 | 83 |
| 209/00554/04 | 93 | Tilt Detector Plate 111/00108/01 | 85 |
| 209/00554/05 | 93 | 111/01854/00 | 17 |
| 209/00554/06 | 93 | Tilt Switch Bracket 111/00107/01 | 85 |
| Soap Spray Nozzle 223/00102/06 | 87, 89 | Tolerance Ring 215/00004/00 | 23 |
| Softener Spray Nozzle 223/00102/05 | 87 | Top Panel 111/01001/00 | 57, 59 |
| 223/00222/03 | 89 | 111/22741/00 | 61 |
| Spacer 9001425 | 35, 37 | 111/22743/00 | 61 |
| 9001659 | 35 | 111/50004/00 | 61 |
| Speed Detector 210/00074/00 | 19, 21 | 111/50005/00 | 61 |
| 210/00213/00 | 19, 21 | Transformer 209/00682/00 | 59 |
| Spray Pump Mounting Plate 111/10179/00 | 95 | Tub B12323801 | 17 |
| Standoff 211/00120/00 | 79 | B12328501 | 17 |
| 211/00122/00 | 39, 41, 43, 49, 51, 53, 55, 81 | B12328801 | 17 |
| 211/00145/00 | 39, 41 | B12329501 | 17 |
| 211/00146/00 | 77, 81 | B12329601 | 17 |
| Steam Hose 217/00025/00 | 91 | B12329701 | 17 |
| Steam Injector 118/00105/01 | 91 | B12329801 | 17 |
| 119/00082/00 | 91 | B12329901 | 17 |
| | | B12330001 | 17 |
| | | Tub Front Gasket 223/00242/00 | 17 |
| | | Tub Front Panel 185/00049/00 | 17 |
| | | Tub Front Panel Clip 217/00008/00 | 17 |

N/A items do not appear in index.

| | |
|-------------------------|--------|
| Tub Front Ring Clamp | |
| 219/00007/00 | 17 |
| Tub Support Assembly | |
| 150/00108/00 | 11 |
| 185/00108/00 | 11 |
| Tub to Drain Valve Hose | |
| 255/00010/00 | 27, 29 |

| | |
|--------------------|----------------------------|
| 223/00051/10 | 55 |
| 223/00123/00 | 39, 41, 43, 45, 47, 55, 81 |
| 9001244 | 35 |
| 9001523 | 35 |
| Water Hose | |
| F200164 | 65, 67, 69 |
| F200166 | 65, 67, 69 |
| 223/00044/00 | 65, 67, 69, 89 |
| 223/00044/01 | 27, 29, 65, 67, 87 |
| Wire Assembly | |
| B12359901 | 57 |

U

| | |
|--------------------|--------|
| Upper Front Panel | |
| 111/01908/00 | 45 |
| 111/01909/00 | 47 |
| 111/01910/00 | 41 |
| 111/01911/00 | 43 |
| 150/01811/00 | 51 |
| 150/01812/00 | 39 |
| 150/01816/00 | 49, 53 |
| 150/01850/00 | 55 |

V

| | |
|-------------------------|------------|
| V Belt | |
| 226/00124/00 | 23, 25 |
| Vent Tube | |
| 223/00226/00 | 65, 69, 89 |
| 223/00229/00 | 89 |
| Ventilating Hose | |
| 223/00107/01 | 87 |
| Voltage Discharge Decal | |
| B12355001 | 71, 73 |

W

| | |
|--------------------|--------------------------------|
| Washer | |
| B12421401 | 63 |
| 201/00002/00 | 27, 29, 65, 67, 69 |
| 201/00004/00 | 25 |
| 201/00005/00 | 11 |
| 201/00006/00 | 63, 65, 67, 69 |
| 201/00007/00 | 17, 27, 29, 63, 95 |
| 201/00010/00 | 17, 63, 85 |
| 201/00012/00 | 19, 21 |
| 201/00013/00 | 21 |
| 201/00015/00 | 23 |
| 201/00017/00 | 31 |
| 201/00018/00 | 31 |
| 201/00201/00 | 19, 21 |
| 201/00202/00 | 17 |
| 202/00003/00 | 63 |
| 202/00004/00 | 65, 67, 69, 71, 73, 75 |
| 202/00101/00 | 17, 33, 95 |
| 202/00104/00 | 33 |
| 202/00111/00 | 33 |
| 202/00124/00 | 31 |
| 203/00001/00 | 11 |
| 203/00002/00 | 23 |
| 203/00004/00 | 19, 21, 95 |
| 203/00005/00 | 63 |
| 203/00006/00 | 49, 65, 67, 71, 73, 75, 79, 85 |
| 203/00007/00 | 31 |
| 203/00010/00 | 31 |
| 203/00015/00 | 63 |

N/A items do not appear in index.

