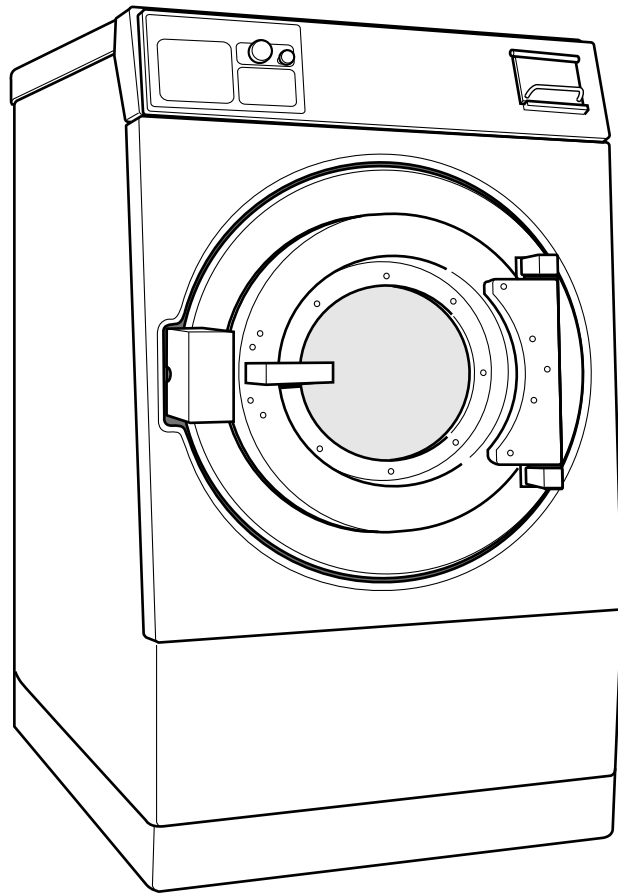


# Washer-Extractor

Variable-Speed PS40 Control

Refer to Page 5 for Model Numbers



PHM1397C\_C002634



&



Part No. C002634R6  
February 2012



# Table of Contents

Title	Page
Parts Ordering Information.....	3
Nameplate Location .....	3
Model Identification .....	5
Product Overview - PS40 Control .....	6
Decals - Models through 8/31/09 (Drawing 1 of 2) .....	8
Decals - Models through 8/31/09 (Drawing 2 of 2) .....	10
Decals - Models starting 9/1/09 .....	12
Bearing Housing Assembly (Drawing 1 of 2) .....	14
Bearing Housing Assembly (Drawing 2 of 2) .....	16
Top and Front Panels .....	18
Rear, Side and Valve Panels .....	20
Cylinder Assembly (Drawing 1 of 2).....	22
Cylinder Assembly (Drawing 2 of 2).....	24
Single Cup Front Dispenser.....	26
Single Cup Side Dispenser .....	28
5 Cup Side Dispenser .....	30
Door Assembly - Models through 2/9/09.....	32
Door Assembly - Models starting 2/10/09 .....	34
Door Lock Assembly .....	36
Door Lock Assembly with Magnetic Sensor.....	38
5 Cup Hot Water Plumbing Assembly.....	40
1 Cup Hot Water Plumbing Assembly.....	42
5 Cup Cold Water Plumbing Assembly .....	44
1 Cup Cold Plumbing Assembly .....	46
Supply Hose and Filter (Optional).....	48
Auxiliary Plumbing Assembly .....	50
Steam Heat Assembly .....	52
Shell Assembly .....	54
Shell Assembly - Electric Heat Models .....	56
Control Box .....	58
Drive Box Assembly (Drawing 1 of 2) .....	60
Drive Box Assembly (Drawing 2 of 2) .....	62
Drive Box Assembly - Electric Heat (Drawing 1 of 2).....	64
Drive Box Assembly - Electric Heat (Drawing 2 of 2).....	66
AC Drive and EMI Filter (Drawing 1 of 2).....	68
AC Drive and EMI Filter (Drawing 2 of 2).....	70
AC Drive and EMI Filter - Electric Heat (Drawing 1 of 2) .....	72
AC Drive and EMI Filter - Electric Heat (Drawing 2 of 2) .....	74
Power Flex Drive and EMI Filter - Design 1 Models .....	76
Power Flex Drive and EMI Filter - Design 2 Models .....	78
Main Assembly (Drawing 1 of 6) .....	80

© Copyright 2012, Alliance Laundry Systems LLC

All rights reserved. No part of the contents of this book may be reproduced or transmitted in any form or by any means without the expressed written consent of the publisher.

Main Assembly (Drawing 2 of 6) .....	82
Main Assembly (Drawing 3 of 6) .....	84
Main Assembly (Drawing 4 of 6) .....	86
Main Assembly (Drawing 5 of 6) .....	88
Main Assembly (Drawing 6 of 6) .....	90
Parts Index .....	93

## Parts Ordering Information

If literature or replacement parts are required, contact the source from whom the machine was purchased or contact Alliance Laundry Systems at (920) 748-3950 for the name and address of the nearest authorized parts distributor.

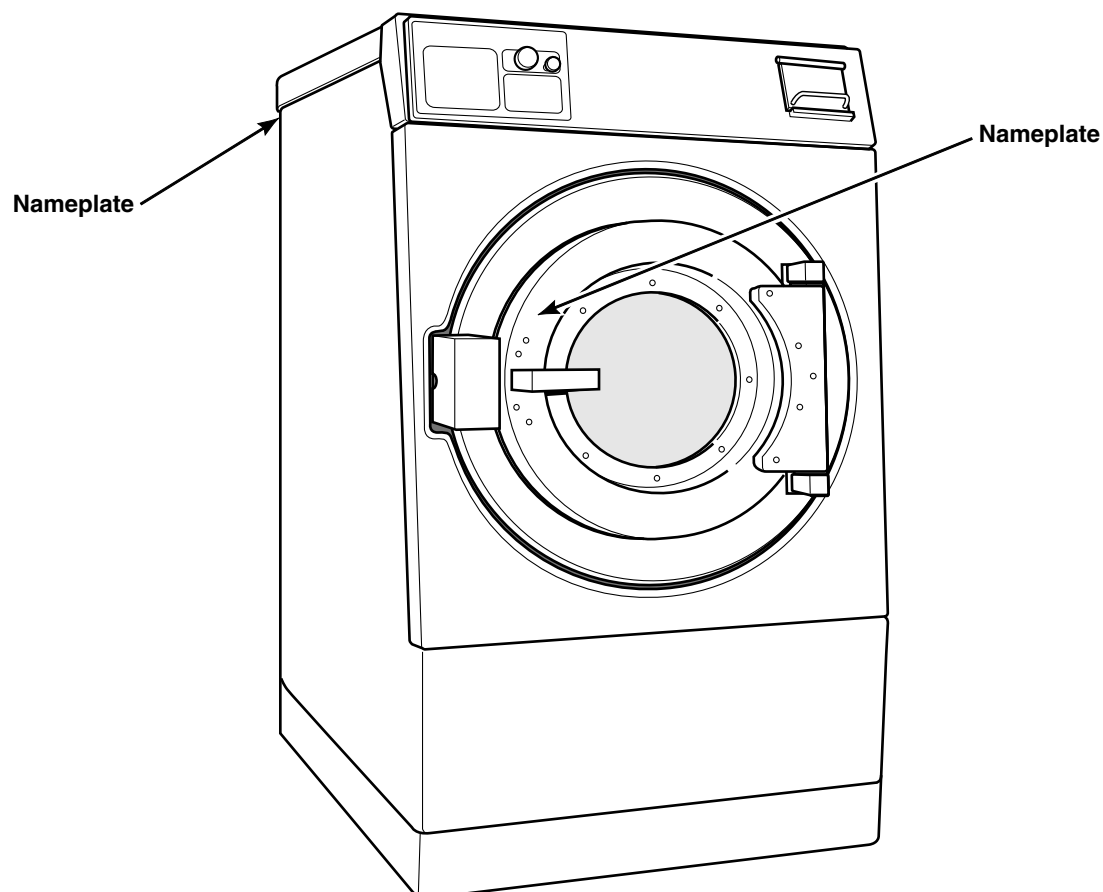
For technical assistance, call either of the numbers listed below:

(920) 748-3121 Ripon, Wisconsin

+32 56 41 20 54 Wevelgem, Belgium

## Nameplate Location

When calling or writing about your product, be sure to mention model and serial numbers. Model and serial numbers are located on nameplate(s) as shown. The nameplate is located inside the door and on the upper rear panel.



PHM1397CA\_C002634

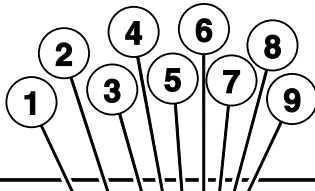


## Model Identification


Information in this manual is applicable to these washer-extractor models:


CP080PHN1	IP080PHN1	JP080PHN1
CP080PHN2	IP080PHN2	JP080PHN2
CP080PHQ1	IP080PHQ1	JP080PHQ1
CP080PMN1	IP080PMN1	JP100PHN1
CP080PMN2	IP080PMN2	JP100PHN2
CP080PMQ1	IP080PMQ1	JP100PHQ1
CP100PHN1	IP100PHN1	JP100PMQ1
CP100PHN2	IP100PHN2	
CP100PHQ1	IP100PHQ1	
CP100PMN1	IP100PMN1	
CP100PMN2	IP100PMN2	
CP100PMQ1	IP100PMQ1	
CPC80H	IPH80H	
CPC80M	IPH80M	
CPC100H	IPH100H	
CPC100M	IPH100M	
	IPH370	
	IPH460	

# Product Overview - PS40 Control

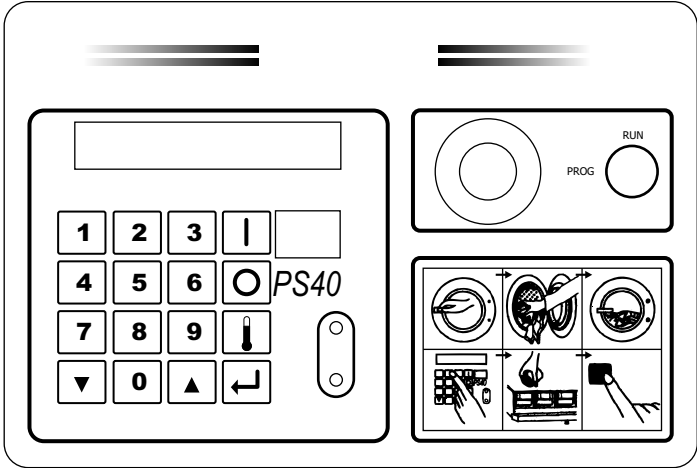


Model No. \*P040PHQ1001U01  
 Serial No. 00000000000  
 Voltage 208 – 240 Hz 60 Phase 3  
 Number of wires : 3 FLA: amps  
 Circuit Breaker Size : 3 amps  
 Max. Load: 40 LB 18.2 KG  
 Schematic:  
 Supply Water: 30 - 85 psi, 2 - 5.7 BAR





ETL LISTED  
 CONFORMS TO  
 ANS/UL STD. 1555  
 U.S. ANS/UL STD. 1206  
 ETL TESTING LABORATORIES, INC.  
 CORTLAND, NEW YORK 13045



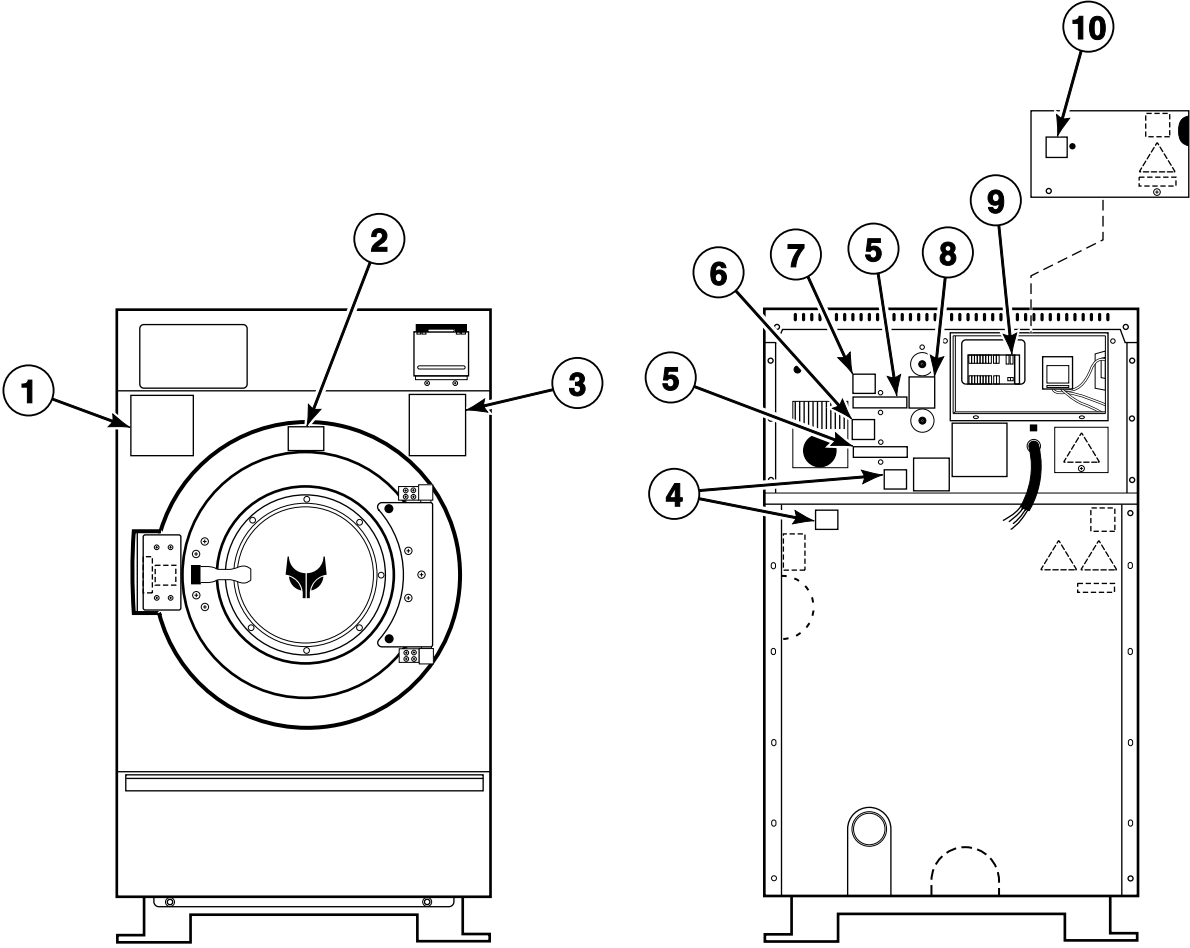
PHM3091P\_C002634



## Product Overview - PS40 Control

REF	PART NO.	DESCRIPTION	COMMENTS
1		Product Family	CP IP JP
2		Capacity (Pounds)	040 060 080 100 125 140 175
3		Control	P (PS-40 Control)
4		Speed	H (High Speed) M (Medium Speed)
5		Voltage	N (380-415/440-480/50/60/3) Q (208-220/220-240/50/60/3) X (208-220/220-240/50/60/1/3)
6		Design	1 2
7		Heat	0 (Prep for Steam) D (Direct) E (Electric)
8		Plumbing	0 (Standard US Thread - 2 valves) A (US Thread - 3 valves) B (Metric Thread - 2 valves) C (Metric Thread - 3 valves) D (US Thread - 2 valves, 3 inlets) E (No valves)
9		Supply	1 (1 Compartment 6 Signals) 2 (1 Compartment 12 Signals) 5 (5 Compartments 6 Signals) 6 (5 Compartments 12 Signals) 7 (No Compartment 6 Signals) 8 (No Compartment 12 Signals)

# Decals - Models through 8/31/09 (Drawing 1 of 2)

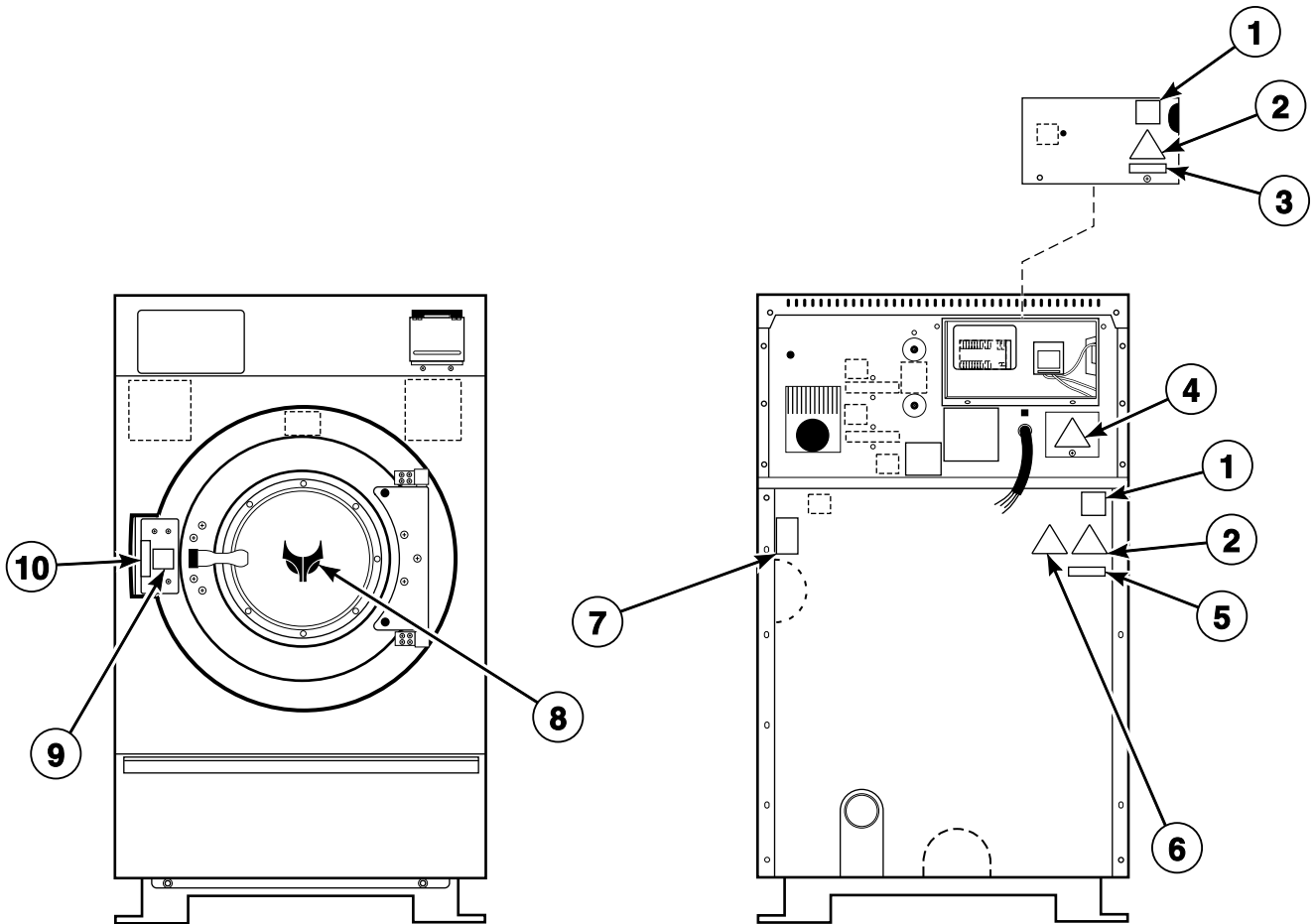


PHM2767P\_C002634

## Decals - Models through 8/31/09 (Drawing 1 of 2)

REF	PART NO.	DESCRIPTION	COMMENTS
1	F200085100	Spin Warning Decal	Models CP080PHN1, CP080PHQ1, CP080PMN1, CP080PMQ1, CP100PHN1, CP100PHQ1, CP100PMN1, CP100PMQ1, IP080PHN1, IP080PHQ1, IP080PMN1, IP080PMQ1, IP100PHN1, IP100PHQ1, IP100PMN1, IP100PMQ1, JP080PHN1, JP080PHQ1, JP100PHN1, JP100PHQ1 and JP100PMQ1
2	F200085000	Hot Surface Warning Decal	Models CP080PHN1, CP080PHQ1, CP080PMN1, CP080PMQ1, CP100PHN1, CP100PHQ1, CP100PMN1, CP100PMQ1, IP080PHN1, IP080PHQ1, IP080PMN1, IP080PMQ1, IP100PHN1, IP100PHQ1, IP100PMN1, IP100PMQ1, JP080PHN1, JP080PHQ1, JP100PHN1, JP100PHQ1 and JP100PMQ1
3	F200085300	Hot Water and Chemical Caution Decal	Models CP080PHN1, CP080PHQ1, CP080PMN1, CP080PMQ1, CP100PHN1, CP100PHQ1, CP100PMN1, CP100PMQ1, IP080PHN1, IP080PHQ1, IP080PMN1, IP080PMQ1, IP100PHN1, IP100PHQ1, IP100PMN1, IP100PMQ1, JP080PHN1, JP080PHQ1, JP100PHN1, JP100PHQ1 and JP100PMQ1
4	F200318200	Cover Decal	Models CPC80H, CPC80M, CPC100H, CPC100M, IPH80H, IPH80M, IPH100H, IPH100M, IPH370 and IPH460
5	F230734	Water Line Caution Decal	Models CP080PHN1, CP080PHQ1, CP080PMN1, CP080PMQ1, CP100PHN1, CP100PHQ1, CP100PMN1, CP100PMQ1, IP080PHN1, IP080PHQ1, IP080PMN1, IP080PMQ1, IP100PHN1, IP100PHQ1, IP100PMN1, IP100PMQ1, JP080PHN1, JP080PHQ1, JP100PHN1, JP100PHQ1 and JP100PMQ1
6	F231367	Hot Water Valve Decal	
7	F231368	Cold Water Valve Decal	
8	C000508	Bearing Lubrication Decal	
9	C000506	Supply Signal Decal	
10	F230917-1	External Supply Connection Decal	Models CP080PHN1, CP080PHQ1, CP080PMN1, CP080PMQ1, CP100PHN1, CP100PHQ1, CP100PMN1, CP100PMQ1, IP080PHN1, IP080PHQ1, IP080PMN1, IP080PMQ1, IP100PHN1, IP100PHQ1, IP100PMN1, IP100PMQ1, JP080PHN1, JP080PHQ1, JP100PHN1, JP100PHQ1 and JP100PMQ1

# Decals - Models through 8/31/09 (Drawing 2 of 2)



PHM2767PA\_C002634

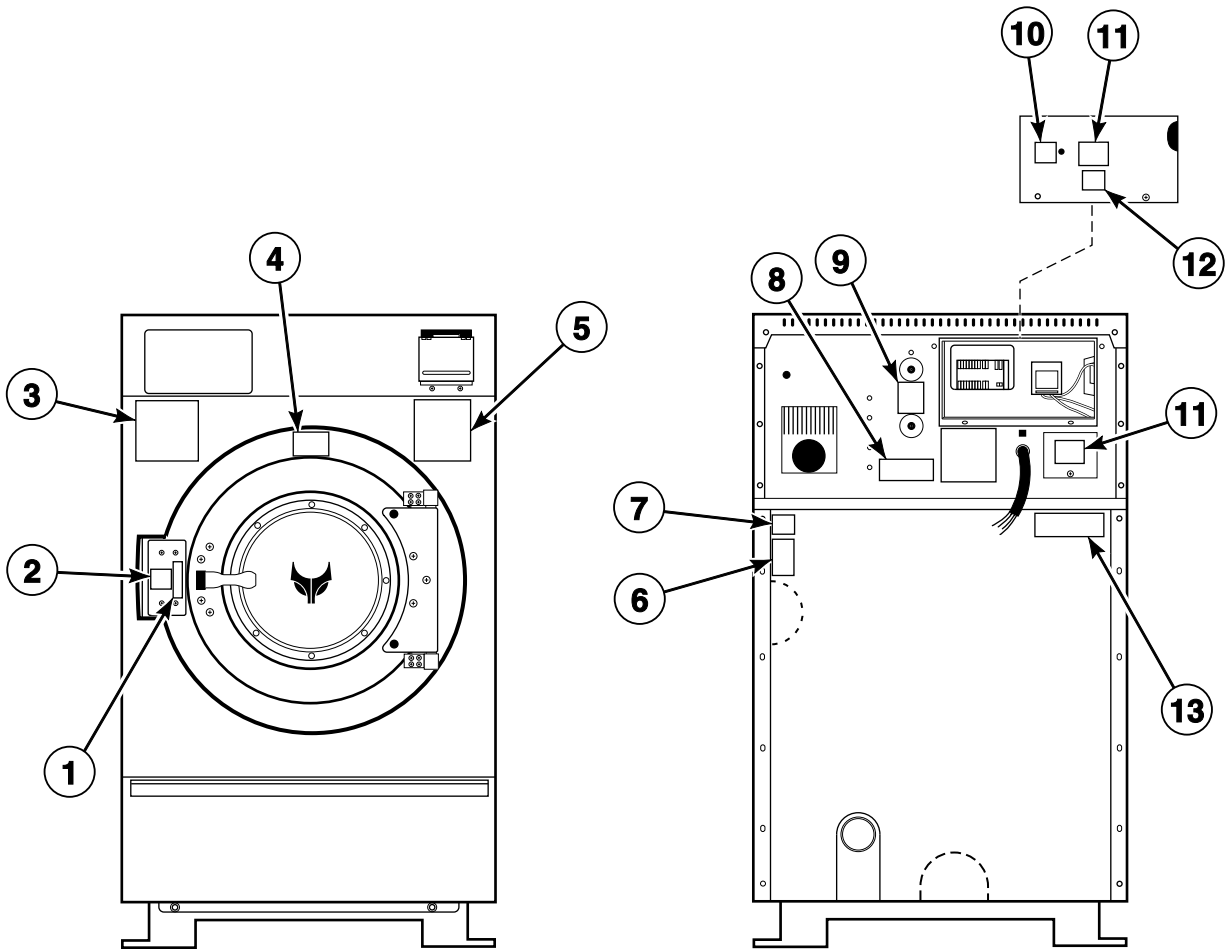
## Decals - Models through 8/31/09 (Drawing 2 of 2)

REF	PART NO.	DESCRIPTION	COMMENTS
1	F200318200	Cover Decal	Models CP080PHN1, CP080PHQ1, CP080PMN1, CP080PMQ1, CP100PHN1, CP100PHQ1, CP100PMN1, CP100PMQ1, IP080PHN1, IP080PHQ1, IP080PMN1, IP080PMQ1, IP100PHN1, IP100PHQ1, IP100PMN1, IP100PMQ1, JP080PHN1, JP080PHQ1, JP100PHN1, JP100PHQ1 and JP100PMQ1
2	502511	Electrical Shock Label	Models CP080PHN1, CP080PHQ1, CP080PMN1, CP080PMQ1, CP100PHN1, CP100PHQ1, CP100PMN1, CP100PMQ1, IP080PHN1, IP080PHQ1, IP080PMN1, IP080PMQ1, IP100PHN1, IP100PHQ1, IP100PMN1, IP100PMQ1, JP080PHN1, JP080PHQ1, JP100PHN1, JP100PHQ1 and JP100PMQ1
3	505281	Disconnect Power Warning Label	Models CP080PHN1, CP080PHQ1, CP080PMN1, CP080PMQ1, CP100PHN1, CP100PHQ1, CP100PMN1, CP100PMQ1, IP080PHN1, IP080PHQ1, IP080PMN1, IP080PMQ1, IP100PHN1, IP100PHQ1, IP100PMN1, IP100PMQ1, JP080PHN1, JP080PHQ1, JP100PHN1, JP100PHQ1 and JP100PMQ1
4	502511	Electrical Shock Label	
5	500049	Warning Label	Models CP080PHN1, CP080PHQ1, CP080PMN1, CP080PMQ1, CP100PHN1, CP100PHQ1, CP100PMN1, CP100PMQ1, IP080PHN1, IP080PHQ1, IP080PMN1, IP080PMQ1, IP100PHN1, IP100PHQ1, IP100PMN1, IP100PMQ1, JP080PHN1, JP080PHQ1, JP100PHN1, JP100PHQ1 and JP100PMQ1
6	N/A	Crush Hazard Warning Decal	Models CPC80H, CPC80M, CPC100H, CPC100M, IPH80H, IPH80M, IPH100H, IPH100M, IPH370 and IPH460
	502506	Pinched Fingers Label	Models CP080PHN1, CP080PHQ1, CP080PMN1, CP080PMQ1, CP100PHN1, CP100PHQ1, CP100PMN1, CP100PMQ1, IP080PHN1, IP080PHQ1, IP080PMN1, IP080PMQ1, IP100PHN1, IP100PHQ1, IP100PMN1, IP100PMQ1, JP080PHN1, JP080PHQ1, JP100PHN1, JP100PHQ1 and JP100PMQ1
7	F200085000	Hot Surface Warning Decal	Models CPC80H, CPC80M, CPC100H, CPC100M, IPH80H, IPH80M, IPH100H, IPH100M, IPH370 and IPH460
	F231380	Hot Surface Warning Decal	Models CP080PHN1, CP080PHQ1, CP080PMN1, CP080PMQ1, CP100PHN1, CP100PHQ1, CP100PMN1, CP100PMQ1, IP080PHN1, IP080PHQ1, IP080PMN1, IP080PMQ1, IP100PHN1, IP100PHQ1, IP100PMN1, IP100PMQ1, JP080PHN1, JP080PHQ1, JP100PHN1, JP100PHQ1 and JP100PMQ1
8	C001038	Logo Decal	Models IP080PHN1, IP080PHQ1, IP080PMN1, IP080PMQ1, IP100PHN1, IP100PHQ1, IP100PMN1, IP100PMQ1, IPH80H, IPH80M, IPH100H, IPH100M, IPH370 and IPH460
9	C000694	Door Release Decal	
10	F230303	Push Decal	Models CP080PHN1, CP080PHQ1, CP080PMN1, CP080PMQ1, CP100PHN1, CP100PHQ1, CP100PMN1, CP100PMQ1, IP080PHN1, IP080PHQ1, IP080PMN1, IP080PMQ1, IP100PHN1, IP100PHQ1, IP100PMN1, IP100PMQ1, JP080PHN1, JP080PHQ1, JP100PHN1, JP100PHQ1 and JP100PMQ1

N/A = Part no longer available

# Decals - Models starting 9/1/09

Models CP080PHN1, CP080PHN2, CP080PHQ1, CP080PMN1, CP080PMN2, CP080PMQ1, CP100PHN1, CP100PHN2, CP100PHQ1, CP100PMN1, CP100PMN2, CP100PMQ1, IP080PHN1, IP080PHN2, IP080PHQ1, IP080PMN1, IP080PMN2, IP080PMQ1, IP100PHN1, IP100PHN2, IP100PHQ1, IP100PMN1, IP100PMN2, IP100PMQ1, JP080PHN1, JP080PHN2, JP080PHQ1, JP100PHN1, JP100PHN2, JP100PHQ1 and JP100PMQ1



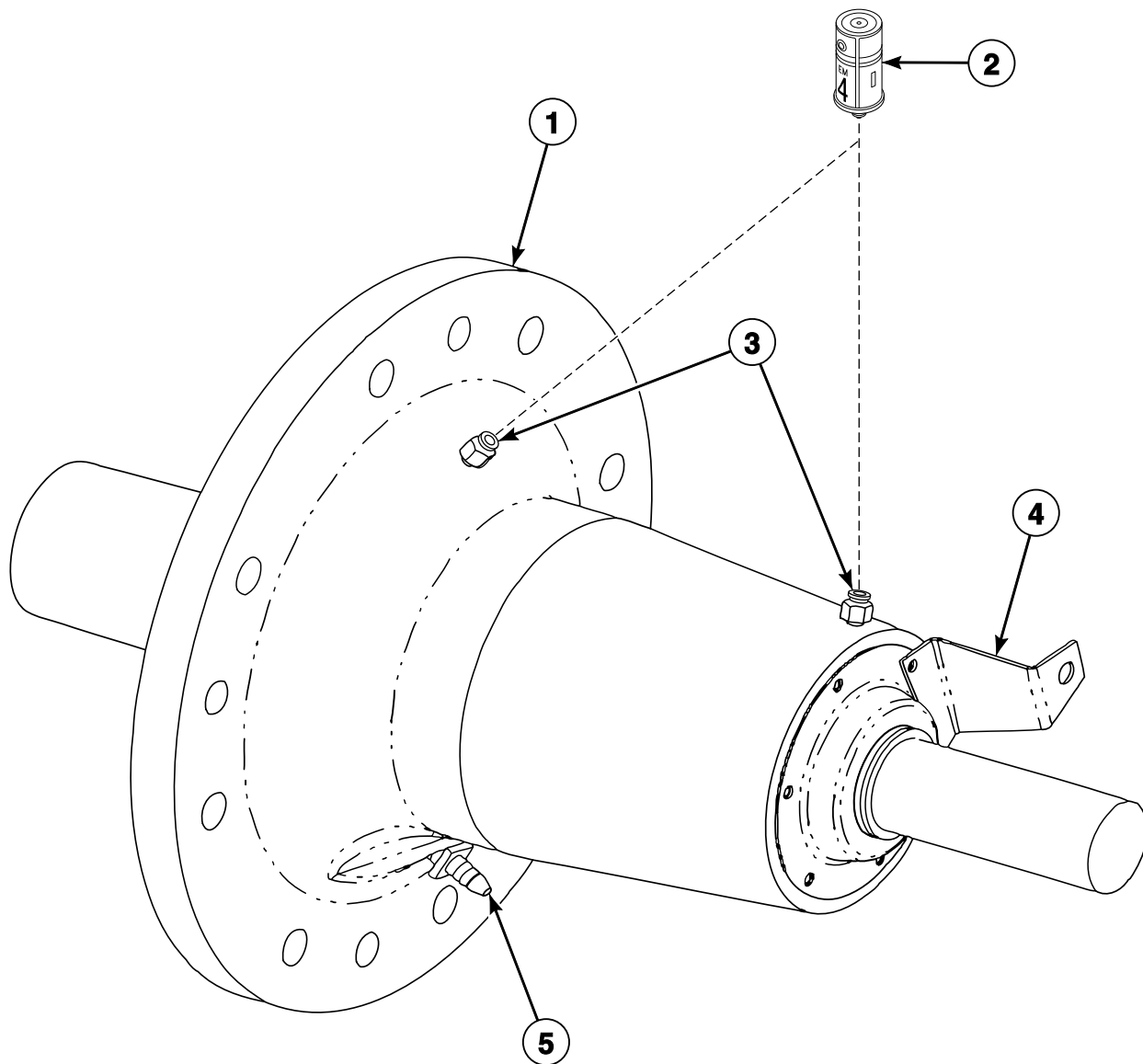
PHM3089P\_C002634

## Decals - Models starting 9/1/09

REF	PART NO.	DESCRIPTION	COMMENTS
1	C000694	Door Release Decal	
2	F230303	Push Decal	
3	F200085100	Spin Warning Decal	All models except JP080PHN1, JP080PHQ1 and JP100PHN1
4	F200085000	Hot Surface Warning Decal	
5	F200085300	Hot Water and Chemical Caution Decal	
6	F8211901	Hot Surface Warning Plate	Steam models only
7	F8246401	Mount on Concrete Warning Label	
8	F200061000	Clean Filter Daily Decal	
9	C000508	Bearing Lubrication Decal	
10	F8150201	External Supply Connection Decal	
11	F8233501	Warning Label	
12	F8115501	Electric Shock Danger Label	
13	44127701	Warning Label	

# Bearing Housing Assembly (Drawing 1 of 2)

Models CP080PHN1, CP080PHN2, CP080PHQ1, CP100PHN1, CP100PHN2, CP100PHQ1, CPC80H, CPC100H, IP080PHN1, IP080PHN2, IP080PHQ1, IP100PHN1, IP100PHN2, IP100PHQ1, IPH80H, IPH100H, JP080PHN1, JP080PHN2, JP080PHQ1, JP100PHN1, JP100PHN2 and JP100PHQ1 Starting 3/23/04



PHM2725P\_C002634

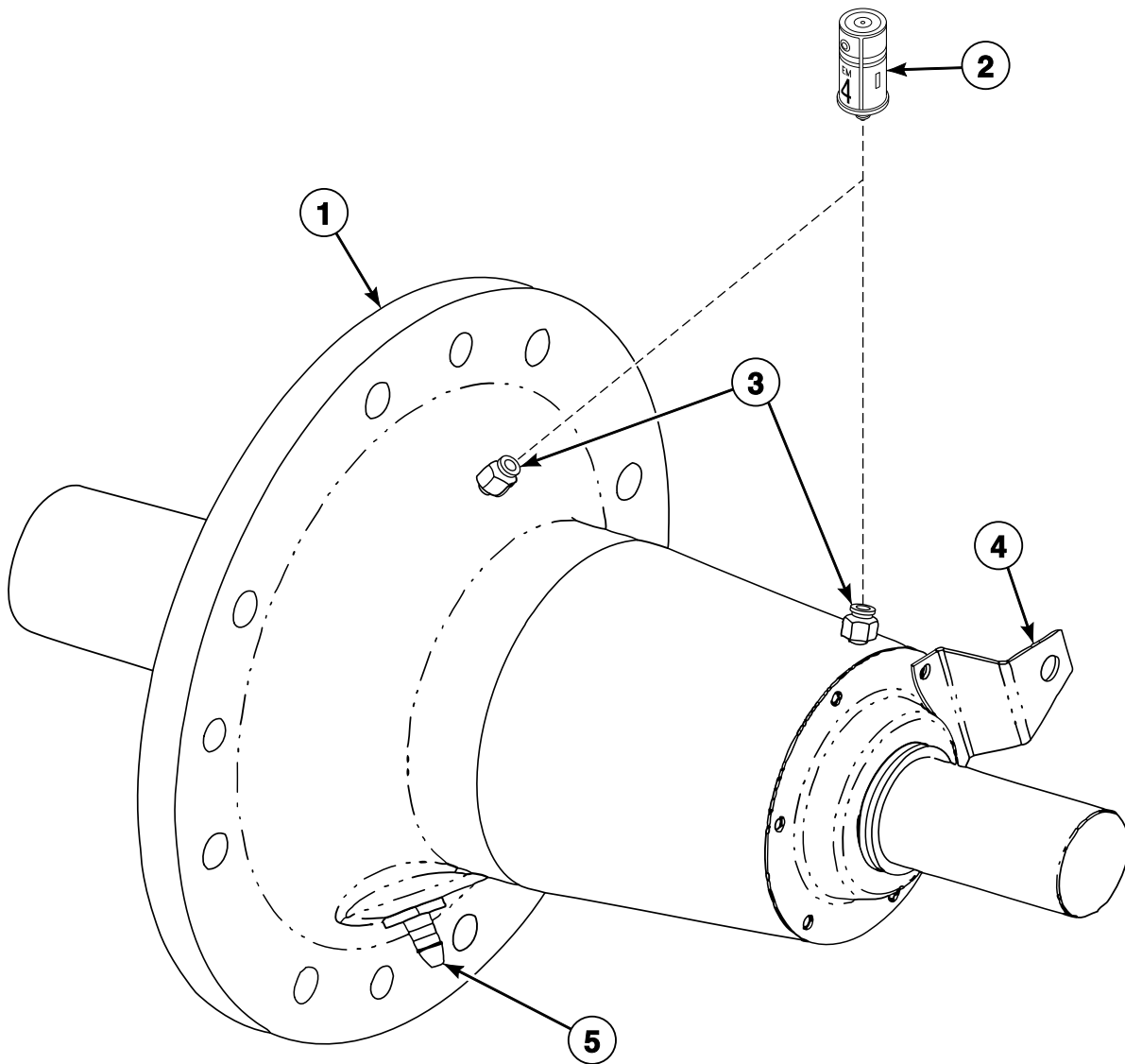


## Bearing Housing Assembly (Drawing 1 of 2)

REF	PART NO.	DESCRIPTION	COMMENTS
	1390	Bearing Housing Puller Kit	
	C000554	Screw	8 required; Bearing housing to frame
	C000555	Washer	8 required; Bearing housing to frame
	F430929	Screw	12 required; Front and rear seal plates to bearing housing
	C000571	Washer	12 required; Front and rear seal plates to bearing housing
	C000552	Hose	26 inches required; Weep hole fitting to drain line fitting
	C000628P	Tubing	2 at 33 inches required; Lube fittings to bearing housing
	C003007	Triple Lip Seal	
	36801	Hose Clamp	1 required; Bearing weep hole "TEE"
<b>1</b>	C000154P	Bearing Housing Assembly	Standard seals; Includes items 3 and 5
	C001365	Bearing Housing Assembly	Viton seals; Includes items 3 and 5
<b>2</b>	9002071P	Lubricator	Optional
<b>3</b>	J1408004	Connector	
<b>4</b>	C000658	Mounting Bracket	
<b>5</b>	C001649	Reducing Connector	

# Bearing Housing Assembly (Drawing 2 of 2)

Models CP080PMN1, CP080PMN2, CP080PMQ1, CP100PMN1, CP100PMN2, CP100PMQ1, CPC80M, CPC100M, IP080PMN1, IP080PMN2, IP080PMQ1, IP100PMN1, IP100PMN2, IP100PMQ1, IPH80M, IPH100M, IPH370, IPH460 and JP100PMQ1 Starting 3/23/04

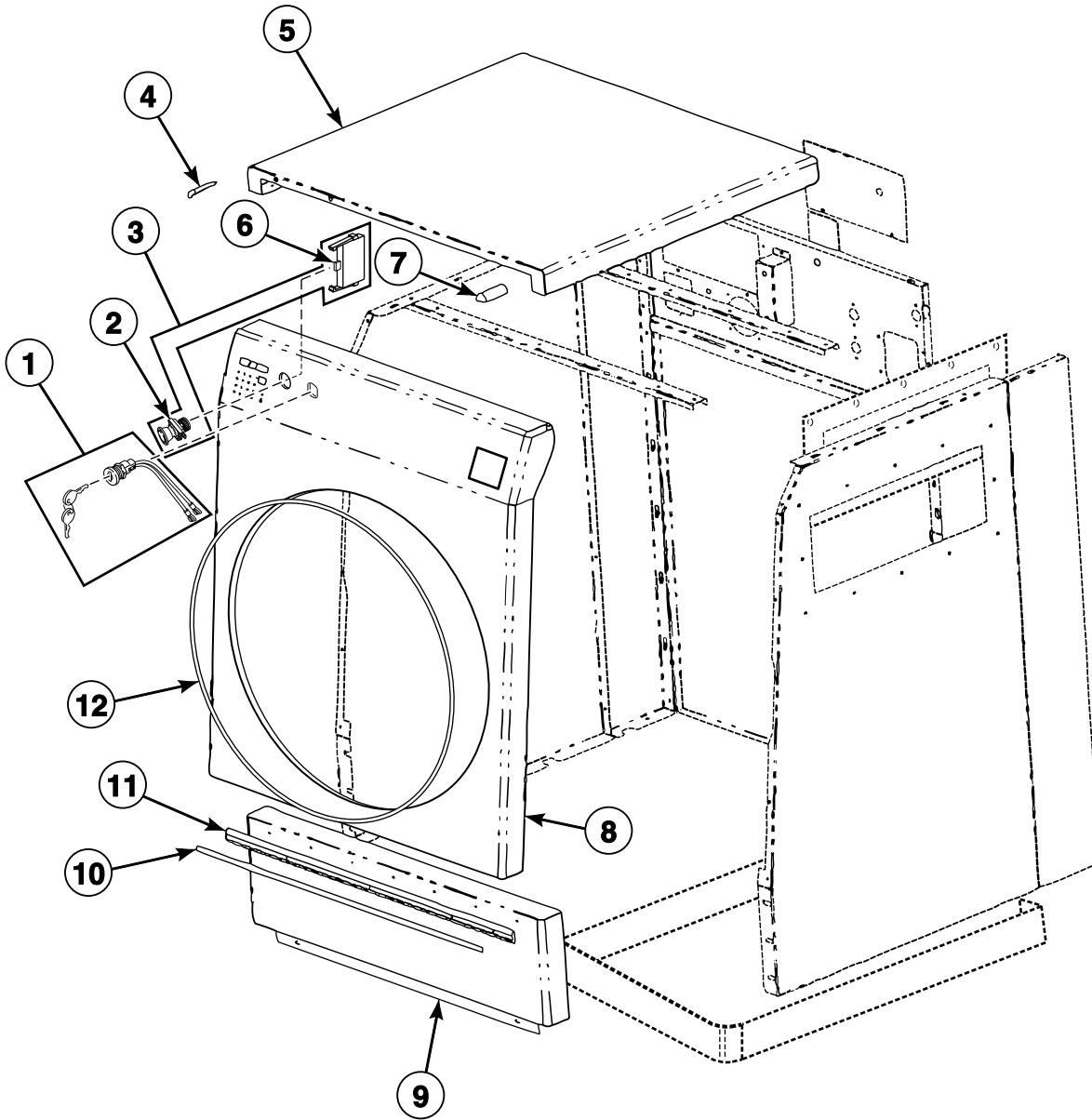


PHM2727P\_C002634

## Bearing Housing Assembly (Drawing 2 of 2)

REF	PART NO.	DESCRIPTION	COMMENTS
	1390	Bearing Housing Puller Kit	
	C000145	Screw	8 required; Bearing housing to frame
	C000147	Washer	8 required; Bearing housing to frame
	F430929	Screw	12 required; Front and rear seal plates to bearing housing
	C000571	Washer	12 required; Front and rear seal plates to bearing housing
	C000552	Hose	26 inches required; Weep hole fitting to drain line fitting
	C000628P	Tubing	2 at 33 inches required; Lube fittings to bearing housing
	C002959	Triple Lip Seal	
	36801	Hose Clamp	1 required; Bearing weep hole "TEE"
<b>1</b>	C000058P	Bearing Housing Assembly	Standard seals; Includes items 3 and 5
<b>2</b>	9002071P	Lubricator	Optional
<b>3</b>	J1408004	Connector	
<b>4</b>	C000372	Mounting Bracket	
<b>5</b>	C001649	Reducing Connector	

# Top and Front Panels



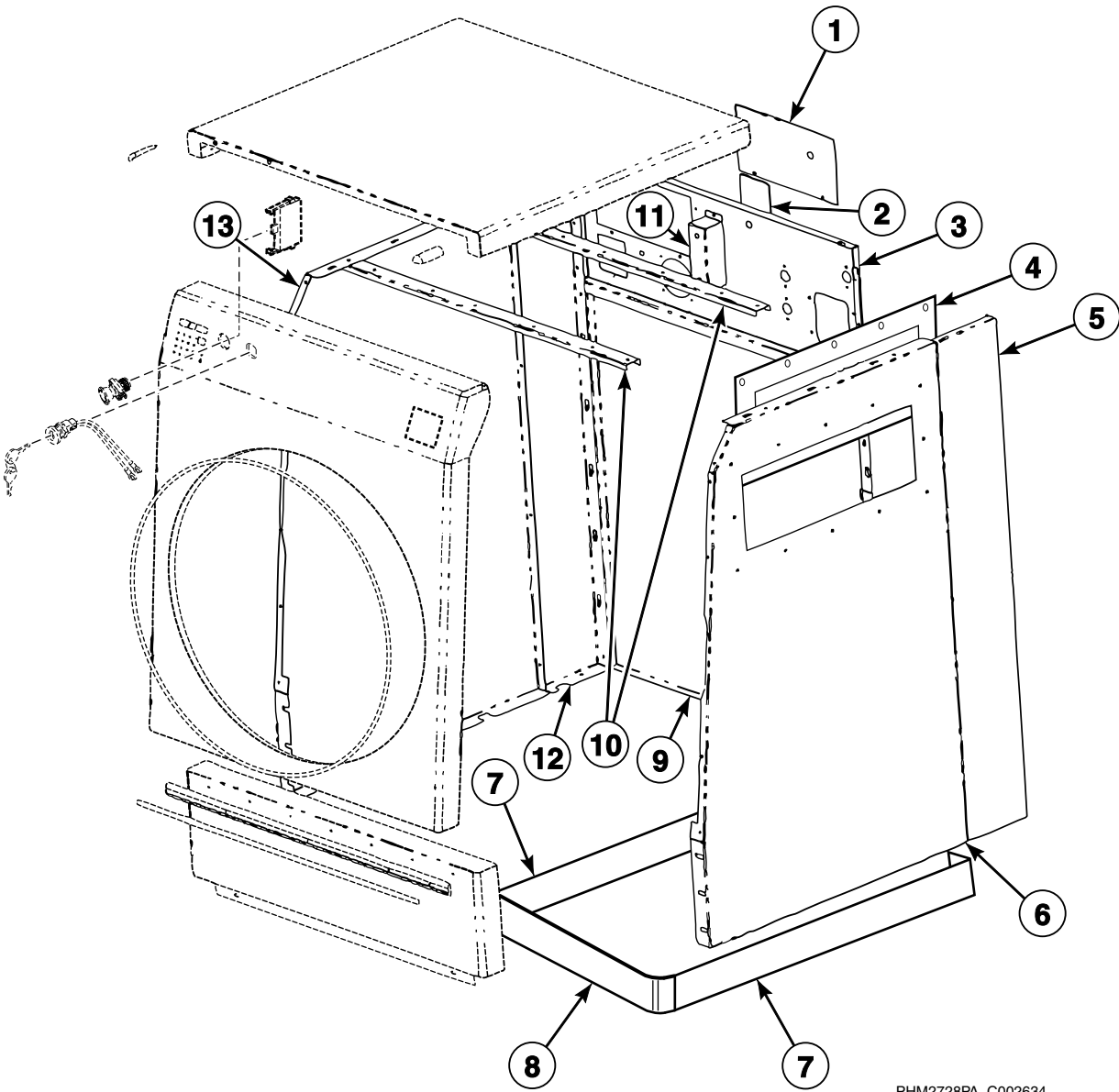
PHM2967P\_C002634

## Top and Front Panels

REF	PART NO.	DESCRIPTION	COMMENTS
	C000567	Screw	2 required for top panel to valve panel; 12 required for front panel to side panel; 2 required for lower front panel to frame
	F431024	Nut	4 required for front panel to side panel
	N/A	Nut	2 required for top panel to valve panel; 2 required for lower front panel to frame
	C000571	Washer	2 required for top panel to valve panel; 2 required for lower front panel to frame
	C000585	Washer	2 required for lower front panel to frame
	F430929	Screw	
	F430910	Screw	6 required for rub rails to lower front panel
	C000568	Nut	6 required for rub rails to lower front panel
<b>1</b>	F340800P	Keymode Run/Program Switch	
	C003024P	Keymode Switch Assembly	
<b>2</b>	F200233500	Emergency Stop Pushbutton	
<b>3</b>	F200233700P	Emergency Stop Button Kit	Includes items 2 and 6
<b>4</b>	C000484	Control Panel Insert	Right corner
<b>5</b>	C000209	Top Panel	Models CP080PHN1, CP080PHN2, CP080PHQ1, CP080PMN1, CP080PMN2, CP080PMQ1, CPC80H, CPC80M, IP080PHN1, IP080PHN2, IP080PHQ1, IP080PMN1, IP080PMN2, IP080PMQ1, IPH80H, IPH80M, IPH370, JP080PHN1, JP080PHN2 and JP080PHQ1
	C000196	Top Panel	All other models
<b>6</b>	F200233401	Contact Block Switch	
<b>7</b>	C000483	Control Panel Insert	Left corner
<b>8</b>	C002970	Front Panel	Side dispenser models; Models CP080PHN1, CP080PHN2, CP080PHQ1, CP080PMN1, CP080PMN2, CP080PMQ1, CPC80H, CPC80M, IP080PHN1, IP080PHN2, IP080PHQ1, IP080PMN1, IP080PMN2, IP080PMQ1, IPH80H, IPH80M, IPH370, JP080PHN1, JP080PHN2 and JP080PHQ1
	N/A	Front Panel	Front dispenser models; Models CP080PHN1, CP080PHQ1, CP080PMN1, CP080PMQ1, CPC80H, CPC80M, IP080PHN1, IP080PHQ1, IP080PMN1, IP080PMQ1, IPH80H, IPH80M, IPH370, JP080PHN1 and JP080PHQ1
	C002971	Front Panel	Side dispenser models; Models CP100PHN1, CP100PHN2, CP100PHQ1, CP100PMN1, CP100PMN2, CP100PMQ1, CPC100H, CPC100M, IP100PHN1, IP100PHN2, IP100PHQ1, IP100PMN1, IP100PMN2, IP100PMQ1, IPH100H, IPH100M, IPH460, JP100PHN1, JP100PHN2, JP100PHQ1 and JP100PMQ1
	C001167	Front Panel	Front dispenser models; Models CP100PHN1, CP100PHQ1, CP100PMN1, CP100PMQ1, CPC100H, CPC100M, IP100PHN1, IP100PHQ1, IP100PMN1, IP100PMQ1, IPH100H, IPH100M, IPH460, JP100PHN1, JP100PHQ1 and JP100PMQ1
<b>9</b>	C000200	Lower Front Panel	Models starting 7/1/09
<b>10</b>	C000637	Insert Rail	Models starting 3/23/04
<b>11</b>	C000634	Rub Rail	Models starting 3/23/04
<b>12</b>	C000629	Trim Gasket	Models starting 3/23/04

N/A = Part no longer available

# Rear, Side and Valve Panels



PHM2728PA\_C002634

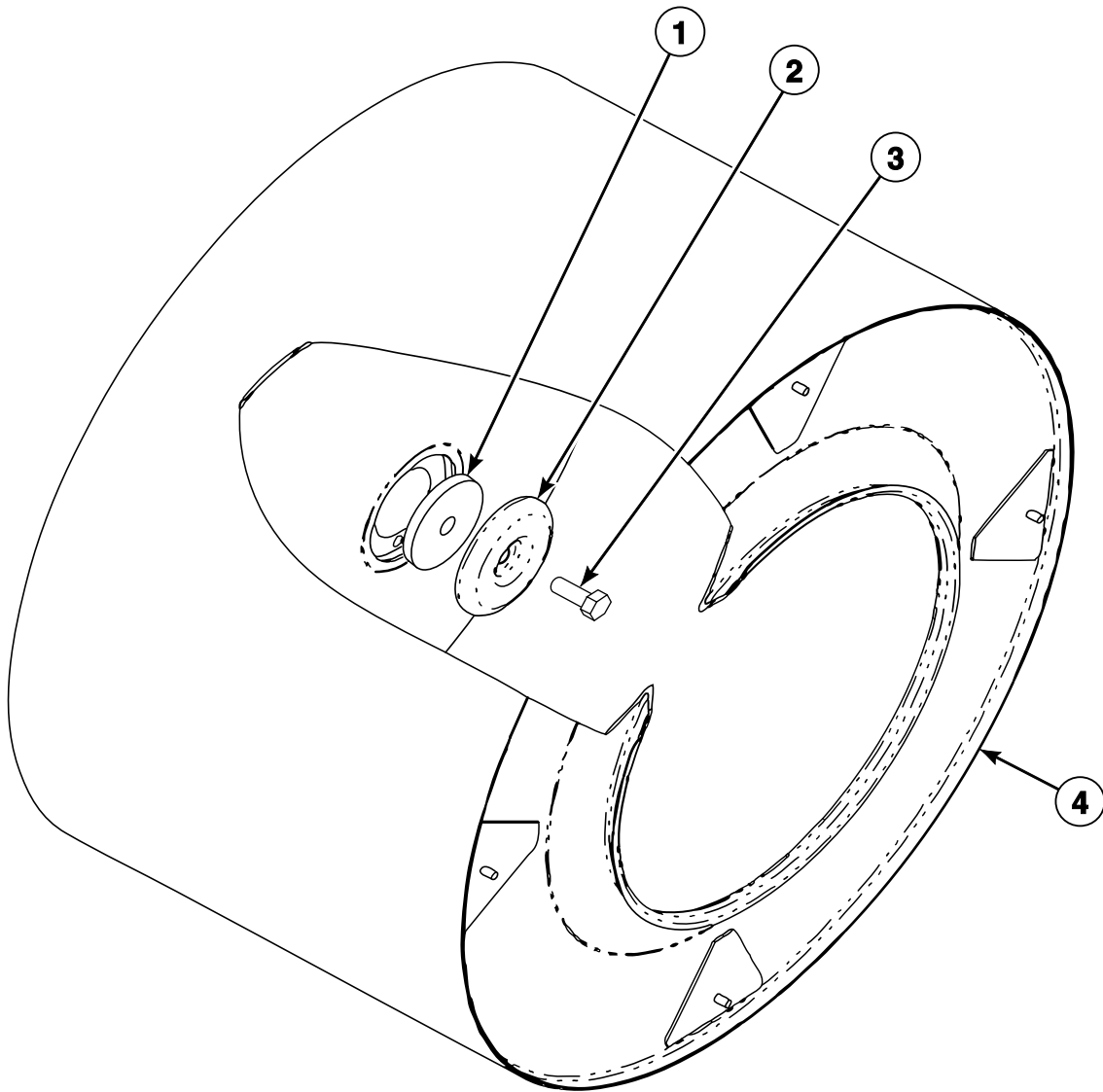
## Rear, Side and Valve Panels

REF	PART NO.	DESCRIPTION	COMMENTS
	C000567	Screw	6 required for valve panel to side panel; 2 required for top panel to valve panel; 12 required for front panel to side panel; 6 required for side panel to frame; 6 required for rear cover to side panel; 4 or 5 required for front electrical mounting bracket to side panel; 2 required for grease box to valve panel
	F431024	Nut	6 required for valve panel to side panel; 4 required for front panel to side panel; 4 or 5 required for front electrical mounting bracket to side panel; 2 required for grease box to valve panel
	N/A	Nut	2 required for top panel to valve panel; 6 required for side panel to frame; 2 required for rear electrical cover to valve panel
	C000571	Washer	2 required for top panel to valve panel; 6 required for side panel to frame; 4 required for rear cover to side panel
	C000585	Washer	6 required for side panel to frame
	F430929	Screw	2 required for rear electrical cover to valve panel; 1 required for inlet power cover to valve panel
<b>1</b>	C000173	Rear Electrical Enclosure Cover	
<b>2</b>	C001257	Inlet Power Cover	Models starting 3/23/04
<b>3</b>	C002981	Valve Panel	
<b>4</b>	N/A	Side Dispenser Plate	Use only on single front dispenser models
<b>5</b>	C002989	Rear Left Side Panel	Models CP080PHN1, CP080PHN2, CP080PHQ1, CP080PMN1, CP080PMN2, CP080PMQ1, CPC80H, CPC80M, IP080PHN1, IP080PHN2, IP080PHQ1, IP080PMN1, IP080PMN2, IP080PMQ1, IPH80H, IPH80M, IPH370, JP080PHN1, JP080PHN2 and JP080PHQ1
	C002794	Left Side Panel and Stiffener Assembly	All other models
<b>6</b>	C002709	Side Panel and Stiffener Assembly	Includes stiffener
<b>7</b>	N/A	Side Skirt Panel	
<b>8</b>	C000316	Front Skirt Panel	
<b>9</b>	C000197P	Rear Panel	
<b>10</b>	C000300	Front Electrical Enclosure Rail	
<b>11</b>	C000539	Grease Connector Box	
<b>12</b>	C002990	Rear Right Side Panel	Models CP080PHN1, CP080PHN2, CP080PHQ1, CP080PMN1, CP080PMN2, CP080PMQ1, CPC80H, CPC80M, IP080PHN1, IP080PHN2, IP080PHQ1, IP080PMN1, IP080PMN2, IP080PMQ1, IPH80H, IPH80M, IPH370, JP080PHN1, JP080PHN2 and JP080PHQ1
	C002992	Rear Right Side Panel	All other models
<b>13</b>	C002710	Side Panel and Stiffener Assembly	Includes stiffener

**N/A = Part no longer available**

## Cylinder Assembly (Drawing 1 of 2)

Models CP080PHN1, CP080PHN2, CP080PHQ1, CP100PHN1, CP100PHN2, CP100PHQ1, CPC80H, CPC100H, IP080PHN1, IP080PHN2, IP080PHQ1, IP100PHN1, IP100PHN2, IP100PHQ1, IPH80H, IPH100H, JP080PHN1, JP080PHN2, JP080PHQ1, JP100PHN1, JP100PHN2 and JP100PHQ1



PHM2729P\_C002634

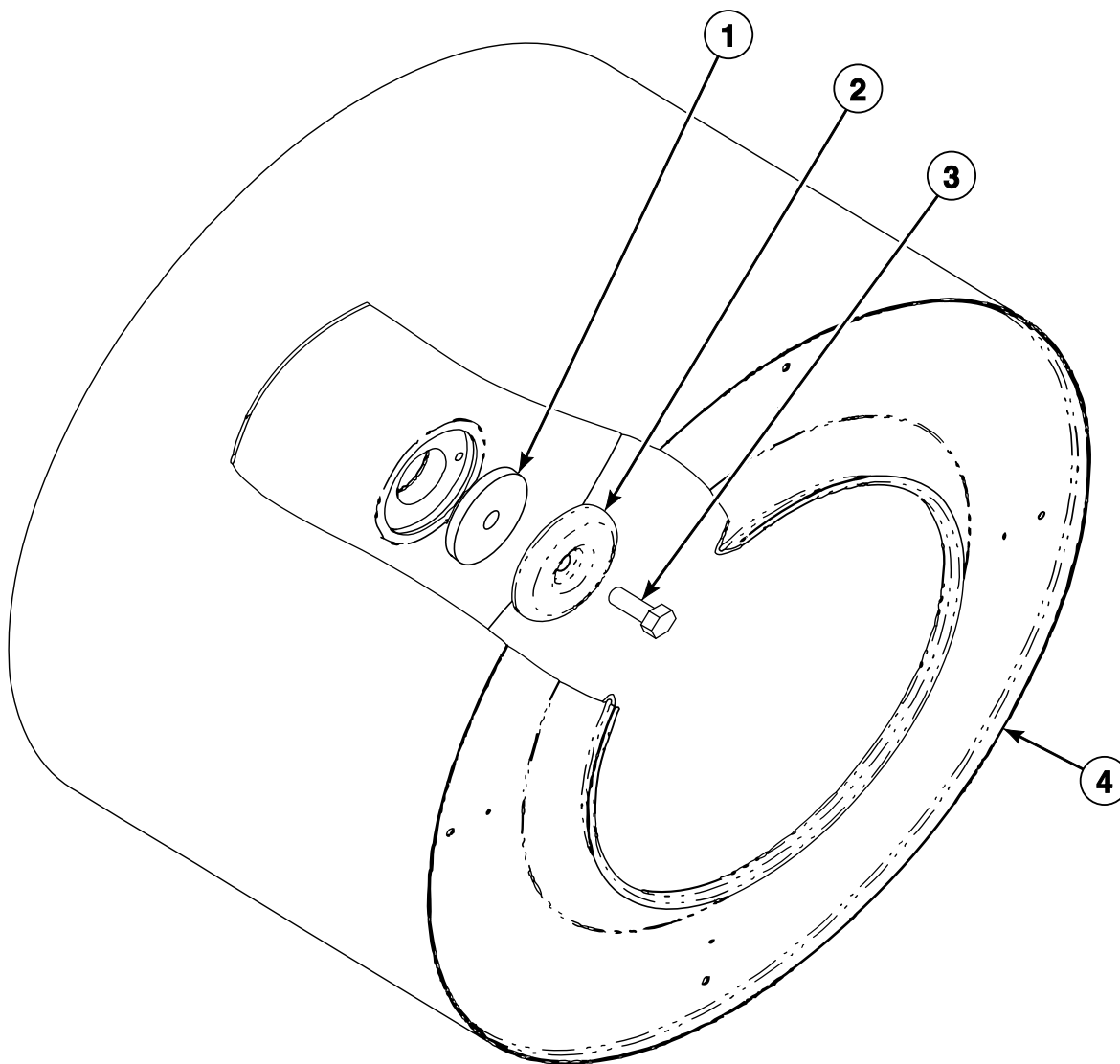


## Cylinder Assembly (Drawing 1 of 2)

REF	PART NO.	DESCRIPTION	COMMENTS
	C001293	Washer	Lifter; Models starting 3/23/04
	C000583	Washer	Models starting 3/23/04
<b>1</b>	C001239	Washer	
<b>2</b>	C001238	Cylinder Bolt Shroud	
<b>3</b>	C001093	Screw	Models through 7/1/06
	C001294	Screw	Models starting 7/1/06
<b>4</b>	C000267P	Cylinder Assembly Kit	Models CP080PHN1, CP080PHN2, CP080PHQ1, CPC80H, IP080PHN1, IP080PHN2, IP080PHQ1, IPH80H, JP080PHN1, JP080PHN2 and JP080PHQ1; Includes lifter rod
	C000127	Cylinder Assembly	All other models; Includes lifter rod

## Cylinder Assembly (Drawing 2 of 2)

Models CP080PMN1, CP080PMN2, CP080PMQ1, CP100PMN1, CP100PMN2,  
CP100PMQ1, CPC80M, CPC100M, IP080PMN1, IP080PMN2, IP080PMQ1, IP100PMN1,  
IP100PMN2, IP100PMQ1, IPH80M, IPH100M, IPH370, IPH460 and JP100PMQ1

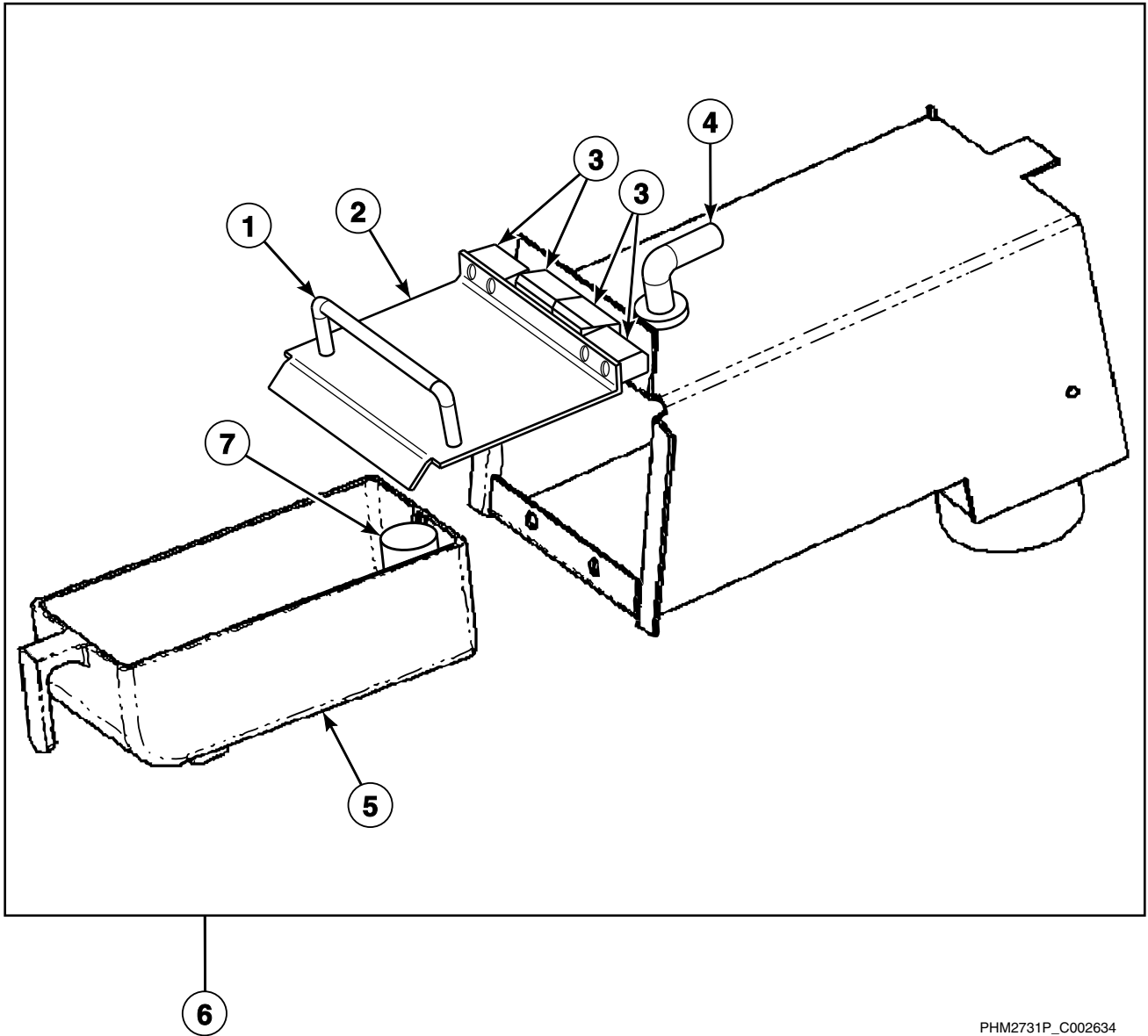


PHM2730P\_C002634

## Cylinder Assembly (Drawing 2 of 2)

REF	PART NO.	DESCRIPTION	COMMENTS
	C001293	Washer	Lifter; Models starting 3/23/04
	C000583	Washer	Models starting 3/23/04
<b>1</b>	C001239	Washer	
<b>2</b>	C001238	Cylinder Bolt Shroud	
<b>3</b>	C001093	Screw	
<b>4</b>	C000804P	Cylinder Assembly Kit	Models CP080PMN1, CP080PMN2, CP080PMQ1, CPC80M, IP080PMN1, IP080PMN2, IP080PMQ1, IPH80M and IPH370; Includes lifter rod
	C000800P	Cylinder Assembly Kit	Models CP100PMN1, CP100PMN2, CP100PMQ1, CPC100M, IP100PMN1, IP100PMN2, IP100PMQ1, IPH100M, IPH460 and JP100PMQ1; Includes lifter rod

# Single Cup Front Dispenser



PHM2731P\_C002634

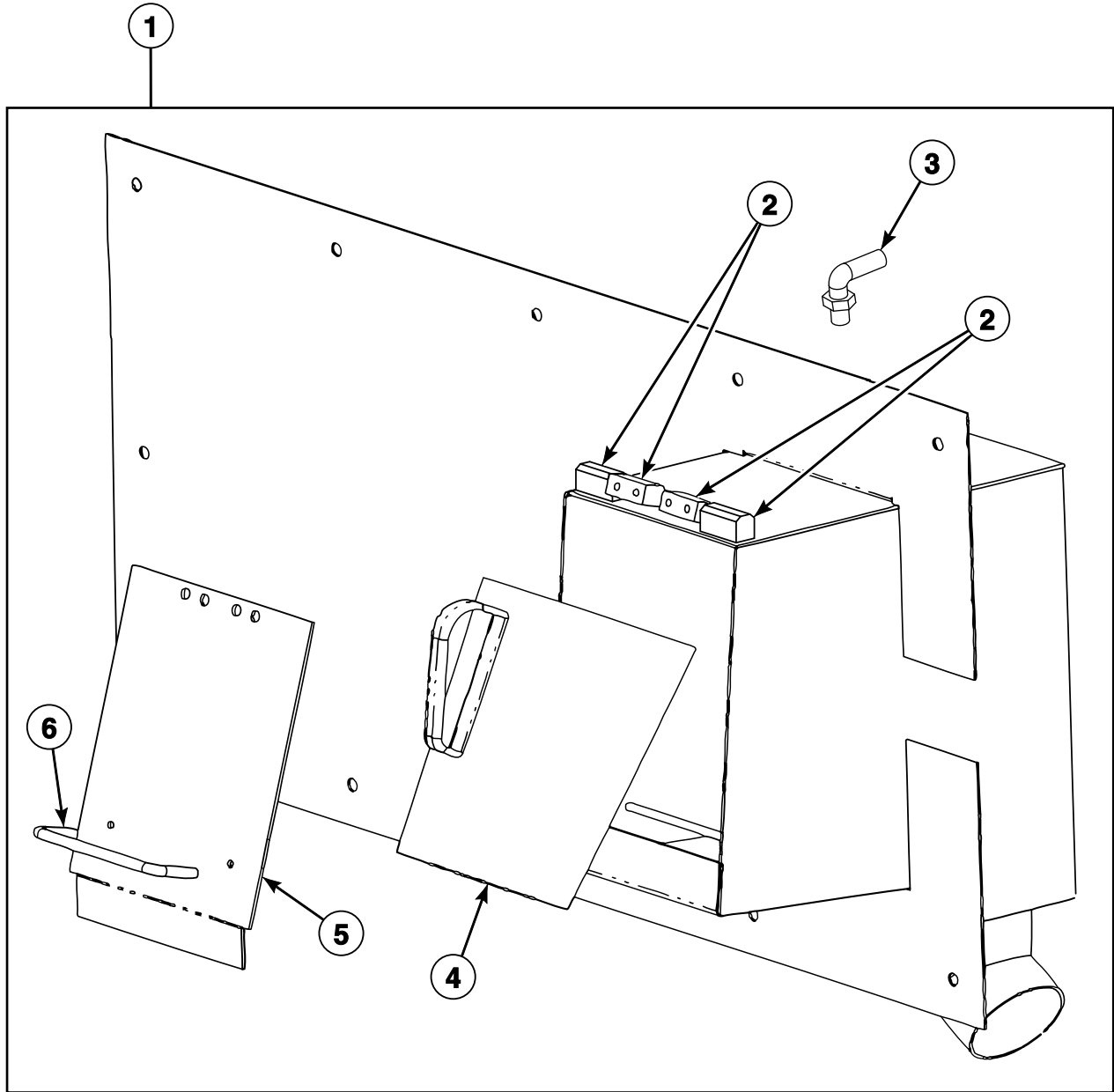
## Single Cup Front Dispenser

REF	PART NO.	DESCRIPTION	COMMENTS
	F430920	Screw	4 required for hinges to cover for models through 3/23/04; 4 required for hinges to control panel for models through 3/23/04
	C001148	Screw	4 required for hinges to cover for models starting 3/23/04; 4 required for hinges to control panel for models starting 3/23/04
	F430909	Screw	2 required; Dispenser cover to handle
	F430925	Screw	2 required; Dispenser to control panel
	N/A	Nut	2 required; Dispenser to control panel
	C000552	Hose	Flush hose; 18 inches required; Models CP080PHN1, CP080PHQ1, CP080PMN1, CP080PMQ1, CPC80H, CPC80M, IP080PHN1, IP080PHQ1, IP080PMN1, IP080PMQ1, IPH80H, IPH80M, IPH370, JP080PHN1 and JP080PHQ1
	C000628P	Tubing	Flush hose; 19 inches required; Models CP100PHN1, CP100PHQ1, CP100PMN1, CP100PMQ1, CPC100H, CPC100M, IP100PHN1, IP100PHQ1, IP100PMN1, IP100PMQ1, IPH100H, IPH100M, IPH460, JP100PHN1, JP100PHQ1 and JP100PMQ1
<b>1</b>	C001788	Dispenser Door Handle	
<b>2</b>	C000605	Single Front Dispenser Cover	
<b>3</b>	C001787	Hinge	
<b>4</b>	C001017	Front Supply Dispenser Nozzle	
<b>5</b>	C000052	Supply Dispenser Cup	23 ounces
<b>6</b>	C000220	Single Dispenser Assembly	Includes items 1-5 and 7
<b>7</b>	C001007	Siphon Tube	

**N/A = Part no longer available**

# Single Cup Side Dispenser

Models Starting 3/23/04

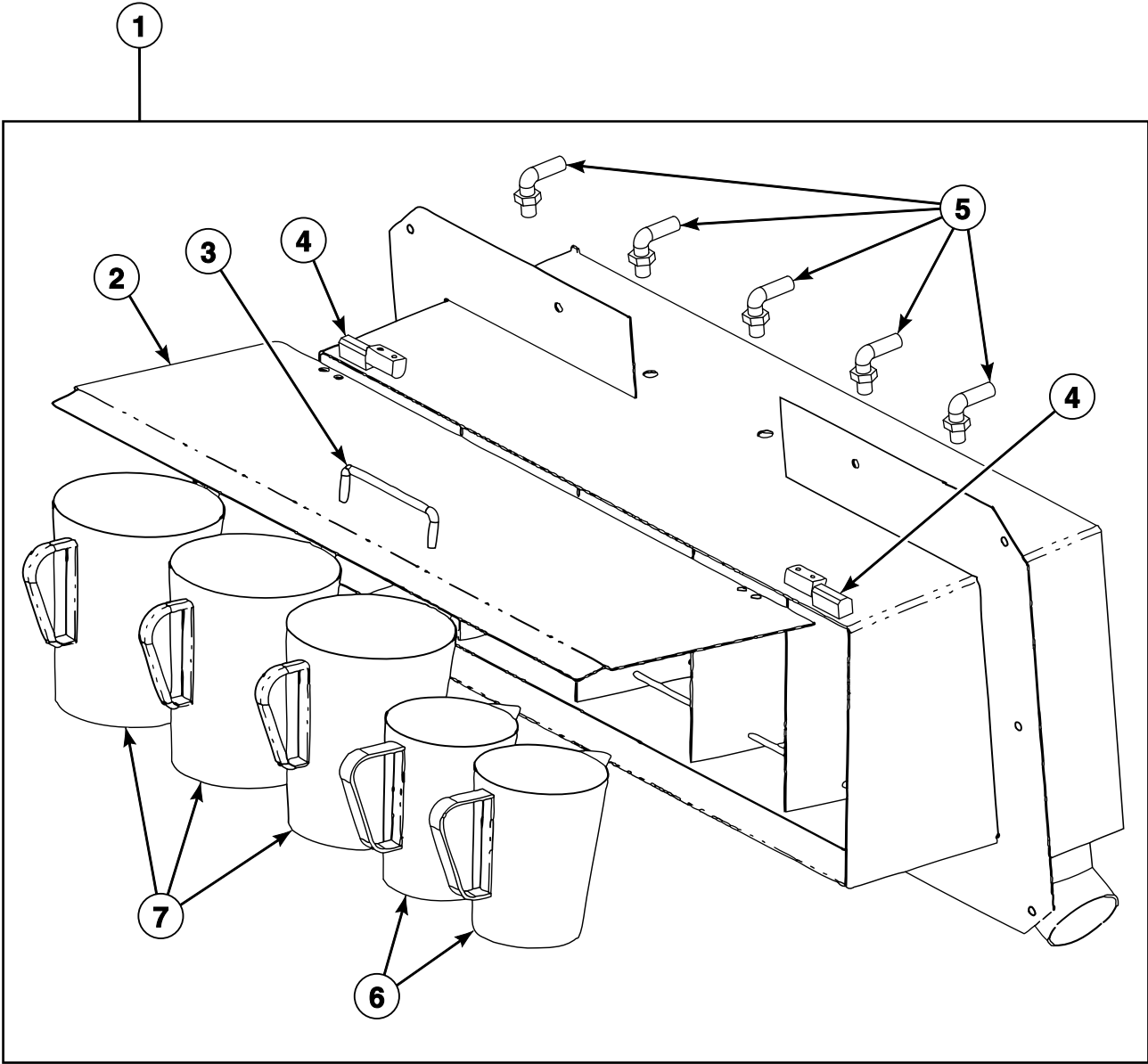


PHM2732P\_C002634

## Single Cup Side Dispenser

REF	PART NO.	DESCRIPTION	COMMENTS
	C001148	Screw	4 required for hinges to cover; 4 required for hinges to control panel
	F430909	Screw	2 required; Dispenser cover to handle
	F430925	Screw	12 required; Dispenser to side panel
	C000552	Hose	Flush hose; 18 inches required; Models CP080PHN1, CP080PHN2, CP080PHQ1, CP080PMN1, CP080PMN2, CP080PMQ1, CPC80H, CPC80M, IP080PHN1, IP080PHN2, IP080PHQ1, IP080PMN1, IP080PMN2, IP080PMQ1, IPH80H, IPH80M, IPH370, JP080PHN1, JP080PHN2 and JP080PHQ1
	C000628P	Tubing	Flush hose; 19 inches required; Models CP100PHN1, CP100PHN2, CP100PHQ1, CP100PMN1, CP100PMN2, CP100PMQ1, CPC100H, CPC100M, IP100PHN1, IP100PHN2, IP100PHQ1, IP100PMN1, IP100PMN2, IP100PMQ1, IPH100H, IPH100M, IPH460, JP100PHN1, JP100PHN2, JP100PHQ1 and JP100PMQ1
<b>1</b>	C001582	Single Side Dispenser Assembly	Includes items 2-6
<b>2</b>	C001787	Hinge	
<b>3</b>	C000073	Supply Dispenser Nozzle	
<b>4</b>	C000646	Supply Cup	1000 ml
<b>5</b>	C000855	Single Side Dispenser Door	
<b>6</b>	C001788	Dispenser Door Handle	

# 5 Cup Side Dispenser



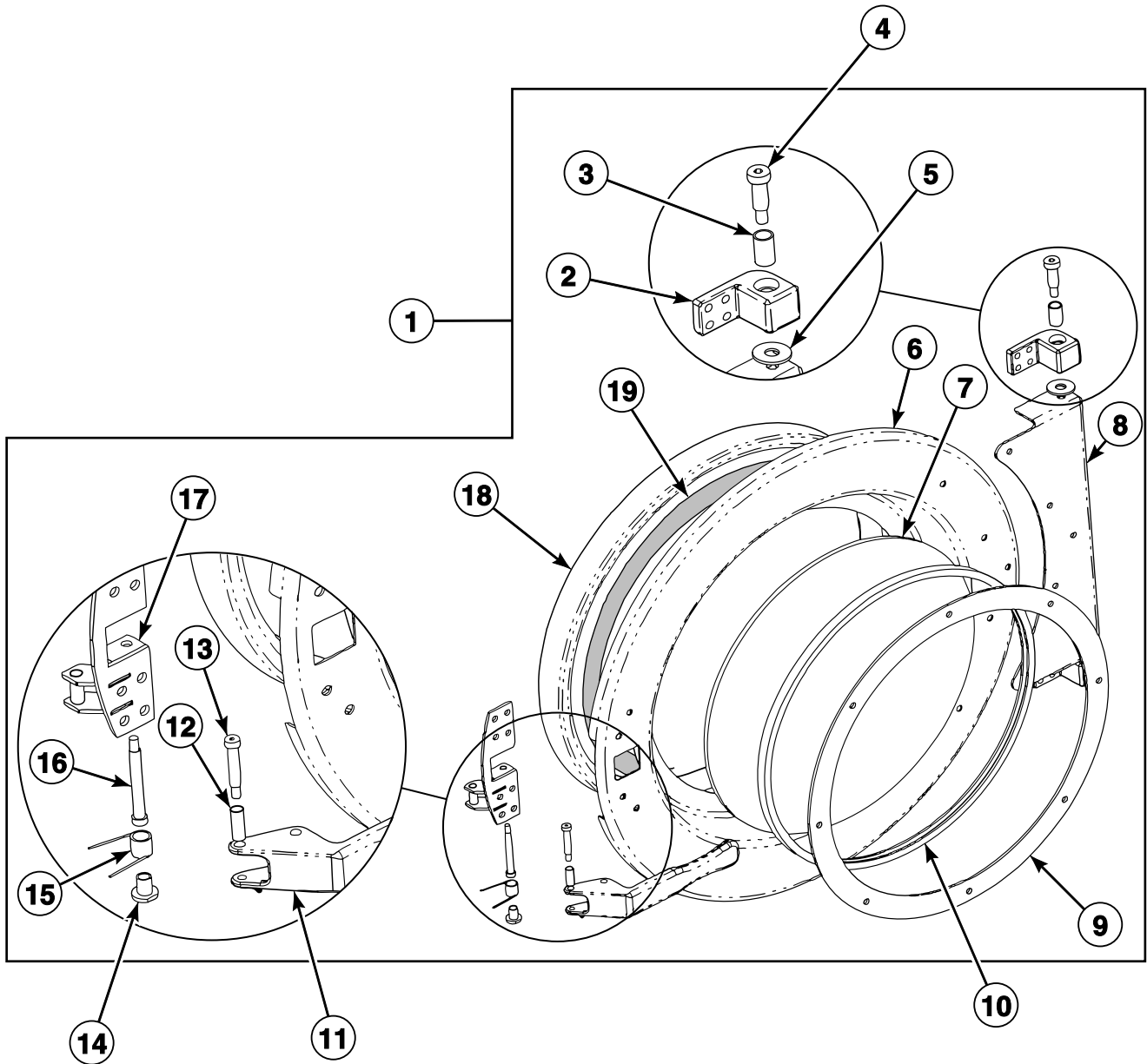
PHM2733P\_C002634



## 5 Cup Side Dispenser

REF	PART NO.	DESCRIPTION	COMMENTS
	F430920	Screw	4 required for hinges to cover for models through 3/23/04; 4 required for hinges to control panel for models through 3/23/04
	C001148	Screw	4 required for hinges to cover for models starting 3/23/04; 4 required for hinges to control panel for models starting 3/23/04
	F430909	Screw	2 required; Dispenser cover to handle
	F430925	Screw	12 required; Dispenser to side panel
	C000552	Hose	Flush hose; 16 inches required for supply cup 1; 20 inches required for supply cup 2; 26 inches required for supply cup 3; 32 inches required for supply cup 4; 33 inches required for supply cup 5
	36801	Hose Clamp	12 required for models through 3/23/04; 7 required for models starting 3/23/04
	C001004	Spring Hose Clamp	5 required for models starting 3/23/04
<b>1</b>	C000648	Side Dispenser Assembly	Models through 3/23/04; Includes items 2, 6 and 7
	C001583	Side Dispenser Assembly	Models starting 3/23/04; Includes items 2-7
<b>2</b>	C000642	Side Dispenser Door	
<b>3</b>	C001788	Dispenser Door Handle	
<b>4</b>	C001787	Hinge	
<b>5</b>	C000073	Supply Dispenser Nozzle	
<b>6</b>	C000647	Supply Cup	500 ml
<b>7</b>	C000646	Supply Cup	1000 ml

# Door Assembly - Models through 2/9/09

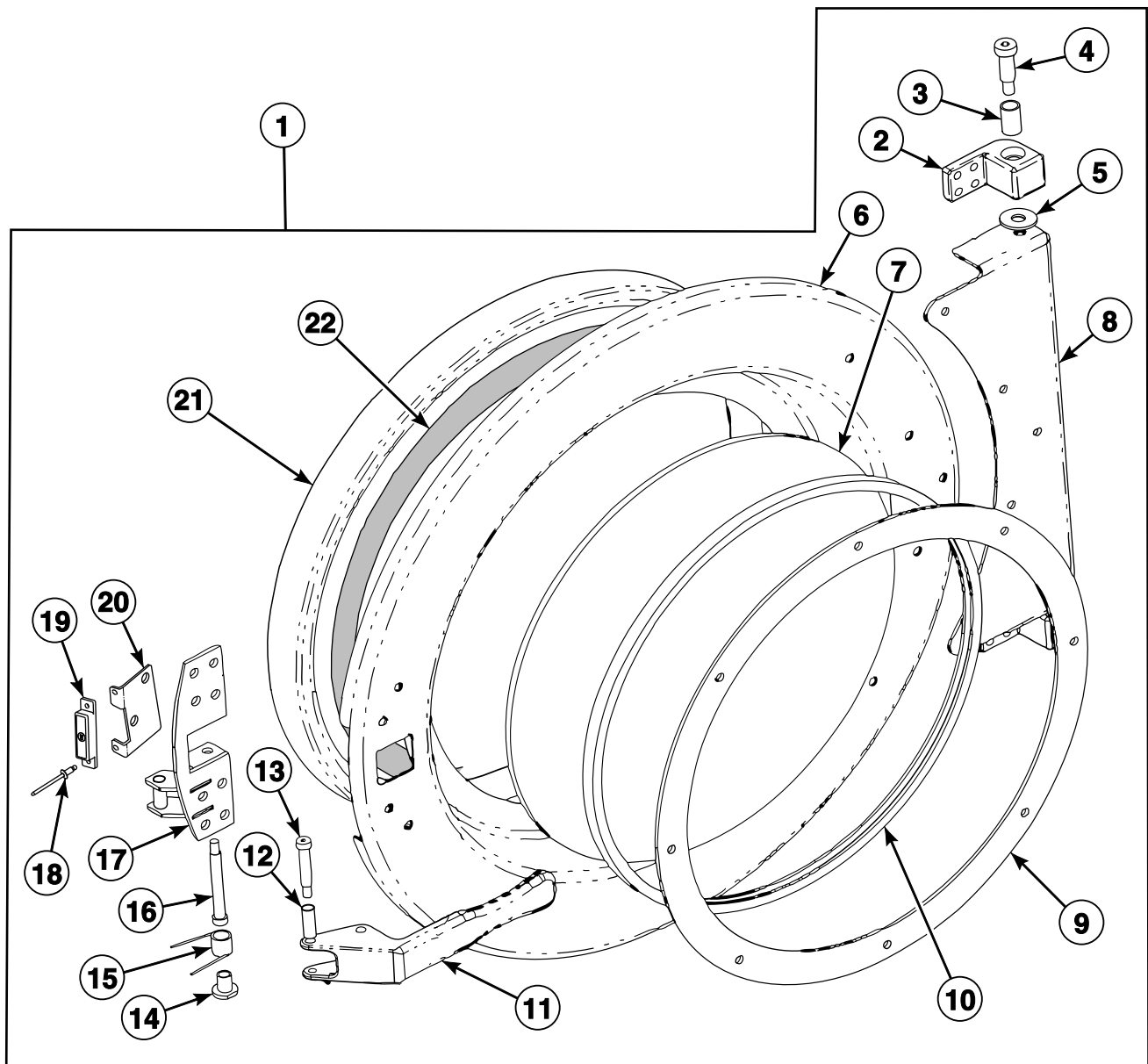


PHM2966P\_C002634

## Door Assembly - Models through 2/9/09

REF	PART NO.	DESCRIPTION	COMMENTS
	C000559	Bolt	8 required; Door hinge block to shell front
	C000574	Nut	8 required; Door hinge block to shell front
	803017	Nut	2 required; Door hinge block to hinge
	C000561	Bolt	5 required for door hinge to door; 4 required for door handle hinge to door for models through 3/23/04; 3 required for door handle hinge to door for models starting 3/24/04
	C000560	Nut	5 required for door hinge to door; 4 required for door handle hinge to door
	C000562	Nut	8 required; Door glass retainer to door
	C000601	Stud	8 required; Door glass retainer to door
	F431024	Nut	1 required; Door handle to door handle hinge
	C001236	Nut	1 required; Door handle to door handle bushing
	C001546	Door Bumper	2 required; Models starting 3/23/04
	C001032	Screw	2 required; Door bumper; Models starting 3/23/04
<b>1</b>	C000134	Door Assembly	Includes items 2-19
<b>2</b>	C000175	Hinge Block	
<b>3</b>	C000176	Door Hinge Bushing	
<b>4</b>	C001784	Bolt	
<b>5</b>	C000177	Washer	
<b>6</b>	C002725	Door Assembly	Includes nuts and studs
<b>7</b>	C000139	Door Glass	
<b>8</b>	C000608	Door Hinge	
<b>9</b>	C000607	Door Glass Retainer	
<b>10</b>	C000140P	Door Glass Gasket	
<b>11</b>	C000028P	Door Handle	Models through 3/23/04
	C001679P	Door Handle	Models starting 3/24/04
<b>12</b>	C000181	Door Handle Bushing	
<b>13</b>	C000180	Bolt	
<b>14</b>	C000192	Door Handle Spring Bushing	
<b>15</b>	C001786	Door Handle Torsion Spring	
<b>16</b>	C001785	Bolt	
<b>17</b>	C000470	Door Handle Hinge Weldment	
<b>18</b>	C000135P	Door Gasket	Includes F200001600 Shell Band Gasket
<b>19</b>	F200001600P	Shell Band Gasket	6 feet required

# Door Assembly - Models starting 2/10/09



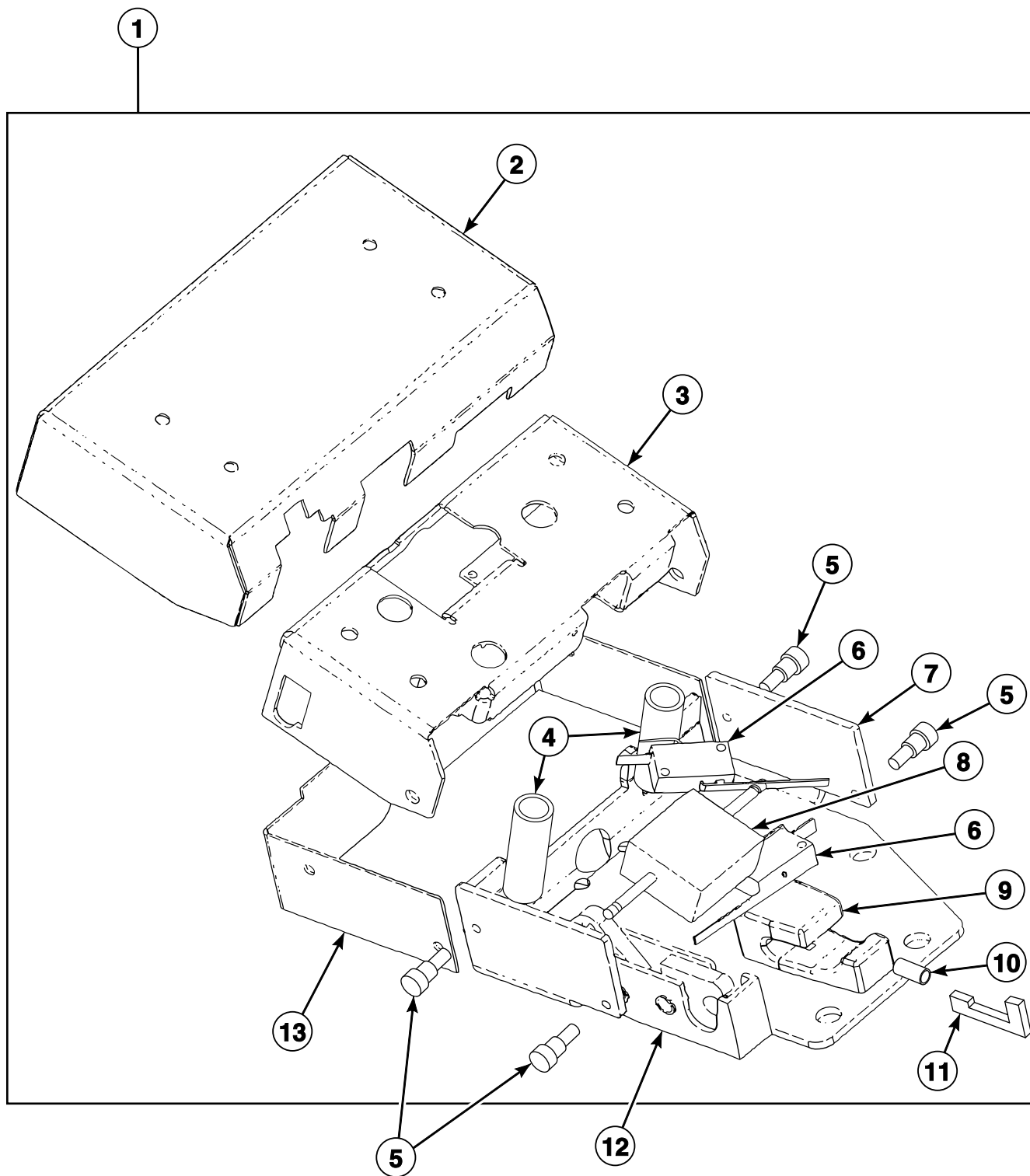
PHM3093P\_C002634

## Door Assembly - Models starting 2/10/09

REF	PART NO.	DESCRIPTION	COMMENTS
	C000559	Bolt	8 required; Door hinge block to shell front
	C000574	Nut	8 required; Door hinge block to shell front
	803017	Nut	2 required; Door hinge block to hinge
	C000561	Bolt	3 required for door handle hinge to door
	C000560	Nut	5 required for door hinge to door; 4 required for door handle hinge to door
	C000562	Nut	8 required; Door glass retainer to door
	C000601	Stud	8 required; Door glass retainer to door
	F431024	Nut	1 required; Door handle to door handle hinge
	C001236	Nut	1 required; Door handle to door handle bushing
	C001546	Door Bumper	2 required
	C001032	Screw	2 required; Door bumper
<b>1</b>	C000134	Door Assembly	Includes items 2-22
<b>2</b>	C000175	Hinge Block	
<b>3</b>	C000176	Door Hinge Bushing	
<b>4</b>	C001784	Bolt	
<b>5</b>	C000177	Washer	
<b>6</b>	C002725	Door Assembly	Includes nuts and studs
<b>7</b>	C000139	Door Glass	
<b>8</b>	C000608	Door Hinge	
<b>9</b>	C000607	Door Glass Retainer	
<b>10</b>	C000140P	Door Glass Gasket	
<b>11</b>	C001679P	Door Handle	
<b>12</b>	C000181	Door Handle Bushing	
<b>13</b>	C000180	Bolt	
<b>14</b>	C000192	Door Handle Spring Bushing	
<b>15</b>	C001786	Door Handle Torsion Spring	
<b>16</b>	C001785	Bolt	
<b>17</b>	C000470	Door Handle Hinge Weldment	
<b>18</b>	F431223	Pop Rivet	
<b>19</b>	F8390801	Magnet	
<b>20</b>	C002994	Door Magnet Mounting Bracket	
<b>21</b>	C000135P	Door Gasket	Includes F200001600 Shell Band Gasket
<b>22</b>	F200001600P	Shell Band Gasket	6 feet required

# Door Lock Assembly

Models Through Serial No. 0902007001



PHM2735P\_C002634

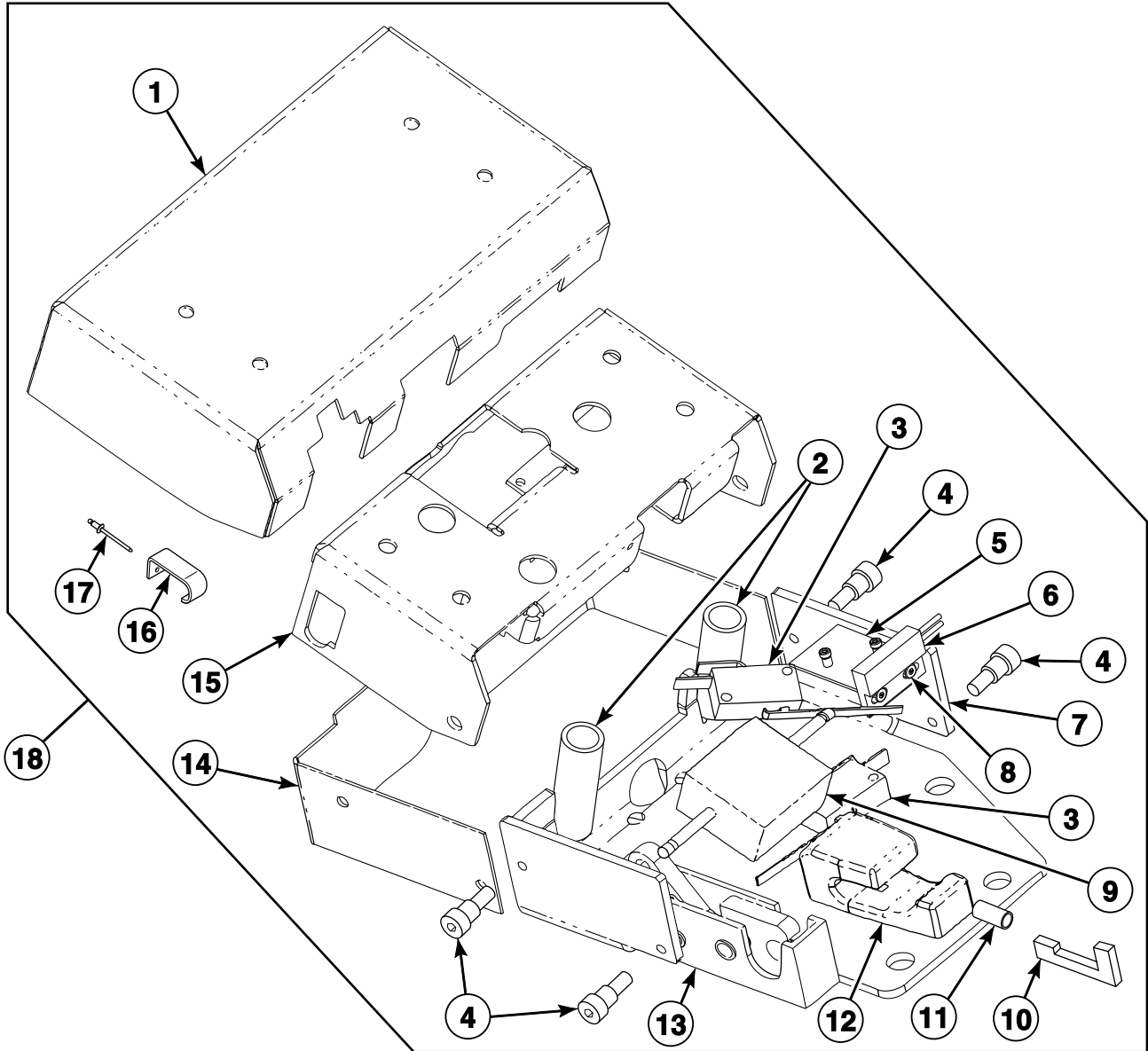
# Door Lock Assembly

REF	PART NO.	DESCRIPTION	COMMENTS
	81398	Screw	4 required; Door lock cover to solenoid bracket; Models starting 3/23/04
	C000430	Bolt	4 required; Door lock cover to door lock plate; Models through 3/23/04
	C000614	Screw	2 required for door lock switch to door lock plate; 2 required for door lock switch to door lock solenoid bracket
	C000578	Nut	2 required for door lock switch to door lock plate; 2 required for door lock switch to door lock solenoid bracket
	C000561	Bolt	4 required; Door lock to shell front
	C000574	Nut	4 required; Door lock to shell front
	C000567	Screw	2 required; Door latch to door lock plate
	C000571	Washer	2 required; Door latch to door lock plate; Models starting 3/23/04
	C000572	Screw	2 required; Door lock solenoid to bracket
	C000612	Screw	3 required; Door lock catch to door lock plate
	C000576	Nut	2 required; Door solenoid bracket to door lock plate
	C000867P	Door Lock Harness	
<b>1</b>	N/A	Door Lock Assembly	Includes items 2-13; Models through 7/14/11 with C001036P Door Lock Assembly <b>MUST</b> order C002996M Door Lock Kit
	C002996M	Door Lock Kit	
<b>2</b>	C000688	Door Lock Cover	
<b>3</b>	C003022	Door Lock Solenoid Bracket	
<b>4</b>	C000431	Spring	
<b>5</b>	C000613	Screw	Models through 3/23/04
	C000430	Bolt	Models starting 3/23/04
<b>6</b>	C000278	Door Lock Microswitch	
<b>7</b>	C000684	Door Lock Plate	
<b>8</b>	C000184P	Door Lock Solenoid	
<b>9</b>	C000185	Door Lock Catch	
<b>10</b>	C000276	Door Lock Slide Spring	
<b>11</b>	C000271	Door Lock Switch Slide	
<b>12</b>	N/A	Door Latch	Models through 3/23/04
	C001244	Door Latch	Models starting 3/23/04
<b>13</b>	C000687	Door Lock Spring Cover	

**N/A = Part no longer available**

# Door Lock Assembly with Magnetic Sensor

Models Starting Serial No. 0902007002



PHM3149P\_C002634

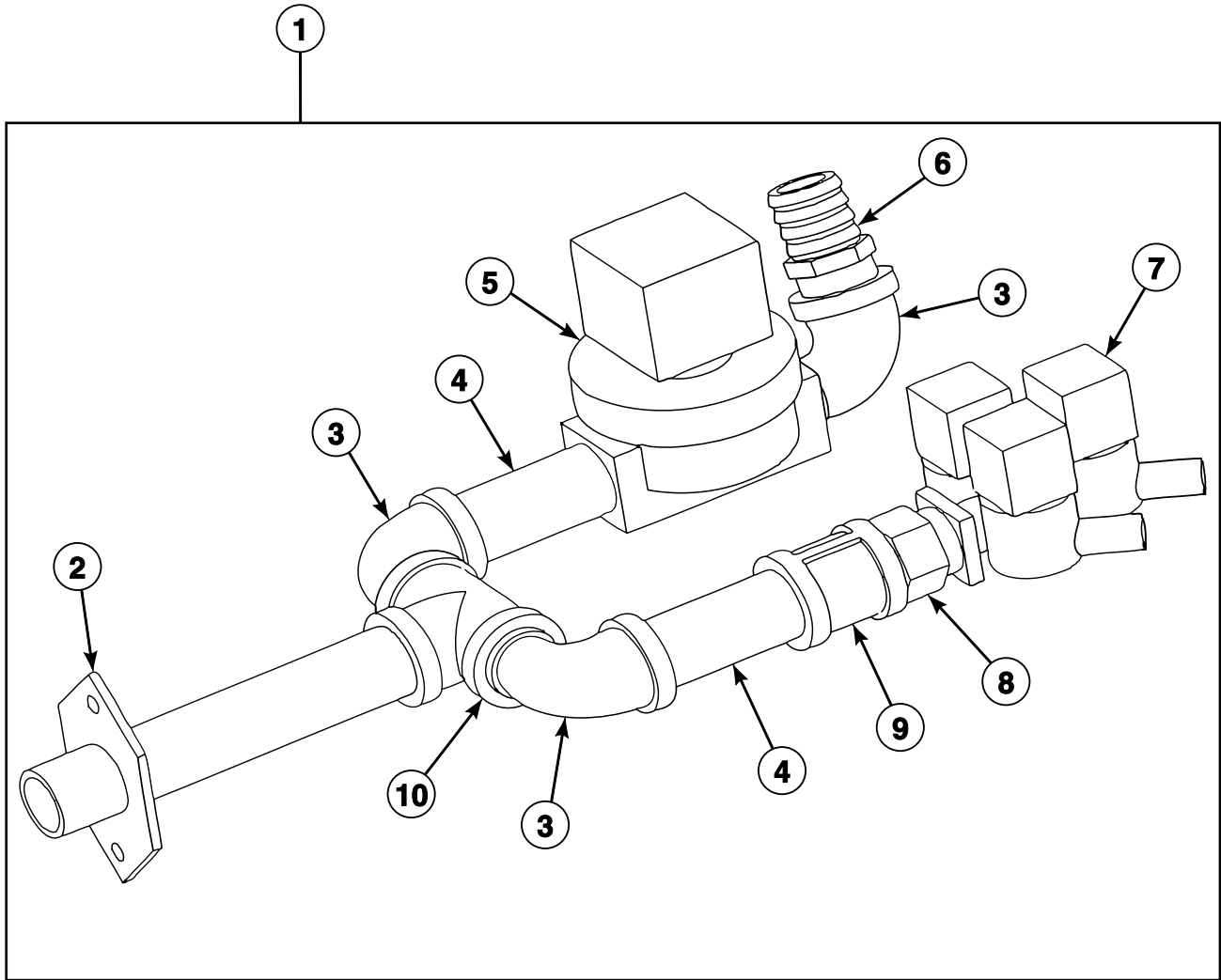


## Door Lock Assembly with Magnetic Sensor

REF	PART NO.	DESCRIPTION	COMMENTS
	81398	Screw	4 required for door lock cover to solenoid bracket; Models starting 3/23/04
	C000613	Screw	2 required for door solenoid bracket to door lock plate; Models through 3/23/04
	C000614	Screw	2 required for door lock switch to door lock plate; 2 required for door lock switch to door lock solenoid bracket
	C000578	Nut	2 required for door lock switch to door lock plate; 2 required for door lock switch to door lock solenoid bracket
	C000561	Bolt	4 required for door lock to shell front
	C000574	Nut	4 required for door lock to shell front
	C000567	Screw	2 required for door latch to door lock plate
	C000571	Washer	2 required for door latch to door lock plate; Models starting 3/23/04
	C000572	Screw	2 required for door lock solenoid to bracket
	C000612	Screw	3 required for door lock catch to door lock plate
	C000576	Nut	2 required for door solenoid cover to door lock plate
	C000867P	Door Lock Harness	
<b>1</b>	C000688	Door Lock Cover	
<b>2</b>	C000431	Spring	
<b>3</b>	C000278	Door Lock Microswitch	
<b>4</b>	C000430	Bolt	4 required for door solenoid bracket to door lock plate for models starting 3/23/04; 4 required for door lock cover to door lock plate for models through 3/23/04
<b>5</b>	C002995	Magnetic Door Switch Bracket	
<b>6</b>	C003000	Reed Switch Assembly	
<b>7</b>	C000684	Door Lock Plate	
<b>8</b>	J1111905	Blind Rivet	
<b>9</b>	C000184P	Door Lock Solenoid	
<b>10</b>	C000271	Door Lock Switch Slide	
<b>11</b>	C000276	Door Lock Slide Spring	
<b>12</b>	C000185	Door Lock Catch	
<b>13</b>	N/A	Door Latch	Models through 3/23/04
	C001244	Door Latch	Models starting 3/23/04
<b>14</b>	C000687	Door Lock Spring Cover	
<b>15</b>	C003022	Door Lock Solenoid Bracket	
<b>16</b>	B12351001	Door Lock Spring	Models starting 12/13/10
<b>17</b>	F431215	Pop Rivet	Models starting 12/13/10
<b>18</b>	C002996	Door Lock Assembly	Includes items 1-17; Models that have been upgraded with C002996M Door Lock Kit

**N/A = Part no longer available**

# 5 Cup Hot Water Plumbing Assembly

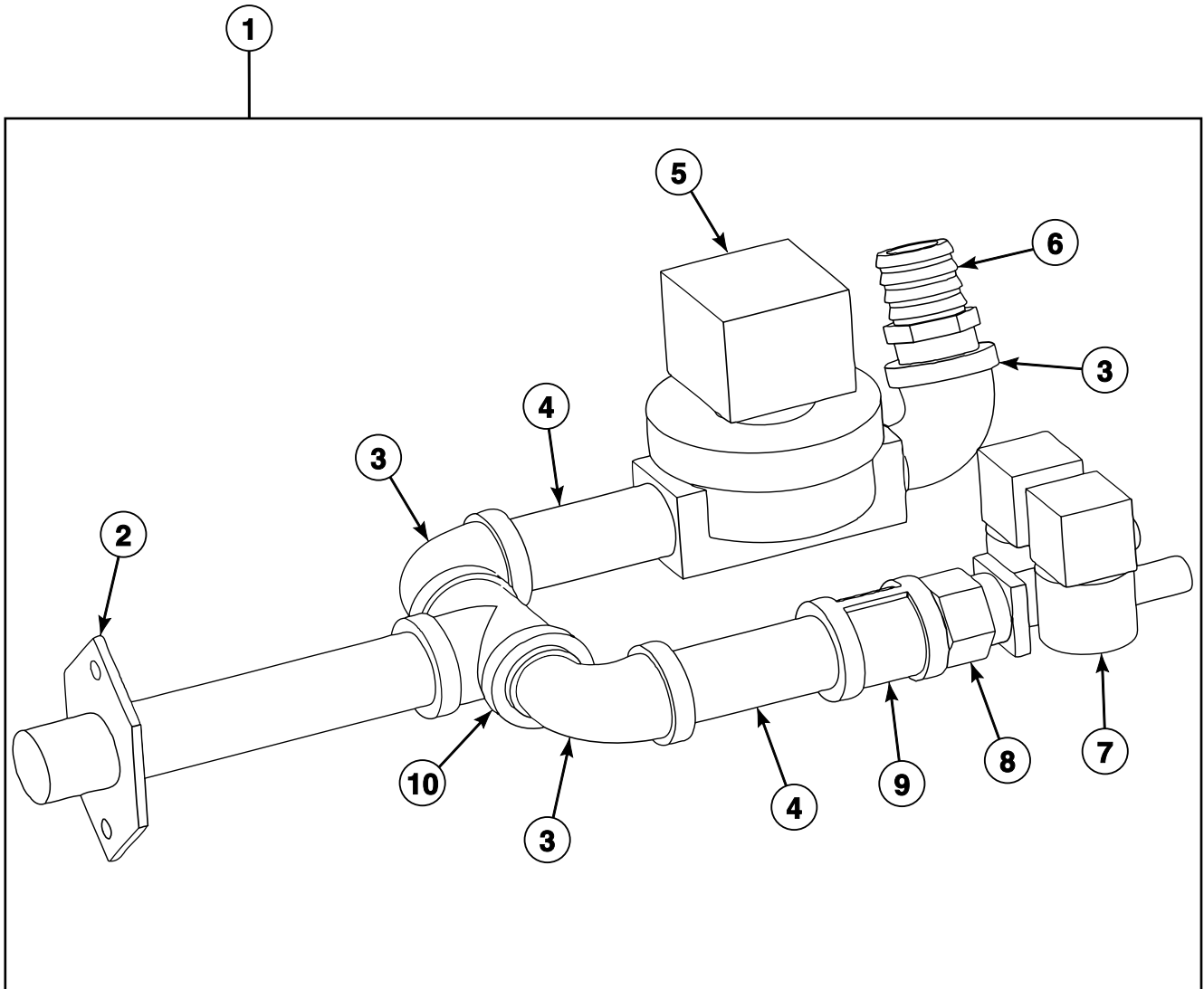


PHM2736P\_C002634

## 5 Cup Hot Water Plumbing Assembly

REF	PART NO.	DESCRIPTION	COMMENTS
	C000567	Screw	2 required; Hot manifold to valve panel
	F431024	Nut	2 required; Hot manifold to valve panel
	F200128P	Water Hose	Water valve to vacuum breaker; Models CP080PHN1, CP080PHN2, CP080PHQ1, CP080PMN1, CP080PMN2, CP080PMQ1, CPC80H, CPC80M, IP080PHN1, IP080PHN2, IP080PHQ1, IP080PMN1, IP080PMN2, IP080PMQ1, IPH80H, IPH80M, IPH370, JP080PHN1, JP080PHN2, JP080PHQ1 and JP100PMQ1 20 inches required; Models CP100PHN1, CP100PHN2, CP100PHQ1, CP100PMN1, CP100PMN2, CP100PMQ1, CPC100H, CPC100M, IP100PHN1, IP100PHN2, IP100PHQ1, IP100PMN1, IP100PMN2, IP100PMQ1, IPH100H, IPH100M, IPH460, JP100PHN1, JP100PHN2 and JP100PHQ1 21 inches required
	F200222	Hose Clamp	4 required; Water valve to vacuum breaker
	F200201	Hose Clamp	4 required; Fill inlet hose
	C002611P	Inlet Valve Harness	
<b>1</b>	C000426	Hot Plumbing Assembly	
<b>2</b>	C001366	Flange and Nipple Assembly	
<b>3</b>	F420502	Street Elbow	
<b>4</b>	F420107	Nipple	
<b>5</b>	F381700P	Valve	
<b>6</b>	F421951	Hose Barb	
<b>7</b>	C000436P	Water Valve	3-way
	G582P3	Diaphragm and Guide Kit	
<b>8</b>	C000424	Adapter	
<b>9</b>	C000420	Coupling	
<b>10</b>	F420403	Tee	

# 1 Cup Hot Water Plumbing Assembly

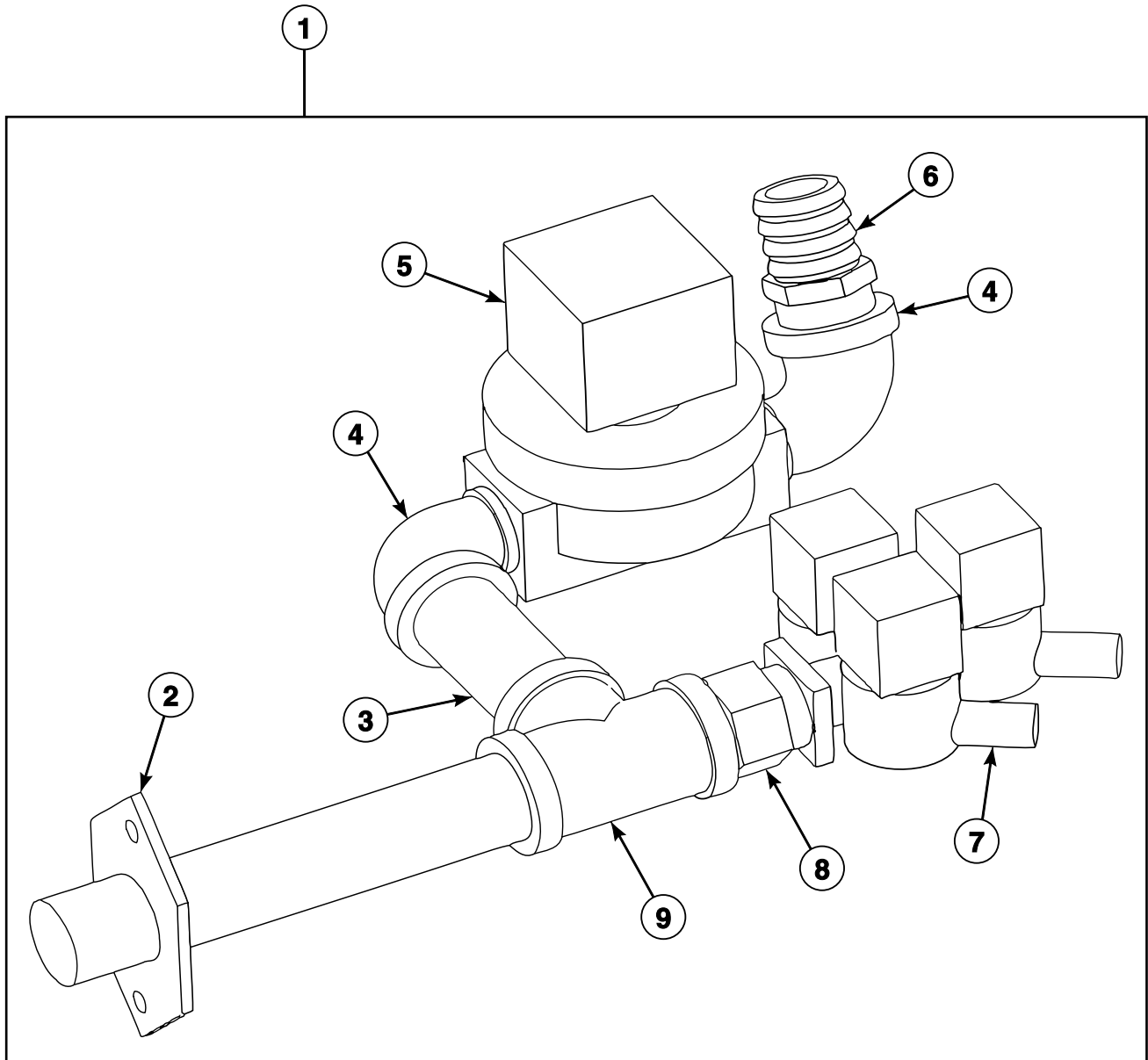


PHM2737P\_C002634

# 1 Cup Hot Water Plumbing Assembly

REF	PART NO.	DESCRIPTION	COMMENTS
	C000567	Screw	2 required; Hot manifold to valve panel
	F431024	Nut	2 required; Hot manifold to valve panel
	F200128P	Water Hose	Water valve to vacuum breaker; 20 inches required; Models CP080PHN1, CP080PHN2, CP080PHQ1, CP080PMN1, CP080PMN2, CP080PMQ1, CPC80H, CPC80M, IP080PHN1, IP080PHN2, IP080PHQ1, IP080PMN1, IP080PMN2, IP080PMQ1, IPH80H, IPH80M, IPH370, JP080PHN1, JP080PHN2 and JP080PHQ1
	C000552	Hose	Water valve to vacuum breaker; 21 inches required; Models CP100PHN1, CP100PHN2, CP100PHQ1, CP100PMN1, CP100PMN2, CP100PMQ1, CPC100H, CPC100M, IP100PHN1, IP100PHN2, IP100PHQ1, IP100PMN1, IP100PMN2, IP100PMQ1, IPH100H, IPH100M, IPH460, JP100PHN1, JP100PHN2, JP100PHQ1 and JP100PMQ1
	F200222	Hose Clamp	4 required; Water valve to vacuum breaker
	F200201	Hose Clamp	4 required; Fill inlet hose
	C002608P	Inlet Valve Harness	
<b>1</b>	C001664	Hot Plumbing Assembly	
<b>2</b>	C001366	Flange and Nipple Assembly	
<b>3</b>	F420502	Street Elbow	
<b>4</b>	F420107	Nipple	
<b>5</b>	F381700P	Valve	
<b>6</b>	F421951	Hose Barb	
<b>7</b>	C000716P	Valve	2-way
	G582P3	Diaphragm and Guide Kit	
<b>8</b>	C000424	Adapter	
<b>9</b>	C000420	Coupling	
<b>10</b>	F420403	Tee	

# 5 Cup Cold Water Plumbing Assembly

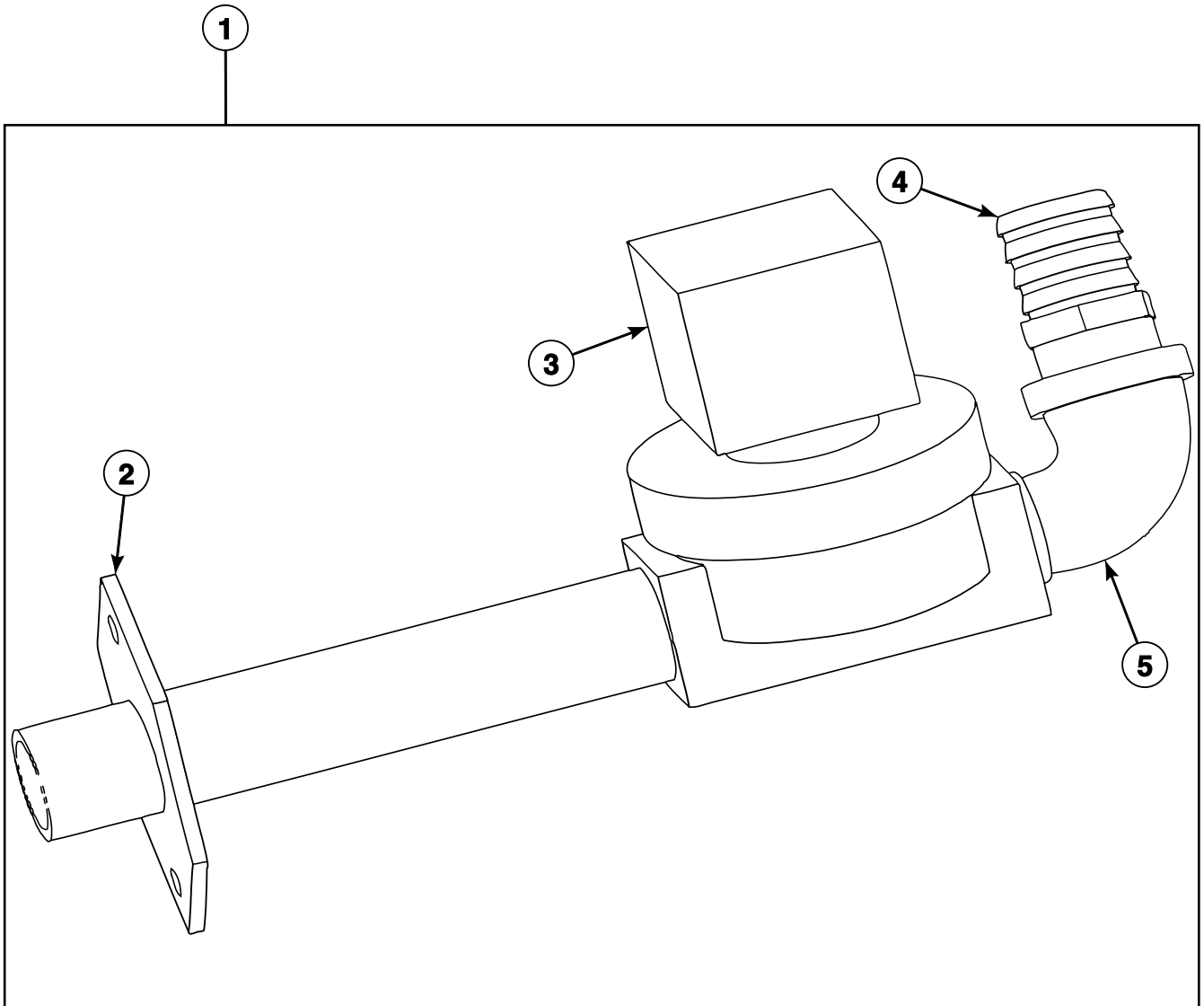


PHM2738P\_C002634

## 5 Cup Cold Water Plumbing Assembly

REF	PART NO.	DESCRIPTION	COMMENTS
	C000567	Screw	2 required; Cold manifold to valve panel
	F431024	Nut	2 required; Cold manifold to valve panel
	F200128P	Water Hose	Water valve to vacuum breaker; Models CP080PHN1, CP080PHN2, CP080PHQ1, CP080PMN1, CP080PMN2, CP080PMQ1, CPC80H, CPC80M, IP080PHN1, IP080PHN2, IP080PHQ1, IP080PMN1, IP080PMN2, IP080PMQ1, IPH80H, IPH80M, IPH370, JP080PHN1, JP080PHN2, JP080PHQ1 and JP100PMQ1 15 inches required; Models CP100PHN1, CP100PHN2, CP100PHQ1, CP100PMN1, CP100PMN2, CP100PMQ1, CPC100H, CPC100M, IP100PHN1, IP100PHN2, IP100PHQ1, IP100PMN1, IP100PMN2, IP100PMQ1, IPH100H, IPH100M, IPH460, JP100PHN1, JP100PHN2 and JP100PHQ1 16 inches required
	F200222	Hose Clamp	4 required; Water valve to vacuum breaker
	F200201	Hose Clamp	4 required; Fill inlet hose
	C002611P	Inlet Valve Harness	
<b>1</b>	C000425	Cold Plumbing Assembly	
<b>2</b>	C001366	Flange and Nipple Assembly	
<b>3</b>	F420107	Nipple	
<b>4</b>	F420502	Street Elbow	
<b>5</b>	F381700P	Valve	
<b>6</b>	F421951	Hose Barb	
<b>7</b>	C000436P	Water Valve	3-way
	G582P3	Diaphragm and Guide Kit	
<b>8</b>	C000424	Adapter	
<b>9</b>	F420403	Tee	

# 1 Cup Cold Plumbing Assembly



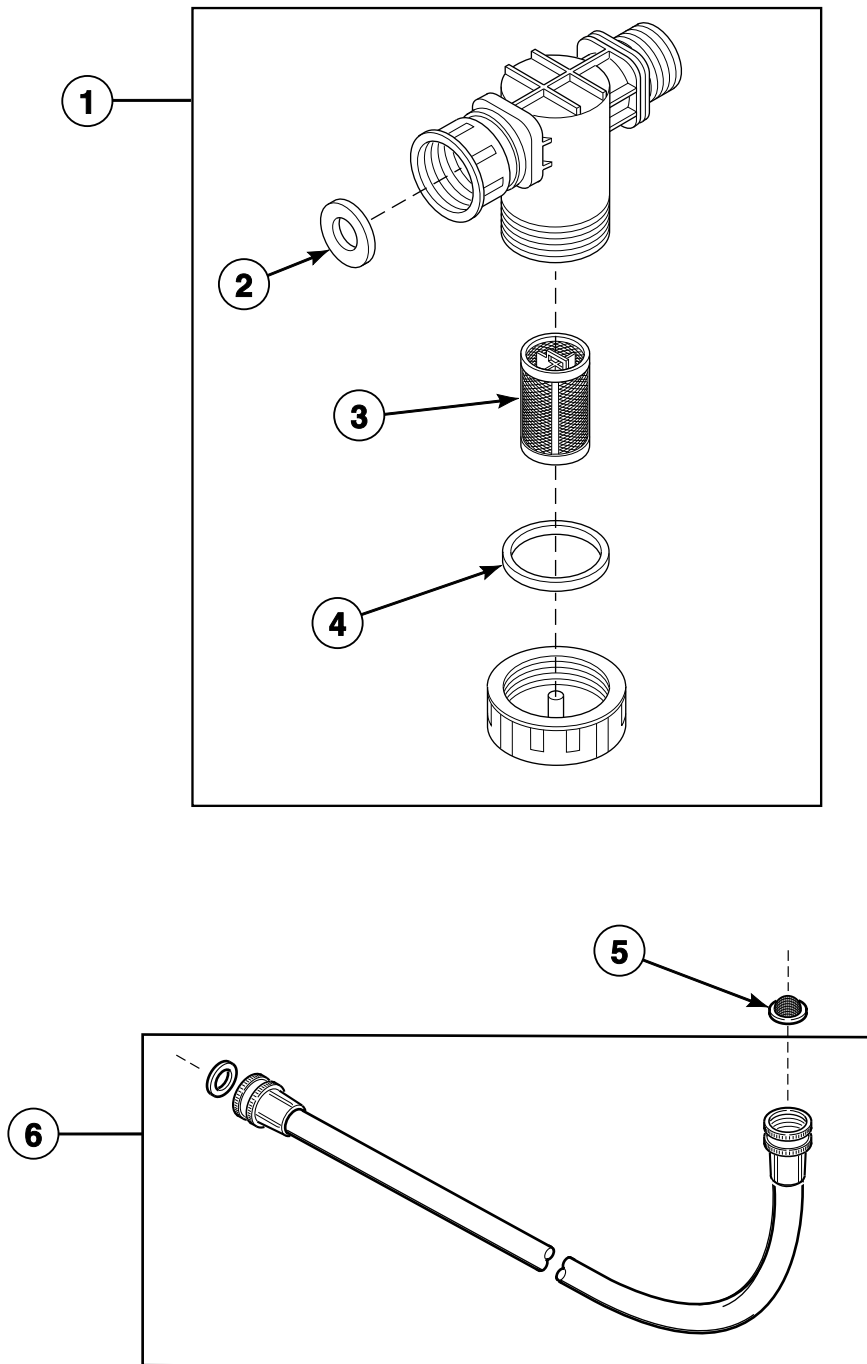
PHM2739P\_C002634



# 1 Cup Cold Plumbing Assembly

REF	PART NO.	DESCRIPTION	COMMENTS
	C000567	Screw	2 required; Cold manifold to valve panel
	F431024	Nut	2 required; Cold manifold to valve panel
	F200128P	Water Hose	Water valve to vacuum breaker; 14 inches required; Models CP080PHN1, CP080PHN2, CP080PHQ1, CP080PMN1, CP080PMN2, CP080PMQ1, CPC80H, CPC80M, IP080PHN1, IP080PHN2, IP080PHQ1, IP080PMN1, IP080PMN2, IP080PMQ1, IPH80H, IPH80M, IPH370, JP080PHN1, JP080PHN2 and JP080PHQ1
	C000552	Hose	Water valve to vacuum breaker; 14 inches required; Models CP100PHN1, CP100PHN2, CP100PHQ1, CP100PMN1, CP100PMN2, CP100PMQ1, CPC100H, CPC100M, IP100PHN1, IP100PHN2, IP100PHQ1, IP100PMN1, IP100PMN2, IP100PMQ1, IPH100H, IPH100M, IPH460, JP100PHN1, JP100PHN2, JP100PHQ1 and JP100PMQ1
	F200222	Hose Clamp	4 required; Water valve to vacuum breaker
	F200201	Hose Clamp	4 required; Fill inlet hose
	C002608P	Inlet Valve Harness	
<b>1</b>	C001106	Cold Plumbing Assembly	
<b>2</b>	C001366	Flange and Nipple Assembly	
<b>3</b>	F381700P	Valve	
<b>4</b>	F421951	Hose Barb	
<b>5</b>	F420502	Street Elbow	

# Supply Hose and Filter (Optional)



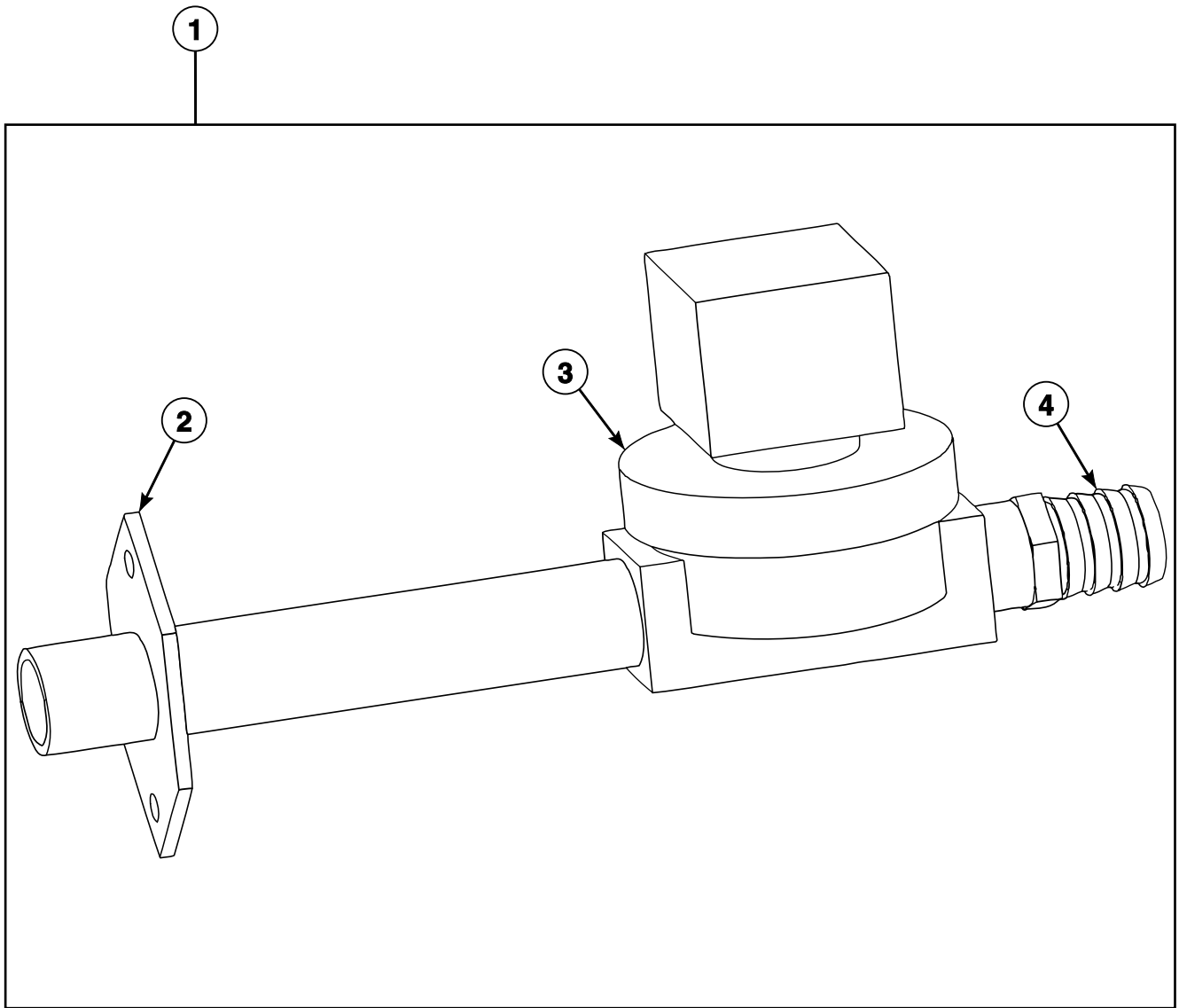
B091P\_C002634

## Supply Hose and Filter (Optional)

REF	PART NO.	DESCRIPTION	COMMENTS
1	F270306P	Filter	Standard thread
	F270305	Filter	Metric Thread
2	20290	Washer	
3	F270406	Replacement Filter	.11 mm
	F270405	Replacement Filter	.25 mm
4	F270407	Filter Housing Cap Gasket	
5	803615	Washer	Filter
6	F200116	Water Hose	3/8 inch; Standard thread
	F200164	Water Hose	3/4 inch; Standard thread
	F200165	Water Hose	3/8 inch; Metric thread
	F200166	Water Hose	3/4 inch; Metric thread

# Auxiliary Plumbing Assembly

Models Starting 3/23/04

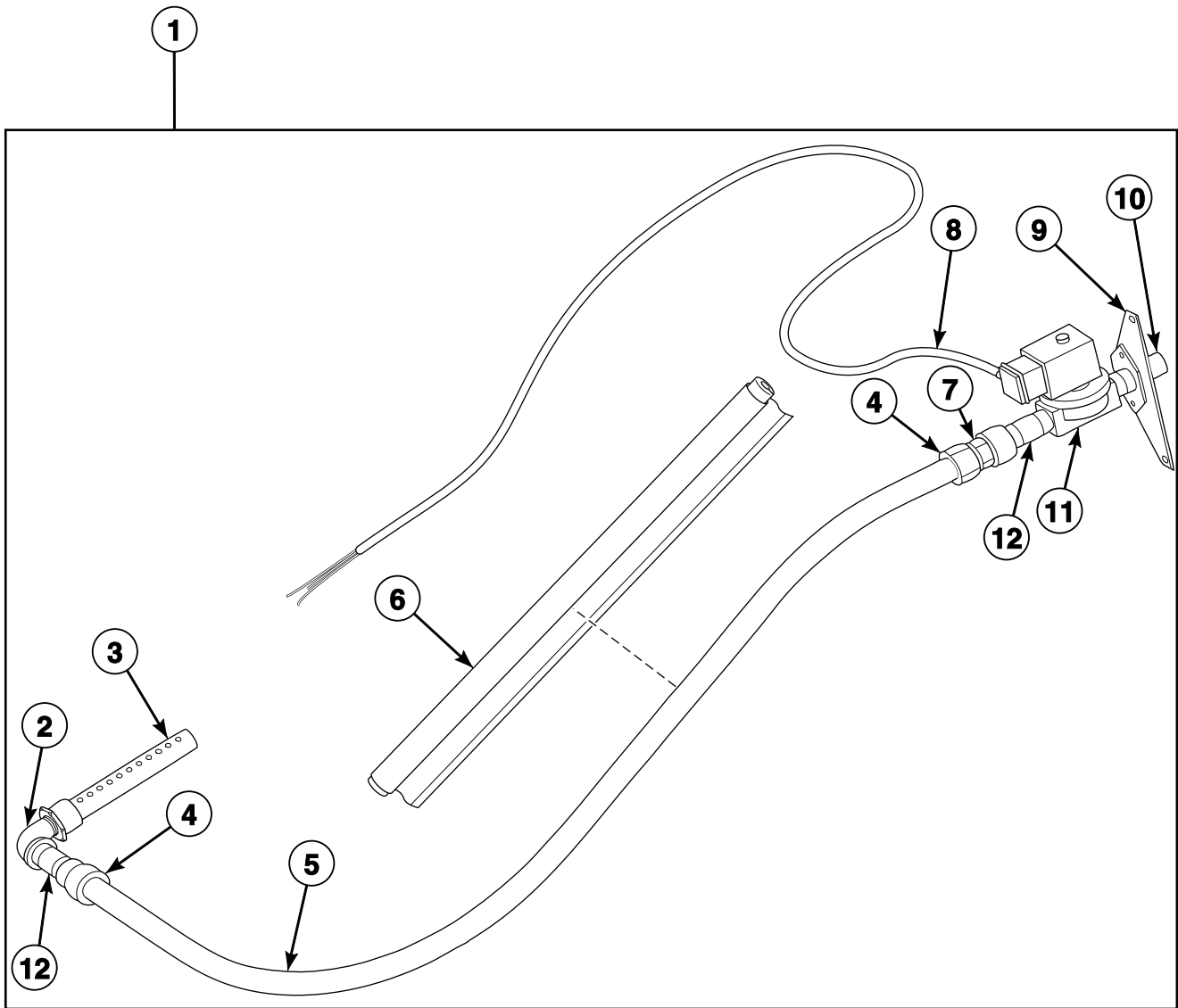


PHM2740P\_C002634

# Auxiliary Plumbing Assembly

REF	PART NO.	DESCRIPTION	COMMENTS
1	C001187	Auxiliary Plumbing Assembly	
2	C001366	Flange and Nipple Assembly	
3	F381700P	Valve	
4	F421951	Hose Barb	

# Steam Heat Assembly

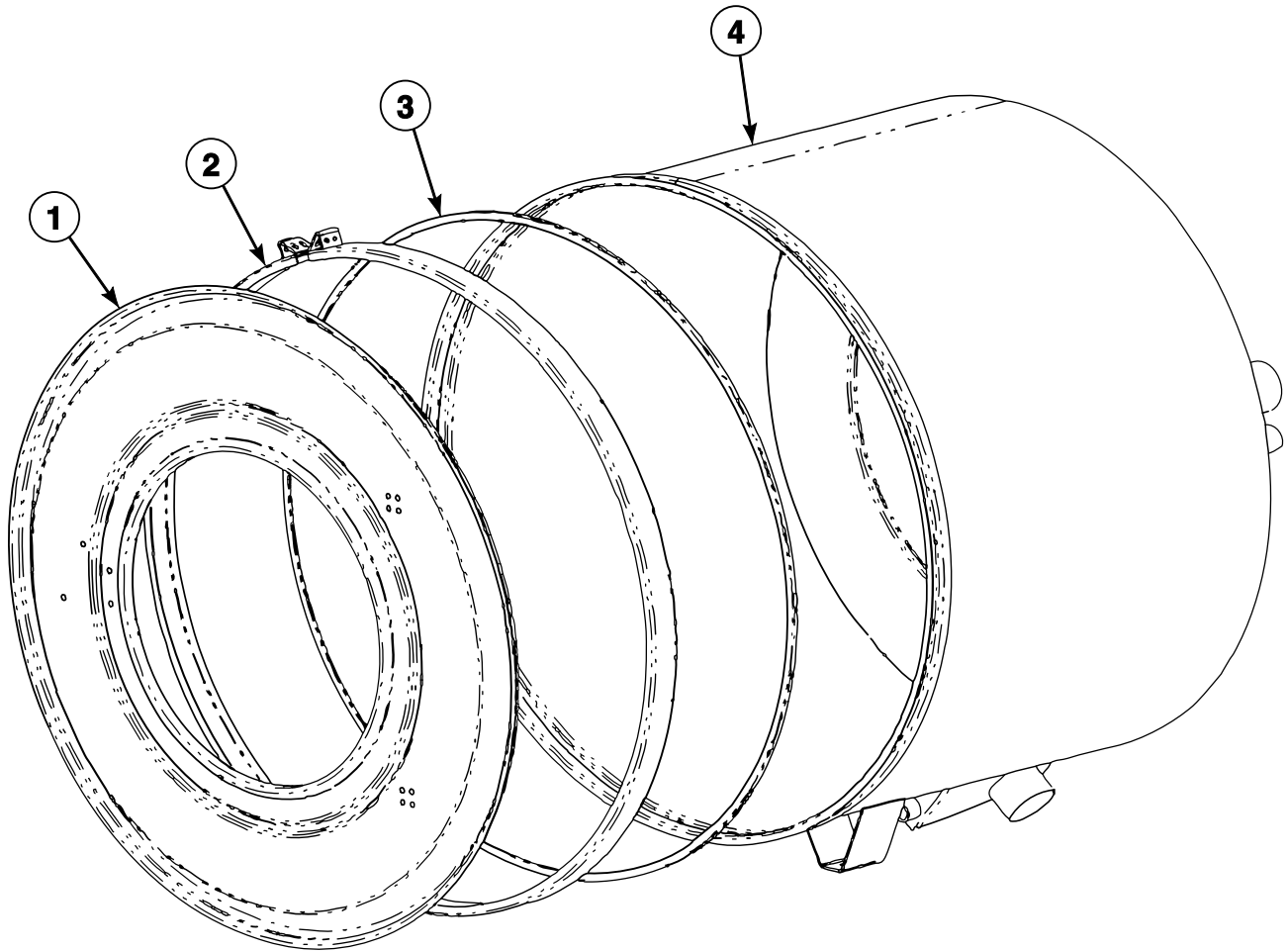


PHM2904P\_C002634

# Steam Heat Assembly

REF	PART NO.	DESCRIPTION	COMMENTS
1	C001001	Steam Option Assembly	
2	F421707	Street Elbow	
3	F603132	Steam Injector Tube Assembly	
4	C000978	Reducing Coupling	
5	C000982	Steam Hose	
6	C001003	Steam Hose Insulation	
7	C001587	Steam Hose Adapter	
8	C002748P	Steam Cord Assembly	
9	C000981	Steam Valve Mounting Bracket	
10	C002898	Steam Inlet Weldment	
11	F8322904	Steam Valve	
12	F421323	Nipple	

# Shell Assembly



PHM2742P\_C002634

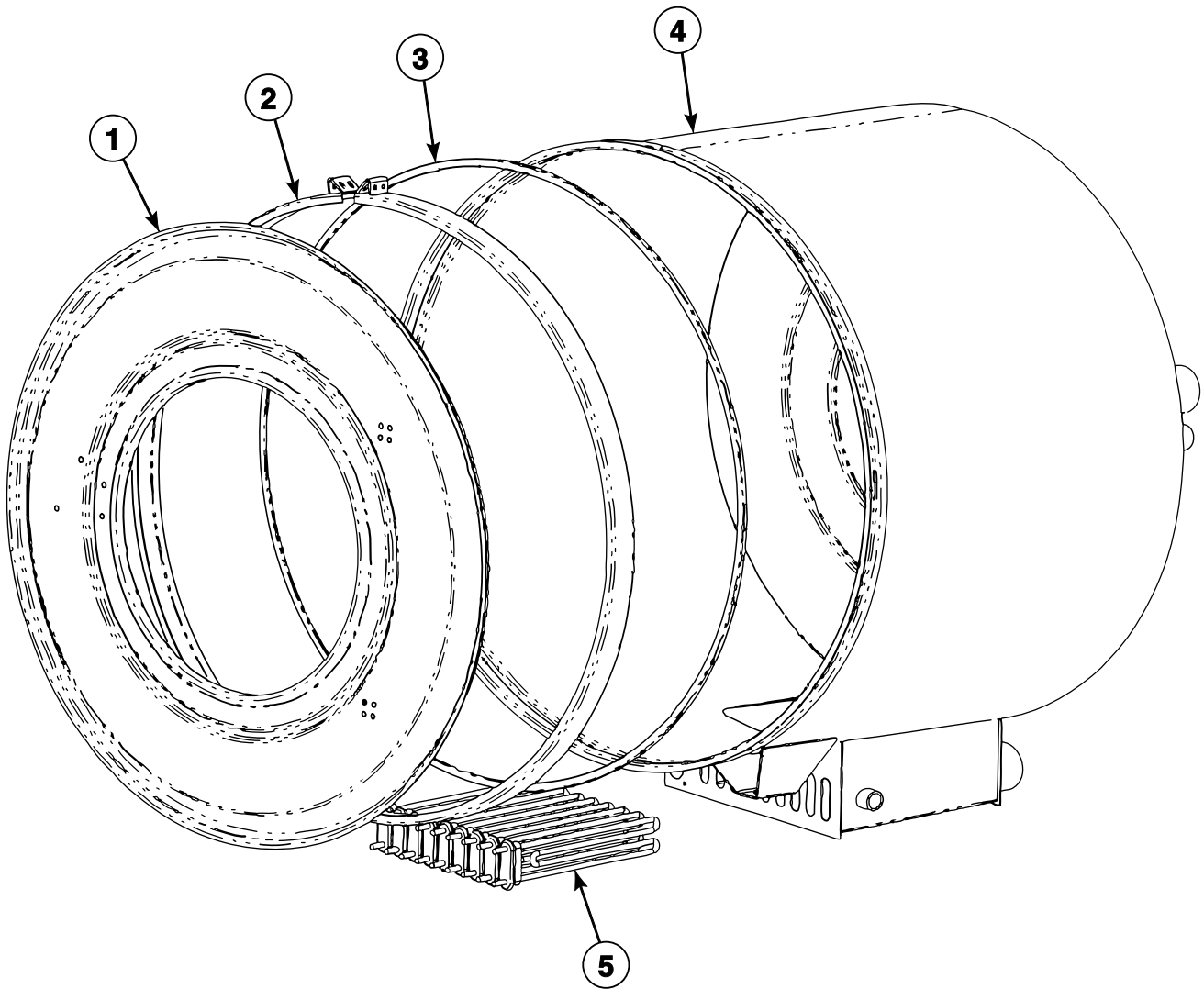


# Shell Assembly

REF	PART NO.	DESCRIPTION	COMMENTS
	C001856	Screw	2 required; To hold shell band together
	F431024	Nut	2 required; To hold shell band together
	C000590	Washer	4 required for models through 3/23/04; As required for models starting 3/23/04; To hold shell band together
	C000273	Bolt	4 required for shell support bracket to frame; 2 required for shell support bracket to shell
	C000611	Nut	4 required for shell support bracket to frame; 2 required for shell support bracket to shell
	C000583	Washer	8 required for shell support bracket to frame; 4 required for shell support bracket to shell
	C000561	Bolt	8 required; Models through 3/23/04; Shell back to frame
	C001032	Screw	8 required; Models starting 3/23/04; Shell back to frame
<b>1</b>	C002977	Shell Front	
<b>2</b>	N/A	Shell Band	Models through 3/23/04
	C000660	Shell Band Weldment	Models starting 3/23/04
<b>3</b>	N/A	Shell Front Gasket	Models through 3/23/04
	C001764P	Shell Front Gasket	Models starting 3/23/04
<b>4</b>	C000105	Shell Assembly	Models CP080PHN1, CP080PHN2, CP080PHQ1, CP080PMN1, CP080PMN2, CP080PMQ1, CPC80H, CPC80M, IP080PHN1, IP080PHN2, IP080PHQ1, IP080PMN1, IP080PMN2, IP080PMQ1, IPH80H, IPH80M, IPH370, JP080PHN1, JP080PHN2 and JP080PHQ1
	C000103	Shell Assembly	All other models

**N/A = Part no longer available**

# Shell Assembly - Electric Heat Models



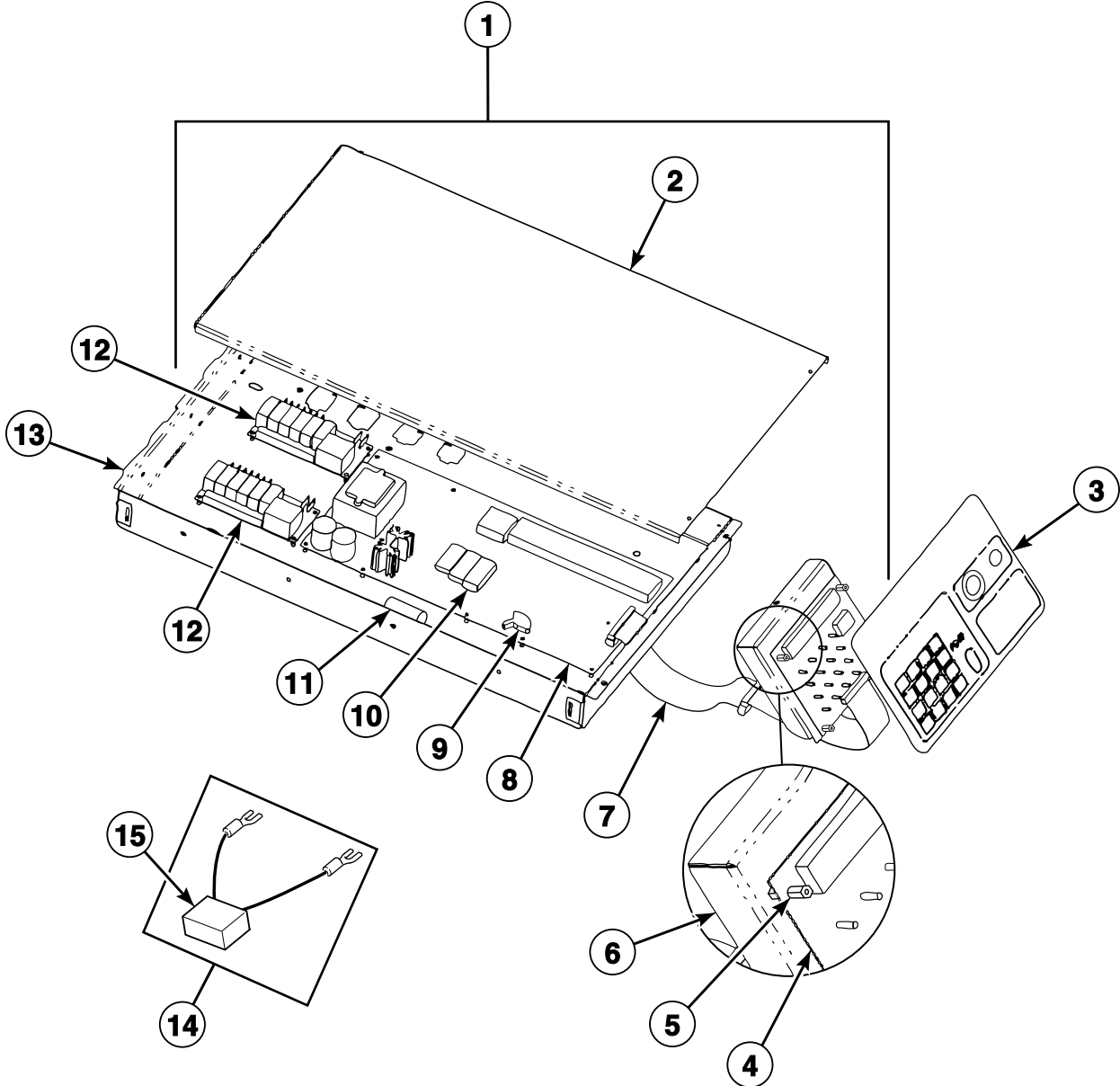
PHM2743P\_C002634

## Shell Assembly - Electric Heat Models

REF	PART NO.	DESCRIPTION	COMMENTS
	C001856	Screw	2 required; To hold shell band together
	F431024	Nut	2 required; To hold shell band together
	C000590	Washer	4 required for models through 3/23/04; As required for models starting 3/23/04; To hold shell band together
	C000273	Bolt	4 required for shell support bracket to frame; 2 required for shell support bracket to shell
	C000611	Nut	4 required for shell support bracket to frame; 2 required for shell support bracket to shell
	C000583	Washer	8 required for shell support bracket to frame; 4 required for shell support bracket to shell
	C000561	Bolt	8 required; Models through 3/23/04; Shell back to frame
	C001032	Screw	8 required; Models starting 3/23/04; Shell back to frame
	C002758	Electric Heat Harness	200-240 Volt
	C002755	Electric Heat Harness	440-480 Volt
	C002724	Electric Heat Harness	Option 1
	C002830	Electric Heat Harness	Option 2
	C002831P	Electric Heat Harness	Option 3
<b>1</b>	C002977	Shell Front	
<b>2</b>	N/A	Shell Band	Models through 3/23/04
	C000660	Shell Band Weldment	Models starting 3/23/04
<b>3</b>	N/A	Shell Front Gasket	Models through 3/23/04
	C001764P	Shell Front Gasket	Models starting 3/23/04
<b>4</b>	C000951	Shell Assembly	Models CP080PHN1, CP080PHN2, CP080PHQ1, CP080PMN1, CP080PMN2, CP080PMQ1, CPC80H, CPC80M, IP080PHN1, IP080PHN2, IP080PHQ1, IP080PMN1, IP080PMN2, IP080PMQ1, IPH80H, IPH80M, IPH370, JP080PHN1, JP080PHN2 and JP080PHQ1
	C000952	Shell Assembly	All other models
<b>5</b>	C000989	Heating Element	3000 Watt; 220 Volt

N/A = Part no longer available

# Control Box



PHM3102P\_C002634

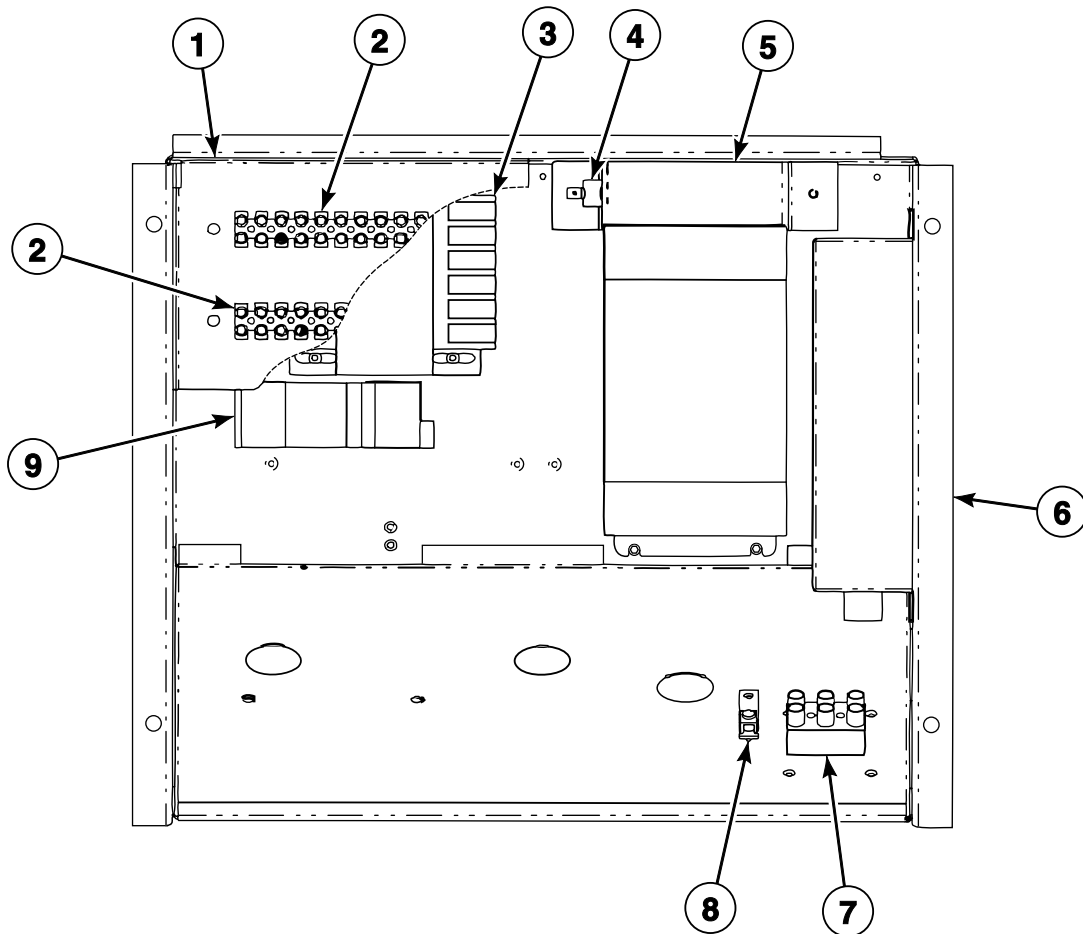
# Control Box

REF	PART NO.	DESCRIPTION	COMMENTS
	C000567	Screw	4 required for electrical enclosure to mounting bracket; 1 required for keypad mounting plate to control panel
	N/A	Nut	4 required; Electrical enclosure to mounting bracket
	C000571	Washer	4 required; Electrical enclosure to mounting bracket
	F430909	Screw	2 required for electrical enclosure cover to electrical enclosure; 1 required for ground connection to electrical enclosure for models through 3/23/04; 2 required for ground connection to electrical enclosure for models starting 3/23/04
	F431133	Washer	4 required; Keypad to keypad mounting plate; Models starting 3/23/04
	F430910	Screw	4 required; Keypad to keypad mounting plate
	F431024	Nut	1 required; Keypad mounting plate to control panel
	210/00902/00P	Infrared Cable	
	C000865	Control Module Harness	
<b>1</b>	C000432	Front Electrical Enclosure Assembly	Includes items 2, 4-6 and 11
<b>2</b>	C000348	Front Electrical Enclosure Cover	
<b>3</b>	C001389	Control Panel Decal	Models CP080PHN1, CP080PHN2, CP080PHQ1, CP080PMN1, CP080PMN2, CP080PMQ1, CP100PHN1, CP100PHN2, CP100PHQ1, CP100PMN1, CP100PMN2, CP100PMQ1, CPC80H, CPC80M, CPC100H and CPC100M
	C001069	Control Panel Decal	Models JP080PHN1, JP080PHN2, JP080PHQ1, JP100PHN1, JP100PHN2, JP100PHQ1 and JP100PMQ1
	C001276	Control Panel Decal	All other models
<b>4</b>	C000282P	Keypad Controller	
<b>5</b>	C000376	Standoff	
<b>6</b>	C000375	Mounting Bracket	
<b>7</b>	C000282P	Keypad Controller	
<b>8</b>	C000281P	Main Board Controller Kit	
<b>9</b>	C002104P	Water Level Transducer	
<b>10</b>	209/00505/04P	Battery	
<b>11</b>	C002642P	Tilt Switch Assembly	
<b>12</b>	C000371P	Chemical Supply Controller	Optional
<b>13</b>	C000213	Front Electrical Enclosure	
<b>14</b>	C002999	RC Network Assembly	
<b>15</b>	F330217P	RC Network Filter	

**N/A = Part no longer available**

## Drive Box Assembly (Drawing 1 of 2)

Models CP080PHN1, CP080PHN2, CP080PHQ1, CP100PHN1, CP100PHN2, CP100PHQ1, CPC80H, CPC100H, IP080PHN1, IP080PHN2, IP080PHQ1, IP100PHN1, IP100PHN2, IP100PHQ1, IPH80H, IPH100H, JP080PHN1, JP080PHN2, JP080PHQ1, JP100PHN1, JP100PHN2 and JP100PHQ1



PHM2745P\_C002634

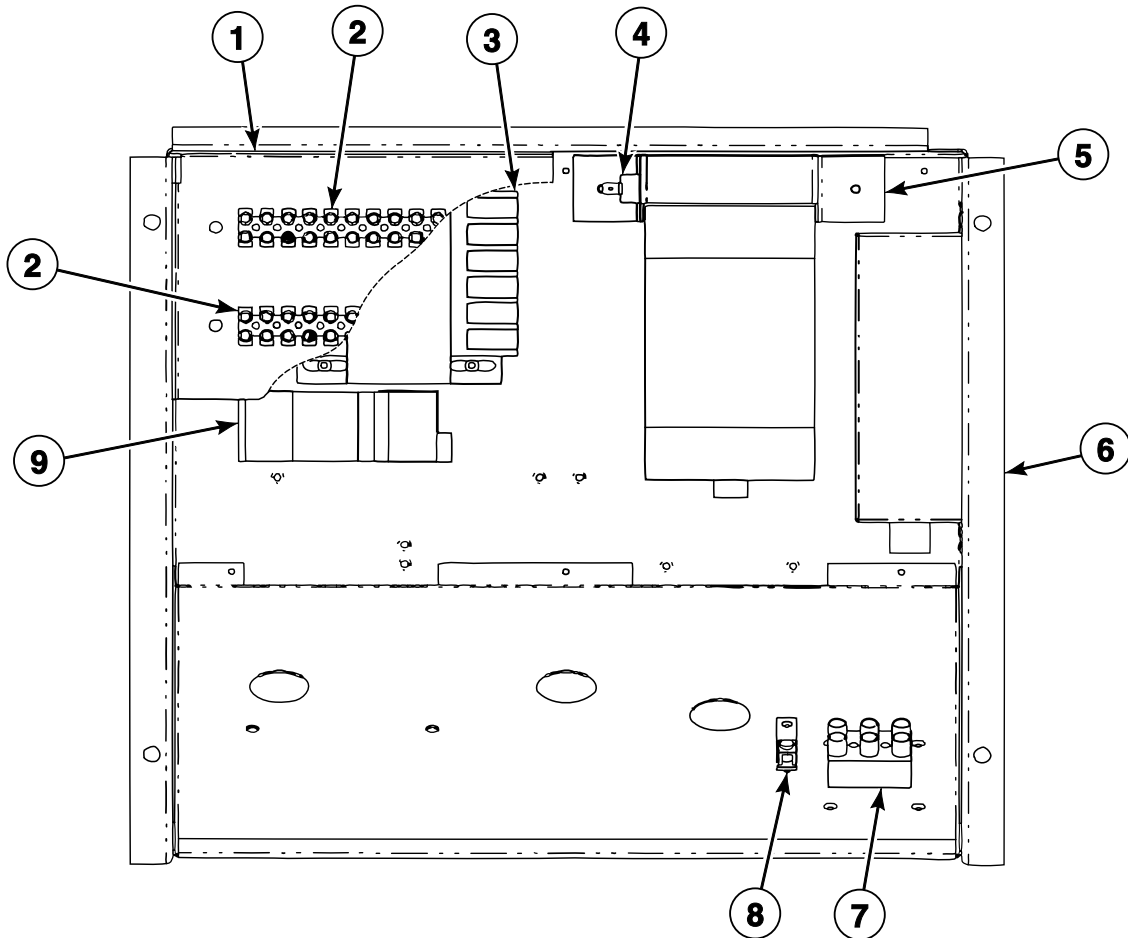
## Drive Box Assembly (Drawing 1 of 2)

REF	PART NO.	DESCRIPTION	COMMENTS
	C000567	Screw	4 required; Drive box to valve panel
	N/A	Nut	4 required; Drive box to valve panel
	C000571	Washer	4 required; Drive box to valve panel
	F430909	Screw	2 required for exhaust bracket to drive box; 4 required for chemical terminal mounting bracket to drive box for models through 3/23/04; 3 required for chemical terminal mounting bracket to drive box for models starting 3/23/04; 4 required for inverter to drive box; 4 required for EMI filter to drive box; 4 required for transformer to drive box; 2 required for ground lug to drive box
	F431133	Washer	4 required for inverter to drive box; 4 required for EMI filter to drive box for models through 3/23/04; 4 required for transformer to drive box for models through 3/23/04
	C000575	Screw	2 required; Input power block to drive box
	F430938	Screw	2 required; Chemical signal terminal block to bracket
	C000568	Nut	2 required; Chemical signal terminal block to bracket
	F140602	Tie Wrap Mounting Clamp	
	C002779	Chemical Supply Harness	
	C002780	Chemical Supply Harness	
	C002781	Chemical Supply Harness	
	C000866	Rear Enclosure Harness	
<b>1</b>	C000373	Mounting Bracket	
<b>2</b>	C000370	Power Block Terminal	
<b>3</b>	C000203	Transformer	
<b>4</b>	C000318	Thermostat	
<b>5</b>	C000324	Exhaust Bracket	
<b>6</b>	C001050	Drive Box Assembly	
<b>7</b>	C000290	Power Block Terminal	
<b>8</b>	C001803	Ground Terminal Lug	
<b>9</b>	N/A	Circuit Breaker	Design 1 models; 1 Amp; 380-480 Volt; Order C0977P3 Circuit Breaker Kit
	N/A	Circuit Breaker	Design 1 models; 2 Amp; 200-240 Volt; Order C0978P3 Circuit Breaker Kit
	C0977P3	Circuit Breaker Kit	380-480 Volt; Includes F350217 Circuit Breaker
	C0978P3	Circuit Breaker Kit	200-240 Volt; Includes C003135 Circuit Breaker
	F350217	Circuit Breaker	Design 2 models or models that have been retrofitted with C0977P3 Circuit Breaker Kit; .5 Amp; 380-480 Volt
	C003135P	Circuit Breaker	Design 2 models or models that have been retrofitted with C0978P3 Circuit Breaker Kit; 1 Amp; 200-240 Volt

**N/A = Part no longer available**

# Drive Box Assembly (Drawing 2 of 2)

Models CP080PMN1, CP080PMN2, CP080PMQ1, CP100PMN1, CP100PMN2, CP100PMQ1, CPC80M, CPC100M, IP080PMN1, IP080PMN2, IP080PMQ1, IP100PMN1, IP100PMN2, IP100PMQ1, IPH80M, IPH100M, IPH370, IPH460 and JP100PMQ1



PHM2747P\_C002634



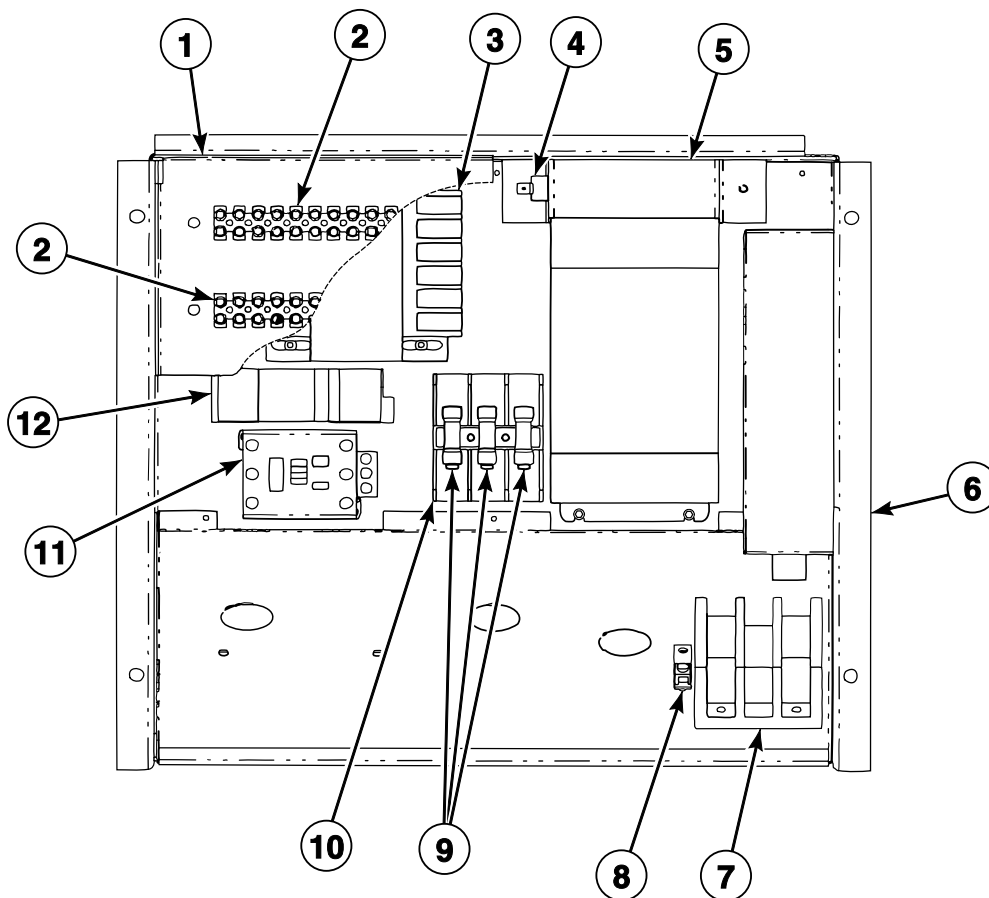
## Drive Box Assembly (Drawing 2 of 2)

REF	PART NO.	DESCRIPTION	COMMENTS
	C000567	Screw	4 required; Drive box to valve panel
	N/A	Nut	4 required; Drive box to valve panel
	C000571	Washer	4 required; Drive box to valve panel
	F430909	Screw	2 required for exhaust bracket to drive box; 4 required for chemical terminal mounting bracket to drive box for models through 3/23/04; 3 required for chemical terminal mounting bracket to drive box for models starting 3/23/04; 4 required for inverter to drive box; 4 required for EMI filter to drive box; 4 required for transformer to drive box; 2 required for ground lug to drive box
	F431133	Washer	4 required for inverter to drive box; 4 required for EMI filter to drive box for models through 3/23/04; 4 required for transformer to drive box for models through 3/23/04
	C000575	Screw	2 required; Input power block to drive box
	F430938	Screw	2 required; Chemical signal terminal block to bracket
	C000568	Nut	2 required; Chemical signal terminal block to bracket
	F140602	Tie Wrap Mounting Clamp	
	C000866	Rear Enclosure Harness	
<b>1</b>	C000373	Mounting Bracket	
<b>2</b>	C000370	Power Block Terminal	
<b>3</b>	C000203	Transformer	
<b>4</b>	C000318	Thermostat	
<b>5</b>	C000323	Exhaust Bracket	
<b>6</b>	C001050	Drive Box Assembly	
<b>7</b>	C000290	Power Block Terminal	
<b>8</b>	C001803	Ground Terminal Lug	
<b>9</b>	N/A	Circuit Breaker	Design 1 models; 1 Amp; 380-480 Volt; Order C0977P3 Circuit Breaker Kit
	N/A	Circuit Breaker	Design 1 models; 2 Amp; 200-240 Volt; Order C0978P3 Circuit Breaker Kit
	C0977P3	Circuit Breaker Kit	380-480 Volt; Includes F350217 Circuit Breaker
	C0978P3	Circuit Breaker Kit	200-240 Volt; Includes C003135 Circuit Breaker
	F350217	Circuit Breaker	Design 2 models or models that have been retrofitted with C0977P3 Circuit Breaker Kit; .5 Amp; 380-480 Volt
	C003135P	Circuit Breaker	Design 2 models or models that have been retrofitted with C0978P3 Circuit Breaker Kit; 1 Amp; 200-240 Volt

**N/A = Part no longer available**

# Drive Box Assembly - Electric Heat (Drawing 1 of 2)

Models CP080PHN1, CP080PHN2, CP080PHQ1, CP100PHN1, CP100PHN2, CP100PHQ1, CPC80H, CPC100H, IP080PHN1, IP080PHN2, IP080PHQ1, IP100PHN1, IP100PHN2, IP100PHQ1, IPH80H, IPH100H, JP080PHN1, JP080PHN2, JP080PHQ1, JP100PHN1, JP100PHN2 and JP100PHQ1



PHM2746P\_C002634

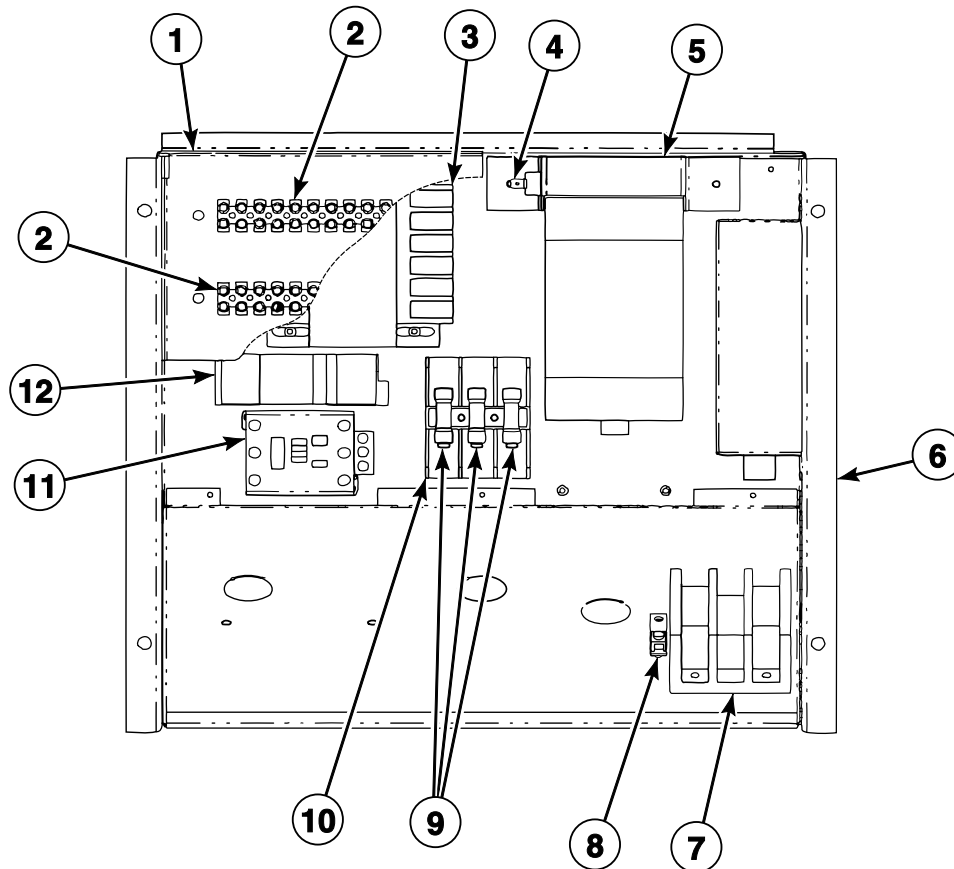
## Drive Box Assembly - Electric Heat (Drawing 1 of 2)

REF	PART NO.	DESCRIPTION	COMMENTS
	C000567	Screw	4 required; Drive box to valve panel
	N/A	Nut	4 required; Drive box to valve panel
	C000571	Washer	4 required; Drive box to valve panel
	F430909	Screw	2 required for exhaust bracket to drive box; 4 required for chemical terminal mounting bracket to drive box for models through 3/23/04; 3 required for chemical terminal mounting bracket to drive box for models starting 3/23/04; 4 required for inverter to drive box; 4 required for EMI filter to drive box; 4 required for transformer to drive box; 2 required for ground lug to drive box
	F431133	Washer	4 required for inverter to drive box; 4 required for EMI filter to drive box for models through 3/23/04; 4 required for transformer to drive box for models through 3/23/04
	C000575	Screw	2 required; Input power block to drive box
	F430938	Screw	2 required; Chemical signal terminal block to bracket
	C000568	Nut	2 required; Chemical signal terminal block to bracket
	C000866	Rear Enclosure Harness	
<b>1</b>	C000373	Mounting Bracket	
<b>2</b>	C000370	Power Block Terminal	
<b>3</b>	C000203	Transformer	
<b>4</b>	C000318	Thermostat	
<b>5</b>	C000324	Exhaust Bracket	
<b>6</b>	C001050	Drive Box Assembly	
<b>7</b>	M413865	Terminal Block	
<b>8</b>	C001803	Ground Terminal Lug	
<b>9</b>	C001194	Fuse	15 Amp
	C001195	Fuse	20 Amp
<b>10</b>	C001197	Fuse Holder	
<b>11</b>	C000308P	Contactor	50 Amp
	C000309P	Contactor	85 Amp
<b>12</b>	N/A	Circuit Breaker	Design 1 models; 1 Amp; 380-480 Volt; Order C0977P3 Circuit Breaker Kit
	N/A	Circuit Breaker	Design 1 models; 2 Amp; 200-240 Volt; Order C0978P3 Circuit Breaker Kit
	C0977P3	Circuit Breaker Kit	380-480 Volt; Includes F350217 Circuit Breaker
	C0978P3	Circuit Breaker Kit	200-240 Volt; Includes C003135 Circuit Breaker
	F350217	Circuit Breaker	Design 2 models or models that have been retrofitted with C0977P3 Circuit Breaker Kit; .5 Amp; 380-480 Volt
	C003135P	Circuit Breaker	Design 2 models or models that have been retrofitted with C0978P3 Circuit Breaker Kit; 1 Amp; 200-240 Volt

**N/A = Part no longer available**

# Drive Box Assembly - Electric Heat (Drawing 2 of 2)

Models CP080PMN1, CP080PMN2, CP080PMQ1, CP100PMN1, CP100PMN2, CP100PMQ1, CPC80M, CPC100M, IP080PMN1, IP080PMN2, IP080PMQ1, IP100PMN1, IP100PMN2, IP100PMQ1, IPH80M, IPH100M, IPH370, IPH460 and JP100PMQ1



PHM2748P\_C002634

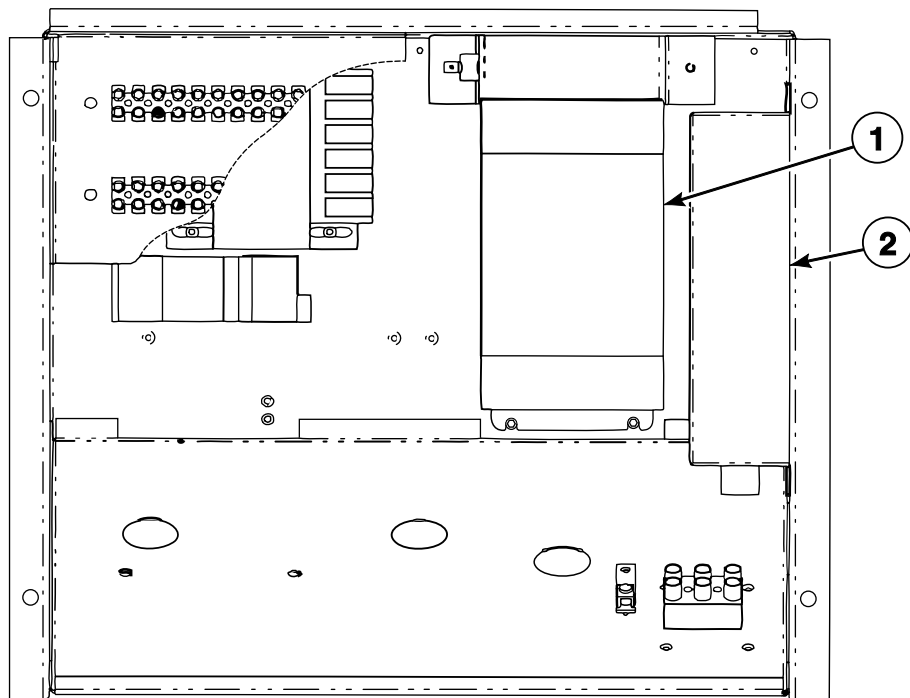
## Drive Box Assembly - Electric Heat (Drawing 2 of 2)

REF	PART NO.	DESCRIPTION	COMMENTS
	C000567	Screw	4 required; Drive box to valve panel
	N/A	Nut	4 required; Drive box to valve panel
	C000571	Washer	4 required; Drive box to valve panel
	F430909	Screw	2 required for exhaust bracket to drive box; 4 required for chemical terminal mounting bracket to drive box for models through 3/23/04; 3 required for chemical terminal mounting bracket to drive box for models starting 3/23/04; 4 required for inverter to drive box; 4 required for EMI filter to drive box; 4 required for transformer to drive box; 2 required for ground lug to drive box
	F431133	Washer	4 required for inverter to drive box; 4 required for EMI filter to drive box for models through 3/23/04; 4 required for transformer to drive box for models through 3/23/04
	C000575	Screw	2 required; Input power block to drive box
	F430938	Screw	2 required; Chemical signal terminal block to bracket
	C000568	Nut	2 required; Chemical signal terminal block to bracket
	C000866	Rear Enclosure Harness	
<b>1</b>	C000373	Mounting Bracket	
<b>2</b>	C000370	Power Block Terminal	
<b>3</b>	C000203	Transformer	
<b>4</b>	C000318	Thermostat	
<b>5</b>	C000323	Exhaust Bracket	
<b>6</b>	C001050	Drive Box Assembly	
<b>7</b>	M413865	Terminal Block	
<b>8</b>	N/A	Ground Terminal	
<b>9</b>	C001194	Fuse	15 Amp
	C001196	Fuse	10 Amp
<b>10</b>	C001197	Fuse Holder	
<b>11</b>	C000308P	Contactor	50 Amp
	C000309P	Contactor	85 Amp
<b>12</b>	N/A	Circuit Breaker	Design 1 models; 1 Amp; 380-480 Volt; Order C0977P3 Circuit Breaker Kit
	N/A	Circuit Breaker	Design 1 models; 2 Amp; 200-240 Volt; Order C0978P3 Circuit Breaker Kit
	C0977P3	Circuit Breaker Kit	380-480 Volt; Includes F350217 Circuit Breaker
	C0978P3	Circuit Breaker Kit	200-240 Volt; Includes C003135 Circuit Breaker
	F350217	Circuit Breaker	Design 2 models or models that have been retrofitted with C0977P3 Circuit Breaker Kit; .5 Amp; 380-480 Volt
	C003135P	Circuit Breaker	Design 2 models or models that have been retrofitted with C0978P3 Circuit Breaker Kit; 1 Amp; 200-240 Volt

**N/A = Part no longer available**

# AC Drive and EMI Filter (Drawing 1 of 2)

Models CP080PHN1, CP080PHQ1, CP100PHN1, CP100PHQ1, CPC80H, CPC100H, IP080PHN1, IP080PHQ1, IP100PHN1, IP100PHQ1, IPH80H, IPH100H, JP080PHN1, JP080PHQ1, JP100PHN1 and JP100PHQ1



PHM2745PA\_C002634

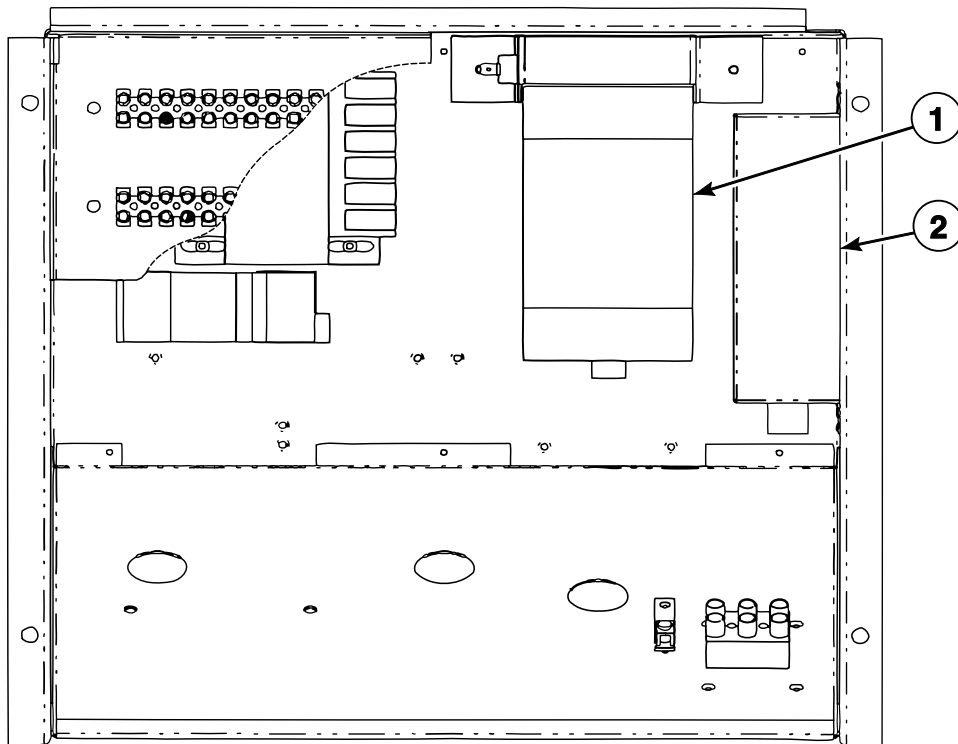
## AC Drive and EMI Filter (Drawing 1 of 2)

REF	PART NO.	DESCRIPTION	COMMENTS
1	C000001	Inverter	200-240 Volt
	N/A	Inverter	380-480 Volt; Order C003053 160-series to PowerFlex 40 Drive Kit for CP080, CPC80, IP080 and IPH80 models; Order C003061 160-series to PowerFlex 40 Drive Kit for CP100, CPC100, IP100 and IPH100 models
2	F330284	EMI Filter	200-240 Volt; CE models
	F330283	EMI Filter	380-480 Volt; CE models

**N/A = Part no longer available**

# AC Drive and EMI Filter (Drawing 2 of 2)

Models CP080PMN1, CP080PMQ1, CP100PMN1, CP100PMQ1, CPC80M, CPC100M, IP080PMN1, IP080PMQ1, IP100PMN1, IP100PMQ1, IPH80M, IPH100M, IPH370, IPH460 and JP100PMQ1



PHM2747PA\_C002634



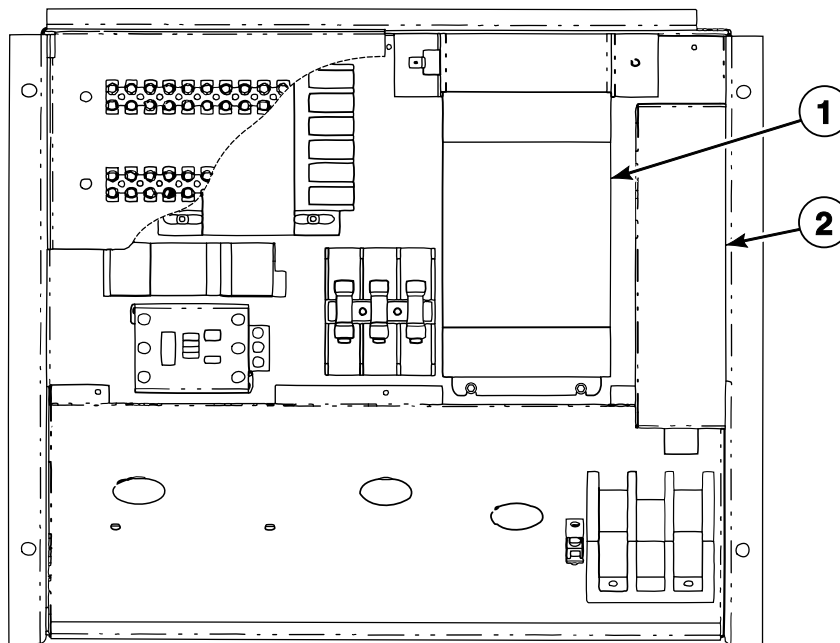
## AC Drive and EMI Filter (Drawing 2 of 2)

REF	PART NO.	DESCRIPTION	COMMENTS
1	N/A	Inverter	200-240 Volt; Order C003047 160-series to PowerFlex 40 Drive Kit for CP080, CPC80, IP080 and IPH80 models; Order C003055 160-series to PowerFlex 40 Drive Kit for CP100, CPC100, IP100 and IPH100 models
	N/A	Inverter	380-480 Volt; Order C003049 160-series to PowerFlex 40 Drive Kit for CP080, CPC80, IP080 and IPH80 models; Order C003057 160-series to PowerFlex 40 Drive Kit for CP100, CPC100, IP100 and IPH100 models
2	F330280P	EMI Filter	CE models

**N/A = Part no longer available**

# AC Drive and EMI Filter - Electric Heat (Drawing 1 of 2)

Models CP080PHN1, CP080PHQ1, CP100PHN1, CP100PHQ1, CPC80H, CPC100H,  
IP080PHN1, IP080PHQ1, IP100PHN1, IP100PHQ1, IPH80H, IPH100H, JP080PHN1,  
JP080PHQ1, JP100PHN1 and JP100PHQ1



PHM2746PA\_C002634

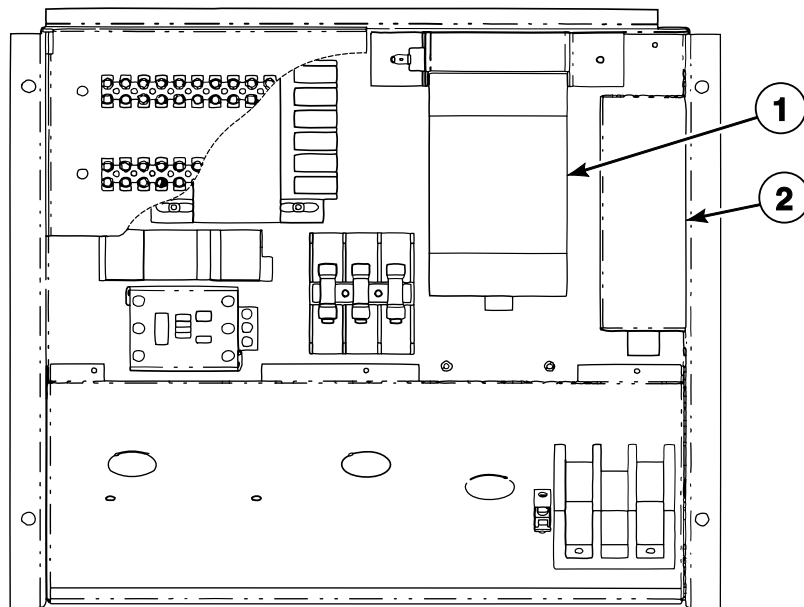
## AC Drive and EMI Filter - Electric Heat (Drawing 1 of 2)

REF	PART NO.	DESCRIPTION	COMMENTS
1	C000001	Inverter	200-240 Volt
	N/A	Inverter	380-480 Volt; Order C003053 160-series to PowerFlex 40 Drive Kit for CP080, CPC80, IP080 and IPH80 models; Order C003061 160-series to PowerFlex 40 Drive Kit for CP100, CPC100, IP100 and IPH100 models
2	F330284	EMI Filter	200-240 Volt; CE models
	F330283	EMI Filter	380-480 Volt; CE models

N/A = Part no longer available

# AC Drive and EMI Filter - Electric Heat (Drawing 2 of 2)

Models CP080PMN1, CP080PMQ1, CP100PMN1, CP100PMQ1, CPC80M, CPC100M, IP080PMN1, IP080PMQ1, IP100PMN1, IP100PMQ1, IPH80M, IPH100M, IPH370, IPH460 and JP100PMQ1



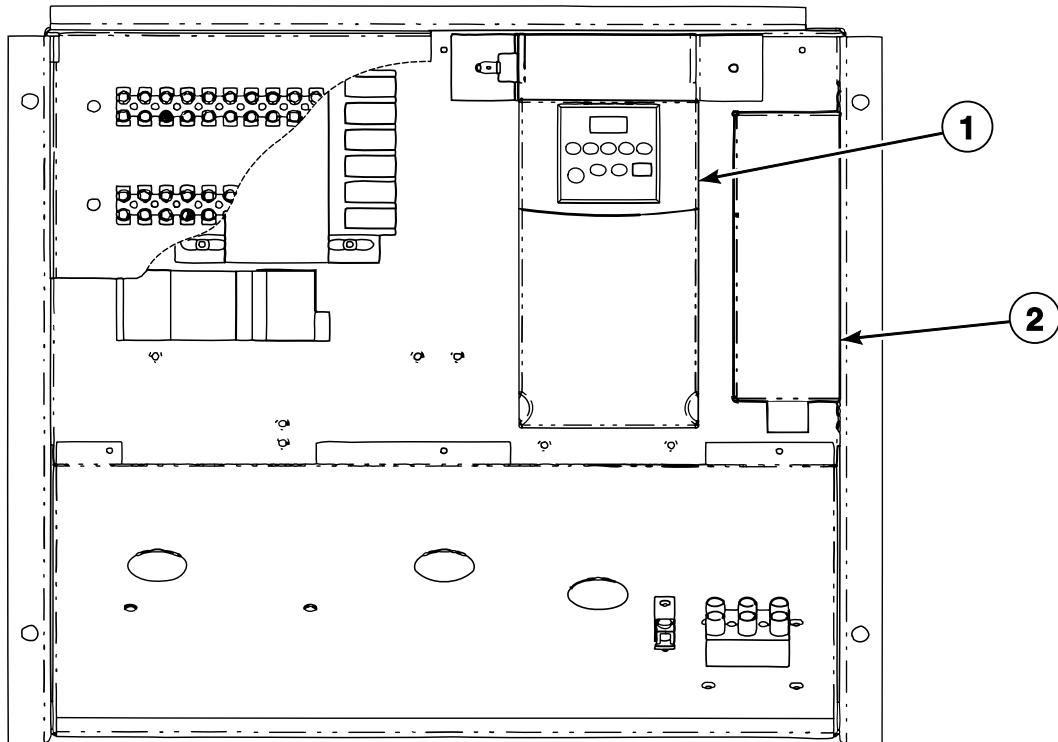
PHM2748PA\_C002634

## AC Drive and EMI Filter - Electric Heat (Drawing 2 of 2)

REF	PART NO.	DESCRIPTION	COMMENTS
1	N/A	Inverter	200-240 Volt; Order C003047 160-series to PowerFlex 40 Drive Kit for CP080, CPC80, IP080 and IPH80 models; Order C003055 160-series to PowerFlex 40 Drive Kit for CP100, CPC100, IP100 and IPH100 models
	N/A	Inverter	380-480 Volt; Order C003049 160-series to PowerFlex 40 Drive Kit for CP080, CPC80, IP080 and IPH80 models; Order C003057 160-series to PowerFlex 40 Drive Kit for CP100, CPC100, IP100 and IPH100 models
2	F330280P	EMI Filter	CE models

**N/A = Part no longer available**

# Power Flex Drive and EMI Filter - Design 1 Models

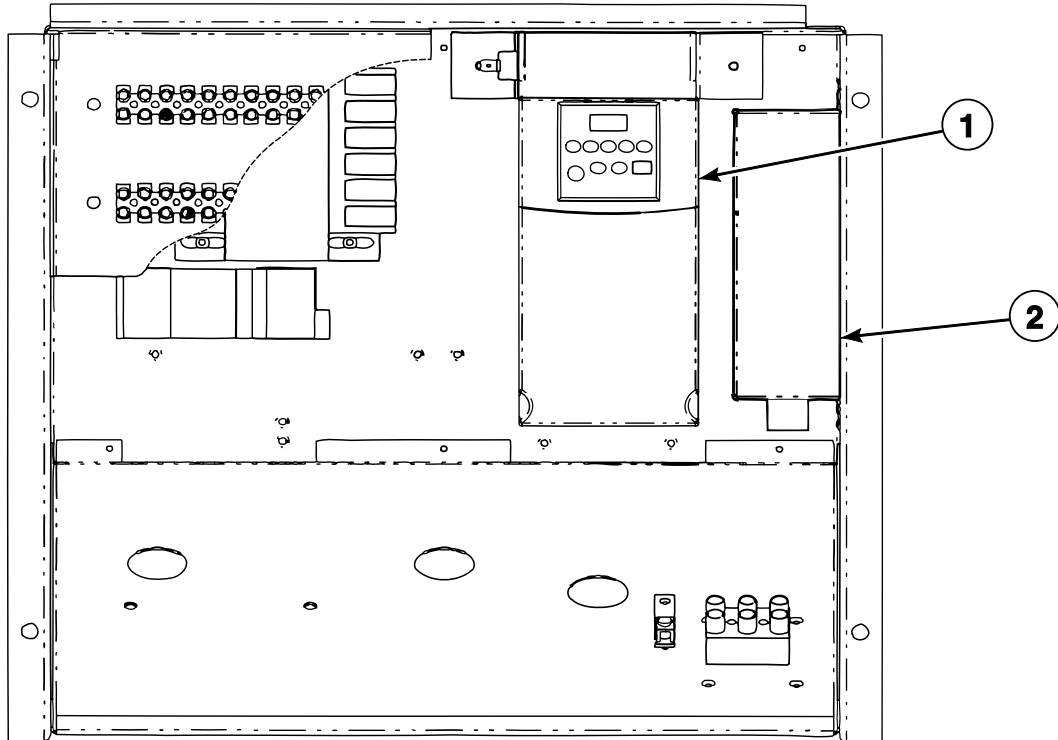


PHM3028P\_C002634

## Power Flex Drive and EMI Filter - Design 1 Models

REF	PART NO.	DESCRIPTION	COMMENTS
	C003028	Harness	
1	C003047	160-Series to PowerFlex 40 Drive Kit	200-240 Volt; CP080, CPC80, IP080 and IPH80 M-series models; Includes F8168604 AC Drive
	C003055	160-Series to PowerFlex 40 Drive Kit	200-240 Volt; CP100, CPC100, IP100 and IPH100 M-series models; Includes F8168604 AC Drive
	C003048	PowerFlex 40 Drive	200-240 Volt; CP080, CPC80, IP080 and IPH80 M-series models that have been retrofitted with C003047 160-series to PowerFlex 40 Drive Kit; Includes F8168604 AC Drive
	C003056	PowerFlex 40 Drive	200-240 Volt; CP100, CPC100, IP100 and IPH100 M-series models that have been retrofitted with C003055 160-series to PowerFlex 40 Drive Kit; Includes F8168604 AC Drive
	C003049	160-Series to PowerFlex 40 Drive Kit	380-480 Volt; CP080, CPC80, IP080 and IPH80 M-series models; Includes F8168604 AC Drive
	C003057	160-Series to PowerFlex 40 Drive Kit	380-480 Volt; CP100, CPC100, IP100 and IPH100 M-series models; Includes F8168604 AC Drive
	C003054	PowerFlex 40 Drive	380-480 Volt; CP080, CPC80, IP080 and IPH80 H-series models that have been retrofitted with C003053 160-series to PowerFlex 40 Drive Kit; Includes F8168604 AC Drive
	C003062	PowerFlex 40 Drive	380-480 Volt; CP100, CPC100, IP100 and IPH100 H-series models that have been retrofitted with C003061 160-series to PowerFlex 40 Drive Kit; Includes F8168604 AC Drive
	C003050	PowerFlex 40 Drive	380-480 Volt; CP080, CPC80, IP080 and IPH80 M-series models that have been retrofitted with C003049 160-series to PowerFlex 40 Drive Kit; Includes F8168604 AC Drive
	C003058	PowerFlex 40 Drive	380-480 Volt; CP100, CPC100, IP100 and IPH100 M-series models that have been retrofitted with C003057 160-series to PowerFlex40 Drive Kit; Includes F8168604 AC Drive
	C003053	160-Series to PowerFlex 40 Drive Kit	380-480 Volt; CP080, CPC80, IP080 and IPH80 H-series models; Includes F8168604 AC Drive
	C003061	160-Series to PowerFlex 40 Drive Kit	380-480 Volt; CP100, CPC100, IP100 and IPH100 H-series models; Includes F8168604 AC Drive
2	F8053902	EMI Filter	Models that have been converted to PowerFlex 40 Drive

# Power Flex Drive and EMI Filter - Design 2 Models



PHM3028P\_C002634

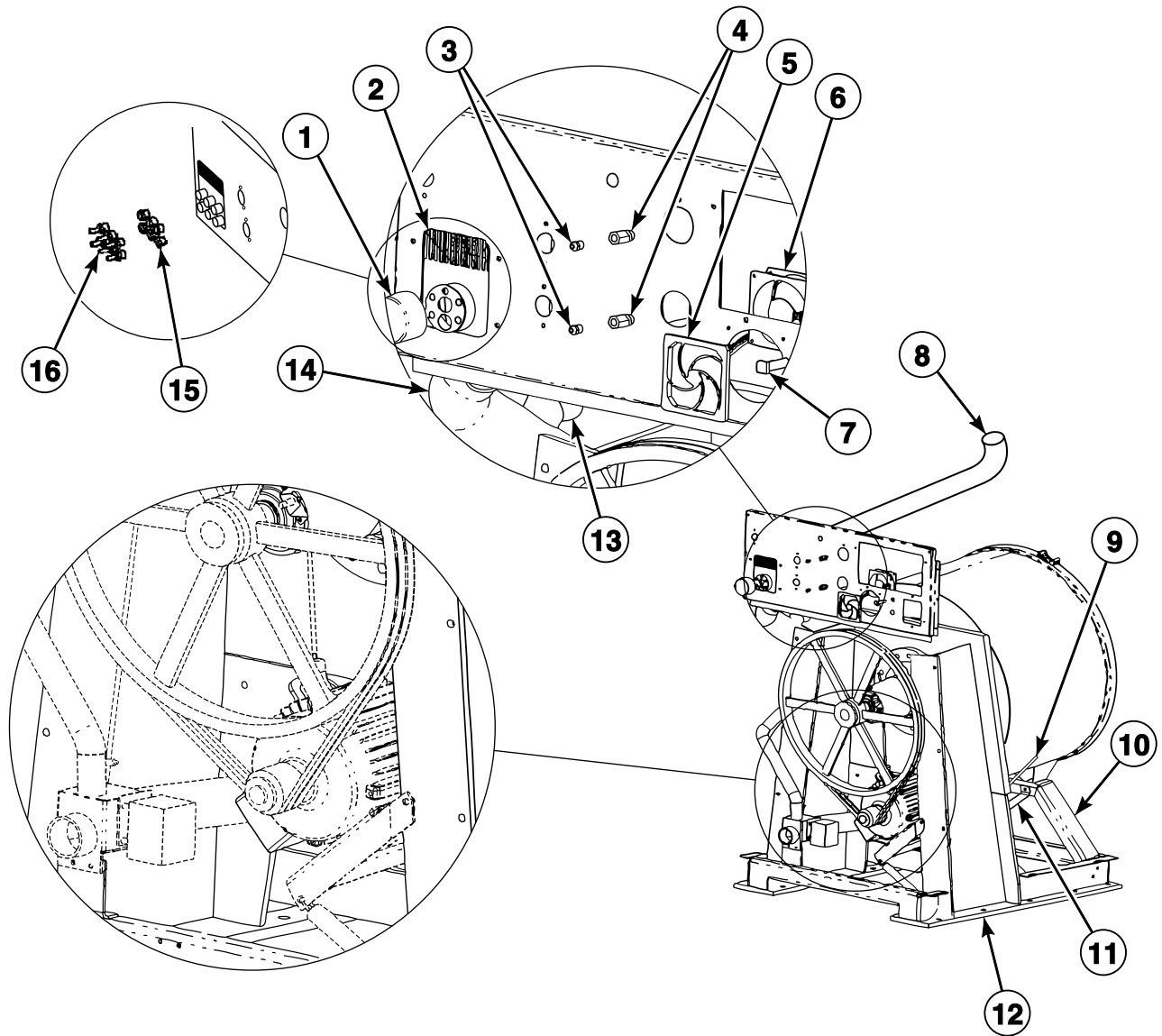


## Power Flex Drive and EMI Filter - Design 2 Models

REF	PART NO.	DESCRIPTION	COMMENTS
1	C003048	PowerFlex 40 Drive	200-240 Volt; Models CP080PMN2 and IP080PMN2; Includes F8168604 AC Drive
	C003056	PowerFlex 40 Drive	200-240 Volt; Models CP100PMN2 and IP100PMN2; Includes F8168604 AC Drive
	C003050	PowerFlex 40 Drive	380-480 Volt; Models CP080PMN2 and IP080PMN2; Includes F8168604 AC Drive
	C003054	PowerFlex 40 Drive	380-480 Volt; Models CP080PHN2 and IP080PHN2; Includes F8168604 AC Drive
	C003058	PowerFlex 40 Drive	380-480 Volt; Models CP100PMN2 and IP100PMN2; Includes F8168604 AC Drive
	C003062	PowerFlex 40 Drive	380-480 Volt; Models CP100PHN2 and IP100PHN2; Includes F8168604 AC Drive
2	F8053902	EMI Filter	380-480 Volt

# Main Assembly (Drawing 1 of 6)

Models CP080PHN1, CP080PHN2, CP080PHQ1, CPC80H, IP080PHN1, IP080PHN2, IP080PHQ1, IPH80H, JP080PHN1, JP080PHN2 and JP080PHQ1



PHM2749P\_C002634

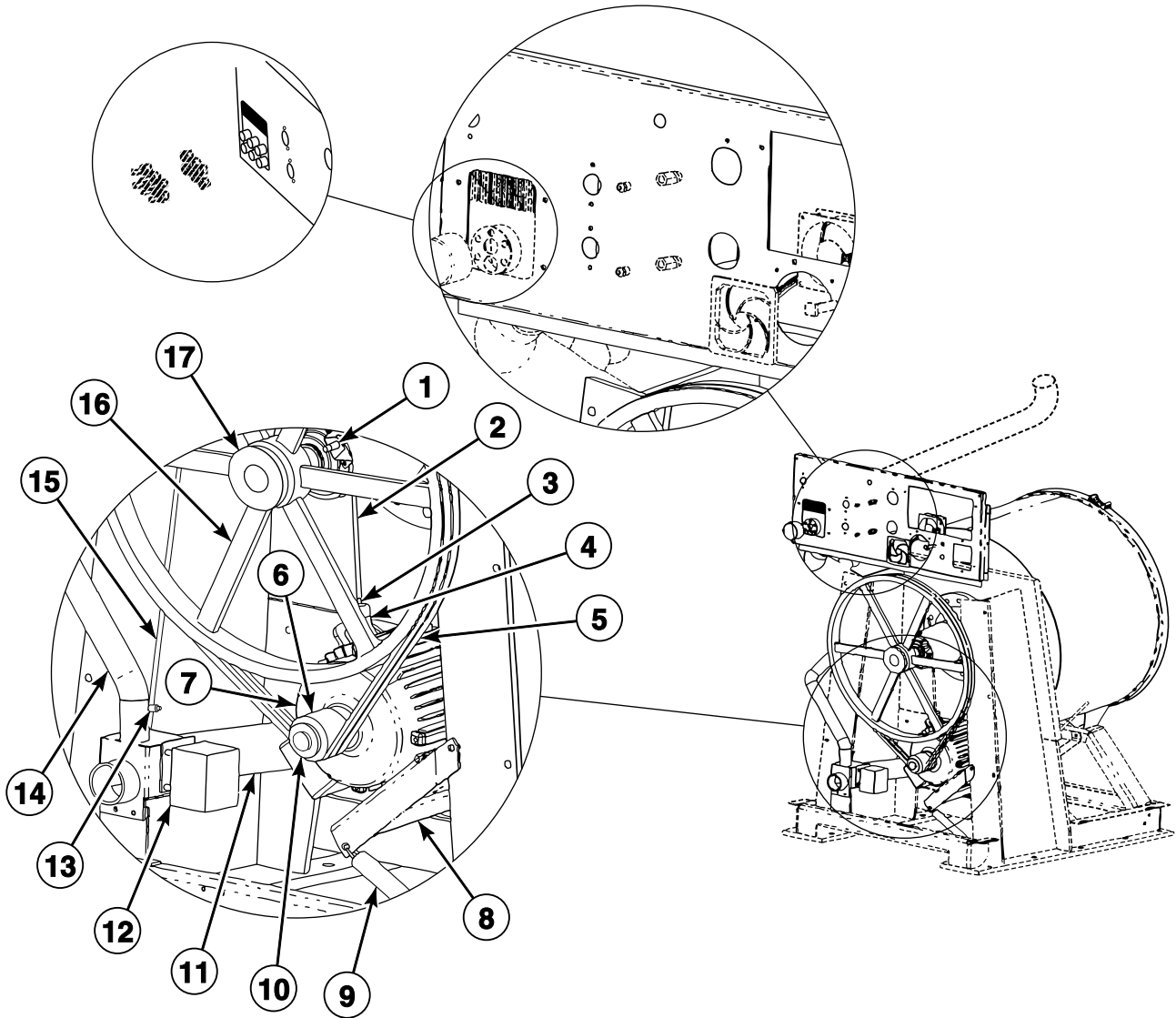
## Main Assembly (Drawing 1 of 6)

REF	PART NO.	DESCRIPTION	COMMENTS
	C000567	Screw	4 required; Vacuum breaker to valve panel
	F431024	Nut	4 required for vacuum breaker to valve panel for models through 3/23/04
	N/A	Nut	4 required; Vacuum breaker to valve panel; Models starting 3/23/04
	C000510	Temperature Probe Grommet	
	F430938	Screw	4 required; Fan to valve panel
	C000568	Nut	4 required; Fan to valve panel
	C000552	Hose	Flush hose for vacuum breaker; 29 inches required
<b>1</b>	C001772	Vacuum Breaker Cover	
<b>2</b>	C000390	Vacuum Breaker Assembly	
<b>3</b>	N/A	Grease Fitting	Models through 3/23/04
	C000549	Grease Fitting	Models starting 3/23/04
<b>4</b>	N/A	Grease Coupling	Models through 3/23/04
	C001789	Connector	Models starting 3/23/04
<b>5</b>	C000210	Fan Filter Guard Assembly	
<b>6</b>	C000211	Fan	
<b>7</b>	C000317	Circuit Breaker	1 pole
<b>8</b>	C000414	Supply Dispenser Hose	
<b>9</b>	C002636	Temperature Probe Assembly	
<b>10</b>	C000298	Lower Shell Support Bracket	
<b>11</b>	C002058	Shell Support Brace	
<b>12</b>	C000469	Frame Assembly	
<b>13</b>	C000962	Drain Assembly	
<b>14</b>	C000416	Water Inlet Hose	
<b>15</b>	C000679	Vacuum Breaker Plug	.5 inch; Use with old style vacuum breaker; Models through 3/23/04
<b>16</b>	C000680	Adapter	.5 inch; Use with old style vacuum breaker; Models through 3/23/04

**N/A = Part no longer available**

# Main Assembly (Drawing 2 of 6)

Models CP080PHN1, CP080PHN2, CP080PHQ1, CPC80H, IP080PHN1, IP080PHN2, IP080PHQ1, IPH80H, JP080PHN1, JP080PHN2 and JP080PHQ1



PHM2749PA\_C002634

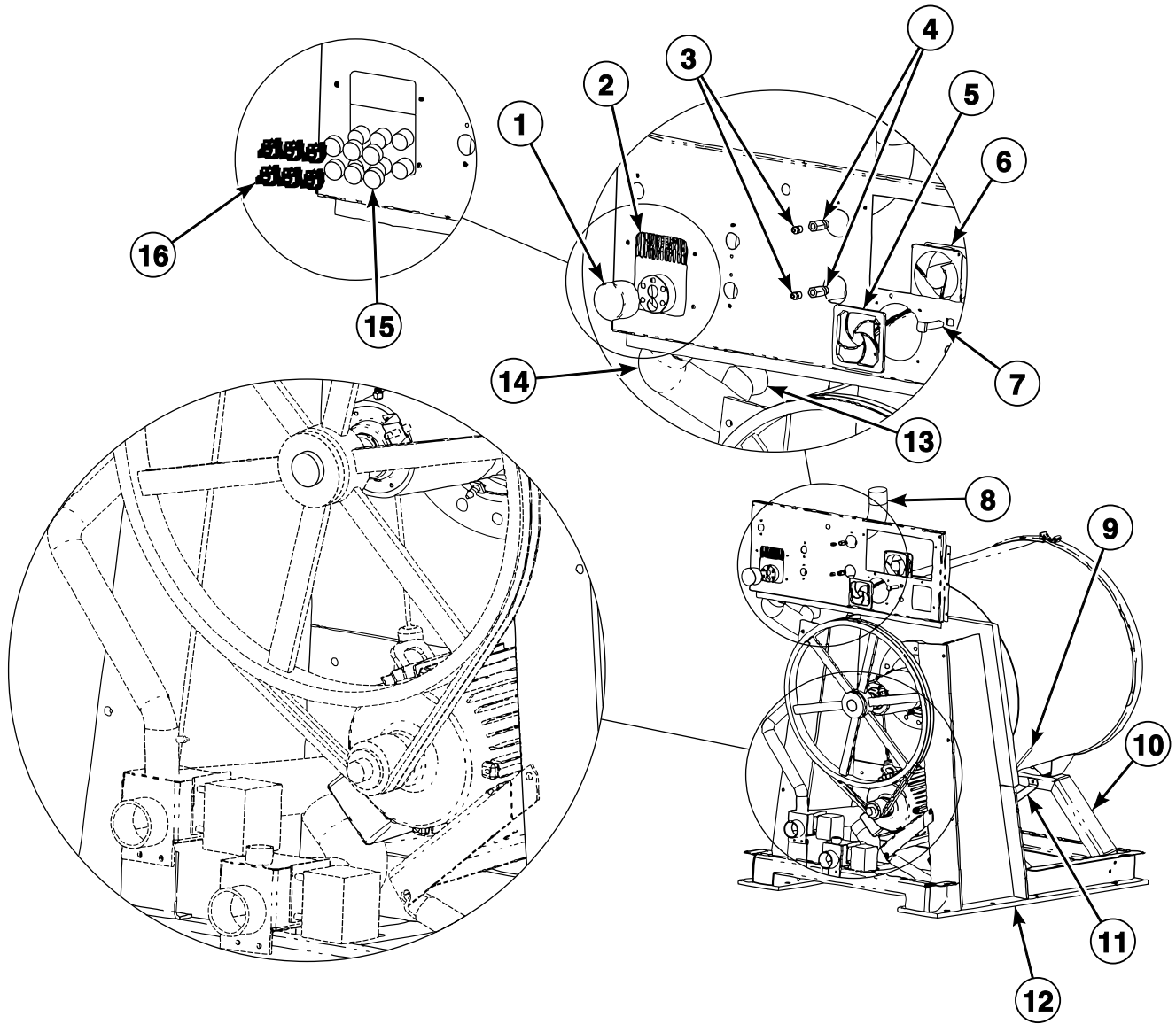
## Main Assembly (Drawing 2 of 6)

REF	PART NO.	DESCRIPTION	COMMENTS
	C001768	Weep Hole Drain Kit	
	F431024	Nut	2 required for drain valve to drain valve mounting bracket
	C000610	Screw	2 required; Drain valve to drain mounting bracket
	C000585	Washer	2 required; Drain valve to drain mounting bracket
	C000571	Washer	4 required; Drain valve to drain valve mounting bracket; Models starting 3/23/04
	F430144	Screw	4 required; Motor to motor plate
	C000556	Washer	8 required; Motor to motor plate
	803017	Nut	4 required; Motor to motor plate
	F430124	Screw	1 required; Motor plate to frame
	C000612	Screw	1 required for models through 3/23/04; 2 required for models starting 3/23/04; Motor plate to frame
	C000177	Washer	1 required for models through 3/23/04; As required for models starting 3/23/04; Motor plate to frame
	C000583	Washer	2 required for models through 3/23/04; 3 required for models starting 3/23/04; Motor plate to frame
	90554	Hose Clamp	1 required; Air trap
	F200213	Hose Clamp	3 required for overflow hose for models through 3/23/04; 4 required for overflow hose for models starting 3/23/04
	F200201	Hose Clamp	2 required for drain hose; 2 required for dispenser hose
	C002623P	Motor Cable	
	C002613	Drain Harness	
<b>1</b>	C002637P	Proximity Switch Assembly	Models starting 3/23/04
<b>2</b>	C000599	Vacuum Breaker Hose	
<b>3</b>	C000662	Air Trap Tube	Brass
<b>4</b>	C000654	Air Trap Tube Elbow	Rubber
<b>5</b>	C000482	Belt	2 required
<b>6</b>	C000472P	Motor Pulley	
<b>7</b>	C000206P	Motor	
<b>8</b>	C000330	Motor Bracket	
<b>9</b>	N/A	Belt Tension Spring	Models through 3/23/04
	C001791	Belt Tension Spring	Models starting 3/23/04
<b>10</b>	C000474P	Motor Bushing	
<b>11</b>	C000411	Drain Hose	
<b>12</b>	C000347	Drain Valve	
<b>13</b>	C001649	Reducing Connector	
<b>14</b>	C000415	Overflow Hose	
<b>15</b>	C000552	Hose	
<b>16</b>	C000471	Cylinder Pulley	
<b>17</b>	C000223P	Cylinder Bushing	

**N/A = Part no longer available**

# Main Assembly (Drawing 3 of 6)

Models CP100PHN1, CP100PHN2, CP100PHQ1, CPC100H, IP100PHN1, IP100PHN2, IP100PHQ1, IPH100H, JP100PHN1, JP100PHN2 and JP100PHQ1



PHM2750P\_C002634

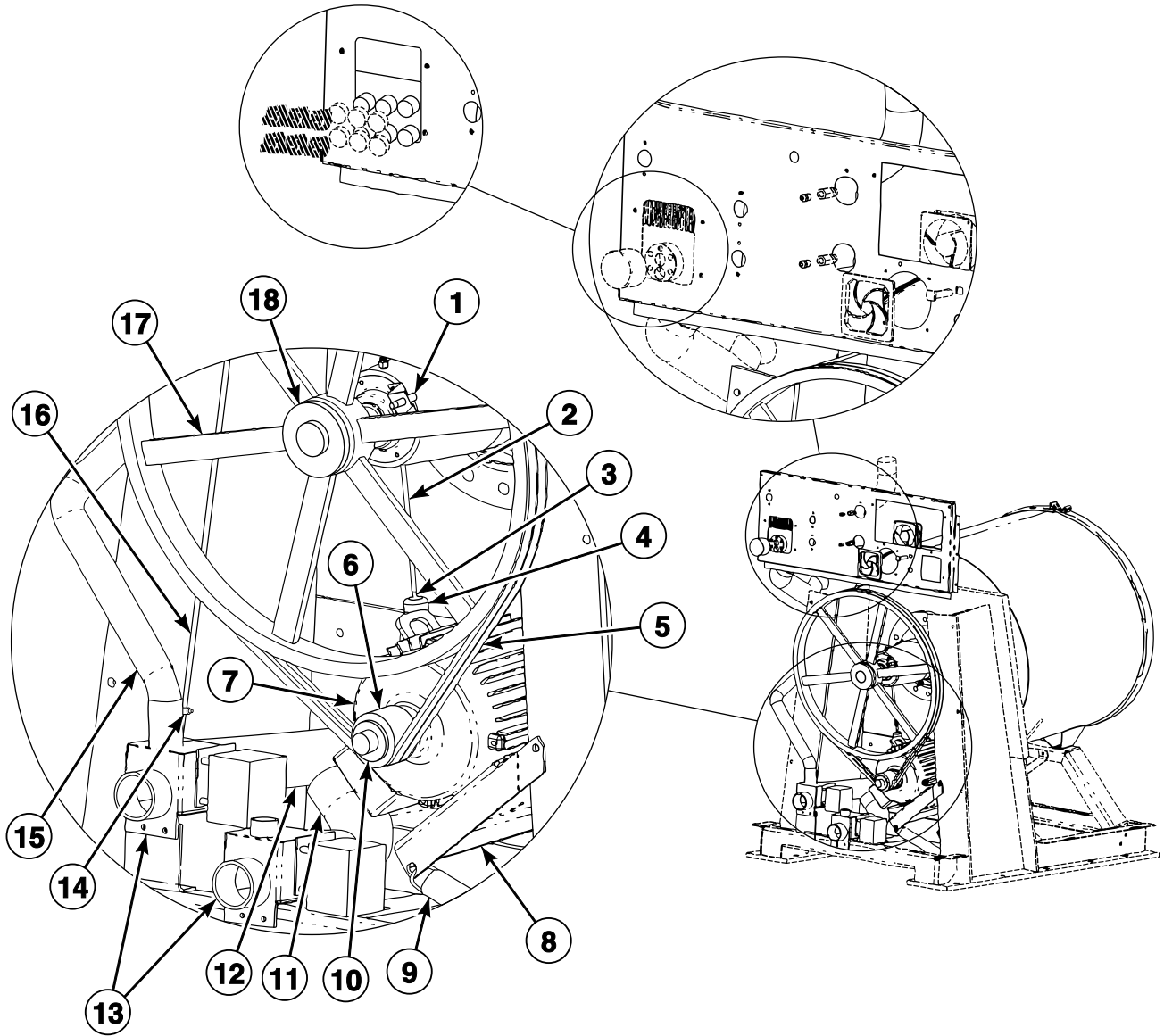
## Main Assembly (Drawing 3 of 6)

REF	PART NO.	DESCRIPTION	COMMENTS
	C000510	Temperature Probe Grommet	
	C000567	Screw	4 required; Vacuum breaker to valve panel
	F431024	Nut	4 required for vacuum breaker to valve panel for models through 3/23/04
	N/A	Nut	4 required; Vacuum breaker to valve panel; Models starting 3/23/04
	F430938	Screw	4 required; Fan to valve panel
	C000568	Nut	4 required; Fan to valve panel
	C000552	Hose	29 inches required; Models with 5 cup supply dispenser
	C000628P	Tubing	29 inches required; Models with single cup supply dispenser
<b>1</b>	C001772	Vacuum Breaker Cover	
<b>2</b>	C000390	Vacuum Breaker Assembly	
<b>3</b>	N/A	Grease Fitting	Models through 3/23/04
	C000549	Grease Fitting	Models starting 3/23/04
<b>4</b>	N/A	Grease Coupling	Models through 3/23/04
	C001789	Connector	Models starting 3/23/04
<b>5</b>	C000210	Fan Filter Guard Assembly	
<b>6</b>	C000211	Fan	
<b>7</b>	C000317	Circuit Breaker	1 pole
<b>8</b>	C000414	Supply Dispenser Hose	
<b>9</b>	C002636	Temperature Probe Assembly	
<b>10</b>	C000298	Lower Shell Support Bracket	
<b>11</b>	C002053	Shell Support Brace	
<b>12</b>	C000085	Frame Assembly	
<b>13</b>	C000962	Drain Assembly	
<b>14</b>	C000416	Water Inlet Hose	
<b>15</b>	C000679	Vacuum Breaker Plug	.5 inch; Use with old style vacuum breaker; Models through 3/23/04
<b>16</b>	C000680	Adapter	.5 inch; Use with old style vacuum breaker; Models through 3/23/04

**N/A = Part no longer available**

# Main Assembly (Drawing 4 of 6)

Models CP100PHN1, CP100PHN2, CP100PHQ1, CPC100H, IP100PHN1, IP100PHN2, IP100PHQ1, IPH100H, JP100PHN1, JP100PHN2 and JP100PHQ1



PHM2750PA\_C002634



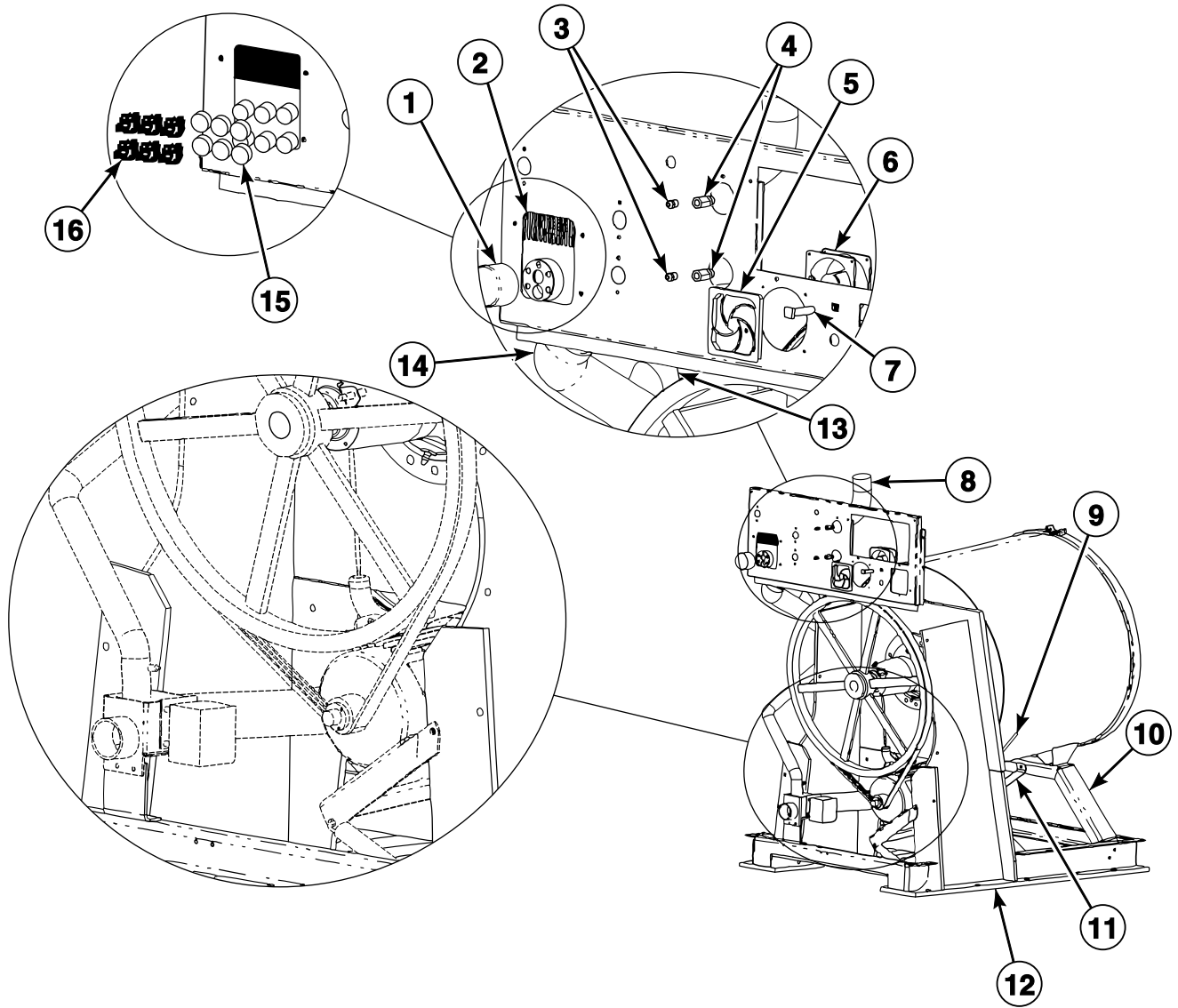
## Main Assembly (Drawing 4 of 6)

REF	PART NO.	DESCRIPTION	COMMENTS
	C001768	Weep Hole Drain Kit	
	F431024	Nut	2 required for drain valve to drain valve mounting bracket
	C000610	Screw	2 required; Drain valve to drain mounting bracket
	C000585	Washer	2 required; Drain valve to drain mounting bracket
	C000571	Washer	4 required; Drain valve to drain valve mounting bracket; Models starting 3/23/04
	F430144	Screw	4 required; Motor to motor plate
	C000556	Washer	8 required; Motor to motor plate
	803017	Nut	4 required; Motor to motor plate
	F430124	Screw	1 required; Motor plate to frame
	C000612	Screw	1 required for models through 3/23/04; 2 required for models starting 3/23/04; Motor plate to frame
	C000177	Washer	1 required for models through 3/23/04; 2 required for models starting 3/23/04; Motor plate to frame
	C000583	Washer	2 required for models through 3/23/04; 3 required for models starting 3/23/04; Motor plate to frame
	90554	Hose Clamp	1 required; Air trap
	F200213	Hose Clamp	2 required for overflow hose for models through 3/23/04; 4 required for overflow hose for models starting 3/23/04
	F200201	Hose Clamp	2 required for drain hose; 2 required for dispenser hose
	C002623P	Motor Cable	
	C002613	Drain Harness	
<b>1</b>	C002637P	Proximity Switch Assembly	Models starting 3/23/04
<b>2</b>	C000599	Vacuum Breaker Hose	
<b>3</b>	C001232	Air Trap Tube	Stainless steel; Models through 3/23/04
	C000662	Air Trap Tube	Brass; Models starting 3/23/04
<b>4</b>	C000654	Air Trap Tube Elbow	Rubber
<b>5</b>	C000482	Belt	
<b>6</b>	C000472P	Motor Pulley	
<b>7</b>	C000206P	Motor	
<b>8</b>	C000330	Motor Bracket	
<b>9</b>	N/A	Belt Tension Spring	Models through 3/23/04
	C001791	Belt Tension Spring	Models starting 3/23/04
<b>10</b>	C000474P	Motor Bushing	
<b>11</b>	C000412	Water Reuse Hose	Models through 3/12/07
<b>12</b>	C000411	Drain Hose	
<b>13</b>	C000347	Drain Valve	
<b>14</b>	C001649	Reducing Connector	
<b>15</b>	C000415	Overflow Hose	
<b>16</b>	C000552	Hose	
<b>17</b>	C000471	Cylinder Pulley	
<b>18</b>	C000223P	Cylinder Bushing	

**N/A = Part no longer available**

# Main Assembly (Drawing 5 of 6)

Models CP080PMN1, CP080PMN2, CP080PMQ1, CP100PMN1, CP100PMN2,  
CP100PMQ1, CPC80M, CPC100M, IP080PMN1, IP080PMN2, IP080PMQ1, IP100PMN1,  
IP100PMN2, IP100PMQ1, IPH80M, IPH100M, IPH370, IPH460 and JP100PMQ1



PHM2751P\_C002634

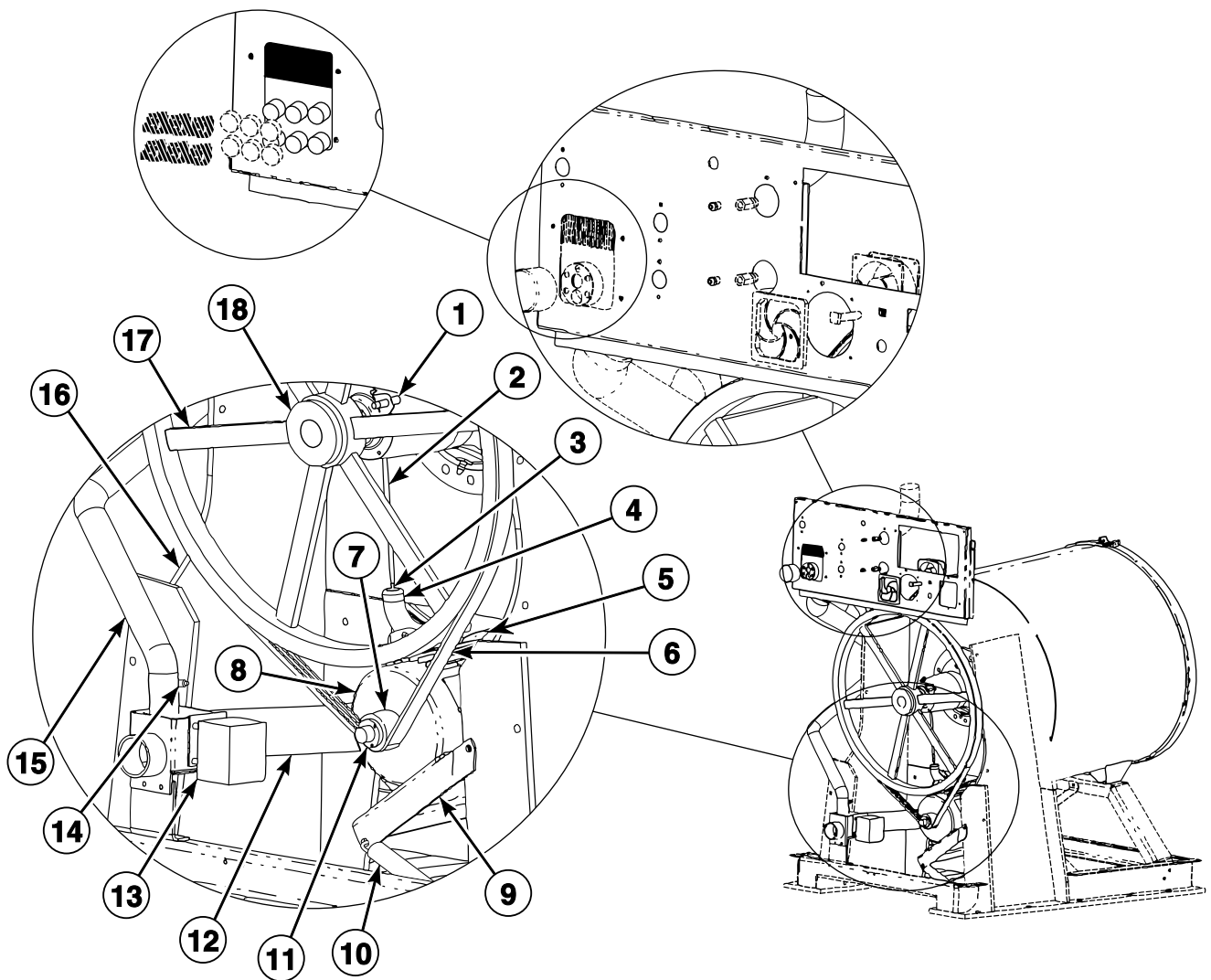
## Main Assembly (Drawing 5 of 6)

REF	PART NO.	DESCRIPTION	COMMENTS
	C000510	Temperature Probe Grommet	
	C000567	Screw	4 required; Vacuum breaker to valve panel
	F431024	Nut	4 required for vacuum breaker to valve panel for models through 3/23/04
	N/A	Nut	4 required; Vacuum breaker to valve panel; Models starting 3/23/04
	F430938	Screw	4 required; Fan to valve panel
	C000568	Nut	4 required; Fan to valve panel
	F200201	Hose Clamp	2 required for dispenser hose
	C000552	Hose	Flush hose for vacuum breaker; 29 inches required; Models with 5 cup supply dispenser; Models CP080PMN1, CP080PMQ1, CPC80M, IP080PMN1, IP080PMQ1, IPH80M and IPH370 single cup supply dispenser
	C000628P	Tubing	Flush hose for vacuum breaker; 29 inches required; Models CP100PMN1, CP100PMQ1, CPC100M, IP100PMN1, IP100PMQ1, IPH100M and IPH460 single cup supply dispenser
<b>1</b>	C001772	Vacuum Breaker Cover	
<b>2</b>	C000390	Vacuum Breaker Assembly	
<b>3</b>	N/A	Grease Fitting	Models through 3/23/04
	C000549	Grease Fitting	Models starting 3/23/04
<b>4</b>	N/A	Grease Coupling	Models through 3/23/04
	C001789	Connector	Models starting 3/23/04
<b>5</b>	C000210	Fan Filter Guard Assembly	
<b>6</b>	C000211	Fan	
<b>7</b>	C000317	Circuit Breaker	1 pole
<b>8</b>	C000379	Supply Dispenser Hose	
<b>9</b>	C002636	Temperature Probe Assembly	
<b>10</b>	C000298	Lower Shell Support Bracket	
<b>11</b>	C002058	Shell Support Brace	Models CP080PMN1, CP080PMQ1, CPC80M, IP080PMN1, IP080PMQ1, IPH80M and IPH370
	C002053	Shell Support Brace	All other models
<b>12</b>	C000803	Frame Assembly	Models CP080PMN1, CP080PMQ1, CPC80M, IP080PMN1, IP080PMQ1, IPH80M and IPH370
	C000802	Frame Assembly	All other models
<b>13</b>	C000962	Drain Assembly	
<b>14</b>	C000416	Water Inlet Hose	
<b>15</b>	C000679	Vacuum Breaker Plug	.5 inch; Use with old style vacuum breaker; Models through 3/23/04
<b>16</b>	C000680	Adapter	.5 inch; Use with old style vacuum breaker; Models through 3/23/04

**N/A = Part no longer available**

# Main Assembly (Drawing 6 of 6)

Models CP080PMN1, CP080PMN2, CP080PMQ1, CP100PMN1, CP100PMN2,  
CP100PMQ1, CPC80M, CPC100M, IP080PMN1, IP080PMN2, IP080PMQ1, IP100PMN1,  
IP100PMN2, IP100PMQ1, IPH80M, IPH100M, IPH370, IPH460 and JP100PMQ1



PHM2751PA\_C002634

## Main Assembly (Drawing 6 of 6)

REF	PART NO.	DESCRIPTION	COMMENTS
	C001768	Weep Hole Drain Kit	
	F431024	Nut	2 required for drain valve to drain valve mounting bracket
	C000610	Screw	2 required; Drain valve to drain mounting bracket
	C000585	Washer	2 required; Drain valve to drain mounting bracket
	C000571	Washer	4 required; Drain valve to drain valve mounting bracket; Models starting 3/23/04
	F430144	Screw	4 required; Motor to motor plate
	C000556	Washer	8 required; Motor to motor plate
	803017	Nut	4 required; Motor to motor plate
	F430124	Screw	1 required; Motor plate to frame
	C000612	Screw	1 required for models through 3/23/04; 2 required for models starting 3/23/04; Motor plate to frame
	C000177	Washer	1 required for models through 3/23/04; As required for models starting 3/23/04; Motor plate to frame
	C000583	Washer	2 required for models through 3/23/04; 3 required for models starting 3/23/04; Motor plate to frame
	90554	Hose Clamp	1 required; Air trap
	F200213	Hose Clamp	2 required for overflow hose for models through 3/23/04; 4 required for overflow hose for models starting 3/23/04
	F200201	Hose Clamp	2 required for drain hose; 2 required for dispenser hose
	C000994	Spring Clip	
	C002423	Motor Cable	
	C002614P	Drain Harness	
	C002617P	Single Fan Harness	
<b>1</b>	C002637P	Proximity Switch Assembly	Models starting 3/23/04
<b>2</b>	C000599	Vacuum Breaker Hose	
<b>3</b>	C000662	Air Trap Tube	Brass
<b>4</b>	C000654	Air Trap Tube Elbow	Rubber
<b>5</b>	C000967	Motor Shroud	Models through 3/23/04
	C001589	Motor Shroud Assembly	Models starting 3/23/04
<b>6</b>	N/A	Belt	Models through 3/23/04
	C001708	Belt	Models starting 3/23/04
<b>7</b>	C000795P	Motor Pulley	
<b>8</b>	C000205	Motor	
<b>9</b>	C000330	Motor Bracket	
<b>10</b>	N/A	Belt Tension Spring	Models through 3/23/04
	C001791	Belt Tension Spring	Models starting 3/23/04
<b>11</b>	F280233P	Bushing	
<b>12</b>	C000411	Drain Hose	
<b>13</b>	C000347	Drain Valve	
<b>14</b>	C001649	Reducing Connector	
<b>15</b>	C000415	Overflow Hose	
<b>16</b>	C000552	Hose	
<b>17</b>	C000685	Cylinder Pulley	
<b>18</b>	C000223P	Cylinder Bushing	

N/A = Part no longer available



# Parts Index

## A

Adapter	
C000424 .....	41, 43, 45
C000680 .....	81, 85, 89
Air Trap Tube	
C000662 .....	83, 87, 91
C001232 .....	87
Air Trap Tube Elbow	
C000654 .....	83, 87, 91
Auxiliary Plumbing Assembly	
C001187 .....	51

## B

Battery	
209/00505/04P .....	59
Bearing Housing Assembly	
C000058P .....	17
C000154P .....	15
C001365 .....	15
Bearing Housing Puller Kit	
1390 .....	15, 17
Bearing Lubrication Decal	
C000508 .....	9, 13
Belt	
C000482 .....	83, 87
C001708 .....	91
Belt Tension Spring	
C001791 .....	83, 87, 91
Blind Rivet	
J1111905 .....	39
Bolt	
C000180 .....	33, 35
C000273 .....	55, 57
C000430 .....	37, 39
C000559 .....	33, 35
C000561 .....	33, 35, 37, 39, 55, 57
C001784 .....	33, 35
C001785 .....	33, 35
Bushing	
F280233P .....	91

## C

Chemical Supply Controller	
C000371P .....	59
Chemical Supply Harness	
C002779 .....	61
C002780 .....	61
C002781 .....	61
Circuit Breaker	
C000317 .....	81, 85, 89
C003135P .....	61, 63, 65, 67
F350217 .....	61, 63, 65, 67
Circuit Breaker Kit	
C0977P3 .....	61, 63, 65, 67
C0978P3 .....	61, 63, 65, 67

Clean Filter Daily Decal	
F200061000 .....	13
Cold Plumbing Assembly	
C000425 .....	45
C001106 .....	47
Cold Water Valve Decal	
F231368 .....	9
Connector	
C001789 .....	81, 85, 89
J1408004 .....	15, 17
Contact Block Switch	
F200233401 .....	19
Contacto	
C000308P .....	65, 67
C000309P .....	65, 67
Control Module Harness	
C000865 .....	59
Control Panel Decal	
C001069 .....	59
C001276 .....	59
C001389 .....	59
Control Panel Insert	
C000483 .....	19
C000484 .....	19
Coupling	
C000420 .....	41, 43
Cover Decal	
F200318200 .....	9, 11
Cylinder Assembly	
C000127 .....	23
Cylinder Assembly Kit	
C000267P .....	23
C000800P .....	25
C000804P .....	25
Cylinder Bolt Shroud	
C001238 .....	23, 25
Cylinder Bushing	
C000223P .....	83, 87, 91
Cylinder Pulley	
C000471 .....	83, 87
C000685 .....	91

## D

Diaphragm and Guide Kit	
G582P3 .....	41, 43, 45
Disconnect Power Warning Label	
505281 .....	11
Dispenser Door Handle	
C001788 .....	27, 29, 31
Door Assembly	
C000134 .....	33, 35
C002725 .....	33, 35
Door Bumper	
C001546 .....	33, 35
Door Gasket	
C000135P .....	33, 35
Door Glass	
C000139 .....	33, 35

N/A items do not appear in index.

Door Glass Gasket C000140P .....	33, 35
Door Glass Retainer C000607 .....	33, 35
Door Handle C000028P .....	33
C001679P .....	33, 35
Door Handle Bushing C000181 .....	33, 35
Door Handle Hinge Weldment C000470 .....	33, 35
Door Handle Spring Bushing C000192 .....	33, 35
Door Handle Torsion Spring C001786 .....	33, 35
Door Hinge C000608 .....	33, 35
Door Hinge Bushing C000176 .....	33, 35
Door Latch C001244 .....	37, 39
Door Lock Assembly C002996 .....	39
Door Lock Catch C000185 .....	37, 39
Door Lock Cover C000688 .....	37, 39
Door Lock Harness C000867P .....	37, 39
Door Lock Kit C002996M .....	37
Door Lock Microswitch C000278 .....	37, 39
Door Lock Plate C000684 .....	37, 39
Door Lock Slide Spring C000276 .....	37, 39
Door Lock Solenoid C000184P .....	37, 39
Door Lock Solenoid Bracket C003022 .....	37, 39
Door Lock Spring B12351001 .....	39
Door Lock Spring Cover C000687 .....	37, 39
Door Lock Switch Slide C000271 .....	37, 39
Door Magnet Mounting Bracket C002994 .....	35
Door Release Decal C000694 .....	11, 13
Drain Assembly C000962 .....	81, 85, 89
Drain Harness C002613 .....	83, 87
C002614P .....	91
Drain Hose C000411 .....	83, 87, 91
Drain Valve C000347 .....	83, 87, 91
Drive Box Assembly C001050 .....	61, 63, 65, 67

Drive Kit, 160-Series to PowerFlex 40 C003047 .....	77
C003049 .....	77
C003053 .....	77
C003055 .....	77
C003057 .....	77
C003061 .....	77

## E

Electric Heat Harness C002724 .....	57
C002755 .....	57
C002758 .....	57
C002830 .....	57
C002831P .....	57
Electric Shock Danger Label F8115501 .....	13
Electrical Shock Label 502511 .....	11
Emergency Stop Button Kit F200233700P .....	19
Emergency Stop Pushbutton F200233500 .....	19
EMI Filter F330280P .....	71, 75
F330283 .....	69, 73
F330284 .....	69, 73
F8053902 .....	77, 79
Exhaust Bracket C000323 .....	63, 67
C000324 .....	61, 65
External Supply Connection Decal F230917-1 .....	9
F8150201 .....	13

## F

Fan C000211 .....	81, 85, 89
Fan Filter Guard Assembly C000210 .....	81, 85, 89
Filter F270305 .....	49
F270306P .....	49
Filter Housing Cap Gasket F270407 .....	49
Flange and Nipple Assembly C001366 .....	41, 43, 45, 47, 51
Frame Assembly C000085 .....	85
C000469 .....	81
C000802 .....	89
C000803 .....	89
Front Electrical Enclosure C000213 .....	59
Front Electrical Enclosure Assembly C000432 .....	59
Front Electrical Enclosure Cover C000348 .....	59
Front Electrical Enclosure Rail C000300 .....	21

N/A items do not appear in index.



Front Panel	
C001167 .....	19
C002970 .....	19
C002971 .....	19
Front Skirt Panel	
C000316 .....	21
Front Supply Dispenser Nozzle	
C001017 .....	27
Fuse	
C001194 .....	65, 67
C001195 .....	65
C001196 .....	67
Fuse Holder	
C001197 .....	65, 67

## G

Grease Connector Box	
C000539 .....	21
Grease Fitting	
C000549 .....	81, 85, 89
Ground Terminal Lug	
C001803 .....	61, 63, 65

## H

Harness	
C003028 .....	77
Heating Element	
C000989 .....	57
Hinge	
C001787 .....	27, 29, 31
Hinge Block	
C000175 .....	33, 35
Hose	
C000552 .....	15, 17, 27, 29, 31, 43, 47, 81, 83, 85, 87, 89, 91
Hose Barb	
F421951 .....	41, 43, 45, 47, 51
Hose Clamp	
F200201 .....	41, 43, 45, 47, 83, 87, 89, 91
F200213 .....	83, 87, 91
F200222 .....	41, 43, 45, 47
36801 .....	15, 17, 31
90554 .....	83, 87, 91
Hot Plumbing Assembly	
C000426 .....	41
C001664 .....	43
Hot Surface Warning Decal	
F200085000 .....	9, 11, 13
F231380 .....	11
Hot Surface Warning Plate	
F8211901 .....	13
Hot Water and Chemical Caution Decal	
F200085300 .....	9, 13
Hot Water Valve Decal	
F231367 .....	9

## I

Infrared Cable	
210/00902/00P .....	59
Inlet Power Cover	
C001257 .....	21
Inlet Valve Harness	
C002608P .....	43, 47
C002611P .....	41, 45
Insert Rail	
C000637 .....	19
Inverter	
C000001 .....	69, 73

## K

Keymode Run/Program Switch	
F340800P .....	19
Keymode Switch Assembly	
C003024P .....	19
Keypad Controller	
C000282P .....	59

## L

Left Side Panel and Stiffener Assembly	
C002794 .....	21
Logo Decal	
C001038 .....	11
Lower Front Panel	
C000200 .....	19
Lower Shell Support Bracket	
C000298 .....	81, 85, 89
Lubricator	
9002071P .....	15, 17

## M

Magnet	
F8390801 .....	35
Magnetic Door Switch Bracket	
C002995 .....	39
Main Board Controller Kit	
C000281P .....	59
Motor	
C000205 .....	91
C000206P .....	83, 87
Motor Bracket	
C000330 .....	83, 87, 91
Motor Bushing	
C000474P .....	83, 87
Motor Cable	
C002423 .....	91
C002623P .....	83, 87
Motor Pulley	
C000472P .....	83, 87
C000795P .....	91
Motor Shroud	
C000967 .....	91

N/A items do not appear in index.

Motor Shroud Assembly C001589 .....	91
Mount on Concrete Warning Label F8246401 .....	13
Mounting Bracket C000372 .....	17
C000373 .....	61, 63, 65, 67
C000375 .....	59
C000658 .....	15

## N

Nipple F420107 .....	41, 43, 45
F421323 .....	53
Nut C000560 .....	33, 35
C000562 .....	33, 35
C000568 .....	19, 61, 63, 65, 67, 81, 85, 89
C000574 .....	33, 35, 37, 39
C000576 .....	37, 39
C000578 .....	37, 39
C000611 .....	55, 57
C001236 .....	33, 35
F431024 .....	19, 21, 33, 35, 41, 43, 45, 47, 55, 57, 59, 81, 83, 85, 87, 89, 91
803017 .....	33, 35, 83, 87, 91

## O

Overflow Hose C000415 .....	83, 87, 91
--------------------------------	------------

## P

Pinched Fingers Label 502506 .....	11
Pop Rivet F431215 .....	39
F431223 .....	35
Power Block Terminal C000290 .....	61, 63
C000370 .....	61, 63, 65, 67
PowerFlex 40 Drive C003048 .....	77, 79
C003050 .....	77, 79
C003054 .....	77, 79
C003056 .....	77, 79
C003058 .....	77, 79
C003062 .....	77, 79
Proximity Switch Assembly C002637P .....	83, 87, 91
Push Decal F230303 .....	11, 13

## R

RC Network Assembly C002999 .....	59
RC Network Filter F330217P .....	59

N/A items do not appear in index.

Rear Electrical Enclosure Cover C000173 .....	21
Rear Enclosure Harness C000866 .....	61, 63, 65, 67
Rear Left Side Panel C002989 .....	21
Rear Panel C000197P .....	21
Rear Right Side Panel C002990 .....	21
C002992 .....	21
Reducing Connector C001649 .....	15, 17, 83, 87, 91
Reducing Coupling C000978 .....	53
Reed Switch Assembly C003000 .....	39
Replacement Filter F270405 .....	49
F270406 .....	49
Rub Rail C000634 .....	19

## S

Screw C000145 .....	17
C000554 .....	15
C000567 .....	19, 21, 37, 39, 41, 43, 45, 47, 59, 61, 63, 65, 67, 81, 85, 89
C000572 .....	37, 39
C000575 .....	61, 63, 65, 67
C000610 .....	83, 87, 91
C000612 .....	37, 39, 83, 87, 91
C000613 .....	37, 39
C000614 .....	37, 39
C001032 .....	33, 35, 55, 57
C001093 .....	23, 25
C001148 .....	27, 29, 31
C001294 .....	23
C001856 .....	55, 57
F430124 .....	83, 87, 91
F430144 .....	83, 87, 91
F430909 .....	27, 29, 31, 59, 61, 63, 65, 67
F430910 .....	19, 59
F430920 .....	27, 31
F430925 .....	27, 29, 31
F430929 .....	15, 17, 19, 21
F430938 .....	61, 63, 65, 67, 81, 85, 89
81398 .....	37, 39
Shell Assembly C000103 .....	55
C000105 .....	55
C000951 .....	57
C000952 .....	57
Shell Band Gasket F200001600P .....	33, 35
Shell Band Weldment C000660 .....	55, 57
Shell Front C002977 .....	55, 57
Shell Front Gasket C001764P .....	55, 57
Shell Support Brace C002053 .....	85, 89

C002058 .....	81, 89
Side Dispenser Assembly	
C000648 .....	31
C001583 .....	31
Side Dispenser Door	
C000642 .....	31
Side Panel and Stiffener Assembly	
C002709 .....	21
C002710 .....	21
Single Dispenser Assembly	
C000220 .....	27
Single Fan Harness	
C002617P .....	91
Single Front Dispenser Cover	
C000605 .....	27
Single Side Dispenser Assembly	
C001582 .....	29
Single Side Dispenser Door	
C000855 .....	29
Siphon Tube	
C001007 .....	27
Spin Warning Decal	
F200085100 .....	9, 13
Spring	
C000431 .....	37, 39
Spring Clip	
C000994 .....	91
Spring Hose Clamp	
C001004 .....	31
Standoff	
C000376 .....	59
Steam Cord Assembly	
C002748P .....	53
Steam Hose	
C000982 .....	53
Steam Hose Adapter	
C001587 .....	53
Steam Hose Insulation	
C001003 .....	53
Steam Injector Tube Assembly	
F603132 .....	53
Steam Inlet Weldment	
C002898 .....	53
Steam Option Assembly	
C001001 .....	53
Steam Valve	
F8322904 .....	53
Steam Valve Mounting Bracket	
C000981 .....	53
Street Elbow	
F420502 .....	41, 43, 45, 47
F421707 .....	53
Stud	
C000601 .....	33, 35
Supply Cup	
C000646 .....	29, 31
C000647 .....	31
Supply Dispenser Cup	
C000052 .....	27
Supply Dispenser Hose	
C000379 .....	89
C000414 .....	81, 85

Supply Dispenser Nozzle	
C000073 .....	29, 31
Supply Signal Decal	
C000506 .....	9

---

## T

Tee	
F420403 .....	41, 43, 45
Temperature Probe Assembly	
C002636 .....	81, 85, 89
Temperature Probe Grommet	
C000510 .....	81, 85, 89
Terminal Block	
M413865 .....	65, 67
Thermostat	
C000318 .....	61, 63, 65, 67
Tie Wrap Mounting Clamp	
F140602 .....	61, 63
Tilt Switch Assembly	
C002642P .....	59
Top Panel	
C000196 .....	19
C000209 .....	19
Transformer	
C000203 .....	61, 63, 65, 67
Trim Gasket	
C000629 .....	19
Triple Lip Seal	
C002959 .....	17
C003007 .....	15
Tubing	
C000628P .....	15, 17, 27, 29, 85, 89

---

## V

Vacuum Breaker Assembly	
C000390 .....	81, 85, 89
Vacuum Breaker Cover	
C001772 .....	81, 85, 89
Vacuum Breaker Hose	
C000599 .....	83, 87, 91
Vacuum Breaker Plug	
C000679 .....	81, 85, 89
Valve	
C000716P .....	43
F381700P .....	41, 43, 45, 47, 51
Valve Panel	
C002981 .....	21

---

## W

Warning Label	
F8233501 .....	13
44127701 .....	13
500049 .....	11
Washer	
C000147 .....	17
C000177 .....	33, 35, 83, 87, 91
C000555 .....	15
C000556 .....	83, 87, 91

N/A items do not appear in index.

C000571 .....	15, 17, 19, 21, 37, 39, 59, 61, 63, 65, 67, 83, 87, 91
C000583 .....	23, 25, 55, 57, 83, 87, 91
C000585 .....	19, 21, 83, 87, 91
C000590 .....	55, 57
C001239 .....	23, 25
C001293 .....	23, 25
F431133.....	59, 61, 63, 65, 67
20290 .....	49
28605 .....	49
Water Hose	
F200116.....	49
F200128P .....	41, 43, 45, 47
F200164.....	49
F200165.....	49
F200166.....	49
Water Inlet Hose	
C000416 .....	81, 85, 89
Water Level Transducer	
C002104P .....	59
Water Line Caution Decal	
F230734.....	9
Water Reuse Hose	
C000412 .....	87
Water Valve	
C000436P .....	41, 45
Weep Hole Drain Kit	
C001768 .....	83, 87, 91

---