

# Commercial Dryers

"EE", "EG", "GE", "ZE" and "ZG" Series  
Metered and Nonmetered  
Refer to Page 3 for Model Numbers



# Table of Contents

Title	Page
Parts Ordering Information.....	2
Serial Plate Location .....	2
Model Identification .....	3
Service Door and Meter Case (Drawing 1 of 4) .....	4
Service Door and Meter Case (Drawing 2 of 4) .....	6
Service Door and Meter Case (Drawing 3 of 4) .....	8
Service Door and Meter Case (Drawing 4 of 4) .....	10
Accumulator - H. Greenwald Co. (Drawing 1 of 2).....	12
Accumulator - H. Greenwald Co. (Drawing 2 of 2).....	14
Control Panel, Control Hood and Controls (Drawing 1 of 4) .....	16
Control Panel, Control Hood and Controls (Drawing 2 of 4) .....	18
Control Panel, Control Hood and Controls (Drawing 3 of 4) .....	20
Control Panel, Control Hood and Controls (Drawing 4 of 4) .....	22
Timer, Plate, Case and Knob .....	24
Cabinet Top (Drawing 1 of 2).....	26
Cabinet Top (Drawing 2 of 2).....	28
Loading Door .....	30
Lower Access Panel, Front Panel and Seal.....	32
Front Bulkhead, Air Duct, Felt Seal and Cylinder .....	34
Rear Bulkhead, Felt Seal, Cylinder Roller and Terminal Block.....	36
Heater Box - Electric Models .....	38
Heater Box - Gas Models.....	40
Gas Valve, Igniter and Gas Conversion Kits (Drawing 1 of 2) .....	42
Gas Valve, Igniter and Gas Conversion Kits (Drawing 2 of 2) .....	44
Ignition System .....	46
Motor, Blower Fan and Belt .....	48
Thermostat and Blower and Fan Kit .....	50
Motor Bracket and Idler Assembly .....	52
Cabinet, Exhaust Duct and Base .....	54
Sticker Location on Rear of Cabinet .....	56
Terminals (Drawing 1 of 2).....	58
Terminals (Drawing 2 of 2).....	60
Motor Disconnect Block, Terminals and Terminal Extractor Tool .....	62
Wire Harnesses and Wires .....	64
Parts Index.....	65

© Copyright 2014, Alliance Laundry Systems LLC

All rights reserved. No part of the contents of this book may be reproduced or transmitted in any form or by any means without the expressed written consent of the publisher.

## Parts Ordering Information

If literature or replacement parts are required, contact the source from whom the machine was purchased or contact Alliance Laundry Systems at (920) 748-3950 for the name and address of the nearest authorized parts distributor.

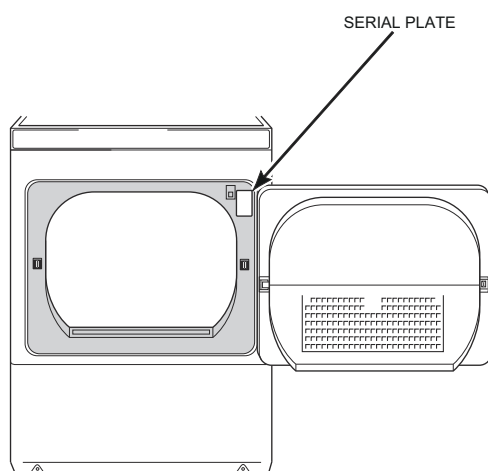
For technical assistance, call either of the numbers listed below:

(920) 748-3121 Ripon, Wisconsin

+32 56 41 20 54 Wevelgem, Belgium

## Serial Plate Location

When calling or writing about your product, be sure to mention model and serial numbers. Model and serial numbers are located on serial plate(s) as shown.



D801P\_502010

## Model Identification

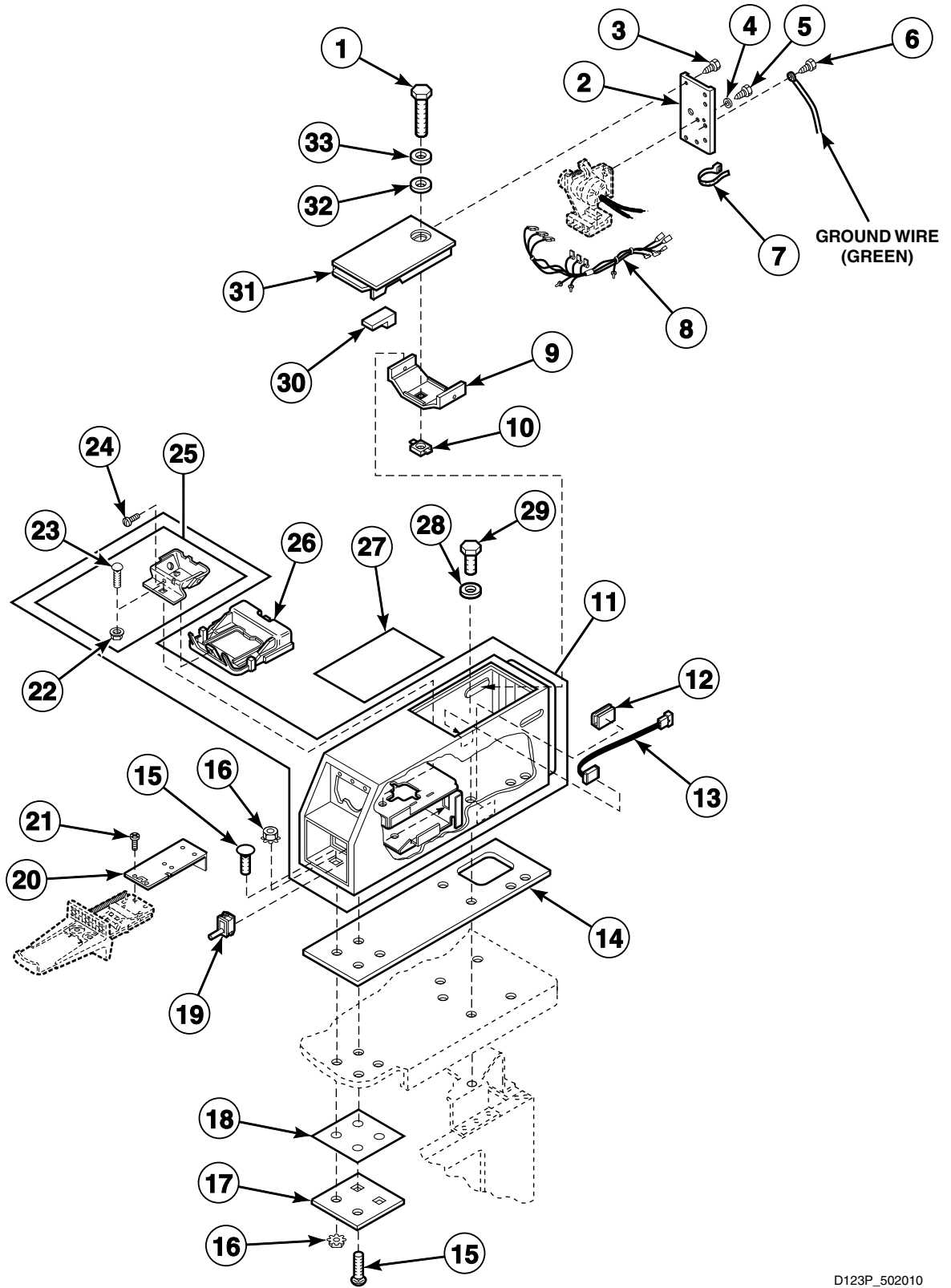
Information in this manual is applicable to these dryer models:

EE2007*-1500	EEC210*T3000	EG2909*M3013	ZE2107*-1502	ZEJ907*T1702
EE2007*-3000	EEC290*M3000	EG2909*M3058	ZE2107*-1702	ZG2009*-3004
EE2007*-4350	EEC290*T3000	EG2909*T3000	ZE2107*-3000	ZG2009*-3005
EE2007*T3000	EEJ907*T1500	EG2909*T3013	ZE2107*T3000	ZG2009*-3008
EE2107*-1500	EG2009*-3000	EG2909*T3058	ZE2907*M1502	ZG2009*T3008
EE2107*-3000	EG2009*-3058	EG2909*V3058	ZE2907*M1702	ZG2109*-1102
EE2107*-3066	EG2009*T3058	EGC210*T3013	ZE2907*M99F4	ZG2109*-3000
EE2107*-4350	EG2009*V3058	EGC290*M3013	ZE2907*T1502	ZG2109*-3013
EE2107*-5412	EG2109*-3000	EGC290*T3013	ZE2907*T1702	ZG2109*T3013
EE2107*T3000	EG2109*-3013	GE2107*-1502	ZE2907*T99F4	ZG2109*T5414
EE2507*-1500	EG2109*3058	GE2107*-1702	ZEC200*T3003	ZG2909*M1102
EE2607*-1500	EG2109*-5412	ZE2007*-1702	ZEC200*T3008	ZG2909*T1102
EE2907*M4350	EG2109*T3013	ZE2007*-3003	ZEC210*T3000	ZGC200*T3008
EE2907*T1500	EG2109*T3058	ZE2007*-3004	ZEC290*M3000	ZGC210*T3013
EE2907*T3000	EG2109*V3058	ZE2007*-3005	ZEC290*T3000	ZGC290*T3013
EE2907*T4350	EG2109-T5412	ZE2007*-3008	ZEJ907*T1500	ZGJ909*T1102
EEC200*T3000	EG2909*M3000	ZE2007*T3008	ZEJ907*T1502	

\* Add Letter To Designate Color. L - Almond W - White

# Service Door and Meter Case (Drawing 1 of 4)

Model EE2607\*-1500



D123P\_502010

## Service Door and Meter Case (Drawing 1 of 4)

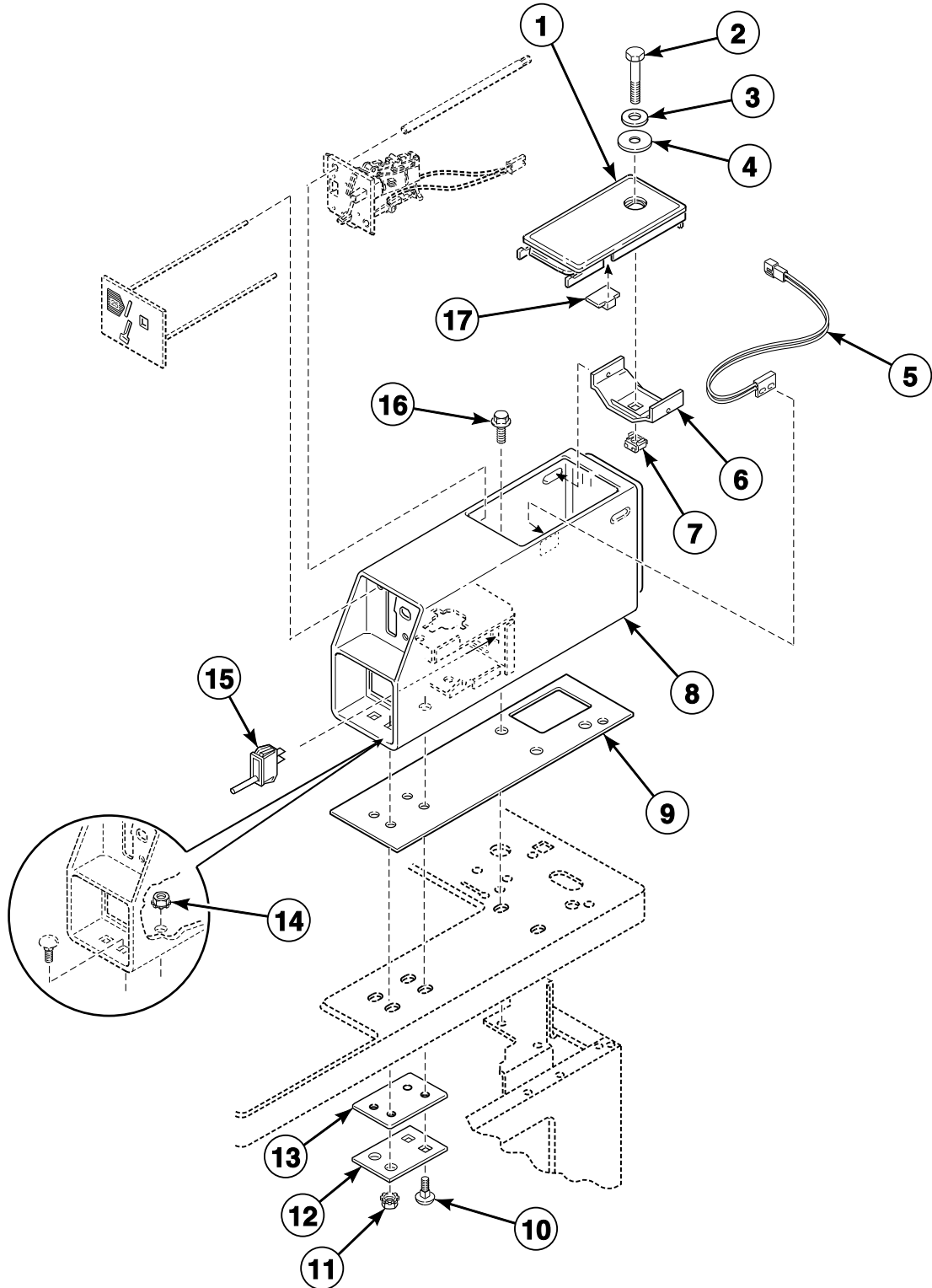
REF	PART NO.	DESCRIPTION	COMMENTS
	553P3	Slide Extension Kit	
1	503673	Screw	
2	N/A	Timer Bracket Kit	
3	33562	Screw	
4	21734	Washer	
5	03203	Screw	
6	20530	Screw	
7	55881	Harness Strap	
8	510661P	Harness Replacement Kit	
9	30642	Meter Case Locking Bracket	
10	30647	Nut	
11	524P3W	Meter Case and Funnel Kit	White; Includes item 25
	524P3L	Meter Case and Funnel Kit	Almond; Includes item 25
12	N/A	Wire Harness Clip	
13	34599	Reed Switch	
14	26354	Meter Case Gasket	
15	02505	Bolt	
16	29786	Nut	
17	35525	Meter Case Lockdown Bracket	
18	35526	Meter Case Bracket Gasket	
19	34536	Pushbutton Switch	
20	61031	Coin Slide Extension	
21	03950	Screw	
22	29796	Nut	
23	29651	Bolt	
24	31260	Screw	
25	523P3	Coin Funnel Kit	Includes items 22 and 23
26	N/A	Sensor Control	
27	500628	Instruction Label	
28	35917	Washer	
29	36048	Screw	
30	501453	Magnet	
31	35798WP	Service Door Assembly	White
	35798LP	Service Door Assembly	Almond
32	35774	Washer	
33	35917	Washer	

\* Add Letter To Designate Color. L - Almond W - White

N/A = Part no longer available

# Service Door and Meter Case (Drawing 2 of 4)

Models EE2907\*T1500, EE2907\*T3000, EE2907\*T4350, EEC290\*T3000, EG2909\*T3000, EG2909\*T3013, EG2909\*T3058, EG2909\*V3058, EGC290\*T3013, ZE2907\*T1502, ZE2907\*T1702, ZE2907\*T99F4, ZEC290\*T3000 and ZG2909\*T1102



D224P\_502010



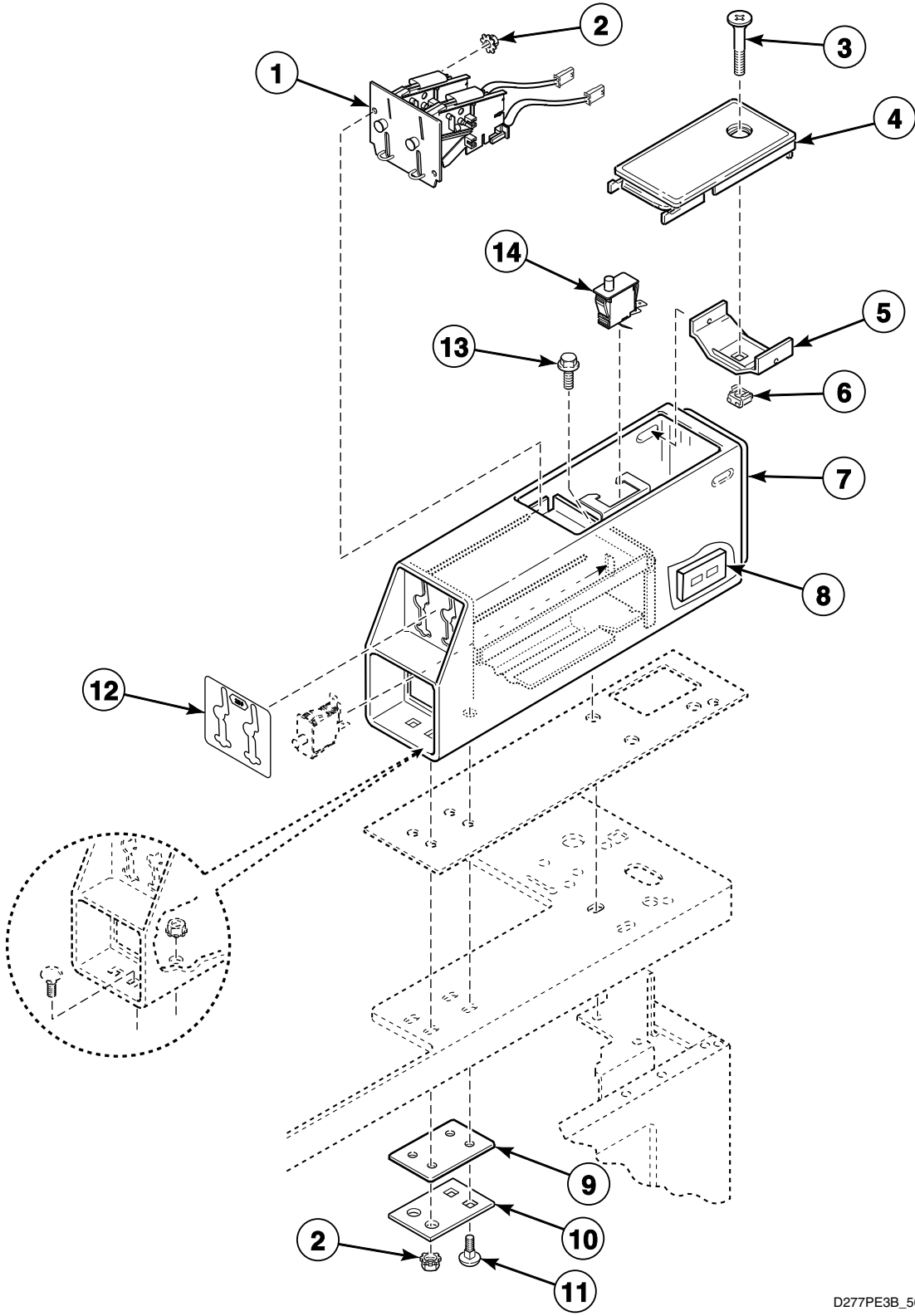
## Service Door and Meter Case (Drawing 2 of 4)

REF	PART NO.	DESCRIPTION	COMMENTS
1	35798WP	Service Door Assembly	White
	35798LP	Service Door Assembly	Almond
2	503673	Screw	
3	35917	Washer	
4	35774	Washer	
5	34599	Reed Switch	Models through Serial No. 9609062120
	512973	Switch	Models starting Serial No. 9609062121
6	30642	Meter Case Locking Bracket	
7	30647	Nut	
8	38542WP	Meter Case Kit	White; Includes 504570 Switch
	38542LP	Meter Case Kit	Almond; Includes 504570 Switch
9	26354	Meter Case Gasket	
10	02505	Bolt	
11	29786	Nut	
12	35525	Meter Case Lockdown Bracket	
13	35526	Meter Case Bracket Gasket	
14	29786	Nut	
15	34536	Pushbutton Switch	
16	36048	Screw	
17	501453	Magnet	Models through Serial No. 9609062120

\* Add Letter To Designate Color. L - Almond W - White

# Service Door and Meter Case (Drawing 3 of 4)

Models EE2907\*M4350, EEC290\*M3000, EG2909\*M3000, EG2909\*M3013, EG2909\*M3058, EGC290\*M3013, ZE2907\*M1502, ZE2907\*M1702, ZE2907\*M99F4, ZEC290\*M3000 and ZG2909\*M1102



D277PE3B\_502010

## Service Door and Meter Case (Drawing 3 of 4)

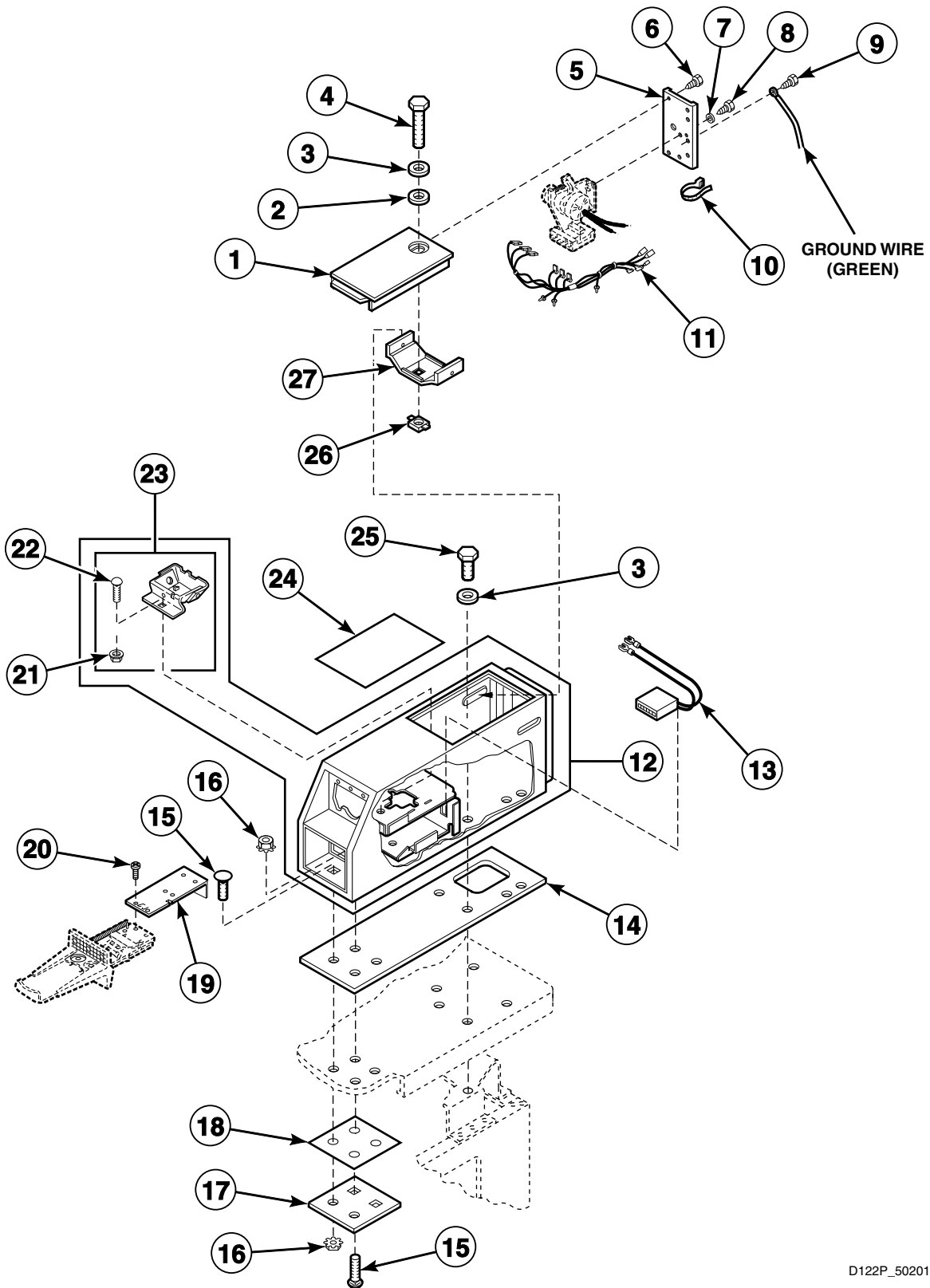
REF	PART NO.	DESCRIPTION	COMMENTS
1	38467	Coin Drop Assembly	Australia; \$.20 and \$1.00
	N/A	Coin Drop Assembly	Belgium, Denmark, France, Italy and Spain coins
	38472	Coin Drop Assembly	England; .20 and 1.00 pound
	38519	Coin Drop Assembly	Japan; 100 and 500 yen
	38521	Coin Drop Assembly	Korea; 100 and 500 won
	38522	Coin Drop Assembly	New Zealand; \$.20 and \$1.00
	39157	Coin Drop Assembly	Israel; 1 and 5 shekel
	200578P	Coin Drop Assembly	Canada; \$.25 and \$1.00
2	29786	Nut	
3	503673	Screw	
4	35798WP	Service Door Assembly	White
	35798LP	Service Door Assembly	Almond
5	503315	Timer Bracket	Models EEC290*M3000, EGC290*M3013 and ZEC290*M3000
	N/A	Timer Bracket Kit	All other models
6	30647	Nut	
7	38724W	Meter Case Assembly	White
	38724L	Meter Case Assembly	Almond
8	38571	Multiplier Assembly	Dual drop
9	35526	Meter Case Bracket Gasket	
10	35525	Meter Case Lockdown Bracket	
11	02505	Bolt	
12	39073	Dual Overlay	
13	36048	Screw	
14	34536	Pushbutton Switch	

\* Add Letter To Designate Color. L - Almond W - White

N/A = Part no longer available

# Service Door and Meter Case (Drawing 4 of 4)

Models EE2107\*-1500, EE2107\*-3000, EE2107\*-3066, EE2107\*-4350, EE2107\*-5412, EE2107\*T3000, EE2507\*-1500, EEC210\*T3000, EEJ907\*T1500, EG2109\*-3000, EG2109\*-3013, EG2109\*3058, EG2109\*-5412, EG2109\*T3013, EG2109\*T3058, EG2109-T5412, EG2109\*V3058, EGC210\*T3013, GE2107\*-1502, GE2107\*-1702, ZE2107\*-1502, ZE2107\*-1702, ZE2107\*-3000, ZE2107\*T3000, ZEC210\*T3000, ZEJ907\*T1500, ZEJ907\*T1702, ZG2109\*-1102, ZG2109\*-3000, ZG2109\*-3013, ZG2109\*T3013, ZG2109\*T5414, ZGC210\*T3013, ZGC290\*T3013 and ZGJ909\*T1102



D122P\_502010

## Service Door and Meter Case (Drawing 4 of 4)

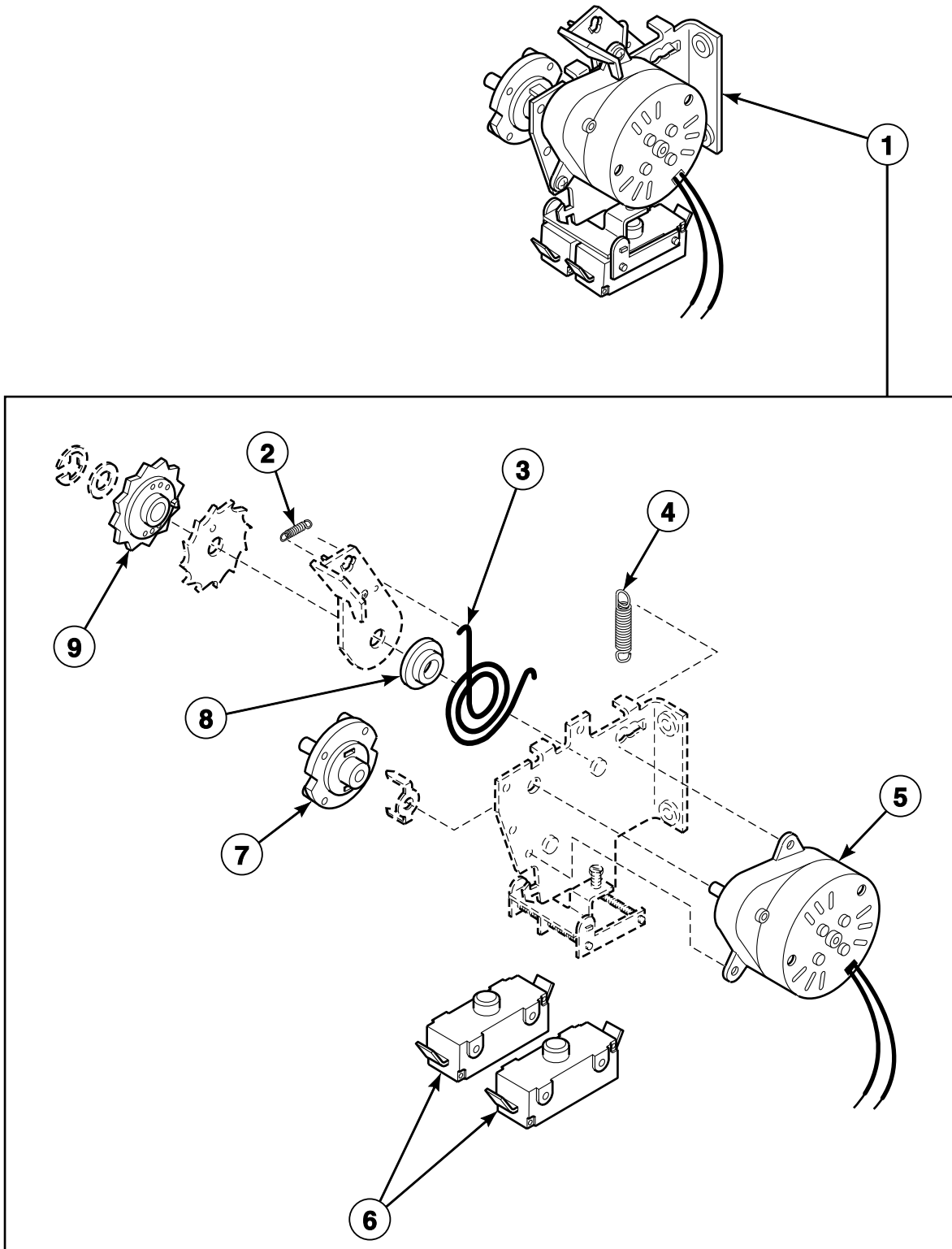
REF	PART NO.	DESCRIPTION	COMMENTS
	553P3	Slide Extension Kit	
1	35798WP	Service Door Assembly	White
	35798LP	Service Door Assembly	Almond
2	35774	Washer	Vinyl
3	35917	Washer	Metal
4	503673	Screw	
5	503315	Timer Bracket	Models EEC210*T3000, EGC210*T3013, ZEC210*T3000, ZGC210*T3013 and ZGC290*T3013
	N/A	Timer Bracket Kit	All other models
6	33562	Screw	
7	21734	Washer	
8	502431	Screw	Models EEC210*T3000, EGC210*T3013, ZEC210*T3000, ZGC210*T3013 and ZGC290*T3013
	03203	Screw	All other models
9	20530	Screw	
10	55881	Harness Strap	
11	510661P	Harness Replacement Kit	Model EE2507*-1500
	510534P	Harness Replacement Kit	All other models
12	524P3W	Meter Case and Funnel Kit	White; Includes item 23
	524P3L	Meter Case and Funnel Kit	Almond; Includes item 23
13	62113P	Counter Kit	Model EE2507*-1500
14	26354	Meter Case Gasket	
15	02505	Bolt	
16	29786	Nut	
17	35525	Meter Case Lockdown Bracket	
18	35526	Meter Case Bracket Gasket	
19	503733	Coin Slide Extension	Models EEC210*T3000, EGC210*T3013, ZEC210*T3000, ZGC210*T3013 and ZGC290*T3013
	61031	Coin Slide Extension	All other models
20	03950	Screw	
21	29796	Nut	
22	29651	Bolt	
23	523P3	Coin Funnel Kit	Includes items 21 and 22
24	500628	Instruction Label	
25	36048	Screw	
26	30647	Nut	
27	30642	Meter Case Locking Bracket	

\* Add Letter To Designate Color. L - Almond W - White

N/A = Part no longer available

# Accumulator - H. Greenwald Co. (Drawing 1 of 2)

All Metered Models Except EE2507\*-1500 and EE2607\*-1500



D125P\_502010

## Accumulator - H. Greenwald Co. (Drawing 1 of 2)

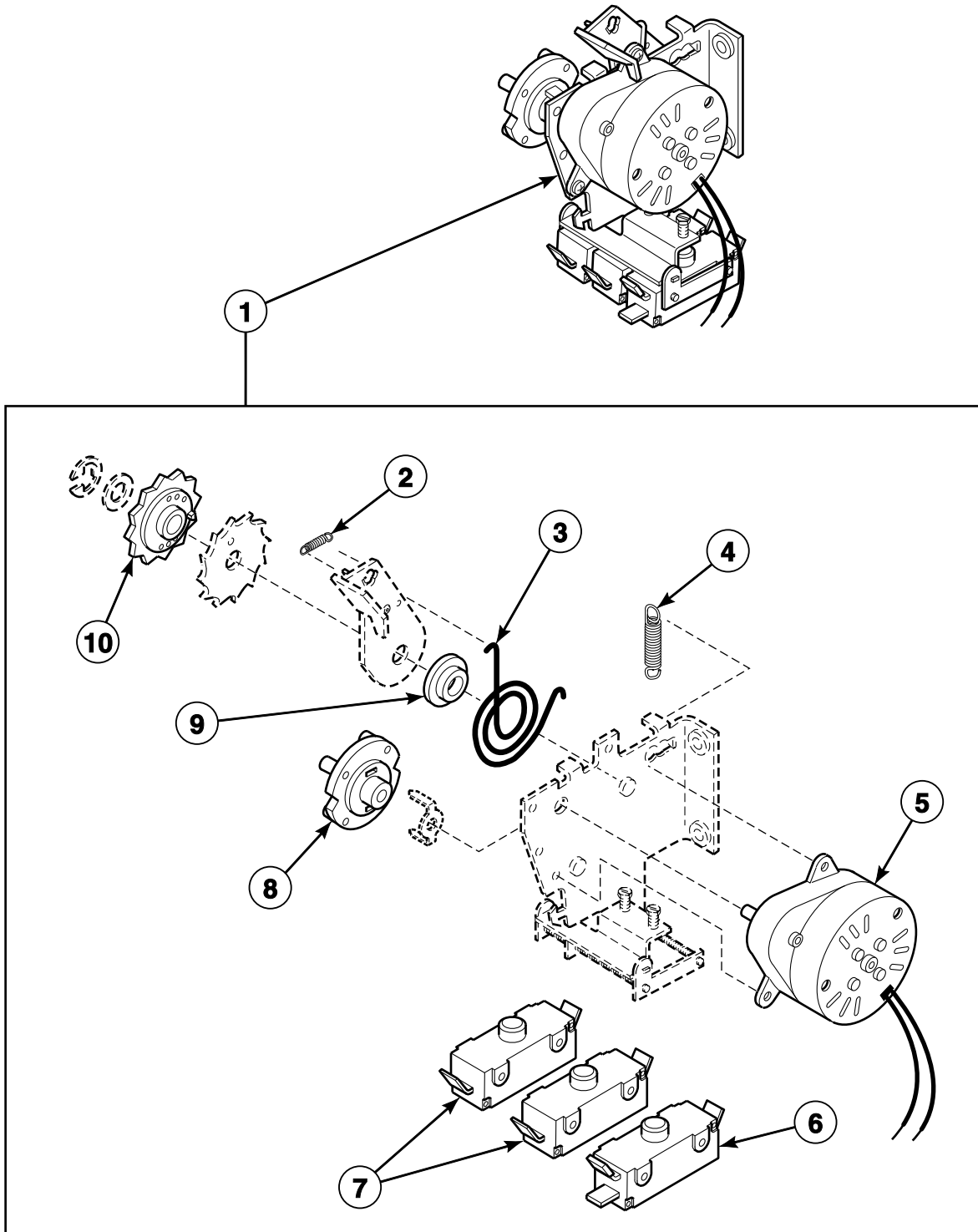
REF	PART NO.	DESCRIPTION	COMMENTS
1	510631P	Accumulator Replacement Kit	Models EE2107*-5412 and EG2109*-5412; 230 Volt/60 Hertz
	510628P	Accumulator Replacement Kit	Models EE2107*-1500, GE2107*-1502, GE2107*-1702, ZE2107*-1502 and ZE2107*-1702; 120 Volt/60 Hertz
	510632P	Accumulator Kit	Models EEC210*T3000, EGC210*T3013, ZEC210*T3000 and ZGC210*T3013; 24 Volt/50 Hertz
	510629P	Accumulator Replacement Kit	All other models; 240 Volt/50 Hertz
2	N/A	Pawl Spring	
3	53261	Spring	
4	N/A	Index Spring	
5	N/A	Timer Motor	50 Hertz
	512017P	Timer Motor	60 Hertz
6	N/A	Switch	
7	53240	Timing Cam	60 minute; 3 pin
	53241	Timing Cam	45 minute; 4 pin
	53242	Timing Cam	30 minute; 6 pin
	53243	Timing Cam	20 minute; 9 pin
8	N/A	Bushing	Nylon
9	53239	Ratchet Wheel	

\* Add Letter To Designate Color. L - Almond W - White

N/A = Part no longer available

# Accumulator - H. Greenwald Co. (Drawing 2 of 2)

Models EE2507\*-1500 and EE2607\*-1500



D126P\_502010



## Accumulator - H. Greenwald Co. (Drawing 2 of 2)

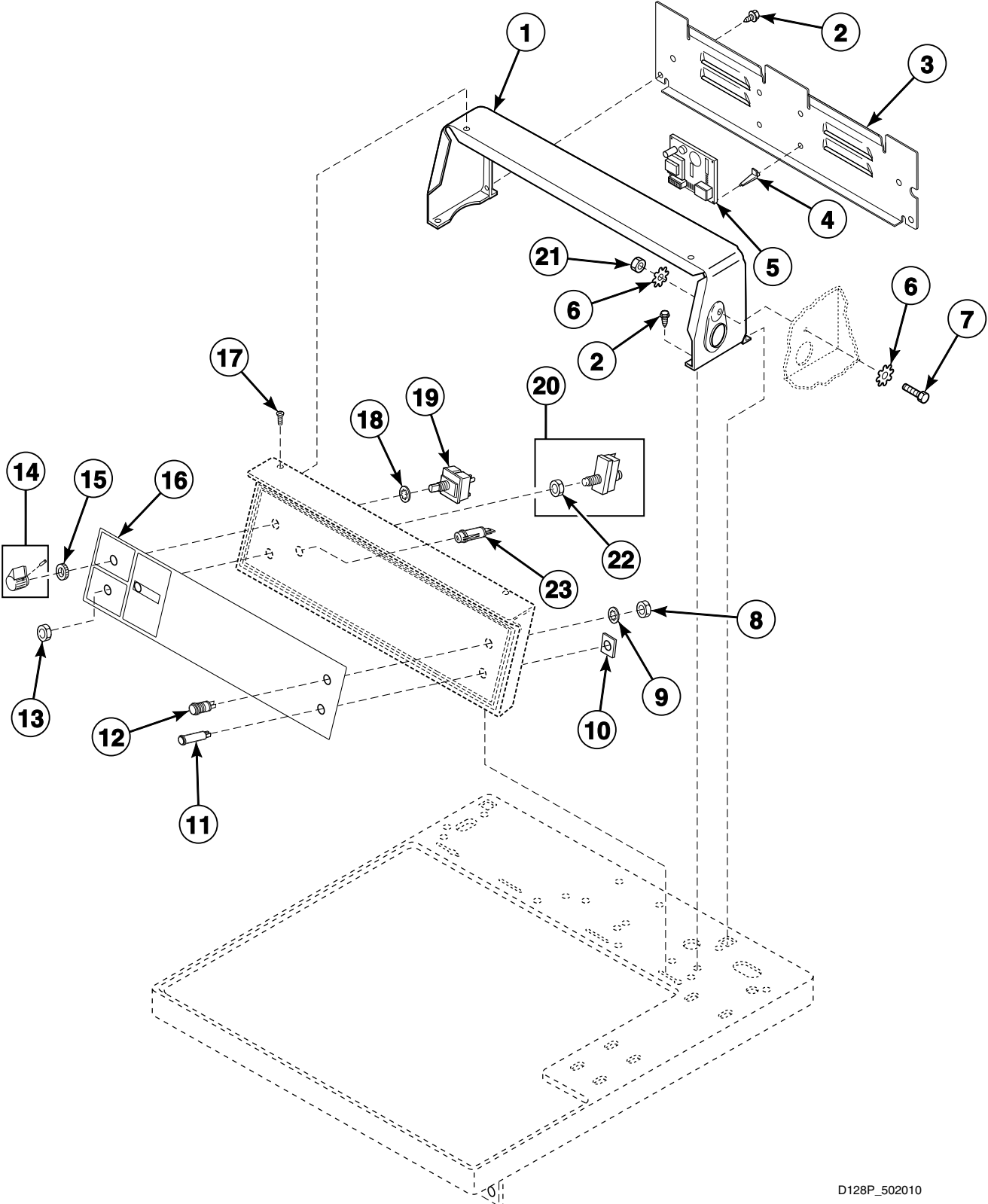
REF	PART NO.	DESCRIPTION	COMMENTS
1	510630P	Accumulator Replacement Kit	120 Volt/60 Hertz
2	N/A	Pawl Spring	
3	53261	Spring	
4	N/A	Index Spring	
5	512017P	Timer Motor	
6	61468	Snap Switch	
7	N/A	Switch	
8	53240	Timing Cam	60 minute; 3 pin
	53241	Timing Cam	45 minute; 4 pin
	53242	Timing Cam	30 minute; 6 pin
	53243	Timing Cam	20 minute; 9 pin
9	N/A	Bushing	Nylon
10	53239	Ratchet Wheel	

\* Add Letter To Designate Color. L - Almond W - White

N/A = Part no longer available

# Control Panel, Control Hood and Controls (Drawing 1 of 4)

Model EE2607\*-1500



D128P\_502010

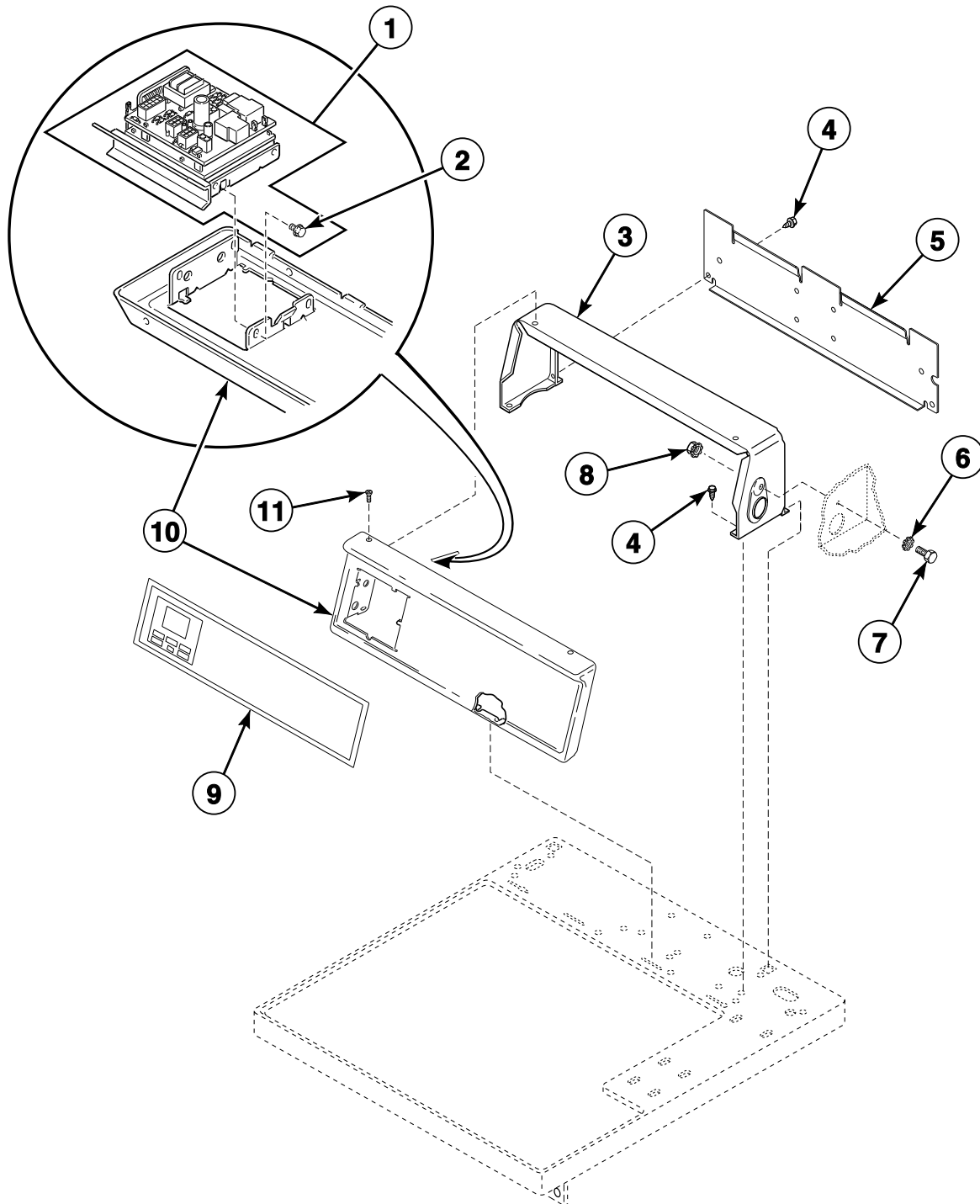
## Control Panel, Control Hood and Controls (Drawing 1 of 4)

REF	PART NO.	DESCRIPTION	COMMENTS
	281P4	Torx Bit	
	24161	Bit Holder	
1	502567W	Control Hood	White
	502567L	Control Hood	Almond
2	501086	Screw	
3	505798	Hood Back Plate	
4	34896	Circuit Board Support	
5	N/A	Audit Control	
6	02431	Washer	
7	02916	Screw	
8	N/A	Nut	
9	N/A	Washer	
10	34762	Push-on Clip	
11	34701	Transmit Light	
12	N/A	Transmit Switch	
13	52947	Nut	Included with item 20
14	39897	Switch Knob	
15	24205	Nut	
16	62646	Graphic Overlay	
17	500226	Screw	
	N/A	Screw	Torx head; Optional for added security
18	91176	Washer	
19	61512	Fabric Selector Switch	
20	55882	Switch Assembly	Includes item 22
21	52566	Nut	
22	52947	Nut	
23	32464	Light	

\* Add Letter To Designate Color. L - Almond W - White  
 N/A = Part no longer available

# Control Panel, Control Hood and Controls (Drawing 2 of 4)

Models EE2907\*M4350, EE2907\*T1500, EE2907\*T3000, EE2907\*T4350, EEC290\*M3000, EEC290\*T3000, EEJ907\*T1500, EG2909\*M3000, EG2909\*M3013, EG2909\*M3058, EG2909\*T3000, EG2909\*T3013, EG2909\*T3058, EG2909\*V3058, EGC290\*M3013, EGC290\*T3013, ZE2907\*M1502, ZE2907\*M1702, ZE2907\*M99F4, ZE2907\*T1502, ZE2907\*T1702, ZE2907\*T99F4, ZEC290\*M3000, ZEC290\*T3000, ZEJ907\*T1500, ZEJ907\*T1502, ZEJ907\*T1702, ZG2909\*M1102, ZG2909\*T1102, ZGC290\*T3013 and ZGJ909\*T1102



D225P\_502010

## Control Panel, Control Hood and Controls (Drawing 2 of 4)

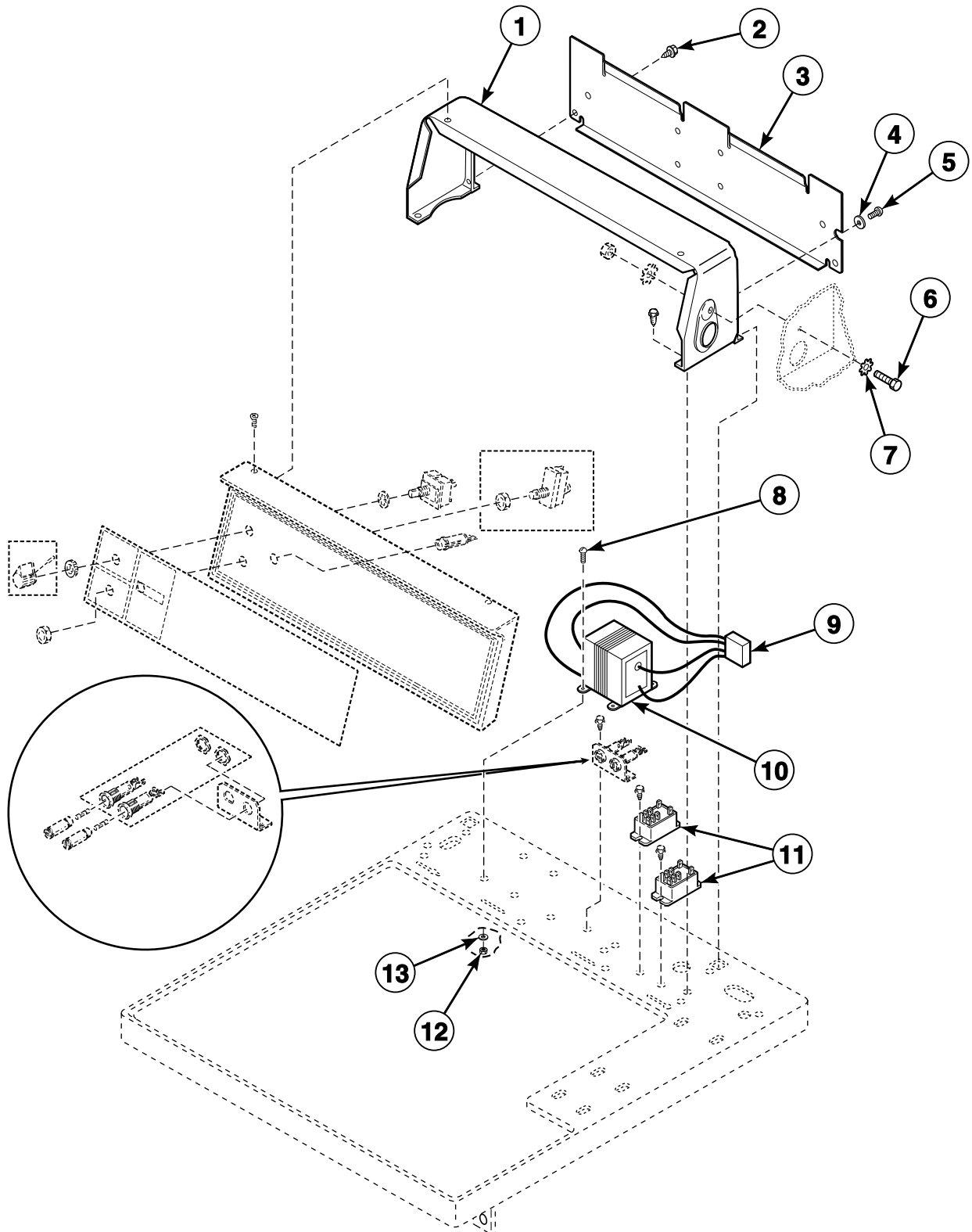
REF	PART NO.	DESCRIPTION	COMMENTS
	M412477P	Transformer	Models EEC290*T3000, EGC290*T3013 and ZEC290*T3000; 240 or 24 Volt
	501086	Screw	Use with M412477 Transformer
<b>1</b>	M414049P	Control Kit	Models EEC290*T3000, EGC290*T3013 and ZEC290*T3000; 24 Volt; Includes item 2
	M414050P	Control Kit	All other models; 120 Volt; Includes item 2
<b>2</b>	501524	Screw	
<b>3</b>	502567W	Control Hood	White
	502567L	Control Hood	Almond
<b>4</b>	501086	Screw	
<b>5</b>	N/A	Hood Back Panel	Models EEC290*T3000 and ZEC290*T3000
	505798	Hood Back Plate	All other models
<b>6</b>	02431	Washer	
<b>7</b>	02916	Screw	
<b>8</b>	29786	Nut	
<b>9</b>	511905	Graphic Overlay	Model EGC290*T3013
	N/A	Graphic Overlay	Models EEC290*T3000 and ZEC290*T3000
	504113	Graphic Overlay	All other models
<b>10</b>	501359W	Control Panel	White
<b>11</b>	500226	Screw	

\* Add Letter To Designate Color. L - Almond W - White

N/A = Part no longer available

# Control Panel, Control Hood and Controls (Drawing 3 of 4)

All Models Except EE2607\*-1500, EE2907\*M4350, EE2907\*T1500, EE2907\*T3000, EE2907\*T4350, EEC290\*M3000, EEC290\*T3000, EEJ907\*T1500, EG2909\*M3000, EG2909\*M3013, EG2909\*M3058, EG2909\*T3000, EG2909\*T3013, EG2909\*T3058, EG2909\*V3058, EGC290\*M3013, EGC290\*T3013, ZE2907\*M1502, ZE2907\*M1702, ZE2907\*M99F4, ZE2907\*T1502, ZE2907\*T1702, ZE2907\*T99F4, ZEC290\*M3000, ZEC290\*T3000, ZEJ907\*T1500, ZEJ907\*T1502, ZEJ907\*T1702, ZG2909\*M1102, ZG2909\*T1102, ZGC290\*T3013 and ZGJ909\*T1102



DRY992P\_502010

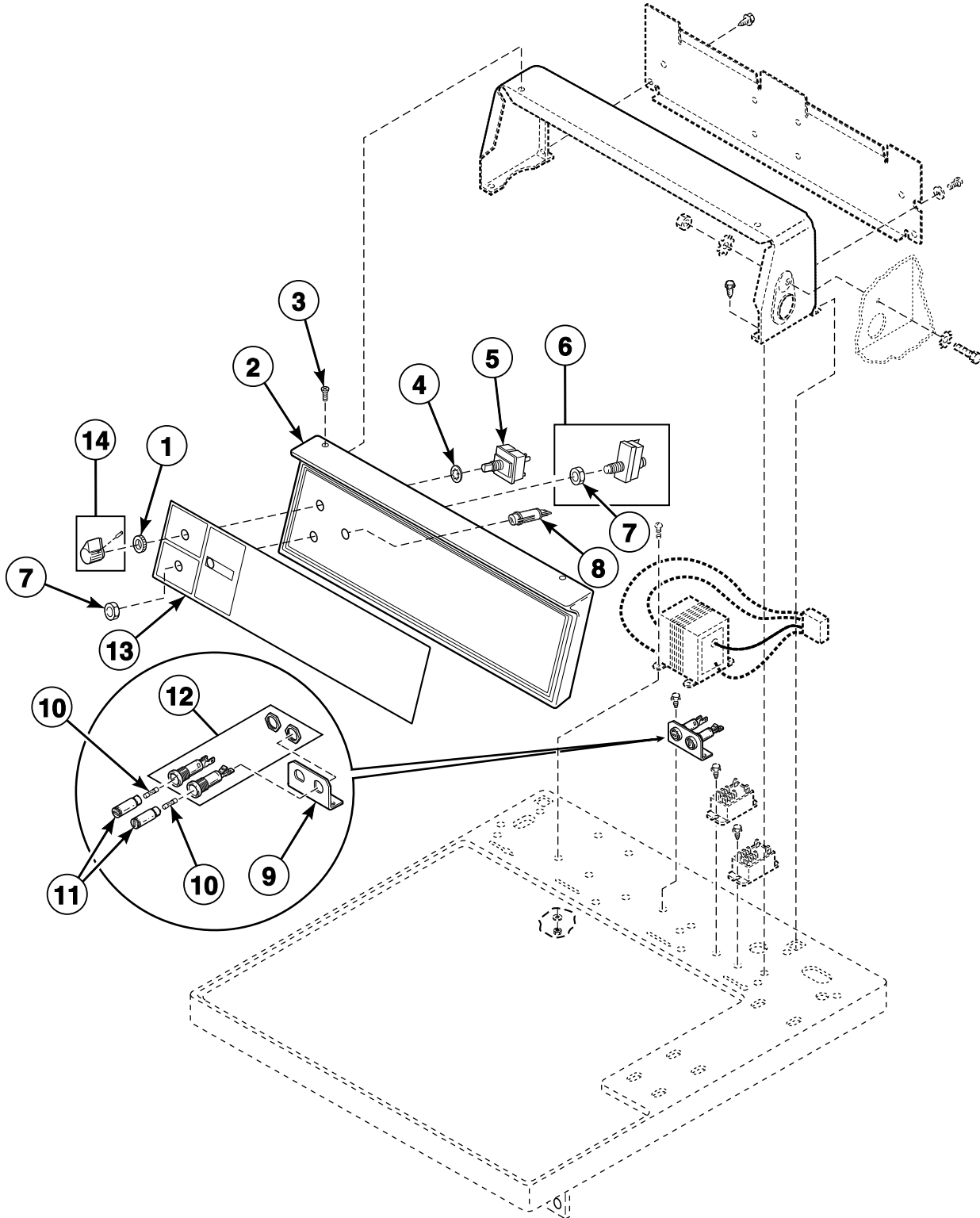
## Control Panel, Control Hood and Controls (Drawing 3 of 4)

REF	PART NO.	DESCRIPTION	COMMENTS
1	502567W	Control Hood	White
	502567L	Control Hood	Almond
2	501086	Screw	
3	505798	Hood Back Plate	
4	21734	Washer	
5	03203	Screw	
6	02916	Screw	
7	02431	Washer	
8	20267	Screw	
9	23041	6 Circuit Plug	
10	511658P	Transformer Kit	Models EG2009*-3000, EG2009*-3058, EG2109*-3000, EG2109*-3013, EG2109*3058, EG2109*-5412, ZG2009*-3004, ZG2009*-3005, ZG2009*-3008, ZG2109*-3000 and ZG2109*-3013
	M412477P	Transformer	Models EEC200*T3000, EEC210*T3000, EGC210*T3013, ZEC200*T3003, ZEC200*T3008, ZEC210*T3000, ZGC200*T3008 and ZGC210*T3013
11	502501	Relay	
12	23951	Nut	
13	03815	Washer	
14	52566	Nut	

\* Add Letter To Designate Color. L - Almond W - White

# Control Panel, Control Hood and Controls (Drawing 4 of 4)

All Models Except EE2607\*-1500, EE2907\*M4350, EE2907\*T1500, EE2907\*T3000, EE2907\*T4350, EEC290\*M3000, EEC290\*T3000, EEJ907\*T1500, EG2909\*M3000, EG2909\*M3013, EG2909\*M3058, EG2909\*T3000, EG2909\*T3013, EG2909\*T3058, EG2909\*V3058, EGC290\*M3013, EGC290\*T3013, ZE2907\*M1502, ZE2907\*M1702, ZE2907\*M99F4, ZE2907\*T1502, ZE2907\*T1702, ZE2907\*T99F4, ZEC290\*M3000, ZEC290\*T3000, ZEJ907\*T1500, ZEJ907\*T1502, ZEJ907\*T1702, ZG2909\*M1102, ZG2909\*T1102, ZGC290\*T3013 and ZGJ909\*T1102



DRY992PA\_502010



## Control Panel, Control Hood and Controls (Drawing 4 of 4)

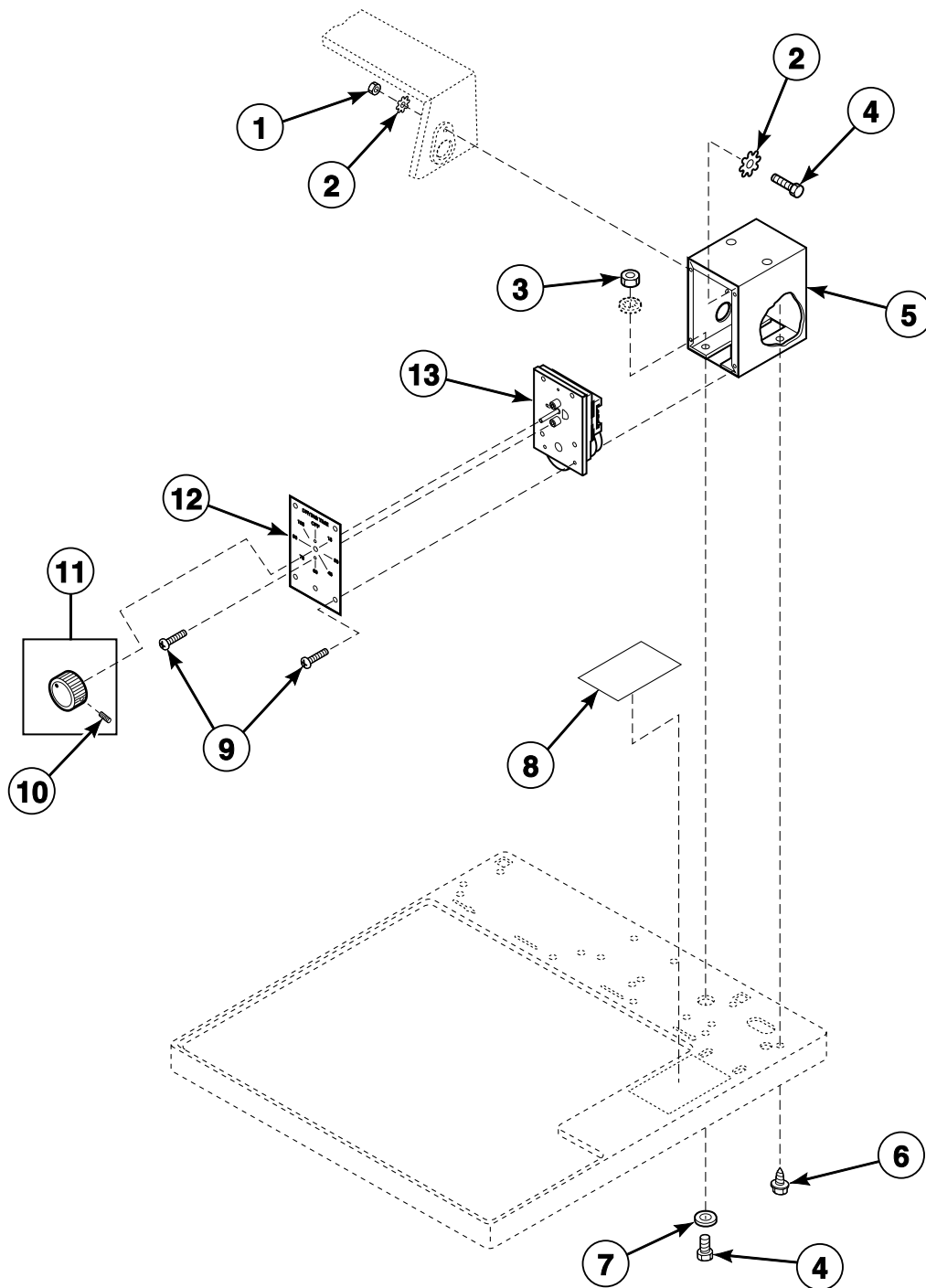
REF	PART NO.	DESCRIPTION	COMMENTS
	281P4	Torx Bit	
	24161	Bit Holder	
<b>1</b>	24205	Nut	
<b>2</b>	N/A	Control Panel and Bracket Assembly	Models ZE2007*-3005, ZE2107*-1502, ZE2107*-1702, ZE2107*-3000, ZG2009*-3005, ZG2109*-3000 and ZG2109*-3013
	501738W	Control Panel and Bracket Assembly	White; All other models
	501738L	Control Panel and Bracket Assembly	Almond; All other models
<b>3</b>	500226	Screw	
	N/A	Screw	Torx head; Optional for added security
<b>4</b>	91176	Washer	
<b>5</b>	61512	Fabric Selector Switch	
<b>6</b>	55882	Switch Assembly	Includes item 7
<b>7</b>	52947	Nut	
<b>8</b>	38280	Indicator Light	Purple; 250 Volt
	36967	Light	Green; 250 Volt
	32464	Light	White; 120 Volt
<b>9</b>	502589	Fuse Holder Bracket	Models with "C" in third position of the model number
<b>10</b>	502593	Fuse	Models with "C" in third position of the model number
<b>11</b>	502811	Fuse Carrier	Models with "C" in third position of the model number
<b>12</b>	502591P	Fuse Holder Kit	Models with "C" in third position of the model number
<b>13</b>	N/A	Graphic Overlay	Models ZE2007*-3003, ZE2007*-3004, ZE2007*-3005, ZE2007*-3008, ZG2009*-3004, ZG2009*-3005, ZG2009*-3008, GE2107*-1502, GE2107*-1702, ZE2007*-1702, ZE2107*-1502, ZE2107*-1702, ZE2107*-3000, ZG2109*-1102, ZG2109*-3000, ZG2109*-3013 and ZG2109*T5414
	511897	Graphic Overlay	Models EE2107*-5412 and EG2109*-5412
	511895	Graphic Overlay	Models EE2007*-1500, EE2007*-3000, EE2007*-4350, EE2107*-1500, EE2107*-3000, EE2107*-3066, EE2107*-4350, EE2507*-1500, EG2009*-3000, EG2009*-3058, EG2109*-3000 and EG2109*-3013
	511896	Graphic Overlay	Models EEC200*T3000, EEC210*T3000 and EGC210*T3013
	511905	Graphic Overlay	Models ZEC210*T3000 and ZGC210*T3013
	511901	Graphic Overlay	Models ZEC200*T3003, ZEC200*T3008 and ZGC200*T3008
<b>14</b>	39897	Switch Knob	

\* Add Letter To Designate Color. L - Almond W - White

N/A = Part no longer available

# Timer, Plate, Case and Knob

Models EE2007\*-1500, EE2007\*-3000, EE2007\*-4350, EEC200\*T3000, EEJ907\*T1500, EG2009\*-3000, EG2009\*-3058, ZE2007\*-1702, ZE2007\*-3003, ZE2007\*-3004, ZE2007\*-3005, ZE2007\*-3008, ZE2907\*-T99F4, ZEC200\*T3003, ZEC200\*T3008, ZEJ907\*T1502, ZEJ907\*T1702, ZG2009\*-3004, ZG2009\*-3005, ZG2009\*-3008, ZGC200\*T3008 and ZGJ909\*T1102



D188P\_502010

## Timer, Plate, Case and Knob

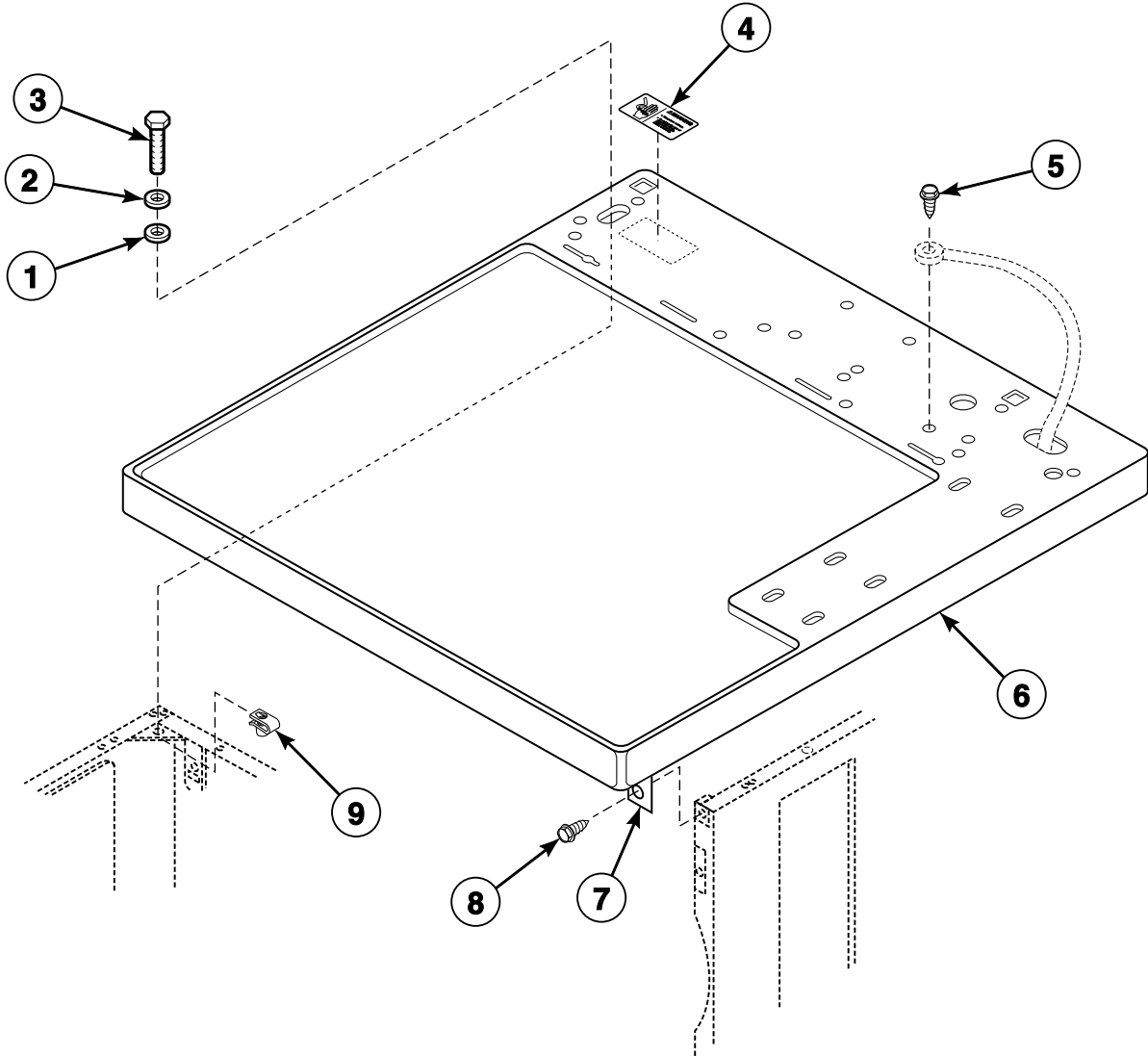
REF	PART NO.	DESCRIPTION	COMMENTS
1	52566	Nut	
2	02431	Washer	
3	29786	Nut	
4	02916	Screw	
5	37733W	Timer Case Assembly	
6	501086	Screw	
7	20279	Washer	
8	500490	Instruction Plate	
9	03203	Screw	Models EE2007*-1500, EE2007*-3000, EE2007*-4350, EEC200*T3000, EG2009*-3000, EG2009*-3058, ZE2007*-1702, ZE2007*-3003, ZE2007*-3004, ZE2007*-3005, ZE2007*-3008, ZEC200*T3003, ZEC200*T3008, ZG2009*-3004, ZG2009*-3005, ZG2009*-3008 and ZGC200*T3008
10	27328	Screw	Models EE2007*-1500, EE2007*-3000, EE2007*-4350, EEC200*T3000, EG2009*-3000, EG2009*-3058, ZE2007*-1702, ZE2007*-3003, ZE2007*-3004, ZE2007*-3005, ZE2007*-3008, ZEC200*T3003, ZEC200*T3008, ZG2009*-3004, ZG2009*-3005, ZG2009*-3008 and ZGC200*T3008
11	54678	Timer Knob	Models EE2007*-1500, EE2007*-3000, EE2007*-4350, EEC200*T3000, EG2009*-3000, EG2009*-3058, ZE2007*-1702, ZE2007*-3003, ZE2007*-3004, ZE2007*-3005, ZE2007*-3008, ZEC200*T3003, ZEC200*T3008, ZG2009*-3004, ZG2009*-3005, ZG2009*-3008 and ZGC200*T3008
12	500921W	Timer Plate Assembly	White; Models EE2007*-1500, EE2007*-3000, EE2007*-4350, EG2009*-3000, EG2009*-3058, ZE2007*-1702, ZE2007*-3003, ZE2007*-3004, ZE2007*-3005, ZE2007*-3008, ZG2009*-3004, ZG2009*-3005 and ZG2009*-3008
	N/A	Timer Plate	Models EEC200*T3000, ZEC200*T3003, ZEC200*T3008 and ZGC200*T3008
13	510524P	Timer	120 Volt/60 Hertz; Models EE2007*-1500 and ZE2007*-1702
	510526P	Timer	24 Volt/50 Hertz; Models EEC200*T3000, ZEC200*T3003, ZEC200*T3008 and ZGC200*T3008
	510525P	Timer	240 Volt/50 Hertz; Models EE2007*-3000, EE2007*-4350, EG2009*-3000, EG2009*-3058, ZE2007*-3003, ZE2007*-3004, ZE2007*-3005, ZE2007*-3008, ZG2009*-3004, ZG2009*-3005 and ZG2009*-3008

\* Add Letter To Designate Color. L - Almond W - White

N/A = Part no longer available

# Cabinet Top (Drawing 1 of 2)

Models EE2907\*T1500, EE2907\*T3000, EE2907\*T4350, EEC200\*T3000, EEC210\*T3000, EEC290\*T3000, EEJ907\*T1500, EG2009\*T3058, EG2009\*V3058, EG2109\*T3058, EG2109-T5412, EG2109\*V3058, EG2909\*T3000, EG2909\*T3013, EG2909\*T3058, EG2909\*V3058, EGC210\*T3013, EGC290\*T3013, ZE2907\*T1502, ZE2907\*T1702, ZE2907\*T99F4, ZEC200\*T3003, ZEC200\*T3008, ZEC210\*T3000, ZEC290\*T3000, ZEJ907\*1502, ZEJ907\*T1500, ZEJ907\*T1702, ZG2109\*T5414, ZG2909\*T1102, ZGC200\*T3008, ZGC210\*T3013, ZGC290\*T3013 and ZGJ909\*T1102



D208PE3B\_502010

## Cabinet Top (Drawing 1 of 2)

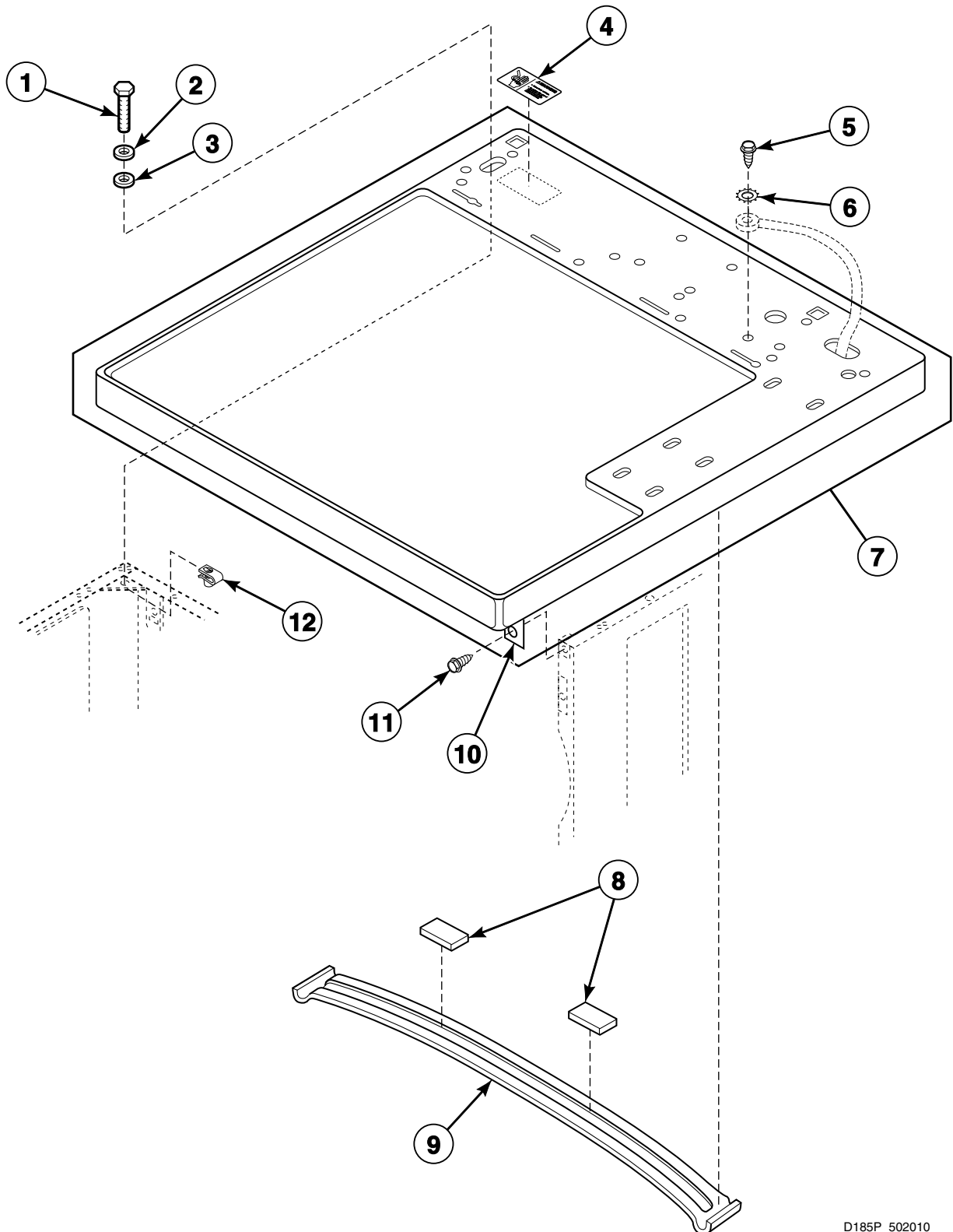
REF	PART NO.	DESCRIPTION	COMMENTS
1	35774	Washer	Vinyl
2	35917	Washer	
3	503673	Screw	
4	505281	Disconnect Power Warning Label	
5	20530	Screw	
6	502570W	Top Panel	White; Models EEC200*T3000, ZEC200*T3003, ZEC200*T3008 and ZGC200*T3008
	N/A	Top Panel	Models EEC210*T3000, EEC290*T3000, EGC210*T3013, EGC290*T3013, ZEC210*T3000, ZEC290*T3000, ZGC210*T3013 and ZGC290*T3013
	511527WP	Top Kit	White; Porcelain; Includes 2 of item 7; All other models
	511527LP	Top Kit	Almond; Porcelain; Includes 2 of item 7; All other models
7	510146	Bracket	
8	33562	Screw	
9	27222	Nut	

\* Add Letter To Designate Color. L - Almond W - White

N/A = Part no longer available

# Cabinet Top (Drawing 2 of 2)

All Models Except EE2907\*T1500, EE2907\*T3000, EE2907\*T4350, EEC200\*T3000, EEC210\*T3000, EEC290\*T3000, EEJ907\*T1500, EG2009\*T3058, EG2009\*V3058, EG2109\*T3058, EG2109-T5412, EG2109\*V3058, EG2909\*T3000, EG2909\*T3013, EG2909\*T3058, EG2909\*V3058, EGC210\*T3013, EGC290\*T3013, ZE2907\*T1502, ZE2907\*T1702, ZE2907\*T99F4, ZEC200\*T3003, ZEC200\*T3008, ZEC210\*T3000, ZEC290\*T3000, ZEJ907\*1502, ZEJ907\*T1500, ZEJ907\*T1702, ZG2109\*T5414, ZG2909\*T1102, ZGC200\*T3008, ZGC210\*T3013, ZGC290\*T3013 and ZGJ909\*T1102



D185P\_502010

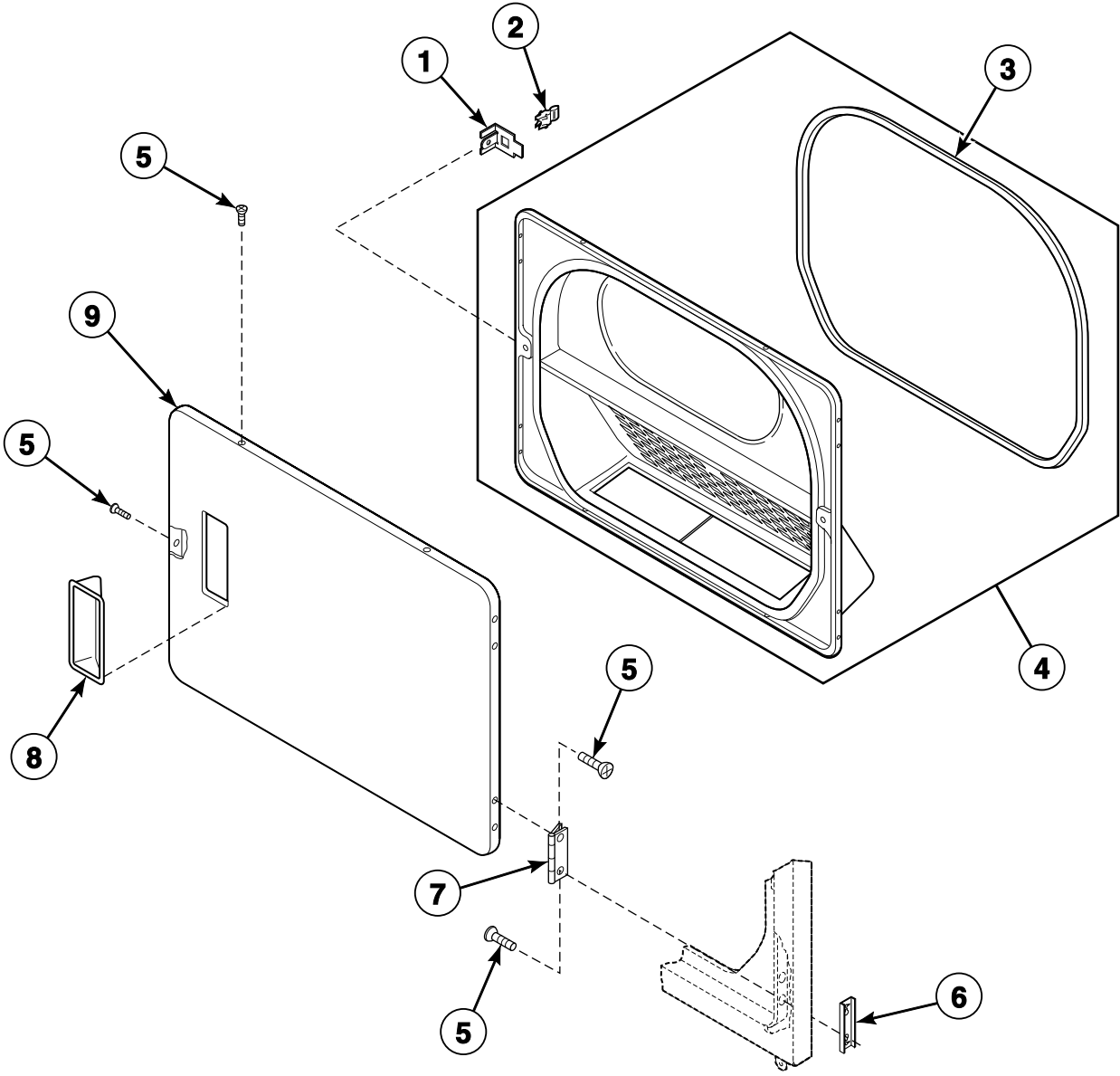
## Cabinet Top (Drawing 2 of 2)

REF	PART NO.	DESCRIPTION	COMMENTS
	282P4	Torx Bit	
	24161	Bit Holder	Use with 62853 Screw
<b>1</b>	503673	Screw	Hex head; Optional for added security
<b>2</b>	35917	Washer	
<b>3</b>	35774	Washer	Vinyl
<b>4</b>	500316	Warning Label	Models GE2107*-1502, GE2107*-1702, ZE2007*-1702, ZE2107*-1502, ZE2107*-1702 and ZG2109*-1102
	505281	Disconnect Power Warning Label	All other models
<b>5</b>	20530	Screw	
<b>6</b>	03815	Washer	
<b>7</b>	511528WP	Top Kit	White; Includes 2 of item 10; Models EE2007*-1500, EE2007*-3000, EE2007*-4350, EE2007*T3000, EG2009*-3000, EG2009*-3058, ZE2007*-1702, ZE2007*-3003, ZE2007*-3004, ZE2007*-3005, ZE2007*-3008, ZE2007*T3008, ZG2009*-3004, ZG2009*-3005 and ZG2009*-3008
	511528LP	Top Kit	Almond; Includes 2 of item 10; Models EE2007*-1500, EE2007*-3000, EE2007*-4350, EE2007*T3000, EG2009*-3000, EG2009*-3058, ZE2007*-1702, ZE2007*-3003, ZE2007*-3004, ZE2007*-3005, ZE2007*-3008, ZE2007*T3008, ZG2009*-3004, ZG2009*-3005 and ZG2009*-3008
	511527WP	Top Kit	White; Includes 2 of item 10; All other models
	511527LP	Top Kit	Almond; Includes 2 of item 10; All other models
<b>8</b>	32670	Foam Pad	
<b>9</b>	N/A	Top Brace	
<b>10</b>	510146	Bracket	
<b>11</b>	33562	Screw	
	62853	Screw	Torx head; Optional for added security
<b>12</b>	27222	Nut	

\* Add Letter To Designate Color. L - Almond W - White

N/A = Part no longer available

# Loading Door



DRY1755P\_502010

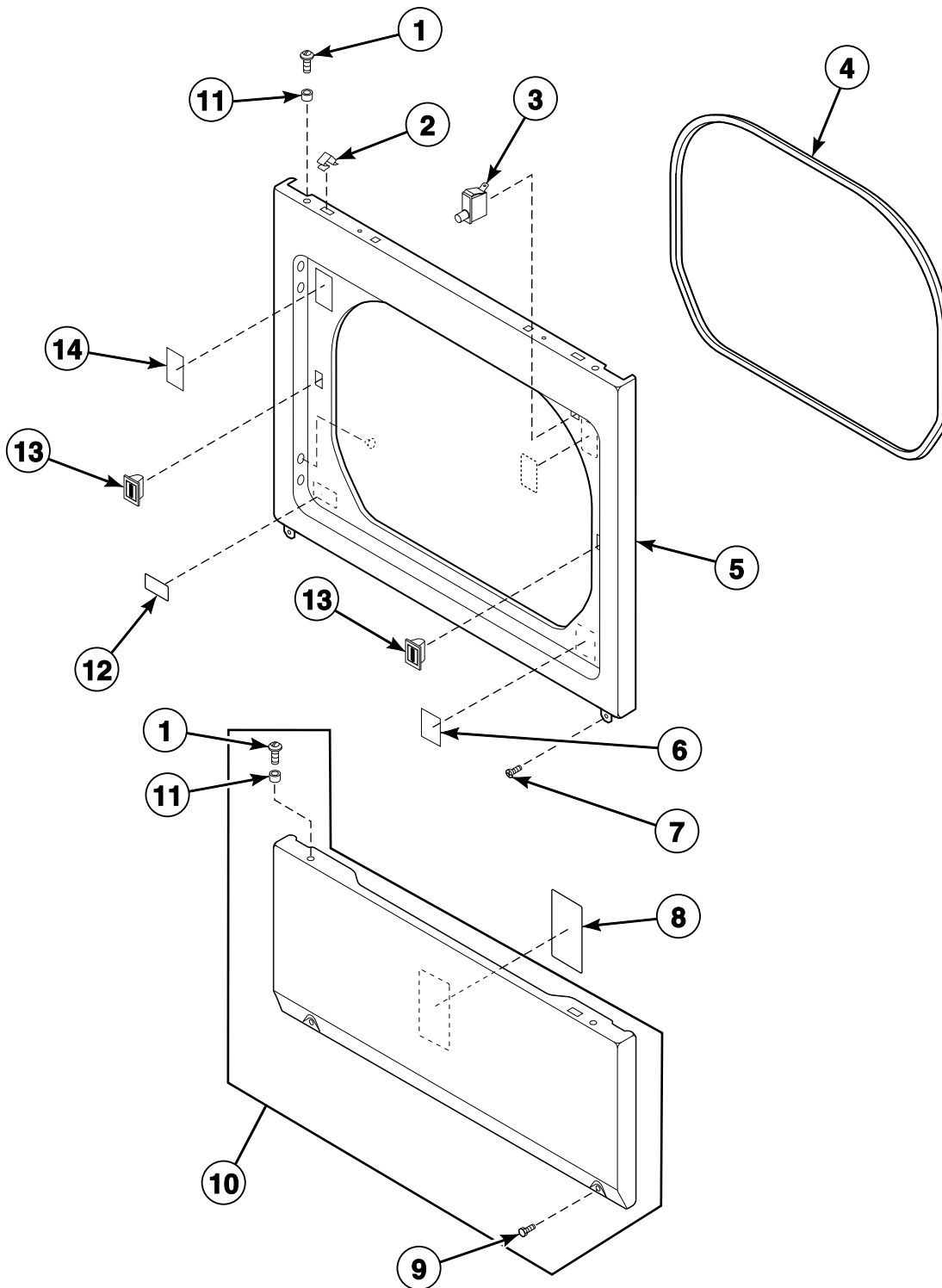


# Loading Door

REF	PART NO.	DESCRIPTION	COMMENTS
1	510127	Door Strike Mount	
2	510181	Door Strike	
3	500200P	Door Seal	
4	500199P	Liner and Seal Assembly	Includes item 3
5	500226	Screw	
6	500236	Door Hinge Mounting Clip	
7	510519	Door Hinge	
8	500042W	Door Pull	
9	N/A	Dryer Door	

**N/A = Part no longer available**

# Lower Access Panel, Front Panel and Seal



D187P\_502010

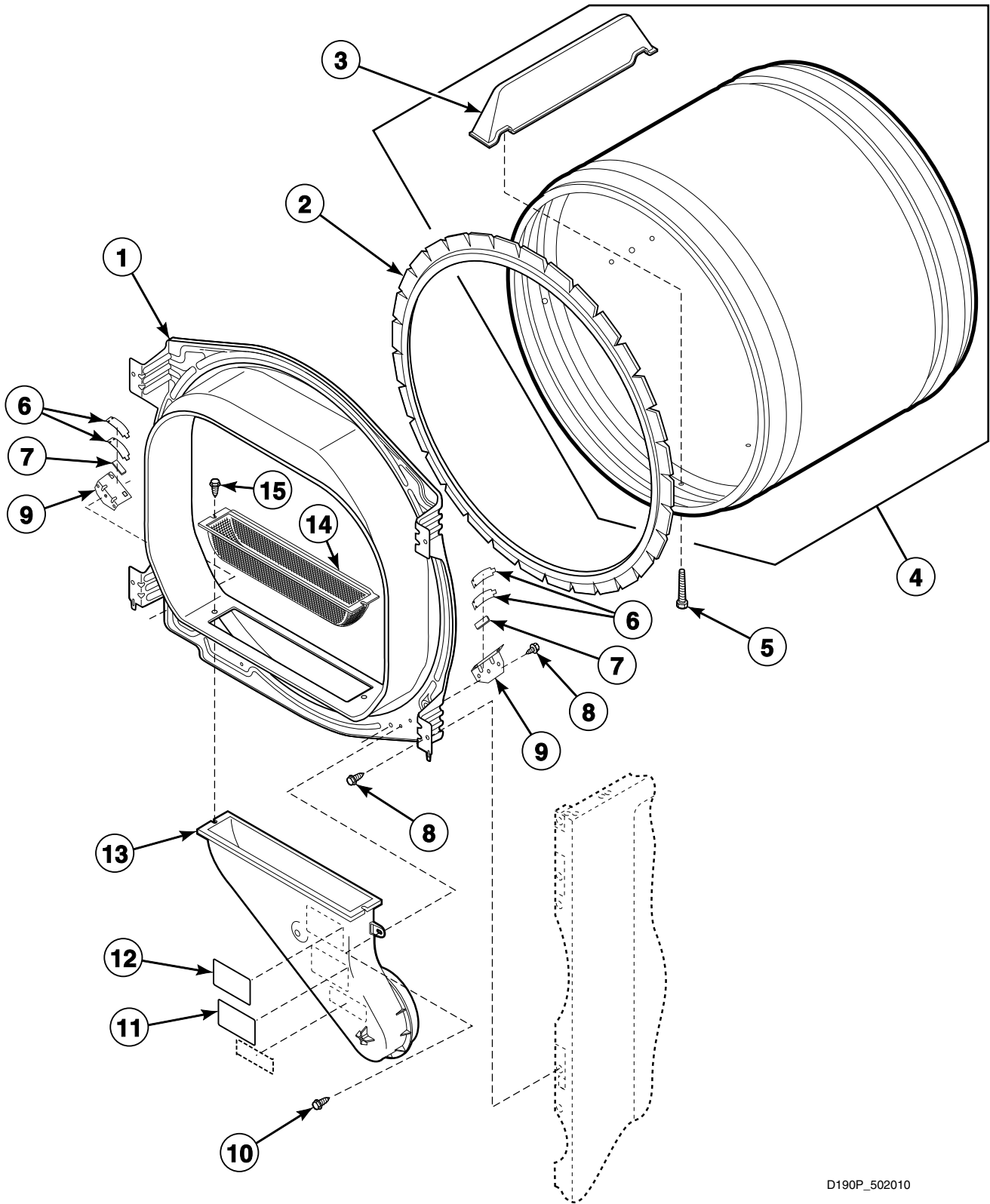
## Lower Access Panel, Front Panel and Seal

REF	PART NO.	DESCRIPTION	COMMENTS
	282P4	Torx Bit	
	24161	Bit Holder	Use with 62853 Screw
<b>1</b>	39733	Screw	
<b>2</b>	28835	Speed Clip	
<b>3</b>	512973	Switch	
<b>4</b>	500034	Front Panel Seal	
<b>5</b>	N/A	Front Panel	
<b>6</b>	N/A	Natural/L.P. Gas Label	Model ZG2109*-1102
<b>7</b>	33562	Screw	
<b>8</b>	511004	Gas Clearance Label	Gas models
<b>9</b>	33562	Screw	
	62853	Screw	Torx head; Optional for added security
<b>10</b>	514250WP	Access Panel Assembly	White
	510069LP	Access Panel	Almond
<b>11</b>	56079	Panel Locator	
<b>12</b>	502804	Clean Lint Label	
<b>13</b>	510177	Door Catch Assembly	
<b>14</b>	500253	Caution Label	Model ZE2007*-1702
	500281	Warning/Caution Label	All other models

\* Add Letter To Designate Color. L - Almond W - White

N/A = Part no longer available

# Front Bulkhead, Air Duct, Felt Seal and Cylinder



D190P\_502010

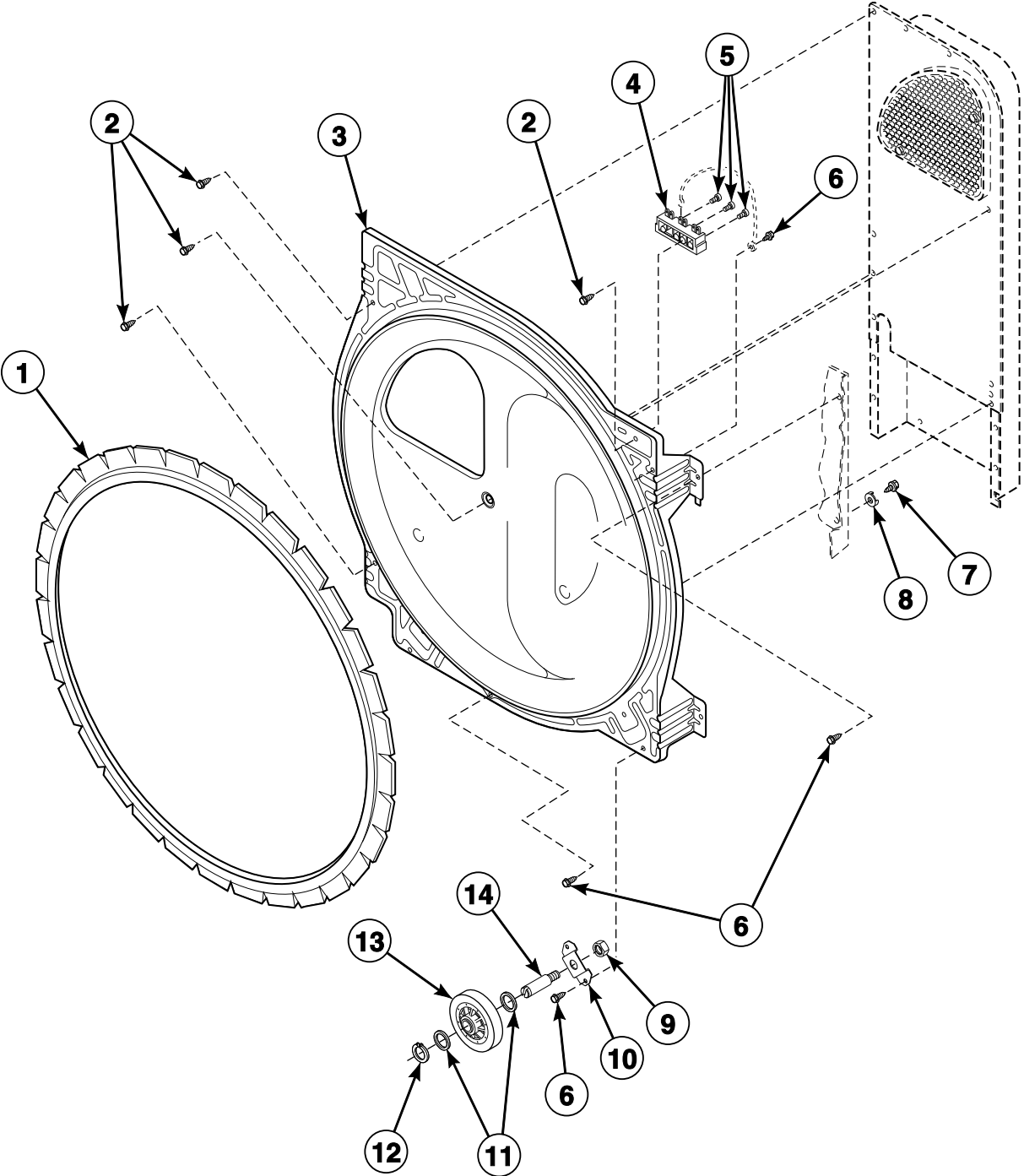
## Front Bulkhead, Air Duct, Felt Seal and Cylinder

REF	PART NO.	DESCRIPTION	COMMENTS
	511637P	Adhesive	Used to install item 2
<b>1</b>	N/A	Front Bulkhead Assembly	
<b>2</b>	510207P	Cylinder Seal Assembly	Models EEC200*T3000, EEC210*T3000, EEC290*M3000, EEC290*T3000, EGC210*T3013, EGC290*M3013, EGC290*T3013, ZEC200*T3003, ZEC200*T3008, ZEC210*T3000, ZEC290*M3000, ZEC290*T3000, ZGC200*T3008, ZGC210*T3013 and ZGC290*T3013
<b>3</b>	510102W	Cylinder Baffle	
<b>4</b>	N/A	Cylinder Assembly	Includes item 3
<b>5</b>	62588	Screw	
<b>6</b>	510188	Cylinder Glide	
<b>7</b>	510189	Felt Pad	
<b>8</b>	503688	Screw	
<b>9</b>	510145	Cylinder Glide Bracket	
<b>10</b>	503661	Screw	
<b>11</b>	500049	Warning Label	
<b>12</b>	500314	Warning Label	Models GE2107*-1502, GE2107*-1702, ZE2007*-1702, ZE2107*-1502, ZE2107*-1702 and ZG2109*-1102
<b>13</b>	N/A	Front Air Duct	
<b>14</b>	502140P	Lint Filter	
<b>15</b>	500226	Screw	

\* Add Letter To Designate Color. L - Almond W - White

N/A = Part no longer available

# Rear Bulkhead, Felt Seal, Cylinder Roller and Terminal Block



D134P\_502010

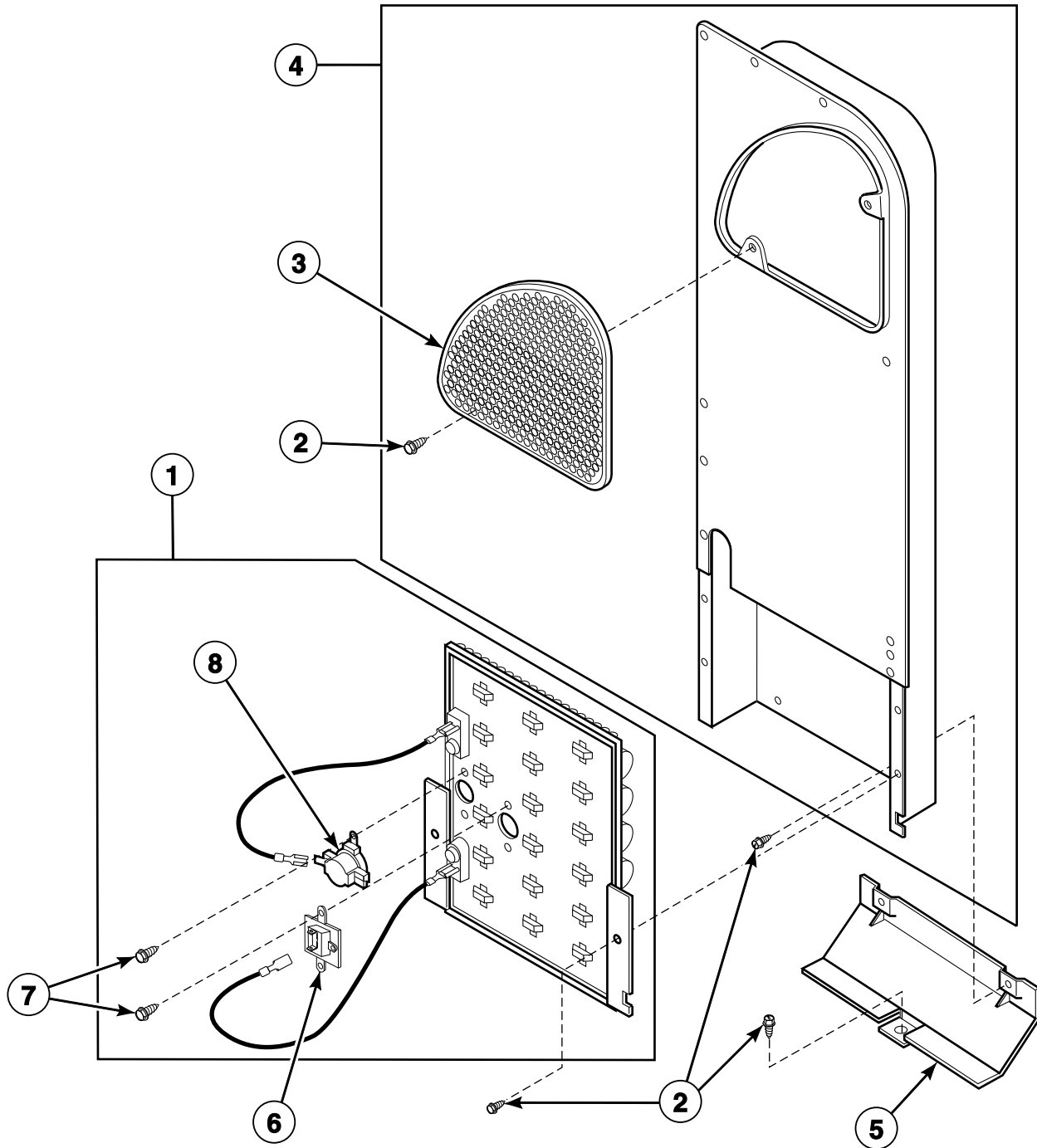
## Rear Bulkhead, Felt Seal, Cylinder Roller and Terminal Block

REF	PART NO.	DESCRIPTION	COMMENTS
	511637P	Adhesive	Use to install item 1
<b>1</b>	510207P	Cylinder Seal Assembly	
<b>2</b>	501285	Screw	
<b>3</b>	511082P	Rear Bulkhead Assembly	Includes item 1
<b>4</b>	510190P	Terminal Block Assembly	Includes 3 of item 5; Gas models EG2009*-3000, EG2009*-3058, EG2109*-3000, EG2109*-3013, EG2109*-5412, ZG2009*-3004, ZG2009*-3005, ZG2009*-3008, ZG2109*-3000 and ZG2109*-3013; All electric models
	N/A	Terminal Block	Models EEC200*T3000, EEC210*T3000, EGC210*T3013, ZEC200*T3003, ZEC200*T3008, ZEC210*T3000, ZGC200*T3008, ZGC210*T3013 and ZGC290*T3013
<b>5</b>	61199	Screw	
<b>6</b>	503688	Screw	
<b>7</b>	20530	Screw	
<b>8</b>	51474	Washer	
<b>9</b>	56156	Nut	
<b>10</b>	510100	Cylinder Roller Bracket	
<b>11</b>	52549	Washer	
<b>12</b>	23748	Retaining Ring	
<b>13</b>	510708P	Cylinder Roller	
<b>14</b>	56461P	Shaft	

\* Add Letter To Designate Color. L - Almond W - White

N/A = Part no longer available

# Heater Box - Electric Models



D135P\_502010

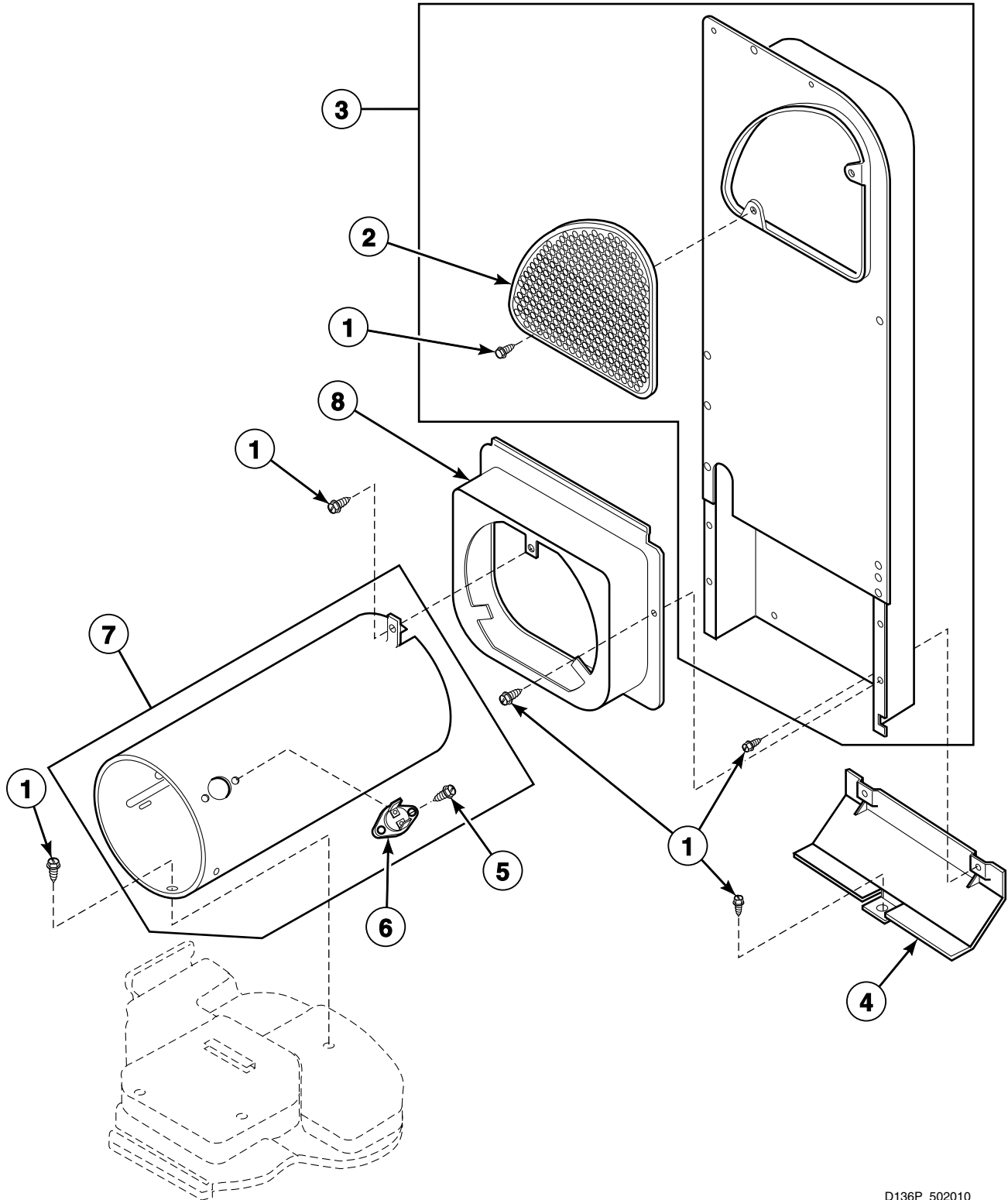


## Heater Box - Electric Models

REF	PART NO.	DESCRIPTION	COMMENTS
1	61928	Heater Kit Assembly	208 Volt/60 Hertz; 4750 Watt; White; Includes 510701 Limit Thermostat, item 6 and 4 of item 7
	61927	Heater Kit Assembly	240 Volt/60 Hertz; 5000 Watt; Red; Includes 510701 Limit Thermostat, item 6 and 4 of item 7
	61930	Heater Kit Assembly	240 Volt/50 Hertz; 4000 Watt; Includes 510701 Limit Thermostat, item 6 and 4 of item 7
	61931	Heater Kit Assembly	240 Volt/50 or 60 Hertz; 3100 Watt; Includes 510701 Limit Thermostat, item 6 and 4 of item 7
	61929	Heater Kit Assembly	240 Volt/50 Hertz; 4800 Watt; Green; Includes 510701 Limit Thermostat, item 6 and 4 of item 7
2	503688	Screw	
3	500820	Outlet Cover	
4	510025P	Heater Duct and Screw Assembly	Includes items 2 and 3
5	60952	Heat Duct Shield	
6	511412	Thermal Fuse Assembly	
7	23222	Screw	
8	500807	Thermostat	Models GE2107*-1502, GE2107*-1702, ZE2007*-1702, ZE2107*-1502 and ZE2107*-1702
	510701	Limit Thermostat	All other models

\* Add Letter To Designate Color. L - Almond W - White

# Heater Box - Gas Models



D136P\_502010

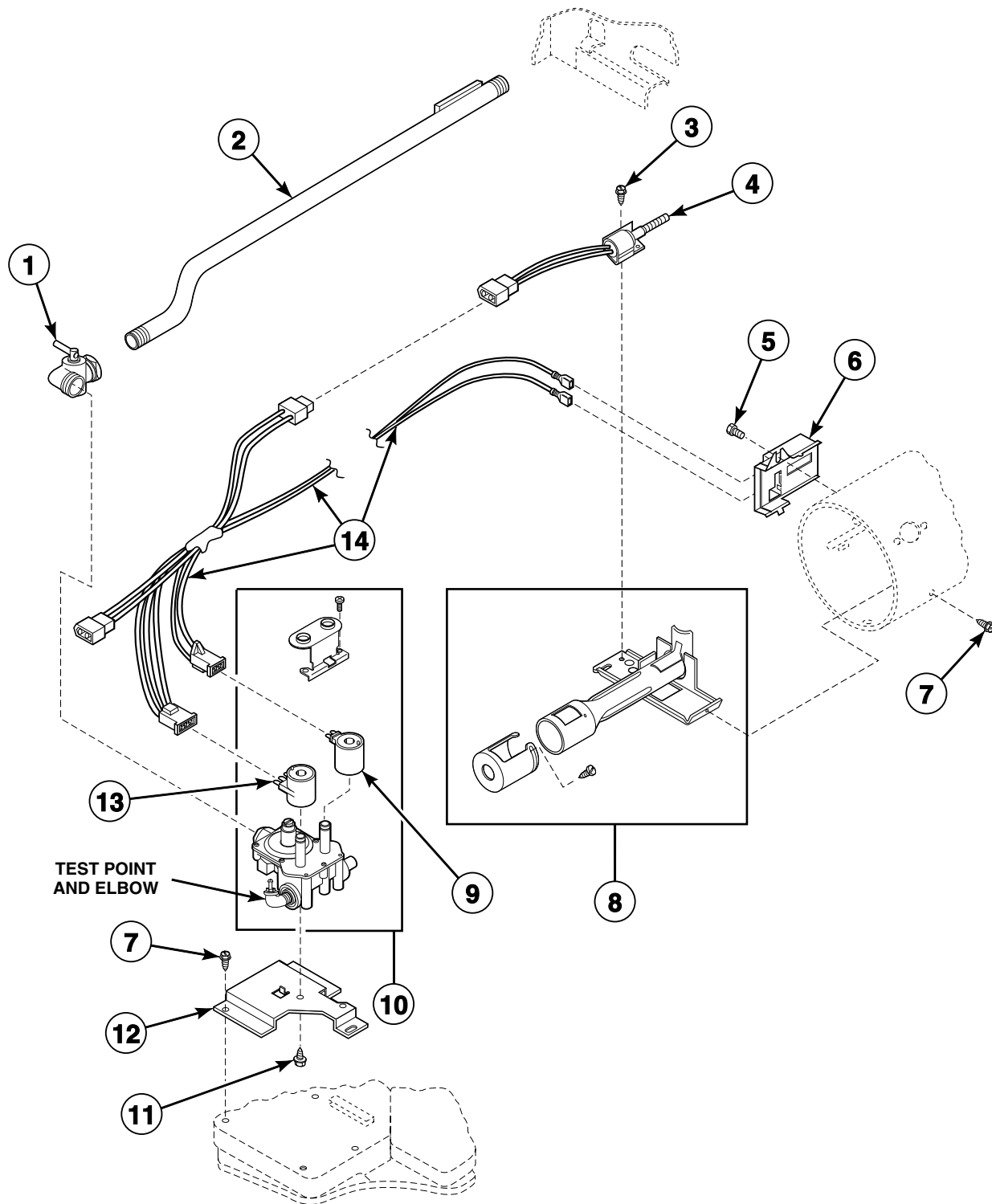
## Heater Box - Gas Models

REF	PART NO.	DESCRIPTION	COMMENTS
1	503688	Screw	
2	500820	Outlet Cover	
3	510025P	Heater Duct and Screw Assembly	Includes items 1 and 2
4	60952	Heat Duct Shield	
5	51782	Screw	
6	510703	Thermostat	Manual reset; Model EG2009*-3058
	492P3	Thermostat and Plate Kit	Includes item 5; Models EG2009*T3058, EG2009*V3058, EG2109*3058, EG2109*T3058, EG2109*V3058, EG2909*M3058, EG2909*T3058 and EG2909*V3058
	489P3	Thermostat and Plate Kit	Includes item 5; All other models
7	N/A	Burner Housing	Includes 489P3 Thermostat and Plate Kit and 2 of item 5
8	510101	Heat Duct Shroud	

\* Add Letter To Designate Color. L - Almond W - White  
 N/A = Part no longer available

# Gas Valve, Igniter and Gas Conversion Kits (Drawing 1 of 2)

All Gas Models Except ZG2109\*-1102



D181P\_502010

## Gas Valve, Igniter and Gas Conversion Kits (Drawing 1 of 2)

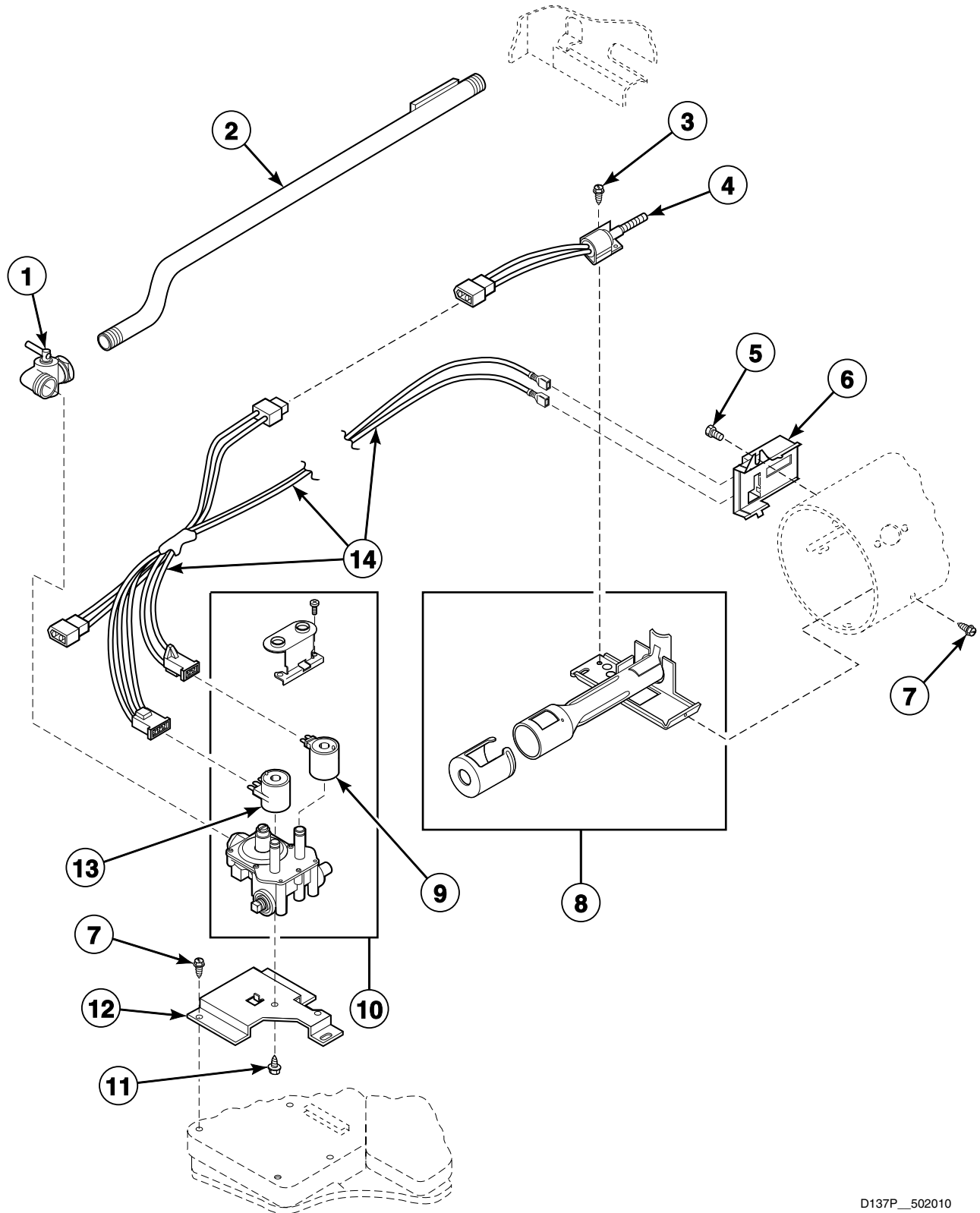
REF	PART NO.	DESCRIPTION	COMMENTS
	458P3	L.P. Conversion Kit	EG and ZG models (except Canadian); Used to convert dryers from Natural Gas (N.G.) or Mixed Gas to Liquid Petroleum Gas (L.P.)
	459P3	N.G. Conversion Kit	EG and ZG models (except Canadian); Used to convert dryers from L.P. to N.G. or Mixed Gas
<b>1</b>	510205	Elbow Shut-Off Valve	
<b>2</b>	510204	Lead-In Pipe Assembly	
<b>3</b>	502535	Screw	Models EGC210*T3013, EGC290*M3013, EGC290*T3013, ZGC200*T3008, ZGC210*T3013 and ZGC290*T3013
	51782	Screw	All other models
<b>4</b>	502426	Igniter Bracket	Models EG2009*V3058, EG2109*V3058, EG2909*V3058, EGC210*T3013, EGC290*M3013, EGC290*T3013, ZGC200*T3008, ZGC210*T3013 and ZGC290*T3013
	510184P	Igniter and Bracket Assembly	All other models
<b>5</b>	51782	Screw	Models EGC210*T3013, EGC290*M3013, EGC290*T3013, ZGC200*T3008, ZGC210*T3013 and ZGC290*T3013
	502535	Screw	Models EG2009*V3058, EG2109*V3058 and EG2909*V3058
	23222	Screw	All other models
<b>6</b>	502995P	Igniter and Sensor Assembly	Models EGC210*T3013, EGC290*M3013, EGC290*T3013, EG2009*V3058, EG2109*V3058, EG2909*V3058, ZGC200*T3008, ZGC210*T3013 and ZGC290*T3013
	510213	Sensor	All other models
<b>7</b>	503688	Screw	
<b>8</b>	510149P	Burner Assembly	
<b>9</b>	59063B	Secondary Coil	50 Hertz
	58804B	Secondary Coil	60 Hertz
<b>10</b>	502478P	Gas Valve Assembly	Includes items 9 and 13; Models EG2009*V3058, EG2109*V3058, EG2909*V3058, EGC210*T3013, EGC290*M3013, EGC290*T3013, ZGC200*T3008, ZGC210*T3013 and ZGC290*T3013
	60353P	Gas Valve Assembly	N.G. or Mixed Gas; Includes items 9 and 13; Model EG2009*-3058
	58804P	Gas Valve Assembly	N.G. or Mixed Gas; Includes items 9 and 13; Model EG2109*-5412
	60443P	Valve Assembly	N.G. or Mixed Gas; Includes items 9 and 13; All other models
<b>11</b>	56124	Screw	
<b>12</b>	510128	Gas Valve Mounting Bracket	
<b>13</b>	59063A	Booster and Holding Coil	50 Hertz
	58804A	Booster and Holding Coil	60 Hertz
<b>14</b>	502609	Gas Valve Wire Harness Assembly	Models EG2009*V3058, EG2109*V3058 and EG2909*V3058
	N/A	Wire Harness Assembly	Models EG2009*V3058, EG2109*V3058 and EG2909*V3058
	510530	Gas Valve Wire Harness Assembly	All other models

\* Add Letter To Designate Color. L - Almond W - White

N/A = Part no longer available

# Gas Valve, Igniter and Gas Conversion Kits (Drawing 2 of 2)

Model ZG2109\*-1102



D137P\_502010

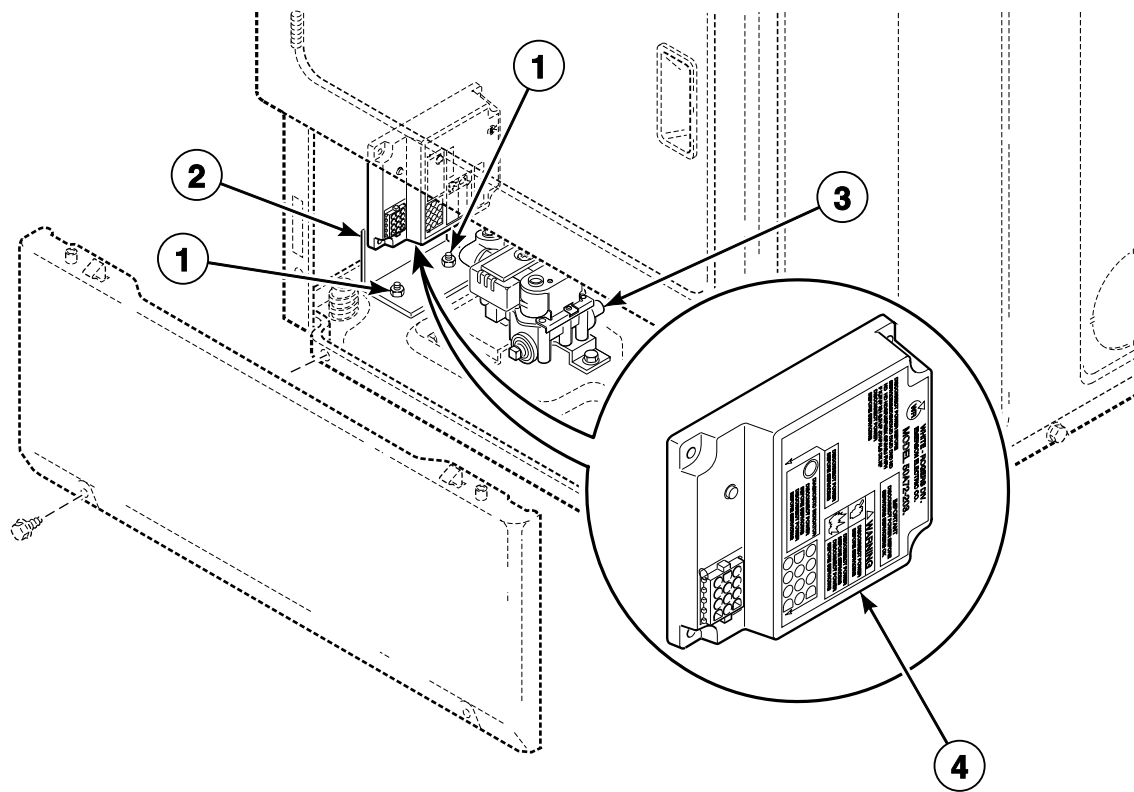
## Gas Valve, Igniter and Gas Conversion Kits (Drawing 2 of 2)

REF	PART NO.	DESCRIPTION	COMMENTS
	458P3	L.P. Conversion Kit	Used to convert dryers from Natural Gas (N.G.) or Mixed Gas to Liquid Petroleum Gas (L.P.)
	459P3	N.G. Conversion Kit	Used to convert dryers from L.P. to N.G. or Mixed Gas
<b>1</b>	510205	Elbow Shut-Off Valve	
<b>2</b>	510204	Lead-In Pipe Assembly	
<b>3</b>	51782	Screw	
<b>4</b>	510184P	Igniter and Bracket Assembly	
<b>5</b>	23222	Screw	
<b>6</b>	510213	Sensor	
<b>7</b>	503688	Screw	
<b>8</b>	510149P	Burner Assembly	
<b>9</b>	58804B	Secondary Coil	
<b>10</b>	60353P	Gas Valve Assembly	N.G. or Mixed Gas; Includes items 9 and 13
<b>11</b>	56124	Screw	
<b>12</b>	510128	Gas Valve Mounting Bracket	
<b>13</b>	58804A	Booster and Holding Coil	
<b>14</b>	510530	Gas Valve Wire Harness Assembly	

\* Add Letter To Designate Color. L - Almond W - White

# Ignition System

Models EG2009\*V3058, EG2109\*V3058, EG2909\*V3058, EGC210\*T3013,  
EGC290\*T3013, ZGC200\*T3008, ZGC210\*T3013 and ZGC290\*T3013



D2511\_502010

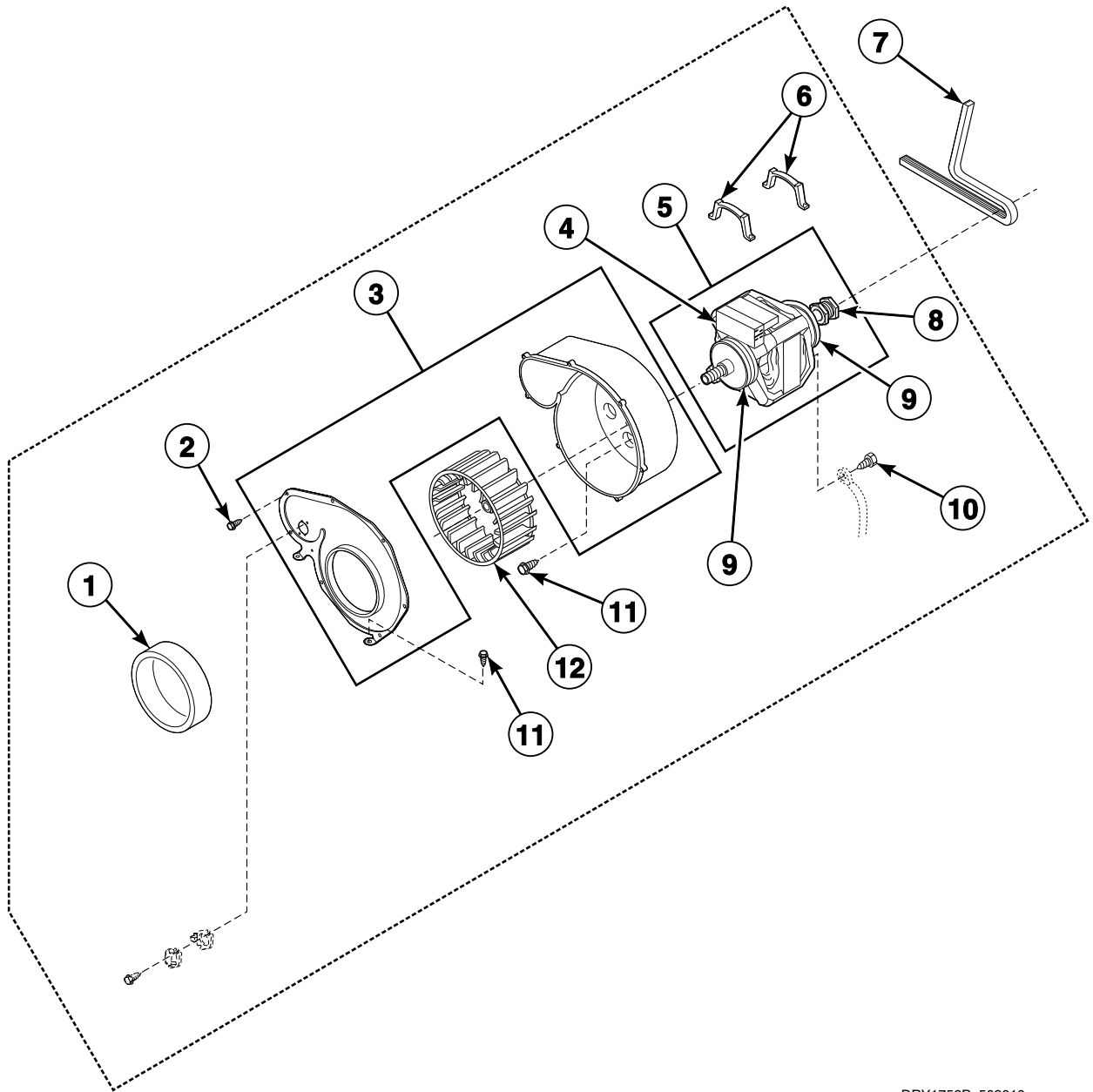


# Ignition System

REF	PART NO.	DESCRIPTION	COMMENTS
1	33562	Screw	
2	502425	Ignition Control Bracket	
3	502478P	Gas Valve Assembly	
4	502994P	Igniter Control	

\* Add Letter To Designate Color. L - Almond W - White

# Motor, Blower Fan and Belt



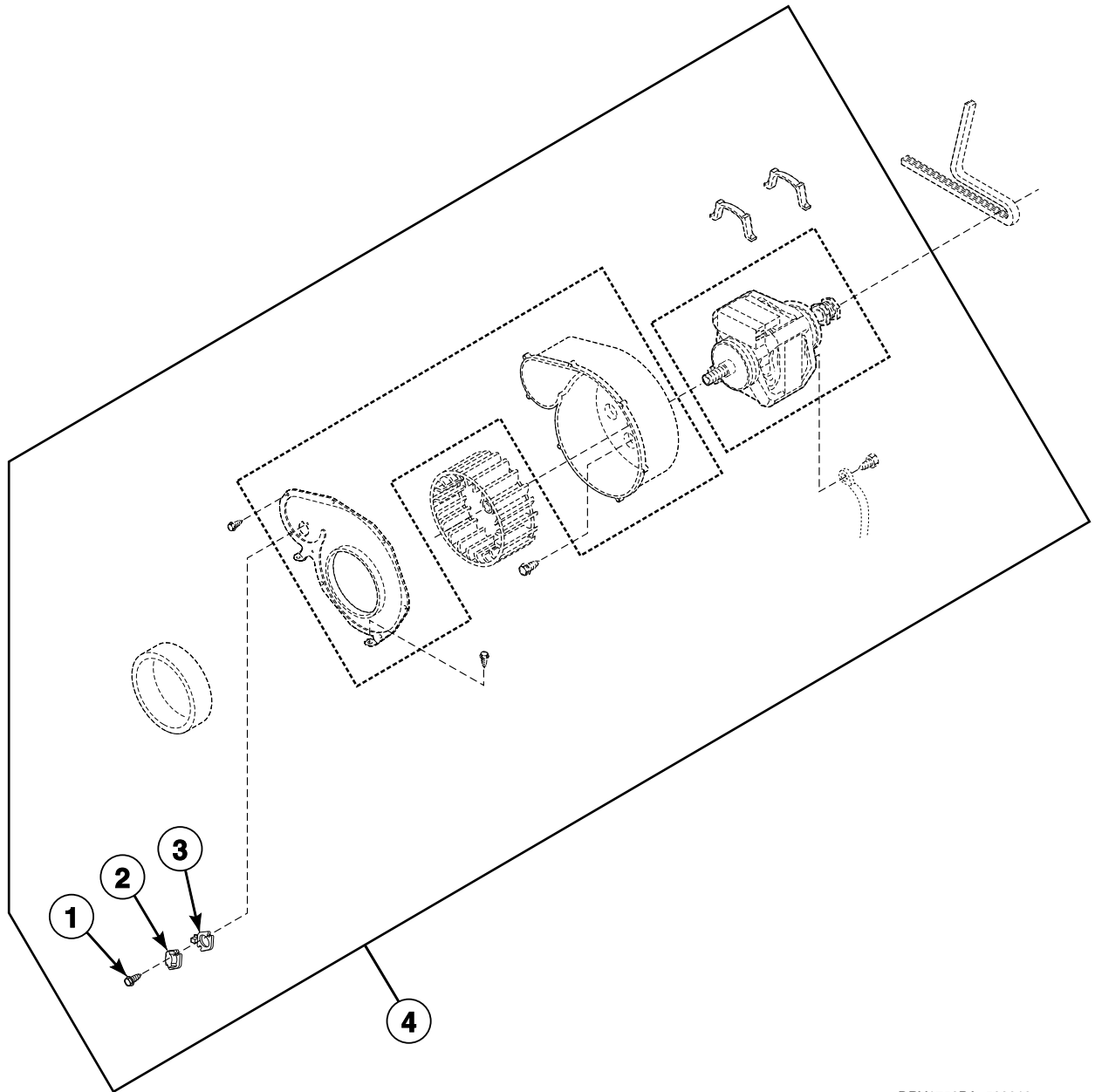
DRY1752P\_502010

## Motor, Blower Fan and Belt

REF	PART NO.	DESCRIPTION	COMMENTS
	559P3	Motor Adapter Harness Kit	Gas models
	560P3	Motor Adapter Harness Kit	Electric models
	511637P	Adhesive	Use to install seal to cover
	27604P	Anti-Seize Compound	
<b>1</b>	500313	Blower Housing Seal	
<b>2</b>	31260	Screw	
<b>3</b>	511969WP	Blower Housing and Cover Kit	
<b>4</b>	501218P	Motor Switch Kit	
<b>5</b>	511629P	Motor and Pulley Assembly	Includes items 4, 8 and 9; Models EE2007*-1500, EE2107*-1500, EE2507*-1500, EE2607*-1500, EE2907*T1500, GE2107*-1502, GE2107*-1702, ZE2007*-1702, ZE2107*-1502, ZE2107*-1702, ZE2907*T1502, ZE2907*T1702, ZG2109*-1102 and ZG2909*T1102
	505843P	Motor and Pulley Assembly	Includes items 4, 8 and 9; Models EE2107*-5412 and EG2109*-5412
	505869P	Motor and Pulley Assembly	Includes items 4, 8 and 9; All other models
<b>6</b>	510180	Motor Mount Clamp	
<b>7</b>	511255P	Cylinder Belt	
<b>8</b>	500222	Motor Pulley	50 Hertz
	500011	Motor Pulley	60 Hertz
<b>9</b>	590P3	Motor Hub Ring Kit	
<b>10</b>	20530	Screw	
<b>11</b>	503688	Screw	
<b>12</b>	510139P	Blower Fan Assembly	

\* Add Letter To Designate Color. L - Almond W - White

# Thermostat and Blower and Fan Kit



DRY1752PA\_502010

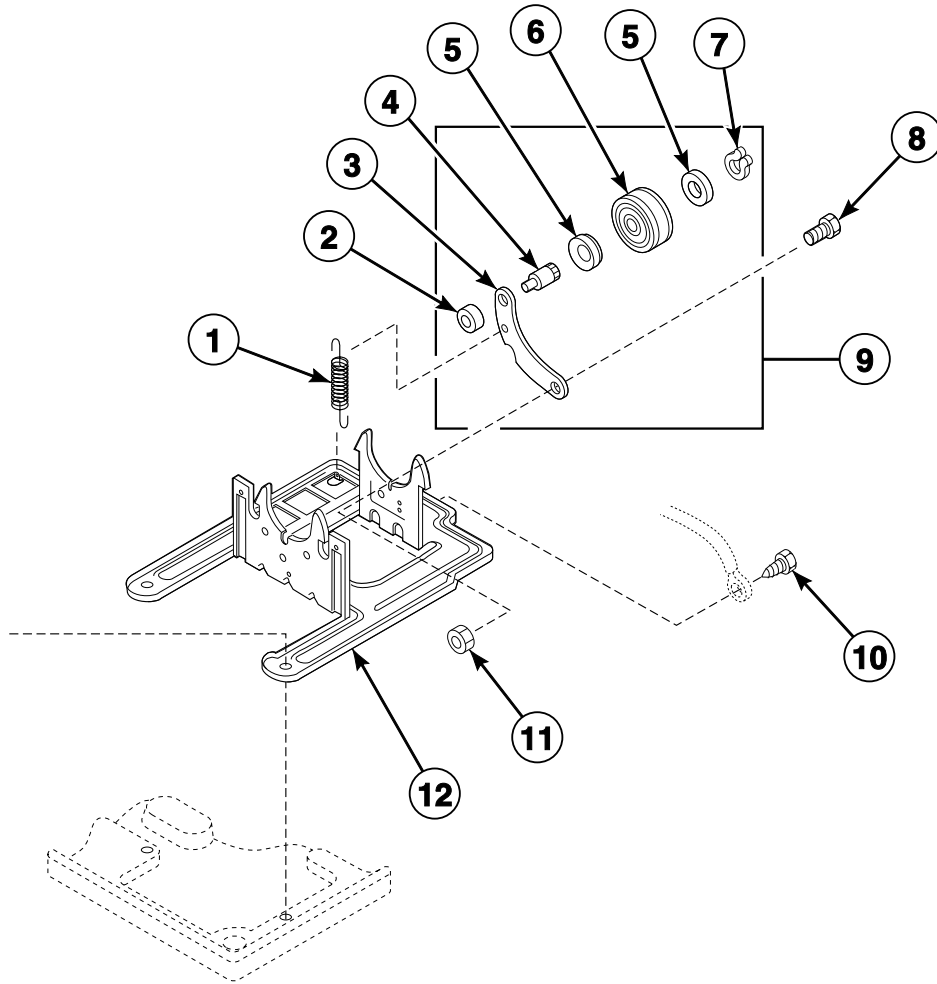
## Thermostat and Blower and Fan Kit

REF	PART NO.	DESCRIPTION	COMMENTS
	N/A	Thermistor Plate	Models EEC290*T3000 and ZEC290*T3000
1	503688	Screw	
2	503552	Thermostat	Green; Models EE2007*-1500, EE2107*-1500, EE2507*-1500, EE2607*-1500, GE2107*-1502, GE2107*-1702, ZE2007*-1702, ZE2107*-1502, ZE2107*-1702 and ZG2109*-1102
	510523	Thermistor Assembly	Black; Models EE2907*M4350, EE2907*T1500, EE2907*T3000, EE2907*T4350, EEC290*M3000, EEC290*T3000, EEJ907*T1500, EG2909*M3000, EG2909*M3013, EG2909*M3058, EG2909*T3000, EG2909*T3013, EG2909*T3058, EG2909*V3058, EGC290*M3013, EGC290*T3013, ZE2907*M1502, ZE2907*M1702, ZE2907*M99F4, ZE2907*T1502, ZE2907*T1702, ZE2907*T99F4, ZEC290*M3000, ZEC290*T3000, ZEJ907*T1500, ZEJ907*T1502, ZEJ907*T1702, ZG2909*M1102, ZG2909*T1102, ZGC290*T3013 and ZGJ909*T1102
	61556	Thermostat	All other models
3	61401	Thermostat Heater	Use with 503552 Thermostat
	61622	Thermostat Heater	Use with 61556 Thermostat
	N/A	Thermostat Heater	Green; Models EEC200*T3000, EEC210*T3000, EEC290*M3000, EEC290*T3000, EGC210*T3013, EGC290*M3013, EGC290*T3013, ZEC200*T3003, ZEC200*T3008, ZEC210*T3000, ZEC290*M3000, ZEC290*T3000, ZGC200*T3008, ZGC210*T3013 and ZGC290*T3013
4	510717P	Blower and Fan Kit	120 Volt/60 Hertz; Models EE2007*-1500, EE2107*-1500, EE2507*-1500, EE2607*-1500, EE2907*T1500, EEJ907*T1500, GE2107*-1502, GE2107*-1702, ZE2007*-1702, ZE2107*-1502, ZE2107*-1702, ZE2907*M1502, ZE2907*M1702, ZE2907*T1502, ZE2907*T1702, ZEJ907*T1500, ZEJ907*T1502, ZEJ907*T1702, ZG2109*-1102, ZG2909*M1102, ZG2909*T1102 and ZGJ909*T1102

\* Add Letter To Designate Color. L - Almond W - White

N/A = Part no longer available

# Motor Bracket and Idler Assembly

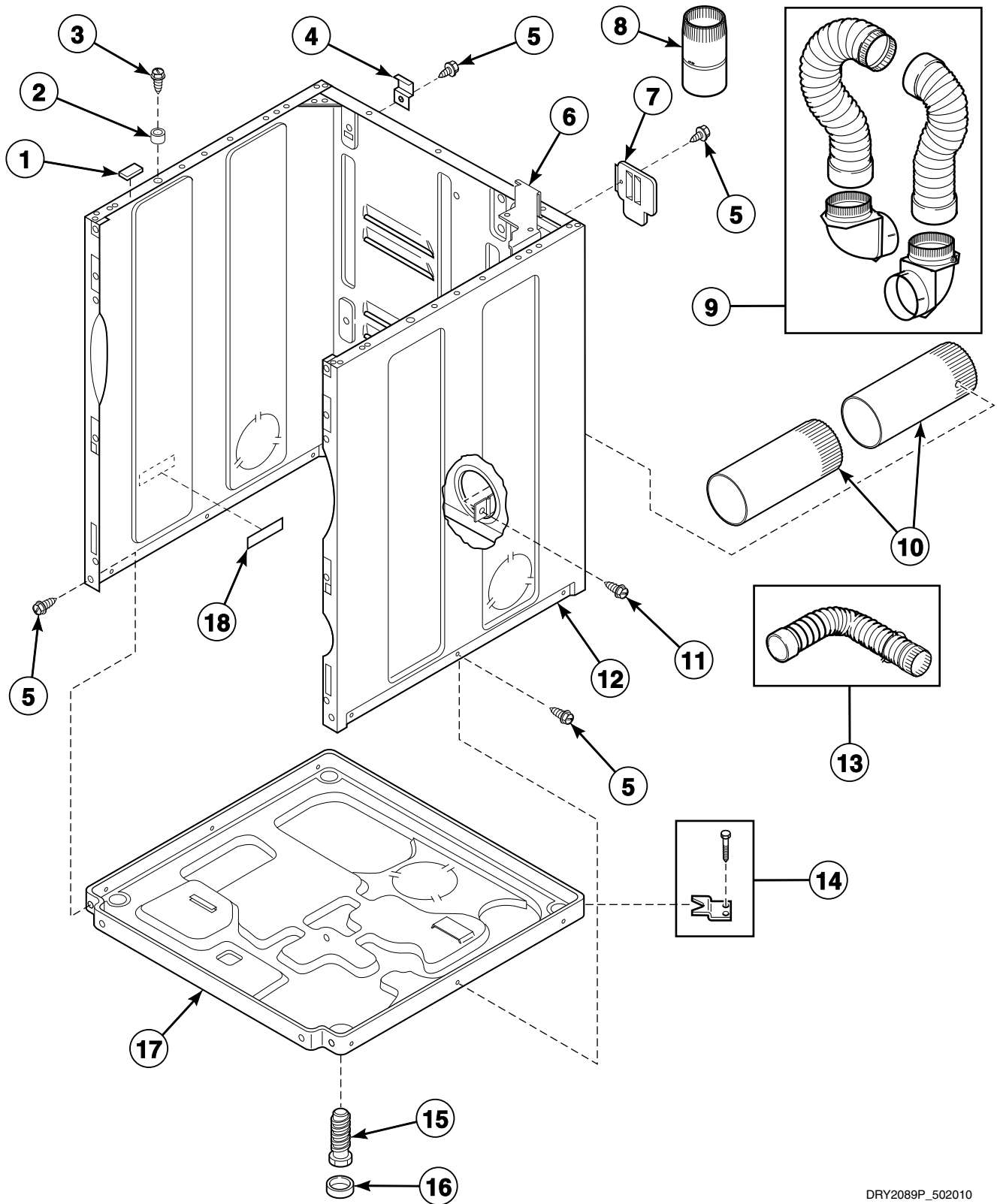


DRY1753P\_502010

## Motor Bracket and Idler Assembly

REF	PART NO.	DESCRIPTION	COMMENTS
1	510185	Idler Spring	
2	56156	Nut	
3	510133	Idler Lever	
4	56461P	Shaft	
5	52549	Washer	
6	510142P	Idler Wheel and Bearing Assembly	
7	23748	Retaining Ring	
8	500824	Screw	
9	510158	Idler Lever and Wheel Assembly	Includes items 2-7
10	20530	Screw	
11	52566	Nut	
12	510060	Motor Mount	

# Cabinet, Exhaust Duct and Base



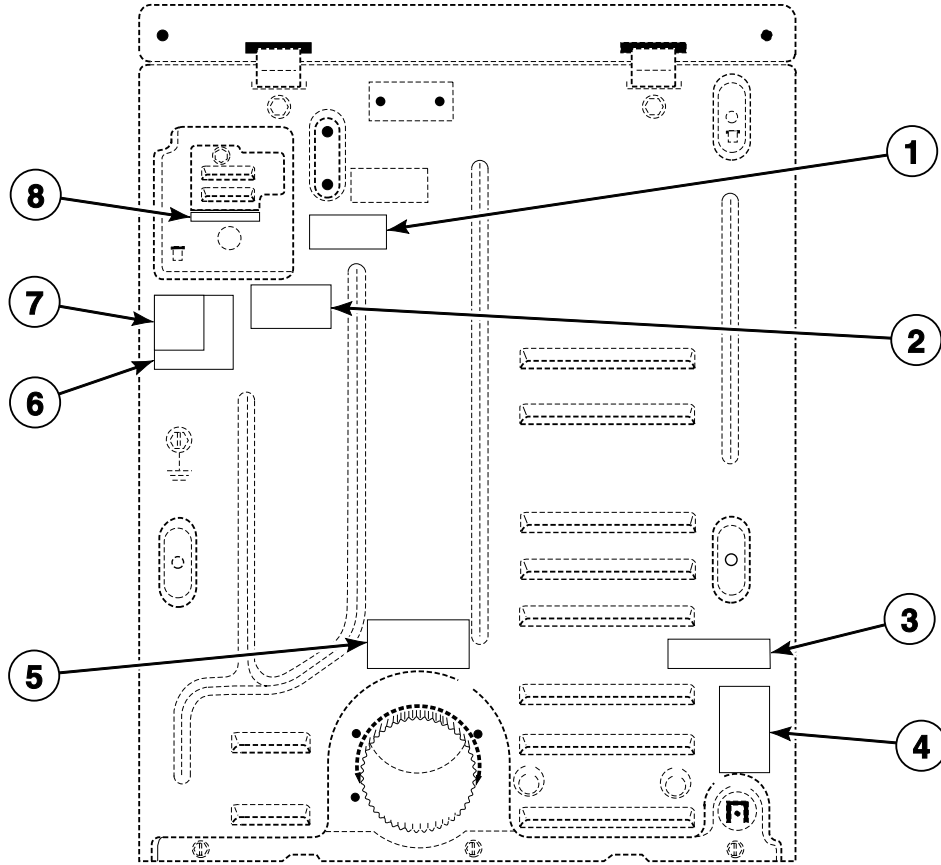
DRY2089P\_502010



## Cabinet, Exhaust Duct and Base

REF	PART NO.	DESCRIPTION	COMMENTS
1	56128	Bumper Pad	
2	56079	Panel Locator	
3	39733	Screw	
4	510136	Top Hinge	
5	33562	Screw	
6	547P3	Coin Cabinet Hardware Kit	Metered models
7	510903	Access Panel Plate	
8	58786	Damper	Use when connecting to a manifold vent
9	521P3	Flexible Venting Kit	
10	510137	Exhaust Duct	
11	503688	Screw	
12	727P3W	Panel Kit	White
	727P3L	Panel Kit	Almond
13	528P3	Directional Exhaust Kit	Used to vent dryer out the sides or bottom
14	526P3	Hold Down Kit	For mobile home installations
15	510135	Leveling Leg	
16	501855	Rubber Foot	
17	513901	Dryer Base	
18	61294	Fuse Notice Label	Electric models

# Sticker Location on Rear of Cabinet



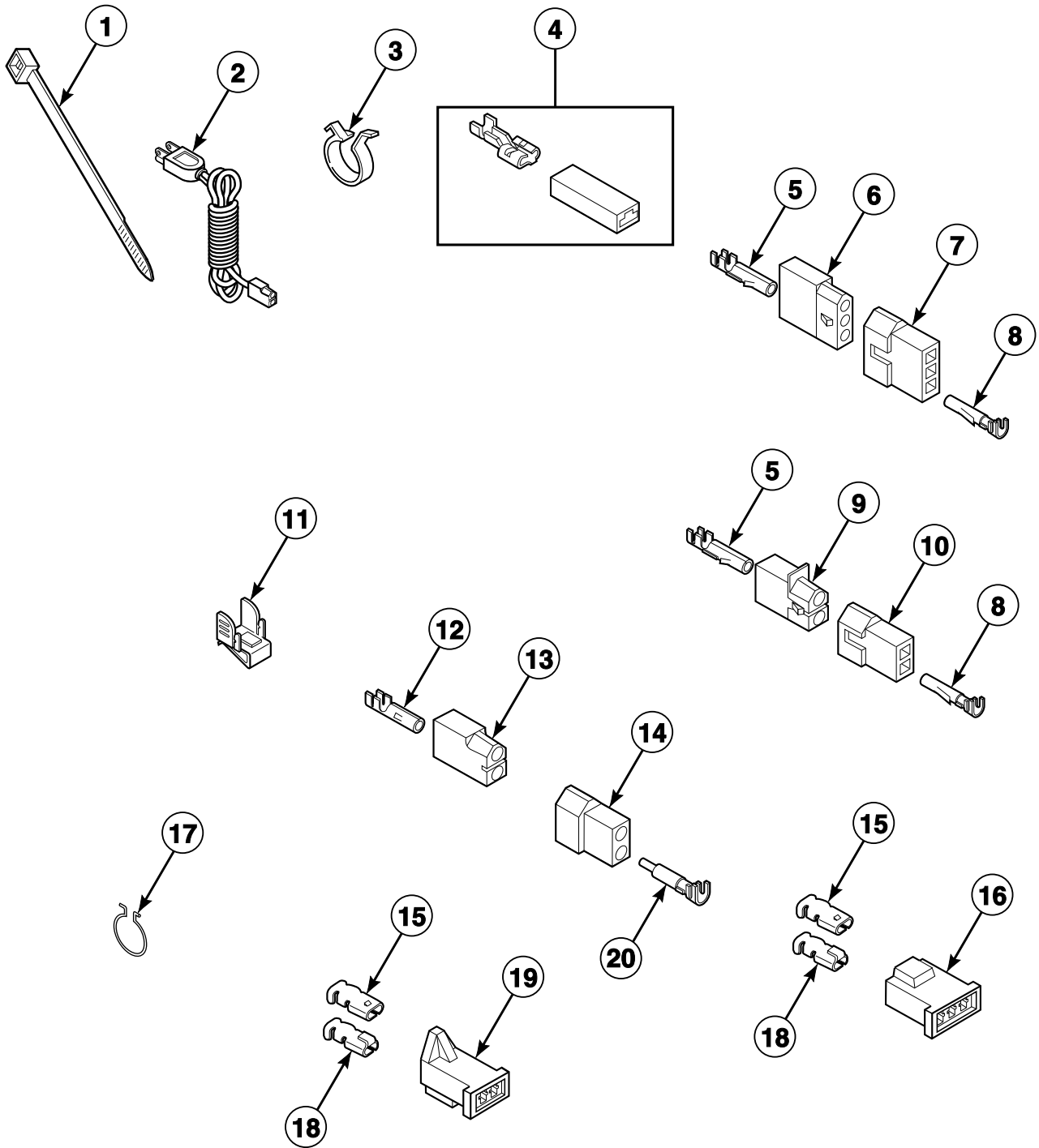
D204P\_502010

## Sticker Location on Rear of Cabinet

REF	PART NO.	DESCRIPTION	COMMENTS
1	500316	Warning Label	Disconnect power; Models GE2107*-1502, GE2107*-1702, ZE2007*-1702, ZE2007*-3003, ZE2007*-3004, ZE2107*-1502, ZE2107*-1702 and ZG2109*-1102
2	62104	Voltage Warning Label	Models EE2007*-1500, EE2107*-1500, EE2507*-1500, EE2607*-1500, GE2107*-1502 and ZE2107*-1502
3	501140	Natural Gas Notice Label	Models EG2009*-3058 and EG2109*3058
4	511004	Gas Clearance Label	Gas models
5	500497	Exhaust Warning Label	
6	511005	Electric Clearance Label	Ground; Models EE2007*-1500, EE2107*-1500, EE2507*-1500 and EE2607*-1500
7	500493	30 Amp Notice Label	All electric models except EE2007*-1500, EE2107*-1500, EE2507*-1500 and EE2607*-1500
	500496	20 Amp Notice Label	All electric models except EE2007*-1500, EE2107*-1500, EE2507*-1500 and EE2607*-1500
	500495	15 Amp Notice Label	All electric models except EE2007*-1500, EE2107*-1500, EE2507*-1500 and EE2607*-1500
8	501288	Terminal Block Label	Models EE2007*-4350, EE2107*-4350, EG2009*-3058 and EG2109*3058

\* Add Letter To Designate Color. L - Almond W - White

# Terminals (Drawing 1 of 2)



DRY1750P\_502010

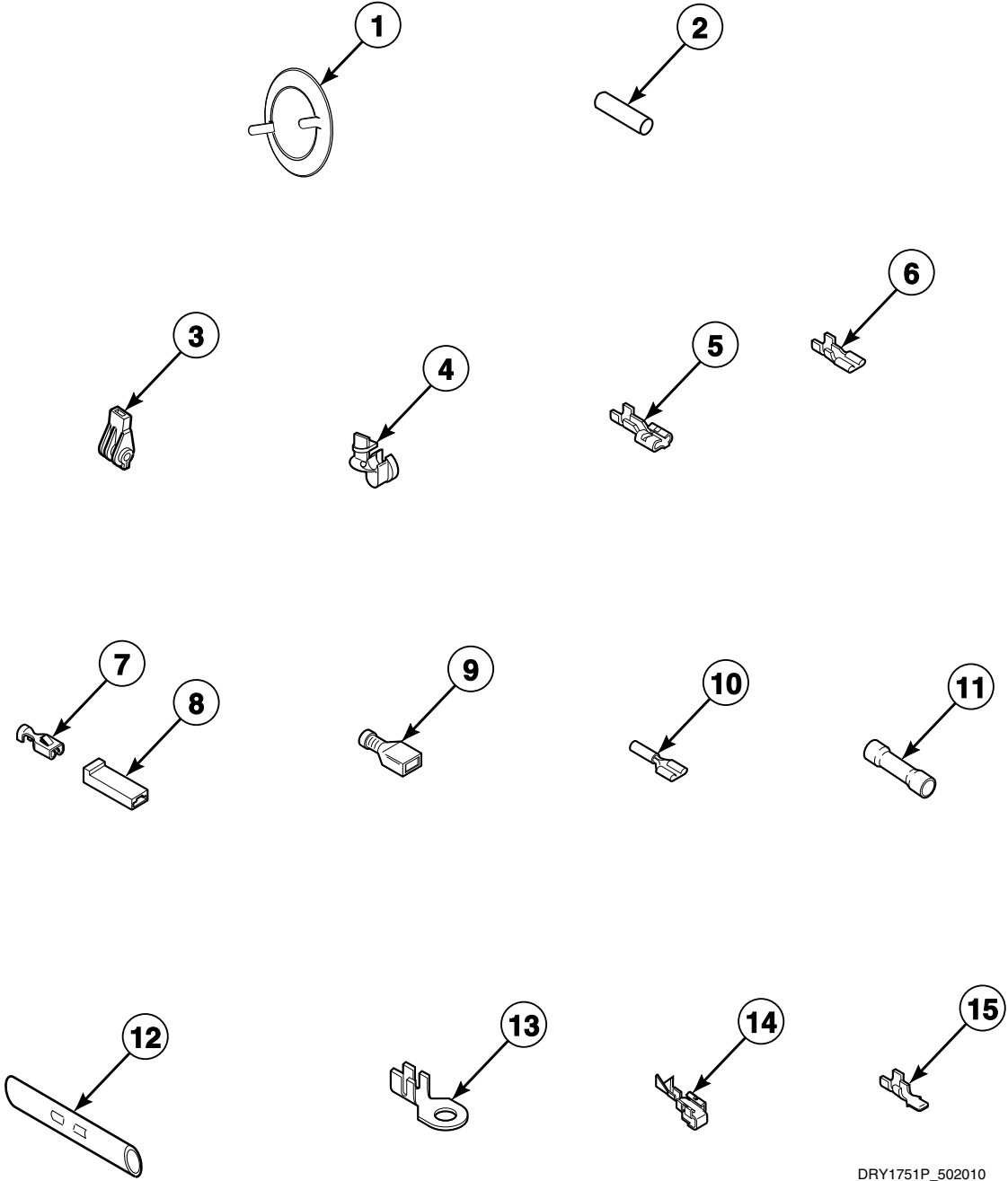
## Terminals (Drawing 1 of 2)

REF	PART NO.	DESCRIPTION	COMMENTS
1	55881	Harness Strap	
2	510505P	Lead-In Cord Assembly	Models GE2107*-1502, GE2107*-1702, ZE2007*-1702, ZE2107*-1502 and ZE2107*-1702
	61605P	Lead-In Cord Kit	Models EE2007*-4350 and EE2107*-4350
	N/A	Lead-In Cord	Models EG2009*-3058, EG2109*-3013, EG2109*3058, ZG2009*-3004, ZG2009*-3005 and ZG2109*-3013
	59308	Lead-In Cord	Model ZG2109*-1102
	N/A	Power Cord Assembly	Models EGC290*T3013, ZGC200*T3008, ZGC210*T3013, ZGC290*T3013, EEC200*T3000, EEC210*T3000, EEC290*T3013, EGC210*T3013, ZEC200*T3003, ZEC200*T3008, ZEC210*T3000 and ZEC290*T3000
3	504034	Wire Clip	
4	00360	Insulated Female Spade Terminal	1/4 inch; (1) 12 gauge wire or (2) 18 gauge wires
5	00117	Female Pin Terminal	
6	23039	3 Circuit Receptacle	
7	23040	Plug	
8	00116	Male Pin Terminal	
9	56451	2 Circuit Receptacle	
10	56448	2 Circuit Plug	
11	00161	Grounding Clip	
12	00130	Female Pin Terminal	
13	56265	2 Circuit Receptacle	
14	56266	2 Circuit Plug	
15	00189	Female Spade Terminal	
16	58800	3 Circuit Connector	
17	51291	Wire Clip	
18	00361	Female Piggyback Terminal	
19	58799	2 Circuit Connector	
20	00127	Male Pin Terminal	

\* Add Letter To Designate Color. L - Almond W - White

N/A = Part no longer available

# Terminals (Drawing 2 of 2)



DRY1751P\_502010

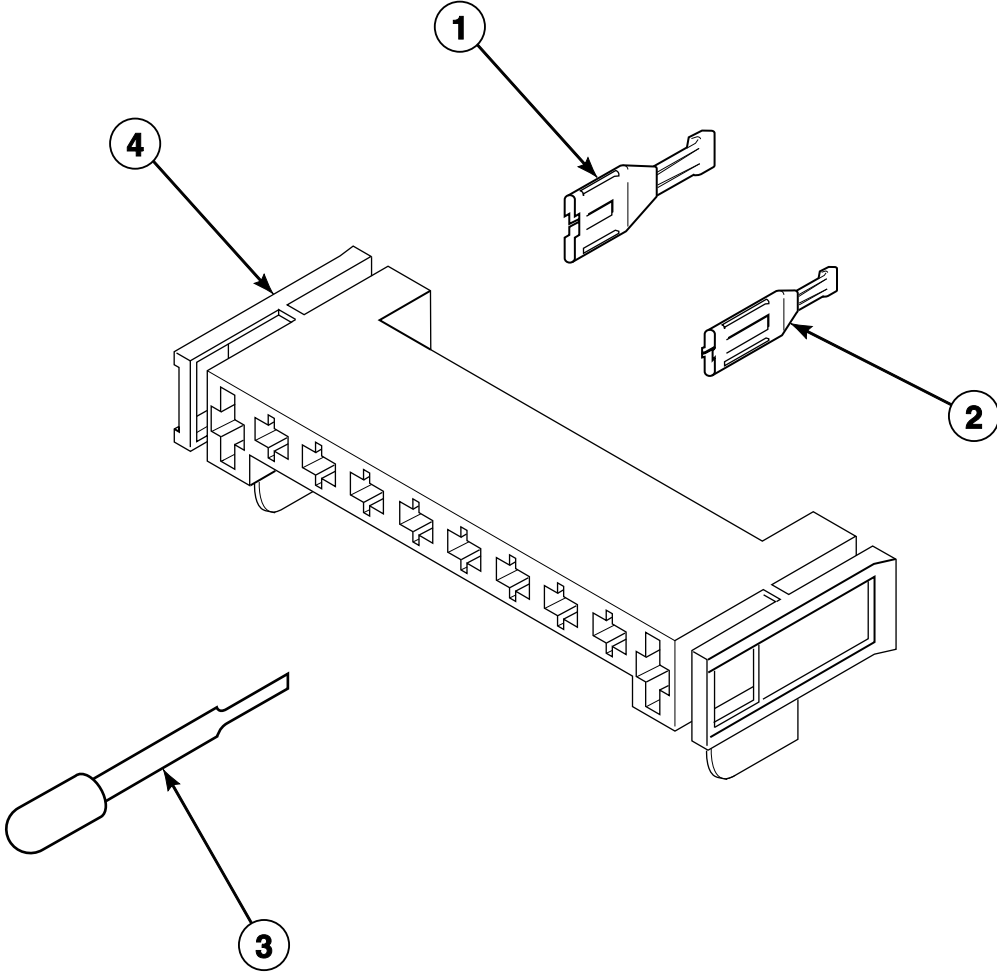
## Terminals (Drawing 2 of 2)

REF	PART NO.	DESCRIPTION	COMMENTS
1	502496	Strain Relief Adapter	Models EE2007*-4350, EE2107*-4350, EEC200*T3000, EEC210*T3000, EEC290*T3000, EG2009*-3058, EG2109*-3013, EG2109*3058, EGC210*T3013, EGC290*T3013, ZEC200*T3003, ZG2009*-3004, ZG2009*-3005 and ZG2109*-3013
2	503670	Insulator Sleeve	
3	70210	Insulator	
4	52113	Strain Relief	Models EE2007*-4350 and EE2107*-4350
	38384	Strain Relief	Model ZG2109*-1102
	502500	Strain Relief	Models ZEC200*T3008, ZEC210*T3000, ZEC290*T3000, ZGC200*T3008, ZGC210*T3013 and ZGC290*T3013
	N/A	Strain Relief	Models EG2009*-3058, EG2109*-3013, ZG2009*-3004, ZG2009*-3005 and ZG2109*-3013
5	00245	Spade Terminal	1/4 inch; (1) 22 gauge wire
	00223	Female Spade Terminal	1/4 inch; (1) 18 gauge wire
	00121	Female Spade Terminal	1/4 inch; (2) 18 gauge wires or (1) 12 gauge wire
6	00124	Female Spade Terminal	3/16 inch; (1) 18 gauge wire; .020 tab
	N/A	Female Spade Terminal	3/16 inch; (2) 18 gauge wires; .020 tab
	00156	Female Spade Terminal	3/16 inch; Thermostat wire; .032 tab
7	00115	Female Spade Terminal	(1) 18 gauge wire
	00321	Female Spade Terminal	(2) 18 gauge wires or (1) 12 gauge wire
8	21091	Connector	
9	00165	Insulated Female Terminal	3/16 inch
	00359	Insulated Female Spade Terminal	1/4 inch
10	N/A	Pre-Insulated Spade Terminal	18 gauge
	00215	Pre-Insulated Spade Terminal	12 gauge
11	N/A	Butt Splice Connector	
12	90789	Receptacle Housing	
13	00110	Ring Terminal	No. 10; (1) 18 gauge wire
	00111	Ring Terminal	No. 10; (2) 18 gauge wires or (1) 12 gauge wire
14	00114	Female Spade Terminal	
15	00139	Male Tab Terminal	1/4 inch; (2) 18 gauge wires or (1) 12 gauge wire

\* Add Letter To Designate Color. L - Almond W - White

N/A = Part no longer available

# Motor Disconnect Block, Terminals and Terminal Extractor Tool



D153P\_502010



# Motor Disconnect Block, Terminals and Terminal Extractor Tool

REF	PART NO.	DESCRIPTION	COMMENTS
1	00255	Female Terminal	1/4 inch; (1) 12 gauge wire
	00256	Female Terminal	1/4 inch; (1) or (2) 18 gauge wires
2	00188	Female Terminal	For 1 or 2 wire application
3	283P4	Terminal Extractor Tool	
4	500338	10 Position Housing	

## Wire Harnesses and Wires

PART NO.	DESCRIPTION	COMMENTS
N/A	Audit Wire Harness Assembly	Models EE2607*-1500, ZG2109*-1102, ZG2909*T1102 and ZGJ909*T1102
N/A	Base Wire Harness Assembly	Models EEC200*T3000, ZEC200*T3003, ZEC200*T3008, EEC290*M3000, EEC290*T3000, ZEC290*M3000 and ZEC290*T3000
501380P	Security Cabinet Harness Assembly	Model EE2907*M4350
N/A	Security Cabinet Wire Harness Assembly	Models ZE2907*M1502 and ZE2907*M1702
500358	Wire Harness Assembly	Model ZE2007*-1702
N/A	Wire Harness Assembly	Models EE2107*T3000, EEC210*T3000, EG2009*-3000, EG2009*-3058, EG2009*T3058, EG2009*V3058, EG2109*T3013, EG2109*T3058, EG2109*V3058, EG2909*M3000, EG2909*M3013, EG2909*M3058, EG2909*T3058, EG2909*V3058, EGC210*T3013, EGC290*M3013, EGC290*T3013, GE2107*-1502, GE2107*-1702, ZE2107*-1502, ZE2107*-1702, ZE2907*T1502, ZE2907*T1702, ZE2907*T99F4, ZEC210*T3000, ZEJ907*T1502, ZEJ907*T1702, ZG2009*-3004, ZG2009*-3008, ZG2009*T3008, ZG2109*-1102, ZG2109*T3013, ZG2909*T1102, ZGC200*T3008, ZGC210*T3013, ZGC290*T3013 and ZGJ909*T1102
500907	Wire Harness Assembly	Models EG2109*-3000, EG2109*-3013, EG2109*3058, EG2109*-5412, EG2909*T3000, EG2909*T3013, ZG2109*-3000, ZG2109*-3013 and ZG2109*T5414
500911P	Wire Harness Assembly	Models EE2007*-1500, EE2007*-3000, EE2007*-4350, EE2907*T1500, EE2907*T3000, EE2907*T4350, EEJ907*T1500, ZE2007*-3003, ZE2007*-3004, ZE2007*-3005, ZE2007*-3008 and ZEJ907*T1500
501370P	Wire Harness Assembly	Model ZG2909*M1102
500825P	Wire Harness Assembly	Models EE2107*-1500, EE2107*-3000, EE2107*-3066, EE2107*-4350, EE2107*-5412, EE2507*-1500, EE2607*-1500, ZE2107*-3000 and ZE2107*T3000
45380	12 Gauge Wire	Orange; Order wire by foot; Order terminals and connectors as required
45001	18 Gauge Wire	Black; Order wire by foot; Order terminals and connectors as required

\* Add Letter To Designate Color. L - Almond W - White

N/A = Part no longer available

**NOTE: Individual wires are not available separately. Order complete wire harness or order wire by the foot. When applying terminals to wires, it is recommended that the terminals be soldered to the wires.**

# Parts Index

## A

Access Panel	
510069LP .....	33
Access Panel Assembly	
514250WP .....	33
Access Panel Plate	
510903 .....	55
Accumulator Kit	
510632P .....	13
Accumulator Replacement Kit	
510628P .....	13
510629P .....	13
510630P .....	15
510631P .....	13
Adhesive	
511637P .....	35, 37, 49
Anti-Seize Compound	
27604P .....	49

## B

Bit Holder	
24161 .....	17, 23, 29, 33
Blower and Fan Kit	
510717P .....	51
Blower Fan Assembly	
510139P .....	49
Blower Housing and Cover Kit	
511969WP .....	49
Blower Housing Seal	
500313 .....	49
Bolt	
02505 .....	5, 7, 9, 11
29651 .....	5, 11
Booster and Holding Coil	
58804A .....	43, 45
59063A .....	43
Bracket	
510146 .....	27, 29
Bumper Pad	
56128 .....	55
Burner Assembly	
510149P .....	43, 45

## C

Caution Label	
500253 .....	33
Circuit Board Support	
34896 .....	17
Clean Lint Label	
502804 .....	33
Coin Cabinet Hardware Kit	
547P3 .....	55
Coin Drop Assembly	
200578P .....	9

38467 .....	9
38472 .....	9
38519 .....	9
38521 .....	9
38522 .....	9
39157 .....	9
Coin Funnel Kit	
523P3 .....	5, 11
Coin Slide Extension	
503733 .....	11
61031 .....	5, 11
Connector	
21091 .....	61
Connector, 2 Circuit	
58799 .....	59
Connector, 3 Circuit	
58800 .....	59
Control Hood	
502567L .....	17, 19, 21
502567W .....	17, 19, 21
Control Kit	
M414049P .....	19
M414050P .....	19
Control Panel	
501359W .....	19
Control Panel and Bracket Assembly	
501738L .....	23
501738W .....	23
Counter Kit	
62113P .....	11
Cylinder Baffle	
510102W .....	35
Cylinder Belt	
511255P .....	49
Cylinder Glide	
510188 .....	35
Cylinder Glide Bracket	
510145 .....	35
Cylinder Roller	
510708P .....	37
Cylinder Roller Bracket	
510100 .....	37
Cylinder Seal Assembly	
510207P .....	35, 37

## D

Damper	
58786 .....	55
Directional Exhaust Kit	
528P3 .....	55
Disconnect Power Warning Label	
505281 .....	27, 29
Door Catch Assembly	
510177 .....	33
Door Hinge	
510519 .....	31
Door Hinge Mounting Clip	
500236 .....	31

N/A items do not appear in index.

Door Pull 500042W .....	31
Door Seal 500200P .....	31
Door Strike 510181 .....	31
Door Strike Mount 510127 .....	31
Dryer Base 513901 .....	55
Dual Overlay 39073 .....	9

## E

Elbow Shut-Off Valve 510205 .....	43, 45
Electric Clearance Label 511005 .....	57
Exhaust Duct 510137 .....	55
Exhaust Warning Label 500497 .....	57

## F

Fabric Selector Switch 61512 .....	17, 23
Felt Pad 510189 .....	35
Female Piggyback Terminal 00361 .....	59
Female Pin Terminal 00117 .....	59
Female Pin Terminal 00130 .....	59
Female Spade Terminal 00114 .....	61
Female Spade Terminal 00115 .....	61
Female Spade Terminal 00121 .....	61
Female Spade Terminal 00124 .....	61
Female Spade Terminal 00156 .....	61
Female Spade Terminal 00189 .....	59
Female Spade Terminal 00223 .....	61
Female Spade Terminal 00321 .....	61
Female Terminal 00188 .....	63
Female Terminal 00255 .....	63
Female Terminal 00256 .....	63
Flexible Venting Kit 521P3 .....	55
Foam Pad 32670 .....	29
Front Panel Seal 500034 .....	33
Fuse 502593 .....	23
Fuse Carrier 502811 .....	23
Fuse Holder Bracket 502589 .....	23
Fuse Holder Kit 502591P .....	23

Fuse Notice Label 61294 .....	55
----------------------------------	----

## G

Gas Clearance Label 511004 .....	33, 57
Gas Valve Assembly 502478P .....	43, 47
Gas Valve Assembly 58804P .....	43
Gas Valve Assembly 60353P .....	43, 45
Gas Valve Mounting Bracket 510128 .....	43, 45
Gas Valve Wire Harness Assembly 502609 .....	43
Gas Valve Wire Harness Assembly 510530 .....	43, 45
Graphic Overlay 504113 .....	19
Graphic Overlay 511895 .....	23
Graphic Overlay 511896 .....	23
Graphic Overlay 511897 .....	23
Graphic Overlay 511901 .....	23
Graphic Overlay 511905 .....	19, 23
Graphic Overlay 62646 .....	17
Grounding Clip 00161 .....	59

## H

Harness Replacement Kit 510534P .....	11
Harness Replacement Kit 510661P .....	5, 11
Harness Strap 55881 .....	5, 11, 59
Heat Duct Shield 60952 .....	39, 41
Heat Duct Shroud 510101 .....	41
Heater Duct and Screw Assembly 510025P .....	39, 41
Heater Kit Assembly 61927 .....	39
Heater Kit Assembly 61928 .....	39
Heater Kit Assembly 61929 .....	39
Heater Kit Assembly 61930 .....	39
Heater Kit Assembly 61931 .....	39
Hold Down Kit 526P3 .....	55
Hood Back Plate 505798 .....	17, 19, 21
Housing, 10 Position 500338 .....	63

## I

Idler Lever 510133 .....	53
Idler Lever and Wheel Assembly 510158 .....	53
Idler Spring 510185 .....	53

N/A items do not appear in index.

Idler Wheel and Bearing Assembly 510142P .....	53
Igniter and Bracket Assembly 510184P .....	43, 45
Igniter and Sensor Assembly 502995P .....	43
Igniter Bracket 502426 .....	43
Igniter Control 502994P .....	47
Ignition Control Bracket 502425 .....	47
Indicator Light 38280 .....	23
Instruction Label 500628 .....	5, 11
Instruction Plate 500490 .....	25
Insulated Female Spade Terminal 00359 .....	61
00360 .....	59
Insulated Female Terminal 00165 .....	61
Insulator 70210 .....	61
Insulator Sleeve 503670 .....	61

## L

Lead-In Cord 59308 .....	59
Lead-In Cord Assembly 510505 .....	59
Lead-In Cord Kit 61605P .....	59
Lead-In Pipe Assembly 510204 .....	43, 45
Leveling Leg 510135 .....	55
Light 32464 .....	17, 23
36967 .....	23
Limit Thermostat 510701 .....	39
Liner and Seal Assembly 500199P .....	31
Lint Filter 502140P .....	35
L.P. Conversion Kit 458P3 .....	43, 45

## M

Magnet 501453 .....	5, 7
Male Pin Terminal 00116 .....	59
00127 .....	59
Male Tab Terminal 00139 .....	61

Meter Case and Funnel Kit 524P3L .....	5, 11
524P3W .....	5, 11
Meter Case Assembly 38724L .....	9
38724W .....	9
Meter Case Bracket Gasket 35526 .....	5, 7, 9, 11
Meter Case Gasket 26354 .....	5, 7, 11
Meter Case Kit 38542LP .....	7
38542WP .....	7
Meter Case Lockdown Bracket 35525 .....	5, 7, 9, 11
Meter Case Locking Bracket 30642 .....	5, 7, 11
Motor Adapter Harness Kit 559P3 .....	49
560P3 .....	49
Motor and Pulley Assembly 505843P .....	49
505869P .....	49
511629P .....	49
Motor Hub Ring Kit 590P3 .....	49
Motor Mount 510060 .....	53
Motor Mount Clamp 510180 .....	49
Motor Pulley 500011 .....	49
500222 .....	49
Motor Switch Kit 501218P .....	49
Multiplier Assembly 38571 .....	9

## N

Natural Gas Notice Label 501140 .....	57
Notice Label, 15 Amp 500495 .....	57
Notice Label, 20 Amp 500496 .....	57
Notice Label, 30 Amp 500493 .....	57
Nut 23951 .....	21
24205 .....	17, 23
27222 .....	27, 29
29786 .....	5, 7, 9, 11, 19, 25
29796 .....	5, 11
30647 .....	5, 7, 9, 11
52566 .....	17, 21, 25, 53
52947 .....	17, 23
56156 .....	37, 53
N.G. Conversion Kit 459P3 .....	43, 45

N/A items do not appear in index.

---

## O

Outlet Cover	
500820 .....	39, 41

---

## P

Panel Kit	
727P3L .....	55
727P3W .....	55
Panel Locator	
56079 .....	33, 55
Plug	
23040 .....	59
Plug, 2 Circuit	
56266 .....	59
56448 .....	59
Plug, 6 Circuit	
23041 .....	21
Pre-Insulated Spade Terminal	
00215 .....	61
Pushbutton Switch	
34536 .....	5, 7, 9
Push-on Clip	
34762 .....	17

---

## R

Ratchet Wheel	
53239 .....	13, 15
Rear Bulkhead Assembly	
511082P .....	37
Receptacle Housing	
90789 .....	61
Receptacle, 2 Circuit	
56265 .....	59
56451 .....	59
Receptacle, 3 Circuit	
23039 .....	59
Reed Switch	
34599 .....	5, 7
Relay	
502501 .....	21
Retaining Ring	
23748 .....	37, 53
Ring Terminal	
00110 .....	61
00111 .....	61
Rubber Foot	
501855 .....	55

---

## S

Screw	
02916 .....	17, 19, 21, 25
03203 .....	5, 11, 21, 25
03950 .....	5, 11
20267 .....	21
20530 .....	5, 11, 27, 29, 37, 49, 53
23222 .....	39, 43, 45

---

27328 .....	25
31260 .....	5, 49
33562 .....	5, 11, 27, 29, 33, 47, 55
36048 .....	5, 7, 9, 11
39733 .....	33, 55
500226 .....	17, 19, 23, 31, 35
500824 .....	53
501086 .....	17, 19, 21, 25
501285 .....	37
501524 .....	19
502431 .....	11
502535 .....	43
503661 .....	35
503673 .....	5, 7, 9, 11, 27, 29
503688 .....	35, 37, 39, 41, 43, 45, 49, 51, 55
51782 .....	41, 43, 45
56124 .....	43, 45
61199 .....	37
62588 .....	35
62853 .....	29, 33

Secondary Coil	
58804B .....	43, 45
59063B .....	43

Security Cabinet Harness Assembly	
501380P .....	64

Sensor	
510213 .....	43, 45

Service Door Assembly	
35798LP .....	5, 7, 9, 11
35798WP .....	5, 7, 9, 11

Shaft	
56461P .....	37, 53

Slide Extension Kit	
553P3 .....	5, 11

Snap Switch	
61468 .....	15

Spade Terminal	
00245 .....	61

Speed Clip	
28835 .....	33

Spring	
53261 .....	13, 15

Strain Relief	
38384 .....	61
502500 .....	61
52113 .....	61

Strain Relief Adapter	
502496 .....	61

Switch	
512973 .....	7, 33

Switch Assembly	
55882 .....	17, 23

Switch Knob	
39897 .....	17, 23

---

## T

Terminal Block Assembly	
510190P .....	37

Terminal Block Label	
501288 .....	57

Terminal Extractor Tool	
283P4 .....	63

---

N/A items do not appear in index.

Thermal Fuse Assembly	
511412 .....	39
Thermistor Assembly	
510523 .....	51
Thermostat	
500807 .....	39
503552 .....	51
510703 .....	41
61556 .....	51
Thermostat and Plate Kit	
489P3 .....	41
492P3 .....	41
Thermostat Heater	
61401 .....	51
61622 .....	51
Timer	
510524P .....	25
510525P .....	25
510526P .....	25
Timer Bracket	
503315 .....	9, 11
Timer Case Assembly	
37733W .....	25
Timer Knob	
54678 .....	25
Timer Motor	
512017P .....	13, 15
Timer Plate Assembly	
500921W .....	25
Timing Cam	
53240 .....	13, 15
53241 .....	13, 15
53242 .....	13, 15
53243 .....	13, 15
Top Hinge	
510136 .....	55
Top Kit	
511527LP .....	27, 29
511527WP .....	27, 29
511528LP .....	29
511528WP .....	29
Top Panel	
502570W .....	27
Torx Bit	
281P4 .....	17, 23
282P4 .....	29, 33
Transformer	
M412477P .....	19, 21
Transformer Kit	
511658P .....	21
Transmit Light	
34701 .....	17

---

## V

Valve Assembly	
60443P .....	43
Voltage Warning Label	
62104 .....	57

---

## W

Warning Label	
500049 .....	35
500314 .....	35
500316 .....	29, 57
Warning/Caution Label	
500281 .....	33
Washer	
02431 .....	17, 19, 21, 25
03815 .....	21, 29
20279 .....	25
21734 .....	5, 11, 21
35774 .....	5, 7, 11, 27, 29
35917 .....	5, 7, 11, 27, 29
51474 .....	37
52549 .....	37, 53
91176 .....	17, 23
Wire Clip	
504034 .....	59
51291 .....	59
Wire Harness Assembly	
500358 .....	64
500825P .....	64
500907 .....	64
500911P .....	64
501370P .....	64
Wire, 12 Gauge	
45380 .....	64
Wire, 18 Gauge	
45001 .....	64

---

