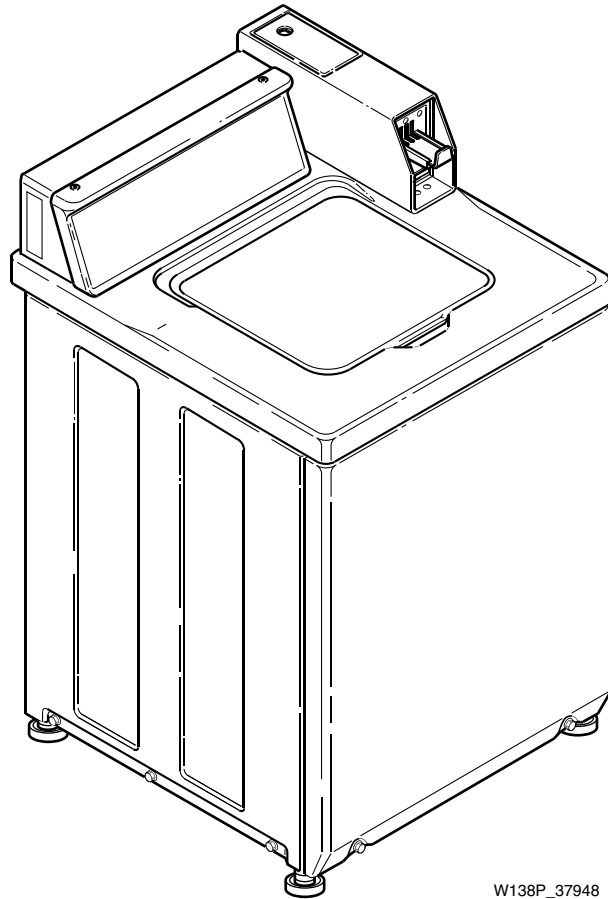


Automatic Washers

Refer to Page 3 for Model Numbers



W138P_37948

Table of Contents

Title	Page
Parts Ordering Information.....	2
Nameplate Location	2
Model Identification	3
Timer, Case and Plate	4
Timer Case	6
Timer, Meter Case and Service Door (Drawing 1 of 2).....	8
Timer, Meter Case and Service Door (Drawing 2 of 2).....	10
Coin Drop, Meter Case and Service Door	12
Security Case, Service Door and Circuit Board	14
Security Case, Service Door and Card Reader	16
Control Panel, Control Hood and Controls (Drawing 1 of 3).....	18
Control Panel, Control Hood and Controls (Drawing 2 of 3).....	20
Control Panel, Control Hood and Controls (Drawing 3 of 3).....	22
Cabinet Top and Loading Door.....	24
Out-of-Balance Switch	26
Motor, Mounting Bracket, Belt, Pump and Idler Assembly.....	28
Fill Hose, Mixing Valve-to-Tub Cover Hose and Mixing Valve and Mounting Bracket.....	30
Agitator, Drive Bell, Seal Kit, Washtub and Hub	32
Outer Tub, Cover and Pressure Hose	34
Transmission Assembly and Balance Ring.....	36
Transmission Assembly	38
Drain Hose, Strain Relief and Sleeve	40
Hoses and Siphon Break Kit	42
Bearing Housing, Brake, Pulley and Pivot Dome.....	44
Front Panel, Base Assembly and Cabinet Assembly.....	46
Mixing Valve and Motor Disconnect Blocks, Terminals and Terminal Extractor Tool.....	48
Power Cord and Terminals	50
Special Tools (Drawing 1 of 2).....	52
Special Tools (Drawing 2 of 2).....	54
Wire Harnesses and Wires	56
Parts Index.....	57

© Copyright 2011, Alliance Laundry Systems LLC

All rights reserved. No part of the contents of this book may be reproduced or transmitted in any form or by any means without the expressed written consent of the publisher.

Parts Ordering Information

If literature or replacement parts are required, contact the source from whom the machine was purchased or contact Alliance Laundry Systems at (920) 748-3950 for the name and address of the nearest authorized parts distributor.

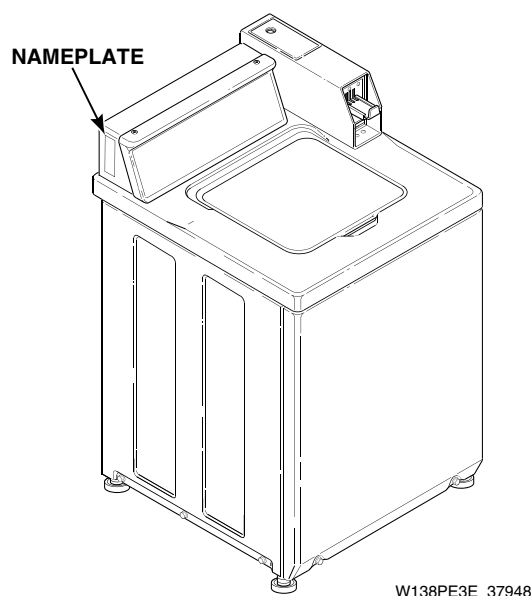
For technical assistance, call either of the numbers listed below:

(920) 748-3121 Ripon, Wisconsin

+32 56 41 20 54 Wevelgem, Belgium

Nameplate Location

When calling or writing about your product, be sure to mention model and serial numbers. Model and serial numbers are located on nameplate(s) as shown.



Model Identification

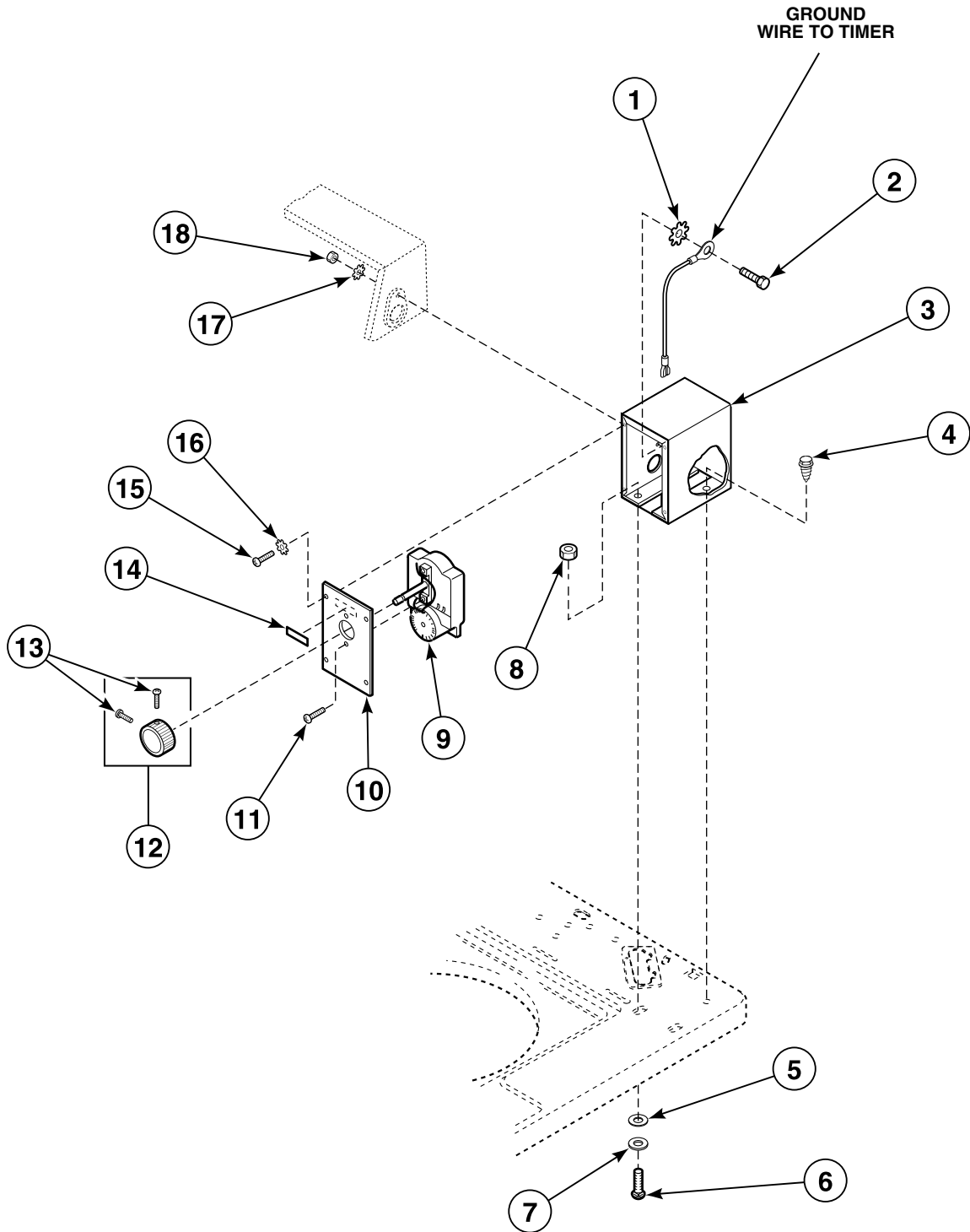
Information in this manual is applicable to these washer models:

EAJ920*A	EA2111*A	EA2520*A	EA2721*A	EA3821*A
EAJ921*A	EA2120*A	EA2521*A	EA2820*A	EA3920*A
EA2011*A	EA2121*A	EA2610*A	EA2821*A	EA3921*A
EA2020*A	EA2210*A	EA2620*A	EA2920*A	JA0110*
EA2021*A	EA2220*A	EA2621*A	EA2921*A	ZA3820*A
EA2110*A	EA2221*A	EA2710*A	EA3820*A	ZA3821*A

* Add Letter To Designate Color. L - Almond W - White

Timer, Case and Plate

Models EA2011*A, EA2020*A and EA2021*A



W116PZ3D_37948

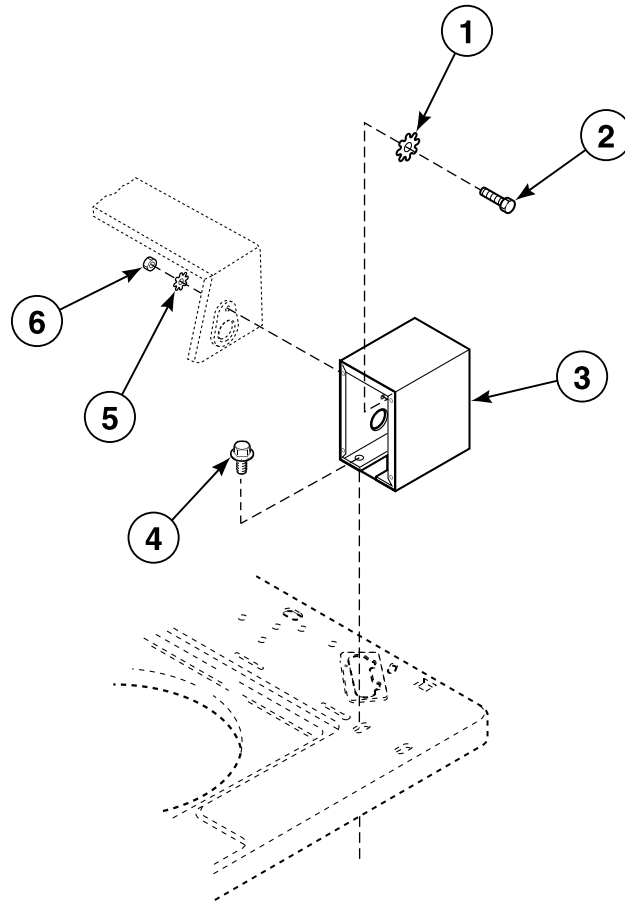
Timer, Case and Plate

REF	PART NO.	DESCRIPTION	COMMENTS
1	M400017	Washer	
2	02916	Screw	
3	37733W	Timer Case Assembly	
4	23962	Screw	
5	23225	Washer	Vinyl
6	02505	Bolt	
7	30627	Washer	
8	29786	Nut	
9	28716P	Timer	
10	31864W	Timer Plate	
11	27328	Screw	
12	26256	Timer Knob Assembly	
13	80399	Screw	
14	53738	Push-to-Start Sticker	
15	51778	Screw	
16	21734	Washer	
17	02431	Washer	
18	52566	Nut	

* Add Letter To Designate Color. L - Almond W - White

Timer Case

Models EAJ920*A and EAJ921*A



W017BE3C_37948

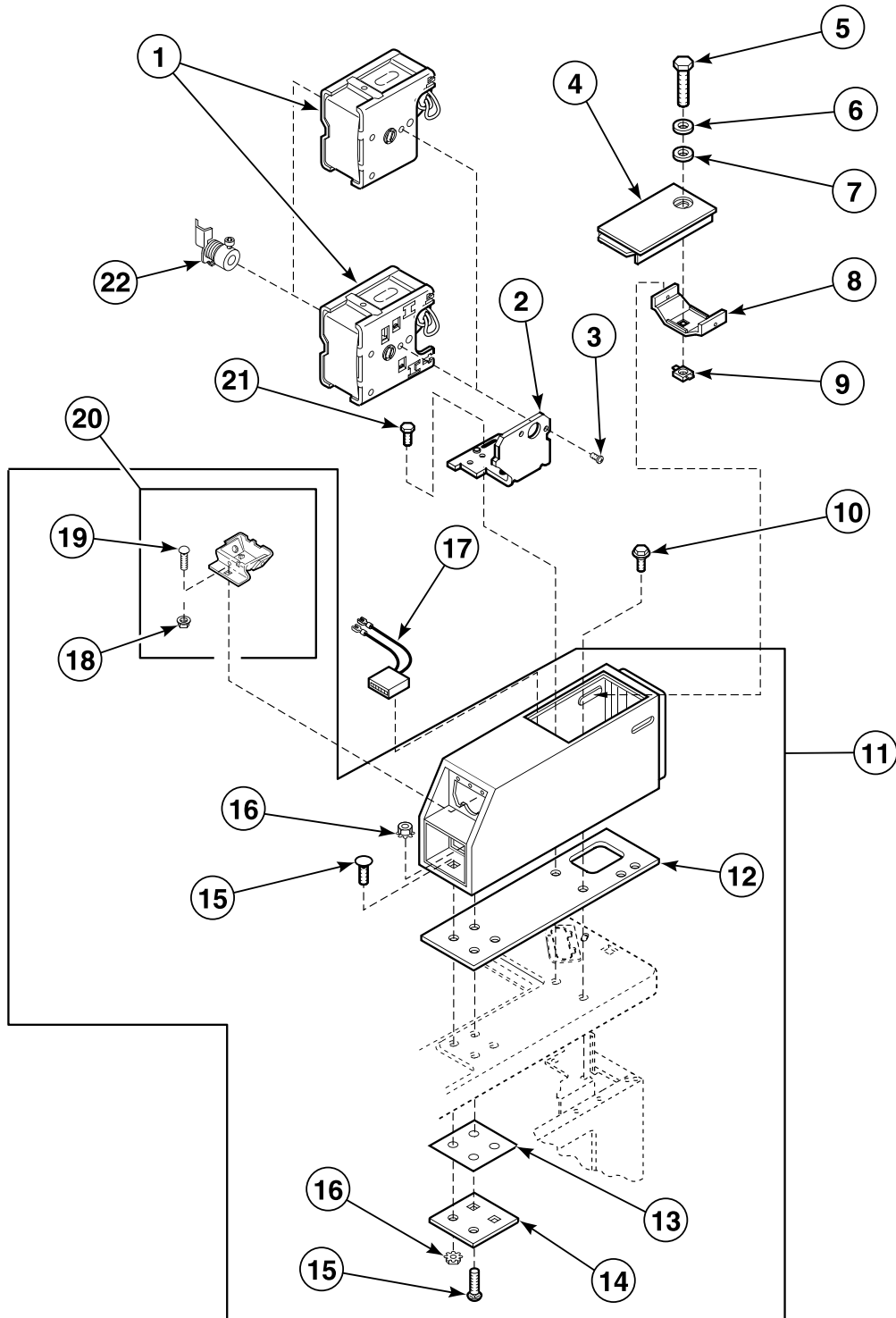
Timer Case

REF	PART NO.	DESCRIPTION	COMMENTS
1	M400017	Washer	
2	02916	Screw	
3	37733W	Timer Case Assembly	
4	36048	Screw	
5	02431	Washer	
6	52566	Nut	

* Add Letter To Designate Color. L - Almond W - White

Timer, Meter Case and Service Door (Drawing 1 of 2)

Models EA2110*A, EA2111*A, EA2120*A, EA2121*A, EA2210*A, EA2220*A, EA2221*A, EA2520*A, EA2521*A and JA0110*



W117PZ3B_37948

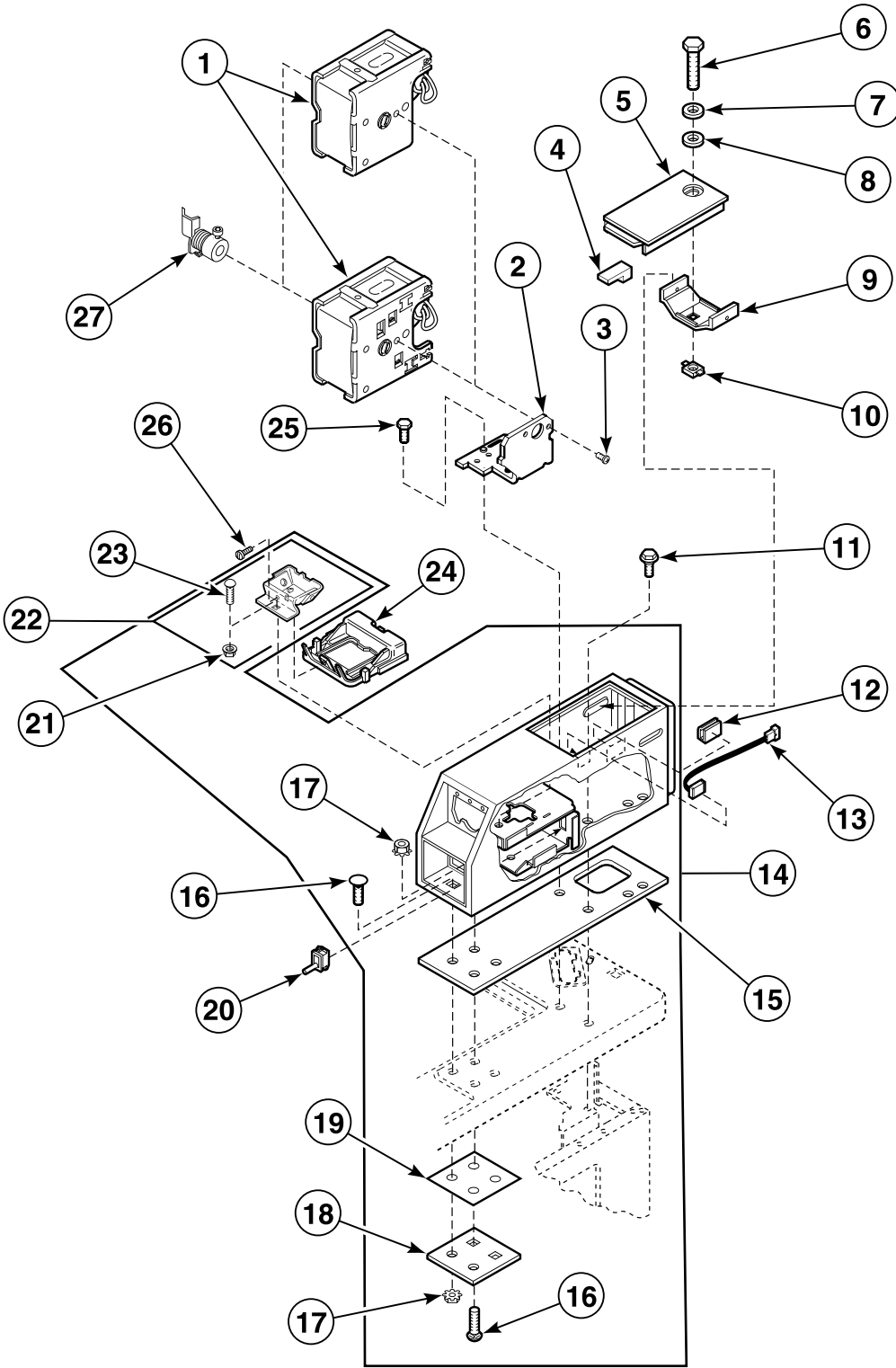
Timer, Meter Case and Service Door (Drawing 1 of 2)

REF	PART NO.	DESCRIPTION	COMMENTS
1	31111P	Timer	Models EA2110*A, EA2111*A, EA2120*A, EA2121*A and JA0110*
	34601P	Timer	Models EA2210*A, EA2220*A and EA2221*A
	34602P	Timer	Models EA2520*A and EA2521*A
2	35249	Timer Bracket	
3	21720	Screw	
4	35798WP	Service Door Assembly	White
	35798LP	Service Door Assembly	Almond
5	503673	Screw	
6	35917	Washer	Metal
7	35774	Washer	Vinyl
8	30642	Meter Case Locking Bracket	
9	30647	Nut	
10	502431	Screw	
11	524P3W	Meter Case and Funnel Kit	White; Includes items 12-16 and 20
	524P3L	Meter Case and Funnel Kit	Almond; Includes items 12-16 and 20
12	26354	Meter Case Gasket	
13	35526	Meter Case Bracket Gasket	
14	35525	Meter Case Lockdown Bracket	
15	02505	Bolt	
16	29786	Nut	
17	62113P	Counter Kit	Models EA2520*A and EA2521*A
18	29796	Nut	
19	29651	Bolt	
20	523P3	Coin Funnel Kit	
21	36048	Screw	
22	29503	Clutch Assembly	

* Add Letter To Designate Color. L - Almond W - White

Timer, Meter Case and Service Door (Drawing 2 of 2)

Models EA2610*A, EA2620*A, EA2621*A, EA2710*A and EA2721*A



W118PZ3B_37948

Timer, Meter Case and Service Door (Drawing 2 of 2)

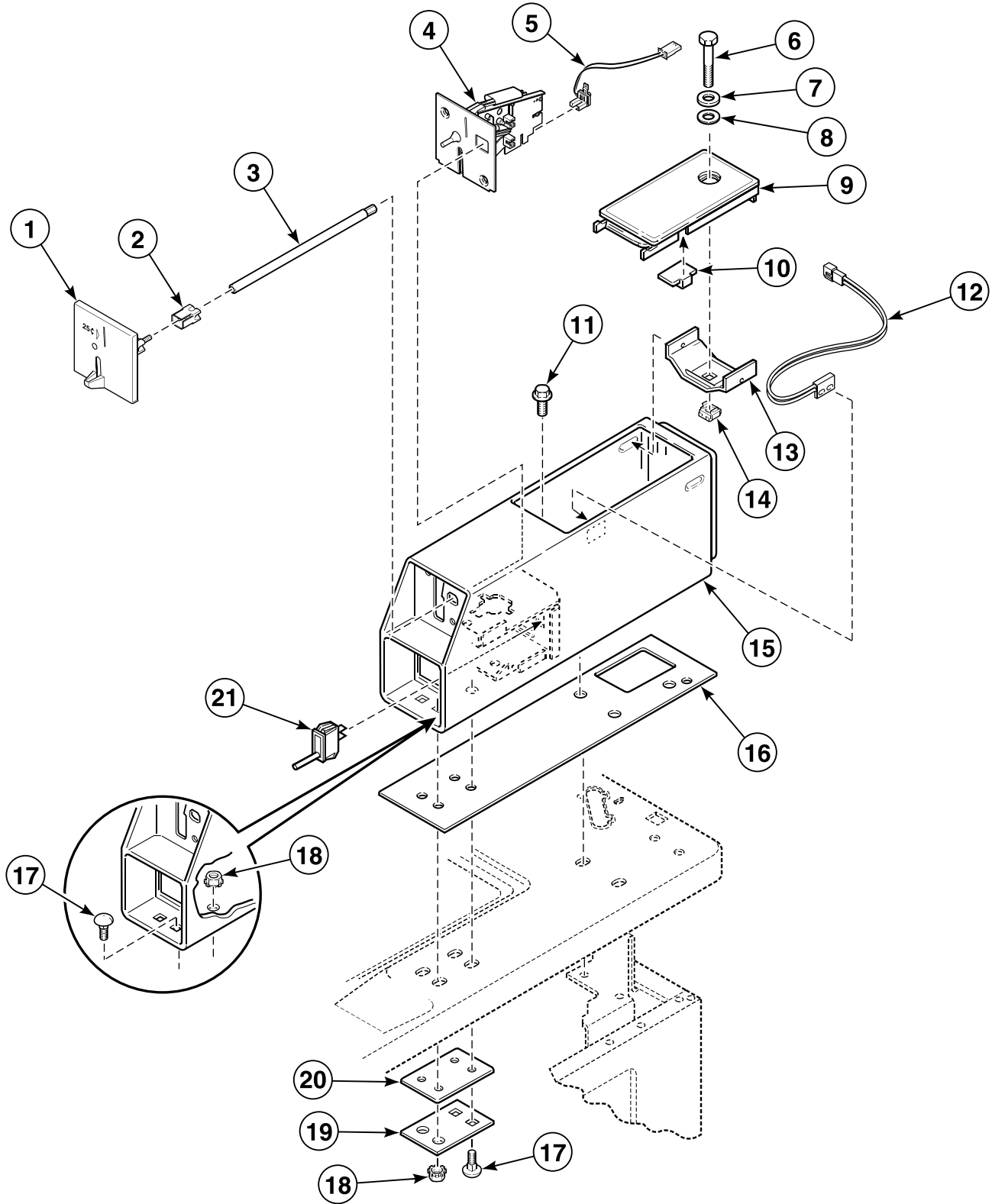
REF	PART NO.	DESCRIPTION	COMMENTS
1	34602P	Timer	Models EA2610*A, EA2620*A and EA2621*A
	N/A	Timer Assembly	Models EA2710*A and EA2721*A
2	35249	Timer Bracket	
3	21720	Screw	
4	501453	Magnet	
5	35798WP	Service Door Assembly	White
	35798LP	Service Door Assembly	Almond
6	503673	Screw	
7	35917	Washer	Metal
8	35774	Washer	Vinyl
9	30642	Meter Case Locking Bracket	
10	30647	Nut	
11	502431	Screw	
12	N/A	Wire Harness Clip	
13	34599	Reed Switch	
14	524P3W	Meter Case and Funnel Kit	White; Includes items 15-19 and 22
	524P3L	Meter Case and Funnel Kit	Almond; Includes items 15-19 and 22
15	26354	Meter Case Gasket	
16	02505	Bolt	
17	29786	Nut	
18	35525	Meter Case Lockdown Bracket	
19	35526	Meter Case Bracket Gasket	
20	34536	Pushbutton Switch	
21	29796	Nut	
22	523P3	Coin Funnel Kit	
23	29651	Bolt	
24	N/A	Audit Sensor Assembly	
25	36048	Screw	
26	31260	Screw	
27	29503	Clutch Assembly	

* Add Letter To Designate Color. L - Almond W - White

N/A = Part no longer available

Coin Drop, Meter Case and Service Door

Models EA2820*A, EA2821*A, EA2920*A and EA2921*A



TLW1606P_37948

Coin Drop, Meter Case and Service Door

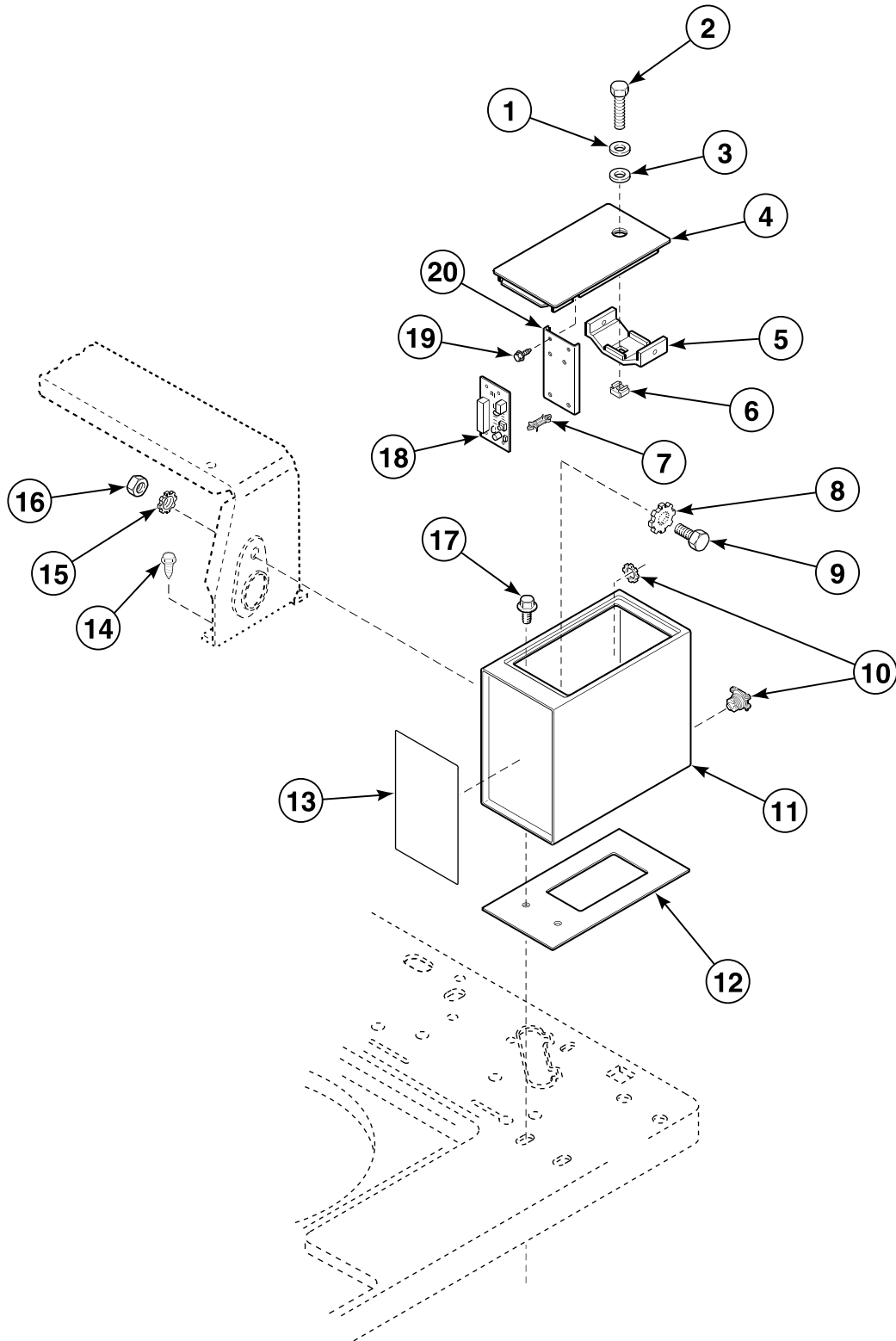
REF	PART NO.	DESCRIPTION	COMMENTS
1	201191	Rejector Faceplate	For use with 39873 Coin Drop
2	200820	Expansion Plug	For use with 39873 Coin Drop
3	N/A	Locking Rod	
4	39873P	Coin Drop	Replaces Airpax rejector and drop assembly
5	200824P	Opto Coupler	For use with metal drops only
6	503673	Screw	
7	35917	Washer	Metal
8	35774	Washer	Vinyl
9	35798WP	Service Door Assembly	White
	35798LP	Service Door Assembly	Almond
10	501453	Magnet	
11	36048	Screw	
12	34599	Reed Switch	
13	30642	Meter Case Locking Bracket	
14	30647	Nut	
15	38542WP	Meter Case Kit	White
	38542LP	Meter Case Kit	Almond
16	26354	Meter Case Gasket	
17	02505	Bolt	
18	29786	Nut	
19	35525	Meter Case Lockdown Bracket	
20	35526	Meter Case Bracket Gasket	
21	504570	Switch	

* Add Letter To Designate Color. L - Almond W - White

N/A = Part no longer available

Security Case, Service Door and Circuit Board

Models EA3920*A and EA3921*A



W245PZ3B_37948

Security Case, Service Door and Circuit Board

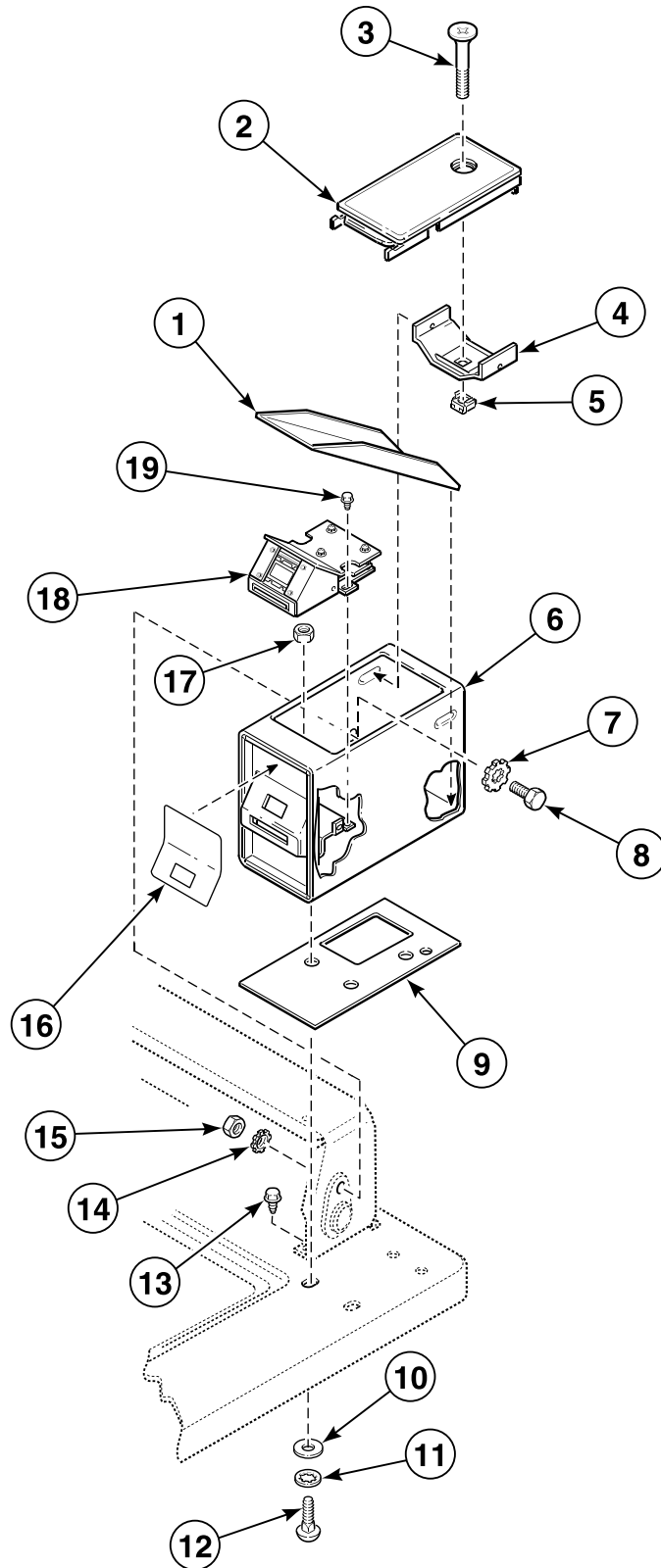
REF	PART NO.	DESCRIPTION	COMMENTS
1	35917	Washer	Metal
2	503673	Screw	
3	35774	Washer	Vinyl
4	35798WP	Service Door Assembly	White
	35798LP	Service Door Assembly	Almond
5	30642	Meter Case Locking Bracket	
6	30647	Nut	
7	501523	Circuit Board Support	
8	M400017	Washer	
9	02916	Screw	
10	M400149	Connector	
11	N/A	Security Case	
12	37526	Security Case Gasket	
13	N/A	Overlay	
14	23962	Screw	
15	02431	Washer	
16	52566	Nut	
17	36048	Screw	
18	37386P	Control Board Kit	
19	52909	Screw	
20	503017	Timer Bracket	

* Add Letter To Designate Color. L - Almond W - White

N/A = Part no longer available

Security Case, Service Door and Card Reader

Models EA3820*A, EA3821*A, ZA3820*A and ZA3821*A



W278P_37948

Security Case, Service Door and Card Reader

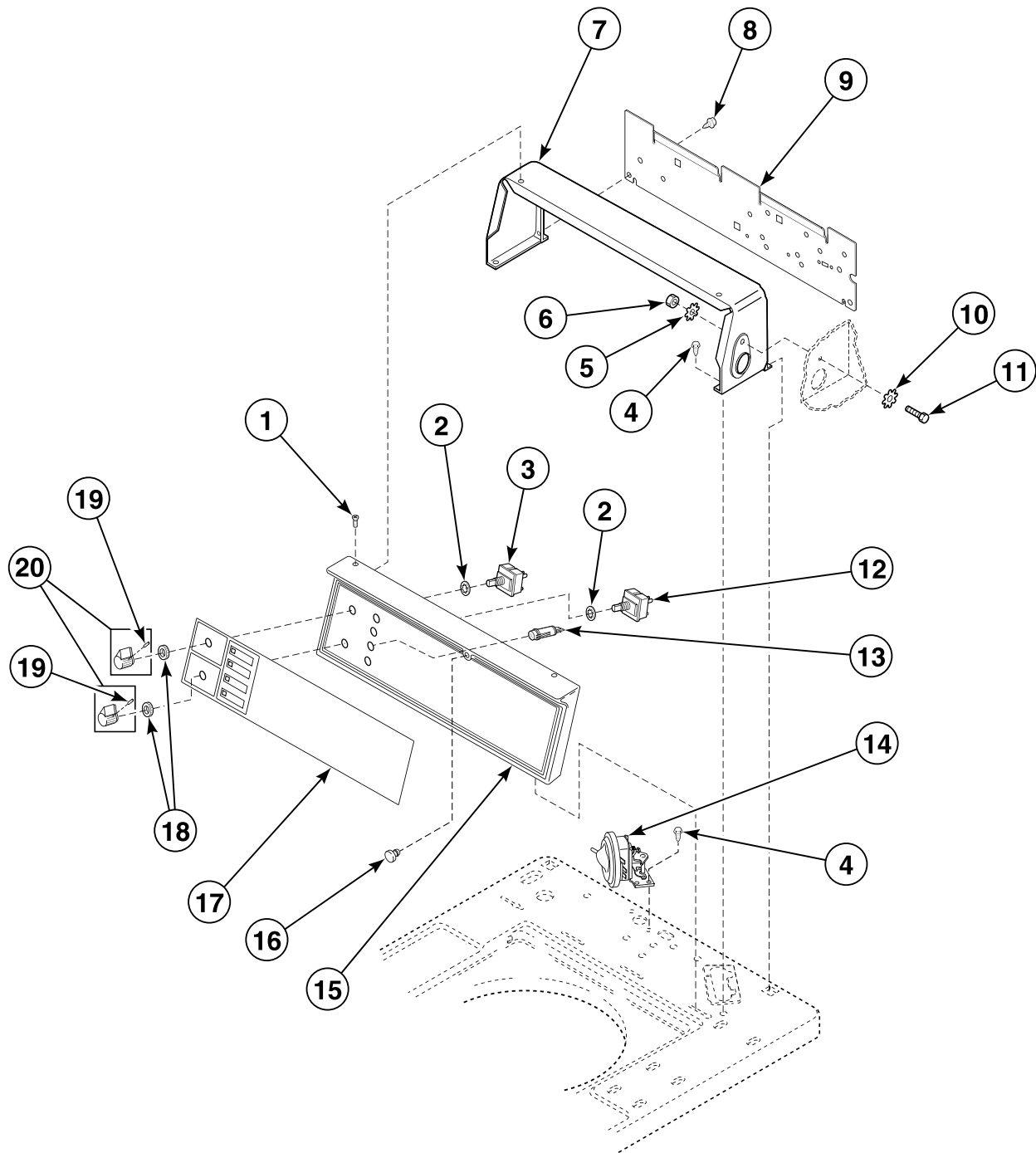
REF	PART NO.	DESCRIPTION	COMMENTS
1	N/A	Card Reader Shield	
2	35798WP	Service Door Assembly	White
	35798LP	Service Door Assembly	Almond
3	503673	Screw	
4	30642	Meter Case Locking Bracket	
5	30647	Nut	
6	38145L	Security Case Assembly	
7	M400017	Washer	
8	02916	Screw	
9	37526	Security Case Gasket	
10	23225	Washer	Vinyl
11	30627	Washer	
12	02505	Bolt	
13	23962	Screw	
14	02431	Washer	
15	52566	Nut	
16	38192	Card Reader Instruction Overlay	
17	29786	Nut	
18	39685	Card Reader	
19	501524	Screw	

* Add Letter To Designate Color. L - Almond W - White

N/A = Part no longer available

Control Panel, Control Hood and Controls (Drawing 1 of 3)

Models EA2011*A, EA2020*A, EA2021*A, EA2110*A, EA2111*A, EA2120*A, EA2121*A, EA2210*A, EA2220*A, EA2221*A, EA2520*A, EA2521*A and JA0110*



W119PZ3D_37948

Control Panel, Control Hood and Controls (Drawing 1 of 3)

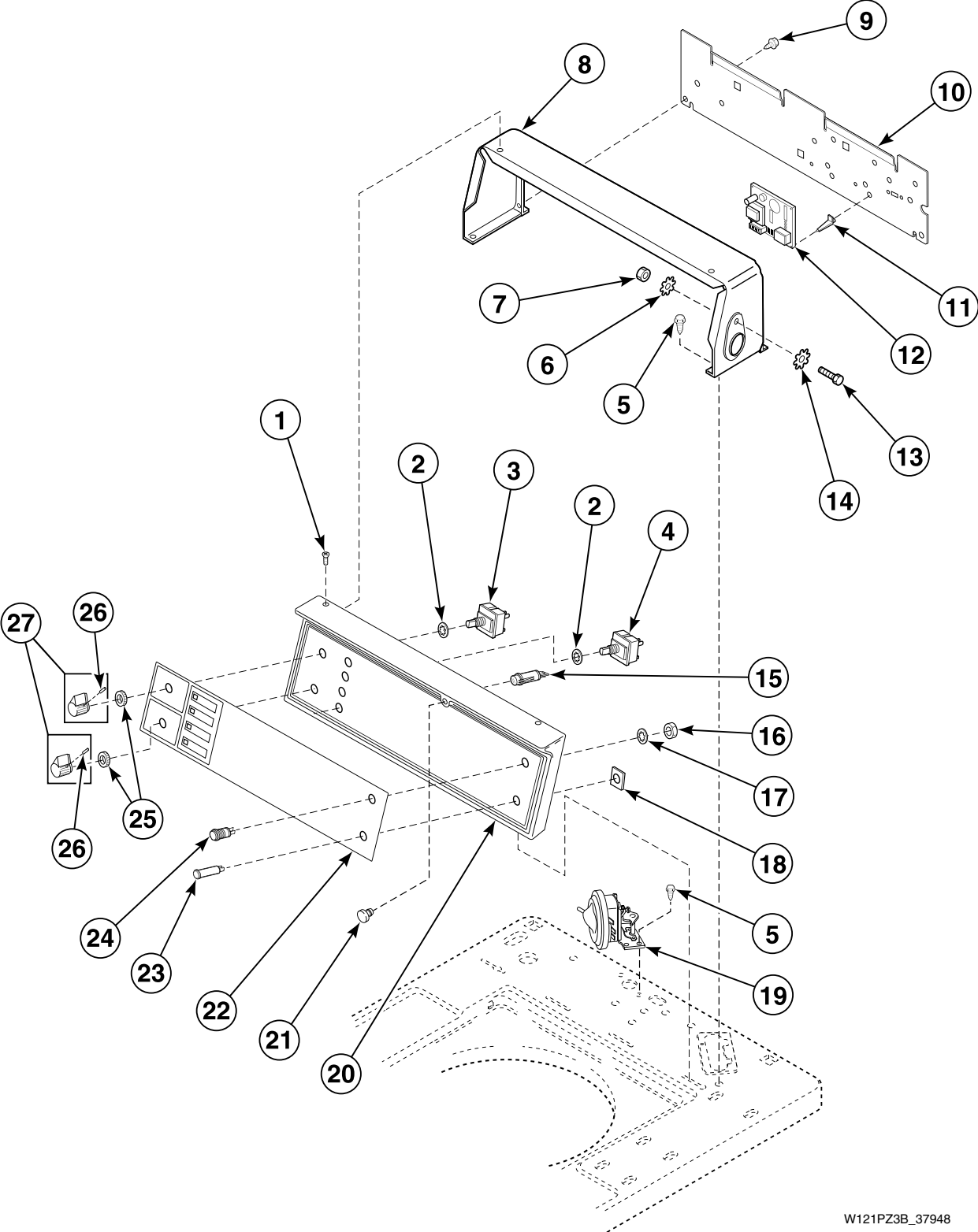
REF	PART NO.	DESCRIPTION	COMMENTS
1	500226	Screw	Phillips head
	35528	Screw	Torx head; Refer to <i>Special Tools</i> section for torx bit and holder
2	91176	Washer	
3	27761	Switch	
4	23962	Screw	
5	02431	Washer	
6	52566	Nut	
7	37075W	Control Hood	White
	37075L	Control Hood	Almond
8	23222	Screw	
9	38267	Hood Back Panel	
10	M400017	Washer	
11	02916	Screw	
12	27762	Switch	2 speed models
13	32464	Light	4 required; Models EA2011*A, EA2020*A and EA2021*A
	32463	Unbalance Light	Unbalanced load; All other models
	32466	Light	In use; All other models
	32464	Light	Rinse or spin; All other models
14	35889P	Pressure Switch	
15	36521WP	Control Panel and Bracket Assembly	White
	36521LP	Control Panel and Bracket Assembly	Almond
16	32648	Control Panel Bumper	
17	32460	Graphic Overlay	Models EA2011*A, EA2110*A, EA2111*A and EA2210*A
	32472	Graphic Overlay	Models EA2020*A, EA2021*A, EA2120*A, EA2121*A, EA2220*A, EA2221*A, EA2520*A and EA2521*A
	N/A	Graphic Overlay	Model JA0110*
18	24205	Nut	
19	N/A	Screw	
20	39897	Switch Knob	

* Add Letter To Designate Color. L - Almond W - White

N/A = Part no longer available

Control Panel, Control Hood and Controls (Drawing 2 of 3)

Models EA2610*A, EA2620*A, EA2621*A, EA2710*A and EA2721*A



W121PZ3B_37948

Control Panel, Control Hood and Controls (Drawing 2 of 3)

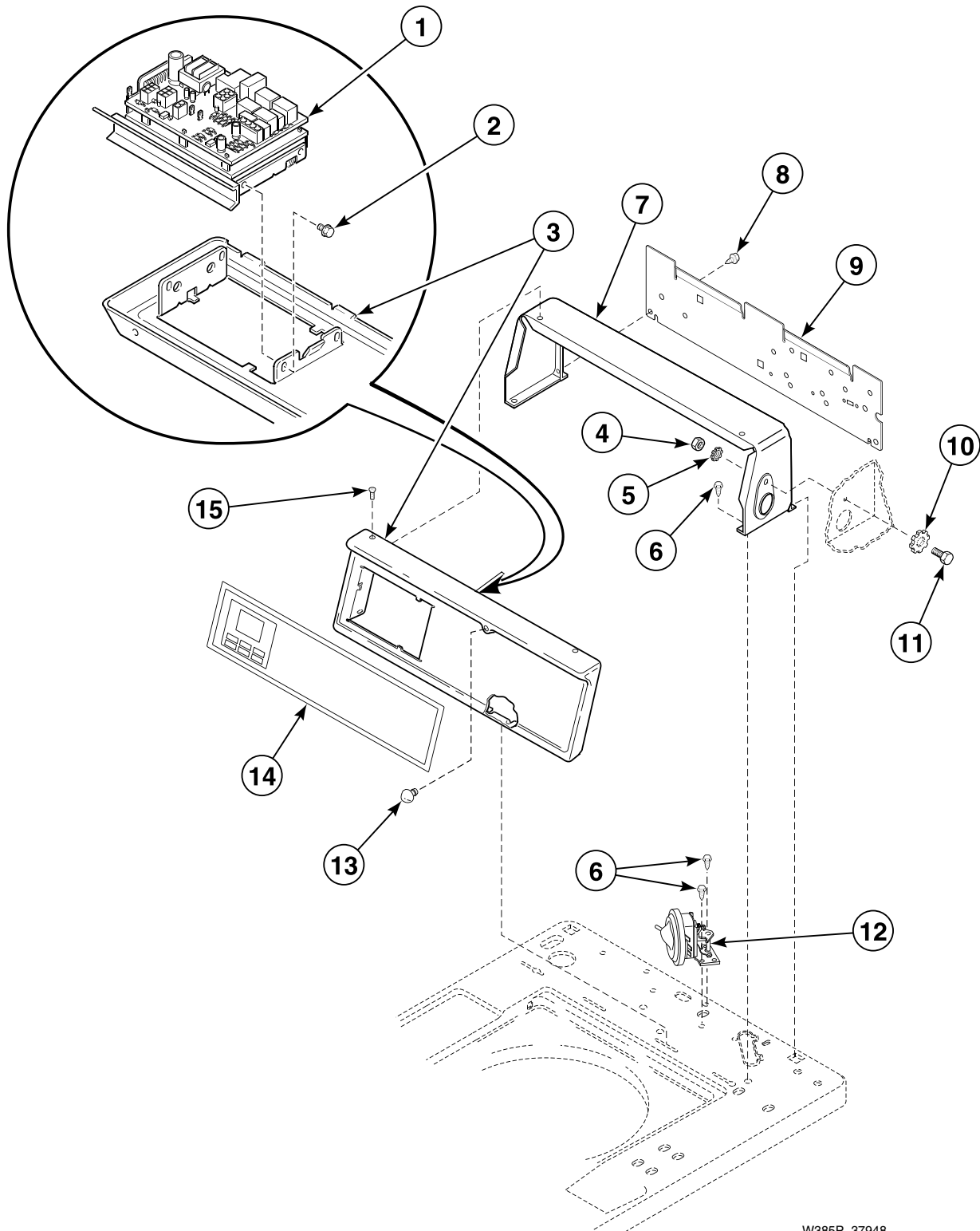
REF	PART NO.	DESCRIPTION	COMMENTS
1	500226	Screw	Phillips head
	35528	Screw	Torx head
2	91176	Washer	
3	27761	Switch	
4	27762	Switch	
5	23962	Screw	
6	02431	Washer	
7	52566	Nut	
8	37075W	Control Hood	White
	37075L	Control Hood	Almond
9	23222	Screw	
10	38267	Hood Back Panel	
11	34896	Circuit Board Support	
12	N/A	Audit Control	
13	02916	Screw	
14	M400017	Washer	
15	32463	Unbalance Light	Unbalanced load
	32466	Light	In use
	32464	Light	Rinse or spin
16	N/A	Nut	
17	N/A	Washer	
18	34762	Push-On Clip	
19	35889P	Pressure Switch	
20	36521WP	Control Panel and Bracket Assembly	White
	36521LP	Control Panel and Bracket Assembly	Almond
21	32648	Control Panel Bumper	
22	N/A	Graphic Overlay	Models EA2610*A and EA2710*A
	34699	Graphic Overlay	Models EA2620*A, EA2621*A and EA2721*A
23	34701	Transmit Light	
24	N/A	Transmit Switch	
25	24205	Nut	
26	N/A	Screw	
27	39897	Switch Knob	

* Add Letter To Designate Color. L - Almond W - White

N/A = Part no longer available

Control Panel, Control Hood and Controls (Drawing 3 of 3)

Models EAJ920*A, EAJ921*A, EA2820*A, EA2821*A, EA2920*A, EA2921*A, EA3820*A, EA3821*A, EA3920*A, EA3921*A, ZA3820*A and ZA3821*A



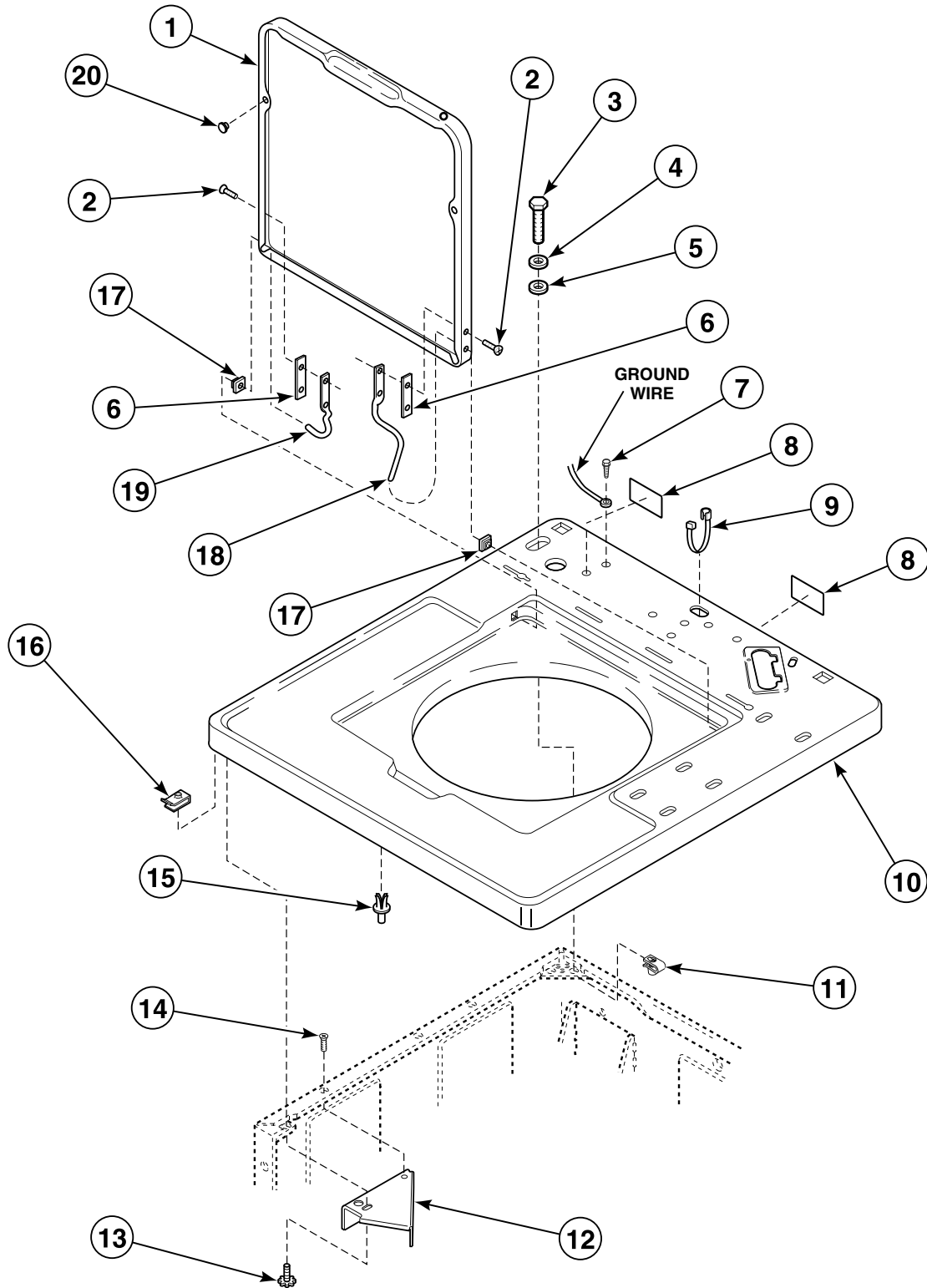
W385P_37948

Control Panel, Control Hood and Controls (Drawing 3 of 3)

REF	PART NO.	DESCRIPTION	COMMENTS
1	38188P	Control, Shield and Tape Kit	
2	501524	Screw	
3	36097W	Control Panel Assembly	White
	36097L	Control Panel Assembly	Almond
4	52566	Nut	
5	02431	Washer	
6	23962	Screw	
7	37075W	Control Hood	White
	37075L	Control Hood	Almond
8	23222	Screw	
9	38267	Hood Back Panel	
10	M400017	Washer	
11	02916	Screw	
12	35889P	Pressure Switch	
13	32648	Control Panel Bumper	
14	N/A	Overlay	Models ZA3820*A and ZA3821*A
	39096	Control Panel Overlay	All other models
15	500226	Screw	Phillips head
	35528	Screw	Torx head; Refer to <i>Special Tools</i> section for torx bit and holder

* Add Letter To Designate Color. L - Almond W - White
 N/A = Part no longer available

Cabinet Top and Loading Door



W123PZ3B_37948

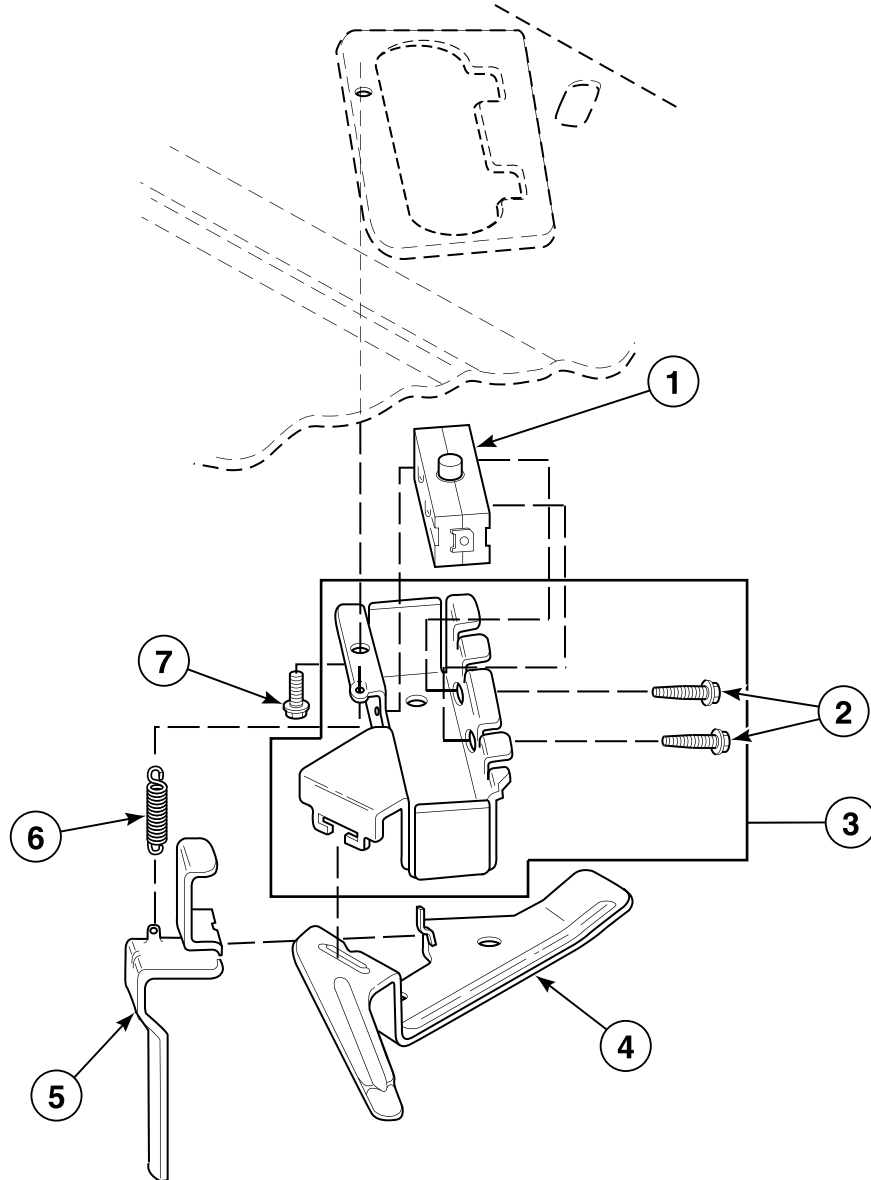
Cabinet Top and Loading Door

REF	PART NO.	DESCRIPTION	COMMENTS
	34153	Lid Plug	Use on lid
1	201460WP	Lid	White; Porcelain
	201460LP	Lid and Carton Assembly	Almond; Porcelain
2	34337	Screw	
3	503673	Screw	Optional for added security
4	35917	Washer	Metal; Optional for added security
5	35774	Washer	Vinyl; Optional for added security
6	34338	Hinge Gasket	
7	52909	Screw	
8	505281	Disconnect Power Warning Label	
9	38384	Strain Relief	
10	36122WP	Top Assembly	White; Metered models
	36122LP	Top Assembly	Almond; Metered models
	36273WP	Top Assembly	White; Nonmetered models
	36273LP	Top Assembly	Almond; Nonmetered models
11	27222	Nut	Optional for added security
12	36034	Director Bracket	
13	23008	Screw	
14	N/A	Screw	
15	56534	Support Barrel	
16	36020	Nut	
17	36474	Hinge Bushing	
18	36437	Lid Hinge	Right
19	36438	Lid Hinge	Left
20	21685	Bumper	

* Add Letter To Designate Color. L - Almond W - White

N/A = Part no longer available

Out-of-Balance Switch



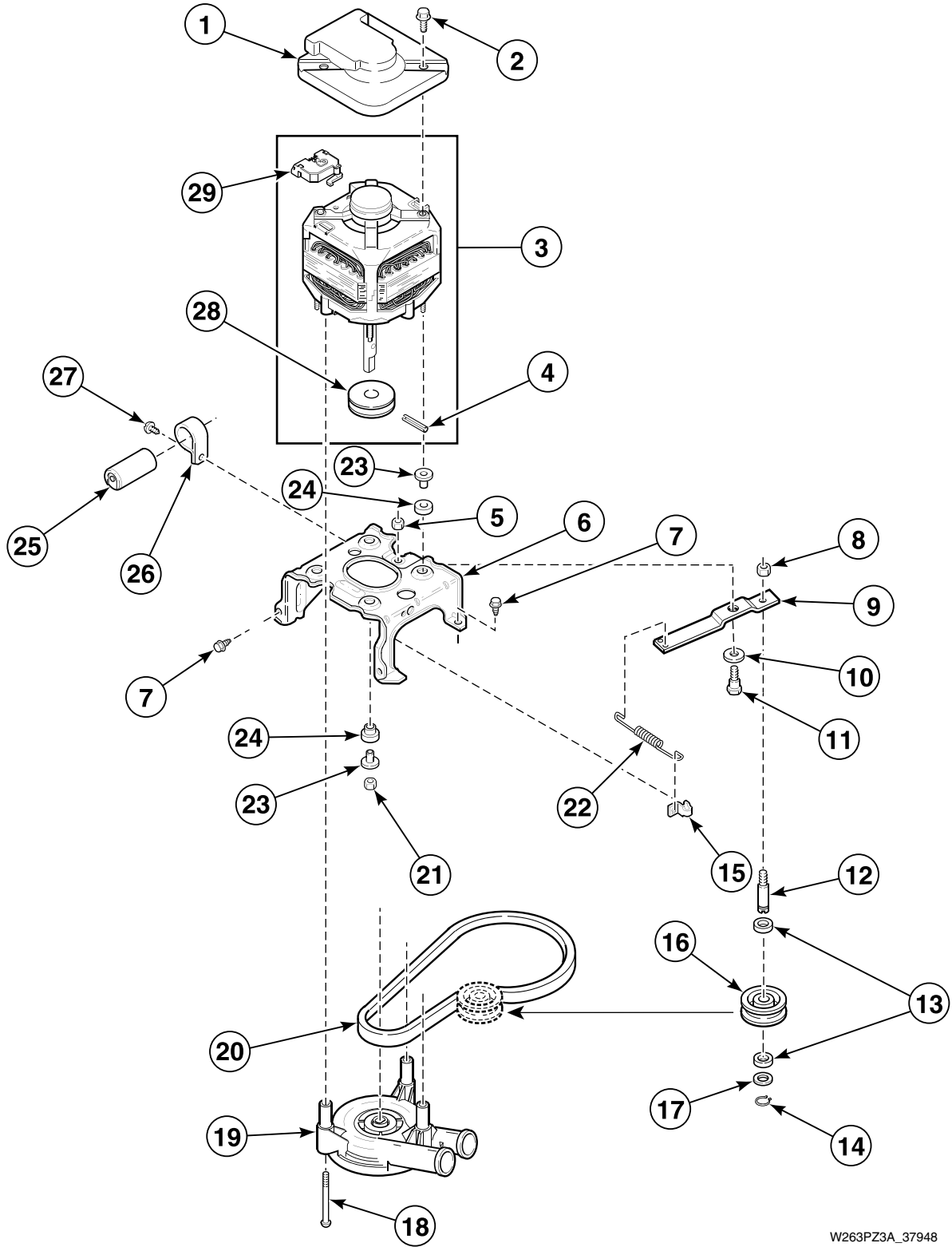
W246PZ3A_37948

Out-of-Balance Switch

REF	PART NO.	DESCRIPTION	COMMENTS
1	33445	Switch	Models EAJ920*A, EAJ921*A, EA2820*A, EA2821*A, EA2920*A, EA2921*A, EA3820*A, EA3821*A, EA3920*A, EA3921*A, ZA3820*A and ZA3821*A
	33527	Snap Switch	All other models
2	36510	Screw	
3	36497P	Switch Holder Kit	Includes (2) 36510 Screws
4	33441	Actuator Arm	
5	33442	Unbalanced Load Lever	
6	33443	Spring	
7	23962	Screw	

* Add Letter To Designate Color. L - Almond W - White

Motor, Mounting Bracket, Belt, Pump and Idler Assembly



W263PZ3A_37948

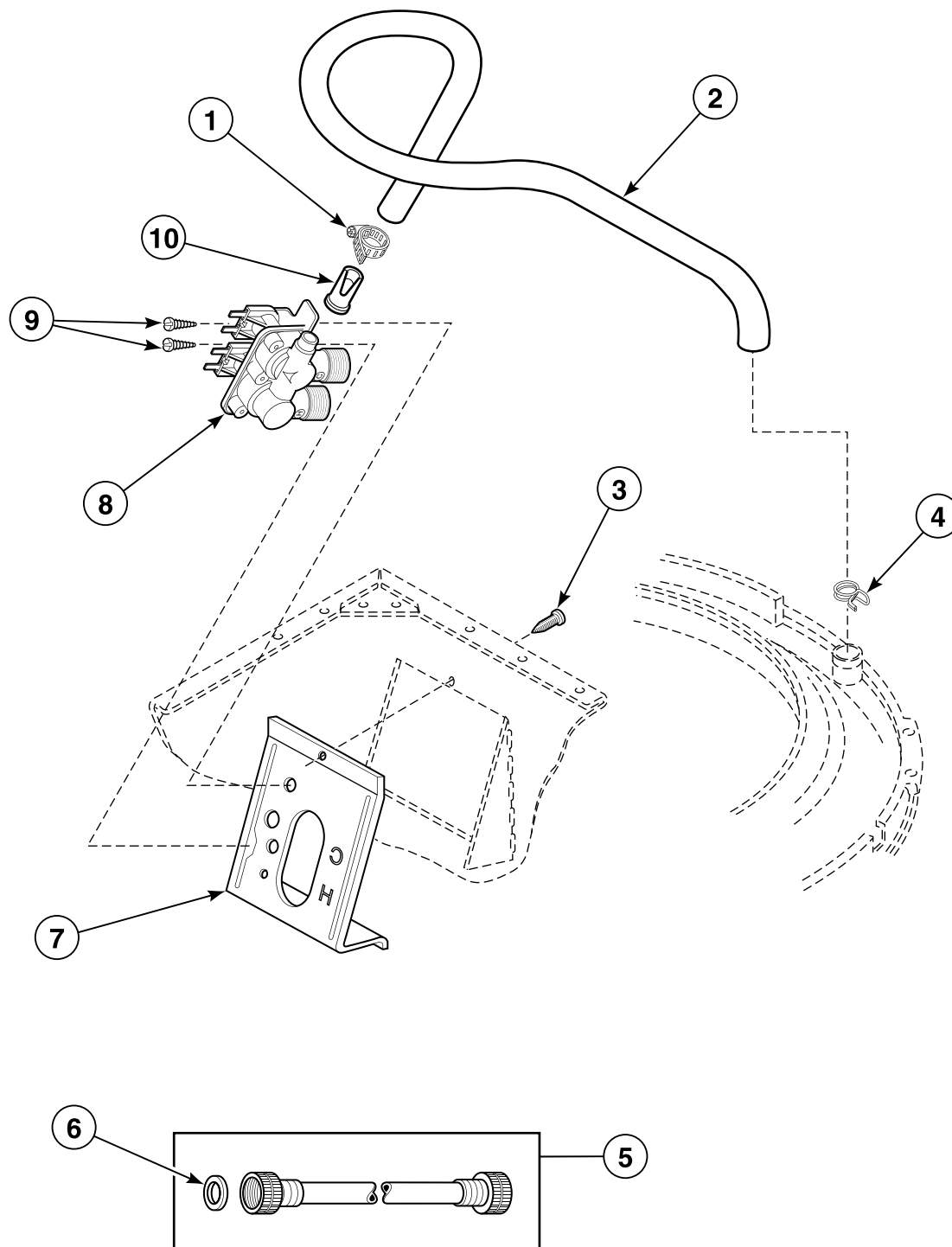
Motor, Mounting Bracket, Belt, Pump and Idler Assembly

REF	PART NO.	DESCRIPTION	COMMENTS
1	34754	Motor Shield	
2	36639	Screw	
3	38036P	Motor Kit	1 speed; Model JA0110*
	38035P	Motor Kit	1 speed; Models EA2011*A, EA2110*A, EA2111*A, EA2210*A, EA2610*A and EA2710*A
	38034P	Motor Kit	2 speed; All other models
4	N/A	Roll Pin	
5	52566	Nut	
6	37415	Motor Mounting Bracket	
7	503661	Screw	
8	28803	Nut	
9	37443	Idler Lever	
10	81392	Washer	
11	27229	Screw	
12	28802P	Idler Shaft	
13	29443	Washer	Felt
14	23748	Retaining Ring	
15	28849	Spring Clip	
16	28800P	Idler Pulley	
17	52549	Washer	Nylatron
18	34565	Screw	
19	201566P	Pump	
20	28808	Belt	Agitate and spin
21	35423	Nut	
22	37606	Idler Lever Spring	
23	34791	Motor Mount Post	
24	34788	Motor Mount	Rubber
25	37377	Capacitor	
26	37535	Capacitor Clamp	
27	52909	Screw	
28	N/A	Motor Pulley	Gold
29	35632P	Motor Switch	

* Add Letter To Designate Color. L - Almond W - White

N/A = Part no longer available

Fill Hose, Mixing Valve-to-Tub Cover Hose and Mixing Valve and Mounting Bracket

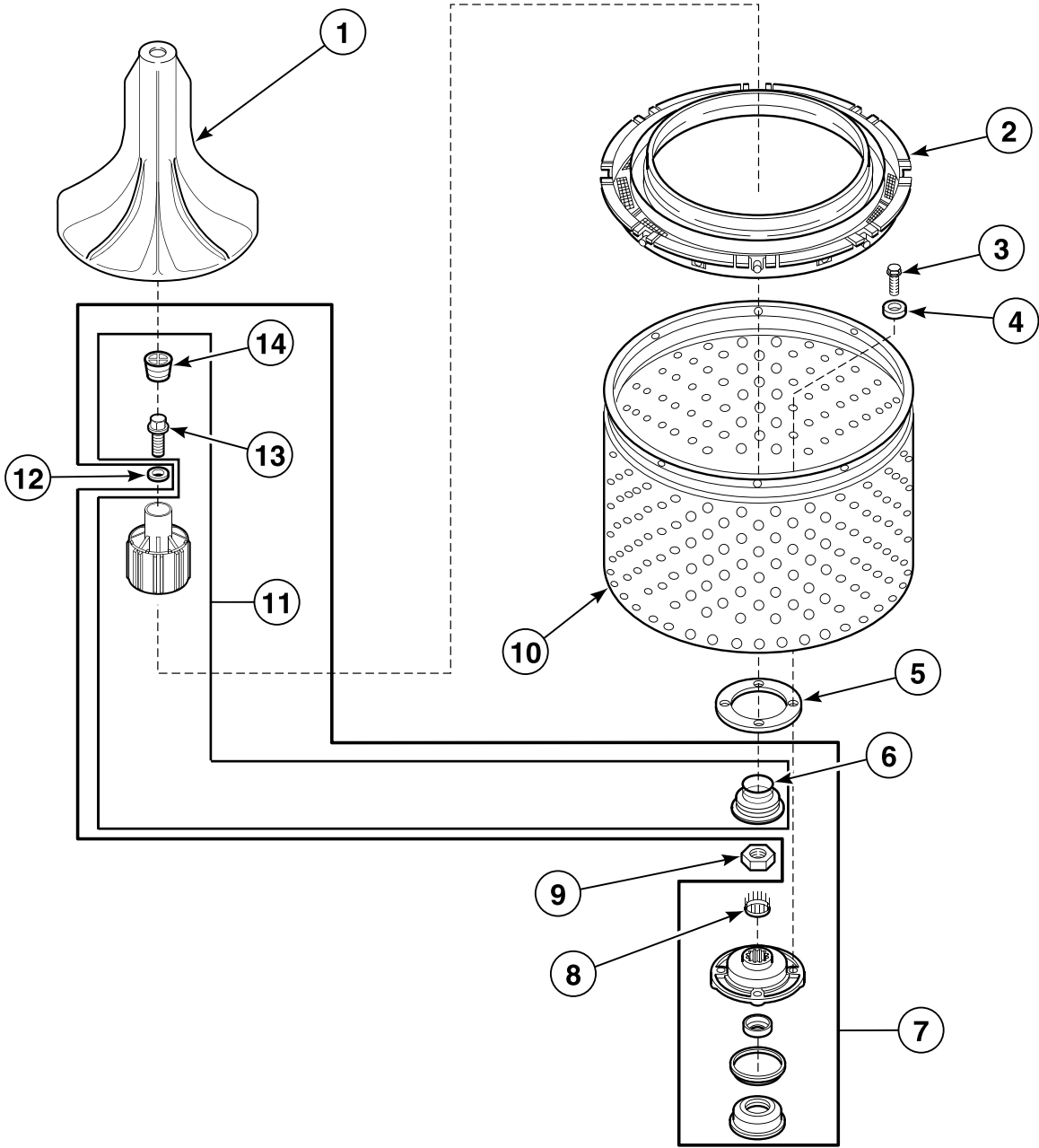


W125PZ3B_37948

Fill Hose, Mixing Valve-to-Tub Cover Hose and Mixing Valve and Mounting Bracket

REF	PART NO.	DESCRIPTION	COMMENTS
1	36801	Hose Clamp	
2	38155	Mixing Valve-to-Tub Cover Hose	
3	33562	Screw	
4	29210	Hose Clamp	Gold
5	28330P	Fill Hose Kit	5 feet
	20617	Fill Hose	8 feet
	20618	Fill Hose	10 feet
6	20290	Washer	
7	39407	Mixing Valve Mounting Bracket	
8	34963P	Mixing Valve	
9	23962	Screw	
10	34500	Backflow Preventer	

Agitator, Drive Bell, Seal Kit, Washtub and Hub

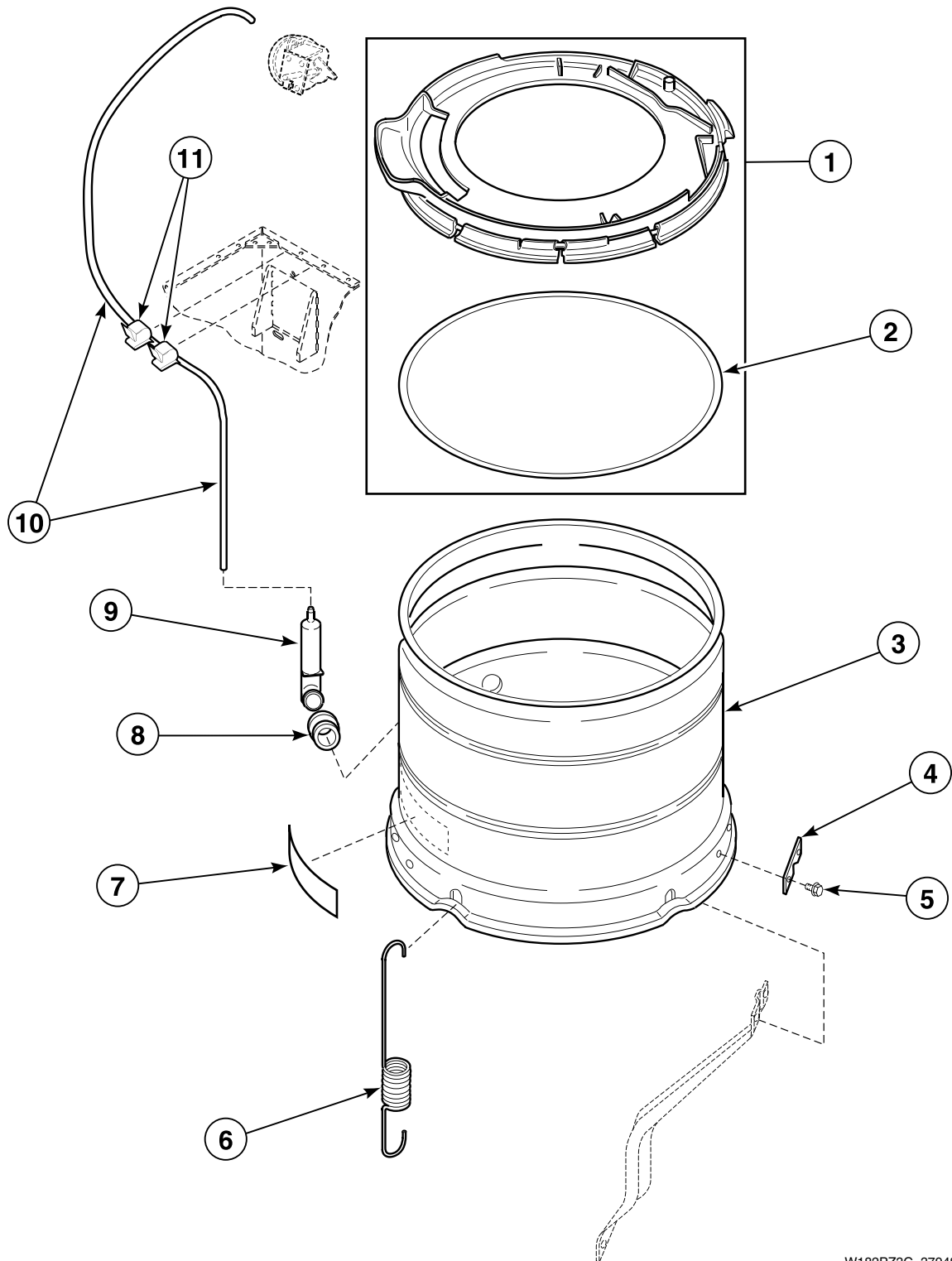


W227P_37948

Agitator, Drive Bell, Seal Kit, Washtub and Hub

REF	PART NO.	DESCRIPTION	COMMENTS
1	33513	Agitator	
2	32990	Clothes Guard	
3	27202	Screw	
4	28094	Washer	
5	39122	Washtub Gasket	
6	36425	Bell and Transmission Tube Seal	
7	495P3	Hub and Seal Kit	Includes 32857 Cover Gasket, item 8 and item 11
8	29728	Spline Insert	
9	29220	Nut	
10	39252P	Tub Assembly	Porcelain
	39387P	Tub Assembly	Stainless steel
11	39508P	Drive Bell and Seal Kit	Includes items 6, 13 and 14
12	36472	O-Ring	
13	39432	Screw	
14	36511	Bell Plug	

Outer Tub, Cover and Pressure Hose



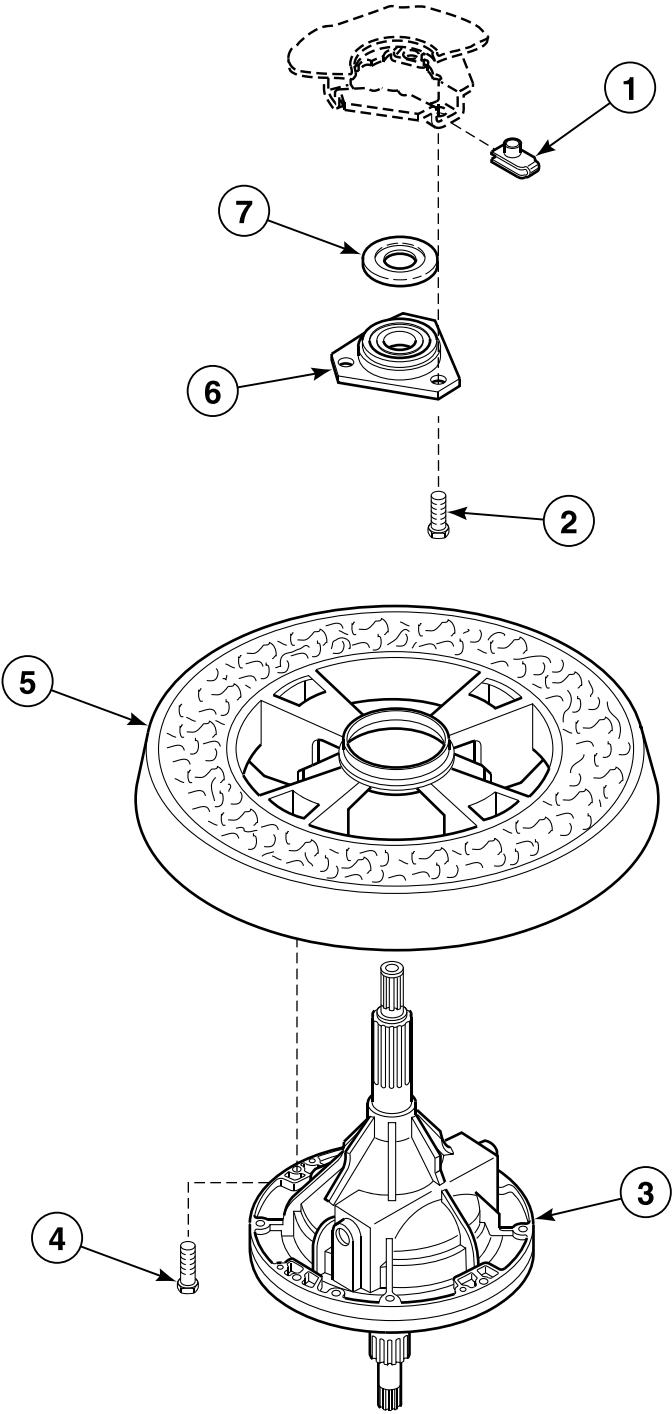
W182PZ3C_37948

Outer Tub, Cover and Pressure Hose

REF	PART NO.	DESCRIPTION	COMMENTS
1	36025P	Tub Cover Kit	Includes item 2
2	32857	Tub Cover Gasket	
3	34439P	Outer Tub Kit	
4	27926	Leg Plate	
5	35369	Screw	
6	35947	Tub Spring	
7	500049	Warning Label	
8	29175	Grommet	
9	30907	Pressure Bulb	
10	39125	Tubing	Models EAJ920*A, EAJ921*A, EA2820*A, EA2821*A, EA2920*A, EA2921*A, EA3820*A, EA3821*A, EA3920*A, EA3921*A, ZA3820*A and ZA3821*A
	39124	Tubing	All other models
11	21036	Cable Clip	

* Add Letter To Designate Color. L - Almond W - White

Transmission Assembly and Balance Ring



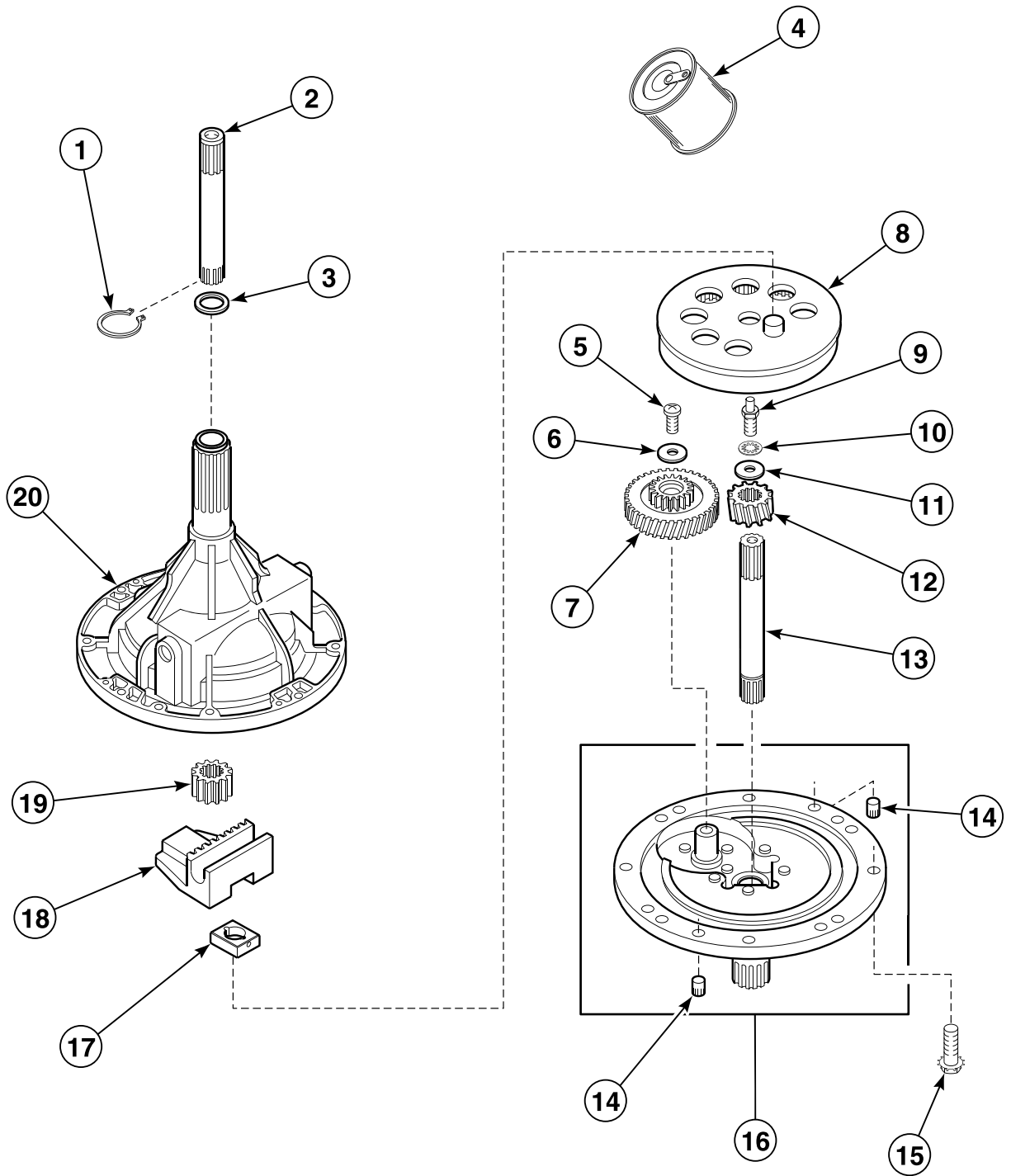
W234PZ3E_37948

Transmission Assembly and Balance Ring

REF	PART NO.	DESCRIPTION	COMMENTS
	27604P	Anti-Seize Compound	Apply to both the upper and lower transmission shafts
1	27222	Nut	
2	M400057	Screw	
3	34526P	Transmission Assembly	Refer to <i>Transmission Assembly</i> section for component parts
4	N/A	Screw	
5	34731P	Balance Ring Assembly	
6	27182	Bearing Housing Assembly	
7	27187	Flinger	Models through Serial No. 9510053575

N/A = Part no longer available

Transmission Assembly



W132PZ3A_37948

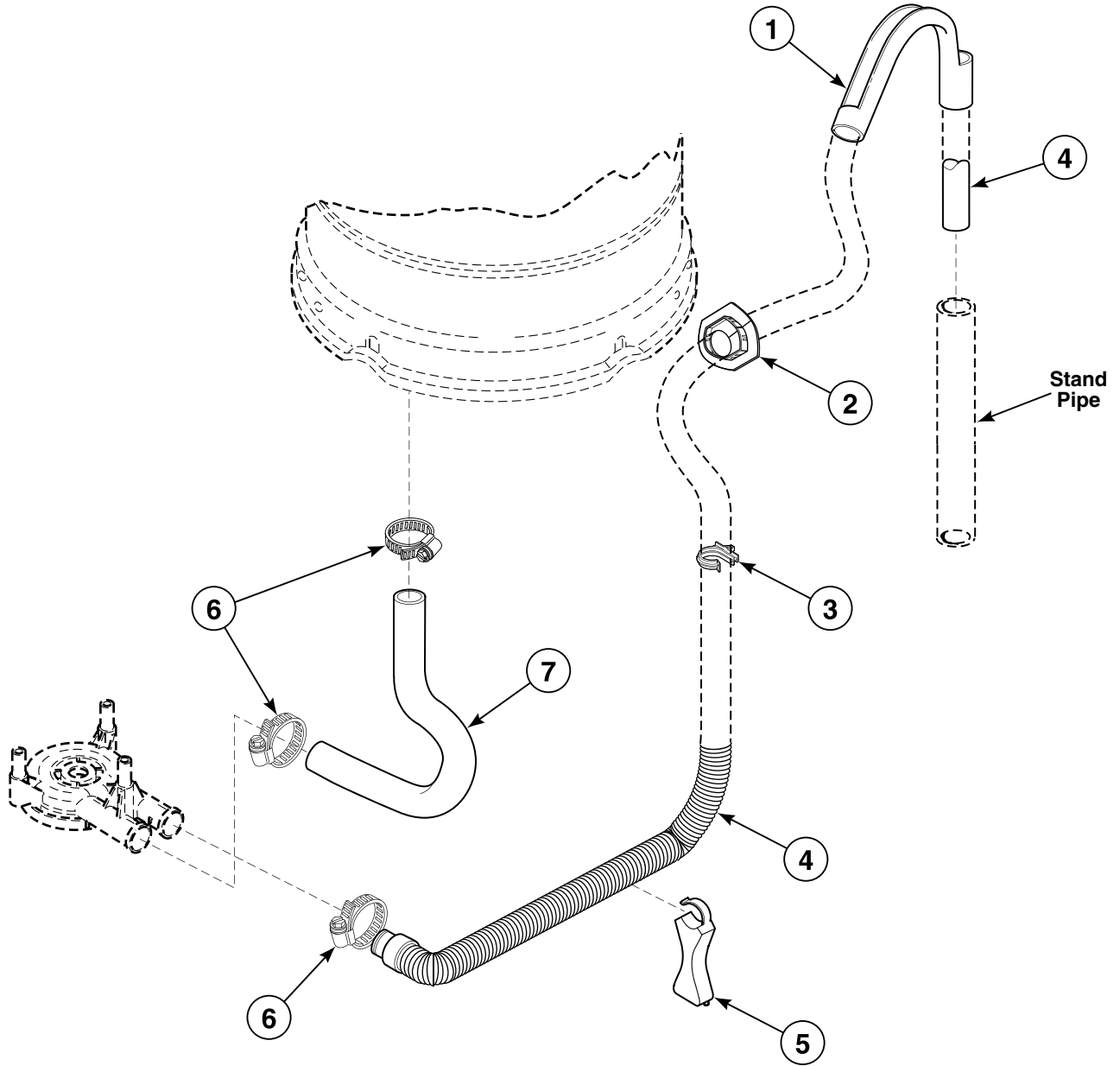
Transmission Assembly

REF	PART NO.	DESCRIPTION	COMMENTS
	37577P	Transmission Sealant	Use between transmission case and cover
1	27197	Retaining Ring	
2	36570P	Output Shaft	
3	35092	Washer	
4	27243P	Transmission Oil	1 fill
5	29273	Screw	
6	29260	Washer	
7	29161P	Reduction Gear	
8	26577	Gear and Stud Assembly	
9	201773	Screw	
10	21456	Washer	
11	26509	Washer	
12	36562P	Drive Pinion	
13	34853P	Input Shaft	
14	N/A	Dowel Pin	
15	32814	Screw	
16	38290P	Transmission Cover Assembly	
17	26493	Slide	
18	201664	Rack	
19	27003	Agitator Pinion	
20	33223P	Transmission Case Assembly	

N/A = Part no longer available

Drain Hose, Strain Relief and Sleeve

Model JA0110*



W016B_37948

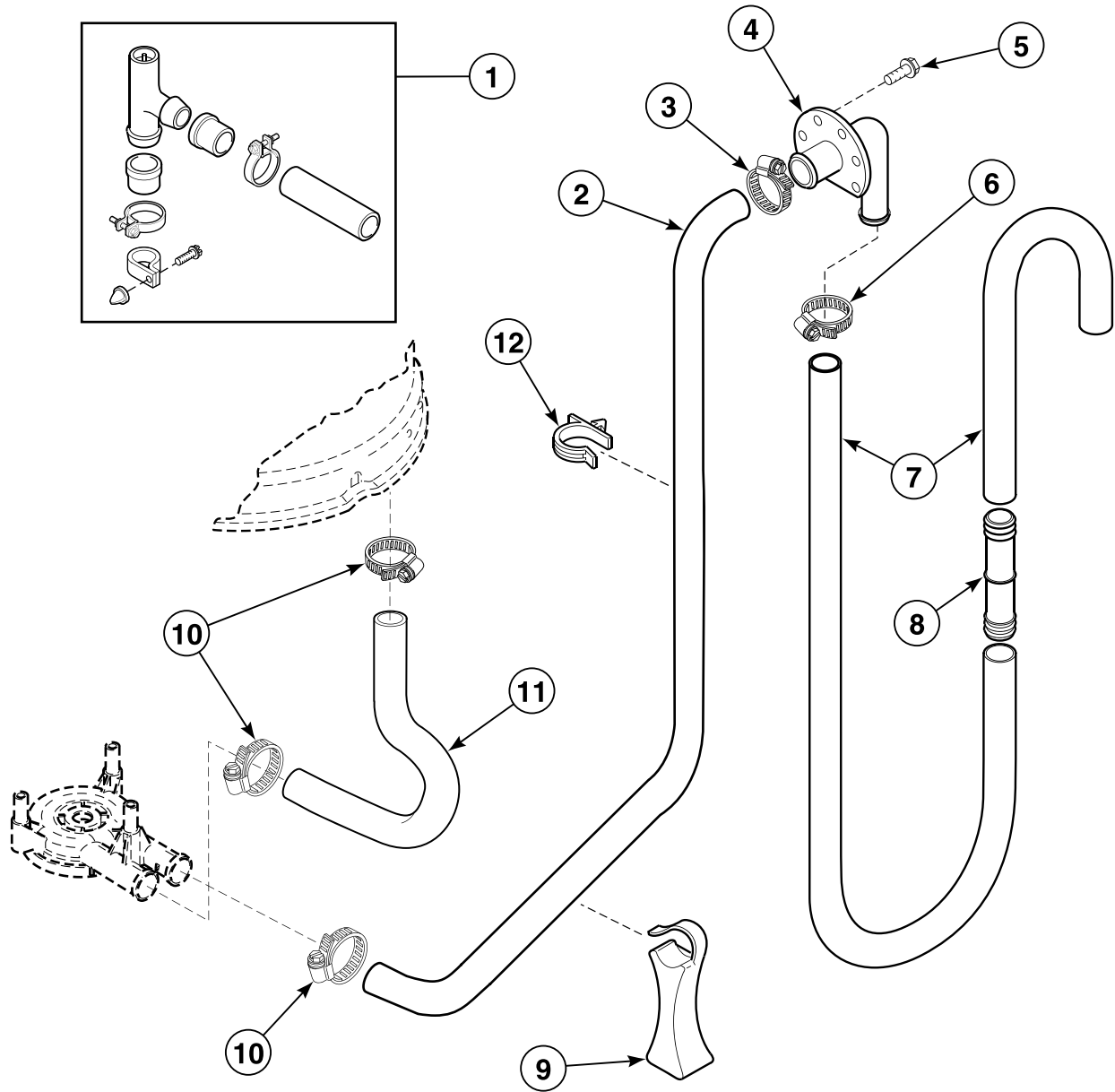
Drain Hose, Strain Relief and Sleeve

REF	PART NO.	DESCRIPTION	COMMENTS
1	33615	Drain Hose Sleeve	
2	32219	Strain Relief	
3	39177	Hose Retainer Clip	
4	39950	Drain Hose	
5	36522	Hose Support	
6	36802	Hose Clamp	
7	35752	Tub-to-Pump Hose	

* Add Letter To Designate Color. L - Almond W - White

Hoses and Siphon Break Kit

All Models Except JA0110*



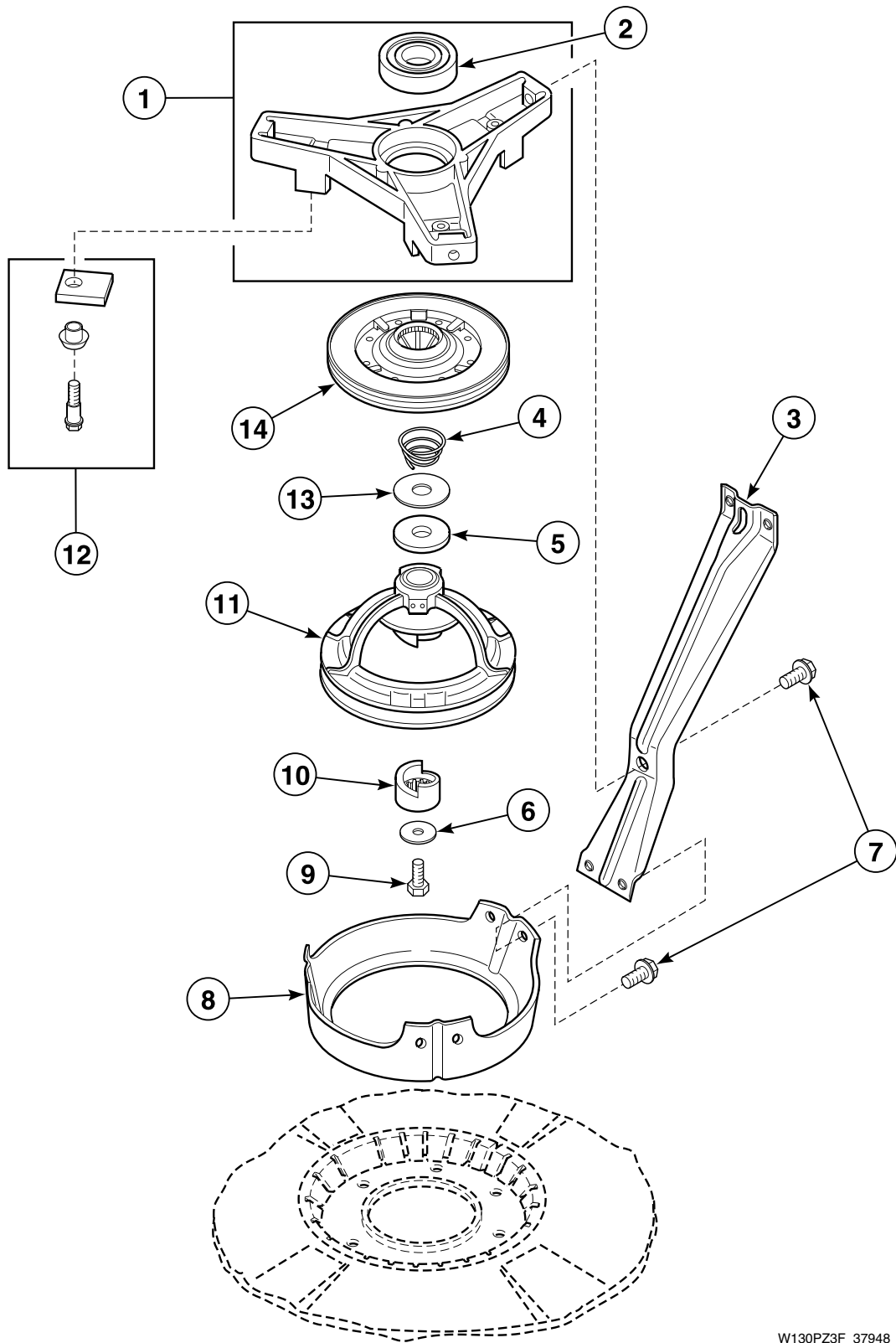
W219PZ3A_37948

Hoses and Siphon Break Kit

REF	PART NO.	DESCRIPTION	COMMENTS
1	562P3	Siphon Break Kit	Siphon break kit MUST be installed in drain hose if drain receptacle is lower than cabinet top of washer
2	34581	Pump-to-Drain Elbow Hose	
3	20391	Hose Clamp	
4	36990	Drain Hose Elbow	
5	52909	Screw	
6	20211	Hose Clamp	
7	28293	Drain Hose	
8	25863	Hose Coupler	If drain hose must be shortened, cut hose between molded end and molded elbow; Use (1) 25863 Hose Coupler to splice hose
9	36522	Hose Support	
10	36802	Hose Clamp	
11	35752	Tub-to-Pump Hose	
12	39177	Hose Retainer Clip	

* Add Letter To Designate Color. L - Almond W - White

Bearing Housing, Brake, Pulley and Pivot Dome



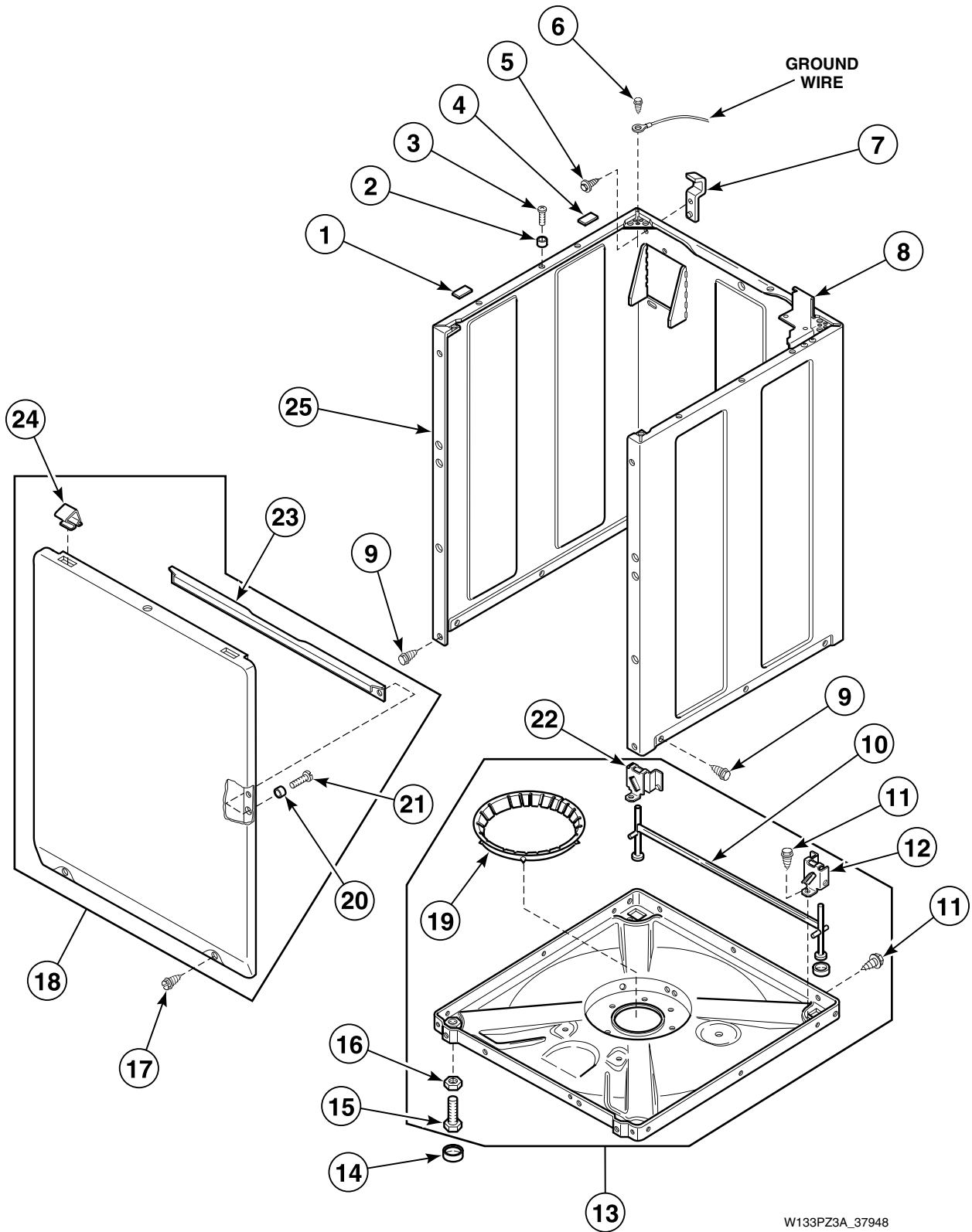
W130PZ3F_37948

Bearing Housing, Brake, Pulley and Pivot Dome

REF	PART NO.	DESCRIPTION	COMMENTS
	26594P	Silicone Grease	Apply a small amount to each new brake pad
1	35746	Bearing Housing Assembly	
2	28944RP	Upper or Lower Bearing	
3	N/A	Support Leg	
4	33435	Spring	
5	27015	Washer	Thick
6	26509	Washer	
7	35369	Screw	
8	34470	Pivot Dome	
9	27220	Screw	
10	27018	Helix	
11	34923	Pulley Assembly	
12	548P3	Brake Pad Kit	Includes 3 pads, sleeves and screws
13	35535	Washer	Thin
14	38505P	Brake Kit	

N/A = Part no longer available

Front Panel, Base Assembly and Cabinet Assembly

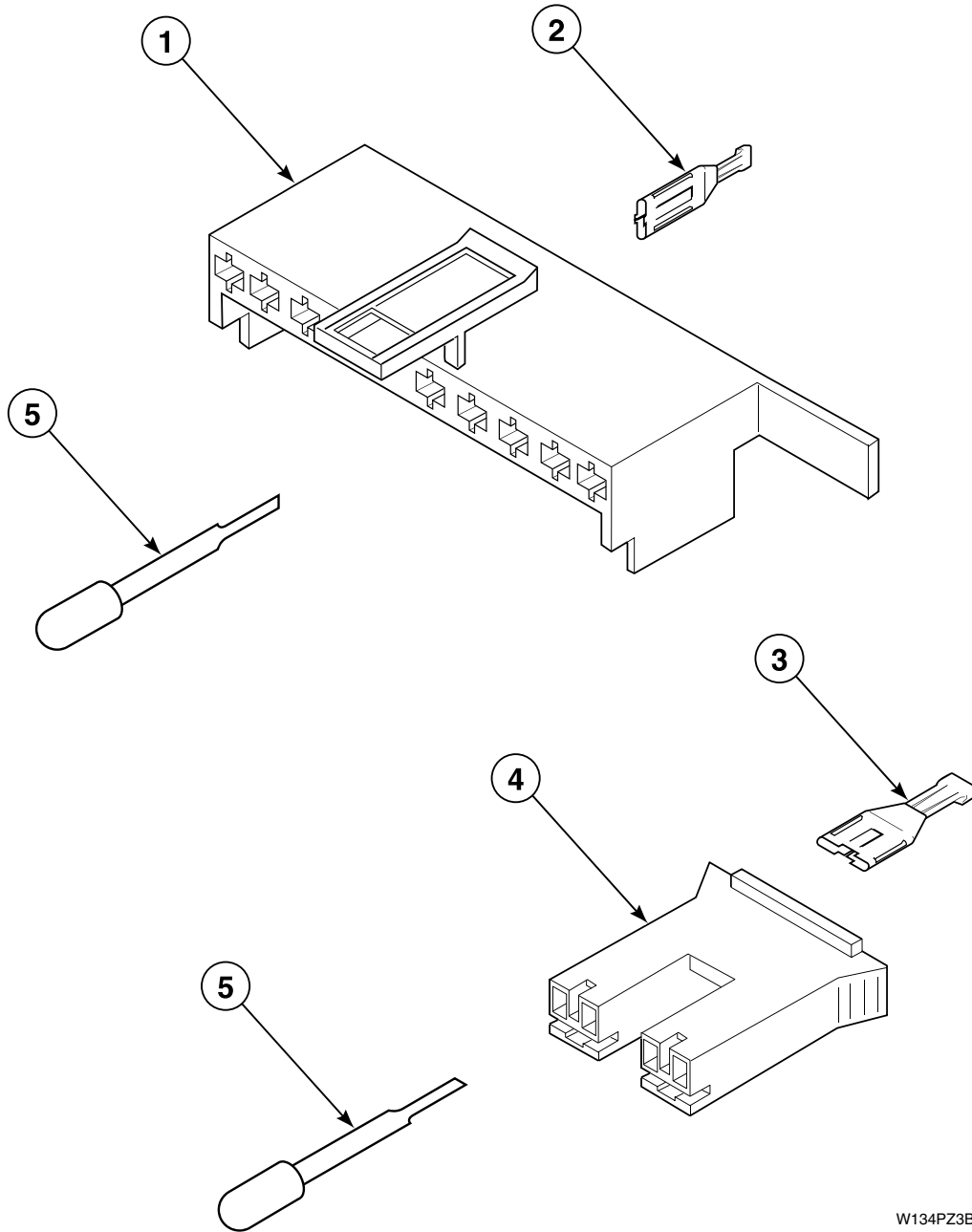


W133PZ3A_37948

Front Panel, Base Assembly and Cabinet Assembly

REF	PART NO.	DESCRIPTION	COMMENTS
1	56128	Bumper Pad	Thin
2	56079	Panel Locator	
3	39733	Screw	
4	36226	Bumper Pad	Thick
5	51780	Screw	
6	23962	Screw	
7	27103	Hold-Down Lug Hinge	
8	35867	Meter Case Mounting Bracket Assembly	
9	27196	Screw	
10	34443	Leg and Stabilizer Assembly	
11	35148	Screw	
12	36036	Bracket	Right
13	36599P	Base Kit	Includes items 10-12, 15, 16, 19 and 22
14	34318	Rubber Foot	
15	34319	Leveling Leg	
16	21899	Nut	
17	27196	Screw	Slotted hex head
	35527	Screw	Torx head; Refer to <i>Special Tools</i> section for torx bit and holder
18	34656WP	Front Panel Assembly	White; Includes items 23, 24 and attaching hardware
	34656LP	Front Panel Assembly	Almond; Includes items 23, 24 and attaching hardware
19	36108	Snubber Pad Assembly	
20	28102	Panel Locator	
21	39733	Screw	
22	36037	Bracket	Left
23	35097	Front Panel Brace	
24	35865	Hold-Down Clip	
25	38612WP	Service Cabinet Kit	White
	38612LP	Service Cabinet Kit	Almond

Mixing Valve and Motor Disconnect Blocks, Terminals and Terminal Extractor Tool

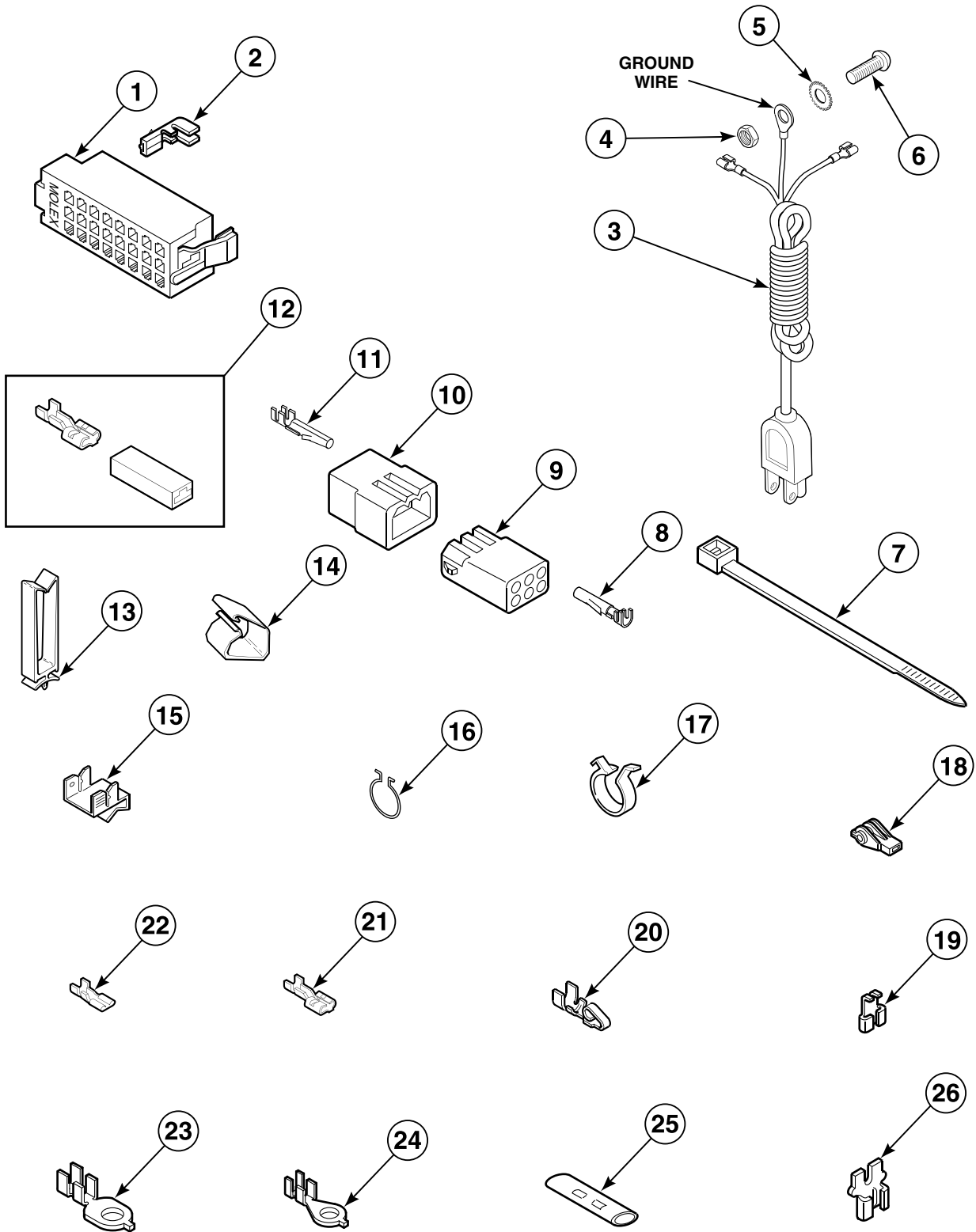


W134PZ3B_37948

Mixing Valve and Motor Disconnect Blocks, Terminals and Terminal Extractor Tool

REF	PART NO.	DESCRIPTION	COMMENTS
1	34677	10 Circuit Plug	Motor
2	00188	Female Terminal	For 1 or 2 wire application
3	00121	Female Spade Terminal	1/4 inch
4	34675	Mixing Valve Plug	Natural
	34676	Mixing Valve Plug	Red
5	283P4	Terminal Extractor Tool	

Power Cord and Terminals



W135PZ3A_37948

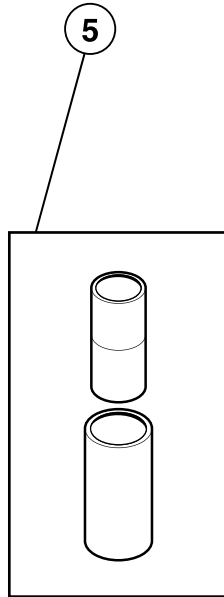
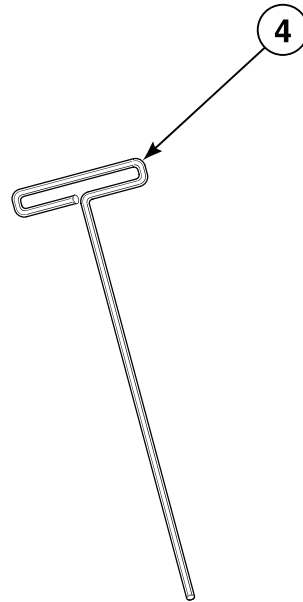
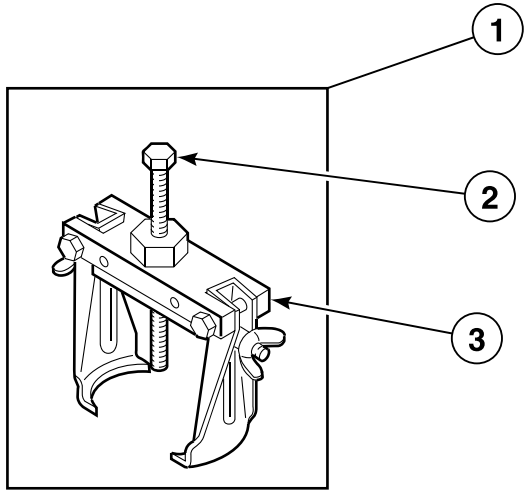
Power Cord and Terminals

REF	PART NO.	DESCRIPTION	COMMENTS
1	32746	24 Position Housing	Right hand
	34123	24 Position Housing	Left hand
2	00188	Female Terminal	Used for 1 or 2 wire application
3	34458	Lead-In Cord	Models EAJ920*A, EAJ921*A, EA2011*A, EA2020*A, EA2021*A, EA2820*A, EA2821*A, EA2920*A, EA2921*A, EA3820*A, EA3821*A, EA3920*A, EA3921*A, ZA3820*A and ZA3821*A
	39404	Lead-In Cord	All other models
4	03673	Nut	
5	03815	Washer	
6	20267	Screw	
7	55881	Harness Strap	
8	00117	Female Pin Terminal	
9	26301	1 Circuit Receptacle	
	26708	6 Circuit Receptacle	
	26163	9 Circuit Receptacle	
10	26302	1 Circuit Plug	
	23041	6 Circuit Plug	
	23033	9 Circuit Plug	
11	00116	Male Pin Terminal	
12	00359	Ultra Pod Terminal	
13	36274	Wire Clip	
14	N/A	Wire Clip	
15	00161	Grounding Clip	
16	51291	Wire Clip	
17	504034	Wire Clip	
18	70210	Insulator	
19	00120	Female Flag Terminal	
20	N/A	Female Spade Terminal	1/4 inch
21	00223	Female Spade Terminal	Large spade
22	00112	Female Spade Terminal	Small spade
23	00113	Ring Terminal	1/4 inch ring
24	00110	Ring Terminal	Small shank
25	21091	Connector	
26	29673	Terminal Adapter	

* Add Letter To Designate Color. L - Almond W - White

N/A = Part no longer available

Special Tools (Drawing 1 of 2)



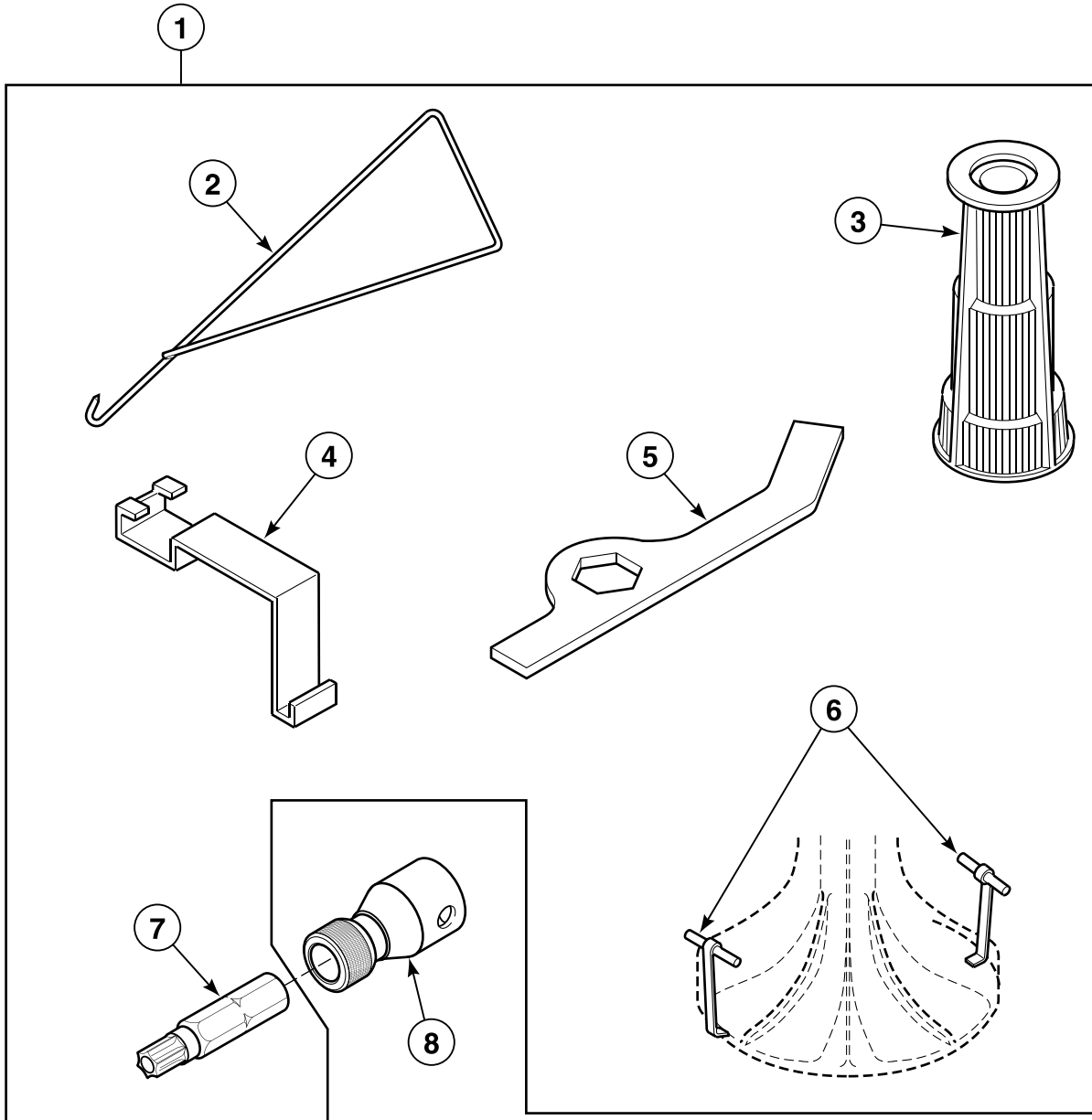
TLW1666P_37948

Special Tools (Drawing 1 of 2)

REF	PART NO.	DESCRIPTION	COMMENTS
1	294P4	Agitator Drive Bell Puller	Replaces 253P4 Bell Tool; For removal and installation of drive bell to transmission shaft
2	294P4B	Bolt	
3	294P4A	Drive Bell Puller Arm	
4	N/A	T-Handle Allen Wrench	For removal and installation of 3 pump assembly attaching screws
5	242P4	Spring Installer	Use to install brake spring

N/A = Part no longer available

Special Tools (Drawing 2 of 2)



TLW1649P_37948

Special Tools (Drawing 2 of 2)

REF	PART NO.	DESCRIPTION	COMMENTS
1	725P3	Tool Kit	Includes items 2-7
2	321P4	Spring Hook Tool	For removal of centering springs on outer tub
3	293P4	Drive Bell Seal Tool	For installation of 36425 Bell and Transmission Tube Seal
4	273P4	Tub Cover Removal Tool	Use to remove 36025P Tub Cover Kit and install 32857 Tub Cover Gasket
5	306P4	Hex Wrench Tool	Use to remove locknut from washtub hub
6	254P4P	Agitator Hook	Use to remove agitator from drive bell; Set of 2
7	281P4	Torx Bit	For removal and installation of control hood security screws
	282P4	Torx Bit	For removal and installation of pump and front panel security screws
8	24161	Bit Holder	3/8 inch drive

Wire Harnesses and Wires

PART NO.	DESCRIPTION	COMMENTS
36278P	Base Wire Harness Assembly	Model JA0110*
N/A	Base Harness	All other models
39811	Timer Wire Harness Assembly	Model EA2011*A
34092P	Wire Harness Assembly	Timer; Models EA2020*A and EA2021*A
39806P	Timer Harness Assembly	Models EA2110*A, EA2111*A, EA2210*A and JA0110*
29281P	Timer Harness Assembly	Models EA2120*A, EA2121*A, EA2220*A and EA2221*A
34175P	Timer Wire Harness Assembly	Models EA2520*A, EA2521*A, EA2620*A, EA2621*A and EA2721*A
34239	Timer Wire Harness Assembly	Models EA2610*A and EA2710*A
N/A	Meter Case Harness Assembly	Models EAJ920*A, EAJ921*A, EA2820*A, EA2821*A, EA2920*A and EA2921*A
37525	Circuit Board Harness Assembly	Models EA3820*A, EA3821*A, EA3920*A, EA3921*A, ZA3820*A and ZA3821*A
33805P	Wire Harness Assembly	Hood; Models EA2020*A and EA2021*A
33758P	Wire Harness Assembly	Hood; Models EA2120*A, EA2121*A, EA2220*A, EA2221*A, EA2520*A, EA2521*A and EA2721*A
N/A	Wire Harness Assembly	Hood; Models EA2610*A and EA2710*A
36262	Wire Harness Assembly	Hood; Models EA2620*A and EA2621*A
N/A	Wire Harness Assembly	Hood; Models EA2011*A, EA2110*A, EA2111*A, EA2210*A and JA0110*
36093P	Wire Harness Assembly	Hood; All other models
38191	Card Reader Wire Harness Assembly	Models EA3820*A, EA3821*A, ZA3820*A and ZA3821*A
38026	Security Wire Harness Assembly	Models EAJ920*A and EAJ921*A
45001	18 Gauge Wire	Black; Order wire by foot and terminals and connectors as required
45380	12 Gauge Wire	Orange; Order wire by foot and terminals and connectors as required

* Add Letter To Designate Color. L - Almond W - White

N/A = Part no longer available

NOTE: Individual wires are not available separately. Order complete wire harness, or order wire by the foot. When applying terminals to wires, it is recommended that the terminals be soldered to the wires.

Parts Index

A

Actuator Arm 33441	27
Agitator 33513	33
Agitator Drive Bell Puller 294P4	53
Agitator Hook 254P4P	55
Agitator Pinion 27003	39
Anti-Seize Compound 27604P	37

B

Backflow Preventer 34500	31
Balance Ring Assembly 34731P	37
Base Kit 36599P	47
Base Wire Harness Assembly 36278P	56
Bearing Housing Assembly 27182	37
35746	45
Bell and Transmission Tube Seal 36425	33
Bell Plug 36511	33
Belt 28808	29
Bit Holder 24161	55
Bolt 02505	5, 9, 11, 13, 17
294P4B	53
29651	9, 11
Bracket 36036	47
36037	47
Brake Kit 38505P	45
Brake Pad Kit 548P3	45
Bumper 21685	25
Bumper Pad 36226	47
56128	47

C

Cable Clip 21036	35
---------------------------	----

Capacitor 37377	29
Capacitor Clamp 37535	29
Card Reader 39685	17
Card Reader Instruction Overlay 38192	17
Card Reader Wire Harness Assembly 38191	56
Circuit Board Harness Assembly 37525	56
Circuit Board Support 34896	21
501523	15
Clothes Guard 32990	33
Clutch Assembly 29503	9, 11
Coin Drop 39873P	13
Coin Funnel Kit 523P3	9, 11
Connector M400149	15
21091	51
Control Board Kit 37386P	15
Control Hood 37075L	19, 21, 23
37075W	19, 21, 23
Control Panel and Bracket Assembly 36521LP	19, 21
36521WP	19, 21
Control Panel Assembly 36097L	23
36097W	23
Control Panel Bumper 32648	19, 21, 23
Control Panel Overlay 39096	23
Control, Shield and Tape Kit 38188P	23
Counter Kit 62113P	9

D

Director Bracket 36034	25
Disconnect Power Warning Label 505281	25
Drain Hose 28293	43
39950	41
Drain Hose Elbow 36990	43
Drain Hose Sleeve 33615	41

N/A items do not appear in index.

Drive Bell and Seal Kit 39508P	33
Drive Bell Puller Arm 294P4A	53
Drive Bell Seal Tool 293P4	55
Drive Pinion 36562P	39

E

Expansion Plug 200820	13
--------------------------------	----

F

Female Flag Terminal 00120	51
Female Pin Terminal 00117	51
Female Spade Terminal 00112	51
00121	49
00223	51
Female Terminal 00188	49, 51
Fill Hose 20617	31
20618	31
Fill Hose Kit 28330P	31
Flinger 27187	37
Front Panel Assembly 34656LP	47
34656WP	47
Front Panel Brace 35097	47

G

Gear and Stud Assembly 26577	39
Graphic Overlay 32460	19
32472	19
34699	21
Grommet 29175	35
Grounding Clip 00161	51

H

Harness Strap 55881	51
Helix 27018	45

Hex Wrench Tool 306P4	55
Hinge Bushing 36474	25
Hinge Gasket 34338	25
Hold-Down Clip 35865	47
Hold-Down Lug Hinge 27103	47
Hood Back Panel 38267	19, 21, 23
Hose Clamp 20211	43
20391	43
29210	31
36801	31
36802	41, 43
Hose Coupler 25863	43
Hose Retainer Clip 39177	41, 43
Hose Support 36522	41, 43
Housing, 24 Position 32746	51
34123	51
Hub and Seal Kit 495P3	33

I

Idler Lever 37443	29
Idler Lever Spring 37606	29
Idler Pulley 28800P	29
Idler Shaft 28802P	29
Input Shaft 34853P	39
Insulator 70210	51

L

Lead-In Cord 34458	51
39404	51
Leg and Stabilizer Assembly 34443	47
Leg Plate 27926	35
Leveling Leg 34319	47
Lid 201460WP	25
Lid and Carton Assembly 201460LP	25
Lid Hinge 36437	25

N/A items do not appear in index.

36438	25
Lid Plug	
34153	25
Light	
32464	19, 21
32466	19, 21

M

Magnet	
501453	11, 13
Male Pin Terminal	
00116	51
Meter Case and Funnel Kit	
524P3L	9, 11
524P3W	9, 11
Meter Case Bracket Gasket	
35526	9, 11, 13
Meter Case Gasket	
26354	9, 11, 13
Meter Case Kit	
38542LP	13
38542WP	13
Meter Case Lockdown Bracket	
35525	9, 11, 13
Meter Case Locking Bracket	
30642	9, 11, 13, 15, 17
Meter Case Mounting Bracket Assembly	
35867	47
Mixing Valve	
34963P	31
Mixing Valve Mounting Bracket	
39407	31
Mixing Valve Plug	
34675	49
34676	49
Mixing Valve-to-Tub Cover Hose	
38155	31
Motor Kit	
38034P	29
38035P	29
38036P	29
Motor Mount	
34788	29
Motor Mount Post	
34791	29
Motor Mounting Bracket	
37415	29
Motor Shield	
34754	29
Motor Switch	
35632P	29

N

Nut	
03673	51
21899	47
24205	19, 21
27222	25, 37
28803	29
29220	33

29786	5, 9, 11, 13, 17
29796	9, 11
30647	9, 11, 13, 15, 17
35423	29
36020	25
52566	5, 7, 15, 17, 19, 21, 23, 29

O

Opto Coupler	
200824P	13
O-Ring	
36472	33
Outer Tub Kit	
34439P	35
Output Shaft	
36570P	39

P

Panel Locator	
28102	47
56079	47
Pivot Dome	
34470	45
Plug, 1 Circuit	
26302	51
Plug, 10 Circuit	
34677	49
Plug, 6 Circuit	
23041	51
Plug, 9 Circuit	
23033	51
Pressure Bulb	
30907	35
Pressure Switch	
35889P	19, 21, 23
Pulley Assembly	
34923	45
Pump	
201566P	29
Pump-to-Drain Elbow Hose	
34581	43
Pushbutton Switch	
34536	11
Push-On Clip	
34762	21
Push-to-Start Sticker	
53738	5

R

Rack	
201664	39
Receptacle, 1 Circuit	
26301	51
Receptacle, 6 Circuit	
26708	51
Receptacle, 9 Circuit	
26163	51

N/A items do not appear in index.

Reduction Gear 29161P	39
Reed Switch 34599	11, 13
Rejector Faceplate 201191	13
Retaining Ring 23748	29
27197	39
Ring Terminal 00110	51
00113	51
Rubber Foot 34318	47

S

Screw	
M400057	37
02916	5, 7, 15, 17, 19, 21, 23
201773	39
20267	51
21720	9, 11
23008	25
23222	19, 21, 23
23962	5, 15, 17, 19, 21, 23, 27, 31, 47
27196	47
27202	33
27220	45
27229	29
27328	5
29273	39
31260	11
32814	39
33562	31
34337	25
34565	29
35148	47
35369	35, 45
35527	47
35528	19, 21, 23
36048	7, 9, 11, 13, 15
36510	27
36639	29
39432	33
39733	47
500226	19, 21, 23
501524	17, 23
502431	9, 11
503661	29
503673	9, 11, 13, 15, 17, 25
51778	5
51780	47
52909	15, 25, 29, 43
80399	5
Security Case Assembly 38145L	17
Security Case Gasket 37526	15, 17
Security Wire Harness Assembly 38026	56
Service Cabinet Kit 38612LP	47
38612WP	47
Service Door Assembly 35798LP	9, 11, 13, 15, 17

N/A items do not appear in index.

35798WP	9, 11, 13, 15, 17
Silicone Grease 26594P	45
Siphon Break Kit 562P3	43
Slide 26493	39
Snap Switch 33527	27
Snubber Pad Assembly 36108	47
Spline Insert 29728	33
Spring 33435	45
33443	27
Spring Clip 28849	29
Spring Hook Tool 321P4	55
Spring Installer 242P4	53
Strain Relief 32219	41
38384	25
Support Barrel 56534	25
Switch 27761	19, 21
27762	19, 21
33445	27
504570	13
Switch Holder Kit 36497P	27
Switch Knob 39897	19, 21

T

Terminal Adapter 29673	51
Terminal Extractor Tool 283P4	49
Timer 28716P	5
31111P	9
34601P	9
34602P	9, 11
Timer Bracket 35249	9, 11
503017	15
Timer Case Assembly 37733W	5, 7
Timer Harness Assembly 29281P	56
39806P	56
Timer Knob Assembly 26256	5
Timer Plate 31864W	5
Timer Wire Harness Assembly 34092P	56
34175P	56

34239	56
39811	56
Tool Kit	
725P3	55
Top Assembly	
36122LP	25
36122WP	25
36273LP	25
36273WP	25
Torx Bit	
281P4	55
282P4	55
Transmission Assembly	
34526P	37
Transmission Case Assembly	
33223P	39
Transmission Cover Assembly	
38290P	39
Transmission Oil	
27243P	39
Transmission Sealant	
37577P	39
Transmit Light	
34701	21
Tub Assembly	
39252P	33
39387P	33
Tub Cover Gasket	
32857	35
Tub Cover Kit	
36025P	35
Tub Cover Removal Tool	
273P4	55
Tub Spring	
35947	35
Tubing	
39124	35
39125	35
Tub-to-Pump Hose	
35752	41, 43

U

Ultra Pod Terminal	
00359	51
Unbalance Light	
32463	19, 21
Unbalanced Load Lever	
33442	27
Upper or Lower Bearing	
28944RP	45

W

Warning Label	
500049	35
Washer	
M400017	5, 7, 15, 17, 19, 21, 23
02431	5, 7, 15, 17, 19, 21, 23
03815	51
20290	31
21456	39

21734	5
23225	5, 17
26509	39, 45
27015	45
28094	33
29260	39
29443	29
30627	5, 17
35092	39
35535	45
35774	9, 11, 13, 15, 25
35917	9, 11, 13, 15, 25
52549	29
81392	29
91176	19, 21
Washtub Gasket	
39122	33
Wire Clip	
36274	51
504034	51
51291	51
Wire Harness Assembly	
33758P	56
33805P	56
36093P	56
36262	56
Wire, 12 Gauge	
45380	56
Wire, 18 Gauge	
45001	56

N/A items do not appear in index.

