

Washer-Extractor

Superload II

Refer to Page 3 for Model Numbers



&



Part No. 81933R2
February 2012

Table of Contents

| Title | Page |
|--|------|
| Parts Ordering Information..... | 2 |
| Nameplate Location | 2 |
| Model Identification | 3 |
| Accumulator Coin Drop | 4 |
| Control Panel, Controls and Operating Instruction Sign | 6 |
| Cabinet Top and Dispenser Door | 8 |
| Front Panel, Door Assembly and Door Seal | 10 |
| Door Lock Assembly | 12 |
| Air Intake Grille and Panels | 14 |
| Coin Vault and Drawer - Metered Models CL9161 and CL9163..... | 16 |
| Mixing Valve Assembly | 18 |
| Timers and Terminal Block | 20 |
| Cross Channel, Capacitor, Relay and Switches | 22 |
| Water Inlet and Hoses | 24 |
| Drain Valve Assembly - Non-Pump Models CL9161 and CL9171 | 26 |
| Drain - Non-Pump Models CL9161 and CL9171 | 28 |
| Drain - Pump Models CL9163 and CL9173 | 30 |
| Dispenser Boot, Outer Tub, Cylinder and Button Trap | 32 |
| Rear Tub Head, Clamp Ring, Cylinder Pulley and Belt..... | 34 |
| Base and Front Legs..... | 36 |
| Bearing Housing Assembly | 38 |
| Drive Motor and Shield | 40 |
| Installation Kit Material | 42 |
| Terminals | 44 |
| Parts Index | 47 |

© Copyright 2012, Alliance Laundry Systems LLC

All rights reserved. No part of the contents of this book may be reproduced or transmitted in any form or by any means without the expressed written consent of the publisher.

Parts Ordering Information

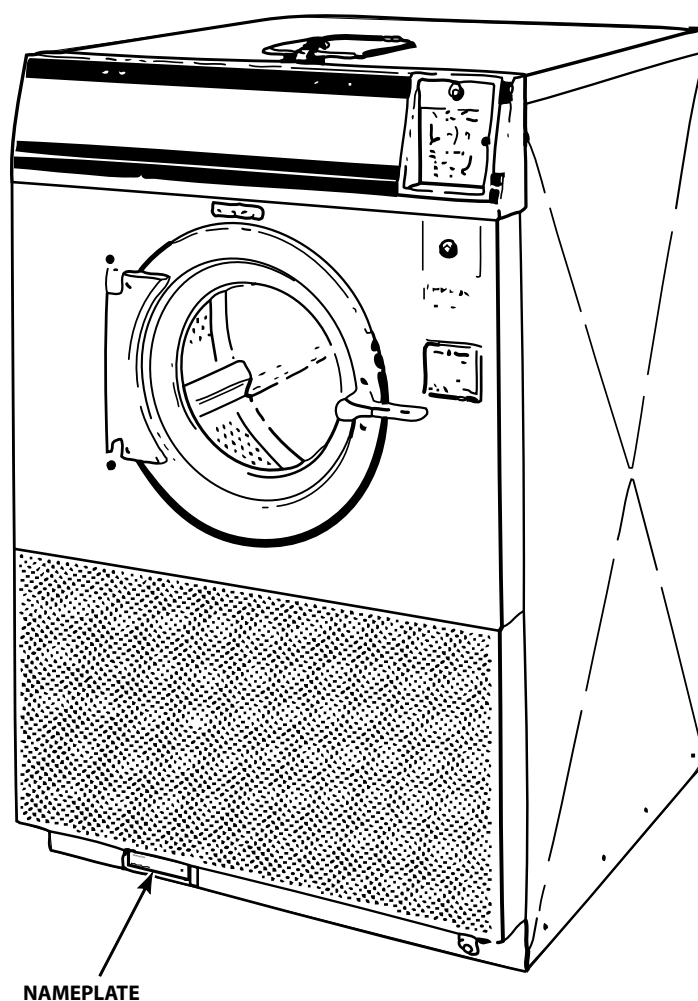
If literature or replacement parts are required, contact the source from whom the machine was purchased or contact Alliance Laundry Systems at (920) 748-3950 for the name and address of the nearest authorized parts distributor.

For technical assistance, call either of the numbers listed below:

(920) 748-3121 Ripon, Wisconsin
+32 56 41 20 54 Wevelgem, Belgium

Nameplate Location

When calling or writing about your product, be sure to mention model and serial numbers. Model and serial numbers are located on nameplate(s) as shown.



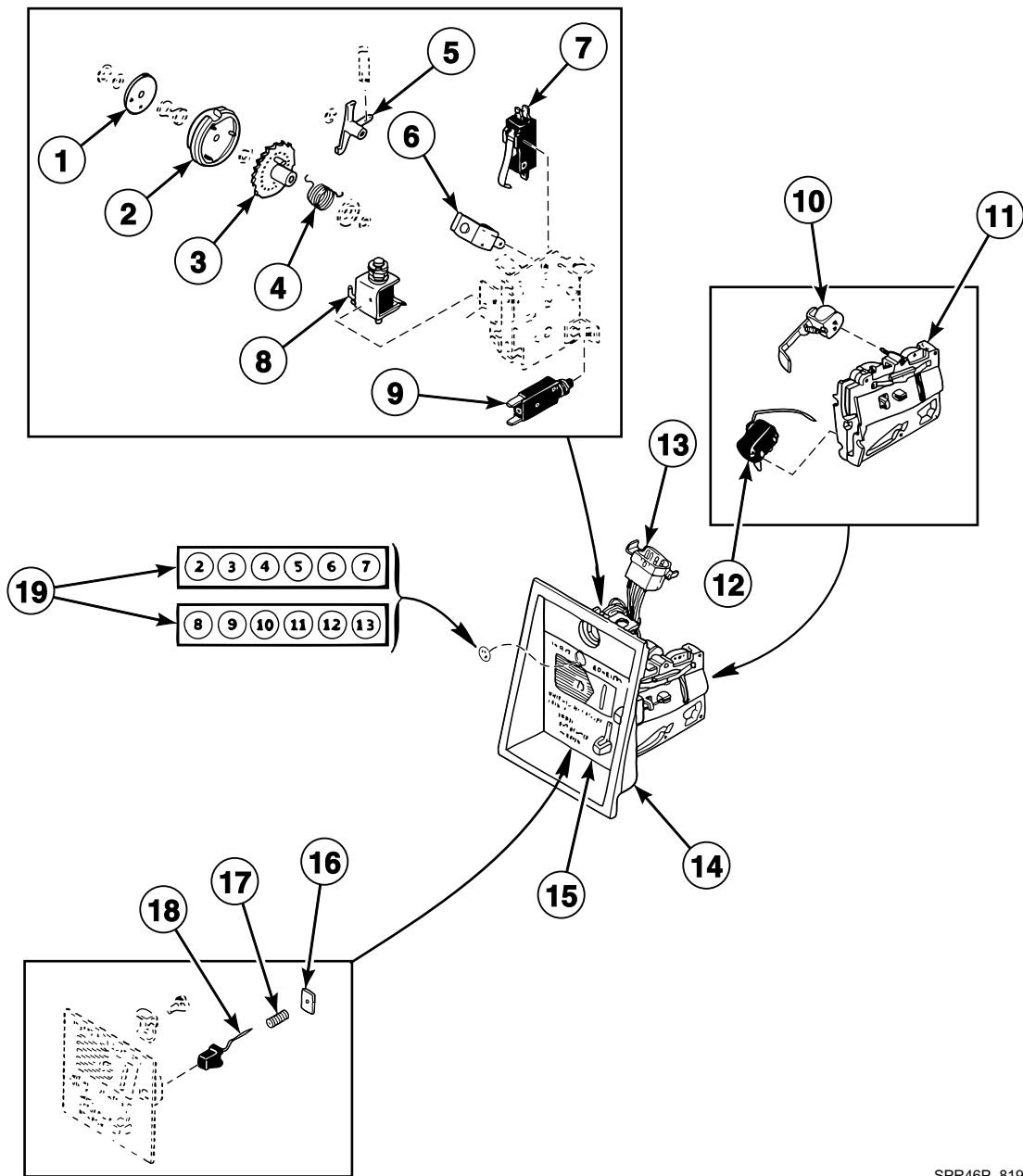
SPR45P_81933

Model Identification

Information in this manual is applicable to these washer-extractor models:

CL9161
CL9163
CL9171
CL9173

Accumulator Coin Drop



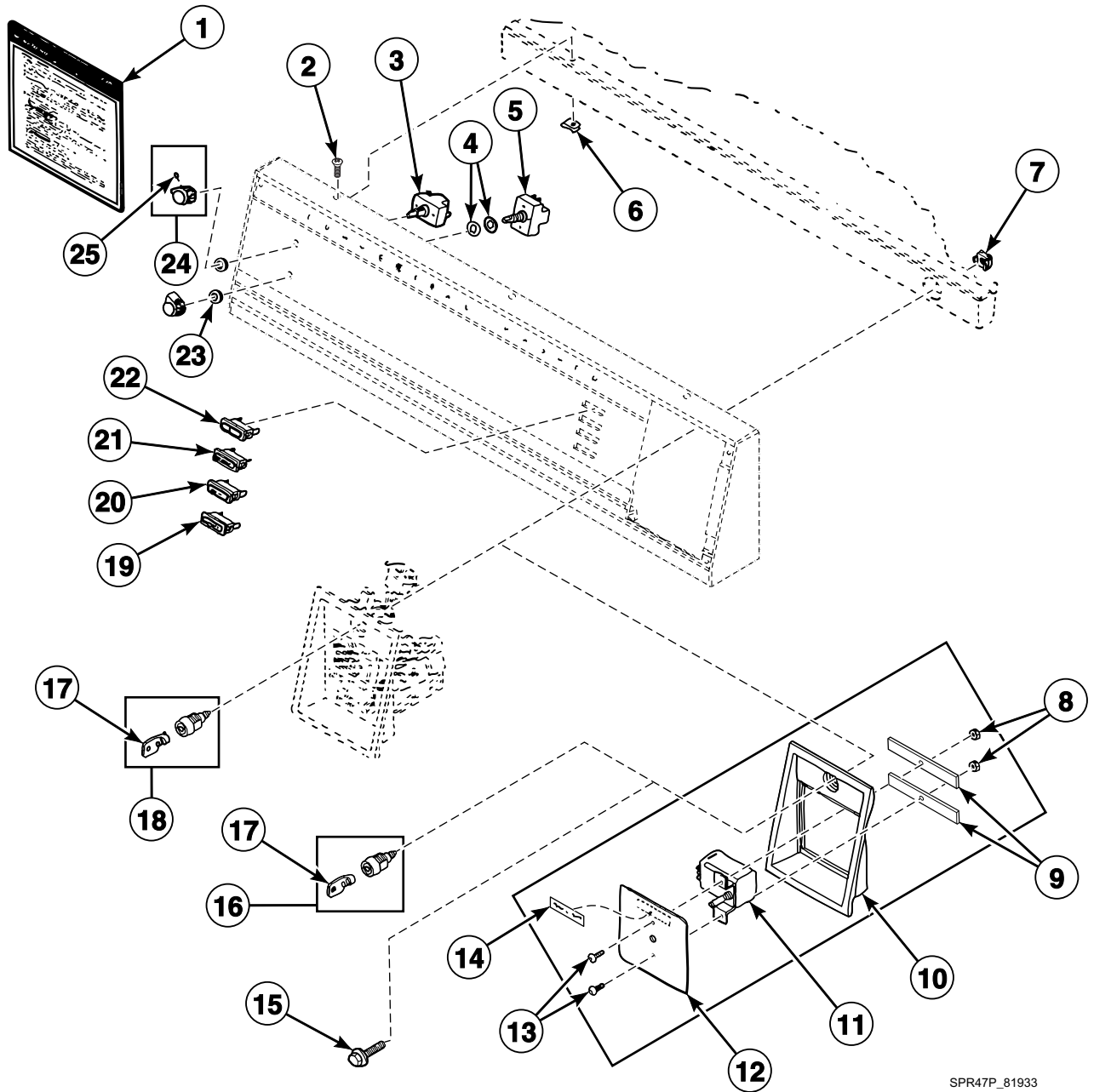
SPR46P_81933

Accumulator Coin Drop

| REF | PART NO. | DESCRIPTION | COMMENTS |
|-----|----------|---------------------------|-------------------|
| 1 | N/A | Dial Plate | |
| 2 | N/A | Cam | |
| 3 | N/A | Ratchet Wheel | |
| 4 | 81313J | Spring | |
| 5 | N/A | Pawl | |
| 6 | N/A | Release Solenoid | 60 Hertz |
| | N/A | Release Solenoid | 230 Volt/50 Hertz |
| 7 | N/A | Cam Switch | |
| 8 | N/A | Advance Solenoid | |
| 9 | N/A | Circuit Breaker | |
| 10 | 81312B | Blocking Solenoid | 60 Hertz |
| | N/A | Blocking Solenoid | 230 Volt/50 Hertz |
| 11 | 81312F | Rejector | \$.25 |
| 12 | N/A | Coin Switch | |
| 13 | N/A | Wire Harness Assembly | |
| 14 | 433P3 | Coin Meter Kit | |
| 15 | N/A | Front Plate | \$.25 |
| 16 | N/A | Reject Button Cover Plate | |
| 17 | N/A | Reject Button Spring | |
| 18 | 81312J | Reject Button | |
| 19 | 81806 | Numbered Sticker | |

N/A = Part no longer available

Control Panel, Controls and Operating Instruction Sign



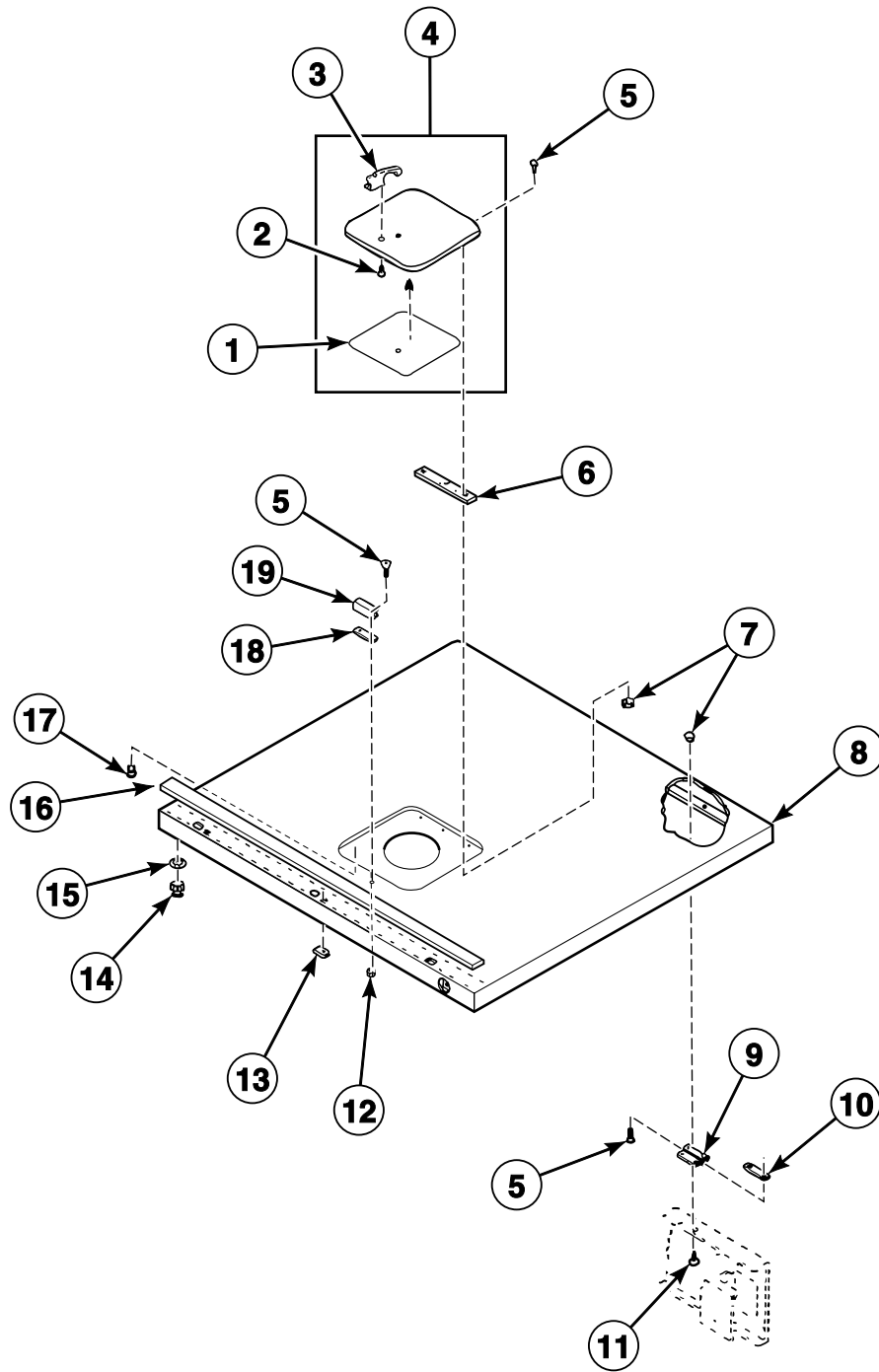
SPR47P_81933

Control Panel, Controls and Operating Instruction Sign

| REF | PART NO. | DESCRIPTION | COMMENTS |
|-----|----------|---------------------------|---|
| 1 | 81932 | Operating Instructions | |
| 2 | 52864 | Screw | |
| 3 | 27761 | Switch | |
| 4 | 91176 | Washer | |
| 5 | 81679 | Switch | |
| 6 | 81207 | Nut | |
| 7 | 81178 | Nut | |
| 8 | 70054 | Nut | Models CL9171 and CL9173 |
| 9 | 81636 | Clamp | Models CL9171 and CL9173 |
| 10 | 81186 | Coin Drop Door | Models CL9171 and CL9173 |
| 11 | 90709P | Relay | Models CL9171 and CL9173; 60 Hertz |
| | 91257 | Switch | Models CL9171 and CL9173; 230 Volt/50 Hertz |
| 12 | 81637 | Switch Plate | Models CL9171 and CL9173 |
| 13 | 81638 | Screw | Models CL9171 and CL9173 |
| 14 | 53738 | Push-to-Start Sticker | Models CL9171 and CL9173 |
| 15 | 81692 | Screw | Models CL9171 and CL9173 starting Serial No. D29114 |
| 16 | N/A | Lock and Key Assembly | Models CL9171 and CL9173 through Serial No. D29113; Includes item 17 |
| 17 | N/A | Key | |
| 18 | N/A | Lock and Key Assembly | Models CL9161 and CL9163; Includes item 17 |
| 19 | N/A | Softener Indicator Light | 60 Hertz |
| | 81079 | Softener Indicator Light | 230 Volt/50 Hertz |
| 20 | 81074 | Bleach Indicator Light | 60 Hertz |
| | 81078 | Bleach Indicator Light | 230 Volt/50 Hertz |
| 21 | N/A | Detergent Indicator Light | 60 Hertz |
| | 81077 | Detergent Indicator Light | 230 Volt/50 Hertz |
| 22 | N/A | On Indicator Light | |
| 23 | 24205 | Nut | |
| 24 | 39897 | Switch Knob | |
| 25 | N/A | Screw | |

N/A = Part no longer available

Cabinet Top and Dispenser Door



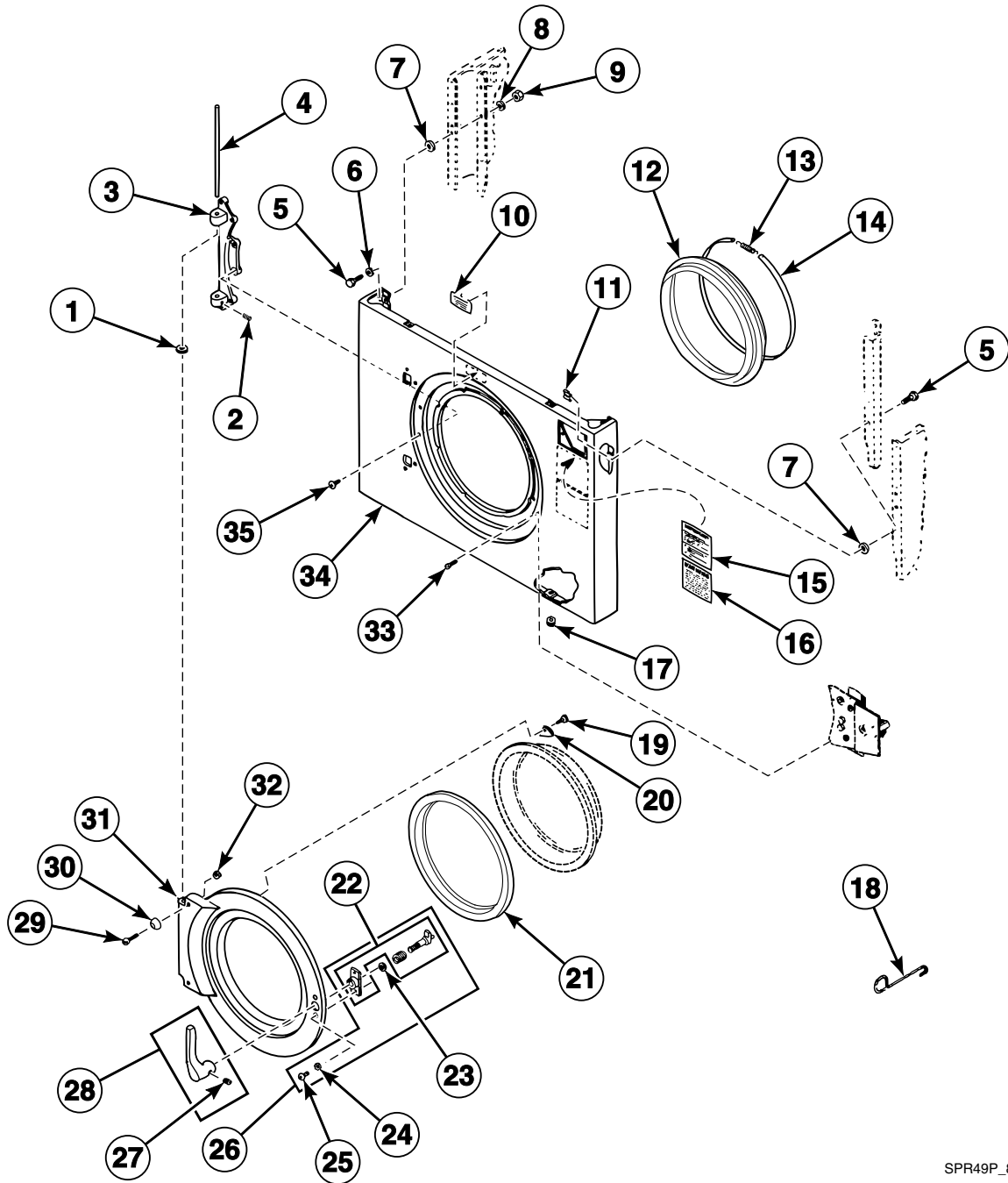
SPR48P_81933

Cabinet Top and Dispenser Door

| REF | PART NO. | DESCRIPTION | COMMENTS |
|-----|----------|-------------------------|--------------------|
| 1 | 81286 | Bleach Door Sticker | |
| 2 | 80399 | Screw | |
| 3 | N/A | Door Catch | |
| 4 | N/A | Bleach Door Assembly | Includes items 1-3 |
| 5 | 22649 | Screw | |
| 6 | N/A | Gasket | |
| 7 | 51236 | Nut | |
| 8 | N/A | Top Assembly | Harvest Gold |
| | 81511LP | Top and Carton Assembly | Almond |
| | N/A | Top Assembly | White |
| 9 | 81058 | Top Hinge | |
| 10 | N/A | Nut | |
| 11 | 502535 | Screw | |
| 12 | 21752 | Nut | |
| 13 | 81207 | Nut | |
| 14 | N/A | Nut | |
| 15 | N/A | Washer | |
| 16 | 81924 | Seal | |
| 17 | 80498 | Bumper | |
| 18 | 81366 | Spacer | |
| 19 | 81365 | Strike | |

N/A = Part no longer available

Front Panel, Door Assembly and Door Seal



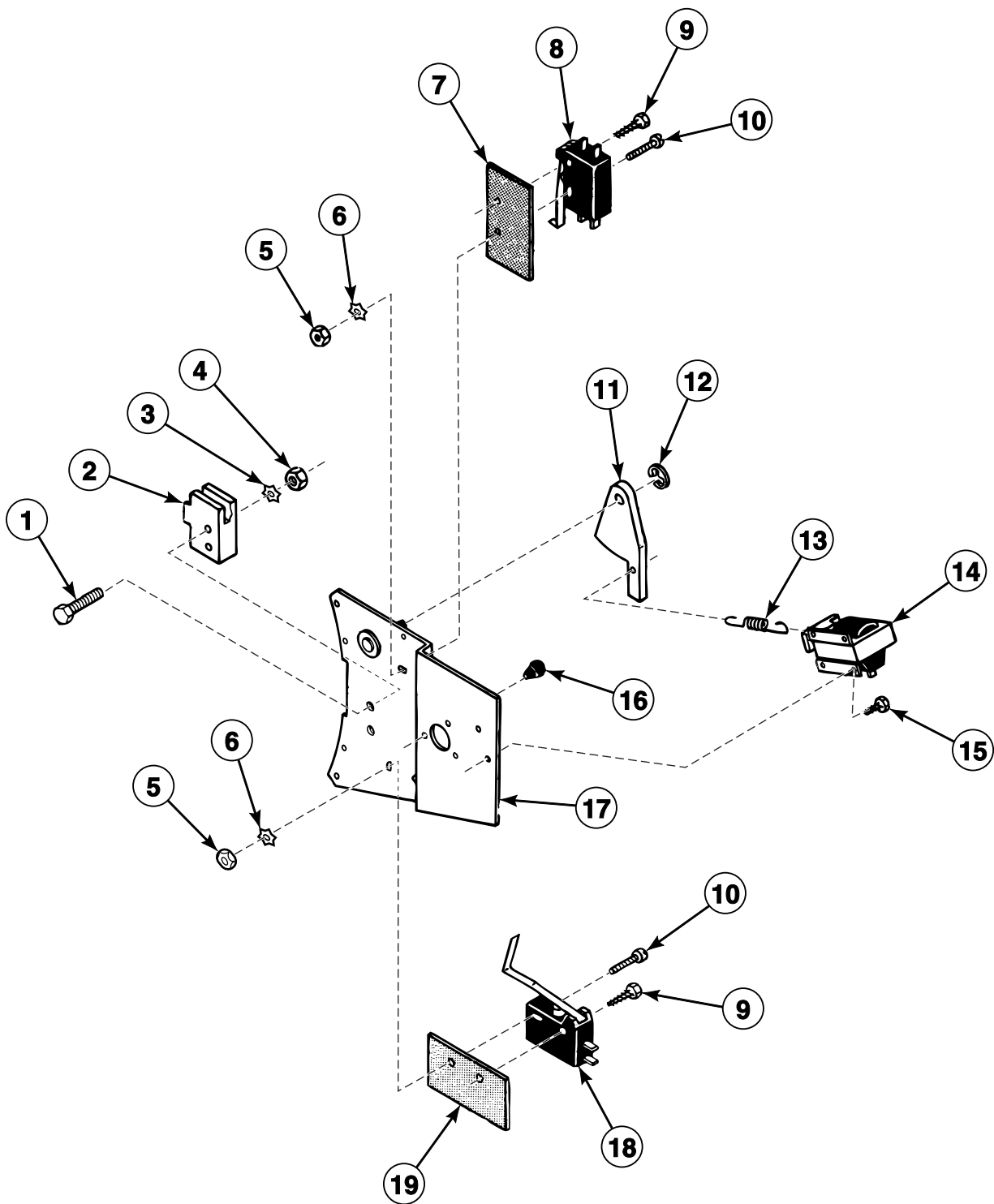
SPR49P_81933

Front Panel, Door Assembly and Door Seal

| REF | PART NO. | DESCRIPTION | COMMENTS |
|-----|----------|-----------------------|--|
| 1 | 81392 | Washer | |
| 2 | 23960 | Screw | |
| 3 | 81959 | Hinge | |
| 4 | 81391 | Hinge Pin | |
| 5 | 20253 | Screw | |
| 6 | 80090 | Washer | |
| 7 | 23225 | Washer | |
| 8 | 03189 | Washer | |
| 9 | 20275 | Nut | |
| 10 | 81326 | Door Lock Sticker | |
| 11 | 81061 | Nut | |
| 12 | 81468P | Door Seal Kit | Includes item 6 |
| 13 | N/A | Spring | |
| 14 | 81298P | Seal Strap | |
| 15 | 81504 | Door Lock Sticker | |
| 16 | 81547 | Door Warning Sticker | |
| 17 | 20430 | Grommet | |
| 18 | 81498 | Door Release Wire | |
| 19 | 502535 | Screw | |
| 20 | N/A | Door Glass Bracket | |
| 21 | 81957 | Door Glass Gasket | |
| 22 | 81119 | Pivot Arm Spring | |
| 23 | 52549 | Washer | |
| 24 | 81408 | Washer | |
| 25 | 81398 | Screw | |
| 26 | 532P3 | Bushing and Pivot Kit | Includes items 22-25, 81985 Pivot Arm and 82035 Bushing and Plate Assembly |
| 27 | 81310 | Screw | |
| 28 | 81035P | Handle | Includes item 27 |
| 29 | N/A | Screw | |
| 30 | N/A | Bumper | |
| 31 | 518P3 | Door Kit | Includes item 4, 81958 Door Seal, 81959 Hinge and 81960 Door Assembly |
| 32 | 22001 | Nut | |
| 33 | 21081 | Screw | |
| 34 | 81404 | Front Panel Assembly | |
| | N/A | Front Panel Assembly | |
| 35 | 81399 | Screw | |

N/A = Part no longer available

Door Lock Assembly



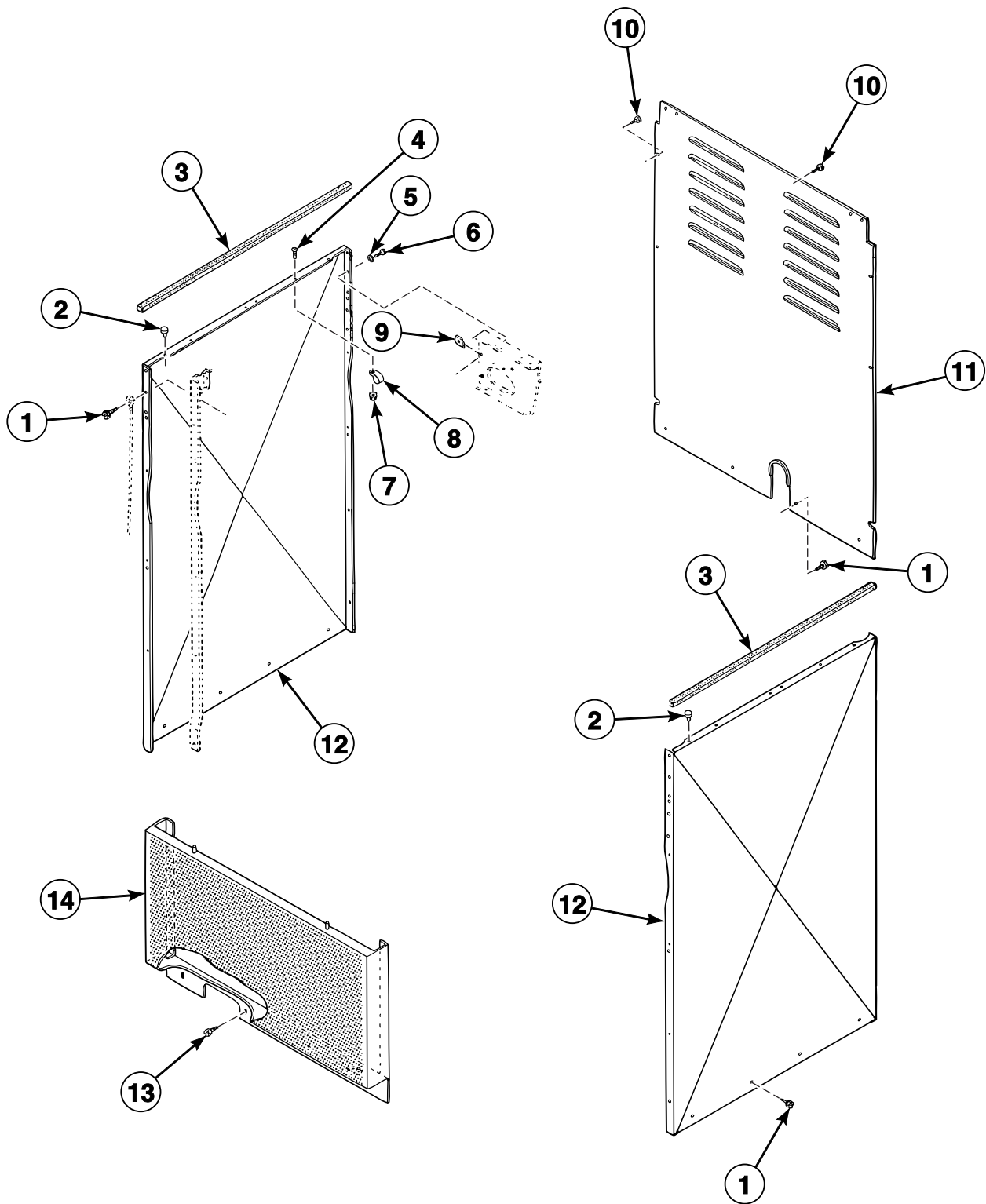
SPR50P_81933

Door Lock Assembly

| REF | PART NO. | DESCRIPTION | COMMENTS |
|-----|----------|----------------------------|--|
| | 81491P | Door Lock Assembly | Includes items 1-19; 60 Hertz |
| | N/A | Door Lock Assembly | Includes items 1-19; 230 Volt/50 Hertz |
| | 538P3 | Door Lock Kit | Includes 81981 Door Lock Assembly, 81971 Door Lock Wire Harness and 81968 Door Warning Label |
| 1 | 20253 | Screw | |
| 2 | 81487 | Door Latch Block | |
| 3 | 02431 | Washer | |
| 4 | 20275 | Nut | |
| 5 | 02788 | Nut | |
| 6 | 51345 | Washer | |
| 7 | 81751 | Door Switch Guard | |
| 8 | 81492 | Door Lock Switch | |
| 9 | N/A | Screw | |
| 10 | Q6516 | Screw | |
| 11 | 81488 | Latch | |
| 12 | N/A | Retaining Ring | |
| 13 | N/A | Spring | |
| 14 | 81493P | Solenoid | 60 Hertz |
| | 81540 | Solenoid | 230 Volt/50 Hertz |
| 15 | M405936 | Screw | |
| 16 | 52552 | Bumper | |
| 17 | 81490 | Door Lock Bracket Assembly | |
| 18 | 81359 | Door Switch | |
| 19 | N/A | Door Switch Guard | |

N/A = Part no longer available

Air Intake Grille and Panels



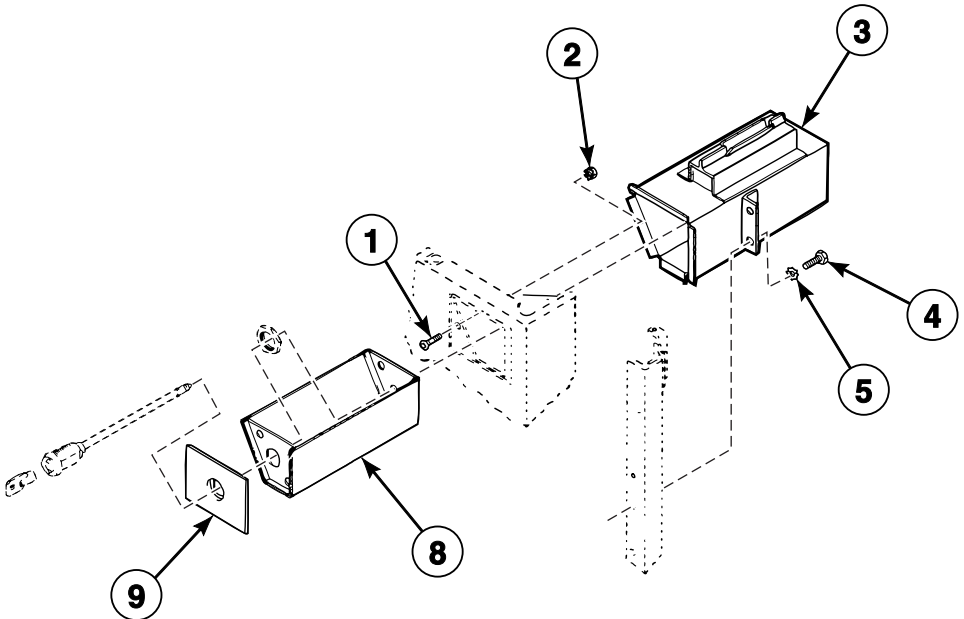
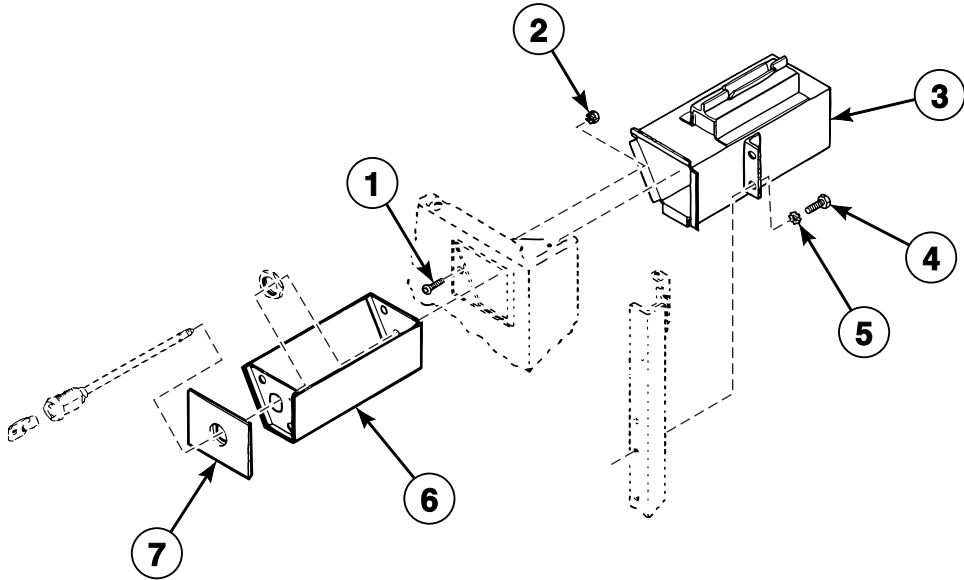
SPR51P_81933

Air Intake Grille and Panels

| REF | PART NO. | DESCRIPTION | COMMENTS |
|-----|----------|----------------------------|--------------|
| 1 | 33562 | Screw | |
| 2 | N/A | Bumper | |
| 3 | 81924 | Seal | |
| 4 | 21355 | Screw | |
| 5 | 03815 | Washer | |
| 6 | 03814 | Screw | |
| 7 | 51236 | Nut | |
| 8 | N/A | Cable Screw Clamp | |
| 9 | 36020 | Nut | |
| 10 | 52909 | Screw | |
| 11 | 81016 | Back Panel | |
| 12 | N/A | Side Panel | Harvest Gold |
| | 81512LP | Side Panel | Almond |
| | 81512WP | Side Panel | White |
| 13 | 20530 | Screw | |
| 14 | 81969 | Lower Front Panel Assembly | |

N/A = Part no longer available

Coin Vault and Drawer - Metered Models CL9161 and CL9163



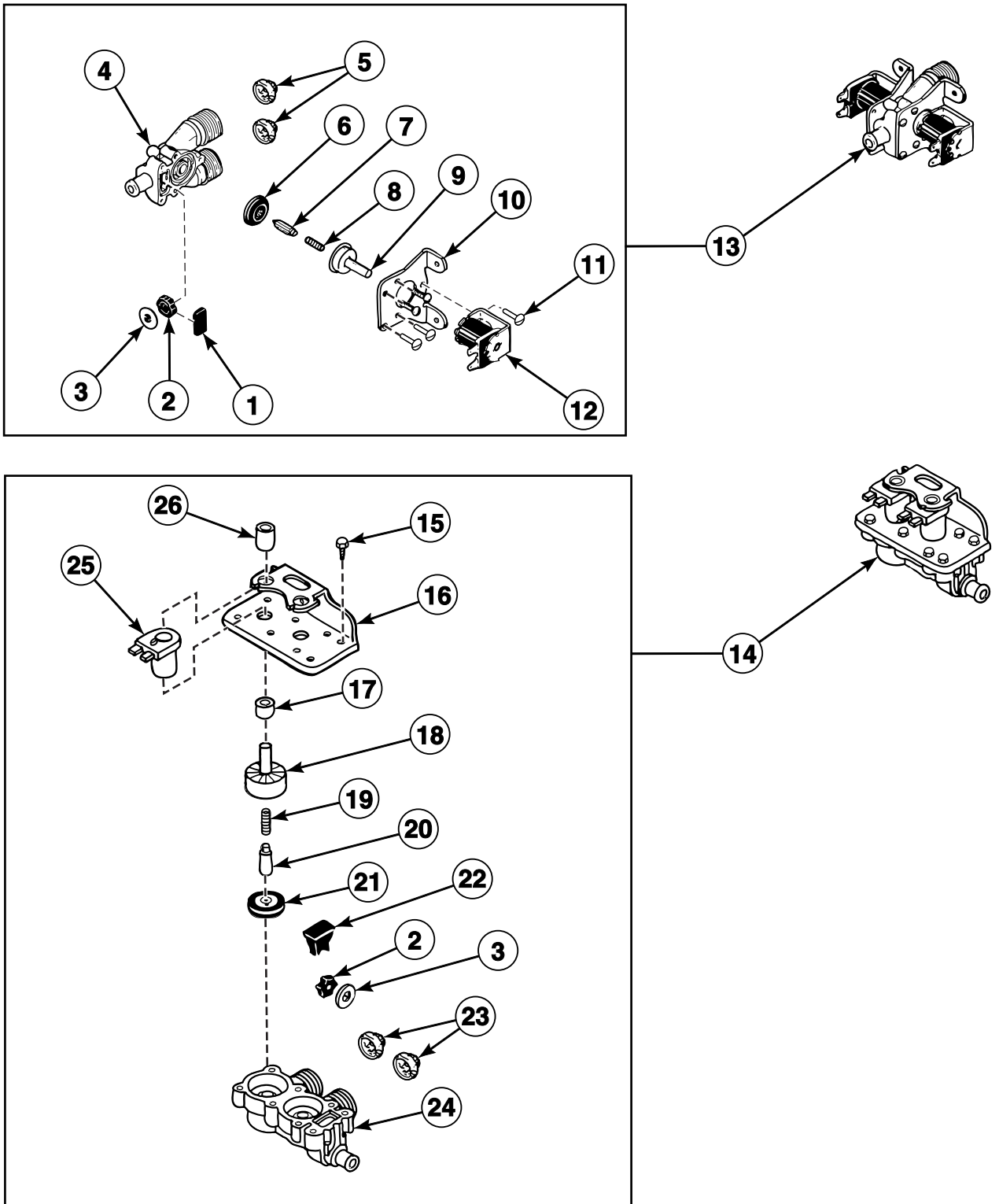
SPR52P_81933

Coin Vault and Drawer - Metered Models CL9161 and CL9163

| REF | PART NO. | DESCRIPTION | COMMENTS |
|-----|----------|----------------------|--|
| 1 | 22649 | Screw | |
| 2 | 51236 | Nut | |
| 3 | 81302 | Coin Vault Assembly | Models through Serial No. Y34175 |
| | N/A | Coin Vault Assembly | Models starting Serial No. Y34176 |
| 4 | 02916 | Screw | |
| 5 | 02431 | Washer | |
| 6 | N/A | Coin Drawer Assembly | Models through Serial No. L31584 |
| 7 | N/A | Coin Drawer Plate | Models through Serial No. L31584 |
| 8 | N/A | Coin Drawer Assembly | Models starting Serial No. L31685 through Serial No. Y34175 |
| | N/A | Coin Drawer Assembly | Models starting Serial No. Y34176 |
| 9 | 400P3 | Face Plate Kit | Models starting Serial No. L31685; Includes JA-15762 Bushing, 02505 Bolt and 29786 Nut |

N/A = Part no longer available

Mixing Valve Assembly



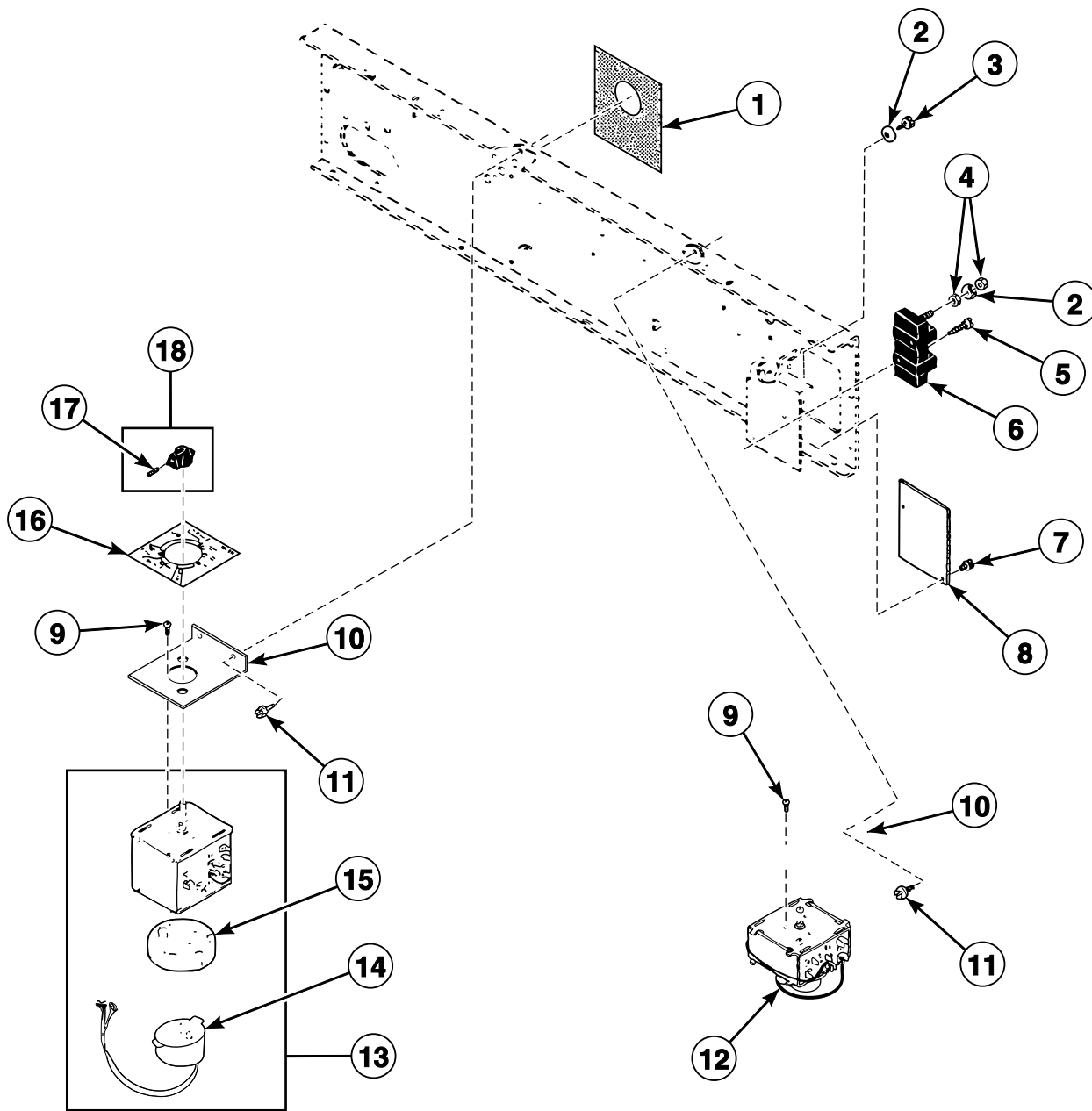
SPR53P_81933

Mixing Valve Assembly

| REF | PART NO. | DESCRIPTION | COMMENTS |
|-----|----------|---------------------|--|
| 1 | N/A | Plug | |
| 2 | N/A | Flow Regulator | |
| 3 | N/A | Diffuser | |
| 4 | N/A | Valve Body | |
| 5 | N/A | Inlet Screen | |
| 6 | N/A | Diaphragm | |
| 7 | N/A | Armature | |
| 8 | N/A | Spring | |
| 9 | N/A | Guide | |
| 10 | N/A | Mounting Bracket | |
| 11 | N/A | Screw | |
| 12 | N/A | Solenoid | |
| 13 | N/A | Mixing Valve | Includes items 1-12; Models through Serial No. K30976 |
| 14 | 25832P | Mixing Valve | Includes items 2, 3 and 15-26; Models starting Serial No. K30977 |
| 15 | N/A | Screw | |
| 16 | N/A | Mounting Bracket | |
| 17 | N/A | Short Sleeve | |
| 18 | N/A | Armature Guide | |
| 19 | N/A | Spring | |
| 20 | N/A | Armature | |
| 21 | N/A | Diaphragm | |
| 22 | N/A | Flow Regulator Plug | |
| 23 | F270200 | Strainer | |
| 24 | N/A | Valve Body | |
| 25 | N/A | Solenoid | |
| 26 | N/A | Long Sleeve | |

N/A = Part no longer available

Timers and Terminal Block



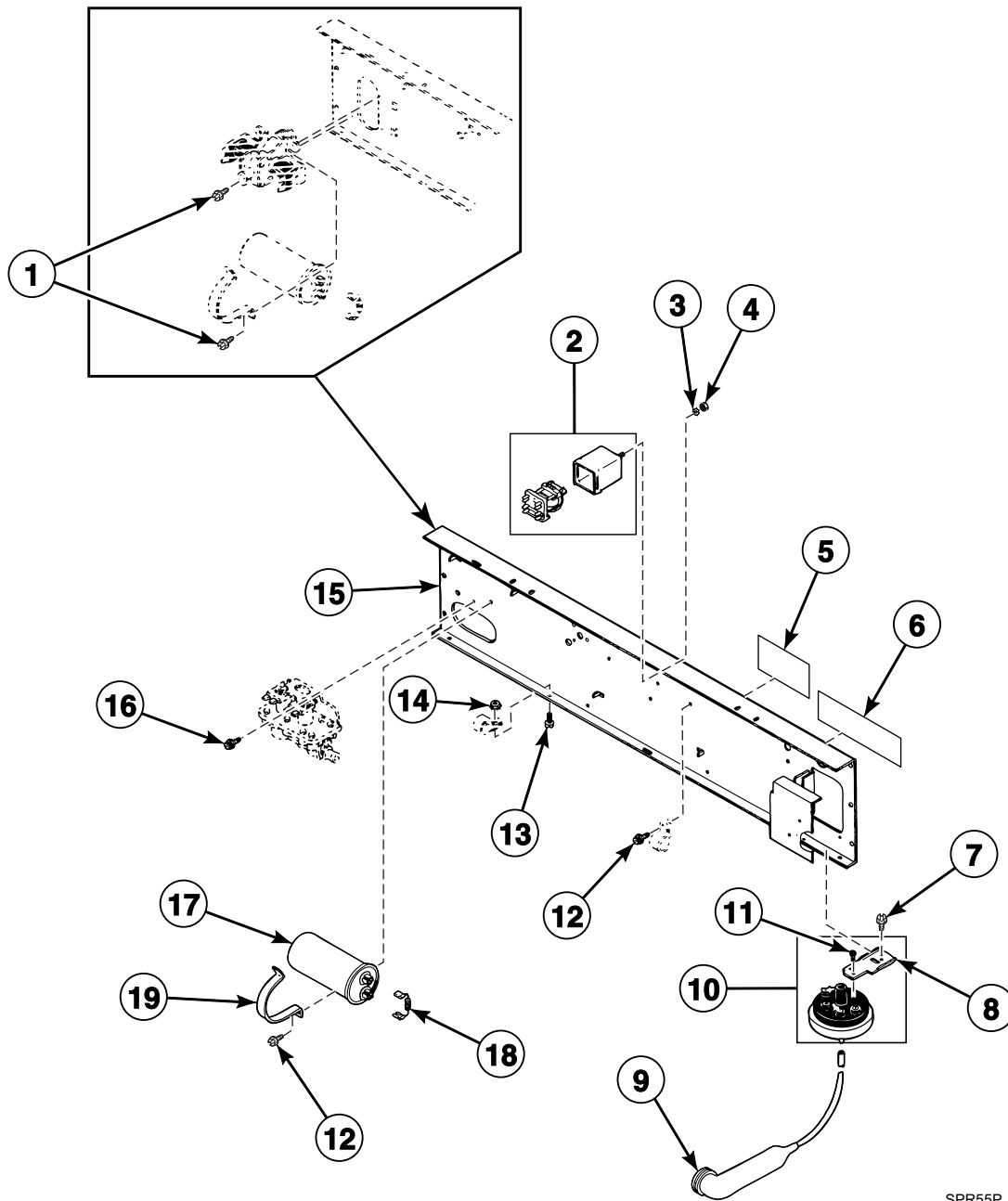
SPR54P_81933

Timers and Terminal Block

| REF | PART NO. | DESCRIPTION | COMMENTS |
|-----|----------|------------------------------|---|
| 1 | 81618 | Manual Control Timer Sticker | Models CL9171 and CL9173; Use with rear-mounted timers |
| 2 | 51474 | Washer | |
| 3 | 52909 | Screw | |
| 4 | Q6163 | Nut | |
| 5 | Q6535 | Screw | |
| 6 | 50854 | Terminal Block | |
| 7 | 23222 | Screw | |
| 8 | N/A | Cross Channel Cover | |
| 9 | 22649 | Screw | |
| 10 | 81097 | Timer Bracket | |
| 11 | 51780 | Screw | |
| 12 | 81615P | Reversing Timer | 60 Hertz |
| | 81616 | Reversing Timer | 230 Volt/50 Hertz |
| 13 | 81693P | Timer Kit | Includes items 14 and 15 and 81698 Wire Assembly; 60 Hertz |
| | 81694 | Timer | Includes items 14 and 15; Models through Serial No. 29793; 60 Hertz |
| | N/A | Timer | Includes items 14 and 15; Models starting Serial No. 29794; 230 Volt/50 Hertz |
| 14 | N/A | Timer Motor | |
| 15 | N/A | Escapement | |
| 16 | 81619 | Timer Sticker | |
| 17 | N/A | Screw | |
| 18 | N/A | Knob | Includes item 17 |

N/A = Part no longer available

Cross Channel, Capacitor, Relay and Switches



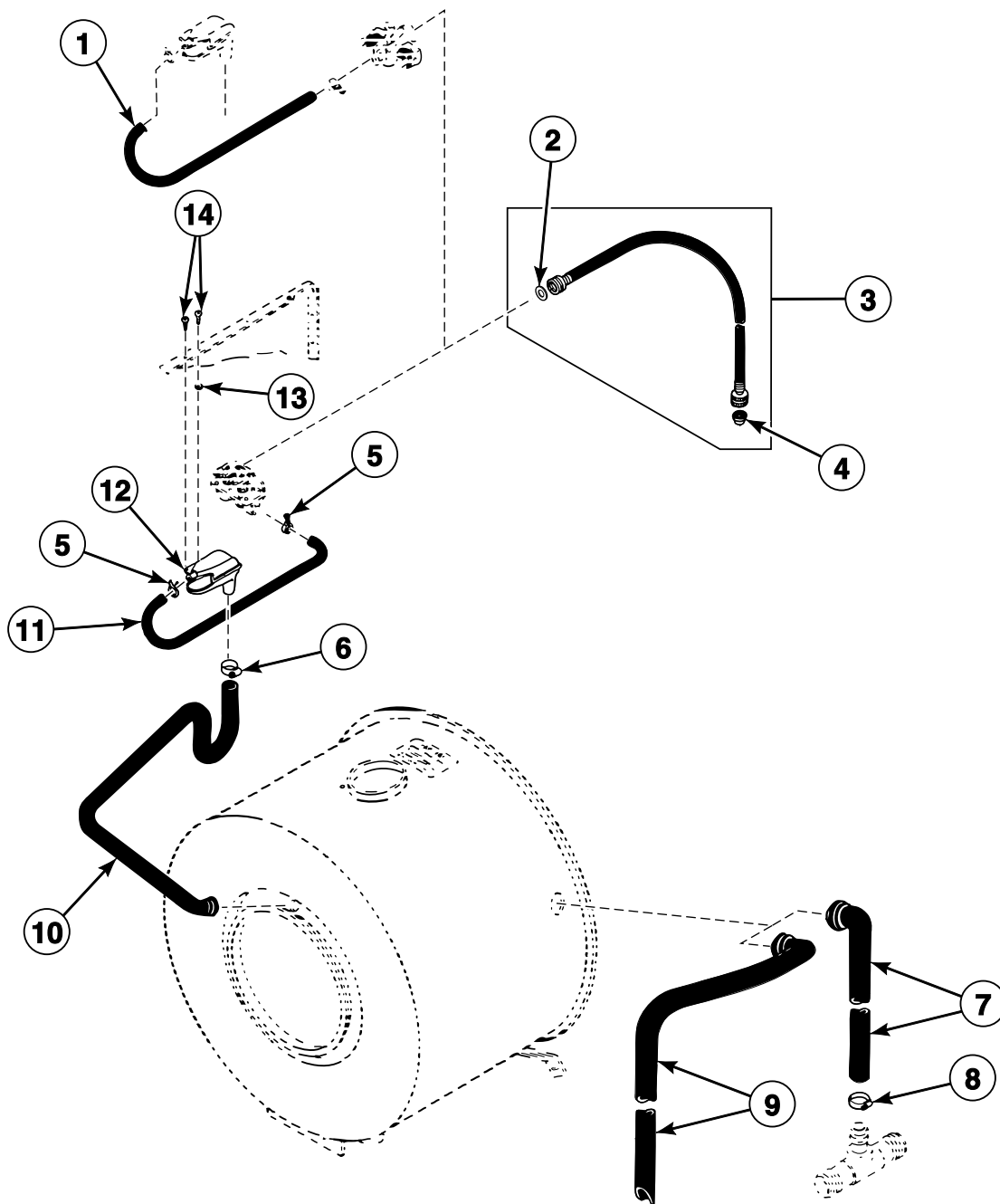
SPR55P_81933

Cross Channel, Capacitor, Relay and Switches

| REF | PART NO. | DESCRIPTION | COMMENTS |
|-----|----------|-------------------|-----------------------------------|
| 1 | 23962 | Screw | |
| 2 | 81624P | Relay | |
| 3 | 51345 | Washer | |
| 4 | 02788 | Nut | |
| 5 | 82087 | Warning Label | |
| 6 | N/A | Fuse Instructions | |
| 7 | 51780 | Screw | |
| 8 | N/A | Bracket | |
| 9 | 22822 | Pressure Hose | |
| 10 | 81068P | Pressure Switch | Includes items 8 and 11 |
| 11 | N/A | Screw | |
| 12 | 23962 | Screw | |
| 13 | 03814 | Screw | |
| 14 | 23951 | Nut | |
| 15 | N/A | Cross Channel | Models through Serial No. K30976 |
| | N/A | Cross Channel | Models starting Serial No. K30977 |
| 16 | 23222 | Screw | |
| 17 | 81627 | Capacitor | |
| 18 | 81642 | Resistor Assembly | |
| 19 | 81644 | Capacitor Bracket | |

N/A = Part no longer available

Water Inlet and Hoses



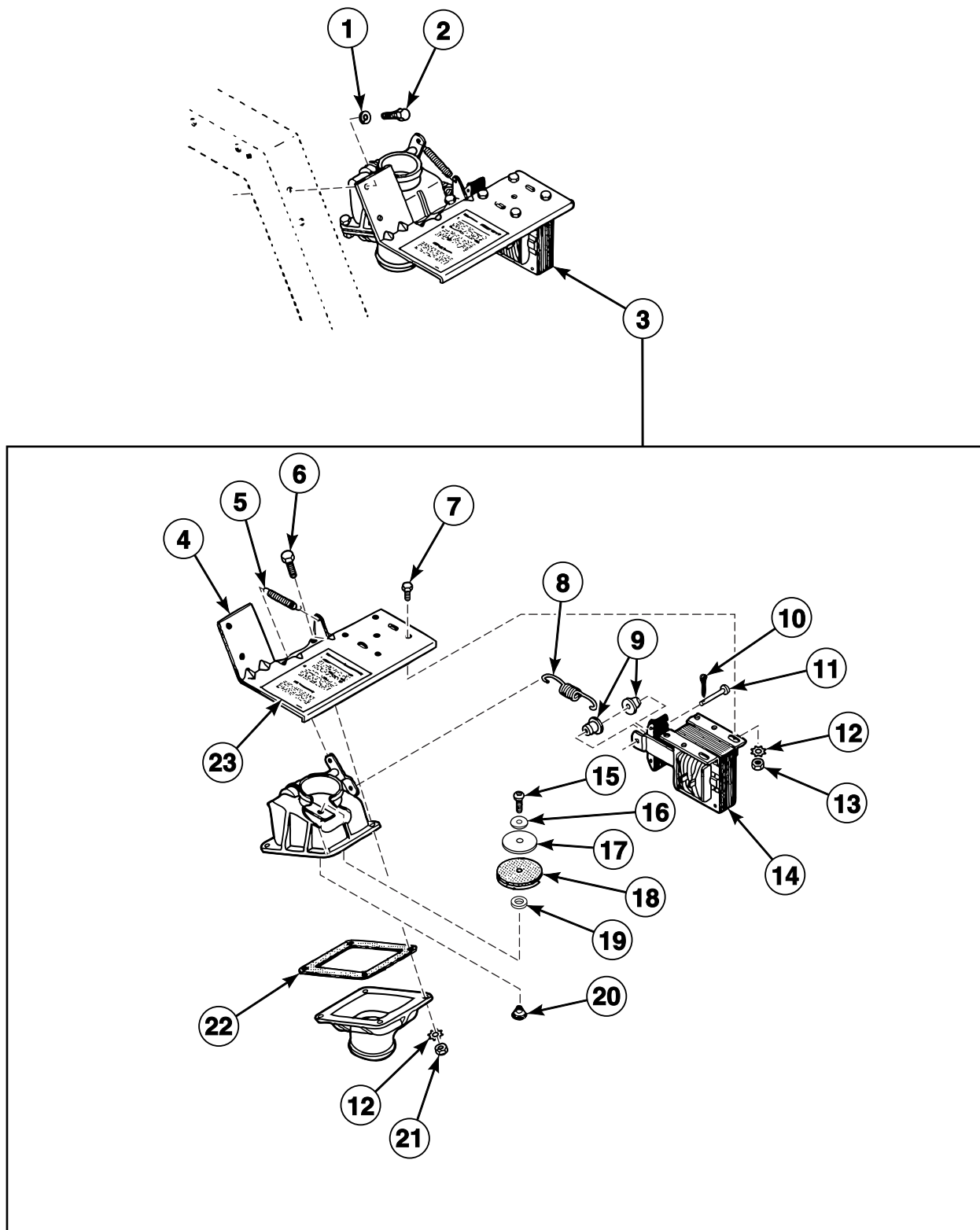
SPR56P_81933

Water Inlet and Hoses

| REF | PART NO. | DESCRIPTION | COMMENTS |
|-----|----------|---------------------------|------------------------------------|
| 1 | N/A | Water Inlet Hose | Models through Serial No. K30976 |
| 2 | 20290 | Washer | |
| 3 | F200116 | Water Hose | Includes items 2 and 4 |
| 4 | 803615 | Washer | Filter |
| 5 | 36801 | Hose Clamp | |
| 6 | 20391 | Hose Clamp | |
| 7 | N/A | Overflow Hose | Non-pump; Models CL9161 and CL9171 |
| 8 | 90554 | Hose Clamp | |
| 9 | 81082 | Overflow Hose | Pump; Models CL9163 and CL9173 |
| 10 | 81080 | Water Inlet Hose | |
| 11 | 81705 | Water Inlet to Valve Hose | Models starting Serial No. K30977 |
| 12 | 80600 | Water Inlet | |
| 13 | N/A | Washer | |
| 14 | 51778 | Screw | |

N/A = Part no longer available

Drain Valve Assembly - Non-Pump Models CL9161 and CL9171



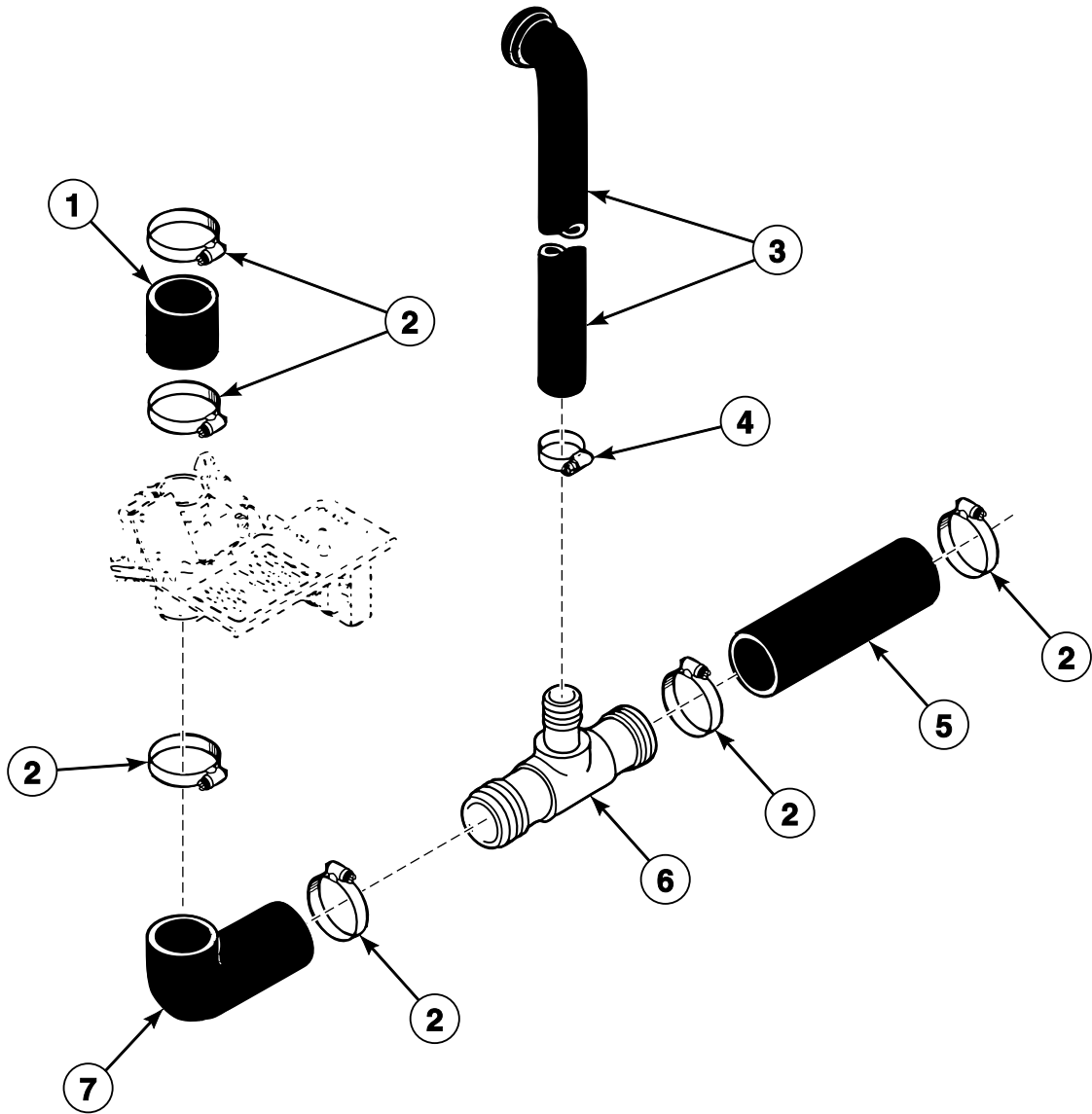
SPR57P_81933

Drain Valve Assembly - Non-Pump Models CL9161 and CL9171

| REF | PART NO. | DESCRIPTION | COMMENTS |
|-----|----------|-----------------------------|----------|
| 1 | 03189 | Washer | |
| 2 | 02916 | Screw | |
| 3 | 505P3 | Ball Valve Retrofit Kit | |
| 4 | N/A | Valve Mounting Plate | |
| 5 | N/A | Spring | |
| 6 | 20253 | Screw | |
| 7 | 02422 | Screw | |
| 8 | 81109 | Spring | |
| 9 | N/A | Panel Mount | |
| 10 | N/A | Cotter Pin | |
| 11 | N/A | Rivet | |
| 12 | 02431 | Washer | |
| 13 | 20275 | Nut | |
| 14 | 20058P | Solenoid | |
| 15 | F430976 | Screw | |
| 16 | N/A | Washer | |
| 17 | N/A | Valve Flapper Disc | |
| 18 | N/A | Plate and Gasket Assembly | |
| 19 | N/A | Washer | |
| 20 | N/A | Nut | |
| 21 | 52566 | Nut | |
| 22 | N/A | Valve Housing Gasket | |
| 23 | 81721 | Solenoid Adjustment Sticker | |

N/A = Part no longer available

Drain - Non-Pump Models CL9161 and CL9171



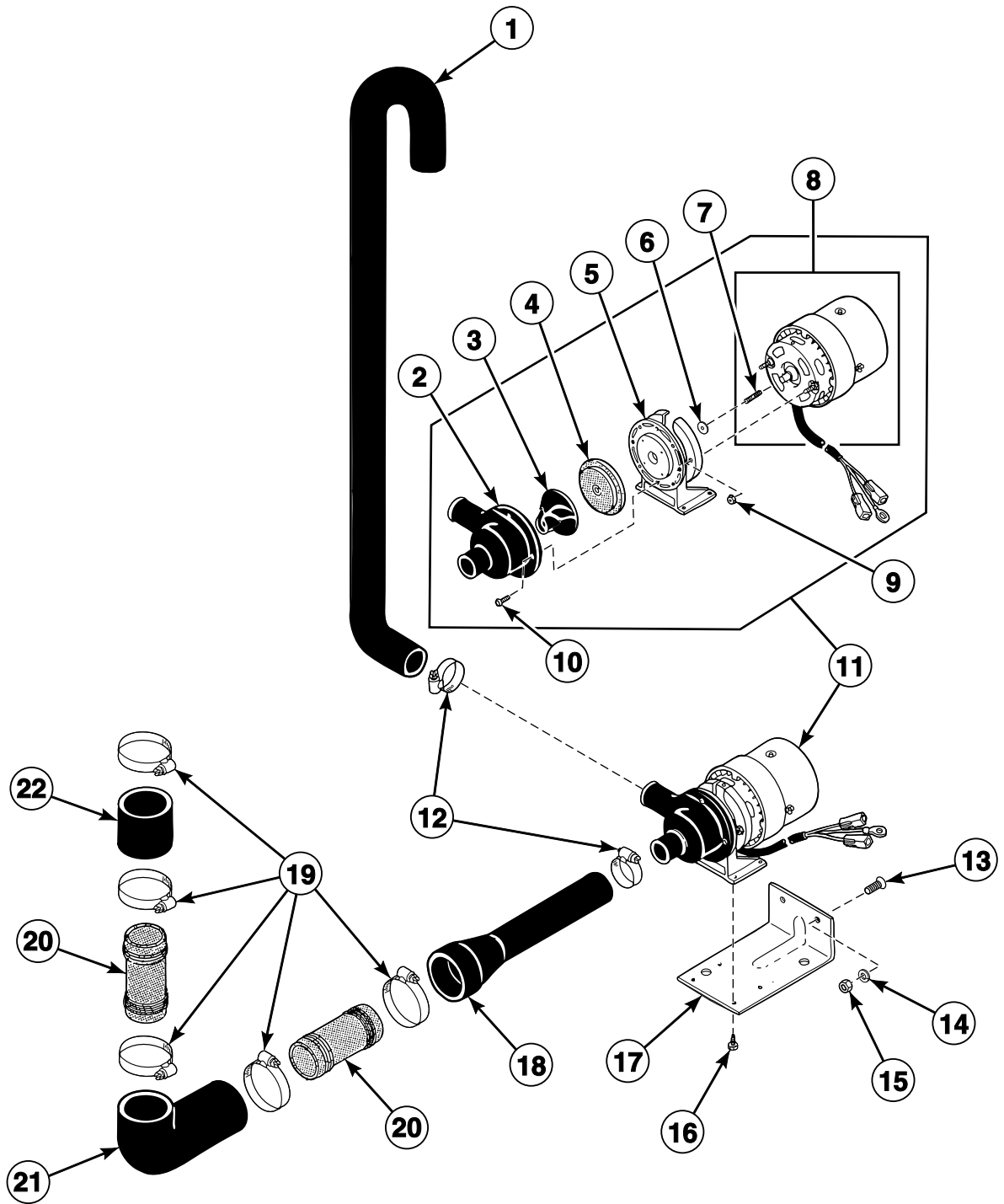
SPR58P_81933

Drain - Non-Pump Models CL9161 and CL9171

| REF | PART NO. | DESCRIPTION | COMMENTS |
|-----|----------|---------------|----------|
| 1 | 81056 | Drain Hose | |
| 2 | 80707 | Clamp | |
| 3 | N/A | Overflow Hose | |
| 4 | 90554 | Hose Clamp | |
| 5 | N/A | Drain Hose | |
| 6 | N/A | Drain Tee | |
| 7 | N/A | Hose | |

N/A = Part no longer available

Drain - Pump Models CL9163 and CL9173



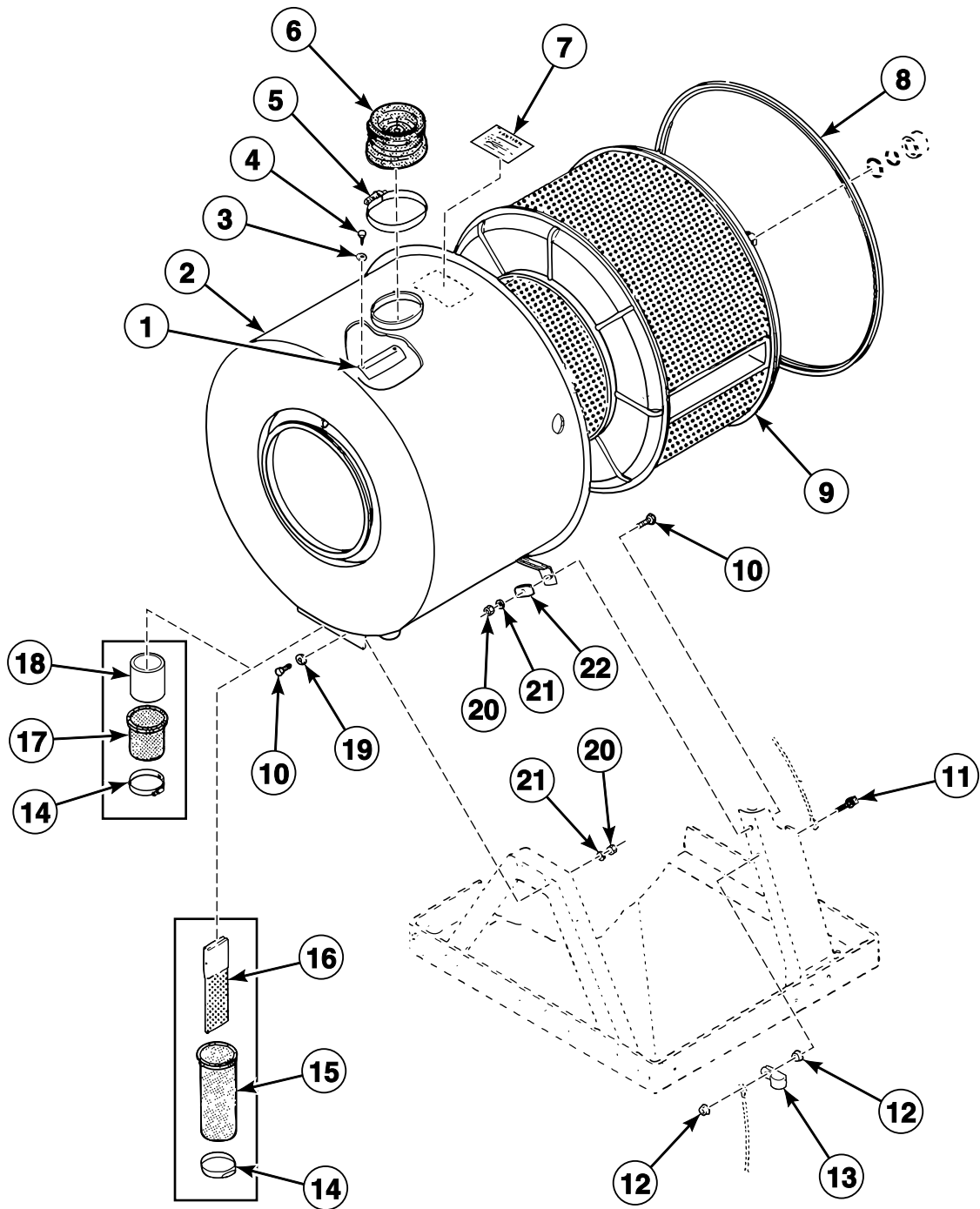
SPR59P_81933

Drain - Pump Models CL9163 and CL9173

| REF | PART NO. | DESCRIPTION | COMMENTS |
|-----|----------|-------------------------------|---------------------|
| 1 | 81069 | Drain Hose | |
| 2 | 81115D | Pump Body Kit | |
| 3 | 81115E | Impeller | |
| 4 | 81115C | Shaft Seal and Liner Assembly | |
| 5 | N/A | Mounting Bracket | |
| 6 | N/A | Washer | |
| 7 | 81115G | Screw | |
| 8 | 81115AP | Pump Motor Assembly | Includes item 7 |
| 9 | 51236 | Nut | |
| 10 | N/A | Screw | |
| 11 | 81185P | Pump and Bracket Assembly | Includes items 2-10 |
| 12 | 90554 | Hose Clamp | |
| 13 | 91226 | Screw | |
| 14 | M400013 | Washer | |
| 15 | 70142 | Nut | |
| 16 | 502535 | Screw | |
| 17 | 81181 | Pump Mount Bracket | |
| 18 | 82082 | Drain Hose | |
| 19 | 80707 | Clamp | |
| 20 | 81210 | Hose Coupling | |
| 21 | 80265 | Hose | |
| 22 | 81056 | Drain Hose | |

N/A = Part no longer available

Dispenser Boot, Outer Tub, Cylinder and Button Trap



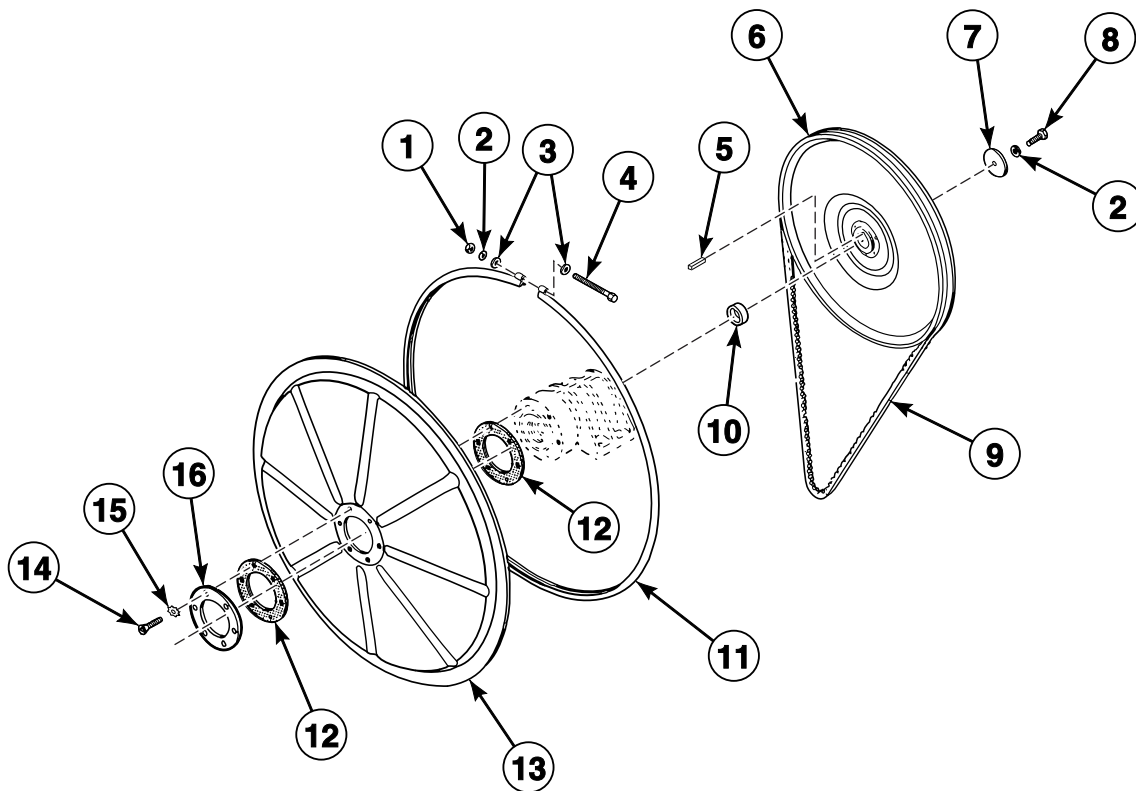
SPR60P_81933

Dispenser Boot, Outer Tub, Cylinder and Button Trap

| REF | PART NO. | DESCRIPTION | COMMENTS |
|-----|----------|-----------------------|------------------------------------|
| 1 | 81376 | Deflector | |
| 2 | N/A | Tub Assembly | |
| 3 | 81380 | Washer | |
| 4 | M405936 | Screw | |
| 5 | 81294 | Hose Clamp | |
| 6 | 81194 | Dispenser Boot | |
| 7 | 81375 | Caution Sticker | |
| 8 | 81052 | Tub Head Gasket | |
| 9 | 81170P | Cylinder Assembly | Includes 81085 Key and 91202 Screw |
| 10 | 27202 | Screw | |
| 11 | 23008 | Screw | |
| 12 | 23951 | Nut | |
| 13 | N/A | Cable Screw Clamp | |
| 14 | F200219 | Hose Clamp | |
| 15 | N/A | Button Trap | Pump; Models CL9163 and CL9173 |
| 16 | N/A | Filter Plate Assembly | Pump; Models CL9163 and CL9173 |
| 17 | N/A | Trap | Non-pump; Models CL9161 and CL9171 |
| 18 | N/A | Frame | Non-pump; Models CL9161 and CL9171 |
| 19 | Q6066 | Washer | |
| 20 | 80116 | Nut | |
| 21 | M400013 | Washer | |
| 22 | 81345 | Washer | |

N/A = Part no longer available

Rear Tub Head, Clamp Ring, Cylinder Pulley and Belt



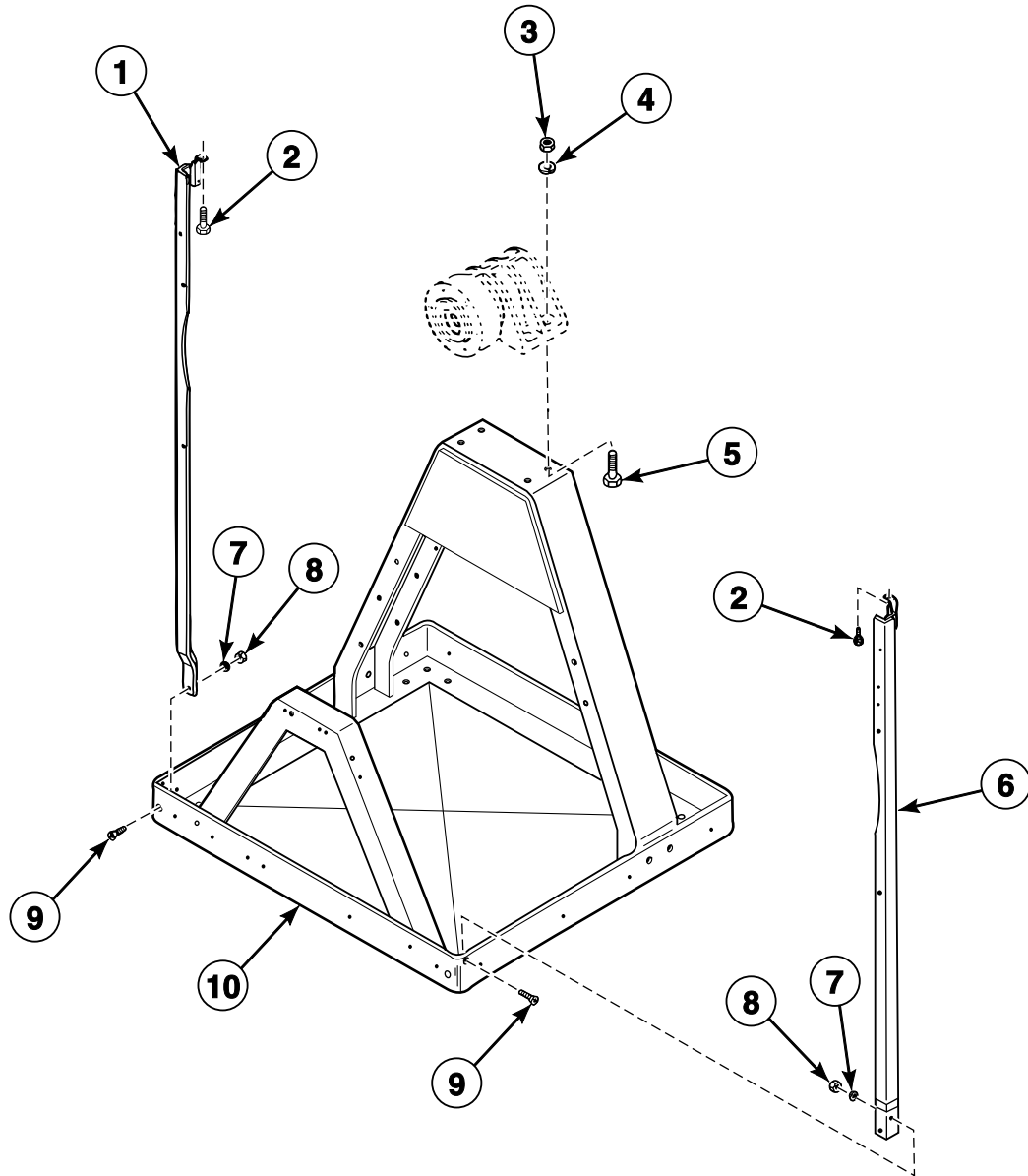
SPR61P_81933

Rear Tub Head, Clamp Ring, Cylinder Pulley and Belt

| REF | PART NO. | DESCRIPTION | COMMENTS |
|-----|----------|-------------------------|-------------------|
| 1 | 80116 | Nut | |
| 2 | M400013 | Washer | |
| 3 | Q6066 | Washer | |
| 4 | M413565 | Screw | |
| 5 | 81085 | Key | |
| 6 | 81728 | Pulley and Hub Assembly | |
| 7 | 81352 | Washer | |
| 8 | 91202 | Screw | |
| 9 | 81459 | Belt | 60 Hertz |
| | 81064 | Belt | 230 Volt/50 Hertz |
| 10 | 81461 | Spacer | |
| 11 | N/A | Clamp Ring Assembly | |
| 12 | 81049 | Gasket | |
| 13 | 81015P | Bulkhead | |
| 14 | 81057 | Screw | |
| 15 | 24475 | Washer | |
| 16 | 81050 | Reinforcing Ring | |

N/A = Part no longer available

Base and Front Legs



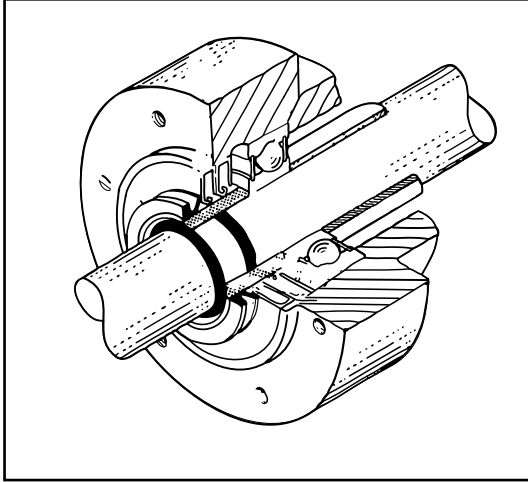
SPR62P_81933

Base and Front Legs

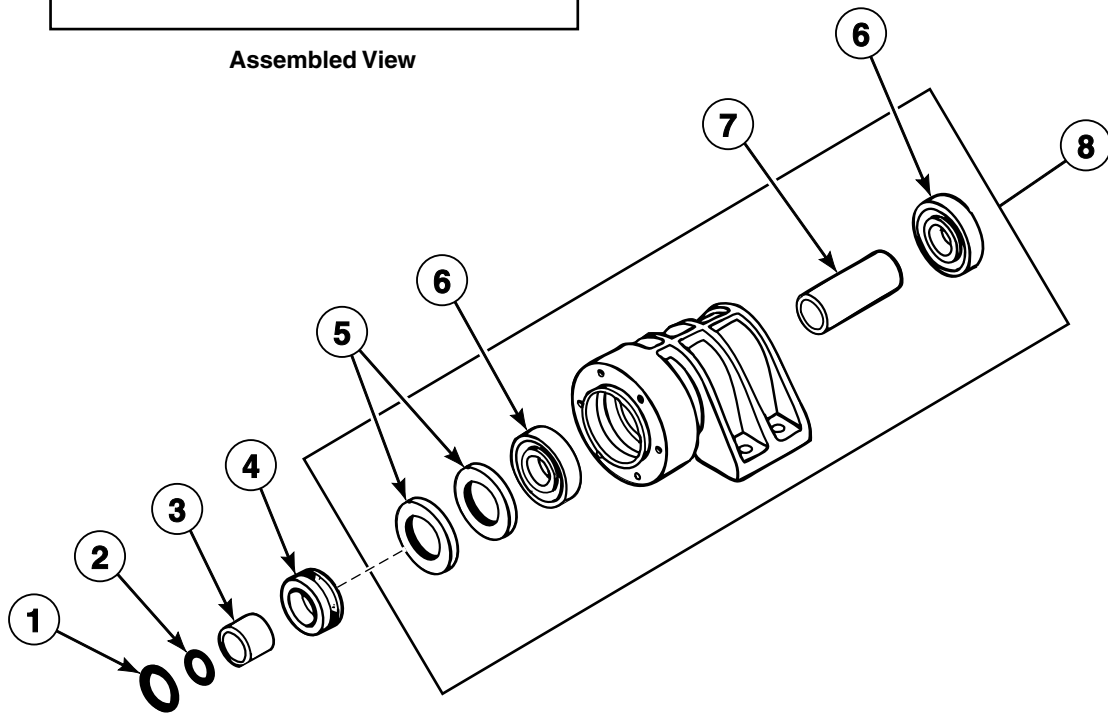
| REF | PART NO. | DESCRIPTION | COMMENTS |
|-----|----------|-------------------------|----------|
| 1 | 81042 | Left Leg Assembly | |
| 2 | 23008 | Screw | |
| 3 | N/A | Nut | |
| 4 | 91200 | Washer | |
| 5 | 81086 | Screw | |
| 6 | N/A | Right Leg Assembly | |
| 7 | 03189 | Washer | |
| 8 | 20275 | Nut | |
| 9 | 81057 | Screw | |
| 10 | N/A | Frame and Base Assembly | |

N/A = Part no longer available

Bearing Housing Assembly



Assembled View

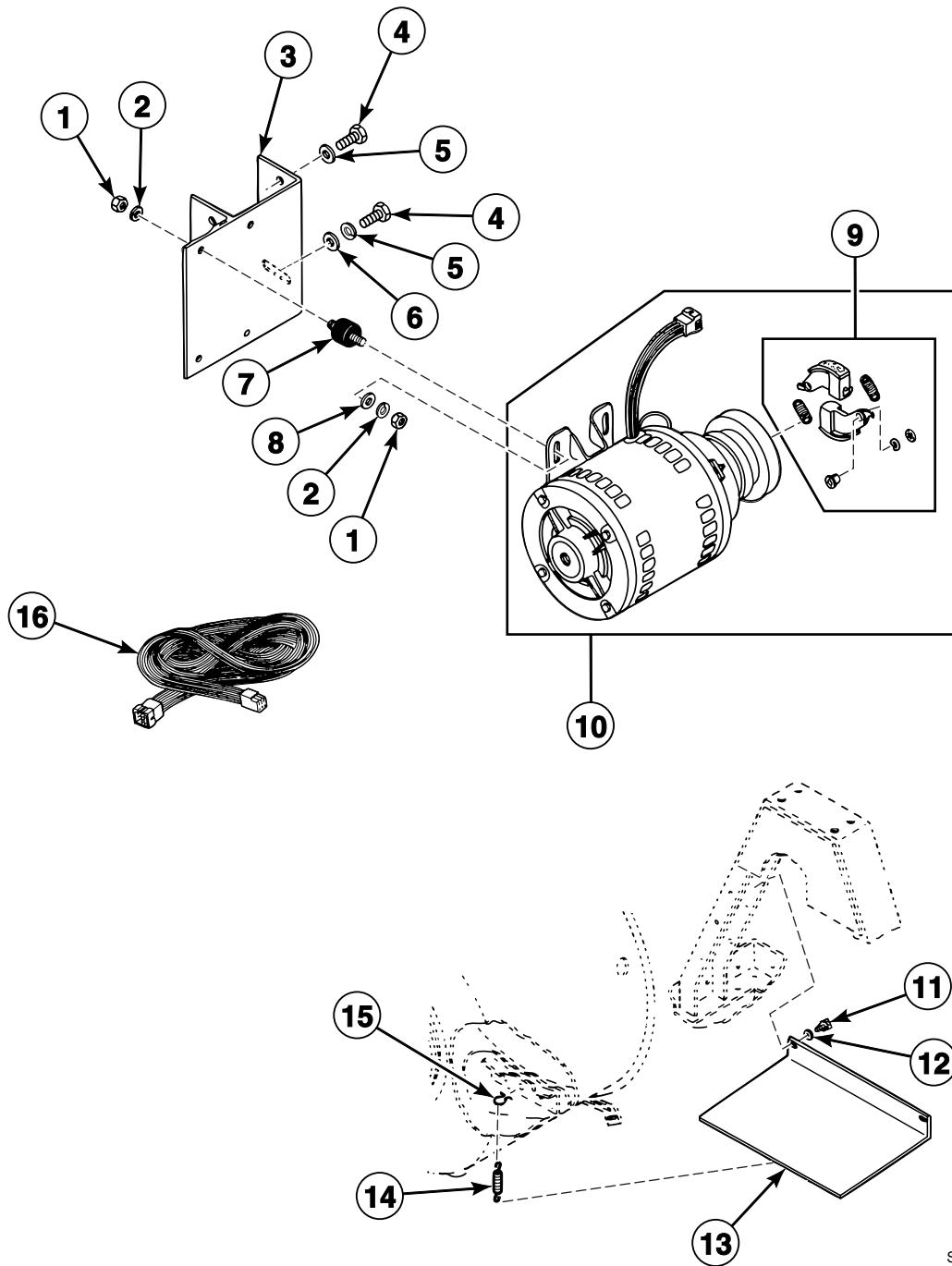


SPR84P_81933

Bearing Housing Assembly

| REF | PART NO. | DESCRIPTION | COMMENTS |
|-----|----------|--------------------------|--------------------|
| 1 | 80100 | O-Ring | |
| 2 | 81191 | O-Ring | |
| 3 | 81471 | O-Ring Gland | |
| 4 | 81470 | V-Ring Seal | |
| 5 | 81482 | Seal | |
| 6 | 80430P | Bearing | |
| 7 | 81472 | Bearing Housing Spacer | |
| 8 | 81476P | Bearing Housing Assembly | Includes items 5-7 |

Drive Motor and Shield



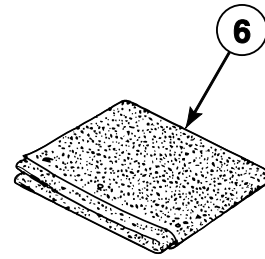
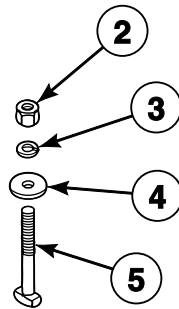
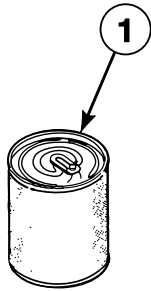
SPR63P_81933

Drive Motor and Shield

| REF | PART NO. | DESCRIPTION | COMMENTS |
|-----|----------|--------------------------|----------|
| 1 | 70142 | Nut | |
| 2 | M400013 | Washer | |
| 3 | 81654P | Mounting Bracket Kit | |
| 4 | M400043 | Screw | |
| 5 | N/A | Washer | |
| 6 | 20279 | Washer | |
| 7 | 81055 | Shock Mounting | |
| 8 | Q6066 | Washer | |
| 9 | 355P3 | Clutch Repair Kit | |
| 10 | 81658 | Motor and Drive Assembly | |
| 11 | 33562 | Screw | |
| 12 | 20103 | Washer | |
| 13 | 81802 | Motor Shield Assembly | |
| 14 | N/A | Spring | |
| 15 | N/A | Clip | |
| 16 | 81691P | Test Harness Assembly | |

N/A = Part no longer available

Installation Kit Material



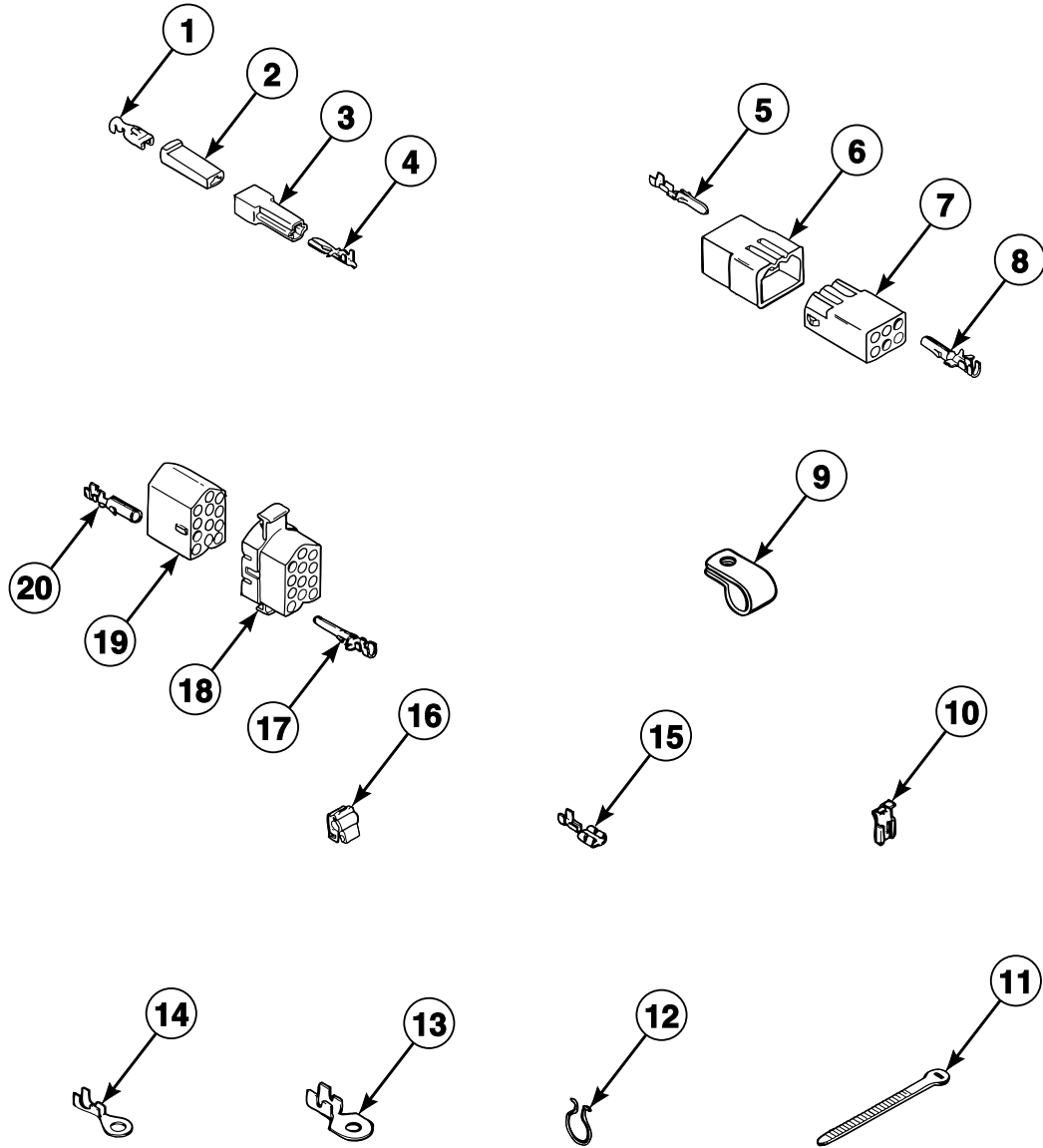
SPR64P_81933

Installation Kit Material

| REF | PART NO. | DESCRIPTION | COMMENTS |
|-----|----------|------------------------------|----------|
| 1 | N/A | Cement Shipping Bag Assembly | |
| 2 | N/A | Nut | |
| 3 | 91200 | Washer | |
| 4 | N/A | Spacer | |
| 5 | N/A | Screw | |
| 6 | N/A | Mounting Bolt Template | |

N/A = Part no longer available

Terminals



SPR65P_81933

Terminals

| REF | PART NO. | DESCRIPTION | COMMENTS |
|-----------|----------|-----------------------|---|
| | 81945 | Wire Harness Assembly | Drain valve |
| | N/A | Wire Harness Assembly | Start switch |
| | N/A | Wire Harness Assembly | Door lock |
| | 81767P | Wire Harness Assembly | Control panel |
| | N/A | Wire Harness Assembly | Main; Models through Serial No. F29793 |
| | 81711P | Wire Harness Assembly | Main; Models starting Serial No. F29794 |
| | N/A | 12 Gauge Wire | Specify color; Sold per foot |
| | N/A | 14 Gauge Wire | Specify color; Sold per foot |
| | N/A | 18 Gauge Wire | Specify color; Sold per foot |
| 1 | 00115 | Female Spade Terminal | |
| 2 | 90789 | Receptacle Housing | |
| 3 | 90788 | Tab Housing | |
| 4 | 00133 | Male Tab Terminal | |
| 5 | 00116 | Male Pin Terminal | |
| 6 | 23041 | 6 Circuit Plug | |
| | 23033 | 9 Circuit Plug | |
| | 23037 | 15 Circuit Plug | |
| 7 | 26708 | 6 Circuit Receptacle | |
| | N/A | 9 Circuit Receptacle | |
| | 431396 | 15 Circuit Receptacle | |
| 8 | 00117 | Female Pin Terminal | |
| 9 | N/A | Cable Screw Clamp | |
| 10 | 00120 | Female Flag Terminal | |
| 11 | 55881 | Harness Strap | |
| 12 | 51291 | Wire Clip | |
| 13 | 00111 | Ring Terminal | |
| 14 | 00110 | Ring Terminal | |
| 15 | 00223 | Female Spade Terminal | |
| 16 | 81469 | Terminal Insulator | |
| 17 | 00129 | Male Pin Terminal | |
| 18 | 56855 | 12 Circuit Receptacle | |
| 19 | 54522 | Plug | |
| 20 | 00130 | Female Pin Terminal | |

N/A = Part no longer available

Parts Index

B

| | |
|--------------------------|----|
| Back Panel | |
| 81016 | 15 |
| Ball Valve Retrofit Kit | |
| 505P3 | 27 |
| Bearing | |
| 80430P | 39 |
| Bearing Housing Assembly | |
| 81476P | 39 |
| Bearing Housing Spacer | |
| 81472 | 39 |
| Belt | |
| 81064 | 35 |
| 81459 | 35 |
| Bleach Door Sticker | |
| 81286 | 9 |
| Bleach Indicator Light | |
| 81074 | 7 |
| 81078 | 7 |
| Blocking Solenoid | |
| 81312B | 5 |
| Bulkhead | |
| 81015P | 35 |
| Bumper | |
| 52552 | 13 |
| 80498 | 9 |
| Bushing and Pivot Kit | |
| 532P3 | 11 |

C

| | |
|---------------------|--------|
| Capacitor | |
| 81627 | 23 |
| Capacitor Bracket | |
| 81644 | 23 |
| Caution Sticker | |
| 81375 | 33 |
| Clamp | |
| 80707 | 29, 31 |
| 81636 | 7 |
| Clutch Repair Kit | |
| 355P3 | 41 |
| Coin Drop Door | |
| 81186 | 7 |
| Coin Meter Kit | |
| 433P3 | 5 |
| Coin Vault Assembly | |
| 81302 | 17 |
| Cylinder Assembly | |
| 81170P | 33 |

D

| | |
|-------------|----|
| Deflector | |
| 81376 | 33 |

| | |
|----------------------------|--------|
| Detergent Indicator Light | |
| 81077 | 7 |
| Dispenser Boot | |
| 81194 | 33 |
| Door Glass Gasket | |
| 81957 | 11 |
| Door Kit | |
| 518P3 | 11 |
| Door Latch Block | |
| 81487 | 13 |
| Door Lock Assembly | |
| 81491P | 13 |
| Door Lock Bracket Assembly | |
| 81490 | 13 |
| Door Lock Kit | |
| 538P3 | 13 |
| Door Lock Sticker | |
| 81326 | 11 |
| 81504 | 11 |
| Door Lock Switch | |
| 81492 | 13 |
| Door Release Wire | |
| 81498 | 11 |
| Door Seal Kit | |
| 81468P | 11 |
| Door Switch | |
| 81359 | 13 |
| Door Switch Guard | |
| 81751 | 13 |
| Door Warning Sticker | |
| 81547 | 11 |
| Drain Hose | |
| 81056 | 29, 31 |
| 81069 | 31 |
| 82082 | 31 |

F

| | |
|-----------------------|----|
| Face Plate Kit | |
| 81719 | 17 |
| Female Flag Terminal | |
| 00120 | 45 |
| Female Pin Terminal | |
| 00117 | 45 |
| 00130 | 45 |
| Female Spade Terminal | |
| 00115 | 45 |
| 00223 | 45 |
| Front Panel Assembly | |
| 81404 | 11 |

G

| | |
|-------------|----|
| Gasket | |
| 81049 | 35 |
| Grommet | |
| 20430 | 11 |

N/A items do not appear in index.

H

| | |
|---------------|------------|
| Handle | |
| 81035P..... | 11 |
| Harness Strap | |
| 55881..... | 45 |
| Hinge | |
| 81959..... | 11 |
| Hinge Pin | |
| 81391..... | 11 |
| Hose | |
| 80265..... | 31 |
| Hose Clamp | |
| F200219..... | 33 |
| 20391..... | 25 |
| 36801..... | 25 |
| 81294..... | 33 |
| 90554..... | 25, 29, 31 |
| Hose Coupling | |
| 81210..... | 31 |

I

| | |
|-------------|----|
| Impeller | |
| 81115E..... | 31 |

K

| | |
|------------|----|
| Key | |
| 81085..... | 35 |

L

| | |
|----------------------------|----|
| Latch | |
| 81488..... | 13 |
| Left Leg Assembly | |
| 81042..... | 37 |
| Lower Front Panel Assembly | |
| 81969..... | 15 |

M

| | |
|------------------------------|----|
| Male Pin Terminal | |
| 00116..... | 45 |
| 00129..... | 45 |
| Male Tab Terminal | |
| 00133..... | 45 |
| Manual Control Timer Sticker | |
| 81618..... | 21 |
| Mixing Valve | |
| 25832P..... | 19 |
| Motor and Drive Assembly | |
| 81658..... | 41 |
| Motor Shield Assembly | |
| 81802..... | 41 |
| Mounting Bracket Kit | |
| 81654P..... | 41 |

N

| | |
|------------------|----------------|
| Numbered Sticker | |
| 81806..... | 5 |
| Nut | |
| Q6163..... | 21 |
| 02788..... | 13, 23 |
| 20275..... | 11, 13, 27, 37 |
| 21752..... | 9 |
| 22001..... | 11 |
| 23951..... | 23, 33 |
| 24205..... | 7 |
| 36020..... | 15 |
| 51236..... | 9, 15, 17, 31 |
| 52566..... | 27 |
| 70054..... | 7 |
| 70142..... | 31, 41 |
| 80116..... | 33, 35 |
| 81061..... | 11 |
| 81178..... | 7 |
| 81207..... | 7, 9 |

O

| | |
|------------------------|----|
| Operating Instructions | |
| 81932..... | 7 |
| O-Ring | |
| 80100..... | 39 |
| 81191..... | 39 |
| O-Ring Gland | |
| 81471..... | 39 |
| Overflow Hose | |
| 81082..... | 25 |

P

| | |
|---------------------------|----|
| Pivot Arm Spring | |
| 81119..... | 11 |
| Plug | |
| 54522..... | 45 |
| Plug, 15 Circuit | |
| 23037..... | 45 |
| Plug, 6 Circuit | |
| 23041..... | 45 |
| Plug, 9 Circuit | |
| 23033..... | 45 |
| Pressure Hose | |
| 22822..... | 23 |
| Pressure Switch | |
| 81068P..... | 23 |
| Pulley and Hub Assembly | |
| 81728..... | 35 |
| Pump and Bracket Assembly | |
| 81185P..... | 31 |
| Pump Body Kit | |
| 81115D..... | 31 |
| Pump Motor Assembly | |
| 81115AP..... | 31 |
| Pump Mount Bracket | |
| 81181..... | 31 |

N/A items do not appear in index.

| | |
|-----------------------|---|
| Push-to-Start Sticker | |
| 53738 | 7 |

R

| | |
|------------------------|----|
| Receptacle Housing | |
| 90789 | 45 |
| Receptacle, 12 Circuit | |
| 56855 | 45 |
| Receptacle, 15 Circuit | |
| 431396 | 45 |
| Receptacle, 6 Circuit | |
| 26708 | 45 |
| Reinforcing Ring | |
| 81050 | 35 |
| Reject Button | |
| 81312J | 5 |
| Rejector | |
| 81312F | 5 |
| Relay | |
| 81624P | 23 |
| 90709P | 7 |
| Resistor Assembly | |
| 81642 | 23 |
| Reversing Timer | |
| 81615P | 21 |
| 81616 | 21 |
| Ring Terminal | |
| 00110 | 45 |
| 00111 | 45 |

S

| | |
|---------------|------------|
| Screw | |
| F430976 | 27 |
| M400043 | 41 |
| M405936 | 13, 33 |
| M413565 | 35 |
| Q6516 | 13 |
| Q6535 | 21 |
| 02422 | 27 |
| 02916 | 17, 27 |
| 03814 | 15, 23 |
| 20253 | 11, 13, 27 |
| 20530 | 15 |
| 21081 | 11 |
| 21355 | 15 |
| 22649 | 9, 17, 21 |
| 23008 | 33, 37 |
| 23222 | 21, 23 |
| 23960 | 11 |
| 23962 | 23 |
| 27202 | 33 |
| 33562 | 15, 41 |
| 502535 | 9, 11, 31 |
| 51778 | 25 |
| 51780 | 21, 23 |
| 52864 | 7 |
| 52909 | 15, 21 |
| 80399 | 9 |
| 81057 | 35, 37 |
| 81086 | 37 |
| 81115G | 31 |
| 81310 | 11 |

| | |
|-------------|----|
| 81398 | 11 |
| 81399 | 11 |
| 81638 | 7 |
| 81692 | 7 |
| 91202 | 35 |
| 91226 | 31 |

| | |
|-------------------------------|-------|
| Seal | |
| 81482 | 39 |
| 81924 | 9, 15 |
| Seal Strap | |
| 81298P | 11 |
| Shaft Seal and Liner Assembly | |
| 81115C | 31 |
| Shock Mounting | |
| 81055 | 41 |
| Side Panel | |
| 81512LP | 15 |
| 81512WP | 15 |
| Softener Indicator Light | |
| 81079 | 7 |
| Solenoid | |
| 20058P | 27 |
| 81493P | 13 |
| 81540 | 13 |
| Solenoid Adjustment Sticker | |
| 81721 | 27 |
| Spacer | |
| 81366 | 9 |
| 81461 | 35 |
| Spring | |
| 81109 | 27 |
| 81313J | 5 |
| Strainer | |
| F270200 | 19 |
| Strike | |
| 81365 | 9 |
| Switch | |
| 27761 | 7 |
| 81679 | 7 |
| 91257 | 7 |
| Switch Knob | |
| 39897 | 7 |
| Switch Plate | |
| 81637 | 7 |

T

| | |
|-----------------------|----|
| Tab Housing | |
| 90788 | 45 |
| Terminal Block | |
| 50854 | 21 |
| Terminal Insulator | |
| 81469 | 45 |
| Test Harness Assembly | |
| 81691P | 41 |
| Timer | |
| 81694 | 21 |
| Timer Bracket | |
| 81097 | 21 |
| Timer Kit | |
| 81693P | 21 |
| Timer Sticker | |
| 81619 | 21 |

N/A items do not appear in index.

| | |
|--|----|
| Top and Carton Assembly 81511LP | 9 |
| Top Hinge 81058 | 9 |
| Tub Head Gasket 81052 | 33 |

V

| | |
|----------------------------|----|
| V-Ring Seal 81470 | 39 |
|----------------------------|----|

W

| | |
|--|----------------|
| Warning Label 82087 | 23 |
| Washer | |
| M400013 | 31, 33, 35, 41 |
| Q6066 | 33, 35, 41 |
| 02431 | 13, 17, 27 |
| 03189 | 11, 27, 37 |
| 03815 | 15 |
| 20103 | 41 |
| 20279 | 41 |
| 20290 | 25 |
| 23225 | 11 |
| 24475 | 35 |
| 51345 | 13, 23 |
| 51474 | 21 |
| 52549 | 11 |
| 80090 | 11 |
| 803615 | 25 |
| 81345 | 33 |
| 81352 | 35 |
| 81380 | 33 |
| 81392 | 11 |
| 81408 | 11 |
| 91176 | 7 |
| 91200 | 37, 43 |
| Water Hose F200116 | 25 |
| Water Inlet 80600 | 25 |
| Water Inlet Hose 81080 | 25 |
| Water Inlet to Valve Hose 81705 | 25 |
| Wire Clip 51291 | 45 |
| Wire Harness Assembly | |
| 81711P | 45 |
| 81767P | 45 |
| 81945 | 45 |
