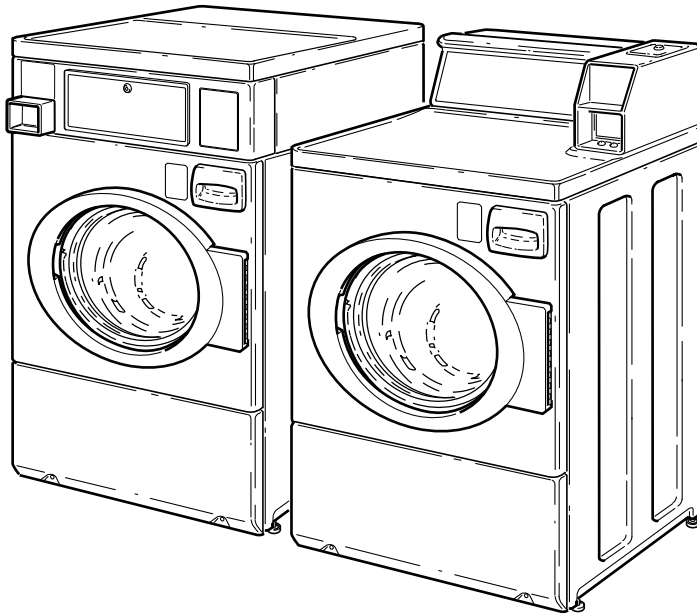


Commercial Frontload Washers

Refer to Page 3 for Model Numbers



FLW1535C_803401



&



Part No. 803401R5
February 2012

Table of Contents

Title	Page
Parts Ordering Information.....	2
Nameplate Location.....	2
Model Identification.....	3
Control Panel and Controls (Drawing 1 of 2).....	4
Control Panel and Controls (Drawing 2 of 2).....	6
Top Assembly.....	8
Control Cabinet Controls.....	10
Network Board Assembly.....	12
Control Cabinet and Controls.....	14
Electrical Access Panel, Filters and Terminal Block.....	16
Coin Cabinet Front and Wrapper Assembly.....	18
Non-Electronic Coin Drop.....	20
Electronic Coin Drop.....	22
Card Cabinet Front and Wrapper Assembly.....	24
Non-Electronic Coin Drop, Meter Case and Cabinet Top.....	26
Control Panel, Control Hood and Controls (Drawing 1 of 2).....	28
Control Hood Security Kit.....	30
Control Panel, Control Hood and Controls (Drawing 2 of 2).....	32
Door Assembly.....	34
Front Panel and Door Seal.....	36
Dispenser Assembly and Supply Injection Hoses.....	38
Dispenser Assembly (Drawing 1 of 2).....	40
Dispenser Assembly (Drawing 2 of 2).....	42
Mixing Valve, Inlet Hose and Dispenser Hose.....	44
Outer Tub, Clamp Ring and Shock Absorbers.....	46
Outer Tub, Clamp Ring, Shock Absorbers and Heating Element.....	48
Inner Basket, Trunnion, Bearing Housing and Pulley.....	50
Motor and Belt.....	52
Drain Hoses and Valve.....	54
Hoses and Pump.....	56
Side Panels.....	58
Base and Rear Panel.....	60
Junction Box.....	62
Shipping Materials.....	64
Wire Ties, Harness Clips and Lead-In Cord.....	66
Special Tools.....	68
Labels (Drawing 1 of 2).....	70
Labels (Drawing 2 of 2).....	72
Wire Harnesses and Wires.....	74
Parts Index.....	77

© Copyright 2012, Alliance Laundry Systems LLC

All rights reserved. No part of the contents of this book may be reproduced or transmitted in any form or by any means without the expressed written consent of the publisher.

Parts Ordering Information

If literature or replacement parts are required, contact the source from whom the machine was purchased or contact Alliance Laundry Systems at (920) 748-3950 for the name and address of the nearest authorized parts distributor.

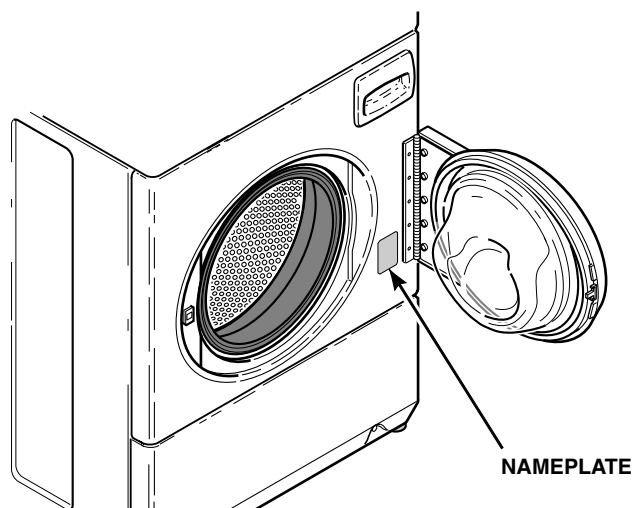
For technical assistance, call either of the numbers listed below:

(920) 748-3121 Ripon, Wisconsin

+32 56 41 20 54 Wevelgem, Belgium

Nameplate Location

When calling or writing about your product, be sure to mention model and serial numbers. Model and serial numbers are located on nameplate(s) as shown.



FLW2123N_803401

Model Identification

Information in this manual is applicable to these washer models:

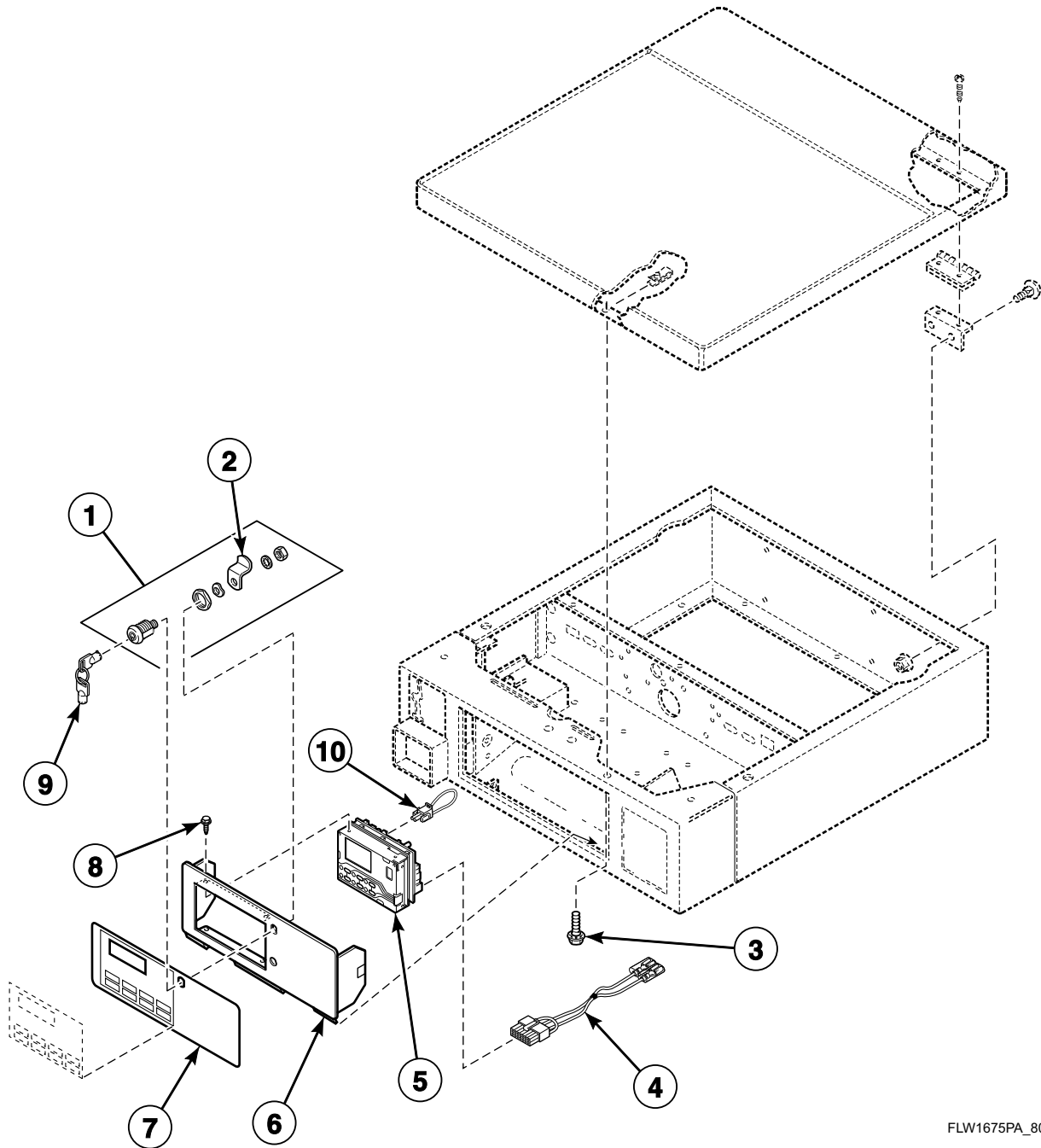
BF3LLFSG401UN01
BF3LLFSG401UW01
BF3LLFSP401UN01
BF3LLFSP401UW01
BF3LXFSG401UN01
BF3LXFSG401UW01
BF3LXFSP401UN01
BF3LXFSP401UW01
BF3LXFSP401UN01
BF3LXFSP401UW01
HFNLEFSP111CW01
HFNLEFSP111CWNA
HFNLERSP111CW01
HFNLERSP111CWNA
HFNLXFSP111CN01
HFNLXFSP111CW01
HFNLXRSP111CW01
HFNLXFSP111CW01
HFNLXFSP111CWNA
HFNLXRSP111CW01
HFNLXRSP111CWNA
HFNNXFSP111CW01
HFNNXRSP111CW01

JF3LEFSP411EW01
JF3LGFSP411EW01
JF3LGFSP411EW06
JF3LMFSG411EN01
JF3LMFSG411EN06
JFNLEFSG301EW01
JFNLEFSP301EW01
NF3LLFSG401UN01
NF3LLFSG401UT01
NF3LLFSG401UT06
NF3LLFSP401NN22
NF3LLFSP401NW22
NF3LLFSP401UN01
NF3LLFSP401UT01
NF3LLFSP401UT06
NF3LXFSG401UN01
NF3LXFSG401UW01
NF3LXFSP401UN01
NF3LXFSP401UW01
NF3LYFSG401UW01
RFNLXFSP111CW01

SFNLCFJP111TW01
SFNLCSFG111TN01
SFNLCSFG111TQ01
SFNLCSFG111TW01
SFNLCSFG111TWNA
SFNLCSFP111TN01
SFNLCSFP111TQ01
SFNLCSFP111TW01
SFNLCSFP111TWNA
SFNLCSRP111TW01
SFNLCSRP111TW02
SFNLCSRP111TWNA
SFNLXFSG111TW01
SFNLXFSP111TN01
SFNLXFSP111TW01
SFNLXRSP111TW02
SFNLXFJP111TW01
SFNLXFSG111TN01
SFNLXFSG111TW01
SFNLXFSG111TWNA
SFNLXFSP111TN01
SFNLXFSP111TW01
SFNLXFSP111TWNA
SFNLXRSP111TW01
SFNLXRSP111TWNA
SFNNCFSG111TN01
SFNNCFSP111TN01
SFNNCFSP111TW01
SFNNCRSP111TW01
SFNNCRSP111TW02
SFNNXRSP111TW02
SFNNYRSP111TW01
SFNWCFSG111TN01
SFNWCFSFP111TN01
SFNWYFSG111TN01
SFNWYFSP111TN01

Control Panel and Controls (Drawing 1 of 2)

Models BF3LXFSG401UN01, BF3LXFSG401UW01, BF3LXFSP401UN01, BF3LXFSP401UW01, NF3LXFSG401UN01, NF3LXFSG401UW01, NF3LXFSP401UN01, NF3LXFSP401UW01, NF3LYFSG401UW01, RFNLYFSP111CW01, SFNLCFJP111TW01, SFNLCFSG111TN01, SFNLCFSG111TQ01, SFNLCFSG111TW01, SFNLCFSG111TWNA, SFNLCFSP111TN01, SFNLCFSP111TQ01, SFNLCFSP111TW01, SFNLCFSP111TWNA, SFNLXFSG111TW01, SFNLXFSP111TN01, SFNLXFSP111TW01, SFNLYFJP111TW01, SFNLYFSG111TN01, SFNLYFSG111TW01, SFNLYFSG111TWNA, SFNLYFSP111TN01, SFNLYFSP111TW01, SFNLYFSP111TWNA, SFNNCFSG111TN01, SFNNCFSP111TN01, SFNNCFSP111TW01, SFNWCFSG111TN01, SFNWCFS111TN01, SFNWFYFSG111TN01 and SFNWFYFSP111TN01



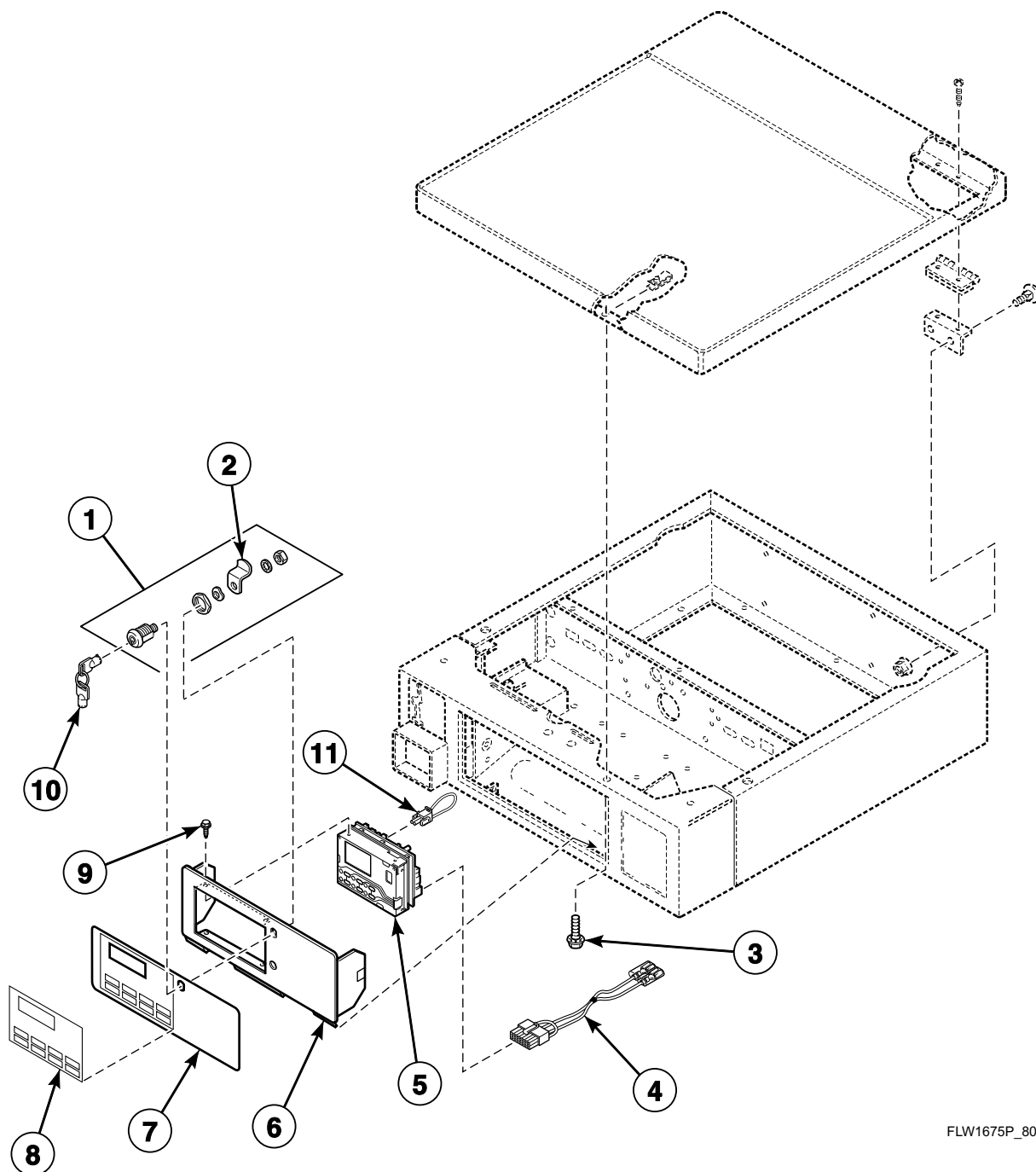
FLW1675PA_803401

Control Panel and Controls (Drawing 1 of 2)

REF	PART NO.	DESCRIPTION	COMMENTS
	NK202	Network Retrofit Kit	
	NK220	Network Controller Kit	
1	27260P	Lock Kit	
2	27261	Lock Cam	
3	23008	Screw	
4	800374	Diagnostic Wire Harness Assembly	Models NF3LYFSG401UW01, RFNLYFSP111CW01, SFNLYFJP111TW01, SFNLYFSG111TN01, SFNLYFSG111TW01, SFNLYFSG111TWNA, SFNLYFSP111TN01, SFNLYFSP111TW01, SFNLYFSP111TWNA, SFNWFYFSG111TN01 and SFNWFYFSP111TN01
5	803619	Control Assembly	Models SFNNCFSG111TN01, SFNNCFSP111TN01 and SFNNCFSP111TW01
	802912P	Control Assembly	Models BF3LXFSG401UN01, BF3LXFSG401UW01, BF3LXFSP401UN01, BF3LXFSP401UW01, NF3LXFSG401UN01, NF3LXFSG401UW01, NF3LXFSP401UN01, NF3LXFSP401UW01 and NF3LYFSG401UW01
	802808P	Control Assembly	All other models
6	800035Q	Control Panel and Bracket Assembly	Models SFNLCFSG111TQ01 and SFNLCFSP111TQ01
	800035B	Control Panel and Bracket Assembly	Models BF3LXFSG401UN01, BF3LXFSP401UN01, NF3LXFSG401UN01, NF3LXFSP401UN01, SFNLCFSG111TN01, SFNLCFSP111TN01, SFNLYFSP111TN01, SFNLYFSG111TN01, SFNLYFSP111TN01, SFNNCFSG111TN01, SFNNCFSP111TN01, SFNWCFSG111TN01, SFNWCFS111TN01, SFNWFYFSG111TN01 and SFNWFYFSP111TN01
	800035W	Control Panel and Bracket Assembly	All other models
7	802885	Control Overlay	Models SFNLCFJP111TW01, SFNLCFSG111TN01, SFNLCFSG111TQ01, SFNLCFSG111TW01, SFNLCFSG111TWNA, SFNLCFSP111TN01, SFNLCFSP111TQ01, SFNLCFSP111TW01, SFNLCFSP111TWNA, SFNLXFSG111TW01, SFNLXFSP111TN01, SFNLXFSP111TW01, SFNLYFJP111TW01, SFNLYFSG111TN01, SFNLYFSG111TW01, SFNLYFSG111TWNA, SFNLYFSP111TN01, SFNLYFSP111TW01, SFNLYFSP111TWNA, SFNNCFSG111TN01, SFNNCFSP111TN01, SFNNCFSP111TW01, SFNWCFSG111TN01, SFNWCFS111TN01, SFNWFYFSG111TN01 and SFNWFYFSP111TN01
	802984	Control Overlay	Model RFNLYFSP111CW01
	803138	Overlay	Models BF3LXFSG401UN01, BF3LXFSG401UW01, BF3LXFSP401UN01 and BF3LXFSP401UW01
	802945	Overlay	Models NF3LXFSG401UN01, NF3LXFSG401UW01, NF3LXFSP401UN01, NF3LXFSP401UW01 and NF3LYFSG401UW01
8	501524	Screw	
9	54612	Key	GR800
10	802913P	Wire Harness Assembly	Gravity drain jumper; Models SFNLCFSG111TN01, SFNLCFSG111TQ01, SFNLCFSG111TW01, SFNLCFSG111TWNA, SFNLXFSG111TW01, SFNLYFSG111TN01, SFNLYFSG111TW01, SFNLYFSG111TWNA, SFNNCFSG111TN01, SFNWCFSG111TN01 and SFNWFYFSG111TN01

Control Panel and Controls (Drawing 2 of 2)

Models HFNLEFSP111CW01, HFNLEFSP111CWNA, HFNLXFSP111CN01, HFNLXFSP111CW01, HFNLYFSP111CW01, HFNLYFSP111CWNA, HFNNXFSP111CW01, JF3LEFSP411EW01, JFNLEFSG301EW01 and JFNLEFSP301EW01



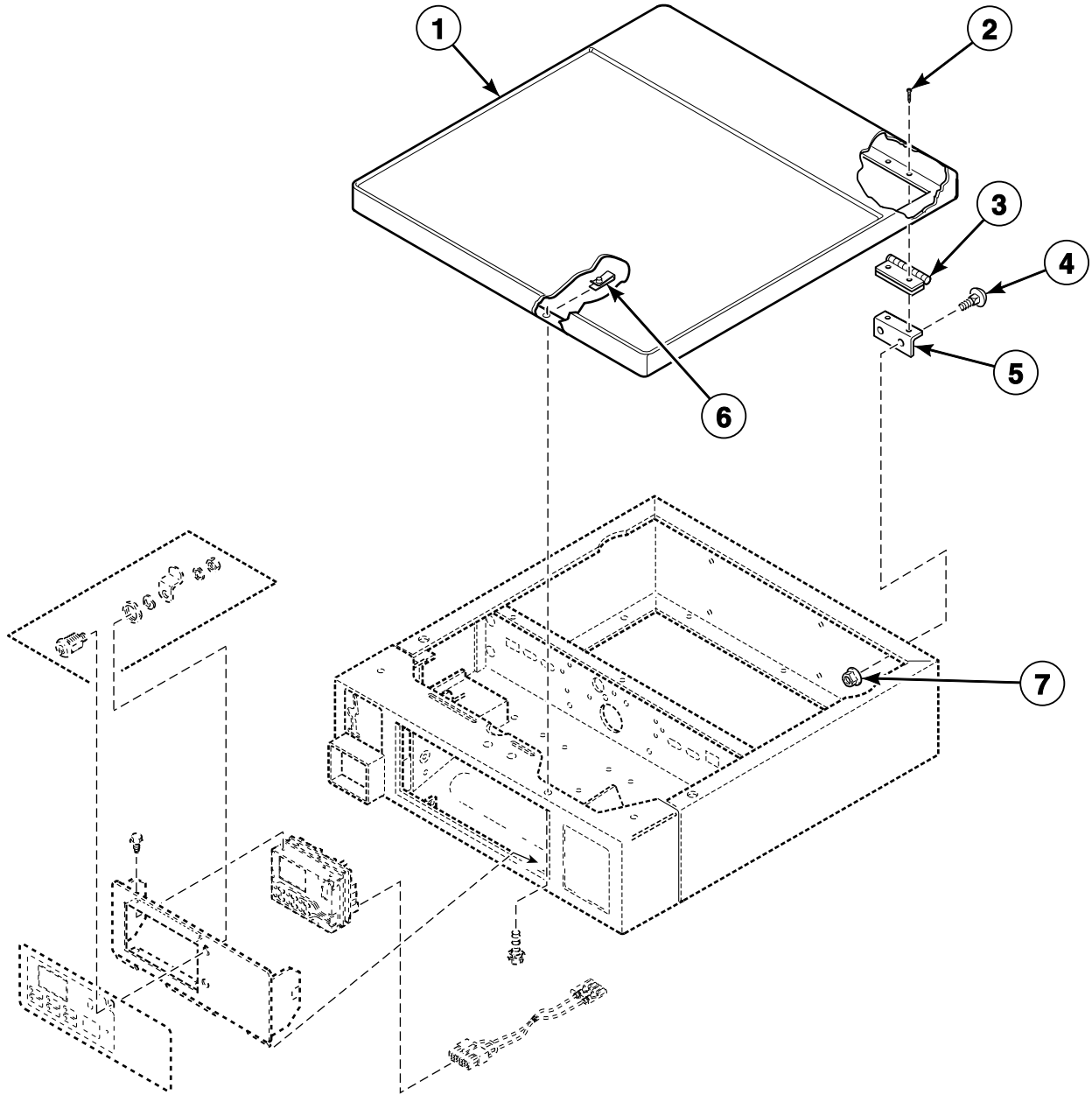
FLW1675P_803401

Control Panel and Controls (Drawing 2 of 2)

REF	PART NO.	DESCRIPTION	COMMENTS
	NK202	Network Retrofit Kit	
	NK220	Network Controller Kit	
1	27260P	Lock Kit	
2	27261	Lock Cam	
3	23008	Screw	
4	800374	Diagnostic Wire Harness Assembly	Models HFNLYFSP111CW01 and HFNLYFSP111CWNA
5	803619	Control Assembly	Model HFNNXFSP111CW01
	803306	Control Assembly	Models JFNLEFSG301EW01 and JFNLEFSP301EW01
	803367P	Control Assembly	Model JF3LEFSP411EW01
	802808P	Control Assembly	All other models
6	800035B	Control Panel and Bracket Assembly	Models HFNLXFSP111CN01, JF3LEFSP411EW01, JFNLEFSG301EW01 and JFNLEFSP301EW01
	800035W	Control Panel and Bracket Assembly	All other models
7	802992	Control Overlay	Models HFNLEFSP111CW01, HFNLEFSP111CWNA, HFNLXFSP111CN01, HFNLXFSP111CW01, HFNLYFSP111CW01, HFNLYFSP111CWNA and HFNNXFSP111CW01
	803283	Control Overlay	Models JF3LEFSP411EW01, JFNLEFSG301EW01 and JFNLEFSP301EW01
8	803596	Control Overlay	French/English; Models HFNLEFSP111CW01, HFNLEFSP111CWNA, HFNLXFSP111CN01, HFNLXFSP111CW01, HFNLYFSP111CW01, HFNLYFSP111CWNA and HFNNXFSP111CW01
9	501524	Screw	
10	54612	Key	GR800
11	802913P	Wire Harness Assembly	Gravity drain jumper; Model JFNLEFSG301EW01

Top Assembly

Models BF3LXFSG401UN01, BF3LXFSG401UW01, BF3LXFSP401UN01, BF3LXFSP401UW01, HFNLEFSP111CW01, HFNLEFSP111CWNA, HFNLXFSP111CN01, HFNLXFSP111CW01, HFNLXFSP111CW01, HFNLXFSP111CWNA, HFNNXFSP111CW01, JF3LEFSP411EW01, JFNLEFSG301EW01, JFNLEFSP301EW01, NF3LXFSG401UN01, NF3LXFSG401UW01, NF3LXFSP401UN01, NF3LXFSP401UW01, NF3LYFSG401UW01, RFNLXFSP111CW01, SFNLCFJP111TW01, SFNLCFSG111TN01, SFNLCFSG111TQ01, SFNLCFSG111TW01, SFNLCFSG111TWNA, SFNLCFSP111TN01, SFNLCFSP111TQ01, SFNLCFSP111TW01, SFNLCFSP111TWNA, SFNLXFSG111TW01, SFNLXFSP111TN01, SFNLXFSP111TW01, SFNLYFJP111TW01, SFNLYFSG111TN01, SFNLYFSG111TW01, SFNLYFSG111TWNA, SFNLYFSP111TN01, SFNLYFSP111TW01, SFNLYFSP111TWNA, SFNNCFSG111TN01, SFNNCFSP111TN01, SFNNCFSP111TW01, SFNWCFSG111TN01, SFNWCFSF111TN01, SFNWFYFSG111TN01 and SFNWFYFSP111TN01



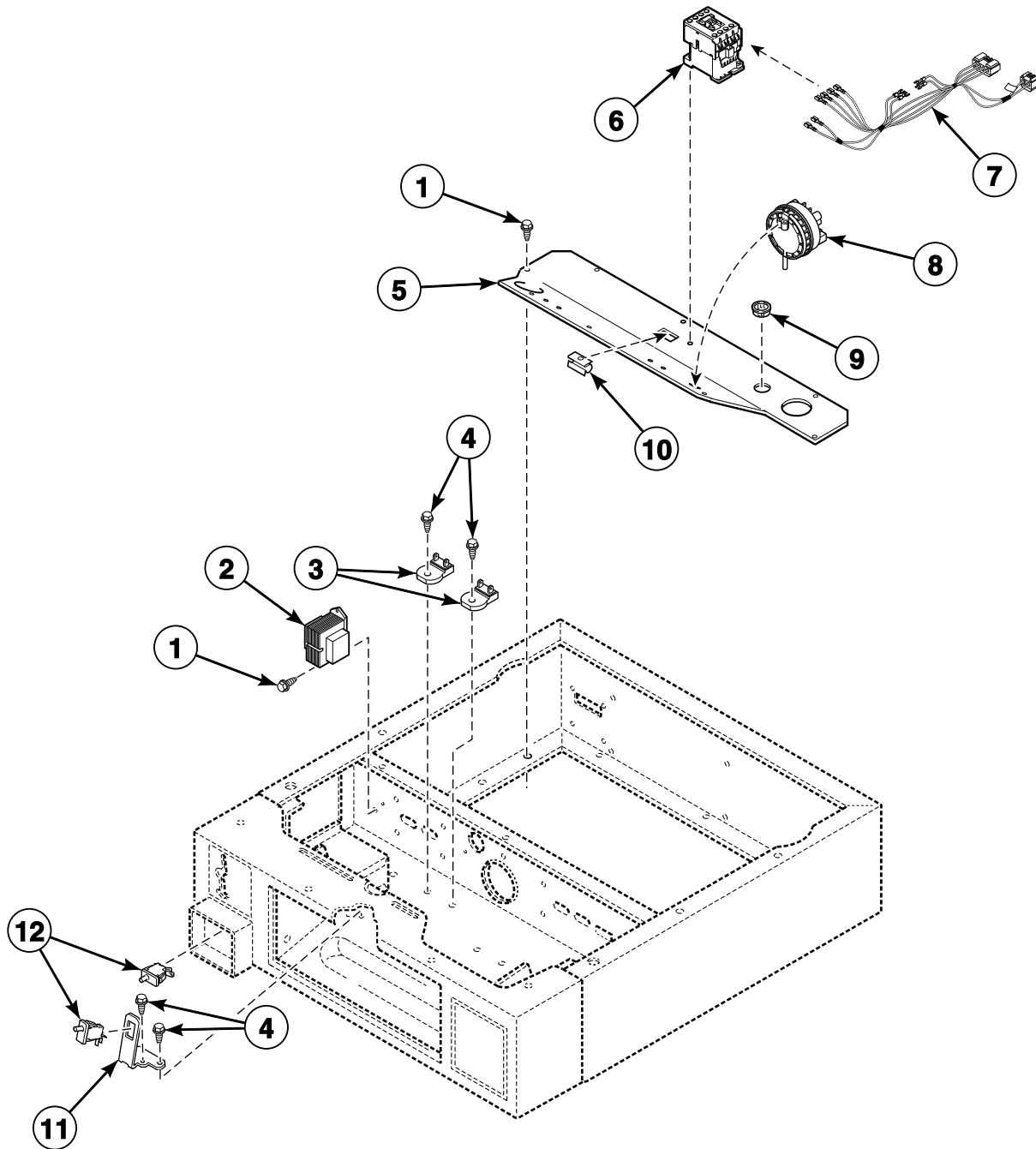
FLW895P_803401

Top Assembly

REF	PART NO.	DESCRIPTION	COMMENTS
1	802247QP	Top and Gusset Assembly	Models SFNLCFSG111TQ01 and SFNLCFSP111TQ01; Includes 802247Q Top and Gusset Assembly, (10) 02788 Nut, (10) 34337 Screw, (2) 510146 Bracket and 2 each items 3 and 5
	512967	Stainless Steel Top	Models BF3LXFSG401UN01, BF3LXFSP401UN01, NF3LXFSG401UN01 and NF3LXFSP401UN01; Models HFNLXFSP111CN01, SFNLCFSG111TN01, SFNLCFSP111TN01, SFNLXFSP111TN01, SFNLYFSG111TN01 and SFNLYFSP111TN01 through Serial No. 1005018719
	803144P	Top Kit	Models HFNLXFSP111CN01, SFNLCFSG111TN01, SFNLCFSP111TN01, SFNLXFSP111TN01, SFNLYFSG111TN01 and SFNLYFSP111TN01 starting Serial No. 1005018720; Models SFNNCFSG111TN01, SFNNCFSP111TN01, SFNWCFSG111TN01, SFNWCFS111TN01, SFNWYFSG111TN01 and SFNWYFSP111TN01; Includes items 3, 4, 6, 7 and 4 each 22649 Screw and 51236 Nut
	802247WP	Top and Gusset Assembly	All other models; Includes 802247W Top and Gusset Assembly, (10) 02788 Nut, (10) 34337 Screw, (2) 510146 Bracket and 2 each items 3 and 5
2	685847	Pop Rivet	
3	511036	Hinge	
4	29651	Bolt	
5	504228	Top Mounting Bracket	
6	36020	Nut	
7	44087201	Nut	

Control Cabinet Controls

Models BF3LXFSG401UN01, BF3LXFSG401UW01, BF3LXFSP401UN01, BF3LXFSP401UW01, HFNLEFSP111CW01, HFNLEFSP111CWNA, HFNLXFSP111CN01, HFNLXFSP111CW01, HFNLYFSP111CW01, HFNLYFSP111CWNA, HFNNXFSP111CW01, JF3LEFSP411EW01, JFNLEFSG301EW01, JFNLEFSP301EW01, NF3LXFSG401UN01, NF3LXFSG401UW01, NF3LXFSP401UN01, NF3LXFSP401UW01, NF3LYFSG401UW01, RFNLYFSP111CW01, SFNLCFJP111TW01, SFNLCFSG111TN01, SFNLCFSG111TQ01, SFNLCFSG111TW01, SFNLCFSG111TWNA, SFNLCFSP111TN01, SFNLCFSP111TQ01, SFNLCFSP111TW01, SFNLCFSP111TWNA, SFNLXFSG111TW01, SFNLXFSP111TN01, SFNLXFSP111TW01, SFNLYFJP111TW01, SFNLYFSG111TN01, SFNLYFSG111TW01, SFNLYFSG111TWNA, SFNLYFSP111TN01, SFNLYFSP111TW01, SFNLYFSP111TWNA, SFNNCFSG111TN01, SFNNCFSP111TN01, SFNNCFSP111TW01, SFNWCFSG111TN01, SFNWCFSF111TN01, SFNWFYFSG111TN01 and SFNWFYFSP111TN01



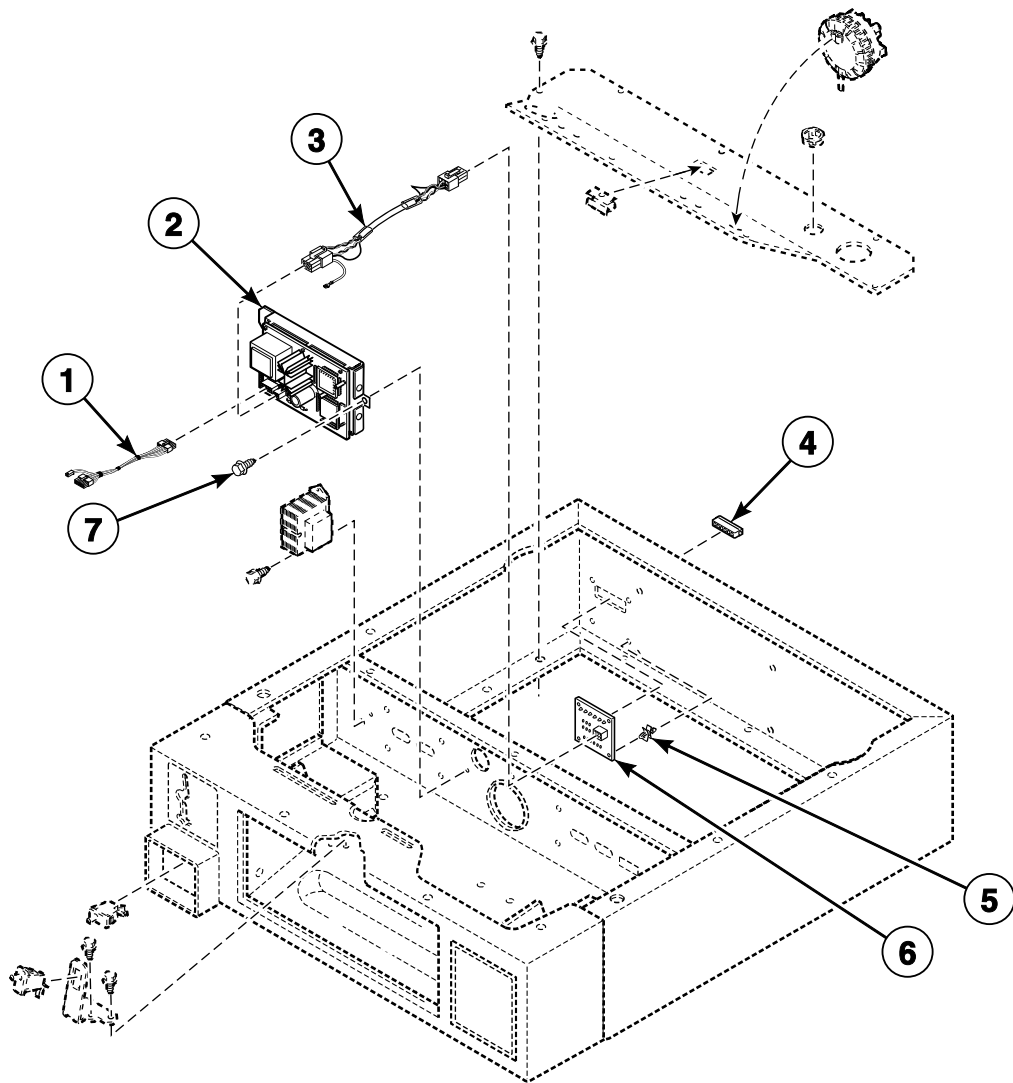
FLW946P_803401

Control Cabinet Controls

REF	PART NO.	DESCRIPTION	COMMENTS
1	503661	Screw	
2	210018P	Transformer	Models SFNLCFJP111TW01, SFNLCFSG111TN01, SFNLCFSG111TQ01, SFNLCFSG111TW01, SFNLCFSG111TWNA, SFNLCFSP111TN01, SFNLCFSP111TQ01, SFNLCFSP111TW01, SFNLCFSP111TWNA, SFNNCFSG111TN01, SFNNCFSP111TN01, SFNNCFSP111TW01, SFNWCFSG111TN01 and SFNWCFS111TN01
	803527	Transformer	Models BF3LXFSG401UN01, BF3LXFSG401UW01, BF3LXFSP401UN01, BF3LXFSP401UW01, JF3LEFSP411EW01, JFNLEFSG301EW01, JFNLEFSP301EW01, NF3LXFSG401UN01, NF3LXFSG401UW01, NF3LXFSP401UN01, NF3LXFSP401UW01, NF3LYFSG401UW01 and SFNLXFSG111TW01
	201375P	Transformer	Some models may have jumper wire attached to transformer. Discard jumper wire when replacing transformer; All other models
3	210100	Resistor	Models BF3LXFSG401UN01, BF3LXFSG401UW01, BF3LXFSP401UN01, BF3LXFSP401UW01, JF3LEFSP411EW01, JFNLEFSG301EW01, JFNLEFSP301EW01, NF3LXFSG401UN01, NF3LXFSG401UW01, NF3LXFSP401UN01, NF3LXFSP401UW01 and NF3LYFSG401UW01
4	503688	Screw	
5	801371	Control Shield	
6	F330177P	Contacto	Models BF3LXFSG401UN01, BF3LXFSG401UW01, BF3LXFSP401UN01, BF3LXFSP401UW01, JF3LEFSP411EW01, NF3LXFSG401UN01, NF3LXFSG401UW01, NF3LXFSP401UN01, NF3LXFSP401UW01 and NF3LYFSG401UW01
7	801120P	Contacto Wire Harness Assembly	Models BF3LXFSG401UN01, BF3LXFSG401UW01, BF3LXFSP401UN01, BF3LXFSP401UW01, JF3LEFSP411EW01, NF3LXFSG401UN01, NF3LXFSG401UW01, NF3LXFSP401UN01, NF3LXFSP401UW01 and NF3LYFSG401UW01
8	802299P	Pressure Switch	
9	M402542	Snap Bushing	
10	36985	Hose Clip	
11	800379	Audit Switch Bracket	
12	512973	Switch	

Network Board Assembly

Models SFNWCFSG111TN01, SFNWCFSP111TN01, SFNWYFSG111TN01 and SFNWYFSP111TN01



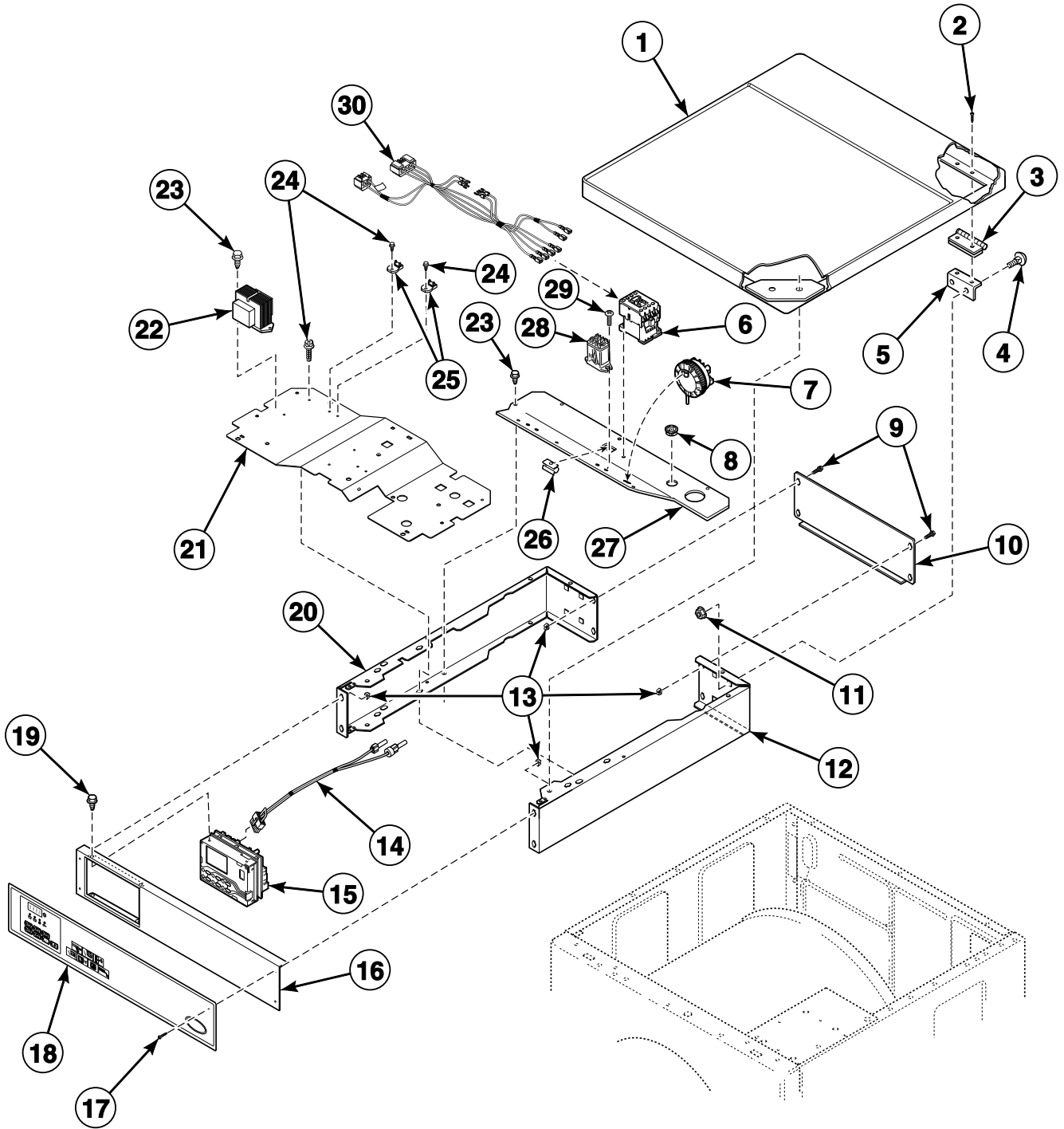
FLW896P_803401

Network Board Assembly

REF	PART NO.	DESCRIPTION	COMMENTS
1	44088501P	Network Wire Harness Assembly	
2	201341	Network Board Assembly	
3	800216	Network Cable Wire Harness Assembly	
4	210099	Communication Connector	
5	210098	PC Board Standoff	
6	210095P	Communication Board	
7	503661	Screw	

Control Cabinet and Controls

Models BF3LLFSG401UN01, BF3LLFSG401UW01, BF3LLFSP401UN01, BF3LLFSP401UW01, JF3LGFSP411EW01, JF3LGFSP411EW06, JF3LMFSG411EN01, JF3LMFSG411EN06, NF3LLFSG401UN01, NF3LLFSG401UT01, NF3LLFSG401UT06, NF3LLFSP401NN22, NF3LLFSP401NW22, NF3LLFSP401UN01, NF3LLFSP401UT01 and NF3LLFSP401UT06



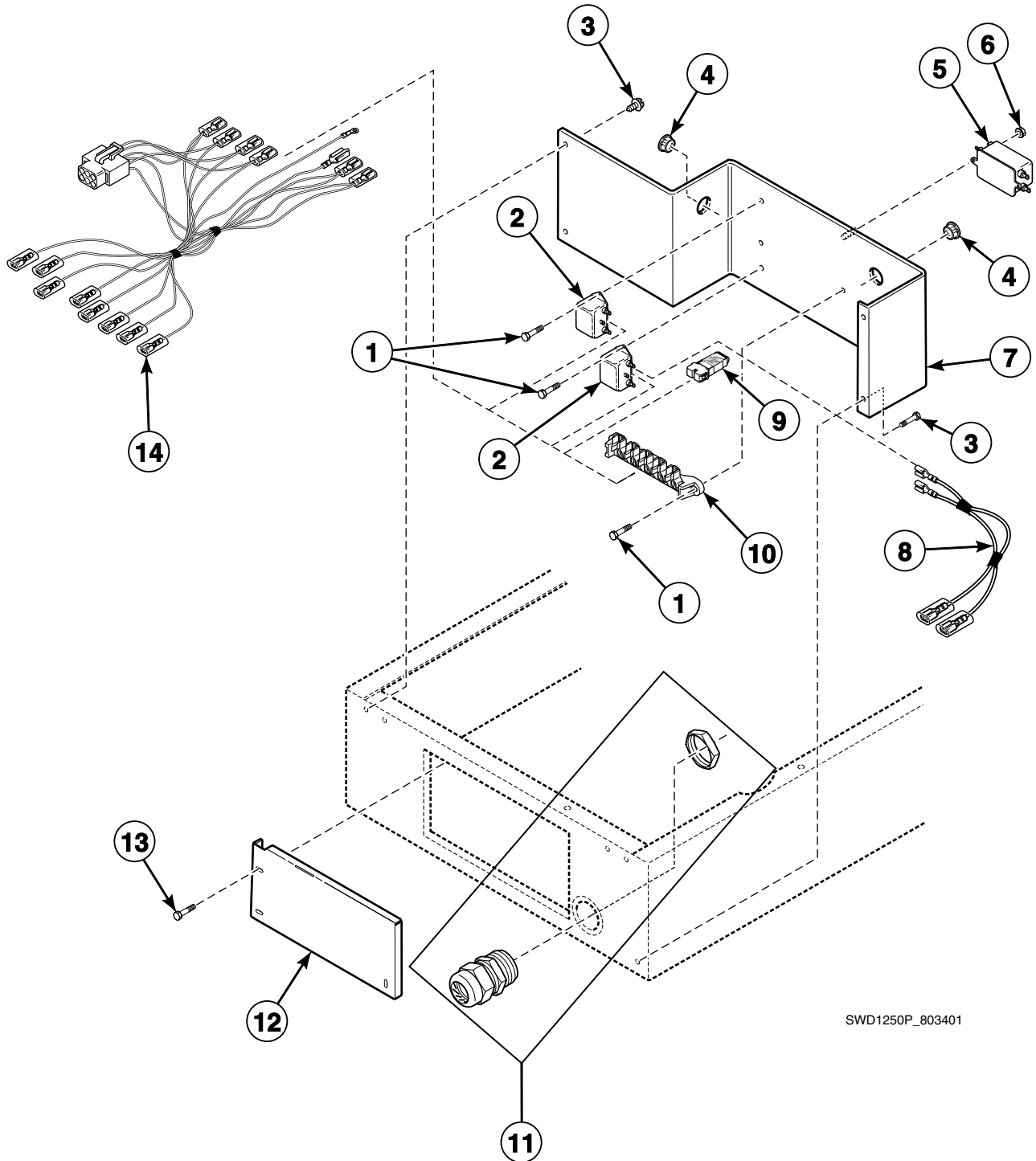
FLW1017P_803401

Control Cabinet and Controls

REF	PART NO.	DESCRIPTION	COMMENTS
1	802247WP	Top and Gusset Assembly	White; Models BF3LLFSG401UW01, BF3LLFSP401UW01, JF3LGFSP411EW01, JF3LGFSP411EW06 and NF3LLFSP401NW22
	512967	Stainless Steel Top	All other models
2	685847	Pop Rivet	
3	511036	Hinge	
4	29651	Bolt	
5	504228	Top Mounting Bracket	
6	F330177P	Contactora	
7	803303P	Pressure Switch	Models JF3LMFSG411EN01 and JF3LMFSG411EN06
	802299P	Pressure Switch	All other models
8	M402542	Snap Bushing	
9	70240301	Screw	
10	801058	Rear Control Cabinet	
11	29796	Nut	
12	800915B	Right Control Cabinet Side	Models BF3LLFSG401UN01, BF3LLFSP401UN01, JF3LMFSG411EN01, JF3LMFSG411EN06, NF3LLFSG401UN01, NF3LLFSP401NN22 and NF3LLFSP401UN01
	800915W	Right Control Cabinet Side	All other models
13	70030501	Expansion Clip	
14	800680	Diagnostic Wire Harness Assembly	
15	803317P	Control Assembly	Models JF3LGFSP411EW01 and JF3LGFSP411EW06
	803321P	Control Assembly	Model JF3LMFSG411EN01 through Serial Nos. beginning 1003
	803541	Control Assembly	Model JF3LMFSG411EN01 starting Serial Nos. beginning 1003; Model JF3LMFSG411EN06
	802912P	Control Assembly	All other models
16	801737B	Control Panel	Models BF3LLFSG401UN01, BF3LLFSP401UN01, JF3LMFSG411EN01, JF3LMFSG411EN06, NF3LLFSG401UN01, NF3LLFSP401NN22 and NF3LLFSP401UN01
	801737W	Control Panel	All other models
17	800930	Screw	
18	803137	Graphic Overlay	Models BF3LLFSG401UN01, BF3LLFSG401UW01, BF3LLFSP401UN01 and BF3LLFSP401UW01
	802995	Graphic Overlay	Models NF3LLFSG401UN01, NF3LLFSG401UT01, NF3LLFSG401UT06, NF3LLFSP401NN22, NF3LLFSP401NW22, NF3LLFSP401UN01, NF3LLFSP401UT01 and NF3LLFSP401UT06
	803282	Overlay	Models JF3LGFSP411EW01 and JF3LGFSP411EW06
	803281	Overlay	Models JF3LMFSG411EN01 and JF3LMFSG411EN06
19	501524	Screw	
20	801738B	Left Control Cabinet Side	Models BF3LLFSG401UN01, BF3LLFSP401UN01, JF3LMFSG411EN01, JF3LMFSG411EN06, NF3LLFSG401UN01, NF3LLFSP401NN22 and NF3LLFSP401UN01
	801738W	Left Control Cabinet Side	All other models
21	801777	Control Cabinet Bottom	
22	803527	Transformer	
23	503661	Screw	
24	503688	Screw	
25	210100	Resistor	
26	36985	Hose Clip	
27	801371	Control Shield	
28	F330230	Flange Relay	Model JF3LMFSG411EN01 through Serial Nos. beginning 1003
29	51782	Screw	Model JF3LMFSG411EN01 through Serial Nos. beginning 1003
30	801120P	Contactora Wire Harness Assembly	

Electrical Access Panel, Filters and Terminal Block

Models BF3LLFSG401UN01, BF3LLFSG401UW01, BF3LLFSP401UN01, BF3LLFSP401UW01, BF3LXFSG401UN01, BF3LXFSG401UW01, BF3LXFSP401UN01, BF3LXFSP401UW01, JF3LEFSP411EW01, JF3LGFSP411EW01, JF3LGFSP411EW06, JF3LMFSG411EN01, JF3LMFSG411EN06, JFNLEFSG301EW01, JFNLEFSP301EW01, NF3LLFSG401UN01, NF3LLFSG401UT01, NF3LLFSG401UT06, NF3LLFSP401NN22, NF3LLFSP401NW22, NF3LLFSP401UN01, NF3LLFSP401UT01, NF3LLFSP401UT06, NF3LXFSG401UN01, NF3LXFSG401UW01, NF3LXFSP401UN01, NF3LXFSP401UW01 and NF3LYFSG401UW01



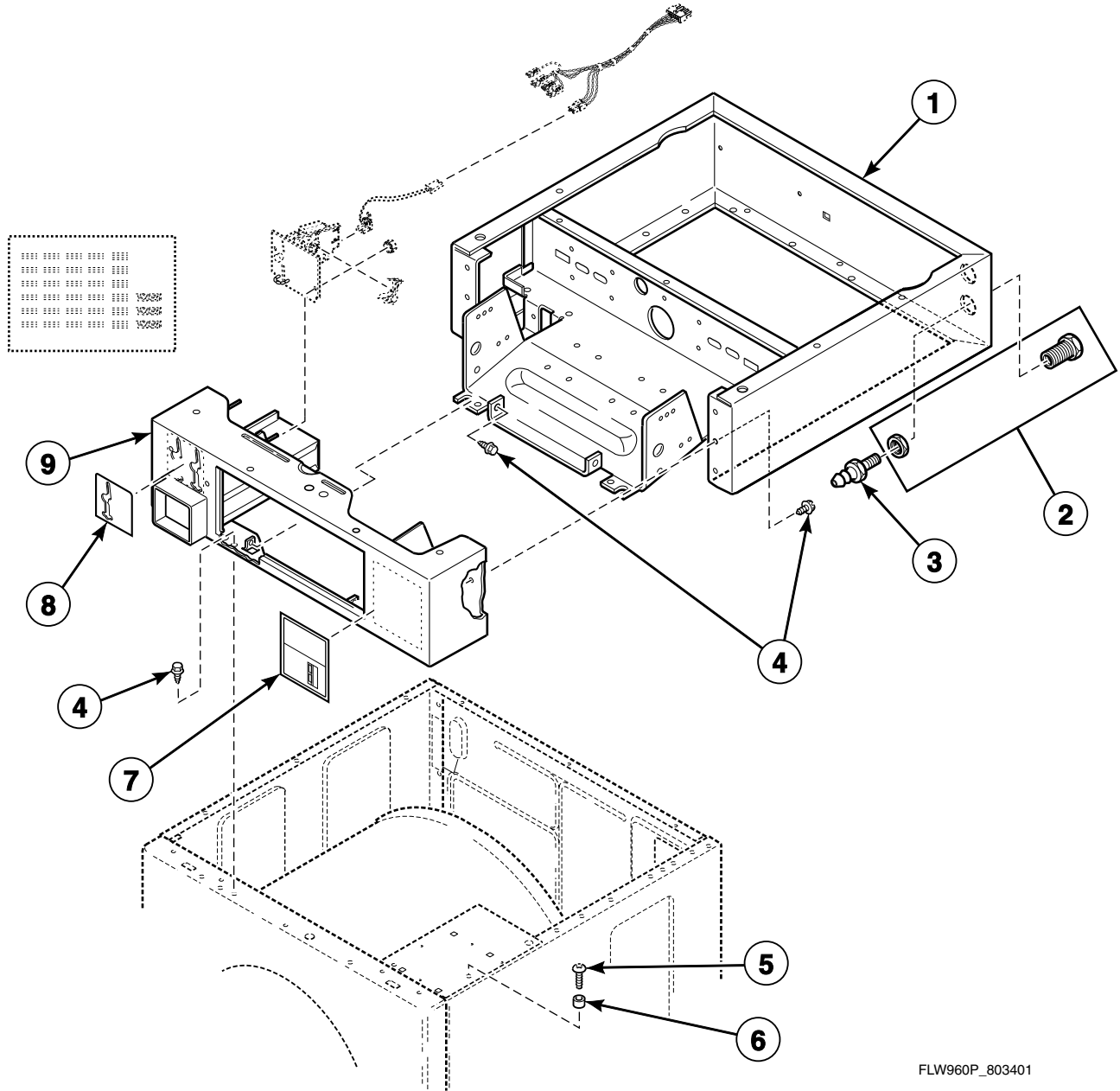
SWD1250P_803401

Electrical Access Panel, Filters and Terminal Block

REF	PART NO.	DESCRIPTION	COMMENTS
1	503661	Screw	
2	801255P	Filter	All models except JFNLEFSG301EW01 and JFNLEFSP301EW01
3	503688	Screw	
4	M402542	Snap Bushing	
5	201058	Line Filter	
6	29787	Nut	
7	801756	Terminal Block Assembly	Models BF3LLFSG401UN01, BF3LLFSG401UW01, BF3LLFSP401UN01, BF3LLFSP401UW01, JF3LGFSP411EW01, JF3LGFSP411EW06, JF3LMFSG411EN01, JF3LMFSG411EN06, NF3LLFSG401UN01, NF3LLFSG401UT01, NF3LLFSG401UT06, NF3LLFSP401NN22, NF3LLFSP401NW22, NF3LLFSP401UN01, NF3LLFSP401UT01 and NF3LLFSP401UT06
	801250	Terminal Block Assembly	All other models
8	801421	Wire Harness Assembly	1 Phase filter; Models JFNLEFSG301EW01 and JFNLEFSP301EW01
9	801311	Network Varistor Assembly	
10	505876	Terminal Block Assembly	
11	801792P	Fitting	
12	801058	Rear Control Cabinet	Models BF3LLFSG401UN01, BF3LLFSG401UW01, BF3LLFSP401UN01, BF3LLFSP401UW01, JF3LGFSP411EW01, JF3LGFSP411EW06, JF3LMFSG411EN01, JF3LMFSG411EN06, NF3LLFSG401UN01, NF3LLFSG401UT01, NF3LLFSG401UT06, NF3LLFSP401NN22, NF3LLFSP401NW22, NF3LLFSP401UN01, NF3LLFSP401UT01 and NF3LLFSP401UT06
	801134	Electric Access Panel	All other models
13	70240301	Screw	Models BF3LLFSG401UN01, BF3LLFSG401UW01, BF3LLFSP401UN01, BF3LLFSP401UW01, JF3LGFSP411EW01, JF3LGFSP411EW06, JF3LMFSG411EN01, JF3LMFSG411EN06, NF3LLFSG401UN01, NF3LLFSG401UT01, NF3LLFSG401UT06, NF3LLFSP401NN22, NF3LLFSP401NW22, NF3LLFSP401UN01, NF3LLFSP401UT01 and NF3LLFSP401UT06
	503661	Screw	All other models
14	803314P	Wire Harness Assembly	1 Phase power; Models JFNLEFSG301EW01 and JFNLEFSP301EW01
	801261	Wire Harness Assembly	3 Phase power; All other models

Coin Cabinet Front and Wrapper Assembly

Models BF3LXFSG401UN01, BF3LXFSG401UW01, BF3LXFSP401UN01, BF3LXFSP401UW01, HFNLEFSP111CW01, HFNLEFSP111CWNA, HFNLXFSP111CN01, HFNLXFSP111CW01, HFNNXFSP111CW01, JF3LEFSP411EW01, JFNLEFSG301EW01, JFNLEFSP301EW01, NF3LXFSG401UN01, NF3LXFSG401UW01, NF3LXFSP401UN01, NF3LXFSP401UW01, SFNLCFJP111TW01, SFNLCFSG111TN01, SFNLCFSG111TQ01, SFNLCFSG111TW01, SFNLCFSG111TWNA, SFNLCFSP111TN01, SFNLCFSP111TQ01, SFNLCFSP111TW01, SFNLCFSP111TWNA, SFNLXFSG111TW01, SFNLXFSP111TN01, SFNLXFSP111TW01, SFNNCFSG111TN01, SFNNCFSP111TN01, SFNNCFSP111TW01, SFNWCFSG111TN01 and SFNWCFS111TN01



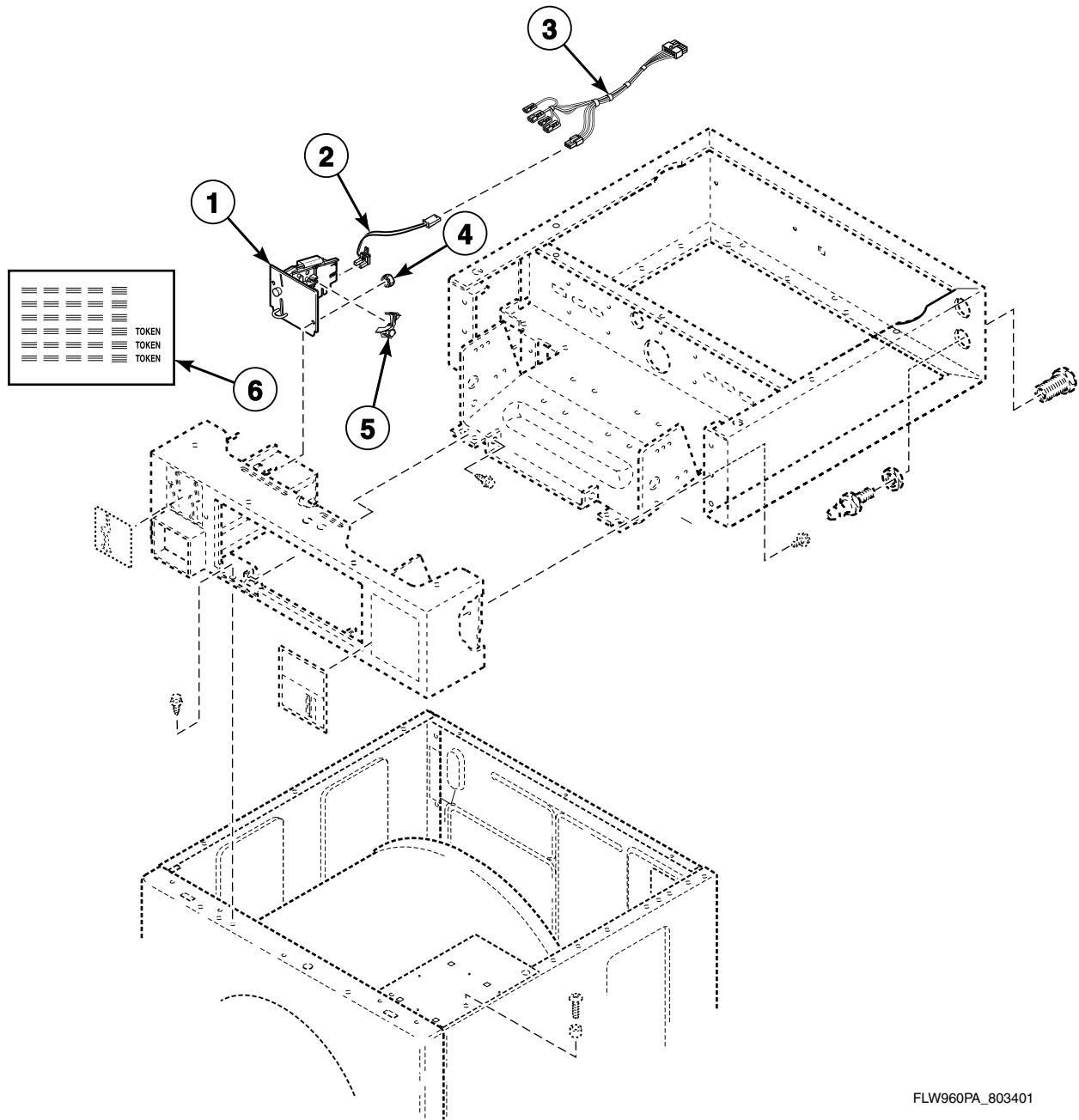
FLW960P_803401

Coin Cabinet Front and Wrapper Assembly

REF	PART NO.	DESCRIPTION	COMMENTS
1	801235W	Security Cabinet Wrapper Assembly	Models BF3LXFSG401UW01, BF3LXFSP401UW01, JF3LEFSP411EW01, JFNLEFSG301EW01, JFNLEFSP301EW01, NF3LXFSG401UW01 and NF3LXFSP401UW01
	801235B	Security Cabinet Wrapper Assembly	Models BF3LXFSG401UN01, BF3LXFSP401UN01, NF3LXFSG401UN01 and NF3LXFSP401UN01
	801780W	Security Cabinet Wrapper Assembly	Model SFNLCFJP111TW01
	505753QP	Wrapper and Channel Assembly	Models SFNLCFSG111TQ01 and SFNLCFSP111TQ01
	505753BP	Wrapper and Channel Assembly	Models HFNLXFSP111CN01, SFNLCFSG111TN01, SFNLCFSP111TN01, SFNLXFSP111TN01, SFNNCFSG111TN01, SFNNCFSP111TN01, SFNWCFSG111TN01 and SFNWCFS111TN01
	505753WP	Wrapper and Channel Assembly	All other models
2	801788	Union	Model SFNLCFJP111TW01
3	801789	Connector	Model SFNLCFJP111TW01
4	503688	Screw	
5	512921	Screw	Models BF3LXFSG401UN01, BF3LXFSP401UN01, HFNLXFSP111CN01, NF3LXFSG401UN01, NF3LXFSP401UN01, SFNLCFSG111TN01, SFNLCFSP111TN01, SFNLXFSP111TN01, SFNNCFSG111TN01, SFNNCFSP111TN01, SFNWCFSG111TN01 and SFNWCFS111TN01
	39733	Screw	All other models
6	56079	Panel Locator	
7	801217	Operating Instruction Label	Models BF3LXFSG401UN01, BF3LXFSG401UW01, BF3LXFSP401UN01, BF3LXFSP401UW01, NF3LXFSG401UN01, NF3LXFSG401UW01, NF3LXFSP401UN01 and NF3LXFSP401UW01
	803322	Nameplate Overlay	Models JF3LEFSP411EW01, JFNLEFSG301EW01 and JFNLEFSP301EW01
	803594	Operating Instruction Label	French/English; Models HFNLEFSP111CW01, HFNLEFSP111CWNA, HFNLXFSP111CN01, HFNLXFSP111CW01 and HFNNXFSP111CW01
	685942	Instruction Label	All other models
8	38717	Single Overlay	Models SFNLCFJP111TW01, SFNLCFSG111TN01, SFNLCFSP111TQ01, SFNLCFSG111TW01, SFNLCFSG111TWNA, SFNLCFSP111TN01, SFNLCFSP111TQ01, SFNLCFSP111TW01, SFNLCFSP111TWNA, SFNNCFSG111TN01, SFNNCFSP111TN01, SFNNCFSP111TW01, SFNWCFSG111TN01 and SFNWCFS111TN01
	803476	Single Drop Overlay	Models JF3LEFSP411EW01, JFNLEFSG301EW01 and JFNLEFSP301EW01
	201091	Overlay	Models HFNLEFSP111CW01 and HFNLEFSP111CWNA
9	511633QP	Security Cabinet Front Assembly	Models SFNLCFSG111TQ01 and SFNLCFSP111TQ01
	511633B	Security Cabinet Front Assembly	Models BF3LXFSG401UN01, BF3LXFSP401UN01, HFNLXFSP111CN01, JF3LEFSP411EW01, JFNLEFSG301EW01, JFNLEFSP301EW01, NF3LXFSG401UN01, NF3LXFSP401UN01, SFNLCFSG111TN01, SFNLCFSP111TN01, SFNLXFSP111TN01, SFNNCFSG111TN01, SFNNCFSP111TN01, SFNWCFSG111TN01 and SFNWCFS111TN01
	511633WP	Security Cabinet Front Assembly	All other models

Non-Electronic Coin Drop

Models BF3LXFSG401UN01, BF3LXFSG401UW01, BF3LXFSP401UN01, BF3LXFSP401UW01, HFNLEFSP111CW01, HFNLEFSP111CWNA, HFNLXFSP111CN01, HFNLXFSP111CW01, HFNNXFSP111CW01, JF3LEFSP411EW01, JFNLEFSG301EW01, JFNLEFSP301EW01, NF3LXFSG401UN01, NF3LXFSG401UW01, NF3LXFSP401UN01, NF3LXFSP401UW01, SFNLCFJP111TW01, SFNLCFSG111TN01, SFNLCFSG111TQ01, SFNLCFSG111TW01, SFNLCFSG111TWNA, SFNLCFSP111TN01, SFNLCFSP111TQ01, SFNLCFSP111TW01, SFNLCFSP111TWNA, SFNLXFSG111TW01, SFNLXFSP111TN01, SFNLXFSP111TW01, SFNNCFSG111TN01, SFNNCFSP111TN01, SFNNCFSP111TW01, SFNWCFSG111TN01 and SFNWCFS111TN01



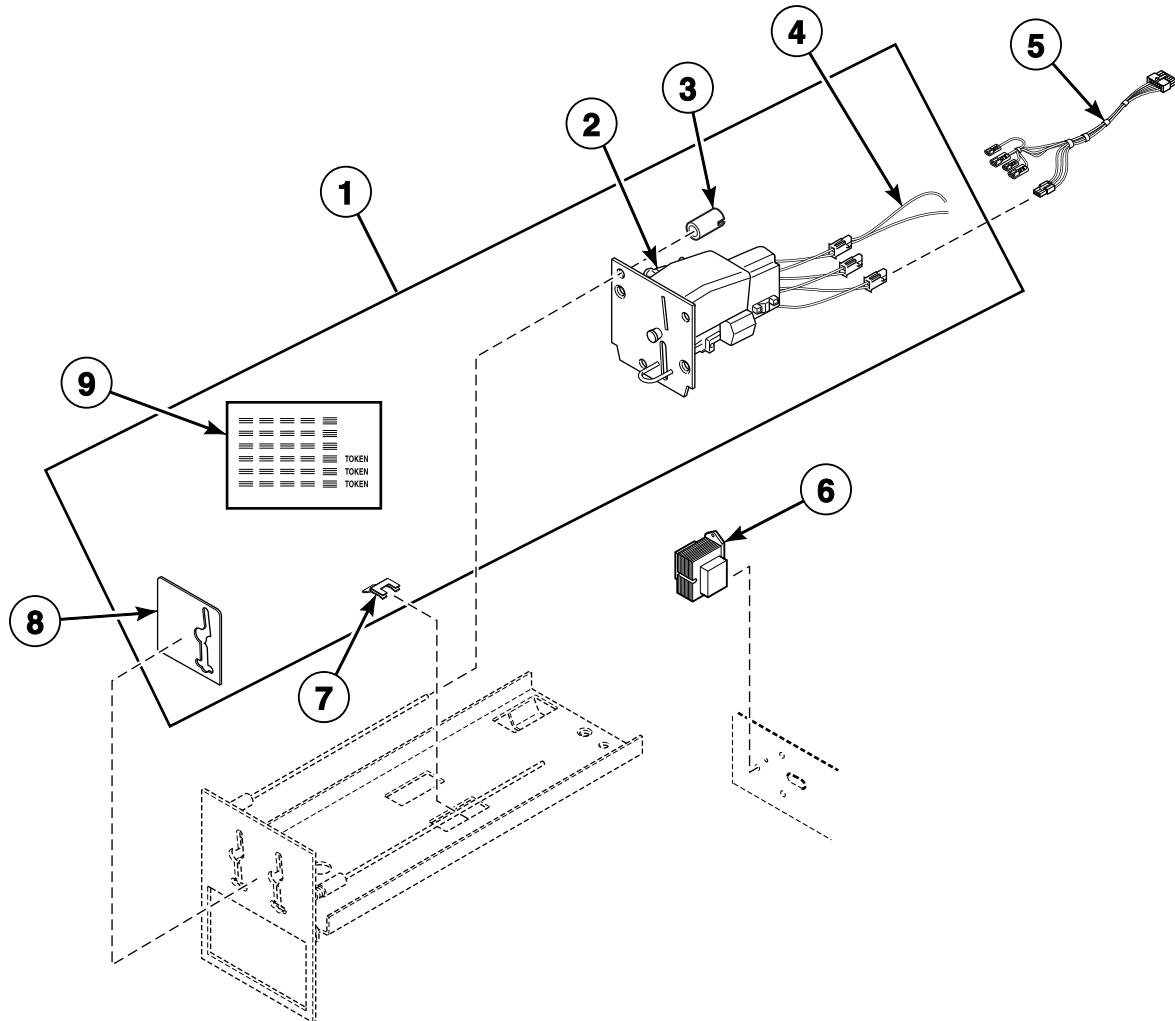
FLW960PA_803401

Non-Electronic Coin Drop

REF	PART NO.	DESCRIPTION	COMMENTS
1	70441601P	Coin Drop	U.S.A.; Currency \$.25
	70441602	Coin Drop Assembly	Canada; Currency \$.25 and \$1.00
	38464P	Coin Drop Assembly	Canada; Currency \$.25
	38467	Coin Drop Assembly	Australia; Currency \$.20 and \$1.00
	38472	Coin Drop Assembly	England; Currency 20 pence and 1 pound
	38519	Coin Drop Assembly	Japan; Currency 100 yen and 500 yen
	38521	Coin Drop Assembly	Korea; Currency 100 won and 500 won
	CK114	Coin Drop Assembly	Singapore; Currency 1.00
	38462P	Coin Drop Assembly	Token; Currency STD-118-1
	38463	Coin Drop Assembly	Token; Currency STD-118-5
	38963P	Coin Drop	Token; Currency STD-118-16
2	200674P	Opto Coupler	
3	802904P	Harness Assembly	Models SFNLCFJP111TW01, SFNLCFSG111TN01, SFNLCFSG111TQ01, SFNLCFSG111TW01, SFNLCFSG111TWNA, SFNLCFSP111TN01, SFNLCFSP111TQ01, SFNLCFSP111TW01, SFNLCFSP111TWNA, SFNNCFSG111TN01, SFNNCFSP111TN01, SFNNCFSP111TW01, SFNWCFSG111TN01 and SFNWCFS111TN01
	802905	Harness Assembly	All other models
4	29786	Nut	
5	201595P	Wire Guard	Anti-stringing security device
6	38725	Coin Identification Paper	

Electronic Coin Drop

Models BF3LXFSG401UN01, BF3LXFSG401UW01, BF3LXFSP401UN01, BF3LXFSP401UW01, HFNLEFSP111CW01, HFNLEFSP111CWNA, HFNLERSP111CW01, HFNLERSP111CWNA, HFNLXFSP111CN01, HFNLXFSP111CW01, HFNLXRSP111CW01, HFNNXFSP111CW01, JF3LEFSP411EW01, JFNLEFSG301EW01, JFNLEFSP301EW01, NF3LXFSG401UN01, NF3LXFSG401UW01, NF3LXFSP401UN01, NF3LXFSP401UW01, SFNLCFJP111TW01, SFNLCFSG111TN01, SFNLCFSG111TQ01, SFNLCFSG111TW01, SFNLCFSG111TWNA, SFNLCFSP111TN01, SFNLCFSP111TQ01, SFNLCFSP111TW01, SFNLCFSP111TWNA, SFNLCRSP111TW01, SFNLCRSP111TW02, SFNLCRSP111TWNA, SFNLXFSG111TW01, SFNLXFSP111TN01, SFNLXFSP111TW01, SFNLXRSP111TW02, SFNNCFSG111TN01, SFNNCFSP111TN01, SFNNCFSP111TW01, SFNWCFSG111TN01 and SFNWCFS111TN01



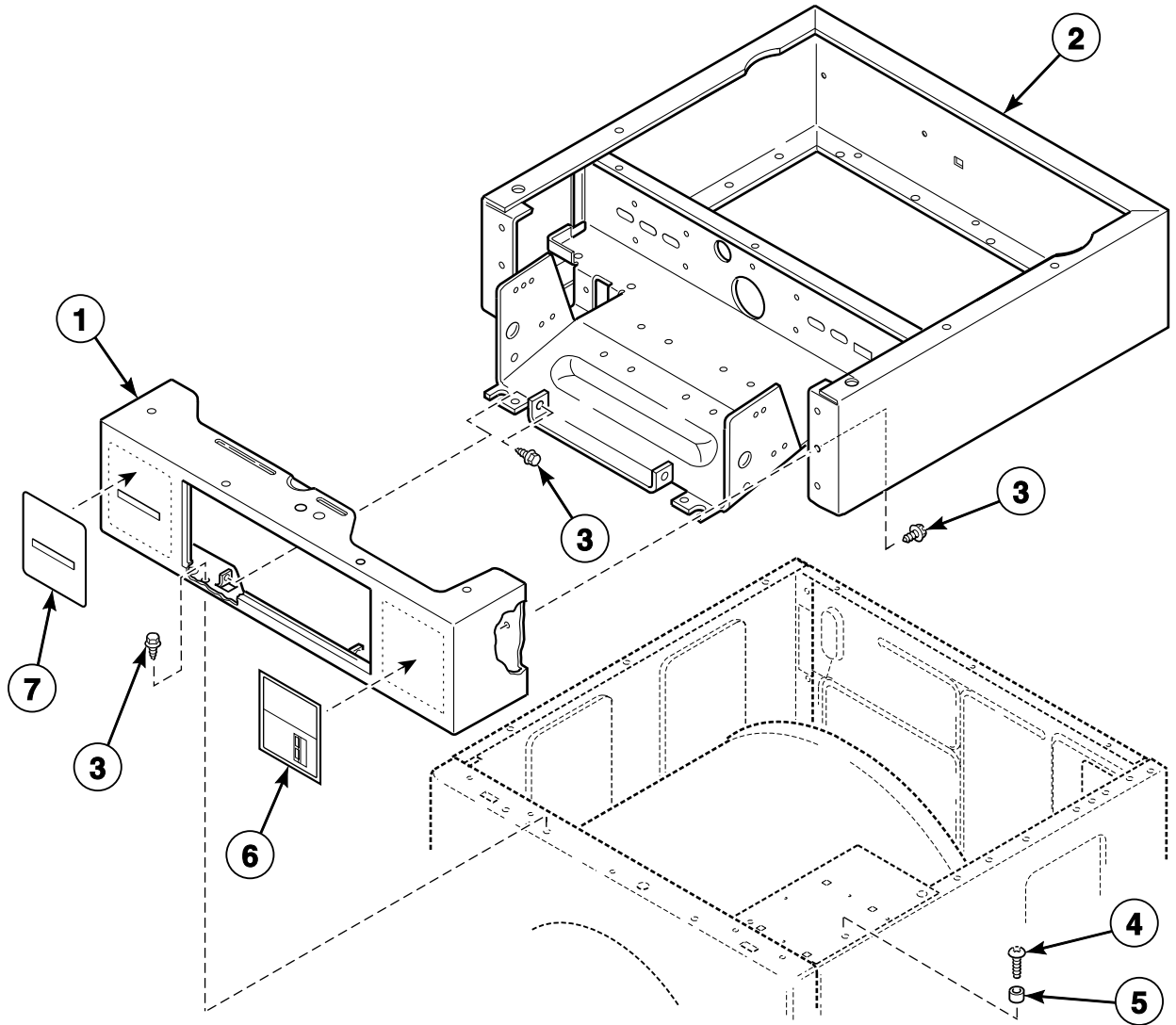
FLW1005P_803401

Electronic Coin Drop

REF	PART NO.	DESCRIPTION	COMMENTS
1	CK099	Electronic Coin Drop Kit	Includes items 2-4 and 7-9; Australia, New Zealand, Hong Kong, South Korea and Malaysia coins
	CK100	Electronic Coin Drop Kit	Includes items 2-4 and 7-9; Euro and Great Britain coins
	CK101	Electronic Coin Drop Kit	Includes items 2-4 and 7-9; Euro, Denmark and Norway coins
	CK103	Electronic Coin Drop Kit	Includes items 2-4 and 7-9; Euro, Lithuania and Latvia coins
	CK106	Electronic Coin Drop Kit	Includes items 2-4 and 7-9; Malaysia, China, Russia and Singapore coins
	CK108	Electronic Coin Drop Kit	Includes items 2-4 and 7-9; South African 1, 2 and 5 rand coins
	CK109	Electronic Coin Drop Kit	Includes items 2-4 and 7-9; Euro coins
	CK110	Electronic Coin Drop Kit	Includes items 2-4 and 7-9; Mexican, Ecuador and United States coins
	CK113	Electronic Coin Drop Kit	Includes items 2-4 and 7-9; Japan and Taiwan coins
	CK115	Electronic Coin Drop Kit	Includes items 2-4 and 7-9; United States and Canada coins
2	70294105P	Electronic Coin Drop Assembly	Australia, New Zealand, Hong Kong, South Korea and Malaysia coins
	70294103P	Electronic Coin Drop Assembly	Euro and Great Britain coins
	70294104	Electronic Coin Drop Assembly	Euro, Denmark and Norway coins
	70294107	Electronic Coin Drop Assembly	Euro, Lithuania and Latvia coins
	70294109	Electronic Coin Drop Assembly	Malaysia, China, Russia and Singapore coins
	70294110	Electronic Coin Drop Assembly	South African 1, 2 and 5 rand coins
	70294111	Electronic Coin Drop Assembly	Euro coins
	70294106	Electronic Coin Drop Assembly	Mexican, Ecuador and United States coins
	70294112	Electronic Coin Drop Assembly	Euro, Great Britain and token coins
3	201216	Nut	
	29786	Nut	Use on front control models with no guide rods
4	201104	Coin Drop Wire Harness	
5	802905	Harness Assembly	Electronic coin drop requires this harness. If unit is not factory-equipped with this harness, it must be ordered separately.
6	201375P	Transformer	Electronic coin drop requires this transformer. If unit is not factory-equipped with this transformer, it must be ordered separately.
7	201572	Clip	
8	201091	Overlay	
9	38725	Coin Identification Paper	

Card Cabinet Front and Wrapper Assembly

Models HFNLYFSP111CW01, HFNLYFSP111CWNA, NF3LYFSG401UW01, RFNLYFSP111CW01, SFNLYFJP111TW01, SFNLYFSG111TN01, SFNLYFSG111TW01, SFNLYFSG111TWNA, SFNLYFSP111TN01, SFNLYFSP111TW01, SFNLYFSP111TWNA, SFNWYFSG111TN01 and SFNWYFSP111TN01



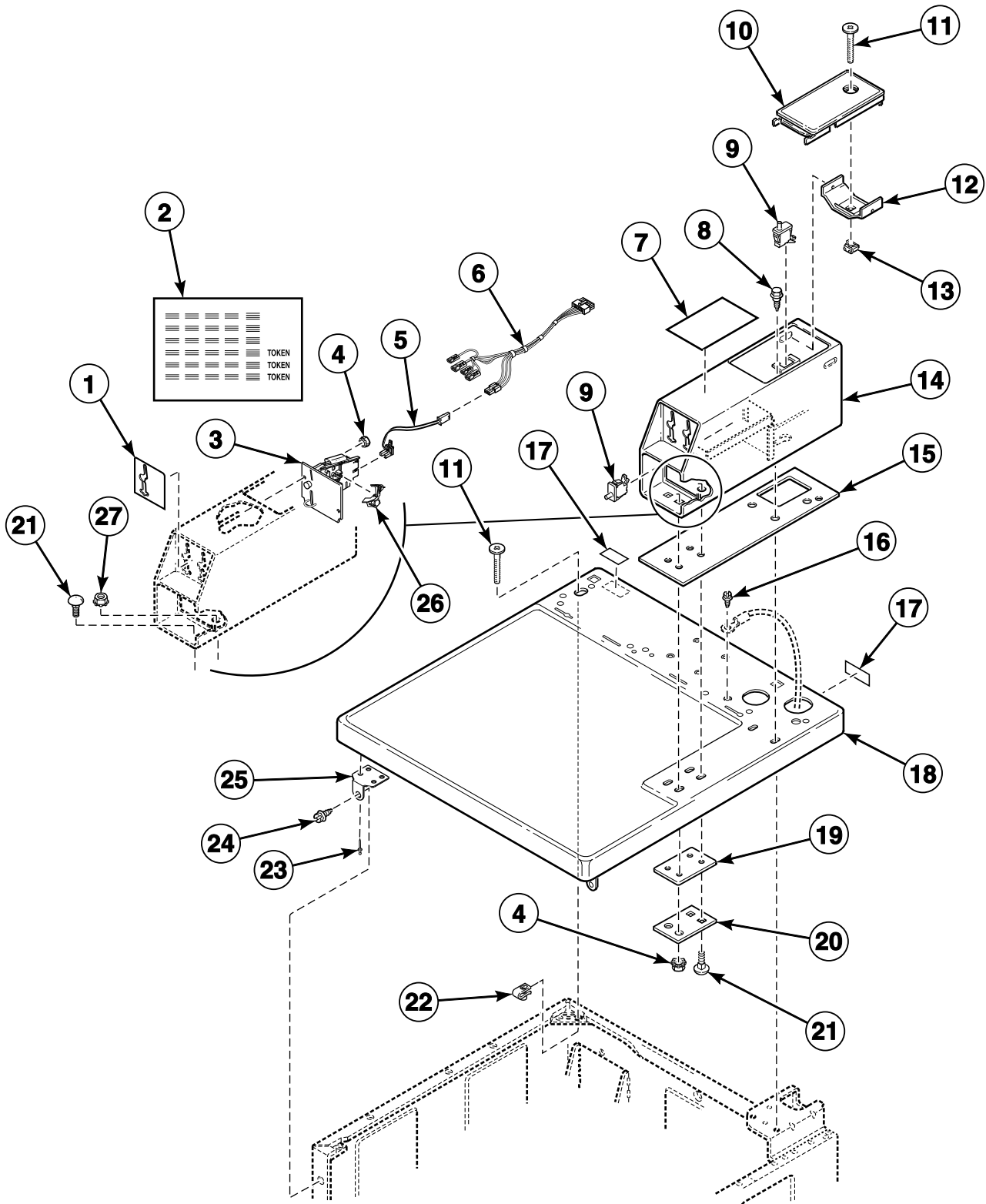
FLW1014P_803401

Card Cabinet Front and Wrapper Assembly

REF	PART NO.	DESCRIPTION	COMMENTS
1	511209BP	Security Cabinet Front Assembly	Models SFNLYFSG111TN01, SFNLYFSP111TN01, SFNWYFSG111TN01 and SFNWYFSP111TN01
	511209WP	Security Cabinet Front Assembly	All other models
2	801235W	Security Cabinet Wrapper Assembly	Model NF3LYFSG401UW01
	505753BP	Wrapper and Channel Assembly	Models SFNLYFSG111TN01, SFNLYFSP111TN01, SFNWYFSG111TN01 and SFNWYFSP111TN01
	505753WP	Wrapper and Channel Assembly	All other models
3	503688	Screw	
4	512921	Screw	Models SFNLYFSG111TN01, SFNLYFSP111TN01, SFNWYFSG111TN01 and SFNWYFSP111TN01
	39733	Screw	All other models
5	56079	Panel Locator	
6	801217	Operating Instruction Label	Model NF3LYFSG401UW01
	803594	Operating Instruction Label	French/English; Models HFNLYFSP111CW01 and HFNLYFSP111CWNA
	685942	Instruction Label	All other models
7	511548	Card Insert Overlay	Models HFNLYFSP111CW01 and HFNLYFSP111CWNA
	511544	Card Insert Overlay	Models SFNLYFJP111TW01, SFNLYFSG111TN01, SFNLYFSG111TW01, SFNLYFSG111TWNA, SFNLYFSP111TN01, SFNLYFSP111TW01, SFNLYFSP111TWNA, SFNWYFSG111TN01 and SFNWYFSP111TN01
	513145	Card Insert Overlay	Models NF3LYFSG401UW01 and RFNLYFSP111CW01

Non-Electronic Coin Drop, Meter Case and Cabinet Top

Models HFNLERSP111CW01, HFNLERSP111CWNA, HFNLXRSP111CW01, HFNNXRSP111CW01,
SFNLCRSP111TW01, SFNLCRSP111TW02, SFNLXRSP111TWNA, SFNLXRSP111TW02,
SFNNCRSP111TW01, SFNNCRSP111TW02 and SFNNXRSP111TW02



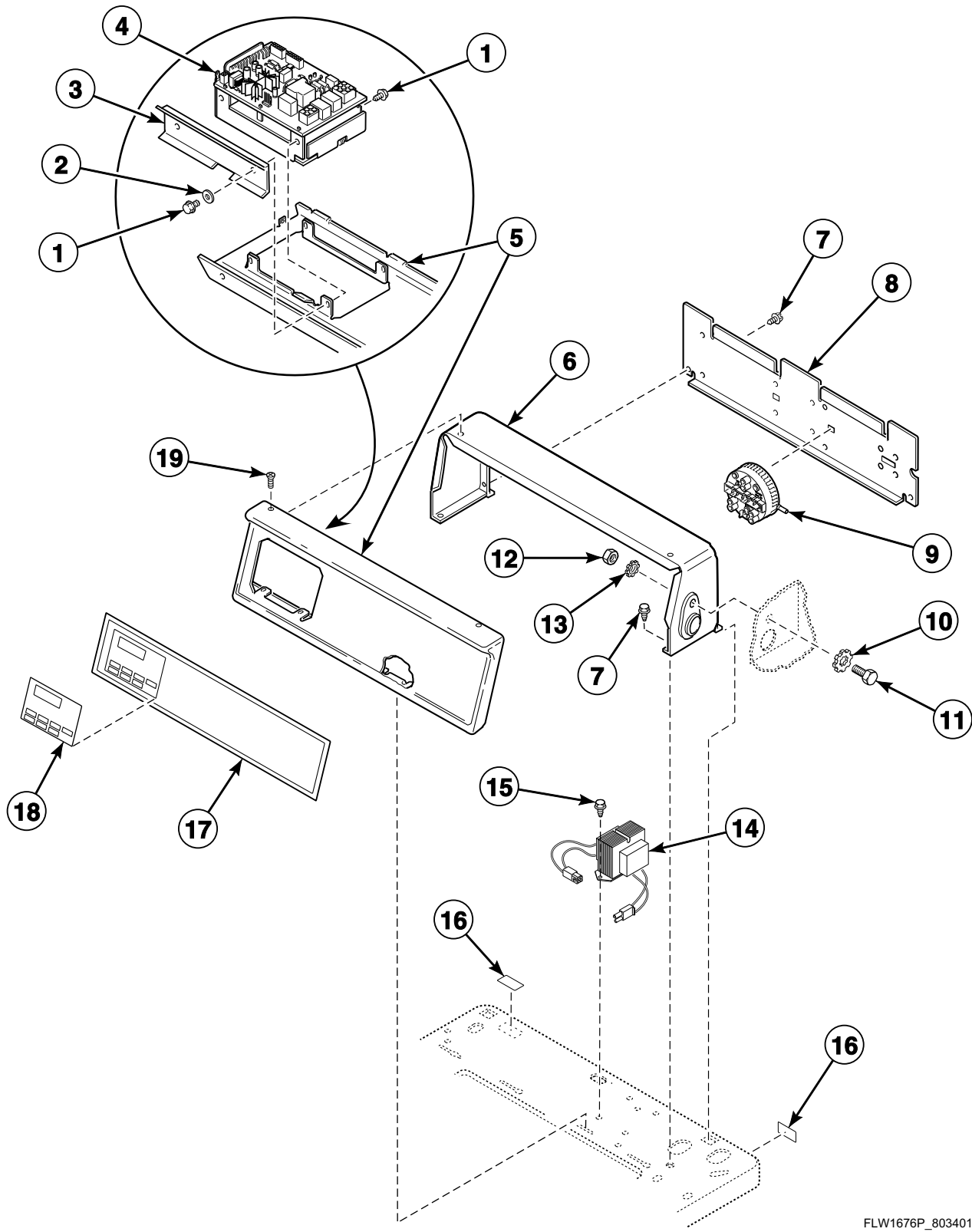
FLW980P_803401

Non-Electronic Coin Drop, Meter Case and Cabinet Top

REF	PART NO.	DESCRIPTION	COMMENTS
1	202123	Single Overlay	Model SFNLCRSP111TW02 through Serial No. 1010011547
	38717	Single Overlay	Models SFNLCRSP111TW01, SFNLCRSP111TWNA and SFNNCRSP111TW02; Model SFNLCRSP111TW02 starting Serial No. 1010011548
	201091	Overlay	Models HFNLERSP111CW01 and HFNLERSP111CWNA
2	38725	Coin Identification Paper	
3	70441601P	Coin Drop	U.S.A.; Currency \$.25
	70441602	Coin Drop Assembly	Canada; Currency \$.25 and \$1.00
4	29786	Nut	
5	200674P	Opto Coupler	
6	802904P	Harness Assembly	Models SFNLCRSP111TW01, SFNLCRSP111TW02, SFNLCRSP111TWNA, SFNNCRSP111TW01 and SFNNCRSP111TW02
	802905	Harness Assembly	All other models
7	800137	Rear Control Operating Instruction Label	
	803595	Operating Instruction Label	French/English; Models HFNLERSP111CW01, HFNLERSP111CWNA, HFNLXRSP111CW01 and HFNNXRSP111CW01
8	36048	Screw	
9	512973	Switch	
10	803043WP	Service Door Assembly	Models SFNLCRSP111TW02 and SFNLXRSP111TW02 through Serial No. 1010011547
	39874WP	Service Door Assembly	All other models
11	503673	Screw	All models except SFNLCRSP111TW02 and SFNLXRSP111TW02 through Serial No. 1010011547
12	30642	Meter Case Locking Bracket	All models except SFNLCRSP111TW02 and SFNLXRSP111TW02 through Serial No. 1010011547
13	30647	Nut	All models except SFNLCRSP111TW02 and SFNLXRSP111TW02 through Serial No. 1010011547
14	803063WP	Meter Case Assembly Kit	Models SFNLCRSP111TW02 and SFNLXRSP111TW02 through Serial No. 1010011547
	803063W	Meter Case Assembly	Models SFNNCRSP111TW02 and SFNNXRSP111TW02; Models SFNLCRSP111TW02 and SFNLXRSP111TW02 starting Serial No. 1010011548
	803578P	Coin Box Extension Kit	Use with 803063W Meter Case Assembly to extend shorter 7 inch coin boxes; Models SFNLCRSP111TW02 and SFNLXRSP111TW02 starting Serial No. 1010011548
	802505W	Meter Case Assembly	Models HFNLERSP111CW01 and HFNLERSP111CWNA
	38724W	Meter Case Assembly	All other models
15	26354	Meter Case Gasket	
16	20530	Screw	
17	505281	Disconnect Power Warning Label	Models SFNLCRSP111TW01, SFNLCRSP111TW02, SFNLCRSP111TWNA, SFNLXRSP111TW02, SFNNCRSP111TW01, SFNNCRSP111TW02 and SFNNXRSP111TW02
	500316	Warning Label	All other models
18	511527WP	Top Kit	
19	35526	Meter Case Bracket Gasket	
20	35525	Meter Case Lockdown Bracket	
21	02505	Bolt	
22	27222	Nut	
23	70058501	Pop Rivet	
24	503661	Screw	
25	510146	Bracket	
26	201595P	Wire Guard	Anti-stringing security device
27	802337	Nut	

Control Panel, Control Hood and Controls (Drawing 1 of 2)

Models HFNLERSP111CW01, HFNLERSP111CWNA, HFNLXRSP111CW01, HFNNXRSP111CW01,
SFNLCRSP111TW01, SFNLCRSP111TW02, SFNLXRSP111TWNA, SFNLXRSP111TW02,
SFNNCRSP111TW01, SFNNCRSP111TW02 and SFNNXRSP111TW02



FLW1676P_803401

Control Panel, Control Hood and Controls (Drawing 1 of 2)

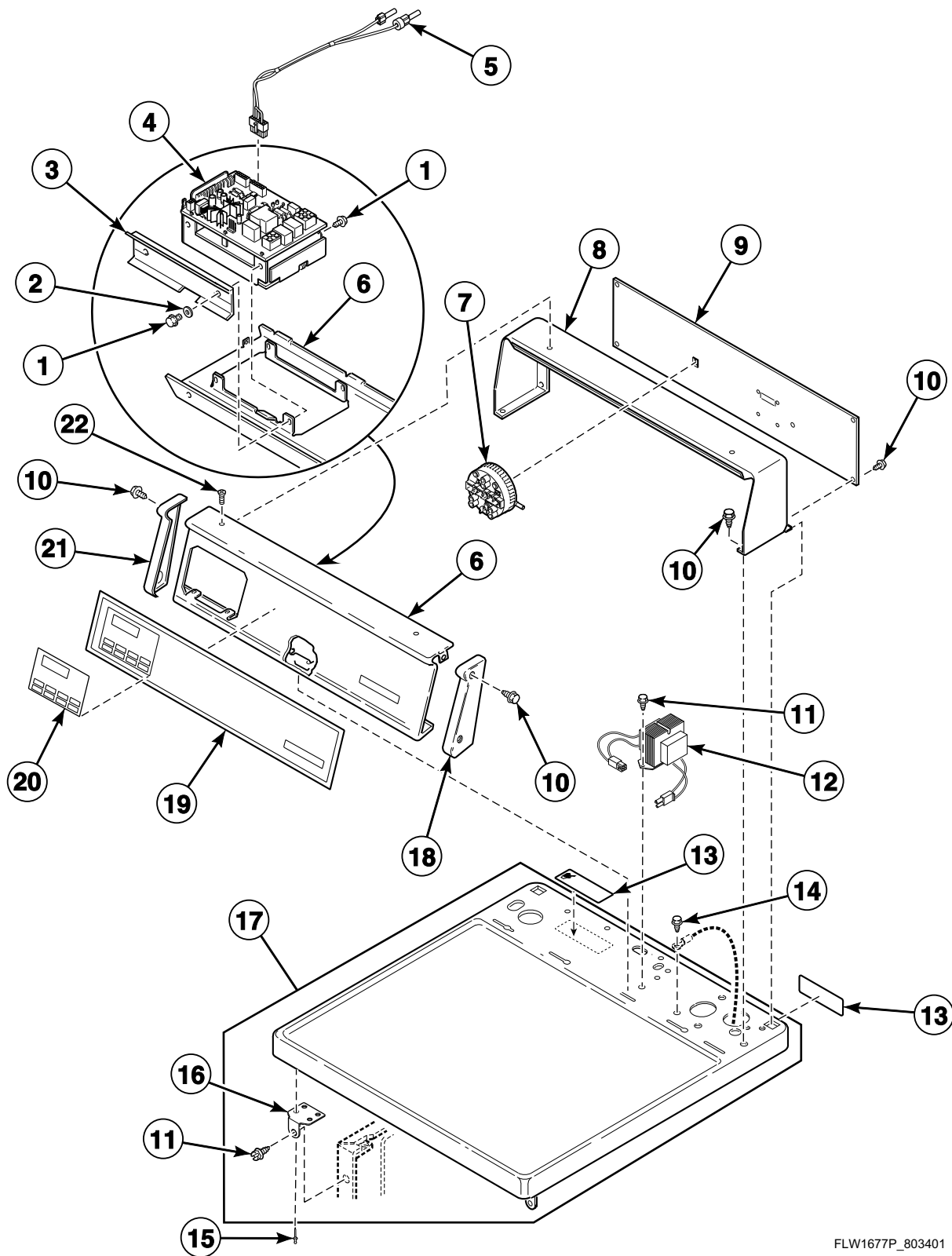
REF	PART NO.	DESCRIPTION	COMMENTS
	NK201	Network Retrofit Kit	
	NK220	Network Controller Kit	
1	501524	Screw	
2	200608	Washer	
3	210053	Control Shield	
4	803619	Control Assembly	Models HFNNXRSP111CW01, SFNNCRSP111TW01, SFNNCRSP111TW02 and SFNNXRSP111TW02
	802808P	Control Assembly	All other models
5	800149W	Control Panel and Bracket Assembly	
6	502567W	Control Hood	
7	501086	Screw	
8	505798	Hood Back Plate	
9	802299P	Pressure Switch	
10	M400017	Washer	
11	02916	Screw	
12	52566	Nut	
13	02431	Washer	
14	210018P	Transformer	Models SFNLCRSP111TW01, SFNLCRSP111TW02, SFNLCRSP111TWNA, SFNNCRSP111TW01 and SFNNCRSP111TW02
	201375P	Transformer	Some models may have jumper wire attached to transformer. Discard jumper wire when replacing transformer; All other models
15	503661	Screw	
16	505281	Disconnect Power Warning Label	Models SFNLCRSP111TW01, SFNLCRSP111TW02, SFNLCRSP111TWNA, SFNLXRSP111TW02, SFNNCRSP111TW01, SFNNCRSP111TW02 and SFNNXRSP111TW02
	500316	Warning Label	All other models
17	802884	Control Overlay	Models SFNLCRSP111TW01, SFNLCRSP111TW02, SFNLCRSP111TWNA, SFNLXRSP111TW02, SFNNCRSP111TW01, SFNNCRSP111TW02 and SFNNXRSP111TW02
	803015	Control Overlay	All other models
18	803596	Control Overlay	French/English; Models HFNLERSP111CW01, HFNLERSP111CWNA, HFNLXRSP111CW01 and HFNNXRSP111CW01
19	52864	Screw	

Control Hood Security Kit

REF	PART NO.	DESCRIPTION	COMMENTS
1	905P3	Security Kit	Includes items 2-7 and rear panel
2	32184	Bolt	
3	25100	Washer	
4	201918	Bracket	
5	503688	Screw	
6	30647	Nut	
7	23951	Nut	

Control Panel, Control Hood and Controls (Drawing 2 of 2)

Models HFNLYRSP111CW01, HFNLYRSP111CWNA, SFNLYRSP111TW01, SFNLYRSP111TWNA and SFNNYRSP111TW01

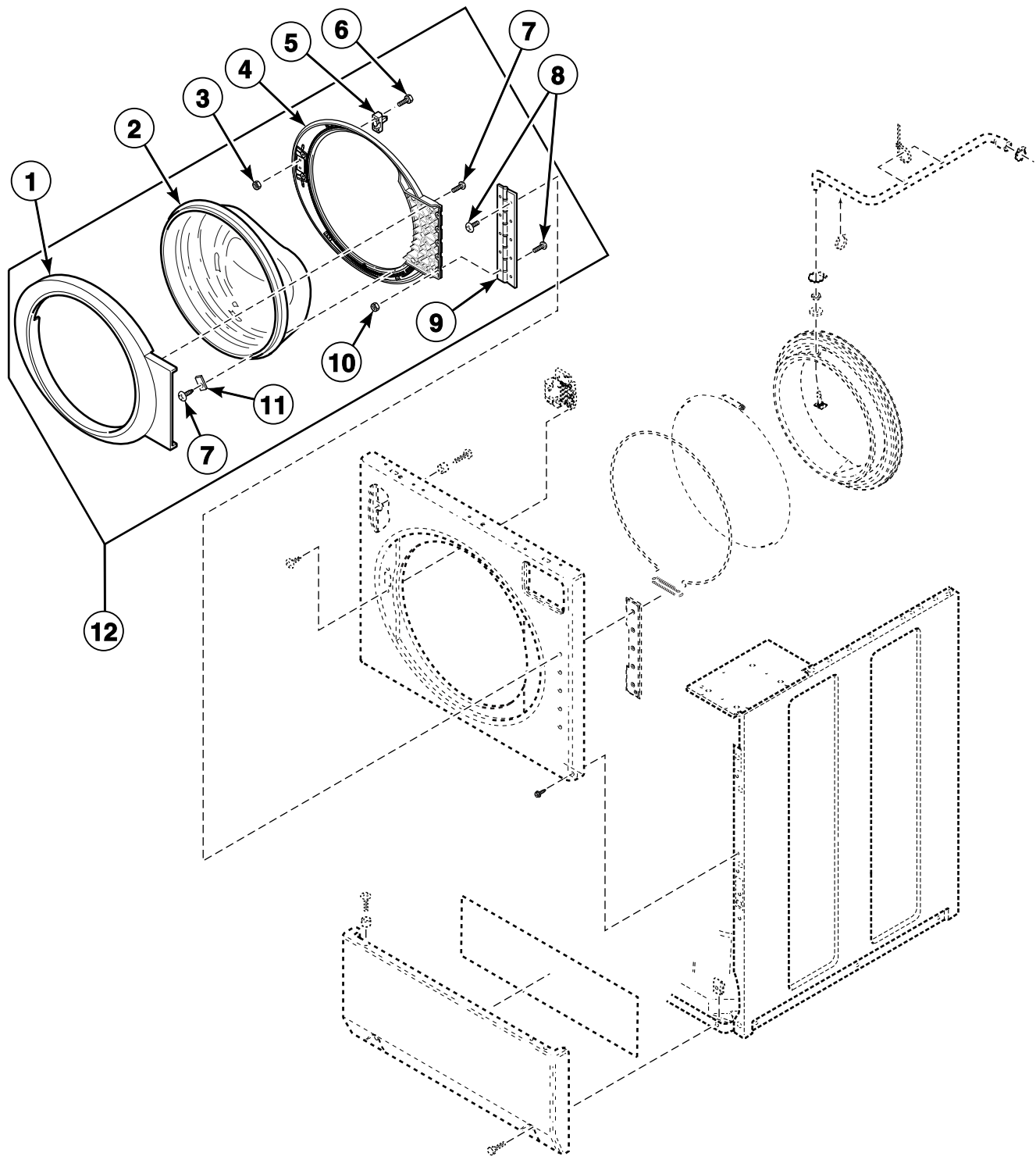


FLW1677P_803401

Control Panel, Control Hood and Controls (Drawing 2 of 2)

REF	PART NO.	DESCRIPTION	COMMENTS
	NK201	Network Retrofit Kit	
	NK220	Network Controller Kit	
1	501524	Screw	
2	200608	Washer	
3	210053	Control Shield	
4	803619	Control Assembly	Model SFNNYRSP111TW01
	802808P	Control Assembly	All other models
5	800680	Diagnostic Wire Harness Assembly	
6	800710W	Control Panel and Stud Assembly	
7	802299P	Pressure Switch	
8	511253W	Control Hood	
9	801165	Rear Control Hood Panel	
10	501086	Screw	
11	503661	Screw	
12	201375P	Transformer	Some models may have jumper wire attached to transformer. Discard jumper wire when replacing transformer.
13	505281	Disconnect Power Warning Label	Models SFNLYRSP111TW01, SFNLYRSP111TWNA and SFNNYRSP111TW01
	500316	Warning Label	All other models
14	20530	Screw	
15	70058501	Pop Rivet	
16	510146	Bracket	
17	511530WP	Top Panel Kit	Includes items 11 and 16
18	210108W	End Cap	Right
19	802998	Control Overlay	Models SFNLYRSP111TW01, SFNLYRSP111TWNA and SFNNYRSP111TW01
	803016	Control Overlay	All other models
20	803596	Control Overlay	French/English; Models HFNLYRSP111CW01 and HFNLYRSP111CWNA
21	210109W	End Cap	Left
22	52864	Screw	

Door Assembly

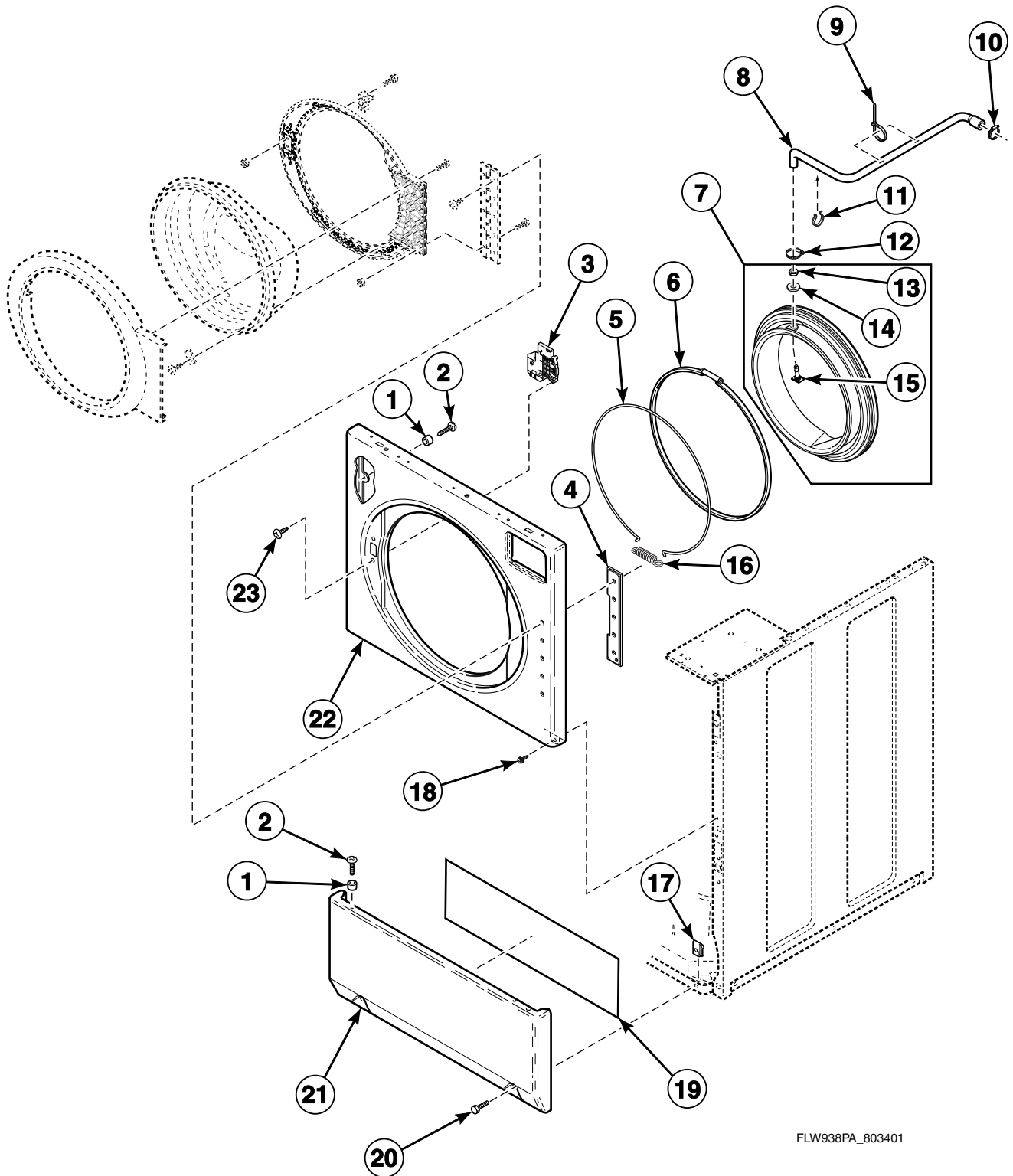


FLW938P_803401

Door Assembly

REF	PART NO.	DESCRIPTION	COMMENTS
1	802314P	Outer Door Bezel Kit	Models BF3LLFSG401UN01, BF3LLFSG401UW01, BF3LLFSP401UN01, BF3LLFSP401UW01, BF3LXFSG401UN01, BF3LXFSG401UW01, BF3LXFSP401UN01, BF3LXFSP401UW01, HFNLXFSP111CN01, JF3LMFSG411EN01, JF3LMFSG411EN06, NF3LLFSG401UN01, NF3LLFSP401NN22, NF3LLFSP401UN01, NF3LXFSG401UN01, NF3LXFSP401UN01, RFNLYFSP111CW01, SFNLCFSG111TN01, SFNLCFSP111TN01, SFNLXFSP111TN01, SFNLYFSG111TN01, SFNLYFSP111TN01, SFNNCFSG111TN01, SFNNCFSP111TN01, SFNWCFSG111TN01, SFNWCFSP111TN01, SFNWFYFSG111TN01 and SFNWFYFSP111TN01
	802313QP	Outer Door Bezel Kit	Models SFNLCFSG111TQ01 and SFNLCFSP111TQ01
	802313WP	Outer Door Bezel Kit	All other models
2	802695P	Door Glass	
3	685846	Nut	
4	802331P	Inner Door Bezel Kit	Models BF3LLFSG401UN01, BF3LLFSG401UW01, BF3LLFSP401UN01, BF3LLFSP401UW01, BF3LXFSG401UN01, BF3LXFSG401UW01, BF3LXFSP401UN01, BF3LXFSP401UW01, HFNLXFSP111CN01, JF3LMFSG411EN01, JF3LMFSG411EN06, NF3LLFSG401UN01, NF3LLFSP401NN22, NF3LLFSP401UN01, NF3LXFSG401UN01, NF3LXFSP401UN01, RFNLYFSP111CW01, SFNLCFSG111TN01, SFNLCFSP111TN01, SFNLYFSG111TN01, SFNLYFSP111TN01, SFNNCFSG111TN01, SFNNCFSP111TN01, SFNWCFSG111TN01, SFNWCFSP111TN01, SFNWFYFSG111TN01 and SFNWFYFSP111TN01
	802307P	Inner Door Bezel Kit	All other models
5	802803	Door Catch Assembly	
6	801993	Screw	
7	800548	Screw	
8	801019	Screw	
9	802934	Door Hinge	
10	23951	Nut	
11	802700	Glass Mounting Clip	
12	802872P	Door Assembly	Gray; Includes items 1-11; Models BF3LLFSG401UN01, BF3LLFSG401UW01, BF3LLFSP401UN01, BF3LLFSP401UW01, BF3LXFSG401UN01, BF3LXFSG401UW01, BF3LXFSP401UN01, BF3LXFSP401UW01, HFNLXFSP111CN01, JF3LMFSG411EN01, JF3LMFSG411EN06, NF3LLFSG401UN01, NF3LLFSP401NN22, NF3LLFSP401UN01, NF3LXFSG401UN01, NF3LXFSP401UN01, RFNLYFSP111CW01, SFNLCFSG111TN01, SFNLCFSP111TN01, SFNLXFSP111TN01, SFNLYFSG111TN01, SFNLYFSP111TN01, SFNNCFSG111TN01, SFNNCFSP111TN01, SFNWCFSG111TN01, SFNWCFSP111TN01, SFNWFYFSG111TN01 and SFNWFYFSP111TN01
	802368QP	Door Assembly	Includes items 1-11; Models SFNLCFSG111TQ01 and SFNLCFSP111TQ01
	802368WP	Door Assembly	Includes items 1-11; All other models

Front Panel and Door Seal



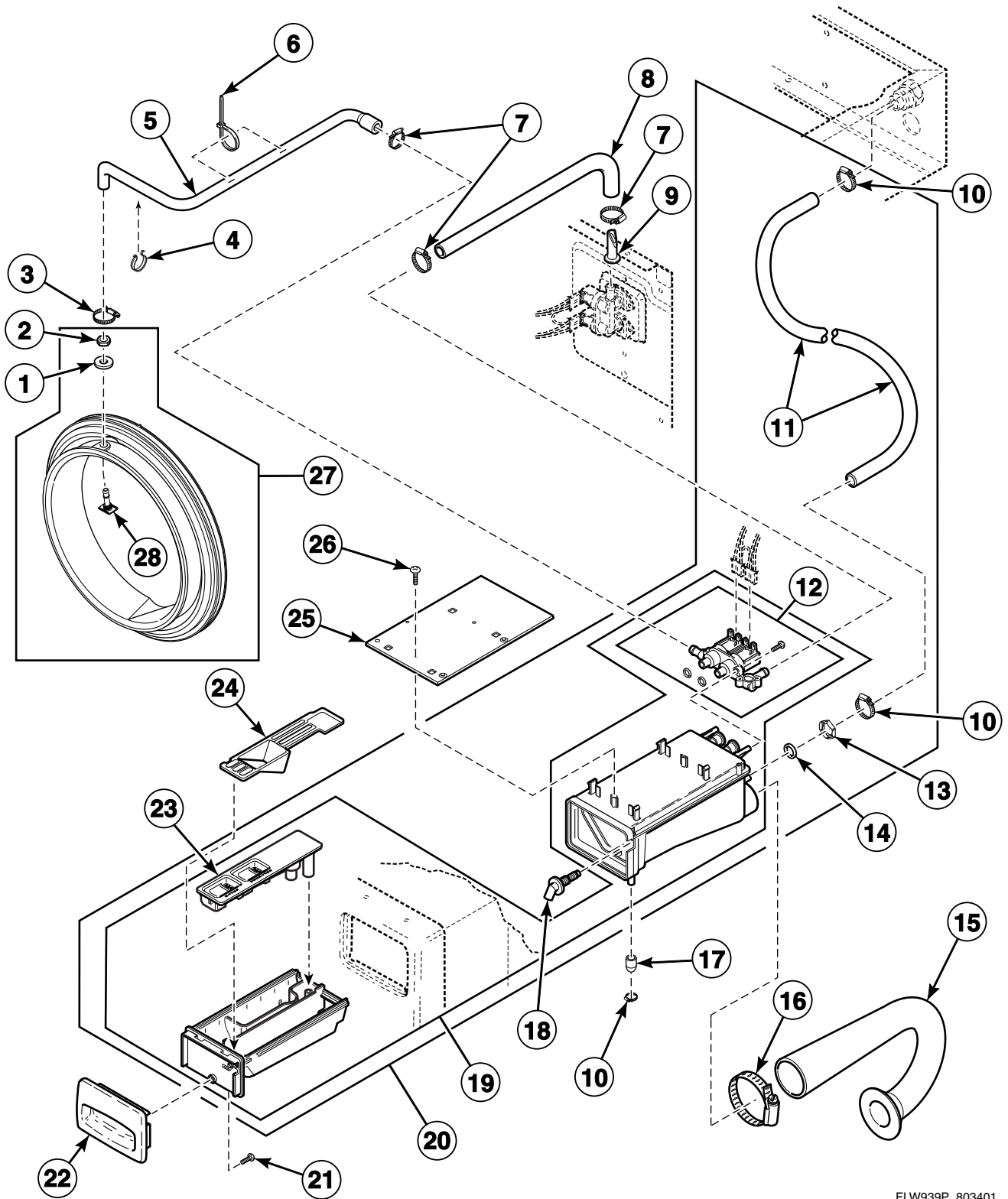
FLW938PA_803401

Front Panel and Door Seal

REF	PART NO.	DESCRIPTION	COMMENTS
1	56079	Panel Locator	
2	512921	Screw	Models BF3LLFSG401UN01, BF3LLFSP401UN01, BF3LXFSG401UN01, BF3LXFSP401UN01, HFNLXFSP111CN01, JF3LMFSG411EN01, JF3LMFSG411EN06, NF3LLFSG401UN01, NF3LLFSP401NN22, NF3LLFSP401UN01, NF3LXFSG401UN01, NF3LXFSP401UN01, SFNLCSFG111TN01, SFNLCSFP111TN01, SFNLXFSP111TN01, SFNLYFSG111TN01, SFNLYFSP111TN01, SFNNCFSG111TN01, SFNNCFSP111TN01, SFNWCFSG111TN01, SFNWCFSFP111TN01, SFNWFYFSG111TN01 and SFNWFYFSP111TN01
	39733	Screw	All other models
3	802317P	Door Latch/Switch Assembly	
4	802206	Hinge Plate	
5	802283	Wire Clamp Ring	
6	802281	Hose Clamp	
7	803554	Door Seal Assembly	Models JF3LGFSP411EW06, JF3LMFSG411EN06, NF3LLFSG401UT06 and NF3LLFSP401UT06
	802866P	Door Seal Assembly	Black; Includes items 13-15; All other models
	802830	Door Seal Assembly	Gray; Includes items 13-15; All other models
8	802256	Dispenser-to-Door Seal Hose	All models except JF3LGFSP411EW06, JF3LMFSG411EN06, NF3LLFSG401UT06 and NF3LLFSP401UT06
9	55881	Harness Strap	All models except JF3LGFSP411EW06, JF3LMFSG411EN06, NF3LLFSG401UT06 and NF3LLFSP401UT06
10	802164	Hose Clamp	All models except JF3LGFSP411EW06, JF3LMFSG411EN06, NF3LLFSG401UT06 and NF3LLFSP401UT06
11	687500	Wire Clip	All models except JF3LGFSP411EW06, JF3LMFSG411EN06, NF3LLFSG401UT06 and NF3LLFSP401UT06
12	802698	Hose Clamp	All models except JF3LGFSP411EW06, JF3LMFSG411EN06, NF3LLFSG401UT06 and NF3LLFSP401UT06
13	802292	Nut	All models except JF3LGFSP411EW06, JF3LMFSG411EN06, NF3LLFSG401UT06 and NF3LLFSP401UT06
14	802293	Washer	All models except JF3LGFSP411EW06, JF3LMFSG411EN06, NF3LLFSG401UT06 and NF3LLFSP401UT06
15	802291	Boot Nozzle	All models except JF3LGFSP411EW06, JF3LMFSG411EN06, NF3LLFSG401UT06 and NF3LLFSP401UT06
16	802285	Extension Spring	
17	36020	Nut	
18	503661	Screw	
19	685368	Access Panel Damper	1 inch by 26 inches
20	801045	Screw	
21	510069QP	Access Panel	Models SFNLCSFG111TQ01 and SFNLCSFP111TQ01
	512543	Access Panel	Models BF3LLFSG401UN01, BF3LLFSP401UN01, BF3LXFSG401UN01, BF3LXFSP401UN01, HFNLXFSP111CN01, JF3LMFSG411EN01, JF3LMFSG411EN06, NF3LLFSG401UN01, NF3LLFSP401NN22, NF3LLFSP401UN01, NF3LXFSG401UN01, NF3LXFSP401UN01, SFNLCSFG111TN01, SFNLCSFP111TN01, SFNLXFSP111TN01, SFNLYFSG111TN01, SFNLYFSP111TN01, SFNNCFSG111TN01, SFNNCFSP111TN01, SFNWCFSG111TN01, SFNWCFSFP111TN01, SFNWFYFSG111TN01 and SFNWFYFSP111TN01
	510069WP	Access Panel	All other models
22	802277QP	Front Panel	Models SFNLCSFG111TQ01 and SFNLCSFP111TQ01
	802288P	Front Panel	Models BF3LLFSG401UN01, BF3LLFSP401UN01, BF3LXFSG401UN01, BF3LXFSP401UN01, HFNLXFSP111CN01, JF3LMFSG411EN01, JF3LMFSG411EN06, NF3LLFSG401UN01, NF3LLFSP401NN22, NF3LLFSP401UN01, NF3LXFSG401UN01, NF3LXFSP401UN01, SFNLCSFG111TN01, SFNLCSFP111TN01, SFNLXFSP111TN01, SFNLYFSG111TN01, SFNLYFSP111TN01, SFNNCFSG111TN01, SFNNCFSP111TN01, SFNWCFSG111TN01, SFNWCFSFP111TN01, SFNWFYFSG111TN01 and SFNWFYFSP111TN01
	802277WP	Front Panel	All other models
23	800548	Screw	

Dispenser Assembly and Supply Injection Hoses

Models SFNLCFJP111TW01 and SFNLYFJP111TW01



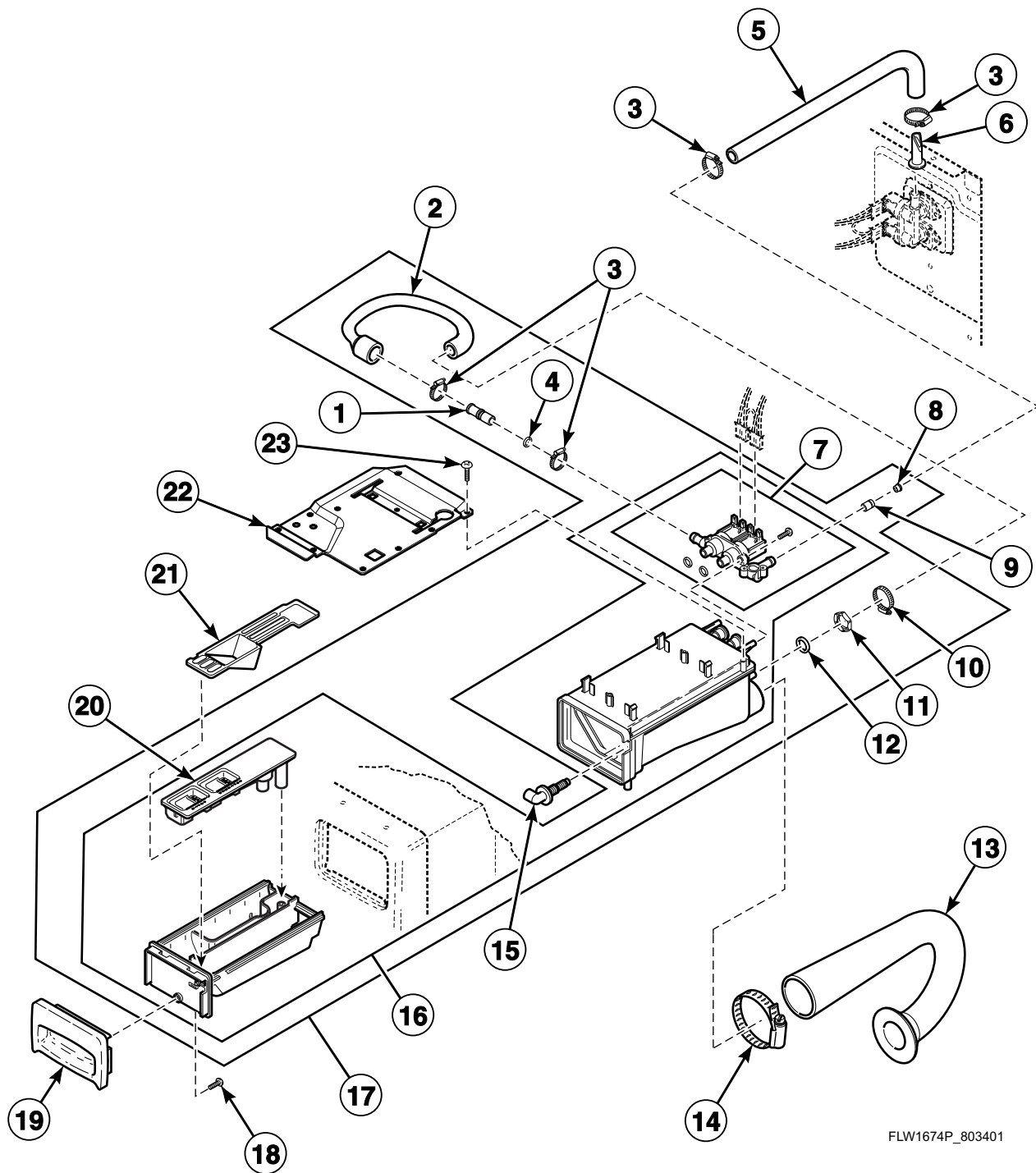
FLW939P_803401

Dispenser Assembly and Supply Injection Hoses

REF	PART NO.	DESCRIPTION	COMMENTS
1	802293	Washer	
2	802292	Nut	
3	802698	Hose Clamp	
4	687500	Wire Clip	
5	802256	Dispenser-to-Door Seal Hose	
6	55881	Harness Strap	
7	802164	Hose Clamp	
8	801464	Valve-to-Dispenser Inlet Hose	
9	34500	Backflow Preventer	
10	F200206	Hose Clamp	
11	801635	Tubing	
12	685766P	Valve Kit	
13	802292	Nut	
14	F170208	O-Ring	
15	800331	Dispenser-to-Tub Hose	
16	685725	Hose Clamp	
17	801746	Cap	
18	F8322001	Injection Nozzle	
19	801630P	Dispenser Assembly	Includes items 12 and 23
20	801662P	Dispenser Assembly	Includes items 10-14, 18, 19, 23 and 801789 Connector
21	800548	Screw	
22	685715WP	Dispenser Drawer Front	
23	685716	Insert	
24	800899	Detergent Cover	
25	801024	Dispenser Plate	
26	801001	Screw	
27	802866P	Door Seal Assembly	Black; Includes items 1, 2 and 28
	802830	Door Seal Assembly	Gray; Includes items 1, 2 and 28
28	802291	Boot Nozzle	

Dispenser Assembly (Drawing 1 of 2)

Models JF3LGFSP411EW06, JF3LMFSG411EN06, NF3LLFSG401UT06 and NF3LLFSP401UT06



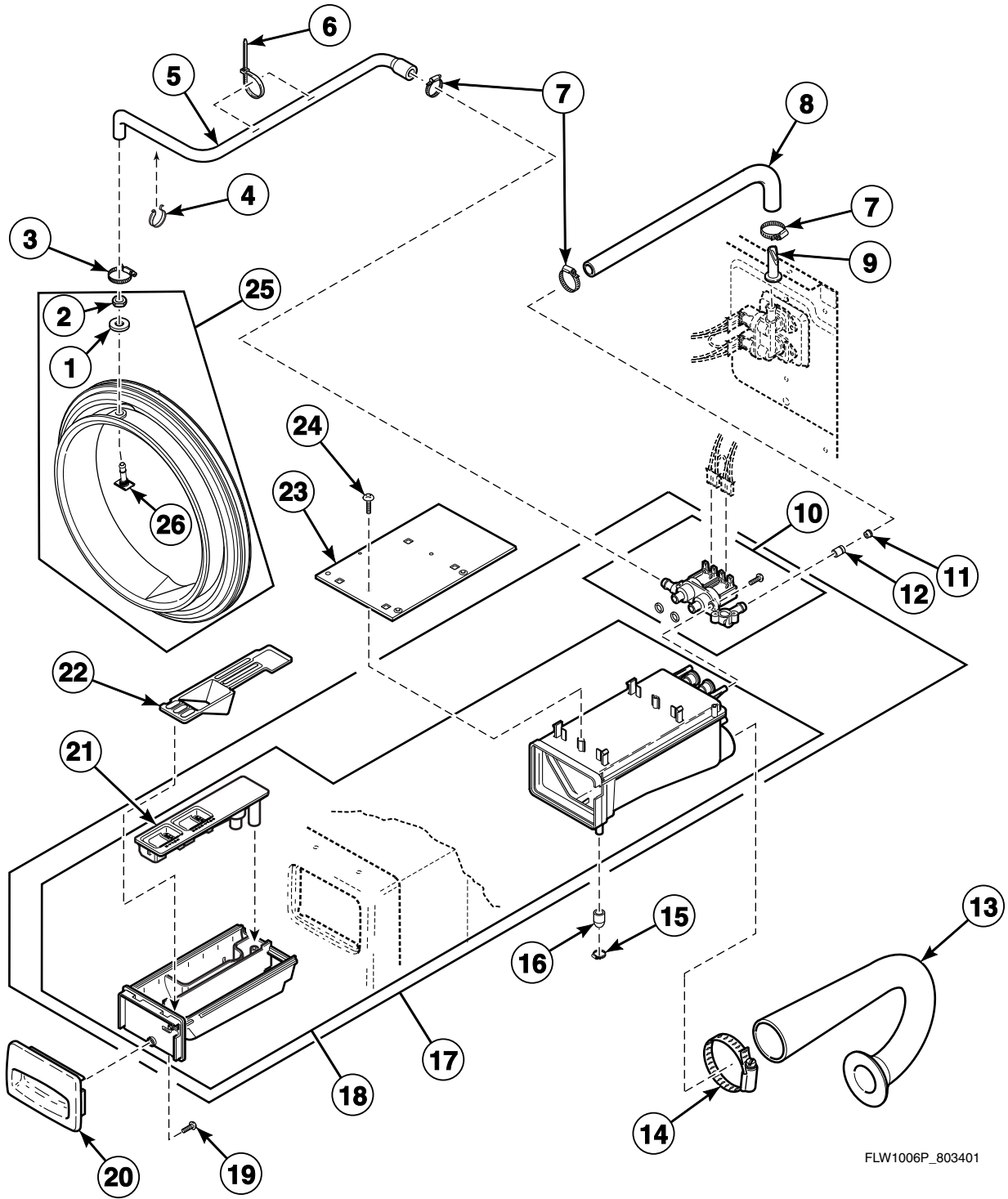
FLW1674P_803401

Dispenser Assembly (Drawing 1 of 2)

REF	PART NO.	DESCRIPTION	COMMENTS
1	803544	Orifice	
2	803440	Dispenser-to-Air Gap Hose	
3	802164	Hose Clamp	
4	803545	O-Ring	
5	801464	Valve-to-Dispenser Inlet Hose	
6	34500	Backflow Preventer	
7	801836P	Valve Kit	
8	803230	Flow Regulator	
9	803231	Spacer	
10	802698	Hose Clamp	
11	M404993	Nut	
12	F170208	O-Ring	
13	800331	Dispenser-to-Tub Hose	
14	685725	Hose Clamp	
15	F8322001	Injection Nozzle	
16	803441	Dispenser Assembly	Includes items 7 and 20
17	803546	Dispenser Assembly	Includes items 1-4, 7-12, 15, 16 and 20
18	800548	Screw	
19	803318	Dispenser Handle	Model JF3LMFSG411EN06
	803329W	Dispenser Handle	All other models
20	685716	Insert	
21	800899	Detergent Cover	
22	801024	Dispenser Plate	
23	801001	Screw	

Dispenser Assembly (Drawing 2 of 2)

All Models Except JF3LGFSP411EW06, JF3LMFSG411EN06, NF3LLFSG401UT06, NF3LLFSP401UT06, SFNLCFJP111TW01 and SFNLYFJP111TW01

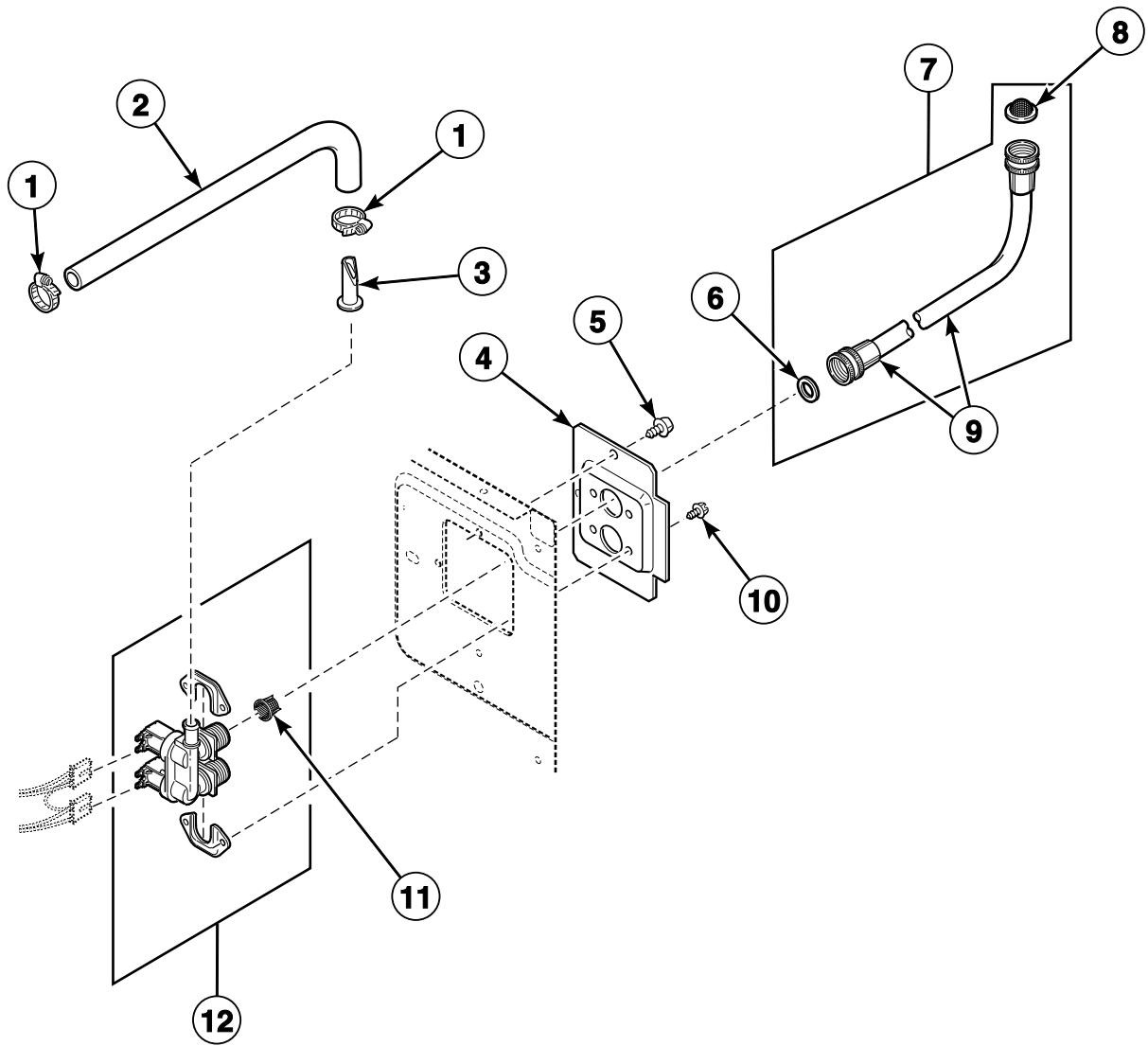


FLW1006P_803401

Dispenser Assembly (Drawing 2 of 2)

REF	PART NO.	DESCRIPTION	COMMENTS
1	802293	Washer	
2	802292	Nut	
3	802698	Hose Clamp	
4	687500	Wire Clip	
5	802256	Dispenser-to-Door Seal Hose	
6	39037	Cable Tie	
7	802164	Hose Clamp	
8	801464	Valve-to-Dispenser Inlet Hose	
9	34500	Backflow Preventer	
10	801836P	Valve Kit	Models BF3LLFSG401UN01, BF3LLFSG401UW01, BF3LLFSP401UN01, BF3LLFSP401UW01, BF3LXFSG401UN01, BF3LXFSG401UW01, BF3LXFSP401UN01, BF3LXFSP401UW01, JF3LEFSP411EW01, JF3LGFSP411EW01, JF3LMFSG411EN01, JFNLEFSG301EW01, JFNLEFSP301EW01, NF3LLFSG401UN01, NF3LLFSG401UT01, NF3LLFSP401NN22, NF3LLFSP401NW22, NF3LLFSP401UN01, NF3LLFSP401UT01, NF3LXFSG401UN01, NF3LXFSG401UW01, NF3LXFSP401UN01, NF3LXFSP401UW01 and NF3LYFSG401UW01
	685766P	Valve Kit	All other models
11	803230	Flow Regulator	Models JF3LEFSP411EW01, JF3LGFSP411EW01, JF3LMFSG411EN01, JFNLEFSG301EW01 and JFNLEFSP301EW01
12	803231	Spacer	Models JF3LEFSP411EW01, JF3LGFSP411EW01, JF3LMFSG411EN01, JFNLEFSG301EW01 and JFNLEFSP301EW01
13	800331	Dispenser-to-Tub Hose	
14	685725	Hose Clamp	
15	F200206	Hose Clamp	
16	801746	Cap	
17	801090P	Dispenser	Includes items 10, 18 and 21; Models BF3LLFSG401UN01, BF3LLFSG401UW01, BF3LLFSP401UN01, BF3LLFSP401UW01, BF3LXFSG401UN01, BF3LXFSG401UW01, BF3LXFSP401UN01, BF3LXFSP401UW01, JF3LEFSP411EW01, JF3LGFSP411EW01, JF3LMFSG411EN01, JFNLEFSG301EW01, JFNLEFSP301EW01, NF3LLFSG401UN01, NF3LLFSG401UT01, NF3LLFSP401NN22, NF3LLFSP401NW22, NF3LLFSP401UN01, NF3LLFSP401UT01, NF3LXFSG401UN01, NF3LXFSG401UW01, NF3LXFSP401UN01, NF3LXFSP401UW01 and NF3LYFSG401UW01
	685756P	Dispenser	Includes items 10, 18 and 21; All other models
18	801476P	Dispenser Assembly	Includes item 21
19	800548	Screw	
20	685715Q	Dispenser Drawer Front	Models SFNLCFSG111TQ01 and SFNLCFSP111TQ01
	803318	Dispenser Handle	Model JF3LMFSG411EN01
	803329W	Dispenser Handle	Models JF3LEFSP411EW01, JF3LGFSP411EW01, JFNLEFSG301EW01 and JFNLEFSP301EW01
	802879P	Dispenser Handle	Models BF3LLFSG401UN01, BF3LLFSP401UN01, BF3LXFSG401UN01, BF3LXFSP401UN01, HFNLXFSP111CN01, NF3LLFSG401UN01, NF3LLFSP401NN22, NF3LLFSP401UN01, NF3LXFSG401UN01, NF3LXFSP401UN01, SFNLCFSG111TN01, SFNLCFSP111TN01, SFNLXFSP111TN01, SFNLYFSG111TN01, SFNLYFSP111TN01, SFNNCFSG111TN01, SFNNCFSP111TN01, SFNWCFSG111TN01, SFNWCFSP111TN01, SFNWFYFSG111TN01 and SFNWFYFSP111TN01
	685715WP	Dispenser Drawer Front	All other models
21	685716	Insert	
22	800899	Detergent Cover	
23	801024	Dispenser Plate	
24	801001	Screw	
25	802866P	Door Seal Assembly	Black; Includes items 1, 2 and 26
	802830	Door Seal Assembly	Gray; Includes items 1, 2 and 26
26	802291	Boot Nozzle	

Mixing Valve, Inlet Hose and Dispenser Hose



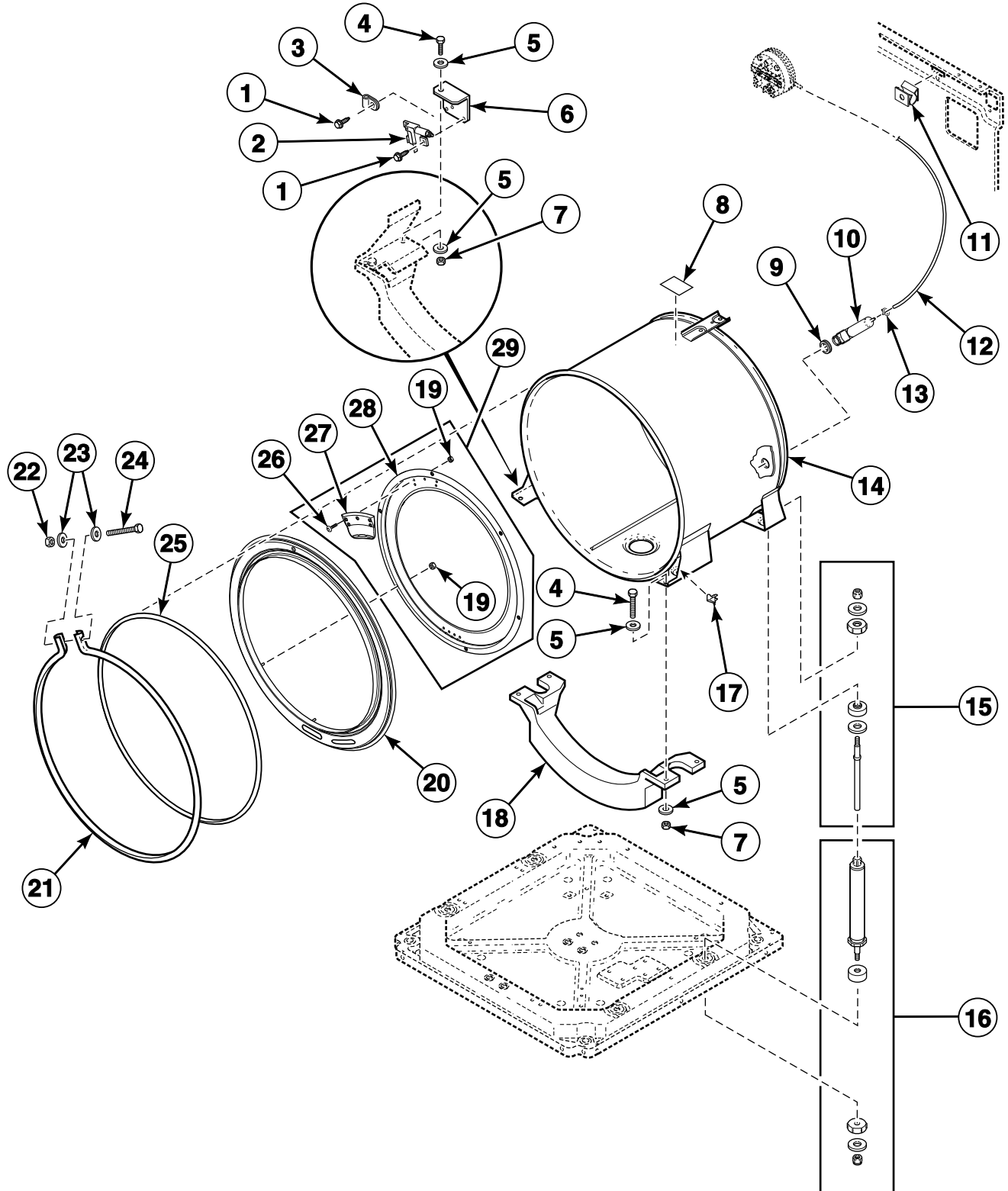
FLW881P_803401

Mixing Valve, Inlet Hose and Dispenser Hose

REF	PART NO.	DESCRIPTION	COMMENTS
1	802164	Hose Clamp	
2	801464	Valve-to-Dispenser Inlet Hose	
3	34500	Backflow Preventer	
4	800323	Mixing Valve Plate	
5	503661	Screw	
6	20290	Washer	
7	F200116	Water Hose	5 feet; Hose is equipped with 2 standard hose couplings; Includes items 6 and 8
	38349P	Fill Hose Kit	5 feet; Hose is equipped with 1 metric and 1 standard hose coupling; Includes 2 of item 6
8	803615	Washer	Filter screen
	802254	Washer	Flow restrictor; Water pressure reducer; Available for water pressure up to but not exceeding 120 psi
9	20617	Fill Hose	8 feet; Optional; Hose is equipped with 2 standard hose couplings
	20618	Fill Hose	10 feet; Optional; Hose is equipped with 2 standard hose couplings
	37380	Fill Hose	8 feet; Hose is equipped with 1 metric and 1 standard hose coupling
	37381	Fill Hose	10 feet; Hose is equipped with 1 metric and 1 standard hose coupling
10	501086	Screw	
11	802926	Mixing Valve Screen	
12	802222P	Mixing Valve	Models BF3LLFSG401UN01, BF3LLFSG401UW01, BF3LLFSP401UN01, BF3LLFSP401UW01, BF3LXFSG401UN01, BF3LXFSG401UW01, BF3LXFSP401UN01, BF3LXFSP401UW01, JF3LEFSP411EW01, JF3LGFSP411EW01, JF3LGFSP411EW06, JF3LMFSG411EN01, JF3LMFSG411EN06, JFNLEFSG301EW01, JFNLEFSP301EW01, NF3LLFSG401UN01, NF3LLFSG401UT01, NF3LLFSG401UT06, NF3LLFSP401NN22, NF3LLFSP401NW22, NF3LLFSP401UN01, NF3LLFSP401UT01, NF3LLFSP401UT06, NF3LXFSG401UN01, NF3LXFSG401UW01, NF3LXFSP401UN01, NF3LXFSP401UW01 and NF3LYFSG401UW01
	802220P	Mixing Valve	All other models

Outer Tub, Clamp Ring and Shock Absorbers

All Models Except BF3LLFSG401UN01, BF3LLFSG401UW01, BF3LLFSP401UN01, BF3LLFSP401UW01, BF3LXFSG401UN01, BF3LXFSG401UW01, BF3LXFSP401UN01, BF3LXFSP401UW01, JF3LEFSP411EW01, JF3LGFSP411EW01, JF3LGFSP411EW06, JF3LMFSG411EN01, JF3LMFSG411EN06, NF3LLFSG401UN01, NF3LLFSG401UT01, NF3LLFSG401UT06, NF3LLFSP401NN22, NF3LLFSP401NW22, NF3LLFSP401UN01, NF3LLFSP401UT01, NF3LLFSP401UT06, NF3LXFSG401UN01, NF3LXFSG401UW01, NF3LXFSP401UN01, NF3LXFSP401UW01 and NF3LYFSG401UW01



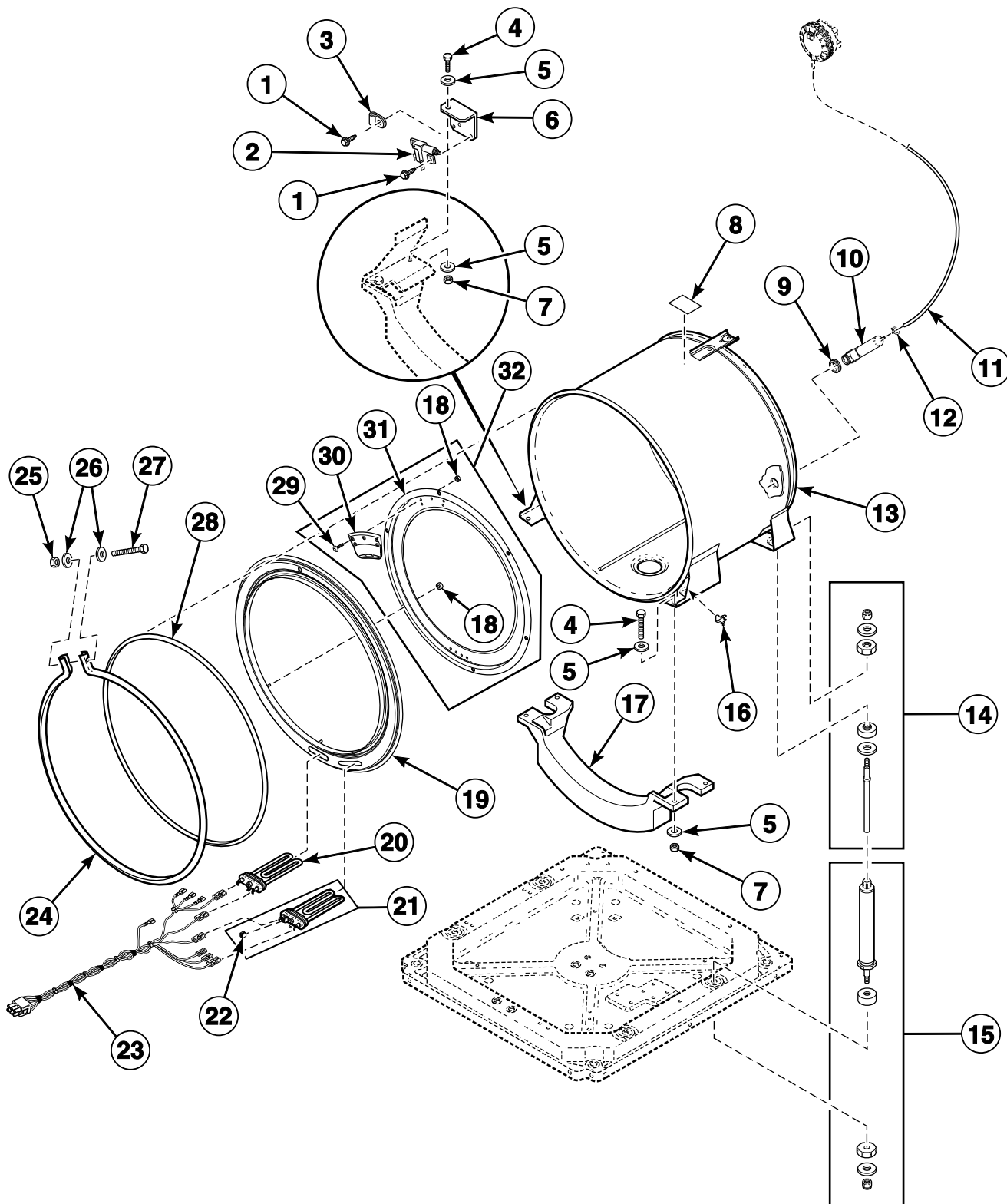
FLW1013P_803401

Outer Tub, Clamp Ring and Shock Absorbers

REF	PART NO.	DESCRIPTION	COMMENTS
1	503661	Screw	
2	801006	Out-of-Balance Switch Assembly	Models through Serial No. 1106019172 and starting again Serial No. 1106030843 through Serial No. 1201004551
	803415	Out-of-Balance Switch Assembly	Models starting Serial No. 1106019173 through Serial No. 1106030842 and starting again Serial No. 1201004552
3	800811	Wire Clamp	
4	800461	Screw	
5	M400081	Washer	
6	800663	Switch Mounting Bracket	Models through Serial No. 1106019172 and starting again Serial No. 1106030843 through Serial No. 1201004551
	803388	Switch Mounting Bracket	Models starting Serial No. 1106019173 through Serial No. 1106030842 and starting again Serial No. 1201004552
7	800452	Nut	
8	500314	Warning Label	Models HFNLEFSP111CW01, HFNLEFSP111CWNA, HFNLERSP111CW01, HFNLERSP111CWNA, HFNLXFSP111CN01, HFNLXFSP111CW01, HFNLXRSP111CW01, HFNLXFSP111CW01, HFNLXFSP111CWNA, HFNLXRSP111CW01, HFNLXRSP111CWNA, HFNNXFSP111CW01, HFNNXRSP111CW01 and RFNLXFSP111CW01
	502511	Electrical Shock Label	Models JFNLEFSG301EW01 and JFNLEFSP301EW01
	502506	Pinched Fingers Label	Models JFNLEFSG301EW01 and JFNLEFSP301EW01
	500049	Warning Label	All other models
9	29175	Grommet	
10	30907	Pressure Bulb	
11	36985	Hose Clip	Positioned here on rear control models
12	685751	Tubing	Models HFNLERSP111CW01, HFNLERSP111CWNA, HFNLXRSP111CW01, HFNNXRSP111CW01, SFNLCRSP111TW01, SFNLCRSP111TW02, SFNLCRSP111TWNA, SFNLXRSP111TW02, SFNNCRSP111TW01, SFNNCRSP111TW02 and SFNNXRSP111TW02
	800648P	Tubing	All other models
13	39282	Hose Clamp	
14	801081P	Outer Tub Assembly	
15	800622P	Tub Shock Absorber Kit	Upper
16	802881P	Base Shock Absorber Kit	Lower; Must replace all 4
17	00161	Grounding Clip	
18	800205	Ballast Weight	
19	802343	Nut	
20	802258	Tub Front Assembly	
21	800312	Clamp Ring	
22	F430218	Nut	
23	800457	Washer	
24	800462	Screw	
25	800432P	Tub Front Seal	
26	802596	Screw	
27	803038P	Clothes Guard Deflector	
28	803537	Clothes Guard	
29	984P3	Clothes Guard and Deflector Kit	Includes items 7, 19 and 23-28

Outer Tub, Clamp Ring, Shock Absorbers and Heating Element

Models BF3LLFSG401UN01, BF3LLFSG401UW01, BF3LLFSP401UN01, BF3LLFSP401UW01, BF3LXFSG401UN01, BF3LXFSG401UW01, BF3LXFSP401UN01, BF3LXFSP401UW01, JF3LEFSP411EW01, JF3LGFSP411EW01, JF3LGFSP411EW06, JF3LMFSG411EN01, JF3LMFSG411EN06, NF3LLFSG401UN01, NF3LLFSG401UT01, NF3LLFSG401UT06, NF3LLFSP401NN22, NF3LLFSP401NW22, NF3LLFSP401UN01, NF3LLFSP401UT01, NF3LLFSP401UT06, NF3LXFSG401UN01, NF3LXFSG401UW01, NF3LXFSP401UN01, NF3LXFSP401UW01 and NF3LYFSG401UW01

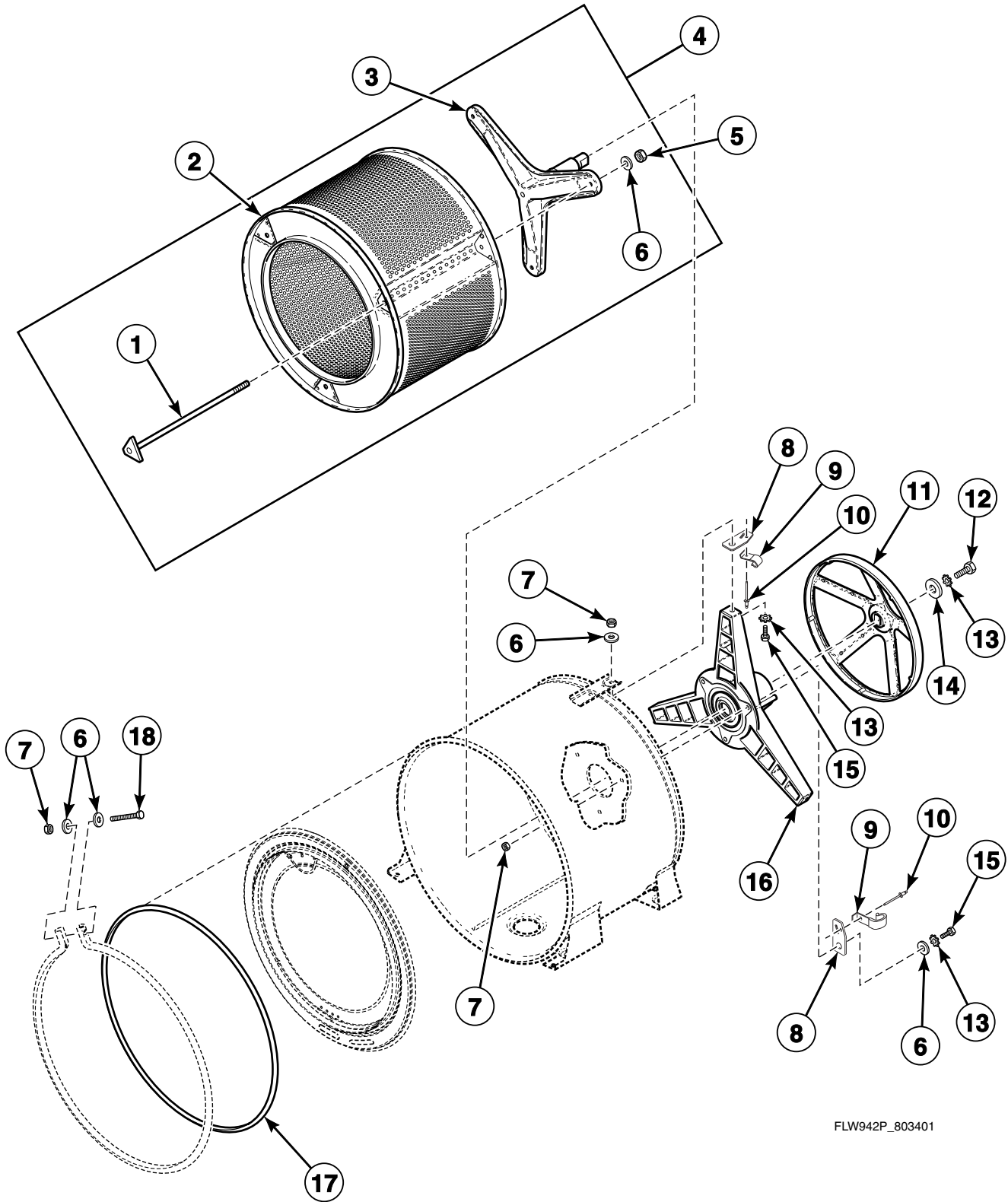


FLW1012P_803401

Outer Tub, Clamp Ring, Shock Absorbers and Heating Element

REF	PART NO.	DESCRIPTION	COMMENTS
1	503661	Screw	
2	801006	Out-of-Balance Switch Assembly	Models through Serial No. 1106019172 and starting again Serial No. 1106030843 through Serial No. 1201004551
	803415	Out-of-Balance Switch Assembly	Models starting Serial No. 1106019173 through Serial No. 1106030842 and starting again Serial No. 1201004552
3	800811	Wire Clamp	
4	800461	Screw	
5	M400081	Washer	
6	800663	Switch Mounting Bracket	Models through Serial No. 1106019172 and starting again Serial No. 1106030843 through Serial No. 1201004551
	803388	Switch Mounting Bracket	Models starting Serial No. 1106019173 through Serial No. 1106030842 and starting again Serial No. 1201004552
7	800452	Nut	
8	502511	Electrical Shock Label	
	502506	Pinched Fingers Label	
9	29175	Grommet	
10	30907	Pressure Bulb	
11	803280	Tubing	
12	39282	Hose Clamp	
13	801291	Outer Tub Assembly	
14	800622P	Tub Shock Absorber Kit	Upper
15	802881P	Base Shock Absorber Kit	Lower; Must replace all 4
16	00161	Grounding Clip	
17	800205	Ballast Weight	
18	802343	Nut	
19	802260	Tub Front Assembly	Models through Serial No. 1001000989
	803494	Tub Front Assembly	Models starting Serial No. 1001000990
20	803558P	Heating Element Kit	
21	803557P	Heating Element Kit	Includes item 22
22	803256	Thermistor	
23	802323P	Heater Harness	Models through Serial No. 1001000989
	803492	Heater Harness	Models starting Serial No. 1001000990
24	800312	Clamp Ring	
25	F430218	Nut	
26	800457	Washer	
27	800462	Screw	
28	800432P	Tub Front Seal	
29	802596	Screw	
30	803038P	Clothes Guard Deflector	
31	803537	Clothes Guard	
32	984P3	Clothes Guard and Deflector Kit	Includes items 7, 18 and 26-31

Inner Basket, Trunnion, Bearing Housing and Pulley

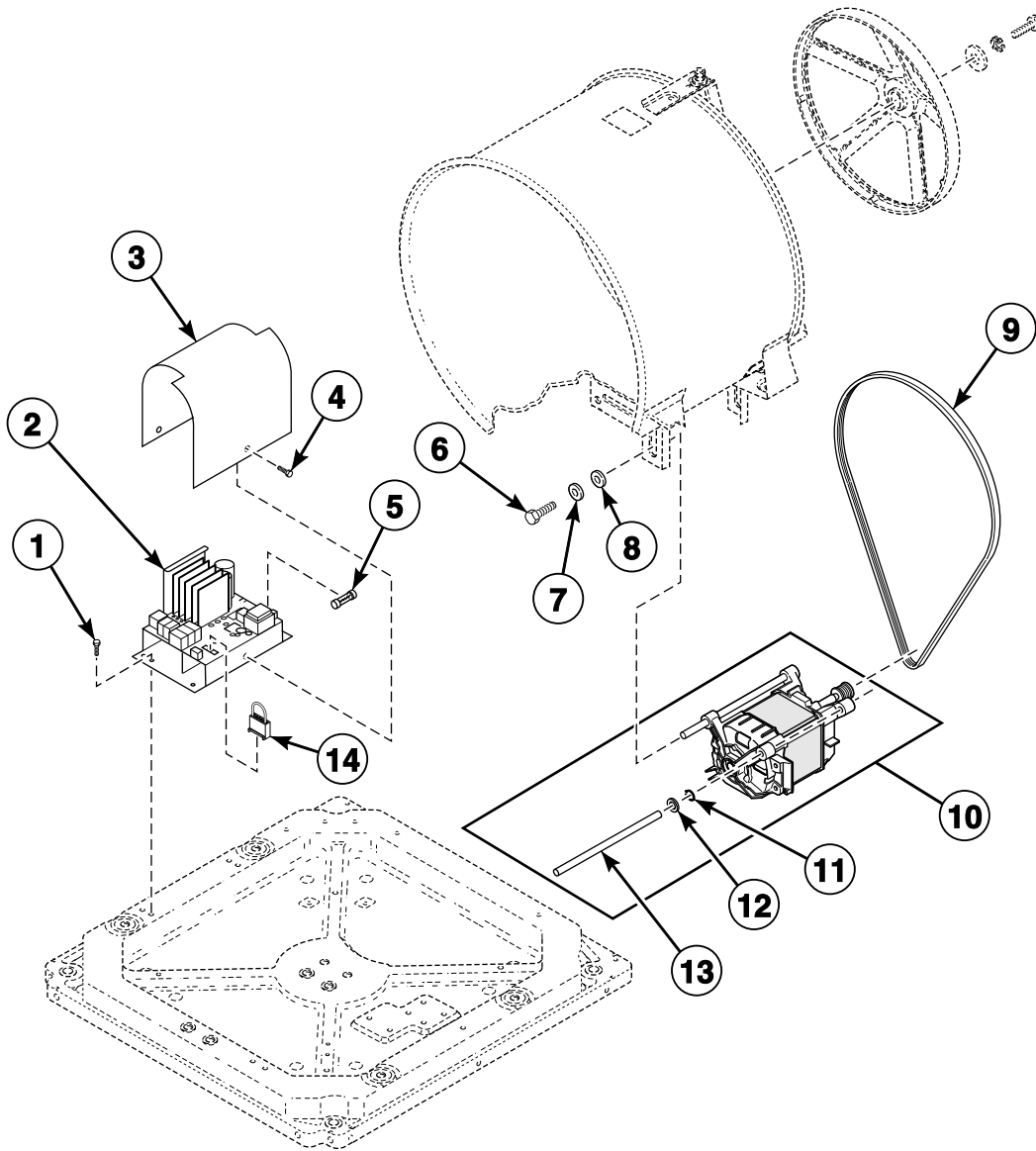


FLW942P_803401

Inner Basket, Trunnion, Bearing Housing and Pulley

REF	PART NO.	DESCRIPTION	COMMENTS
	27604P	Anti-Seize Compound	Pulley to inner basket shaft
	838P3	Hardware Kit	Includes (8) of item 6, (7) each of items 8 and 12, (6) of item 10, (1) each of items 7, 9, 13, 14 and 27604P Anti-Seize Compound
	RB160001	Bearing Kit	
1	800666	Tension Rod Assembly	
2	803008P	Inner Basket Assembly	
3	800749P	Trunnion Shaft and Hardware Kit	Includes (3) each of items 1, 5, 6 and 838P3 Hardware Kit; If ordering trunnion shaft separately, inner basket and trunnion shaft must be properly aligned to prevent door seal damage. Refer to instructions included in kit
4	802365P	Inner Basket Assembly	
5	803017	Nut	
6	800457	Washer	
7	F430218	Nut	
8	800552	Hose Mounting Plate	
9	800553	Hose Clip	
10	685847	Pop Rivet	
11	800866	Driven Pulley	
12	685831	Screw	Left hand thread
13	M403958	Washer	
14	800464	Washer	
15	M400043	Screw	
16	800428P	Bearing Housing Kit	Includes 838P3 Hardware Kit
17	800432P	Tub Front Seal	
18	800462	Screw	

Motor and Belt



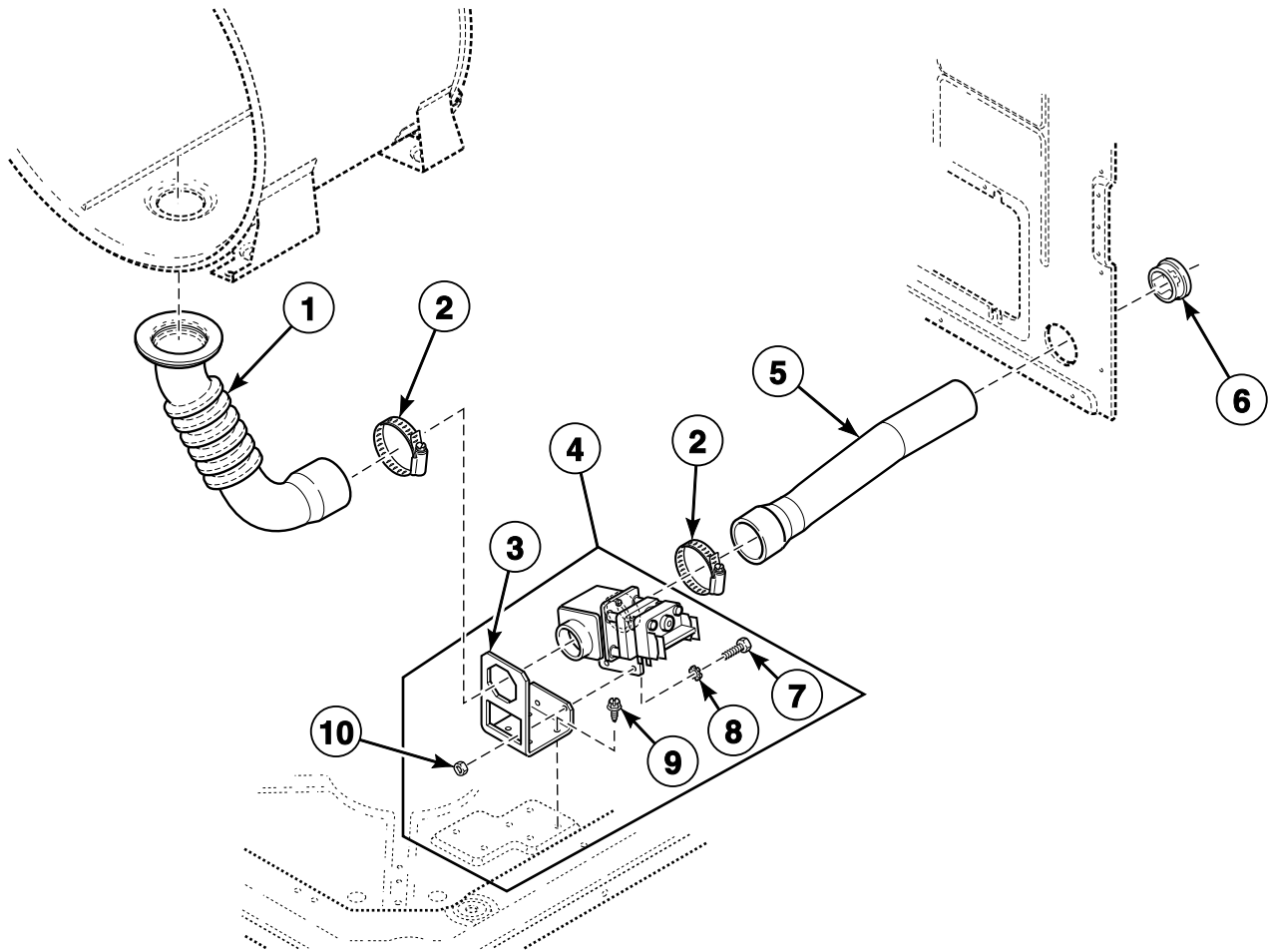
FLW1022P_803401

Motor and Belt

REF	PART NO.	DESCRIPTION	COMMENTS
1	503661	Screw	
2	803255P	Inverter Control Assembly	240 Volt; Models BF3LLFSG401UN01, BF3LLFSG401UW01, BF3LLFSP401UN01, BF3LLFSP401UW01, BF3LXFSG401UN01, BF3LXFSG401UW01, BF3LXFSP401UN01, BF3LXFSP401UW01, JF3LEFSP411EW01, JF3LGFSP411EW01, JF3LGFSP411EW06, JF3LMFSG411EN01, JF3LMFSG411EN06, JFNLEFSG301EW01, JFNLEFSP301EW01, NF3LLFSG401UN01, NF3LLFSG401UT01, NF3LLFSG401UT06, NF3LLFSP401NN22, NF3LLFSP401NW22, NF3LLFSP401UN01, NF3LLFSP401UT01, NF3LLFSP401UT06, NF3LXFSG401UN01, NF3LXFSG401UW01, NF3LXFSP401UN01, NF3LXFSP401UW01 and NF3LYFSG401UW01
	803254P	Inverter Control Assembly	120 Volt; All other models
3	801061	Control Shield	
4	501524	Screw	
5	801755	Fuse	10 Amp
6	M400057	Screw	
7	02834	Washer	
8	M400080	Washer	
9	800319P	Drive Belt	
10	801684P	Motor and Rod Assembly Kit	Includes 2 each of items 11-13 and wire ties
11	23748	Retaining Ring	
12	52549	Washer	
13	801062	Motor Mount Rod	
14	513316	Jumper Harness	Use to limit spin RPM on inverter controls starting Serial No. 0911014603; 240 Volt; Models BF3LLFSG401UN01, BF3LLFSG401UW01, BF3LLFSP401UN01, BF3LLFSP401UW01, BF3LXFSG401UN01, BF3LXFSG401UW01, BF3LXFSP401UN01, BF3LXFSP401UW01, JF3LEFSP411EW01, JF3LGFSP411EW01, JF3LGFSP411EW06, JF3LMFSG411EN01, JF3LMFSG411EN06, JFNLEFSG301EW01, JFNLEFSP301EW01, NF3LLFSG401UN01, NF3LLFSG401UT01, NF3LLFSG401UT06, NF3LLFSP401NN22, NF3LLFSP401NW22, NF3LLFSP401UN01, NF3LLFSP401UT01, NF3LLFSP401UT06, NF3LXFSG401UN01, NF3LXFSG401UW01, NF3LXFSP401UN01, NF3LXFSP401UW01 and NF3LYFSG401UW01
	513268	Jumper Harness	Use to limit spin RPM on inverter controls starting Serial No. 0911014603; 120 Volt; All other models

Drain Hoses and Valve

Models BF3LLFSG401UN01, BF3LLFSG401UW01, BF3LXFSG401UN01, BF3LXFSG401UW01, JF3LMFSG411EN01, JF3LMFSG411EN06, JFNLEFSG301EW01, NF3LLFSG401UN01, NF3LLFSG401UT01, NF3LLFSG401UT06, NF3LXFSG401UN01, NF3LXFSG401UW01, NF3LYFSG401UW01, SFNLCFSG111TN01, SFNLCFSG111TQ01, SFNLCFSG111TW01, SFNLCFSG111TWNA, SFNLXFSG111TW01, SFNLYFSG111TN01, SFNLYFSG111TW01, SFNLYFSG111TWNA, SFNNCFSG111TN01, SFNWCFSG111TN01 and SFNWYFSG111TN01



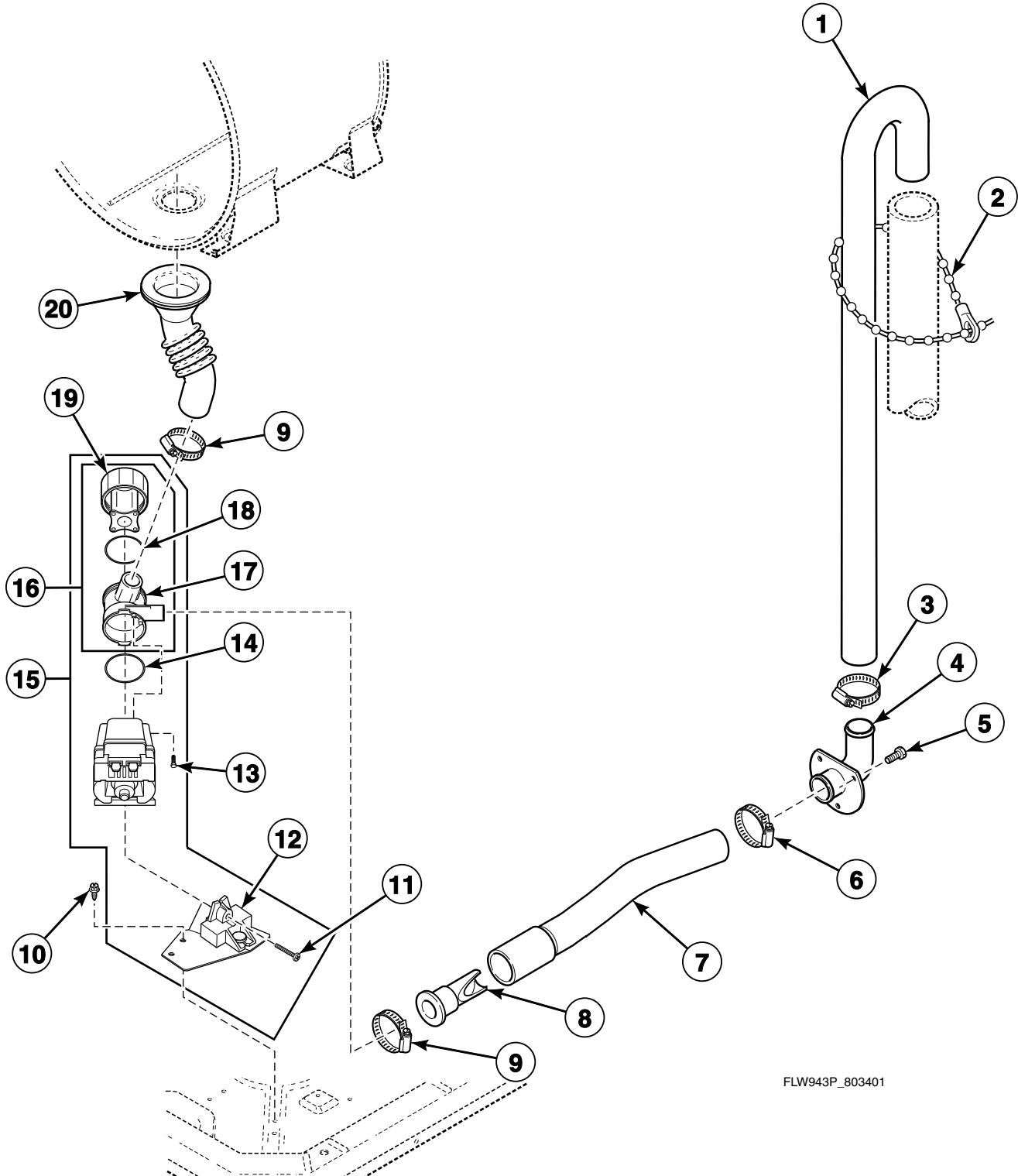
FLW888P_803401

Drain Hoses and Valve

REF	PART NO.	DESCRIPTION	COMMENTS
1	800902	Tub-to-Drain Hose	
	27615P	Sealant	Tub-to drain hose to outer tub
2	685725	Hose Clamp	
3	803291	Gravity Drain Bracket	
4	F975P3	Drain Valve Kit	Includes items 3 and 7-10; Models SFNLCFSG111TN01, SFNLCFSG111TQ01, SFNLCFSG111TW01, SFNLCFSG111TWNA, SFNLXFSG111TW01, SFNLYFSG111TN01, SFNLYFSG111TW01, SFNLYFSG111TWNA, SFNNCFSG111TN01, SFNWCFSG111TN01 and SFNWYFSG111TN01
	F976P3	Drain Valve Kit	Includes items 3 and 7-10; All other models
5	800903	Drain-to-Cabinet Hose	
6	503235	Snap Bushing	
7	02916	Screw	
8	M400017	Washer	
9	503661	Screw	
10	29786	Nut	

Hoses and Pump

All Models Except BF3LLFSG401UN01, BF3LLFSG401UW01, BF3LXFSG401UN01, BF3LXFSG401UW01, JF3LMFSG411EN01, JF3LMFSG411EN06, JFNLEFSG301EW01, NF3LLFSG401UN01, NF3LLFSG401UT01, NF3LLFSG401UT06, NF3LXFSG401UN01, NF3LXFSG401UW01, NF3LYFSG401UW01, SFNLCFSG111TN01, SFNLCFSG111TQ01, SFNLCFSG111TW01, SFNLCFSG111TUNA, SFNLXFSG111TW01, SFNLYFSG111TN01, SFNLYFSG111TW01, SFNLYFSG111TUNA, SFNNCFSG111TN01, SFNWCFSG111TN01 and SFNWYFSG111TN01

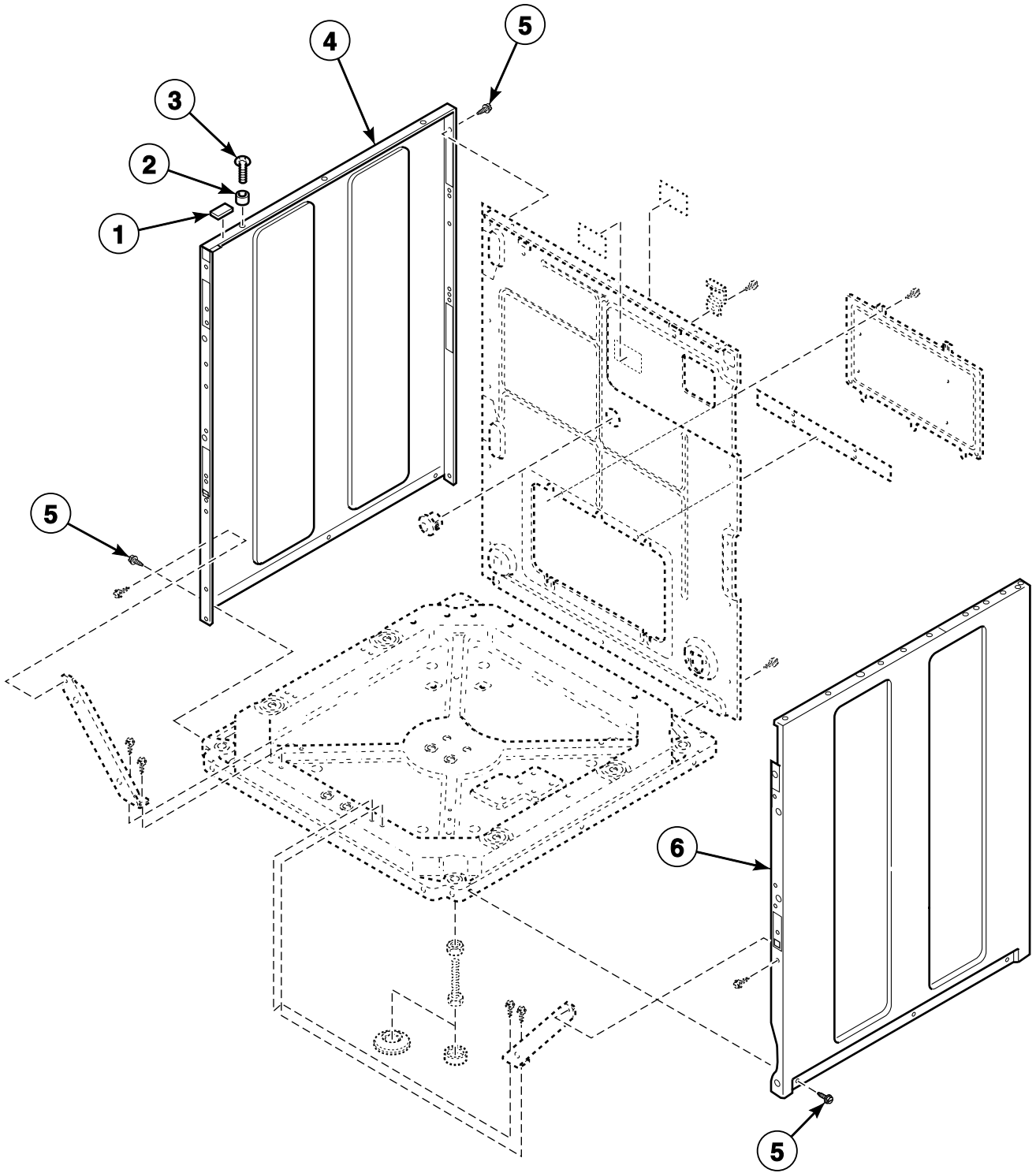


FLW943P_803401

Hoses and Pump

REF	PART NO.	DESCRIPTION	COMMENTS
1	27154	Drain Hose	
2	33489	Standpipe Strap	
3	20211	Hose Clamp	
4	35766	Drain Hose Elbow	
5	52909	Screw	
6	20391	Hose Clamp	
7	685737	Pump-to-Elbow Hose	
8	800310	Backflow Preventer	
9	F200204	Hose Clamp	
10	503661	Screw	
11	802430	Screw	
12	802626	Pump Mount Bracket	
13	802431	Screw	
14	802429	O-Ring	
15	802624P	Drain Pump	Models BF3LLFSP401UN01, BF3LLFSP401UW01, BF3LXFSP401UN01, BF3LXFSP401UW01, JF3LEFSP411EW01, JF3LGFSP411EW01, JF3LGFSP411EW06, JFNLEFSP301EW01, NF3LLFSP401NN22, NF3LLFSP401NW22, NF3LLFSP401UN01, NF3LLFSP401UT01, NF3LLFSP401UT06, NF3LXFSP401UN01 and NF3LXFSP401UW01
	802623P	Drain Pump	All other models
16	802434P	Pump Housing Assembly	Includes items 17-19
17	802428	Pump Housing	
18	802427	Gasket	
19	802426P	Lid Assembly	Includes filter
20	800317	Tub-to-Pump Hose	
	27615P	Sealant	Tub-to-pump hose to outer tub
	985P3	Drain Kit	Includes 803344 Tub-to-Pump Hose with Trap, 90554 Hose Clamp, 803400 Cap and 27615P Sealant

Side Panels

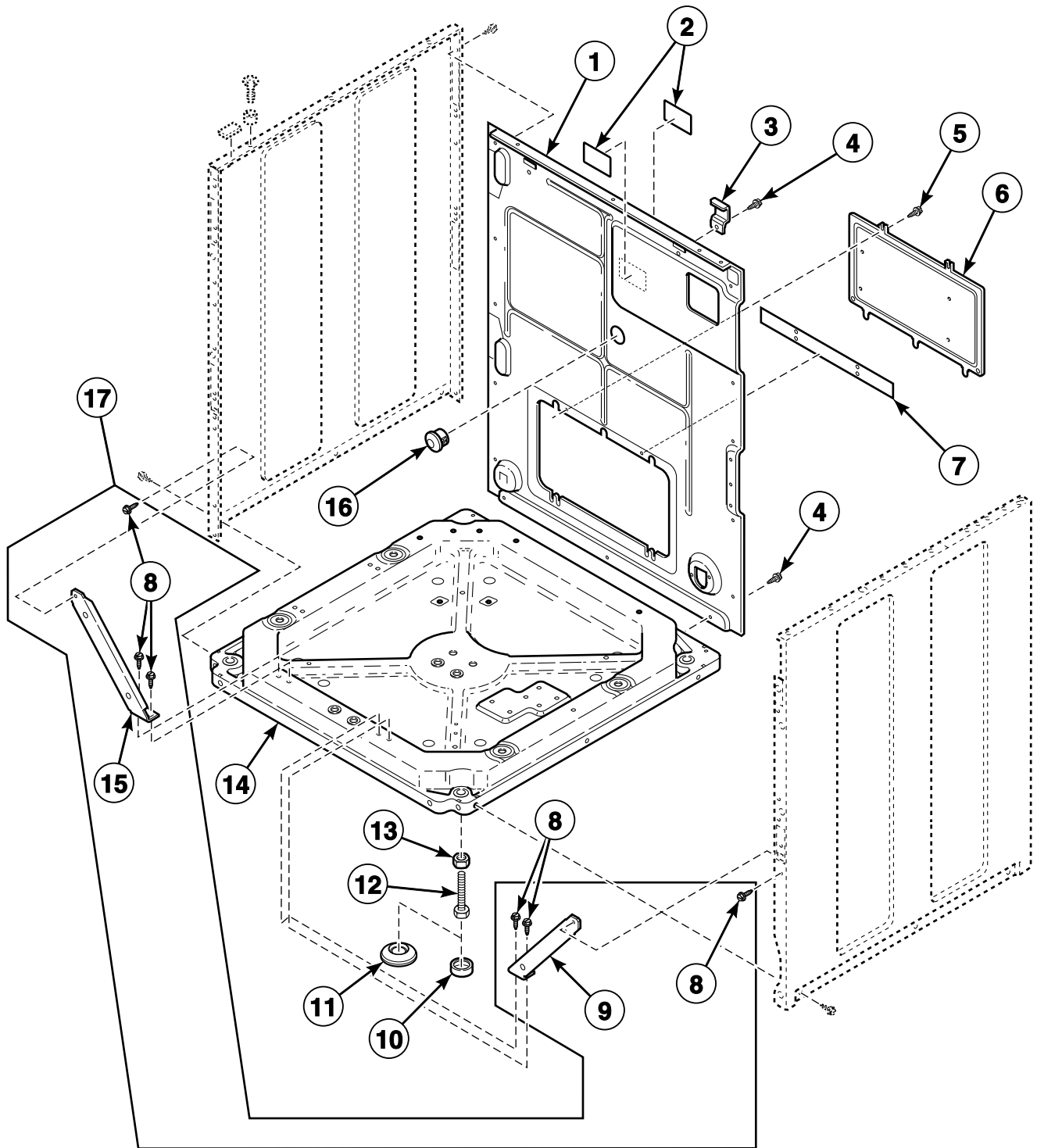


FLW969P_803401

Side Panels

REF	PART NO.	DESCRIPTION	COMMENTS
	122P4P	Porcelain Touch-Up Paint	White
	370P4P	Porcelain Touch-Up Paint	Bisque
1	36226	Bumper Pad	
2	56079	Panel Locator	
3	512921	Screw	Use with stainless steel panels
	39733	Screw	Use with painted panels
4	800004QP	Cabinet Panel Kit	Left; Includes corner gusset with hardware; Models SFNLCFSG111TQ01 and SFNLCFSP111TQ01
	802525P	Cabinet Side Panel	Left; Stainless steel; Models BF3LLFSG401UN01, BF3LLFSP401UN01, BF3LXFSG401UN01, BF3LXFSP401UN01, HFNLXFSP111CN01, JF3LMFSG411EN01, JF3LMFSG411EN06, NF3LLFSP401NN22, NF3LLFSP401UN01, NF3LXFSG401UN01, NF3LXFSP401UN01, SFNLCFSG111TN01, SFNLCFSP111TN01, SFNLXFSP111TN01, SFNLYFSG111TN01, SFNLYFSP111TN01, SFNNCFSG111TN01, SFNNCFSP111TN01, SFNWCFSG111TN01, SFNWCFSF111TN01, SFNWFYFSG111TN01 and SFNWFYFSP111TN01
	800004G	Side Panel	Left; Gray; Models BF3LLFSG401UN01, BF3LLFSP401UN01, BF3LXFSG401UN01, BF3LXFSP401UN01, HFNLXFSP111CN01, JF3LMFSG411EN01, JF3LMFSG411EN06, NF3LLFSG401UN01, NF3LLFSP401NN22, NF3LLFSP401UN01, NF3LXFSG401UN01, NF3LXFSP401UN01, SFNLCFSG111TN01, SFNLCFSP111TN01, SFNLXFSP111TN01, SFNLYFSG111TN01, SFNLYFSP111TN01, SFNNCFSG111TN01, SFNNCFSP111TN01, SFNWCFSG111TN01, SFNWCFSF111TN01, SFNWFYFSG111TN01 and SFNWFYFSP111TN01
	800004WP	Cabinet Panel Kit	Left; Includes corner gusset with hardware; All other models
5	503661	Screw	
6	800005QP	Side Panel Kit	Right; Includes 801024 Dispenser Plate with hardware and 547P3 Coin Cabinet Hardware Kit; Models SFNLCFSG111TQ01 and SFNLCFSP111TQ01
	802526P	Cabinet Side Panel	Right; Stainless steel; Models BF3LLFSG401UN01, BF3LLFSP401UN01, BF3LXFSG401UN01, BF3LXFSP401UN01, HFNLXFSP111CN01, JF3LMFSG411EN01, JF3LMFSG411EN06, NF3LLFSP401NN22, NF3LLFSP401UN01, NF3LXFSG401UN01, NF3LXFSP401UN01, SFNLCFSG111TN01, SFNLCFSP111TN01, SFNLXFSP111TN01, SFNLYFSG111TN01, SFNLYFSP111TN01, SFNNCFSG111TN01, SFNNCFSP111TN01, SFNWCFSG111TN01, SFNWCFSF111TN01, SFNWFYFSG111TN01 and SFNWFYFSP111TN01
	800005G	Side Panel	Right; Gray; Models BF3LLFSG401UN01, BF3LLFSP401UN01, BF3LXFSG401UN01, BF3LXFSP401UN01, HFNLXFSP111CN01, JF3LMFSG411EN01, JF3LMFSG411EN06, NF3LLFSG401UN01, NF3LLFSP401NN22, NF3LLFSP401UN01, NF3LXFSG401UN01, NF3LXFSP401UN01, SFNLCFSG111TN01, SFNLCFSP111TN01, SFNLXFSP111TN01, SFNLYFSG111TN01, SFNLYFSP111TN01, SFNNCFSG111TN01, SFNNCFSP111TN01, SFNWCFSG111TN01, SFNWCFSF111TN01, SFNWFYFSG111TN01 and SFNWFYFSP111TN01
	800005WP	Side Panel Kit	Right; Includes 801024 Dispenser Plate with hardware and 547P3 Coin Cabinet Hardware Kit; All other models

Base and Rear Panel



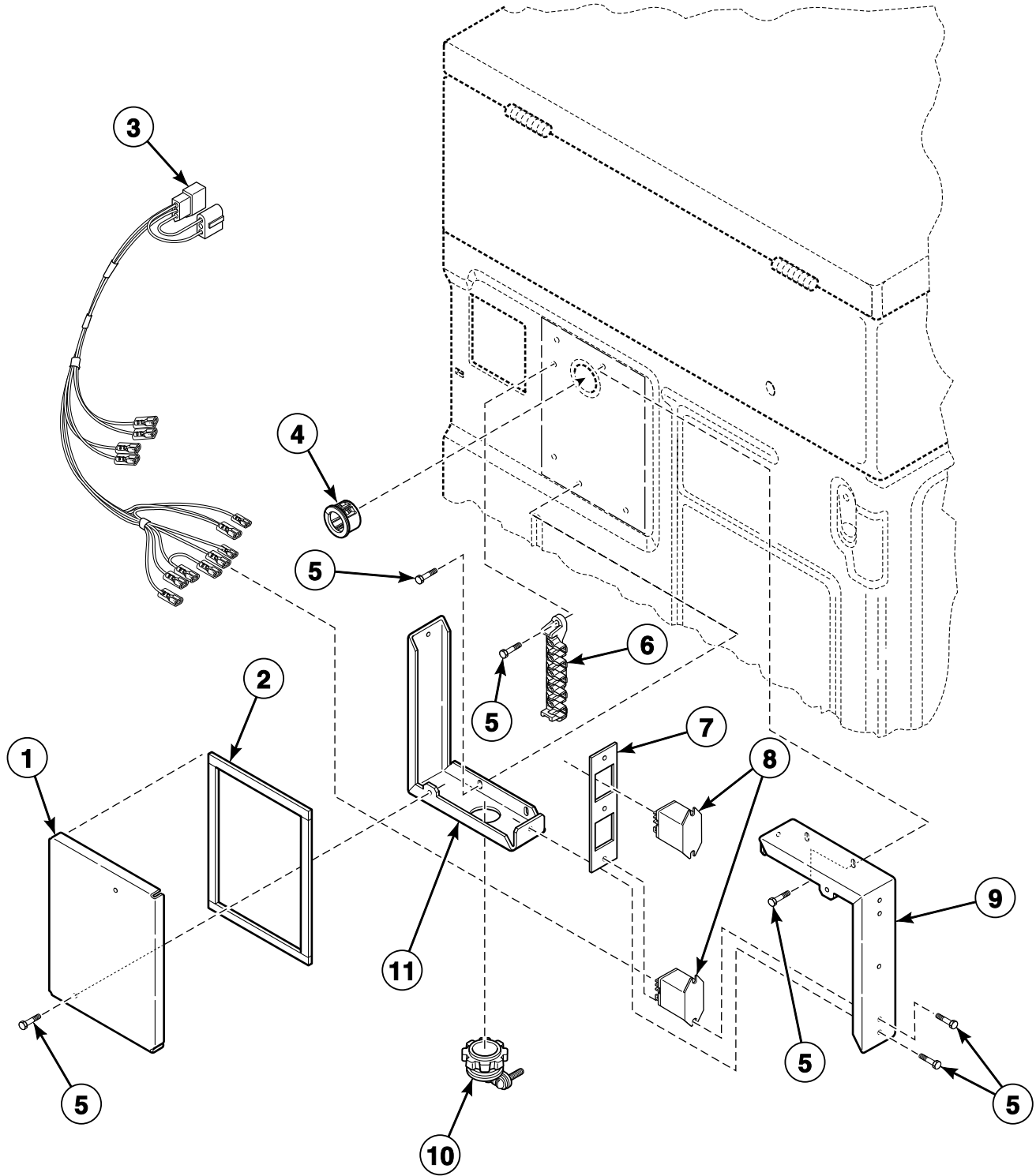
FLW969PA_803401

Base and Rear Panel

REF	PART NO.	DESCRIPTION	COMMENTS
1	801216	Rear Panel	Models BF3LLFSG401UN01, BF3LLFSG401UW01, BF3LXFSG401UN01, BF3LXFSG401UW01, JF3LMFSG411EN01, JF3LMFSG411EN06, JFNLEFSG301EW01, NF3LLFSG401UN01, NF3LLFSG401UT01, NF3LLFSG401UT06, NF3LXFSG401UN01, NF3LXFSG401UW01, NF3LYFSG401UW01, SFNLCFSG111TN01, SFNLCFSG111TQ01, SFNLCFSG111TW01, SFNLCFSG111TWNA, SFNLXFSG111TW01, SFNLYFSG111TN01, SFNLYFSG111TW01, SFNLYFSG111TWNA, SFNNCFSG111TN01, SFNWCFSG111TN01 and SFNWYFSG111TN01
	801629	Rear Panel	Models SFNLCFJP111TW01 and SFNLYFJP111TW01
	800010P	Rear Panel	All other models
2	685928	Screw Label	Left hand thread
3	510136	Top Hinge	Rear control models
4	503661	Screw	
5	430497	Screw	
6	800011	Rear Access Panel	
7	801702	Motor Access Hole Edging	
8	31645	Screw	
9	801492	Cabinet Brace	Right
10	34318	Rubber Foot	
11	155P3	Anchor	Includes 4 rubber discs with adhesive backing
	802844P	Anchor Floor Mount Assembly	Includes 2 rubber discs with adhesive backing
12	34319	Leveling Leg	
13	21899	Nut	
14	802245	Base Assembly	
15	801491	Cabinet Brace	Left
16	M412154	Hole Plug	
17	918P3	Brace Kit	Includes items 8, 9 and 15

Junction Box

Models SFNLCFJP111TW01 and SFNLYFJP111TW01

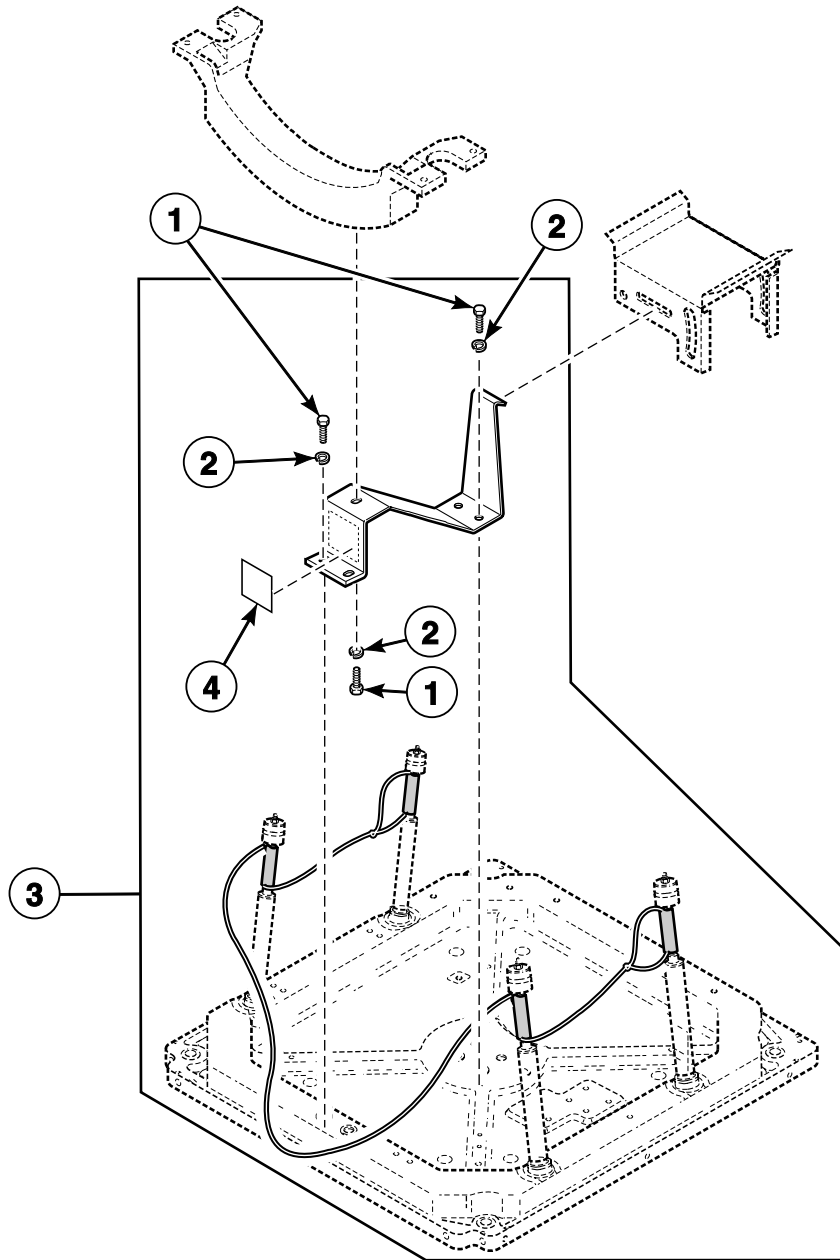


FLW903P_803401

Junction Box

REF	PART NO.	DESCRIPTION	COMMENTS
1	801498	Junction Box Cover	
2	801425P	Junction Box Seal	4 required
3	801518	Supply Injection Wire Harness Assembly	
4	M402542	Snap Bushing	
5	503661	Screw	
6	505876	Terminal Block Assembly	
7	801501	Relay Mounting Bracket	
8	431349	Relay	
9	801497	Upper Junction Box	
10	F140312	Connector	
11	801499	Lower Junction Box	

Shipping Materials

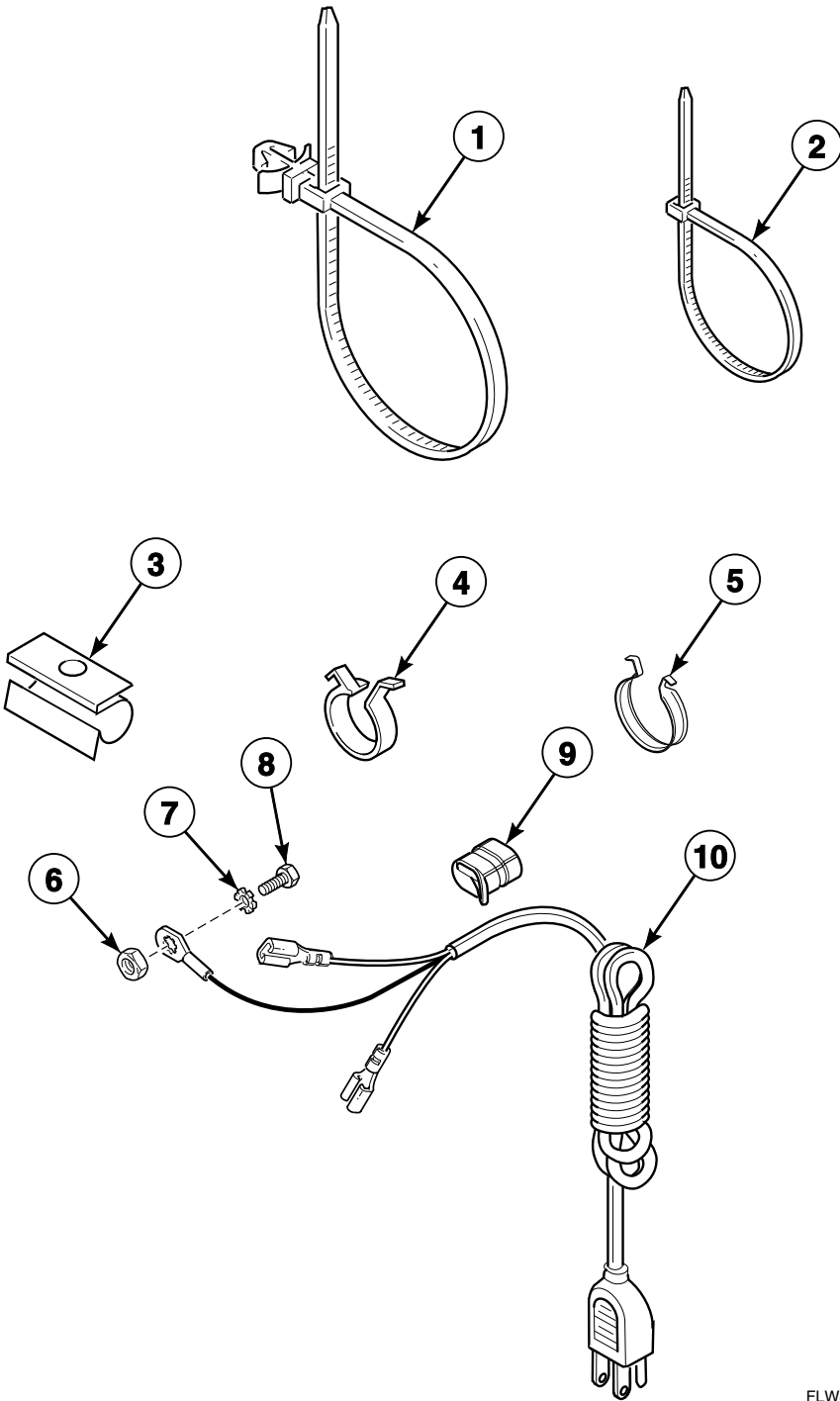


FLW1030P_803401

Shipping Materials

REF	PART NO.	DESCRIPTION	COMMENTS
1	M400043	Screw	
2	M400014	Washer	
3	930P3	Shipping Materials Kit	Includes items 1, 2, 4, shipping bracket, and shipping cord and brace assembly
4	686901	Shipping Bracket Label	

Wire Ties, Harness Clips and Lead-In Cord

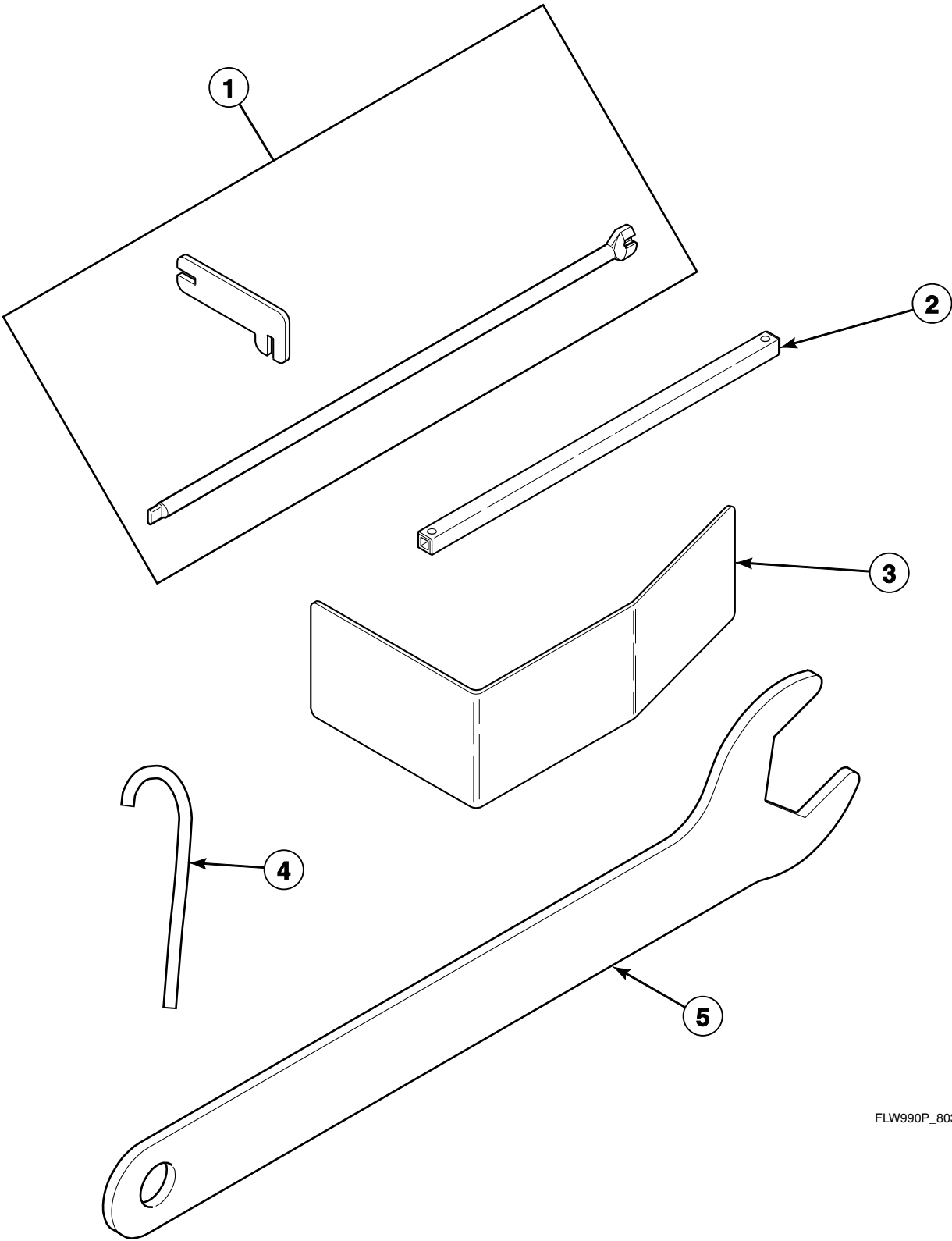


FLW823P_803401

Wire Ties, Harness Clips and Lead-In Cord

REF	PART NO.	DESCRIPTION	COMMENTS
1	38663	Wire Tie	
2	55881	Harness Strap	
3	36985	Hose Clip	
4	504034	Wire Clip	Small
5	687500	Wire Clip	Large
6	03673	Nut	
7	03815	Washer	
8	20530	Screw	
9	38384	Strain Relief	
10	34458	Lead-In Cord	Models HFNLEFSP111CW01, HFNLEFSP111CWNA, HFNLERSP111CW01, HFNLERSP111CWNA, HFNLXFSP111CN01, HFNLXFSP111CW01, HFNLXRSP111CW01, HFNLYFSP111CW01, HFNLYFSP111CWNA, HFNLYRSP111CW01, HFNLYRSP111CWNA, HFNNXFSP111CW01, HFNNXRSP111CW01, RFNLYFSP111CW01, SFNLCFJP111TW01, SFNLCFSG111TN01, SFNLCFSG111TQ01, SFNLCFSG111TW01, SFNLCFSG111TWNA, SFNLCFSP111TN01, SFNLCFSP111TQ01, SFNLCFSP111TW01, SFNLCFSP111TWNA, SFNLCRSP111TW01, SFNLCRSP111TW02, SFNLCRSP111TWNA, SFNLXFSG111TW01, SFNLXFSP111TN01, SFNLXFSP111TW01, SFNLXRSP111TW02, SFNLYFJP111TW01, SFNLYFSG111TN01, SFNLYFSG111TW01, SFNLYFSG111TWNA, SFNLYFSP111TN01, SFNLYFSP111TW01, SFNLYFSP111TWNA, SFNLYRSP111TW01, SFNLYRSP111TWNA, SFNNCFSG111TN01, SFNNCFSP111TN01, SFNNCFSP111TW01, SFNNCRSP111TW01, SFNNCRSP111TW02, SFNNXRSP111TW02, SFNNYRSP111TW01, SFNWCFSG111TN01, SFNWCFSP111TN01, SFNWYFSG111TN01 and SFNWYFSP111TN01

Special Tools

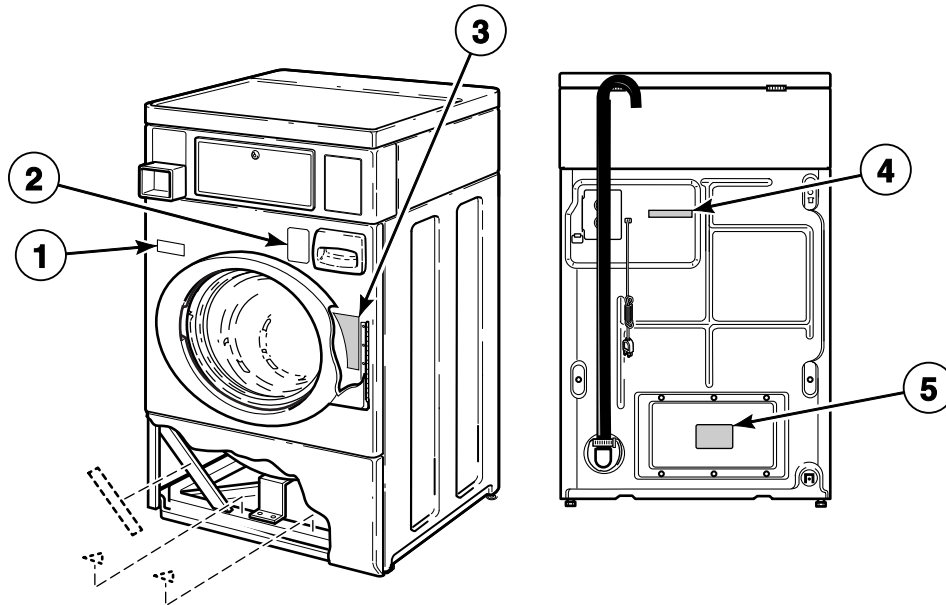


FLW990P_803401

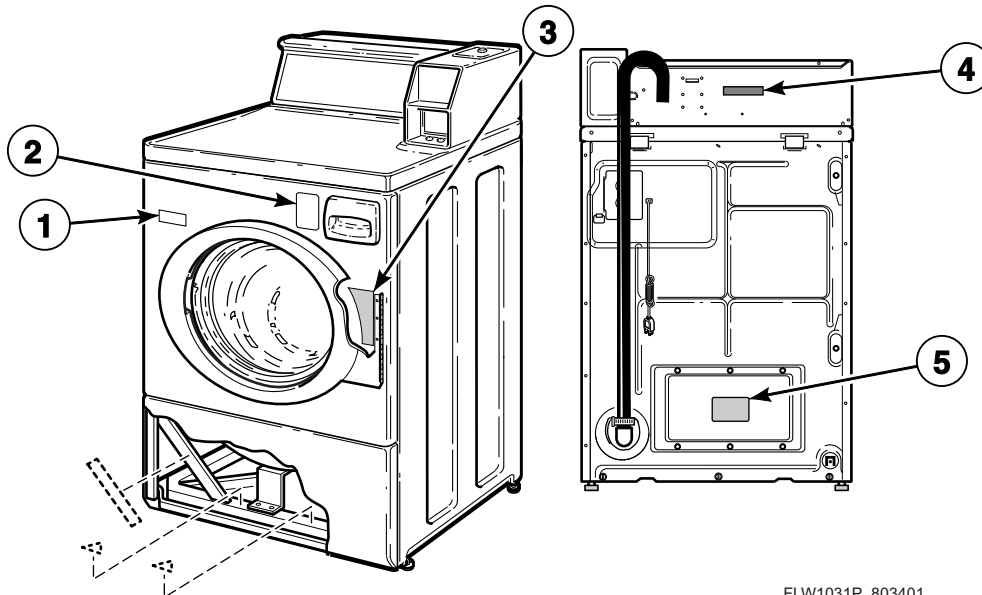
Special Tools

REF	PART NO.	DESCRIPTION	COMMENTS
1	CK096	Mounting Tool Kit	Use to install and remove electronic coin drop kits
2	310P4	Ratchet Extension Tool	1/4 inch; Use to install and remove non-electronic coin drops
3	318P4	Dispenser Drawer Tool	Use to remove dispenser drawer
4	802336	Pulley Bolt Tightening Fixture	Use to install inner basket
5	392P4	Wrench	Use for leveling leg locknuts

Labels (Drawing 1 of 2)



Front Control Washers



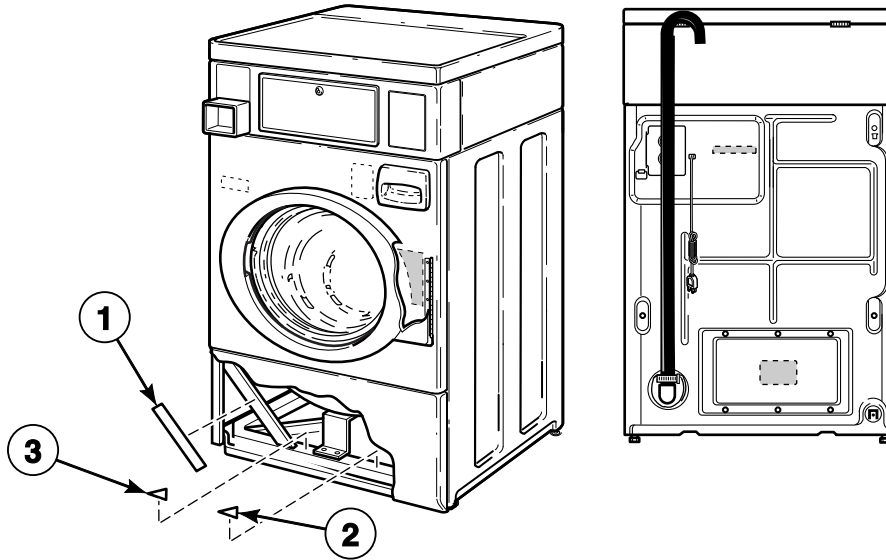
FLW1031P_803401

Rear Control Washers

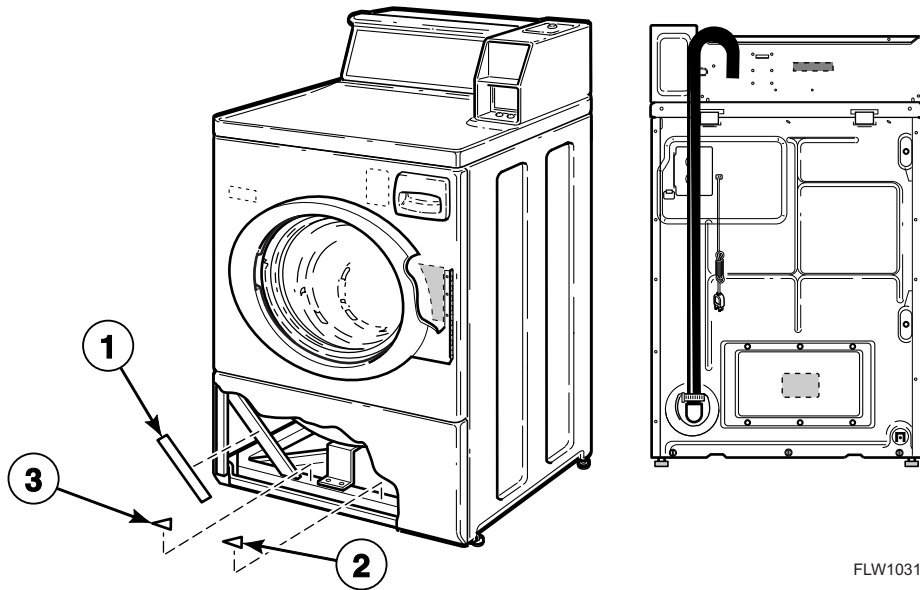
Labels (Drawing 1 of 2)

REF	PART NO.	DESCRIPTION	COMMENTS
	803608	Option Label	Models SFNLCFJP111TW01, SFNLCFSG111TN01, SFNLCFSG111TQ01, SFNLCFSG111TW01, SFNLCFSG111TWNA, SFNLCFSP111TN01, SFNLCFSP111TQ01, SFNLCFSP111TW01, SFNLCFSP111TWNA, SFNLCRSP111TW01, SFNLCRSP111TW02, SFNLCRSP111TWNA, SFNLXFSG111TW01, SFNLXFSP111TN01, SFNLXFSP111TW01, SFNLXRSP111TW02, SFNLYFJP111TW01, SFNLYFSG111TN01, SFNLYFSG111TW01, SFNLYFSG111TWNA, SFNLYFSP111TN01, SFNLYFSP111TW01, SFNLYFSP111TWNA, SFNLYRSP111TW01, SFNLYRSP111TWNA, SFNNCFSG111TN01, SFNNCFSP111TN01, SFNNCFSP111TW01, SFNNCRSP111TW01, SFNNCRSP111TW02, SFNNXRSP111TW02, SFNNYRSP111TW01, SFNWCFSG111TN01, SFNWCFS111TN01, SFNWFYFSG111TN01 and SFNWFYFSP111TN01
	803609	Option Label	Models HFNLEFSP111CW01, HFNLEFSP111CWNA, HFNLERSP111CW01, HFNLERSP111CWNA, HFNLXFSP111CN01, HFNLXFSP111CW01, HFNLXRSP111CW01, HFNLYFSP111CW01, HFNLYFSP111CWNA, HFNLYRSP111CW01, HFNLYRSP111CWNA, HFNNXFSP111CW01 and HFNNXRSP111CW01
1	803011	Notice Label	Models HFNLEFSP111CW01, HFNLEFSP111CWNA, HFNLERSP111CW01, HFNLERSP111CWNA, HFNLXFSP111CN01, HFNLXFSP111CW01, HFNLXRSP111CW01, HFNLYFSP111CW01, HFNLYFSP111CWNA, HFNLYRSP111CW01, HFNLYRSP111CWNA, HFNNXFSP111CW01, HFNNXRSP111CW01, HFNLYFSP111CW01, SFNLCFJP111TW01, SFNLCFSG111TN01, SFNLCFSG111TQ01, SFNLCFSG111TW01, SFNLCFSG111TWNA, SFNLCFSP111TN01, SFNLCFSP111TQ01, SFNLCFSP111TW01, SFNLCFSP111TWNA, SFNLCRSP111TW01, SFNLCRSP111TW02, SFNLCRSP111TWNA, SFNLXFSG111TW01, SFNLXFSP111TN01, SFNLXFSP111TW01, SFNLXRSP111TW02, SFNLYFJP111TW01, SFNLYFSG111TN01, SFNLYFSG111TW01, SFNLYFSG111TWNA, SFNLYFSP111TN01, SFNLYFSP111TW01, SFNLYFSP111TWNA, SFNLYRSP111TW01, SFNLYRSP111TWNA, SFNNCFSG111TN01, SFNNCFSP111TN01, SFNNCRSP111TW01, SFNNCRSP111TW02, SFNNXRSP111TW02, SFNNYRSP111TW01, SFNWCFSG111TN01, SFNWCFS111TN01, SFNWFYFSG111TN01 and SFNWFYFSP111TN01
2	802074	Oversudsing Label	English
	802838	Oversudsing Label	Spanish
	802839	Oversudsing Label	Quebec French
3	802367	Door Locked Warning Label	
4	505281	Disconnect Power Warning Label	English
	502511	Electrical Shock Label	Icon
5	500049	Warning Label	English
	500314	Warning Label	Quebec French
	502511	Electrical Shock Label	Icon

Labels (Drawing 2 of 2)



Front Control Washers



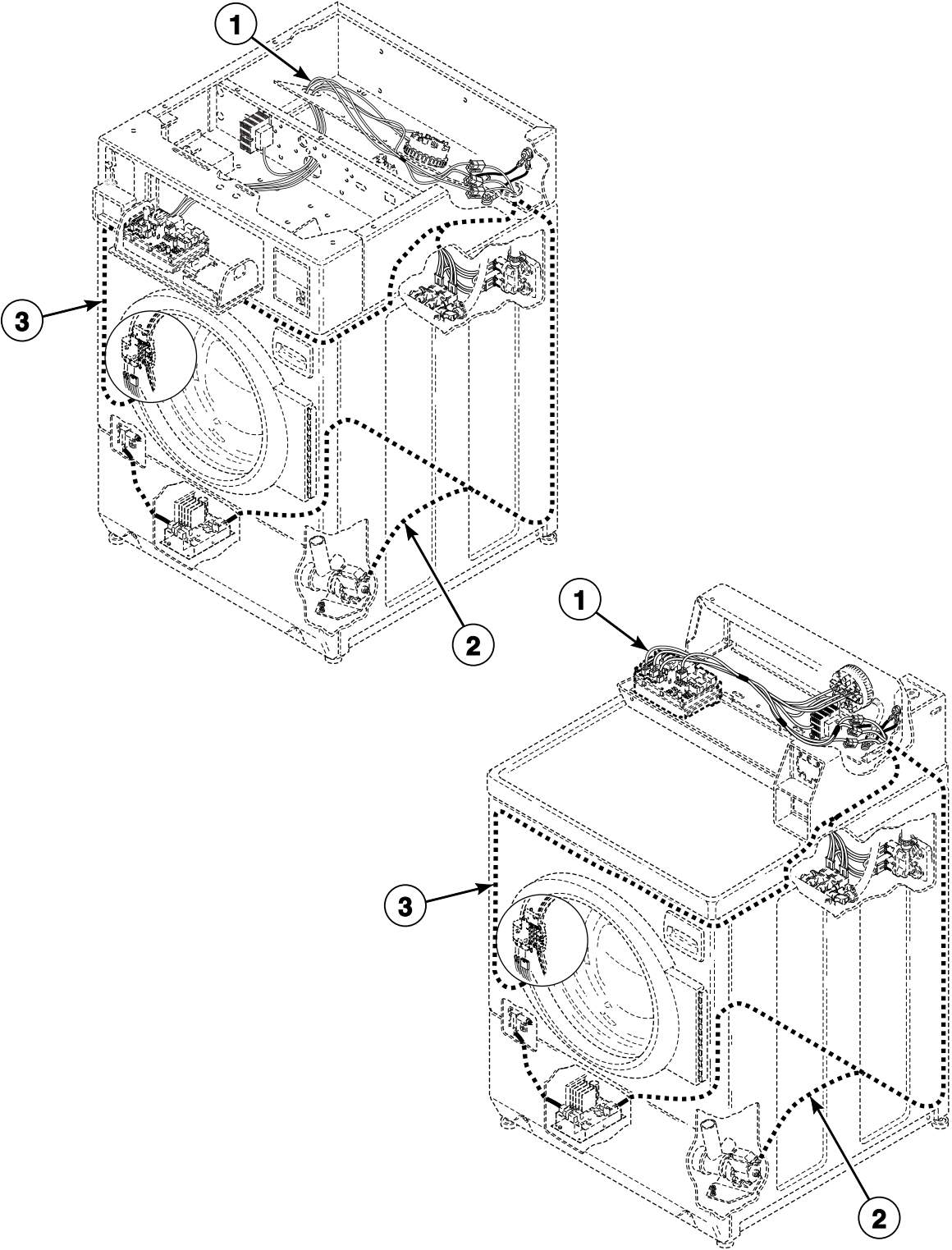
FLW1031PA_803401

Rear Control Washers

Labels (Drawing 2 of 2)

REF	PART NO.	DESCRIPTION	COMMENTS
1	803522	Warning Label	All models except BF3LLFSG401UN01, BF3LLFSG401UW01, BF3LLFSP401UN01, BF3LLFSP401UW01, BF3LXFSG401UN01, BF3LXFSG401UW01, BF3LXFSP401UN01, BF3LXFSP401UW01, JF3LEFSP411EW01, JF3LGFSP411EW01, JF3LGFSP411EW06, JF3LMFSG411EN01, JF3LMFSG411EN06, JFNLEFSG301EW01, JFNLEFSP301EW01, NF3LLFSG401UN01, NF3LLFSG401UT01, NF3LLFSG401UT06, NF3LLFSP401NN22, NF3LLFSP401NW22, NF3LLFSP401UN01, NF3LLFSP401UT01, NF3LLFSP401UT06, NF3LXFSG401UN01, NF3LXFSG401UW01, NF3LXFSP401UN01 and NF3LXFSP401UW01
2	F8211301	Pinched Fingers Label	Models BF3LLFSG401UN01, BF3LLFSG401UW01, BF3LLFSP401UN01, BF3LLFSP401UW01, BF3LXFSG401UN01, BF3LXFSG401UW01, BF3LXFSP401UN01, BF3LXFSP401UW01, JF3LEFSP411EW01, JF3LGFSP411EW01, JF3LGFSP411EW06, JF3LMFSG411EN01, JF3LMFSG411EN06, JFNLEFSG301EW01, JFNLEFSP301EW01, NF3LLFSG401UN01, NF3LLFSG401UT01, NF3LLFSG401UT06, NF3LLFSP401NN22, NF3LLFSP401NW22, NF3LLFSP401UN01, NF3LLFSP401UT01, NF3LLFSP401UT06, NF3LXFSG401UN01, NF3LXFSG401UW01, NF3LXFSP401UN01, NF3LXFSP401UW01 and NF3LYFSG401UW01
3	F8211201	Electrical Shock Label	Models BF3LLFSG401UN01, BF3LLFSG401UW01, BF3LLFSP401UN01, BF3LLFSP401UW01, BF3LXFSG401UN01, BF3LXFSG401UW01, BF3LXFSP401UN01, BF3LXFSP401UW01, JF3LEFSP411EW01, JF3LGFSP411EW01, JF3LGFSP411EW06, JF3LMFSG411EN01, JF3LMFSG411EN06, JFNLEFSG301EW01, JFNLEFSP301EW01, NF3LLFSG401UN01, NF3LLFSG401UT01, NF3LLFSG401UT06, NF3LLFSP401NN22, NF3LLFSP401NW22, NF3LLFSP401UN01, NF3LLFSP401UT01, NF3LLFSP401UT06, NF3LXFSG401UN01, NF3LXFSG401UW01, NF3LXFSP401UN01, NF3LXFSP401UW01 and NF3LYFSG401UW01

Wire Harnesses and Wires



FLW945P_803401

Wire Harnesses and Wires

REF	PART NO.	DESCRIPTION	COMMENTS
	45001	18 Gauge Wire	Black; Order wire by foot and terminals and connectors as required
	45380	12 Gauge Wire	Orange; Order wire by foot and terminals and connectors as required
1	802906P	Harness Assembly	Model JF3LMFSG411EN01 starting Serial Nos. beginning 1003; Models BF3LLFSG401UN01, BF3LLFSG401UW01, BF3LLFSP401UN01, BF3LLFSP401UW01, BF3LXFSG401UN01, BF3LXFSG401UW01, BF3LXFSP401UN01, BF3LXFSP401UW01, JF3LEFSP411EW01, JF3LGFSP411EW01, JF3LGFSP411EW06, JF3LMFSG411EN06, NF3LLFSG401UN01, NF3LLFSG401UT01, NF3LLFSG401UT06, NF3LLFSP401NN22, NF3LLFSP401NW22, NF3LLFSP401UN01, NF3LLFSP401UT01, NF3LLFSP401UT06, NF3LXFSG401UN01, NF3LXFSG401UW01, NF3LXFSP401UN01, NF3LXFSP401UW01 and NF3LYFSG401UW01
	803312	Control Harness Assembly	Model JF3LMFSG411EN01 through Serial Nos. beginning 1003
	803313	Control Harness Assembly	Models JFNLEFSG301EW01 and JFNLEFSP301EW01
	803108P	Harness Assembly	Models HFNLERSP111CW01, HFNLERSP111CWNA, HFNLXRSP111CW01, HFNLXRSP111CWNA, HFNNXRSP111CW01, SFNLCRSP111TW01, SFNLCRSP111TW02, SFNLCRSP111TWNA, SFNLXRSP111TW02, SFNLXRSP111TWNA, SFNNCRSP111TW01, SFNNCRSP111TW02, SFNNXRSP111TW02 and SFNNYRSP111TW01
	803107	Harness Assembly	All other models
2	802274P	Motor Harness Assembly	Models through Serial No. 1106019172 and starting again Serial No. 1106030843 through Serial No. 1201004551
	803581	Motor Harness Assembly	Models starting Serial No. 1106019173 through Serial No. 1106030842 and starting again Serial No. 1201004552
3	802833P	Base Harness Assembly	Models JFNLEFSG301EW01 and JFNLEFSP301EW01
	802834P	Base Harness Assembly	Models BF3LLFSG401UN01, BF3LLFSG401UW01, BF3LLFSP401UN01, BF3LLFSP401UW01, BF3LXFSG401UN01, BF3LXFSG401UW01, BF3LXFSP401UN01, BF3LXFSP401UW01, JF3LEFSP411EW01, JF3LGFSP411EW01, JF3LMFSG411EN01, NF3LLFSG401UT01, NF3LLFSP401UN01, NF3LLFSP401UT01, NF3LXFSG401UN01, NF3LXFSG401UW01, NF3LXFSP401UN01, NF3LXFSP401UW01 and NF3LYFSG401UW01 through Serial No. 1001000989
	803470	Base Harness Assembly	Models JF3LGFSP411EW06, JF3LMFSG411EN06, NF3LLFSG401UN01, NF3LLFSG401UT06, NF3LLFSP401NN22, NF3LLFSP401NW22 and NF3LLFSP401UT06; Models BF3LLFSG401UN01, BF3LLFSG401UW01, BF3LLFSP401UN01, BF3LLFSP401UW01, BF3LXFSG401UN01, BF3LXFSG401UW01, BF3LXFSP401UN01, BF3LXFSP401UW01, JF3LEFSP411EW01, JF3LGFSP411EW01, JF3LMFSG411EN01, NF3LLFSG401UT01, NF3LLFSP401UN01, NF3LLFSP401UT01, NF3LXFSG401UN01, NF3LXFSG401UW01, NF3LXFSP401UN01, NF3LXFSP401UW01 and NF3LYFSG401UW01 starting Serial No. 1001000990
	802831P	Base Harness Assembly	All other models

NOTE: Individual wires are not available separately. Order complete harness, or order wire by the foot. When applying terminals to wires, it is recommended that the terminals be soldered to the wires.

Parts Index

A

Access Panel	
510069QP	37
510069WP	37
512543	37
Access Panel Damper	
685368	37
Anchor	
155P3	61
Anchor Floor Mount Assembly	
802844P	61
Anti-Seize Compound	
27604P	51
Audit Switch Bracket	
800379	11

B

Backflow Preventer	
34500	39, 41, 43, 45
800310	57
Ballast Weight	
800205	47, 49
Base Assembly	
802245	61
Base Harness Assembly	
802831P	75
802833P	75
802834P	75
803470	75
Base Shock Absorber Kit	
802881P	47, 49
Bearing Housing Kit	
800428P	51
Bearing Kit	
RB160001	51
Bolt	
02505	27
29651	9, 15
32184	31
Boot Nozzle	
802291	37, 39, 43
Brace Kit	
918P3	61
Bracket	
201918	31
510146	27, 33
Bumper Pad	
36226	59

C

Cabinet Brace	
801491	61
801492	61

Cabinet Panel Kit	
800004QP	59
800004WP	59
Cabinet Side Panel	
802525P	59
802526P	59
Cabinet Top Kit	
802247QP	9
Cable Tie	
39037	43
Cap	
801746	39, 43
Card Insert Overlay	
511544	25
511548	25
513145	25
Clamp Ring	
800312	47, 49
Clip	
201572	23
Clothes Guard	
803537	47, 49
Clothes Guard and Deflector Kit	
984P3	47, 49
Clothes Guard Deflector	
803038P	47, 49
Coin Box Extension Kit	
803578P	27
Coin Drop	
38963P	21
70441601P	21, 27
Coin Drop Assembly	
CK114	21
38462P	21
38463	21
38464P	21
38467	21
38472	21
38519	21
38521	21
70441602	21, 27
Coin Drop Wire Harness	
201104	23
Coin Identification Paper	
38725	21, 23, 27
Communication Board	
210095P	13
Communication Connector	
210099	13
Connector	
F140312	63
801789	19
Contactora	
F330177P	11, 15
Contactora Wire Harness Assembly	
801120P	11, 15
Control Assembly	
802808P	5, 7, 29, 33
802912P	5, 15
803306	7
803317P	15
803321P	15

N/A items do not appear in index.

803367P.....	7
803541.....	15
803619.....	5, 7, 29, 33
Control Cabinet Bottom	
801777.....	15
Control Harness Assembly	
803312.....	75
803313.....	75
Control Hood	
502567W.....	29
511253W.....	33
Control Overlay	
802884.....	29
802885.....	5
802984.....	5
802992.....	7
802998.....	33
803015.....	29
803016.....	33
803283.....	7
803596.....	7, 29, 33
Control Panel	
801737B.....	15
801737W.....	15
Control Panel and Bracket Assembly	
800035B.....	5, 7
800035Q.....	5
800035W.....	5, 7
800149W.....	29
Control Panel and Stud Assembly	
800710W.....	33
Control Shield	
210053.....	29, 33
801061.....	53
801371.....	11, 15

D

Detergent Cover	
800899.....	39, 41, 43
Diagnostic Wire Harness Assembly	
800374.....	5, 7
800680.....	15, 33
Disconnect Power Warning Label	
505281.....	27, 29, 33, 71
Dispenser	
685756P.....	43
801090P.....	43
Dispenser Assembly	
801476P.....	43
801630P.....	39
801662P.....	39
803441.....	41
803546.....	41
Dispenser Drawer Front	
685715Q.....	43
685715WP.....	39, 43
Dispenser Drawer Tool	
318P4.....	69
Dispenser Handle	
802879P.....	43
803318.....	41, 43
803329W.....	41, 43

Dispenser Plate	
801024.....	39, 41, 43
Dispenser-to-Air Gap Hose	
803440.....	41
Dispenser-to-Door Seal Hose	
802256.....	37, 39, 43
Dispenser-to-Tub Hose	
800331.....	39, 41, 43
Door Assembly	
802368QP.....	35
802368WP.....	35
802872P.....	35
Door Catch Assembly	
802803.....	35
Door Glass	
802695P.....	35
Door Hinge	
802934.....	35
Door Latch/Switch Assembly	
802317P.....	37
Door Locked Warning Label	
802367.....	71
Door Seal Assembly	
802830.....	37, 39, 43
802866P.....	37, 39, 43
803554.....	37
Drain Hose	
27154.....	57
Drain Hose Elbow	
35766.....	57
Drain Kit	
985P3.....	57
Drain Pump	
802623P.....	57
802624P.....	57
Drain Valve Kit	
F975P3.....	55
F976P3.....	55
Drain-to-Cabinet Hose	
800903.....	55
Drive Belt	
800319P.....	53
Driven Pulley	
800866.....	51

E

Electric Access Panel	
801134.....	17
Electrical Shock Label	
F8211201.....	73
502511.....	47, 49, 71
Electronic Coin Drop Assembly	
70294103P.....	23
70294104.....	23
70294105P.....	23
70294106.....	23
70294107.....	23
70294109.....	23
70294110.....	23
70294111.....	23
70294112.....	23

N/A items do not appear in index.

Electronic Coin Drop Kit	
CK099	23
CK100	23
CK101	23
CK103	23
CK106	23
CK108	23
CK109	23
CK110	23
CK113	23
CK115	23
End Cap	
210108W	33
210109W	33
Expansion Clip	
70030501	15
Extension Spring	
802285	37

F

Fill Hose	
20617	45
20618	45
37380	45
37381	45
Fill Hose Kit	
38349P	45
Filter	
801255P	17
Fitting	
801792P	17
Flange Relay	
F330230	15
Flow Regulator	
803230	41, 43
Front Panel	
802277QP	37
802277WP	37
802288P	37
Fuse	
801755	53

G

Gasket	
802427	57
Glass Mounting Clip	
802700	35
Graphic Overlay	
802995	15
803137	15
Gravity Drain Bracket	
803291	55
Grommet	
29175	47, 49
Grounding Clip	
00161	47, 49

H

Hardware Kit	
838P3	51
Harness Assembly	
802904P	21, 27
802905	21, 23, 27
802906P	75
803107	75
803108P	75
Harness Strap	
55881	37, 39, 67
Heater Harness	
802323P	49
803492	49
Heating Element Kit	
803557P	49
803558P	49
Hinge	
511036	9, 15
Hinge Plate	
802206	37
Hole Plug	
M412154	61
Hood Back Plate	
505798	29
Hose Clamp	
F200204	57
F200206	39, 43
20211	57
20391	57
39282	47, 49
685725	39, 41, 43, 55
802164	37, 39, 41, 43, 45
802281	37
802698	37, 39, 41, 43
Hose Clip	
36985	11, 15, 47, 67
800553	51
Hose Mounting Plate	
800552	51

I

Injection Nozzle	
F8322001	39, 41
Inner Basket Assembly	
802365P	51
803008P	51
Inner Door Bezel Kit	
802307P	35
802331P	35
Insert	
685716	39, 41, 43
Instruction Label	
685942	19, 25
Inverter Control Assembly	
803254P	53
803255P	53

N/A items do not appear in index.

J

Jumper Harness	
513268	53
513316	53
Junction Box Cover	
801498	63
Junction Box Seal	
801425P	63

K

Key	
54612	5, 7

L

Lead-In Cord	
34458	67
Left Control Cabinet Side	
801738B	15
801738W	15
Leveling Leg	
34319	61
Lid Assembly	
802426P	57
Line Filter	
201058	17
Lock Cam	
27261	5, 7
Lock Kit	
27260P	5, 7
Lower Junction Box	
801499	63

M

Meter Case Assembly	
38724W	27
802505W	27
803063W	27
Meter Case Assembly Kit	
803063WP	27
Meter Case Bracket Gasket	
35526	27
Meter Case Gasket	
26354	27
Meter Case Lockdown Bracket	
35525	27
Meter Case Locking Bracket	
30642	27
Mixing Valve	
802220P	45
802222P	45
Mixing Valve Plate	
800323	45
Mixing Valve Screen	
802926	45

Motor Access Hole Edging	
801702	61
Motor and Rod Assembly Kit	
801684P	53
Motor Harness Assembly	
802274P	75
803581	75
Motor Mount Rod	
801062	53
Mounting Tool Kit	
CK096	69

N

Nameplate Overlay	
803322	19
Network Board Assembly	
201341	13
Network Cable Wire Harness Assembly	
800216	13
Network Controller Kit	
NK220	5, 7, 29, 33
Network Retrofit Kit	
NK201	29, 33
NK202	5, 7
Network Varistor Assembly	
801311	17
Network Wire Harness Assembly	
44088501P	13
Notice Label	
803011	71
Nut	
F430218	47, 49, 51
M404993	41
03673	67
201216	23
21899	61
23951	31, 35
27222	27
29786	21, 23, 27, 55
29787	17
29796	15
30647	27, 31
36020	9, 37
44087201	9
52566	29
685846	35
800452	47, 49
802292	37, 39, 43
802337	27
802343	47, 49
803017	51

O

Operating Instruction Label	
801217	19, 25
803594	19, 25
803595	27
Option Label	
803608	71
803609	71

N/A items do not appear in index.

Opto Coupler 200674P	21, 27
Orifice 803544	41
O-Ring F170208	39, 41
802429	57
803545	41
Outer Door Bezel Kit 802313QP	35
802313WP	35
802314P	35
Outer Tub Assembly 801081P	47
801291	49
Out-of-Balance Switch Assembly 801006	47, 49
803415	47, 49
Overlay 201091	19, 23, 27
802945	5
803138	5
803281	15
803282	15
Oversudsing Label 802074	71
802838	71
802839	71

P

Panel Locator 56079	19, 25, 37, 59
PC Board Standoff 210098	13
Pinched Fingers Label F8211301	73
502506	47, 49
Pop Rivet 685847	9, 15, 51
70058501	27, 33
Porcelain Touch-Up Paint 122P4P	59
370P4P	59
Pressure Bulb 30907	47, 49
Pressure Switch 802299P	11, 15, 29, 33
803303P	15
Pulley Bolt Tightening Fixture 802336	69
Pump Housing 802428	57
Pump Housing Assembly 802434P	57
Pump Mount Bracket 802626	57
Pump-to-Elbow Hose 685737	57

R

Ratchet Extension Tool 310P4	69
Rear Access Panel 800011	61
Rear Control Cabinet 801058	15, 17
Rear Control Hood Panel 801165	33
Rear Control Operating Instruction Label 800137	27
Rear Panel 800010P	61
801216	61
801629	61
Relay 431349	63
Relay Mounting Bracket 801501	63
Resistor 210100	11, 15
Retaining Ring 23748	53
Right Control Cabinet Side 800915B	15
800915W	15
Rubber Foot 34318	61

S

Screw M400043	51, 65
M400057	53
02916	29, 55
20530	27, 33, 67
23008	5, 7
31645	61
36048	27
39733	19, 25, 37, 59
430497	61
501086	29, 33, 45
501524	5, 7, 15, 29, 33, 53
503661	11, 13, 15, 17, 27, 29, 33, 37, 45, 47, 49, 53, 55, 57, 59, 61, 63
503673	27
503688	11, 15, 17, 19, 25, 31
512921	19, 25, 37, 59
51782	15
52864	29, 33
52909	57
685831	51
70240301	15, 17
800461	47, 49
800462	47, 49, 51
800548	35, 37, 39, 41, 43
800930	15
801001	39, 41, 43
801019	35
801045	37
801993	35
802430	57
802431	57

N/A items do not appear in index.

802596	47, 49
Screw Label 685928	61
Sealant 27615P	55, 57
Security Cabinet Front Assembly 511209BP	25
511209WP	25
511633B	19
511633QP	19
511633WP	19
Security Cabinet Wrapper Assembly 801235B	19
801235W	19, 25
801780W	19
Security Kit 905P3	31
Service Door Assembly 39874WP	27
803043WP	27
Shipping Bracket Label 686901	65
Shipping Materials Kit 930P3	65
Side Panel 800004G	59
800005G	59
Side Panel Kit 800005QP	59
800005WP	59
Single Drop Overlay 803476	19
Single Overlay 202123	27
38717	19, 27
Snap Bushing M402542	11, 15, 17, 63
503235	55
Spacer 803231	41, 43
Stainless Steel Top 512967	9, 15
Standpipe Strap 33489	57
Strain Relief 38384	67
Supply Injection Wire Harness Assembly 801518	63
Switch 512973	11, 27
Switch Mounting Bracket 800663	47, 49
803388	47, 49

T

Tension Rod Assembly 800666	51
Terminal Block Assembly 505876	17, 63
801250	17
801756	17

Thermistor 803256	49
Top and Gusset Assembly 802247QP	9
802247WP	9, 15
Top Hinge 510136	61
Top Kit 511527WP	27
803144P	9
Top Mounting Bracket 504228	9, 15
Top Panel Kit 511530WP	33
Transformer 201375P	11, 23, 29, 33
210018P	11, 29
803527	11, 15
Trunnion Shaft and Hardware Kit 800749P	51
Tub Front Assembly 802258	47
802260	49
803494	49
Tub Front Seal 800432P	47, 49, 51
Tub Shock Absorber Kit 800622P	47, 49
Tubing 685751	47
800648P	47
801635	39
803280	49
Tub-to-Drain Hose 800902	55
Tub-to-Pump Hose 800317	57

U

Union 801788	19
Upper Junction Box 801497	63

V

Valve Kit 685766P	39, 43
801836P	41, 43
Valve-to-Dispenser Inlet Hose 801464	39, 41, 43, 45

W

Warning Label 500049	47, 71
500314	47, 71
500316	27, 29, 33
803522	73

N/A items do not appear in index.

Washer	
M400014	65
M400017	29, 55
M400080	53
M400081	47, 49
M403958	51
02431	29
02834	53
03815	67
200608	29, 33
20290	45
25100	31
52549	53
800457	47, 49, 51
800464	51
802254	45
802293	37, 39, 43
803615	45
Water Hose	
F200116	45
Wire Clamp	
800811	47, 49
Wire Clamp Ring	
802283	37
Wire Clip	
504034	67
687500	37, 39, 43, 67
Wire Guard	
201595P	21, 27
Wire Harness Assembly	
801261	17
801421	17
802913P	5, 7
803314P	17
Wire Tie	
38663	67
Wire, 12 Gauge	
45380	75
Wire, 18 Gauge	
45001	75
Wrapper and Channel Assembly	
505753BP	19, 25
505753QP	19
505753WP	19, 25
Wrench	
392P4	69
