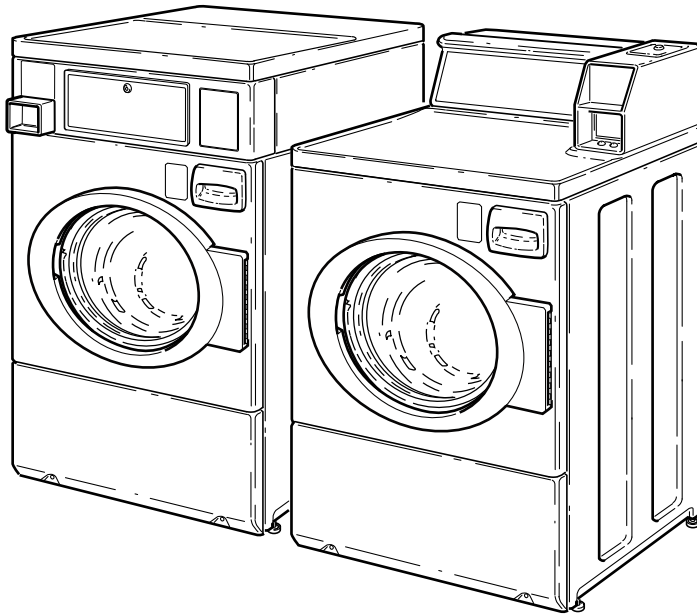


Commercial Frontload Washers

Refer to Page 3 for Model Numbers



FLW1535C_802739



&



Part No. 802739R9
February 2012

Table of Contents

Title	Page
Parts Ordering Information.....	2
Nameplate Location.....	2
Model Identification.....	3
Control Panel and Controls.....	4
Top Assembly.....	6
Control Cabinet Controls.....	8
Control Cabinet and Controls.....	10
Electrical Access Panel, Filters and Terminal Block.....	12
Wrapper Assembly.....	14
Non-Electronic Coin Drop.....	16
Electronic Coin Drop.....	18
Wrapper Assembly and Card Reader.....	20
Non-Electronic Coin Drop, Meter Case and Service Door.....	22
Cabinet Top.....	24
Meter Case, Service Door and Cabinet Top.....	26
Control Panel, Control Hood and Controls (Drawing 1 of 3).....	28
Control Hood Security Kit.....	30
Control Panel, Control Hood and Controls (Drawing 2 of 3).....	32
Control Panel, Control Hood and Controls (Drawing 3 of 3).....	34
Door Assembly.....	36
Front Panel and Door Seal.....	38
Dispenser Assembly and Supply Injection Hoses.....	40
Dispenser Assembly.....	42
Mixing Valve, Inlet Hose and Dispenser Hose.....	44
Outer Tub, Clamp Ring and Shock Absorbers.....	46
Outer Tub, Clamp Ring, Shock Absorbers and Heating Element.....	48
Inner Basket, Trunnion, Bearing Housing and Pulley.....	50
Motor and Belt.....	52
Drain Hoses and Valve.....	54
Hoses and Pump.....	56
Base, Side Panels and Rear Panel.....	58
Junction Box.....	60
Junction Box and Power Cord.....	62
Shipping Materials.....	64
Wire Ties, Harness Clips and Lead-In Cord.....	66
Special Tools.....	68
Labels.....	70
Wire Harnesses and Wires (Drawing 1 of 2).....	72
Wire Harnesses and Wires (Drawing 2 of 2).....	74
Parts Index.....	77

© Copyright 2012, Alliance Laundry Systems LLC

All rights reserved. No part of the contents of this book may be reproduced or transmitted in any form or by any means without the expressed written consent of the publisher.

Parts Ordering Information

If literature or replacement parts are required, contact the source from whom the machine was purchased or contact Alliance Laundry Systems at (920) 748-3950 for the name and address of the nearest authorized parts distributor.

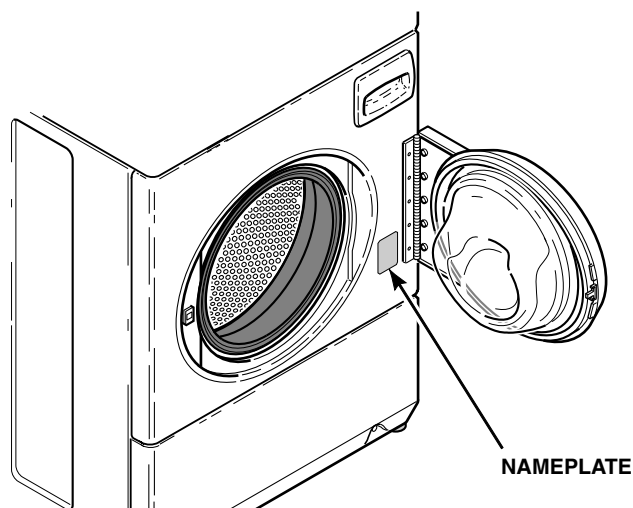
For technical assistance, call either of the numbers listed below:

(920) 748-3121 Ripon, Wisconsin

+32 56 41 20 54 Wevelgem, Belgium

Nameplate Location

When calling or writing about your product, be sure to mention model and serial numbers. Model and serial numbers are located on nameplate(s) as shown.



FLW2123N_802739

Model Identification

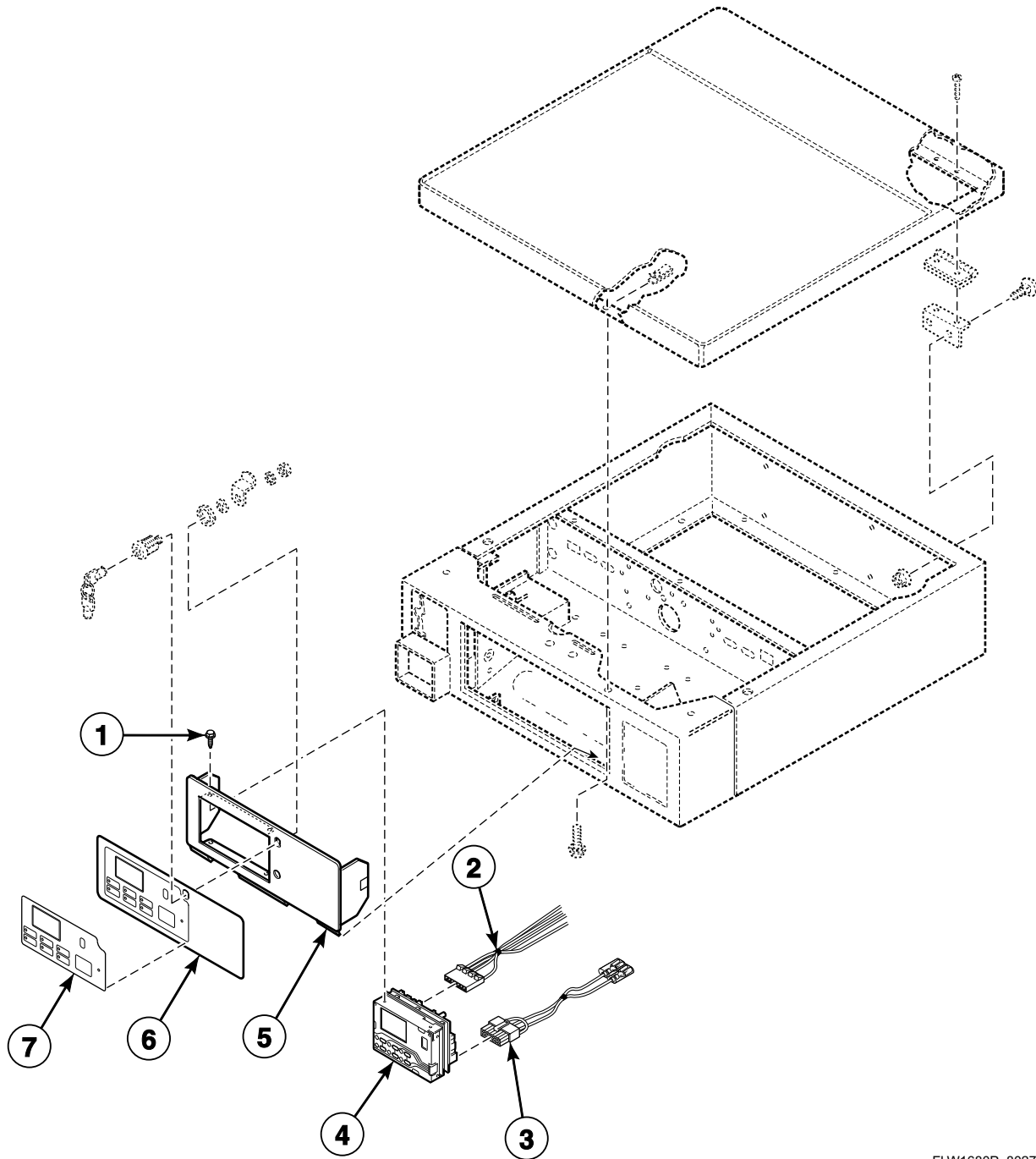
Information in this manual is applicable to these washer models:

BFNBCFSG111TN01	SFNBCRSP111TW02
BFNBCFSG111TW01	SFNBXFSP301NW22
BFNBEFSP111CN01	SFNCCFSP111TW01
BFNBEFSP111CW01	SFNCCRSP111TW01
BFNBEFSP111TN01	SFNCCRSP111TW02
BFNBEFSP111TW01	SFNCXRSP111TW02
BFNBLFSP301AW01	SFNCFYFSP111TW01
BFNBLFSP541NW01	SFNCFYRSP111TW01
BWFL74*N4000	SFNSEXSP111TW02
BWFL75*N4000	SFNSEXSP541NQ23
BWFX71*N1127	SFNTEXSP111TW01
BWFX71*N3050	SFNTEXSP111TW02
BWFX74*N4000	SWFA71*N
BWFX75*N4000	SWFA71*N3050
HFNBCFSG111TN01	SWFA71*N3069
HFNBCFSP111TN01	SWFA73*N
HFNCXFSP111CW01	SWFB71*N
HFNCXRSP111CW01	SWFB72*N
HWFB71*N	SWFB73*N
HWFB71*N1102	SWFF71*N
HWFR71*N1102	SWFF71*N3050
HWFT71*N	SWFF73*N
HWFT71*N1102	SWFL74*N4000
HWFT73*N	SWFT71*N
HWFT73*N1102	SWFT73*N
HWFX71*N1102	SWFX71*N
HWFX71*N1127	SWFX71*N1127
HWFY71*N1102	SWFX71*N3000
HWFY73*N1102	SWFX71*N3050
HWFY74*N4000	SWFX71*N5400
HWFY75*N4000	SWFX73*N
HWR971*N1102	SWFX74*N4000
HWR971*N1127	SWFX75*N4000
HWR973*N1102	SWFY71*N
HWRR71*N1102	SWFY73*N
HWRT71*N	SWR971*N
HWRT71*N1102	SWR973*N
HWRX71*N1102	SWRB71*N
HWRY71*N1102	SWRF71*N
NWFL84*N4000	SWRT71*N
NWFL85*N4000	SWRT73*N
NWFX74*N4000	SWRX71*N
NWFX75*N4000	SWRY71*N

* Add Letter To Designate Color. N - Stainless Steel Q - Bisque W - White

Control Panel and Controls

Models BFNBCFSG111TN01, BFNBCFSG111TW01, BFNBEFSP111CN01, BFNBEFSP111CW01, BFNBEFSP111TN01, BFNBEFSP111TW01, BWF71*N1127, BWF71*N3050, BWF74*N4000, BWF75*N4000, HFNBCFSG111TN01, HFNBCFSP111TN01, HFNCXFSP111CW01, HWFB71*N, HWFB71*N1102, HWFR71*N1102, HWFT71*N, HWFT71*N1102, HWFT73*N, HWFT73*N1102, HWFX71*N1102, HWFX71*N1127, HWFY71*N1102, HWFY73*N1102, HWFY74*N4000, HWFY75*N4000, NWF74*N4000, NWF75*N4000, SFNBXFSP301NW22, SFNCCFSP111TW01, SFNCYFSP111TW01, SWFA71*N, SWFA71*N3050, SWFA71*N3069, SWFA73*N, SWFB71*N, SWFB72*N, SWFB73*N, SWFF71*N, SWFF71*N3050, SWFF73*N, SWFT71*N, SWFT73*N, SWFX71*N, SWFX71*N1127, SWFX71*N3000, SWFX71*N3050, SWFX71*N5400, SWFX73*N, SWFX74*N4000, SWFX75*N4000, SWFY71*N and SWFY73*N



FLW1680P_802739

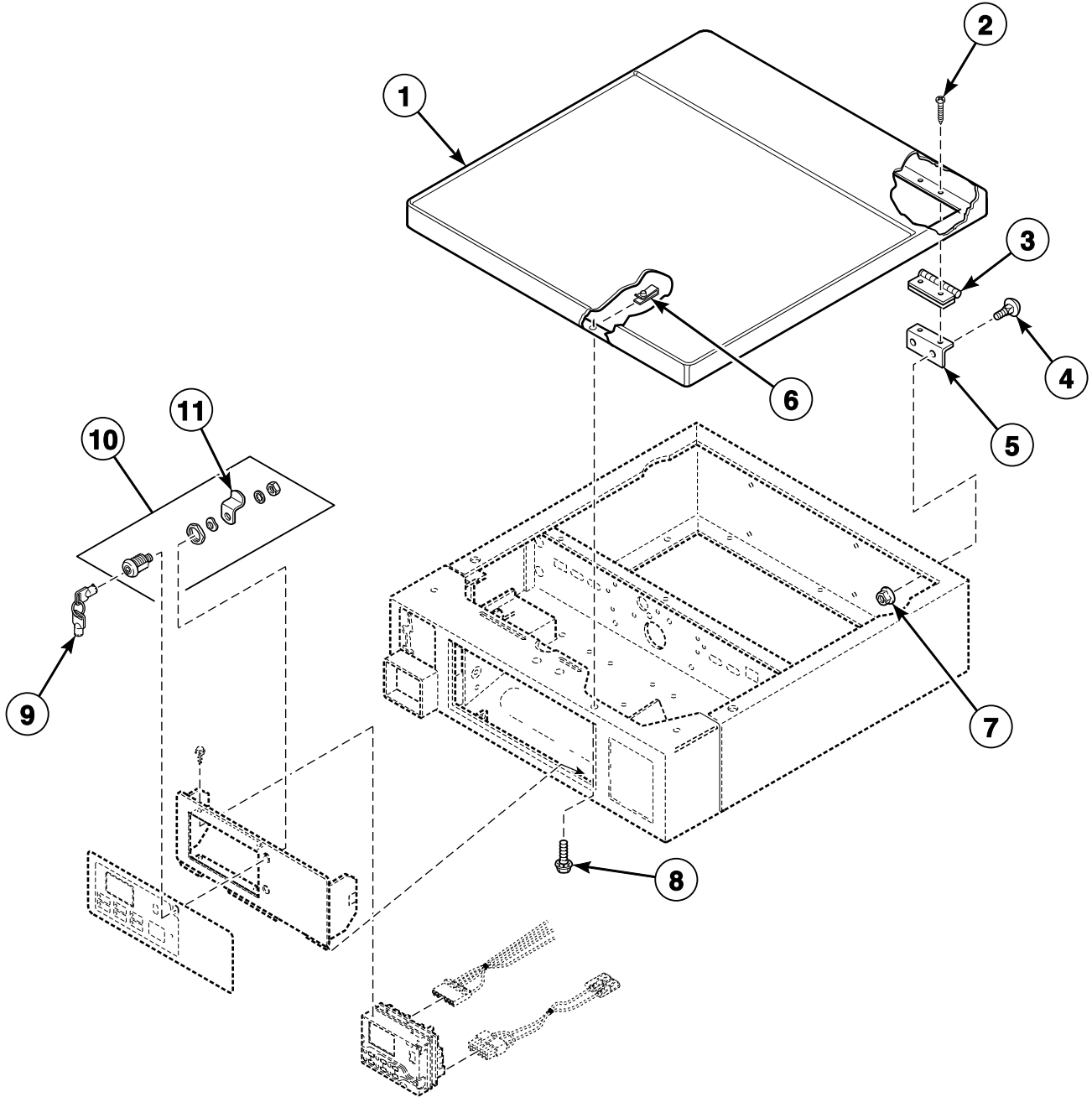
Control Panel and Controls

REF	PART NO.	DESCRIPTION	COMMENTS
1	501524	Screw	
2	511478	MDC Central Pay Harness	Models BFNBCFSG111TN01, BFNBCFSG111TW01, BFNBEFSP111CN01, BFNBEFSP111CW01, BFNBEFSP111TN01, BFNBEFSP111TW01, BWF71*N1127, BWF71*N3050, BWF74*N4000, BWF75*N4000, HFNBCFSG111TN01, HFNBCFSP111TN01, HFNCXFSP111CW01, HWFR71*N1102, HWFT71*N, HWFT71*N1102, HWFT73*N, HWFT73*N1102, HWFX71*N1102, HWFX71*N1127, HWFY71*N1102, HWFY73*N1102, HWFY74*N4000, HWFY75*N4000, NWF74*N4000, NWF75*N4000, SFNBXFSP301NW22, SFNCCFSP111TW01, SFNCYFSP111TW01, SWFT71*N, SWFT73*N, SWFX71*N, SWFX71*N1127, SWFX71*N3000, SWFX71*N3050, SWFX71*N5400, SWFX73*N, SWFX74*N4000, SWFX75*N4000, SWFY71*N and SWFY73*N
3	800374	Diagnostic Wire Harness Assembly	Models HWFY71*N1102, HWFY73*N1102, HWFY74*N4000, HWFY75*N4000, SFNCYFSP111TW01, SWFF71*N, SWFF71*N3050, SWFF73*N, SWFY71*N and SWFY73*N
4	800772P	Control Kit	Models HWFB71*N, HWFB71*N1102, SWFA71*N, SWFA71*N3050, SWFA71*N3069, SWFB71*N, SWFB72*N, SWFF71*N and SWFF71*N3050
	802076P	Control Kit	Models SWFA73*N, SWFB73*N and SWFF73*N
	802248P	Control Assembly	Models BFNBCFSG111TN01, BFNBCFSG111TW01, BFNBEFSP111CN01, BFNBEFSP111CW01, BFNBEFSP111TN01, BFNBEFSP111TW01, BWF71*N1127, BWF71*N3050, HFNBCFSG111TN01, HFNBCFSP111TN01, HWFR71*N1102, HWFT71*N, HWFT71*N1102, HWFT73*N, HWFT73*N1102, HWFX71*N1102, HWFX71*N1127, HWFY71*N1102, HWFY73*N1102, SFNBXFSP301NW22, SWFT71*N, SWFT73*N, SWFX71*N, SWFX71*N1127, SWFX71*N3000, SWFX71*N3050, SWFX71*N5400, SWFX73*N, SWFY71*N and SWFY73*N
	802400P	Control Assembly	Models BWF74*N4000, BWF75*N4000, HWFY74*N4000, HWFY75*N4000, NWF74*N4000, NWF75*N4000, SWFX74*N4000 and SWFX75*N4000
	803146P	Control Assembly	Models HFNCXFSP111CW01, SFNCCFSP111TW01 and SFNCYFSP111TW01
5	800035W	Control Panel and Bracket Assembly	White
	800035Q	Control Panel and Bracket Assembly	Bisque
	800035B	Control Panel and Bracket Assembly	Black
6	800033	Control Panel Overlay	Models SWFF71*N, SWFF71*N3050 and SWFF73*N
	800413	Control Panel Overlay	Models SWFA71*N, SWFA71*N3050, SWFA71*N3069, SWFA73*N, SWFB71*N, SWFB72*N and SWFB73*N
	800416	Control Panel Overlay	Models HWFB71*N and HWFB71*N1102
	801050	Front Overlay	Models SFNBXFSP301NW22, SFNCCFSP111TW01, SFNCYFSP111TW01, SWFT71*N, SWFT73*N, SWFX71*N, SWFX71*N1127, SWFX71*N3000, SWFX71*N3050, SWFX71*N5400, SWFX73*N, SWFY71*N and SWFY73*N
	801053	Front Overlay	Models HFNBCFSG111TN01, HFNBCFSP111TN01, HFNCXFSP111CW01, HWFR71*N1102, HWFT71*N, HWFT71*N1102, HWFT73*N, HWFT73*N1102, HWFX71*N1102, HWFX71*N1127, HWFY71*N1102 and HWFY73*N1102
	801037	Front Overlay	Models SWFX74*N4000 and SWFX75*N4000
	801761	Front Overlay	Models HWFY74*N4000 and HWFY75*N4000
	802510	Overlay	Models NWF74*N4000 and NWF75*N4000
	801872	Overlay	Models BWF74*N4000 and BWF75*N4000
	803434	Overlay	Models BFNBCFSG111TN01, BFNBCFSG111TW01, BFNBEFSP111CN01, BFNBEFSP111CW01, BFNBEFSP111TN01, BFNBEFSP111TW01, BWF71*N1127 and BWF71*N3050
7	803597	Overlay	French/English; Models HFNCXFSP111CW01, HWFR71*N1102, HWFT71*N1102, HWFT73*N1102, HWFX71*N1102, HWFY71*N1102 and HWFY73*N1102

* Add Letter To Designate Color. N - Stainless Steel Q - Bisque W - White

Top Assembly

Models BFNBCFSG111TN01, BFNBCFSG111TW01, BFNBEFSP111CN01, BFNBEFSP111CW01, BFNBEFSP111TN01, BFNBEFSP111TW01, BWF71*N1127, BWF71*N3050, BWF74*N4000, BWF75*N4000, HFNBCFSG111TN01, HFNBCFSP111TN01, HFNCXFSP111CW01, HWFB71*N, HWFB71*N1102, HWFR71*N1102, HWFT71*N, HWFT71*N1102, HWFT73*N, HWFT73*N1102, HWFX71*N1102, HWFX71*N1127, HWFY71*N1102, HWFY73*N1102, HWFY74*N4000, HWFY75*N4000, NWF74*N4000, NWF75*N4000, SFNBXFSP301NW22, SFNCCFSP111TW01, SFNCYFSP111TW01, SWFA71*N, SWFA71*N3050, SWFA71*N3069, SWFA73*N, SWFB71*N, SWFB72*N, SWFB73*N, SWFF71*N, SWFF71*N3050, SWFF73*N, SWFT71*N, SWFT73*N, SWFX71*N, SWFX71*N1127, SWFX71*N3000, SWFX71*N3050, SWFX71*N5400, SWFX73*N, SWFX74*N4000, SWFX75*N4000, SWFY71*N and SWFY73*N



FLW1032PA_802739

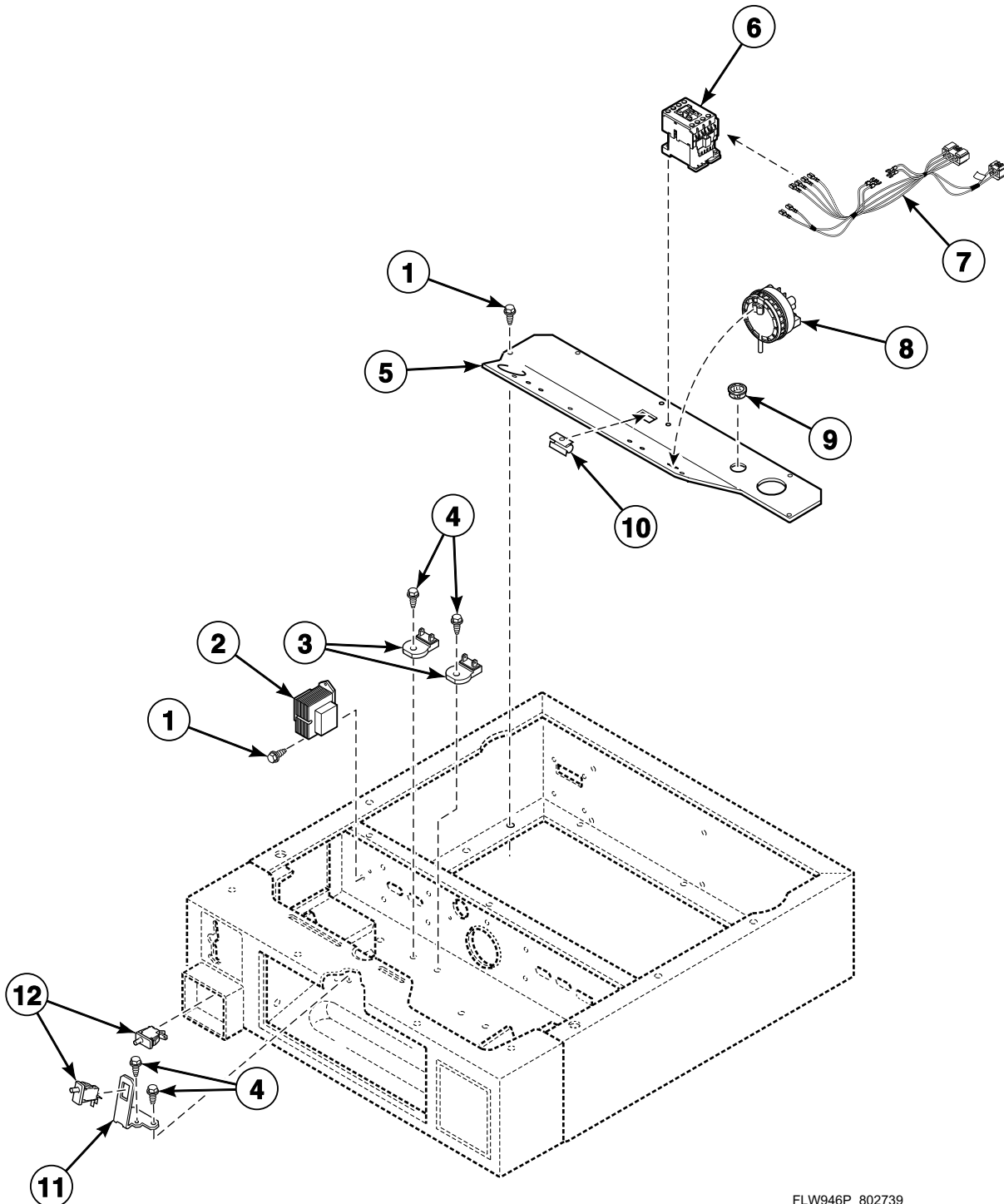
Top Assembly

REF	PART NO.	DESCRIPTION	COMMENTS
1	802247WP	Top and Gusset Assembly	White; Includes 802247W Top and Gusset Assembly, (10) 02788 Nut, (10) 34337 Screw, (2) 510146 Bracket and 2 each items 3 and 5
	802247QP	Top and Gusset Assembly	Bisque; Includes 802247Q Top and Gusset Assembly, (10) 02788 Nut, (10) 34337 Screw, (2) 510146 Bracket and 2 each items 3 and 5
	512967	Stainless Steel Top	Stainless steel; Models BFNBEFSP111CN01, BFNBEFSP111TN01, HFNBCFSG111TN01 and HFNBCFSP111TN01 through Serial No. 1005018719; All other models
	803144P	Top Kit	Stainless steel; Includes items 3, 4, 6, 7 and 4 each 22649 Screw and 51236 Nut; Model BFNBCFSG111TN01; Models BFNBEFSP111CN01, BFNBEFSP111TN01, HFNBCFSG111TN01 and HFNBCFSP111TN01 starting Serial No. 1005018720
2	685847	Pop Rivet	
3	511036	Hinge	
4	29651	Bolt	
5	504228	Top Mounting Bracket	
6	36020	Nut	
7	44087201	Nut	
8	23008	Screw	
9	54612	Key	GR800
10	27260P	Lock Kit	
11	27261	Lock Cam	

* Add Letter To Designate Color. N - Stainless Steel Q - Bisque W - White

Control Cabinet Controls

Models BFNBCFSG111TN01, BFNBCFSG111TW01, BFNBEFSP111CN01, BFNBEFSP111CW01, BFNBEFSP111TN01, BFNBEFSP111TW01, BWFX71*N1127, BWFX71*N3050, BWFX74*N4000, BWFX75*N4000, HFNBCFSG111TN01, HFNBCFSP111TN01, HFNCXFSP111CW01, HWFB71*N, HWFB71*N1102, HWFR71*N1102, HWFT71*N, HWFT71*N1102, HWFT73*N, HWFT73*N1102, HWFX71*N1102, HWFX71*N1127, HWFY71*N1102, HWFY73*N1102, HWFY74*N4000, HWFY75*N4000, NWF74*N4000, NWF75*N4000, SFNBXFSP301NW22, SFNCCFSP111TW01, SFNCYFSP111TW01, SWFA71*N, SWFA71*N3050, SWFA71*N3069, SWFA73*N, SWFB71*N, SWFB72*N, SWFB73*N, SWFF71*N, SWFF71*N3050, SWFF73*N, SWFT71*N, SWFT73*N, SWFX71*N, SWFX71*N1127, SWFX71*N3000, SWFX71*N3050, SWFX71*N5400, SWFX73*N, SWFX74*N4000, SWFX75*N4000, SWFY71*N and SWFY73*N



FLW946P_802739

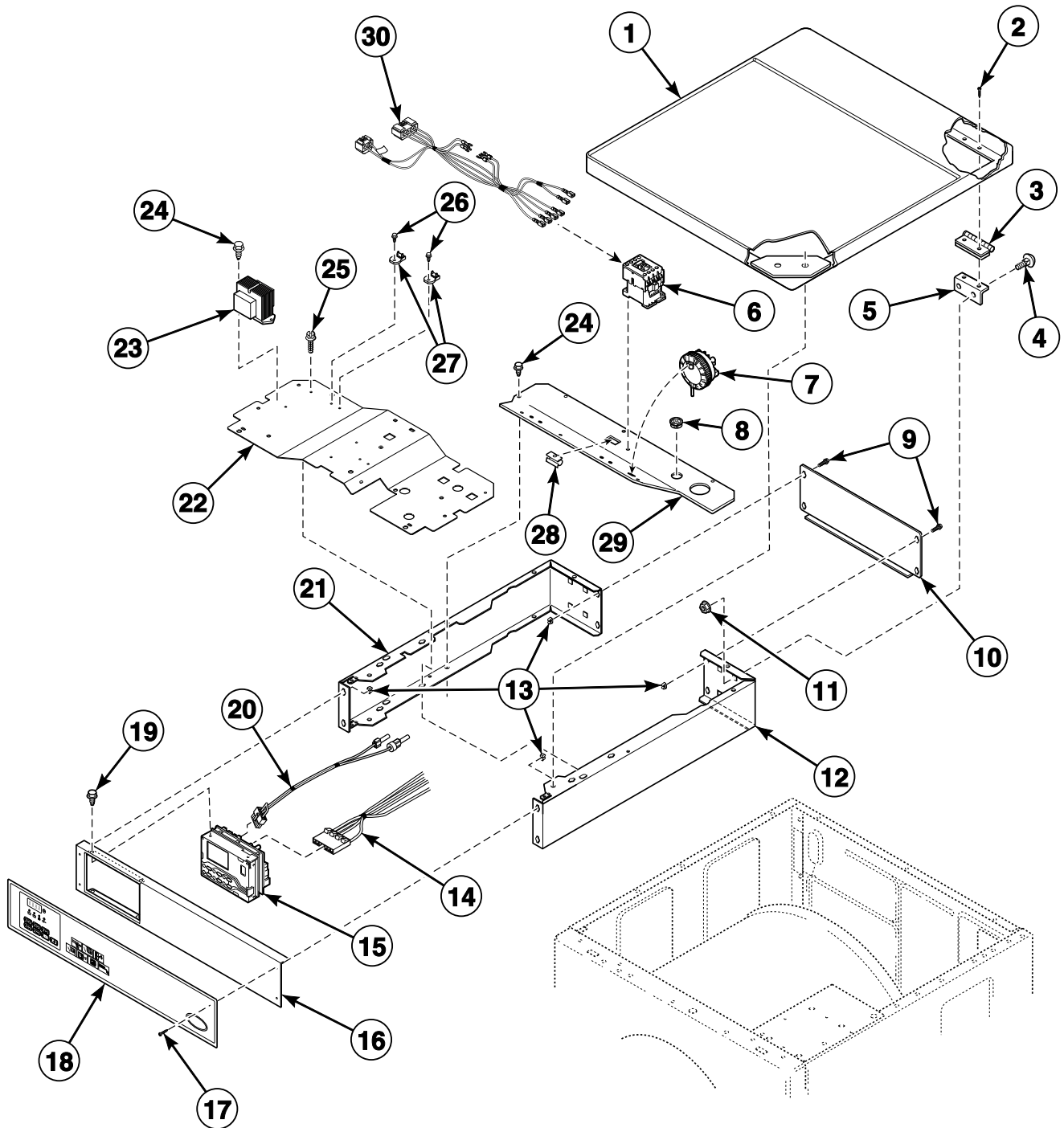
Control Cabinet Controls

REF	PART NO.	DESCRIPTION	COMMENTS
1	503661	Screw	Use with painted panels
	M405188	Screw	Use with stainless steel panels
2	210018P	Transformer	Models BFNBCFSG111TN01, BFNBCFSG111TW01, HFNBCFSG111TN01, HFNBCFSP111TN01, HWFB71*N, HWFB71*N1102, HWFT71*N, HWFT71*N1102, HWFT73*N, HWFT73*N1102, SFNCCFSP111TW01, SWFB71*N, SWFB72*N, SWFB73*N, SWFF71*N, SWFF73*N, SWFT71*N and SWFT73*N
	201375P	Transformer	Some models may have jumper wire attached to transformer. Discard jumper wire when replacing transformer; Models BFNBEFSP111CN01, BFNBEFSP111CW01, BFNBEFSP111TN01, BFNBEFSP111TW01, HFNCXFSP111CW01, HWFR71*N1102, HWFX71*N1102, HWFX71*N1127, HWFY71*N1102, HWFY73*N1102, SFNCYFSP111TW01, SWFA71*N, SWFX71*N, SWFX71*N1127, SWFX73*N, SWFY71*N and SWFY73*N
	803527	Transformer	All other models
3	210100	Resistor	Models BWFX71*N3050, BWFX74*N4000, BWFX75*N4000, HWFY74*N4000, HWFY75*N4000, NWF74*N4000, NWF75*N4000, SFNBXFSP301NW22, SWFA71*N3050, SWFA71*N3069, SWFF71*N3050, SWFX71*N3000, SWFX71*N3050, SWFX71*N5400, SWFX74*N4000 and SWFX75*N4000
4	503688	Screw	
5	801371	Control Shield	
6	F330177P	Contactor	Models BWFX74*N4000, BWFX75*N4000, HWFY74*N4000, HWFY75*N4000, NWF74*N4000, NWF75*N4000, SWFX74*N4000 and SWFX75*N4000
7	801120P	Contactor Wire Harness Assembly	Models BWFX74*N4000, BWFX75*N4000, HWFY74*N4000, HWFY75*N4000, NWF74*N4000, NWF75*N4000, SWFX74*N4000 and SWFX75*N4000
8	802299P	Pressure Switch	
9	M402542	Snap Bushing	
10	36985	Hose Clip	
11	800379	Audit Switch Bracket	
12	512973	Switch	

* Add Letter To Designate Color. N - Stainless Steel Q - Bisque W - White

Control Cabinet and Controls

Models BFNBLFSP301AW01, BFNBLFSP541NW01, BWFL74*N4000, BWFL75*N4000, NWFL84*N4000, NWFL85*N4000 and SWFL74*N4000



FLW1033P_802739

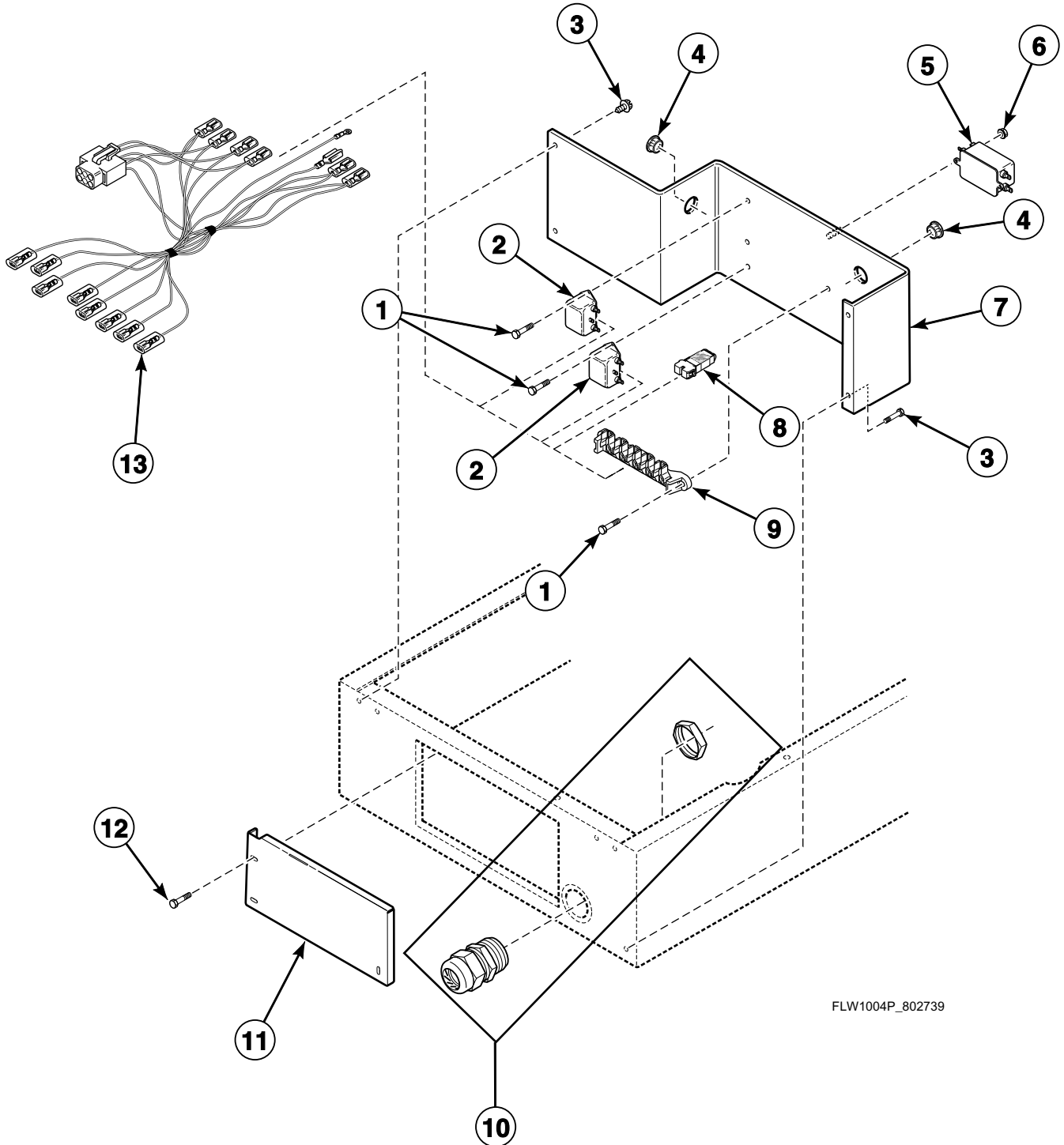
Control Cabinet and Controls

REF	PART NO.	DESCRIPTION	COMMENTS
1	512967	Stainless Steel Top	Models NWFL84*N4000, NWFL85*N4000 and SWFL74*N4000
	802247WP	Top and Gusset Assembly	White; Models BFNBLFSP301AW01, BFNBLFSP541NW01, BWFL74*N4000 and BWFL75*N4000
	802247QP	Top and Gusset Assembly	Bisque; Models BWFL74*N4000 and BWFL75*N4000
2	685847	Pop Rivet	
3	511036	Hinge	
4	29651	Bolt	
5	504228	Top Mounting Bracket	
6	F330177P	Contactora	All models except BFNBLFSP301AW01 and BFNBLFSP541NW01
7	802299P	Pressure Switch	
8	M402542	Snap Bushing	
9	70240301	Screw	
10	801058	Rear Control Cabinet	
11	44087201	Nut	
12	800915W	Right Control Cabinet Side	White
	800915Q	Right Control Cabinet Side	Bisque
	800915B	Right Control Cabinet Side	Black
13	70030501	Expansion Clip	
14	511478	MDC Central Pay Harness	
15	802248P	Control Assembly	Models BFNBLFSP301AW01 and BFNBLFSP541NW01
	802400P	Control Assembly	All other models
16	801737W	Control Panel	White
	801737B	Control Panel	Black
17	800930	Screw	
18	801762	Graphic Overlay	Models NWFL84*N4000 and NWFL85*N4000
	801983	Graphic Overlay	Models BWFL74*N4000 and BWFL75*N4000
	802868	Graphic Overlay	Model SWFL74*N4000
	803535	Overlay	Models BFNBLFSP301AW01 and BFNBLFSP541NW01
19	501524	Screw	
20	800680	Diagnostic Wire Harness Assembly	
21	801738W	Left Control Cabinet Side	White
	801738B	Left Control Cabinet Side	Black
22	801777	Control Cabinet Bottom	
23	803527	Transformer	
24	503661	Screw	
25	503688	Screw	Use with painted panels
	M405188	Screw	Use with stainless steel panels
26	503688	Screw	
27	210100	Resistor	
28	36985	Hose Clip	
29	801371	Control Shield	
30	801120P	Contactora Wire Harness Assembly	All models except BFNBLFSP301AW01 and BFNBLFSP541NW01

* Add Letter To Designate Color. N - Stainless Steel Q - Bisque W - White

Electrical Access Panel, Filters and Terminal Block

Models BFNBLFSP301AW01, BFNBLFSP541NW01, BWFL74*N4000, BWFL75*N4000, BWFX74*N4000, BWFX75*N4000, HWFY74*N4000, HWFY75*N4000, NWFL84*N4000, NWFL85*N4000, NWF74*N4000, NWF75*N4000, SWFL74*N4000, SWFX74*N4000 and SWFX75*N4000



FLW1004P_802739

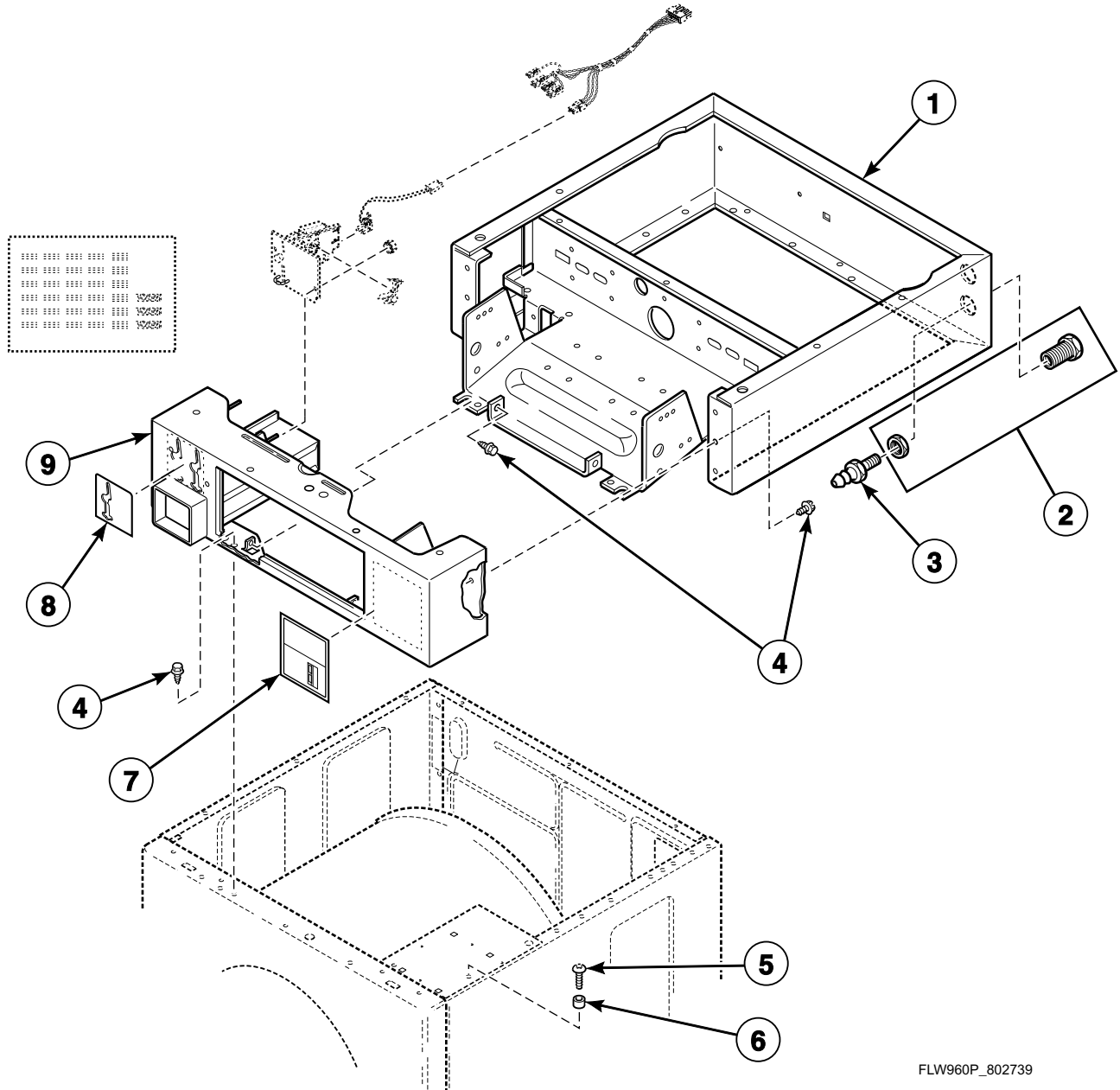
Electrical Access Panel, Filters and Terminal Block

REF	PART NO.	DESCRIPTION	COMMENTS
1	503661	Screw	All models except BFNBLFSP301AW01 and BFNBLFSP541NW01
2	801255P	Filter	All models except BFNBLFSP301AW01 and BFNBLFSP541NW01
3	503688	Screw	
4	M402542	Snap Bushing	
5	201058	Line Filter	All models except BFNBLFSP301AW01 and BFNBLFSP541NW01
6	29787	Nut	All models except BFNBLFSP301AW01 and BFNBLFSP541NW01
7	801756	Terminal Block Assembly	Models BWFL74*N4000, BWFL75*N4000, NWFL84*N4000, NWFL85*N4000 and SWFL74*N4000
	801250	Terminal Block Assembly	Models BWFX74*N4000, BWFX75*N4000, HWFY74*N4000, HWFY75*N4000, NWFY74*N4000, NWFY75*N4000, SWFX74*N4000 and SWFX75*N4000
8	801311	Network Varistor Assembly	All models except BFNBLFSP301AW01 and BFNBLFSP541NW01
9	505876	Terminal Block Assembly	All models except BFNBLFSP301AW01 and BFNBLFSP541NW01
10	801792P	Fitting	
11	801058	Rear Control Cabinet	Models BFNBLFSP301AW01, BWFL74*N4000, BWFL75*N4000, NWFL84*N4000, NWFL85*N4000 and SWFL74*N4000
	801134	Electric Access Panel	All other models
12	70240301	Screw	Models BFNBLFSP301AW01, BFNBLFSP541NW01, BWFL74*N4000, BWFL75*N4000, NWFL84*N4000, NWFL85*N4000 and SWFL74*N4000
	503661	Screw	All other models
13	801261	Wire Harness Assembly	3 Phase power; All models except BFNBLFSP301AW01 and BFNBLFSP541NW01

* Add Letter To Designate Color. N - Stainless Steel Q - Bisque W - White

Wrapper Assembly

Models BFNBCFSG111TN01, BFNBCFSG111TW01, BFNBEFSP111CN01, BFNBEFSP111CW01, BFNBEFSP111TN01, BFNBEFSP111TW01, BWF71*N1127, BWF71*N3050, BWF74*N4000, BWF75*N4000, HFNBCFSG111TN01, HFNBCFSP111TN01, HFNCXFSP111CW01, HWFB71*N, HWFB71*N1102, HWFR71*N1102, HWFT71*N, HWFT71*N1102, HWFT73*N, HWFT73*N1102, HWFX71*N1102, HWFX71*N1127, NWF74*N4000, NWF75*N4000, SFNBXFSP301NW22, SFNCCFSP111TW01, SWFA71*N, SWFA71*N3050, SWFA71*N3069, SWFA73*N, SWFB71*N, SWFB72*N, SWFB73*N, SWFT71*N, SWFT73*N, SWFX71*N, SWFX71*N1127, SWFX71*N3000, SWFX71*N3050, SWFX71*N5400, SWFX73*N, SWFX74*N4000 and SWFX75*N4000



FLW960P_802739

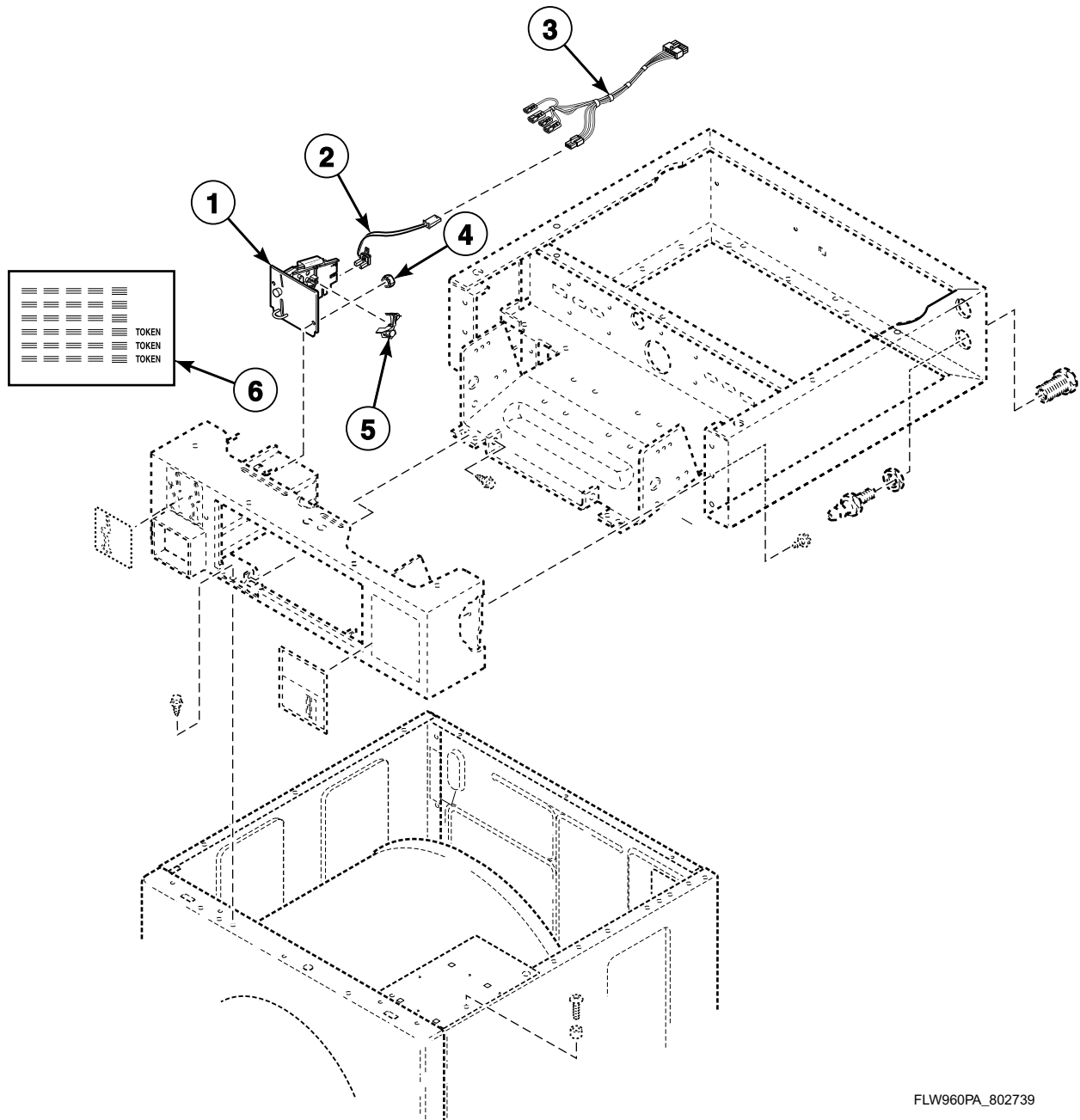
Wrapper Assembly

REF	PART NO.	DESCRIPTION	COMMENTS
1	801235W	Security Cabinet Wrapper Assembly	White; Models BWFX74*N4000, BWFX75*N4000, NWF74*N4000, NWF75*N4000, SWFX74*N4000 and SWFX75*N4000
	801235Q	Security Cabinet Wrapper Assembly	Bisque; Models BWFX74*N4000, BWFX75*N4000, NWF74*N4000, NWF75*N4000, SWFX74*N4000 and SWFX75*N4000
	801235B	Security Cabinet Wrapper Assembly	Black; Models BWFX74*N4000, BWFX75*N4000, NWF74*N4000, NWF75*N4000, SWFX74*N4000 and SWFX75*N4000
	801780W	Security Cabinet Wrapper Assembly	White; Model SWFB72*N
	801780Q	Security Cabinet Wrapper Assembly	Bisque; Model SWFB72*N
	505753WP	Wrapper and Channel Assembly	White; All other models
	505753QP	Wrapper and Channel Assembly	Bisque; All other models
	505753BP	Wrapper and Channel Assembly	Black; All other models
	2	801788	Union
3	801789	Connector	Model SWFB72*N
4	503688	Screw	
5	39733	Screw	Use with painted panels
	512921	Screw	Use with stainless steel panels
6	56079	Panel Locator	
7	801217	Operating Instruction Label	Models BWFX74*N4000, BWFX75*N4000, NWF74*N4000, NWF75*N4000, SWFA71*N3050, SWFX74*N4000 and SWFX75*N4000
	803594	Operating Instruction Label	French/English; Models HFNCXFSP111CW01, HWFR71*N1102, HWFT71*N1102, HWFT73*N1102 and HWFX71*N1102
	685942	Instruction Label	All other models
8	38717	Single Overlay	
	39073	Dual Overlay	Models HWFB71*N1102, HWFT71*N1102 and HWFT73*N1102; Dual drop
	38676	Overlay Kit	Dual drop
9	511633WP	Security Cabinet Front Assembly	White
	511633QP	Security Cabinet Front Assembly	Bisque
	511633B	Security Cabinet Front Assembly	Black

* Add Letter To Designate Color. N - Stainless Steel Q - Bisque W - White

Non-Electronic Coin Drop

Models BFNBCFSG111TN01, BFNBCFSG111TW01, BWFX71*N1127, BWFX71*N3050, BWFX74*N4000, BWFX75*N4000, HFNBCFSG111TN01, HFNBCFSP111TN01, HFNCXFSP111CW01, HWFB71*N, HWFB71*N1102, HWFR71*N1102, HWFT71*N, HWFT71*N1102, HWFT73*N, HWFT73*N1102, HWFX71*N1102, HWFX71*N1127, NWF74*N4000, NWF75*N4000, SFNBXFSP301NW22, SFNCCFSP111TW01, SWFA71*N, SWFA71*N3050, SWFA71*N3069, SWFA73*N, SWFB71*N, SWFB72*N, SWFB73*N, SWFT71*N, SWFT73*N, SWFX71*N, SWFX71*N1127, SWFX71*N3000, SWFX71*N3050, SWFX71*N5400, SWFX73*N, SWFX74*N4000 and SWFX75*N4000



FLW960PA_802739

Non-Electronic Coin Drop

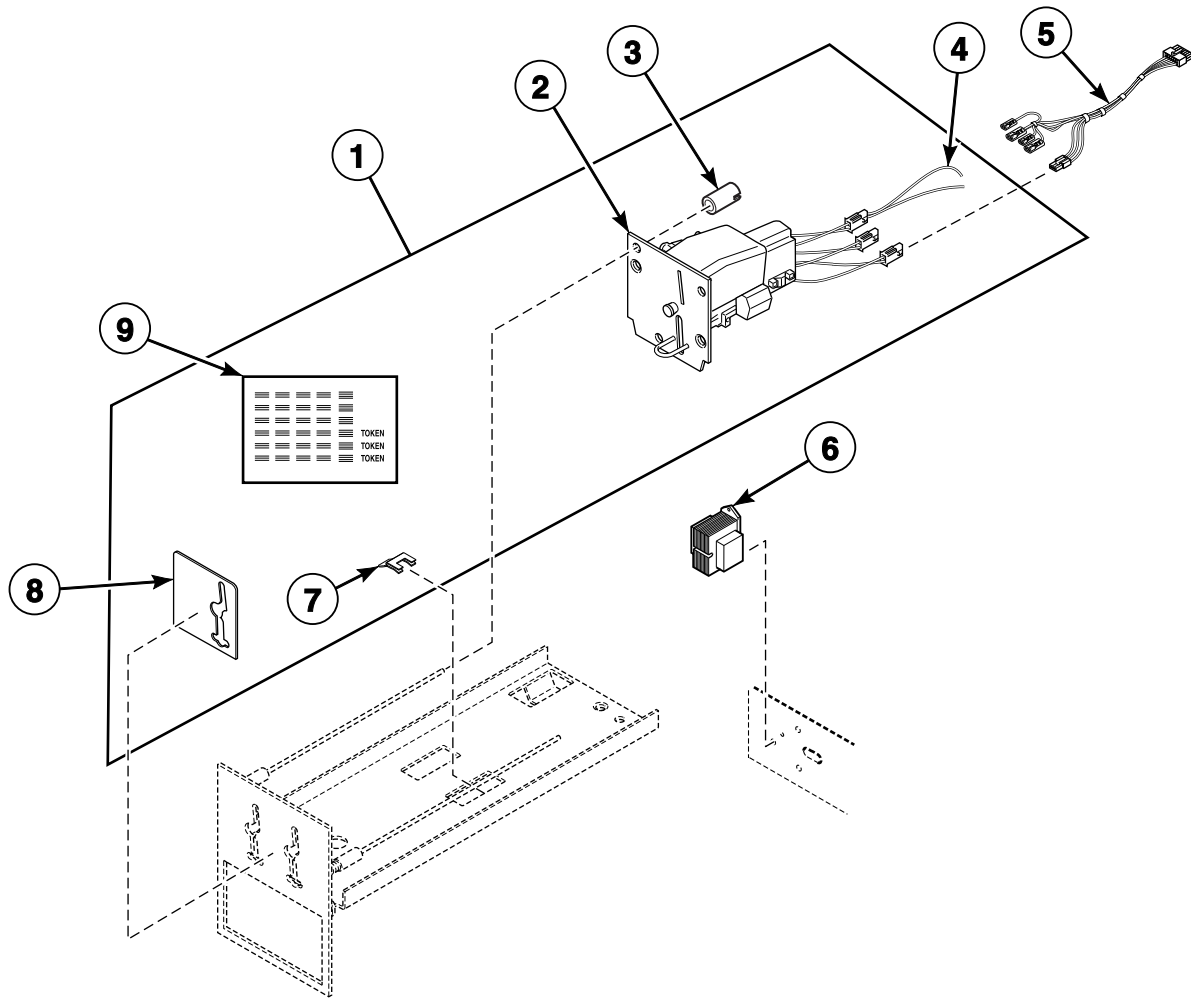
REF	PART NO.	DESCRIPTION	COMMENTS
1	70441601P	Coin Drop	U.S.A.; Currency \$.25
	70441602	Coin Drop Assembly	Canada; Currency \$.25 and \$1.00
	38464P	Coin Drop Assembly	Canada; Currency \$.25
	38467	Coin Drop Assembly	Australia; Currency \$.20 and \$1.00
	70447301	Coin Drop Assembly	Australia; Currency \$1.00 and \$2.00
	38472	Coin Drop Assembly	England; Currency 20 pence and 1 pound
	38519	Coin Drop Assembly	Japan; Currency 100 yen and 500 yen
	38521	Coin Drop Assembly	Korea; Currency 100 won and 500 won
	N/A	Coin Drop Assembly	New Zealand; Currency \$.20 and \$1.00
	CK114	Coin Drop Assembly	Singapore; Currency 1.00
	38462P	Coin Drop Assembly	Token; Currency STD-118-1
	38463	Coin Drop Assembly	Token; Currency STD-118-5
	38963P	Coin Drop	Token; Currency STD-118-16
	2	200674P	Opto Coupler
3	802904P	Harness Assembly	Models BFNBCFSG111TN01, BFNBCFSG111TW01, HFNBCFSG111TN01, HFNBCFSP111TN01, HWFB71*N, HWFT71*N, HWFT73*N, SFNCCFSP111TW01, SWFB71*N, SWFB72*N, SWFB73*N, SWFT71*N and SWFT73*N
	802905	Harness Assembly	All other models
4	29786	Nut	
5	201595P	Wire Guard	Anti-stringing security device
6	38725	Coin Identification Paper	

* Add Letter To Designate Color. N - Stainless Steel Q - Bisque W - White

N/A = Part no longer available

Electronic Coin Drop

Models BFNBCFSG111TN01, BFNBCFSG111TW01, BFNBEFSP111CN01, BFNBEFSP111CW01, BFNBEFSP111TN01, BFNBEFSP111TW01, BWF71*N1127, BWF71*N3050, BWF74*N4000, BWF75*N4000, HFNBCFSG111TN01, HFNBCFSP111TN01, HFNCXFSP111CW01, HFNCXRSP111CW01, HWFB71*N, HWFB71*N1102, HWFR71*N1102, HWFT71*N, HWFT71*N1102, HWFT73*N, HWFT73*N1102, HWFX71*N1102, HWFX71*N1127, HWRR71*N1102, HWRT71*N, HWRT71*N1102, HWRX71*N1102, NWF74*N4000, NWF75*N4000, SFNBCRSP111TW02, SFNBXFSP301NW22, SFNCCFSP111TW01, SFNCCRSP111TW01, SFNCCRSP111TW02, SFNCXRSP111TW02, SWFA71*N, SWFA71*N3050, SWFA71*N3069, SWFA73*N, SWFB71*N, SWFB72*N, SWFB73*N, SWFT71*N, SWFT73*N, SWFX71*N, SWFX71*N1127, SWFX71*N3000, SWFX71*N3050, SWFX71*N5400, SWFX73*N, SWFX74*N4000, SWFX75*N4000, SWRB71*N, SWRT71*N, SWRT73*N and SWRX71*N



FLW1005P_802739

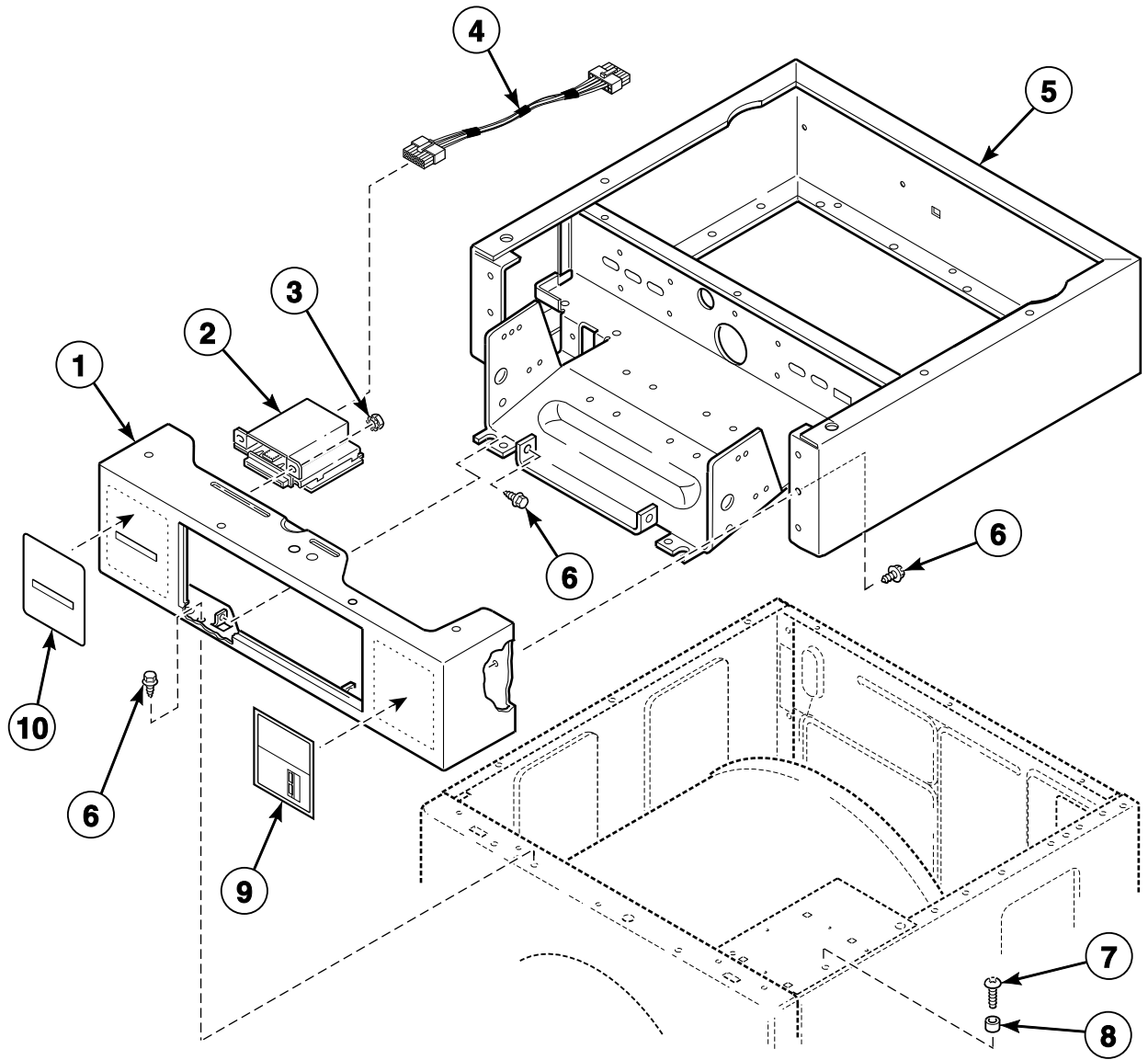
Electronic Coin Drop

REF	PART NO.	DESCRIPTION	COMMENTS
1	CK115	Electronic Coin Drop Kit	Includes items 2-4 and 7-9; United States and Canada coins
	CK113	Electronic Coin Drop Kit	Includes items 2-4 and 7-9; Japan and Taiwan coins
	CK099	Electronic Coin Drop Kit	Includes items 2-4 and 7-9; Australia, New Zealand, Hong Kong, South Korea and Malaysia coins
	CK100	Electronic Coin Drop Kit	Includes items 2-4 and 7-9; Euro and Great Britain coins
	CK101	Electronic Coin Drop Kit	Includes items 2-4 and 7-9; Euro, Denmark and Norway coins
	CK103	Electronic Coin Drop Kit	Includes items 2-4 and 7-9; Euro, Lithuania and Latvia coins
	CK106	Electronic Coin Drop Kit	Includes items 2-4 and 7-9; Malaysia, China, Russia and Singapore coins
	CK108	Electronic Coin Drop Kit	Includes items 2-4 and 7-9; South African 1, 2 and 5 rand coins
	CK109	Electronic Coin Drop Kit	Includes items 2-4 and 7-9; Euro coins
	CK110	Electronic Coin Drop Kit	Includes items 2-4 and 7-9; Mexican, Ecuador and United States coins
2	70294105P	Electronic Coin Drop Assembly	Australia, New Zealand, Hong Kong, South Korea and Malaysia coins
	70294103P	Electronic Coin Drop Assembly	Euro and Great Britain coins
	70294104	Electronic Coin Drop Assembly	Euro, Denmark and Norway coins
	70294107	Electronic Coin Drop Assembly	Euro, Lithuania and Latvia coins
	70294109	Electronic Coin Drop Assembly	Malaysia, China, Russia and Singapore coins
	70294110	Electronic Coin Drop Assembly	South African 1, 2 and 5 rand coins
	70294111	Electronic Coin Drop Assembly	Euro coins
	70294106	Electronic Coin Drop Assembly	Mexican, Ecuador and United States coins
3	201216	Nut	Slotted nut; Use on front control models with guide rods through Serial No. 1007022688 and all rear control models
	29786	Nut	Hex nut; Use on front control models with no guide rods; Models starting Serial No. 1007022689
4	201104	Coin Drop Wire Harness	
5	802905	Harness Assembly	Electronic coin drop requires this harness. If unit is not factory-equipped with this harness, it must be ordered separately.
6	201375P	Transformer	Electronic coin drop requires this transformer. If unit is not factory-equipped with this transformer, it must be ordered separately.
7	201572	Clip	
8	201091	Overlay	
9	38725	Coin Identification Paper	

* Add Letter To Designate Color. N - Stainless Steel Q - Bisque W - White

Wrapper Assembly and Card Reader

Models HWFY71*N1102, HWFY73*N1102, HWFY74*N4000, HWFY75*N4000, SFNCYFSP111TW01, SWFF71*N, SWFF71*N3050, SWFF73*N, SWFY71*N and SWFY73*N



FLW898P_802739

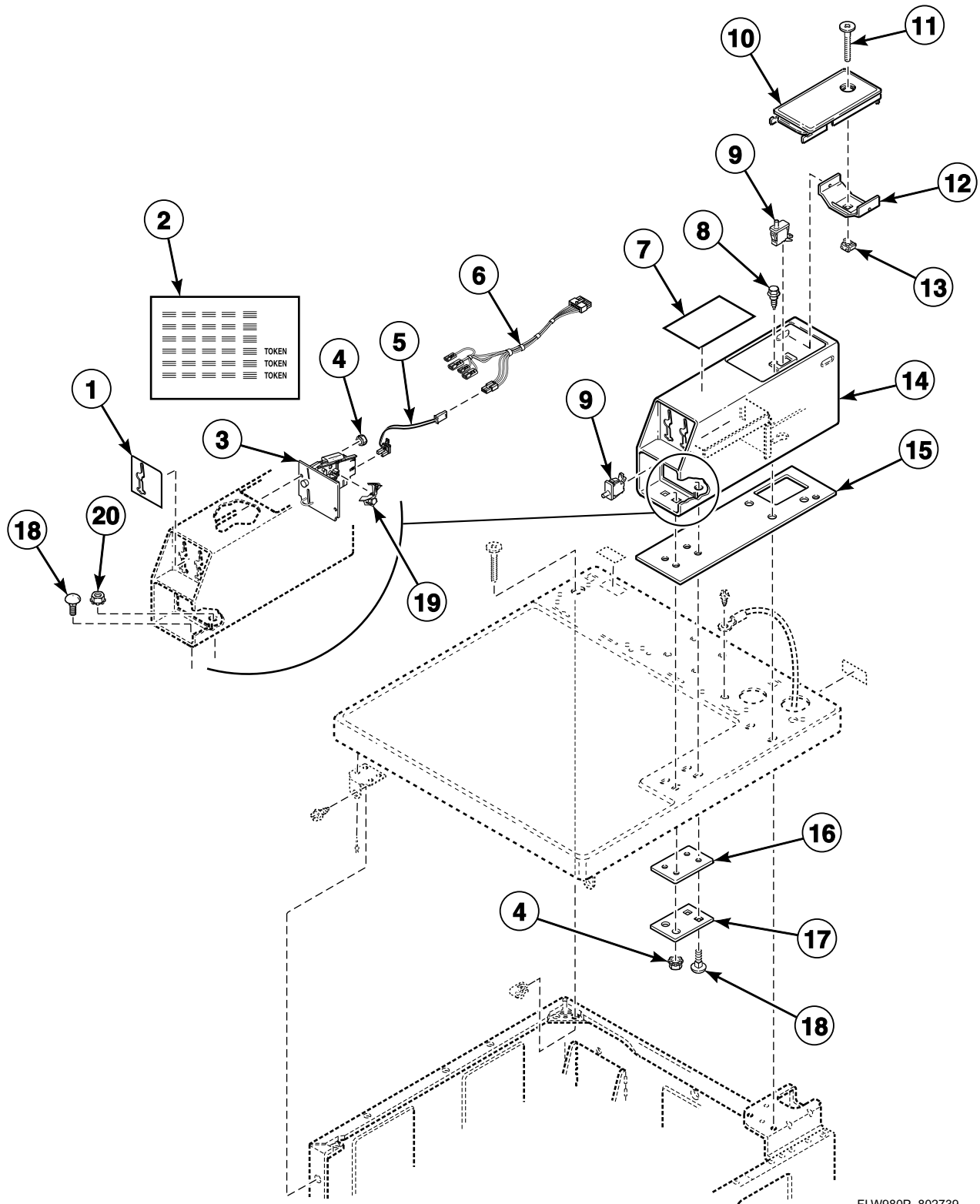
Wrapper Assembly and Card Reader

REF	PART NO.	DESCRIPTION	COMMENTS
1	511209WP	Security Cabinet Front Assembly	White
	511209Q	Security Cabinet Front Assembly	Bisque
2	510068P	Card Reader and Bracket Assembly	Models SWFF71*N, SWFF71*N3050 and SWFF73*N
3	70054	Nut	
4	800125P	Card Reader Wire Harness Assembly	Models SWFF71*N, SWFF71*N3050 and SWFF73*N
5	801235W	Security Cabinet Wrapper Assembly	White; Models HWFY74*N4000 and HWFY75*N4000
	801235Q	Security Cabinet Wrapper Assembly	Bisque; Models HWFY74*N4000 and HWFY75*N4000
	505753WP	Wrapper and Channel Assembly	White; All other models
	505753QP	Wrapper and Channel Assembly	Bisque; All other models
6	503688	Screw	
7	39733	Screw	
8	56079	Panel Locator	
9	801217	Operating Instruction Label	Models HWFY74*N4000, HWFY75*N4000 and SWFF71*N3050
	803594	Operating Instruction Label	French/English; Models HWFY71*N1102 and HWFY73*N1102
	685942	Instruction Label	All other models
10	511548	Card Insert Overlay	Models HWFY71*N1102, HWFY73*N1102, HWFY74*N4000 and HWFY75*N4000
	800230	Card Reader Overlay	Models SWFF71*N, SWFF71*N3050 and SWFF73*N
	511544	Card Insert Overlay	Models SFNCYFSP111TW01, SWFY71*N and SWFY73*N
	210131	Overlay	Models HWFY74*N4000 and HWFY75*N4000

* Add Letter To Designate Color. Q - Bisque W - White

Non-Electronic Coin Drop, Meter Case and Service Door

Models HFNCXRSP111CW01, HWRR71*N1102, HWRT71*N, HWRT71*N1102,
HWRX71*N1102, SFNBCRSP111TW02, SFNCCRSP111TW01, SFNCCRSP111TW02,
SFNCXRSP111TW02, SWRB71*N, SWRT71*N, SWRT73*N and SWRX71*N



FLW980P_802739

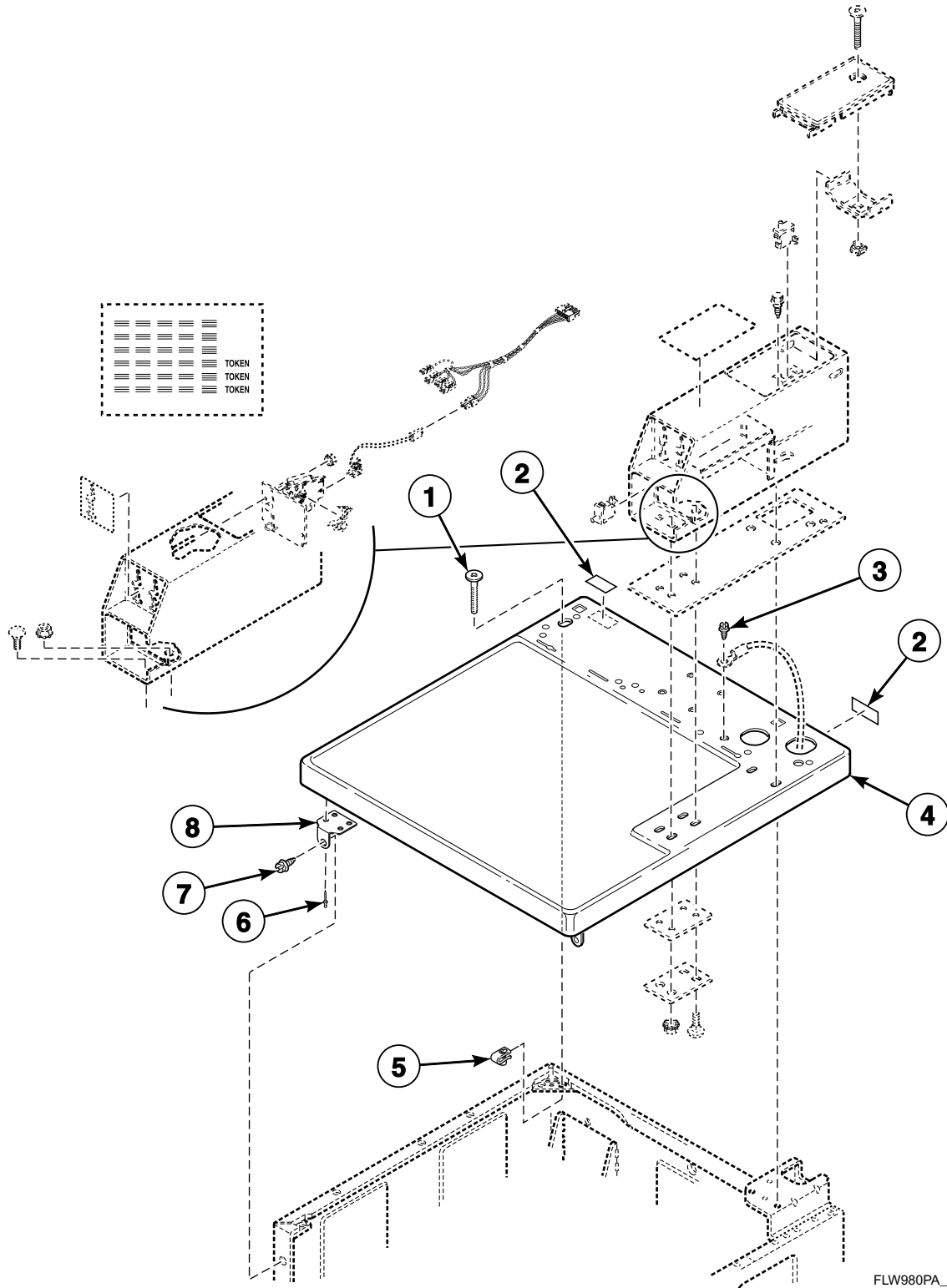
Non-Electronic Coin Drop, Meter Case and Service Door

REF	PART NO.	DESCRIPTION	COMMENTS
1	202123	Single Overlay	Models SFNBCRSP111TW02 and SFNCCRSP111TW02; Models through Serial No. 1010011547
	38717	Single Overlay	Models HWRT71*N, SFNCCRSP111TW01, SWRB71*N, SWRT71*N, SWRT73*N and SWRX71*N; Models SFNBCRSP111TW02 and SFNCCRSP111TW02 starting Serial No. 1010011548
	39073	Dual Overlay	Models HFNCXRSP111CW01, HWRT71*N1102 and HWRX71*N1102
2	38725	Coin Identification Paper	
3	70441601P	Coin Drop	Models HWRT71*N, SFNCCRSP111TW01, SFNCCRSP111TW02, SFNCXRSP111TW02, SWRB71*N, SWRT71*N, SWRT73*N and SWRX71*N
	70441602	Coin Drop Assembly	Models HFNCXRSP111CW01, HWRT71*N1102 and HWRX71*N1102
4	29786	Nut	
5	200674P	Opto Coupler	
6	802905	Harness Assembly	Models HFNCXRSP111CW01, HWRR71*N1102, HWRT71*N1102, HWRX71*N1102, SFNCXRSP111TW02 and SWRX71*N
	802904P	Harness Assembly	Models HWRT71*N, SFNBCRSP111TW02, SFNCCRSP111TW01, SFNCCRSP111TW02, SWRB71*N, SWRT71*N and SWRT73*N
7	803595	Operating Instruction Label	French/English; Models HFNCXRSP111CW01, HWRR71*N1102, HWRT71*N1102 and HWRX71*N1102
	800137	Rear Control Operating Instruction Label	All other models
8	36048	Screw	
9	512973	Switch	
10	803043WP	Service Door Assembly	Models SFNBCRSP111TW02, SFNCCRSP111TW02 and SFNCXRSP111TW02; Models through Serial No. 1010011547
	39874WP	Service Door Assembly	White; All other models
	39874QP	Service Door Assembly	Bisque; All other models
11	503673	Screw	All models except SFNBCRSP111TW02, SFNCCRSP111TW02 and SFNCXRSP111TW02 through Serial No. 1010011547
12	30642	Meter Case Locking Bracket	All models except SFNBCRSP111TW02, SFNCCRSP111TW02 and SFNCXRSP111TW02 through Serial No. 1010011547
13	30647	Nut	All models except SFNBCRSP111TW02, SFNCCRSP111TW02 and SFNCXRSP111TW02 through Serial No. 1010011547
14	803063WP	Meter Case Assembly Kit	Models SFNBCRSP111TW02, SFNCCRSP111TW02 and SFNCXRSP111TW02 through Serial No. 1010011547
	803063W	Meter Case Assembly	Models SFNBCRSP111TW02, SFNCCRSP111TW02 and SFNCXRSP111TW02 starting Serial No. 1010011548
	803578P	Coin Box Extension Kit	Use with 803063W Meter Case Assembly to extend shorter 7-inch coin boxes; Models SFNBCRSP111TW02, SFNCCRSP111TW02 and SFNCXRSP111TW02 starting Serial No. 1010011548
	802505W	Meter Case Assembly	White; Model HWRR71*N1102
	802505Q	Meter Case Assembly	Bisque; Model HWRR71*N1102
	38724W	Meter Case Assembly	White; All other models
	38724Q	Meter Case Assembly	Bisque; All other models
15	26354	Meter Case Gasket	
16	35526	Meter Case Bracket Gasket	
17	35525	Meter Case Lockdown Bracket	
18	02505	Bolt	
19	201595P	Wire Guard	Anti-stringing security device
20	802337	Nut	

* Add Letter To Designate Color. Q - Bisque W - White

Cabinet Top

Models HFNCXRSP111CW01, HWRR71*N1102, HWRT71*N, HWRT71*N1102, HWRX71*N1102, SFNBCRSP111TW02, SFNCCRSP111TW01, SFNCCRSP111TW02, SFNCXRSP111TW02, SWRB71*N, SWRT71*N, SWRT73*N and SWRX71*N



FLW980PA_802739

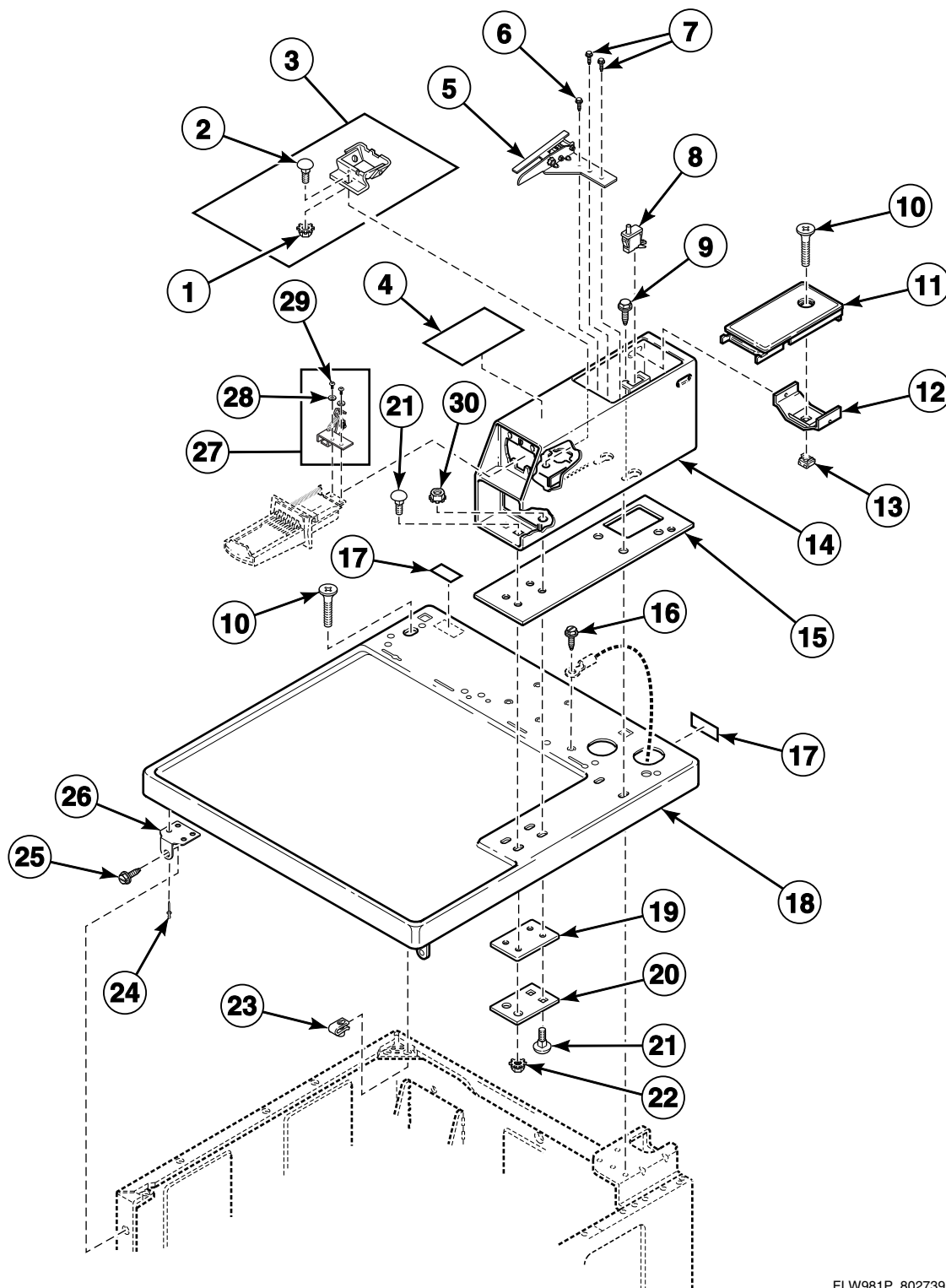
Cabinet Top

REF	PART NO.	DESCRIPTION	COMMENTS
1	503673	Screw	All models except SFNBCRSP111TW02, SFNCCRSP111TW02 and SFNCXRSP111TW02
2	500316	Warning Label	Models HFNCXRSP111CW01, HWRR71*N1102, HWRT71*N1102 and HWRX71*N1102
	505281	Disconnect Power Warning Label	All other models
3	20530	Screw	
4	511527WP	Top Kit	White
	511527QP	Top Kit	Bisque
5	27222	Nut	
6	70058501	Pop Rivet	
7	503661	Screw	
8	510146	Bracket	

* Add Letter To Designate Color. Q - Bisque W - White

Meter Case, Service Door and Cabinet Top

Models HWR971*N1102, HWR971*N1127, HWR973*N1102, SFNSXRSP111TW02, SFNSXRSP541NQ23, SFNTRSP111TW01, SFNTRSP111TW02, SWR971*N and SWR973*N



FLW981P_802739

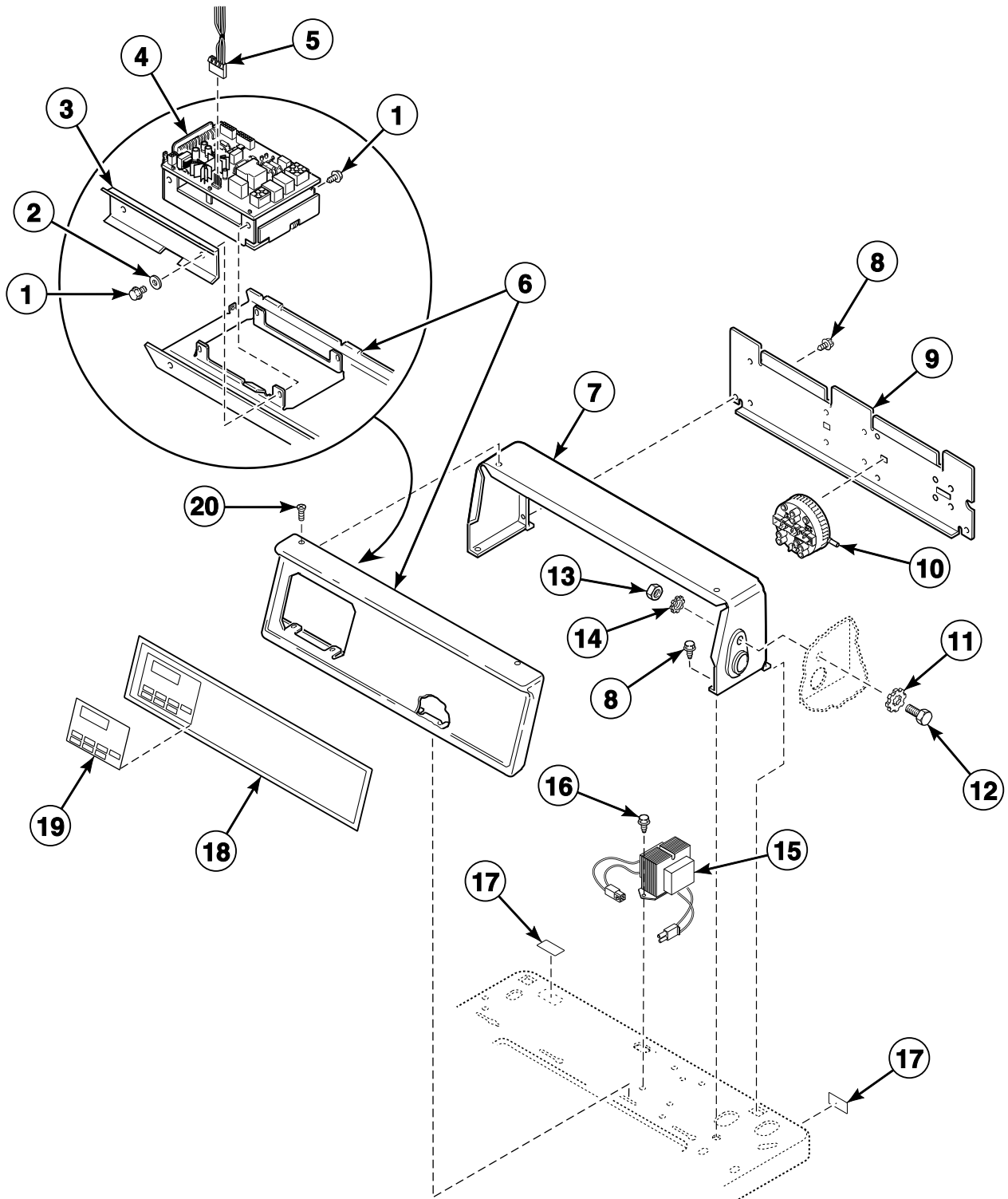
Meter Case, Service Door and Cabinet Top

REF	PART NO.	DESCRIPTION	COMMENTS
1	M412986	Nut	All models except SFNSXRSP111TW02 and SFNTRSP111TW02 through Serial No. 1010011547
2	29651	Bolt	All models except SFNSXRSP111TW02 and SFNTRSP111TW02 through Serial No. 1010011547
3	523P3	Coin Funnel Kit	All models except SFNSXRSP111TW02 and SFNTRSP111TW02 through Serial No. 1010011547
4	803595	Operating Instruction Label	French/English; Models HWR971*N1102 and HWR973*N1102
	800137	Rear Control Operating Instruction Label	All other models
5	201917P	Switch Mount Assembly	All models except SFNSXRSP111TW02 and SFNTRSP111TW02 through Serial No. 1010011547
6	51782	Screw	All models except SFNSXRSP111TW02 and SFNTRSP111TW02 through Serial No. 1010011547
7	503688	Screw	
8	512973	Switch	
9	36048	Screw	
10	503673	Screw	All models except SFNSXRSP111TW02 and SFNTRSP111TW02 through Serial No. 1010011547
11	803043WP	Service Door Assembly	Models SFNSXRSP111TW02 and SFNTRSP111TW02; Models through Serial No. 1010011547
	39874WP	Service Door Assembly	White; All other models
	39874QP	Service Door Assembly	Bisque; All other models
12	30642	Meter Case Locking Bracket	All models except SFNSXRSP111TW02 and SFNTRSP111TW02 through Serial No. 1010011547
13	30647	Nut	All models except SFNSXRSP111TW02 and SFNTRSP111TW02 through Serial No. 1010011547
14	803042W	Meter Case Assembly	Models SFNSXRSP111TW02 and SFNTRSP111TW02; Models through Serial No. 1010011547
	803576W	Meter Case Assembly	Models SFNSXRSP111TW02 and SFNTRSP111TW02; Models starting Serial No. 1010011548
	801330W	Meter Case Assembly	White; All other models
	801330Q	Meter Case Assembly	Bisque; All other models
15	26354	Meter Case Gasket	
16	20530	Screw	
17	505281	Disconnect Power Warning Label	Models HWR971*N1127, SFNSXRSP111TW02, SFNSXRSP541NQ23, SFNTRSP111TW01, SFNTRSP111TW02, SWR971*N and SWR973*N
	500316	Warning Label	Models HWR971*N1102 and HWR973*N1102
18	511527WP	Top Kit	White
	511527QP	Top Kit	Bisque
19	35526	Meter Case Bracket Gasket	
20	35525	Meter Case Lockdown Bracket	
21	02505	Bolt	
22	29786	Nut	
23	27222	Nut	
24	70058501	Pop Rivet	
25	503661	Screw	
26	510146	Bracket	
27	201915	Slide Extension Assembly	All models except SFNSXRSP111TW02 and SFNTRSP111TW02 through Serial No. 1010011547
28	03815	Washer	All models except SFNSXRSP111TW02 and SFNTRSP111TW02 through Serial No. 1010011547
29	27328	Screw	All models except SFNSXRSP111TW02 and SFNTRSP111TW02 through Serial No. 1010011547
30	802337	Nut	

* Add Letter To Designate Color. Q - Bisque W - White

Control Panel, Control Hood and Controls (Drawing 1 of 3)

Models HFNCXRSP111CW01, HWRR71*N1102, HWRT71*N, HWRT71*N1102,
HWRX71*N1102, SFNBCRSP111TW02, SFNCCRSP111TW01, SFNCCRSP111TW02,
SFNCXRSP111TW02, SWRB71*N, SWRT71*N, SWRT73*N and SWRX71*N



FLW1681P_802739

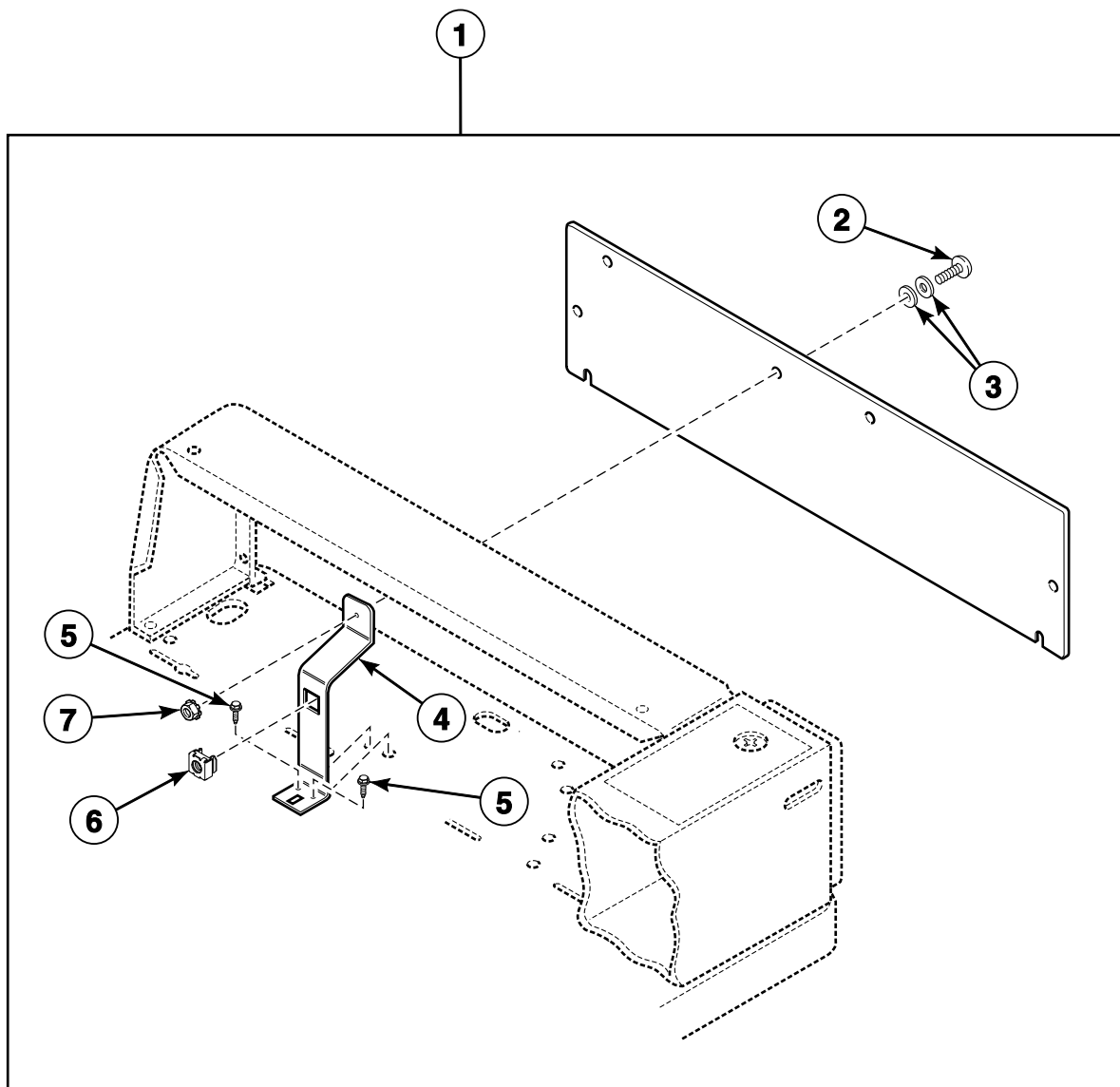
Control Panel, Control Hood and Controls (Drawing 1 of 3)

REF	PART NO.	DESCRIPTION	COMMENTS
1	501524	Screw	
2	200608	Washer	
3	210053	Control Shield	
4	803146P	Control Assembly	Models HFNCXRSP111CW01, SFNCCRSP111TW01, SFNCCRSP111TW02 and SFNCXRSP111TW02
	800772P	Control Kit	Model SWRB71*N
	802248P	Control Assembly	All other models
5	511478	MDC Central Pay Harness	All models except SWRB71*N
6	800149W	Control Panel and Bracket Assembly	White
	800149Q	Control Panel and Bracket Assembly	Bisque
7	502567W	Control Hood	White
	502567Q	Control Hood	Bisque
8	501086	Screw	
9	505798	Hood Back Plate	
10	802299P	Pressure Switch	
11	M400017	Washer	
12	02916	Screw	
13	52566	Nut	
14	02431	Washer	
15	201375P	Transformer	Some models may have jumper wire attached to transformer. Discard jumper wire when replacing transformer; Models HFNCXRSP111CW01, HWRR71*N1102, HWRX71*N1102, SFNCXRSP111TW02 and SWRX71*N
	210018P	Transformer	All other models
16	503661	Screw	
17	500316	Warning Label	Models HFNCXRSP111CW01, HWRR71*N1102, HWRT71*N1102 and HWRX71*N1102
	505281	Disconnect Power Warning Label	All other models
18	801055	Rear Overlay	Models HFNCXRSP111CW01, HWRR71*N1102, HWRT71*N, HWRT71*N1102 and HWRX71*N1102
	801052	Rear Overlay	Models SFNBCRSP111TW02, SFNCCRSP111TW01, SFNCCRSP111TW02, SFNCXRSP111TW02, SWRT71*N, SWRT73*N and SWRX71*N
	800414	Graphic Overlay	Model SWRB71*N
19	803597	Overlay	French/English; Models HFNCXRSP111CW01, HWRR71*N1102, HWRT71*N1102 and HWRX71*N1102
20	52864	Screw	

* Add Letter To Designate Color. Q - Bisque W - White

Control Hood Security Kit

Models HFNCXRSP111CW01, HWRR71*N1102, HWRT71*N, HWRT71*N1102, HWRX71*N1102, SFNBCRSP111TW02, SFNCCRSP111TW01, SFNCCRSP111TW02, SFNCXRSP111TW02, SWRB71*N, SWRT71*N, SWRT73*N and SWRX71*N



FLW963P_802739

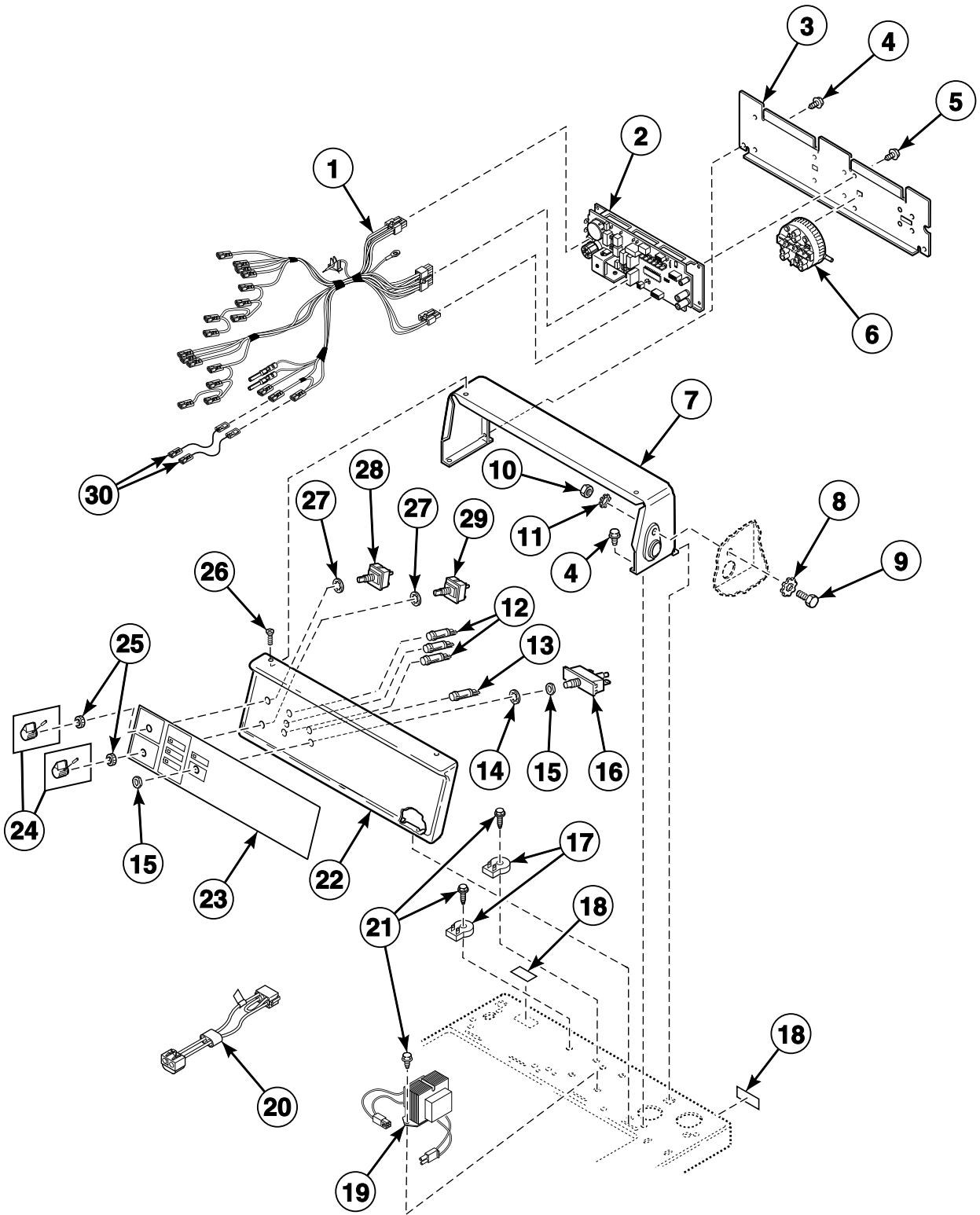
Control Hood Security Kit

REF	PART NO.	DESCRIPTION	COMMENTS
1	905P3	Security Kit	Includes items 2-7 and rear panel
2	32184	Bolt	
3	25100	Washer	
4	201918	Bracket	
5	503688	Screw	
6	30647	Nut	
7	23951	Nut	

* Add Letter To Designate Color. Q - Bisque W - White

Control Panel, Control Hood and Controls (Drawing 2 of 3)

Models HWR971*N1102, HWR971*N1127, HWR973*N1102, SFNSXRSP111TW02, SFNSXRSP541NQ23, SFNTRSP111TW01, SFNTRSP111TW02, SWR971*N and SWR973*N



FLW1679P_802739

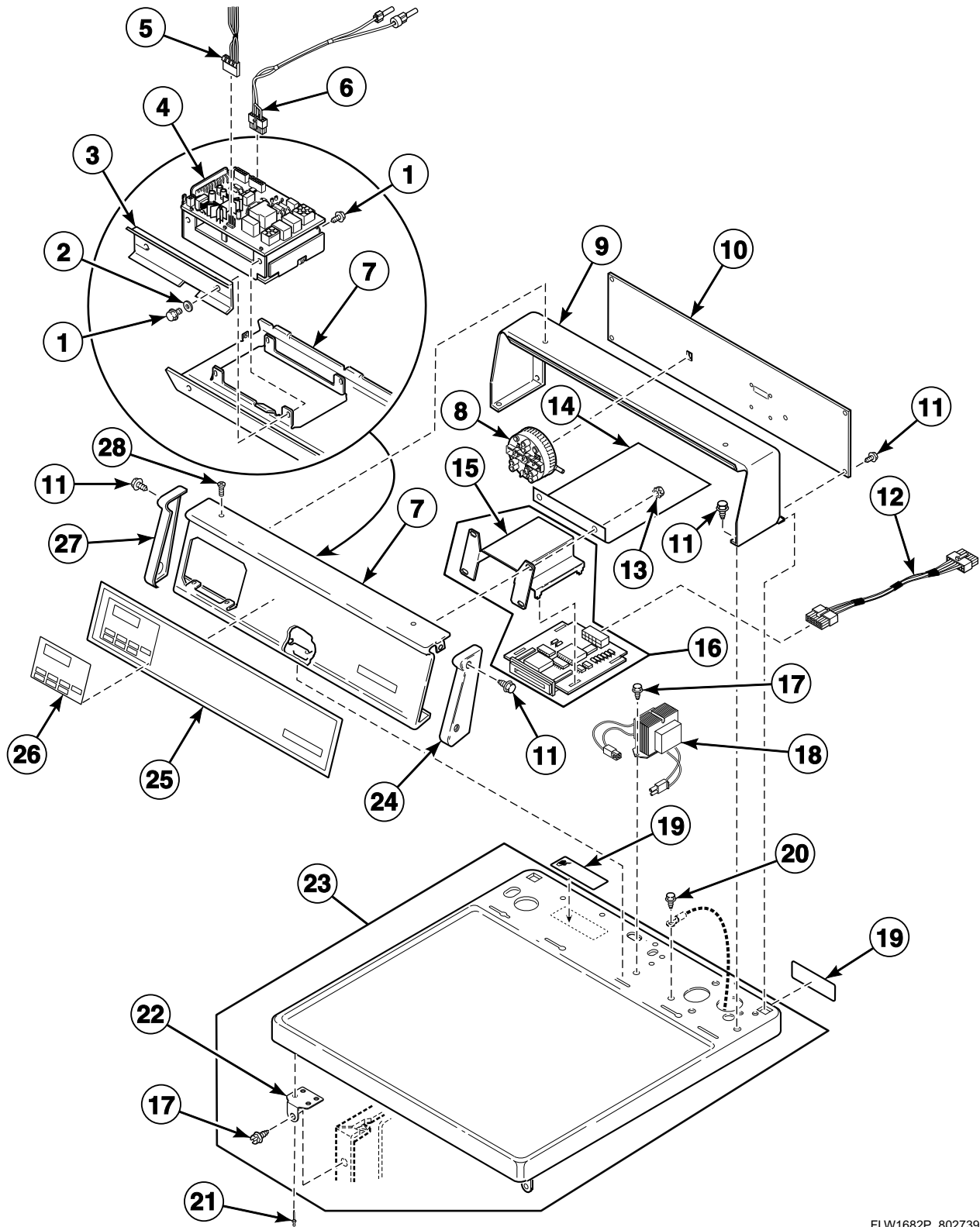
Control Panel, Control Hood and Controls (Drawing 2 of 3)

REF	PART NO.	DESCRIPTION	COMMENTS
1	802786	Rear Control Panel Harness Assembly	
2	803147	Control Assembly	Models SFNTRSP111TW01 and SFNTRSP111TW02
	802523P	Control Assembly	All other models
3	801735	Control Hood Back Panel	
4	501086	Screw	
5	501524	Screw	
6	802299P	Pressure Switch	
7	502567W	Control Hood	White
	502567Q	Control Hood	Bisque
8	M400017	Washer	
9	02916	Screw	
10	52566	Nut	
11	02431	Washer	
12	801431	Light	Green
13	801432	Light	Red
14	25820	Washer	
15	52947	Nut	
16	55882	Switch Assembly	
17	210100	Resistor	Model SFNSXRSP541NQ23
18	505281	Disconnect Power Warning Label	Models HWR971*N1127, SFNSXRSP111TW02, SFNSXRSP541NQ23, SFNTRSP111TW01, SFNTRSP111TW02, SWR971*N and SWR973*N
	500316	Warning Label	Models HWR971*N1102 and HWR973*N1102
19	803527	Transformer	Model SFNSXRSP541NQ23
	210018P	Transformer	All other models
20	M413507	Jumper Configuration Assembly	Model SFNSXRSP541NQ23; Attaches to transformer
21	503661	Screw	
22	800142W	Control Panel and Bracket Assembly	White
	800142Q	Control Panel and Bracket Assembly	Bisque
23	801521	Control Panel Overlay	Models SFNSXRSP111TW02, SFNSXRSP541NQ23, SFNTRSP111TW01, SFNTRSP111TW02, SWR971*N and SWR973*N
	801523	Control Panel Overlay	Models HWR971*N1102, HWR971*N1127 and HWR973*N1102
24	39897	Switch Knob	
25	24205	Nut	
26	52864	Screw	
27	91176	Washer	
28	685595	Temperature Switch	
29	800404	Motor Speed Switch	
30	513131	Jumper Assembly	Models SFNSXRSP111TW02 and SFNTRSP111TW02; Control panel harness to coin slide switch

* Add Letter To Designate Color. Q - Bisque W - White

Control Panel, Control Hood and Controls (Drawing 3 of 3)

Models HWRY71*N1102, SFNCYRSP111TW01, SWRF71*N and SWRY71*N



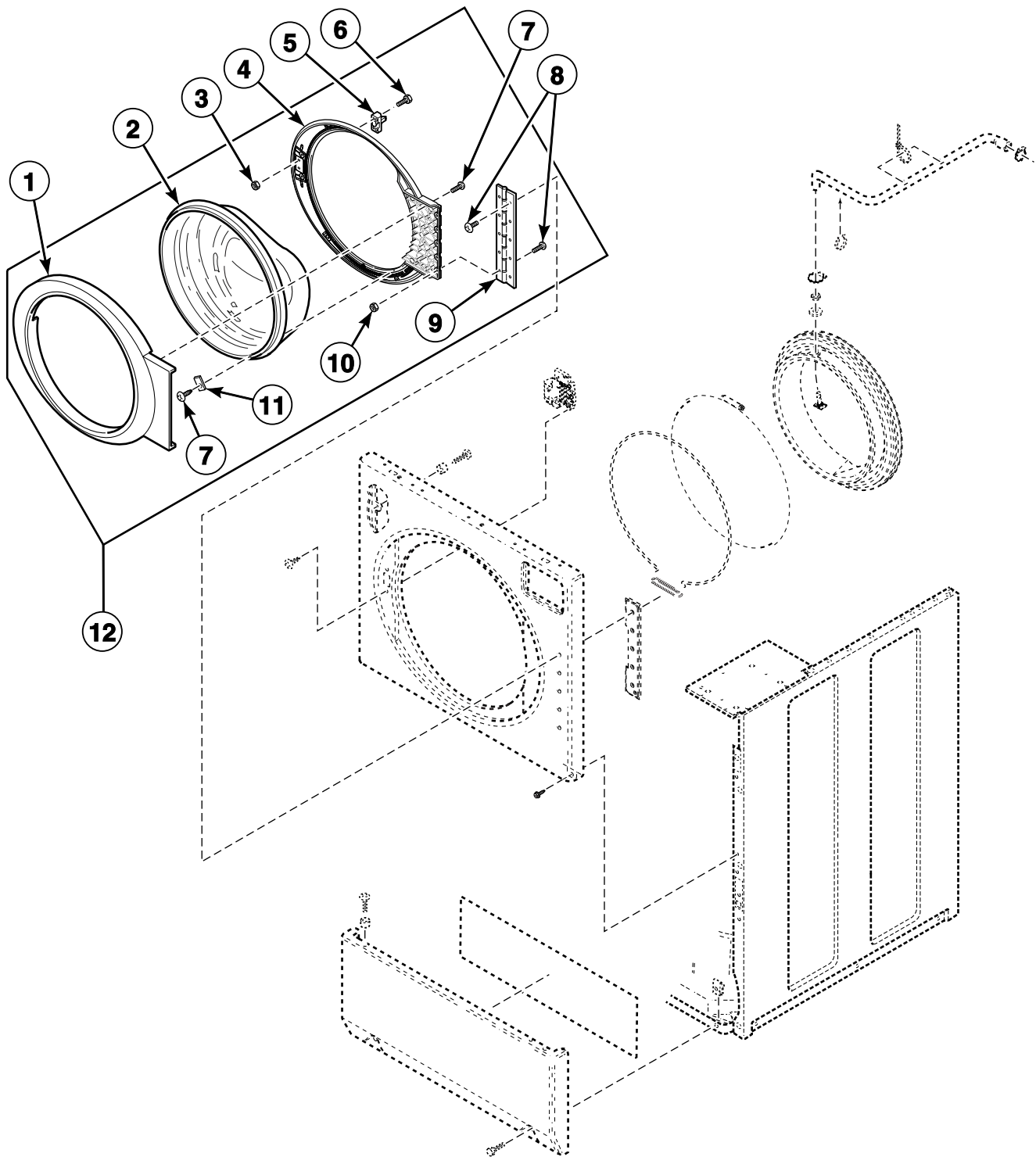
FLW1682P_802739

Control Panel, Control Hood and Controls (Drawing 3 of 3)

REF	PART NO.	DESCRIPTION	COMMENTS
1	501524	Screw	
2	200608	Washer	
3	210053	Control Shield	
4	803146P	Control Assembly	Model SFNCYRSP111TW01
	800772P	Control Kit	Model SWRF71*N
	802248P	Control Assembly	Models HWRY71*N1102 and SWRY71*N
5	511478	MDC Central Pay Harness	Models HWRY71*N1102, SFNCYRSP111TW01 and SWRY71*N
6	800680	Diagnostic Wire Harness Assembly	
7	800710W	Control Panel and Stud Assembly	White
	800710Q	Control Panel and Stud Assembly	Bisque
8	802299P	Pressure Switch	
9	511253W	Control Hood	White
	511253Q	Control Hood	Bisque
10	801165	Rear Control Hood Panel	
11	501086	Screw	
12	800125P	Card Reader Wire Harness Assembly	Model SWRF71*N
13	70054	Nut	Model SWRF71*N
14	801101	Card Reader Shield	Model SWRF71*N
15	210023	Card Reader Bracket	Model SWRF71*N
16	210045P	Card Reader Assembly	Model SWRF71*N
17	503661	Screw	
18	210018P	Transformer	Model SWRF71*N
	201375P	Transformer	Models HWRY71*N1102 and SWRY71*N
19	505281	Disconnect Power Warning Label	Models SFNCYRSP111TW01, SWRF71*N and SWRY71*N
	500316	Warning Label	Model HWRY71*N1102
20	20530	Screw	
21	70058501	Pop Rivet	
22	510146	Bracket	
23	511530WP	Top Panel Kit	Includes items 17 and 22
24	210108W	End Cap	Right
25	800228	Control Panel Overlay	Model SWRF71*N
	801190	Control Panel Overlay	Models SFNCYRSP111TW01 and SWRY71*N
	801191	Control Panel Overlay	Model HWRY71*N1102
26	803597	Overlay	French/English; Model HWRY71*N1102
27	210109W	End Cap	Left
28	52864	Screw	

* Add Letter To Designate Color. Q - Bisque W - White

Door Assembly



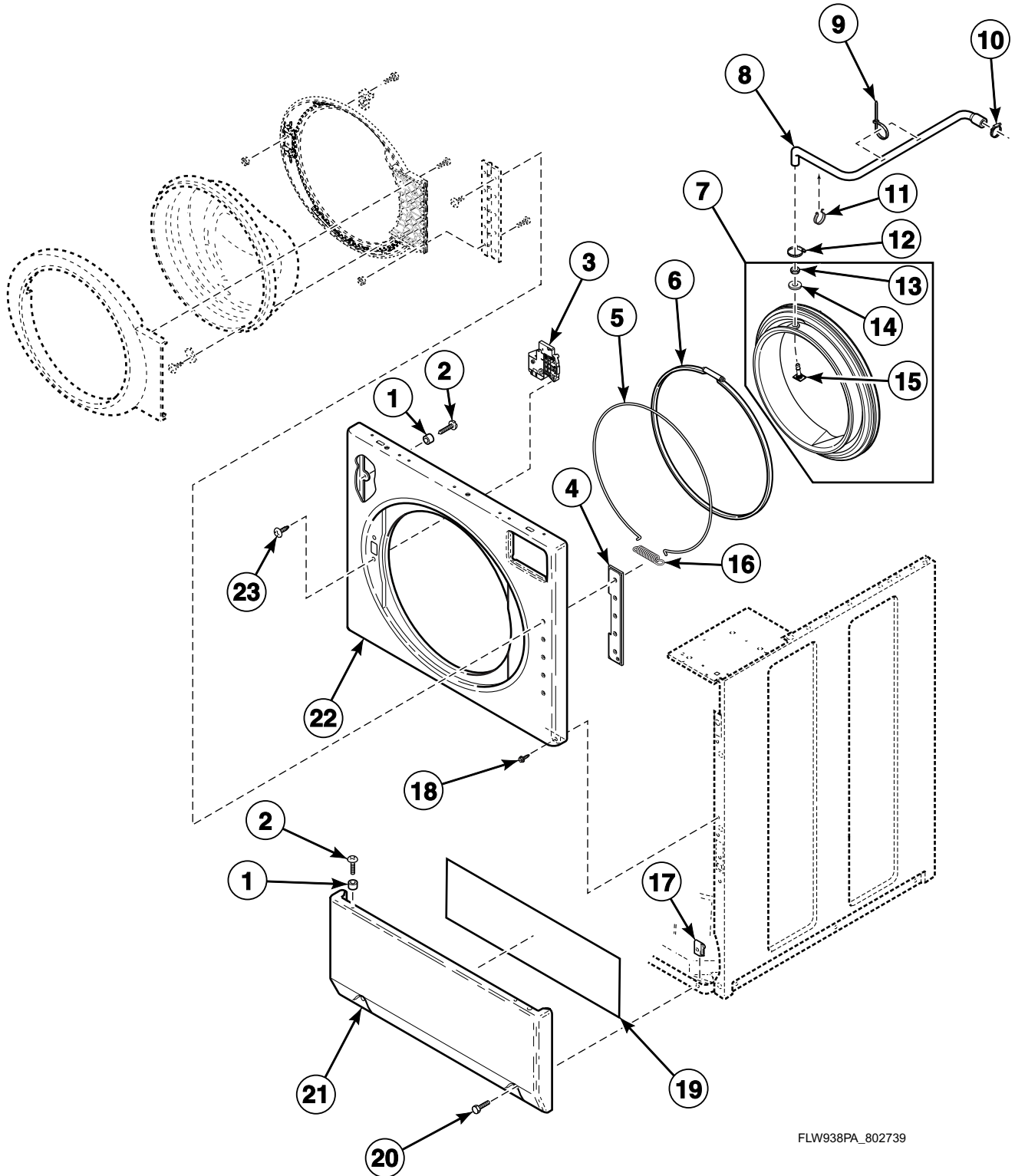
FLW938P_802739

Door Assembly

REF	PART NO.	DESCRIPTION	COMMENTS
1	802314P	Outer Door Bezel Kit	Gray; Models BFNBCFSG111TN01, BFNBCFSG111TW01, BFNBEFSP111CN01, BFNBEFSP111CW01, BFNBEFSP111TN01, BFNBEFSP111TW01, BFNBLFSP301AW01, BFNBLFSP541NW01, BWFL74*N4000, BWFL75*N4000, BWFX71*N1127, BWFX71*N3050, BWFX74*N4000, BWFX75*N4000, HFNBCFSG111TN01, HFNBCFSP111TN01, SWFL74*N4000 and SWFX74*N4000
	802313WP	Outer Door Bezel Kit	White; All other models
	802313QP	Outer Door Bezel Kit	Bisque; All other models
2	802695P	Door Glass	
3	685846	Nut	
4	802307P	Inner Door Bezel Kit	White
	802331P	Inner Door Bezel Kit	Gray
5	802803	Door Catch Assembly	
6	801993	Screw	
7	800548	Screw	
8	801019	Screw	
9	802934	Door Hinge	
10	23951	Nut	
11	802700	Glass Mounting Clip	
12	802872P	Door Assembly	Gray; Includes items 1-11; Models BFNBCFSG111TN01, BFNBCFSG111TW01, BFNBEFSP111CN01, BFNBEFSP111CW01, BFNBEFSP111TN01, BFNBEFSP111TW01, BFNBLFSP301AW01, BFNBLFSP541NW01, BWFL74*N4000, BWFL75*N4000, BWFX71*N1127, BWFX71*N3050, BWFX74*N4000, BWFX75*N4000, HFNBCFSG111TN01, HFNBCFSP111TN01, SWFL74*N4000 and SWFX74*N4000
	802368WP	Door Assembly	White; Includes items 1-11; All other models
	802368QP	Door Assembly	Bisque; Includes items 1-11; All other models

* Add Letter To Designate Color. N - Stainless Steel Q - Bisque W - White

Front Panel and Door Seal



FLW938PA_802739

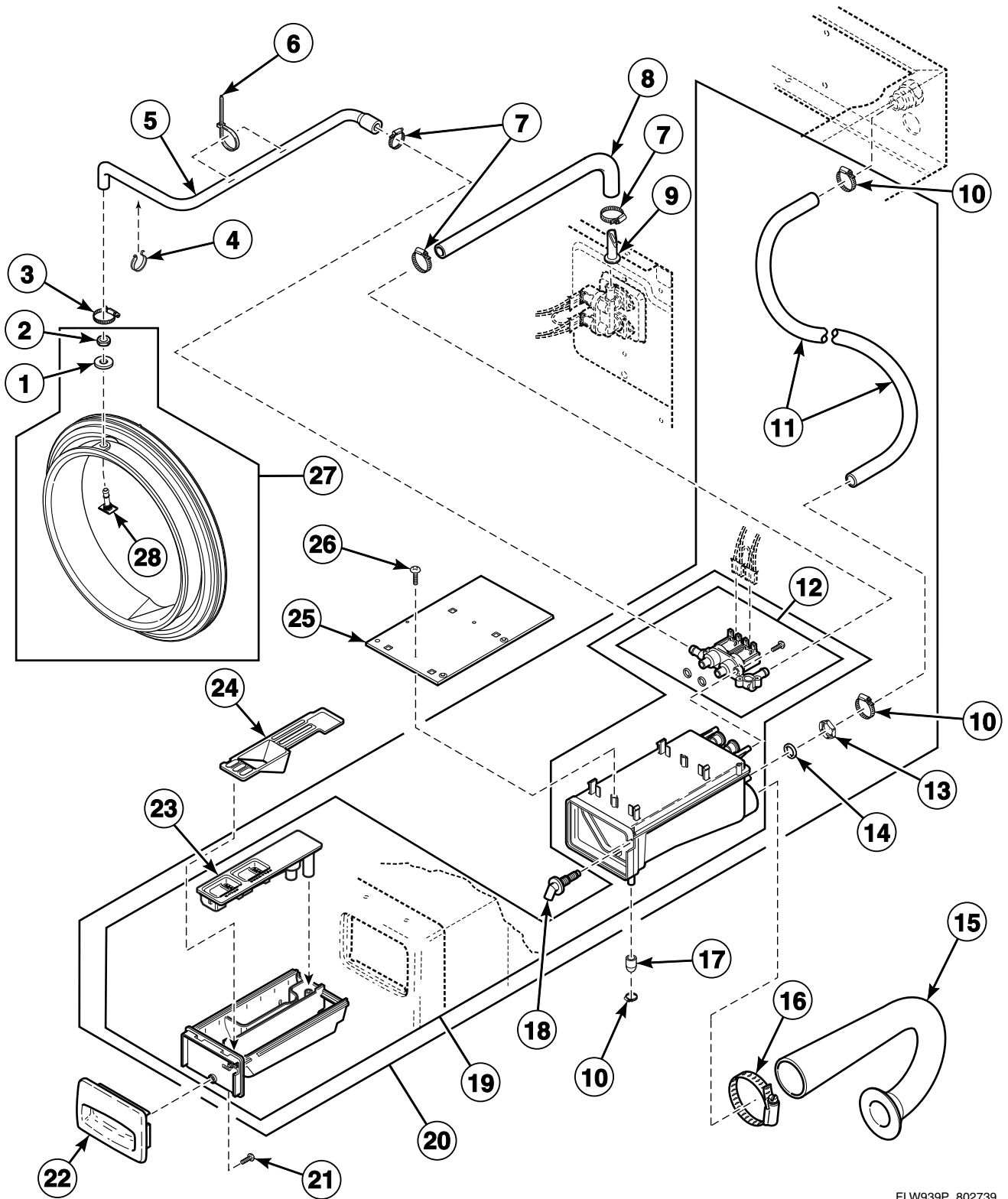
Front Panel and Door Seal

REF	PART NO.	DESCRIPTION	COMMENTS
1	56079	Panel Locator	
2	39733	Screw	Use with painted panels
	512921	Screw	Use with stainless steel panels
3	802317P	Door Latch/Switch Assembly	
4	802206	Hinge Plate	
5	802283	Wire Clamp Ring	
6	802281	Hose Clamp	
7	802866P	Door Seal Assembly	Black; Includes items 13-15
	802830	Door Seal Assembly	Gray; Includes items 13-15
8	802256	Dispenser-to-Door Seal Hose	
9	55881	Harness Strap	
10	802164	Hose Clamp	
11	687500	Wire Clip	
12	802698	Hose Clamp	
13	802292	Nut	
14	802293	Washer	
15	802291	Boot Nozzle	
16	802285	Extension Spring	
17	36020	Nut	
18	503661	Screw	
19	685368	Access Panel Damper	1 inch by 26 inches
20	801045	Screw	
21	510069WP	Access Panel	White
	510069QP	Access Panel	Bisque
	512543	Access Panel	Stainless steel
22	802277WP	Front Panel	White
	802277QP	Front Panel	Bisque
	802288P	Front Panel	Stainless steel
23	800548	Screw	

* Add Letter To Designate Color. N - Stainless Steel Q - Bisque W - White

Dispenser Assembly and Supply Injection Hoses

Model SWFB72*N



FLW939P_802739

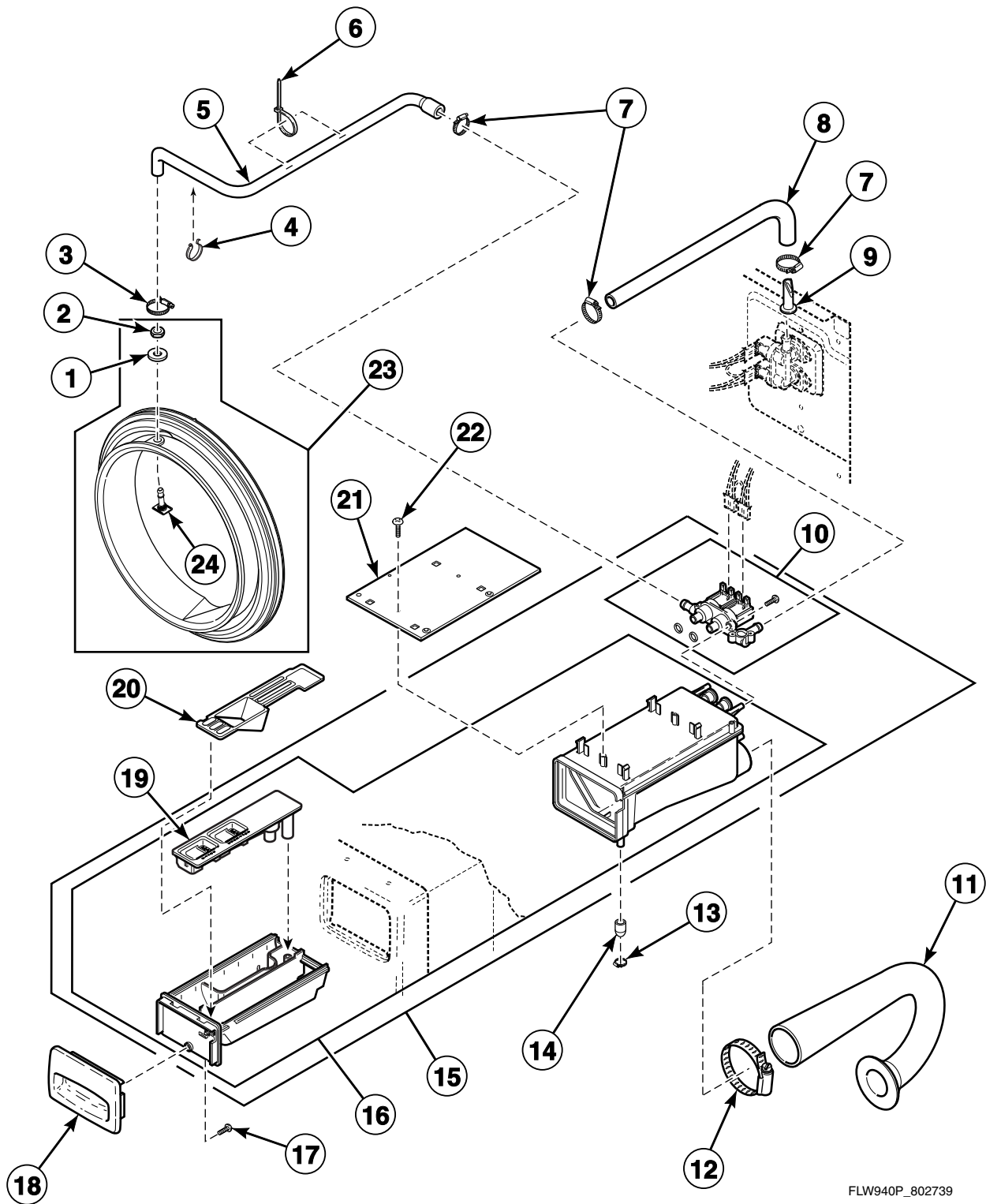
Dispenser Assembly and Supply Injection Hoses

REF	PART NO.	DESCRIPTION	COMMENTS
1	802293	Washer	
2	802292	Nut	
3	802698	Hose Clamp	
4	687500	Wire Clip	
5	802256	Dispenser-to-Door Seal Hose	
6	55881	Harness Strap	
7	802164	Hose Clamp	
8	801464	Valve-to-Dispenser Inlet Hose	
9	34500	Backflow Preventer	
10	F200206	Hose Clamp	
11	801635	Tubing	
12	685766P	Valve Kit	
13	802292	Nut	
14	F170208	O-Ring	
15	800331	Dispenser-to-Tub Hose	
16	685725	Hose Clamp	
17	801746	Cap	
18	F8322001	Injection Nozzle	
19	801630P	Dispenser Assembly	Includes items 12 and 23
20	801662P	Dispenser Assembly	Includes items 10-14, 18, 19, 23 and 801789 Connector
21	800548	Screw	
22	685715WP	Dispenser Drawer Front	White
	685715Q	Dispenser Drawer Front	Bisque
23	685716	Insert	
24	800899	Detergent Cover	
25	801024	Dispenser Plate	
26	801001	Screw	
27	802866P	Door Seal Assembly	Black; Includes items 1, 2 and 28
	802830	Door Seal Assembly	Gray; Includes items 1, 2 and 28
28	802291	Boot Nozzle	

* Add Letter To Designate Color. Q - Bisque W - White

Dispenser Assembly

All Models Except SWFB72*N



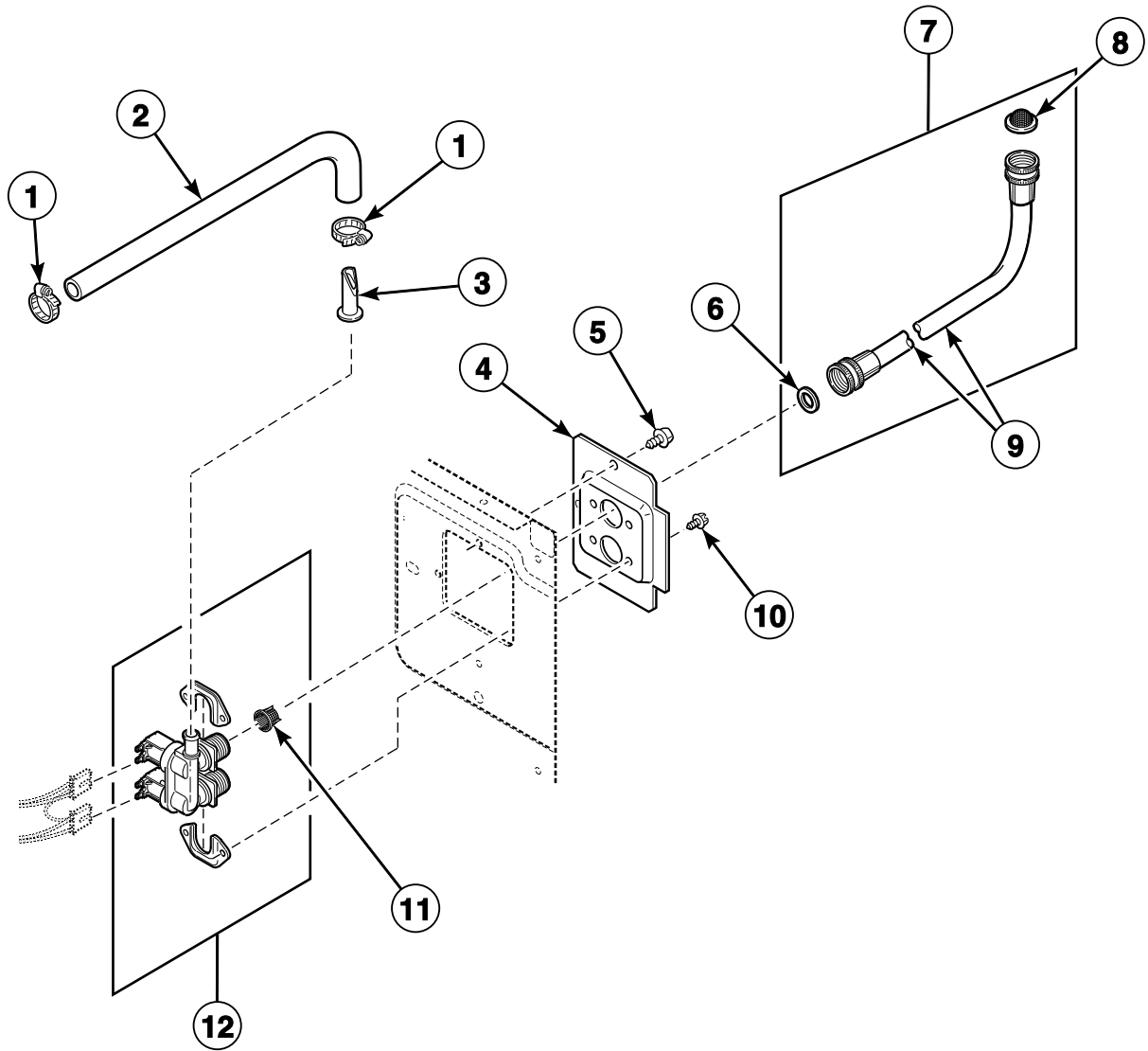
FLW940P_802739

Dispenser Assembly

REF	PART NO.	DESCRIPTION	COMMENTS
1	802293	Washer	
2	802292	Nut	
3	802698	Hose Clamp	
4	687500	Wire Clip	
5	802256	Dispenser-to-Door Seal Hose	
6	39037	Cable Tie	
7	802164	Hose Clamp	
8	801464	Valve-to-Dispenser Inlet Hose	
9	34500	Backflow Preventer	
10	801836P	Valve Kit	Models BFNBLFSP301AW01, BFNBLFSP541NW01, BWFL74*N4000, BWFL75*N4000, BWFX71*N3050, BWFX74*N4000, BWFX75*N4000, HWFY74*N4000, HWFY75*N4000, NWFL84*N4000, NWFL85*N4000, NWF74*N4000, NWF75*N4000, SFNBXFSP301NW22, SFNSXRSP541NQ23, SWFA71*N3050, SWFA71*N3069, SWFF71*N3050, SWFL74*N4000, SWFX71*N3000, SWFX71*N3050, SWFX71*N5400, SWFX74*N4000 and SWFX75*N4000
	685766P	Valve Kit	All other models
11	800331	Dispenser-to-Tub Hose	
12	685725	Hose Clamp	
13	F200206	Hose Clamp	
14	801746	Cap	
15	801090P	Dispenser	Includes items 10, 16 and 19; Models BFNBLFSP301AW01, BFNBLFSP541NW01, BWFL74*N4000, BWFL75*N4000, BWFX71*N3050, BWFX74*N4000, BWFX75*N4000, HWFY74*N4000, HWFY75*N4000, NWFL84*N4000, NWFL85*N4000, NWF74*N4000, NWF75*N4000, SFNBXFSP301NW22, SFNSXRSP541NQ23, SWFA71*N3050, SWFA71*N3069, SWFF71*N3050, SWFL74*N4000, SWFX71*N3000, SWFX71*N3050, SWFX71*N5400, SWFX74*N4000 and SWFX75*N4000
	685756P	Dispenser	Includes items 10, 16 and 19; All other models
16	801476P	Dispenser Assembly	Includes item 19
17	800548	Screw	
18	685715WP	Dispenser Drawer Front	White
	685715Q	Dispenser Drawer Front	Bisque
	802879P	Dispenser Handle	Gray
19	685716	Insert	
20	800899	Detergent Cover	
21	801024	Dispenser Plate	
22	801001	Screw	
23	802866P	Door Seal Assembly	Black; Includes items 1, 2 and 24
	802830	Door Seal Assembly	Gray; Includes items 1, 2 and 24
24	802291	Boot Nozzle	

* Add Letter To Designate Color. N - Stainless Steel Q - Bisque W - White

Mixing Valve, Inlet Hose and Dispenser Hose



FLW881P_802739

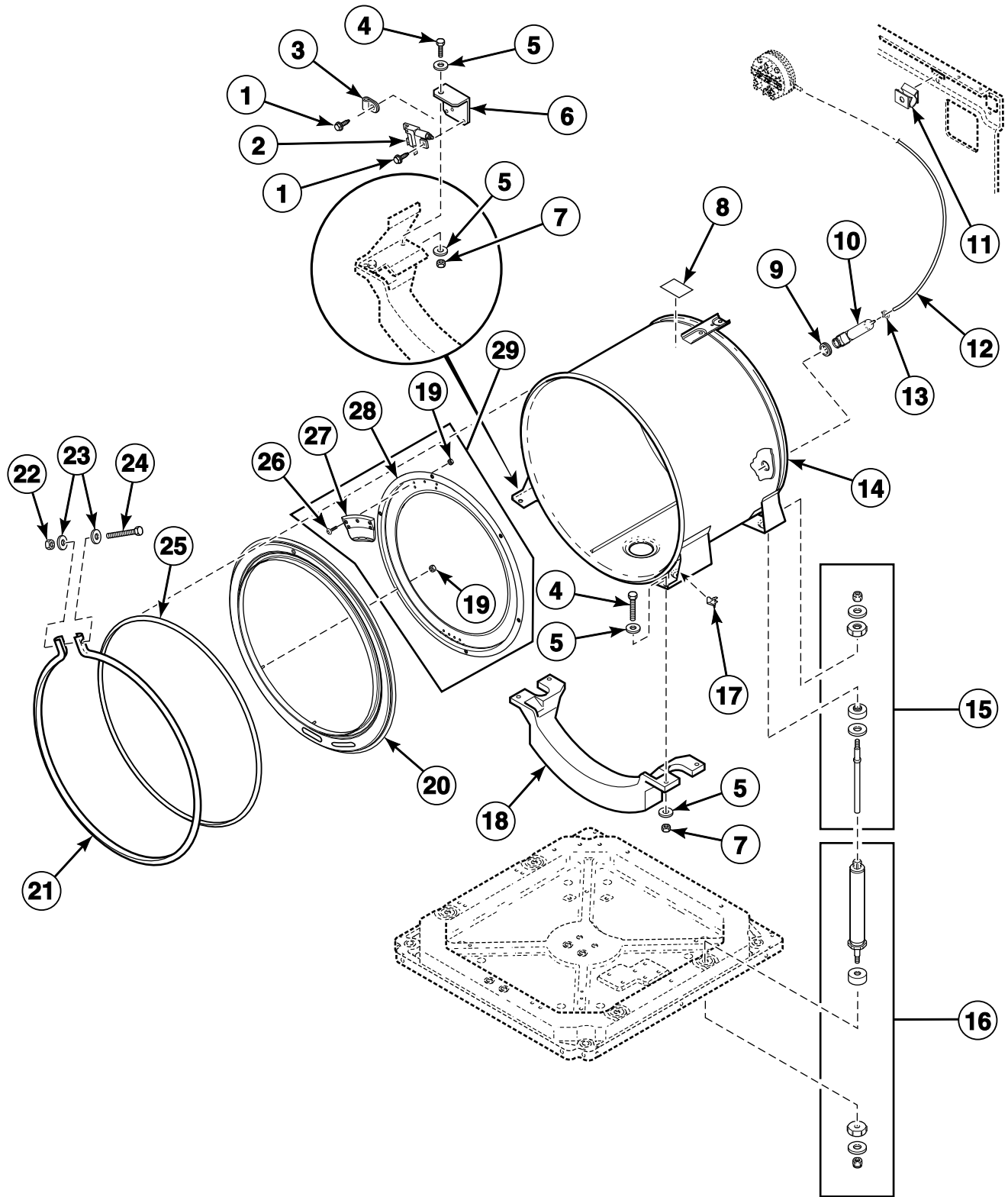
Mixing Valve, Inlet Hose and Dispenser Hose

REF	PART NO.	DESCRIPTION	COMMENTS
1	802164	Hose Clamp	
2	801464	Valve-to-Dispenser Inlet Hose	
3	34500	Backflow Preventer	
4	800323	Mixing Valve Plate	
5	503661	Screw	
6	20290	Washer	
7	F200116	Water Hose	5 feet; Hose is equipped with 2 standard hose couplings; Includes items 6 and 8
	38349P	Fill Hose Kit	5 feet; Hose is equipped with 1 metric and 1 standard hose coupling; Includes 2 of item 6
8	803615	Washer	Filter screen
	802254	Washer	Flow restrictor; Water pressure reducer; Available for water pressure up to but not exceeding 120 psi
9	20617	Fill Hose	8 feet; Optional; Hose is equipped with 2 standard hose couplings
	20618	Fill Hose	10 feet; Optional; Hose is equipped with 2 standard hose couplings
	37380	Fill Hose	8 feet; Hose is equipped with 1 metric and 1 standard hose coupling
	37381	Fill Hose	10 feet; Hose is equipped with 1 metric and 1 standard hose coupling
10	501086	Screw	
11	802926	Mixing Valve Screen	
12	802222P	Mixing Valve	Models BFNBLFSP301AW01, BFNBLFSP541NW01, BWFL74*N4000, BWFL75*N4000, BWFX71*N3050, BWFX74*N4000, BWFX75*N4000, HWFY74*N4000, HWFY75*N4000, NWFL84*N4000, NWFL85*N4000, NWF74*N4000, NWF75*N4000, SFNBXFSP301NW22, SFNSXRSP541NQ23, SWFA71*N3050, SWFA71*N3069, SWFF71*N3050, SWFL74*N4000, SWFX71*N3000, SWFX71*N3050, SWFX71*N5400, SWFX74*N4000 and SWFX75*N4000
	802220P	Mixing Valve	All other models

* Add Letter To Designate Color. N - Stainless Steel Q - Bisque W - White

Outer Tub, Clamp Ring and Shock Absorbers

All Models Except BWFL74*N4000, BWFL75*N4000, BWFX74*N4000, BWFX75*N4000, HWFY74*N4000, HWFY75*N4000, NWFL84*N4000, NWFL85*N4000, NWF74*N4000, NWF75*N4000, SWFL74*N4000, SWFX74*N4000 and SWFX75*N4000



FLW1013P_802739

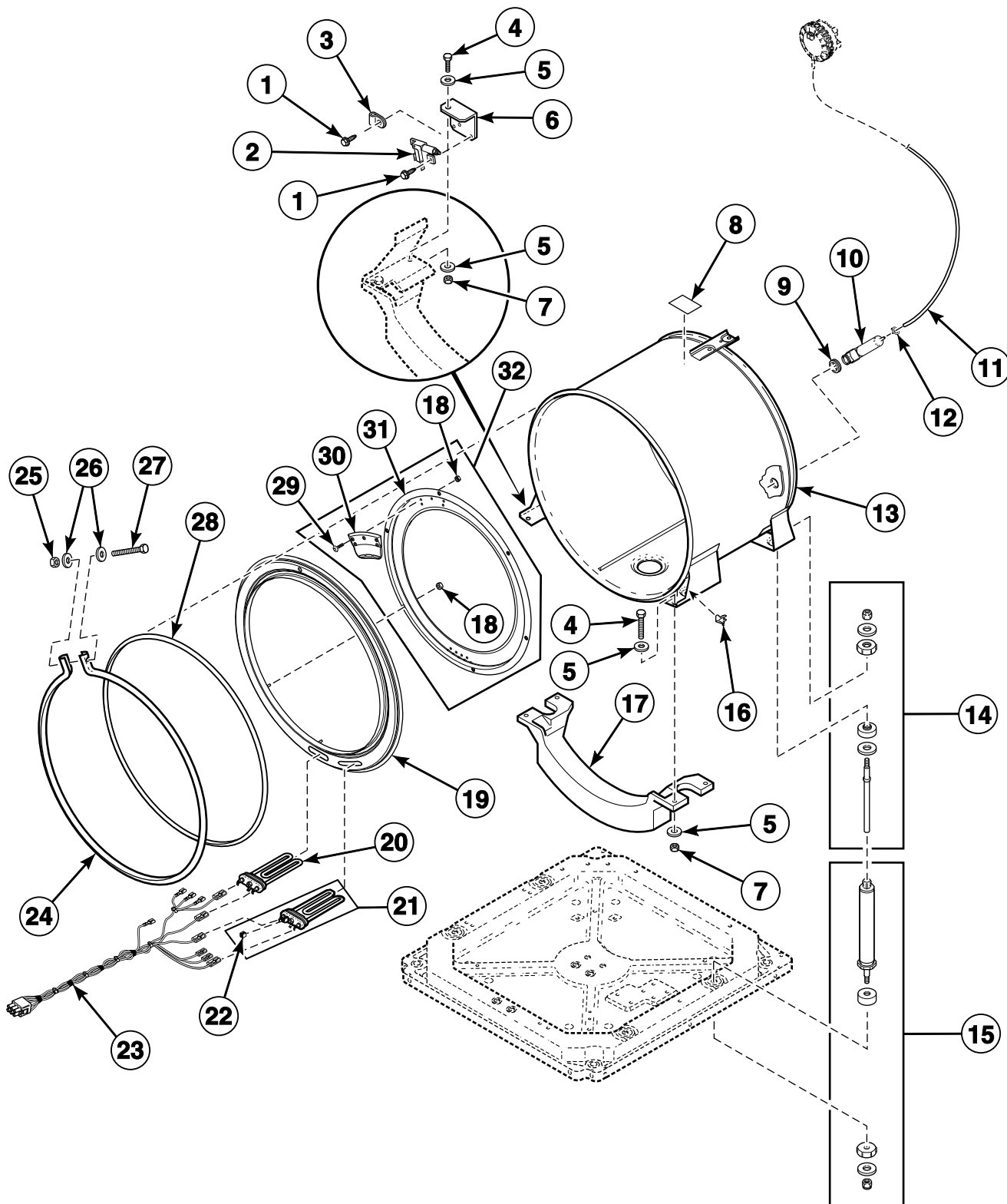
Outer Tub, Clamp Ring and Shock Absorbers

REF	PART NO.	DESCRIPTION	COMMENTS
1	503661	Screw	
2	801006	Out-of-Balance Switch Assembly	Models through Serial No. 1201004551
	803415	Out-of-Balance Switch Assembly	Models starting Serial No. 1201004552
3	800811	Wire Clamp	
4	800461	Screw	
5	M400081	Washer	
6	800663	Switch Mounting Bracket	Models through Serial No. 1201004551
	803388	Switch Mounting Bracket	Models starting Serial No. 1201004552
7	800452	Nut	
8	500314	Warning Label	Models BFNBEFSP111CN01, BFNBEFSP111CW01, HFNCXFSP111CW01, HFNCXRSP111CW01, HWFB71*N1102, HWFR71*N1102, HWFT71*N1102, HWFT73*N1102, HWFX71*N1102, HWFY71*N1102, HWFY73*N1102, HWR971*N1102, HWR973*N1102, HWRR71*N1102, HWRT71*N1102, HWRX71*N1102 and HWRY71*N1102
	502511	Electrical Shock Label	Models SFNBXFSP301NW22, SWFA71*N3069, SWFX71*N3000 and SWFX71*N5400
	502506	Pinched Fingers Label	Models SFNBXFSP301NW22, SWFA71*N3069, SWFX71*N3000 and SWFX71*N5400
	500049	Warning Label	All other models
9	29175	Grommet	
10	30907	Pressure Bulb	
11	36985	Hose Clip	Positioned here on rear control models
12	33324	Tubing	Models HWR971*N1102, HWR971*N1127, HWR973*N1102, SFNSXRSP111TW02, SFNSXRSP541NQ23, SFNTRSP111TW01, SFNTRSP111TW02, SWR971*N and SWR973*N
	685751	Tubing	Models HFNCXRSP111CW01, HWRR71*N1102, HWRT71*N, HWRT71*N1102, HWRX71*N1102, SFNBCRSP111TW02, SFNCCRSP111TW01, SFNCCRSP111TW02, SWRB71*N, SWRT71*N, SWRT73*N and SWRX71*N
	800648P	Tubing	All other models
13	39282	Hose Clamp	
14	801081P	Outer Tub Assembly	
15	800622P	Tub Shock Absorber Kit	Upper
16	802881P	Base Shock Absorber Kit	Lower; Must replace all 4
17	00161	Grounding Clip	
18	800205	Ballast Weight	
19	802343	Nut	
20	802258	Tub Front Assembly	
21	800312	Clamp Ring	
22	F430218	Nut	
23	800457	Washer	
24	800462	Screw	
25	800432P	Tub Front Seal	
26	802596	Screw	
27	803038P	Clothes Guard Deflector	
28	803537	Clothes Guard	
29	984P3	Clothes Guard and Deflector Kit	Includes items 7, 19 and 23-28

* Add Letter To Designate Color. Q - Bisque W - White

Outer Tub, Clamp Ring, Shock Absorbers and Heating Element

Models BWFL74*N4000, BWFL75*N4000, BWF74*N4000, BWF75*N4000,
 HWFY74*N4000, HWFY75*N4000, NWFL84*N4000, NWFL85*N4000, NWF74*N4000,
 NWF75*N4000, SWFL74*N4000, SWF74*N4000 and SWF75*N4000



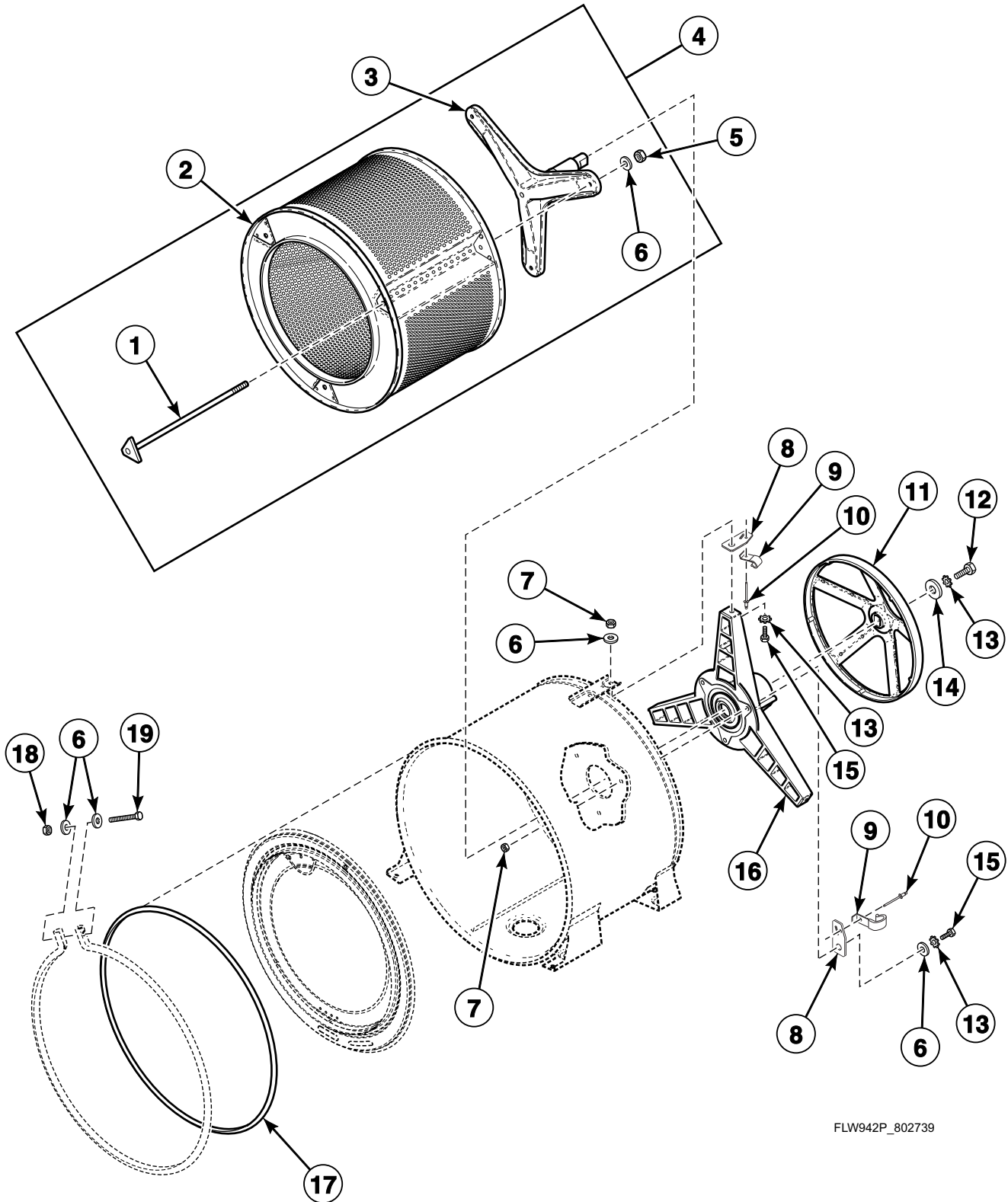
FLW1012P_802739

Outer Tub, Clamp Ring, Shock Absorbers and Heating Element

REF	PART NO.	DESCRIPTION	COMMENTS
1	503661	Screw	
2	801006	Out-of-Balance Switch Assembly	Models through Serial No. 1201004551
	803415	Out-of-Balance Switch Assembly	Models starting Serial No. 1201004552
3	800811	Wire Clamp	
4	800461	Screw	
5	M400081	Washer	
6	800663	Switch Mounting Bracket	Models through Serial No. 1201004551
	803388	Switch Mounting Bracket	Models starting Serial No. 1201004552
7	800452	Nut	
8	502511	Electrical Shock Label	
	502506	Pinched Fingers Label	
9	29175	Grommet	
10	30907	Pressure Bulb	
11	800648P	Tubing	
12	39282	Hose Clamp	
13	801291	Outer Tub Assembly	
14	800622P	Tub Shock Absorber Kit	Upper
15	802881P	Base Shock Absorber Kit	Lower; Must replace all 4
16	00161	Grounding Clip	
17	800205	Ballast Weight	
18	802343	Nut	
19	802260	Tub Front Assembly	Models through Serial No. 1001000989
	803494	Tub Front Assembly	Models starting Serial No. 1001000990
20	803558P	Heating Element Kit	
21	803557P	Heating Element Kit	Includes item 22
22	803256	Thermistor	
23	802323P	Heater Harness	Models through Serial No. 1001000989
	803492	Heater Harness	Models starting Serial No. 1001000990
24	800312	Clamp Ring	
25	F430218	Nut	
26	800457	Washer	
27	800462	Screw	
28	800432P	Tub Front Seal	
29	802596	Screw	
30	803038P	Clothes Guard Deflector	
31	803537	Clothes Guard	
32	984P3	Clothes Guard and Deflector Kit	Includes items 7, 18 and 26-31

* Add Letter To Designate Color. N - Stainless Steel Q - Bisque W - White

Inner Basket, Trunnion, Bearing Housing and Pulley

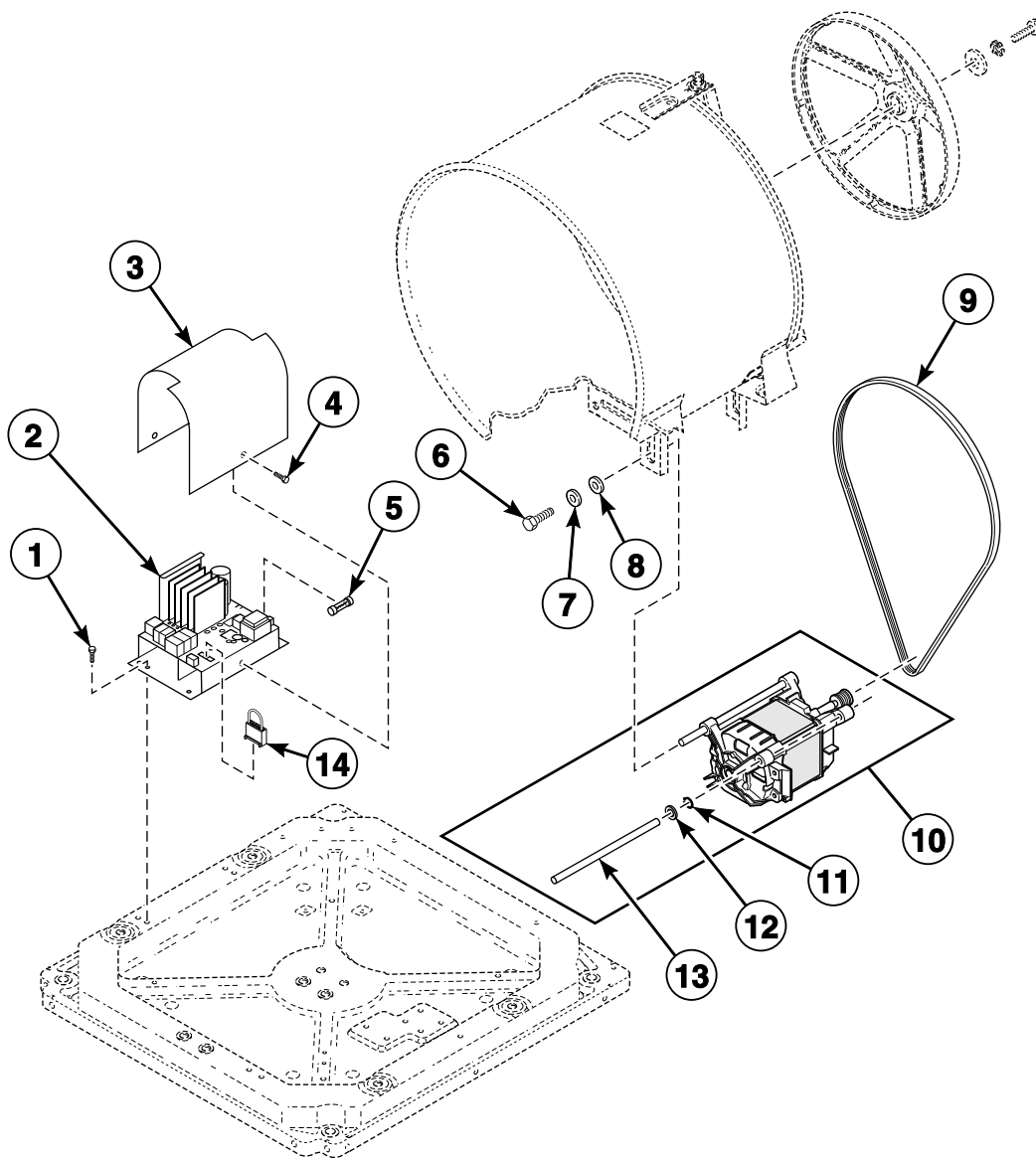


FLW942P_802739

Inner Basket, Trunnion, Bearing Housing and Pulley

REF	PART NO.	DESCRIPTION	COMMENTS
	27604P	Anti-Seize Compound	Pulley to inner basket shaft
	838P3	Hardware Kit	Includes (8) of item 6, (7) of item 13, (6) each of items 7 and 15, (1) each of items 12, 14, 17, 18, 19 and 27604P Anti-Seize Compound
	RB160001	Bearing Kit	
1	800666	Tension Rod Assembly	
2	803008P	Inner Basket Assembly	
3	800749P	Trunnion Shaft and Hardware Kit	Includes (3) each of items 1, 5, 6 and 838P3 Hardware Kit; If ordering trunnion shaft separately, inner basket and trunnion shaft must be properly aligned to prevent door seal damage. Refer to instructions included in kit
4	802365P	Inner Basket Assembly	
5	803017	Nut	
6	800457	Washer	
7	800452	Nut	
8	800552	Hose Mounting Plate	
9	800553	Hose Clip	
10	685847	Pop Rivet	
11	800866	Driven Pulley	
12	685831	Screw	Left hand thread
13	M403958	Washer	
14	800464	Washer	
15	M400043	Screw	
16	800428P	Bearing Housing Kit	Includes 838P3 Hardware Kit
17	800432P	Tub Front Seal	
18	F430218	Nut	
19	800462	Screw	

Motor and Belt



FLW1022P_802739

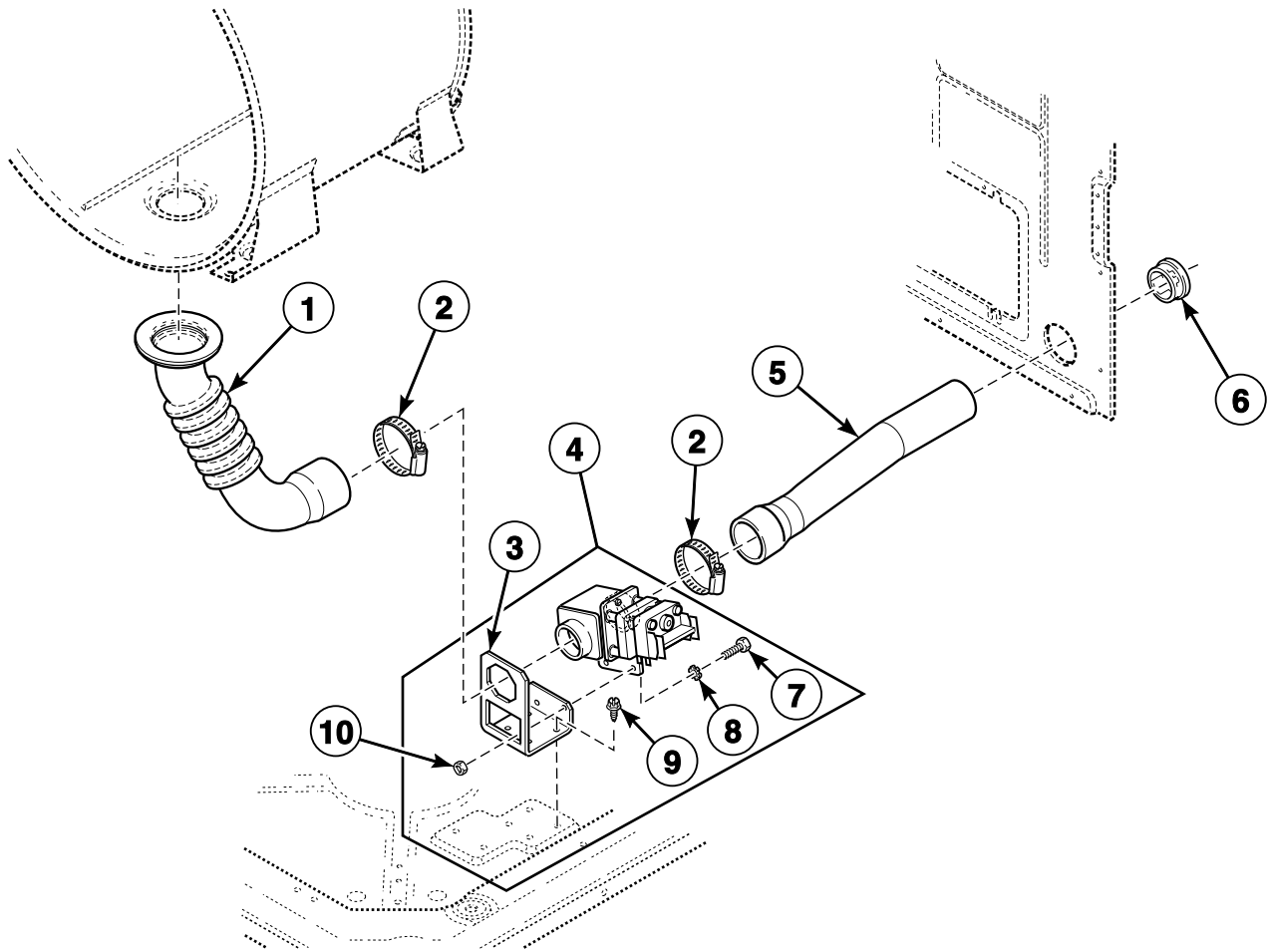
Motor and Belt

REF	PART NO.	DESCRIPTION	COMMENTS
1	503661	Screw	
2	803255P	Inverter Control Assembly	240 Volt; Models BFNBLFSP301AW01, BFNBLFSP541NW01, BWFL74*N4000, BWFL75*N4000, BWFX71*N3050, BWFX74*N4000, BWFX75*N4000, HWFY74*N4000, HWFY75*N4000, NWFL84*N4000, NWFL85*N4000, NWF74*N4000, NWF75*N4000, SFNBXFSP301NW22, SFNSXRSP541NQ23, SWFA71*N3050, SWFA71*N3069, SWFF71*N3050, SWFL74*N4000, SWFX71*N3000, SWFX71*N3050, SWFX71*N5400, SWFX74*N4000 and SWFX75*N4000
	803254P	Inverter Control Assembly	120 Volt; All other models
3	801061	Control Shield	
4	501524	Screw	
5	801755	Fuse	10 Amp
6	M400057	Screw	
7	02834	Washer	
8	M400080	Washer	
9	800319P	Drive Belt	
10	801684P	Motor and Rod Assembly Kit	Includes 2 each of items 11-13 and wire ties
11	23748	Retaining Ring	
12	52549	Washer	
13	801062	Motor Mount Rod	
14	513316	Jumper Harness	Use to limit spin RPM on inverter controls starting Serial No. 0911014603; 240 Volt; Models BFNBLFSP301AW01, BFNBLFSP541NW01, BWFL74*N4000, BWFL75*N4000, BWFX71*N3050, BWFX74*N4000, BWFX75*N4000, HWFY74*N4000, HWFY75*N4000, NWFL84*N4000, NWFL85*N4000, NWF74*N4000, NWF75*N4000, SFNBXFSP301NW22, SFNSXRSP541NQ23, SWFA71*N3050, SWFA71*N3069, SWFF71*N3050, SWFL74*N4000, SWFX71*N3000, SWFX71*N3050, SWFX71*N5400, SWFX74*N4000 and SWFX75*N4000
	513268	Jumper Harness	Use to limit spin RPM on inverter controls starting Serial No. 0911014603; 120 Volt; All other models

* Add Letter To Designate Color. N - Stainless Steel Q - Bisque W - White

Drain Hoses and Valve

Models BFNBCFSG111TN01, BFNBCFSG111TW01, BWFL75*N4000, BWFX75*N4000, HFNBCFSG111TN01, HWFT73*N, HWFT73*N1102, HWFY73*N1102, HWFY75*N4000, HWR973*N1102, NWFL85*N4000, NWFX75*N4000, SWFA73*N, SWFB73*N, SWFF73*N, SWFT73*N, SWFX73*N, SWFX75*N4000, SWFY73*N, SWR973*N and SWRT73*N



FLW888P_802739

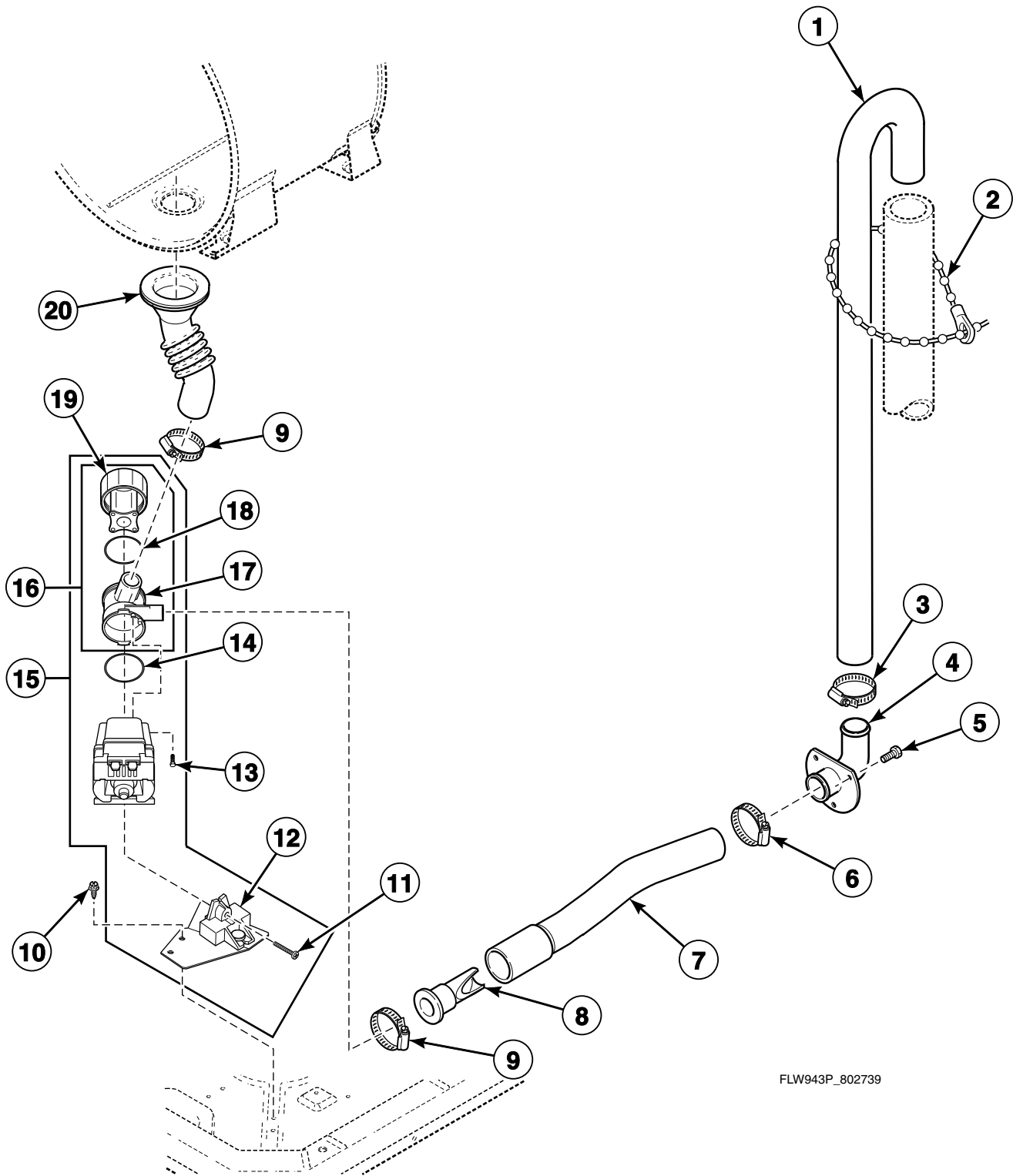
Drain Hoses and Valve

REF	PART NO.	DESCRIPTION	COMMENTS
1	800902	Tub-to-Drain Hose	
	27615P	Sealant	Tub-to-drain hose to outer tub
2	685725	Hose Clamp	
3	803291	Gravity Drain Bracket	
4	F976P3	Drain Valve Kit	Includes items 3 and 7-10; Models BWFL75*N4000, BWFX75*N4000, HWFY75*N4000, NWFL85*N4000, NWFX75*N4000 and SWFX75*N4000
	F975P3	Drain Valve Kit	Includes items 3 and 7-10; All other models
5	800903	Drain-to-Cabinet Hose	
6	503235	Snap Bushing	
7	02916	Screw	
8	M400017	Washer	
9	503661	Screw	
10	29786	Nut	

* Add Letter To Designate Color. Q - Bisque W - White

Hoses and Pump

All Models Except BFNBCFSG111TN01, BFNBCFSG111TW01, BWFL75*N4000, BWFX75*N4000, HFNBCFSG111TN01, HWFT73*N, HWFT73*N1102, HWFY73*N1102, HWFY75*N4000, HWR973*N1102, NWFL85*N4000, NWF75*N4000, SWFA73*N, SWFB73*N, SWFF73*N, SWFT73*N, SWFX73*N, SWFX75*N4000, SWFY73*N, SWR973*N and SWRT73*N



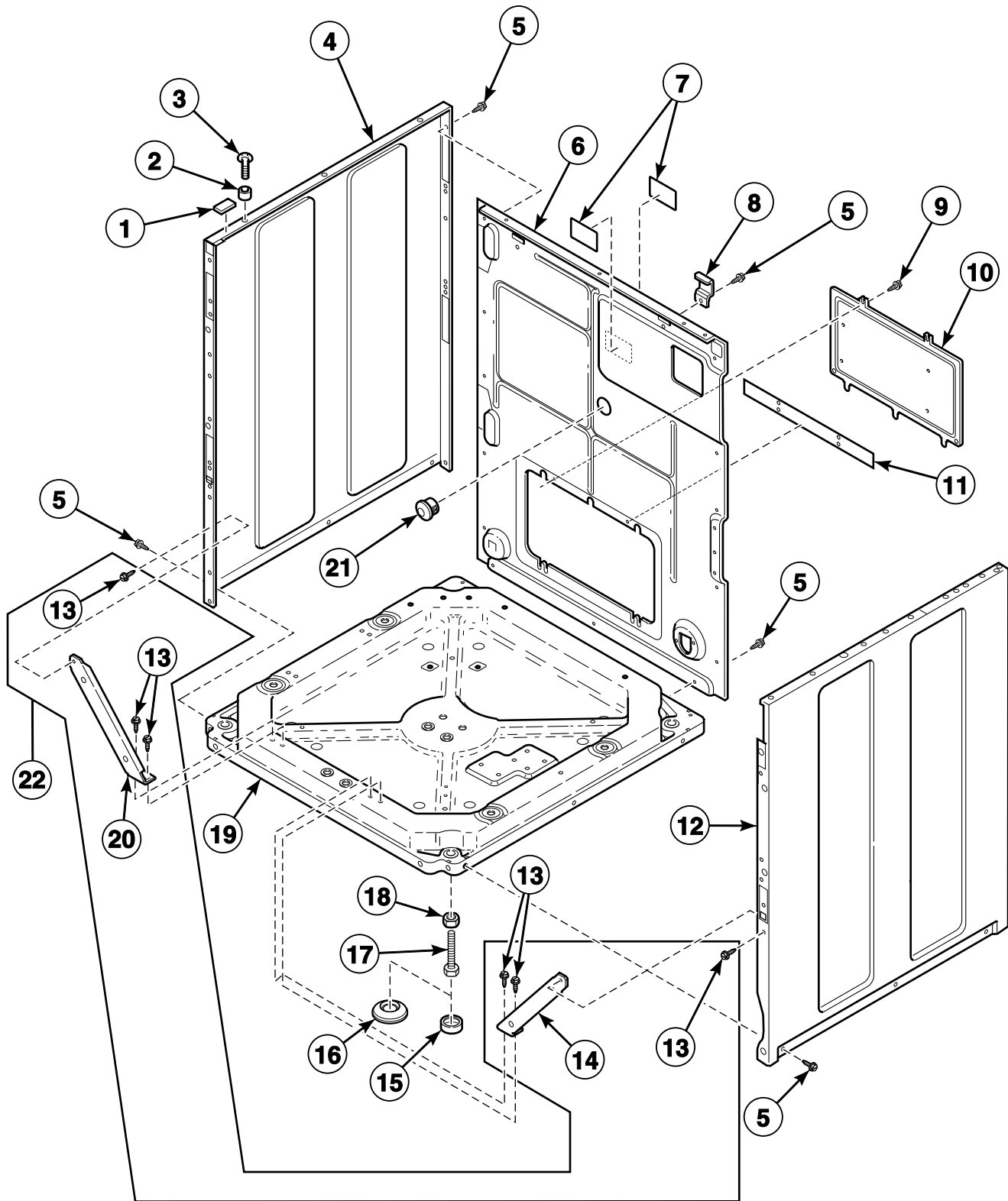
FLW943P_802739

Hoses and Pump

REF	PART NO.	DESCRIPTION	COMMENTS
1	27154	Drain Hose	
2	33489	Standpipe Strap	
3	20211	Hose Clamp	
4	35766	Drain Hose Elbow	
5	52909	Screw	
6	20391	Hose Clamp	
7	685737	Pump-to-Elbow Hose	
8	800310	Backflow Preventer	
9	F200204	Hose Clamp	
10	503661	Screw	
11	802430	Screw	
12	802626	Pump Mount Bracket	
13	802431	Screw	
14	802429	O-Ring	
15	802624P	Drain Pump	Models BFNBLFSP301AW01, BWFL74*N4000, BWF71*N3050, BWF74*N4000, HWFY74*N4000, NWFL84*N4000, NWF74*N4000, SFNBXFSP301NW22, SWFA71*N3050, SWFA71*N3069, SWFF71*N3050, SWFL74*N4000, SWFX71*N3000, SWFX71*N3050, SWFX71*N5400 and SWFX74*N4000
	802625P	Drain Pump	Models BFNBLFSP541NW01, SFNSXRSP541NQ23 and SWFX71*N5400
	802623P	Drain Pump	All other models
16	802434P	Pump Housing Assembly	Includes items 17-19
17	802428	Pump Housing	
18	802427	Gasket	
19	802426P	Lid Assembly	Includes filter
20	800317	Tub-to-Pump Hose	
	27615P	Sealant	Tub-to-pump hose to outer tub
	985P3	Drain Kit	Includes 803344 Tub-to-Pump Hose with Trap, 90554 Hose Clamp, 803400 Cap and 27615P Sealant

* Add Letter To Designate Color. N - Stainless Steel Q - Bisque W - White

Base, Side Panels and Rear Panel



FLW969P_802739

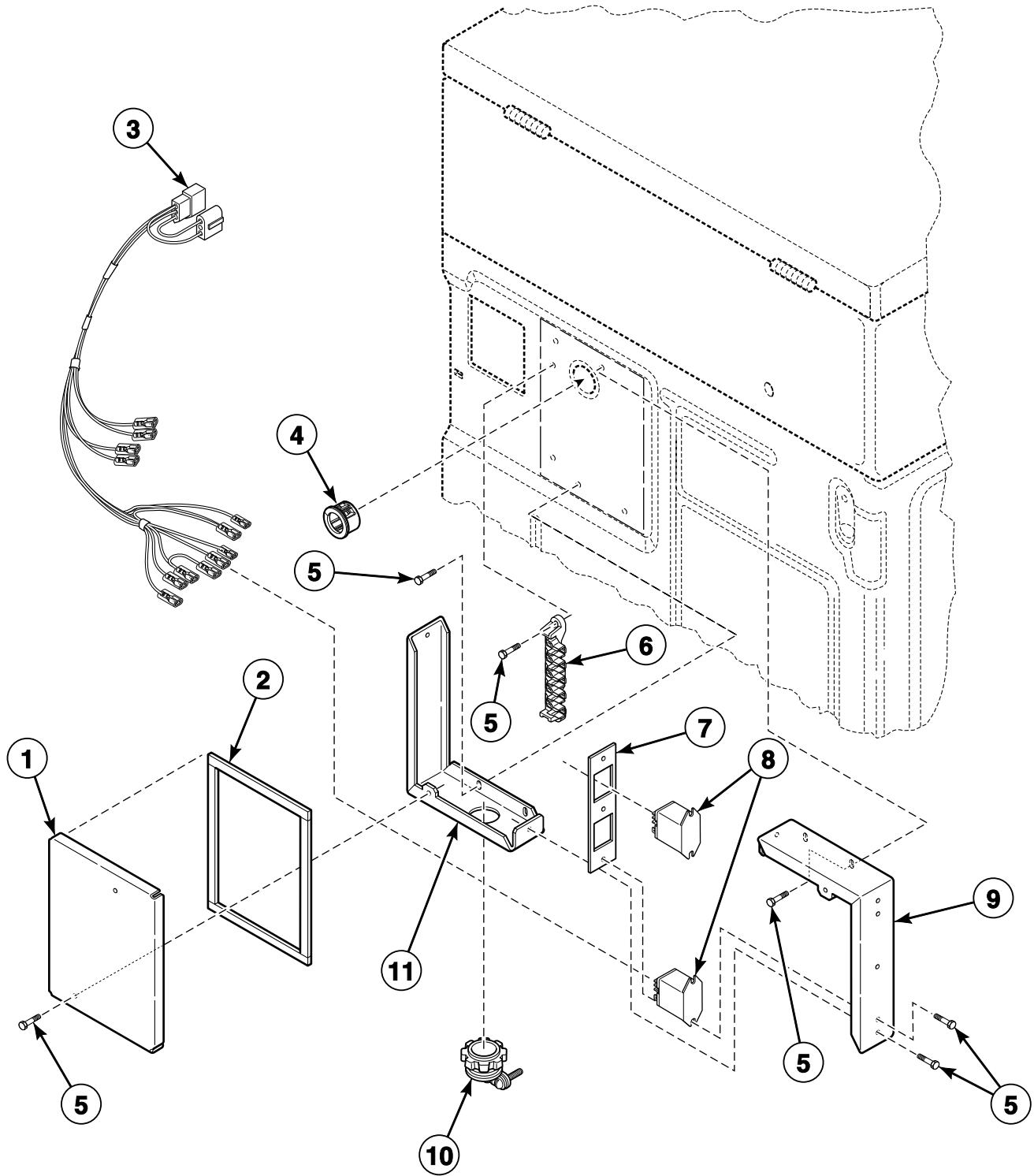
Base, Side Panels and Rear Panel

REF	PART NO.	DESCRIPTION	COMMENTS
	122P4P	Porcelain Touch-Up Paint	White
	370P4P	Porcelain Touch-Up Paint	Bisque
1	36226	Bumper Pad	
2	56079	Panel Locator	
3	39733	Screw	Use with painted panels
	512921	Screw	Use with stainless steel panels
4	800004WP	Cabinet Panel Kit	White; Left; Includes corner gusset with hardware
	800004QP	Cabinet Panel Kit	Bisque; Left; Includes corner gusset with hardware
	800004G	Side Panel	Gray; Left
	802525P	Cabinet Side Panel	Stainless steel; Left
5	503661	Screw	
6	801216	Rear Panel	Models BFNBCFSG111TN01, BFNBCFSG111TW01, BWFL75*N4000, BWF75*N4000, HFNBCFSG111TN01, HWFT73*N, HWFT73*N1102, HWFY73*N1102, HWFY75*N4000, HWR973*N1102, NWFL85*N4000, NWF75*N4000, SWFA73*N, SWFB73*N, SWFF73*N, SWFT73*N, SWFX73*N, SWFX75*N4000, SWFY73*N, SWR973*N and SWRT73*N
	801629	Rear Panel	Model SWFB72*N
	800010P	Rear Panel	All other models
7	685928	Screw Label	Left hand thread
8	510136	Top Hinge	Rear control models
9	430497	Screw	
10	800011	Rear Access Panel	
11	801702	Motor Access Hole Edging	
12	800005WP	Side Panel Kit	White; Right; Includes 801024 Dispenser Plate with hardware and 547P3 Coin Cabinet Hardware Kit
	800005QP	Side Panel Kit	Bisque; Right; Includes 801024 Dispenser Plate with hardware and 547P3 Coin Cabinet Hardware Kit
	800005G	Side Panel	Gray; Right
	802526P	Cabinet Side Panel	Stainless steel; Right
13	31645	Screw	
14	801492	Cabinet Brace	Right
15	34318	Rubber Foot	
16	155P3	Anchor	Includes 4 rubber discs with adhesive backing
	802844P	Anchor Floor Mount Assembly	Includes 2 rubber discs with adhesive backing
17	34319	Leveling Leg	
18	21899	Nut	
19	802245	Base Assembly	
20	801491	Cabinet Brace	Left
21	M412154	Hole Plug	
22	918P3	Brace Kit	Includes items 13, 14 and 20

* Add Letter To Designate Color. Q - Bisque W - White

Junction Box

Model SWFB72*N



FLW903P_802739

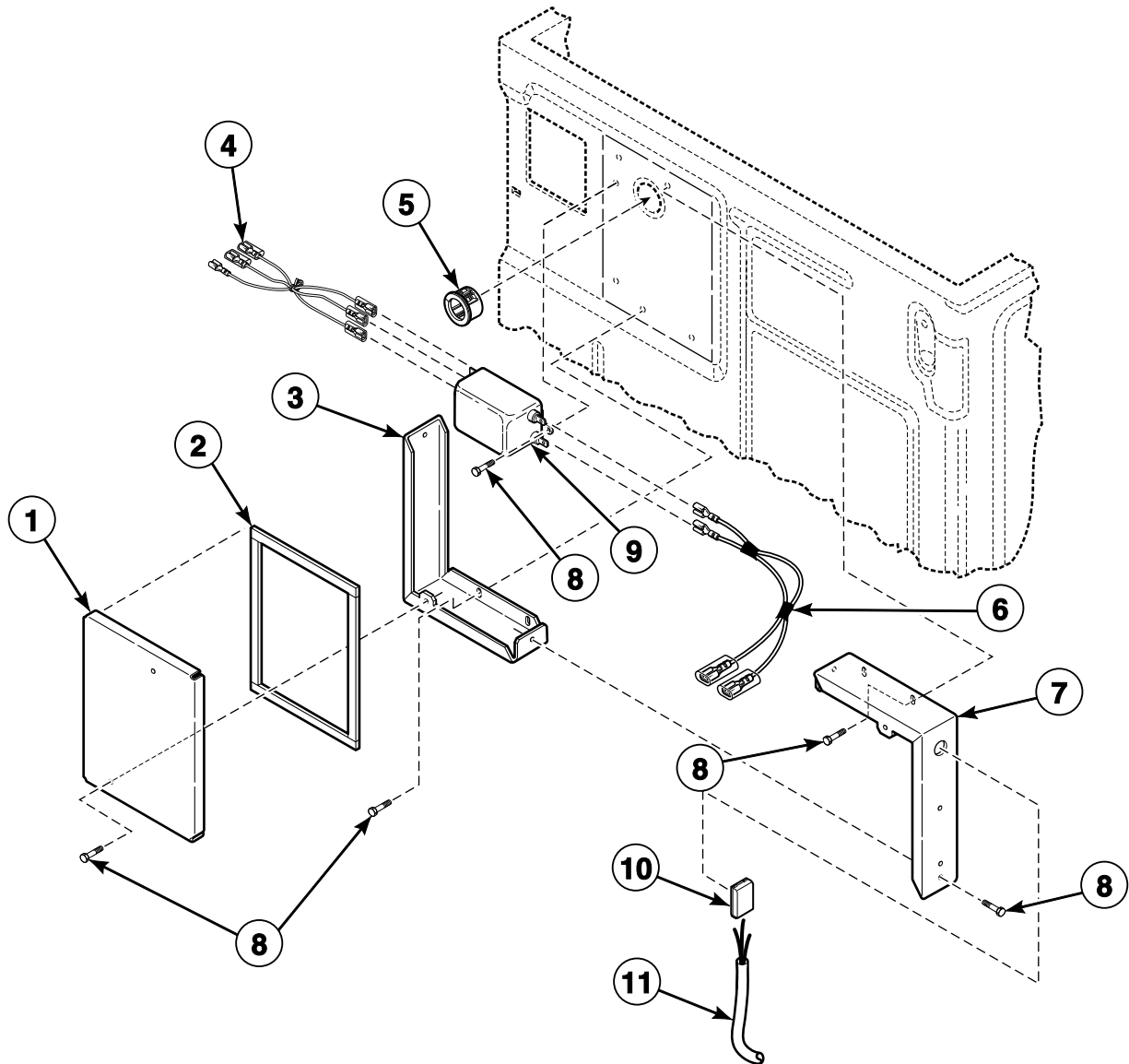
Junction Box

REF	PART NO.	DESCRIPTION	COMMENTS
1	801498	Junction Box Cover	
2	801425P	Junction Box Seal	4 required
3	801518	Supply Injection Wire Harness Assembly	
4	M402542	Snap Bushing	
5	503661	Screw	
6	505876	Terminal Block Assembly	
7	801501	Relay Mounting Bracket	
8	431349	Relay	
9	801497	Upper Junction Box	
10	F140312	Connector	
11	801499	Lower Junction Box	

* Add Letter To Designate Color. Q - Bisque W - White

Junction Box and Power Cord

Models BFNBLFSP301AW01, BFNBLFSP541NW01, BWF71*N1127, BWF71*N3050, HWF71*N1127, HWR971*N1127, SFNBXFSP301NW22, SFNSXRSP541NQ23, SWFA71*N3050, SWFA71*N3069, SWFF71*N3050, SWFX71*N1127, SWFX71*N3000, SWFX71*N3050 and SWFX71*N5400



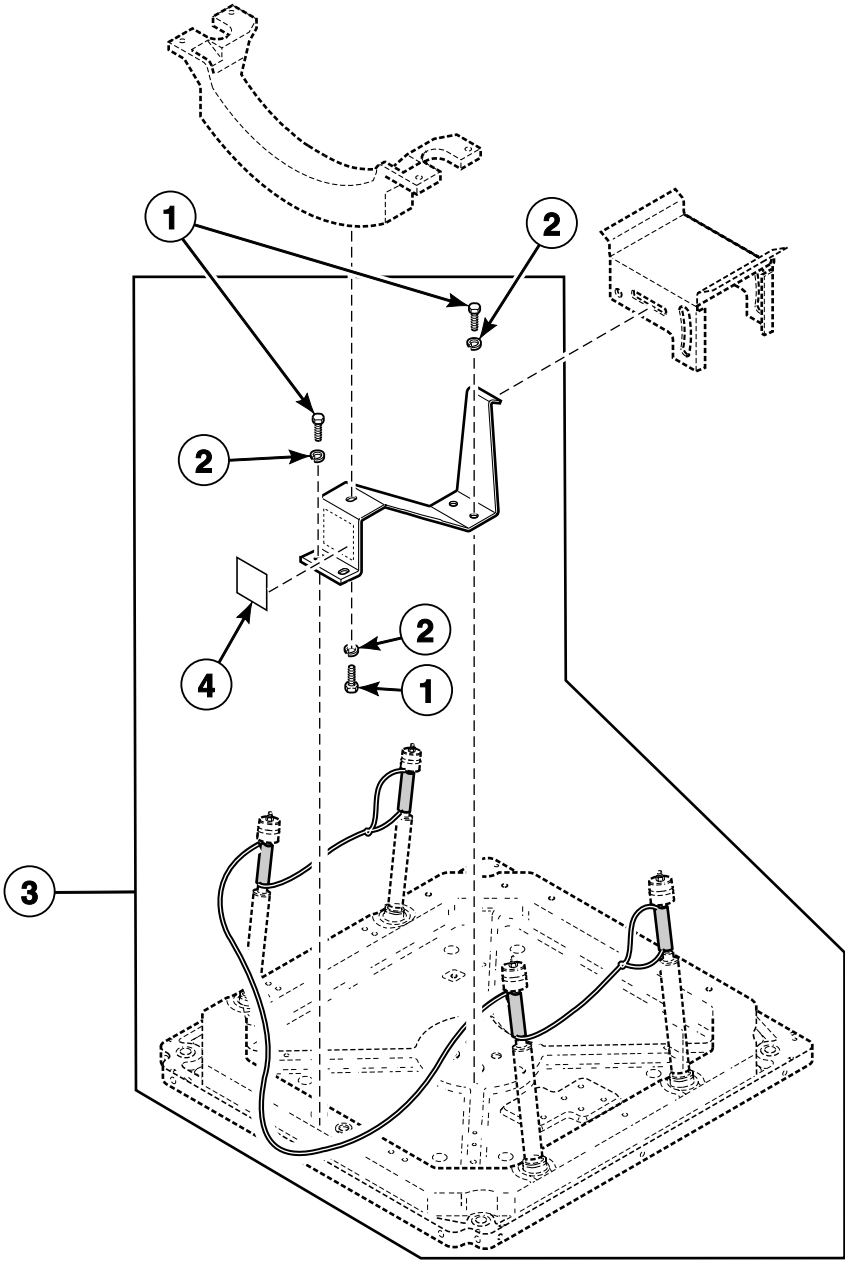
SWD1213P_802739

Junction Box and Power Cord

REF	PART NO.	DESCRIPTION	COMMENTS
1	801404	Junction Box Cover	
2	801425P	Junction Box Seal	4 required
3	801433	Lower Junction Box	
4	801420	Wire Harness Assembly	Line filter to power cord terminal block
5	M402542	Snap Bushing	
6	802013	Wire Harness Assembly	Models BWF71*N1127, HWF71*N1127, HWR971*N1127 and SWF71*N1127; Line filter to control harness
	801421	Wire Harness Assembly	All other models; Line filter to control harness
7	801403	Junction Box	Upper
8	503661	Screw	
9	201058	Line Filter	
10	39922	Cable Connection Box	
11	801450	Power Cord Assembly	Models SFNBXFSP301NW22, SWF71*N3000 and SWF71*N5400
	39931	Power Cord Assembly	Models BFNBLFSP301AW01, BWF71*N3050, SWFA71*N3050, SWFF71*N3050 and SWF71*N3050; Includes plug
	802012	Power Cord Assembly	Models BWF71*N1127, HWF71*N1127, HWR971*N1127 and SWF71*N1127
	801660	Power Cord Assembly	Includes plug; Model SFNSXRSP541NQ23
	39925	Power Cord Assembly	Model SWFA71*N3069
	39926	Lead-In Cord	Includes plug; Model BFNBLFSP541NW01

* Add Letter To Designate Color. Q - Bisque W - White

Shipping Materials

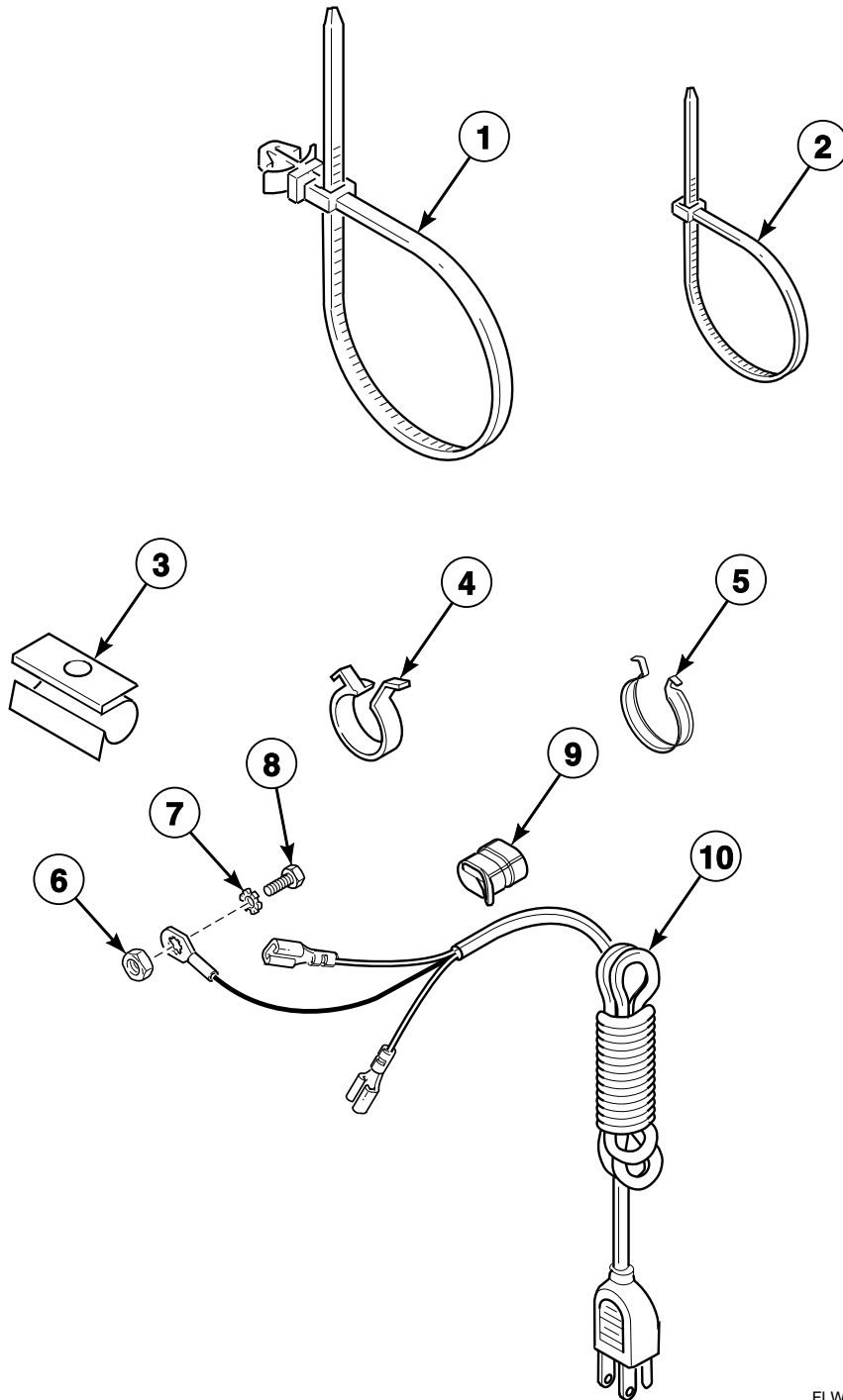


FLW1030P_802739

Shipping Materials

REF	PART NO.	DESCRIPTION	COMMENTS
1	M400043	Screw	
2	M400014	Washer	
3	930P3	Shipping Materials Kit	Includes items 1, 2, 4, shipping bracket, and shipping cord and brace assembly
4	686901	Shipping Bracket Label	

Wire Ties, Harness Clips and Lead-In Cord



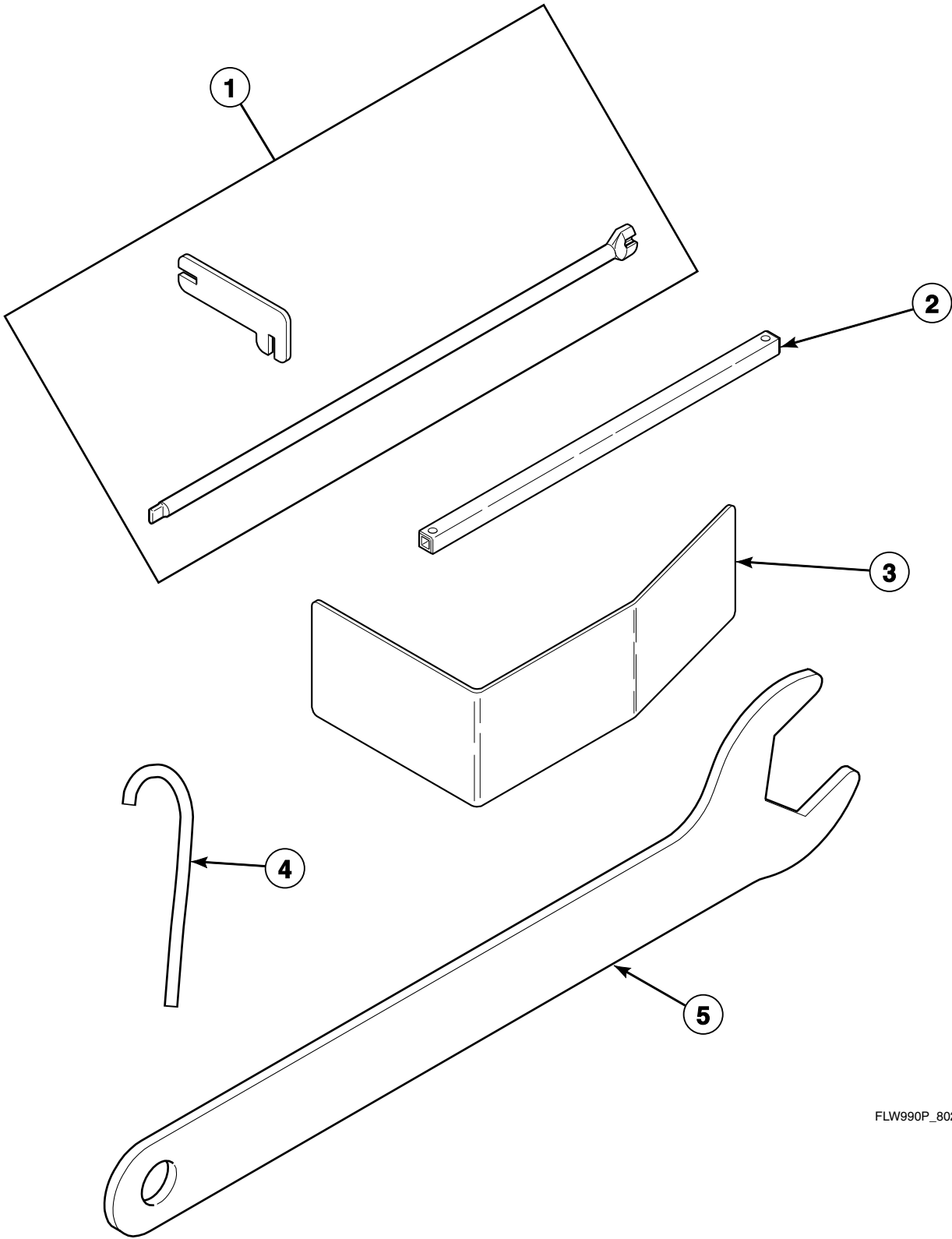
FLW823P_802739

Wire Ties, Harness Clips and Lead-In Cord

REF	PART NO.	DESCRIPTION	COMMENTS
1	38663	Wire Tie	
2	55881	Harness Strap	
3	36985	Hose Clip	
4	504034	Wire Clip	Small
5	687500	Wire Clip	Large
6	03673	Nut	
7	03815	Washer	
8	20530	Screw	
9	38384	Strain Relief	
10	34458	Lead-In Cord	Models BFNBCFSG111TN01, BFNBCFSG111TW01, BFNBEPSP111CN01, BFNBEPSP111CW01, BFNBEPSP111TN01, BFNBEPSP111TW01, HFNBCFSG111TN01, HFNBCFSP111TN01, HFNCXFSP111CW01, HFNCXRSP111CW01, HWFB71*N, HWFB71*N1102, HWFR71*N1102, HWFT71*N, HWFT71*N1102, HWFT73*N, HWFT73*N1102, HWFX71*N1102, HWFY71*N1102, HWFY73*N1102, HWR971*N1102, HWR973*N1102, HWRR71*N1102, HWRT71*N, HWRT71*N1102, HWRX71*N1102, HWRY71*N1102, SFNBCRSP111TW02, SFNCCFSP111TW01, SFNCCRSP111TW01, SFNCCRSP111TW02, SFNCXRSP111TW02, SFNCYFSP111TW01, SFNCYRSP111TW01, SFNSXRSP111TW02, SFNTXRSP111TW01, SFNTXRSP111TW02, SWFA71*N, SWFB71*N, SWFB72*N, SWFB73*N, SWFF71*N, SWFF73*N, SWFT71*N, SWFT73*N, SWFX71*N, SWFX73*N, SWFY71*N, SWFY73*N, SWR971*N, SWR973*N, SWRB71*N, SWRF71*N, SWRT71*N, SWRT73*N, SWRX71*N and SWRY71*N

* Add Letter To Designate Color. Q - Bisque W - White

Special Tools

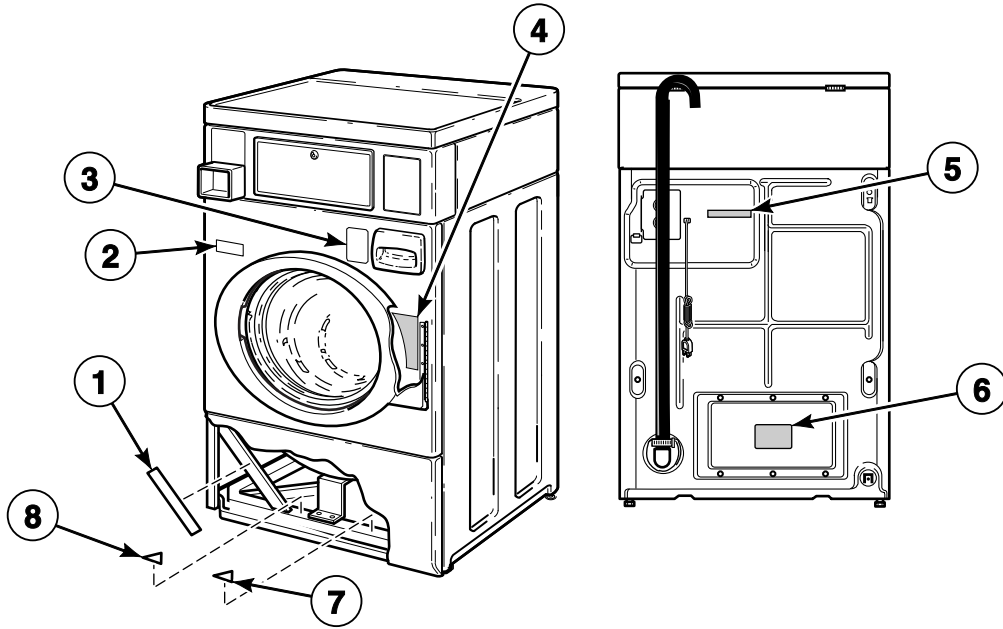


FLW990P_802739

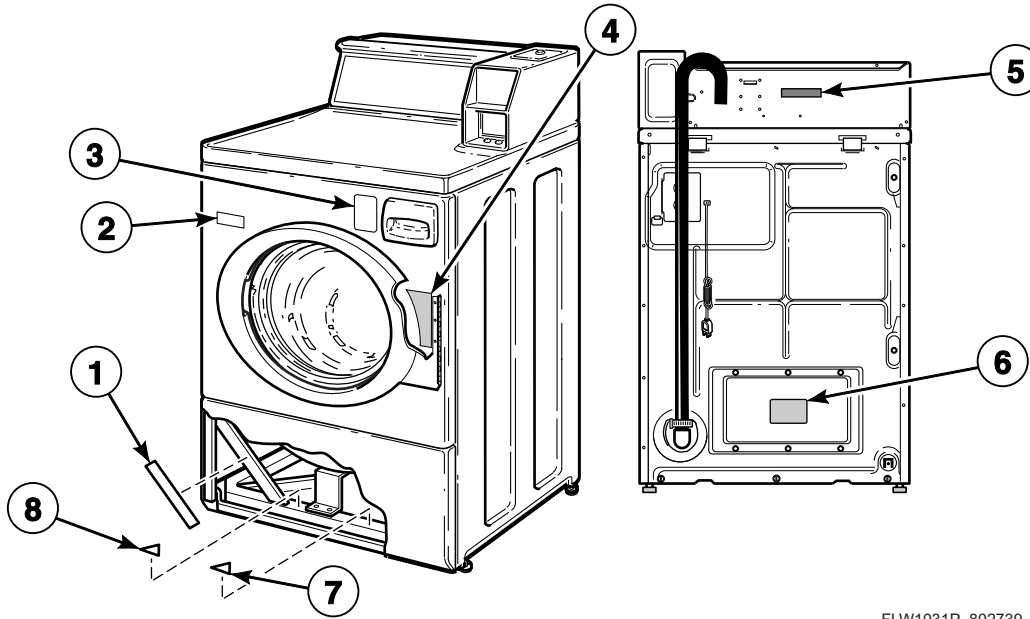
Special Tools

REF	PART NO.	DESCRIPTION	COMMENTS
1	CK096	Mounting Tool Kit	Use to install and remove electronic coin drop kits
2	310P4	Ratchet Extension Tool	1/4 inch; Use to install and remove non-electronic coin drops
3	318P4	Dispenser Drawer Tool	Use to remove dispenser drawer
4	802336	Pulley Bolt Tightening Fixture	Use to install inner basket
5	392P4	Wrench	Use for adjusting leveling leg nuts

Labels



Front Control Washers



Rear Control Washers

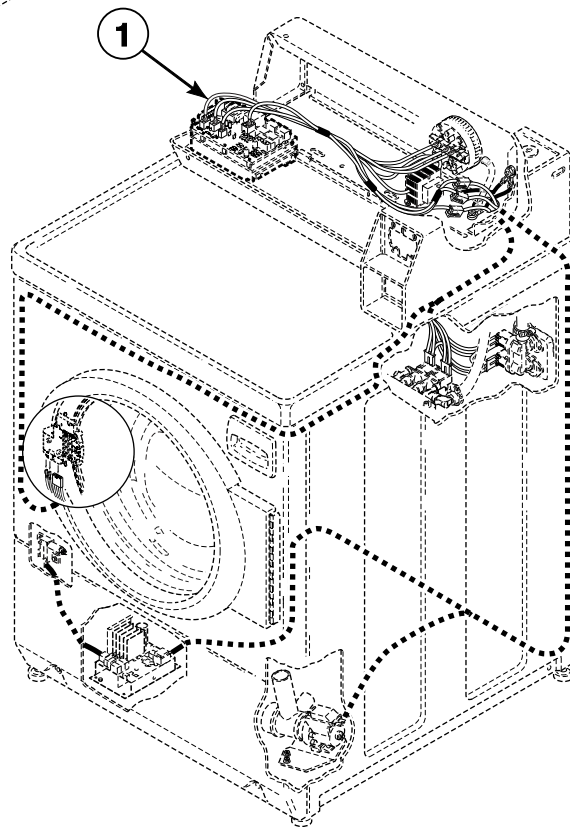
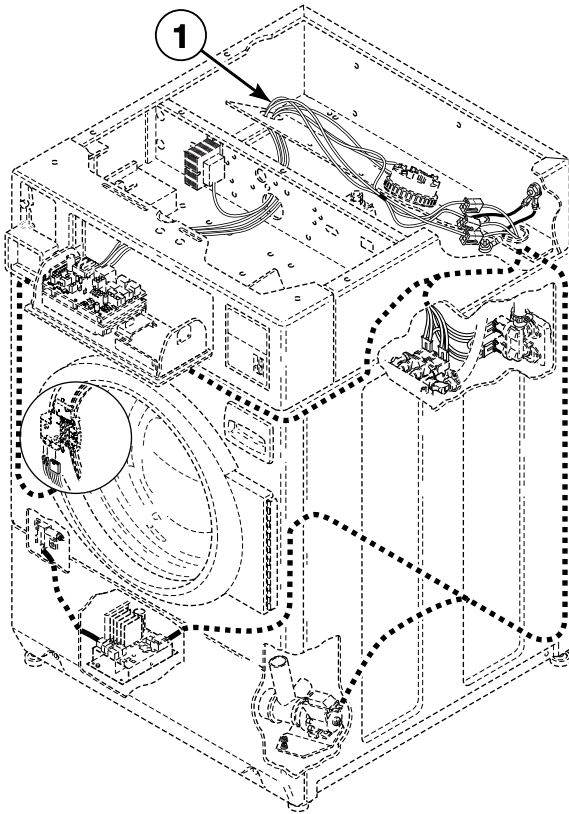
FLW1031P_802739

Labels

REF	PART NO.	DESCRIPTION	COMMENTS
1	803522	Warning Label	All models except BWFL74*N4000, BWFL75*N4000, BWFX74*N4000, BWFX75*N4000, HWFY74*N4000, HWFY75*N4000, NWFL84*N4000, NWFL85*N4000, NWF74*N4000, NWF75*N4000, SFNBXFSP301NW22, SWFA71*N3069, SWFL74*N4000, SWFX71*N3000, SWFX71*N5400, SWFX74*N4000 and SWFX75*N4000
2	803011	Notice Label	Models BFNBEFSP111CN01, BFNBEFSP111CW01, BFNBEFSP111TN01, BFNBEFSP111TW01, BWFX71*N1127, BWFX71*N3050, HFNBCFSG111TN01, HFNBCFSP111TN01, HFNCXFSP111CW01, HFNCXRSP111CW01, HWFB71*N, HWFB71*N1102, HWFR71*N1102, HWFT71*N, HWFT71*N1102, HWFT73*N, HWFT73*N1102, HWFX71*N1102, HWFX71*N1127, HWFY71*N1102, HWFY73*N1102, HWR971*N1102, HWR971*N1127, HWR973*N1102, HWRR71*N1102, HWRT71*N, HWRT71*N1102, HWRX71*N1102, HWRY71*N1102, SFNBCRSP111TW02, SFNCCFSP111TW01, SFNCCRSP111TW01, SFNCCRSP111TW02, SFNCXRSP111TW02, SFNCYFSP111TW01, SFNCYRSP111TW01, SFNSXRSP111TW02, SFNSXRSP541NQ23, SFNTRSP111TW01, SFNTRSP111TW02, SWFA71*N, SWFA71*N3050, SWFA71*N3069, SWFA73*N, SWFB71*N, SWFB72*N, SWFB73*N, SWFF71*N, SWFF71*N3050, SWFF73*N, SWFT71*N, SWFT73*N, SWFX71*N, SWFX71*N1127, SWFX71*N3000, SWFX71*N3050, SWFX71*N5400, SWFX73*N, SWFY71*N, SWFY73*N, SWR971*N, SWR973*N, SWRB71*N, SWRF71*N, SWRT71*N, SWRT73*N, SWRX71*N and SWRY71*N
3	802074	Oversudsing Label	English
	802838	Oversudsing Label	Spanish
	802839	Oversudsing Label	Quebec French
4	802367	Door Locked Warning Label	
5	505281	Disconnect Power Warning Label	English
	502511	Electrical Shock Label	Icon
6	500049	Warning Label	English
	500314	Warning Label	Quebec French
	502511	Electrical Shock Label	Icon
7	F8211301	Pinched Fingers Label	Models BWFL74*N4000, BWFL75*N4000, BWFX74*N4000, BWFX75*N4000, HWFY74*N4000, HWFY75*N4000, NWFL84*N4000, NWFL85*N4000, NWF74*N4000, NWF75*N4000, SFNBXFSP301NW22, SWFA71*N3069, SWFL74*N4000, SWFX71*N3000, SWFX71*N5400, SWFX74*N4000 and SWFX75*N4000
8	F8211201	Electrical Shock Label	Models BWFL74*N4000, BWFL75*N4000, BWFX74*N4000, BWFX75*N4000, HWFY74*N4000, HWFY75*N4000, NWFL84*N4000, NWFL85*N4000, NWF74*N4000, NWF75*N4000, SFNBXFSP301NW22, SWFA71*N3069, SWFL74*N4000, SWFX71*N3000, SWFX71*N5400, SWFX74*N4000 and SWFX75*N4000

* Add Letter To Designate Color. N - Stainless Steel Q - Bisque W - White

Wire Harnesses and Wires (Drawing 1 of 2)



FLW945P_802739

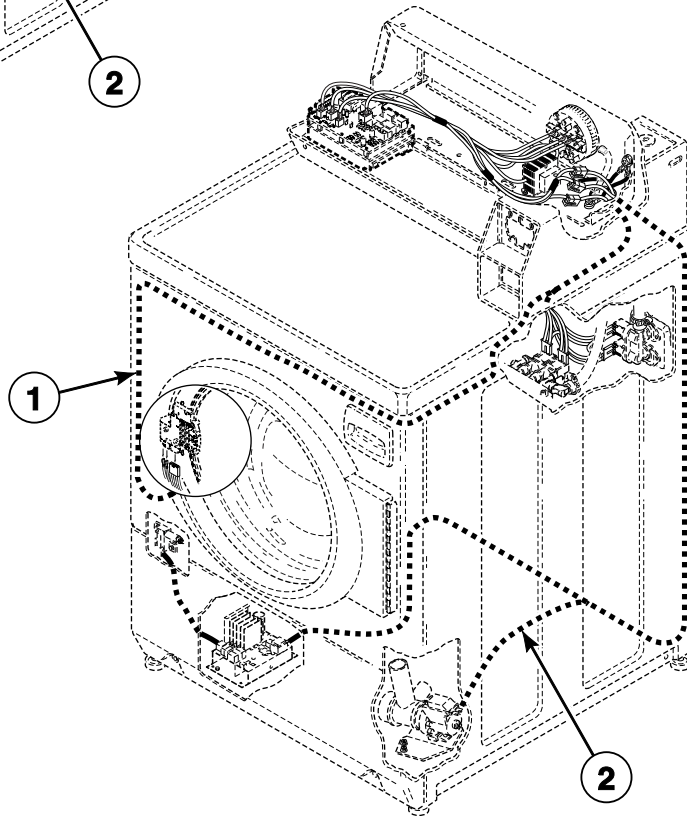
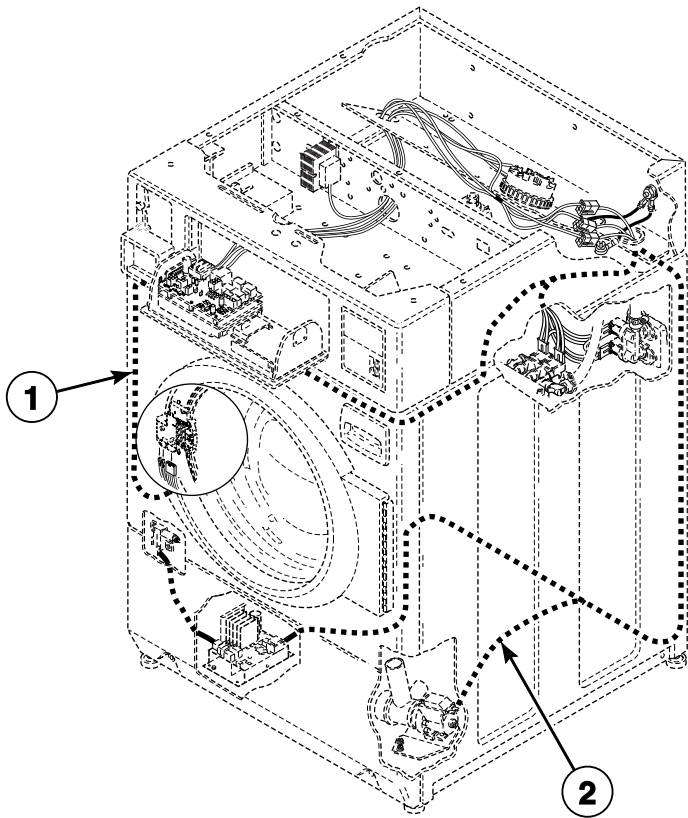
Wire Harnesses and Wires (Drawing 1 of 2)

REF	PART NO.	DESCRIPTION	COMMENTS
	45001	18 Gauge Wire	Black; Order wire by foot and terminals and connectors as required
	45380	12 Gauge Wire	Orange; Order wire by foot and terminals and connectors as required
1	801064P	Front Control Harness Assembly	Models BFNBCFSG111TN01, BFNBCFSG111TW01, BFNBEFSP111CN01, BFNBEFSP111CW01, BFNBEFSP111TN01, BFNBEFSP111TW01, BWFX71*N1127, HFNBCFSG111TN01, HFNBCFSP111TN01, HFNCXFSP111CW01, HWFB71*N, HWFB71*N1102, HWFR71*N1102, HWFT71*N, HWFT71*N1102, HWFT73*N, HWFT73*N1102, HWFX71*N1102, HWFX71*N1127, HWFY71*N1102, HWFY73*N1102, SFNCCFSP111TW01, SFNCYFSP111TW01, SWFA71*N, SWFA73*N, SWFB71*N, SWFB72*N, SWFB73*N, SWFF71*N, SWFF73*N, SWFT71*N, SWFT73*N, SWFX71*N, SWFX71*N1127, SWFX71*N5400, SWFX73*N, SWFY71*N and SWFY73*N
	801324P	Control Harness Assembly	Models HWR971*N1102, HWR971*N1127, HWR973*N1102, SFNSXRSP111TW02, SFNTRRSP111TW01, SFNTRRSP111TW02, SWR971*N and SWR973*N
	801117	Control Harness Assembly	Models BWFL74*N4000, BWFL75*N4000, BWFX74*N4000, BWFX75*N4000, HWFY74*N4000, HWFY75*N4000, NWFL84*N4000, NWFL85*N4000, NWFX74*N4000, NWFX75*N4000, SWFL74*N4000, SWFX74*N4000 and SWFX75*N4000
	801281P	Rear Control Harness Assembly	Models HFNCXRSP111CW01, HWRR71*N1102, HWRT71*N, HWRT71*N1102, HWRX71*N1102, HWRY71*N1102, SFNBCRSP111TW02, SFNCCRSP111TW01, SFNCCRSP111TW02, SFNCYRSP111TW01, SWRB71*N, SWRF71*N, SWRT71*N, SWRT73*N, SWRX71*N and SWRY71*N
	801335	Control Harness Assembly	Models BFNBLFSP301AW01, BFNBLFSP541NW01, BWFX71*N3050, SFNBXFSP301NW22, SWFA71*N3050, SWFA71*N3069, SWFF71*N3050, SWFX71*N3000, SWFX71*N3050 and SWFX71*N5400
	803108P	Harness Assembly	Model SFNCXRSP111TW02
	801346P	Control Harness Assembly	Model SFNSXRSP541NQ23

* Add Letter To Designate Color. N - Stainless Steel Q - Bisque W - White

NOTE: Individual wires are not available separately. Order complete harness, or order wire by the foot. When applying terminals to wires, it is recommended that the terminals be soldered to the wires.

Wire Harnesses and Wires (Drawing 2 of 2)



FLW945PA_802739

Wire Harnesses and Wires (Drawing 2 of 2)

REF	PART NO.	DESCRIPTION	COMMENTS
	45001	18 Gauge Wire	Black; Order wire by foot and terminals and connectors as required
	45380	12 Gauge Wire	Orange; Order wire by foot and terminals and connectors as required
1	802350P	Base Harness Assembly	Models SWFA71*N3050, SWFA71*N3069, SWFF71*N3050, SWFX71*N3000, SWFX71*N3050 and SWFX71*N5400 through Serial No. 0704017167
	802833P	Base Harness Assembly	Models BFNBLFSP301AW01, BFNBLFSP541NW01, BWFX71*N3050, SFNBXFSP301NW22, SFNSXRSP541NQ23, SWFA71*N3050, SWFA71*N3069, SWFF71*N3050, SWFX71*N3000, SWFX71*N3050 and SWFX71*N5400 starting Serial No. 0704017168
	802349P	Base Harness Assembly	Models BWFL74*N4000, BWFL75*N4000, BWFX74*N4000, BWFX75*N4000, HWFY74*N4000, HWFY75*N4000, NWFL84*N4000, NWFL85*N4000, NWFX74*N4000, NWFX75*N4000, SWFL74*N4000, SWFX74*N4000 and SWFX75*N4000 through Serial No. 0704007393
	802834P	Base Harness Assembly	Models BWFL74*N4000, BWFL75*N4000, BWFX74*N4000, BWFX75*N4000, HWFY74*N4000, HWFY75*N4000, NWFL84*N4000, NWFL85*N4000, NWFX74*N4000, NWFX75*N4000, SWFL74*N4000, SWFX74*N4000 and SWFX75*N4000 starting Serial No. 0704007394 and continuing through Serial No. 1001000989
	803470	Base Harness Assembly	Models BWFL74*N4000, BWFL75*N4000, BWFX74*N4000, BWFX75*N4000, HWFY74*N4000, HWFY75*N4000, NWFL84*N4000, NWFL85*N4000, NWFX74*N4000, NWFX75*N4000, SWFL74*N4000, SWFX74*N4000 and SWFX75*N4000 starting Serial No. 1001000990
	802351P	Base Harness Assembly	All other models; Models through Serial No. 0709009264
	802831P	Base Harness Assembly	All other models; Models starting Serial No. 0709009265
2	802274P	Motor Harness Assembly	Models through Serial No. 1201004551
	803581	Motor Harness Assembly	Models starting Serial No. 1201004552

* Add Letter To Designate Color. N - Stainless Steel Q - Bisque W - White

NOTE: Individual wires are not available separately. Order complete harness, or order wire by the foot. When applying terminals to wires, it is recommended that the terminals be soldered to the wires.

Parts Index

A

Access Panel	
510069QP	39
510069WP	39
512543	39
Access Panel Damper	
685368	39
Anchor	
155P3	59
Anchor Floor Mount Assembly	
802844P	59
Anti-Seize Compound	
27604P	51
Audit Switch Bracket	
800379	9

B

Backflow Preventer	
34500	41, 43, 45
800310	57
Ballast Weight	
800205	47, 49
Base Assembly	
802245	59
Base Harness Assembly	
802349P	75
802350P	75
802351P	75
802831P	75
802833P	75
802834P	75
803470	75
Base Shock Absorber Kit	
802881P	47, 49
Bearing Housing Kit	
800428P	51
Bearing Kit	
RB160001	51
Bolt	
02505	23, 27
29651	7, 11, 27
32184	31
Boot Nozzle	
802291	39, 41, 43
Brace Kit	
918P3	59
Bracket	
201918	31
510146	25, 27, 35
Bumper Pad	
36226	59

C

Cabinet Brace	
801491	59

801492	59
Cabinet Panel Kit	
800004QP	59
800004WP	59
Cabinet Side Panel	
802525P	59
802526P	59
Cabinet Top Kit	
802247QP	7
Cable Connection Box	
39922	63
Cable Tie	
39037	43
Cap	
801746	41, 43
Card Insert Overlay	
511544	21
511548	21
Card Reader and Bracket Assembly	
510068P	21
Card Reader Assembly	
210045P	35
Card Reader Bracket	
210023	35
Card Reader Overlay	
800230	21
Card Reader Shield	
801101	35
Card Reader Wire Harness Assembly	
800125P	21, 35
Clamp Ring	
800312	47, 49
Clip	
201572	19
Clothes Guard	
803537	47, 49
Clothes Guard and Deflector Kit	
984P3	47, 49
Clothes Guard Deflector	
803038P	47, 49
Coin Box Extension Kit	
803578P	23
Coin Drop	
38963P	17
70441601P	17, 23
Coin Drop Assembly	
CK114	17
38462P	17
38463	17
38464P	17
38467	17
38472	17
38519	17
38521	17
70441602	17, 23
70447301	17
Coin Drop Wire Harness	
201104	19
Coin Funnel Kit	
523P3	27

N/A items do not appear in index.

Coin Identification Paper	
38725	17, 19, 23
Connector	
F140312	61
801789	15
Contactora	
F330177P	9, 11
Contactora Wire Harness Assembly	
801120P	9, 11
Control Assembly	
802248P	5, 11, 29, 35
802400P	5, 11
802523P	33
803146P	5, 29, 35
803147	33
Control Cabinet Bottom	
801777	11
Control Harness Assembly	
801117	73
801324P	73
801335	73
801346P	73
Control Hood	
502567Q	29, 33
502567W	29, 33
511253Q	35
511253W	35
Control Hood Back Panel	
801735	33
Control Kit	
800772P	5, 29, 35
802076P	5
Control Panel	
801737B	11
801737W	11
Control Panel and Bracket Assembly	
800035B	5
800035Q	5
800035W	5
800142Q	33
800142W	33
800149Q	29
800149W	29
Control Panel and Stud Assembly	
800710Q	35
800710W	35
Control Panel Overlay	
800033	5
800228	35
800413	5
800416	5
801190	35
801191	35
801521	33
801523	33
Control Shield	
210053	29, 35
801061	53
801371	9, 11

D

Detergent Cover	
800899	41, 43

Diagnostic Wire Harness Assembly	
800374	5
800680	11, 35
Disconnect Power Warning Label	
505281	25, 27, 29, 33, 35, 71
Dispenser	
685756P	43
801090P	43
Dispenser Assembly	
801476P	43
801630P	41
801662P	41
Dispenser Drawer Front	
685715Q	41, 43
685715WP	41, 43
Dispenser Drawer Tool	
318P4	69
Dispenser Handle	
802879P	43
Dispenser Plate	
801024	41, 43
Dispenser-to-Door Seal Hose	
802256	39, 41, 43
Dispenser-to-Tub Hose	
800331	41, 43
Door Assembly	
802368QP	37
802368WP	37
802872P	37
Door Catch Assembly	
802803	37
Door Glass	
802695P	37
Door Hinge	
802934	37
Door Latch/Switch Assembly	
802317P	39
Door Locked Warning Label	
802367	71
Door Seal Assembly	
802830	39, 41, 43
802866P	39, 41, 43
Drain Hose	
27154	57
Drain Hose Elbow	
35766	57
Drain Kit	
985P3	57
Drain Pump	
802623P	57
802624P	57
802625P	57
Drain Valve Kit	
F975P3	55
F976P3	55
Drain-to-Cabinet Hose	
800903	55
Drive Belt	
800319P	53
Driven Pulley	
800866	51
Dual Overlay	
39073	15, 23

N/A items do not appear in index.

E

Electric Access Panel	
801134	13
Electrical Shock Label	
F8211201	71
502511	47, 49, 71
Electronic Coin Drop Assembly	
70294103P	19
70294104	19
70294105P	19
70294106	19
70294107	19
70294109	19
70294110	19
70294111	19
Electronic Coin Drop Kit	
CK099	19
CK100	19
CK101	19
CK103	19
CK106	19
CK108	19
CK109	19
CK110	19
CK113	19
CK115	19
End Cap	
210108W	35
210109W	35
Expansion Clip	
70030501	11
Extension Spring	
802285	39

F

Fill Hose	
20617	45
20618	45
37380	45
37381	45
Fill Hose Kit	
38349P	45
Filter	
801255P	13
Fitting	
801792P	13
Front Control Harness Assembly	
801064P	73
Front Overlay	
801037	5
801050	5
801053	5
801761	5
Front Panel	
802277QP	39
802277WP	39
802288P	39
Fuse	
801755	53

G

Gasket	
802427	57
Glass Mounting Clip	
802700	37
Graphic Overlay	
800414	29
801762	11
801983	11
802868	11
Gravity Drain Bracket	
803291	55
Grommet	
29175	47, 49
Grounding Clip	
00161	47, 49

H

Hardware Kit	
838P3	51
Harness Assembly	
802904P	17, 23
802905	17, 19, 23
803108P	73
Harness Strap	
55881	39, 41, 67
Heater Harness	
802323P	49
803492	49
Heating Element Kit	
803557P	49
803558P	49
Hinge	
511036	7, 11
Hinge Plate	
802206	39
Hole Plug	
M412154	59
Hood Back Plate	
505798	29
Hose Clamp	
F200204	57
F200206	41, 43
20211	57
20391	57
39282	47, 49
685725	41, 43, 55
802164	39, 41, 43, 45
802281	39
802698	39, 41, 43
Hose Clip	
36985	9, 11, 47, 67
800553	51
Hose Mounting Plate	
800552	51

N/A items do not appear in index.

I

Injection Nozzle	
F8322001	41
Inner Basket Assembly	
802365P	51
803008P	51
Inner Door Bezel Kit	
802307P	37
802331P	37
Insert	
685716	41, 43
Instruction Label	
685942	15, 21
Inverter Control Assembly	
803254P	53
803255P	53

J

Jumper Assembly	
513131	33
Jumper Configuration Assembly	
M413507	33
Jumper Harness	
513268	53
513316	53
Junction Box	
801403	63
Junction Box Cover	
801404	63
801498	61
Junction Box Seal	
801425P	61, 63

K

Key	
54612	7

L

Lead-In Cord	
34458	67
39926	63
Left Control Cabinet Side	
801738B	11
801738W	11
Leveling Leg	
34319	59
Lid Assembly	
802426P	57
Light	
801431	33
801432	33
Line Filter	
201058	13, 63
Lock Cam	
27261	7

Lock Kit	
27260P	7
Lower Junction Box	
801433	63
801499	61

M

MDC Central Pay Harness	
511478	5, 11, 29, 35
Meter Case Assembly	
38724Q	23
38724W	23
801330Q	27
801330W	27
802505Q	23
802505W	23
803042W	27
803063W	23
803576W	27
Meter Case Assembly Kit	
803063WP	23
Meter Case Bracket Gasket	
35526	23, 27
Meter Case Gasket	
26354	23, 27
Meter Case Lockdown Bracket	
35525	23, 27
Meter Case Locking Bracket	
30642	23, 27
Mixing Valve	
802220P	45
802222P	45
Mixing Valve Plate	
800323	45
Mixing Valve Screen	
802926	45
Motor Access Hole Edging	
801702	59
Motor and Rod Assembly Kit	
801684P	53
Motor Harness Assembly	
802274P	75
803581	75
Motor Mount Rod	
801062	53
Motor Speed Switch	
800404	33
Mounting Tool Kit	
CK096	69

N

Network Varistor Assembly	
801311	13
Notice Label	
803011	71
Nut	
F430218	47, 49, 51
M412986	27
03673	67
201216	19

N/A items do not appear in index.

21899	59
23951	31, 37
24205	33
27222	25, 27
29786	17, 19, 23, 27, 55
29787	13
30647	23, 27, 31
36020	7, 39
44087201	7, 11
52566	29, 33
52947	33
685846	37
70054	21, 35
800452	47, 49, 51
802292	39, 41, 43
802337	23, 27
802343	47, 49
803017	51

O

Operating Instruction Label	
801217	15, 21
803594	15, 21
803595	23, 27
Opto Coupler	
200674P	17, 23
O-Ring	
F170208	41
802429	57
Outer Door Bezel Kit	
802313QP	37
802313WP	37
802314P	37
Outer Tub Assembly	
801081P	47
801291	49
Out-of-Balance Switch Assembly	
801006	47, 49
803415	47, 49
Overlay	
201091	19
210131	21
801872	5
802510	5
803434	5
803535	11
803597	5, 29, 35
Overlay Kit	
38676	15
Oversudsing Label	
802074	71
802838	71
802839	71

P

Panel Locator	
56079	15, 21, 39, 59
Pinched Fingers Label	
F8211301	71
502506	47, 49
Pop Rivet	
685847	7, 11, 51

70058501	25, 27, 35
Porcelain Touch-Up Paint	
122P4P	59
370P4P	59
Power Cord Assembly	
39925	63
39931	63
801450	63
801660	63
802012	63
Pressure Bulb	
30907	47, 49
Pressure Switch	
802299P	9, 11, 29, 33, 35
Pulley Bolt Tightening Fixture	
802336	69
Pump Housing	
802428	57
Pump Housing Assembly	
802434P	57
Pump Mount Bracket	
802626	57
Pump-to-Elbow Hose	
685737	57

R

Ratchet Extension Tool	
310P4	69
Rear Access Panel	
800011	59
Rear Control Cabinet	
801058	11, 13
Rear Control Harness Assembly	
801281P	73
Rear Control Hood Panel	
801165	35
Rear Control Operating Instruction Label	
800137	23, 27
Rear Control Panel Harness Assembly	
802786	33
Rear Overlay	
801052	29
801055	29
Rear Panel	
800010P	59
801216	59
801629	59
Relay	
431349	61
Relay Mounting Bracket	
801501	61
Resistor	
210100	9, 11, 33
Retaining Ring	
23748	53
Right Control Cabinet Side	
800915B	11
800915Q	11
800915W	11
Rubber Foot	
34318	59

N/A items do not appear in index.

S

Screw

M400043	51, 65
M400057	53
M405188	9, 11
02916	29, 33, 55
20530	25, 27, 35, 67
23008	7
27328	27
31645	59
36048	23, 27
39733	15, 21, 39, 59
430497	59
501086	29, 33, 35, 45
501524	5, 11, 29, 33, 35, 53
503661	9, 11, 13, 25, 27, 29, 33, 35, 39, 45, 47, 49, 53, 55, 57, 59, 61, 63
503673	23, 25, 27
503688	9, 11, 13, 15, 21, 27, 31
512921	15, 39, 59
51782	27
52864	29, 33, 35
52909	57
685831	51
70240301	11, 13
800461	47, 49
800462	47, 49, 51
800548	37, 39, 41, 43
800930	11
801001	41, 43
801019	37
801045	39
801993	37
802430	57
802431	57
802596	47, 49
Screw Label	
685928	59
Sealant	
27615P	55, 57
Security Cabinet Front Assembly	
511209Q	21
511209WP	21
511633B	15
511633QP	15
511633WP	15
Security Cabinet Wrapper Assembly	
801235B	15
801235Q	15, 21
801235W	15, 21
801780Q	15
801780W	15
Security Kit	
905P3	31
Service Door Assembly	
39874QP	23, 27
39874WP	23, 27
803043WP	23, 27
Shipping Bracket Label	
686901	65
Shipping Materials Kit	
930P3	65
Side Panel	
800004G	59
800005G	59

Side Panel Kit	
800005QP	59
800005WP	59
Single Overlay	
202123	23
38717	15, 23
Slide Extension Assembly	
201915	27
Snap Bushing	
M402542	9, 11, 13, 61, 63
503235	55
Stainless Steel Top	
512967	7, 11
Standpipe Strap	
33489	57
Strain Relief	
38384	67
Supply Injection Wire Harness Assembly	
801518	61
Switch	
512973	9, 23, 27
Switch Assembly	
55882	33
Switch Knob	
39897	33
Switch Mount Assembly	
201917P	27
Switch Mounting Bracket	
800663	47, 49
803388	47, 49

T

Temperature Switch	
685595	33
Tension Rod Assembly	
800666	51
Terminal Block Assembly	
505876	13, 61
801250	13
801756	13
Thermistor	
803256	49
Top and Gusset Assembly	
802247QP	7, 11
802247WP	7, 11
Top Hinge	
510136	59
Top Kit	
511527QP	25, 27
511527WP	25, 27
803144P	7
Top Mounting Bracket	
504228	7, 11
Top Panel Kit	
511530WP	35
Transformer	
201375P	9, 19, 29, 35
210018P	9, 29, 33, 35
803527	9, 11, 33
Trunnion Shaft and Hardware Kit	
800749P	51

N/A items do not appear in index.

Tub Front Assembly	
802258	47
802260	49
803494	49
Tub Front Seal	
800432P	47, 49, 51
Tub Shock Absorber Kit	
800622P	47, 49
Tubing	
33324	47
685751	47
800648P	47, 49
801635	41
Tub-to-Drain Hose	
800902	55
Tub-to-Pump Hose	
800317	57

U

Union	
801788	15
Upper Junction Box	
801497	61

V

Valve Kit	
685766P	41, 43
801836P	43
Valve-to-Dispenser Inlet Hose	
801464	41, 43, 45

W

Warning Label	
500049	47, 71
500314	47, 71
500316	25, 27, 29, 33, 35
803522	71
Washer	
M400014	65
M400017	29, 33, 55
M400080	53
M400081	47, 49
M403958	51
02431	29, 33
02834	53
03815	27, 67
200608	29, 35
20290	45
25100	31
25820	33
28605	45
52549	53
800457	47, 49, 51
800464	51
802254	45
802293	39, 41, 43
91176	33
Water Hose	
F200116	45

Wire Clamp	
800811	47, 49
Wire Clamp Ring	
802283	39
Wire Clip	
504034	67
687500	39, 41, 43, 67
Wire Guard	
201595P	17, 23
Wire Harness Assembly	
801261	13
801420	63
801421	63
802013	63
Wire Tie	
38663	67
Wire, 12 Gauge	
45380	73, 75
Wire, 18 Gauge	
45001	73, 75
Wrapper and Channel Assembly	
505753BP	15
505753QP	15, 21
505753WP	15, 21
Wrench	
392P4	69

N/A items do not appear in index.

