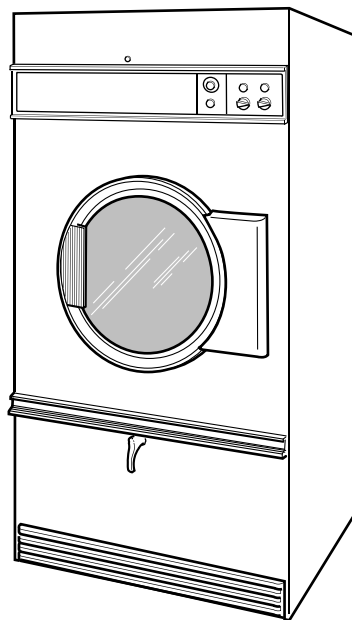


Drying Tumblers

50 and 75 Pound Capacity

Refer to Page 5 for Model Numbers



T012C_70410801

Table of Contents

Title	Page
Parts Ordering Information.....	3
Serial Plate Location	3
Model Identification	5
Control Panel Assembly for Rotary Coin Drop Models	6
Control Panel Components for A, DT, JT and ST Manual Timer Models	8
Control Panel Assemblies for A, DT, JT and ST Manual Timer Models	10
Control Panel Assembly for DC, JC and SC Manual Timer Models	12
Coin Meter	14
OPL 120 Volt Micro Control	16
OPL 24 Volt Micro Control	18
Network Board for NetMaster Models.....	20
Card Reader for NetMaster Models	22
Coin Drop for NetMaster Models	24
Network Interface Board for NetMaster Models.....	26
Front Control Box Components	28
Coin Vault and Coin Drawer	30
Access Panel and Top Cover	32
Front Panel and Door.....	34
Door Switch.....	36
Panels, Lint Hood Assembly and Lint Screen.....	38
Cylinder and Trunnion Assemblies	40
Trunnion Housing and Sprockets.....	42
Idler Drive Components for Nonreversing Belt/Chain Drive.....	44
Idler Drive Components for Nonreversing Belt/Belt Drive	46
Idler Housing Assembly For Nonreversing Belt/Belt Drive.....	48
Idler Drive Components For Belt/Chain Drive - Reversing Models.....	50
Idler Drive Components For Belt/Belt Drive - Reversing Models	52
Idler Housing Assembly for Reversing Belt/Belt Drive	54
Fan and Motor Components - All Models Except FG and 634.....	56
Fan Motors with Standard Connection - 50 Pound Models	58
Fan Motors with Quick Connect - 50 Pound Models.....	60
Motor Components - 75 Pound Models Except FG and 634	62
Fan and Motor Components - FG and 634 Models	64
Cylinder Drive Motor and Components for Models Through 1996.....	66
Cylinder Drive Motor and Components for Models Starting 1996.....	68
Cylinder Motor Bracket - Models Through 1995	70
Airflow Switch Assembly	72
Standing Pilot Ignition Burner Assembly - 50 Pound Models.....	74
Standing Pilot Ignition Gas Valve Components	76
Automatic Pilot Ignition Burner Assembly - 50 Pound Models.....	78
Glow Bar Ignition Burner Assembly - 50 Pound Models Starting January, 1982 (PA) Through August, 1982 (PH).....	80

© Copyright 2008, Alliance Laundry Systems LLC

All rights reserved. No part of the contents of this book may be reproduced or transmitted in any form or by any means without the expressed written consent of the publisher.

Glow Bar Ignition Gas Valve Components - 50 Pound Models.....	82
Glow Bar Ignition Burner Assembly	84
Glow Bar Ignition Gas Valve Coil and Wires.....	86
Instant Electronic Ignition Burner Assembly	88
Gas Burner Components for Electronic Ignition.....	90
Instant Electronic Ignition Gas Valve Coil and Wires	92
Burner Assembly for Australian Models	94
Gas Valve Assembly for Dungs/B-M System.....	96
Gas System	98
Burner Orifices - A, DT, JT, ST and TKD Models	100
Electric Heater Components and Thermostat (Drawing 1 of 3)	102
Electric Heater Components and Thermostat (Drawing 2 of 3)	104
Electric Heater Components and Thermostat (Drawing 3 of 3)	106
Electric Heat Contactor Box Components for Models Through Serial No. OTCK9412024853.....	108
Steam Heater and Valve	110
Cabinet High Limit Thermostat and Backdraft Damper.....	112
Warning Labels	114
Reversing Control	116
Contactor Box Assembly Harnesses for OM Control Suffix	118
Contactor Box Assembly (Drawing 1 of 10)	120
Contactor Box Assembly (Drawing 2 of 10)	122
Contactor Box Assembly (Drawing 3 of 10)	124
Contactor Box Assembly (Drawing 4 of 10)	126
Contactor Box Assembly (Drawing 5 of 10)	128
Contactor Box Assembly Harnesses for CD, MM and MT Control Suffixes	130
Contactor Box Assembly (Drawing 6 of 10)	132
Contactor Box Assembly (Drawing 7 of 10)	134
Contactor Box Assembly (Drawing 8 of 10)	136
Contactor Box Assembly (Drawing 9 of 10)	138
Contactor Box Assembly (Drawing 10 of 10)	140
Accessory Box	142
Junction Box	144
Parts Index.....	147

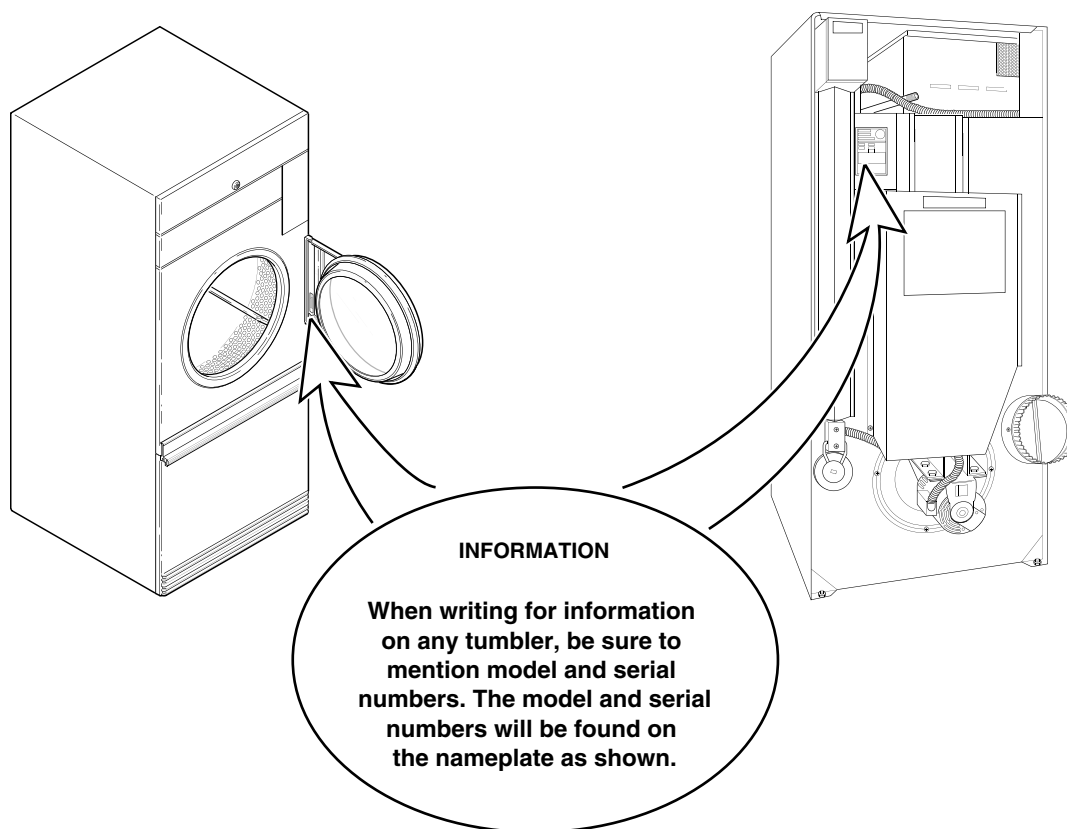
Parts Ordering Information

If literature or replacement parts are required, contact the source from whom the machine was purchased or contact Alliance Laundry Systems at (920) 748-3950 for the name and address of the nearest authorized parts distributor.

For technical assistance, call (920) 748-3121.

Serial Plate Location

When calling or writing about your product, be sure to mention model and serial numbers. Model and serial numbers are located on serial plate(s) as shown.



T419IE3A_70410801

Model Identification

Information in this manual is applicable to these tumbler models:

ATB50CG	JC50CE	JT50CE	SC50CE	ST50CGI
ATB50CSH	JC50CG	JT50CG	SC50CG	ST50EGI
ATB75CG	JC50CSH	JT50CGI	SC50CSH	ST75CE
ATB75CSH	JC50EG	JT50CSH	SC50EG	ST75CG
DCB50CE	JC75CE	JT50CSL	SC75CE	ST75CSH
DCB50CG	JC75CG	JT50EG	SC75CG	ST75CSL
DCB50CSH	JC75CSH	JT50EGI	SC75CSH	STB50CE
DCB50EG	JC75EG	JT75CE	SC75EG	STB50CG
DCB75CE	JCB50CE	JT75CG	SCB50AT	STB50CSH
DCB75CG	JCB50CG	JT75CSH	SCB50CE	STB50CSL
DCB75CSH	JCB50CSH	JT75CSL	SCB50CG	STB50EG
DCB75CSL	JCB50EG	JT75EG	SCB50CSH	STB634
DCB75FG	JCB75CE	JTB50CE	SCB50EG	STB75CE
DTB50CE	JCB75CG	JTB50CG	SCB75CE	STB75CG
DTB50CG	JCB75CSH	JTB50CSH	SCB75CG	STB75CSH
DTB50CSH	JCB75CSL	JTB50CSL	SCB75CSH	STB75CSL
DTB50CSL	JT37CE	JTB50EG	SCB75CSL	STB75EG
DTB50EG	JT37CG	JTB75CE	ST37CE	TKD50CEMT
DTB634	JT37CGI	JTB75CG	ST37CG	TKD50CGMT
DTB75CE	JT37CSH	JTB75CSH	ST37CGI	
DTB75CG	JT37CSL	JTB75CSL	ST37CSH	
DTB75CSH	JT37EG	JTB75EG	ST37CSL	
DTB75CSL	JT37EGI		ST37EG	
DTB75EG			ST37EGI	
DTB75FG				

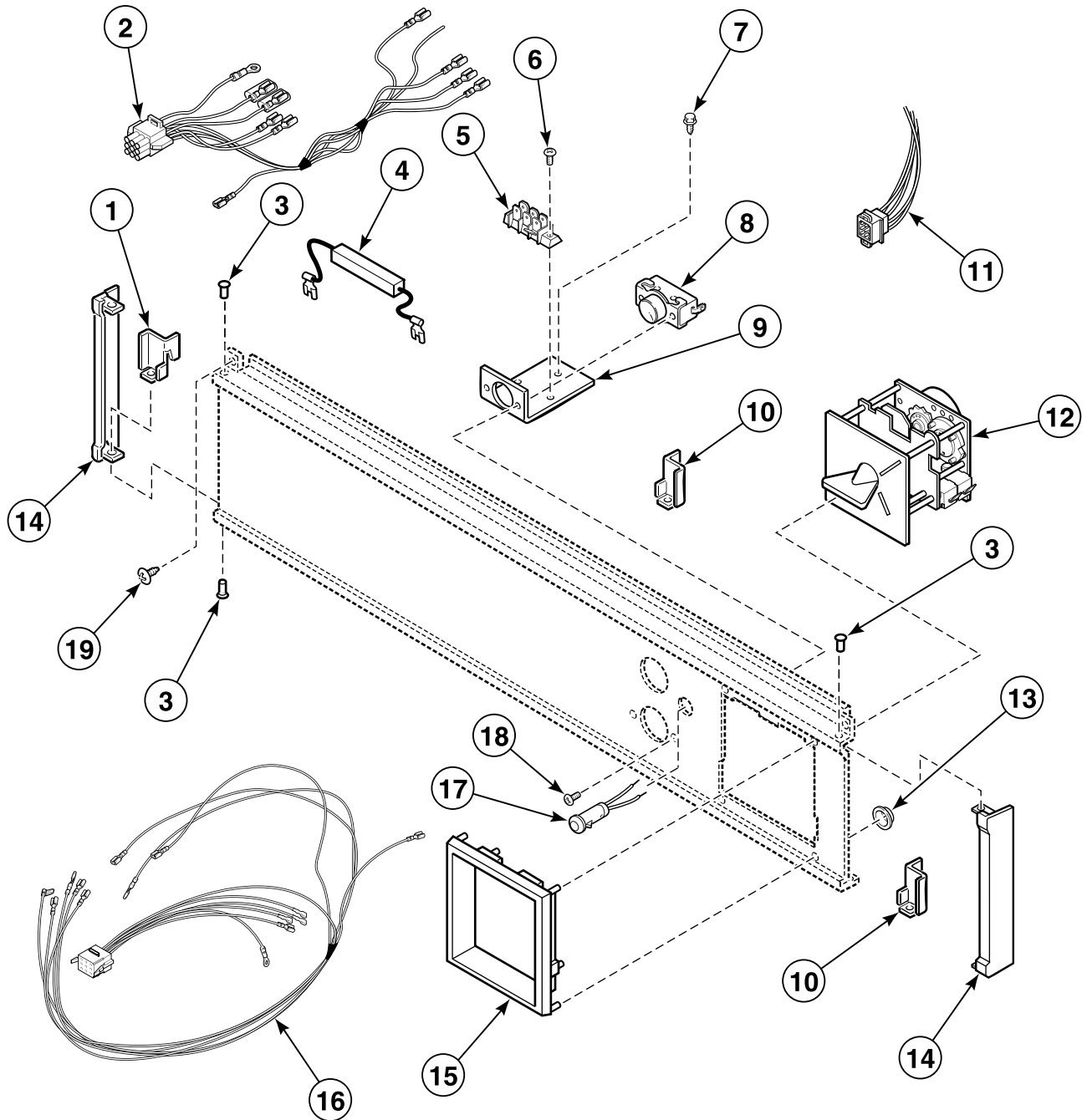
Control Suffixes:

CD – rotary coin drop
MM – OPL micro
MT – manual timer
NC – NetMaster coin

NR – NetMaster card
NX – NetMaster, prep for coin
NY – NetMaster, prep for card
OM – OPL micro

ZC – NetMaster network, coin
ZR – NetMaster network, card
ZX – NetMaster network, prep for coin
ZY – NetMaster network, prep for card

Control Panel Assembly for Rotary Coin Drop Models



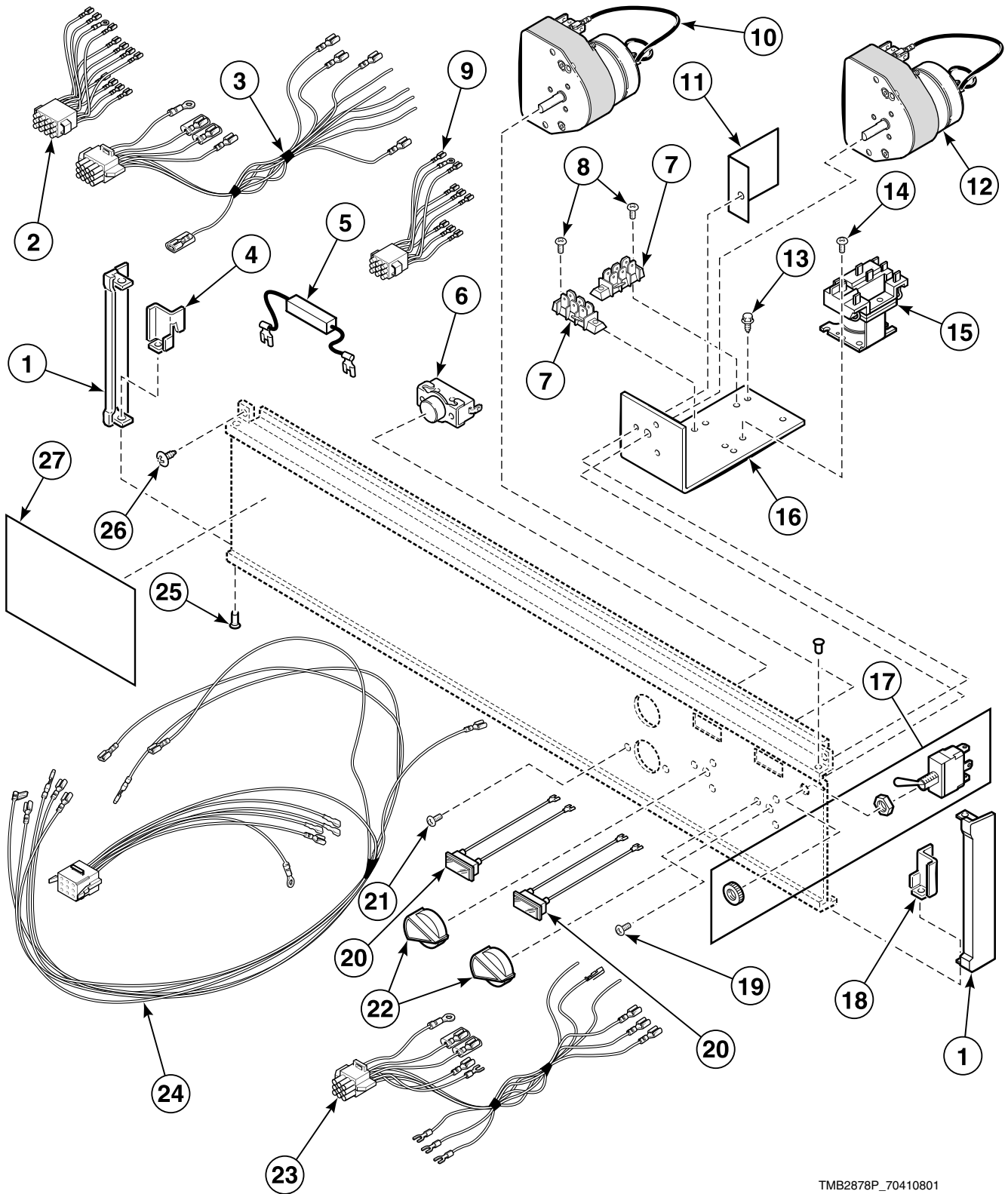
TMB2504P_70410801

Control Panel Assembly for Rotary Coin Drop Models

REF	PART NO.	DESCRIPTION	COMMENTS
1	M401301	Control Panel Retainer	Left
2	M405871P	Control Harness	CG and EG models; Coin; Front control box to rear junction box
3	M405750	Pop Rivet	
4	M400527	Resistor Assembly	For 208-240 Volt/60 Hertz Greenwald timers
5	N/A	Terminal Block	
6	M400071	Screw	
7	M402917	Screw	Ground
8	44106901P	Push-to-Start Switch Kit	
9	N/A	Bracket	
10	M401302	Control Panel Retainer	Right
11	M403924P	Control Panel Wire Harness Assembly	
12	M402508-12	Coin Meter	South Africa; .20/10 minutes
	M402508-14	Coin Meter	Japan; 100 yen/10 minutes
	N/A	Coin Meter	Australia; .20/5 minutes
	N/A	Coin Meter	France; 2 franc/10
	N/A	Coin Meter	South Africa; .50/15 minutes
	N/A	Coin Meter	Token; STD 118-5/10
	N/A	Coin Meter	Token; STD 118-5
	M402508-34	Coin Meter	Danish; Krone/5 minutes
	M402508-36	Coin Meter	Token; STD 118-1
	N/A	Coin Meter	Australia; \$1/15 minutes
	N/A	Coin Meter	Token; STD 118-1/15
	M405138P	Coin Meter	USA; \$.25/10 minutes; 120 Volt/60 Hertz
	M412546	Coin Meter	Token; STD118-1
	M412547	Coin Meter	Token; STD118-5
	M412542P	Coin Meter	England; 20 pence
M402508-45	Coin Meter	Spain; 25 pesetas	
13	M400672	Nut	50 pound models
	M400675	Washer	75 pound models
14	M401328	End Cap	
15	N/A	Shadow Box	
16	M405873	Wire Harness Assembly	50 pound DC, JC and SC models; Front control box to rear junction box
17	M404151	Run Light	120 Volt control circuit
	N/A	Run Light	208-240 Volt control circuit
18	M400072	Screw	
19	33562	Screw	

N/A = Part no longer available

Control Panel Components for A, DT, JT and ST Manual Timer Models



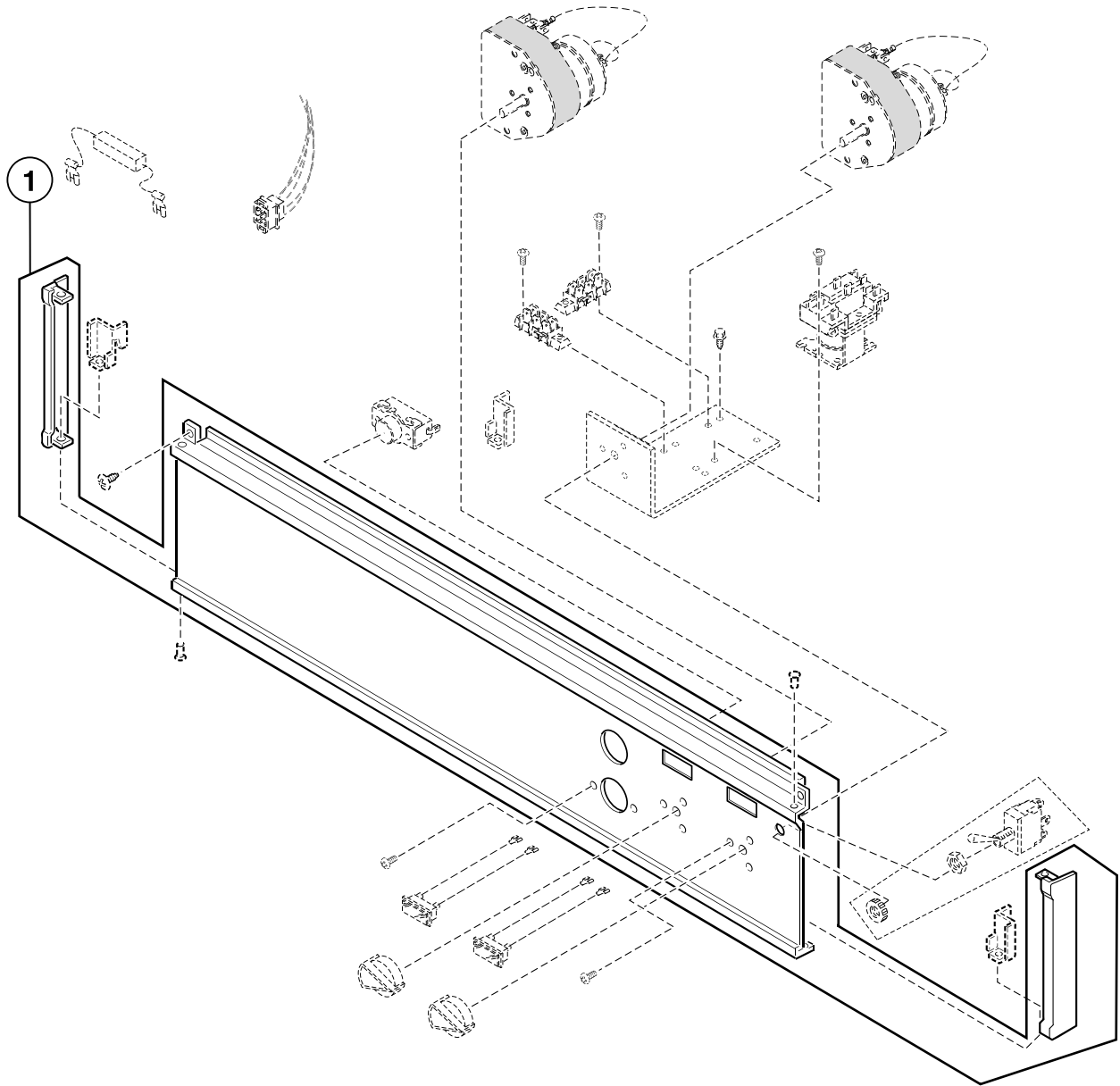
TMB2878P_70410801

Control Panel Components for A, DT, JT and ST Manual Timer Models

REF	PART NO.	DESCRIPTION	COMMENTS
1	M401328	End Cap	
2	M410488	Control Panel Wire Harness Assembly	Reversing; Gas models; 208-240 Volt/60 Hertz/3 Phase; Front control box to rear junction box
	M405372	Wire Harness Assembly	Reversing; Gas models; 50 Hertz; Front control box to rear junction box
3	M410485	Control Wire Harness Assembly	Reversing; Gas models; 50 Hertz
	M410487	Control Wire Harness Assembly	Reversing; Gas models; 208-240 Volt/60 Hertz/3 Phase
	M410486	Control Box Wire Harness Assembly	Reversing; Electric and steam models; Front control box to rear junction box
4	M401301	Control Panel Retainer	Left
5	M410992	Resistor Assembly	Robert Shaw Mallory timer; 208-240 Volt/60 Hertz control circuit
	M400527	Resistor Assembly	Greenwald timer; 208-240 Volt
6	44106901P	Push-to-Start Switch Kit	
7	N/A	Terminal Block	208-240 Volt/50 or 60 Hertz
8	M400071	Screw	
9	M403924P	Control Panel Wire Harness Assembly	Nonreversing and coin
10	M410900P	Timer Kit	Cooling; 15 minute; 60 Hertz
	M410902P	Timer Kit	Cooling; 15 minute; 50 Hertz
11	N/A	Fishpaper	
12	M410901P	Timer Kit	Drying; 60 minute; 60 Hertz
	M410903P	Timer Kit	Drying; 60 minute; 50 Hertz
13	M402917	Screw	Ground
14	M400072	Screw	50 pound models
	51780	Screw	75 pound models
15	M400912P	Relay	120 Volt/60 Hertz
	M400911P	Relay	208-240 Volt/50 or 60 Hertz
16	N/A	Electrical Components Tray	
17	M400945	Toggle Switch	Reversing; Includes nuts
	M413270	Rocker Switch	Reversing
18	M401302	Control Panel Retainer	Right
19	M411052	Screw	
20	JST-163-2	Pilot Light	120 Volt/60 Hertz
	M400704	Pilot Light	208-240 Volt/50 or 60 Hertz
21	M400072	Screw	
22	M400777	Knob	50 pound DT and ST models; Black with silver arrow
	M400773	Knob	75 pound A, DT and ST models except 634; Black with silver arrow
	M410927	Knob	JT models; Cocoa with white dot
23	N/A	Wire Harness Assembly	Gas models; 480 Volt/60 Hertz/3 Phase
24	M405873	Wire Harness Assembly	Nonreversing; Electric models; 480 Volt; Front control box to rear junction box
25	M405750	Pop Rivet	
26	33562	Screw	
27	70240801	Nameplate Overlay	A models

N/A = Part no longer available

Control Panel Assemblies for A, DT, JT and ST Manual Timer Models



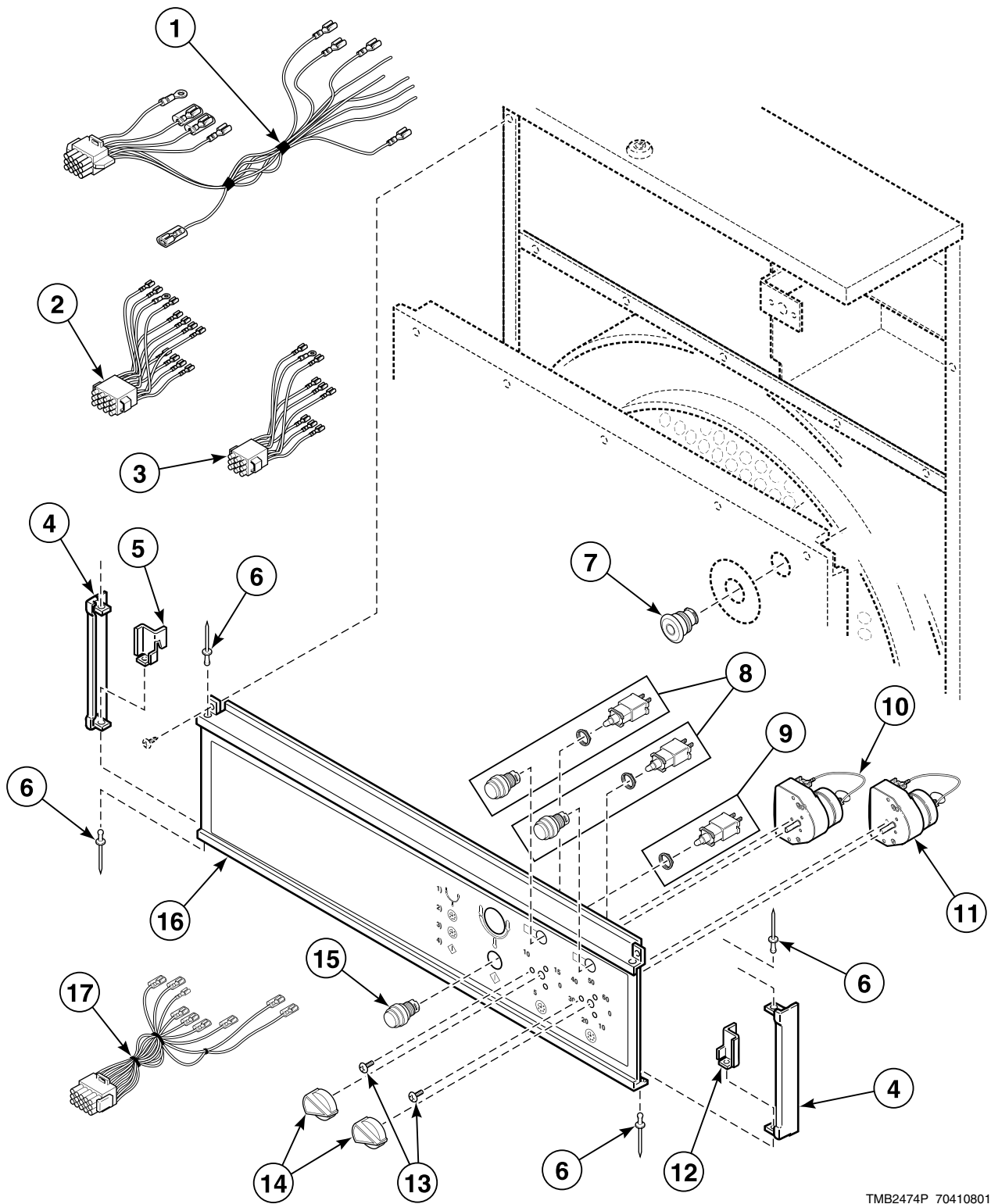
TMB2110P_70410801

Control Panel Assemblies for A, DT, JT and ST Manual Timer Models

REF	PART NO.	DESCRIPTION	COMMENTS
1	N/A	Control Panel Assembly	Nonreversing; JT models; Includes end caps
	M410660	Control Panel Assembly	Reversing; 75 pound JT models; Includes end caps
	M413315	Control Panel Assembly	Nonreversing; DT models; Includes end caps; Black
	M413316	Control Panel Assembly	Reversing; DT models; Includes end caps; Black
	M410412	Control Panel Assembly	Nonreversing; ST models; Includes end caps; Black
	N/A	Control Panel Assembly	Reversing; ST models; Includes end caps
	N/A	Control Panel Assembly	JT models
	M410678	Control Panel Assembly	Nonreversing; ST gas models; Black
	N/A	Control Panel Assembly	Nonreversing; ST electric models; Black
	N/A	Control Panel Assembly	Nonreversing; ST gas and steam models
	N/A	Control Panel Assembly	Nonreversing; ST steam models; Black
	N/A	Control Panel Assembly	Nonreversing; ST electric models; Black
	N/A	Control Panel Assembly	Reversing; ST models
	N/A	Control Panel Assembly	Nonreversing coin models; Includes end caps
	N/A	Control Panel Assembly	JT models; Includes end caps; Aluminum
	M411015	Control Panel Assembly	50 pound JT models; Includes end caps; Cocoa
	N/A	Control Panel Assembly	Reversing; ST models; Includes end caps; Black
	N/A	Control Panel Assembly	Reversing; JT models; Includes end caps; Cocoa
	N/A	Control Panel Assembly	Reversing; JT models; Includes end caps; Aluminum
	M413322	Control Panel Assembly	DT models; Includes end caps; Black; Icon
	M414906	Control Panel Assembly	Dual timer
	M410680	Control Panel Assembly	50 pound JT/CG and JTEG models; Includes control; Aluminum

N/A = Part no longer available

Control Panel Assembly for DC, JC and SC Manual Timer Models



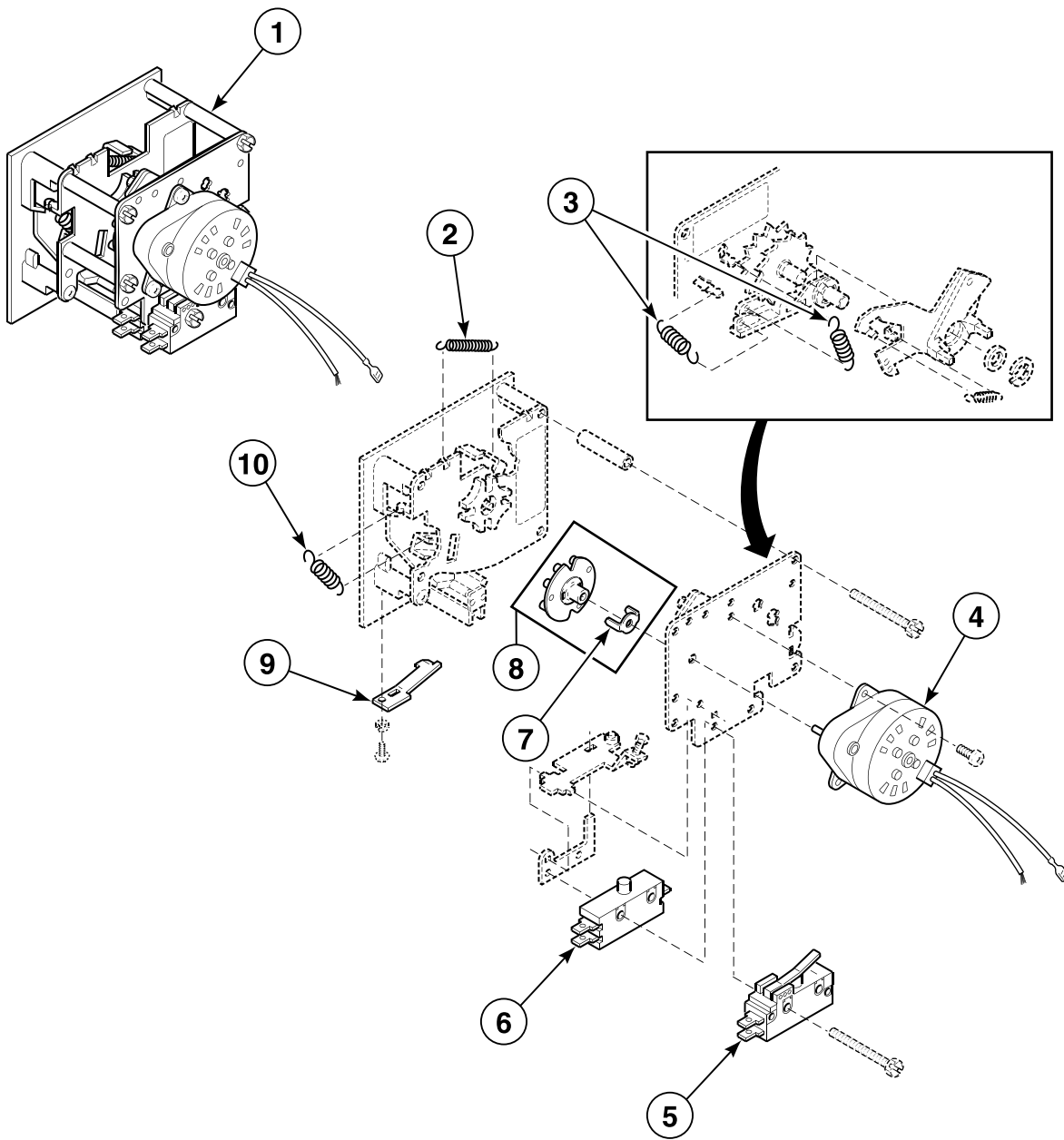
TMB2474P_70410801

Control Panel Assembly for DC, JC and SC Manual Timer Models

REF	PART NO.	DESCRIPTION	COMMENTS
1	M410485	Control Wire Harness Assembly	Reversing; Gas models; 50 Hertz
	M410486	Control Box Wire Harness Assembly	Reversing; Electric and steam models
	M410487	Control Wire Harness Assembly	Reversing; Gas models; 208-240 Volt/60 Hertz/3 Phase
2	M410488	Control Panel Wire Harness Assembly	Reversing; Gas models; 208-240 Volt/60 Hertz/3 Phase
3	M403924P	Control Panel Wire Harness Assembly	Nonreversing
4	M401328	End Cap	
5	M401301	Control Panel Retainer	Left
6	M405750	Pop Rivet	
7	44018701P	Emergency Stop Kit	
	44018801	Pushbutton	Emergency stop
8	M412234	Indicator Light	
9	M412230	Contact Block	Push-to-start
	44018701	Contact Block	
10	M412080P	Timer	Drying; 60 minute; 24 Volt
11	M412079P	Timer	Cooling; 15 minute; 24 Volt
12	M401302	Control Panel Retainer	Right and center
13	M411052	Screw	
14	M400773	Knob	DC and SC models
	M410927	Knob	JC models
15	N/A	Pushbutton	Push-to-start
16	N/A	Control Panel Assembly	SC models; Includes end caps
	M414204	Control Panel Assembly	Reversing; SC models; Includes end caps
	N/A	Control Panel Assembly	JC models; Includes end caps
	N/A	Control Panel Assembly	Reversing; JC models; Includes end caps
	N/A	Control Panel Assembly	Reversing; DC models; Includes end caps
	N/A	Control Panel Assembly	DC models; Includes end caps
17	M412446	Panel Harness Assembly	Reversing

N/A = Part no longer available

Coin Meter



TMB2217P_70410801

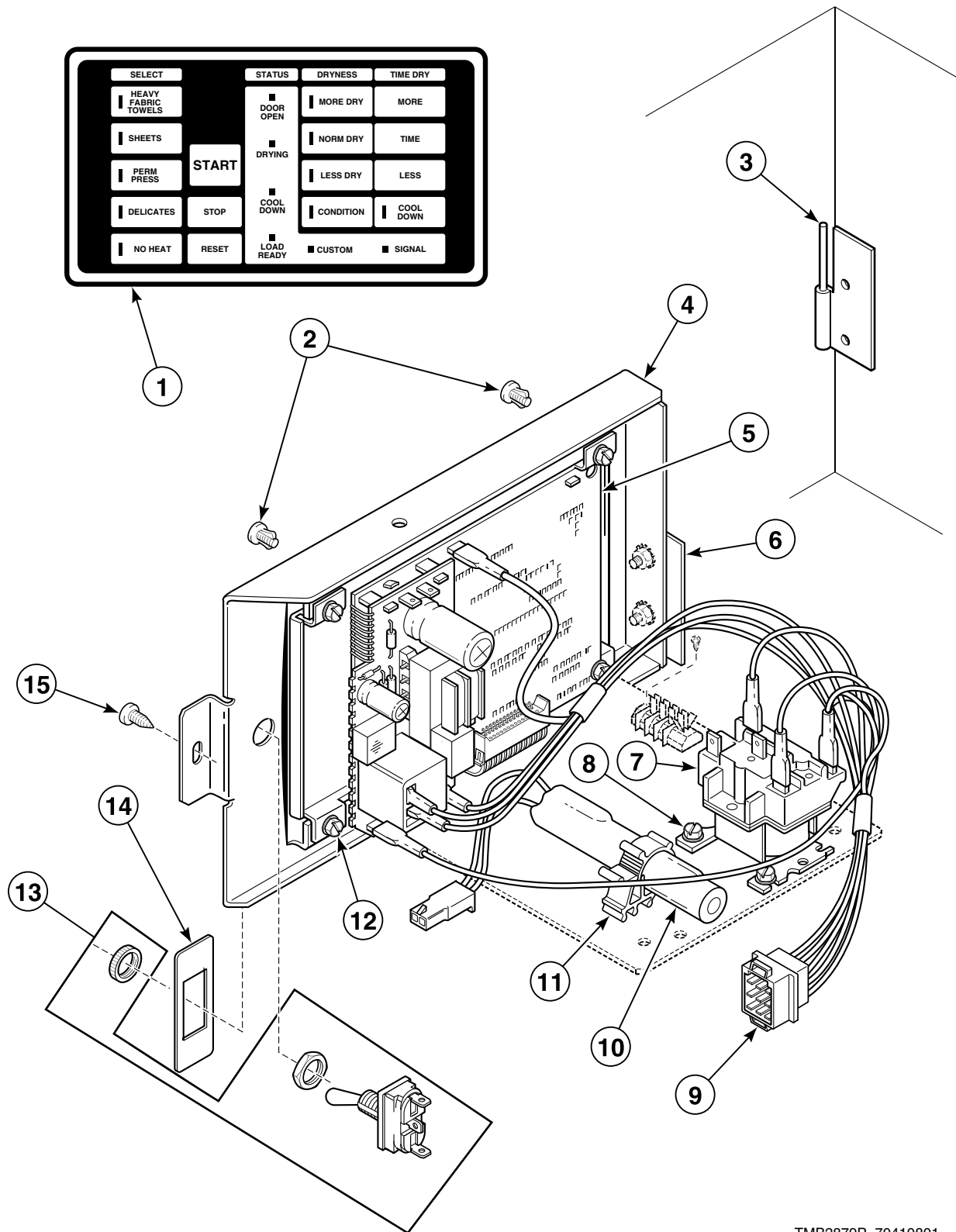
Coin Meter

REF	PART NO.	DESCRIPTION	COMMENTS
1	M402508-12	Coin Meter	South Africa; .20/10 minutes
	M402508-14	Coin Meter	Japan; 100 yen/10 minutes; 120 Volt/60 Hertz
	N/A	Coin Meter	Australia; .20/5 minutes
	N/A	Coin Meter	France; 2 franc/10, 2 french francs or 5 french francs
	N/A	Coin Meter	South Africa; .50/15 minutes
	N/A	Coin Meter	Token; STD 118-5
	M402508-34	Coin Meter	Denmark; Krone/5 minutes; Single coin drop is not available
	M402508-36	Coin Meter	50 pound models; Token; STD 118-1
	N/A	Coin Meter	Australia; \$1/15 minutes
	M405138P	Coin Meter	USA; \$.25/10 minutes; 120 Volt/60 Hertz
	M412547	Coin Meter	75 pound models; Token; STD118-5
	N/A	Coin Meter	75 pound models; Belgium; 5 Belgium francs and 5 francs; Single coin drop is not available
	M412542P	Coin Meter	75 pound models; England; 20 pence
	N/A	Coin Meter	75 pound models; South Africa; Single coin drop; M411936 Front Plate
	N/A	Coin Meter	75 pound models; South Korea; 500 won; Single coin drop
	M402508-45	Coin Meter	75 pound models; Spain; 25 pesetas
	N/A	Coin Meter	75 pound models; Taiwan; 10 NT; Single coin drop
	N/A	Coin Meter	75 pound models; Thailand
2	M405138B	Return Spring	
3	M402455	Coil Spring	
4	M400609	Timer Motor	1/60 RPM; 120 Volt/60 Hertz
	M400611P	Motor	1/60 RPM; 240 Volt/60 Hertz
	M410789	Timer Motor	1/30 RPM; 240 Volt/50 Hertz
5	M400947	Switch	Heat
6	N/A	Single Throw Switch	Run
7	M400754	Coin Meter Drive	Timing cam fork
8	M400734P	Timing Cam	2 pin
	M400735P	Timing Cam	3 pin
	M400736P	Timing Cam	4 pin
	M400737P	Timing Cam	5 pin
	M400738P	Timing Cam	6 pin
	M400739P	Timing Cam	7 pin
	M400740P	Timing Cam	8 pin
	M400741P	Timing Cam	9 pin
	M400732P	Timing Cam	10 pin
	M400733P	Timing Cam	12 pin
9	M406297	Coin Retainer Spring	
10	M405138A	Coin Carrier Spring	

N/A = Part no longer available

OPL 120 Volt Micro Control

MM Control Suffix



TMB2879P_70410801

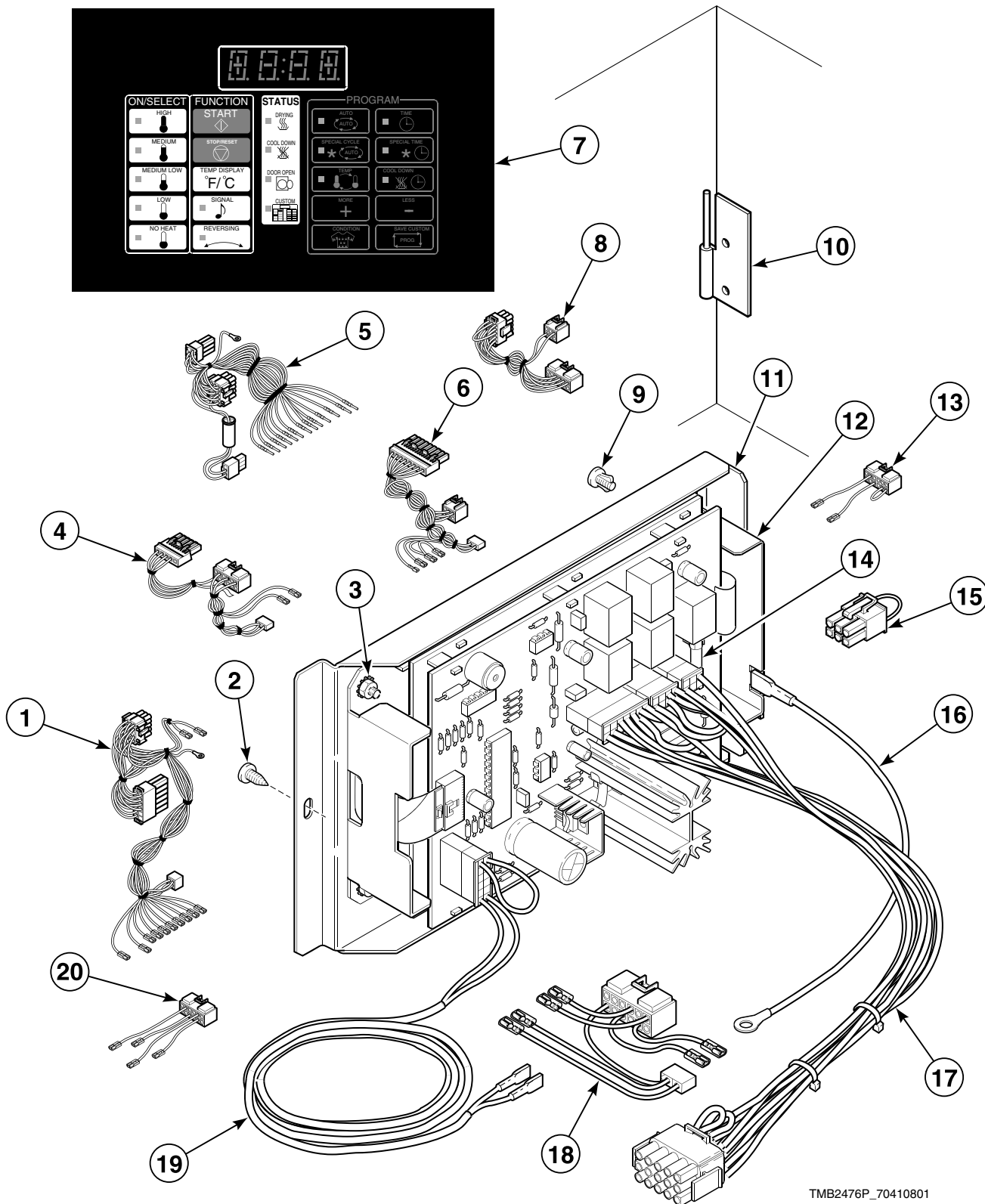
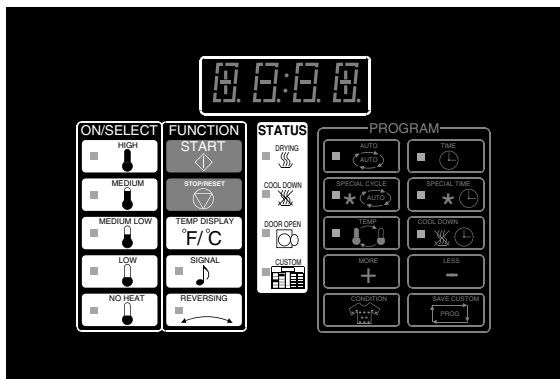
OPL 120 Volt Micro Control

REF	PART NO.	DESCRIPTION	COMMENTS
1	N/A	Microprocessor Overlay	ST models
	N/A	Microprocessor Overlay	JT models
	M412961	Microprocessor Overlay	DT models
2	N/A	Hole Plug	
3	M410687	Hinge	Male
4	M410800	Mounting Plate	
	M413397	Mounting Plate	
5	N/A	Control and Carton Kit	120 Volt
6	N/A	Hinge	Female
7	M400912P	Relay	120 Volt/1 Phase; CR2
8	M400044	Screw	
9	N/A	Control Box Wire Harness Assembly	Nonreversing; 1 Phase
	M411073	Control Box Wire Harness Assembly	Nonreversing; 3 Phase
	N/A	Control Box Wire Harness Assembly	Reversing; 3 Phase
10	N/A	Battery	
11	N/A	Clamp	
12	N/A	Screw	
13	M400945	Toggle Switch	Reversing
	M413270	Rocker Switch	Reversing
14	N/A	Switch Plate	
	M413236	Switch Plate	Reversing; 50 pound models
15	M400664	Screw	

N/A = Part no longer available

OPL 24 Volt Micro Control

OM Control Suffix



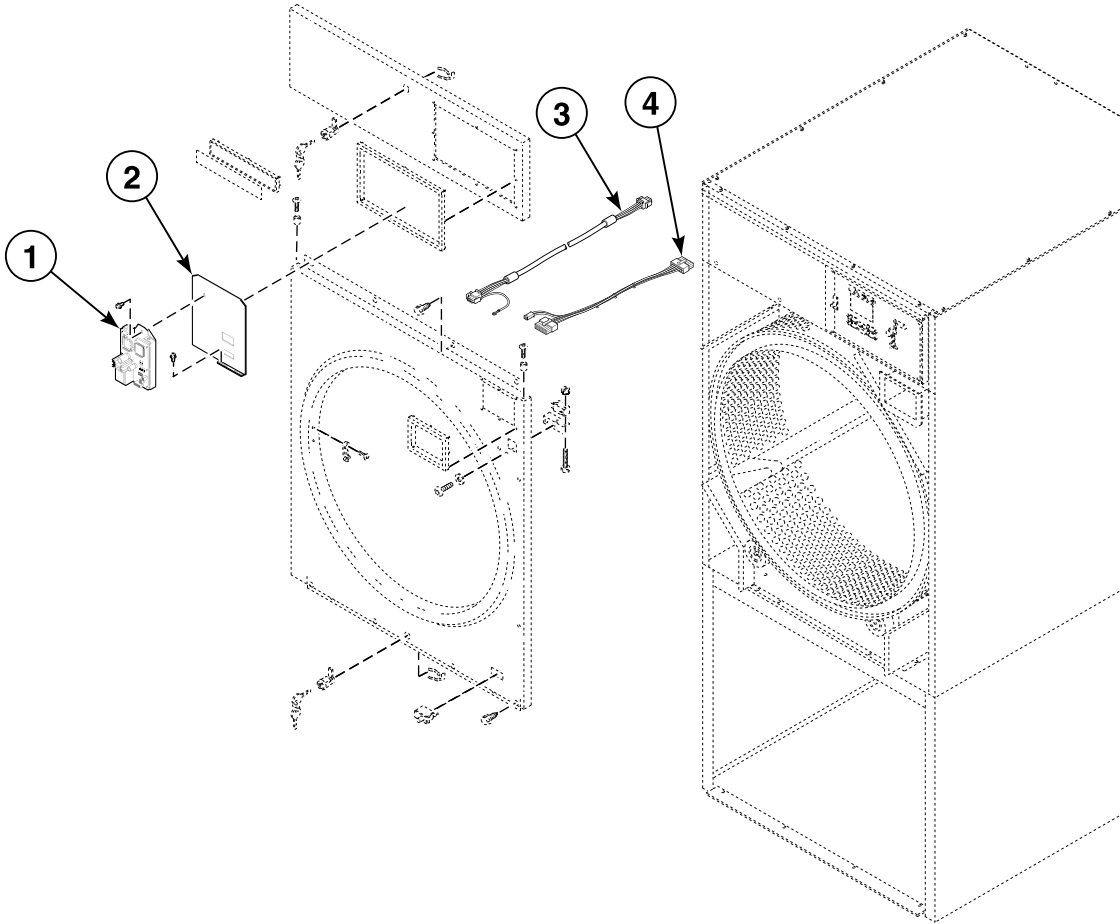
TMB2476P_70410801

OPL 24 Volt Micro Control

REF	PART NO.	DESCRIPTION	COMMENTS
1	M413676P	Main Harness Assembly	A, DT, JT, ST and TKD models
2	430497	Screw	
3	70054	Nut	
4	M413678	Control Box Harness Assembly	634 models
5	44098801	Main Harness	75 pound DC, JC and SC models
6	M413993	Control Box Harness Assembly	DC, JC and SC gas models; 50 Hertz/1 Phase
7	M413417	Microprocessor Overlay	A and STB models; Nonreversing
	N/A	Microprocessor Overlay	A and STB models; Reversing
	N/A	Microprocessor Overlay	JTB models; Nonreversing
	M413422	Microprocessor Overlay	JTB models; Reversing
	M413425	Microprocessor Overlay	DT models; Nonreversing
	M413426	Microprocessor Overlay	DT models; Reversing
	N/A	Microprocessor Overlay	DC models; Nonreversing; Icon
	M413420	Microprocessor Overlay	DC models; Reversing; Icon
	M413423	Microprocessor Overlay	JCB models; Nonreversing; Icon
	N/A	Microprocessor Overlay	JCB models; Reversing; Icon
8	M413991	Control Panel Harness Assembly	DC, JC and SC models; Reversing
9	N/A	Hole Plug	
10	M410687	Hinge	Male
11	M413738	Micro Mounting Assembly	Includes hinge, plate and hardware
12	70228401P	Control Kit	24 Volt; 50 or 60 Hertz
13	M413679	Control Box Harness Assembly	Steam models
14	M414104	Fuse	50 pound models; 2 Amp; Located on back of control
	70406501	Fuse	75 pound models; 1.25 Amp
15	M413168	Bypass Harness Assembly	CG, CSH, CSL and electric models; Reversing
16	M412645	Jumper Wire Assembly	Ground
17	M413677	Micro Harness Assembly	
18	M413824	Control Box Harness Assembly	Gas models; Australian
19	M413559P	Sensor Cable Harness	50 pound models; Nonreversing
	N/A	Sensor Cable Harness Assembly	50 pound models; Reversing
	M413560P	Sensor Cable Harness	75 pound models; Nonreversing
	N/A	Sensor Cable Harness Assembly	75 pound models; Reversing
20	M413680	Control Box Harness Assembly	Electric models; Stove limit and fuse holder to main harness

N/A = Part no longer available

Network Board for NetMaster Models

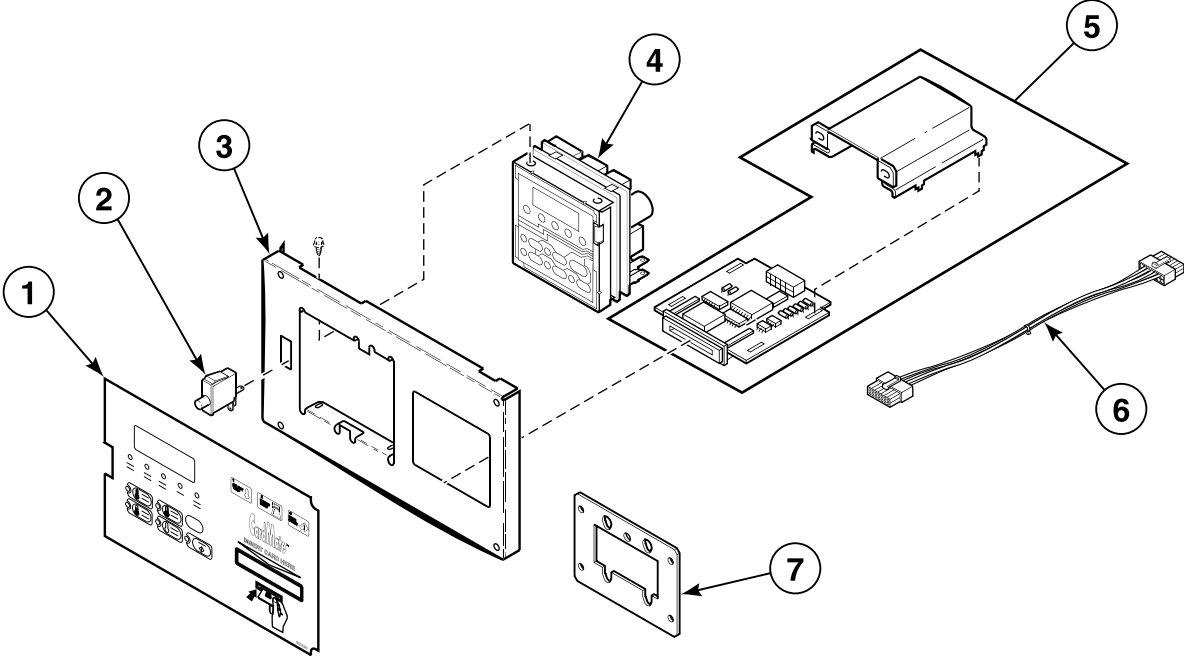


TMB2508P_70410801

Network Board for NetMaster Models

REF	PART NO.	DESCRIPTION	COMMENTS
1	210016P	Network Board Assembly	
2	70201401	Network Plug Support	
3	M414875P	Communication Cable	Network
4	800217	Network Wire Harness Assembly	

Card Reader for NetMaster Models



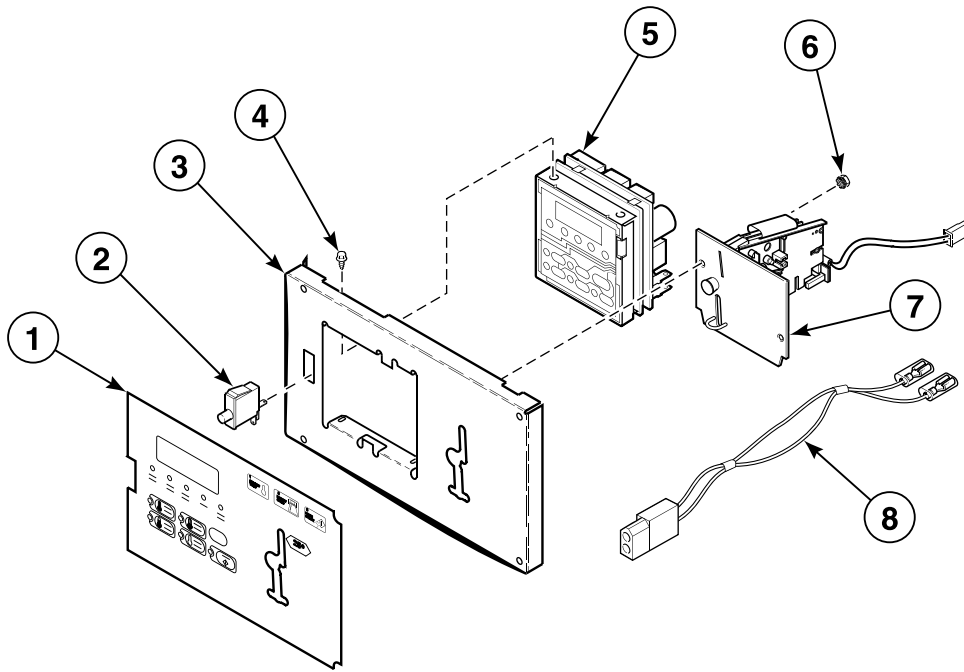
TMB2509P_70410801

Card Reader for NetMaster Models

REF	PART NO.	DESCRIPTION	COMMENTS
1	N/A	Overlay	ST models; Card reader ready
	70184401	Overlay	ST models; Card reader
	N/A	Overlay	JT models; Card reader
	N/A	Overlay	JT models; Card reader ready
2	70107001	Pushbutton Switch	
3	N/A	Control Plate Assembly	Card reader models
	70348801	Control Plate Assembly	Card ready models
4	505905P	Control Kit	Electronic
5	510068P	Card Reader and Bracket Assembly	
6	70206601	Card Reader Network Harness Assembly	
	70211801	Card Reader Harness Assembly	
7	70208801	Mounting Plate	

N/A = Part no longer available

Coin Drop for NetMaster Models

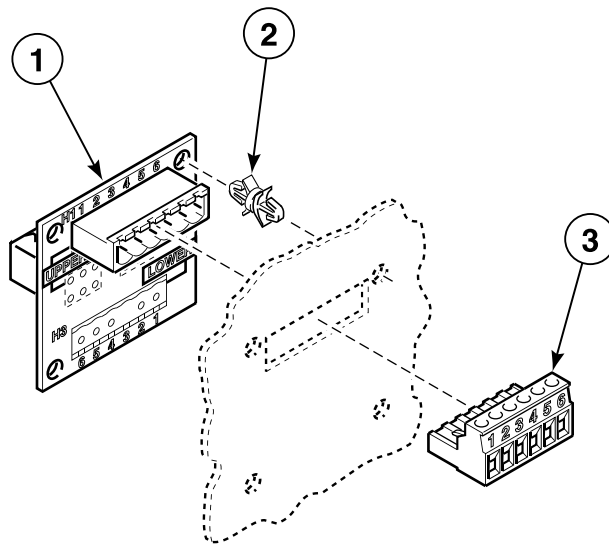


TMB2510P_70410801

Coin Drop for NetMaster Models

REF	PART NO.	DESCRIPTION	COMMENTS
	M4686P3	Electronic Coin Control Kit	DT, JT, ST and T models
	M4687P3	Electronic Coin Control Kit	JC and SC models
1	70184301	Overlay	ST models; English; Single drop
	70184302	Overlay	ST models; Dual drop
	70239601	Overlay	JT models; Single drop
	70239602	Overlay	JT models; Dual drop
2	70107001	Pushbutton Switch	
3	70175807	Control Plate Assembly	
4	501524	Screw	
5	505905P	Control Kit	Electronic
6	70054	Nut	
7	70256402P	Coin Drop	USA; Dual drop; .25 and 1.00
	38479P	Coin Drop	USA; .25
	38475	Coin Drop Assembly	Japan; 100 yen
	38519	Coin Drop Assembly	Japan
8	M414305P	Coin Vault Jumper Wire	Coin and coin ready

Network Interface Board for NetMaster Models

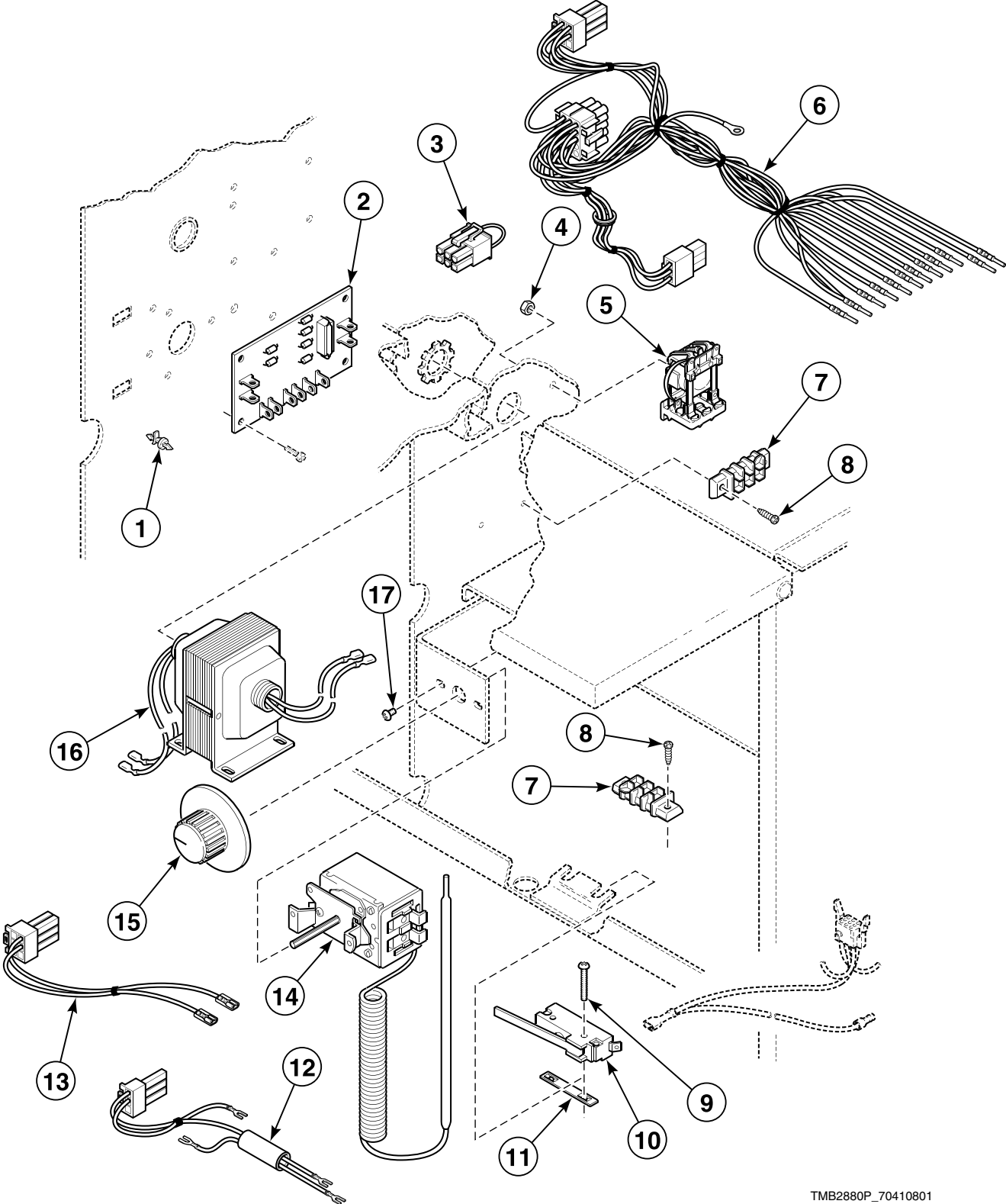


TMB1935P_70410801

Network Interface Board for NetMaster Models

REF	PART NO.	DESCRIPTION	COMMENTS
1	210095P	Communication Board	
2	210098	PC Board Standoff	4 required per machine
3	210155	3 Circuit Data Connector	

Front Control Box Components



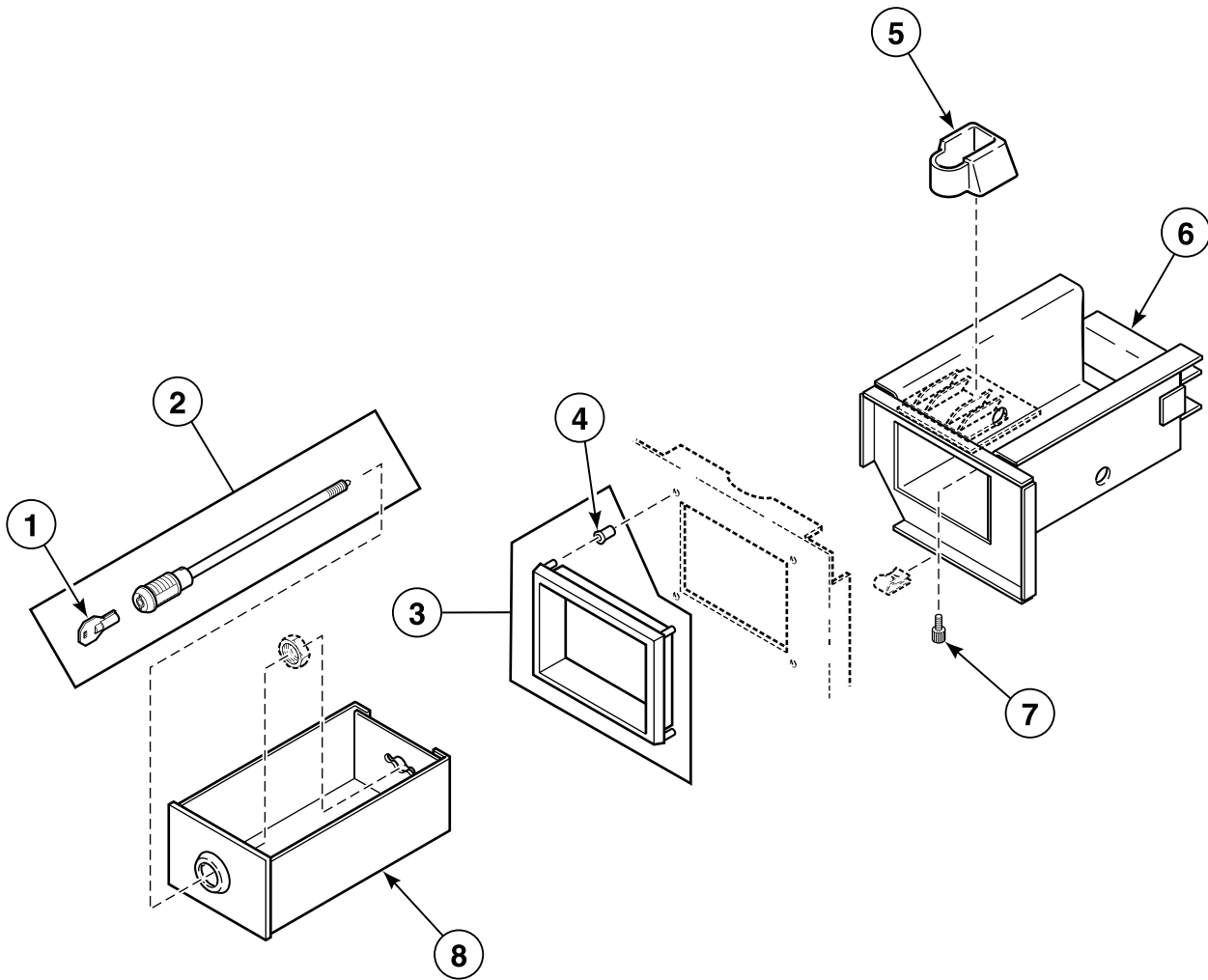
TMB2880P_70410801

Front Control Box Components

REF	PART NO.	DESCRIPTION	COMMENTS
1	M405979	Circuit Board Support	White Rogers glow bar ignition
2	M405897P	Diode Logic Board	White Rogers glow bar ignition
3	M413168	Bypass Harness Assembly	CG, CSH, CSL and electric models; OM control suffix
4	02788	Nut	Johnson glow bar ignition
5	N/A	Relay	Johnson glow bar ignition
6	M413546	Main Harness Assembly	75 pound DC, JC and SC steam models
7	N/A	Terminal Block	
8	M400071	Screw	
9	Q6516	Screw	
10	M400952	Door Switch	
11	M400981	Nut	
12	M412459	Door Switch Harness Assembly	75 pound DC, JC and SC models
13	M412603	Thermostat Harness Assembly	75 pound DC, JC and SC steam models; Manual timer and mechanical coin drop with bulb thermostat; 50 Hertz
14	M400780P	Temperature Control Thermostat	50 pound models; Adjustable
	M406959P	Temperature Control Thermostat	75 pound models; Adjustable
15	M400777	Knob	A, DT and ST models; Black
	N/A	Temperature Control Knob	JT models; Brown
16	M401199P	Transformer Kit	120 Volt Primary/24 Volt Secondary
	M401391P	Transformer	208-600 Volt Primary/110 Volt Secondary
	M402650P	Transformer	208-240 Volt Primary/24 Volt Secondary
17	M400072	Screw	

N/A = Part no longer available

Coin Vault and Coin Drawer



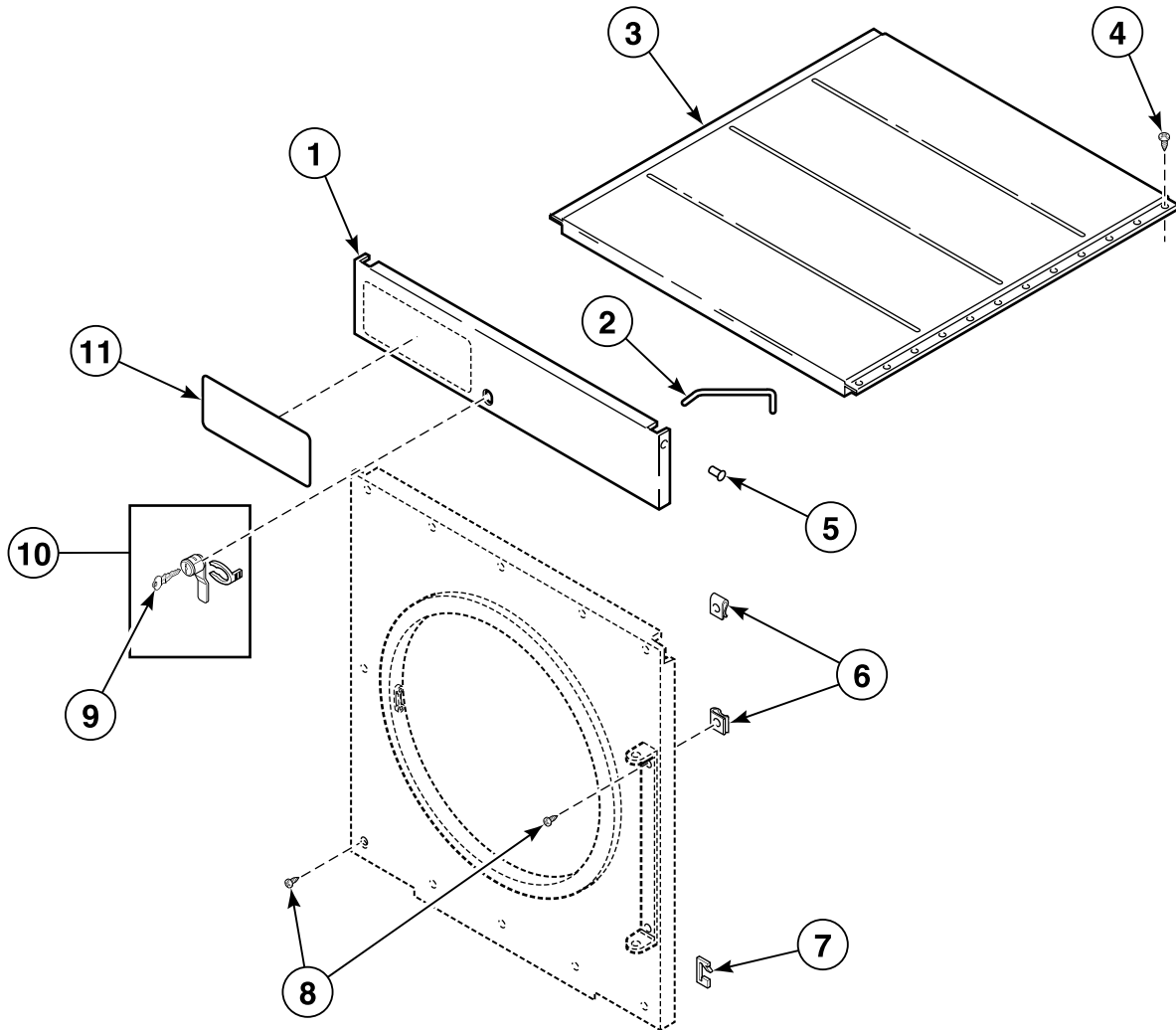
TMB2130P_70410801

Coin Vault and Coin Drawer

REF	PART NO.	DESCRIPTION	COMMENTS
1	M401701	Vault Key	Specify HMX key code; For coin drawer locks
2	M401581P	Lock and Key	Specify HMX key code; For short coin drawer
	N/A	Vault Lock	Specify HMX key code; For long coin drawer; Includes key
3	M400131P	Shadow Box and Clip	Coin drawer
4	M400972	Shadow Box Clip	
5	N/A	Coin Chute	
6	N/A	Coin Vault Guide Assembly	Short drawer; Models through Serial No. 9312xxxx
	44102801	Coin Vault Assembly	Long drawer; Models starting Serial No. 9401xxxx
7	M400655	Screw	
8	N/A	Coin Drawer Assembly	Short
	N/A	Coin Drawer Assembly	Long

N/A = Part no longer available

Access Panel and Top Cover



TMB2478P_70410801

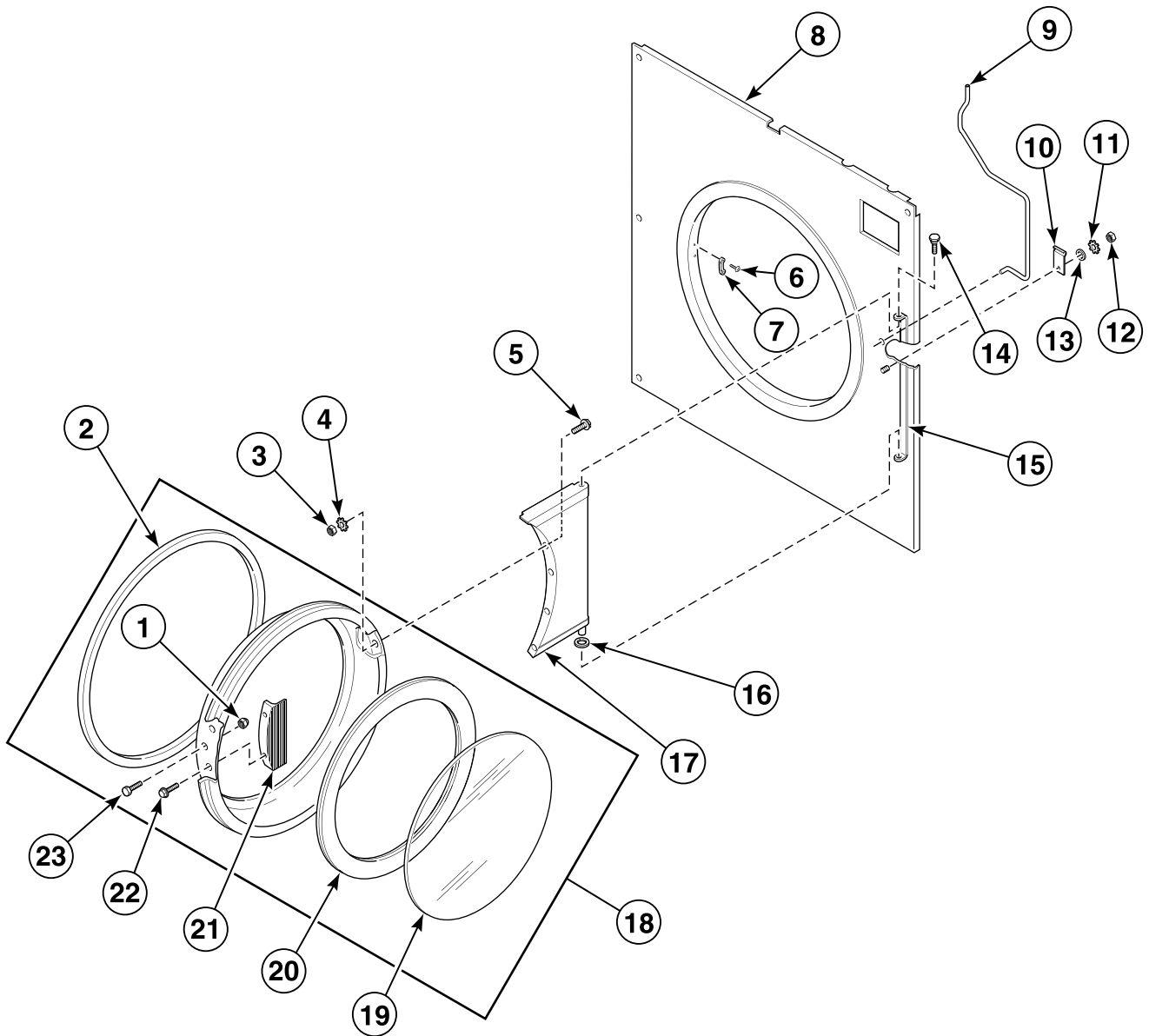
Access Panel and Top Cover

REF	PART NO.	DESCRIPTION	COMMENTS
	431287	Screw	Side panel; 7 per side
1	M414350	Top Front Panel	Manual dual timer and coin meter; Stainless steel
	M414349*P	Top Front Panel Assembly	DC, JC and SC electric and steam models; Manual dual timer and coin meter
	M410801*P	Top Front Access Panel	MM and OM control suffixes
	M410802	Top Front Access Panel	MM and OM control suffixes; Stainless steel
	N/A	Top Front Panel	DC, JC and SC gas models
2	M400604	Support Rod	
3	M401306	Top Cover Panel	50 pound models
	M403385	Top Cover Panel	75 pound models
4	430497	Screw	
5	M400713	Drive Rivet	
6	M400984	Clip	
7	M400975	Clip	
8	N/A	Screw	
9	M401680	Panel Key	HMV10
	M401677	Panel Key	HMV7
10	M406654P	Panel Lock	Manual dual timer; Includes key
	N/A	Lock and Key	MM and OM control suffixes
11	M410355	Nameplate	ST models; Microprocessor
	N/A	Nameplate	JT models; Microprocessor
	M412963	Nameplate Overlay	DT models; Microprocessor
	70240801	Nameplate Overlay	A models

* Add Letter To Designate Color. B - Battina Green H - Harvest Gold K - Red L - Almond P - Turquoise V - Orange
W - White X - Electric Blue

N/A = Part no longer available

Front Panel and Door



TMB2256P_70410801

Front Panel and Door

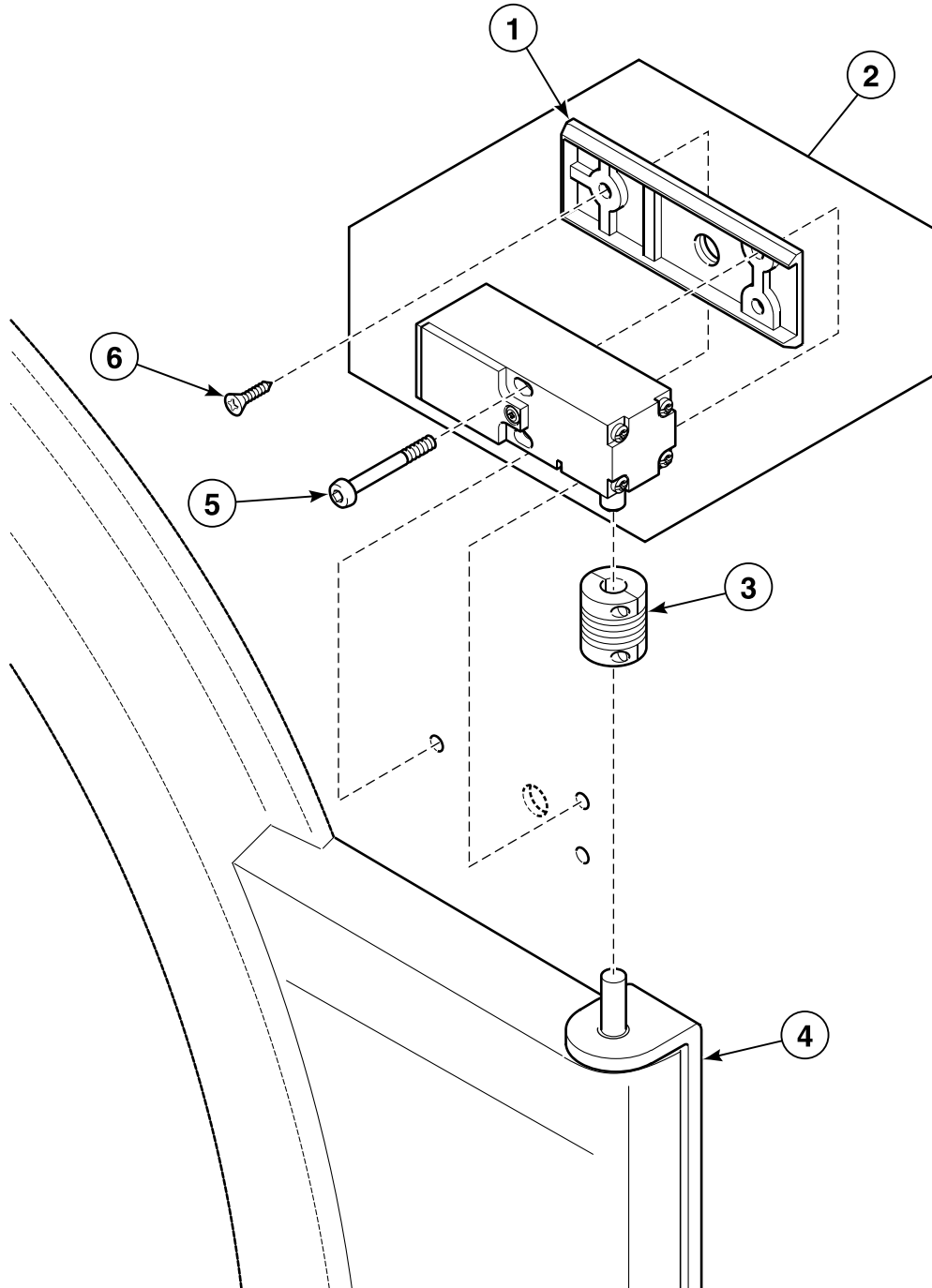
REF	PART NO.	DESCRIPTION	COMMENTS
	M4379P4	Tumbler Dolly Kit	
1	M414215	Nut	For M400447 Door Assembly and M410887 Door Assembly
2	M406129	Door Ring Gasket	
3	Q6163	Nut	
4	03815	Washer	
5	M400044	Screw	
6	M400003	Pop Rivet	
7	M401223	Door Latch	
8	M411129*P	Front Panel Assembly	OPL; MT control suffix
	M411132P	Front Panel Assembly	OPL; Stainless steel; MT control suffix
	M412792*P	Front Panel Assembly	DC, JC and SC models
	M410758*P	Front Panel Assembly	Coin; 50 pound models
	M410877*P	Front Panel Assembly	Coin
	M410760P	Front Panel Assembly	Coin; Stainless steel
9	M400603	Door Switch Rod	
10	M400402	Spring Clip	
11	M400017	Washer	
12	20275	Nut	
13	03189	Washer	
14	M400653	Hinge Pin	
15	431000*	Hinge Bracket	
	431044	Hinge Bracket	Stainless steel
16	M400675	Washer	
	M412530	Washer	DC, JC and SC models
17	M402714*	Door Hinge Assembly	
	M400514	Hinge Assembly	Stainless steel
	N/A	Door Hinge Assembly	DC, JC and SC models
18	M400447P	Door Assembly	Chrome handle
	M410887	Door Assembly	J models; Cocoa handle
	430475	Door Assembly	D, JCB and ST models; Bar handle
19	M400784P	Door Glass	DT and ST models
	70133601P	Door Glass	JT models; For M410887 Door Assembly
20	70211901P	Door Glass Seal Kit	
21	M400133	Door Handle	Chrome
	430117	Door Handle	DT and ST models; Bar type
	70133501P	Replacement Door Handle Kit	JT models; Cocoa
22	M409385	Screw	
23	M400661	Screw	Door strike

* Add Letter To Designate Color. B - Battina Green H - Harvest Gold K - Red L - Almond P - Turquoise V - Orange
W - White X - Electric Blue

N/A = Part no longer available

Door Switch

DC, JC and SC Models



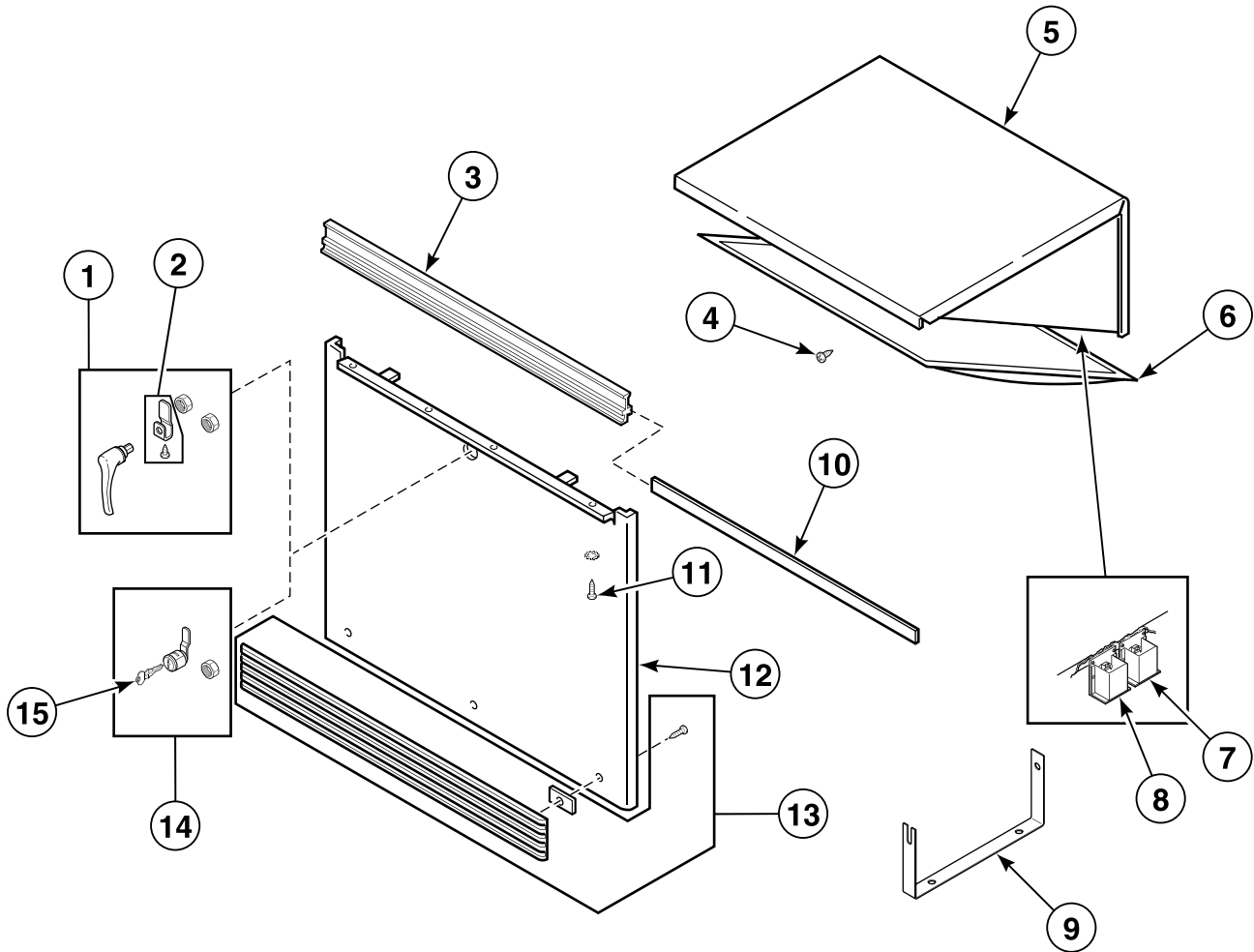
TMB2257P_70410801

Door Switch

REF	PART NO.	DESCRIPTION	COMMENTS
1	M412528	Switch Base	
2	M4842P3	Door Safety Switch Kit	Includes item 1
3	M412551	Flexible Coupler	
4	N/A	Door Hinge Assembly	
5	M412532	Screw	
6	M412531	Screw	

N/A = Part no longer available

Panels, Lint Hood Assembly and Lint Screen



TMB2503P_70410801

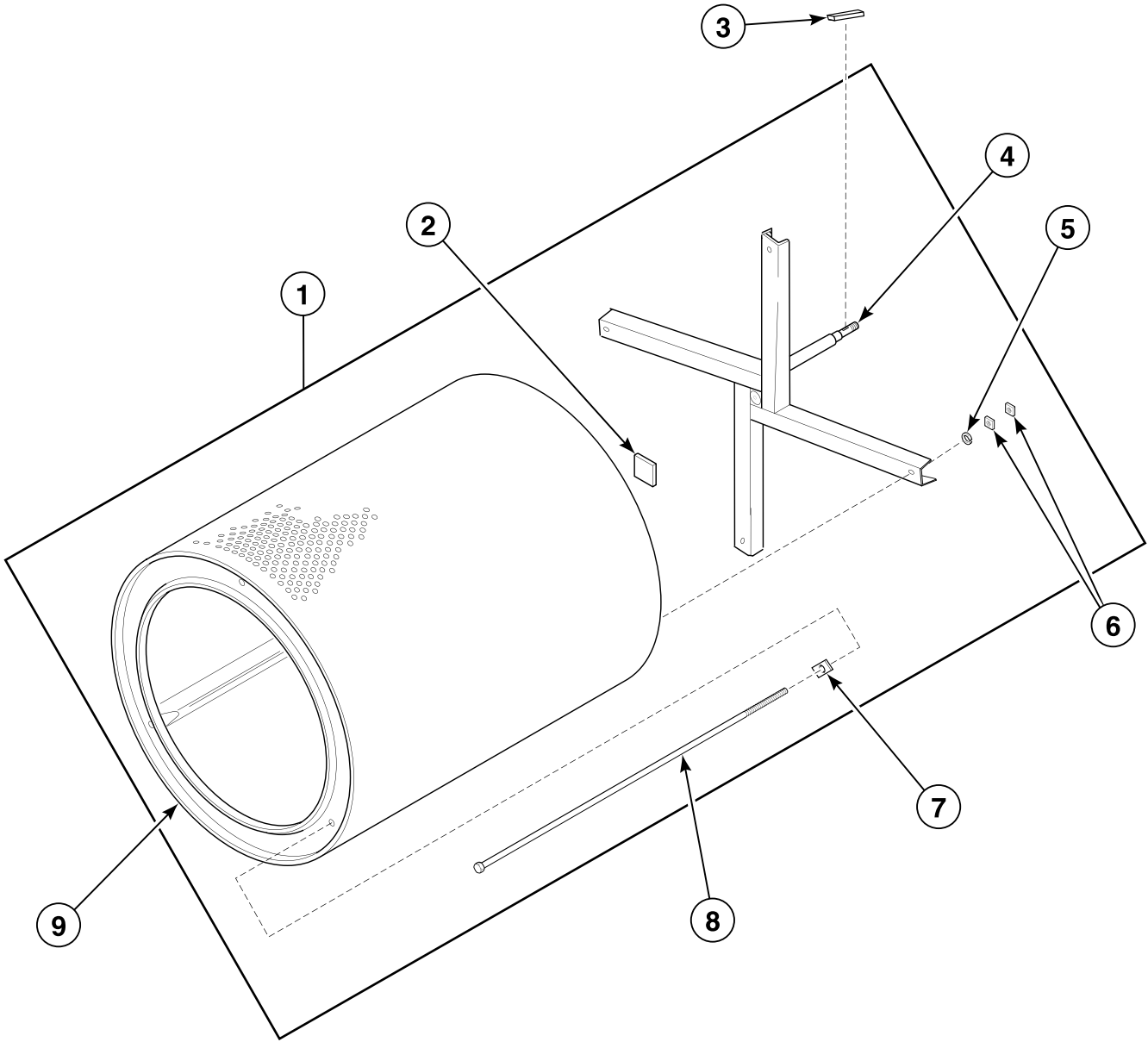
Panels, Lint Hood Assembly and Lint Screen

REF	PART NO.	DESCRIPTION	COMMENTS
1	M410243P	Handle and Cam Assembly	MT and OM control suffixes
2	M400595	Cam and Screw	MT and OM control suffixes
3	N/A	Bumper Assembly	Models through Serial No. 72958023; Includes 4 of M400657 Screw and 4 of 03815 Washer; Chrome
	M410784	Lint Panel Bumper	Models starting Serial No. 72958123; Black
	N/A	Lint Panel Bumper	JT models; Cocoa
4	430757	Screw	50 pound models
	M400664	Screw	75 pound models
5	M400515	Lint Hood Assembly	
6	M400522	Lint Screen Assembly	
7	M414704	Thermistor	50 pound models; MM and OM control suffixes
	M410542	Limit Thermostat	75 pound models except EG; Attach to center pan above head
8	M410542	Limit Thermostat	50 pound CG models
	M411813	Limit Thermostat	50 pound electric models
	510523	Thermistor Assembly	75 pound models; MM control suffix
	M414704	Thermistor	75 pound models; OM control suffix; Threads into bracket; Attach to center pan above head
	M413212P	Thermistor Assembly	75 pound models; Replacement for early screw mounted thermistor
9	M401312	Thermostat Bracket	
10	N/A	Bumper Insert Trim	
11	430757	Screw	4 required for M410784 Lint Panel Bumper; Models starting Serial No. 72958123
12	M400464*P	Lint Panel Assembly	Plain; Models through Serial No. 72958023; 634 models require 2 lint panel handles
	M402722*P	Lint Panel Assembly	Textured; Models through Serial No. 72958023; 634 models require 2 lint panel handles
	M405646	Lint Panel Assembly	Stainless steel; Models through Serial No. 72958023; 634 models require 2 lint panel handles
	M414796*P	Lint Panel Assembly	DT, JT and STB models; Models starting Serial No. 72958123
	M414797P	Lint Panel Assembly	Stainless steel; DT, JT and STB models; Models starting Serial No. 72958123
	M414798*P	Lint Panel Assembly	FG and 634 models; 2 lint panel handles
	M414799	Lint Panel Assembly	Stainless steel; FG and 634 models; 2 lint panel handles
13	M414438P	Kickplate Kit	Includes screws and nuts
14	M406654P	Panel Lock	HMV10; Includes key; 634 models requires 2 locks
15	M401680	Panel Key	HMV10

* Add Letter To Designate Color. **B - Battina Green** **H - Harvest Gold** **K - Red** **L - Almond** **P - Turquoise** **V - Orange**
W - White **X - Electric Blue**

N/A = Part no longer available

Cylinder and Trunnion Assemblies

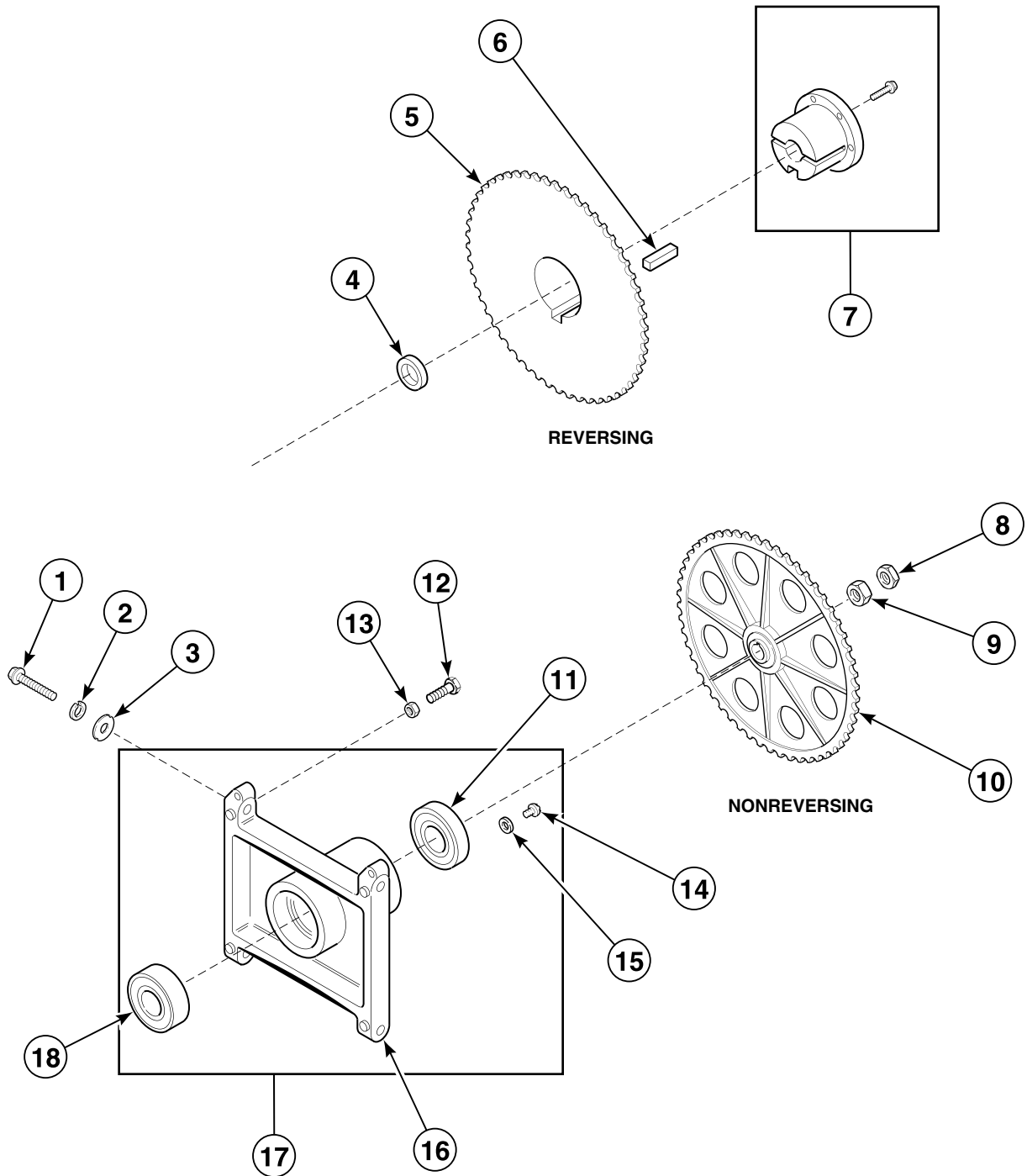


TMB1807B_70410801

Cylinder and Trunnion Assemblies

REF	PART NO.	DESCRIPTION	COMMENTS
	M4640P3	Trunnion and Bearing Assembly	75 pound models; Nonreversing; Anti-fretting; Includes bearings, trunnion and anti-seize compound
	M4641P3	Trunnion and Bearing Assembly	75 pound models; Reversing; Anti-fretting; Includes bearings, trunnion and anti-seize compound
1	M4819P3	Cylinder, Trunnion and Bearing Housing Kit	50 pound models; Nonreversing
	M4820P3	Cylinder, Trunnion and Bearing Housing Kit	50 pound models; Nonreversing; Stainless steel
	M4821P3	Cylinder, Trunnion and Bearing Housing Kit	50 pound models; Reversing
	M4822P3	Cylinder, Trunnion and Bearing Housing Kit	50 pound models; Reversing; Stainless steel
	M406906P	Cylinder and Trunnion Assembly	75 pound models; Nonreversing
	M409090P	Cylinder and Trunnion Assembly	75 pound models; Reversing
	M409015P	Cylinder and Trunnion Assembly	75 pound models; Nonreversing; Stainless steel
	M409091	Cylinder and Trunnion Assembly	75 pound models; Reversing; Stainless steel
2	M402144	Felt Pad	
3	M400008	Key	Nonreversing; Half moon
	M405232	Key	Reversing; Straight
4	M413833P	Trunnion Assembly	50 pound models; Nonreversing
	M413834P	Trunnion Assembly	50 pound models; Reversing
	M4638P3	Trunnion and Bearing Assembly	50 pound models; Nonreversing
	M4639P3	Trunnion and Bearing Assembly	50 pound models; Reversing
	M413835P	Trunnion Kit	75 pound models; Nonreversing; Includes nuts
	M413836	Trunnion Assembly	75 pound models; Reversing
5	M400013	Washer	Nonreversing
	91200	Washer	Reversing
6	M401930	Nut	50 pound models; Nonreversing; 2 required per rod
	M404993	Nut	50 pound models; Reversing; 1 required per rod
	M404993	Nut	75 pound models
7	M401947	Washer	50 pound models; Nonreversing
	M401402	Spacer	75 pound models
8	M400901	Rib Rod	50 pound models; Nonreversing
	M401411	Rib Rod	50 pound models; Reversing
	M404992	Rib Rod	75 pound models
9	M400439P	Cylinder	50 pound models; Nonreversing
	M400440P	Cylinder	50 pound models; Nonreversing; Stainless steel
	M405009P	Cylinder Assembly	50 pound models; Reversing
	M405365P	Cylinder	50 pound models; Reversing; Stainless steel
	M401985P	Cylinder	75 pound models; Galvanized
	M402517P	Cylinder	75 pound models; Stainless steel

Trunnion Housing and Sprockets

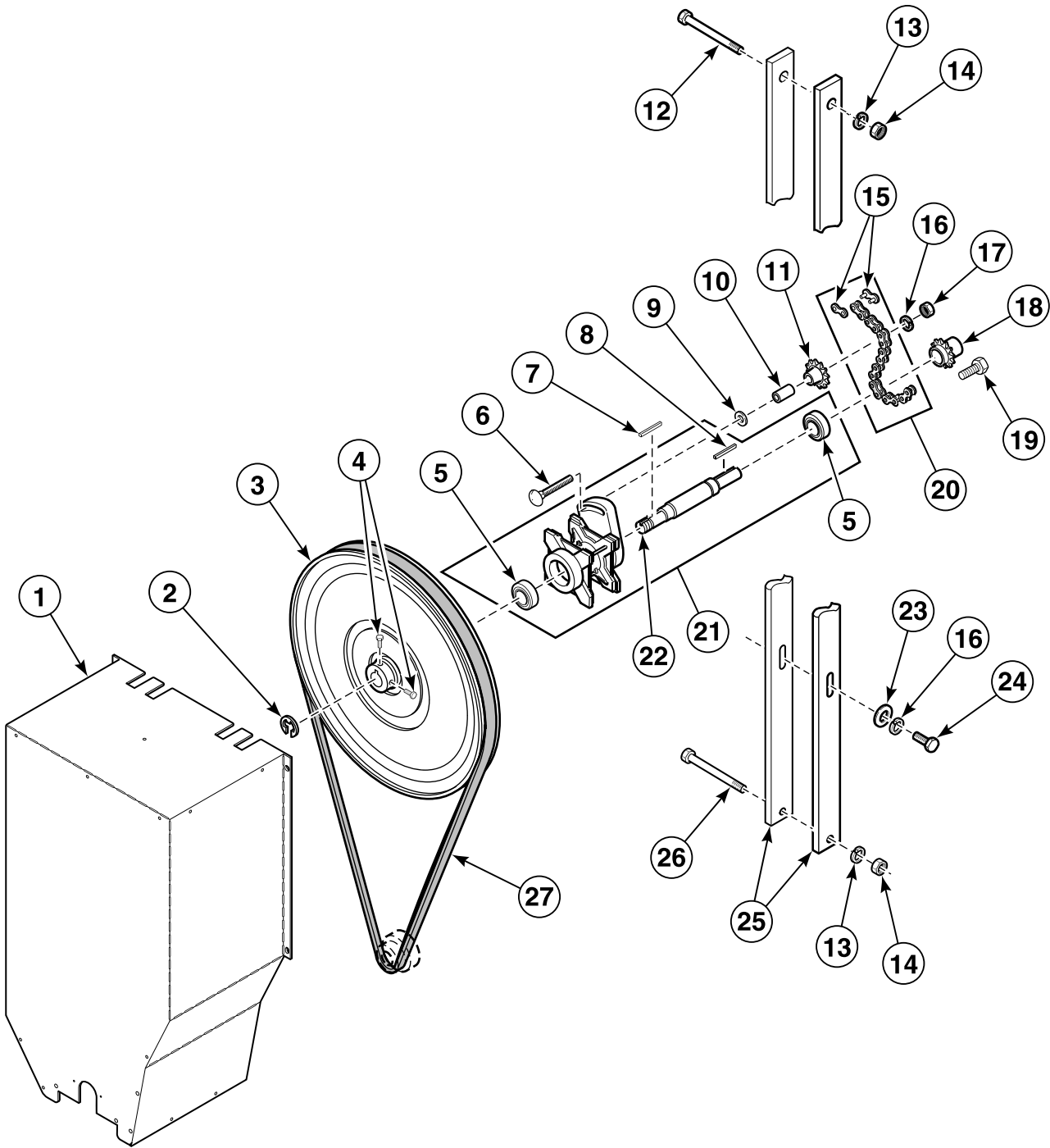


T491P_70410801

Trunnion Housing and Sprockets

REF	PART NO.	DESCRIPTION	COMMENTS
1	M400063	Screw	
2	91200	Washer	
3	M401946	Washer	
4	44024001	Spacer	Reversing
5	M403433P	Sprocket	Reversing
6	M405232	Key	Reversing
7	M403432P	Bushing	For trunnion sprocket; Reversing; Includes screw
8	M400035	Nut	Nonreversing
9	M400033	Nut	Nonreversing
10	M400090P	Sprocket	Nonreversing; Includes key
11	M413921P	Ball Bearing	50 pound models
	F100136P	Bearing	75 pound models; Outer trunnion
12	M400650	Bolt	
13	20274	Nut	
14	M409385	Screw	
15	20103	Washer	
16	M413825	Trunnion Housing Casting	50 pound models
	M413826	Trunnion Housing	75 pound models
17	M413831	Trunnion Housing Assembly	Includes items 11, 14-16 and 18; 50 pound models
	M4642P3	Housing and Trunnion Assembly	Nonreversing; 50 pound models; Includes trunnion
	M4643P3	Housing and Trunnion Assembly	Reversing; 50 pound models; Includes trunnion
	M413832	Trunnion Housing Assembly	75 pound models
18	M413922P	Ball Bearing	50 pound models
	44041901P	Ball Bearing	75 pound models; Inner trunnion

Idler Drive Components for Nonreversing Belt/Chain Drive

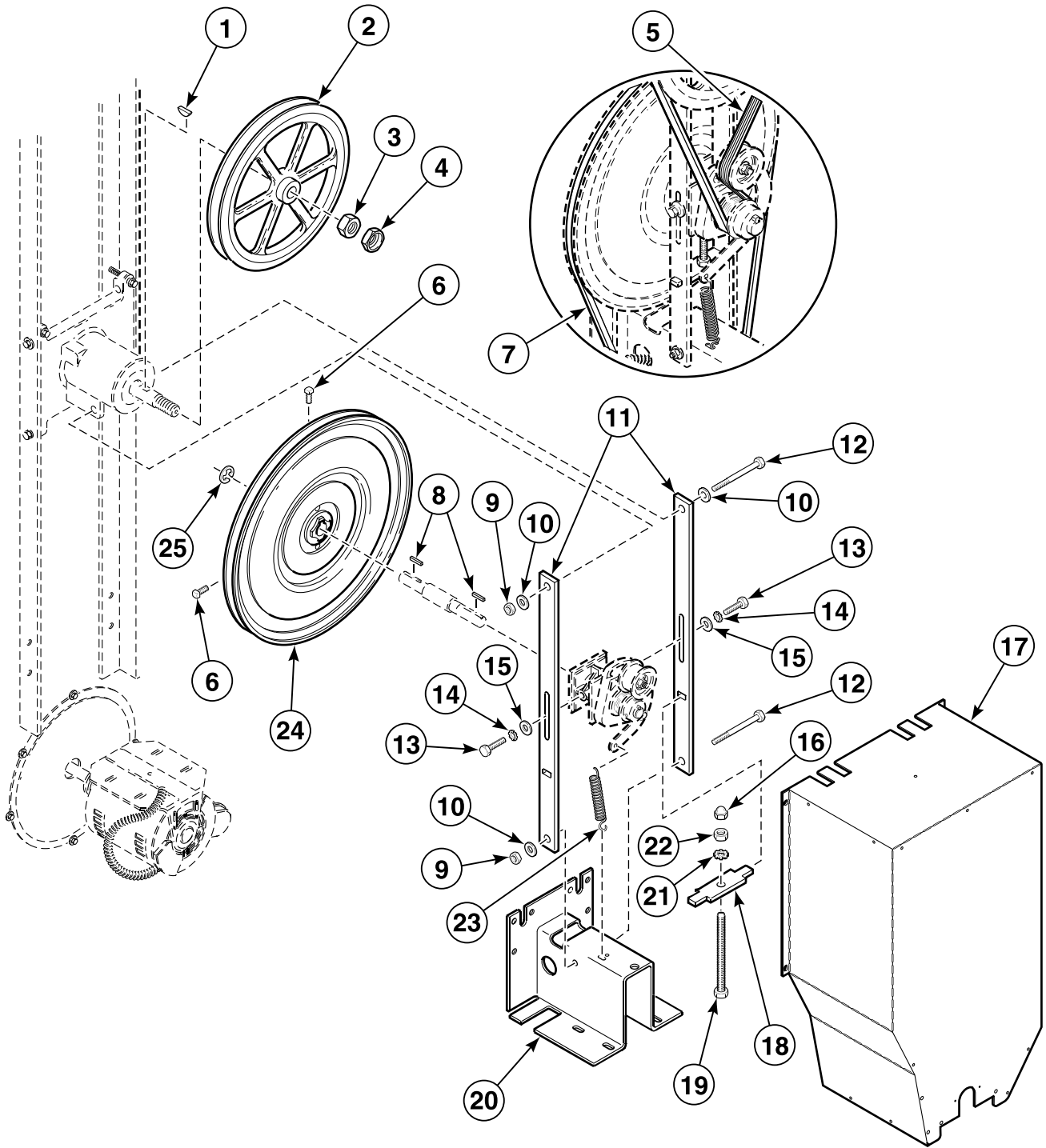


TMB2887P_70410801

Idler Drive Components for Nonreversing Belt/Chain Drive

REF	PART NO.	DESCRIPTION	COMMENTS
1	M411467	Belt Guard Assembly	50 pound models except EG; Models through Serial No. 0004xxxxx
	M414755	Belt Guard Assembly	75 pound models except EG; Models starting Serial No. 0004xxxxx
	M409350	Chain Guard Assembly	EG models
2	M400399	Ring	
3	44086901P	Sheave Kit	Includes hardware
4	M400065	Screw	
5	M400592	Ball Bearing	
6	M412475	Bolt	
7	M401327	Key	
8	M400993	Key	
9	M400080	Washer	
10	M400755P	Chain Sleeve	
11	M401369P	Chain Sprocket	
12	M405525	Screw	
13	M400013	Washer	
14	M400026	Nut	50 pound models
	02428	Nut	75 pound models
15	M401360P	Chain Connecting Link	
16	M400014	Washer	
17	M400026	Nut	
18	M401365P	Sprocket	
19	62541	Screw	
20	M401425	Roller Chain	
21	M412228P	Idler Housing Kit	Includes bearings and guide rails
22	M412223P	Idler Shaft	
23	M400081	Washer	
24	M405525	Screw	
25	M412476	Guide Rail	
26	M405525	Screw	50 pound models
	M400061	Screw	75 pound models
27	M401182P	Belt	

Idler Drive Components for Nonreversing Belt/Belt Drive

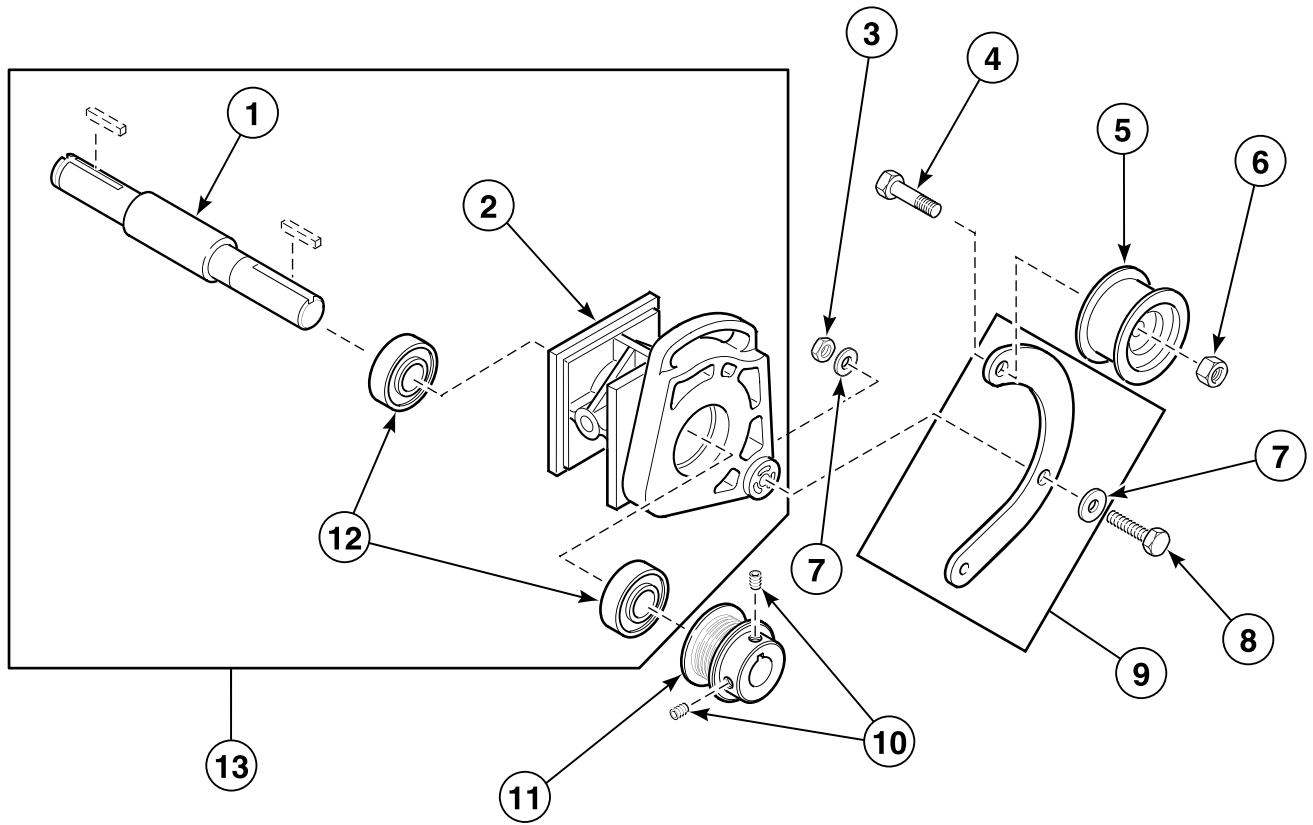


TMB2481P_70410801

Idler Drive Components for Nonreversing Belt/Belt Drive

REF	PART NO.	DESCRIPTION	COMMENTS
1	M400008	Key	
2	M412156	Micro V Sheave	
3	M400033	Nut	
4	M400035	Nut	
5	M411425P	Micro V Belt	
6	M400065	Screw	
7	M401182P	Belt	
8	M401327	Key	
9	M400026	Nut	
10	M400014	Washer	
11	M412476	Guide Rail	
12	M405525	Screw	
13	M400043	Screw	
14	M403958	Washer	
15	M400081	Washer	
16	M412626	Nut	
17	M411467	Belt Guard Assembly	50 pound models except EG; Models through Serial No. 0004xxxxx
	M414755	Belt Guard Assembly	75 pound models
18	M414405	Tension Plate Assembly	
19	M412627	Screw	
20	M411483	Motor Bracket	
21	M412188	Washer	
22	M404993	Nut	
23	M412120	Extension Spring	
24	44086901P	Sheave Kit	Includes items 6 and 8
25	M400399	Ring	

Idler Housing Assembly For Nonreversing Belt/Belt Drive

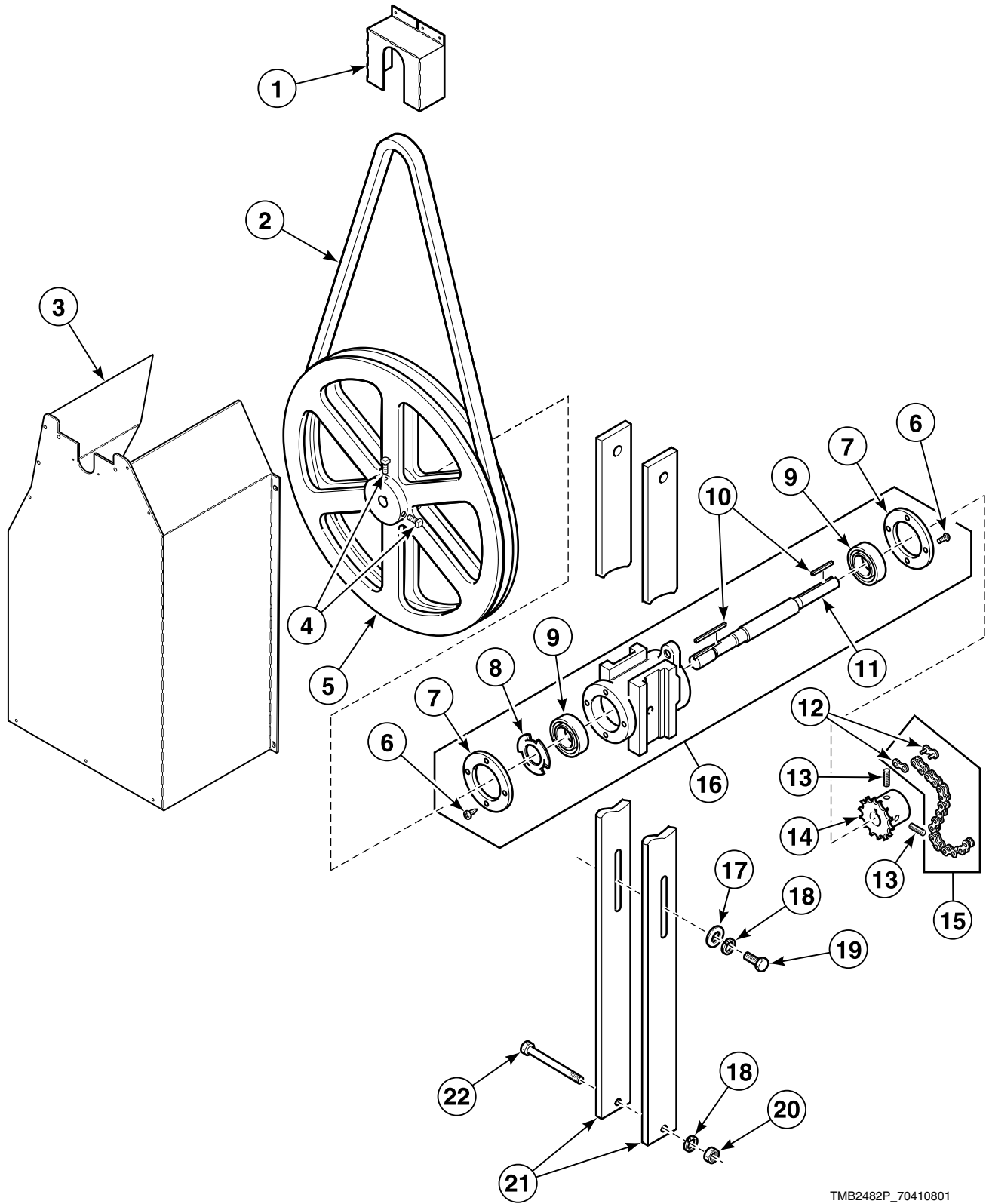


T313P_70410801

Idler Housing Assembly For Nonreversing Belt/Belt Drive

REF	PART NO.	DESCRIPTION	COMMENTS
1	M412223P	Idler Shaft	
2	943P3	Idler Housing Kit	
3	52566	Nut	
4	430648	Screw	
5	430619	Drum Idler Wheel Assembly	
6	56156	Nut	
7	M405535	Washer	
8	M412119	Bolt	
9	M414320P	Idler Arm Kit	
10	M400077	Screw	
11	M411466P	Micro V Pulley	
12	430038	Support Bearing	
13	M412228P	Idler Housing Kit	

Idler Drive Components For Belt/Chain Drive - Reversing Models

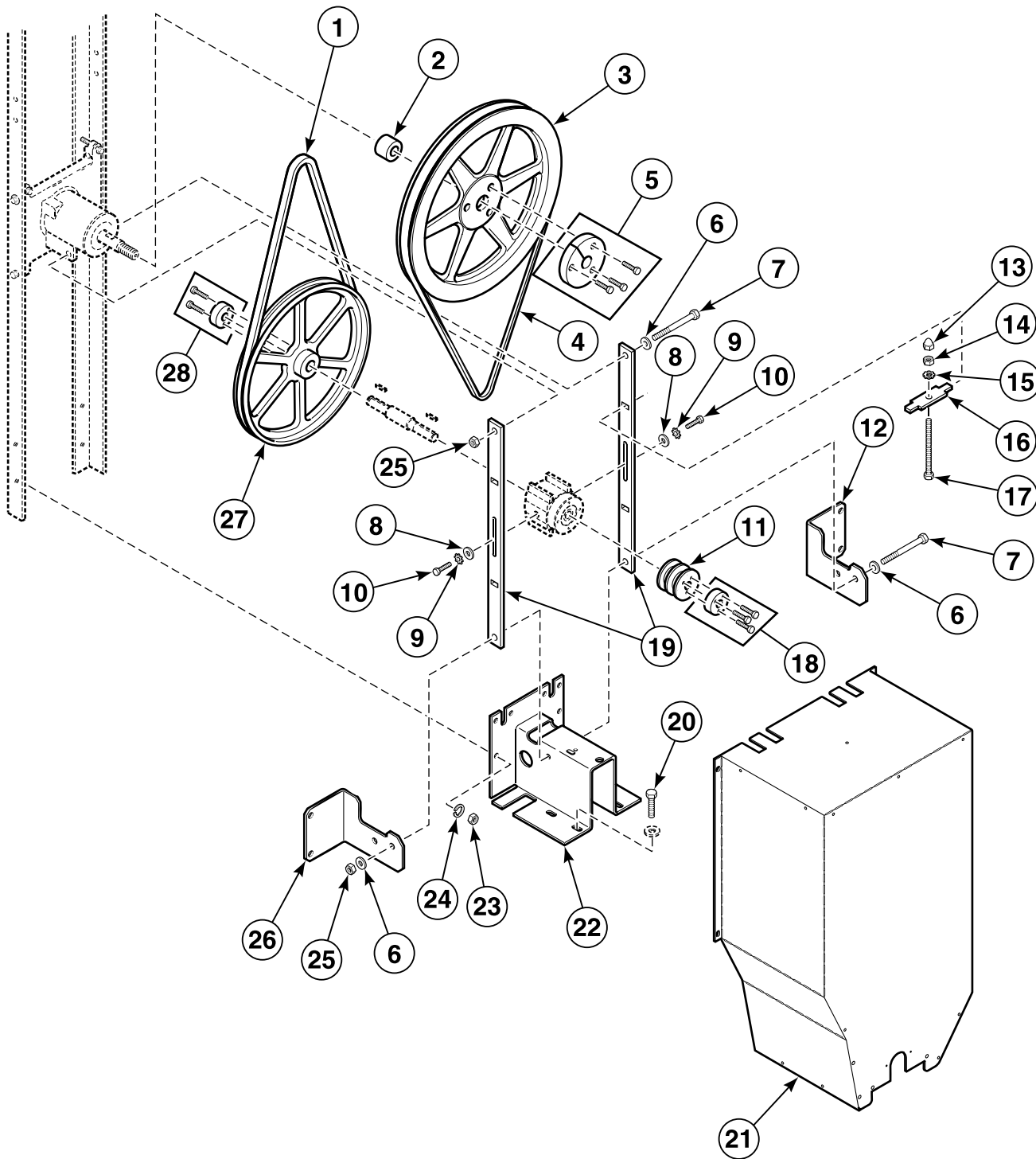


TMB2482P_70410801

Idler Drive Components For Belt/Chain Drive - Reversing Models

REF	PART NO.	DESCRIPTION	COMMENTS
1	M413541	Belt Guard	Upper
2	M411814P	Motor Belt	Motor pulley to sheave
3	M413627	Belt Guard Assembly	All models except EG; Models through Serial No. 0004xxxxx
	M414756	Belt Guard Assembly	All models except EG; Models starting Serial No. 0004xxxxx
4	M400065	Screw	
5	M400147	Single Sheave	
6	M409385	Screw	
7	M401370	Bearing Retainer	
8	M400401	Loading Spring	
9	M401375P	Ball Bearing	
10	M401327	Key	
11	M401371	Idler Shaft	
12	M400903	Connector Link	
13	62541	Screw	
14	M401364P	Sprocket	
15	M400597P	Roller Chain	
16	917P3	Idler Housing Kit	Includes bearings and rails
17	M400081	Washer	
18	M400014	Washer	
19	M405525	Screw	
20	M400026	Nut	
21	M412476	Guide Rail	
22	M405525	Screw	

Idler Drive Components For Belt/Belt Drive - Reversing Models

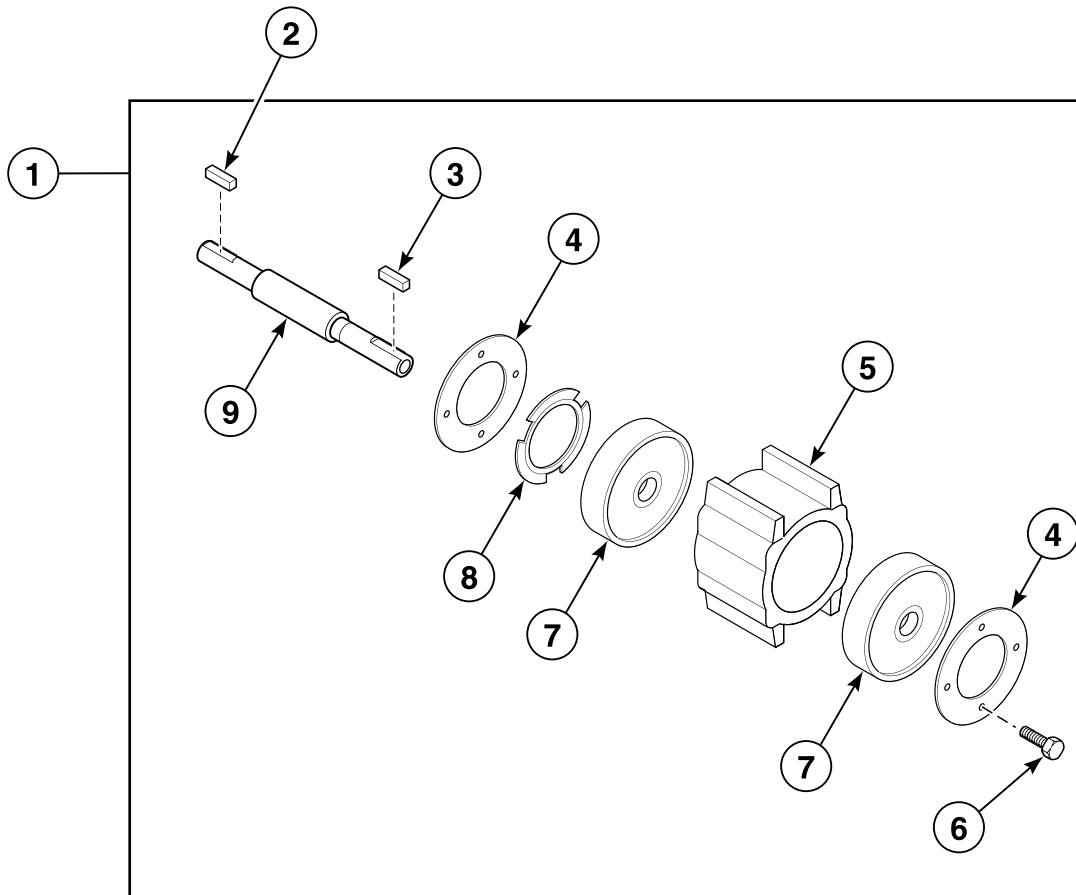


TMB2483P_70410801

Idler Drive Components For Belt/Belt Drive - Reversing Models

REF	PART NO.	DESCRIPTION	COMMENTS
1	M412981	Belt	Motor to idler; Drive
2	44024001	Spacer	
3	M412916	Double V Sheave	
4	M412090	Belt	2 required; Cylinder
5	M412086P	Bushing	Includes screws
6	M400014	Washer	
7	430648	Screw	
8	M400080	Washer	
9	M403958	Washer	
10	M400043	Screw	
11	M412884	Pulley	
12	M413268	Guide Rail Support	Right; Models DTB634 and DTB75FG
13	M412626	Nut	
14	M404993	Nut	
15	M412188	Washer	
16	M414405	Tension Plate Assembly	
17	M412627	Screw	
18	M412917P	Bushing	Includes screws
19	M412476	Guide Rail	
20	M400057	Screw	
21	M413629	Belt Guard Assembly	Models DTB634 and DTB75FG; Reversing; Models through Serial No. 0004xxxxx
	M414756	Belt Guard Assembly	75 pound models; Reversing; Models through Serial No. 0004xxxxx
	M413627	Belt Guard Assembly	50 pound models; Models through Serial No. 0004xxxxx
22	M411483	Motor Bracket	All models except FG
23	70142	Nut	
24	M400013	Washer	
25	M400026	Nut	
26	M413267	Guide Rail Support	Left; Models DTB634 and DTB75FG
27	M412931	Single V Sheave	Idler
28	M412885P	Bushing	Includes screws

Idler Housing Assembly for Reversing Belt/Belt Drive

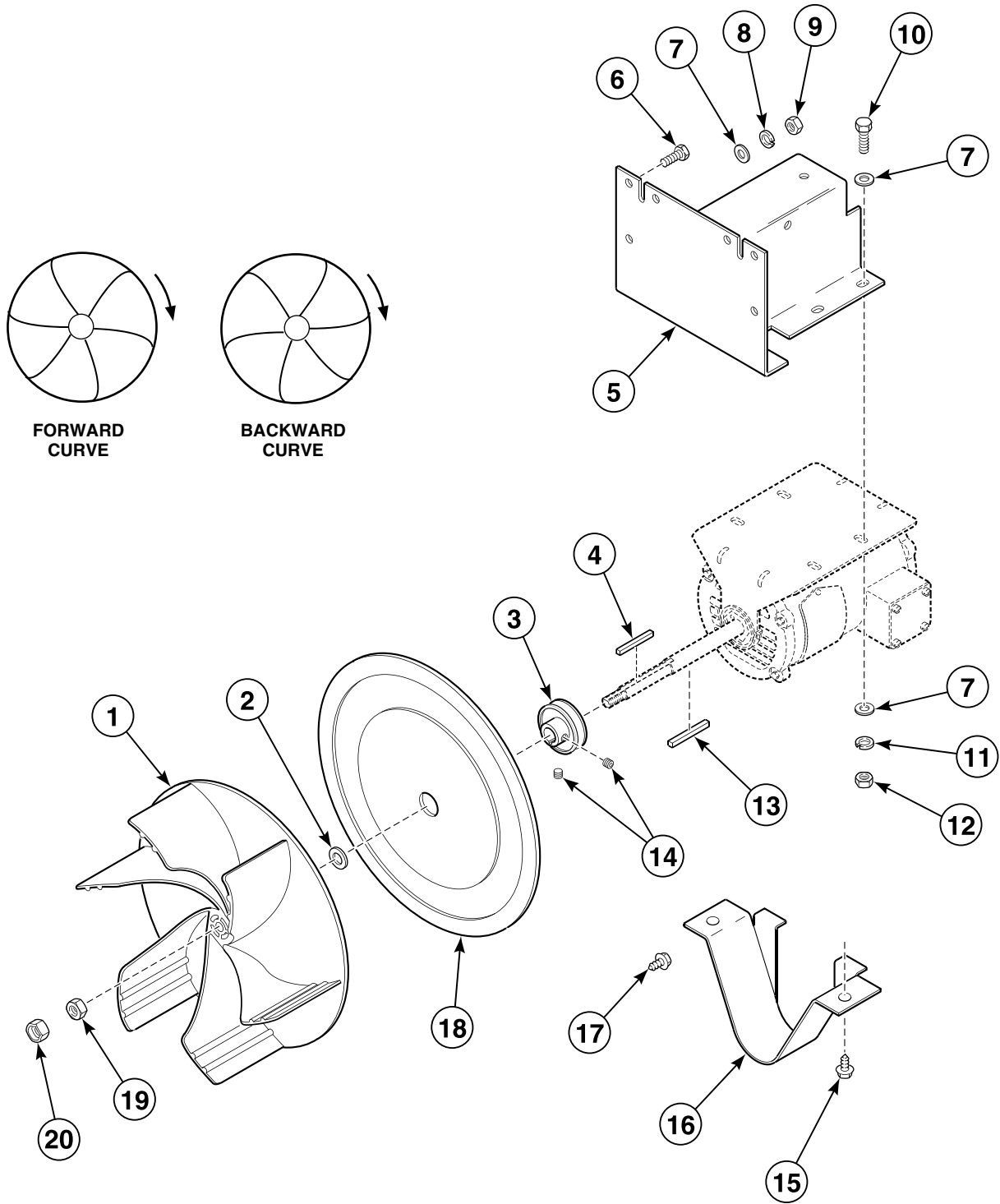


TMB2512P_70410801

Idler Housing Assembly for Reversing Belt/Belt Drive

REF	PART NO.	DESCRIPTION	COMMENTS
1	917P3	Idler Housing Kit	
2	M401327	Key	
3	M400993	Key	
4	M401370	Bearing Retainer	
5	M412612	Idler Housing	
6	M409385	Screw	
7	M401375P	Ball Bearing	
8	M400401	Loading Spring	
9	M414241	Idler Shaft	50 pound models
	M412099	Idler Shaft	75 pound models

Fan and Motor Components - All Models Except FG and 634

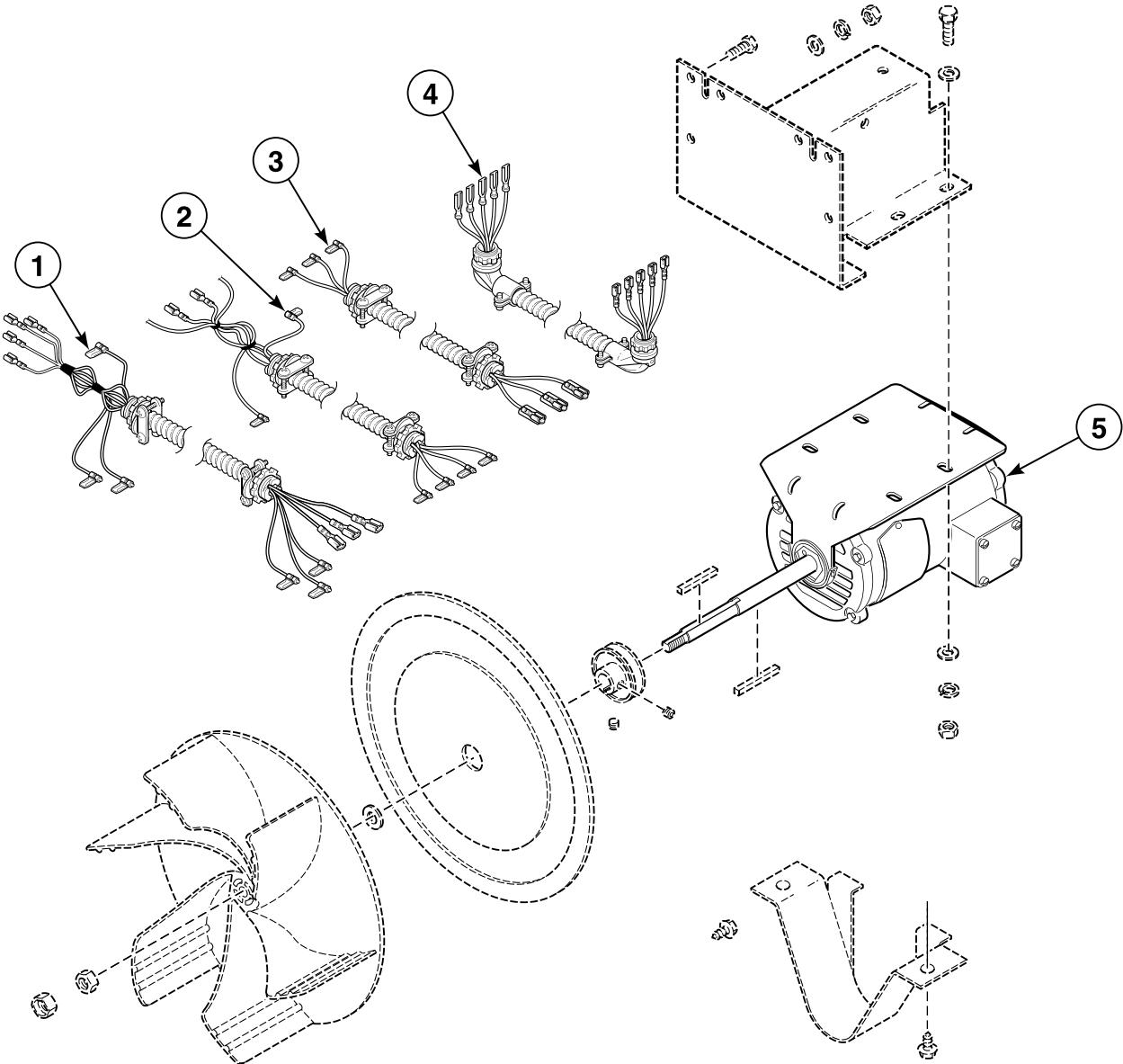


TMB2897P_70410801

Fan and Motor Components - All Models Except FG and 634

REF	PART NO.	DESCRIPTION	COMMENTS
	M4426P3	Motor Hardware Kit	Includes items 2, 4, 13, 19 and 20
	M405419P	Motor Mounting Ring Kit	Standard connection motors; 2 per package
	M4525P3P	Resilient Ring Kit	Quick disconnect motors; 2 per package
1	M410088P	Fan	Forward curve; Includes key; 50 pound 50 Hertz models; 75 pound gas and steam 50 and 60 Hertz models; 75 pound electric 50 Hertz models
	M400086P	Fan and Key	Backward curve; 50 pound 60 Hertz models; 75 pound electric 60 Hertz models
2	M400991	Washer	
3	M414566	Pulley	Nonreversing; 50 Hertz
	M414564	Pulley	Nonreversing; 60 Hertz
4	M400994	Key	Fan
5	M411483	Motor Bracket	
6	M401393	Bolt	
7	M400080	Washer	
8	M400014	Washer	
9	70142	Nut	
10	M400057	Screw	
11	M400013	Washer	
12	02428	Nut	
13	M400993	Key	Pulley
14	M400077	Screw	
15	M405188	Screw	
16	M413008	Belt Guard	
17	M410059	Screw	
18	M401362	Cover Plate	
19	M400022	Nut	
20	M400034	Nut	

Fan Motors with Standard Connection - 50 Pound Models



TMB2513P_70410801

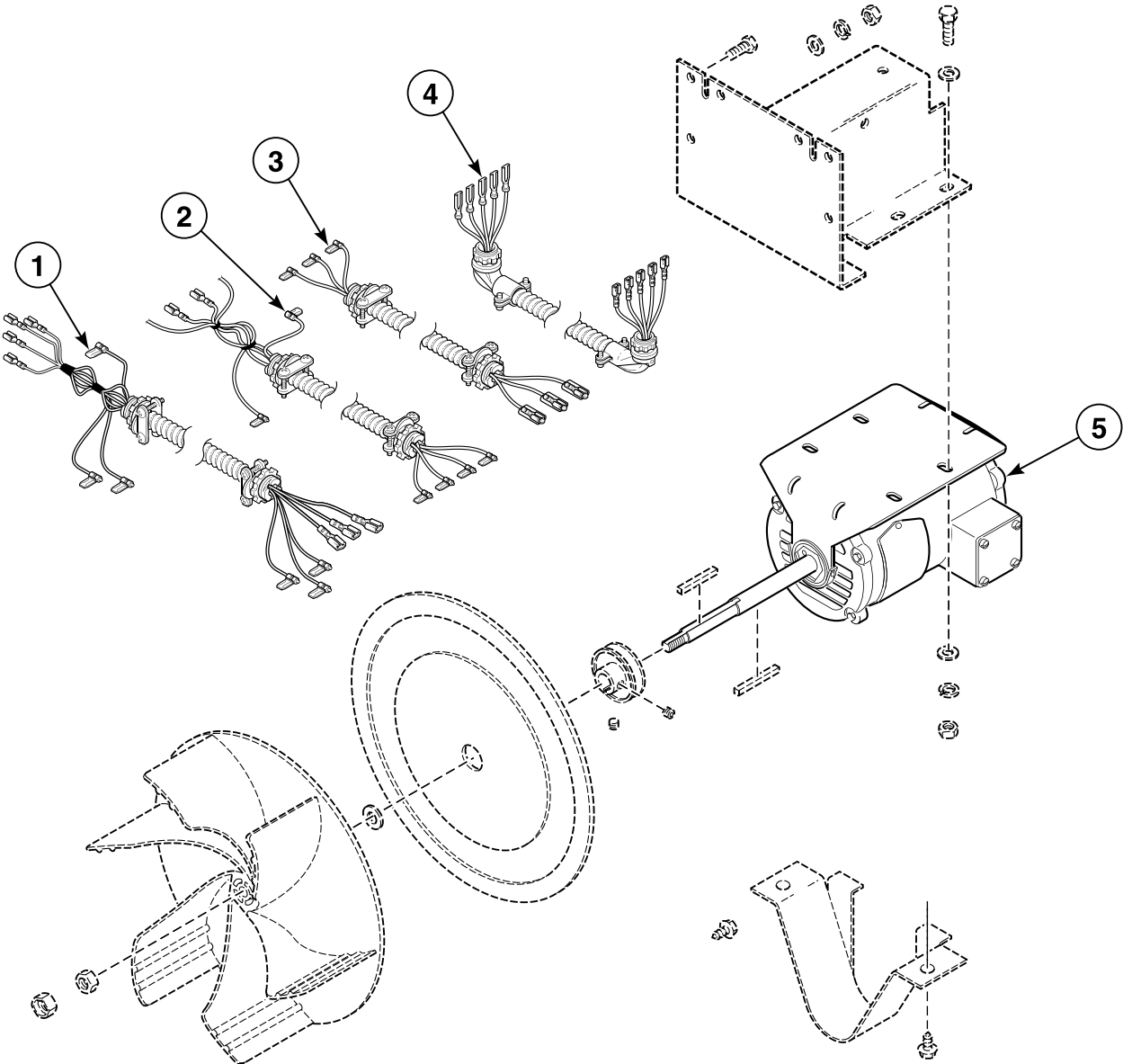
Fan Motors with Standard Connection - 50 Pound Models

REF	PART NO.	DESCRIPTION	COMMENTS
1	M411827	Motor Wire Harness Assembly	EG and electric models; Coin and manual timer; 3 Phase; Fan motor to junction box
	M411828	Motor Harness Assembly	EG models; Manual timer; 208-240 Volt/60 Hertz/3 Phase; Fan motor to junction box
2	M409489	Motor Wire Harness Assembly	EG models; Coin; 208-240 Volt/60 Hertz/1 Phase; Fan motor to junction box
	M409490	Motor Wire Harness Assembly	CG, CSH and CSL models; Coin and manual timer; 2 wire; 1 Phase; Fan motor to junction box
	M409982	Motor Wire Harness Assembly	Electric models; Coin; 415 Volt/50 Hertz/3 Phase; Fan motor to junction box
3	N/A	Fan Motor Harness Assembly	CG, CSH, CSL and electric models; OM control suffix; 120 Volt/60 Hertz/1 Phase and 240 Volt/50 Hertz/1 Phase; Fan motor to contactor box
	M413686	Fan Motor Harness Assembly	CG, CSH, CSL and electric models; OM control suffix; 3 Phase; Fan motor to contactor box
	N/A	Fan Motor Harness Assembly	CG, CSH, CSL and electric models; OM control suffix; 1 Phase; Fan motor to contactor box
	N/A	Motor Harness Assembly	CG models; Coin and manual timer; 208-240 Volt/60 Hertz/1 Phase; Fan motor to contactor box
4	M411980	Motor Harness Assembly	Reversing; CG, CSH and EG models; Manual timer; 240 Volt/50 Hertz/1 Phase; Fan motor to contactor box
5	M411189P	Motor	Reversing; Gas, steam and electric models: 208-240 Volt/60 Hertz/3 Phase and 380-415 Volt/50 Hertz/3 Phase; Steam and electric models: 480 Volt/60 Hertz/3 Phase
	M409735P	Motor	Reversing; Gas and electric models; 240 Volt/50 Hertz/1 or 3 Phase
	M4857P3	Motor Replacement Kit	Reversing; Steam models; 240 Volt/50 Hertz/1 Phase
	M4858P3	Motor Replacement Kit	Reversing; Gas models: 240 Volt/50 Hertz/1 Phase; Nonreversing; Gas, steam and electric models: 240 Volt/50 Hertz/1 Phase
	M4834P3	Motor Replacement Kit	Nonreversing; Gas, steam and electric models: 208 Volt/60 Hertz/1 Phase; Steam models: 208-240 Volt/60 Hertz/3 Phase; Gas models: 120 Volt/60 Hertz/1 Phase and 208-240 Volt/60 Hertz/1 Phase; Gas and steam models: 240 Volt/60 Hertz/1 Phase; Electric models: 240 Volt/60 Hertz/3 Phase
	M411190P	Motor	Nonreversing; Gas and steam models: 208-240 Volt/60 Hertz/3 Phase; Electric models: 240 Volt/50 Hertz/3 Phase and 380-415 Volt/50 Hertz/3 Phase; Gas and electric models: 480 Volt/60 Hertz/3 Phase
	M411191P	Motor	Nonreversing; Steam models; 120 Volt/60 Hertz/1 Phase and 208-240 Volt/60 Hertz/1 Phase

NOTE: Standard connection motors have wire leads which connect to the tumbler harness.

N/A = Part no longer available

Fan Motors with Quick Connect - 50 Pound Models



TMB2513P_70410801

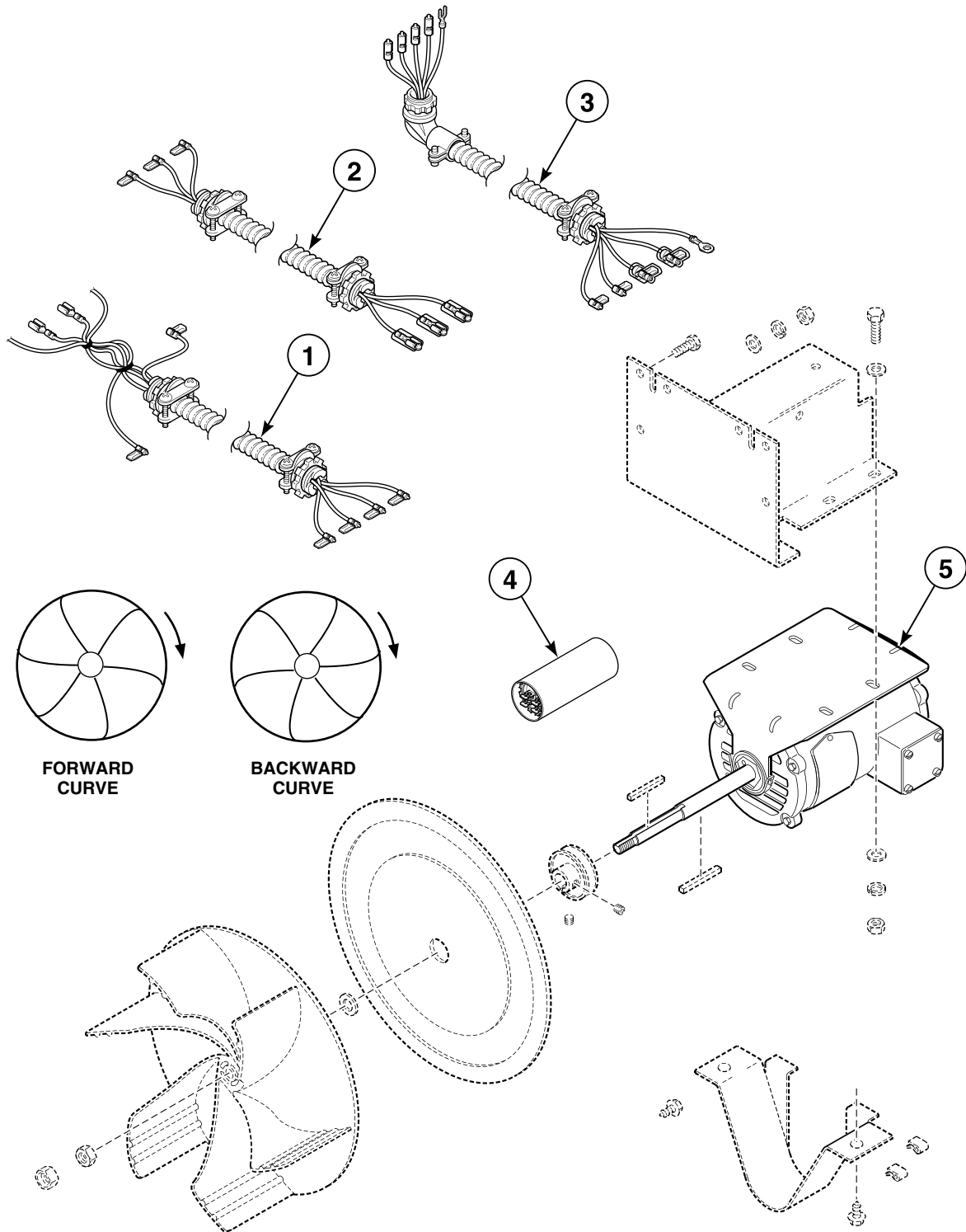
Fan Motors with Quick Connect - 50 Pound Models

REF	PART NO.	DESCRIPTION	COMMENTS
1	M411827	Motor Wire Harness Assembly	EG and electric models; Coin and manual timer; 3 Phase; Fan motor to junction box
	M411828	Motor Harness Assembly	EG models; Manual timer; 208-240 Volt/60 Hertz/3 Phase; Fan motor to junction box
2	M409489	Motor Wire Harness Assembly	EG models; Coin; 208-240 Volt/60 Hertz/1 Phase; Fan motor to junction box
	M409490	Motor Wire Harness Assembly	CG, CSH and CSL models; Coin and manual timer; 2 wire; 1 Phase; Fan motor to junction box
	M409982	Motor Wire Harness Assembly	Electric models; Coin; 415 Volt/50 Hertz/3 Phase; Fan motor to junction box
3	N/A	Fan Motor Harness Assembly	CG, CSH, CSL and electric models; OM control suffix; 120 Volt/60 Hertz/1 Phase and 240 Volt/50 Hertz/1 Phase; Fan motor to contactor box
	M413686	Fan Motor Harness Assembly	CG, CSH, CSL and electric models; OM control suffix; 3 Phase; Fan motor to contactor box
	N/A	Fan Motor Harness Assembly	CG, CSH, CSL and electric models; OM control suffix; 1 Phase; Fan motor to contactor box
	N/A	Motor Harness Assembly	CG models; Coin and manual timer; 208-240 Volt/60 Hertz/1 Phase; Fan motor to contactor box
4	M411980	Motor Harness Assembly	Reversing; CG, CSH and EG models; Manual timer; 240 Volt/50 Hertz/1 Phase; Fan motor to contactor box
5	M4833P3	Motor Replacement Kit	Reversing; Electric models; 208-240 Volt/60 Hertz/3 Phase
	M409735P	Motor	Reversing; Electric models: 240 Volt/50 Hertz/3 Phase; Gas and steam models: 240 Volt/50 Hertz/1 Phase
	44046001P	Fan Motor	Reversing; Gas and steam models: 208-240 Volt/60 Hertz/3 Phase; Gas, steam and electric models: 380-415 Volt/50 Hertz/3 Phase; Steam and electric models: 480 Volt/60 Hertz/3 Phase
	M4834P3	Motor Replacement Kit	Nonreversing; Gas models: 120 Volt/60 Hertz/1 Phase; Gas and steam models: 208-240 Volt/60 Hertz/1 Phase; Electric models: 208-240 Volt/60 Hertz/3 Phase
	M412225P	Motor	Nonreversing; Gas, steam and electric models: 240 Volt/50 Hertz/1 Phase; Electric models: 240 Volt/50 Hertz/3 Phase and 380-415 Volt/50 Hertz/3 Phase
	44046101P	Motor	Nonreversing; Gas and steam models: 208-240 Volt/60 Hertz/3 Phase; Steam models: 380-415 Volt/50 Hertz/3 Phase; Gas, steam and electric models: 480 Volt/60 Hertz/3 Phase
	M412227P	Motor	Nonreversing; Steam models; 120 or 208-240 Volt/60 Hertz/1 Phase
	44046201P	Motor	Nonreversing; Steam models; 208-240 Volt/60 Hertz/3 Phase

NOTE: Quick connect motors have terminal blocks for wire connections.

N/A = Part no longer available

Motor Components - 75 Pound Models Except FG and 634



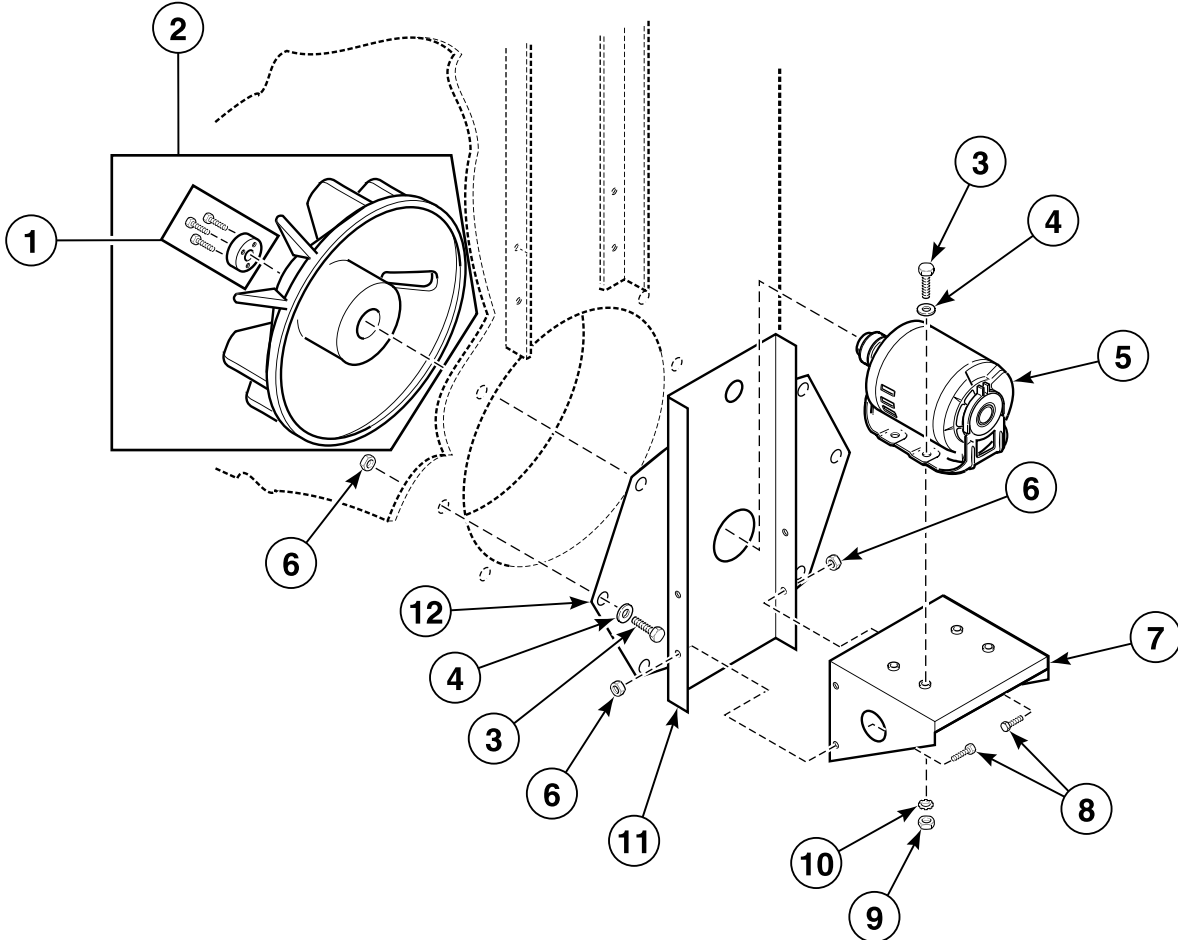
TMB2484P_70410801

Motor Components - 75 Pound Models Except FG and 634

REF	PART NO.	DESCRIPTION	COMMENTS
1	M409489	Motor Wire Harness Assembly	Gas models; 1 Phase
	M409490	Motor Wire Harness Assembly	Gas and steam models; Manual timer; 1 Phase; 2 wire
2	N/A	Fan Motor Harness Assembly	120-240 Volt/50 or 60 Hertz/1 Phase; 2 wire
	M413686	Fan Motor Harness Assembly	OM control suffix; 3 Phase
	N/A	Fan Motor Harness Assembly	OM control suffix; 1 Phase; 3 wire
3	M413281	Fan Motor Harness Assembly	Gas and steam models; 230 Volt/50 Hertz/1 Phase
4	M406291	Motor Capacitor	Standard connection; For M400383 Motor which is no longer available. Order M4833P3 Motor Replacement Kit which includes terminals
	M410302	Motor Capacitor	Standard connection; For M400390 Motor which is no longer available. Order M4834P3 Motor Replacement Kit which includes terminals
	M410301	Motor Capacitor	Standard connection; For M409735 Motor and M400382 Motor which are no longer available. Order M4857P3 Motor Replacement Kit which includes terminals
	M410296	Motor Capacitor	Quick connect; For M409438 Motor which is included in M4833P3 Motor Replacement Kit
	M410298	Motor Capacitor	Quick connect; For M412227 Motor
	M410300	Motor Capacitor	Quick connect; For M412225 Motor
	M411191P	Motor	Nonreversing models through Serial No. 684486YA; Gas and steam models: 120, 208 or 240 Volt/60 Hertz/1 Phase; Electric models: 208 or 240 Volt/60 Hertz/3 Phase
M412226	Motor	Nonreversing; Gas models: 208 Volt/50 Hertz/1 Phase; CSH models: 240 Volt/50 Hertz/1 Phase; Electric models: 380 or 415 Volt/50 Hertz/3 Phase	
M411188P	Motor	Nonreversing models through Serial No. 684486YA; Gas and steam models: 208 or 240 Volt/60 Hertz/3 Phase; Gas and electric models: 480 Volt/60 Hertz/3 Phase	
M412227P	Motor	Nonreversing models starting Serial No. 684486YA; Gas and steam models: 120, 208 or 240 Volt/60 Hertz/1 Phase; Electric models: 208 or 240 Volt/60 Hertz/3 Phase	
M409735P	Motor	Reversing; Gas and CSH models: 240 Volt/50 Hertz/1 Phase; Electric models: 240 Volt/50 Hertz/3 Phase	
M4833P3	Motor Replacement Kit	Reversing; Electric models: 208 Volt/60 Hertz/1 or 3 Phase and 240 Volt/60 Hertz/3 Phase	
44046001P	Fan Motor	Reversing; Gas and steam models: 208 or 240 Volt/60 Hertz/3 Phase; Gas, electric and CSH models: 380 or 415 Volt/50 Hertz/3 Phase and 480 Volt/60 Hertz/3 Phase	

N/A = Part no longer available

Fan and Motor Components - FG and 634 Models



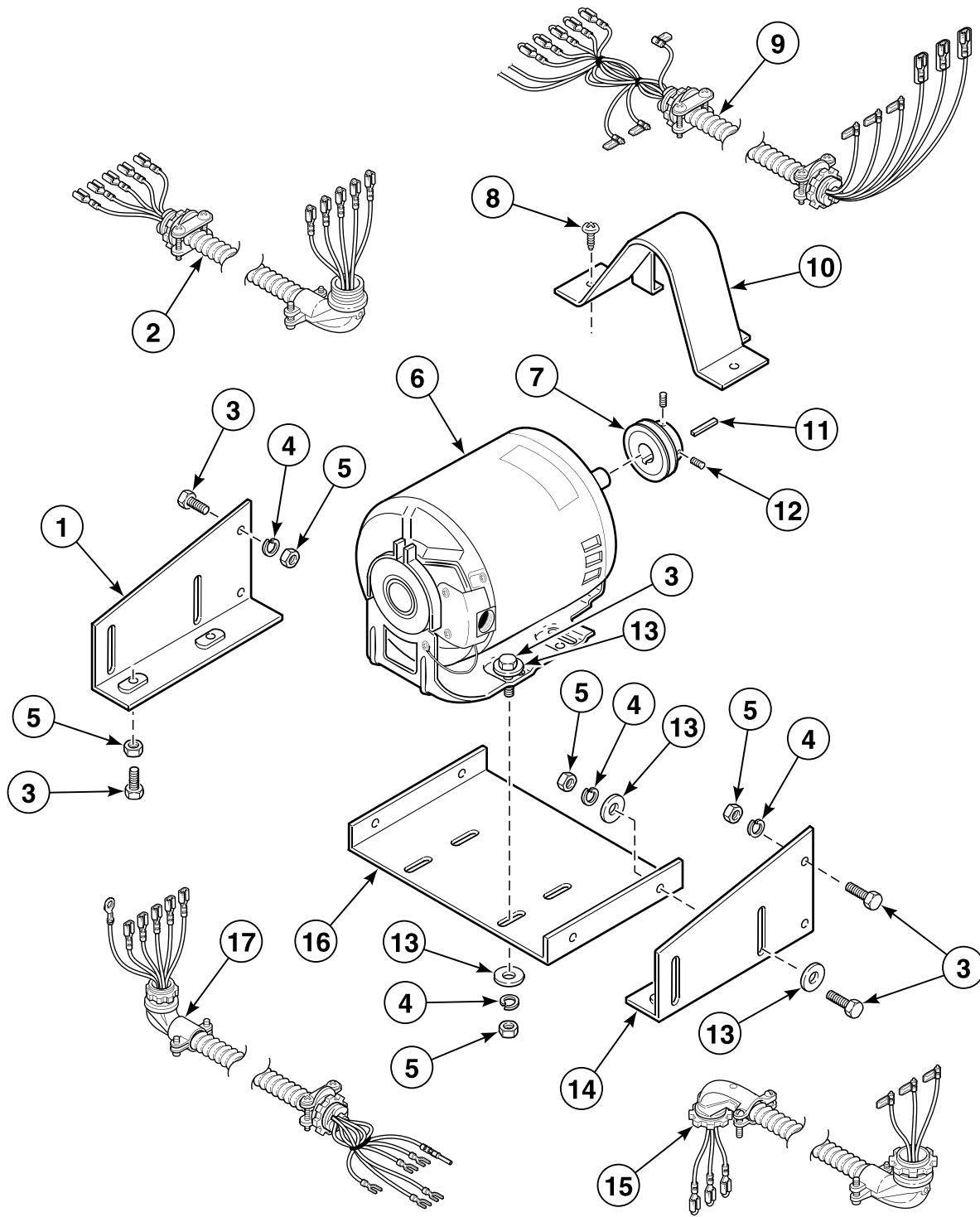
T473P_70410801

Fan and Motor Components - FG and 634 Models

REF	PART NO.	DESCRIPTION	COMMENTS
1	H87529111P	Bushing	Includes screws
2	M414546	Fan and Bushing Assembly	
3	M400057	Screw	
4	M400080	Washer	
5	44046301P	Motor	
	44046001P	Fan Motor	Reversing; 208 or 240 Volt/60 Hertz/3 Phase, 380 or 415 Volt/50 Hertz/3 Phase and 480 Volt/60 Hertz/3 Phase
6	20274	Nut	
7	M413391	Motor Base	
8	22688	Screw	
9	02428	Nut	
10	M400013	Washer	
11	N/A	Motor Channel	
12	M413399	Blower Cover	

N/A = Part no longer available

Cylinder Drive Motor and Components for Models Through 1996



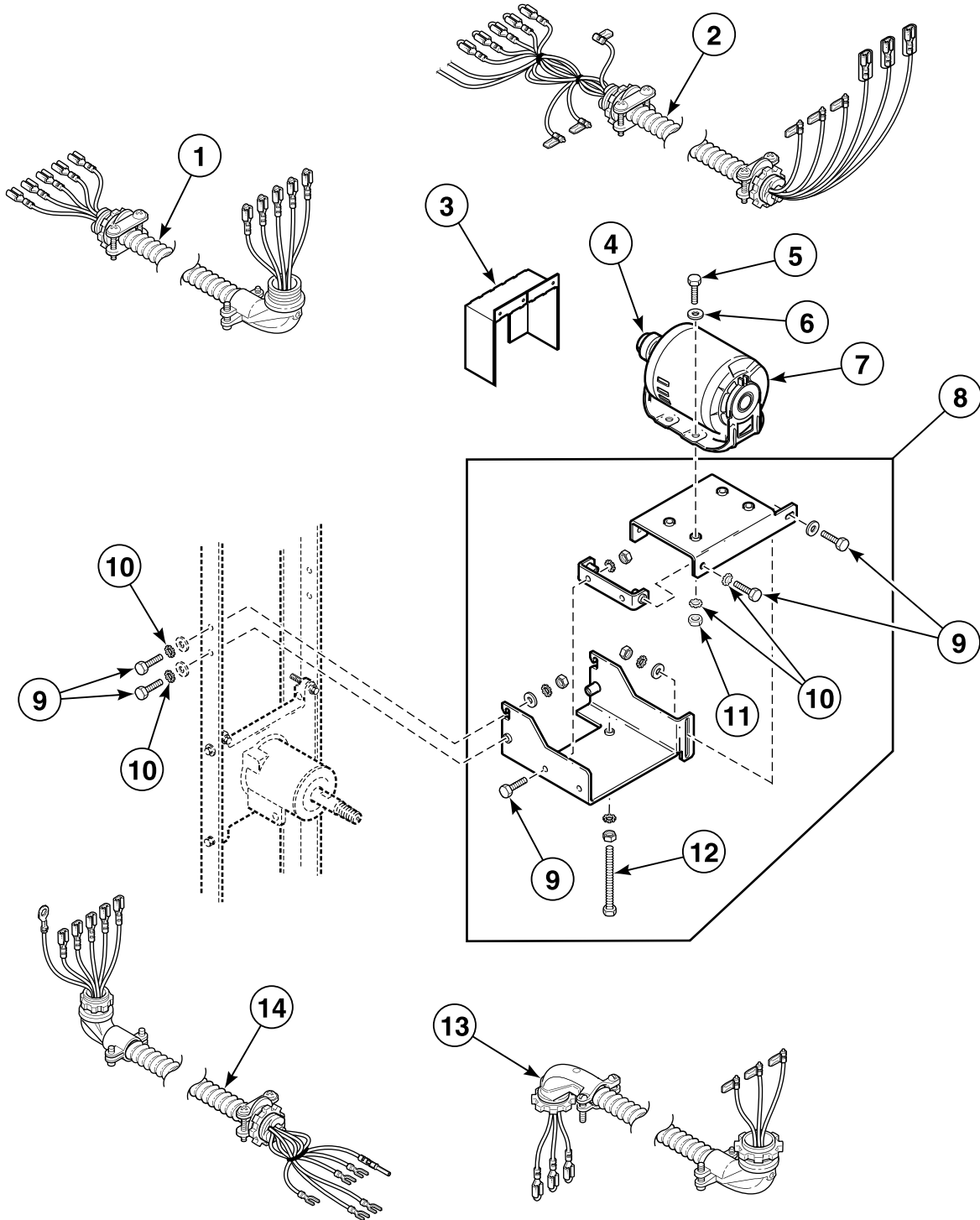
TMB2485P_70410801

Cylinder Drive Motor and Components for Models Through 1996

REF	PART NO.	DESCRIPTION	COMMENTS
1	M400520	Motor Bracket Assembly	Left; 50 pound models through 1994; 75 pound models through 1995
2	M412107	Motor Harness Assembly	CG, CSH, CSL and electric models; Reversing; 50 or 60 Hertz/3 Phase; Drive motor to contactor box
	M413687	Cylinder Motor Harness Assembly	CG, CSH, CSL, EG and electric models; Reversing; OM control suffix; 1 Phase
3	M400057	Screw	
4	M400013	Washer	
5	02428	Nut	
6	M410852	Motor	75 pound models; 1/3 hp; 208-240 Volt/60 Hertz/1 Phase
	M412519P	Motor Kit	1/3 hp; Gas, steam and electric models: 208-240 Volt/60 Hertz/3 Phase; Electric models: 240 Volt/50 Hertz/3 Phase; Steam and electric models: 480 Volt/60 Hertz/3 Phase
	M412520P	Motor Kit	1/3 hp; 240 Volt/50 Hertz/1 Phase
7	M414565	Pulley	
8	M405188	Screw	
9	M411828	Motor Harness Assembly	Gas models; Manual timer; 208-240 Volt/60 Hertz/3 Phase
	M411827	Motor Wire Harness Assembly	Gas and electric models; Manual timer; 3 Phase
10	M413008	Belt Guard	
11	M400993	Key	
12	M400065	Screw	
13	M400080	Washer	
14	M400521	Motor Bracket Assembly	Right; 50 pound models through 1994; 75 pound models through 1995
15	M413688	Cylinder Motor Harness Assembly	Reversing; OM control suffix; 3 Phase
16	N/A	Motor Mounting Bracket	50 pound models through 1994; 75 pound models through 1995
	M413617	Motor Mount Assembly	Hinged; Models starting 1995
17	M412745	Cylinder Motor Harness	Reversing; DC, JC and SC gas and steam models; 230 Volt/50 Hertz/1 Phase
	M412573	Cylinder Motor Harness Assembly	Reversing; 3 Phase

N/A = Part no longer available

Cylinder Drive Motor and Components for Models Starting 1996

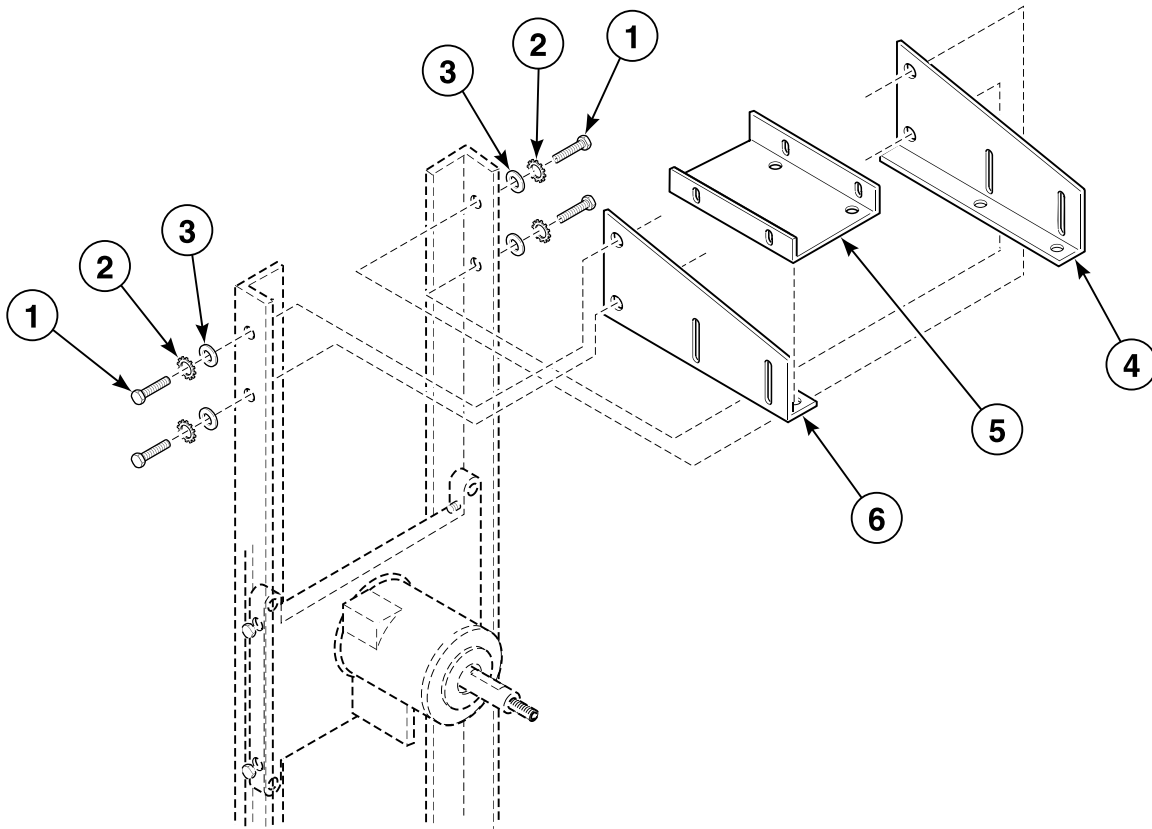


TMB2486P_70410801

Cylinder Drive Motor and Components for Models Starting 1996

REF	PART NO.	DESCRIPTION	COMMENTS
1	M412107	Motor Harness Assembly	Reversing; 50 or 60 Hertz/3 Phase; Drive motor to contactor box
	M413687	Cylinder Motor Harness Assembly	CG, CSH, CSL and electric models; Reversing; OM control suffix; 1 Phase
2	M411828	Motor Harness Assembly	Gas models; Manual timer; 208-240 Volt/60 Hertz/3 Phase
	M411827	Motor Wire Harness Assembly	Gas and electric models; Manual timer; 3 Phase
3	M413541	Belt Guard	Upper
4	M414565	Pulley	60 Hertz
	M414567	Pulley	50 Hertz
5	M400057	Screw	
6	M400080	Washer	
7	M412519P	Motor Kit	Gas, steam and electric models: 208-240 Volt/60 Hertz/3 Phase and 380-415 Volt/50 Hertz/3 Phase; Electric models: 240 Volt/50 Hertz/3 Phase; Steam and electric models: 480 Volt/60 Hertz/3 Phase
	M412520P	Motor Kit	Gas and steam models; 240 Volt
8	M413617	Motor Mount Assembly	Includes items 5, 6 and 10-12
9	27202	Screw	
10	02834	Washer	
11	02428	Nut	
12	M413565	Screw	
13	M413688	Cylinder Motor Harness Assembly	CG, CSH, CSL and electric models; Reversing; OM control suffix; 3 Phase
14	M412745	Cylinder Motor Harness	Reversing; DC, JC and SC gas and steam models; 230 Volt/50 Hertz/1 Phase
	M412573	Cylinder Motor Harness Assembly	Reversing; 3 Phase

Cylinder Motor Bracket - Models Through 1995



T503P_70410801

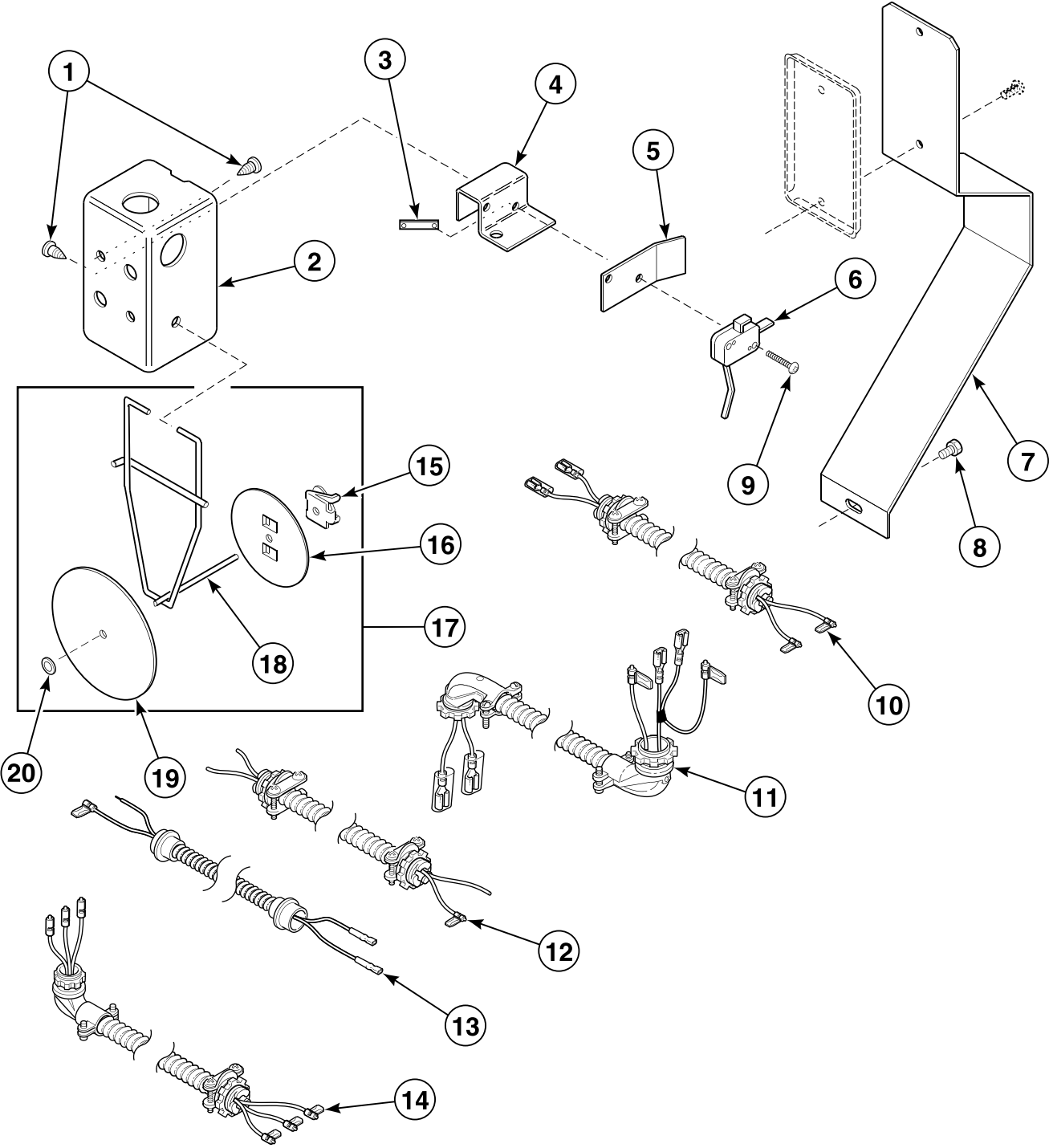
Cylinder Motor Bracket - Models Through 1995

REF	PART NO.	DESCRIPTION	COMMENTS
1	27202	Screw	
2	M400013	Washer	
3	M400080	Washer	
4	N/A	Motor Support Bracket Assembly	Right
5	N/A	Motor Mounting Bracket Assembly	
6	M413006	Motor Support Bracket Assembly	Left

N/A = Part no longer available

Airflow Switch Assembly

All 50 Pound Models
75 Pound Gas and Electric Models

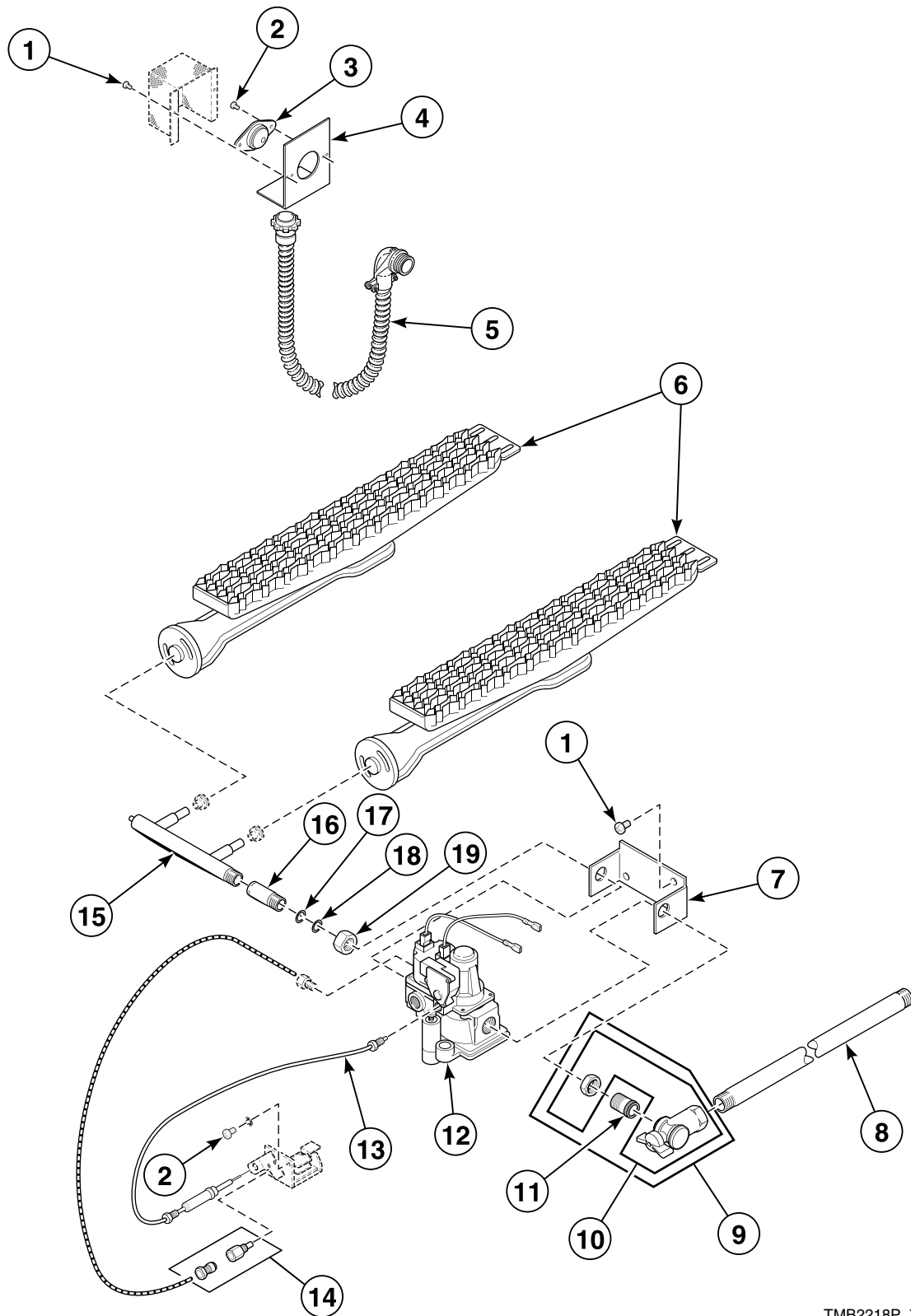


TMB2881P_70410801

Airflow Switch Assembly

REF	PART NO.	DESCRIPTION	COMMENTS
1	M400664	Screw	
2	M403235	Airflow Switch Handy Box	
3	M400979	Nut	
4	M409202	Airflow Switch Bracket	
5	M400712	Airflow Switch Insulator Barrier	
6	M400944	Airflow Switch	Australian and A, DT, JT and ST models
	M412423	Actuator Switch	DC, JC and SC models
7	M410544	Airflow Switch Guard	All models except 50CG models
8	430497	Screw	
9	M401938	Screw	
10	M413689	Airflow Switch Harness Assembly	Electric models; OM control suffix; Airflow switch to cabinet high limit thermostat
11	M413690	Harness Assembly	50 pound CG models; OM control suffix; Airflow switch to cabinet high limit thermostat
12	M401909	Wire Harness Assembly	50 pound CG models; Coin and manual timer; Airflow switch to junction box
13	M403824	Wire Harness Assembly	50 pound CG models; Coin and manual timer; Airflow switch to stove high limit thermostat
14	M412575	Airflow Switch Harness Assembly	75 pound DC, JC and SC models; Cabinet mounted airflow switch
15	M400976	Clip	
16	M400822	Counterweight	
17	M400541	Vane Assembly	
18	M400753	Airflow Switch Vane Lever	
19	M413475	Airflow Switch Vane	634 and FG models
	M400253	Vane	All other models
20	M400977	Nut	

Standing Pilot Ignition Burner Assembly - 50 Pound Models



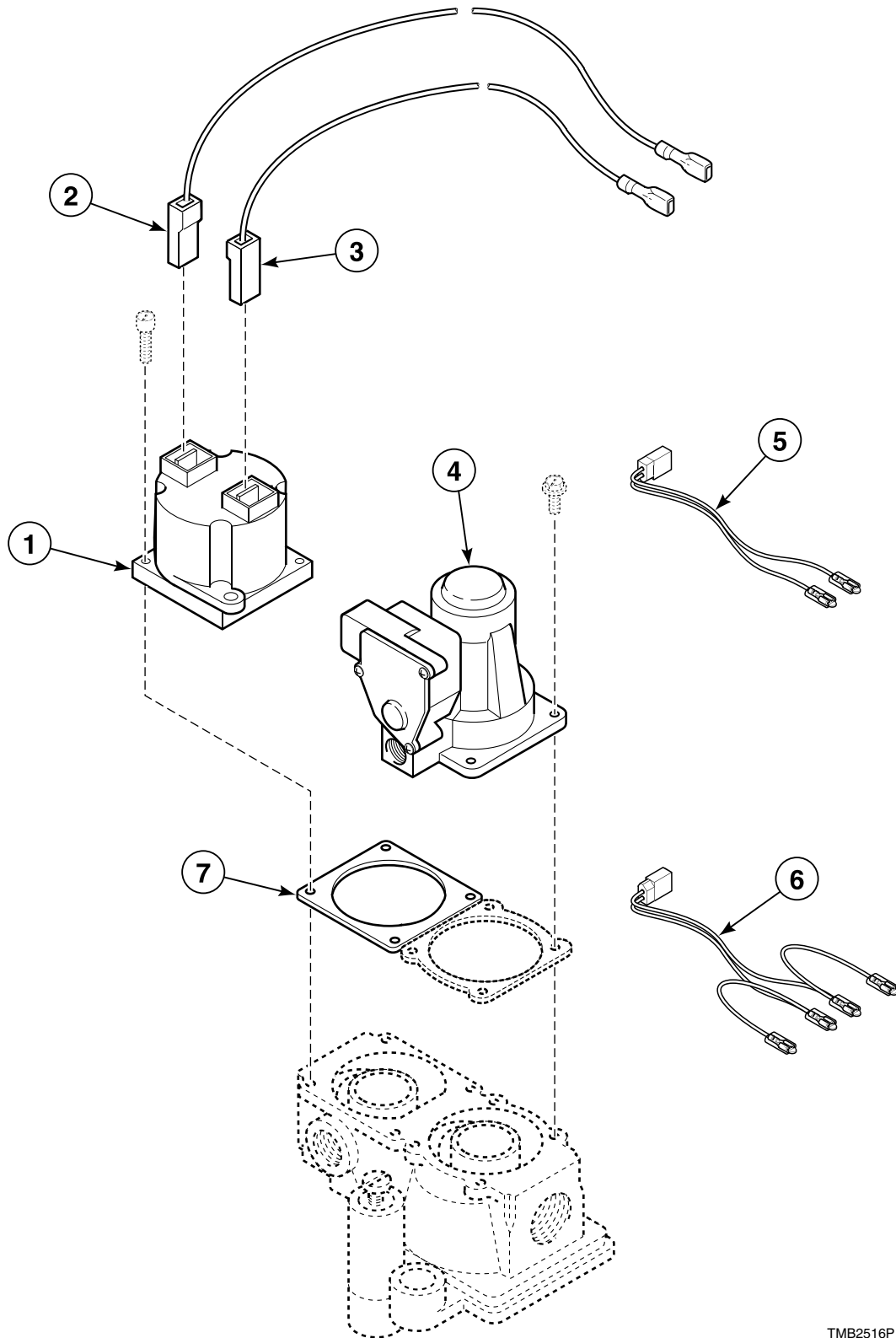
TMB2218P_70410801

Standing Pilot Ignition Burner Assembly - 50 Pound Models

REF	PART NO.	DESCRIPTION	COMMENTS
1	M400664	Screw	
2	M402797	Screw	
3	M409433	Limit Thermostat	
4	M402798	Thermostat Bracket	
5	M403824	Wire Harness Assembly	Models with junction box
	N/A	Wire Harness Assembly	Models without junction box
6	M4448P3	Burner Kit	Includes both burners
7	N/A	Bracket	
8	M400749	Pipe	
9	M4854P3	Shut-Off Valve and Tailpiece Kit	
10	44092101	Gas Shut-Off Valve Assembly	
11	44092201	Tailpiece	1/2 inch NPT
	44092202	Tailpiece	1/2 inch BPT
12	M401228P	Gas Valve	Basotrol; 120 Volt; Natural Gas (N.G.); Regulated
	M401229P	Gas Valve	Basotrol; 240 Volt; N.G.; Regulated
	M401230P	Gas Valve	Basotrol; 120 Volt; Liquid Petroleum Gas (L.P.); Unregulated
	M401231P	Gas Valve	Basotrol; 240 Volt; L.P.; Unregulated
13	M400934	Thermocouple	
14	M400918	Burner Orifice	L.P.
	Q8152	Burner Orifice	N.G.
15	N/A	Manifold	
16	M406681	Manifold Pipe Assembly	
17	M400606	Washer	
18	M400605	Anti-Torque Ring	
19	M401548	Nut	

N/A = Part no longer available

Standing Pilot Ignition Gas Valve Components



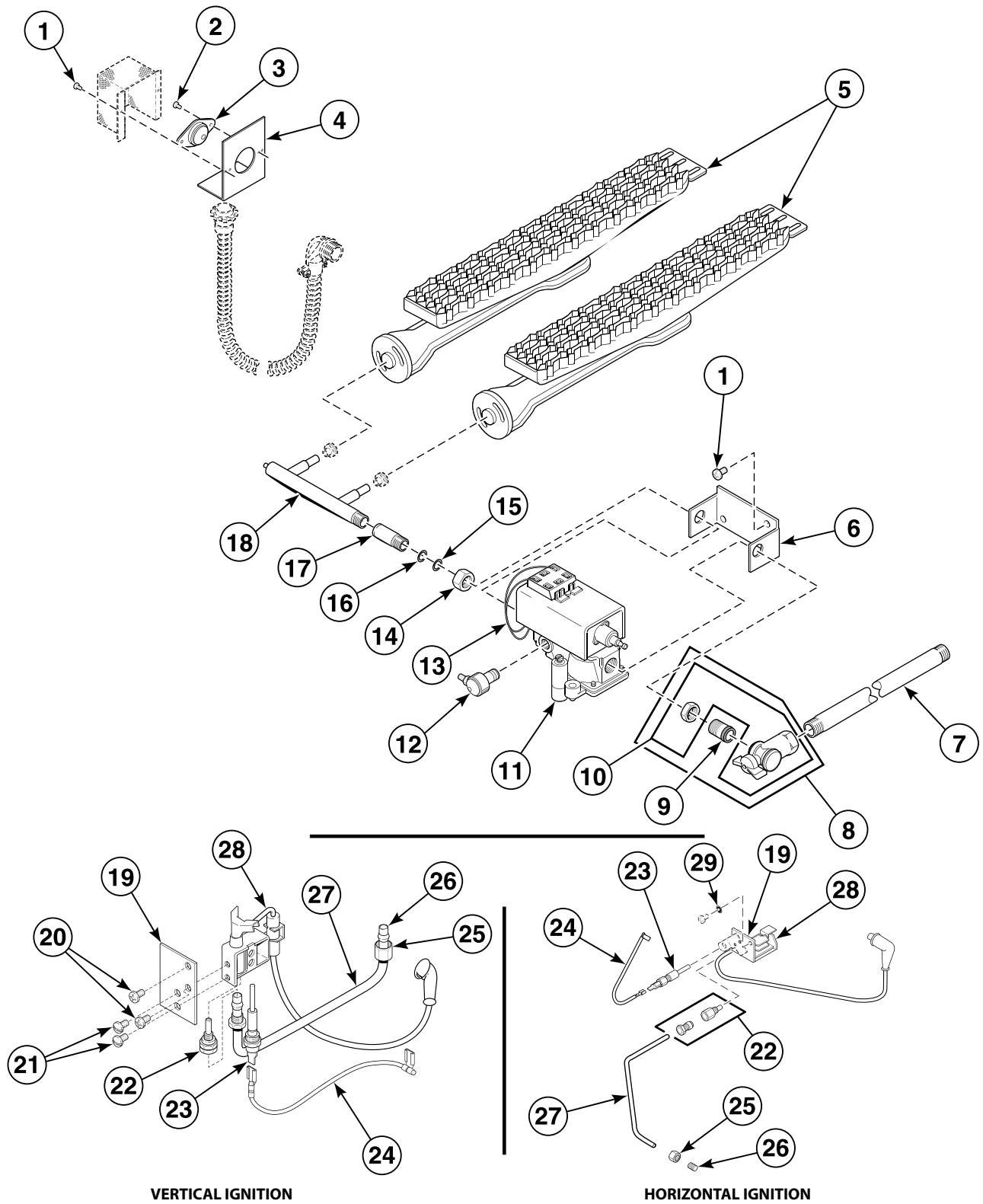
TMB2516P_70410801

Standing Pilot Ignition Gas Valve Components

REF	PART NO.	DESCRIPTION	COMMENTS
1	M400331P	Operator	Magnetic; 240 Volt
	M406217P	Magnetic Operator	120 Volt; Includes gasket
2	M400337	Jumper Wire	50 pound models
3	N/A	Jumper Wire	50 pound models
4	M400329P	Reset Assembly	Basotrol
5	M412997	Gas Valve Harness Assembly	CG models; OM control suffix
6	M413650	Gas Valve Harness Assembly	CG models; OM control suffix; Reversing and nonreversing; Australia
7	M400798	Gasket	

N/A = Part no longer available

Automatic Pilot Ignition Burner Assembly - 50 Pound Models



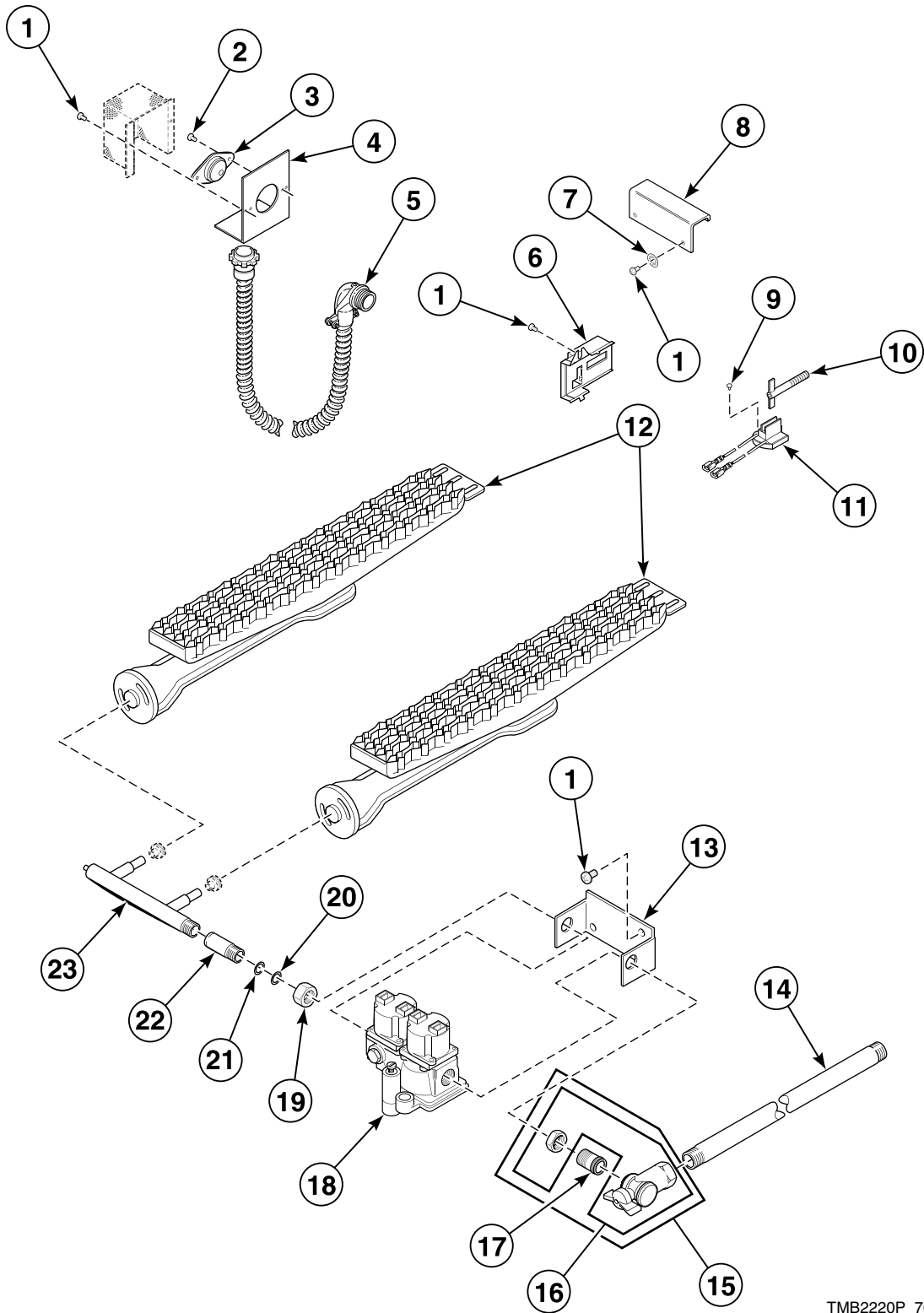
TMB2219P_70410801

Automatic Pilot Ignition Burner Assembly - 50 Pound Models

REF	PART NO.	DESCRIPTION	COMMENTS
	M4337P3	Igniter Kit	Liquid Petroleum Gas (L.P.); Includes items 19-22 and 24-28
	M4338P3	Igniter Kit	Natural Gas (N.G.); Includes items 19-22 and 24-28
1	M400664	Screw	
2	M402797	Screw	
3	M401404	Limit Thermostat	
4	M402798	Thermostat Bracket	
5	M4448P3	Burner Kit	Includes both burners
6	N/A	Bracket	
7	M400749	Pipe	
8	M4854P3	Shut-Off Valve and Tailpiece Kit	
9	44092201	Tailpiece	1/2 inch NPT
	44092202	Tailpiece	1/2 inch BPT
10	44092101	Gas Shut-Off Valve Assembly	
11	M401224P	Gas Valve	N.G.; Regulated
	M401225P	Gas Valve Kit	L.P.; Unregulated
12	N/A	Pilot Filter	
13	M410011P	Pilot Ignition Control	Blue box
	M4385P3	Remote Igniter Kit	To replace gray box
14	M401548	Nut	
15	M400606	Washer	
16	M400605	Anti-Torque Ring	
17	M406681	Manifold Pipe Assembly	
18	N/A	Manifold	
19	M402594	Ignition Bracket	
20	M409385	Screw	
21	M402595	Screw	
22	M402598	Burner Orifice	L.P.
	M402701	Burner Orifice	N.G.
23	M401209P	Sensor Probe	
24	M402597	Wire Lead	
25	M400926	Nut	
26	M400925	Sleeve	Compression
27	M402596	Pilot Tubing	
28	M402591P	Pilot Electrode	
29	03815	Washer	

N/A = Part no longer available

Glow Bar Ignition Burner Assembly - 50 Pound Models Starting January, 1982 (PA) Through August, 1982 (PH)



TMB2220P_70410801

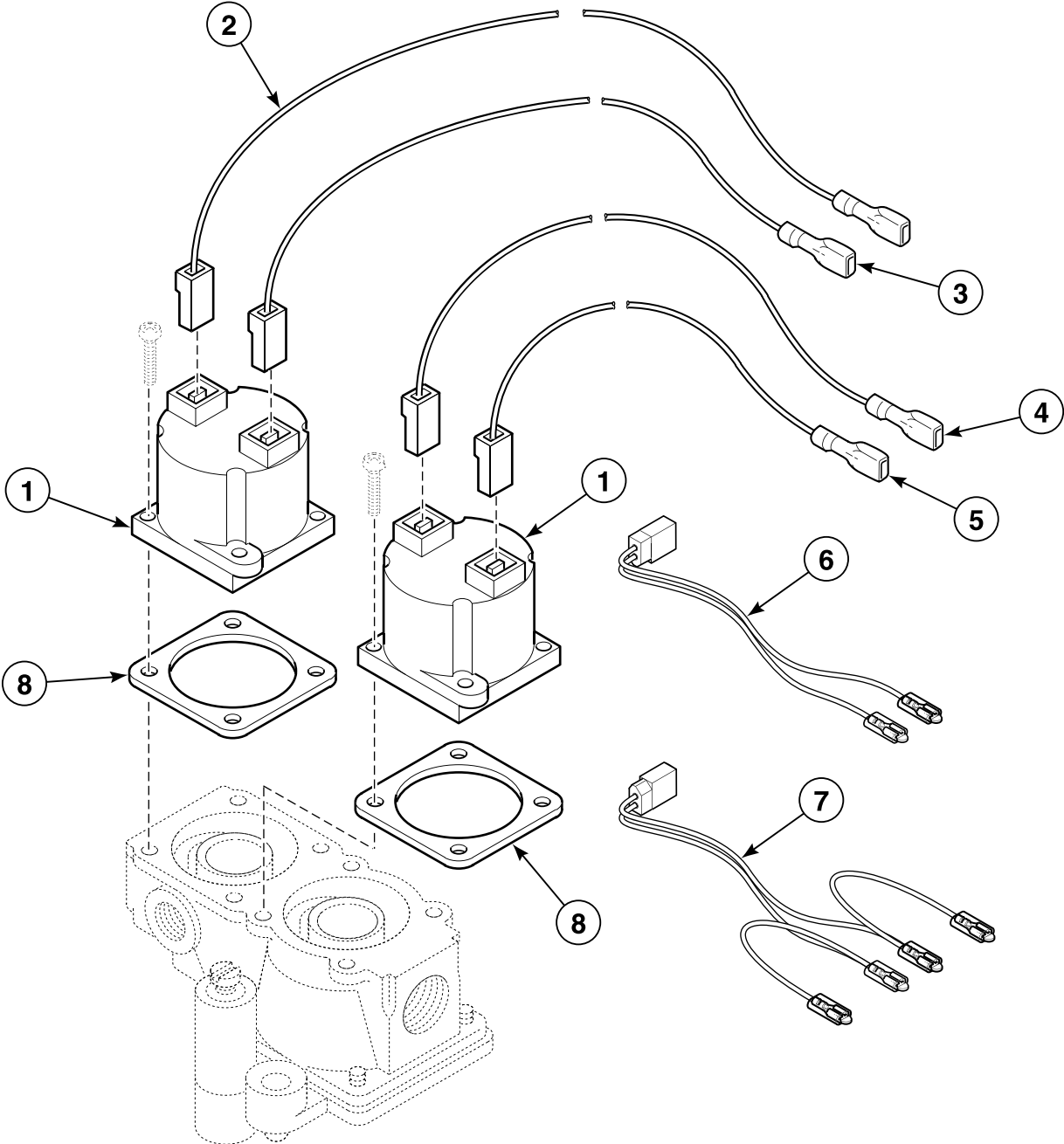
Glow Bar Ignition Burner Assembly - 50 Pound Models Starting January, 1982 (PA) Through August, 1982 (PH)

REF	PART NO.	DESCRIPTION	COMMENTS
1	M400664	Screw	
2	M402797	Screw	
3	M409433	Limit Thermostat	
4	M400838	Thermodisc Bracket	
5	M403824	Wire Harness Assembly	CG models
	N/A	Wire Harness Assembly	EG models
6	510213	Sensor	
7	03815	Washer	
8	M402746	Deflector Shield	
9	56693	Screw	
10	55438P	Igniter	
11	M402745P	Igniter Bracket Assembly	
12	M4448P3	Burner Kit	Includes both burners
13	N/A	Bracket	
14	M400749	Pipe	
15	M4854P3	Shut-Off Valve and Tailpiece Kit	
16	44092101	Gas Shut-Off Valve Assembly	
17	44092201	Tailpiece	1/2 inch NPT
	44092202	Tailpiece	1/2 inch BPT
18	M402750P	Gas Valve	Basotrol; Natural Gas (N.G.); Regulated; 120 Volt
	M403151P	Gas Valve	Basotrol; Liquid Petroleum Gas (L.P.); Unregulated; 120 Volt
19	M401548	Nut	
20	M400606	Washer	
21	M400605	Anti-Torque Ring	
22	M406681	Manifold Pipe Assembly	
23	N/A	Manifold	

N/A = Part no longer available

Glow Bar Ignition Gas Valve Components - 50 Pound Models

Models Starting January, 1982 (PA) Through August, 1982 (PH)



TMB2517P_70410801

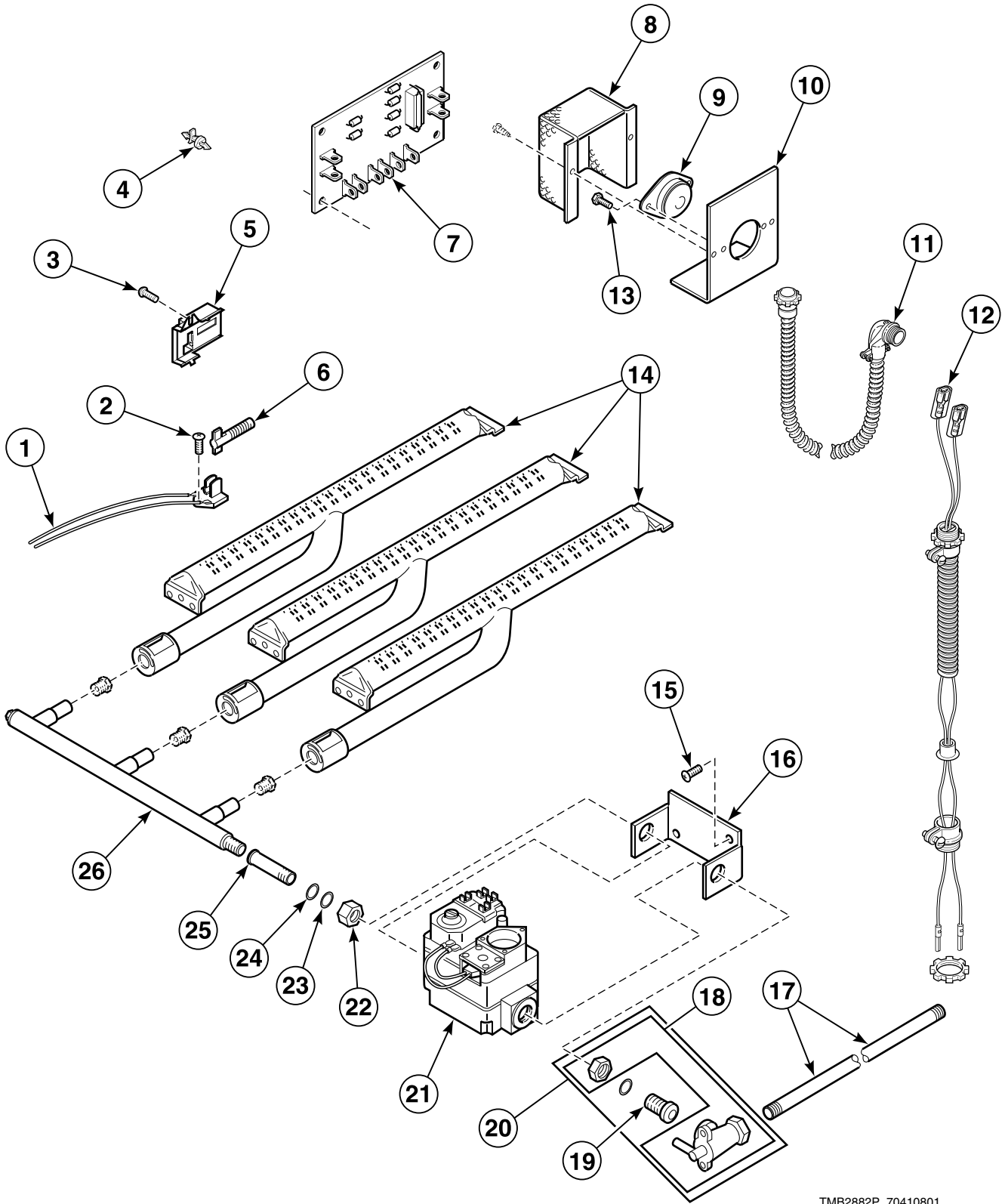
Glow Bar Ignition Gas Valve Components - 50 Pound Models

REF	PART NO.	DESCRIPTION	COMMENTS
1	M406217P	Magnetic Operator	120 Volt
2	M402824	Jumper Wire	Blue
3	N/A	Jumper Wire	Purple
4	M402823	Jumper Wire	Purple
5	M402825	Jumper Wire	Blue
6	M412997	Gas Valve Harness Assembly	CG models; OM control suffix
7	M413650	Gas Valve Harness Assembly	CG models; OM control suffix; Reversing and nonreversing; Australia
8	M400798	Gasket	

N/A = Part no longer available

Glow Bar Ignition Burner Assembly

Models Starting September, 1982 (PJ) Through May, 1991 (ZE)



TMB2882P_70410801

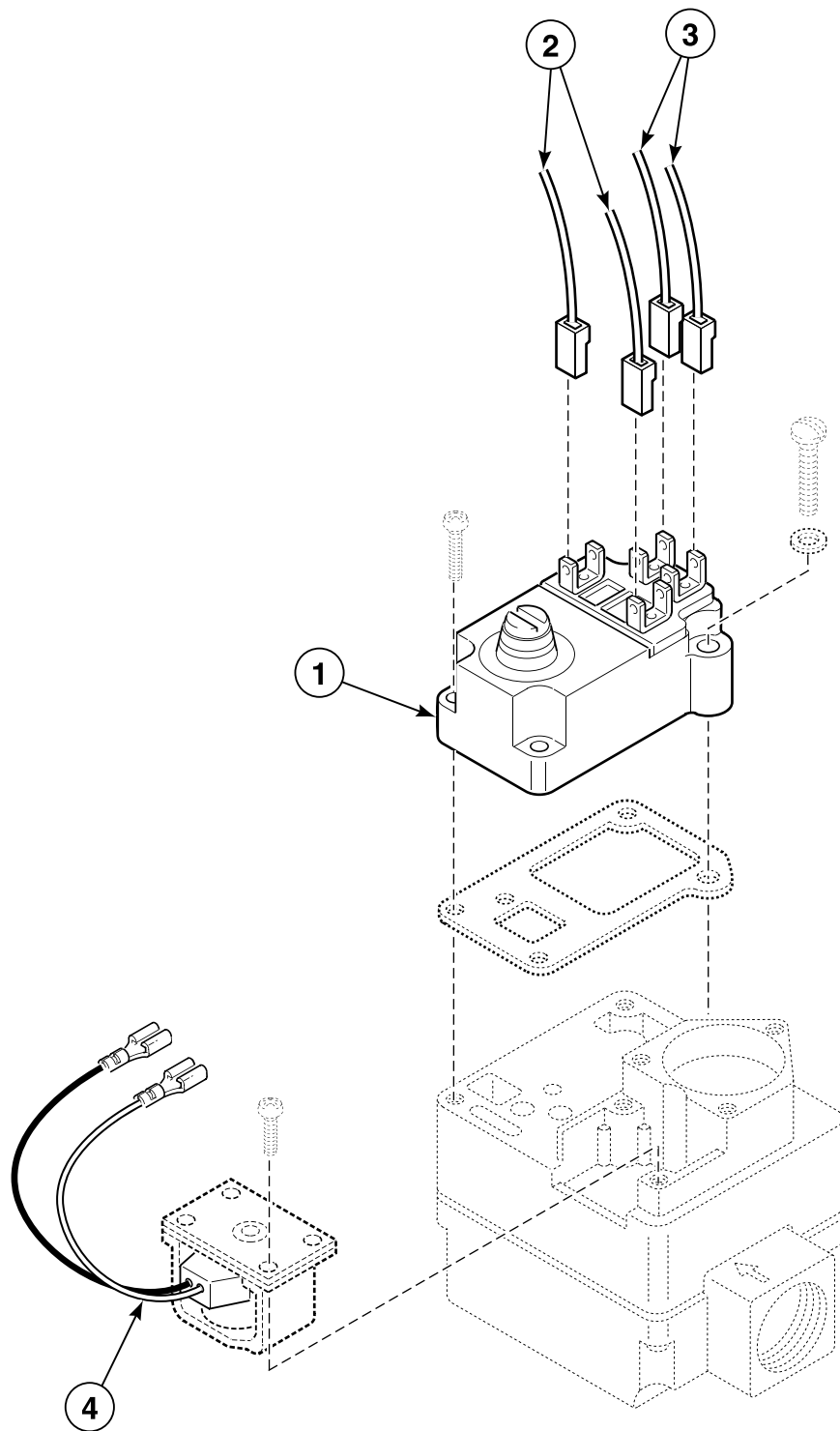
Glow Bar Ignition Burner Assembly

REF	PART NO.	DESCRIPTION	COMMENTS
	M4454P3	L.P. Conversion Kit	75CG models; Natural Gas (N.G.) to Liquid Petroleum Gas (L.P.)
	M4379P3	L.P. Conversion Kit	50CG models; N.G. to L.P.
	M4478P3	L.P. Conversion Kit	75EG models; N.G. to L.P.
	M4609P3	L.P. Conversion Kit	634 and FG models; N.G. to L.P.
1	M402745P	Igniter Bracket Assembly	
2	56693	Screw	
3	M400664	Screw	
4	M405979	Circuit Board Support	
5	510213	Sensor	
6	55438P	Igniter	
7	M405897P	Diode Logic Board	Located in front control area
8	M414477	Thermostat Cover	
9	M409433	Limit Thermostat	50 pound models
	M410220	Limit Thermostat	75EG models
	M401404	Limit Thermostat	All other 75 pound models
10	M400838	Thermodisc Bracket	50 pound models
	M406882	Thermostat Bracket	75 pound models
11	M403824	Wire Harness Assembly	50CG models
	N/A	Wire Harness Assembly	50EG models
12	M412920	Thermostat Harness	75 pound DC, JC and SC models; 230 Volt/50 Hertz/1 Phase; Cabinet mounted airflow switch
13	M402797	Screw	
14	M405919	Burner Assembly	2 required for 50 pound models; 3 required for 75 pound models; Models through Serial No. 724078ZF
	M410541	Burner Assembly	2 required for 50 pound models; 3 required for 75 pound models; Models starting Serial No. 724078ZF
15	M405188	Screw	
16	N/A	Bracket	Models through Serial No. 724078ZF
	M406814	Gas Valve Bracket	Models starting Serial No. 724078ZF
17	M400749	Pipe	
18	44092101	Gas Shut-Off Valve Assembly	
19	44092201	Tailpiece	1/2 inch NPT
	44092202	Tailpiece	1/2 inch BPT
20	M4854P3	Shut-Off Valve and Tailpiece Kit	
21	M405935P	Gas Valve	L.P.; Unregulated; 120 Volt
	M405898	Gas Valve	N.G.; Regulated; 120 Volt
22	M401548	Nut	
23	M400605	Anti-Torque Ring	
24	M400606	Washer	
25	M406681	Manifold Pipe Assembly	
26	N/A	Manifold	50 pound models
	M406810	Spud Holder Assembly	75 pound models

N/A = Part no longer available

Glow Bar Ignition Gas Valve Coil and Wires

Models Starting September, 1982 (PJ) Through May, 1991 (ZE)



T043P_70410801

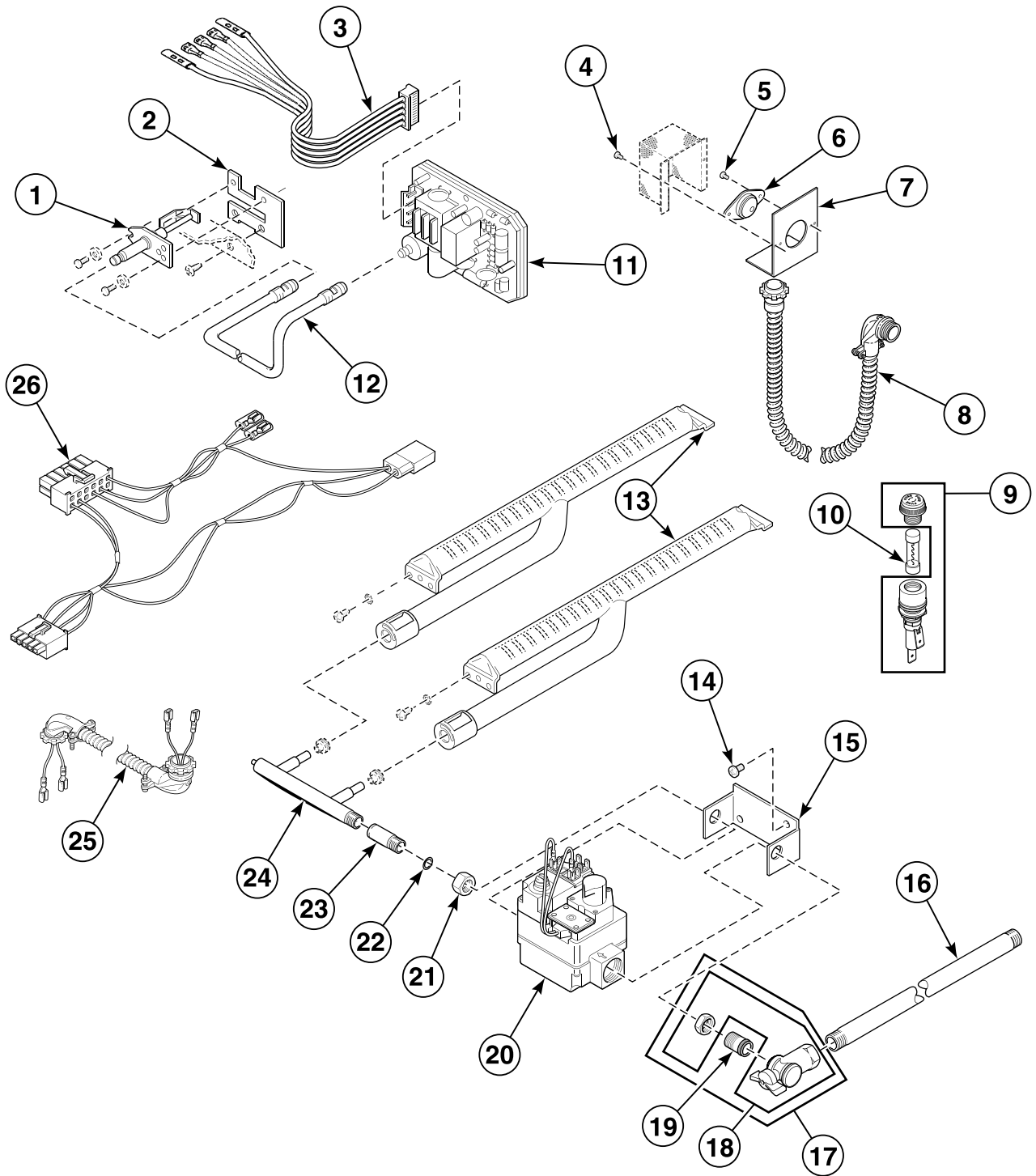
Glow Bar Ignition Gas Valve Coil and Wires

REF	PART NO.	DESCRIPTION	COMMENTS
	M405434	L.P. Valve Conversion Kit	75 pound models; To convert new coil for use on Liquid Petroleum Gas (L.P.) models
1	M405430	Main Coil	
2	M404866	Jumper Wire	Purple
3	M404868	Jumper Wire	Blue
4	N/A	Redundant Coil	Not available as a separate part, order new valve

N/A = Part no longer available

Instant Electronic Ignition Burner Assembly

50 Pound Models Starting June, 1991 (ZF)



TMB2520P_70410801

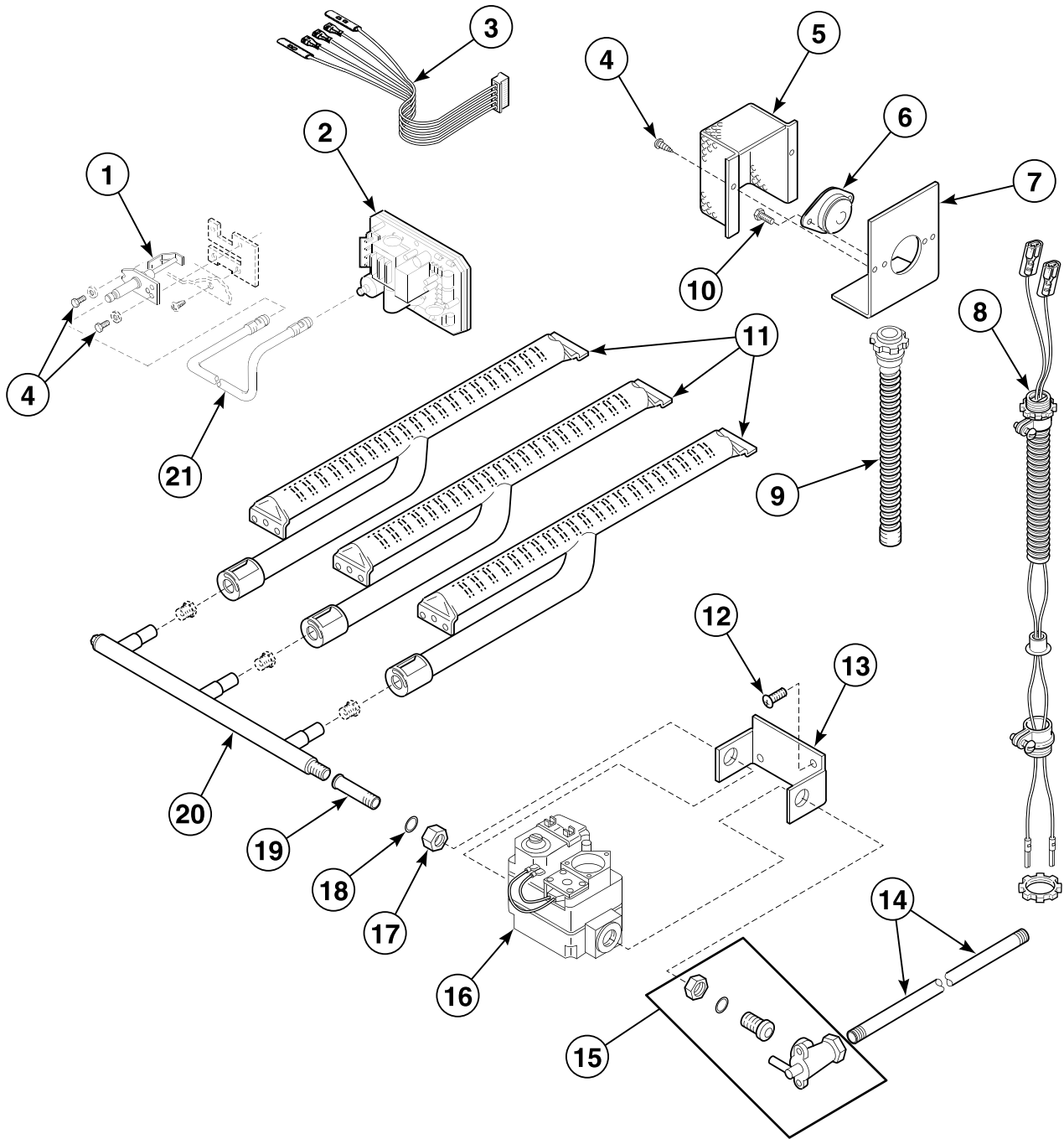
Instant Electronic Ignition Burner Assembly

REF	PART NO.	DESCRIPTION	COMMENTS
	M4379P3	L.P. Conversion Kit	CG models; Natrual Gas (N.G.) to Liquid Petroleum Gas (L.P.)
1	M406934P	Spark Igniter	
2	M406936	Bracket	
3	M410599	Wire Harness Assembly	
	M406880	Ignition Wire Harness Assembly	
4	M400664	Screw	
5	M402797	Screw	
6	M401404	Limit Thermostat	EG models
	M409433	Limit Thermostat	CG models
7	M400838	Thermodisc Bracket	
8	M403824	Wire Harness Assembly	EG models
	N/A	Wire Harness Assembly	CG models
9	91024P	Fuse Receptacle	
10	430836	Fuse	3/4 Amp; 250 Volt; A, DT, JT and ST models; 480 Volt/60 Hertz/3 Phase with MT control suffix
11	M406789P	Ignition Control	
12	M406881	High Voltage Lead	
13	M405919	Burner Assembly	2 required; Models through Serial No. 724077ZE
	M410541	Burner Assembly	2 required; Models starting Serial No. 724078ZF
14	M405188	Screw	
15	M405945	Gas Valve Bracket	Models through Serial No. 724077ZE
	M406814	Gas Valve Bracket	Models starting Serial No. 724078ZF
16	M400749	Pipe	
17	M4854P3	Shut-Off Valve and Tailpiece Kit	
18	44092101	Gas Shut-Off Valve Assembly	
19	44092201	Tailpiece	1/2 inch NPT
	44092202	Tailpiece	1/2 inch BPT
20	M409152P	Gas Valve Assembly	60 Hertz; N.G.; Regulated
	M409153P	Gas Valve Assembly	60 Hertz; L.P.; Unregulated
	M409517P	Gas Valve	50 Hertz; N.G.; Regulated
	M409561P	Gas Valve Assembly	50 Hertz; L.P.; Unregulated
	M413332P	Gas Valve	24 Volt; N.G.; Regulated
	M413333P	Gas Valve	24 Volt; L.P.; Unregulated
21	M401548	Nut	
22	M400605	Anti-Torque Ring	
23	M406681	Manifold Pipe Assembly	
24	N/A	Manifold	Models through Serial No. 724077ZE
	M410546	Spud Holder Assembly	Models starting Serial No. 724078ZF
25	M412609	Stove Limit Harness Assembly	CG models; OM control suffix; Reversing and nonreversing; Airflow switch to stove high limit thermostat
26	M413678	Control Box Harness Assembly	CG models; OM control suffix

N/A = Part no longer available

Gas Burner Components for Electronic Ignition

75 Pound Models



TMB2490P_70410801

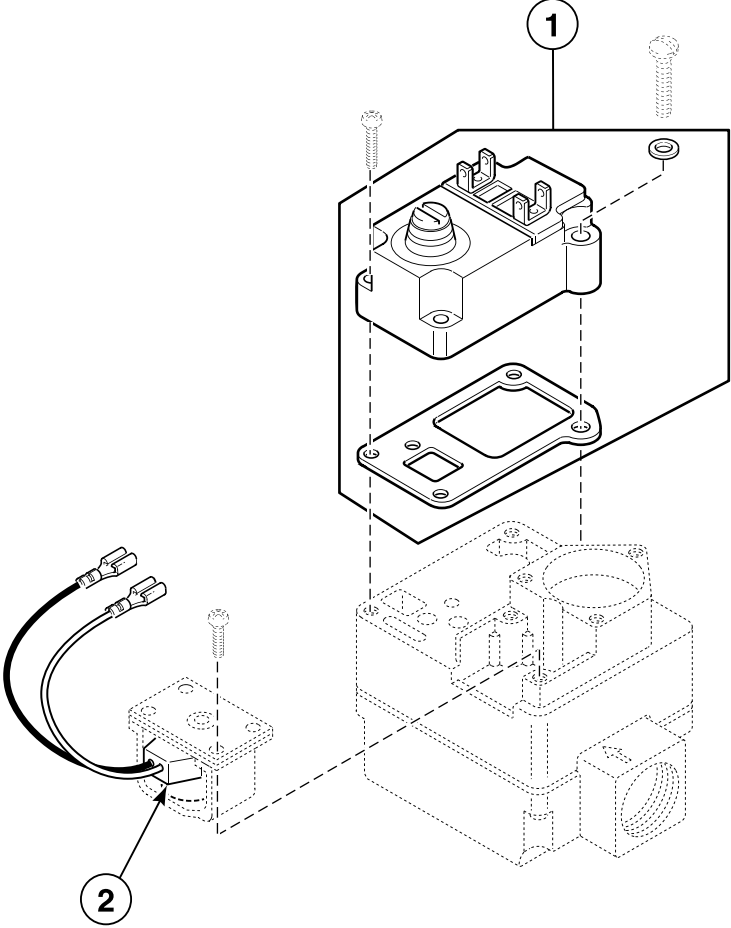
Gas Burner Components for Electronic Ignition

REF	PART NO.	DESCRIPTION	COMMENTS
	M4454P3	L.P. Conversion Kit	CG models; Used to convert Natural Gas (N.G.) to Liquid Petroleum Gas (L.P.)
	M4478P3	L.P. Conversion Kit	EG models; Used to convert N.G. to L.P.
	M4609P3	L.P. Conversion Kit	634 and FG models; Used to convert N.G. to L.P.
1	M406934P	Spark Igniter	
2	M406789P	Ignition Control	MM and MT control suffixes; 120 Volt
	70367301P	Ignition Control	OM control suffix; 24 Volt
3	M406880	Ignition Wire Harness Assembly	MM and MT control suffixes
	M413678	Control Box Harness Assembly	OM control suffix
4	M400664	Screw	
5	M414477	Thermostat Cover	
6	M410220	Limit Thermostat	634 and EG models
	M401404	Limit Thermostat	CG models
7	M406882	Thermostat Bracket	
8	M412920	Thermostat Harness	DC, JC and SC models; 230 Volt/50 Hertz/1 Phase; Cabinet mounted airflow switch
9	N/A	Stove Limit Wire Harness Assembly	MM and MT control suffixes
	M413691	Stove Limit Harness Assembly	OM control suffix
	M413499	Stove Limit Wire Harness Assembly	634 and FG models
10	M402797	Screw	
11	M405919	Burner Assembly	3 required; Models through Serial No. 724078ZF
	M410541	Burner Assembly	3 required; Models starting Serial No. 724078ZF
12	M405188	Screw	
13	M406814	Gas Valve Bracket	Models starting Serial No. 724078ZF
	M405945	Gas Valve Bracket	Models through Serial No. 724078ZF
14	M400749	Pipe	
15	M4854P3	Shut-Off Valve and Tailpiece Kit	
16	M409152P	Gas Valve Assembly	N.G.; MM and MT control suffixes; 120 Volt/60 Hertz
	M409153P	Gas Valve Assembly	L.P.; MM and MT control suffixes; 120 Volt/60 Hertz
	M409517P	Gas Valve	N.G.; MM and MT control suffixes; 120 Volt/50 Hertz
	M409561P	Gas Valve Assembly	L.P.; MM and MT control suffixes; 120 Volt/50 Hertz
	44138701P	Gas Valve	L.P.; OM control suffix; 24 Volt/50 Hertz
	M4897P3	L.P. Gas Valve Kit	OM control suffix; 24 Volt/60 Hertz
	44154501	Gas Valve	N.G.; OM control suffix; 24 Volt/50 Hertz
	M413468P	Gas Valve	N.G.; OM control suffix; 24 Volt/60 Hertz
17	M401548	Nut	
18	M400605	Anti-Torque Ring	
19	M406681	Manifold Pipe Assembly	
20	M406810	Spud Holder Assembly	
21	M406881	High Voltage Lead	

N/A = Part no longer available

Instant Electronic Ignition Gas Valve Coil and Wires

Models Starting June, 1991 (ZF)



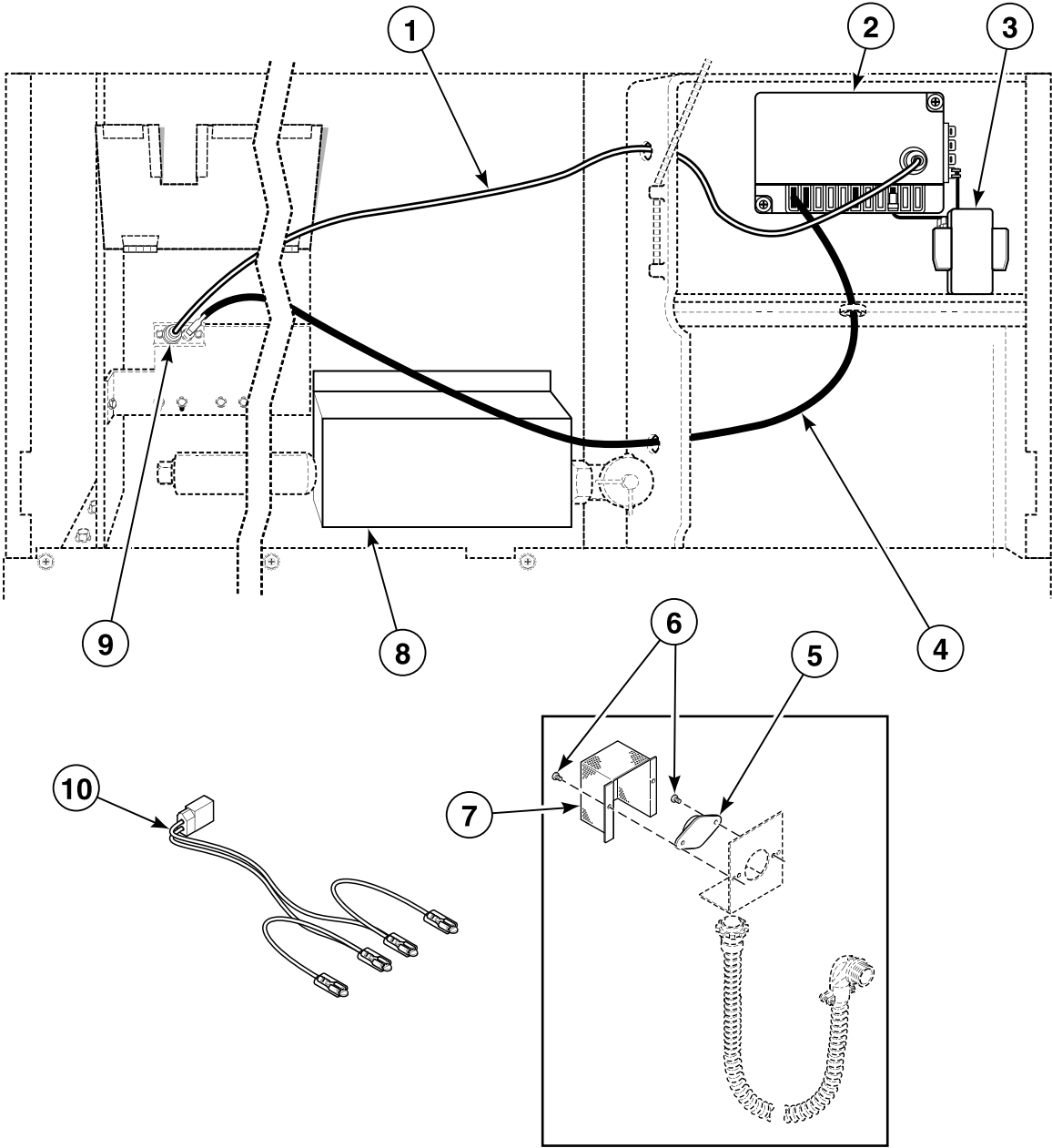
TMB2223P_70410801

Instant Electronic Ignition Gas Valve Coil and Wires

REF	PART NO.	DESCRIPTION	COMMENTS
	M405434	L.P. Valve Conversion Kit	75 pound models; Included with M4454P3 L.P. Conversion Kit and M4478P3 L.P. Conversion Kit
1	M411134	Gas Valve Main Coil	120 Volt; Includes gasket
	44042901P	Gas Valve Coil	24 Volt; 60 Hertz
	M413332P	Gas Valve	50 pound models; 24 Volt; Natural Gas (N.G.); Regulated
	M413333P	Gas Valve	50 pound models; 24 Volt; Liquid Petroleum Gas (L.P.); Unregulated
	M413468P	Gas Valve	50 pound models; 60 Hertz; N.G.
	44154501	Gas Valve	50 pound models; 50 Hertz; N.G.
	M4897P3	L.P. Gas Valve Kit	50 pound models; 60 Hertz; L.P.
	44138701P	Gas Valve	50 pound models; 50 Hertz; L.P.
2	N/A	Redundant Coil	Not available as separate part, order new valve

N/A = Part no longer available

Burner Assembly for Australian Models



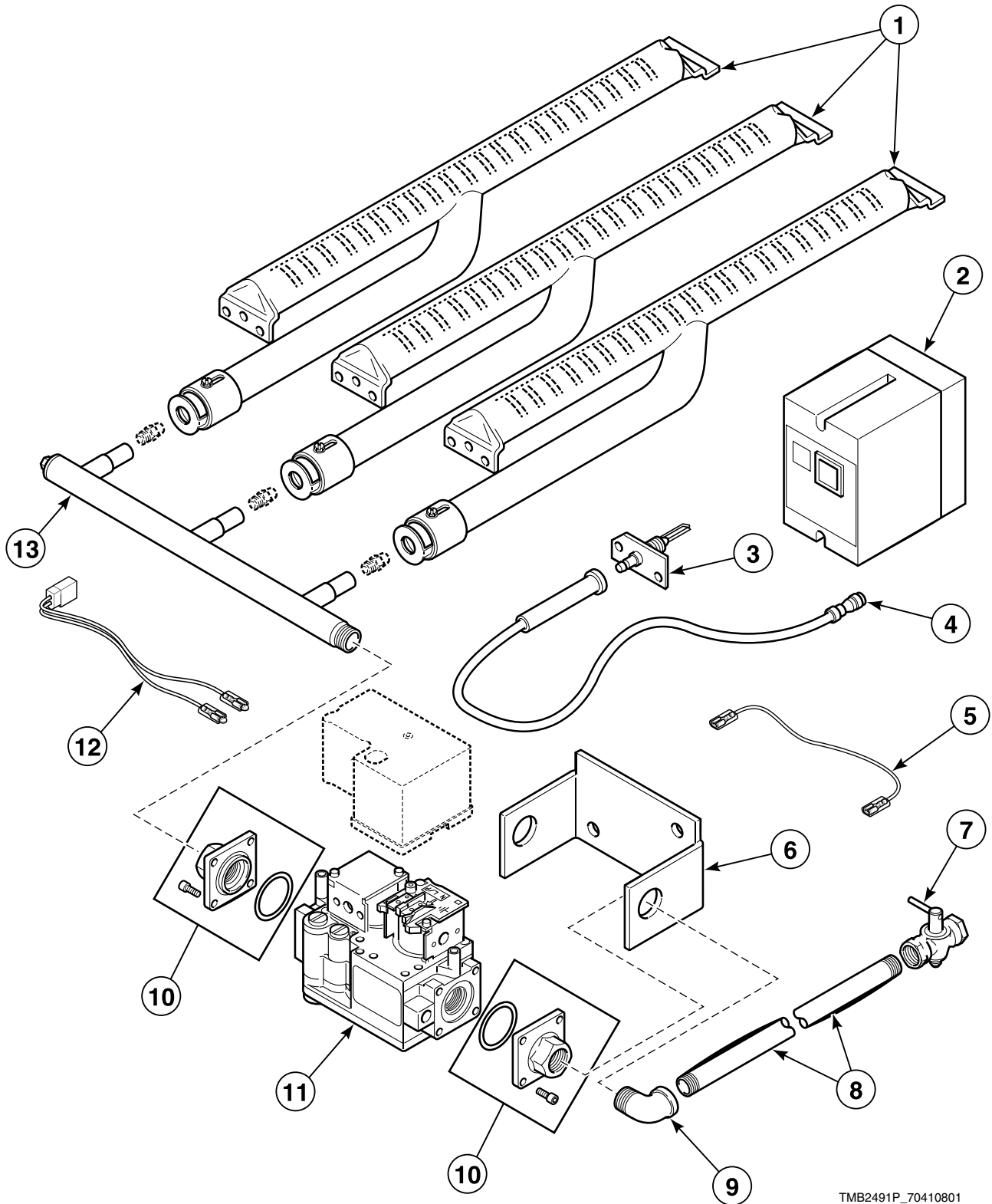
TMB2489P_70410801

Burner Assembly for Australian Models

REF	PART NO.	DESCRIPTION	COMMENTS
1	N/A	High Voltage Lead	
2	M410904P	Instant Electronic Ignition Control	24 Volt
3	N/A	Transformer	240 Volt Primary/24 Volt Secondary
4	N/A	Sensor Jumper Wire	
5	M410220	Limit Thermostat	
6	M400664	Screw	
7	M414477	Thermostat Cover	
8	M410907P	Gas Valve	Natural Gas (N.G.)
	M410908	Gas Valve	Liquid Petroleum Gas (L.P.)
9	M410905P	Spark Igniter	
10	M413650	Gas Valve Harness Assembly	OM control suffix; Dual coil connection; Johnson gas valve

N/A = Part no longer available

Gas Valve Assembly for Dungs/B-M System



TMB2491P_70410801

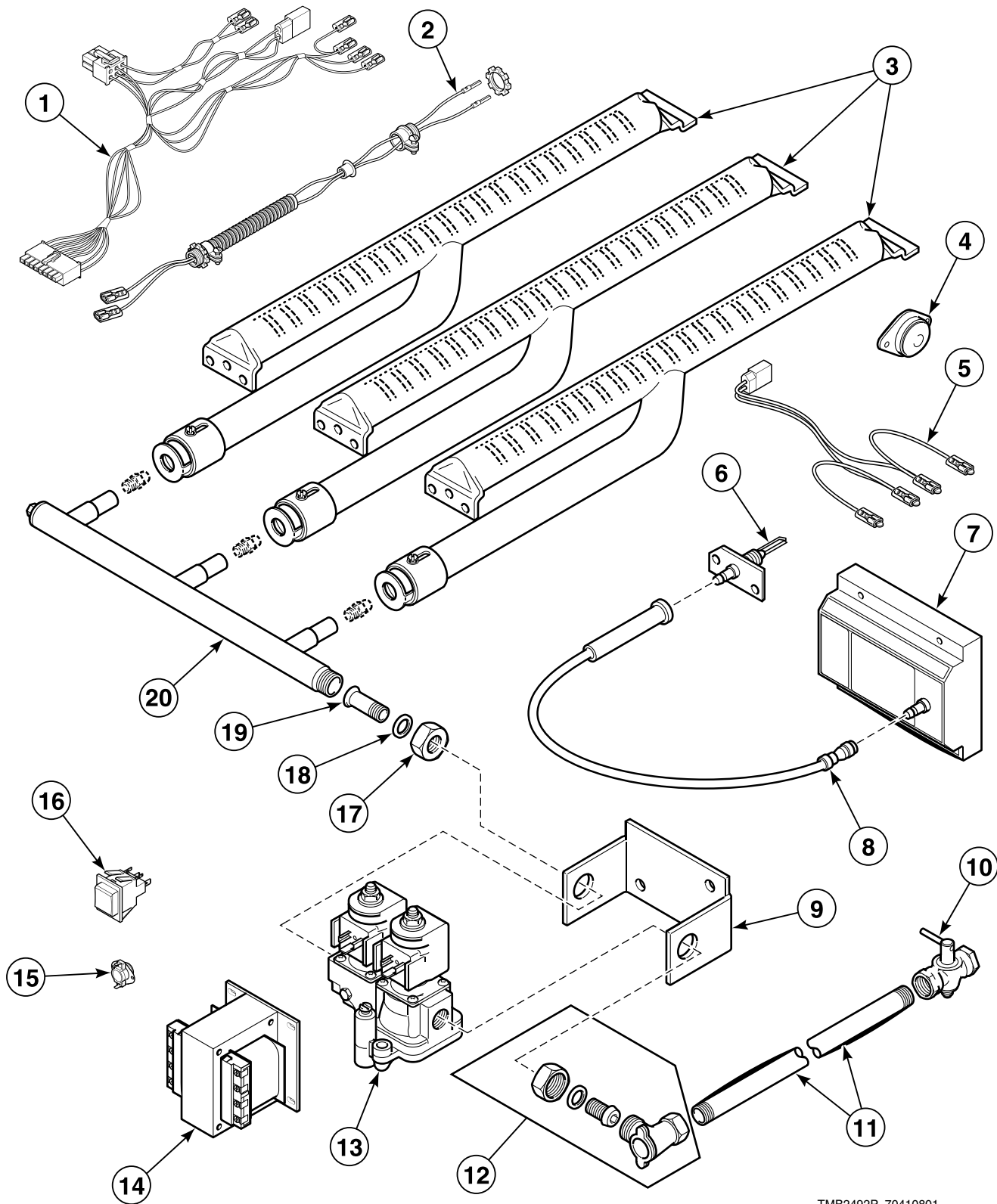
Gas Valve Assembly for Dungs/B-M System

REF	PART NO.	DESCRIPTION	COMMENTS
	607P3	Channel Ignition Kit	Replaces ignition control
1	M410541	Burner Assembly	2 required for 50 pound models; 3 required for 75 pound models
2	M4898P3	Ignition Control	
3	M406934P	Spark Igniter	
4	N/A	Ignition Control Cable	
5	M412645	Jumper Wire Assembly	Ground
6	N/A	Gas Valve Bracket	
7	M412562	Gas Shut-Off Valve	
8	M400749	Pipe	
9	H86070034	Street Elbow	
10	M412568	Gas Valve Flange Assembly	
11	N/A	Gas Valve	
12	M412997	Gas Valve Harness Assembly	DC, JC and SC models; OM control suffix; Single coil connection
13	N/A	Spud Holder	

N/A = Part no longer available

Gas System

Channel/Johnson



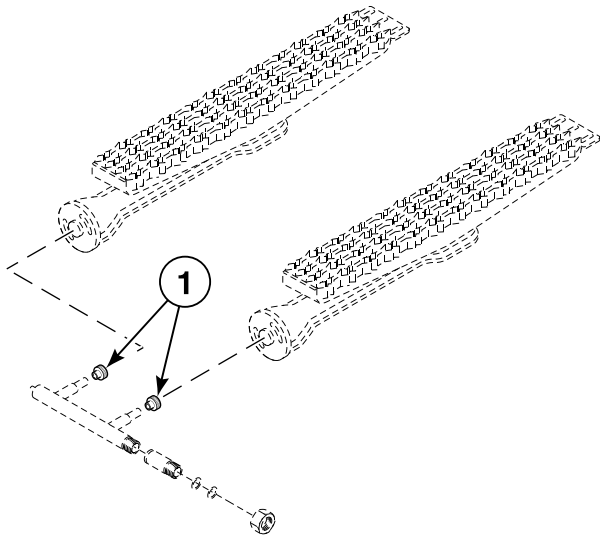
TMB2492P_70410801

Gas System

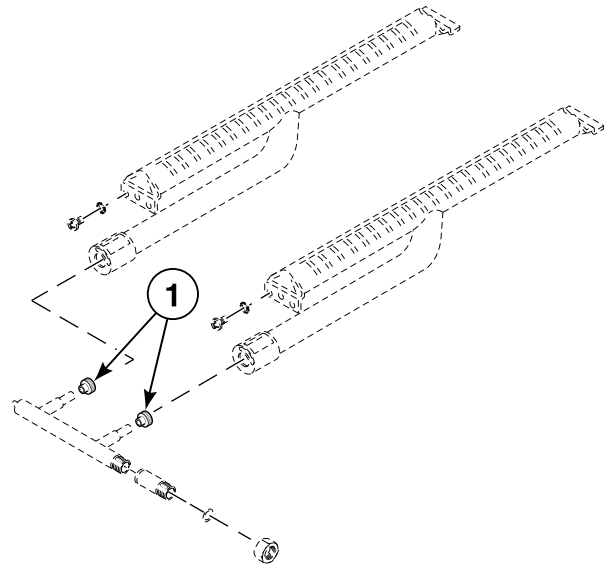
REF	PART NO.	DESCRIPTION	COMMENTS
1	M413548	Ignition Control Harness Assembly	75 pound DC, JC and SC models; Manual timer and mechanical coin drop with bulb thermostat
2	M412920	Thermostat Harness	75 pound DC, JC and SC models; 230 Volt/50 Hertz/1 Phase; Cabinet mounted airflow switch
3	M410541	Burner Assembly	2 required for 50 pound models; 3 required for 75 pound models
4	N/A	Thermostat	
5	M413650	Gas Valve Harness Assembly	OM control suffix; Australian; Dual coil connection
6	M406934P	Spark Igniter	
7	70367401P	Ignition Control	
8	M406881	High Voltage Lead	
9	M406814	Gas Valve Bracket	
10	M412562	Gas Shut-Off Valve	
11	M400749	Pipe	
12	M4854P3	Shut-Off Valve and Tailpiece Kit	
13	M413332P	Gas Valve	
14	M413100P	Transformer	208-240 Volt/60 Hertz/3 Phase
15	M410220	Limit Thermostat	Manual reset
16	M413431	Pushbutton Switch	Lighted; DC, JC and SC models
17	M401548	Nut	
18	M400605	Anti-Torque Ring	
19	M413395	Manifold Pipe Assembly	
20	M410546	Spud Holder Assembly	50 pound models
	M406810	Spud Holder Assembly	75 pound models

N/A = Part no longer available

Burner Orifices - A, DT, JT, ST and TKD Models



**Standing Pilot Ignition
Automatic Pilot Ignition
Glow Bar Ignition
Models Starting January 1982 (PA)
Through August 1982 (PH)**



**Glow Bar Ignition
Models Starting September 1982 (PJ)
Through May 1991 (ZE)
Instant Electronic Ignition
Models Starting June 1991 (ZF)**

Note: 50 pound models use 2 orifices and 75 pound models use 3 orifices.

TMB2113P_70410801

Burner Orifices - A, DT, JT, ST and TKD Models

REF	PART NO.	DESCRIPTION	COMMENTS
1	M401021	Burner Orifice	Natural Gas (N.G.); Drill no. 30 (3.3 mm); EG models 0-2,000 feet; CG and FG models 4,001-8,000 feet
	M401017	Burner Orifice	N.G.; Drill no. 31 (3.0 mm); EG models 2,001-6,000 feet; CG and FG models 6,001-10,000 feet
	N/A	Burner Orifice	N.G.; Drill no. 32 (2.9 mm); EG models 6,001-8,000 feet
	M401022	Burner Orifice	N.G.; Drill no. 33 (2.9 mm); EG models 8,001-10,000 feet
	M401001	Burner Orifice	Liquid Petroleum Gas (L.P.); Drill no. 48 (1.9 mm); EG models 0-2,000 feet; CG and FG models 6,001-8,000 feet
	N/A	Burner Orifice	L.P.; Drill no. 49 (1.8 mm); EG models 2,001-4,000 feet; CG and FG models 8,001-10,000 feet
	M401016	Burner Orifice	L.P.; Drill no. 50 (1.8 mm); EG models 4,001-6,000 feet
	M401019	Burner Orifice	L.P.; Drill no. 51 (1.7 mm); EG models 6,001-8,000 feet
	M401025	Burner Orifice	L.P.; Drill no. 52 (1.6 mm); EG models 8,001-10,000 feet
	M401002	Burner Orifice	N.G.; Drill no. 20 (4.1 mm); Models DTB634 and STB634 0-2,000 feet
	M401020	Burner Orifice	N.G.; Drill no. 23 (3.9 mm); Models DTB634 and STB634 2,001-4,000 feet
	M402997	Burner Orifice	N.G.; Drill no. 25 (3.8 mm); Models DTB634 and STB634 4,001-6,000 feet
	M400998	Burner Orifice	N.G.; Drill no. 27 (3.7 mm); Models DTB634 and STB634 6,001-8,000 feet
	M400997	Burner Orifice	N.G.; Drill no. 29 (3.4 mm); Models DTB634 and STB634 8,001-10,000 feet
	N/A	Burner Orifice	L.P.; Drill no. 40 (2.5 mm); Use M4743P3 L.P. Valve Kit to replace; Models DTB634 and STB634 0-2,000 feet
	M403017	Burner Orifice	L.P.; Drill no. 42 (2.4 mm); Models DTB634 and STB634 2,001-4,000 feet
	M406184	Burner Orifice	L.P.; Drill no. 43 (2.3 mm); Models DTB634 and STB634 4,001-6,000 feet
	M401011	Burner Orifice	L.P.; Drill no. 44 (2.2 mm); Models DTB634 and STB634 6,001-8,000 feet
	M401027	Burner Orifice	L.P.; Drill no. 45 (2.1 mm); Models DTB634 and STB634 8,001-10,000 feet
	M401014	Burner Orifice	N.G.; Drill no. 28 (3.6 mm); CG and FG models 0-2,000 feet
	M400997	Burner Orifice	N.G.; Drill no. 29 (3.4 mm); CG and FG models 2,001-4,000 feet
	M401027	Burner Orifice	L.P.; Drill no. 45 (2.1 mm); CG and FG models 0-2,000 feet
	M401003	Burner Orifice	L.P.; Drill no. 46 (2.1 mm); CG and FG models 2,001-4,000 feet
	M400999	Burner Orifice	L.P.; Drill no. 47 (2.0 mm); CG and FG models 4,001-6,000 feet

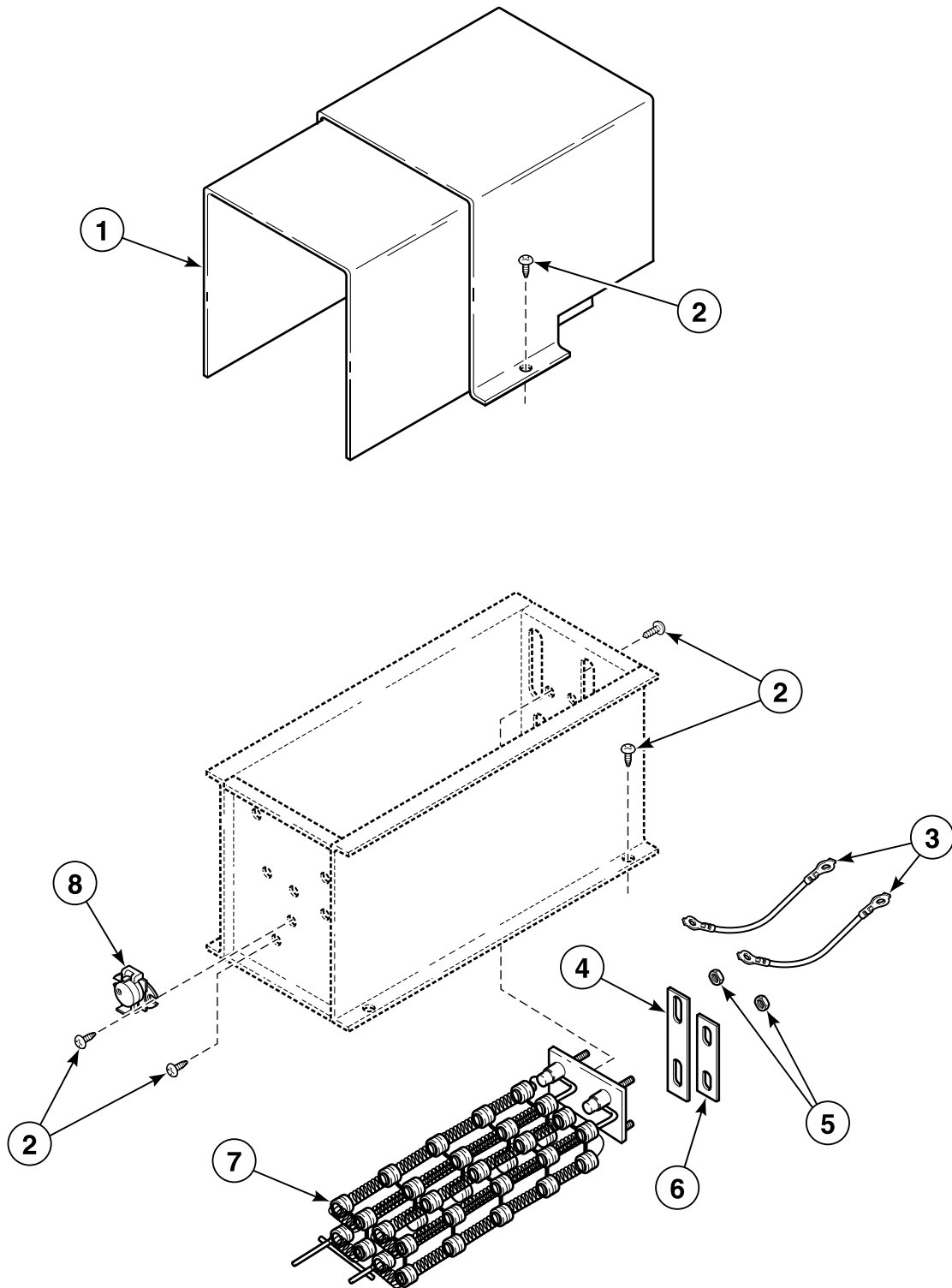
N/A = Part no longer available

NOTE: For CE gas and orifice information, refer to Installation Manual.

NOTE: 50 pound models use 2 orifices and 75 pound models use 3 orifices.

Electric Heater Components and Thermostat (Drawing 1 of 3)

50 Pound Models Through Serial No. 9412024947 and 75 Pound Models Through Serial No. 9304053995



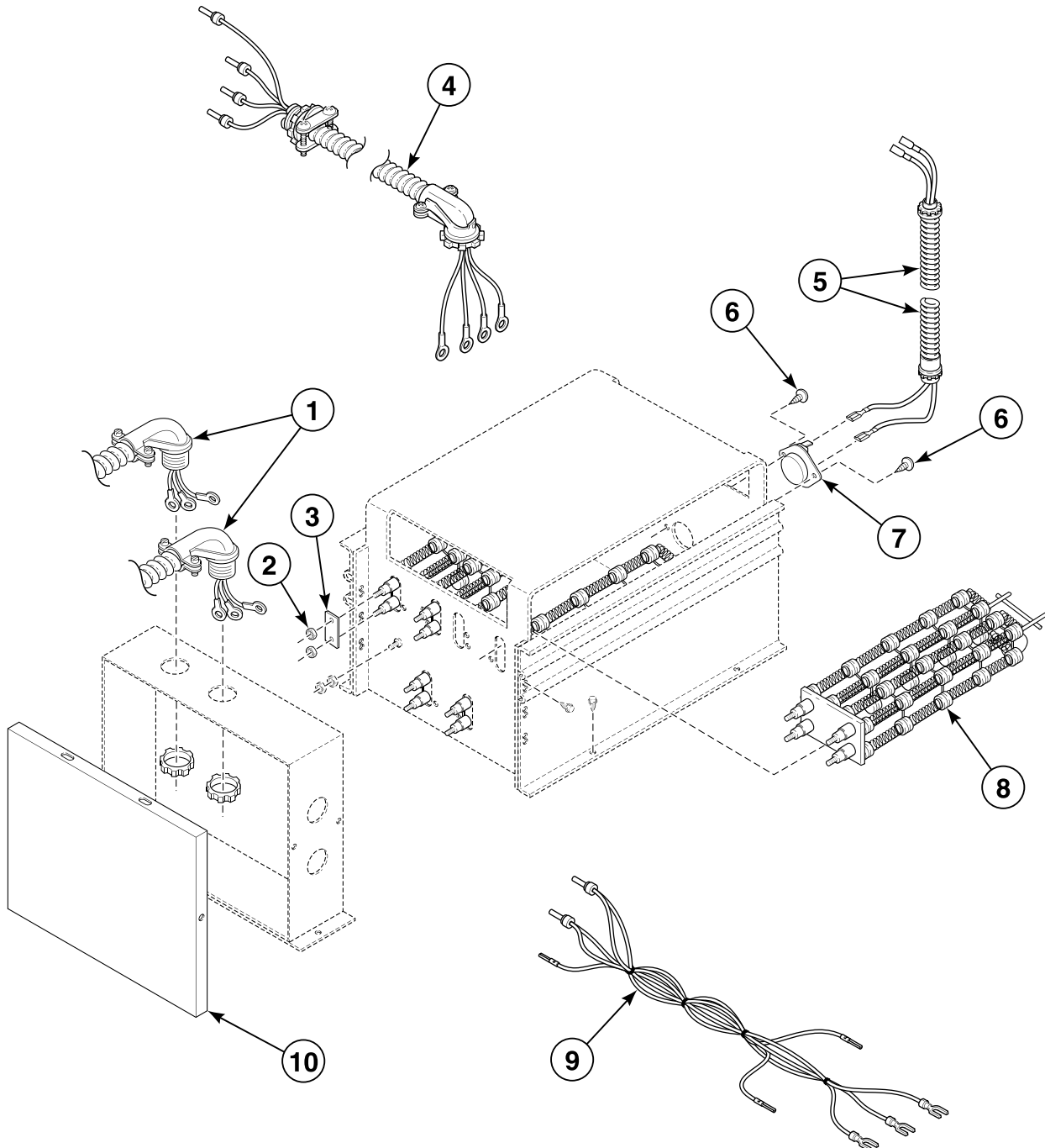
TMB2263P_70410801

Electric Heater Components and Thermostat (Drawing 1 of 3)

REF	PART NO.	DESCRIPTION	COMMENTS
1	M401159	Hood Assembly	
2	M400664	Screw	
3	M401281	Jumper Wire Assembly	6 required for 208 or 240 Volt; 3 required for 380, 415 or 480 Volt
	M403743	Jumper Wire Assembly	1 required for 480 Volt
4	M400866	Jumper Bar	6 required for 208 or 240 Volt; 3 required for 380-415 Volt; 2 required for 480 Volt
5	Q6163	Nut	
6	M400869	Jumper Strip	6 required for 208-240 Volt and 380-415 Volt; 3 required for 480 Volt
7	M405253P	Heater Element	21 kW; 7 kW; Models through Serial No. 9303030868
	M405254P	Heater Element	208 Volt/60 Hertz; 10 kW; Models through Serial No. 9303030868
	M405255P	Heater Element	380 Volt/50 Hertz; 10 kW; 220 Volt; Models through Serial No. 9303030868
	M405256P	Heater Element	240 or 480 Volt/60 Hertz; 415 Volt/50 Hertz; 10 kW; 240 Volt; Models through Serial No. 9303030868
	M410939P	Heater Element	240 or 480 Volt/60 Hertz; 415 Volt/50 Hertz; 10 kW; 240 Volt; Models starting Serial No. 9303030869 through Serial No. 9412024947
	M410940P	Heater Element	208 Volt/60 Hertz; 10 kW; Models starting Serial No. 9303030869 through Serial No. 9412024947
	M410941P	Heater Element	380 Volt/50 Hertz; 10 kW; 220 Volt; Models starting Serial No. 9303030869 through Serial No. 9412024947
8	M4347P3	Thermostat Kit	Replaces older flat faced stat
	M405943	Limit Thermostat	Raised face type

Electric Heater Components and Thermostat (Drawing 2 of 3)

DC, JC and SC Models - 50 Pound Models Starting Serial No. 9412024948 and
75 Pound Models Starting Serial No. 9304053996



TMB2883P_70410801

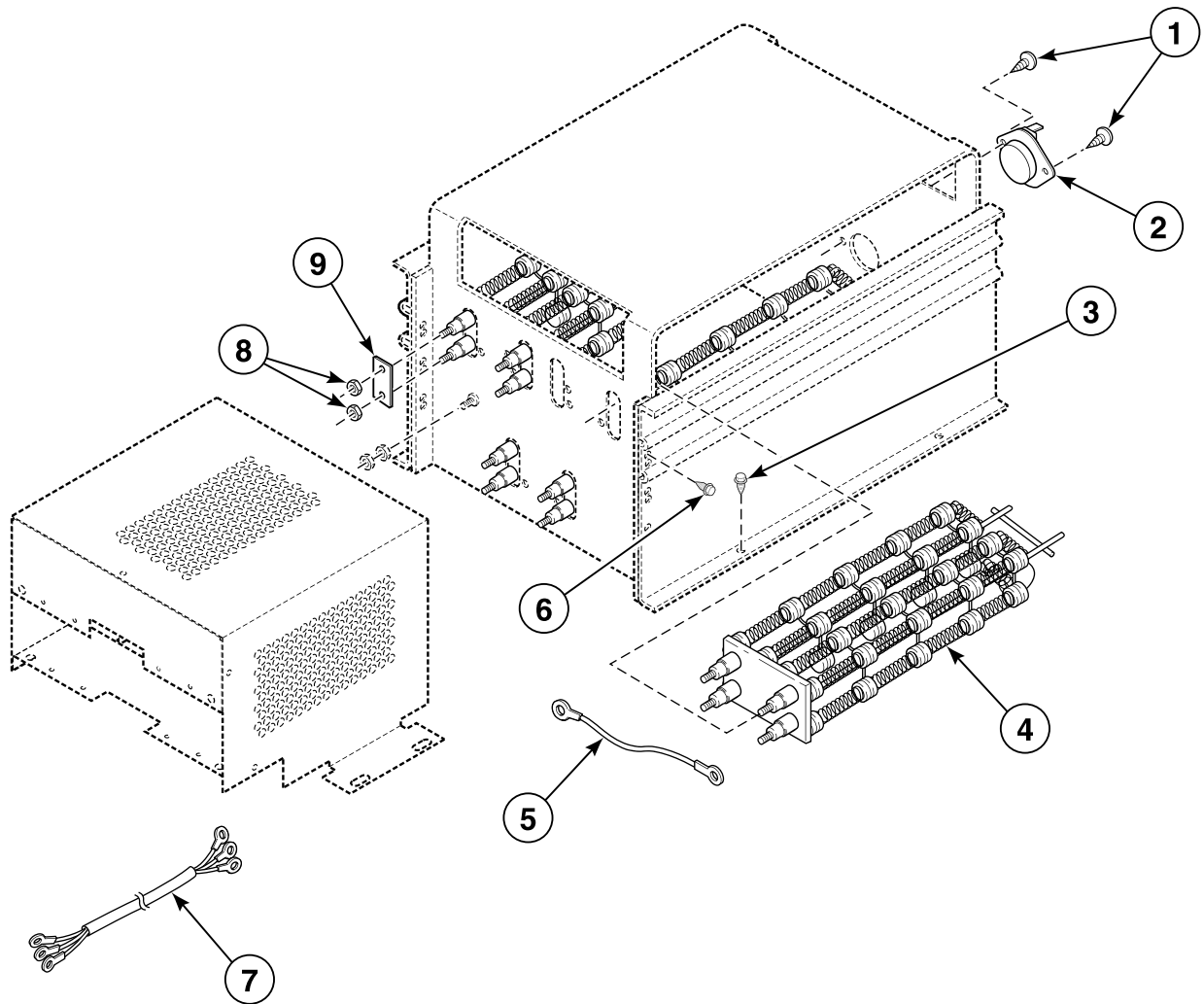
Electric Heater Components and Thermostat (Drawing 2 of 3)

REF	PART NO.	DESCRIPTION	COMMENTS
1	M412287	Jumper Wire Assembly	1 required for 380 or 415 Volt; 2 required for 480 Volt
	M401281	Jumper Wire Assembly	Nonreversing; Contactor to heater; 8 gauge; 6 required for 208-240 Volt; 3 required for 380, 415 or 480 Volt
	N/A	Jumper Wire Assembly	Reversing; Heater to contactor; 2 required for 208-240 Volt; 1 required for 380, 415 or 480 Volt
2	70054	Nut	
	Q6163	Nut	
3	M400866	Jumper Bar	1 required for 380, 415 or 480 Volt
	M400869	Jumper Strip	6 required for all models except 480 Volt; 3 required for 480 Volt
4	M412801	Heater Cable Harness Assembly	240 or 400 Volt/3 Phase; Ground; 8 gauge; H1-H3
	M412802	Heater Cable Harness Assembly	230 Volt/50 Hertz/3 Phase; 8 gauge; H4-H6
5	N/A	Cord Assembly	
6	33562	Screw	
7	M410220	Limit Thermostat	50 pound models
	M409433	Limit Thermostat	75 pound models
8	M410939P	Heater Element	10 kW; 240, 415 or 480 Volt/50 Hertz/3 Phase
	M410940P	Heater Element	10 kW; 208 Volt
	M410941P	Heater Element	10 kW; 380 Volt/50 Hertz/3 Phase
	M412955P	Heater Element	7 kW; 240 Volt/50 Hertz/1 Phase
9	M412871	Jumper Harness Assembly	Manual timer; 230 Volt/50 Hertz/3 Phase
10	M412316	Electric Hood	Rear

N/A = Part no longer available

Electric Heater Components and Thermostat (Drawing 3 of 3)

DT, JT, ST and TKD Models - 50 Pound Models Starting Serial No. 9412024948 and
75 Pound Models Starting Serial No. 9304053996

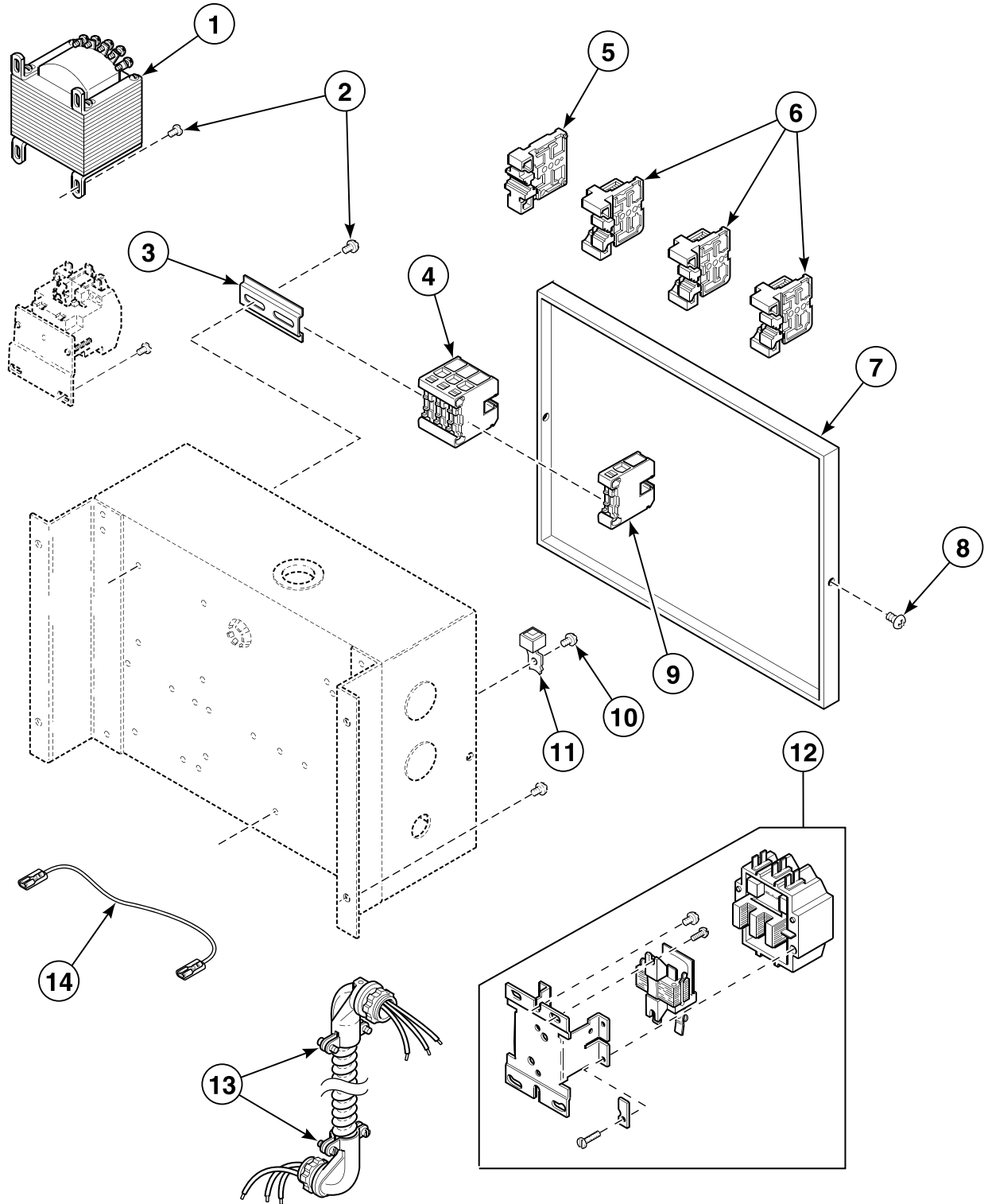


TMB1249P_70410801

Electric Heater Components and Thermostat (Drawing 3 of 3)

REF	PART NO.	DESCRIPTION	COMMENTS
1	33562	Screw	
2	M409433	Limit Thermostat	50 pound models; 21 kW; 240 Volt/50 Hertz/1 Phase; Use with 7 kW heater element
	M410220	Limit Thermostat	30 kW; Use with 10 kW heater element
3	430497	Screw	
4	M410939P	Heater Element	10 kW; 240 Volt; 3 required for 240 Volt/50 or 60 Hertz/3 Phase, 400-415 Volt/50 Hertz/3 Phase and 480 Volt/60 Hertz/3 Phase
	M410940P	Heater Element	10 kW; 208 Volt; 3 required for 200 Volt/50 Hertz/3 Phase and 200-208 Volt/60 Hertz/3 Phase
	M410941P	Heater Element	10 kW; 220 Volt; 3 required for 380 Volt/50 or 60 Hertz/3 Phase and 440 Volt/60 Hertz/3 Phase
	M412955P	Heater Element	50 pound models; 7 kW; 240 Volt/50 Hertz/1 Phase
5	M412287	Jumper Wire Assembly	1 required for 380 Volt/50 Hertz/3 Phase and 400-415 Volt/50 Hertz/3 Phase; 2 required for 480 Volt/60 Hertz/3 Phase
6	70240301	Screw	
7	M413959	Heater Cable Assembly	OM control suffix; 8 gauge; H1-H3; 200 Volt/50 Hertz/3 Phase, 200-208 Volt/60 Hertz/3 Phase, 240 Volt/60 Hertz/3 Phase, 380 Volt/50 Hertz/3 Phase, 400-415 Volt/50 Hertz/3 Phase, 480 Volt/60 Hertz/3 Phase and 240 Volt/50 Hertz/1 Phase
	M413960	Heater Cable Assembly	OM control suffix; 8 gauge; H4-H6; 200 Volt/50 Hertz/3 Phase, 200-208 Volt/60 Hertz/3 Phase, 240 Volt/60 Hertz/3 Phase and 240 Volt/50 Hertz/1 Phase
8	70054	Nut	
9	M400866	Jumper Bar	380 Volt/50 Hertz/3 Phase, 400-415 Volt/50 Hertz/3 Phase and 480 Volt/60 Hertz/3 Phase
	M400869	Jumper Strip	3 required for 480 Volt/60 Hertz/3 Phase; 6 required for all others

Electric Heat Contactor Box Components for Models Through Serial No. OTCK9412024853



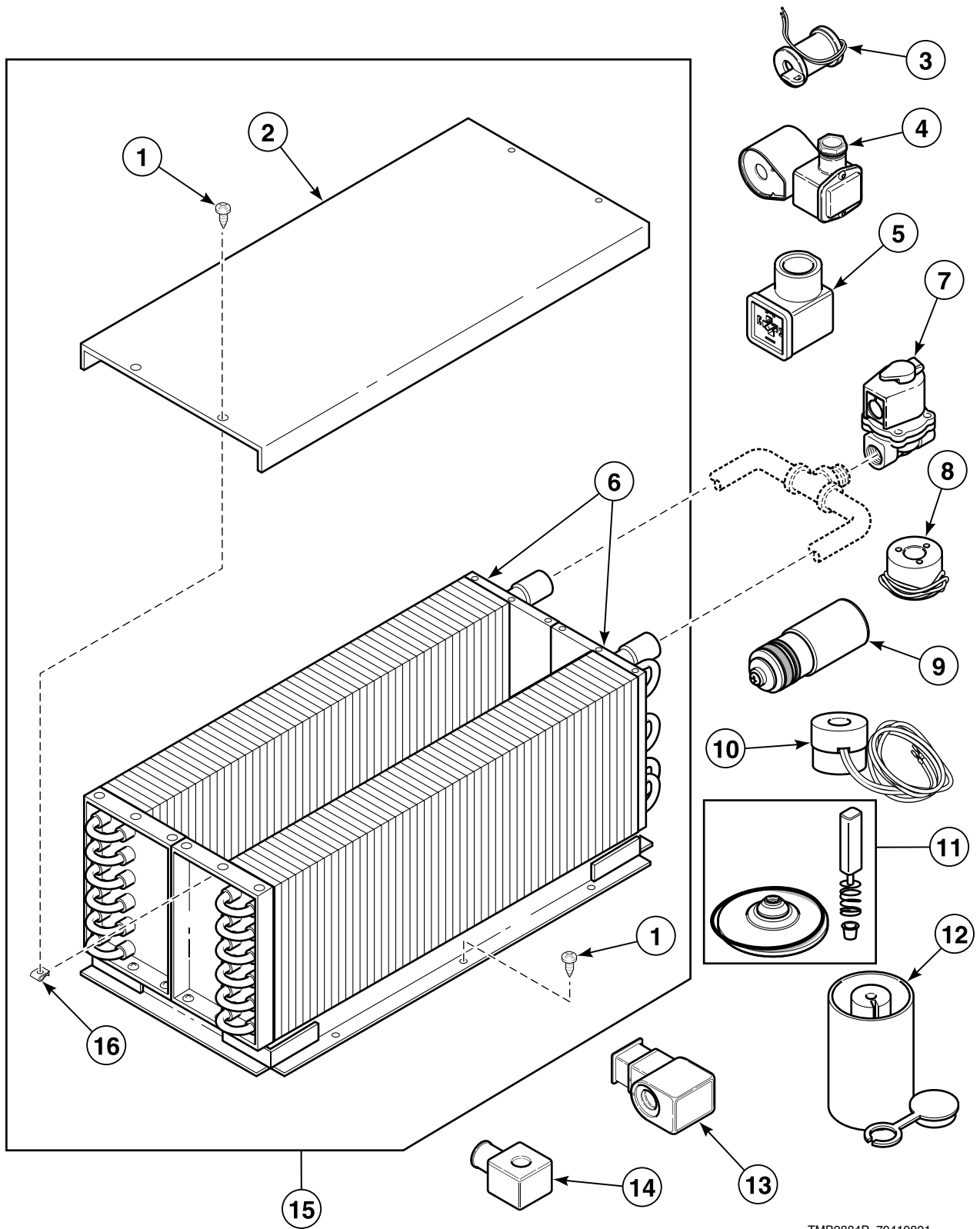
TMB2494P_70410801

Electric Heat Contactor Box Components for Models Through Serial No. OTCK9412024853

REF	PART NO.	DESCRIPTION	COMMENTS
1	M401391P	Transformer	480 Volt and some later 208-240 Volt/3 Phase models
2	M400044	Screw	50 pound models
	51780	Screw	75 pound models
3	N/A	Din Rail	Models through Serial No. 9409xxxx
4	M412045	Terminal Block	Models starting Serial No. 9409xxxx
5	M400685	Terminal Block	3 required for 208-240 or 480 Volt; 2 required for 240 Volt/1 Phase; 4 required for 380 or 415 Volt/3 Phase
6	M400681	Terminal Block End	
7	M414351	Contactor Box Cover	
8	430497	Screw	50 pound models
	M400664	Screw	75 pound models
9	M412042	Terminal Block	380 or 415 Volt/50 Hertz
10	M402917	Screw	Ground
11	M411283	Ground Lug Connector	
12	M405116P	Contactor	120 or 480 Volt
	M400905P	Contactor	2 required for 208-240 Volt; 1 required for 380 or 415 Volt
13	N/A	Wire Harness Assembly	75 pound models; Nonreversing with junction box; 208-240, 380 or 415 Volt
14	M412117	Jumper Wire Assembly	75 pound models; 6 required for 208-240 Volt/3 Phase; 3 required for 380, 415 or 480 Volt/3 Phase
	M412116	Jumper Wire Assembly	75 pound models; 6 required for 240 Volt/1 Phase

N/A = Part no longer available

Steam Heater and Valve



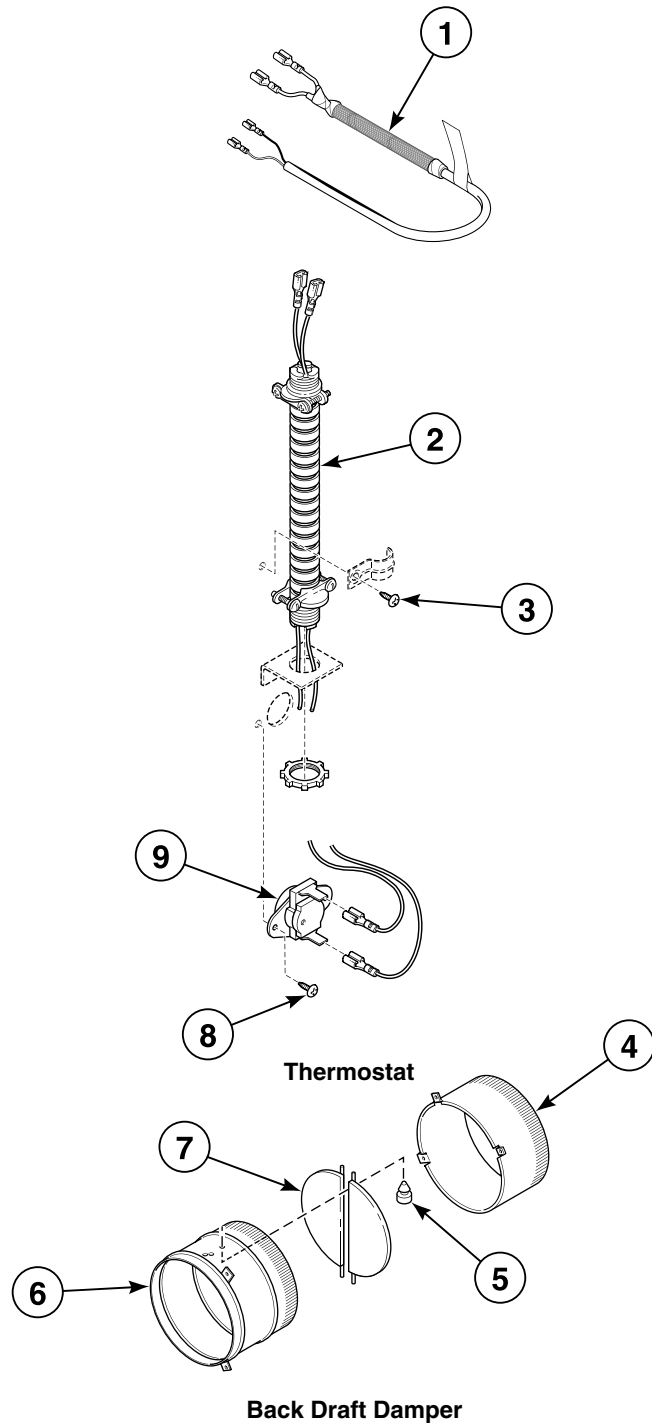
TMB2884P_70410801

Steam Heater and Valve

REF	PART NO.	DESCRIPTION	COMMENTS
1	430497	Screw	
2	M400828	Low Pressure Steam Cover	
3	M412258	Steam Valve Coil	For 70351002 Steam Valve (Danfoss; 24 Volt/50 Hertz)
	M413301	Steam Valve Coil	For M413297 Steam Valve; 208-240 Volt/60 Hertz
	M413302	Steam Valve Coil	For M413298 Steam Valve; 240 Volt/50 Hertz
	70205701P	Steam Valve Coil	For 70351001P Steam Valve; 24 Volt/60 Hertz
4	M413299P	Steam Valve Coil	For M413295 Steam Valve; 120 Volt/60 Hertz
5	70370301P	Solenoid Valve DIN Connector	
6	M400636P	Steam Coil	9 inches high; 50 pound CSL models; 2 required
	M400637P	Steam Coil	15 inches high; CSH models; 2 required
7	M413295P	Steam Valve	120 Volt/60 Hertz; For M413299 Steam Valve Coil
	M413297P	Steam Valve	208-240 Volt/60 Hertz; For M413301 Steam Valve Coil
	M413298P	Steam Valve	240 Volt/50 Hertz; For M413302 Steam Valve Coil
	70351002P	Steam Valve	24 Volt/50 Hertz; DC, JC and SC models; A, DT, JT and ST models with OM control suffix
	70351001P	Steam Valve	24 Volt/60 Hertz; OM control suffix
8	M401380	Coil	For M413295 Steam Valve (Asco No. 8222E3); 120 Volt/50 or 60 Hertz
9	M400152	Valve Repair Kit	For M413295 Steam Valve and M401377 Steam Valve (Asco No. 8222E3)
10	M401383	Steam Valve Coil	For M401379 Steam Valve (Asco No. 8222B95); 240 Volt/50 or 60 Hertz
11	M412259	Steam Valve Rebuild Kit	For 70351002 Steam Valve and 70351001P Steam Valve
12	M401384	Valve Repair Kit	For M413295 Steam Valve and M401379 Steam Valve (Asco No. 8222B95)
13	70351012	Steam Solenoid	For 70351002 Steam Valve; 24 Volt/50 Hertz
14	70351011P	Steam Solenoid	For 70351001P Steam Valve; 24 Volt/60 Hertz
15	N/A	Steam Heater Assembly	50 pound CSL models
	M413572P	Steam Heater Assembly	CSH models
16	M400974	Clip	

N/A = Part no longer available

Cabinet High Limit Thermostat and Backdraft Damper



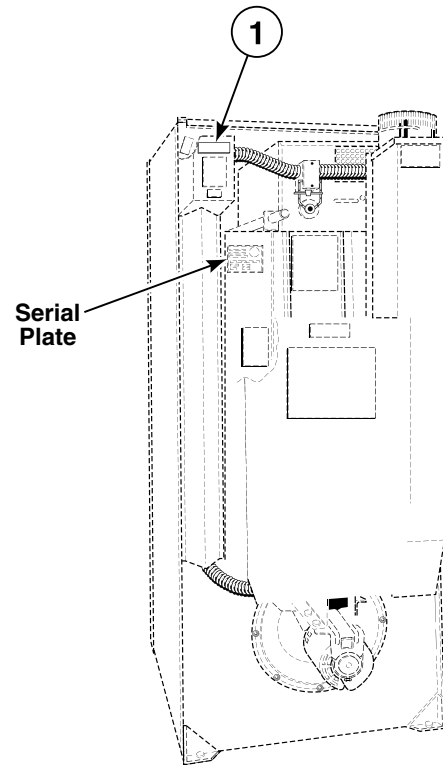
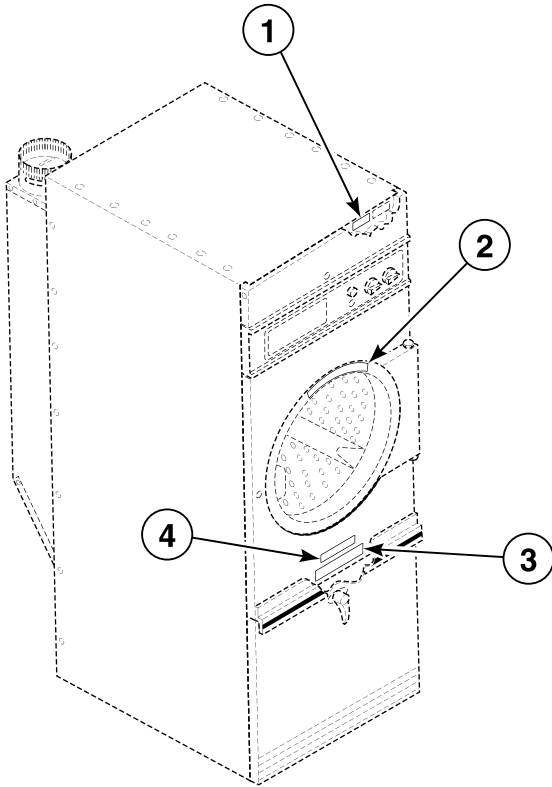
TMB2496P_70410801

Cabinet High Limit Thermostat and Backdraft Damper

REF	PART NO.	DESCRIPTION	COMMENTS
1	M412670	Cabinet Limit Harness Assembly	72 inches
2	N/A	Wire Harness Assembly	EG models
	M413693P	Cabinet Limit Harness Assembly	All other models
3	430497	Screw	
4	M413173	Exhaust Thimble	10 inches; 75 pound models
5	M400795	Bumper	
6	M412288	Exhaust Thimble Assembly	8 inches
7	M413382	Thimble Vane Assembly	10 inches; 2 required; Models DTB634 and STB634
	M400503	Thimble Vane Assembly	8 inches; 2 required; All other models
8	M400664	Screw	
9	M406412	Limit Thermostat	EG models
	M410542	Limit Thermostat	All other models

N/A = Part no longer available

Warning Labels



T384P_70410801

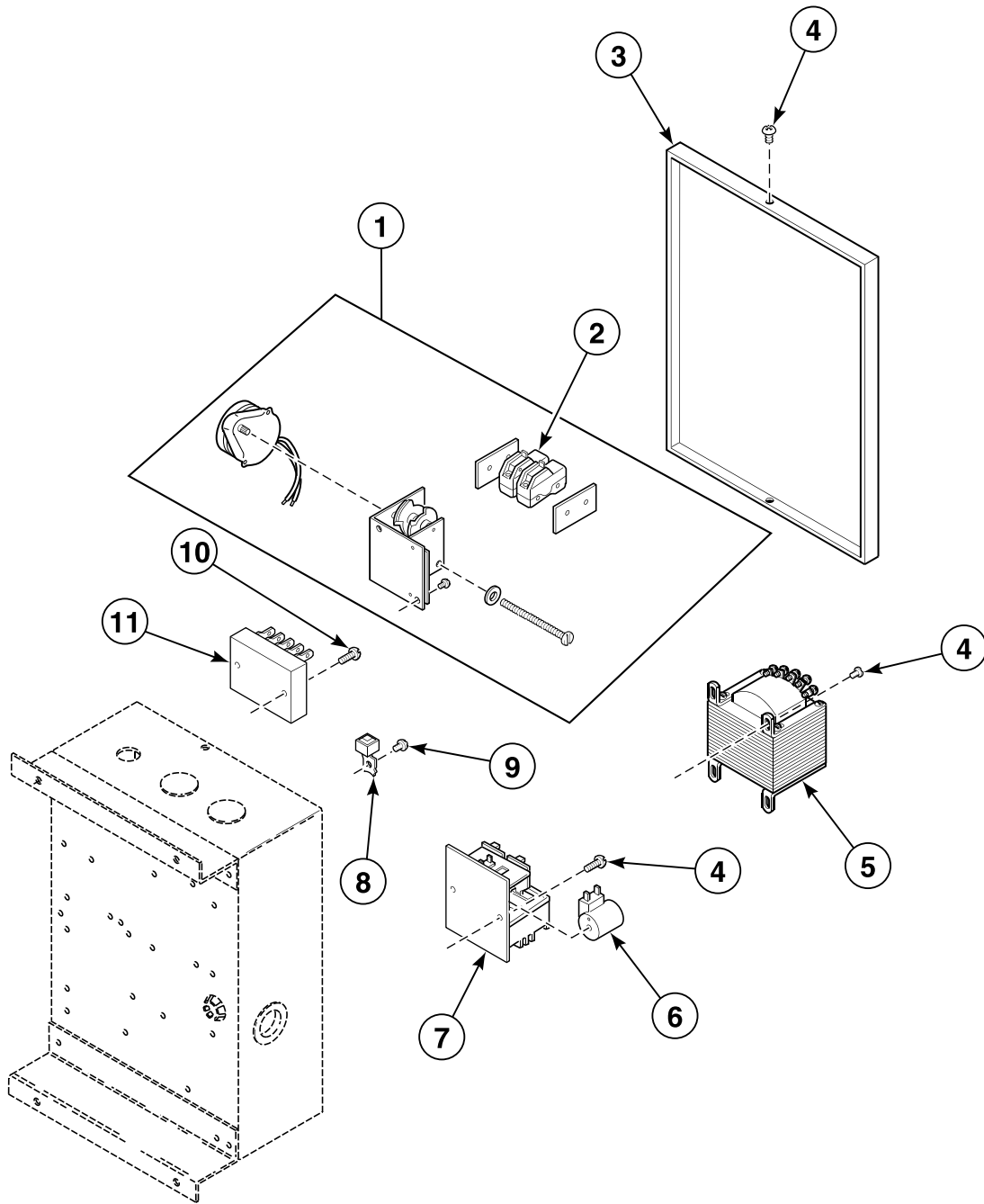
Warning Labels

REF	PART NO.	DESCRIPTION	COMMENTS
1	500316	Warning Label	Disconnect power; Models starting Serial No. OTCK9304053996
	505281	Disconnect Power Warning Label	Models through Serial No. OTCK9304053996
2	M410892	Warning Label	Control panel; Gas models; Models starting Serial No. OTCK9304053996
	N/A	Warning Label	Control panel; Electric and steam models; Models starting Serial No. OTCK9304053996
3	430527	Lint Compartment Label	D and S models; Lint screen on lint panel
	N/A	Lint Compartment Label	J models; Lint screen on lint panel
4	M411087	Lint Panel Warning Label	OM control suffix; Lint screen

N/A = Part no longer available

Reversing Control

MM and MT Control Suffixes



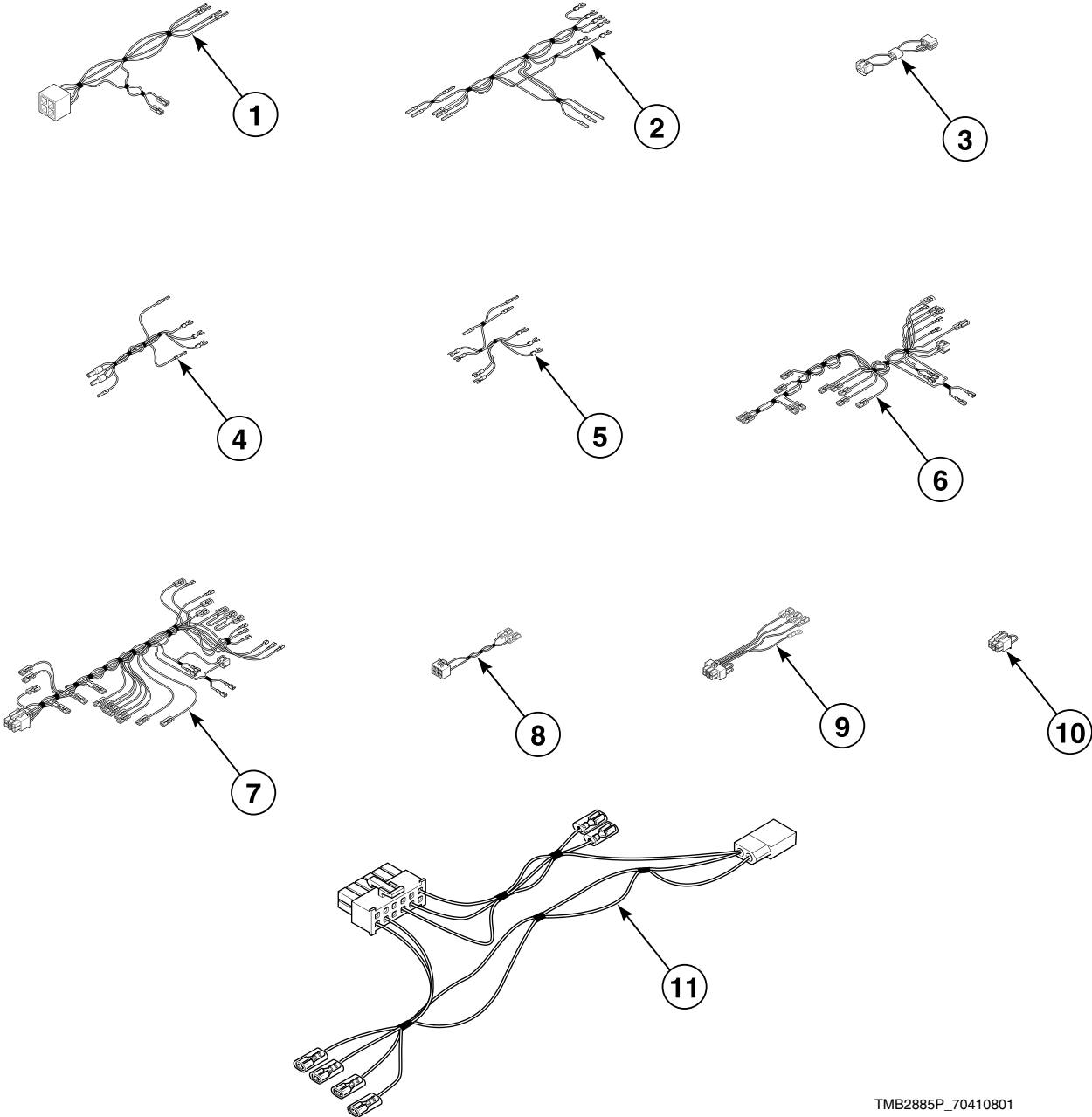
T493PZ3B_70410801

Reversing Control

REF	PART NO.	DESCRIPTION	COMMENTS
1	M401387P	Reversing Timer	4 terminals; Models through Serial No. 699763YG
	N/A	Reversing Timer	6 terminals; Models starting Serial No. 699763YG through 9408085248
2	N/A	Switch	
3	M414351	Contactora Box Cover	
4	430497	Screw	
5	M401391P	Transformer	100-600 Volt/60 Hertz
6	M400915	Coil	208-240 Volt; For M400906 Reversing Contactor
7	M400906P	Reversing Contactor	208-240 Volt/60 Hertz; Models through Serial No. 9408085249
	N/A	Reversing Contactor	120 Volt/60 Hertz; Models through Serial No. 9408085249
	M409744P	Reversing Contactor	240 Volt/50 Hertz; Models through Serial No. 9408085249
	M410515P	Reversing Contactor	240 Volt/50 Hertz; Models starting Serial No. 9408085249
	M4869P3	Contactora Kit	208-240 Volt/60 Hertz; Models starting Serial No. 9408085249; Reversing
	M4850P3	Reversing Contactor Kit	MM control suffix; Models starting Serial No. 9408085249
8	M411283	Ground Lug Connector	
9	M402917	Screw	Ground
10	N/A	Screw	
11	M411683	Reversing Timer	Solid State; Models starting Serial No. 9808085249

N/A = Part no longer available

Contactor Box Assembly Harnesses for OM Control Suffix



TMB2885P_70410801

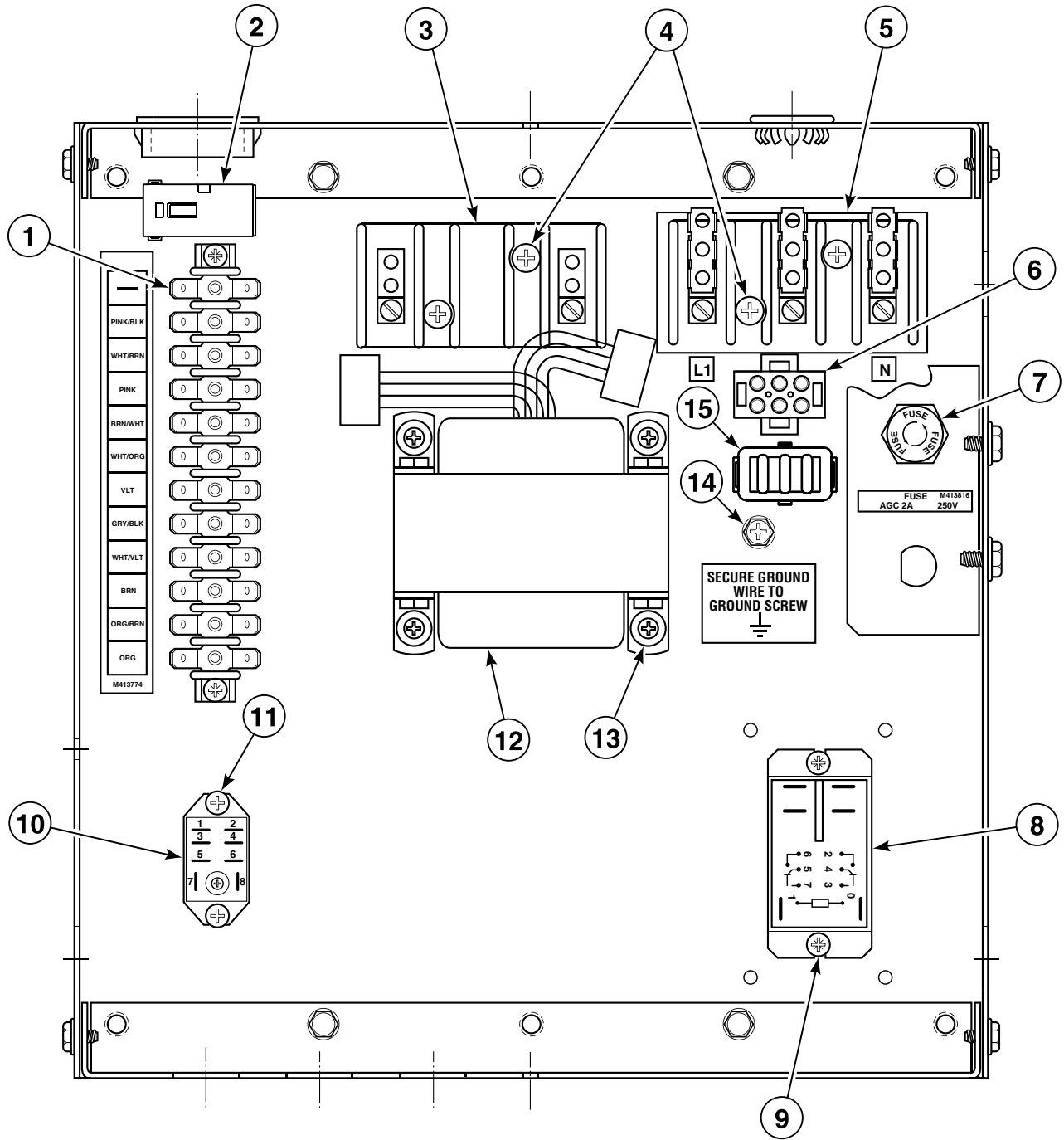
Contactor Box Assembly Harnesses for OM Control Suffix

REF	PART NO.	DESCRIPTION	COMMENTS
1	M414029	Transformer Harness Assembly	DC, JC and SC models; Secondary
	M414076	Transformer Harness Assembly	DC, JC and SC gas and steam models; Primary; 1 Phase
	M414028	Transformer Harness Assembly	DC, JC and SC electric and steam models; Primary; 3 Phase
2	M414032	Relay Harness Assembly	DC, JC and SC steam models
	M414150	Relay Harness Assembly	DC, JC and SC electric models; 380 or 415 Volt/50 Hertz/3 Phase
	N/A	Relay Harness Assembly	DC, JC and SC electric models; 230 Volt/50 Hertz/3 Phase; K2, K6 and K7
	M414224	Relay Harness Assembly	DC, JC and SC gas models; 230 Volt/50 Hertz/1 Phase; K2 and K3
3	M413505	Jumper Harness Assembly	CG, CSH, CSL and electric models; 120 Volt/60 Hertz
	M413507	Jumper Configuration Assembly	CG, CSH, CSL and electric models; 240 Volt/50 or 60 Hertz
	M413506	Jumper Harness Assembly	CG, CSH, CSL and electric models; 208 Volt/60 Hertz
	M413508	Jumper Harness Assembly	CG, CSH, CSL and electric models; 380 Volt/50 Hertz
	M413509	Jumper Harness Assembly	CG, CSH, CSL and electric models; 415 Volt/50 Hertz
	M413510	Jumper Configuration Assembly	CG, CSH, CSL and electric models; 480 Volt/60 Hertz
4	N/A	Jumper Assembly	Gas and steam models; 50 Hertz/1 Phase; Upper; Reversing
	M413695	Reversing Contactor Jumper Assembly	Gas and steam models; 50 Hertz/1 Phase; Lower; Reversing
	M414078	Jumper Harness Assembly	DC, JC and SC electric models; 50 Hertz/3 Phase
	M414079P	Jumper Harness Assembly	DC, JC and SC electric models; 50 Hertz/3 Phase
	N/A	Jumper Harness Assembly	DC, JC and SC gas models; 50 Hertz/3 Phase
	N/A	Jumper Harness Assembly	DC, JC and SC models; Junction box; 240 Volt
	5	N/A	Reversing Jumper Harness Assembly
M412927		Reversing Jumper Harness Assembly	DC, JC and SC electric models; 1 Phase; Lower; Reversing
M412928		Reversing Jumper Harness Assembly	Electric models; 3 Phase; Upper; Reversing
M412929		Reversing Jumper Harness Assembly	Electric models; 3 Phase; Lower; Reversing
M413624		Reversing Contactor Jumper Assembly	Reversing; 3 Phase; Upper
N/A		Reversing Contactor Jumper Assembly	Reversing; 3 Phase; Lower
M414034		Reversing Contactor Harness Assembly	DC, JC and SC models; Reversing
6	M413754	Control Box Harness Assembly	CG, CSH, CSL and electric models; 1 Phase; 3 wire
	M413683P	Control Box Harness Assembly	CG, CSH, CSL and electric models; 3 Phase
7	M413684P	Contactor Box Harness Assembly	CG, CSH, CSL and electric models; Reversing; 208-240, 380, 415 or 480 Volt/50 or 60 Hertz/3 Phase
8	M413681	Control Box Harness Assembly	CG, CSH, CSL and electric models; 50 or 60 Hertz/1 Phase; 2 wire
9	M413878	Capacitor Network Harness Assembly	
10	M413168	Bypass Harness Assembly	CG, CSH, CSL and electric models; Reversing
11	M413824	Control Box Harness Assembly	CG models; Australia

N/A = Part no longer available

Contactor Box Assembly (Drawing 1 of 10)

Gas, Steam and Electric Models with OM Control Suffix
 120 Volt/60 Hertz/1 Phase; 240 Volt/50 Hertz/1 Phase



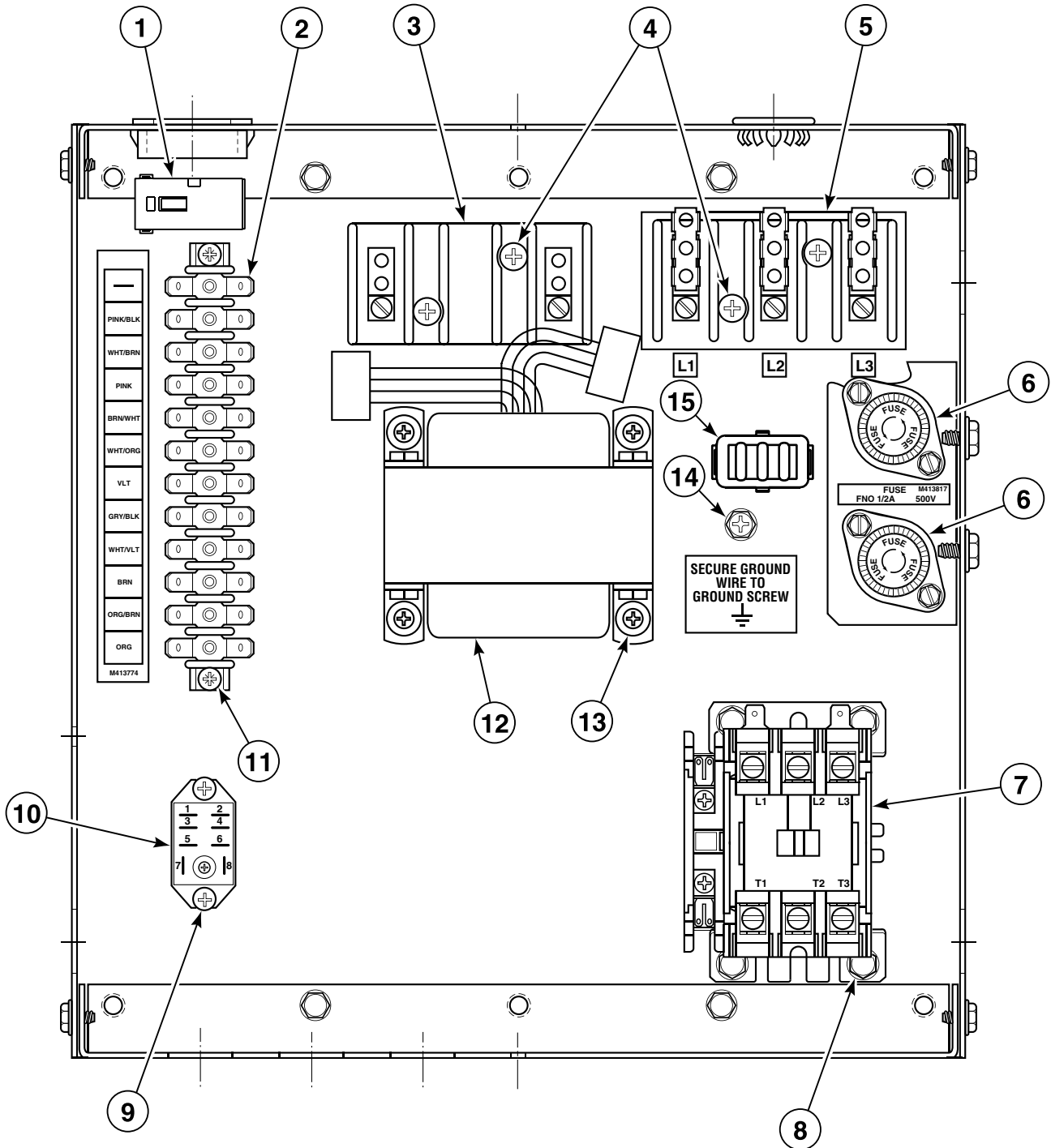
TMB2498P_70410801

Contactor Box Assembly (Drawing 1 of 10)

REF	PART NO.	DESCRIPTION	COMMENTS
1	M413542	Terminal Strip	
2	M413930P	Ferrite Core Assembly	Electric models
3	M405364	Terminal Block	2 pole
4	M405824	Screw	
5	430642	Terminal Block	3 pole
6	M413878	Capacitor Network Harness Assembly	
7	91024P	Fuse Receptacle	Use 23951 Nut to attach
	M413118	Fuse	250 Volt; 2 Amp
	M413623	Fuse	4 Amp; Secondary; Models DTB634 and STB634
	M414232	Fuse	3.5 Amp; Secondary; All other models
8	44044901P	Contactor	Motor
9	51778	Screw	
10	431349	Relay	120 Volt/60 Hertz/1 Phase; Gas and steam models
	430746	Relay	240 Volt/50 Hertz/1 Phase
11	M400071	Screw	
12	M414228P	Transformer	
13	M400044	Screw	Use with 23951 Nut to attach item 12
14	M402917	Screw	Ground
15	M413863	Network Capacitor Assembly	

Contactor Box Assembly (Drawing 2 of 10)

All Electric Nonreversing Models; Gas and Steam Nonreversing Models with OM Control Suffix
 208-240 Volt/60 Hertz/1 or 3 Phase; 380, 415 or 480 Volt/50 or 60 Hertz/3 Phase



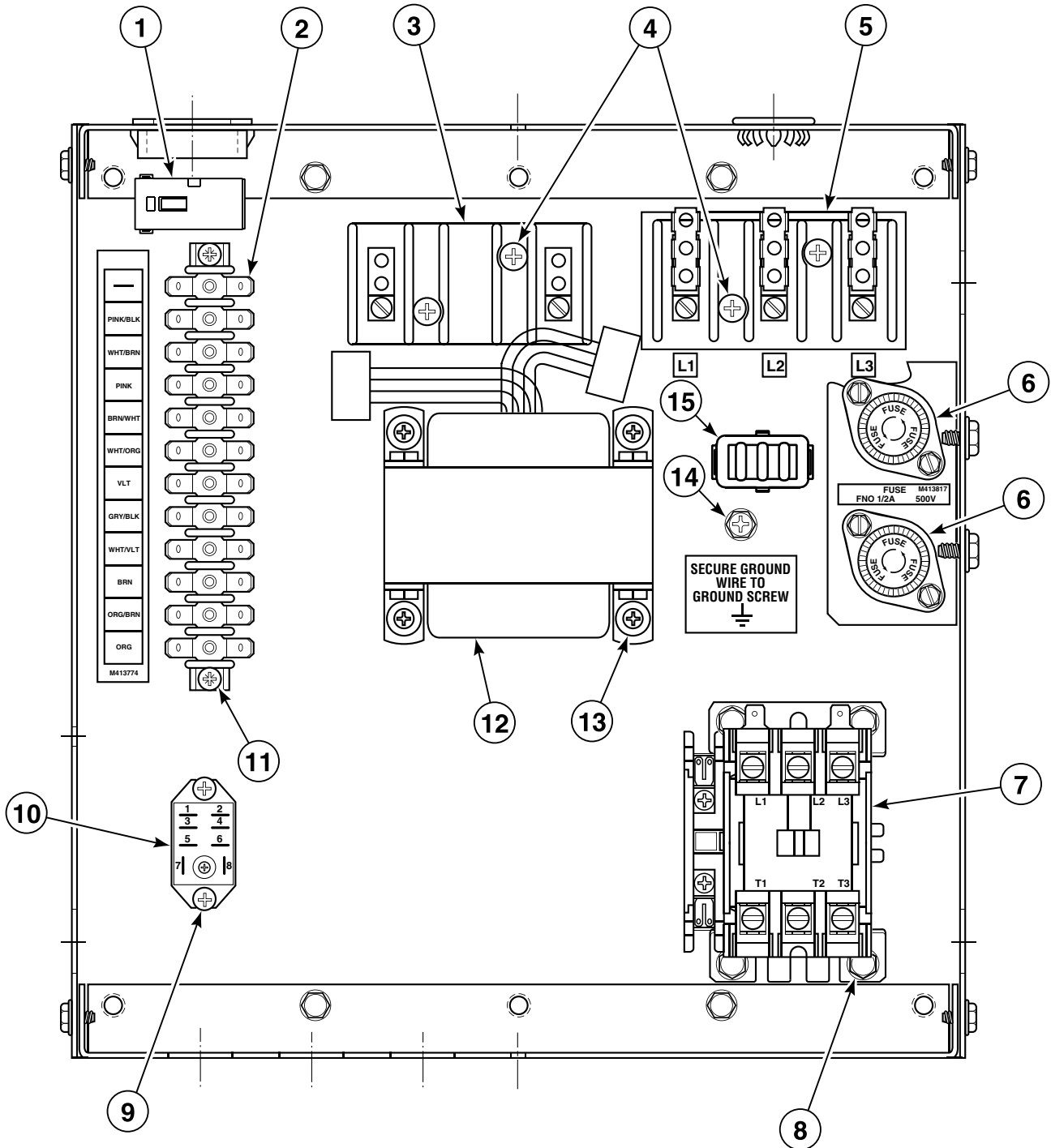
TMB2499P_70410801

Contactor Box Assembly (Drawing 2 of 10)

REF	PART NO.	DESCRIPTION	COMMENTS
1	M413930P	Ferrite Core Assembly	
2	M413542	Terminal Strip	
3	M405364	Terminal Block	2 pole
4	M405824	Screw	
5	430642	Terminal Block	3 pole
6	91024P	Fuse Receptacle	208-240 Volt/60 Hertz/1 or 3 Phase; Use 23951 Nut to attach
	M413544P	Fuse Holder	380, 415 or 480 Volt/50 or 60 Hertz/3 Phase
	M413621	Fuse	600 Volt; 0.5 Amp; 380, 415 or 480 Volt/50 or 60 Hertz/3 Phase
	M413118	Fuse	250 Volt; 2 Amp; 208-240 Volt/60 Hertz/1 or 3 Phase
	M413623	Fuse	4 Amp; Secondary; Models DTB634 and STB634
	M414232	Fuse	3.5 Amp; Secondary; All other models
7	M413614P	Fan Contactor	
8	51780	Screw	
9	M400071	Screw	
10	430746	Relay	208-240 Volt/60 Hertz
11	51778	Screw	
12	M414229P	Transformer	380, 415 or 480 Volt/50 or 60 Hertz/3 Phase
	M414228P	Transformer	208-240 Volt/60 Hertz/1 or 3 Phase
	M413100P	Transformer	208-240 Volt/60 Hertz/3 Phase
13	M400044	Screw	Use with 23951 Nut to attach item 12
14	M402917	Screw	Ground
15	M413863	Network Capacitor Assembly	

Contactor Box Assembly (Drawing 3 of 10)

Electric Nonreversing Models with OM Control Suffix
208-240 Volt/50 or 60 Hertz/3 Phase



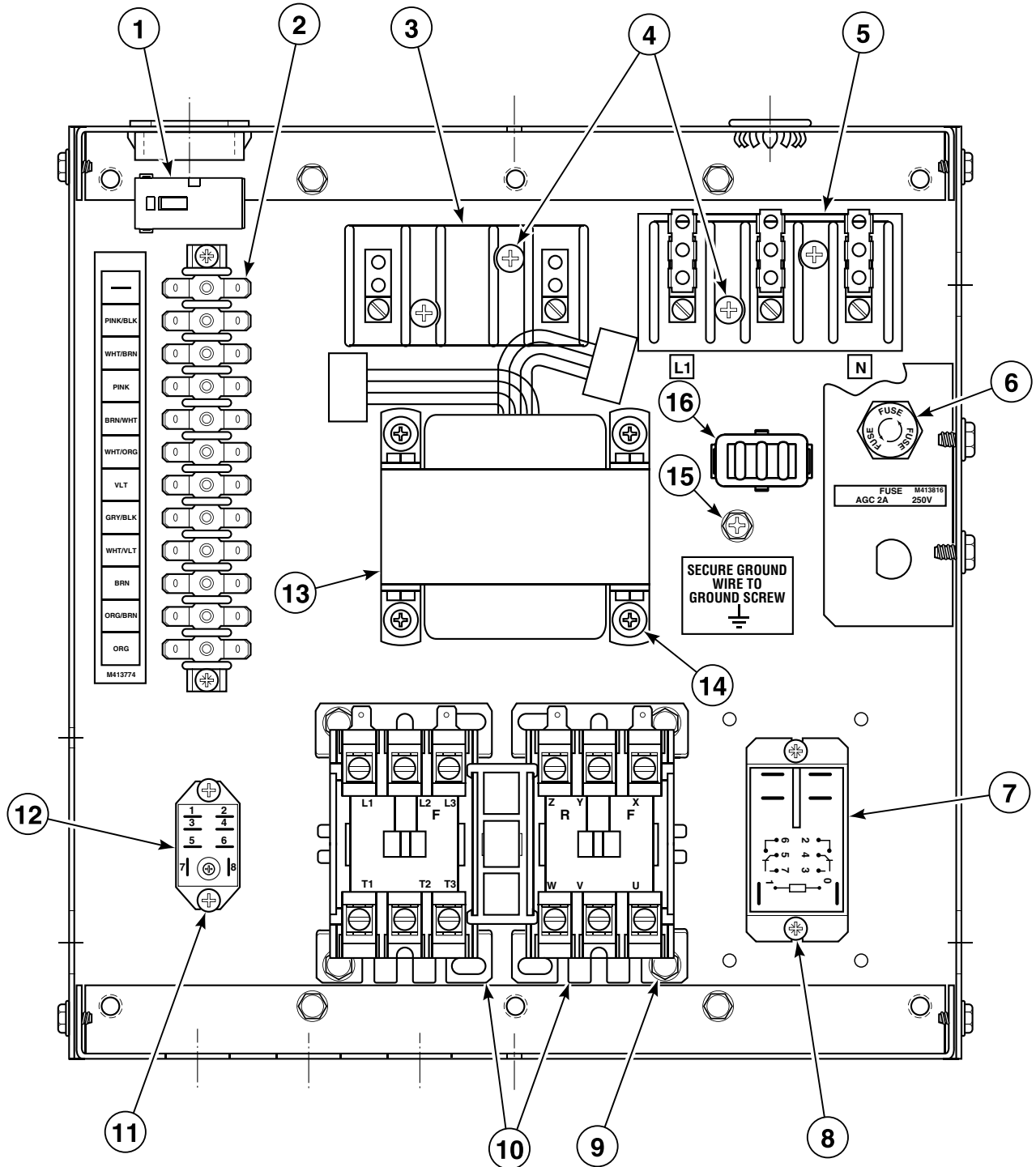
TMB2499P_70410801

Contactor Box Assembly (Drawing 3 of 10)

REF	PART NO.	DESCRIPTION	COMMENTS
1	M413930P	Ferrite Core Assembly	
2	M413542	Terminal Strip	
3	M405364	Terminal Block	2 pole
4	M405824	Screw	
5	430642	Terminal Block	3 pole
6	91024P	Fuse Receptacle	Use 23951 Nut to attach
	M413118	Fuse	250 Volt; 2 Amp
	M413623	Fuse	4 Amp; Secondary
	M414232	Fuse	3.5 Amp; Secondary
7	M413614P	Fan Contactor	
8	51778	Screw	
9	M400071	Screw	
10	430746	Relay	
11	51780	Screw	
12	M414228P	Transformer	
13	M400044	Screw	Use with 23951 Nut to attach item 12
14	M402917	Screw	Ground
15	M413863	Network Capacitor Assembly	

Contactor Box Assembly (Drawing 4 of 10)

Gas, Steam and Electric Reversing Models with OM Control Suffix
240 Volt/50 Hertz/1 Phase



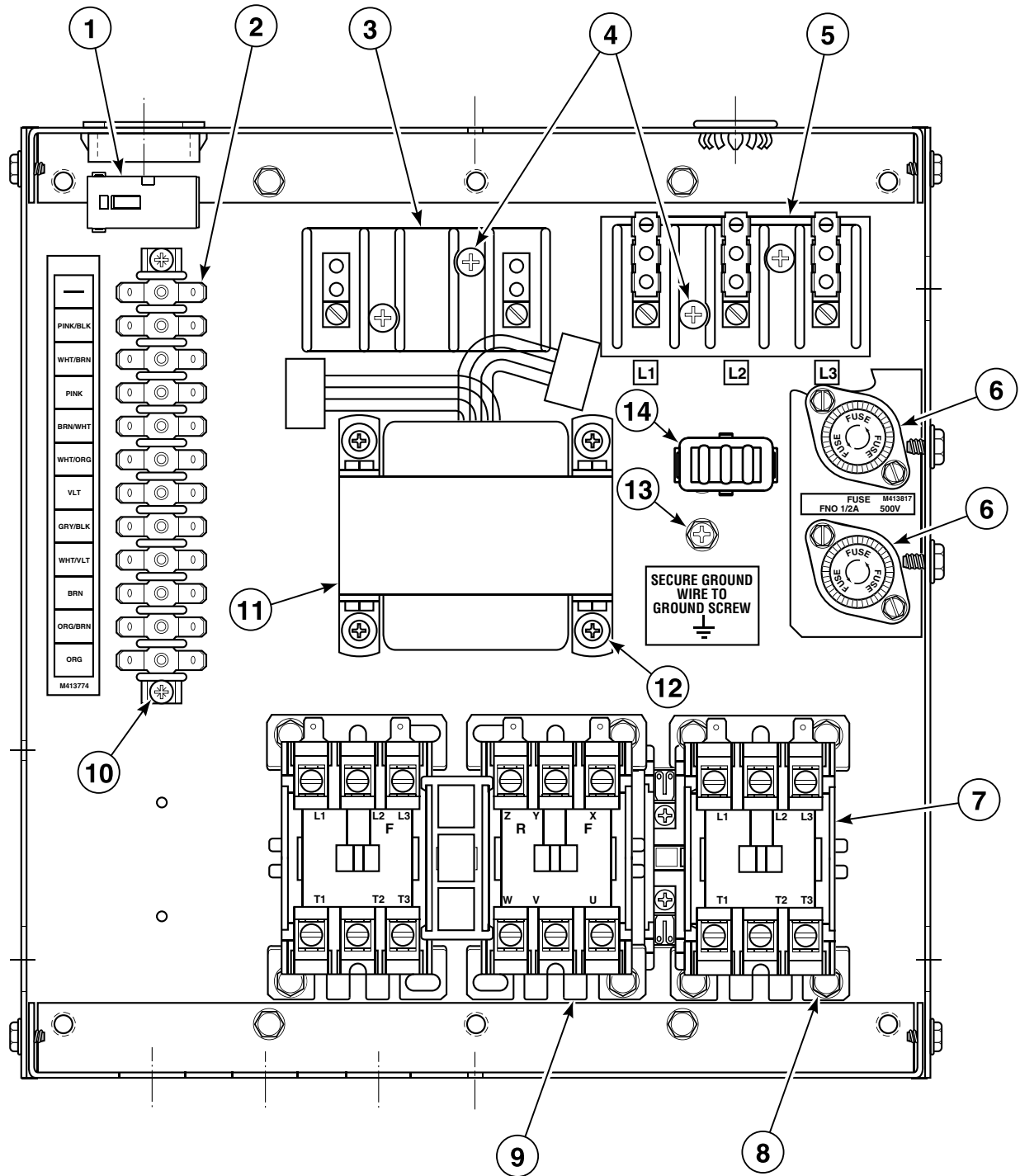
TMB2500P_70410801

Contactor Box Assembly (Drawing 4 of 10)

REF	PART NO.	DESCRIPTION	COMMENTS
1	M413930P	Ferrite Core Assembly	
2	M413542	Terminal Strip	
3	M405364	Terminal Block	2 pole
4	M405824	Screw	
5	430642	Terminal Block	3 pole
6	91024P	Fuse Receptacle	Use 23951 Nut to attach
	M413118	Fuse	250 Volt; 2 Amp
	M413623	Fuse	4 Amp; Secondary; Models DTB634 and STB634
	M414232	Fuse	3.5 Amp; Secondary; All other models
7	44044901P	Contactactor	Motor
8	51778	Screw	
9	51780	Screw	
10	M413615P	Reversing Contactactor	
11	M400071	Screw	
12	430746	Relay	
13	M414228P	Transformer	
14	M400044	Screw	Use with 23951 Nut to attach item 13
15	M402917	Screw	Ground
16	M413863	Network Capacitor Assembly	

Contactor Box Assembly (Drawing 5 of 10)

Reversing Models with OM Control Suffix
 208-240, 380, 415 or 480 Volt/50 or 60 Hertz/3 Phase

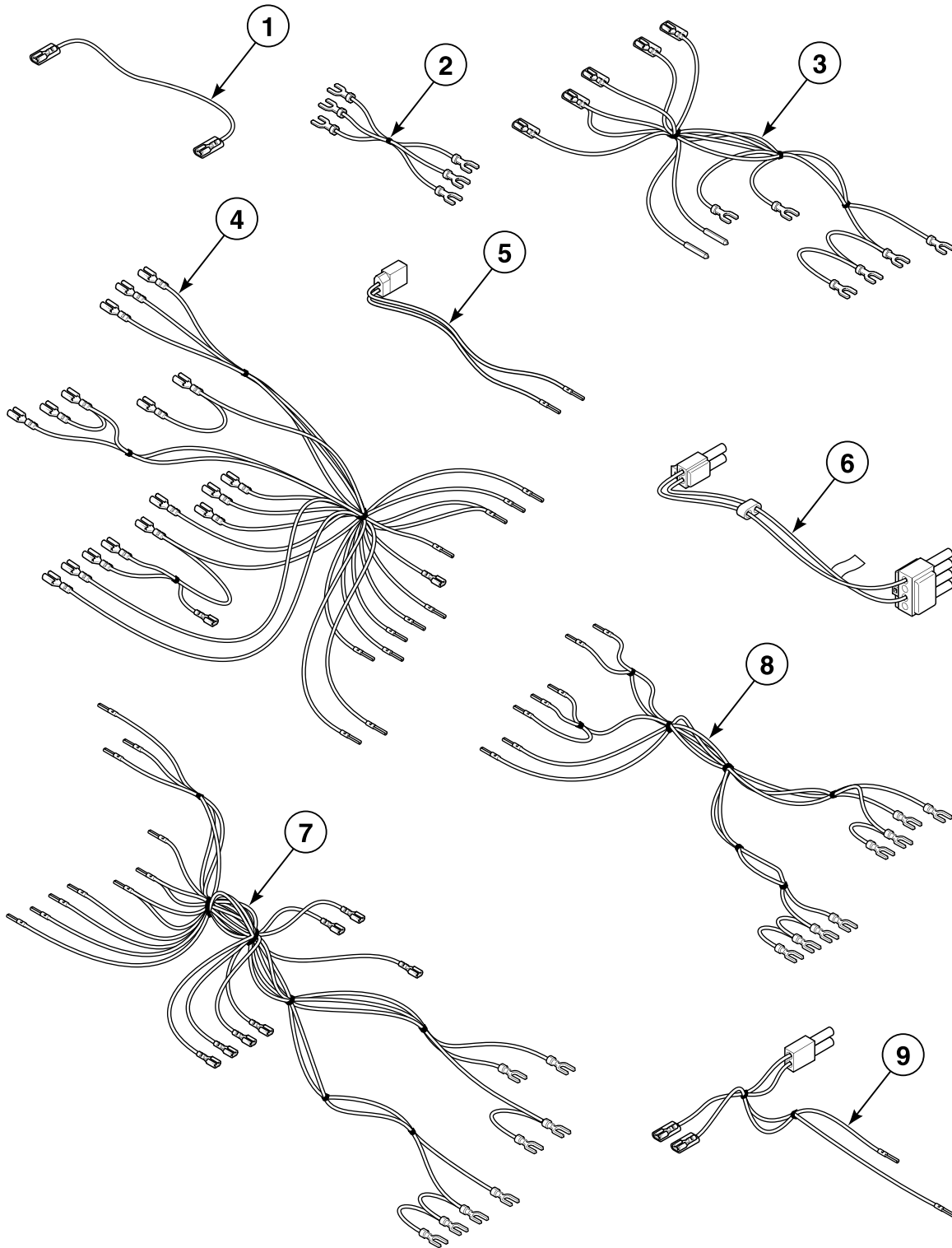


TMB2501P_70410801

Contactor Box Assembly (Drawing 5 of 10)

REF	PART NO.	DESCRIPTION	COMMENTS
1	M413930P	Ferrite Core Assembly	
2	M413542	Terminal Strip	
3	M405364	Terminal Block	2 pole
4	M405824	Screw	
5	430642	Terminal Block	3 pole
6	91024P	Fuse Receptacle	208-240 Volt/50 or 60 Hertz/3 Phase; Use 23951 Nut to attach
	M413544P	Fuse Holder	380, 415 or 480 Volt/50 or 60 Hertz/3 Phase
	M413118	Fuse	250 Volt; 2 Amp; 208-240 Volt/50 or 60 Hertz/3 Phase
	M413621	Fuse	600 Volt; 0.5 Amp; 380, 415 or 480 Volt/50 or 60 Hertz/3 Phase
	M413623	Fuse	4 Amp; Secondary; Models DTB634 and STB634
	M414232	Fuse	3.5 Amp; Secondary; All other models
7	M413614P	Fan Contactor	
8	51780	Screw	
9	M413615P	Reversing Contactor	
10	51778	Screw	
11	M414228P	Transformer	208-240 Volt/50 or 60 Hertz/3 Phase
	M414229P	Transformer	380, 415 or 480 Volt/50 or 60 Hertz/3 Phase
12	M400044	Screw	Use with 23951 Nut to attach item 11
13	M402917	Screw	Ground
14	M413863	Network Capacitor Assembly	

Contactor Box Assembly Harnesses for CD, MM and MT Control Suffixes



TMB2497P_70410801

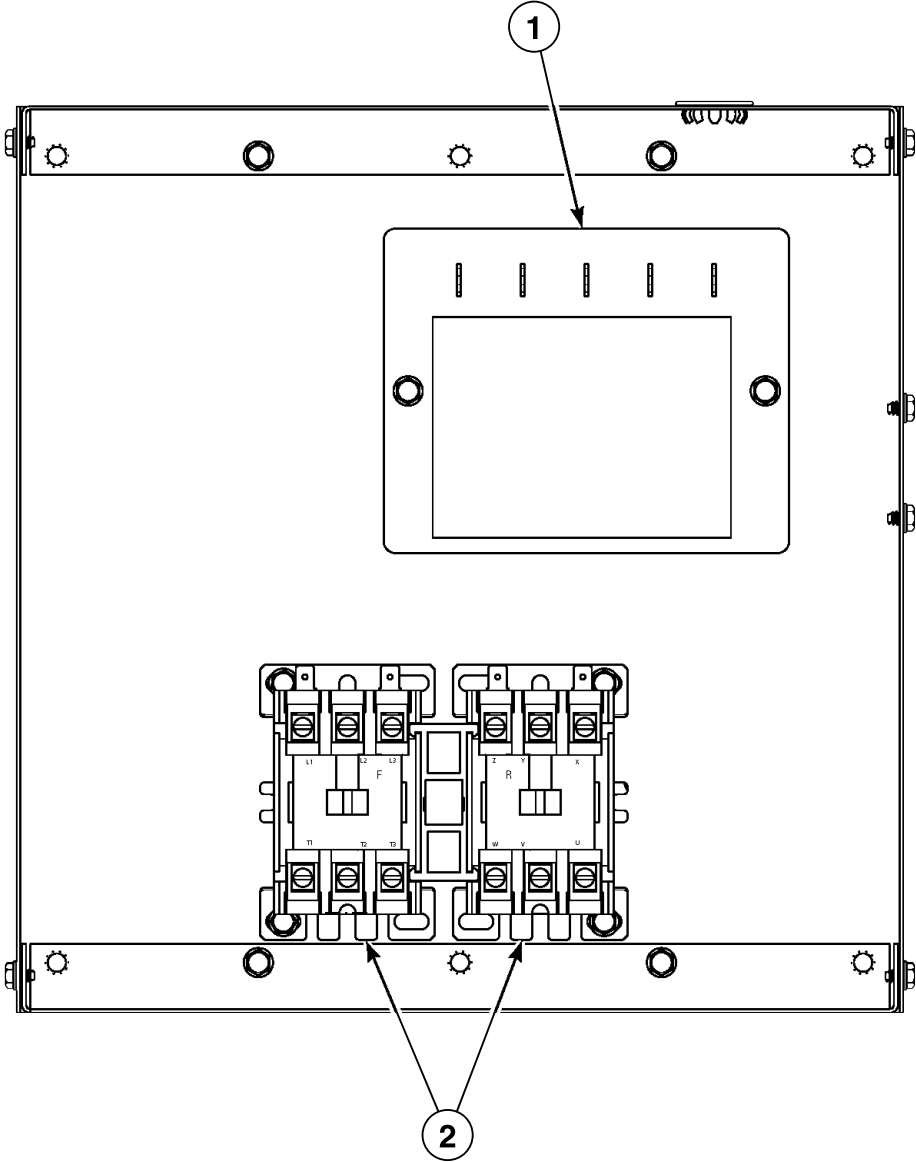
Contactor Box Assembly Harnesses for CD, MM and MT Control Suffixes

REF	PART NO.	DESCRIPTION	COMMENTS
1	M412740	Jumper Cable Wire	Electric models; CD and MT control suffixes; 230 Volt/50 Hertz/1 Phase; 8 gauge; 5.75 inches
2	M412928	Reversing Jumper Harness Assembly	Electric models; MM and MT control suffixes; Upper; 208-240 Volt/60 Hertz/3 Phase
	M412929	Reversing Jumper Harness Assembly	Electric models; MM and MT control suffixes; Lower; 208-240 Volt/60 Hertz/3 Phase
3	N/A	Reversing Timer Harness Assembly	DC, JC and SC electric models; MM and MT control suffixes; 208-240 Volt/60 Hertz/3 Phase
	N/A	Reversing Timer Harness Assembly	DC, JC and SC electric models; CD and MT control suffixes, 230 Volt/50 Hertz/1 Phase
	M412930	Reversing Timer Harness Assembly	DC, JC and SC gas and steam models; MT control suffix; 230 Volt/50 Hertz/1 Phase
4	N/A	Relay Harness Assembly	Gas models; Coin; K2 and K3; 208-240 Volt/50 and 60 Hertz/1 or 3 Phase
	N/A	Relay Harness Assembly	DC, JC and SC steam models; MM and MT control suffixes; Coin; 1 Phase; K2; 208-240 Volt/50 and 60 Hertz/1 or 3 Phase
	M412636	Relay Harness Assembly	DC, JC and SC gas models; MT control suffix; 230 Volt/50 Hertz/1 Phase; K1, K2 and K3
	N/A	Relay Harness Assembly	DC, JC and SC steam models; MT control suffix; Reversing; K1 and K2; 230, 380 and 415 Volt/50 Hertz/1 and 3 Phase
5	M412642	Transformer Harness Assembly	DC, JC and SC models; MT control suffix; Reversing; Primary; 230-240, 380 and 415 Volt/50 Hertz/1 Phase
6	M413509	Jumper Harness Assembly	Steam models; MT control suffix; 415 Volt/50 Hertz/3 Phase
	N/A	Jumper Harness Assembly	DC, JC and SC gas and steam models; MT control suffix; Junction box; 240 Volt/50 Hertz/1 Phase
	N/A	Jumper Wire	Steam models; MT control suffix; Junction box; 380 and 415 Volt/50 Hertz/3 Phase
7	M412776P	Relay Harness Assembly	DC, JC and SC electric models; Dual timer; CD and MT control suffixes; K1; 230 Volt/50 Hertz/1 Phase
8	M412777	Relay Harness Assembly	Electric models; CD and MT control suffixes; Coin; 230 Volt/50 Hertz/1 Phase
9	M412641	Transformer Harness Assembly	DC, JC and SC electric models; CD and MT control suffixes; Secondary; 230 Volt/50 Hertz/1 Phase

N/A = Part no longer available

Contactor Box Assembly (Drawing 6 of 10)

Gas, Steam and Electric Reversing Models with MM or MT Control Suffixes
208-240 Volt/60 Hertz/3 Phase



TMB2264P_70410801

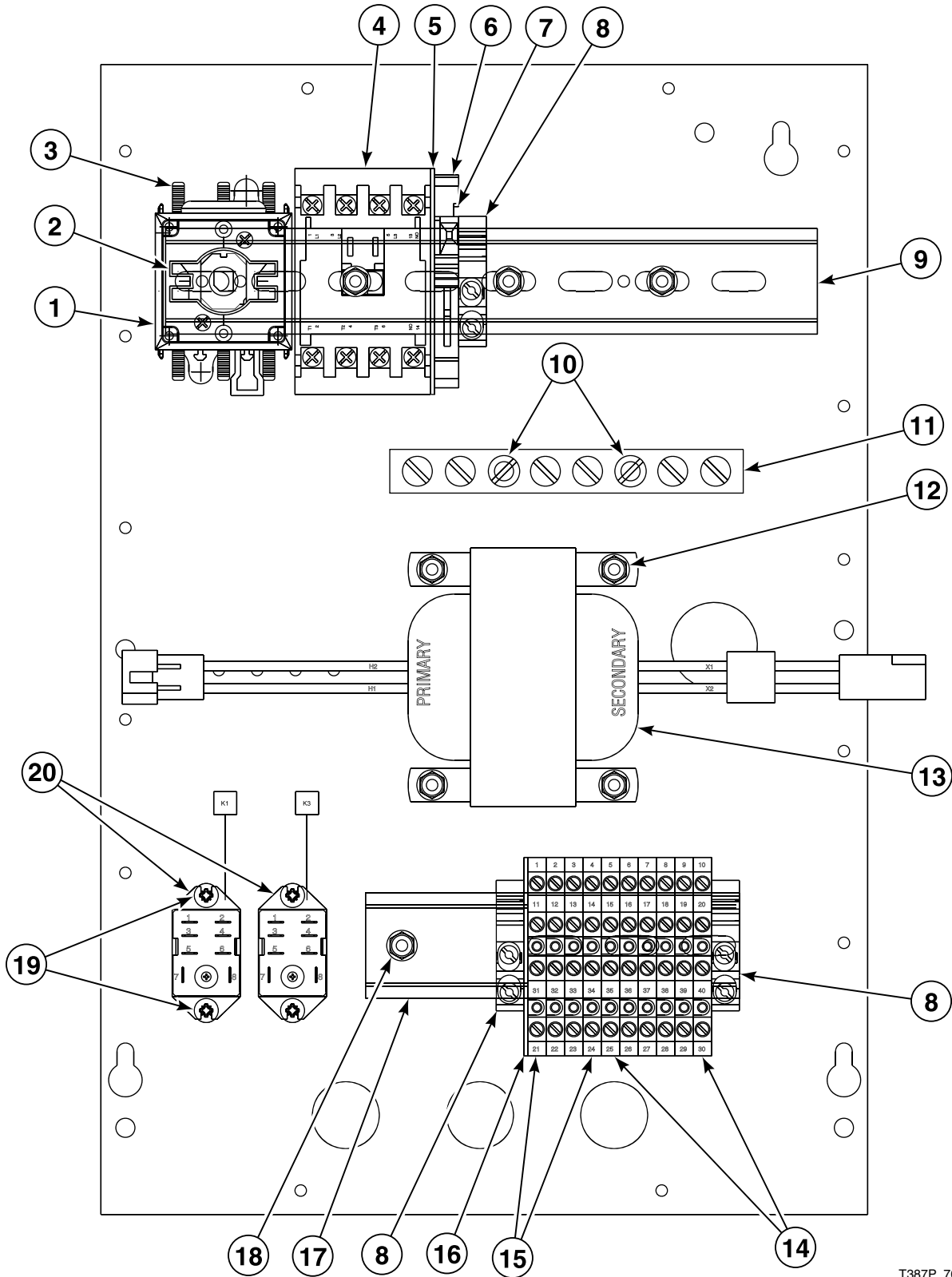
Contactor Box Assembly (Drawing 6 of 10)

REF	PART NO.	DESCRIPTION	COMMENTS
1	M411683	Reversing Timer	Models starting Serial No. 9408xxxx
	N/A	Reversing Timer	Models starting Serial No. 699763Y6 through 9408xxxx
	M401387P	Reversing Timer	Models through Serial No. 699762Y6
2	M4850P3	Reversing Contactor Kit	MM control suffix
	M4869P3	Contactor Kit	MT control suffix

N/A = Part no longer available

Contactor Box Assembly (Drawing 7 of 10)

Gas Models with MT Control Suffix
230 Volt/50 Hertz/1 Phase



T387P_70410801

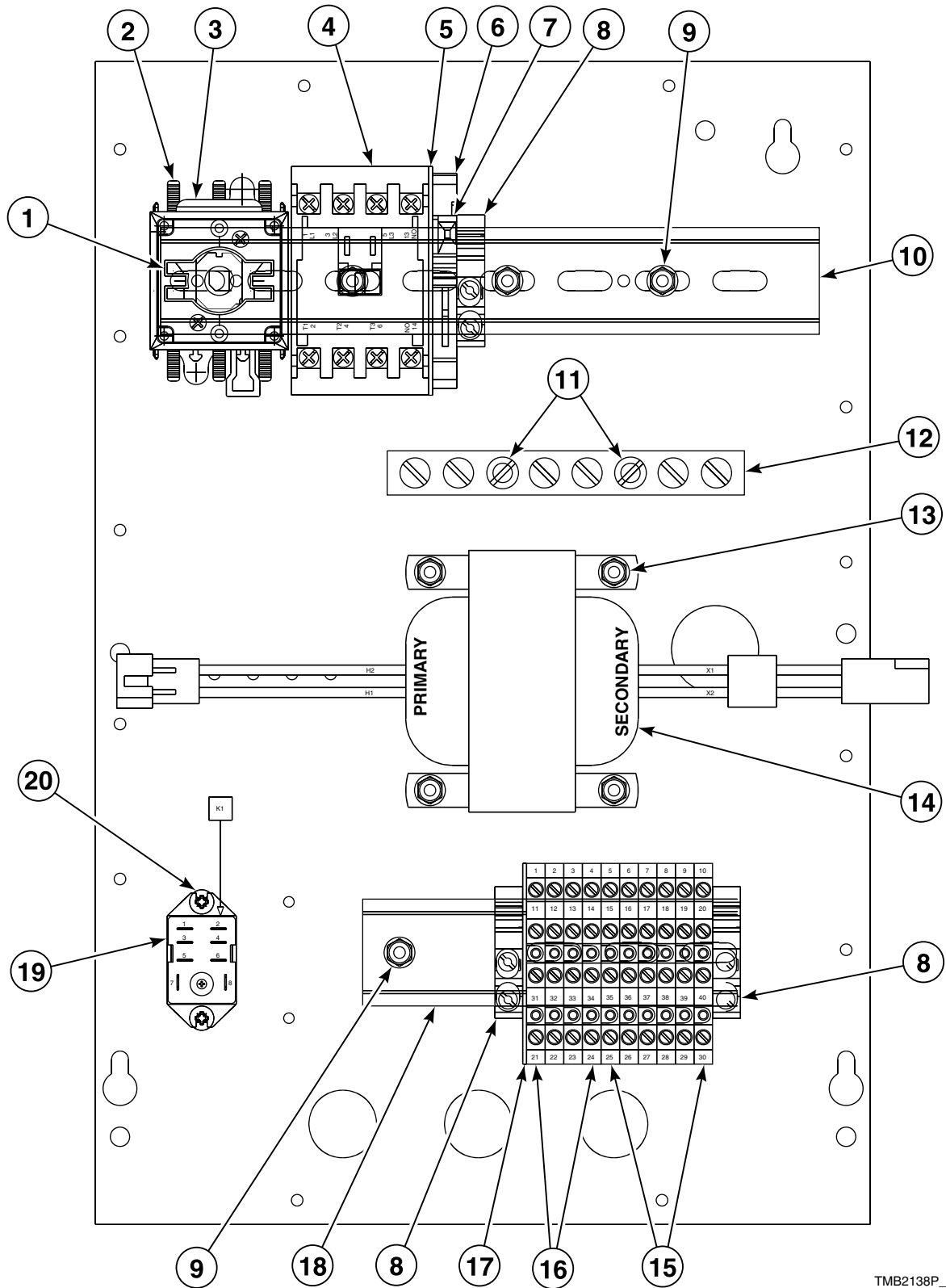
Contactor Box Assembly (Drawing 7 of 10)

REF	PART NO.	DESCRIPTION	COMMENTS
1	M412187	Mounting Switch Base	20 Amp; Includes 2 terminal blocks
2	M412370	Extension Handle	Includes 2 screws
3	M412366	Finger Guard	20 Amp
4	M412404P	Contactora	9 Amp
5	M412540	End Section	
6	M412537	Terminal Block	
7	502593	Fuse	
8	70121001	End Stop	230 Volt
9	N/A	Din Rail	215.9 mm
10	M412688	Nut	
11	M412656	Ground Buss Assembly	
12	33562	Screw	
13	M412477P	Transformer	230 Volt
14	M412631	Terminal Block	2 circuit
15	M412632	Terminal Block	1 circuit
16	M412633	End Barrier	
17	N/A	Din Rail	127 mm
18	51780	Screw	
19	501086	Screw	
20	M412534	Relay	24 Volt

N/A = Part no longer available

Contactor Box Assembly (Drawing 8 of 10)

Steam Models with MT Control Suffix
230 Volt/50 Hertz/1 Phase



TMB2138P_70410801

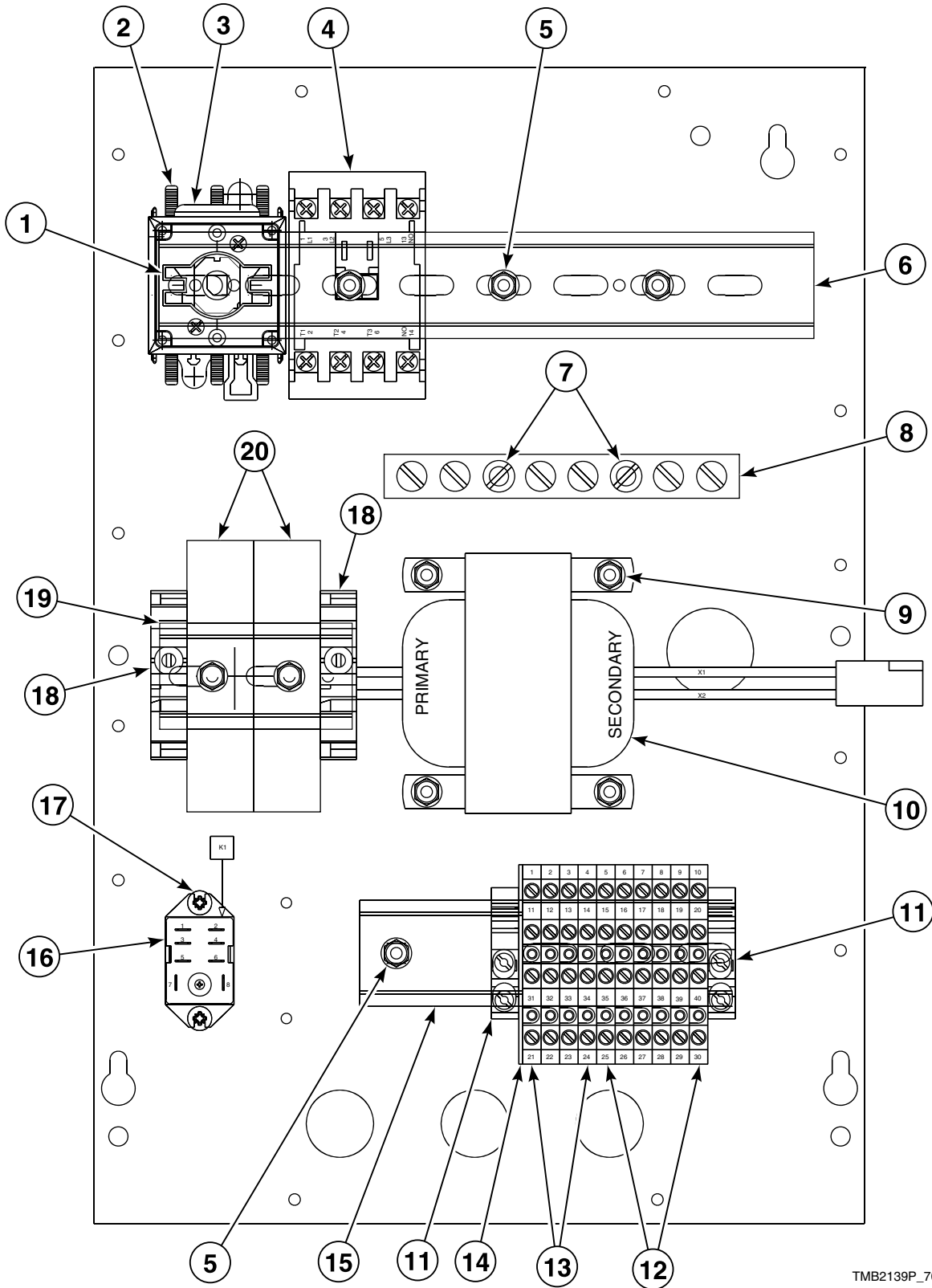
Contactor Box Assembly (Drawing 8 of 10)

REF	PART NO.	DESCRIPTION	COMMENTS
1	M412370	Extension Handle	Includes 2 screws; Cut-to-length; 20 Amp
2	M412366	Finger Guard	20 Amp
3	M412187	Mounting Switch Base	Includes 2 terminal blocks; 20 Amp
4	M412404P	Contactor	9 Amp
5	M412540	End Section	
6	M412537	Terminal Block	Primary; 230 Volt
7	502593	Fuse	
8	70121001	End Stop	230 Volt
9	51780	Screw	
10	N/A	Din Rail	215.9 mm
11	M412688	Nut	Used on back of item 12
12	M412656	Ground Buss Assembly	
13	33562	Screw	
14	M412477P	Transformer	230 Volt
15	M412631	Terminal Block	2 circuit
16	M412632	Terminal Block	1 circuit
17	M412633	End Barrier	
18	N/A	Din Rail	127 mm
19	M412534	Relay	24 Volt
20	501086	Screw	

N/A = Part no longer available

Contactor Box Assembly (Drawing 9 of 10)

Steam Models with MT Control Suffix
380 or 415 Volt/50 Hertz/3 Phase



TMB2139P_70410801

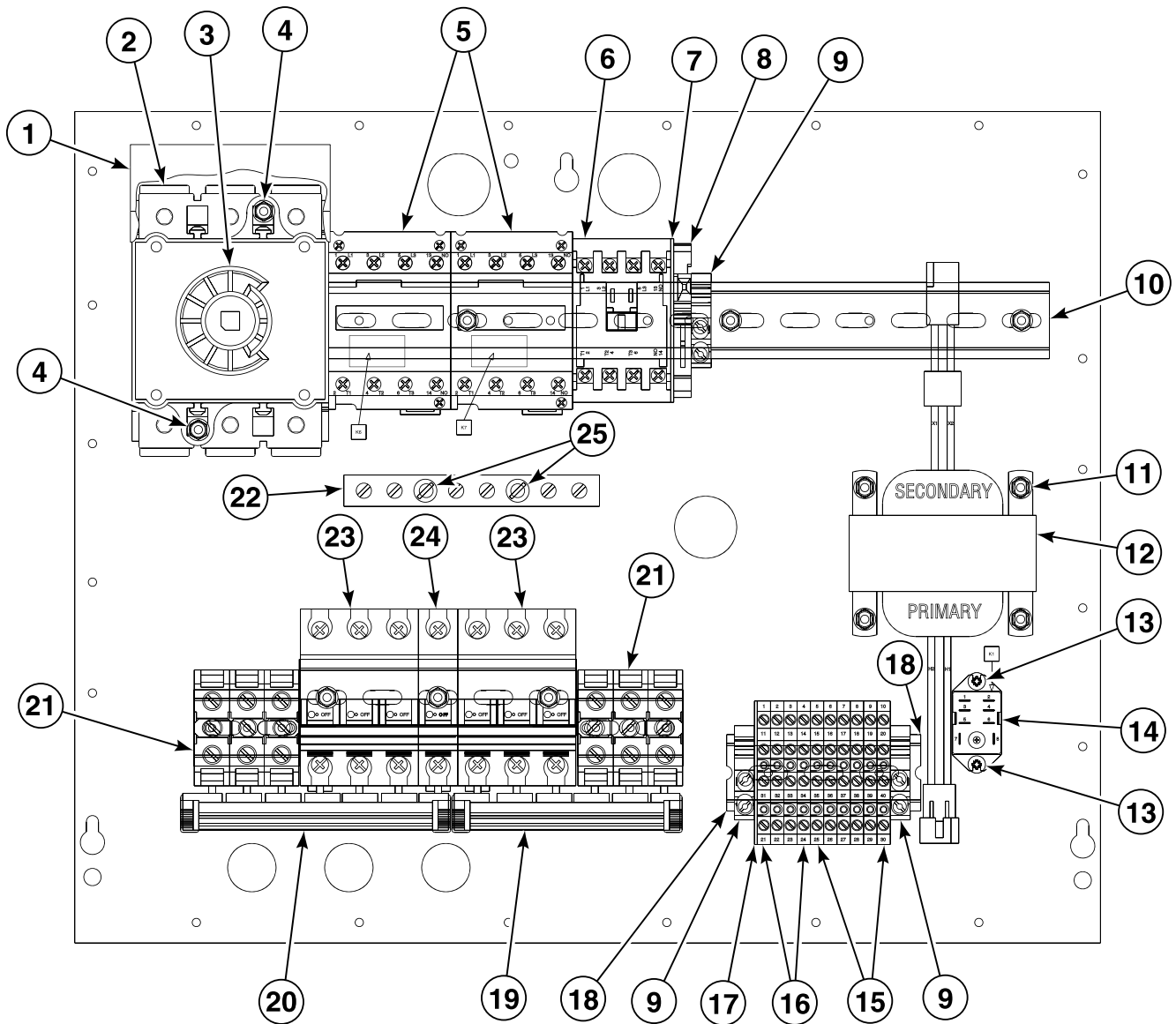
Contactor Box Assembly (Drawing 9 of 10)

REF	PART NO.	DESCRIPTION	COMMENTS
1	M412370	Extension Handle	Includes 2 screws
2	M412366	Finger Guard	20 Amp
3	M412187	Mounting Switch Base	Includes 2 terminal blocks; 20 Amp
4	M412404P	Contactor	9 Amp
5	51780	Screw	
6	N/A	Din Rail	215.9 mm
7	M412688	Nut	
8	M412656	Ground Buss Assembly	
9	33562	Screw	
10	M412412P	Transformer	400 Volt
11	70121001	End Stop	230 Volt
12	M412631	Terminal Block	2 circuit
13	M412632	Terminal Block	1 circuit
14	M412633	End Barrier	
15	N/A	Din Rail	127 mm
16	M412534	Relay	24 Volt
17	501086	Screw	
18	M412615	End Stop	
19	N/A	Din Rail	
20	M412538	Terminal Block	
	M412996	Fuse	Use inside terminal block

N/A = Part no longer available

Contactor Box Assembly (Drawing 10 of 10)

Electric Models with CD and MT Control Suffixes
230 Volt/50 Hertz/1 Phase



TMB2502P_70410801

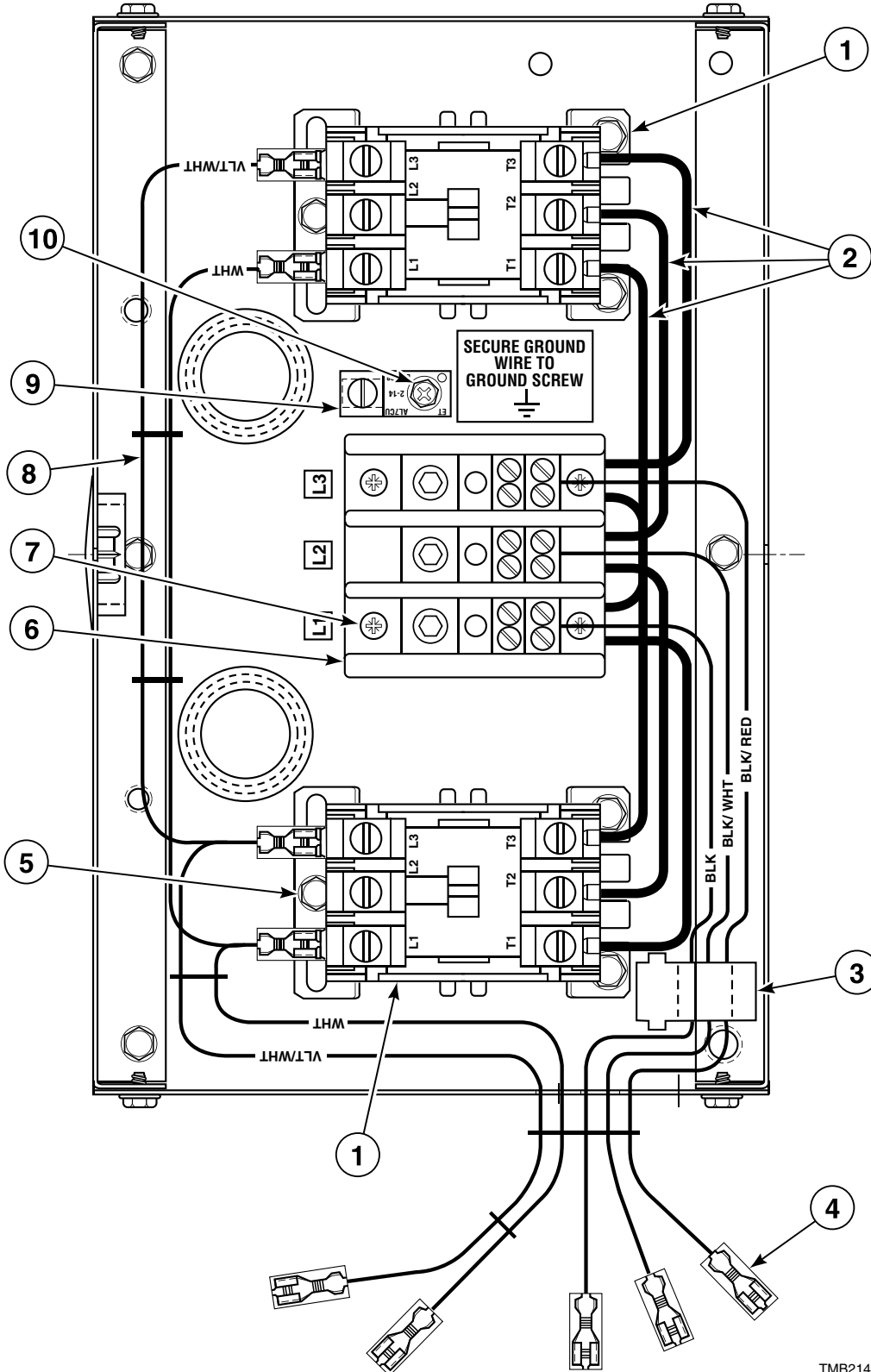
Contactor Box Assembly (Drawing 10 of 10)

REF	PART NO.	DESCRIPTION	COMMENTS
1	M412367	Finger Guard	100 Amp
2	M412186	Mounting Switch Base	Includes 2 terminal blocks; 100 Amp
3	M412371P	Extension Handle	Includes 2 screws
4	33562	Screw	
5	M412403P	Contactor	50 Amp; Electric
6	M412404P	Contactor	9 Amp; Motor
7	M412540	End Section	230 Volt
8	M412537	Terminal Block	Primary; 230 Volt
	502593	Fuse	250 Volt; 0.4 Amp; Use inside terminal block
9	70121001	End Stop	230 Volt
10	M412691	Din Rail	330.2 mm
11	51780	Screw	
12	M412477P	Transformer	240 Volt
13	501086	Screw	Dual timer
14	M412534	Relay	Dual timer; 24 Volt
15	M412631	Terminal Block	2 circuit
16	M412632	Terminal Block	1 circuit
17	M412633	End Barrier	
18	M412692	Din Rail	88.9 mm
19	N/A	Buss Bar Assembly	6 position
20	M412755	Buss Bar Assembly	7 position
21	M412045	Terminal Block	3 pole
22	M412656	Ground Buss Assembly	
23	M412406	Circuit Breaker	3 pole; 40 Amp
24	M412401	Circuit Breaker	1 pole; 8 Amp
25	M412688	Nut	Use on back of item 22

N/A = Part no longer available

Accessory Box

Electric Models with OM Control Suffix



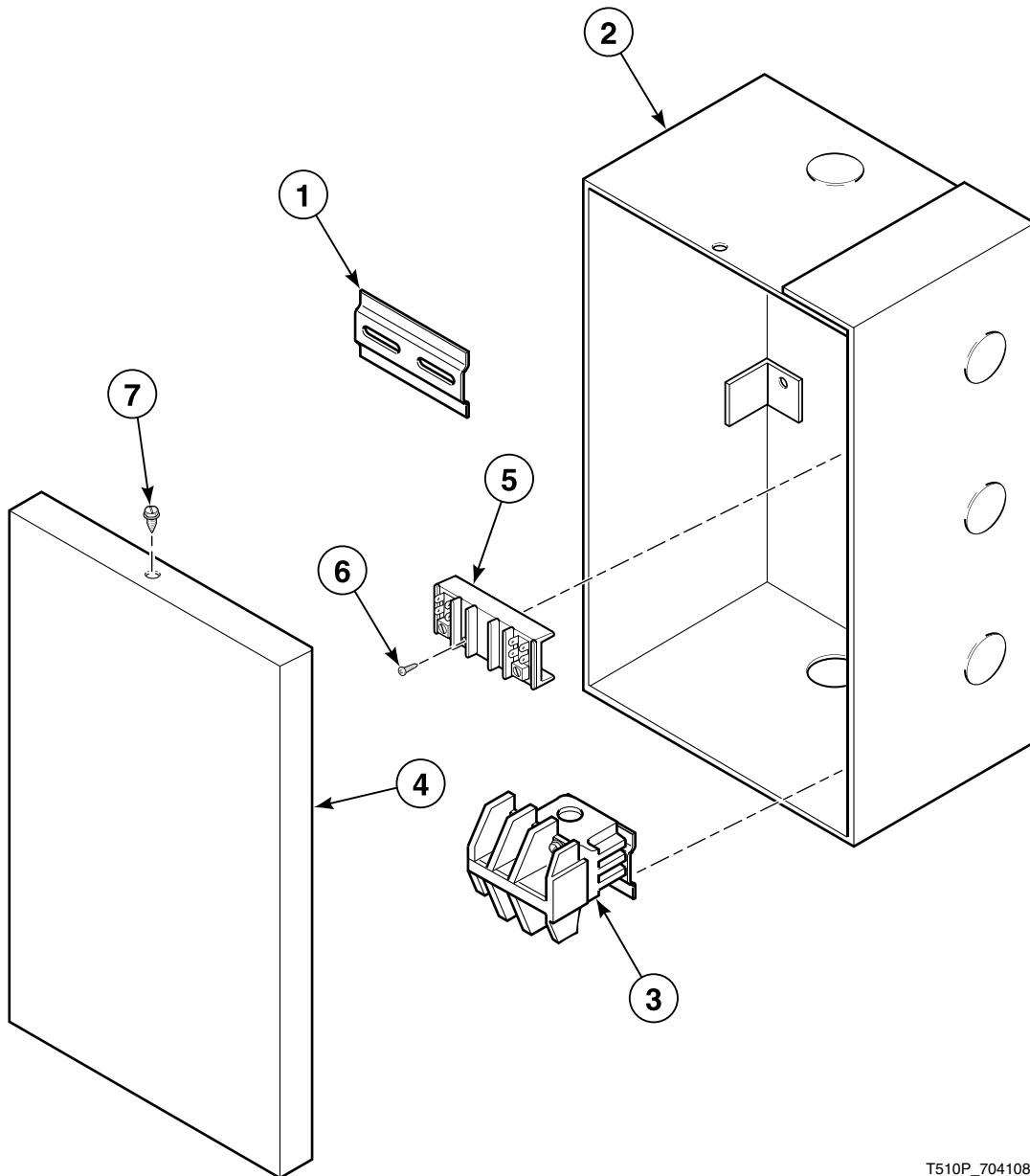
TMB2140P_70410801

Accessory Box

REF	PART NO.	DESCRIPTION	COMMENTS
1	70343301P	Contactator	2 required for 208-240 Volt
2	M413933	Jumper Cable Assembly	6 required for 208-240 Volt/50 or 60 Hertz/3 Phase; 4 required for 240 Volt/50 Hertz/1 Phase; 3 required for 380 or 480 Volt/50 or 60 Hertz/3 Phase
	M413934	Jumper Cable Assembly	2 required for 240 Volt/50 Hertz/1 Phase
3	M413930P	Ferrite Core Assembly	
4	44129001	Accessory Box Harness Assembly	240 Volt/50 Hertz/1 Phase
	44129101P	Accessory Box Harness Assembly	208-240 Volt/50 or 60 Hertz/3 Phase; 380 or 480 Volt/50 or 60 Hertz/3 Phase
5	51780	Screw	For item 1
6	M413864	Terminal Block	2 pole; 240 Volt/50 Hertz/1 Phase
	M413865	Terminal Block	3 pole; 3 Phase
7	39733	Screw	
8	44129201P	Jumper Harness	208-240 Volt/50 or 60 Hertz/1 or 3 Phase
9	M411283	Ground Lug Connector	
10	M402917	Screw	Ground

Junction Box

MT or MM Control Suffixes for Reversing and Nonreversing Models



T510P_70410801

Junction Box

REF	PART NO.	DESCRIPTION	COMMENTS
1	M410501	Din Rail	
2	M410364	Junction Box Assembly	
3	M410529	Contactactor	120 Volt
	M410457P	Contactactor	208-240 or 480 Volt; Reversing
	431349	Relay	120 Volt/50 or 60 Hertz; MM control suffix (CRI)
4	M414352	Junction Box Cover	
5	M405364	Terminal Block	120 Volt; Gas and steam models
	M405363	Terminal Block	208-240 Volt; Gas models
6	M405824	Screw	
7	51780	Screw	

Parts Index

A

Accessory Box Harness Assembly	
44129001	143
44129101P	143
Actuator Switch	
M412423	73
Airflow Switch	
M400944	73
Airflow Switch Bracket	
M409202	73
Airflow Switch Guard	
M410544	73
Airflow Switch Handy Box	
M403235	73
Airflow Switch Harness Assembly	
M412575	73
M413689	73
Airflow Switch Insulator Barrier	
M400712	73
Airflow Switch Vane	
M413475	73
Airflow Switch Vane Lever	
M400753	73
Anti-Torque Ring	
M400605	75, 79, 81, 85, 89, 91, 99

B

Ball Bearing	
M400592	45
M401375P	51, 55
M413921P	43
M413922P	43
44041901P	43
Bearing	
F100136P	43
Bearing Retainer	
M401370	51, 55
Belt	
M401182P	45, 47
M412090	53
M412981	53
Belt Guard	
M413008	57, 67
M413541	51, 69
Belt Guard Assembly	
M411467	45, 47
M413627	51, 53
M413629	53
M414755	45, 47
M414756	51, 53
Blower Cover	
M413399	65
Bolt	
M400650	43
M401393	57
M412119	49
M412475	45

Bracket	
M406936	89
Bumper	
M400795	113
Burner Assembly	
M405919	85, 89, 91
M410541	85, 89, 91, 97, 99
Burner Kit	
M4448P3	75, 79, 81
Burner Orifice	
M400918	75
M400997	101
M400998	101
M400999	101
M401001	101
M401002	101
M401003	101
M401011	101
M401014	101
M401016	101
M401017	101
M401019	101
M401020	101
M401021	101
M401022	101
M401025	101
M401027	101
M402598	79
M402701	79
M402997	101
M403017	101
M406184	101
Q8152	75
Bushing	
H87529111P	65
M403432P	43
M412086P	53
M412885P	53
M412917P	53
Buss Bar Assembly	
M412755	141
Bypass Harness Assembly	
M413168	19, 29, 119

C

Cabinet Limit Harness Assembly	
M412670	113
M413693P	113
Cam and Screw	
M400595	39
Capacitor Network Harness Assembly	
M413878	119, 121
Card Reader and Bracket Assembly	
510068P	23
Card Reader Harness Assembly	
70211801	23
Card Reader Network Harness Assembly	
70206601	23
Chain Connecting Link	
M401360P	45

N/A items do not appear in index.

Chain Guard Assembly		44044901P	121, 127
M409350	45	70343301P	143
Chain Sleeve		Contactor Box Cover	
M400755P	45	M414351	109, 117
Chain Sprocket		Contactor Box Harness Assembly	
M401369P	45	M413684P	119
Channel Ignition Kit		Contactor Kit	
607P3	97	M4869P3	117, 133
Circuit Board Support		Control Box Harness Assembly	
M405979	29, 85	M413678	19, 89, 91
Circuit Breaker		M413679	19
M412401	141	M413680	19
M412406	141	M413681	119
Clip		M413683P	119
M400974	111	M413754	119
M400975	33	M413824	19, 119
M400976	73	M413993	19
M400984	33	Control Box Wire Harness Assembly	
Coil		M410486	9, 13
M400915	117	M411073	17
M401380	111	Control Harness	
Coil Spring		M405871P	7
M402455	15	Control Kit	
Coin Carrier Spring		505905P	23, 25
M405138A	15	70228401P	19
Coin Drop		Control Panel Assembly	
38479P	25	M410412	11
70256402P	25	M410660	11
Coin Drop Assembly		M410678	11
38475	25	M410680	11
38519	25	M411015	11
Coin Meter		M413315	11
M402508-12	7, 15	M413316	11
M402508-14	7, 15	M413322	11
M402508-34	7, 15	M414204	13
M402508-36	7, 15	M414906	11
M402508-45	7, 15	Control Panel Harness Assembly	
M405138P	7, 15	M413991	19
M412542P	7, 15	Control Panel Retainer	
M412546	7	M401301	7, 9, 13
M412547	7, 15	M401302	7, 9, 13
Coin Meter Drive		Control Panel Wire Harness Assembly	
M400754	15	M403924P	7, 9, 13
Coin Retainer Spring		M410488	9, 13
M406297	15	Control Plate Assembly	
Coin Vault Assembly		70175807	25
44102801	31	70348801	23
Coin Vault Jumper Wire		Control Wire Harness Assembly	
M414305P	25	M410485	9, 13
Communication Board		M410487	9, 13
210095P	27	Counterweight	
Communication Cable		M400822	73
M414875P	21	Cover Plate	
Connector Link		M401362	57
M400903	51	Cylinder	
Contact Block		M400439P	41
M412230	13	M400440P	41
44018701	13	M401985P	41
Contactor		M402517P	41
M400905P	109	M405365P	41
M405116P	109	Cylinder and Trunnion Assembly	
M410457P	145	M406906P	41
M410529	145	M409015P	41
M412403P	141	M409090P	41
M412404P	135, 137, 139, 141	M409091	41

N/A items do not appear in index.

Cylinder Assembly	
M405009P.....	41
Cylinder Motor Harness	
M412745.....	67, 69
Cylinder Motor Harness Assembly	
M412573.....	67, 69
M413687.....	67, 69
M413688.....	67, 69
Cylinder, Trunnion and Bearing Housing Kit	
M4819P3.....	41
M4820P3.....	41
M4821P3.....	41
M4822P3.....	41

D

Data Connector, 3 Circuit	
210155.....	27
Deflector Shield	
M402746.....	81
Din Rail	
M410501.....	145
M412691.....	141
M412692.....	141
Diode Logic Board	
M405897P.....	29, 85
Disconnect Power Warning Label	
505281.....	115
Door Assembly	
M400447P.....	35
M410887.....	35
430475.....	35
Door Glass	
M400784P.....	35
70133601P.....	35
Door Glass Seal Kit	
70211901P.....	35
Door Handle	
M400133.....	35
430117.....	35
Door Hinge Assembly	
M402714*.....	35
Door Latch	
M401223.....	35
Door Ring Gasket	
M406129.....	35
Door Safety Switch Kit	
M4842P3.....	37
Door Switch	
M400952.....	29
Door Switch Harness Assembly	
M412459.....	29
Door Switch Rod	
M400603.....	35
Double V Sheave	
M412916.....	53
Drive Rivet	
M400713.....	33
Drum Idler Wheel Assembly	
430619.....	49

E

Electric Hood	
M412316.....	105
Electronic Coin Control Kit	
M4686P3.....	25
M4687P3.....	25
Emergency Stop Kit	
44018701P.....	13
End Barrier	
M412633.....	135, 137, 139, 141
End Cap	
M401328.....	7, 9, 13
End Section	
M412540.....	135, 137, 141
End Stop	
M412615.....	139
70121001.....	135, 137, 139, 141
Exhaust Thimble	
M413173.....	113
Exhaust Thimble Assembly	
M412288.....	113
Extension Handle	
M412370.....	135, 137, 139
M412371P.....	141
Extension Spring	
M412120.....	47

F

Fan	
M410088P.....	57
Fan and Bushing Assembly	
M414546.....	65
Fan and Key	
M400086P.....	57
Fan Contactor	
M413614P.....	123, 125, 129
Fan Motor	
44046001P.....	61, 63, 65
Fan Motor Harness Assembly	
M413281.....	63
M413686.....	59, 61, 63
Felt Pad	
M402144.....	41
Ferrite Core Assembly	
M413930P.....	121, 123, 125, 127, 129, 143
Finger Guard	
M412366.....	135, 137, 139
M412367.....	141
Flexible Coupler	
M412551.....	37
Front Panel Assembly	
M410758*P.....	35
M410760P.....	35
M410877*P.....	35
M411129*P.....	35
M411132P.....	35
M412792*P.....	35
Fuse	
M412996.....	139
M413118.....	121, 123, 125, 127, 129

N/A items do not appear in index.

M413621	123, 129
M413623	121, 123, 125, 127, 129
M414104	19
M414232	121, 123, 125, 127, 129
430836	89
502593	135, 137, 141
70406501	19
Fuse Holder	
M413544P	123, 129
Fuse Receptacle	
91024P	89, 121, 123, 125, 127, 129

G

Gas Shut-Off Valve	
M412562	97, 99
Gas Shut-Off Valve Assembly	
44092101	75, 79, 81, 85, 89
Gas Valve	
M401224P	79
M401228P	75
M401229P	75
M401230P	75
M401231P	75
M402750P	81
M403151P	81
M405898	85
M405935P	85
M409517P	89, 91
M410907P	95
M410908	95
M413332P	89, 93, 99
M413333P	89, 93
M413468P	91, 93
44138701P	91, 93
44154501	91, 93
Gas Valve Assembly	
M409152P	89, 91
M409153P	89, 91
M409561P	89, 91
Gas Valve Bracket	
M405945	89, 91
M406814	85, 89, 91, 99
Gas Valve Coil	
44042901P	93
Gas Valve Flange Assembly	
M412568	97
Gas Valve Harness Assembly	
M412997	77, 83, 97
M413650	77, 83, 95, 99
Gas Valve Kit	
M401225P	79
Gas Valve Main Coil	
M411134	93
Gasket	
M400798	77, 83
Ground Buss Assembly	
M412656	135, 137, 139, 141
Ground Lug Connector	
M411283	109, 117, 143
Guide Rail	
M412476	45, 47, 51, 53
Guide Rail Support	
M413267	53

M413268	53
---------	----

H

Handle and Cam Assembly	
M410243P	39
Harness Assembly	
M413690	73
Heater Cable Assembly	
M413959	107
M413960	107
Heater Cable Harness Assembly	
M412801	105
M412802	105
Heater Element	
M405253P	103
M405254P	103
M405255P	103
M405256P	103
M410939P	103, 105, 107
M410940P	103, 105, 107
M410941P	103, 105, 107
M412955P	105, 107
High Voltage Lead	
M406881	89, 91, 99
Hinge	
M410687	17, 19
Hinge Assembly	
M400514	35
Hinge Bracket	
431000*	35
431044	35
Hinge Pin	
M400653	35
Hood Assembly	
M401159	103
Housing and Trunnion Assembly	
M4642P3	43
M4643P3	43

I

Idler Arm Kit	
M414320P	49
Idler Housing	
M412612	55
Idler Housing Kit	
M412228P	45, 49
917P3	51, 55
943P3	49
Idler Shaft	
M401371	51
M412099	55
M412223P	45, 49
M414241	55
Igniter	
55438P	81, 85
Igniter Bracket Assembly	
M402745P	81, 85
Igniter Kit	
M4337P3	79
M4338P3	79

N/A items do not appear in index.

Ignition Bracket	
M402594	79
Ignition Control	
M406789P	89, 91
M4898P3	97
70367301P	91
70367401P	99
Ignition Control Harness Assembly	
M413548	99
Ignition Wire Harness Assembly	
M406880	89, 91
Indicator Light	
M412234	13
Instant Electronic Ignition Control	
M410904P	95

J

Jumper Bar	
M400866	103, 105, 107
Jumper Cable Assembly	
M413933	143
M413934	143
Jumper Cable Wire	
M412740	131
Jumper Configuration Assembly	
M413507	119
M413510	119
Jumper Harness	
44129201P	143
Jumper Harness Assembly	
M412871	105
M413505	119
M413506	119
M413508	119
M413509	119, 131
M414078	119
M414079P	119
Jumper Strip	
M400869	103, 105, 107
Jumper Wire	
M400337	77
M402823	83
M402824	83
M402825	83
M404866	87
M404868	87
Jumper Wire Assembly	
M401281	103, 105
M403743	103
M412116	109
M412117	109
M412287	105, 107
M412645	19, 97
Junction Box Assembly	
M410364	145
Junction Box Cover	
M414352	145

K

Key	
M400008	41, 47

M400993	45, 55, 57, 67
M400994	57
M401327	45, 47, 51, 55
M405232	41, 43
Kickplate Kit	
M414438P	39
Knob	
M400773	9, 13
M400777	9, 29
M410927	9, 13

L

Limit Thermostat	
M401404	79, 85, 89, 91
M405943	103
M406412	113
M409433	75, 81, 85, 89, 105, 107
M410220	85, 91, 95, 99, 105, 107
M410542	39, 113
M411813	39
Lint Compartment Label	
430527	115
Lint Hood Assembly	
M400515	39
Lint Panel Assembly	
M400464*P	39
M402722*P	39
M405646	39
M414796*P	39
M414797P	39
M414798*P	39
M414799	39
Lint Panel Bumper	
M410784	39
Lint Panel Warning Label	
M411087	115
Lint Screen Assembly	
M400522	39
Loading Spring	
M400401	51, 55
Lock and Key	
M401581P	31
Low Pressure Steam Cover	
M400828	111
L.P. Conversion Kit	
M4379P3	85, 89
M4454P3	85, 91
M4478P3	85, 91
M4609P3	85, 91
L.P. Gas Valve Kit	
M4897P3	91, 93
L.P. Valve Conversion Kit	
M405434	87, 93

M

Magnetic Operator	
M406217P	77, 83
Main Coil	
M405430	87
Main Harness	
44098801	19

N/A items do not appear in index.

Main Harness Assembly			
M413546	29		
M413676P	19		
Manifold Pipe Assembly			
M406681	75, 79, 81, 85, 89, 91		
M413395	99		
Micro Harness Assembly			
M413677	19		
Micro Mounting Assembly			
M413738	19		
Micro V Belt			
M411425P	47		
Micro V Pulley			
M411466P	49		
Micro V Sheave			
M412156	47		
Microprocessor Overlay			
M412961	17		
M413417	19		
M413420	19		
M413422	19		
M413423	19		
M413425	19		
M413426	19		
Motor			
M400611P	15		
M409735P	59, 61, 63		
M410852	67		
M411188P	63		
M411189P	59		
M411190P	59		
M411191P	59, 63		
M412225P	61		
M412226	63		
M412227P	61, 63		
44046101P	61		
44046201P	61		
44046301P	65		
Motor Base			
M413391	65		
Motor Belt			
M411814P	51		
Motor Bracket			
M411483	47, 53, 57		
Motor Bracket Assembly			
M400520	67		
M400521	67		
Motor Capacitor			
M406291	63		
M410296	63		
M410298	63		
M410300	63		
M410301	63		
M410302	63		
Motor Hardware Kit			
M4426P3	57		
Motor Harness Assembly			
M411828	59, 61, 67, 69		
M411980	59, 61		
M412107	67, 69		
Motor Kit			
M412519P	67, 69		
M412520P	67, 69		
Motor Mount Assembly			
M413617	67, 69		
Motor Mounting Ring Kit			
M405419P	57		
Motor Replacement Kit			
M4833P3	61, 63		
M4834P3	59, 61		
M4857P3	59		
M4858P3	59		
Motor Support Bracket Assembly			
M413006	71		
Motor Wire Harness Assembly			
M409489	59, 61, 63		
M409490	59, 61, 63		
M409982	59, 61		
M411827	59, 61, 67, 69		
Mounting Plate			
M410800	17		
M413397	17		
70208801	23		
Mounting Switch Base			
M412186	141		
M412187	135, 137, 139		
<hr/>			
N			
Nameplate			
M410355	33		
Nameplate Overlay			
M412963	33		
70240801	9, 33		
Network Board Assembly			
210016P	21		
Network Capacitor Assembly			
M413863	121, 123, 125, 127, 129		
Network Plug Support			
70201401	21		
Network Wire Harness Assembly			
800217	21		
Nut			
M400022	57		
M400026	45, 47, 51, 53		
M400033	43, 47		
M400034	57		
M400035	43, 47		
M400672	7		
M400926	79		
M400977	73		
M400979	73		
M400981	29		
M401548	75, 79, 81, 85, 89, 91, 99		
M401930	41		
M404993	41, 47, 53		
M412626	47, 53		
M412688	135, 137, 139, 141		
M414215	35		
Q6163	35, 103, 105		
02428	45, 57, 65, 67, 69		
02788	29		
20274	43, 65		
20275	35		
52566	49		
56156	49		
70054	19, 25, 105, 107		
70142	53, 57		

N/A items do not appear in index.

O

Operator	
M400331P.....	77
Overlay	
70184301.....	25
70184302.....	25
70184401.....	23
70239601.....	25
70239602.....	25

P

Panel Harness Assembly	
M412446.....	13
Panel Key	
M401677.....	33
M401680.....	33, 39
Panel Lock	
M406654P.....	33, 39
PC Board Standoff	
210098.....	27
Pilot Electrode	
M402591P.....	79
Pilot Ignition Control	
M410011P.....	79
Pilot Light	
JST-163-2.....	9
M400704.....	9
Pilot Tubing	
M402596.....	79
Pipe	
M400749.....	75, 79, 81, 85, 89, 91, 97, 99
Pop Rivet	
M400003.....	35
M405750.....	7, 9, 13
Pulley	
M412884.....	53
M414564.....	57
M414565.....	67, 69
M414566.....	57
M414567.....	69
Pushbutton	
44018801.....	13
Pushbutton Switch	
M413431.....	99
70107001.....	23, 25
Push-to-Start Switch Kit	
44106901P.....	7, 9

R

Relay	
M400911P.....	9
M400912P.....	9, 17
M412534.....	135, 137, 139, 141
430746.....	121, 123, 125, 127
431349.....	121, 145
Relay Harness Assembly	
M412636.....	131
M412776P.....	131

M412777.....	131
M414032.....	119
M414150.....	119
M414224.....	119
Remote Igniter Kit	
M4385P3.....	79
Replacement Door Handle Kit	
70133501P.....	35
Reset Assembly	
M400329P.....	77
Resilient Ring Kit	
M4525P3P.....	57
Resistor Assembly	
M400527.....	7, 9
M410992.....	9
Return Spring	
M405138B.....	15
Reversing Contactor	
M400906P.....	117
M409744P.....	117
M410515P.....	117
M413615P.....	127, 129
Reversing Contactor Harness Assembly	
M414034.....	119
Reversing Contactor Jumper Assembly	
M413624.....	119
M413695.....	119
Reversing Contactor Kit	
M4850P3.....	117, 133
Reversing Jumper Harness Assembly	
M412927.....	119
M412928.....	119, 131
M412929.....	119, 131
Reversing Timer	
M401387P.....	117, 133
M411683.....	117, 133
Reversing Timer Harness Assembly	
M412930.....	131
Rib Rod	
M400901.....	41
M401411.....	41
M404992.....	41
Ring	
M400399.....	45, 47
Rocker Switch	
M413270.....	9, 17
Roller Chain	
M400597P.....	51
M401425.....	45
Run Light	
M404151.....	7

S

Screw	
M400043.....	47, 53
M400044.....	17, 35, 109, 121, 123, 125, 127, 129
M400057.....	53, 57, 65, 67, 69
M400061.....	45
M400063.....	43
M400065.....	45, 47, 51, 67
M400071.....	7, 9, 29, 121, 123, 125, 127
M400072.....	7, 9, 29
M400077.....	49, 57

N/A items do not appear in index.

M405364	121, 123, 125, 127, 129, 145
M412042	109
M412045	109, 141
M412537	135, 137, 141
M412538	139
M412631	135, 137, 139, 141
M412632	135, 137, 139, 141
M413864	143
M413865	143
430642	121, 123, 125, 127, 129
Terminal Block End	
M400681	109
Terminal Strip	
M413542	121, 123, 125, 127, 129
Thermistor	
M414704	39
Thermistor Assembly	
M413212P	39
510523	39
Thermocouple	
M400934	75
Thermodisc Bracket	
M400838	81, 85, 89
Thermostat Bracket	
M401312	39
M402798	75, 79
M406882	85, 91
Thermostat Cover	
M414477	85, 91, 95
Thermostat Harness	
M412920	85, 91, 99
Thermostat Harness Assembly	
M412603	29
Thermostat Kit	
M4347P3	103
Thimble Vane Assembly	
M400503	113
M413382	113
Timer	
M412079P	13
M412080P	13
Timer Kit	
M410900P	9
M410901P	9
M410902P	9
M410903P	9
Timer Motor	
M400609	15
M410789	15
Timing Cam	
M400732P	15
M400733P	15
M400734P	15
M400735P	15
M400736P	15
M400737P	15
M400738P	15
M400739P	15
M400740P	15
M400741P	15
Toggle Switch	
M400945	9, 17
Top Cover Panel	
M401306	33
M403385	33

Top Front Access Panel	
M410801*P	33
M410802	33
Top Front Panel	
M414350	33
Top Front Panel Assembly	
M414349*P	33
Transformer	
M401391P	29, 109, 117
M402650P	29
M412412P	139
M412477P	135, 137, 141
M413100P	99, 123
M414228P	121, 123, 125, 127, 129
M414229P	123, 129
Transformer Harness Assembly	
M412641	131
M412642	131
M414028	119
M414029	119
M414076	119
Transformer Kit	
M401199P	29
Trunnion and Bearing Assembly	
M4638P3	41
M4639P3	41
M4640P3	41
M4641P3	41
Trunnion Assembly	
M413833P	41
M413834P	41
M413836	41
Trunnion Housing	
M413826	43
Trunnion Housing Assembly	
M413831	43
M413832	43
Trunnion Housing Casting	
M413825	43
Trunnion Kit	
M413835P	41
Tumbler Dolly Kit	
M4379P4	35

V

Valve Repair Kit	
M400152	111
M401384	111
Vane	
M400253	73
Vane Assembly	
M400541	73
Vault Key	
M401701	31

W

Warning Label	
M410892	115
500316	115
Washer	
M400013	41, 45, 53, 57, 65, 67, 71

N/A items do not appear in index.

M400014	45, 47, 51, 53, 57
M400017	35
M400080	45, 53, 57, 65, 67, 69, 71
M400081	45, 47, 51
M400606	75, 79, 81, 85
M400675	7, 35
M400991	57
M401946	43
M401947	41
M403958	47, 53
M405535	49
M412188	47, 53
M412530	35
02834	69
03189	35
03815	35, 79, 81
20103	43
91200	41, 43
Wire Harness Assembly	
M401909	73
M403824	73, 75, 81, 85, 89
M405372	9
M405873	7, 9
M410599	89
Wire Lead	
M402597	79
