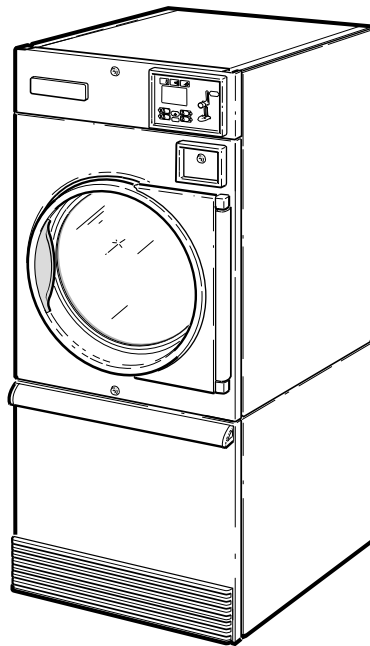


Drying Tumblers

25 and 30 Pound Capacities

Models Starting Serial No. 0602004144

Refer to Page 5 for Model Numbers



T478C_70409401

Parts



&



www.partsking.com

Part No. 70409401R7
February 2012

Table of Contents

Title	Page
Parts Ordering Information.....	3
Serial Plate Location	3
Model Identification	5
Product Overview - Heat Source and Voltage	6
Product Overview - Control Suffixes (Drawing 1 of 3).....	8
Product Overview - Control Suffixes (Drawing 2 of 3).....	10
Product Overview - Control Suffixes (Drawing 3 of 3).....	12
Single Drop Control Components	14
Dual Digital Timer Control Components.....	16
DX4 Control Components	18
DMP Control	20
OPL Microprocessor Controls.....	22
Coin Drop Components for MDC Models.....	24
BY Control Option for MDC Models	26
Coin Drops	28
Coin Drop Kits.....	30
Coin Drop Components for NetMaster Models.....	32
Card Reader Components for NetMaster Models.....	34
Network Board for NetMaster Models.....	36
Coin Drop Components for Quantum Control.....	38
Card Reader Components for Quantum Control	40
Network Board for Quantum Control.....	42
Communication Board	44
UniLinc Control	46
LED OPL Control	48
Door and Hinge Components	50
Front Panel Assemblies and False Fronts	52
Cabinet Front Components.....	54
Emergency Stop Button for CE Models	56
Lower Cabinet Components	58
Lower Cabinet Components - 25 Pound S Models with Hinged Lint Door.....	60
Cylinder and Trunnion Assembly	62
Cylinder Components	64
Cabinet Components	66
Fire Suppression System Components	68
Fire Suppression System Control Box.....	70
Drive Motor Components	72
Blower Components.....	74
Moisture Sensing Components.....	76
Rotation Sensor	78
Airflow Switch.....	80

© Copyright 2012, Alliance Laundry Systems LLC

All rights reserved. No part of the contents of this book may be reproduced or transmitted in any form or by any means without the expressed written consent of the publisher.

Gas Burner Housing and Secondary Stove Limit	82
Gas Valve Assembly - Non-CE and Non-Australian Gas Models	84
Gas Valve and Piping - CE and Australian Gas Models	86
Electric Heater Components	88
Steam Heater Components	90
Control Tray Harnesses for Gas Models	92
Control Tray for Non-CE and Non-Australian Gas Models	94
Control Tray Components for CE and Australian Gas Models	96
Control Tray Harnesses for Steam Models	98
Control Tray for Non-CE Steam Models	100
Control Tray for CE Steam Models	102
Control Tray Harnesses for Electric Models	104
Control Tray for Non-CE Electric Models	106
Control Tray for CE Electric Models	108
Accessory Box Harnesses for Electric Models	110
Accessory Box for Non-CE Electric Models	112
Accessory Box for CE Electric Models	114
Parts Index	117

Parts Ordering Information

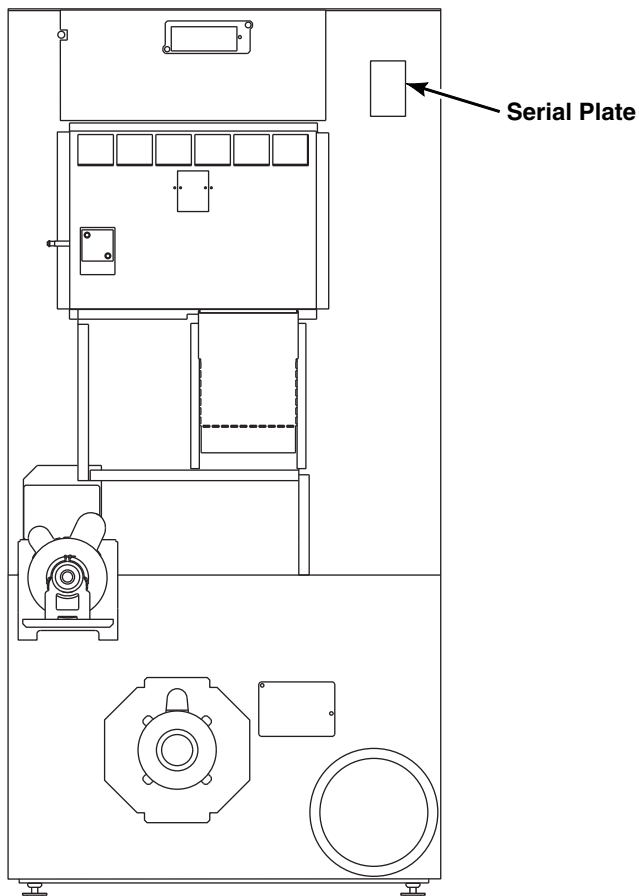
If literature or replacement parts are required, contact the source from whom the machine was purchased or contact Alliance Laundry Systems at (920) 748-3950 for the name and address of the nearest authorized parts distributor.

For technical assistance, call either of the numbers listed below:

(920) 748-3121 Ripon, Wisconsin
+32 56 41 20 54 Wevelgem, Belgium

Serial Plate Location

When calling or writing about your product, be sure to mention model and serial numbers. Model and serial numbers are located on serial plate(s) as shown.



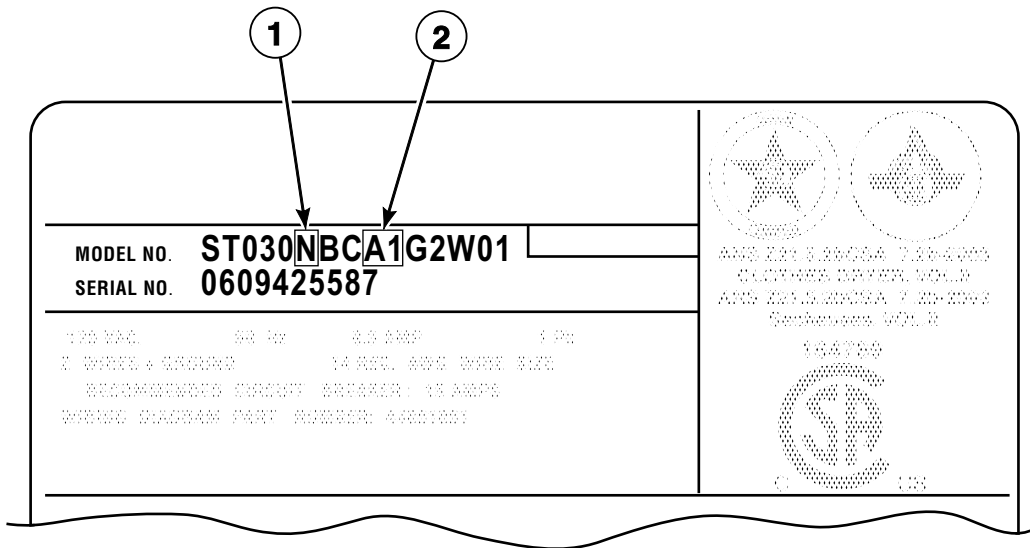
TMB2098N_70409401

Model Identification

Information in this manual is applicable to these tumbler models:

CHD25E2-CT025E	GA025L	KA025L	PA025L	UA025L
CHD25E2-CU025E	GA025N	KA025N	PA025N	UA025N
CHD25G2-CA025L	GA030L	KA030L	PA030L	UA030L
CHD25G2-CA025N	GA030N	KA030N	PA030N	UA030N
CHD25G2-CT025L	GT025E	KT025E	PT025E	UT025E
CHD25G2-CT025N	GT025L	KT025L	PT025L	UT025L
CHD25G2-CU025L	GT025N	KT025N	PT025N	UT025N
CHD25G2-CU025N	GT025S	KT025S	PT025S	UT025S
CHD25S2-CT025S	GT030E	KT030E	PT030E	UT030E
CHD25S2-CU025S	GT030L	KT030L	PT030L	UT030L
CHD30E2-CT030E	GT030N	KT030N	PT030N	UT030N
CHD30E2-CU030E	GT030S	KT030S	PT030S	UT030S
CHD30G2-CA030L	GU025E	KU025E	PU025E	UU025E
CHD30G2-CA030N	GU025L	KU025L	PU025L	UU025L
CHD30G2-CT030L	GU025N	KU025N	PU025N	UU025N
CHD30G2-CT030N	GU025S	KU025S	PU025S	UU025S
CHD30G2-CU030L	GU030E	KU030E	PU030E	UU030E
CHD30G2-CU030N	GU030L	KU030L	PU030L	UU030L
CHD30S2-CT030S	GU030N	KU030N	PU030N	UU030N
CHD30S2-CU030S	GU030S	KU030S	PU030S	UU030S
DR25E2-BT025E	HA025L	LA025L	SA025L	YT025E
DR25E2-BU025E	HA025N	LA025N	SA025N	YT025L
DR25G2-BA025L	HA030L	LA030L	SA030L	YT025N
DR25G2-BA025N	HA030N	LA030N	SA030N	YT025S
DR25G2-BT025L	HT025E	LT025E	ST025E	YT030E
DR25G2-BT025N	HT025L	LT025L	ST025L	YT030L
DR25G2-BU025L	HT025N	LT025N	ST025N	YT030N
DR25G2-BU025N	HT025S	LT025S	ST025S	YT030S
DR25S2-BT025S	HT030D	LT030E	ST030D	YU025E
DR25S2-BU025S	HT030E	LT030L	ST030E	YU025L
DR30E2-BT030E	HT030L	LT030N	ST030L	YU025N
DR30E2-BU030E	HT030N	LT030S	ST030N	YU025S
DR30G2-BA030L	HT030S	LU025E	ST030S	YU030E
DR30G2-BA030N	HU025E	LU025L	SU025E	YU030L
DR30G2-BT030D	HU025L	LU025N	SU025L	YU030N
DR30G2-BT030L	HU025N	LU025S	SU025N	YU030S
DR30G2-BT030N	HU025S	LU030E	SU025S	
DR30G2-BU030L	HU030E	LU030L	SU030E	
DR30G2-BU030N	HU030L	LU030N	SU030L	
DR30S2-BT030S	HU030N	LU030S	SU030N	
DR30S2-BU030S	HU030S		SU030S	
IPD25E2-IT025E				
IPD25G2-IT025L				
IPD25G2-IT025N				
IPD25S2-IT025S				
IPD30E2-IT030E				
IPD30G2-IT030L				
IPD30G2-IT030N				
IPD30S2-IT030S				

Product Overview - Heat Source and Voltage

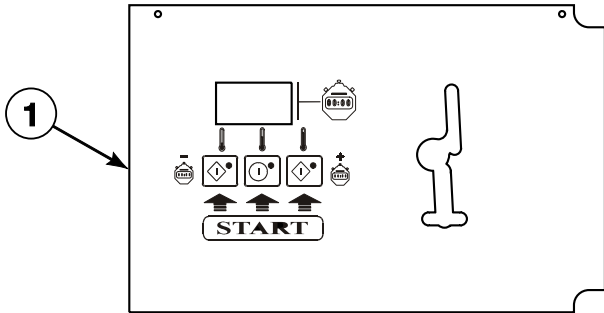
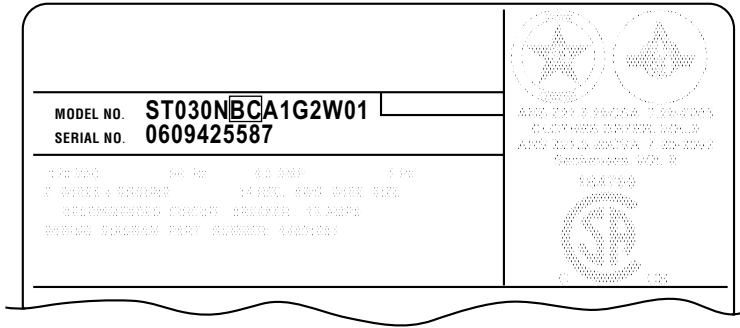


TMB2787P_70409401

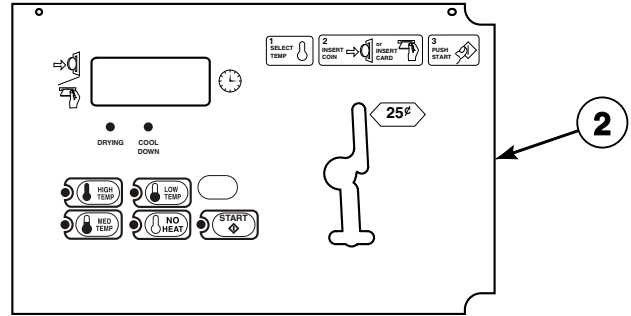
Product Overview - Heat Source and Voltage

REF	PART NO.	DESCRIPTION	COMMENTS
1	-	Heat Source	D: Liquid Petroleum Gas (L.P) E: Electric L: Liquid Petroleum Gas (L.P.) N: Natural Gas (N.G.) S: Steam
2	-	Voltage	A1: 100, 200 Volt/50 Hertz/1 Phase A2: 100, 200-220 Volt/60Hertz/1 Phase B2: 120, 208-240 Volt/60 Hertz/1 Phase; For high Amp motors B3: 120, 208-240 Volt/60 Hertz/1 Phase; For low Amp motors F1: 200 Volt/50 Hertz/1 Phase F2: 200 Volt/60 Hertz/1 Phase F4: 200 Volt/50 Hertz/3 Phase F5: 200-208 Volt/60 Hertz/3 Phase F6: 200-208, 240 Volt/60 Hertz/3 Phase G1: 208 Volt/60 Hertz/1 Phase G2: 208-240 Volt/60 Hertz/1 Phase J1: 230 Volt/50 Hertz/1 Phase J2: 230-240 Volt/50 Hertz/1 Phase J4: 240 Volt/60 Hertz/1 Phase J5: 230 Volt/50 Hertz/3 Phase J6: 230-240 Volt/50 Hertz/3 Phase J8: 240 Volt/60 Hertz/3 Phase M1: 380 Volt/50 Hertz/3 Phase M2: 380, 400-415 Volt/50 Hertz/3 Phase M3: 380 Volt/60 Hertz/3 Phase N1: 400-415 Volt/50 Hertz/3 Phase N2: 400 Volt/50 Hertz/3 Phase; 25 pound models only P1: 440 Volt/60 Hertz/3 Phase Q1: 460-480 Volt/60 Hertz/3 Phase

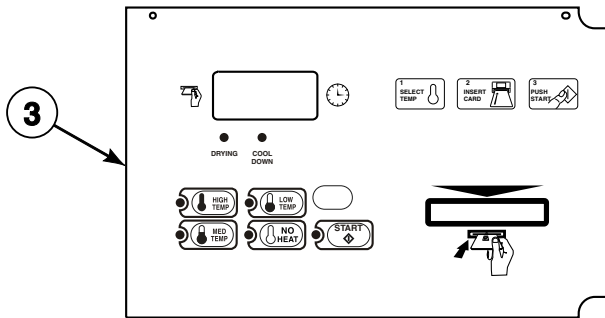
Product Overview - Control Suffixes (Drawing 1 of 3)



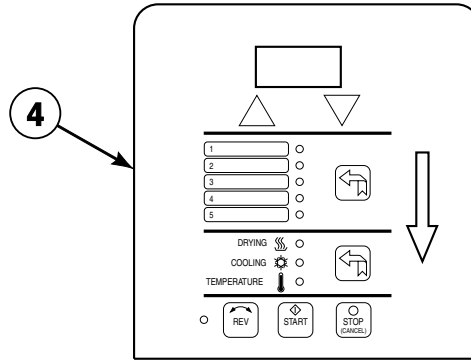
**3O, 3V and 3X
Control Suffixes**



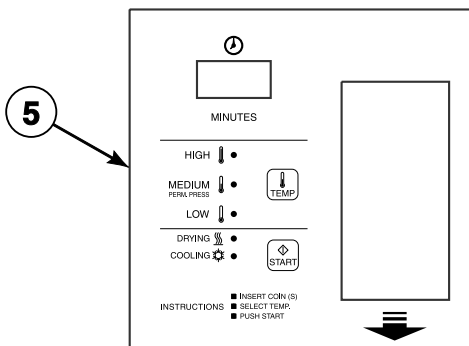
**BC and BX
Control Suffixes**



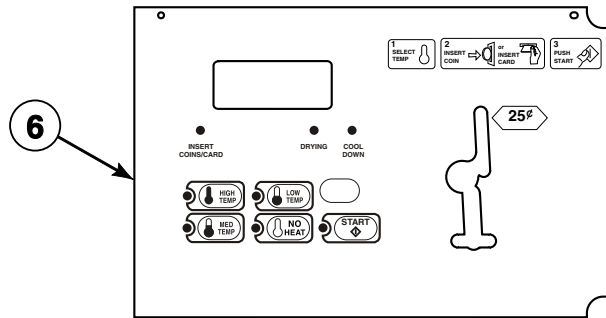
**BL and BY
Control Suffixes**



**DO
Control Suffix**



**DV and DX
Control Suffixes**



**NC, NX, ZC and ZX
Control Suffixes**

TMB2788P_70409401

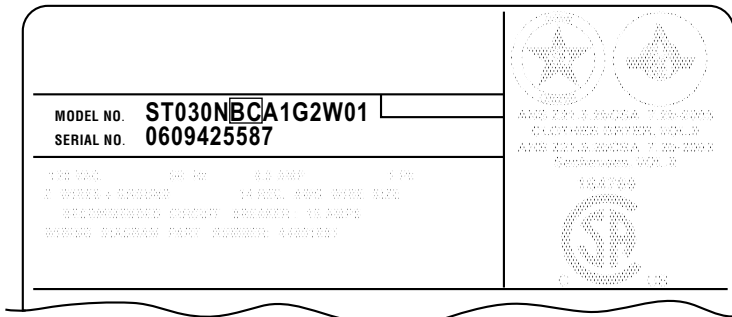
Product Overview - Control Suffixes (Drawing 1 of 3)

REF	PART NO.	DESCRIPTION	COMMENTS
1	-	Control - Nonreversing	30: DX4 OPL 3V: DX4 vended 3X: DX4 prep for coin
2	-	Control - Nonreversing	BC: basic electronic, coin BX: basic electronic, prep for coin
3	-	Control - Nonreversing	BL: basic electronic, central pay BY: basic electronic, prep for card
4	-	Control - Nonreversing	DO: DMP OPL
5	-	Control - Nonreversing	DV: DMP vended DX: DMP prep for coin
6	-	Control - Nonreversing	NC: NetMaster coin NX: NetMaster, prep for coin ZC: NetMaster network coin ZX: NetMaster network, prep for coin

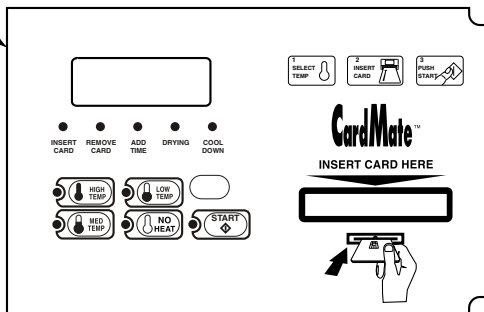
NOTE: Coin models have the following control suffixes: 3V, 3X, BC, BX, DV, DX, NC, NX, ZC and ZX

NOTE: OPL models have the following control suffixes: 30, BL, BY and DO

Product Overview - Control Suffixes (Drawing 2 of 3)

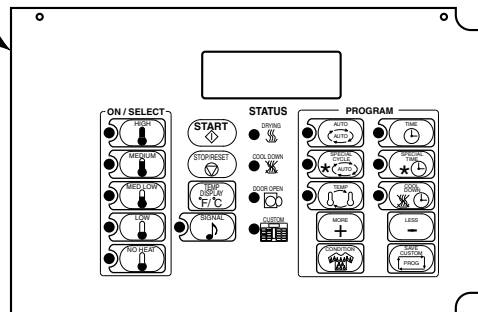


1



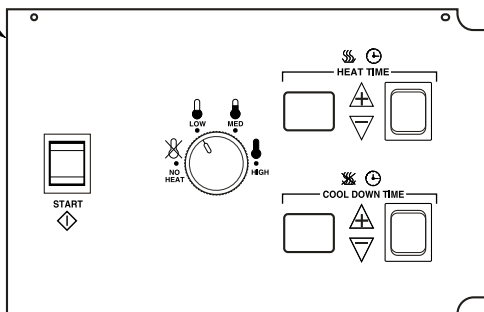
**NR, NY, ZR and ZY
Control Suffixes**

2



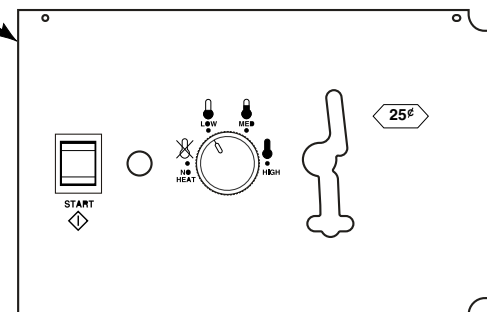
**OM
Control Suffix**

3



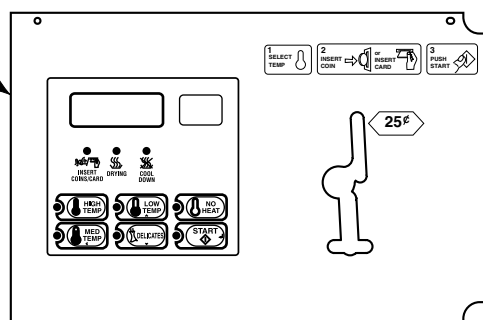
**QT
Control Suffix**

4



**SD and SX
Control Suffixes**

5



**LC, LX, LY, WC, WX and WY
Control Suffixes**

TMB2929P_70409401

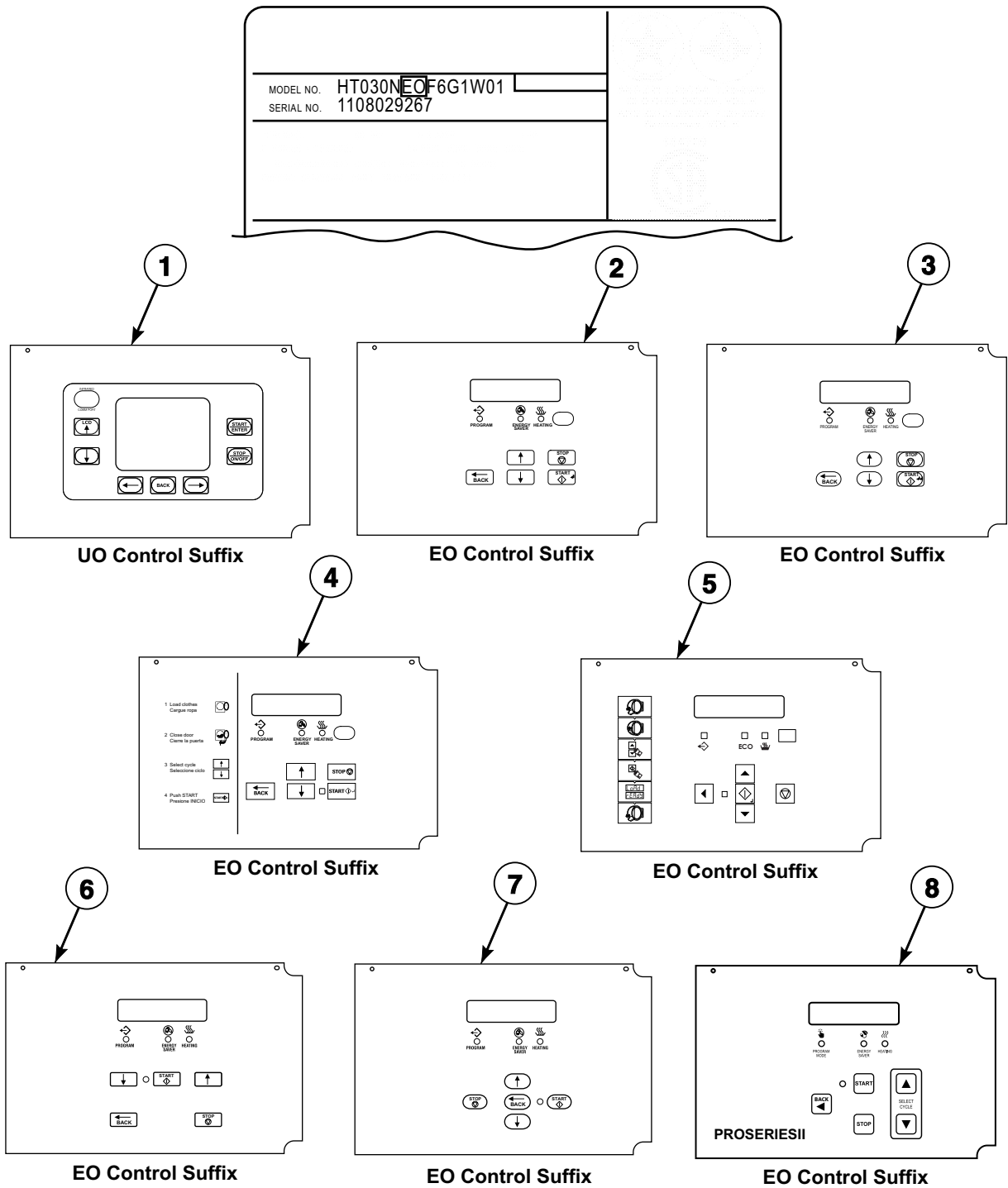
Product Overview - Control Suffixes (Drawing 2 of 3)

REF	PART NO.	DESCRIPTION	COMMENTS
1	-	Control - Nonreversing	NR: NetMaster card NY: NetMaster, prep for card ZR: NetMaster network card ZY: NetMaster network, prep for card
2	-	Control - Nonreversing	OM: OPL micro
3	-	Control - Nonreversing	QT: dual digital timer
4	-	Control - Nonreversing	SD: single drop SX: single drop, prep for coin
5	-	Control - Nonreversing	LC: network adaptable coin LX: network adaptable, prep for coin LY: network adaptable, prep for card WC: network ready coin WX: network ready, prep for coin WY: network ready, prep for card

NOTE: Coin models have the following control suffixes: LC, LX, LY, SD, SX, WC, WX and WY

NOTE: OPL models have the following control suffixes: NR, NY, OM, QT, ZR and ZY

Product Overview - Control Suffixes (Drawing 3 of 3)



TMB3146P_70409401

Product Overview - Control Suffixes (Drawing 3 of 3)

REF	PART NO.	DESCRIPTION	COMMENTS
1	-	Control - Nonreversing	U models; UO: Unilinc OPL
2	-	Control - Nonreversing	S models; EO: LED OPL
3	-	Control - Nonreversing	U models; EO: LED OPL
4	-	Control - Nonreversing	H models; EO: LED OPL
5	-	Control - Nonreversing	C, D and I models; EO: LED OPL
6	-	Control - Nonreversing	P models; EO: LED OPL
7	-	Control - Nonreversing	L and Y models; EO: LED OPL
8	-	Control - Nonreversing	G and K models; EO: LED OPL

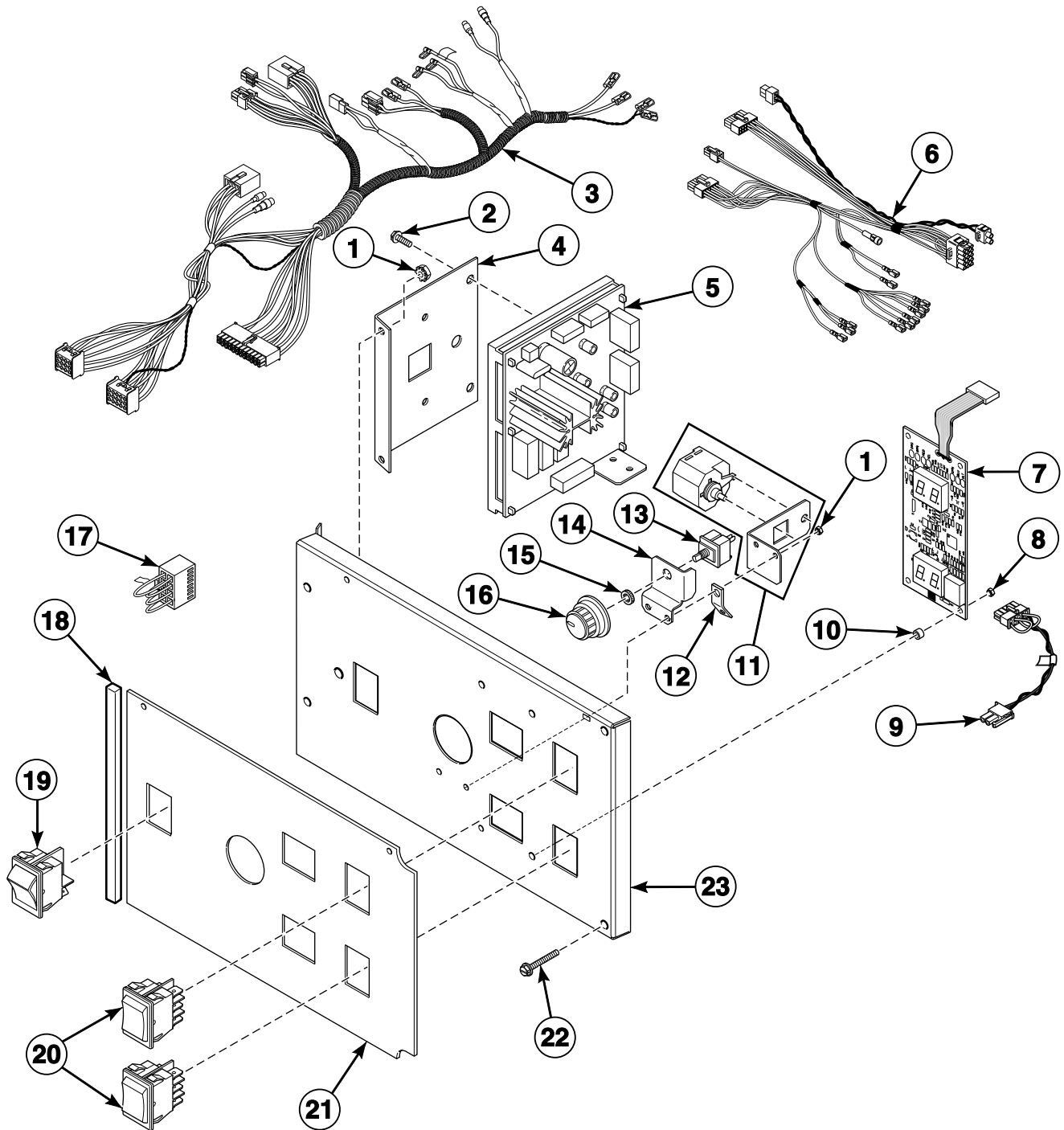
NOTE: OPL models have the following control suffixes: EO and UO

Single Drop Control Components

REF	PART NO.	DESCRIPTION	COMMENTS
	70370001	Control Set	C, H and S Australian and CE models; Includes items 1-8, 11, 14, 15, 18 and 19
	70370101P	Control Set	All other models; Includes items 1-8, 11, 14, 15, 18 and 19
1	501524	Screw	
2	70054	Nut	
3	70357901	Control Chassis Mounting Bracket	
4	512199P	Control Assembly	Models through Serial No. 0701012067
	513139P	Control Assembly	Models starting Serial No. 0701012068
5	70398401	Control Panel Harness	Australian and CE models
	70369001	Control Panel Harness	All other models
6	511711	Temperature Selector Switch	
7	00177	Male Tab Terminal	
8	29786	Nut	
9	70324601	Jumper Calibration Wire	
10	M405535	Washer	
11	70363401	Control Door Assembly	
12	70069901	Screw	
13	70363001	Overlay	H models
	70362901	Overlay	All other models
14	801431	Light	
15	70455101	Rocker Switch	Start
16	70414101	Foam Gasket	6 inches required; Mounts to front of overlay, even with edge
17	44104601	Temperature Knob	
18	24205	Nut	
19	70350201	Temperature Selector Bracket	
20	70400901	Main Harness Assembly	Electric models need 55881 Harness Strap; Models through 7/31/11
	70441301	Main Harness	Electric models need 55881 Harness Strap; Models starting 8/1/11

Dual Digital Timer Control Components

C, H, I, L, P, S, U and Y Models
G and K Models Starting 1/16/12
Models with QT Control Suffix



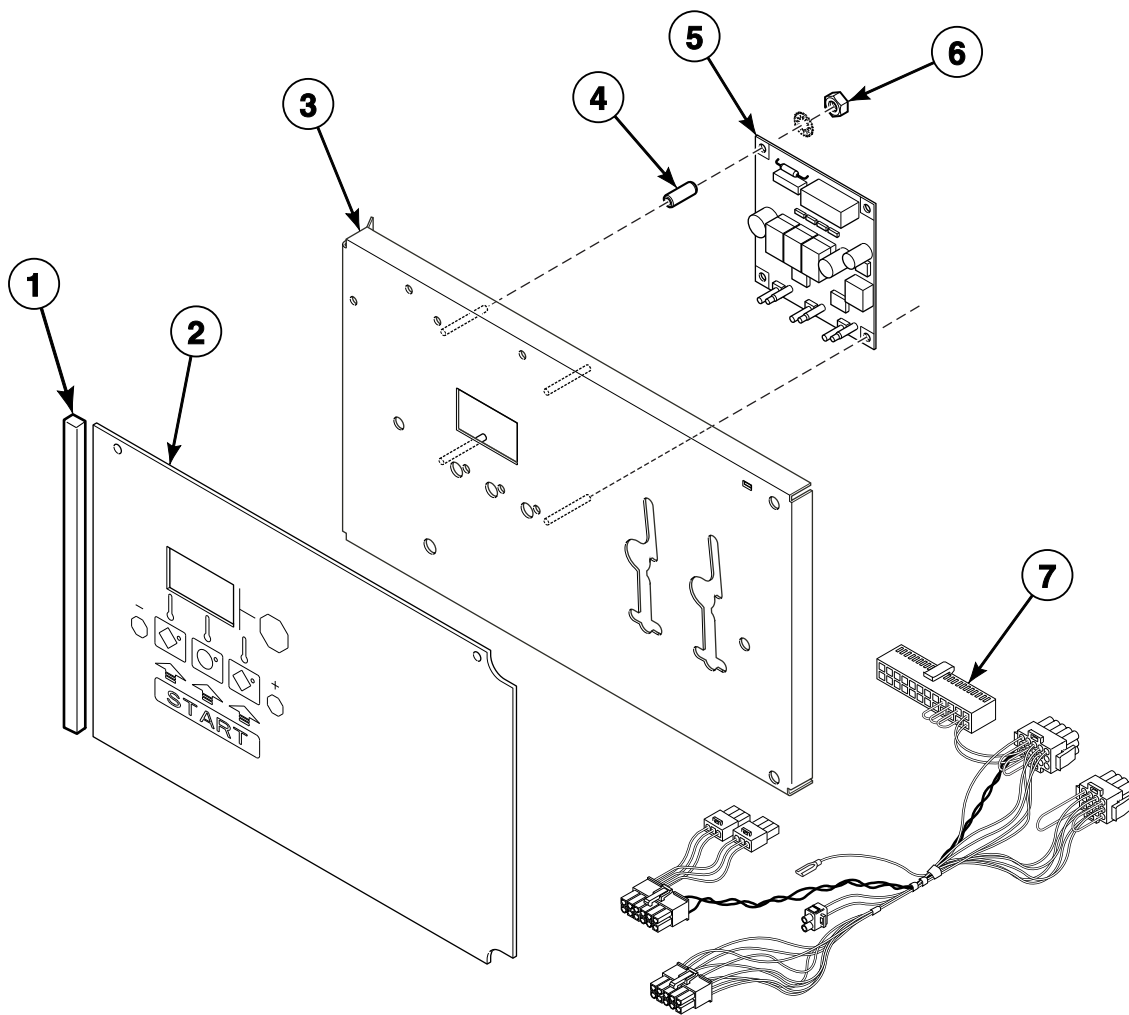
TMB3011P_70409401

Dual Digital Timer Control Components

REF	PART NO.	DESCRIPTION	COMMENTS
	70370201P	Control Set	Includes items 1, 2, 4-8, 10, 12-16, 19, 20 and 23
1	70054	Nut	
2	501524	Screw	
3	70400901	Main Harness Assembly	Electric models need 55881 Harness Strap; Models through 7/31/11
	70441301	Main Harness	Electric models need 55881 Harness Strap; Models starting 8/1/11
4	70357901	Control Chassis Mounting Bracket	
5	512202P	Control Assembly	
6	70367001P	Control Panel Harness	
7	512218P	Display Assembly	
8	29787	Nut	
9	70324601	Jumper Calibration Wire	
10	56079	Panel Locator	
11	M4860P3	Buzzer Kit	Includes buzzer, bracket and harness
12	00177	Male Tab Terminal	
13	511711	Temperature Selector Switch	
14	70391701	Temperature Selector Switch Bracket	
15	24205	Nut	
16	44104601	Temperature Knob	
17	70364103	Bypass Harness	
18	70414101	Foam Gasket	6 inches required; Mounts to front of overlay, even with edge
19	70455101	Rocker Switch	Start
20	70461301	Rocker Switch	
21	70362201	Overlay	
22	70069901	Screw	
23	70360601	Control Plate Assembly	

DX4 Control Components

D and I Models with 3O, 3V and 3X Control Suffixes



TMB3156P_70409401

DX4 Control Components

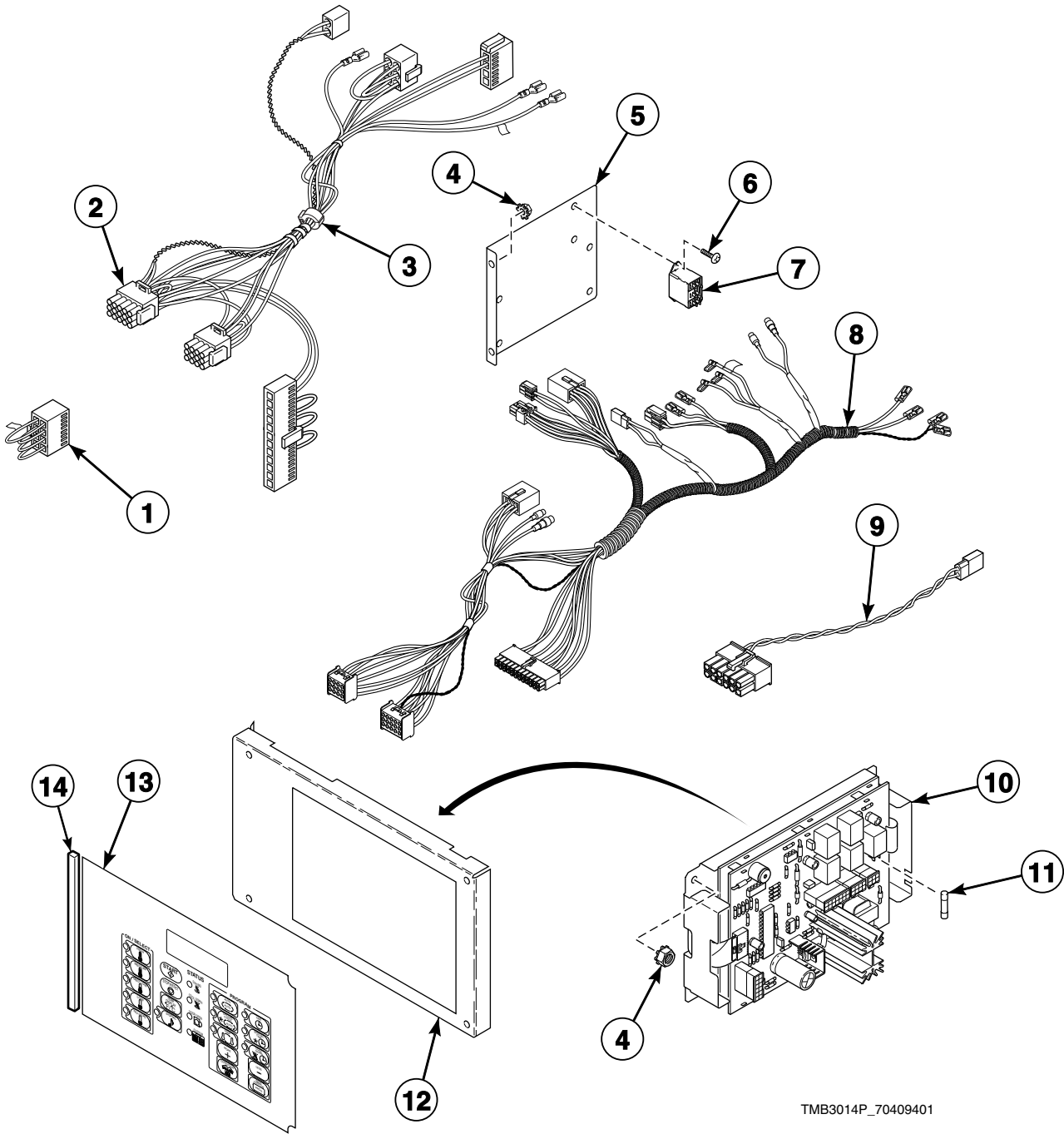
REF	PART NO.	DESCRIPTION	COMMENTS
1	70414101	Foam Gasket	6 inches required; Mounts to front of overlay, even with edge
2	44050401	Graphic Overlay	OPL; Models through 7/31/11
	44240501	Graphic Overlay	OPL; Models starting 8/1/11
	44050501	Graphic Overlay	Coin; Single drop; Models through 7/31/11
	44239401	Graphic Overlay	Coin; Single drop; Models starting 8/1/11
	44050502	Graphic Overlay	Coin; Dual drop; Models through 7/31/11
	44239402	Graphic Overlay	Coin; Dual drop; Models starting 8/1/11
3	44050701P	Control Plate Kit	
4	44050601	Sleeve	4 required
5	70462301P	Control Assembly	3O control suffix
	70462361P	Control Assembly	3V and 3X control suffixes
6	29787	Nut	
7	70315701	Control Panel Harness Assembly	Australian and CE models
	70315601P	Control Panel Harness	All other models

DMP Control

REF	PART NO.	DESCRIPTION	COMMENTS
1	44039402P	Membrane Switch	Coin; DV and DX control suffixes
2	44041001	Control Plate Assembly	Coin; Includes studs; DV and DX control suffixes
3	29787	Nut	
4	44037801P	Electronic Control	
5	44039701P	Coin Drop Assembly	United States; \$.25
	44039702	Coin Drop Assembly	Mexico; 2 peso
	44039703	Coin Drop Assembly	Token; .880
	44039704	Coin Drop Assembly	Japan; 100 yen
	44039705	Coin Drop Assembly	England; 20 pence
	44039706	Coin Drop Assembly	Token; .800
	44039707	Coin Drop Assembly	England; 50 pence
6	70414101	Foam Gasket	6 inches required; Mounts to front of overlay, even with edge
7	44041701	Relay/Buzzer Bracket	
8	M412534	Relay	
9	M402797	Screw	
10	00177	Male Tab Terminal	
11	505447	Adjustable Buzzer	
12	44040901	Control Plate Assembly	OPL; Includes studs; DO control suffix
13	44037902P	Membrane Switch	OPL; DO control suffix

OPL Microprocessor Controls

G, L and P Models
H, S and U Models Through 7/31/11
25 Pound K Models
Models with OM Control Suffix



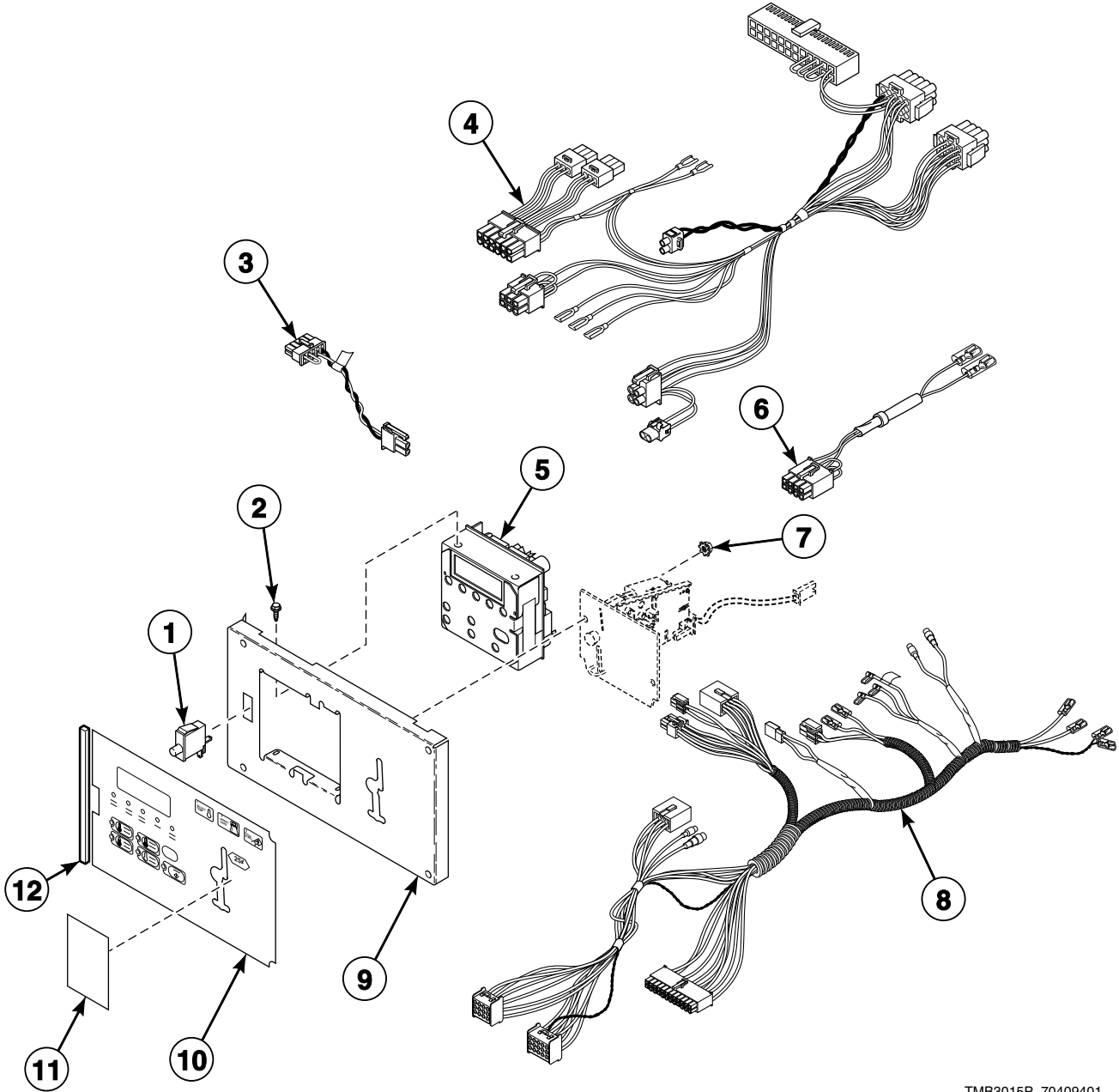
TMB3014P_70409401

OPL Microprocessor Controls

REF	PART NO.	DESCRIPTION	COMMENTS
	M4689P3	Electronic OPL Control Kit	GT, HT, KT, LT, PT, ST and UT models; Dual secondary transformers (M414228 Transformer for 100-240 VAC and M414229 Transformer for 380-480 VAC) must be used with this kit; Does not include overlay or harness
	M4695P3	Electronic OPL Control Kit	All other models
1	70364103	Bypass Harness	
2	70335301P	Control Panel Harness	GT, HT, KT, LT, PT, ST and UT models
	70382701P	Control Panel Harness	All other models
3	M413930P	Ferrite Core Assembly	
4	70054	Nut	
5	70063501	Mounting Bracket	GA, GU, HA, HU, KA, KU, LA, LU, PA, PU, SA, SU, UA and UU models; Used with 70382701P Control Panel Harness
6	M402797	Screw	GA, GU, HA, HU, KA, KU, LA, LU, PA, PU, SA, SU, UA and UU models; 2 required; Used with 70382701P Control Panel Harness; 2 required
7	M412534	Relay	GA, GU, HA, HU, KA, KU, LA, LU, PA, PU, SA, SU, UA and UU models; Used with 70382701P Control Panel Harness
8	70400901	Main Harness Assembly	Electric models need 55881 Harness Strap; Models through 7/31/11
	70441301	Main Harness	Electric models need 55881 Harness Strap; Models starting 8/1/11
9	70084303	Jumper Calibration Assembly	
10	70228401P	Control Kit	
11	70406501	Fuse	1.25 Amp
12	70175805	Control Plate Assembly	GT, HT, KT, LT, PT, ST and UT models; Includes studs
	70175806	Control Plate Assembly	All other models; Includes studs
13	70115801	Overlay	L, P, S, and U models; Icon and English
	70130401	Overlay	L, P, S, and U models; Icon
	70128701	Overlay	H models; Icon and English
	70130601	Overlay	H models; Icon and English
	44130002	Overlay	G and K models
14	70414101	Foam Gasket	6 inches required; Mounts to front of overlay, even with edge

Coin Drop Components for MDC Models

G, H, K, L, P, and S Models with BC, BL and BX Control Suffixes



TMB3015P_70409401

Coin Drop Components for MDC Models

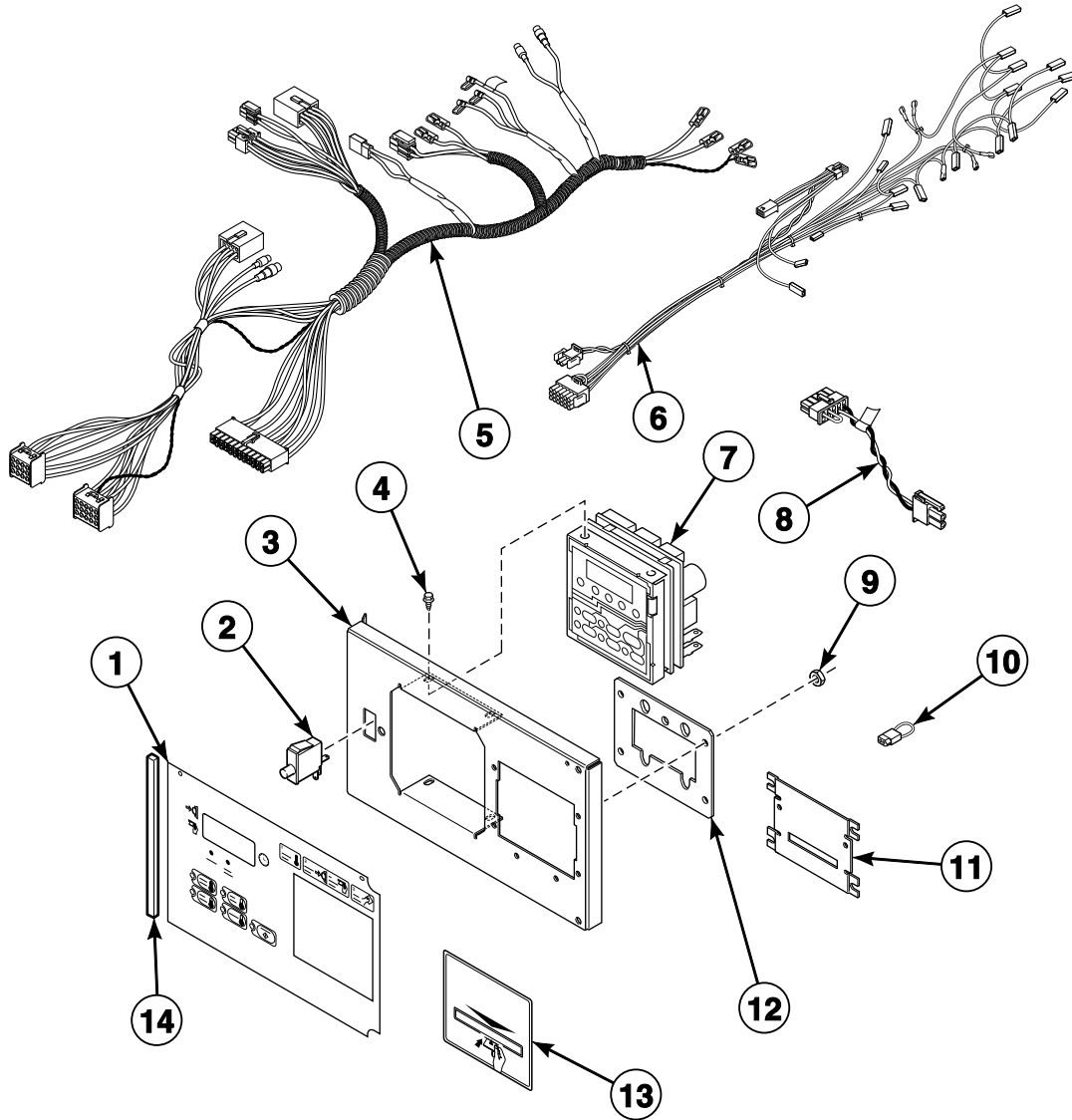
REF	PART NO.	DESCRIPTION	COMMENTS
1	70107001	Pushbutton Switch	
2	501524	Screw	4 required for mounting control
3	70324601	Jumper Calibration Wire	
4	70368001P	Control Panel Harness	GT, HT, KT, LT, PT and ST models; Control panel to main harness
	70315501P	Control Panel Harness	All other models; Control panel to main harness
5	511867P	Control Assembly	
6	70364104P	Coin Vault Switch Harness	
7	70054	Nut	3 required
8	70400901	Main Harness Assembly	Electric models need 55881 Harness Strap; Models through 7/31/11
	70441301	Main Harness	Electric models need 55881 Harness Strap; Models starting 8/1/11
9	70175807	Control Plate Assembly	
10	70257701	Overlay	L and S models; BC, BL* and BX control suffixes; Text; Single drop
	70261001	Overlay	L and S models; BC, BL* and BX control suffixes; Icon; Single drop
	70257702	Overlay	L and S models; BC and BX control suffixes; Text; Dual drop
	70261002	Overlay	L and S models; BC and BX control suffixes; Icon; Dual drop
	70258001	Overlay	H models; BC, BL* and BX control suffixes; Text; Single drop
	70261201	Overlay	H models; BC, BL* and BX control suffixes; Icon; Single drop
	70258002	Overlay	H models; BC and BX control suffixes; Text; Dual drop
	70261202	Overlay	H models; BC and BX control suffixes; Icon; Dual drop
	70259001	Overlay	P models; BL* control suffix
	70258101	Overlay	H models; BC, BL* and BX control suffixes; Text; Single drop
	70453001	Overlay	G and K models; Text; Single drop
	70453002	Overlay	G and K models; Text; Dual drop
11	39564	Coin Drop Overlay	S models; BL* control suffix; Cover
	70246301	Coin Cover Overlay	G, H, K and L models; BL* control suffix; Cover
	70286701	Overlay	P models; BL* control suffix; Cover
	70321001	Overlay	P models; BC** and BX** control suffixes; Single drop; Right side
	70129501	Overlay	P models; BC** and BX** control suffixes; Single drop; Left side
	70129601	Overlay	P models; BC** and BX** control suffixes; Dual drop
12	70414101	Foam Gasket	6 inches required; Mounts to front of overlay, even with edge

* NOTE: BL control suffix requires an overlay and overlay cover specific to model.

** NOTE: P models with BC or BX control suffixes require an overlay and coin drop overlay.

BY Control Option for MDC Models

H, K, L and S Models

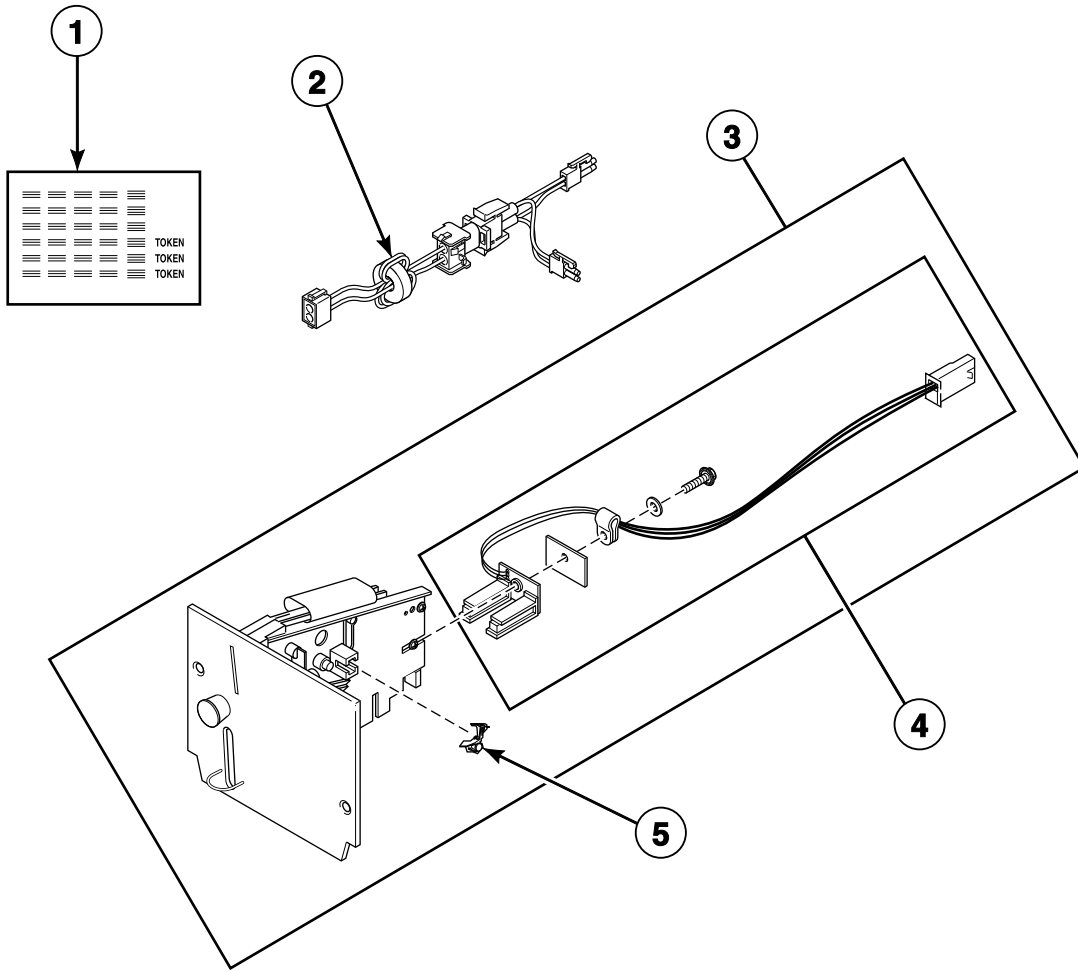


TMB3016P_70409401

BY Control Option for MDC Models

REF	PART NO.	DESCRIPTION	COMMENTS
1	70257703	Overlay	L and S models; Text or icon
	70258003	Overlay	H models; Text or icon
	70453101	Overlay	K models
2	70107001	Pushbutton Switch	
3	70348801	Control Plate Assembly	
4	501524	Screw	4 required
5	70400901	Main Harness Assembly	Electric models need 55881 Harness Strap; Models through 7/31/11
	70441301	Main Harness	Electric models need 55881 Harness Strap; Models starting 8/1/11
6	70368001P	Control Panel Harness	HT, KT, LT and ST models
	70315501P	Control Panel Harness	All other models
7	511867P	Control Assembly	
8	70324601	Jumper Calibration Wire	
9	70054	Nut	
10	70364103	Bypass Harness	
11	44089501	Slot Card Plate Assembly	Included in literature packet
12	70208801	Mounting Plate	
13	70334201	Card Reader Overlay	Black; Included in literature packet
	70334301	Card Reader Overlay	Gray; Included in literature packet
14	70414101	Foam Gasket	6 inches required; Mounts to front of overlay, even with edge

Coin Drops



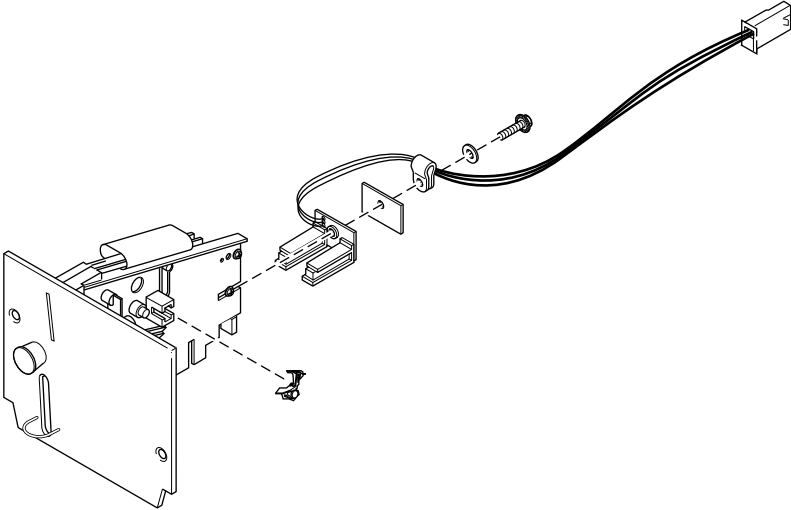
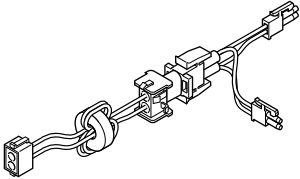
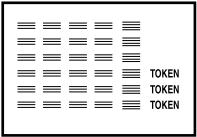
TMB2921P_70409401

Coin Drops

REF	PART NO.	DESCRIPTION	COMMENTS
1	38725	Coin Identification Paper	
2	44065801	Electronic Coin Drop Harness	
3	70294103P	Electronic Coin Drop Assembly	United Kingdom (default) and Europe
	70294104	Electronic Coin Drop Assembly	Europe (default), Denmark and Norway
	70294105P	Electronic Coin Drop Assembly	Australia (default), New Zealand, Hong Kong, South Korea and Malaysia
	70294106	Electronic Coin Drop Assembly	Mexico (default), Ecuador and United States
	70294107	Electronic Coin Drop Assembly	Lithuania (default), Latvia and Europe
	70294109	Electronic Coin Drop Assembly	Malaysia (default), China, Russia and Singapore
	70294111	Electronic Coin Drop Assembly	Euro; .10, .20, .50, 1.00 and 2.00
	70441601P	Coin Drop	USA; \$.25
	70256402P	Coin Drop	USA; Dual; \$.25 and \$1.00
	70429001	Coin Drop	D models; USA
	38475	Coin Drop Assembly	Japan; 100 yen
	38519	Coin Drop Assembly	Japan; 100 and 500 yen
	38467	Coin Drop Assembly	Australia; .20 and 1.00
	70447301	Coin Drop Assembly	Australia; 1.00 and 2.00
	39748	Coin Drop	Token; Jeton; HU, LU, PU, SU and UU models
	210195	Coin Drop Assembly	Euro; .20 and 1.00
	210196	Coin Drop Assembly	Euro; .50 and 1.00
	38462P	Coin Drop Assembly	Token; STD-118-1
	38463	Coin Drop Assembly	Token; STD-118-5
	70471601	Coin Drop Assembly	Token; 7K
	38464P	Coin Drop Assembly	Canada; .25
	70441602	Coin Drop Assembly	Canada; .25 and 1.00
	38472	Coin Drop Assembly	England; 20 pence and 1 pound
N/A	Coin Drop Assembly	Denmark; 1 and 5 DKK; May replace with 70294104P Electronic Coin Drop Assembly	
38521	Coin Drop Assembly	Korea; 100 and 500 won	
N/A	Coin Drop Assembly	New Zealand; .20 and 1.00	
38963P	Coin Drop	Token; STD-118-16	
N/A	Coin Drop Assembly	Taiwan; Dual; 5 and 10 NT; May replace with 70294101P Electronic Coin Drop Assembly	
39157	Coin Drop Assembly	Israel; Shekel	
CK077	Coin Drop Kit	Taiwan; 10 NT	
4	200674P	Opto Coupler	
5	201595P	Wire Guard	

N/A = Part no longer available

Coin Drop Kits



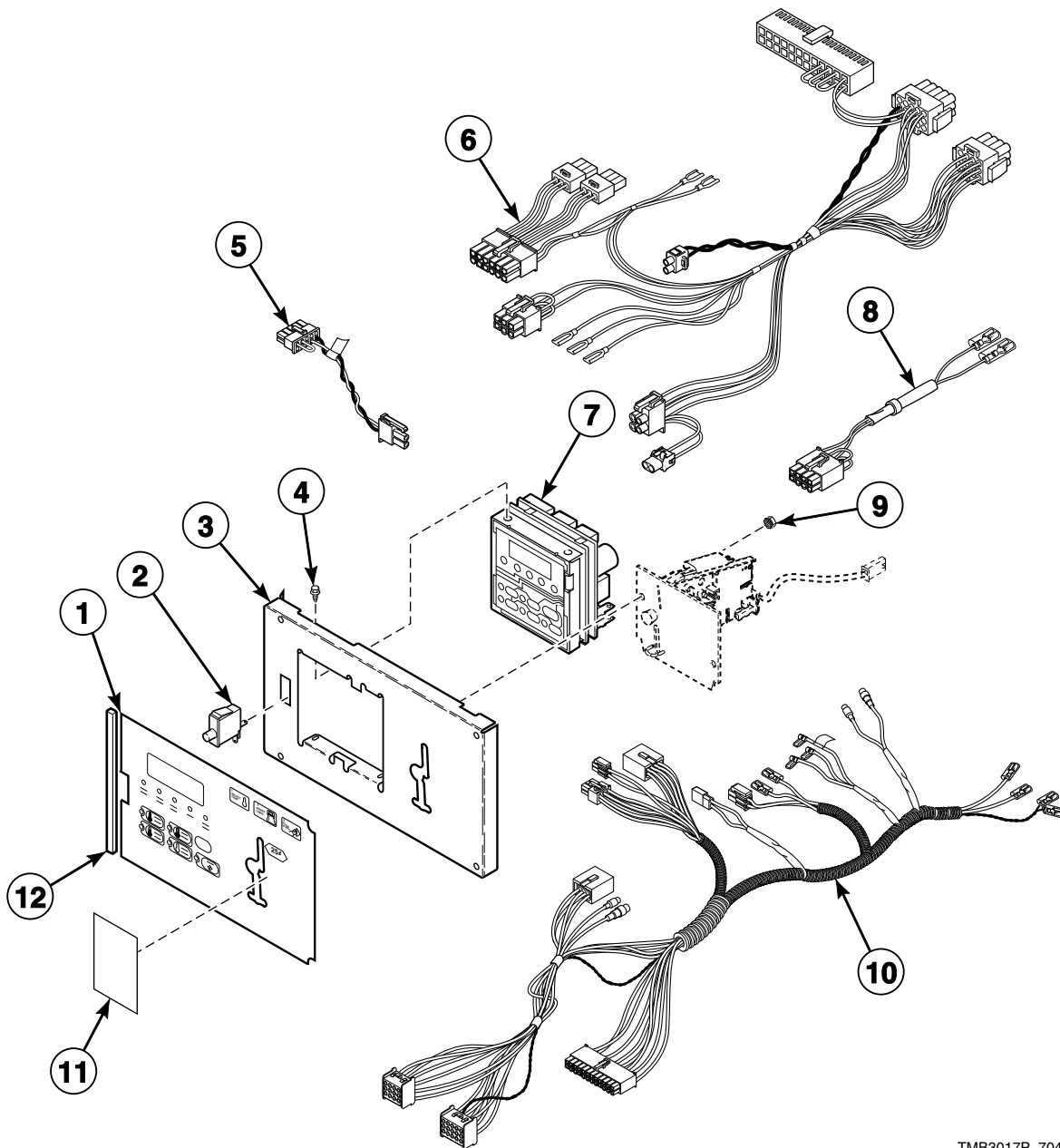
TMB2921PA_70409401

Coin Drop Kits

REF	PART NO.	DESCRIPTION	COMMENTS
	CK502	Electronic Coin Drop Kit	Includes 44065801 Electronic Coin Drop Harness and wiring diagram supplement
	CK115	Electronic Coin Drop Kit	United States and Canada; In addition to this kit, order CK502 Electronic Coin Drop Kit
	CK113	Electronic Coin Drop Kit	Japan and Taiwan; In addition to this kit, order CK502 Electronic Coin Drop Kit
	CK099	Electronic Coin Drop Kit	Australia (default), New Zealand, Hong Kong, South Korea and Malaysia; In addition to this kit, order CK502 Electronic Coin Drop Kit
	CK100	Electronic Coin Drop Kit	United Kingdom (default) and Europe; In addition to this kit, order CK502 Electronic Coin Drop Kit
	CK101	Electronic Coin Drop Kit	Europe (default), Denmark and Norway; In addition to this kit, order CK502 Electronic Coin Drop Kit
	CK103	Electronic Coin Drop Kit	Lithuania (default), Latvia and Europe; In addition to this kit, order CK502 Electronic Coin Drop Kit
	CK106	Electronic Coin Drop Kit	Malaysia (default), China, Russia and Singapore; In addition to this kit, order CK502 Electronic Coin Drop Kit
	CK108	Electronic Coin Drop Kit	South Africa; In addition to this kit, order CK502 Electronic Coin Drop Kit
	CK109	Electronic Coin Drop Kit	Euro; In addition to this kit, order CK502 Electronic Coin Drop Kit

Coin Drop Components for NetMaster Models

KT030 Models Through Serial No. 1101018349 and S Models Through Serial No. 0904002963
NC, NX, ZC and ZX Control Suffixes



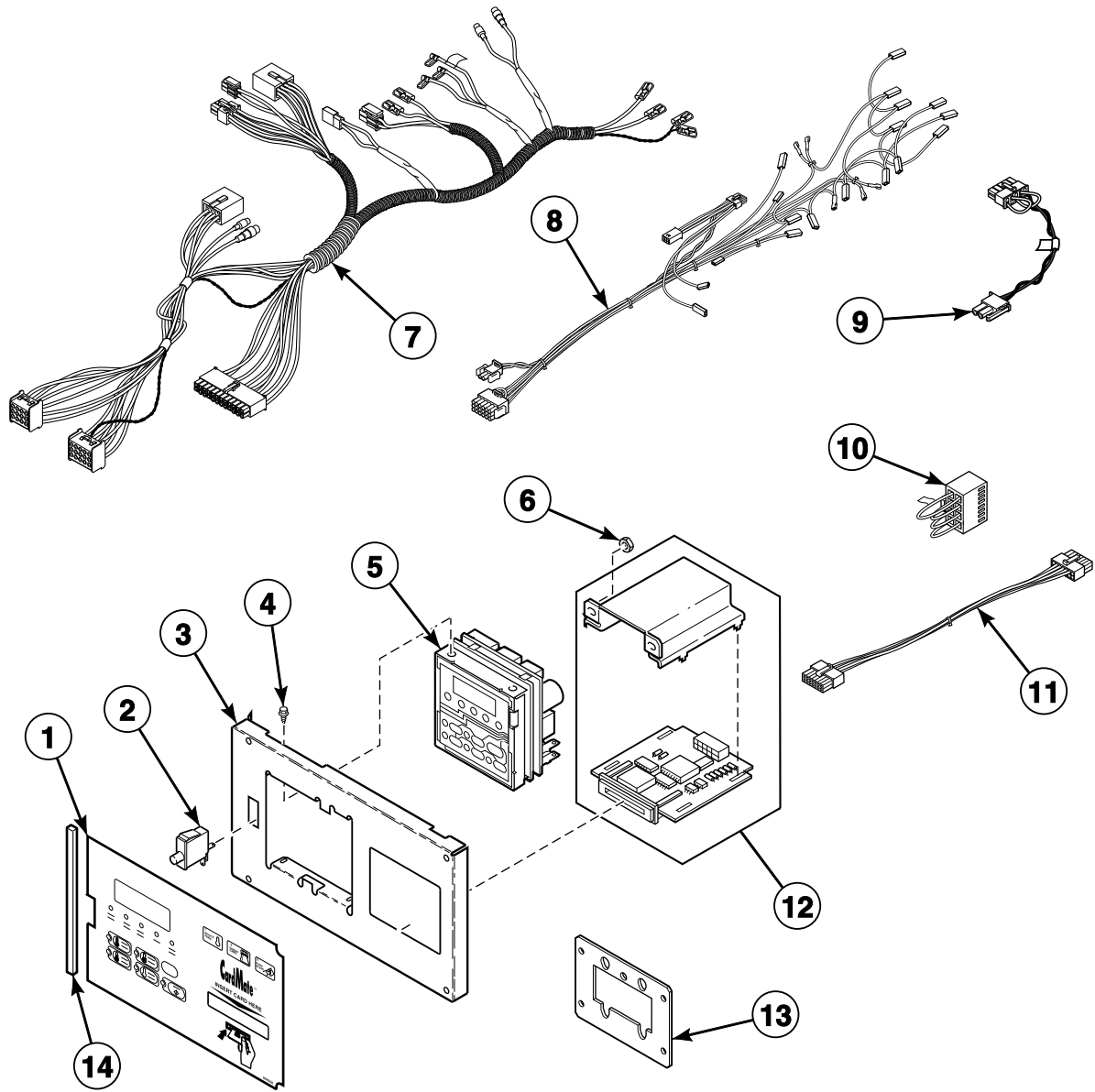
TMB3017P_70409401

Coin Drop Components for NetMaster Models

REF	PART NO.	DESCRIPTION	COMMENTS
1	70184301	Overlay	ST models; Single drop
	70184302	Overlay	ST models; Dual drop
	44144301	Overlay	KT models; NC and NX control suffixes; Single drop
	44144302	Overlay	KT models; NC and NX control suffixes; Dual drop
2	70107001	Pushbutton Switch	
3	70175807	Control Plate Assembly	
	70419701	Control Plate Assembly	KT models; NC and NX control suffixes
4	501524	Screw	For mounting NetMaster control
5	70324601	Jumper Calibration Wire	
6	70368001P	Control Panel Harness	KT and ST models
	70315501P	Control Panel Harness	SA and SU models
7	505905P	Control Kit	
8	70364104P	Coin Vault Switch Harness	
9	70054	Nut	
10	70400901	Main Harness Assembly	Electric models need 55881 Harness Strap
11	44147801	Overlay	KT models
12	70414101	Foam Gasket	6 inches required; Mounts to front of overlay, even with edge

Card Reader Components for NetMaster Models

KT030 Models Through Serial No. 1101018349 and S Models Through Serial No. 0904002963
NR, NY, ZR and ZY Control Suffixes



TMB3018P_70409401

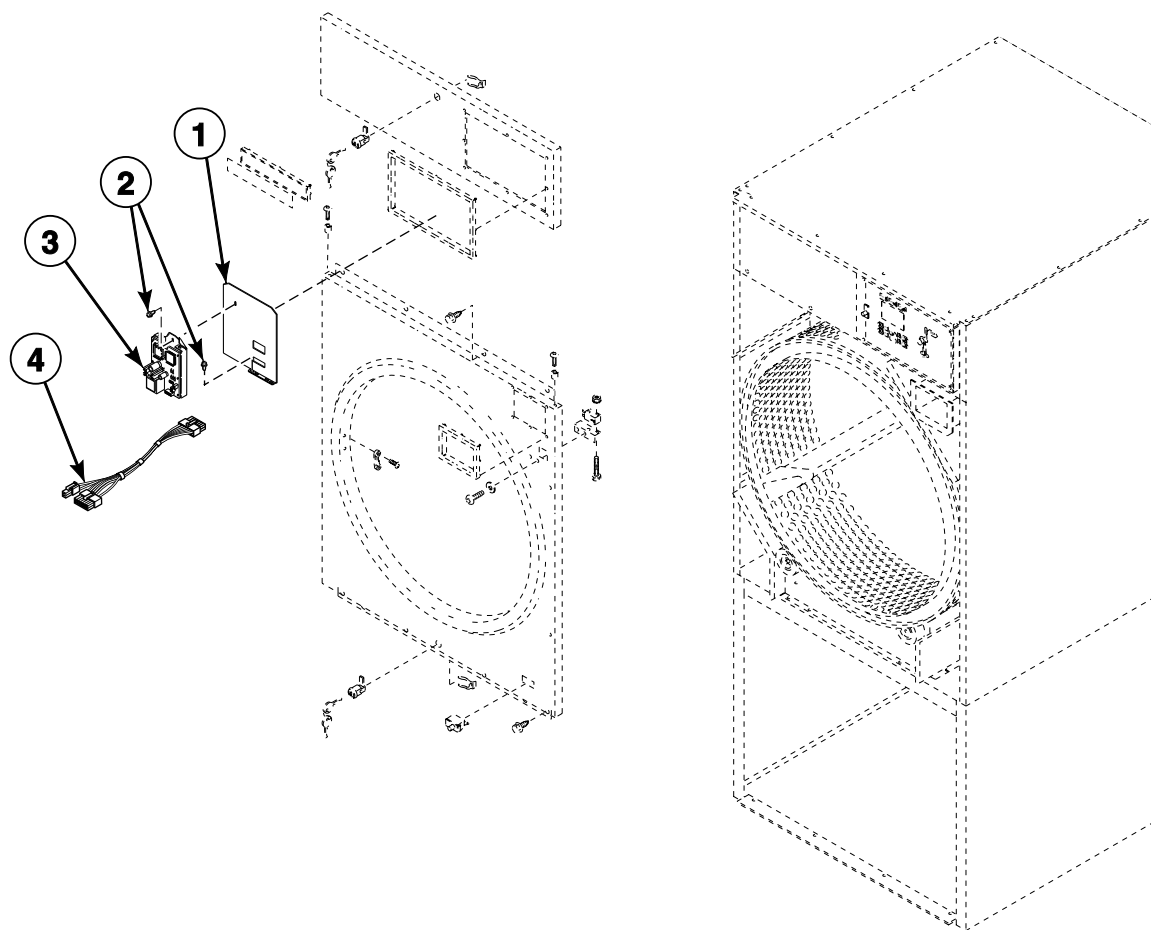
Card Reader Components for NetMaster Models

REF	PART NO.	DESCRIPTION	COMMENTS
1	N/A	Overlay	ST models; Card reader ready
	70184401	Overlay	ST models; Card reader
	44149301	Overlay	KT models; NY control suffix
2	70107001	Pushbutton Switch	
3	N/A	Control Plate Assembly	Card reader
	70348801	Control Plate Assembly	Card ready
4	501524	Screw	
5	505905P	Control Kit	
6	70054	Nut	
7	70400901	Main Harness Assembly	Electric models need 55881 Harness Strap
8	70368001P	Control Panel Harness	ST models
	70315501P	Control Panel Harness	SA and SU models
9	70324601	Jumper Calibration Wire	
10	70364103	Bypass Harness	NR and ZR control suffixes
11	70206601	Card Reader Network Harness Assembly	Card reader to network board
	70211801	Card Reader Harness Assembly	Card reader to control
12	510068P	Card Reader and Bracket Assembly	
13	70208801	Mounting Plate	Use with 70348801 Control Plate Assembly
14	70414101	Foam Gasket	6 inches required; Mounts to front of overlay, even with edge

N/A = Part no longer available

Network Board for NetMaster Models

SA and ST Models Through Serial No. 0904002963 with ZC, ZR, ZX and ZY Control Suffixes



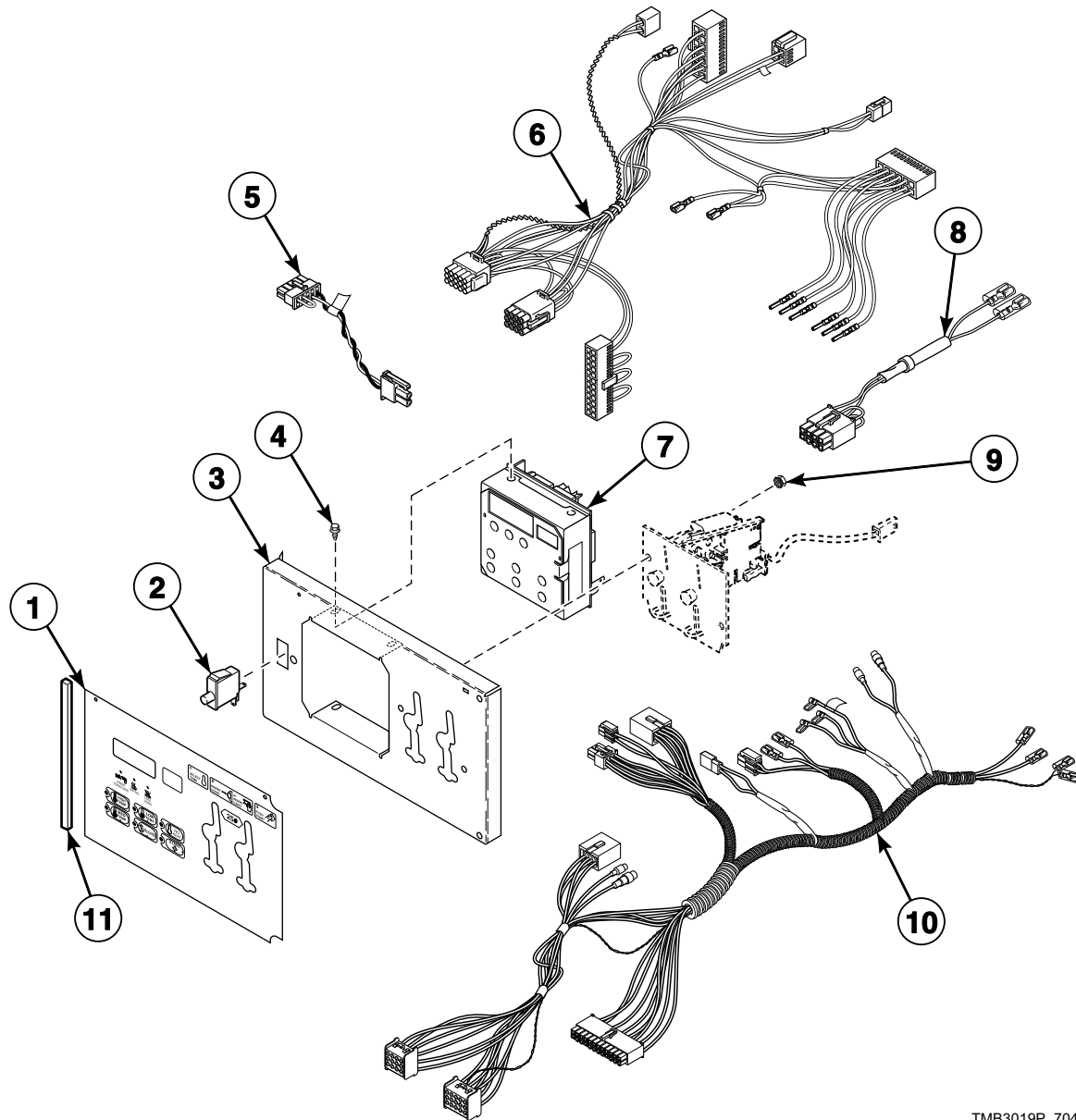
TMB2387P_70409401

Network Board for NetMaster Models

REF	PART NO.	DESCRIPTION	COMMENTS
	800246	Communication Wire Harness Assembly	
1	70201401	Network Plug Support	
2	430497	Screw	
3	210016P	Network Board Assembly	
4	800217	Network Wire Harness Assembly	

Coin Drop Components for Quantum Control

S Models with LC, LX, WC and WX Control Suffixes



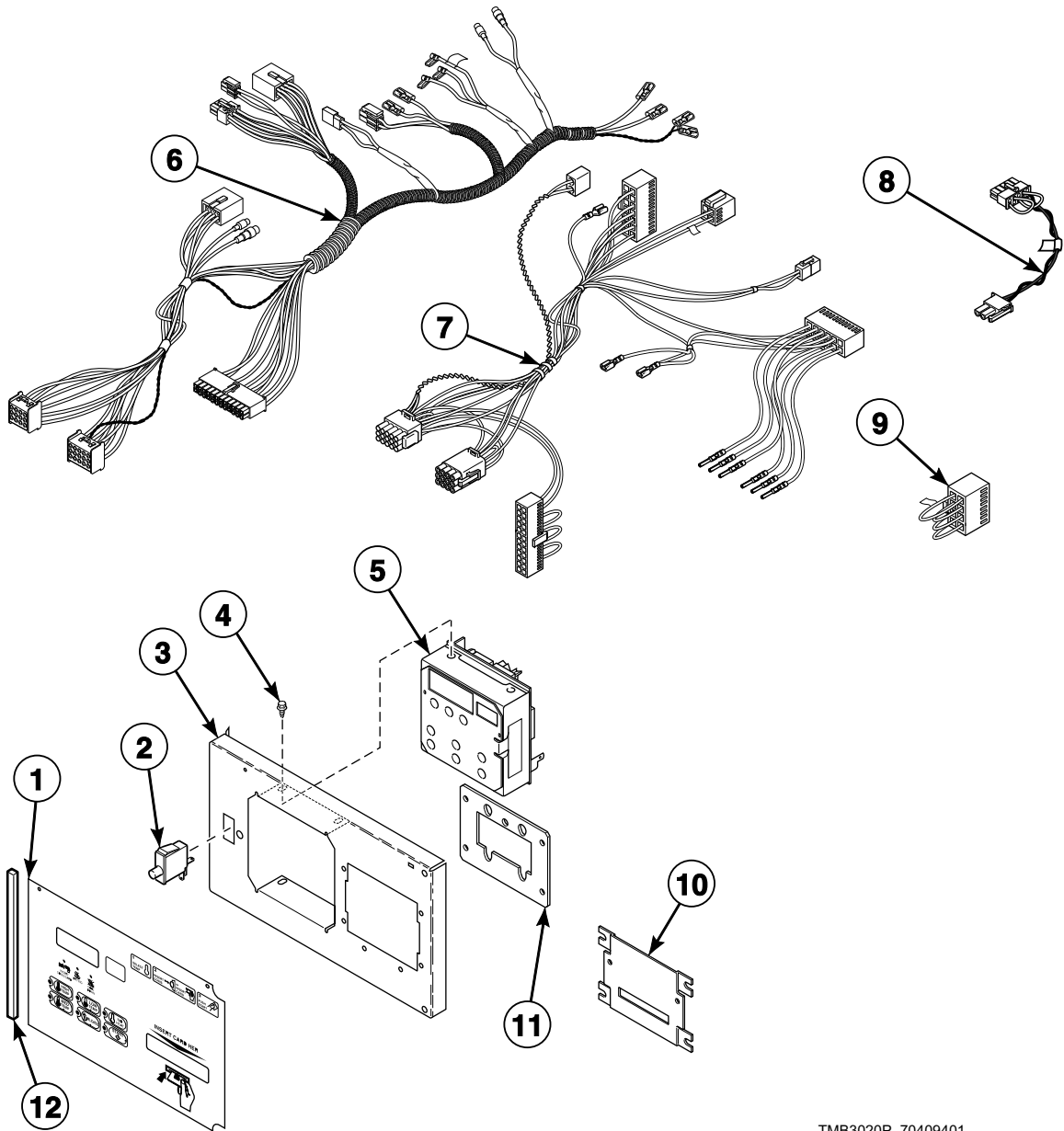
TMB3019P_70409401

Coin Drop Components for Quantum Control

REF	PART NO.	DESCRIPTION	COMMENTS
	NK206	Network Retrofit Kit	LC and LX control suffixes
	NK220	Network Controller Kit	LC and LX control suffixes
1	44194801	Control Overlay	Model ST030D
	70449501	Control Overlay	Model ST030D
	70410001	Control Overlay	Single drop; All models except ST030D
	70410002	Control Overlay	Dual drop; All models except ST030D
2	70107001	Pushbutton Switch	
3	70291001P	Control Plate Kit	
4	501524	Screw	For mounting item 7
5	70324601	Jumper Calibration Wire	
6	70410401P	Control Panel Harness	
7	512858P	Control Kit	
8	70364104P	Coin Vault Switch Harness	
9	70054	Nut	
10	70400901	Main Harness Assembly	Electric models need 55881 Harness Strap; Models through 7/31/11
	70441301	Main Harness	Electric models need 55881 Harness Strap; Models starting 8/1/11
11	70414101	Foam Gasket	6 inches required; Mounts to front of overlay, even with edge

Card Reader Components for Quantum Control

S Models with LY and WY Control Suffixes



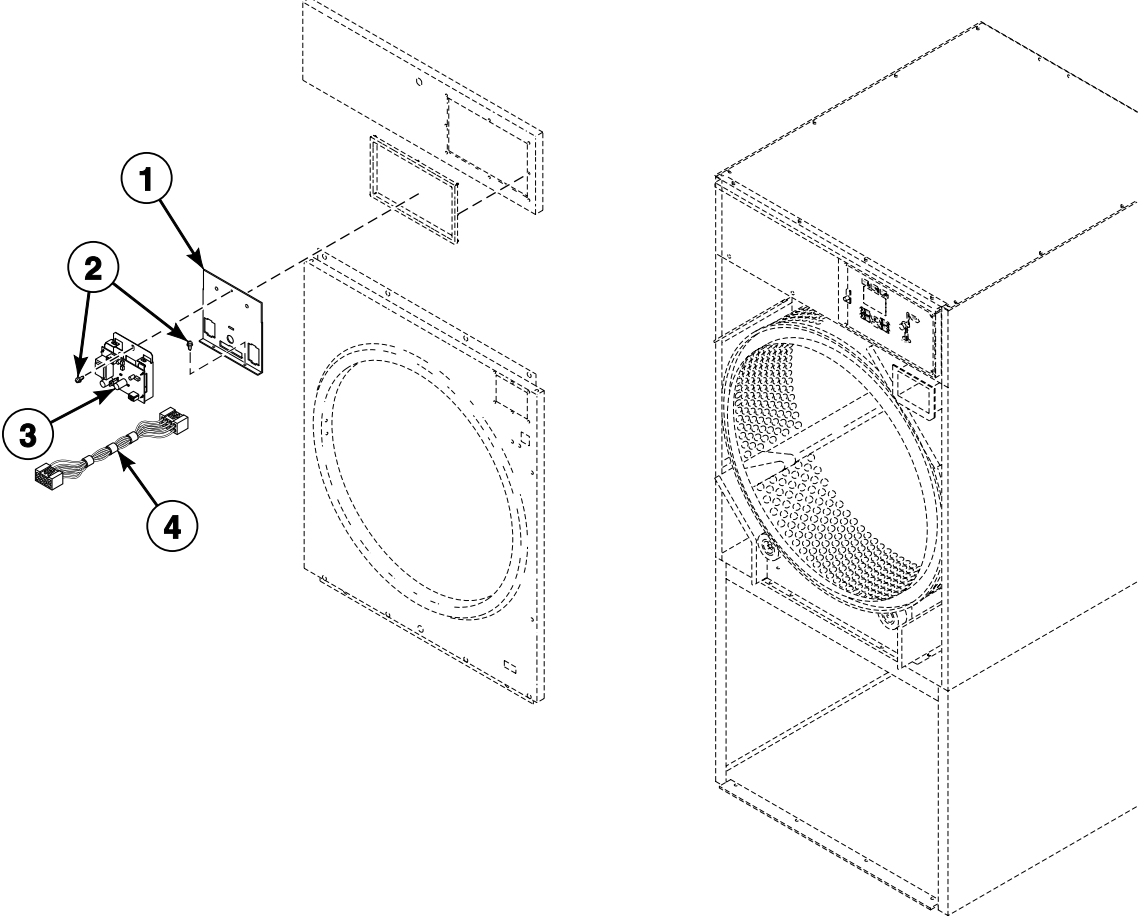
TMB3020P_70409401

Card Reader Components for Quantum Control

REF	PART NO.	DESCRIPTION	COMMENTS
	NK206	Network Retrofit Kit	LY control suffix
	NK220	Network Controller Kit	LY control suffix
1	70410003	Overlay	
2	70107001	Pushbutton Switch	
3	70348801	Control Plate Assembly	
4	501524	Screw	
5	512858P	Control Kit	
6	70400901	Main Harness Assembly	Electric models need 55881 Harness Strap; Models through 7/31/11
	70441301	Main Harness	Electric models need 55881 Harness Strap; Models starting 8/1/11
7	70410401P	Control Panel Harness	
8	70324601	Jumper Calibration Wire	
9	70364103	Bypass Harness	
10	44089501	Slot Card Plate Assembly	
11	70208801	Mounting Plate	
12	70414101	Foam Gasket	6 inches required; Mounts to front of overlay, even with edge

Network Board for Quantum Control

S Models with WC, WX and WY Control Suffixes



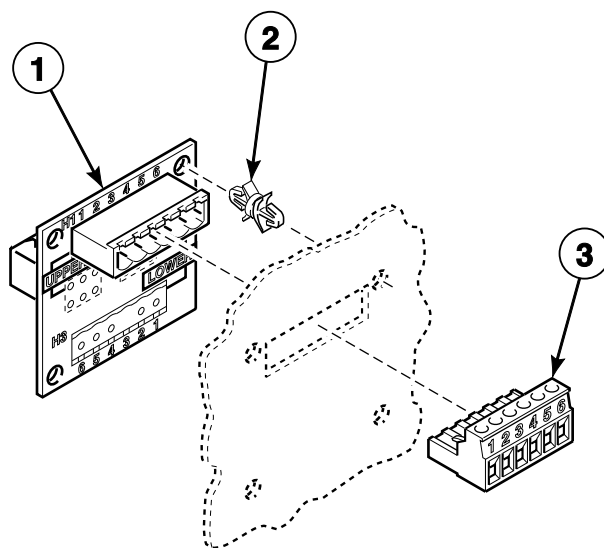
TMB2928P_70409401

Network Board for Quantum Control

REF	PART NO.	DESCRIPTION	COMMENTS
	800246	Communication Wire Harness Assembly	
1	70307002	Control Housing Cover	
2	430497	Screw	
3	201341	Network Board Assembly	
4	44088501P	Network Wire Harness Assembly	

Communication Board

S Models Through Serial No. 0904002963 with ZC and ZR Control Suffixes
S Models with WC Control Suffix



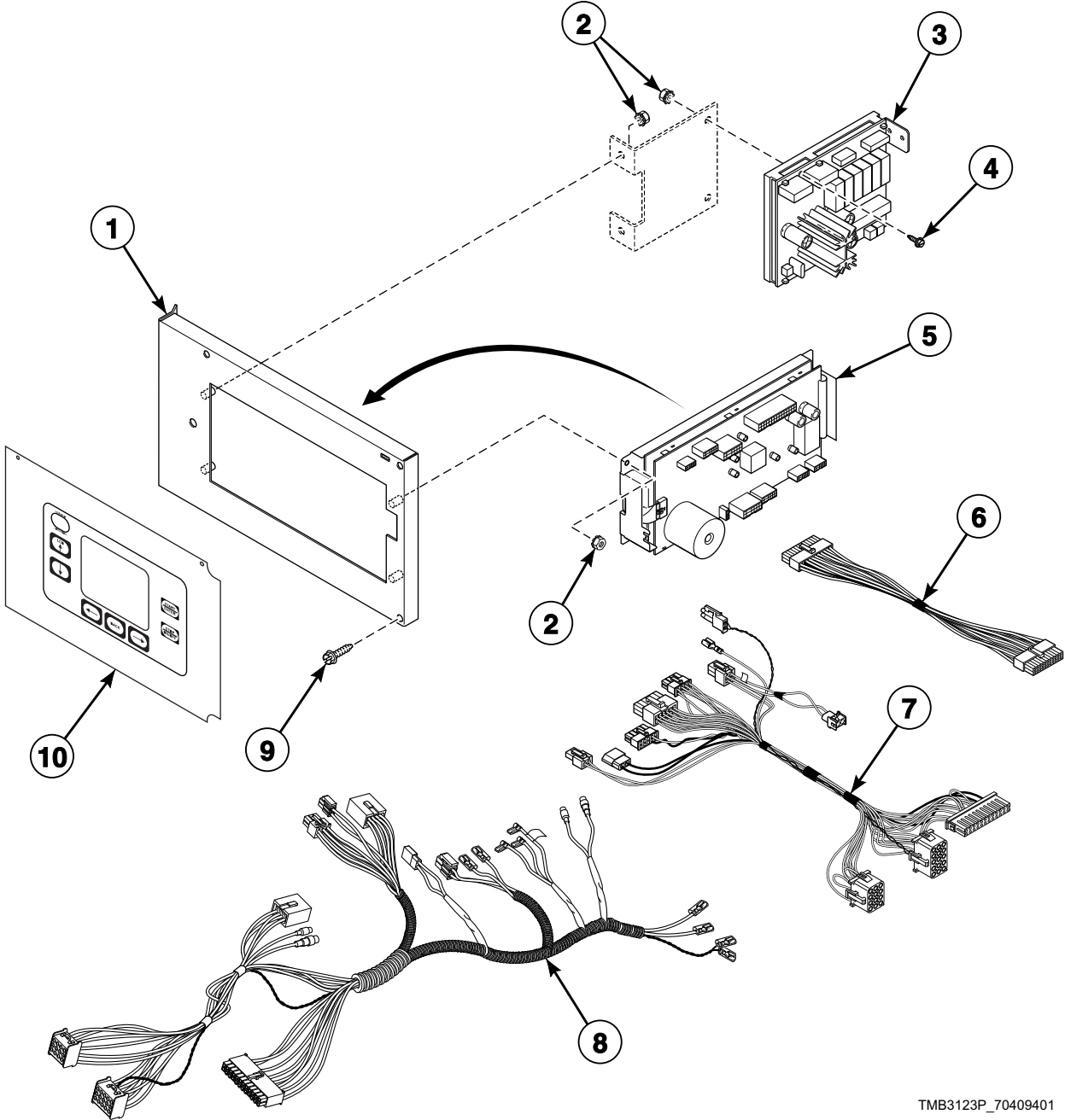
TMB1935P_70409401

Communication Board

REF	PART NO.	DESCRIPTION	COMMENTS
1	210095P	Communication Board	
2	210098	PC Board Standoff	4 required
3	210099	Communication Connector	

UniLinc Control

U Models with UO Control Suffix



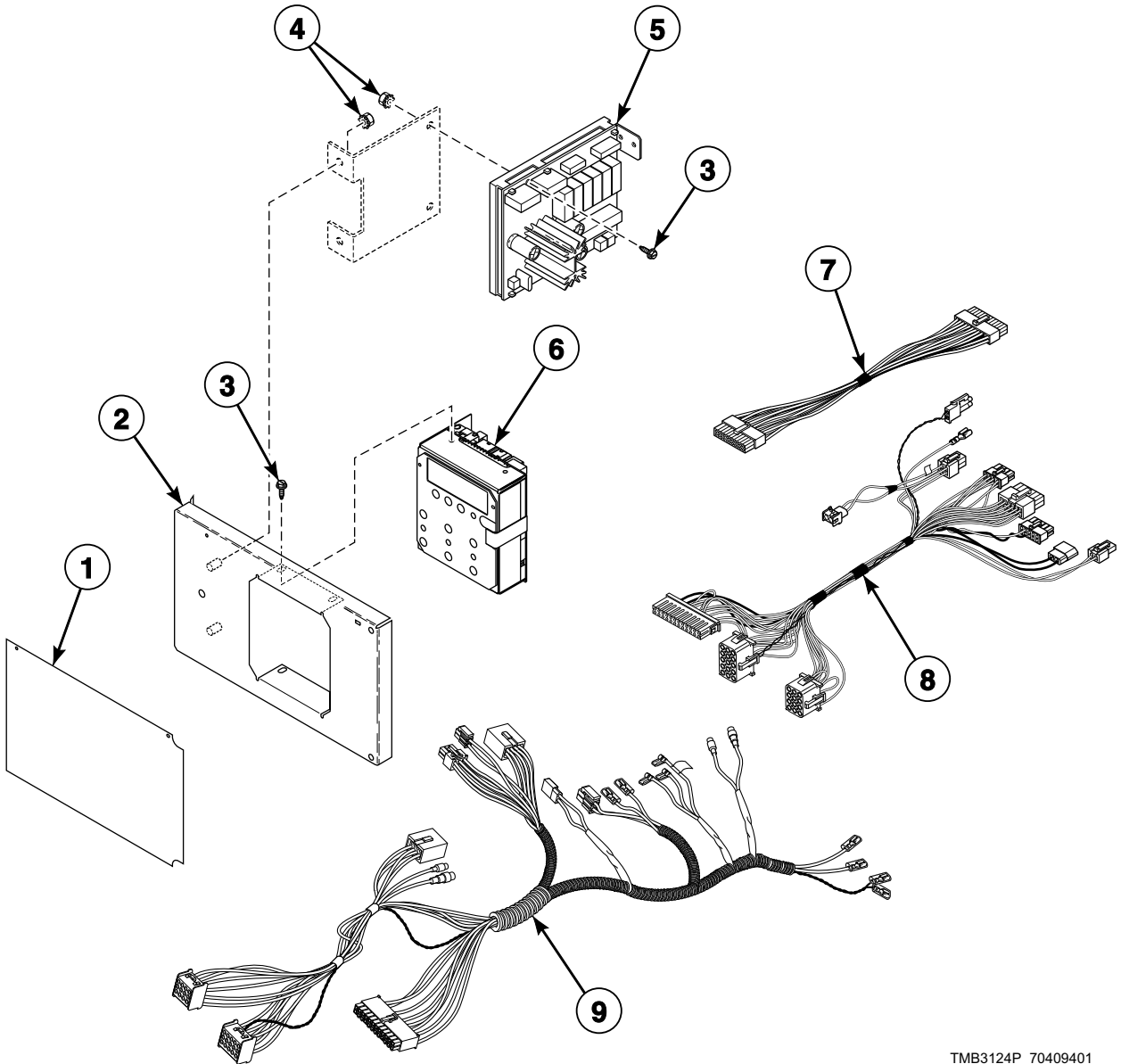
TMB3123P_70409401

UniLinc Control

REF	PART NO.	DESCRIPTION	COMMENTS
1	70432101	Control Plate Assembly	
2	70054	Nut	
3	70434101	Control Assembly	
4	501524	Screw	
5	70454001P	Control Assembly	
6	44186101	Output Harness	Use between item 3 and item 5
7	44240301	Control Panel Harness	Goes from item 5 to main harness
8	70441301	Main Harness	
9	70069901	Screw	
10	70432201	Overlay	

LED OPL Control

C, D, H, I, S and U Models
G, K, L, P and Y Models Starting 1/16/12
Models with EO Control Suffix

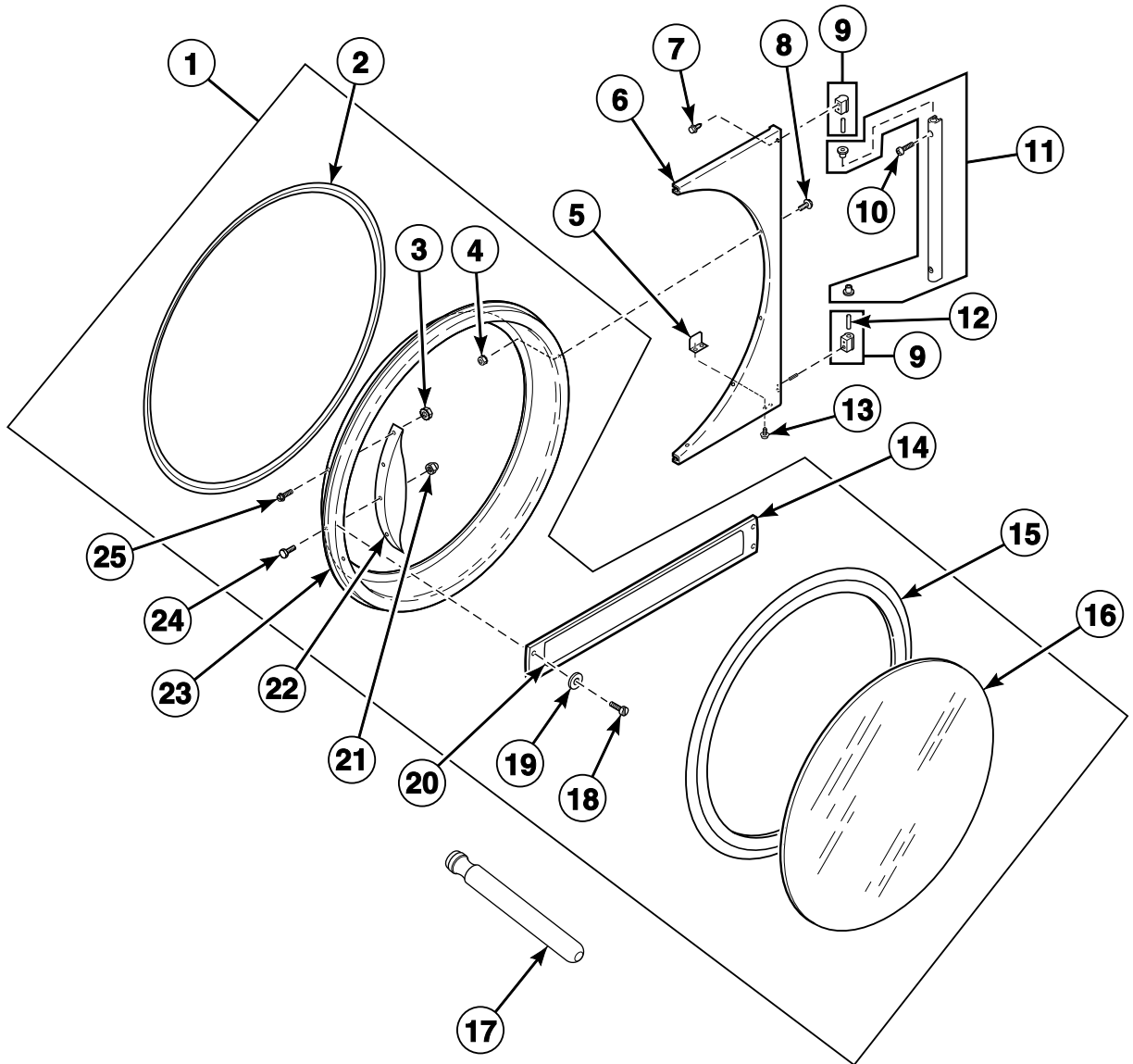


TMB3124P_70409401

LED OPL Control

REF	PART NO.	DESCRIPTION	COMMENTS
1	70445001	Overlay	S models
	70445003	Overlay	H models
	70462402	Overlay	C, D and I models
	70462702	Overlay	U models
	70462902	Overlay	G and K models
	70472402	Overlay	P models
	70472202	Overlay	L and Y models
2	70440901	Control Plate and Studs Assembly	
3	501524	Screw	
4	70054	Nut	
5	70434101	Control Assembly	
6	70454101P	Control Assembly	H, S and U models
	70437102P	Control Assembly	C, D and I models
	70437103P	Control Assembly	P models
	70437104P	Control Assembly	G and K models
	70437105P	Control Assembly	L and Y models
7	44186101	Output Harness	Use between item 5 and item 6
8	44240301	Control Panel Harness	Goes from item 6 to main harness
9	70441301	Main Harness	

Door and Hinge Components



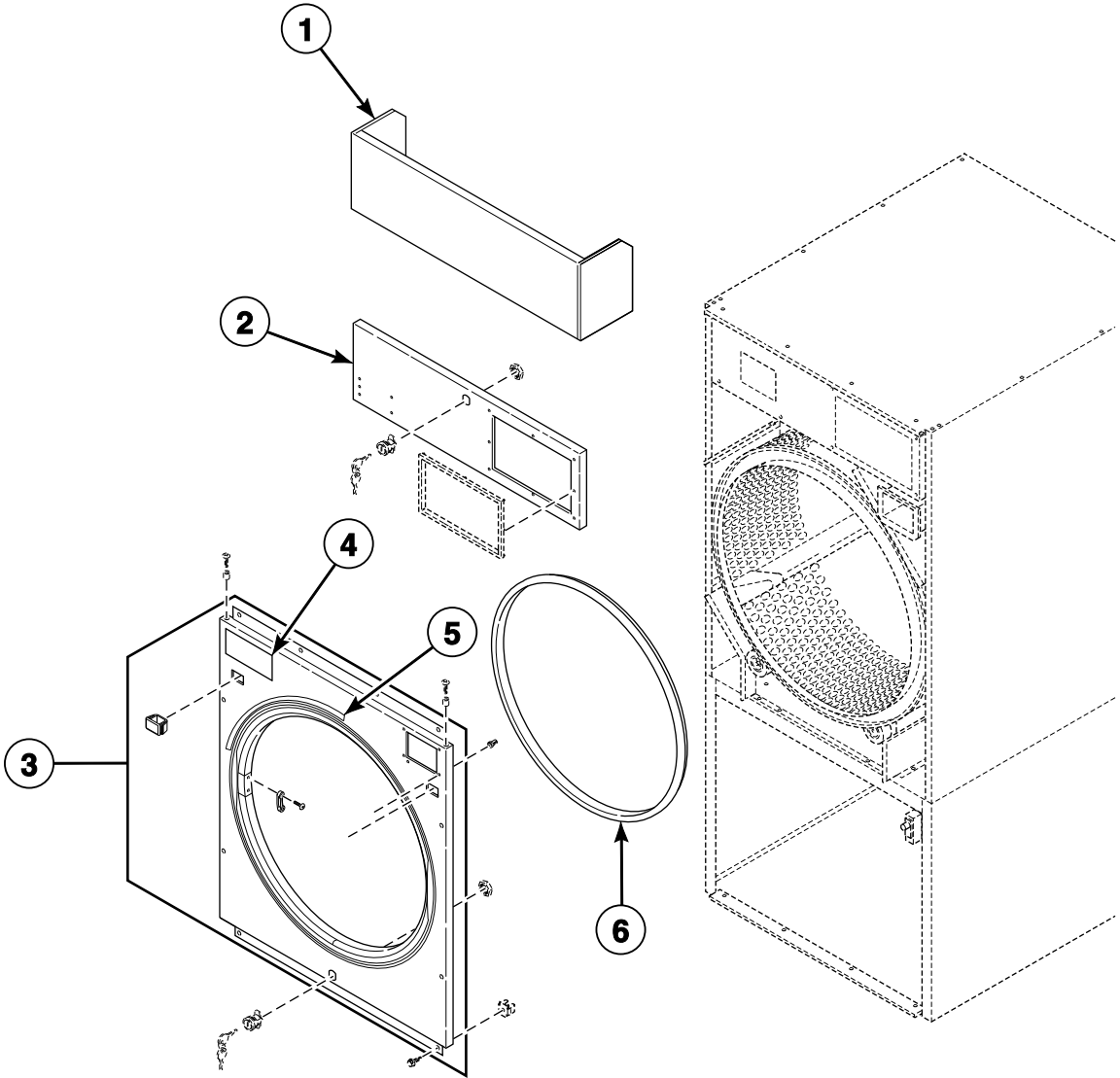
TMB3152P_70409401

Door and Hinge Components

REF	PART NO.	DESCRIPTION	COMMENTS
	M4774P3	Control Panel and Door Hinge Kit	D and I models; To change from old look to new look
	70133501P	Replacement Door Handle Kit	H models
1	44046701	Door Assembly	C, D and I models through 7/31/11; Excludes hinge
	70212301	Door Assembly	S and U models; C, D and I models starting 8/1/11; Excludes hinge
	44058001P	Door Assembly	H models; Excludes hinge
	70064100	Door Assembly	L models
	70212200	Door Assembly	P and Y models; Excludes hinge
	70408901	Door Assembly	G and K models; Includes handle
2	70296801	Door Ring Gasket	
3	44071201	Nut	H, S and U models; 4 required
4	70054	Nut	
5	70215001P	Door Switch Actuator Kit	
6	70116003*	Door Hinge	H, L, P, S, U and Y models; C models starting 8/1/11
	70116004	Door Hinge	C, H, L, P, S, U and Y models; D and I models through 7/31/11; Stainless steel
	70116005B	Door Hinge	G and K models; D and I models starting 8/1/11
7	61199	Screw	
8	501524	Screw	
9	M4772P3	Cam and Hinge Kit	C, H, L, P, S, U and Y models; D and I models through 7/31/11
	M4773P3	Cam and Hinge Kit	G and K models; D and I models starting 8/1/11
10	70033502	Screw	C, H, L, P, S, U and Y models; D and I models through 7/31/11
	70407301	Screw	G and K models; D and I models starting 8/1/11
11	44035001	Door Hinge Lug Assembly	C, H, L, P, S, U and Y models; D and I models through 7/31/11
	44035002	Door Hinge Lug Assembly	G and K models; D and I models starting 8/1/11
12	70071401	Pin	
13	70058501	Pop Rivet	
14	70399502B	Handle Bar	G and K models
15	70211901P	Door Glass Seal Kit	
16	70133601P	Door Glass	H models
	M400784P	Door Glass	All other models
17	M4221P4	Door Glass Installation Tool	
18	70412601	Pop Rivet	G and K models; Attaches door handle to door ring
19	70409301	Washer	G and K models
20	70411401	Nameplate Overlay	G models; Coin
	44144401	Nameplate Overlay	K models; Coin
21	M414215	Nut	H, L, P, S, U and Y models; For door strike; Mounts between door strike screw and door handle
22	44007902P	Door Handle	S and U models; C, D and I models starting 8/1/11
	44057701	Door Handle	H models
	430117	Door Handle	L models
	M400133	Door Handle	P and Y models
23	44043501	Door Ring and Handle Assembly	C, D and I models through 7/31/11
	70455001B	Door Ring Assembly	C, D and I models starting 8/1/11
	70399701B	Door Ring	G and K models
24	430757	Screw	H, S and U models; Use with 70024801 and 44057701 Door Handle
	M409385	Screw	P and Y models; Use with 70133501P Replacement Door Handle Kit and M400133 Door Handle
	430756	Screw	L models; Use with 430117 Door Handle
25	44024201	Hole Plug	C, D and I models; 4 required
	M400661	Screw	All other models

* Add Letter To Designate Color. L - Almond Q - Bisque W - White

Front Panel Assemblies and False Fronts



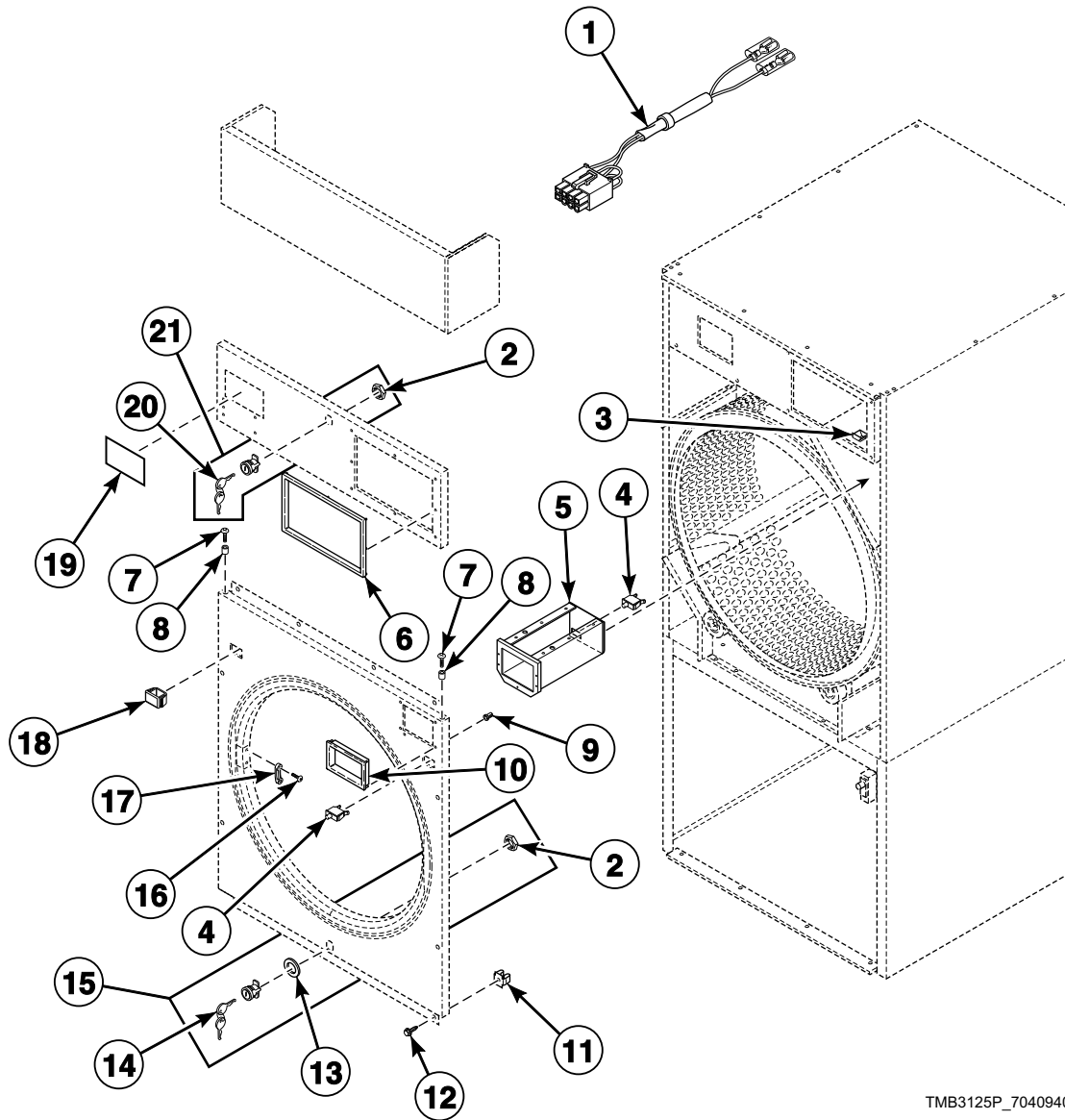
TMB3089P_70409401

Front Panel Assemblies and False Fronts

REF	PART NO.	DESCRIPTION	COMMENTS
	M4774P3	Control Panel and Door Hinge Kit	D and I models; To change from old look to new look
1	70000501*P	False Front	72 inches
	70000502	False Front	72 inches; Stainless steel
	70024201*P	False Front Assembly	76 inches
	70024202P	False Front	76 inches; Stainless steel
2	70273301*	Control Panel	C models; D and I models through 7/31/11; Manual
	70273302	Control Panel	C models; D and I models through 7/31/11; Manual; Stainless steel
	70273303*	Control Panel	C models; D and I models through 7/31/11; Electronic
	70273304	Control Panel	C models; D and I models through 7/31/11; Electronic; Stainless steel
	70273301B	Control Panel	D and I models starting 8/1/11
	70273305*	Control Panel	G and K models
	70273306	Control Panel	G and K models; Stainless steel
	70121501*	Control Panel	P, S, U and Y models
	70121502	Control Panel	P, S, U and Y models; Stainless steel
	70121505*	Control Panel	H models
	70121506	Control Panel	H models; Stainless steel
	70121501B	Control Panel	L models
	3	44115401*P	Front Panel Assembly
44115501		Front Panel Assembly	C, D, H, I, L, P and S models; 3V, 3X, BC, BX, DV, DX, LC, LX, NC, NX, SD, SX, ZC and ZX control suffixes; Stainless steel
44115601*		Front Panel Assembly	H, L, P and S models; BL, BY, LY, NR and ZR control suffixes
44115701P		Front Panel Assembly	H, L, P and S models; BL, BY, LY, NR and ZR control suffixes; Stainless steel
44115801*		Front Panel Assembly	C, D, H, I, S, U and Y non-CE models; 3O, DO, OM and QT control suffixes
44115901		Front Panel Assembly	C, D, H, I, S, U and Y non-CE models; 3O, DO, OM and QT control suffixes; Stainless steel
44116001*		Front Panel Assembly	C, D, H, S, U and Y CE models; 3O, DO, OM and QT control suffixes
44116101P		Front Panel Assembly	C, D, H, S, U and Y CE models; 3O, DO, OM and QT control suffixes; Stainless steel
44116201*P		Front Panel Assembly	C, D, H, I, L, P and S models; 3V, 3X, BC, BX, DV, DX, LC, LX, NC, NX, SD, SX, ZC and ZX control suffixes; Hinged lint drawer
44116301		Front Panel Assembly	C, D, H, I, L, P and S models; 3V, 3X, BC, BX, DV, DX, LC, LX, NC, NX, SD, SX, ZC and ZX control suffixes; Stainless steel; Hinged lint drawer
4	70414001	Label	G and K models; Coin
5	M410892	Warning Label	
6	70173401P	Front Panel Seal	

* Add Letter To Designate Color. L - Almond Q - Bisque W - White

Cabinet Front Components

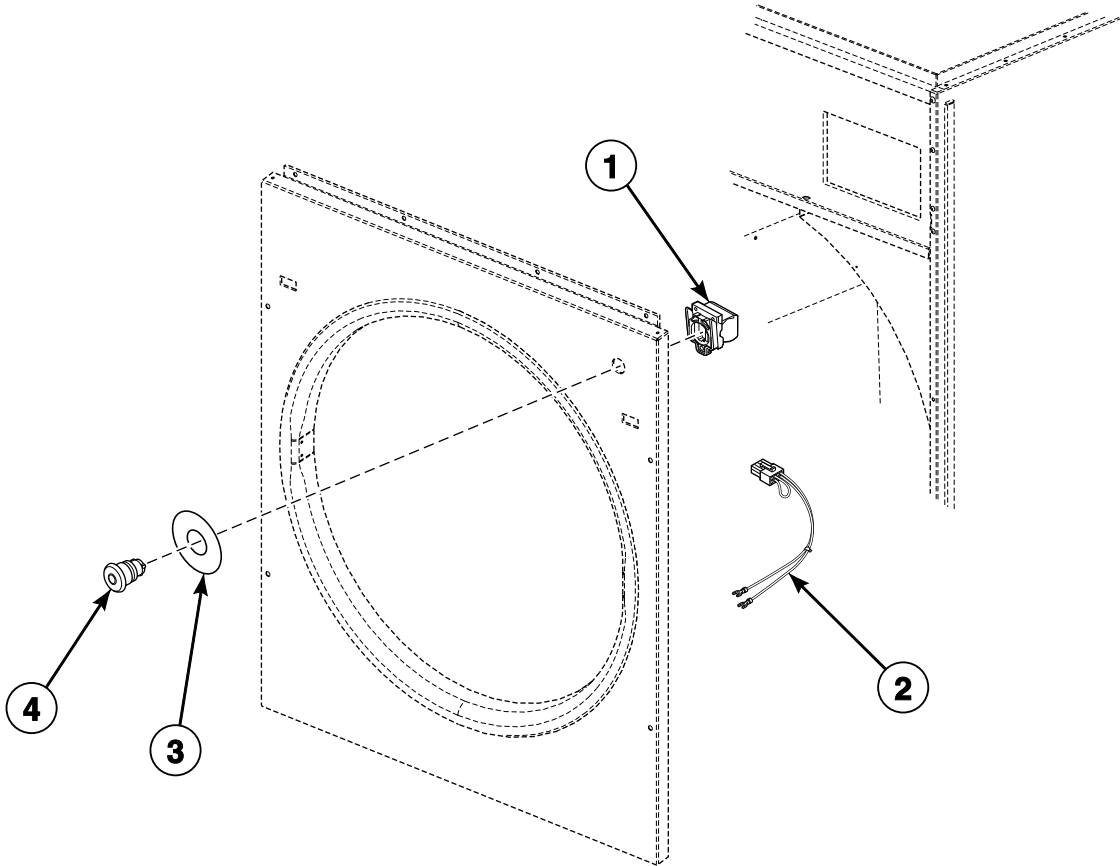


TMB3125P_70409401

Cabinet Front Components

REF	PART NO.	DESCRIPTION	COMMENTS
	70399405	Access Panel Trim	25 pound G and K models
	70399407	Access Panel Trim	30 pound G and K models
1	70364104P	Coin Vault Switch Harness	
2	44088801	Nut	
3	70296401	Coin Chute Assembly	
4	70107001	Pushbutton Switch	
5	70180101	Coin Vault Assembly	
6	44016301	Control Trim	H models; Gray
	44016401	Control Trim	K, L, P, S, U and Y models; Black
7	39733	Screw	
8	56079	Panel Locator	9 required
9	M400972	Shadow Box Clip	
10	70117502	Coin Vault Trim	
11	70030501	Expansion Clip	8 required; Use with item 7, between front panel and cabinet
12	430497	Screw	
13	70342401	Lock Shim	
14	70155602	Key	RL002
15	44089302P	Lock, Key and Nut Kit	RL002
16	44166601	Pop Rivet	
17	M401223	Door Latch	
18	44057801W	Switch Hole Plug	White
	44057801Q	Switch Hole Plug	Bisque
	44057801B	Switch Hole Plug	Black
19	44129901	Nameplate	25 pound C models
	44129902	Nameplate	30 pound C models
	70410201	Nameplate Overlay	G models; OPL
	44130101	Nameplate Overlay	25 pound K models; OPL
20	70155601	Key	RL001
21	44089301P	Lock, Key and Nut Kit	RL001

Emergency Stop Button for CE Models

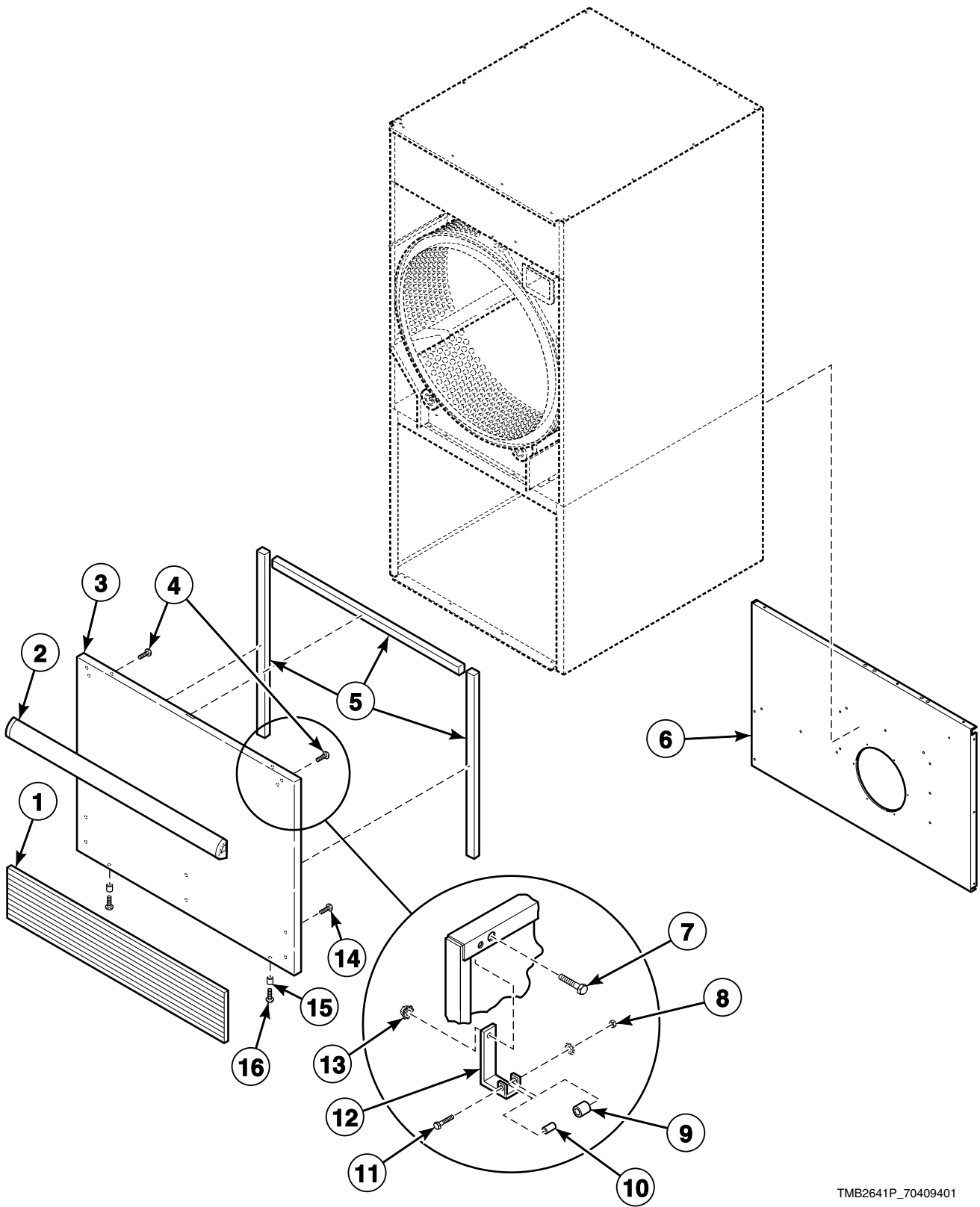


TMB2375P_70409401

Emergency Stop Button for CE Models

REF	PART NO.	DESCRIPTION	COMMENTS
	F8069501	Contact Switch	Models starting 10/1/07; Does not include mounting base
1	44018701	Contact Block	Includes base; Models through 9/30/07
	F200233401	Contact Block Switch	Models starting 10/1/07; Includes mounting base
2	70364105P	Emergency Stop Contact Harness	1 contact
	70364106P	Emergency Stop Harness	2 contacts
3	M412235	Emergency Stop Label	
4	44018801	Pushbutton	Models through 9/30/07
	F200233500	Emergency Stop Pushbutton	Models starting 10/1/07

Lower Cabinet Components



TMB2641P_70409401

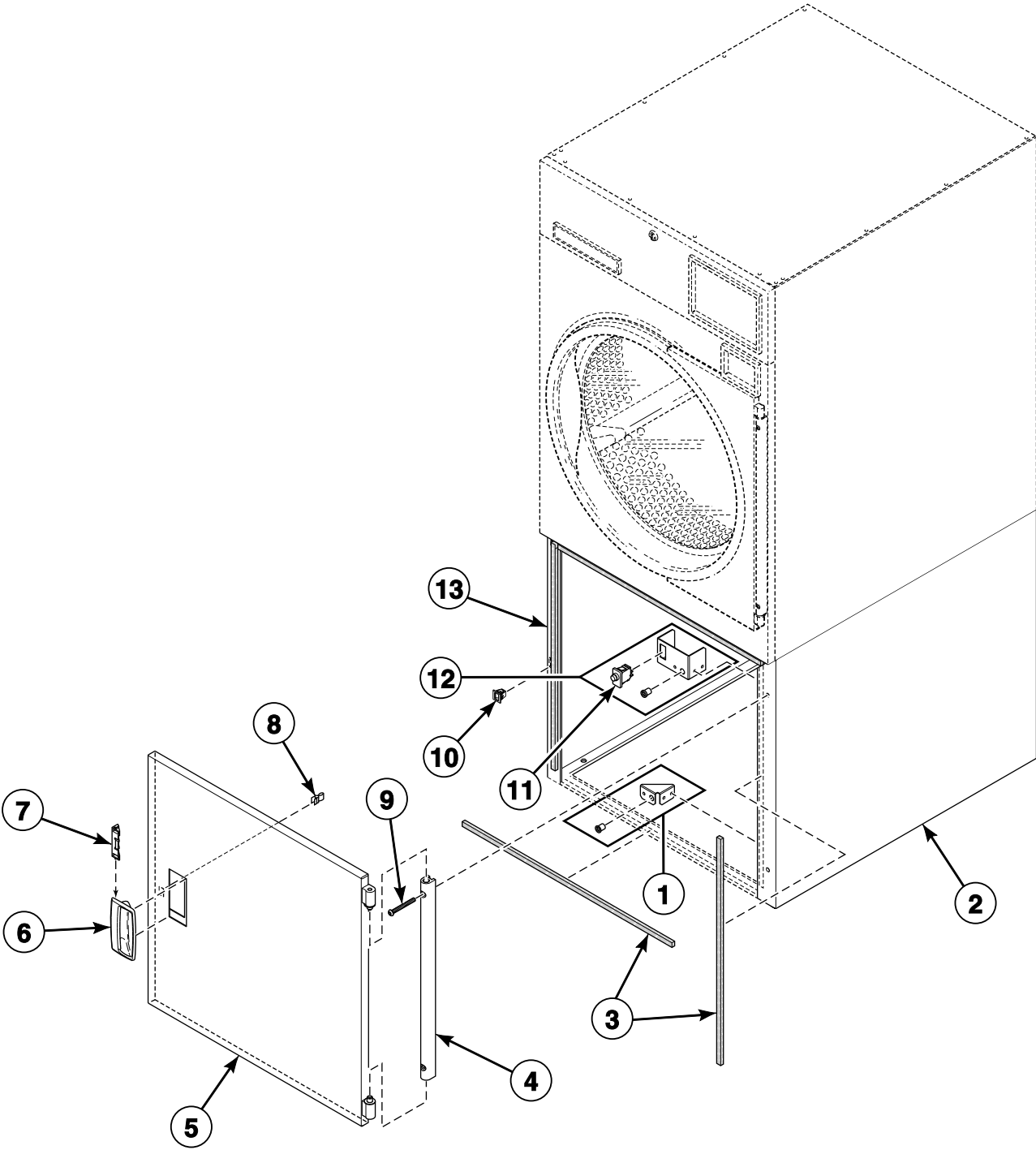
Lower Cabinet Components

REF	PART NO.	DESCRIPTION	COMMENTS
1	70117602	Kickplate	H models; Dark gray
	70117601	Kickplate	All other models; Black
2	70154401	Handle and Caps Assembly	C, D, I, P, S and U models; Black
	70154402	Handle and Caps Assembly	H models; Dark gray
	70407205	Handle Bumper	G and K models
3	70176601*P	Lint Panel Assembly	C, D, G, I, K, L, P, S, U and Y models; Coin; Includes items 2, 9 and 11
	70176602P	Lint Panel Assembly	C, D, G, I, K, L, P, S, U and Y models; Coin; Stainless steel
	N/A	Lint Panel Assembly	C, D, G, I, K, L, P, S, U and Y models; OPL
	70176604	Lint Panel Assembly	C, D, G, I, K, L, P, S, U and Y models; OPL; Stainless steel
	70176605*	Lint Panel Assembly	H models; Coin; Includes items 2, 9 and 11
	70176606	Lint Panel Assembly	H models; Coin; Stainless steel
	70176607*	Lint Panel Assembly	G models; Coin
	70176608	Lint Panel Assembly	G models; Coin; Stainless steel
	70176609*	Lint Panel Assembly	H models; OPL
	70176610	Lint Panel Assembly	H models; OPL; Stainless steel
	70176611*	Lint Panel Assembly	G models; OPL
	70176612	Lint Panel Assembly	G models; OPL; Stainless steel
	4	430757	Screw
5	70289101P	Lint Panel Gasket	Sold per foot
6	70320001	Rear Lint Panel	
7	70132301	Screw	Attaching roller catch
8	23951	Nut	
9	70297601	Roller Catch Wheel	
10	70030201	Roller Catch Spacer	
11	70072801	Screw	
12	70030301	Roller Catch Arm	
13	51236	Nut	Attaching roller catch
14	70126301	Pop Rivet	For attaching kickplate; Black; 6 required
	70126401	Pop Rivet	For attaching kickplate; Gray; 6 required
15	56079	Panel Locator	
16	39733	Screw	

* Add Letter To Designate Color. L - Almond Q - Bisque W - White

N/A = Part no longer available

Lower Cabinet Components - 25 Pound S Models with Hinged Lint Door



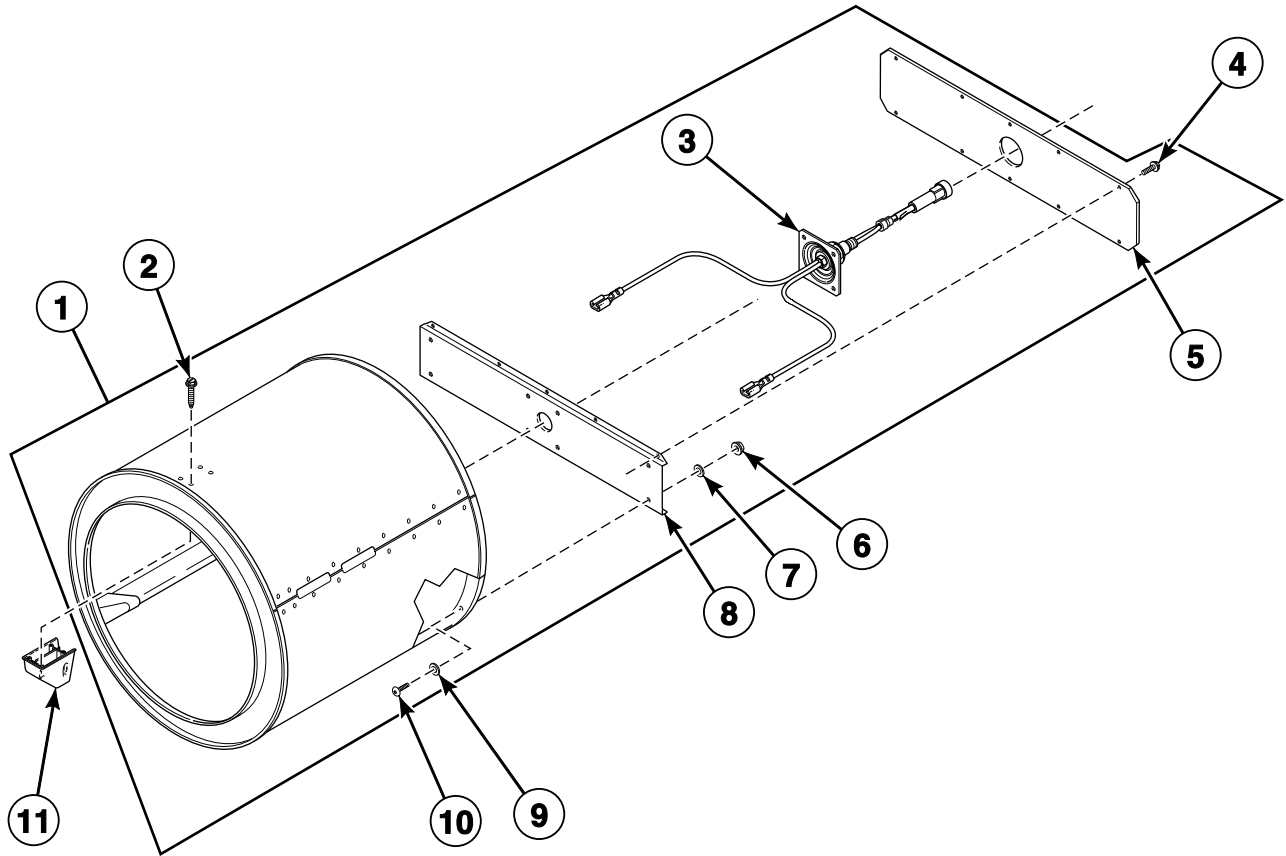
TMB1836B_70409401

Lower Cabinet Components - 25 Pound S Models with Hinged Lint Door

REF	PART NO.	DESCRIPTION	COMMENTS
1	70283801	Support Bracket Assembly	
2	70278001*P	Panel	Right
3	70247601	Gasket	8 required; Felt
4	44035001	Door Hinge Lug Assembly	
5	70267701*P	Hinged Door	
6	510103*P	Door Pull and Wedge Kit	
7	510129	Door Handle Wedge	
8	510181	Door Strike	
9	70033504	Screw	2 required
10	510177	Door Catch Assembly	
11	70310501	Switch Assembly	
12	70283701	Lint Switch Bracket Assembly	
13	70255801*P	Panel	Left

* Add Letter To Designate Color. L - Almond Q - Bisque W - White

Cylinder and Trunnion Assembly

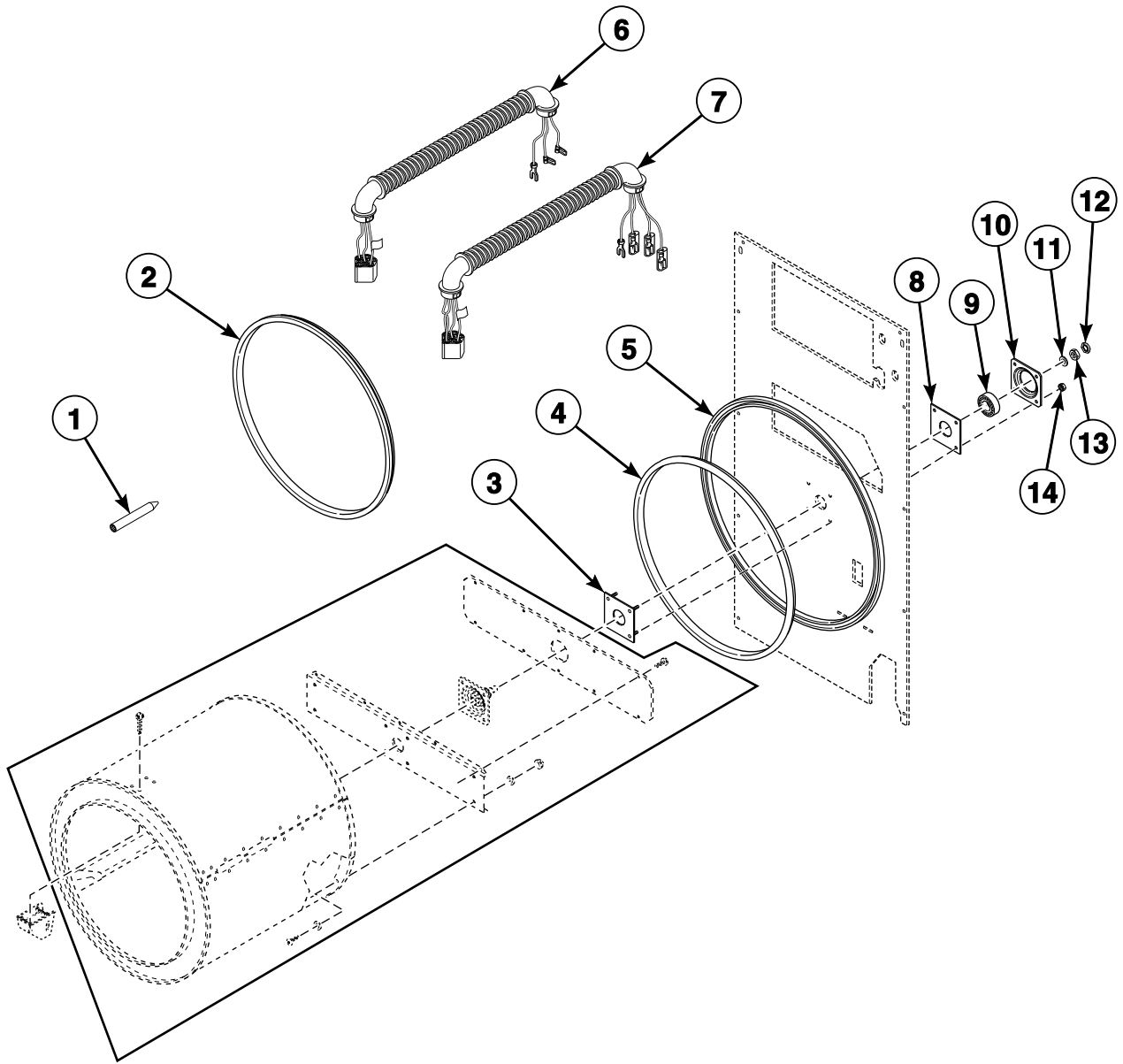


TMB3160P_70409401

Cylinder and Trunnion Assembly

REF	PART NO.	DESCRIPTION	COMMENTS
	70343101P	Drywall Screw Magnet Kit	
1	70372803	Cylinder Assembly	25 pound G and K models; Non-moisture sensing
	70443703	Cylinder and Trunnion Assembly	25 pound G and K models; Moisture sensing
	70372801P	Cylinder Assembly	All other 25 pound models; Galvanized; Non-moisture sensing
	70443701	Cylinder and Trunnion Assembly	All other 25 pound models; Galvanized; Moisture sensing
	70372802P	Cylinder Assembly	All other 25 pound models; Stainless steel; Non-moisture sensing
	70443702	Cylinder and Trunnion Assembly	All other 25 pound models; Stainless steel; Moisture sensing
	70372703	Cylinder Assembly	30 pound G and K models; Non-moisture sensing
	70443803	Cylinder and Trunnion Assembly	30 pound G and K models; Moisture sensing
	70372701P	Cylinder Assembly	All other 30 pound models; Galvanized; Non-moisture sensing
	70443801	Cylinder and Trunnion Assembly	All other 30 pound models; Galvanized; Moisture sensing
	70372702P	Cylinder Assembly	All other 30 pound models; Stainless steel; Non-moisture sensing
	70443802	Cylinder and Trunnion Assembly	All other 30 pound models; Stainless steel; Moisture sensing
	2	62588	Screw
3	M4961P3	Trunnion and Seal Kit	Includes 70013702 Rear Cylinder Seal; Also order 511637 Adhesive; Non-moisture sensing
	70454601	Trunnion and Wire Assembly	Moisture sensing; Includes 70244702 Trunnion Assembly
4	430497	Screw	10 required
5	70257401	Rear Cylinder Channel Plate	
6	44087201	Nut	8 required
7	M400080	Washer	4 required; Models through Serial No. 0708006765
	70411301	Washer	Models starting Serial No. 0708006766
8	70257301	Rear Cylinder Channel	Non-moisture sensing
	70257302	Rear Cylinder Channel	Moisture sensing
9	70411301	Washer	Models starting Serial No. 0708006766
10	70391101	Screw	8 required
11	70070101	End Cap	Non-moisture sensing
	70070102	End Cap	Moisture sensing

Cylinder Components

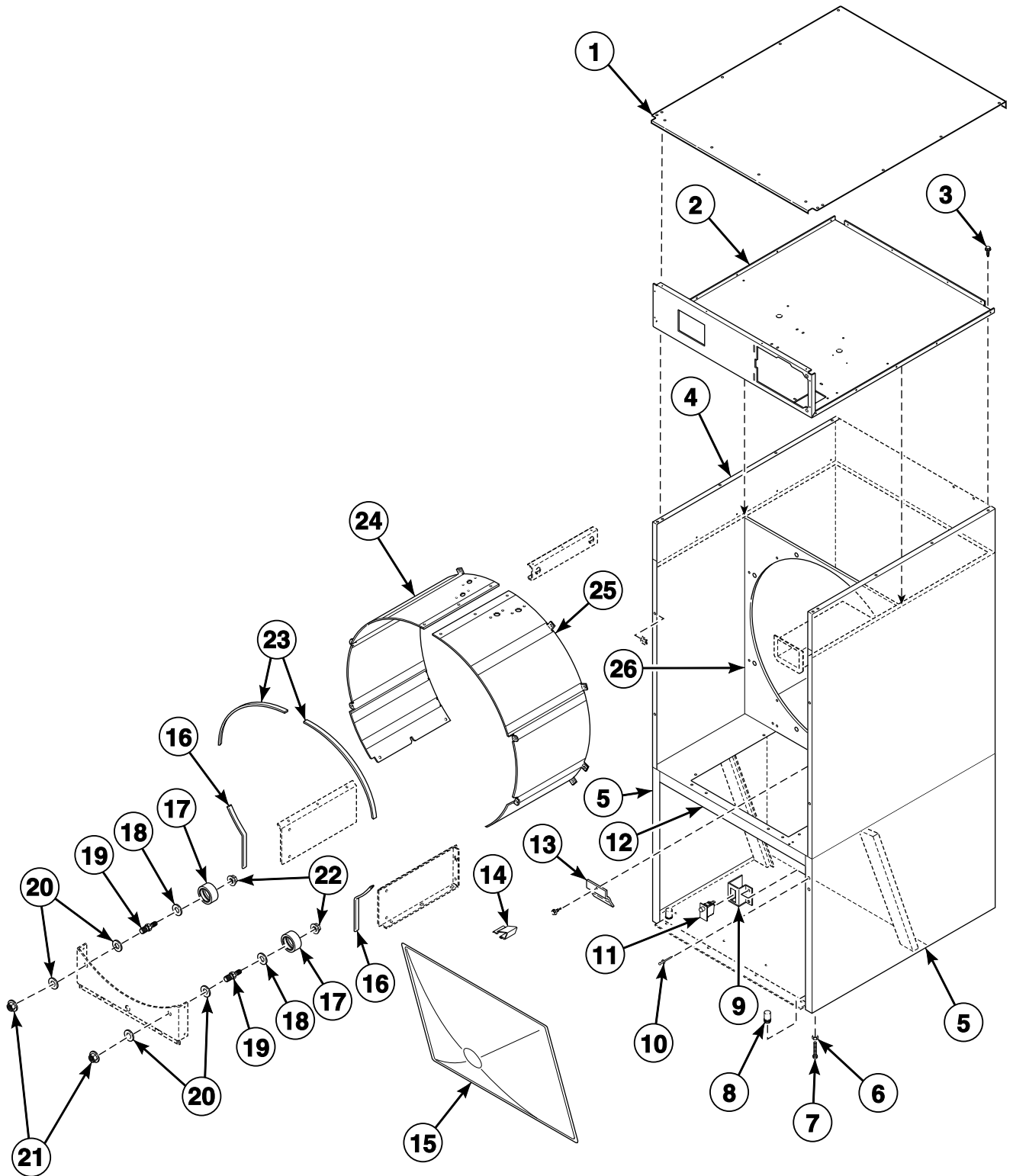


TMB2908PA_70409401

Cylinder Components

REF	PART NO.	DESCRIPTION	COMMENTS
	70343101P	Drywall Screw Magnet Kit	
1	263P4	Cylinder Guide Tool	
2	70066004	Center Cylinder Seal Assembly	
3	430352	Cylinder Bearing Stud Plate Assembly	
4	70013702	Rear Cylinder Seal	Use with 511637 Adhesive
5	70015301	Rear Cylinder Seal Support	
6	70401001	Cylinder Motor Harness Assembly	Models through 2/28/10; 1 Phase; 3 Phase electric models with 240 Volt and below
	70439701	Cylinder Motor Harness Assembly	Models starting 3/1/10; 1 Phase; 3 Phase electric models with 240 Volt and below
7	70401101	Cylinder Motor Harness Assembly	Models through 2/28/10; 3 Phase except electric models with 240 Volt and below
	70440101	Cylinder Motor Harness Assembly	Models starting 3/1/10; 3 Phase except electric models with 240 Volt and below
8	70355001	Rear Bearing Shim	
9	70448701	Support Bearing	
10	70013901	Rear Cylinder Bearing Housing	
11	M400991	Washer	
12	M400034	Nut	
13	M400022	Nut	
14	M412986	Nut	4 required

Cabinet Components



TMB3009P_70409401

Cabinet Components

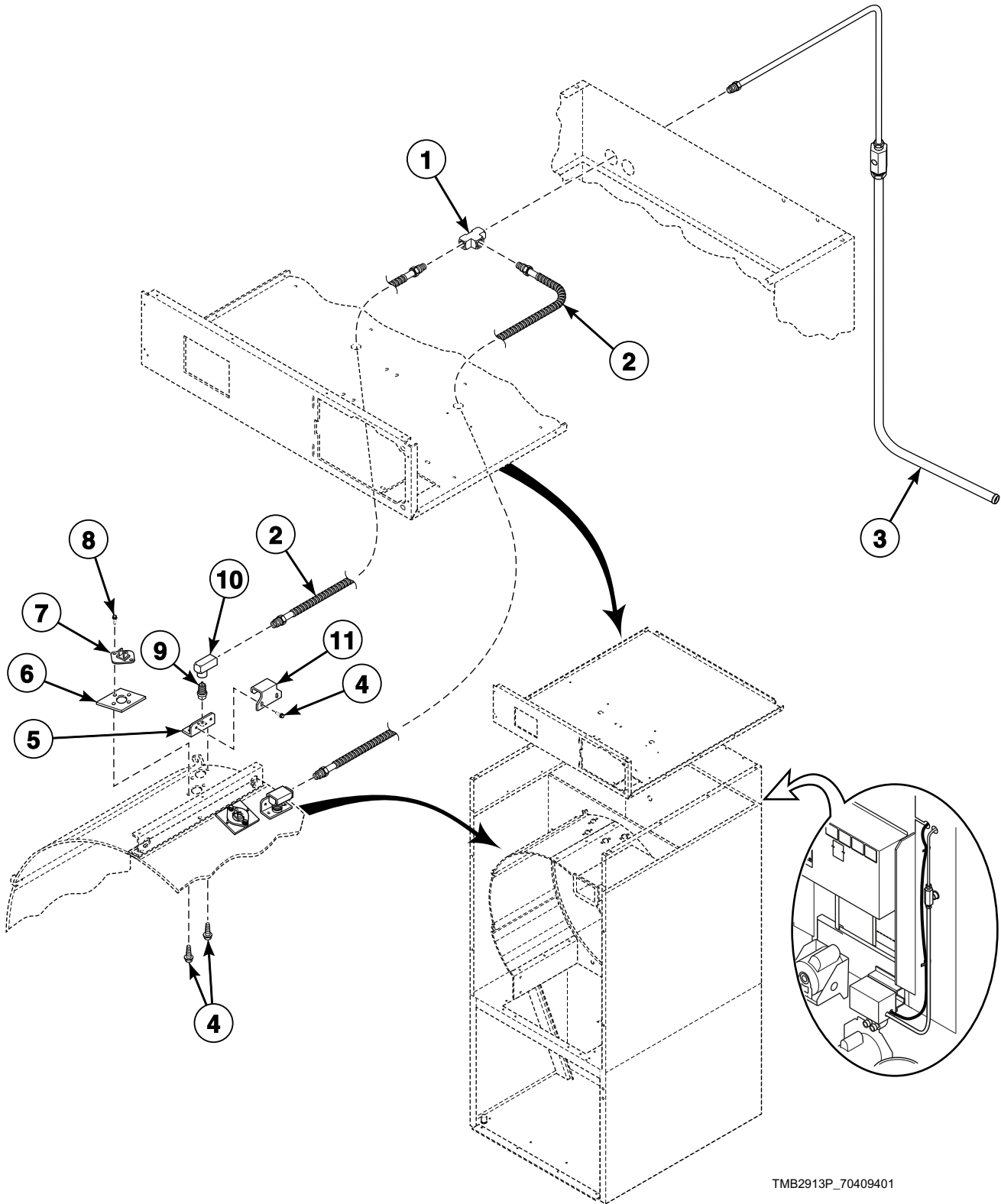
REF	PART NO.	DESCRIPTION	COMMENTS
	M4379P4	Tumbler Dolly Kit	
	298P4P	Spray Paint	White
	297P4	Spray Paint	Almond
	286P4	Spray Paint	Blue
	122P4P	Porcelain Touch-Up Paint	White
	215P4P	Porcelain Touch-Up Paint	Almond
	370P4P	Porcelain Touch-Up Paint	Bisque
1	70059801	Flat Top	25 pound models
	70000301	Flat Top	30 pound models
2	70253001	Top Pan	25 pound models
	70252901	Top Pan	30 pound models
3	430497	Screw	
4	70060102*P	Side Panel	25 pound models; Upper
	70021502*P	Side Panel	30 pound models; Upper
5	70253901*P	Side Panel	25 pound models; Lower
	70253801*P	Side Panel	30 pound models; Lower
6	21899	Nut	
7	34319	Leveling Leg	
8	70063201	Hole Plug	
9	70277301	Lint Panel Switch Bracket	
10	70058501	Pop Rivet	16 required; Upper side panel
11	70310501	Switch Assembly	
12	70252401	Center Pan	25 pound models
	N/A	Center Pan	30 pound models
13	70054501	Lint Screen Clip	25 pound models
14	35865	Hold-Down Clip	
15	70325601	Lint Screen	
16	70015709	Sheet Metal Edge Gasket	Lower
17	70298701P	Roller Bearing Assembly	
18	70443601	Roller Seal	Models starting 3/1/10
19	70249501	Roller Shaft	
20	70261401	Washer	
21	M404993	Nut	
22	430576	Nut	
23	70015710	Sheet Metal Edge Gasket	Upper
24	70427202	Cylinder Shroud	25 pound models; Left
	70427302	Cylinder Shroud	30 pound models; Left
25	70427201	Cylinder Shroud	25 pound models; Right
	70427301	Cylinder Shroud	30 pound models; Right
26	70252601	Center Partition	

* Add Letter To Designate Color. L - Almond Q - Bisque W - White

N/A = Part no longer available

Fire Suppression System Components

C, D, G, H, I, K, L, P, S, and U Models



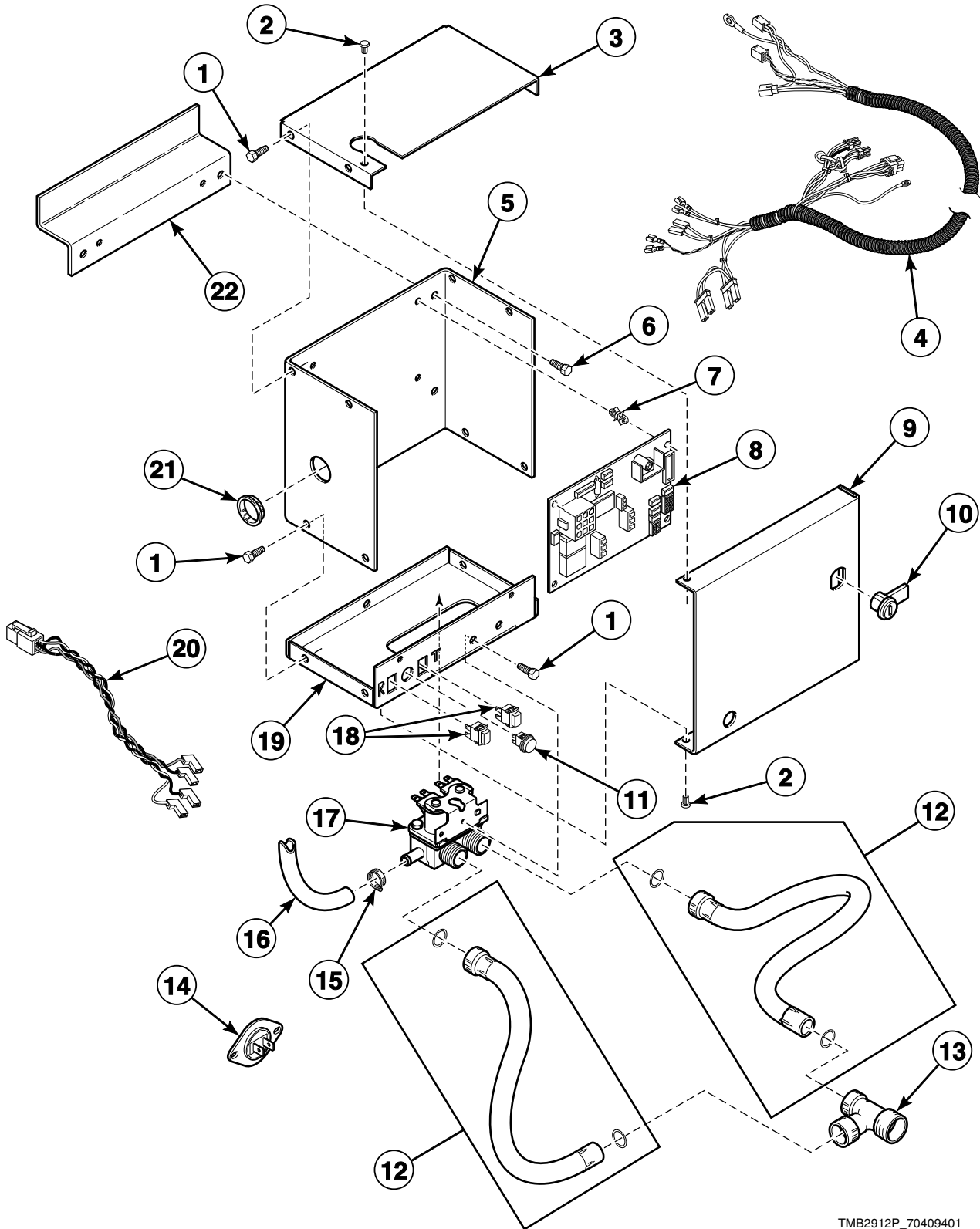
TMB2913P_70409401

Fire Suppression System Components

REF	PART NO.	DESCRIPTION	COMMENTS
1	70427901	Union Tee	
2	70427701	Spray Nozzle Hose	2 required
3	70427601	Tube Assembly	
4	430497	Screw	12 required
5	70424201	Nozzle Bracket	2 required
6	70424401	Thermistor Plate	2 required
7	44064701	Thermistor	2 required
8	51780	Screw	4 required
9	70427801	Spray Nozzle	2 required
10	70428101	Elbow	2 required
11	70428601	Nozzle Bracket	2 required

Fire Suppression System Control Box

C, D, G, H, I, K, L, P, S, and U Models

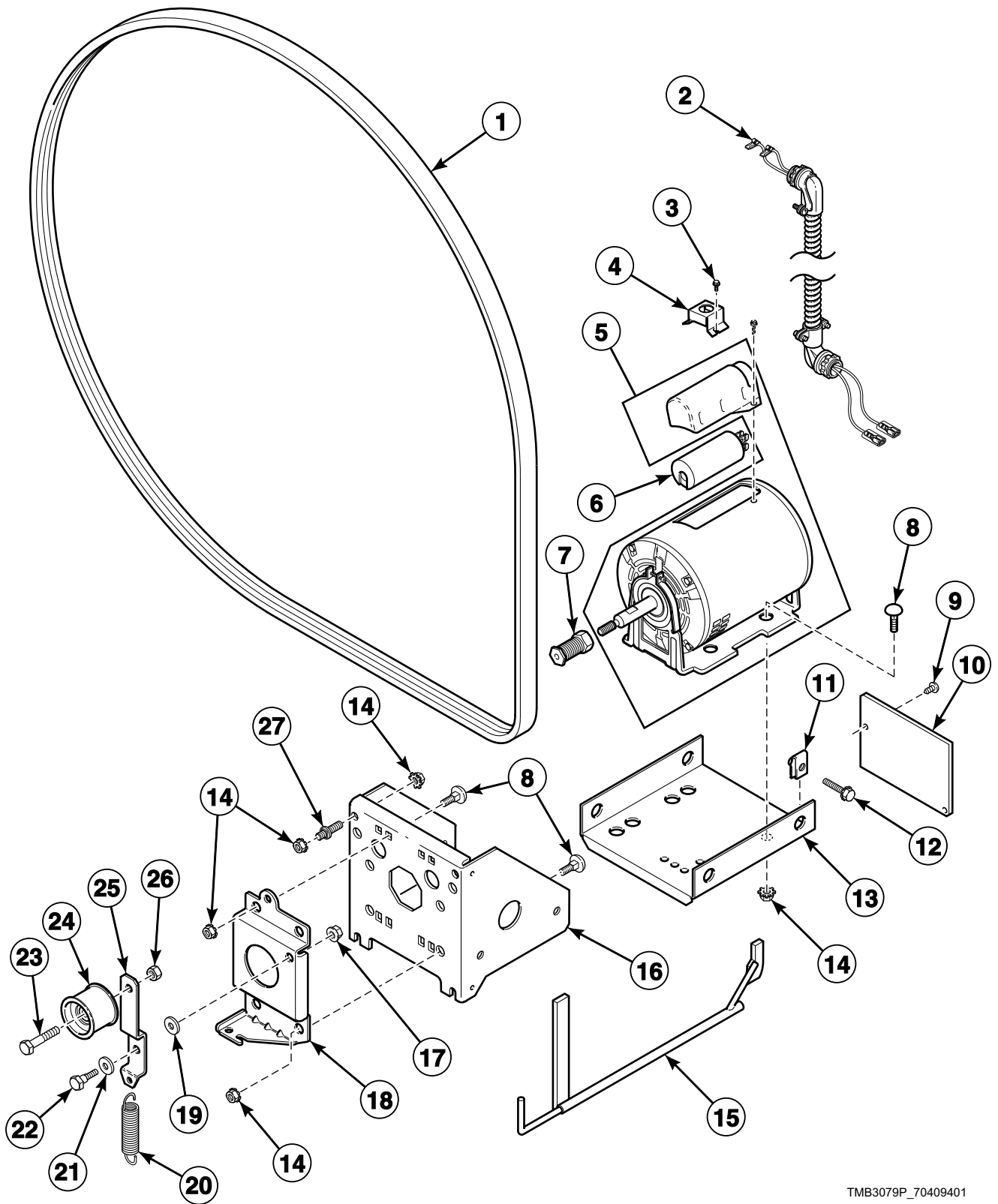


TMB2912P_70409401

Fire Suppression System Control Box

REF	PART NO.	DESCRIPTION	COMMENTS
1	430497	Screw	
2	M400713	Drive Rivet	
3	44065401	Control Box Top	
4	70426501P	Control Harness	
5	44065101	Control Box Housing	
6	51780	Screw	
7	501523	Circuit Board Support	4 required
8	44063801P	Control	
9	44065201	Control Box Cover	
10	44089301P	Lock, Key and Nut Kit	RL001 key code; Optional if same key is to be used for control lock
11	801432	Light	
12	F200116	Water Hose	2 required
13	44069101	Hose Fitting	
14	44064701	Thermistor	2 required
15	36801	Hose Clamp	
16	44073304	Hose	14 inches; Outlet hose
17	36958P	Mixing Valve	
18	801434W	Push-to-Start Switch	2 required
19	44065301	Control Box Base	
20	70426601P	Sensor Harness	
21	70178701	Snap Bushing	
22	44065901	Bracket	

Drive Motor Components

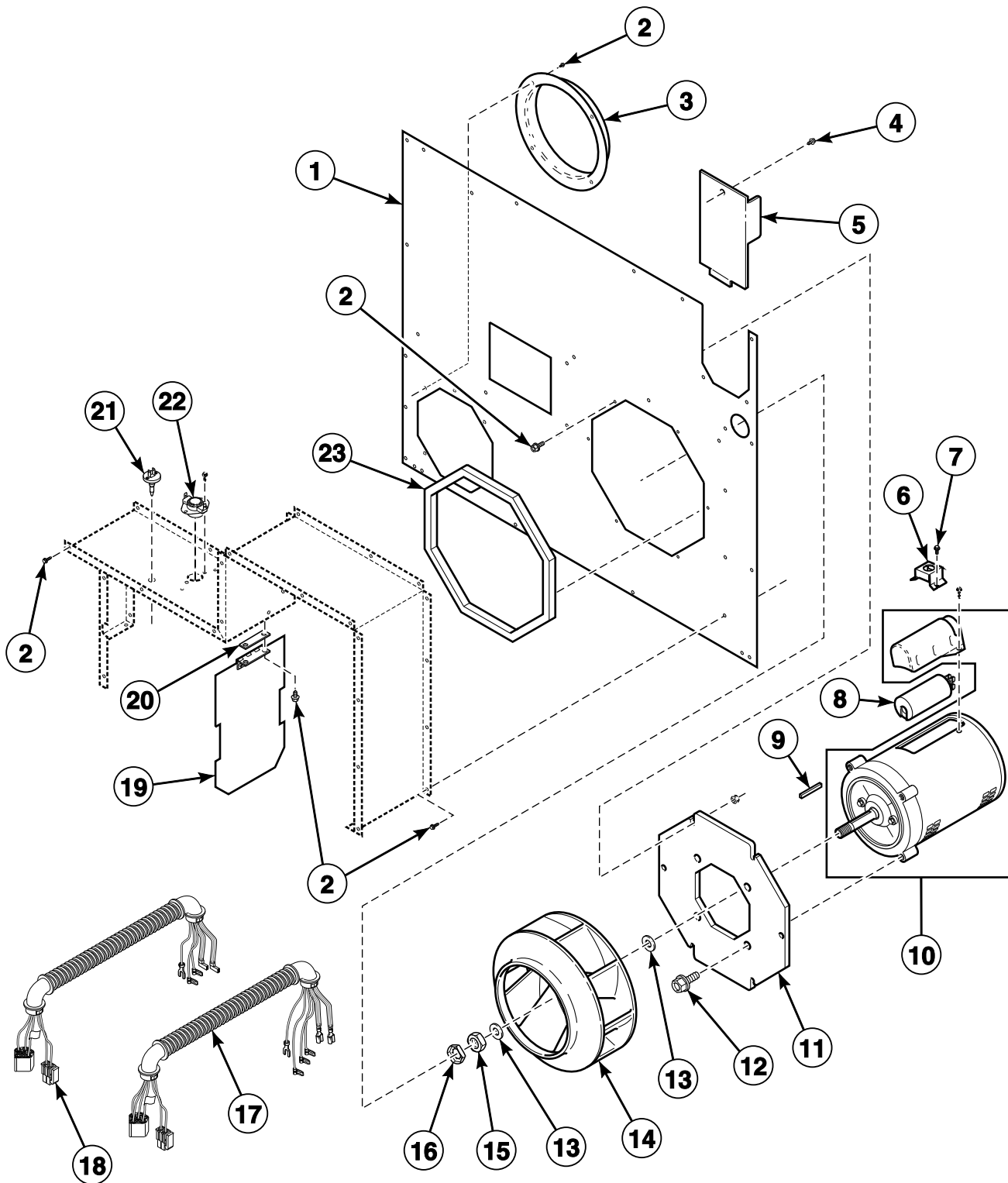


TMB3079P_70409401

Drive Motor Components

REF	PART NO.	DESCRIPTION	COMMENTS
1	70276205P	Belt	95.11 inches
2	70401001	Cylinder Motor Harness Assembly	Models through 2/28/10; 1 Phase; 3 Phase electric models with 240 Volt and below
	70401101	Cylinder Motor Harness Assembly	Models through 2/28/10; 3 Phase except electric models with 240 Volt and below
	70439701	Cylinder Motor Harness Assembly	Models starting 3/1/10; 1 Phase; 3 Phase electric models with 240 Volt and below
	70440101	Cylinder Motor Harness Assembly	Models starting 3/1/10; 3 Phase except electric models with 240 Volt and below
3	23222	Screw	2 required
4	70321701	Motor Conduit Mounting Bracket	
5	70337801P	Drive Motor	120-230 Volt/60 Hertz/1 Phase and 100 or 200 Volt/50 Hertz/1 Phase
	70337901P	Drive Motor Kit	120-240 Volt/60 Hertz/1 Phase; Low Amp
	70338001P	Drive Motor Kit	230-240 Volt/50 Hertz/1 Phase
	70338101P	Drive Motor	200-480 Volt/60 Hertz/3 Phase and 200-415 Volt/50 Hertz/3 Phase; No capacitor
6	M410296	Motor Capacitor	Start; For 70337801P Drive Motor and 70338001P Drive Motor Kit
	70211502	Motor Capacitor	Start; For 70337901 Drive Motor on 20 Amp models
	70211401	Motor Capacitor	Run; For 70337901 Drive Motor on 20 Amp models
7	70284202	Motor Pulley	60 Hertz
	70284204	Motor Pulley	50 Hertz
8	70062401	Bolt	
9	430497	Screw	
10	70202501	Drive Access Cover	
11	27222	Nut	4 required
12	M412985	Screw	
13	70127301	Motor Mount Bracket	
14	M412986	Nut	
15	M4853P3	Belt Tension Tool Kit	
16	70261701	Motor Channel	
17	29796	Nut	
18	70443301	Idler Bracket	
19	70270301	Washer	
20	70045301	Drum Idler Spring	With silencer
21	70265901	Washer	
22	M400056	Screw	
23	430648	Screw	
24	70050401P	Idler Wheel Assembly	
25	70259901	Cylinder Idler Arm	
26	56156	Nut	
27	70334701	Double Ended Stud	

Blower Components



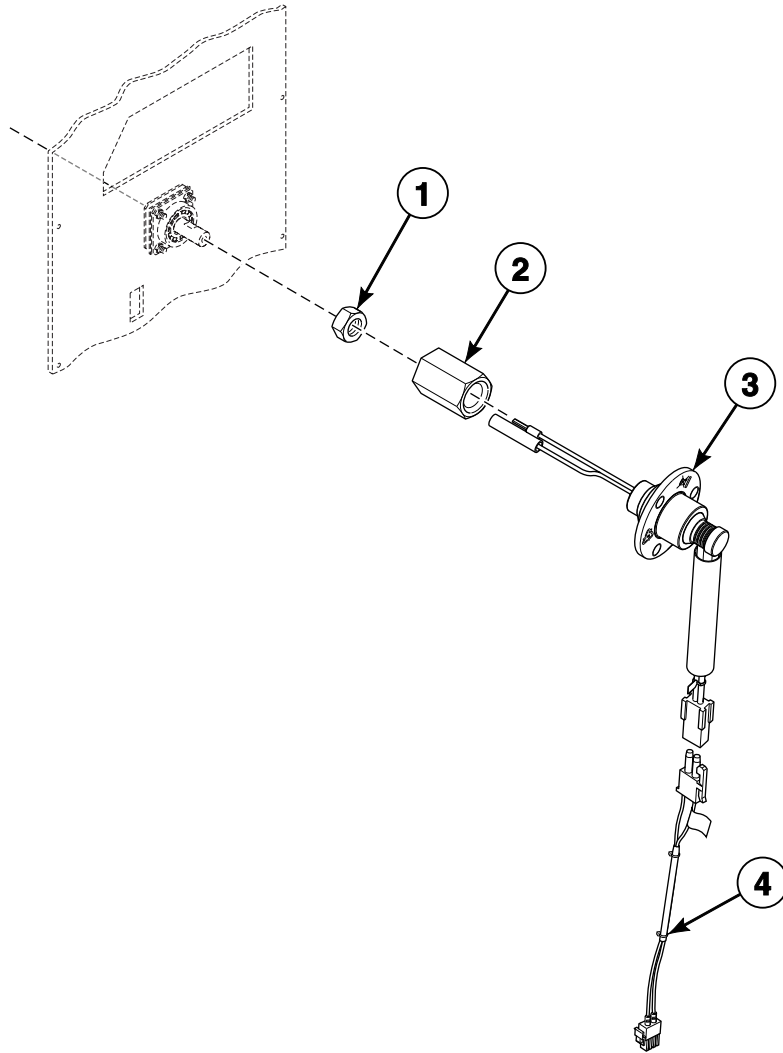
TMB2652P_70409401

Blower Components

REF	PART NO.	DESCRIPTION	COMMENTS
1	70290101	Lower Rear Panel	
2	430497	Screw	
3	70017801	Exhaust Thimble	6 inches
4	M411072	Screw	
5	70196301	Drive Access Cover	
6	70321701	Motor Conduit Mounting Bracket	
7	23222	Screw	2 required
8	70211501	Motor Capacitor	Start; For all blower motors except 70342601P Blower Motor
9	70144101	Key	
10	70337501P	Blower Motor	100-230 Volt/60 Hertz/1 Phase and 100-200 Volt/50 Hertz/1 Phase
	70337601P	Blower Motor Kit	120-240 Volt/60 Hertz/1 Phase; Low Amp
	70337701P	Blower Motor Kit	230-240 Volt/50 Hertz/1 Phase
	70342601P	Blower Motor	200-480 Volt/60 Hertz/3 Phase and 200-415 Volt/50 Hertz/3 Phase; No capacitor
11	70349601	Blower Motor Mounting Plate	
12	70126101	Screw	
13	M400991	Washer	
14	70359801P	Blower Assembly	
15	M400022	Nut	
16	M400034	Nut	
17	70401301	Fan Motor Harness Assembly	Models through 2/28/10; 3 Phase except electric models with 240 Volt and below
	70440201	Fan Motor Harness Assembly	Models starting 3/1/10; 3 Phase except electric models with 240 Volt and below
18	70401201	Fan Motor Harness Assembly	Models through 2/28/10; 1 Phase; 3 Phase electric models with 240 Volt and below
	70439801	Fan Motor Harness Assembly	Models starting 3/1/10; 1 Phase; 3 Phase electric models with 240 Volt and below
19	70209501	Damper and Hinge Exhaust Assembly	
20	N/A	Damper Spacer	
21	M414704	Thermistor	
22	M411945	Manual Reset Thermostat	Australian models
	M411307	Limit Thermostat	All other models
23	70392701P	Gasket	For blower housing opening

N/A = Part no longer available

Moisture Sensing Components



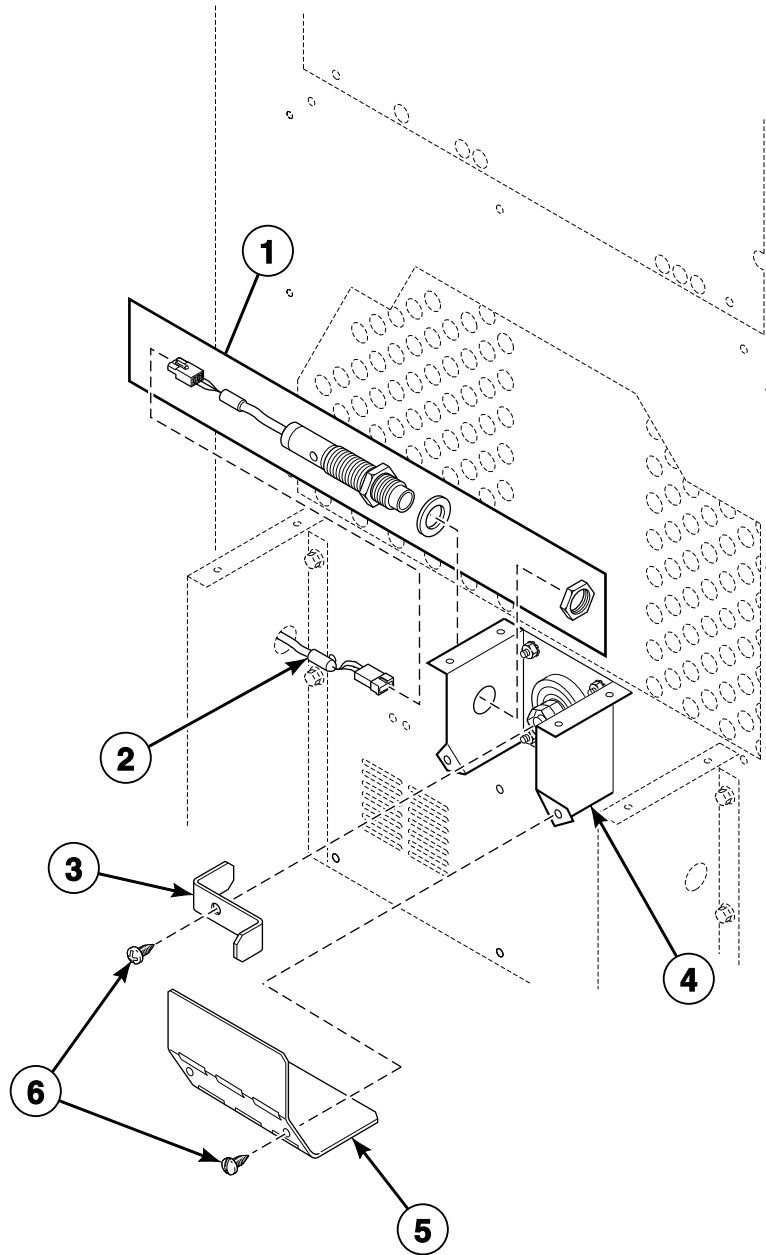
TMB3147P_70409401

Moisture Sensing Components

REF	PART NO.	DESCRIPTION	COMMENTS
1	M400035	Nut	
2	44224401	Slip Ring Holder	
3	44240201	Slip Ring Assembly	
4	70448901	Moisture Sensor Harness Assembly	

Rotation Sensor

C, D and I Models

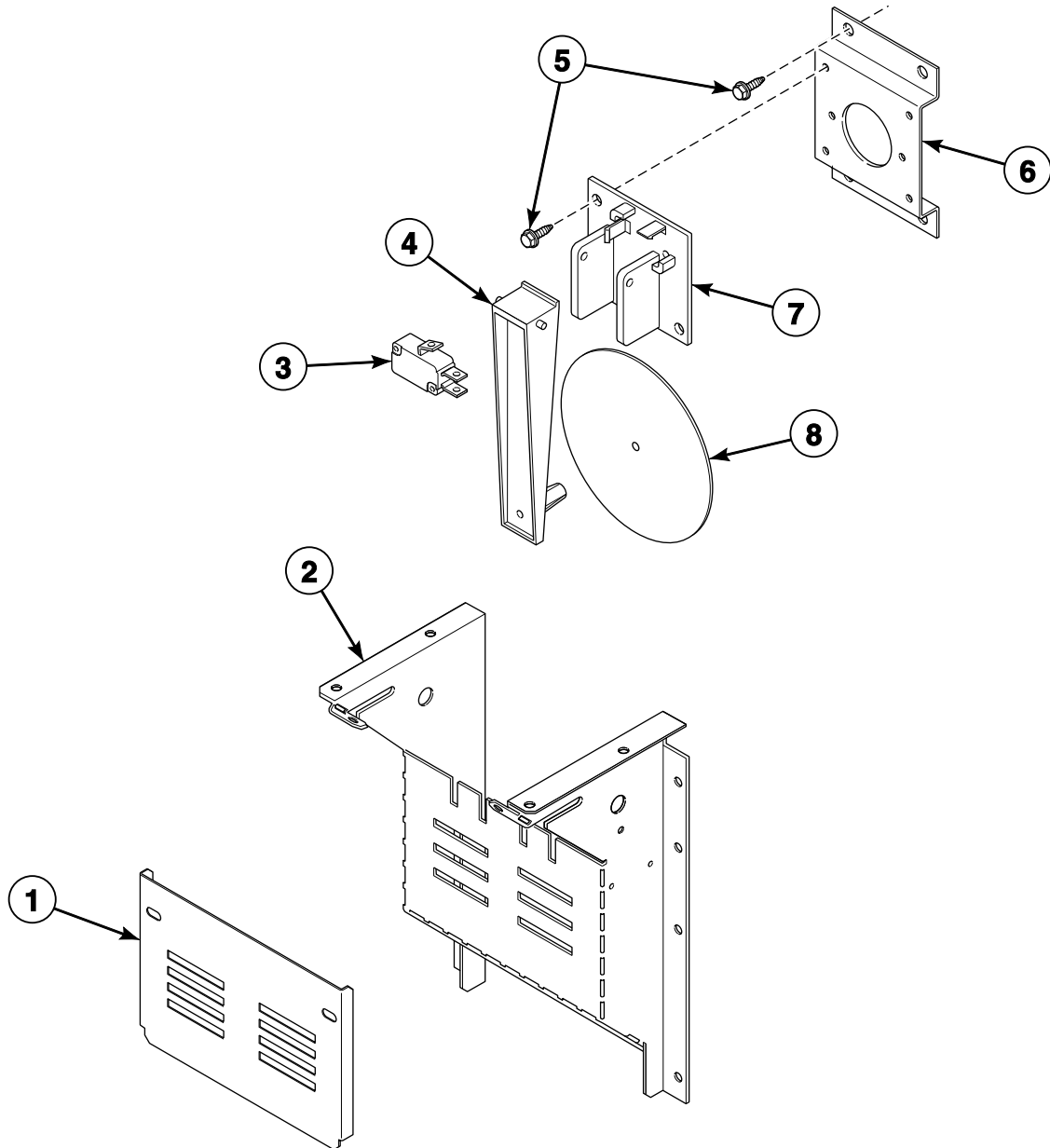


TMB2384P_70409401

Rotation Sensor

REF	PART NO.	DESCRIPTION	COMMENTS
1	70274001P	Rotation Sensor	C and I models
	70417401P	Rotation Sensor Assembly	D models
2	70274101	Rotation Sensor Cable Assembly	With receptacle
3	44044401	Rotation Sensor Bracket	
4	70021401	Bearing Housing Bracket	
5	44044301	Rotation Sensor Cover	
6	70153301	Screw	

Airflow Switch

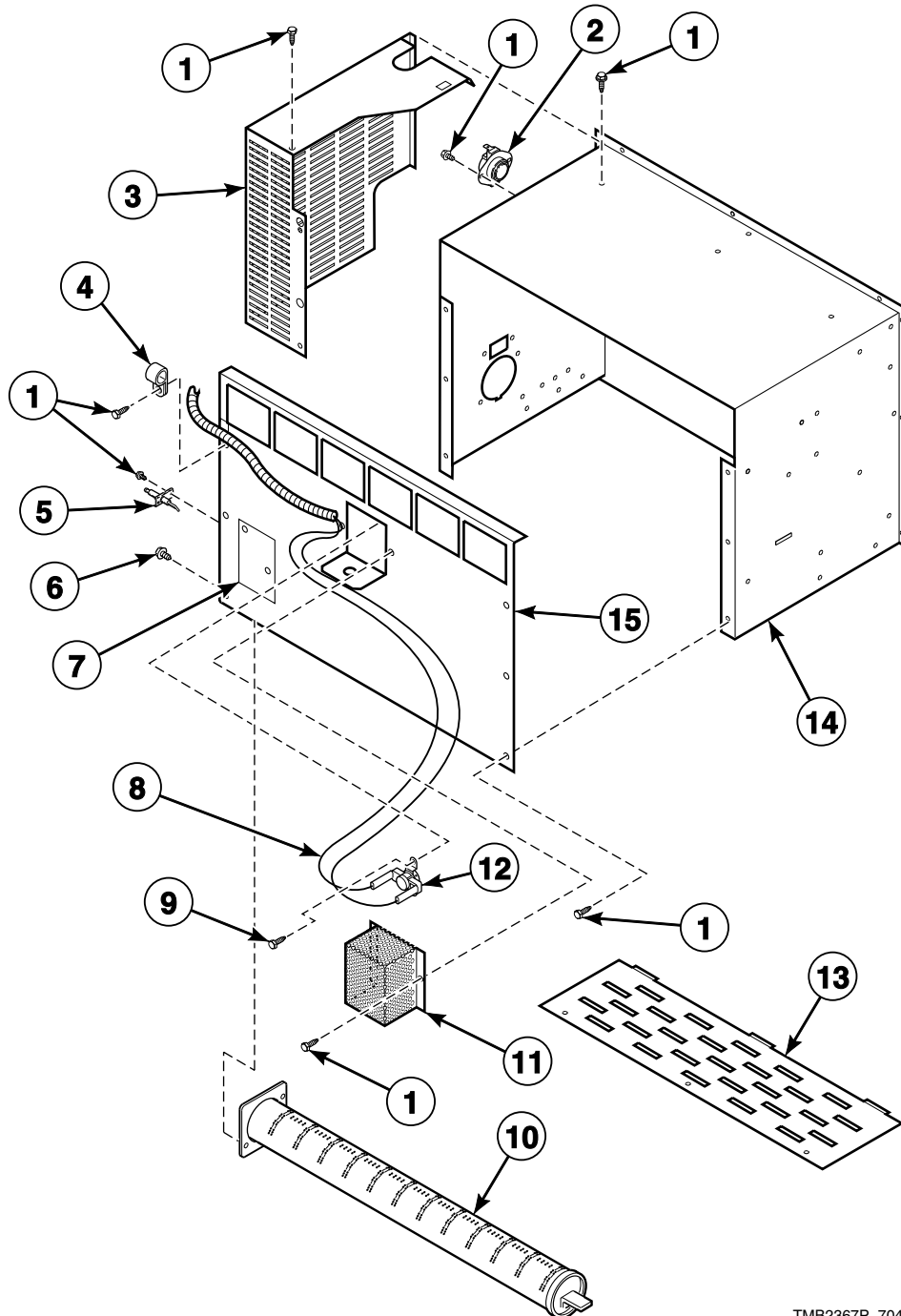


TMB3126P_70409401

Airflow Switch

REF	PART NO.	DESCRIPTION	COMMENTS
1	70356601	Airflow Switch Cover	Non-moisture sensing
	70465701	Airflow Switch Cover	Moisture sensing
2	70356101	Airflow Switch Wrapper	
3	70411901	Switch	
4	70319401	Airflow Switch Arm	
5	430497	Screw	
6	70356301	Switch Bracket	
7	70319601	Airflow Switch and Arm Bracket	
8	70319201	Airflow Switch Vane	

Gas Burner Housing and Secondary Stove Limit

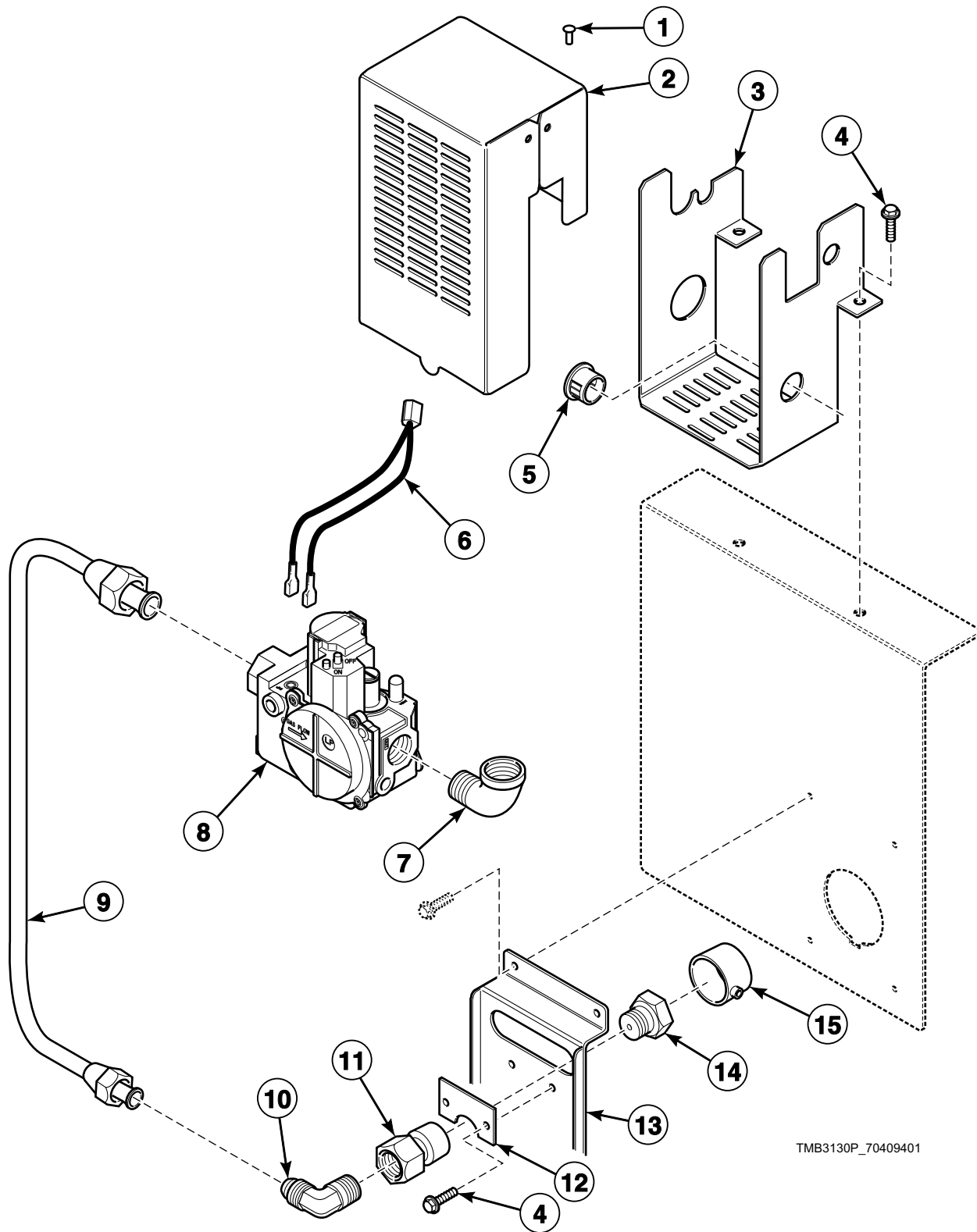


TMB2367P_70409401

Gas Burner Housing and Secondary Stove Limit

REF	PART NO.	DESCRIPTION	COMMENTS
	M4902P3	Stove Limit Kit	Australian models; Models through Serial No. 0311000078; In addition, order 70299101 Secondary Stove Limit Kit
1	430497	Screw	
2	70186301	Manual Reset Thermostat	Australian models
	M410542	Limit Thermostat	All other models
3	70381001	Gas Valve Cover	CE and Australian models
4	70203701	Pipe Clip	
5	70032801P	Spark Electrode	
6	05161	Screw	
7	70159601	Igniter Cover	
8	70316501	Stove Limit Harness	
9	M405188	Screw	2 required
10	70229801P	Gas Burner	
11	M414477	Thermostat Cover	
12	70299001	Limit Thermostat	Secondary
13	70188801	Burner Grill	
14	70333401	Stove Top and Sides	
15	70297401	Stove Back	

Gas Valve Assembly - Non-CE and Non-Australian Gas Models

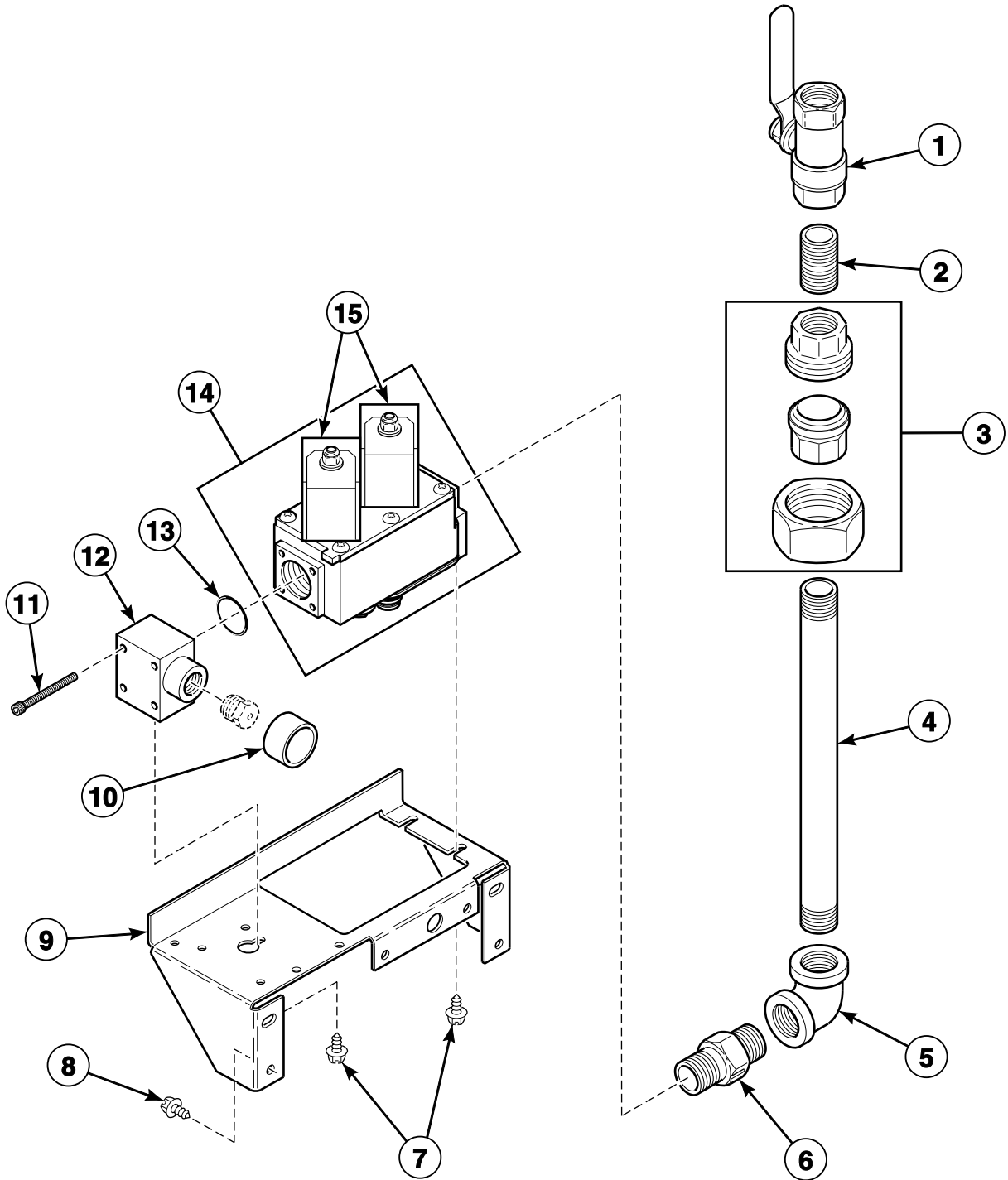


TMB3130P_70409401

Gas Valve Assembly - Non-CE and Non-Australian Gas Models

REF	PART NO.	DESCRIPTION	COMMENTS
	M4699P3	L.P. Conversion Kit	25 pound models; Natural Gas (N.G.); 0-2,000 feet; 64,000 Btu input
	M4703P3	L.P. Conversion Kit	30 pound models; N.G.; 0-2,000 feet; 73,000 Btu input
	M4706P3	L.P. Conversion Kit	30 pound models; N.G.; 8,001-10,000 feet; 73,000 Btu input
	M4969P3	Replacement Gas Valve Kit	N.G.; Use to replace old valve before 2/1/10 with new valve
	M4971P3	Replacement Gas Valve Kit	Liquid Petroleum Gas (L.P.); Use to replace old valve before 2/1/10 with new valve
1	M405750	Pop Rivet	4 required
2	70429901	Gas Valve Cover	
3	70429801	Gas Valve Bracket	
4	430497	Screw	10 required
5	M400770	Snap Bushing	
6	M412997	Harness Assembly	
7	H86070034	Street Elbow	
8	44154501P	Gas Valve	N.G.
	44154502P	Gas Valve	L.P.
9	70271201	Gas Line Assembly	
10	70208701	Elbow	2 required
11	70379301	Orifice Adapter	
12	70249001	Orifice Keeper Bracket	
13	70248901	Orifice Holder Bracket	
14	M403017	Burner Orifice	L.P.; Drill no. 42 (2.4 mm); 25 pound models 0-2,000 feet; 30 pound models 2,001-6,000 feet
	M406184	Burner Orifice	L.P.; Drill no. 43 (2.3 mm); 25 pound models 2,001-6,000 feet; 30 pound models 6,001-8,000 feet
	M401011	Burner Orifice	L.P.; Drill no. 44 (2.2 mm); 25 pound models 6,001-8,000 feet; 30 pound models 8,000-10,000 feet
	M401003	Burner Orifice	L.P.; Drill no. 46 (2.1 mm); 25 pound models; 8,000-10,000 feet
	M406361	Burner Orifice	L.P.; Drill no. 40 (2.5 mm); 30 pound models; 0-2,000 feet
	M402980	Burner Orifice	N.G.; Drill no. 24 (3.9 mm); 25 pound models 0-2,000 feet; 30 pound models 4,001-6,000 feet
	M401000	Burner Orifice	N.G.; Drill no. 26 (3.7 mm); 25 pound models 2,001-4,000 feet; 30 pound models 6,001-8,000 feet
	M400998	Burner Orifice	N.G.; Drill no. 27 (3.7 mm); 25 pound models; 4,001-6,000 feet
	M401014	Burner Orifice	N.G.; Drill no. 28 (3.6 mm); 25 pound models 6,001-8,000 feet; 30 pound models 8,000-10,000 feet
	M400997	Burner Orifice	N.G.; Drill no. 29 (3.4 mm); 25 pound models; 8,000-10,000 feet
	M401002	Burner Orifice	N.G.; Drill no. 33 (2.9 mm); 30 pound models; 0-2,000 feet
	M402996	Burner Orifice	N.G.; Drill no. 22 (4.0 mm); 30 pound models; 2,001-4,000 feet
15	70239801	Primary Air Adjustment Sleeve	

Gas Valve and Piping - CE and Australian Gas Models



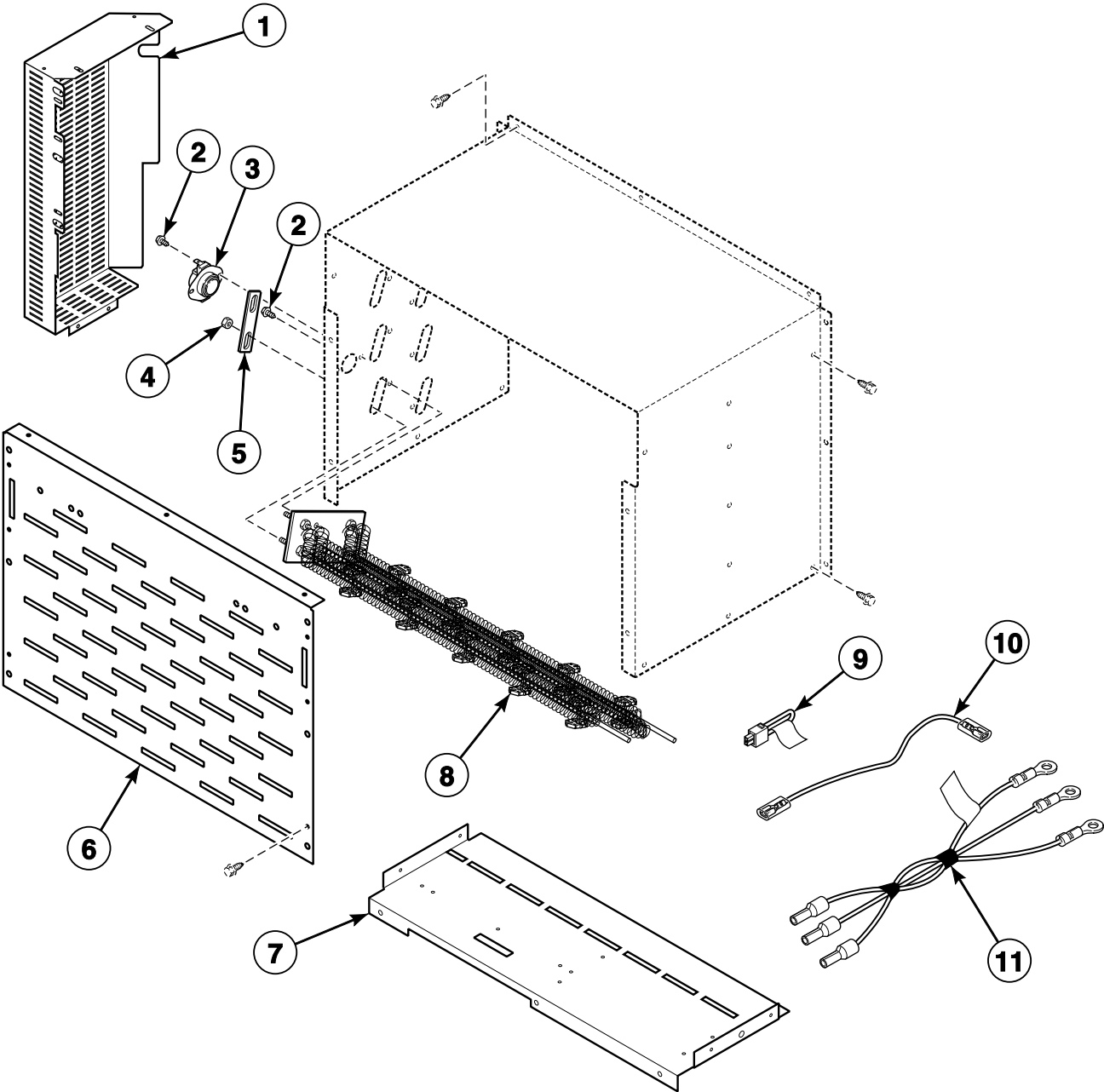
TMB3122P_70409401

Gas Valve and Piping - CE and Australian Gas Models

REF	PART NO.	DESCRIPTION	COMMENTS
1	M412562P	Gas Shut-Off Valve	Models through 1/31/10
2	901403	Pipe Nipple	1/2 NPT; Models through 1/31/10
3	H86000031	Union	Models through 1/31/10
4	70139601	Pipe Nipple	
5	70079601	Elbow	
6	70131901	Adapter	BPT/NPT
7	23222	Screw	
8	430497	Screw	
9	70233301	Gas Valve Bracket	
10	70239801	Primary Air Adjustment Sleeve	
11	431484	Screw	
12	70223501	Spud Adapter	
13	431482	O-Ring	
14	70457301P	N.G. Valve	Regulated
	70457302P	L.P. Valve	Unregulated
15	70260101	Gas Valve Coil	24 Volt

NOTE: For CE gas and orifice information, refer to Installation Manual.

Electric Heater Components



TMB3148P_70409401

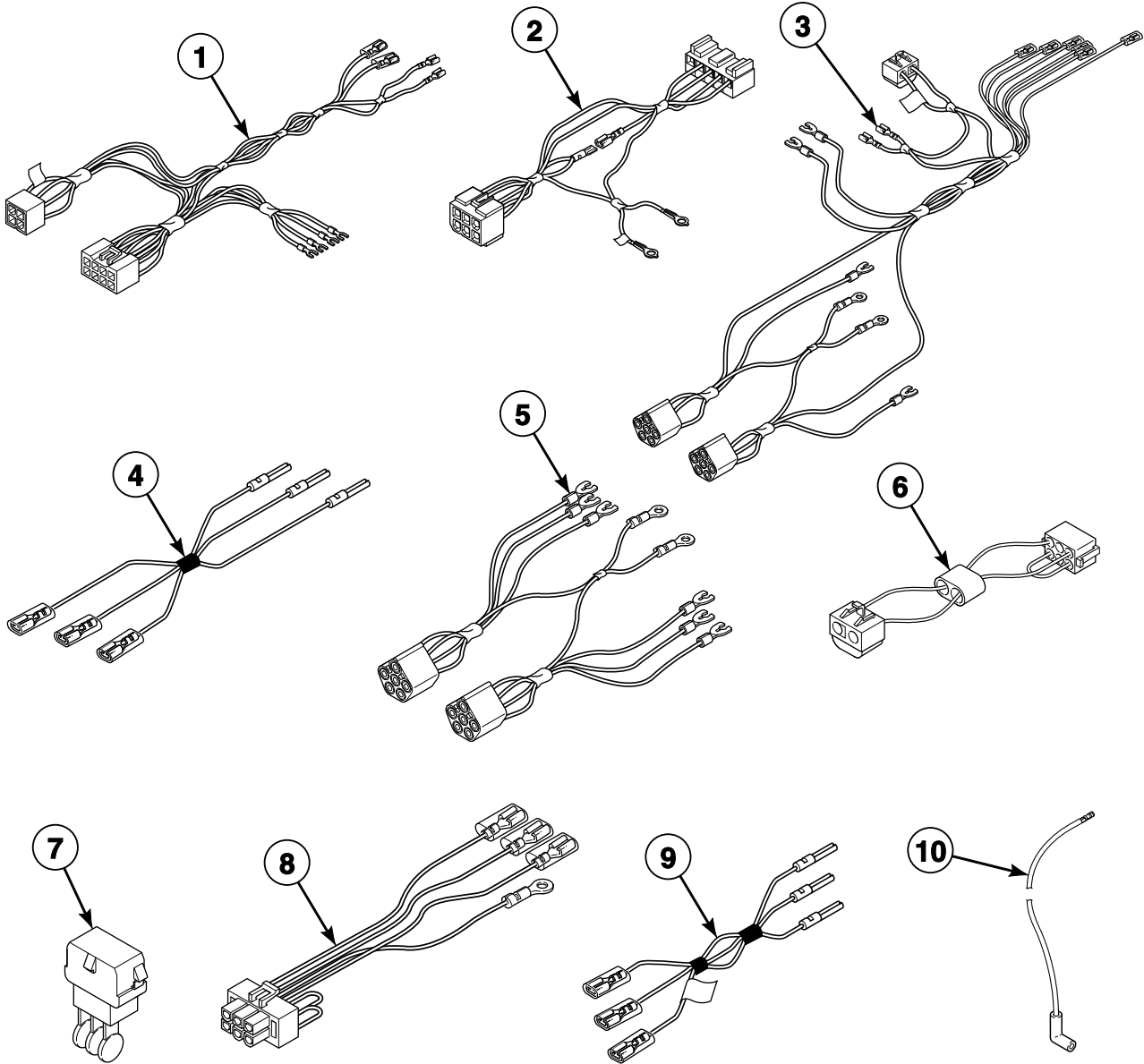
Electric Heater Components

REF	PART NO.	DESCRIPTION	COMMENTS
1	70365201	Stove Connectors Cover	
2	430497	Screw	
3	M410542	Limit Thermostat	25 pound models
	M409443	Limit Thermostat	30 pound models
4	70054	Nut	
5	70066501	Jumper Bar	2 required on 380, 400, 400-415 and 460-480 Volt
	M400869	Jumper Strip	3 required for 460-480 Volt; 6 required for all other models
6	70214901	Stove Grill	
7	70357201	Stove Partition	
8	70034413P	Heater Element	3 required; 220 Volt/3 Phase, 3 kW heater element for 25 pound 400 Volt models
	70034414P	Heater Element	3 required; 220 Volt/1 or 3 Phase, 4 kW heater element for 25 pound 380 Volt models
	70034415P	Heater Element	3 required; 208 Volt/1 or 3 Phase, 4 kW heater element for 25 pound 200-208 Volt models
	70034416P	Heater Element	3 required; 240 Volt/1 or 3 Phase and 415-480 Volt/3 Phase, 4 kW heater element for 25 pound 230-240, 400-415 and 460-480 Volt models
	70034401P	Heater Element	3 required; 208 Volt/1 or 3 Phase, 7 kW heater element for 30 pound 200-208 Volt models
	70034402P	Heater Element	3 required; 220 Volt/1 or 3 Phase, 7 kW heater element for 30 pound 380 Volt models
	70034403P	Heater Element	3 required; 240 Volt/1 or 3 Phase and 415-480 Volt/3 Phase, 7 kW heater element for 30 pound 230-240, 400-415 and 460-480 Volt models
9	70316601	Stove Limit Bypass Harness	
10	70066601	Jumper Wire	1 required for 460-480 Volt
11	70371301P	Cable Set Heater Assembly	H1-H3
	70371401P	Cable Set Heater Assembly	H4-H6; 240 Volt or less

Steam Heater Components

REF	PART NO.	DESCRIPTION	COMMENTS
1	70389201	Clevis Pin	To secure 70369301 Steam Filter Holder
2	70389301	Hairpin Cotter	To secure 70369301 Steam Filter Holder
3	70369301	Steam Filter Holder	
4	70369401	Steam Valve Harness Bracket	
5	70316601	Stove Limit Bypass Harness	
6	70369101P	Steam Coil	4 rows
7	70429401	Filter	CE models
	70036001	Air Filter	All other models
8	70351021P	Steam Valve Rebuild Kit	Use with 70351001P and 70351002P Steam Valves
	F8379502	Valve Rebuild Kit	Use with F8322902 and F8322903 Steam Valves
9	70351012	Steam Solenoid	24 Volt/50 Hertz
10	70351001P	Steam Valve	Models through Serial No. 1009000099; 60 Hertz
	F8322902	Steam Valve	Models starting Serial No. 1009000100; 60 Hertz
	F8322903	Steam Valve	50 Hertz
11	70351011P	Steam Solenoid	24 Volt/60 Hertz
12	70370301P	Solenoid Valve DIN Connector	
13	M412997	Harness Assembly	
14	70389901	Steam Stove Limit Bypass Harness	
15	70369501	Steam Valve Wiring Cover	
16	70058501	Pop Rivet	To secure 70369301 Steam Filter Holder

Control Tray Harnesses for Gas Models

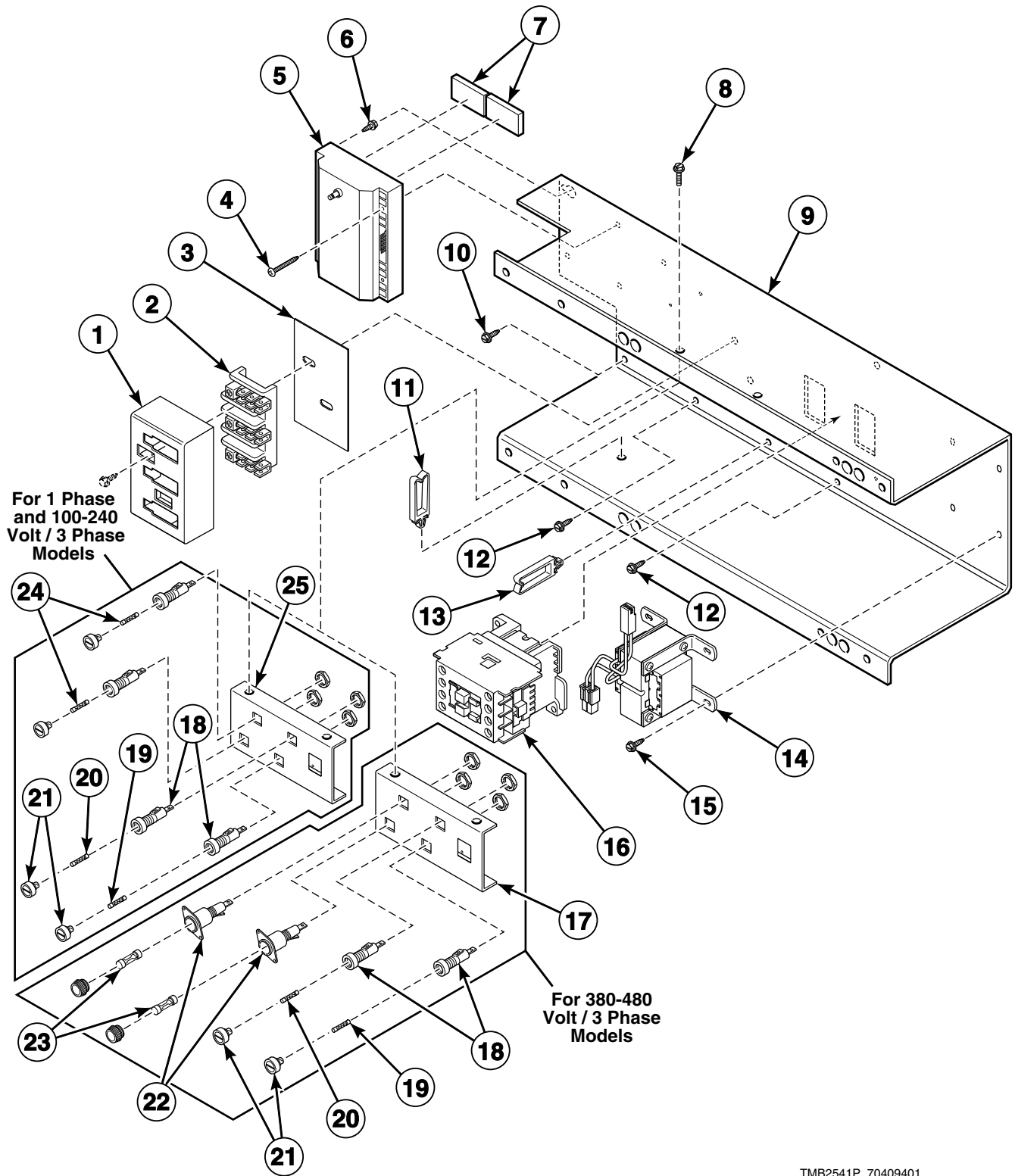


TMB2909P_70409401

Control Tray Harnesses for Gas Models

REF	PART NO.	DESCRIPTION	COMMENTS
1	70315801	Junction Box Harness	
2	70316401	Ignition Control Harness	CE and Australian models
	70316301	Ignition Control Harness	All other models
3	70316101P	Power Harness	CE and Australian models through 2/28/10; 3 Phase models with less than 380 Volts
	70347701P	Power Harness	Models through 2/28/10; Contactor; 1 Phase
	70332201	Power Harness	Models through 2/28/10; 3 Phase models with 380 Volts or higher
	70439001	Power Harness	CE and Australian models starting 3/1/10; 3 Phase models with less than 380 Volts
	70445501	Power Harness	Models starting 3/1/10; Contactor; 1 Phase
	70438901	Power Harness	Models starting 3/1/10; 3 Phase models with 380 Volts or higher
4	70120901	Jumper Disconnect Assembly	CE and Australian models
5	70320201	Motor Contactor Harness	Models through 2/28/10; 3 Phase
	44142601P	Motor Contactor Harness	Models starting 3/1/10; 3 Phase
6	M413504	Jumper Harness Assembly	100 Volt
	M413505	Jumper Harness Assembly	120 Volt
	M413506	Jumper Harness Assembly	208 Volt
	M413507	Jumper Configuration Assembly	240 Volt
	M413508	Jumper Harness Assembly	380 Volt
	M413510	Jumper Configuration Assembly	480 Volt
7	M413863	Network Capacitor Assembly	3O, 3V, 3X, DO, DV, DX and OM control suffixes
8	M413878	Capacitor Network Harness Assembly	3O, 3V, 3X, DO, DV, DX and OM control suffixes
9	70342101	Gas Disconnect Harness	CE and Australian models through 2/28/10
	70440501	Gas Disconnect Harness	CE and Australian models starting 3/1/10
10	70006201	High Voltage Lead	

Control Tray for Non-CE and Non-Australian Gas Models

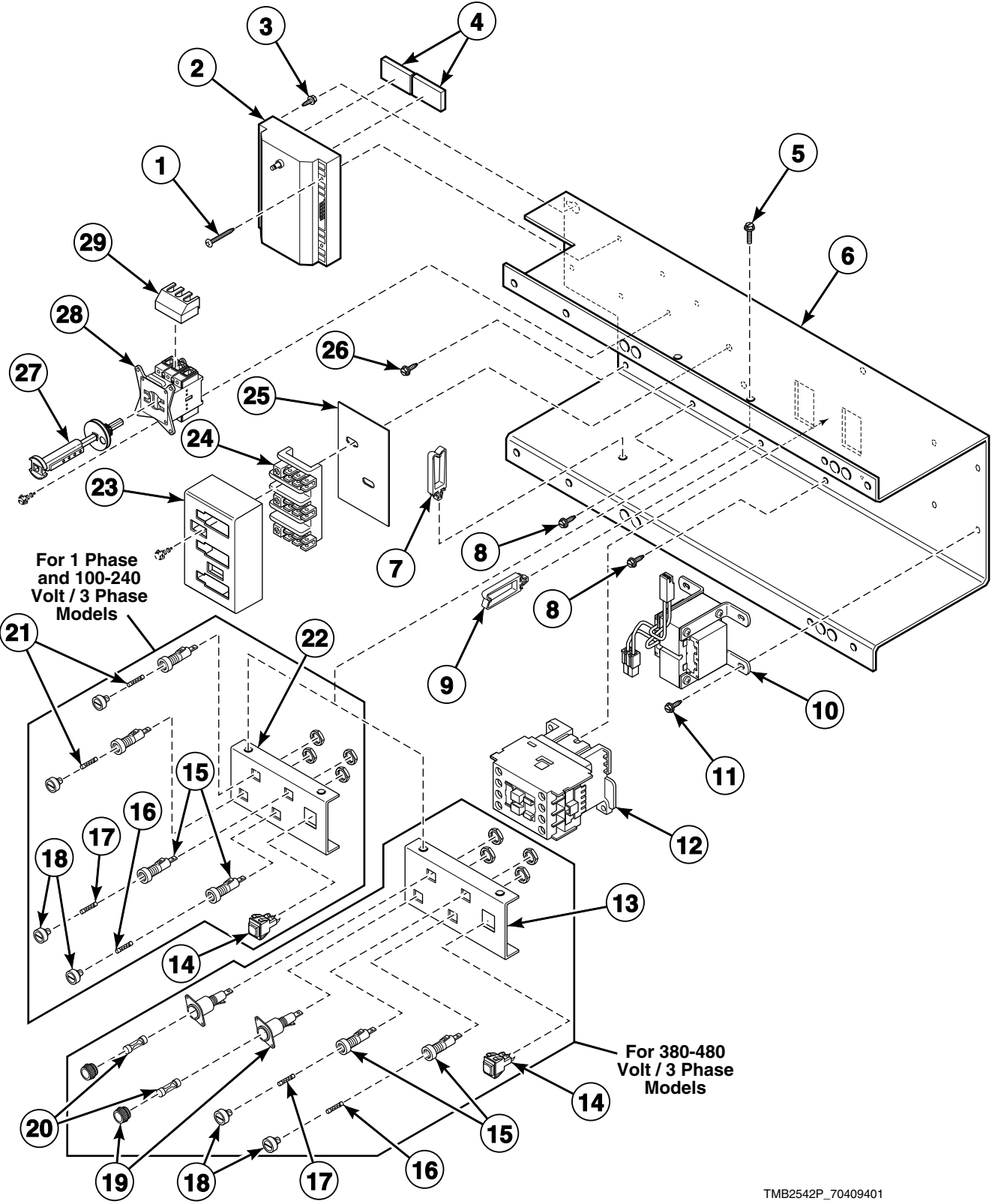


TMB2541P_70409401

Control Tray for Non-CE and Non-Australian Gas Models

REF	PART NO.	DESCRIPTION	COMMENTS
	70030501	Expansion Clip	4 required; Used on item 14
	M403047	Secure Ground Label	
1	70333001	Terminal Block Shield	
2	430642	Terminal Block	
3	M413862	Insulator	
4	44083001	Screw	3 required
5	70367301P	Ignition Control	
6	38272	Screw	
7	56128	Bumper Pad	2 required
8	51780	Screw	2 required
9	70334601	Control Tray	
10	430497	Screw	3 required
11	70366201	Wire Clip	
12	M402917	Screw	4 required
13	36274	Wire Clip	2 required
14	M414312P	Transformer	120 Volt; Dual secondary
	M414230P	Transformer	120 Volt; Primary/secondary
	M414228P	Transformer	100-240 Volt
	M414229P	Transformer	380-480 Volt
15	M411072	Screw	4 required
16	70323701P	Contactator	
17	70313601	Fuse Bracket	380-480 Volt; Models through 2/28/10
	70313602	Fuse Bracket	380-480 Volt; Models starting 3/1/10
18	70329401P	Fuse Holder Body	Includes nuts; 3 required for 1 Phase; 4 required for 3 Phase
19	70406601	Fuse	3.5 Amp
20	70406501	Fuse	1.25 Amp
21	70329501	Fuse Holder Cap	3 required for 1 Phase and 380-480 Volt/3 Phase; 4 required for 100-240 Volt/3 Phase
22	M413544P	Fuse Holder	Includes nuts; 2 required for 380-480 Volt; Models through 2/28/10
	44155601	Fuse Holder	2 required for 380-480 Volt; Models starting 3/1/10
23	M413621	Fuse	2 required for 380-480 Volt; 0.5 Amp
24	70406701	Fuse	2 Amp; 100-240 Volt
25	70306901	Fuse Bracket	100-240 Volt

Control Tray Components for CE and Australian Gas Models

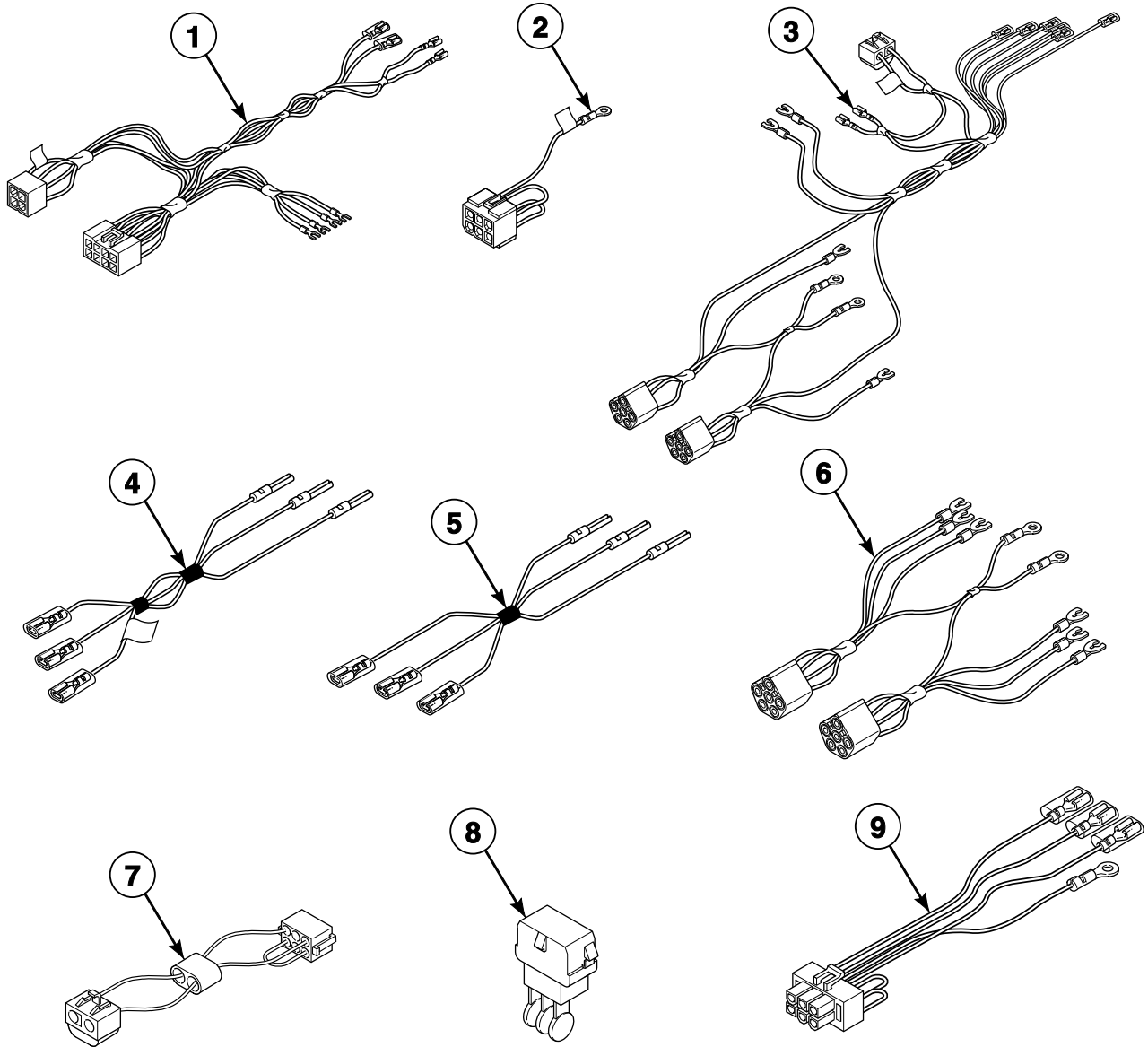


TMB2542P_70409401

Control Tray Components for CE and Australian Gas Models

REF	PART NO.	DESCRIPTION	COMMENTS
	70030501	Expansion Clip	4 required
	M403047	Secure Ground Label	
	M412096	Earth Terminal Sticker	
	51782	Screw	2 required
	501086	Screw	4 required for item 19
	70411001	ICM Reset Label	
	44127701	Warning Label	Extended tumble; On control tray cover
1	44083001	Screw	3 required
2	70367401P	Ignition Control	24 Volt
3	38272	Screw	
4	56128	Bumper Pad	2 required
5	51780	Screw	2 required
6	70334601	Control Tray	
7	70366201	Wire Clip	
8	M402917	Screw	
9	36274	Wire Clip	2 required
10	M414229P	Transformer	380-480 Volt
	M414228P	Transformer	100-240 Volt
11	M411072	Screw	4 required
12	70323701P	Contactora	
13	70313601	Fuse Bracket	380-480 Volt; Models through 2/28/10
	70313602	Fuse Bracket	380-480 Volt; Models starting 3/1/10
14	M413431	Pushbutton Switch	
15	70329401P	Fuse Holder Body	Includes nuts; 3 required for 1 Phase; 4 required for 3 Phase models with less than 380 Volts; 2 required for 3 Phase models with 380 Volts or higher
16	70406601	Fuse	3.5 Amp
17	70406501	Fuse	1.25 Amp
18	70329501	Fuse Holder Cap	3 required for 1 Phase; 4 required for 3 Phase models with less than 380 Volts; 2 required for 3 Phase models with 380 Volts or higher
19	M413544P	Fuse Holder	Includes nuts; 2 required for 380-480 Volt; Models through 2/28/10
	44155601	Fuse Holder	2 required for 380-480 Volt; Models starting 3/1/10
20	M413621	Fuse	2 required for 380-415 Volt; 0.5 Amp
21	70406701	Fuse	1 required for 1 Phase; 2 required for 3 Phase; 2 Amp
22	70306901	Fuse Bracket	100-240 Volt
23	70333001	Terminal Block Shield	
24	430642	Terminal Block	
25	M413862	Insulator	
26	430497	Screw	
27	70342501P	Extension Handle	Models through 7/31/11
28	M412187P	Mounting Switch Base	Models through 7/31/11
29	M412366	Finger Guard	Models through 7/31/11

Control Tray Harnesses for Steam Models

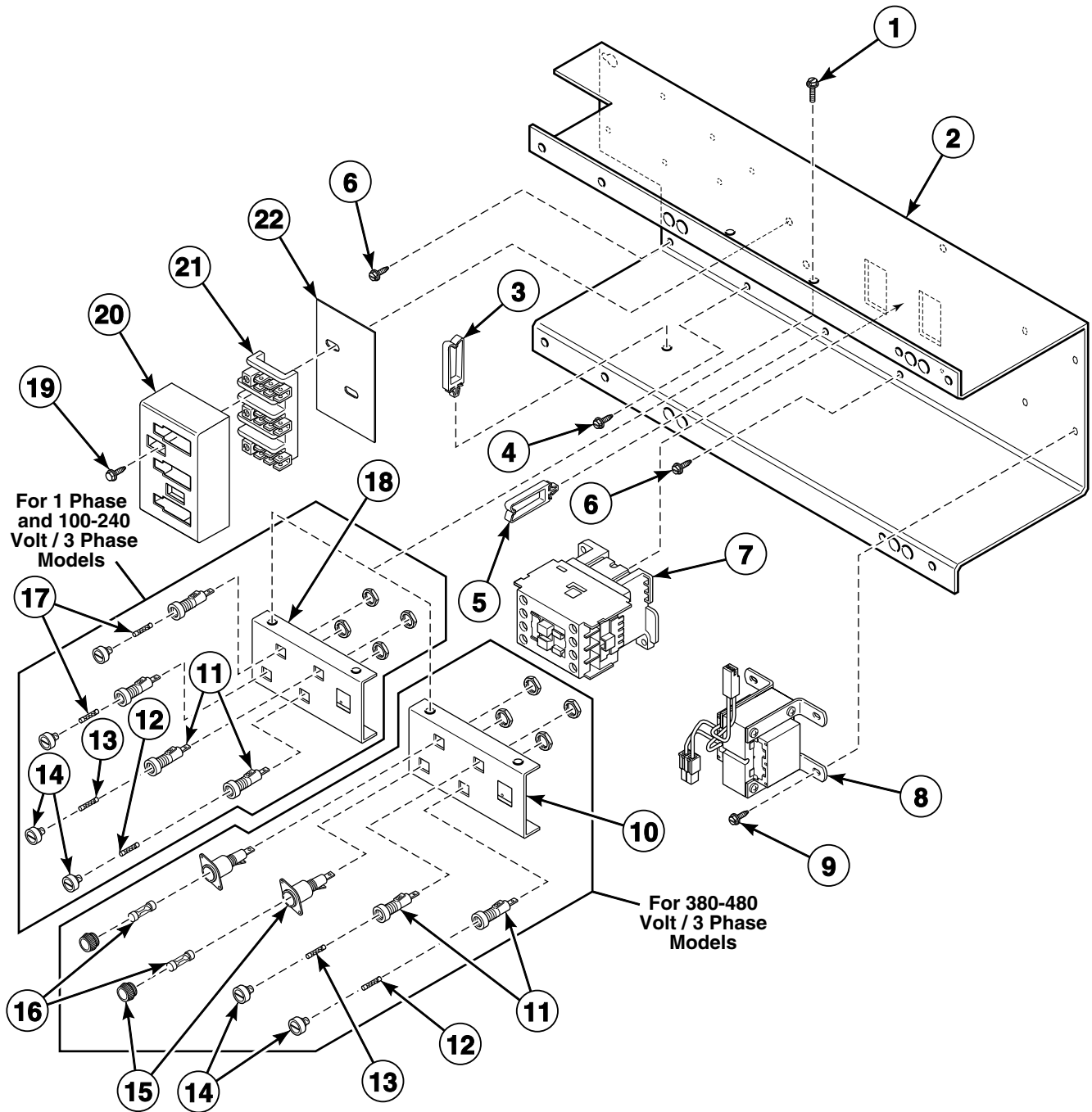


TMB2799P_70409401

Control Tray Harnesses for Steam Models

REF	PART NO.	DESCRIPTION	COMMENTS
1	70315801	Junction Box Harness	
2	70322401P	Steam Configuration Harness	
3	70347701P	Power Harness	Models through 2/28/10; Contactor; 1 Phase
	70316101P	Power Harness	Models through 2/28/10; 3 Phase models with less than 380 Volts
	70332201	Power Harness	Models through 2/28/10; 3 Phase with 380 Volts or higher
	70445501	Power Harness	Models starting 3/1/10; Contactor; 1 Phase
	70439001	Power Harness	Models starting 3/1/10; 3 Phase models with less than 380 Volts
	70438901	Power Harness	Models starting 3/1/10; 3 Phase models with 380 Volts or higher
4	70342101	Gas Disconnect Harness	CE models; Models through 2/28/10
	70440501	Gas Disconnect Harness	CE models; Models starting 3/1/10
5	70120901	Jumper Disconnect Assembly	CE models
6	70320201	Motor Contactor Harness	Models through 2/28/10; 3 Phase models with 380 Volts or higher
	44142601P	Motor Contactor Harness	Models starting 3/1/10; 3 Phase models with 380 Volts or higher
7	M413504	Jumper Harness Assembly	100 Volt
	M413505	Jumper Harness Assembly	120 Volt
	M413506	Jumper Harness Assembly	208 Volt
	M413507	Jumper Configuration Assembly	240 Volt
	M413508	Jumper Harness Assembly	380 Volt
	M413510	Jumper Configuration Assembly	480 Volt
8	M413863	Network Capacitor Assembly	3O, 3V, 3X, DO, DV, DX and OM control suffixes
9	M413878	Capacitor Network Harness Assembly	3O, 3V, 3X, DO, DV, DX and OM control suffixes

Control Tray for Non-CE Steam Models

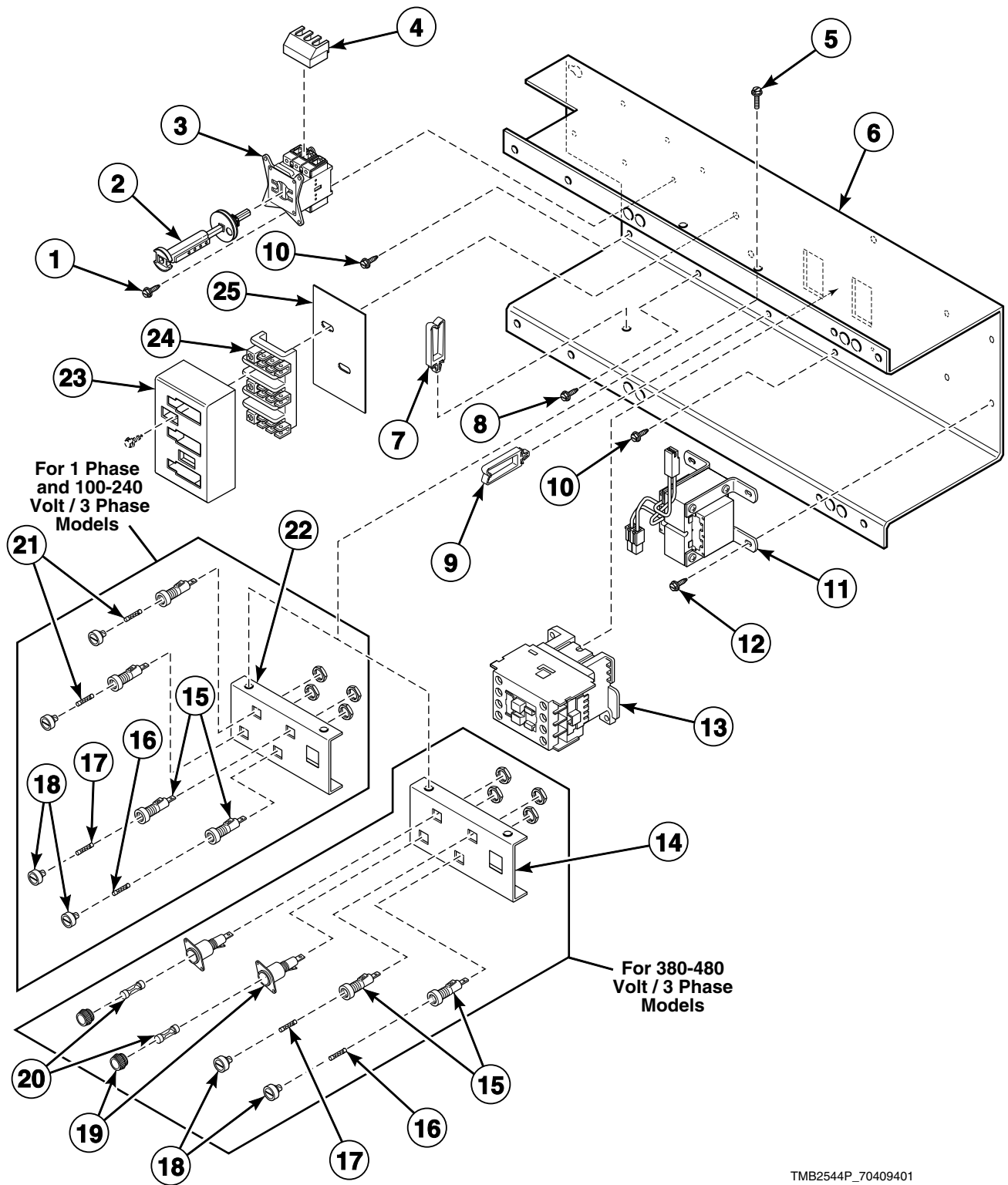


TMB2543P_70409401

Control Tray for Non-CE Steam Models

REF	PART NO.	DESCRIPTION	COMMENTS
	501086	Screw	4 required
	70030501	Expansion Clip	4 required
	M403047	Secure Ground Label	
1	51780	Screw	2 required
2	70334601	Control Tray	
3	36274	Wire Clip	2 required
4	M402917	Screw	
5	70366201	Wire Clip	
6	430497	Screw	
7	70323701P	Contactor	
8	M414312P	Transformer	120 Volt; Dual secondary
	M414230P	Transformer	120 Volt; Primary/secondary
	M414228P	Transformer	100-240 Volt
	M414229P	Transformer	380-480 Volt
9	M411072	Screw	4 required
10	70313601	Fuse Bracket	380-480 Volt; Models through 2/28/10
	70313602	Fuse Bracket	380-480 Volt; Models starting 3/1/10
11	70329401P	Fuse Holder Body	Includes nuts; 3 required for 1 Phase; 4 required for 3 Phase models with less than 380 Volts; 2 required for 3 Phase models with 380 Volts or higher
12	70406601	Fuse	3.5 Amp
13	70406501	Fuse	1.25 Amp
14	70329501	Fuse Holder Cap	3 required for 1 Phase; 4 required for 3 Phase models with less than 380 Volts; 2 required for 3 Phase models with 380 Volts or higher
15	M413544P	Fuse Holder	Includes nuts; 2 required for 380-480 Volt; Models through 2/28/10
	44155601	Fuse Holder	2 required for 380-480 Volt; Models starting 3/1/10
16	M413621	Fuse	2 required for 380-480 Volt/3 Phase; 0.5 Amp
17	70406701	Fuse	2 required for 100-240 Volt/3 Phase
18	70306901	Fuse Bracket	100-240 Volt
19	44083001	Screw	2 required
20	70333001	Terminal Block Shield	
21	430642	Terminal Block	
22	M413862	Insulator	

Control Tray for CE Steam Models

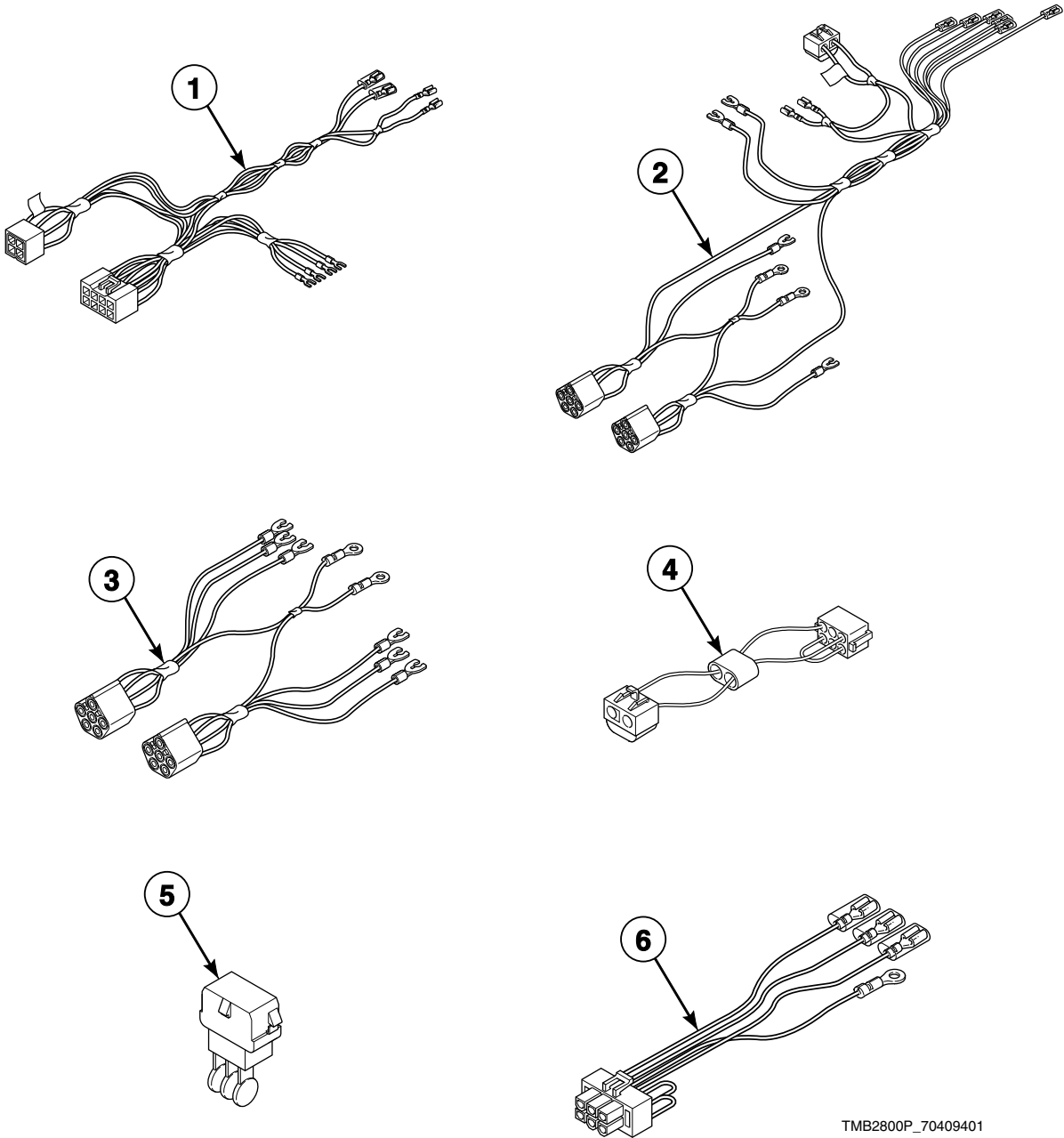


TMB2544P_70409401

Control Tray for CE Steam Models

REF	PART NO.	DESCRIPTION	COMMENTS
	70030501	Expansion Clip	4 required
	M403047	Secure Ground Label	
	M412096	Earth Terminal Sticker	
	501086	Screw	4 required
1	51782	Screw	2 required
2	70342501P	Extension Handle	Models through 7/31/11
3	M412187P	Mounting Switch Base	Models through 7/31/11
4	M412366	Finger Guard	Models through 7/31/11
5	51780	Screw	2 required
6	70334601	Control Tray	
7	36274	Wire Clip	2 required
8	M402917	Screw	
9	70366201	Wire Clip	
10	430497	Screw	
11	M414228P	Transformer	100-240 Volt
	M414229P	Transformer	380-480 Volt
12	M411072	Screw	4 required
13	70323701P	Contacto	
14	70313601	Fuse Bracket	380-480 Volt; Models through 2/28/10
	70313602	Fuse Bracket	380-480 Volt; Models starting 3/1/10
15	70329401P	Fuse Holder Body	Includes nuts; 4 required for 1 Phase; 4 required for 3 Phase models with less than 380 Volts; 2 required for 3 Phase models with 380 Volts or higher
16	70406601	Fuse	3.5 Amp
17	70406501	Fuse	1.25 Amp
18	70329501	Fuse Holder Cap	4 required for 1 Phase; 4 required for 3 Phase models with less than 380 Volts; 2 required for 3 Phase models with 380 Volts or higher
19	M413544P	Fuse Holder	Includes nuts; 2 required for 380-480 Volt; Models through 2/28/10
	44155601	Fuse Holder	2 required for 380-480 Volt; Models starting 3/1/10
20	M413621	Fuse	2 required for 380-480 Volt/3 Phase; 0.5 Amp
21	70406701	Fuse	1 required for 1 Phase; 2 required for 100-240 Volt/3 Phase; 2 Amp
22	70306901	Fuse Bracket	100-240 Volt
23	70333001	Terminal Block Shield	
24	430642	Terminal Block	
25	M413862	Insulator	

Control Tray Harnesses for Electric Models

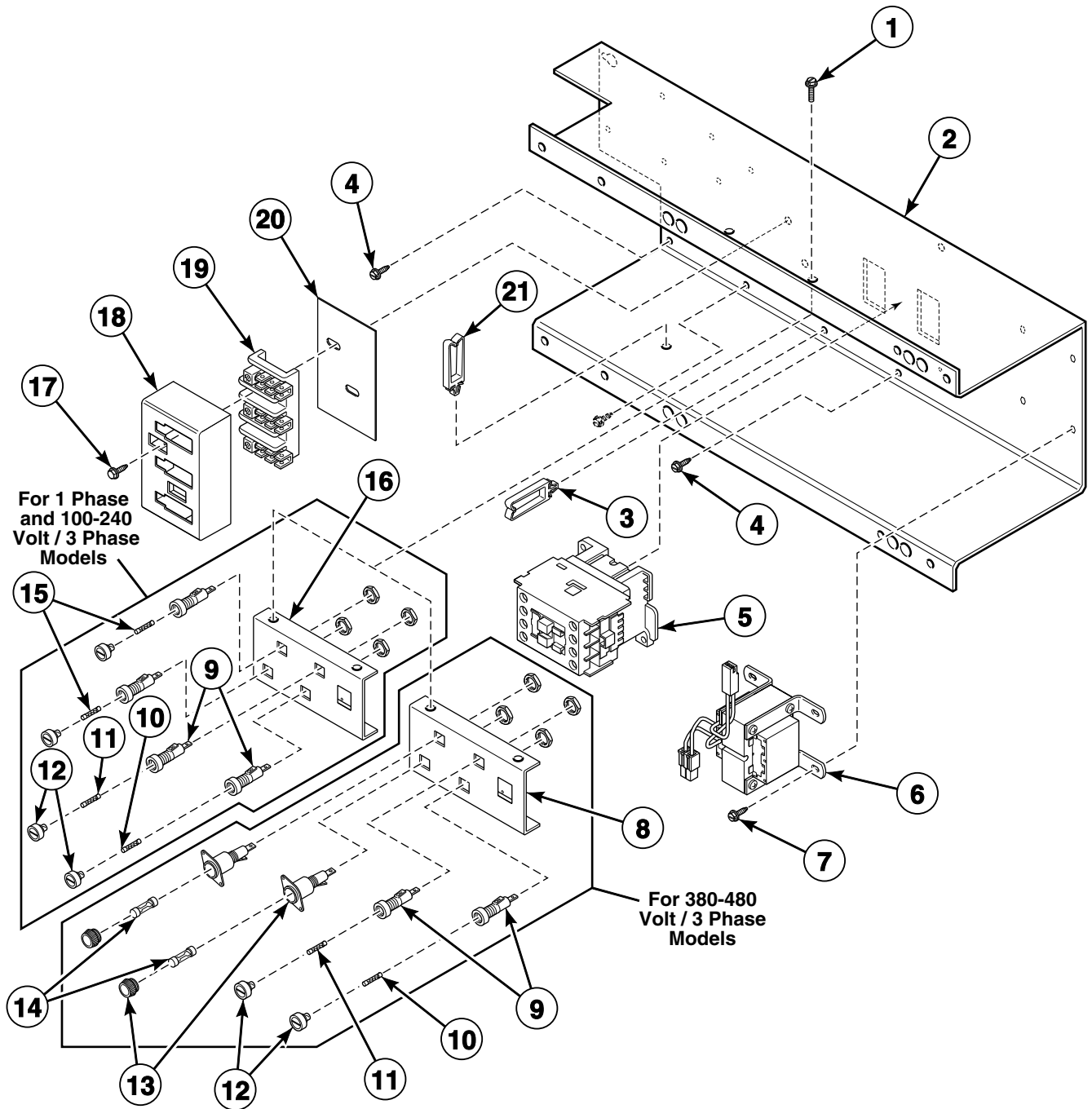


TMB2800P_70409401

Control Tray Harnesses for Electric Models

REF	PART NO.	DESCRIPTION	COMMENTS
1	70315801	Junction Box Harness	
2	70347701P	Power Harness	Models through 2/28/10; 1 Phase; Contactor
	70316101P	Power Harness	Models through 2/28/10; 3 Phase models with less than 380 Volts
	70332201	Power Harness	Models through 2/28/10; 3 Phase models with 380 Volts or higher
	70445501	Power Harness	Models starting 3/1/10; 1 Phase; Contactor
	70439001	Power Harness	Models starting 3/1/10; 3 Phase models with less than 380 Volts
	70438901	Power Harness	Models starting 3/1/10; 3 Phase models with 380 Volts or higher
3	70320201	Motor Contactor Harness	Models through 2/28/10; 3 Phase
	44142601P	Motor Contactor Harness	Models starting 3/1/10; 3 Phase
4	M413505	Jumper Harness Assembly	120 Volt
	M413506	Jumper Harness Assembly	208 Volt
	M413507	Jumper Configuration Assembly	240 Volt
	M413508	Jumper Harness Assembly	380 Volt
	M413509	Jumper Harness Assembly	415 Volt
	M413510	Jumper Configuration Assembly	480 Volt
5	M413863	Network Capacitor Assembly	3O, 3V, 3X, DO, DV, DX and OM control suffixes
6	M413878	Capacitor Network Harness Assembly	3O, 3V, 3X, DO, DV, DX and OM control suffixes

Control Tray for Non-CE Electric Models

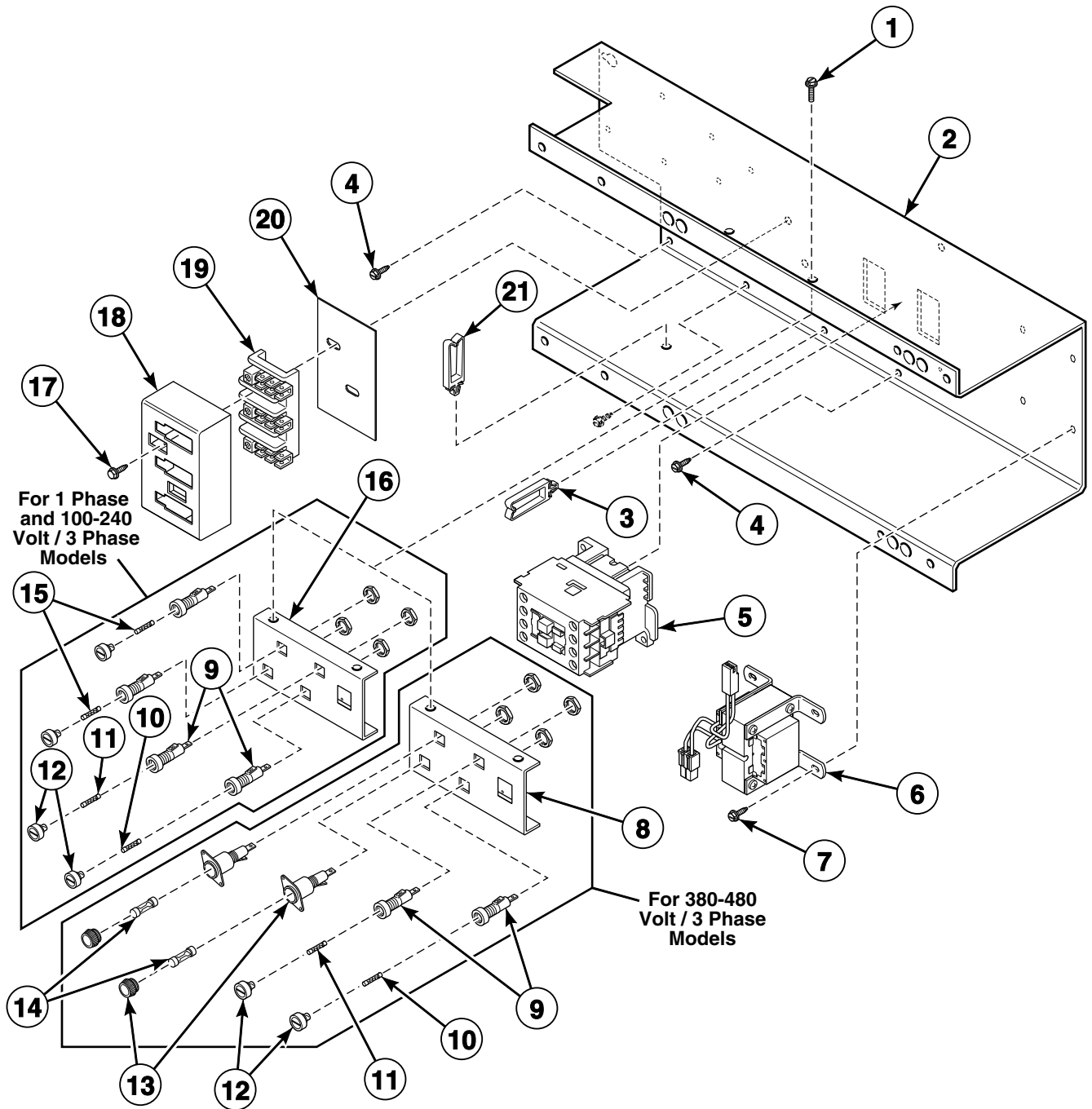


TMB2543PA_70409401

Control Tray for Non-CE Electric Models

REF	PART NO.	DESCRIPTION	COMMENTS
	70030501	Expansion Clip	4 required
	501086	Screw	4 required for item 13
	44127701	Warning Label	Extended tumble; On control tray cover
1	51780	Screw	2 required
2	70334601	Control Tray	
3	36274	Wire Clip	2 required
4	430497	Screw	
5	70323701P	Contactator	
6	M414228P	Transformer	100-240 Volt
	M414229P	Transformer	380-480 Volt
	M414230P	Transformer	120 Volt; Primary/secondary
	M414312P	Transformer	120 Volt; Dual secondary
7	M411072	Screw	4 required
8	70313601	Fuse Bracket	380-480 Volt; Models through 2/28/10
	70313602	Fuse Bracket	380-480 Volt; Models starting 3/1/10
9	70329401P	Fuse Holder Body	Includes nuts; 3 required for 1 Phase; 4 required for 3 Phase models with less than 380 Volts; 2 required for 3 Phase models with 380 Volts or higher
10	70406601	Fuse	3.5 Amp
11	70406501	Fuse	1.25 Amp
12	70329501	Fuse Holder Cap	3 required for 1 Phase; 4 required for 3 Phase models with less than 380 Volts; 2 required for 3 Phase models with 380 Volts or higher
13	M413544P	Fuse Holder	Includes nuts; 2 required for 380-480 Volt; Models through 2/28/10
	44155601	Fuse Holder	2 required for 380-480 Volt; Models starting 3/1/10
14	M413621	Fuse	2 required for 380-480 Volt/3 Phase; 0.5 Amp
15	70406701	Fuse	1 required for 1 Phase; 2 required for 100-240 Volt/3 Phase; 2 Amp
16	70306901	Fuse Bracket	
17	44083001	Screw	2 required
18	70333001	Terminal Block Shield	
19	430642	Terminal Block	
20	M413862	Insulator	
21	70366201	Wire Clip	

Control Tray for CE Electric Models

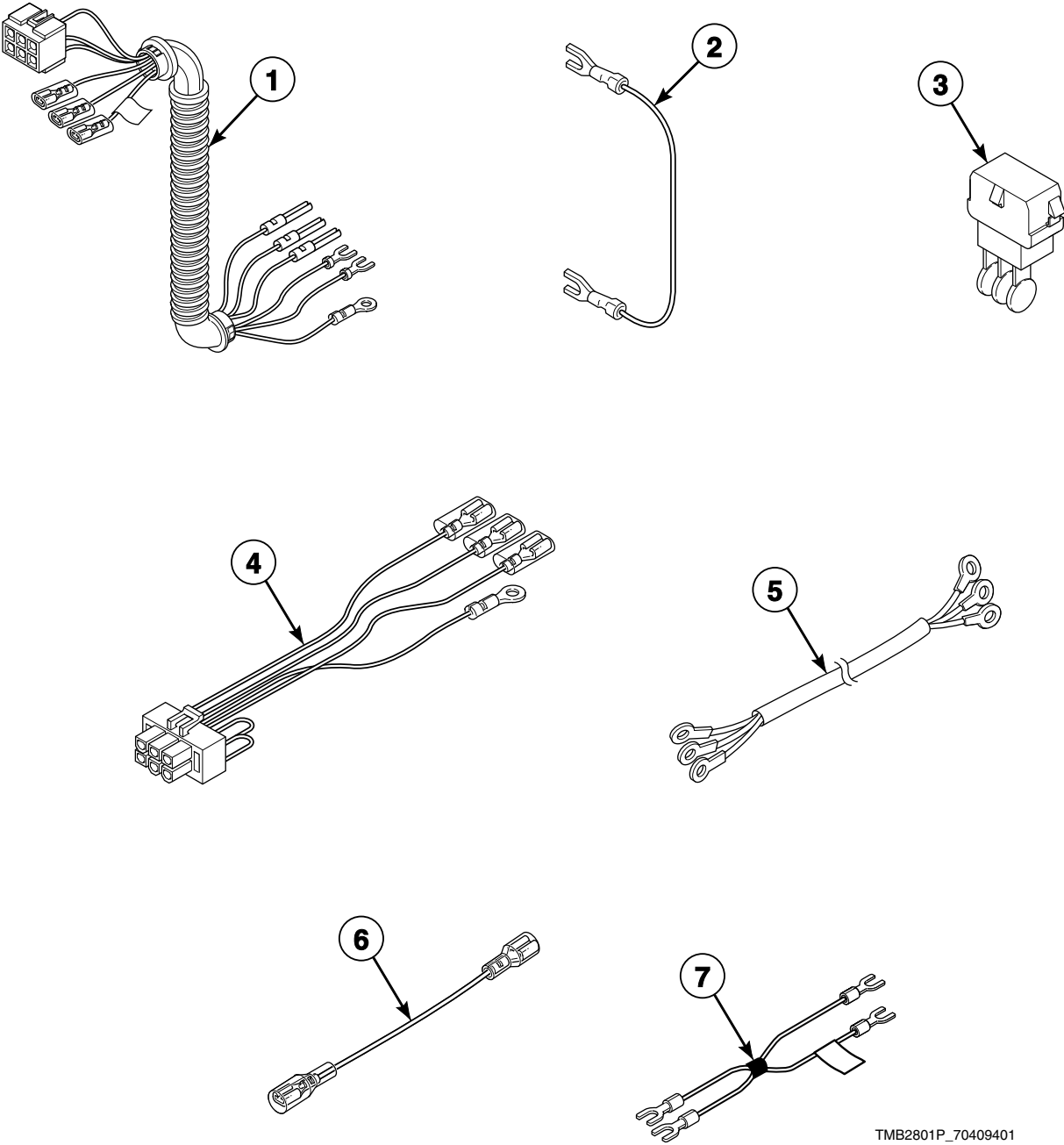


TMB2543PA_70409401

Control Tray for CE Electric Models

REF	PART NO.	DESCRIPTION	COMMENTS
	70030501	Expansion Clip	4 required
	501086	Screw	4 required for 380 Volt and higher
	M412096	Earth Terminal Sticker	
	44127701	Warning Label	Extended tumble; On control tray cover
1	51780	Screw	2 required
2	70334601	Control Tray	
3	36274	Wire Clip	2 required
4	430497	Screw	
5	70323701P	Contactors	24 Volt
6	M414228P	Transformer	100-240 Volt
	M414312P	Transformer	120 Volt; Dual secondary
	M414230P	Transformer	120 Volt; Primary/secondary
	M414229P	Transformer	380-480 Volt
7	M411072	Screw	4 required
8	70313601	Fuse Bracket	380-480 Volt; Models through 2/28/10
	70313602	Fuse Bracket	380-480 Volt; Models starting 3/1/10
9	70329401P	Fuse Holder Body	Includes nuts; 3 required for 1 Phase; 4 required for 3 Phase models with 240 Volt and lower; 2 required for 3 Phase models with 380 Volt and higher
10	70406601	Fuse	3.5 Amp
11	70406501	Fuse	1.25 Amp
12	70329501	Fuse Holder Cap	3 required for 1 Phase; 4 required for 3 Phase models with 240 Volt and lower; 2 required for 3 Phase models with 380 Volt and higher
13	M413544P	Fuse Holder	Includes nuts; 2 required for 380-480 Volt; Models through 2/28/10
	44155601	Fuse Holder	2 required for 380-480 Volt; Models starting 3/1/10
14	M413621	Fuse	2 required for 380-480 Volt; 0.5 Amp
15	70406701	Fuse	1 required for 1 Phase; 2 required for 3 Phase models with 240 Volt and lower; 2 Amp
16	70306901	Fuse Bracket	100-240 Volt
17	44083001	Screw	2 required
18	70333001	Terminal Block Shield	
19	430642	Terminal Block	
20	M413862	Insulator	
21	70366201	Wire Clip	2 required

Accessory Box Harnesses for Electric Models

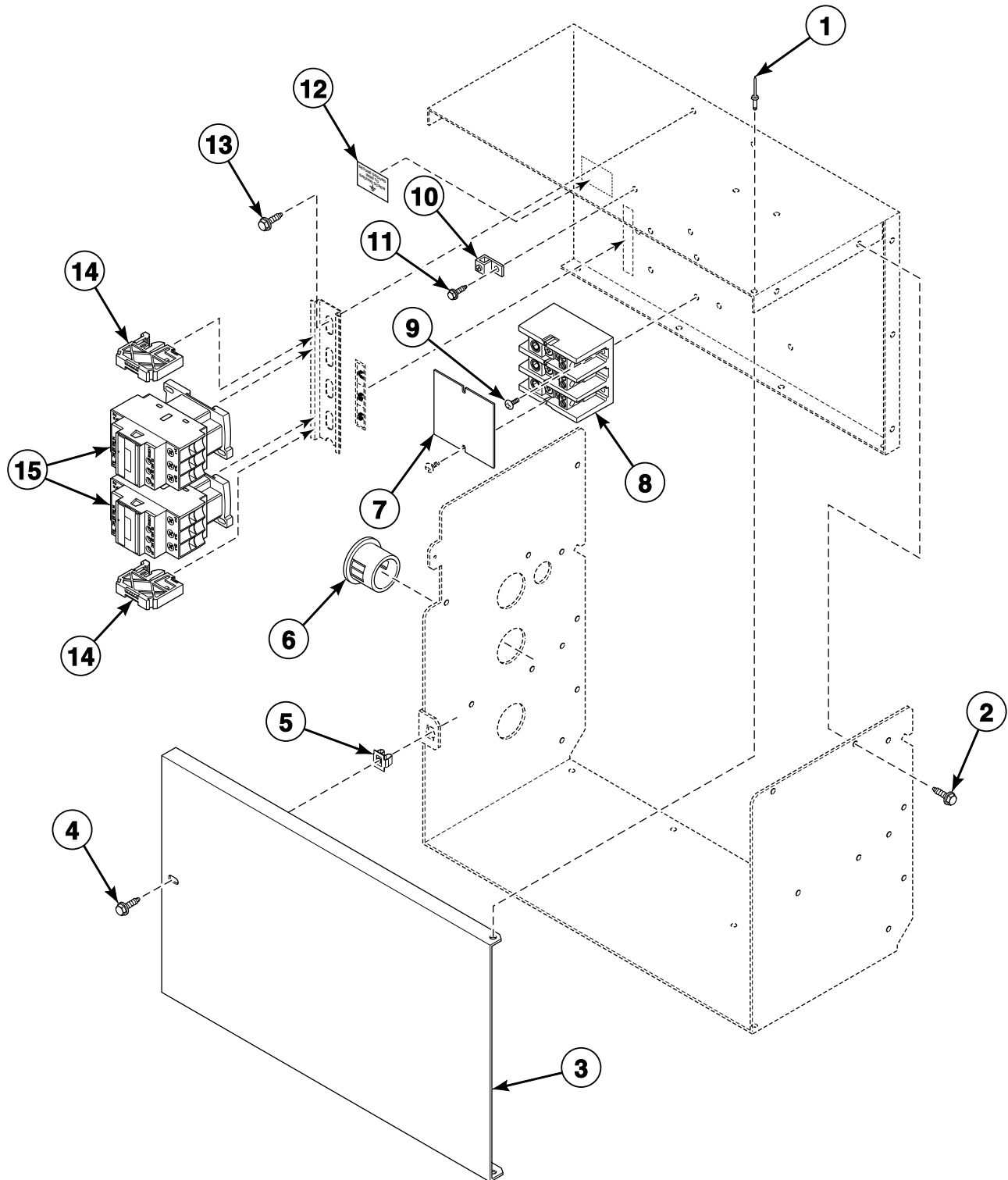


TMB2801P_70409401

Accessory Box Harnesses for Electric Models

REF	PART NO.	DESCRIPTION	COMMENTS
1	70335501P	Electric Power Buss Harness	Models through 2/28/10
	70439601	Electric Power Buss Harness	Models starting 3/1/10
2	M413933	Jumper Cable Assembly	Non-CE models; 8 gauge; 7.5 inches; 2 required for 1 Phase; 3 required for 3 Phase
	M413934	Jumper Cable Assembly	8 gauge; 8 inches; 1 required for 1 Phase; 3 required for 3 Phase
	M414121	Jumper Cable Assembly	CE models; 8 gauge; 6.75 inches; 6 required for 3 Phase models with less than 380 Volts
3	M413863	Network Capacitor Assembly	3O, 3V, 3X, DO, DV, DX and OM control suffixes
4	70286501	Capacitor Network Harness Assembly	3O, 3V, 3X, DO, DV, DX and OM control suffixes
5	70371301P	Cable Set Heater Assembly	H1-H3
	70371401P	Cable Set Heater Assembly	H4-H6; Models with less than 380 Volts
6	70139001	Jumper Assembly	Non-CE models; 8 gauge; 10 inches; 2 required for 1 Phase; 3 required for 3 Phase models with less than 380 Volts
	70139101	Jumper Assembly	Non-CE models; 8 gauge; 11 inches; 1 Phase
	70138801	Jumper Assembly	CE models; 6 gauge; 8 inches; 3 required for 3 Phase
	70138901	Jumper Assembly	CE models; 2 gauge; 7.5 inches; 2 required for 1 Phase
	44014601	Jumper Wire	CE models; 8 gauge; 6.25 inches; 3 required for 3 Phase models with less than 380 Volts
	44014701	Jumper Wire	CE models; 8 gauge; 10.5 inches; 2 required for 1 Phase; 3 required for 3 Phase models with less than 380 Volts
7	70355801P	Electric Contactor Jumper Set	Models with less than 380 Volts
		Harness	

Accessory Box for Non-CE Electric Models

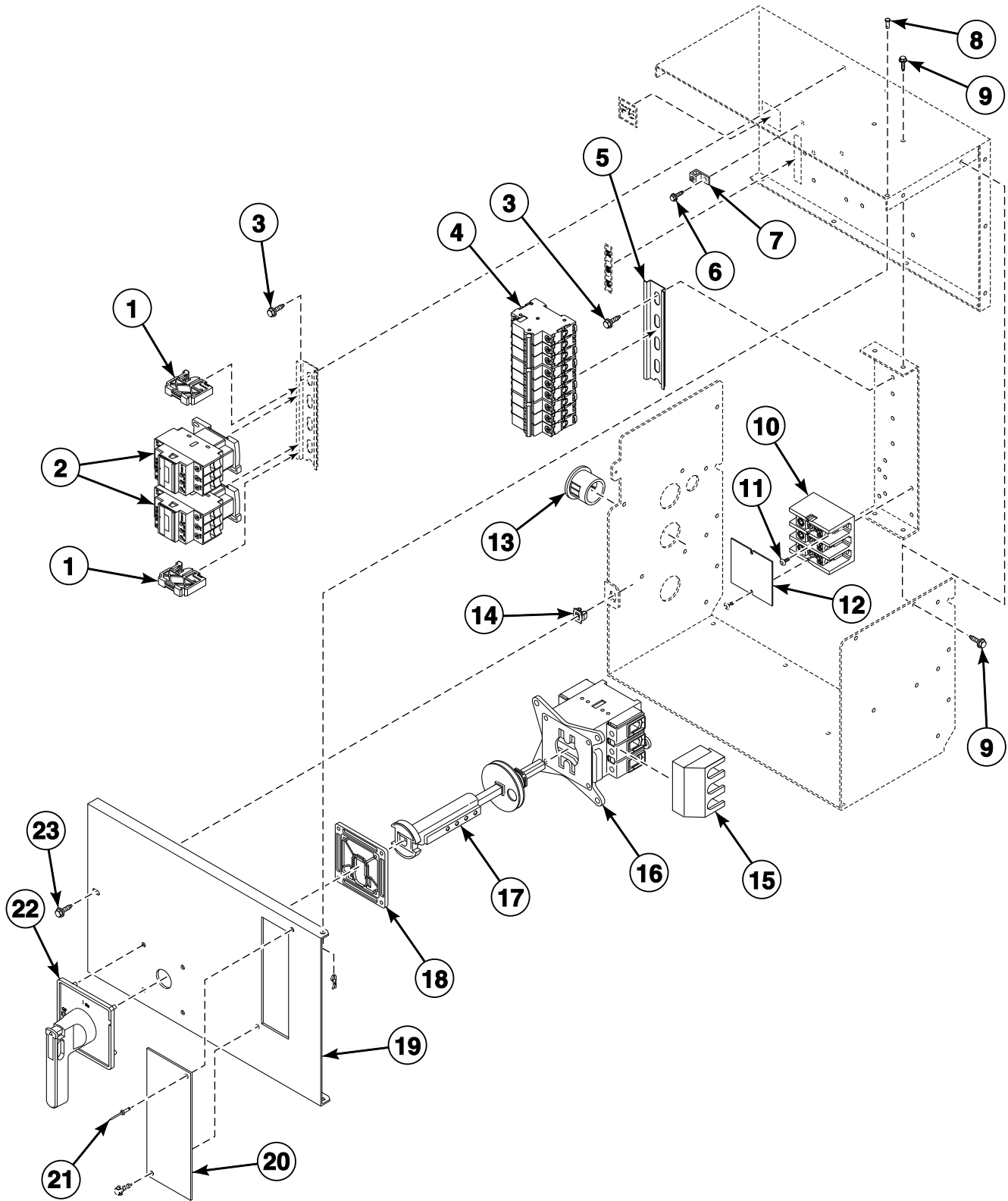


TMB2538P_70409401

Accessory Box for Non-CE Electric Models

REF	PART NO.	DESCRIPTION	COMMENTS
	M413930P	Ferrite Core Assembly	3O, 3V, 3X, DO, DV, DX and OM control suffixes
	44127701	Warning Label	Extended tumble; Use on item 3
1	70058502	Pop Rivet	2 required
2	430497	Screw	11 required
3	70358401	Accessory Box Cover	
4	33562	Screw	
5	70030501	Expansion Clip	
6	M402542	Snap Bushing	2 required
7	44014901P	Power Distribution Block Cover	
8	M413865	Terminal Block	3 pole
9	39733	Screw	6 required
10	M411283	Ground Lug Connector	
11	M402917	Screw	
12	M403047	Secure Ground Label	
13	51780	Screw	6 required
14	70121001	End Stop	2 required
15	70343301P	Contactora	2 required for models with less than 380 Volts; 1 required for models with 380 Volts or more

Accessory Box for CE Electric Models



TMB2539P_70409401

Accessory Box for CE Electric Models

REF	PART NO.	DESCRIPTION	COMMENTS
	M413930P	Ferrite Core Assembly	3O, 3V, 3X, DO, DV, DX and OM control suffixes
	44127701	Warning Label	Extended tumble; Use on item 20
1	70121001	End Stop	2 required
2	70343301P	Contactora	2 required
3	51780	Screw	14 required
4	M412401	Circuit Breaker	1 Phase
	M412407P	Circuit Breaker	3 Phase
	70256901P	Circuit Breaker	25 pound models; 1 required for 1 Phase; 2 required for 3 Phase
	M412406	Circuit Breaker	30 pound models; 1 required for 1 Phase; 2 required for 3 Phase
5	M412693	Din Rail	
6	M402917	Screw	
7	M411283	Ground Lug Connector	
8	70058502	Pop Rivet	2 required
9	430497	Screw	11 required
10	M413865	Terminal Block	3 pole
11	39733	Screw	4 required
12	44014901P	Power Distribution Block Cover	
13	M402542	Snap Bushing	2 required
14	70030501	Expansion Clip	
15	M412367	Finger Guard	Models through 7/31/11
16	M412186	Mounting Switch Base	Models through 7/31/11
17	M412371P	Extension Handle	Models through 7/31/11
18	M412369	Door Interlock	Models through 7/31/11
19	70358402	Accessory Box Cover	
20	70133901	Electrical Box Access Cover	
21	70058501	Pop Rivet	2 required
22	70268001	Handle	Models through 7/31/11
23	33562	Screw	3 required

Parts Index

A

Access Panel Trim	
70399405	55
70399407	55
Accessory Box Cover	
70358401	113
70358402	115
Adapter	
70131901	87
Adjustable Buzzer	
505447	21
Air Filter	
70036001	91
Airflow Switch and Arm Bracket	
70319601	81
Airflow Switch Arm	
70319401	81
Airflow Switch Cover	
70356601	81
70465701	81
Airflow Switch Vane	
70319201	81
Airflow Switch Wrapper	
70356101	81

B

Bearing Housing Bracket	
70021401	79
Belt	
70276205P	73
Belt Tension Tool Kit	
M4853P3	73
Blower Assembly	
70359801P	75
Blower Motor	
70337501P	75
70342601P	75
Blower Motor Kit	
70337601P	75
70337701P	75
Blower Motor Mounting Plate	
70349601	75
Bolt	
70062401	73
Bracket	
44065901	71
Bumper Pad	
56128	95, 97
Burner Grill	
70188801	83
Burner Orifice	
M400997	85
M400998	85
M401000	85
M401002	85
M401003	85
M401011	85

M401014	85
M402980	85
M402996	85
M403017	85
M406184	85
M406361	85
Buzzer Kit	
M4860P3	17
Bypass Harness	
70364103	17, 23, 27, 35, 41

C

Cable Set Heater Assembly	
70371301P	89, 111
70371401P	89, 111
Cam and Hinge Kit	
M4772P3	51
M4773P3	51
Capacitor Network Harness Assembly	
M413878	93, 99, 105
70286501	111
Card Reader and Bracket Assembly	
510068P	35
Card Reader Harness Assembly	
70211801	35
Card Reader Network Harness Assembly	
70206601	35
Card Reader Overlay	
70334201	27
70334301	27
Center Cylinder Seal Assembly	
70066004	65
Center Pan	
70252401	67
Center Partition	
70252601	67
Circuit Board Support	
501523	71
Circuit Breaker	
M412401	115
M412406	115
M412407P	115
70256901P	115
Clevis Pin	
70389201	91
Coin Chute Assembly	
70296401	55
Coin Cover Overlay	
70246301	25
Coin Drop	
38963P	29
39748	29
70256402P	29
70429001	29
70441601P	29
Coin Drop Assembly	
210195	29
210196	29
38462P	29
38463	29

N/A items do not appear in index.

38464P.....	29	Control Box Top	
38467.....	29	44065401.....	71
38472.....	29	Control Chassis Mounting Bracket	
38475.....	29	70357901.....	15, 17
38519.....	29	Control Door Assembly	
38521.....	29	70363401.....	15
39157.....	29	Control Harness	
44039701P.....	21	70426501P.....	71
44039702.....	21	Control Housing Cover	
44039703.....	21	70307002.....	43
44039704.....	21	Control Kit	
44039705.....	21	505905P.....	33, 35
44039706.....	21	512858P.....	39, 41
44039707.....	21	70228401P.....	23
70441602.....	29	Control Overlay	
70447301.....	29	44194801.....	39
70471601.....	29	70410001.....	39
Coin Drop Kit		70410002.....	39
CK077.....	29	70449501.....	39
Coin Drop Overlay		Control Panel	
39564.....	25	70121501B.....	53
Coin Identification Paper		70121501*.....	53
38725.....	29	70121502.....	53
Coin Vault Assembly		70121505*.....	53
70180101.....	55	70121506.....	53
Coin Vault Switch Harness		70273301B.....	53
70364104P.....	25, 33, 39, 55	70273301*.....	53
Coin Vault Trim		70273302.....	53
70117502.....	55	70273303*.....	53
Communication Board		70273304.....	53
210095P.....	45	70273305*.....	53
Communication Connector		70273306.....	53
210099.....	45	Control Panel and Door Hinge Kit	
Communication Wire Harness Assembly		M4774P3.....	51, 53
800246.....	37, 43	Control Panel Harness	
Contact Block		44240301.....	47, 49
44018701.....	57	70315501P.....	25, 27, 33, 35
Contact Block Switch		70315601P.....	19
F200233401.....	57	70335301P.....	23
Contact Switch		70367001P.....	17
F8069501.....	57	70368001P.....	25, 27, 33, 35
Contactactor		70369001.....	15
70323701P.....	95, 97, 101, 103, 107, 109	70382701P.....	23
70343301P.....	113, 115	70398401.....	15
Control		70410401P.....	39, 41
44063801P.....	71	Control Panel Harness Assembly	
Control Assembly		70315701.....	19
511867P.....	25, 27	Control Plate and Studs Assembly	
512199P.....	15	70440901.....	49
512202P.....	17	Control Plate Assembly	
513139P.....	15	44040901.....	21
70434101.....	47, 49	44041001.....	21
70437102P.....	49	70175805.....	23
70437103P.....	49	70175806.....	23
70437104P.....	49	70175807.....	25, 33
70437105P.....	49	70348801.....	27, 35, 41
70454001P.....	47	70360601.....	17
70454101P.....	49	70419701.....	33
70462301P.....	19	70432101.....	47
70462361P.....	19	Control Plate Kit	
Control Box Base		44050701P.....	19
44065301.....	71	70291001P.....	39
Control Box Cover		Control Set	
44065201.....	71	70370001.....	15
Control Box Housing		70370101P.....	15
44065101.....	71	70370201P.....	17

N/A items do not appear in index.

70294104	29
70294105P	29
70294106	29
70294107	29
70294109	29
70294111	29
Electronic Coin Drop Harness	
44065801	29
Electronic Coin Drop Kit	
CK099	31
CK100	31
CK101	31
CK103	31
CK106	31
CK108	31
CK109	31
CK113	31
CK115	31
CK502	31
Electronic Control	
44037801P	21
Electronic OPL Control Kit	
M4689P3	23
M4695P3	23
Emergency Stop Contact Harness	
70364105P	57
Emergency Stop Harness	
70364106P	57
Emergency Stop Label	
M412235	57
Emergency Stop Pushbutton	
F200233500	57
End Cap	
70070101	63
70070102	63
End Stop	
70121001	113, 115
Exhaust Thimble	
70017801	75
Expansion Clip	
70030501	55, 95, 97, 101, 103, 107, 109, 113, 115
Extension Handle	
M412371P	115
70342501P	97, 103

F

False Front	
70000501*P	53
70000502	53
70024202P	53
False Front Assembly	
70024201*P	53
Fan Motor Harness Assembly	
70401201	75
70401301	75
70439801	75
70440201	75
Ferrite Core Assembly	
M413930P	23, 113, 115
Filter	
70429401	91

Finger Guard	
M412366	97, 103
M412367	115
Flat Top	
70000301	67
70059801	67
Foam Gasket	
70414101	15, 17, 19, 21, 23, 25, 27, 33, 35, 39, 41
Front Panel Assembly	
44115401*P	53
44115501	53
44115601*	53
44115701P	53
44115801*	53
44115901	53
44116001*	53
44116101P	53
44116201*P	53
44116301	53
Front Panel Seal	
70173401P	53
Fuse	
M413621	95, 97, 101, 103, 107, 109
70406501	23, 95, 97, 101, 103, 107, 109
70406601	95, 97, 101, 103, 107, 109
70406701	95, 97, 101, 103, 107, 109
Fuse Bracket	
70306901	95, 97, 101, 103, 107, 109
70313601	95, 97, 101, 103, 107, 109
70313602	95, 97, 101, 103, 107, 109
Fuse Holder	
M413544P	95, 97, 101, 103, 107, 109
44155601	95, 97, 101, 103, 107, 109
Fuse Holder Body	
70329401P	95, 97, 101, 103, 107, 109
Fuse Holder Cap	
70329501	95, 97, 101, 103, 107, 109

G

Gas Burner	
70229801P	83
Gas Disconnect Harness	
70342101	93, 99
70440501	93, 99
Gas Line Assembly	
70271201	85
Gas Shut-Off Valve	
M412562P	87
Gas Valve	
44154501P	85
44154502P	85
Gas Valve Bracket	
70233301	87
70429801	85
Gas Valve Coil	
70260101	87
Gas Valve Cover	
70381001	83
70429901	85
Gasket	
70247601	61
70392701P	75

N/A items do not appear in index.

Graphic Overlay	
44050401	19
44050501	19
44050502	19
44239401	19
44239402	19
44240501	19
Ground Lug Connector	
M411283	113, 115

H

Hairpin Cotter	
70389301	91
Handle	
70268001	115
Handle and Caps Assembly	
70154401	59
70154402	59
Handle Bar	
70399502B	51
Handle Bumper	
70407205	59
Harness Assembly	
M412997	85, 91
Heater Element	
70034401P	89
70034402P	89
70034403P	89
70034413P	89
70034414P	89
70034415P	89
70034416P	89
High Voltage Lead	
70006201	93
Hinged Door	
70267701*P	61
Hold-Down Clip	
35865	67
Hole Plug	
44024201	51
70063201	67
Hose	
44073304	71
Hose Clamp	
36801	71
Hose Fitting	
44069101	71

I

ICM Reset Label	
70411001	97
Idler Bracket	
70443301	73
Idler Wheel Assembly	
70050401P	73
Igniter Cover	
70159601	83
Ignition Control	
70367301P	95
70367401P	97

Ignition Control Harness	
70316301	93
70316401	93
Insulator	
M413862	95, 97, 101, 103, 107, 109

J

Jumper Assembly	
70138801	111
70138901	111
70139001	111
70139101	111
Jumper Bar	
70066501	89
Jumper Cable Assembly	
M413933	111
M413934	111
M414121	111
Jumper Calibration Assembly	
70084303	23
Jumper Calibration Wire	
70324601	15, 17, 25, 27, 33, 35, 39, 41
Jumper Configuration Assembly	
M413507	93, 99, 105
M413510	93, 99, 105
Jumper Disconnect Assembly	
70120901	93, 99
Jumper Harness Assembly	
M413504	93, 99
M413505	93, 99, 105
M413506	93, 99, 105
M413508	93, 99, 105
M413509	105
Jumper Strip	
M400869	89
Jumper Wire	
44014601	111
44014701	111
44014801	111
70066601	89
Junction Box Harness	
70315801	93, 99, 105

K

Key	
70144101	75
70155601	55
70155602	55
Kickplate	
70117601	59
70117602	59

L

Label	
70414001	53
Leveling Leg	
34319	67

N/A items do not appear in index.

Light	
801431	15
801432	71
Limit Thermostat	
M409443	89
M410542	83, 89
M411307	75
70299001	83
Lint Panel Assembly	
70176601*P	59
70176602P	59
70176604	59
70176605*	59
70176606	59
70176607*	59
70176608	59
70176609*	59
70176610	59
70176611*	59
70176612	59
Lint Panel Gasket	
70289101P	59
Lint Panel Switch Bracket	
70277301	67
Lint Screen	
70325601	67
Lint Screen Clip	
70054501	67
Lint Switch Bracket Assembly	
70283701	61
Lock Shim	
70342401	55
Lock, Key and Nut Kit	
44089301P	55, 71
44089302P	55
Lower Rear Panel	
70290101	75
L.P. Conversion Kit	
M4699P3	85
M4703P3	85
M4706P3	85
L.P. Valve	
70457302P	87

M

Main Harness	
70441301	15, 17, 23, 25, 27, 39, 41, 47, 49
Main Harness Assembly	
70400901	15, 17, 23, 25, 27, 33, 35, 39, 41
Male Tab Terminal	
00177	15, 17, 21
Manual Reset Thermostat	
M411945	75
70186301	83
Membrane Switch	
44037902P	21
44039402P	21
Mixing Valve	
36958P	71
Moisture Sensor Harness Assembly	
70448901	77
Motor Capacitor	
M410296	73

70211401	73
70211501	75
70211502	73
Motor Channel	
70261701	73
Motor Conduit Mounting Bracket	
70321701	73, 75
Motor Contactor Harness	
44142601P	93, 99, 105
70320201	93, 99, 105
Motor Mount Bracket	
70127301	73
Motor Pulley	
70284202	73
70284204	73
Mounting Bracket	
70063501	23
Mounting Plate	
70208801	27, 35, 41
Mounting Switch Base	
M412186	115
M412187P	97, 103

N

Nameplate	
44129901	55
44129902	55
Nameplate Overlay	
44130101	55
44144401	51
70410201	55
70411401	51
Network Board Assembly	
201341	43
210016P	37
Network Capacitor Assembly	
M413863	93, 99, 105, 111
Network Controller Kit	
NK220	39, 41
Network Plug Support	
70201401	37
Network Retrofit Kit	
NK206	39, 41
Network Wire Harness Assembly	
44088501P	43
800217	37
Nozzle Bracket	
70424201	69
70428601	69
Nut	
M400022	65, 75
M400034	65, 75
M400035	77
M404993	67
M412986	65, 73
M414215	51
21899	67
23951	59
24205	15, 17
27222	73
29786	15
29787	17, 19, 21
29796	73

N/A items do not appear in index.

430576	67
44071201	51
44087201	63
44088801	55
51236	59
56156	73
70054 15, 17, 23, 25, 27, 33, 35, 39, 47, 49, 51, 89	
N.G. Valve	
70457301P	87

O

Opto Coupler	
200674P	29
Orifice Adapter	
70379301	85
Orifice Holder Bracket	
70248901	85
Orifice Keeper Bracket	
70249001	85
O-Ring	
431482	87
Output Harness	
44186101	47, 49
Overlay	
44130002	23
44144301	33
44144302	33
44147801	33
44149301	35
70115801	23
70128701	23
70129501	25
70129601	25
70130401	23
70130601	23
70184301	33
70184302	33
70184401	35
70257701	25
70257702	25
70257703	27
70258001	25
70258002	25
70258003	27
70258101	25
70259001	25
70261001	25
70261002	25
70261201	25
70261202	25
70286701	25
70321001	25
70362201	17
70362901	15
70363001	15
70410003	41
70432201	47
70445001	49
70445003	49
70453001	25
70453002	25
70453101	27
70462402	49
70462702	49
70462902	49

70472202	49
70472402	49

P

Panel	
70255801*P	61
70278001*P	61
Panel Locator	
56079	17, 55, 59
PC Board Standoff	
210098	45
Pin	
70071401	51
Pipe Clip	
70203701	83
Pipe Nipple	
70139601	87
901403	87
Pop Rivet	
M405750	85
44166601	55
70058501	51, 67, 91, 115
70058502	113, 115
70126301	59
70126401	59
70412601	51
Porcelain Touch-Up Paint	
122P4P	67
215P4P	67
370P4P	67
Power Distribution Block Cover	
44014901P	113, 115
Power Harness	
70316101P	93, 99, 105
70332201	93, 99, 105
70347701P	93, 99, 105
70438901	93, 99, 105
70439001	93, 99, 105
70445501	93, 99, 105
Primary Air Adjustment Sleeve	
70239801	85, 87
Pushbutton	
44018801	57
Pushbutton Switch	
M413431	97
70107001	25, 27, 33, 35, 39, 41, 55
Push-to-Start Switch	
801434W	71

R

Rear Bearing Shim	
70355001	65
Rear Cylinder Bearing Housing	
70013901	65
Rear Cylinder Channel	
70257301	63
70257302	63
Rear Cylinder Channel Plate	
70257401	63

N/A items do not appear in index.

Rear Cylinder Seal 70013702	65	44083001	95, 97, 101, 107, 109
Rear Cylinder Seal Support 70015301	65	501086	97, 101, 103, 107, 109
Rear Lint Panel 70320001	59	501524	15, 17, 25, 27, 33, 35, 39, 41, 47, 49, 51
Relay M412534	21, 23	51780	69, 71, 95, 97, 101, 103, 107, 109, 113, 115
Relay/Buzzer Bracket 44041701	21	51782	97, 103
Replacement Door Handle Kit 70133501P	51	61199	51
Replacement Gas Valve Kit M4969P3	85	62588	63
M4971P3	85	70033502	51
Rocker Switch 70455101	15, 17	70033504	61
70461301	17	70069901	15, 17, 47
Roller Bearing Assembly 70298701P	67	70072801	59
Roller Catch Arm 70030301	59	70126101	75
Roller Catch Spacer 70030201	59	70132301	59
Roller Catch Wheel 70297601	59	70153301	79
Roller Seal 70443601	67	70391101	63
Roller Shaft 70249501	67	70407301	51
Rotation Sensor 70274001P	79	Secure Ground Label M403047	95, 97, 101, 103, 113
Rotation Sensor Assembly 70417401P	79	Sensor Harness 70426601P	71
Rotation Sensor Bracket 44044401	79	Shadow Box Clip M400972	55
Rotation Sensor Cable Assembly 70274101	79	Sheet Metal Edge Gasket 70015709	67
Rotation Sensor Cover 44044301	79	70015710	67
		Side Panel 70021502*P	67
		70060102*P	67
		70253801*P	67
		70253901*P	67
		Sleeve 44050601	19
		Slip Ring Assembly 44240201	77
		Slip Ring Holder 44224401	77
		Slot Card Plate Assembly 44089501	27, 41
		Snap Bushing M400770	85
		M402542	113, 115
		70178701	71
		Solenoid Valve DIN Connector 70370301P	91
		Spark Electrode 70032801P	83
		Spray Nozzle 70427801	69
		Spray Nozzle Hose 70427701	69
		Spray Paint 286P4	67
		297P4	67
		298P4P	67
		Spud Adapter 70223501	87
		Steam Coil 70369101P	91
		Steam Configuration Harness 70322401P	99
		Steam Filter Holder 70369301	91
		Steam Solenoid 70351011P	91
		70351012	91

S

Screw	
M400056	73
M400661	51
M402797	21, 23
M402917	95, 97, 101, 103, 113, 115
M405188	83
M409385	51
M411072	75, 95, 97, 101, 103, 107, 109
M412985	73
05161	83
23222	73, 75, 87
33562	113, 115
38272	95, 97
39733	55, 59, 113, 115
430497	37, 43, 55, 63, 67, 69, 71, 73, 75, 81, 83, 85, 87, 89, 95, 97, 101, 103, 107, 109, 113, 115
430648	73
430756	51
430757	51, 59
431484	87

N/A items do not appear in index.

Steam Stove Limit Bypass Harness 70389901	91
Steam Valve F8322902	91
F8322903	91
70351001P	91
Steam Valve Harness Bracket 70369401	91
Steam Valve Rebuild Kit 70351021P	91
Steam Valve Wiring Cover 70369501	91
Stove Back 70297401	83
Stove Connectors Cover 70365201	89
Stove Grill 70214901	89
Stove Limit Bypass Harness 70316601	89, 91
Stove Limit Harness 70316501	83
Stove Limit Kit M4902P3	83
Stove Partition 70357201	89
Stove Top and Sides 70333401	83
Street Elbow H86070034	85
Support Bearing 70448701	65
Support Bracket Assembly 70283801	61
Switch 70411901	81
Switch Assembly 70310501	61, 67
Switch Bracket 70356301	81
Switch Hole Plug 44057801B	55
44057801Q	55
44057801W	55

T	
Temperature Knob 44104601	15, 17
Temperature Selector Bracket 70350201	15
Temperature Selector Switch 511711	15, 17
Temperature Selector Switch Bracket 70391701	17
Terminal Block M413865	113, 115
430642	95, 97, 101, 103, 107, 109
Terminal Block Shield 70333001	95, 97, 101, 103, 107, 109
Thermistor M414704	75
44064701	69, 71

Thermistor Plate 70424401	69
Thermostat Cover M414477	83
Top Pan 70252901	67
70253001	67
Transformer M414228P	95, 97, 101, 103, 107, 109
M414229P	95, 97, 101, 103, 107, 109
M414230P	95, 101, 107, 109
M414312P	95, 101, 107, 109
Trunnion and Seal Kit M4961P3	63
Trunnion and Wire Assembly 70454601	63
Tube Assembly 70427601	69
Tumbler Dolly Kit M4379P4	67

U

Union H86000031	87
Union Tee 70427901	69

V

Valve Rebuild Kit F8379502	91
-------------------------------------	----

W

Warning Label M410892	53
44127701	97, 107, 109, 113, 115
Washer M400080	63
M400991	65, 75
M405535	15
70261401	67
70265901	73
70270301	73
70409301	51
70411301	63
Water Hose F200116	71
Wire Clip 36274	95, 97, 101, 103, 107, 109
70366201	95, 97, 101, 103, 107, 109
Wire Guard 201595P	29

N/A items do not appear in index.

