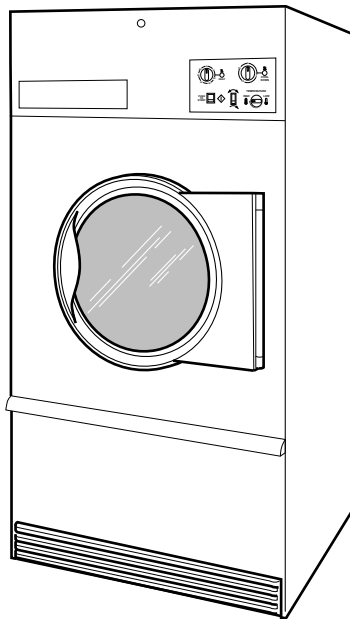


# Drying Tumblers

50 Pound Capacity

Models Through Serial No. 0904002963

Refer to Page 5 for Model Numbers



TMB795C\_70409101



&



Part No. 70409101R6  
February 2012



# Table of Contents

Title	Page
Parts Ordering Information.....	3
Serial Plate Location .....	3
Model Identification .....	5
Product Overview - Heat Source and Voltage .....	6
Product Overview - Control Suffixes (Drawing 1 of 3).....	8
Product Overview - Control Suffixes (Drawing 2 of 3).....	10
Product Overview - Control Suffixes (Drawing 3 of 3).....	12
Control Box .....	14
Fire Suppression System Control Box .....	16
Electromechanical Coin Drop .....	18
Coin Meter .....	20
Single Drop Controls.....	22
Manual Dual Timer Controls (Drawing 1 of 2).....	24
Manual Dual Timer Controls (Drawing 2 of 2).....	26
Dual Digital Timer Controls .....	28
DMP Control .....	30
DX4 Electronic Control.....	32
OPL Microprocessor Controls.....	34
Coin Drop Components for MDC Models.....	36
Central Pay and Card Reader MDC Models .....	38
Optional Card Reader Mountings for MDC Models.....	40
Coin Drops .....	42
Coin Drop Kits.....	44
Coin Drop Components for NetMaster Models .....	46
Card Reader NetMaster Models .....	48
Network Connection for NetMaster Models .....	50
Emergency Stop Button - CE Models .....	52
Cabinet Front Components (Drawing 1 of 2) .....	54
Cabinet Front Components (Drawing 2 of 2) .....	56
Cabinet Panels and Nameplates (Drawing 1 of 2).....	58
Cabinet Panels and Nameplates (Drawing 2 of 2).....	60
Front Panel Assemblies (Drawing 1 of 3) .....	62
Front Panel Assemblies (Drawing 2 of 3) .....	64
Front Panel Assemblies (Drawing 3 of 3) .....	66
Lint Panel Switch Assembly - Models Through Serial No. 020802177 .....	68
Lint Panel Switch Assembly - Models Starting Serial No. 020802178.....	70
Lower Cabinet Front Components .....	72
Cabinet Limit and Thermistor Assembly .....	74
Cabinet Components .....	76
Door and Hinge Components (Drawing 1 of 2).....	78
Door and Hinge Components (Drawing 2 of 2).....	80

© Copyright 2012, Alliance Laundry Systems LLC

All rights reserved. No part of the contents of this book may be reproduced or transmitted in any form or by any means without the expressed written consent of the publisher.

Cylinder and Trunnion Components .....	82
Trunnion Housing Components .....	84
Cylinder, Trunnion and Bearing Assemblies and Kits .....	86
Trunnion and Bearing Assemblies .....	88
Reversing Cylinder Drive Motor and Components .....	90
Drive Components for Reversing Models .....	92
Drive Components for Nonreversing Models .....	94
Idler Housing Assembly for Reversing Models .....	96
Idler Housing Assembly for Nonreversing Models .....	98
Idler Assembly for Nonreversing Models .....	100
Fan Components .....	102
Fan Motors .....	104
Gas Heater Components (Drawing 1 of 2) .....	106
Gas Heater Components (Drawing 2 of 2) .....	108
Burner Orifices for Non-CE Models .....	110
Gas Heater Components - Rear View .....	112
Electric Heater Components for Non-CE Models .....	114
Electric Heater Components for CE Models .....	116
Airflow Switch Assembly .....	118
Steam Heater and Valve .....	120
Rotation Sensor .....	122
Duct and Damper Assembly .....	124
Rear Panel Assembly .....	126
Contactor Box Assembly Harnesses (Drawing 1 of 3) .....	128
Contactor Box Assembly Harnesses (Drawing 2 of 3) .....	130
Contactor Box Assembly Harnesses (Drawing 3 of 3) .....	132
Contactor Box Assembly (Drawing 1 of 21) .....	134
Contactor Box Assembly (Drawing 2 of 21) .....	136
Contactor Box Assembly (Drawing 3 of 21) .....	138
Contactor Box Assembly (Drawing 4 of 21) .....	140
Contactor Box Assembly (Drawing 5 of 21) .....	142
Contactor Box Assembly (Drawing 6 of 21) .....	144
Contactor Box Assembly (Drawing 7 of 21) .....	146
Contactor Box Assembly (Drawing 8 of 21) .....	148
Contactor Box Assembly (Drawing 9 of 21) .....	150
Contactor Box Assembly (Drawing 10 of 21) .....	152
Contactor Box Assembly (Drawing 11 of 21) .....	154
Contactor Box Assembly (Drawing 12 of 21) .....	156
Contactor Box Assembly (Drawing 13 of 21) .....	158
Contactor Box Assembly (Drawing 14 of 21) .....	160
Contactor Box Assembly (Drawing 15 of 21) .....	162
Contactor Box Assembly (Drawing 16 of 21) .....	164
Contactor Box Assembly (Drawing 17 of 21) .....	166
Contactor Box Assembly (Drawing 18 of 21) .....	168
Contactor Box Assembly (Drawing 19 of 21) .....	170
Contactor Box Assembly (Drawing 20 of 21) .....	172
Contactor Box Assembly (Drawing 21 of 21) .....	174
Parts Index .....	177

## Parts Ordering Information

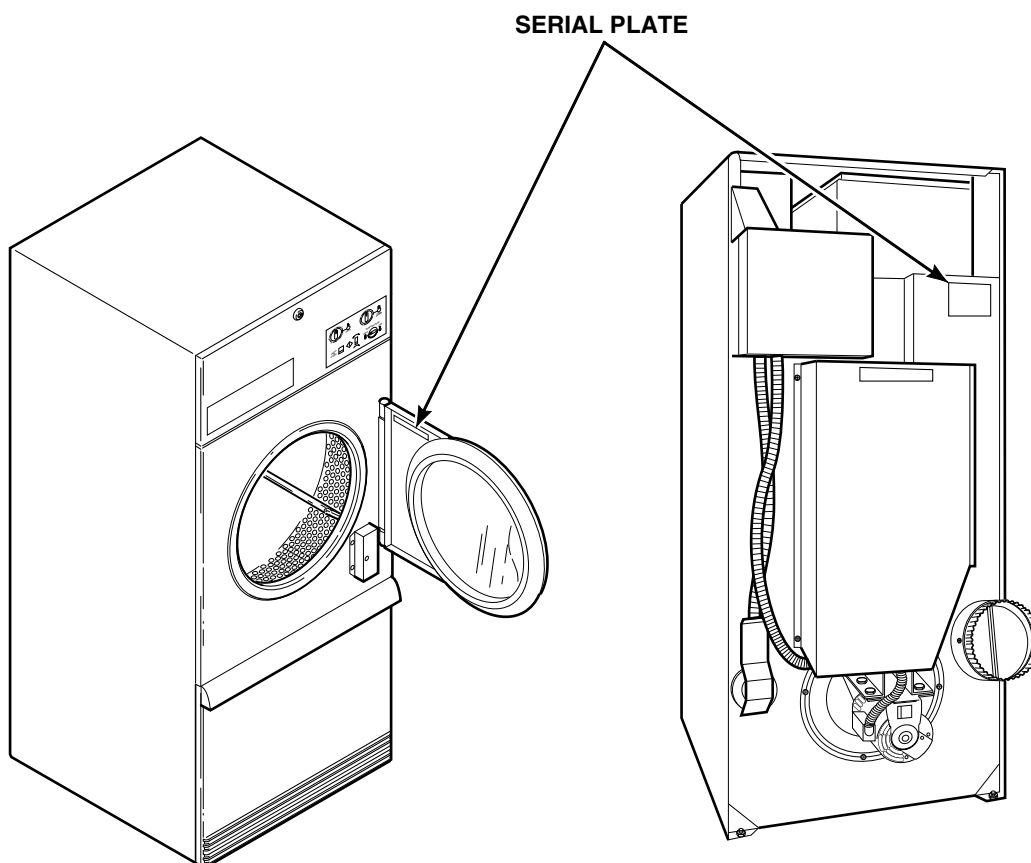
If literature or replacement parts are required, contact the source from whom the machine was purchased or contact Alliance Laundry Systems at (920) 748-3950 for the name and address of the nearest authorized parts distributor.

For technical assistance, call either of the numbers listed below:

(920) 748-3121 Ripon, Wisconsin  
+32 56 41 20 54 Wevelgem, Belgium

## Serial Plate Location

When calling or writing about your product, be sure to mention model and serial numbers. Model and serial numbers are located on serial plate(s) as shown.



TMB803N\_70409101



## Model Identification

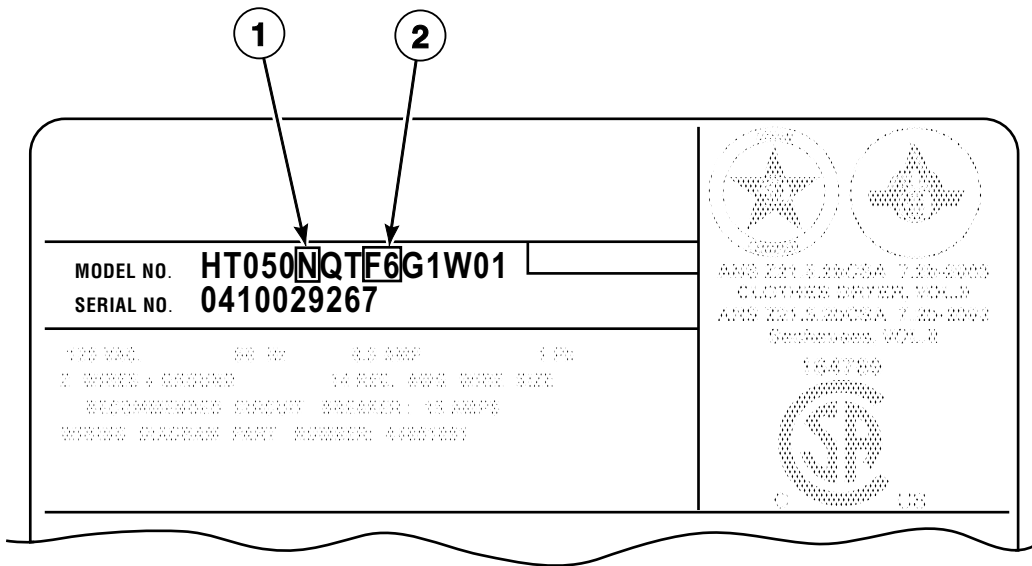
Information in this manual is applicable to these tumbler models:

CHD50E2-CT050E	AT050E	KA050L	PA050L	UA050L
CHD50E2-CU050E	AT050L	KA050N	PA050N	UA050N
CHD50G2-CA050L	AT050N	KT050E	PT050E	UT050E
CHD50G2-CA050N	AT050S	KT050L	PT050L	UT050L
CHD50G2-CT050L	CT050T	KT050N	PT050N	UT050N
CHD50G2-CT050N	CU050T	KT050S	PT050S	UT050S
CHD50G2-CU050L	GA050L	KT050T	PT050T	UT050T
CHD50G2-CU050N	GA050N	KU050E	PU050E	UU050E
CHD50S2-CT050S	GT050E	KU050L	PU050L	UU050L
CHD50S2-CU050S	GT050L	KU050N	PU050N	UU050N
DR55E2-BT050E	GT050N	KU050S	PU050S	UU050S
DR55E2-BU050E	GT050S	KU050T	PU050T	UU050T
DR55G2-BA050L	GT050T	LA050L	SA050L	YT050E
DR55G2-BA050N	GU050E	LA050N	SA050N	YT050L
DR55G2-BT050D	GU050L	LT050E	ST050D	YT050N
DR55G2-BT050L	GU050N	LT050L	ST050E	YT050S
DR55G2-BT050N	GU050S	LT050N	ST050L	YT050T
DR55G2-BU050L	GU050T	LT050S	ST050N	
DR55G2-BU050N	HA050L	LT050T	ST050S	
DR55S2-BT050S	HA050N	LU050E	ST050T	
DR55S2-BT050T	HT050D	LU050L	SU050E	
DR55S2-BU050S	HT050E	LU050N	SU050L	
DR55S2-BU050T	HT050L	LU050S	SU050N	
IPD50E2-IT050E	HT050N	LU050T	SU050S	
IPD50G2-IT050L	HT050S	NT050L	SU050T	
IPD50G2-IT050N	HT050T	NT050N		
IPD50S2-IT050S	HU050E			
IPD50S2-IT050T	HU050L			
	HU050N			
	HU050S			
	HU050T			

### Control Suffixes (7th and 8th characters):

3O - DX4 OPL	DO - DMP OPL	RD - reversing DMP OPL
3V - DX4 vended	DV - DMP vended	RM - reversing OPL Micro
3X - DX4 prep for coin	DX - DMP prep for coin	RQ - reversing dual digital timer
BC - basic electronic, coin	MT - manual timer	RT - reversing manual timer
BL - basic electronic, central pay	NC - NetMaster coin	SD - single drop
BU - basic electronic, prep card-open	NR - NetMaster card	SX - single drop, prep for coin
BX - basic electronic, prep for coin	NX - NetMaster, prep for coin	ZC - NetMaster network, coin
BY - basic electronic, prep for card	NY - NetMaster, prep for card	ZR - NetMaster network, card
CD - rotary coin drop	OM - OPL Micro	ZX - NetMaster network, prep for coin
CX - prep for coin drop	QT - dual digital timer	ZY - NetMaster network, prep for card
CY - prep for card	R3 - reversing DX4 OPL	

# Product Overview - Heat Source and Voltage



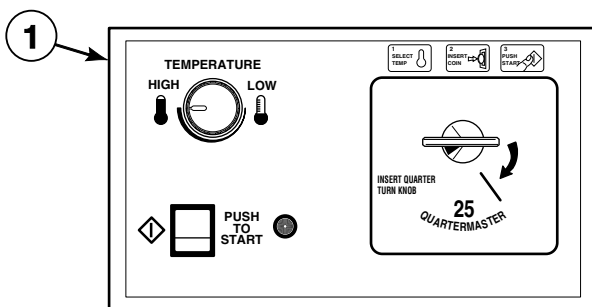
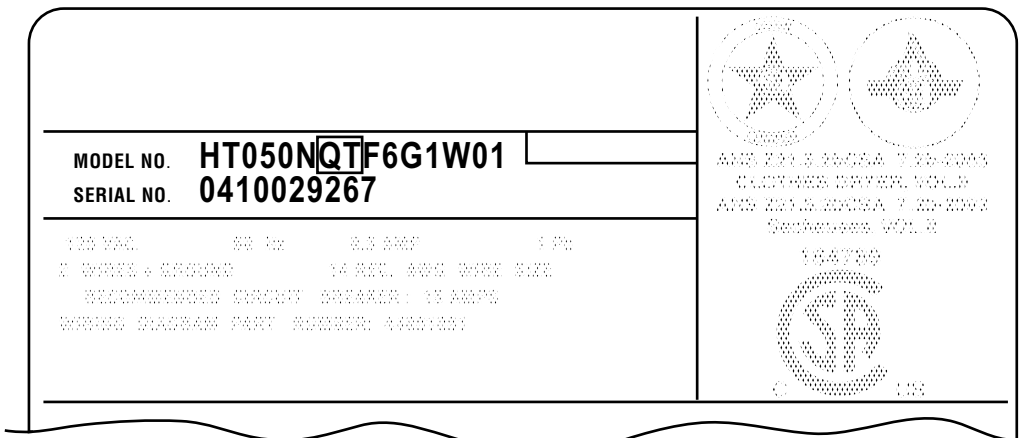
TMB2730P\_70409101

## Product Overview - Heat Source and Voltage

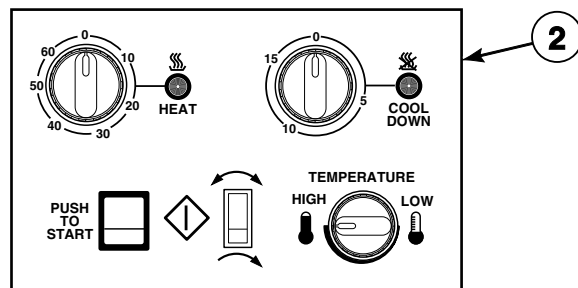
REF	PART NO.	DESCRIPTION	COMMENTS
1	-	Heat Source	D: Liquid Petroleum Gas (L.P.) E: Electric L: Liquid Petroleum Gas (L.P.) N: Natural Gas (N.G.) S: Steam T: Thermal Oil
2	-	Voltage	B1: 120 Volt/60 Hertz/1 Phase F3: 200-208 or 240 Volt/60 Hertz/1 Phase F4: 200 Volt/50 Hertz/3 Phase F5: 200-208 Volt/60 Hertz/3 Phase F6: 200-208 or 240 Volt/60 Hertz/3 Phase J1: 230 Volt/50 Hertz/1 Phase J2: 230-240 Volt/50 Hertz/1 Phase J3: 240 Volt/50 Hertz/1 Phase J5: 230 Volt/50 Hertz/3 Phase J6: 230-240 Volt/50 Hertz/3 Phase J7: 240 Volt/50 Hertz/3 Phase J8: 240 Volt/60 Hertz/3 Phase M1: 380 Volt/50 Hertz/3 Phase M2: 380 or 400-415 Volt/50 Hertz/3 Phase M3: 380 Volt/60 Hertz/3 Phase N1: 400-415 Volt/50 Hertz/3 Phase P1: 440 Volt/60 Hertz/3 Phase Q1: 460-480 Volt/60 Hertz/3 Phase Q2: 480 Volt/60 Hertz/3 Phase

# Product Overview - Control Suffixes (Drawing 1 of 3)

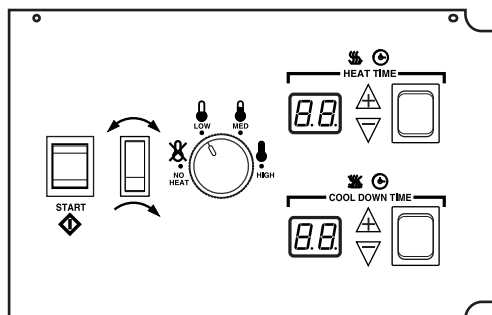
All Models Except G and K Models



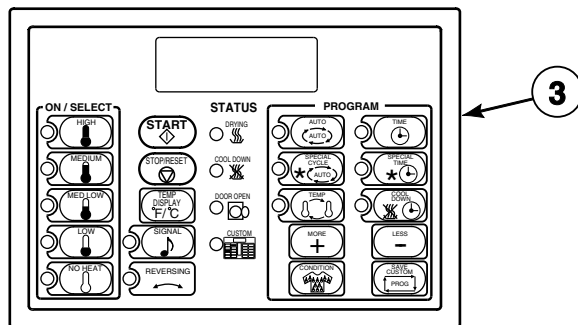
**CD, CX and CY Control Suffixes**



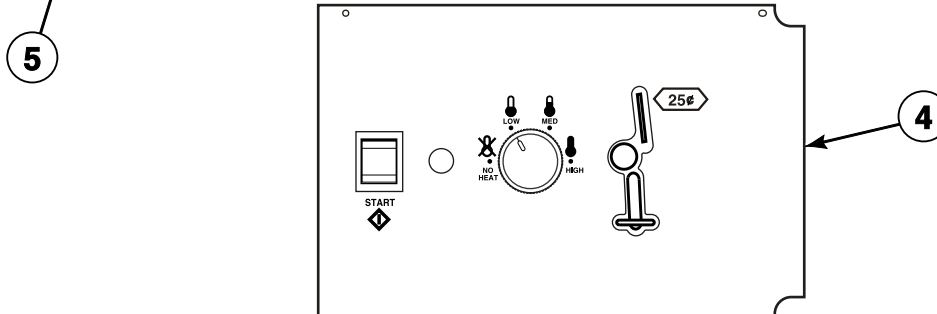
**MT and RT Control Suffixes**



**QT and RQ Control Suffixes**



**OM and RM Control Suffixes**



**SD and SX Control Suffixes**

TMB2725P\_70409101

## Product Overview - Control Suffixes (Drawing 1 of 3)

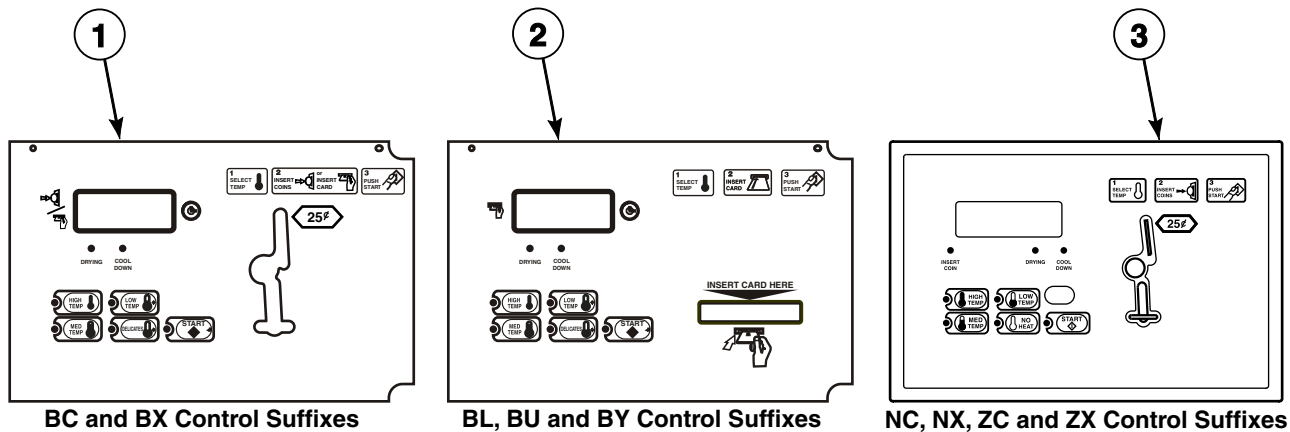
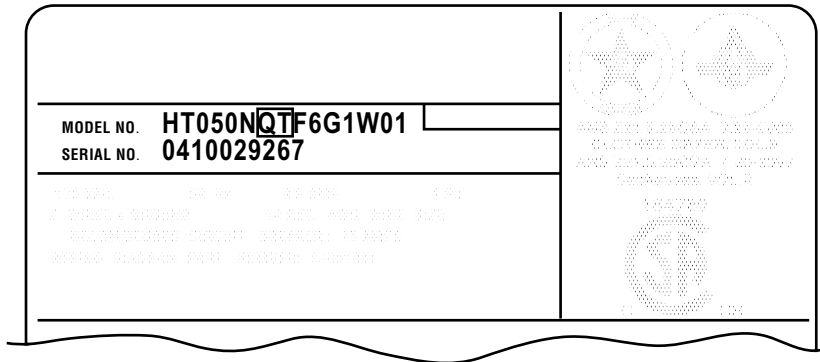
REF	PART NO.	DESCRIPTION	COMMENTS
1	-	Control - Nonreversing	CD: rotary coin drop CX: prep for coin CY: prep for card
2	-	Control - Nonreversing	MT: manual timer
	-	Control - Reversing	RT: reversing manual timer
3	-	Control - Nonreversing	OM: OPL micro
	-	Control - Reversing	RM: reversing OPL micro
4	-	Control - Nonreversing	SD: single drop SX: single drop, prep for coin
5	-	Control - Nonreversing	QT: dual digital timer
	-	Control - Reversing	RQ: reversing dual digital timer

**NOTE: Coin models have the following control suffixes: CD, CX, SD and SX.**

**NOTE: OPL models have the following control suffixes: CY, MT, OM, QT, RM, RQ and RT.**

# Product Overview - Control Suffixes (Drawing 2 of 3)

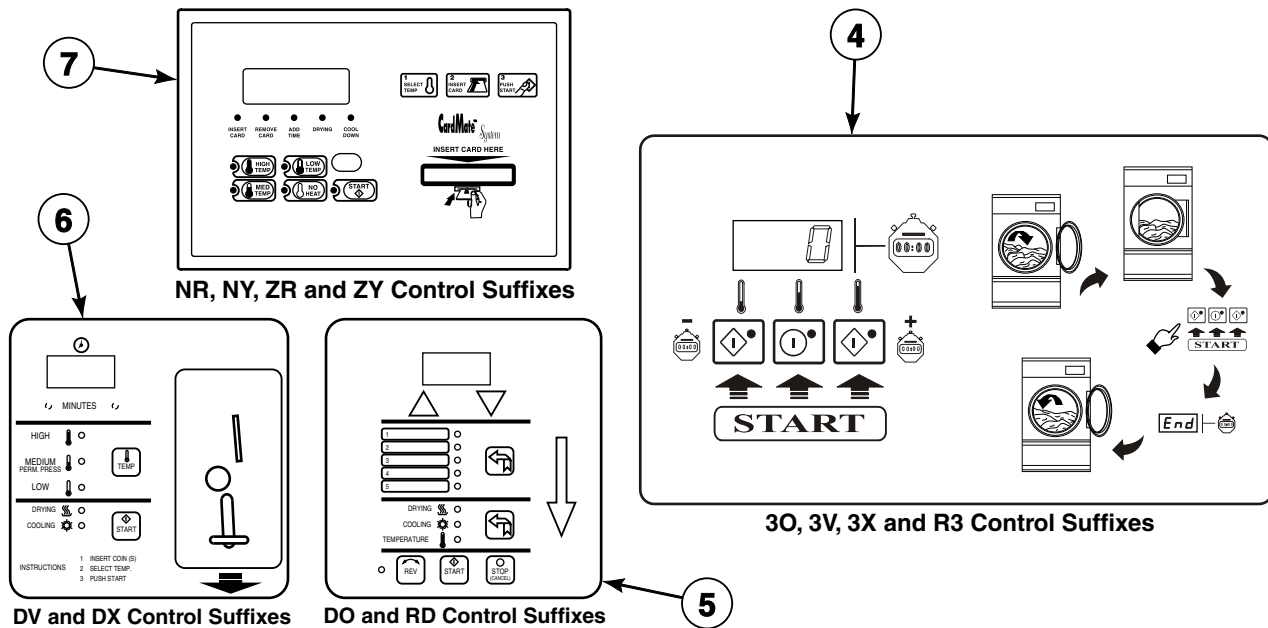
All Models Except G and K Models



BC and BX Control Suffixes

BL, BU and BY Control Suffixes

NC, NX, ZC and ZX Control Suffixes



NR, NY, ZR and ZY Control Suffixes

DV and DX Control Suffixes

DO and RD Control Suffixes

30, 3V, 3X and R3 Control Suffixes

TMB2727P\_70409101

## Product Overview - Control Suffixes (Drawing 2 of 3)

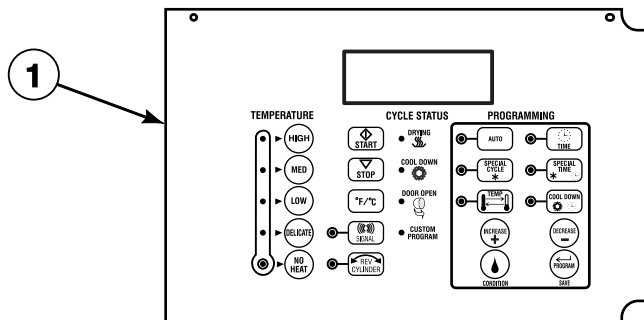
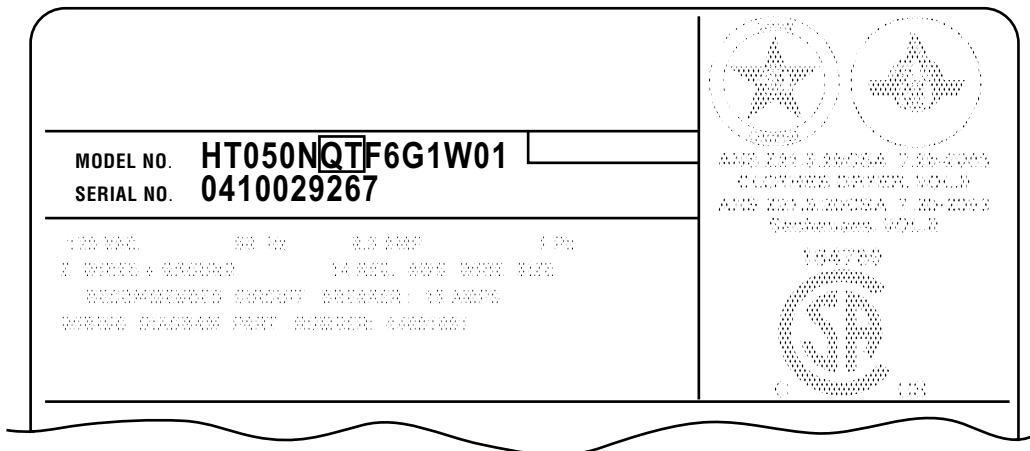
REF	PART NO.	DESCRIPTION	COMMENTS
1	-	Control - Nonreversing	BC: basic electronic, coin BX: basic electronic, prep for coin
2	-	Control - Nonreversing	BL: basic electronic, central pay BU: basic electronic, prep card-open BY: basic electronic, prep for card
3	-	Control - Nonreversing	NC: NetMaster coin NX: NetMaster prep for coin ZC: NetMaster network, coin ZX: NetMaster network, prep for coin
4	-	Control - Nonreversing	3O: DX4 OPL 3V: DX4 vended 3X: DX4 prep for coin
	-	Control - Reversing	R3: reversing DX4 OPL
5	-	Control - Nonreversing	DO: DMP OPL
	-	Control - Reversing	RD: reversing DMP OPL
6	-	Control - Nonreversing	DV: DMP vended DX: DMP prep for coin
7	-	Control - Nonreversing	NR: NetMaster card NY: NetMaster prep for card ZR: NetMaster network, card ZY: NetMaster network, prep for card

**NOTE: Coin models have the following control suffixes: 3V, 3X, BC, BX, DV, DX, NC, NX, ZC and ZX.**

**NOTE: OPL models have the following control suffixes: 3O, BL, BU, BY, DO, NR, NY, R3, RD, ZR and ZY.**

# Product Overview - Control Suffixes (Drawing 3 of 3)

G and K Models



**OM and RM Control Suffixes**

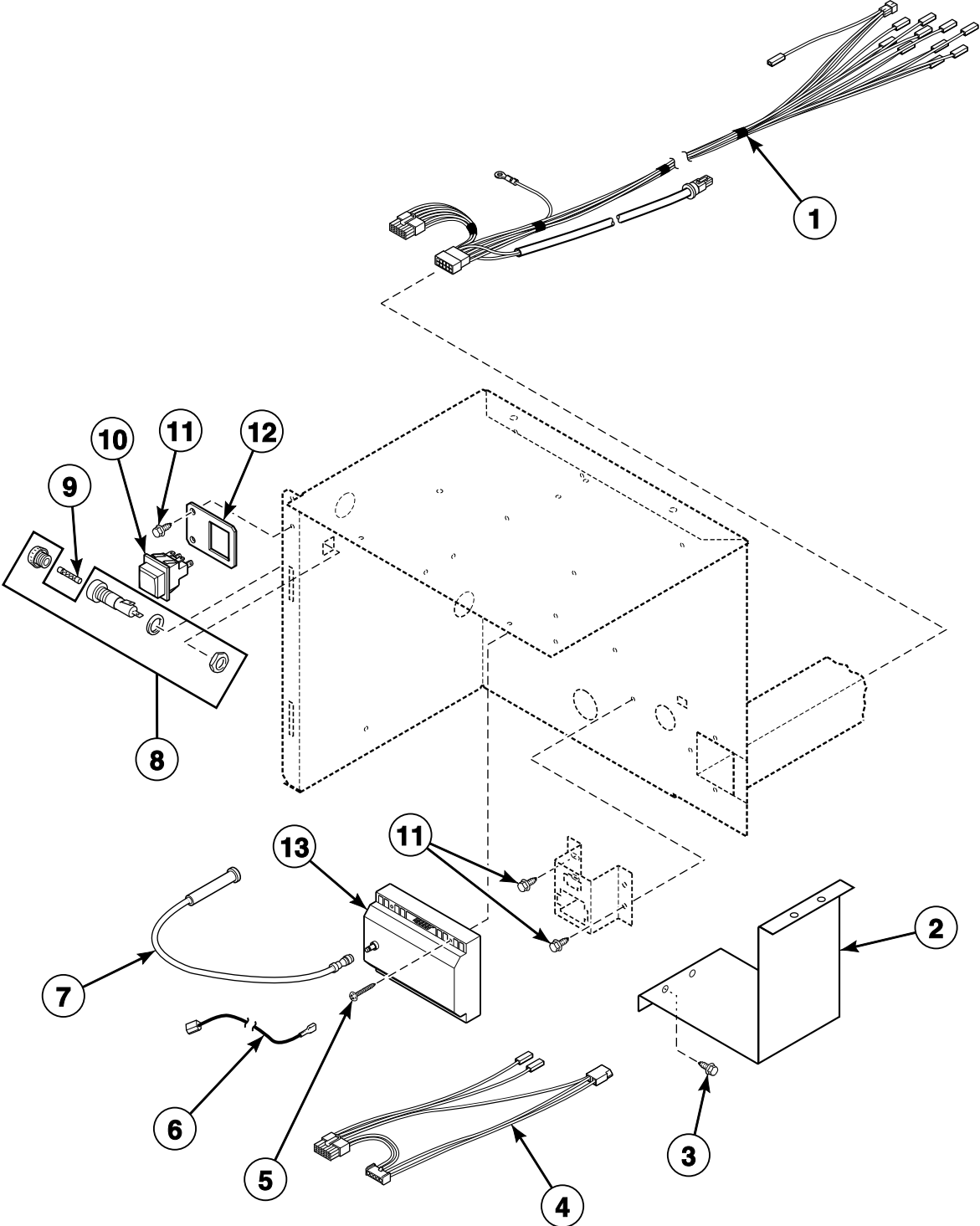
TMB2726P\_70409101

# Product Overview - Control Suffixes (Drawing 3 of 3)

REF	PART NO.	DESCRIPTION	COMMENTS
1	-	Control - Nonreversing	OM: OPL micro
	-	Control - Reversing	RM: reversing OPL micro

**NOTE: OPL models have the following control suffixes: OM and RM.**

# Control Box



TMB1256P\_70409101

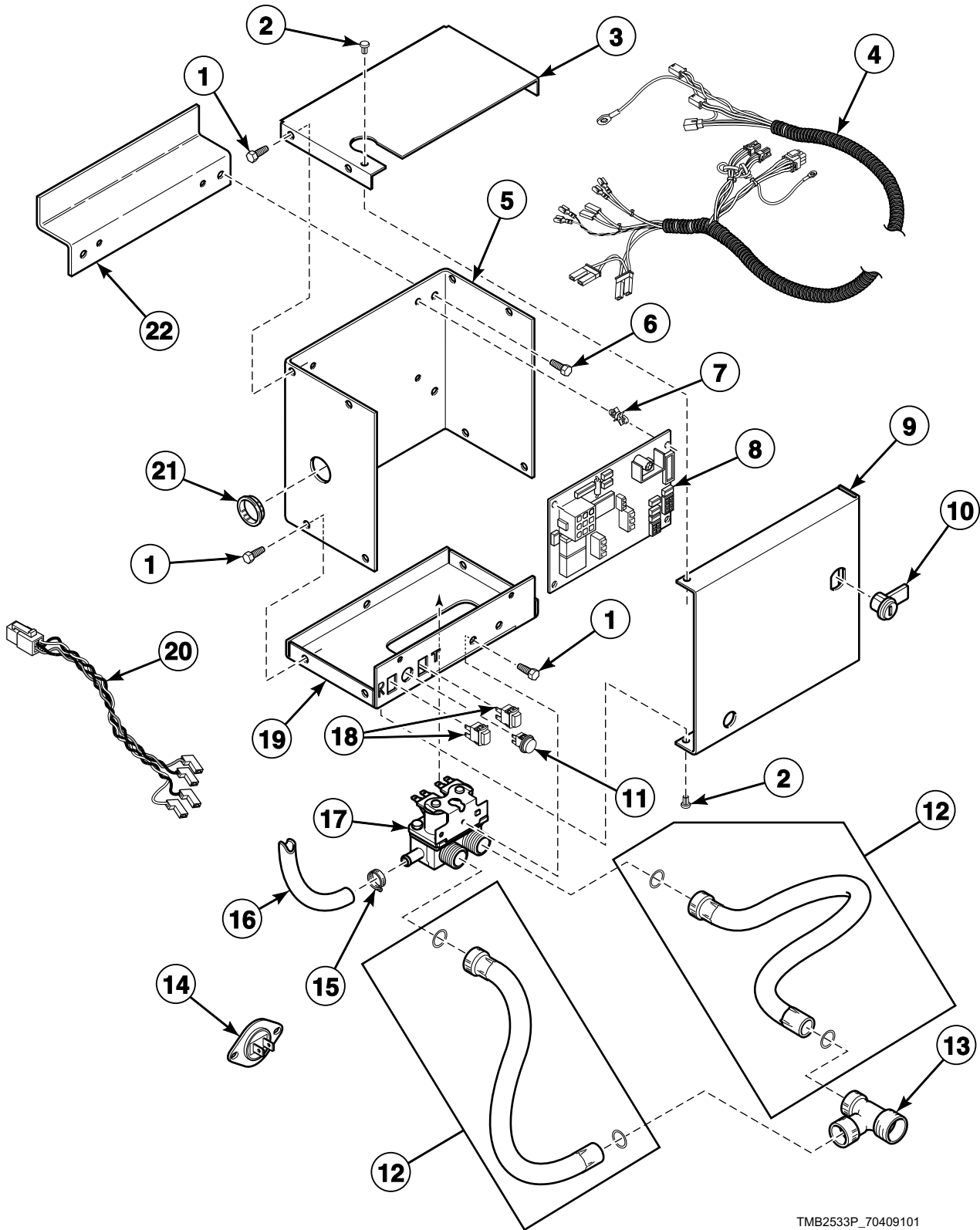
# Control Box

REF	PART NO.	DESCRIPTION	COMMENTS
1	44006301P	Main Harness	Non-CE models
	44006401P	Main Harness	CE models; Models with CD, CX, CY, MT and RT control suffixes through Serial No. 0602002257
	44098701	Main Harness	CE models; Models with 3O, 3V, BC, BL, BU, BX, BY, DO, NC, NR, NX, NY, OM, QT, RD, RM, RQ, SD, SX, ZC, ZR, ZX and ZY control suffixes starting Serial No. 0602002258
2	N/A	Ignition Control Shield	All models except C, D and I models; NC, NR, NX, NY, ZC, ZR, ZX and ZY control suffixes
3	51780	Screw	All models except C, D and I models; 4 required
4	M413678P	Control Box Harness Assembly	Non-CE and non-Australian gas models
	M413679	Control Box Harness Assembly	Non-CE and non-Australian steam models; Bypass
	M413680	Control Box Harness Assembly	Non-CE and non-Australian electric models
	M413824	Control Box Harness Assembly	Australian models
	M413993	Control Box Harness Assembly	CE gas models
	44045601	Control Box Harness	CE electric models
	M413168	Bypass Harness Assembly	CE steam models
5	70069901	Screw	Gas models; 2 required
	M411143	Screw	Australian models; 2 required
6	M411061	ICM Return Lead	Australian models
7	44061603	High Temperature Lead	Non-Australian models
	44061604	High Temperature Lead	Australian models
8	91024P	Fuse Receptacle	Non-CE models
9	M414232	Fuse	Non-CE models
10	M413431	Pushbutton Switch	CE gas models; Reset
11	430497	Screw	
12	44005101	Lighted Switch Bracket	CE gas models
13	M410904P	Instant Electronic Ignition Control	Australian models
	70367401P	Ignition Control	CE gas models
	70367301P	Ignition Control	Non-CE and non-Australian gas models

**N/A = Part no longer available**

# Fire Suppression System Control Box

C, D and I Models Starting Serial No. 0609000375 and All A, G, H, K, S and U Models  
Models with a F, K, L, T or U in the 11th character (ST050NRTF6K1W01)



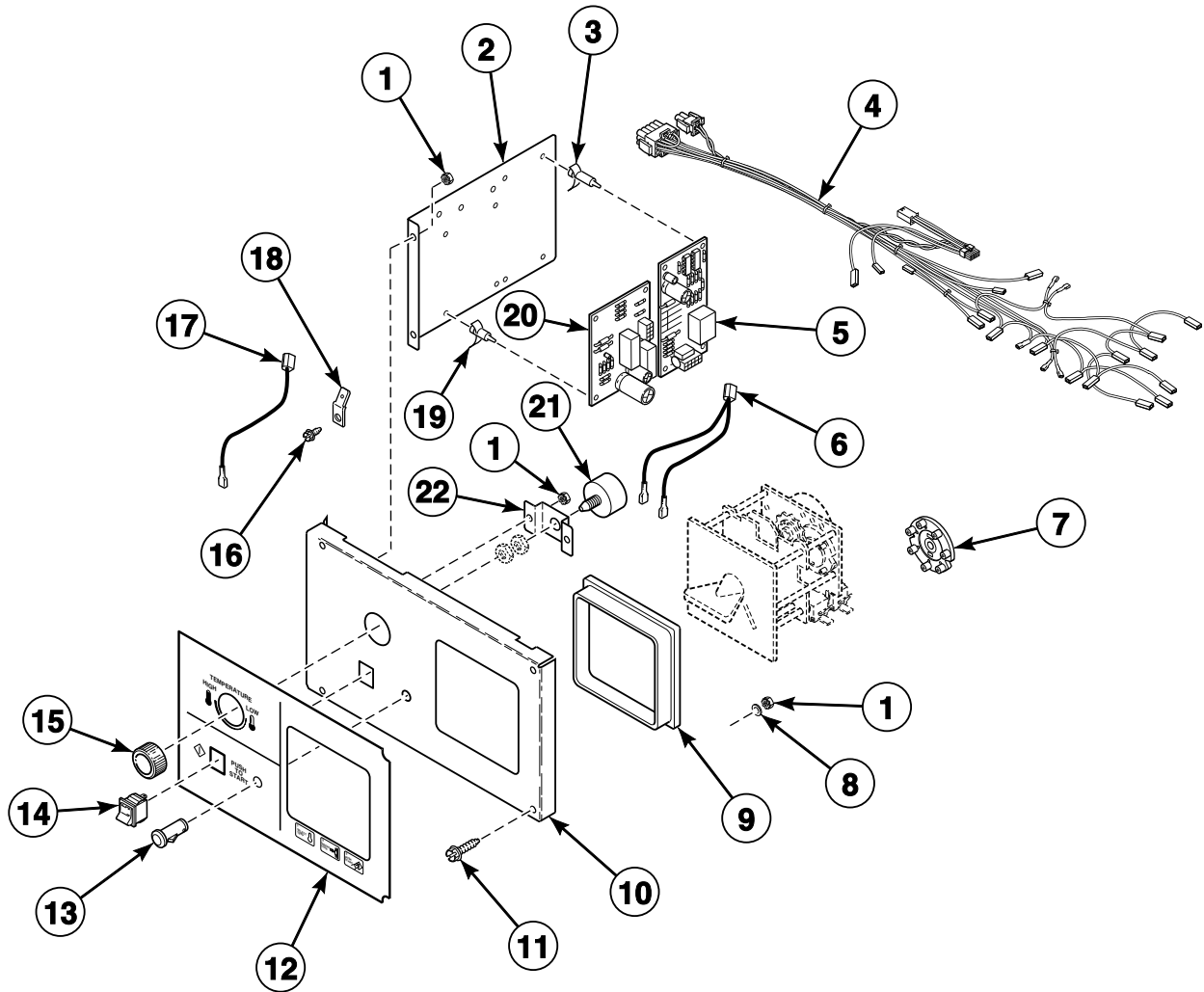
TMB2533P\_70409101

## Fire Suppression System Control Box

REF	PART NO.	DESCRIPTION	COMMENTS
1	430497	Screw	
2	M400713	Drive Rivet	
3	44065401	Control Box Top	
4	44076901P	Control Harness	
5	44065101	Control Box Housing	
6	51780	Screw	
7	501523	Circuit Board Support	4 required
8	44063801P	Control	
9	44065201	Control Box Cover	
10	44089301P	Lock, Key and Nut Kit	RL001 key code; Optional if same key is to be used for control lock
	70155601	Key	RL001
11	801432	Light	
12	F200116	Water Hose	2 required
13	44069101	Hose Fitting	
14	44064701	Thermistor	2 required
15	36801	Hose Clamp	
16	44073301	Hose	39 inches; Outlet hose
17	36958P	Mixing Valve	
18	801434W	Push-to-Start Switch	2 required
19	44065301	Control Box Base	
20	44068701	Sensor Harness Assembly	
21	70178701	Snap Bushing	
22	44065901	Bracket	For mounting fire suppression system box to machine

# Electromechanical Coin Drop

C, H, P and S Models Except Models HT050D and ST050D and Thermal Oil Models  
Models with CD, CX and CY Control Suffixes



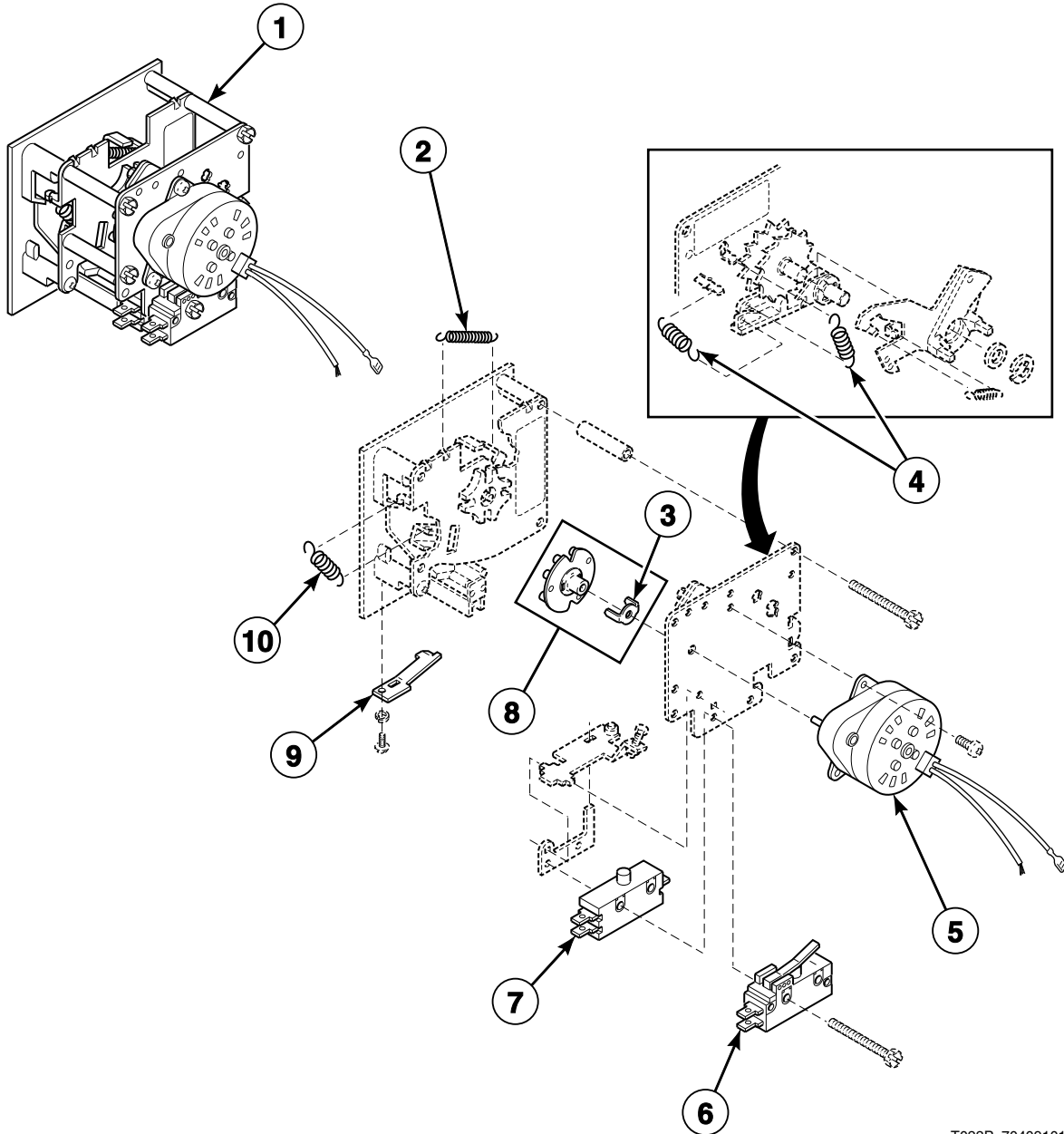
TMB2534P\_70409101

## Electromechanical Coin Drop

REF	PART NO.	DESCRIPTION	COMMENTS
1	70054	Nut	7 required
2	44018601	Temperature Control Bracket	
3	34896	Circuit Board Support	4 required
4	44005501P	Control Panel Harness	Non-CE models
	44006601	Control Panel Harness	CE electric models
	44025801	Control Panel Harness	CE gas and steam models
5	431347P	Thermostat Module	
6	70084104P	Calibration Jumper	
7	M409532	Cam Package	Timing cams; Includes 9 cams
8	M405535	Washer	3 required
9	70061701	Rotary Drop Shroud	
10	70175804	Control Plate Assembly	
11	70069901	Screw	2 required
12	70113501	Overlay	C and S models; Text and icon
	70131001	Overlay	S models; Icon
	70114301	Overlay	H models; Text and icon
	70134801	Overlay	H models; Icon
	70183501	Overlay	P models; Text and icon
13	70082201	Indicator Light	
14	70108501	Start Switch	
15	44020501	Knob	P and S models; Temperature
	44020502	Knob	H models; Temperature
	44020503	Temperature Knob	C models; Temperature
16	430497	Screw	
17	M412645	Jumper Wire Assembly	Ground wire
18	00177	Male Tab Terminal	
19	70178801	Circuit Board Support	4 required
20	70175301P	Timer Control Assembly	
21	431353P	Temperature Switch	Potentiometer
22	70080701	Mounting Bracket	

# Coin Meter

C, H, P and S Models Except Models HT050D and ST050D and Thermal Oil Models  
Models with CD, CX and CY Control Suffixes



T022P\_70409101

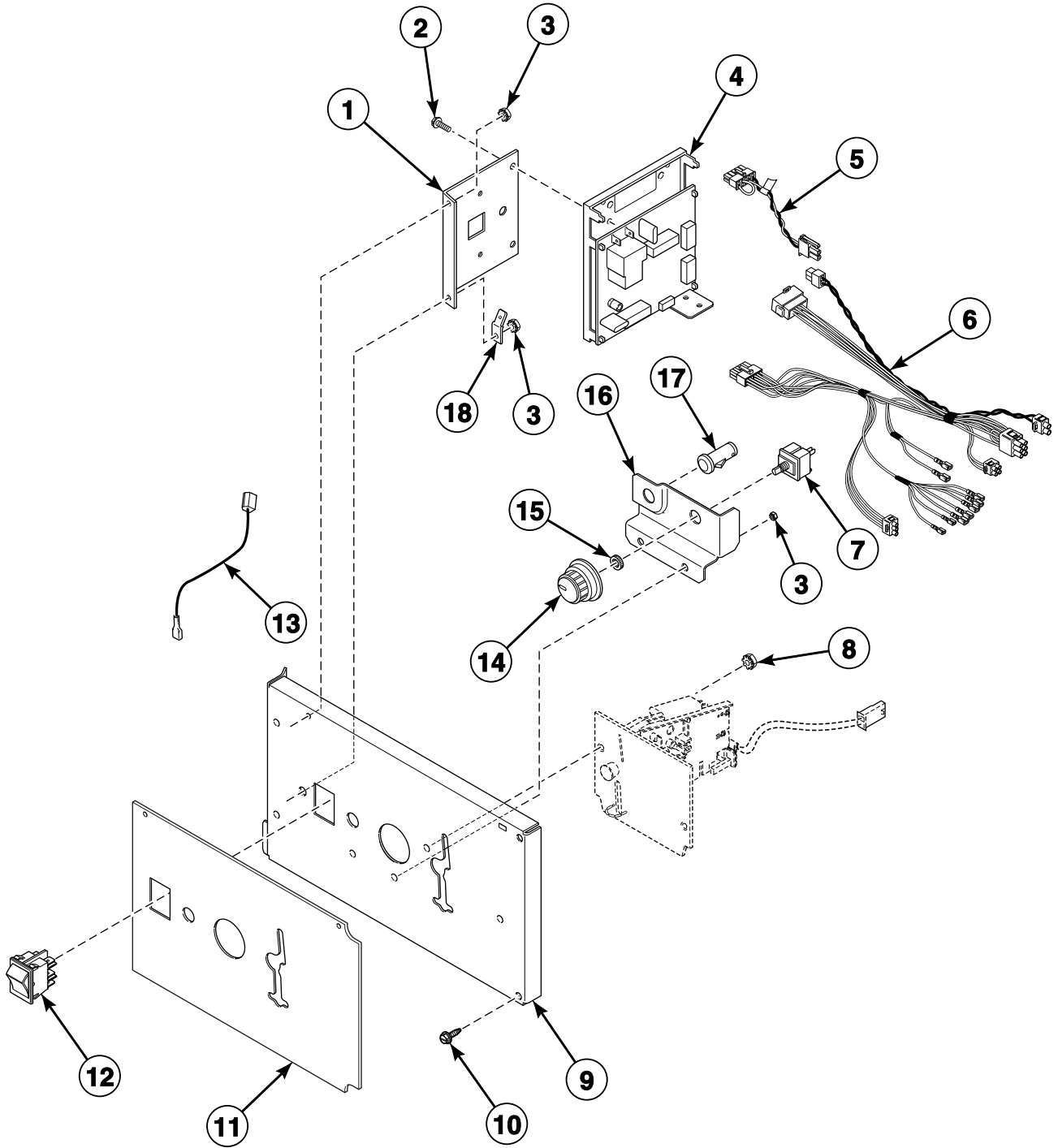
# Coin Meter

REF	PART NO.	DESCRIPTION	COMMENTS
1	N/A	Coin Meter	Australia; .20/5 minutes; CD control suffix
	70112501P	Coin Meter	Australia; 1.00/15 minutes; CD control suffix
	70112701P	Coin Meter	USA; \$.25/10 minutes; 60 Hertz; CD control suffix
	70138401P	Coin Meter	USA; \$.25/10 minutes; 50 Hertz; CD control suffix
	70137301P	Coin Meter	Standard; 118-1; 60 Hertz; CD control suffix
	70137401P	Coin Meter	Standard; 118-5; 60 Hertz; CD control suffix
	70151301	Coin Meter	South Africa; .20/10 minutes; CD control suffix
	N/A	Coin Meter	England; 20 pence; CD control suffix
	N/A	Coin Meter	Denmark; 1 krone; CD control suffix
	M412546	Coin Meter	Standard; 118-1; 50 Hertz; CD control suffix
	N/A	Coin Meter	Standard; 118-5/10; 50 Hertz; CD control suffix
	70262401	Coin Meter	Euro; .20; CD control suffix
	N/A	Coin Meter	Euro; .50; CD control suffix
	2	M405138B	Return Spring
3	M400754	Coin Meter Drive	
4	M402455	Coil Spring	
5	70218201	Timer Motor	60 Hertz
	70218301	Timer Motor	50 Hertz
6	M400947	Switch	Heat; Switch "B"
7	N/A	Single Throw Switch	Run; Switch "A"
8	M400732P	Timing Cam	10 pin; 6 minute
	M400733P	Timing Cam	12 pin; 5 minute
	M400734P	Timing Cam	2 pin; 30 minute
	M400735P	Timing Cam	3 pin; 20 minute
	M400736P	Timing Cam	4 pin; 15 minute
	M400737P	Timing Cam	5 pin; 12 minute
	M400738P	Timing Cam	6 pin; 10 minute
	M400739P	Timing Cam	7 pin; 8.5 minute
	M400740P	Timing Cam	8 pin; 7.5 minute
	M400741P	Timing Cam	9 pin; 6.6 minute
9	M406297	Coin Retainer Spring	
10	M405138A	Coin Carrier Spring	

**N/A = Part no longer available**

# Single Drop Controls

C, H, I and S Models Except Models HT050D and ST050D  
Models with SD and SX Control Suffixes



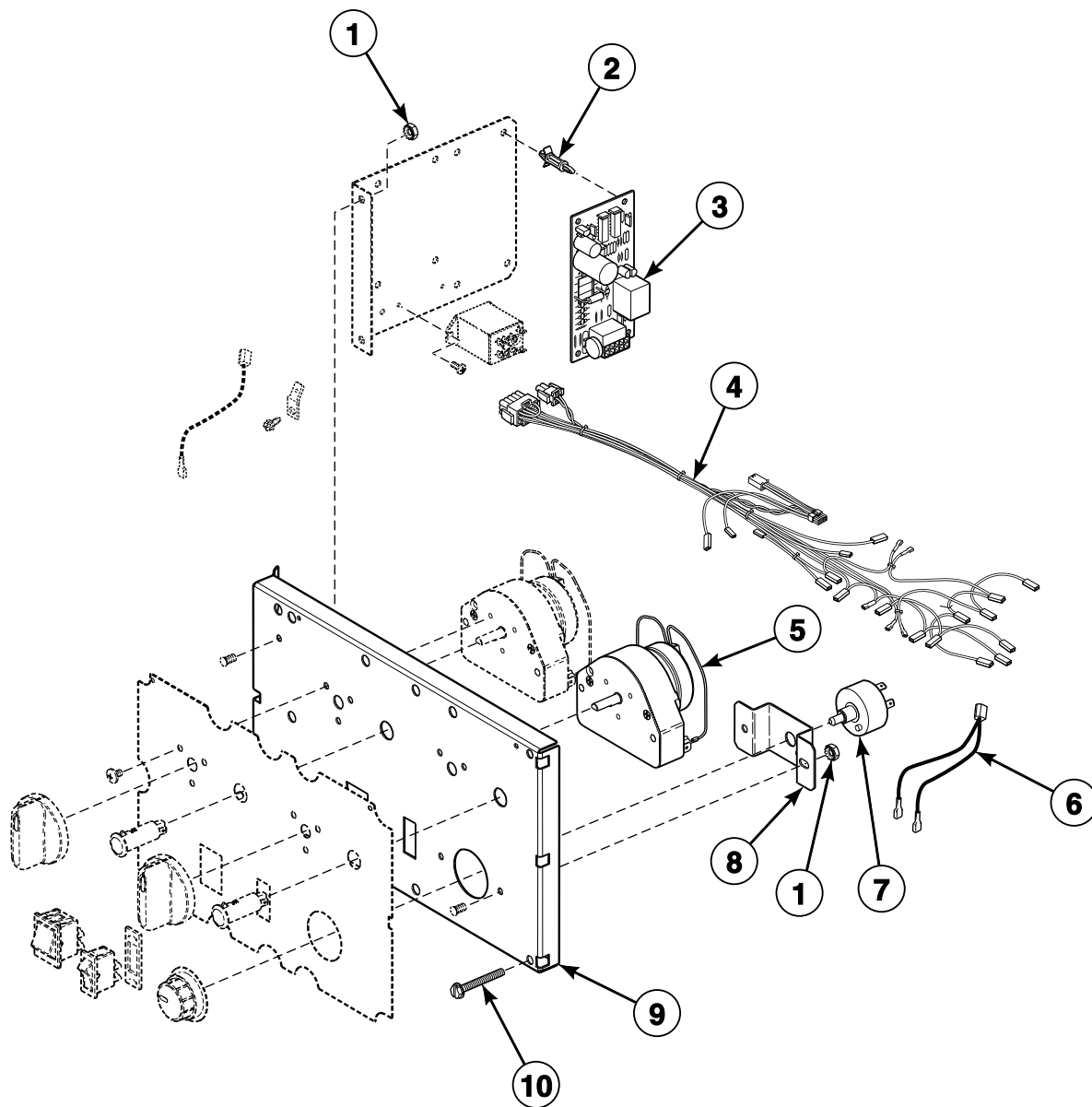
TMB2391P\_70409101

# Single Drop Controls

REF	PART NO.	DESCRIPTION	COMMENTS
1	70357901	Control Chassis Mounting Bracket	
2	501524	Screw	
3	70054	Nut	
4	513139P	Control Assembly	
5	70324604	Jumper Calibration Wire	
6	44099901P	Control Panel Harness	Non-CE models
	44100201P	Control Panel Harness	CE models
7	511711	Temperature Selector Switch	
8	29786	Nut	
9	70363401	Control Door Assembly	
10	70069901	Screw	
11	70362901	Overlay	C, I and S models
	70363001	Overlay	H models
12	70455101	Rocker Switch	Start switch
13	M412645	Jumper Wire Assembly	
14	44104601	Temperature Knob	
15	24205	Nut	
16	70350201	Temperature Selector Bracket	
17	801431	Light	
18	00177	Male Tab Terminal	

# Manual Dual Timer Controls (Drawing 1 of 2)

A, C, D, H, P, S, U and Y Models Except Models DR55G2-BT050D, HT050D and ST050D;  
GT and GU Models Through Serial No. 0110002231  
Models with MT and RT Control Suffixes



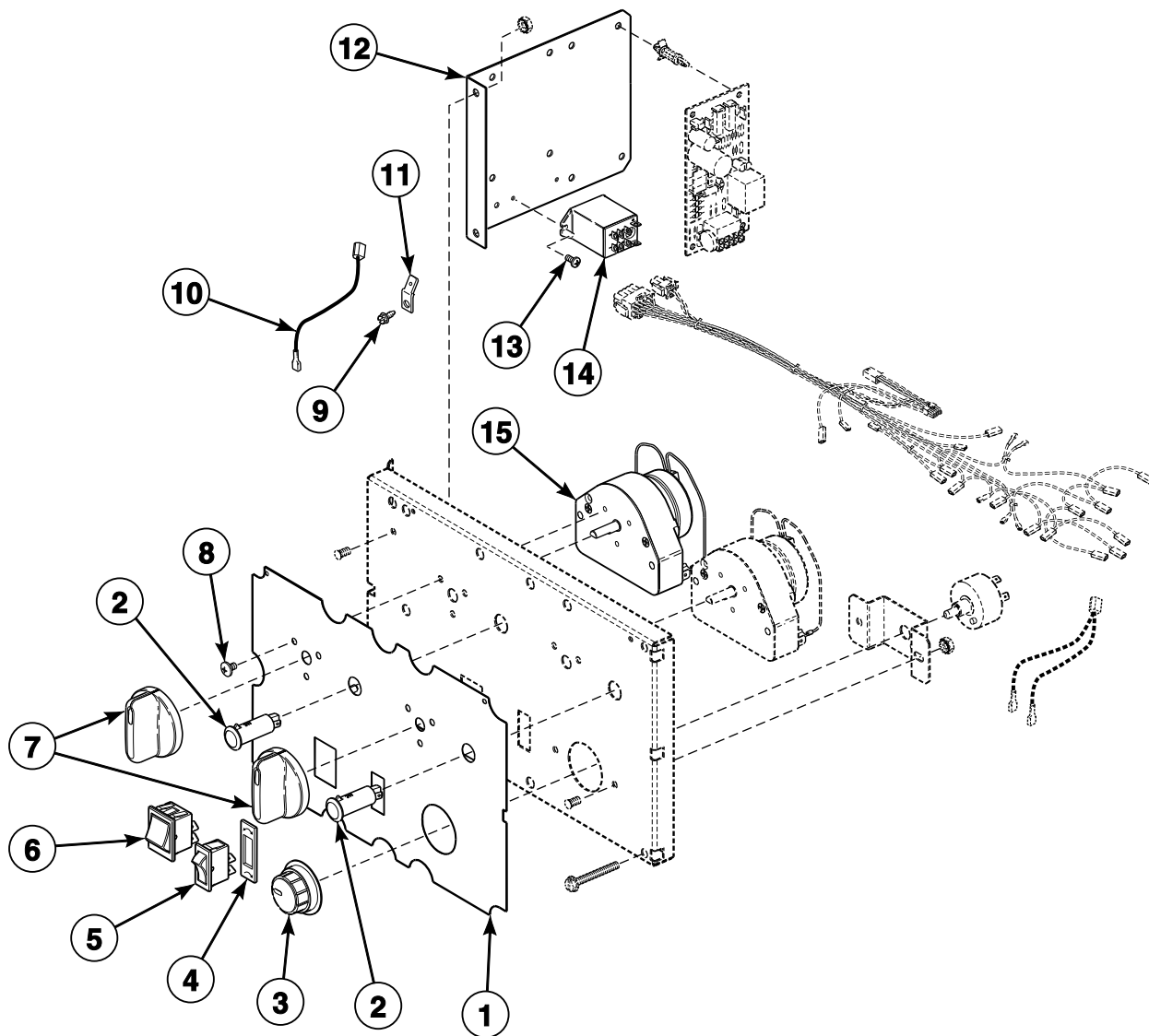
TMB1290P\_70409101

## Manual Dual Timer Controls (Drawing 1 of 2)

REF	PART NO.	DESCRIPTION	COMMENTS
	M4799P3	Control Conversion Kit	C and D non-CE electric and gas models with MT control suffix
<b>1</b>	70054	Nut	4 required
<b>2</b>	34896	Circuit Board Support	4 required
<b>3</b>	431347P	Thermostat Module	
<b>4</b>	44005601P	Control Panel Harness	Non-CE models; Nonreversing
	44005701P	Control Panel Harness	Non-CE models; Reversing
	44006701	Control Panel Harness	CE electric models; Nonreversing
	44006801	Control Panel Harness	CE electric models; Reversing
	44025601	Control Panel Harness	CE gas and steam models; Nonreversing
	44025701	Control Panel Harness	CE gas and steam models; Reversing
<b>5</b>	70131701P	Timer	Heat
<b>6</b>	70084104P	Calibration Jumper	
<b>7</b>	431353P	Temperature Switch	Potentiometer; 10-25000 ohms resistance
<b>8</b>	70080701	Mounting Bracket	
<b>9</b>	70175803	Control Plate Assembly	Includes self-clinching studs
<b>10</b>	70069901	Screw	2 required

# Manual Dual Timer Controls (Drawing 2 of 2)

A, C, D, H, P, S, U and Y Models Except Models DR55G2-BT050D, HT050D and ST050D;  
GT and GU Models Through Serial No. 0110002231  
Models with MT and RT Control Suffixes



TMB1537P\_70409101

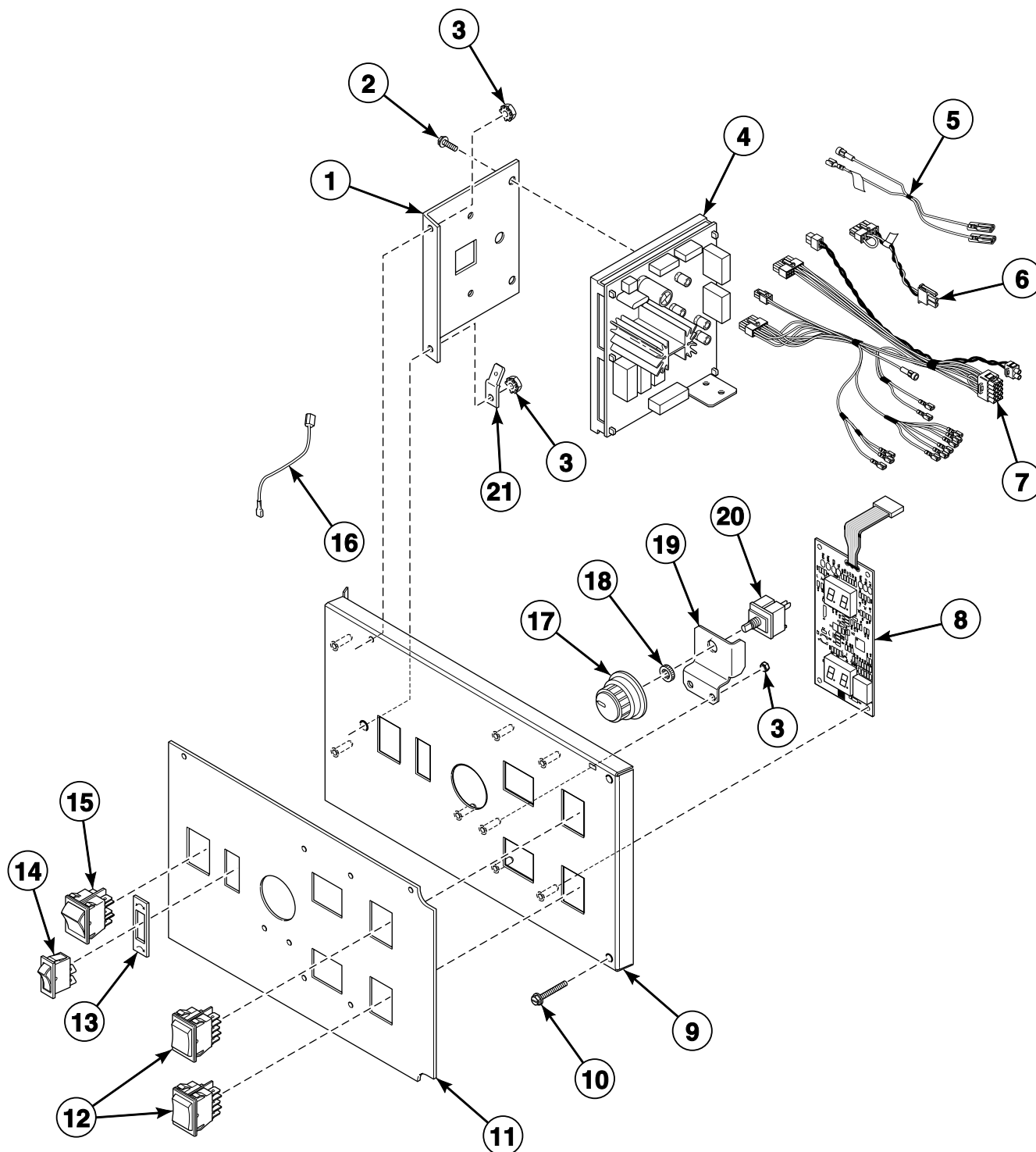
## Manual Dual Timer Controls (Drawing 2 of 2)

REF	PART NO.	DESCRIPTION	COMMENTS
1	70114501	Overlay	A, C, D, S, U and Y models; Nonreversing
	70114502	Overlay	A, C, D, S, U and Y models; Reversing
	N/A	Overlay	G models; Nonreversing
	70129202	Overlay	G models; Reversing
	70245901	Overlay	P models; Nonreversing
	N/A	Overlay	P models; Reversing
	70246001	Overlay	H models; Nonreversing
	N/A	Overlay	H models; Reversing
	70246101	Overlay	H models; Nonreversing; Icon
	N/A	Overlay	H models; Reversing; Icon
	70134901	Overlay	S and U models; Nonreversing; Icon
	N/A	Overlay	S and U models; Reversing; Icon
2	70082201	Indicator Light	
3	44020501	Knob	A, P, S, U and Y models; Temperature
	44020502	Knob	G and H models; Temperature
	44020503	Temperature Knob	C and D models; Temperature
4	M413236	Switch Plate	Reversing
5	M413270	Rocker Switch	Reversing
6	70108501	Start Switch	Push to start
7	70082101	Timer Knob	A, P, S, U and Y models
	M410927	Knob	G and H models
	M400773	Knob	C and D models
8	M411052	Screw	3 required per timer
9	430497	Screw	
10	M412645	Jumper Wire Assembly	Ground wire
11	00177	Male Tab Terminal	
12	44018601	Temperature Control Bracket	
13	M402797	Screw	Non-CE models; 2 required
14	M412534	Relay	Non-CE models
15	70131801P	Timer	Cooling; 60 Hertz; 15 minute
	M412079P	Timer	Cooling; 50 Hertz; 15 minute

**N/A = Part no longer available**

# Dual Digital Timer Controls

C, H, I, S, U and Y Models  
Models with QT and RQ Control Suffixes



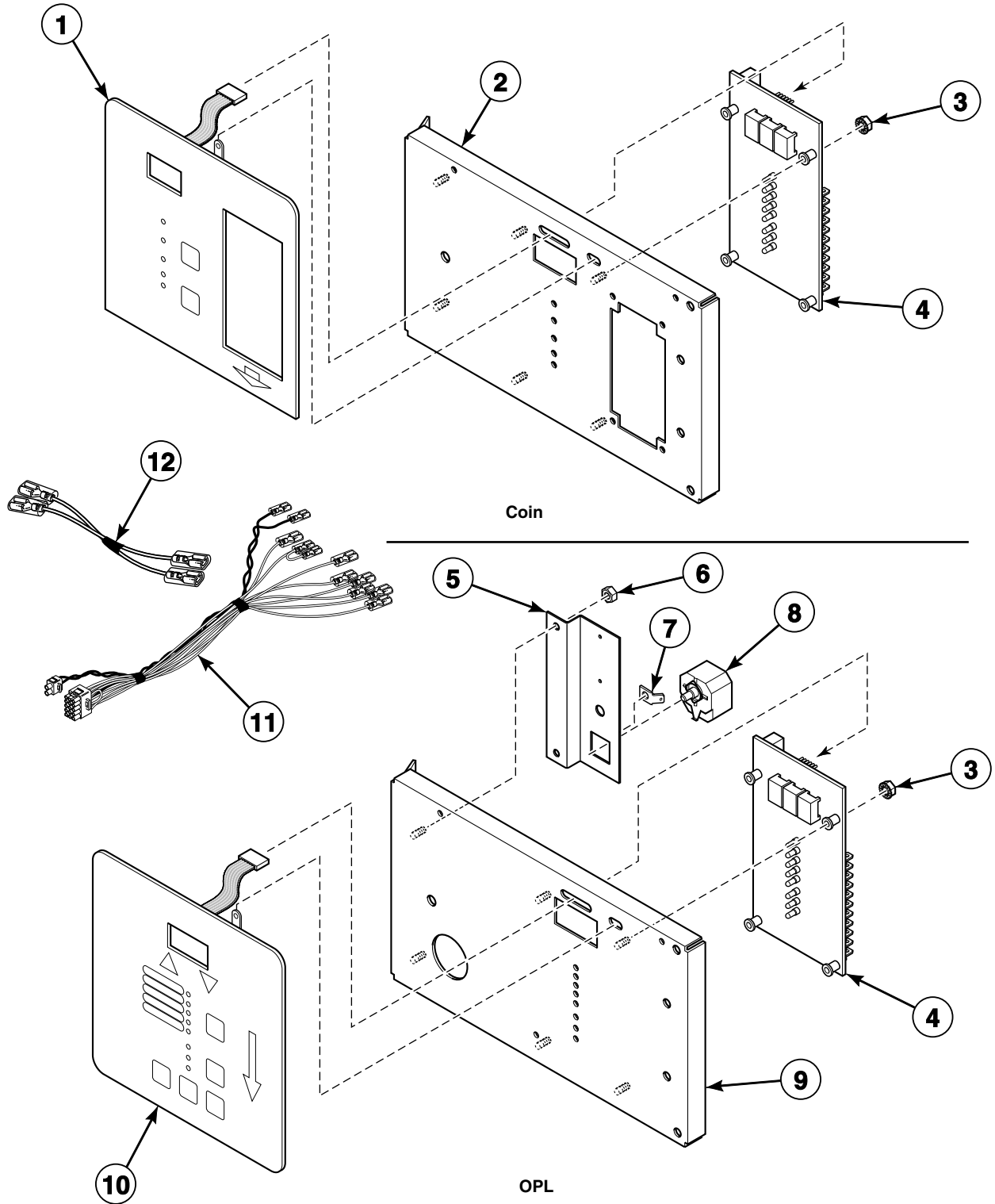
TMB2390P\_70409101

## Dual Digital Timer Controls

REF	PART NO.	DESCRIPTION	COMMENTS
1	70357901	Control Chassis Mounting Bracket	
2	501524	Screw	
3	70054	Nut	
4	512202P	Control Assembly	
5	44100101P	Control Harness	Reversing; Use in addition to item 7
6	70324604	Jumper Calibration Wire	
7	44100001P	Control Harness	Non-CE models
	44100301P	Control Panel Harness	CE models
8	512218P	Display Assembly	
9	70360601	Control Plate Assembly	
10	70069901	Screw	
11	70362201	Overlay	C, I, S, U and Y models; Nonreversing
	70362202	Overlay	C, I, S, U and Y models; Reversing
	70362501	Overlay	H models; Nonreversing
	70362502	Overlay	H models; Reversing
12	70461301	Rocker Switch	
13	M413236	Switch Plate	Reversing
14	44099601	Rocker Switch	Reversing
15	70455101	Rocker Switch	Start switch
16	M412645	Jumper Wire Assembly	Ground wire
17	44104601	Temperature Knob	
18	24205	Nut	
19	70391701	Temperature Selector Switch Bracket	
20	511711	Temperature Selector Switch	
21	00177	Male Tab Terminal	

# DMP Control

C and I Models  
Models with DO, DV, DX and RD Control Suffixes



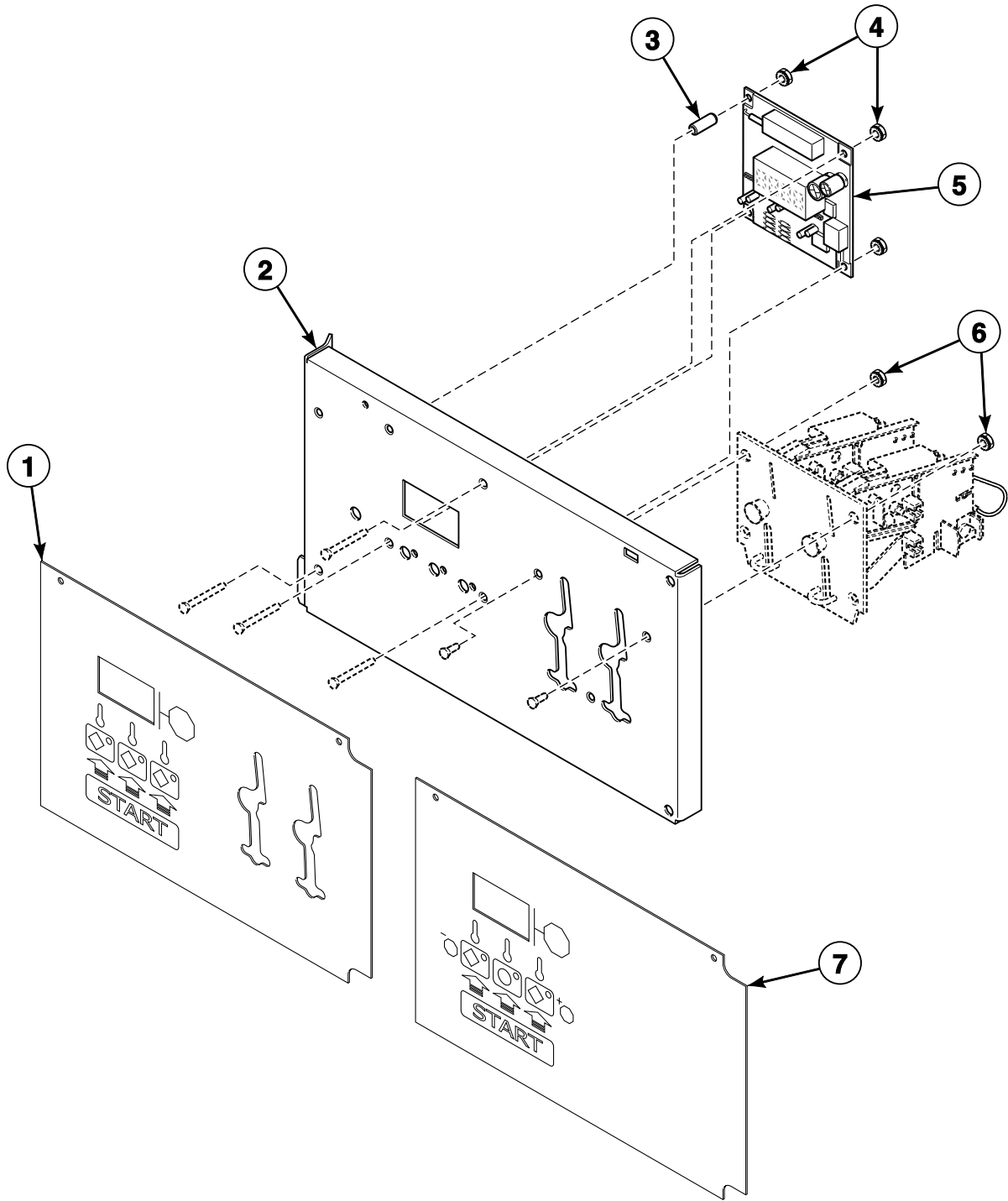
TMB2547P\_70409101

## DMP Control

REF	PART NO.	DESCRIPTION	COMMENTS
	M4797P3	Control Conversion Kit	C models; DV and DX control suffixes
1	44039402P	Membrane Switch	Coin
2	44041001	Control Plate Assembly	Coin; Includes studs
3	29787	Nut	
4	44037801P	Electronic Control	
5	44041701	Relay/Buzzer Bracket	
6	70054	Nut	
7	00177	Male Tab Terminal	
8	505447	Adjustable Buzzer	
9	44040901	Control Plate Assembly	OPL; Includes studs
10	44037902P	Membrane Switch	OPL
11	44040301	Control Panel Harness Assembly	Non-CE models; Nonreversing
	44042601	Control Panel Harness	Non-CE models; Reversing
	44043201P	Control Panel Harness	CE models; Coin
12	44042701	Jumper Set Assembly	Coin; Use in addition to 44040301 Control Panel Harness Assembly or 44042601 Control Panel Harness
	44042801	Jumper Set Assembly	OPL; Buzzer; Use in addition to 44040301 Control Panel Harness Assembly or 44042601 Control Panel Harness

# DX4 Electronic Control

D and I Models  
Models with 3O, 3V, 3X and R3 Control Suffixes



TMB2400P\_70409101

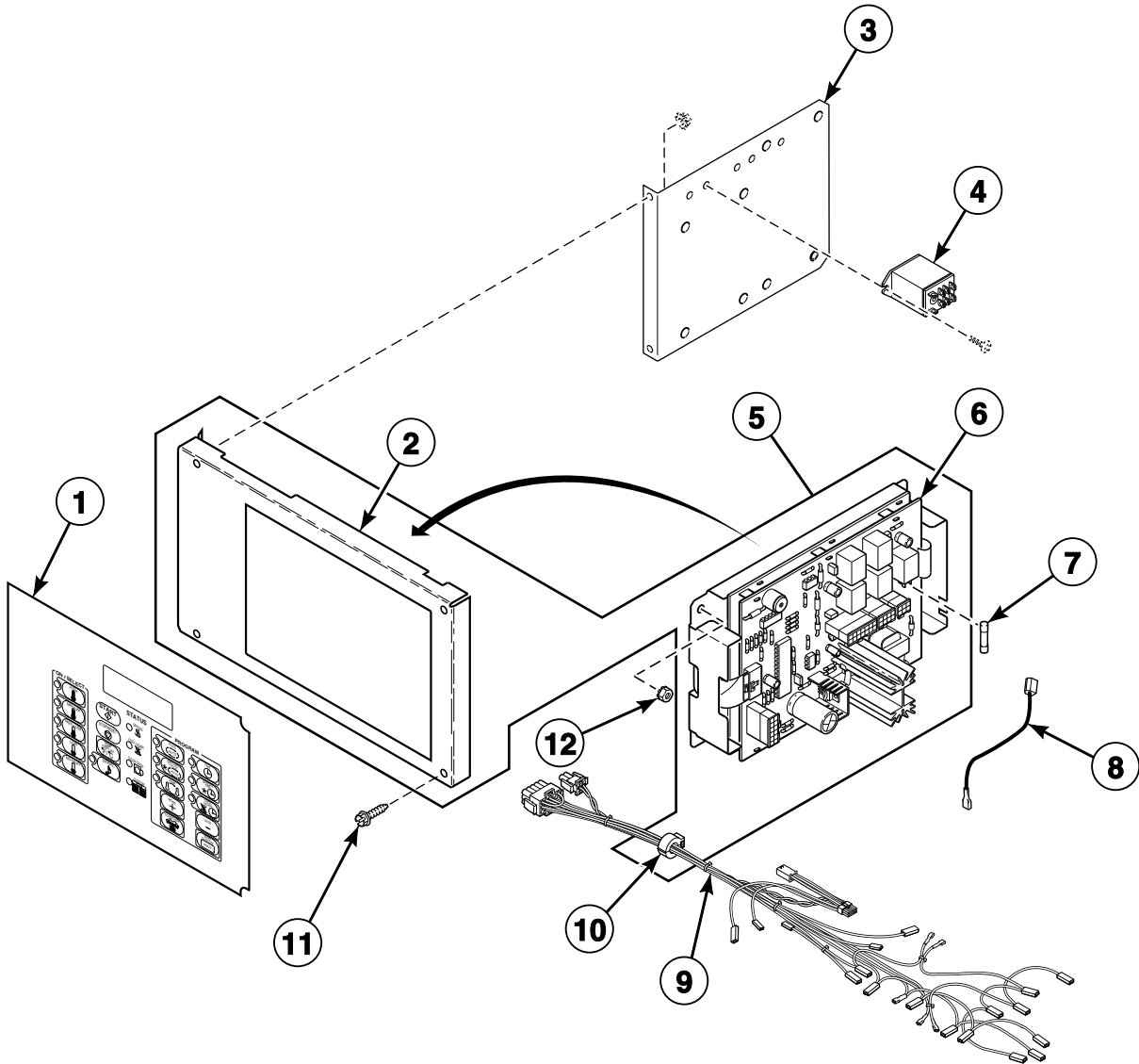
# DX4 Electronic Control

REF	PART NO.	DESCRIPTION	COMMENTS
	44051401	Control Panel Harness	CE models through 7/10/2005
	N/A	Control Panel Harness	CE models starting 7/11/2005
	44052601	Control Panel Harness	Non-CE models through 7/10/2005
	44098601	Control Panel Harness	Non-CE models starting 7/11/2005
<b>1</b>	44050502	Graphic Overlay	Dual; Coin (shown)
	44050501	Graphic Overlay	Single; Coin
<b>2</b>	44050701P	Control Plate Kit	Includes studs
<b>3</b>	44050601	Sleeve	4 required
<b>4</b>	29787	Nut	
<b>5</b>	N/A	Electronic Control	
<b>6</b>	29786	Nut	2 required
<b>7</b>	44050401	Graphic Overlay	OPL

**N/A = Part no longer available**

# OPL Microprocessor Controls

A, G, H, K, L, P, S and U Models  
Models with OM and RM Control Suffixes



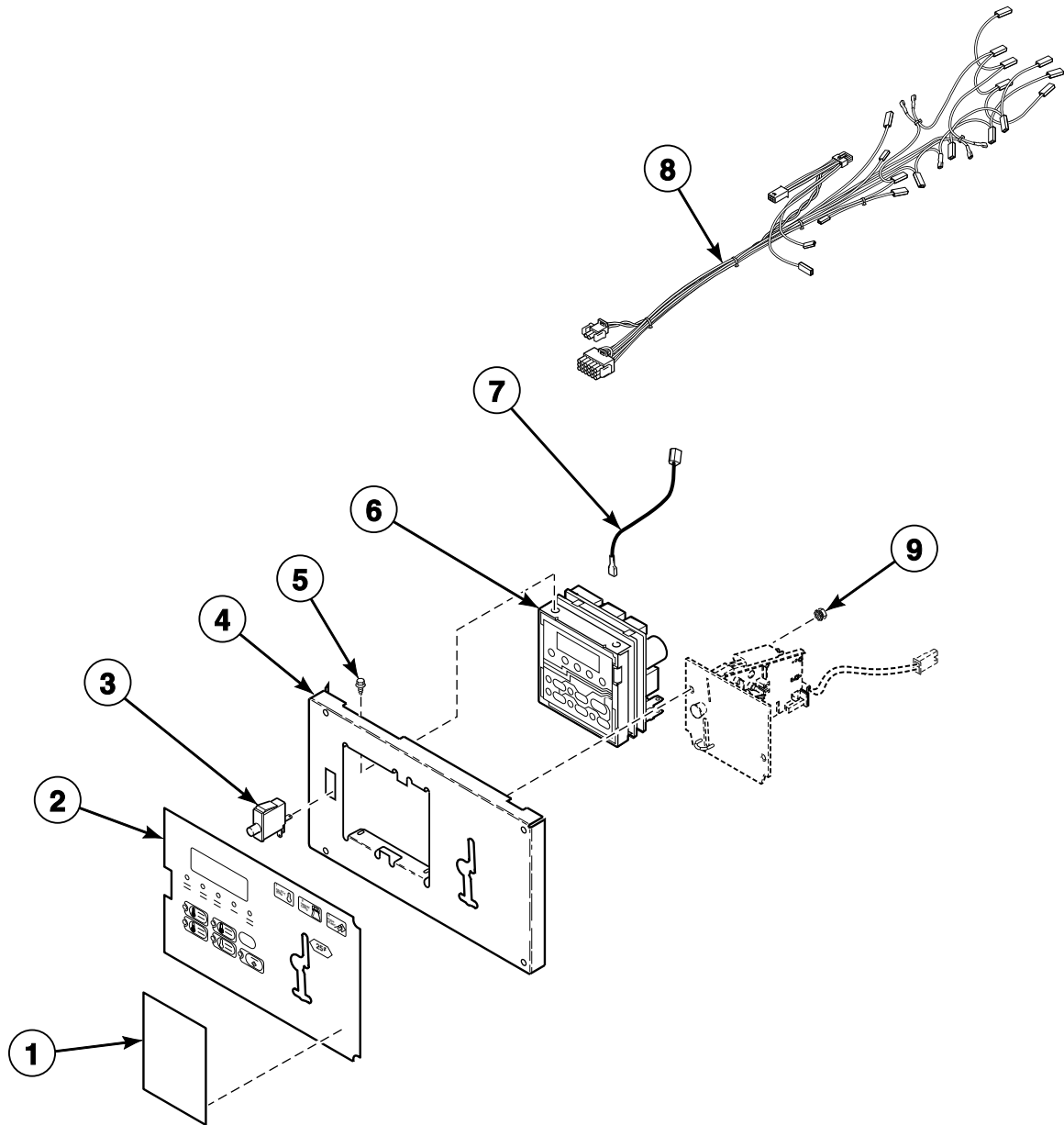
TMB3140P\_70409101

# OPL Microprocessor Controls

REF	PART NO.	DESCRIPTION	COMMENTS
1	70115801	Overlay	A, L, S and U models; Nonreversing; Text and icon
	70128401	Overlay	A, L, S and U models; Reversing; Text and icon
	70128701	Overlay	H models; Nonreversing; Text and icon
	70128601	Overlay	H models; Reversing; Text and icon
	70130301	Overlay	P models; Nonreversing; Text and icon
	70135301	Overlay	P models; Reversing; Text and icon
	44130002	Overlay	G models starting Serial No. 0707008006; K models; Nonreversing; Text and icon
	44130001	Overlay	G models starting Serial No. 0707008006; K models; Reversing; Text and icon
	70130401	Overlay	GT and GU models through Serial No. 0110002231; A, S and U models; Nonreversing; Icon
	70130501	Overlay	GT and GU models through Serial No. 0110002231; A, S and U models; Reversing; Icon
	70130601	Overlay	H models; Nonreversing; Icon
	70130701	Overlay	H models; Reversing; Icon
2	70175805	Control Plate Assembly	
3	44018601	Temperature Control Bracket	
4	M412534	Relay	
5	44013601P	Control Assembly	Does not include overlay or control panel harness
6	70228401P	Control Kit	With tape
7	70406501	Fuse	
8	M412645	Jumper Wire Assembly	Ground wire
9	44016701P	Control Panel Harness	Non-CE models; Nonreversing
	44016702	Control Panel Harness	Non-CE models; Reversing
	44017001	Control Panel Harness	CE models; Nonreversing
	44017002	Control Panel Harness	CE models; Reversing
10	M413930P	Ferrite Core Assembly	
11	70069901	Screw	2 required
12	70054	Nut	4 required

# Coin Drop Components for MDC Models

G, H, L, P and S Models  
Models with BC, BL and BX Control Suffixes



TMB2548P\_70409101

## Coin Drop Components for MDC Models

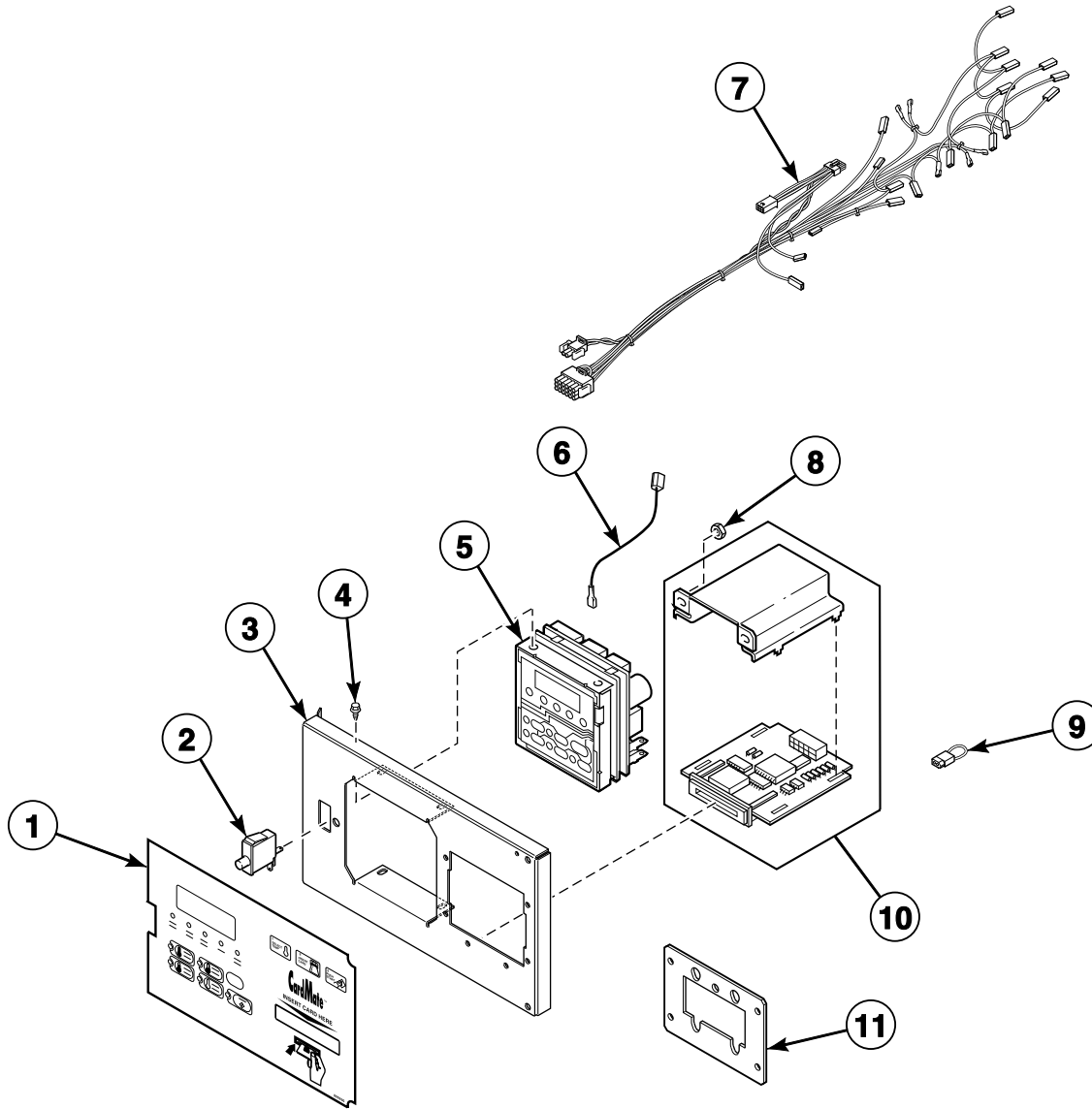
REF	PART NO.	DESCRIPTION	COMMENTS
1	39564	Coin Drop Overlay	S models with BL** control suffix; Cover
	70246301	Coin Cover Overlay	L models with BL** control suffix; Cover
	70286701	Overlay	P models with BL** control suffix; Cover
	70275401	Overlay	H models with BL** control suffix; Cover
2	70257701	Overlay	L and S models with BC, BL** and BX control suffixes; Text; Single drop
	70129501	Overlay	P models with BC* and BX* control suffixes; Single drop
	70129601	Overlay	P models with BC* and BX* control suffixes; Dual drop
	70321001	Overlay	P models with BC* and BX* control suffixes; World drop
	70259001	Overlay	P models with BC* and BX* control suffixes
	70261001	Overlay	L and S models with BC, BL** and BX control suffixes; Icon; Single drop
	70257702	Overlay	L and S models with BC and BX control suffixes; Dual drop
	70261002	Overlay	L and S models with BC and BX control suffixes; Dual drop
	70258001	Overlay	H models with BC, BL** and BX control suffixes; Text; Single drop
	70261201	Overlay	H models with BC, BL** and BX control suffixes; Icon; Single drop
	70258002	Overlay	H models with BC and BX control suffixes; Dual drop
	70261202	Overlay	H models with BC and BX control suffixes; Icon; Dual drop
	70411701	Overlay	G models with BC and BX control suffixes; Text; Single drop
	70411702	Overlay	G models with BC and BX control suffixes; Text; Dual drop
3	70107001	Pushbutton Switch	
4	70291001P	Control Plate Kit	
5	501524	Screw	4 required for mounting control
6	511867P	Control Assembly	
7	M412645	Jumper Wire Assembly	Ground wire
8	44010801P	Control Panel Harness	Non-CE models
	44010901	Control Panel Harness	CE models
9	29786	Nut	3 required

\* NOTE: P models with BC or BX control suffixes require an overlay and coin drop overlay.

\*\* NOTE: BL control suffix requires an overlay and overlay cover specific to model.

# Central Pay and Card Reader MDC Models

G, H, K, L, N, P and S Models  
Models with BG, BL, BU and BY Control Suffixes



TMB2456P\_70409101

## Central Pay and Card Reader MDC Models

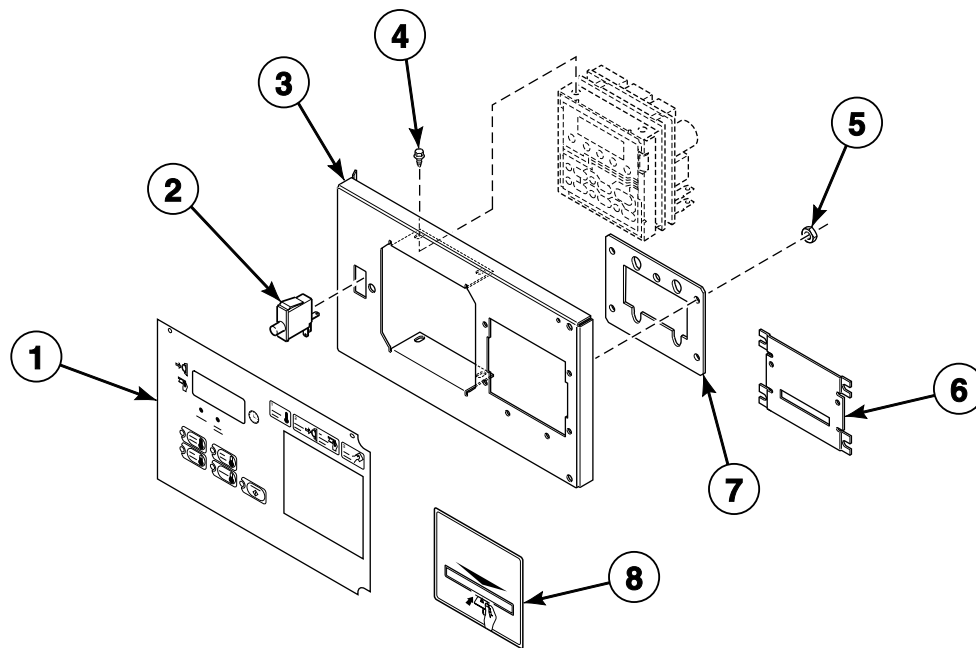
REF	PART NO.	DESCRIPTION	COMMENTS
1	70266701	Overlay	L and S models with BY control suffix; Text
	N/A	Overlay	L and S models with BY control suffix; Icon
	70257703	Overlay	L and S models except model ST050D with BU control suffix; Text
	70261003	Overlay	L and S models except model ST050D with BU control suffix; Icon
	70259001	Overlay	P models with BL* control suffix
	70266801	Overlay	H models with BY control suffix; Text
	70258003	Overlay	H models except model HT050D with BU control suffix; Text
	70411703	Overlay	G and K models with BG control suffix; Text
2	70107001	Pushbutton Switch	
3	N/A	Control Plate Assembly	BY control suffix
	70348801	Control Plate Assembly	H, N, P and S models except models HT050D and ST050D with BU control suffix
	70291001P	Control Plate Kit	H, L, P and S models with BL control suffix
4	501524	Screw	
5	511867P	Control Assembly	
6	M412645	Jumper Wire Assembly	Ground wire
7	44010801P	Control Panel Harness	Non-CE models
	44010901	Control Panel Harness	CE models
8	70054	Nut	
9	N/A	Bypass Jumper Wire	
10	510068P	Card Reader and Bracket Assembly	
11	70208801	Mounting Plate	H, N, P and S models except models HT050D and ST050D with BU control suffix

**N/A = Part no longer available**

**\* NOTE: BL control suffix requires an overlay and overlay cover specific to model.**

# Optional Card Reader Mountings for MDC Models

H, L, N, P and S Models Starting Serial No. 0408000120  
Models with BY Control Suffix



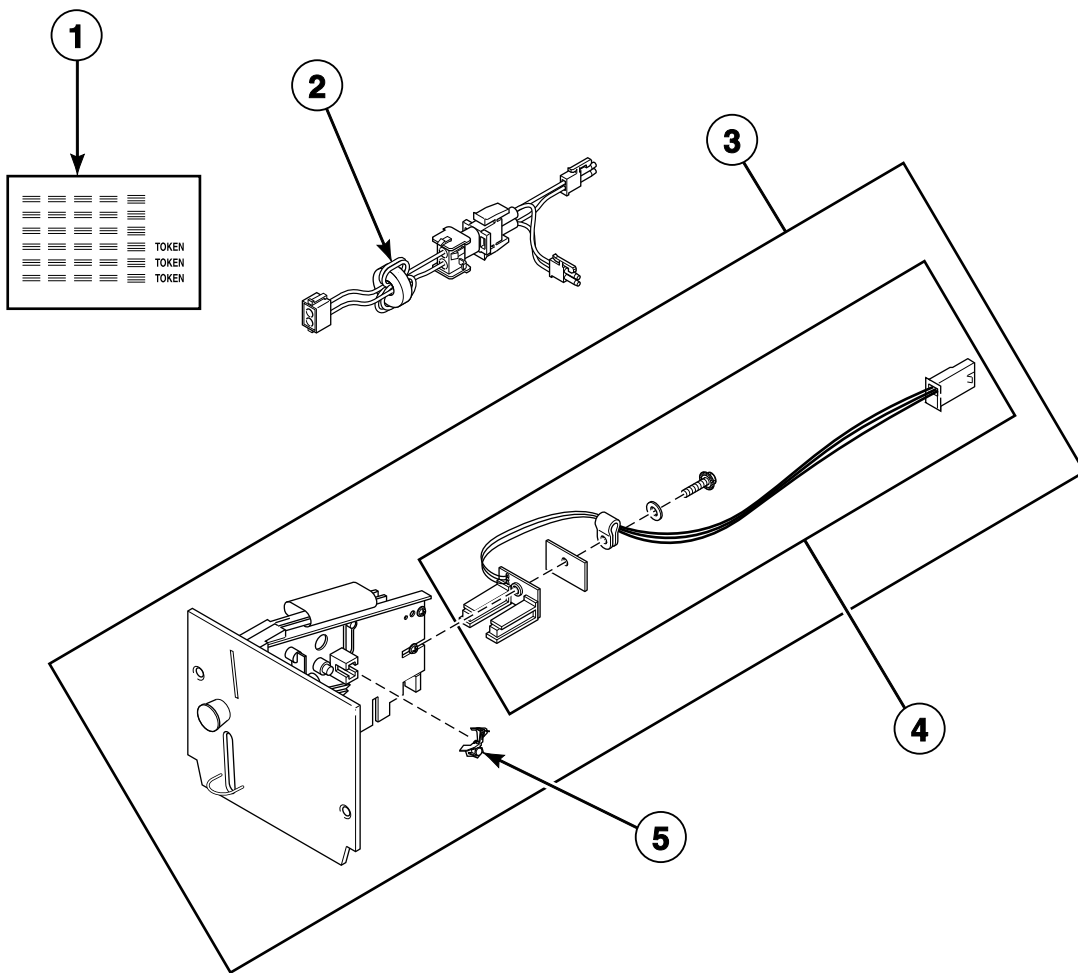
TMB1827B\_70409101

## Optional Card Reader Mountings for MDC Models

REF	PART NO.	DESCRIPTION	COMMENTS
1	70257703	Overlay	S models; Text and icon
	70258003	Overlay	H models; Text and icon
	70304401	Overlay	N models; Text and icon
2	70107001	Pushbutton Switch	
3	70348801	Control Plate Assembly	
4	501524	Screw	4 required
5	70054	Nut	4 required
6	44089501	Slot Card Plate Assembly	Included in literature packet
7	70208801	Mounting Plate	
8	70334201	Card Reader Overlay	Black; Included in literature packet
	70334301	Card Reader Overlay	Gray; Included in literature packet

# Coin Drops

Models with All Control Suffixes Except CD, CX and CY



TMB2921P\_70409101

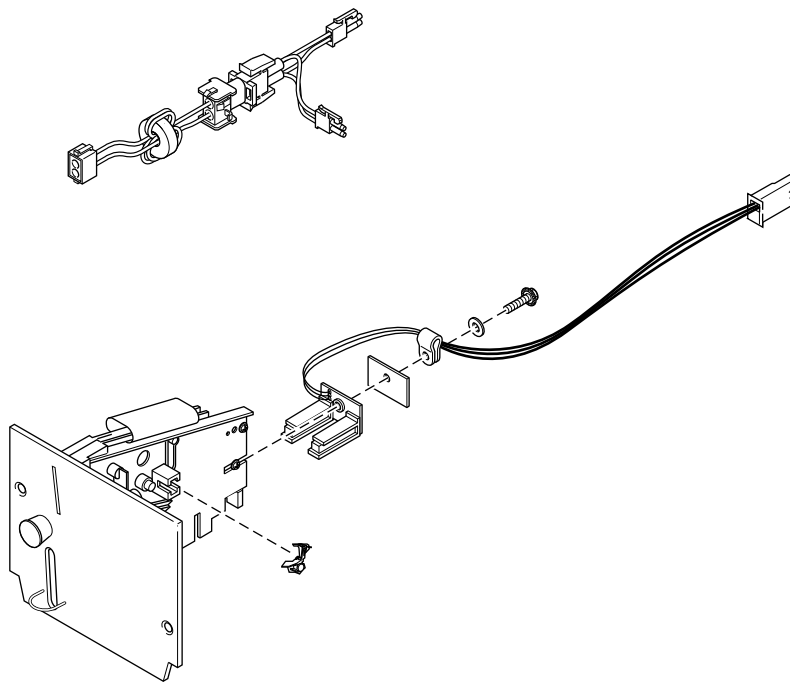
# Coin Drops

REF	PART NO.	DESCRIPTION	COMMENTS
1	38725	Coin Identification Paper	
2	44065801	Electronic Coin Drop Harness	Included in CK502 Electronic Coin Drop Kit
3	70294101P	Electronic Coin Drop Assembly	USA (default), Canada, Japan and Taiwan
	70294103P	Electronic Coin Drop Assembly	United Kingdom (default) and Europe
	70294104	Electronic Coin Drop Assembly	Euro (default), Denmark and Norway
	70294105P	Electronic Coin Drop Assembly	Australian (default), New Zealand, Hong Kong, South Korea and Malaysia
	70294106	Electronic Coin Drop Assembly	Mexico (default), Ecuador and USA dollar
	70294109	Electronic Coin Drop Assembly	Malaysia (default), China, Russia and Singapore
	70294107	Electronic Coin Drop Assembly	Lithuania (default), Latvia and Europe
	70441601P	Coin Drop	USA; \$.25; Single
	70256402P	Coin Drop	USA; \$.25 and \$1.00; Dual
	70429001	Coin Drop	D models; USA
	38475	Coin Drop Assembly	Japan; 100 yen
	38519	Coin Drop Assembly	Japan; 100 and 500 yen
	38467	Coin Drop Assembly	Australia; .20 and 1.00
	39748	Coin Drop	Token; Jeton; CE models
	210195	Coin Drop Assembly	Euro; .20 and 1.00
	210196	Coin Drop Assembly	Euro; .50 and 1.00
	70283102	Coin Drop Assembly	Euro; .20 and .50
	70294111	Electronic Coin Drop Assembly	Euro; .10, .20, .50, 1.00 and 2.00
	38462P	Coin Drop Assembly	Token; 118-1
	38463	Coin Drop Assembly	Token; 118-5
	38464P	Coin Drop Assembly	Canada; .25
	70441602	Coin Drop Assembly	Canada; .25 and 1.00
	38472	Coin Drop Assembly	England; 20 pence and 1 pound
	38521	Coin Drop Assembly	Korea; 100 and 500 won
	N/A	Coin Drop Assembly	New Zealand; .20 and 1.00
	38963P	Coin Drop	Token; 118-16
	39157	Coin Drop Assembly	Israel; Shekel
CK077	Coin Drop Kit	Taiwan; 10 NT	
70281102	Coin Drop Assembly	Taiwan; Dual drop	
44039701P	Coin Drop Assembly	USA; \$.25; DO, DV, DX and RD control suffixes	
44039702	Coin Drop Assembly	Mexico; 2 peso; DO, DV, DX and RD control suffixes	
44039703	Coin Drop Assembly	Token; .880; DO, DV, DX and RD control suffixes	
44039704	Coin Drop Assembly	Japan; 100 yen; DO, DV, DX and RD control suffixes	
44039705	Coin Drop Assembly	England; 20 pence; DO, DV, DX and RD control suffixes	
44039706	Coin Drop Assembly	Token; .800; DO, DV, DX and RD control suffixes	
44039707	Coin Drop Assembly	England; 50 pence; DO, DV, DX and RD control suffixes	
N/A	Coin Drop Assembly	5 and 10 krone	
4	200674P	Opto Coupler	
5	201595P	Wire Guard	

**N/A = Part no longer available**

# Coin Drop Kits

Models with All Control Suffixes Except CD, CX and CY



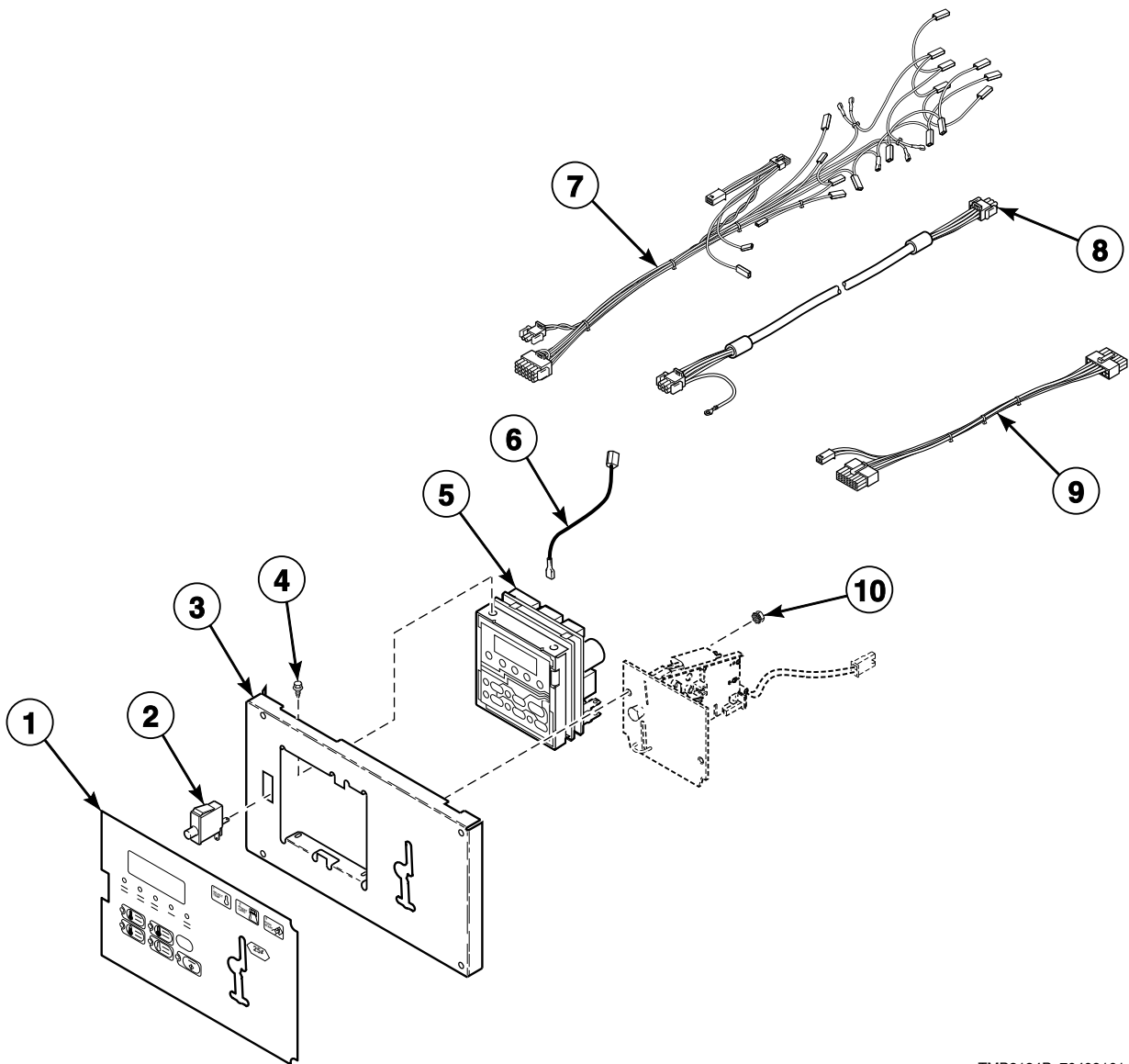
TMB2738PA\_70409101

## Coin Drop Kits

REF	PART NO.	DESCRIPTION	COMMENTS
	CK502	Electronic Coin Drop Kit	Includes 44065801 Electronic Coin Drop Harness and wiring diagram supplement
	CK095	Electronic Coin Drop Kit	USA (default), Canada, Japan and Taiwan; In addition to this kit, order CK502 Electronic Coin Drop Kit
	CK099	Electronic Coin Drop Kit	Australia (default), New Zealand, Hong Kong, South Korea and Malaysia; In addition to this kit, order CK502 Electronic Coin Drop Kit
	CK100	Electronic Coin Drop Kit	United Kingdom (default), and Europe; In addition to this kit, order CK502 Electronic Coin Drop Kit
	CK101	Electronic Coin Drop Kit	Euro (default), Denmark and Norway; In addition to this kit, order CK502 Electronic Coin Drop Kit
	CK103	Electronic Coin Drop Kit	Lithuania (default), Latvia and Europe; In addition to this kit, order CK502 Electronic Coin Drop Kit
	CK106	Electronic Coin Drop Kit	Malaysia (default), China, Russia and Singapore; In addition to this kit, order CK502 Electronic Coin Drop Kit
	CK108	Electronic Coin Drop Kit	South Africa; In addition to this kit, order CK502 Electronic Coin Drop Kit
	CK109	Electronic Coin Drop Kit	Euro; In addition to this kit, order CK502 Electronic Coin Drop Kit

# Coin Drop Components for NetMaster Models

H, L, P and S Models Except HT050D and ST050D  
Models with NC, NX, ZC and ZX Control Suffixes



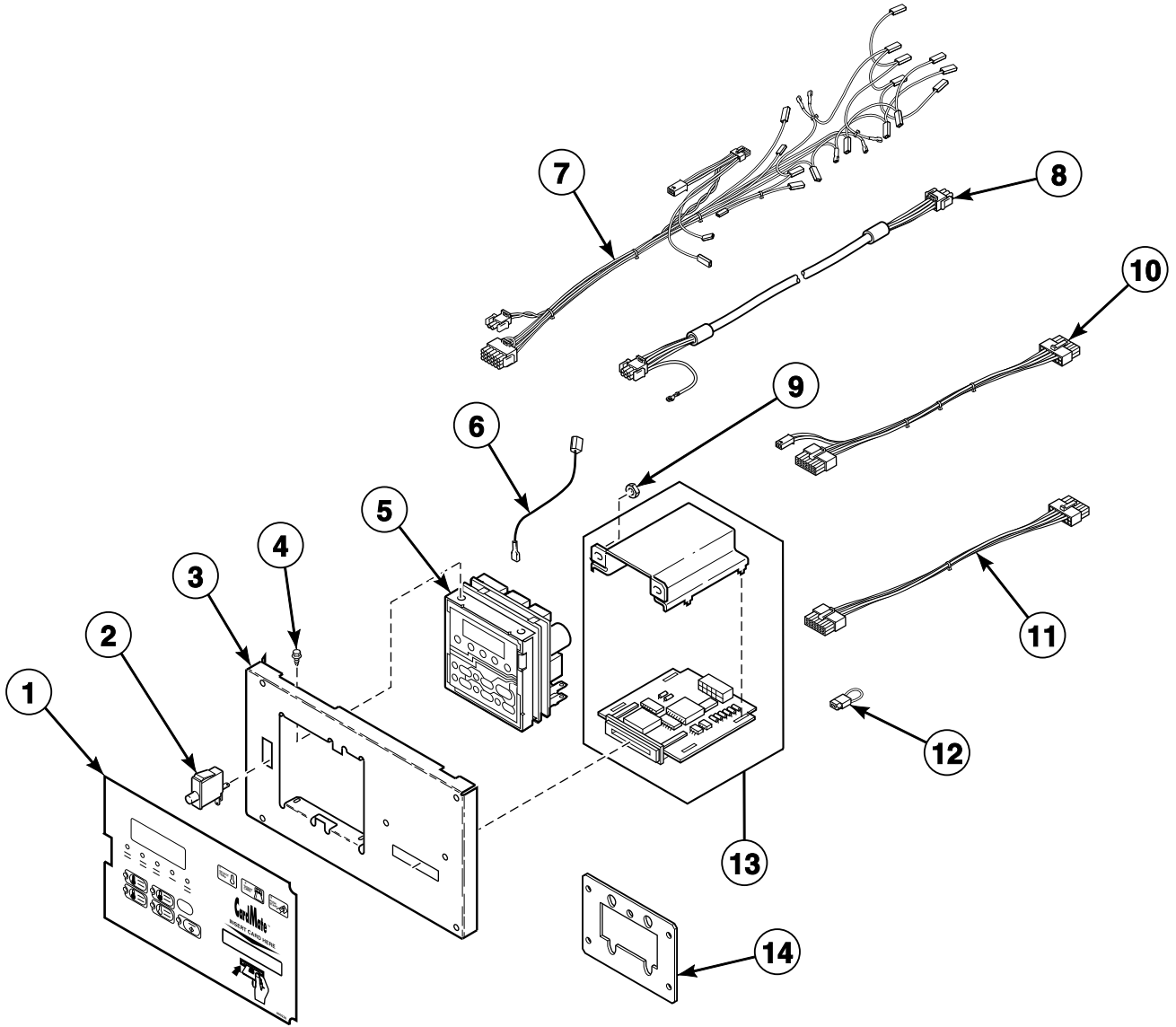
TMB2124P\_70409101

## Coin Drop Components for NetMaster Models

REF	PART NO.	DESCRIPTION	COMMENTS
	70291001P	Control Plate Kit	Includes items 3, 10 and 70292801 Washer
1	70184301	Overlay	S models; Single drop
	70184302	Overlay	S models; Dual drop
	70239601	Overlay	H models; Single drop
	70239602	Overlay	H models; Dual drop
	70129501	Overlay	P models; Single drop
2	70107001	Pushbutton Switch	
3	70175807	Control Plate Assembly	
4	501524	Screw	4 required for mounting control
5	505905P	Control Kit	
6	M412645	Jumper Wire Assembly	Ground wire
7	44010801P	Control Panel Harness	H, P and S non-CE models
	44010901	Control Panel Harness	H, P and S CE models
8	M414875P	Communication Cable	Models HT050L, HT050N, SA050L, SA050N, ST050E, ST050L, ST050N, ST050S and ST050T; ZC and ZX control suffixes
9	800217	Network Wire Harness Assembly	Models HT050L, HT050N, SA050L, SA050N, ST050E, ST050L, ST050N, ST050S and ST050T; ZC and ZX control suffixes
10	29786	Nut	2 required

# Card Reader NetMaster Models

H, L, P and S Models Except HT050D and ST050D  
Models with NR, NY, ZR and ZY Control Suffixes



TMB1368P\_70409101

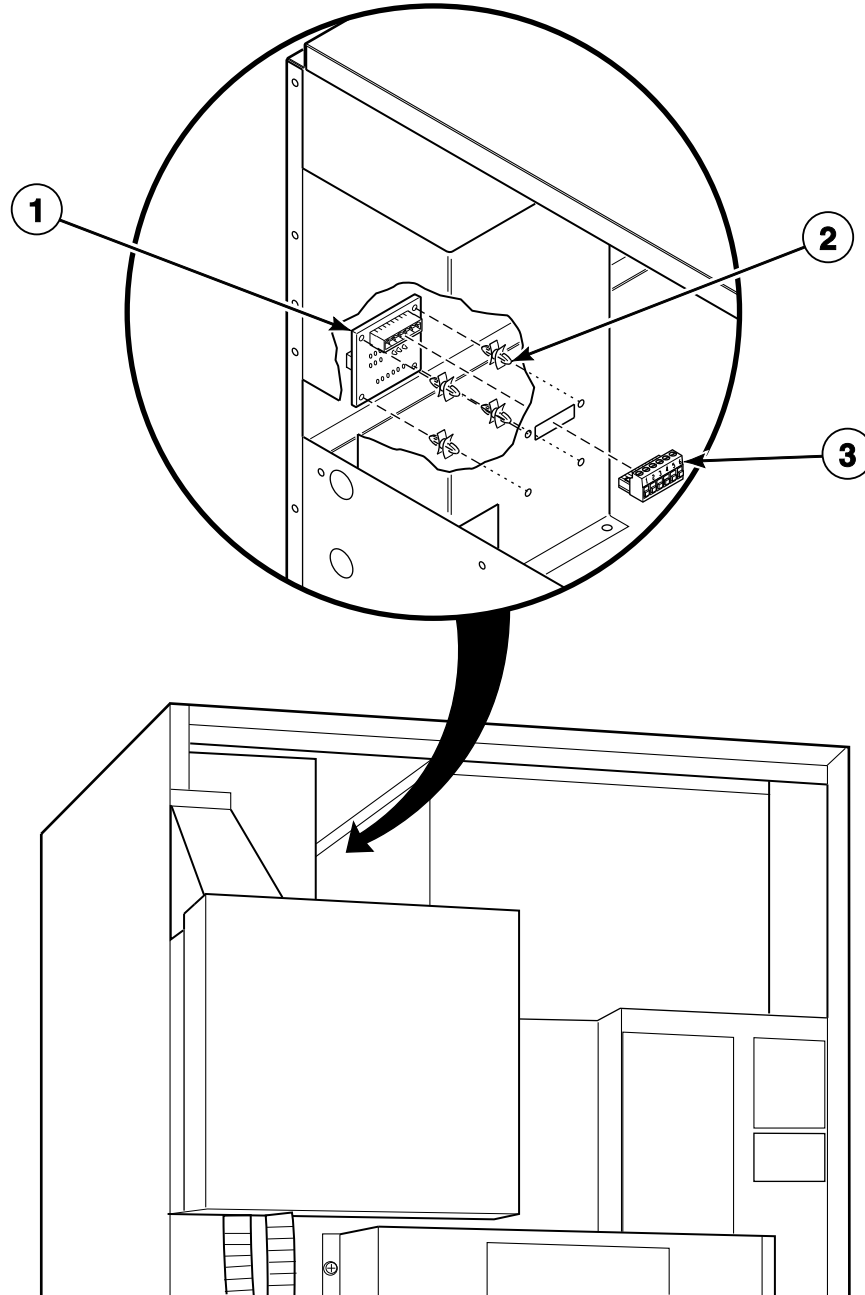
## Card Reader NetMaster Models

REF	PART NO.	DESCRIPTION	COMMENTS
1	N/A	Overlay	ST and SU models; NY control suffix
	70184401	Overlay	S models; NR and ZR control suffixes
	N/A	Overlay	H models; NR and ZR control suffixes
	N/A	Overlay	HT and HU models; NY control suffix
2	70107001	Pushbutton Switch	
3	N/A	Control Plate Assembly	NR and ZR control suffixes
	70348801	Control Plate Assembly	Non-Australian models; NY control suffix
4	501524	Screw	4 required
5	505905P	Control Kit	Includes tape
6	M412645	Jumper Wire Assembly	Ground wire
7	44010801P	Control Panel Harness	H, L, P and S non-CE models
	44010901	Control Panel Harness	H, P and S CE models
8	M414875P	Communication Cable	Models HT050L, HT050N, SA050L, SA050N, ST050E, ST050L, ST050N, ST050S and ST050T; ZR control suffix
9	70054	Nut	2 required for models with NR and ZR control suffixes; 4 required for non-Australian models with NY control suffix
10	800217	Network Wire Harness Assembly	Models HT050L, HT050N, SA050L, SA050N, ST050E, ST050L, ST050N, ST050S and ST050T; ZR control suffix
11	70206601	Card Reader Network Harness Assembly	Models HT050L, HT050N, SA050L, SA050N, ST050E, ST050L, ST050N, ST050S and ST050T; ZR control suffix
	70211801	Card Reader Harness Assembly	NR control suffix
12	N/A	Bypass Jumper Wire	
13	510068P	Card Reader and Bracket Assembly	NR and ZR control suffixes
14	70208801	Mounting Plate	Non-Australian models; NY control suffix

**N/A = Part no longer available**

# Network Connection for NetMaster Models

Models HT050L, HT050N, SA050L, SA050N, ST050E, ST050L, ST050N, ST050S and ST050T  
Models with ZC, ZR, ZX and ZY Control Suffixes

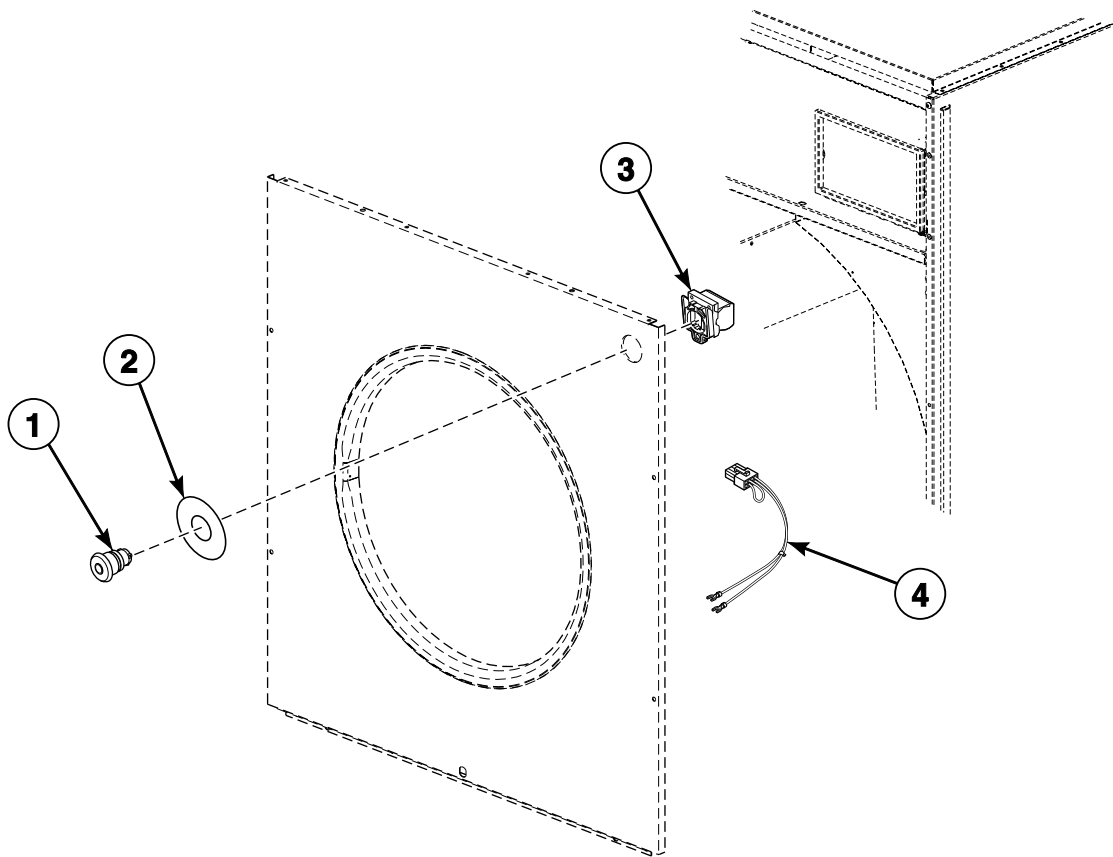


TMB2694P\_70409101

## Network Connection for NetMaster Models

REF	PART NO.	DESCRIPTION	COMMENTS
	210016P	Network Board Assembly	ZC, ZR and ZX control suffixes
1	210095P	Communication Board	
2	210098	PC Board Standoff	4 required
3	210099	Communication Connector	

# Emergency Stop Button - CE Models



TMB2386P\_70409101

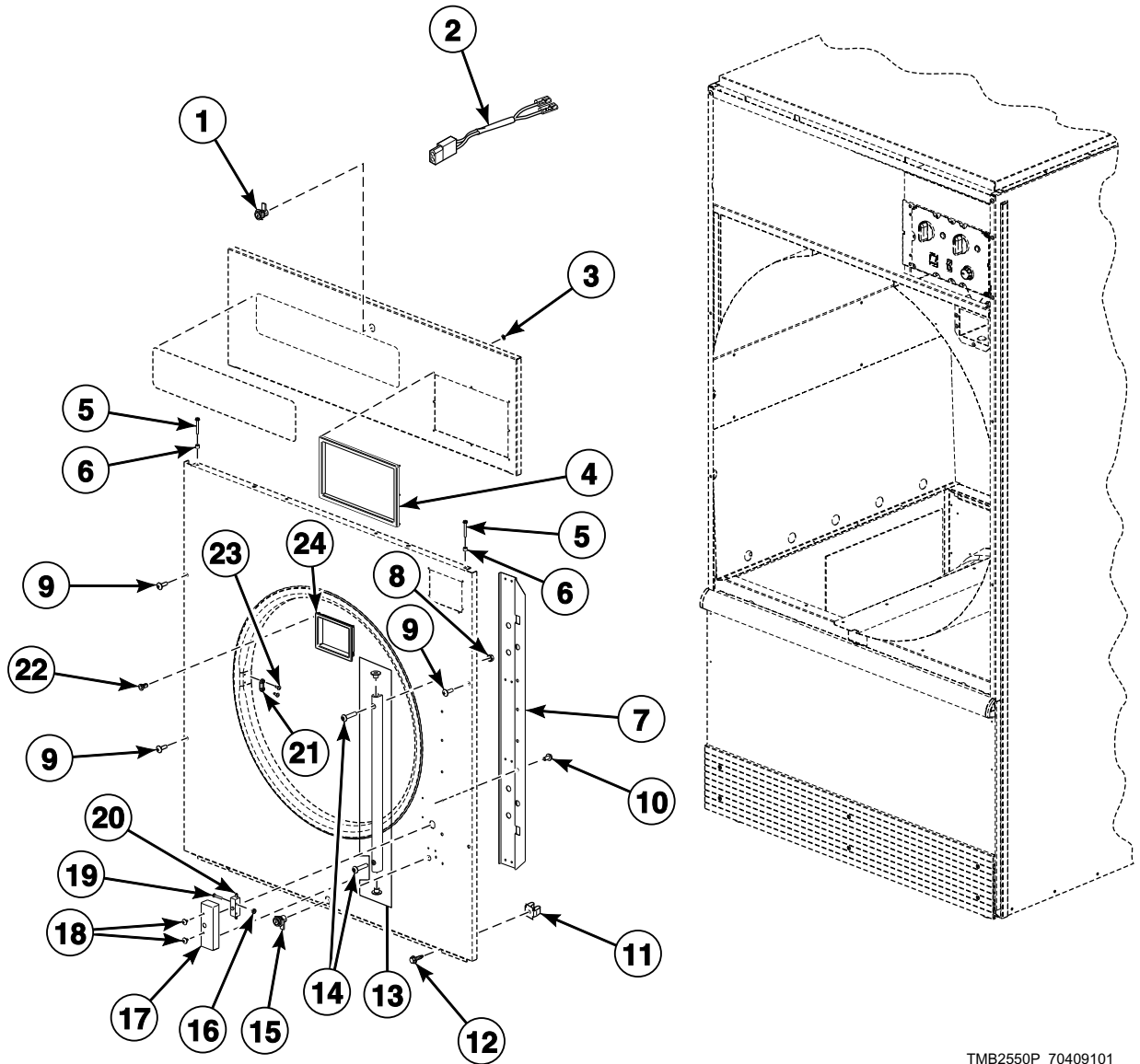
## Emergency Stop Button - CE Models

REF	PART NO.	DESCRIPTION	COMMENTS
	F200233700P	Emergency Stop Button Kit	To switch from old style button to new style button
1	44018801	Pushbutton	Models through 9/30/07
	F200233500	Emergency Stop Pushbutton	Models starting 10/1/07
2	M412235	Emergency Stop Label	
3	44018701	Contact Block	Models through 9/30/07
	44018901	Contact Block	Models through 9/30/07; Order in addition to 44018701 Contact Block on models with 3O and R3 control suffixes
	F200233401	Contact Block Switch	Models starting 10/1/07; Replaces 44018701 Contact Block
	F8069501	Contact Switch	Models starting 10/1/07; Replaces 44018901 Contact Block; Order in addition to F200233700P Emergency Stop Button Kit on models with 3O and R3 control suffixes starting 7/11/05
4	70083901	Emergency Stop Switch Harness Assembly	G models starting Serial No. 0707008006; K models; H, S and U models starting Serial No. 0308001308; D models starting Serial No. 0704000046
	44063201P	Front Panel Harness Assembly	D models; Models starting Serial No. 0704000046
	N/A	Emergency Stop Harness	D models; Models starting Serial No. 0704000046

**N/A = Part no longer available**

# Cabinet Front Components (Drawing 1 of 2)

All Models Through Serial No. 0308001307; D and I Models Starting Serial No. 0308001308 Through Serial No. 0703023529;  
C, L, P and Y Models Starting Serial No. 0308001308; G Models Through Serial No. 0110002231 and Starting Again  
Serial No. 0707008006 Through Serial No. 0708020563; K Models Through Serial No. 0708020563



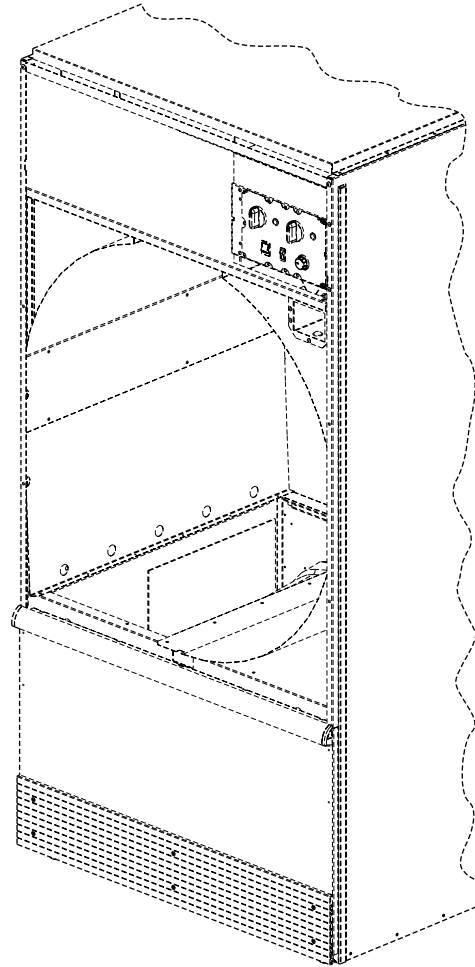
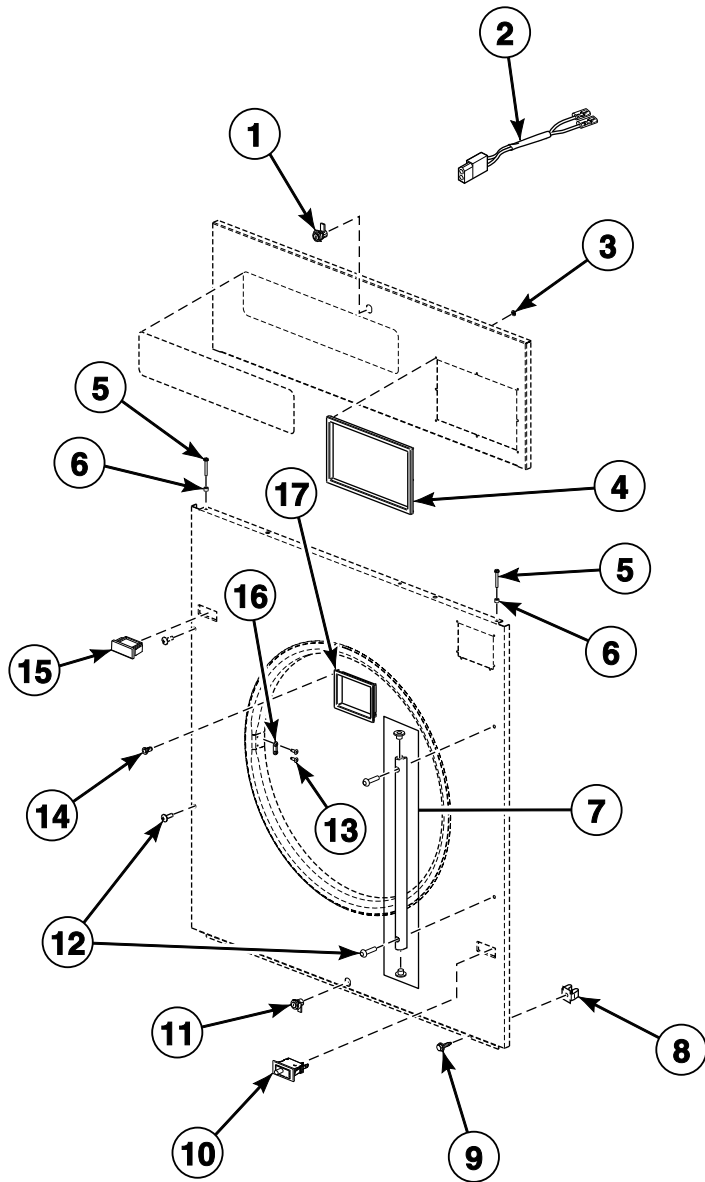
TMB2550P\_70409101

## Cabinet Front Components (Drawing 1 of 2)

REF	PART NO.	DESCRIPTION	COMMENTS
	M4379P4	Tumbler Dolly Kit	
1	44089301P	Lock, Key and Nut Kit	Control panel; RL001 key code; Optional if same key is to be used for control lock
	70155601	Key	RL001
2	44023001	Coin Vault Switch Harness	BC, BX, NC, NX, ZC and ZX control suffixes
3	M400977	Nut	Push; 8 required
4	44016301	Control Trim	H models
	44016401	Control Trim	All other models
5	70275801	Screw	
6	56079	Panel Locator	
7	44001801	Door Switch Wire Channel	Models through Serial No. 020802178
8	29786	Nut	
9	70033502	Screw	
	70182601	Screw	For stainless steel panel
10	44023301	Screw	
11	70030501	Expansion Clip	Upper and lower front panel attachment
12	M411072	Screw	6 required; For front panel
13	44035001	Door Hinge Lug Assembly	
14	70033504	Screw	
15	44089301P	Lock, Key and Nut Kit	Lint panel; RL001 key code; Optional if same key is to be used for control lock
	70155601	Key	RL001
	44089302P	Lock, Key and Nut Kit	Lint panel; RL002 key code; Standard coin and card models
	70155602	Key	RL002
16	02788	Nut	
17	44001301	Door Switch Cover	
18	431287	Screw	
19	M402574	Screw	
20	44018201	Door Switch	
21	M401223	Door Latch	
22	M400972	Shadow Box Clip	6 required for item 24
23	M400003	Pop Rivet	
24	70117501	Coin Vault Trim	H models
	70117502	Coin Vault Trim	C, D, G, I, K, L, P and S models

# Cabinet Front Components (Drawing 2 of 2)

A, H, N, S and U Models Starting Serial No. 0308001308; D and I Models Starting Serial No. 0704000046;  
G and K Models Starting Serial No. 0709000027



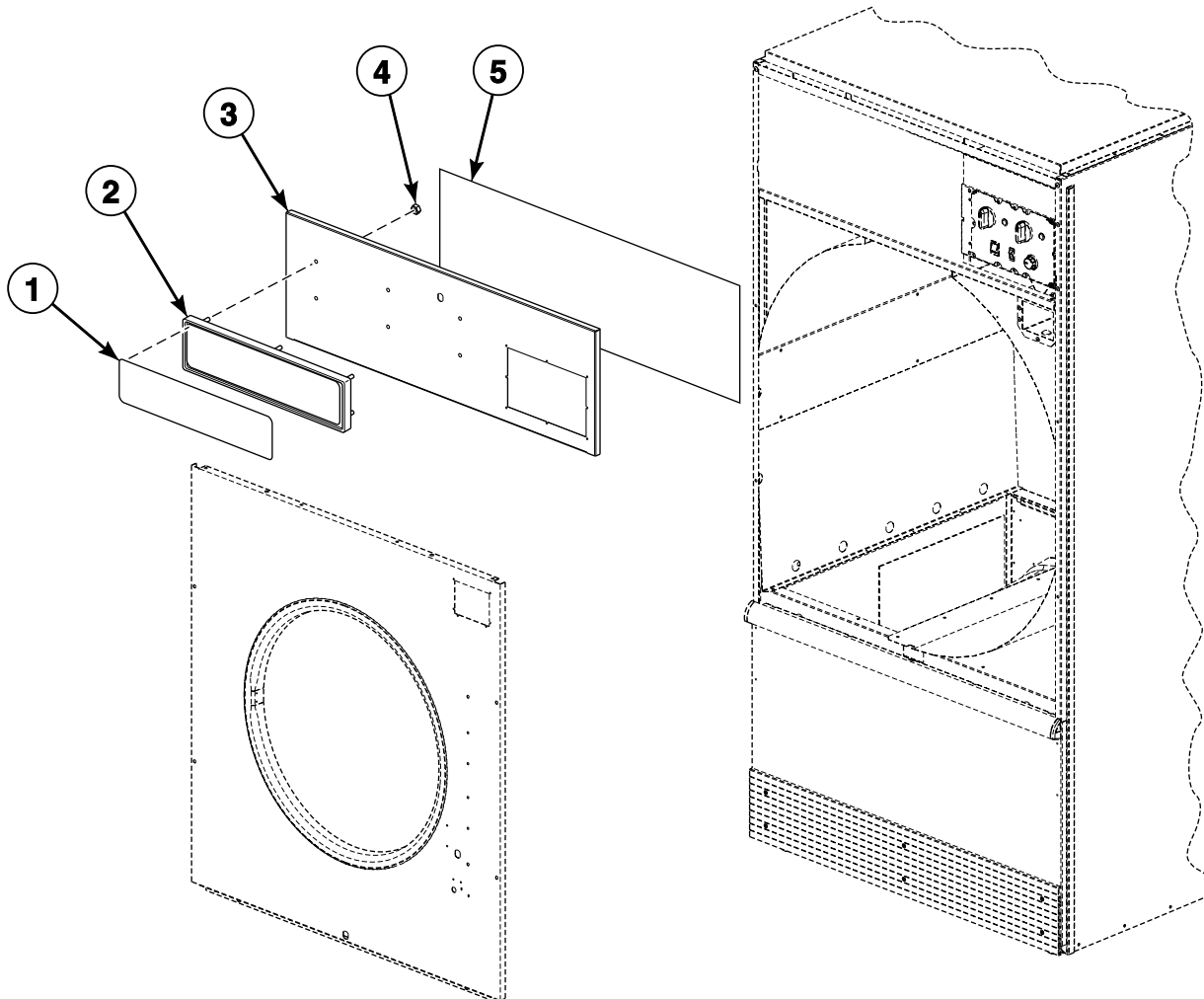
TMB2553P\_70409101

## Cabinet Front Components (Drawing 2 of 2)

REF	PART NO.	DESCRIPTION	COMMENTS
	M4379P4	Tumbler Dolly Kit	
1	44089301P	Lock, Key and Nut Kit	RL001 key code; Control panel; Optional if same key is to be used for control lock
	70155601	Key	RL001
2	44023001	Coin Vault Switch Harness	BC, BX, NC, NX, ZC and ZX control suffixes
3	M400977	Nut	8 required per control trim
4	44016301	Control Trim	H models
	44016401	Control Trim	A, G, K, S and U models
5	70275801	Screw	4 required
6	56079	Panel Locator	2 required
7	44035001	Door Hinge Lug Assembly	
8	70030501	Expansion Clip	
9	M411072	Screw	4 required; Front panel; Bottom
10	70107001	Pushbutton Switch	Door switch
11	44089301P	Lock, Key and Nut Kit	RL001 key code; Lint panel; Optional if same key is to be used for control lock
	70155601	Key	RL001
	44089302P	Lock, Key and Nut Kit	RL002 key code; Lint panel; Standard coin and card models
	70155602	Key	RL002
12	70033502	Screw	4 required for painted panels; 2 required for stainless steel panels in addition to 2 of 70182601 Screw
	70182601	Screw	2 required for stainless steel panels in addition to 2 of 70033502 Screw
13	M400003	Pop Rivet	2 per door latch; 1/8 inch
14	M400972	Shadow Box Clip	6 required
15	44057801W	Switch Hole Plug	White
	44057801Q	Switch Hole Plug	Bisque
	44057801B	Switch Hole Plug	Black; For stainless steel and turquoise models
16	M401223	Door Latch	2 required
17	70117501	Coin Vault Trim	H models; Gray
	70117502	Coin Vault Trim	A, G, K, S and U models; Black

# Cabinet Panels and Nameplates (Drawing 1 of 2)

All Models Through Serial No. 0308001307; D and I Models Starting Serial No. 0308001308 Through Serial No. 0703023529;  
C, L, P and Y Models Starting Serial No. 0308001308; G Models Through Serial No. 0110002231 and Starting Again  
Serial No. 0707008006 Through Serial No. 0708020563; K Models Through Serial No. 0708020563



TMB2551P\_70409101

## Cabinet Panels and Nameplates (Drawing 1 of 2)

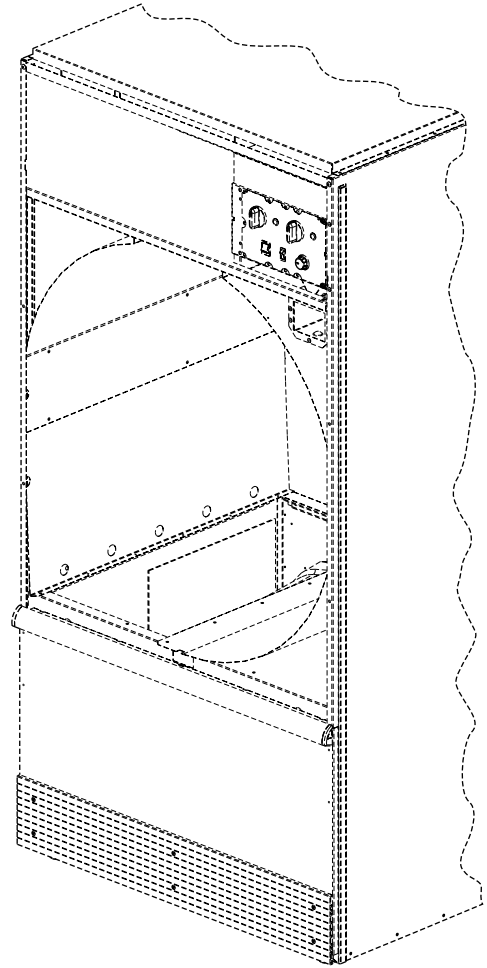
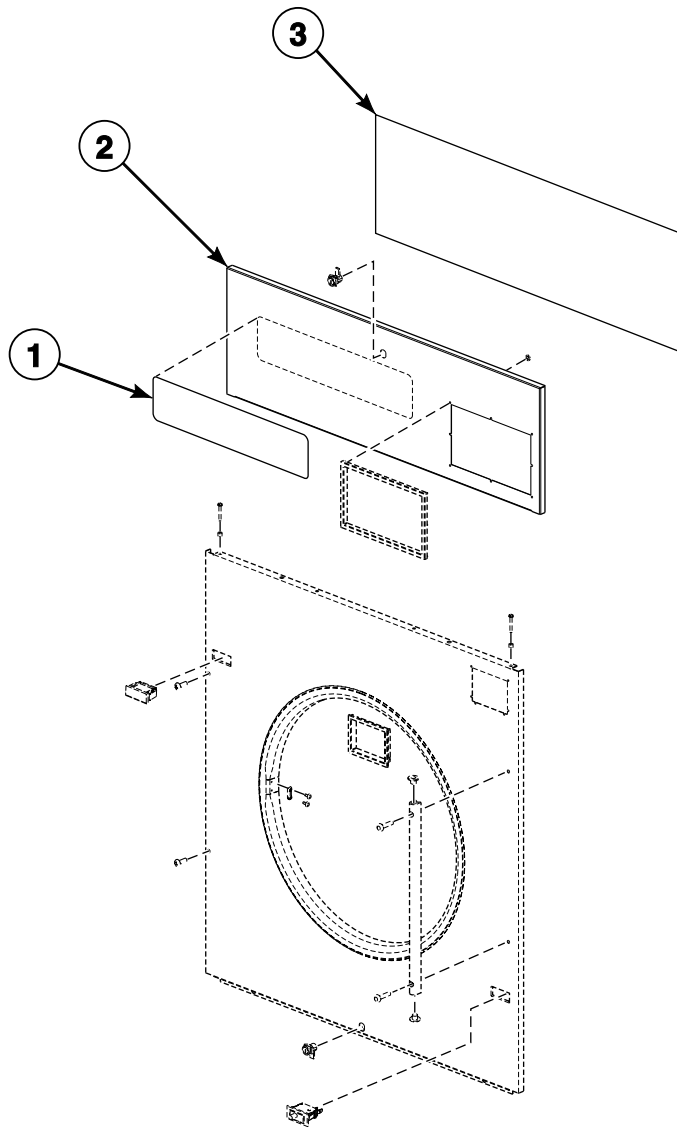
REF	PART NO.	DESCRIPTION	COMMENTS
1	44010401	Nameplate	H models
	44010601	Nameplate	S models
	N/A	Nameplate Overlay	A models
	M412963	Nameplate Overlay	U models
	70128901	Nameplate Overlay	P models
	70243901	Nameplate	L models
	44104501	Nameplate Overlay	Y models
	44062901	Nameplate	C models
	44046801	Nameplate	D and I models
	44130301	Nameplate Overlay	K models
	70410201	Nameplate Overlay	G models; Models starting Serial No. 0707008006
2	70117401	Nameplate Bezel	L and P models
3	44000117*P	Control Panel	A, H, P, S and U models
	44000118P	Control Panel	A, H, P, S and U models; Stainless steel
	44000119*	Control Panel	GT and GU models; Models through Serial No. 0110002231
	N/A	Control Panel	GT and GU models; Models through Serial No. 0110002231; Stainless steel
	44000117BP	Control Panel	L models
	N/A	Control Panel	Y models
	N/A	Control Panel	Y models; Stainless steel
	44040001*P	Control Panel	C, D and I models; 3O, 3V, 3X, CD, MT, R3 and RT control suffixes; Manual
	44040002	Control Panel	C, D and I models; 3O, 3V, 3X, CD, MT, R3 and RT control suffixes; Manual; Stainless steel
	44040003*	Control Panel	C, D and I models; DO, DV and RD control suffixes; Electronic
	44040004	Control Panel	C, D and I models; DO, DV and RD control suffixes; Electronic; Stainless steel
	44040005*	Control Panel	G models starting Serial No. 0707008006; K models
	44040006	Control Panel	G models starting Serial No. 0707008006; K models; Stainless steel
4	M400977	Nut	L and P models
5	44020601	Insulation	Used inside access panel

\* Add Letter To Designate Color. L - Almond P - Turquoise Q - Bisque W - White

N/A = Part no longer available

# Cabinet Panels and Nameplates (Drawing 2 of 2)

A, H, N, S and U Models Starting Serial No. 0308001308; D and I Models Starting Serial No. 0704000046;  
G and K Models Starting Serial No. 0709000027



TMB2554P\_70409101

## Cabinet Panels and Nameplates (Drawing 2 of 2)

REF	PART NO.	DESCRIPTION	COMMENTS
<b>1</b>	44010401	Nameplate	H models
	44010601	Nameplate	S models
	N/A	Nameplate Overlay	A models
	M412963	Nameplate Overlay	U models
	44035801	Nameplate	N models
	44046801	Nameplate	D and I models
	70410201	Nameplate Overlay	G models
	44130301	Nameplate Overlay	K models
<b>2</b>	44040001*P	Control Panel	D and I models with 3O, 3V, 3X, CD, MT, R3 and RT control suffixes; Manual
	44040002	Control Panel	D and I models with 3O, 3V, 3X, CD, MT, R3 and RT control suffixes; Manual; Stainless steel
	44040003*	Control Panel	D and I models with DO, DV and RD control suffixes; Electronic
	44040004	Control Panel	D and I models with DO, DV and RD control suffixes; Electronic; Stainless steel
	44000117*P	Control Panel	All other models
	44000118P	Control Panel	All other models; Stainless steel
<b>3</b>	44020601	Insulation	Used inside access panel

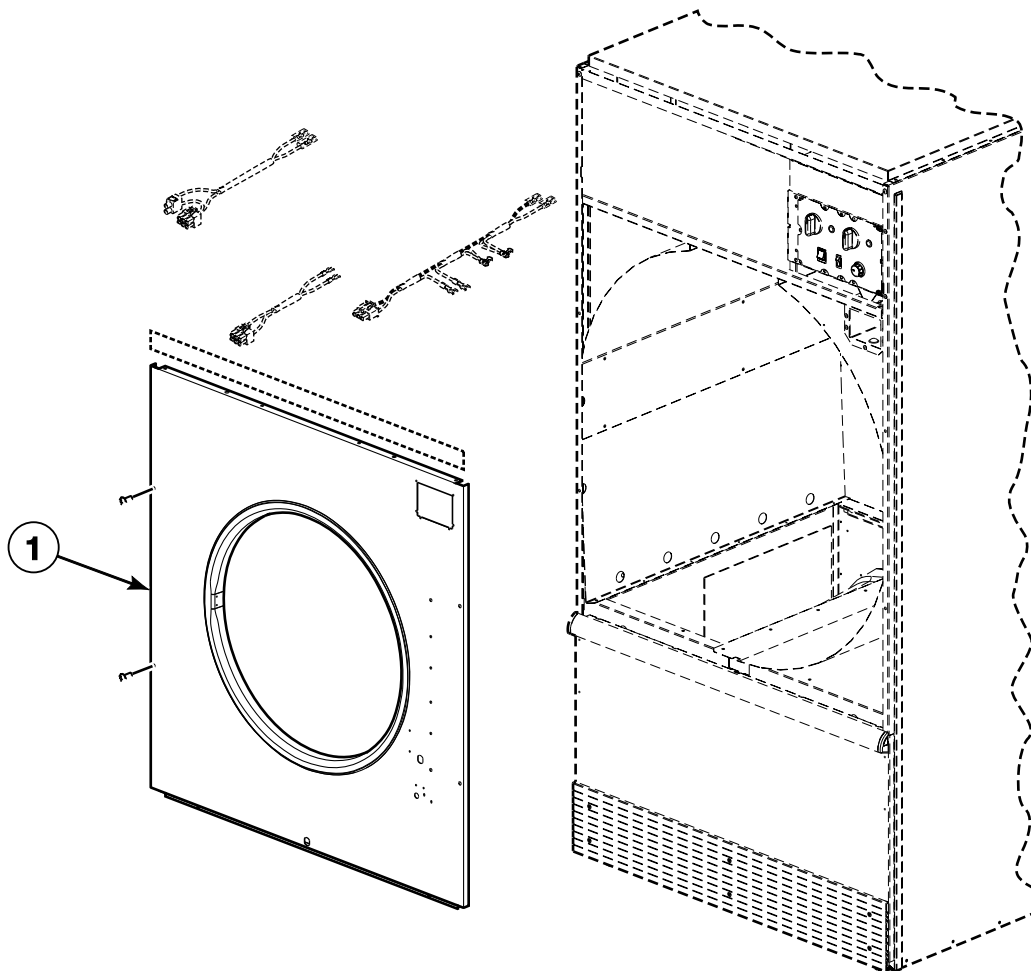
\* Add Letter To Designate Color. L - Almond Q - Bisque W - White

N/A = Part no longer available

NOTE: All front panel assemblies include M401223 Door Latch and 2 of M400003 Pop Rivet

# Front Panel Assemblies (Drawing 1 of 3)

All Models Through Serial No. 0308001307; D and I Models Starting Serial No. 0308001308 Through Serial No. 0703023529;  
C, L, P and Y Models Starting Serial No. 0308001308; G Models Through Serial No. 0110002231 and Starting Again  
Serial No. 0707008006 Through Serial No. 0708020563; K Models Through Serial No. 0708020563



TMB2552PA\_70409101

## Front Panel Assemblies (Drawing 1 of 3)

REF	PART NO.	DESCRIPTION	COMMENTS
1	44077801*P	Front Panel Assembly	BC, BX, CD, CX, DV, NC, NX, SD, SX, ZC and ZX control suffixes through Serial No. 0308001307
	44077802P	Front Panel Assembly	BC, BX, CD, CX, DV, NC, NX, SD, SX, ZC and ZX control suffixes through Serial No. 0308001307; Stainless steel
	N/A	Front Panel Assembly	BL, BU, BY, CY, DV, NR, NY, ZR and ZY control suffixes through Serial No. 0308001307
	N/A	Front Panel Assembly	BL, BU, BY, CY, DV, NR, NY, ZR and ZY control suffixes through Serial No. 0308001307; Stainless steel
	44077805*P	Front Panel Assembly	Non-CE models; Models through Serial No. 0308001307; DO, MT, OM, QT, RD, RM, RQ and RT control suffixes
	44077806P	Front Panel Assembly	Non-CE models; Models through Serial No. 0308001307; DO, MT, OM, QT, RD, RM, RQ and RT control suffixes; Stainless steel
	44077811*P	Front Panel Assembly	CE models; Models through Serial No. 0308001307; DO, MT, OM, QT, RD, RM, RQ and RT control suffixes
	44077812	Front Panel Assembly	CE models; Models through Serial No. 0308001307; DO, MT, OM, QT, RD, RM, RQ and RT control suffixes; Stainless steel
	44077909*	Front Panel Assembly	C, D, I, L and P models starting Serial No. 0308001308; GT and GU models through Serial No. 0110002231; BC, BX, CD, CX, DV, NC, NX, SD, SX, ZC and ZX control suffixes
	44077910	Front Panel Assembly	C, D, I, L and P models starting Serial No. 0308001308; GT and GU models through Serial No. 0110002231; BC, BX, CD, CX, DV, NC, NX, SD, SX, ZC and ZX control suffixes; Stainless steel
	44077911*	Front Panel Assembly	C, D, I, L, P and Y models starting Serial No. 0308001308; GT and GU models through Serial No. 0110002231; BL, BU, BY, CY, DV, NR, NY, ZR, and ZY control suffixes
	44077912	Front Panel Assembly	C, D, I, L, P and Y models starting Serial No. 0308001308; GT and GU models through Serial No. 0110002231; BL, BU, BY, CY, DV, NR, NY, ZR, and ZY control suffixes; Stainless steel
	44077913*P	Front Panel Assembly	C, D, I, L, P and Y non-CE models starting Serial No. 0308001308; GA and GT models through Serial No. 0110002231 and starting again Serial No. 0707008006; KA and KT models; DO, MT, OM, QT, R3, RD, RM, RQ and RT control suffixes
	44077914	Front Panel Assembly	C, D, I, L, P and Y non-CE models starting Serial No. 0308001308; GA and GT models through Serial No. 0110002231 and starting again Serial No. 0707008006; KA and KT models; DO, MT, OM, QT, R3, RD, RM, RQ and RT control suffixes; Stainless steel
	44077915*P	Front Panel Assembly	C, D, L and P CE models starting Serial No. 0308001308; GU models through Serial No. 0110002231 and starting again Serial No. 0707008006; KU models; DO, MT, OM, QT, R3, RD, RM, RQ and RT control suffixes
	44077916	Front Panel Assembly	C, D, L and P CE models starting Serial No. 0308001308; GU models through Serial No. 0110002231 and starting again Serial No. 0707008006; KU models; DO, MT, OM, QT, R3, RD, RM, RQ and RT control suffixes; Stainless steel

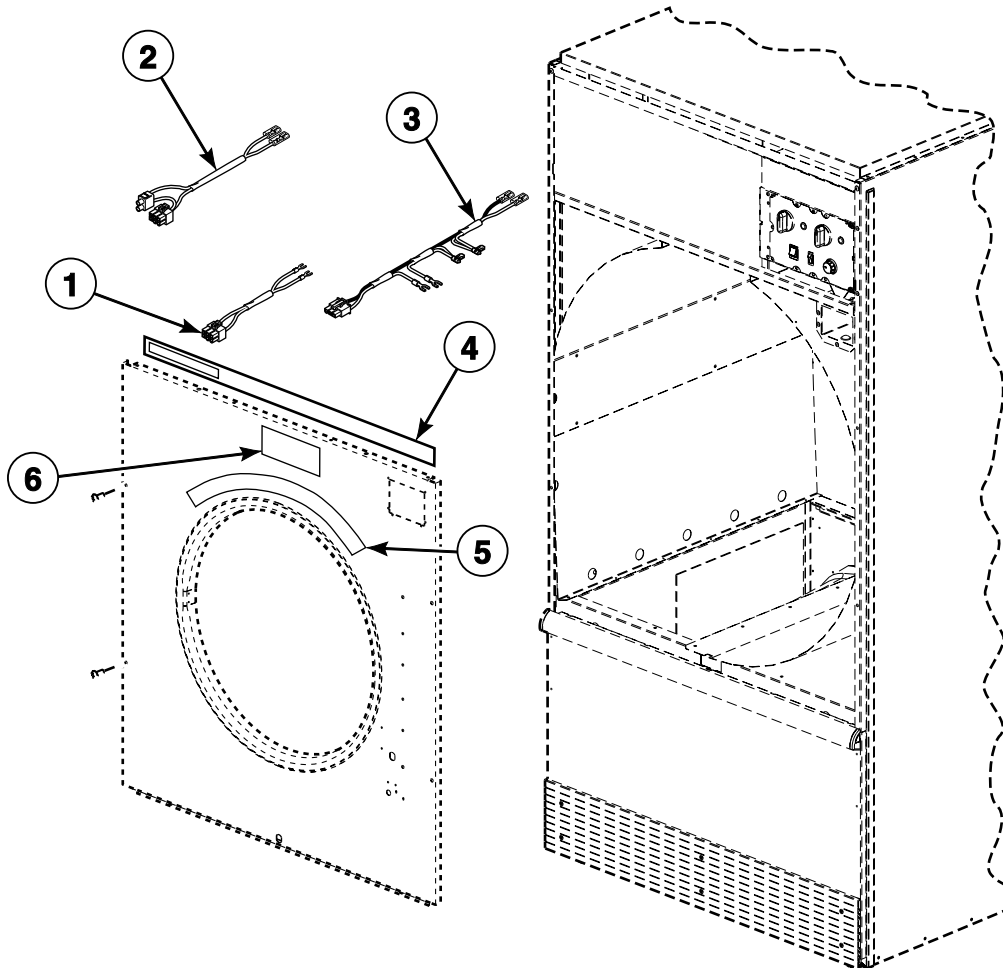
\* Add Letter To Designate Color. L - Almond P - Turquoise Q - Bisque W - White

N/A = Part no longer available

NOTE: All front panel assemblies include M401223 Door Latch and 2 of M400003 Pop Rivet

## Front Panel Assemblies (Drawing 2 of 3)

All Models Through Serial No. 0308001307; D and I Models Starting Serial No. 0308001308 Through Serial No. 0703023529;  
C, L, P and Y Models Starting Serial No. 0308001308; G Models Through Serial No. 0110002231 and Starting Again  
Serial No. 0707008006 Through Serial No. 0708020563; K Models Through Serial No. 0708020563



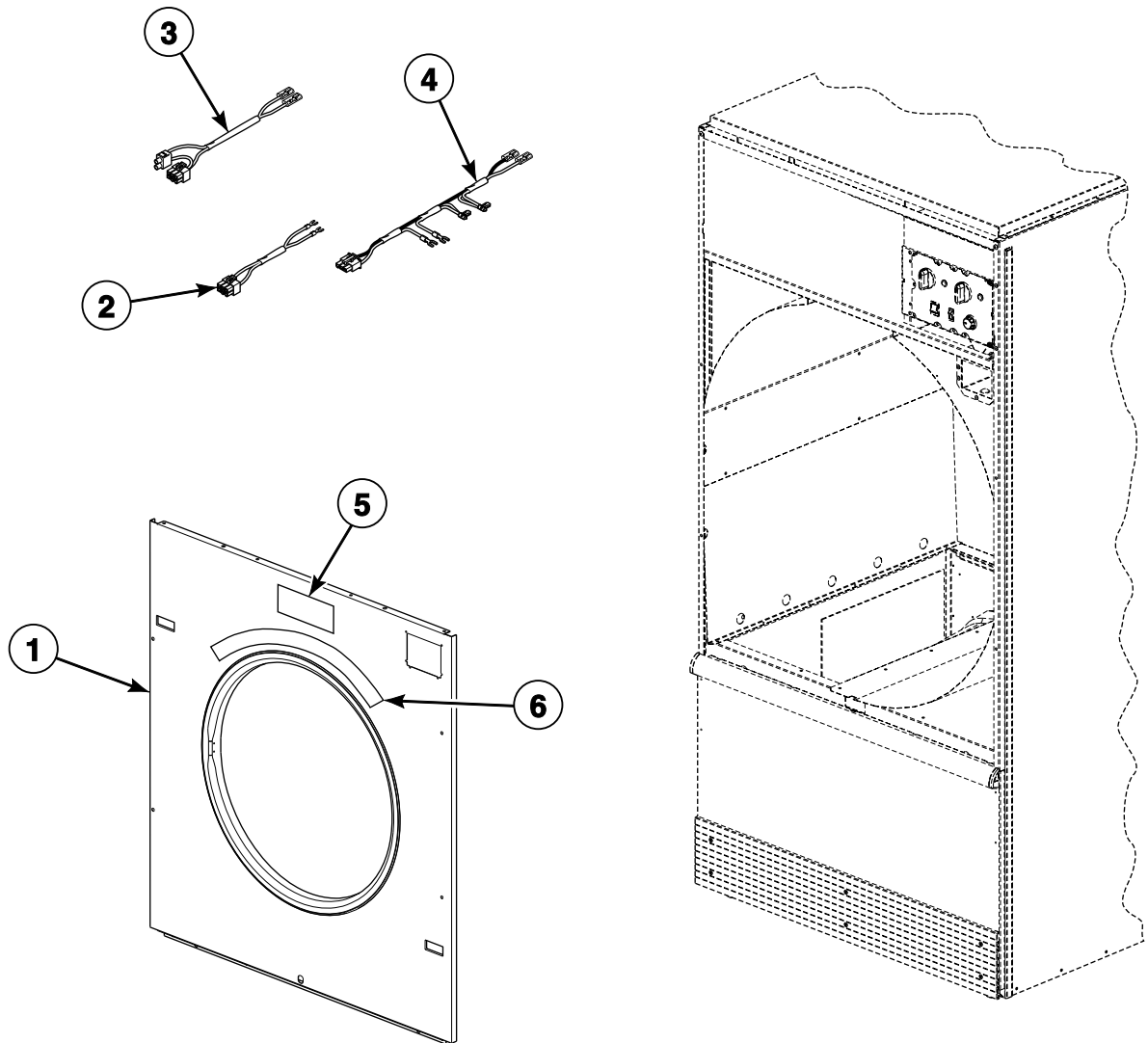
TMB2808P\_70409101

## Front Panel Assemblies (Drawing 2 of 3)

REF	PART NO.	DESCRIPTION	COMMENTS
1	70083901	Emergency Stop Switch Harness Assembly	Use with item 2
2	44063201P	Front Panel Harness Assembly	H, L, P, S and U CE models; GU models through Serial No. 0110002231; Use with item 1
3	44006901	Front Panel Harness	A, H, L, N, P, S, U and Y non-CE models; GT models through Serial No. 0110002231
	44007001P	Front Panel Harness	Non-coin; H, L, P, S and U CE models; GU models through Serial No. 0110002231
	44047801	Front Panel Harness Assembly	C, D and I non-CE models; DO, MT, RD and RT control suffixes; Models without emergency stop
	44063101P	Front Panel Harness Assembly	A, H, L, N, P, S, U and Y non-CE models; GT models through Serial No. 0110002231; Models without emergency stop
	44047901	Front Panel Harness Assembly	C and D CE models; DO, MT, RD and RT control suffixes
4	70399402	Access Panel Trim	G models starting Serial No. 0707008006; K models; Mounts over front panel assembly and control panel
5	M410892	Warning Label	
6	44128901	Fire Suppression System Label	G and K models

# Front Panel Assemblies (Drawing 3 of 3)

A, H, N, S and U Models Starting Serial No. 0308001308; D and I Models Starting Serial No. 0704000046;  
G and K Models Starting Serial No. 0709000027



TMB2809P\_70409101

## Front Panel Assemblies (Drawing 3 of 3)

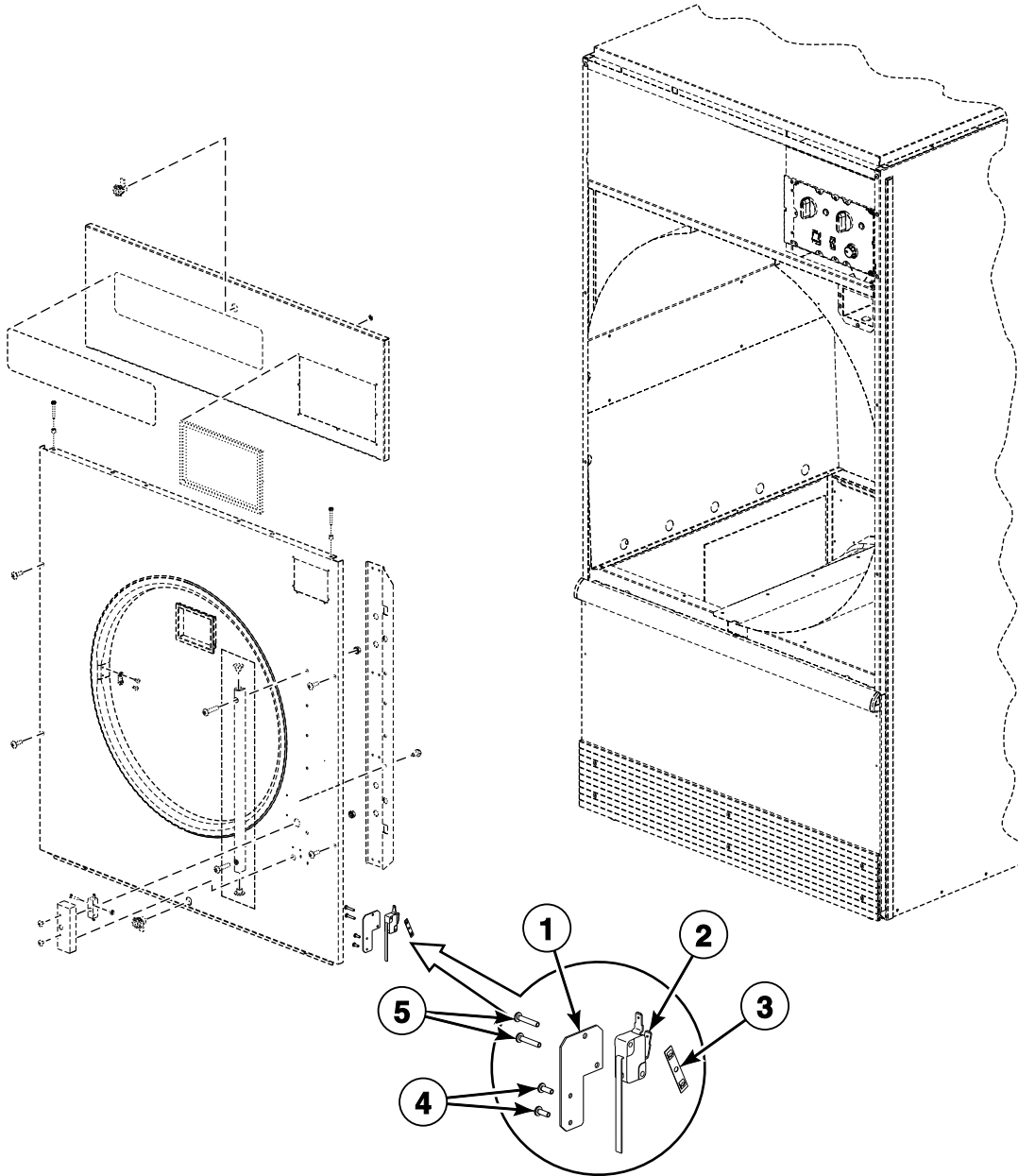
REF	PART NO.	DESCRIPTION	COMMENTS
1	44077901*P	Front Panel Assembly	BC, BX, CD, CX, NC, NX, SD, SX, ZC and ZX control suffixes
	44077902P	Front Panel Assembly	BC, BX, CD, CX, NC, NX, SD, SX, ZC and ZX control suffixes; Stainless steel
	44077903*	Front Panel Assembly	BL, BU, BY, CY, NR, NY, ZR and ZY control suffixes
	44077904P	Front Panel Assembly	BL, BU, BY, CY, NR, NY, ZR and ZY control suffixes; Stainless steel
	44077905*P	Front Panel Assembly	Non-CE models; MT, OM, QT, RM, RQ and RT control suffixes
	44077906P	Front Panel Assembly	Non-CE models; MT, OM, QT, RM, RQ and RT control suffixes; Stainless steel
	44077907*P	Front Panel Assembly	CE models; 3O, MT, OM, QT, R3, RM, RQ and RT control suffixes
	44077908	Front Panel Assembly	CE models; 3O, MT, OM, QT, R3, RM, RQ and RT control suffixes; Stainless steel
2	70083901	Emergency Stop Switch Harness Assembly	Use with item 3
3	44063201P	Front Panel Harness Assembly	Use with item 2
4	44063101P	Front Panel Harness Assembly	Models without emergency stop
5	44128901	Fire Suppression System Label	G and K models
6	M410892	Warning Label	

\* Add Letter To Designate Color. L - Almond P - Turquoise Q - Bisque W - White

NOTE: All front panel assemblies include M401223 Door Latch and 2 of M400003 Pop Rivet

# Lint Panel Switch Assembly - Models Through Serial No. 020802177

All models except C, D, GA, I, K, LA and Thermal Oil models

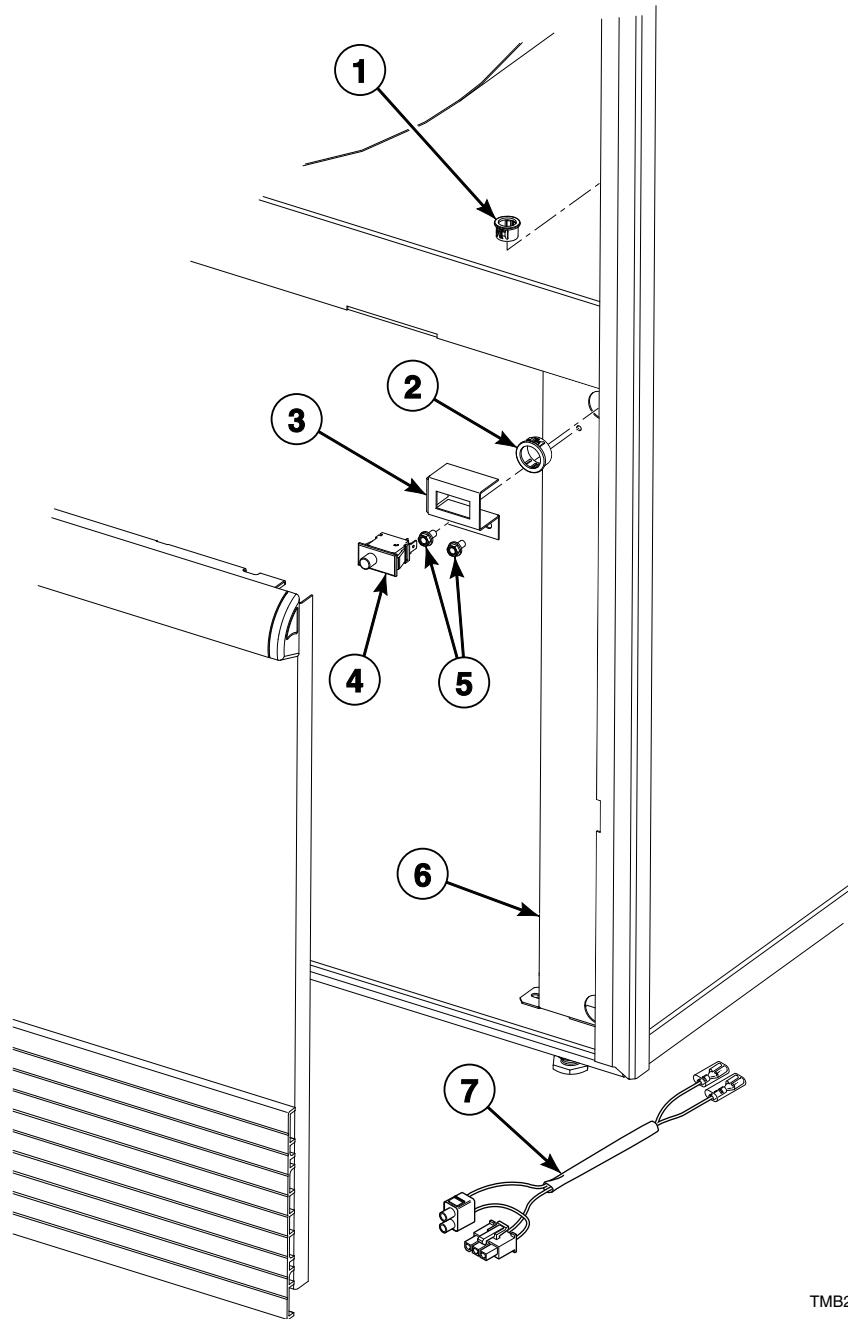


TMB2125P\_70409101

## Lint Panel Switch Assembly - Models Through Serial No. 020802177

REF	PART NO.	DESCRIPTION	COMMENTS
1	44011501	Lint Panel Switch Bracket	
2	44011601	Lever Arm Switch	
3	M400979	Nut	
4	51782	Screw	
5	M401938	Screw	

# Lint Panel Switch Assembly - Models Starting Serial No. 020802178

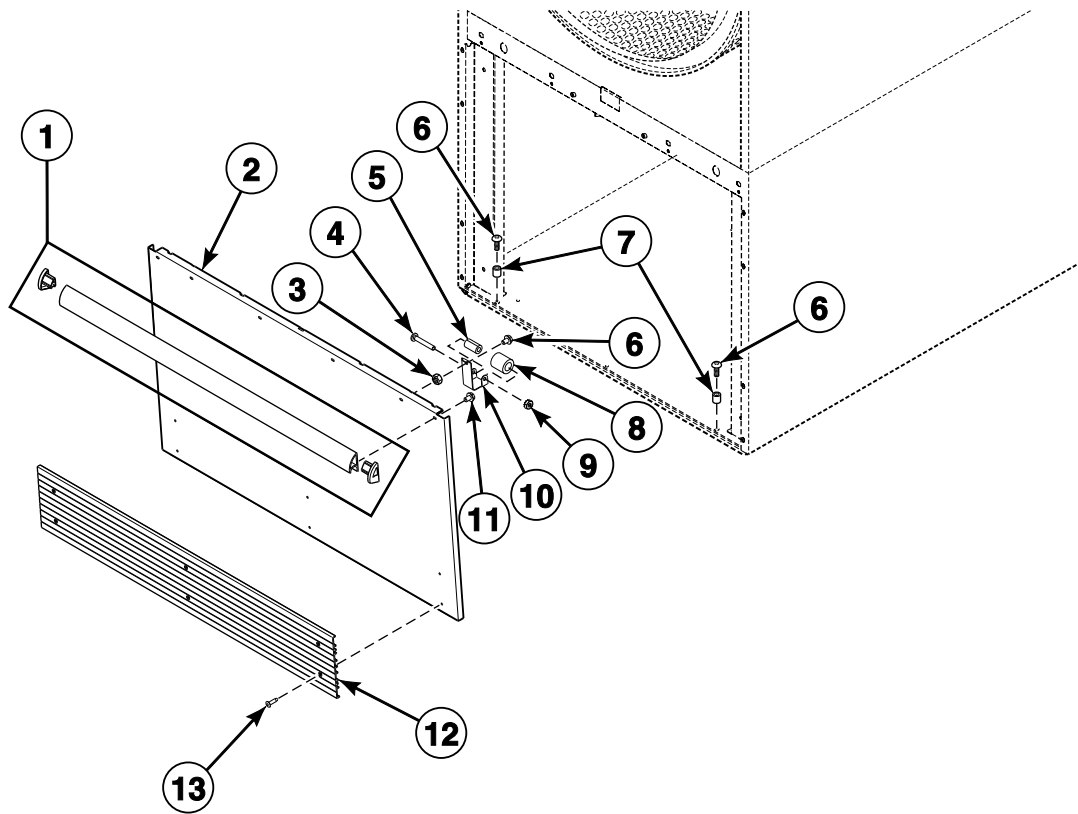


TMB2556P\_70409101

## Lint Panel Switch Assembly - Models Starting Serial No. 020802178

REF	PART NO.	DESCRIPTION	COMMENTS
1	M411826	Snap Bushing	
2	M400770	Snap Bushing	
3	44118601	Lint Panel Switch Bracket	
4	70107001	Pushbutton Switch	
5	430497	Screw	
6	44001201	Front Pillar	
7	44048101P	Lint Panel Harness Assembly	

# Lower Cabinet Front Components



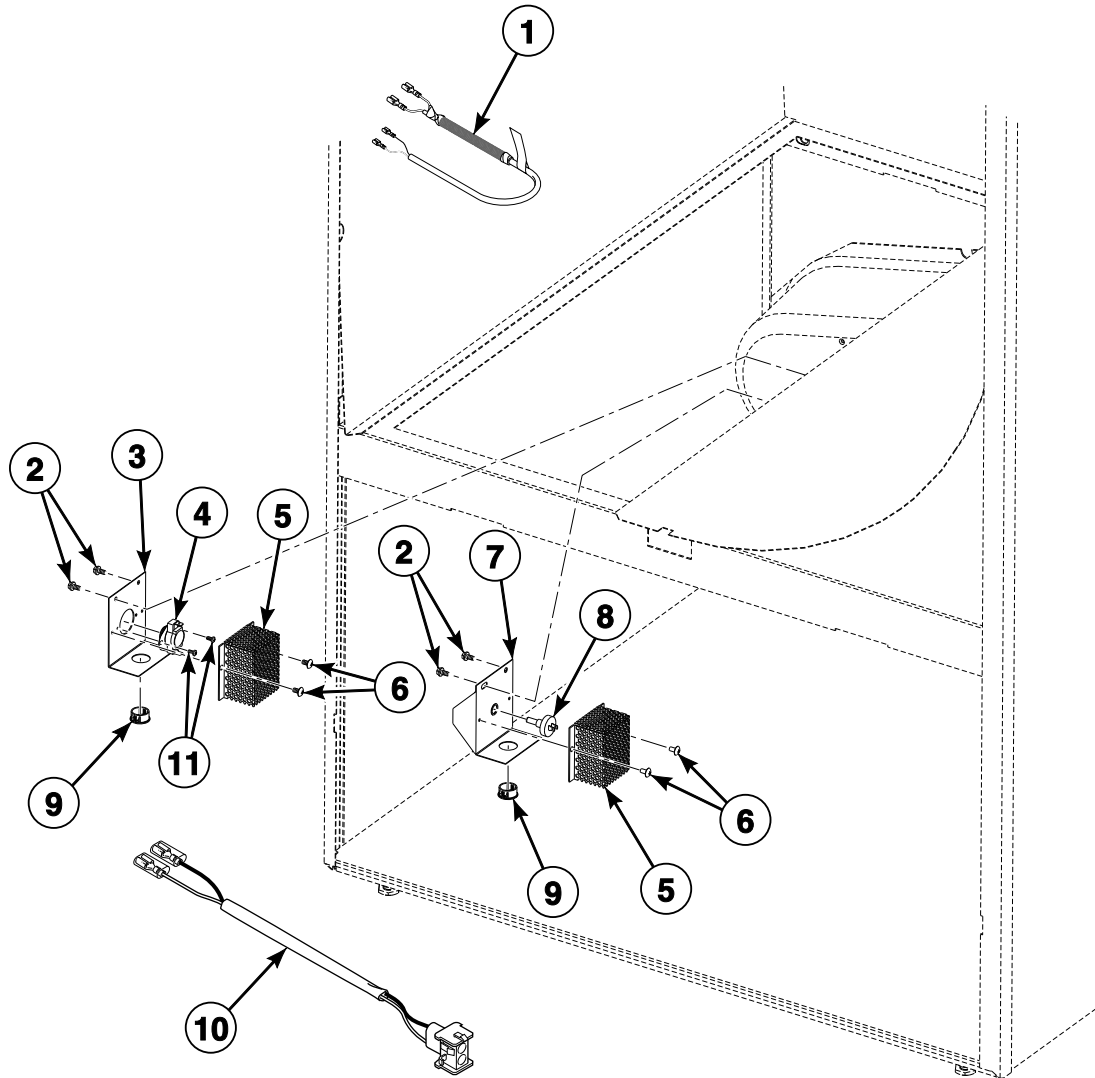
TMB2057P\_70409101

## Lower Cabinet Front Components

REF	PART NO.	DESCRIPTION	COMMENTS
	70114001	Clean Lint Compartment Sticker	Lint compartment must be cleaned daily
	70404001	Roller Bracket Assembly	Includes items 4, 5 and 8-10
<b>1</b>	70154405	Handle and Caps Assembly	A, C, D, I, L, P, S, U and Y models; Black; Includes endcaps
	70154406	Handle and Caps Assembly	GT and GU models through Serial No. 0110002231; H and N models; Gray; Includes endcaps
	70407202	Handle Bumper	G models starting Serial No. 0707008006; K models; Black and blue; Does not include endcaps
<b>2</b>	44000001*P	Lint Panel	
	44000002P	Lint Panel	Stainless steel
<b>3</b>	51236	Nut	
<b>4</b>	70072801	Screw	
<b>5</b>	70030201	Roller Catch Spacer	
<b>6</b>	70132301	Screw	
<b>7</b>	56079	Panel Locator	
<b>8</b>	70297601	Roller Catch Wheel	
<b>9</b>	23951	Nut	
<b>10</b>	70030301	Roller Catch Arm	
<b>11</b>	430757	Screw	4 required
<b>12</b>	70117607	Kickplate	A, C, D, I, K, L, P, S, U and Y models; G models starting Serial No. 0707008006; Black
	70117608	Kickplate	GT and GU models through Serial No. 0110002231; H and N models; Gray
<b>13</b>	70126301	Pop Rivet	A, C, D, I, K, L, P, S, U and Y models; G models starting Serial No. 0707008006; Black; 6 required
	70126401	Pop Rivet	GT and GU models through Serial No. 0110002231; H and N models; Gray; 6 required

\* Add Letter To Designate Color. L - Almond Q - Bisque W - White

# Cabinet Limit and Thermistor Assembly



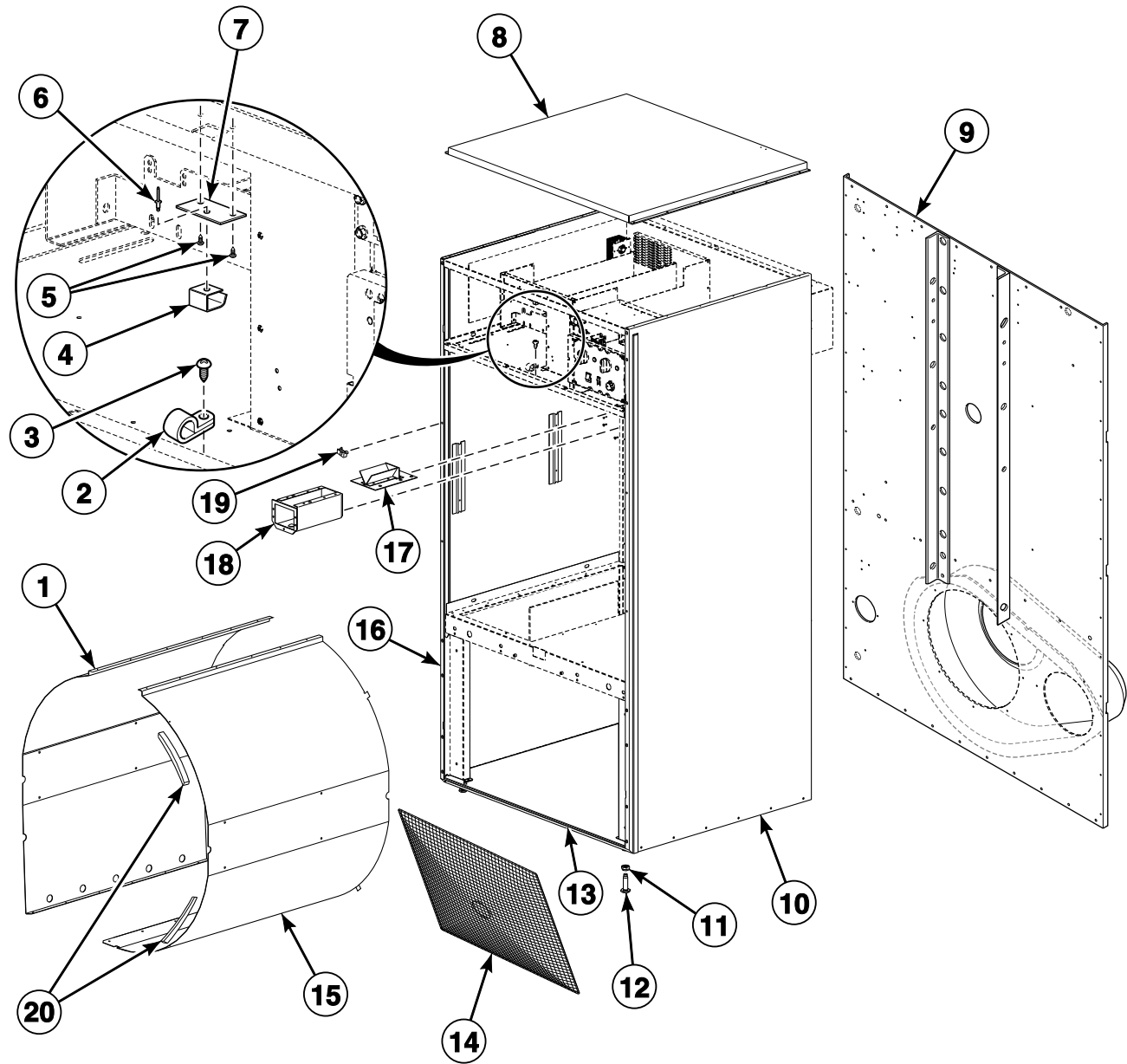
TMB2557P\_70409101

## Cabinet Limit and Thermistor Assembly

REF	PART NO.	DESCRIPTION	COMMENTS
1	M412670	Cabinet Limit Harness Assembly	GU electric and gas models through Serial No. 0110002231; H, L, P, S and U CE electric and gas models
	M413693P	Cabinet Limit Harness Assembly	A, H, K, L, N, P, S, U and Y non-CE electric and gas models; GA and GT electric and gas models through Serial No. 0110002231 and starting again Serial No. 0707008006
2	430497	Screw	Electric and gas models
3	M400838	Thermodisc Bracket	Electric and gas models
4	M411813	Limit Thermostat	Electric models
	M410542	Limit Thermostat	Non-CE and non-Australian gas models
	M411941	Manual Reset Thermostat	CE and Australian gas models
	N/A	Cabinet Limit Assembly	Steam models
5	M414477	Thermostat Cover	Electric and gas models
6	M400664	Screw	Electric and gas models
7	44051201	Thermistor Bracket Assembly	
8	M414704	Thermistor	
9	M400770	Snap Bushing	Electric and gas models
10	44016901P	Thermistor Cable	
11	M402797	Screw	Electric and gas models

**N/A = Part no longer available**

# Cabinet Components



TMB2558P\_70409101

# Cabinet Components

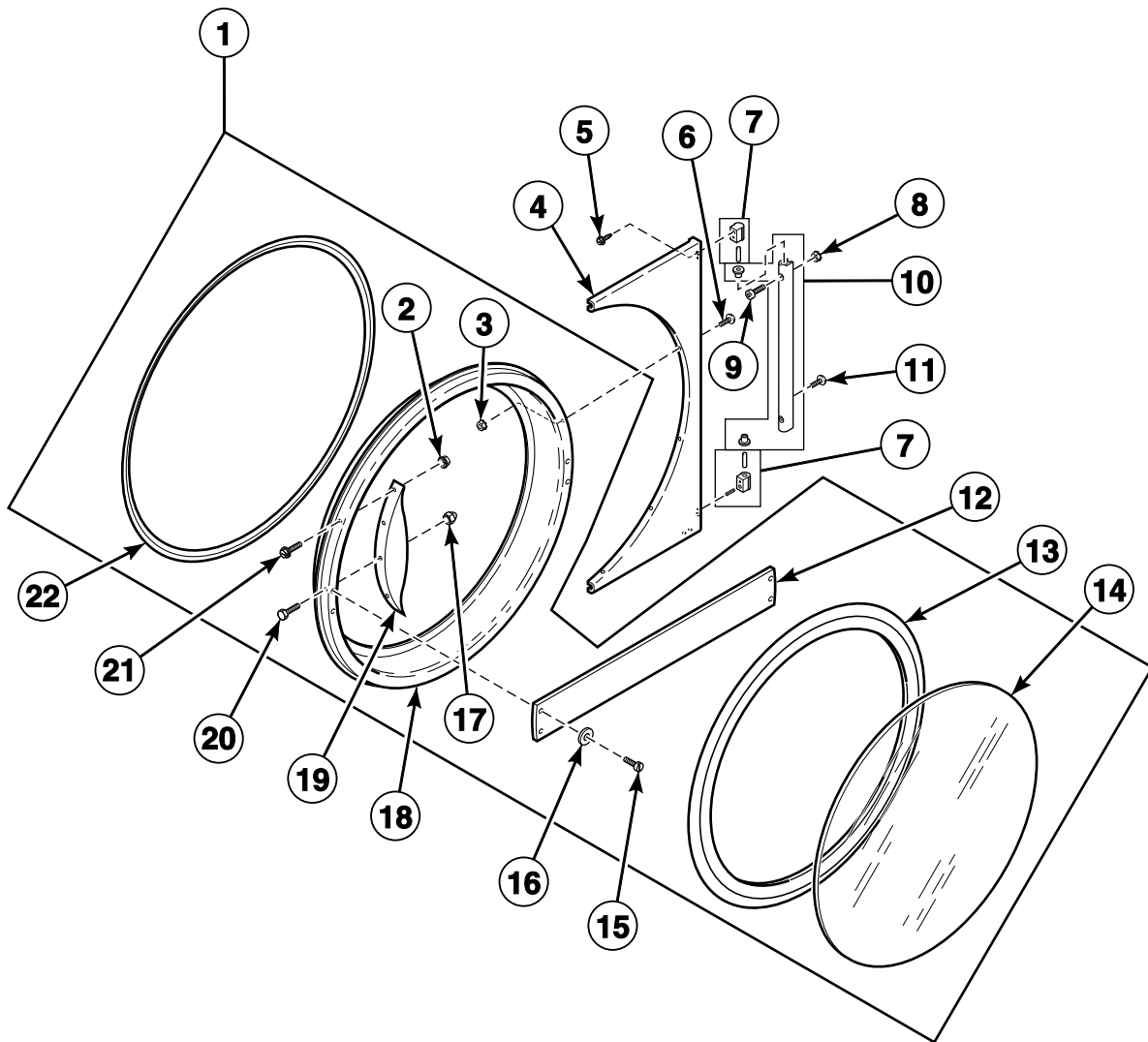
REF	PART NO.	DESCRIPTION	COMMENTS
	298P4P	Spray Paint	White
	297P4	Spray Paint	Almond
	286P4	Spray Paint	Blue
	122P4P	Porcelain Touch-Up Paint	White
	215P4P	Porcelain Touch-Up Paint	Almond
	370P4P	Porcelain Touch-Up Paint	Bisque
1	44005201	Baffle	Left
2	M404550	Cable Screw Clamp	A, H, N, S and U models; Models starting Serial No. 0308001308
3	430497	Screw	A, H, N, S and U models; Models starting Serial No. 0308001308
4	431318	Control Door Latch	
5	431287	Screw	
6	M400003	Pop Rivet	
7	44003201	Latch Mounting Bracket	
8	M414719P	Top Cover Pan	Electric and gas models
	M414759	Top Cover	Steam models except C, D and I models
	M414760	Top Cover	C, D and I steam models
9	N/A	Rear Panel Assembly	
10	44004702*	Side Panel	Models through Serial No. 0308001307; Right
	44056701*	Side Panel	Models starting Serial No. 0308001308; Right
11	21899	Nut	Right
12	70247701	Screw	Leveling leg
13	44000601P	Bottom Pan	
14	44063601	Lint Screen	
15	44004901	Baffle	Right
	44065501	Baffle	Right; Models equipped with fire suppression system
16	44004802*	Side Panel	Models through Serial No. 0308001307; Left
	44056801*	Side Panel and Bracket Assembly	Models starting Serial No. 0308001308; Left
17	70296401	Coin Chute Assembly	Wide; Includes 6 of 70058502 Pop Rivet
18	70180101	Coin Vault Assembly	Includes 5 of 70058502 Pop Rivet
19	70030401	Nut	U-clip
20	70015701	Baffle Gasket	

\* Add Letter To Designate Color. Q - Bisque W - White

N/A = Part no longer available

# Door and Hinge Components (Drawing 1 of 2)

A, H, S and U Models Through Serial No. 0308001307;  
C, L, N, P and Y Models; D and I Models Through Serial No. 0703023529;  
G Models Through Serial No. 0110002231 and Starting Again Serial No. 0707008006 Through Serial No. 0708020563;  
K Models Through Serial No. 0708020563



TMB2631P\_70409101

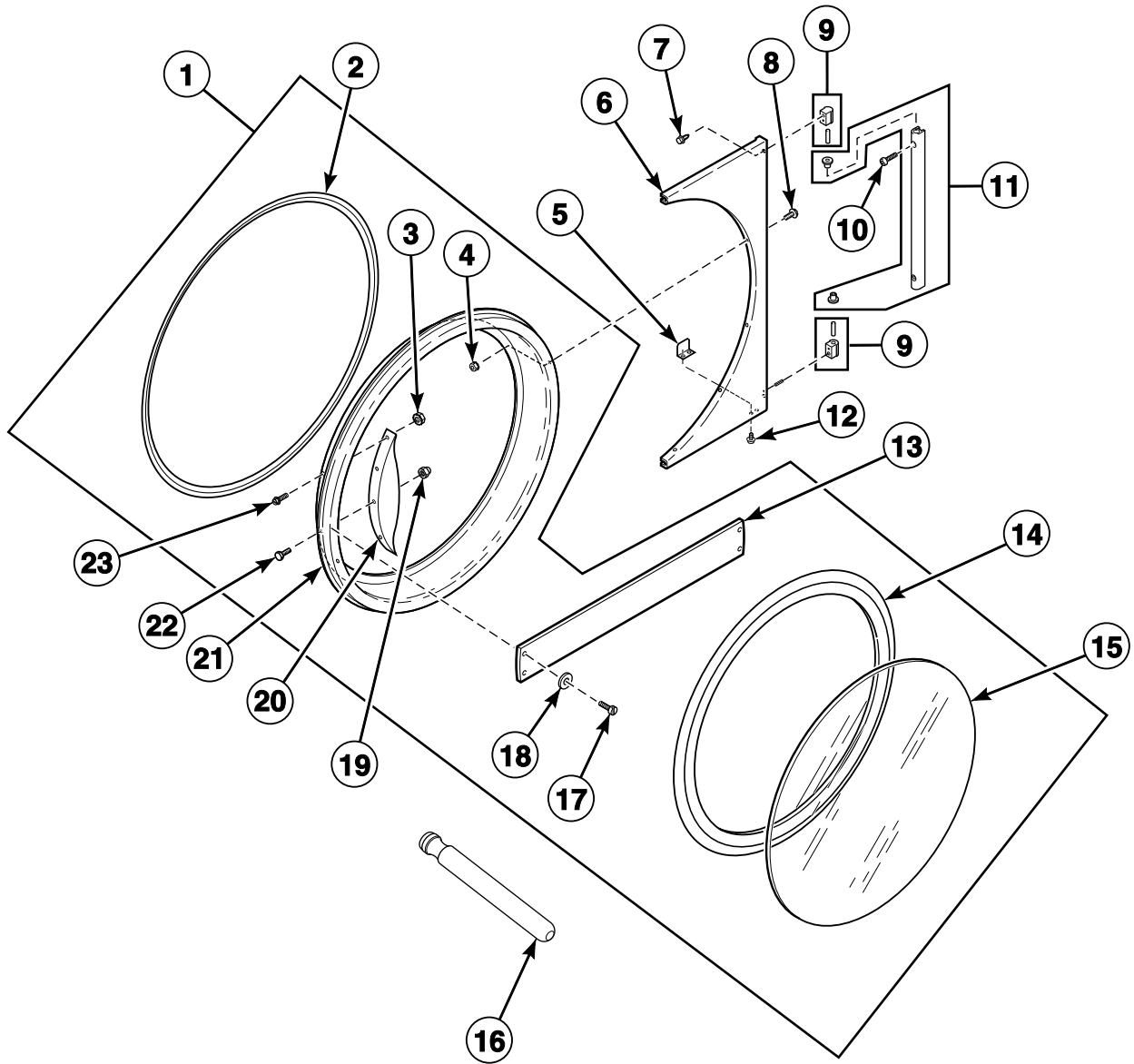
## Door and Hinge Components (Drawing 1 of 2)

REF	PART NO.	DESCRIPTION	COMMENTS
	M4221P4	Door Glass Installation Tool	
1	70212300	Door Assembly	S and U models; Excludes hinge
	44058001P	Door Assembly	H models; Excludes hinge
	70176503	Door Assembly	L models; Excludes hinge
	70212200	Door Assembly	A, N, P and Y models; GT and GU models through Serial No. 0110002231; Excludes hinge
	44046701	Door Assembly	C, D and I models; Excludes hinge
	70408901	Door Assembly	G models starting Serial No. 0707008006; K models; Excludes hinge
2	44071201	Nut	H, S and U models; 4 required
3	23951	Nut	6 required
4	70115903B	Door Hinge	G models starting Serial No. 0707008006; K models; Black
	70115901*	Door Hinge	All other models
	70115902	Door Hinge	All other models; Stainless steel
5	61199	Screw	3 required, 2 in top cam and 1 in bottom cam
6	M400044	Screw	6 required
7	70436202	Door Hinge Cam Assembly	G models starting Serial No. 0707008006; K models
	M4772P3	Cam and Hinge Kit	All other models
8	29786	Nut	2 required
9	70409801	Screw	G models starting Serial No. 0707008006; K models; 2 required
	70033504	Screw	All other models; 2 required
10	44035002	Door Hinge Lug Assembly	G models starting Serial No. 0707008006; K models; Includes bushings
	44035001	Door Hinge Lug Assembly	All other models; Includes bushings
11	44023301	Screw	4 required
12	70399502B	Handle Bar	G models starting Serial No. 0707008006; K models
13	70211901P	Door Glass Seal Kit	
14	70133601P	Door Glass	H models
	M400784P	Door Glass	All other models
15	70126301	Pop Rivet	G models starting Serial No. 0707008006; K models; 4 required
16	70409301	Washer	G models starting Serial No. 0707008006; K models; 2 required
17	M414215	Nut	
18	44043501	Door Ring and Handle Assembly	C, D and I models; Includes straight-edged door handle
	70081801	Door Ring	H, S and U models
	70082001	Door Ring	A, N, P and Y models; GT and GU models through Serial No. 0110002231
	70399701B	Door Ring	G models starting Serial No. 0707008006; K models
19	430117	Door Handle	L models
	44057701	Door Handle	H models; Order 70133501P Replacement Door Handle Kit
	70024801	Door Handle	S and U models
	M400133	Door Handle	A, N, P and Y models; GT and GU models through Serial No. 0110002231
20	M400661	Screw	Door strike
21	61199	Screw	All models except C, D, I and L models
	430756	Screw	L models; 2 required
	M402585	Screw	L models; 1 required
	M409385	Screw	A and P models; GT and GU models through Serial No. 0110002231; 2 required
22	70296801	Door Ring Gasket	Notched

\* Add Letter To Designate Color. L - Almond Q - Bisque W - White

# Door and Hinge Components (Drawing 2 of 2)

A, H, L, N, P, S and U Models Starting Serial No. 0308001308; C, D and I Models Starting Serial No. 0704000046;  
G and K Models Starting Serial No. 0709000027



TMB2695P\_70409101

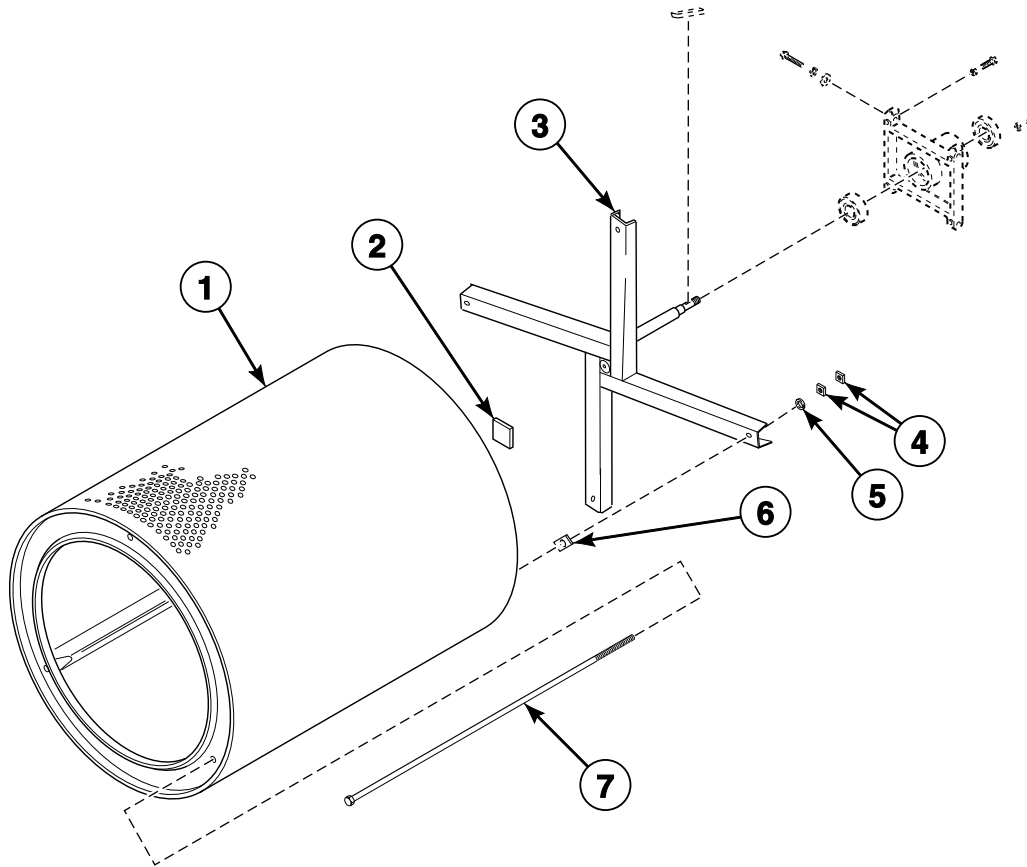
## Door and Hinge Components (Drawing 2 of 2)

REF	PART NO.	DESCRIPTION	COMMENTS
1	44086801P	Door Assembly	N models
	44058102P	Door Assembly	H models
	44028902P	Door Assembly	S and U models
	N/A	Door Assembly	A models
	44112101	Door Assembly	D and I models
	70407401	Door Assembly	G and K models
2	44008201P	Door Ring Gasket	
3	44071201	Nut	H, S and U models; 4 required
4	23951	Nut	6 required
5	70215001P	Door Switch Actuator Kit	
6	44075208B	Door Hinge Assembly	G and K models
	44075203*	Door Hinge Assembly	All other models
	44075204	Door Hinge Assembly	All other models; Stainless steel
7	61199	Screw	3 required
8	M400044	Screw	6 required
9	44035102	Door Hinge Cam Assembly	G and K models; Upper
	70436202	Door Hinge Cam Assembly	G and K models
	M4772P3	Cam and Hinge Kit	All other models
10	70409801	Screw	G and K models; 2 required
	70033502	Screw	All other models; 2 required
11	44035002	Door Hinge Lug Assembly	G and K models
	44035001	Door Hinge Lug Assembly	All other models; Includes bushings
12	70058501	Pop Rivet	2 required
13	70399501B	Handle Bar	G and K models
14	70211902P	Door Seal Kit	
15	44008402P	Door Glass	H models
	44008401P	Door Glass	All other models
16	M4221P4	Door Glass Installation Tool	
17	70126301	Pop Rivet	G and K models; 4 required
18	70409301	Washer	G and K models; 2 required
19	M414215	Nut	
20	44057702	Door Handle	H and N models
	44007901	Door Handle	S and U models
	M400133	Door Handle	A models
21	44007702	Door Ring Assembly	H, L, P, S and U models
	44112001	Door Ring and Handle Assembly	C, D and I models
	44007703B	Door Ring	G and K models
22	M400661	Screw	Door strike
23	61199	Screw	H, N, S and U models; 4 required
	M409385	Screw	A models; 2 required

\* Add Letter To Designate Color. L - Almond Q - Bisque W - White

N/A = Part no longer available

# Cylinder and Trunnion Components



TMB2123P\_70409101

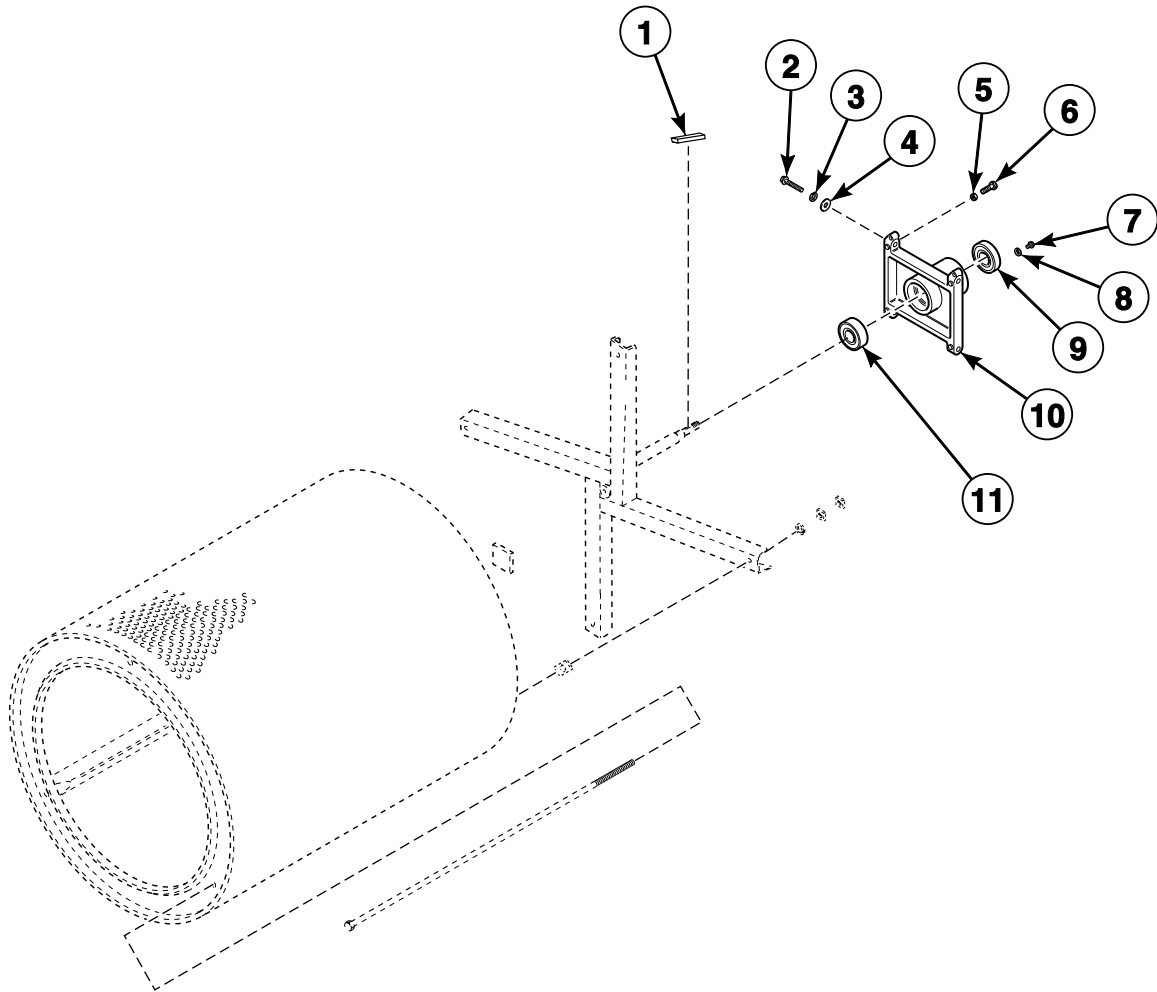
# Cylinder and Trunnion Components

REF	PART NO.	DESCRIPTION	COMMENTS
1	M400439P	Cylinder	Galvanized; A, H, S and U models through Serial No. 0308001307; D and I models through Serial No. 0704000045
	M400440P	Cylinder	Stainless steel; A, H, S and U models through Serial No. 0308001307; D and I models through Serial No. 0704000045
	44057001P	Cylinder Kit	Galvanized; A, H, S and U models starting Serial No. 0308001308; C, D and I models starting Serial No. 0704000046
	44057101P	Cylinder Kit	Stainless steel; A, H, S and U models starting Serial No. 0308001308; C, D and I models starting Serial No. 0704000046
	M405009P	Cylinder Assembly	Reversing; Galvanized; C, L, N and P models; D and I models through Serial No. 0703023529; GT and GU models through Serial No. 0110002231; H, S and U models through Serial No. 0308001307
	M405365P	Cylinder	Reversing; Stainless steel; C, L, N and P models; D and I models through Serial No. 0703023529; GT and GU models through Serial No. 0110002231; H, S and U models through Serial No. 0308001307
	44130802	Cylinder Assembly	G models starting Serial No. 0707008006; K models
	44089001	Cylinder Assembly	Stainless steel; U models with the 11th character of R
	2	M402144	Felt Pad
3	M413833P	Trunnion Assembly	Spider; Nonreversing; Includes nut; Models through Serial No. 030101089
	M413834P	Trunnion Kit	Spider; Reversing; Models through Serial No. 0308001307
	44036801P	Trunnion Assembly	Spider; Nonreversing; Includes nuts; Models starting Serial No. 0301001090 through 0308001307
	M413835P	Trunnion Kit	Spider; Nonreversing; Models starting Serial No. 0308001308
	M413836	Trunnion Assembly	Spider; Reversing; Models starting Serial No. 0308001308
4	M401930	Nut	Nonreversing; 2 required per rod; Models through Serial No. 0308001308
	M404993	Nut	Reversing; 1 required per rod; Nonreversing; Models starting Serial No. 0308001308
5	M400013	Washer	Nonreversing; Models through Serial No. 0308001308
	91200	Washer	Reversing and nonreversing; Models starting Serial No. 0308001308
6	M401402	Spacer	Adjustment between cylinder and trunnion
7	N/A	Rib Rod	Nonreversing; Models through Serial No. 0308001308
	M401411	Rib Rod	Reversing and nonreversing; Models starting Serial No. 0308001308

N/A = Part no longer available

**NOTE: Assemblies and kits are listed in *Cylinder Kits* section and *Trunnion and Bearing Assemblies and Kits* sections.**

# Trunnion Housing Components

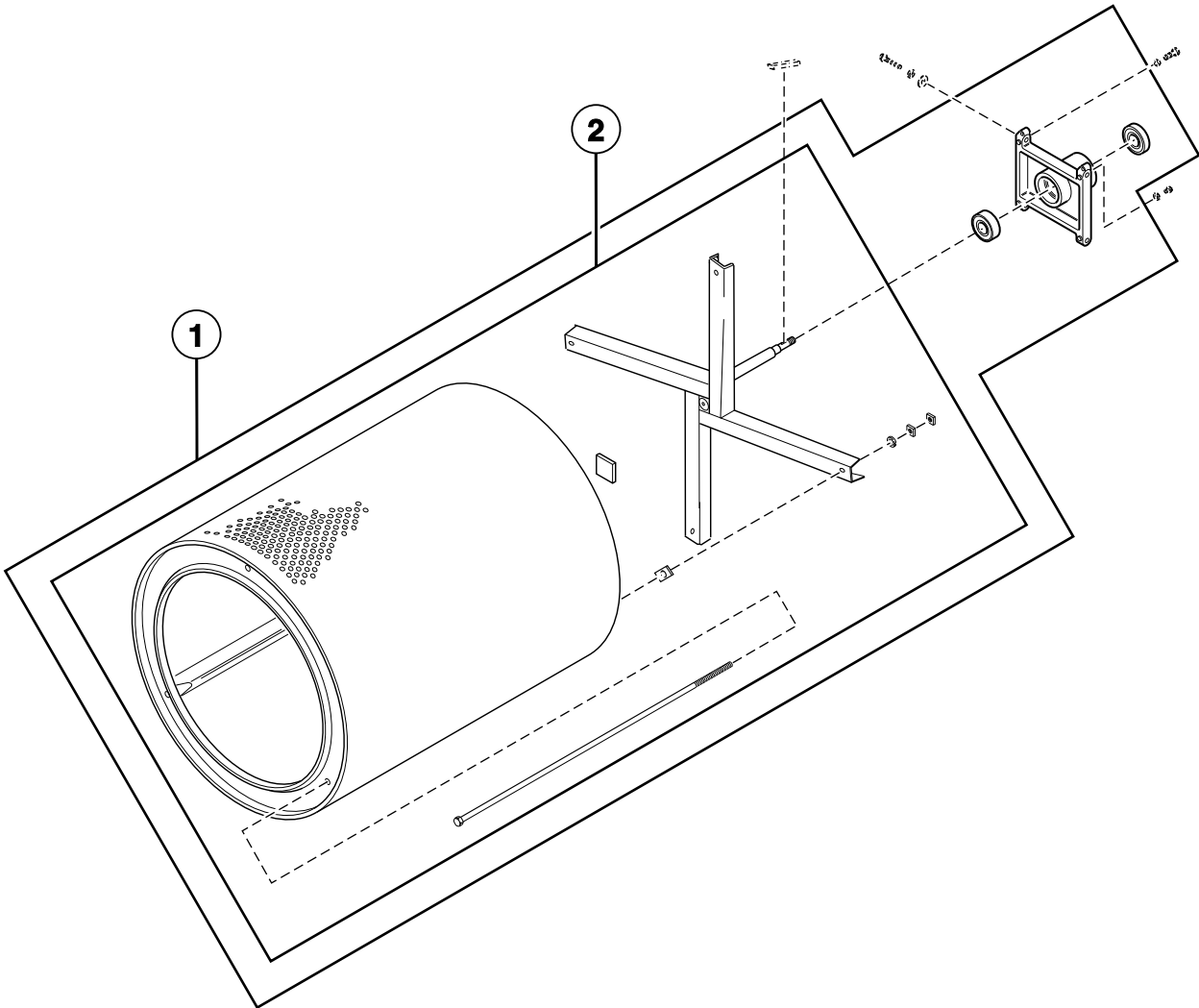


TMB2123PA\_70409101

## Trunnion Housing Components

REF	PART NO.	DESCRIPTION	COMMENTS
1	M400008	Key	Half moon; Nonreversing
	M405232	Key	Straight; Reversing
2	M400063	Screw	4 required
3	91200	Washer	4 required
4	70261401	Washer	4 required
5	M400026	Nut	4 required
6	M400650	Bolt	2 required
7	70187201	Screw	4 required
8	20103	Washer	4 required
9	M413921P	Ball Bearing	Models through Serial No. 0301001090
	F100136P	Bearing	Models starting Serial No. 0301001090
10	M413825	Trunnion Housing Casting	Models through Serial No. 0301001090
	M413826	Trunnion Housing	Models starting Serial No. 0301001090
11	M413922P	Ball Bearing	Models through Serial No. 0301001090
	44041901P	Ball Bearing	Models starting Serial No. 0301001090

# Cylinder, Trunnion and Bearing Assemblies and Kits



TMB2122PB\_70409101

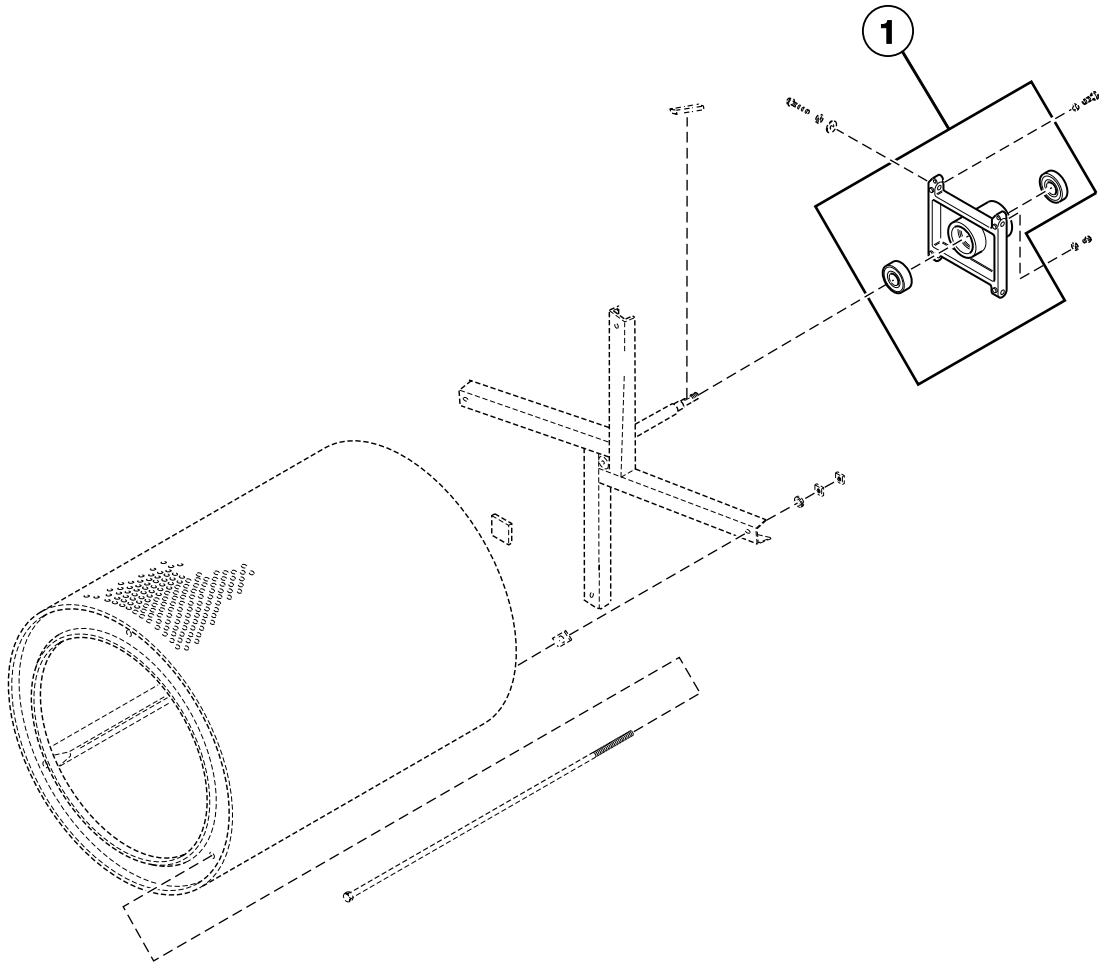
## Cylinder, Trunnion and Bearing Assemblies and Kits

REF	PART NO.	DESCRIPTION	COMMENTS
1	M4819P3	Cylinder, Trunnion and Bearing Housing Kit	Galvanized; Nonreversing; Retrofit through Serial No. 0308001307; Replacement for C, D, I, L, N and P models starting Serial No. 0308001308
	M4820P3	Cylinder, Trunnion and Bearing Housing Kit	Stainless steel; Nonreversing; Retrofit through Serial No. 0308001307; Replacement for C, D, I, L, N and P models starting Serial No. 0308001308
	M4821P3	Cylinder, Trunnion and Bearing Housing Kit	Galvanized; Reversing; Retrofit through Serial No. 0308001307; Replacement for C, D, I, L, N and P models starting Serial No. 0308001308
	N/A	Cylinder, Trunnion and Bearing Housing Kit	Stainless steel; Reversing; Retrofit through Serial No. 0308001307; Replacement for C, D, I, L, N and P models starting Serial No. 0308001308
2	44057401P	Cylinder and Trunnion Assembly	Galvanized; Nonreversing; A, H, S and U models starting Serial No. 0308001308; D and I models starting Serial No. 0704000046
	44057402P	Cylinder and Trunnion Assembly	Stainless steel; Nonreversing; A, H, S and U models starting Serial No. 0308001308; D and I models starting Serial No. 0704000046
	44057403	Cylinder and Trunnion Assembly	Galvanized; Reversing; A, H, S and U models starting Serial No. 0308001308; D and I models starting Serial No. 0704000046
	44057404	Cylinder and Trunnion Assembly	Stainless steel; Reversing; A, H, S and U models starting Serial No. 0308001308; D and I models starting Serial No. 0704000046
	44037101	Cylinder and Trunnion Assembly	Galvanized; Reversing; A, H, S and U models starting Serial No. 0301001089 through 0308001307; L, N and P models starting Serial No. 0301001089
	44037201	Cylinder and Trunnion Assembly	Stainless steel; Reversing; A, H, S and U models starting Serial No. 0301001089 through 0308001307; L, N and P models starting Serial No. 0301001089
	44068901P	Cylinder and Trunnion Assembly	Galvanized; Nonreversing; A, H, S and U models starting Serial No. 0301001089 through 0308001307; L, N and P models starting Serial No. 0301001089
	44069001	Cylinder and Trunnion Assembly	Stainless steel; Nonreversing; A, H, S and U models starting Serial No. 0301001089 through 0308001307; L, N and P models starting Serial No. 0301001089
	44089101	Cylinder and Trunnion Assembly	Stainless steel; U models with the 11th character of R
	44131001	Cylinder and Trunnion Assembly	Reversing; G models starting Serial No. 0707008006 through Serial No. 0708020563; K models through Serial No. 0708020563
	44131101	Cylinder and Trunnion Assembly	Nonreversing; G models starting Serial No. 0707008006 through Serial No. 0708020563; K models through Serial No. 0708020563
	44131002	Cylinder and Trunnion Assembly	Reversing; G and K models starting Serial No. 0709000027
	44131102	Cylinder and Trunnion Assembly	Nonreversing; G and K models starting Serial No. 0709000027

N/A = Part no longer available

NOTE: Individual components are listed in *Cylinder and Trunnion Components* section.

# Trunnion and Bearing Assemblies



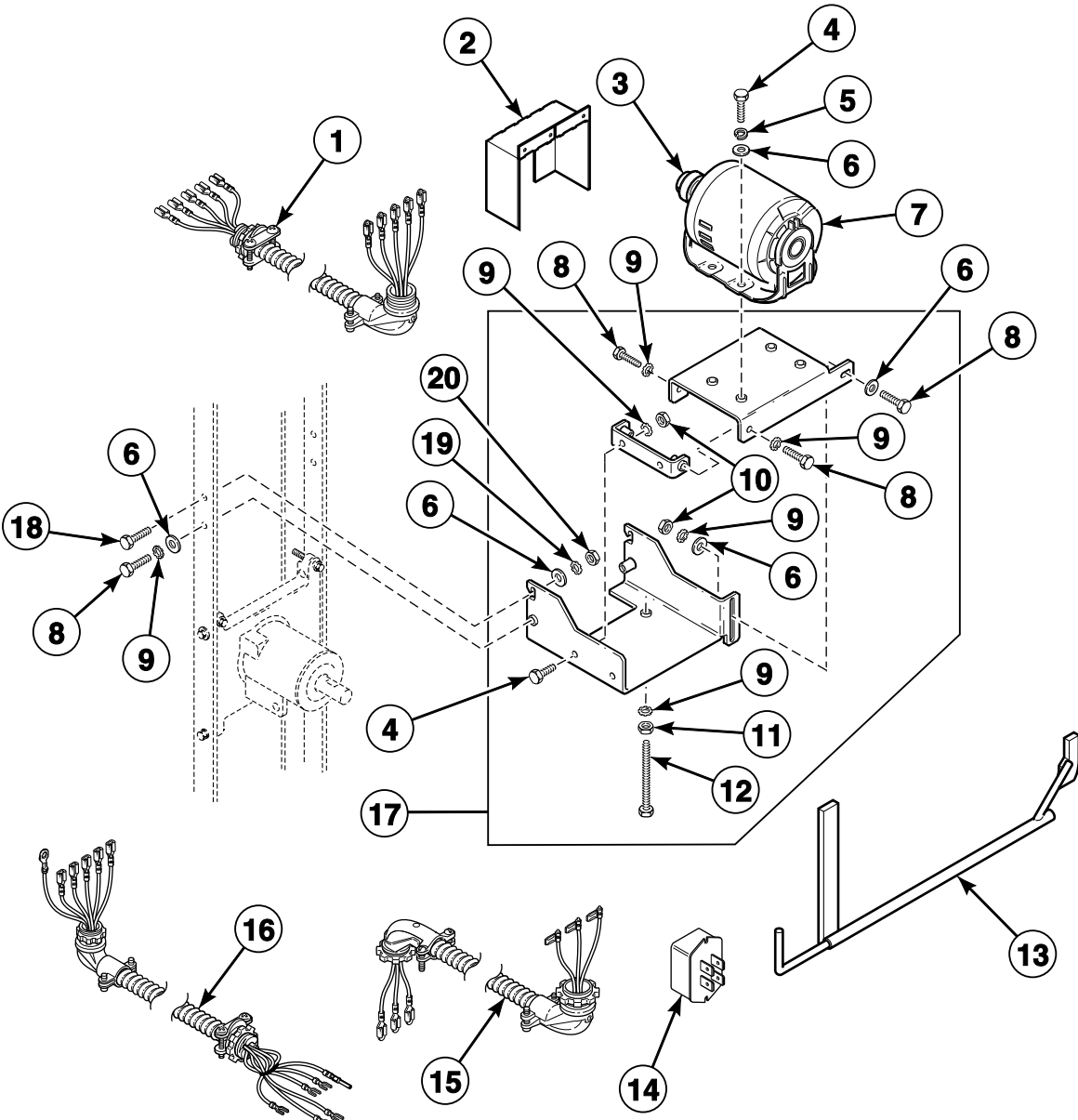
TMB2122PA\_70409101

## Trunnion and Bearing Assemblies

REF	PART NO.	DESCRIPTION	COMMENTS
	M4638P3	Trunnion and Bearing Assembly	Nonreversing; Models through Serial No. 0301001089
	M4639P3	Trunnion and Bearing Assembly	Reversing; Models through Serial No. 0301001089
	M4642P3	Housing and Trunnion Assembly	Includes bearing; Nonreversing; Models through Serial No. 0301001089
	M4643P3	Housing and Trunnion Assembly	Includes bearing; Reversing; Models through Serial No. 0301001089
	M4640P3	Trunnion and Bearing Assembly	Nonreversing; Models starting Serial No. 0301001090
	M4641P3	Trunnion and Bearing Assembly	Reversing; Models starting Serial No. 0301001090
	M4644P3	Housing and Trunnion Assembly	Includes bearing; Nonreversing; Models starting Serial No. 0301001090
	M4645P3	Housing and Trunnion Assembly	Includes bearing; Reversing; Models starting Serial No. 0301001090
1	M413831	Trunnion Housing Assembly	Includes bearing; Models through Serial No. 0308001307
	M413832	Trunnion Housing Assembly	Includes bearing; Models starting Serial No. 0308001308

**NOTE:** Individual components are listed in *Cylinder and Trunnion Components* section.

# Reversing Cylinder Drive Motor and Components

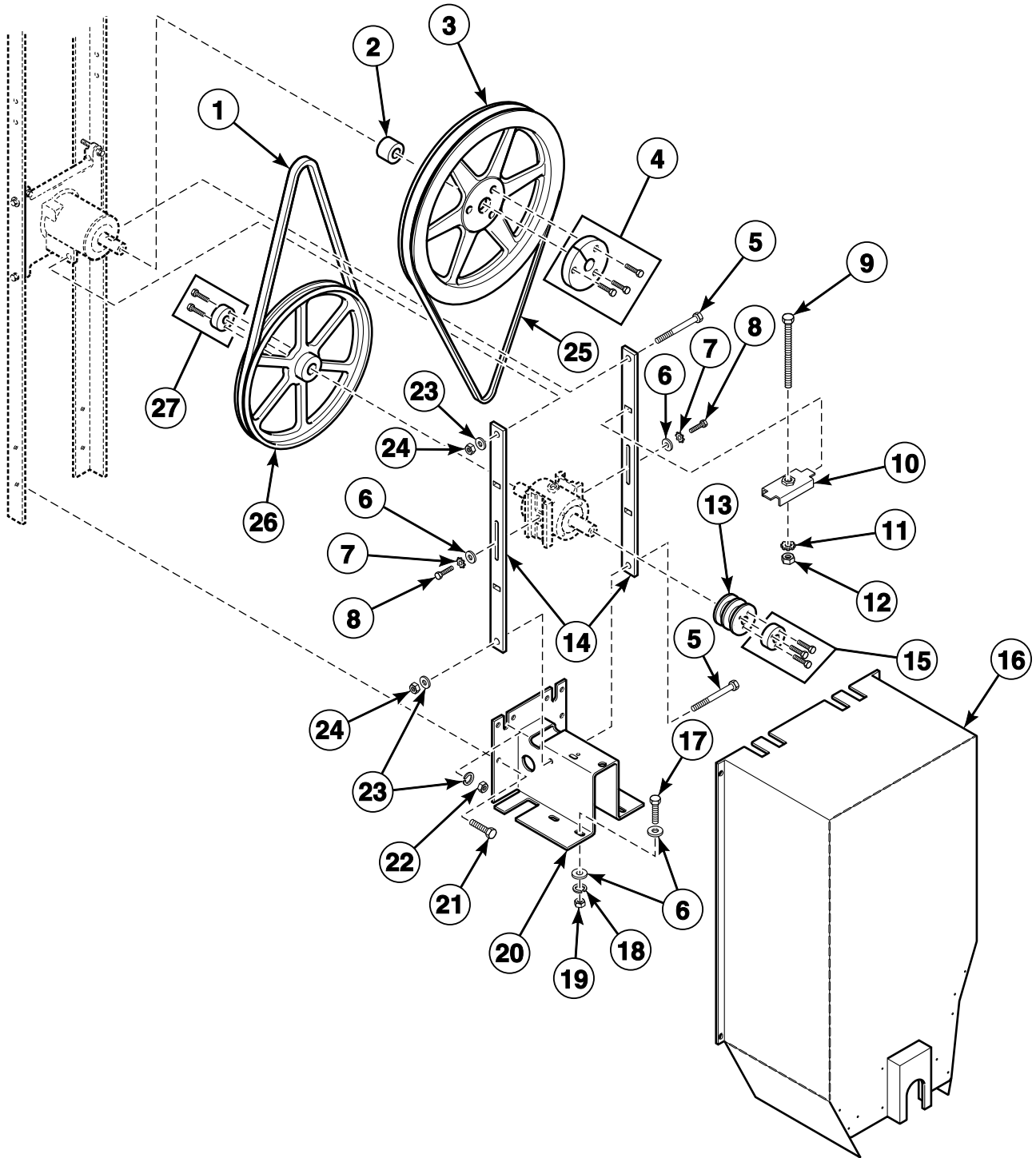


TMB2923P\_70409101

## Reversing Cylinder Drive Motor and Components

REF	PART NO.	DESCRIPTION	COMMENTS
1	M413687	Cylinder Motor Harness Assembly	Non-CE models; 1 Phase
2	M413541	Belt Guard	Upper
3	M414565	Pulley	60 Hertz
	M414567	Pulley	50 Hertz
4	M400057	Screw	6 required
5	M400013	Washer	4 required
6	M400080	Washer	8 required
7	M412519P	Motor Kit	Gas and steam models with: 200-208 or 240 Volt/60 Hertz/3 Phase, 460-480 Volt/60 Hertz/3 Phase, 200 Volt/50 Hertz/3 Phase, 230 or 240 Volt/50 Hertz/3 Phase and 380 or 400-415 Volt/50 Hertz/3 Phase; Electric models with: 200-208 Volt/60 Hertz/3 Phase, 240 Volt/50 or 60 Hertz/3 Phase, 480 Volt/60 Hertz/3 Phase, 200 Volt/50 Hertz/3 Phase, 380 Volt/50 Hertz/3 Phase and 400-415/50 Hertz/3 Phase
	M412520P	Motor Kit	Gas and steam models with: 230-240 Volt/50 Hertz/1 Phase; Electric models with: 240 Volt/50 Hertz/1 Phase
8	M400056	Screw	5 required
9	02834	Washer	8 required
10	70142	Nut	3 required
11	02428	Nut	
12	M413565	Screw	
13	M4853P3	Belt Tension Tool Kit	
14	M414563	Motor Switch	1 Phase
15	M413688	Cylinder Motor Harness Assembly	Non-CE models; 3 Phase
16	M412745	Cylinder Motor Harness	CE models; 1 Phase
	M412573	Cylinder Motor Harness Assembly	CE models; 3 Phase
17	M413617	Motor Mount Assembly	Includes items 4, 6, 8-12, 19 and 20
18	22688	Screw	2 required
19	M403958	Washer	2 required
20	20274	Nut	2 required

# Drive Components for Reversing Models

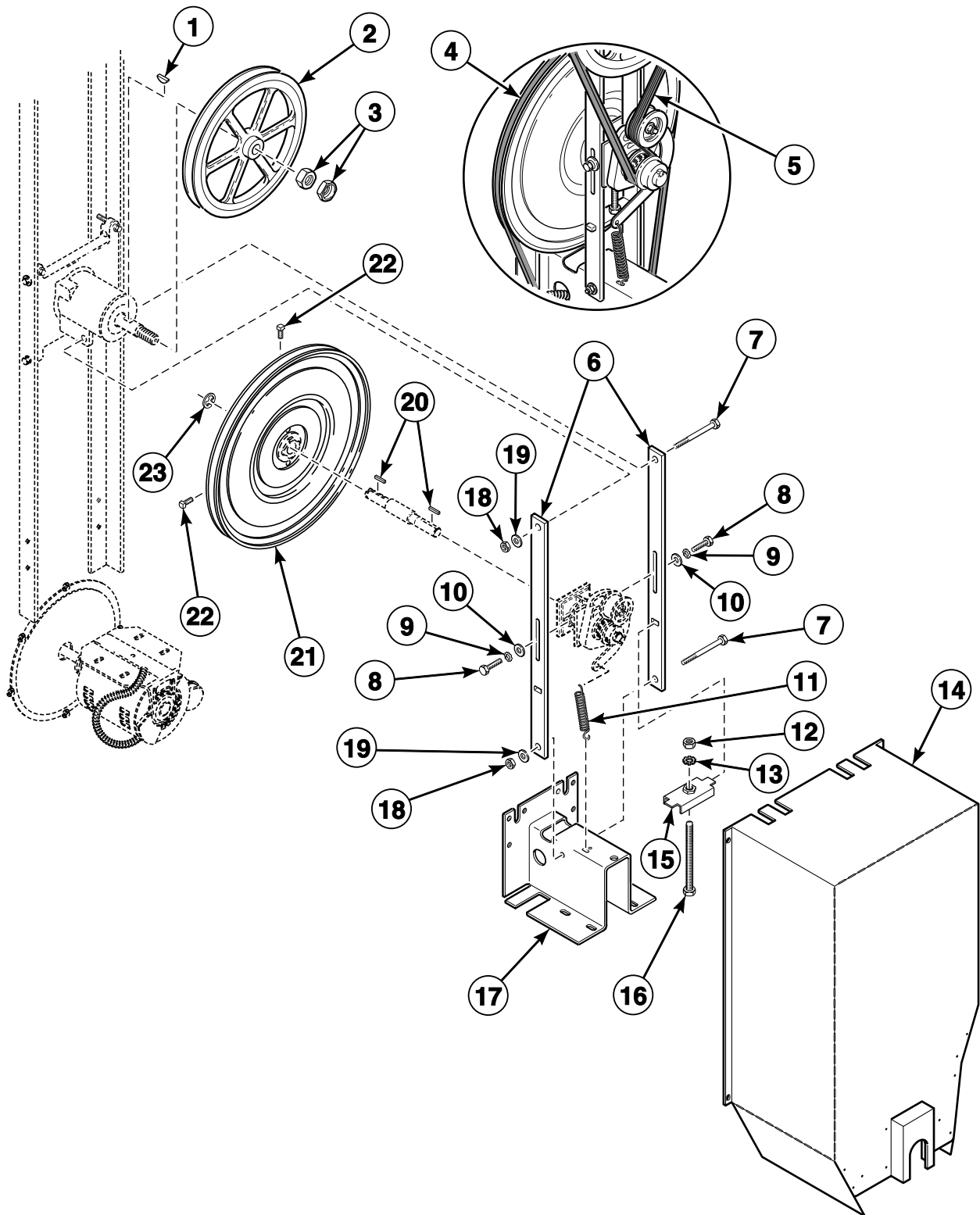


TMB2529P\_70409101

## Drive Components for Reversing Models

REF	PART NO.	DESCRIPTION	COMMENTS
	M4853P3	Belt Tension Tool Kit	
1	M412981	Belt	Drive
2	44024001	Spacer	
3	M412916	Double V Sheave	
4	M412086P	Bushing	Includes M400013 Washer, 44048902 Screw and 44079203 Screw
5	M400061	Screw	
6	M400080	Washer	
7	M403958	Washer	2 required
8	M400043	Screw	
9	M412627	Screw	
10	M414405	Tension Plate Assembly	
11	M412188	Washer	
12	H88412101	Nut	
13	M412884	Pulley	
14	M412476	Guide Rail	
15	M412917P	Bushing	Includes 56552 Washer, 44048901 Screw and 44079301 Screw
16	44132402	Belt Guard Assembly	
17	M400057	Screw	
18	M400013	Washer	4 required
19	02428	Nut	4 required
20	M411483	Motor Bracket	Models through Serial No. 0707001384
	44117201	Motor Bracket	Models starting Serial No. 0707001385
21	M401393	Bolt	2 required
22	20274	Nut	
23	M400014	Washer	
24	M400026	Nut	2 required
25	M412090	Belt	2 required; Cylinder
26	M412931	Single V Sheave	
27	M412885P	Bushing	Includes 03189 Washer and 44079201 Screw

# Drive Components for Nonreversing Models



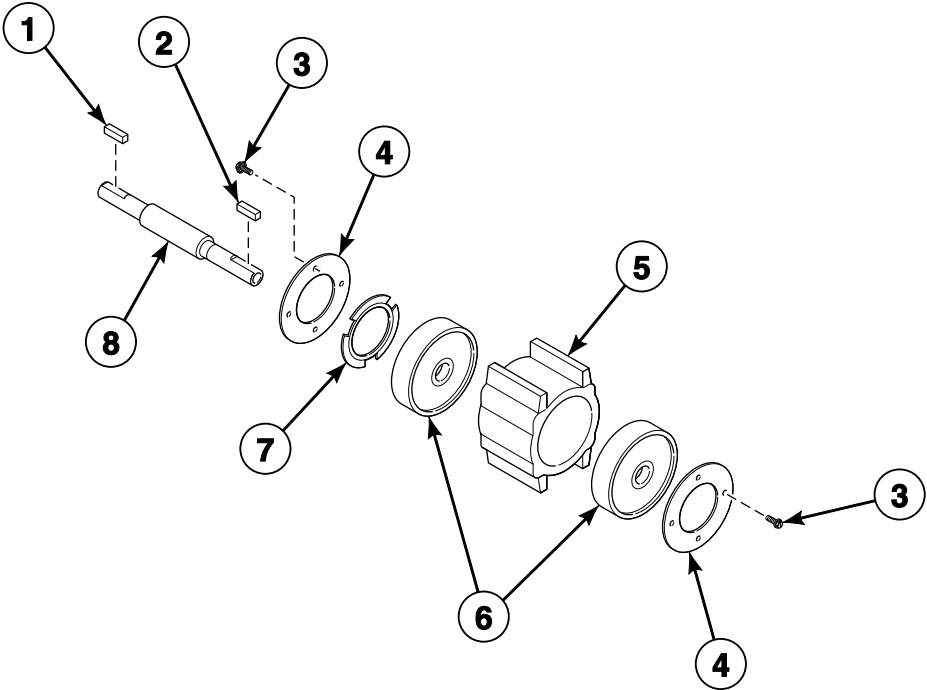
TMB2560P\_70409101

## Drive Components for Nonreversing Models

REF	PART NO.	DESCRIPTION	COMMENTS
	M4853P3	Belt Tension Tool Kit	
1	M400008	Key	
2	M412156	Micro V Sheave	
3	M400035	Nut	
4	M401182P	Belt	
5	M411425P	Micro V Belt	
6	M412476	Guide Rail	
7	M400061	Screw	
8	M400043	Screw	
9	M403958	Washer	
10	M400080	Washer	
11	M412120	Extension Spring	
12	H88412101	Nut	
13	M412188	Washer	
14	44132401	Belt Guard Assembly	
15	M414405	Tension Plate Assembly	
16	M412627	Screw	
17	M411483	Motor Bracket	Models through Serial No. 0707001384
	44117201	Motor Bracket	Models starting Serial No. 0707001385
18	M400026	Nut	
19	M400014	Washer	
20	M401327	Key	
21	M400092P	Sheave	Includes item 20 and 2 of item 22
22	M400065	Screw	
23	M400399	Ring	

**NOTE: On nonreversing models, there is only one motor that functions as the drive motor and fan motor. Refer to *Fan Motors* section for motor part numbers.**

# Idler Housing Assembly for Reversing Models



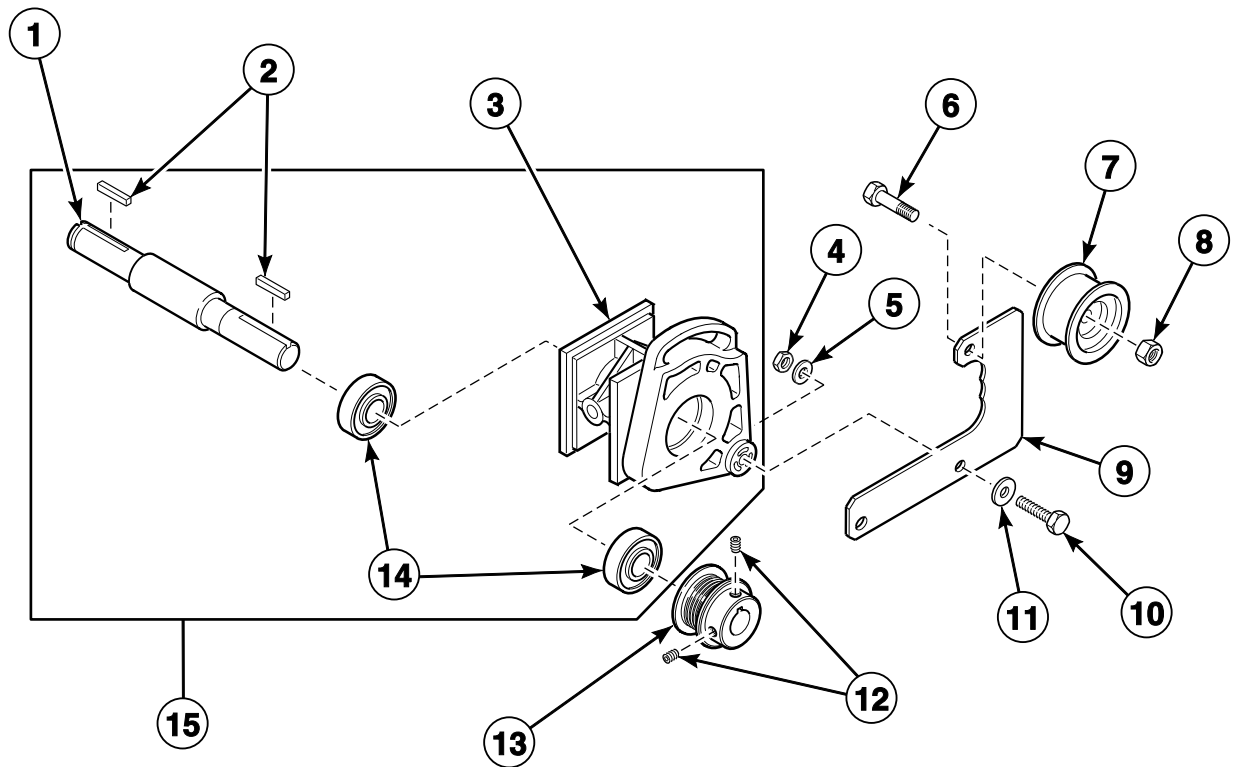
TMB2160P\_70409101

## Idler Housing Assembly for Reversing Models

REF	PART NO.	DESCRIPTION	COMMENTS
	917P3	Idler Housing Kit	Includes items 1-4, 7 and M412476 Guide Rail, M412630 Idler Housing Assembly and 614P3 Idler Assembly Components Kit
1	M401327	Key	
2	M400993	Key	
3	70187201	Screw	8 required
4	M401370	Bearing Retainer	
5	M412612	Idler Housing	
6	M401375P	Ball Bearing	
7	M400401	Loading Spring	
8	M414241	Idler Shaft	

# Idler Housing Assembly for Nonreversing Models

Models Through 12/3/07



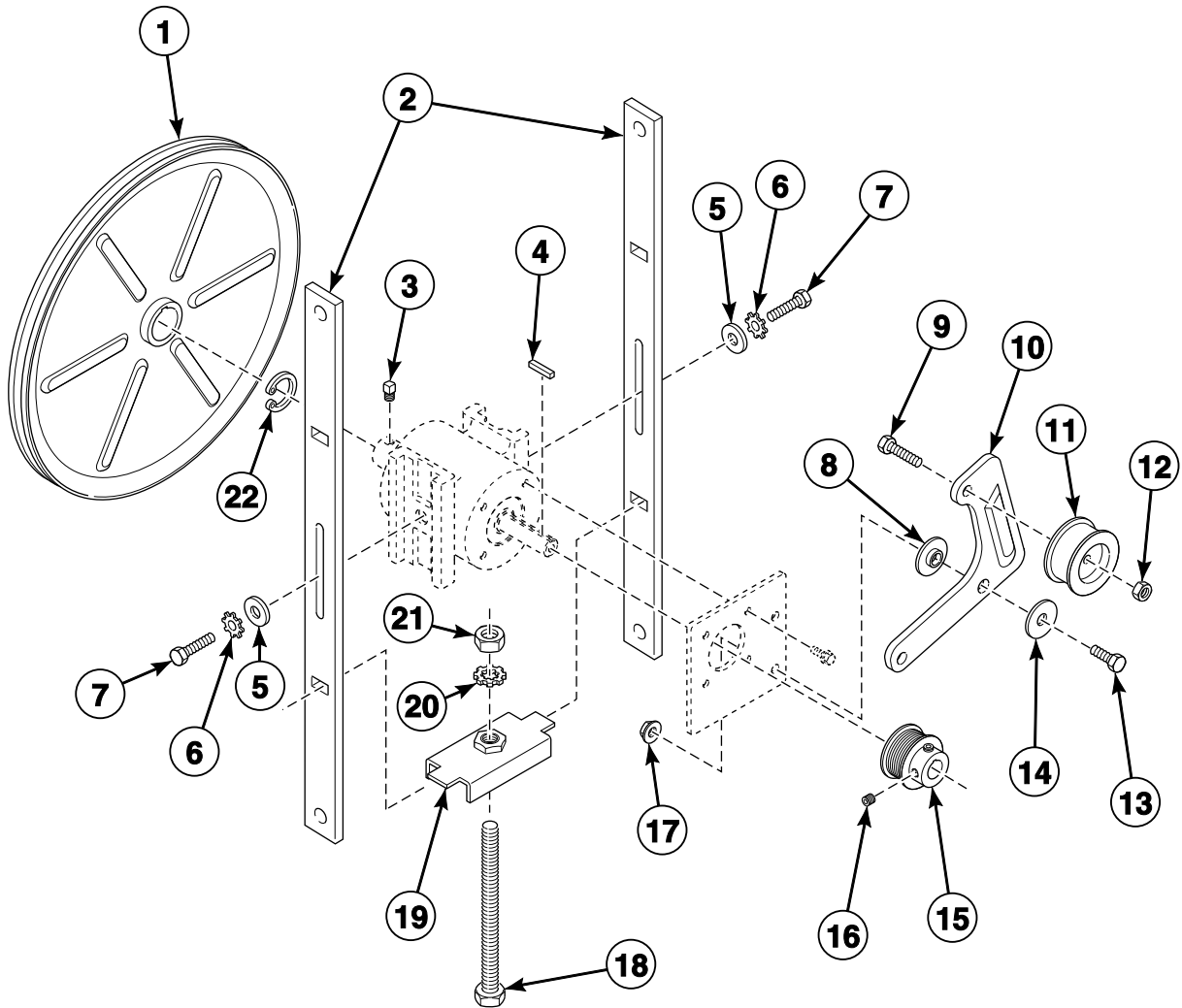
TMB1530P\_70409101

## Idler Housing Assembly for Nonreversing Models

REF	PART NO.	DESCRIPTION	COMMENTS
1	M412223P	Idler Shaft	
2	M401327	Key	2 required
3	943P3P	Idler Housing Kit	Idler with shaft
4	52566	Nut	
5	M405535	Washer	
6	430648	Screw	
7	430619	Drum Idler Wheel Assembly	
8	56156	Nut	
9	M414320P	Idler Arm Kit	Includes item 11 and 2 of 70187001 Washer
10	M412119	Bolt	
11	430782	Washer	
12	M400077	Screw	
13	M411466P	Micro V Pulley	
14	70448701	Support Bearing	
15	M412228P	Idler Housing Kit	

# Idler Assembly for Nonreversing Models

Models Starting 12/4/07

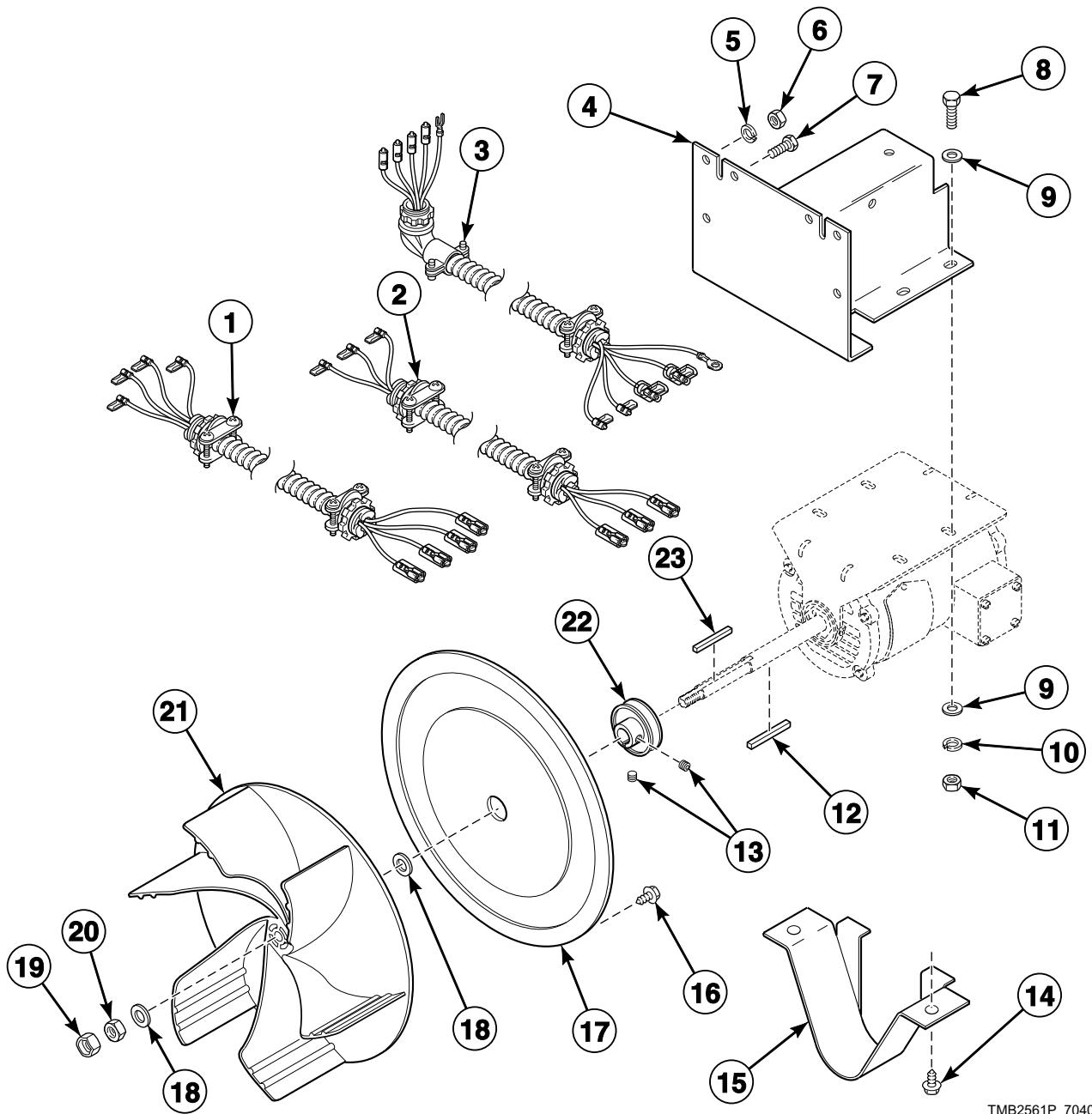


TMB2791P\_70409101

## Idler Assembly for Nonreversing Models

REF	PART NO.	DESCRIPTION	COMMENTS
	942P3P	Idler/Belt Assembly Kit	Use to replace whole assembly
	943P3P	Idler Housing Kit	
1	M400092P	Sheave	
2	M412476	Guide Rail	2 required
3	M400065	Screw	2 required
4	M401327	Key	2 required
5	M400080	Washer	2 required
6	M403958	Washer	2 required
7	M400043	Screw	2 required
8	70265901	Washer	
9	430648	Screw	
10	M414320P	Idler Arm Kit	Models through 12/12/07
	44102701	Idler Arm	Models starting 12/12/07
11	430619	Drum Idler Wheel Assembly	
12	56156	Nut	
13	M400056	Screw	
14	70270301	Washer	
15	M411466P	Micro V Pulley	
16	M400077	Screw	2 required
17	44087201	Nut	
18	M412627	Screw	
19	M414405	Tension Plate Assembly	
20	M412188	Washer	
21	H88412101	Nut	
22	M400399	Ring	

# Fan Components

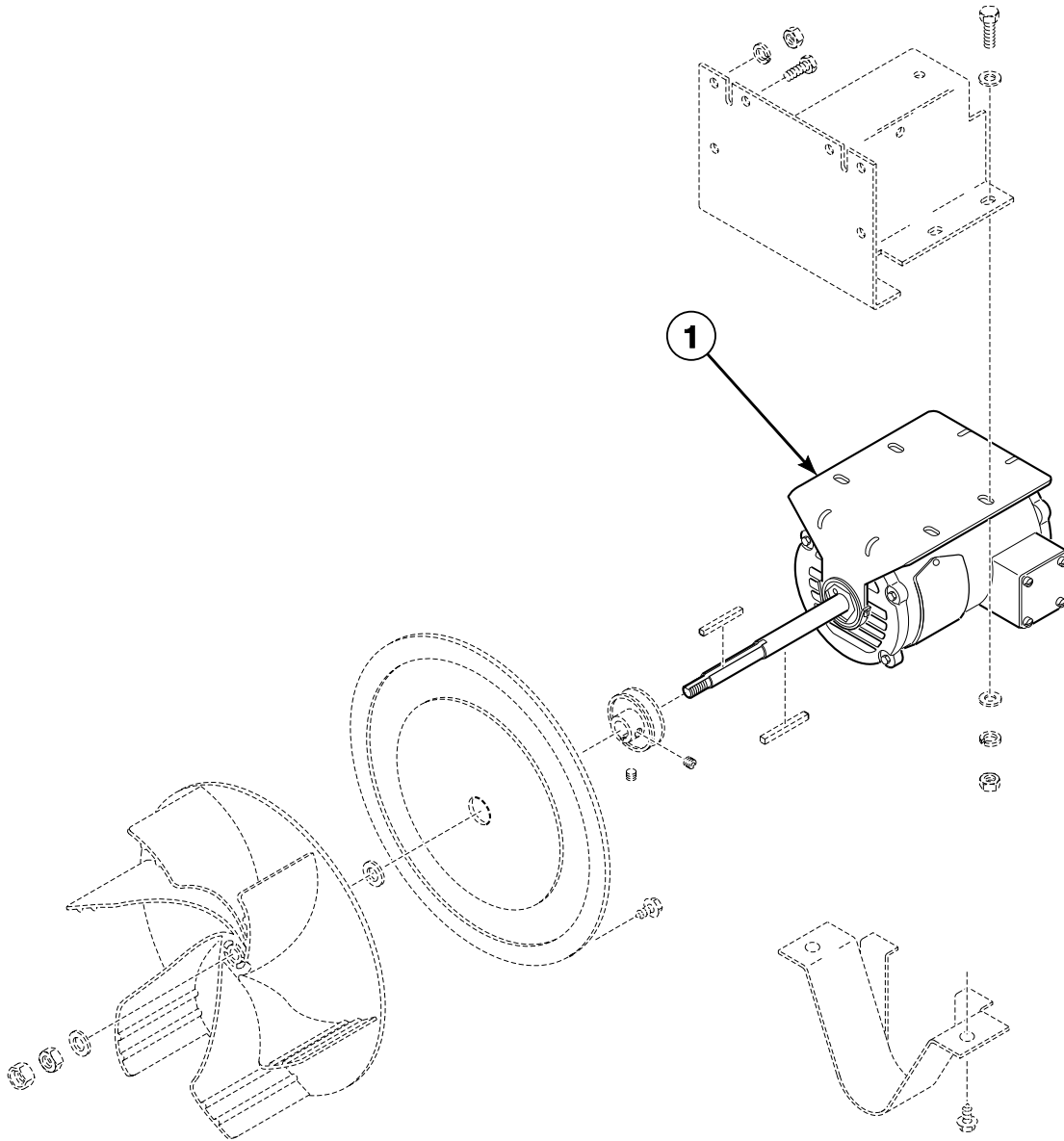


TMB2561P\_70409101

# Fan Components

REF	PART NO.	DESCRIPTION	COMMENTS
	M4426P3	Motor Hardware Kit	Includes items 12, 18-20 and 23
	M4525P3P	Resilient Ring Kit	2 per package
1	44006101P	Fan Motor Harness	Non-CE models; 120 Volt/60 Hertz/1 Phase and 230 or 240 Volt/50 Hertz/1 Phase
	44006201P	Fan Motor Harness	Non-CE models; Gas and steam: 208-240 Volt/60 Hertz/1 Phase; Electric: 200-208 Volt/60 Hertz/3 Phase, 240 Volt/ 60 Hertz/3 Phase and 240 Volt/50 Hertz/3 Phase
2	M413686	Fan Motor Harness Assembly	Non-CE models; Gas and steam: 200 Volt/50 Hertz/3 Phase and 380 Volt/50 Hertz/3 Phase; Electric: 480 Volt/60 Hertz/3 Phase
3	M413281	Fan Motor Harness Assembly	CE models; 1 Phase
4	M411483	Motor Bracket	Models through Serial No. 0707001384
	44117201	Motor Bracket	Models starting Serial No. 0707001385
5	M400014	Washer	
6	20274	Nut	
7	M401393	Bolt	2 required
8	M400057	Screw	
9	M400080	Washer	
10	M400013	Washer	
11	02428	Nut	
12	44132301	Key	Nonreversing; All models: 120 Volt/60 Hertz/1 Phase or 200-208 or 240 Volt/60 Hertz/1 Phase; Electric models: 200-208 Volt/60 Hertz/3 Phase or 240 Volt/60 Hertz/3 Phase
	M400993	Key	All other voltages
13	M400077	Screw	Supplied with pulley
14	430497	Screw	
15	M413008	Belt Guard	
16	M410059	Screw	7 required
17	M401362	Cover Plate	
18	M400991	Washer	
19	M400034	Nut	
20	M400022	Nut	
21	M4936P3	Fan Kit	Includes key
22	M414564	Pulley	60 Hertz; Nonreversing
	M414566	Pulley	50 Hertz; Nonreversing
23	M400994P	Key and Instruction Kit	

# Fan Motors



TMB2099P\_70409101

## Fan Motors

REF	PART NO.	DESCRIPTION	COMMENTS
1	44045801P	Motor	Use 44132301 Key for pulley and M400994 Key for fan; Use 70211501 Motor Capacitor; Nonreversing; Gas and steam models with: 120 Volt/60 Hertz/1 Phase and 200-208 or 240 Volt/60 Hertz/1 Phase; Electric models with: 200-208 Volt/60 Hertz/3 Phase and 240 Volt/60 Hertz/3 Phase
	44046101P	Motor	1/2 horsepower; Nonreversing; Gas and steam models with: 200-208 or 240 Volt/60 Hertz/3 Phase, 460-480 Volt/60 Hertz/3 Phase, 200 Volt/50 Hertz/3 Phase, 230-240 Volt/50 Hertz/3 Phase and 380 or 400-415 Volt/50 Hertz/3 Phase; Electric models with: 480 Volt/60 Hertz/3 Phase, 200 Volt/50 Hertz/3 Phase, 380 Volt/50 Hertz/3 Phase and 400-415 Volt/50 Hertz/3 Phase
	44048701P	Motor	Use M410300 Motor Capacitor; Nonreversing; Gas and steam models with: 230-240 Volt/50 Hertz/1 Phase; Electric models with: 240 Volt/50 Hertz/1 or 3 Phase
	44046001P	Fan Motor	1/3 horsepower; Reversing; Gas and steam models with: 200-208 or 240 Volt/50 or 60 Hertz/3 Phase, 460-480 Volt/50 or 60 Hertz/3 Phase, 200 Volt/50 or 60 Hertz/3 Phase, 230-240 Volt/50 Hertz/3 Phase and 380 or 400-415 Volt/50 or 60 Hertz/3 Phase; Electric models with: 480 Volt/50 or 60 Hertz/3 Phase, 380 Volt/50 or 60 Hertz/3 Phase and 400-415 Volt/50 or 60 Hertz/3 Phase
	44045901P	Fan Motor	Use M410301 Motor Capacitor; Reversing; Gas and steam models with: 230-240 Volt/50 Hertz/1 Phase; Electric models with: 240 Volt/50 Hertz/1 or 3 Phase and 200 Volt/50 Hertz/3 Phase
	44045701P	Motor	Use M410296 Motor Capacitor; Reversing; Electric models with: 200-208 Volt/60 Hertz/3 Phase and 240 Volt/60 Hertz/3 Phase

**NOTE: Nonreversing motors listed above function as the fan motor and the drive motor.**



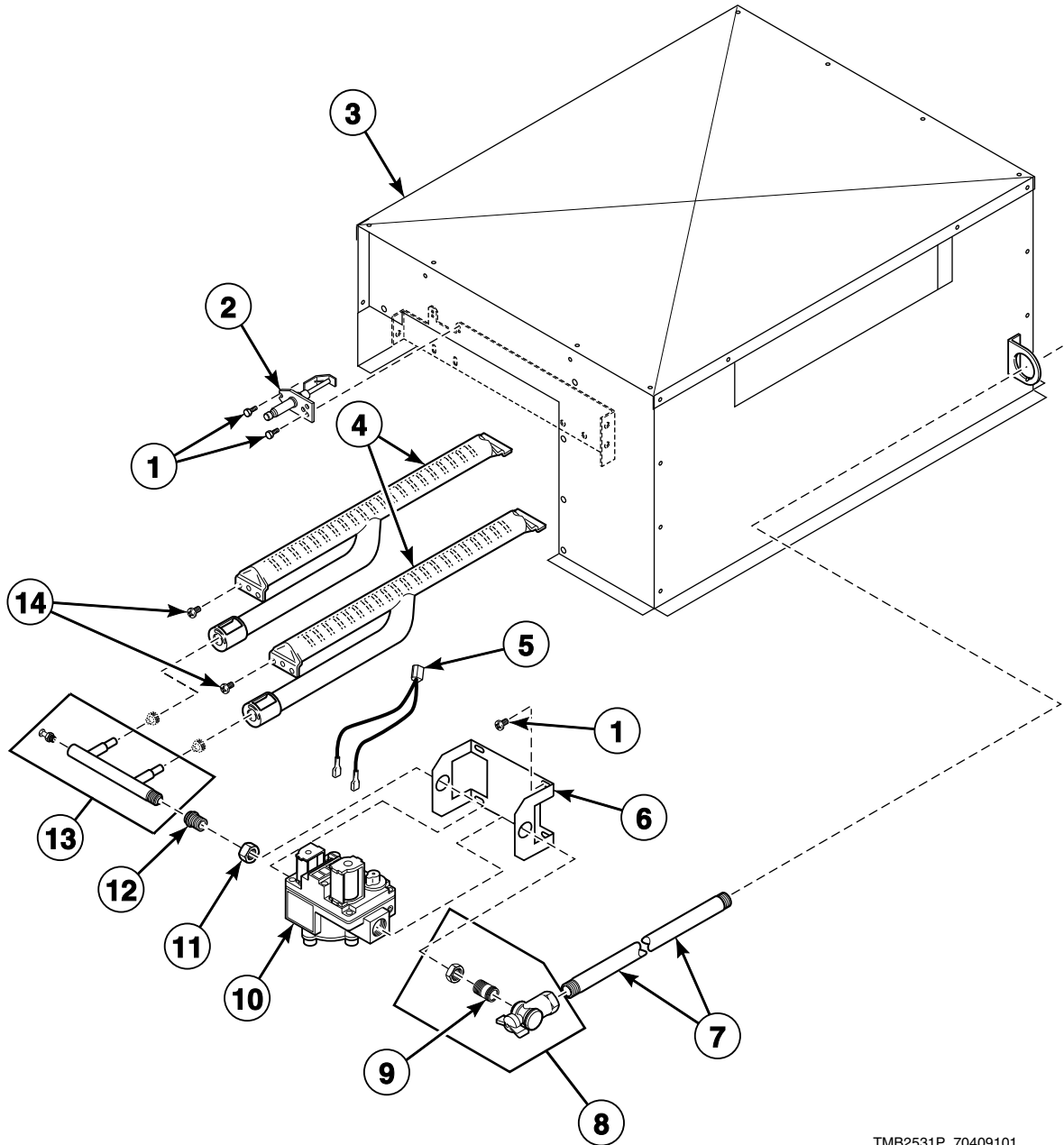
## Gas Heater Components (Drawing 1 of 2)

REF	PART NO.	DESCRIPTION	COMMENTS
	M4542P3	L.P. Conversion Kit	Natural Gas (N.G.) to Liquid Petroleum Gas (L.P.); CE and Australian models
	M4379P3	L.P. Conversion Kit	N.G. to L.P.; Non-CE and non-Australian models
	M414503	Insulation	Used with item 3
<b>1</b>	430497	Screw	2 required
<b>2</b>	M406934P	Spark Igniter	Non-Australian models
	M410905P	Spark Igniter	Australian models
<b>3</b>	M414795	Stove Assembly	Includes item 4
<b>4</b>	M410541P	Burner Assembly	2 required
<b>5</b>	M412997	Harness Assembly	Non-CE and non-Australian models
	M413650	Gas Valve Harness Assembly	CE and Australian models
<b>6</b>	M406814	Gas Valve Bracket	
<b>7</b>	M412562P	Gas Shut-Off Valve	CE models
<b>8</b>	M400749	Pipe	
<b>9</b>	M4983P3	Shut-Off Valve Kit	
<b>10</b>	44092201	Tailpiece	1/2 inch NPT; Models starting Serial No. 05040000256
	44092202	Tailpiece	1/2 inch BPT; Models starting Serial No. 05040000256
<b>11</b>	M410907P	Gas Valve	N.G.; Australian models
	M410908	Gas Valve	L.P.; Australian models
	M413332P	Gas Valve	N.G.; CE models
	M4909P3	Valve Replacement Kit	L.P.; CE models
	44138701P	Gas Valve Kit	L.P.; 50 Hertz; Non-CE models
	M4897P3	L.P. Gas Valve Kit	L.P.; 60 Hertz; Non-CE models
	44154501P	Gas Valve	N.G.; Non-CE models
	44042901P	Gas Valve Coil	60 Hertz; 24 Volt; Non-CE and non-Australian models
<b>12</b>	M401548	Nut	
<b>13</b>	M400605	Anti-Torque Ring	
<b>14</b>	M413395	Manifold Pipe Assembly	CE models
	44040501	Manifold Pipe	C, D and I non-CE and non-Australian models
	M406681	Manifold Pipe Assembly	All other models
<b>15</b>	M410546	Spud Holder Assembly	
<b>16</b>	70240301	Screw	4 required

**NOTE: For CE gas and orifice information, refer to Installation Manual.**

# Gas Heater Components (Drawing 2 of 2)

Non-CE and Non-Australian Models Starting Serial No. 0208002195

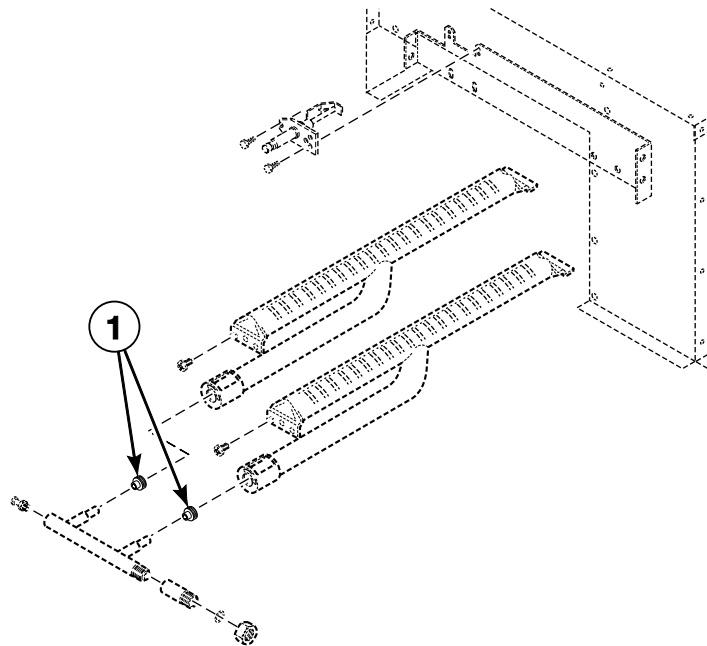


TMB2531P\_70409101

## Gas Heater Components (Drawing 2 of 2)

REF	PART NO.	DESCRIPTION	COMMENTS
	M4379P3	L.P. Conversion Kit	Natural Gas (N.G.) to Liquid Petroleum Gas (L.P.)
	M414503	Insulation	Used with item 3
1	430497	Screw	2 required
2	M406934P	Spark Igniter	
3	M414795	Stove Assembly	Includes item 4
4	M410541P	Burner Assembly	2 required
5	M412997	Harness Assembly	
6	44040401	Gas Valve Bracket	
7	M400749	Pipe	
8	M4983P3	Shut-Off Valve Kit	
9	44092201	Tailpiece	1/2 inch NPT; Models starting Serial No. 0504000256
	44092202	Tailpiece	1/2 inch BPT; Models starting Serial No. 0504000256
10	44154501P	Gas Valve	N.G.
	44154502P	Gas Valve	L.P.
11	M401548	Nut	
12	44040501	Manifold Pipe	
13	M410546	Spud Holder Assembly	
14	70240301	Screw	4 required

# Burner Orifices for Non-CE Models



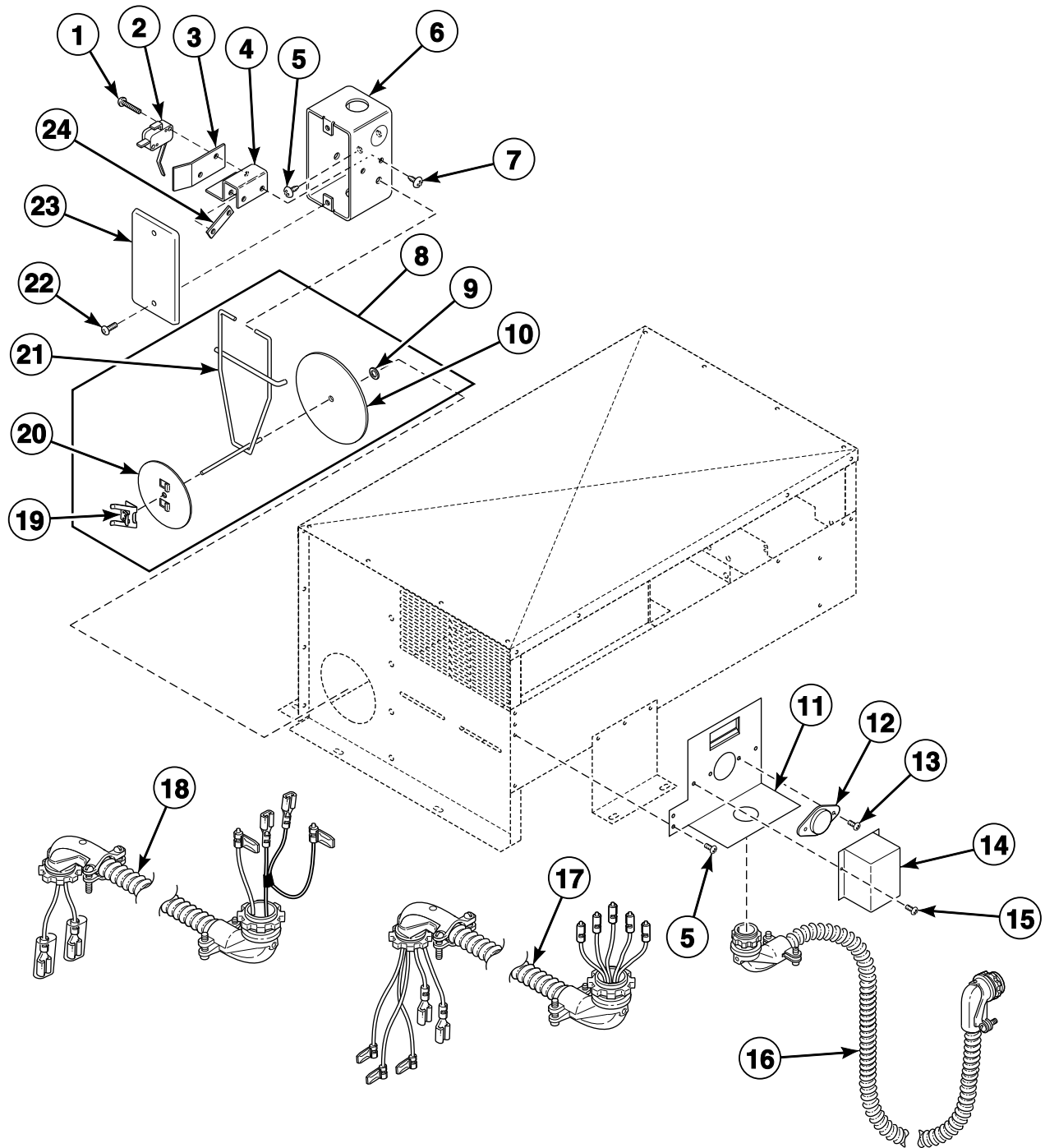
TMB2532P\_70409101

## Burner Orifices for Non-CE Models

REF	PART NO.	DESCRIPTION	COMMENTS
1	M406184	Burner Orifice	Liquid Petroleum Gas (L.P.); Drill no. 43 (2.3 mm); 0-2,000 feet; 2 required
	M401011	Burner Orifice	L.P.; Drill no. 44 (2.2 mm); 2,001-4,000 feet; 2 required
	M401027	Burner Orifice	L.P.; Drill no. 45 (2.1 mm); 4,001-6,000 feet; 2 required
	M400999	Burner Orifice	L.P.; Drill no. 47 (2.0 mm); 6,001-8,000 feet; 2 required
	M401001	Burner Orifice	L.P.; Drill no. 48 (1.9 mm); 8,001-10,000 feet; 2 required
	M401000	Burner Orifice	Natural Gas (N.G.); Drill no. 26 (3.7 mm); 0-2,000 feet; 2 required
	M401014	Burner Orifice	N.G.; Drill no. 28 (3.6 mm); 2,001-4,000 feet; 2 required
	M400997	Burner Orifice	N.G.; Drill no. 29 (3.4 mm); 4,001-6,000 feet; 2 required
	M401021	Burner Orifice	N.G.; Drill no. 30 (3.3 mm); 6,001-10,000 feet; 2 required

**NOTE: For CE gas and orifice information, refer to Installation Manual.**

# Gas Heater Components - Rear View

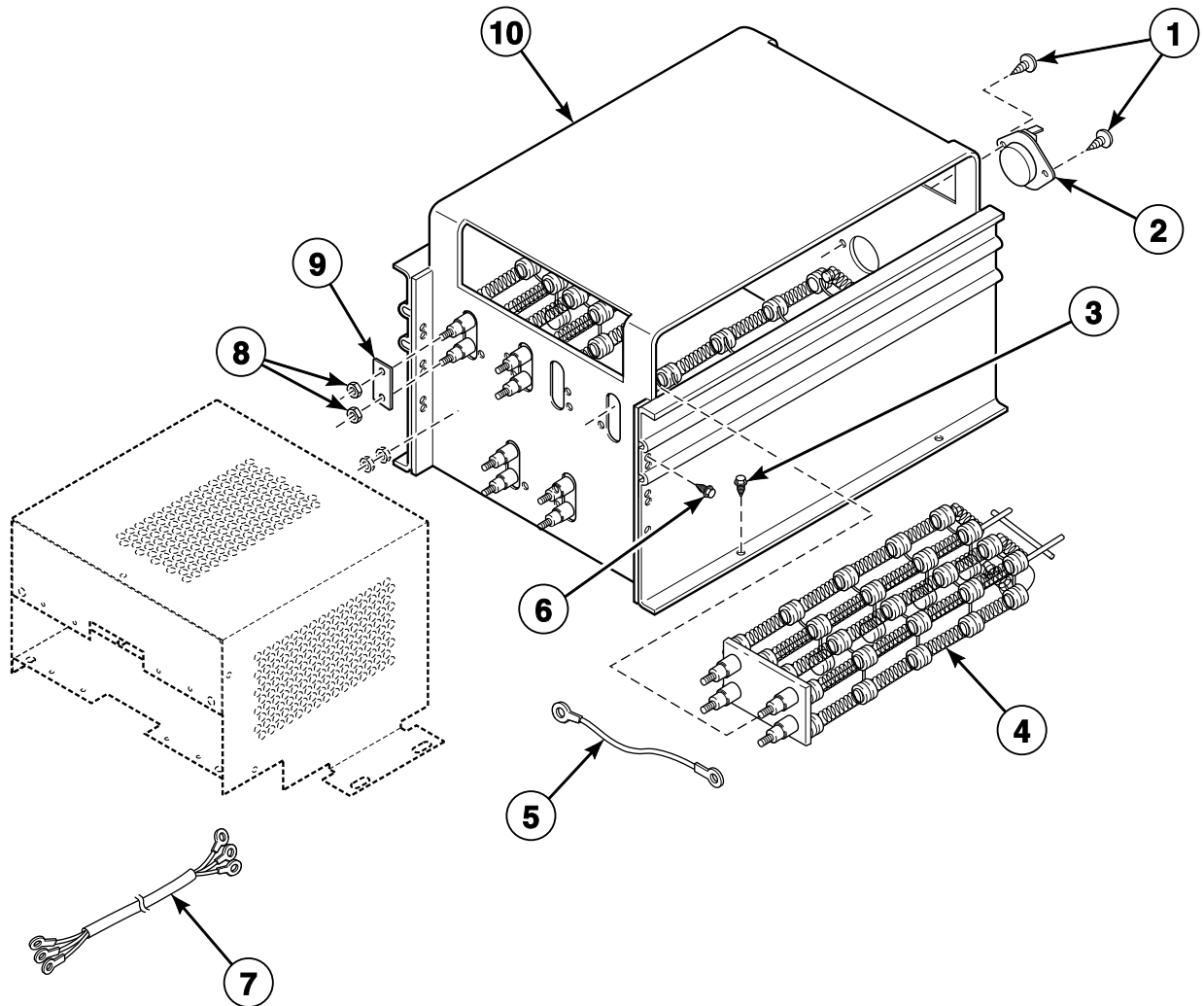


TMB2562P\_70409101

## Gas Heater Components - Rear View

REF	PART NO.	DESCRIPTION	COMMENTS
1	M401938	Screw	
2	M400944	Airflow Switch	Non-CE models
	M412423	Actuator Switch	CE models
3	M400712	Airflow Switch Insulator Barrier	
4	M409202	Airflow Switch Bracket	
5	430497	Screw	2 required
6	M403235	Airflow Switch Handy Box	
7	M400664	Screw	
8	M400541	Vane Assembly	
9	M400977	Nut	
10	M400253	Vane	
11	M402798	Thermostat Bracket	
12	M409433	Limit Thermostat	Non-Australian models
	M411938	Manual Reset Thermostat	Australian models
13	M402797	Screw	2 required
14	M414477	Thermostat Cover	
15	M400664	Screw	2 required
16	M412609	Stove Limit Harness Assembly	
17	M412635	Harness Assembly	Airflow switch; CE models
18	M413690	Harness Assembly	Airflow switch; Non-CE models
19	M400976	Clip	
20	M400822	Counterweight	
21	M400753	Airflow Switch Vane Lever	
22	M400072	Screw	2 required
23	J1075621	Electric Box Cover	
24	M400979	Nut	

# Electric Heater Components for Non-CE Models

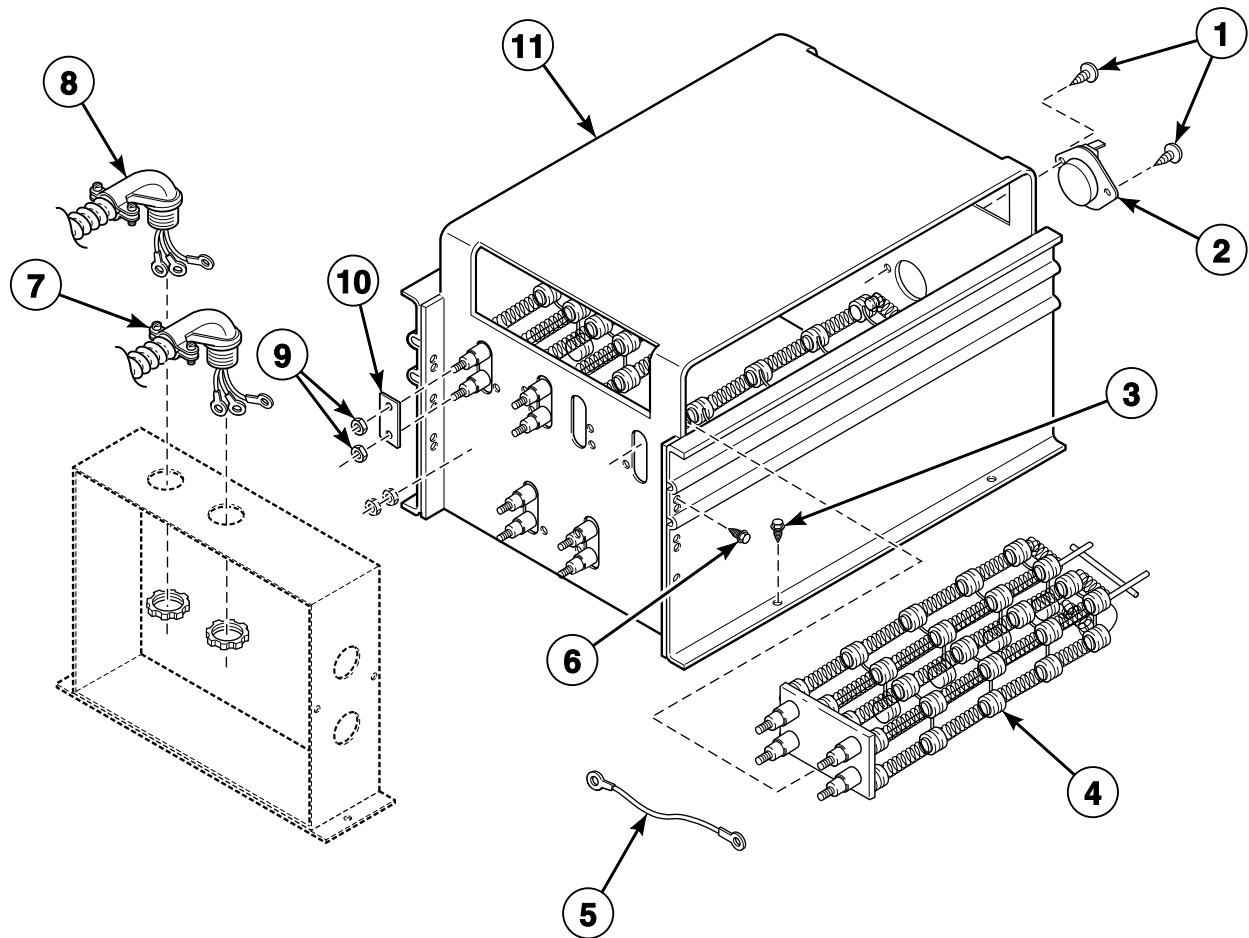


TMB1249P\_70409101

## Electric Heater Components for Non-CE Models

REF	PART NO.	DESCRIPTION	COMMENTS
1	33562	Screw	
2	M410220	Limit Thermostat	30 kW; 3 Phase
	M409433	Limit Thermostat	21 kW; 240 Volt/50 Hertz/1 Phase
3	430497	Screw	
4	M410939P	Heater Element	10 kW; 240 Volt; 3 required for 240 Volt/60 Hertz/3 Phase, 400-415 Volt/50 Hertz/3 Phase and 480 Volt/60 Hertz/3 Phase
	M410940P	Heater Element	10 kW; 208 Volt; 3 required for 200 Volt/50 Hertz/3 Phase and 200-208 Volt/60 Hertz/3 Phase
	M410941P	Heater Element	10 kW; 220 Volt; 3 required for 380 Volt/50 Hertz/3 Phase
	M412955P	Heater Element	7 kW; 240 Volt; 3 required for 240 Volt/50 Hertz/1 Phase
5	M412287	Jumper Wire Assembly	1 required for 380 Volt/50 Hertz/3 Phase and 400-415 Volt/50 Hertz/3 Phase; 2 required for 480 Volt/60 Hertz/3 Phase
6	70240301	Screw	
7	M413959	Heater Cable Assembly	H1-H3; 200 Volt/50 Hertz/3 Phase, 200-208 Volt/60 Hertz/3 Phase, 240 Volt/60 Hertz/3 Phase, 380 Volt/50 Hertz/3 Phase, 400-415 Volt/50 Hertz/3 Phase, 480 Volt/60 Hertz/3 Phase and 240 Volt/50 Hertz/1 Phase
	M413960	Heater Cable Assembly	H4-H6; 200 Volt/50 Hertz/3 Phase, 200-208 Volt/60 Hertz/3 Phase, 240 Volt/60 Hertz/3 Phase and 240 Volt/50 Hertz/1 Phase
8	70054	Nut	
9	M400866	Jumper Bar	380 Volt/50 Hertz/3 Phase, 400-415 Volt/50 Hertz/3 Phase and 480 Volt/60 Hertz/3 Phase
	M400869	Jumper Strip	3 required for 480 Volt/60 Hertz/3 Phase; 6 required for all others
10	M414825	Electric Heater Cabinet Assembly	

# Electric Heater Components for CE Models



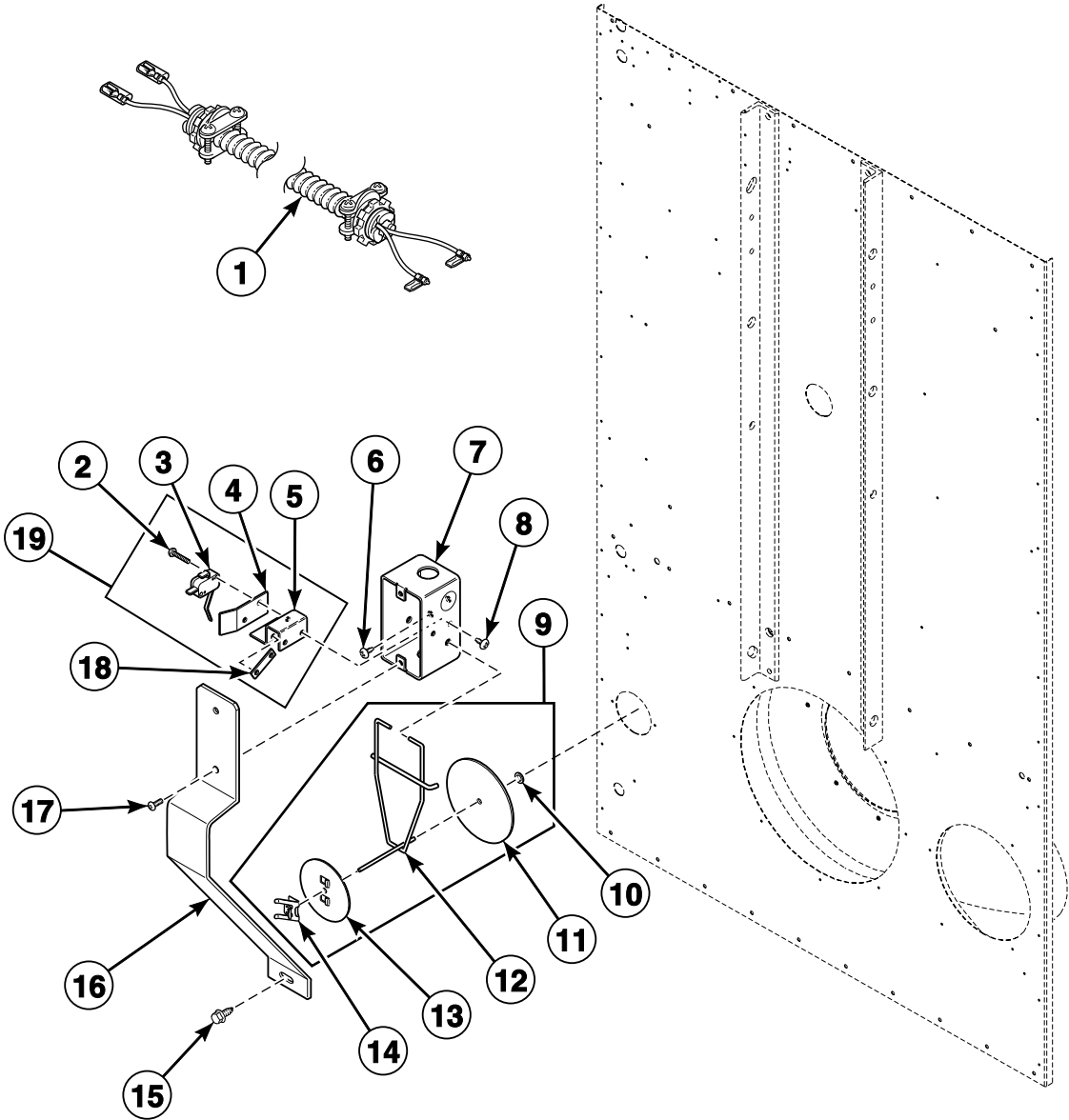
TMB1248P\_70409101

## Electric Heater Components for CE Models

REF	PART NO.	DESCRIPTION	COMMENTS
1	33562	Screw	
2	M410220	Limit Thermostat	
3	430497	Screw	
4	M410939P	Heater Element	10 kW; 240 Volt; 3 required for 230 Volt/50 Hertz/3 Phase and 415 Volt/50 Hertz/3 Phase
	M410941P	Heater Element	10 kW; 220 Volt; 3 required for 380 Volt/50 Hertz/3 Phase
5	M412287	Jumper Wire Assembly	380 Volt/50 Hertz/3 Phase and 415 Volt/50 Hertz/3 Phase
6	70240301	Screw	
7	M412802	Heater Cable Harness Assembly	240 Volt; 230 Volt/50 Hertz/3 Phase; Includes nut
8	M412801	Heater Cable Harness Assembly	230 Volt/50 Hertz/3 Phase, 380 Volt/50 Hertz/3 Phase and 415 Volt/50 Hertz/3 Phase; Includes nut
9	70054	Nut	12 required
10	M400869	Jumper Strip	6 required
	M400866	Jumper Bar	380 Volt/50 Hertz/3 Phase and 415 Volt/50 Hertz/3 Phase
11	M414825	Electric Heater Cabinet Assembly	

# Airflow Switch Assembly

Electric Models

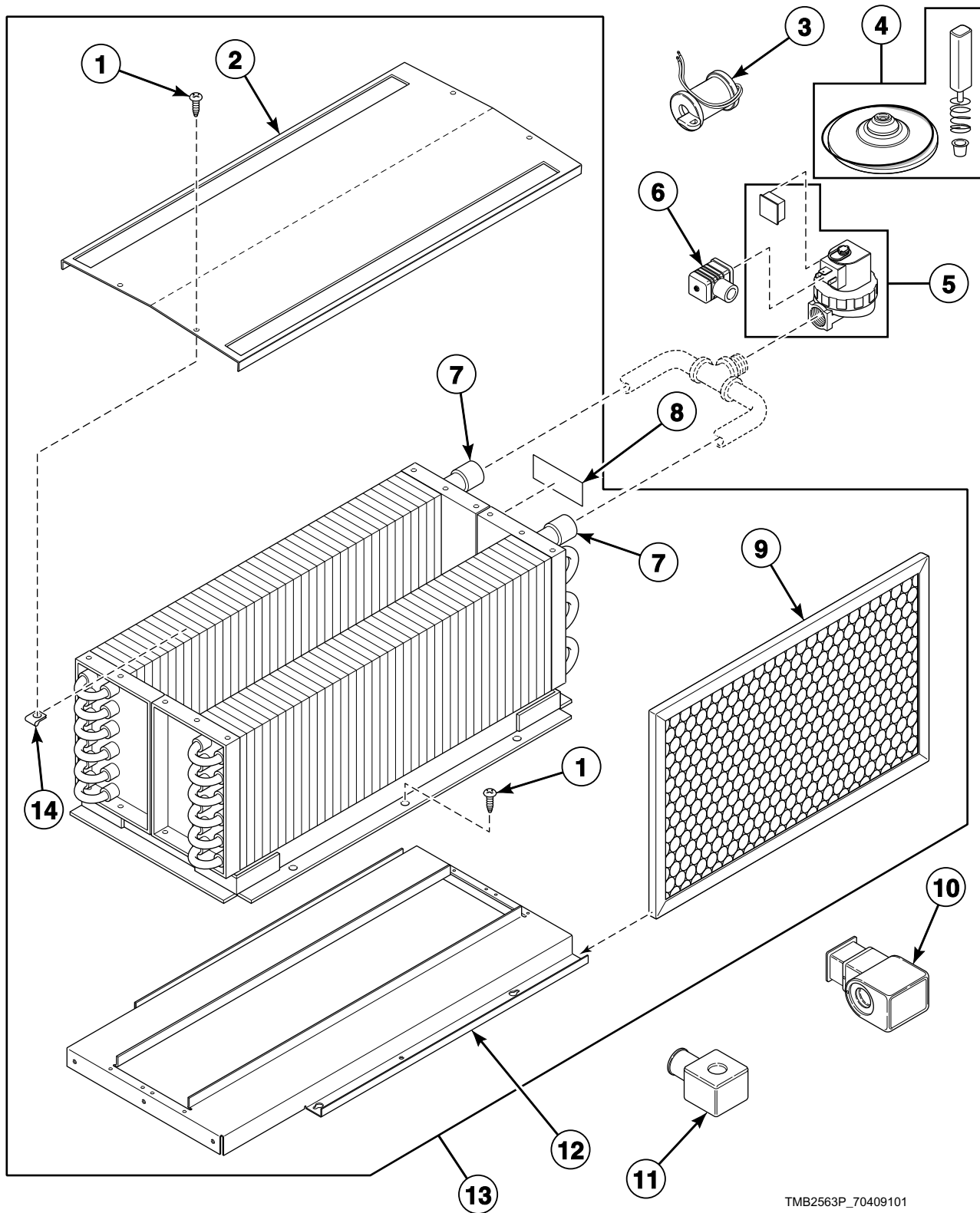


TMB2807P\_70409101

## Airflow Switch Assembly

REF	PART NO.	DESCRIPTION	COMMENTS
1	M413689	Airflow Switch Harness Assembly	
2	M401938	Screw	
3	M400944	Airflow Switch	Non-CE models
4	M400712	Airflow Switch Insulator Barrier	
5	M409202	Airflow Switch Bracket	
6	430497	Screw	2 required
7	M403235	Airflow Switch Handy Box	
8	M400664	Screw	
9	M400541	Vane Assembly	
10	M400977	Nut	
11	M400253	Vane	
12	M400753	Airflow Switch Vane Lever	
13	M400822	Counterweight	
14	M400976	Clip	
15	51780	Screw	
16	M410544	Airflow Switch Guard	
17	M400072	Screw	
18	M400979	Nut	
19	M401883	Airflow Switch Assembly	Includes items 2-5 and 18

# Steam Heater and Valve



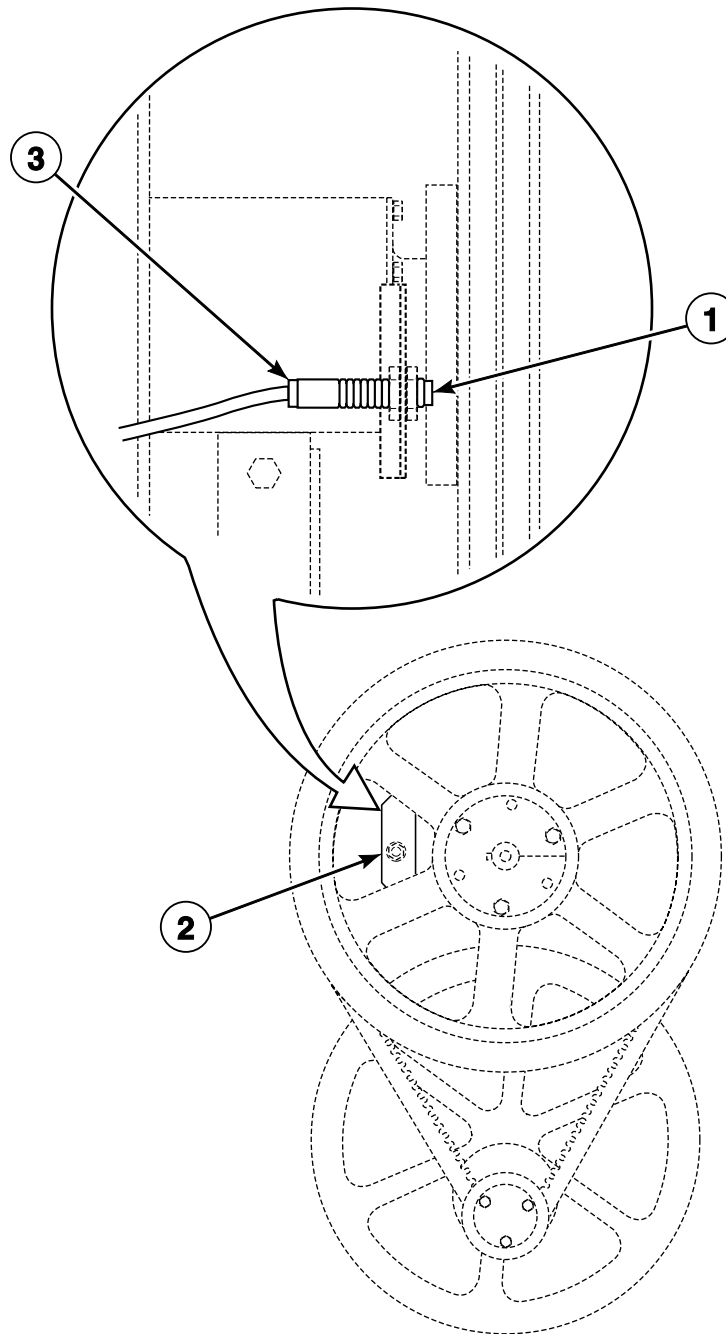
TMB2563P\_70409101

## Steam Heater and Valve

REF	PART NO.	DESCRIPTION	COMMENTS
	M405188	Screw	Thermal oil models; 8 required
	33562	Screw	Thermal oil models; 4 required
	M414759	Top Cover	Thermal oil models
<b>1</b>	430497	Screw	
<b>2</b>	M400828	Low Pressure Steam Cover	
<b>3</b>	70205701P	Steam Valve Coil	All models except thermal oil models; Models through 2/28/05; 60 Hertz; 24 Volt
	M412258	Steam Valve Coil	All models except thermal oil models; Models through 2/28/05; 50 Hertz; 24 Volt
<b>4</b>	M412259	Steam Valve Rebuild Kit	All models except thermal oil models; Models through 2/28/05
	70351021P	Steam Valve Rebuild Kit	All models except thermal oil models; Models starting 3/1/05
<b>5</b>	F8322903	Steam Valve	All models except thermal oil models; 50 Hertz
	70351001P	Steam Valve	All models except thermal oil models; 60 Hertz
<b>6</b>	70370301P	Solenoid Valve DIN Connector	All models except thermal oil models
<b>7</b>	M400637P	Steam Coil	2 required; All models except thermal oil models
<b>8</b>	902303	Steam Pressure Label	All models except thermal oil models; Near inlet to indicate maximum steam pressure
<b>9</b>	44172001	Filter	2 required; CE models
	44104201	Air Filter	2 required; All other models
<b>10</b>	70351012	Steam Solenoid	All models except thermal oil models; Models starting 3/1/05; 50 Hertz
<b>11</b>	70351011P	Steam Solenoid	All models except thermal oil models; Models starting 3/1/05; 60 Hertz
<b>12</b>	44007501	Steam Stand Box	
<b>13</b>	44020401P	Steam Heater Assembly	All models except thermal oil models
<b>14</b>	M400974	Clip	

# Rotation Sensor

C, D and I Models

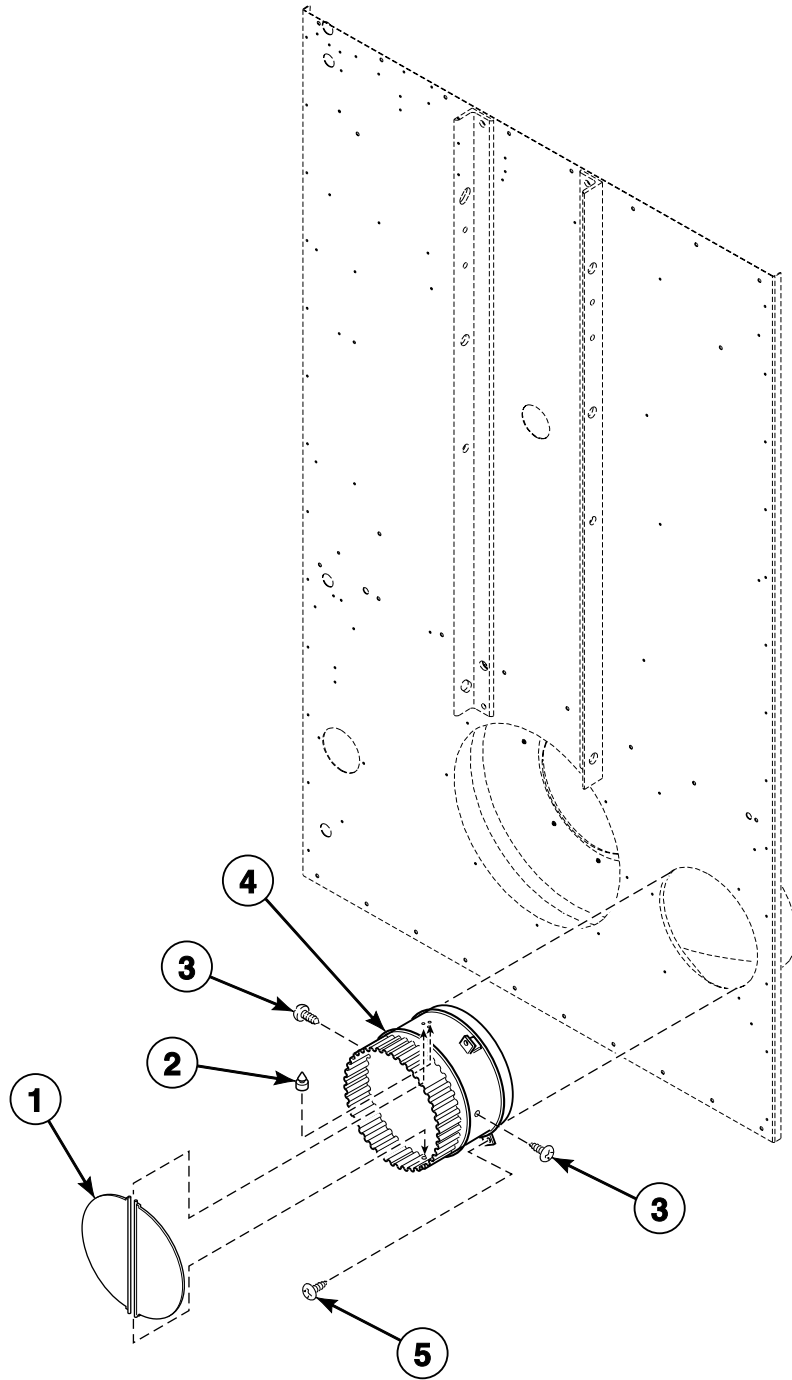


TMB2009P\_70409101

# Rotation Sensor

REF	PART NO.	DESCRIPTION	COMMENTS
1	70274001P	Rotation Sensor	Includes plug; C and I models; D models through 10/21/07
	70417401P	Rotation Sensor Assembly	Includes plug; D models starting 10/22/07
2	44044501	Proximity Bracket	
3	70274102P	Rotation Sensor Cable Assembly	Includes connector

# Duct and Damper Assembly

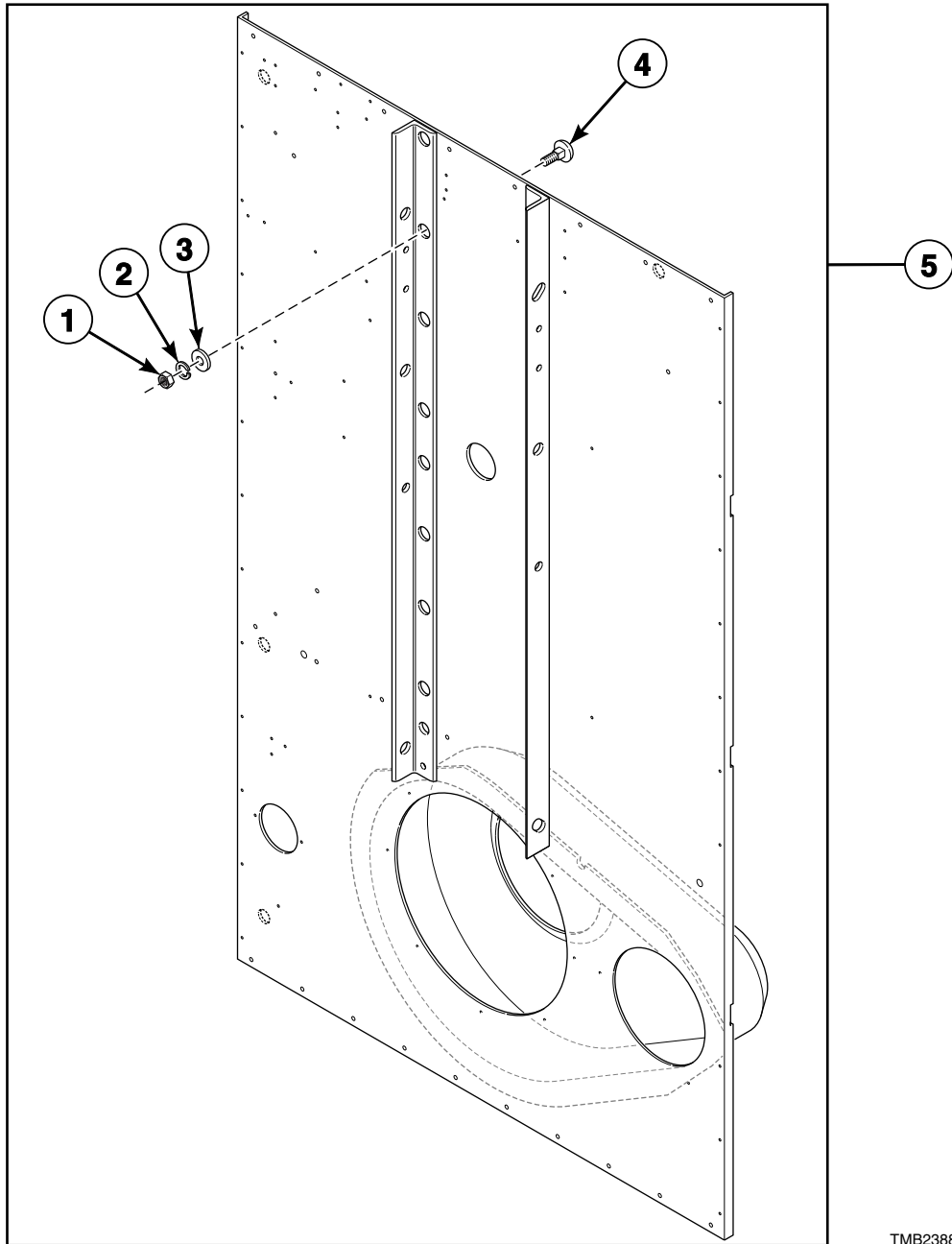


TMB2161P\_70409101

## Duct and Damper Assembly

REF	PART NO.	DESCRIPTION	COMMENTS
1	M400503	Thimble Vane Assembly	2 required
2	M400795	Bumper	
3	M405188	Screw	2 required
4	M412288	Exhaust Thimble Assembly	
5	M411072	Screw	3 required

# Rear Panel Assembly



TMB2388P\_70409101

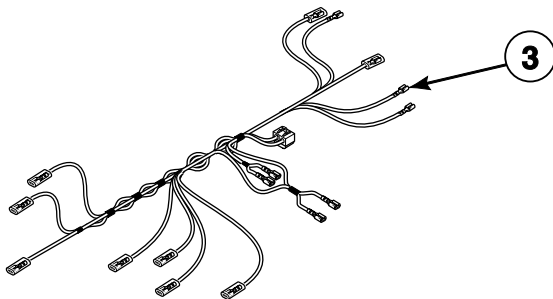
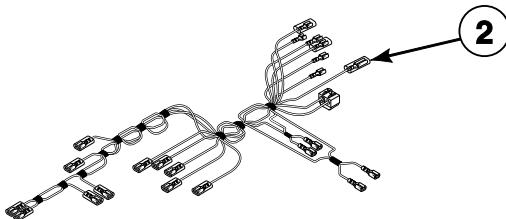
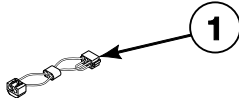
# Rear Panel Assembly

REF	PART NO.	DESCRIPTION	COMMENTS
1	20274	Nut	14 required
2	M400014	Washer	14 required
3	M400080	Washer	14 required
4	M405503	Bolt	14 required
5	N/A	Rear Panel Assembly	Bolt on angle option

**N/A = Part no longer available**

# Contactor Box Assembly Harnesses (Drawing 1 of 3)

Use with Contactor Box Assembly (Drawing 1 of 21)  
Non-CE Gas, Steam and Electric Nonreversing Models



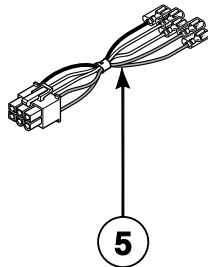
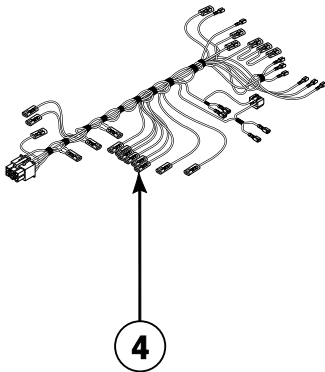
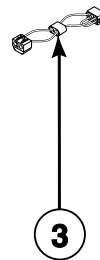
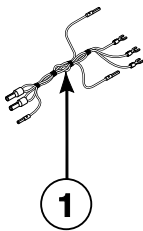
TMB2773P\_70409101

## Contactor Box Assembly Harnesses (Drawing 1 of 3)

REF	PART NO.	DESCRIPTION	COMMENTS
1	M413507	Jumper Configuration Assembly	240 Volt
	M413506	Jumper Harness Assembly	208 Volt; Use on 200 and 200-208 Volt
2	M413683P	Control Box Harness Assembly	3 Phase
3	44005801	Control Box Harness	2 wire
	44005901	Control Box Harness	3 wire; Gas and steam models

# Contactor Box Assembly Harnesses (Drawing 2 of 3)

Use with Contactor Box Assembly (Drawing 3 of 21)  
Non-CE Gas, Steam and Electric Reversing Models Except N Models



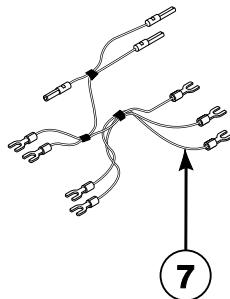
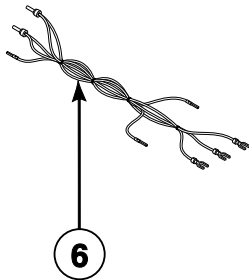
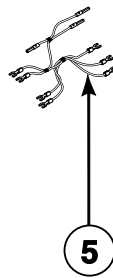
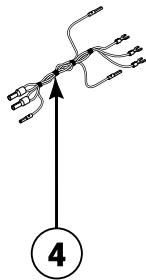
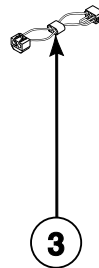
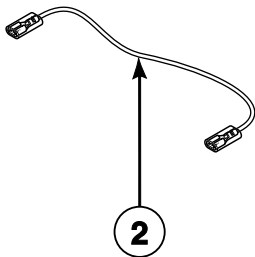
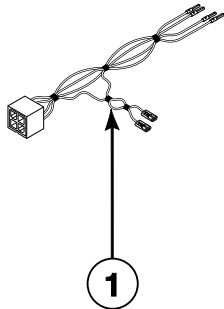
TMB2774P\_70409101

## Contactor Box Assembly Harnesses (Drawing 2 of 3)

REF	PART NO.	DESCRIPTION	COMMENTS
1	M413695	Reversing Contactor Jumper Assembly	Lower; 1 Phase
2	M413624	Reversing Contactor Jumper Assembly	Upper; 3 Phase
3	M413506	Jumper Harness Assembly	208 Volt; 200 Volt/50 Hertz/3 Phase and 200-208 Volt/60 Hertz/3 Phase
	M413507	Jumper Configuration Assembly	240 Volt; 200-208 or 240 Volt/50 or 60 Hertz/1 or 3 Phase and 230-240 Volt/50 Hertz/1 or 3 Phase
4	M413684P	Contactor Box Harness Assembly	200 Volt/50 Hertz/3 Phase; 200-208 or 240 Volt/50 or 60 Hertz/3 Phase; 230-240 Volt/50 Hertz/3 Phase
	44006001	Control Box Harness	230-240 or 240 Volt/50 Hertz/1 Phase
5	44008001	Reversing Timer Harness	RT control suffix
6	M413168	Bypass Harness Assembly	R3, RD, RM and RQ control suffixes

# Contactor Box Assembly Harnesses (Drawing 3 of 3)

Use with Contactor Box Assembly (Drawing 15 of 21)  
CE Electric Models



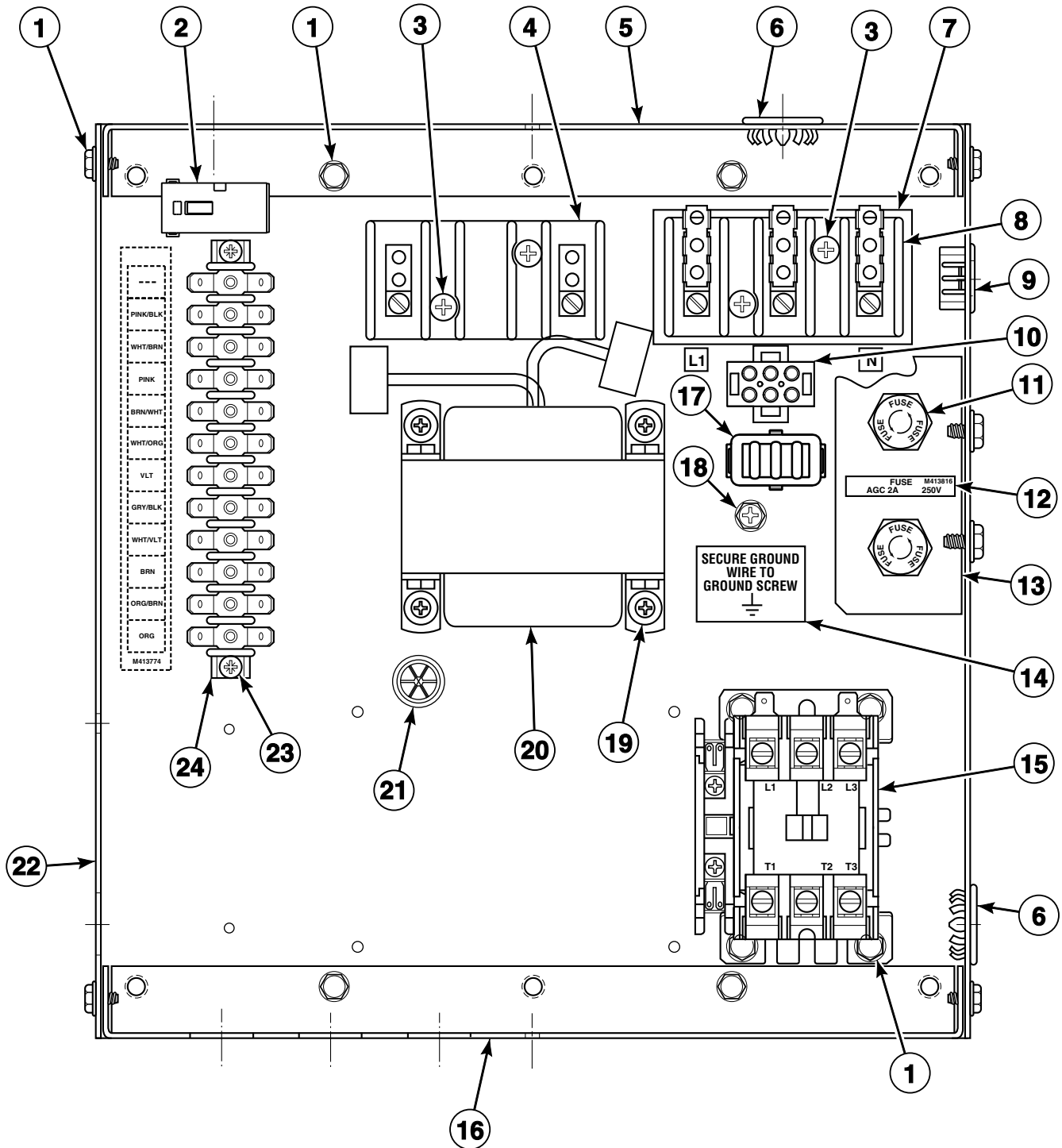
TMB2775P\_70409101

## Contactor Box Assembly Harnesses (Drawing 3 of 3)

REF	PART NO.	DESCRIPTION	COMMENTS
1	M414028	Transformer Harness Assembly	Primary
	M414029	Transformer Harness Assembly	Secondary
	44043101	Transformer Harness	Secondary; DO, DV, DX and RD control suffixes
2	M412740	Jumper Cable Wire	8 gauge; 6 required
	44014501	Jumper Wire	3 required
	44014601	Jumper Wire	3 required
	44014701	Jumper Wire	3 required
	M413934	Jumper Cable Assembly	3 required
3	M413507	Jumper Configuration Assembly	240 Volt; 3O, 3V, 3X, DO, DV, DX, OM, R3, RD and RM control suffixes
	M413506	Jumper Harness Assembly	208 Volt
4	M414078	Jumper Harness Assembly	3O, 3V, 3X, DO, DV, DX, OM, R3, RD and RM control suffixes
5	M412928	Reversing Jumper Harness Assembly	Upper; 2 required; R3, RD and RM control suffixes
	M412929	Reversing Jumper Harness Assembly	Lower; R3, RD and RM control suffixes
6	M412871	Jumper Harness Assembly	400 Volt; BC, BL, BU, BX, BY, NC, NR, NX, NY, ZC, ZR, ZX and ZY control suffixes
7	M414034	Reversing Contactor Harness Assembly	R3, RD and RM control suffixes

# Contactor Box Assembly (Drawing 1 of 21)

Non-CE Gas, Steam and Electric Nonreversing Models  
 120 Volt/60 Hertz/1 Phase; 230-240 or 240 Volt/50 Hertz/1 Phase;  
 200-208 or 240 Volt/50 or 60 Hertz/1 or 3 Phase; 200 or 230-240 Volt/50 Hertz/3 Phase



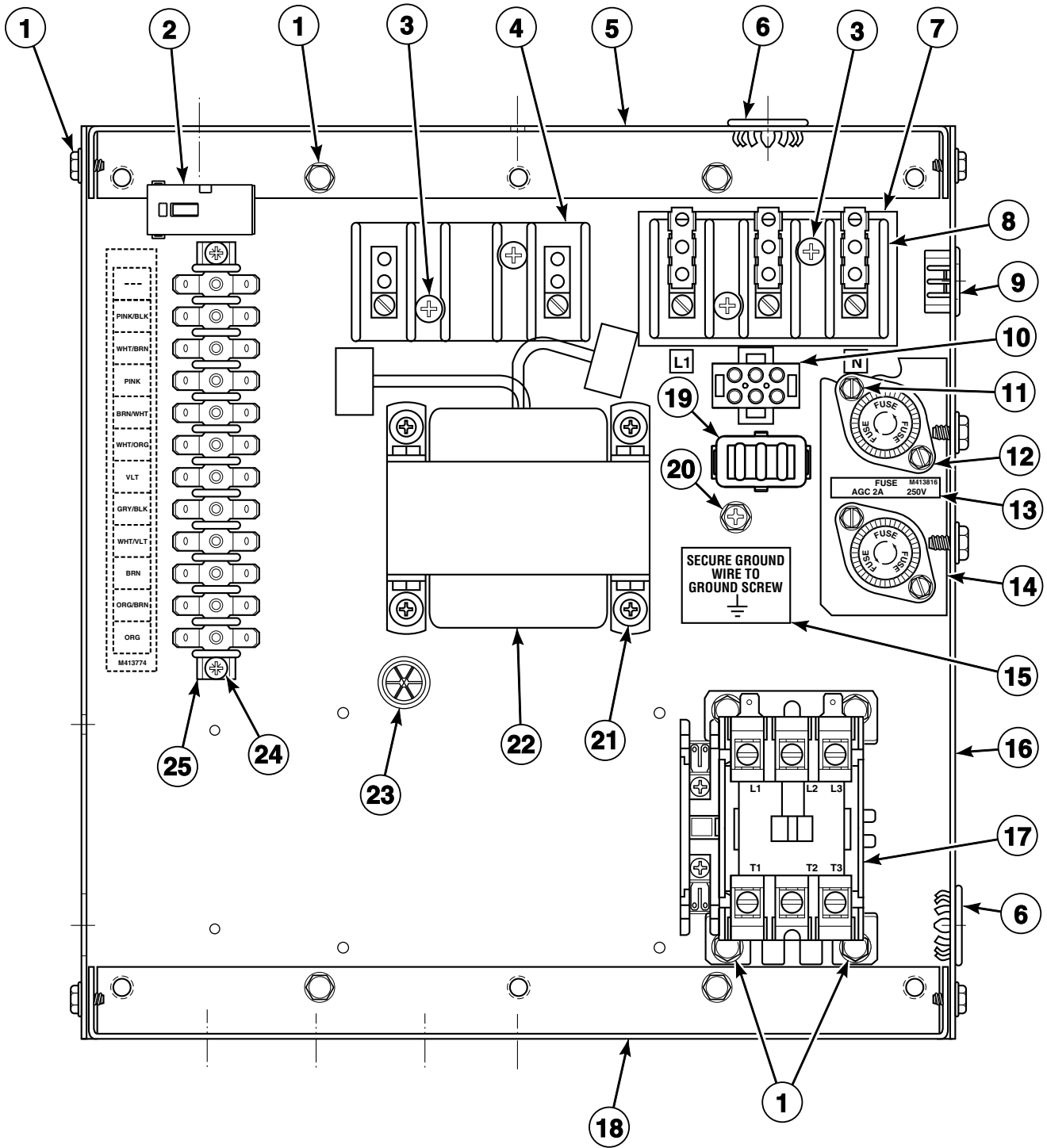
TMB2717P\_70409101

## Contactor Box Assembly (Drawing 1 of 21)

REF	PART NO.	DESCRIPTION	COMMENTS
	M413760	Contactora Box Cover	Gas and steam models
	M413856	Electric Accessory Box Cover	Electric models
	44127701	Warning Label	Extended tumble; On cover
1	51780	Screw	18 required for 200-208 or 240 Volt/50 or 60 Hertz/1 or 3 Phase and 200 or 230-240 Volt/50 Hertz/3 Phase; 14 required for 120 Volt/60 Hertz/1 Phase and 230-240 or 240 Volt/50 Hertz/1 Phase
2	M413930P	Ferrite Core Assembly	OM control suffix
3	M405824	Screw	4 required
4	M405364	Terminal Block	2 pole
5	M413757	Contactora Box End	Top
6	M400985	Plug	7/8 inch; 2 required
7	M413862	Insulator	
8	430642	Terminal Block	3 pole
9	M400770	Snap Bushing	7/8 inch; Electric models
10	M413878	Capacitor Network Harness Assembly	3O, 3V, 3X, DO, DV, DX and OM control suffixes
11	91024P	Fuse Receptacle	250 Volt; 2 required for 200-208 or 240 Volt/50 or 60 Hertz/1 or 3 Phase and 200 or 230-240 Volt/50 Hertz/3 Phase; 1 required for 120 Volt/60 Hertz/1 Phase and 230-240 or 240 Volt/50 Hertz/1 Phase
	M413118	Fuse	250 Volt; 2 Amp; 2 required for 200-208 or 240 Volt/50 or 60 Hertz/1 or 3 Phase and 200 or 230-240 Volt/50 Hertz/3 Phase; 1 required for 120 Volt/60 Hertz/1 Phase and 230-240 or 240 Volt/50 Hertz/1 Phase
12	M413816	Fuse Sticker	2 Amp
13	M413575	Fuse Holder Bracket	
14	M403047	Secure Ground Label	Electrical
15	M413614P	Fan Contactora	200-208 or 240 Volt/50 or 60 Hertz/1 or 3 Phase and 200, 230-240 Volt/50 Hertz/3 Phase, 120 Volt/60 Hertz/1 Phase and 230-240 or 240 Volt/50 Hertz/1 Phase
16	M413758	Contactora Box End	Bottom
17	M413863	Network Capacitor Assembly	3O, 3V, 3X, DO, DV, DX and OM control suffixes
18	M402917	Screw	Ground; Gas and steam models
19	M400044	Screw	4 required; Use with 4 of 23951 Nut to attach item 20
20	M414230P	Transformer	120 Volt; Single secondary; 120 Volt/60 Hertz/1 Phase with CD, CX, CY, MT, QT, SD and SX control suffixes
	M414312P	Transformer	Dual secondary; 120 Volt/60 Hertz/1 Phase with 3O, 3V, 3X, BC, BL, BU, BX, BY, DO, DV, DX, NC, NR, NX, NY, OM, ZC, ZR, ZX and ZY control suffixes
	M414228P	Transformer	Dual secondary; Multitap; 100-240 Volt; 200, 200-208, 230-240 or 240 Volt/50 or 60 Hertz/1 or 3 Phase
21	M411537	Bushing	5/8 inch
22	44028401	Contactora Box Wrapper	
23	51778	Screw	2 required for 200-208 or 240 Volt/50 or 60 Hertz/1 or 3 Phase and 200 or 230-240 Volt/50 Hertz/3 Phase; 4 required for 120 Volt/60 Hertz/1 Phase and 230-240 or 240 Volt/50 Hertz/1 Phase
24	M413542	Terminal Strip	12 circuit

# Contactor Box Assembly (Drawing 2 of 21)

Non-CE Gas, Steam and Electric Nonreversing Models  
 380, 400-415 or 415 Volt/50 Hertz/3 Phase; 460-480 or 480 Volt/60 Hertz/3 Phase



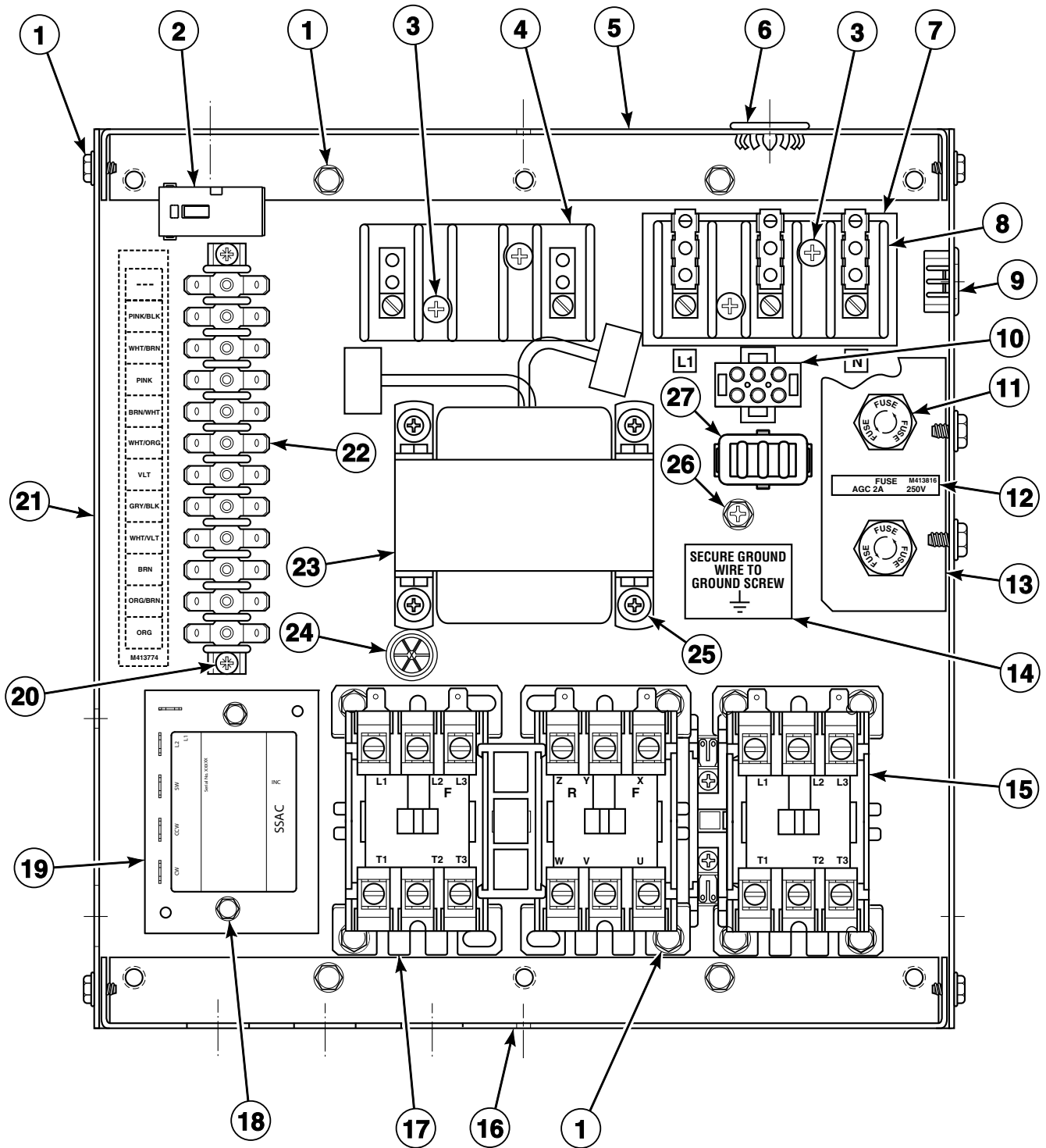
TMB2718P\_70409101

## Contactor Box Assembly (Drawing 2 of 21)

REF	PART NO.	DESCRIPTION	COMMENTS
	M413508	Jumper Harness Assembly	380 Volt; Use on 380, 400-415 or 415 Volt
	M413509	Jumper Harness Assembly	415 Volt
	M413510	Jumper Configuration Assembly	480 Volt; Use on 460-480 or 480 Volt
	M413683P	Control Box Harness Assembly	
	M413760	Contactor Box Cover	Gas and steam models
	M413856	Electric Accessory Box Cover	Electric models
	44127701	Warning Label	Extended tumble; On cover
1	51780	Screw	18 required
2	M413930P	Ferrite Core Assembly	OM control suffix
3	M405824	Screw	4 required
4	M405364	Terminal Block	2 pole
5	M413757	Contactor Box End	Top
6	M400985	Plug	7/8 inch; 2 required
7	M413862	Insulator	
8	430642	Terminal Block	3 pole
9	M400770	Snap Bushing	7/8 inch; Electric models
10	M413878	Capacitor Network Harness Assembly	3O, 3V, 3X, DO, DV, DX and OM control suffixes
11	501086	Screw	4 required
12	M413544P	Fuse Holder	600 Volt; 2 required
	M413621	Fuse	2 required; 500 Volt; 1/2 Amp
13	M413817	Fuse Sticker	1/2 Amp
14	M413576	Fuse Holder Bracket	
15	M403047	Secure Ground Label	Electrical
16	44028401	Contactor Box Wrapper	
17	M413614P	Fan Contactor	
18	M413758	Contactor Box End	Bottom
19	M413863	Network Capacitor Assembly	3O, 3V, 3X, DO, DV, DX and OM control suffixes
20	M402917	Screw	Ground; Gas and steam models
21	M400044	Screw	4 required; Use with 4 of 23951 Nut to attach item 22
22	M414229P	Transformer	Multitap; 380-480 Volt
23	M411537	Bushing	5/8 inch
24	51778	Screw	2 required
25	M413542	Terminal Strip	12 circuit

# Contactor Box Assembly (Drawing 3 of 21)

Non-CE Gas, Steam and Electric Reversing Models Except N Models  
 230-240 or 240 Volt/50 Hertz/1 Phase; 200 Volt/50 Hertz/3 Phase;  
 200-208 or 240 Volt/50 or 60 Hertz/3 Phase; 230-240 Volt/50 Hertz/3 Phase



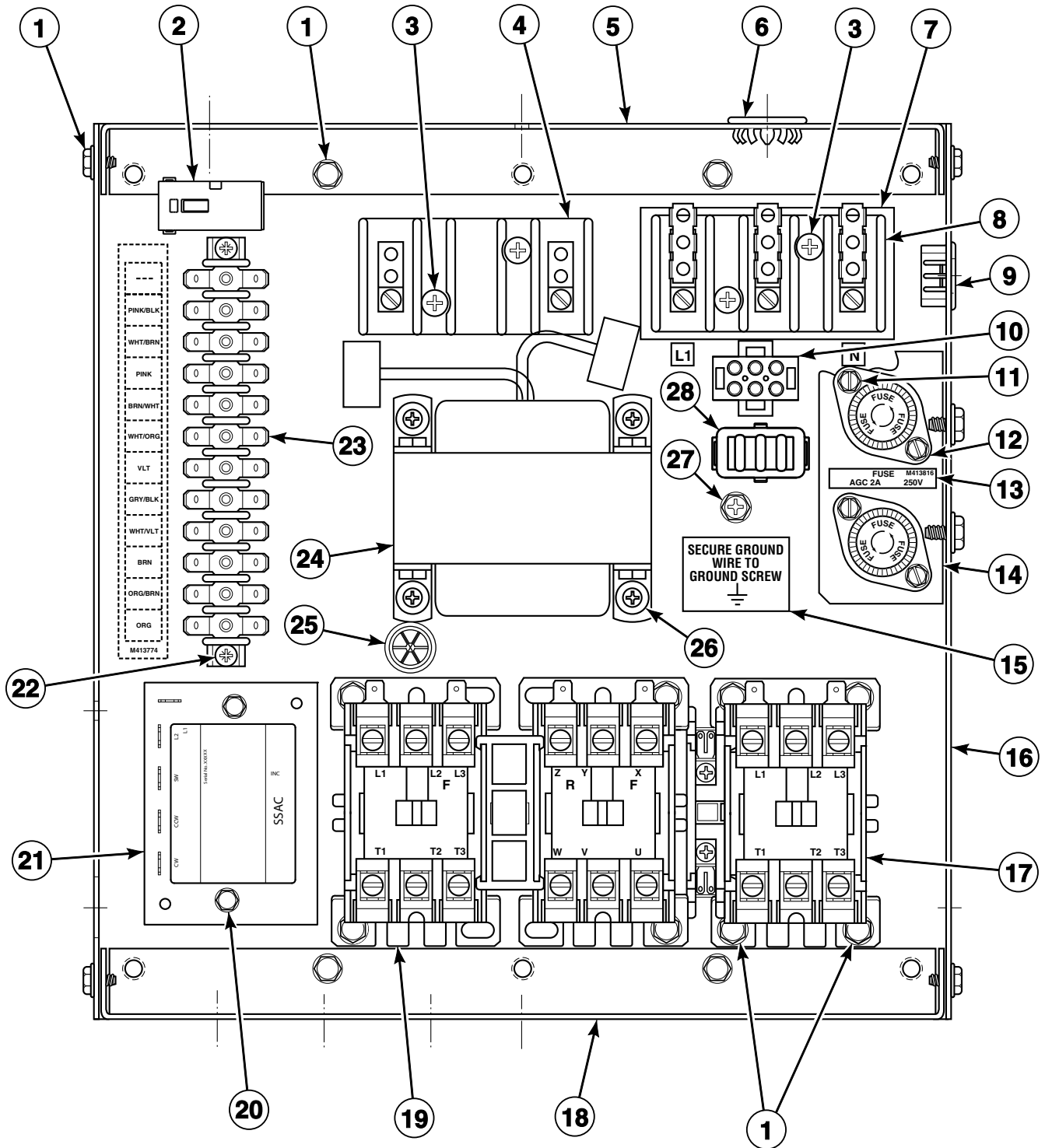
TMB2719P\_70409101

## Contactor Box Assembly (Drawing 3 of 21)

REF	PART NO.	DESCRIPTION	COMMENTS
	M413760	Contactactor Box Cover	Gas and steam models
	M413856	Electric Accessory Box Cover	Electric models
	44127701	Warning Label	Extended tumble; On cover
1	51780	Screw	22 required for 200 Volt/50 Hertz/3 Phase, 200-208 or 240 Volt/50 or 60 Hertz/3 Phase and 230-240 Volt/50 Hertz/3 Phase; 18 required for 230-240 or 240 Volt/50 Hertz/1 Phase
2	M413930P	Ferrite Core Assembly	RM control suffix
3	M405824	Screw	4 required
4	M405364	Terminal Block	2 pole
5	M413757	Contactactor Box End	Top
6	M400985	Plug	7/8 inch
7	M413862	Insulator	
8	430642	Terminal Block	3 pole
9	M400770	Snap Bushing	7/8 inch; Electric models
10	M413878	Capacitor Network Harness Assembly	R3, RD and RM control suffixes
11	91024P	Fuse Receptacle	250 Volt; 2 required for 200 Volt/50 Hertz/3 Phase, 200-208 or 240 Volt/50 or 60 Hertz/3 Phase and 230-240 Volt/50 Hertz/3 Phase; 1 required for 230-240 or 240 Volt/50 Hertz/1 Phase
	M413118	Fuse	250 Volt; 2 Amp; 2 required for 200 Volt/50 Hertz/3 Phase, 200-208 or 240 Volt/50 or 60 Hertz/3 Phase and 230-240 Volt/50 Hertz/3 Phase; 1 required for 230-240 or 240 Volt/50 Hertz/1 Phase
12	M413816	Fuse Sticker	2 Amp
13	M413575	Fuse Holder Bracket	
14	M403047	Secure Ground Label	Electrical
15	M413614P	Fan Contactactor	200 Volt/50 Hertz/3 Phase, 200-208 or 240 Volt/50 or 60 Hertz/3 Phase, 230-240 Volt/50 Hertz/3 Phase and 230-240 or 240 Volt/50 Hertz/1 Phase
	502501	Relay	24 Volt; 230-240 or 240 Volt/50 Hertz/1 Phase
16	M413758	Contactactor Box End	Bottom
17	M413615P	Reversing Contactactor	
18	M412105	Screw	2 required; RT control suffix
19	M412081	Reversing Timer	24 Volt; RT control suffix
20	51778	Screw	2 required for 200 Volt/50 Hertz/3 Phase, 200-208 or 240 Volt/50 or 60 Hertz/3 Phase and 230-240 Volt/50 Hertz/3 Phase; 4 required for 230-240 or 240 Volt/50 Hertz/1 Phase
21	44028401	Contactactor Box Wrapper	
22	M413542	Terminal Strip	12 circuit
23	M414228P	Transformer	Dual secondary; Multitap; 100-240 Volt
24	M411537	Bushing	5/8 inch
25	M400044	Screw	4 required; Use with 4 of 23951 Nut to attach item 23
26	M402917	Screw	Ground; Gas and steam models
27	M413863	Network Capacitor Assembly	R3, RD and RM control suffixes

# Contactor Box Assembly (Drawing 4 of 21)

Non-CE Gas, Steam and Electric Reversing Models Except N Models  
 380, 400-415 or 415 Volt/50 Hertz/3 Phase; 460-480 or 480 Volt/60 Hertz/3 Phase



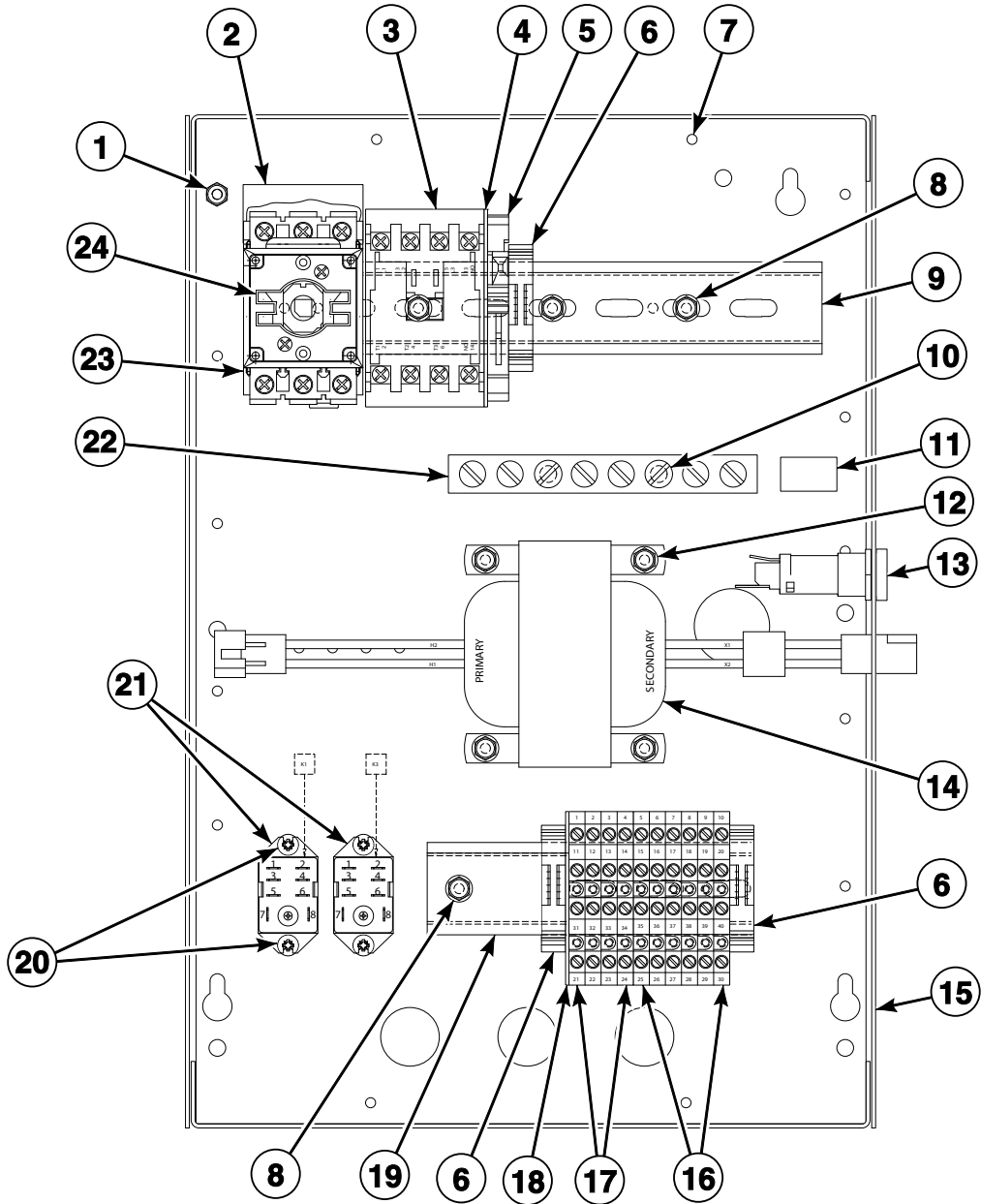
TMB2720P\_70409101

## Contactor Box Assembly (Drawing 4 of 21)

REF	PART NO.	DESCRIPTION	COMMENTS
	M413508	Jumper Harness Assembly	380 Volt; 380, 400-415 or 415 Volt/50 Hertz/3 Phase
	M413509	Jumper Harness Assembly	415 Volt
	M413510	Jumper Configuration Assembly	480 Volt; 460-480 or 480 Volt/60 Hertz/3 Phase
	M413684P	Contactor Box Harness Assembly	Reversing
	M413168	Bypass Harness Assembly	R3, RD, RM and RQ control suffixes
	M413624	Reversing Contactor Jumper Assembly	Upper; 3 Phase
	44008001	Reversing Timer Harness	RT control suffix
	M413760	Contactor Box Cover	Gas and steam models
	M413856	Electric Accessory Box Cover	Electric models
	44127701	Warning Label	Extended tumble; On cover
<b>1</b>	51780	Screw	22 required
<b>2</b>	M413930P	Ferrite Core Assembly	RM control suffix
<b>3</b>	M413757	Contactor Box End	Top
<b>4</b>	M405824	Screw	4 required
<b>5</b>	M405364	Terminal Block	2 pole
<b>6</b>	M400985	Plug	7/8 inch
<b>7</b>	M413862	Insulator	
<b>8</b>	430642	Terminal Block	3 pole
<b>9</b>	M400770	Snap Bushing	7/8 inch; Electric models
<b>10</b>	M413878	Capacitor Network Harness Assembly	R3, RD and RM control suffixes
<b>11</b>	501086	Screw	4 required
<b>12</b>	M413544P	Fuse Holder	600 Volt; 2 required
	M413621	Fuse	2 required; 500 Volt; 1/2 Amp
<b>13</b>	M413817	Fuse Sticker	1/2 Amp
<b>14</b>	M413576	Fuse Holder Bracket	
<b>15</b>	M403047	Secure Ground Label	Electrical
<b>16</b>	44028401	Contactor Box Wrapper	
<b>17</b>	M413614P	Fan Contactor	
<b>18</b>	M413758	Contactor Box End	Bottom
<b>19</b>	M413615P	Reversing Contactor	
<b>20</b>	M412105	Screw	2 required; RT control suffix
<b>21</b>	M412081	Reversing Timer	24 Volt; RT control suffix
<b>22</b>	51778	Screw	2 required
<b>23</b>	M413542	Terminal Strip	12 circuit
<b>24</b>	M414229P	Transformer	Multitap; 380-480 Volt
<b>25</b>	M411537	Bushing	5/8 inch
<b>26</b>	M400044	Screw	4 required; Use with 4 of 23951 Nut to attach item 24
<b>27</b>	M402917	Screw	Ground; Gas and steam models
<b>28</b>	M413863	Network Capacitor Assembly	R3, RD and RM control suffixes

# Contactor Box Assembly (Drawing 5 of 21)

CE Gas and Steam Models Except K and L Models  
 Models with MT and QT Control Suffixes and SD and SX Control Suffixes Starting 1/1/07;  
 230 Volt/50 Hertz/1 Phase



TMB2605P\_70409101

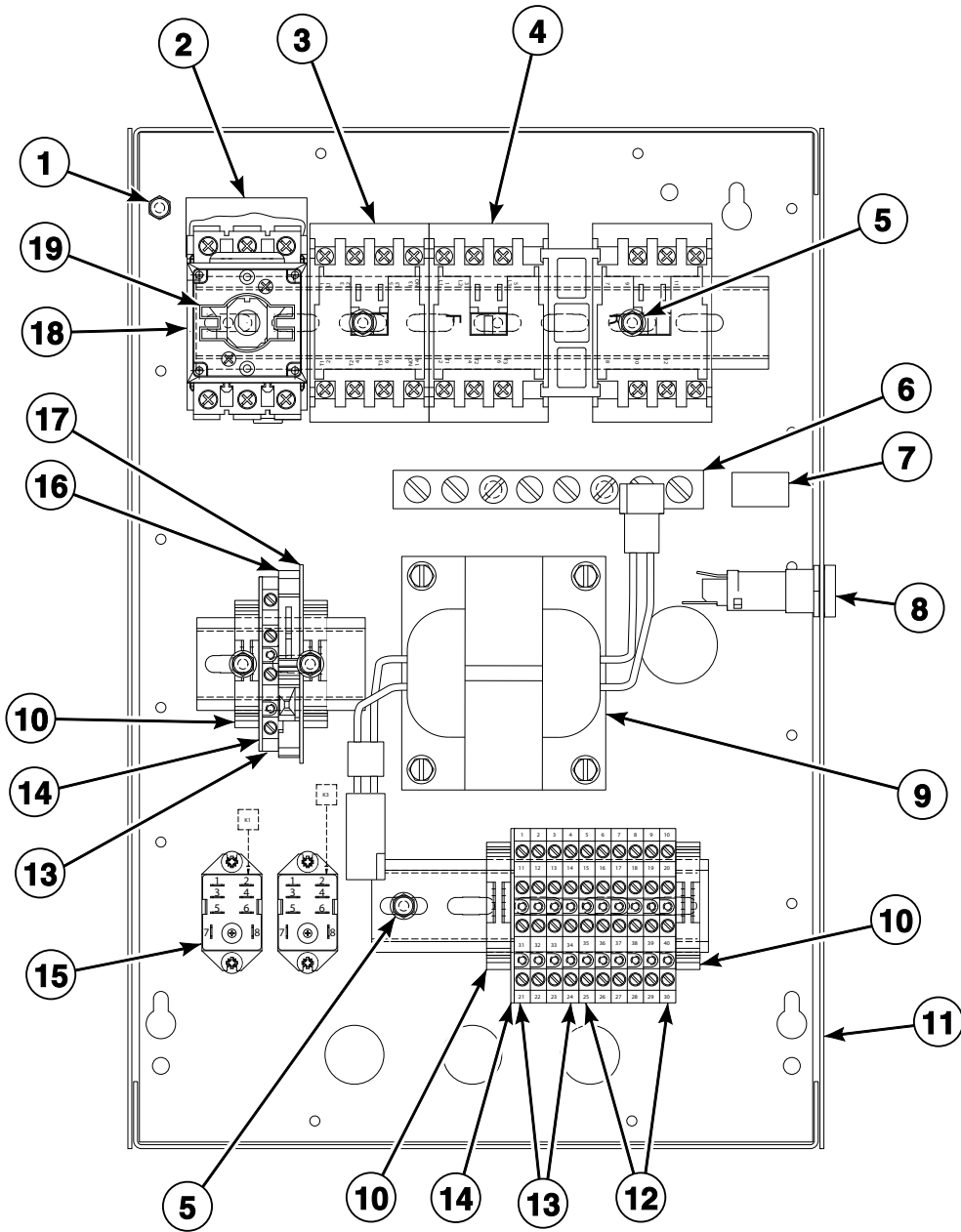
## Contactor Box Assembly (Drawing 5 of 21)

REF	PART NO.	DESCRIPTION	COMMENTS
	M412636	Relay Harness Assembly	K1, K2, K3
	M412641	Transformer Harness Assembly	Secondary
	M412642	Transformer Harness Assembly	Primary; 240 Volt
	M412650	Junction Box Cover	Use 2 of M400713 Drive Rivet to secure cover to junction box; Use M412368 Door Interlock to mount M412208 Handle to cover
	44127701	Warning Label	Extended tumble; On junction box cover
<b>1</b>	430497	Screw	18 required; To secure junction box to backplane
<b>2</b>	M412366	Finger Guard	20 Amp
<b>3</b>	70323701P	Contactor	9 Amp
<b>4</b>	M412540	End Section	
<b>5</b>	M412537	Terminal Block	230 Volt primary; Use 502593 Fuse
<b>6</b>	70121001	End Stop	230 Volt; 3 required
<b>7</b>	N/A	Junction Box Bottom	
<b>8</b>	51780	Screw	5 required
<b>9</b>	N/A	Din Rail	
<b>10</b>	M412688	Nut	2 required
<b>11</b>	M412096	Earth Terminal Sticker	
<b>12</b>	33562	Screw	4 required
<b>13</b>	502591P	Fuse Holder Kit	Includes 502591 Fuse Holder Body and 502811 Fuse Carrier
	502592	Fuse	
<b>14</b>	M412477P	Transformer	240 Volt
<b>15</b>	M412649	Junction Box Side	2 required
<b>16</b>	M412631	Terminal Block	2 circuit; 6 required
<b>17</b>	M412632	Terminal Block	1 circuit; 4 required
<b>18</b>	M412633	End Barrier	
<b>19</b>	N/A	Din Rail	
<b>20</b>	501086	Screw	4 required
<b>21</b>	M412534	Relay	24 Volt; 2 required
<b>22</b>	M412656	Ground Buss Assembly	
<b>23</b>	M412187P	Mounting Switch Base	20 Amp
<b>24</b>	M412370	Extension Handle	20 Amp; Includes screws

**N/A = Part no longer available**

# Contactor Box Assembly (Drawing 6 of 21)

CE Gas and Steam Reversing Models  
230 Volt/50 Hertz/1 Phase



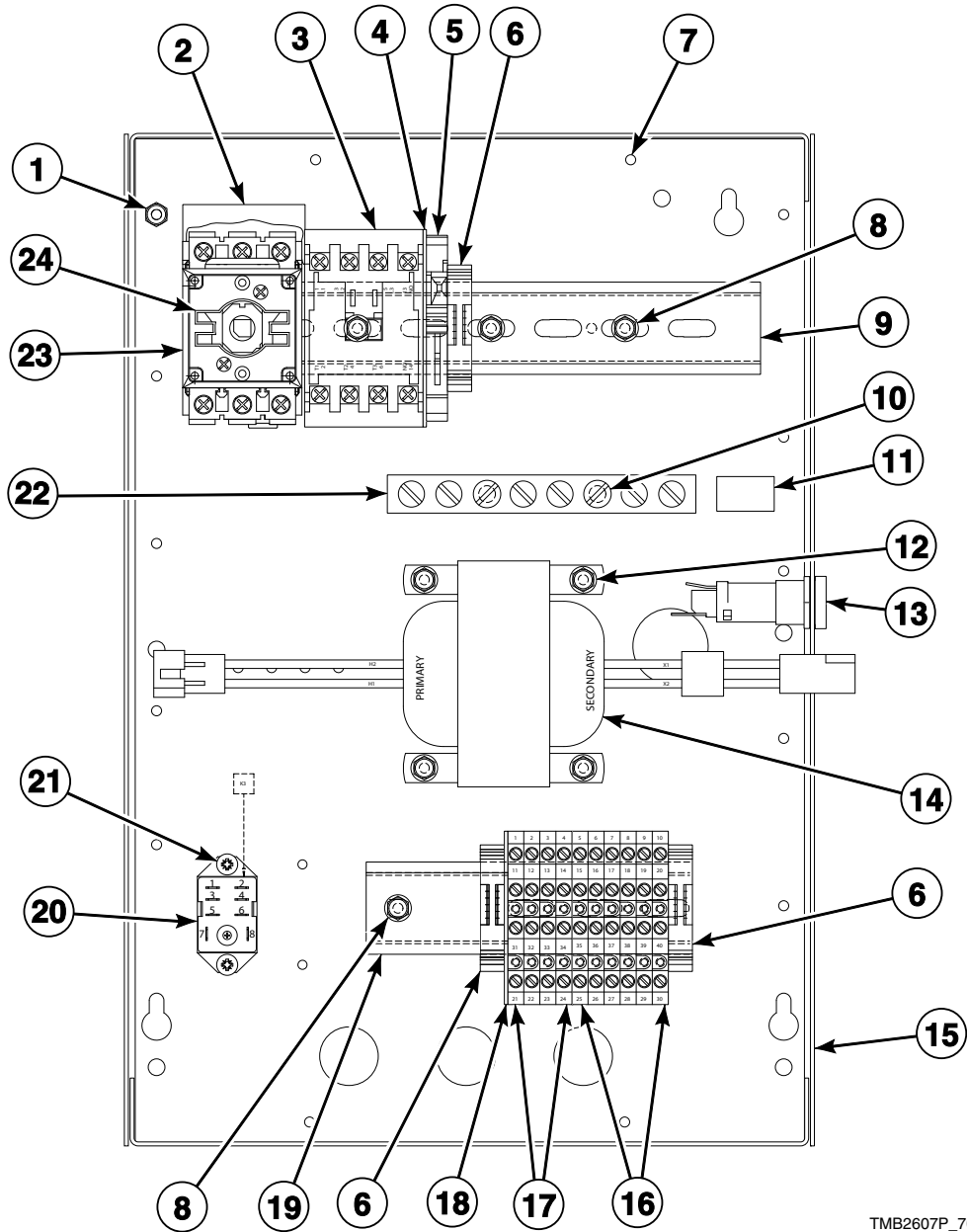
TMB2721P\_70409101

## Contactor Box Assembly (Drawing 6 of 21)

REF	PART NO.	DESCRIPTION	COMMENTS
	M412636	Relay Harness Assembly	Gas models; RT control suffix
	M414224	Relay Harness Assembly	Gas models; R3, RD, RM and RQ control suffixes
	M414032	Relay Harness Assembly	Steam models; R3, RD, RM and RQ control suffixes
	M412641	Transformer Harness Assembly	Secondary; RQ and RT control suffixes
	M412642	Transformer Harness Assembly	Primary; 240 Volt; RQ and RT control suffixes
	M414076	Transformer Harness Assembly	Primary; R3, RD and RM control suffixes
	M414029	Transformer Harness Assembly	Secondary; R3, RD and RM control suffixes
	44043101	Transformer Harness	Secondary; R3 and RD control suffixes
	M413507	Jumper Configuration Assembly	240 Volt
	M413506	Jumper Harness Assembly	208 Volt
	M413863	Network Capacitor Assembly	R3, RD and RM control suffixes
	M414034	Reversing Contactor Harness Assembly	R3, RD, RM and RQ control suffixes
	M412927	Reversing Jumper Harness Assembly	Lower
	M412650	Junction Box Cover	Use 2 of M400713 Drive Rivet to secure cover to junction box; Use M412368 Door Interlock to mount M412208 Handle to cover
	44127701	Warning Label	Extended tumble; On junction box cover
1	430497	Screw	18 required; To secure junction box to backplane
2	M412366	Finger Guard	20 Amp
3	70323701P	Contactor	9 Amp
4	M412405P	Reversing Contactor	
5	51780	Screw	6 required
6	M412656	Ground Buss Assembly	Use 2 of M412688 Nut to attach
7	M412096	Earth Terminal Sticker	
8	502591P	Fuse Holder Kit	Includes 502591 Fuse Holder Body and 502811 Fuse Carrier
	502592	Fuse	RQ and RT control suffixes
	M413889	Fuse	4 Amp; R3, RD and RM control suffixes
9	M412477P	Transformer	Multitap; 230 Volt; RQ and RT control suffixes; Use 4 of 33562 Screw to attach
	M414228P	Transformer	Dual secondary; Multitap; 110-240 Volt; R3, RD and RM control suffixes; Use 4 of M400044 Screw and 4 of 23951 Nut to attach
10	70121001	End Stop	230 Volt; 4 required
11	M412649	Junction Box Side	2 required
12	M412631	Terminal Block	2 circuit; 6 required
13	M412632	Terminal Block	1 circuit; 4 required
14	M412633	End Barrier	2 required
15	M412534	Relay	24 Volt; 1 required, using 2 of 501086 Screw for RQ and RT control suffixes and 2 of M400071 Screw for R3, RD and RM control suffixes for steam models; 2 required, using 4 of 501086 Screw for RQ and RT control suffixes and 4 of M400071 Screw for R3, RD and RM control suffixes for gas models
16	M412537	Terminal Block	230 Volt; Primary; Use 502593 or M413867 Fuse
17	M412540	End Section	
18	M412187P	Mounting Switch Base	20 Amp
19	M412370	Extension Handle	20 Amp

# Contactor Box Assembly (Drawing 7 of 21)

CE Gas C, H, P and S Models  
Models with CD, CX and CY Control Suffixes;  
230 Volt/50 Hertz/1 Phase



TMB2607P\_70409101

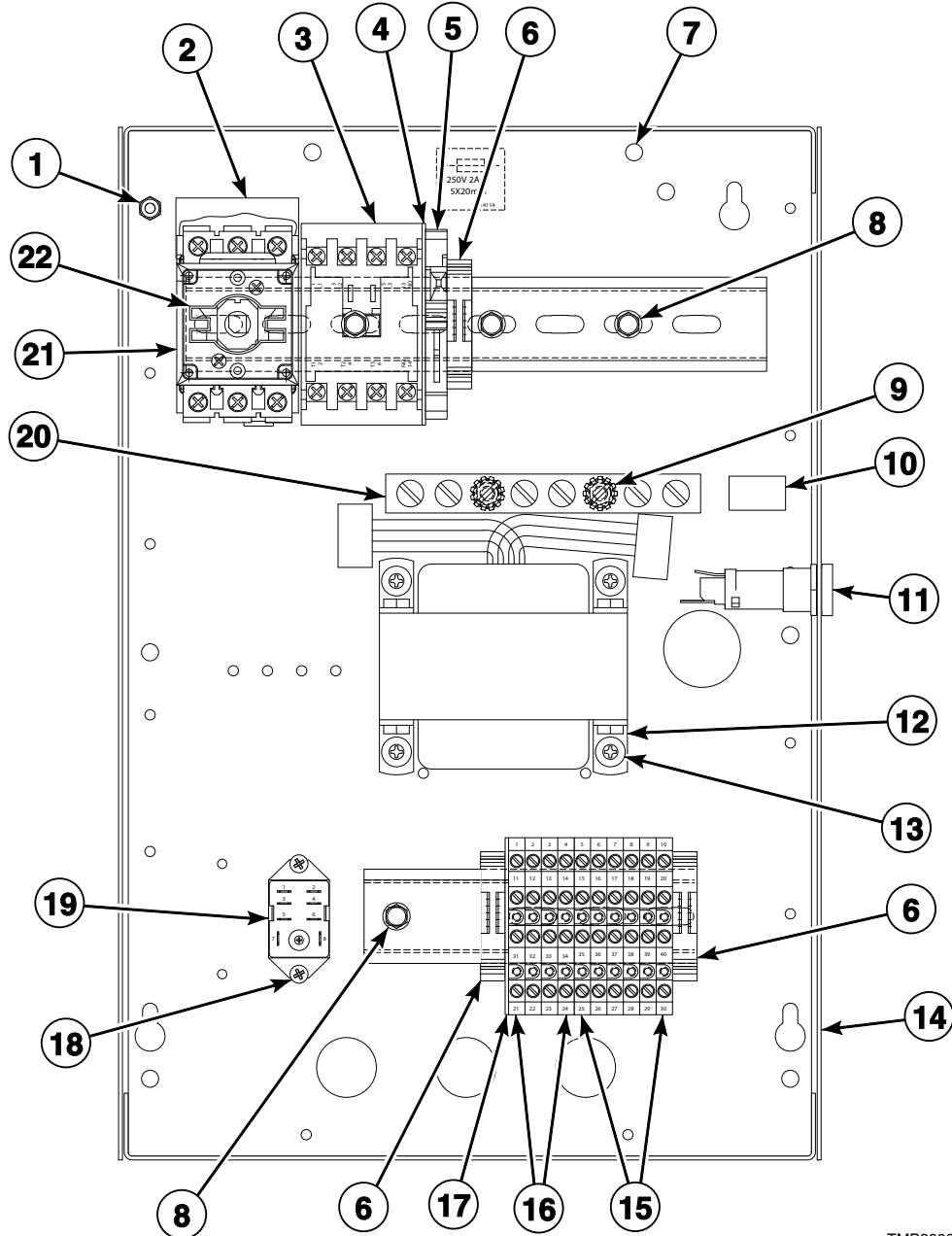
## Contactor Box Assembly (Drawing 7 of 21)

REF	PART NO.	DESCRIPTION	COMMENTS
	44010701	Gas Relay Harness	
	M412641	Transformer Harness Assembly	Secondary
	M412642	Transformer Harness Assembly	Primary; 240 Volt
	M412650	Junction Box Cover	Use 2 of M400713 Drive Rivet to secure cover to junction box; Use M412368 Door Interlock to mount M412208 Handle to cover
	44127701	Warning Label	Extended tumble; On junction box cover
<b>1</b>	430497	Screw	18 required; To secure junction box to backplane
<b>2</b>	M412366	Finger Guard	20 Amp
<b>3</b>	70323701P	Contactor	9 Amp
<b>4</b>	M412540	End Section	
<b>5</b>	M412537	Terminal Block	Primary; Use 502593 Fuse
<b>6</b>	70121001	End Stop	3 required
<b>7</b>	N/A	Junction Box Bottom	
<b>8</b>	51780	Screw	5 required
<b>9</b>	N/A	Din Rail	
<b>10</b>	M412688	Nut	2 required
<b>11</b>	M412096	Earth Terminal Sticker	
<b>12</b>	33562	Screw	
<b>13</b>	502591P	Fuse Holder Kit	Includes 502591 Fuse Holder Body and 502811 Fuse Carrier
	502592	Fuse	3.15 Amp
<b>14</b>	M412477P	Transformer	230 Volt
<b>15</b>	M412649	Junction Box Side	2 required
<b>16</b>	M412631	Terminal Block	2 circuit; 6 required
<b>17</b>	M412632	Terminal Block	1 circuit; 4 required
<b>18</b>	M412633	End Barrier	
<b>19</b>	N/A	Din Rail	
<b>20</b>	M412534	Relay	
<b>21</b>	501086	Screw	2 required
<b>22</b>	M412656	Ground Buss Assembly	
<b>23</b>	M412187P	Mounting Switch Base	20 Amp
<b>24</b>	M412370	Extension Handle	20 Amp

**N/A = Part no longer available**

# Contactor Box Assembly (Drawing 8 of 21)

CE Gas and Steam Models  
Models with 3O, 3V, 3X, BC, BL, BU, BX, BY, DO, DV, DX, NC, NR,  
NX, NY, OM, ZC, ZR, ZX and ZY Control Suffixes and SD and SX Control Suffixes Through 12/31/06;  
230 Volt/50 Hertz/1 Phase



TMB2608P\_70409101

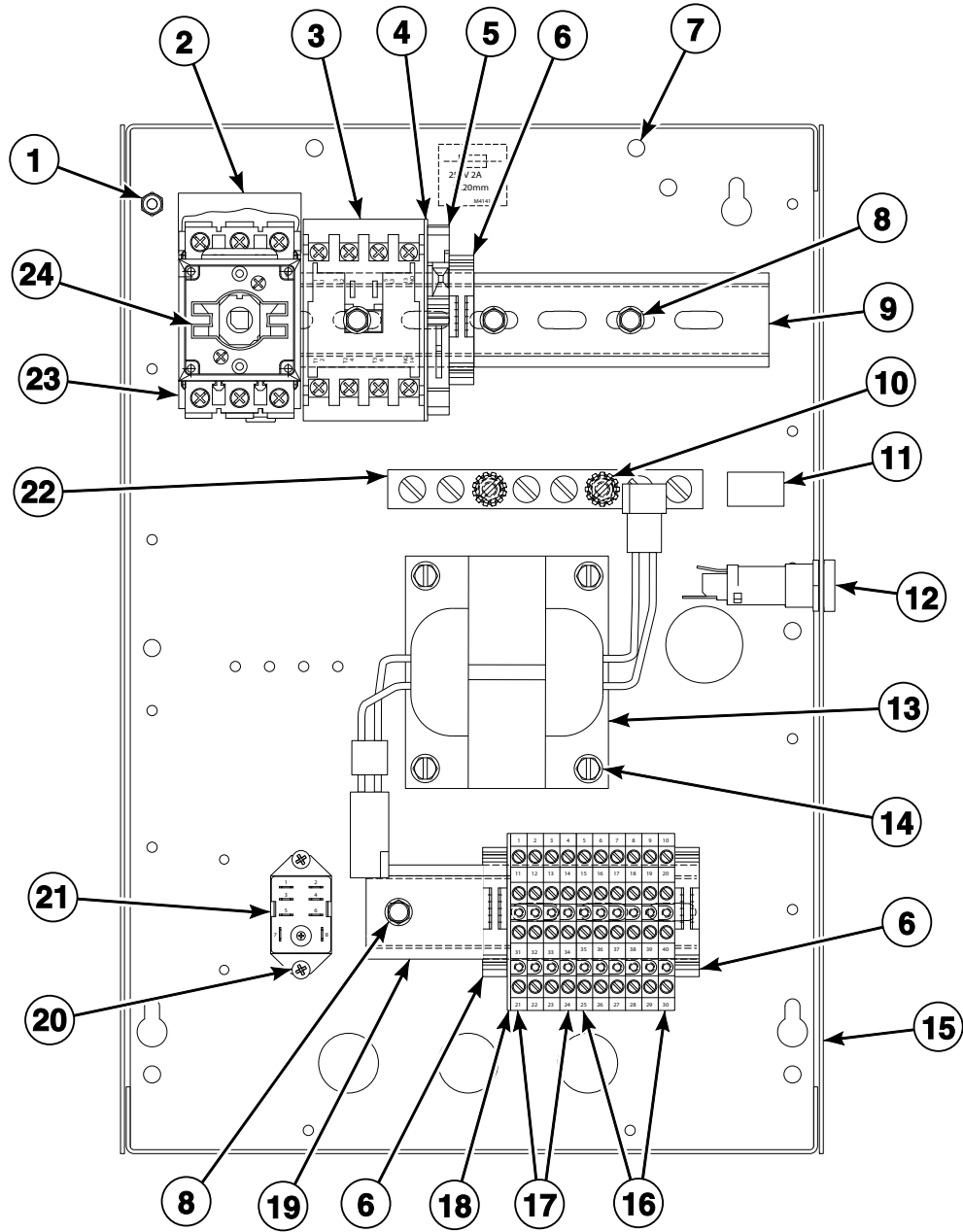
## Contactor Box Assembly (Drawing 8 of 21)

REF	PART NO.	DESCRIPTION	COMMENTS
	M413863	Network Capacitor Assembly	3O, 3V, 3X, DO, DV, DX and OM control suffixes
	M414224	Relay Harness Assembly	Gas models; 3O, 3V, 3X, BC, BL, BU, BX, BY, DO, DV, DX, OM, SD and SX control suffixes
	M414032	Relay Harness Assembly	Steam models
	M414076	Transformer Harness Assembly	Primary; 3O, 3V, 3X, BC, BL, BU, BX, BY, DO, DV, DX, OM, SD and SX control suffixes
	M414029	Transformer Harness Assembly	Secondary; 3O, 3V, 3X, BC, BL, BU, BX, BY, DO, DV, DX, OM, SD and SX control suffixes
	44010701	Gas Relay Harness	
	M413506	Jumper Harness Assembly	208 Volt; 3O, 3V, 3X, BC, BL, BU, BX, BY, DO, DV and DX control suffixes
	M413507	Jumper Configuration Assembly	240 Volt; Gas models with OM control suffix; Steam models
	44043101	Transformer Harness	Secondary; C and D models; DO, DV and DX control suffixes
	M412650	Junction Box Cover	Use 2 of M400713 Drive Rivet to secure cover to junction box; Use M412368 Door Interlock to mount M412208 Handle to cover
	44127701	Warning Label	Extended tumble; On junction box cover
1	430497	Screw	18 required; To secure junction box to backplane
2	M412366	Finger Guard	20 Amp
3	70323701P	Contactor	9 Amp
4	M412540	End Section	
5	M412537	Terminal Block	Primary; Use M413867 Fuse
6	70121001	End Stop	3 required
7	N/A	Junction Box Bottom	
8	51780	Screw	5 required
9	M412688	Nut	2 required
10	M412096	Earth Terminal Sticker	
11	502591P	Fuse Holder Kit	Includes 502591 Fuse Holder Body and 502811 Fuse Carrier
	M413889	Fuse	4 Amp
12	M414228P	Transformer	Dual secondary; Multitap; 100-240 Volt
13	M400044	Screw	4 required; Use with 4 of 23951 Nut to attach item 12
14	M412649	Junction Box Side	2 required
15	M412631	Terminal Block	2 circuit; 6 required
16	M412632	Terminal Block	1 circuit; 4 required
17	M412633	End Barrier	
18	M400071	Screw	2 required; Gas models
19	M412534	Relay	24 Volt; Gas models
20	M412656	Ground Buss Assembly	
21	M412187P	Mounting Switch Base	20 Amp
22	M412370	Extension Handle	20 Amp

N/A = Part no longer available

# Contactor Box Assembly (Drawing 9 of 21)

CE Gas and Steam C, H, S, and U Models  
Models with QT Control Suffix and SD and SX Control Suffixes Starting 1/1/07;  
230 Volt/50 Hertz/1 Phase



TMB2610P\_70409101

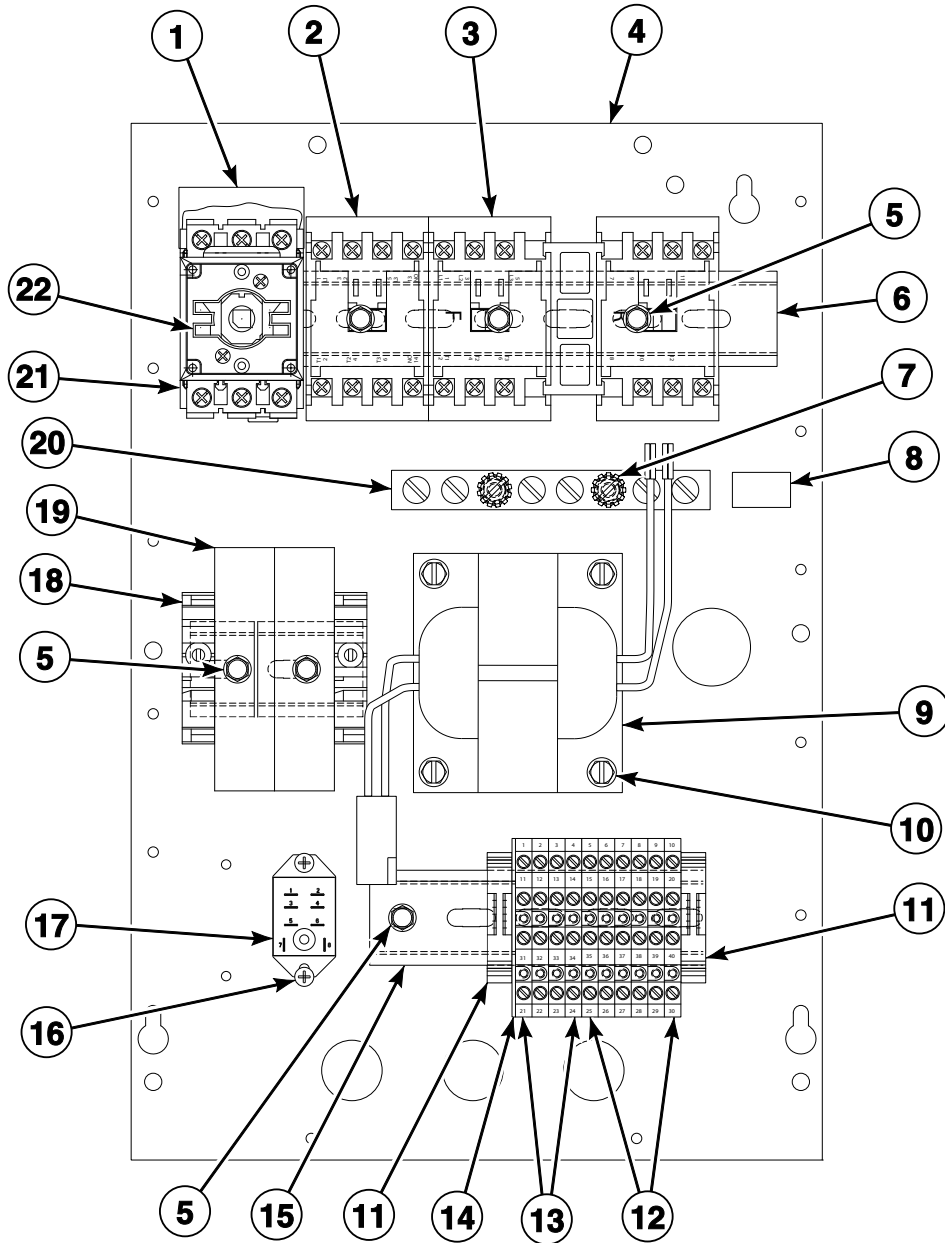
## Contactor Box Assembly (Drawing 9 of 21)

REF	PART NO.	DESCRIPTION	COMMENTS
	M414224	Relay Harness Assembly	Gas models
	M414032	Relay Harness Assembly	Steam models
	M412642	Transformer Harness Assembly	Primary
	M412641	Transformer Harness Assembly	Secondary
	M414224	Relay Harness Assembly	SD and SX control suffixes
	M413506	Jumper Harness Assembly	208 or 240 Volt
	M412650	Junction Box Cover	Use 2 of M400713 Drive Rivet to secure cover to junction box; Use M412368 Door Interlock to mount M412208 Handle to cover
	44127701	Warning Label	Extended tumble; On junction box cover
1	430497	Screw	17 required; To secure junction box to backplane
2	M412366	Finger Guard	20 Amp
3	70323701P	Contactactor	9 Amp
4	M412540	End Section	
5	M412537	Terminal Block	Primary; Use 502593 Fuse
6	70121001	End Stop	3 required
7	N/A	Junction Box Bottom	
8	51780	Screw	4 required
9	N/A	Din Rail	
10	M412688	Nut	2 required
11	M412096	Earth Terminal Sticker	
12	502591P	Fuse Holder Kit	Includes 502591 Fuse Holder Body and 502811 Fuse Carrier
	M413889	Fuse	4 Amp
13	M412477P	Transformer	Multitap; 100-240 Volt
14	33562	Screw	4 required
15	M412649	Junction Box Side	2 required
16	M412631	Terminal Block	2 circuit; 6 required
17	M412632	Terminal Block	1 circuit; 4 required
18	M412633	End Barrier	
19	N/A	Din Rail	
20	501086	Screw	2 required; Gas models
21	M412534	Relay	24 Volt; Gas models
22	M412656	Ground Buss Assembly	
23	M412187P	Mounting Switch Base	20 Amp
24	M412370	Extension Handle	20 Amp

N/A = Part no longer available

# Contactor Box Assembly (Drawing 10 of 21)

CE Gas and Steam C, H, S, and U Models  
Models with QT and RQ Control Suffixes and SD and SX Control Suffixes Starting 1/1/07;  
380 or 400-415 Volt/50 Hertz/3 Phase



TMB2613P\_70409101

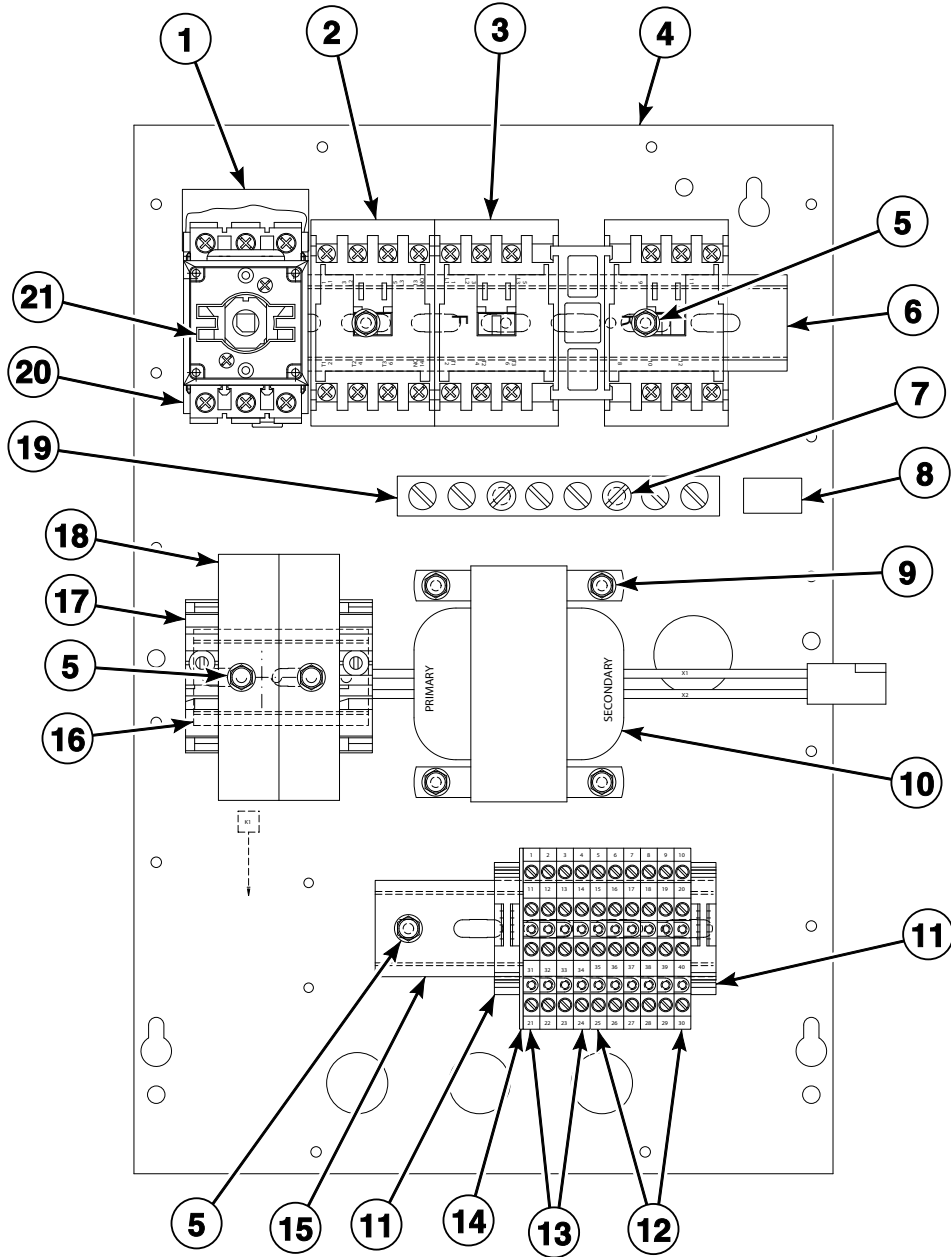
## Contactor Box Assembly (Drawing 10 of 21)

REF	PART NO.	DESCRIPTION	COMMENTS
	M414224	Relay Harness Assembly	Gas models
	M414032	Relay Harness Assembly	Steam models
	M412641	Transformer Harness Assembly	Secondary
	M412928	Reversing Jumper Harness Assembly	Upper; 2 required; RQ control suffix
	M412929	Reversing Jumper Harness Assembly	Lower; RQ control suffix
	M414034	Reversing Contactor Harness Assembly	RQ control suffix
	M412650	Junction Box Cover	
	44127701	Warning Label	Extended tumble; On junction box cover
<b>1</b>	M412366	Finger Guard	20 Amp
<b>2</b>	70323701P	Contactor	9 Amp
<b>3</b>	M412405P	Reversing Contactor	RQ control suffix
<b>4</b>	N/A	Junction Box Bottom	
<b>5</b>	51780	Screw	7 required
<b>6</b>	N/A	Din Rail	
<b>7</b>	M412688	Nut	2 required
<b>8</b>	M412096	Earth Terminal Sticker	
<b>9</b>	M412412P	Transformer	
<b>10</b>	33562	Screw	4 required; Use with 4 of 23951 Nut to attach item 9
<b>11</b>	70121001	End Stop	2 required
<b>12</b>	M412631	Terminal Block	2 circuit; 6 required
<b>13</b>	M412632	Terminal Block	1 circuit; 4 required
<b>14</b>	M412633	End Barrier	
<b>15</b>	N/A	Din Rail	
<b>16</b>	M400071	Screw	Gas models
<b>17</b>	M412534	Relay	Gas models
<b>18</b>	M412615	End Stop	2 required
<b>19</b>	M412538	Terminal Block	400 Volt; Primary; 2 required; Use M412996 Fuse
<b>20</b>	M412656	Ground Buss Assembly	
<b>21</b>	M412187P	Mounting Switch Base	20 Amp
<b>22</b>	M412370	Extension Handle	20 Amp

**N/A = Part no longer available**

# Contactor Box Assembly (Drawing 11 of 21)

CE Steam Models Except G, K and L Models  
 Models with MT, QT, RQ and RT Control Suffixes and SD and SX Control Suffixes Starting 1/1/07;  
 380 or 400-415 Volt/50 Hertz/3 Phase



TMB2616P\_70409101

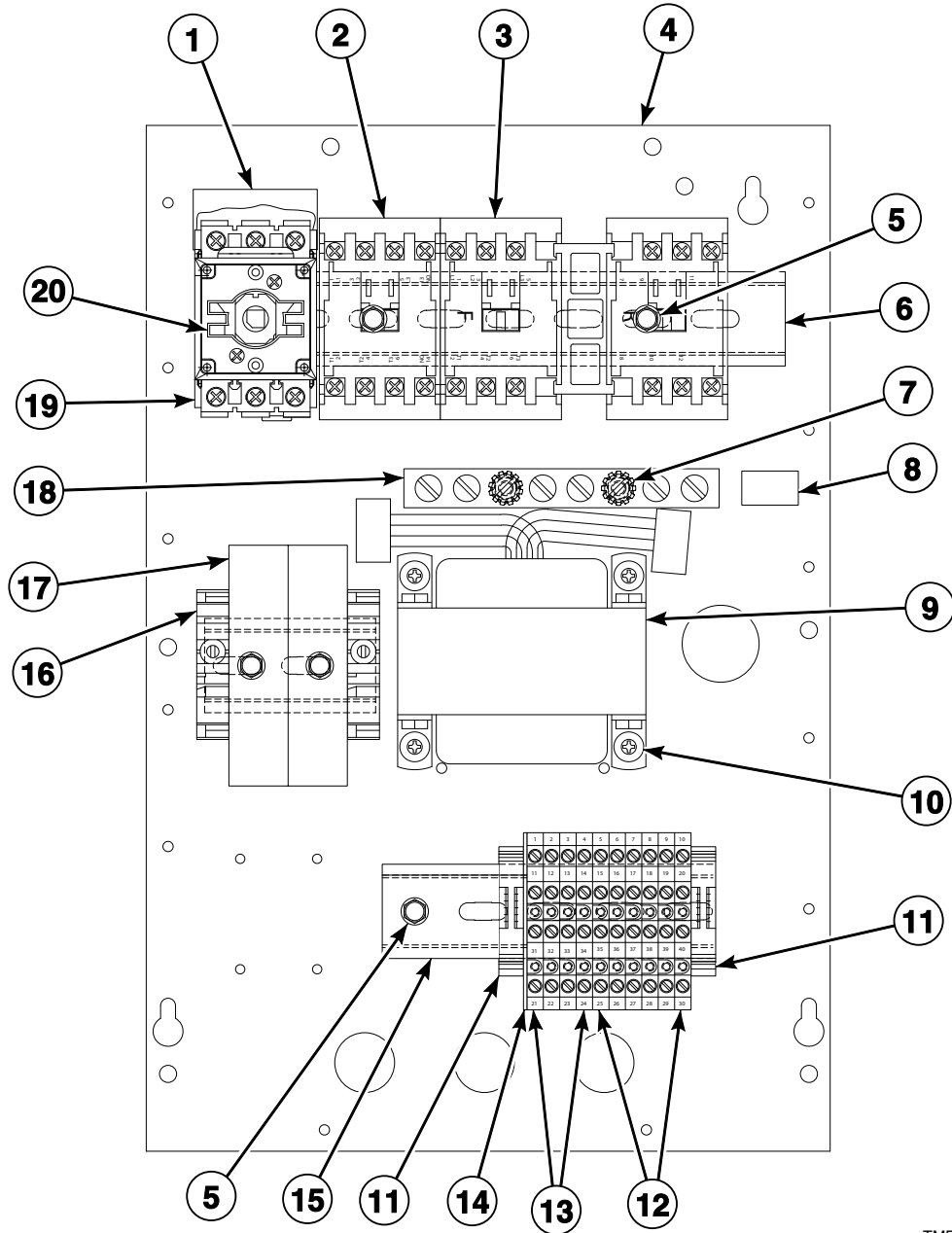
## Contactor Box Assembly (Drawing 11 of 21)

REF	PART NO.	DESCRIPTION	COMMENTS
	M412641	Transformer Harness Assembly	Secondary
	M412928	Reversing Jumper Harness Assembly	Upper; 2 required; RQ and RT control suffixes
	M412929	Reversing Jumper Harness Assembly	Lower; RQ and RT control suffixes
	M412650	Junction Box Cover	
	44127701	Warning Label	Extended tumble; On junction box cover
<b>1</b>	M412366	Finger Guard	20 Amp
<b>2</b>	70323701P	Contactator	9 Amp
<b>3</b>	M412405P	Reversing Contactator	RQ and RT control suffixes
<b>4</b>	N/A	Junction Box Bottom	
<b>5</b>	51780	Screw	7 required
<b>6</b>	N/A	Din Rail	
<b>7</b>	M412688	Nut	2 required
<b>8</b>	M412096	Earth Terminal Sticker	
<b>9</b>	33562	Screw	4 required
<b>10</b>	M412412P	Transformer	400 Volt
<b>11</b>	70121001	End Stop	2 required
<b>12</b>	M412631	Terminal Block	2 circuit; 6 required
<b>13</b>	M412632	Terminal Block	1 circuit; 4 required
<b>14</b>	M412633	End Barrier	
<b>15</b>	N/A	Din Rail	
<b>16</b>	N/A	Din Rail	
<b>17</b>	M412615	End Stop	2 required
<b>18</b>	M412538	Terminal Block	400 Volt; Primary; 2 required; Use M412996 Fuse
<b>19</b>	M412656	Ground Buss Assembly	
<b>20</b>	M412187P	Mounting Switch Base	20 Amp
<b>21</b>	M412370	Extension Handle	20 Amp

**N/A = Part no longer available**

# Contactor Box Assembly (Drawing 12 of 21)

CE Steam Models  
Models with 3O, 3V, 3X, DO, DV, DX, OM, R3, RD and RM Control Suffixes;  
380 or 400-415 Volt/50 Hertz/3 Phase



TMB2618P\_70409101

## Contactor Box Assembly (Drawing 12 of 21)

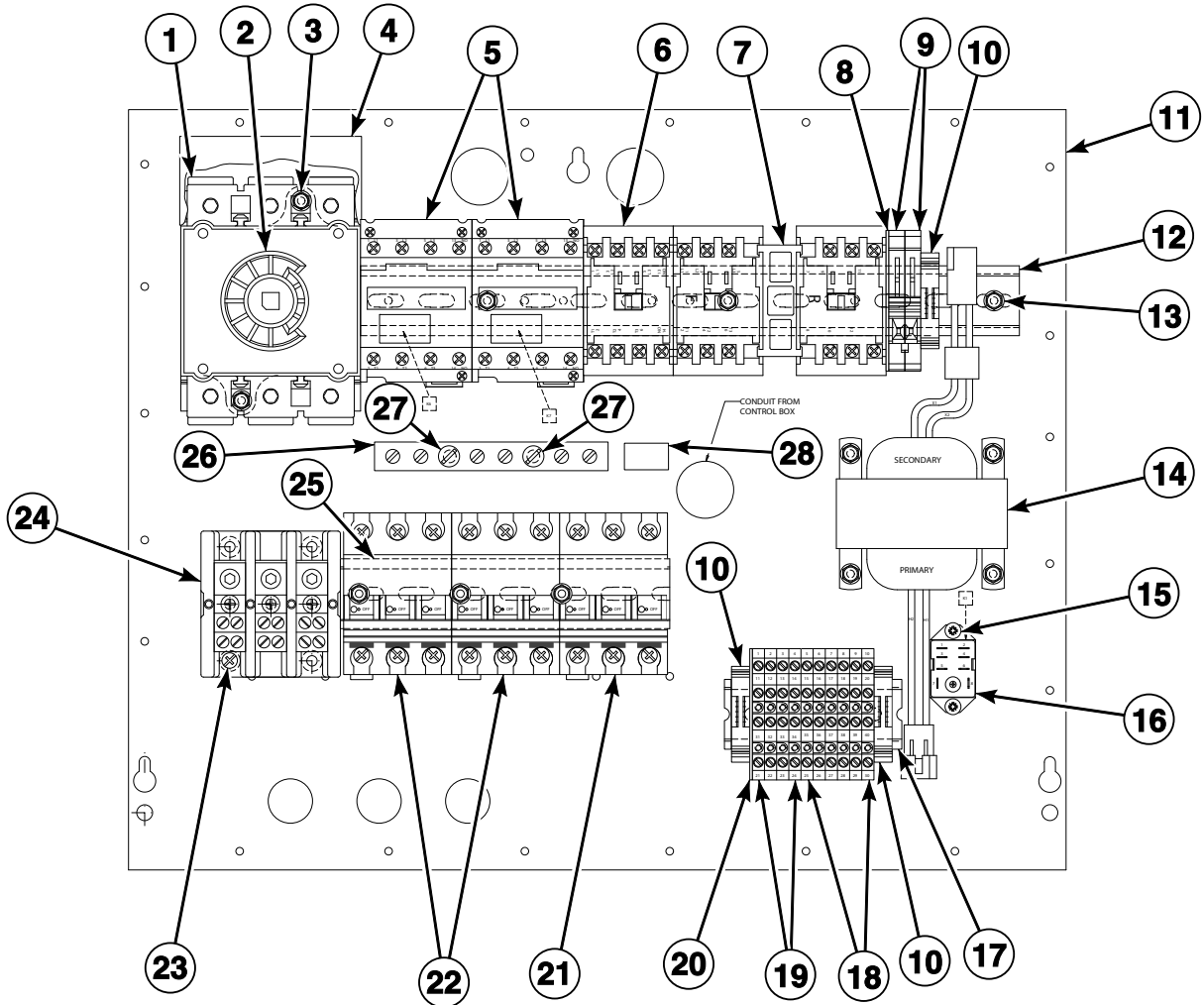
REF	PART NO.	DESCRIPTION	COMMENTS
	M414032	Relay Harness Assembly	
	M414028	Transformer Harness Assembly	Primary
	M414029	Transformer Harness Assembly	Secondary; 3O, 3V, 3X, DV, DX, OM, R3 and RM control suffixes
	44043101	Transformer Harness	Secondary; DO, DV, DX and RD control suffixes
	M414077	Jumper Wire	
	M413508	Jumper Harness Assembly	380 Volt
	M412928	Reversing Jumper Harness Assembly	Upper; 2 required; R3, RD and RM control suffixes
	M412929	Reversing Jumper Harness Assembly	Lower; R3, RD and RM control suffixes
	M414034	Reversing Contactor Harness Assembly	R3, RD and RM control suffixes
	M413863	Network Capacitor Assembly	
	M412650	Junction Box Cover	
	44127701	Warning Label	Extended tumble; On junction box cover
<b>1</b>	M412366	Finger Guard	20 Amp
<b>2</b>	70323701P	Contactor	9 Amp
<b>3</b>	M412405P	Reversing Contactor	R3, RD and RM control suffixes
<b>4</b>	N/A	Junction Box Bottom	
<b>5</b>	51780	Screw	7 required
<b>6</b>	N/A	Din Rail	
<b>7</b>	M412688	Nut	2 required
<b>8</b>	M412096	Earth Terminal Sticker	
<b>9</b>	M414229P	Transformer	
<b>10</b>	M400044	Screw	4 required; Use with 4 of 23951 Nut to attach item 9
<b>11</b>	70121001	End Stop	230 Volt; 2 required
<b>12</b>	M412631	Terminal Block	2 circuit; 6 required
<b>13</b>	M412632	Terminal Block	1 circuit; 4 required
<b>14</b>	M412633	End Barrier	
<b>15</b>	N/A	Din Rail	
<b>16</b>	M412615	End Stop	2 required
<b>17</b>	M412538	Terminal Block	400 Volt; Primary; 2 required; Use M413621 Fuse
<b>18</b>	M412656	Ground Buss Assembly	
<b>19</b>	M412187P	Mounting Switch Base	20 Amp
<b>20</b>	M412370	Extension Handle	20 Amp

**N/A = Part no longer available**

# Contactor Box Assembly (Drawing 13 of 21)

CE Electric Models Except G, K and L Models

Models with CD, CX, CY, MT, QT, RQ and RT Control Suffixes and SD and SX Control Suffixes Starting 1/1/07;  
230 Volt/50 Hertz/3 Phase



TMB2621P\_70409101

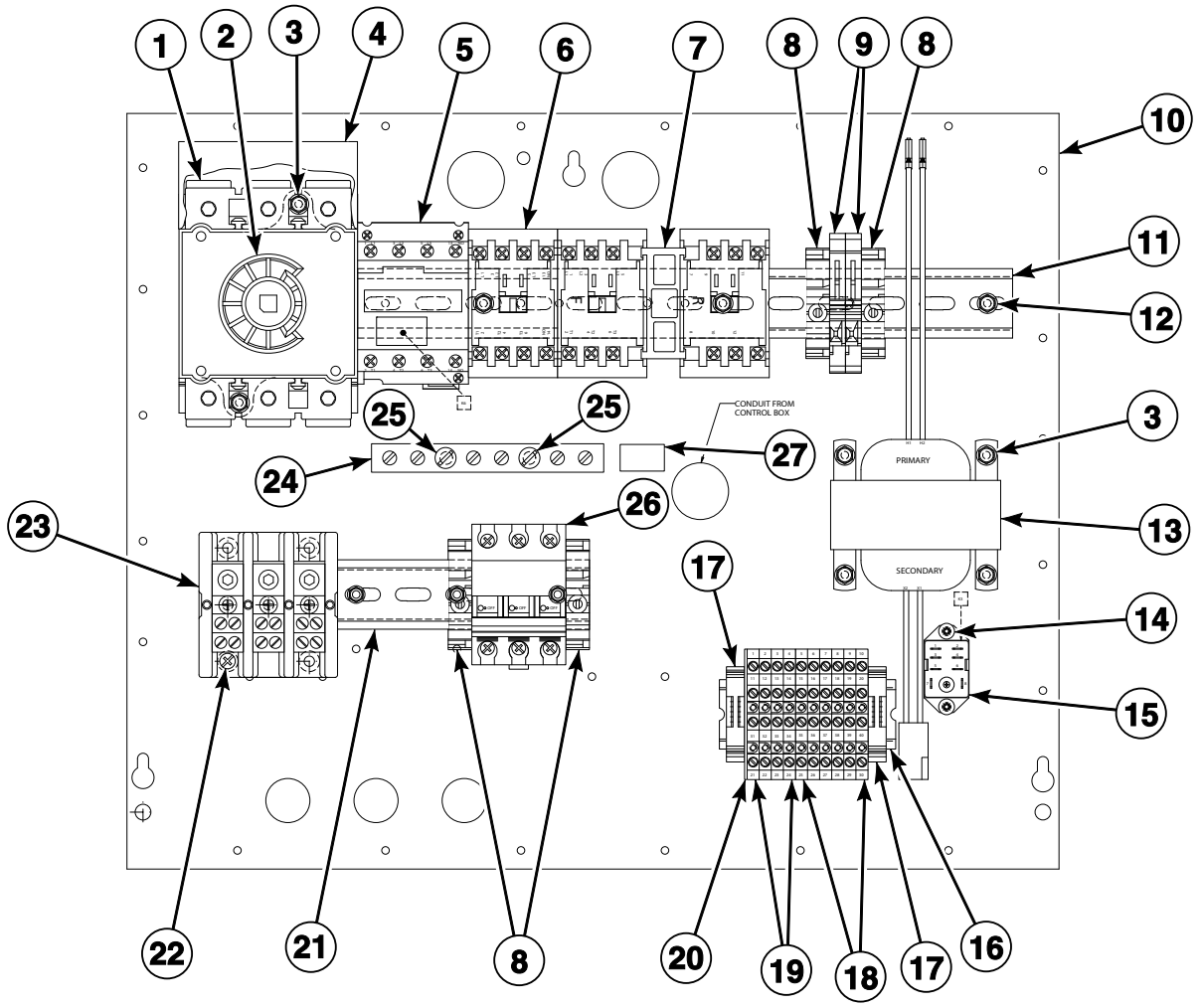
## Contactor Box Assembly (Drawing 13 of 21)

REF	PART NO.	DESCRIPTION	COMMENTS
	M412776P	Relay Harness Assembly	MT and RT control suffixes
	M412777	Relay Harness Assembly	CD, CX and CY control suffixes
	M414149	Relay Harness Assembly	QT, RQ and SD control suffixes
	M412641	Transformer Harness Assembly	Secondary
	M412642	Transformer Harness Assembly	Primary
	M412871	Jumper Harness Assembly	240 Volt
	M412740	Jumper Cable Wire	8 gauge; 6 required
	M412928	Reversing Jumper Harness Assembly	Upper; 2 required; RQ and RT control suffixes
	M412929	Reversing Jumper Harness Assembly	Lower; RQ and RT control suffixes
	44014501	Jumper Wire	3 required
	44014601	Jumper Wire	3 required
	44014701	Jumper Wire	3 required
	M413934	Jumper Cable Assembly	3 required
	44014901P	Power Distribution Block Cover	Includes 2 screws; Use with item 24
	M412265	Contactor Box Cover	
	44127701	Warning Label	Extended tumble; On contactor box cover
<b>1</b>	M412186	Mounting Switch Base	100 Amp
<b>2</b>	M412371P	Extension Handle	100 Amp
<b>3</b>	33562	Screw	6 required
<b>4</b>	M412367	Finger Guard	100 Amp
<b>5</b>	M412403P	Contactor	Electric; 50 Amp; 2 required
<b>6</b>	70323701P	Contactor	Motor; 9 Amp
<b>7</b>	M412405P	Reversing Contactor	RQ and RT control suffixes
<b>8</b>	M412540	End Section	230 Volt
<b>9</b>	M412537	Terminal Block	230 Volt; Primary; 2 required; Use 502593 Fuse
<b>10</b>	70121001	End Stop	3 required
<b>11</b>	M412267	Contactor Box Bottom	
<b>12</b>	N/A	Din Rail	13 inches
<b>13</b>	51780	Screw	12 required
<b>14</b>	M412477P	Transformer	240 Volt
<b>15</b>	501086	Screw	2 required; MT and RT control suffixes
<b>16</b>	M412534	Relay	24 Volt; MT and RT control suffixes
<b>17</b>	M412692	Din Rail	3.5 inches
<b>18</b>	M412631	Terminal Block	2 circuit; 6 required
<b>19</b>	M412632	Terminal Block	1 circuit; 4 required
<b>20</b>	M412633	End Barrier	
<b>21</b>	M412407P	Circuit Breaker	3 pole; 8 Amp
<b>22</b>	M412408P	Circuit Breaker	3 pole; 50 Amp; 2 required
<b>23</b>	39733	Screw	4 required
<b>24</b>	M413865	Terminal Block	3 pole
<b>25</b>	M412693	Din Rail	6.5 inches
<b>26</b>	M412656	Ground Buss Assembly	
<b>27</b>	M412688	Nut	2 required
<b>28</b>	M412096	Earth Terminal Sticker	

**N/A = Part no longer available**

# Contactor Box Assembly (Drawing 14 of 21)

CE Electric Models Except G, K and L Models  
 Models with CD, CX, CY, MT, QT, RQ and RT Control Suffixes and SD and SX Control Suffixes Starting 1/1/07;  
 380 or 415 Volt/50 Hertz/3 Phase



TMB2622P\_70409101

## Contactor Box Assembly (Drawing 14 of 21)

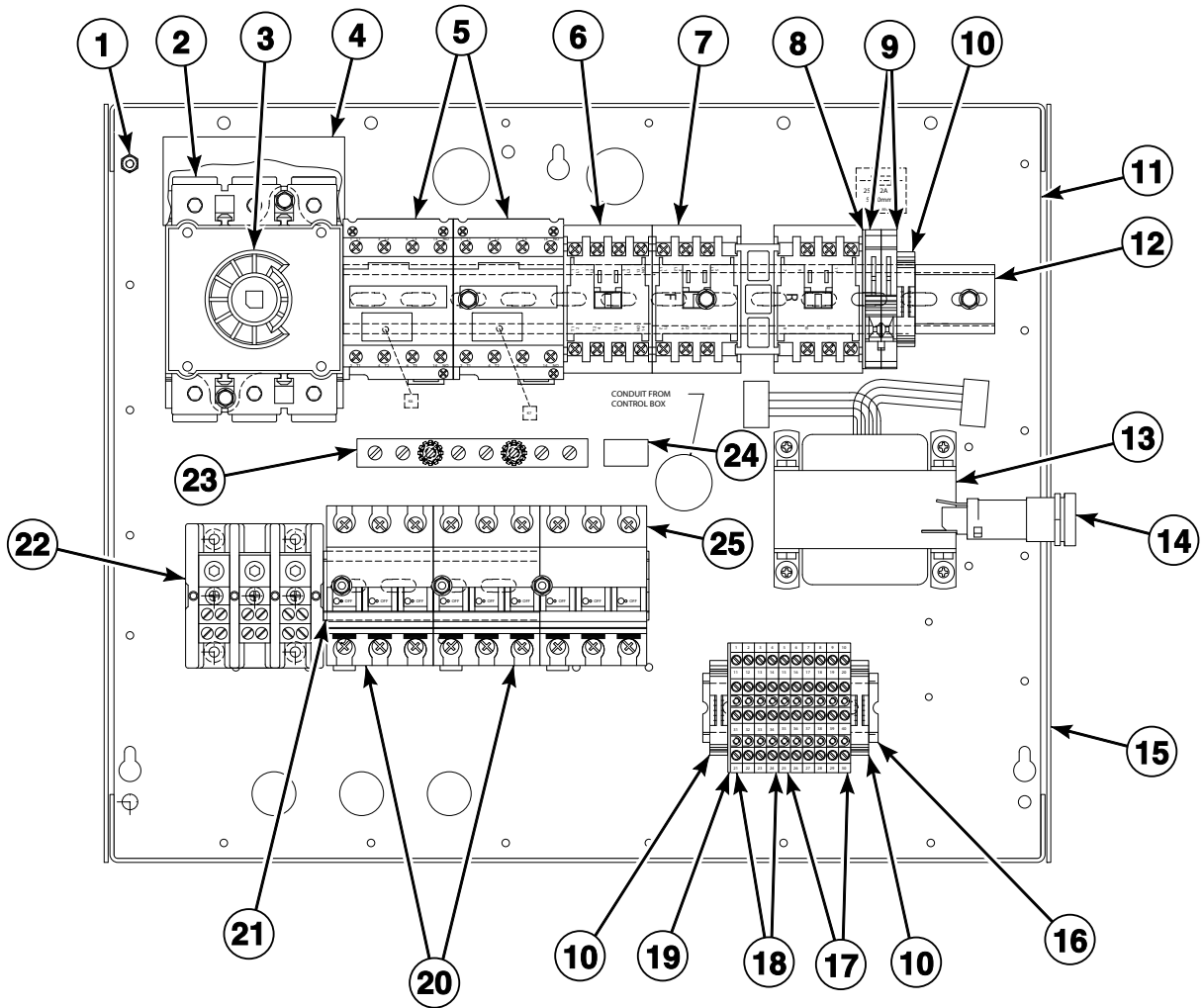
REF	PART NO.	DESCRIPTION	COMMENTS
	M412766	Relay Harness Assembly	MT and RT control suffixes
	M414150	Relay Harness Assembly	QT, RQ, SD and SX control suffixes
	M412641	Transformer Harness Assembly	Secondary
	M414121	Jumper Cable Assembly	8 gauge; 3 required
	M412928	Reversing Jumper Harness Assembly	Upper; 2 required; RQ and RT control suffixes
	M412929	Reversing Jumper Harness Assembly	Lower; RQ and RT control suffixes
	44014501	Jumper Wire	3 required
	44014801	Jumper Wire	3 required
	M413934	Jumper Cable Assembly	3 required
	44014901P	Power Distribution Block Cover	Includes 2 screws; Use with item 23
	M412265	Contactor Box Cover	
	44127701	Warning Label	Extended tumble; On contactor box cover
<b>1</b>	M412186	Mounting Switch Base	100 Amp
<b>2</b>	M412371P	Extension Handle	100 Amp
<b>3</b>	33562	Screw	6 required
<b>4</b>	M412367	Finger Guard	100 Amp
<b>5</b>	M412403P	Contactor	Electric; 50 Amp
<b>6</b>	70323701P	Contactor	Motor; 9 Amp
<b>7</b>	M412405P	Reversing Contactor	RQ and RT control suffixes
<b>8</b>	M412615	End Stop	400 Volt; 4 required
<b>9</b>	M412538	Terminal Block	400 Volt; Primary; 2 required; Use M412996 Fuse
<b>10</b>	M412267	Contactor Box Bottom	
<b>11</b>	N/A	Din Rail	13 inches
<b>12</b>	51780	Screw	10 required
<b>13</b>	M412412P	Transformer	400 Volt
<b>14</b>	501086	Screw	2 required; MT and RT control suffixes
<b>15</b>	M412534	Relay	MT and RT control suffixes
<b>16</b>	M412692	Din Rail	3.5 inches
<b>17</b>	70121001	End Stop	230 Volt; 2 required
<b>18</b>	M412631	Terminal Block	2 circuit; 6 required
<b>19</b>	M412632	Terminal Block	1 circuit; 4 required
<b>20</b>	M412633	End Barrier	
<b>21</b>	N/A	Din Rail	5 inches
<b>22</b>	39733	Screw	4 required
<b>23</b>	M413865	Terminal Block	3 pole
<b>24</b>	M412656	Ground Buss Assembly	
<b>25</b>	M412688	Nut	2 required
<b>26</b>	M412407P	Circuit Breaker	3 pole; 8 Amp
<b>27</b>	M412096	Earth Terminal Sticker	

**N/A = Part no longer available**

# Contactor Box Assembly (Drawing 15 of 21)

CE Electric Models

Models with 3O, 3V, 3X, BC, BL, BU, BX, BY, DO, DV, DX, NC, NR, NX,  
NY, OM, R3, RD, RM, ZC, ZR, ZX and ZY Control Suffixes;  
230 Volt/50 Hertz/3 Phase



TMB2625P\_70409101

## Contactor Box Assembly (Drawing 15 of 21)

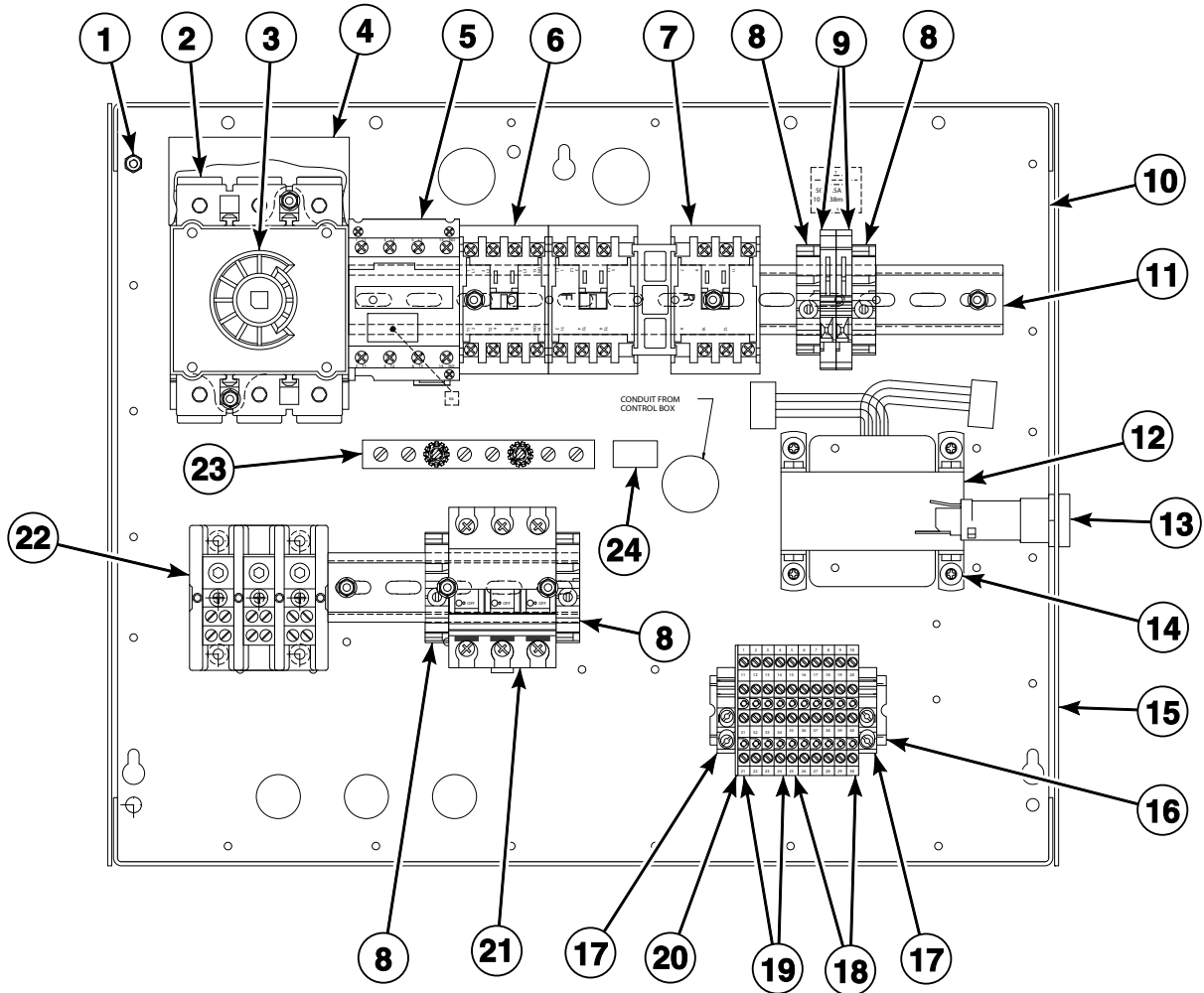
REF	PART NO.	DESCRIPTION	COMMENTS
	M413930P	Ferrite Core Assembly	
	M413863	Network Capacitor Assembly	
	44014901P	Power Distribution Block Cover	Includes 2 screws; Use with item 22
	M412265	Contactor Box Cover	Use 2 of M400713 Drive Rivet to secure cover to junction box; Use M412368 Door Interlock to mount M412208 Handle to cover
	44127701	Warning Label	Extended tumble; On contactor box cover
<b>1</b>	430497	Screw	24 required; Use to secure contactor box to backplane
<b>2</b>	M412186	Mounting Switch Base	100 Amp; Use 2 of 33562 Screw to secure
<b>3</b>	M412371P	Extension Handle	100 Amp
<b>4</b>	M412367	Finger Guard	100 Amp
<b>5</b>	M412403P	Contactor	Electric; 50 Amp; 2 required
<b>6</b>	70323701P	Contactor	Motor; 9 Amp
<b>7</b>	M412405P	Reversing Contactor	R3, RD and RM control suffixes
<b>8</b>	M412540	End Section	230 Volt
<b>9</b>	M412537	Terminal Block	230 Volt; Primary; 2 required; Use M413867 Fuse
<b>10</b>	70121001	End Stop	230 Volt; 3 required for R3, RD and RM control suffixes; 4 required for all other control suffixes
<b>11</b>	M412267	Contactor Box Bottom	
<b>12</b>	N/A	Din Rail	13 inches; Use 51780 Screw to secure
<b>13</b>	M414228P	Transformer	Dual secondary; Multitap; 100-240 Volt; Use 4 of 23951 Nut and 4 of M400044 Screw to secure
<b>14</b>	502591P	Fuse Holder Kit	Includes 502591 Fuse Holder Body and 502811 Fuse Carrier; Use M413889 Fuse
<b>15</b>	M412266	Contactor Box Side	2 required
<b>16</b>	M412692	Din Rail	3.5 inches; Use 51780 Screw to secure
<b>17</b>	M412631	Terminal Block	2 circuit; 6 required
<b>18</b>	M412632	Terminal Block	1 circuit; 4 required
<b>19</b>	M412633	End Barrier	
<b>20</b>	M412408P	Circuit Breaker	3 pole; 50 Amp; 2 required
<b>21</b>	M412693	Din Rail	6.5 inches; Use 51780 Screw to secure
<b>22</b>	M413865	Terminal Block	3 pole; Use 4 of 39733 Screw to secure
<b>23</b>	M412656	Ground Buss Assembly	Use 2 of M412688 Nut to secure
<b>24</b>	M412096	Earth Terminal Sticker	
<b>25</b>	M412407P	Circuit Breaker	3 pole; 8 Amp

**N/A = Part no longer available**

# Contactor Box Assembly (Drawing 16 of 21)

CE Electric Models

Models with 3O, 3V, 3X, BC, BL, BU, BX, BY, DO, DV, DX, NC, NR, NX,  
NY, OM, R3, RD, RM, ZC, ZR, ZX and ZY Control Suffixes;  
380 Volt/50 Hertz/3 Phase; 415 Volt/50 Hertz/3 Phase



TMB2626P\_70409101

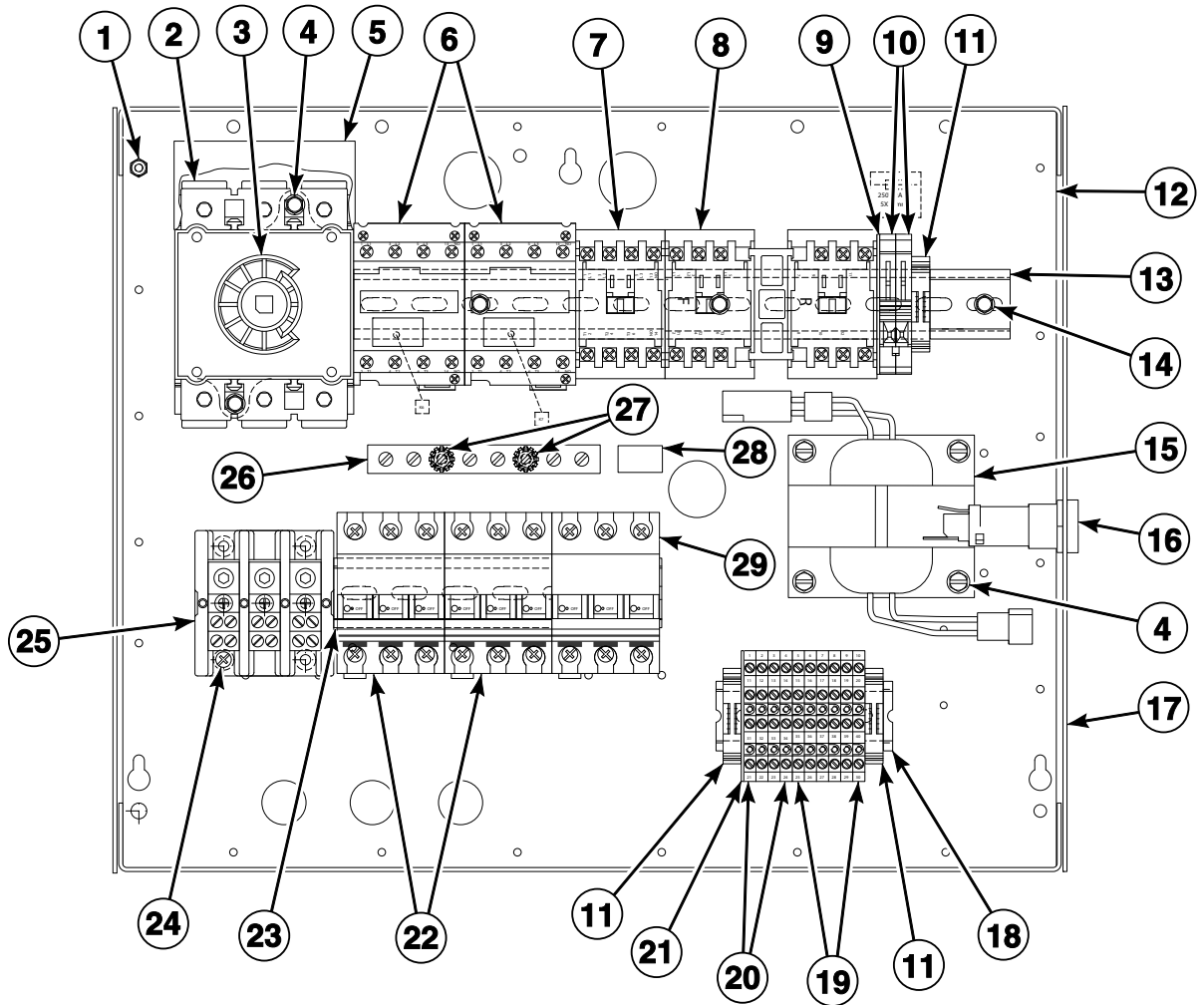
## Contactor Box Assembly (Drawing 16 of 21)

REF	PART NO.	DESCRIPTION	COMMENTS
	M413930P	Ferrite Core Assembly	
	M413863	Network Capacitor Assembly	3O, 3V, 3X, DO, DV, DX, OM, R3, RD and RM control suffixes
	M413508	Jumper Harness Assembly	380 Volt/50 Hertz/3 Phase
	M413509	Jumper Harness Assembly	415 Volt/50 Hertz/3 Phase
	M414121	Jumper Cable Assembly	8 gauge; 3 required
	M414150	Relay Harness Assembly	
	M414034	Reversing Contactor Harness Assembly	R3, RD and RM control suffixes
	M414028	Transformer Harness Assembly	Primary
	M414029	Transformer Harness Assembly	Secondary
	N/A	Jumper Harness Assembly	All control suffixes except DO, DV and DX
	M412928	Reversing Jumper Harness Assembly	Upper; 2 required; R3, RD and RM control suffixes
	M412929	Reversing Jumper Harness Assembly	Lower; R3, RD and RM control suffixes
	44014501	Jumper Wire	3 required
	44014801	Jumper Wire	3 required
	M413934	Jumper Cable Assembly	3 required
	44043101	Transformer Harness	Secondary; DO, DV, DX and RD control suffixes
	44014901P	Power Distribution Block Cover	Includes 2 screws; Use with item 22
	M412265	Contactor Box Cover	Use 2 of M400713 Drive Rivet to secure cover to junction box; Use M412368 Door Interlock to mount M412208 Handle to cover
	44127701	Warning Label	Extended tumble; On contactor box cover
1	430497	Screw	24 required; Use to secure contactor box to backplane
2	M412186	Mounting Switch Base	100 Amp; Use 2 of 33562 Screw to secure
3	M412371P	Extension Handle	100 Amp
4	M412367	Finger Guard	100 Amp
5	M412403P	Contactor	Electric; 50 Amp
6	70323701P	Contactor	Motor; 9 Amp
7	M412405P	Reversing Contactor	RM control suffix
8	M412615	End Stop	400 Volt; 4 required
9	M412538	Terminal Block	400 Volt; Primary; 2 required; Use M413621 Fuse
10	M412267	Contactor Box Bottom	
11	N/A	Din Rail	13 inches; Use 51780 Screw to secure
12	M414229P	Transformer	Multitap; 380-480 Volt
13	502591P	Fuse Holder Kit	Includes 502591 Fuse Holder Body and 502811 Fuse Carrier; Use M413889 Fuse
14	M400044	Screw	4 required; Use with 4 of 23951 Nut to secure item 12
15	M412266	Contactor Box Side	2 required
16	M412692	Din Rail	3.5 inches; Use 51780 Screw to secure
17	70121001	End Stop	2 required
18	M412631	Terminal Block	2 circuit; 6 required
19	M412632	Terminal Block	1 circuit; 4 required
20	M412633	End Barrier	
21	M412407P	Circuit Breaker	3 pole; 8 Amp
22	M413865	Terminal Block	3 pole; Use 4 of 39733 Screw to secure
23	M412656	Ground Buss Assembly	Use 2 of M412688 Nut to secure
24	M412096	Earth Terminal Sticker	

N/A = Part no longer available

# Contactor Box Assembly (Drawing 17 of 21)

CE Electric C, H, S and U Models  
Models with QT and RQ Control Suffixes and SD and SX Control Suffixes Starting 1/1/07;  
230 Volt/50 Hertz/3 Phase



TMB2722P\_70409101

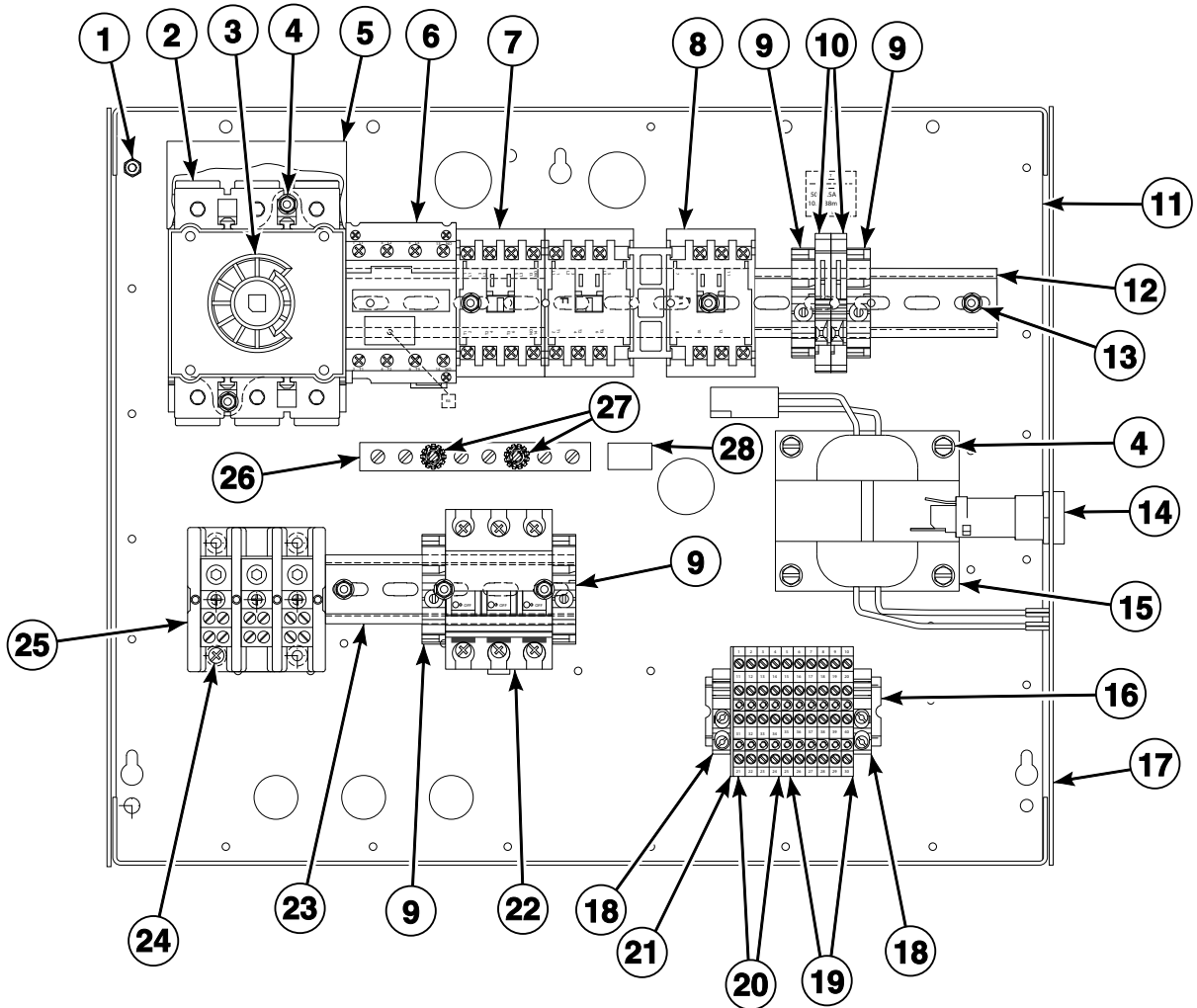
## Contactor Box Assembly (Drawing 17 of 21)

REF	PART NO.	DESCRIPTION	COMMENTS
	M413930P	Ferrite Core Assembly	
	M412642	Transformer Harness Assembly	Primary
	M412641	Transformer Harness Assembly	Secondary
	M412740	Jumper Cable Wire	8 gauge; 6 required
	M414034	Reversing Contactor Harness Assembly	RQ control suffix
	M412928	Reversing Jumper Harness Assembly	Upper; 2 required; RQ control suffix
	M412929	Reversing Jumper Harness Assembly	Lower; RQ control suffix
	M413506	Jumper Harness Assembly	208 Volt
	44014501	Jumper Wire	3 required
	44014601	Jumper Wire	3 required
	44014701	Jumper Wire	3 required
	M413934	Jumper Cable Assembly	3 required
	44014901P	Power Distribution Block Cover	Includes 2 screws; Use with item 25
	M412265	Contactor Box Cover	Use 2 of M400713 Drive Rivet to secure cover to junction box; Use M412368 Door Interlock to mount M412208 Handle to cover
	44127701	Warning Label	Extended tumble; On contactor box cover
<b>1</b>	430497	Screw	23 required; To secure contactor box to backplane
<b>2</b>	M412186	Mounting Switch Base	100 Amp
<b>3</b>	M412371P	Extension Handle	100 Amp
<b>4</b>	33562	Screw	6 required
<b>5</b>	M412367	Finger Guard	100 Amp
<b>6</b>	M412403P	Contactor	Electric; 50 Amp; 2 required
<b>7</b>	70323701P	Contactor	Motor; 9 Amp
<b>8</b>	M412405P	Reversing Contactor	RQ control suffix
<b>9</b>	M412540	End Section	230 Volt
<b>10</b>	M412537	Terminal Block	230 Volt; Primary; 2 required; Use 502593 Fuse
<b>11</b>	70121001	End Stop	230 Volt; 3 required
<b>12</b>	M412267	Contactor Box Bottom	
<b>13</b>	N/A	Din Rail	13 inches
<b>14</b>	51780	Screw	7 required
<b>15</b>	M412477P	Transformer	Multitap; 100-240 Volt
<b>16</b>	502591P	Fuse Holder Kit	Includes 502591 Fuse Holder Body and 502811 Fuse Carrier; Use M413889 Fuse
<b>17</b>	M412266	Contactor Box Side	2 required
<b>18</b>	M412692	Din Rail	3.5 inches
<b>19</b>	M412631	Terminal Block	2 circuit; 6 required
<b>20</b>	M412632	Terminal Block	1 circuit; 4 required
<b>21</b>	M412633	End Barrier	
<b>22</b>	M412408P	Circuit Breaker	3 pole; 50 Amp; 2 required
<b>23</b>	M412693	Din Rail	6.5 inches
<b>24</b>	39733	Screw	4 required
<b>25</b>	M413865	Terminal Block	3 pole
<b>26</b>	M412656	Ground Buss Assembly	
<b>27</b>	M412688	Nut	2 required
<b>28</b>	M412096	Earth Terminal Sticker	
<b>29</b>	M412407P	Circuit Breaker	3 pole; 8 Amp

**N/A = Part no longer available**

# Contactor Box Assembly (Drawing 18 of 21)

CE Electric C, H, S and U Models  
Models with QT and RQ Control Suffixes and SD and SX Control Suffixes Starting 1/1/07;  
380 Volt/50 Hertz/3 Phase; 415 Volt/50 Hertz/3 Phase



TMB2723P\_70409101

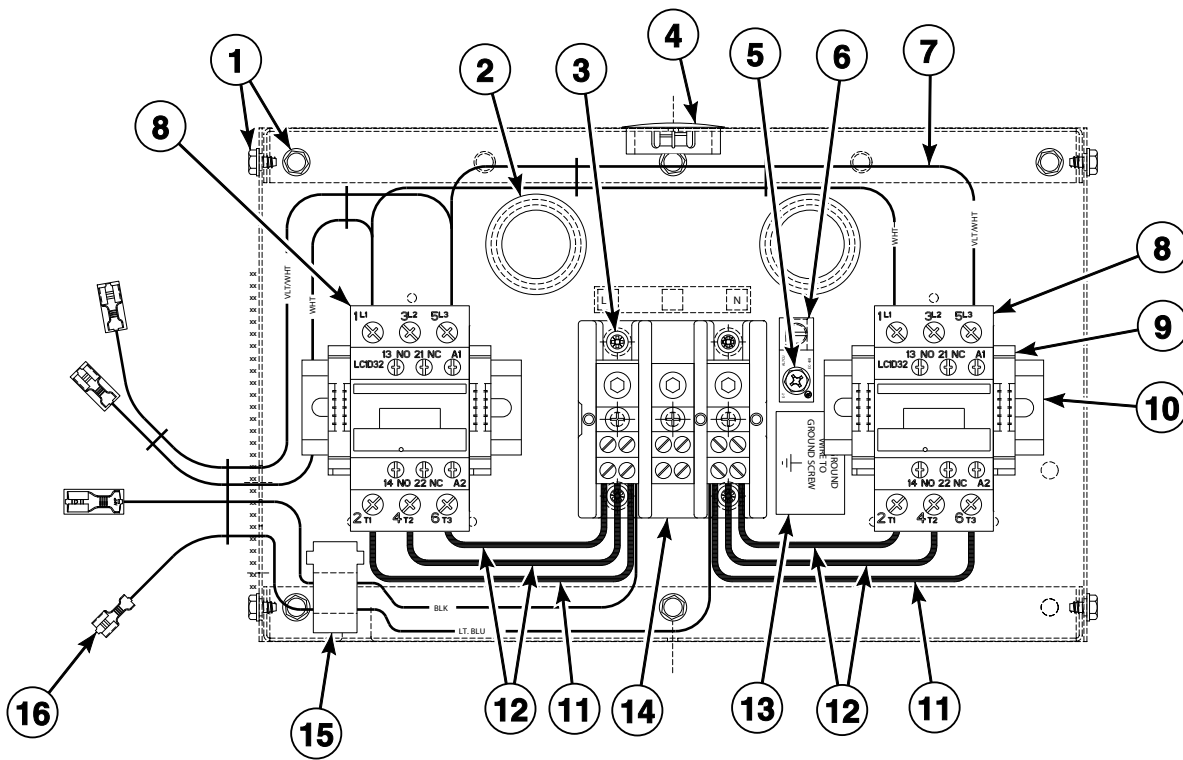
## Contactor Box Assembly (Drawing 18 of 21)

REF	PART NO.	DESCRIPTION	COMMENTS
	M413930P	Ferrite Core Assembly	
	M414150	Relay Harness Assembly	
	M414034	Reversing Contactor Harness Assembly	RQ control suffix
	M412641	Transformer Harness Assembly	Secondary
	M412928	Reversing Jumper Harness Assembly	Upper; 2 required; RQ control suffix
	M412929	Reversing Jumper Harness Assembly	Lower; RQ control suffix
	44014501	Jumper Wire	3 required
	44014801	Jumper Wire	3 required
	M413934	Jumper Cable Assembly	3 required
	M414121	Jumper Cable Assembly	8 gauge; 3 required
	44014901P	Power Distribution Block Cover	Includes 2 screws; Use with item 25
	M412265	Contactor Box Cover	Use 2 of M400713 Drive Rivet to secure cover to junction box; Use M412368 Door Interlock to mount M412208 Handle to cover
	44127701	Warning Label	Extended tumble; On contactor box cover
1	430497	Screw	23 required; To secure contactor box to backplane
2	M412186	Mounting Switch Base	100 Amp
3	M412371P	Extension Handle	100 Amp
4	33562	Screw	6 required
5	M412367	Finger Guard	100 Amp
6	M412403P	Contactor	Electric; 50 Amp
7	70323701P	Contactor	Motor; 9 Amp
8	M412405P	Reversing Contactor	RQ control suffix
9	M412615	End Stop	400 Volt; 4 required
10	M412538	Terminal Block	400 Volt; Primary; 2 required; Use M412996 Fuse
11	M412267	Contactor Box Bottom	
12	N/A	Din Rail	13 inches
13	51780	Screw	9 required
14	502591P	Fuse Holder Kit	Includes 502591 Fuse Holder Body and 502811 Fuse Carrier; Use M413889 Fuse at secondary and M413118 Fuse at primary
15	M412412P	Transformer	Multitap; 380-480 Volt
16	M412692	Din Rail	3.5 inches
17	M412266	Contactor Box Side	2 required
18	70121001	End Stop	2 required
19	M412631	Terminal Block	2 circuit; 6 required
20	M412632	Terminal Block	1 circuit; 4 required
21	M412633	End Barrier	
22	M412407P	Circuit Breaker	3 pole; 8 Amp
23	N/A	Din Rail	5 inches
24	39733	Screw	4 required
25	M413865	Terminal Block	3 pole
26	M412656	Ground Buss Assembly	
27	M412688	Nut	2 required
28	M412096	Earth Terminal Sticker	

N/A = Part no longer available

# Contactor Box Assembly (Drawing 19 of 21)

CE Electric Models  
240 Volt/50 Hertz/1 Phase



TMB2632P\_70409101

## Contactor Box Assembly (Drawing 19 of 21)

REF	PART NO.	DESCRIPTION	COMMENTS
	M413856	Electric Accessory Box Cover	
	44127701	Warning Label	Extended tumble; On electric accessory box cover
	M4919P3	Electric Heater Contactor Kit	Use to replace contactors on models through 7/10/07
<b>1</b>	51780	Screw	15 required
<b>2</b>	M402542	Snap Bushing	1 3/8 inches; 2 required
<b>3</b>	39733	Screw	4 required
<b>4</b>	N/A	Hole Plug	1 3/8 inches
<b>5</b>	M402917	Screw	Ground
<b>6</b>	M411283	Ground Lug Connector	
<b>7</b>	44129201P	Jumper Harness	
<b>8</b>	70343301P	Contactor	2 required; Models starting 7/10/07
<b>9</b>	M412615	End Stop	4 required; Models starting 7/10/07
<b>10</b>	44137901	Din Rail	2 required; Models starting 7/10/07
<b>11</b>	M413934	Jumper Cable Assembly	2 required
<b>12</b>	M413933	Jumper Cable Assembly	4 required
<b>13</b>	M403047	Secure Ground Label	Electrical
<b>14</b>	M413865	Terminal Block	3 pole
<b>15</b>	M413930P	Ferrite Core Assembly	3O, 3V, 3X, DO, DV, DX, OM, R3, RD and RM control suffixes
<b>16</b>	44129001	Accessory Box Harness Assembly	

**N/A = Part no longer available**



## Contactor Box Assembly (Drawing 20 of 21)

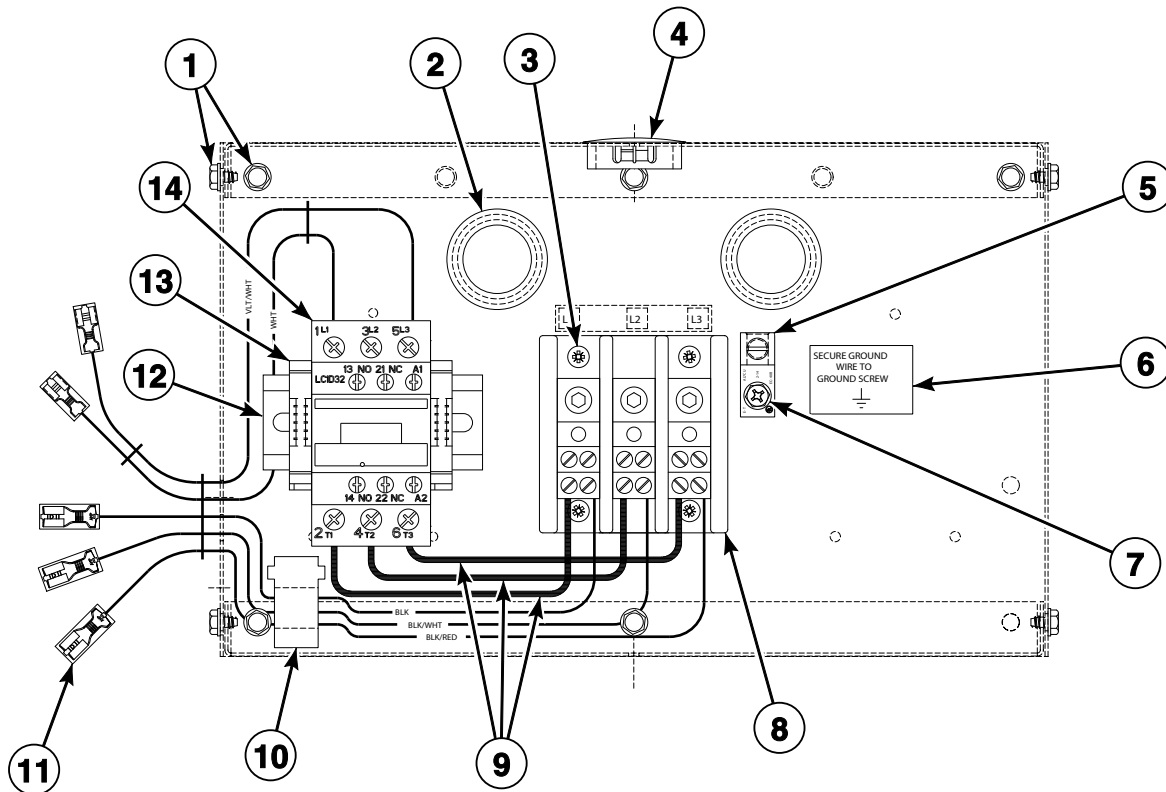
REF	PART NO.	DESCRIPTION	COMMENTS
	M413856	Electric Accessory Box Cover	
	44127701	Warning Label	Extended tumble; On electric accessory box cover
	M4919P3	Electric Heater Contactor Kit	Use to replace contactors on models through 7/10/07
<b>1</b>	51780	Screw	15 required
<b>2</b>	M402542	Snap Bushing	1 3/8 inches; 2 required
<b>3</b>	M413865	Terminal Block	3 pole
<b>4</b>	N/A	Hole Plug	1 3/8 inches
<b>5</b>	39733	Screw	4 required
<b>6</b>	M411283	Ground Lug Connector	
<b>7</b>	44129201P	Jumper Harness	
<b>8</b>	M402917	Screw	Ground
<b>9</b>	70343301P	Contactor	2 required; Models starting 7/10/07
<b>10</b>	M412615	End Stop	4 required; Models starting 7/10/07
<b>11</b>	44137901	Din Rail	2 required; Models starting 7/10/07
<b>12</b>	M413933	Jumper Cable Assembly	6 required
<b>13</b>	M403047	Secure Ground Label	Electrical
<b>14</b>	M413930P	Ferrite Core Assembly	3O, 3V, 3X, DO, DV, DX, OM, R3, RD and RM control suffixes
<b>15</b>	44129101P	Accessory Box Harness Assembly	

**N/A = Part no longer available**

# Contactor Box Assembly (Drawing 21 of 21)

Electric Models

380 Volt/50 Hertz/3 Phase; 415 Volt/50 Hertz/3 Phase; 480 Volt/60 Hertz/3 Phase



TMB2634P\_70409101

## Contactor Box Assembly (Drawing 21 of 21)

REF	PART NO.	DESCRIPTION	COMMENTS
	M413856	Electric Accessory Box Cover	
	44127701	Warning Label	Extended tumble; On electric accessory box cover
	M4945P3	Electric Heater Contactor Kit	Use to replace contactor on models through 7/10/07
<b>1</b>	51780	Screw	13 required
<b>2</b>	M402542	Snap Bushing	1 3/8 inches; 2 required
<b>3</b>	39733	Screw	4 required
<b>4</b>	N/A	Hole Plug	1 3/8 inches
<b>5</b>	M411283	Ground Lug Connector	
<b>6</b>	M403047	Secure Ground Label	Electrical
<b>7</b>	M402917	Screw	Ground
<b>8</b>	M413865	Terminal Block	3 pole
<b>9</b>	M413933	Jumper Cable Assembly	3 required
<b>10</b>	M413930P	Ferrite Core Assembly	3O, 3V, 3X, DO, DV, DX, OM, R3, RD and RM control suffixes
<b>11</b>	44129101P	Accessory Box Harness Assembly	
<b>12</b>	44137901	Din Rail	Models starting 7/10/07
<b>13</b>	M412615	End Stop	Models starting 7/10/07
<b>14</b>	70343301P	Contactor	Models starting 7/10/07

**N/A = Part no longer available**



# Parts Index

## A

Access Panel Trim 70399402 .....	65
Accessory Box Harness Assembly 44129001 .....	171
44129101P .....	173, 175
Actuator Switch M412423 .....	113
Adjustable Buzzer 505447 .....	31
Air Filter 44104201 .....	121
Airflow Switch M400944 .....	113, 119
Airflow Switch Assembly M401883 .....	119
Airflow Switch Bracket M409202 .....	113, 119
Airflow Switch Guard M410544 .....	119
Airflow Switch Handy Box M403235 .....	113, 119
Airflow Switch Harness Assembly M413689 .....	119
Airflow Switch Insulator Barrier M400712 .....	113, 119
Airflow Switch Vane Lever M400753 .....	113, 119
Anti-Torque Ring M400605 .....	107

## B

Baffle 44004901 .....	77
44005201 .....	77
44065501 .....	77
Baffle Gasket 70015701 .....	77
Ball Bearing M401375P .....	97
M413921P .....	85
M413922P .....	85
44041901P .....	85
Bearing F100136P .....	85
Bearing Retainer M401370 .....	97
Belt M401182P .....	95
M412090 .....	93
M412981 .....	93
Belt Guard M413008 .....	103
M413541 .....	91
Belt Guard Assembly 44132401 .....	95
44132402 .....	93

Belt Tension Tool Kit M4853P3 .....	91, 93, 95
Bolt M400650 .....	85
M401393 .....	93, 103
M405503 .....	127
M412119 .....	99
Bottom Pan 4400601P .....	77
Bracket 44065901 .....	17
Bumper M400795 .....	125
Burner Assembly M410541P .....	107, 109
Burner Orifice M400997 .....	111
M400999 .....	111
M401000 .....	111
M401001 .....	111
M401011 .....	111
M401014 .....	111
M401021 .....	111
M401027 .....	111
M406184 .....	111
Bushing M411537 .....	135, 137, 139, 141
M412086P .....	93
M412885P .....	93
M412917P .....	93
Bypass Harness Assembly M413168 .....	15, 131, 141

## C

Cabinet Limit Harness Assembly M412670 .....	75
M413693P .....	75
Cable Screw Clamp M404550 .....	77
Calibration Jumper 70084104P .....	19, 25
Cam and Hinge Kit M4772P3 .....	79, 81
Cam Package M409532 .....	19
Capacitor Network Harness Assembly M413878 .....	135, 137, 139, 141
Card Reader and Bracket Assembly 510068P .....	39, 49
Card Reader Harness Assembly 70211801 .....	49
Card Reader Network Harness Assembly 70206601 .....	49
Card Reader Overlay 70334201 .....	41
70334301 .....	41
Circuit Board Support 34896 .....	19, 25
501523 .....	17
70178801 .....	19

N/A items do not appear in index.

Circuit Breaker		Coin Vault Switch Harness	
M412407P .....	159, 161, 163, 165, 167, 169	44023001 .....	55, 57
M412408P .....	159, 163, 167	Coin Vault Trim	
Clean Lint Compartment Sticker		70117501 .....	55, 57
70114001 .....	73	70117502 .....	55, 57
Clip		Communication Board	
M400974 .....	121	210095P .....	51
M400976 .....	113, 119	Communication Cable	
Coil Spring		M414875P .....	47, 49
M402455 .....	21	Communication Connector	
Coin Carrier Spring		210099 .....	51
M405138A .....	21	Contact Block	
Coin Chute Assembly		44018701 .....	53
70296401 .....	77	44018901 .....	53
Coin Cover Overlay		Contact Block Switch	
70246301 .....	37	F200233401 .....	53
Coin Drop		Contact Switch	
38963P .....	43	F8069501 .....	53
39748 .....	43	Contact Switch	
70256402P .....	43	F8069501 .....	53
70429001 .....	43	Contact Switch	
70441601P .....	43	F8069501 .....	53
Coin Drop Assembly		Contact Switch	
210195 .....	43	F8069501 .....	53
210196 .....	43	Contact Switch	
38462P .....	43	F8069501 .....	53
38463 .....	43	Contact Switch	
38464P .....	43	F8069501 .....	53
38467 .....	43	Contact Switch	
38472 .....	43	F8069501 .....	53
38475 .....	43	Contact Switch	
38519 .....	43	F8069501 .....	53
38521 .....	43	Contact Switch	
39157 .....	43	F8069501 .....	53
44039701P .....	43	Contact Switch	
44039702 .....	43	F8069501 .....	53
44039703 .....	43	Contact Switch	
44039704 .....	43	F8069501 .....	53
44039705 .....	43	Contact Switch	
44039706 .....	43	F8069501 .....	53
44039707 .....	43	Contact Switch	
70281102 .....	43	F8069501 .....	53
70283102 .....	43	Contact Switch	
70441602 .....	43	F8069501 .....	53
Coin Drop Kit		Contact Switch	
CK077 .....	43	F8069501 .....	53
Coin Drop Overlay		Contact Switch	
39564 .....	37	F8069501 .....	53
Coin Identification Paper		Contact Switch	
38725 .....	43	F8069501 .....	53
Coin Meter		Contact Switch	
M412546 .....	21	F8069501 .....	53
70112501P .....	21	Contact Switch	
70112701P .....	21	F8069501 .....	53
70137301P .....	21	Contact Switch	
70137401P .....	21	F8069501 .....	53
70138401P .....	21	Contact Switch	
70151301 .....	21	F8069501 .....	53
70262401 .....	21	Contact Switch	
Coin Meter Drive		F8069501 .....	53
M400754 .....	21	Contact Switch	
Coin Retainer Spring		F8069501 .....	53
M406297 .....	21	Contact Switch	
Coin Vault Assembly		F8069501 .....	53
70180101 .....	77	Contact Switch	
		F8069501 .....	53

N/A items do not appear in index.

Control Chassis Mounting Bracket 70357901 .....	23, 29	44016401 .....	55, 57
Control Conversion Kit M4797P3 .....	31	Counterweight M400822 .....	113, 119
M4799P3 .....	25	Cover Plate M401362 .....	103
Control Door Assembly 70363401 .....	23	Cylinder M400439P .....	83
Control Door Latch 431318 .....	77	M400440P .....	83
Control Harness 44076901P .....	17	M405365P .....	83
44100001P .....	29	Cylinder and Trunnion Assembly 44037101 .....	87
44100101P .....	29	44037201 .....	87
Control Kit 505905P .....	47, 49	44057401P .....	87
70228401P .....	35	44057402P .....	87
Control Panel 44000117BP .....	59	44057403 .....	87
44000117*P .....	59, 61	44057404 .....	87
44000118P .....	59, 61	44068901P .....	87
44000119* .....	59	44069001 .....	87
44040001*P .....	59, 61	44089101 .....	87
44040002 .....	59, 61	44131001 .....	87
44040003* .....	59, 61	44131002 .....	87
44040004 .....	59, 61	44131101 .....	87
44040005* .....	59	44131102 .....	87
44040006 .....	59	Cylinder Assembly M405009P .....	83
Control Panel Harness 44005501P .....	19	44089001 .....	83
44005601P .....	25	44130802 .....	83
44005701P .....	25	Cylinder Kit 44057001P .....	83
44006601 .....	19	44057101P .....	83
44006701 .....	25	Cylinder Motor Harness M412745 .....	91
44006801 .....	25	Cylinder Motor Harness Assembly M412573 .....	91
44010801P .....	37, 39, 47, 49	M413687 .....	91
44010901 .....	37, 39, 47, 49	M413688 .....	91
44016701P .....	35	Cylinder, Trunnion and Bearing Housing Kit M4819P3 .....	87
44016702 .....	35	M4820P3 .....	87
44017001 .....	35	M4821P3 .....	87
44017002 .....	35		
44025601 .....	25		
44025701 .....	25		
44025801 .....	19		
44042601 .....	31		
44043201P .....	31		
44051401 .....	33		
44052601 .....	33		
44098601 .....	33		
44099901P .....	23		
44100201P .....	23		
44100301P .....	29		
Control Panel Harness Assembly 44040301 .....	31		
Control Plate Assembly 44040901 .....	31		
44041001 .....	31		
70175803 .....	25		
70175804 .....	19		
70175805 .....	35		
70175807 .....	47		
70348801 .....	39, 41, 49		
70360601 .....	29		
Control Plate Kit 44050701P .....	33		
70291001P .....	37, 39, 47		
Control Trim 44016301 .....	55, 57		

## D

Din Rail M412692 .....	159, 161, 163, 165, 167, 169
M412693 .....	159, 163, 167
44137901 .....	171, 173, 175
Display Assembly 512218P .....	29
Door Assembly 44028902P .....	81
44046701 .....	79
44058001P .....	79
44058102P .....	81
44086801P .....	81
44112101 .....	81
70176503 .....	79
70212200 .....	79
70212300 .....	79
70407401 .....	81
70408901 .....	79
Door Glass M400784P .....	79
44008401P .....	81
44008402P .....	81

N/A items do not appear in index.

70133601P.....	79
Door Glass Installation Tool M4221P4.....	79, 81
Door Glass Seal Kit 70211901P.....	79
Door Handle M400133.....	79, 81
430117.....	79
44007901.....	81
44057701.....	79
44057702.....	81
70024801.....	79
Door Hinge 70115901*.....	79
70115902.....	79
70115903B.....	79
Door Hinge Assembly 44075203*.....	81
44075204.....	81
44075208B.....	81
Door Hinge Cam Assembly 44035102.....	81
70436202.....	79, 81
Door Hinge Lug Assembly 44035001.....	55, 57, 79, 81
44035002.....	79, 81
Door Latch M401223.....	55, 57
Door Ring 44007703B.....	81
70081801.....	79
70082001.....	79
70399701B.....	79
Door Ring and Handle Assembly 44043501.....	79
44112001.....	81
Door Ring Assembly 44007702.....	81
Door Ring Gasket 44008201P.....	81
70296801.....	79
Door Seal Kit 70211902P.....	81
Door Switch 44018201.....	55
Door Switch Actuator Kit 70215001P.....	81
Door Switch Cover 44001301.....	55
Door Switch Wire Channel 44001801.....	55
Double V Sheave M412916.....	93
Drive Rivet M400713.....	17
Drum Idler Wheel Assembly 430619.....	99, 101

Electric Accessory Box Cover M413856.....	135, 137, 139, 141, 171, 173, 175
Electric Box Cover J1075621.....	113
Electric Heater Cabinet Assembly M414825.....	115, 117
Electric Heater Contactor Kit M4919P3.....	171, 173
M4945P3.....	175
Electronic Coin Drop Assembly 70294101P.....	43
70294103P.....	43
70294104.....	43
70294105P.....	43
70294106.....	43
70294107.....	43
70294109.....	43
70294111.....	43
Electronic Coin Drop Harness 44065801.....	43
Electronic Coin Drop Kit CK095.....	45
CK099.....	45
CK100.....	45
CK101.....	45
CK103.....	45
CK106.....	45
CK108.....	45
CK109.....	45
CK502.....	45
Electronic Control 44037801P.....	31
Emergency Stop Button Kit F200233700P.....	53
Emergency Stop Label M412235.....	53
Emergency Stop Pushbutton F200233500.....	53
Emergency Stop Switch Harness Assembly 70083901.....	53, 65, 67
End Barrier M412633.....	143, 145, 147, 149, 151, 153, 155, 157, 159, 161, 163, 165, 167, 169
End Section M412540.....	143, 145, 147, 149, 151, 159, 163, 167
End Stop M412615.....	153, 155, 157, 161, 165, 169, 171, 173, 175
70121001.....	143, 145, 147, 149, 151, 153, 155, 157, 159, 161, 163, 165, 167, 169
Exhaust Thimble Assembly M412288.....	125
Expansion Clip 70030501.....	55, 57
Extension Handle M412370.....	143, 145, 147, 149, 151, 153, 155, 157
M412371P.....	159, 161, 163, 165, 167, 169
Extension Spring M412120.....	95

## E

Earth Terminal Sticker M412096.....	143, 145, 147, 149, 151, 153, 155, 157, 159, 161, 163, 165, 167, 169
--	---

N/A items do not appear in index.

## F

Fan Contactor M413614P.....	135, 137, 139, 141
--------------------------------	--------------------

Fan Kit	
M4936P3.....	103
Fan Motor	
44045901P.....	105
44046001P.....	105
Fan Motor Harness	
44006101P.....	103
44006201P.....	103
Fan Motor Harness Assembly	
M413281.....	103
M413686.....	103
Fan Motors95	
Felt Pad	
M402144.....	83
Ferrite Core Assembly	
M413930P.....	35, 135, 137, 139, 141, 163, 165, 167, 169, 171, 173, 175
Filter	
44172001.....	121
Finger Guard	
M412366.....	143, 145, 147, 149, 151, 153, 155, 157
M412367.....	159, 161, 163, 165, 167, 169
Fire Suppression System Label	
44128901.....	65, 67
Front Panel Assembly	
44077801*P.....	63
44077802P.....	63
44077805*P.....	63
44077806P.....	63
44077811*P.....	63
44077812.....	63
44077901*P.....	67
44077902P.....	67
44077903*.....	67
44077904P.....	67
44077905*P.....	67
44077906P.....	67
44077907*P.....	67
44077908.....	67
44077909*.....	63
44077910.....	63
44077911*.....	63
44077912.....	63
44077913*P.....	63
44077914.....	63
44077915*P.....	63
44077916.....	63
Front Panel Harness	
44006901.....	65
44007001P.....	65
Front Panel Harness Assembly	
44047801.....	65
44047901.....	65
44063101P.....	65, 67
44063201P.....	53, 65, 67
Front Pillar	
44001201.....	71
Fuse	
M413118.....	135, 139
M413621.....	137, 141
M413889.....	145, 149, 151
M414232.....	15
502592.....	143, 145, 147
70406501.....	35
Fuse Holder	
M413544P.....	137, 141

Fuse Holder Bracket	
M413575.....	135, 139
M413576.....	137, 141
Fuse Holder Kit	
502591P.....	143, 145, 147, 149, 151, 163, 165, 167, 169
Fuse Receptacle	
91024P.....	15, 135, 139
Fuse Sticker	
M413816.....	135, 139
M413817.....	137, 141

---

## G

Gas Relay Harness	
44010701.....	147, 149
Gas Shut-Off Valve	
M412562P.....	107
Gas Valve	
M410907P.....	107
M410908.....	107
M413332P.....	107
44154501P.....	107, 109
44154502P.....	109
Gas Valve Bracket	
M406814.....	107
44040401.....	109
Gas Valve Coil	
44042901P.....	107
Gas Valve Harness Assembly	
M413650.....	107
Gas Valve Kit	
44138701P.....	107
Graphic Overlay	
44050401.....	33
44050501.....	33
44050502.....	33
Ground Buss Assembly	
M412656.....	143, 145, 147, 149, 151, 153, 155, 157, 159, 161, 163, 165, 167, 169
Ground Lug Connector	
M411283.....	171, 173, 175
Guide Rail	
M412476.....	93, 95, 101

---

## H

Handle and Caps Assembly	
70154405.....	73
70154406.....	73
Handle Bar	
70399501B.....	81
70399502B.....	79
Handle Bumper	
70407202.....	73
Harness Assembly	
M412635.....	113
M412997.....	107, 109
M413690.....	113
Heater Cable Assembly	
M413959.....	115
M413960.....	115

N/A items do not appear in index.

Heater Cable Harness Assembly	
M412801 .....	117
M412802 .....	117
Heater Element	
M410939P .....	115, 117
M410940P .....	115
M410941P .....	115, 117
M412955P .....	115
High Temperature Lead	
44061603 .....	15
44061604 .....	15
Hose	
44073301 .....	17
Hose Clamp	
36801 .....	17
Hose Fitting	
44069101 .....	17
Housing and Trunnion Assembly	
M4642P3 .....	89
M4643P3 .....	89
M4644P3 .....	89
M4645P3 .....	89

## I

ICM Return Lead	
M411061 .....	15
Idler Arm	
44102701 .....	101
Idler Arm Kit	
M414320P .....	99, 101
Idler Housing	
M412612 .....	97
Idler Housing Kit	
M412228P .....	99
917P3 .....	97
943P3P .....	99, 101
Idler Shaft	
M412223P .....	99
M414241 .....	97
Idler/Belt Assembly Kit	
942P3P .....	101
Ignition Control	
70367301P .....	15
70367401P .....	15
Indicator Light	
70082201 .....	19, 27
Instant Electronic Ignition Control	
M410904P .....	15
Insulation	
M414503 .....	107, 109
44020601 .....	59, 61
Insulator	
M413862 .....	135, 137, 139, 141

## J

Jumper Bar	
M400866 .....	115, 117
Jumper Cable Assembly	
M413933 .....	171, 173, 175
M413934 .....	133, 159, 161, 165, 167, 169, 171

M414121 .....	161, 165, 169
Jumper Cable Wire	
M412740 .....	133, 159, 167
Jumper Calibration Wire	
70324604 .....	23, 29
Jumper Configuration Assembly	
M413507 .....	129, 131, 133, 145, 149
M413510 .....	137, 141
Jumper Harness	
44129201P .....	171, 173
Jumper Harness Assembly	
M412871 .....	133, 159
M413506 .....	129, 131, 133, 145, 149, 151, 167
M413508 .....	137, 141, 157, 165
M413509 .....	137, 141, 165
M414078 .....	133
Jumper Set Assembly	
44042701 .....	31
44042801 .....	31
Jumper Strip	
M400869 .....	115, 117
Jumper Wire	
M414077 .....	157
44014501 .....	133, 159, 161, 165, 167, 169
44014601 .....	133, 159, 167
44014701 .....	133, 159, 167
44014801 .....	161, 165, 169
Jumper Wire Assembly	
M412287 .....	115, 117
M412645 .....	19, 23, 27, 29, 35, 37, 39, 47, 49
Junction Box Cover	
M412650 .....	143, 145, 147, 149, 151, 153, 155, 157
Junction Box Side	
M412649 .....	143, 145, 147, 149, 151

## K

Key	
M400008 .....	85, 95
M400993 .....	97, 103
M401327 .....	95, 97, 99, 101
M405232 .....	85
44132301 .....	103
70155601 .....	17, 55, 57
70155602 .....	55, 57
Key and Instruction Kit	
M400994P .....	103
Kickplate	
70117607 .....	73
70117608 .....	73
Knob	
M400773 .....	27
M410927 .....	27
44020501 .....	19, 27
44020502 .....	19, 27

## L

Latch Mounting Bracket	
44003201 .....	77
Lever Arm Switch	
44011601 .....	69

N/A items do not appear in index.

Light	
801431 .....	23
801432 .....	17
Lighted Switch Bracket	
44005101 .....	15
Limit Thermostat	
M409433 .....	113, 115
M410220 .....	115, 117
M410542 .....	75
M411813 .....	75
Lint Panel	
44000001*P .....	73
44000002P .....	73
Lint Panel Harness Assembly	
44048101P .....	71
Lint Panel Switch Bracket	
44011501 .....	69
44118601 .....	71
Lint Screen	
44063601 .....	77
Loading Spring	
M400401 .....	97
Lock, Key and Nut Kit	
44089301P .....	17, 55, 57
44089302P .....	55, 57
Low Pressure Steam Cover	
M400828 .....	121
L.P. Conversion Kit	
M4379P3 .....	107, 109
M4542P3 .....	107
L.P. Gas Valve Kit	
M4897P3 .....	107

## M

Main Harness	
44006301P .....	15
44006401P .....	15
44098701 .....	15
Male Tab Terminal	
00177 .....	19, 23, 27, 29, 31
Manifold Pipe	
44040501 .....	107, 109
Manifold Pipe Assembly	
M406681 .....	107
M413395 .....	107
Manual Reset Thermostat	
M411938 .....	113
M411941 .....	75
Membrane Switch	
44037902P .....	31
44039402P .....	31
Micro V Belt	
M411425P .....	95
Micro V Pulley	
M411466P .....	99, 101
Micro V Sheave	
M412156 .....	95
Mixing Valve	
36958P .....	17
Motor	
44045701P .....	105
44045801P .....	105

44046101P .....	105
44048701P .....	105
Motor Bracket	
M411483 .....	93, 95, 103
44117201 .....	93, 95, 103
Motor Hardware Kit	
M4426P3 .....	103
Motor Kit	
M412519P .....	91
M412520P .....	91
Motor Mount Assembly	
M413617 .....	91
Motor Switch	
M414563 .....	91
Mounting Bracket	
70080701 .....	19, 25
Mounting Plate	
70208801 .....	39, 41, 49
Mounting Switch Base	
M412186 .....	159, 161, 163, 165, 167, 169
M412187P .....	143, 145, 147, 149, 151, 153, 155, 157

## N

Nameplate	
44010401 .....	59, 61
44010601 .....	59, 61
44035801 .....	61
44046801 .....	59, 61
44062901 .....	59
70243901 .....	59
Nameplate Bezel	
70117401 .....	59
Nameplate Overlay	
M412963 .....	59, 61
44104501 .....	59
44130301 .....	59, 61
70128901 .....	59
70410201 .....	59, 61
Network Board Assembly	
210016P .....	51
Network Capacitor Assembly	
M413863 .....	135, 137, 139, 141, 145, 149, 157, 163, 165
Network Wire Harness Assembly	
800217 .....	47, 49
Nut	
H88412101 .....	93, 95, 101
M400022 .....	103
M400026 .....	85, 93, 95
M400034 .....	103
M400035 .....	95
M400977 .....	55, 57, 59, 113, 119
M400979 .....	69, 113, 119
M401548 .....	107, 109
M401930 .....	83
M404993 .....	83
M412688 .....	143, 147, 149, 151, 153, 155, 157, 159, 161, 167, 169
M414215 .....	79, 81
02428 .....	91, 93, 103
02788 .....	55
20274 .....	91, 93, 103, 127
21899 .....	77
23951 .....	73, 79, 81

N/A items do not appear in index.

24205 .....	23, 29
29786 .....	23, 33, 37, 47, 55, 79
29787 .....	31, 33
44071201 .....	79, 81
44087201 .....	101
51236 .....	73
52566 .....	99
56156 .....	99, 101
70030401 .....	77
70054 .....	19, 23, 25, 29, 31, 35, 39, 41, 49, 115, 117
70142 .....	91

## O

Opto Coupler	
200674P .....	43
Overlay	
44130001 .....	35
44130002 .....	35
70113501 .....	19
70114301 .....	19
70114501 .....	27
70114502 .....	27
70115801 .....	35
70128401 .....	35
70128601 .....	35
70128701 .....	35
70129202 .....	27
70129501 .....	37, 47
70129601 .....	37
70130301 .....	35
70130401 .....	35
70130501 .....	35
70130601 .....	35
70130701 .....	35
70131001 .....	19
70134801 .....	19
70134901 .....	27
70135301 .....	35
70183501 .....	19
70184301 .....	47
70184302 .....	47
70184401 .....	49
70239601 .....	47
70239602 .....	47
70245901 .....	27
70246001 .....	27
70246101 .....	27
70257701 .....	37
70257702 .....	37
70257703 .....	39, 41
70258001 .....	37
70258002 .....	37
70258003 .....	39, 41
70259001 .....	37, 39
70261001 .....	37
70261002 .....	37
70261003 .....	39
70261201 .....	37
70261202 .....	37
70266701 .....	39
70266801 .....	39
70275401 .....	37
70286701 .....	37
70304401 .....	41
70321001 .....	37
70362201 .....	29

70362202 .....	29
70362501 .....	29
70362502 .....	29
70362901 .....	23
70363001 .....	23
70411701 .....	37
70411702 .....	37
70411703 .....	39

## P

Panel Locator	
56079 .....	55, 57, 73
PC Board Standoff	
210098 .....	51
Pipe	
M400749 .....	107, 109
Plug	
M400985 .....	135, 137, 139, 141
Pop Rivet	
M400003 .....	55, 57, 77
70058501 .....	81
70126301 .....	73, 79, 81
70126401 .....	73
Porcelain Touch-Up Paint	
122P4P .....	77
215P4P .....	77
370P4P .....	77
Power Distribution Block Cover	
44014901P .....	159, 161, 163, 165, 167, 169
Proximity Bracket	
44044501 .....	123
Pulley	
M412884 .....	93
M414564 .....	103
M414565 .....	91
M414566 .....	103
M414567 .....	91
Pushbutton	
44018801 .....	53
Pushbutton Switch	
M413431 .....	15
70107001 .....	37, 39, 41, 47, 49, 57, 71
Push-to-Start Switch	
801434W .....	17

## R

Rear Panel Assembly	
M414746 .....	127
Relay	
M412534 .....	27, 35, 143, 145, 147, 149, 151, 153, 159, 161
502501 .....	139
Relay Harness Assembly	
M412636 .....	143, 145
M412766 .....	161
M412776P .....	159
M412777 .....	159
M414032 .....	145, 149, 151, 153, 157
M414149 .....	159
M414150 .....	161, 165, 169
M414224 .....	145, 149, 151, 153

N/A items do not appear in index.

Relay/Buzzer Bracket 44041701 .....	31	M400661 .....	79, 81
Resilient Ring Kit M4525P3P .....	103	M400664 .....	75, 113, 119
Return Spring M405138B .....	21	M401938 .....	69, 113, 119
Reversing Contactor M412405P .....	145, 153, 155, 157, 159, 161, 163, 165, 167, 169	M402574 .....	55
M413615P .....	139, 141	M402585 .....	79
Reversing Contactor Harness Assembly M414034 .....	133, 145, 153, 157, 165, 167, 169	M402797 .....	27, 75, 113
Reversing Contactor Jumper Assembly M413624 .....	131, 141	M402917 .....	135, 137, 139, 141, 171, 173, 175
M413695 .....	131	M405188 .....	121, 125
Reversing Jumper Harness Assembly M412927 .....	145	M405824 .....	135, 137, 139, 141
M412928 .....	133, 153, 155, 157, 159, 161, 165, 167, 169	M409385 .....	79, 81
M412929 .....	133, 153, 155, 157, 159, 161, 165, 167, 169	M410059 .....	103
Reversing Timer M412081 .....	139, 141	M411052 .....	27
Reversing Timer Harness 44008001 .....	131, 141	M411072 .....	55, 57, 125
Rib Rod M401411 .....	83	M411143 .....	15
Ring M400399 .....	95, 101	M412105 .....	139, 141
Rocker Switch M413270 .....	27	M412627 .....	93, 95, 101
44099601 .....	29	M413565 .....	91
70455101 .....	23, 29	22688 .....	91
70461301 .....	29	33562 .....	115, 117, 121, 143, 147, 151, 153, 155, 159, 161, 167, 169
Roller Bracket Assembly 70404001 .....	73	39733 .....	159, 161, 167, 169, 171, 173, 175
Roller Catch Arm 70030301 .....	73	430497 .....	15, 17, 19, 27, 71, 75, 77, 103, 107, 109, 113, 115, 117, 119, 121, 143, 145, 147, 149, 151, 163, 165, 167, 169
Roller Catch Spacer 70030201 .....	73	430648 .....	99, 101
Roller Catch Wheel 70297601 .....	73	430756 .....	79
Rotary Drop Shroud 70061701 .....	19	430757 .....	73
Rotation Sensor 70274001P .....	123	431287 .....	55, 77
Rotation Sensor Assembly 70417401P .....	123	44023301 .....	55, 79
Rotation Sensor Cable Assembly 70274102P .....	123	501086 .....	137, 141, 143, 147, 151, 159, 161
		501524 .....	23, 29, 37, 39, 41, 47, 49
		51778 .....	135, 137, 139, 141
		51780 .....	15, 17, 119, 135, 137, 139, 141, 143, 145, 147, 149, 151, 153, 155, 157, 159, 161, 167, 169, 171, 173, 175
		51782 .....	69
		61199 .....	79, 81
		70033502 .....	55, 57, 81
		70033504 .....	55, 79
		70069901 .....	15, 19, 23, 25, 29, 35
		70072801 .....	73
		70132301 .....	73
		70182601 .....	55, 57
		70187201 .....	85, 97
		70240301 .....	107, 109, 115, 117
		70247701 .....	77
		70275801 .....	55, 57
		70409801 .....	79, 81
		Secure Ground Label M403047 .....	135, 137, 139, 141, 171, 173, 175
		Sensor Harness Assembly 44068701 .....	17
		Shadow Box Clip M400972 .....	55, 57
		Sheave M400092P .....	95, 101
		Shut-Off Valve Kit M4983P3 .....	107, 109
		Side Panel 44004702* .....	77
		44004802* .....	77
		44056701* .....	77
		Side Panel and Bracket Assembly 44056801* .....	77
		Single V Sheave M412931 .....	93

## S

Screw M400043 .....	93, 95, 101
M400044 .....	79, 81, 135, 137, 139, 141, 149, 157, 165
M400056 .....	91, 101
M400057 .....	91, 93, 103
M400061 .....	93, 95
M400063 .....	85
M400065 .....	95, 101
M400071 .....	149, 153
M400072 .....	113, 119
M400077 .....	99, 101, 103

N/A items do not appear in index.

Sleeve	
44050601 .....	33
Slot Card Plate Assembly	
44089501 .....	41
Snap Bushing	
M400770 .....	71, 75, 135, 137, 139, 141
M402542 .....	171, 173, 175
M411826 .....	71
70178701 .....	17
Solenoid Valve DIN Connector	
70370301P .....	121
Spacer	
M401402 .....	83
44024001 .....	93
Spark Igniter	
M406934P .....	107, 109
M410905P .....	107
Spray Paint	
286P4 .....	77
297P4 .....	77
298P4P .....	77
Spud Holder Assembly	
M410546 .....	107, 109
Start Switch	
70108501 .....	19, 27
Steam Coil	
M400637P .....	121
Steam Heater Assembly	
44020401P .....	121
Steam Pressure Label	
902303 .....	121
Steam Solenoid	
70351011P .....	121
70351012 .....	121
Steam Stand Box	
44007501 .....	121
Steam Valve	
F8322903 .....	121
70351001P .....	121
Steam Valve Coil	
M412258 .....	121
70205701P .....	121
Steam Valve Rebuild Kit	
M412259 .....	121
70351021P .....	121
Stove Assembly	
M414795 .....	107, 109
Stove Limit Harness Assembly	
M412609 .....	113
Support Bearing	
70448701 .....	99
Switch	
M400947 .....	21
Switch Hole Plug	
44057801B .....	57
44057801Q .....	57
44057801W .....	57
Switch Plate	
M413236 .....	27, 29

## T

Tailpiece	
44092201 .....	107, 109
44092202 .....	107, 109
Temperature Control Bracket	
44018601 .....	19, 27, 35
Temperature Knob	
44020503 .....	19, 27
44104601 .....	23, 29
Temperature Selector Bracket	
70350201 .....	23
Temperature Selector Switch	
511711 .....	23, 29
Temperature Selector Switch Bracket	
70391701 .....	29
Temperature Switch	
431353P .....	19, 25
Tension Plate Assembly	
M414405 .....	93, 95, 101
Terminal Block	
M405364 .....	135, 137, 139, 141
M412537 .....	143, 145, 147, 149, 151, 159, 163, 167
M412538 .....	153, 155, 157, 161, 165, 169
M412631 .....	143, 145, 147, 149, 151, 153, 155, 157, 159, 161, 163, 165, 167, 169
M412632 .....	143, 145, 147, 149, 151, 153, 155, 157, 159, 161, 163, 165, 167, 169
M413865 .....	159, 161, 163, 165, 167, 169, 171, 173, 175
430642 .....	135, 137, 139, 141
Terminal Strip	
M413542 .....	135, 137, 139, 141
Thermistor	
M414704 .....	75
44064701 .....	17
Thermistor Bracket Assembly	
44051201 .....	75
Thermistor Cable	
44016901P .....	75
Thermodisc Bracket	
M400838 .....	75
Thermostat Bracket	
M402798 .....	113
Thermostat Cover	
M414477 .....	75, 113
Thermostat Module	
431347P .....	19, 25
Thimble Vane Assembly	
M400503 .....	125
Timer	
M412079P .....	27
70131701P .....	25
70131801P .....	27
Timer Control Assembly	
70175301P .....	19
Timer Knob	
70082101 .....	27
Timer Motor	
70218201 .....	21
70218301 .....	21
Timing Cam	
M400732P .....	21
M400733P .....	21

N/A items do not appear in index.

M400734P.....	21
M400735P.....	21
M400736P.....	21
M400737P.....	21
M400738P.....	21
M400739P.....	21
M400740P.....	21
M400741P.....	21
Top Cover	
M414759.....	77, 121
M414760.....	77
Top Cover Pan	
M414719P.....	77
Transformer	
M412412P.....	153, 155, 161, 169
M412477P.....	143, 145, 147, 151, 159, 167
M414228P.....	135, 139, 145, 149, 163
M414229P.....	137, 141, 157, 165
M414230P.....	135
M414312P.....	135
Transformer Harness	
44043101.....	133, 145, 149, 157, 165
Transformer Harness Assembly	
M412641.....	143, 145, 147, 151, 153, 155, 159, 161, 167, 169
M412642.....	143, 145, 147, 151, 159, 167
M414028.....	133, 157, 165
M414029.....	133, 145, 149, 157, 165
M414076.....	145, 149
Trunnion and Bearing Assembly	
M4638P3.....	89
M4639P3.....	89
M4640P3.....	89
M4641P3.....	89
Trunnion Assembly	
M413833P.....	83
M413836.....	83
44036801P.....	83
Trunnion Housing	
M413826.....	85
Trunnion Housing Assembly	
M413831.....	89
M413832.....	89
Trunnion Housing Casting	
M413825.....	85
Trunnion Kit	
M413834P.....	83
M413835P.....	83
Tumbler Dolly Kit	
M4379P4.....	55, 57

---

## V

Valve Replacement Kit	
M4909P3.....	107
Vane	
M400253.....	113, 119
Vane Assembly	
M400541.....	113, 119

---

## W

Warning Label	
M410892.....	65, 67
44127701.....	135, 137, 139, 141, 143, 145, 147, 149, 151, 153, 155, 157, 159, 161, 163, 165, 167, 169, 171, 173, 175
Washer	
M400013.....	83, 91, 93, 103
M400014.....	93, 95, 103, 127
M400080.....	91, 93, 95, 101, 103, 127
M400991.....	103
M403958.....	91, 93, 95, 101
M405535.....	19, 99
M412188.....	93, 95, 101
02834.....	91
20103.....	85
430782.....	99
70261401.....	85
70265901.....	101
70270301.....	101
70409301.....	79, 81
91200.....	83, 85
Water Hose	
F200116.....	17
Wire Guard	
201595P.....	43

---

