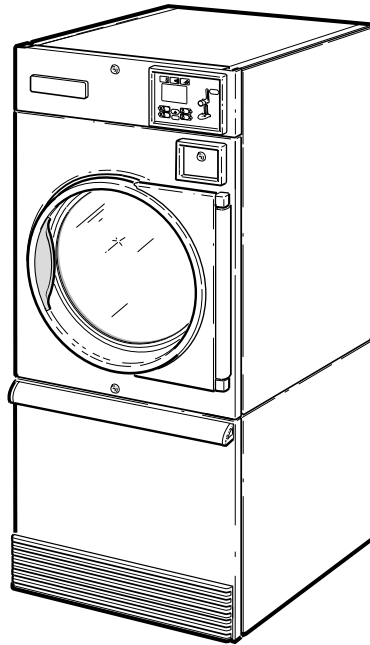


Drying Tumblers

55 Pound Capacity

Refer to Page 5 for Model Numbers



T478C_70407001



&



Part No. 70407001R8
February 2012

Table of Contents

Title	Page
Parts Ordering Information.....	3
Serial Plate Location	3
Model Identification	5
Product Overview - Heat Source and Voltage	6
Product Overview - Control Suffixes (Drawing 1 of 3).....	8
Product Overview - Control Suffixes (Drawing 2 of 3).....	10
Product Overview - Control Suffixes (Drawing 3 of 3).....	12
Dual Digital Timer Control Components.....	14
DX4 Control Components	16
DMP Control	18
OPL Microprocessor Controls.....	20
Coin Drop Components for MDC Models.....	22
BY Control Option for MDC Models	24
Coin Drops	26
Coin Drop Components for Electronic Control Models	28
Card Reader Components for Electronic Control Models.....	30
Coin Drop Components for Quantum Control.....	32
Card Reader Components for Quantum Control	34
Network Board for Quantum Control.....	36
Communication Board for Quantum Control	38
UniLinc Control	40
LED OPL Control	42
Door and Hinge Components	44
Front Panel Assemblies and False Fronts	46
Cabinet Front Components.....	48
Emergency Stop Button for CE Models	50
Lower Cabinet Components	52
Cylinder Components	54
Cabinet Components	56
Fire Suppression System Components	58
Fire Suppression System Control Box	60
Drive Motor Components	62
Blower Components.....	64
Moisture Sensing Components.....	66
Rotation Sensor	68
Airflow Switch.....	70
Gas Burner Housing and Secondary Stove Limit	72
Gas Valve Assembly - Non-CE and Non-Australian Gas Models.....	74
Gas Valve and Piping - CE and Australian Gas Models	76
Electric Heater Components.....	78
Control Tray Harnesses for Gas Models.....	80

© Copyright 2012, Alliance Laundry Systems LLC

All rights reserved. No part of the contents of this book may be reproduced or transmitted in any form or by any means without the expressed written consent of the publisher.

Control Tray for Non-CE and Non-Australian Gas Models	82
Control Tray Components for CE and Australian Gas Models.....	84
Control Tray Harnesses for Electric Models.....	86
Control Tray for Non-CE Electric Models	88
Control Tray for CE Electric Models.....	90
Accessory Box Harnesses for Electric Models.....	92
Accessory Box for Non-CE Electric Models	94
Accessory Box for CE Electric Models.....	96
Parts Index.....	99

Parts Ordering Information

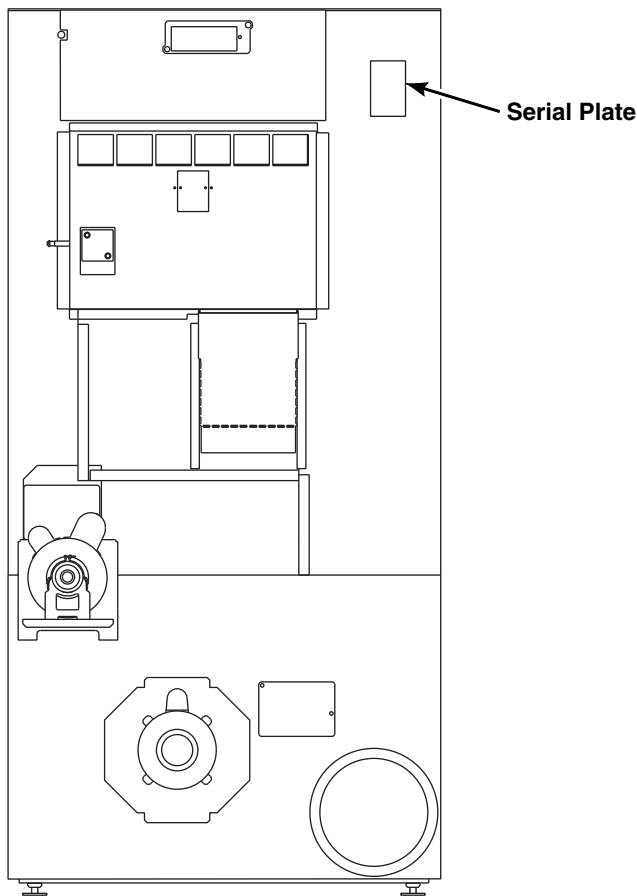
If literature or replacement parts are required, contact the source from whom the machine was purchased or contact Alliance Laundry Systems at (920) 748-3950 for the name and address of the nearest authorized parts distributor.

For technical assistance, call either of the numbers listed below:

(920) 748-3121 Ripon, Wisconsin
+32 56 41 20 54 Wevelgem, Belgium

Serial Plate Location

When calling or writing about your product, be sure to mention model and serial numbers. Model and serial numbers are located on serial plate(s) as shown.



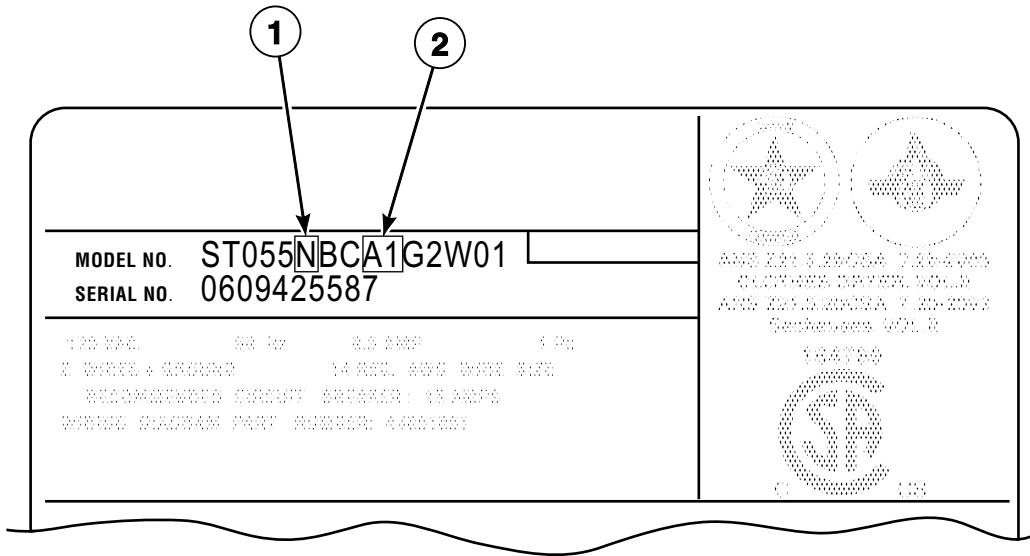
TMB2098N_70407001

Model Identification

Information in this manual is applicable to these tumbler models:

CA055L	HA055L	SA055L
CA055N	HA055N	SA055N
CT055E	HT055D	ST055D
CT055L	HT055E	ST055E
CT055N	HT055L	ST055L
CU055E	HT055N	ST055N
CU055L	HU055E	SU055E
CU055N	HU055L	SU055L
DR55SE2-BT055E	HU055N	SU055N
DR55SE2-BU055E	IPD55E2-IT055E	UA055L
DR55SG2-BA055L	IPD55G2-IT055L	UA055N
DR55SG2-BA055N	IPD55G2-IT055N	UT055E
DR55SG2-BT055L	KA055L	UT055L
DR55SG2-BT055N	KA055N	UT055N
DR55SG2-BU055L	KT055E	UU055E
DR55SG2-BU055N	KT055L	UU055L
GA055L	KT055N	UU055N
GA055N	KU055E	
GT055E	KU055L	
GT055L	KU055N	
GT055N		
GU055E		
GU055L		
GU055N		

Product Overview - Heat Source and Voltage

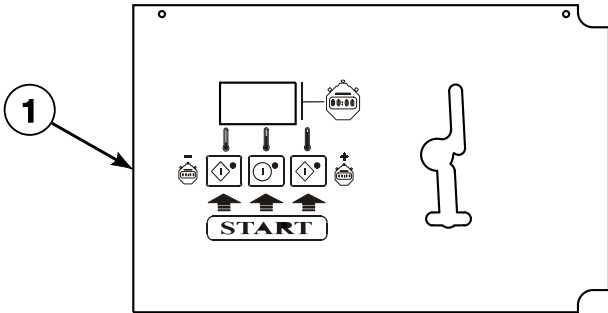
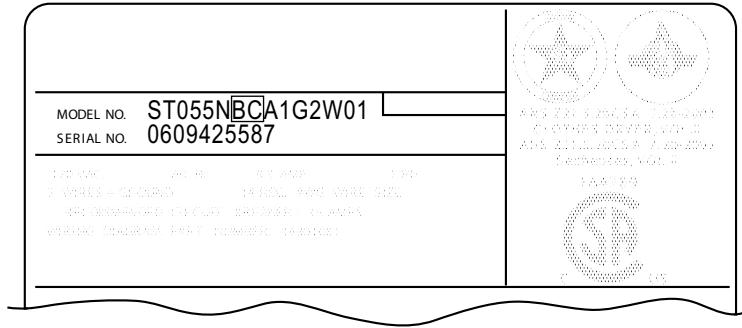


TMB2818P_70407001

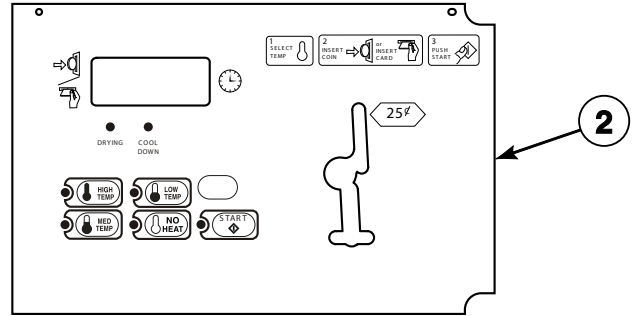
Product Overview - Heat Source and Voltage

REF	PART NO.	DESCRIPTION	COMMENTS
1	-	Heat Source	D: Liquid Petroleum Gas (L.P.) E: Electric L: Liquid Petroleum Gas (L.P.) N: Natural Gas (N.G.)
2	-	Voltage	A1: 100, 200 Volt/50 Hertz/1 Phase A2: 100, 200-220 Volt/60Hertz/1 Phase B2: 120, 208-240 Volt/60 Hertz/1 Phase; For high Amp motors B3: 120, 208-240 Volt/60 Hertz/1 Phase; For low Amp motors F1: 200 Volt/50 Hertz/1 Phase F2: 200 Volt/60 Hertz/1 Phase F4: 200 Volt/50 Hertz/3 Phase F5: 200-208 Volt/60 Hertz/3 Phase F6: 200-208, 240 Volt/60 Hertz/3 Phase G1: 208 Volt/60 Hertz/1 Phase G2: 208-240 Volt/60 Hertz/1 Phase J1: 230 Volt/50 Hertz/1 Phase J2: 230-240 Volt/50 Hertz/1 Phase J4: 240 Volt/60 Hertz/1 Phase J5: 230 Volt/50 Hertz/3 Phase J6: 230-240 Volt/50 Hertz/3 Phase J8: 240 Volt/60 Hertz/3 Phase M1: 380 Volt/50 Hertz/3 Phase M2: 380, 400-415 Volt/50 Hertz/3 Phase M3: 380 Volt/60 Hertz/3 Phase N1: 400-415 Volt/50 Hertz/3 Phase P1: 440 Volt/60 Hertz/3 Phase Q1: 460-480 Volt/60 Hertz/3 Phase

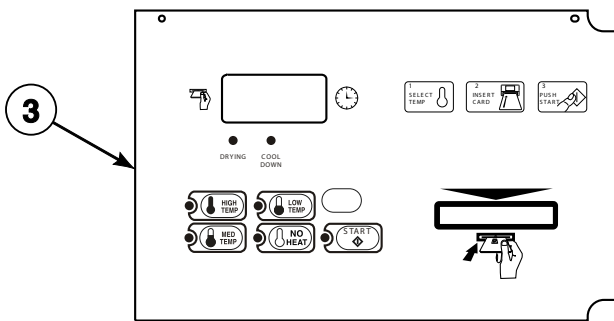
Product Overview - Control Suffixes (Drawing 1 of 3)



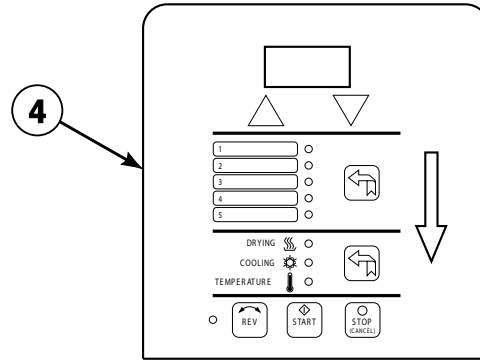
**3O, 3V and 3X
Control Suffixes**



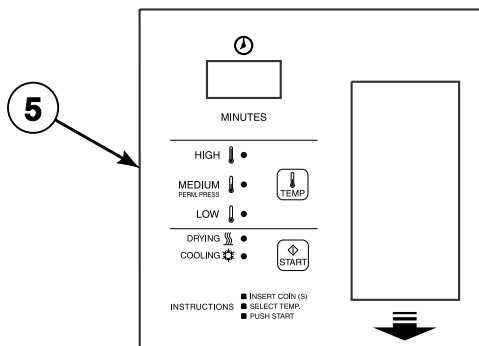
**BC and BX
Control Suffixes**



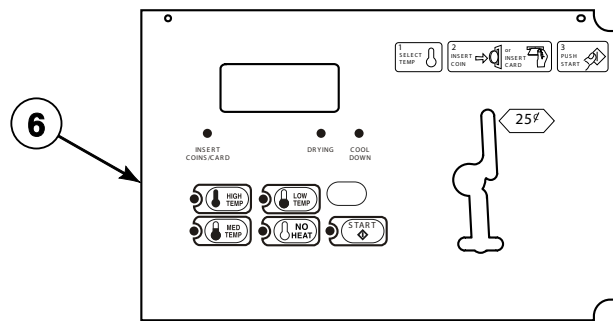
**BL and BY
Control Suffixes**



**DO
Control Suffix**



**DV and DX
Control Suffixes**



**NC and NX
Control Suffixes**

TMB2819P_70407001

Product Overview - Control Suffixes (Drawing 1 of 3)

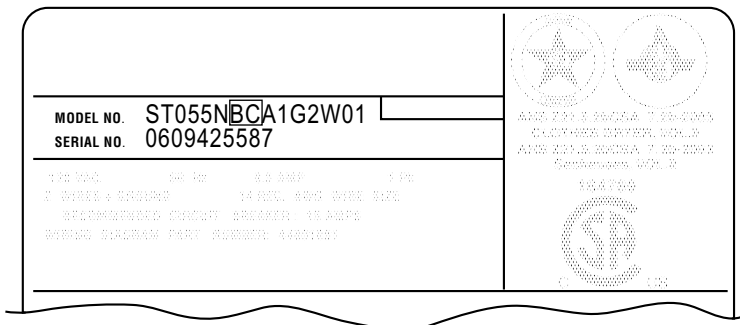
REF	PART NO.	DESCRIPTION	COMMENTS
1	-	Control - Nonreversing	3O: DX4 OPL 3V: DX4 vended 3X: DX4 prep for coin
2	-	Control - Nonreversing	BC: basic electronic, coin BX: basic electronic, prep for coin
3	-	Control - Nonreversing	BL: basic electronic, central pay BY: basic electronic, prep for card
4	-	Control - Nonreversing	DO: DMP OPL
5	-	Control - Nonreversing	DV: DMP vended DX: DMP prep for coin
6	-	Control - Nonreversing	NC: NetMaster coin NX: NetMaster, prep for coin

NOTE: Coin models have the following control suffixes: 3V, 3X, BC, BX, DV, DX, NC and NX

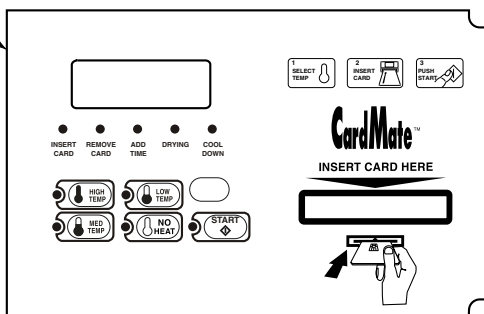
NOTE: OPL models have the following control suffixes: 3O, BL, BY and DO

Product Overview - Control Suffixes (Drawing 2 of 3)

All Models Except D Models

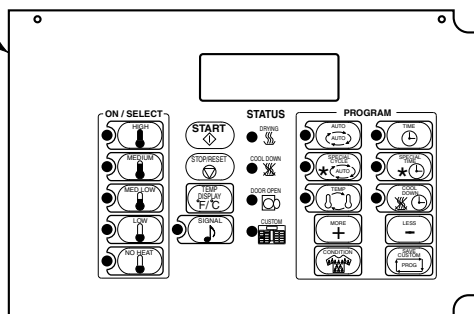


1



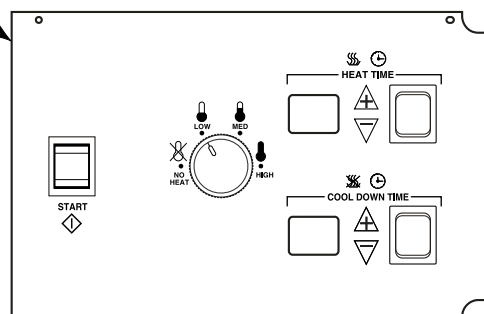
NY Control Suffix

2



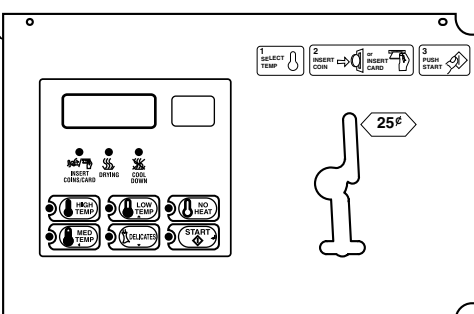
OM Control Suffix

3



QT Control Suffix

4



LC, LX, LY, WC, WX and WY Control Suffixes

TMB2931P_70407001

Product Overview - Control Suffixes (Drawing 2 of 3)

REF	PART NO.	DESCRIPTION	COMMENTS
1	-	Control - Nonreversing	NY: NetMaster, prep for card
2	-	Control - Nonreversing	OM: OPL micro
3	-	Control - Nonreversing	QT: dual digital timer
4	-	Control - Nonreversing	LC: network adaptable coin LX: network adaptable, prep for coin LY: network adaptable, prep for card WC: network ready coin WX: network ready, prep for coin WY: network ready, prep for card

NOTE: Coin models have the following control suffixes: LC, LX, LY, WC, WX and WY

NOTE: OPL models have the following control suffixes: NY, OM and QT

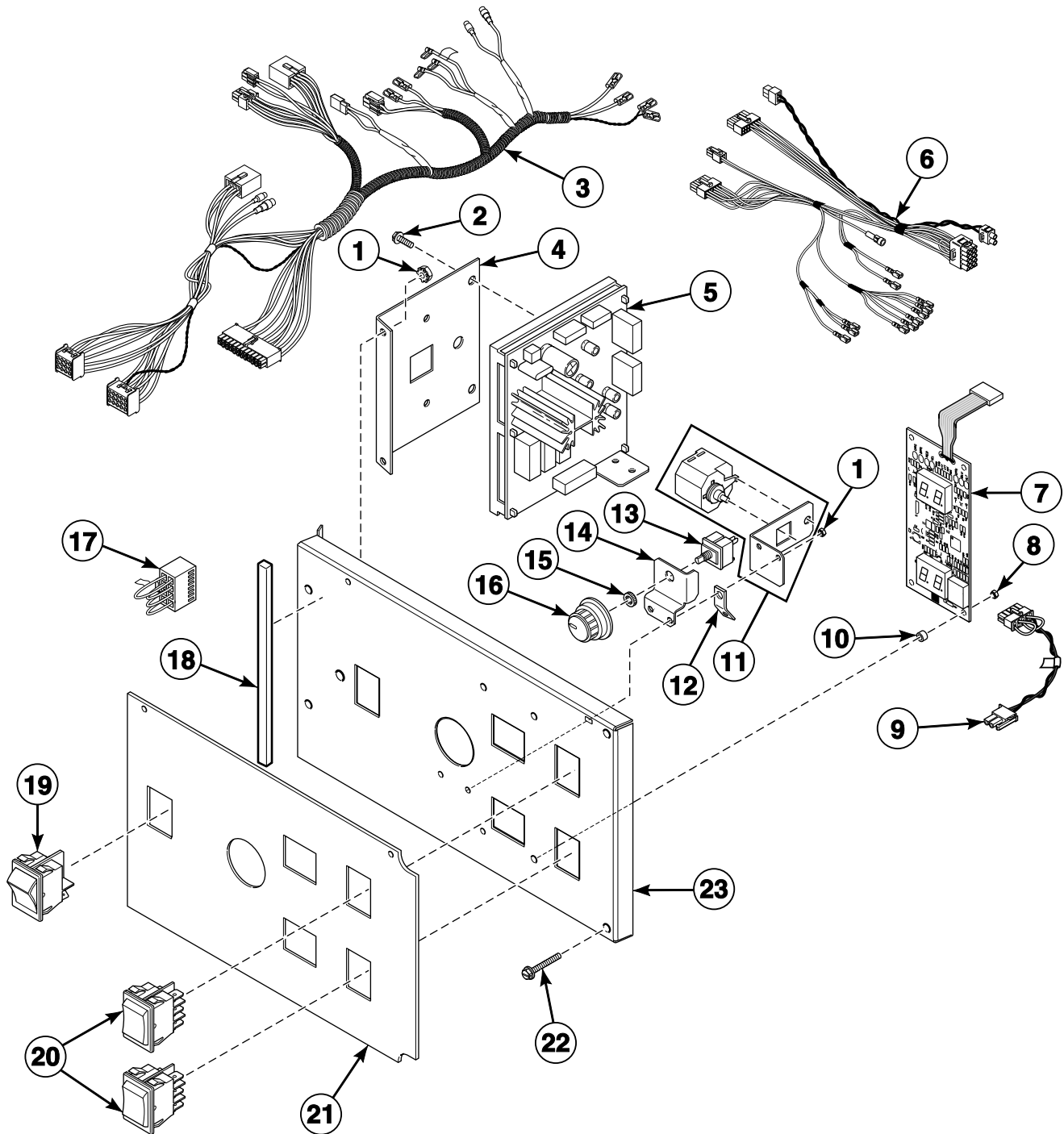
Product Overview - Control Suffixes (Drawing 3 of 3)

REF	PART NO.	DESCRIPTION	COMMENTS
1	-	Control - Nonreversing	U models; UO: UniLinc OPL
2	-	Control - Nonreversing	S models; EO: LED OPL
3	-	Control - Nonreversing	H models; EO: LED OPL
4	-	Control - Nonreversing	U models; EO: LED OPL
5	-	Control - Nonreversing	C, D and I models; EO: LED OPL
6	-	Control - Nonreversing	G and K models; EO: LED OPL

NOTE: OPL models have the following control suffixes: EO and UO

Dual Digital Timer Control Components

C, H, I, S and U Models
G and K Models Starting 1/16/12
Models with QT Control Suffix



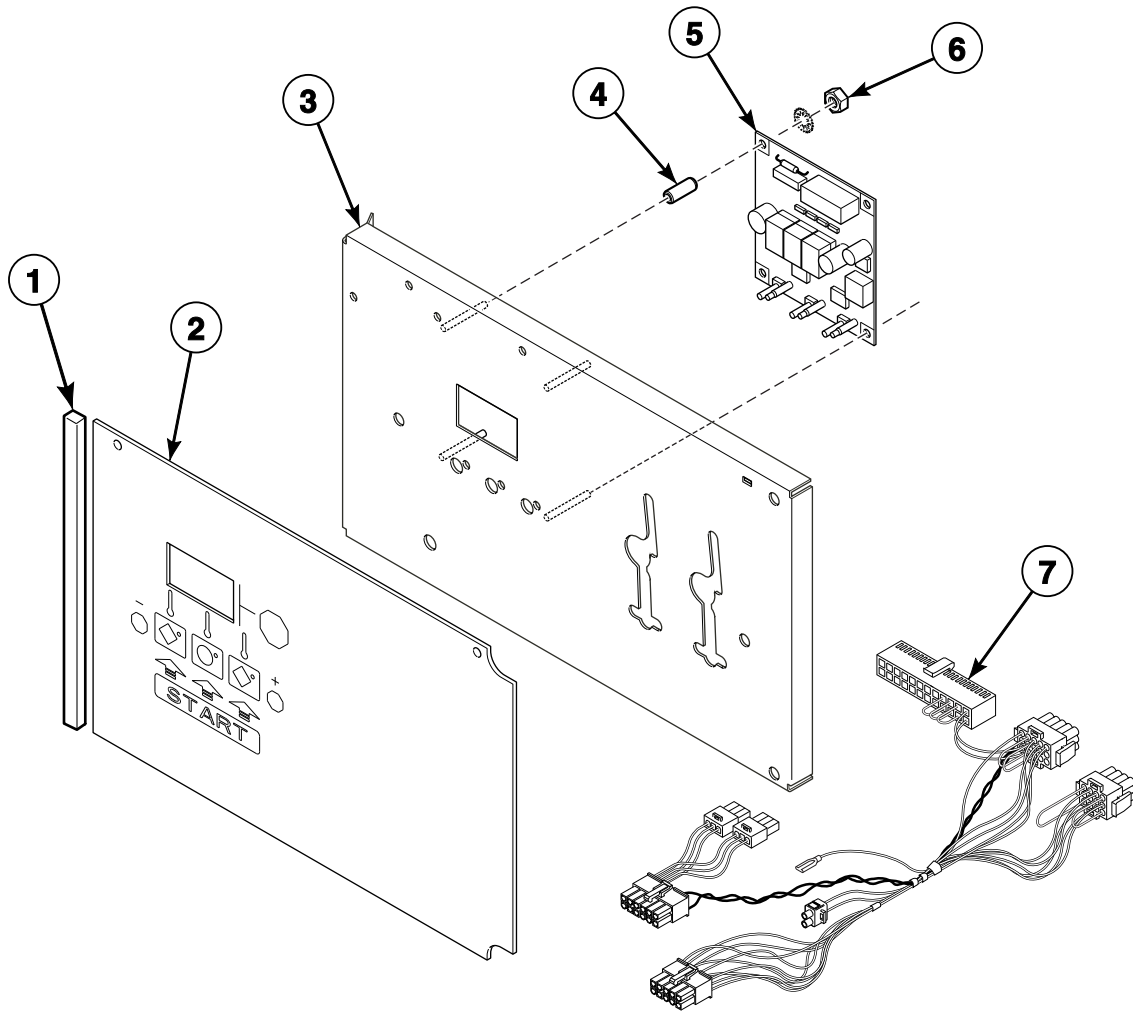
TMB2646P_70407001

Dual Digital Timer Control Components

REF	PART NO.	DESCRIPTION	COMMENTS
	70370201P	Control Set	Includes items 1, 2, 4-8, 10, 12-16, 19, 20 and 23
1	70054	Nut	
2	501524	Screw	
3	70400901	Main Harness Assembly	Electric models need 55881 Harness Strap to hold harness out of the way of heater elements; Models through 7/31/11
	70441301	Main Harness	Electric models need 55881 Harness Strap to hold harness out of the way of heater elements; Models starting 8/1/11
4	70357901	Control Chassis Mounting Bracket	
5	512202P	Control Assembly	
6	70367001P	Control Panel Harness	
7	512218P	Display Assembly	
8	29787	Nut	
9	70324602	Jumper Calibration Wire	
10	56079	Panel Locator	
11	M4860P3	Buzzer Kit	Includes buzzer, bracket and harness
12	00177	Male Tab Terminal	
13	511711	Temperature Selector Switch	
14	70391701	Temperature Selector Switch Bracket	
15	24205	Nut	
16	44104601	Temperature Knob	
17	70364103	Bypass Harness	
18	70414101	Foam Gasket	
19	70455101	Rocker Switch	Start
20	70461301	Rocker Switch	
21	70362201	Overlay	
22	70069901	Screw	
23	70360601	Control Plate Assembly	

DX4 Control Components

D and I Models with 3O, 3V and 3X Control Suffixes



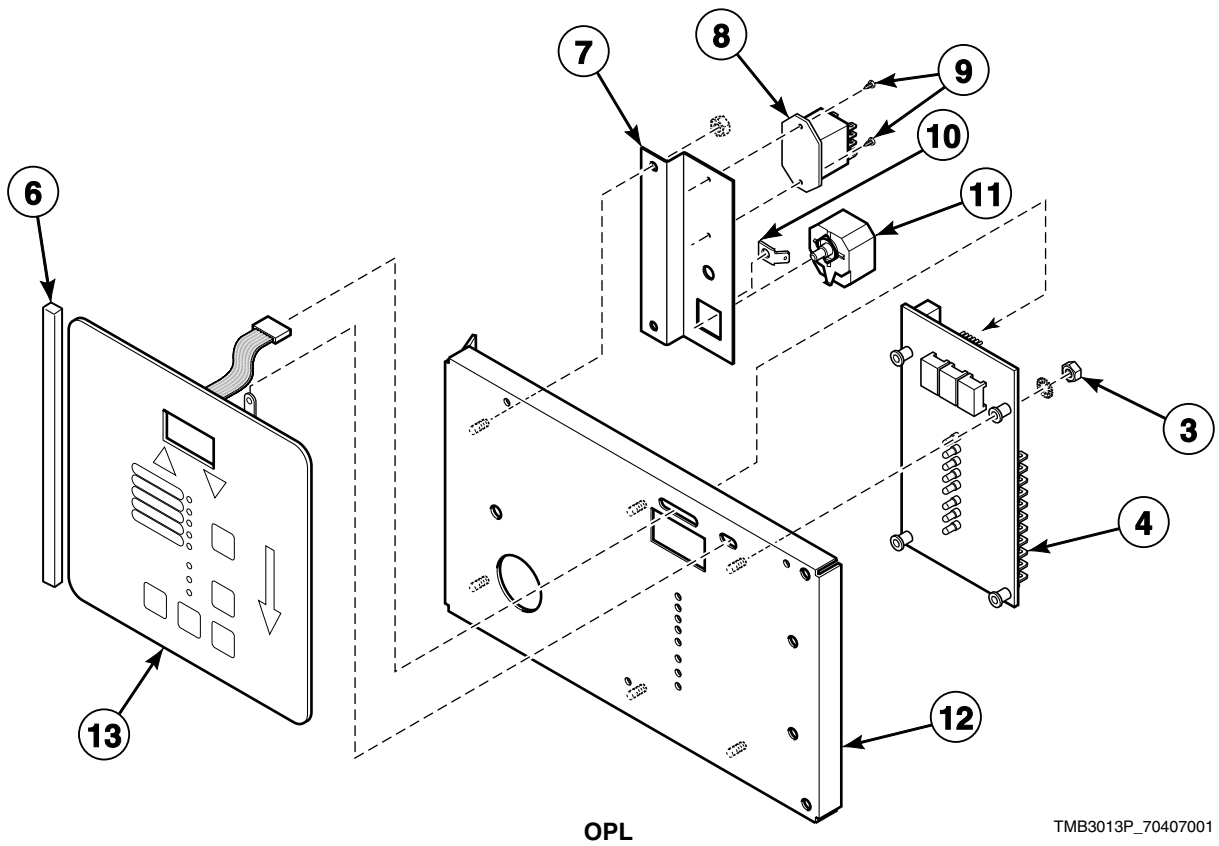
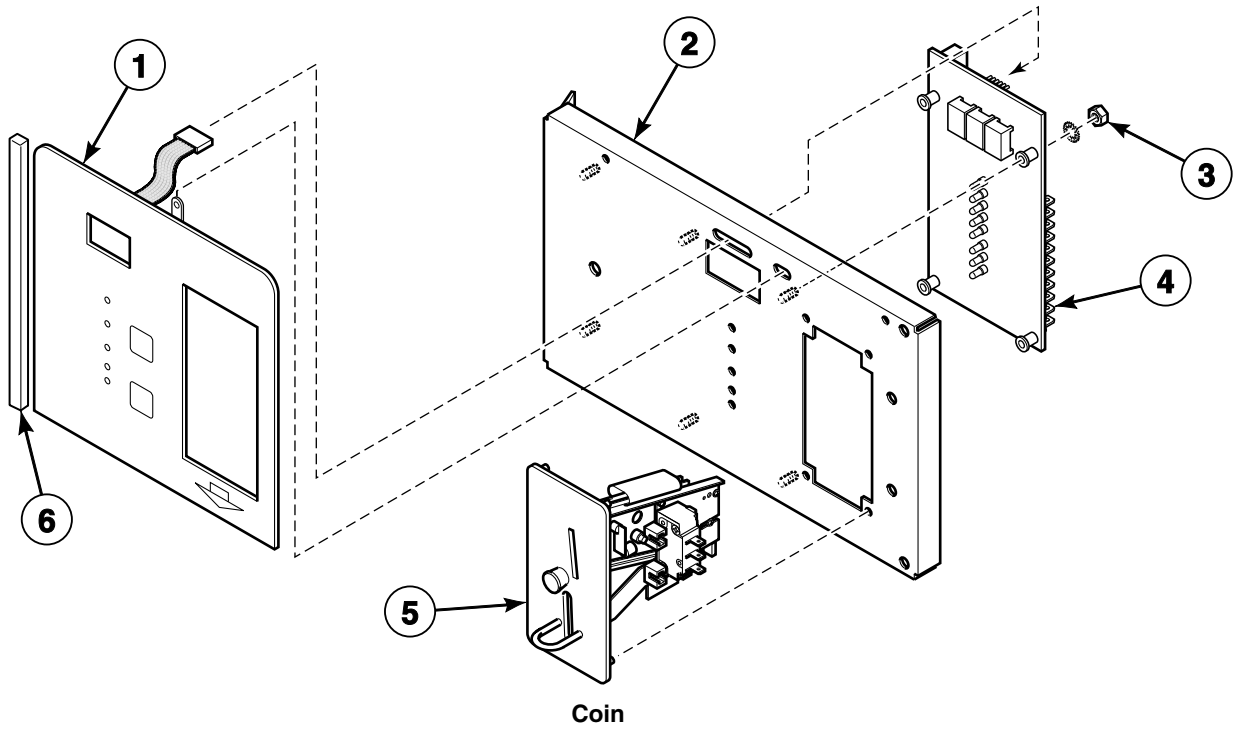
TMB3156P_70407001

DX4 Control Components

REF	PART NO.	DESCRIPTION	COMMENTS
1	70414101	Foam Gasket	
2	44050401	Graphic Overlay	OPL; Models through 7/31/11
	44240501	Graphic Overlay	OPL; Models starting 8/1/11
	44050501	Graphic Overlay	Coin; Single drop; Models through 7/31/11
	44239401	Graphic Overlay	Coin; Single drop; Models starting 8/1/11
	44050502	Graphic Overlay	Coin; Dual drop; Models through 7/31/11
	44239402	Graphic Overlay	Coin; Dual drop; Models starting 8/1/11
3	44050701P	Control Plate Kit	
4	44050601	Sleeve	4 required
5	70462301P	Control Assembly	3O control suffix
	70462361P	Control Assembly	3V and 3X control suffixes
6	29787	Nut	
7	70315701	Control Panel Harness Assembly	Australian and CE models
	70315601P	Control Panel Harness	All other models

DMP Control

C and I Models with DO, DV and DX Control Suffixes
Coin Models Through 4/1/10; OPL Models Through 7/31/11



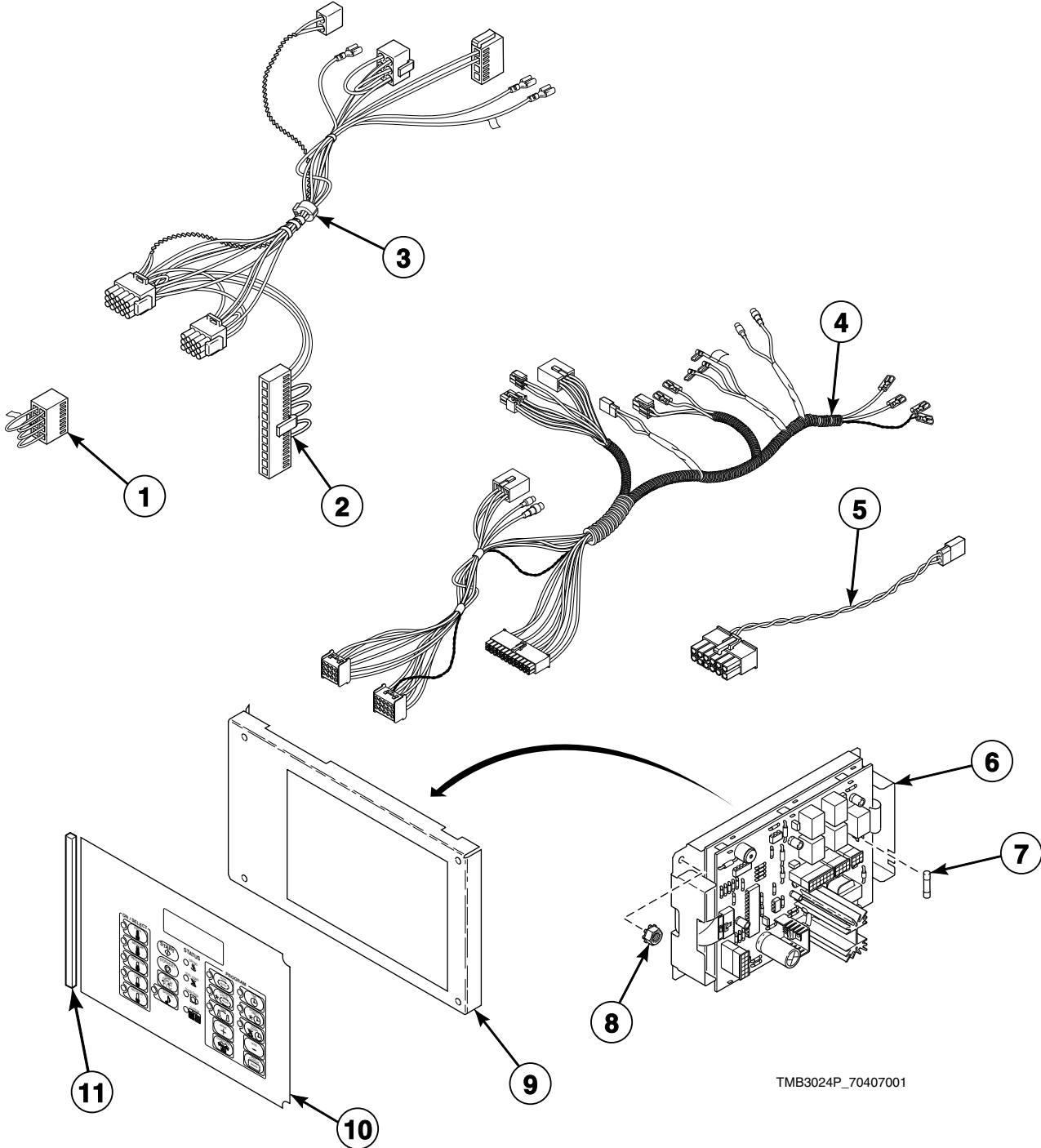
TMB3013P_70407001

DMP Control

REF	PART NO.	DESCRIPTION	COMMENTS
1	44039402P	Membrane Switch	Coin; DV and DX control suffixes
2	44041001	Control Plate Assembly	Coin; Includes studs; DV and DX control suffixes
3	29787	Nut	
4	44037801P	Electronic Control	
5	44039701P	Coin Drop Assembly	United States; \$.25
	44039702	Coin Drop Assembly	Mexico; 2 peso
	44039703	Coin Drop Assembly	Token; .880
	44039704	Coin Drop Assembly	Japan; 100 yen
	44039705	Coin Drop Assembly	England; 20 pence
	44039706	Coin Drop Assembly	Token; .800
	44039707	Coin Drop Assembly	England; 50 pence
6	70414101	Foam Gasket	
7	44041701	Relay/Buzzer Bracket	
8	M412534	Relay	
9	M402797	Screw	
10	00177	Male Tab Terminal	
11	505447	Adjustable Buzzer	
12	44040901	Control Plate Assembly	OPL; Includes studs; DO control suffix
13	44037902P	Membrane Switch	OPL; DO control suffix

OPL Microprocessor Controls

G and K Models
H, S and U Models Through 7/31/11
Models with OM Control Suffix



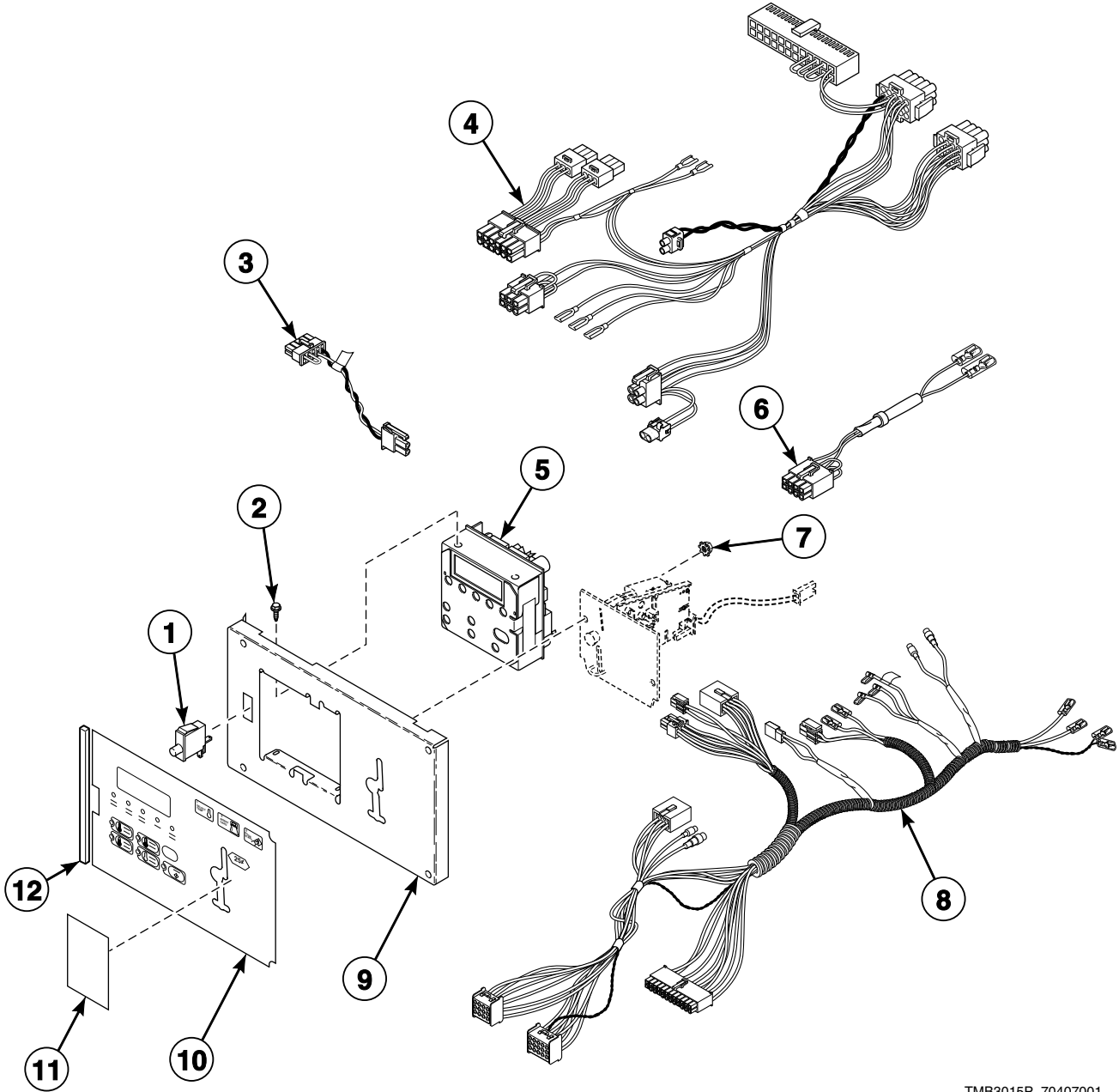
TMB3024P_70407001

OPL Microprocessor Controls

REF	PART NO.	DESCRIPTION	COMMENTS
	M4689P3	Electronic OPL Control Kit	Dual secondary transformers (M414228 Transformer for 100-240 VAC and M414229 Transformer for 380-480 VAC) must be used with this kit; Does not include overlay or harness
1	70364103	Bypass Harness	
2	70335301P	Control Panel Harness	
3	M413930P	Ferrite Core Assembly	
4	70400901	Main Harness Assembly	Electric models need 55881 Harness Strap to hold harness out of the way of heater elements; Models through 7/31/11
	70441301	Main Harness	Electric models need 55881 Harness Strap to hold harness out of the way of heater elements; Models starting 8/1/11
5	70084301	Jumper Calibration Assembly	
6	70228401P	Control Kit	
7	70406501	Fuse	1.25 Amp
8	70054	Nut	
9	70175805	Control Plate Assembly	Includes studs
10	70115801	Overlay	S and U models; Icon and English
	70130401	Overlay	S and U models; Icon
	70128701	Overlay	H models; Icon and English
	70130601	Overlay	H models; Icon
	44130002	Overlay	G and K models
11	70414101	Foam Gasket	

Coin Drop Components for MDC Models

H, K and S Models with BC, BL and BX Control Suffixes



TMB3015P_70407001

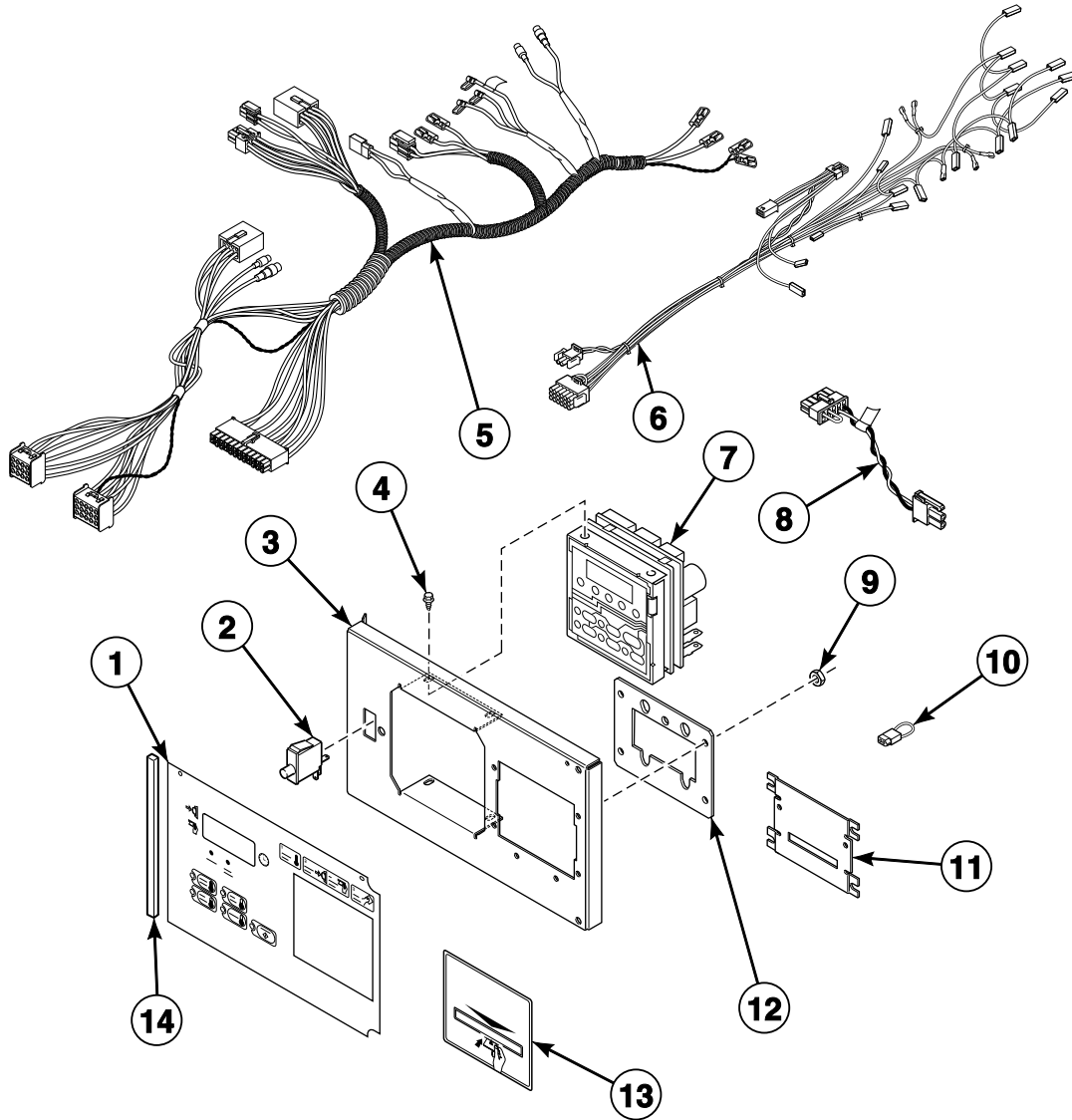
Coin Drop Components for MDC Models

REF	PART NO.	DESCRIPTION	COMMENTS
1	70107001	Pushbutton Switch	
2	501524	Screw	4 required for mounting control
3	70324602	Jumper Calibration Wire	
4	70368001P	Control Panel Harness	Control panel to main harness
5	511867P	Control Assembly	
6	70364104P	Coin Vault Switch Harness	
7	70054	Nut	3 required
8	70400901	Main Harness Assembly	Electric models need 55881 Harness Strap to hold harness out of the way of heater elements; Models through 7/31/11
	70441301	Main Harness	Electric models need 55881 Harness Strap to hold harness out of the way of heater elements; Models starting 8/1/11
9	70175807	Control Plate Assembly	
10	70257701	Overlay	S models; BC, BL* and BX control suffixes; Text; Single drop
	70261001	Overlay	S models; BC, BL* and BX control suffixes; Icon; Single drop
	70257702	Overlay	S models; BC and BX control suffixes; Text; Dual drop
	70261002	Overlay	S models; BC and BX control suffixes; Icon; Dual drop
	70258001	Overlay	H models; BC, BL* and BX control suffixes; Text; Single drop
	70261201	Overlay	H models; BC, BL* and BX control suffixes; Icon; Single drop
	70258002	Overlay	H models; BC and BX control suffixes; Text; Dual drop
	70261202	Overlay	H models; BC and BX control suffixes; Icon; Dual drop
	70258101	Overlay	H models; BC, BL* and BX control suffixes; Text; Single drop
	70453001	Overlay	K models; Text; Single drop
	70453002	Overlay	K models; Text; Dual drop
11	39564	Coin Drop Overlay	S models; BL* control suffix; Cover
	70246301	Coin Cover Overlay	H models; BL* control suffix; Cover
12	70414101	Foam Gasket	

* NOTE: BL control suffix requires an overlay and overlay cover specific to model.

BY Control Option for MDC Models

H, K and S Models

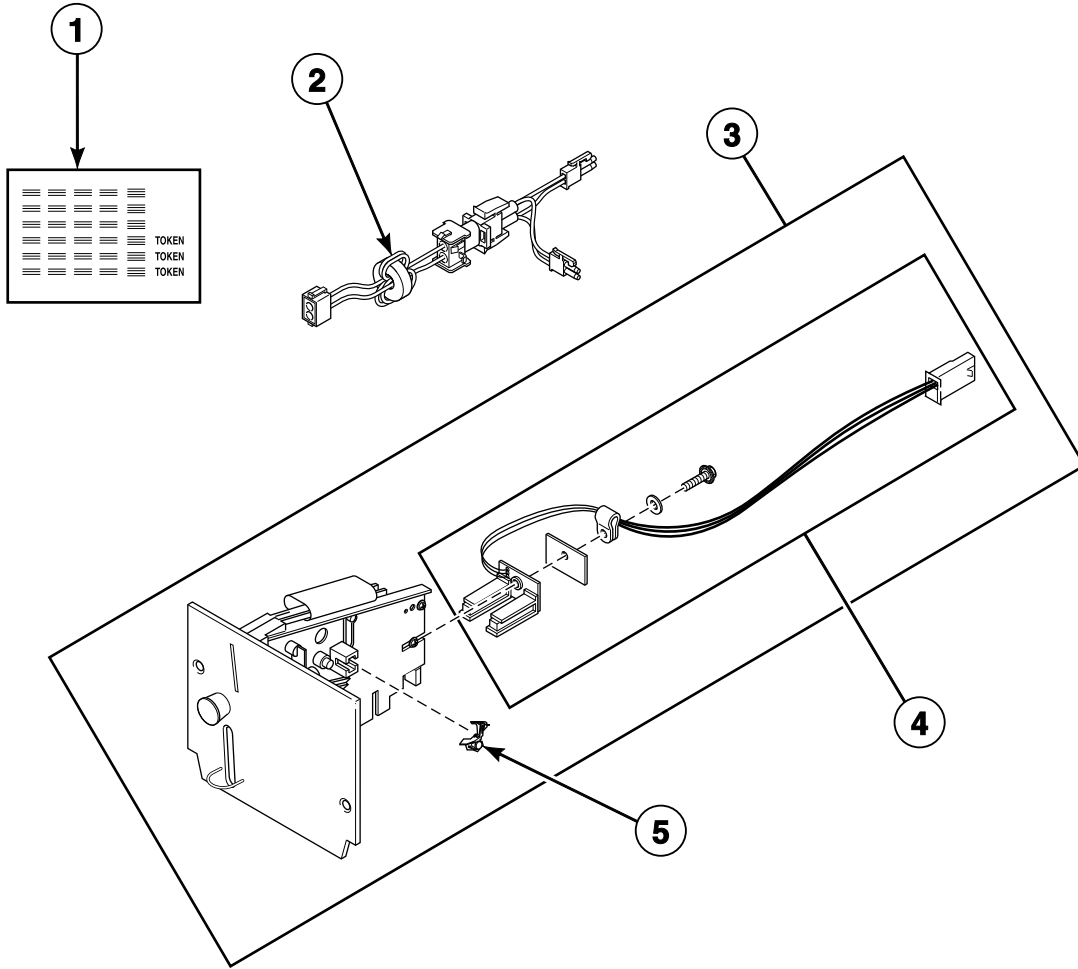


TMB3016P_70407001

BY Control Option for MDC Models

REF	PART NO.	DESCRIPTION	COMMENTS
1	70257703	Overlay	S models; Text or icon
	70258003	Overlay	H models; Text or icon
	70453101	Overlay	K models
2	70107001	Pushbutton Switch	
3	70348801	Control Plate Assembly	
4	501524	Screw	4 required
5	70400901	Main Harness Assembly	Electric models need 55881 Harness Strap to hold harness out of the way of heater elements; Models through 7/31/11
	70441301	Main Harness	Electric models need 55881 Harness Strap to hold harness out of the way of heater elements; Models starting 8/1/11
6	70368001P	Control Panel Harness	
7	511867P	Control Assembly	
8	70324602	Jumper Calibration Wire	
9	70054	Nut	
10	70364103	Bypass Harness	
11	44089501	Slot Card Plate Assembly	Included in literature packet
12	70208801	Mounting Plate	
13	70334201	Card Reader Overlay	Black; Included in literature packet
	70334301	Card Reader Overlay	Gray; Included in literature packet
14	70414101	Foam Gasket	

Coin Drops



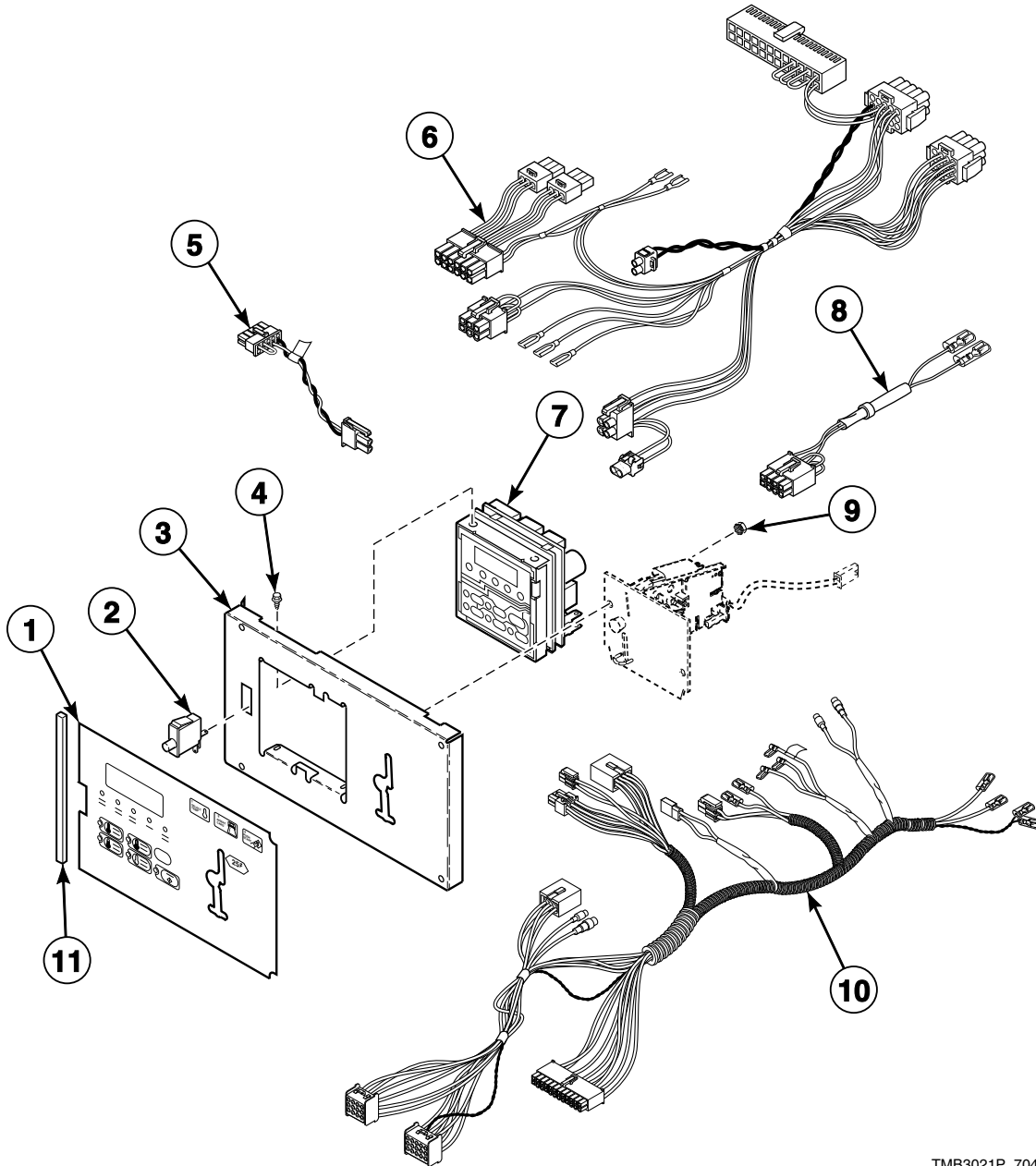
TMB2921P_70407001

Coin Drops

REF	PART NO.	DESCRIPTION	COMMENTS
	CK502	Electronic Coin Drop Kit	Includes item 2 and wiring diagram supplement
	CK115	Electronic Coin Drop Kit	USA and Canada; Also order CK502 Electronic Coin Drop Kit
	CK113	Electronic Coin Drop Kit	Japan and Taiwan; Also order CK502 Electronic Coin Drop Kit
	CK099	Electronic Coin Drop Kit	Australia (default), New Zealand, Hong Kong, South Korea and Malaysia; Also order CK502 Electronic Coin Drop Kit
	CK100	Electronic Coin Drop Kit	United Kingdom (default) and Europe; Also order CK502 Electronic Coin Drop Kit
	CK101	Electronic Coin Drop Kit	Europe (default), Denmark and Norway; Also order CK502 Electronic Coin Drop Kit
	CK103	Electronic Coin Drop Kit	Lithuania (default), Latvia and Europe; Also order CK502 Electronic Coin Drop Kit
	CK106	Electronic Coin Drop Kit	Malaysia (default), China, Russia and Singapore; Also order CK502 Electronic Coin Drop Kit
	CK108	Electronic Coin Drop Kit	South Africa; Also order CK502 Electronic Coin Drop Kit
	CK109	Electronic Coin Drop Kit	Euro; Also order CK502 Electronic Coin Drop Kit
1	38725	Coin Identification Paper	
2	44065801	Electronic Coin Drop Harness	
3	70294103P	Electronic Coin Drop Assembly	United Kingdom (default) and Europe
	70294104	Electronic Coin Drop Assembly	Europe (default), Denmark and Norway
	70294105P	Electronic Coin Drop Assembly	Australia (default), New Zealand, Hong Kong, South Korea and Malaysia
	70294106	Electronic Coin Drop Assembly	Mexico (default), Ecuador and United States
	70294107	Electronic Coin Drop Assembly	Lithuania (default), Latvia and Europe
	70294109	Electronic Coin Drop Assembly	Malaysia (default), China, Russia and Singapore
	70294111	Electronic Coin Drop Assembly	Euro; .10, .20, .50, 1.00 and 2.00
	70441601P	Coin Drop	USA; \$.25
	70256402P	Coin Drop	USA; Dual; \$.25 and \$1.00
	70429001	Coin Drop	D models; USA
	38475	Coin Drop Assembly	Japan; 100 yen
	38519	Coin Drop Assembly	Japan; 100 and 500 yen
	38467	Coin Drop Assembly	Australia; .20 and 1.00
	70447301	Coin Drop Assembly	Australia; 1.00 and 2.00
	210195	Coin Drop Assembly	Euro; .20 and 1.00
	210196	Coin Drop Assembly	Euro; .50 and 1.00
	38462P	Coin Drop Assembly	Token; STD-118-1
	38463	Coin Drop Assembly	Token; STD-118-5
	70471601	Coin Drop Assembly	Token; 7K
	38464P	Coin Drop Assembly	Canada; .25
	70441602	Coin Drop Assembly	Canada; .25 and 1.00
	38472	Coin Drop Assembly	England; 20 pence and 1 pound
	38521	Coin Drop Assembly	Korea; 100 and 500 won
	38963P	Coin Drop	Token; STD-118-16
	39157	Coin Drop Assembly	Israel; Shekel
	CK077	Coin Drop Kit	Taiwan; 10 NT
4	200674P	Opto Coupler	
5	201595P	Wire Guard	

Coin Drop Components for Electronic Control Models

K Models Through Serial No. 1101018349 with NC and NX Control Suffixes



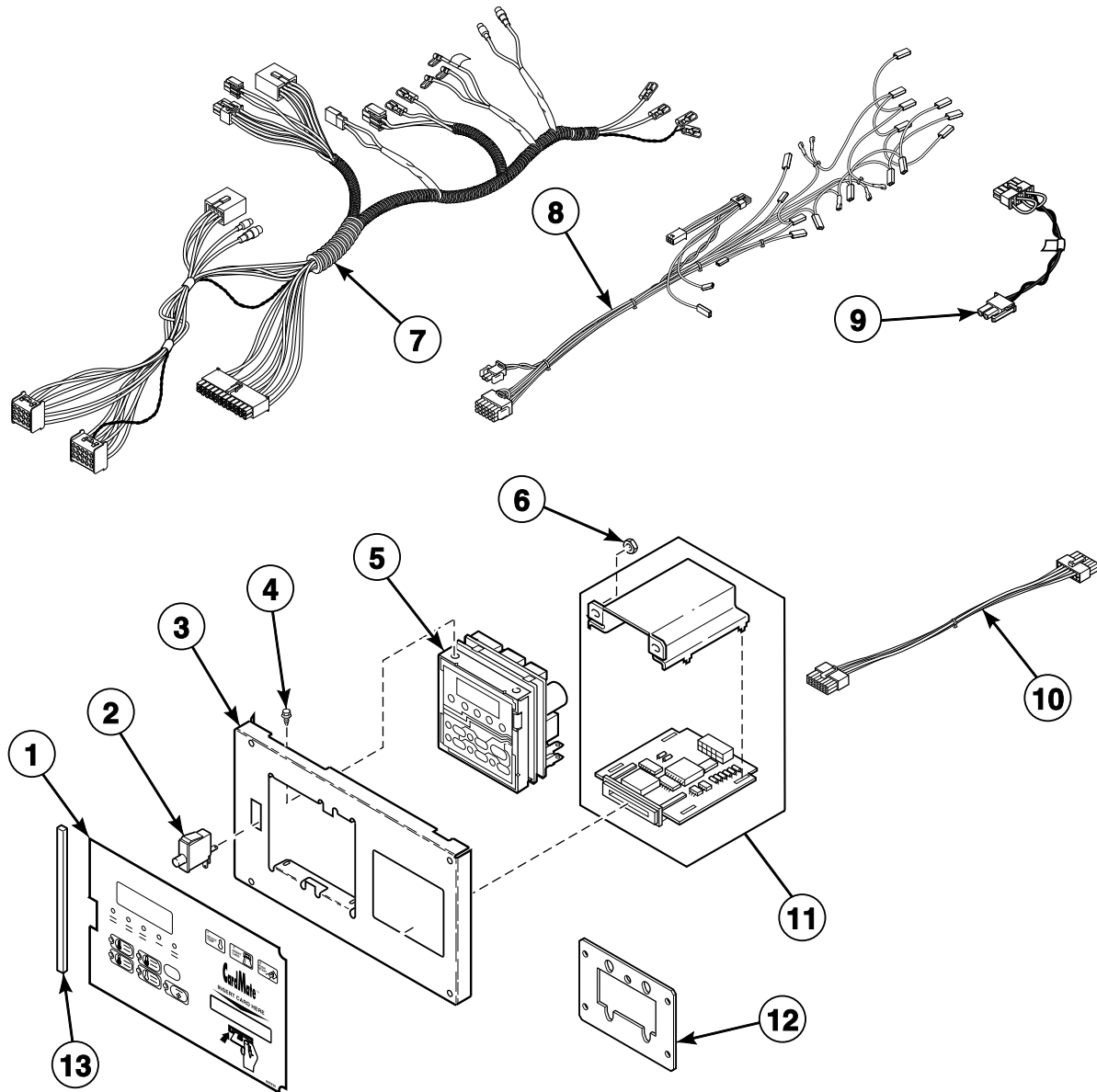
TMB3021P_70407001

Coin Drop Components for Electronic Control Models

REF	PART NO.	DESCRIPTION	COMMENTS
1	44144301	Overlay	Single drop
	44144302	Overlay	Dual drop
2	70107001	Pushbutton Switch	
3	70419701	Control Plate Assembly	
4	501524	Screw	For mounting electronic control
5	70324601	Jumper Calibration Wire	
6	70368001P	Control Panel Harness	
7	505905P	Control Kit	
8	70364104P	Coin Vault Switch Harness	
9	70054	Nut	
10	70400901	Main Harness Assembly	Electric models need 55881 Harness Strap to hold harness out of the way of heater elements
11	70414101	Foam Gasket	

Card Reader Components for Electronic Control Models

K Models Through Serial No. 1101018349 with NY Control Suffix



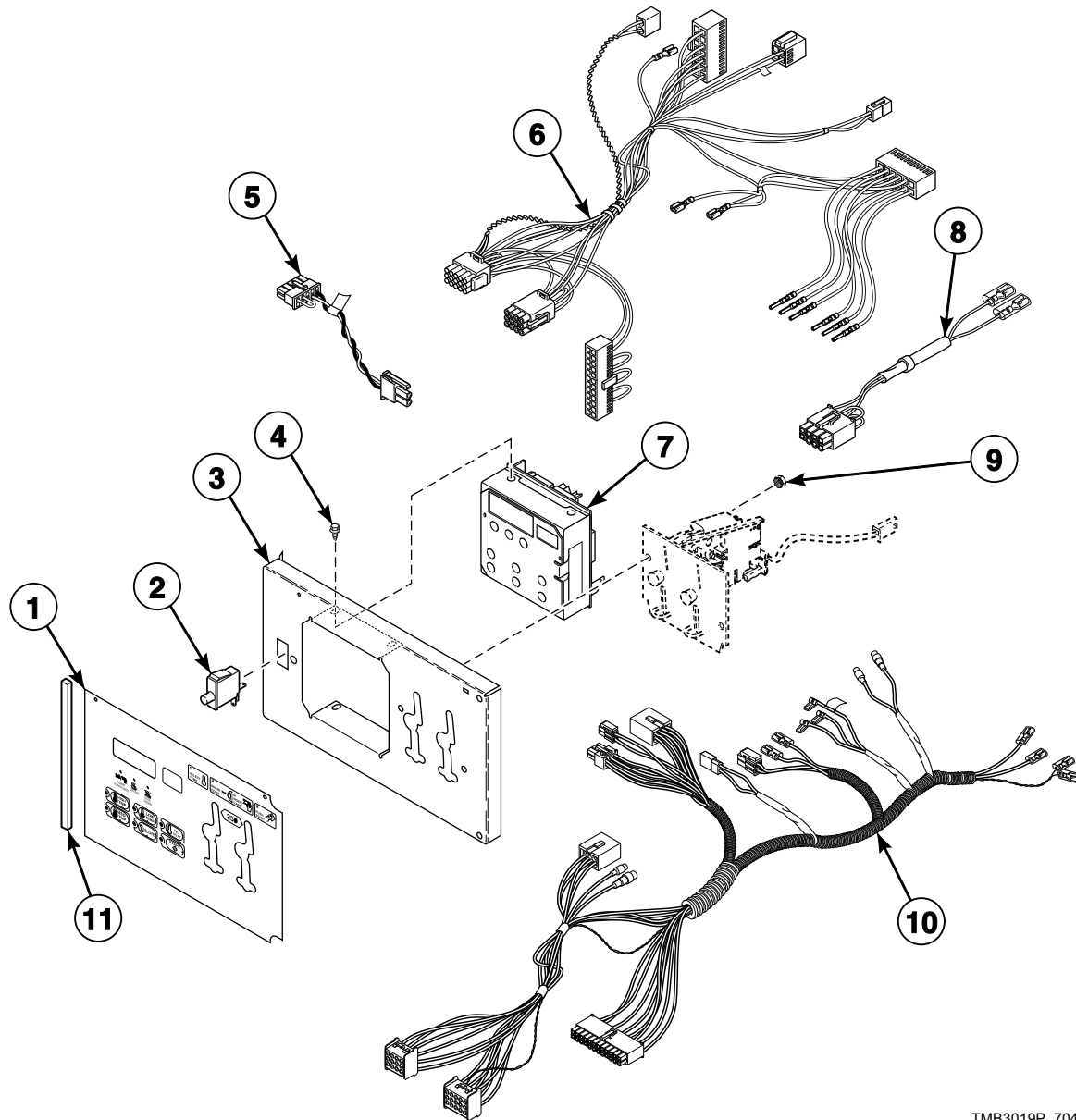
TMB3025P_70407001

Card Reader Components for Electronic Control Models

REF	PART NO.	DESCRIPTION	COMMENTS
1	44149301	Overlay	
2	70107001	Pushbutton Switch	
3	70348801	Control Plate Assembly	Card ready models
4	501524	Screw	
5	505905P	Control Kit	
6	70054	Nut	
7	70400901	Main Harness Assembly	Electric models need 55881 Harness Strap to hold harness out of the way of heater elements
8	70368001P	Control Panel Harness	
9	70324601	Jumper Calibration Wire	
10	70206601	Card Reader Network Harness Assembly	Card reader to network board
	70211801	Card Reader Harness Assembly	Card reader to control
11	510068P	Card Reader and Bracket Assembly	
12	70208801	Mounting Plate	Use with item 3
13	70414101	Foam Gasket	

Coin Drop Components for Quantum Control

S Models with LC, LX, WC and WX Control Suffixes



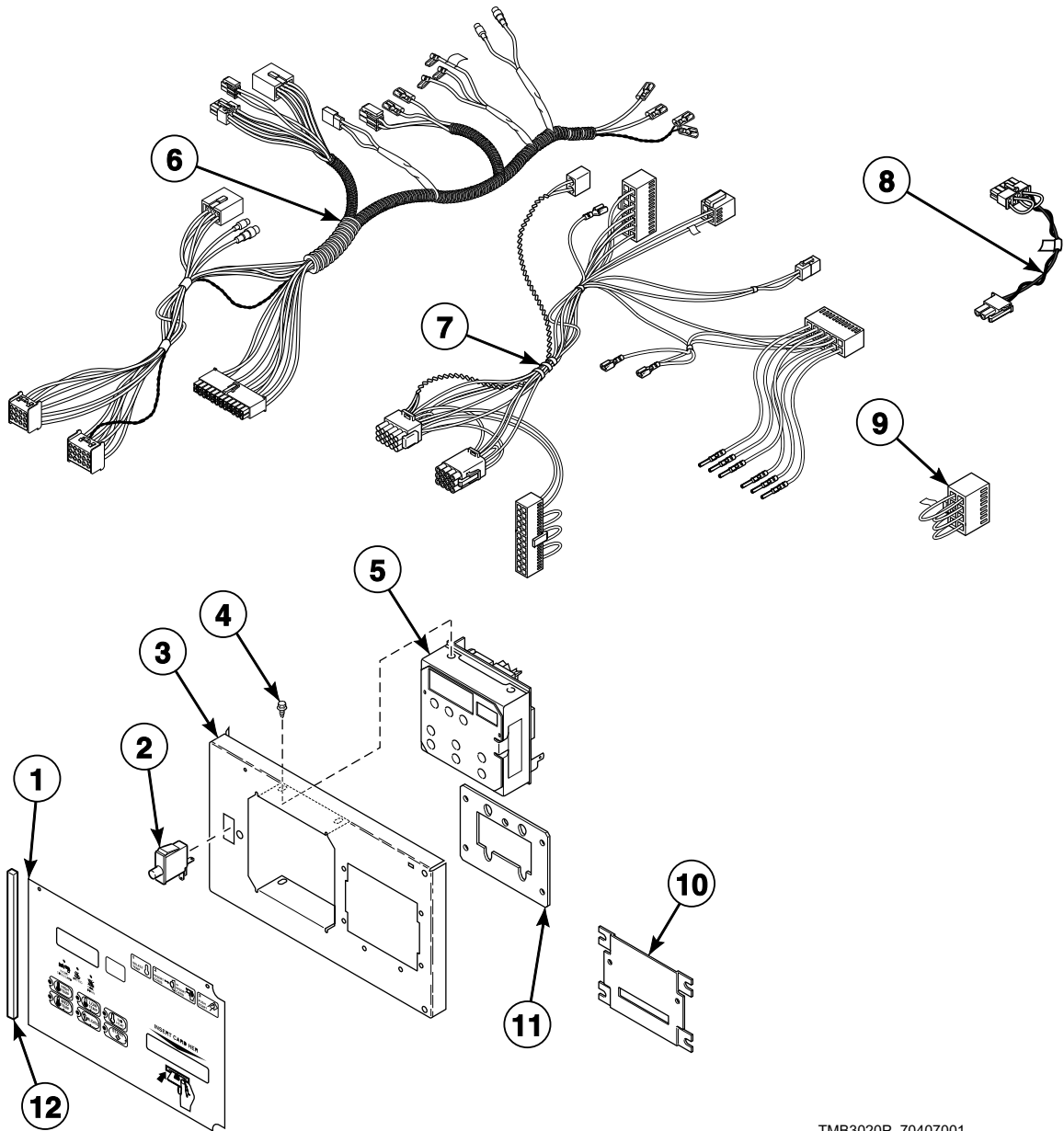
TMB3019P_70407001

Coin Drop Components for Quantum Control

REF	PART NO.	DESCRIPTION	COMMENTS
	NK206	Network Retrofit Kit	LC and LX control suffixes
	NK220	Network Controller Kit	LC and LX control suffixes
1	44194801	Control Overlay	Model ST055D
	70449501	Control Overlay	Model ST055D
	70410001	Control Overlay	Single drop; All models except ST055D
	70410002	Control Overlay	Dual drop; All models except ST055D
2	70107001	Pushbutton Switch	
3	70291001P	Control Plate Kit	
4	501524	Screw	For mounting item 7
5	70324602	Jumper Calibration Wire	
6	70410401P	Control Panel Harness	
7	512858P	Control Kit	
8	70364104P	Coin Vault Switch Harness	
9	70054	Nut	
10	70400901	Main Harness Assembly	Electric models need 55881 Harness Strap; Models through 7/31/11
	70441301	Main Harness	Electric models need 55881 Harness Strap; Models starting 8/1/11
11	70414101	Foam Gasket	

Card Reader Components for Quantum Control

S Models with LY and WY Control Suffixes



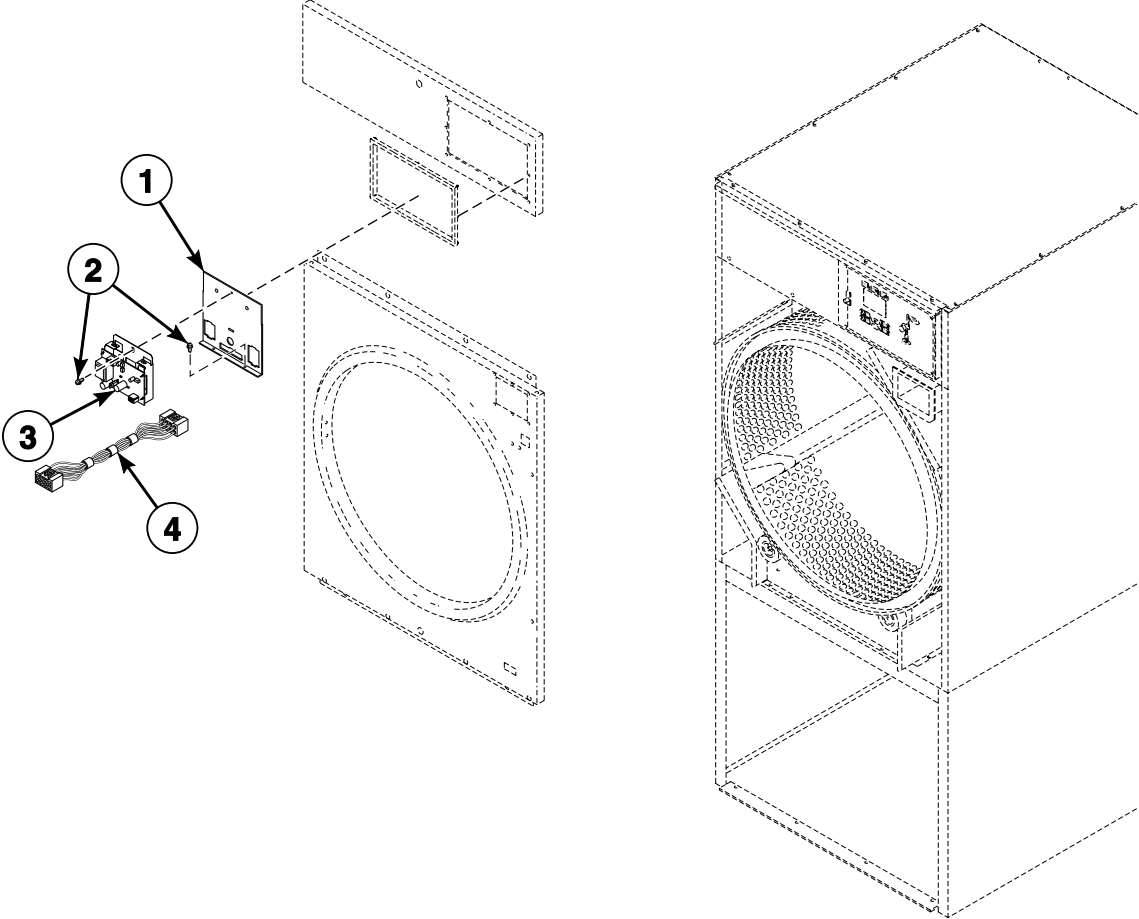
TMB3020P_70407001

Card Reader Components for Quantum Control

REF	PART NO.	DESCRIPTION	COMMENTS
	NK206	Network Retrofit Kit	LY control suffix
	NK220	Network Controller Kit	LY control suffix
1	70410003	Overlay	
2	70107001	Pushbutton Switch	
3	70348801	Control Plate Assembly	
4	501524	Screw	
5	512858P	Control Kit	
6	70400901	Main Harness Assembly	Electric models need 55881 Harness Strap; Models through 7/31/11
	70441301	Main Harness	Electric models need 55881 Harness Strap; Models starting 8/1/11
7	70410401P	Control Panel Harness	
8	70324602	Jumper Calibration Wire	
9	70364103	Bypass Harness	
10	44089501	Slot Card Plate Assembly	
11	70208801	Mounting Plate	
12	70414101	Foam Gasket	

Network Board for Quantum Control

S Models with WC, WX and WY Control Suffixes



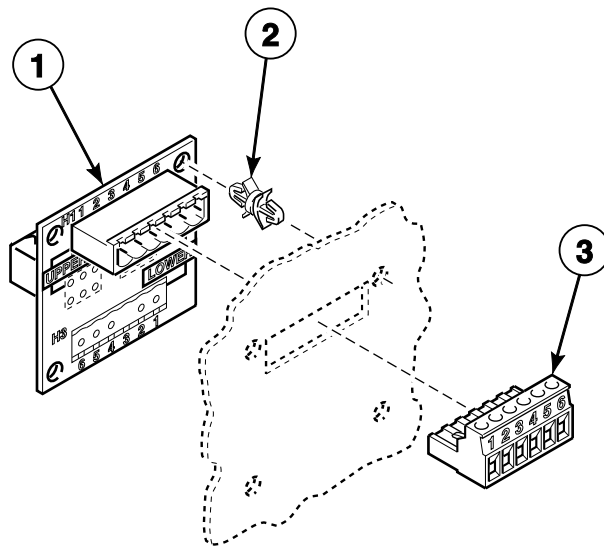
TMB2928P_70407001

Network Board for Quantum Control

REF	PART NO.	DESCRIPTION	COMMENTS
	800246	Communication Wire Harness Assembly	
1	70307002	Control Housing Cover	
2	430497	Screw	
3	201341	Network Board Assembly	
4	44088501P	Network Wire Harness Assembly	

Communication Board for Quantum Control

S Models with WC Control Suffix



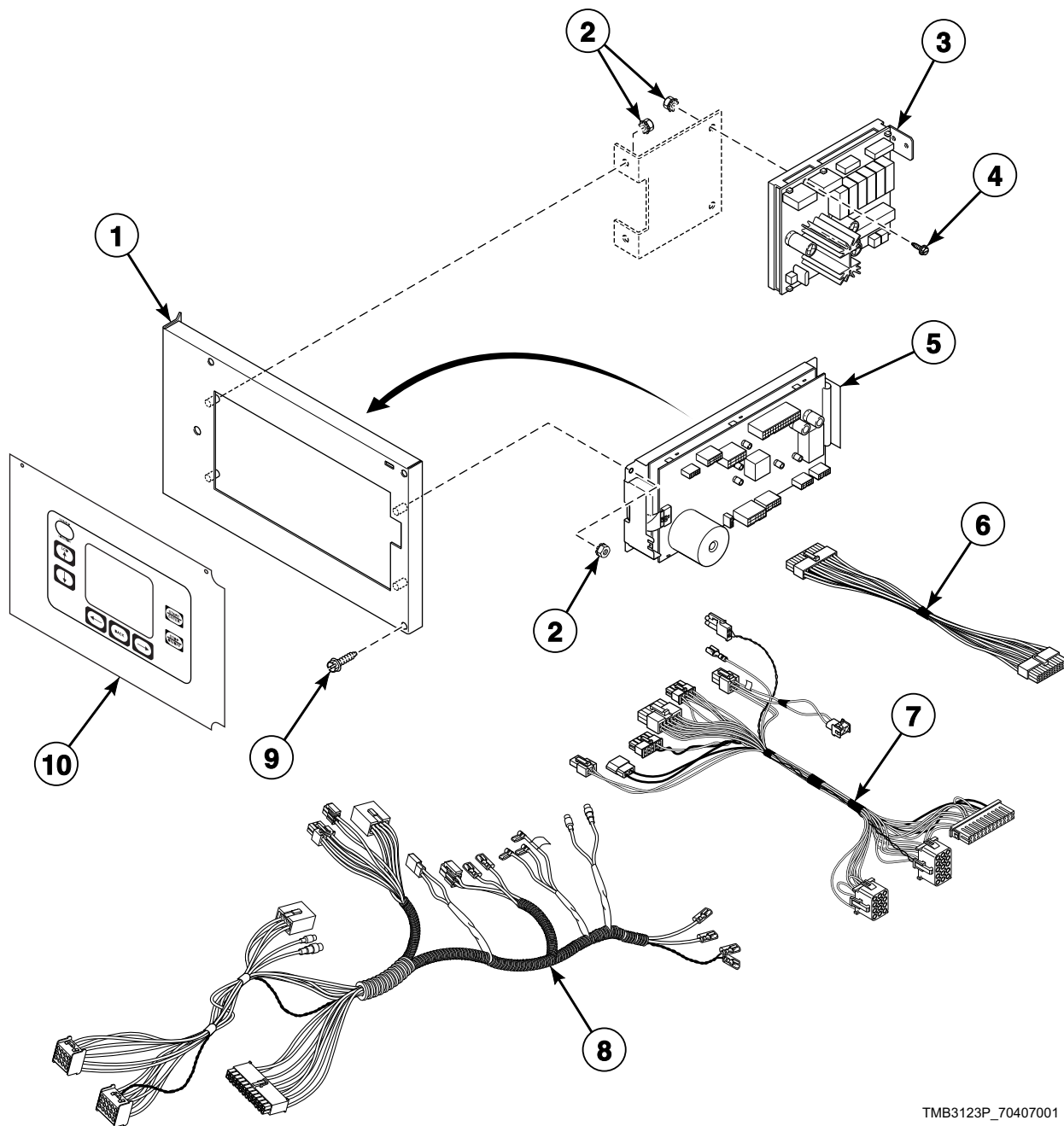
TMB1935P_70407001

Communication Board for Quantum Control

REF	PART NO.	DESCRIPTION	COMMENTS
1	210095P	Communication Board	
2	210098	PC Board Standoff	4 required
3	210099	Communication Connector	

UniLinc Control

U Models with UO Control Suffix



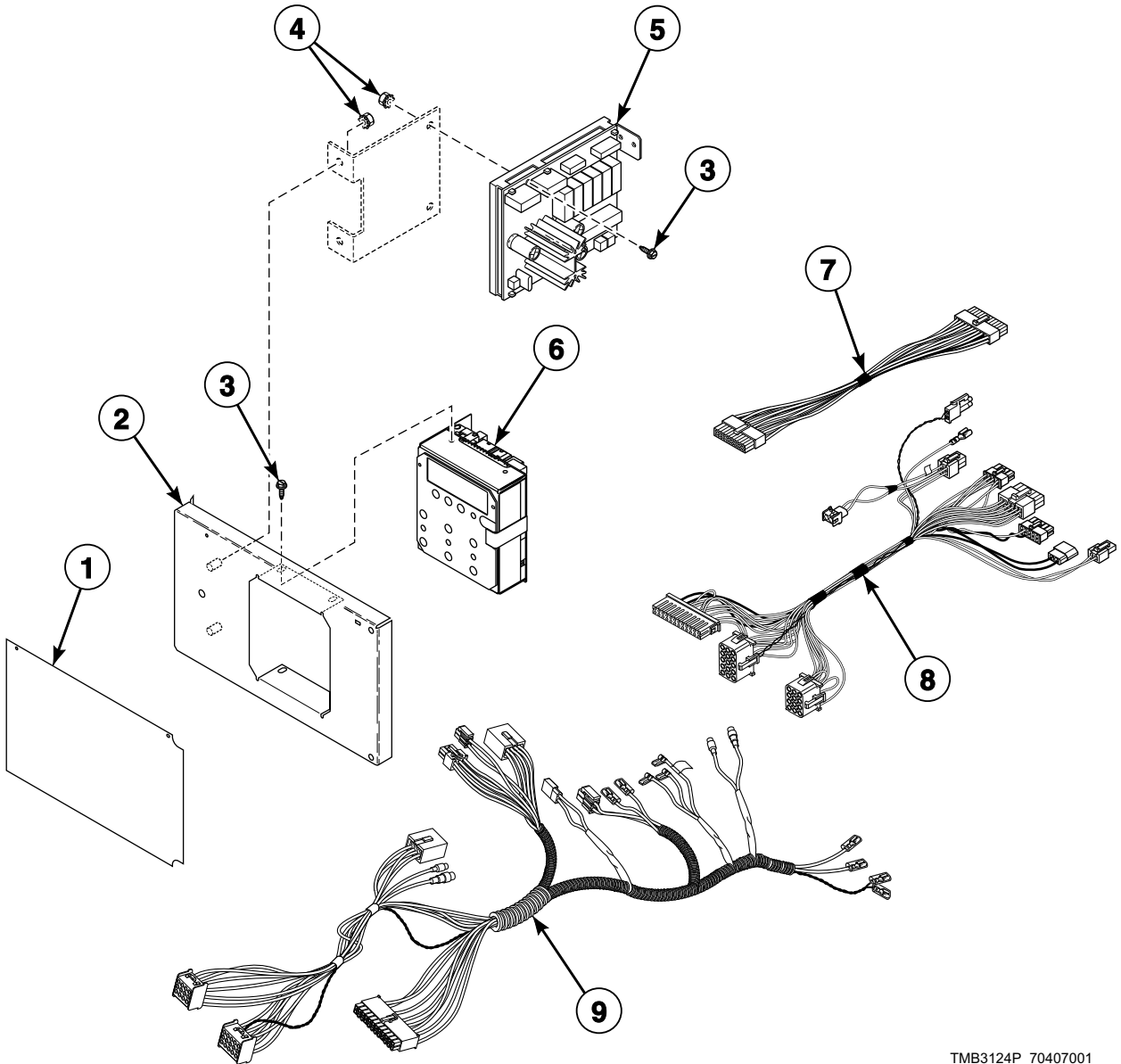
TMB3123P_70407001

UniLinc Control

REF	PART NO.	DESCRIPTION	COMMENTS
1	70432101	Control Plate Assembly	
2	70054	Nut	
3	70434101	Control Assembly	
4	501524	Screw	
5	70454001P	Control Assembly	
6	44186101	Output Harness	Use between item 3 and item 5
7	44240301	Control Panel Harness	Goes from item 5 to main harness
8	70441301	Main Harness	
9	70069901	Screw	
10	70432201	Overlay	

LED OPL Control

C, D, H, I, S and U Models
G and K Models Starting 1/16/12
Models with EO Control Suffix

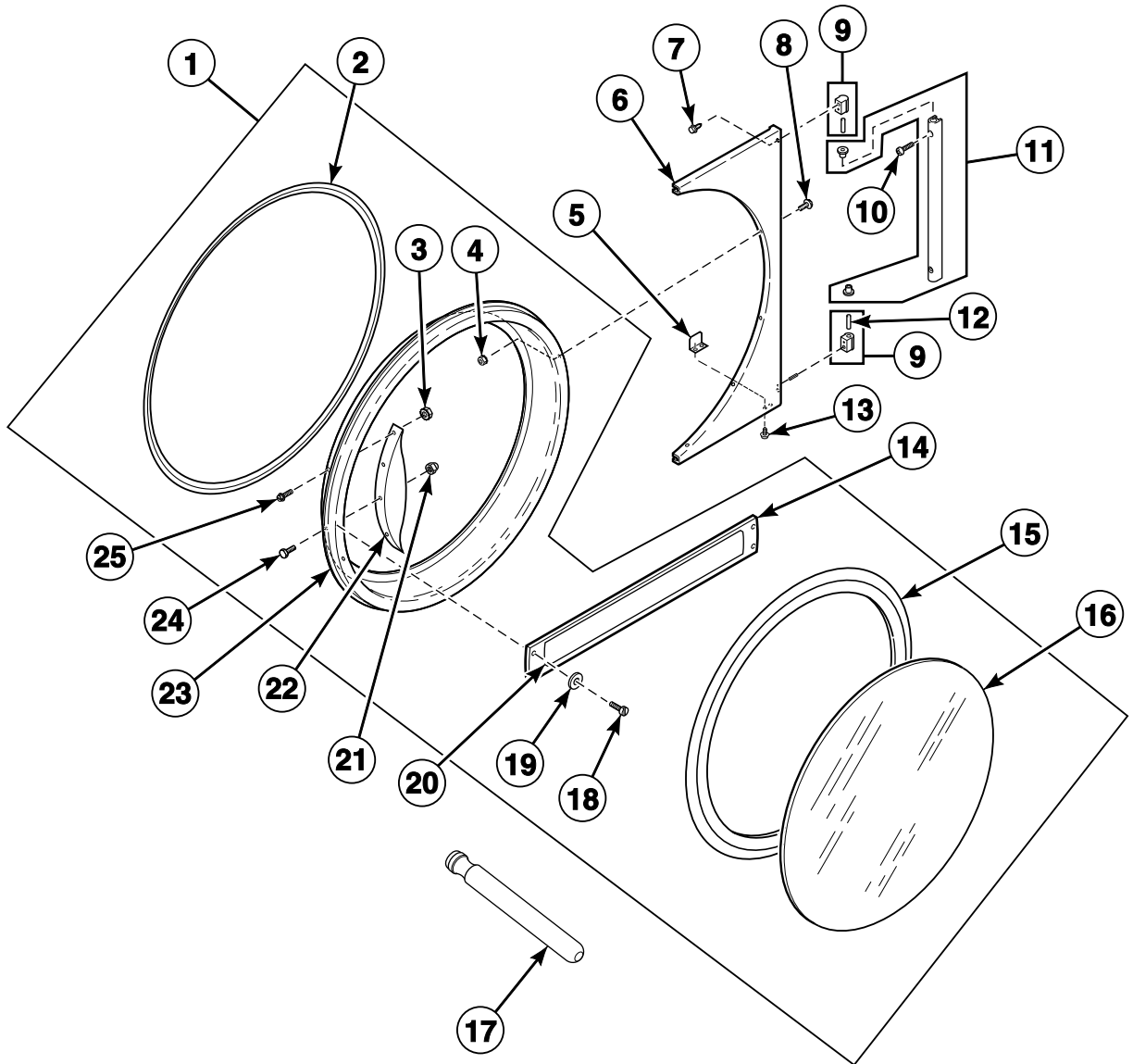


TMB3124P_70407001

LED OPL Control

REF	PART NO.	DESCRIPTION	COMMENTS
1	70445001	Overlay	S models
	70445003	Overlay	H models
	70462402	Overlay	C, D and I models
	70462702	Overlay	U models
	70462902	Overlay	G and K models
2	70440901	Control Plate and Studs Assembly	
3	501524	Screw	
4	70054	Nut	
5	70434101	Control Assembly	
6	70454101P	Control Assembly	H, S and U models
	70437102P	Control Assembly	C, D and I models
	70437104P	Control Assembly	G and K models
7	44186101	Output Harness	Use between item 5 and item 6
8	44240301	Control Panel Harness	Goes from item 6 to main harness
9	70441301	Main Harness	

Door and Hinge Components



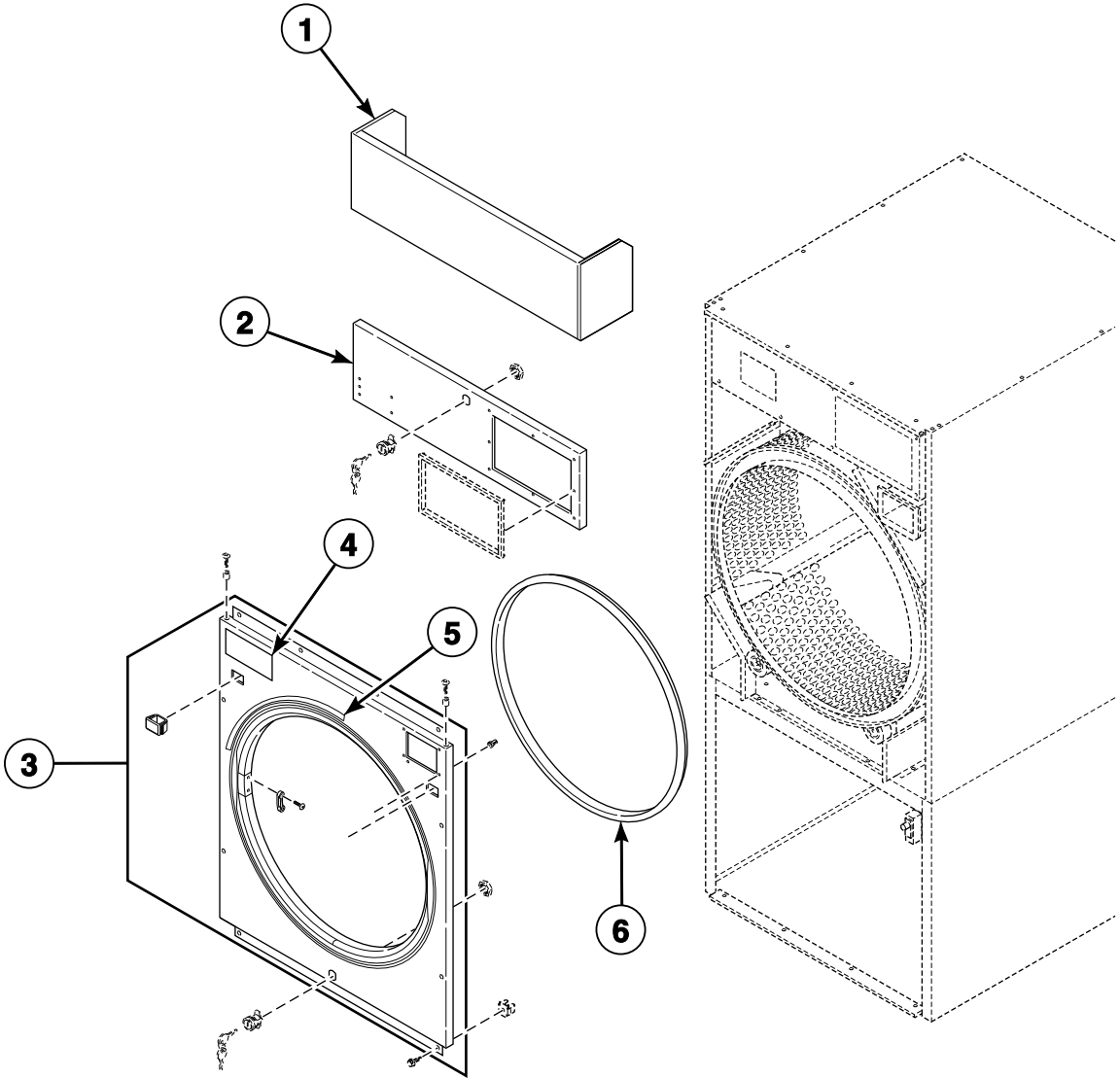
TMB3152P_70407001

Door and Hinge Components

REF	PART NO.	DESCRIPTION	COMMENTS
	70133501P	Replacement Door Handle Kit	H models
1	44028902P	Door Assembly	S and U models; Excludes hinge
	44058102P	Door Assembly	H models; Excludes hinge
	44112101	Door Assembly	C and I models through 7/31/11
	44028903	Door Assembly	C, D and I models starting 8/1/11; Excludes hinge
	70407401	Door Assembly	G and K models; Excludes hinge
2	44008201P	Door Ring Gasket	
3	44071201	Nut	H, S, and U models; 4 required
4	70054	Nut	
5	70215001P	Door Switch Actuator Kit	
6	44075205*	Door Hinge Assembly	H, S and U models; C models starting 8/1/11
	44075206	Door Hinge Assembly	C, H, S and U models; I models through 7/31/11; Stainless steel
	44075209B	Door Hinge Assembly	G and K models; D and I models starting 8/1/11
7	61199	Screw	
8	501524	Screw	
9	M4772P3	Cam and Hinge Kit	C, H, S and U models; I models through 7/31/11
	M4773P3	Cam and Hinge Kit	G and K models; D and I models starting 8/1/11
10	70033502	Screw	C, H, S and U models; I models through 7/31/11
	70407301	Screw	G and K models; D and I models starting 8/1/11
11	44035001	Door Hinge Lug Assembly	C, H, S and U models; I models through 7/31/11
	44035002	Door Hinge Lug Assembly	G and K models; D and I models starting 8/1/11
12	70071401	Pin	
13	70058501	Pop Rivet	
14	70399501B	Handle Bar	G and K models
15	70211902P	Door Seal Kit	
16	44008402P	Door Glass	H models
	44008401P	Door Glass	All other models
17	M4221P4	Door Glass Installation Tool	
18	70412601	Pop Rivet	G and K models; 4 required
19	70409301	Washer	G and K models
20	70411401	Nameplate Overlay	G models; Coin
	44144401	Nameplate Overlay	K models; Coin
21	M414215	Nut	H, S and U models; For door strike; Mounts between door strike screw and door handle
22	44007901	Door Handle	S and U models; C, D and I models starting 8/1/11
	44057702	Door Handle	H models
23	44007702	Door Ring Assembly	H, S and U models
	44112001	Door Ring and Handle Assembly	C and I models through 7/31/11
	44007704B	Door Ring	C, D and I models starting 8/1/11
	44007703B	Door Ring	G and K models
24	430757	Screw	H, S and U models; Use with door handle
25	44024201	Hole Plug	C, D and I models; 4 required
	M400661	Screw	All other models

* Add Letter To Designate Color. Q - Bisque W - White

Front Panel Assemblies and False Fronts



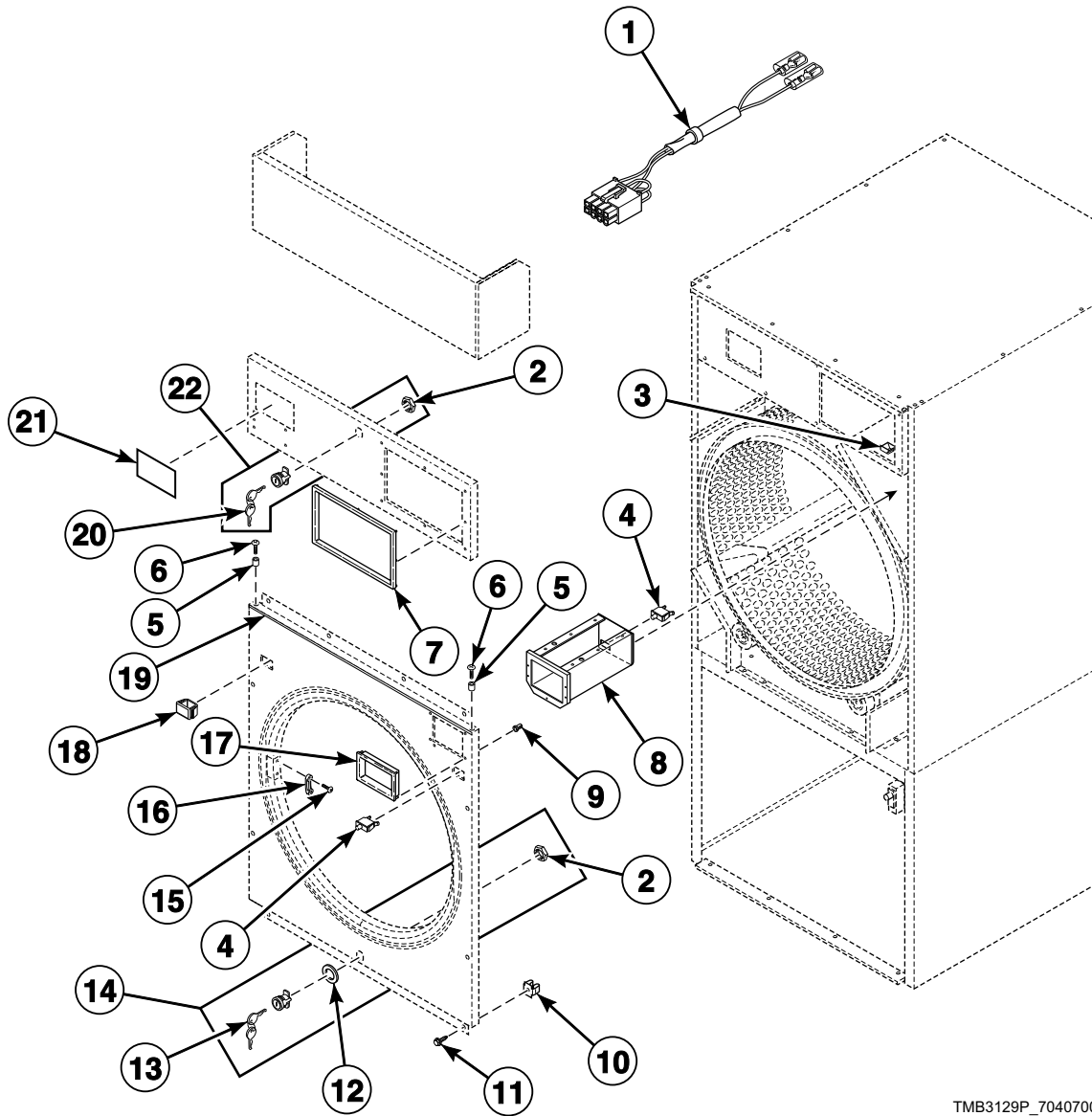
TMB3089P_70407001

Front Panel Assemblies and False Fronts

REF	PART NO.	DESCRIPTION	COMMENTS
1	70405001*	False Front	72 inches
	70405002	False Front	72 inches; Stainless steel
	70405101*	False Front	76 inches
	70405102	False Front	76 inches; Stainless steel
2	70376001*	Control Panel	S and U models
	70376002	Control Panel	S and U models; Stainless steel
	70376003*	Control Panel	H models
	70376004	Control Panel	H models; Stainless steel
	70417101*	Control Panel	C models; I models through 7/31/11; QT control suffix
	70417102	Control Panel	C models; I models through 7/31/11; QT and SD control suffixes; Stainless steel
	70417103*	Control Panel	C models; I models through 7/31/11; DO control suffix
	70417104	Control Panel	C models; I models through 7/31/11; DO, DV and DX control suffixes; Stainless steel
	70417101B	Control Panel	D and I models starting 8/1/11
	70417105*	Control Panel	K models; OM and NC control suffixes
	70417106	Control Panel	K models; NC control suffix; Stainless steel
3	70413001*	Front Panel Assembly	H, K and S models; BC, BX, LC and LX control suffixes
	70413002	Front Panel Assembly	H, K and S models; BC, BX, LC and LX control suffixes; Stainless steel
	70413003*P	Front Panel Assembly	S models; BL control suffix
	70413004	Front Panel Assembly	S models; BL control suffix; Stainless steel
	70413005*	Front Panel Assembly	3O, DO, OM and QT control suffixes
	70413006P	Front Panel Assembly	OM and QT control suffixes; Stainless steel
4	70414001	Label	G and K models; Coin
5	M410892	Warning Label	
6	70173402	Front Cylinder Seal	

* Add Letter To Designate Color. Q - Bisque W - White

Cabinet Front Components

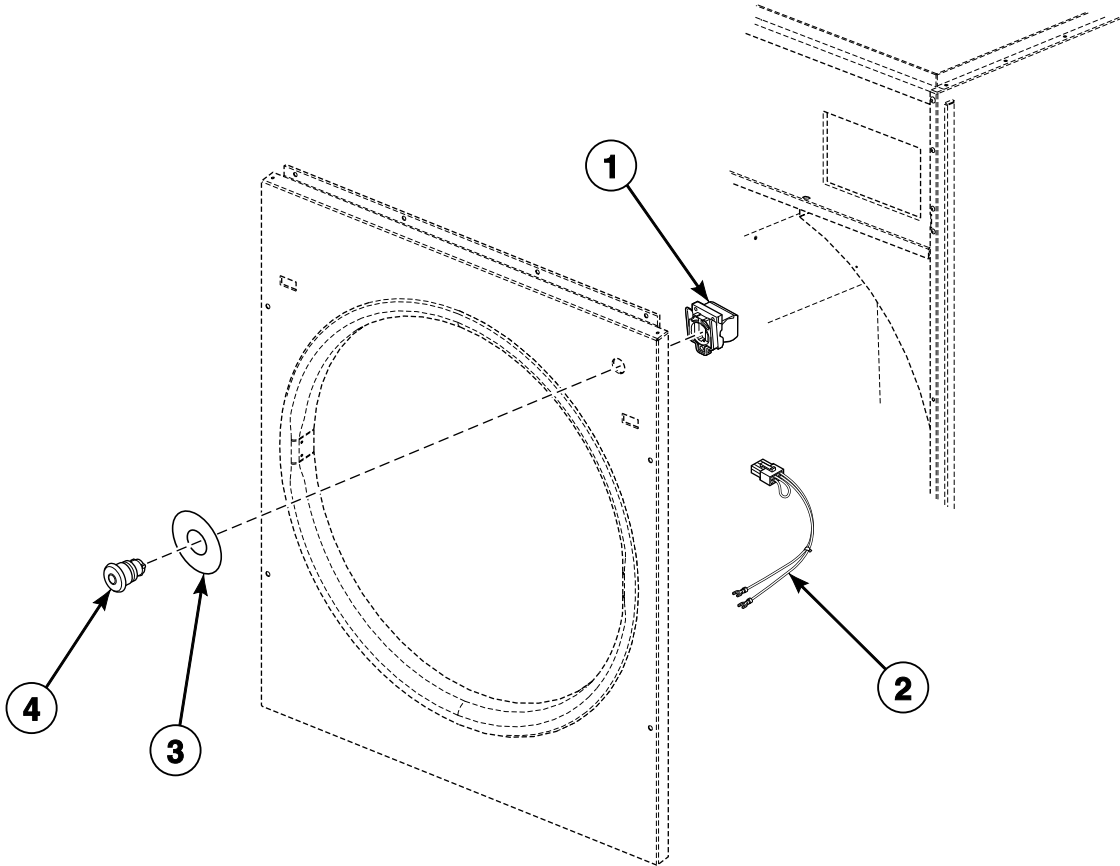


TMB3129P_70407001

Cabinet Front Components

REF	PART NO.	DESCRIPTION	COMMENTS
1	70364104P	Coin Vault Switch Harness	
2	44088801	Nut	
3	70296401	Coin Chute Assembly	
4	70107001	Pushbutton Switch	
5	56079	Panel Locator	9 required
6	39733	Screw	
7	44016401	Control Trim	K, S and U models; Black
	44016301	Control Trim	H models; Gray
8	70180101	Coin Vault Assembly	
9	M400972	Shadow Box Clip	
10	70030501	Expansion Clip	8 required; Use with item 11, between front panel and cabinet
11	430497	Screw	
12	70342401	Lock Shim	
13	70155602	Key	RL002
14	44089302P	Lock, Key and Nut Kit	RL002
15	44166601	Pop Rivet	
16	M401223	Door Latch	
17	70117502	Coin Vault Trim	
18	44057801W	Switch Hole Plug	White
	44057801Q	Switch Hole Plug	Bisque
	44057801B	Switch Hole Plug	Black
19	70399406	Access Panel Trim	K models; OPL
	70399408	Access Panel Trim	K models; Coin
20	70155601	Key	RL001
21	44147101	Nameplate Overlay	K models; OPL
	70410201	Nameplate Overlay	G models; OPL
22	44089301P	Lock, Key and Nut Kit	RL001

Emergency Stop Button for CE Models

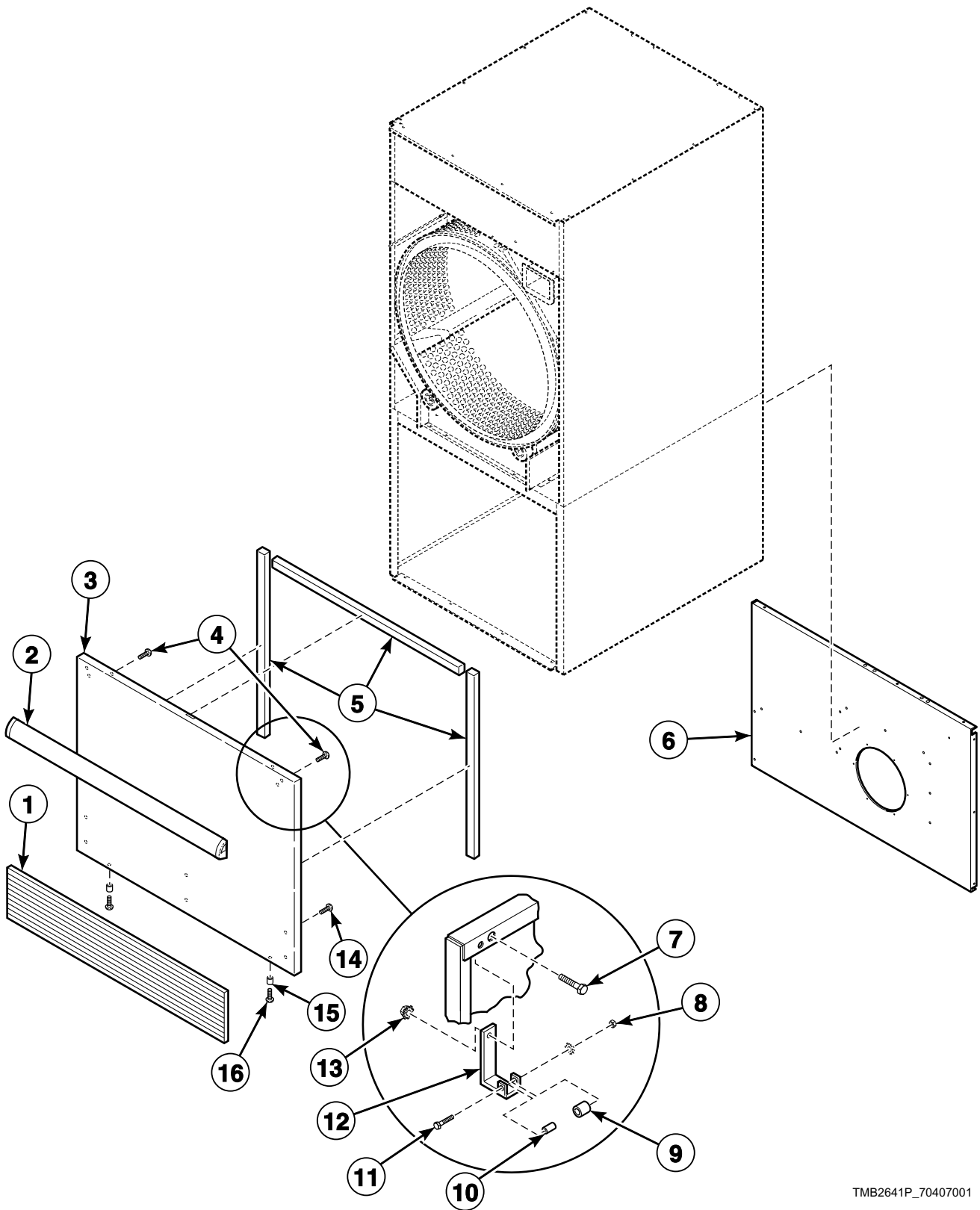


TMB2375P_70407001

Emergency Stop Button for CE Models

REF	PART NO.	DESCRIPTION	COMMENTS
	F8069501	Contact Switch	Models starting 10/1/07; Does not include mounting base
1	44018701	Contact Block	Includes base; Models through 9/30/07
	F200233401	Contact Block Switch	Models starting 10/1/07; Includes mounting base
2	70364105P	Emergency Stop Contact Harness	1 contact
	70364106P	Emergency Stop Harness	2 contacts
3	M412235	Emergency Stop Label	
4	44018801	Pushbutton	Models through 9/30/07
	F200233500	Emergency Stop Pushbutton	Models starting 10/1/07

Lower Cabinet Components



TMB2641P_70407001

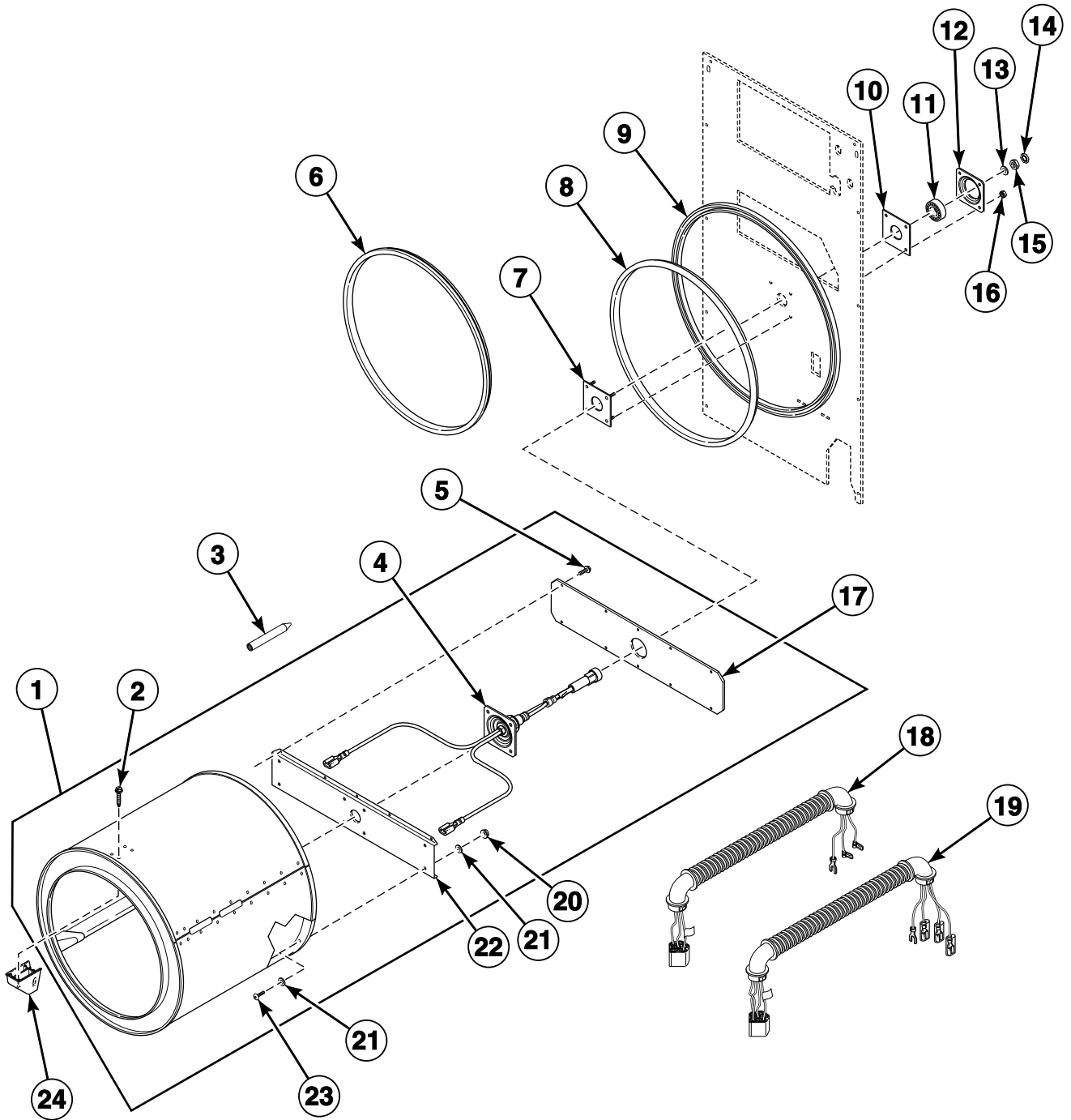
Lower Cabinet Components

REF	PART NO.	DESCRIPTION	COMMENTS
1	70117614	Kickplate	H models; Dark gray
	70117613	Kickplate	All other models; Black
2	70154411	Handle and Caps Assembly	C, D, I, S and U models; Black
	70154412	Handle and Caps Assembly	H models; Dark gray
	70407206	Handle Bumper	G and K models
3	70176705*	Lint Panel Assembly	H models; Coin
	70176707*	Lint Panel Assembly	H models; OPL
	N/A	Lint Panel Assembly	OM and QT control suffixes
	70176704	Lint Panel Assembly	OM and QT control suffixes; Stainless steel
	70375701*	Lint Panel	
	70375702	Lint Panel	Stainless Steel
4	430757	Screw	For attaching handle; 6 required
5	70289101P	Lint Panel Gasket	Sold per foot
6	70376601	Rear Lint Panel	
7	70132301	Screw	Attaching roller catch
8	23951	Nut	
9	70297601	Roller Catch Wheel	
10	70030201	Roller Catch Spacer	
11	70072801	Screw	
12	70030301	Roller Catch Arm	
13	51236	Nut	Attaching roller catch
14	70126301	Pop Rivet	For attaching kickplate; Black; 6 required
	70126401	Pop Rivet	For attaching kickplate; Gray; 6 required
15	56079	Panel Locator	
16	39733	Screw	

* Add Letter To Designate Color. L - Almond Q - Bisque W - White

N/A = Part no longer available

Cylinder Components

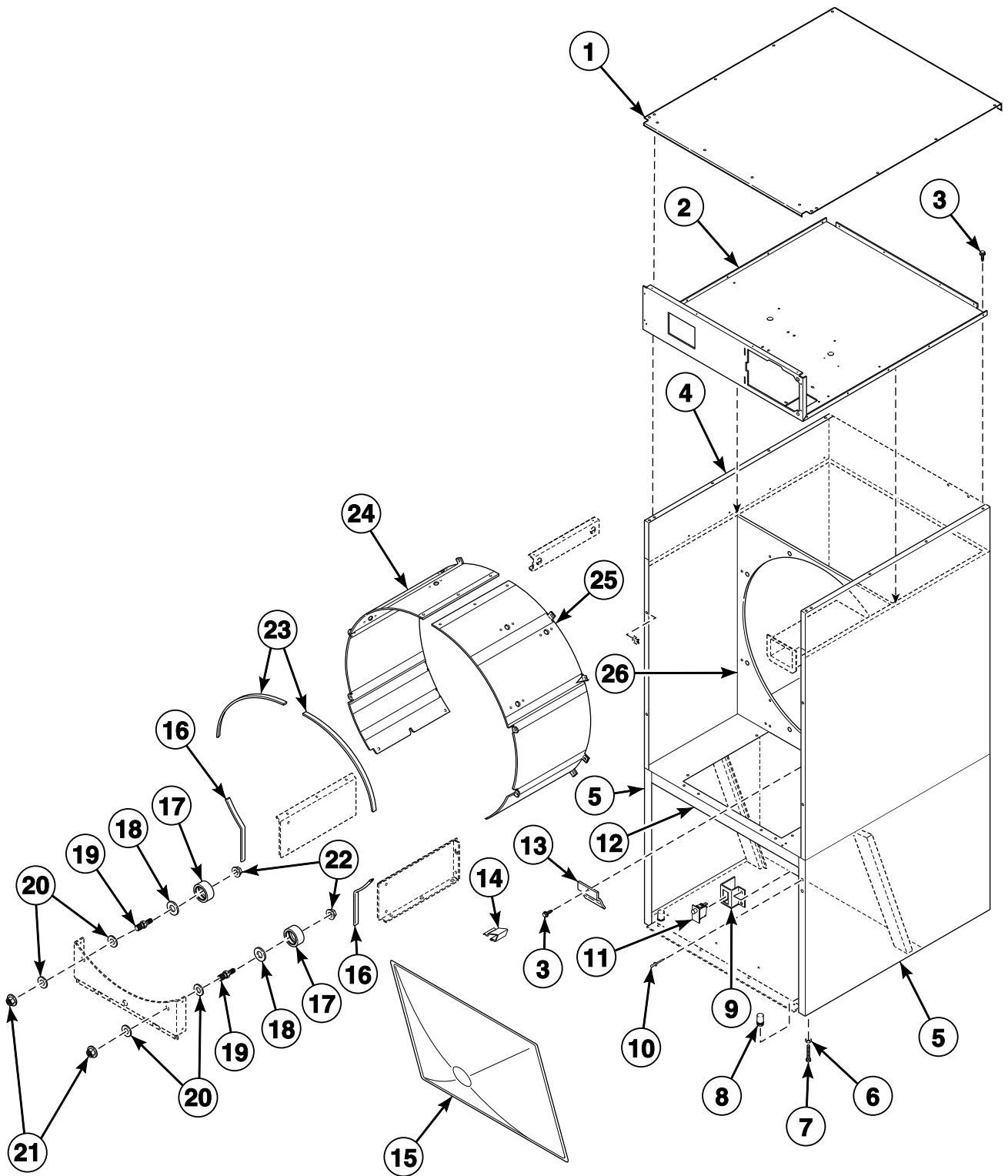


TMB3162P_70407001

Cylinder Components

REF	PART NO.	DESCRIPTION	COMMENTS
	70343101P	Drywall Screw Magnet Kit	
1	70408803	Cylinder Assembly	G and K models; Non-moisture sensing
	70444103	Cylinder and Trunnion Assembly	G and K models; Moisture sensing
	70408801P	Cylinder Assembly	All other models; Galvanized; Non-moisture sensing
	70444101	Cylinder and Trunnion Assembly	All other models; Galvanized; Moisture sensing
	70408802P	Cylinder Assembly	All other models; Stainless steel; Non-moisture sensing
	70444102	Cylinder and Trunnion Assembly	All other models; Stainless steel; Moisture sensing
2	62588	Screw	16 required
3	263P4	Cylinder Guide Tool	
4	M4963P3	Trunnion and Seal Kit	Includes item 8; Also order 511637 Adhesive; Non-moisture sensing
	70454601	Trunnion and Wire Assembly	Moisture sensing; Includes 70244702 Trunnion Assembly
5	430497	Screw	10 required
6	70066005	Center Cylinder Seal	
7	430352	Cylinder Bearing Stud Plate Assembly	
8	70013704P	Rear Cylinder Seal	Use with 511637 Adhesive
9	70305401	Rear Cylinder Seal Support	
10	70355001	Rear Bearing Shim	
11	70448701	Support Bearing	
12	70013901	Rear Cylinder Bearing Housing	
13	M400991	Washer	
14	M400034	Nut	
15	M400022	Nut	
16	M412986	Nut	4 required
17	70305301	Rear Cylinder Channel Plate	
18	70401001	Cylinder Motor Harness Assembly	Models through 2/28/10; 1 Phase; 3 Phase electric models with 240 Volt and below
	70439701	Cylinder Motor Harness Assembly	Models starting 3/1/10; 1 Phase; 3 Phase electric models with 240 Volt and below
19	70401101	Cylinder Motor Harness Assembly	Models through 2/28/10; 3 Phase models except electric models with 240 Volt and below
	70440101	Cylinder Motor Harness Assembly	Models starting 3/1/10; 3 Phase models except electric models with 240 Volt and below
20	44087201	Nut	8 required
21	70411301	Washer	8 required
22	70305201	Rear Cylinder Channel	Non-moisture sensing
	70305202	Rear Cylinder Channel	Moisture sensing
23	70391101	Screw	8 required
24	70070101	End Cap	Non-moisture sensing
	70070102	End Cap	Moisture sensing

Cabinet Components



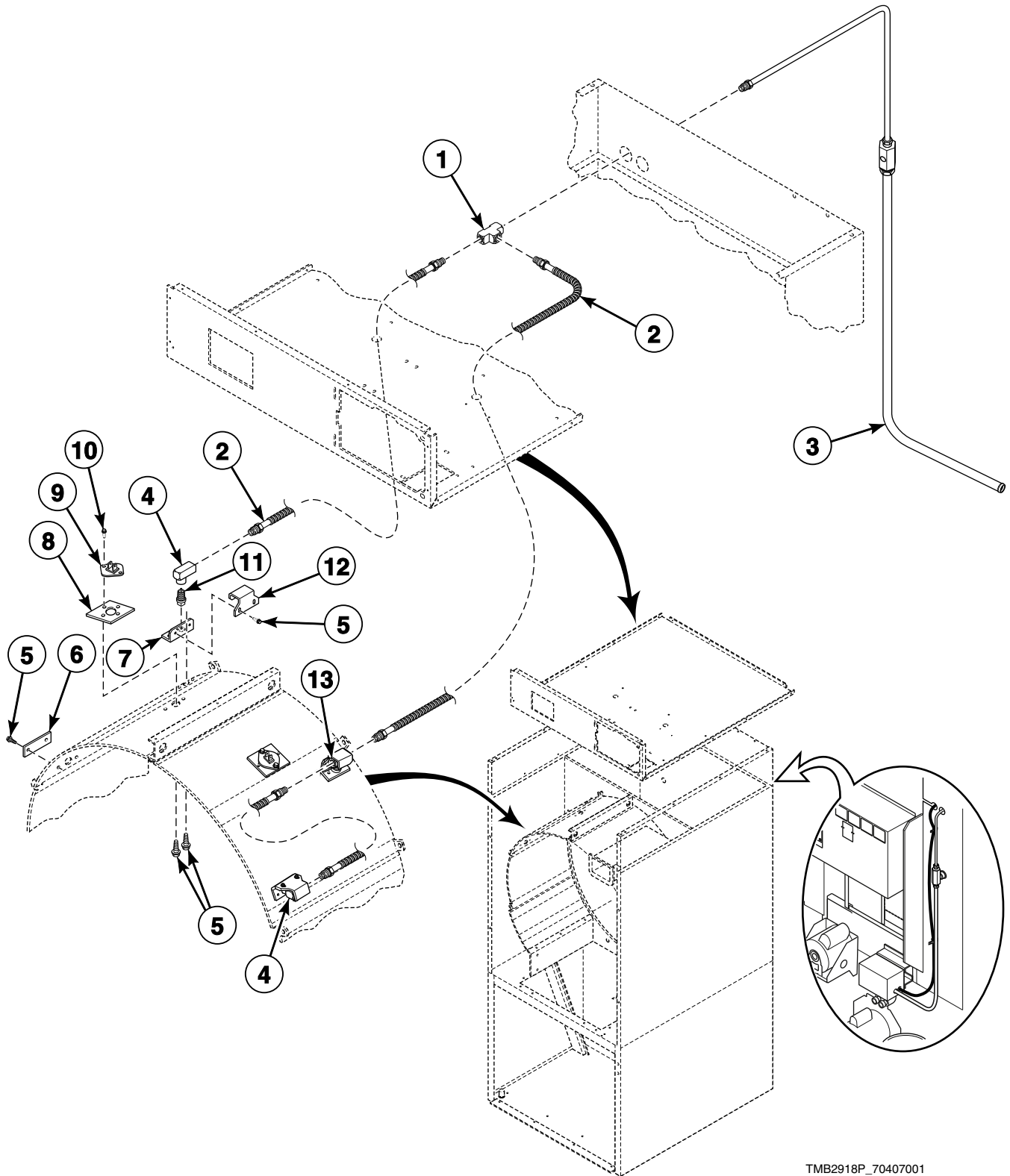
TMB3026P_70407001

Cabinet Components

REF	PART NO.	DESCRIPTION	COMMENTS
	M4379P4	Tumbler Dolly Kit	
	298P4P	Spray Paint	White
	297P4	Spray Paint	Almond
	286P4	Spray Paint	Blue
	122P4P	Porcelain Touch-Up Paint	White
	215P4P	Porcelain Touch-Up Paint	Almond
	370P4P	Porcelain Touch-Up Paint	Bisque
1	70375501	Top Panel	
2	70376901	Top Pan	
3	430497	Screw	
4	70378701*P	Side Panel	Upper
5	70378801*P	Side Panel	Lower
6	21899	Nut	
7	34319	Leveling Leg	
8	70063201	Hole Plug	
9	70277301	Lint Panel Switch Bracket	
10	70058501	Pop Rivet	16 required; Upper side panel
11	70310501	Switch Assembly	
12	70376701	Center Pan	
13	35358	Hold-Down Clip	
14	35865	Hold-Down Clip	2 required
15	44063601	Lint Screen	
16	70015711	Sheet Metal Edge Gasket	Lower
17	70298701P	Roller Bearing Assembly	
18	70443601	Roller Seal	Models starting 3/1/10
19	70249501	Roller Shaft	
20	70261401	Washer	
21	M404993	Nut	
22	430576	Nut	
23	70015712	Sheet Metal Edge Gasket	Upper
24	70427502	Cylinder Shroud	Left
25	70427501	Cylinder Shroud	Right
26	70376801	Center Partition	

* Add Letter To Designate Color. Q - Bisque W - White

Fire Suppression System Components

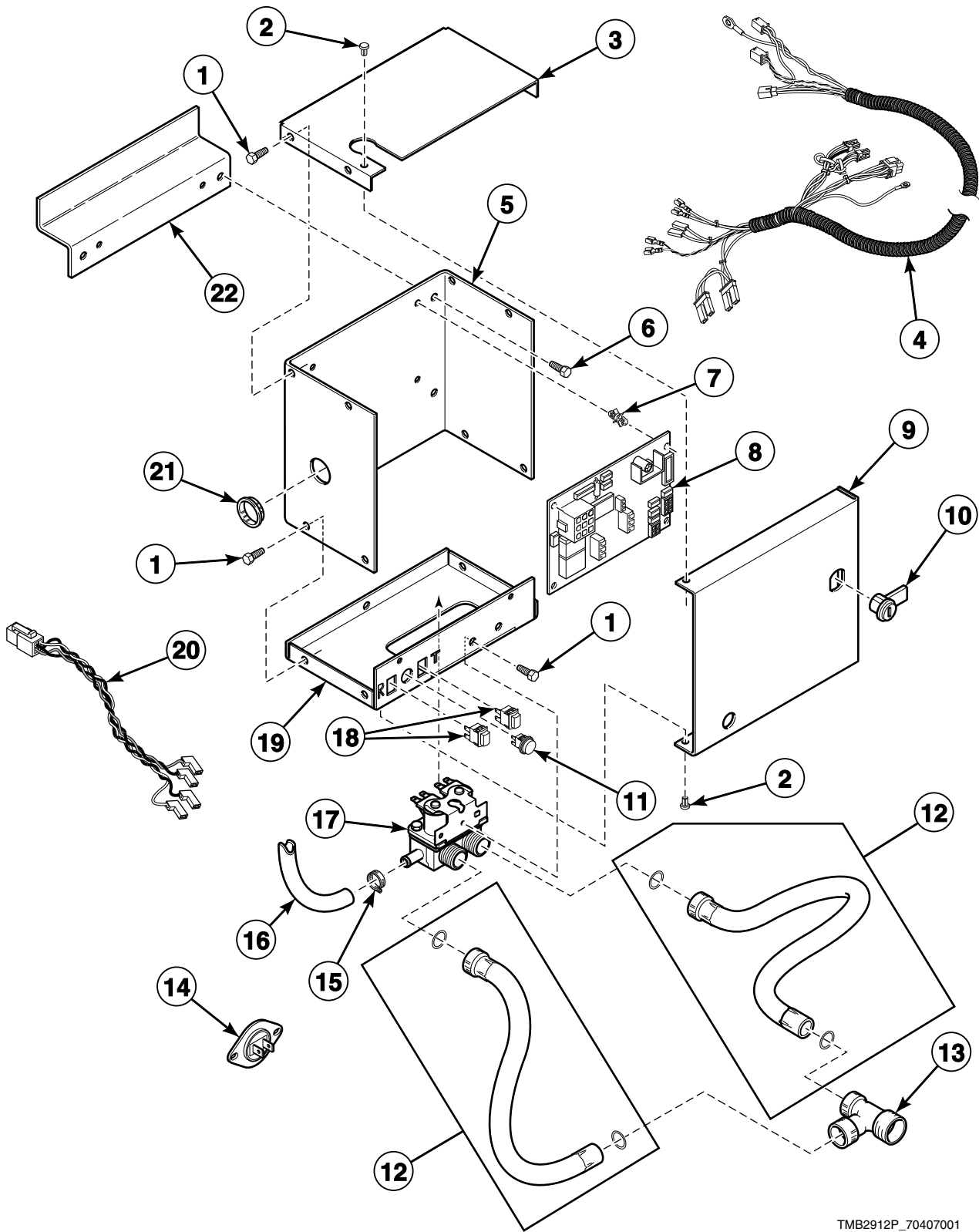


TMB2918P_70407001

Fire Suppression System Components

REF	PART NO.	DESCRIPTION	COMMENTS
1	70427901	Union Tee	2 required
2	70427701	Spray Nozzle Hose	3 required
3	70427601	Tube Assembly	
4	70428101	Elbow	2 required
5	430497	Screw	20 required
6	70429301	Nozzle Hole Cover	
7	70424201	Nozzle Bracket	3 required
8	70424401	Thermistor Plate	2 required
9	44064701	Thermistor	2 required
10	51780	Screw	4 required
11	70427801	Spray Nozzle	3 required
12	70428601	Nozzle Bracket	3 required
13	70428201	Tee	

Fire Suppression System Control Box

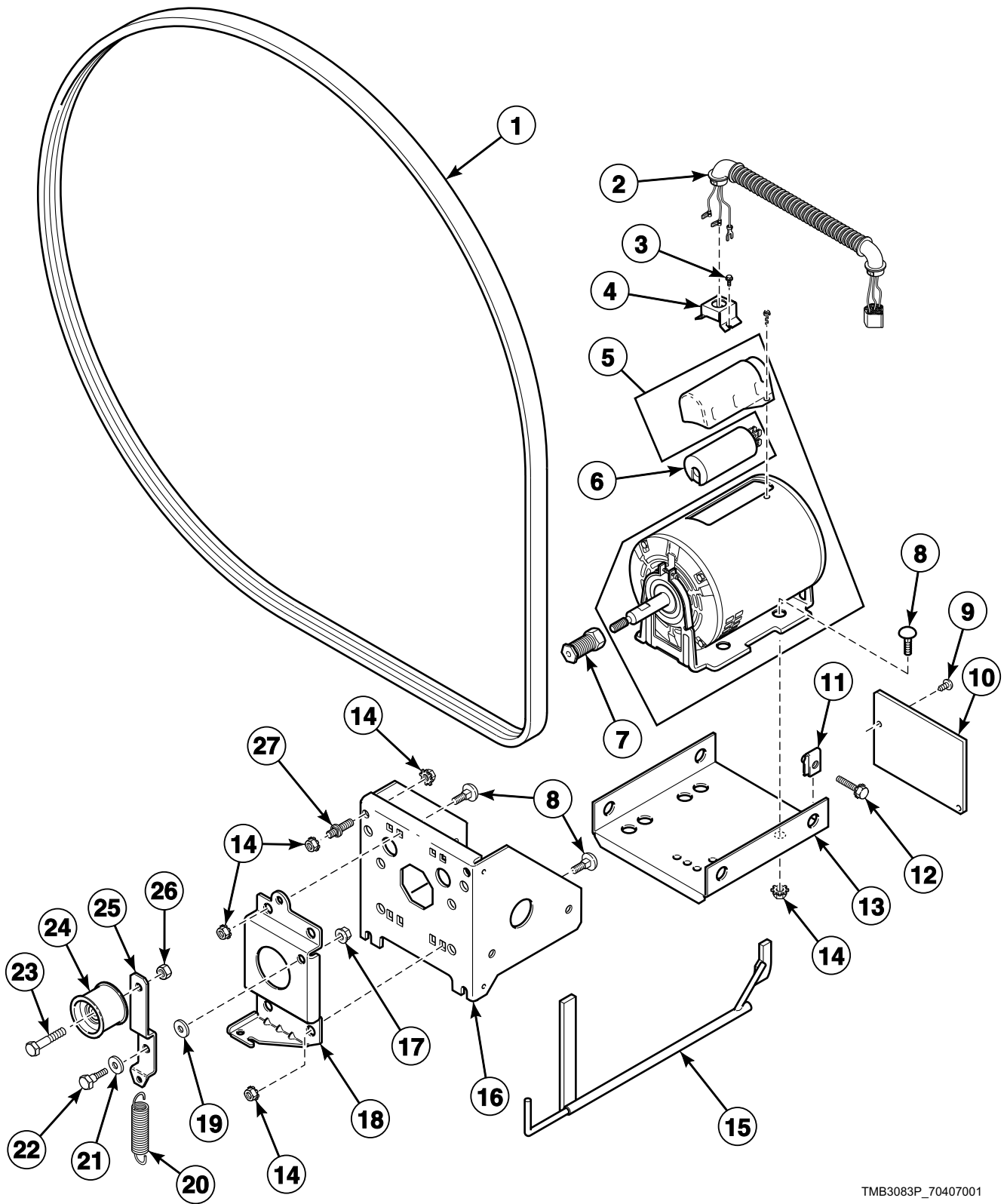


TMB2912P_70407001

Fire Suppression System Control Box

REF	PART NO.	DESCRIPTION	COMMENTS
1	430497	Screw	
2	M400713	Drive Rivet	
3	44065401	Control Box Top	
4	70426501P	Control Harness	
5	44065101	Control Box Housing	
6	51780	Screw	
7	501523	Circuit Board Support	4 required
8	44063801P	Control	
9	44065201	Control Box Cover	
10	44089301P	Lock, Key and Nut Kit	RL001 key code; Optional if same key is to be used for control lock
11	801432	Light	
12	F200116	Water Hose	2 required
13	44069101	Hose Fitting	
14	44064701	Thermistor	2 required
15	36801	Hose Clamp	
16	44073304	Hose	14 inches; Outlet hose
17	36958P	Mixing Valve	
18	801434W	Push-to-Start Switch	2 required
19	44065301	Control Box Base	
20	70426601P	Sensor Harness	
21	70178701	Snap Bushing	
22	44065901	Bracket	

Drive Motor Components

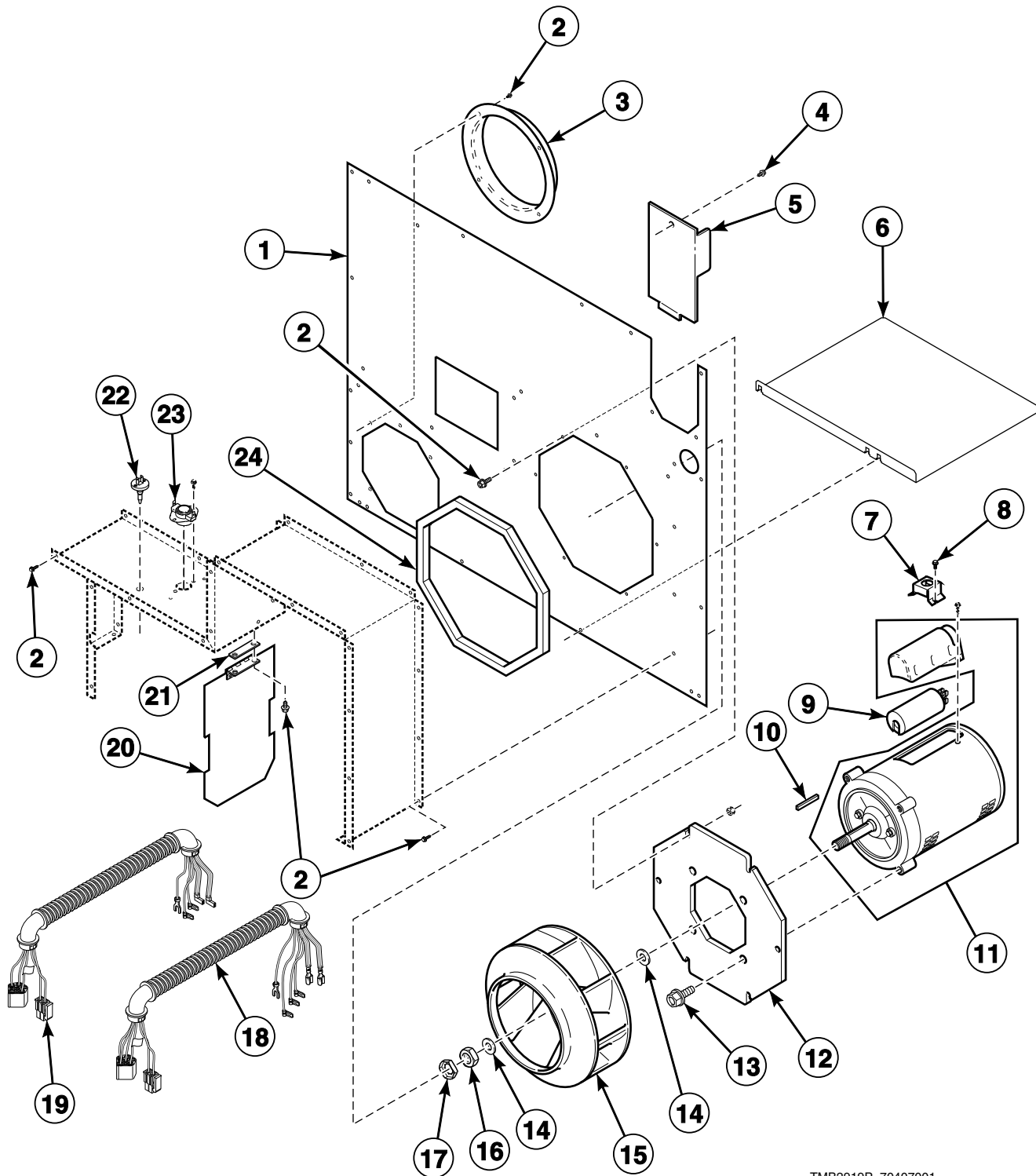


TMB3083P_70407001

Drive Motor Components

REF	PART NO.	DESCRIPTION	COMMENTS
1	70276204P	Belt	115.75 inches
2	70401001	Cylinder Motor Harness Assembly	Models through 2/28/10; 1 Phase; 3 Phase electric models with 240 Volt and below
	70401101	Cylinder Motor Harness Assembly	Models through 2/28/10; 3 Phase except electric models with 240 Volt and below
	70439701	Cylinder Motor Harness Assembly	Models starting 3/1/10; 1 Phase; 3 Phase electric models with 240 Volt and below
	70440101	Cylinder Motor Harness Assembly	Models starting 3/1/10; 3 Phase except electric models with 240 Volt and below
3	23222	Screw	2 required
4	70321701	Motor Conduit Mounting Bracket	
5	70401501	Drive Motor	100 or 200 Volt/50 Hertz/1 Phase; No capacitor
	70392901P	Drive Motor	100-120, 208-240 Volt/60 Hertz/1 Phase
	70401601	Drive Motor	230-240 Volt/50 Hertz/1 Phase; No capacitor
	70401701	Drive Motor	380 Volt/50 Hertz/3 Phase; No capacitor
	70401801	Drive Motor	400-415 Volt/50 Hertz/3 Phase; No capacitor
	70298401P	Drive Motor	200-208 Volt/60 Hertz/3 Phase; No capacitor
6	70413101	Motor Capacitor	Start; For 70392901 Drive Motor on 20 Amp models
	70413201	Motor Capacitor	Run; For 70392901 Drive Motor on 20 Amp models
7	70284208	Motor Pulley	60 Hertz
	70284204	Motor Pulley	50 Hertz
8	70062401	Bolt	
9	430497	Screw	
10	70202501	Drive Access Cover	
11	27222	Nut	4 required
12	M412985	Screw	
13	70127301	Motor Mount Bracket	
14	M412986	Nut	
15	M4853P3	Belt Tension Tool Kit	
16	70261701	Motor Channel	
17	29796	Nut	
18	70443301	Idler Bracket	
19	70270301	Washer	
20	70045301	Drum Idler Spring	With silencer
21	70265901	Washer	
22	M400056	Screw	
23	430648	Screw	
24	70050401P	Idler Wheel Assembly	
25	70259901	Cylinder Idler Arm	
26	56156	Nut	
27	70334701	Double Ended Stud	

Blower Components



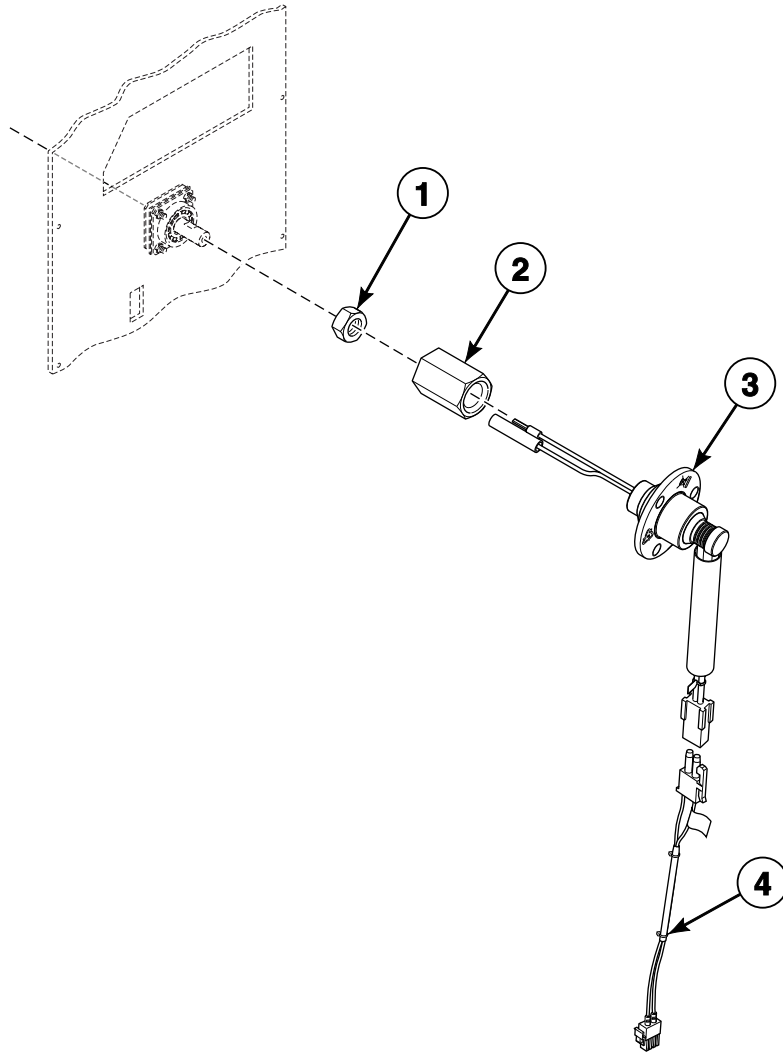
TMB2919P_70407001

Blower Components

REF	PART NO.	DESCRIPTION	COMMENTS
1	70377201	Lower Rear Panel	
2	430497	Screw	
3	70015601	Exhaust Thimble	8 inches
4	M411072	Screw	
5	70196301	Drive Access Cover	
6	70427001	Motor Drip Pan	
7	70321701	Motor Conduit Mounting Bracket	
8	23222	Screw	2 required
9	70413102	Motor Capacitor	Start; For 70297901P Blower Motor and 70401401 Blower Motor
	70413202	Motor Capacitor	Run; For 70297901P Blower Motor and 70401401 Blower Motor
10	70144101	Key	
11	70297901P	Blower Motor	208-240 Volt/60 Hertz/1 Phase
	70401401	Blower Motor	100 or 200, 230-240 Volt/50 Hertz/1 Phase
	70342601P	Blower Motor	200-208, 240 Volt/60 Hertz/3 Phase; No capacitor
12	70380801	Blower Motor Mounting Plate	
13	70126101	Screw	
14	M400991	Washer	
15	70302201P	Blower Assembly	
16	M400022	Nut	
17	M400023	Nut	
18	70401301	Fan Motor Harness Assembly	Models through 2/28/10; 3 Phase except electric models with 240 Volt and below
	70440201	Fan Motor Harness Assembly	Models starting 3/1/10; 3 Phase except electric models with 240 Volt and below
19	70401201	Fan Motor Harness Assembly	Models through 2/28/10; 1 Phase; 3 Phase electric models with 240 Volt and below
	70439801	Fan Motor Harness Assembly	Models starting 3/1/10; 1 Phase; 3 Phase electric models with 240 Volt and below
20	70209501	Damper and Hinge Exhaust Assembly	
21	N/A	Damper Spacer	
22	M414704	Thermistor	
23	M411307	Limit Thermostat	
24	70392701P	Gasket	For blower housing opening

N/A = Part no longer available

Moisture Sensing Components



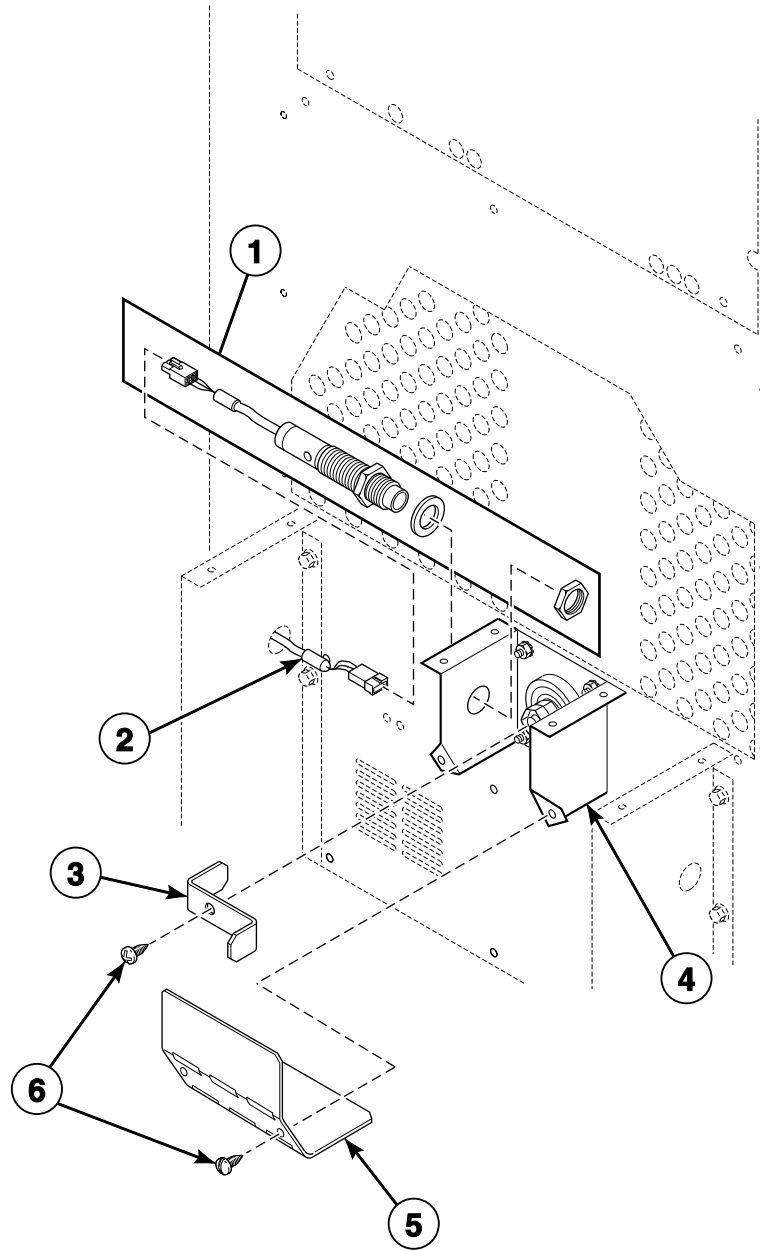
TMB3147P_70407001

Moisture Sensing Components

REF	PART NO.	DESCRIPTION	COMMENTS
1	M400035	Nut	
2	44224401	Slip Ring Holder	
3	44240201	Slip Ring Assembly	
4	70448901	Moisture Sensor Harness Assembly	

Rotation Sensor

C, D and I models

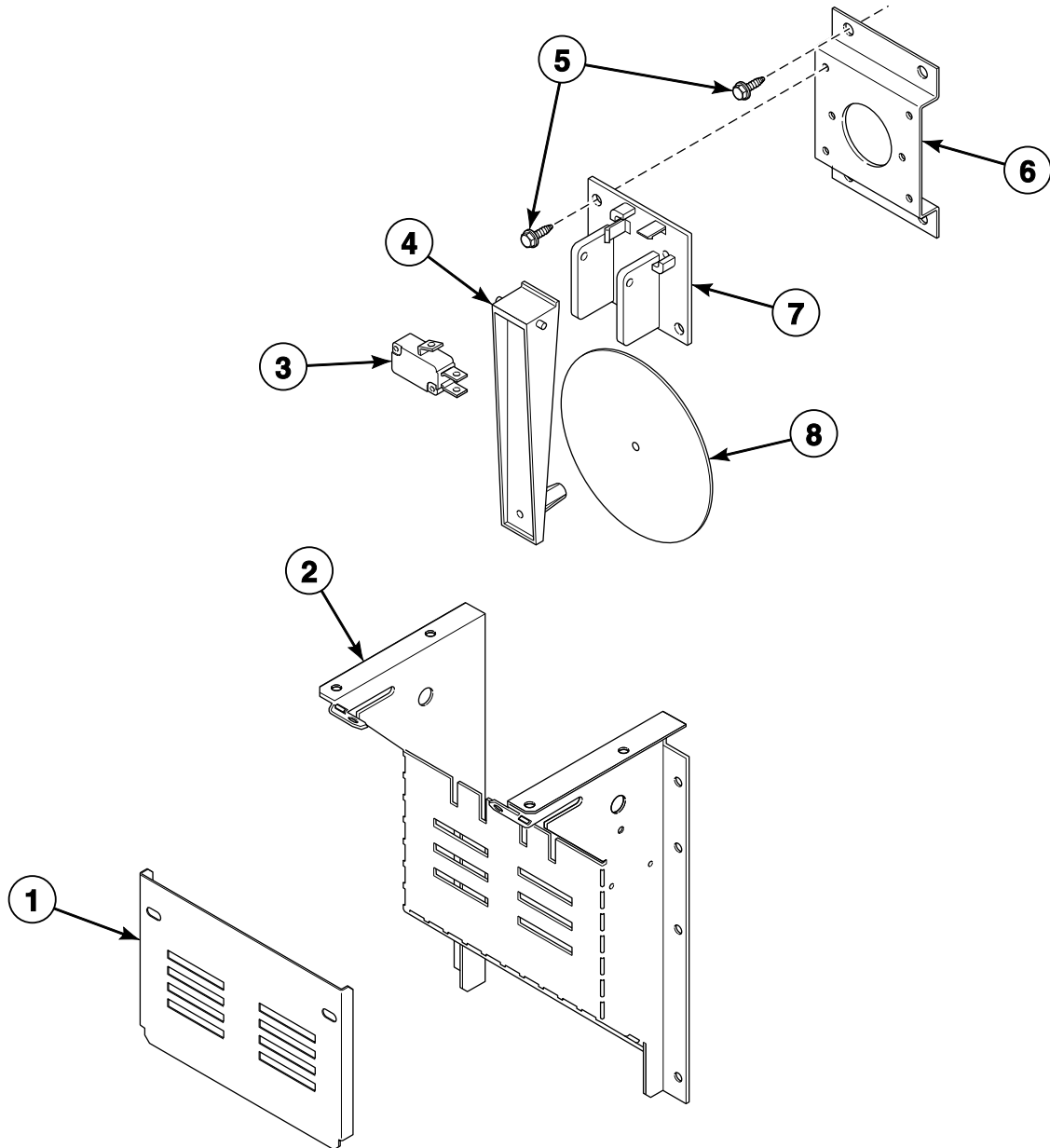


TMB2384P_70407001

Rotation Sensor

REF	PART NO.	DESCRIPTION	COMMENTS
1	70274001P	Rotation Sensor	
2	70274101	Rotation Sensor Cable Assembly	With receptacle
3	44044401	Rotation Sensor Bracket	
4	70021401	Bearing Housing Bracket	
5	44044301	Rotation Sensor Cover	
6	70153301	Screw	

Airflow Switch

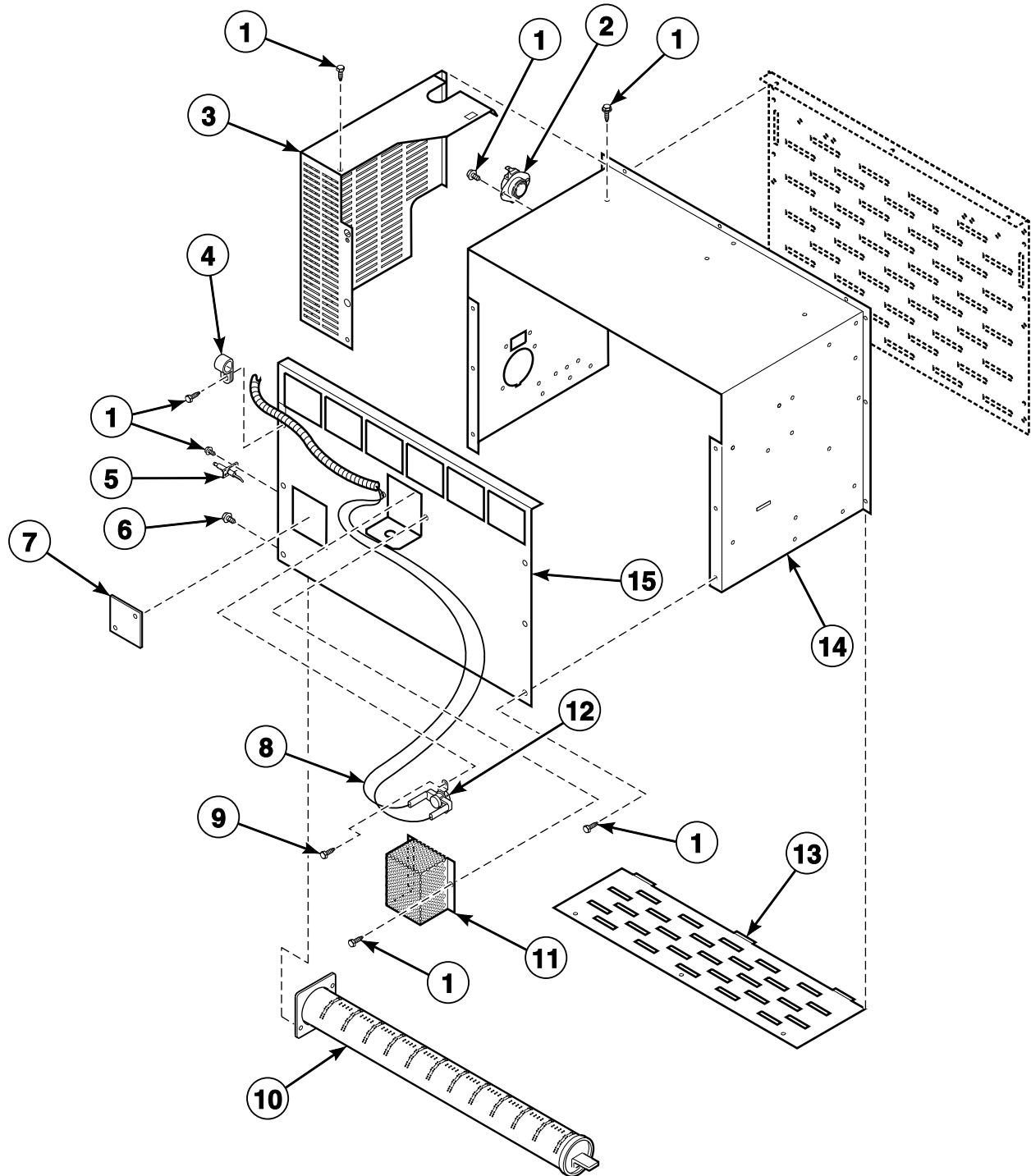


TMB3126P_70407001

Airflow Switch

REF	PART NO.	DESCRIPTION	COMMENTS
1	70356601	Airflow Switch Cover	Non-moisture sensing
	70465701	Airflow Switch Cover	Moisture sensing
2	70356101	Airflow Switch Wrapper	
3	70411901	Switch	
4	70319401	Airflow Switch Arm	
5	430497	Screw	
6	70356301	Switch Bracket	
7	70319601	Airflow Switch and Arm Bracket	
8	70319201	Airflow Switch Vane	

Gas Burner Housing and Secondary Stove Limit

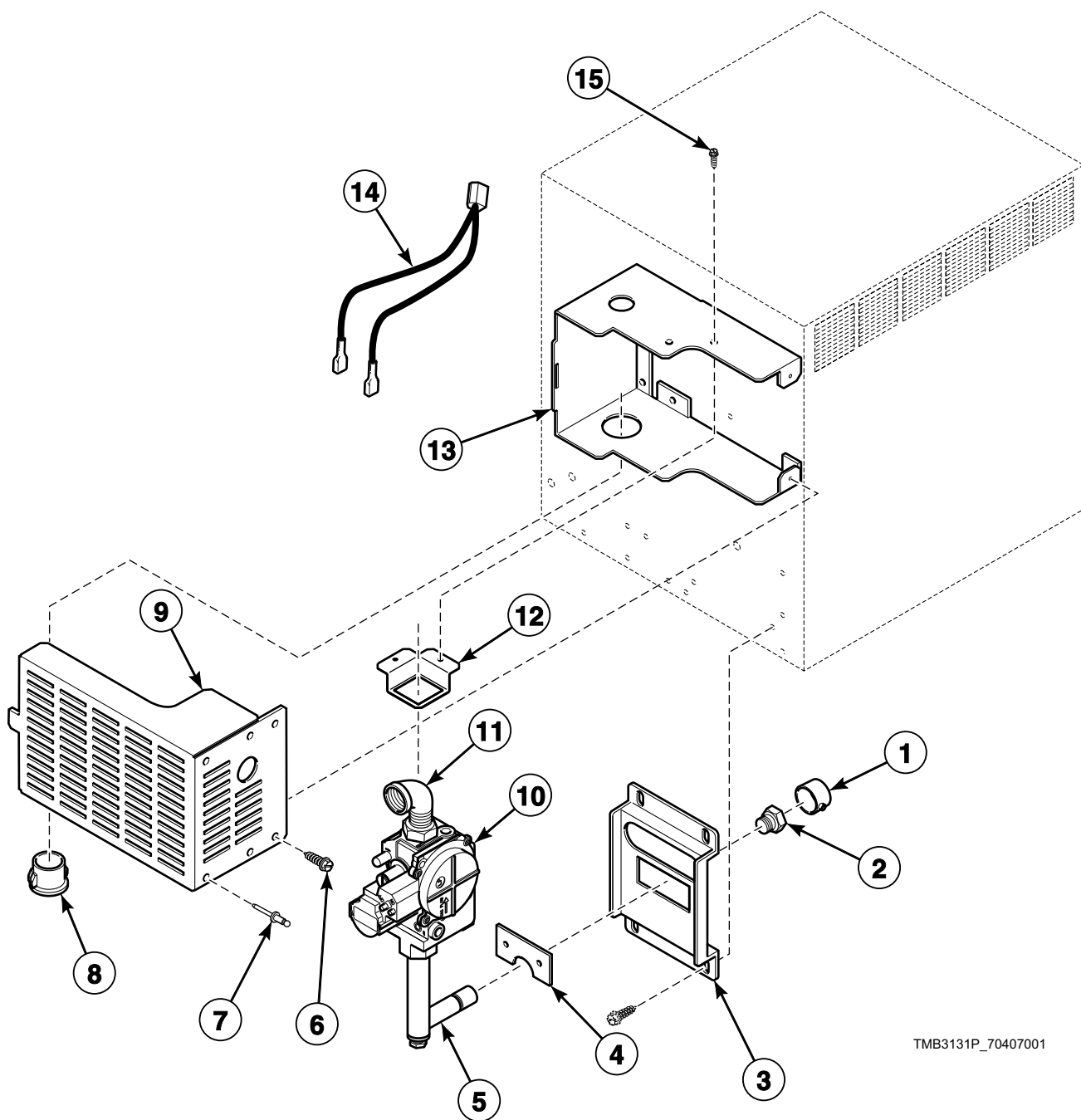


TMB2642P_70407001

Gas Burner Housing and Secondary Stove Limit

REF	PART NO.	DESCRIPTION	COMMENTS
1	430497	Screw	
2	M409219	Limit Thermostat	
3	70282401	Rear Valve Cover	
4	70203701	Pipe Clip	
5	70032801P	Spark Electrode	
6	05161	Screw	
7	70159601	Igniter Cover	
8	70316501	Stove Limit Harness	
9	M405188	Screw	2 required
10	70396201P	Gas Burner	
11	M414477	Thermostat Cover	
12	70299001	Limit Thermostat	Secondary
13	70396701	Burner Grill	
14	70396301	Stove Top and Sides	
15	70396801	Stove Back	

Gas Valve Assembly - Non-CE and Non-Australian Gas Models



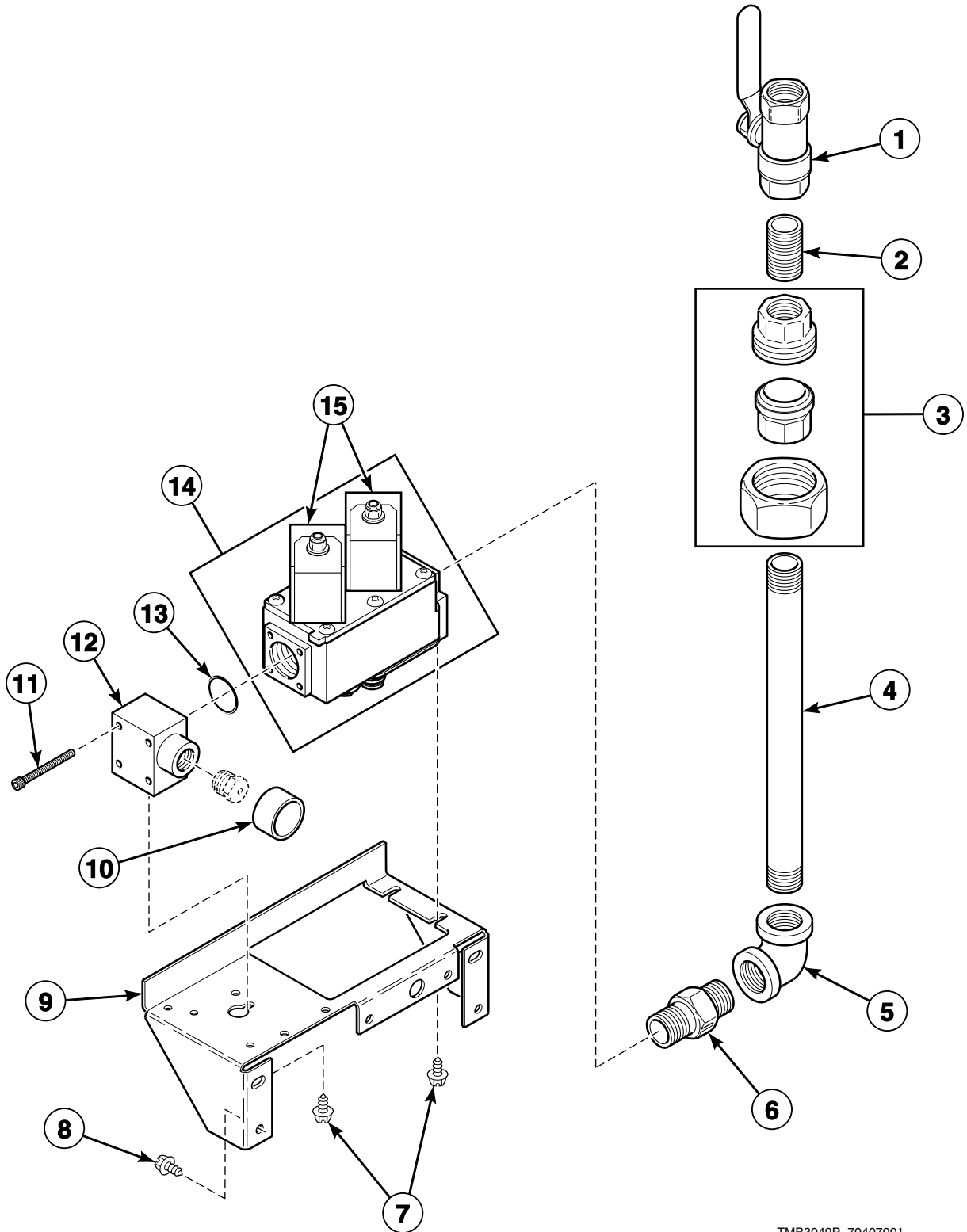
TMB3131P_70407001

Gas Valve Assembly - Non-CE and Non-Australian Gas Models

REF	PART NO.	DESCRIPTION	COMMENTS
	M4924P3	L.P. Conversion Kit	0-2,000 feet; 90,000 Btu input
	70006201	High Voltage Lead	
1	70239801	Primary Air Adjustment Sleeve	
2	M401017	Burner Orifice	Liquid Petroleum Gas (L.P.); Drill no. 31 (3.0 mm); 0-2,000 feet
	N/A	Burner Orifice	L.P.; Drill no. 32 (2.9 mm); 2,001-4,000 feet
	M401022	Burner Orifice	L.P.; Drill no. 33 (2.9 mm); 4,001-6,000 feet; 60 Hertz; Models HT055D and ST055D
	M402487	Burner Orifice	L.P.; Drill no. 35 (2.8 mm); 6,001-8,000 feet
	M411375	Burner Orifice	L.P.; Drill no. 36 (2.7 mm); 8,001-10,000 feet
	70070902	Burner Orifice	L.P.; Drill no. 7/64 (2.8 mm); 50 Hertz; Models HT055D and ST055D
	M402982	Burner Orifice	Natural Gas (N.G.); Drill no. 8 (5.1 mm); 0-2,000 feet
	M402994	Burner Orifice	N.G.; Drill no. 10 (4.9 mm); 2,001-4,000 feet
	M411372	Burner Orifice	N.G.; Drill no. 12 (4.8 mm); 4,001-6,000 feet
	M411371	Burner Orifice	N.G.; Drill no. 14 (4.6 mm); 6,001-8,000 feet
	M411373	Burner Orifice	N.G.; Drill no. 16 (4.5 mm); 8,001-10,000 feet
3	70248901	Orifice Holder Bracket	
4	70249001	Orifice Keeper Bracket	
5	70435901	Orifice Adapter	
6	430497	Screw	10 required
7	70058501	Pop Rivet	
8	M400770	Snap Bushing	
9	70282401	Rear Valve Cover	
10	44154501P	Gas Valve	N.G.
	44154502P	Gas Valve	L.P.
11	H86070034	Street Elbow	
12	70451901	Valve Support Bracket	
13	70328201	Forward Valve Cover	
14	M412997	Harness Assembly	
15	430497	Screw	2 required

N/A = Part no longer available

Gas Valve and Piping - CE and Australian Gas Models



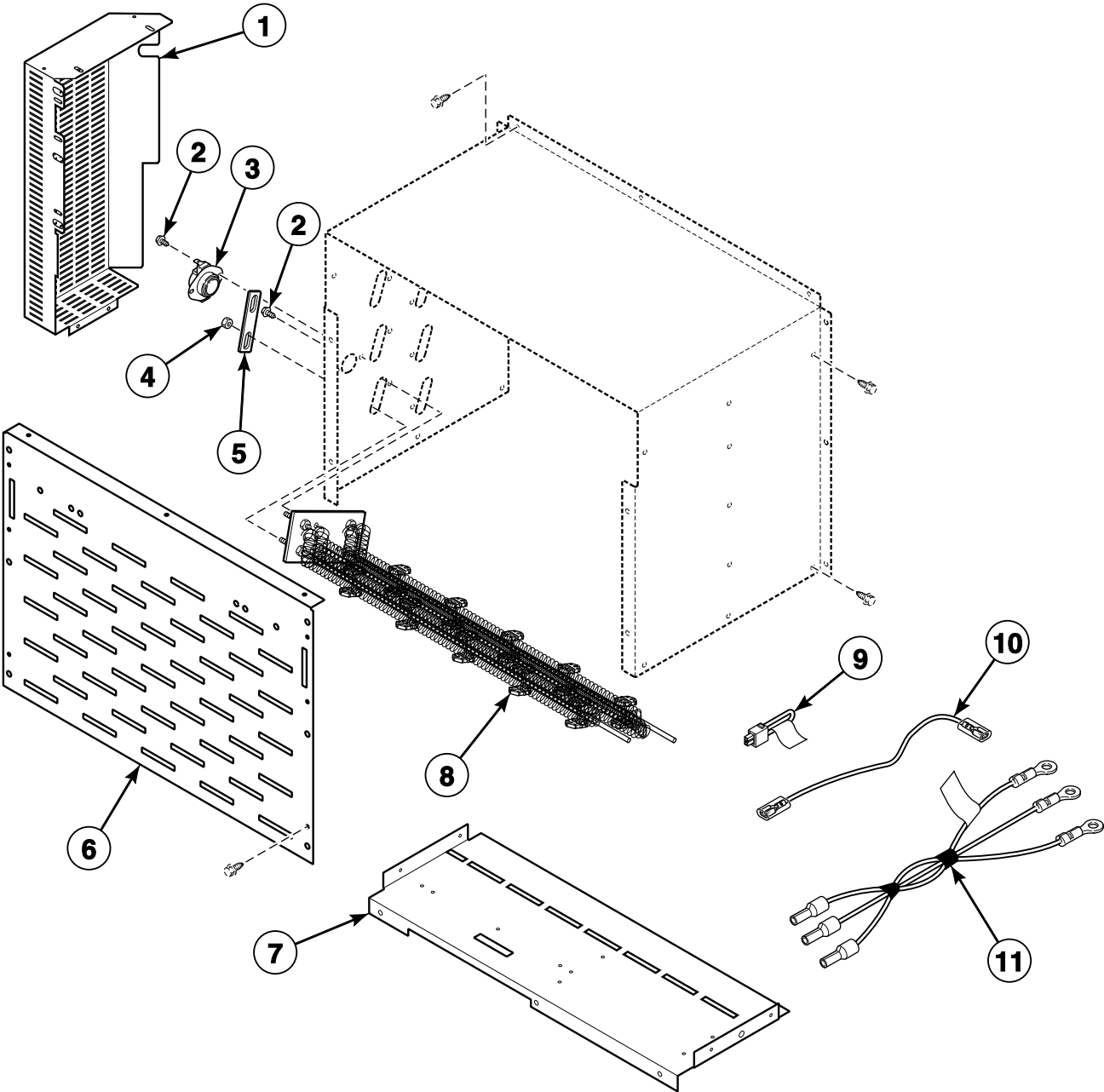
TMB3049P_70407001

Gas Valve and Piping - CE and Australian Gas Models

REF	PART NO.	DESCRIPTION	COMMENTS
1	M412562P	Gas Shut-Off Valve	Models through 1/31/10
2	901403	Pipe Nipple	1/2 NPT; Models through 1/31/10
3	H86000031	Union	Models through 1/31/10
4	70139601	Pipe Nipple	
5	70079601	Elbow	
6	70131901	Adapter	BPT/NPT
7	23222	Screw	
8	430497	Screw	
9	70233301	Gas Valve Bracket	
10	70239801	Primary Air Adjustment Sleeve	
11	431484	Screw	
12	70223501	Spud Adapter	
13	431482	O-Ring	
14	70457301P	N.G. Valve	Regulated
	70457302P	L.P. Valve	Unregulated
15	70260101	Gas Valve Coil	24 Volt

NOTE: For CE gas and orifice information, refer to Installation Manual.

Electric Heater Components

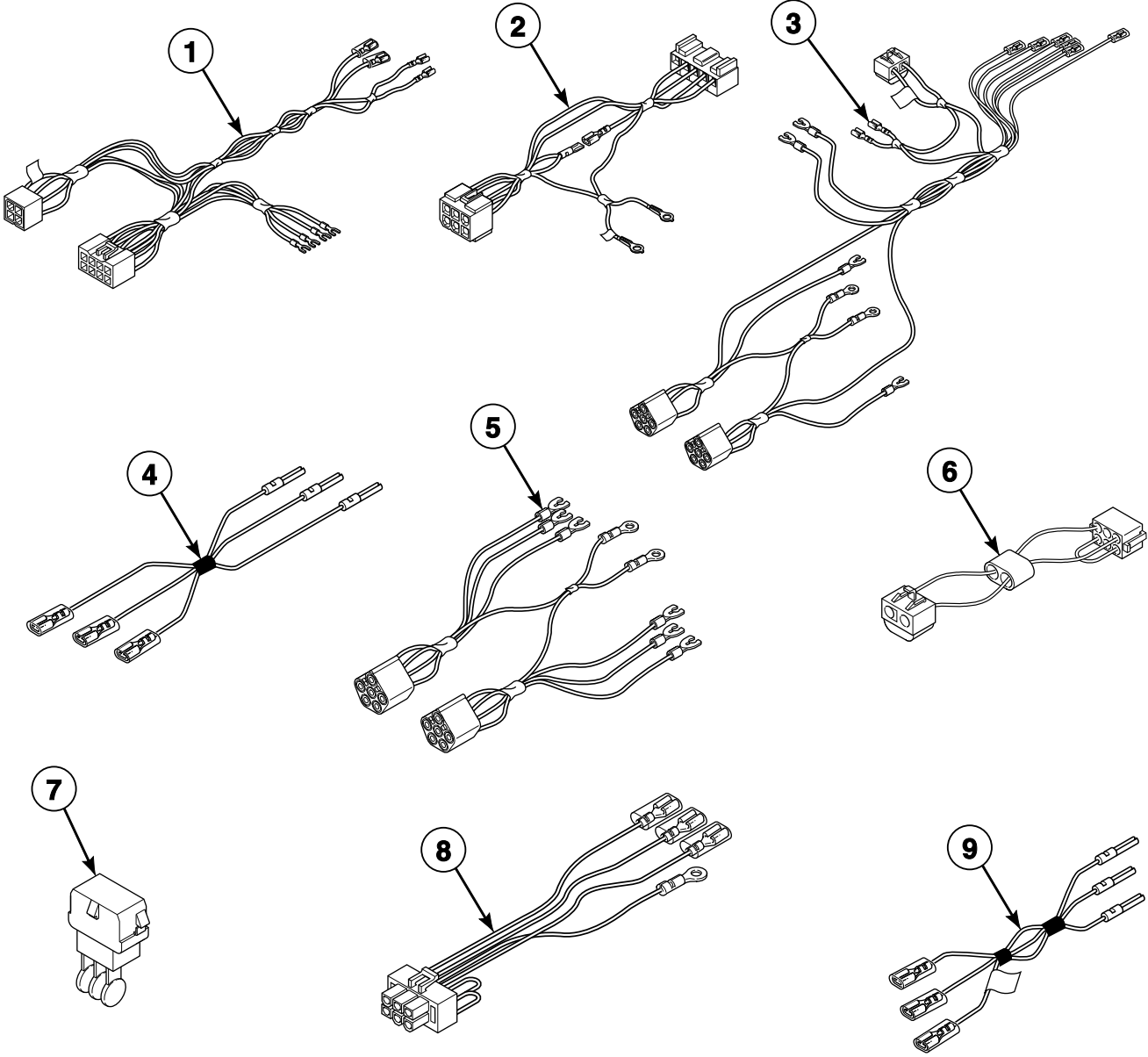


TMB3148P_70407001

Electric Heater Components

REF	PART NO.	DESCRIPTION	COMMENTS
1	70365201	Stove Connectors Cover	
2	430497	Screw	
3	M409443	Limit Thermostat	
4	70054	Nut	
5	70066501	Jumper Bar	2 required for 380, 400, 400-415 and 460-480 Volt
	M400869	Jumper Strip	3 required for 460-480 Volt models; 6 required for all other models
6	70214901	Stove Grill	
7	70357201	Stove Partition	
8	70034404P	Heater Element	3 required; 208 Volt/1 or 3 Phase, 8 kW heater element for 200-208 Volt models
	70034405P	Heater Element	3 required; 220 Volt/1 or 3 Phase, 8 kW heater element for 380 Volt models
	70034406P	Heater Element	3 required; 240 Volt/1 or 3 Phase and 415-480 Volt/3 Phase, 8 kW heater element for 230-240, 400-415 and 460-480 Volt models
9	70316601	Stove Limit Bypass Harness	
10	70066601	Jumper Wire	1 required for 460-480 Volt
11	70371301P	Cable Set Heater Assembly	H1-H3
	70371401P	Cable Set Heater Assembly	H4-H6; 240 Volt or less

Control Tray Harnesses for Gas Models

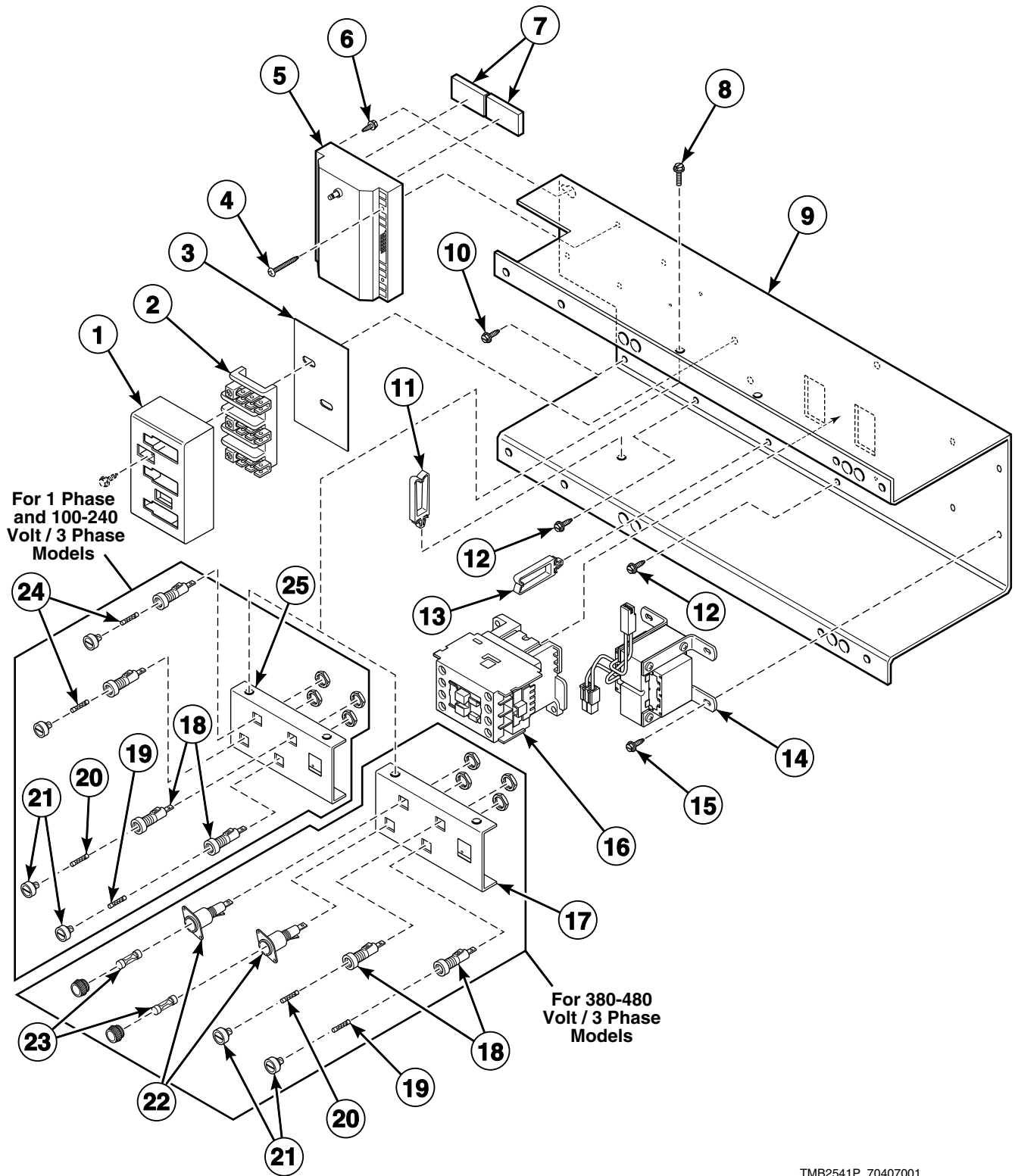


TMB2798P_70407001

Control Tray Harnesses for Gas Models

REF	PART NO.	DESCRIPTION	COMMENTS
	70006201	High Voltage Lead	
1	70315801	Junction Box Harness	
2	70316401	Ignition Control Harness	CE and Australian models
	70316301	Ignition Control Harness	All other models
3	70316101P	Power Harness	CE and Australian models through 2/28/10; 3 Phase models with less than 380 Volts
	70347701P	Power Harness	Models through 2/28/10; Contactor; 1 Phase
	70332201	Power Harness	Models through 2/28/10; 3 Phase models with 380 Volts or higher
	70439001	Power Harness	CE and Australian models starting 3/1/10; 3 Phase models with less than 380 Volts
	70445501	Power Harness	Models starting 3/1/10; Contactor; 1 Phase
	70438901	Power Harness	Models starting 3/1/10; 3 Phase models with 380 Volts or higher
4	70120901	Jumper Disconnect Assembly	CE and Australian models
5	70320201	Motor Contactor Harness	Models through 2/28/10; 3 Phase
	44142601P	Motor Contactor Harness	Models starting 3/1/10; 3 Phase
6	M413504	Jumper Harness Assembly	100 Volt
	M413505	Jumper Harness Assembly	120 Volt
	M413506	Jumper Harness Assembly	208 Volt
	M413507	Jumper Configuration Assembly	240 Volt
	M413508	Jumper Harness Assembly	380 Volt
	M413510	Jumper Configuration Assembly	480 Volt
7	M413863	Network Capacitor Assembly	3O, 3V, 3X, DO, DV, DX and OM control suffixes
8	M413878	Capacitor Network Harness Assembly	3O, 3V, 3X, DO, DV, DX and OM control suffixes
9	70342101	Gas Disconnect Harness	CE and Australian models through 2/28/10
	70440501	Gas Disconnect Harness	CE and Australian models starting 3/1/10

Control Tray for Non-CE and Non-Australian Gas Models

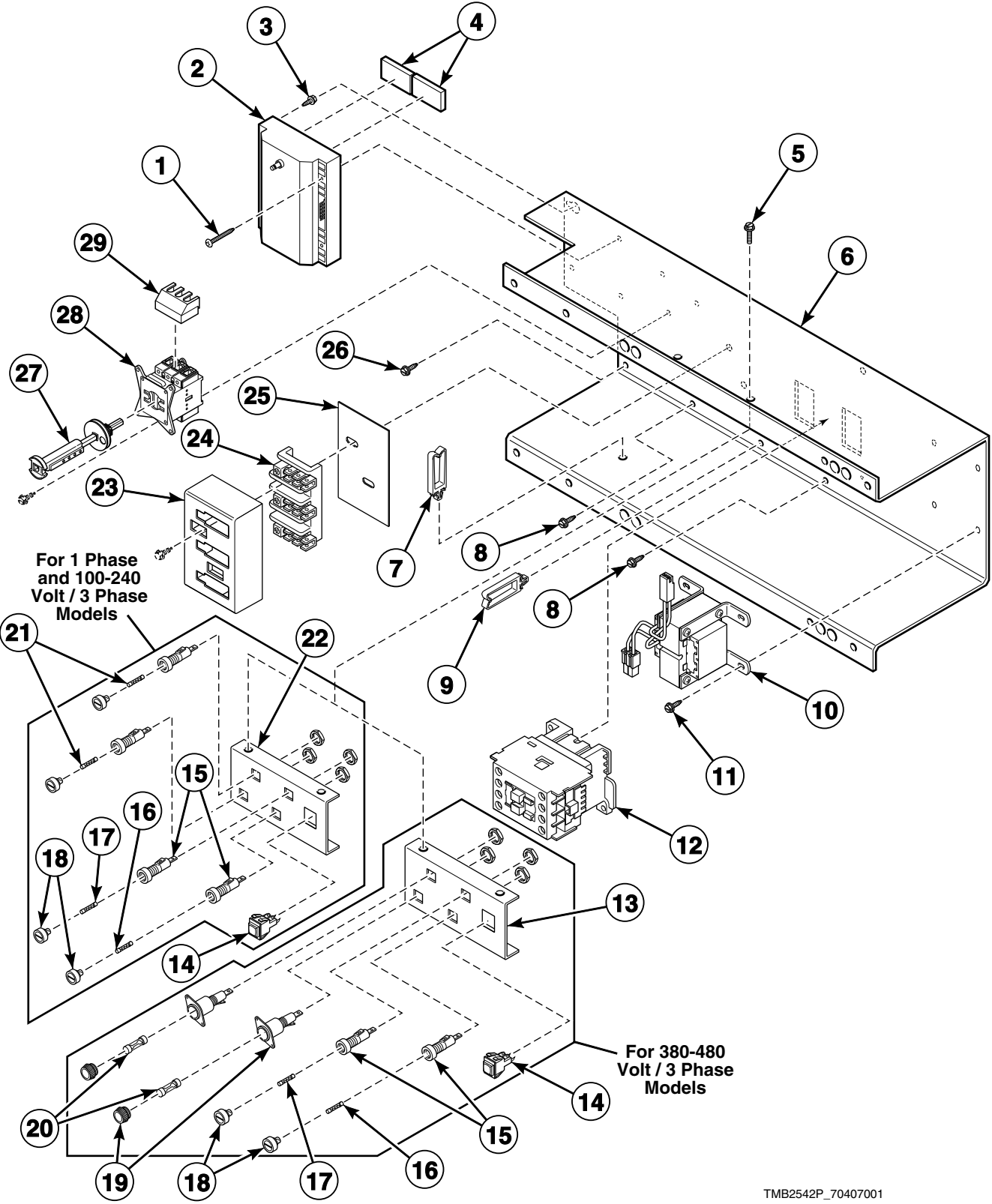


TMB2541P_70407001

Control Tray for Non-CE and Non-Australian Gas Models

REF	PART NO.	DESCRIPTION	COMMENTS
	70030501	Expansion Clip	4 required; Used on item 14
	M403047	Secure Ground Label	
	44127701	Warning Label	Extended tumble; On control tray cover
1	70333001	Terminal Block Shield	
2	430642	Terminal Block	
3	M413862	Insulator	
4	44083001	Screw	3 required
5	70367301P	Ignition Control	
6	38272	Screw	
7	56128	Bumper Pad	2 required
8	51780	Screw	2 required
9	70334601	Control Tray	
10	430497	Screw	3 required
11	70366201	Wire Clip	
12	M402917	Screw	4 required
13	36274	Wire Clip	2 required
14	M414312P	Transformer	120 Volt; Dual secondary
	M414230P	Transformer	120 Volt; Primary/secondary
	M414228P	Transformer	100-240 Volt
	M414229P	Transformer	380-480 Volt
15	M411072	Screw	4 required
16	70323701P	Contactator	
17	70313601	Fuse Bracket	380-480 Volt; Models through 2/28/10
	70313602	Fuse Bracket	380-480 Volt; Models starting 3/1/10
18	70329401P	Fuse Holder Body	Includes nuts; 3 required for 1 Phase; 4 required for 3 Phase
19	70406601	Fuse	3.5 Amp
20	70406501	Fuse	1.25 Amp
21	70329501	Fuse Holder Cap	3 required for 1 Phase and 380-480 Volt/3 Phase; 4 required for 100-240 Volt/3 Phase
22	M413544P	Fuse Holder	Includes nuts; 2 required for 380-480 Volt; Models through 2/28/10
	44155601	Fuse Holder	2 required for 380-480 Volt; Models starting 3/1/10
23	M413621	Fuse	2 required for 380-480 Volt; 0.5 Amp
24	70406701	Fuse	2 Amp; 100-240 Volt
25	70306901	Fuse Bracket	100-240 Volt

Control Tray Components for CE and Australian Gas Models

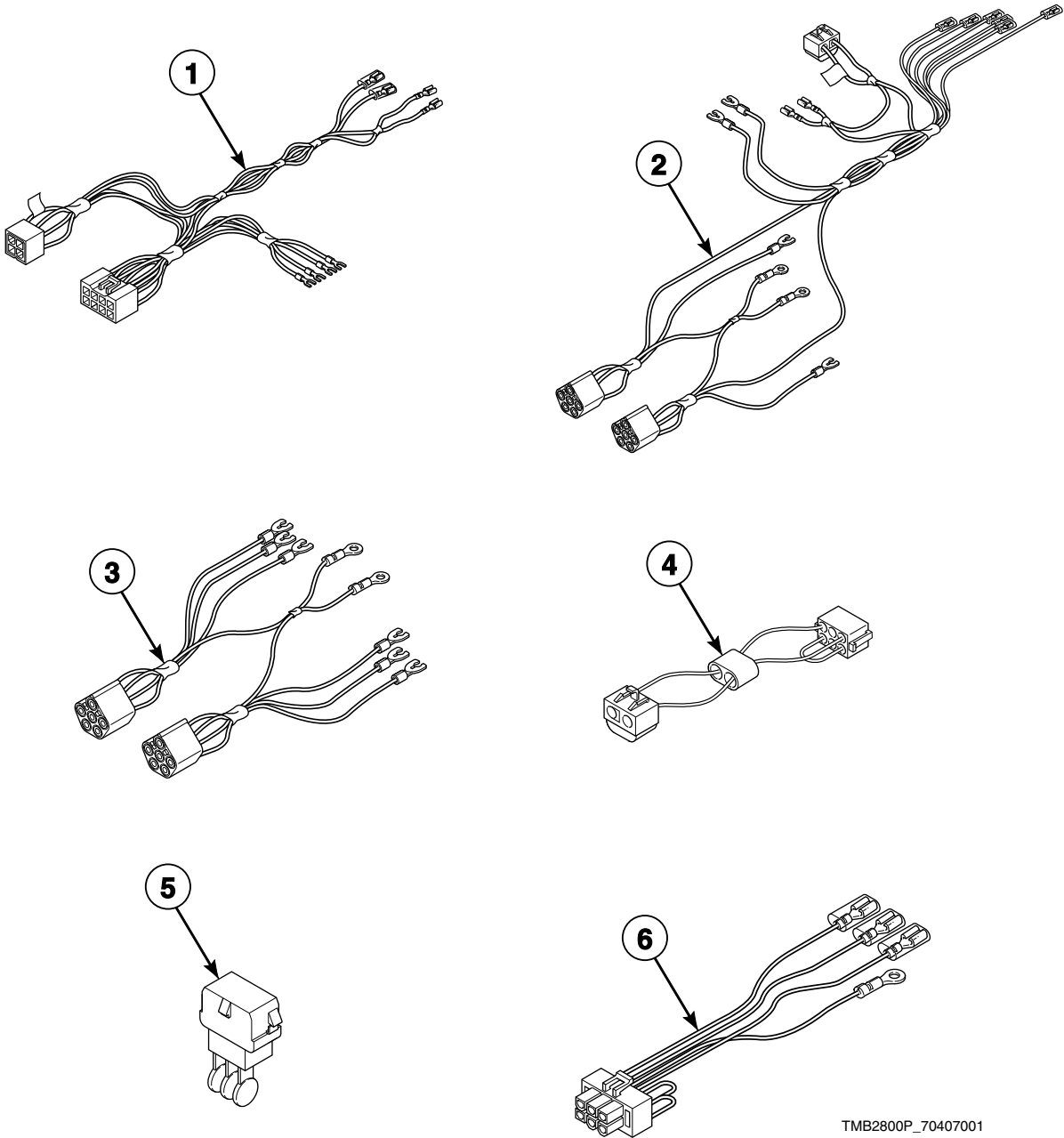


TMB2542P_70407001

Control Tray Components for CE and Australian Gas Models

REF	PART NO.	DESCRIPTION	COMMENTS
	70030501	Expansion Clip	4 required
	M403047	Secure Ground Label	
	51782	Screw	2 required
	501086	Screw	4 required for item 19
	70411001	ICM Reset Label	
	M412096	Earth Terminal Sticker	
	44127701	Warning Label	Extended tumble; On control tray cover
1	44083001	Screw	3 required
2	70367401P	Ignition Control	24 Volt
3	38272	Screw	
4	56128	Bumper Pad	2 required
5	51780	Screw	2 required
6	70334601	Control Tray	
7	70366201	Wire Clip	
8	M402917	Screw	
9	36274	Wire Clip	2 required
10	M414229P	Transformer	380-480 Volt
	M414228P	Transformer	100-240 Volt
11	M411072	Screw	4 required
12	70323701P	Contactora	
13	70313601	Fuse Bracket	380-480 Volt; Models through 2/28/10
	70313602	Fuse Bracket	380-480 Volt; Models starting 3/1/10
14	M413431	Pushbutton Switch	
15	70329401P	Fuse Holder Body	Includes nuts; 3 required for 1 Phase; 4 required for 3 Phase models with less than 380 Volts; 2 required for 3 Phase models with 380 Volts or higher
16	70406601	Fuse	3.5 Amp
17	70406501	Fuse	1.25 Amp
18	70329501	Fuse Holder Cap	3 required for 1 Phase; 4 required for 3 Phase models with less than 380 Volts; 2 required for 3 Phase models with 380 Volts or higher
19	M413544P	Fuse Holder	Includes nuts; 2 required for 380-480 Volt; Models through 2/28/10
	44155601	Fuse Holder	2 required for 380-480 Volt; Models starting 3/1/10
20	M413621	Fuse	2 required for 380-415 Volt; 0.5 Amp
21	70406701	Fuse	1 required for 1 Phase; 2 required for 3 Phase; 2 Amp
22	70306901	Fuse Bracket	100-240 Volt
23	70333001	Terminal Block Shield	
24	430642	Terminal Block	
25	M413862	Insulator	
26	430497	Screw	
27	70342501P	Extension Handle	Models through 7/31/11
28	M412187P	Mounting Switch Base	Models through 7/31/11
29	M412366	Finger Guard	Models through 7/31/11

Control Tray Harnesses for Electric Models

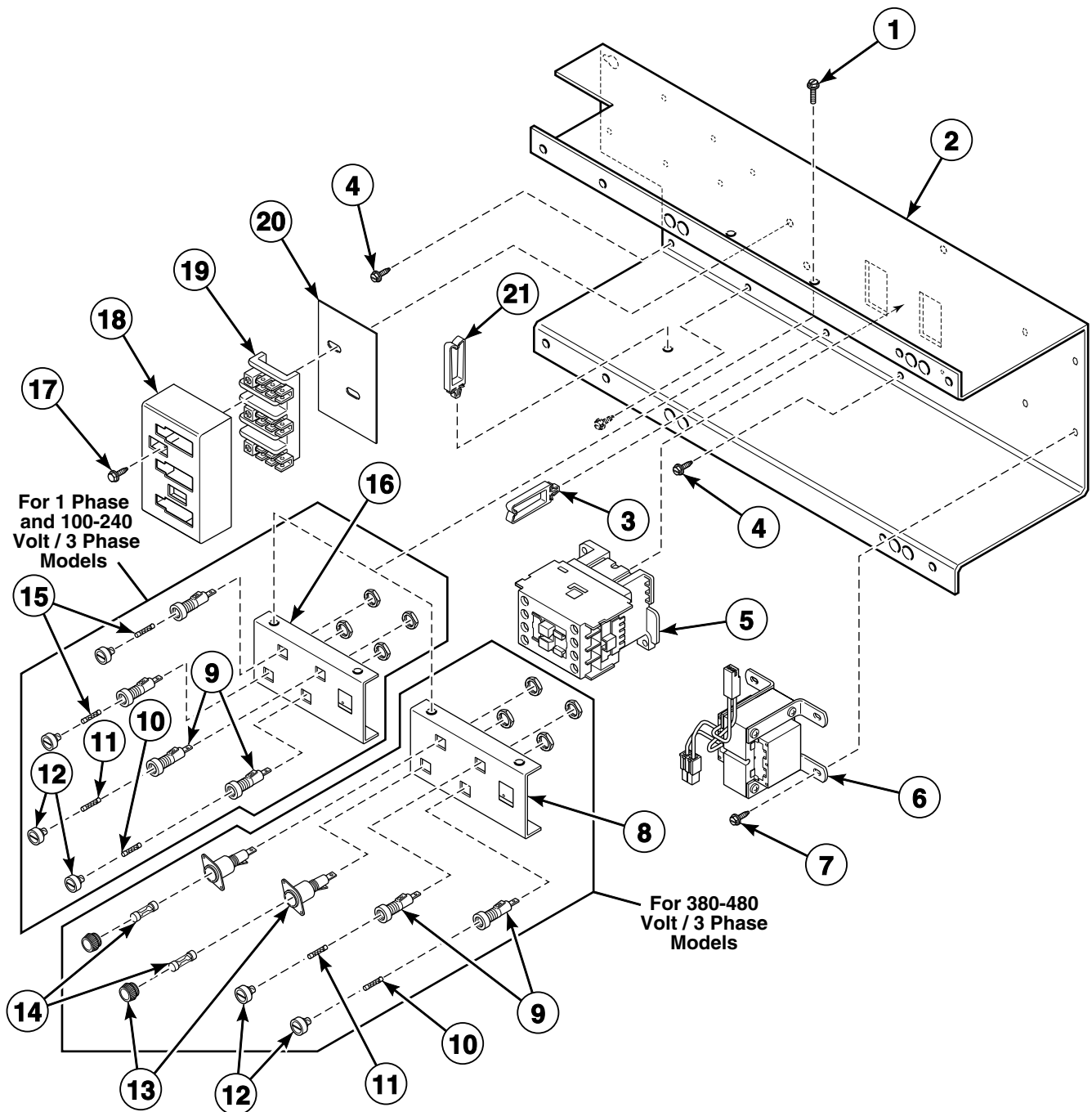


TMB2800P_70407001

Control Tray Harnesses for Electric Models

REF	PART NO.	DESCRIPTION	COMMENTS
1	70315801	Junction Box Harness	Dual secondary
2	70347701P	Power Harness	Models through 2/28/10; 1 Phase; Contactor
	70316101P	Power Harness	Models through 2/28/10; 3 Phase models with less than 380 Volts
	70332201	Power Harness	Models through 2/28/10; 3 Phase models with 380 Volts or higher
	70445501	Power Harness	Models starting 3/1/10; 1 Phase; Contactor
	70439001	Power Harness	Models starting 3/1/10; 3 Phase models with less than 380 Volts
	70438901	Power Harness	Models starting 3/1/10; 3 Phase models with 380 Volts or higher
3	70320201	Motor Contactor Harness	Models through 2/28/10; 3 Phase
	44142601P	Motor Contactor Harness	Models starting 3/1/10; 3 Phase
4	M413505	Jumper Harness Assembly	120 Volt
	M413506	Jumper Harness Assembly	208 Volt
	M413507	Jumper Configuration Assembly	240 Volt
	M413508	Jumper Harness Assembly	380 Volt
	M413509	Jumper Harness Assembly	415 Volt
	M413510	Jumper Configuration Assembly	480 Volt
5	M413863	Network Capacitor Assembly	3V, 3X, DO, DV, DX and OM control suffixes
6	M413878	Capacitor Network Harness Assembly	3V, 3X, DO, DV, DX and OM control suffixes

Control Tray for Non-CE Electric Models

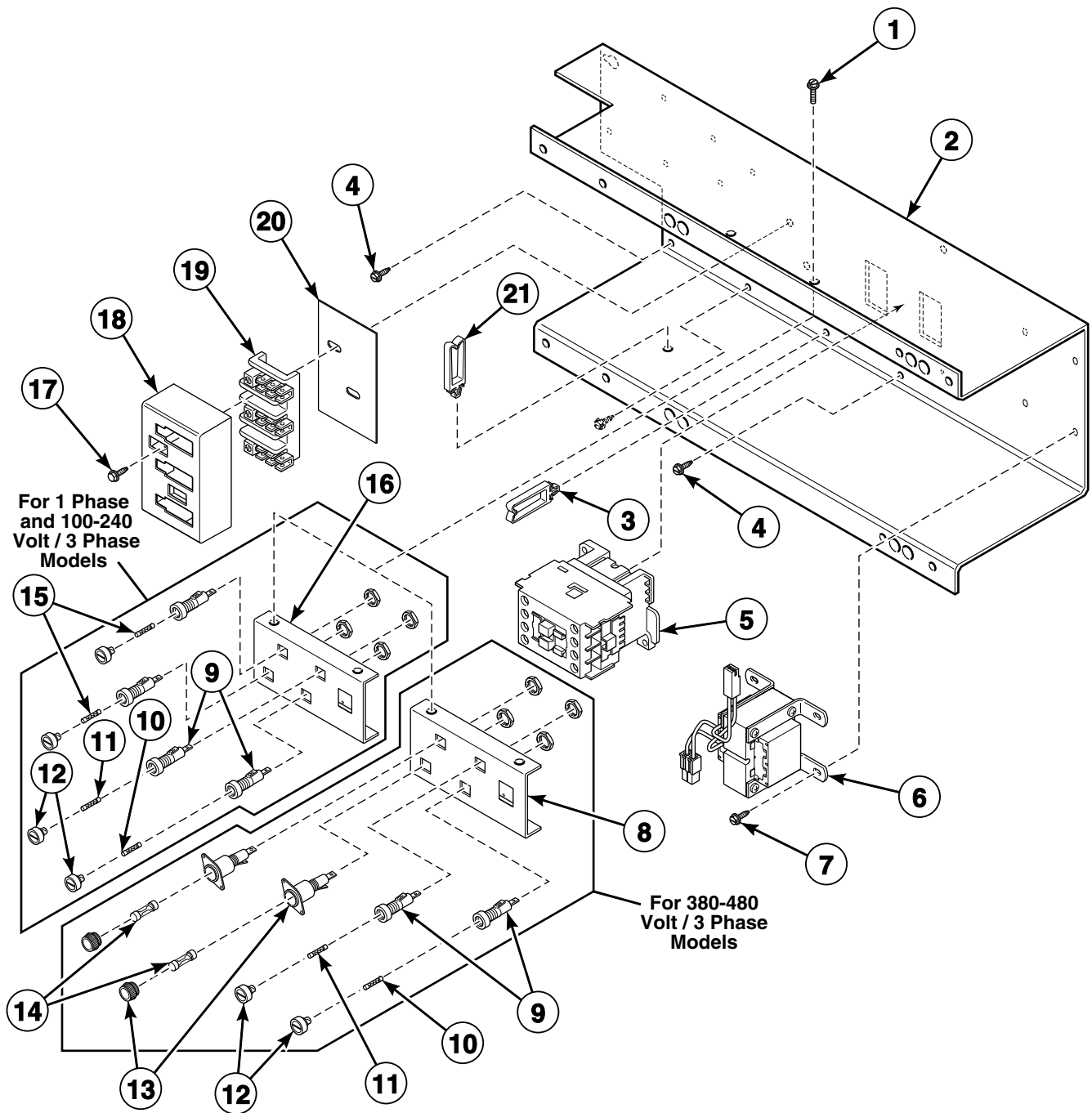


TMB2543PA_70407001

Control Tray for Non-CE Electric Models

REF	PART NO.	DESCRIPTION	COMMENTS
	70030501	Expansion Clip	4 required
	501086	Screw	4 required for item 13
	44127701	Warning Label	Extended tumble; On control tray cover
1	51780	Screw	2 required
2	70334601	Control Tray	
3	36274	Wire Clip	2 required
4	430497	Screw	
5	70323701P	Contactator	
6	M414228P	Transformer	100-240 Volt
	M414229P	Transformer	380-480 Volt
	M414230P	Transformer	120 Volt; Primary/secondary
	M414312P	Transformer	120 Volt; Dual secondary
7	M411072	Screw	4 required
8	70313601	Fuse Bracket	380-480 Volt; Models through 2/28/10
	70313602	Fuse Bracket	380-480 Volt; Models starting 3/1/10
9	70329401P	Fuse Holder Body	Includes nuts; 3 required for 1 Phase models; 4 required for 3 Phase models with less than 380 Volts; 2 required for 3 Phase models with 380 Volts or higher
10	70406601	Fuse	3.5 Amp
11	70406501	Fuse	1.25 Amp
12	70329501	Fuse Holder Cap	3 required for 1 Phase models; 4 required for 3 Phase models with less than 380 Volts; 2 required for 3 Phase models with 380 Volts or higher
13	M413544P	Fuse Holder	Includes nuts; 2 required for 380-480 Volt; Models through 2/28/10
	44155601	Fuse Holder	2 required for 380-480 Volt; Models starting 3/1/10
14	M413621	Fuse	2 required for 380-480 Volt/3 Phase models; 0.5 Amp
15	70406701	Fuse	1 required for 1 Phase models; 2 required for 100-240 Volt/3 Phase; 2 Amp
16	70306901	Fuse Bracket	
17	44083001	Screw	2 required
18	70333001	Terminal Block Shield	
19	430642	Terminal Block	
20	M413862	Insulator	
21	70366201	Wire Clip	

Control Tray for CE Electric Models

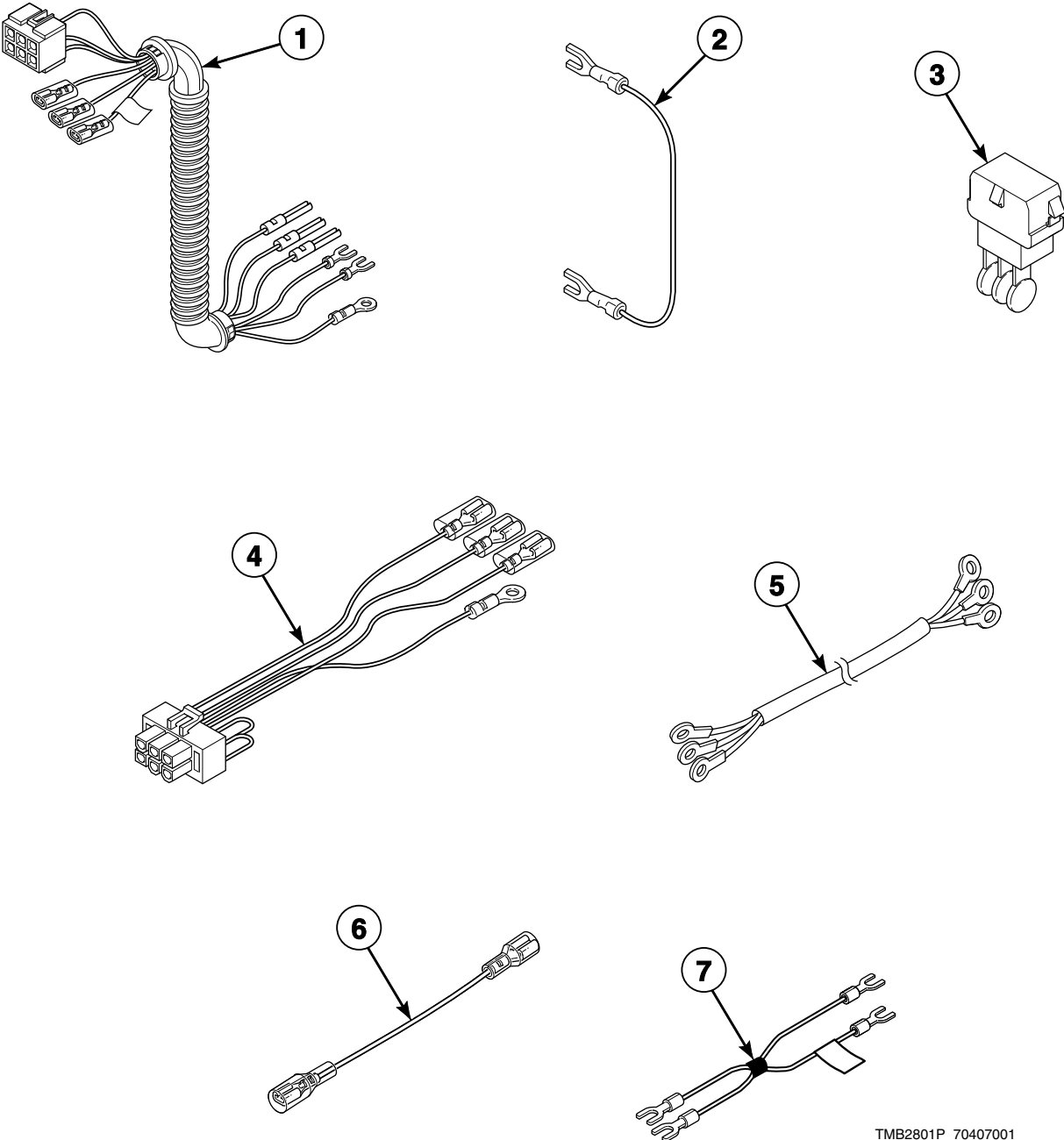


TMB2543PA_70407001

Control Tray for CE Electric Models

REF	PART NO.	DESCRIPTION	COMMENTS
	70030501	Expansion Clip	4 required
	501086	Screw	4 required for 380 Volt and higher
	44127701	Warning Label	Extended tumble; On control tray cover
	M412096	Earth Terminal Sticker	
1	51780	Screw	2 required
2	70334601	Control Tray	
3	36274	Wire Clip	2 required
4	430497	Screw	
5	70323701P	Contactors	24 Volt
6	M414228P	Transformer	100-240 Volt
	M414312P	Transformer	120 Volt; Dual secondary
	M414230P	Transformer	120 Volt; Primary/secondary
	M414229P	Transformer	380-480 Volt
7	M411072	Screw	4 required
8	70313601	Fuse Bracket	380-480 Volt; Models through 2/28/10
	70313602	Fuse Bracket	380-480 Volt; Models starting 3/1/10
9	70329401P	Fuse Holder Body	Includes nuts; 3 required for 1 Phase; 4 required for 3 Phase models with 240 Volt and lower; 2 required for 3 Phase models with 380 Volt and higher
10	70406601	Fuse	3.5 Amp
11	70406501	Fuse	1.25 Amp
12	70329501	Fuse Holder Cap	3 required for 1 Phase; 4 required for 3 Phase models with 240 Volt and lower; 2 required for 3 Phase models with 380 Volt and higher
13	M413544P	Fuse Holder	Includes nuts; 2 required for 380-480 Volt; Models through 2/28/10
	44155601	Fuse Holder	2 required for 380-480 Volt; Models starting 3/1/10
14	M413621	Fuse	2 required for 380-480 Volt; 0.5 Amp
15	70406701	Fuse	1 required for 1 Phase; 2 required for 3 Phase models with 240 Volt and lower; 2 Amp
16	70306901	Fuse Bracket	100-240 Volt
17	44083001	Screw	2 required
18	70333001	Terminal Block Shield	
19	430642	Terminal Block	
20	M413862	Insulator	
21	70366201	Wire Clip	2 required

Accessory Box Harnesses for Electric Models

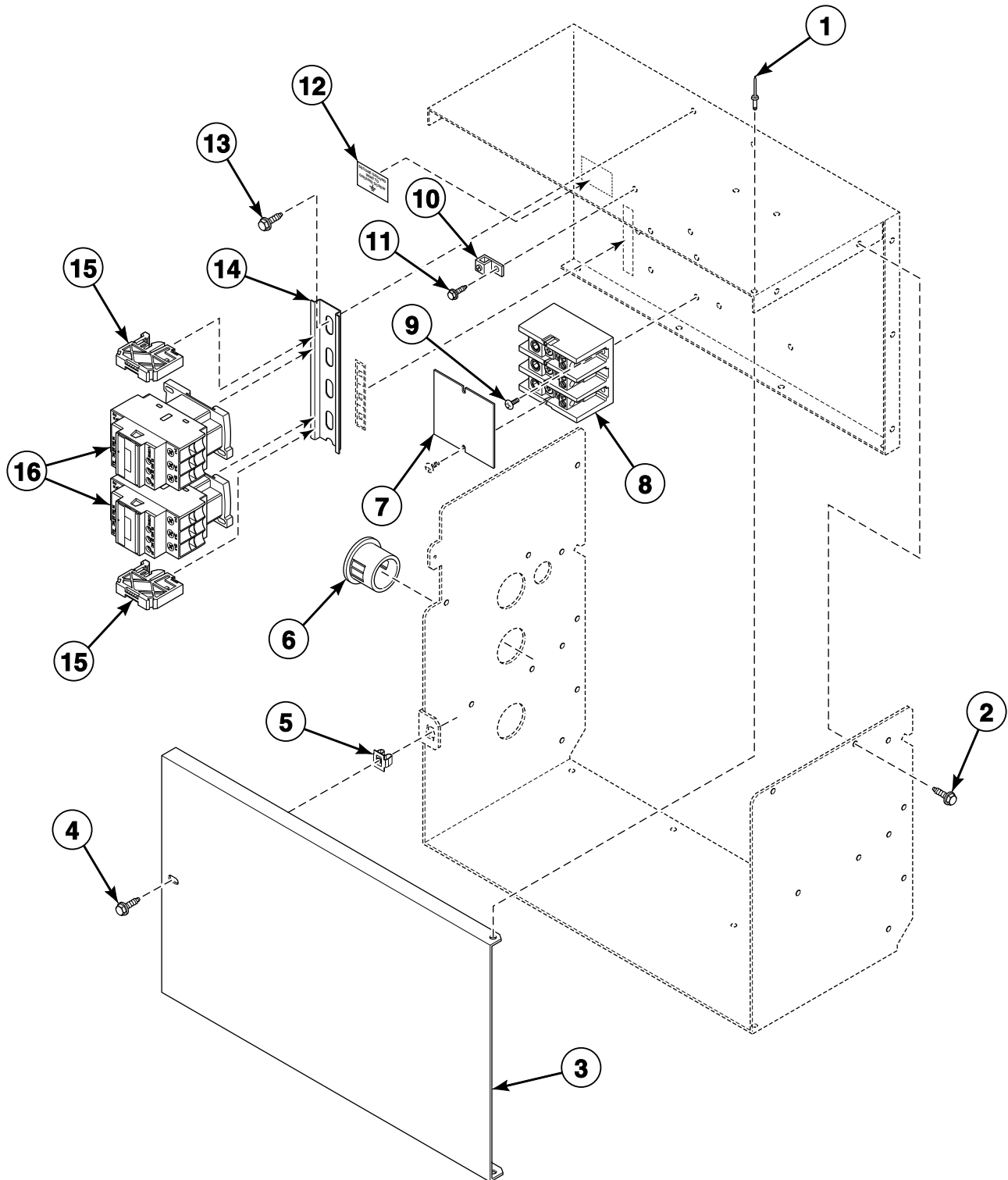


TMB2801P_70407001

Accessory Box Harnesses for Electric Models

REF	PART NO.	DESCRIPTION	COMMENTS
1	70335501P	Electric Power Buss Harness	Models through 2/28/10
	70439601	Electric Power Buss Harness	Models starting 3/1/10
2	M413933	Jumper Cable Assembly	Non-CE models; 8 gauge; 7.5 inches; 2 required for 1 Phase; 3 required for 3 Phase
	M413934	Jumper Cable Assembly	8 gauge; 8 inches; 1 required for 1 Phase; 3 required for 3 Phase
	M414121	Jumper Cable Assembly	CE models; 8 gauge; 6.75 inches; 6 required for 3 Phase models with less than 380 Volts
3	M413863	Network Capacitor Assembly	3O, 3V, 3X, DO, DV, DX and OM control suffixes
4	70286501	Capacitor Network Harness Assembly	3O, 3V, 3X, DO, DV, DX and OM control suffixes
5	70371301P	Cable Set Heater Assembly	H1-H3
	70371401P	Cable Set Heater Assembly	H4-H6; Models with less than 380 Volts
6	70139001	Jumper Assembly	Non-CE models; 8 gauge; 10 inches; 2 required for 1 Phase; 3 required for 3 Phase models with less than 380 Volts
	70139101	Jumper Assembly	Non-CE models; 8 gauge; 11 inches; 1 Phase
	70138801	Jumper Assembly	CE models; 6 gauge; 8 inches; 3 required for 3 Phase
	70138901	Jumper Assembly	CE models; 2 gauge; 7.5 inches; 2 required for 1 Phase
	44014601	Jumper Wire	CE models; 8 gauge; 6.25 inches; 3 required for 3 Phase models with less than 380 Volts
	44014701	Jumper Wire	CE models; 8 gauge; 10.5 inches; 2 required for 1 Phase; 3 required for 3 Phase models with less than 380 Volts
7	70355801P	Electric Contactor Jumper Set	Models with less than 380 Volts
		Harness	

Accessory Box for Non-CE Electric Models

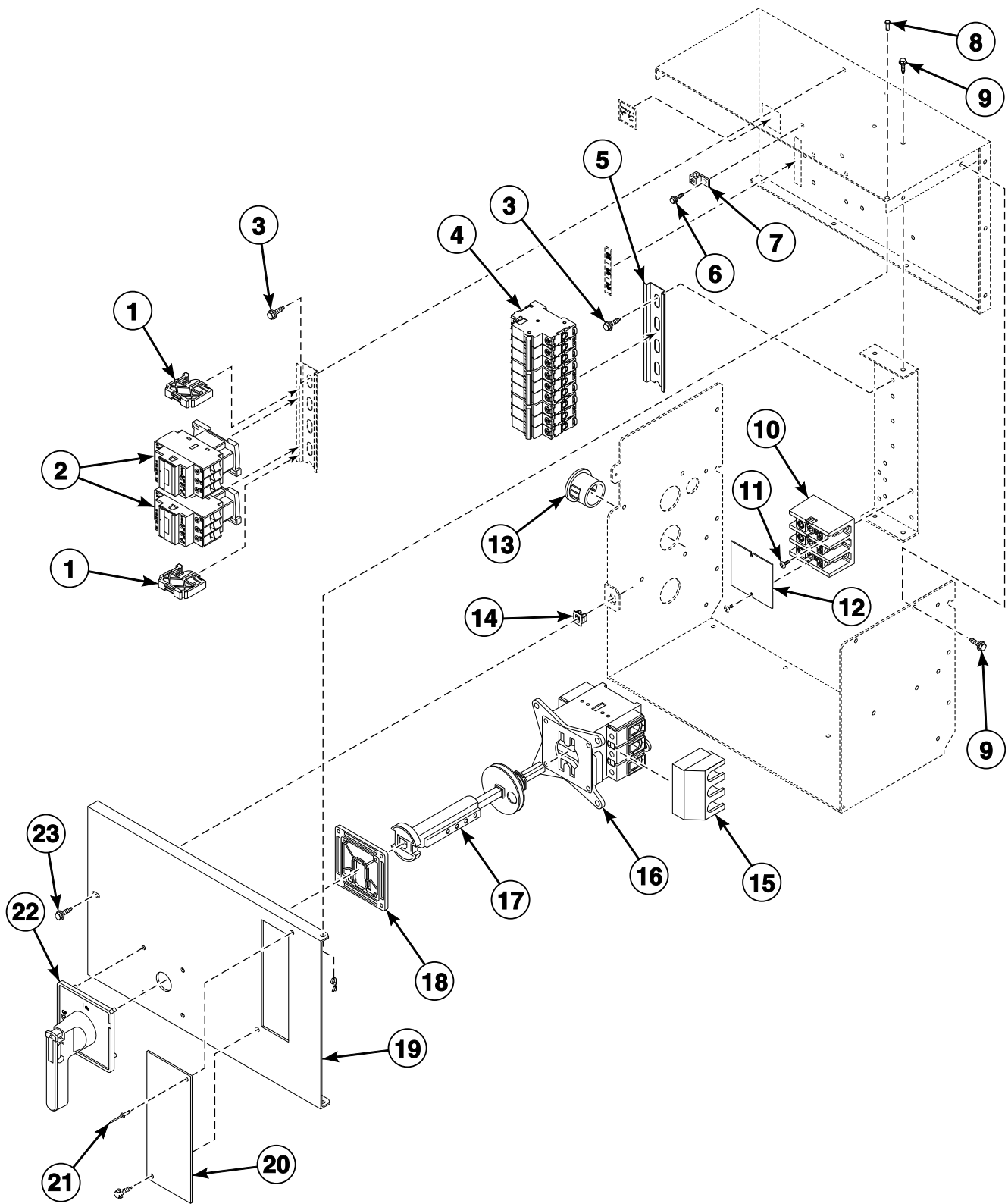


TMB2538P_70407001

Accessory Box for Non-CE Electric Models

REF	PART NO.	DESCRIPTION	COMMENTS
	M413930P	Ferrite Core Assembly	3V, 3X, DO, DV, DX and OM control suffixes
	44127701	Warning Label	Extended tumble; Use on item 3
1	70058502	Pop Rivet	2 required
2	430497	Screw	11 required
3	70358401	Accessory Box Cover	
4	33562	Screw	
5	70030501	Expansion Clip	
6	M402542	Snap Bushing	2 required
7	44014901P	Power Distribution Block Cover	
8	M413865	Terminal Block	3 pole
9	39733	Screw	6 required
10	M411283	Ground Lug Connector	
11	M402917	Screw	
12	M403047	Secure Ground Label	
13	51780	Screw	6 required
14	70366001	Din Rail	
15	M412615	End Stop	2 required
16	70343301P	Contactator	2 required for models with less than 380 Volts; 1 required for models with 380 Volts or more

Accessory Box for CE Electric Models



TMB2539P_70407001

Accessory Box for CE Electric Models

REF	PART NO.	DESCRIPTION	COMMENTS
	M413930P	Ferrite Core Assembly	3O, 3V, 3X, DO, DV, DX and OM control suffixes
	44127701	Warning Label	Extended tumble; Use on access cover
1	70121001	End Stop	2 required
2	70343301P	Contacto	2 required
3	51780	Screw	14 required
4	M412401	Circuit Breaker	1 Phase
	M412407P	Circuit Breaker	3 Phase
	M412408P	Circuit Breaker	1 required for 1 Phase; 2 required for 3 Phase
5	M412693	Din Rail	
6	M402917	Screw	
7	M411283	Ground Lug Connector	
8	70058502	Pop Rivet	2 required
9	430497	Screw	11 required
10	M413865	Terminal Block	3 pole
11	39733	Screw	4 required
12	44014901P	Power Distribution Block Cover	
13	M402542	Snap Bushing	2 required
14	70030501	Expansion Clip	
15	M412367	Finger Guard	Models through 7/31/11
16	M412186	Mounting Switch Base	Models through 7/31/11
17	M412371P	Extension Handle	Models through 7/31/11
18	M412369	Door Interlock	Models through 7/31/11
19	70358402	Accessory Box Cover	
20	70133901	Electrical Box Access Cover	
21	70058501	Pop Rivet	2 required
22	70268001	Handle	Models through 7/31/11
23	33562	Screw	3 required

Parts Index

A

Access Panel Trim	
70399406	49
70399408	49
Accessory Box Cover	
70358401	95
70358402	97
Adapter	
70131901	77
Adjustable Buzzer	
505447	19
Airflow Switch and Arm Bracket	
70319601	71
Airflow Switch Arm	
70319401	71
Airflow Switch Cover	
70356601	71
70465701	71
Airflow Switch Vane	
70319201	71
Airflow Switch Wrapper	
70356101	71

B

Bearing Housing Bracket	
70021401	69
Belt	
70276204P	63
Belt Tension Tool Kit	
M4853P3	63
Blower Assembly	
70302201P	65
Blower Motor	
70297901P	65
70342601P	65
70401401	65
Blower Motor Mounting Plate	
70380801	65
Bolt	
70062401	63
Bracket	
44065901	61
Bumper Pad	
56128	83, 85
Burner Grill	
70396701	73
Burner Orifice	
M401017	75
M401022	75
M402487	75
M402982	75
M402994	75
M411371	75
M411372	75
M411373	75
M411375	75
70070902	75

Buzzer Kit	
M4860P3	15
Bypass Harness	
70364103	15, 21, 25, 35

C

Cable Set Heater Assembly	
70371301P	79, 93
70371401P	79, 93
Cam and Hinge Kit	
M4772P3	45
M4773P3	45
Capacitor Network Harness Assembly	
M413878	81, 87
70286501	93
Card Reader and Bracket Assembly	
510068P	31
Card Reader Harness Assembly	
70211801	31
Card Reader Network Harness Assembly	
70206601	31
Card Reader Overlay	
70334201	25
70334301	25
Center Cylinder Seal	
70066005	55
Center Pan	
70376701	57
Center Partition	
70376801	57
Circuit Board Support	
501523	61
Circuit Breaker	
M412401	97
M412407P	97
M412408P	97
Coin Chute Assembly	
70296401	49
Coin Cover Overlay	
70246301	23
Coin Drop	
38963P	27
70256402P	27
70429001	27
70441601P	27
Coin Drop Assembly	
210195	27
210196	27
38462P	27
38463	27
38464P	27
38467	27
38472	27
38475	27
38519	27
38521	27
39157	27
44039701P	19
44039702	19
44039703	19

N/A items do not appear in index.

44039704	19	Control Overlay	
44039705	19	44194801	33
44039706	19	70410001	33
44039707	19	70410002	33
70441602	27	70449501	33
70447301	27	Control Panel	
70471601	27	70376001*	47
Coin Drop Kit		70376002	47
CK077	27	70376003*	47
Coin Drop Overlay		70376004	47
39564	23	70417101B	47
Coin Identification Paper		70417101*	47
38725	27	70417102	47
Coin Vault Assembly		70417103*	47
70180101	49	70417104	47
Coin Vault Switch Harness		70417105*	47
70364104P	23, 29, 33, 49	70417106	47
Coin Vault Trim		Control Panel Harness	
70117502	49	44240301	41, 43
Communication Board		70315601P	17
210095P	39	70335301P	21
Communication Connector		70367001P	15
210099	39	70368001P	25, 29, 31
Communication Wire Harness Assembly		70410401P	33, 35
800246	37	Control Panel Harness Assembly	
Contact Block		70315701	17
44018701	51	70368001P	23
Contact Block Switch		Control Plate and Studs Assembly	
F200233401	51	70440901	43
Contact Switch		Control Plate Assembly	
F8069501	51	44040901	19
Contactactor		44041001	19
70323701P	83, 85, 89, 91	70175805	21
70343301P	95, 97	70175807	23
Control		70348801	25, 31, 35
44063801P	61	70360601	15
Control Assembly		70419701	29
511867P	23, 25	70432101	41
512202P	15	Control Plate Kit	
70434101	41, 43	44050701P	17
70437102P	43	70291001P	33
70437104P	43	Control Set	
70454001P	41	70370201P	15
70454101P	43	Control Tray	
70462301P	17	70334601	83, 85, 89, 91
70462361P	17	Control Trim	
Control Box Base		44016301	49
44065301	61	44016401	49
Control Box Cover		Cylinder and Trunnion Assembly	
44065201	61	70444101	55
Control Box Housing		70444102	55
44065101	61	70444103	55
Control Box Top		Cylinder Assembly	
44065401	61	70408801P	55
Control Chassis Mounting Bracket		70408802P	55
70357901	15	70408803	55
Control Harness		Cylinder Bearing Stud Plate Assembly	
70426501P	61	430352	55
Control Housing Cover		Cylinder Guide Tool	
70307002	37	263P4	55
Control Kit		Cylinder Idler Arm	
505905P	29, 31	70259901	63
512858P	33, 35	Cylinder Motor Harness Assembly	
70228401P	21	70401001	55, 63
		70401101	55, 63
		70439701	55, 63

N/A items do not appear in index.

70440101	55, 63
Cylinder Shroud	
70427501	57
70427502	57

D

Damper and Hinge Exhaust Assembly	
70209501	65
Din Rail	
M412693	97
70366001	95
Display Assembly	
512218P	15
Door Assembly	
44028902P	45
44028903	45
44058102P	45
44112101	45
70407401	45
Door Glass	
44008401P	45
44008402P	45
Door Glass Installation Tool	
M4221P4	45
Door Handle	
44007901	45
44057702	45
Door Hinge Assembly	
44075205*	45
44075206	45
44075209B	45
Door Hinge Lug Assembly	
44035001	45
44035002	45
Door Interlock	
M412369	97
Door Latch	
M401223	49
Door Ring	
44007703B	45
44007704B	45
Door Ring and Handle Assembly	
44112001	45
Door Ring Assembly	
44007702	45
Door Ring Gasket	
44008201P	45
Door Seal Kit	
70211902P	45
Door Switch Actuator Kit	
70215001P	45
Double Ended Stud	
70334701	63
Drive Access Cover	
70196301	65
70202501	63
Drive Motor	
70298401P	63
70392901P	63
70401501	63
70401601	63
70401701	63

70401801	63
Drive Rivet	
M400713	61
Drum Idler Spring	
70045301	63
Drywall Screw Magnet Kit	
70343101P	55

E

Earth Terminal Sticker	
M412096	85, 91
Elbow	
70079601	77
70428101	59
Electric Contactor Jumper Set Harness	
70355801P	93
Electric Power Buss Harness	
70335501P	93
70439601	93
Electrical Box Access Cover	
70133901	97
Electronic Coin Drop Assembly	
70294103P	27
70294104	27
70294105P	27
70294106	27
70294107	27
70294109	27
70294111	27
Electronic Coin Drop Harness	
44065801	27
Electronic Coin Drop Kit	
CK099	27
CK100	27
CK101	27
CK103	27
CK106	27
CK108	27
CK109	27
CK113	27
CK115	27
CK502	27
Electronic Control	
44037801P	19
Electronic OPL Control Kit	
M4689P3	21
Emergency Stop Contact Harness	
70364105P	51
Emergency Stop Harness	
70364106P	51
Emergency Stop Label	
M412235	51
Emergency Stop Pushbutton	
F200233500	51
End Cap	
70070101	55
70070102	55
End Stop	
M412615	95
70121001	97
Exhaust Thimble	
70015601	65

N/A items do not appear in index.

Expansion Clip	
70030501	49, 83, 85, 89, 91, 95, 97
Extension Handle	
M412371P	97
70342501P	85

F

False Front	
70405001*	47
70405002	47
70405101*	47
70405102	47
Fan Motor Harness Assembly	
70401201	65
70401301	65
70439801	65
70440201	65
Ferrite Core Assembly	
M413930P	21, 95, 97
Finger Guard	
M412366	85
M412367	97
Foam Gasket	
70414101	15, 17, 19, 21, 23, 25, 29, 31, 33, 35
Forward Valve Cover	
70328201	75
Front Cylinder Seal	
70173402	47
Front Panel Assembly	
70413001*	47
70413002	47
70413003*P	47
70413004	47
70413005*	47
70413006P	47
Fuse	
M413621	83, 85, 89, 91
70406501	21, 83, 85, 89, 91
70406601	83, 85, 89, 91
70406701	83, 85, 89, 91
Fuse Bracket	
70306901	83, 85, 89, 91
70313601	83, 85, 89, 91
70313602	83, 85, 89, 91
Fuse Holder	
M413544P	83, 85, 89, 91
Fuse Holder Body	
70329401P	83, 85, 89, 91
Fuse Holder Cap	
70329501	83, 85, 89, 91

G

Gas Burner	
70396201P	73
Gas Disconnect Harness	
70342101	81
70440501	81
Gas Shut-Off Valve	
M412562P	77
Gas Valve	
44154501P	75

44154502P	75
Gas Valve Bracket	
70233301	77
Gas Valve Coil	
70260101	77
Gasket	
70392701P	65
Graphic Overlay	
44050401	17
44050501	17
44050502	17
44239401	17
44239402	17
44240501	17
Ground Lug Connector	
M411283	95, 97

H

Handle	
70268001	97
Handle and Caps Assembly	
70154411	53
70154412	53
Handle Bar	
70399501B	45
Handle Bumper	
70407206	53
Harness Assembly	
M412997	75
Heater Element	
70034404P	79
70034405P	79
70034406P	79
High Voltage Lead	
70006201	75, 81
Hold-Down Clip	
35358	57
35865	57
Hole Plug	
44024201	45
70063201	57
Hose	
44073304	61
Hose Clamp	
36801	61
Hose Fitting	
44069101	61

I

ICM Reset Label	
70411001	85
Idler Bracket	
70443301	63
Idler Wheel Assembly	
70050401P	63
Igniter Cover	
70159601	73
Ignition Control	
70367301P	83
70367401P	85

N/A items do not appear in index.

Ignition Control Harness	
70316301	81
70316401	81
Insulator	
M413862	83, 85, 89, 91

J

Jumper Assembly	
70138801	93
70138901	93
70139001	93
70139101	93
Jumper Bar	
70066501	79
Jumper Cable Assembly	
M413933	93
M413934	93
M414121	93
Jumper Calibration Assembly	
70084301	21
Jumper Calibration Wire	
70324601	29, 31
70324602	15, 23, 25, 33, 35
Jumper Configuration Assembly	
M413507	81, 87
M413510	81, 87
Jumper Disconnect Assembly	
70120901	81
Jumper Harness Assembly	
M413504	81
M413505	81, 87
M413506	81, 87
M413508	81, 87
M413509	87
Jumper Strip	
M400869	79
Jumper Wire	
44014601	93
44014701	93
44014801	93
70066601	79
Junction Box Harness	
70315801	81, 87

K

Key	
70144101	65
70155601	49
70155602	49
Kickplate	
70117613	53
70117614	53

L

Label	
70414001	47
Leveling Leg	
34319	57

Light	
801432	61
Limit Thermostat	
M409219	73
M409443	79
M411307	65
70299001	73
Lint Panel	
70375701*	53
70375702	53
Lint Panel Assembly	
70176704	53
70176705*	53
70176707*	53
Lint Panel Gasket	
70289101P	53
Lint Panel Switch Bracket	
70277301	57
Lint Screen	
44063601	57
Lock Shim	
70342401	49
Lock, Key and Nut Kit	
44089301P	49, 61
44089302P	49
Lower Rear Panel	
70377201	65
L.P. Conversion Kit	
M4924P3	75
L.P. Valve	
70457302P	77

M

Main Harness	
70441301	15, 21, 23, 25, 33, 35, 41, 43
Main Harness Assembly	
70400901	15, 21, 23, 25, 29, 31, 33, 35
Male Tab Terminal	
00177	15, 19
Membrane Switch	
44037902P	19
44039402P	19
Mixing Valve	
36958P	61
Moisture Sensor Harness Assembly	
70448901	67
Motor Capacitor	
70413101	63
70413102	65
70413201	63
70413202	65
Motor Channel	
70261701	63
Motor Conduit Mounting Bracket	
70321701	63, 65
Motor Contactor Harness	
44142601P	81, 87
70320201	81, 87
Motor Drip Pan	
70427001	65
Motor Mount Bracket	
70127301	63

N/A items do not appear in index.

Motor Pulley	
70284204	63
70284208	63
Mounting Plate	
70208801	25, 31, 35
Mounting Switch Base	
M412186	97
M412187P	85

N

Nameplate Overlay	
44144401	45
44147101	49
70410201	49
70411401	45
Network Board Assembly	
201341	37
Network Capacitor Assembly	
M413863	81, 87, 93
Network Controller Kit	
NK220	33, 35
Network Retrofit Kit	
NK206	33, 35
Network Wire Harness Assembly	
44088501P	37
Nozzle Bracket	
70424201	59
70428601	59
Nozzle Hole Cover	
70429301	59
Nut	
M400022	55, 65
M400023	65
M400034	55
M400035	67
M404993	57
M412986	55, 63
M414215	45
21899	57
23951	53
24205	15
27222	63
29787	15, 17, 19
29796	63
430576	57
44071201	45
44087201	55
44088801	49
51236	53
56156	63
70054	15, 21, 23, 25, 29, 31, 33, 41, 43, 45, 79
N.G. Valve	
70457301P	77

O

Opto Coupler	
200674P	27
Orifice Adapter	
70435901	75
Orifice Holder Bracket	
70248901	75

Orifice Keeper Bracket	
70249001	75
O-Ring	
431482	77
Output Harness	
44186101	41, 43
Overlay	
44130002	21
44144301	29
44144302	29
44149301	31
70115801	21
70128701	21
70130401	21
70130601	21
70257701	23
70257702	23
70257703	25
70258001	23
70258002	23
70258003	25
70258101	23
70261001	23
70261002	23
70261201	23
70261202	23
70362201	15
70410003	35
70432201	41
70445001	43
70445003	43
70453001	23
70453002	23
70453101	25
70462402	43
70462702	43
70462902	43

P

Panel Locator	
56079	15, 49, 53
PC Board Standoff	
210098	39
Pin	
70071401	45
Pipe Clip	
70203701	73
Pipe Nipple	
70139601	77
901403	77
Pop Rivet	
44166601	49
70058501	45, 57, 75, 97
70058502	95, 97
70126301	53
70126401	53
70412601	45
Porcelain Touch-Up Paint	
122P4P	57
215P4P	57
370P4P	57
Power Distribution Block Cover	
44014901P	95, 97

N/A items do not appear in index.

Power Harness	
70316101P	81, 87
70332201	81, 87
70347701P	81, 87
70438901	81, 87
70439001	81, 87
70445501	81, 87
Primary Air Adjustment Sleeve	
70239801	75, 77
Pushbutton	
44018801	51
Pushbutton Switch	
M413431	85
70107001	23, 25, 29, 31, 33, 35, 49
Push-to-Start Switch	
801434W	61

R

Rear Bearing Shim	
70355001	55
Rear Cylinder Bearing Housing	
70013901	55
Rear Cylinder Channel	
70305201	55
70305202	55
Rear Cylinder Channel Plate	
70305301	55
Rear Cylinder Seal	
70013704P	55
Rear Cylinder Seal Support	
70305401	55
Rear Lint Panel	
70376601	53
Rear Valve Cover	
70282401	73, 75
Relay	
M412534	19
Relay/Buzzer Bracket	
44041701	19
Replacement Door Handle Kit	
70133501P	45
Rocker Switch	
70455101	15
70461301	15
Roller Bearing Assembly	
70298701P	57
Roller Catch Arm	
70030301	53
Roller Catch Spacer	
70030201	53
Roller Catch Wheel	
70297601	53
Roller Seal	
70443601	57
Roller Shaft	
70249501	57
Rotation Sensor	
70274001P	69
Rotation Sensor Bracket	
44044401	69
Rotation Sensor Cable Assembly	
70274101	69

Rotation Sensor Cover	
44044301	69

S

Screw	
M400056	63
M400661	45
M402797	19
M402917	83, 85, 95, 97
M405188	73
M411072	65, 83, 85, 89, 91
M412985	63
05161	73
23222	63, 65, 77
33562	95, 97
38272	83, 85
39733	49, 53, 95, 97
430497	37, 49, 55, 57, 59, 61, 63, 65, 71, 73, 75, 77, 79, 83, 85, 89, 91, 95, 97
430648	63
430757	45, 53
431484	77
44083001	83, 85, 89, 91
501086	85, 89, 91
501524	15, 23, 25, 29, 31, 33, 35, 41, 43, 45
51780	59, 61, 83, 85, 89, 91, 95, 97
51782	85
61199	45
62588	55
70033502	45
70069901	15, 41
70072801	53
70126101	65
70132301	53
70153301	69
70391101	55
70407301	45
Secure Ground Label	
M403047	83, 85, 95
Sensor Harness	
70426601P	61
Shadow Box Clip	
M400972	49
Sheet Metal Edge Gasket	
70015711	57
70015712	57
Side Panel	
70378701*P	57
70378801*P	57
Sleeve	
44050601	17
Slip Ring Assembly	
44240201	67
Slip Ring Holder	
44224401	67
Slot Card Plate Assembly	
44089501	25, 35
Snap Bushing	
M400770	75
M402542	95, 97
70178701	61
Spark Electrode	
70032801P	73

N/A items do not appear in index.

Spray Nozzle 70427801	59
Spray Nozzle Hose 70427701	59
Spray Paint 286P4	57
297P4	57
298P4P	57
Spud Adapter 70223501	77
Stove Back 70396801	73
Stove Connectors Cover 70365201	79
Stove Grill 70214901	79
Stove Limit Bypass Harness 70316601	79
Stove Limit Harness 70316501	73
Stove Partition 70357201	79
Stove Top and Sides 70396301	73
Street Elbow H86070034	75
Support Bearing 70448701	55
Switch 70411901	71
Switch Assembly 70310501	57
Switch Bracket 70356301	71
Switch Hole Plug 44057801B	49
44057801Q	49
44057801W	49

T

Tee 70428201	59
Temperature Knob 44104601	15
Temperature Selector Switch 511711	15
Temperature Selector Switch Bracket 70391701	15
Terminal Block M413865	95, 97
430642	83, 85, 89, 91
Terminal Block Shield 70333001	83, 85, 89, 91
Thermistor M414704	65
44064701	59, 61
Thermistor Plate 70424401	59
Thermostat Cover M414477	73
Top Pan 70376901	57

N/A items do not appear in index.

Top Panel 70375501	57
Transformer M414228P	83, 85, 89, 91
M414229P	83, 85, 89, 91
M414230P	83, 89, 91
M414312P	83, 89, 91
Trunion and Seal Kit M4963P3	55
Trunion and Wire Assembly 70454601	55
Tube Assembly 70427601	59
Tumbler Dolly Kit M4379P4	57

U

Union H86000031	77
Union Tee 70427901	59

V

Valve Support Bracket 70451901	75
---	----

W

Warning Label M410892	47
44127701	83, 85, 89, 91, 95, 97
Washer M400991	55, 65
70261401	57
70265901	63
70270301	63
70409301	45
70411301	55
Water Hose F200116	61
Wire Clip 36274	83, 85, 89, 91
70366201	83, 85, 89, 91
Wire Guard 201595P	27
