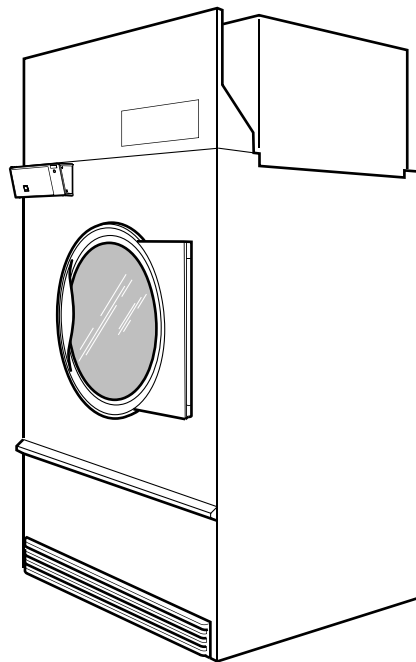


Drying Tumblers

120 Pound Capacity

170 Pound Capacity

Refer to Page 5 for Model Numbers



TMB1268C_70399801

Table of Contents

Title	Page
Parts Ordering Information.....	3
Serial Plate Location	3
Model Identification	5
Exterior Control Box - RT Control Suffix (Drawing 1 of 2).....	6
Exterior Control Box - RT Control Suffix (Drawing 2 of 2).....	8
Exterior Control Box - RM Control Suffix.....	10
Exterior Control Box - RQ Control Suffix (Drawing 1 of 2)	12
Exterior Control Box - RQ Control Suffix (Drawing 2 of 2)	14
Interior Control Box - RM and RT Control Suffixes	16
Interior Control Box - RQ Control Suffix	18
DMP Control Box - C and I Models with RD Control Suffix.....	20
DX4 Control Box - B Models with R3 Control Suffix.....	22
Emergency Stop Button - CE Models	24
Fire Suppression System Control Box	26
Cabinet Front Components (Drawing 1 of 2)	28
Cabinet Front Components (Drawing 2 of 2)	30
Door and Hinge Components - A, G, H, K, L, P, S, U, W, X and Y Models.....	32
Door and Hinge Components - B, C and I Models.....	34
Lint Panel Components.....	36
Lint Panel Switch Assembly	38
Lint Screen and Drive Guard - 120 Pound Models	40
Lint Screen and Drive Guard - 170 Pound Models	42
Cylinder and Trunnion Assembly	44
Trunnion Bearings.....	46
Drive Sheave, Step Pulley and Belts	48
Cylinder Drive Motor	50
Fan Assembly - 120 Pound 50 Hertz Models	52
Fan Motor Assembly - 120 Pound 50 Hertz Models	54
Fan and Fan Motor Assembly - 120 Pound 60 Hertz Models	56
Fan Assembly - 170 Pound Models	58
Fan Motor Assembly - 170 Pound Models	60
Airflow Switch Assembly	62
Gas Heater Components - 120 Pound Models	64
Gas Heater Components - Non-CE and Australian 170 Pound Models	66
Gas Heater Components - 170 Pound CE Models (Drawing 1 of 2).....	68
Gas Heater Components - 170 Pound CE Models (Drawing 2 of 2).....	70
Burner Orifices	72
Steam Heater Components - 120 Pound Models Through Serial No. 0412012320 Except B, C, I and L Models..	74
Steam Heater Components - 120 Pound Models Starting Serial No. 0412012321 Except B, C and I Models.....	76
Steam Heater Components - 120 Pound B, C and I Models	78
Steam Heater Components - 170 Pound Models Through Serial No. 0412012320 Except B, C, I and L Models..	80

© Copyright 2008, Alliance Laundry Systems LLC

All rights reserved. No part of the contents of this book may be reproduced or transmitted in any form or by any means without the expressed written consent of the publisher.

Steam Heater Components - 170 Pound Models Starting Serial No. 0412012321 Except B, C and I Models.....	82
Steam Heater Components - 170 Pound B, C and I Models	84
Steam Solenoid Valve.....	86
Rotation Sensor - B, C and I Models	88
Contactora Box Assembly (Drawing 1 of 2)	90
Contactora Box Assembly (Drawing 2 of 2)	92
Junction Box Assembly	94
Junction Box Harnesses	96
Parts Index.....	99

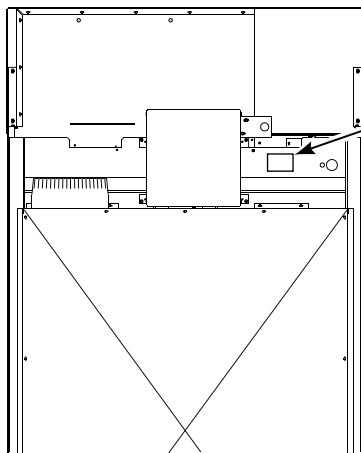
Parts Ordering Information

If literature or replacement parts are required, contact the source from whom the machine was purchased or contact Alliance Laundry Systems at (920) 748-3950 for the name and address of the nearest authorized parts distributor.

For technical assistance, call (920) 748-3121.

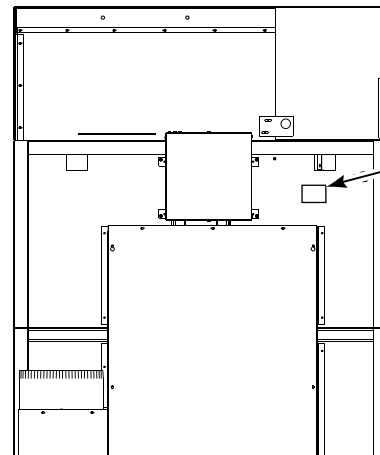
Serial Plate Location

When calling or writing about your product, be sure to mention model and serial numbers. Model and serial numbers are located on serial plate(s) as shown.



120 Pound

**Serial
Plate**



170 Pound

**Serial
Plate**

TMB2372P_70399801

Model Identification

Information in this manual is applicable to these tumbler models:

AT120L	CU120L	HT170S	LA120L	PU170S	UU120T
AT120N	CU120N	HT170T	LA120N	PU170T	UU170L
AT120S	CU120S	HU120L	LA170L	SA120L	UU170N
AT170L	CU120T	HU120N	LA170N	SA120N	UU170S
AT170N	CU170L	HU120S	LT120L	SA170L	UU170T
AT170S	CU170N	HU120T	LT120N	SA170N	WT120L
BA120L	CU170S	HU170L	LT120S	ST120L	WT120N
BA120N	CU170T	HU170N	LT120T	ST120N	WT120S
BA170L	GA120L	HU170S	LT170L	ST120S	WT170L
BA170N	GA120N	HU170T	LT170N	ST120T	WT170N
BT120L	GA170L	IT120L	LT170S	ST170L	WT170S
BT120N	GA170N	IT120N	LT170T	ST170N	XT120L
BT120S	GT120L	IT120S	LU120L	ST170S	XT120N
BT120T	GT120N	IT120T	LU120N	ST170T	XT120S
BT170L	GT120S	IT170L	LU120S	SU120L	XT120T
BT170N	GT120T	IT170N	LU120T	SU120N	XT170L
BT170S	GT170L	IT170S	LU170L	SU120S	XT170N
BT170T	GT170N	IT170T	LU170N	SU120T	XT170S
BU120L	GT170S	KA120L	LU170S	SU170L	XT170T
BU120N	GT170T	KA120N	LU170T	SU170N	XU120L
BU120S	GU120L	KA170L	PA120L	SU170S	XU120N
BU120T	GU120N	KA170N	PA120N	SU170T	XU120S
BU170L	GU120S	KT120L	PA170L	UA120L	XU120T
BU170N	GU120T	KT120N	PA170N	UA120N	XU170L
BU170S	GU170L	KT120S	PT120L	UA170L	XU170N
BU170T	GU170N	KT120T	PT120N	UA170N	XU170S
CA120L	GU170S	KT170L	PT120S	UT120L	XU170T
CA120N	GU170T	KT170N	PT120T	UT120N	YT120L
CA170L	HA120L	KT170S	PT170L	UT120S	YT120N
CA170N	HA120N	KT170T	PT170N	UT120T	YT120S
CT120L	HA170L	KU120L	PT170S	UT170L	YT120T
CT120N	HA170N	KU120N	PT170T	UT170N	YT170L
CT120S	HT120L	KU120S	PU120L	UT170S	YT170N
CT120T	HT120N	KU120T	PU120N	UT170T	YT170S
CT170L	HT120S	KU170L	PU120S	UU120L	YT170T
CT170N	HT120T	KU170N	PU120T	UU120N	YU120S
CT170S	HT170L	KU170S	PU170L	UU120S	YU120T
CT170T	HT170N	KU170T	PU170N		

Control Suffixes (7th and 8th characters):

R3 - reversing DX4 OPL

RD - reversing DMP OPL

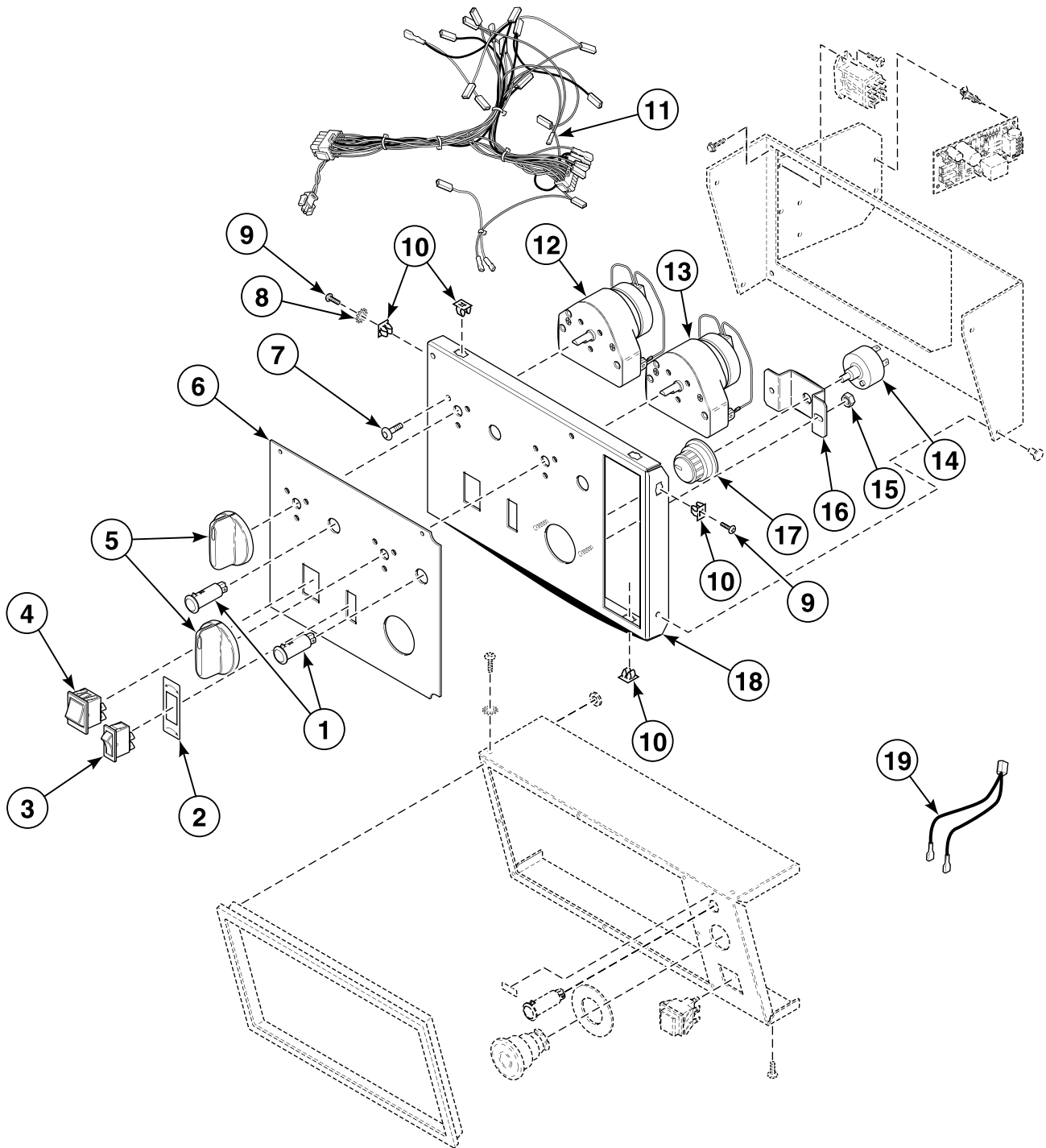
RM - reversing OPL micro

RQ - reversing dual digital timer

RT - reversing manual timer

Exterior Control Box - RT Control Suffix (Drawing 1 of 2)

A, H, P, S, U, W and X Models



TMB2577P_70399801

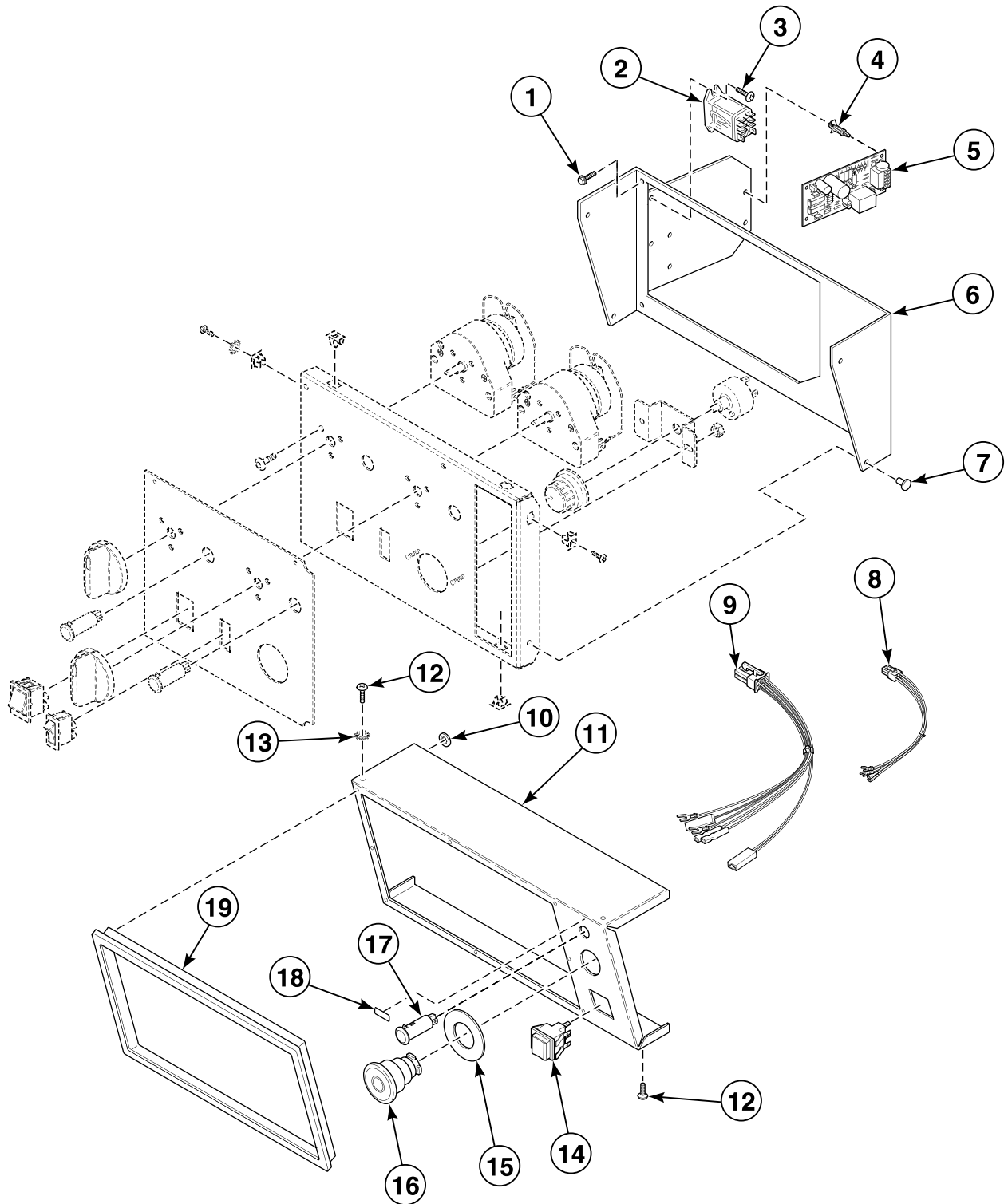
Exterior Control Box - RT Control Suffix (Drawing 1 of 2)

REF	PART NO.	DESCRIPTION	COMMENTS
	M4795P3W	Security Cover Kit	
1	70082201	Indicator Light	Green; 24 Volt
2	M413236	Switch Plate	Reversing
3	M413270	Rocker Switch	Reversing
4	70108501	Start Switch	
5	70082101	Timer Knob	A, P, S, U and X models
	M410927	Knob	H and W models; Timer
6	70114502	Overlay	A, S, U, W and X models; Text; Punch
	N/A	Overlay	S and U models; Icon; Punch
	70128901	Nameplate Overlay	P models
	N/A	Overlay	P models
	70246002	Overlay	H models; Text
	N/A	Overlay	H models; Icon
7	44041301	Screw	
8	03815	Washer	
9	800930	Screw	
10	70030501	Expansion Clip	6 required per control plate assembly
11	44019401	Control Panel Harness	A, HA, HT, PA, PT, SA, ST, UA, UT, W and XT models
	44027301	Control Panel Harness	HU, PU, SU, UU and XU models
12	M412080P	Timer	Heating; 50 Hertz; 60 minute
	70131701P	Timer	Heating; 60 Hertz; 60 minute
13	M412079P	Timer	Cooling; 50 Hertz; 15 minute
	70131801P	Timer	Cooling; 60 Hertz; 15 minute
14	431353P	Temperature Switch	Potentiometer; Includes nut
15	70054	Nut	2 required
16	70080701	Mounting Bracket	Temperature switch
17	44020501	Knob	A, P, S, U and X models; Temperature
	44104601	Temperature Knob	H and W models
18	44029501	Control Plate Assembly	Includes studs
19	70084104	Calibration Jumper	

N/A = Part no longer available

Exterior Control Box - RT Control Suffix (Drawing 2 of 2)

A, H, P, S, U, W and X Models



TMB2293P_70399801

Exterior Control Box - RT Control Suffix (Drawing 2 of 2)

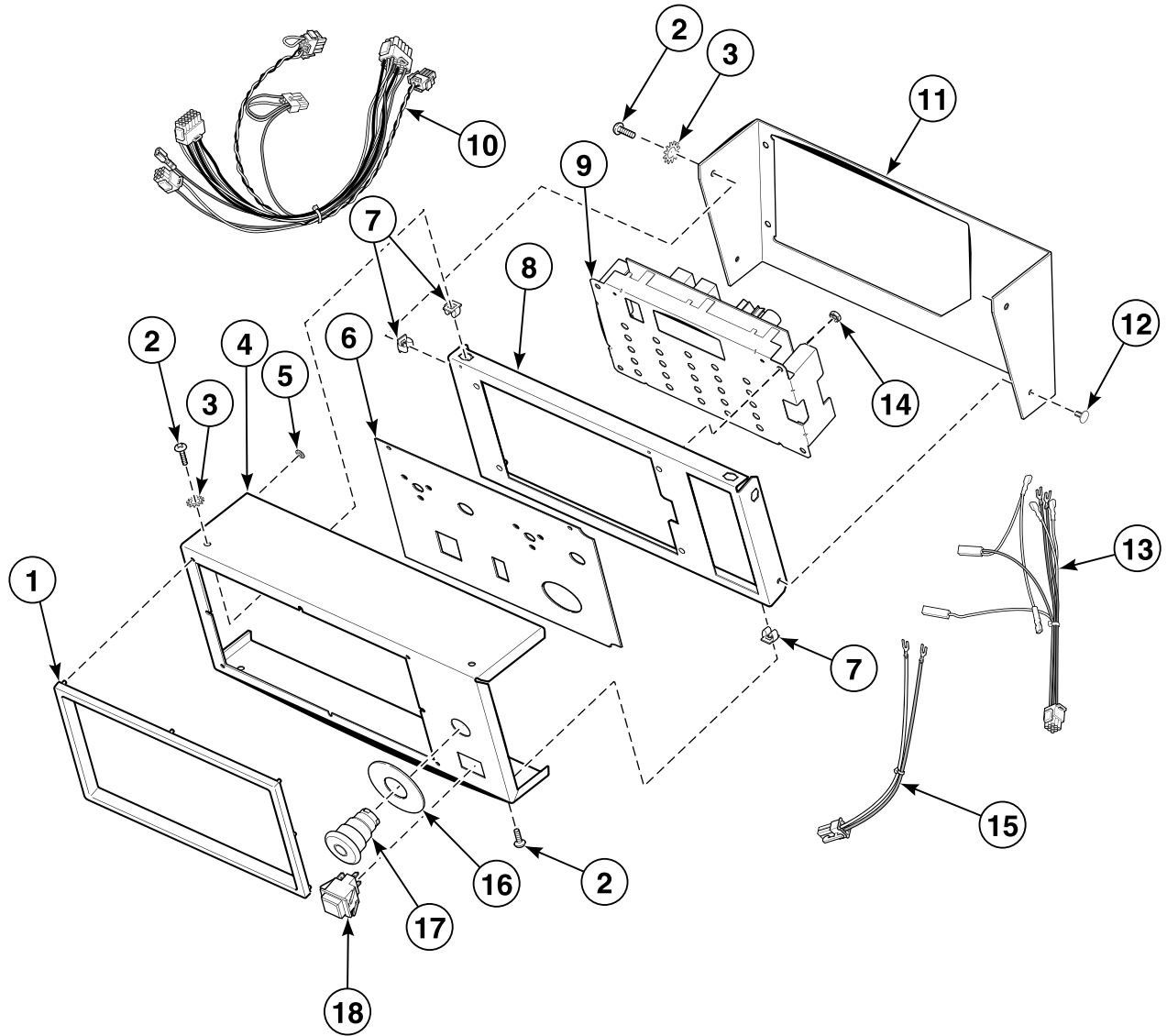
REF	PART NO.	DESCRIPTION	COMMENTS
	M4795P3W	Security Cover Kit	
1	430497	Screw	4 required
2	M412534	Relay	
3	M402797	Screw	2 required
4	34896	Circuit Board Support	4 required
5	431347P	Thermostat Module	
6	44012801*	Control Mounting Bracket	
	N/A	Control Mounting Bracket	Stainless steel
7	M400713	Drive Rivet	2 required
8	44030302	Emergency Stop Harness	HU, PU, SU, UU and XU steam models
9	44029401	Emergency Stop Reset Harness	HU, PU, SU, UU and XU gas models
10	M400977	Nut	8 required per control trim
11	44013301*	Control Cover	A, HA, HT, PA, PT, SA, ST, UA, UT, W and XT models
	44013302	Control Cover	A, HA, HT, PA, PT, SA, ST, UA, UT, W and XT models; Stainless steel
	44013303*	Control Cover	HU, PU, SU, UU and XU gas models
	44013304	Control Cover	HU, PU, SU, UU and XU gas models; Stainless steel
	44013305*	Control Cover	HU, PU, SU, UU and XU steam models
	44013306	Control Cover	HU, PU, SU, UU and XU steam models; Stainless steel
12	800930	Screw	4 required
13	03815	Washer	
14	M413431	Pushbutton Switch	HU, PU, SU, UU and XU gas models; Ignition reset
15	44012901	Emergency Stop Label	HU, PU, SU, UU and XU models
16	44018801	Pushbutton	Emergency stop; HU, PU, SU, UU and XU models
17	70082201	Indicator Light	Green; 24 Volt
18	N/A	Load Ready Label	
19	44016401	Control Trim	Black; A, P, S, U and X models
	44016402	Control Trim	Gray; H and W models

* Add Letter To Designate Color. L - Almond P - Turquoise W - White

N/A = Part no longer available

Exterior Control Box - RM Control Suffix

All Models Except B, C, I and YT Models



TMB2294P_70399801

Exterior Control Box - RM Control Suffix

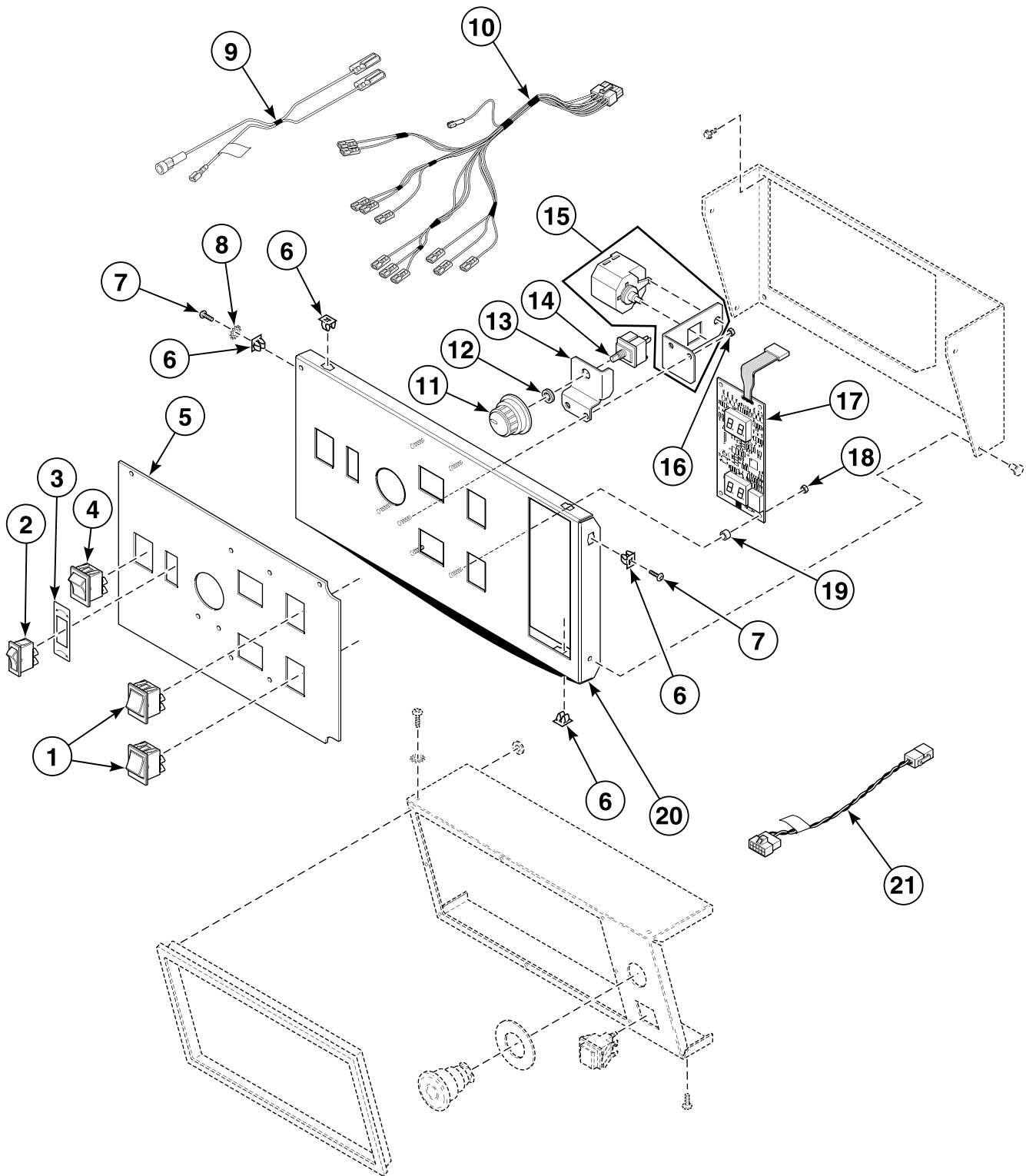
REF	PART NO.	DESCRIPTION	COMMENTS
	M4795P3W	Security Cover Kit	
1	44016401	Control Trim	Black; A, G, K, L, P, S, U, W, X and YU models
	44016402	Control Trim	Gray; H models
2	800930	Screw	4 required
3	03815	Washer	
4	44013307*	Control Cover	A, HA, HT, LT, PA, PT, SA, ST, UA, UT, W and XT models
	N/A	Control Cover	HT, ST, UT and XT models; Stainless steel
	44013309*	Control Cover	HU, LU, PU, SU and UU gas models
	N/A	Control Cover	HU, LU, PU, SU and UU gas models; Stainless steel
	N/A	Control Cover	HU, LU, PU, UU and YU steam models
	N/A	Control Cover	HU, LU, PU, UU and YU steam models; Stainless steel
	44013306	Control Cover	XU and YU models; Stainless steel
	44111701W	Control Cover	GA, GT, KA and KT models
	44111703W	Control Cover	GU and KU gas models
	44111705W	Control Cover	GU and KU steam models
5	M400977	Nut	8 required per control trim
6	70128401	Overlay	A, LA, LT, S, U, W, X and YU models; Text
	70128601	Overlay	H models; Text
	70130501	Overlay	LU, SU and UU models; Icon
	70130701	Overlay	HU models; Icon
	70135301	Overlay	P models
	44130001	Overlay	G and K models; Text and icon
7	70030501	Expansion Clip	6 required per control plate
8	44029601	Control Plate Assembly	Includes studs
9	70228401P	Control Kit	Includes tape
10	44027201	Control Panel Harness	GU, HU, KU, LU, PU, SU, UU, XU and YU models
	44019301	Control Panel Harness	All other models
11	44099501W	Control Mounting Bracket	G and K models
	44012801*	Control Mounting Bracket	All other models
	N/A	Control Mounting Bracket	All other models; Stainless steel
12	M400713	Drive Rivet	2 required
13	44030201	Emergency Stop Reset Harness	GU, HU, KU, LU, PU, SU, UU and XU gas models
14	70054	Nut	4 required per control plate
15	44030301	Emergency Stop Harness	GU, HU, KU, LU, PU, SU, UU, XU and YU steam models
16	44012901	Emergency Stop Label	GU, HU, KU, LU, PU, SU, UU, XU and YU models
17	44018801	Pushbutton	Emergency stop; GU, HU, KU, LU, PU, SU, UU, XU and YU models
18	M413431	Pushbutton Switch	GU, HU, KU, LU, PU, SU, UU and XU gas models

* Add Letter To Designate Color. L - Almond P - Turquoise Q - Bisque W - White

N/A = Part no longer available

Exterior Control Box - RQ Control Suffix (Drawing 1 of 2)

A, C, H, I, S, U, X and YT Models



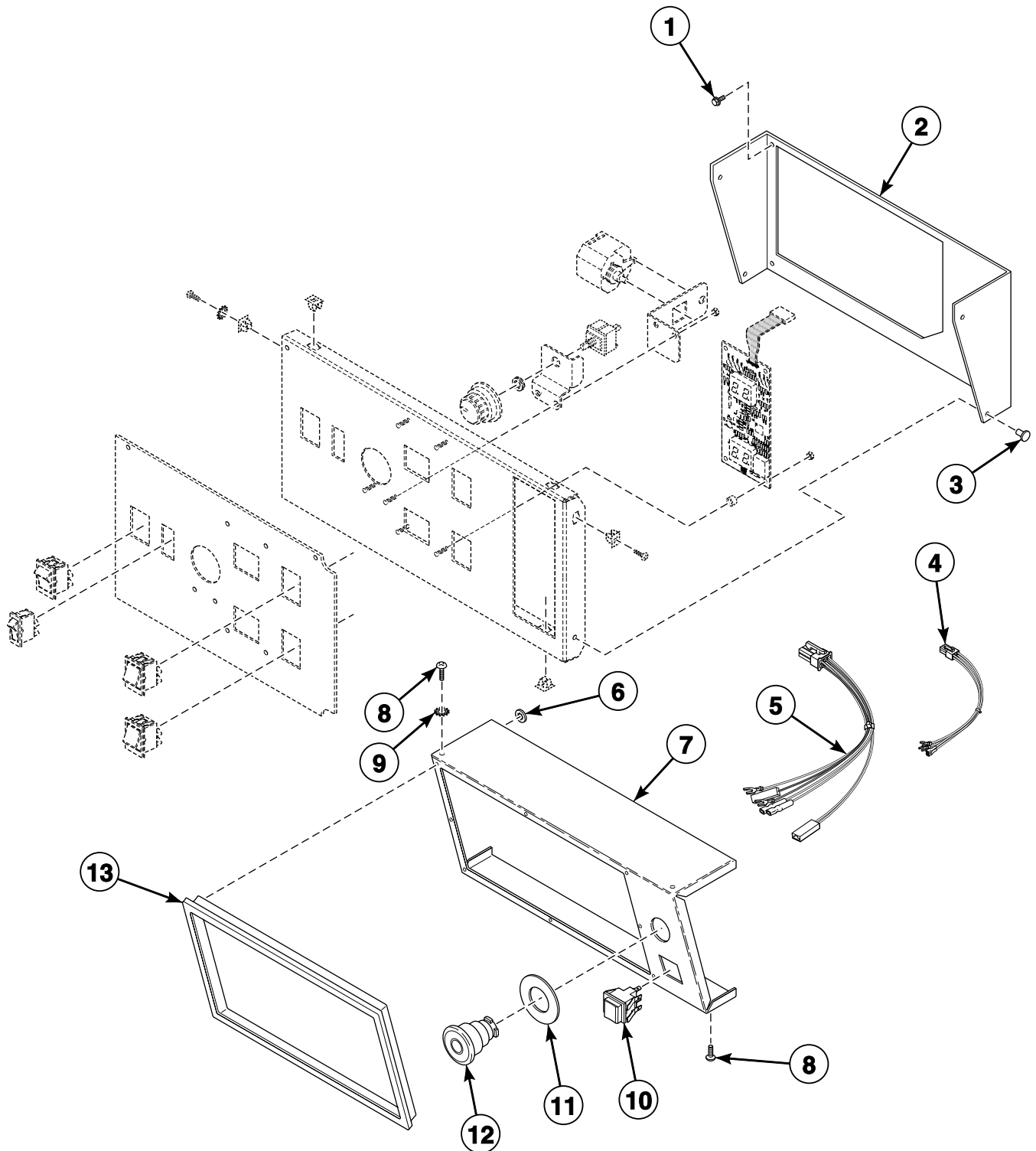
TMB2578P_70399801

Exterior Control Box - RQ Control Suffix (Drawing 1 of 2)

REF	PART NO.	DESCRIPTION	COMMENTS
	M4795P3W	Security Cover Kit	
1	70360801	Rocker Switch	
2	44099601	Rocker Switch	Reversing
3	M413236	Switch Plate	Reversing
4	70365901	Rocker Switch	Start
5	70362202	Overlay	A, C, I, S, U, X and YT models; Punch
	70362502	Overlay	H models
6	70030501	Expansion Clip	
7	800930	Screw	
8	03815	Washer	
9	44100101P	Control Harness	Jumper
10	44101101P	Control Harness	Interface
11	44104601	Temperature Knob	
12	24205	Nut	
13	70391701	Temperature Selector Switch Bracket	
14	511711	Temperature Selector Switch	
15	M4860P3	Buzzer Kit	Includes bracket, buzzer and wire harness
16	70054	Nut	2 required
17	512218P	Display Assembly	
18	29787	Nut	4 required
19	56079	Panel Locator	4 required
20	44099201	Control Plate and Studs Assembly	Includes studs
21	70324605	Jumper Calibration Wire	

Exterior Control Box - RQ Control Suffix (Drawing 2 of 2)

A, C, H, I, S, U, X and YT Models



TMB2275P_70399801

Exterior Control Box - RQ Control Suffix (Drawing 2 of 2)

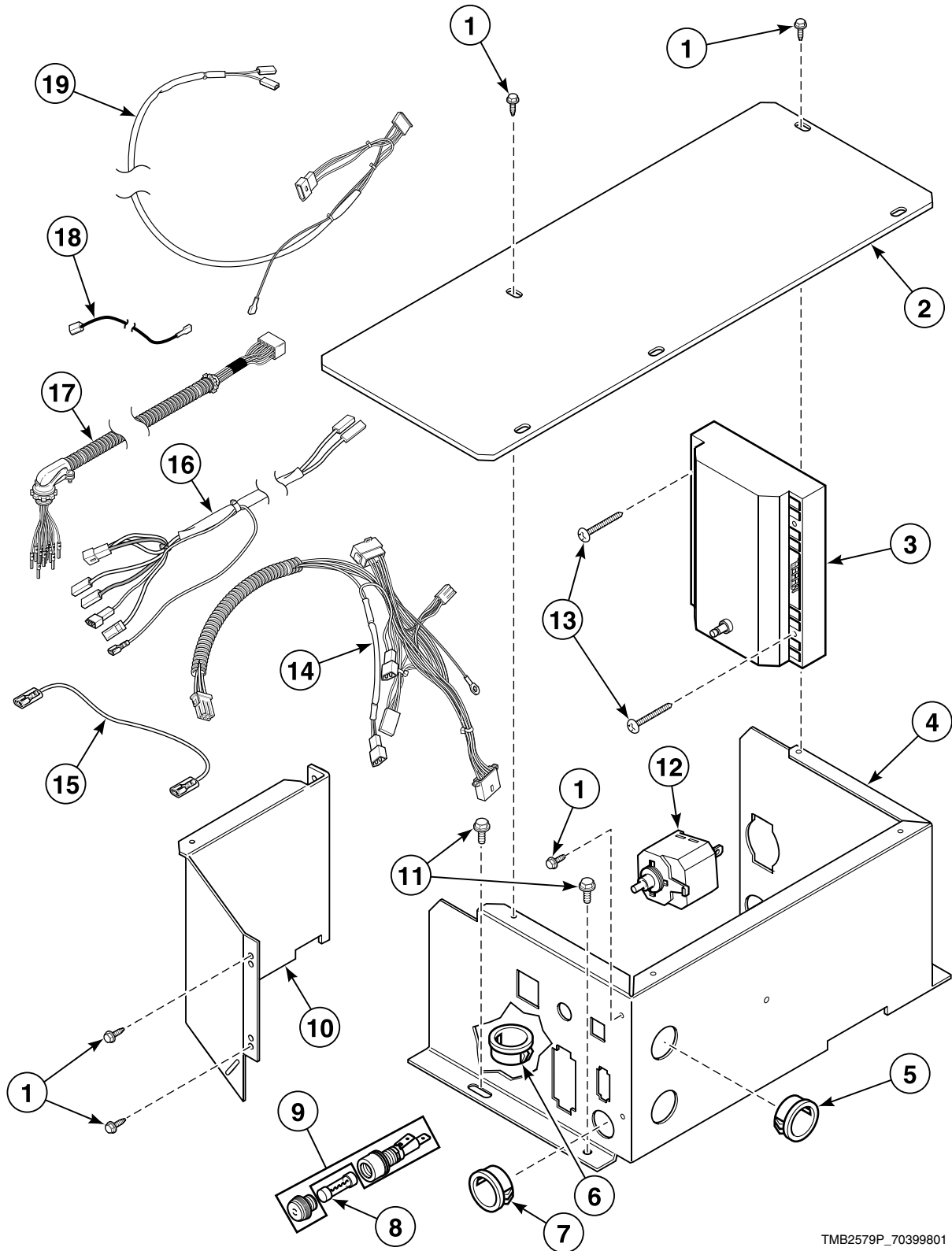
REF	PART NO.	DESCRIPTION	COMMENTS
	M4795P3W	Security Cover Kit	
1	430497	Screw	
2	44099501W	Control Mounting Bracket	
	44099502	Control Mounting Bracket	Stainless steel
3	M400713	Drive Rivet	
4	44030301	Emergency Stop Harness	HU, SU, UU and XU steam models
5	44030201	Emergency Stop Reset Harness	HU, SU, UU and XU gas models
6	M400977	Nut	
7	44013307*	Control Cover	A, HA, HT, SA, ST, UA, UT and XT models
	N/A	Control Cover	A, HA, HT, SA, ST, UA, UT and XT models; Stainless steel
	44013309*	Control Cover	HU, SU, UU and XU gas models
	N/A	Control Cover	HU, SU, UU and XU gas models; Stainless steel
	N/A	Control Cover	HU, SU, UU and XU steam models
	N/A	Control Cover	HU, SU, UU and XU steam models; Stainless steel
8	800930	Screw	
9	03815	Washer	
10	M413431	Pushbutton Switch	HU, SU, UU and XU gas models; Ignition reset
11	44012901	Emergency Stop Label	HU, SU, UU and XU models
12	44018801	Pushbutton	Emergency stop; HU, SU, UU and XU models
13	44016401	Control Trim	Black; A, S, U, X and YT models
	44016402	Control Trim	Gray; H models

* Add Letter To Designate Color. L - Almond P - Turquoise Q - Bisque W - White

N/A = Part no longer available

Interior Control Box - RM and RT Control Suffixes

A, G, H, K, L, P, S, U, W, X and YU Models



TMB2579P_70399801

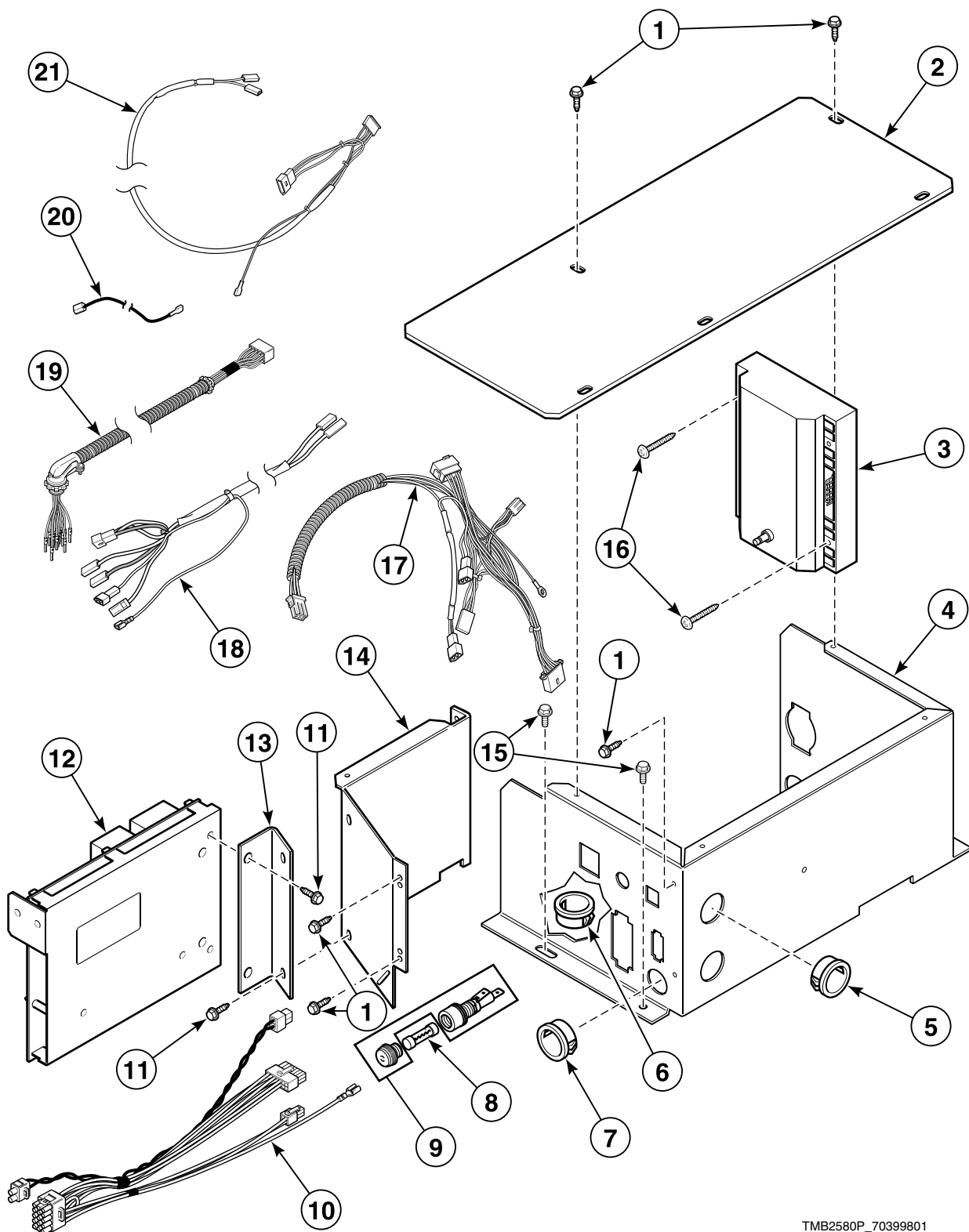
Interior Control Box - RM and RT Control Suffixes

REF	PART NO.	DESCRIPTION	COMMENTS
1	51780	Screw	
2	N/A	Control Box Cover	Models through Serial No. 0206014261 except L models
	44047301	Control Box Cover	Models starting Serial No. 0206014262
3	70367301P	Ignition Control	A, GT, HT, KT, LT, PT, ST, UT, W and XT gas models
	70367401P	Ignition Control	GU, HU, KU, LU, PU, SU, UU and XU gas models
	M410904P	Instant Electronic Ignition Control	GA, HA, KA, LA, PA, SA and UA models
4	N/A	Control Box	Rear; Models through Serial No. 0206014261 except L models
	44047201	Control Box	Rear; Models starting Serial No. 0206014262
5	70178701	Snap Bushing	1 inch panel hole
6	M411537	Bushing	Cabinet frame lint panel harness
7	M400770	Snap Bushing	GU, HU, KU, LU, PU, SU, UU, XU and Y models; .875 inch panel hole
8	M413623	Fuse	A, GA, GT, HA, HT, KA, KT, LA, LT, PA, PT, SA, ST, UA, UT, W and XT models
	M413889	Fuse	All other models
9	91024P	Fuse Receptacle	A, GA, GT, HA, HT, KA, KT, LA, LT, PA, PT, SA, ST, UA, UT, W and XT models
	502591P	Fuse Holder Kit	All other models
	502811	Fuse Carrier	All other models
10	N/A	Control Box	Front; Models through Serial No. 0206014261 except L models
	44047401	Control Box	Front; Models starting Serial No. 0206014262
11	430497	Screw	4 required
12	505447	Adjustable Buzzer	24 Volt; RT control suffix
13	70118801	Screw	A, GT, GU, HT, HU, KT, KU, LT, LU, PT, PU, ST, SU, UT, UU, W, X and Y models
	M411143	Screw	All other models
14	44019901	Control Box Harness	A, GA, GT, HA, HT, KA, KT, LA, LT, PA, PT, SA, ST, UA, UT, W and XT models
	N/A	Control Box Harness	All other models with RT control suffix
	44027001P	Control Box Harness	All other models with RM control suffix
15	M414287	Sensor Wire	HA, PA, SA and UA models
16	N/A	Wire Harness Assembly	GA, HA, KA, LA, PA, SA and UA models; Ignition control
17	44027101	Main Harness	GU, HU, KU, LU, PU, SU, UU, XU and Y models
	44019501	Main Harness	All other models
18	M411061	ICM Return Lead	GA, HA, KA, LA, PA, SA and UA models
19	M413534P	Ignition Control Harness Assembly	A, GT, HT, KT, LT, PT, ST, UT, W and XT gas models
	N/A	Ignition Control Harness	GU, HU, KU, LU, PU, SU, UU and XU gas models

N/A = Part no longer available

Interior Control Box - RQ Control Suffix

A, C, H, I, S, U, X and YT Models



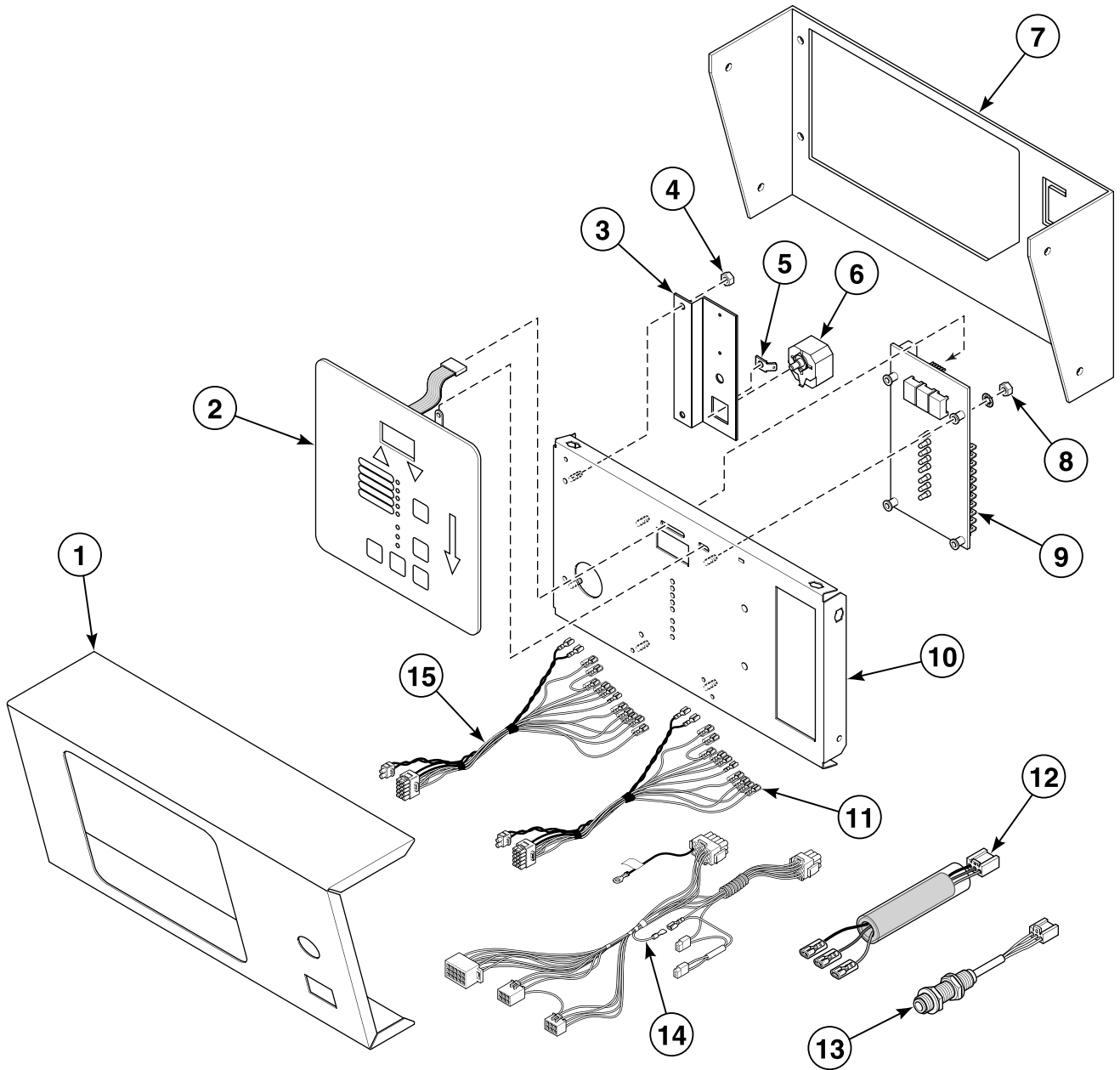
TMB2580P_70399801

Interior Control Box - RQ Control Suffix

REF	PART NO.	DESCRIPTION	COMMENTS
1	51780	Screw	
2	44047301	Control Box Cover	
3	70367301P	Ignition Control	A, CT, HT, IT, ST, UT, XT and YT gas models
	70367401P	Ignition Control	HU, SU, UU and XU gas models
	M410904P	Instant Electronic Ignition Control	HA, SA and UA models
4	44047201	Control Box	Rear
5	70178701	Snap Bushing	1 inch panel hole
6	M411537	Bushing	Cabinet frame lint panel harness
7	M400770	Snap Bushing	CU, HU, SU, UU and XU models; .875 inch panel hole
8	M414232	Fuse	A, CA, CT, HA, HT, IT, SA, ST, UA, UT, XT and YT models
	M413889	Fuse	All other models
9	91024P	Fuse Receptacle	A, CA, CT, HA, HT, IT, SA, ST, UA, UT, XT and YT models
	502591P	Fuse Holder Kit	All other models
	502811	Fuse Carrier	All other models
10	44100401	Control Panel Harness	A, CA, CT, HA, HT, IT, SA, ST, UA, UT, XT and YT models
	44100501	Control Panel Harness	All other models
11	501524	Screw	
12	512202P	Control Assembly	
13	44099301	Control Bracket	
14	44047401	Control Box	Front
15	430497	Screw	
16	70118801	Screw	A, CT, CU, HT, HU, IT, ST, SU, UT, UU, X and Y models
	M411143	Screw	All other models
17	44101001	Control Box Harness	A, CA, CT, HA, HT, IT, SA, ST, UA, UT, XT and YT models
	44102101P	Control Box Harness	All other models
18	N/A	Wire Harness Assembly	CA, HA, SA and UA models; Ignition control
19	44027101	Main Harness	CU, HU, SU, UU and XU models
	44019501	Main Harness	All other models
20	M411061	ICM Return Lead	CA, HA, SA and UA models
21	M413534P	Ignition Control Harness Assembly	A, CT, HT, IT, ST, UT, XT and YT gas models
	N/A	Ignition Control Harness	CU, HU, SU, UU and XU gas models

N/A = Part no longer available

DMP Control Box - C and I Models with RD Control Suffix



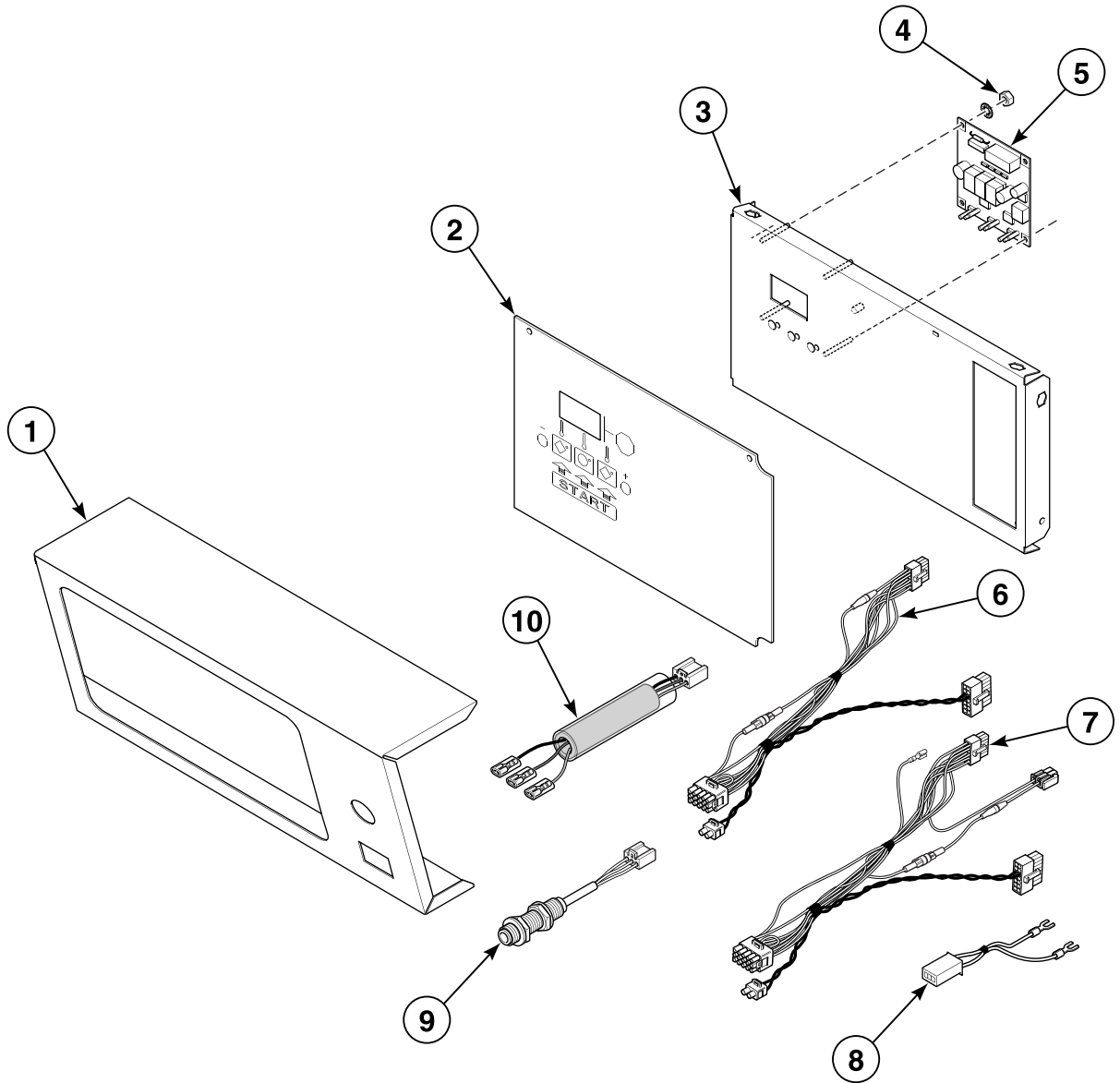
TMB2378P_70399801

DMP Control Box - C and I Models with RD Control Suffix

REF	PART NO.	DESCRIPTION	COMMENTS
1	44040107*	Control Cover	CA, CT and I models
	44040108	Control Cover	CA, CT and I models; Stainless steel
	44040109*	Control Cover	CU gas models
	44040110	Control Cover	CU gas models; Stainless steel
	44040111*	Control Cover	CU steam models
	44040112	Control Cover	CU steam models; Stainless steel
2	44037901P	Membrane Switch	OPL
	44037902P	Membrane Switch	
3	44041701	Relay/Buzzer Bracket	
4	70054	Nut	
5	00177	Male Tab Terminal	
6	505447	Adjustable Buzzer	
7	44040201*	Control Mounting Bracket	CA, CT and I models
	44040202	Control Mounting Bracket	CA, CT and I models; Stainless steel
8	29787	Nut	
9	44037801P	Electronic Control	
10	44041101	Control Plate Assembly	
11	44054001P	Control Panel Harness	CU models
12	70274102	Rotation Sensor Cable Assembly	
13	70274001	Rotation Sensor	Includes plug
14	44111601P	Control Box Harness	CU models
15	44111501P	Control Panel Harness	CA, CT and I models

* Add Letter To Designate Color. Q - Bisque W - White

DX4 Control Box - B Models with R3 Control Suffix



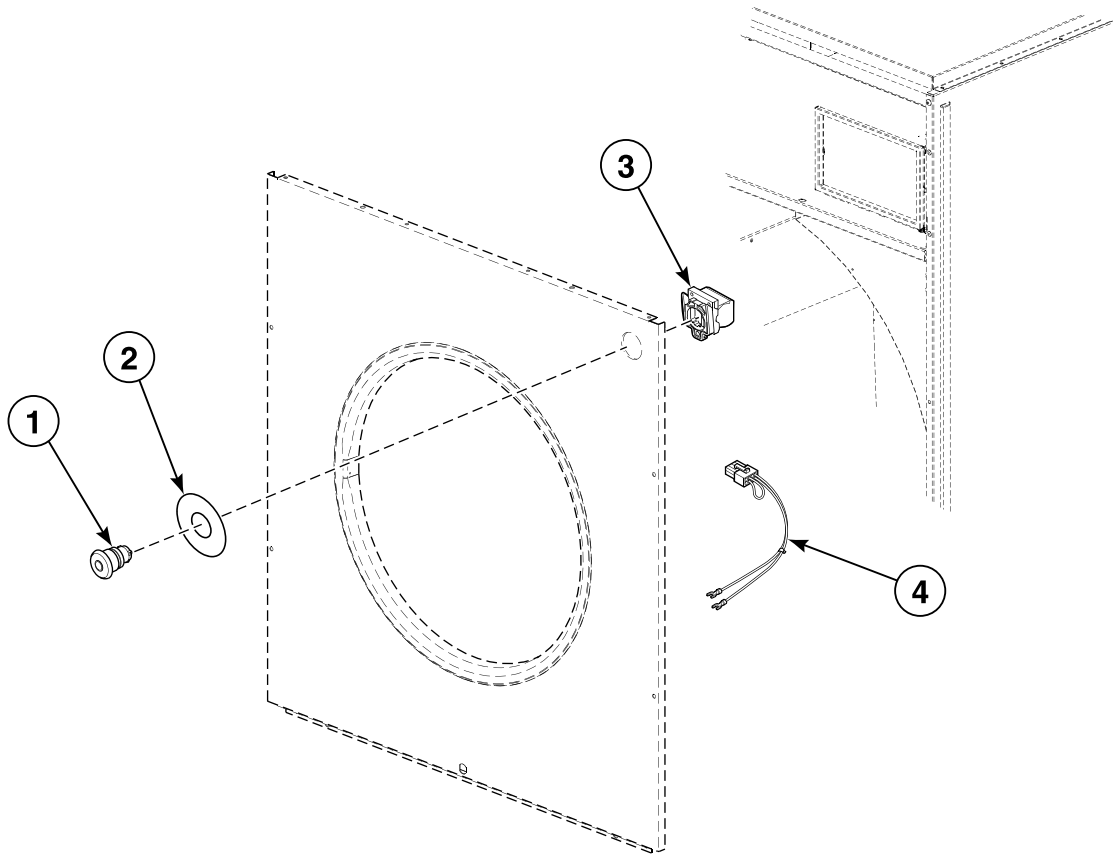
TMB2379P_70399801

DX4 Control Box - B Models with R3 Control Suffix

REF	PART NO.	DESCRIPTION	COMMENTS
1	44111701*	Control Cover	BA and BT models
	44111702	Control Cover	BA and BT models; Stainless steel
	44111703*	Control Cover	BU gas models
	44111704	Control Cover	BU gas models; Stainless steel
	44111705*	Control Cover	BU steam models
	44111706	Control Cover	BU steam models; Stainless steel
2	44050401	Graphic Overlay	BU models
3	44038601	Control Plate Assembly	BU models
4	29787	Nut	
5	44051001P	Electronic Control	
6	44111201P	Control Panel Harness	BA and BT models
7	44058201P	Control Panel Harness	BU models
8	44111401	Emergency Stop Harness	BU models
9	70274001	Rotation Sensor	Includes plug
10	70274102	Rotation Sensor Cable Assembly	

* Add Letter To Designate Color. Q - Bisque W - White

Emergency Stop Button - CE Models



TMB2386P_70399801

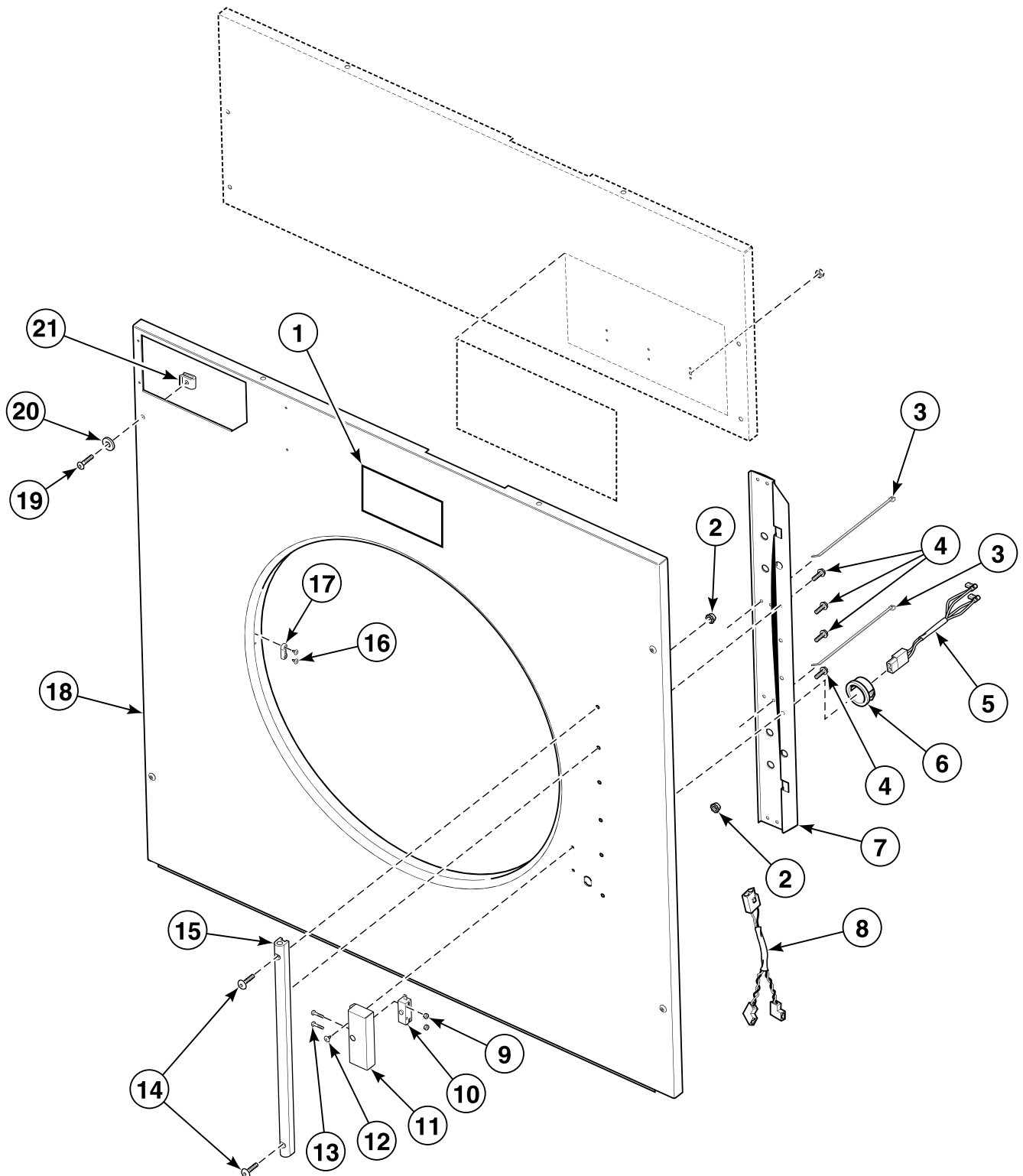
Emergency Stop Button - CE Models

REF	PART NO.	DESCRIPTION	COMMENTS
	F200233700P	Emergency Stop Button Kit	To switch from old style button to new style button
1	44018801	Pushbutton	Models through 9/30/07
	F200233500	Emergency Stop Pushbutton	Models starting 10/1/07
2	M412235	Emergency Stop Label	
3	44018701	Contact Block	Models through 9/30/07
	44018901	Contact Block	Models through 9/30/07; Order in addition to 44018701 Contact Block on models with R3 control suffix
	F200233401	Contact Block Switch	Models starting 10/1/07; Replaces 44018701 Contact Block
	F8069501	Contact Switch	Models starting 10/1/07; Replaces 44018901 Contact Block; Order in addition to F200233700P Emergency Stop Button Kit on models with R3 control suffix starting 7/11/05
4	70083901	Emergency Stop Switch Harness Assembly	G and K models; H, S and U models starting Serial No. 0308001308; B models starting Serial No. 0704000046
	44063201P	Front Panel Harness Assembly	B models starting Serial No. 0704000046
	44099001	Emergency Stop Harness	B models starting Serial No. 0704000046

Fire Suppression System Control Box

REF	PART NO.	DESCRIPTION	COMMENTS
1	430497	Screw	
2	M400713	Drive Rivet	
3	44065401	Control Box Top	Top
4	44065101	Control Box Housing	
5	51780	Screw	
6	501523	Circuit Board Support	4 required
7	44063801P	Control	
8	44157501	Control Harness	BU, CU, GU, HU, KU, SU and UU models
	44080201	Control Harness	All other models
9	44082701	Sensor Harness Assembly	
10	44065201	Control Box Cover	
11	44089301P	Lock, Key and Nut Kit	
12	801432	Light	Red
13	44069101	Hose Fitting	
14	28330P	Fill Hose Kit	2 required
15	36801	Hose Clamp	
16	44073302	Hose	120 pound models; 21 inches; Outlet hose
	44073303	Hose	170 pound models; 31 inches; Outlet hose
17	36958P	Mixing Valve	
18	801434W	Push-to-Start Switch	2 required
19	44065301	Control Box Base	
20	70178701	Snap Bushing	

Cabinet Front Components (Drawing 1 of 2)



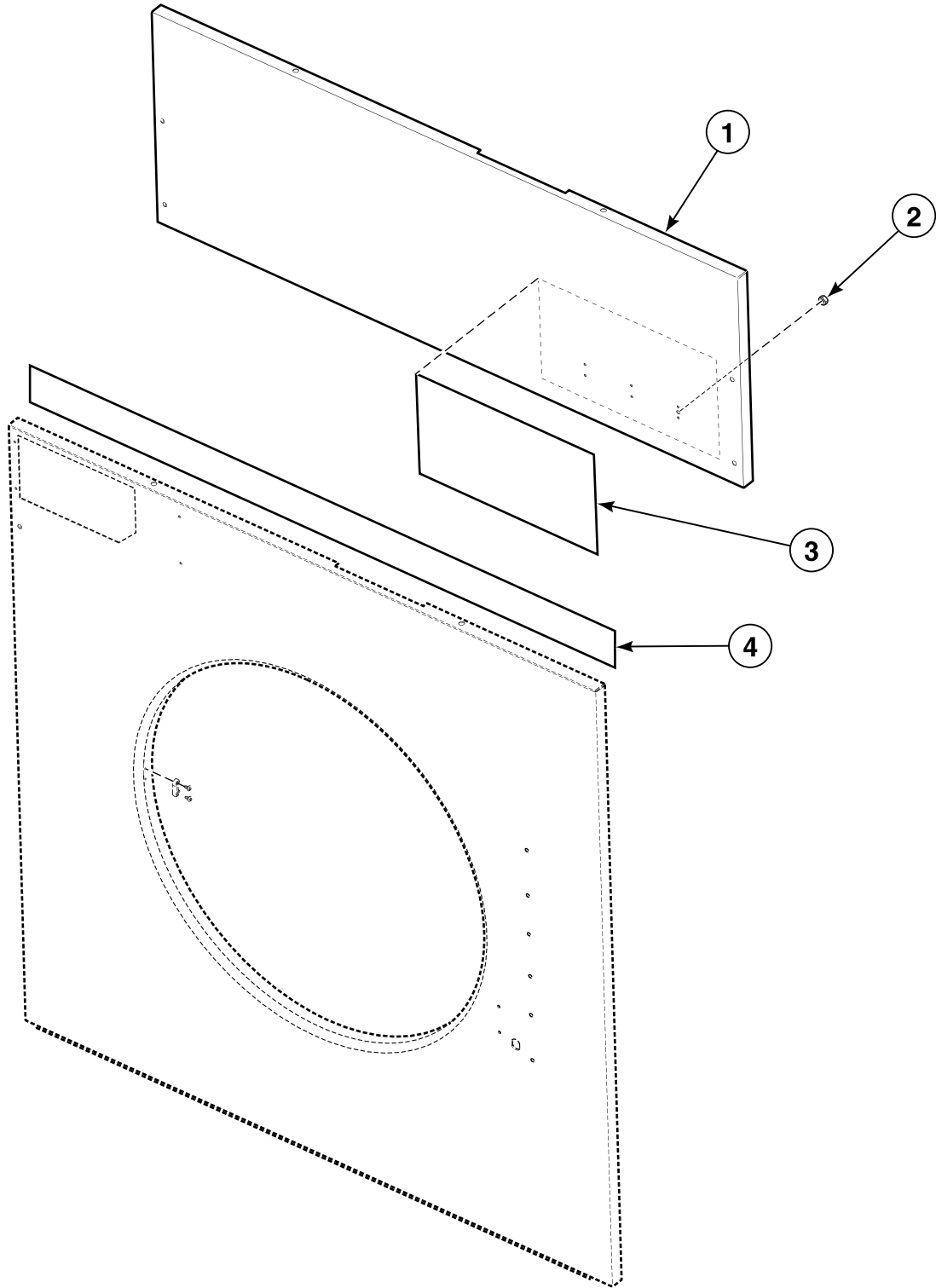
TMB2794P_70399801

Cabinet Front Components (Drawing 1 of 2)

REF	PART NO.	DESCRIPTION	COMMENTS
1	44128901	Fire Suppression System Label	G and K models
2	29786	Nut	2 required
3	55881	Harness Strap	2 required; Front panel harness to door switch wire channel
4	44023301	Screw	4 required
5	44019601P	Door Switch Harness	
6	M400770	Snap Bushing	Required for door switch harness going through frame
7	44001801	Door Switch Wire Channel	120 pound models
	44001802	Door Switch Wire Channel	170 pound models
8	44019601P	Door Switch Harness	
9	02788	Nut	2 required
10	44018201	Snap Switch	
11	44001301	Door Switch Cover	
12	431287	Screw	2 required
13	M402574	Screw	2 required
14	70033504	Screw	2 required
15	44035001	Door Hinge Lug Assembly	Includes bushings
16	M400072	Screw	2 required; Models through Serial No. 0305000001 except L models
	M400003	Pop Rivet	2 required; Models starting Serial No. 0305000001
17	M401223	Door Latch	
18	44012401*	Front Panel	120 pound models
	44012402	Front Panel	120 pound models; Stainless steel
	44012501*	Front Panel	170 pound models
	44012502	Front Panel	170 pound models; Stainless steel
19	70182601	Screw	4 required per panel
20	800465	Washer	4 required per panel
21	70030401	Nut	Access and front panel attachment

* Add Letter To Designate Color. L - Almond P - Turquoise W - White

Cabinet Front Components (Drawing 2 of 2)



TMB2636P_70399801

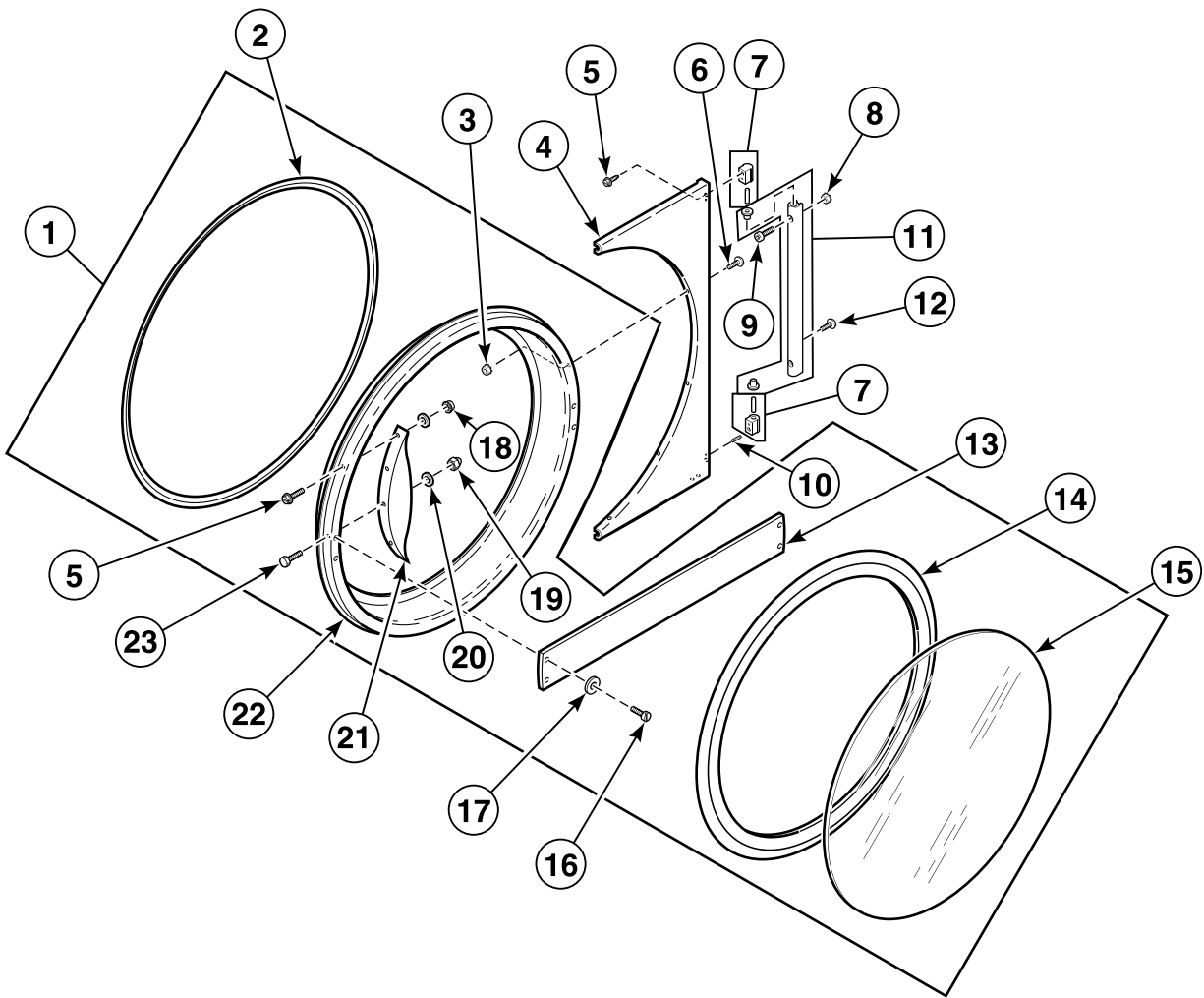
Cabinet Front Components (Drawing 2 of 2)

REF	PART NO.	DESCRIPTION	COMMENTS
1	44012601*	Access Panel	L and P 120 pound models
	44012602	Access Panel	L, PT, PU and XT 120 pound models; Stainless steel
	44012701*	Access Panel	LU and P 170 pound models
	44012702	Access Panel	L, PT, PU, XT and XU 170 pound models; Stainless steel
	44012607*P	Front Access Panel	BU, CT, CU, G, H, I, K, L, P, S, U, W and Y 120 pound models
	44012608	Front Access Panel	CT, HT, IT, ST and UT 120 pound models; Stainless steel
	44012707*P	Front Access Panel	BU, CT, G, H, I, K, S, U, W, XT and Y 170 pound models
	44012708	Front Access Panel	BU, CT, HT, ST and UT 170 pound models; Stainless steel
2	M400977	Nut	L and P models; For access panel trim; 2 required
3	44035801	Nameplate	X models
	44010401	Nameplate	H models
	44010601	Nameplate	S models
	70128901	Nameplate Overlay	P models
	70243901	Nameplate	L models
	M412963	Nameplate Overlay	U models
	N/A	Nameplate Overlay	A models
	44104501	Nameplate Overlay	Y models
	70348501	Nameplate	C models
	70348601	Nameplate	B and I models
	44130401	Nameplate Overlay	K 120 pound models
	44130501	Nameplate Overlay	K 170 pound models
	70410201	Nameplate Overlay	G models
	4	70399403	Access Panel Trim
70399404		Access Panel Trim	G and K 170 pound models; Mounts over front panel assembly and control panel

* Add Letter To Designate Color. L - Almond P - Turquoise Q - Bisque W - White

N/A = Part no longer available

Door and Hinge Components - A, G, H, K, L, P, S, U, W, X and Y Models



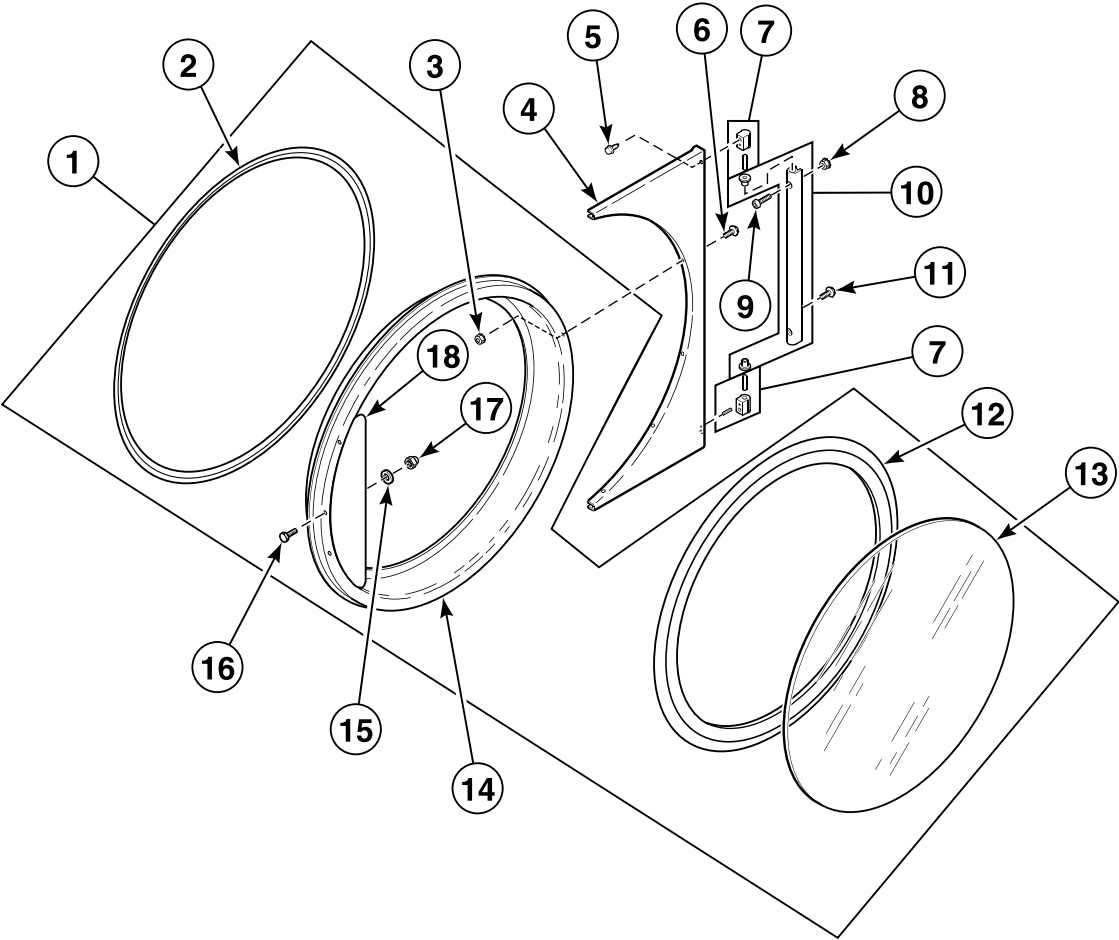
TMB2635P_70399801

Door and Hinge Components - A, G, H, K, L, P, S, U, W, X and Y Models

REF	PART NO.	DESCRIPTION	COMMENTS
	M4221P4	Door Glass Installation Tool	
1	44028902	Door Assembly	S and U models; Includes door strike, nut and washer
	44058102	Door Assembly	H models; Hinge not included; Includes door strike, nut and washer
	44029102	Door Assembly	A, L, P, W, X and Y models; Includes door strike, nut and washer
	70407401	Door Assembly	G and K models
2	44008201P	Door Ring Gasket	
3	23951	Nut	6 required
4	44075207	Door Hinge Assembly	G and K models
	44075201*	Door Hinge Assembly	All other models
	44075202	Door Hinge Assembly	All other models; Stainless steel
5	61199	Screw	3 required for cams; 4 required for handle
6	M400044	Screw	6 required
7	44035102	Door Hinge Cam Assembly	G and K models
	M4771P3	Door Hinge Cam Assembly Kit	All other models; Includes dowel; Upper and lower
8	29786	Nut	2 required
9	70409801	Screw	G and K models; 2 required
	70033504	Screw	All other models; 2 required
10	70126201	Screw	
11	44035002	Door Hinge Lug Assembly	G and K models; Includes bushings
	44035001	Door Hinge Lug Assembly	All other models; Includes bushings
12	44023301	Screw	4 required
13	70399501	Handle Bar	G and K models
14	70211902P	Door Seal Kit	
15	44008401P	Door Glass	A, G, K, L, P, S, U, W, X and Y models
	44008402P	Door Glass	H models
16	70126301	Pop Rivet	G and K models; 4 required
17	70409301	Washer	G and K models; 2 required
18	70054	Nut	4 required
19	M414215	Nut	
20	800465	Washer	5 required
21	44007901	Door Handle	S and U models
	44057702	Door Handle	H, L, P, W, X and Y models; Includes M409385 Screw
	M400133	Door Handle	A models
22	44007703	Door Ring	G and K models
23	M413344	Screw	Door strike

* Add Letter To Designate Color. P - Turquoise Q - Bisque W - White

Door and Hinge Components - B, C and I Models

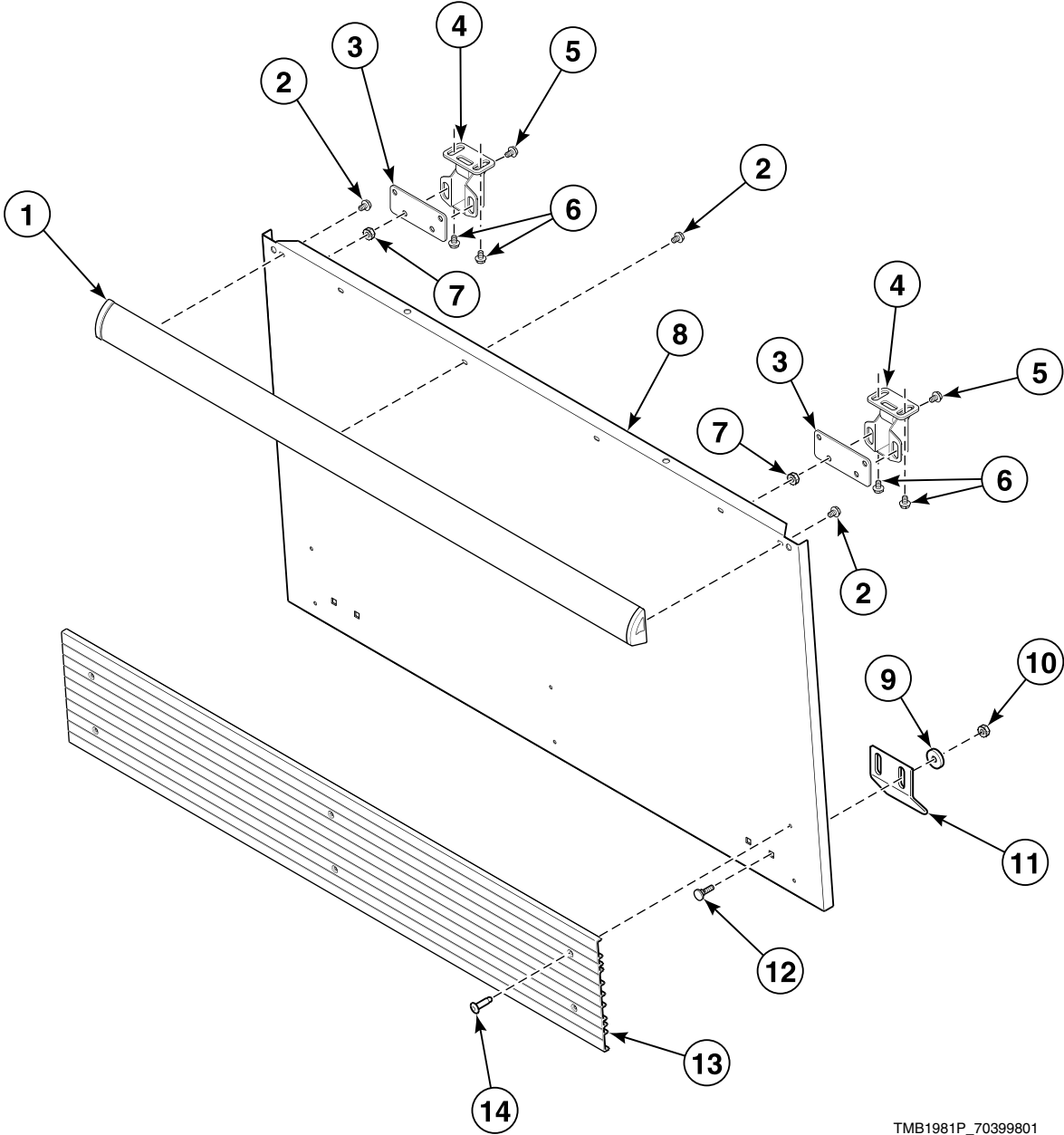


TMB2582P_70399801

Door and Hinge Components - B, C and I Models

REF	PART NO.	DESCRIPTION	COMMENTS
	M4221P4	Door Glass Installation Tool	
1	44112101	Door Assembly	
2	44008201P	Door Ring Gasket	
3	23951	Nut	6 required
4	70115902	Door Hinge	Stainless steel
5	61199	Screw	3 required, 2 in top cam and 1 in bottom
6	M400044	Screw	6 required
7	M4771P3	Door Hinge Cam Assembly Kit	
8	29786	Nut	2 required
9	70033504	Screw	2 required
10	44035001	Door Hinge Lug Assembly	Includes bushings
11	44023301	Screw	4 required
12	70211902P	Door Seal Kit	
13	44008401P	Door Glass	
14	44112001	Door Ring and Handle Assembly	Includes item 18
15	800465	Washer	
16	M400661	Screw	
17	M414215	Nut	
18	44111901	Door Handle	

Lint Panel Components



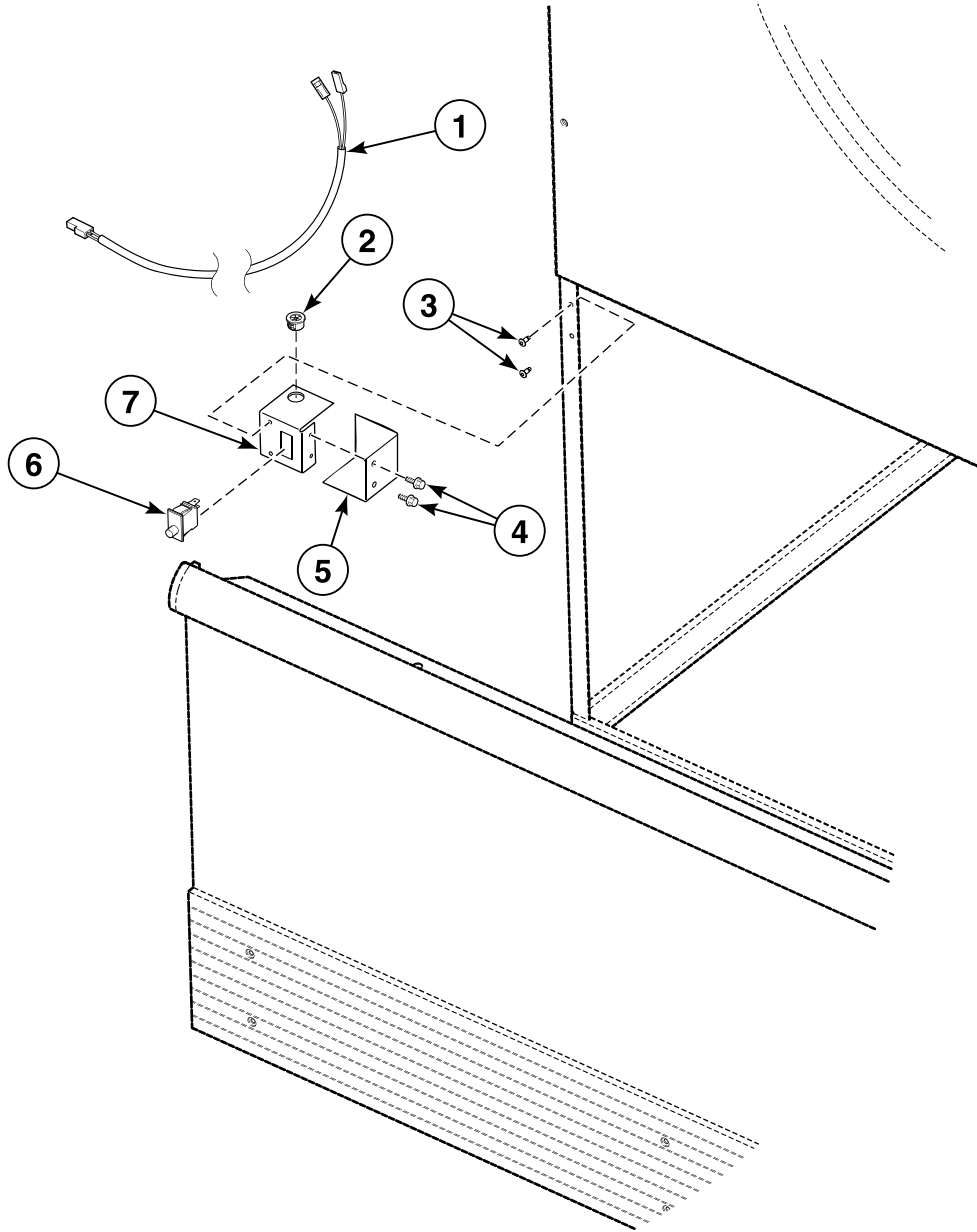
TMB1981P_70399801

Lint Panel Components

REF	PART NO.	DESCRIPTION	COMMENTS
1	44049901	Handle and Caps Assembly	A, B, C, I, L, P, S, U, W, X and Y 120 pound models; Black; Includes endcaps
	44049902	Handle and Caps Assembly	H 120 pound models; Gray; Includes endcaps
	44049903	Handle and Caps Assembly	A, B, C, I, L, P, S, U, W, X and Y 170 pound models; Black
	44049904	Handle and Caps Assembly	H 170 pound models; Gray
	70407203	Handle Bumper	G and K 120 pound models; Black and blue; Does not have endcaps
	70407204	Handle Bumper	G and K 170 pound models; Black and blue; Does not have endcaps
	2	430757	Screw
3	44014001	Roller Catch Mounting Bracket	2 required
4	H87020202	Roller Catch	2 required; Includes strike
5	61199	Screw	8 required
6	501086	Screw	4 required
7	70054	Nut	8 required
8	44012201*P	Lint Panel	120 pound models
	44012202	Lint Panel	120 pound models; Stainless steel
	44012301*P	Lint Panel	170 pound models
	44012302	Lint Panel	170 pound models; Stainless steel
9	M405535	Washer	4 required
10	29786	Nut	4 required
11	44017801	Lint Panel Clip	2 required
12	44017901	Bolt	4 required
13	70117609	Kickplate	A, B, C, G, I, K, L, P, S, U, W, X and Y 120 pound models; Black
	70117610	Kickplate	H 120 pound models; Gray
	70117611	Kickplate	A, B, C, G, I, K, L, P, S, U, W, X and Y 170 pound models; Black
	70117612	Kickplate	H 170 pound models; Gray
14	70126301	Pop Rivet	A, B, C, G, I, K, L, P, S, U, W, X and Y models; Black; 6 required
	70126401	Pop Rivet	H models; Gray; 6 required

* Add Letter To Designate Color. L - Almond P - Turquoise W - White

Lint Panel Switch Assembly

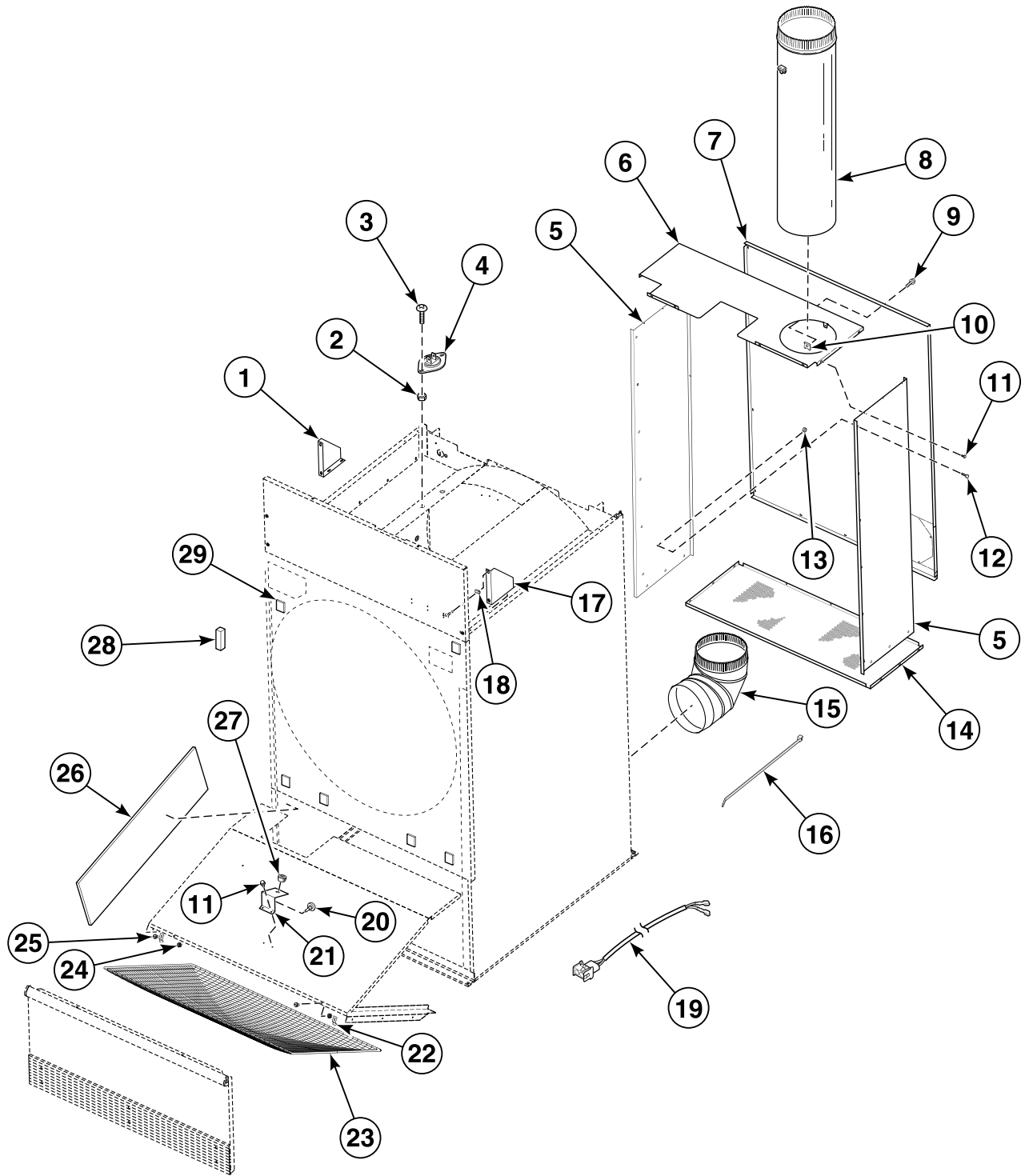


TMB2172P_70399801

Lint Panel Switch Assembly

REF	PART NO.	DESCRIPTION	COMMENTS
1	44019701	Lint Panel Switch Harness	
2	M411537	Bushing	
3	430725	Pop Rivet	2 required
4	430497	Screw	2 required
5	44026801	Lint Panel Switch Cover	
6	70107001	Pushbutton Switch	
7	44013401	Lint Panel Switch Bracket	

Lint Screen and Drive Guard - 120 Pound Models



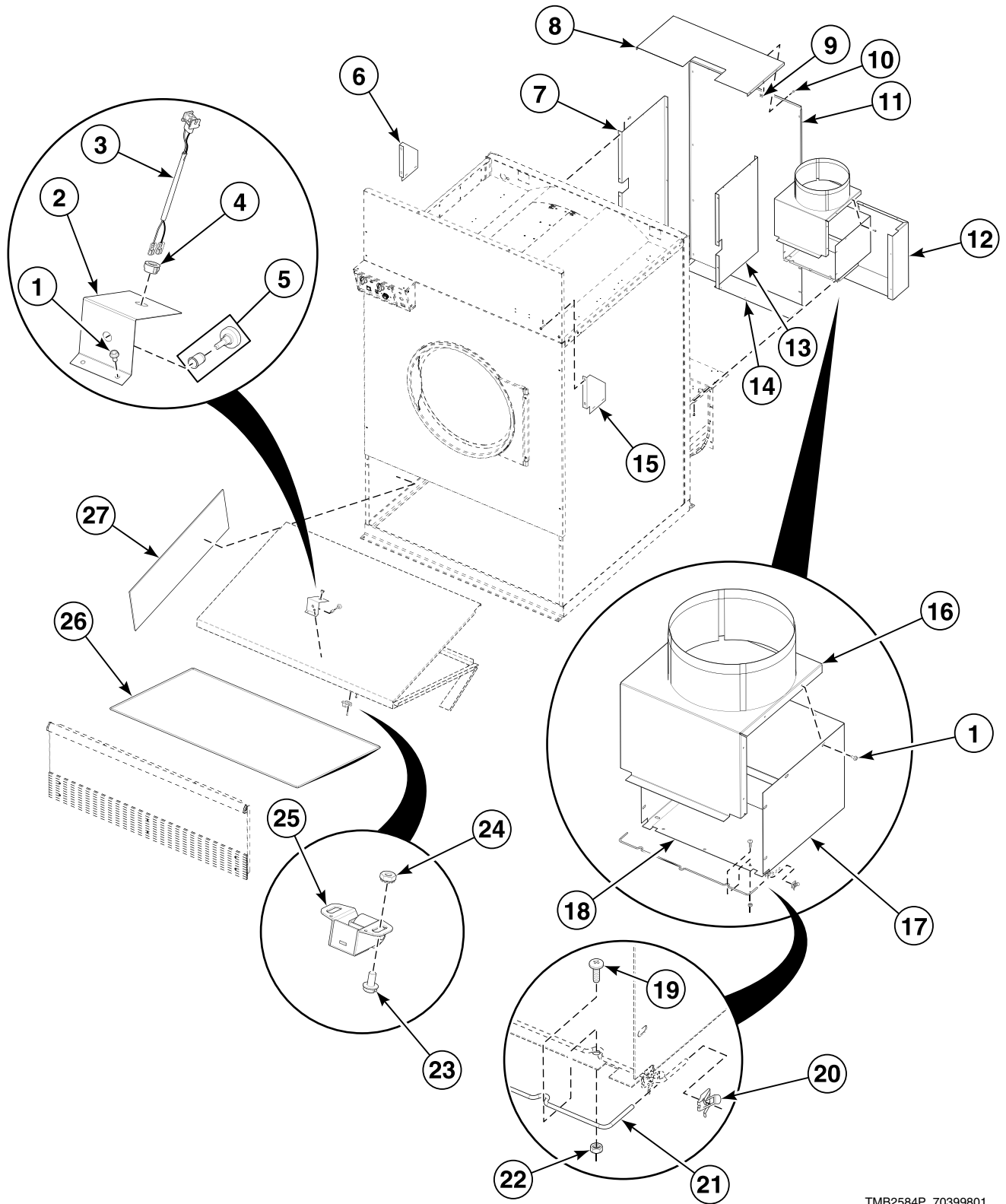
TMB2583P_70399801

Lint Screen and Drive Guard - 120 Pound Models

REF	PART NO.	DESCRIPTION	COMMENTS
1	44028202*	Top Access Panel Gusset	Left
2	23951	Nut	
3	430497	Screw	
4	44064701	Thermistor	2 required; For fire suppression system
5	M414491P	Belt Guard	Side; 2 required; Use 70015709 Gasket on edges
6	M411222	Belt Guard	Top
7	M414492P	Belt Guard	Cover
8	M411185	Vent Pipe	Gas models
	M411187	Vent Pipe	Steam models
9	M411072	Screw	
10	M400984	Clip	
11	430497	Screw	
12	M400043	Screw	
13	20274	Nut	
14	M411223P	Belt Guard	Bottom
15	H87494019	Vent Elbow	
16	M405829	Cable Tie	Required for thermistor harness
17	44028201*	Top Access Panel Gusset	Right
18	70030401	Nut	For access panel and front panel attachment
19	44016902P	Sensor Cable Harness	
20	M414704	Thermistor	
21	44051301	Thermistor Bracket Assembly	Includes bracket and thermistor nut
22	H96418413	Lint Screen Clip	
23	44063602	Lint Screen	Includes frame
	44077702P	Lint Screen	Includes snaps
24	70054	Nut	
25	61199	Screw	
26	M411593	Insulation	
27	M411537	Bushing	2 required for thermistor harness and cabinet rear
28	70017301	Front Panel Baffle Seal	2 required; Use under lint rails
29	M402144	Felt Pad	6 required; Behind front panel

* Add Letter To Designate Color. L - Almond P - Turquoise Q - Bisque W - White

Lint Screen and Drive Guard - 170 Pound Models



TMB2584P_70399801

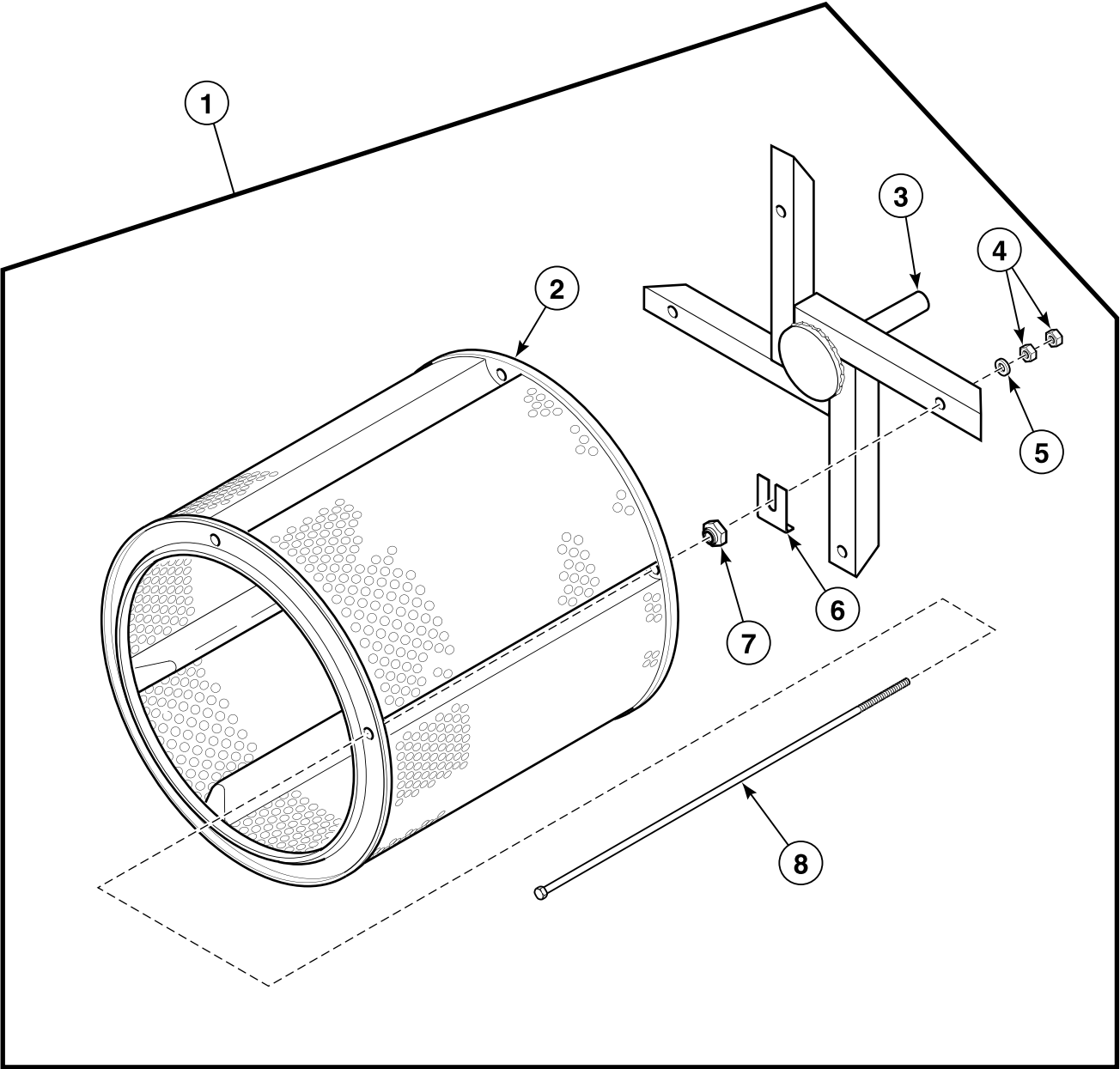
Lint Screen and Drive Guard - 170 Pound Models

REF	PART NO.	DESCRIPTION	COMMENTS
1	430497	Screw	
2	44051301	Thermistor Bracket Assembly	Includes bracket and thermistor nut
3	44016902P	Sensor Cable Harness	
4	M411537	Bushing	2 required for thermistor harness and cabinet rear
5	M414704	Thermistor	
6	44028302*	Top Access Panel Gusset	Left
7	M413137	Belt Guard Side	Left; Use 70015709 Gasket on edges
8	M413138	Belt Guard Top	
9	M400984	Clip	12 required
10	M411072	Screw	12 required
11	M414284	Belt Guard Cover	
12	N/A	Belt Guard Corner	
13	M413136	Belt Guard Side	Right
14	N/A	Belt Guard Bottom	Attach with 2 of item 1
15	44028301*	Top Access Panel Gusset	Right
16	N/A	Box and Thimble Assembly	
17	N/A	Exhaust Duct Box Wrap	
18	M413402	Damper Vane	
19	M400044	Screw	3 required
20	M400976	Clip	
21	M413401	Damper Rod	
22	23951	Nut	3 required
23	61199	Screw	
24	70054	Nut	
25	H87020202	Roller Catch	Includes strike
26	44063603P	Lint Screen	Includes frame
	44077703P	Lint Screen	Includes snaps
27	M411593	Insulation	

* Add Letter To Designate Color. L - Almond W - White

N/A = Part no longer available

Cylinder and Trunnion Assembly

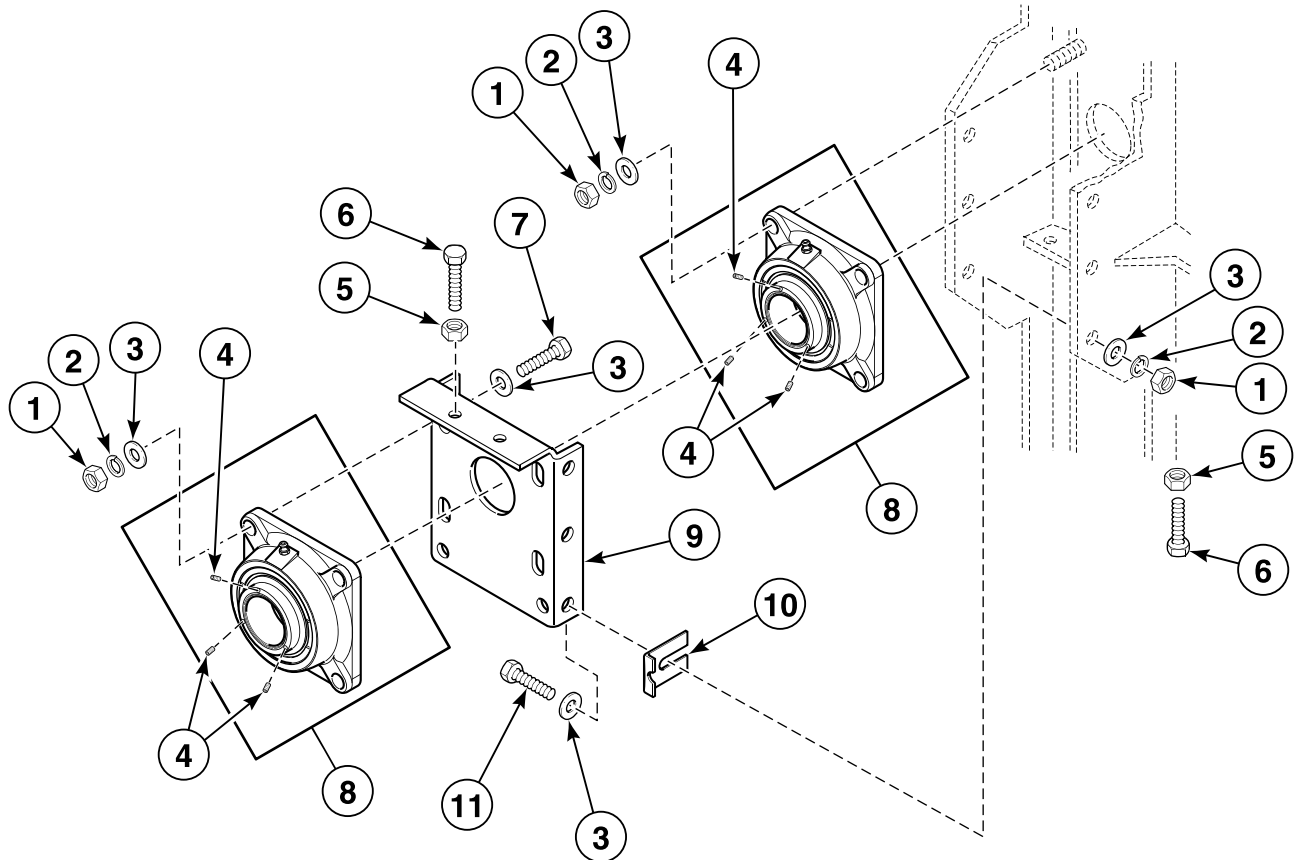


TMB1811B_70399801

Cylinder and Trunnion Assembly

REF	PART NO.	DESCRIPTION	COMMENTS
1	44054801	Cylinder and Trunnion Assembly	120 pound models; Galvanized
	44054802	Cylinder and Trunnion Assembly	120 pound models; Stainless steel
	44054701	Cylinder and Trunnion Assembly	170 pound models; Galvanized
	44054702	Cylinder and Trunnion Assembly	170 pound models; Stainless steel
2	H96427513	Cylinder Assembly	120 pound models; Galvanized; Includes rib rods and rib rod nuts
	M409788	Cylinder Assembly	120 pound models; Stainless steel; Includes rib rods and rib rod nuts
	H96367545	Cylinder Assembly	170 pound models; Galvanized; Includes rib rods and rib rod nuts
	M409826	Cylinder Assembly	170 pound models; Stainless steel; Includes rib rods and rib rod nuts
3	44055501	Trunnion Assembly	120 pound models
	44054601	Trunnion Assembly	170 pound models
4	H88412101	Nut	8 required
5	Q6712	Washer	4 required
6	M401402	Spacer	As required
7	M412334	Nut	4 required
8	H88301411	Bolt	4 required

Trunnion Bearings

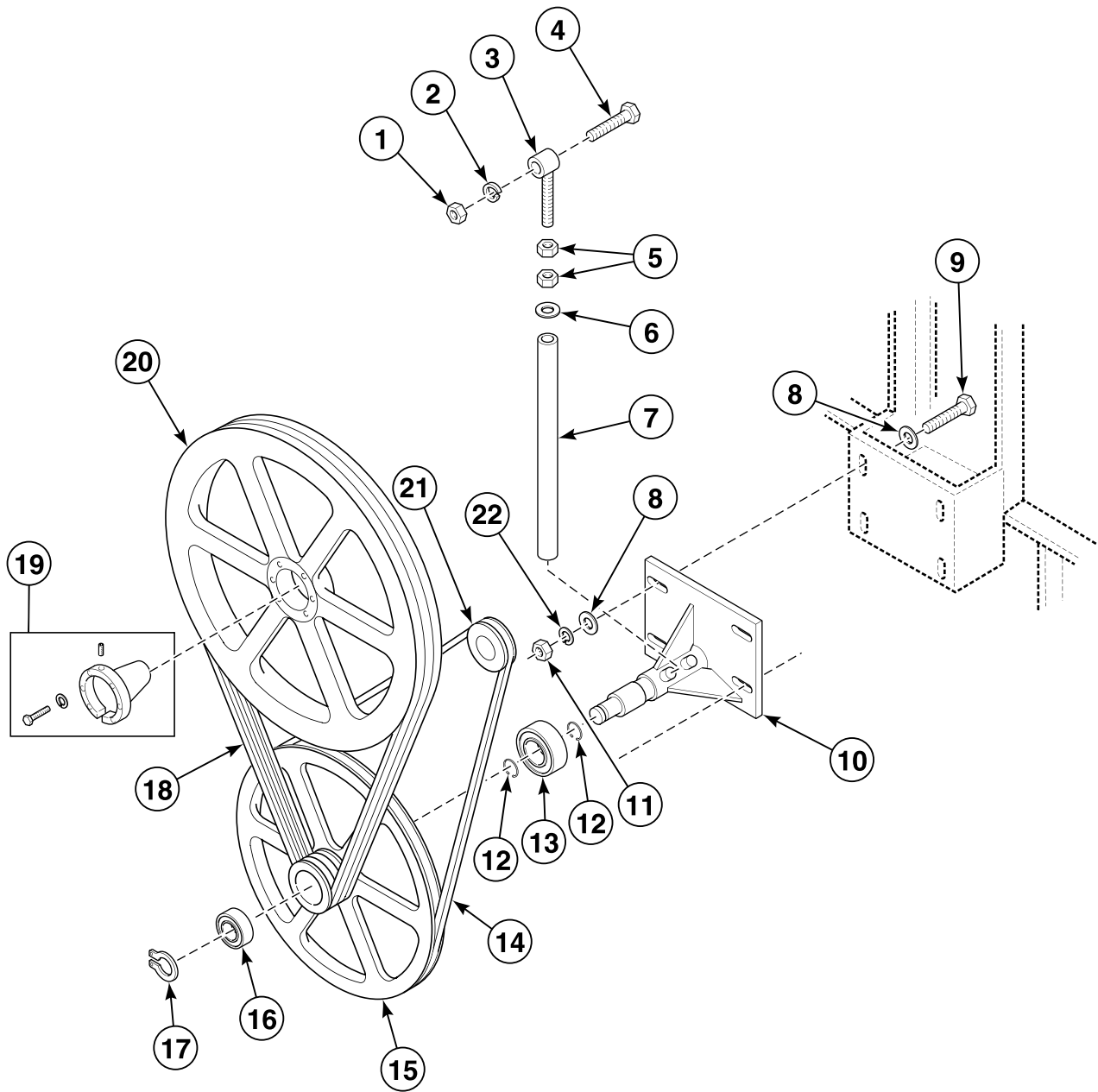


TMB2322P_70399801

Trunnion Bearings

REF	PART NO.	DESCRIPTION	COMMENTS
1	H88412101	Nut	
2	91200	Washer	
3	Q6712	Washer	
4	44075801	Screw	3 per flange bearing
5	20274	Nut	
6	H88213996	Screw	
7	M411165	Screw	
8	44048301P	Flange Bearing	Includes screws
9	H96428008	Bearing Mounting	
10	M401402	Spacer	As required
11	H88012034	Screw	

Drive Sheave, Step Pulley and Belts



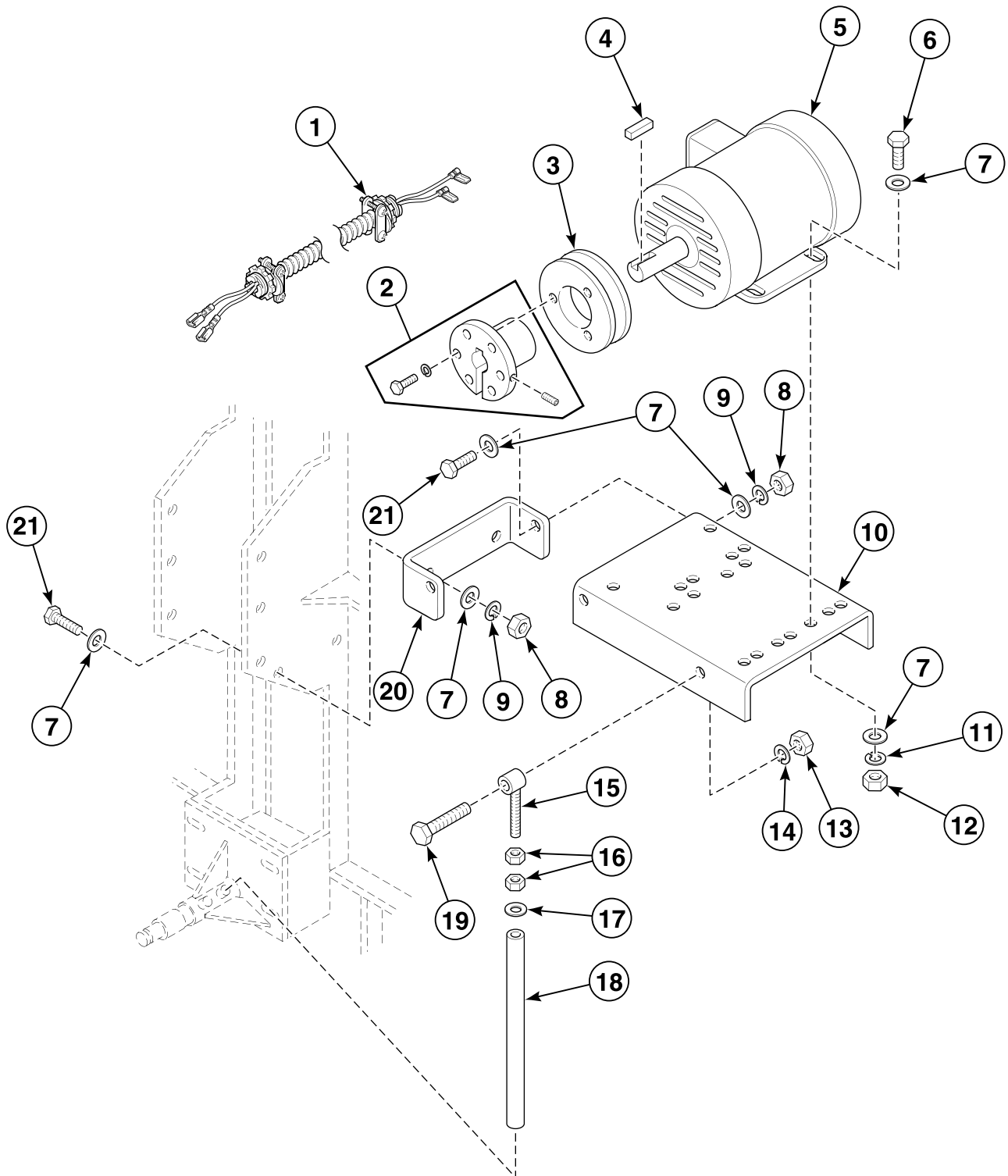
TMB2585P_70399801

Drive Sheave, Step Pulley and Belts

REF	PART NO.	DESCRIPTION	COMMENTS
1	H88412093	Nut	
2	N/A	Washer	
3	44048501	Rod End	Eyebolt assembly
4	H88001565	Screw	
5	H88412101	Nut	
6	Q6712	Washer	
7	H96428487	Belt Adjustment Tube	
8	M400081	Washer	8 required
9	22688	Screw	4 required
10	H96357751	Jackshaft Assembly	
11	20274	Nut	4 required
12	H88603477	Retaining Ring	Step pulley bearings stops; 2 required
13	H87672374	Ball Bearing	Inner; Step pulley
14	H87533014	Belt	
15	M4696P3	Step Pulley and Bearing Kit	Includes H96428024 Step Pulley, M414321 Spacer, M4718P3 Step Pulley Outer Bearing Kit and items 12, 13 and 16
16	M414367	Ball Bearing	Outer
17	H88602263	Retaining Ring	Step pulley to jackshaft
18	H87533816P	Belt Set	Set of 3
19	H8752985HP	Bushing	Includes M400014 Washer, 44048902 Screw and 44079204 Screw
20	H8752251H	Sheave	
21	H87520334	Sheave	120 pound models; 50 Hertz; 3.35 inch OD
	H87520466	Sheave	120 pound models; 60 Hertz; 4.12 inch OD
	H8752026H	Sheave	170 pound models; 50 Hertz; 2.65 inch OD
	H87520334	Sheave	170 pound models; 60 Hertz; 3.35 inch OD
22	M400014	Washer	4 required

N/A = Part no longer available

Cylinder Drive Motor



TMB2174P_70399801

Cylinder Drive Motor

REF	PART NO.	DESCRIPTION	COMMENTS
1	N/A	Cylinder Motor Harness	A, BA, BT, CA, CT, GA, GT, HA, HT, I, KA, KT, LA, LT, PA, PT, SA, ST, UA, UT, W, XT and YT models; 3 Phase
	M413110	Cylinder Motor Harness Assembly	BU, CU, GU, HU, KU, LU, PU, SU, UU, XU and YU models; 3 Phase
2	H87529129P	Bushing	60 Hertz; Includes 44079301 Screw, 44048901 Screw and 56552 Washer; Key not included
	H87529111P	Bushing	50 Hertz; Includes 44079301 Screw, 44048901 Screw and 56552 Washer; Key not included
3	H87520466	Sheave	60 Hertz; 120 pound models; 4.12 inch OD
	H87520334	Sheave	50 Hertz 120 pound models; 60 Hertz 170 pound models; 3.35 inch OD
	H8752026H	Sheave	50 Hertz; 170 pound models; 2.65 inch OD
4	H8752006H	Key	
5	44052901P	Motor	208-460 Volt/60 Hertz/3 Phase; Includes key
	44053001P	Motor	200-415 Volt/50 Hertz/3 Phase; Includes key
6	M400056	Screw	
7	M400080	Washer	
8	20274	Nut	
9	M400014	Washer	
10	M413171	Motor Base	
11	M400013	Washer	
12	70142	Nut	
13	H88412093	Nut	
14	N/A	Washer	
15	44048501	Rod End	Eyebolt assembly
16	H88412101	Nut	
17	Q6712	Washer	
18	N/A	Belt Adjustment Tube	
19	H88001565	Screw	
20	H96428693	Base Bracket	
21	22688	Screw	

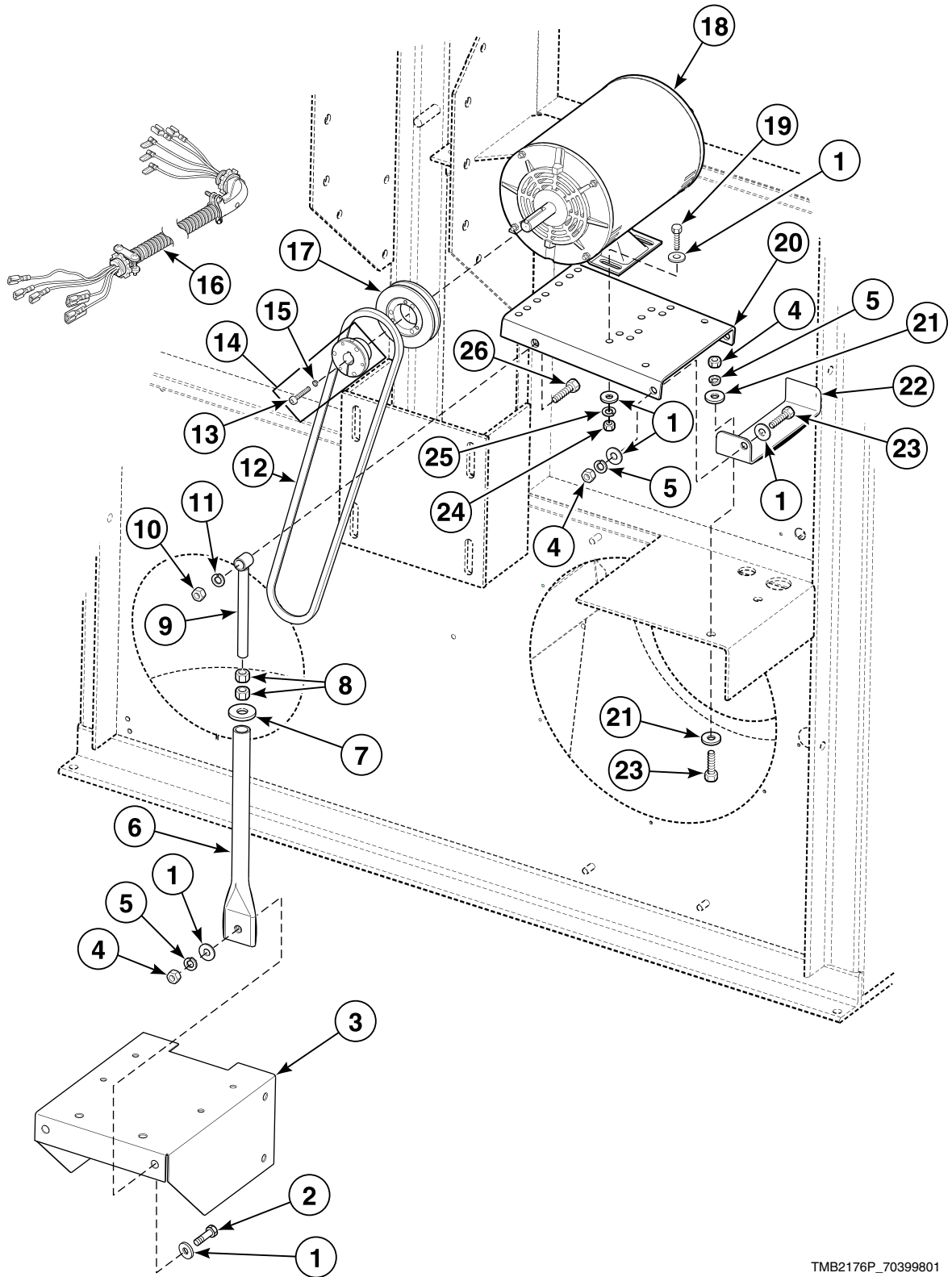
N/A = Part no longer available

Fan Assembly - 120 Pound 50 Hertz Models

REF	PART NO.	DESCRIPTION	COMMENTS
1	M412917P	Bushing	2 required; Includes screws and washers; Key not included
2	H8800901H	Screw	3 required
3	M411403	Limit Thermostat	Gas models
	M411946	Limit Thermostat	BA, BU, CA, CU, GA, GU, HA, HU, KA, KU, LA, LU, PA, PU, SA, SU, UA, UU and XU gas models; Manual reset
4	430497	Screw	
5	M400985	Hole Plug	
6	H8900530H	Thermostat	Load ready; Models with RT control suffix; Non-functional on models with RM and RQ control suffixes
7	61199	Screw	
8	70054	Nut	
9	M409967	Damper Assembly	
10	M414546	Fan and Bushing Assembly	Discard bushing on 50 Hertz models
11	H96358007	Blower Cover	
12	M400056	Screw	3 required
13	M400080	Washer	10 required
14	20274	Nut	6 required
15	M400014	Washer	4 required
16	M400081	Washer	8 required
17	H608P3	Blower Motor Base Kit	
18	H8752006H	Key	2 required
19	H8768212H	Ball Bearing Insert	
20	H8768302H	Bearing Mounting Flangette	2 required
21	M412000	Blower Shaft	
22	44104801	Ball Bearing	
23	M400043	Screw	4 required
24	22688	Screw	2 required
25	44079301	Screw	3 required
26	56552	Washer	6 required
27	44048901	Screw	
28	H87520284	Sheave	2.8 inch OD
29	70142	Nut	3 required
30	M400013	Washer	3 required
31	44022701	Cabinet Limit Harness	A, BA, BT, CA, CT, GA, GT, HA, HT, I, KA, KT, LA, LT, PA, PT, SA, ST, UA, UT, W, XT and YT gas models
	M414261	Cabinet Limit Harness Assembly	CU, GU, HU, KU, LU, PU, SU, UU, XU and YU models; RM and RQ control suffixes
	N/A	Limit Harness	HU, PU, SU, UU and XU models; RT control suffix
	44108101P	Cabinet Limit Harness	A, CA, CT, GA, GT, HA, HT, I, KA, KT, LA, LT, PA, PT, SA, ST, UA, UT, W, XT and YT models; RM and RQ control suffixes; Models starting 7/24/06

N/A = Part no longer available

Fan Motor Assembly - 120 Pound 50 Hertz Models



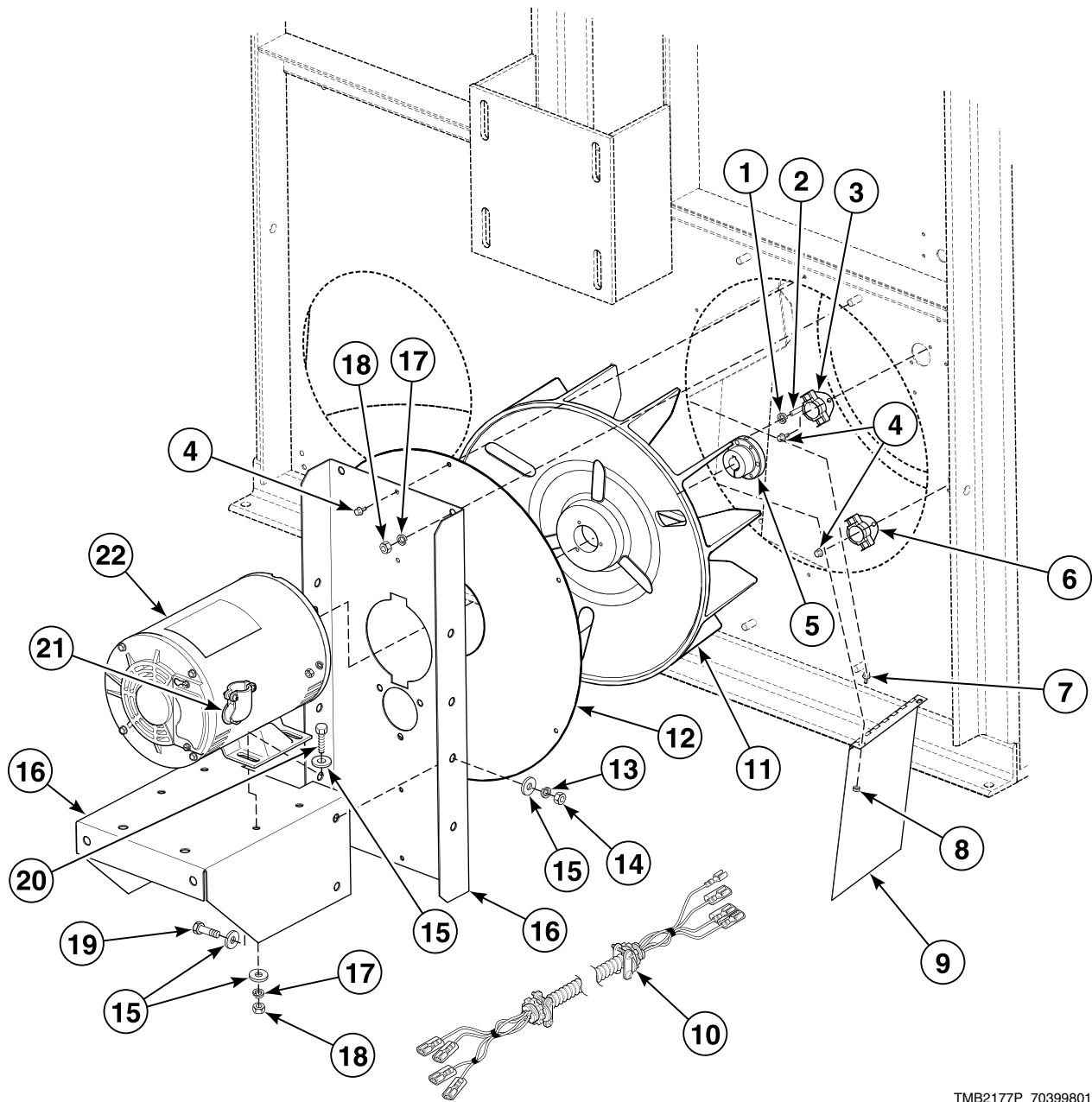
TMB2176P_70399801

Fan Motor Assembly - 120 Pound 50 Hertz Models

REF	PART NO.	DESCRIPTION	COMMENTS
1	M400080	Washer	
2	M400043	Screw	
3	H608P3	Blower Motor Base Kit	Bracket
4	20274	Nut	
5	M400014	Washer	
6	H96428628	Motor Adjustment Tube	
7	Q6712	Washer	
8	H88412101	Nut	
9	44048501	Rod End	Eyebolt assembly; Belt adjuster
10	H88412093	Nut	
11	N/A	Washer	
12	H8753170H	Belt	
13	44079301	Screw	3 required
14	H87529111P	Bushing	Includes screws and washers; Key not included
15	56552	Washer	3 required
16	44022401	Fan Motor Harness	A, BA, BT, CA, CT, GA, GT, HA, HT, I, KA, KT, LA, LT, PA, PT, SA, ST, UA, UT, W, XT and YT models
	M413111	Fan Motor Harness Assembly	BU, CU, GU, HU, KU, LU, PU, SU, UU, XU and YU models
17	H87520334	Sheave	3.35 inch OD
18	44046401	Fan Motor	200, 240, 380 and 415 Volt
19	M400056	Screw	
20	M413171	Motor Base	
21	M400081	Washer	
22	H96428693	Base Bracket	
23	22688	Screw	
24	70142	Nut	
25	M400013	Washer	
26	H88001565	Screw	

N/A = Part no longer available

Fan and Fan Motor Assembly - 120 Pound 60 Hertz Models

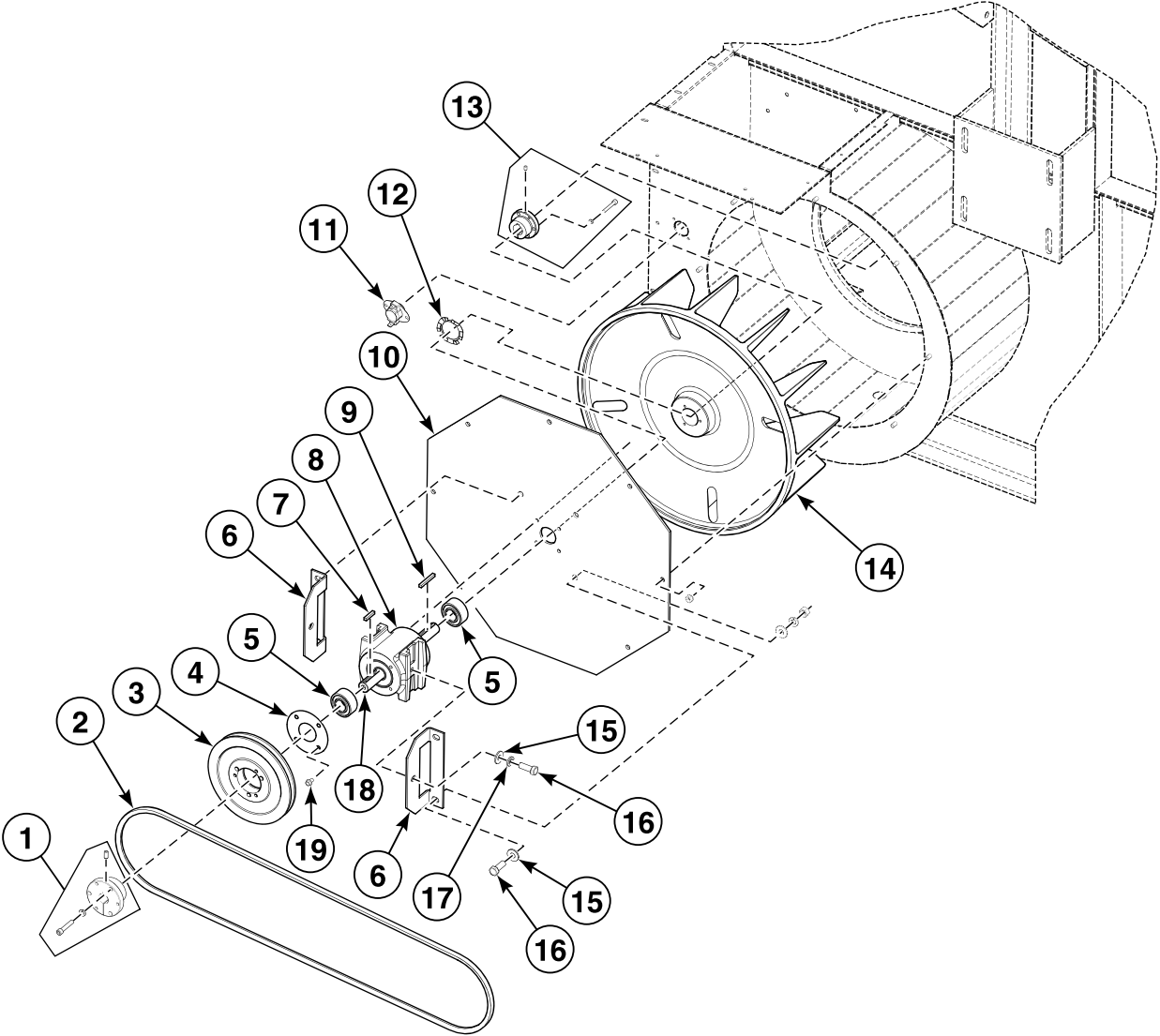


TMB2177P_70399801

Fan and Fan Motor Assembly - 120 Pound 60 Hertz Models

REF	PART NO.	DESCRIPTION	COMMENTS
1	56552	Washer	
2	H8800901H	Screw	3 required; Fan bushing
3	M411403	Limit Thermostat	
4	430497	Screw	
5	H87529111P	Bushing	Includes screws and washers; Key not included
6	H8900530H	Thermostat	Load ready; Models with RT control suffix; Non-functional on models with RM and RQ control suffixes
7	61199	Screw	
8	70054	Nut	
9	M409967	Damper Assembly	
10	44022701	Cabinet Limit Harness	Gas models except L models through 7/26/06
	44108101P	Cabinet Limit Harness	Models starting 7/26/06
11	M414546	Fan and Bushing Assembly	Included with item 5 and hardware
12	H96358007	Blower Cover	
13	M400014	Washer	
14	20274	Nut	
15	M400080	Washer	
16	H608P3	Blower Motor Base Kit	
17	M400013	Washer	
18	70142	Nut	
19	M400043	Screw	4 required
20	M400056	Screw	4 required
21	M403862	Connector	
22	44046301P	Motor	200-208, 240, 460-480 Volt

Fan Assembly - 170 Pound Models

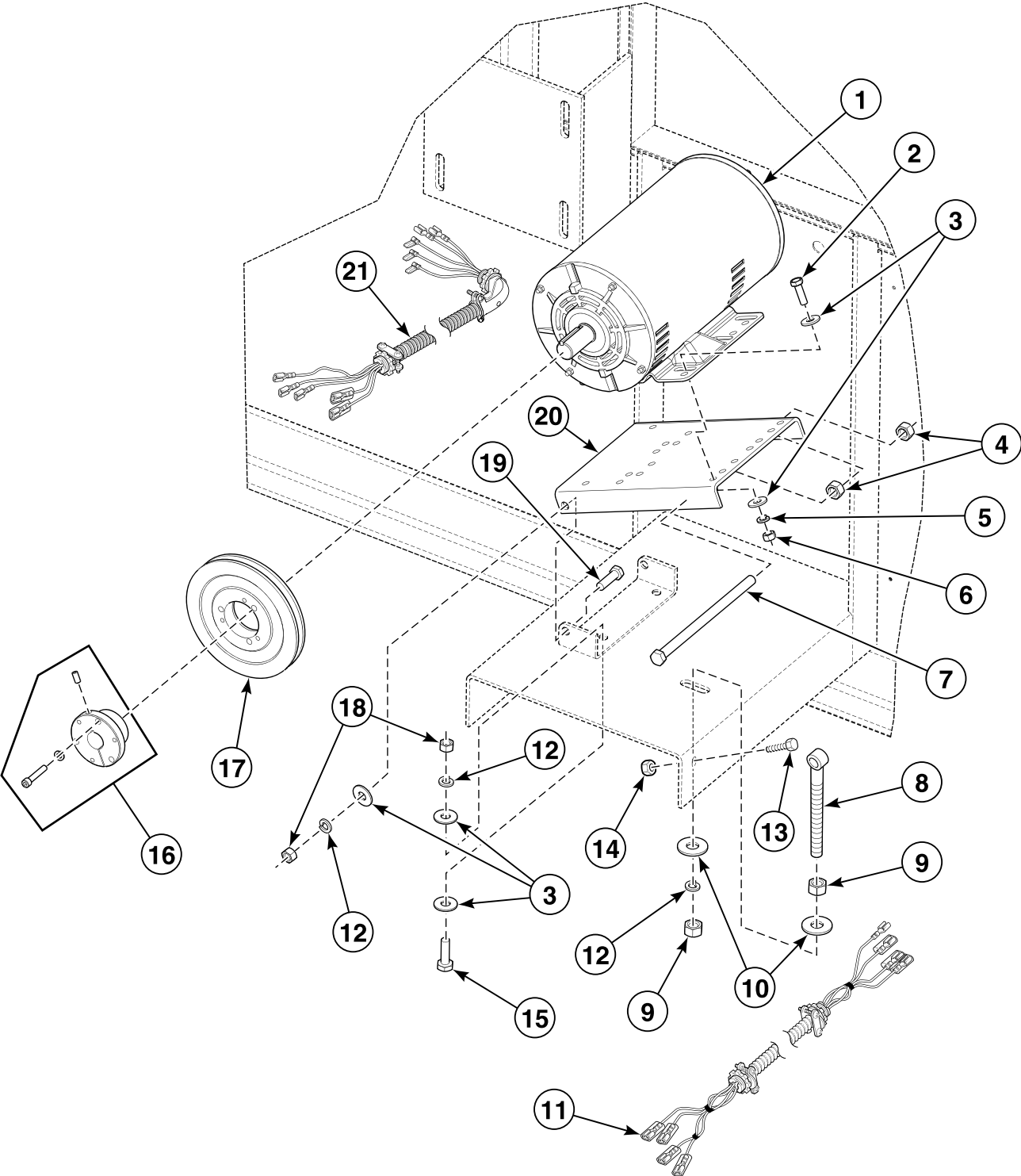


TMB2586P_70399801

Fan Assembly - 170 Pound Models

REF	PART NO.	DESCRIPTION	COMMENTS
	M412630	Idler Housing Assembly	Includes items 5, 8 and 18
1	H8752922HP	Bushing	Includes 44079202 Screw, 03189 Washer and 44048902 Screw
2	H87532685	Belt	
3	H8752060H	Sheave	6 inch OD; 50 Hertz
	H8752065H	Sheave	6.5 inch OD; 60 Hertz
4	M401370	Bearing Retainer	
5	M401375P	Ball Bearing	2 required for item 8
6	M414235	Fan Bearing Bracket	2 required
7	M401327	Key	
8	M412612	Idler Housing	
9	M400993	Key	
10	M414237	Blower Cover	
11	M411403	Limit Thermostat	184 closed
	M411946	Limit Thermostat	184 closed; Manual reset; BA, BU, CA, CU, GA, GU, HA, HU, KA, KU, LA, LU, PA, PU, SA, SU, UA, UU and XU models
	H8900530H	Thermostat	135 closed; Models with RT control suffix; Non-functional on models with RM and RQ control suffixes
12	M400401	Loading Spring	
13	M412917P	Bushing	Includes 44079301 Screw, 56552 Washer and 44048901 Screw
14	H96368469	Fan	
15	M400080	Washer	
16	M400043	Screw	6 required
17	M400014	Washer	
18	M414241	Idler Shaft	
19	70187202	Screw	8 required

Fan Motor Assembly - 170 Pound Models



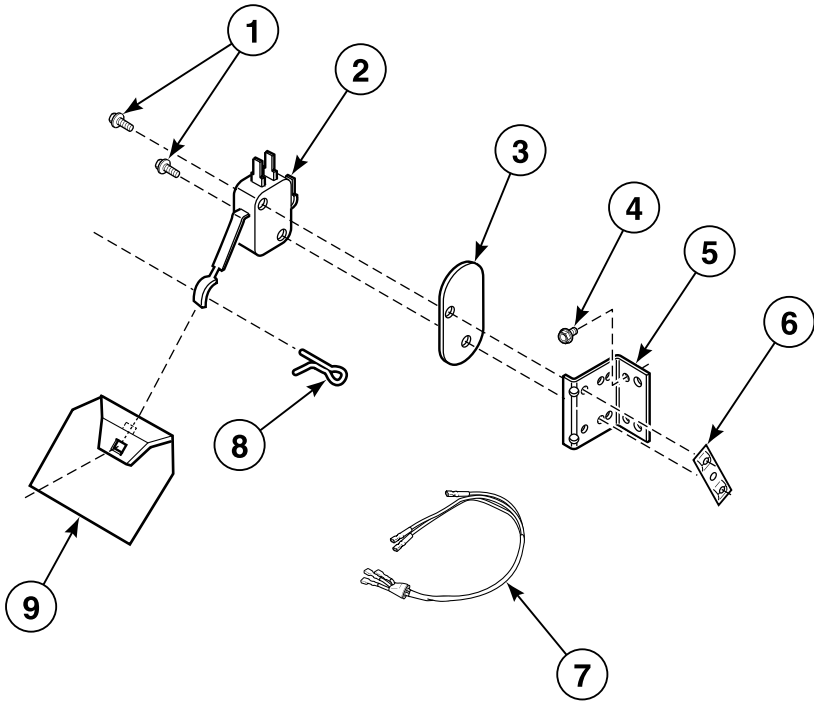
TMB2587P_70399801

Fan Motor Assembly - 170 Pound Models

REF	PART NO.	DESCRIPTION	COMMENTS
1	44046501P	Fan Motor	3 hp; 200-208, 240 Volt/60 Hertz/3 Phase; 460-480 Volt/60 Hertz/3 Phase; Key included
	44046601	Motor	3 hp; 380, 400-415 Volt/50 Hertz/3 Phase; Key included
2	M400056	Screw	4 required
3	M400080	Washer	
4	H88412093	Nut	2 required
5	M400013	Washer	4 required
6	70142	Nut	4 required
7	M413528	Screw	
8	44048501	Rod End	
9	H88412101	Nut	2 required
10	Q6712	Washer	2 required
11	44022701	Cabinet Limit Harness	A, BA, BT, CA, CT, GA, GT, HA, HT, I, KA, KT, LA, LT, PA, PT, SA, ST, UA, UT, W, XT and YT models
	M414261	Cabinet Limit Harness Assembly	CU, GU, HU, KU, LU, PU, SU, UU and XU models; RM and RQ control suffixes
	N/A	Limit Harness	HU, PU, SU, UU and XU models; RT control suffix
	44108101P	Cabinet Limit Harness	A, CA, CT, GA, GT, HA, HT, I, KA, KT, LA, LT, PA, PT, SA, ST, UA, UT, W, XT and YT models; RM and RQ control suffixes; Models starting 7/26/06
12	M400014	Washer	
13	H88010038	Screw	Belt motor to fan motor base
14	29786	Nut	Belt motor to fan motor base
15	22688	Screw	4 required
16	M412995P	Bushing	Includes 44079202 Screw, 03189 Washer and 44048902 Screw
17	H8752065H	Sheave	6.5 inch OD; 50 Hertz
	H8752060H	Sheave	6 inch OD; 60 Hertz
18	20274	Nut	4 required
19	H96428693	Base Bracket	
20	M413171	Motor Base	
21	M414259	Fan Motor Harness Assembly	BU, GU, HU, KU, LU, PU, SU, UU and XU models

N/A = Part no longer available

Airflow Switch Assembly



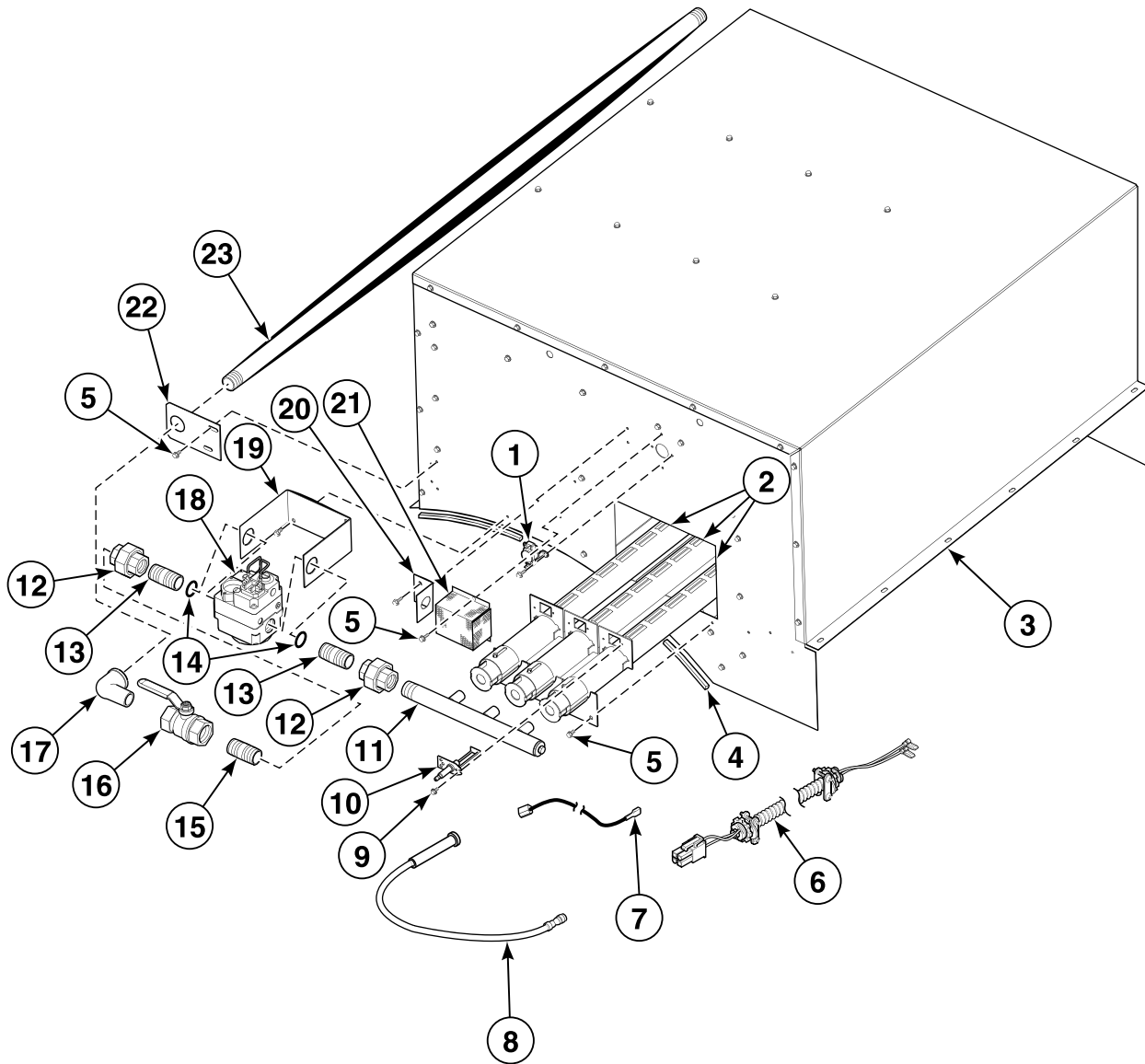
TMB2194P_70399801

Airflow Switch Assembly

REF	PART NO.	DESCRIPTION	COMMENTS
1	M401938	Screw	
2	44021701	Lever Arm Switch	
3	H96418728	Mounting Insulation	
4	430497	Screw	
5	430370	Airflow Switch Bracket	
6	M400979	Nut	
7	M413042	Airflow Switch Harness Assembly	A, BA, BT, CA, CT, GA, GT, HA, HT, I, KA, KT, LA, LT, PA, PT, SA, ST, UA, UT, W, XT and YT models
	N/A	Airflow Switch Harness Assembly	BU, CU, GU, HU, KU, LU, PU, SU, UU, XU and YU models
8	02470	Cotter Pin	
9	430372	Airflow Switch Vane	

N/A = Part no longer available

Gas Heater Components - 120 Pound Models

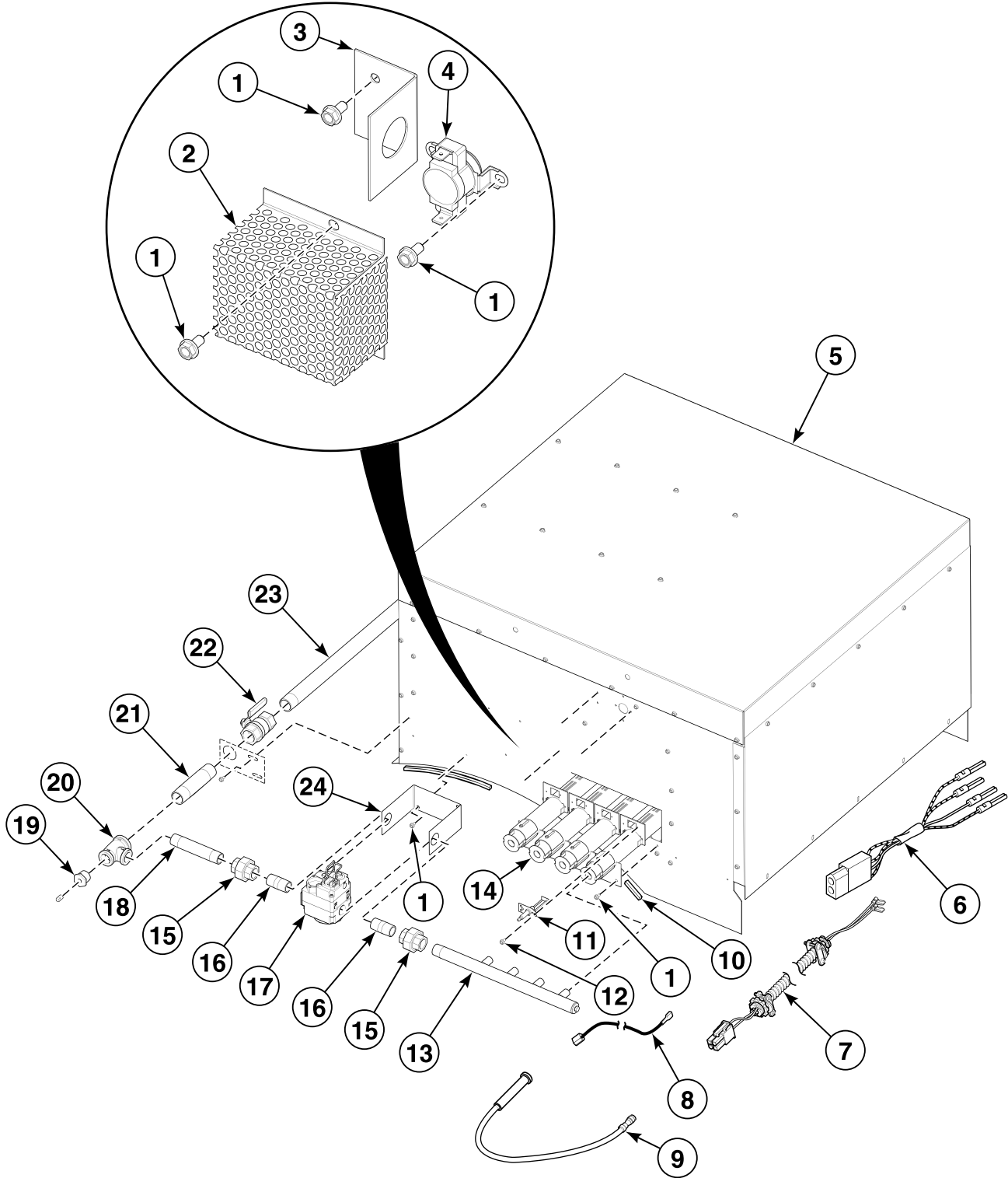


TMB2588P_70399801

Gas Heater Components - 120 Pound Models

REF	PART NO.	DESCRIPTION	COMMENTS
	M4573P3	Conversion Kit	Natural Gas (N.G.) to Liquid Petroleum Gas (L.P.); 60 Hertz
1	M411404	Stove Limit Thermostat	A, BT, CT, GT, HT, I, KT, LT, PT, ST, UT, W, XT and YT models
	M413988	Thermostat	BA, BU, CA, CU, GA, GU, HA, HU, KA, KU, LA, LU, PA, PU, SA, SU, UA, UU and XU models; Resettable
2	M412025	Burner	BA, CA, GA, HA, KA, LA, PA, SA and UA models order 2, in addition to 1 of M414243 Burner; All other models order 3
	M414243	Burner	BA, CA, GA, HA, KA, LA, PA, SA and UA models order 1, in addition to 2 of M412025 Burner
3	M411097	Stove Assembly	
4	M411506	Stove Partition Gasket	Order 3 feet
5	430497	Screw	18 required
6	M413104P	Stove Limit Harness Assembly	
7	M411061	ICM Return Lead	BA, CA, GA, HA, KA, LA, PA, SA and UA models
8	44061602	High Temperature Ignition Lead	A, BT, BU, CT, CU, GT, GU, HT, HU, I, KT, KU, LT, LU, PT, PU, ST, SU, UT, UU, W, X and Y models
	44061605	High Temperature Ignition Lead	BA, CA, GA, HA, KA, LA, PA, SA and UA models
9	56693	Screw	2 required
10	M406934P	Spark Igniter	A, BT, BU, CT, CU, GT, GU, HT, HU, I, KT, KU, LT, LU, PT, PU, ST, SU, UT, UU, W, X and Y models
	M410905P	Spark Igniter	BA, CA, GA, HA, KA, LA, PA, SA and UA models
11	M411254	Spud Holder	
12	M411419	Pipe Union	2 required
13	M411417	Pipe Nipple	2 required
14	M412158	Gas Valve Flange Gasket	BU, CU, GU, HU, KU, LU, PU, SU, UU and XU models; 50 Hertz
15	M411418	Pipe Nipple	
16	M413016	Ball Valve	
17	M411264	Street Elbow	
18	44118501P	Gas Valve Assembly	N.G.; 50 Hertz; BU, CU, GU, HU, KU, LU, PU, SU, UU and XU models
	M413465P	Gas Valve Kit	L.P.; 50 Hertz; A, BA, BT, CA, CT, GA, GT, HA, HT, I, KA, KT, LA, LT, PA, PT, SA, ST, UA, UT, W, XT and YT models
	M413470P	Gas Valve	N.G.; 60 Hertz; A, BT, CT, GT, HT, I, KT, LT, PT, ST, UT, W, XT and YT models
	M4883P3	Gas Valve Kit	L.P.; 60 Hertz; A, BT, CT, GT, HT, I, KT, LT, PT, ST, UT, W, XT and YT models
19	M411259	Gas Valve Bracket	A, BA, BT, CA, CT, GA, GT, HA, HT, I, KA, KT, LA, LT, PA, PT, SA, ST, UA, UT, W, XT and YT models
	M413019	Gas Valve Bracket	BU, CU, GU, HU, KU, LU, PU, SU, UU and XU models
20	431078	Stove Limit Harness Bracket	
21	M414477	Thermostat Cover	
22	M411498	Pipe Bracket	2 required
23	M411265	Gas Pipe	

Gas Heater Components - Non-CE and Australian 170 Pound Models



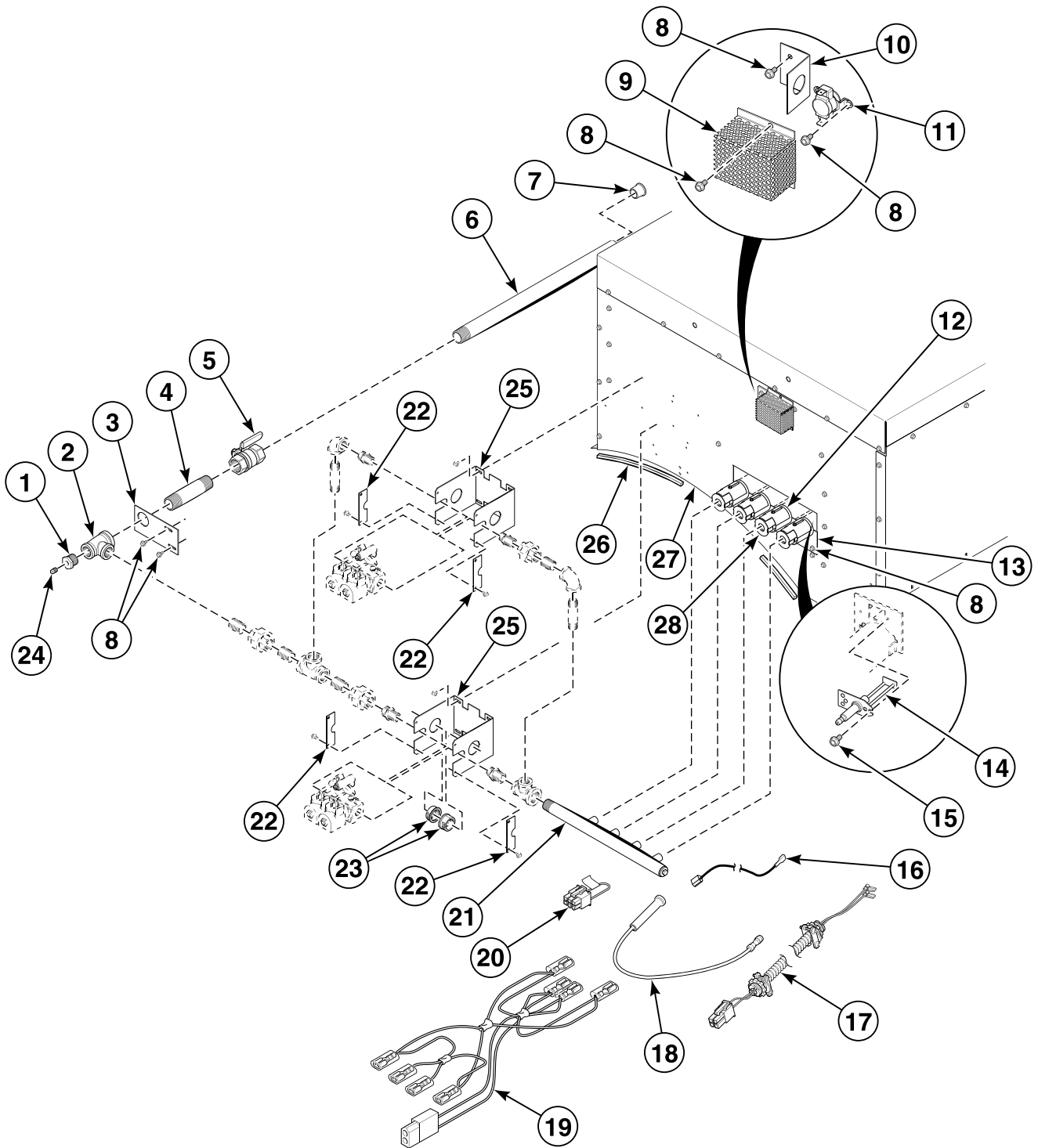
TMB2589P_70399801

Gas Heater Components - Non-CE and Australian 170 Pound Models

REF	PART NO.	DESCRIPTION	COMMENTS
	M4591P3	L.P. Conversion Kit	Natural Gas (N.G.) to Liquid Petroleum Gas (L.P.); 60 Hertz
	M4592P3	L.P. Conversion Kit	N.G. to L.P.; 50 Hertz
1	430497	Screw	20 required
2	M414477	Thermostat Cover	
3	431078	Stove Limit Harness Bracket	
4	M411404	Stove Limit Thermostat	220 closed; N.G.; A, BT, CT, GT, HT, I, KT, LT, PT, ST, UT, W, XT and YT models
	431177	Stove Limit Thermostat	340 closed; L.P.; A, BT, CT, GT, HT, I, KT, LT, PT, ST, UT, W, XT and YT models
	M413988	Thermostat	220 closed; Manual reset; N.G.; BA, CA, GA, HA, KA, LA, PA, SA and UA models
	M413989	Manual Reset Thermostat	340 closed; L.P.; BA, CA, GA, HA, KA, LA, PA, SA and UA models
5	M412016	Stove Assembly	Sheet metal only
6	M414397	Gas Valve Harness Assembly	
7	M413041	Stove Limit Harness Assembly	
8	M411061	ICM Return Lead	BA, CA, GA, HA, KA, LA, PA, SA and UA models
9	44061602	High Temperature Ignition Lead	A, BT, CT, GT, HT, I, KT, LT, PT, ST, UT, W, XT and YT models
	44061605	High Temperature Ignition Lead	BA, CA, GA, HA, KA, LA, PA, SA and UA models
10	M411505	Stove Gasket	
11	M406934P	Spark Igniter	
12	56693	Screw	2 required
13	M411736	Spud Holder	
14	M412025	Burner	4 required
15	M411419	Pipe Union	
16	M411417	Pipe Nipple	
17	M413469P	Gas Valve	50 Hertz; Models through 7/24/06 except L models
	M413465P	Gas Valve	L.P.; 50 Hertz; Models starting 7/24/06
	M413470P	Gas Valve	60 Hertz
18	H85101673	Pipe Nipple	
19	M413021	Bushing	
20	N/A	Reducing Tee	
21	M413023	Pipe Nipple	Gas inlet
22	M413017	Ball Valve	
23	N/A	Gas Inlet Pipe	
24	M411259	Gas Valve Bracket	

N/A = Part no longer available

Gas Heater Components - 170 Pound CE Models (Drawing 1 of 2)



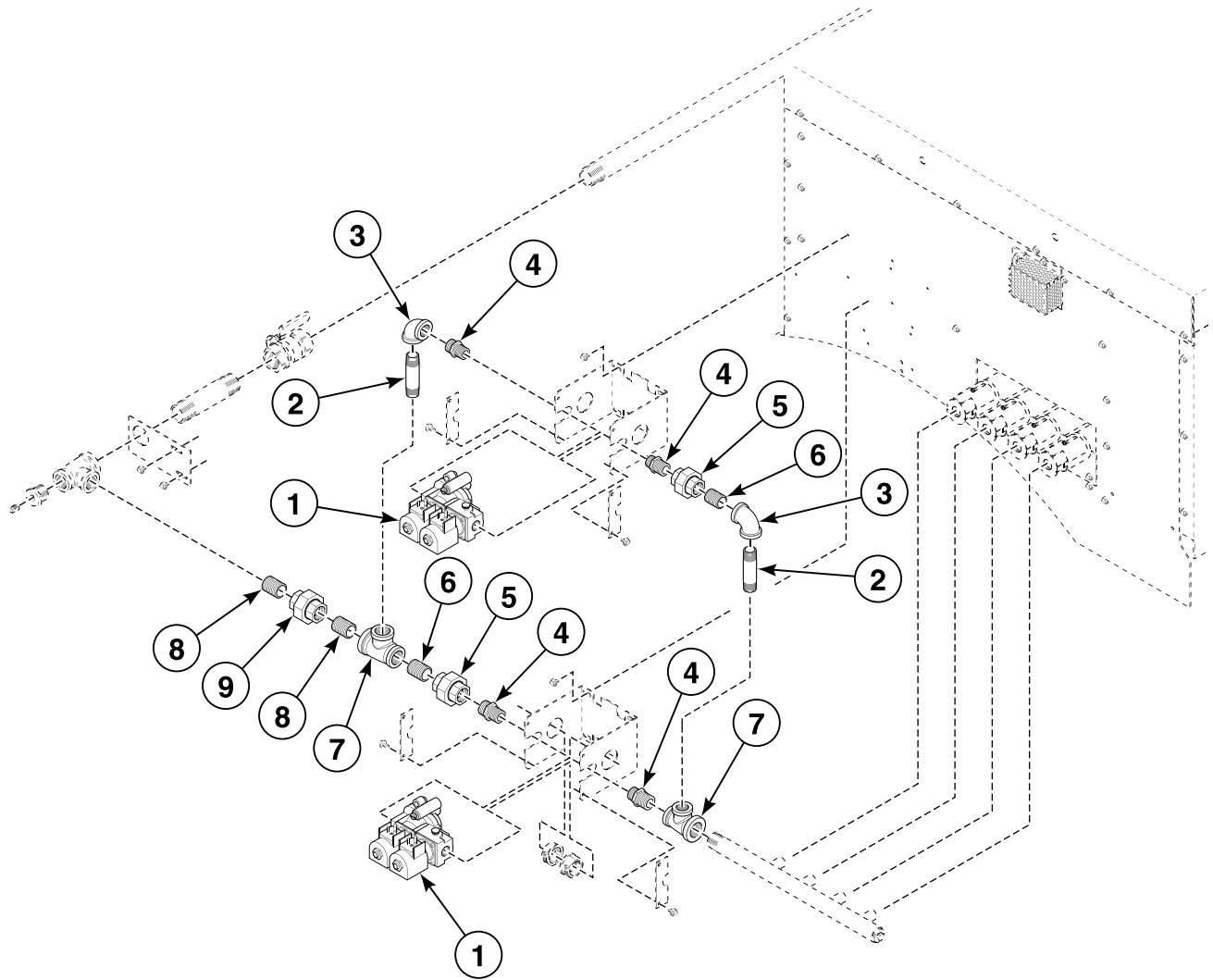
TMB2590P_70399801

Gas Heater Components - 170 Pound CE Models (Drawing 1 of 2)

REF	PART NO.	DESCRIPTION	COMMENTS
	M414296	Heater Assembly	Includes items 1-28; Natural Gas (N.G.)
	M414297	Heater Assembly	Includes items 1-28; Liquid Petroleum Gas (L.P.)
1	M413021	Bushing	
2	N/A	Reducing Tee	
3	M412954	Pipe Bracket	2 required
4	M413023	Pipe Nipple	
5	M413017	Ball Valve	
6	N/A	Gas Inlet Pipe	
7	44087801	Pipe Cap	
8	430497	Screw	34 required
9	M414477	Thermostat Cover	
10	431078	Stove Limit Harness Bracket	
11	M413989	Manual Reset Thermostat	
12	N/A	Burner Shutter	3 required
13	M413099	Burner Opening Cover	
14	M406934P	Spark Igniter	
15	56693	Screw	2 required
16	M411061	ICM Return Lead	
17	M413041	Stove Limit Harness Assembly	
18	44061602	High Temperature Ignition Lead	
19	44117801	Gas Valve Harness	
20	44115301	Stove Limit Bypass Jumper	
21	M411736	Spud Holder	
22	44117901	Pipe Keeper Bracket	4 required
23	M402542	Snap Bushing	2 required
24	N/A	Pipe Plug	
25	44117501	Gas Valve Bracket	2 required
26	M411505	Stove Gasket	2.66 feet required
	M411506	Stove Partition Gasket	
27	M412016	Stove Assembly	
28	M412025	Burner	3 required

N/A = Part no longer available

Gas Heater Components - 170 Pound CE Models (Drawing 2 of 2)



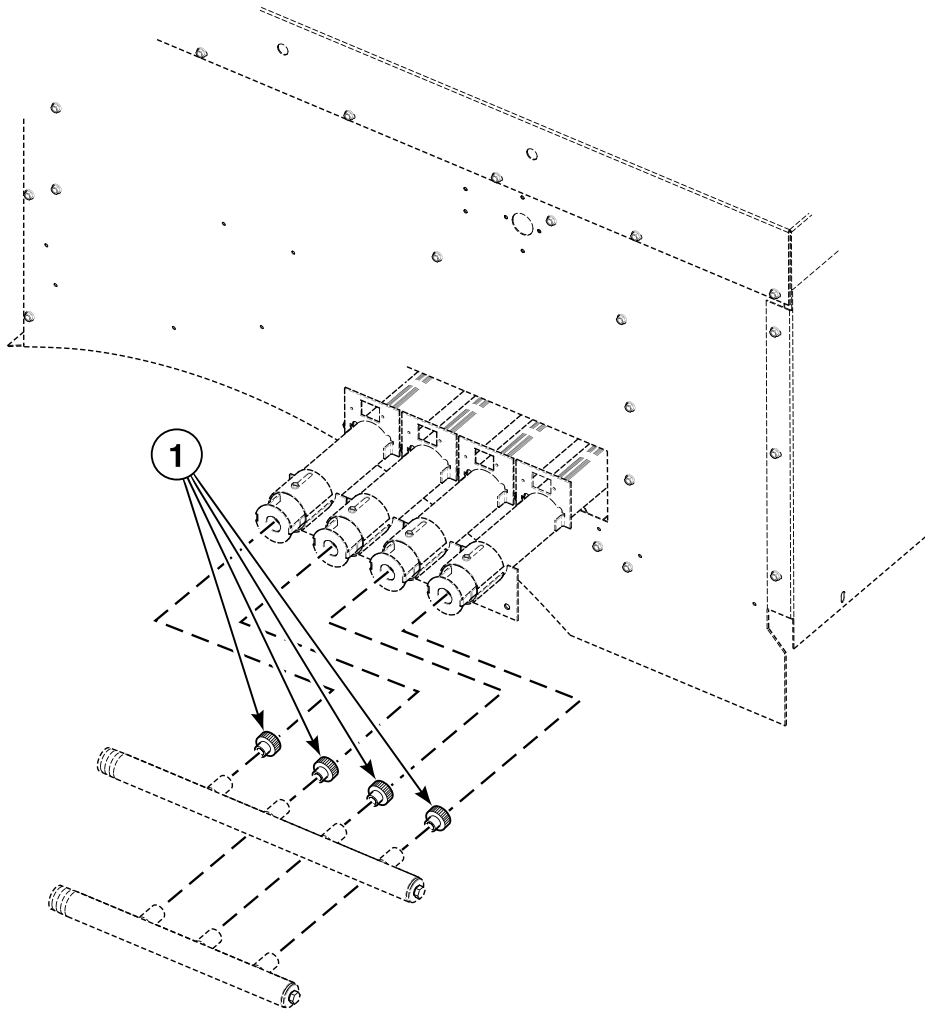
TMB2381P_70399801

Gas Heater Components - 170 Pound CE Models (Drawing 2 of 2)

REF	PART NO.	DESCRIPTION	COMMENTS
	M4900P3	N.G. Kit	Use to repair gas valve
	M4901P3	L.P. Kit	Use to repair gas valve
	60517	Valve Converted Label	Goes on gas valve after valve has been converted from one type of gas to another
1	M413332P	Gas Valve	Natural Gas (N.G.); 2 required
	M413333P	Gas Valve	Liquid Petroleum Gas (L.P.); 2 required
2	901403	Pipe Nipple	2 required
3	70079601	Elbow	2 required
4	70131901	Adapter	4 required
5	H86000031	Union	2 required
6	431486	Pipe Nipple	2 required
7	44117401	Reducing Tee	2 required
8	N/A	Nipple	2 required
9	M411419	Pipe Union	2 required

N/A = Part no longer available

Burner Orifices

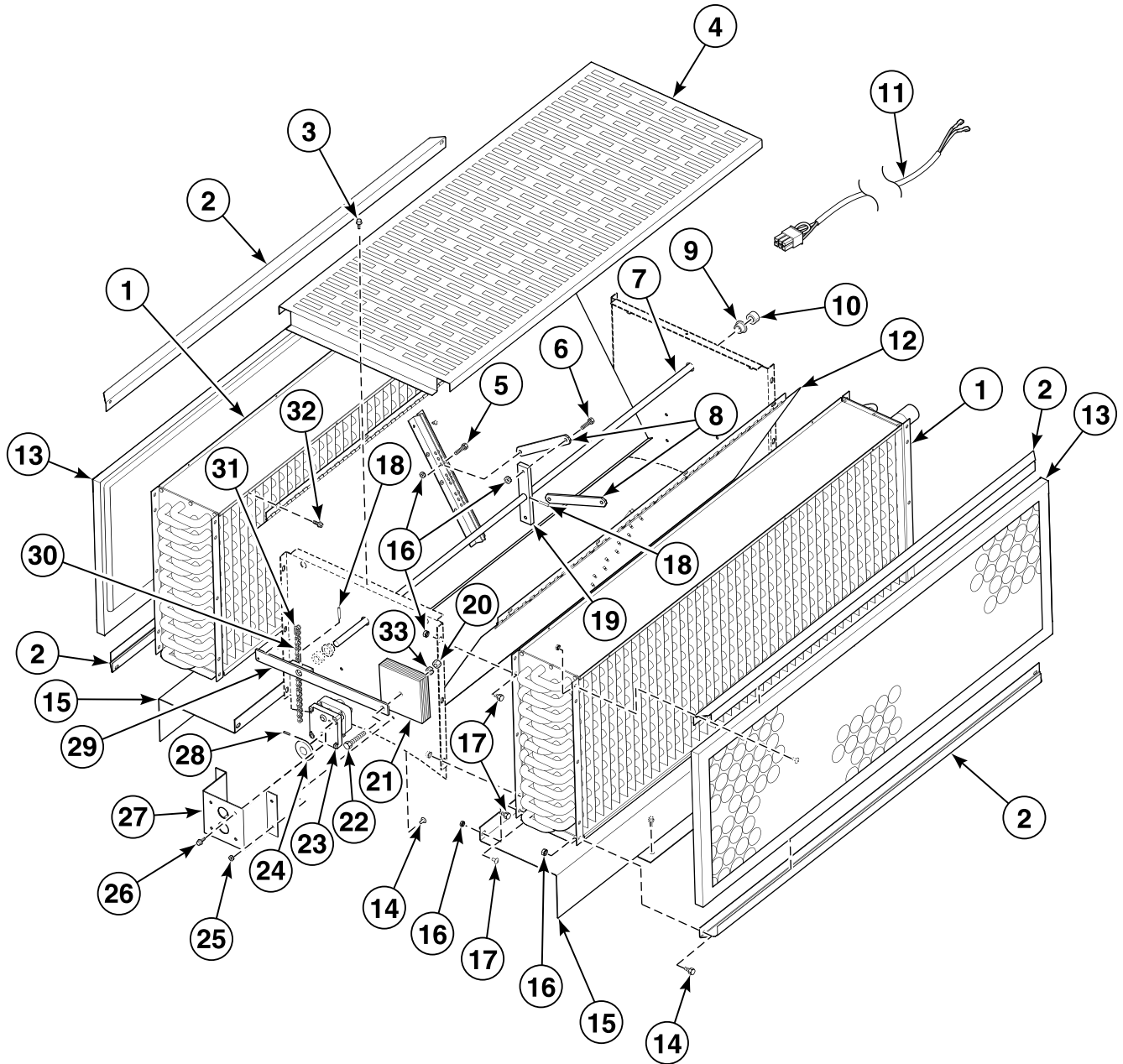


TMB2528P_70399801

Burner Orifices

REF	PART NO.	DESCRIPTION	COMMENTS
1	M411372	Burner Orifice	Natural Gas (N.G.); 0-2,000 feet; Drill no. 12 (4.8 mm)
	M411371	Burner Orifice	N.G.; 2,001-4,000 feet; Drill no. 14 (4.6 mm)
	M411373	Burner Orifice	N.G.; 4,001-6,000 feet; Drill no. 16 (4.5 mm)
	M411374	Burner Orifice	N.G.; 6,001-8,000 feet; Drill no. 17 (4.4 mm)
	M402995	Burner Orifice	N.G.; 8,001-10,000 feet; Drill no. 19 (4.2 mm)
	M400997	Burner Orifice	Liquid Petroleum Gas (L.P.); 0-2,000 feet; Drill no. 29 (3.4 mm); 170 pound models
	M401022	Burner Orifice	L.P.; 0-2,000 feet; Drill no. 33 (2.9 mm); 120 pound models
	M401021	Burner Orifice	L.P.; 2,001-6,000 feet; Drill no. 30 (3.3 mm)
	M411376	Burner Orifice	L.P.; 6,001-8,000 feet; Drill no. 38 (2.6 mm)
	M401017	Burner Orifice	L.P.; 6,001-10,000 feet; Drill no. 31 (3.0 mm)

Steam Heater Components - 120 Pound Models Through Serial No. 0412012320 Except B, C, I and L Models



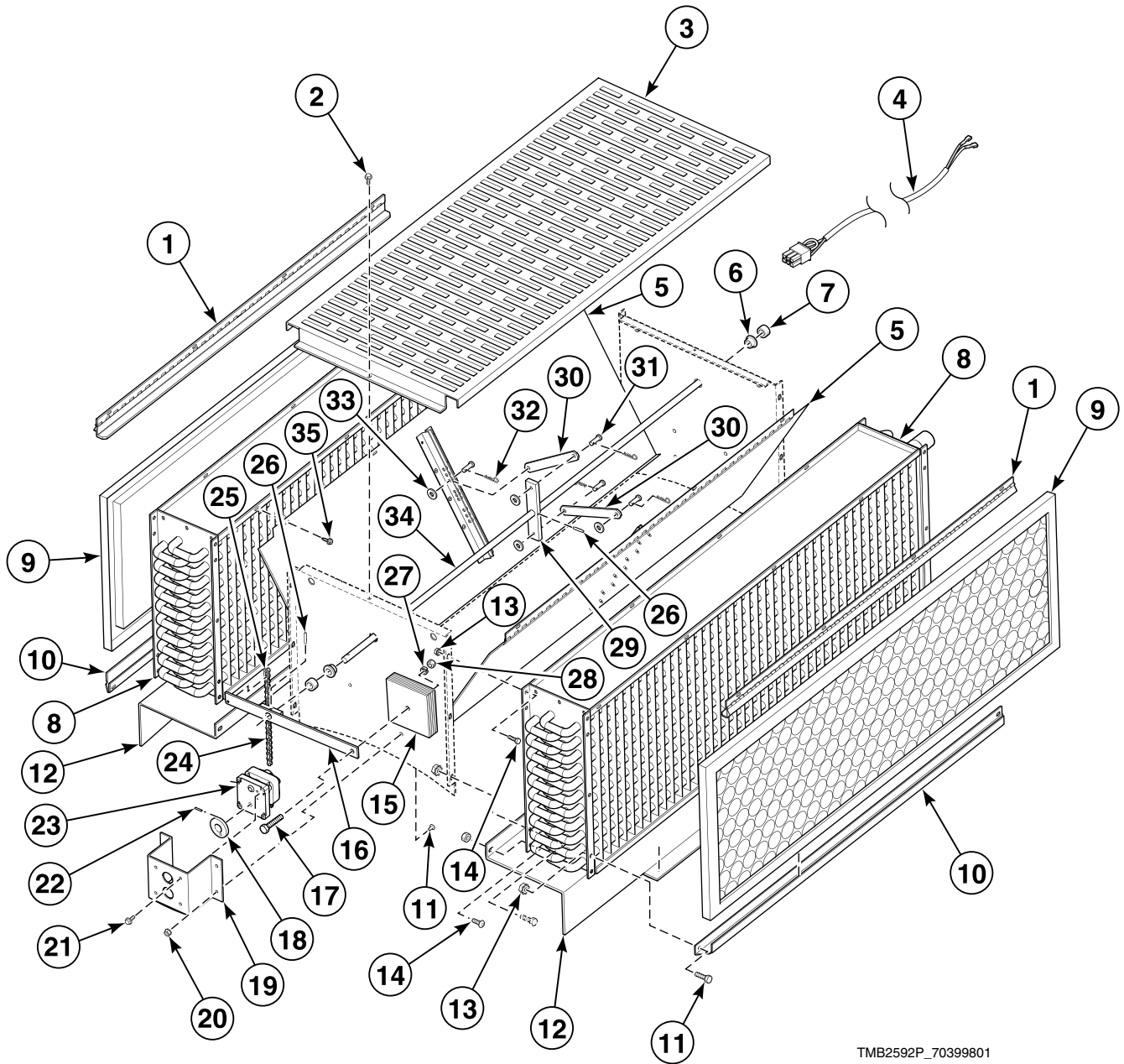
TMB2591P_70399801

Steam Heater Components - 120 Pound Models Through Serial No. 0412012320 Except B, C, I and L Models

REF	PART NO.	DESCRIPTION	COMMENTS
	M414458	Steam Heater Assembly	60 Hertz; Includes items 1-33
	M414482	Steam Heater Assembly	50 Hertz; Includes items 1-33
1	H96382023P	Steam Coil	2 required
2	H96388087	Filter Channel	4 required
3	M405188	Screw	2 required
4	44018401	Steam Cover	
5	N/A	Screw	2 required
6	20253	Screw	2 required
7	H96388079	Damper Shaft	
8	N/A	Damper Link	2 required
9	M414459	Bushing	2 required
10	M414451	Shaft Collar	2 required
11	M413086	Damper Motor Harness Assembly	
12	H96387519	Damper	2 required
13	H96382106	Steam Coil Filter	2 required
14	801019	Screw	2 required per filter channel; 4 required per hamper motor bracket
15	M411550	Steam Coil Support	2 required
16	29786	Nut	
17	02422	Screw	
18	H88970256	Roll Pin	2 required
19	N/A	Damper Actuator	
20	70142	Nut	
21	M413331	Damper Counterweight	6 required
22	H88010574	Screw	
23	M412905	Damper Motor	50 Hertz
	M413592	Damper Motor	60 Hertz
24	H96388178	Drive Wheel	Damper
25	23951	Nut	2 required per filter channel; 4 required per damper motor bracket
26	61199	Screw	4 required
27	H96388145	Motor Bracket	
28	H88900683	Spring Pin	Damper
29	H96387501	Actuator Arm Assembly	Counterweight
30	H96388186	Drive Chain	
31	H96382072	Master Link	2 required
32	501086	Screw	8 required
33	M400013	Washer	

N/A = Part no longer available

Steam Heater Components - 120 Pound Models Starting Serial No. 0412012321 Except B, C and I Models



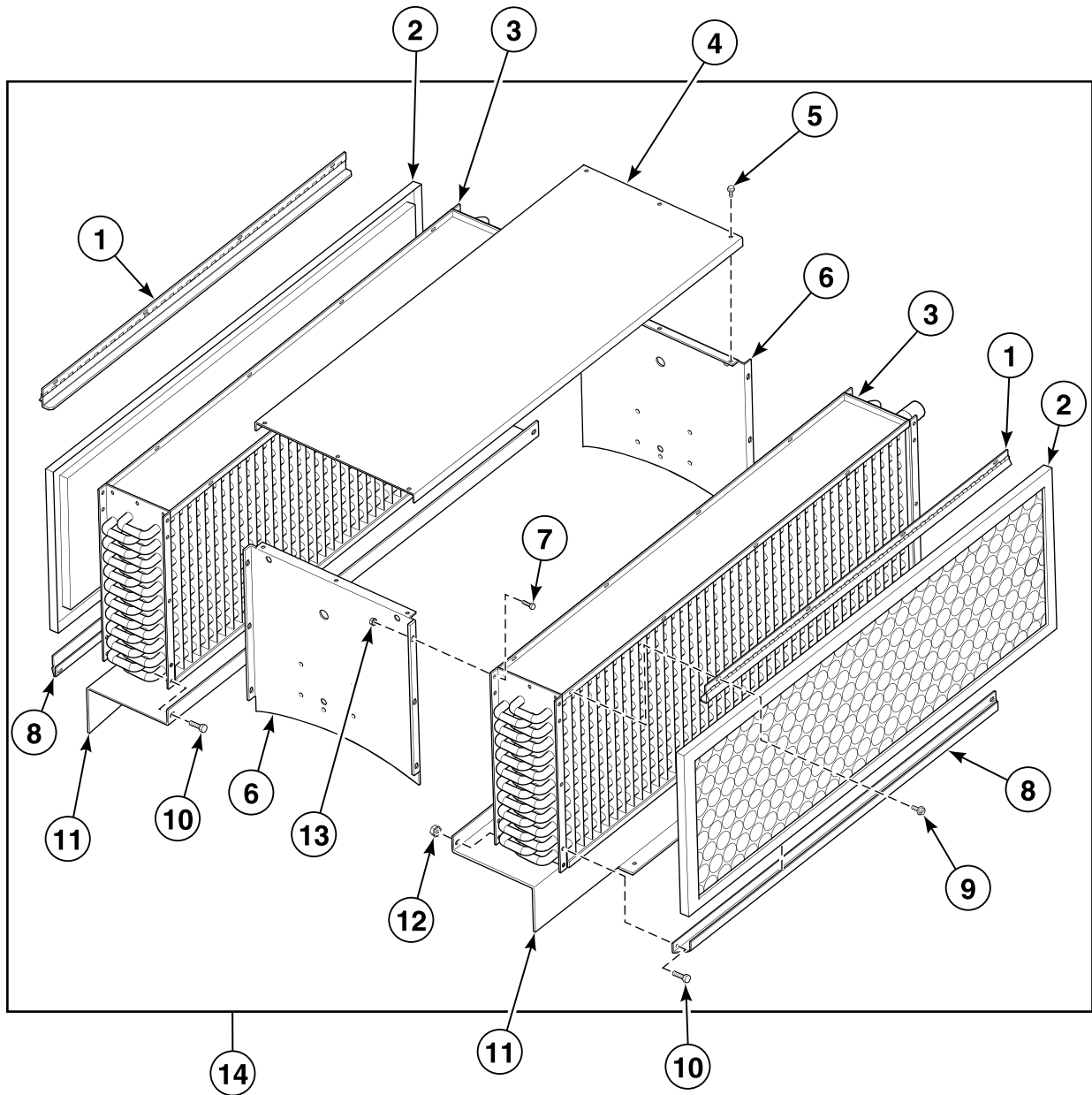
TMB2592P_70399801

Steam Heater Components - 120 Pound Models Starting Serial No. 0412012321 Except B, C and I Models

REF	PART NO.	DESCRIPTION	COMMENTS
	M414458	Steam Heater Assembly	60 Hertz; Includes items 1-35
	M414482	Steam Heater Assembly	50 Hertz; Includes items 1-35
	M414534	Damper Bracket	Thermal oil models; 4 required
1	44088101	Steam Filter Top Hinge Assembly	2 required
2	M405188	Screw	
3	44115101	Steam Cover	
4	M413086	Damper Motor Harness Assembly	
5	H96387519	Damper	2 required; Use M405750 Pop Rivet
6	M414459	Bushing	2 required
7	M414451	Shaft Collar	2 required
8	H96382023P	Steam Coil	All models except thermal oil models; 2 required; 902303 Steam Pressure Label by inlet connection
9	H96382106	Steam Coil Filter	2 required
10	H96388087	Filter Channel	2 required; Upper
11	801019	Screw	2 required
12	M411550	Steam Coil Support	3 required
13	29786	Nut	3 required
14	02422	Screw	3 required
15	M413331	Damper Counterweight	6 required
16	H96387501	Actuator Arm Assembly	
17	H88010574	Screw	
18	H96388178	Drive Wheel	Damper
19	H96388145	Motor Bracket	
20	23951	Nut	3 required
21	61199	Screw	
22	H88900683	Spring Pin	Damper
23	M413592	Damper Motor	
24	H96388186	Drive Chain	
25	H96382072	Master Link	2 required
26	H88970256	Roll Pin	2 required
27	M400013	Washer	
28	70142	Nut	
29	44096401	Steam Damper Actuator	
30	N/A	Damper Link	2 required
31	44091501	Clevis Pin	4 required
32	44091601	Hairpin Cotter	4 required
33	800465	Washer	4 required
34	H96388079	Damper Shaft	
35	501086	Screw	

N/A = Part no longer available

Steam Heater Components - 120 Pound B, C and I Models

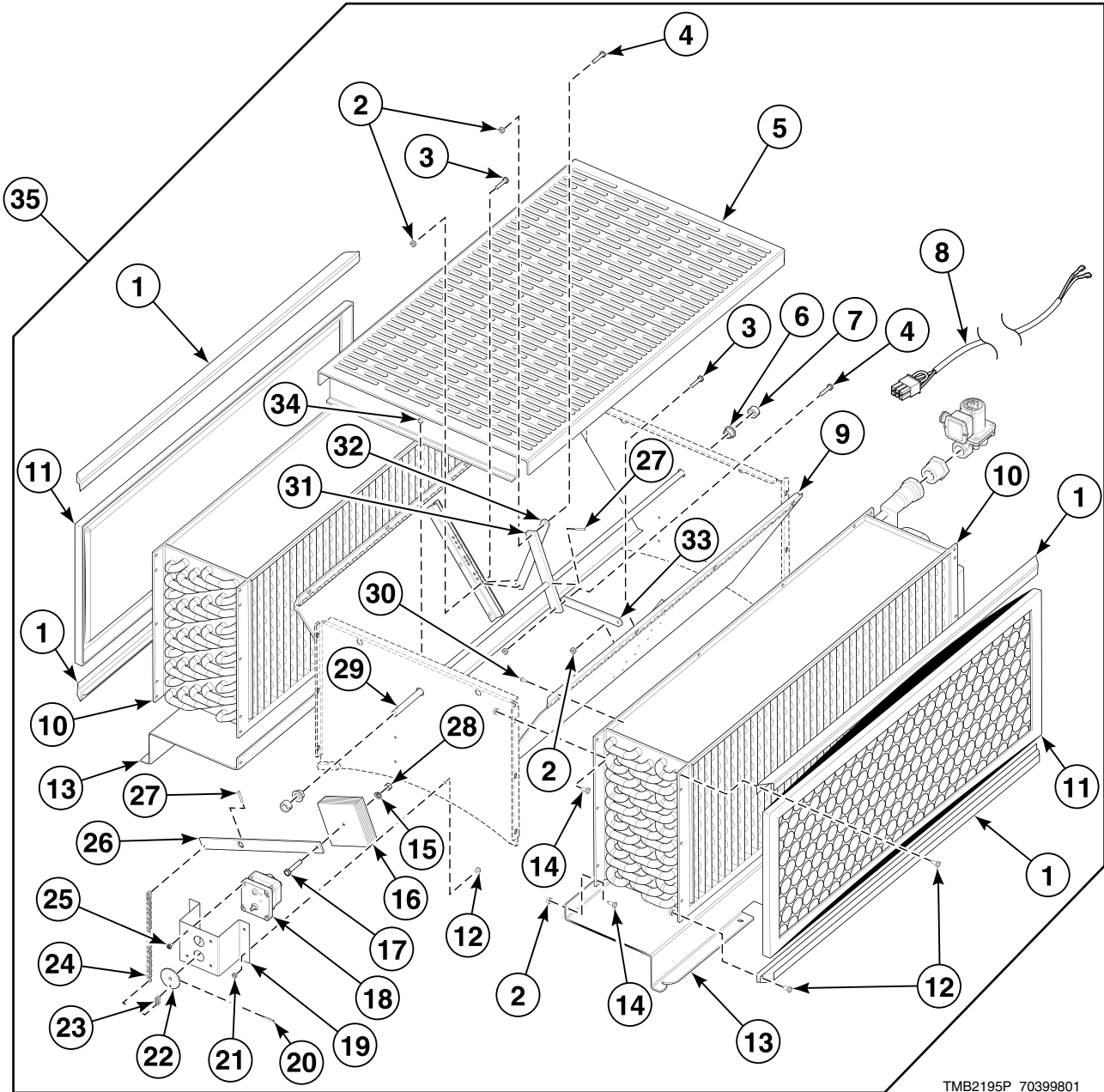


TMB2394P_70399801

Steam Heater Components - 120 Pound B, C and I Models

REF	PART NO.	DESCRIPTION	COMMENTS
	M414534	Damper Bracket	Thermal oil models; 4 required
1	44088101	Steam Filter Top Hinge Assembly	2 required
2	H96382106	Steam Coil Filter	2 required
3	H96382023P	Steam Coil	All models except thermal oil models; 2 required; 902303 Steam Pressure Label by inlet connection
4	44114501	Steam Cover	
5	430497	Screw	6 required
6	44114901	Steam Coil Housing End	2 required
7	02422	Screw	16 required
8	H96388087	Filter Channel	2 required; Upper
9	501086	Screw	8 required
10	801019	Screw	4 required
11	M411550	Steam Coil Support	2 required
12	23951	Nut	4 required
13	29786	Nut	16 required
14	44114701	Steam Heater Assembly	Includes items 1-13

Steam Heater Components - 170 Pound Models Through Serial No. 0412012320 Except B, C, I and L Models



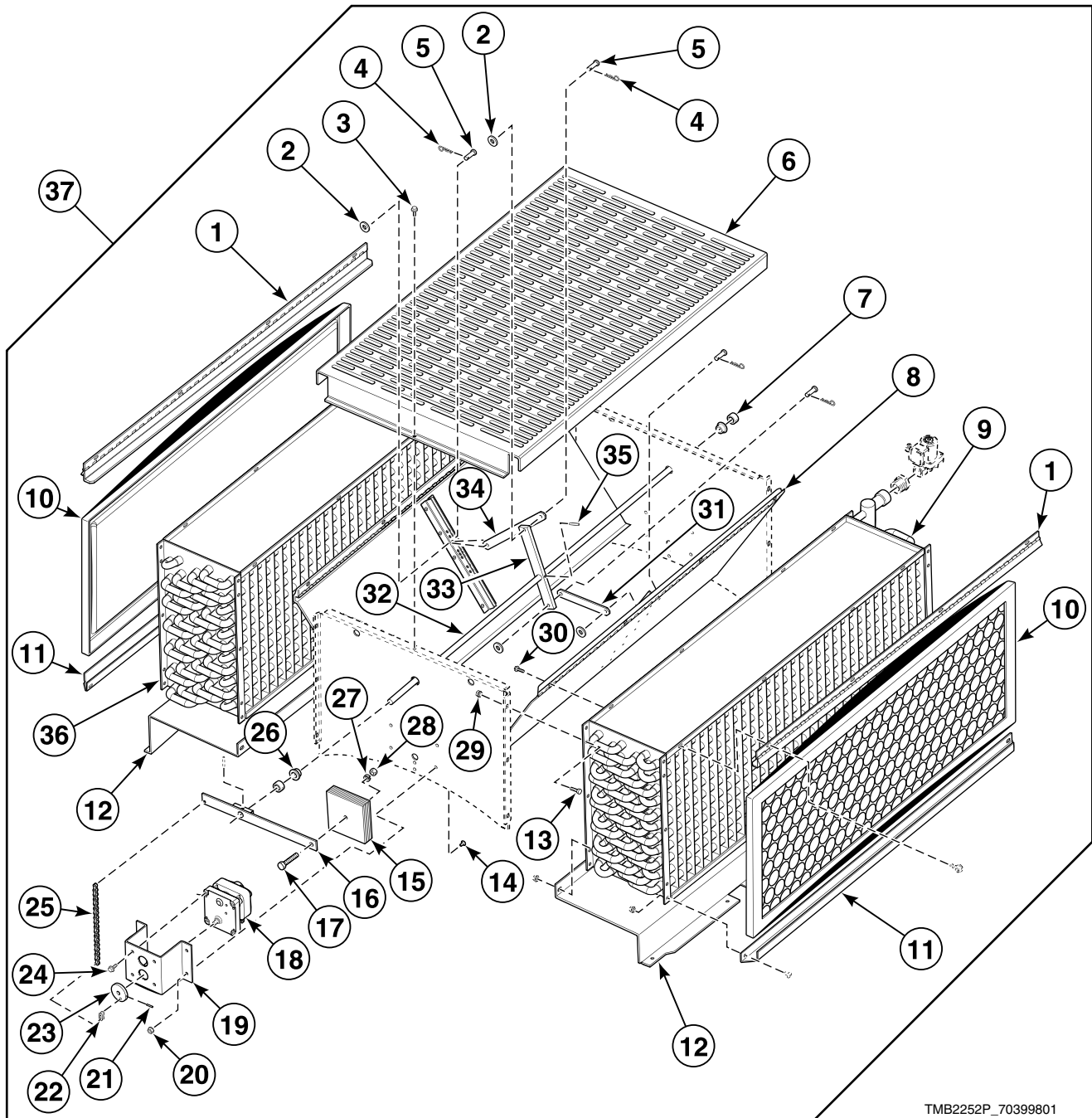
TMB2195P_70399801

Steam Heater Components - 170 Pound Models Through Serial No. 0412012320 Except B, C, I and L Models

REF	PART NO.	DESCRIPTION	COMMENTS
1	44045101	Filter Channel	2 required
	44088101	Steam Filter Top Hinge Assembly	
2	29786	Nut	18 required
3	N/A	Screw	2 required
4	20253	Screw	2 required
5	44018501	Steam Coil Housing Cover	
6	M414459	Bushing	2 required
7	M414451	Shaft Collar	2 required
8	M413086	Damper Motor Harness Assembly	
9	H96367685	Damper Assembly	2 required
10	M409833P	Steam Coil	Left
	M409834P	Steam Coil	Right
11	H96362264	Coil Filter	2 required
12	801019	Screw	2 required per filter channel; 4 required per damper motor bracket
13	M412201	Steam Coil Support	2 required
14	02422	Screw	14 required
15	M400013	Washer	
16	M413331	Damper Counterweight	7 required
17	H88010574	Screw	
18	M412905	Damper Motor	50 Hertz
	M413592	Damper Motor	60 Hertz
19	H96388145	Motor Bracket	
20	H88900683	Spring Pin	Damper motor wheel
21	23951	Nut	2 required per filter channel; 4 required per damper motor bracket
22	H96388178	Drive Wheel	Damper
23	H96382072	Master Link	2 required
24	H96388186	Drive Chain	
25	61199	Screw	4 required
26	H96387501	Actuator Arm Assembly	
27	H88970256	Roll Pin	2 required
28	70142	Nut	
29	N/A	Damper Shaft	
30	501086	Screw	8 required
31	N/A	Actuator	
32	N/A	Damper Link	Left; 8.12
33	N/A	Damper Link	Right; 5.56
34	M405188	Screw	2 required
35	M414490	Steam Heater Assembly	60 Hertz; Includes items 1-34
	M414485	Steam Heater Assembly	50 Hertz; Includes items 1-34

N/A = Part no longer available

Steam Heater Components - 170 Pound Models Starting Serial No. 0412012321 Except B, C and I Models



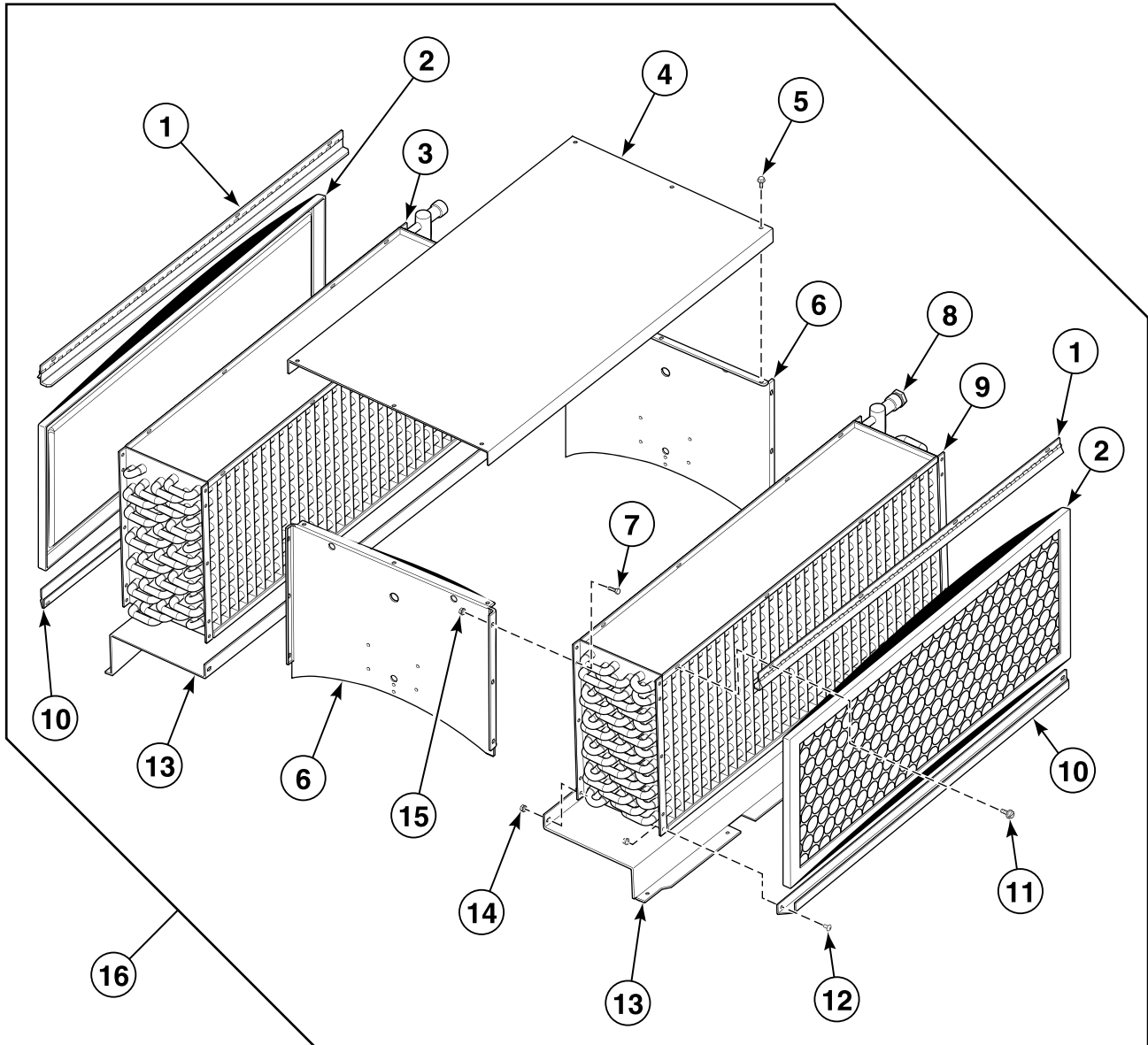
TMB2252P_70399801

Steam Heater Components - 170 Pound Models Starting Serial No. 0412012321 Except B, C and I Models

REF	PART NO.	DESCRIPTION	COMMENTS
	M414801	Damper Bracket	Thermal oil models; 4 required
1	44088101	Steam Filter Top Hinge Assembly	2 required
2	800465	Washer	4 required
3	M405188	Screw	2 required
4	44091601	Hairpin Cotter	4 required
5	44091501	Clevis Pin	4 required
6	44018501	Steam Coil Housing Cover	
	44115201	Steam Cover	
7	M414451	Shaft Collar	2 required
8	H96367685	Damper Assembly	2 required
9	M409834P	Steam Coil	All models except thermal oil models; Right; 902303 Steam Pressure Label by inlet connection
10	H96362264	Coil Filter	2 required
11	44045101	Filter Channel	2 required
	44088101	Steam Filter Top Hinge Assembly	
12	M412201	Steam Coil Support	2 required
13	02422	Screw	14 required
14	801019	Screw	8 required
15	M413331	Damper Counterweight	7 required
16	H96387501	Actuator Arm Assembly	
17	H88010574	Screw	
18	M413592	Damper Motor	
19	H96388145	Motor Bracket	
20	23951	Nut	12 required
21	H88900683	Spring Pin	
22	H96382072	Master Link	2 required
23	H96388178	Drive Wheel	
24	61199	Screw	4 required
25	H96388186	Drive Chain	
26	M414459	Bushing	2 required
27	M400013	Washer	
28	70142	Nut	
29	29786	Nut	14 required
30	501086	Screw	16 required
31	N/A	Damper Link	Right
32	N/A	Damper Shaft	
33	44096501	Steam Damper Actuator	
34	N/A	Damper Link	
35	H88970256	Roll Pin	2 required
36	M409833P	Steam Coil	All models except thermal oil models; Left; 902303 Steam Pressure Label by inlet connection
37	M414490	Steam Heater Assembly	60 Hertz; Includes items 1-36
	M414485	Steam Heater Assembly	50 Hertz; Includes items 1-36

N/A = Part no longer available

Steam Heater Components - 170 Pound B, C and I Models



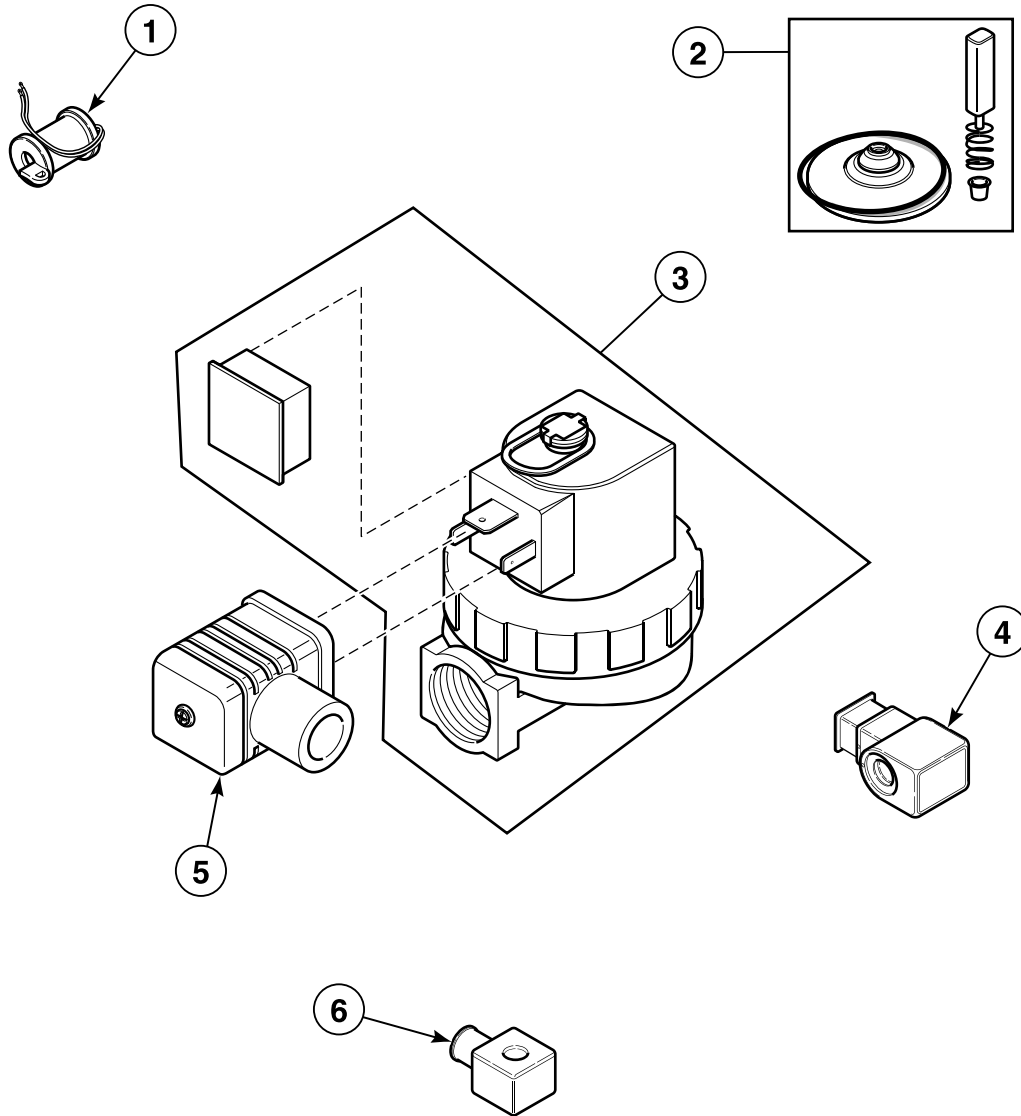
TMB2395P_70399801

Steam Heater Components - 170 Pound B, C and I Models

REF	PART NO.	DESCRIPTION	COMMENTS
	M414801	Damper Bracket	Thermal oil models; 4 required
1	44088101	Steam Filter Top Hinge Assembly	2 required
2	H96362264	Coil Filter	2 required
3	M409833P	Steam Coil	All models except thermal oil models; Left; 902303 Steam Pressure Label by inlet connection
4	44114601	Steam Cover	
5	430497	Screw	6 required
6	44115001	Steam Coil Housing End	2 required
7	02422	Screw	16 required
8	M409844	Bushing	2 required
9	M409834P	Steam Coil	All models except thermal oil models; Right; 902303 Steam Pressure Label by inlet connection
10	44045101	Filter Channel	2 required
11	501086	Screw	8 required
12	801019	Screw	4 required
13	M412201	Steam Coil Support	2 required
14	23951	Nut	4 required
15	29786	Nut	16 required
16	44114801	Steam Heater Assembly	Includes items 1-15

Steam Solenoid Valve

All Steam Models Except Thermal Oil Models

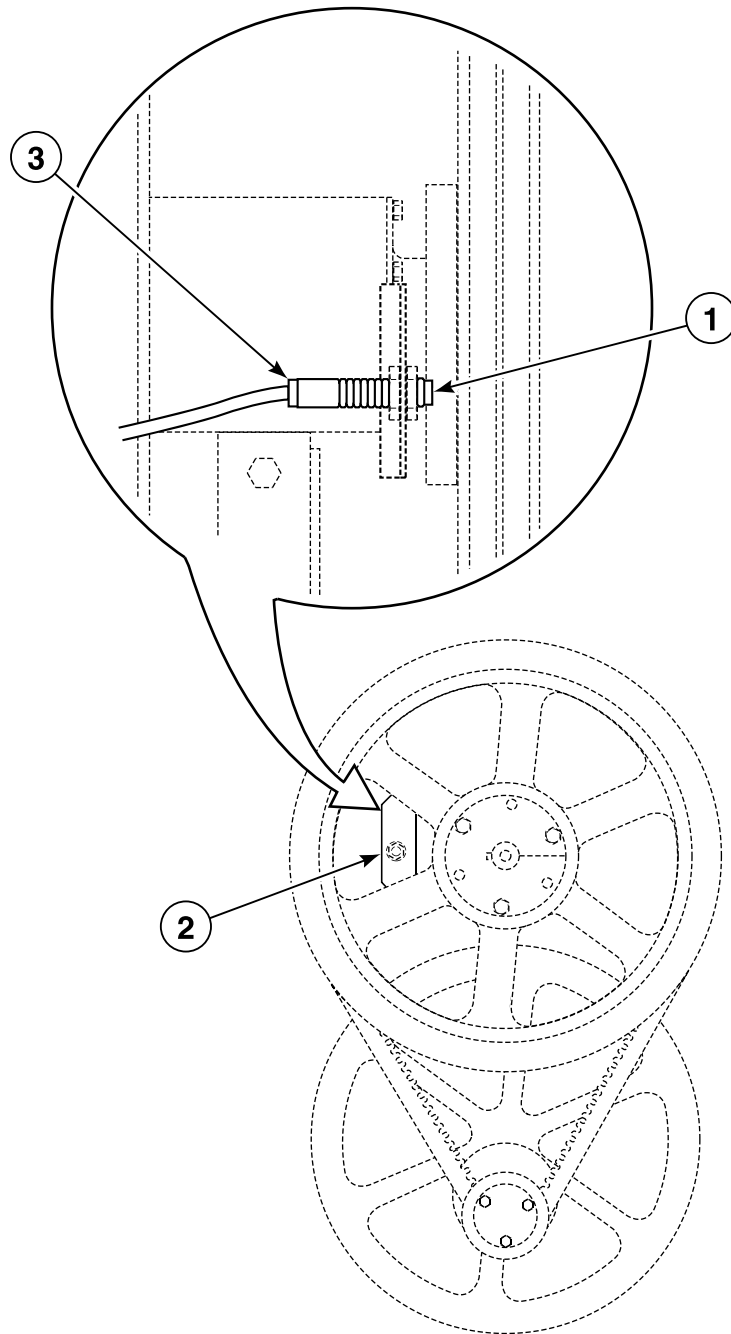


TMB2593P_70399801

Steam Solenoid Valve

REF	PART NO.	DESCRIPTION	COMMENTS
1	70205701P	Steam Valve Coil	120 pound models; Used with 70351001P Steam Valve
	M412258	Steam Valve Coil	120 pound models; Used with 70351002P Steam Valve
2	M412259	Steam Valve Rebuild Kit	120 pound models
	70351021P	Steam Valve Rebuild Kit	170 pound models
3	70351001P	Steam Valve	60 Hertz
	70351002P	Steam Valve	50 Hertz
4	70351012	Steam Solenoid	170 pound models; 50 Hertz; Used with 70351002P Steam Valve
5	70370301P	Solenoid Valve DIN Connector	
6	70351011P	Steam Solenoid	170 pound models; 60 Hertz; Used with 70351001P Steam Valve

Rotation Sensor - B, C and I Models



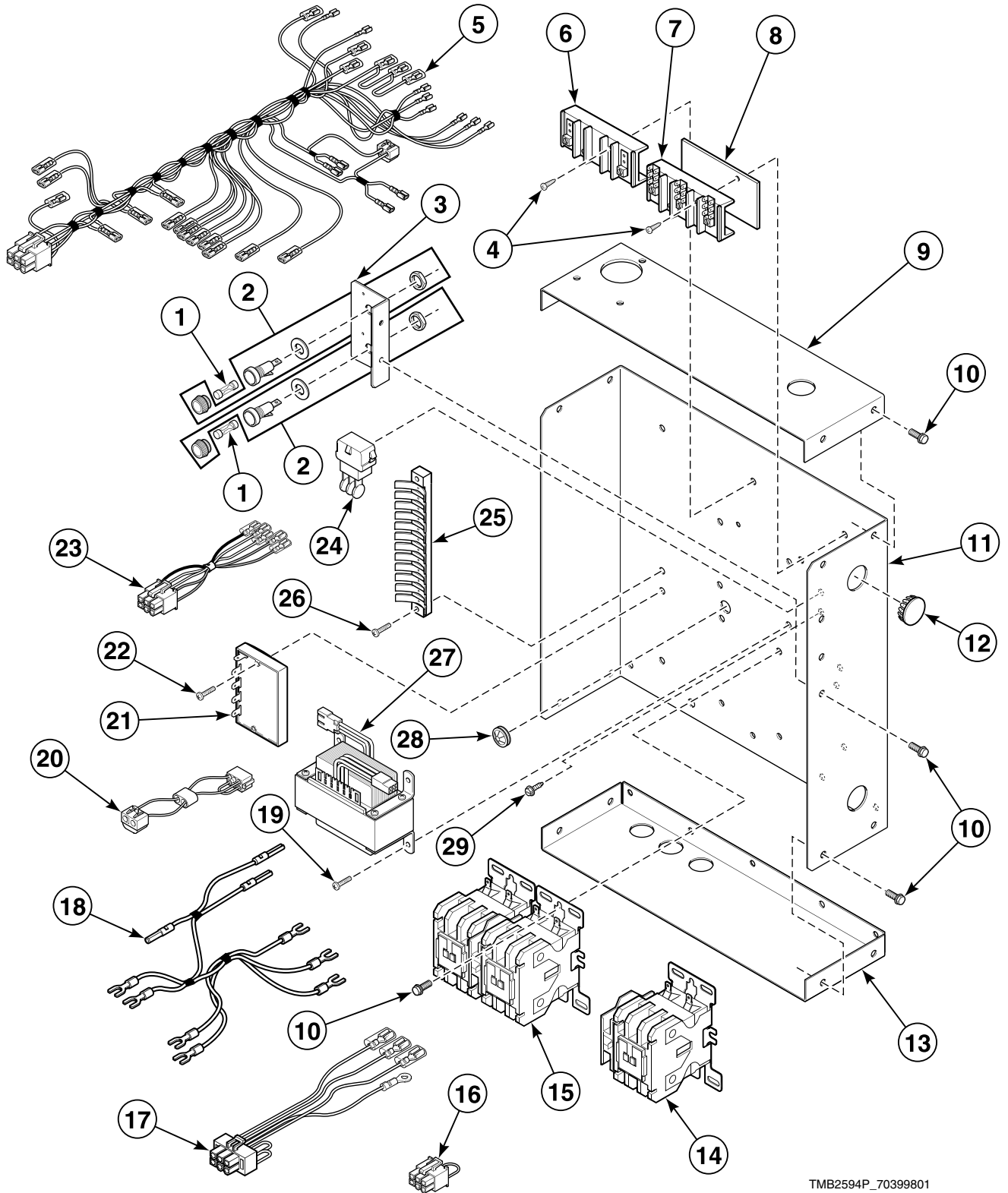
TMB2009P_70399801

Rotation Sensor - B, C and I Models

REF	PART NO.	DESCRIPTION	COMMENTS
1	70274001	Rotation Sensor	Includes plug; B models through 10/21/07; C and I models
	70417401P	Rotation Sensor Assembly	Includes plug; B models starting 10/22/07
2	44111101	Rotation Sensor Bracket	
3	70274102	Rotation Sensor Cable Assembly	Includes connector

Contactor Box Assembly (Drawing 1 of 2)

A, BA, BT, CA, CT, GA, GT, HA, HT, I, KA, KT, LA, LT, PA, PT, SA, ST, UA, UT, W, XT and YT Models;
Models with R3, RD, RM, RQ and RT Control Suffixes
200 Volt/50 Hertz/3 Phase; 200-208/240 Volt/60 Hertz/3 Phase; 230-240 Volt/50 Hertz/3 Phase



TMB2594P_70399801

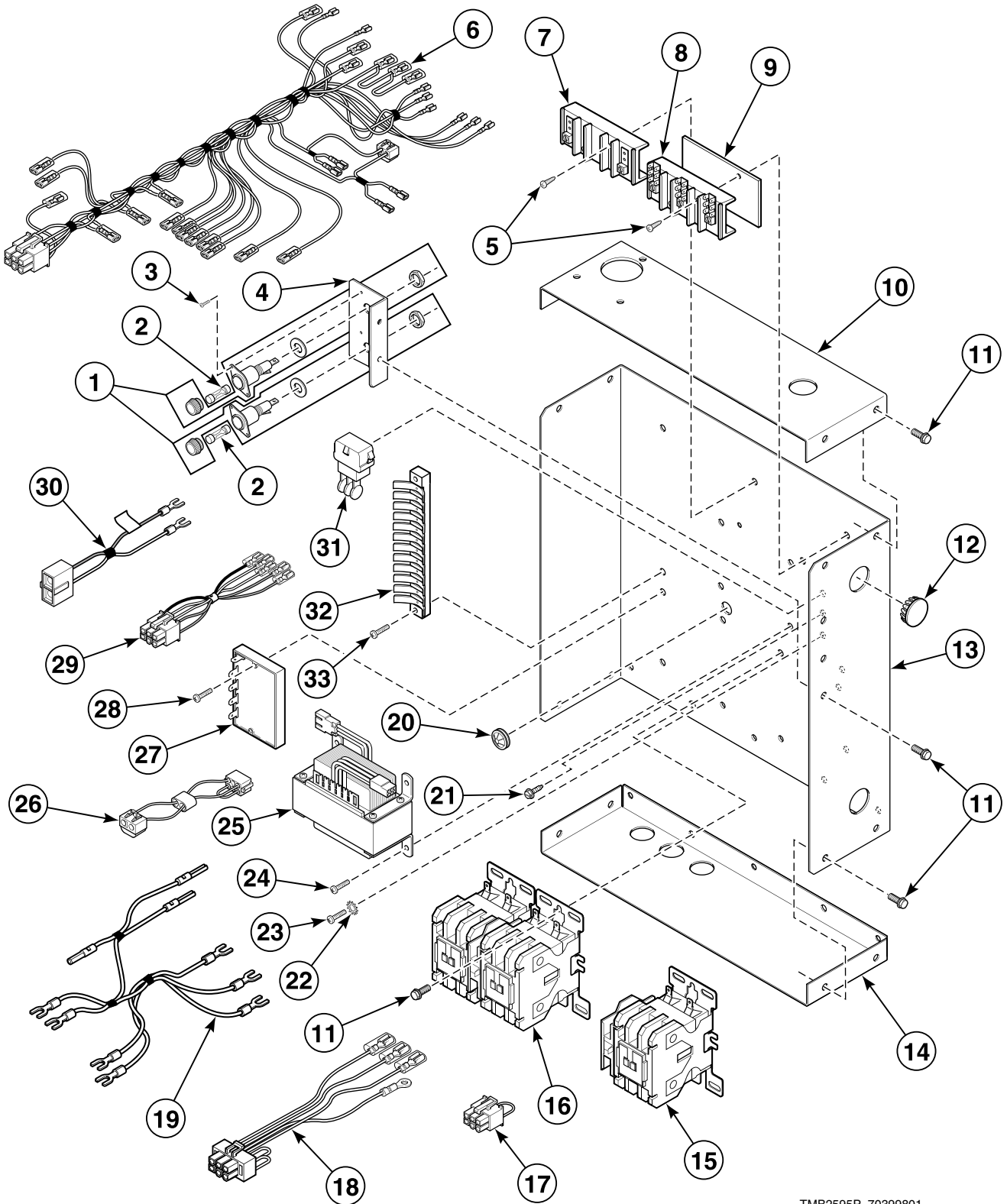
Contactor Box Assembly (Drawing 1 of 2)

REF	PART NO.	DESCRIPTION	COMMENTS
	44127701	Warning Label	Extended tumble; On contactor box cover
1	M413118	Fuse	2 required; 250 Volt; 2 Amp
2	91024P	Fuse Receptacle	2 required; 250 Volt
3	M413575	Fuse Holder Bracket	
4	800930	Screw	6 required
5	M413684P	Contactor Box Harness Assembly	Reversing; 3 Phase
6	M405364	Terminal Block	2 pole
7	430642	Terminal Block	3 pole
8	M413862	Insulator	
9	M413757	Contactor Box End	Top
10	51780	Screw	21 required
11	44028401	Contactor Box Wrapper	
12	M400985	Hole Plug	2 required; Snap in plug
13	M413758	Contactor Box End	Bottom
14	M413614P	Fan Contactor	24 Volt; 3 pole
15	M413615P	Reversing Contactor	Cylinder drive
16	M413168	Bypass Harness Assembly	R3, RD, RM and RQ control suffixes
17	M413878	Capacitor Network Harness Assembly	R3, RD and RM control suffixes
18	M413624	Reversing Contactor Jumper Assembly	Upper; 3 Phase
19	M400044	Screw	4 required; Use with 4 of 23951 Nut to attach item 27
20	M413506	Jumper Harness Assembly	200-208 Volt
	M413507	Jumper Configuration Assembly	230-240 Volt
21	M412081	Reversing Timer	RT control suffix
22	N/A	Screw	2 required; RT control suffix
23	44008001	Reversing Timer Harness	RT control suffix
24	M413863	Network Capacitor Assembly	R3, RD and RM control suffixes
25	M413542	Terminal Strip	12 circuit
26	51778	Screw	2 required
27	M414228P	Transformer	Multitap
28	M411537	Bushing	
29	M402917	Screw	Ground

N/A = Part no longer available

Contactor Box Assembly (Drawing 2 of 2)

A, BA, BT, CA, CT, GA, GT, HA, HT, I, KA, KT, LA, LT, PA, PT, SA, ST, UA, UT, W, XT and YT Models;
Models with R3, RD, RM, RQ and RT Control Suffixes
380/400-415 Volt/50 Hertz/3 Phase; 440-480 Volt/60 Hertz/3 Phase



TMB2595P_70399801

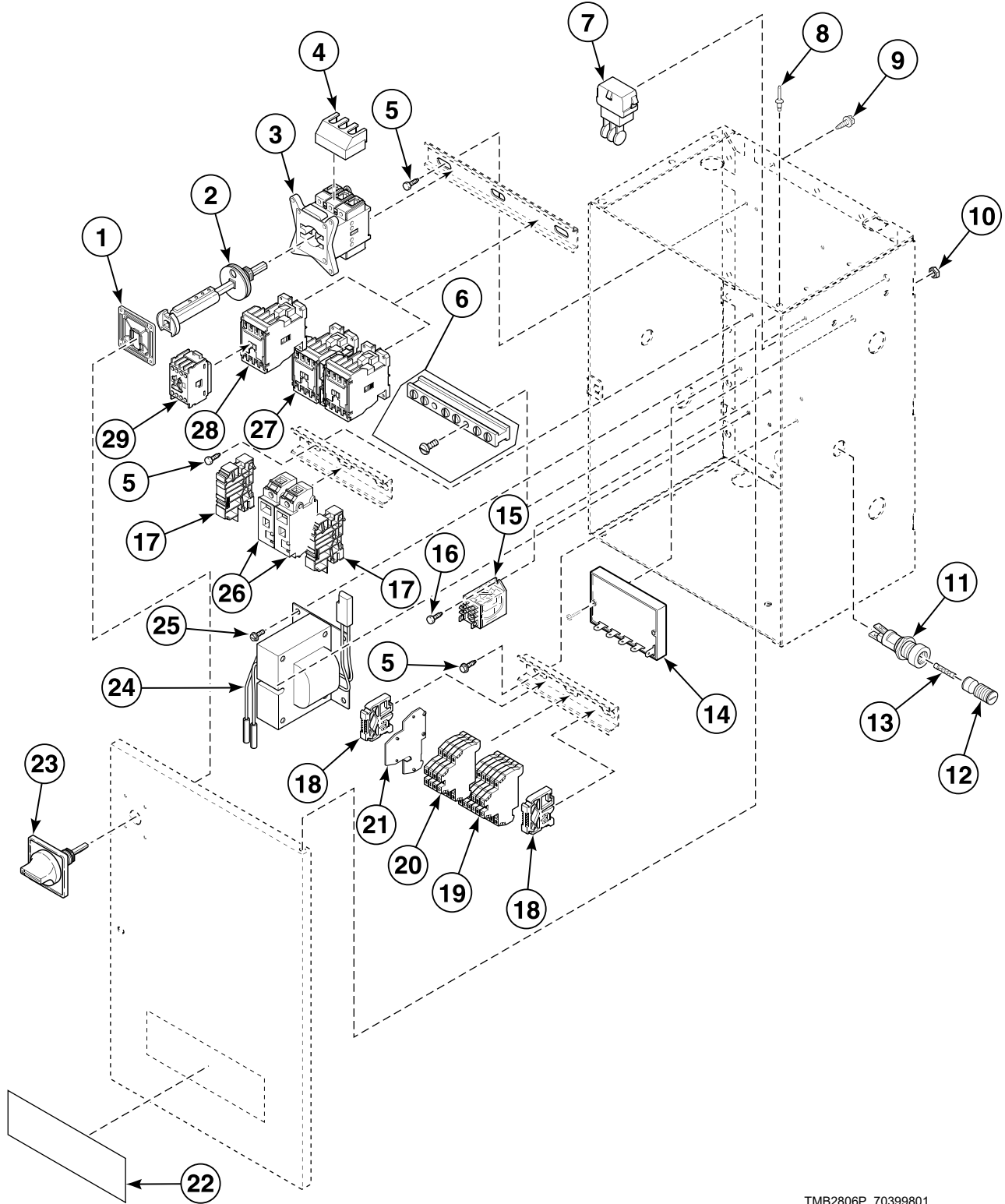
Contactor Box Assembly (Drawing 2 of 2)

REF	PART NO.	DESCRIPTION	COMMENTS
	44127701	Warning Label	Extended tumble; On contactor box cover
1	M413544P	Fuse Holder	2 required
2	M413621	Fuse	2 required; 0.5 Amp; 500 Volt
3	501086	Screw	4 required
4	M413576	Fuse Holder Bracket	
5	800930	Screw	6 required
6	M413684P	Contactor Box Harness Assembly	Reversing; 3 Phase
7	M405364	Terminal Block	2 pole
8	430642	Terminal Block	3 pole
9	M413862	Insulator	
10	M413757	Contactor Box End	Top
11	51780	Screw	21 required
12	M400985	Hole Plug	2 required
13	44028401	Contactor Box Wrapper	
14	M413758	Contactor Box End	Bottom
15	M413614P	Fan Contactor	24 Volt; 3 pole
16	M413615P	Reversing Contactor	
17	M413168	Bypass Harness Assembly	R3, RD, RM and RQ control suffixes
18	M413878	Capacitor Network Harness Assembly	R3, RD and RM control suffixes
19	M413624	Reversing Contactor Jumper Assembly	3 Phase; Upper
20	M411537	Bushing	
21	M402917	Screw	Ground
22	03815	Washer	2 required; Grounding
23	430497	Screw	R3, RD, RM and RQ control suffixes
24	M400044	Screw	4 required; Use with 4 of 23951 Nut to attach item 25
25	M414229P	Transformer	380, 400-415 and 460-480 Volt; Multitap
	44074401	Transformer	440 Volt; Dual; Secondary
26	M413508	Jumper Harness Assembly	380, 400-415 Volt/50 Hertz/3 Phase
	M413510	Jumper Configuration Assembly	460-480 Volt/60 Hertz/3 Phase
	M413509	Jumper Harness Assembly	415 Volt
27	M412081	Reversing Timer	24 Volt; RT control suffix
28	N/A	Screw	2 required; RT control suffix
29	44008001	Reversing Timer Harness	RT control suffix
30	44111401	Emergency Stop Harness	R3 control suffix
31	M413863	Network Capacitor Assembly	R3, RD and RM control suffixes
32	M413542	Terminal Strip	12 circuit
33	51778	Screw	2 required

N/A = Part no longer available

Junction Box Assembly

BU, CU, GU, HU, KU, LU, PU, SU, UU, XU and YU Models
Models with R3, RD, RM, RQ and RT Control Suffixes
380, 400-415 Volt/50 Hertz/3 Phase



TMB2806P_70399801

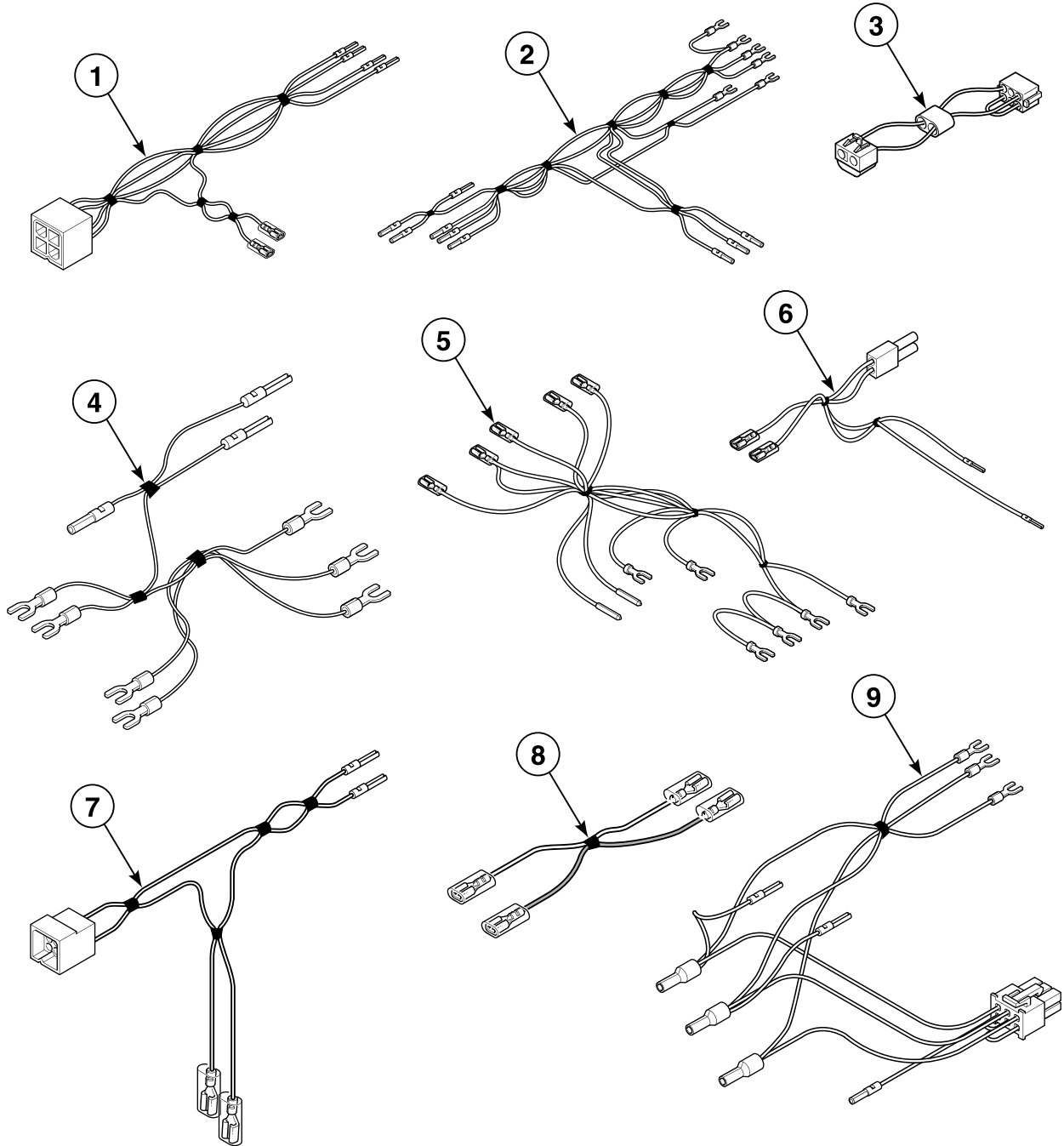
Junction Box Assembly

REF	PART NO.	DESCRIPTION	COMMENTS
1	M412368	Door Interlock	
2	M412370	Extension Handle	20 Amp
3	M412187	Mounting Switch Base	20 Amp
4	M412366	Finger Guard	20 Amp
5	51780	Screw	6 required
6	M412656	Ground Buss Assembly	Includes 2 screws
7	M413863	Network Capacitor Assembly	R3, RD and RM control suffixes
8	M400713	Drive Rivet	2 required; To secure cover to junction box
9	430497	Screw	18 required; To secure junction box to backplane
10	M412688	Nut	2 required
11	502591P	Fuse Holder Kit	Includes nut
12	502811	Fuse Carrier	
13	502592	Fuse	RT control suffix
	M413889	Fuse	R3, RD, RM and RQ control suffixes
14	M412081	Reversing Timer	RT control suffix; Use 2 of Q6516 Screw and 2 of 02788 Nut to attach
15	M412534	Relay	24 Volt; 2 required for RT control suffix
16	501086	Screw	2 required for R3, RD and RM control suffixes; 3 required for RT control suffix
	M400071	Screw	2 required; RQ control suffix
17	M412615	End Stop	2 required; High voltage
18	70121001	End Stop	2 required
19	M412631	Terminal Block	6 required; Gray; 2 circuit
20	M412632	Terminal Block	4 required; Blue; 1 circuit
21	M412633	End Barrier	
22	44127701	Warning Label	Extended tumble
23	M412208	Handle	
24	M414229P	Transformer	Multitap; R3, RD and RM control suffixes
	M412412P	Transformer	RQ and RT control suffixes
25	801019	Screw	4 required; R3, RD and RM control suffixes; Use with 4 of 23951 Nut to attach item 24
	33562	Screw	4 required; RQ and RT control suffixes; Use with 4 of 23951 Nut to attach item 24
26	M412538	Terminal Block	2 required; Use 2 of M413621 Fuse for RM and RT control suffixes; Use M412996 Fuse for RQ control suffix
27	M412405P	Reversing Contactor	Cylinder drive motor
28	N/A	Auxiliary Contact Block	RT control suffix
29	M412404P	Contactor	Fan

N/A = Part no longer available

Junction Box Harnesses

BU, CU, GU, HU, KU, LU, PU, SU, UU, XU and YU Models;
Models with R3, RD, RM, RQ and RT Control Suffixes
380, 400-415 Volt/50 Hertz/3 Phase



TMB2596P_70399801

Junction Box Harnesses

REF	PART NO.	DESCRIPTION	COMMENTS
1	M414028	Transformer Harness Assembly	Primary; R3, RD, RM and RT control suffixes
	M414029	Transformer Harness Assembly	RT control suffix; Secondary
2	M414224	Relay Harness Assembly	R3, RD, RM and RQ control suffixes
3	M413508	Jumper Harness Assembly	380 Volt
	M413509	Jumper Harness Assembly	415 Volt
4	M412928	Reversing Jumper Harness Assembly	2 required; Upper
	M412929	Reversing Jumper Harness Assembly	Lower
	M414034	Reversing Contactor Harness Assembly	R3, RD, RM and RQ control suffixes
5	M412930	Reversing Timer Harness Assembly	RT control suffix
6	M412641	Transformer Harness Assembly	RQ control suffix
7	44030501	Transformer Harness	HU, PU, SU, UU and XU models; RT control suffix; Secondary
8	44042801	Jumper Set Assembly	R3 and RD control suffixes
9	M414077	Jumper Wire	R3, RD and RM control suffixes

Parts Index

A

Access Panel	
44012601*	31
44012602	31
44012701*	31
44012702	31
Access Panel Trim	
70399403	31
70399404	31
Actuator Arm Assembly	
H96387501	75, 77, 81, 83
Adapter	
70131901	71
Adjustable Buzzer	
505447	17, 21
Airflow Switch Bracket	
430370	63
Airflow Switch Harness Assembly	
M413042	63
Airflow Switch Vane	
430372	63

B

Ball Bearing	
H87672374	49
M401375P	59
M414367	49
44104801	53
Ball Bearing Insert	
H8768212H	53
Ball Valve	
M413016	65
M413017	67, 69
Base Bracket	
H96428693	51, 55, 61
Bearing Mounting	
H96428008	47
Bearing Mounting Flangette	
H8768302H	53
Bearing Retainer	
M401370	59
Belt	
H8753170H	55
H87532685	59
H87533014	49
Belt Adjustment Tube	
H96428487	49
Belt Guard	
M411222	41
M411223P	41
M414491P	41
M414492P	41
Belt Guard Cover	
M414284	43
Belt Guard Side	
M413136	43
M413137	43

Belt Guard Top	
M413138	43
Belt Set	
H87533816P	49
Blower Cover	
H96358007	53, 57
M414237	59
Blower Motor Base Kit	
H608P3	53, 55, 57
Blower Shaft	
M412000	53
Bolt	
H88301411	45
44017901	37
Burner	
M412025	65, 67, 69
M414243	65
Burner Opening Cover	
M413099	69
Burner Orifice	
M400997	73
M401017	73
M401021	73
M401022	73
M402995	73
M411371	73
M411372	73
M411373	73
M411374	73
M411376	73
Bushing	
H87529111P	51, 55, 57
H87529129P	51
H8752922HP	59
H8752985HP	49
M409844	85
M411537	17, 19, 39, 41, 43, 91, 93
M412917P	53, 59
M412995P	61
M413021	67, 69
M414459	75, 77, 81, 83
Buzzer Kit	
M4860P3	13
Bypass Harness Assembly	
M413168	91, 93

C

Cabinet Limit Harness	
44022701	53, 57, 61
44108101P	53, 57, 61
Cabinet Limit Harness Assembly	
M414261	53, 61
Cable Tie	
M405829	41
Calibration Jumper	
70084104	7
Capacitor Network Harness Assembly	
M413878	91, 93
Circuit Board Support	
34896	9

N/A items do not appear in index.

501523	27	44111701W	11
Clevis Pin		44111701*	23
44091501	77, 83	44111702	23
Clip		44111703W	11
M400976	43	44111703*	23
M400984	41, 43	44111704	23
Coil Filter		44111705W	11
H96362264	81, 83, 85	44111705*	23
Connector		44111706	23
M403862	57	Control Harness	
Contact Block		44080201	27
44018701	25	44100101P	13
44018901	25	44101101P	13
Contact Block Switch		44157501	27
F200233401	25	Control Kit	
Contact Switch		70228401P	11
F8069501	25	Control Mounting Bracket	
Contacto		44012801*	9, 11
M412404P	95	44040201*	21
Contacto Box End		44040202	21
M413757	91, 93	44099501W	11, 15
M413758	91, 93	44099502	15
Contacto Box Harness Assembly		Control Panel Harness	
M413684P	91, 93	44019301	11
Contacto Box Wrapper		44019401	7
44028401	91, 93	44027201	11
Control		44027301	7
44063801P	27	44054001P	21
Control Assembly		44058201P	23
512202P	19	44100401	19
Control Box		44100501	19
44047201	17, 19	44111201P	23
44047401	17, 19	44111501P	21
Control Box Base		Control Plate and Studs Assembly	
44065301	27	44099201	13
Control Box Cover		Control Plate Assembly	
44047301	17, 19	44029501	7
44065201	27	44029601	11
Control Box Harness		44038601	23
44019901	17	44041101	21
44027001P	17	Control Trim	
44101001	19	44016401	9, 11, 15
44102101P	19	44016402	9, 11, 15
44111601P	21	Conversion Kit	
Control Box Housing		M4573P3	65
44065101	27	Cotter Pin	
Control Box Top		02470	63
44065401	27	Cylinder and Trunnion Assembly	
Control Bracket		44054701	45
44099301	19	44054702	45
Control Cover		44054801	45
44013301*	9	44054802	45
44013302	9	Cylinder Assembly	
44013303*	9	H96367545	45
44013304	9	H96427513	45
44013305*	9	M409788	45
44013306	9, 11	M409826	45
44013307*	11, 15	Cylinder Motor Harness Assembly	
44013309*	11, 15	M413110	51
44040107*	21		
44040108	21	D	
44040109*	21	Damper	
44040110	21	H96387519	75, 77
44040111*	21		
44040112	21		

N/A items do not appear in index.

Damper Assembly	
H96367685	81, 83
M409967	53, 57
Damper Bracket	
M414534	77, 79
M414801	83, 85
Damper Counterweight	
M413331	75, 77, 81, 83
Damper Motor	
M412905	75, 81
M413592	75, 77, 81, 83
Damper Motor Harness Assembly	
M413086	75, 77, 81
Damper Rod	
M413401	43
Damper Shaft	
H96388079	75, 77
Damper Vane	
M413402	43
Display Assembly	
512218P	13
Door Assembly	
44028902	33
44029102	33
44058102	33
44112101	35
70407401	33
Door Glass	
44008401P	33, 35
44008402P	33
Door Glass Installation Tool	
M4221P4	33, 35
Door Handle	
M400133	33
44007901	33
44057702	33
44111901	35
Door Hinge	
70115902	35
Door Hinge Assembly	
44075201*	33
44075202	33
44075207	33
Door Hinge Cam Assembly	
44035102	33
Door Hinge Cam Assembly Kit	
M4771P3	33, 35
Door Hinge Lug Assembly	
44035001	29, 33, 35
44035002	33
Door Interlock	
M412368	95
Door Latch	
M401223	29
Door Ring	
44007703	33
Door Ring and Handle Assembly	
44112001	35
Door Ring Gasket	
44008201P	33, 35
Door Seal Kit	
70211902P	33, 35
Door Switch Cover	
44001301	29

Door Switch Harness	
44019601P	29
Door Switch Wire Channel	
44001801	29
44001802	29
Drive Chain	
H96388186	75, 77, 81, 83
Drive Rivet	
M400713	9, 11, 15, 27, 95
Drive Wheel	
H96388178	75, 77, 81, 83

E

Elbow	
70079601	71
Electronic Control	
44037801P	21
44051001P	23
Emergency Stop Button Kit	
F200233700P	25
Emergency Stop Harness	
44030301	11, 15
44030302	9
44099001	25
44111401	23, 93
Emergency Stop Label	
M412235	25
44012901	9, 11, 15
Emergency Stop Pushbutton	
F200233500	25
Emergency Stop Reset Harness	
44029401	9
44030201	11, 15
Emergency Stop Switch Harness Assembly	
70083901	25
End Barrier	
M412633	95
End Stop	
M412615	95
70121001	95
Expansion Clip	
70030501	7, 11, 13
Extension Handle	
M412370	95

F

Fan	
H96368469	59
Fan and Bushing Assembly	
M414546	53, 57
Fan Bearing Bracket	
M414235	59
Fan Contactor	
M413614P	91, 93
Fan Motor	
44046401	55
44046501P	61
Fan Motor Harness	
44022401	55

N/A items do not appear in index.

Fan Motor Harness Assembly	
M413111	55
M414259	61
Felt Pad	
M402144	41
Fill Hose Kit	
28330P	27
Filter Channel	
H96388087	75, 77, 79
44045101	81, 83, 85
Finger Guard	
M412366	95
Fire Suppression System Label	
44128901	29
Flange Bearing	
44048301P	47
Front Access Panel	
44012607*P	31
44012608	31
44012707*P	31
44012708	31
Front Panel	
44012401*	29
44012402	29
44012501*	29
44012502	29
Front Panel Baffle Seal	
70017301	41
Front Panel Harness Assembly	
44063201P	25
Fuse	
M413118	91
M413621	93
M413623	17
M413889	17, 19, 95
M414232	19
502592	95
Fuse Carrier	
502811	17, 19, 95
Fuse Holder	
M413544P	93
Fuse Holder Bracket	
M413575	91
M413576	93
Fuse Holder Kit	
502591P	17, 19, 95
Fuse Receptacle	
91024P	17, 19, 91

G

Gas Pipe	
M411265	65
Gas Valve	
M413332P	71
M413333P	71
M413465P	67
M413469P	67
M413470P	65, 67
Gas Valve Assembly	
44118501P	65
Gas Valve Bracket	
M411259	65, 67
M413019	65

N/A items do not appear in index.

44117501	69
Gas Valve Flange Gasket	
M412158	65
Gas Valve Harness	
44117801	69
Gas Valve Harness Assembly	
M414397	67
Gas Valve Kit	
M413465P	65
M4883P3	65
Graphic Overlay	
44050401	23
Ground Buss Assembly	
M412656	95

H

Hairpin Cotter	
44091601	77, 83
Handle	
M412208	95
Handle and Caps Assembly	
44049901	37
44049902	37
44049903	37
44049904	37
Handle Bar	
70399501	33
Handle Bumper	
70407203	37
70407204	37
Harness Strap	
55881	29
Heater Assembly	
M414296	69
M414297	69
High Temperature Ignition Lead	
44061602	65, 67, 69
44061605	65, 67
Hole Plug	
M400985	53, 91, 93
Hose	
44073302	27
44073303	27
Hose Clamp	
36801	27
Hose Fitting	
44069101	27

I

ICM Return Lead	
M411061	17, 19, 65, 67, 69
Idler Housing	
M412612	59
Idler Housing Assembly	
M412630	59
Idler Shaft	
M414241	59
Ignition Control	
70367301P	17, 19
70367401P	17, 19

Ignition Control Harness Assembly M413534P	17, 19
Indicator Light 70082201	7, 9
Instant Electronic Ignition Control M410904P	17, 19
Insulation M411593	41, 43
Insulator M413862	91, 93

J

Jackshaft Assembly H96357751	49
Jumper Calibration Wire 70324605	13
Jumper Configuration Assembly M413507	91
M413510	93
Jumper Harness Assembly M413506	91
M413508	93, 97
M413509	93, 97
Jumper Set Assembly 44042801	97
Jumper Wire M414077	97

K

Key H8752006H	51, 53
M400993	59
M401327	59
Kickplate 70117609	37
70117610	37
70117611	37
70117612	37
Knob M410927	7
44020501	7

L

Lever Arm Switch 44021701	63
Light 801432	27
Limit Thermostat M411403	53, 57, 59
M411946	53, 59
Lint Panel 44012201*P	37
44012202	37
44012301*P	37
44012302	37
Lint Panel Clip 44017801	37

Lint Panel Switch Bracket 44013401	39
Lint Panel Switch Cover 44026801	39
Lint Panel Switch Harness 44019701	39
Lint Screen 44063602	41
44063603P	43
44077702P	41
44077703P	43
Lint Screen Clip H96418413	41
Loading Spring M400401	59
Lock, Key and Nut Kit 44089301P	27
L.P. Conversion Kit M4591P3	67
M4592P3	67
L.P. Kit M4901P3	71

M

Main Harness 44019501	17, 19
44027101	17, 19
Male Tab Terminal 00177	21
Manual Reset Thermostat M413989	67, 69
Master Link H96382072	75, 77, 81, 83
Membrane Switch 44037901P	21
44037902P	21
Mixing Valve 36958P	27
Motor 44046301P	57
44046601	61
44052901P	51
44053001P	51
Motor Adjustment Tube H96428628	55
Motor Base M413171	51, 55, 61
Motor Bracket H96388145	75, 77, 81, 83
Mounting Bracket 70080701	7
Mounting Insulation H96418728	63
Mounting Switch Base M412187	95

N

Nameplate 44010401	31
44010601	31

N/A items do not appear in index.

44035801	31
70243901	31
70348501	31
70348601	31
Nameplate Overlay	
M412963	31
44104501	31
44130401	31
44130501	31
70128901	7, 31
70410201	31
Network Capacitor Assembly	
M413863	91, 93, 95
Nut	
H88412093	49, 51, 55, 61
H88412101	45, 47, 49, 51, 55, 61
M400977	9, 11, 15, 31
M400979	63
M412334	45
M412688	95
M414215	33, 35
02788	29
20274	41, 47, 49, 51, 53, 55, 57, 61
23951	33, 35, 41, 43, 75, 77, 79, 81, 83, 85
24205	13
29786	29, 33, 35, 37, 61, 75, 77, 79, 81, 83, 85
29787	13, 21, 23
70030401	29, 41
70054	7, 11, 13, 21, 33, 37, 41, 43, 53, 57
70142	51, 53, 55, 57, 61, 75, 77, 81, 83
N.G. Kit	
M4900P3	71

O

Overlay	
44130001	11
70114502	7
70128401	11
70128601	11
70130501	11
70130701	11
70135301	11
70246002	7
70362202	13
70362502	13

P

Panel Locator	
56079	13
Pipe Bracket	
M411498	65
M412954	69
Pipe Cap	
44087801	69
Pipe Keeper Bracket	
44117901	69
Pipe Nipple	
H85101673	67
M411417	65, 67
M411418	65
M413023	67, 69
431486	71

901403	71
Pipe Union	
M411419	65, 67, 71
Pop Rivet	
M400003	29
430725	39
70126301	33, 37
70126401	37
Pushbutton	
44018801	9, 11, 15, 25
Pushbutton Switch	
M413431	9, 11, 15
70107001	39
Push-to-Start Switch	
801434W	27

R

Reducing Tee	
44117401	71
Relay	
M412534	9, 95
Relay Harness Assembly	
M414224	97
Relay/Buzzer Bracket	
44041701	21
Retaining Ring	
H88602263	49
H88603477	49
Reversing Contactor	
M412405P	95
M413615P	91, 93
Reversing Contactor Harness Assembly	
M414034	97
Reversing Contactor Jumper Assembly	
M413624	91, 93
Reversing Jumper Harness Assembly	
M412928	97
M412929	97
Reversing Timer	
M412081	91, 93, 95
Reversing Timer Harness	
44008001	91, 93
Reversing Timer Harness Assembly	
M412930	97
Rocker Switch	
M413270	7
44099601	13
70360801	13
70365901	13
Rod End	
44048501	49, 51, 55, 61
Roll Pin	
H88970256	75, 77, 81, 83
Roller Catch	
H87020202	37, 43
Roller Catch Mounting Bracket	
44014001	37
Rotation Sensor	
70274001	21, 23, 89
Rotation Sensor Assembly	
70417401P	89

N/A items do not appear in index.

Rotation Sensor Bracket	
44111101	89
Rotation Sensor Cable Assembly	
70274102	21, 23, 89

S

Screw

H88001565	49, 51, 55
H8800901H	53, 57
H88010038	61
H88010574	75, 77, 81, 83
H88012034	47
H88213996	47
M400043	41, 53, 55, 57, 59
M400044	33, 35, 43, 91, 93
M400056	51, 53, 55, 57, 61
M400071	95
M400072	29
M400661	35
M401938	63
M402574	29
M402797	9
M402917	91, 93
M405188	75, 77, 81, 83
M411072	41, 43
M411143	17, 19
M411165	47
M413344	33
M413528	61
02422	75, 77, 79, 81, 83, 85
20253	75, 81
22688	49, 51, 53, 55, 61
33562	95
430497	9, 15, 17, 19, 27, 39, 41, 43, 53, 57, 63, 65, 67, 69, 79, 85, 93, 95
430757	37
431287	29
44023301	29, 33, 35
44041301	7
44048901	53
44075801	47
44079301	53, 55
501086	37, 75, 77, 79, 81, 83, 85, 93, 95
501524	19
51778	91, 93
51780	17, 19, 27, 91, 93, 95
56693	65, 67, 69
61199	33, 35, 37, 41, 43, 53, 57, 75, 77, 81, 83
70033504	29, 33, 35
70118801	17, 19
70126201	33
70182601	29
70187202	59
70409801	33
800930	7, 9, 11, 13, 15, 91, 93
801019	75, 77, 79, 81, 83, 85, 95
Security Cover Kit	
M4795P3W	7, 9, 11, 13, 15
Sensor Cable Harness	
44016902P	41, 43
Sensor Harness Assembly	
44082701	27
Sensor Wire	
M414287	17

Shaft Collar	
M414451	75, 77, 81, 83
Sheave	
H8752026H	49, 51
H87520284	53
H87520334	49, 51, 55
H87520466	49, 51
H8752060H	59, 61
H8752065H	59, 61
H8752251H	49
Snap Bushing	
M400770	17, 19, 29
M402542	69
70178701	17, 19, 27
Snap Switch	
44018201	29
Solenoid Valve DIN Connector	
70370301P	87
Spacer	
M401402	45, 47
Spark Igniter	
M406934P	65, 67, 69
M410905P	65
Spring Pin	
H88900683	75, 77, 81, 83
Spud Holder	
M411254	65
M411736	67, 69
Start Switch	
70108501	7
Steam Coil	
H96382023P	75, 77, 79
M409833P	81, 83, 85
M409834P	81, 83, 85
Steam Coil Filter	
H96382106	75, 77, 79
Steam Coil Housing Cover	
44018501	81, 83
Steam Coil Housing End	
44114901	79
44115001	85
Steam Coil Support	
M411550	75, 77, 79
M412201	81, 83, 85
Steam Cover	
44018401	75
44114501	79
44114601	85
44115101	77
44115201	83
Steam Damper Actuator	
44096401	77
44096501	83
Steam Filter Top Hinge Assembly	
44088101	77, 79, 81, 83, 85
Steam Heater Assembly	
M414458	75, 77
M414482	75, 77
M414485	81, 83
M414490	81, 83
44114701	79
44114801	85
Steam Solenoid	
70351011P	87
70351012	87

N/A items do not appear in index.

Steam Valve	
70351001P	87
70351002P	87
Steam Valve Coil	
M412258	87
70205701P	87
Steam Valve Rebuild Kit	
M412259	87
70351021P	87
Step Pulley and Bearing Kit	
M4696P3	49
Stove Assembly	
M411097	65
M412016	67, 69
Stove Gasket	
M411505	67, 69
Stove Limit Bypass Jumper	
44115301	69
Stove Limit Harness Assembly	
M413041	67, 69
M413104P	65
Stove Limit Harness Bracket	
431078	65, 67, 69
Stove Limit Thermostat	
M411404	65, 67
431177	67
Stove Partition Gasket	
M411506	65, 69
Street Elbow	
M411264	65
Switch Plate	
M413236	7, 13

T

Temperature Knob	
44104601	7, 13
Temperature Selector Switch	
511711	13
Temperature Selector Switch Bracket	
70391701	13
Temperature Switch	
431353P	7
Terminal Block	
M405364	91, 93
M412538	95
M412631	95
M412632	95
430642	91, 93
Terminal Strip	
M413542	91, 93
Thermistor	
M414704	41, 43
44064701	41
Thermistor Bracket Assembly	
44051301	41, 43
Thermostat	
H8900530H	53, 57, 59
M413988	65, 67
Thermostat Cover	
M414477	65, 67, 69
Thermostat Module	
431347P	9

N/A items do not appear in index.

Timer	
M412079P	7
M412080P	7
70131701P	7
70131801P	7
Timer Knob	
70082101	7
Top Access Panel Gusset	
44028201*	41
44028202*	41
44028301*	43
44028302*	43
Transformer	
M412412P	95
M414228P	91
M414229P	93, 95
44074401	93
Transformer Harness	
44030501	97
Transformer Harness Assembly	
M412641	97
M414028	97
M414029	97
Trunnion Assembly	
44054601	45
44055501	45

U

Union	
H86000031	71

V

Valve Converted Label	
60517	71
Vent Elbow	
H87494019	41
Vent Pipe	
M411185	41
M411187	41

W

Warning Label	
44127701	91, 93, 95
Washer	
M400013	51, 53, 55, 57, 61, 75, 77, 81, 83
M400014	49, 51, 53, 55, 57, 59, 61
M400080	51, 53, 55, 57, 59, 61
M400081	49, 53, 55
M405535	37
Q6712	45, 47, 49, 51, 55, 61
03815	7, 9, 11, 13, 15, 93
56552	53, 55, 57
70409301	33
800465	29, 33, 35, 77, 83
91200	47