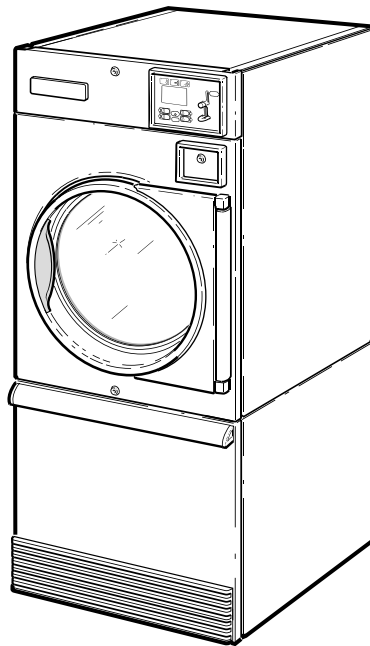


Drying Tumblers

25, 30 and 35 Pound Capacities

Models Starting Serial No. 0602004144

Refer to Page 3 for Model Numbers



T478C_70380501

Parts

Table of Contents

Title	Page
Parts Ordering Information.....	2
Serial Plate Location	2
Model Identification	3
Single Drop Control Components	4
Dual Digital Timer Control Components.....	6
DX4 Control Components	8
DMP Control	10
OPL Microprocessor Controls.....	12
Coin Drop Components for MDC Models.....	14
BY Control Option for MDC Models	16
Coin Drops	18
Coin Drop Components for NetMaster Models	20
Card Reader Components for NetMaster Models.....	22
Network Board for NetMaster Models.....	24
Communication Board for NetMaster Models	26
Door and Hinge Components	28
Front Panel Assemblies	30
Cabinet Front Components	32
Emergency Stop Button for CE Models	34
Lower Cabinet Components	36
Lower Cabinet Components - 25 Pound S Models with Hinged Lint Door.....	38
Cylinder Components	40
Cabinet Components	42
Drive Motor Components	44
Blower Components.....	46
Rotation Sensor	48
Airflow Switch.....	50
Gas Burner Housing and Secondary Stove Limit	52
Gas Valve Assembly - Non-CE and Non-Australian Gas Models	54
Gas Valve and Piping - CE and Australian Gas Models	56
Electric Heater Components	58
Steam Heater Components	60
Control Tray for Non-CE and Non-Australian Gas Models	62
Control Tray Components for CE and Australian Gas Models.....	64
Control Tray Harnesses for CE and Australian Gas Models.....	66
Control Tray for Non-CE Steam Models	68
Control Tray for CE Steam Models	70
Control Tray for Non-CE Electric Models.....	72
Control Tray for CE Electric Models.....	74
Accessory Box for Non-CE Electric Models	76
Accessory Box for CE Electric Models.....	78
Parts Index.....	81

© Copyright 2007, Alliance Laundry Systems LLC

All rights reserved. No part of the contents of this book may be reproduced or transmitted in any form or by any means without the expressed written consent of the publisher.

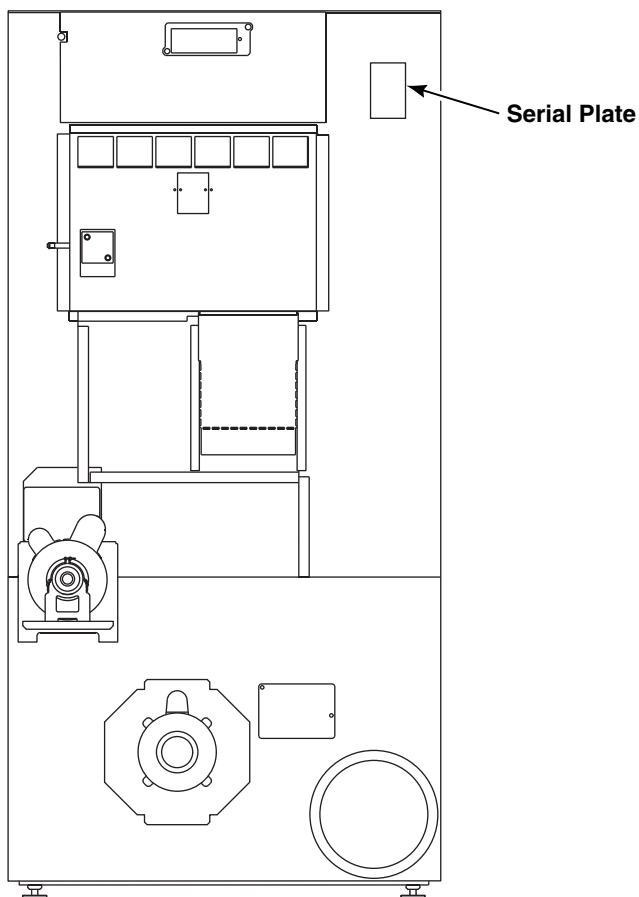
Parts Ordering Information

If literature or replacement parts are required, contact the source from whom the machine was purchased or contact Alliance Laundry Systems at (920) 748-3950 for the name and address of the nearest authorized parts distributor.

For technical assistance, call (920) 748-3121.

Serial Plate Location

When calling or writing about your product, be sure to mention model and serial numbers. Model and serial numbers are located on serial plate(s) as shown.



TMB2098N_70380501

Model Identification

Information in this manual is applicable to these tumbler models:

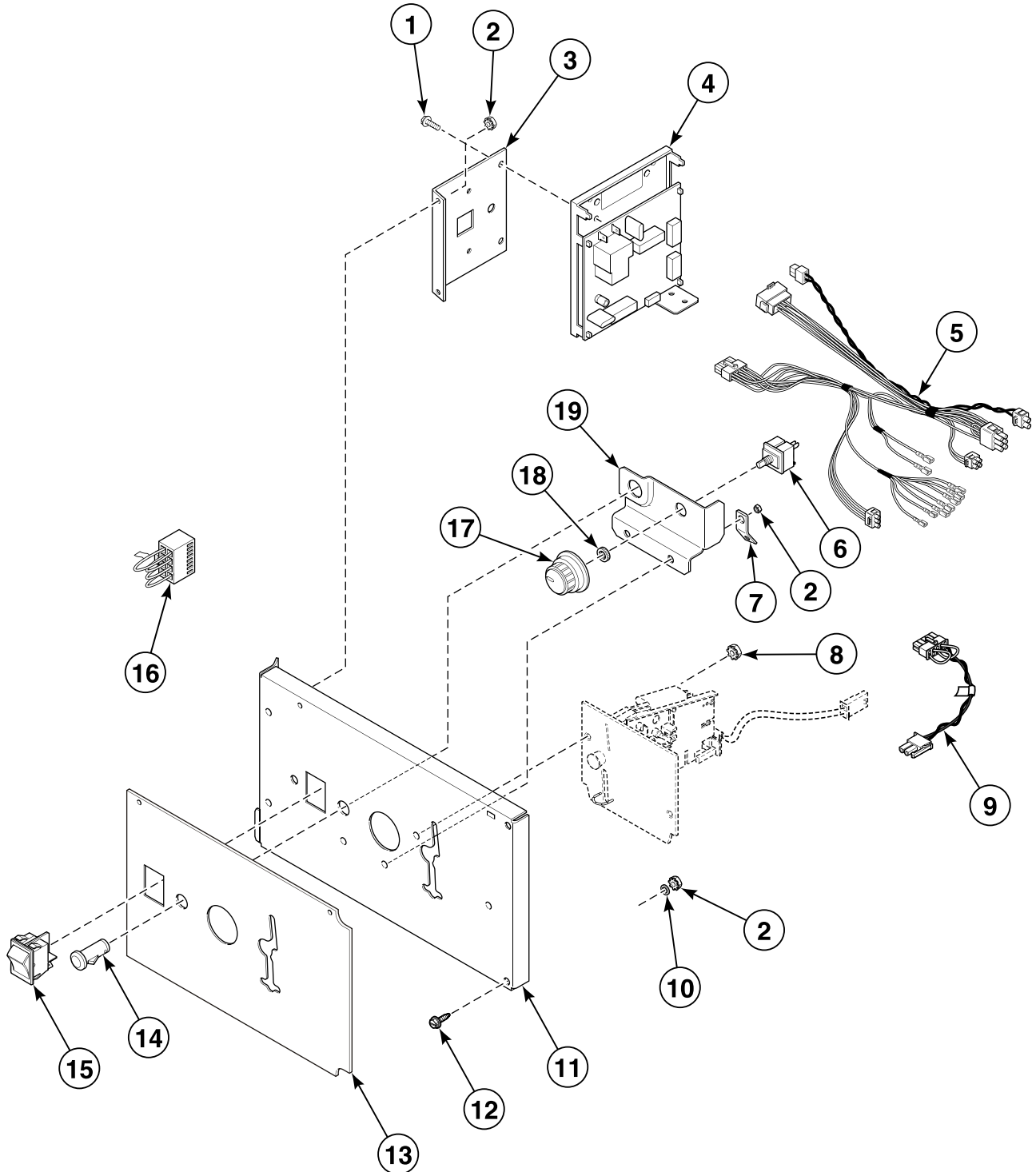
CHD25E2-CT025E	DR25G2-BU025L	AT035E	LA025N	PT025L	ST030N	UU025E
CHD25E2-CU025E	DR25G2-BU025N	AT035L	LA030L	PT025N	ST030S	UU025L
CHD25G2-CA025L	DR25S2-BT025S	AT035N	LA030N	PT025S	ST035E	UU025N
CHD25G2-CA025N	DR25S2-BU025S	AT035S	LA035L	PT030E	ST035L	UU025S
CHD25G2-CT025L	DR30E2-BT030E	HA025L	LA035N	PT030L	ST035N	UU030E
CHD25G2-CT025N	DR30E2-BU030E	HA025N	LT025E	PT030N	ST035S	UU030L
CHD25G2-CU025L	DR30G2-BA030L	HA030L	LT025L	PT030S	SU025E	UU030N
CHD25G2-CU025N	DR30G2-BA030N	HA030N	LT025N	PT035E	SU025L	UU030S
CHD25S2-CT025S	DR30G2-BT030L	HA035L	LT025S	PT035L	SU025N	UU035E
CHD25S2-CU025S	DR30G2-BT030N	HA035N	LT030E	PT035N	SU025S	UU035L
CHD30E2-CT030E	DR30G2-BU030L	HT025E	LT030L	PT035S	SU030E	UU035N
CHD30E2-CU030E	DR30G2-BU030N	HT025L	LT030N	PU025E	SU030L	UU035S
CHD30G2-CA030L	DR30S2-BT030S	HT025N	LT030S	PU025L	SU030N	YT025E
CHD30G2-CA030N	DR30S2-BU030S	HT025S	LT035E	PU025N	SU030S	YT025L
CHD30G2-CT030L	DR35E2-BT035E	HT030D	LT035L	PU025S	SU035E	YT025N
CHD30G2-CT030N	DR35E2-BU035E	HT030E	LT035N	PU030E	SU035L	YT025S
CHD30G2-CU030L	DR35G2-BA035L	HT030L	LT035S	PU030L	SU035N	YT030E
CHD30G2-CU030N	DR35G2-BA035N	HT030N	LU025E	PU030N	SU035S	YT030L
CHD30S2-CT030S	DR35G2-BT035L	HT030S	LU025L	PU030S	UA025L	YT030N
CHD30S2-CU030S	DR35G2-BT035N	HT035E	LU025N	PU035E	UA025N	YT030S
CHD35E2-CT035E	DR35G2-BU035L	HT035L	LU025S	PU035L	UA030L	YT035E
CHD35E2-CU035E	DR35G2-BU035N	HT035N	LU030E	PU035N	UA030N	YT035L
CHD35G2-CA035L	DR35S2-BT035S	HT035S	LU030L	PU035S	UA035L	YT035N
CHD35G2-CA035N	DR35S2-BU035S	HU025E	LU030N	SA025L	UA035N	YT035S
CHD35G2-CT035L	IPD25E2-IT025E	HU025L	LU030S	SA025N	UT025E	YU035E
CHD35G2-CT035N	IPD25G2-IT025L	HU025N	LU035E	SA030L	UT025L	YU035N
CHD35G2-CU035L	IPD25G2-IT025N	HU025S	LU035L	SA030N	UT025N	YU035S
CHD35G2-CU035N	IPD25S2-IT025S	HU030E	LU035N	SA035L	UT025S	
CHD35S2-CT035S	IPD30E2-IT030E	HU030L	LU035S	SA035N	UT030E	
CHD35S2-CU035S	IPD30G2-IT030L	HU030N	PA025L	ST025E	UT030L	
DR25E2-BT025E	IPD30G2-IT030N	HU030S	PA025N	ST025L	UT030N	
DR25E2-BU025E	IPD30S2-IT030S	HU035E	PA030L	ST025N	UT030S	
DR25G2-BA025L	IPD35E2-IT035E	HU035L	PA030N	ST025S	UT035E	
DR25G2-BA025N	IPD35G2-IT035L	HU035N	PA035L	ST030D	UT035L	
DR25G2-BT025L	IPD35G2-IT035N	HU035S	PA035N	ST030E	UT035N	
DR25G2-BT025N	IPD35S2-IT035S	LA025L	PT025E	ST030L	UT035S	

Control Suffixes:

3O – DX4 OPL	DV – DMP vended	SD – single drop
3V – DX4 vended	DX – DMP prep for coin	SX – single drop, prep for coin
3X – DX4 prep for coin	NC – NetMaster coin	ZC – NetMaster network coin
BC – basic electronic, coin	NR – NetMaster card	ZR – NetMaster network card
BL – basic electronic, central pay	NX – NetMaster, prep for coin	ZX – NetMaster network, prep for coin
BX – basic electronic, prep for coin	NY – NetMaster, prep for card	ZY – NetMaster network, prep for card
BY – basic electronic, prep for card	OM – OPL micro	
DO – DMP OPL	QT – dual digital timer	

Single Drop Control Components

A, C, H, I and S Models with SD and SX Control Suffixes



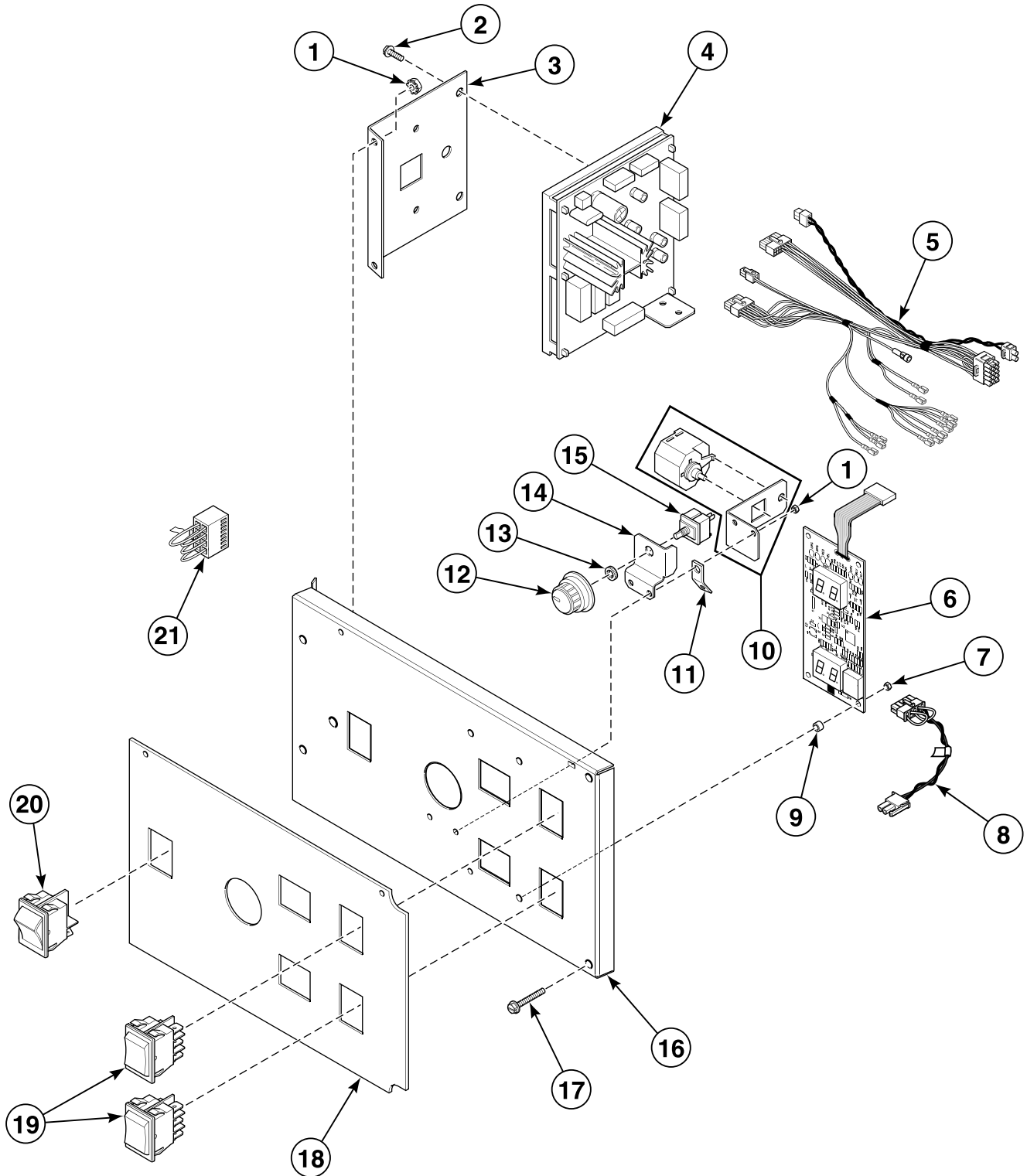
TMB2376P_70380501

Single Drop Control Components

REF	PART NO.	DESCRIPTION	COMMENTS
	70400901	Main Harness Assembly	
	70370001	Control Set	C, H and S Australian and CE models; Includes items 1-8, 11, 14, 15, 18 and 19
	70370101P	Control Set	A, C, H, I and S non-Australian and non-CE models; Includes items 1-8, 11, 14, 15, 18 and 19
1	501524	Screw	
2	70054	Nut	
3	70357901	Control Chassis Mounting Bracket	
4	512199P	Control Assembly	Models through Serial No. 0701012067
	512621P	Control Assembly	Models starting Serial No. 0701012068
5	70369001	Control Panel Harness	Non-Australian and non-CE models
	70398401	Control Panel Harness	Australian and CE models
6	511711	Temperature Selector Switch	
7	00177	Male Tab Terminal	
8	29786	Nut	
9	70324601	Jumper Calibration Wire	25 and 30 pound models
	70324602	Jumper Calibration Wire	35 pound models
10	M405535	Washer	
11	70363401	Control Door Assembly	
12	70069901	Screw	
13	70362901	Overlay	A, C, I and S models
	70363001	Overlay	H models
14	801431	Light	
15	70365901	Rocker Switch	Start
16	70364103	Bypass Harness	
17	44104601	Temperature Knob	
18	24205	Nut	
19	70350201	Temperature Selector Bracket	

Dual Digital Timer Control Components

A, C, H, I, S, U and Y Models with QT Control Suffix



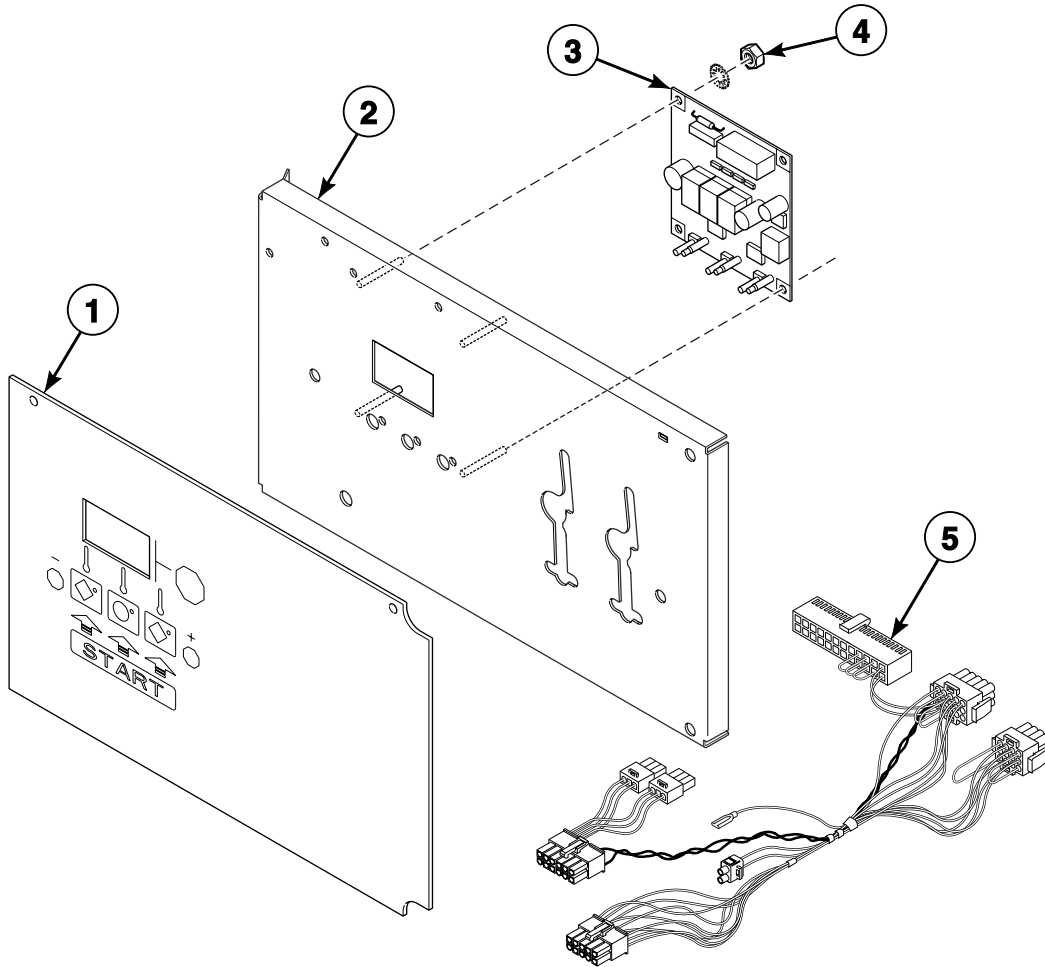
TMB2377P_70380501

Dual Digital Timer Control Components

REF	PART NO.	DESCRIPTION	COMMENTS
	70400901	Main Harness Assembly	
	70370201P	Control Set	Includes items 1-7, 9, 11-16, 19 and 20
1	70054	Nut	
2	501524	Screw	
3	70357901	Control Chassis Mounting Bracket	
4	512202P	Control Assembly	
5	70367001P	Control Panel Harness	
6	512218P	Display Assembly	
7	29787	Nut	
8	70324601	Jumper Calibration Wire	25 and 30 pound models
	70324602	Jumper Calibration Wire	35 pound models
9	56079	Panel Locator	
10	M4860P3	Buzzer Kit	Includes buzzer, bracket and harness
11	00177	Male Tab Terminal	
12	44104601	Temperature Knob	
13	24205	Nut	
14	70391701	Temperature Selector Switch Bracket	
15	511711	Temperature Selector Switch	
16	70360601	Control Plate Assembly	
17	70069901	Screw	
18	70362201	Overlay	
19	70360801	Rocker Switch	
20	70365901	Rocker Switch	Start
21	70364103	Bypass Harness	

DX4 Control Components

C, D and I Models with 3O, 3V and 3X Control Suffixes



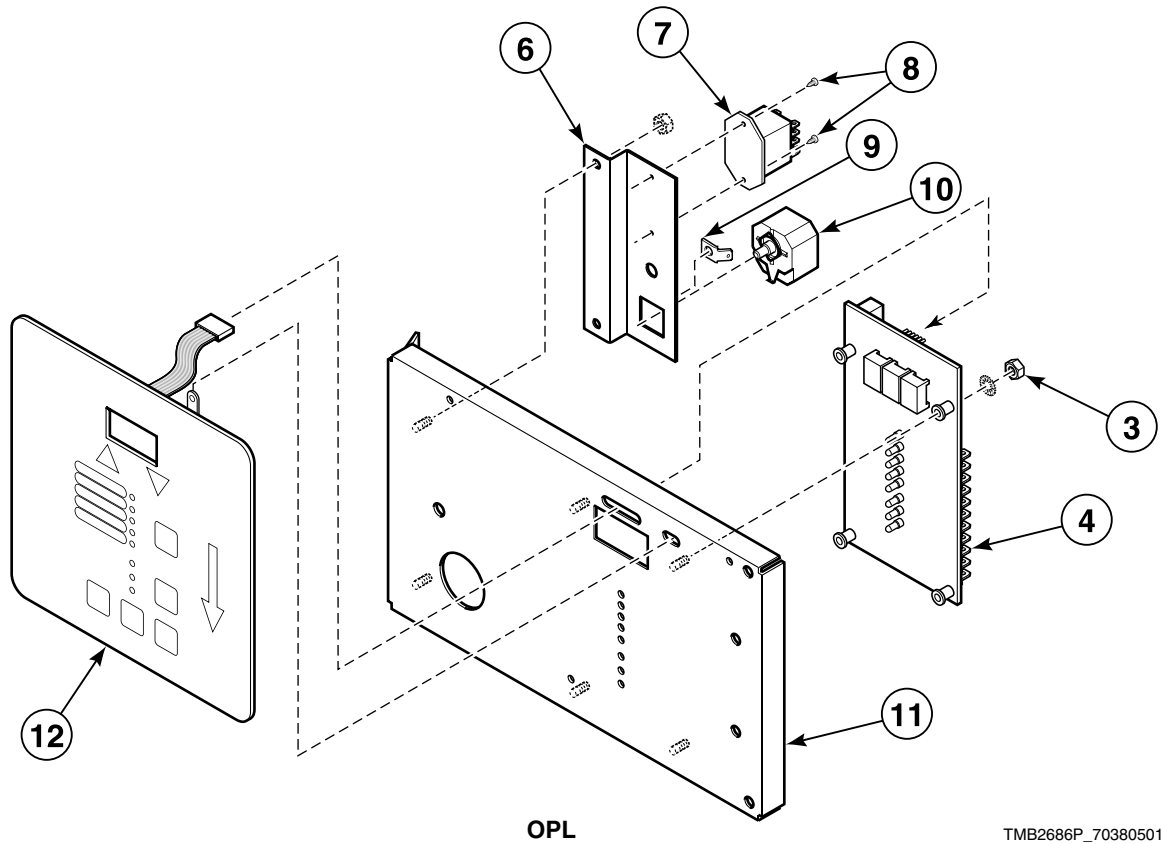
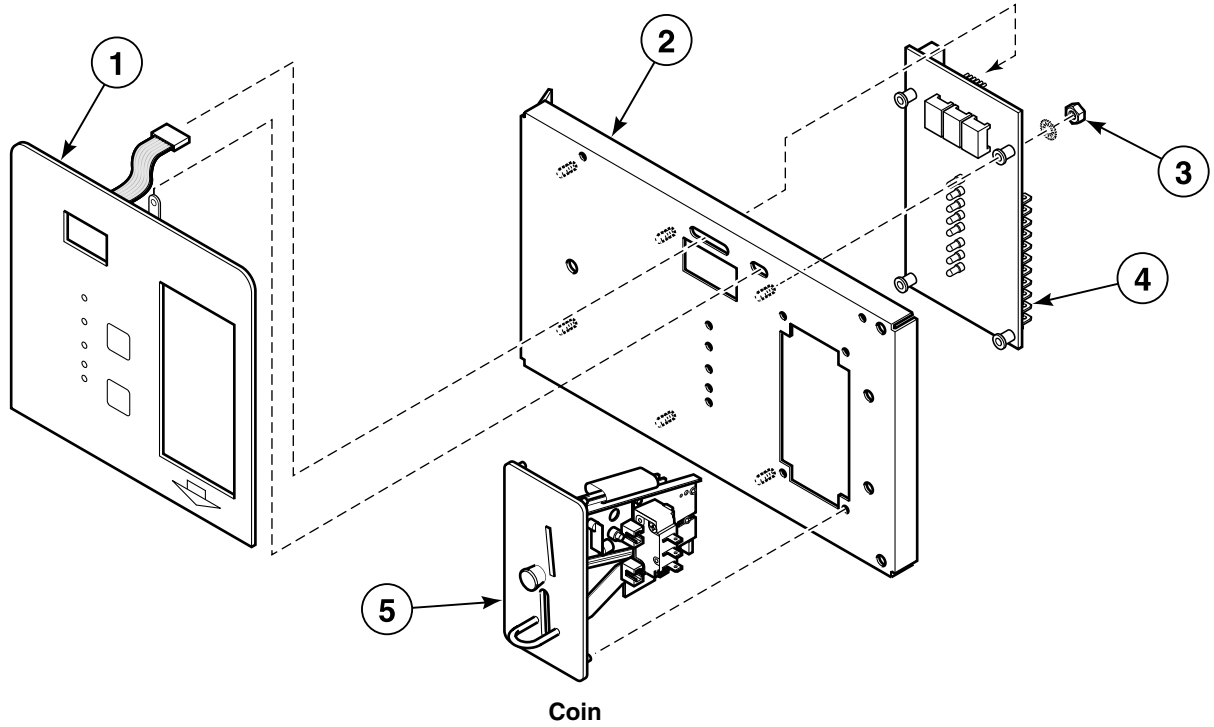
TMB2399P_70380501

DX4 Control Components

REF	PART NO.	DESCRIPTION	COMMENTS
1	44050401	Graphic Overlay	OPL
	44050501	Graphic Overlay	Coin; Single drop
	44050502	Graphic Overlay	Coin; Dual drop
2	44050701P	Control Plate Kit	
3	44051001P	Electronic Control	
4	29787	Nut	
5	70315601P	Control Panel Harness	Non-Australian and non-CE models
	70315701	Control Panel Harness Assembly	Australian and CE models

DMP Control

C and I Models with DO, DV and DX Control Suffixes



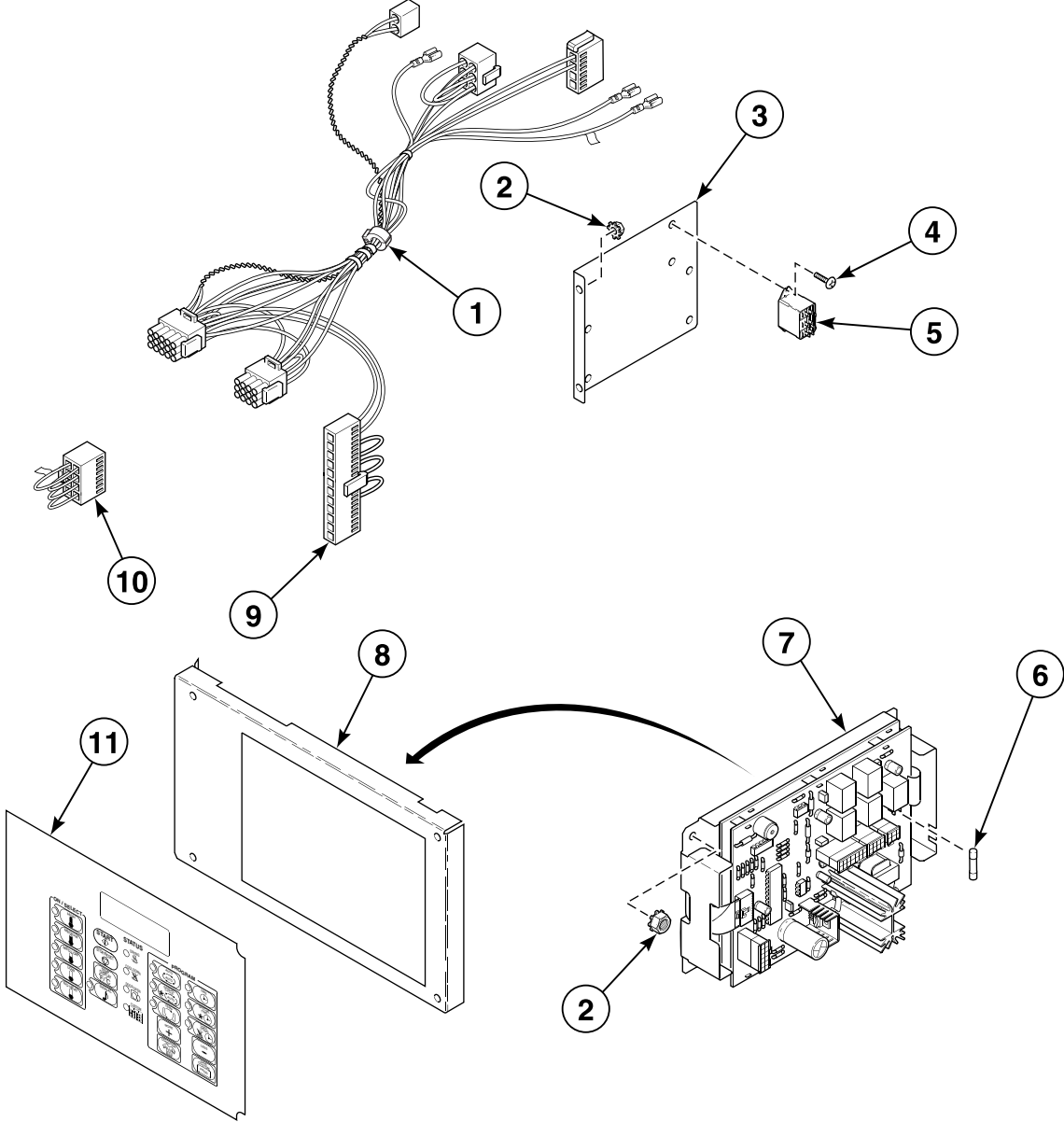
TMB2686P_70380501

DMP Control

REF	PART NO.	DESCRIPTION	COMMENTS
1	44039402P	Switch Membrane	Coin
2	44041001	Control Plate Assembly	Coin; Includes studs
3	29787	Nut	
4	44037801P	Electronic Control	
5	44039701P	Coin Drop Assembly	United States; \$.25
	44039702	Coin Drop Assembly	Mexico; 2 peso
	44039703	Coin Drop Assembly	Token; .880
	44039704	Coin Drop Assembly	Japan; 100 yen
	44039705	Coin Drop Assembly	England; 20 pence
	44039706	Coin Drop Assembly	Token; .800
	44039707	Coin Drop Assembly	England; 50 pence
6	44041701	Relay/Buzzer Bracket	
7	M412534	Relay	
8	M402797	Screw	
9	00177	Male Tab Terminal	
10	505447	Adjustable Buzzer	
11	44040901	Control Plate Assembly	OPL; Includes studs
12	44037902P	Switch Membrane	OPL

OPL Microprocessor Controls

A, H, L, P, S, U and YU Models with OM Control Suffix



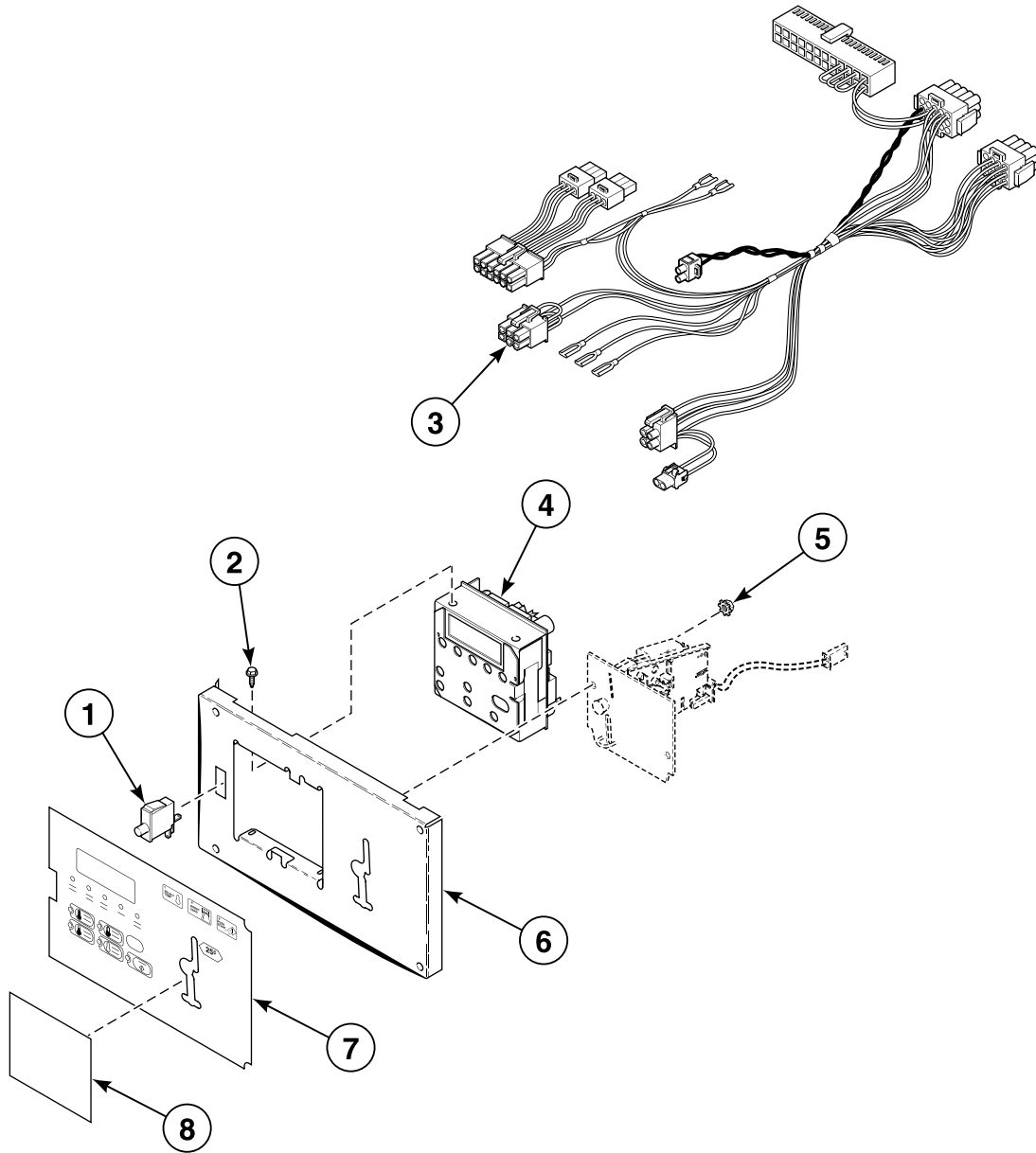
TMB2382P_70380501

OPL Microprocessor Controls

REF	PART NO.	DESCRIPTION	COMMENTS
	70400901	Main Harness Assembly	
	M4689P3	Electronic OPL Control Kit	A, HT, LT, PT, ST and UT models; Dual secondary transformers (M414228 Transformer for 100-240 VAC and M414229 Transformer for 380-480 VAC) must be used with this kit
	M4695P3	Electronic OPL Control Kit	HA, HU, LA, LU, PA, PU, SA, SU, UA, UU and YU models
	70084303	Jumper Calibration Assembly	25 and 30 pound models
	70084301	Jumper Calibration Assembly	35 pound models
1	M413930P	Ferrite Core Assembly	
2	70054	Nut	
3	70063501	Mounting Bracket	Used with 70382701P Control Panel Harness
4	M402797	Screw	2 required; Used with 70382701P Control Panel Harness
5	M412534	Relay	Used with 70382701P Control Panel Harness
6	70406501	Fuse	1.25 Amp
7	70228401P	Control Kit	
8	70175805	Control Plate Assembly	A, HT, LT, PT, ST and UT models; Includes studs
	70175806	Control Plate Assembly	All other models; Includes studs
9	70335301P	Control Panel Harness	A, HT, LT, PT, ST and UT models
	70382701P	Control Panel Harness	HA, HU, LA, LU, PA, PU, SA, SU, UA, UU and YU models
10	70364103	Bypass Harness	A, HA, HT, LA, LT, PA, PT, SA, ST, UA and UT models
11	70115801	Overlay	A, L, P, S, U and Y models; Icon and English
	70130401	Overlay	A, L, P, S, U and Y models; Icon
	70128701	Overlay	H models; Icon and English
	70130601	Overlay	H models; Icon and English

Coin Drop Components for MDC Models

H, L, P and S Models with BC, BL and BX Control Suffixes



TMB2687P_70380501

Coin Drop Components for MDC Models

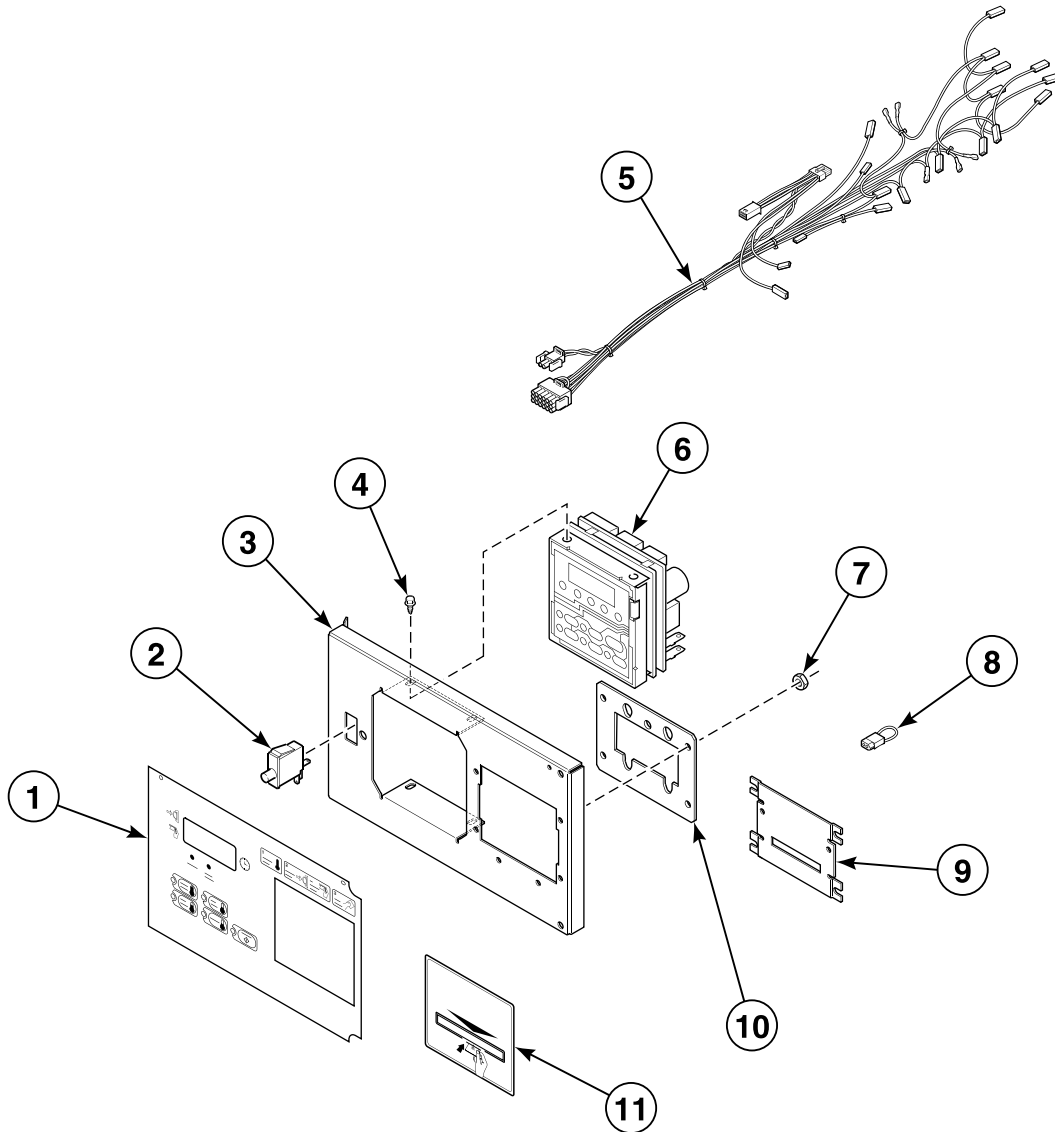
REF	PART NO.	DESCRIPTION	COMMENTS
	70324601	Jumper Calibration Wire	25 and 30 pound models
	70324602	Jumper Calibration Wire	35 pound models
	70400901	Main Harness Assembly	
	70364104P	Coin Vault Switch Harness	
1	70107001	Pushbutton Switch	
2	501524	Screw	4 required for mounting control
3	70368001P	Control Panel Harness	HT, LT, PT and ST models; Control panel to main harness
	70315501P	Control Panel Harness	HA, HU, LA, LU, PA, PU, SA and SU models; Control panel to main harness
4	511867P	Control Assembly	
5	70054	Nut	3 required
6	70175807	Control Plate Assembly	
7	70257701	Overlay	L and S models with BC, BL* and BX control suffixes; Text; Single drop
	70261001	Overlay	L and S models with BC, BL* and BX control suffixes; Icon; Single drop
	70257702	Overlay	L and S models with BC and BX control suffixes; Dual drop
	70261002	Overlay	L and S models with BC and BX control suffixes; Dual drop
	70258001	Overlay	H models with BC, BL* and BX control suffixes; Text; Single drop
	70261201	Overlay	H models with BC, BL* and BX control suffixes; Icon; Single drop
	70258002	Overlay	H models with BC and BX control suffixes; Dual drop
	70261202	Overlay	H models with BC and BX control suffixes; Icon; Dual drop
	70259001	Overlay	P models with BL* control suffix
	70258101	Overlay	H models with BC, BL* and BX control suffixes; Text; Single drop
8	39564	Coin Drop Overlay	S models with BL* control suffix; Cover
	70246301	Coin Drop Overlay	H models with BL* control suffix; Cover
	70286701	Overlay	P models with BL* control suffix; Cover
	70321001	Overlay	P models with BC** and BX** control suffixes; Single drop; Right side
	70129501	Overlay	P models with BC** and BX** control suffixes; Single drop; Left side
	70129601	Overlay	P models with BC** and BX** control suffixes; Dual drop

* NOTE: BL control suffix requires an overlay and overlay cover specific to model.

** NOTE: P models with BC or BX control suffixes require an overlay and coin drop overlay.

BY Control Option for MDC Models

H, L, P and S Models

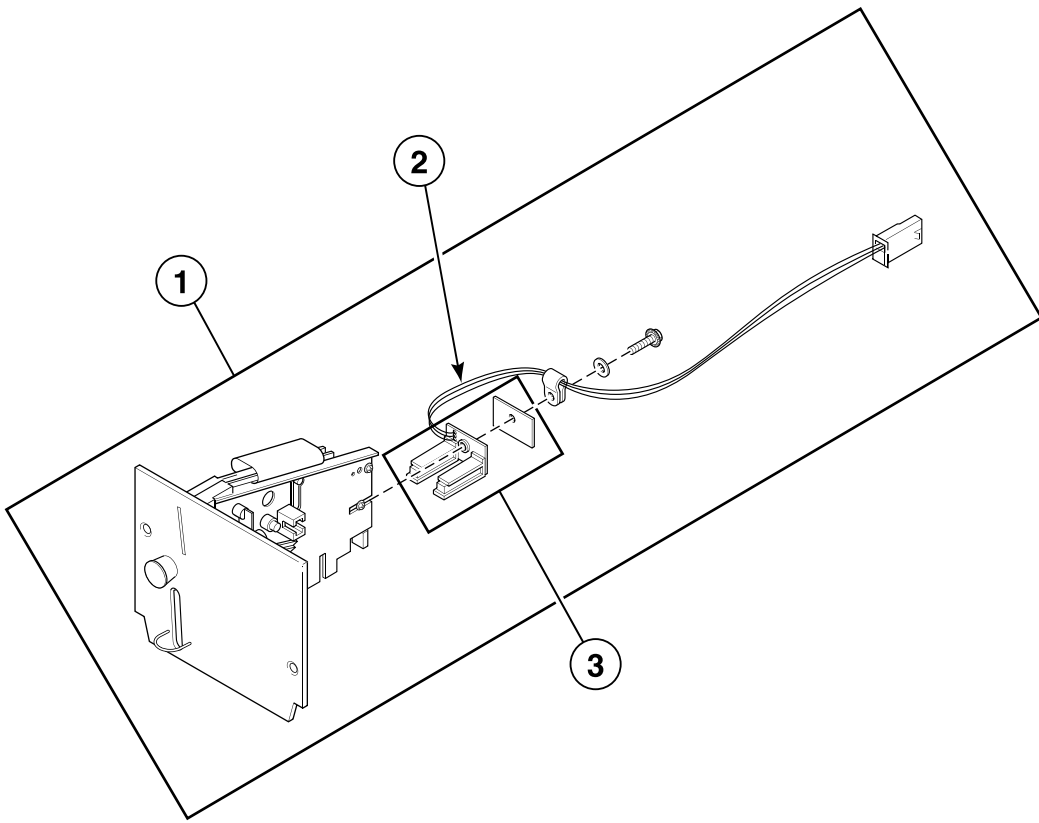


TMB2182P_70380501

BY Control Option for MDC Models

REF	PART NO.	DESCRIPTION	COMMENTS
	70324601	Jumper Calibration Wire	25 and 30 pound models
	70324602	Jumper Calibration Wire	35 pound models
	70400901	Main Harness Assembly	
1	70257703	Overlay	S models; Text or icon
	70258003	Overlay	H models; Text or icon
2	70107001	Pushbutton Switch	
3	70348801	Control Plate Assembly	
4	501524	Screw	4 required
5	70368001P	Control Panel Harness	HT, LT, PT and ST models
	70315501P	Control Panel Harness	HA, HU, LA, LU, PA, PU, SA and SU models
6	511867P	Control Assembly	
7	70054	Nut	
8	70364103	Bypass Harness	
9	44089501	Slot Card Plate Assembly	Included in literature packet
10	70208801	Mounting Plate	
11	70334201	Card Reader Overlay	Black; Included in literature packet
	70334301	Card Reader Overlay	Gray; Included in literature packet

Coin Drops



TMB2336P_70380501

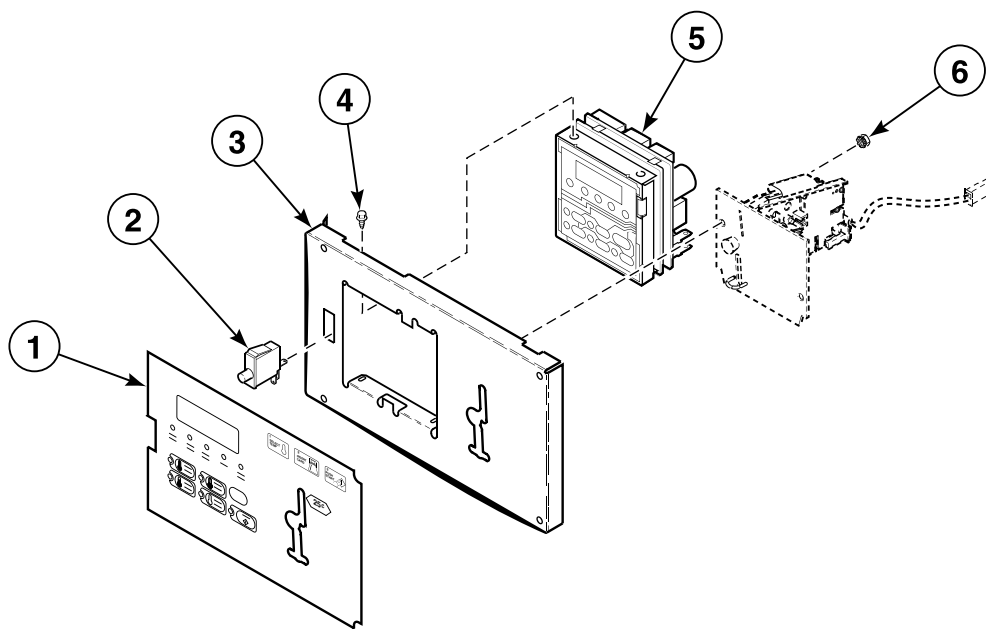
Coin Drops

REF	PART NO.	DESCRIPTION	COMMENTS
	CK095	Electronic Coin Drop Kit	United States, Canada, Japan and Taiwan
	CK099	Electronic Coin Drop Kit	Australia, New Zealand, Hong Kong, South Korea and Malaysia
	CK100	Electronic Coin Drop Kit	United Kingdom and Europe
	CK101	Electronic Coin Drop Kit	Europe, Denmark and Norway
	CK103	Electronic Coin Drop Kit	Lithuania, Latvia and Europe
	CK106	Electronic Coin Drop Kit	Malaysia, China, Russia and Singapore
	CK108	Electronic Coin Drop Kit	South Africa
	44065801	Electronic Coin Drop Harness	
1	70294101P	Electronic Coin Drop Assembly	United States (default), Canada, Japan and Taiwan
	70294103P	Electronic Coin Drop Assembly	United Kingdom (default) and Europe
	70294104	Electronic Coin Drop Assembly	Europe (default), Denmark and Norway
	70294105P	Electronic Coin Drop Assembly	Australia (default), New Zealand, Hong Kong, South Korea and Malaysia
	70294106	Electronic Coin Drop Assembly	Mexico (default), Ecuador and United States
	70294107	Electronic Coin Drop Assembly	Lithuania (default), Latvia and Europe
	70294109	Electronic Coin Drop Assembly	Malaysia (default), China, Russia and Singapore
	38479P	Coin Drop	USA; \$.25
	38475	Coin Drop Assembly	Japan; 100 yen
	38519	Coin Drop Assembly	Japan; 100 and 500 yen
	38467	Coin Drop Assembly	Australia; .20 and 1.00
	39748	Coin Drop	Token; Jeton; HU, LU, PU, SU and UU models
	210195	Coin Drop Assembly	Euro; .20 and 1.00
	210196	Coin Drop Assembly	Euro; .50 and 1.00
	70256402P	Coin Drop	USA; Dual; \$.25 and \$1.00
	38462P	Coin Drop Assembly	Token; STD-118-1
	38463	Coin Drop Assembly	Token; STD-118-5
	38464P	Coin Drop Assembly	Canada; \$.25
	200578P	Coin Drop Assembly	Canada; \$.25 and \$1.00
	38472	Coin Drop Assembly	England; 20 pence and 1 pound
	N/A	Coin Drop Assembly	Denmark; 1 and 5 DKK; May replace with 70294104P Electronic Coin Drop Assembly
	38521	Coin Drop Assembly	Korea; 100 and 500 won
	38522	Coin Drop Assembly	New Zealand; \$.20 and 100
	38963P	Coin Drop	Token; STD-118-16
	N/A	Coin Drop Assembly	Taiwan; Dual; 5 and 10 NT; May replace with 70294101P Electronic Coin Drop Assembly
	39157	Coin Drop Assembly	Israel; Shekel
	CK077	Coin Drop Kit	Taiwan; 10 NT
2	200674P	Opto Coupler	
3	201595P	Wire Guard	

N/A = Part no longer available

Coin Drop Components for NetMaster Models

S Models with NC, NX, ZC and ZX Control Suffixes



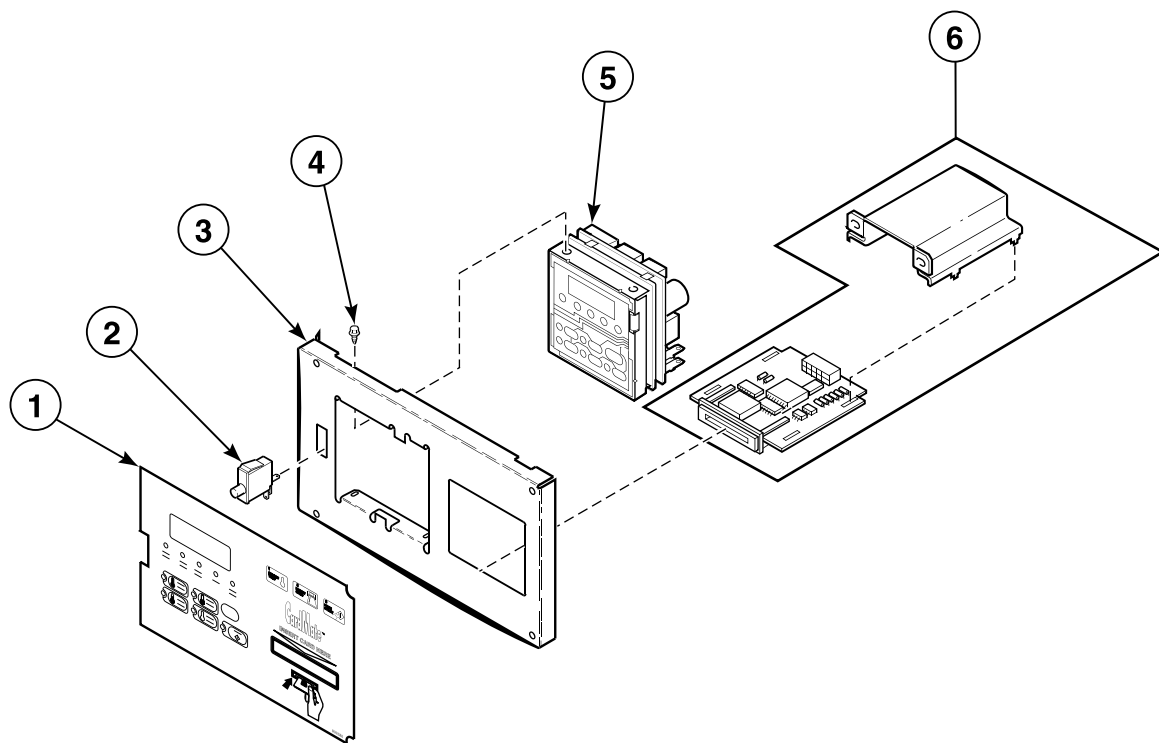
TMB2149P_70380501

Coin Drop Components for NetMaster Models

REF	PART NO.	DESCRIPTION	COMMENTS
	70364104P	Coin Vault Switch Harness	
	70400901	Main Harness Assembly	
	70324601	Jumper Calibration Wire	25 and 30 pound models
	70324602	Jumper Calibration Wire	35 pound models
	70368001P	Control Panel Harness	ST models
	70315501P	Control Panel Harness	SA and SU models
1	70184301	Overlay	ST models; Single drop
	70184302	Overlay	ST models; Dual drop
2	70107001	Pushbutton Switch	
3	70175807	Control Plate Assembly	
4	501524	Screw	For mounting NetMaster control
5	505905P	Control Kit	
6	70054	Nut	

Card Reader Components for NetMaster Models

S Models with NR, NY, ZR and ZY Control Suffixes



TMB369P_70380501

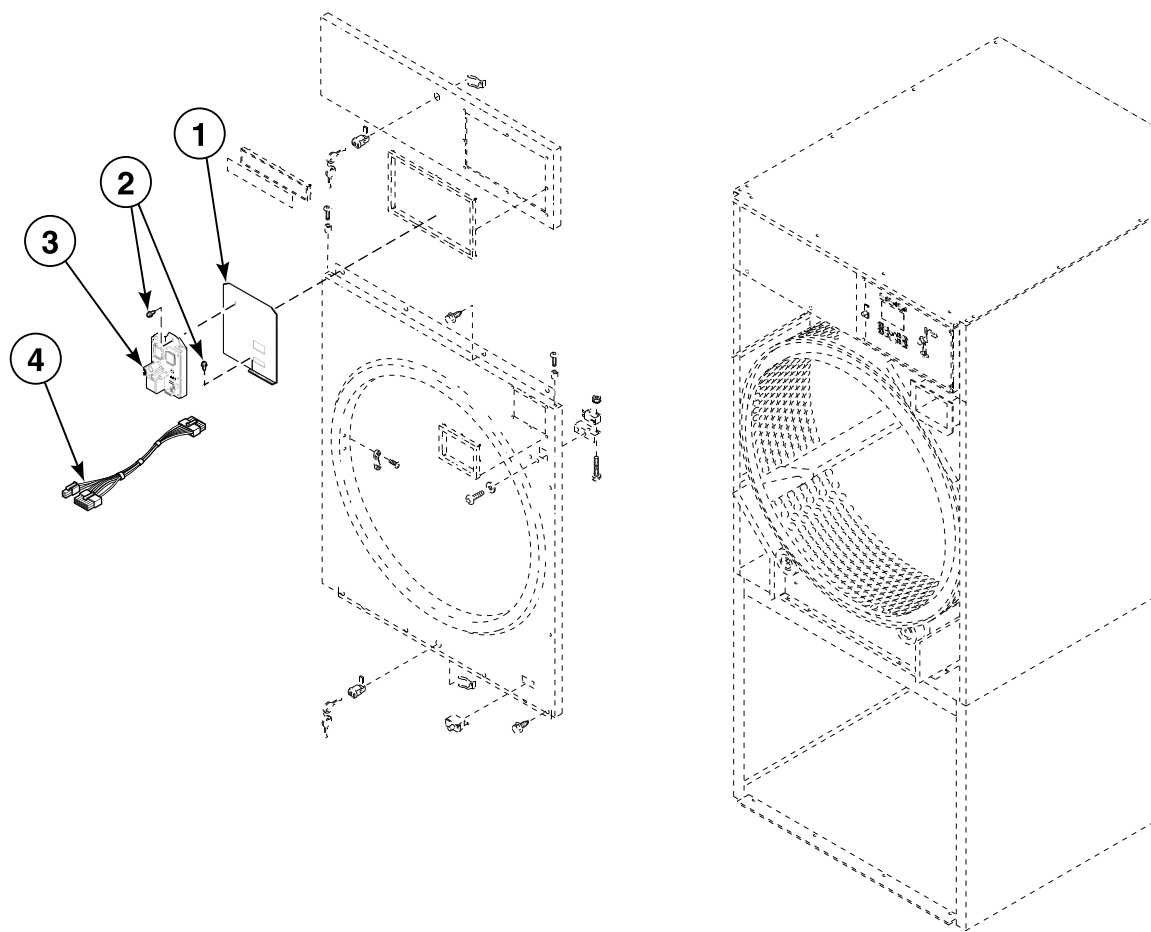
Card Reader Components for NetMaster Models

REF	PART NO.	DESCRIPTION	COMMENTS
	70400901	Main Harness Assembly	
	70208801	Mounting Plate	Use with 70348801 Control Plate Assembly
	70324601	Jumper Calibration Wire	25 and 30 pound models
	70324602	Jumper Calibration Wire	35 pound models
	70206601	Card Reader Network Harness Assembly	Card reader to network board
	70211801	Card Reader Harness Assembly	Card reader to control
	70364103	Bypass Harness	NR and ZR control suffixes
	70368001P	Control Panel Harness	ST models
	70315501P	Control Panel Harness	SA and SU models
1	N/A	Overlay	ST models; Card reader ready
	70184401	Overlay	ST models; Card reader
2	70107001	Pushbutton Switch	
3	N/A	Control Plate Assembly	Card reader models
	70348801	Control Plate Assembly	Card ready models
4	501524	Screw	
5	505905P	Control Kit	
6	510068P	Card Reader and Bracket Assembly	

N/A = Part no longer available

Network Board for NetMaster Models

SA and ST Models with ZC, ZR, ZX and ZY Control Suffixes



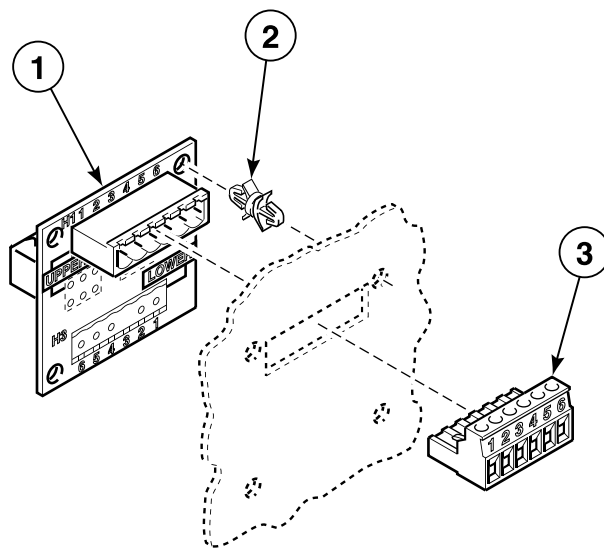
TMB2387P_70380501

Network Board for NetMaster Models

REF	PART NO.	DESCRIPTION	COMMENTS
	800246	Communication Wire Harness Assembly	
1	70201401	Network Plug Support	
2	430497	Screw	
3	210016P	Network Board Assembly	
4	800217	Network Wire Harness Assembly	

Communication Board for NetMaster Models

S Models with ZC and ZR Control Suffixes

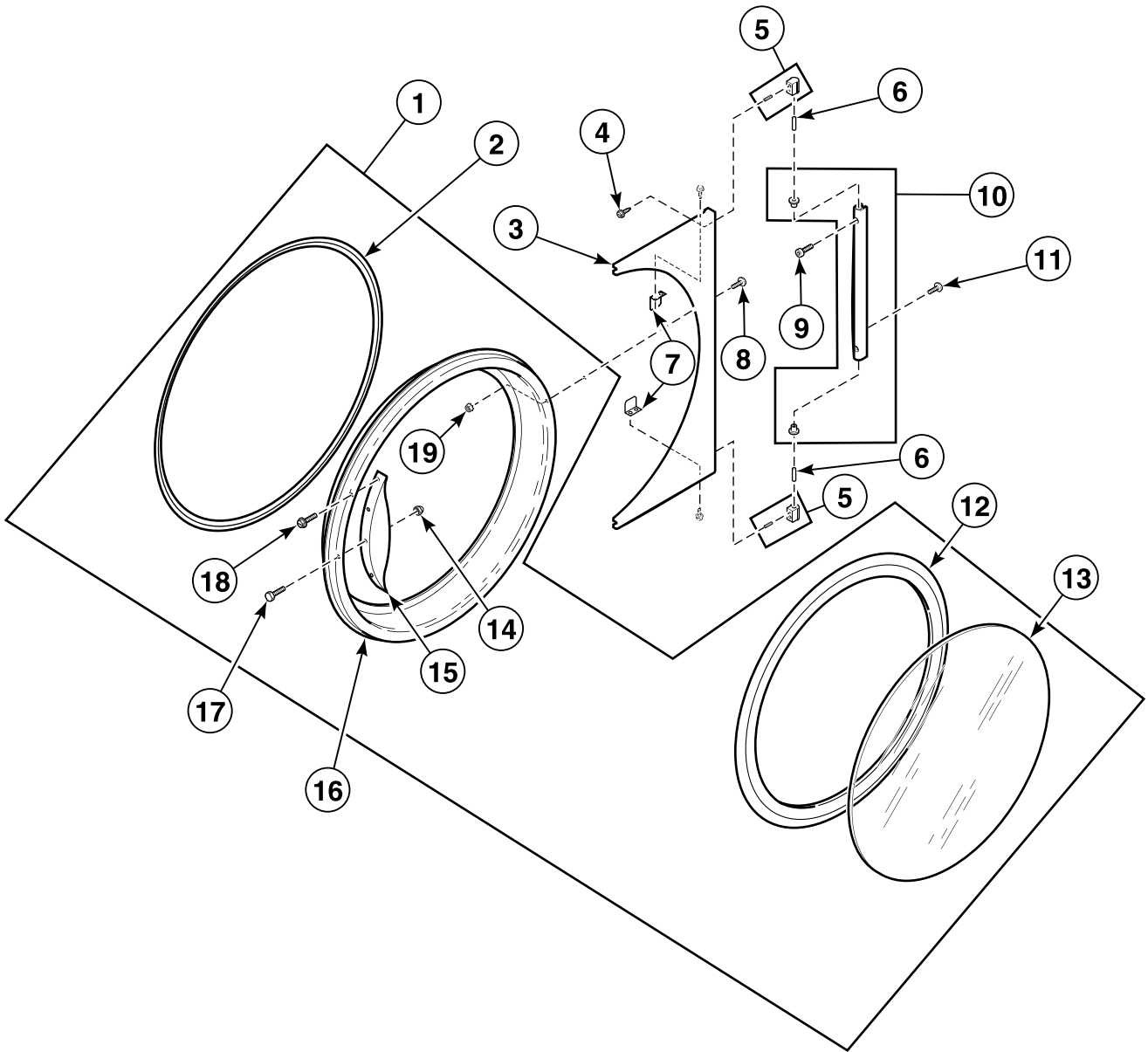


TMB1935P_70380501

Communication Board for NetMaster Models

REF	PART NO.	DESCRIPTION	COMMENTS
1	210095P	Communication Board	
2	210098	PC Board Standoff	4 required
3	210155	3 Circuit Data Connector	

Door and Hinge Components



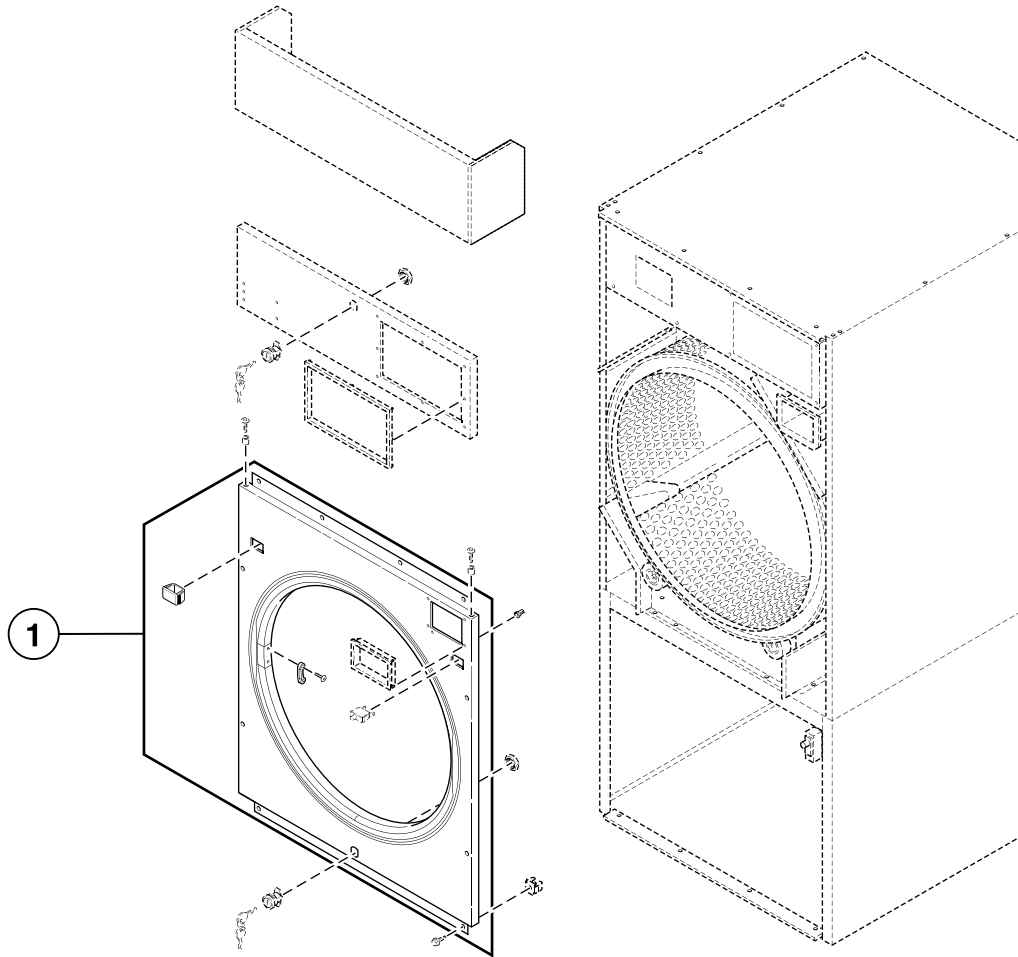
TMB2331P_70380501

Door and Hinge Components

REF	PART NO.	DESCRIPTION	COMMENTS
	70133501P	Replacement Door Handle Kit	H models
1	70212300	Door Assembly	A, S and U models; Excludes hinge
	44058001	Door Assembly	H models; Excludes hinge
	70064100	Door Assembly	L models
	70212200	Door Assembly	P and Y models; Excludes hinge
	44046701	Door Assembly	C, D and I models; Excludes hinge
2	70296801	Door Ring Gasket	
3	70115901*	Door Hinge	35 pound models
	70115902	Door Hinge	35 pound models; Stainless steel
	70116003*	Door Hinge	25 and 30 pound models
	70116004	Door Hinge	25 and 30 pound models; Stainless steel
4	61199	Screw	
5	M4771P3	Door Hinge Cam Assembly Kit	Includes upper and lower door hinge cam assemblies
6	70071401	Pin	
7	70215001P	Door Switch Actuator Kit	
8	501524	Screw	
9	70033502	Screw	
10	44035001	Door Hinge Lug Assembly	Includes hinge bushings
11	44023301	Screw	C, D and I models
	430757	Screw	All other models
12	70211901P	Door Glass Seal Kit	
13	70133601P	Door Glass	H models
	M400784P	Door Glass	All other models
14	M414215	Nut	A, H, L, P, S, U and Y models; For door strike; Mounts between door strike screw and door handle
15	70024801	Door Handle	S and U models
	44057701	Door Handle	H models
	430117	Door Handle	L models
	M400133	Door Handle	A, P and Y models
16	44043501	Door Ring Assembly	C, D and I models; Includes straight-edged door handle
17	430757	Screw	H, S and U models; Use with 70024801 and 44057701 Door Handle
	M409385	Screw	A, P and Y models; Use with 70133501P Replacement Door Handle Kit and M400133 Door Handle
	430756	Screw	L models; Use with 430117 Door Handle
18	44024201	Hole Plug	C, D and I models; 4 required
	M400661	Screw	All other models
19	70054	Nut	

* Add Letter To Designate Color. L - Almond Q - Bisque W - White

Front Panel Assemblies



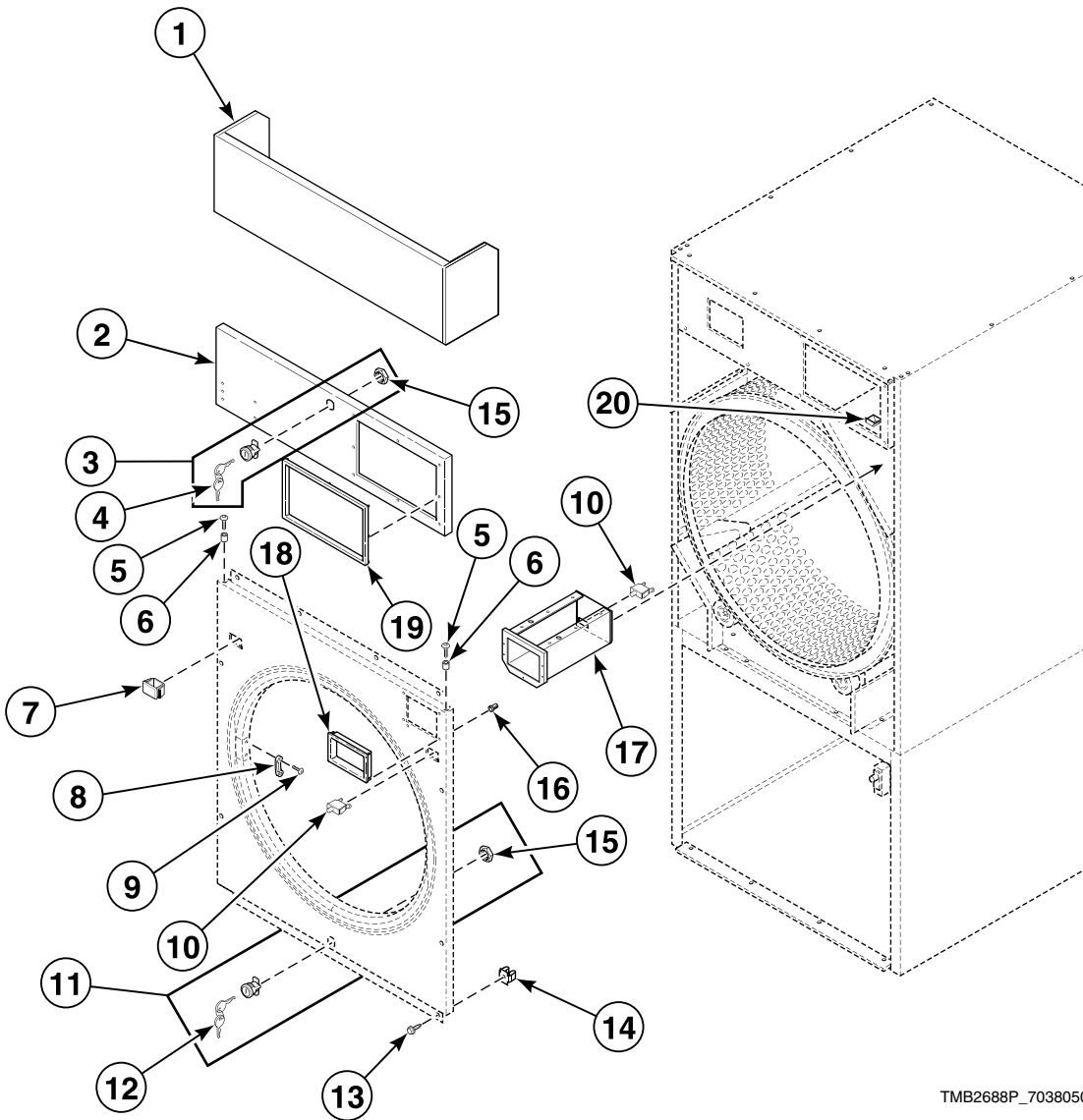
TMB2374P_70380501

Front Panel Assemblies

REF	PART NO.	DESCRIPTION	COMMENTS
1	44115401*	Front Panel Assembly	25 and 30 pound C, D, H, I, L, P and S models with 3V, 3X, BC, BX, DV, DX, NC, NX, SD, SX, ZC and ZX control suffixes
	44115501	Front Panel Assembly	25 and 30 pound C, D, H, I, L, P and S models with 3V, 3X, BC, BX, DV, DX, NC, NX, SD, SX, ZC and ZX control suffixes; Stainless steel
	44115601*	Front Panel Assembly	25 and 30 pound H, L, P and S models with BL, BY, NR and ZR control suffixes
	44115701	Front Panel Assembly	25 and 30 pound H, L, P and S models with BL, BY, NR and ZR control suffixes; Stainless steel
	44115801*	Front Panel Assembly	25 and 30 pound C, D, H, I, S, U and Y non-CE models with 3O, DO, OM and QT control suffixes
	44115901	Front Panel Assembly	25 and 30 pound C, D, H, I, S, U and Y non-CE models with 3O, DO, OM and QT control suffixes; Stainless steel
	44116001*	Front Panel Assembly	25 and 30 pound C, D, H, S and U CE models with 3O, DO, OM and QT control suffixes
	44116101	Front Panel Assembly	25 and 30 pound C, D, H, S and U CE models with 3O, DO, OM and QT control suffixes; Stainless steel
	44116201*P	Front Panel Assembly	25 and 30 pound C, D, H, I, L, P and S models with 3V, 3X, BC, BX, DV, DX, NC, NX, SD, SX, ZC and ZX control suffixes; Hinged lint drawer
	44116301	Front Panel Assembly	25 and 30 pound C, D, H, I, L, P and S models with 3V, 3X, BC, BX, DV, DX, NC, NX, SD, SX, ZC and ZX control suffixes; Stainless steel; Hinged lint drawer
	44116401*P	Front Panel Assembly	35 pound A, C, D, H, I, L, P and S models with 3V, 3X, BC, BX, DV, DX, NC, NX, SD, SX, ZC and ZX control suffixes
	44116501	Front Panel Assembly	35 pound A, C, D, H, I, L, P and S models with 3V, 3X, BC, BX, DV, DX, NC, NX, SD, SX, ZC and ZX control suffixes; Stainless steel
	44116601*	Front Panel Assembly	35 pound H, L, P and S models with BL, BY, NR and ZR control suffixes
	44116701P	Front Panel Assembly	35 pound H, L, P and S models with BL, BY, NR and ZR control suffixes; Stainless steel
	44116801*	Front Panel Assembly	35 pound A, C, D, H, I, S, U and Y non-CE models with 3O, DO, OM and QT control suffixes
	44116901	Front Panel Assembly	35 pound A, C, D, H, I, S, U and Y non-CE models with 3O, DO, OM and QT control suffixes; Stainless steel
	44117001*	Front Panel Assembly	35 pound C, D, H, S, U and Y CE models with 3O, DO, OM and QT control suffixes
	44117101	Front Panel Assembly	35 pound C, D, H, S, U and Y CE models with 3O, DO, OM and QT control suffixes; Stainless steel

* Add Letter To Designate Color. L - Almond Q - Bisque W - White

Cabinet Front Components



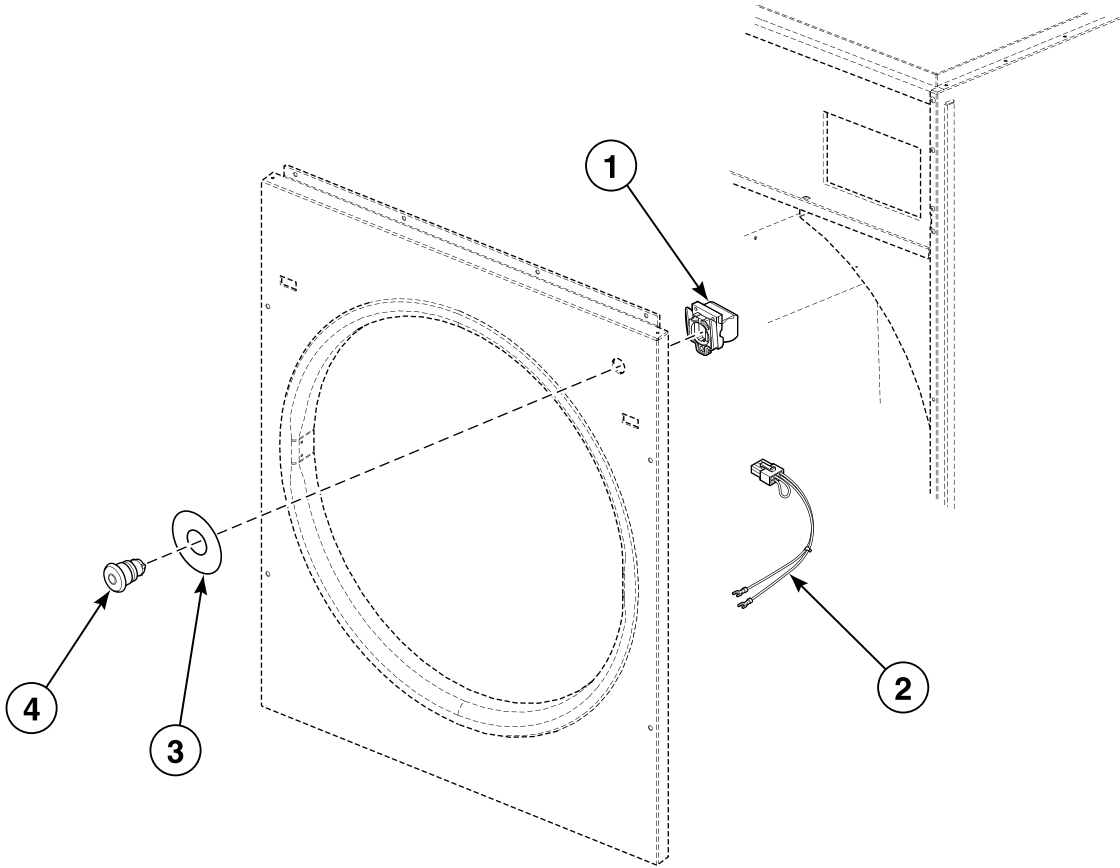
TMB2688P_70380501

Cabinet Front Components

REF	PART NO.	DESCRIPTION	COMMENTS
	44129901	Nameplate	25 pound C models
	44129902	Nameplate	30 pound C models
	44129903	Nameplate	35 pound C models
	70364104P	Coin Vault Switch Harness	
1	70000501*P	False Front	25 and 30 pound models; 72 inches
	70000502	False Front	25 and 30 pound models; 72 inches; Stainless steel
	70024201*P	False Front Assembly	25 and 30 pound models; 76 inches
	70024202P	False Front	25 and 30 pound models; 76 inches; Stainless steel
	70021101*P	False Front	35 pound models; 72 inches
	70021102P	False Front Assembly	35 pound models; 72 inches; Stainless steel
	70024001*P	False Front Assembly	35 pound models; 76 inches
	70024002P	False Front Assembly	35 pound models; 76 inches; Stainless steel
2	70121301*	Control Panel	35 pound A, L, P, S, U and Y models
	70121302	Control Panel	35 pound A, L, P, S, U and Y models; Stainless steel
	70121305*	Control Panel	35 pound H models
	70121306	Control Panel	35 pound H models; Stainless steel
	70273301*	Control Panel	25 and 30 pound C, D and I models; Manual
	70273302	Control Panel	25 and 30 pound C, D and I models; Manual; Stainless steel
	70273303*	Control Panel	25 and 30 pound C, D and I models; Electronic
	70273304	Control Panel	25 and 30 pound C, D and I models; Electronic; Stainless steel
	70273401*	Control Panel	35 pound C, D and I models; Manual
	70273402	Control Panel	35 pound C, D and I models; Manual; Stainless steel
	70273403*	Control Panel	35 pound C, D and I models; Electronic
	70273404	Control Panel	35 pound C, D and I models; Electronic; Stainless steel
3	44089301P	Lock, Key and Nut Kit	RL001
4	70155601	Key	RL001
5	39733	Screw	
6	56079	Panel Locator	9 required
7	44057801W	Switch Hole Plug	White
	44057801Q	Switch Hole Plug	Bisque
	44057801BLK	Switch Hole Plug	Black
8	M401223	Door Latch	
9	M400003	Pop Rivet	
10	70107001	Pushbutton Switch	
11	44089302P	Lock, Key and Nut Kit	RL002
12	70155602	Key	RL002
13	430497	Screw	
14	70030501	Expansion Clip	8 required; Use with item 16, between front panel and cabinet
15	44088801	Nut	
16	M400972	Shadow Box Clip	
17	70180101	Coin Vault Assembly	EC and SD control suffixes
18	70117502	Coin Vault Trim	
19	44016301	Control Trim	H models; Gray
	44016401	Control Trim	A, L, P, S, U and Y models; Black
20	70296401	Coin Chute Assembly	EC and SD control suffixes

* Add Letter To Designate Color. L - Almond Q - Bisque W - White

Emergency Stop Button for CE Models

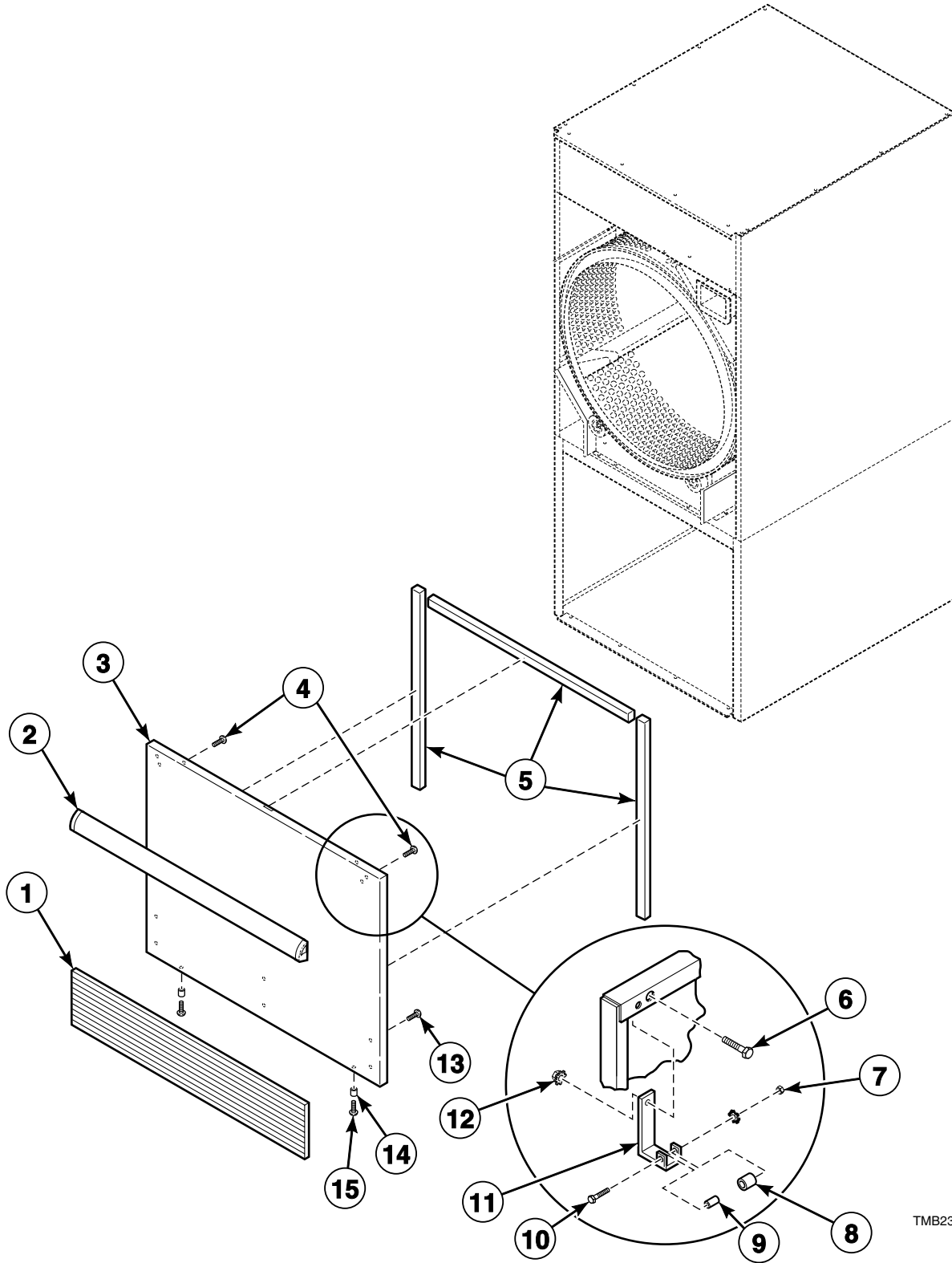


TMB2375P_70380501

Emergency Stop Button for CE Models

REF	PART NO.	DESCRIPTION	COMMENTS
1	44018701	Contact Block	Includes base
2	70364105P	Emergency Stop Contact Harness	1 contact; OM control suffix
3	M412235	Emergency Stop Label	
4	44018801	Pushbutton	

Lower Cabinet Components



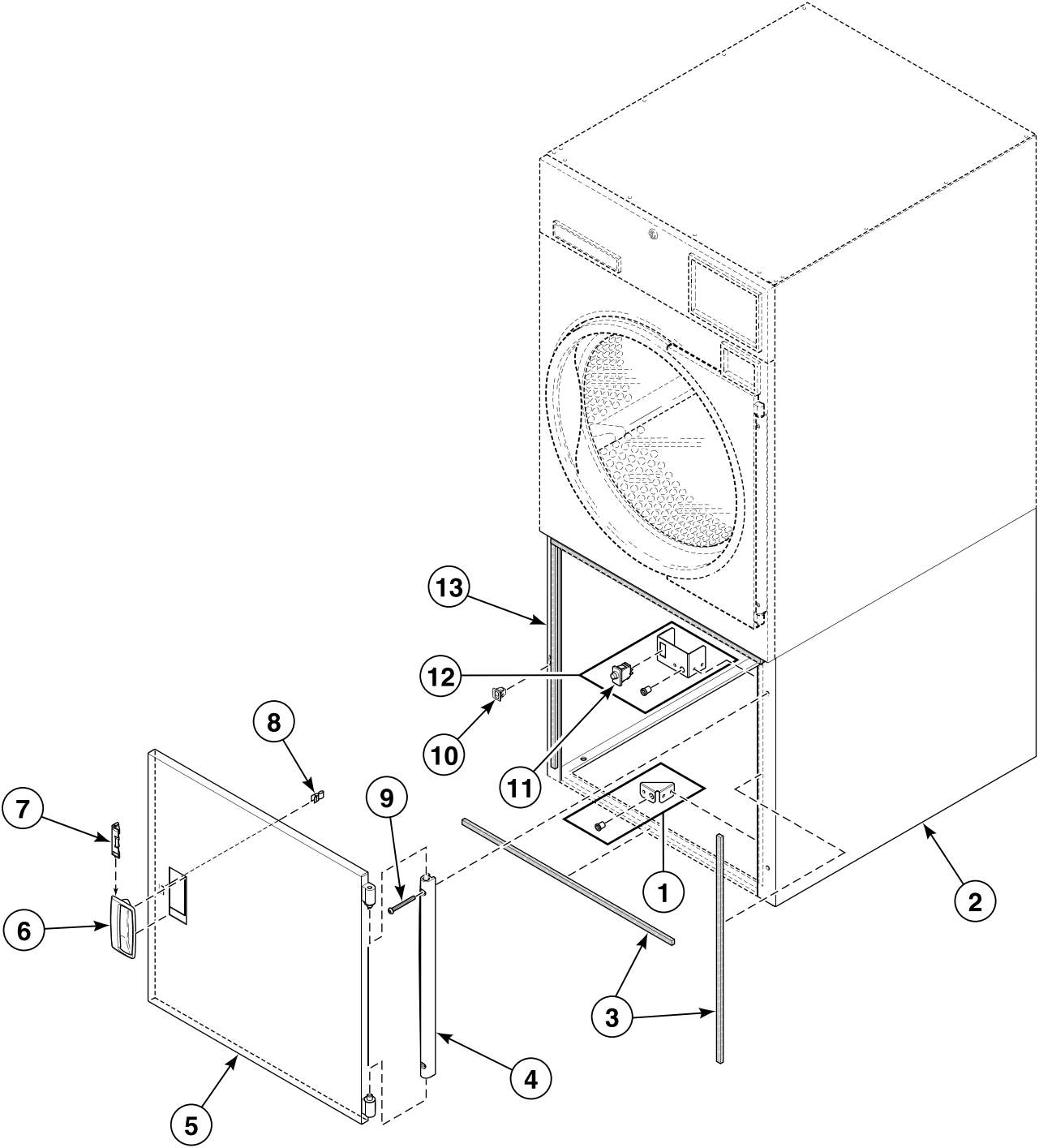
TMB2332P_70380501

Lower Cabinet Components

REF	PART NO.	DESCRIPTION	COMMENTS
1	70117602	Kickplate	25 and 30 pound H models; Dark gray
	70117601	Kickplate	All other 25 and 30 pound models; Black
	70117604	Kickplate	35 pound H models; Dark gray
	70117603	Kickplate	All other 35 pound models; Black
2	70154401	Handle and Caps Assembly	25 and 30 pound C, D, I, P, S and U models; Black
	70154402	Handle and Caps Assembly	25 and 30 pound H models; Dark gray
	70154403	Handle and Caps Assembly	35 pound A, C, D, I, S and U models; Black
	70154404	Handle and Caps Assembly	35 pound H models; Dark gray
3	70176601*P	Lint Panel Assembly	25 and 30 pound C, P, S and U models with DV and SD control suffixes; Includes items 2, 8 and 10
	70176602P	Lint Panel Assembly	25 and 30 pound C, P, S and U models with DV and SD control suffixes; Stainless steel
	70176605*	Lint Panel Assembly	25 and 30 pound H models; Coin; Includes items 2, 8 and 10
	70176705*	Lint Panel Assembly	35 pound H models; Coin
	70176707*	Lint Panel Assembly	35 pound H models; OPL
	70176706	Lint Panel Assembly	25 and 30 pound H models; Coin; Stainless steel
	70176708	Lint Panel Assembly	25 and 30 pound H models; OPL; Stainless steel
	70176603*P	Lint Panel Assembly	25 and 30 pound models with DO, OM and QT control suffixes
	70176604	Lint Panel Assembly	25 and 30 pound models with DO, OM and QT control suffixes; Stainless steel
	70176701*	Lint Panel Assembly	35 pound models with DV and SD control suffixes
	70176702P	Lint Panel Assembly	35 pound models with DV and SD control suffixes; Stainless steel
	70176703*	Lint Panel Assembly	35 pound models with DO, OM and QT control suffixes
	70176704	Lint Panel Assembly	35 pound models with DO, OM and QT control suffixes; Stainless steel
4	430757	Screw	For attaching handle; 6 required
5	70289101P	Lint Panel Gasket	Sold per foot
6	70132301	Screw	Attaching roller catch
7	23951	Nut	
8	70297601	Roller Catch Wheel	
9	70030201	Roller Catch Spacer	
10	70072801	Screw	
11	70030301	Roller Catch Arm	
12	51236	Nut	Attaching roller catch
13	70126301	Pop Rivet	For attaching kickplate; Black; 6 required
	70126401	Pop Rivet	For attaching kickplate; Gray; 6 required
14	56079	Panel Locator	
15	39733	Screw	

* Add Letter To Designate Color. L - Almond Q - Bisque W - White

Lower Cabinet Components - 25 Pound S Models with Hinged Lint Door



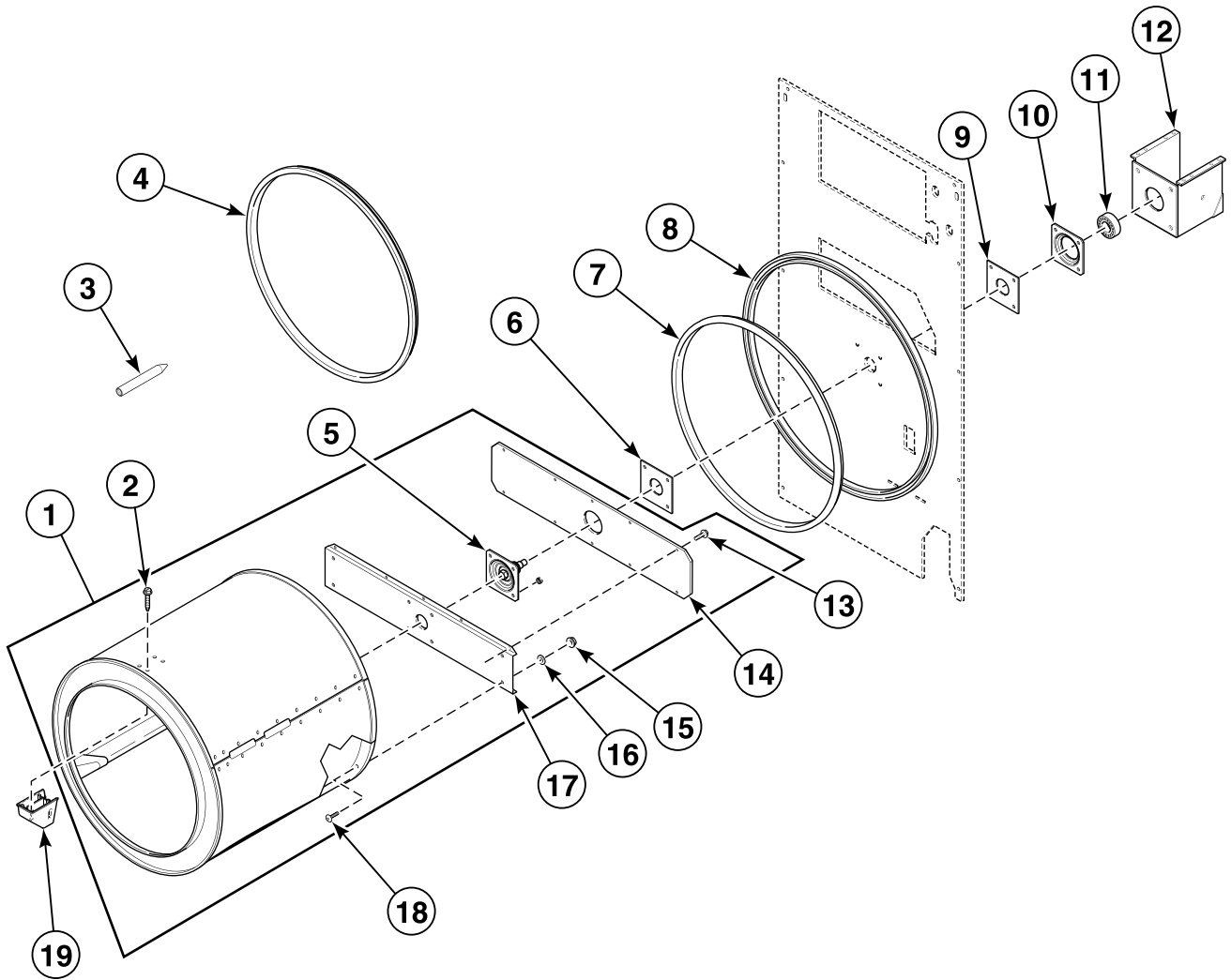
TMB1836B_70380501

Lower Cabinet Components - 25 Pound S Models with Hinged Lint Door

REF	PART NO.	DESCRIPTION	COMMENTS
1	70283801	Support Bracket Assembly	
2	70278001*P	Panel	Right
3	70247601	Gasket	8 required; Felt
4	44035001	Door Hinge Lug Assembly	
5	70267701*	Hinged Door	
6	510103*P	Door Pull and Wedge Kit	
7	510129	Door Handle Wedge	
8	510181	Door Strike	
9	70033504	Screw	2 required
10	510177	Door Catch Assembly	
11	70310501	Door Switch With Boot Assembly	
12	70283701	Lint Switch Bracket Assembly	
13	70255801*P	Panel	Left

* Add Letter To Designate Color. L - Almond Q - Bisque W - White

Cylinder Components

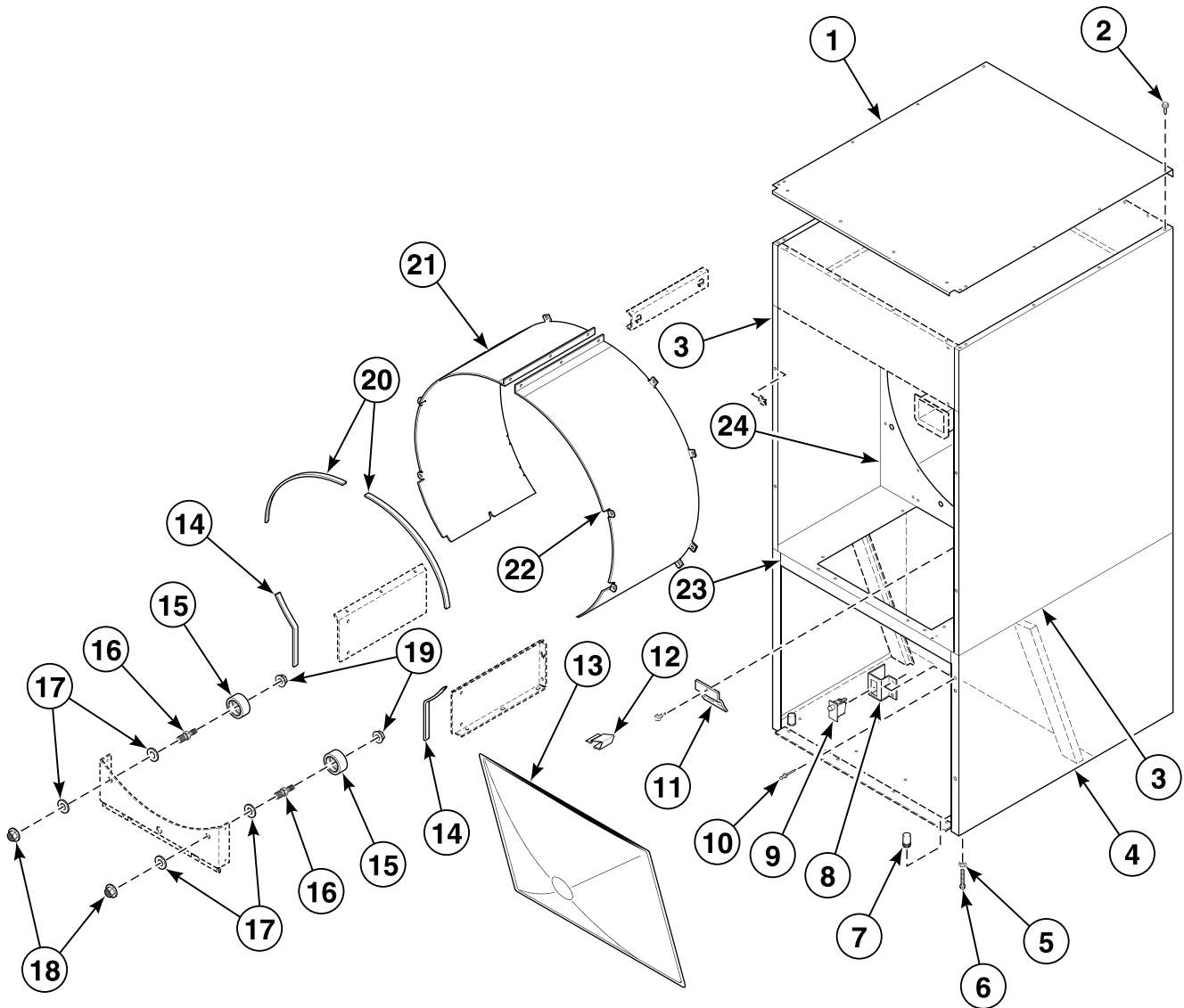


TMB2689P_70380501

Cylinder Components

REF	PART NO.	DESCRIPTION	COMMENTS
	511637	Adhesive	For item 16
	70343101P	Drywall Screw Magnet Kit	
	70401001	Cylinder Motor Harness Assembly	1 Phase models; 3 Phase electric models with 240 Volt and below
	70401101	Cylinder Motor Harness Assembly	3 Phase models except electric models with 240 Volt and below
1	70372801	Cylinder Assembly	25 pound models; Galvanized
	70372802	Cylinder Assembly	25 pound models; Stainless steel
	70372701	Cylinder Assembly	30 pound models; Galvanized
	70372702	Cylinder Assembly	30 pound models; Stainless steel
	70372601	Cylinder Assembly	35 pound models; Galvanized
	70372602	Cylinder Assembly	35 pound models; Stainless steel
2	62588	Screw	12 required
3	263P4	Cylinder Guide Tool	
4	70066004	Center Cylinder Seal Assembly	25 and 30 pound models
	70066003	Center Cylinder Seal Assembly	35 pound models
5	70244701P	Trunnion and Seal Kit	Includes 70013701 Rear Cylinder Seal
6	430351	Cylinder Bearing Stud Plate	
7	70013702	Rear Cylinder Seal	25 and 30 pound models
	70013701P	Rear Cylinder Seal	35 pound models
8	70015301	Rear Cylinder Seal Support	25 and 30 pound models
	70017201	Rear Cylinder Seal Support	35 pound models
9	70355001	Rear Bearing Shim	
10	70013901	Rear Cylinder Bearing Housing	
11	430038	Support Bearing	
12	70021401	Bearing Housing Bracket	Rear
13	430497	Screw	10 required
14	70257401	Rear Cylinder Channel Plate	25 and 30 pound models
	70257201	Rear Cylinder Channel Plate	35 pound models
15	44087201	Nut	8 required
16	M400080	Washer	4 required
17	70257301	Rear Cylinder Channel	25 and 30 pound models
	70257101	Rear Cylinder Channel	35 pound models
18	70392801	Bolt	8 required
19	70070101	End Cap	

Cabinet Components



TMB2693P_70380501

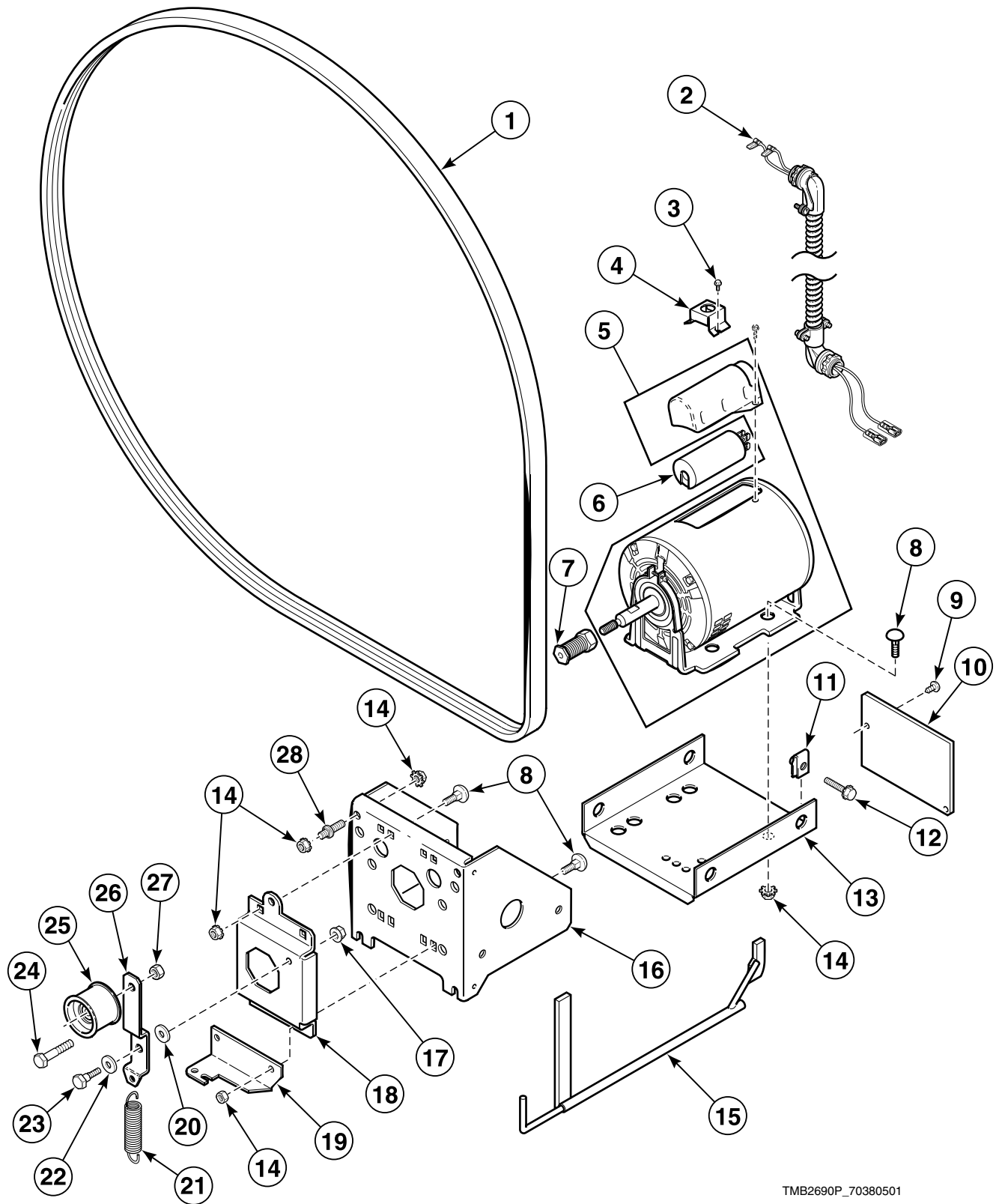
Cabinet Components

REF	PART NO.	DESCRIPTION	COMMENTS
	M4379P4	Tumbler Dolly Kit	
	70364104P	Coin Vault Switch Harness	
1	70252901	Top Pan	30 pound models
	70253001	Top Pan	25 pound models
	70252801	Top Pan	35 pound models
2	430497	Screw	
3	70060101*P	Side Panel Assembly	25 pound models; Upper
	70060102	Side Panel	25 pound models; Upper; Stainless steel
	70021501*P	Side Panel Assembly	30 and 35 pound models; Upper
	70021502W	Side Panel	30 and 35 pound models; Upper
4	70253901*	Side Panel	25 pound models; Lower
	70253801*	Side Panel	30 and 35 pound models; Lower
5	21899	Nut	
6	34319	Leveling Leg	
7	70063201	Hole Plug	
8	70277301	Lint Panel Switch Bracket	
9	70310501	Door Switch with Boot Assembly	
10	70058501	Pop Rivet	16 required; Upper side panel
11	70054501	Lint Screen Clip	25 pound models
12	35865	Hold-Down Clip	
13	70325601	Lint Screen	
14	70015709	Sheet Metal Edge Gasket	25 and 30 pound models; Lower
	70015711	Sheet Metal Edge Gasket	35 pound models; Lower
15	70298701P	Roller Bearing Assembly	
16	70249501	Roller Shaft	
17	Q6712	Washer	
18	M404993	Nut	
19	430576	Nut	
20	70015710	Sheet Metal Edge Gasket	25 and 30 pound models; Upper
	70015712	Sheet Metal Edge Gasket	35 pound models; Upper
21	70347402	Cylinder Shroud	25 pound models; Left
	70347202	Cylinder Shroud	30 pound models; Left
	70347002	Cylinder Shroud	35 pound models; Left
22	70347401	Cylinder Shroud	25 pound models; Right
	70347201	Cylinder Shroud	30 pound models; Right
	70347001	Cylinder Shroud	35 pound models; Right
23	70252401	Center Pan	25 pound models
	N/A	Center Pan	30 pound models
	70252201	Center Pan	35 pound models
24	70252601	Center Partition	25 and 30 pound models
	70252501	Center Partition	35 pound models

* Add Letter To Designate Color. L - Almond Q - Bisque W - White

N/A = Part no longer available

Drive Motor Components

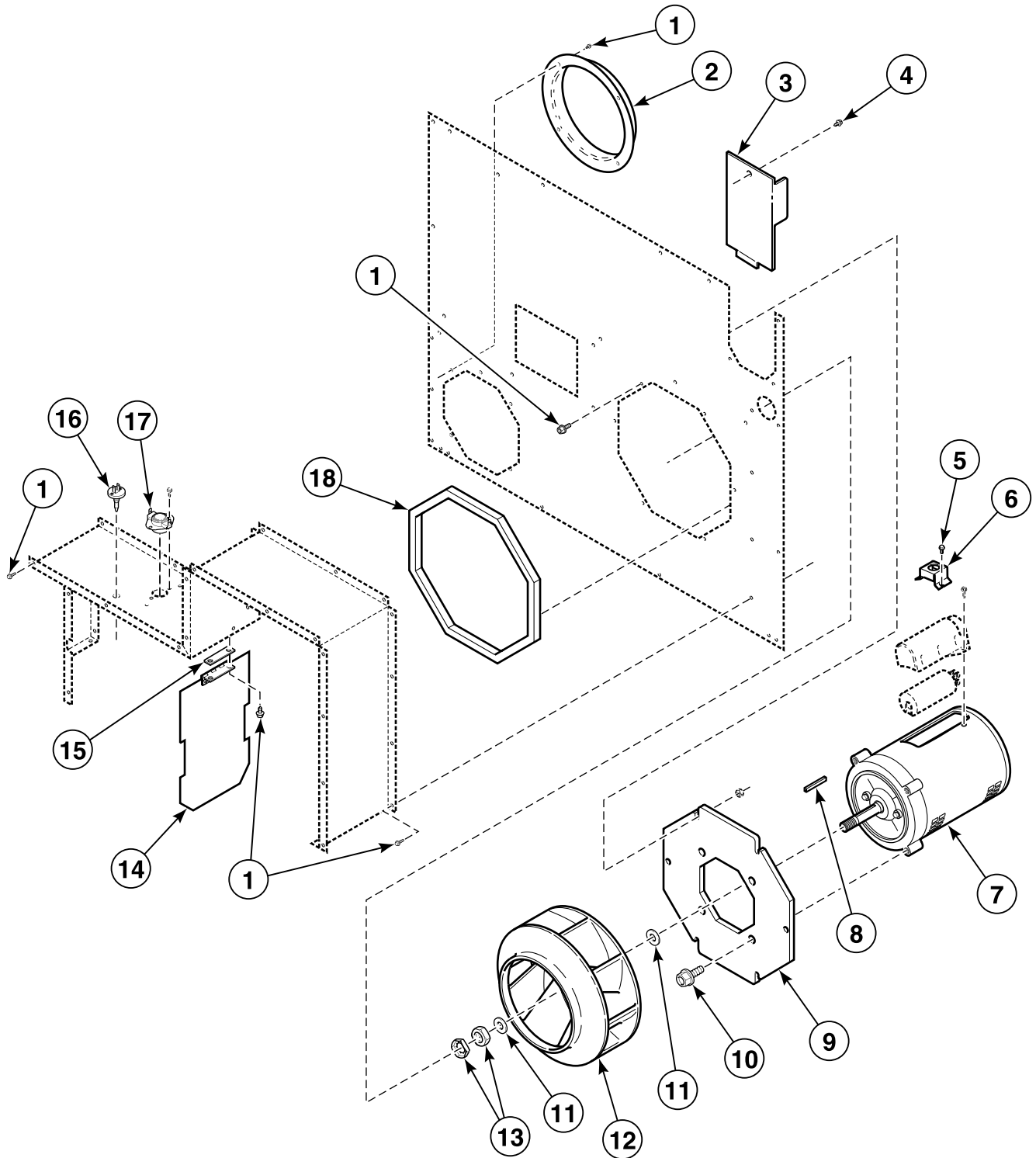


TMB2690P_70380501

Drive Motor Components

REF	PART NO.	DESCRIPTION	COMMENTS
1	70276205P	Belt	25 and 30 pound models; 95.11 inches
	70276201P	Belt	35 pound models; 105.5 inches
2	70401001	Cylinder Motor Harness Assembly	1 Phase models; 3 Phase electric models with 240 Volt and below
	70401101	Cylinder Motor Harness Assembly	3 Phase models except electric models with 240 Volt and below
3	23222	Screw	2 required
4	70321701	Motor Conduit Mounting Bracket	
5	70337801P	Drive Motor	120-230 Volt/60 Hertz/1 Phase and 100 or 200 Volt/50 Hertz/1 Phase
	70337901P	Drive Motor Kit	120-240 Volt/60 Hertz/1 Phase; Low Amp
	70338001P	Drive Motor Kit	230-240 Volt/50 Hertz/1 Phase
	70338101P	Drive Motor	200-480 Volt/60 Hertz/3 Phase and 200-415 Volt/50 Hertz/3 Phase
6	70211502	Motor Capacitor	Start; For 70337901 Drive Motor on 20 Amp models
	70211401	Motor Capacitor	Run; For 70337901 Drive Motor on 20 Amp models
7	70284202	Motor Pulley	25 and 30 pound models; 60 Hertz
	70284204	Motor Pulley	25 and 30 pound models; 50 Hertz
	70284201	Motor Pulley	35 pound models; 60 Hertz
	70284203	Motor Pulley	35 pound models; 50 Hertz
8	70062401	Bolt	
9	430497	Screw	
10	70202501	Drive Access Cover	
11	27222	Nut	4 required
12	M412985	Screw	
13	70127301	Motor Mount Bracket	
14	M412986	Nut	
15	M4853P3	Belt Tension Tool Kit	
16	70261701	Motor Channel	
17	29796	Nut	
18	70261601	Cylinder Idler Bracket	
19	70179701	Idler Spring Tab	
20	70270301	Washer	
21	70045301	Drum Idler Spring	With silencer
22	70265901	Washer	
23	M400056	Screw	
24	430648	Screw	
25	70050401P	Idler Wheel Assembly	
26	70259901	Cylinder Idler Arm	
27	56156	Nut	
28	70334701	Double Ended Stud	

Blower Components



TMB2691P_70380501

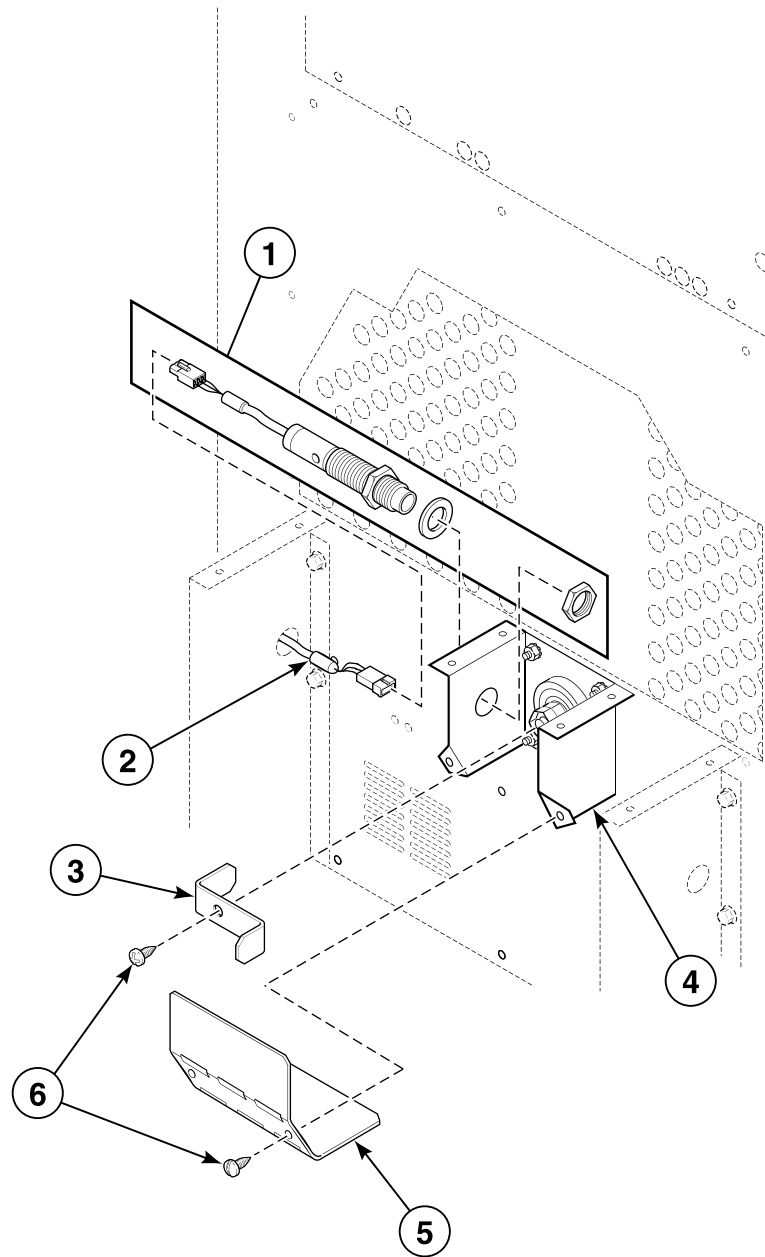
Blower Components

REF	PART NO.	DESCRIPTION	COMMENTS
	70401201	Fan Motor Harness Assembly	1 Phase models; 3 Phase electric models with 240 Volt and below
	70401301	Fan Motor Harness Assembly	3 Phase models except electric models with 240 Volt and below
1	430497	Screw	
2	70017801	Exhaust Thimble	25 and 30 pound models; 6 inches
	70015601	Exhaust Thimble	35 pound models; 8 inches
3	70196301	Drive Access Cover	
4	M411072	Screw	
5	23222	Screw	2 required
6	70321701	Motor Conduit Mounting Bracket	
7	70337501P	Blower Motor	100-230 Volt/60 Hertz/1 Phase and 100-200 Volt/50 Hertz/1 Phase
	70337601P	Blower Motor Kit	120-240 Volt/60 Hertz/1 Phase; Low Amp
	70337701P	Blower Motor Kit	230-240 Volt/50 Hertz/1 Phase
	70342601P	Blower Motor	200-480 Volt/60 Hertz/3 Phase and 200-415 Volt/50 Hertz/3 Phase
8	70144101	Key	
9	70349601	Blower Motor Mounting Plate	
10	70126101	Screw	
11	M400991	Washer	
12	70359801P	Blower Assembly	
13	M400022	Nut	
14	70209501	Damper and Hinge Exhaust Assembly	
15	N/A	Damper Spacer	
16	M414704	Thermistor	
17	M411945	Manual Reset Thermostat	Australian models
	M411307	Limit Thermostat	Non-Australian models
18	70392701P	Gasket	For blower housing opening

N/A = Part no longer available

Rotation Sensor

C, D and I Models

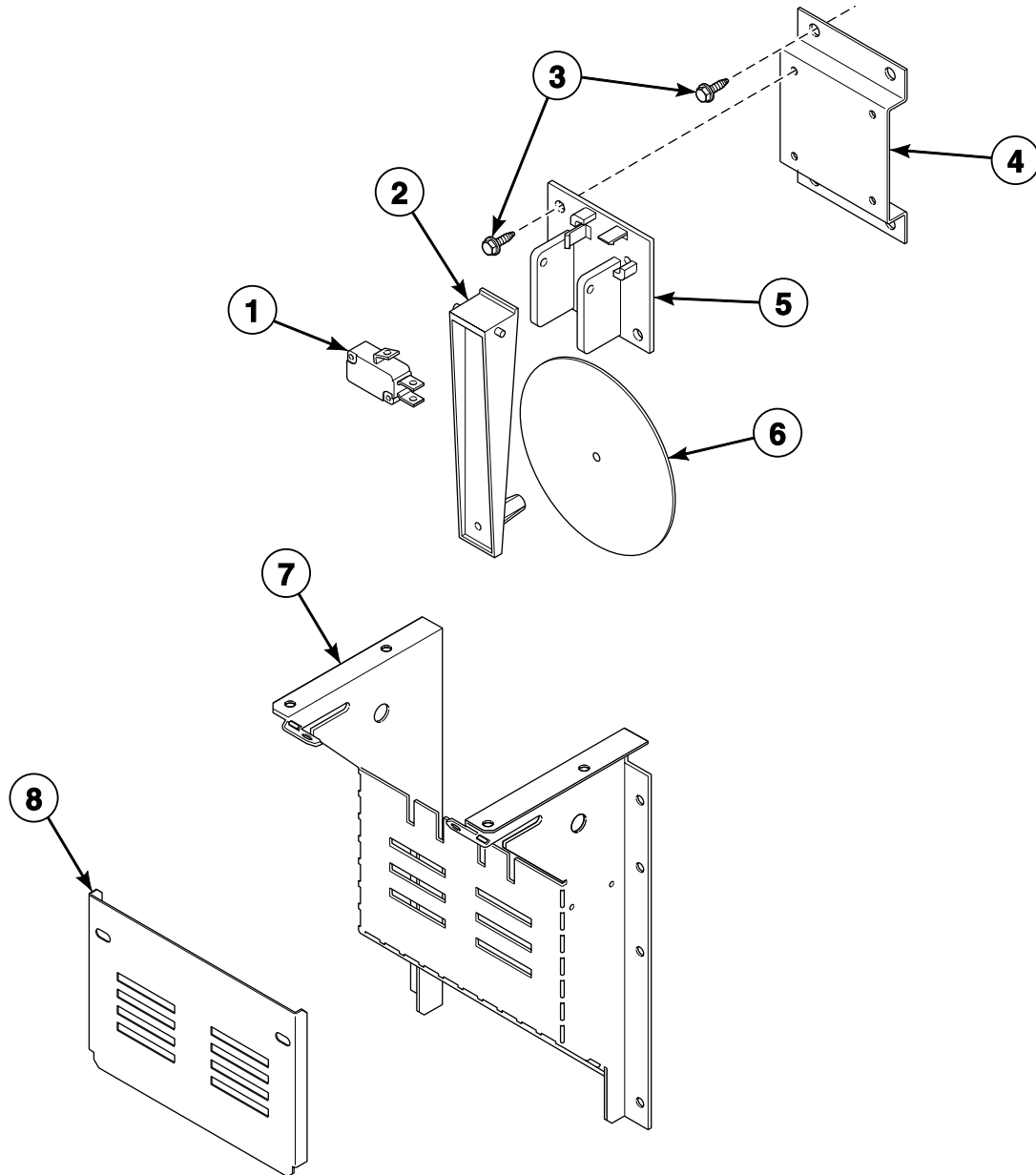


TMB2384P_70380501

Rotation Sensor

REF	PART NO.	DESCRIPTION	COMMENTS
1	70274001	Rotation Sensor	
2	70274101	Rotation Sensor Cable Assembly	With receptacle
3	44044401	Rotation Sensor Bracket	
4	70021401	Bearing Housing Bracket	
5	44044301	Rotation Sensor Cover	
6	70153301	Screw	

Airflow Switch

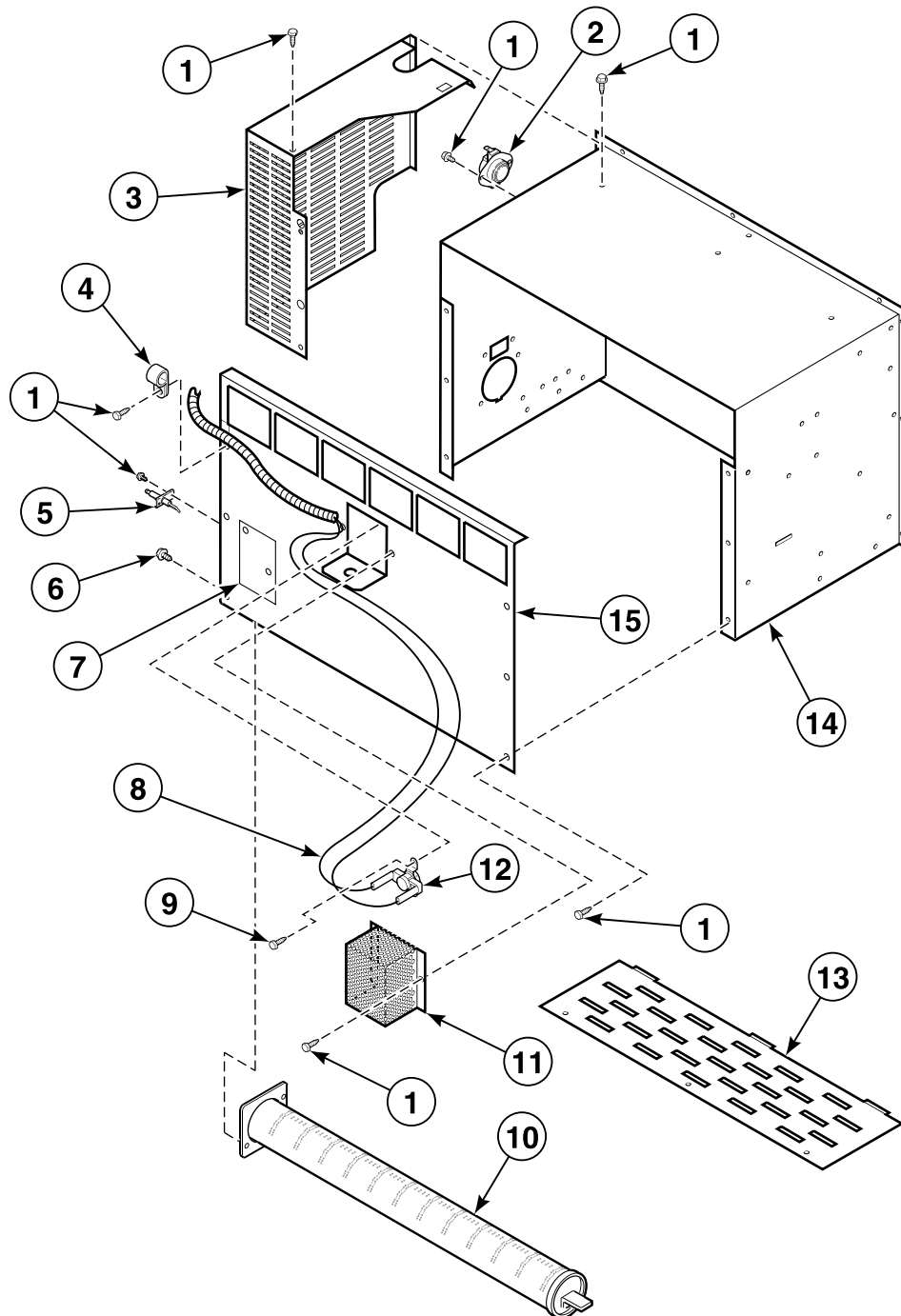


TMB2335P_70380501

Airflow Switch

REF	PART NO.	DESCRIPTION	COMMENTS
1	70313101	Switch	
2	70319401	Airflow Switch Arm	
3	430497	Screw	
4	70356301	Airflow Switch Bracket	
5	70319601	Airflow Switch and Arm Bracket	
6	70319201	Airflow Switch Vane	
7	70356101	Airflow Switch Wrapper	
8	70356601	Airflow Switch Cover	

Gas Burner Housing and Secondary Stove Limit

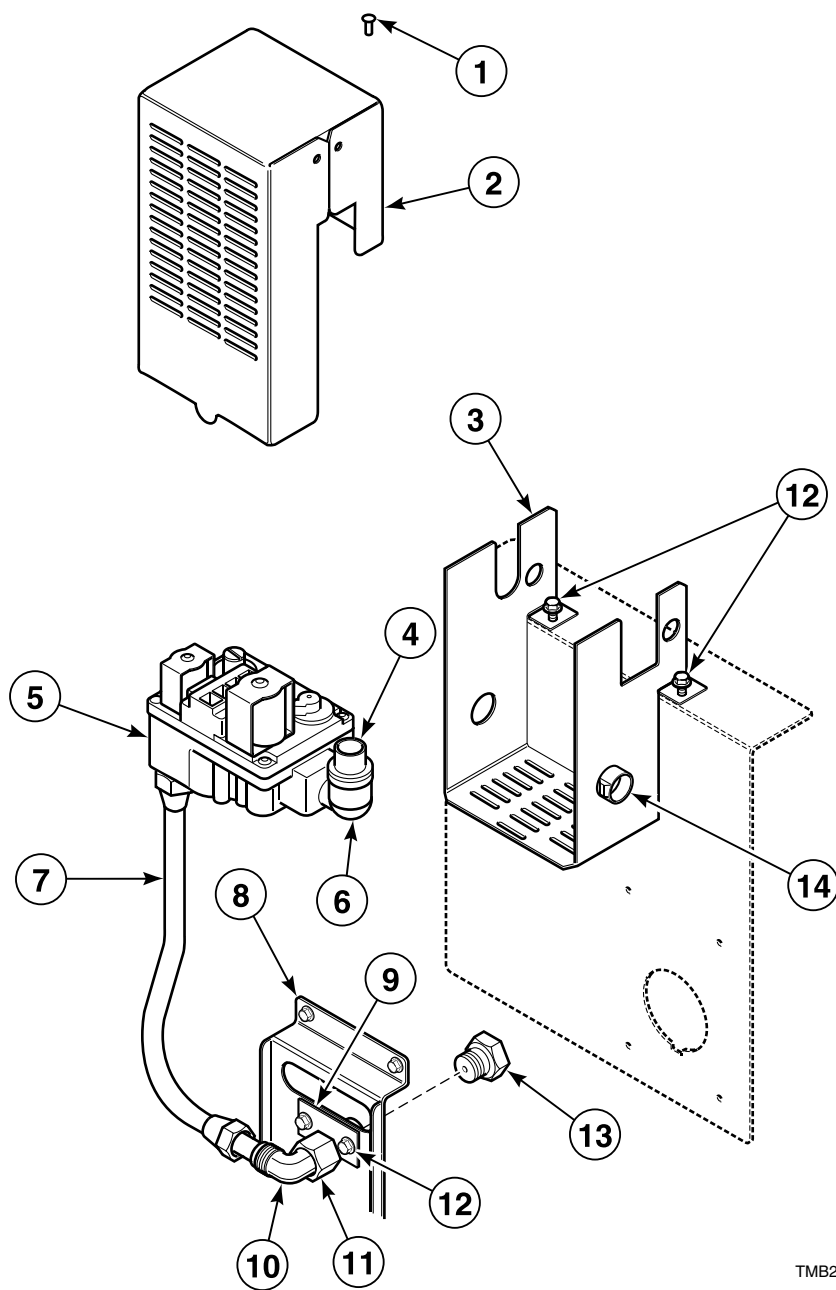


TMB2367P_70380501

Gas Burner Housing and Secondary Stove Limit

REF	PART NO.	DESCRIPTION	COMMENTS
1	430497	Screw	
2	M410542	Limit Thermostat	Non-Australian models
	M411941	Manual Reset Thermostat	Australian models
3	70381001	Gas Valve Cover	CE models
4	70203701	Pipe Clip	
5	70032801P	Spark Electrode	
6	05161	Screw	
7	70159601	Igniter Cover	
8	70316501	Stove Limit Harness	
9	M405188	Screw	2 required
10	70229801	Gas Burner	
11	M414477	Thermostat Cover	
12	70299001	Limit Thermostat	Secondary; 25 and 30 pound models
	510701	Limit Thermostat	Secondary; 35 pound models
13	70188801	Burner Grill	
14	70333401	Stove Top and Sides	
15	70297401	Stove Back	

Gas Valve Assembly - Non-CE and Non-Australian Gas Models

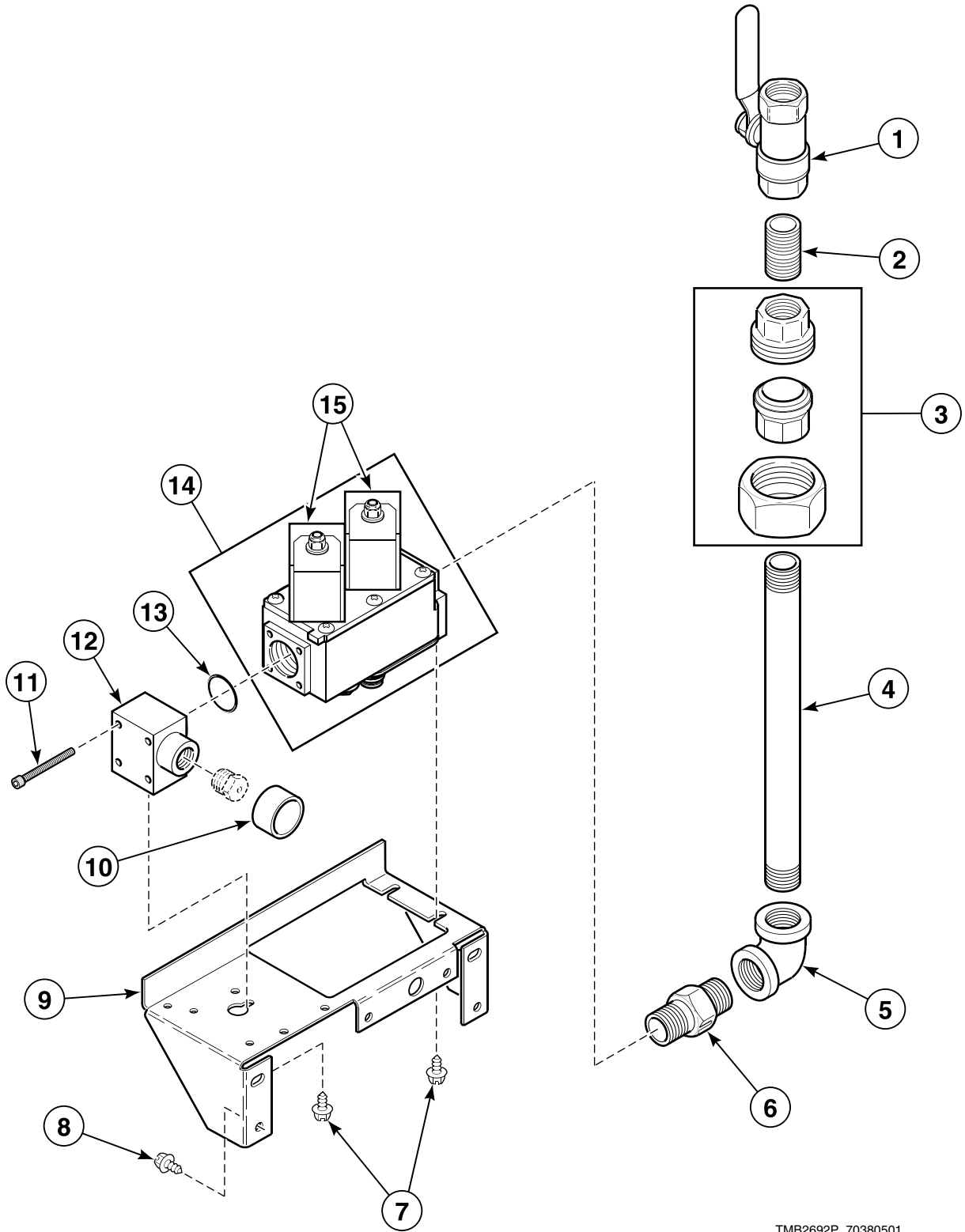


TMB2685P_70380501

Gas Valve Assembly - Non-CE and Non-Australian Gas Models

REF	PART NO.	DESCRIPTION	COMMENTS
	M4699P3	L.P. Conversion Kit	25 pound Natural Gas (N.G.) models 0-2,000 feet; 64,000 Btu input
	M4703P3	L.P. Conversion Kit	30 pound N.G. models 0-2,000 feet; 73,000 Btu input
	M4706P3	L.P. Conversion Kit	30 pound N.G. models 8,001-10,000 feet; 73,000 Btu input
	M4711P3	L.P. Conversion Kit	35 pound N.G. models 0-2,000 feet; 90,000 Btu input
	M412997	Gas Valve Harness Assembly	
1	M405750	Pop Rivet	4 required
2	70271101	Gas Valve Cover	
3	70299401	Gas Valve Bracket	
4	431486	Pipe Nipple	
5	M414445P	N.G. Gas Valve	
	M414446P	L.P. Gas Valve	
6	H86070034	Street Elbow	
7	70271201	Gas Line Assembly	
8	70248901	Orifice Holder Bracket	
9	70249001	Orifice Keeper Bracket	
10	70208701	Elbow	2 required
11	70379301	Orifice Adapter	
12	430497	Screw	10 required
13	M403017	Burner Orifice	Liquid Petroleum Gas (L.P.); Drill no. 42 (2.4 mm); 25 pound models 0-2,000 feet; 30 pound models 2,001-6,000 feet; 35 pound models 8,000-10,000 feet
	M406184	Burner Orifice	L.P.; Drill no. 43 (2.3 mm); 25 pound models 2,001-6,000 feet; 30 pound models 6,001-8,000 feet
	M401011	Burner Orifice	L.P.; Drill no. 44 (2.2 mm); 25 pound models 6,001-8,000 feet; 30 pound models 8,000-10,000 feet
	M401003	Burner Orifice	L.P.; Drill no. 46 (2.1 mm); 25 pound models 8,000-10,000 feet
	M406361	Burner Orifice	L.P.; Drill no. 40 (2.5 mm); 30 pound models 0-2,000 feet
	M411375	Burner Orifice	L.P.; Drill no. 36 (2.7 mm); 35 pound models 0-2,000 feet
	M411376	Burner Orifice	L.P.; Drill no. 38 (2.6 mm); 35 pound models 2,001-4,000 feet
	M401007	Burner Orifice	L.P.; Drill no. 39 (2.5 mm); 35 pound models 4,001-6,000 feet
	M401015	Burner Orifice	L.P.; Drill no. 41 (2.4 mm); 35 pound models 6,001-8,000 feet
	M402980	Burner Orifice	N.G.; Drill no. 24 (3.9 mm); 25 pound models 0-2,000 feet; 30 pound models 4,001-6,000 feet
	M401000	Burner Orifice	N.G.; Drill no. 26 (3.7 mm); 25 pound models 2,001-4,000 feet; 30 pound models 6,001-8,000 feet
	M400998	Burner Orifice	N.G.; Drill no. 27 (3.7 mm); 25 pound models 4,001-6,000 feet
	M401014	Burner Orifice	N.G.; Drill no. 28 (3.6 mm); 25 pound models 6,001-8,000 feet; 30 pound models 8,000-10,000 feet
	M400997	Burner Orifice	N.G.; Drill no. 29 (3.4 mm); 25 pound models 8,000-10,000 feet
	M401002	Burner Orifice	N.G.; Drill no. 33 (2.9 mm); 30 pound models 0-2,000 feet; 35 pound models 8,000-10,000 feet
	M402996	Burner Orifice	N.G.; Drill no. 22 (4.0 mm); 30 pound models 2,001-4,000 feet
	M411511	Burner Orifice	N.G.; Drill no. 15 (4.6 mm); 35 pound models 0-2,000 feet
	M411373	Burner Orifice	N.G.; Drill no. 16 (4.5 mm); 35 pound models 2,001-4,000 feet
	M411374	Burner Orifice	N.G.; Drill no. 17 (4.4 mm); 35 pound models 4,001-6,000 feet
	M402995	Burner Orifice	N.G.; Drill no. 19 (4.2 mm); 35 pound models 6,001-8,000 feet
	M401002	Burner Orifice	N.G.; Drill no. 20 (4.1 mm); 35 pound models 8,000-10,000 feet
14	M400770	Snap Bushing	

Gas Valve and Piping - CE and Australian Gas Models



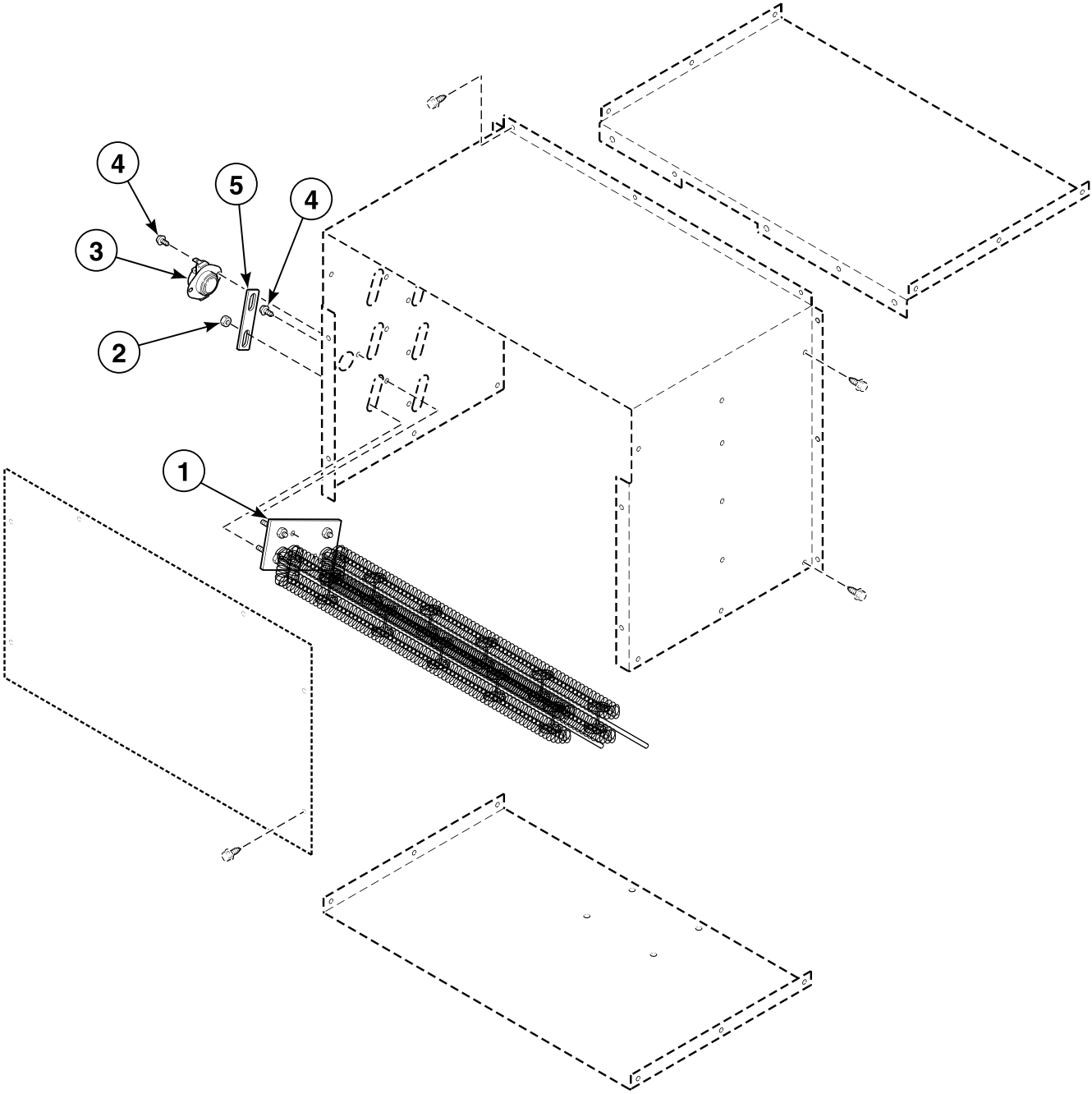
TMB2692P_70380501

Gas Valve and Piping - CE and Australian Gas Models

REF	PART NO.	DESCRIPTION	COMMENTS
	70184001	Gas Valve Harness Assembly	2 coil; Models with Johnson gas valve through 8/11/02
1	M412562	Gas Shut-Off Valve	
2	431486	Pipe Nipple	1/2 NPT
3	H86000031	Union	
4	70139601	Pipe Nipple	
5	70079601	Elbow	
6	70131901	Adapter	BPT/NPT
7	23222	Screw	
8	430497	Screw	
9	70210301	Gas Valve Bracket	
10	70239801	Primary Air Adjustment Sleeve	
11	431484	Screw	
12	70223501	Spud Adapter	
13	431482	O-Ring	
14	70257501P	N.G. Valve	Regulated
	70257601P	L.P. Valve	Unregulated
15	70260101	Gas Valve Coil	24 Volt

NOTE: For CE gas and orifice information, refer to Installation Manual.

Electric Heater Components

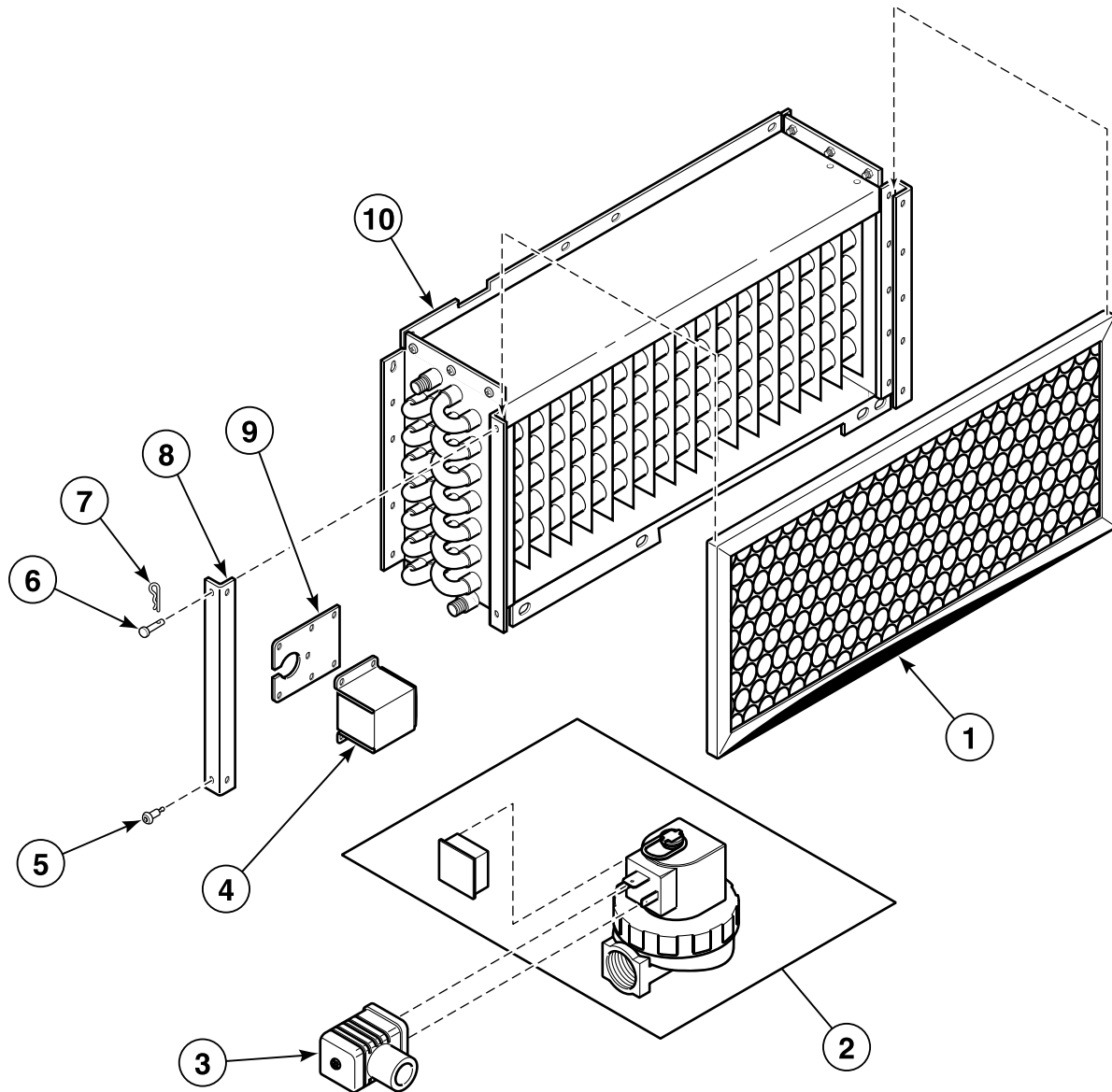


T443P_70380501

Electric Heater Components

REF	PART NO.	DESCRIPTION	COMMENTS
	70316601	Stove Limit Bypass Harness	
	M400869	Jumper Strip	3 required for 460-480 Volt models; 6 required for all other models
	70066601	Jumper Wire	1 required for 460-480 Volt models
	70371301P	Cable Set Heater Assembly	H1-H3
	70371401P	Cable Set Heater Assembly	H4-H6; 240 Volt or less
1	70034413P	Heater Element	220 Volt/3 Phase, 3 kW heater element for 25 pound 400 Volt models
	70034414P	Heater Element	220 Volt/1 or 3 Phase, 4 kW heater element for 25 pound 380 Volt models
	70034415P	Heater Element	208 Volt/1 or 3 Phase, 4 kW heater element for 25 pound 200-208 Volt models
	70034416P	Heater Element	240 Volt/1 or 3 Phase and 415-480 Volt/3 Phase, 4 kW heater element for 25 pound 230-240, 400-415 and 460-480 Volt models
	70034401P	Heater Element	208 Volt/1 or 3 Phase, 7 kW heater element for 30 pound 200-208 Volt models
	70034402P	Heater Element	220 Volt/1 or 3 Phase, 7 kW heater element for 30 pound 380 Volt models
	70034403P	Heater Element	240 Volt/1 or 3 Phase and 415-480 Volt/3 Phase, 7 kW heater element for 30 pound 230-240, 400-415 and 460-480 Volt models
	70034404P	Heater Element	208 Volt/1 or 3 Phase, 8 kW heater element for 35 pound 200-208 Volt models
	70034405P	Heater Element	220 Volt/1 or 3 Phase, 8 kW heater element for 35 pound 380 Volt models
	70034406P	Heater Element	240 Volt/1 or 3 Phase and 415-480 Volt/3 Phase, 8 kW heater element for 35 pound 230-240, 400-415 and 460-480 Volt models
2	70054	Nut	
3	M410542	Limit Thermostat	25 pound models
	M409443	Limit Thermostat	30 pound models
	M409433	Limit Thermostat	35 pound models
4	430497	Screw	
5	70066501	Jumper Bar	2 required on 380, 400, 400-415 and 460-480 Volt models

Steam Heater Components

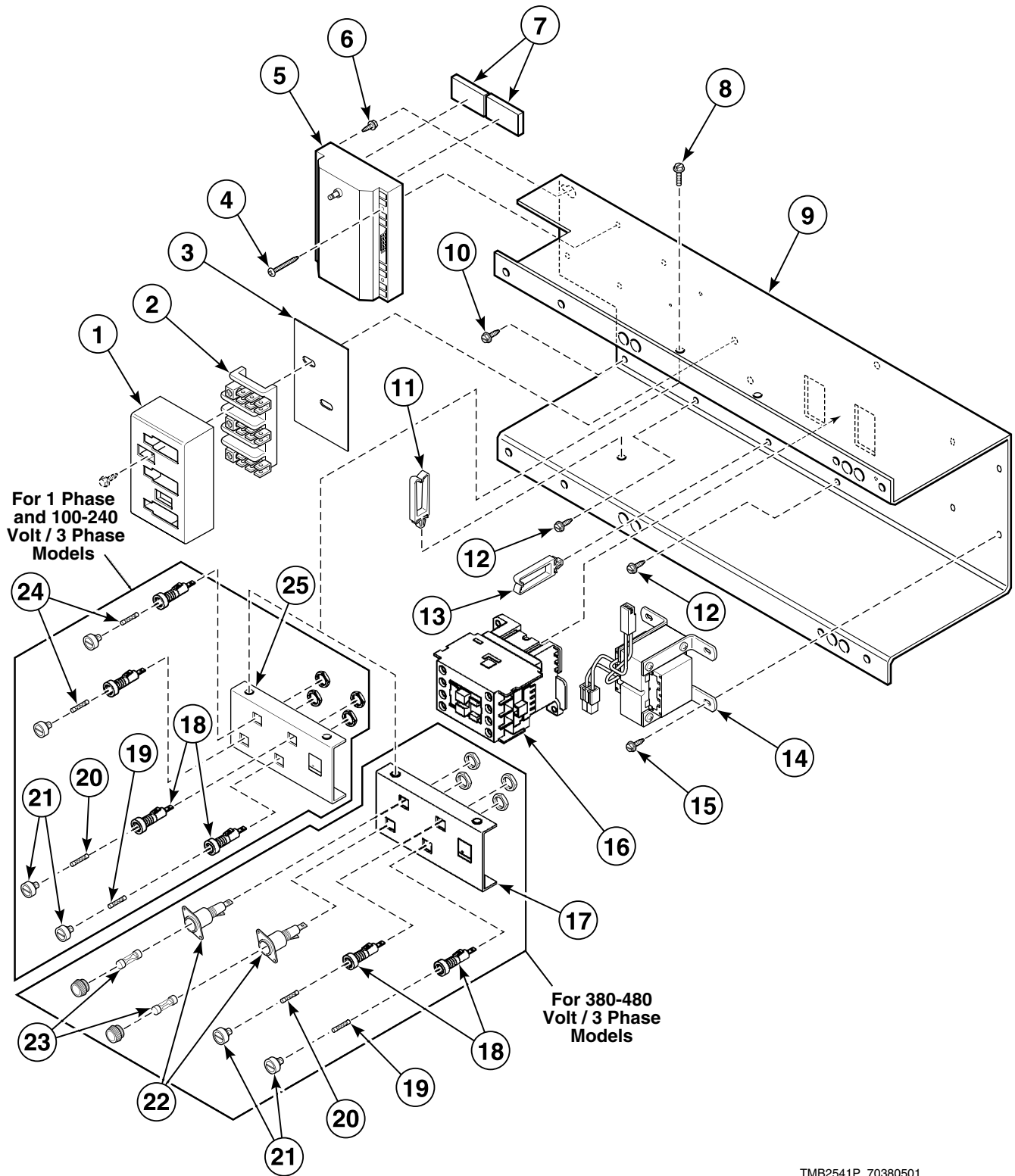


TMB2385P_70380501

Steam Heater Components

REF	PART NO.	DESCRIPTION	COMMENTS
	70351011P	Steam Solenoid	24 Volt/60 Hertz
	70351012	Steam Solenoid	24 Volt/50 Hertz
	70351021P	Steam Valve Rebuild Kit	
	70316601	Stove Limit Bypass Harness	
	70389901	Steam Stove Limit Bypass Harness	
1	70036001	Air Filter	
2	70351001P	Steam Valve	24 Volt/60 Hertz
	70351002P	Steam Valve	24 Volt/50 Hertz
3	70370301P	Solenoid Valve Din Connector	
4	70369501	Steam Valve Wiring Cover	
5	70058501	Pop Rivet	To secure 70369301 Steam Filter Holder
6	70389201	Clevis Pin	To secure 70369301 Steam Filter Holder
7	70389301	Hairpin Cotter	To secure 70369301 Steam Filter Holder
8	70369301	Steam Filter Holder	
9	70369401	Steam Valve Harness Bracket	
10	70369101	Steam Coil	4 rows

Control Tray for Non-CE and Non-Australian Gas Models

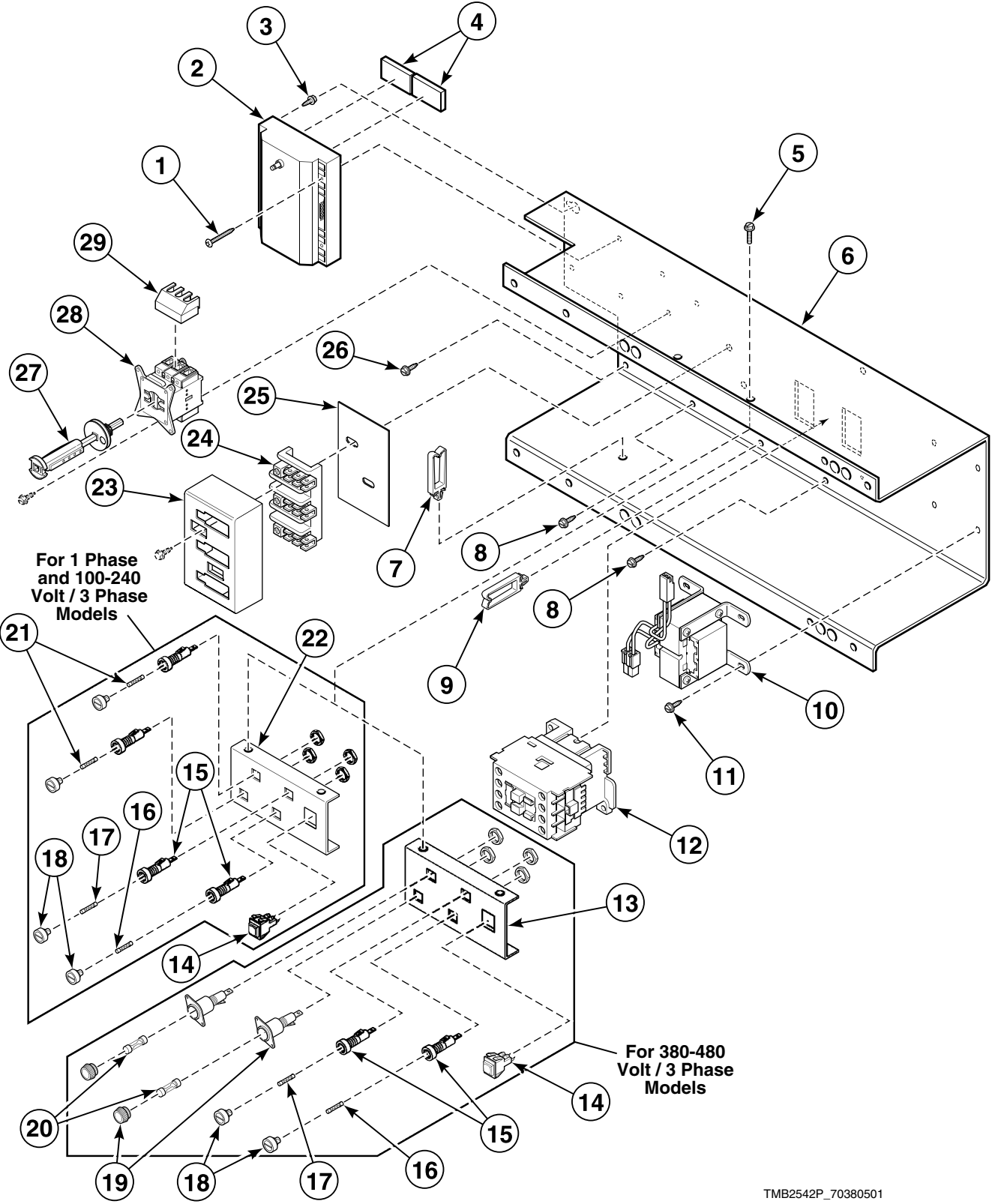


TMB2541P_70380501

Control Tray for Non-CE and Non-Australian Gas Models

REF	PART NO.	DESCRIPTION	COMMENTS
	70030501	Expansion Clip	4 required; Used on item 14
	M403047	Secure Ground Label	
	70315801	Junction Box Harness	
	70316301	Ignition Control Harness	
	70347701	Power Harness	1 Phase; Contactor
	70332201	Power Harness	3 Phase
	M413504	Jumper Harness Assembly	100 Volt
	M413505	Jumper Harness Assembly	120 Volt
	M413506	Jumper Harness Assembly	208 Volt
	M413507	Jumper Configuration Assembly	240 Volt
	M413508	Jumper Harness Assembly	380 Volt
	M413510	Jumper Configuration Assembly	480 Volt
	M413863	Network Capacitor Assembly	Models with 3O, 3V, 3X, DO, DV, DX and OM control suffixes
	M413878	Capacitor Network Harness Assembly	Models with 3O, 3V, 3X, DO, DV, DX and OM control suffixes
	70320201	Motor Contactor Harness	3 Phase
1	70333001	Terminal Block Shield	
2	430642	Terminal Block	
3	M413862	Insulator	
4	44083001	Screw	3 required
5	70367301P	Ignition Control	
6	38272	Screw	
7	56128	Bumper Pad	2 required
8	51780	Screw	2 required
9	70334601	Control Tray	
10	430497	Screw	3 required
11	70366201	Wire Clip	
12	M402917	Screw	4 required
13	36274	Wire Clip	2 required
14	M414312P	Transformer	120 Volt; Dual secondary
	M414230P	Transformer	120 Volt; Primary/secondary
	M414228P	Transformer	100-240 Volt
	M414229P	Transformer	380-480 Volt
15	M411072	Screw	4 required
16	70323701P	Contactor	
17	70313601	Fuse Bracket	380-480 Volt
18	70329401	Fuse Holder Body	Includes nuts; 3 required for 1 Phase models; 4 required for 3 Phase models
19	70406601	Fuse	3.5 Amp
20	70406501	Fuse	1.25 Amp
21	70329501	Fuse Holder Cap	3 required for 1 Phase and 380-480 Volt/3 Phase models; 4 required for 100-240 Volt/3 Phase models
22	M413544P	Fuse Holder	Includes nuts; 2 required for 380-480 Volt models
23	M413621	Fuse	2 required for 380-480 Volt models; 0.5 Amp
24	70406701	Fuse	2 Amp; 100-240 Volt
25	70306901	Fuse Bracket	100-240 Volt

Control Tray Components for CE and Australian Gas Models

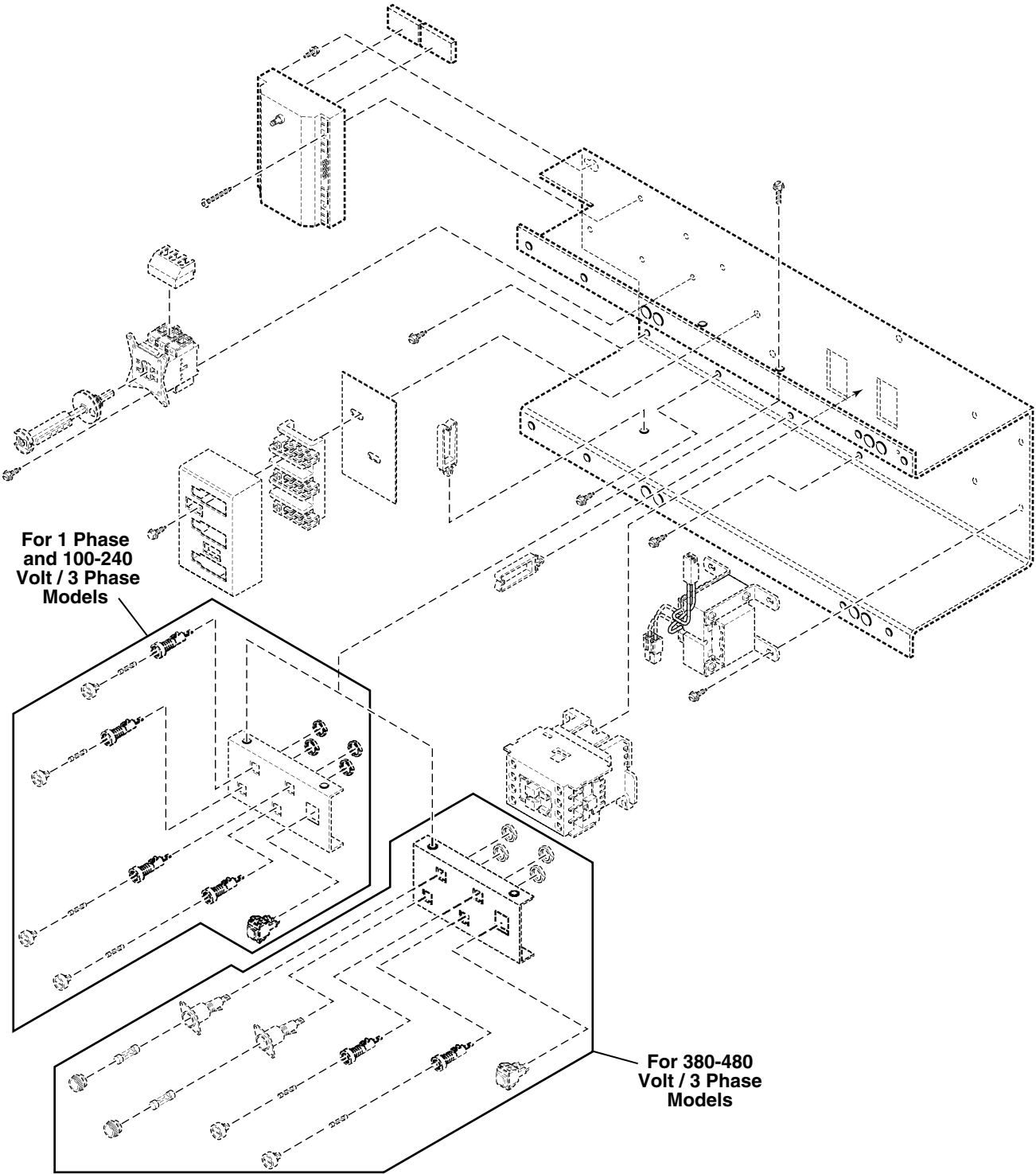


TMB2542P_70380501

Control Tray Components for CE and Australian Gas Models

REF	PART NO.	DESCRIPTION	COMMENTS
	70030501	Expansion Clip	4 required
	M403047	Secure Ground Label	
	51782	Screw	2 required
	501086	Screw	4 required for item 19
1	44083001	Screw	3 required
2	70367401P	Ignition Control	24 Volt
3	38272	Screw	
4	56128	Bumper Pad	2 required
5	51780	Screw	2 required
6	70334601	Control Tray	
7	70366201	Wire Clip	
8	M402917	Screw	
9	36274	Wire Clip	2 required
10	M414229P	Transformer	380-480 Volt
	M414228P	Transformer	100-240 Volt
11	M411072	Screw	4 required
12	70323701P	Contactora	
13	70313601	Fuse Bracket	380-480 Volt
14	M413431	Pushbutton Switch	
15	70329401	Fuse Holder Body	Includes nuts; 3 required for 1 Phase models; 4 required for 3 Phase models with less than 380 Volts; 2 required for 3 Phase models with 380 Volts or higher
16	70406601	Fuse	3.5 Amp
17	70406501	Fuse	1.25 Amp
18	70329501	Fuse Holder Cap	3 required for 1 Phase; 4 required for 3 Phase models with less than 380 Volts; 2 required for 3 Phase models with 380 Volts or higher
19	M413544P	Fuse Holder	Includes nuts; 2 required for 380-480 Volt models
20	M413621	Fuse	2 required for 380-415 Volt models; 0.5 Amp
21	70406701	Fuse	1 required for 1 Phase models; 2 required for 3 Phase models; 2 Amp
22	70306901	Fuse Bracket	100-240 Volt
23	70333001	Terminal Block Shield	
24	430642	Terminal Block	
25	M413862	Insulator	
26	430497	Screw	
27	70342501P	Extension Handle	
28	M412187	Mounting Switch Base	
29	M412366	Finger Guard	

Control Tray Harnesses for CE and Australian Gas Models

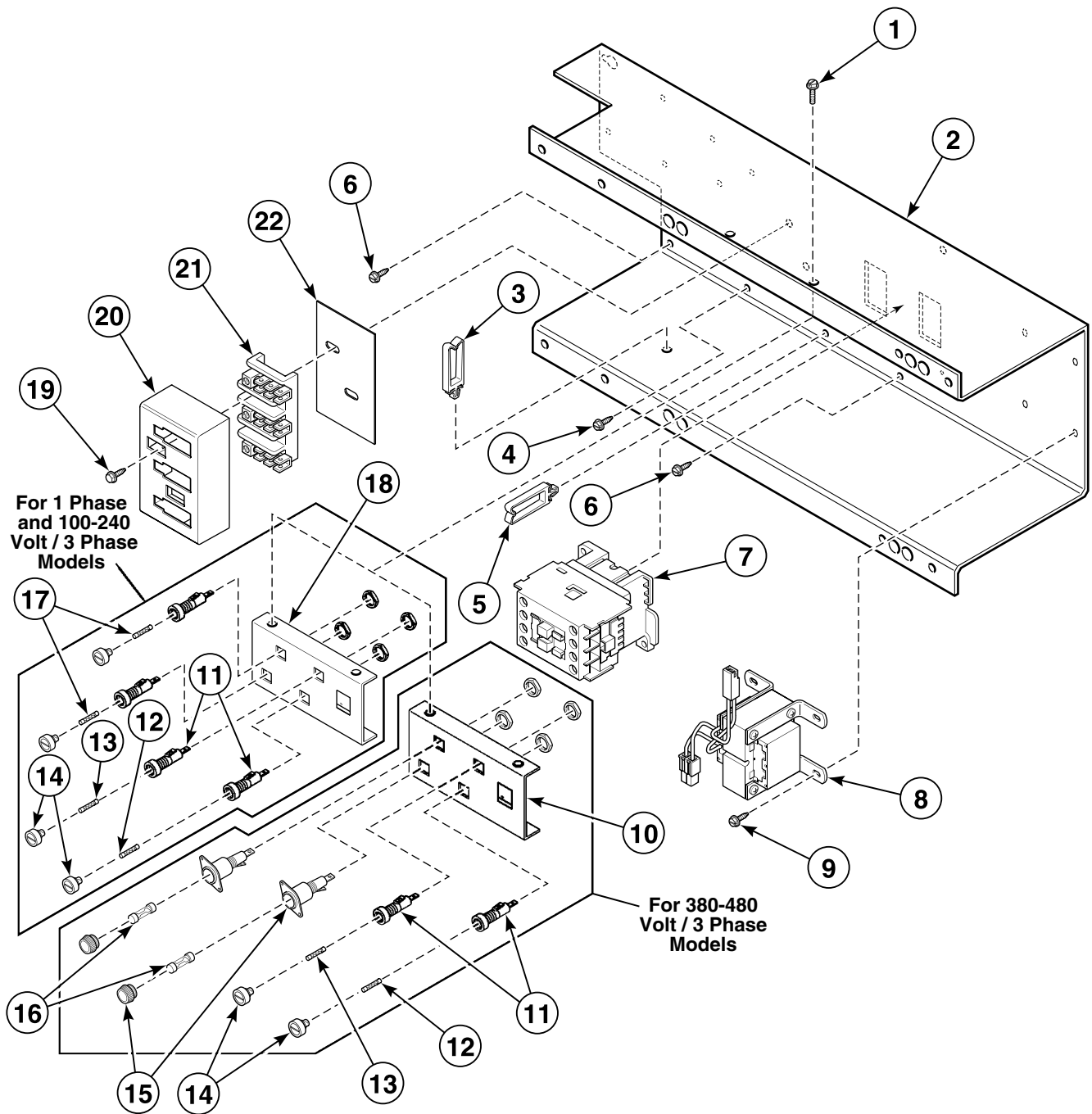


TMB2542PA_70380501

Control Tray Harnesses for CE and Australian Gas Models

REF	PART NO.	DESCRIPTION	COMMENTS
	70342101	Gas Disconnect Harness	
	70315801	Junction Box Harness	
	70316401	Ignition Control Harness	
	70347701	Power Harness	1 Phase; Contactor
	70316101P	Power Harness	3 Phase models with less than 380 Volts
	70332201	Power Harness	3 Phase models with 380 Volts or higher
	70120901	Jumper Disconnect Assembly	
	M413507	Jumper Configuration Assembly	240 Volt
	M413878	Capacitor Network Harness Assembly	Models with 3O, 3V, 3X, DO, DV, DX, OM, QT and SD control suffixes
	M413863	Network Capacitor Assembly	Models with 3O, 3V, 3X, DO, DV, DX, OM, QT and SD control suffixes
	70320201	Motor Contactor Harness	3 Phase

Control Tray for Non-CE Steam Models

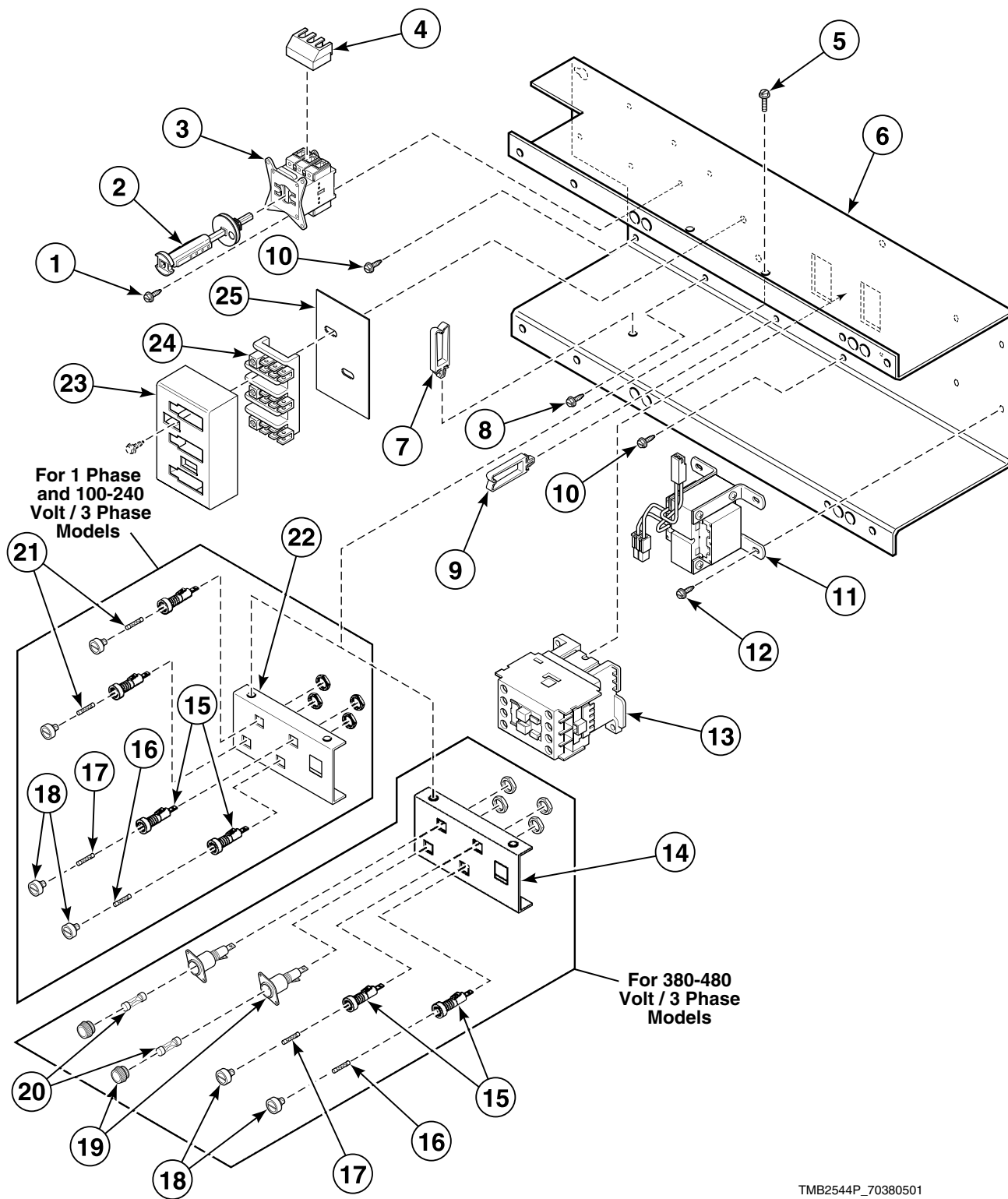


TMB2543P_70380501

Control Tray for Non-CE Steam Models

REF	PART NO.	DESCRIPTION	COMMENTS
	70315801	Junction Box Harness	
	70322401P	Steam Configuration Harness	
	70347701	Power Harness	1 Phase; Contactor
	70316101P	Power Harness	3 Phase models with less than 380 Volts
	70332201	Power Harness	3 Phase with 380 Volts or more
	70320201	Motor Contactor Harness	3 Phase
	M413504	Jumper Harness Assembly	100 Volt
	M413505	Jumper Harness Assembly	120 Volt
	M413506	Jumper Harness Assembly	208 Volt
	M413507	Jumper Configuration Assembly	240 Volt
	M413508	Jumper Harness Assembly	380 Volt
	M413510	Jumper Configuration Assembly	480 Volt
	M413863	Network Capacitor Assembly	Models with 3O, 3V, 3X, DO, DV, DX and OM control suffixes
	M413878	Capacitor Network Harness Assembly	Models with 3O, 3V, 3X, DO, DV, DX and OM control suffixes
	501086	Screw	4 required
	70030501	Expansion Clip	4 required
	M403047	Secure Ground Label	
1	51780	Screw	2 required
2	70334601	Control Tray	
3	36274	Wire Clip	2 required
4	M402917	Screw	
5	70366201	Wire Clip	
6	430497	Screw	
7	70323701P	Contactor	
8	M414312P	Transformer	120 Volt; Dual secondary
	M414230P	Transformer	120 Volt; Primary/secondary
	M414228P	Transformer	100-240 Volt
	M414229P	Transformer	380-480 Volt
9	M411072	Screw	4 required
10	70313601	Fuse Bracket	380-480 Volt
11	70329401	Fuse Holder Body	Includes nuts; 3 required for 1 Phase models; 4 required for 3 Phase models with less than 380 Volts; 2 required for 3 Phase models with 380 Volts or higher
12	70406601	Fuse	3.5 Amp
13	70406501	Fuse	1.25 Amp
14	70329501	Fuse Holder Cap	3 required for 1 Phase models; 4 required for 3 Phase models with less than 380 Volts; 2 required for 3 Phase models with 380 Volts or higher
15	M413544P	Fuse Holder	Includes nuts; 2 required for 380-480 Volt/3 Phase models
16	M413621	Fuse	2 required for 380-480 Volt/3 Phase models; 0.5 Amp
17	70406701	Fuse	2 required for 100-240 Volt/3 Phase models
18	70306901	Fuse Bracket	100-240 Volt
19	44083001	Screw	2 required
20	70333001	Terminal Block Shield	
21	430642	Terminal Block	
22	M413862	Insulator	

Control Tray for CE Steam Models

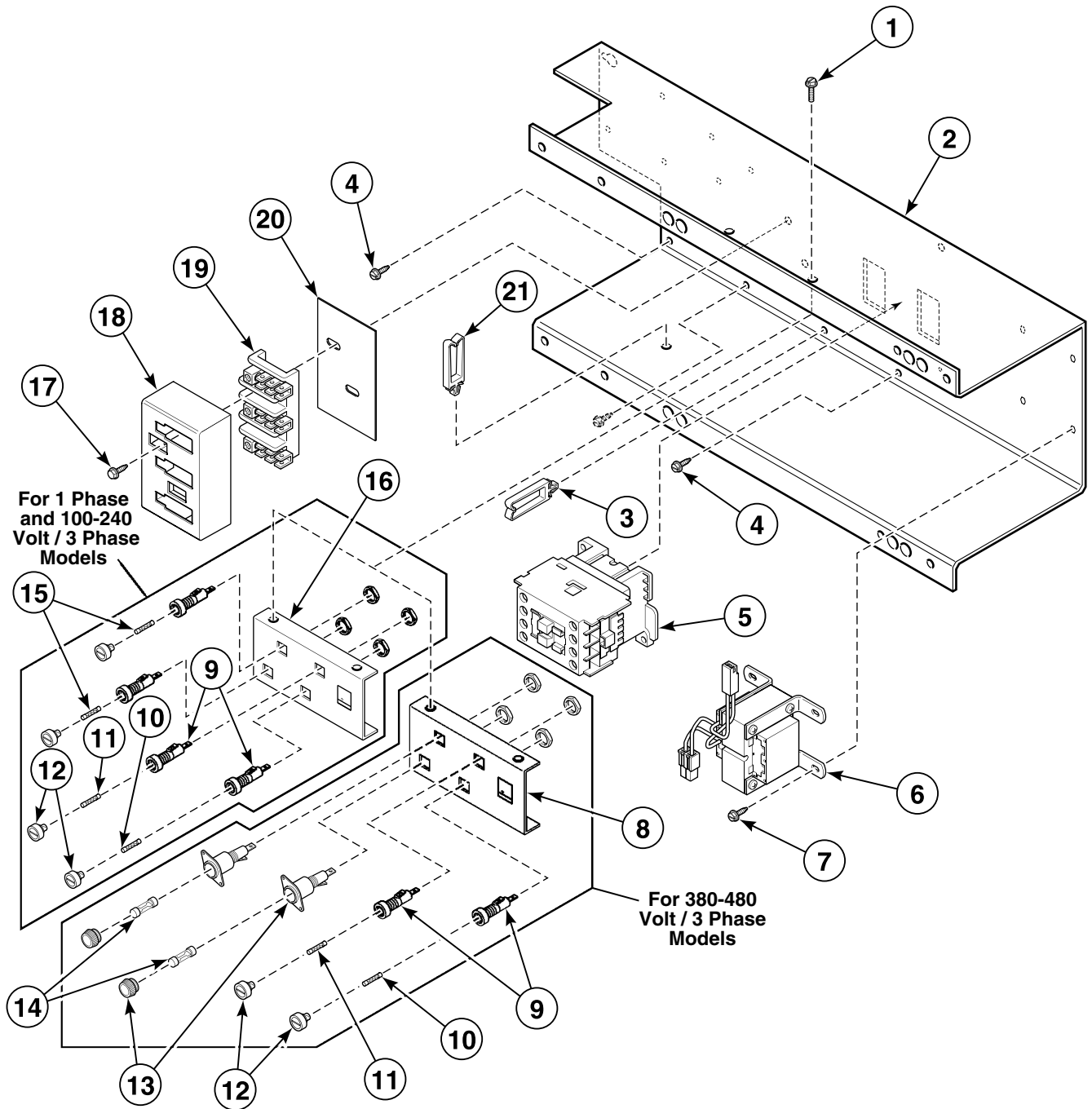


TMB2544P_70380501

Control Tray for CE Steam Models

REF	PART NO.	DESCRIPTION	COMMENTS
	70342101	Gas Disconnect Harness	
	70315801	Junction Box Harness	
	70322401P	Steam Configuration Harness	
	70347701	Power Harness	1 Phase; Contactor
	70316101P	Power Harness	3 Phase models with less than 380 Volts
	70332201	Power Harness	3 Phase models with 380 Volts or higher
	70320201	Motor Contactor Harness	3 Phase
	M413507	Jumper Configuration Assembly	240 Volt
	M413508	Jumper Harness Assembly	380 Volt
	M413863	Network Capacitor Assembly	Models with 3O, 3V, 3X, DO, DV, DX and OM control suffixes
	M413878	Capacitor Network Harness Assembly	Models with 3O, 3V, 3X, DO, DV, DX and OM control suffixes
	70120901	Jumper Disconnect Assembly	
	70030501	Expansion Clip	4 required
	M403047	Secure Ground Label	
	501086	Screw	4 required
1	51782	Screw	2 required
2	70342501P	Extension Handle	
3	M412187	Mounting Switch Base	
4	M412366	Finger Guard	
5	51780	Screw	2 required
6	70334601	Control Tray	
7	36274	Wire Clip	2 required
8	M402917	Screw	
9	70366201	Wire Clip	
10	430497	Screw	
11	M414228P	Transformer	100-240 Volt
	M414229P	Transformer	380-480 Volt
12	M411072	Screw	4 required
13	70323701P	Contactor	
14	70313601	Fuse Bracket	380-480 Volt
15	70329401	Fuse Holder Body	Includes nuts; 4 required for 1 Phase models; 4 required for 3 Phase models with less than 380 Volts; 2 required for 3 Phase models with 380 Volts or higher
16	70406601	Fuse	3.5 Amp
17	70406501	Fuse	1.25 Amp
18	70329501	Fuse Holder Cap	4 required for 1 Phase models; 4 required for 3 Phase models with less than 380 Volts; 2 required for 3 Phase models with 380 Volts or higher
19	M413544P	Fuse Holder	Includes nuts; 2 required for 380-480 Volt/3 Phase models
20	M413621	Fuse	2 required for 380-480 Volt/3 Phase models; 0.5 Amp
21	70406701	Fuse	1 required for 1 Phase; 2 required for 100-240 Volt/3 Phase models; 2 Amp
22	70306901	Fuse Bracket	100-240 Volt
23	70333001	Terminal Block Shield	
24	430642	Terminal Block	
25	M413862	Insulator	

Control Tray for Non-CE Electric Models

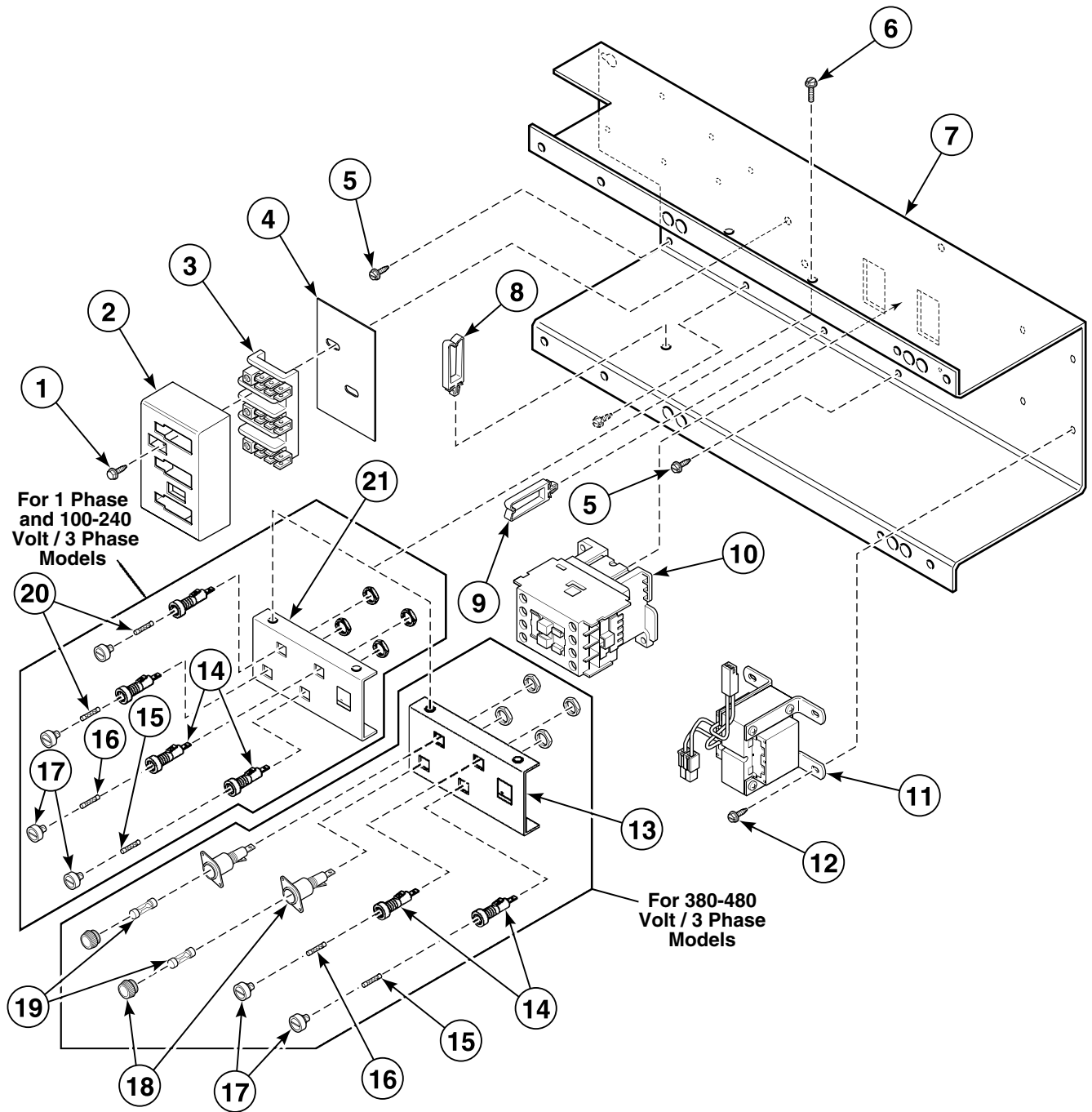


TMB2543PA_70380501

Control Tray for Non-CE Electric Models

REF	PART NO.	DESCRIPTION	COMMENTS
	70315801	Junction Box Harness	
	70347701	Power Harness	1 Phase; Contactor
	70316101P	Power Harness	3 Phase models with less than 380 Volts
	70332201	Power Harness	3 Phase models with 380 Volts or higher
	70320201	Motor Contactor Harness	3 Phase
	M413505	Jumper Harness Assembly	120 Volt
	M413506	Jumper Harness Assembly	
	M413507	Jumper Configuration Assembly	240 Volt
	M413508	Jumper Harness Assembly	380 Volt
	M413509	Jumper Harness Assembly	415 Volt
	M413510	Jumper Configuration Assembly	480 Volt
	M413863	Network Capacitor Assembly	Models with 3O, 3V, 3X, DO, DV, DX and OM control suffixes
	M413878	Capacitor Network Harness Assembly	Models with 3O, 3V, 3X, DO, DV, DX and OM control suffixes
	70316301	Ignition Control Harness	380 Volt/50 Hertz/3 Phase models with BC, BL, BX, BY, NC, NR, NX, NY, ZC, ZR, ZX and ZY control suffixes
	70030501	Expansion Clip	4 required
	501086	Screw	4 required for item 13
1	51780	Screw	2 required
2	70334601	Control Tray	
3	36274	Wire Clip	2 required
4	430497	Screw	
5	70323701P	Contactor	
6	M414228P	Transformer	100-240 Volt
	M414229P	Transformer	
	M414230P	Transformer	120 Volt; Primary/secondary
	M414312P	Transformer	120 Volt; Dual secondary
7	M411072	Screw	4 required
8	70313601	Fuse Bracket	380-480 Volt
9	70329401	Fuse Holder Body	Includes nuts; 3 required for 1 Phase models; 4 required for 3 Phase models with less than 380 Volts; 2 required for 3 Phase models with 380 Volts or higher
10	70406601	Fuse	3.5 Amp
11	70406501	Fuse	1.25 Amp
12	70329501	Fuse Holder Cap	3 required for 1 Phase models; 4 required for 3 Phase models with less than 380 Volts; 2 required for 3 Phase models with 380 Volts or higher
13	M413544P	Fuse Holder	Includes nuts; 2 required for 380-480 Volt/3 Phase models
14	M413621	Fuse	2 required for 380-480 Volt/3 Phase models; 0.5 Amp
15	70406701	Fuse	1 required for 1 Phase models; 2 required for 100-240 Volt/3 Phase models; 2 Amp
16	70306901	Fuse Bracket	
17	44083001	Screw	2 required
18	70333001	Terminal Block Shield	
19	430642	Terminal Block	
20	M413862	Insulator	
21	70366201	Wire Clip	

Control Tray for CE Electric Models

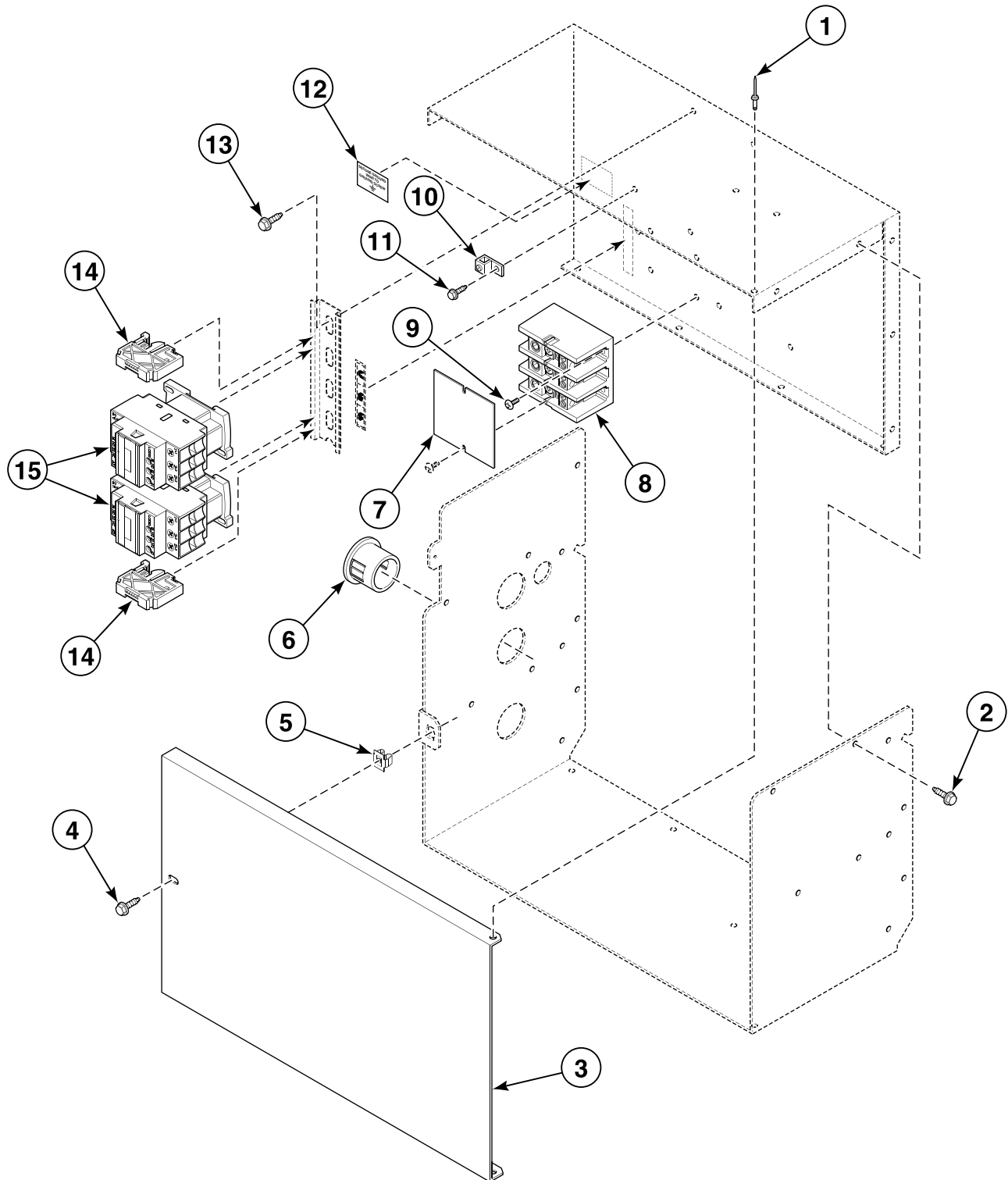


TMB2543PB_70380501

Control Tray for CE Electric Models

REF	PART NO.	DESCRIPTION	COMMENTS
	70030501	Expansion Clip	4 required
	501086	Screw	4 required for 380 Volt and higher
	70315801	Junction Box Harness	Dual secondary
	70347701	Power Harness	1 Phase; Contactor
	M413506	Jumper Harness Assembly	208 Volt
	M413878	Capacitor Network Harness Assembly	3O, 3V, 3X, DO, DV, DX and OM control suffixes
	M413863	Network Capacitor Assembly	3O, 3V, 3X, DO, DV, DX and OM control suffixes
	M413507	Jumper Configuration Assembly	240 Volt
	70316101P	Power Harness	3 Phase models with 240 Volt and lower
	70320201	Motor Contactor Harness	3 Phase
	70332201	Power Harness	3 Phase models with 380 Volt and higher
	M413509	Jumper Harness Assembly	415 Volt
	M413508	Jumper Harness Assembly	380 Volt
	M413510	Jumper Configuration Assembly	480 Volt
1	44083001	Screw	2 required
2	70333001	Terminal Block Shield	
3	430642	Terminal Block	
4	M413862	Insulator	
5	430497	Screw	
6	51780	Screw	2 required
7	70334601	Control Tray	
8	70366201	Wire Clip	2 required
9	36274	Wire Clip	2 required
10	70323701P	Contactor	24 Volt
11	M414228P	Transformer	100-240 Volt
	M414312P	Transformer	120 Volt; Dual secondary
	M414230P	Transformer	120 Volt; Primary/secondary
	M414229P	Transformer	380-480 Volt
12	M411072	Screw	4 required
13	70313601	Fuse Bracket	380-480 Volt
14	70329401	Fuse Holder Body	Includes nuts; 3 required for 1 Phase models; 4 required for 3 Phase models with 240 Volt and lower; 2 required for 3 Phase models with 380 Volt and higher
15	70406601	Fuse	3.5 Amp
16	70406501	Fuse	1.25 Amp
17	70329501	Fuse Holder Cap	3 required for 1 Phase models; 4 required for 3 Phase models with 240 Volt and lower; 2 required for 3 Phase models with 380 Volt and higher
18	M413544P	Fuse Holder	Includes nuts; 2 required for 380-480 Volt models
19	M413621	Fuse	2 required for 380-480 Volt models; 0.5 Amp
20	70406701	Fuse	1 required for 1 Phase models; 2 required for 3 Phase models with 240 Volt and lower; 2 Amp
21	70306901	Fuse Bracket	100-240 Volt

Accessory Box for Non-CE Electric Models

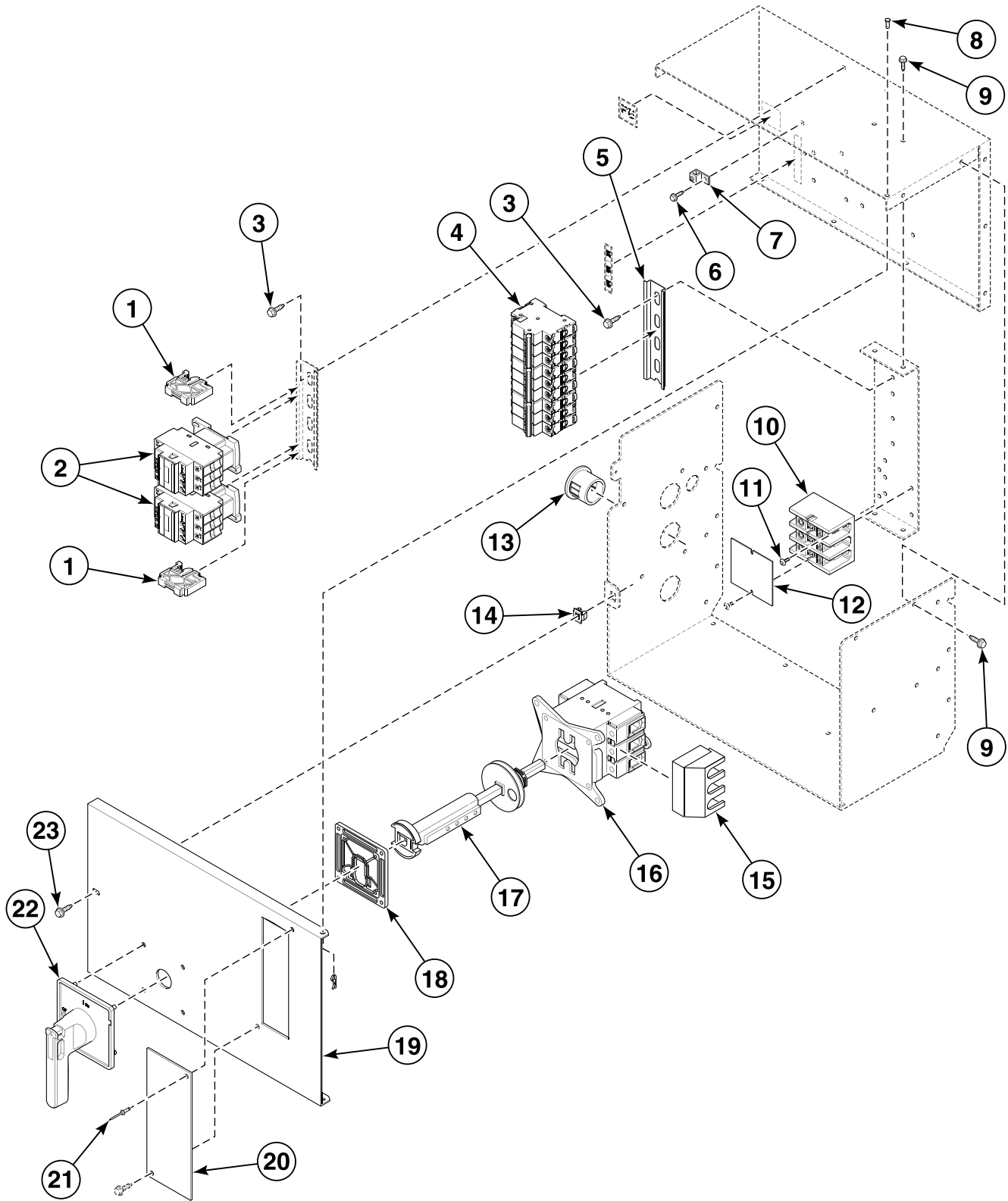


TMB2538P_70380501

Accessory Box for Non-CE Electric Models

REF	PART NO.	DESCRIPTION	COMMENTS
	M413863	Network Capacitor Assembly	3O, 3V, 3X, DO, DV, DX and OM control suffixes
	70286501	Network Harness Assembly	3O, 3V, 3X, DO, DV, DX and OM control suffixes
	70139001	Jumper Assembly	8 gauge; 10 inches; 2 required for 1 Phase models; 3 required for 3 Phase models with less than 380 Volts
	70139101	Jumper Assembly	8 gauge; 11 inches; For 1 Phase models
	70335501P	Electric Power Buss Harness	
	70355801P	Electric Contactor Jumper Set Harness	For models with less than 380 Volts
	70371301P	Cable Set Heater Assembly	H1-H3
	70371401P	Cable Set Heater Assembly	H4-H6; 1 Phase and 3 Phase models with less than 380 Volts
	M413933	Jumper Cable Assembly	8 gauge; 7.5 inches; 2 required for 1 Phase models; 3 required for 3 Phase models
	M413934	Jumper Cable Assembly	8 gauge; 8 inches; 1 Phase models
	M413930P	Ferrite Core Assembly	Models with 3O, 3V, 3X, DO, DV, DX and OM control suffixes
1	70058502	Pop Rivet	2 required
2	430497	Screw	11 required
3	70358401	Accessory Box Cover	
4	33562	Screw	
5	70030501	Expansion Clip	
6	M402542	Snap Bushing	2 required
7	44014901P	Power Distribution Block Cover	
8	M413865	Terminal Block	3 pole
9	39733	Screw	6 required
10	M411283	Ground Lug Connector	
11	M402917	Screw	
12	M403047	Secure Ground Label	
13	51780	Screw	6 required
14	70121001	End Stop	2 required
15	70343301P	Contactor	2 required for models with less than 380 Volts; 1 required for models with 380 Volts or more

Accessory Box for CE Electric Models



TMB2539P_70380501

Accessory Box for CE Electric Models

REF	PART NO.	DESCRIPTION	COMMENTS
	M413863	Network Capacitor Assembly	3O, 3V, 3X, DO, DV, DX and OM control suffixes
	70286501	Network Harness Assembly	3O, 3V, 3X, DO, DV, DX and OM control suffixes
	44014701	Jumper Wire	8 gauge; 10.5 inches; 2 required for 1 Phase models; 3 required for 3 Phase models with less than 380 Volts
	44014801	Jumper Wire	8 gauge; 13 inches; 3 required for 1 Phase models and 3 Phase models with 380 Volts or more
	70138901	Jumper Assembly	2 gauge; 7.5 inches; 2 required for 1 Phase models
	44014601	Jumper Wire	8 gauge; 6.25 inches; 3 required for 3 Phase models with less than 380 Volts
	M413934	Jumper Cable Assembly	8 gauge; 8 inches; 3 required for 3 Phase models
	M414121	Jumper Cable Assembly	8 gauge; 6.75 inches; 6 required for 3 Phase models with less than 380 Volts
	70138801	Jumper Assembly	6 gauge; 8 inches; 3 required for 3 Phase
	70335501P	Electric Power Buss Harness	
	70355801P	Electric Contactor Jumper Set Harness	For models with less than 380 Volts
	70371301P	Cable Set Heater Assembly	H1-H3
	70371401P	Cable Set Heater Assembly	H4-H6; For models with less than 380 Volts
	M413930P	Ferrite Core Assembly	Models with 3O, 3V, 3X, DO, DV, DX and OM control suffixes
1	70121001	End Stop	2 required
2	70343301P	Contactor	2 required
3	51780	Screw	14 required
4	M412401	Circuit Breaker	1 Phase models
	M412407	Circuit Breaker	3 Phase models
	70256901	Circuit Breaker	25 pound models; 1 required for 1 Phase models; 2 required for 3 Phase models
	M412406	Circuit Breaker	30 pound models; 1 required for 1 Phase models; 2 required for 3 Phase models
	M412408	Circuit Breaker	35 pound models; 1 required for 1 Phase models; 2 required for 3 Phase models
5	M412693	Din Rail	
6	M402917	Screw	
7	M411283	Ground Lug Connector	
8	70058502	Pop Rivet	2 required
9	430497	Screw	11 required
10	M413865	Terminal Block	3 pole
11	39733	Screw	4 required
12	44014901P	Power Distribution Block Cover	
13	M402542	Snap Bushing	2 required
14	70030501	Expansion Clip	
15	M412367	Finger Guard	
16	M412186	Mounting Switch Base	
17	M412371	Extension Handle	
18	M412369	Door Interlock	
19	70358402	Accessory Box Cover	
20	70133901	Electrical Box Access Cover	
21	70058501	Pop Rivet	2 required
22	70268001	Handle	
23	33562	Screw	3 required

Parts Index

A

Accessory Box Cover	
70358401	77
70358402	79
Adapter	
70131901	57
Adhesive	
511637	41
Adjustable Buzzer	
505447	11
Air Filter	
70036001	61
Airflow Switch and Arm Bracket	
70319601	51
Airflow Switch Arm	
70319401	51
Airflow Switch Bracket	
70356301	51
Airflow Switch Cover	
70356601	51
Airflow Switch Vane	
70319201	51
Airflow Switch Wrapper	
70356101	51

B

Bearing Housing Bracket	
70021401	41, 49
Belt	
70276201P	45
70276205P	45
Belt Tension Tool Kit	
M4853P3	45
Blower Assembly	
70359801P	47
Blower Motor	
70337501P	47
70342601P	47
Blower Motor Kit	
70337601P	47
70337701P	47
Blower Motor Mounting Plate	
70349601	47
Bolt	
70062401	45
70392801	41
Bumper Pad	
56128	63, 65
Burner Grill	
70188801	53
Burner Orifice	
M400997	55
M400998	55
M401000	55
M401002	55
M401003	55
M401007	55

M401011	55
M401014	55
M401015	55
M402980	55
M402995	55
M402996	55
M403017	55
M406184	55
M406361	55
M411373	55
M411374	55
M411375	55
M411376	55
M411511	55
Buzzer Kit	
M4860P3	7
Bypass Harness	
70364103	5, 7, 13, 17, 23

C

Cable Set Heater Assembly	
70371301P	59, 77, 79
70371401P	59, 77, 79
Capacitor Network Harness Assembly	
M413878	63, 67, 69, 71, 73, 75
Card Reader and Bracket Assembly	
510068P	23
Card Reader Harness Assembly	
70211801	23
Card Reader Network Harness Assembly	
70206601	23
Card Reader Overlay	
70334201	17
70334301	17
Center Cylinder Seal Assembly	
70066003	41
70066004	41
Center Pan	
70252201	43
70252401	43
Center Partition	
70252501	43
70252601	43
Circuit Breaker	
M412401	79
M412406	79
M412407	79
M412408	79
70256901	79
Clevis Pin	
70389201	61
Coin Chute Assembly	
70296401	33
Coin Drop	
38479P	19
38963P	19
39748	19
70256402P	19
Coin Drop Assembly	
200578P	19

N/A items do not appear in index.

210195	19	70315601P	9
210196	19	70335301P	13
38462P	19	70367001P	7
38463	19	70368001P	17, 21, 23
38464P	19	70369001	5
38467	19	70382701P	13
38472	19	70398401	5
38475	19	Control Panel Harness Assembly	
38519	19	70315701	9
38521	19	70368001P	15
38522	19	Control Plate Assembly	
39157	19	44040901	11
44039701P	11	44041001	11
44039702	11	70175805	13
44039703	11	70175806	13
44039704	11	70175807	15, 21
44039705	11	70348801	17, 23
44039706	11	70360601	7
44039707	11	Control Plate Kit	
Coin Drop Kit		44050701P	9
CK077	19	Control Set	
Coin Drop Overlay		70370001	5
39564	15	70370101P	5
70246301	15	70370201P	7
Coin Vault Assembly		Control Tray	
70180101	33	70334601	63, 65, 69, 71, 73, 75
Coin Vault Switch Harness		Control Trim	
70364104P	15, 21, 33, 43	44016301	33
Coin Vault Trim		44016401	33
70117502	33	Cylinder Assembly	
Communication Board		70372601	41
210095P	27	70372602	41
Communication Wire Harness Assembly		70372701	41
800246	25	70372702	41
Contact Block		70372801	41
44018701	35	70372802	41
Contactactor		Cylinder Bearing Stud Plate	
70323701P	63, 65, 69, 71, 73, 75	430351	41
70343301P	77, 79	Cylinder Guide Tool	
Control Assembly		263P4	41
511867P	15, 17	Cylinder Idler Arm	
512199P	5	70259901	45
512202P	7	Cylinder Idler Bracket	
512621P	5	70261601	45
Control Chassis Mounting Bracket		Cylinder Motor Harness Assembly	
70357901	5, 7	70401001	41, 45
Control Door Assembly		70401101	41, 45
70363401	5	Cylinder Shroud	
Control Kit		70347001	43
505905P	21, 23	70347002	43
70228401P	13	70347201	43
Control Panel		70347202	43
70121301*	33	70347401	43
70121302	33	70347402	43
70121305*	33		
70121306	33		
70273301*	33		
70273302	33		
70273303*	33		
70273304	33		
70273401*	33		
70273402	33		
70273403*	33		
70273404	33		
Control Panel Harness			
70315501P	15, 17, 21, 23		

D

Damper and Hinge Exhaust Assembly	
70209501	47
Data Connector, 3 Circuit	
210155	27
Din Rail	
M412693	79

N/A items do not appear in index.

Display Assembly	
512218P	7
Door Assembly	
44046701	29
44058001	29
70064100	29
70212200	29
70212300	29
Door Catch Assembly	
510177	39
Door Glass	
M400784P	29
70133601P	29
Door Glass Seal Kit	
70211901P	29
Door Handle	
M400133	29
430117	29
44057701	29
70024801	29
Door Handle Wedge	
510129	39
Door Hinge	
70115901*	29
70115902	29
70116003*	29
70116004	29
Door Hinge Cam Assembly Kit	
M4771P3	29
Door Hinge Lug Assembly	
44035001	29, 39
Door Interlock	
M412369	79
Door Latch	
M401223	33
Door Pull and Wedge Kit	
510103*P	39
Door Ring Assembly	
44043501	29
Door Ring Gasket	
70296801	29
Door Strike	
510181	39
Door Switch Actuator Kit	
70215001P	29
Door Switch With Boot Assembly	
70310501	39
Door Switch with Boot Assembly	
70310501	43
Double Ended Stud	
70334701	45
Drive Access Cover	
70196301	47
70202501	45
Drive Motor	
70337801P	45
70338101P	45
Drive Motor Kit	
70337901P	45
70338001P	45
Drum Idler Spring	
70045301	45
Drywall Screw Magnet Kit	
70343101P	41

E

Elbow	
70079601	57
70208701	55
Electric Contactor Jumper Set Harness	
70355801P	77, 79
Electric Power Buss Harness	
70335501P	77, 79
Electrical Box Access Cover	
70133901	79
Electronic Coin Drop Assembly	
70294101P	19
70294103P	19
70294104	19
70294105P	19
70294106	19
70294107	19
70294109	19
Electronic Coin Drop Harness	
44065801	19
Electronic Coin Drop Kit	
CK095	19
CK099	19
CK100	19
CK101	19
CK103	19
CK106	19
CK108	19
Electronic Control	
44037801P	11
44051001P	9
Electronic OPL Control Kit	
M4689P3	13
M4695P3	13
Emergency Stop Contact Harness	
70364105P	35
Emergency Stop Label	
M412235	35
End Cap	
70070101	41
End Stop	
70121001	77, 79
Exhaust Thimble	
70015601	47
70017801	47
Expansion Clip	
70030501	33, 63, 65, 69, 71, 73, 75, 77, 79
Extension Handle	
M412371	79
70342501P	65, 71

F

False Front	
70000501*P	33
70000502	33
70021101*P	33
70024202P	33
False Front Assembly	
70021102P	33
70024001*P	33
70024002P	33

N/A items do not appear in index.

70024201*P	33
Fan Motor Harness Assembly	
70401201	47
70401301	47
Ferrite Core Assembly	
M413930P	13, 77, 79
Finger Guard	
M412366	65, 71
M412367	79
Front Panel Assembly	
44115401*	31
44115501	31
44115601*	31
44115701	31
44115801*	31
44115901	31
44116001*	31
44116101	31
44116201*P	31
44116301	31
44116401*P	31
44116501	31
44116601*	31
44116701P	31
44116801*	31
44116901	31
44117001*	31
44117101	31
Fuse	
M413621	63, 65, 69, 71, 73, 75
70406501	13, 63, 65, 69, 71, 73, 75
70406601	63, 65, 69, 71, 73, 75
70406701	63, 65, 69, 71, 73, 75
Fuse Bracket	
70306901	63, 65, 69, 71, 73, 75
70313601	63, 65, 69, 71, 73, 75
Fuse Holder	
M413544P	63, 65, 69, 71, 73, 75
Fuse Holder Body	
70329401	63, 65, 69, 71, 73, 75
Fuse Holder Cap	
70329501	63, 65, 69, 71, 73, 75

G

Gas Burner	
70229801	53
Gas Disconnect Harness	
70342101	67, 71
Gas Line Assembly	
70271201	55
Gas Shut-Off Valve	
M412562	57
Gas Valve Bracket	
70210301	57
70299401	55
Gas Valve Coil	
70260101	57
Gas Valve Cover	
70271101	55
70381001	53
Gas Valve Harness Assembly	
M412997	55
70184001	57

Gasket	
70247601	39
70392701P	47
Graphic Overlay	
44050401	9
44050501	9
44050502	9
Ground Lug Connector	
M411283	77, 79

H

Hairpin Cotter	
70389301	61
Handle	
70268001	79
Handle and Caps Assembly	
70154401	37
70154402	37
70154403	37
70154404	37
Heater Element	
70034401P	59
70034402P	59
70034403P	59
70034404P	59
70034405P	59
70034406P	59
70034413P	59
70034414P	59
70034415P	59
70034416P	59
Hinged Door	
70267701*	39
Hold-Down Clip	
35865	43
Hole Plug	
44024201	29
70063201	43

I

Idler Spring Tab	
70179701	45
Idler Wheel Assembly	
70050401P	45
Igniter Cover	
70159601	53
Ignition Control	
70367301P	63
70367401P	65
Ignition Control Harness	
70316301	63, 73
70316401	67
Insulator	
M413862	63, 65, 69, 71, 73, 75

J

Jumper Assembly	
70138801	79
70138901	79

N/A items do not appear in index.

70139001	77
70139101	77
Jumper Bar	
70066501	59
Jumper Cable Assembly	
M413933	77
M413934	77, 79
M414121	79
Jumper Calibration Assembly	
70084301	13
70084303	13
Jumper Calibration Wire	
70324601	5, 7, 15, 17, 21, 23
70324602	5, 7, 15, 17, 21, 23
Jumper Configuration Assembly	
M413507	63, 67, 69, 71, 73, 75
M413510	63, 69, 73, 75
Jumper Disconnect Assembly	
70120901	67, 71
Jumper Harness Assembly	
M413504	63, 69
M413505	63, 69, 73
M413506	63, 69, 73, 75
M413508	63, 69, 71, 73, 75
M413509	73, 75
Jumper Strip	
M400869	59
Jumper Wire	
44014601	79
44014701	79
44014801	79
70066601	59
Junction Box Harness	
70315801	63, 67, 69, 71, 73, 75

K

Key	
70144101	47
70155601	33
70155602	33
Kickplate	
70117601	37
70117602	37
70117603	37
70117604	37

L

Leveling Leg	
34319	43
Light	
801431	5
Limit Thermostat	
M409433	59
M409443	59
M410542	53, 59
M411307	47
510701	53
70299001	53
Lint Panel Assembly	
70176601*P	37
70176602P	37

70176603*P	37
70176604	37
70176605*	37
70176701*	37
70176702P	37
70176703*	37
70176704	37
70176705*	37
70176706	37
70176707*	37
70176708	37
Lint Panel Gasket	
70289101P	37
Lint Panel Switch Bracket	
70277301	43
Lint Screen	
70325601	43
Lint Screen Clip	
70054501	43
Lint Switch Bracket Assembly	
70283701	39
Lock, Key and Nut Kit	
44089301P	33
44089302P	33
L.P. Conversion Kit	
M4699P3	55
M4703P3	55
M4706P3	55
M4711P3	55
L.P. Gas Valve	
M414446P	55
L.P. Valve	
70257601P	57

M

Main Harness Assembly	
70400901	5, 7, 13, 15, 17, 21, 23
Male Tab Terminal	
00177	5, 7, 11
Manual Reset Thermostat	
M411941	53
M411945	47
Motor Capacitor	
70211401	45
70211502	45
Motor Channel	
70261701	45
Motor Conduit Mounting Bracket	
70321701	45, 47
Motor Contactor Harness	
70320201	63, 67, 69, 71, 73, 75
Motor Mount Bracket	
70127301	45
Motor Pulley	
70284201	45
70284202	45
70284203	45
70284204	45
Mounting Bracket	
70063501	13
Mounting Plate	
70208801	17, 23

N/A items do not appear in index.

Mounting Switch Base	
M412186	79
M412187	65, 71

N

Nameplate	
44129901	33
44129902	33
44129903	33
Network Board Assembly	
210016P	25
Network Capacitor Assembly	
M413863	63, 67, 69, 71, 73, 75, 77, 79
Network Harness Assembly	
70286501	77, 79
Network Plug Support	
70201401	25
Network Wire Harness Assembly	
800217	25
Nut	
M400022	47
M404993	43
M412986	45
M414215	29
21899	43
23951	37
24205	5, 7
27222	45
29786	5
29787	7, 9, 11
29796	45
430576	43
44087201	41
44088801	33
51236	37
56156	45
70054	5, 7, 13, 15, 17, 21, 29, 59
N.G. Gas Valve	
M414445P	55
N.G. Valve	
70257501P	57

O

Opto Coupler	
200674P	19
Orifice Adapter	
70379301	55
Orifice Holder Bracket	
70248901	55
Orifice Keeper Bracket	
70249001	55
O-Ring	
431482	57
Overlay	
70115801	13
70128701	13
70129501	15
70129601	15
70130401	13
70130601	13
70184301	21

70184302	21
70184401	23
70257701	15
70257702	15
70257703	17
70258001	15
70258002	15
70258003	17
70258101	15
70259001	15
70261001	15
70261002	15
70261201	15
70261202	15
70286701	15
70321001	15
70362201	7
70362901	5
70363001	5

P

Panel	
70255801*P	39
70278001*P	39
Panel Locator	
56079	7, 33, 37
PC Board Standoff	
210098	27
Pin	
70071401	29
Pipe Clip	
70203701	53
Pipe Nipple	
431486	55, 57
70139601	57
Pop Rivet	
M400003	33
M405750	55
70058501	43, 61, 79
70058502	77, 79
70126301	37
70126401	37
Power Distribution Block Cover	
44014901P	77, 79
Power Harness	
70316101P	67, 69, 71, 73, 75
70332201	63, 67, 69, 71, 73, 75
70347701	63, 67, 69, 71, 73, 75
Primary Air Adjustment Sleeve	
70239801	57
Pushbutton	
44018801	35
Pushbutton Switch	
M413431	65
70107001	15, 17, 21, 23, 33

R

Rear Bearing Shim	
70355001	41
Rear Cylinder Bearing Housing	
70013901	41

N/A items do not appear in index.

Rear Cylinder Channel	501086	65, 69, 71, 73, 75
70257101	501524	5, 7, 15, 17, 21, 23, 29
70257301	51780	63, 65, 69, 71, 73, 75, 77, 79
Rear Cylinder Channel Plate	51782	65, 71
70257201	61199	29
70257401	62588	41
Rear Cylinder Seal	70033502	29
70013701P	70033504	39
70013702	70069901	5, 7
Rear Cylinder Seal Support	70072801	37
70015301	70126101	47
70017201	70132301	37
Relay	70153301	49
M412534	Secure Ground Label	
Relay/Buzzer Bracket	M403047	63, 65, 69, 71, 77
44041701	Shadow Box Clip	
Replacement Door Handle Kit	M400972	33
70133501P	Sheet Metal Edge Gasket	
Rocker Switch	70015709	43
70360801	70015710	43
70365901	70015711	43
Roller Bearing Assembly	70015712	43
70298701P	Side Panel	
Roller Catch Arm	70021502W	43
70030301	70060102	43
Roller Catch Spacer	70253801*	43
70030201	70253901*	43
Roller Catch Wheel	Side Panel Assembly	
70297601	70021501*P	43
Roller Shaft	70060101*P	43
70249501	Slot Card Plate Assembly	
Rotation Sensor	44089501	17
70274001	Snap Bushing	
Rotation Sensor Bracket	M400770	55
44044401	M402542	77, 79
Rotation Sensor Cable Assembly	Solenoid Valve Din Connector	
70274101	70370301P	61
Rotation Sensor Cover	Spark Electrode	
44044301	70032801P	53
	Spud Adapter	
	70223501	57
	Steam Coil	
	70369101	61
	Steam Configuration Harness	
	70322401P	69, 71
	Steam Filter Holder	
	70369301	61
	Steam Solenoid	
	70351011P	61
	70351012	61
	Steam Stove Limit Bypass Harness	
	70389901	61
	Steam Valve	
	70351001P	61
	70351002P	61
	Steam Valve Harness Bracket	
	70369401	61
	Steam Valve Rebuild Kit	
	70351021P	61
	Steam Valve Wiring Cover	
	70369501	61
	Stove Back	
	70297401	53
	Stove Limit Bypass Harness	
	70316601	59, 61

S

Screw

M400056	45
M400661	29
M402797	11, 13
M402917	63, 65, 69, 71, 77, 79
M405188	53
M409385	29
M411072	47, 63, 65, 69, 71, 73, 75
M412985	45
05161	53
23222	45, 47, 57
33562	77, 79
38272	63, 65
39733	33, 37, 77, 79
430497	25, 33, 41, 43, 45, 47, 51, 53, 55, 57, 59, 63, 65, 69, 71, 73, 75, 77, 79
430648	45
430756	29
430757	29, 37
431484	57
44023301	29
44083001	63, 65, 69, 73, 75

N/A items do not appear in index.

Stove Limit Harness 70316501	53
Stove Top and Sides 70333401	53
Street Elbow H86070034	55
Support Bearing 430038	41
Support Bracket Assembly 70283801	39
Switch 70313101	51
Switch Hole Plug 44057801BLK	33
44057801Q	33
44057801W	33
Switch Membrane 44037902P	11
44039402P	11

T

Temperature Knob 44104601	5, 7
Temperature Selector Bracket 70350201	5
Temperature Selector Switch 511711	5, 7
Temperature Selector Switch Bracket 70391701	7
Terminal Block M413865	77, 79
430642	63, 65, 69, 71, 73, 75
Terminal Block Shield 70333001	63, 65, 69, 71, 73, 75
Thermistor M414704	47
Thermostat Cover M414477	53
Top Pan 70252801	43
70252901	43
70253001	43
Transformer M414228P	63, 65, 69, 71, 73, 75
M414229P	63, 65, 69, 71, 73, 75
M414230P	63, 69, 73, 75
M414312P	63, 69, 73, 75
Trunnion and Seal Kit 70244701P	41
Tumbler Dolly Kit M4379P4	43

U

Union H86000031	57
--------------------------	----

W

Washer M400080	41
M400991	47
M405535	5
Q6712	43
70265901	45
70270301	45
Wire Clip 36274	63, 65, 69, 71, 73, 75
70366201	63, 65, 69, 71, 73, 75
Wire Guard 201595P	19
