

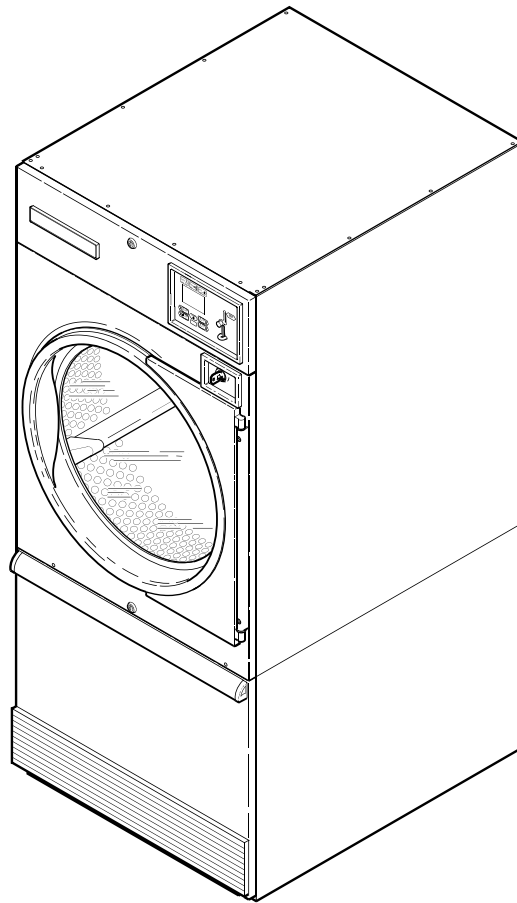
# Drying Tumblers

25 Pound (220 Liter) Capacity

30 Pound (270 Liter) Capacity

35 Pound (350 Liter) Capacity

Refer to Page 5 for Model Numbers



T463P\_70184901



# Table of Contents

Title	Page
Parts Ordering Information.....	3
Serial Plate Location .....	3
Model Identification .....	5
Electronic Coin Drop Components.....	6
Coin Drop Assemblies .....	8
Card Reader Components.....	10
Electromechanical Coin Drop Components .....	12
Rotary Coin Drop Assemblies.....	14
Manual Dual Timer Controls .....	16
OPL Microprocessor Controls.....	18
Card Reader for NetMaster Models .....	20
Coin Drop Components for NetMaster Models .....	22
Network Board for NetMaster Models.....	24
Communication Board for NetMaster Models .....	26
Cabinet Front Components (Drawing 1 of 2) .....	28
Cabinet Front Components (Drawing 2 of 2) .....	30
Lower Cabinet Front Components .....	32
Cabinet Components .....	34
Door and Hinge Components .....	36
Cylinder Components .....	38
Cylinder Components .....	40
Drive Motor Components.....	42
Drive Motors.....	44
Drive Motor and Pulley Assemblies .....	46
Blower Components.....	48
Fan Motors for 0220 and 0270 Models .....	50
Fan Motors for 0350 Models.....	52
Airflow Switch and Gas Burner Components.....	54
Gas Burner Housing .....	56
Gas Valve and Piping .....	58
Burner Orifice for Liquid Petroleum Gas .....	60
Burner Orifice for Natural Gas .....	62
Electric Heater Components .....	64
Steam Heater.....	66
Steam Solenoid Valve.....	68
Control Tray - Non-CE and Non-Australian Gas Models .....	70
Control Tray - Non-CE and Non-Australian Steam Models.....	72
Control Tray - Non-CE and Non-Australian Electric Models .....	74
Accessory Box - Non-CE and Non-Australian Electric Models .....	76
Control Tray - CE and Australian Gas Models.....	78
Control Tray - CE Steam Models .....	80

© Copyright 2008, Alliance Laundry Systems LLC

All rights reserved. No part of the contents of this book may be reproduced or transmitted in any form or by any means without the expressed written consent of the publisher.

Control Tray - CE Electric Models.....	82
Accessory Box - CE Electric Models.....	84
Parts Index.....	87

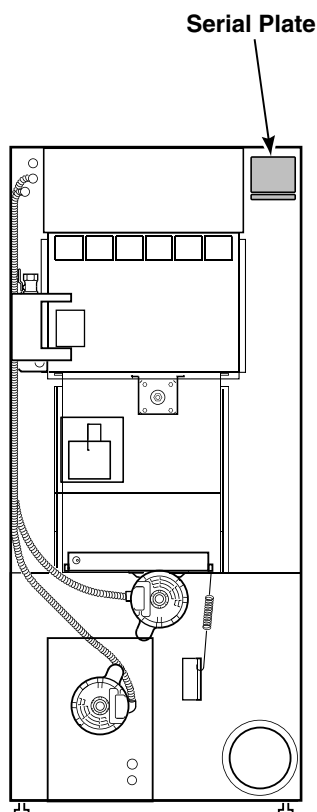
## Parts Ordering Information

If literature or replacement parts are required, contact the source from whom the machine was purchased or contact Alliance Laundry Systems at (920) 748-3950 for the name and address of the nearest authorized parts distributor.

For technical assistance, call (920) 748-3121.

## Serial Plate Location

When calling or writing about your product, be sure to mention model and serial numbers. Model and serial numbers are located on serial plate(s) as shown.



TMB2462P\_70184901



## Model Identification

Information in this manual is applicable to these tumbler models:

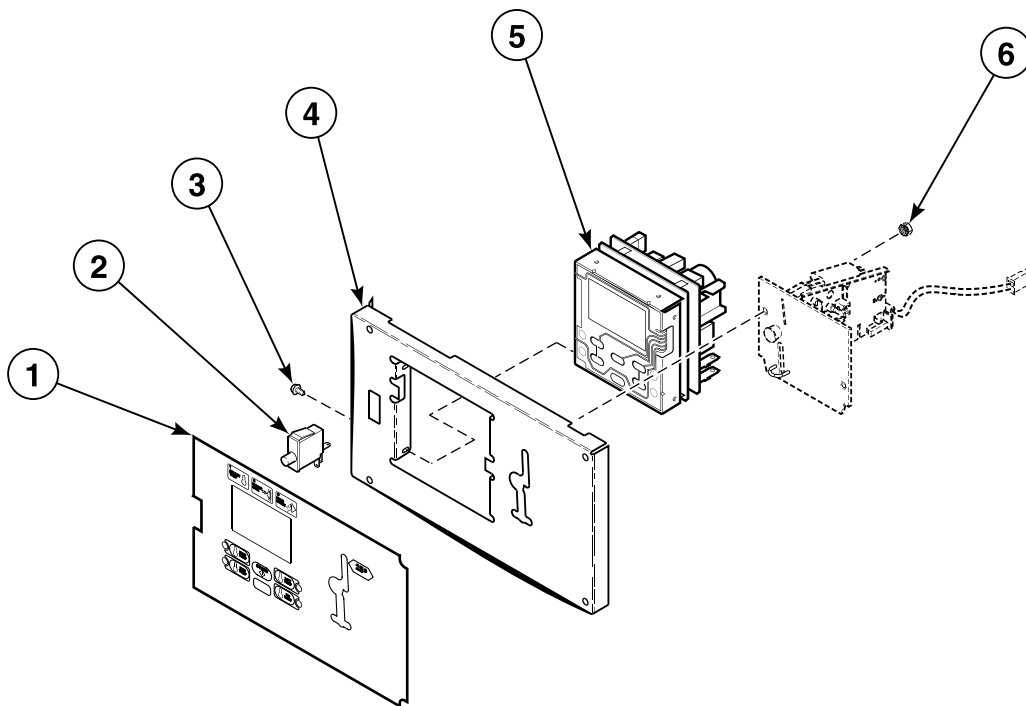
AT0350SRG	DT0350SEL	JC0350SEL	PC0220SSL	SC0220SRG
AT0350SSH	DT0350SFG	JC0350SFG	PC0270SEL	SC0220SSH
AT0350SSL	DT0350SRG	JC0350SRG	PC0270SFG	SC0220SSL
DA0220SRG	DT0350SSH	JC0350SSH	PC0270SRG	SC0270SEL
DA0270SRG	DT0350SSL	JC0350SSL	PC0270SSH	SC0270SFG
DA0350SRG	GC0220SEL	JT0220SEL	PC0270SSL	SC0270SRG
DC0220SEL	GC0220SSL	JT0220SFG	PC0350SEL	SC0270SSH
DC0220SFG	GC0270SEL	JT0220SRG	PC0350SFG	SC0270SSL
DC0220SRG	GC0270SFG	JT0220SSH	PC0350SRG	SC0350SEL
DC0220SSH	GC0270SRG	JT0220SSL	PC0350SSH	SC0350SFG
DC0220SSL	GC0270SSH	JT0270SEL	PC0350SSL	SC0350SRG
DC0270SEL	GC0270SSL	JT0270SFG	PT0220SEL	SC0350SSH
DC0270SFG	GT0220SSL	JT0270SRG	PT0220SFG	SC0350SSL
DC0270SRG	GT0270SEL	JT0270SSH	PT0220SRG	ST0220SEL
DC0270SSH	GT0270SFG	JT0270SSL	PT0220SSH	ST0220SFG
DC0270SSL	GT0270SRG	JT0350SEL	PT0220SSL	ST0220SRG
DC0350SEL	GT0270SSH	JT0350SFG	PT0270SEL	ST0220SSH
DC0350SFG	GT0270SSL	JT0350SRG	PT0270SFG	ST0220SSL
DC0350SRG	JA0220SRG	JT0350SSH	PT0270SRG	ST0270SEL
DC0350SSH	JA0270SRG	JT0350SSL	PT0270SSH	ST0270SFG
DC0350SSL	JA0350SRG	LC0350SRG	PT0270SSL	ST0270SRG
DT0220SEL	JC0220SEL	LT0220SRG	PT0350SEL	ST0270SSH
DT0220SFG	JC0220SFG	LT0270SRG	PT0350SFG	ST0270SSL
DT0220SRG	JC0220SRG	LT0350SRG	PT0350SRG	ST0350SEL
DT0220SSH	JC0220SSH	PA0220SRG	PT0350SSH	ST0350SFG
DT0220SSL	JC0220SSL	PA0270SRG	PT0350SSL	ST0350SRG
DT0270SEL	JC0270SEL	PA0350SRG	SA0220SRG	ST0350SSH
DT0270SFG	JC0270SFG	PC0220SEL	SA0270SRG	ST0350SSL
DT0270SRG	JC0270SRG	PC0220SFG	SA0350SRG	
DT0270SSH	JC0270SSH	PC0220SRG	SC0220SEL	
DT0270SSL	JC0270SSL	PC0220SSH	SC0220SFG	

Control suffix designation (10th and 11th characters):

CD – rotary coin drop	EY – electronic card ready	OM – OPL micro
CX – prep for coin	MT – manual timer	ZC – NetMaster coin network
CY – prep for card	NC – NetMaster coin	ZR – NetMaster card network
EC – electronic coin	NR – NetMaster card	ZX – NetMaster network, prep for coin
EP – electronic card reader	NX – NetMaster, prep for coin	ZY – NetMaster network, prep for card
EX – electronic coin ready	NY – NetMaster, prep for card	

# Electronic Coin Drop Components

Models with EC and EX Control Suffixes



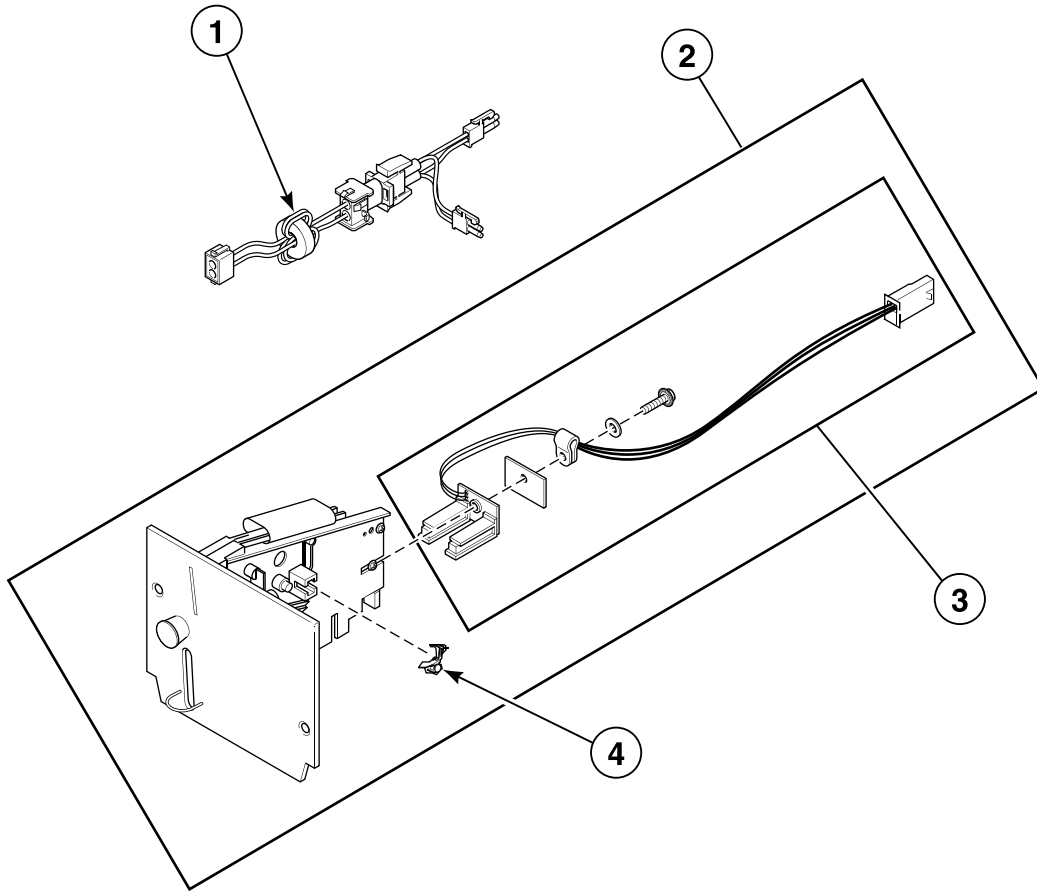
T389P\_70184901

# Electronic Coin Drop Components

REF	PART NO.	DESCRIPTION	COMMENTS
	70216501P	Dual Overlay Kit	SC and ST models; Text; Includes 38725 Coin Identification Paper
	70216601P	Dual Overlay Kit	SC and ST models; Icon; Includes 38725 Coin Identification Paper
	70216701P	Dual Overlay Kit	JC and JT models; Text; Includes 38725 Coin Identification Paper
	70216801P	Dual Overlay Kit	JC and JT models; Text with infared; Includes 38725 Coin Identification Paper
	70216901P	Dual Overlay Kit	JC and JT models; Icon; Includes 38725 Coin Identification Paper
	38725	Coin Identification Paper	
	M4686P3	Electronic Coin Control Kit	AT, DA, DT, GT, JA, JT, LT, PA, PT, SA and ST models; Does not include overlay or harness
	M4687P3	Electronic Coin Control Kit	DC, GC, JC, LC, PC and SC models; Does not include overlay or harness
	431611	Multiplier Harness Assembly	
	70083801	Coin Vault Harness Assembly	
	70082701P	Control Panel Harness Assembly	DA, DC, GC, JA, JC, LC, PA, PC, SA and SC models
	70055801P	Control Harness Assembly	AT, DT, GT, JT, LT, PT and ST models
	70084201	Jumper Calibration Assembly	0220 and 0270 models
	N/A	Jumper Calibration Assembly	0350 models
<b>1</b>	70113701	Overlay	LC, LT, SA, SC and ST models; Text
	70114101	Overlay	JA, JC and JT models; Text
	70173601	Overlay	JA, JC and JT models; Models without coin
	70128501	Overlay	JA, JC and JT models; International text
	70128001	Overlay	LC, LT, SA, SC and ST models; Icon
	70130101	Overlay	PA, PC and PT models; Icon
	70130801	Overlay	JA, JC and JT models; Icon
<b>2</b>	70107001	Pushbutton Switch	
<b>3</b>	501524	Screw	For mounting EDC control
<b>4</b>	70175801	Control Plate Assembly	Includes studs
<b>5</b>	M414049P	Control Kit	
<b>6</b>	70054	Nut	

**N/A = Part no longer available**

# Coin Drop Assemblies



TMB2738P\_70184901

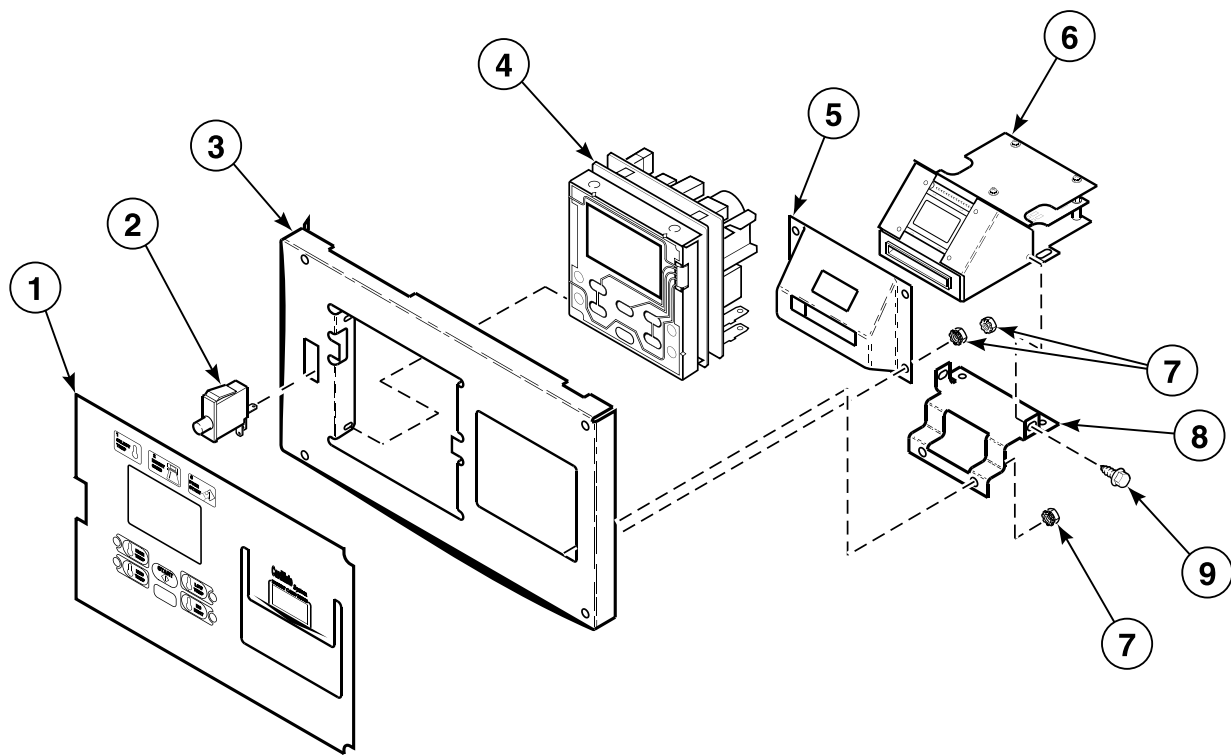
## Coin Drop Assemblies

REF	PART NO.	DESCRIPTION	COMMENTS
1	44065801	Electronic Coin Drop Harness	
2	38462P	Coin Drop Assembly	Token 118-1
	38463	Coin Drop Assembly	Token 118-5
	38464P	Coin Drop Assembly	Canada; .25
	200578P	Coin Drop Assembly	Canada; .25 and 1.00
	38467	Coin Drop Assembly	Australia; .20 and 1.00
	38472	Coin Drop Assembly	England; 20 pence and 1 pound
	38479P	Coin Drop	USA; .25 MZP
	N/A	Coin Drop Assembly	Denmark; 1 and 5 DKK
	38519	Coin Drop Assembly	Japan; 100 and 500 yen
	38521	Coin Drop Assembly	Korea; 100 and 500 won
	38522	Coin Drop Assembly	New Zealand; .20 and 1.00
	38963P	Coin Drop	Token 118-16
	N/A	Coin Drop Assembly	Taiwan; 5 NT and 10 NT; Dual drop
	39157	Coin Drop Assembly	Israel; Shekel
	38475	Coin Drop Assembly	Japan; 100 yen
	CK077	Coin Drop Kit	Taiwan; 10 NT
	38521	Coin Drop Assembly	Korea; 100 and 500 won
	210195	Coin Drop Assembly	Euro; .20 and 1.00
	210196	Coin Drop Assembly	Euro; .50 and 1.00
	70256402P	Coin Drop	USA; .25 and 1.00; Dual drop
3	200674P	Opto Coupler	
4	201595P	Wire Guard	

**N/A = Part no longer available**

# Card Reader Components

Models with EP and EY Control Suffixes



T444PZ3A\_70184901

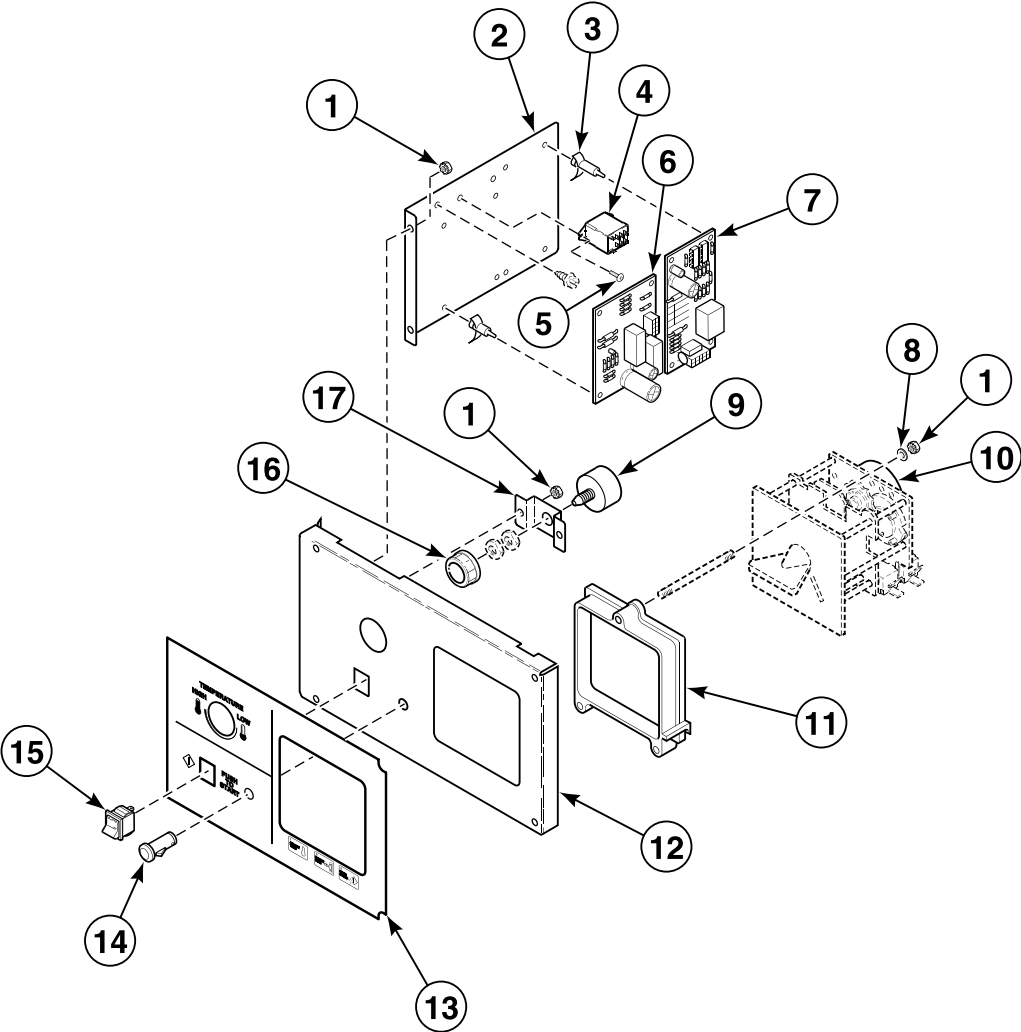
## Card Reader Components

REF	PART NO.	DESCRIPTION	COMMENTS
	431613	Card Reader Harness Assembly	
	70082701P	Control Panel Harness Assembly	DA, DC, GC, JA, JC, LC, PA, PC, SA and SC models
	70055801P	Control Harness Assembly	AT, DT, GT, JT, LT, PT and ST models
	70084201	Jumper Calibration Assembly	0220 and 0270 models
	N/A	Jumper Calibration Assembly	0350 models
<b>1</b>	N/A	Overlay	ST models
	70128801	Overlay	JT models
<b>2</b>	70107001	Pushbutton Switch	
<b>3</b>	70175802	Control Plate Assembly	Includes studs
<b>4</b>	M414049P	Control Kit	
<b>5</b>	M414120	Card Reader Mounting Bracket	
<b>6</b>	39685P	Card Reader	
<b>7</b>	70054	Nut	
<b>8</b>	N/A	Chassis Mounting Bracket	
<b>9</b>	501524	Screw	For mounting electronic control

**N/A = Part no longer available**

# Electromechanical Coin Drop Components

Models with CD Control Suffix



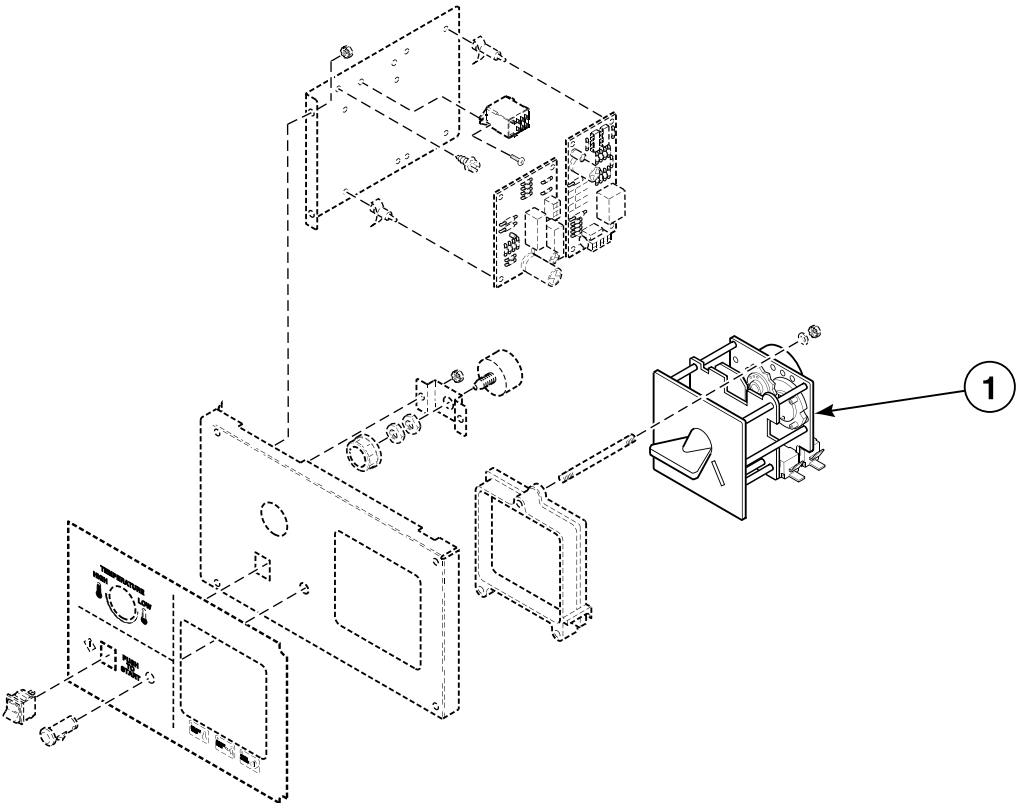
TMB1958P\_70184901

## Electromechanical Coin Drop Components

REF	PART NO.	DESCRIPTION	COMMENTS
	M400972	Shadow Box Clip	For trim pieces
	M4688P3	Rotary Coin Drop Control Kit	Does not include overlay, temperature knob or harness
	70082601	Control Panel Harness Assembly	Models through Serial No. 9806021651
	70179801	Control Panel Harness	Models starting Serial No. 9806021652; For time delay board
	70084101	Jumper Configuration Assembly	0220 and 0270 models
	70084102	Jumper Configuration Assembly	0350 models
<b>1</b>	70054	Nut	
<b>2</b>	70063501	Mounting Bracket	Models through Serial No. 9806021652
	70178901	Mounting Bracket	Models starting Serial No. 9806021652
<b>3</b>	34896	Circuit Board Support	
<b>4</b>	M412534	Relay	Models through Serial No. 9806021652
<b>5</b>	M402797	Screw	Models through Serial No. 9806021652
<b>6</b>	70175301P	Timer Control Assembly	
<b>7</b>	431347P	Thermostat Module	
<b>8</b>	M405535	Washer	For coin drop mounting
<b>9</b>	431353P	Temperature Switch	Potentiometer
<b>10</b>	70218201	Timer Motor	CD control suffix; 24 Volt/60 Hertz
	70218301	Timer Motor	CD control suffix; 24 Volt/50 Hertz
<b>11</b>	70061701	Rotary Drop Shroud	
<b>12</b>	70175804	Control Plate Assembly	With studs
<b>13</b>	70113501	Overlay	SA, SC and ST models; Text
	70114301	Overlay	JA, JC and JT models; Text
	70131001	Overlay	SA, SC and ST models; Icon
	70134801	Overlay	JA, JC and JT models; Icon
<b>14</b>	70082201	Indicator Light	
<b>15</b>	70108501	Start Switch	
<b>16</b>	70080601	Temperature Knob	SA, SC and ST models
	431357	Temperature Knob	JA, JC and JT models
<b>17</b>	70080701	Mounting Bracket	

# Rotary Coin Drop Assemblies

Models with CD Control Suffix



TMB1958PA\_70184901

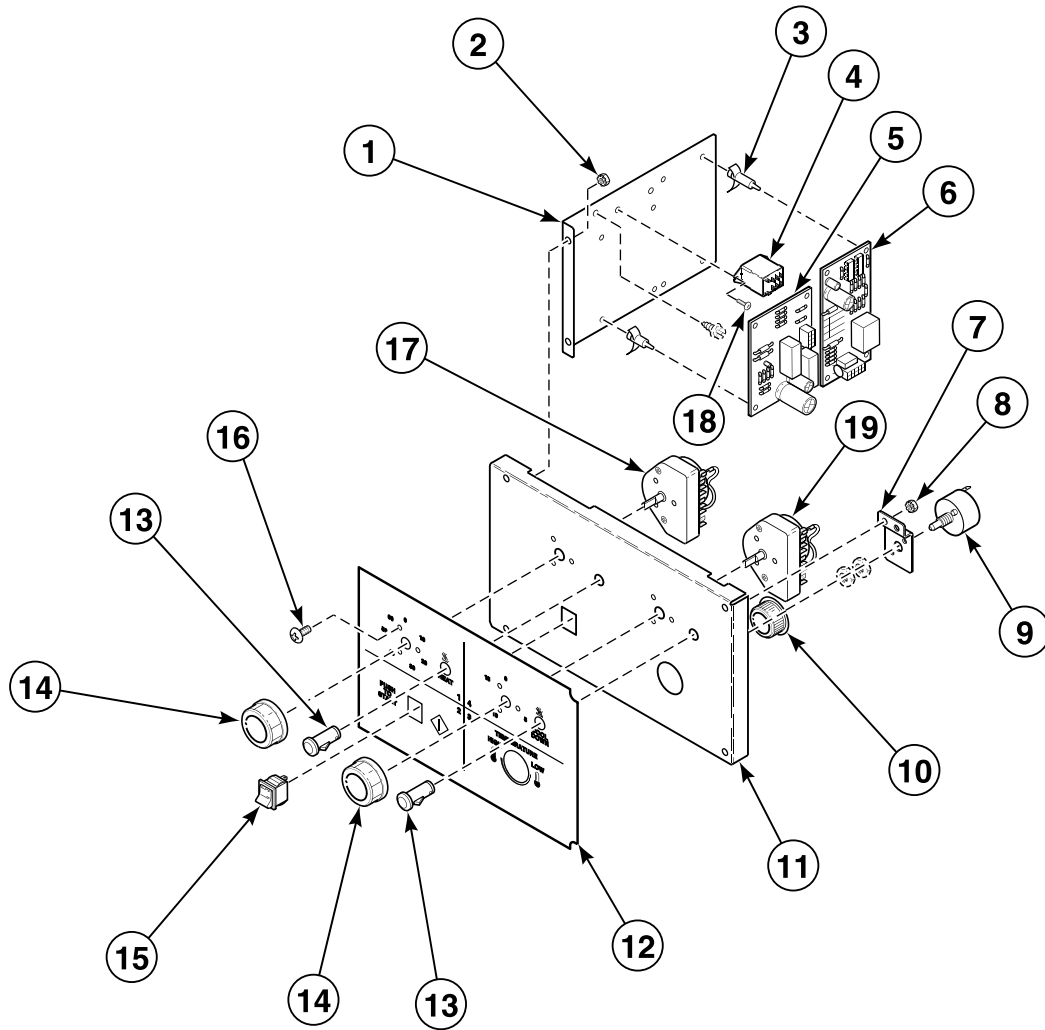
## Rotary Coin Drop Assemblies

REF	PART NO.	DESCRIPTION	COMMENTS
1	N/A	Coin Meter	24 Volt; Australian; .20
	70112501P	Coin Meter	24 Volt; Australian; 1.00
	70112701P	Coin Meter	24 Volt; US; .25
	70137301P	Coin Meter	24 Volt/60 Hertz; Token 118-1
	70137401P	Coin Meter	24 Volt/60 Hertz; Token 118-5
	70138401P	Coin Meter	24 Volt/50 Hertz; US; .25
	70151301	Coin Meter	24 Volt; South Africa; .20
	M412542P	Coin Meter	24 Volt; England; 20 pence
	N/A	Coin Meter	24 Volt; Denmark; 1 DKK
	M412546	Coin Meter	24 Volt; Token 118-1
	M412547	Coin Meter	24 Volt/50 Hertz; Token 118-5
	70262401	Coin Meter	24 Volt; Euro; .20
	70262501	Coin Meter	24 Volt; Euro; .50

**N/A = Part no longer available**

# Manual Dual Timer Controls

Models with MT Control Suffix



T142K\_70184901

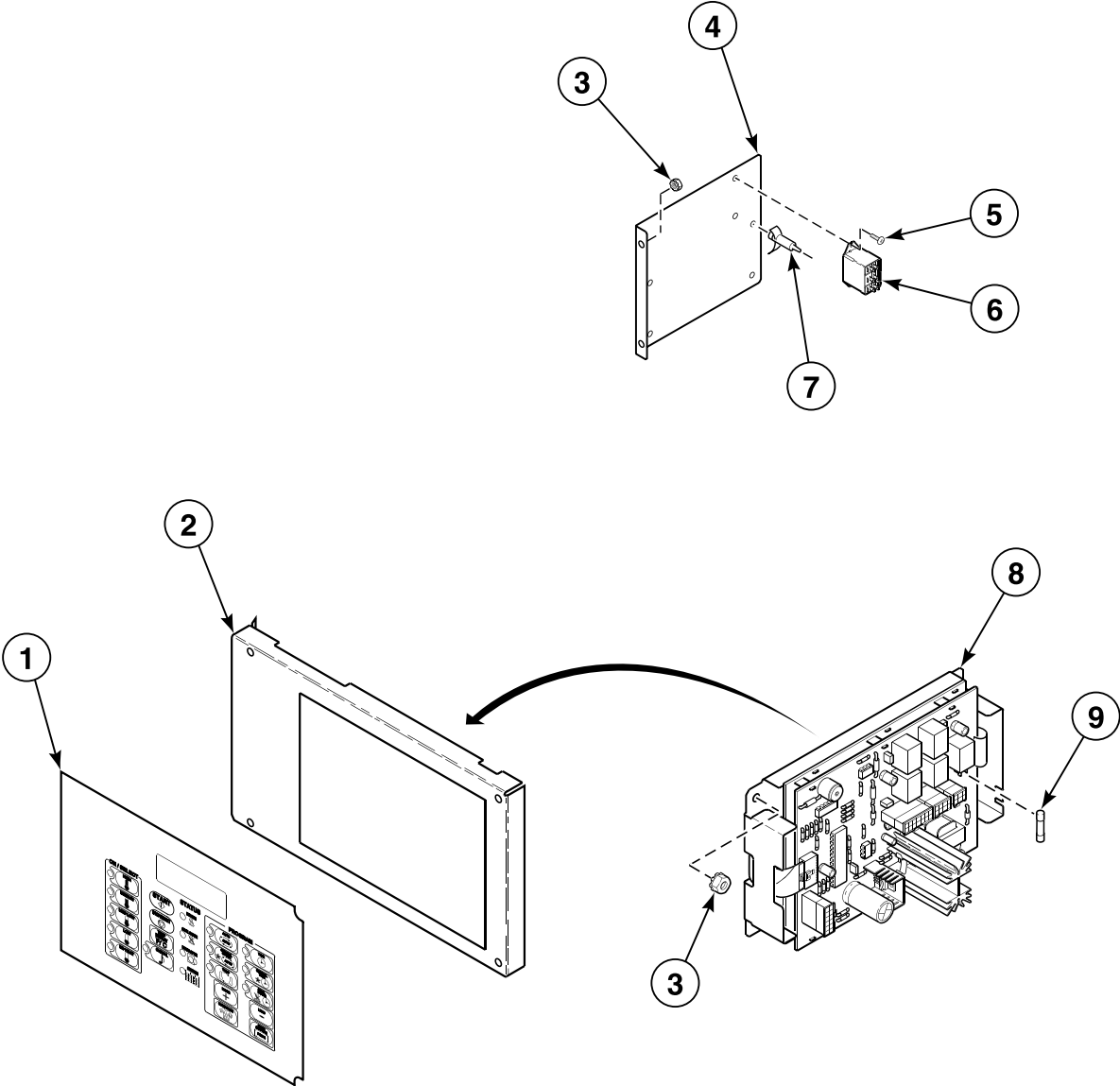
# Manual Dual Timer Controls

REF	PART NO.	DESCRIPTION	COMMENTS
	M4690P3	Manual Timer Control Kit	Does not include overlay, temperature knob or harness
	70082501P	Control Panel Harness Assembly	Models through June 1998
	70179901P	Control Panel Harness	Models starting June 1998
	70084101	Jumper Configuration Assembly	0220 and 0270 models
	70084102	Jumper Configuration Assembly	0350 models
<b>1</b>	70063501	Mounting Bracket	Models through Serial No. 9806021652
	70178901	Mounting Bracket	Models starting Serial No. 9806021652
<b>2</b>	70054	Nut	
<b>3</b>	34896	Circuit Board Support	
<b>4</b>	M412534	Relay	24 Volt/50 or 60 Hertz/1 Phase
<b>5</b>	70175301P	Timer Control Assembly	
<b>6</b>	431347P	Thermostat Module	Temperature control board
<b>7</b>	70080701	Mounting Bracket	
<b>8</b>	M400977	Nut	
<b>9</b>	431353P	Temperature Switch	Potentiometer
<b>10</b>	70080601	Temperature Knob	AT, DT and ST models
	431357	Temperature Knob	JT models
<b>11</b>	70175803	Control Plate Assembly	Includes studs
<b>12</b>	70114501	Overlay	AT, DA, DC, DT, SA, SC and ST models; Text
	70134901	Overlay	AT, DA, DC, DT, SA, SC and ST models; Icon
	70114201	Overlay	JA, JC and JT models; Text
	70245901	Overlay	PA, PC and PT models; Icon
	N/A	Overlay	JA, JC and JT models; Icon
<b>13</b>	70082201	Indicator Light	Heat and cooling
<b>14</b>	70082101	Timer Knob	AT, DT and ST models
	M410927	Knob	Timer; JT models
<b>15</b>	70108501	Start Switch	Rocker
<b>16</b>	M411052	Screw	
<b>17</b>	M412080P	Timer	Heat; 50 Hertz; 60 minute; 24 Volt
	70131701P	Timer	Heat; 60 Hertz; 60 minute; 24 Volt
<b>18</b>	M402797	Screw	
<b>19</b>	M412079P	Timer	Cooling; 50 Hertz; 15 minute; 24 Volt
	70131801P	Timer	Cooling; 60 Hertz; 15 minute; 24 Volt

**N/A = Part no longer available**

# OPL Microprocessor Controls

Models with OM Control Suffix



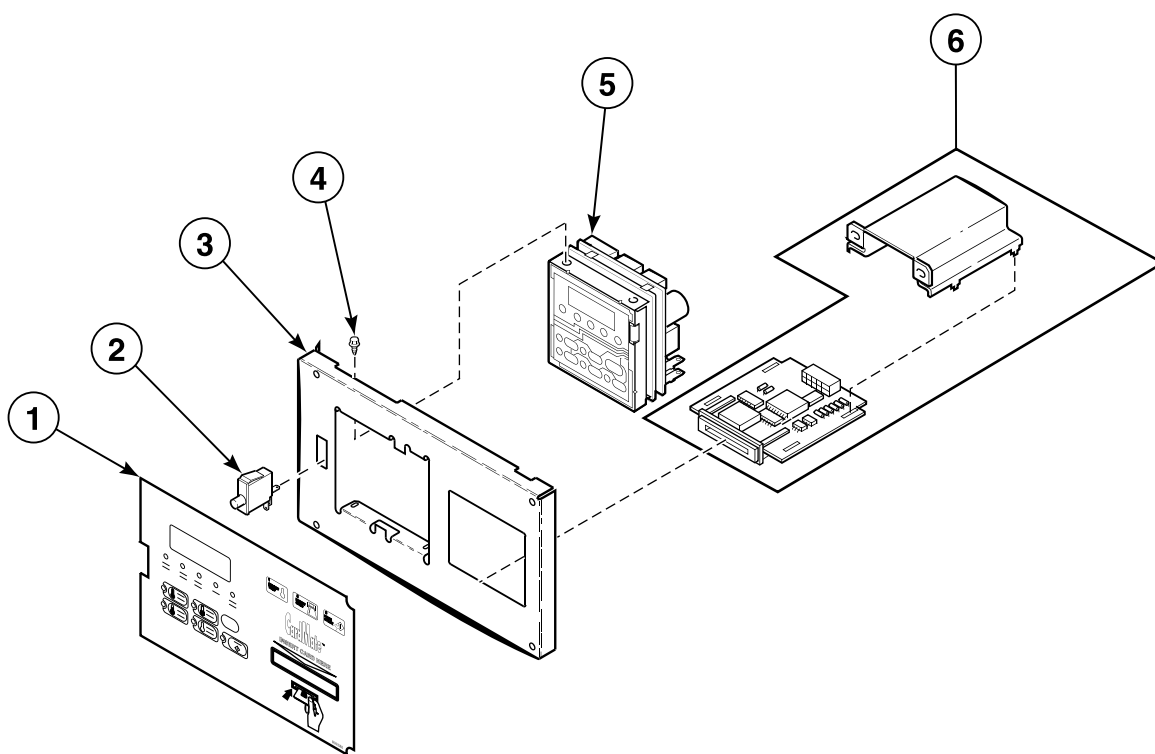
T478PZ3A\_70184901

# OPL Microprocessor Controls

REF	PART NO.	DESCRIPTION	COMMENTS
	M4689P3	Electronic OPL Control Kit	AT, DA, DT, GT, JA, JT, LT, PA, PT, SA and ST models; Dual secondary transformers (M414228 for 100-240 VAC and M414229 for 380-480 VAC) must be used with this kit; Does not include overlay or harness
	M4695P3	Electronic OPL Control Kit	DC, GC, JC, LC, PC and SC models
	70082801P	Control Panel Harness Assembly	AT, DT, GT, JT, LT, PT and ST models
	70082901	Control Panel Harness Assembly	DA, DC, GC, JA, JC, LC, PA, PC, SA and SC models
	70084303	Jumper Calibration Assembly	0220 and 0270 models
	70084301	Jumper Calibration Assembly	0350 models
<b>1</b>	70115801	Overlay	AT, DA, DC, DT, LC, SA, SC and ST models; Nonreversing; Icon and text
	70128401	Overlay	AT, DA, DC, DT, SA, SC and ST models; Reversing; Icon and text
	70130401	Overlay	AT, DA, DC, DT, LT, SA, SC and ST models; Nonreversing; Icon
	70130501	Overlay	AT, DA, DC, DT, SA, SC and ST models; Reversing; Icon
	70128701	Overlay	JA, JC and JT models; Nonreversing; Icon and text
	70130601	Overlay	JA, JC and JT models; Nonreversing; Icon and text
	70128601	Overlay	JA, JC and JT models; Reversing; Icon
	70130701	Overlay	JA, JC and JT models; Reversing; Icon
	70135301	Overlay	PA, PC and PT models; Reversing; Icon
	70130301	Overlay	PA, PC and PT models; Icon
<b>2</b>	70175805	Control Plate Assembly	AT, DT, JT, LT and ST models; With studs
	70175806	Control Plate Assembly	DA, DC, JA, JC, LC, SA and SC models; With studs
<b>3</b>	70054	Nut	
<b>4</b>	70063501	Mounting Bracket	
<b>5</b>	M402797	Screw	
<b>6</b>	M412534	Relay	
<b>7</b>	34896	Circuit Board Support	
<b>8</b>	70228401P	Control Kit	
<b>9</b>	70406501	Fuse	1.25 Amp

# Card Reader for NetMaster Models

J and S Models with NR, NY, ZR and ZY Control Suffixes



TMB369P\_70184901

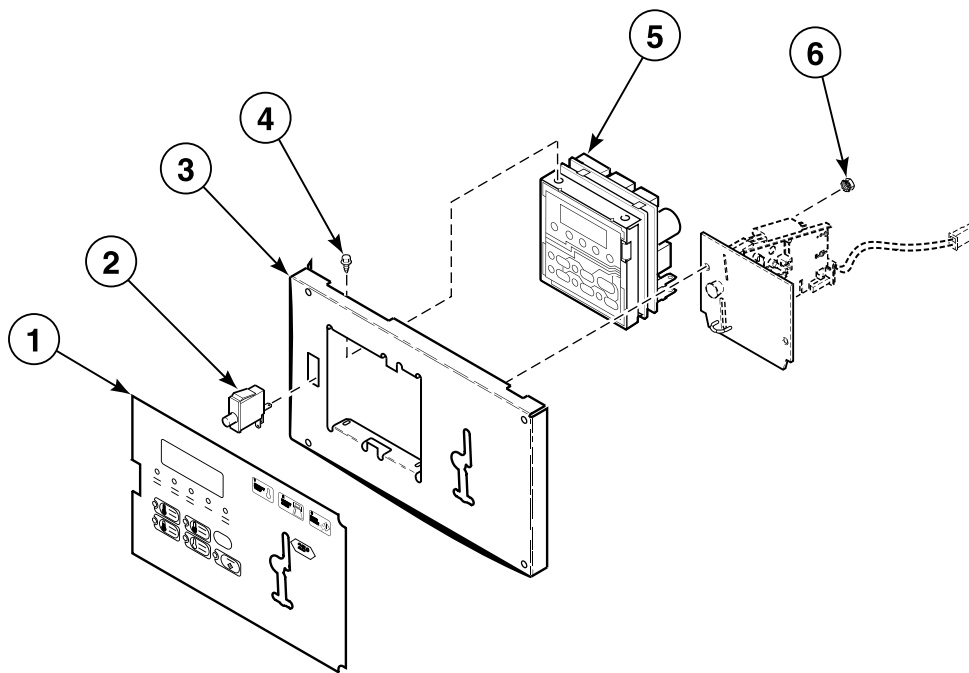
## Card Reader for NetMaster Models

REF	PART NO.	DESCRIPTION	COMMENTS
	70208801	Mounting Plate	Use with 70348801 Control Plate Assembly
	70206301	Control Panel Harness Assembly	JT and ST models
	70235801	Control Panel Harness Assembly	JA, JC, SA and SC models
	70211701	Jumper Calibration Assembly	0220 and 0270 models
	70211702	Jumper Calibration Assembly	0350 models
	70206601	Card Reader Network Harness Assembly	ZR and ZY control suffixes
	70211801	Card Reader Harness Assembly	NR and NY control suffixes
<b>1</b>	N/A	Overlay	ST models; Card reader ready
	70184401	Overlay	ST models; Card reader
	N/A	Overlay	JT models; Card reader
	N/A	Overlay	JT models; Card reader ready
<b>2</b>	70107001	Pushbutton Switch	
<b>3</b>	N/A	Control Plate Assembly	Card reader models
	70348801	Control Plate Assembly	Card ready models
<b>4</b>	501524	Screw	
<b>5</b>	505905P	Control Kit	
<b>6</b>	510068P	Card Reader and Bracket Assembly	

**N/A = Part no longer available**

# Coin Drop Components for NetMaster Models

J and S Models with NC, NX, ZC and ZX Control Suffixes



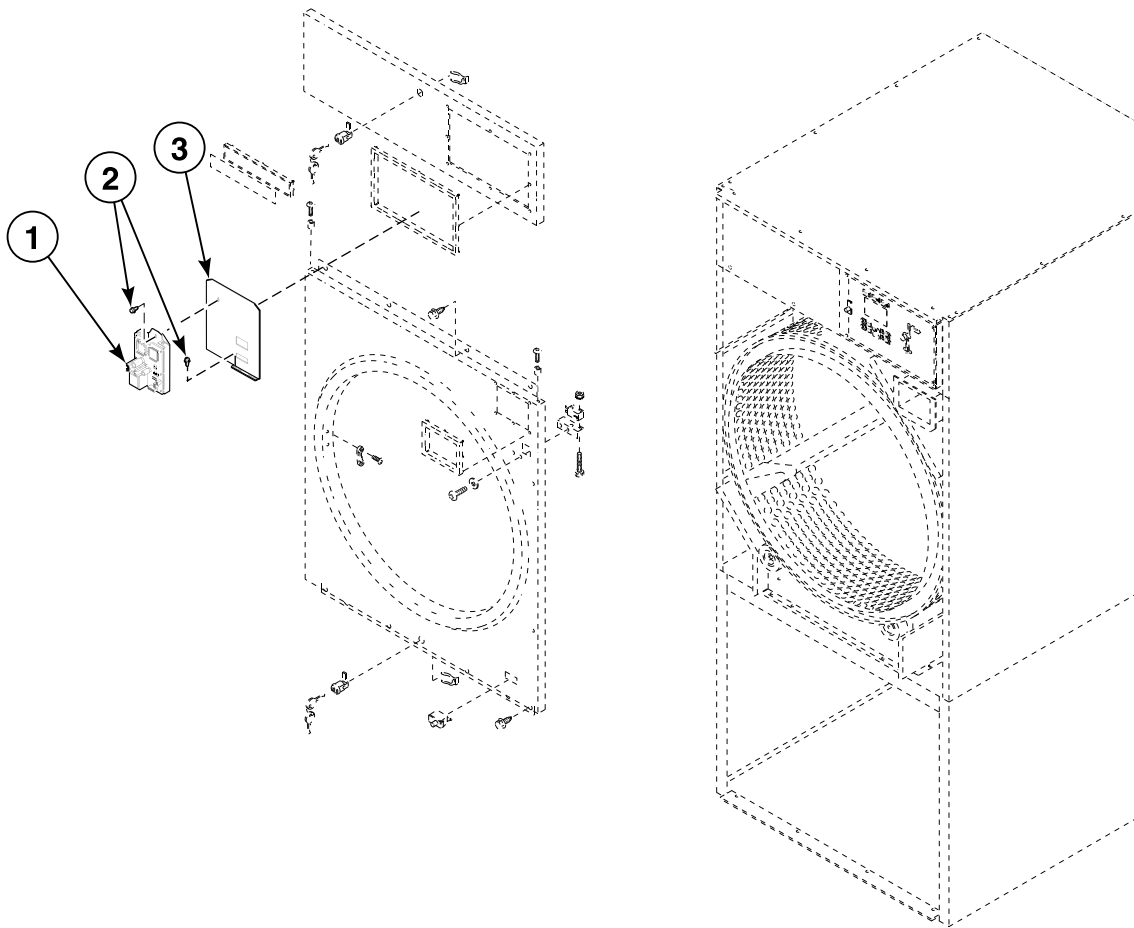
TMB370P\_70184901

## Coin Drop Components for NetMaster Models

REF	PART NO.	DESCRIPTION	COMMENTS
	M4686P3	Electronic Coin Control Kit	JA, JT, SA and ST models; Does not include overlay or harness
	M4687P3	Electronic Coin Control Kit	JC and SC models; Does not include overlay or harness
	70206301	Control Panel Harness Assembly	JT and ST models
	70235801	Control Panel Harness Assembly	JA, JC, SA and SC models
	70211701	Jumper Calibration Assembly	0220 and 0270 models
	70211702	Jumper Calibration Assembly	0350 models
	70204801	Main Harness Assembly	
	70211703	Jumper Calibration Assembly	
<b>1</b>	70184301	Overlay	ST models; Single drop
	70184302	Overlay	ST models; Dual drop
	70239601	Overlay	JT models; Single drop
	70239602	Overlay	JT models; Dual drop
<b>2</b>	70107001	Pushbutton Switch	
<b>3</b>	70175807	Control Plate Assembly	
<b>4</b>	501524	Screw	For mounting NetMaster control
<b>5</b>	505905P	Control Kit	
<b>6</b>	70054	Nut	

# Network Board for NetMaster Models

J and S Models with ZC, ZR, ZX and ZT Control Suffixes



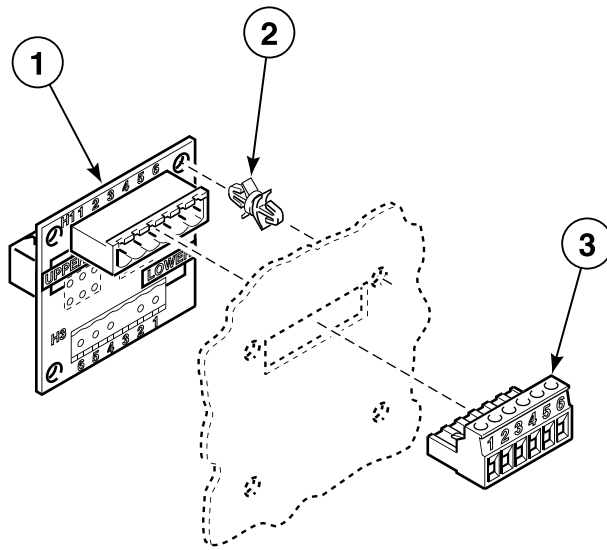
TMB375P\_70184901

## Network Board for NetMaster Models

REF	PART NO.	DESCRIPTION	COMMENTS
	800217	Network Wire Harness Assembly	
1	210016P	Network Board Assembly	
2	430497	Screw	
3	70201401	Network Plug Support	

# Communication Board for NetMaster Models

J and S Models with ZC, ZR, ZX and ZY Control Suffixes

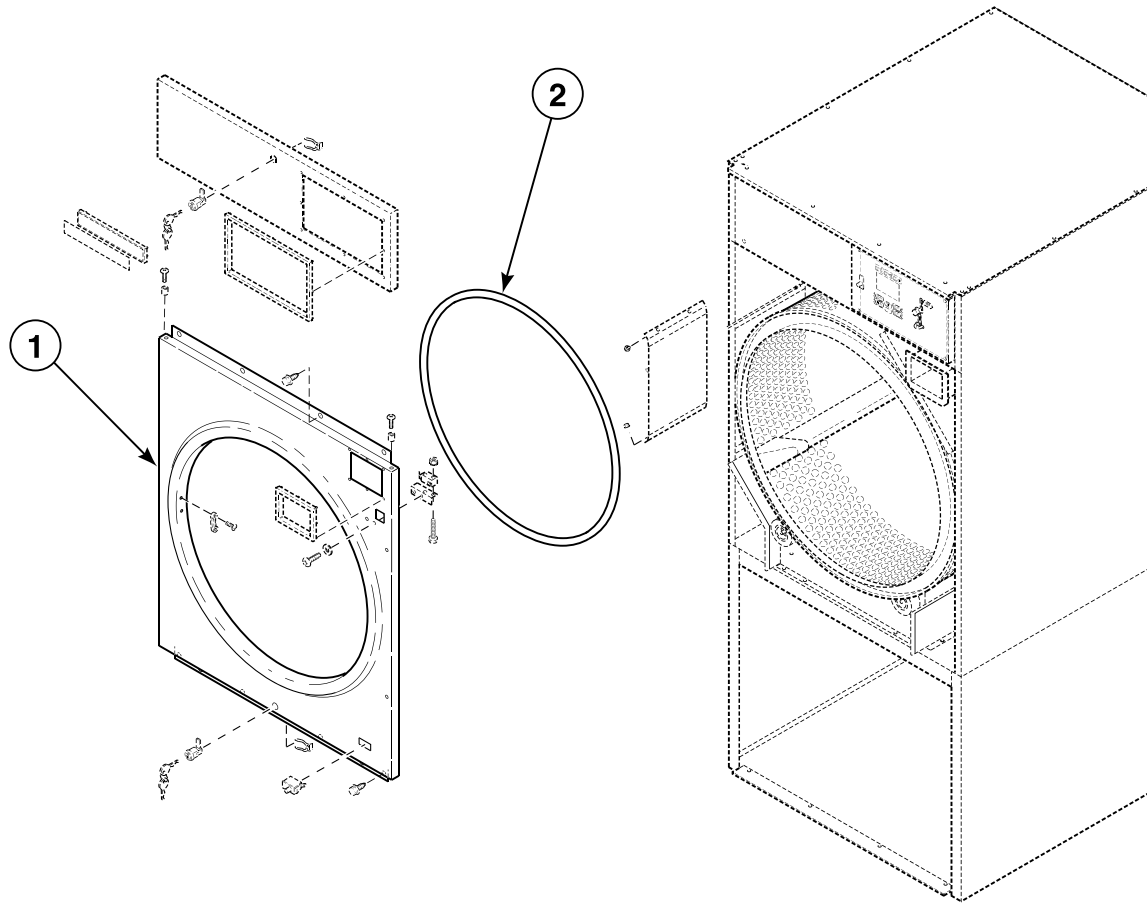


TMB1935P\_70184901

## Communication Board for NetMaster Models

REF	PART NO.	DESCRIPTION	COMMENTS
	800246	Communication Wire Harness Assembly	
	70211101	Communication Harness Assembly	
1	210095P	Communication Board	
2	210098	PC Board Standoff	4 per machine
3	210155	3 Circuit Data Connector	

# Cabinet Front Components (Drawing 1 of 2)



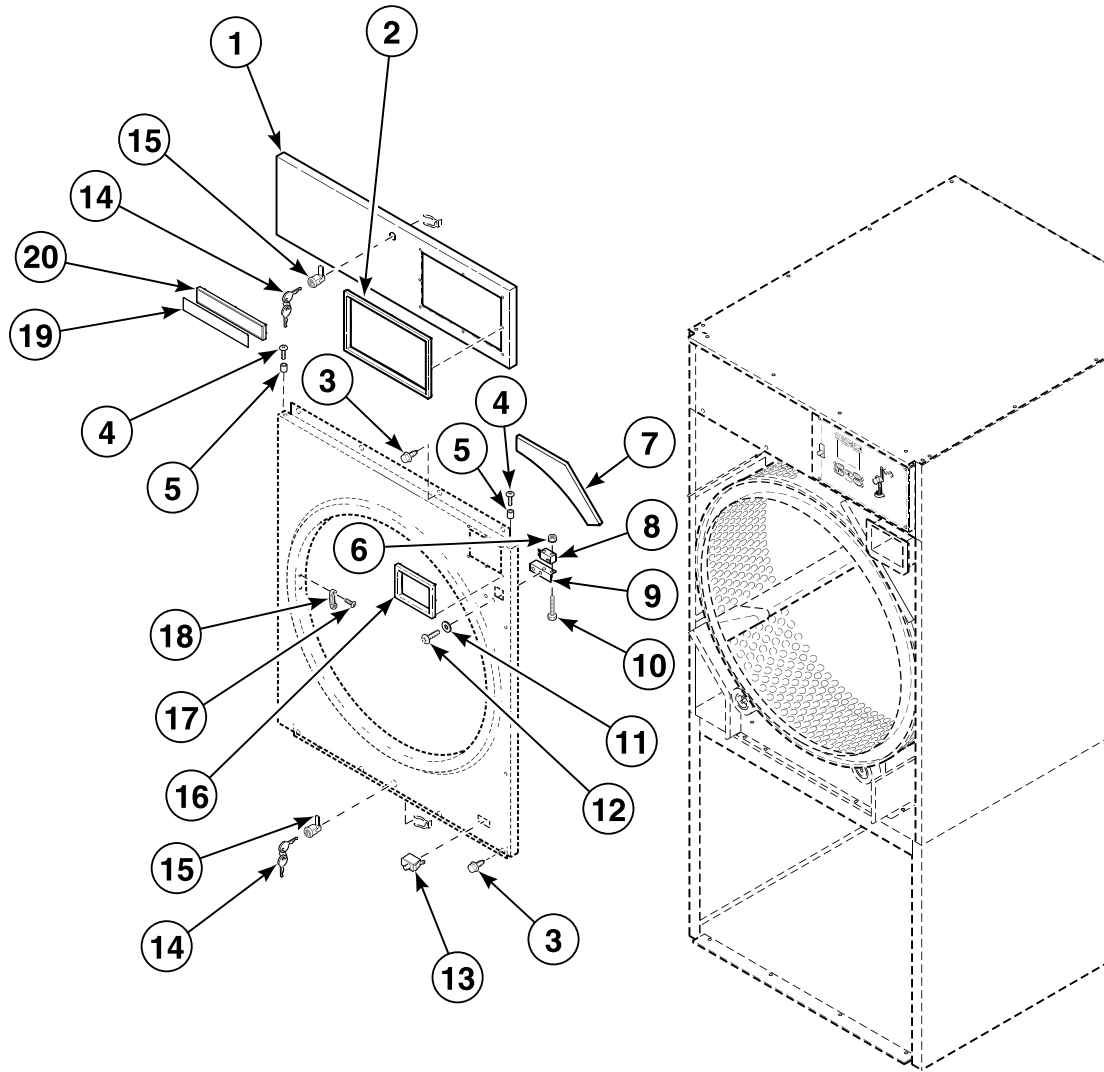
TMB1855P\_70184901

## Cabinet Front Components (Drawing 1 of 2)

REF	PART NO.	DESCRIPTION	COMMENTS
	70000501*P	False Front	0220 and 0270 models; 72 inches
	70000502	False Front	0220 and 0270 models; 72 inches; Stainless steel
	70024201*P	False Front Assembly	0220 and 0270 models; 76 inches
	70024202P	False Front	0220 and 0270 models; 76 inches; Stainless steel
	70021101*P	False Front	0350 models; 72 inches
	70021102P	False Front Assembly	0350 models; 72 inches; Stainless steel
	70024001*P	False Front Assembly	0350 models; 76 inches
	70024002P	False Front Assembly	0350 models; 76 inches; Stainless steel
<b>1</b>	70176201*P	Front Panel Assembly	DA, DT, GT, JA, JT, LT, PA, PT, SA and ST 0220 and 0270 models with CD and EC control suffixes; Coin
	70176202P	Front Panel Assembly	DA, DT, GT, JA, JT, LT, PA, PT, SA and ST 0220 and 0270 models with CD and EC control suffixes; Coin; Stainless steel
	70176205*P	Front Panel Assembly	DA, DT, GT, JA, JT, LT, PA, PT, SA and ST 0220 and 0270 models with MT and OM control suffixes; OPL
	70176206P	Front Panel Assembly	DA, DT, GT, JA, JT, LT, PA, PT, SA and ST 0220 and 0270 models with MT and OM control suffixes; OPL; Stainless steel
	70176203*	Front Panel Assembly	0220 and 0270 models with EP control suffix; Card reader
	70176204P	Front Panel Assembly	0220 and 0270 models with EP control suffix; Card reader; Stainless steel
	70176207*P	Front Panel Assembly	DC, GC, JC, PC and SC 0220 and 0270 models with CD and EC control suffixes; Coin
	70176208	Front Panel Assembly	DC, GC, JC, PC and SC 0220 and 0270 models with CD and EC control suffixes; Coin; Stainless steel
	70176209*P	Front Panel Assembly	DC, GC, JC, PC and SC 0220 and 0270 models with MT and OM control suffixes; OPL
	70176210	Front Panel Assembly	DC, GC, JC, PC and SC 0220 and 0270 models with MT and OM control suffixes; OPL; Stainless steel
	70176301*P	Front Panel Assembly	AT, DA, DT, JA, JT, LT, PA, PT, SA and ST 0350 models with CD and EC control suffixes; Coin
	70176302	Front Panel Assembly	AT, DA, DT, JA, JT, LT, PA, PT, SA and ST 0350 models with CD and EC control suffixes; Coin; Stainless steel
	70176305*P	Front Panel Assembly	AT, DA, DT, JA, JT, LT, PA, PT, SA and ST 0350 models with MT and OM control suffixes; OPL
	70176306	Front Panel Assembly	AT, DA, DT, JA, JT, LT, PA, PT, SA and ST 0350 models with MT and OM control suffixes; OPL; Stainless steel
	70176303*	Front Panel Assembly	0350 models with EP control suffix; Card reader
	70176304	Front Panel Assembly	0350 models with EP control suffix; Card reader; Stainless steel
	70176307*P	Front Panel Assembly	DC, JC, LC, PC and SC 0350 models with CD and EC control suffixes; Coin
	70176308	Front Panel Assembly	DC, JC, LC, PC and SC 0350 models with CD and EC control suffixes; Coin; Stainless steel
	70176309*	Front Panel Assembly	DC, JC, LC, PC and SC 0350 models with MT and OM control suffixes; OPL
	70176310	Front Panel Assembly	DC, JC, LC, PC and SC 0350 models with MT and OM control suffixes; OPL; Stainless steel
<b>2</b>	70173401P	Front Panel Filler	

\* Add Letter To Designate Color. **B - Battina Green** **H - Harvest Gold** **K - Red** **L - Almond** **P - Turquoise** **V - Orange**  
**W - White** **X - Electric Blue**

# Cabinet Front Components (Drawing 2 of 2)



TMB1859P\_70184901

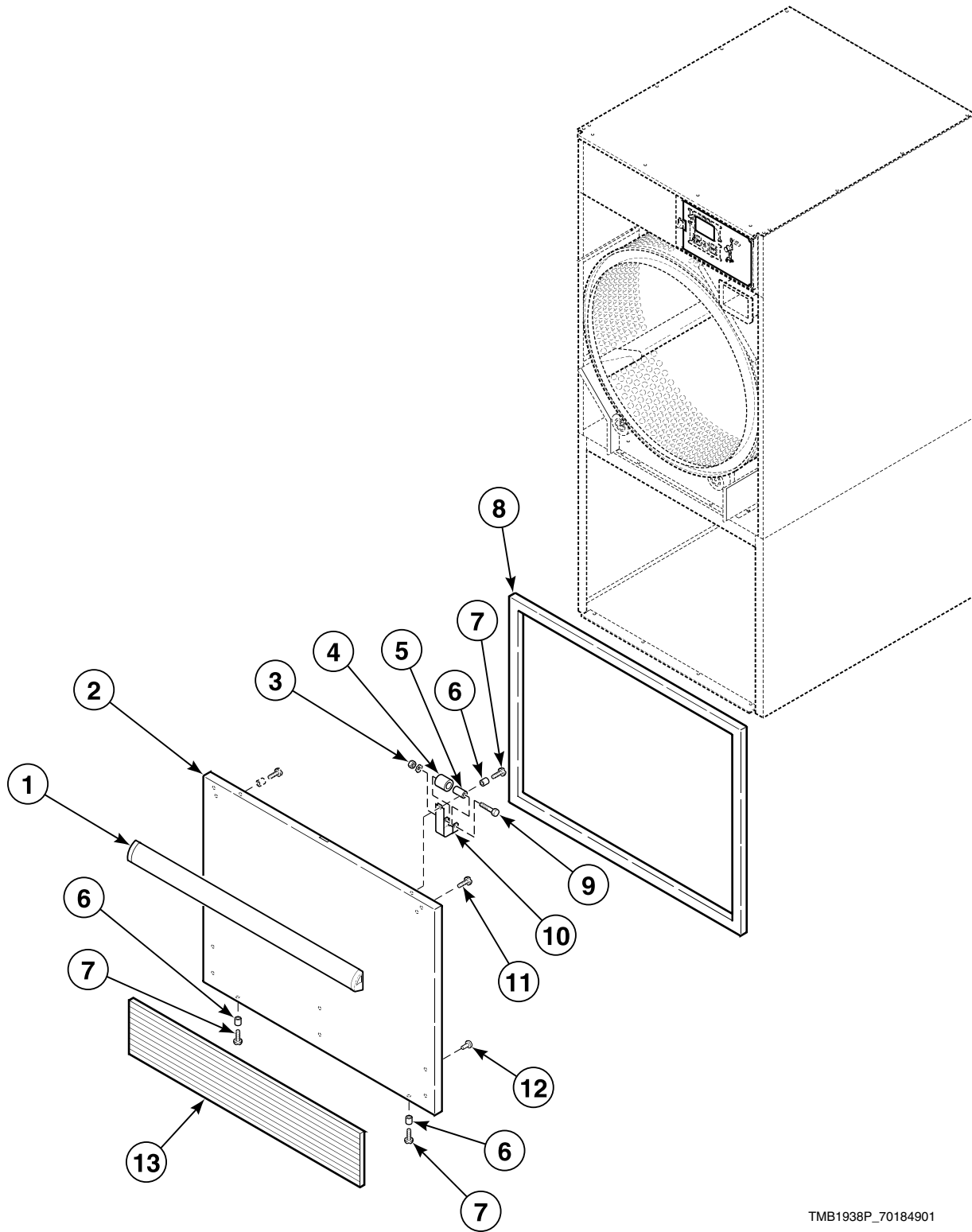
## Cabinet Front Components (Drawing 2 of 2)

REF	PART NO.	DESCRIPTION	COMMENTS
	70030501	Expansion Clip	For front panel screws
	M400972	Shadow Box Clip	For trim pieces
	70235201	Coin Vault Switch Harness Assembly	
	70235301	Emergency Stop Switch Harness Assembly	DC, GC, JC, LC, PC and SC models with MT control suffix; 2 pole
	70083901	Emergency Stop Switch Harness Assembly	DC, GC, JC, LC, PC and SC models with MT and OM control suffixes
<b>1</b>	70121501*	Control Panel	DT and ST 0220 and 0270 models; Flat top
	70121502	Control Panel	DT and ST 0220 and 0270 models; Flat top; Stainless steel
	70121601*	Control Panel	JT 0220 and 0270 models; Flat top
	70121602	Control Panel	JT 0220 and 0270 models; Flat top; Stainless steel
	70121301*	Control Panel	DT and ST 0350 models; Flat top
	70121302	Control Panel	DT and ST 0350 models; Flat top; Stainless steel
	70121401*P	Control Panel Kit	JT 0350 models; Flat top
	70121402P	Control Panel Kit	JT 0350 models; Flat top; Stainless steel
	70121501BLK	Control Panel	LT 0220 and 0270 models; Black
	70121301BLK	Control Panel	LC and LT 0350 models; Black
<b>2</b>	70117201	Control Trim	JA, JC and JT models
	44016401	Control Trim	DA, DC, DT, SA, SC and ST models
<b>3</b>	430497	Screw	
<b>4</b>	39733	Screw	
<b>5</b>	56079	Panel Locator	
<b>6</b>	70072901	Nut	DA, DC, JA, JC, SA and SC models
<b>7</b>	70155301	Front Panel Insulation	0350 models
	70155401	Front Panel Insulation	0220 and 0270 models
<b>8</b>	70125101	Door Switch	DA, DC, GC, JA, JC, LC, PA, PC, SA and SC models
<b>9</b>	70119301	Door Switch Bracket	DA, DC, GC, JA, JC, LC, PA, PC, SA and SC models
<b>10</b>	M401938	Screw	DA, DC, JA, JC, SA and SC models
<b>11</b>	F430311	Washer	DA, DC, JA, JC, SA and SC models
<b>12</b>	70132301	Screw	DA, DC, JA, JC, SA and SC models
<b>13</b>	70107001	Pushbutton Switch	
<b>14</b>	70155602	Key	RL002; For use on control panel and lint screen
	70155601	Key	RL001; For use on control panel only
<b>15</b>	44089302P	Lock, Key and Nut Kit	RL002; For use on control panel and lint screen
	44089301P	Lock, Key and Nut Kit	RL001; For use on control panel only
<b>16</b>	70117502	Coin Vault Trim	AT, SA, SC and ST models; Black
	70117501	Coin Vault Trim	JA, JC and JT models; Gray
	N/A	Coin Vault Trim	PA, PC and PT models; White
<b>17</b>	M400003	Pop Rivet	
<b>18</b>	M401223	Door Latch	
<b>19</b>	70115601	Nameplate Overlay	SA, SC and ST models
	70128301	Nameplate Overlay	DA, DC and DT models
	70240801	Nameplate Overlay	AT models
<b>20</b>	70117401	Nameplate Bezel	DA, DC, DT, SA, SC and ST models

\* Add Letter To Designate Color. **B** - Battina Green **H** - Harvest Gold **K** - Red **L** - Almond **P** - Turquoise **V** - Orange  
**W** - White **X** - Electric Blue

N/A = Part no longer available

# Lower Cabinet Front Components



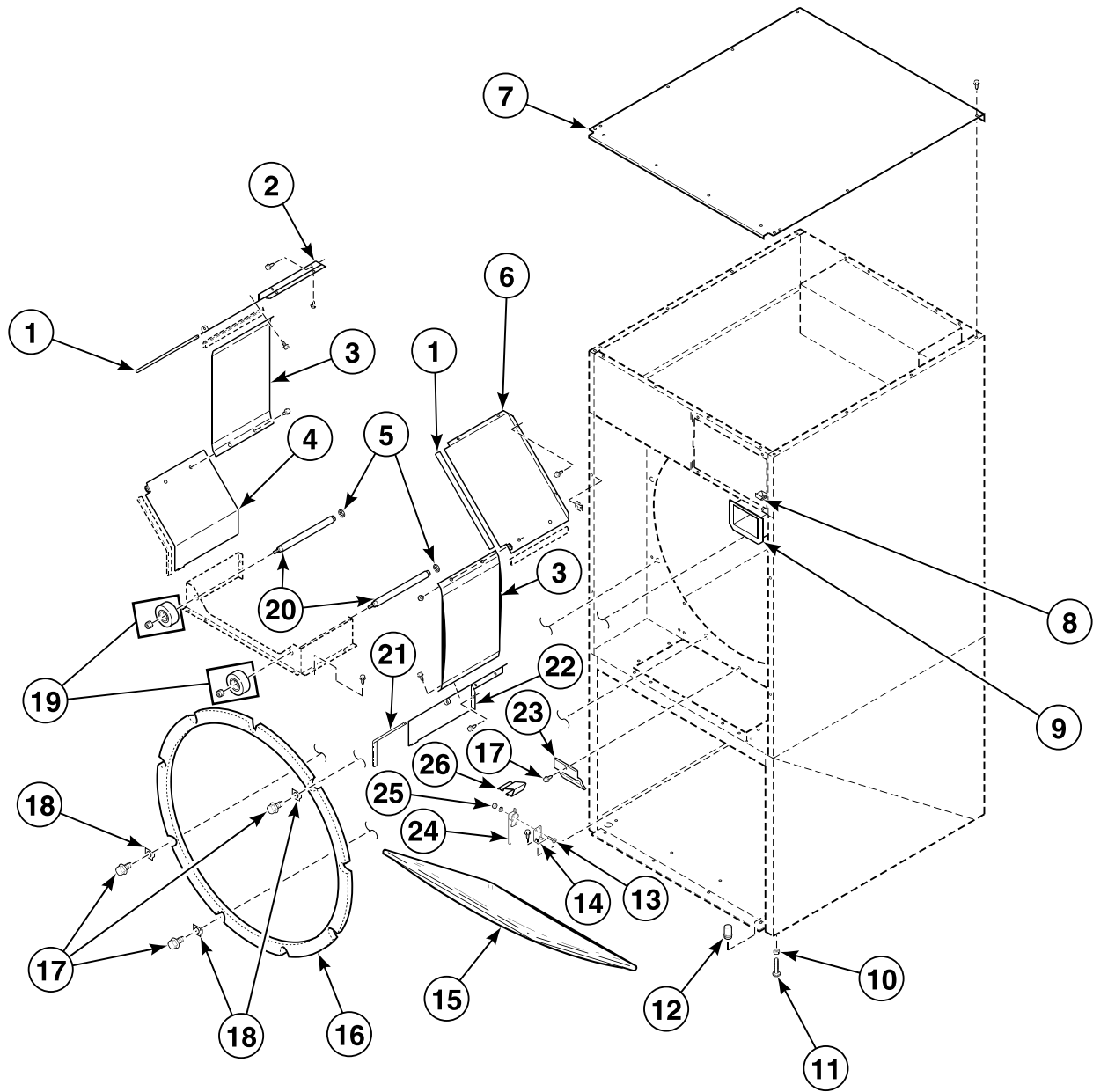
TMB1938P\_70184901

## Lower Cabinet Front Components

REF	PART NO.	DESCRIPTION	COMMENTS
	M4379P4	Tumbler Dolly Kit	
1	70154401	Handle and Caps Assembly	DA, DC, DT, LT, SA, SC and ST 0220 and 0270 models; Black
	70154402	Handle and Caps Assembly	JA, JC and JT 0220 and 0270 models; Dark gray
	70154403	Handle and Caps Assembly	DA, DC, DT, LC, LT, SA, SC and ST 0350 models; Black
	70154404	Handle and Caps Assembly	JA, JC and JT 0350 models; Dark gray
2	70176601*P	Lint Panel Assembly	0220 and 0270 models with CD, EC and EP control suffixes; Coin; Includes items 2, 8 and 10
	70176602P	Lint Panel Assembly	0220 and 0270 models with CD, EC and EP control suffixes; Coin; Stainless steel
	70176605*	Lint Panel Assembly	JA, JC and JT 0220 and 0270 models; Coin; Includes items 2, 8 and 10
	70176705*	Lint Panel Assembly	JA, JC and JT 0350 models; Coin
	70176707*	Lint Panel Assembly	JA, JC and JT 0350 models; OPL
	70176708	Lint Panel Assembly	JA, JC and JT 0350 models; OPL; Stainless steel
	70176706	Lint Panel Assembly	JA, JC and JT 0220 and 0270 models; Coin; Stainless steel
	70176603*P	Lint Panel Assembly	0220 and 0270 models with MT and OM control suffixes; OPL
	70176604	Lint Panel Assembly	0220 and 0270 models with MT and OM control suffixes; OPL; Stainless steel
	70176701*P	Lint Panel Assembly	0350 models with CD, EC and EP control suffixes; Coin
	70176702P	Lint Panel Assembly	0350 models with CD, EC and EP control suffixes; Coin; Stainless steel
	70176703*P	Lint Panel Assembly	0350 models with MT and OM control suffixes; OPL
	70176704	Lint Panel Assembly	0350 models with MT and OM control suffixes; OPL; Stainless steel
3	23951	Nut	
4	70297601	Roller Catch Wheel	
5	70030201	Roller Catch Spacer	
6	56079	Panel Locator	
7	39733	Screw	
8	70289101P	Lint Panel Gasket	
9	70072801	Screw	
10	70030301	Roller Catch Arm	
11	430757	Screw	For attaching handle
12	70126301	Pop Rivet	For attaching kickplate; Black
	70126401	Pop Rivet	For attaching kickplate; Gray
13	70117601	Kickplate	DA, DC, DT, LT, SA, SC and ST 0220 and 0270 models; Black
	70117602	Kickplate	JA, JC and JT 0220 and 0270 models; Dark gray
	70117603	Kickplate	DA, DC, DT, LC, LT, SA, SC and ST 0350 models; Black
	70117604	Kickplate	JA, JC and JT 0350 models; Dark gray

\* Add Letter To Designate Color. B - Battina Green H - Harvest Gold K - Red L - Almond P - Turquoise V - Orange  
W - White X - Electric Blue

# Cabinet Components



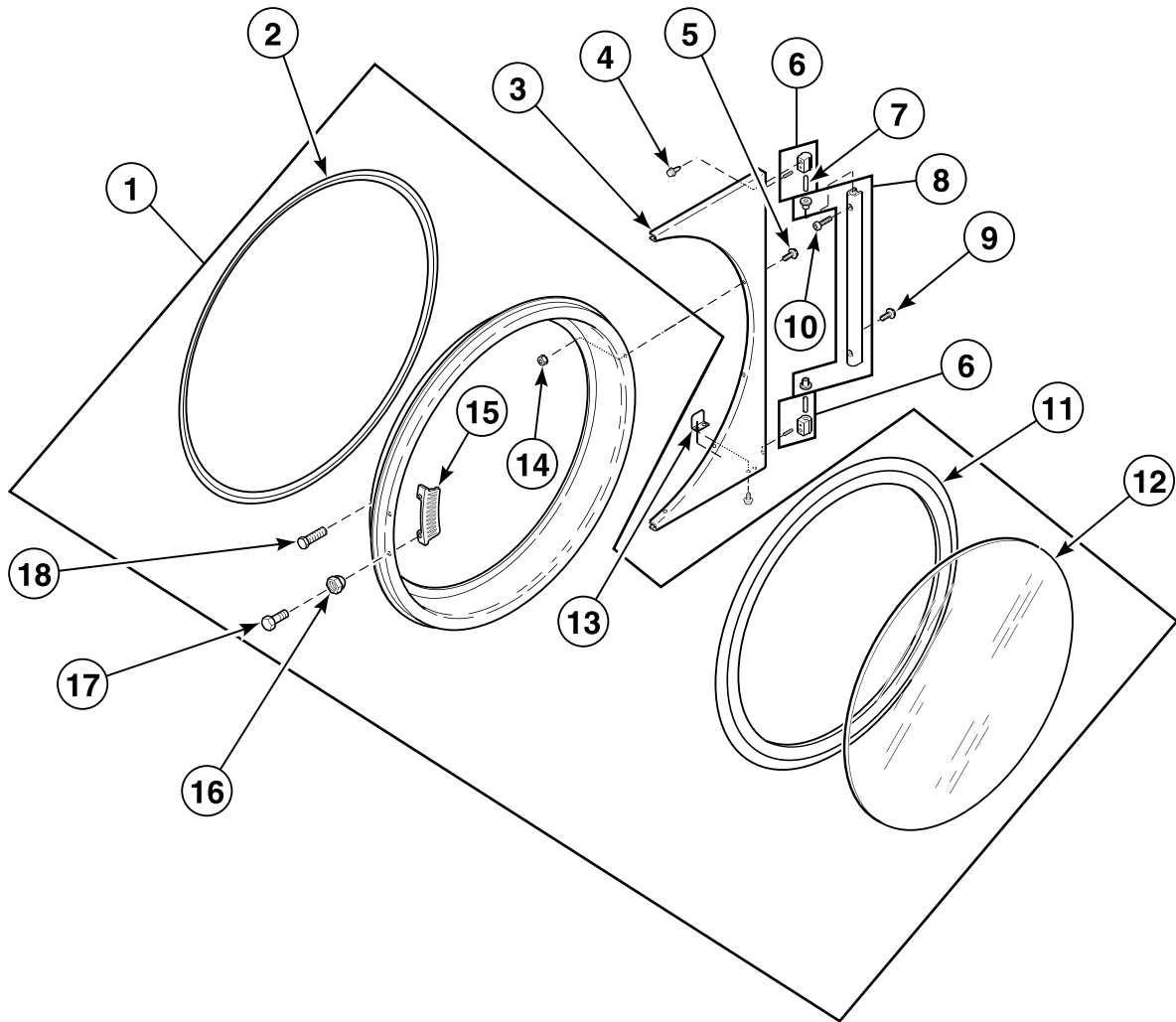
TMB1856P\_70184901

# Cabinet Components

REF	PART NO.	DESCRIPTION	COMMENTS
	70067001P	High Limit Harness	
	70084001	Jumper Bypass Assembly	AT, DA, DT, GT, JA, JT, LT, PA, PT, SA and ST models; Card reader models with MT and OM control suffixes
1	70015701	Baffle Gasket	Upper; 11.38 inches; Center partition
2	70022101	Partition Baffle	Upper left
3	70036601	Thermal Shield	
4	70015201	Partition Baffle	0350 models; Lower left
5	430576	Nut	
6	70022001	Partition Baffle	Upper right
7	70000301	Flat Top	0270 models; Galvanized
	70018601	Flat Top	0350 models; Galvanized
	N/A	Flat Top	0220 models; Galvanized
8	70296401	Coin Chute Assembly	CD and EC control suffixes
9	70180101	Coin Vault Assembly	CD and EC control suffixes
10	21899	Nut	
11	34319	Leveling Leg	
12	70063201	Hole Plug	
13	M401938	Screw	
14	70019301	Lint Panel Switch Bracket	
15	70290401	Lint Screen	
16	70066004	Center Cylinder Seal Assembly	0220 and 0270 models
	70066003	Center Cylinder Seal Assembly	0350 models
17	430497	Screw	
18	70226701	Clip	
19	70298701P	Roller Bearing Assembly	
20	70017701	Roller Shaft	
21	70015703	Baffle Gasket	10.5 inches
	70015701	Baffle Gasket	11.38 inches
	70015702	Baffle Gasket	8.75 inches
22	70015101	Partition Baffle	0350 models; Lower right
23	70054501	Lint Screen Clip	0220 models
24	70016001	Lint Panel Switch	
25	70072901	Nut	
26	35865	Hold-Down Clip	0270 and 0350 models

N/A = Part no longer available

# Door and Hinge Components



TMB1939P\_70184901

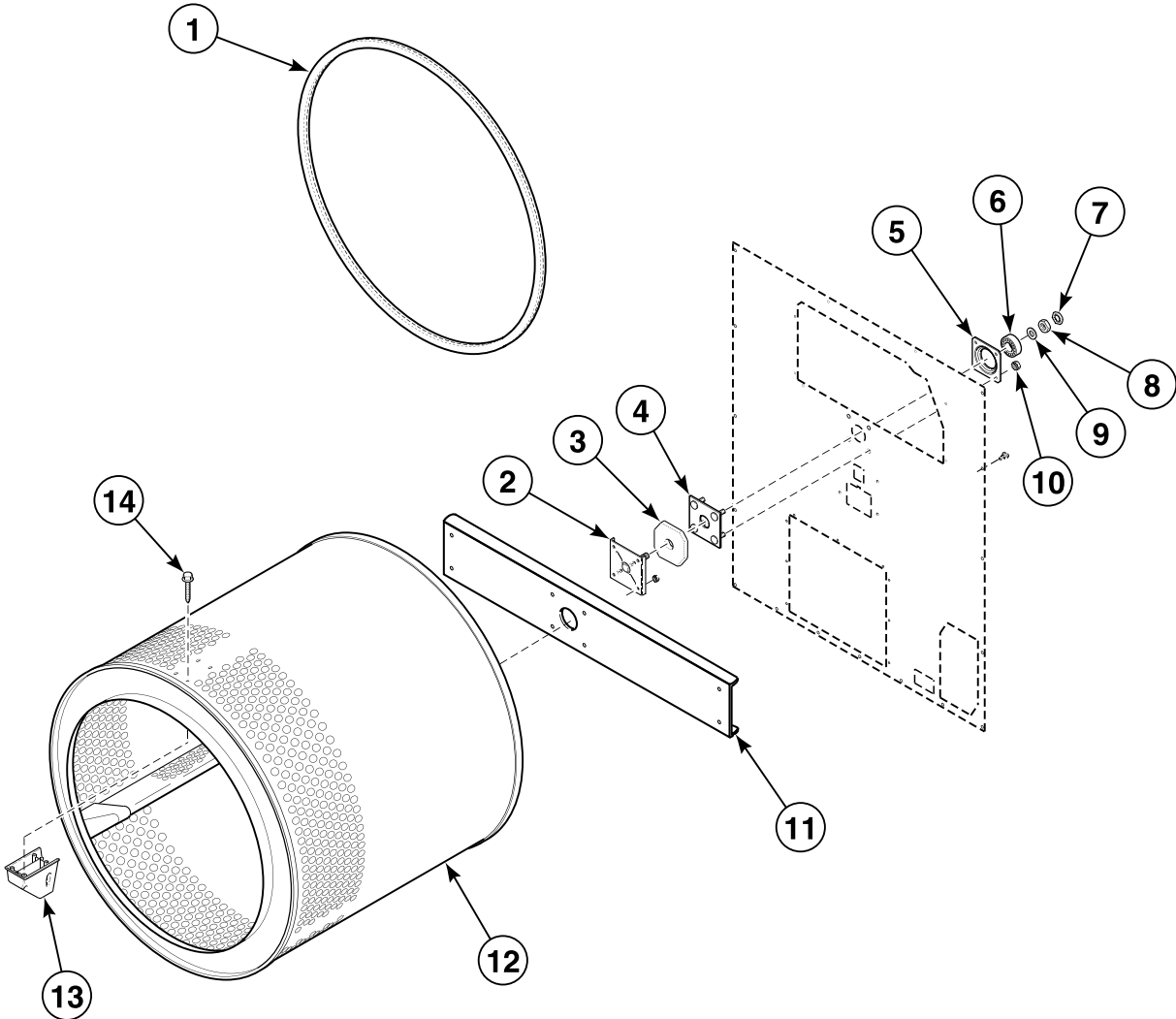
## Door and Hinge Components

REF	PART NO.	DESCRIPTION	COMMENTS
	M4771P3	Door Hinge Cam Assembly Kit	Includes items 6 and 11
1	70212300	Door Assembly	AT, LC, LT, SA, SC and ST models; Excludes hinge
	44058001	Door Assembly	JA, JC and JT models; Excludes hinge
	70176503	Door Assembly	DA, DC and DT models; Excludes hinge
	70212200	Door Assembly	GC, GT, PA, PC and PT models; Excludes hinge
2	70296801	Door Ring Gasket	
3	70115901*	Door Hinge	0350 models
	70115902	Door Hinge	0350 models; Stainless steel
	70116003W	Door Hinge	0220 and 0270 models
	70116004	Door Hinge	0220 and 0270 models; Stainless steel
4	61199	Screw	
5	501524	Screw	
6	M4771P3	Door Hinge Cam Assembly Kit	Upper or lower
7	70071401	Pin	
8	44035001	Door Hinge Lug Assembly	
9	70033502	Screw	
10	430757	Screw	
11	70211901P	Door Glass Seal Kit	
12	70133601P	Door Glass	JA, JC and JT models
	M400784P	Door Glass	DA, DC, DT, LC, LT, SA, SC and ST models
13	70215001P	Door Switch Actuator Kit	
14	70054	Nut	
15	70024801	Door Handle	AT, DA, DC, DT, SA, SC and ST models
	70133501P	Replacement Door Handle Kit	JA, JC and JT models
	430117	Door Handle	L models
	M400133	Door Handle	PA, PC and PT models
16	M414215	Nut	For door strike; Mounts between door strike screw and door handle
17	430757	Screw	Use with 70024801 Door Handle
	M409385	Screw	Use with 70133501P Replacement Door Handle Kit
	430756	Screw	Use with 430117 Door Handle
	M409385	Screw	Use with M400133 Door Handle
18	M400661	Screw	

\* Add Letter To Designate Color. B - Battina Green H - Harvest Gold K - Red L - Almond P - Turquoise V - Orange  
W - White X - Electric Blue

# Cylinder Components

Models Through Serial No. 9712xxxxx



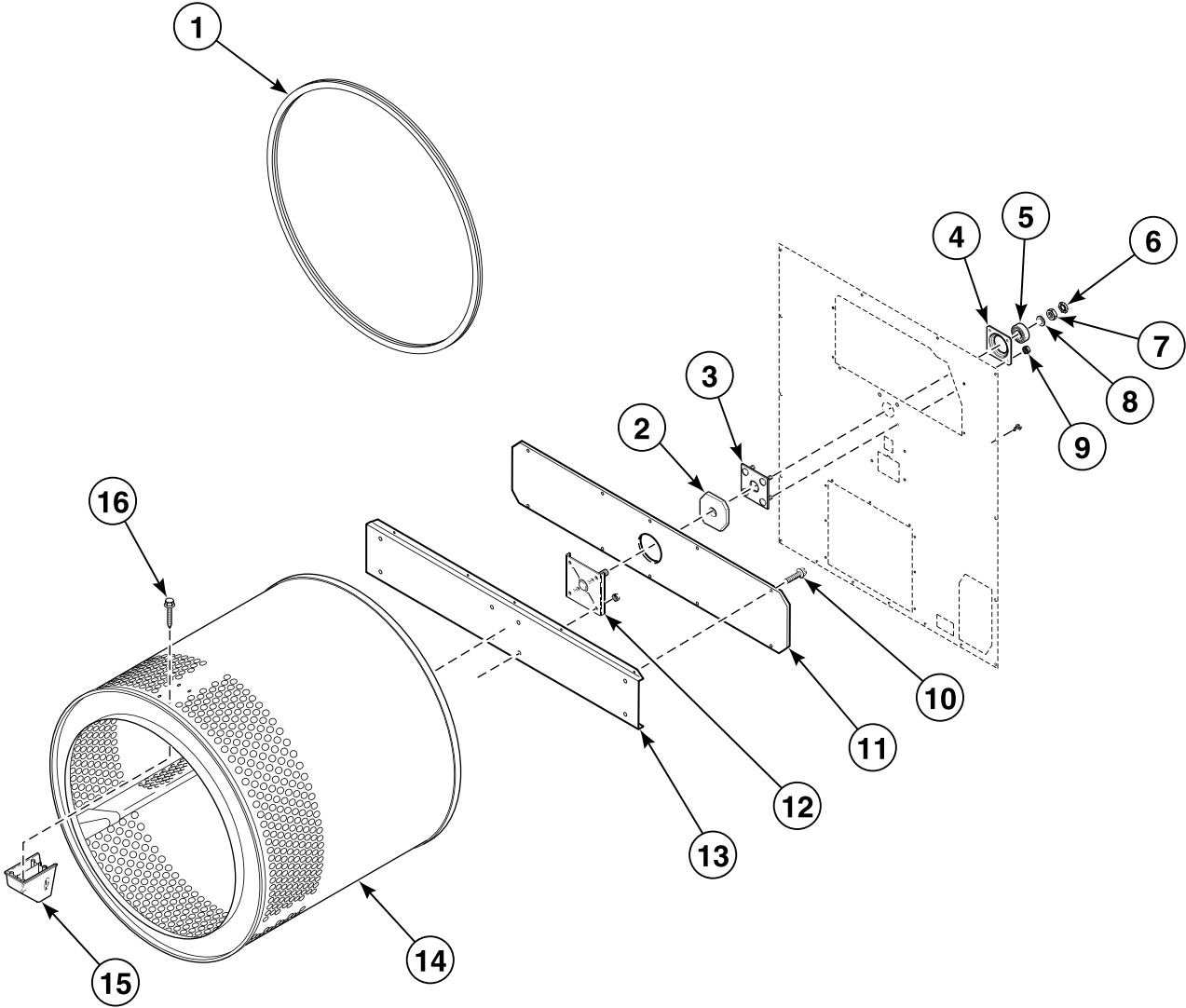
TMB2463P\_70184901

# Cylinder Components

REF	PART NO.	DESCRIPTION	COMMENTS
	511637	Adhesive	For item 1
	70189201	Bolt	Cylinder to trunnion/cylinder channel
	M400013	Washer	Cylinder to trunnion/cylinder channel
	263P4	Cylinder Guide Tool	
	70142	Nut	Cylinder to trunnion/cylinder channel
	70015301	Rear Cylinder Seal Support	0220 and 0270 models
<b>1</b>	70013701P	Rear Cylinder Seal	0350 models; Rear
	70013702	Rear Cylinder Seal	0220 and 0270 models
<b>2</b>	70244701P	Trunnion and Seal Kit	
<b>3</b>	70193801	Felt Seal	
<b>4</b>	430352	Cylinder Bearing Stud Plate Assembly	
<b>5</b>	70013901	Rear Cylinder Bearing Housing	
<b>6</b>	430038	Support Bearing	
<b>7</b>	M400034	Nut	
<b>8</b>	M400022	Nut	
<b>9</b>	M400991	Washer	
<b>10</b>	44087201	Nut	
<b>11</b>	70190701	Cylinder Channel	0350 models
	70190601	Cylinder Channel	0220 and 0270 models
<b>12</b>	70221901P	Cylinder, Trunnion and Seal Kit	0220 models; Includes 70190601 Cylinder Channel; Galvanized
	70221902P	Cylinder, Trunnion and Seal Kit	0220 models; Includes 70190601 Cylinder Channel; Stainless steel
	70222001P	Cylinder, Trunnion and Seal Kit	0270 models; Includes 70190601 Cylinder Channel; Galvanized
	70222002P	Cylinder, Trunnion and Seal Kit	0270 models; Includes 70190601 Cylinder Channel; Stainless steel
	70222101P	Cylinder, Trunnion and Seal Kit	0350 models; Includes 70190701 Cylinder Channel; Galvanized
	70222102P	Cylinder, Trunnion and Seal Kit	0350 models; Includes 70190701 Cylinder Channel; Stainless steel
<b>13</b>	70070101	End Cap	Cylinder baffle
<b>14</b>	62588	Screw	

# Cylinder Components

Models Starting Serial No. 9713xxxxx

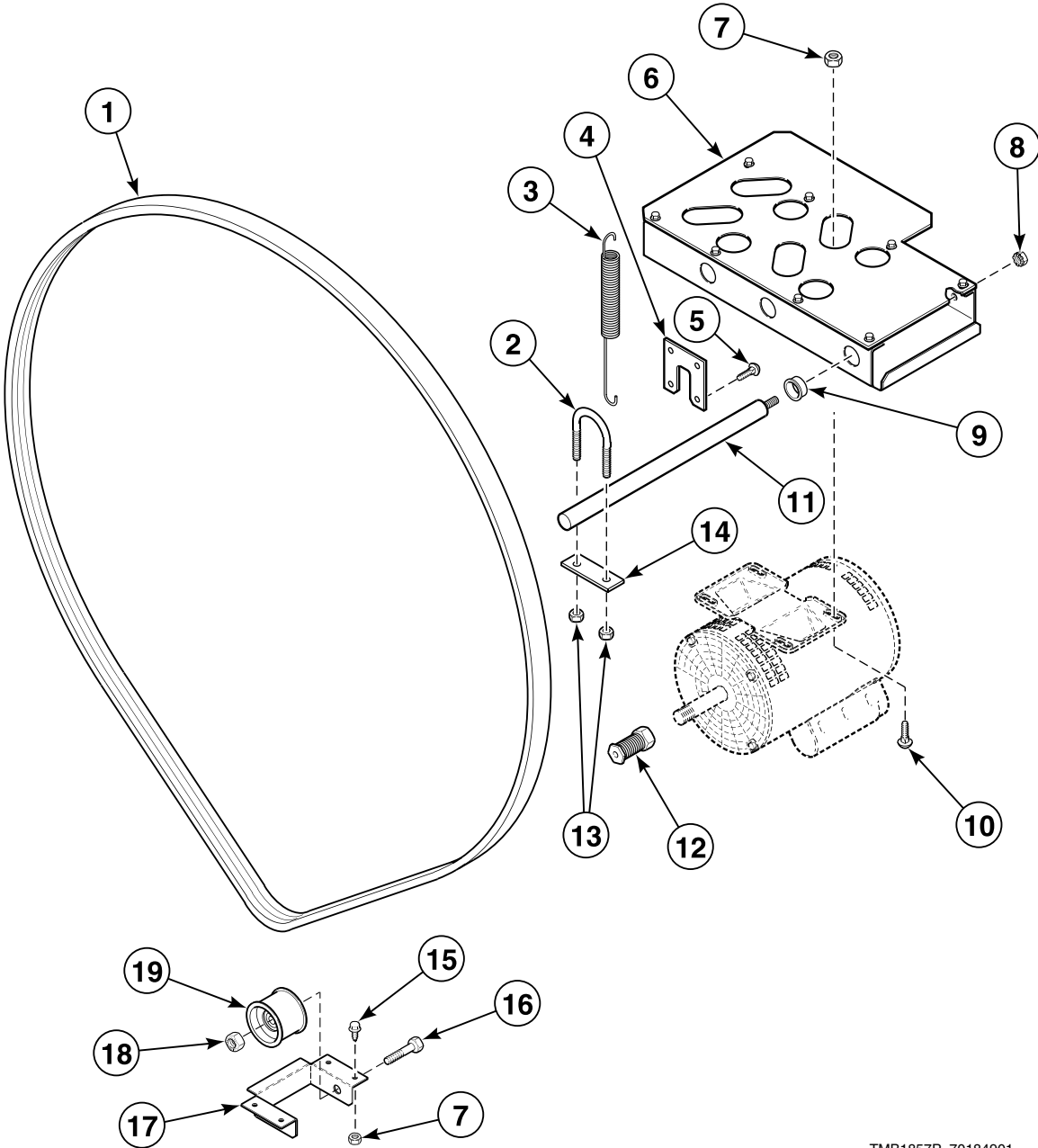


TMB2464P\_70184901

# Cylinder Components

REF	PART NO.	DESCRIPTION	COMMENTS
	511637	Adhesive	For item 1
	263P4	Cylinder Guide Tool	
<b>1</b>	70013701P	Rear Cylinder Seal	0350 models
	70013702	Rear Cylinder Seal	0220 and 0270 models
<b>2</b>	70193801	Felt Seal	
<b>3</b>	430352	Cylinder Bearing Stud Plate Assembly	
<b>4</b>	70013901	Rear Cylinder Bearing Housing	
<b>5</b>	430038	Support Bearing	
<b>6</b>	M400034	Nut	
<b>7</b>	M400022	Nut	
<b>8</b>	M400991	Washer	
<b>9</b>	44087201	Nut	
<b>10</b>	430497	Screw	10 required
<b>11</b>	70257401	Rear Cylinder Channel Plate	0220 and 0270 models
	70257201	Rear Cylinder Channel Plate	0350 models
<b>12</b>	70244701P	Trunnion and Seal Kit	
<b>13</b>	70257301	Rear Cylinder Channel	0220 and 0270 models
	70257101	Rear Cylinder Channel	0350 models
<b>14</b>	70221901P	Cylinder, Trunnion and Seal Kit	0220 models; Includes 70190601 Cylinder Channel; Galvanized
	70221902P	Cylinder, Trunnion and Seal Kit	0220 models; Includes 70190601 Cylinder Channel; Stainless steel
	70222001P	Cylinder, Trunnion and Seal Kit	0270 models; Includes 70190601 Cylinder Channel; Galvanized
	70222002P	Cylinder, Trunnion and Seal Kit	0270 models; Includes 70190601 Cylinder Channel; Stainless steel
	70222101P	Cylinder, Trunnion and Seal Kit	0350 models; Includes 70190701 Cylinder Channel; Galvanized
	70222102P	Cylinder, Trunnion and Seal Kit	0350 models; Includes 70190701 Cylinder Channel; Stainless steel
<b>15</b>	70070101	End Cap	
<b>16</b>	62588	Screw	

# Drive Motor Components

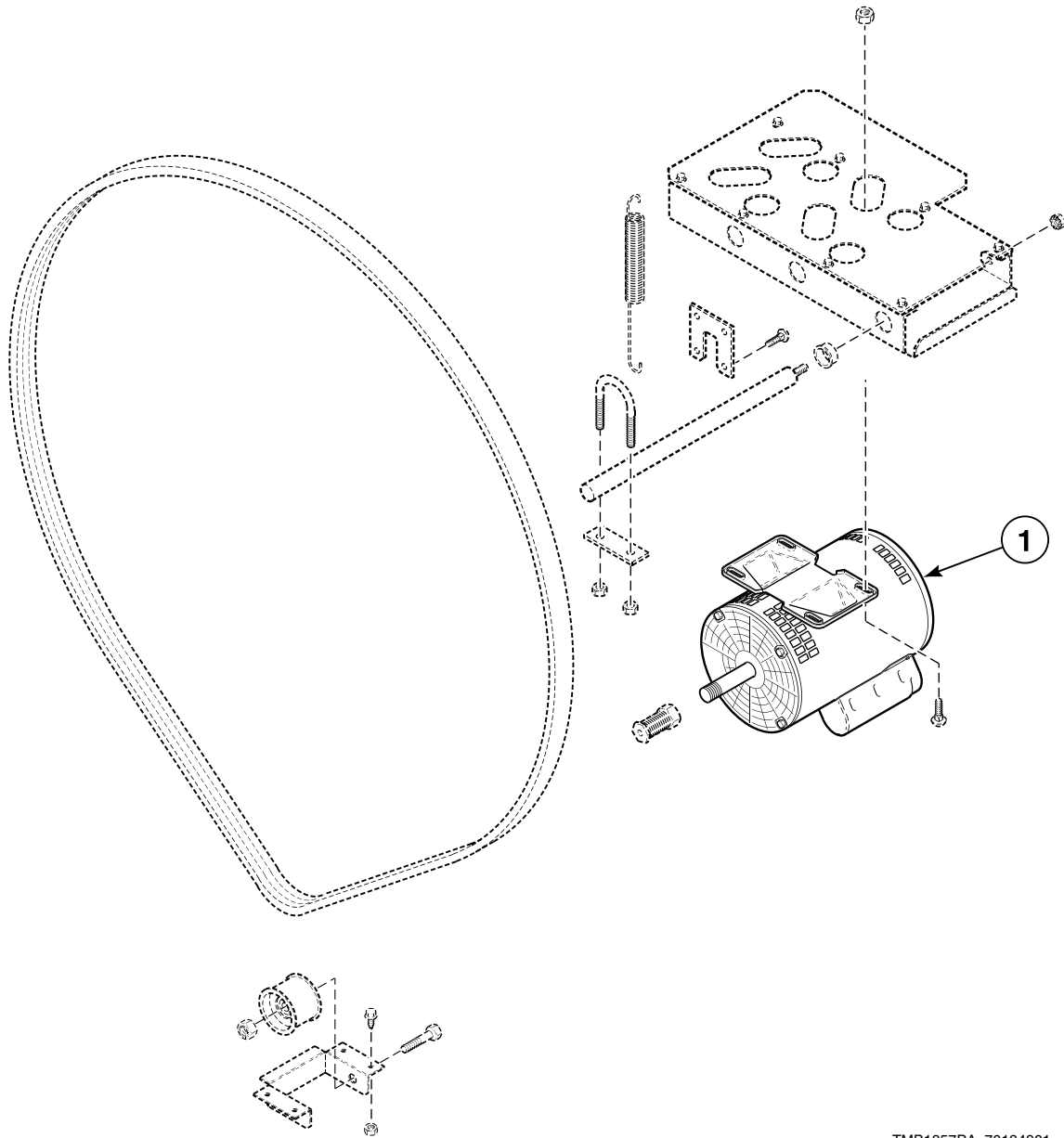


TMB1857P\_70184901

# Drive Motor Components

REF	PART NO.	DESCRIPTION	COMMENTS
	70083701	Cylinder Motor Harness Assembly	3 Phase
	70053601P	Drive Motor Harness	1 Phase; Nonreversing
	M4853P3	Belt Tension Tool Kit	
	M4716P3	Resilient Motor Kit	60 Hertz
	M4717P3	Resilient Motor Kit	50 Hertz
<b>1</b>	70276202P	Belt	0350 models; 102.5 inches
	70276203P	Belt	0220 and 0270 models; 94 inches
<b>2</b>	70186101	U-Bolt	
<b>3</b>	70051401	Motor Bracket Spring	
<b>4</b>	70194501	Axial Plate	
<b>5</b>	39733	Screw	
<b>6</b>	70197101	Motor Bracket Assembly	Models through Serial No. 9807017295
	70247001	Motor Bracket Assembly	Models starting Serial No. 9807017296
<b>7</b>	44087201	Nut	
<b>8</b>	70142	Nut	
<b>9</b>	70027701	Bushing	
<b>10</b>	70062401	Bolt	
<b>11</b>	70012501	Single Motor Pivot Shaft	Models through Serial No. 9807017295
	70187801	Motor Pivot Shaft	Models starting Serial No. 9807017296
<b>12</b>	70284202	Motor Pulley	0220 and 0270 models; 60 Hertz
	70284201	Motor Pulley	0350 models; 60 Hertz
	70189104	Motor Pulley	0220 and 0270 models; 50 Hertz
	70284203	Motor Pulley	0350 models; 50 Hertz
<b>13</b>	29786	Nut	2 required
<b>14</b>	70186601	U-Bolt Plate	
<b>15</b>	M412985	Screw	
<b>16</b>	430648	Screw	
<b>17</b>	70200901	Idler Pivot Bracket	
<b>18</b>	56156	Nut	
<b>19</b>	70050401P	Idler Wheel Assembly	

# Drive Motors



TMB1857PA\_70184901

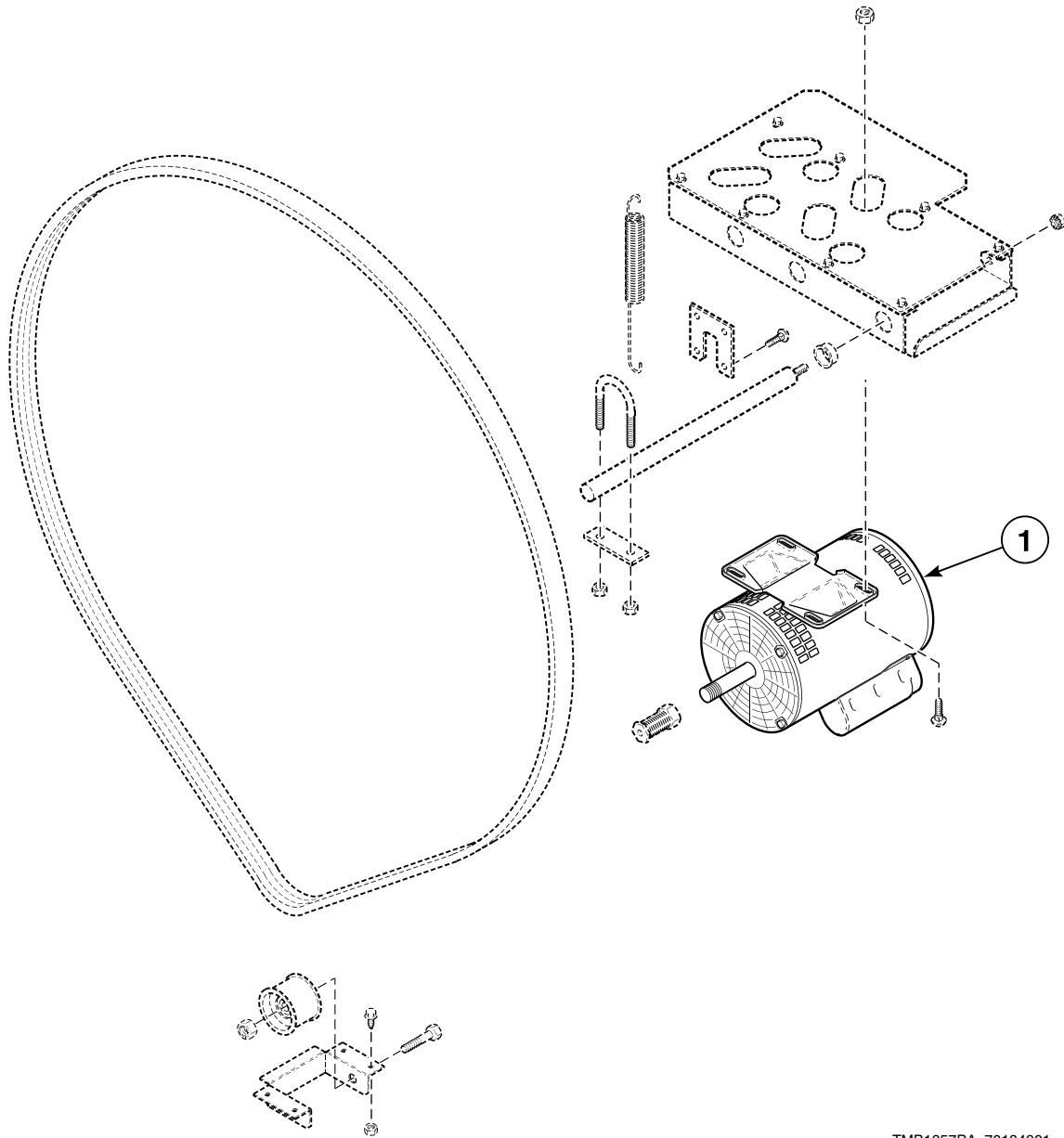
# Drive Motors

REF	PART NO.	DESCRIPTION	COMMENTS
1	70337801P	Drive Motor	Gas and steam models* with: 100 Volt/50 or 60 Hertz/1 Phase, 120 Volt/60 Hertz/1 Phase; Electric models* with: 200-208, 240 Volt/60 Hertz/1 or 3 Phase, 200 Volt/50 Hertz/1 or 3 Phase
	70338001P	Drive Motor Kit	Gas, steam and electric models* with: 230 or 240 Volt/50 Hertz/1 Phase; Electric models* with: 230 or 240 Volt/50 Hertz/3 Phase
	70338101P	Drive Motor	Electric models* with: 230 or 240 Volt/50 Hertz/3 Phase; Gas and steam models* and ** with: 230 or 240 Volt/50 Hertz/3 Phase; Gas and steam models* with: 240 Volt/60 Hertz/3 Phase; Electric models* and ** with: 400-415 Volt/50 Hertz/3 Phase; Gas and steam models* and ** with: 200 Volt/50 Hertz/3 Phase; Gas, steam and electric models* and ** with: 380 Volt/50 Hertz/3 Phase, 460-480 Volt/60 Hertz/3 Phase
	70052301	Drive Motor	Gas and steam models** with: 100 Volt/50 or 60 Hertz/1 Phase; Electric models** with: 200-208, 240 Volt/60 Hertz/1 or 3 Phase, 200 Volt/50 Hertz/1 or 3 Phase

\* NOTE: For RG gas models, motor to be used with 70182801 Motor Pivot Channel (2 pieces - 3 Phase rigid mount, 1 Phase resilient mount)

\*\* NOTE: For FG gas models, motor to be used with 70013101 Motor Pivot Bracket (1 piece rigid mount)

# Drive Motor and Pulley Assemblies



TMB1857PA\_70184901

## Drive Motor and Pulley Assemblies

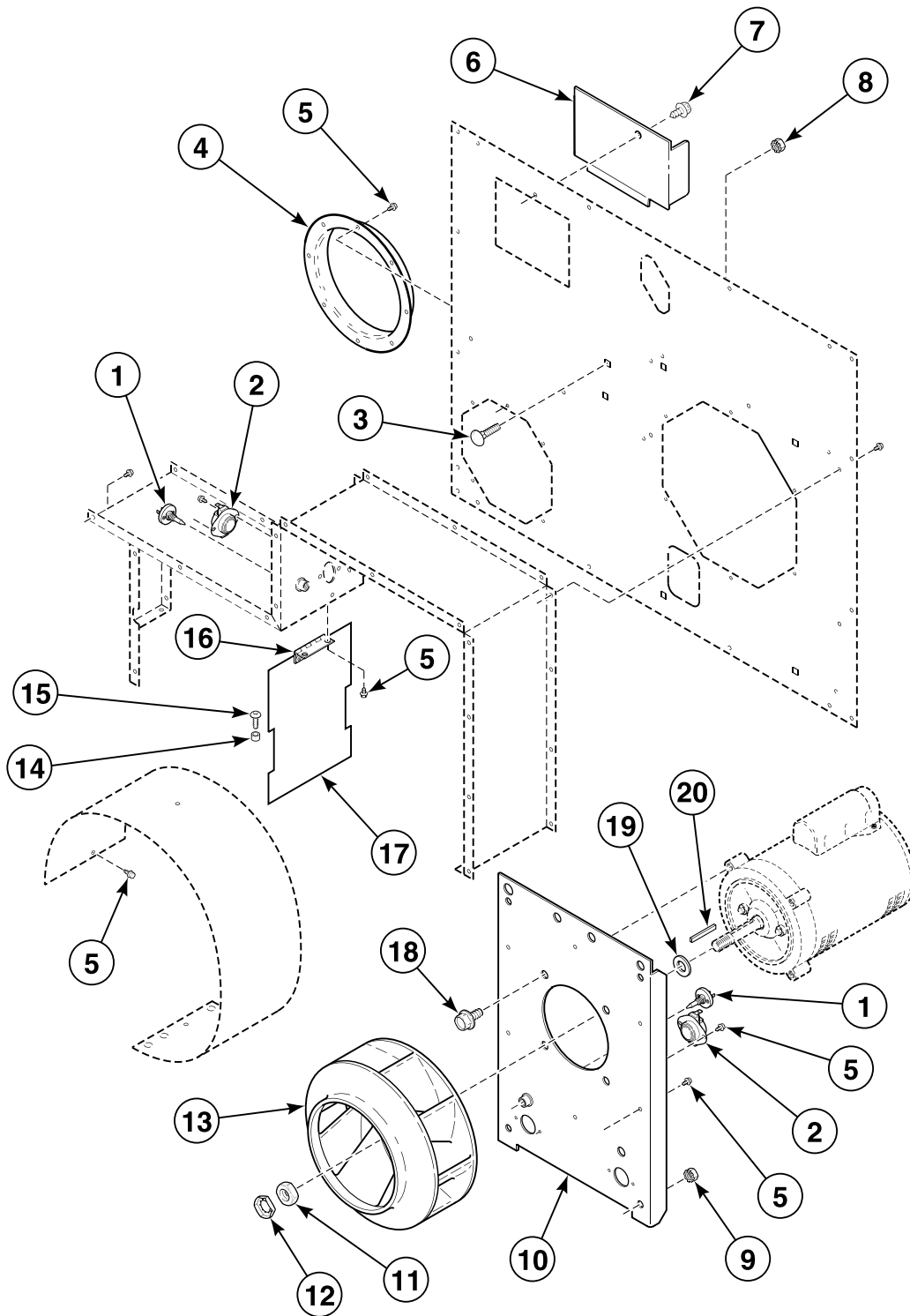
REF	PART NO.	DESCRIPTION	COMMENTS
1	70191501	Drive Motor and Pulley Assembly	0350 models; Gas and steam models* with: 110 Volt/50 Hertz/1 Phase; Electric models* with: 200 Volt/50 Hertz/1 or 3 Phase
N/A		Drive Motor and Pulley Assembly	0350 models; Gas and steam models* with: 230-240 Volt/50 Hertz/3 Phase
N/A		Drive Motor and Pulley Assembly	0350 models; Electric models* with: 230 or 240 Volt/50 Hertz/3 Phase; Gas, steam and electric models* with: 230 Volt/50 Hertz/1 or 3 Phase, 240 Volt/50 Hertz/1 Phase
70281202		Drive Motor and Pulley Assembly	0350 models; Gas and steam models* and ** with: 240 Volt/60 Hertz/3 Phase; Gas, steam and electric models* and ** with: 460 or 480 Volt/60 Hertz/3 Phase
N/A		Drive Motor and Pulley Assembly	0350 models; Gas and steam models** with: 100 Volt/50 Hertz/1 Phase; Electric models** with: 200 Volt/50 Hertz/1 or 3 Phase
70062803P		Drive Motor Assembly	0350 models; Gas and steam models** with: 200 Volt/50 Hertz/3 Phase; Electric models** with: 400-415 Volt/50 Hertz/3 Phase; Gas, steam and electric models** with: 380 Volt/50 Hertz/3 Phase
N/A		Drive Motor and Pulley Assembly	0350 models; Gas and steam models** with: 230 or 240 Volt/50 Hertz/3 Phase, 230 Volt/50 Hertz/3 Phase
N/A		Drive Motor and Pulley Assembly	0350 models; Electric models** with: 230 or 240 Volt/50 Hertz/3 Phase; Gas, steam and electric models** with: 230 Volt/50 Hertz/1 or 3 Phase, 230 or 240 Volt/50 Hertz/1 Phase

N/A = Part no longer available

\* NOTE: For RG gas models, motor to be used with 70182801 Motor Pivot Channel (2 pieces - 3 Phase rigid mount, 1 Phase resilient mount)

\*\* NOTE: For FG gas models, motor to be used with 70013101 Motor Pivot Bracket (1 piece rigid mount)

# Blower Components

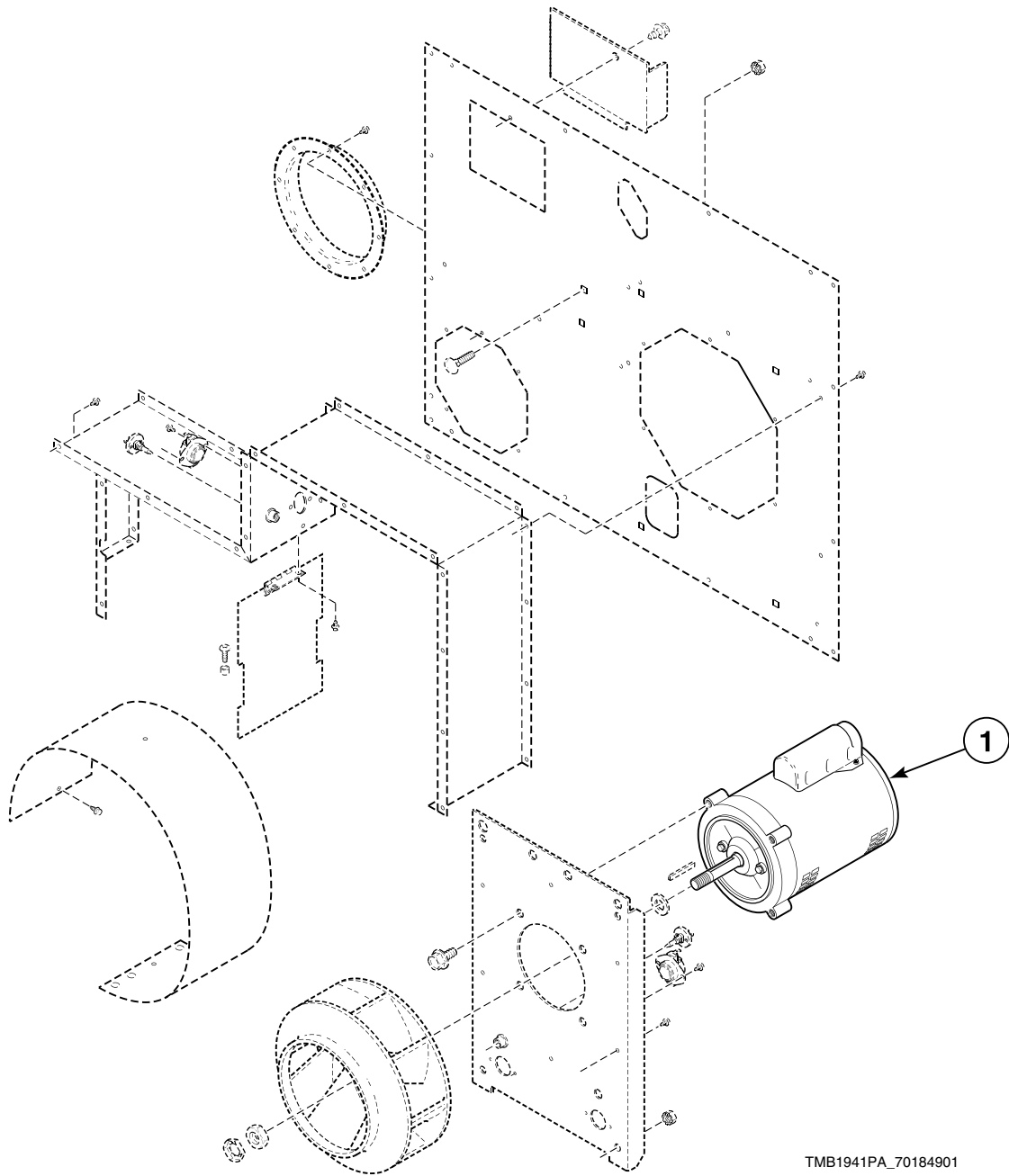


TMB1941P\_70184901

## Blower Components

REF	PART NO.	DESCRIPTION	COMMENTS
	70083401	Fan Motor Harness Assembly	1 Phase
	70083501	Fan Motor Harness Assembly	3 Phase
<b>1</b>	M414704	Thermistor	New location for models starting Serial No. 9807017296
<b>2</b>	M411307	Limit Thermostat	AT, DC, DT, GC, GT, JC, JT, LC, LT, PC, PT, SC and ST models; New location for models starting Serial No. 9807017296
	M411945	Manual Reset Thermostat	DA, JA, PA and SA models; New location for models starting Serial No. 9807017296
<b>3</b>	70062401	Bolt	
<b>4</b>	70017801	Exhaust Thimble	0220 and 0270 models; 6 inches
	70015601	Exhaust Thimble	0350 models; 8 inches
<b>5</b>	430497	Screw	
<b>6</b>	70196301	Drive Access Cover	
<b>7</b>	M411072	Screw	
<b>8</b>	44087201	Nut	
<b>9</b>	56156	Nut	
<b>10</b>	70012001	Blower Motor Mounting Plate	
<b>11</b>	M400022	Nut	
<b>12</b>	M400034	Nut	
<b>13</b>	70359801P	Blower Assembly	
<b>14</b>	56079	Panel Locator	
<b>15</b>	39733	Screw	
<b>16</b>	503676	Hinge	
<b>17</b>	70209501	Damper and Hinge Exhaust Assembly	
<b>18</b>	70126101	Screw	Hex washer head
<b>19</b>	M400991	Washer	
<b>20</b>	70144101	Key	

# Fan Motors for 0220 and 0270 Models

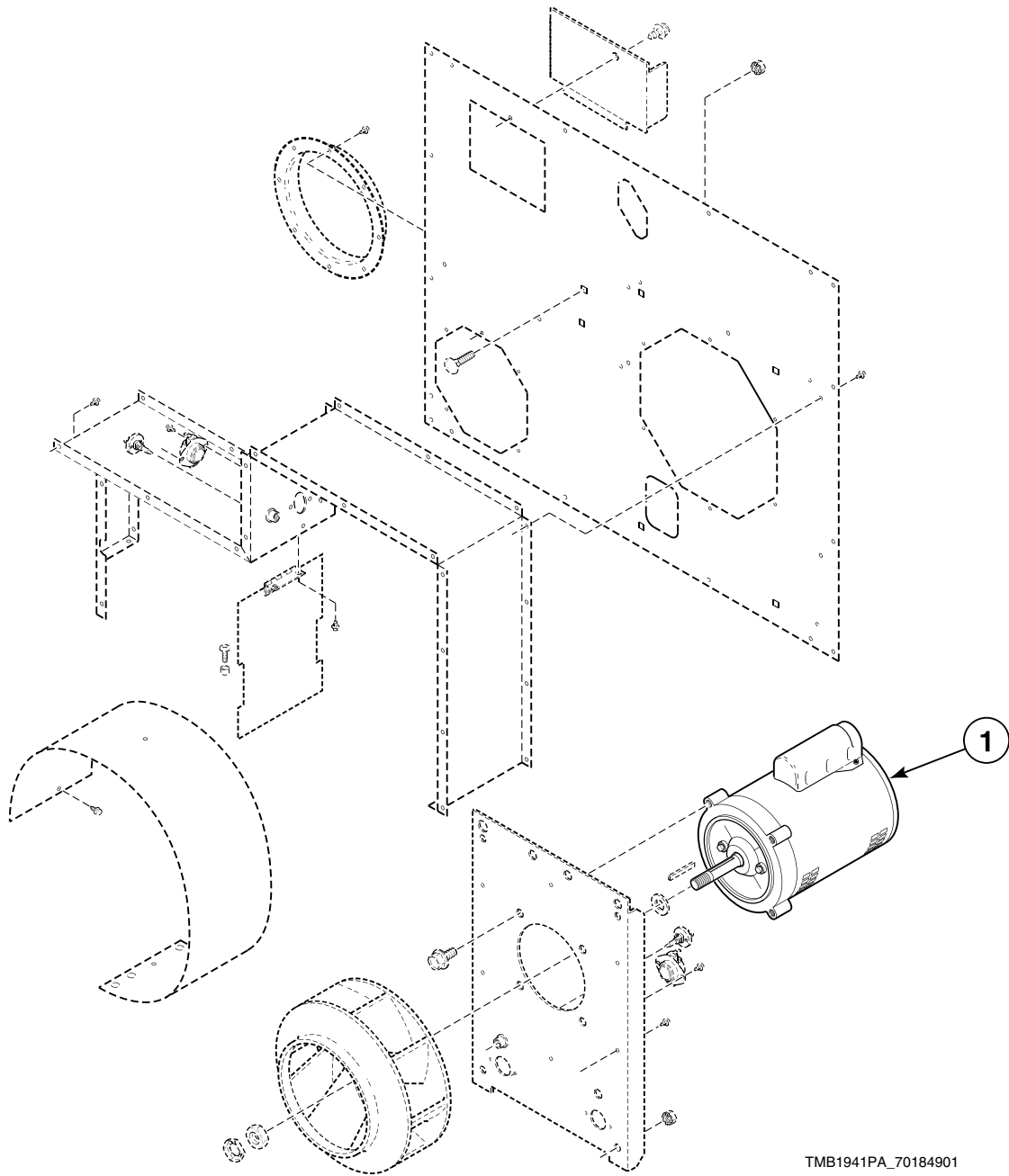


TMB1941PA\_70184901

## Fan Motors for 0220 and 0270 Models

REF	PART NO.	DESCRIPTION	COMMENTS
1	70337501P	Blower Motor	Gas and steam models with: 100 Volt/50 or 60 Hertz/1 Phase, 120 Volt/60 Hertz/1 Phase; Electric models with: 200, 208 or 240 Volt/60 Hertz/1 or 3 Phase, 200 Volt/50 Hertz/3 Phase
	70268801P	Blower Motor	Gas and steam models with: 200 Volt/50 Hertz/3 Phase, 240 Volt/50 or 60 Hertz/3 Phase, 230 Volt/50 Hertz/3 Phase; Electric models with: 400-415 Volt/50 Hertz/3 Phase; Gas, steam and electric models with: 380 Volt/50 Hertz/3 Phase, 460 or 480 Volt/60 Hertz/3 Phase
	70337701P	Blower Motor Kit	Gas, steam and electric models with: 230 or 240 Volt/50 Hertz/1 Phase; Electric models with: 230 or 240 Volt/50 Hertz/3 Phase

# Fan Motors for 0350 Models

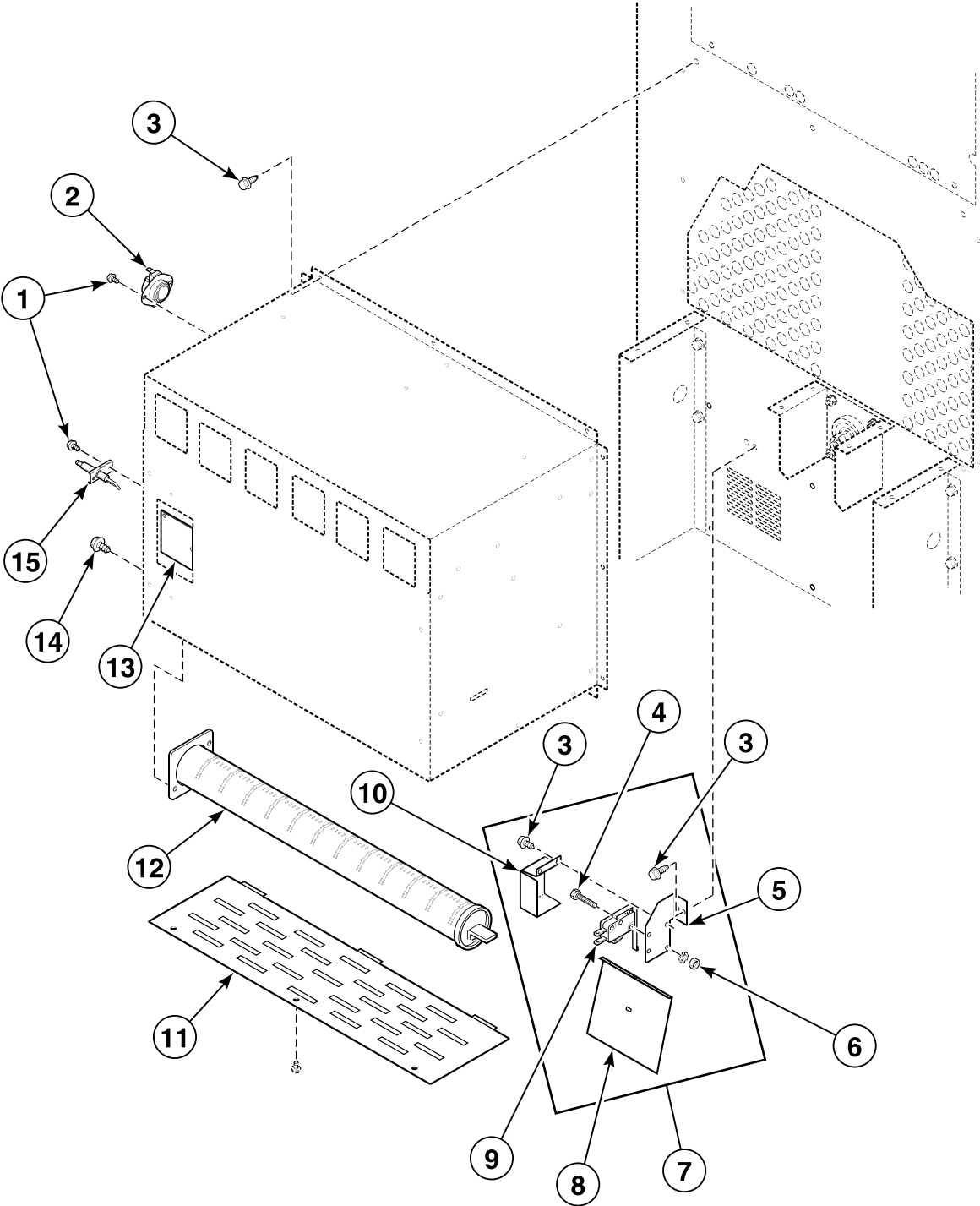


TMB1941PA\_70184901

## Fan Motors for 0350 Models

REF	PART NO.	DESCRIPTION	COMMENTS
1	70337501P	Blower Motor	Gas and steam models with: 100 Volt/50 or 60 Hertz/1 Phase, 120 Volt/60 Hertz/1 Phase; Electric models with: 200 Volt/50 or 60 Hertz/1 or 3 Phase, 208 Volt/60 Hertz/1 or 3 Phase, 240 Volt/60 Hertz/1 or 3 Phase
	70268801P	Blower Motor	Gas and steam models with: 200 Volt/50 Hertz/3 Phase, 240 Volt/50 or 60 Hertz/3 Phase, 230 Volt/50 Hertz/3 Phase; Electric models with: 400-415 Volt/50 Hertz/3 Phase; Gas, steam and electric models with: 380 Volt/50 Hertz/3 Phase, 460-480 Volt/60 Hertz/3 Phase
	70337701P	Blower Motor Kit	Gas, steam and electric models with: 230 Volt/50 Hertz/1 or 3 Phase, 240 Volt/50 Hertz/1 Phase; Electric models with: 230 or 240 Volt/50 Hertz/3 Phase

# Airflow Switch and Gas Burner Components

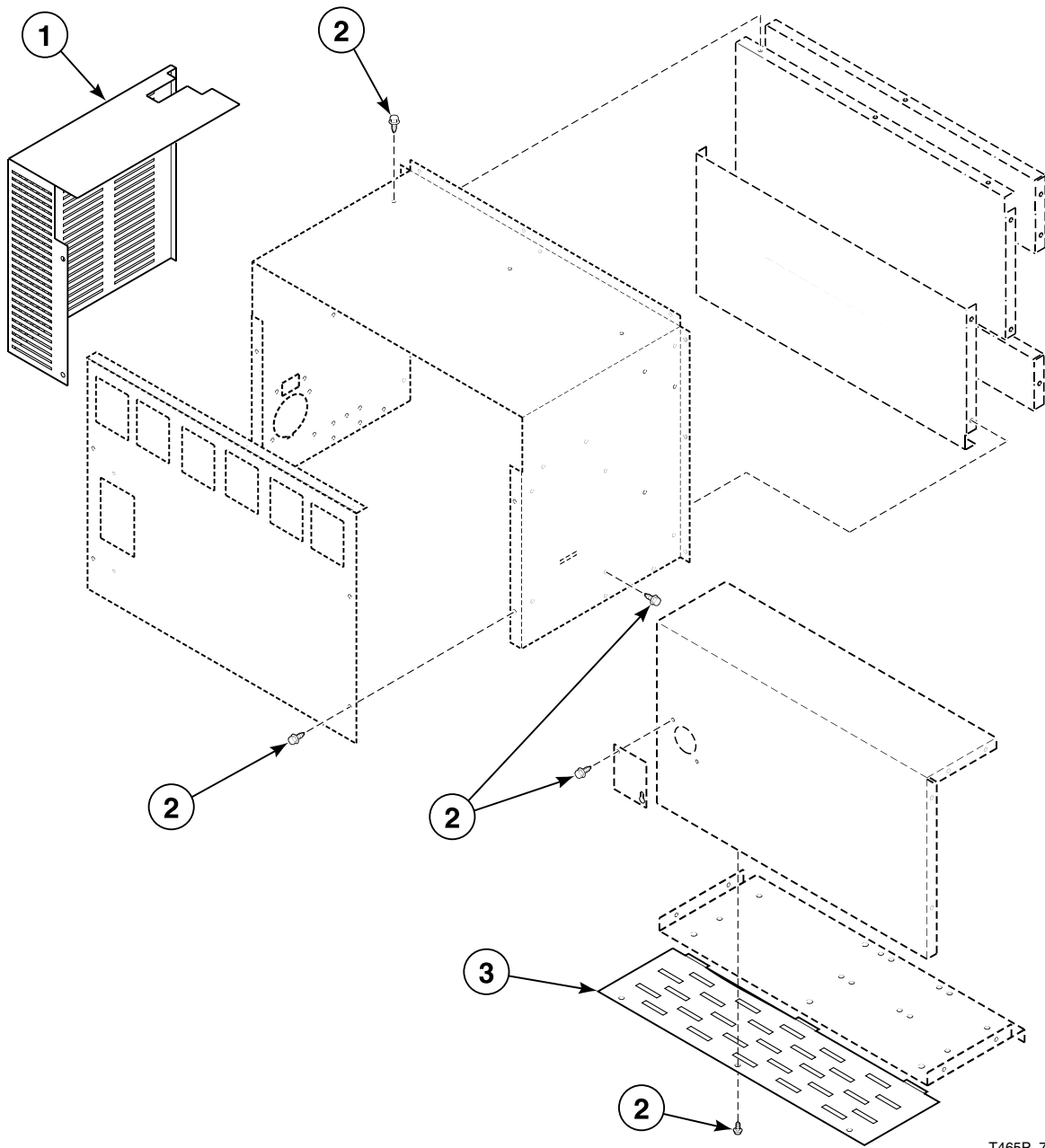


T500PZ3B\_70184901

## Airflow Switch and Gas Burner Components

REF	PART NO.	DESCRIPTION	COMMENTS
	70203301	Airflow Switch Block	Electric models
1	430497	Screw	
2	M409443	Limit Thermostat	50 or 60 Hertz
	M409219	Limit Thermostat	AT, DC, DT, GC, GT, JC, JT, LC, LT, PC, PT, SC and ST gas models starting Serial No. 9807017296
	70186301	Manual Reset Thermostat	DA, JA, PA and SA models starting Serial No. 9807017296
	M411938	Manual Reset Thermostat	DA, JA, PA and SA models
3	51780	Screw	
4	M401938	Screw	
5	70266301	Airflow Switch Bracket	
6	M400979	Nut	
7	70270901P	Airflow Switch Kit	Includes items 3-6 and 8-10
8	70266201	Airflow Switch Vane	
9	70267301	Airflow Switch	
10	70281801	Airflow Switch Cover	
11	70188801	Burner Grill	
12	70229801	Gas Burner	
13	70159601	Igniter Cover	
14	05161	Screw	
15	70032801P	Spark Electrode	

# Gas Burner Housing

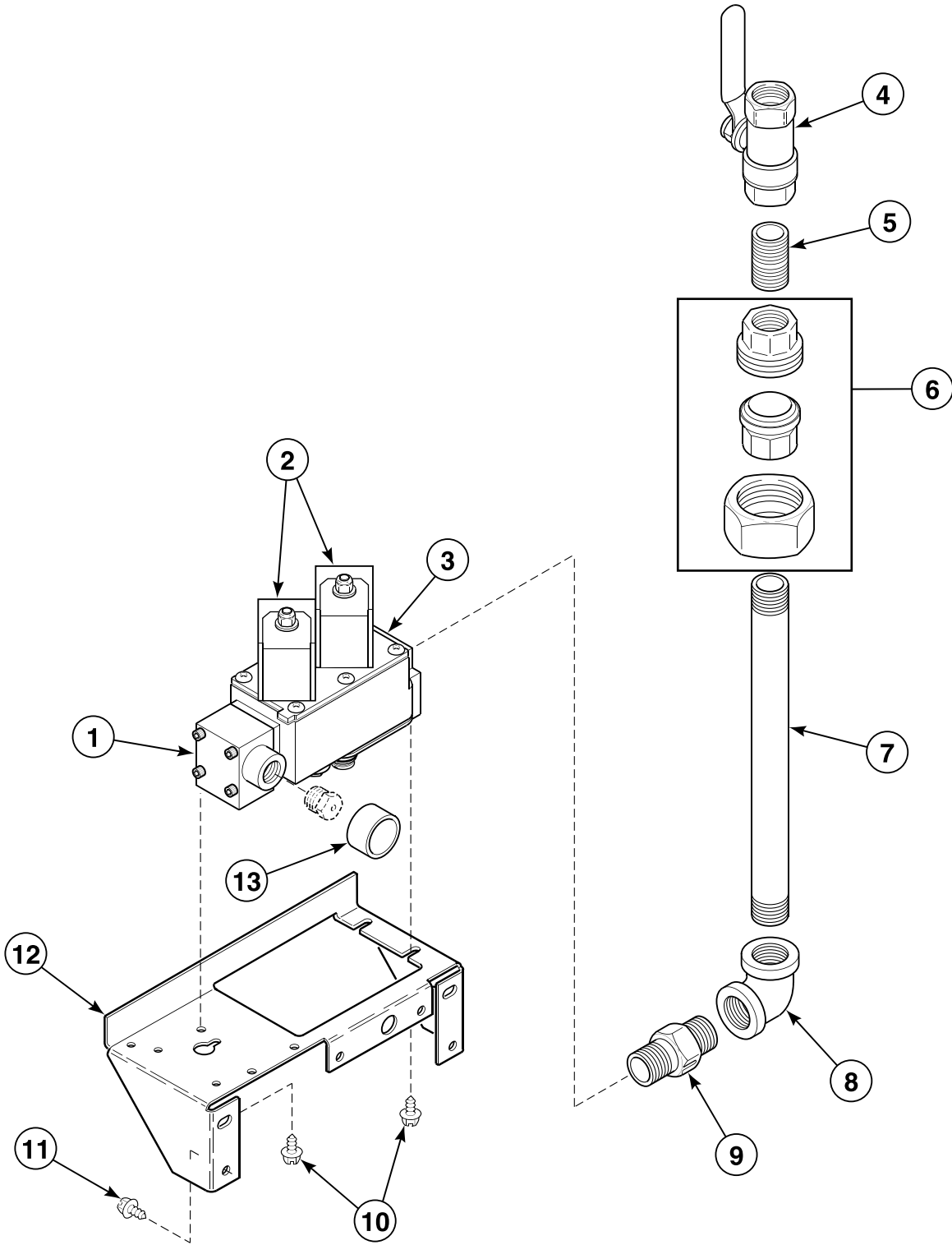


T465P\_70184901

# Gas Burner Housing

REF	PART NO.	DESCRIPTION	COMMENTS
1	M4747P3	Valve Bracket and Cover Kit	
2	430497	Screw	
3	70188801	Burner Grill	

# Gas Valve and Piping



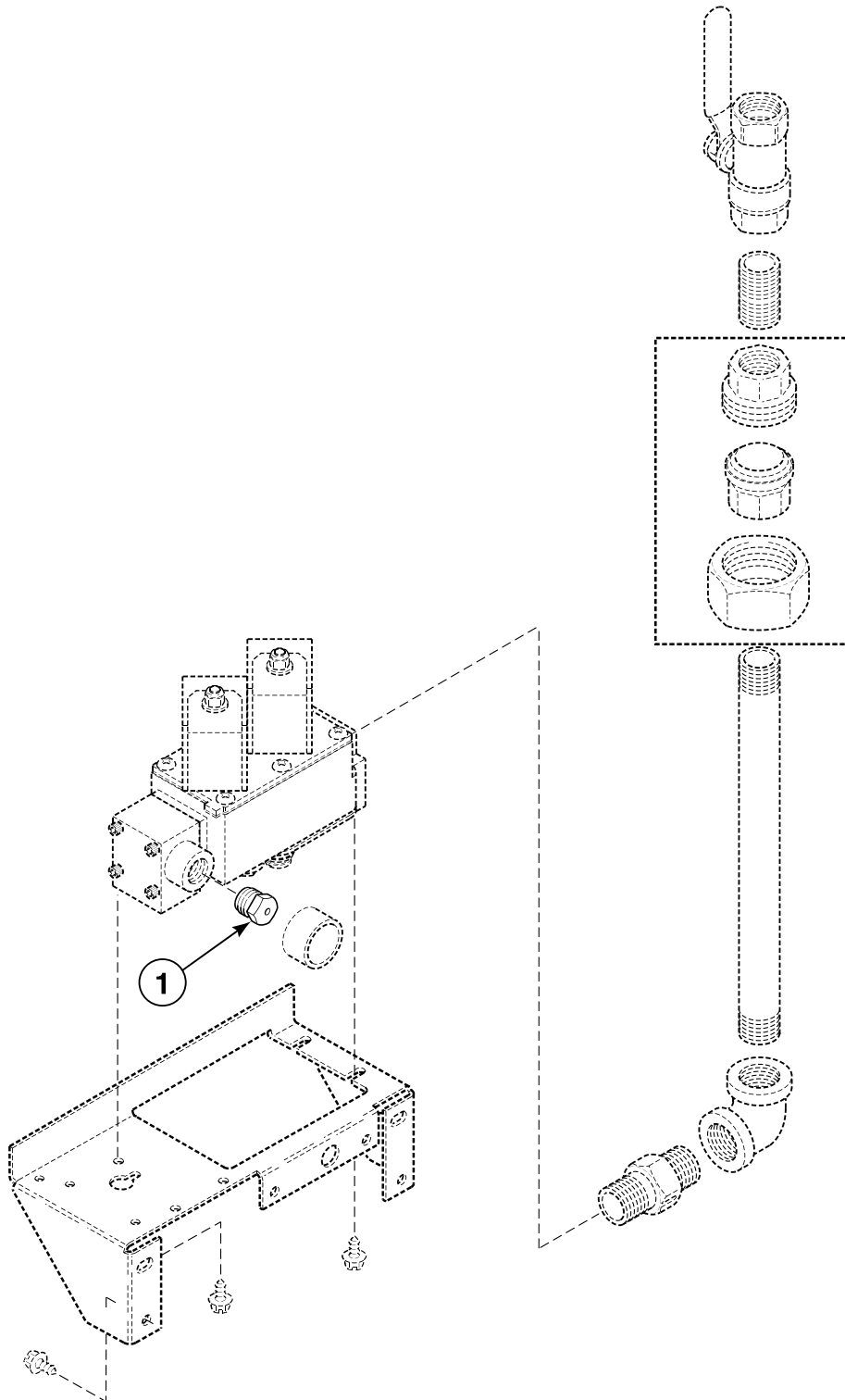
TMB1942P\_70184901

## Gas Valve and Piping

REF	PART NO.	DESCRIPTION	COMMENTS
	M413650	Gas Valve Harness Assembly	
	M413997	N.G. Heater Assembly	
	M4699P3	L.P. Conversion Kit	0220SFG models: 0-2,000 feet at 67,000 Btu input; 0220SRG models: 0-2,000 feet at 64,000 Btu input
	M4703P3	L.P. Conversion Kit	0270SFG models: 0-2,000 feet at 88,000 Btu input; 0270SRG models: 0-2,000 feet at 73,000 Btu input
	M4706P3	L.P. Conversion Kit	0270SFG models: 8,001-10,000 feet at 88,000 Btu input; 0270SRG models: 8,001-10,000 feet at 73,000 Btu input
	M4711P3	L.P. Conversion Kit	0350SFG models: 0-2,000 feet at 107,000 Btu input; 0350SRG models: 0-2,000 feet at 90,000 Btu input
	M4729P3	Down Rated Burner Kit	0220SFG models: 0-10,000 feet at 67,000 Btu input; 0270SFG models: 0-10,000 feet at 88,000 Btu input; 0350SFG models: 0-10,000 feet at 107,000 Btu input
	M4733P3	N.G. Valve Conversion Kit	Models through Serial No. 9807017295
	M4734P3	L.P. Valve Conversion Kit	Models through Serial No. 9807017295
	431482	O-Ring	
<b>1</b>	70223501	Spud Adapter	
<b>2</b>	70260101	Gas Valve Coil	24 Volt
<b>3</b>	70257501P	N.G. Valve	Models starting Serial No. 9807017296
	70257601P	L.P. Valve	Models starting Serial No. 9807017296
<b>4</b>	M412562	Gas Shut-Off Valve	Manual
<b>5</b>	431486	Pipe Nipple	1/2 NPT
<b>6</b>	H86000031	Union	
<b>7</b>	70139601	Pipe Nipple	
<b>8</b>	70079601	Elbow	
<b>9</b>	70131901	Adapter	BPT/NPT
<b>10</b>	23222	Screw	
<b>11</b>	430497	Screw	
<b>12</b>	70210301	Gas Valve Bracket	
<b>13</b>	70239801	Primary Air Adjustment Sleeve	

# Burner Orifice for Liquid Petroleum Gas

Non-CE Models



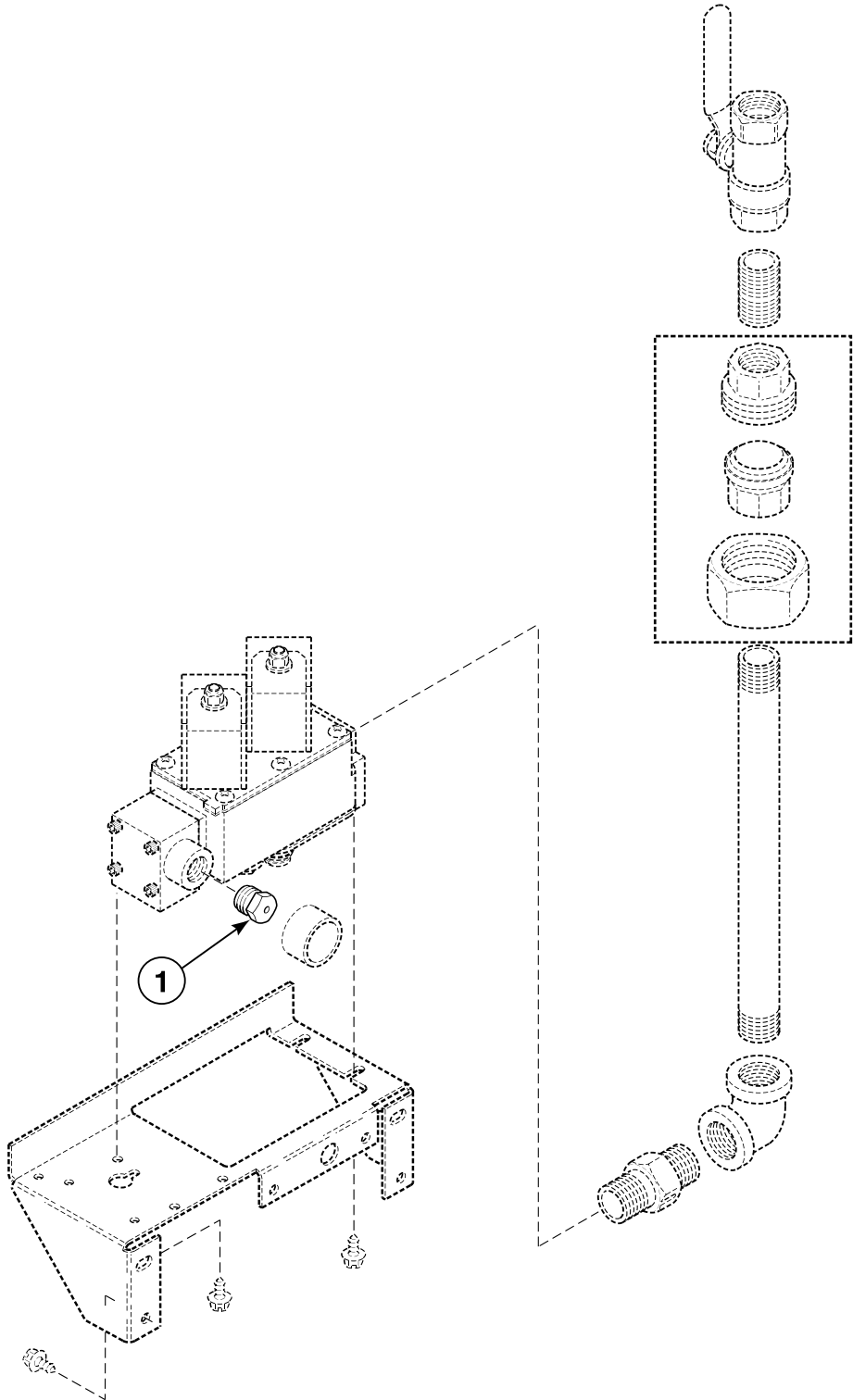
TMB1942PA\_70184901

## Burner Orifice for Liquid Petroleum Gas

REF	PART NO.	DESCRIPTION	COMMENTS
1	M401015	Burner Orifice	Drill no. 41 (2.4 mm); 0220SFG models: 0-2,000 feet; 0350SRG models: 6,001-8,000 feet
	M403017	Burner Orifice	Drill no. 42 (2.4 mm); 0220SFG models: 2,001-6,000 feet; 0220SRG models: 0-2,000 feet; 0270SRG models: 2,001-6,000 feet; 0350SRG models: 8,001-10,000 feet
	M406184	Burner Orifice	Drill no. 43 (2.3 mm); 0220SFG models: 6,001-8,000 feet; 0220SRG models: 2,001-6,000 feet; 0270SRG models: 6,001-8,000 feet
	M401011	Burner Orifice	Drill no. 44 (2.2 mm); 0220SFG models: 8,001-10,000 feet; 0220SRG models: 6,001-8,000 feet; 0270SRG models: 8,001-10,000 feet
	M401003	Burner Orifice	Drill no. 46 (2.1 mm); 0220SRG models: 8,001-10,000 feet
	70070902	Burner Orifice	Drill size 7/64 (2.8 mm); 0270SFG models: 0-2,000 feet
	M411375	Burner Orifice	Drill no. 36 (2.7 mm); 0270SFG models: 2,001-4,000 feet; 0350SFG models: 8,001-10,000 feet; 0350SRG models: 0-2,000 feet
	M401024	Burner Orifice	Drill no. 37 (2.6 mm); 0270SFG models: 4,001-6,000 feet
	M411376	Burner Orifice	Drill no. 38 (2.6 mm); 0270SFG models: 6,001-8,000 feet; 0350SRG models: 2,001-4,000 feet
	M406361	Burner Orifice	Drill no. 40 (2.5 mm); 0270SFG models: 8,001-10,000 feet; 0270SRG models: 0-2,000 feet
	M401017	Burner Orifice	Drill no. 42 (2.4 mm); 0350SFG models: 0-2,000 feet
	M402444	Burner Orifice	Drill no. 32 (2.9 mm); 0350SFG models: 2,001-6,000 feet
	M411512	Burner Orifice	Drill no. 34 (2.8 mm); 0350SFG models: 6,001-8,000 feet
	M401007	Burner Orifice	Drill no. 39 (2.5 mm); 0350SRG models: 4,001-6,000 feet

# Burner Orifice for Natural Gas

Non-CE Models



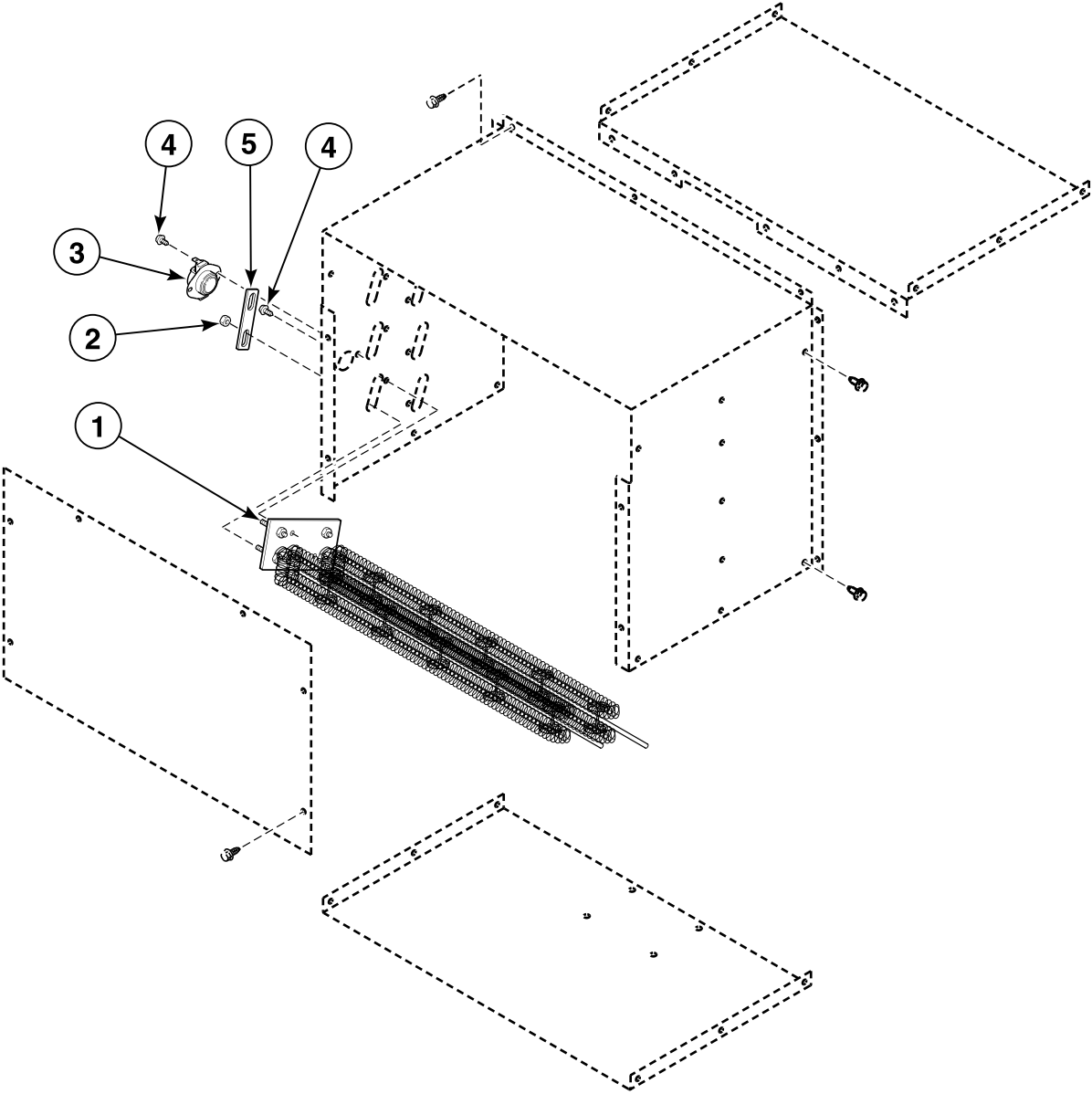
TMB1942PA\_70184901

## Burner Orifice for Natural Gas

REF	PART NO.	DESCRIPTION	COMMENTS
1	M402996	Burner Orifice	Drill no. 22 (4.0 mm); 0220SFG models: 0-2,000 feet; 0270SRG models: 2,001-4,000 feet
	M401020	Burner Orifice	Drill no. 23 (3.9 mm); 0220SFG models: 2,001-4,000 feet
	M402997	Burner Orifice	Drill no. 25 (3.8 mm); 0220SFG models: 4,001-6,000 feet
	M400998	Burner Orifice	Drill no. 27 (3.7 mm); 0220SFG models: 6,001-8,000 feet; 0220SRG models: 4,001-6,000 feet
	M401014	Burner Orifice	Drill no. 28 (3.6 mm); 0220SFG models: 8,001-10,000 feet; 0220SRG models: 6,001-8,000 feet; 0270SRG models: 8,001-10,000 feet
	M402980	Burner Orifice	Drill no. 24 (3.9 mm); 0220SRG models: 0-2,000 feet; 0270SRG models: 4,001-6,000 feet
	M400997	Burner Orifice	Drill no. 25 (3.8 mm); 0220SRG models: 8,001-10,000 feet
	M411511	Burner Orifice	Drill no. 15 (4.6 mm); 0270SFG models: 0-2,000 feet; 0350SRG models: 0-2,000 feet
	M411373	Burner Orifice	Drill no. 16 (4.5 mm); 0270SFG models: 2,001-4,000 feet; 0350SRG models: 2,001-4,000 feet
	M411374	Burner Orifice	Drill no. 17 (4.4 mm); 0270SFG models: 4,001-6,000 feet; 0350SFG models: 8,001-10,000 feet; 0350SRG models: 4,001-6,000 feet
	M402995	Burner Orifice	Drill no. 19 (4.2 mm); 0270SFG models: 6,001-8,000 feet; 0350SRG models: 6,001-8,000 feet
	M401002	Burner Orifice	Drill no. 20 (4.1 mm); 0270SFG models: 8,001-10,000 feet; 0270SRG models: 0-2,000 feet; 0350SRG models: 8,001-10,000 feet
	M401000	Burner Orifice	Drill no. 26 (3.7 mm); 0220SFG models: 2,001-4,000 feet; 0270SRG models: 6,001-8,000 feet
	70070901	Burner Orifice	Drill size 5 mm; 0350SFG models: 0-2,000 feet
	N/A	Burner Orifice	Drill no. 11 (4.9 mm); 0350SFG models: 2,001-4,000 feet
	M411372	Burner Orifice	Drill no. 12 (4.8 mm); 0350SFG models: 4,001-6,000 feet
	M411371	Burner Orifice	Drill no. 14 (4.6 mm); 0350SFG models: 6,001-8,000 feet

**N/A = Part no longer available**

# Electric Heater Components



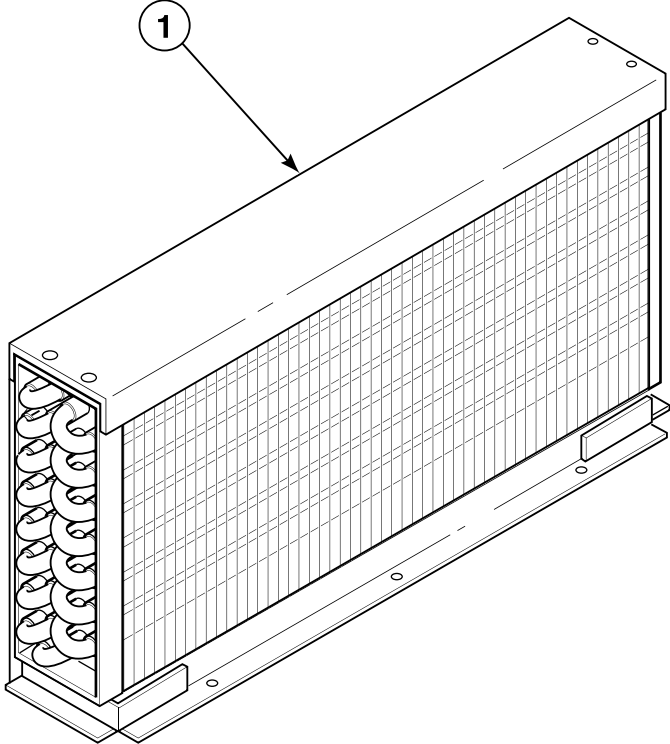
T443PZ3A\_70184901

# Electric Heater Components

REF	PART NO.	DESCRIPTION	COMMENTS
	70138601P	Cable Heater Assembly	H1-H3
	70138701	Cable Heater Assembly	H4-H6
<b>1</b>	N/A	Heater Element	0220 models; 6 kW; 208 Volt/1 or 3 Phase
	70034412P	Heater Element	0220 models; 6 kW; 240 Volt/1 or 3 Phase; 415-480 Volt/3 Phase
	N/A	Heater Element	0220 models; 6 kW; 220 Volt/3 Phase
	70034413P	Heater Element	0220 models; 3 kW; 220 Volt/3 Phase
	70034404P	Heater Element	0350 models; 8 kW; 208 Volt/1 or 3 Phase
	70034406P	Heater Element	0350 models; 8 kW; 240 Volt/1 or 3 Phase; 415-480 Volt/3 Phase
	70034405P	Heater Element	0350 models; 8 kW; 220 Volt/3 Phase
	70034407P	Heater Element	0350 models; 9 kW; 208 Volt/1 or 3 Phase
	70034409P	Heater Element	0350 models; 9 kW; 240 Volt/1 or 3 Phase; 415-480 Volt/3 Phase
	70034408	Heater Element	0350 models; 9 kW; 220 Volt/3 Phase
	70034401P	Heater Element	0270 models; 7 kW; 208 Volt/1 Phase
	70034402P	Heater Element	0270 models; 7 kW; 220 Volt/3 Phase
	70034403P	Heater Element	0270 models; 7 kW; 240 Volt/1 or 3 Phase; 415-480 Volt/3 Phase
	70034414P	Heater Element	0220 models starting Serial No. 9807017296; 4 kW; 220 Volt/1 or 3 Phase
	70034415P	Heater Element	0220 models starting Serial No. 9807017296; 4 kW; 208 Volt/3 Phase
	70034416P	Heater Element	0220 models starting Serial No. 9807017296; 4 kW; 240 Volt/1 or 3 Phase; 415-480 Volt/3 Phase
<b>2</b>	70054	Nut	
<b>3</b>	M410542	Limit Thermostat	0220 models
	M409443	Limit Thermostat	0270 and 0350 models
<b>4</b>	430497	Screw	
<b>5</b>	70066501	Jumper Bar	

**N/A = Part no longer available**

# Steam Heater

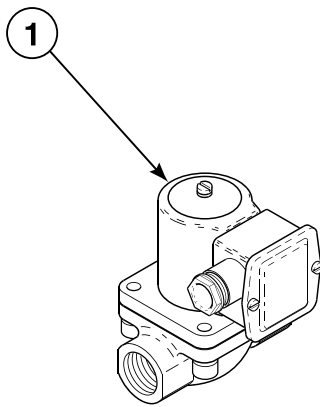


T479PZ3A\_70184901

# Steam Heater

REF	PART NO.	DESCRIPTION	COMMENTS
	70036001	Air Filter	
	70137801	Thermostat Bracket	
	70139901	Thermostat Cover	
1	70231201P	Steam Coil	Steam (SL) models; 2 row
	70231301P	Steam Coil	Steam (SH) models; 4 row

# Steam Solenoid Valve

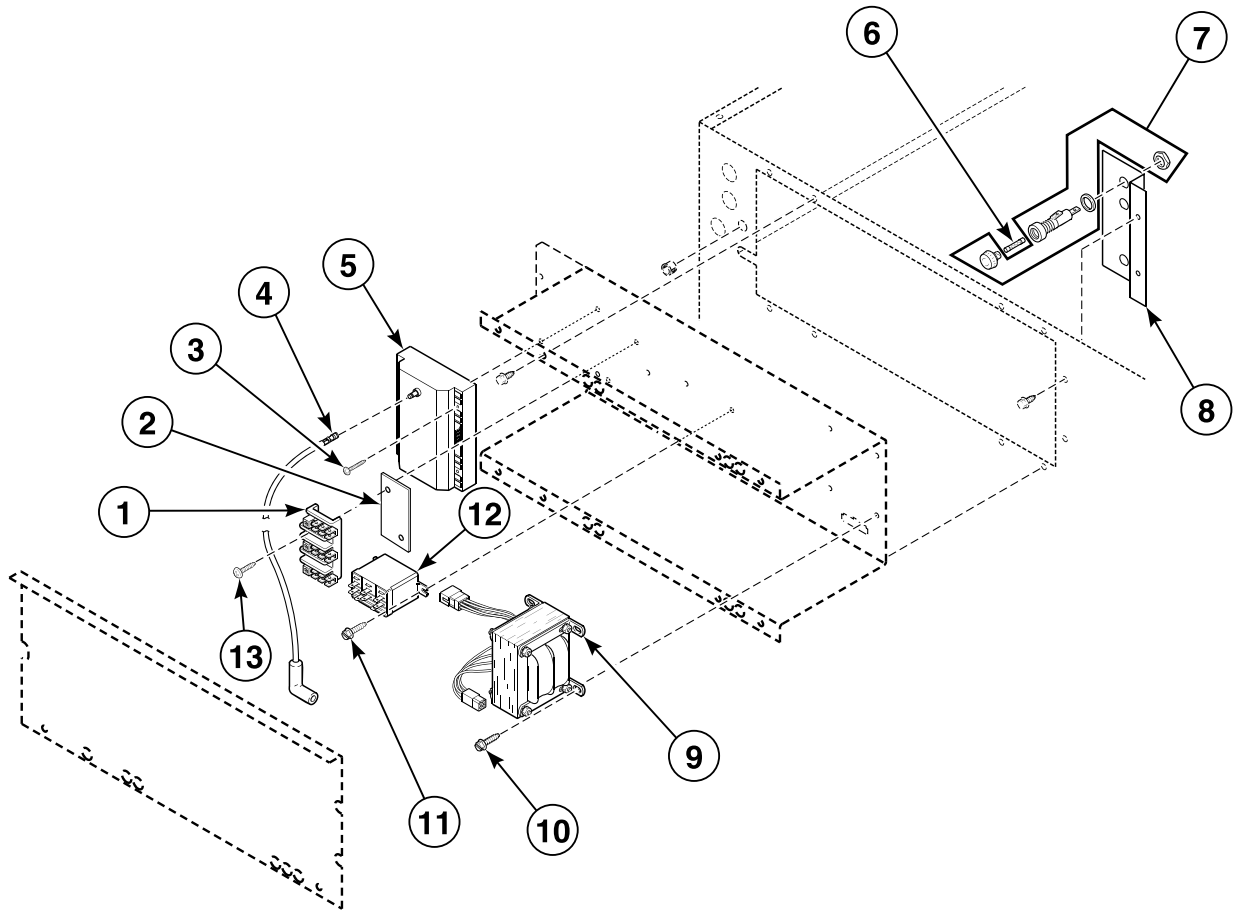


T449PZ3A\_70184901

# Steam Solenoid Valve

REF	PART NO.	DESCRIPTION	COMMENTS
	70205701P	Steam Valve Coil	Use with 70351001P Steam Valve
1	70351001P	Steam Valve	24 Volt/60 Hertz
	70351002P	Steam Valve	50 Hertz

# Control Tray - Non-CE and Non-Australian Gas Models

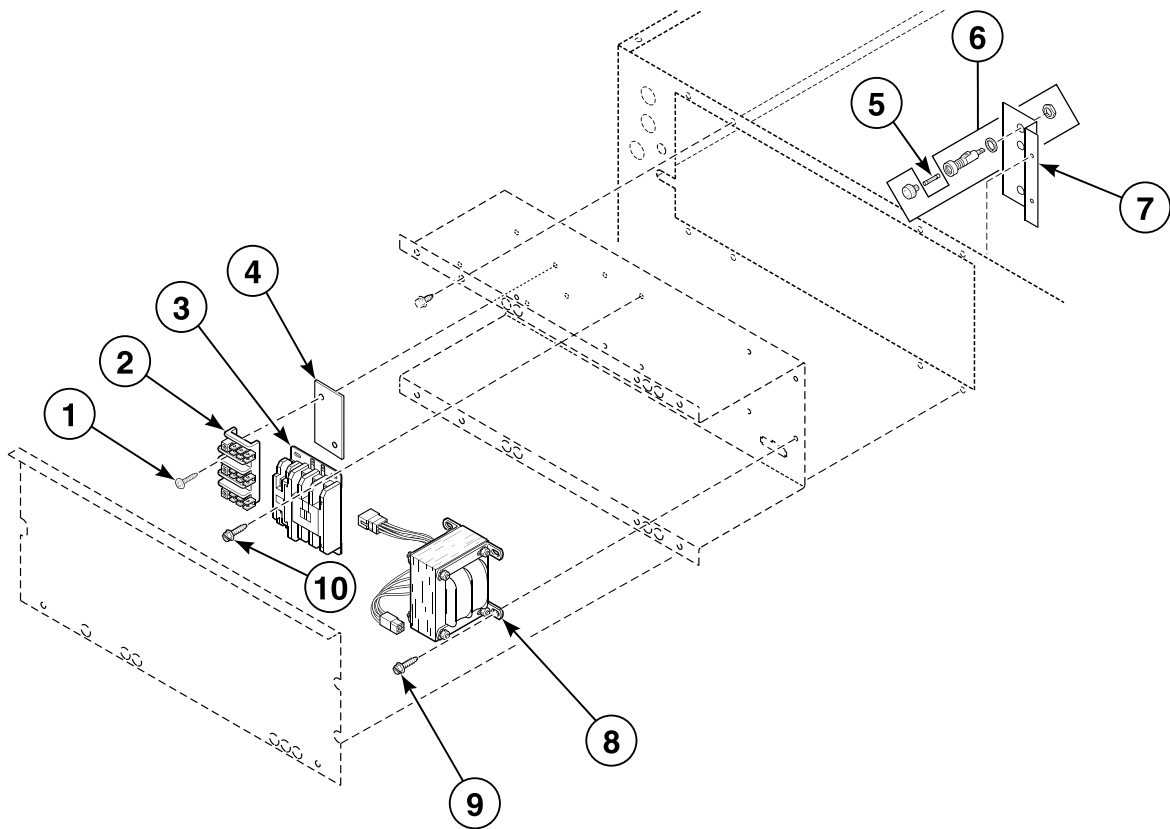


T408PZ3B\_70184901

## Control Tray - Non-CE and Non-Australian Gas Models

REF	PART NO.	DESCRIPTION	COMMENTS
	M402917	Screw	Green; Ground
	M413863	Network Capacitor Assembly	OM control suffix
	M413930P	Ferrite Core Assembly	OM control suffix
	M413614P	Fan Contactor	3 Phase
	70083001P	Control Tray Harness Assembly	
	70083201	Ignition Control Harness Assembly	
	M413504	Jumper Harness Assembly	100 Volt/1 Phase
	M413505	Jumper Harness Assembly	120 Volt/1 Phase
	M413506	Jumper Harness Assembly	208 Volt/1 or 3 Phase
	M413507	Jumper Configuration Assembly	240 Volt/1 or 3 Phase
	M413508	Jumper Harness Assembly	380 Volt/50 Hertz/3 Phase
	M413509	Jumper Harness Assembly	415 Volt/50 Hertz/3 Phase
	M413510	Jumper Configuration Assembly	480 Volt/60 Hertz/3 Phase
	70055901P	Power Wire Harness Assembly	1 Phase; Terminal block to transformer
	70120201P	Power Harness Assembly	3 Phase; Terminal block to transformer
<b>1</b>	430642	Terminal Block	
<b>2</b>	M413862	Insulator	For terminal block
<b>3</b>	70118801	Screw	
<b>4</b>	70006201	High Voltage Lead	
<b>5</b>	70367301P	Ignition Control	
<b>6</b>	M413118	Fuse	250 Volt; 2 Amp
	M414232	Fuse	250 Volt; 3.5 Amp
	M414240	Fuse	250 Volt; 2 Amp
	M413621	Fuse	500 Volt; 0.5 Amp
<b>7</b>	91024P	Fuse Receptacle	
	M413544P	Fuse Holder	380-480 Volt
<b>8</b>	70123701	Fuse Bracket	100-240 Volt
	70123801	Fuse Bracket	380-480 Volt
<b>9</b>	M414230P	Transformer	60 Hertz/1 Phase models except OM control suffix; NetMaster models
	M414228P	Transformer	60 Hertz/1 Phase models with OM control suffix; 50 Hertz/3 Phase
	M414312P	Transformer	NetMaster models
	M414229P	Transformer	380-480 Volt
<b>10</b>	33562	Screw	
<b>11</b>	51778	Screw	For relay
	51780	Screw	For contactor
<b>12</b>	70210901P	Relay	1 Phase
<b>13</b>	M405824	Screw	

# Control Tray - Non-CE and Non-Australian Steam Models

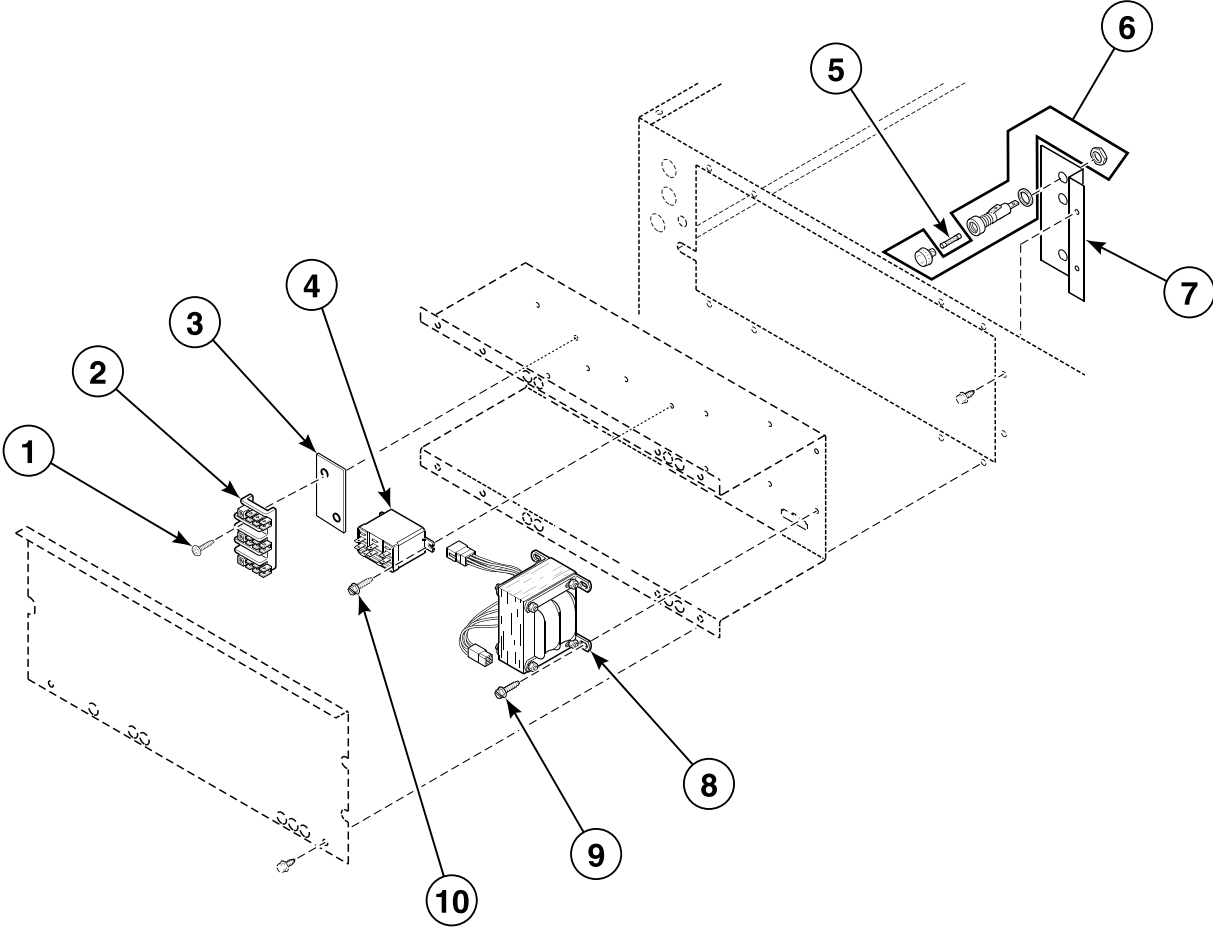


T392PZ3B\_70184901

## Control Tray - Non-CE and Non-Australian Steam Models

REF	PART NO.	DESCRIPTION	COMMENTS
	M402917	Screw	Green; Ground
	M413863	Network Capacitor Assembly	OM and RM control suffixes
	M413930P	Ferrite Core Assembly	OM and RM control suffixes
	70210901P	Relay	1 Phase
	70083001P	Control Tray Harness Assembly	
	M413504	Jumper Harness Assembly	100 Volt/1 Phase
	M413505	Jumper Harness Assembly	120 Volt/1 Phase
	M413506	Jumper Harness Assembly	208 Volt/1 or 3 Phase
	M413507	Jumper Configuration Assembly	240 Volt/1 or 3 Phase
	M413508	Jumper Harness Assembly	380 Volt/50 Hertz/3 Phase
	M413509	Jumper Harness Assembly	415 Volt/50 Hertz/3 Phase
	M413510	Jumper Configuration Assembly	480 Volt/60 Hertz/3 Phase
	70113101	Steam Jumper Assembly	
	70055901P	Power Wire Harness Assembly	1 Phase; Terminal block to transformer
	70120201P	Power Harness Assembly	3 Phase; Terminal block to transformer
<b>1</b>	M405824	Screw	
<b>2</b>	430642	Terminal Block	
<b>3</b>	M413614P	Fan Contactor	3 Phase
<b>4</b>	M413862	Insulator	For terminal block
<b>5</b>	M413118	Fuse	250 Volt; 2 Amp
	M413621	Fuse	500 Volt; 0.5 Amp
	M414232	Fuse	250 Volt; 3.5 Amp
	M414240	Fuse	250 Volt; 2 Amp
<b>6</b>	91024P	Fuse Receptacle	
	M413544P	Fuse Holder	380-480 Volt
<b>7</b>	70123701	Fuse Bracket	100-240 Volt
	70123801	Fuse Bracket	380-480 Volt
<b>8</b>	M414228P	Transformer	60 Hertz/1 Phase models with OM control suffix; 50 Hertz/3 Phase
	M414230P	Transformer	60 Hertz/1 Phase models except OM control suffix; NetMaster models
	M414312P	Transformer	NetMaster models
	M414229P	Transformer	380-480 Volt
<b>9</b>	M411072	Screw	
<b>10</b>	51778	Screw	For relay
	430497	Screw	For contactor

# Control Tray - Non-CE and Non-Australian Electric Models

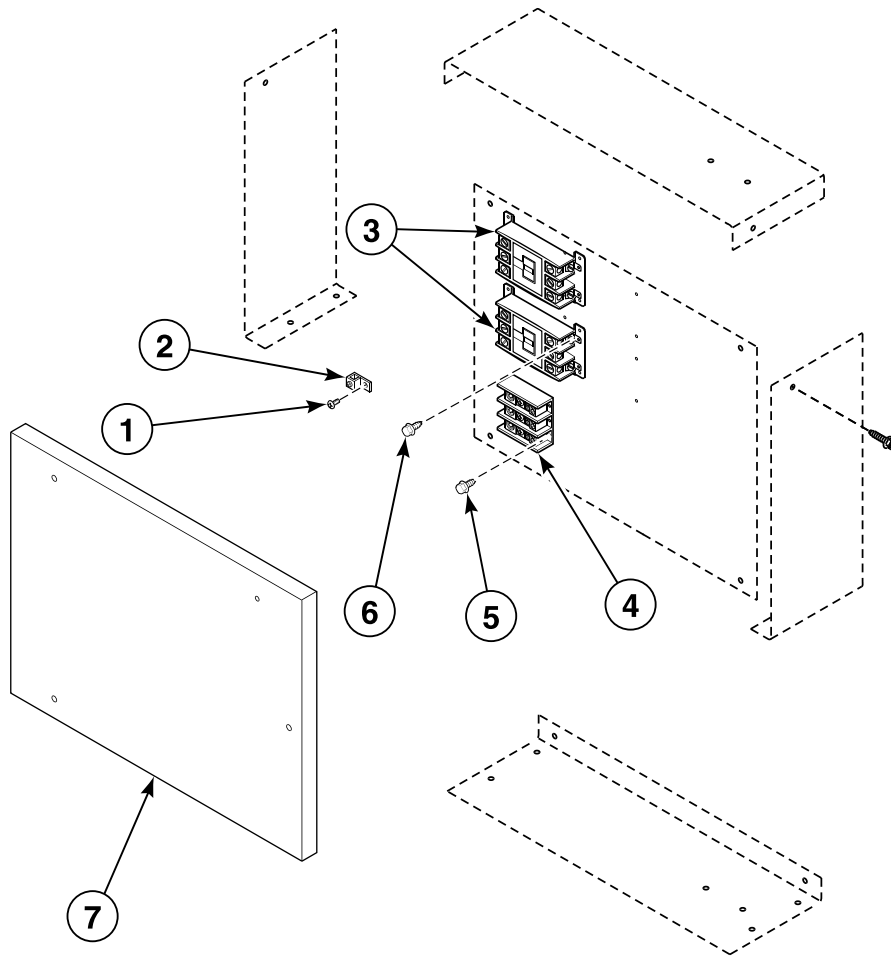


T406PZ3D\_70184901

## Control Tray - Non-CE and Non-Australian Electric Models

REF	PART NO.	DESCRIPTION	COMMENTS
	70055901P	Power Wire Harness Assembly	1 Phase; Terminal block to transformer
	70120201P	Power Harness Assembly	3 Phase; Terminal block to transformer
	70083001P	Control Tray Harness Assembly	
	M413863	Network Capacitor Assembly	OM control suffix
	M413930P	Ferrite Core Assembly	OM control suffix
	M402917	Screw	Green; Ground
	M413614P	Fan Contactor	3 Phase
	M413505	Jumper Harness Assembly	120 Volt/1 Phase
	M413506	Jumper Harness Assembly	208 Volt/1 or 3 Phase
	M413507	Jumper Configuration Assembly	240 Volt/1 or 3 Phase
	M413508	Jumper Harness Assembly	380 Volt/50 Hertz/3 Phase
	M413509	Jumper Harness Assembly	415 Volt/50 Hertz/3 Phase
	M413510	Jumper Configuration Assembly	480 Volt/60 Hertz/3 Phase
	70142501	Jumper Adapter Harness Assembly	To interlock harness
<b>1</b>	M411072	Screw	
<b>2</b>	430642	Terminal Block	
<b>3</b>	M413862	Insulator	For terminal block
<b>4</b>	70210901P	Relay	1 Phase
<b>5</b>	M414232	Fuse	250 Volt; 3.5 Amp
	M413621	Fuse	500 Volt; 0.5 Amp
	M413118	Fuse	250 Volt; 2 Amp
<b>6</b>	91024P	Fuse Receptacle	250 Volt
	M413544P	Fuse Holder	600 Volt
<b>7</b>	70123701	Fuse Bracket	250 Volt
	70123801	Fuse Bracket	600 Volt
<b>8</b>	M414228P	Transformer	200-240 Volt/50 or 60 Hertz models with OM control suffix
	M414229P	Transformer	380-480 Volt/50 or 60 Hertz models except OM control suffix
<b>9</b>	M405824	Screw	
<b>10</b>	51778	Screw	For motor relay
	430497	Screw	For motor contactor

# Accessory Box - Non-CE and Non-Australian Electric Models



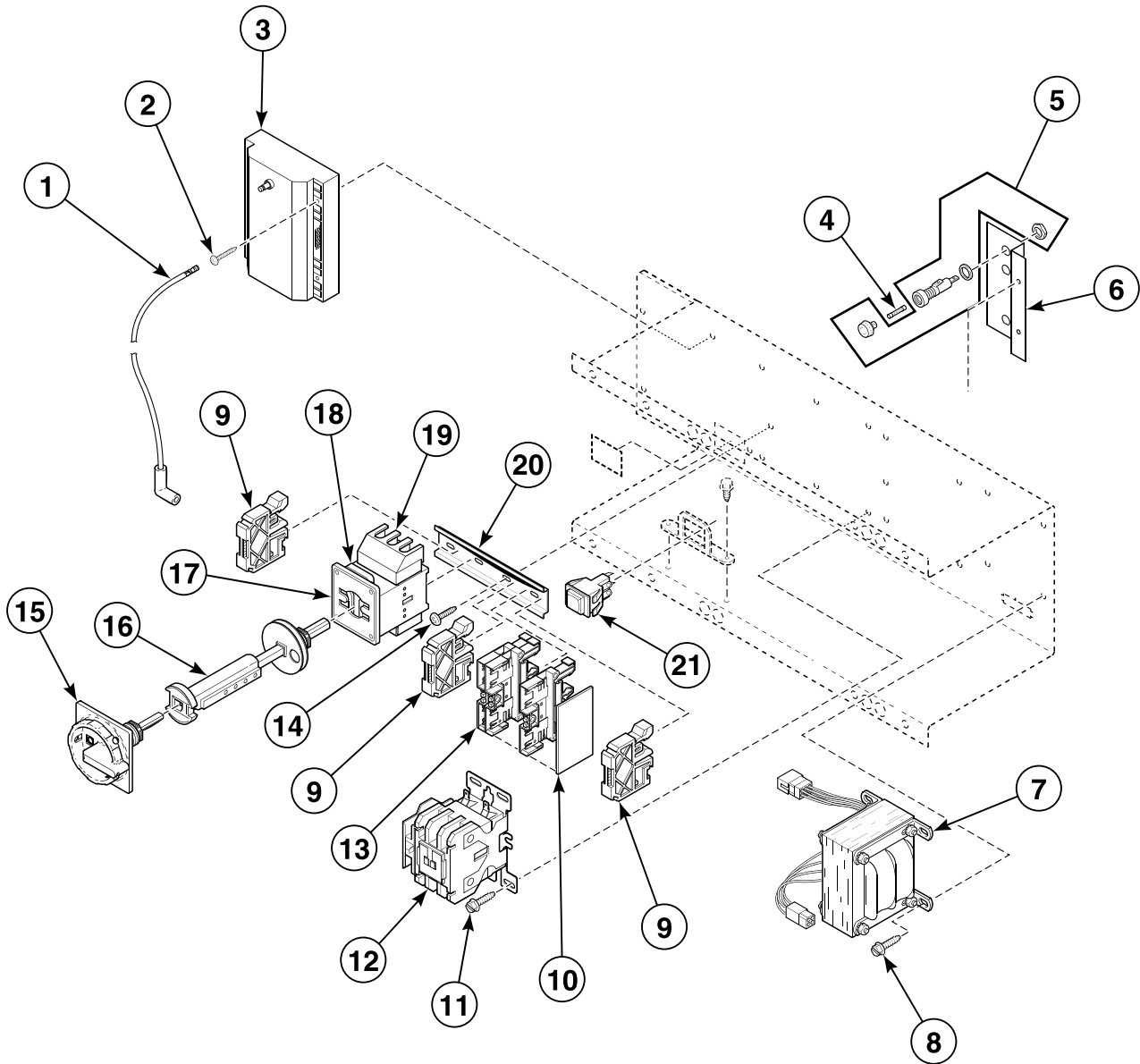
TMB1951P\_70184901

## Accessory Box - Non-CE and Non-Australian Electric Models

REF	PART NO.	DESCRIPTION	COMMENTS
	M413930P	Ferrite Core Assembly	OM control suffix
	M414121	Jumper Cable Assembly	1 Phase
	44129201P	Jumper Harness	200-240 Volt
	70139101	Jumper Assembly	1 Phase; 8 gauge
	70139001	Jumper Assembly	200-240 Volt; 2 required for 1 Phase; 3 required for 3 Phase; 8 gauge
	M413933	Jumper Cable Assembly	200-240 Volt; 2 required for 1 Phase; 3 required for 3 Phase
	M413934	Jumper Cable Assembly	1 required for 1 Phase; 3 required for 3 Phase
	70139401	Power Harness Assembly	Control tray to accessory box
<b>1</b>	M402917	Screw	Use with item 2
<b>2</b>	M411283	Ground Lug Connector	
<b>3</b>	M4919P3	Electric Heater Contactor Kit	2 required for 200-240 Volt; 1 required for 380-480 Volt; Includes 4 of M411072 Screw
<b>4</b>	M413865	Terminal Block	3 pole
<b>5</b>	39733	Screw	
<b>6</b>	430497	Screw	
<b>7</b>	N/A	Accessory Box Cover	

**N/A = Part no longer available**

# Control Tray - CE and Australian Gas Models



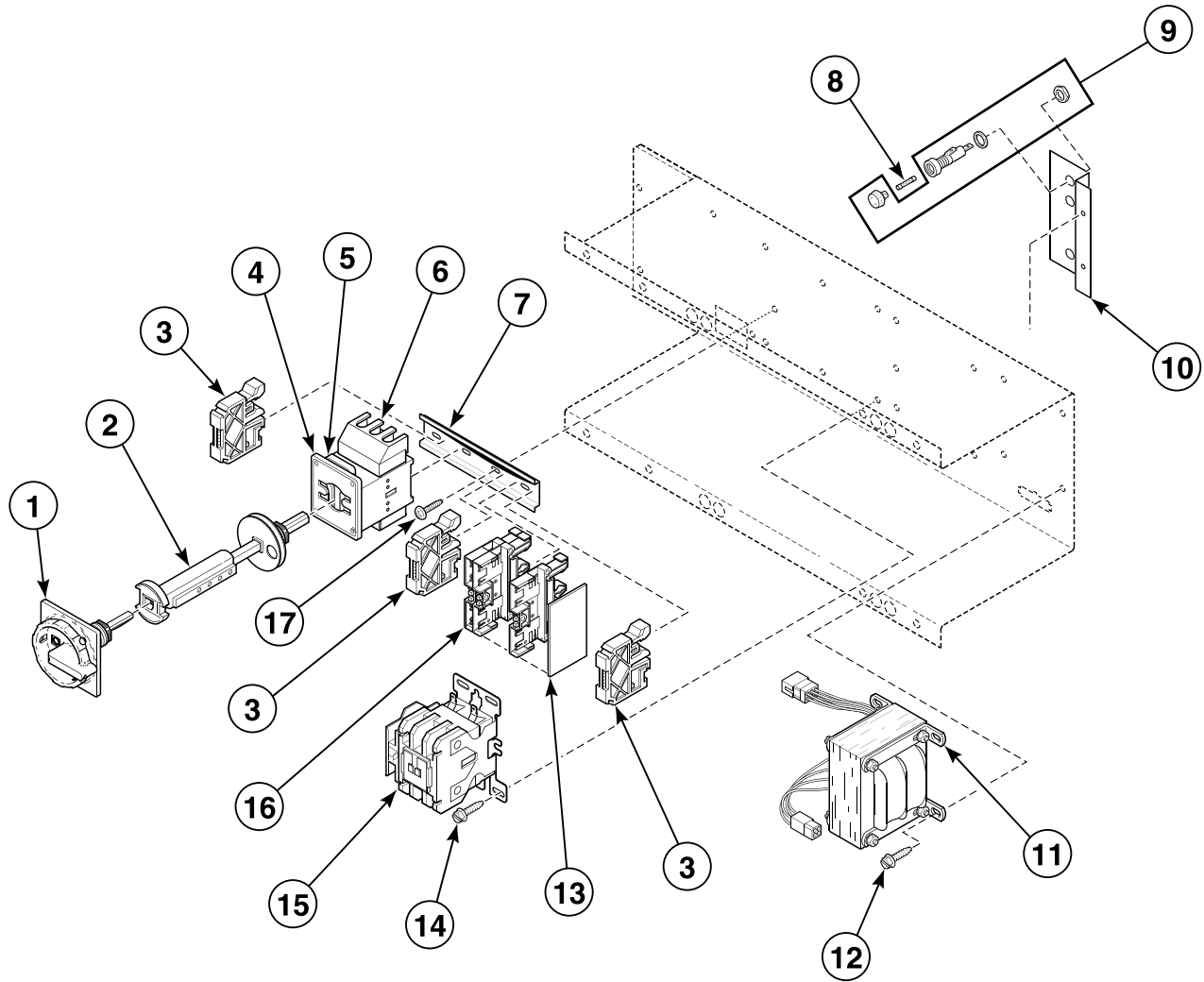
T458PZ3A\_70184901

## Control Tray - CE and Australian Gas Models

REF	PART NO.	DESCRIPTION	COMMENTS
	70083001P	Control Tray Harness Assembly	
	M402917	Screw	Green; Ground
	M413863	Network Capacitor Assembly	OM and RM control suffixes
	M413930P	Ferrite Core Assembly	OM and RM control suffixes
	M413504	Jumper Harness Assembly	100 Volt/1 Phase
	M413505	Jumper Harness Assembly	120 Volt/1 Phase
	M413507	Jumper Configuration Assembly	240 Volt/1 or 3 Phase
	M413508	Jumper Harness Assembly	380 Volt/50 Hertz/3 Phase
	M413509	Jumper Harness Assembly	415 Volt/50 Hertz/3 Phase
	70083301P	Ignition Control Harness	
	70120901	Jumper Disconnect Assembly	DC, GC, JC, LC, PC and SC models
	70055901P	Power Wire Harness Assembly	1 Phase; Terminal block to transformer
	70120201P	Power Harness Assembly	3 Phase; Terminal block to transformer
<b>1</b>	70006201	High Voltage Lead	
<b>2</b>	70118801	Screw	
<b>3</b>	70367401P	Ignition Control	
<b>4</b>	M413621	Fuse	500 Volt; 0.5 Amp
	M413867	Fuse	250 Volt; 2 Amp
	M413889	Fuse	250 Volt; 4 Amp
	M414232	Fuse	250 Volt; 3.5 Amp
	M414240	Fuse	250 Volt; 2 Amp
<b>5</b>	502591P	Fuse Holder Kit	250 Volt
	M413544P	Fuse Holder	380-415 Volt; 500 Volt
<b>6</b>	70123901	Fuse Bracket	200-240 Volt
	70124001	Fuse Bracket	380-415 Volt
<b>7</b>	M414228P	Transformer	200-240 Volt
	M414229P	Transformer	380-415 Volt
<b>8</b>	33562	Screw	
<b>9</b>	70121101	End Cover	3 required
<b>10</b>	70121001	End Stop	1 required
<b>11</b>	51780	Screw	
<b>12</b>	M413614P	Fan Contactor	3 Phase
<b>13</b>	70120001	Terminal Block	3 required
<b>14</b>	430497	Screw	
<b>15</b>	M412208	Handle	
<b>16</b>	M412370	Extension Handle	
<b>17</b>	M412368	Door Interlock	
<b>18</b>	M412187	Mounting Switch Base	20 Amp
<b>19</b>	M412366	Finger Guard	
<b>20</b>	N/A	Din Rail	
<b>21</b>	M413431	Pushbutton Switch	Lighted

**N/A = Part no longer available**

# Control Tray - CE Steam Models



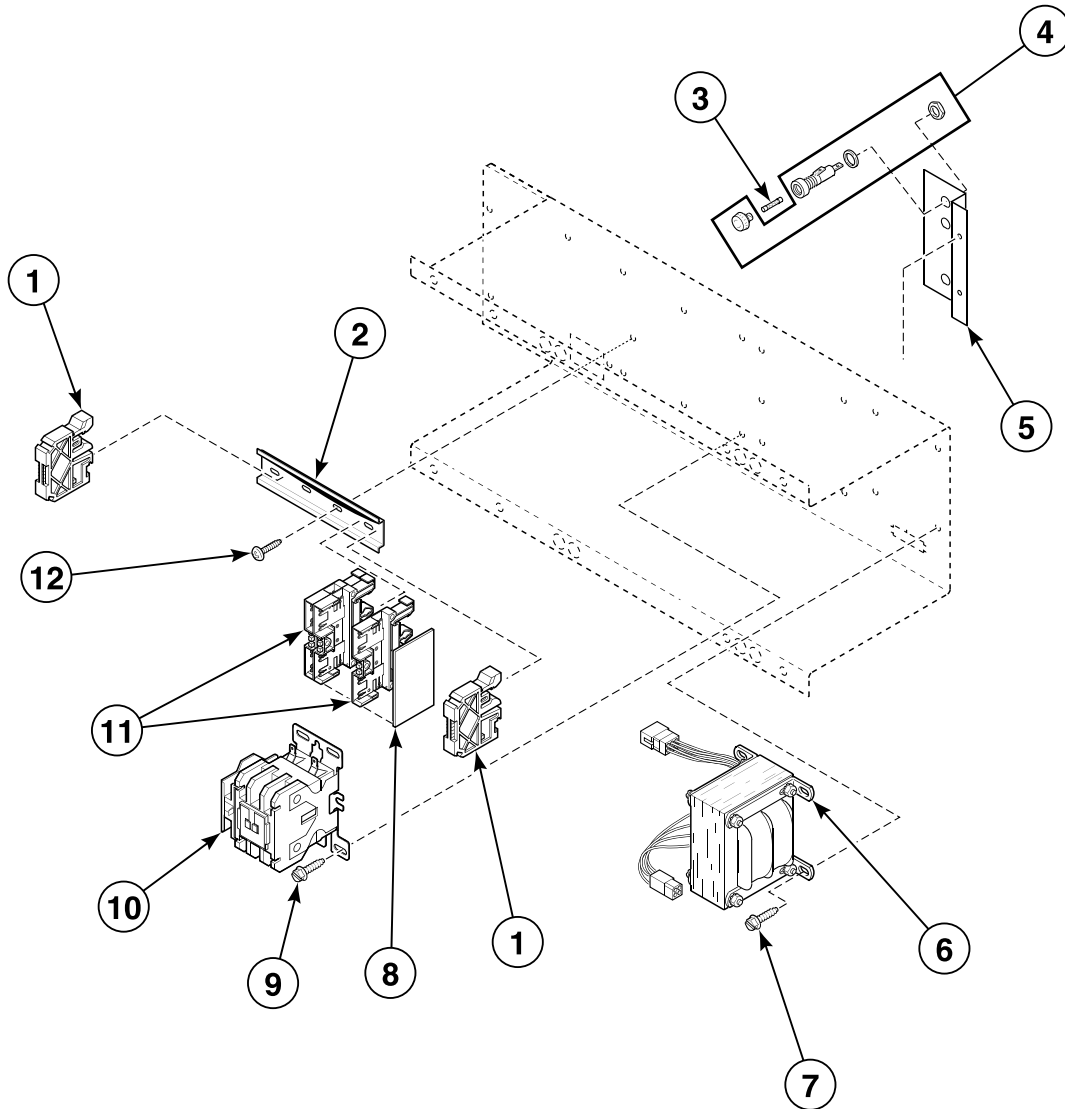
T480P\_70184901

## Control Tray - CE Steam Models

REF	PART NO.	DESCRIPTION	COMMENTS
	M413863	Network Capacitor Assembly	OM and RM control suffixes
	M413930P	Ferrite Core Assembly	OM and RM control suffixes
	M413504	Jumper Harness Assembly	100 Volt/1 Phase
	M413505	Jumper Harness Assembly	120 Volt/1 Phase
	M413507	Jumper Configuration Assembly	240 Volt/1 or 3 Phase
	M413508	Jumper Harness Assembly	380 Volt/50 Hertz/3 Phase
	M413509	Jumper Harness Assembly	415 Volt/50 Hertz/3 Phase
	70113101	Steam Jumper Assembly	
	70120901	Jumper Disconnect Assembly	
	70055901P	Power Wire Harness Assembly	1 Phase; Terminal block to transformer
	70120201P	Power Harness Assembly	3 Phase; Terminal block to transformer
	70083001P	Control Tray Harness Assembly	
<b>1</b>	M412208	Handle	
<b>2</b>	M412370	Extension Handle	
<b>3</b>	70121001	End Stop	2 required
<b>4</b>	M412368	Door Interlock	
<b>5</b>	M412187	Mounting Switch Base	20 Amp
<b>6</b>	M412366	Finger Guard	
<b>7</b>	N/A	Din Rail	
<b>8</b>	M413621	Fuse	500 Volt; 0.5 Amp
	M413867	Fuse	250 Volt; 2 Amp
	M413889	Fuse	250 Volt; 4 Amp
	M414240	Fuse	250 Volt; 2 Amp
<b>9</b>	502591P	Fuse Holder Kit	
	M413544P	Fuse Holder	380-415 Volt
<b>10</b>	70123901	Fuse Bracket	
	70124001	Fuse Bracket	
<b>11</b>	M414228P	Transformer	200-240 Volt
	M414229P	Transformer	380-415 Volt
<b>12</b>	M411072	Screw	
<b>13</b>	70121101	End Cover	1 required
<b>14</b>	51780	Screw	
<b>15</b>	M413614P	Fan Contactor	
<b>16</b>	70120001	Terminal Block	3 required
<b>17</b>	430497	Screw	

**N/A = Part no longer available**

# Control Tray - CE Electric Models



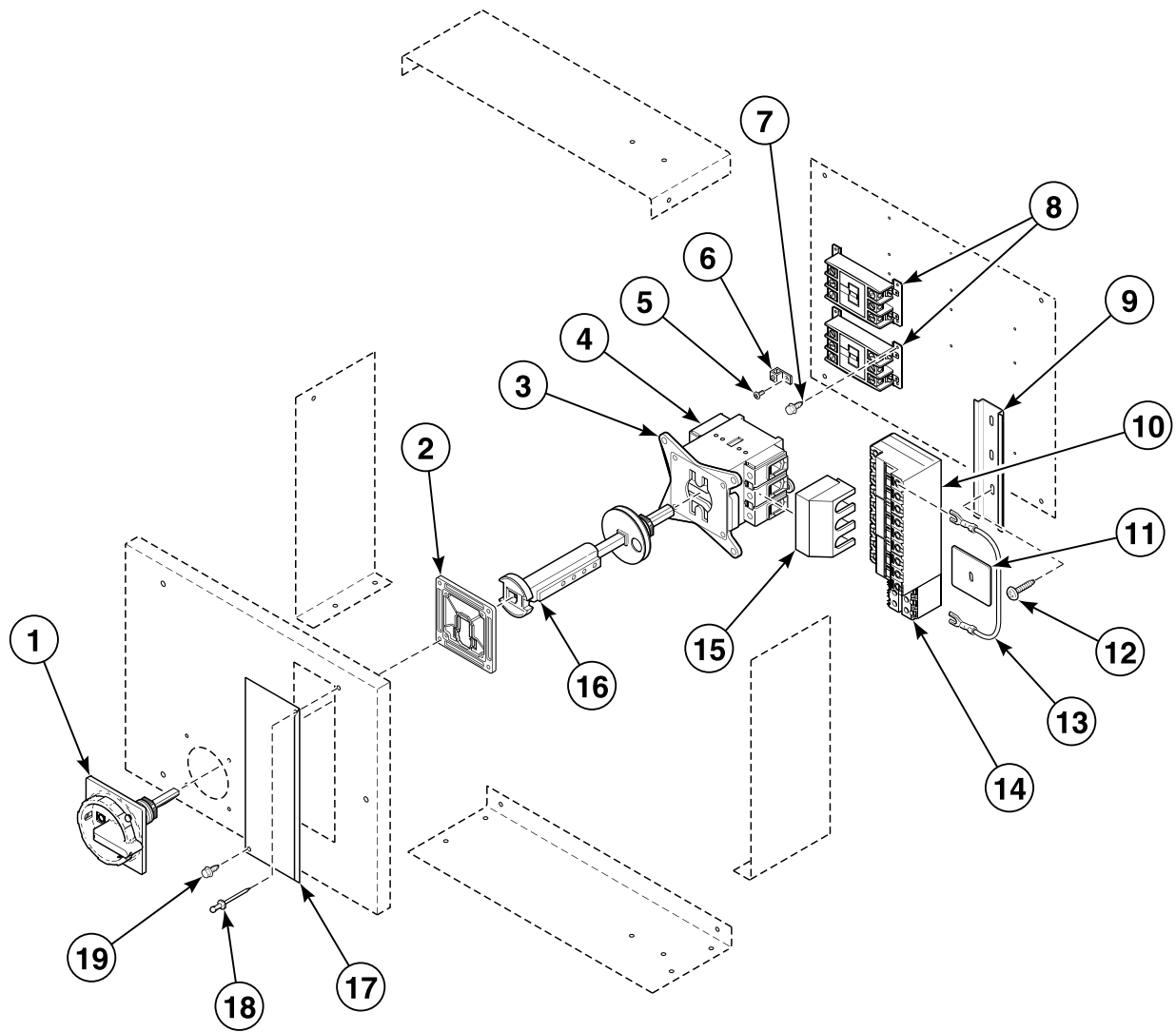
T481P\_70184901

## Control Tray - CE Electric Models

REF	PART NO.	DESCRIPTION	COMMENTS
	M413863	Network Capacitor Assembly	OM and RM control suffixes
	M402917	Screw	Green; Ground
	M413505	Jumper Harness Assembly	120 Volt/1 Phase
	M413507	Jumper Configuration Assembly	240 Volt/1 or 3 Phase
	M413508	Jumper Harness Assembly	380 Volt/50 Hertz/3 Phase
	M413509	Jumper Harness Assembly	415 Volt/50 Hertz/3 Phase
	70142501	Jumper Adapter Harness Assembly	To interlock harness
	70055901P	Power Wire Harness Assembly	1 Phase; Terminal block to transformer
	70120201P	Power Harness Assembly	3 Phase; Terminal block to transformer
	70083001P	Control Tray Harness Assembly	
<b>1</b>	70121001	End Stop	
<b>2</b>	N/A	Din Rail	
<b>3</b>	M413889	Fuse	250 Volt; 4 Amp
	M413621	Fuse	500 Volt; 0.5 Amp
	M413867	Fuse	250 Volt; 2 Amp
<b>4</b>	502591P	Fuse Holder Kit	
	M413544P	Fuse Holder	380-415 Volt
<b>5</b>	70123901	Fuse Bracket	Low voltage
	70124001	Fuse Bracket	High voltage
<b>6</b>	M414228P	Transformer	200-240 Volt/50 or 60 Hertz models with OM control suffix
	M414229P	Transformer	380-480 Volt/50 or 60 Hertz models except OM control suffix
<b>7</b>	70118801	Screw	
<b>8</b>	70121101	End Cover	
<b>9</b>	M411072	Screw	
<b>10</b>	M413614P	Fan Contactor	1 or 3 Phase
<b>11</b>	70120001	Terminal Block	
<b>12</b>	430497	Screw	

**N/A = Part no longer available**

# Accessory Box - CE Electric Models



TMB1858P\_70184901

## Accessory Box - CE Electric Models

REF	PART NO.	DESCRIPTION	COMMENTS
	70138901	Jumper Assembly	230 Volt/50 Hertz/1 Phase; 2 gauge
	70138801	Jumper Assembly	3 Phase; 6 gauge
	M413934	Jumper Cable Assembly	1 required for 1 Phase; 3 required for 3 Phase
	70139401	Power Harness Assembly	Control tray to accessory box
<b>1</b>	70268001	Handle	
<b>2</b>	M412369	Door Interlock	
<b>3</b>	N/A	Disconnect Switch Gasket	
<b>4</b>	M412186	Mounting Switch Base	100 Amp
<b>5</b>	M402917	Screw	
<b>6</b>	M411283	Ground Lug Connector	
<b>7</b>	51780	Screw	
<b>8</b>	M4919P3	Electric Heater Contactor Kit	2 required for 200-240 Volt; 1 required for 380-415 Volt
<b>9</b>	N/A	Din Rail	380-415 Volt/50 Hertz/3 Phase; 127 mm
	M412693	Din Rail	380-415 Volt/50 Hertz/3 Phase; 165 mm
<b>10</b>	M412401	Circuit Breaker	230 Volt/50 Hertz/1 Phase; 8 Amp
	M412407	Circuit Breaker	380-415 Volt/50 Hertz/3 Phase; 8 Amp
	M412402	Circuit Breaker	0220 models; 230 Volt/50 Hertz/1 or 3 Phase; 32 Amp
	M412406	Circuit Breaker	0270 models; 230 Volt/50 Hertz/1 or 3 Phase; 40 Amp
	M412408	Circuit Breaker	0350 models; 230 Volt/50 Hertz/1 or 3 Phase; 50 Amp
<b>11</b>	44014901P	Power Distribution Block Cover	
<b>12</b>	430497	Screw	
<b>13</b>	M413934	Jumper Cable Assembly	8 inches
	44014701	Jumper Wire	10.5 inches
	44014801	Jumper Wire	13 inches
	44014601	Jumper Wire	6.25 inches
	M413933	Jumper Cable Assembly	7.5 inches
<b>14</b>	M413865	Terminal Block	230 Volt/50 Hertz/1 Phase; 380-415 Volt/50 Hertz/3 Phase
<b>15</b>	M412367	Finger Guard	
<b>16</b>	M412371P	Extension Handle	
<b>17</b>	70133901	Electrical Box Access Cover	
<b>18</b>	70058501	Pop Rivet	
<b>19</b>	51780	Screw	

N/A = Part no longer available



# Parts Index

## A

Adapter	
70131901 .....	59
Adhesive	
511637 .....	39, 41
Air Filter	
70036001 .....	67
Airflow Switch	
70267301 .....	55
Airflow Switch Block	
70203301 .....	55
Airflow Switch Bracket	
70266301 .....	55
Airflow Switch Cover	
70281801 .....	55
Airflow Switch Kit	
70270901P .....	55
Airflow Switch Vane	
70266201 .....	55
Axial Plate	
70194501 .....	43

## B

Baffle Gasket	
70015701 .....	35
70015702 .....	35
70015703 .....	35
Belt	
70276202P .....	43
70276203P .....	43
Belt Tension Tool Kit	
M4853P3 .....	43
Blower Assembly	
70359801P .....	49
Blower Motor	
70268801P .....	51, 53
70337501P .....	51, 53
Blower Motor Kit	
70337701P .....	51, 53
Blower Motor Mounting Plate	
70012001 .....	49
Bolt	
70062401 .....	43, 49
70189201 .....	39
Burner Grill	
70188801 .....	55, 57
Burner Orifice	
M400997 .....	63
M400998 .....	63
M401000 .....	63
M401002 .....	63
M401003 .....	61
M401007 .....	61
M401011 .....	61
M401014 .....	63
M401015 .....	61
M401017 .....	61

M401020 .....	63
M401024 .....	61
M402444 .....	61
M402980 .....	63
M402995 .....	63
M402996 .....	63
M402997 .....	63
M403017 .....	61
M406184 .....	61
M406361 .....	61
M411371 .....	63
M411372 .....	63
M411373 .....	63
M411374 .....	63
M411375 .....	61
M411376 .....	61
M411511 .....	63
M411512 .....	61
70070901 .....	63
70070902 .....	61

Bushing	
70027701 .....	43

## C

Cable Heater Assembly	
70138601P .....	65
70138701 .....	65
Card Reader	
39685P .....	11
Card Reader and Bracket Assembly	
510068P .....	21
Card Reader Harness Assembly	
431613 .....	11
70211801 .....	21
Card Reader Mounting Bracket	
M414120 .....	11
Card Reader Network Harness Assembly	
70206601 .....	21
Center Cylinder Seal Assembly	
70066003 .....	35
70066004 .....	35
Circuit Board Support	
34896 .....	13, 17, 19
Circuit Breaker	
M412401 .....	85
M412402 .....	85
M412406 .....	85
M412407 .....	85
M412408 .....	85
Clip	
70226701 .....	35
Coin Chute Assembly	
70296401 .....	35
Coin Drop	
38479P .....	9
38963P .....	9
70256402P .....	9
Coin Drop Assembly	
200578P .....	9
210195 .....	9
210196 .....	9

N/A items do not appear in index.

38462P.....	9	70235801 .....	21, 23
38463 .....	9	Control Panel Kit	
38464P.....	9	70121401*P.....	31
38467 .....	9	70121402P.....	31
38472 .....	9	Control Plate Assembly	
38475 .....	9	70175801 .....	7
38519 .....	9	70175802 .....	11
38521 .....	9	70175803 .....	17
38522 .....	9	70175804 .....	13
39157 .....	9	70175805 .....	19
Coin Drop Kit		70175806 .....	19
CK077 .....	9	70175807 .....	23
Coin Identification Paper		70348801 .....	21
38725 .....	7	Control Tray Harness Assembly	
Coin Meter		70083001P .....	71, 73, 75, 79, 81, 83
M412542P.....	15	Control Trim	
M412546 .....	15	44016401 .....	31
M412547 .....	15	70117201 .....	31
70112501P.....	15	Cylinder Bearing Stud Plate Assembly	
70112701P.....	15	430352 .....	39, 41
70137301P.....	15	Cylinder Channel	
70137401P.....	15	70190601 .....	39
70138401P.....	15	70190701 .....	39
70151301 .....	15	Cylinder Guide Tool	
70262401 .....	15	263P4 .....	39, 41
70262501 .....	15	Cylinder Motor Harness Assembly	
Coin Vault Assembly		70083701 .....	43
70180101 .....	35	Cylinder, Trunnion and Seal Kit	
Coin Vault Harness Assembly		70221901P .....	39, 41
70083801 .....	7	70221902P .....	39, 41
Coin Vault Switch Harness Assembly		70222001P .....	39, 41
70235201 .....	31	70222002P .....	39, 41
Coin Vault Trim		70222101P .....	39, 41
70117501 .....	31	70222102P .....	39, 41
70117502 .....	31		
Communication Board			
210095P.....	27		
Communication Harness Assembly			
70211101 .....	27		
Communication Wire Harness Assembly			
800246 .....	27		
Control Harness Assembly			
70055801P.....	7, 11		
Control Kit			
M414049P.....	7, 11		
505905P.....	21, 23		
70228401P.....	19		
Control Panel			
70121301BLK .....	31		
70121301* .....	31		
70121302 .....	31		
70121501BLK .....	31		
70121501* .....	31		
70121502 .....	31		
70121601* .....	31		
70121602 .....	31		
Control Panel Harness			
70179801 .....	13		
70179901P.....	17		
Control Panel Harness Assembly			
70082501P.....	17		
70082601 .....	13		
70082701P.....	7, 11		
70082801P.....	19		
70082901 .....	19		
70206301 .....	21, 23		

## D

Damper and Hinge Exhaust Assembly	
70209501 .....	49
Data Connector, 3 Circuit	
210155 .....	27
Din Rail	
M412693 .....	85
Door Assembly	
44058001 .....	37
70176503 .....	37
70212200 .....	37
70212300 .....	37
Door Glass	
M400784P .....	37
70133601P .....	37
Door Glass Seal Kit	
70211901P .....	37
Door Handle	
M400133 .....	37
430117 .....	37
70024801 .....	37
Door Hinge	
70115901* .....	37
70115902 .....	37
70116003W .....	37
70116004 .....	37
Door Hinge Cam Assembly Kit	
M4771P3 .....	37

N/A items do not appear in index.

Door Hinge Lug Assembly 44035001 .....	37
Door Interlock M412368 .....	79, 81
M412369 .....	85
Door Latch M401223 .....	31
Door Ring Gasket 70296801 .....	37
Door Switch 70125101 .....	31
Door Switch Actuator Kit 70215001P .....	37
Door Switch Bracket 70119301 .....	31
Down Rated Burner Kit M4729P3 .....	59
Drive Access Cover 70196301 .....	49
Drive Motor 70052301 .....	45
70261901 .....	45
70337801P .....	45
70338101P .....	45
Drive Motor and Pulley Assembly 70191501 .....	47
70281202 .....	47
Drive Motor Assembly 70062803P .....	47
Drive Motor Harness 70053601P .....	43
Drive Motor Kit 70338001P .....	45
Dual Overlay Kit 70216501P .....	7
70216601P .....	7
70216701P .....	7
70216801P .....	7
70216901P .....	7

## E

Elbow 70079601 .....	59
Electric Heater Contactor Kit M4919P3 .....	77, 85
Electrical Box Access Cover 70133901 .....	85
Electronic Coin Control Kit M4686P3 .....	7, 23
M4687P3 .....	7, 23
Electronic Coin Drop Harness 44065801 .....	9
Electronic OPL Control Kit M4689P3 .....	19
M4695P3 .....	19
Emergency Stop Switch Harness Assembly 70083901 .....	31
70235301 .....	31
End Cap 70070101 .....	39, 41
End Cover 70121101 .....	79, 81, 83

End Stop 70121001 .....	79, 81, 83
Exhaust Thimble 70015601 .....	49
70017801 .....	49
Expansion Clip 70030501 .....	31
Extension Handle M412370 .....	79, 81
M412371P .....	85

## F

False Front 70000501*P .....	29
70000502 .....	29
70021101*P .....	29
70024202P .....	29
False Front Assembly 70021102P .....	29
70024001*P .....	29
70024002P .....	29
70024201*P .....	29
Fan Contactor M413614P .....	71, 73, 75, 79, 81, 83
Fan Motor Harness Assembly 70083401 .....	49
70083501 .....	49
Felt Seal 70193801 .....	39, 41
Ferrite Core Assembly M413930P .....	71, 73, 75, 77, 79, 81
Finger Guard M412366 .....	79, 81
M412367 .....	85
Flat Top 70000301 .....	35
70018601 .....	35
Front Panel Assembly 70176201*P .....	29
70176202P .....	29
70176203* .....	29
70176204P .....	29
70176205*P .....	29
70176206P .....	29
70176207*P .....	29
70176208 .....	29
70176209*P .....	29
70176210 .....	29
70176301*P .....	29
70176302 .....	29
70176303* .....	29
70176304 .....	29
70176305*P .....	29
70176306 .....	29
70176307*P .....	29
70176308 .....	29
70176309* .....	29
70176310 .....	29
Front Panel Filler 70173401P .....	29
Front Panel Insulation 70155301 .....	31
70155401 .....	31

N/A items do not appear in index.

Fuse	
M413118 .....	71, 73, 75
M413621 .....	71, 73, 75, 79, 81, 83
M413867 .....	79, 81, 83
M413889 .....	79, 81, 83
M414232 .....	71, 73, 75, 79
M414240 .....	71, 73, 79, 81
70406501 .....	19
Fuse Bracket	
70123701 .....	71, 73, 75
70123801 .....	71, 73, 75
70123901 .....	79, 81, 83
70124001 .....	79, 81, 83
Fuse Holder	
M413544P .....	71, 73, 75, 79, 81, 83
Fuse Holder Kit	
502591P .....	79, 81, 83
Fuse Receptacle	
91024P .....	71, 73, 75

## G

Gas Burner	
70229801 .....	55
Gas Shut-Off Valve	
M412562 .....	59
Gas Valve Bracket	
70210301 .....	59
Gas Valve Coil	
70260101 .....	59
Gas Valve Harness Assembly	
M413650 .....	59
Ground Lug Connector	
M411283 .....	77, 85
Ground Screw	
M402917 .....	79

## H

Handle	
M412208 .....	79, 81
70268001 .....	85
Handle and Caps Assembly	
70154401 .....	33
70154402 .....	33
70154403 .....	33
70154404 .....	33
Heater Element	
70034401P .....	65
70034402P .....	65
70034403P .....	65
70034404P .....	65
70034405P .....	65
70034406P .....	65
70034407P .....	65
70034408 .....	65
70034409P .....	65
70034412P .....	65
70034413P .....	65
70034414P .....	65
70034415P .....	65
70034416P .....	65

High Limit Harness	
70067001P .....	35
High Voltage Lead	
70006201 .....	71, 79
Hinge	
503676 .....	49
Hold-Down Clip	
35865 .....	35
Hole Plug	
70063201 .....	35

## I

Idler Pivot Bracket	
70200901 .....	43
Idler Wheel Assembly	
70050401P .....	43
Igniter Cover	
70159601 .....	55
Ignition Control	
70367301P .....	71
70367401P .....	79
Ignition Control Harness	
70083301P .....	79
Ignition Control Harness Assembly	
70083201 .....	71
Indicator Light	
70082201 .....	13, 17
Insulator	
M413862 .....	71, 73, 75

## J

Jumper Adapter Harness Assembly	
70142501 .....	75, 83
Jumper Assembly	
70138801 .....	85
70138901 .....	85
70139001 .....	77
70139101 .....	77
Jumper Bar	
70066501 .....	65
Jumper Bypass Assembly	
70084001 .....	35
Jumper Cable Assembly	
M413933 .....	77, 85
M413934 .....	77, 85
M414121 .....	77
Jumper Calibration Assembly	
70084201 .....	7, 11
70084301 .....	19
70084303 .....	19
70211701 .....	21, 23
70211702 .....	21, 23
70211703 .....	23
Jumper Configuration Assembly	
M413507 .....	71, 73, 75, 79, 81, 83
M413510 .....	71, 73, 75
70084101 .....	13, 17
70084102 .....	13, 17
Jumper Disconnect Assembly	
70120901 .....	79, 81

N/A items do not appear in index.

Jumper Harness	
44129201P .....	77
Jumper Harness Assembly	
M413504 .....	71, 73, 79, 81
M413505 .....	71, 73, 75, 79, 81, 83
M413506 .....	71, 73, 75
M413508 .....	71, 73, 75, 79, 81, 83
M413509 .....	71, 73, 75, 79, 81, 83
Jumper Wire	
44014601 .....	85
44014701 .....	85
44014801 .....	85

## K

Key	
70144101 .....	49
70155601 .....	31
70155602 .....	31
Kickplate	
70117601 .....	33
70117602 .....	33
70117603 .....	33
70117604 .....	33
Knob	
M410927 .....	17

## L

Leveling Leg	
34319 .....	35
Limit Thermostat	
M409219 .....	55
M409443 .....	55, 65
M410542 .....	65
M411307 .....	49
Lint Panel Assembly	
70176601*P .....	33
70176602P .....	33
70176603*P .....	33
70176604 .....	33
70176605* .....	33
70176701*P .....	33
70176702P .....	33
70176703*P .....	33
70176704 .....	33
70176705* .....	33
70176706 .....	33
70176707* .....	33
70176708 .....	33
Lint Panel Gasket	
70289101P .....	33
Lint Panel Switch	
70016001 .....	35
Lint Panel Switch Bracket	
70019301 .....	35
Lint Screen	
70290401 .....	35
Lint Screen Clip	
70054501 .....	35
Lock, Key and Nut Kit	
44089301P .....	31
44089302P .....	31

L.P. Conversion Kit	
M4699P3 .....	59
M4703P3 .....	59
M4706P3 .....	59
M4711P3 .....	59
L.P. Valve	
70257601P .....	59
L.P. Valve Conversion Kit	
M4734P3 .....	59

## M

Main Harness Assembly	
70204801 .....	23
Manual Reset Thermostat	
M411938 .....	55
M411945 .....	49
70186301 .....	55
Manual Timer Control Kit	
M4690P3 .....	17
Motor Bracket Assembly	
70197101 .....	43
70247001 .....	43
Motor Bracket Spring	
70051401 .....	43
Motor Pivot Shaft	
70187801 .....	43
Motor Pulley	
70189104 .....	43
70284201 .....	43
70284202 .....	43
70284203 .....	43
Mounting Bracket	
70063501 .....	13, 17, 19
70080701 .....	13, 17
70178901 .....	13, 17
Mounting Plate	
70208801 .....	21
Mounting Switch Base	
M412186 .....	85
M412187 .....	79, 81
Multiplier Harness Assembly	
431611 .....	7

## N

Nameplate Bezel	
70117401 .....	31
Nameplate Overlay	
70115601 .....	31
70128301 .....	31
70240801 .....	31
Network Board Assembly	
210016P .....	25
Network Capacitor Assembly	
M413863 .....	71, 73, 75, 79, 81, 83
Network Plug Support	
70201401 .....	25
Network Wire Harness Assembly	
800217 .....	25
Nut	
M400022 .....	39, 41, 49

N/A items do not appear in index.

M400034	39, 41, 49
M400977	17
M400979	55
M414215	37
21899	35
23951	33
29786	43
430576	35
44087201	39, 41, 43, 49
56156	43, 49
70054	7, 11, 13, 17, 19, 23, 37, 65
70072901	31, 35
70142	39, 43
N.G. Heater Assembly	
M413997	59
N.G. Valve	
70257501P	59
N.G. Valve Conversion Kit	
M4733P3	59

## O

Opto Coupler	
200674P	9
O-Ring	
431482	59
Overlay	
70113501	13
70113701	7
70114101	7
70114201	17
70114301	13
70114501	17
70115801	19
70128001	7
70128401	19
70128501	7
70128601	19
70128701	19
70128801	11
70130101	7
70130301	19
70130401	19
70130501	19
70130601	19
70130701	19
70130801	7
70131001	13
70134801	13
70134901	17
70135301	19
70173601	7
70184301	23
70184302	23
70184401	21
70239601	23
70239602	23
70245901	17

## P

Panel Locator	
56079	31, 33, 49
Partition Baffle	
70015101	35

70015201	35
70022001	35
70022101	35
PC Board Standoff	
210098	27
Pin	
70071401	37
Pipe Nipple	
431486	59
70139601	59
Pop Rivet	
M400003	31
70058501	85
70126301	33
70126401	33
Power Distribution Block Cover	
44014901P	85
Power Harness Assembly	
70120201P	71, 73, 75, 79, 81, 83
70139401	77, 85
Power Wire Harness Assembly	
70055901P	71, 73, 75, 79, 81, 83
Primary Air Adjustment Sleeve	
70239801	59
Pushbutton Switch	
M413431	79
70107001	7, 11, 21, 23, 31

## R

Rear Cylinder Bearing Housing	
70013901	39, 41
Rear Cylinder Channel	
70257101	41
70257301	41
Rear Cylinder Channel Plate	
70257201	41
70257401	41
Rear Cylinder Seal	
70013701P	39, 41
70013702	39, 41
Rear Cylinder Seal Support	
70015301	39
Relay	
M412534	13, 17, 19
70210901P	71, 73, 75
Replacement Door Handle Kit	
70133501P	37
Resilient Motor Kit	
M4716P3	43
M4717P3	43
Roller Bearing Assembly	
70298701P	35
Roller Catch Arm	
70030301	33
Roller Catch Spacer	
70030201	33
Roller Catch Wheel	
70297601	33
Roller Shaft	
70017701	35
Rotary Coin Drop Control Kit	
M4688P3	13

N/A items do not appear in index.

Rotary Drop Shroud	
70061701 .....	13

## S

Screw	
M400661 .....	37
M401938 .....	31, 35, 55
M402797 .....	13, 17, 19
M402917 .....	71, 73, 75, 77, 79, 83, 85
M405824 .....	71, 73, 75
M409385 .....	37
M411052 .....	17
M411072 .....	49, 73, 75, 81, 83
M412985 .....	43
05161 .....	55
23222 .....	59
33562 .....	71, 79
39733 .....	31, 33, 43, 49, 77
430497 .....	25, 31, 35, 41, 49, 55, 57, 59, 65, 73, 75, 77, 79, 81, 83, 85
430648 .....	43
430756 .....	37
430757 .....	33, 37
501524 .....	7, 11, 21, 23, 37
51778 .....	71, 73, 75
51780 .....	55, 71, 79, 81, 85
61199 .....	37
62588 .....	39, 41
70033502 .....	37
70072801 .....	33
70118801 .....	71, 79, 83
70126101 .....	49
70132301 .....	31
Shadow Box Clip	
M400972 .....	13, 31
Single Motor Pivot Shaft	
70012501 .....	43
Spark Electrode	
70032801P .....	55
Spud Adapter	
70223501 .....	59
Start Switch	
70108501 .....	13, 17
Steam Coil	
70231201P .....	67
70231301P .....	67
Steam Jumper Assembly	
70113101 .....	73, 81
Steam Valve	
70351001P .....	69
70351002P .....	69
Steam Valve Coil	
70205701P .....	69
Support Bearing	
430038 .....	39, 41

## T

Temperature Knob	
431357 .....	13, 17
70080601 .....	13, 17
Temperature Switch	
431353P .....	13, 17

Terminal Block	
M413865 .....	77, 85
430642 .....	71, 73, 75
70120001 .....	79, 81, 83
Thermal Shield	
70036601 .....	35
Thermistor	
M414704 .....	49
Thermostat Bracket	
70137801 .....	67
Thermostat Cover	
70139901 .....	67
Thermostat Module	
431347P .....	13, 17
Timer	
M412079P .....	17
M412080P .....	17
70131701P .....	17
70131801P .....	17
Timer Control Assembly	
70175301P .....	13, 17
Timer Knob	
70082101 .....	17
Timer Motor	
70218201 .....	13
70218301 .....	13
Transformer	
M414228P .....	71, 73, 75, 79, 81, 83
M414229P .....	71, 73, 75, 79, 81, 83
M414230P .....	71, 73
M414312P .....	71, 73
Trunion and Seal Kit	
70244701P .....	39, 41
Tumbler Dolly Kit	
M4379P4 .....	33

## U

U-Bolt	
70186101 .....	43
U-Bolt Plate	
70186601 .....	43
Union	
H86000031 .....	59

## V

Valve Bracket and Cover Kit	
M4747P3 .....	57

## W

Washer	
F430311 .....	31
M400013 .....	39
M400991 .....	39, 41, 49
M405535 .....	13

N/A items do not appear in index.

Wire Guard  
201595P ..... 9

---