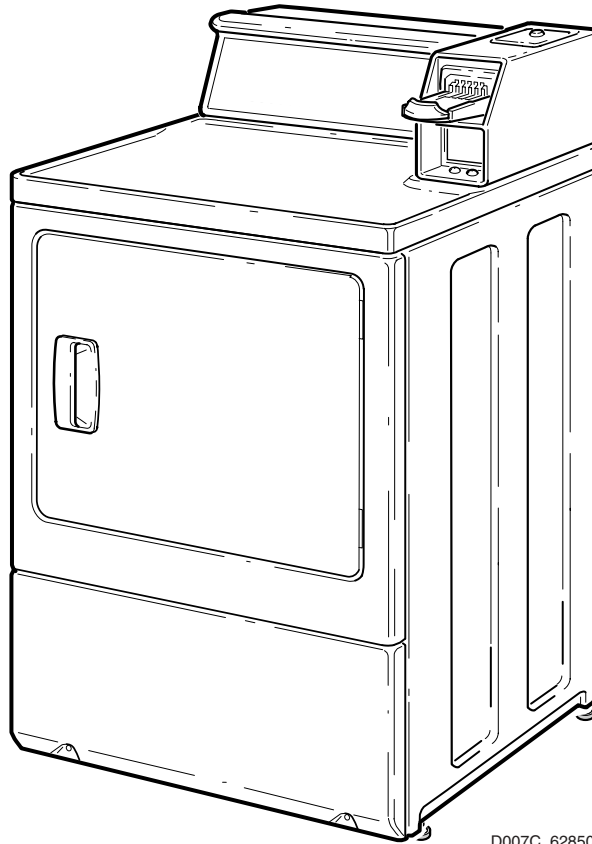


# Dryers

Metered and Nonmetered

Refer to Page 3 for Model Numbers



D007C\_62850



# Table of Contents

Title	Page
Parts Ordering Information.....	2
Nameplate Location .....	2
Model Identification .....	3
Timer - Nonmetered.....	4
Meter Case - Coin Slide Ready .....	6
Meter Case - Coin Slide Ready and Computerized Audit.....	8
Coin Slide Security.....	10
Meter Case - Coin Drop (Drawing 1 of 2).....	12
Meter Case - Coin Drop (Drawing 2 of 2).....	14
Two Switch Timer .....	16
Three Switch Timer.....	18
Control Panel, Control Hood and Controls (Drawing 1 of 2) .....	20
Control Panel, Control Hood and Controls (Drawing 2 of 2) .....	22
Control Panel, Control Hood and Electronic Control.....	24
Cabinet Top .....	26
Loading Door .....	28
Access Panel, Front Panel and Seal .....	30
Motor, Exhaust Fan and Belt .....	32
Motor, Exhaust Fan and Belt - Optional.....	34
Front Bulkhead, Air Duct, Felt Seal and Cylinder .....	36
Rear Bulkhead, Felt Seal, Cylinder Roller and Terminal Block.....	38
Heater Duct and Element Assembly .....	40
Heater Duct Assembly .....	42
Gas Valve, Igniter and Gas Conversion Kits.....	44
Cabinet, Exhaust Duct and Base .....	46
Lead-In Cord .....	48
Terminal Block and Terminals .....	50
Terminals .....	52
Motor Connection Block, Terminal Extractor Tools.....	54
Wire Harnesses and Wires .....	56
Parts Index.....	57

© Copyright 2005, Alliance Laundry Systems LLC

All rights reserved. No part of the contents of this book may be reproduced or transmitted in any form or by any means without the expressed written consent of the publisher.

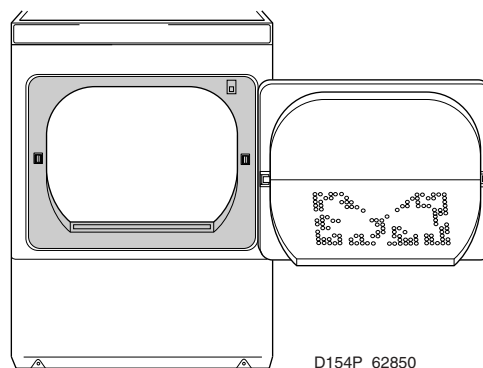
## Parts Ordering Information

If literature or replacement parts are required, contact the source from whom the machine was purchased or contact Alliance Laundry Systems at (920) 748-3950 for the name and address of the nearest authorized parts distributor.

For technical assistance, call (920) 748-3121.

## Nameplate Location

When calling or writing about your product, be sure to mention model and serial numbers. Model and serial numbers are located on nameplate(s) as shown.



# Model Identification

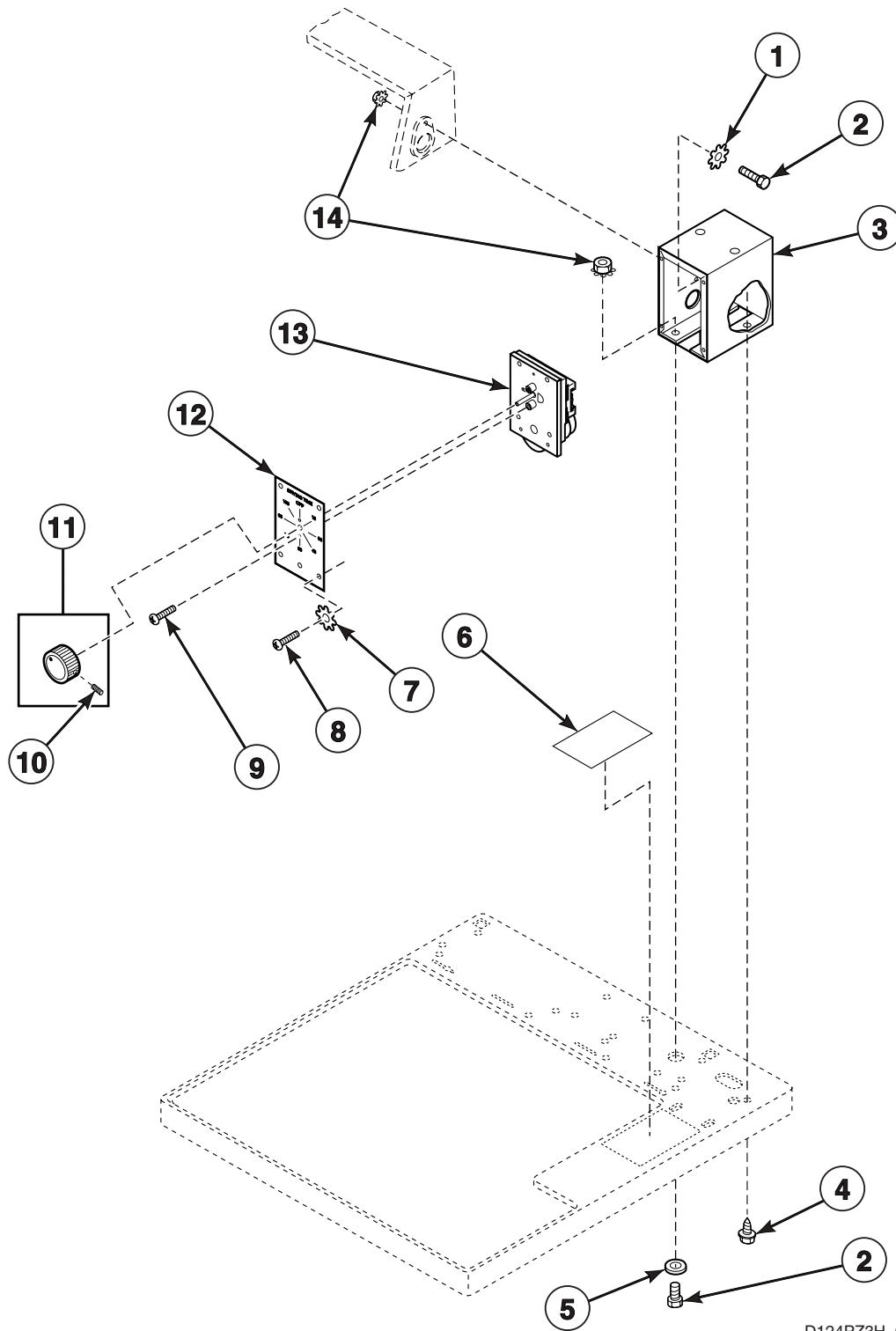
Information in this manual is applicable to these dryer models:

DDE007*	EE2507*A	EE2807*T1500	EG2109*A	EG2809*T
DDG009*	EE2507*T	EE2907*	EG2109*T	EG2909*
EE2007*	EE2507*T1500	EE2907*M	EG2509*	EG2909*M
EE2007*T	EE2607*	EE2907*T	EG2509*A	EG2909*T
EE2007*T1500	EE2607*A	EEJ907*T	EG2509*T	EGJ909*T
EE2107*	EE2607*T	EG2009*	EG2609*	ZE2007*
EE2107*A	EE2607*T1500	EG2009*-1188	EG2609*A	ZE2107*
EE2107*T	EE2807*	EG2009*T	EG2609*T	ZG2009*
EE2107*T1500	EE2807*M	EG2009*T1188	EG2809*	ZG2109*
EE2507*	EE2807*T	EG2109*	EG2809*M	

\* Add Letter To Designate Color. L - Almond W - White

# Timer - Nonmetered

Models DDE007\*, DDG009\*, EE2007\*, EE2007\*T, EE2007\*T1500, EEJ907\*T, EG2009\*, EG2009\*-1188, EG2009\*T, EG2009\*T1188, EGJ909\*T, ZE2007\* and ZG2009\*



D124PZ3H\_62850

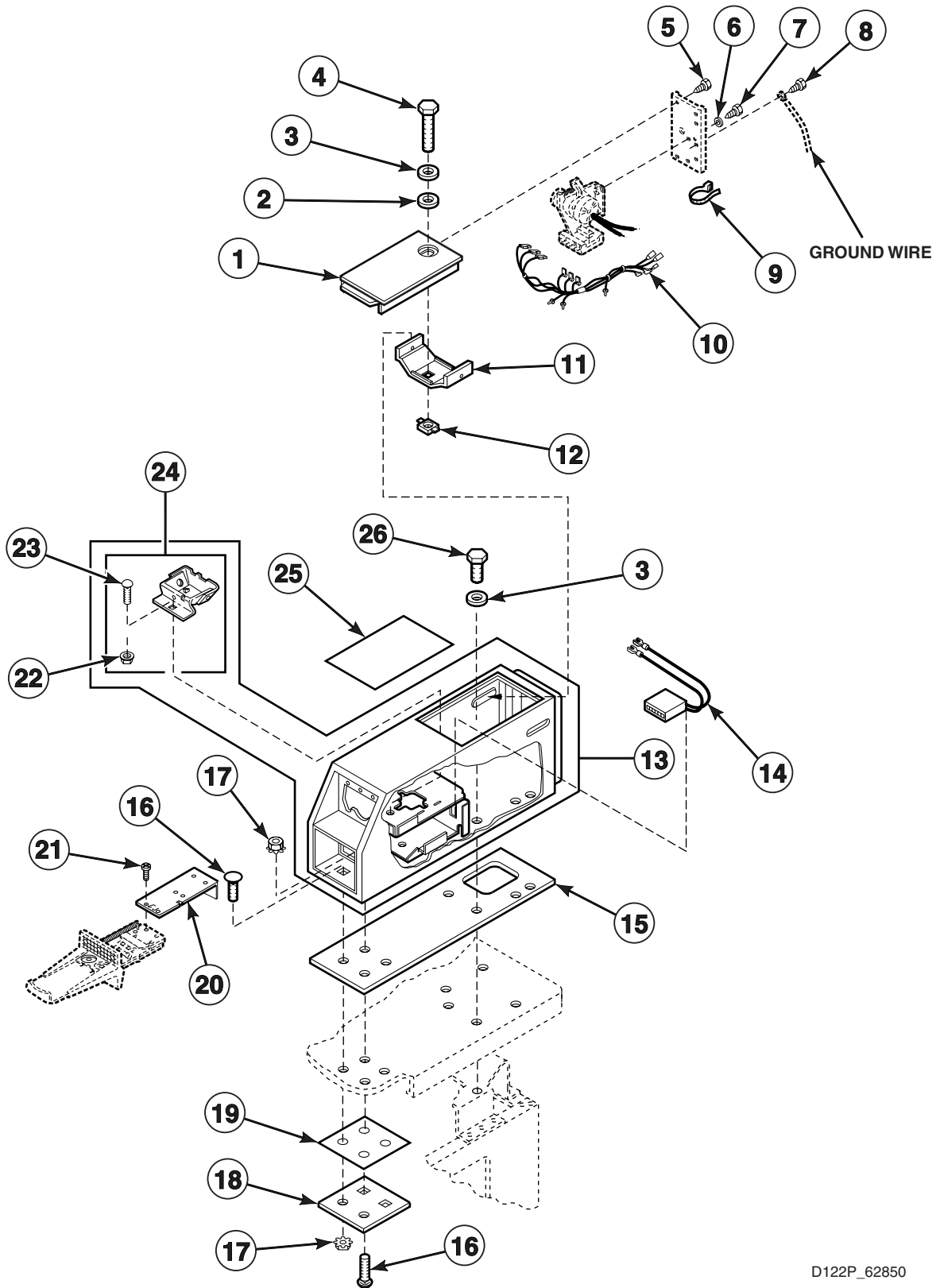
## Timer - Nonmetered

REF	PART NO.	DESCRIPTION	COMMENTS
1	02431	Washer	
2	02916	Screw	
3	37733W	Timer Case Assembly	White
4	501086	Screw	
5	20279	Washer	
6	500490	Instruction Plate	All models except EEJ907*T and EGJ909*T
7	03815	Washer	All models except EEJ907*T and EGJ909*T
8	51778	Screw	All models except EEJ907*T and EGJ909*T
9	27328	Screw	All models except EEJ907*T and EGJ909*T
10	N/A	Screw	All models except EEJ907*T and EGJ909*T
11	54678	Timer Knob	All models except EEJ907*T and EGJ909*T
12	500921W	Timer Plate Assembly	White; All models except EEJ907*T and EGJ909*T
	N/A	Timer Plate Assembly	Almond; All models except EEJ907*T and EGJ909*T
13	510524	Timer	120 Volt/60 Hertz; All models except EEJ907*T and EGJ909*T
14	29786	Nut	

\* Add Letter To Designate Color. L - Almond W - White  
 N/A = Part no longer available

# Meter Case - Coin Slide Ready

Models EE2107\*, EE2107\*A, EE2107\*T, EE2107\*T1500, EE2507\*, EE2507\*A, EE2507\*T, EE2507\*T1500, EG2109\*, EG2109\*A, EG2109\*T, EG2509\*, EG2509\*A, EG2509\*T, ZE2107\* and ZG2109\*



D122P\_62850

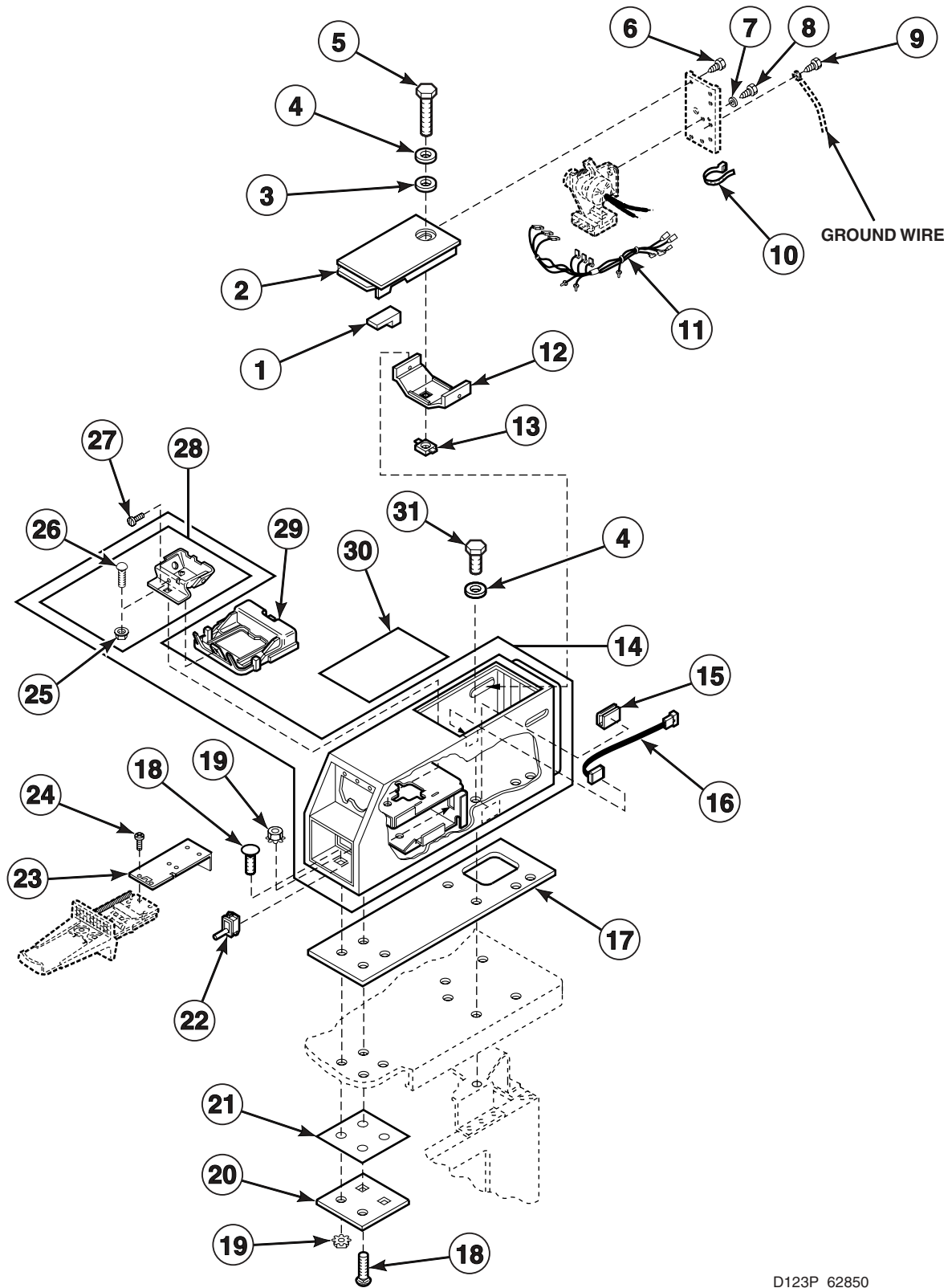
## Meter Case - Coin Slide Ready

REF	PART NO.	DESCRIPTION	COMMENTS
1	35798W	Service Door Assembly	White
	35798L	Service Door Assembly	Almond
2	35774	Washer	Vinyl
3	35917	Washer	Metal
4	503673	Screw	
5	33562	Screw	
6	21734	Washer	
7	03203	Screw	
8	20530	Screw	
9	55881	Harness Strap	
10	510534P	Harness Replacement Kit	Models EE2107*, EE2107*A, EE2107*T, EE2107*T1500, EG2109*, EG2109*A, EG2109*T, ZE2107* and ZG2109*
	510661P	Harness Replacement Kit	Models EE2507*, EE2507*A, EE2507*T, EE2507*T1500, EG2509*, EG2509*A and EG2509*T
11	30642	Meter Case Locking Bracket	
12	30647	Nut	
13	524P3W	Meter Case and Funnel Kit	White; Includes item 24
	524P3L	Meter Case and Funnel Kit	Almond; Includes item 24
14	62113P	Counter Kit	Models EE2507*, EE2507*A, EE2507*T, EE2507*T1500, EG2509*, EG2509*A and EG2509*T
15	26354	Meter Case Gasket	
16	02505	Bolt	
17	29786	Nut	
18	35525	Meter Case Lockdown Bracket	
19	35526	Meter Case Bracket Gasket	
20	503455	Coin Slide Extension	
21	03950	Screw	
22	29796	Nut	
23	29651	Bolt	
24	523P3	Coin Funnel Kit	
25	500628	Instruction Label	
26	36048	Screw	

\* Add Letter To Designate Color. L - Almond W - White

# Meter Case - Coin Slide Ready and Computerized Audit

Models EE2607\*, EE2607\*A, EE2607\*T, EE2607\*T1500, EG2609\*, EG2609\*A and EG2609\*T



D123P\_62850

## Meter Case - Coin Slide Ready and Computerized Audit

REF	PART NO.	DESCRIPTION	COMMENTS
1	501453	Magnet	
2	35798W	Service Door Assembly	White
	35798L	Service Door Assembly	Almond
3	35774	Washer	Vinyl
4	35917	Washer	Metal
5	503673	Screw	
6	33562	Screw	
7	21734	Washer	
8	03203	Screw	
9	20530	Screw	
10	55881	Harness Strap	
11	510661P	Harness Replacement Kit	
12	30642	Meter Case Locking Bracket	
13	30647	Nut	
14	524P3W	Meter Case and Funnel Kit	White; Includes item 28
	524P3L	Meter Case and Funnel Kit	Almond; Includes item 28
15	N/A	Wire Harness Clip	
16	34599	Reed Switch	
17	26354	Meter Case Gasket	
18	02505	Bolt	
19	29786	Nut	
20	35525	Meter Case Lockdown Bracket	
21	35526	Meter Case Bracket Gasket	
22	34536	Pushbutton Switch	
23	503455	Coin Slide Extension	
24	03950	Screw	
25	29796	Nut	
26	29651	Bolt	
27	31260	Screw	
28	523P3	Coin Funnel Kit	Includes items 25 and 26
29	N/A	Sensor Control	
30	500628	Instruction Label	
31	36048	Screw	

N/A = Part no longer available



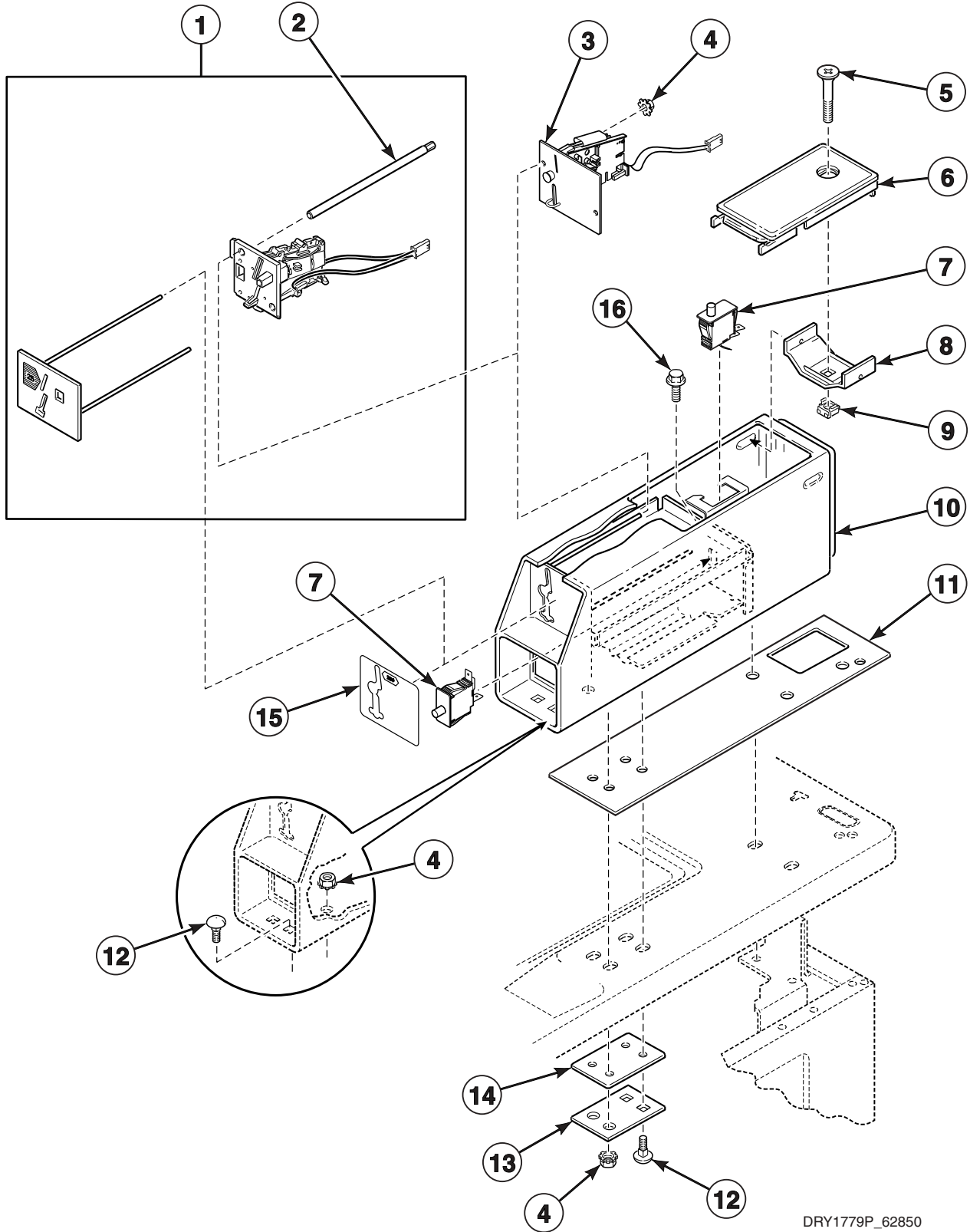
# Coin Slide Security

REF	PART NO.	DESCRIPTION	COMMENTS
1	62113	Counter Assembly	Models EE2507*, EE2507*A, EE2507*T, EE2507*T1500, EG2509*, EG2509*A and EG2509*T
2	03203	Screw	
3	502431	Screw	
4	503315	Timer Bracket	
5	553P3	Slide Extension Kit	
6	03950	Screw	
7	501086	Screw	
8	501796	Slide Extension Modifier	
9	500628	Instruction Label	

\* Add Letter To Designate Color. L - Almond W - White

# Meter Case - Coin Drop (Drawing 1 of 2)

Models EE2807\*, EE2807\*T, EE2807\*T1500, EE2907\*, EE2907\*T, EG2809\*, EG2809\*T, EG2909\* and EG2909\*T



DRY1779P\_62850

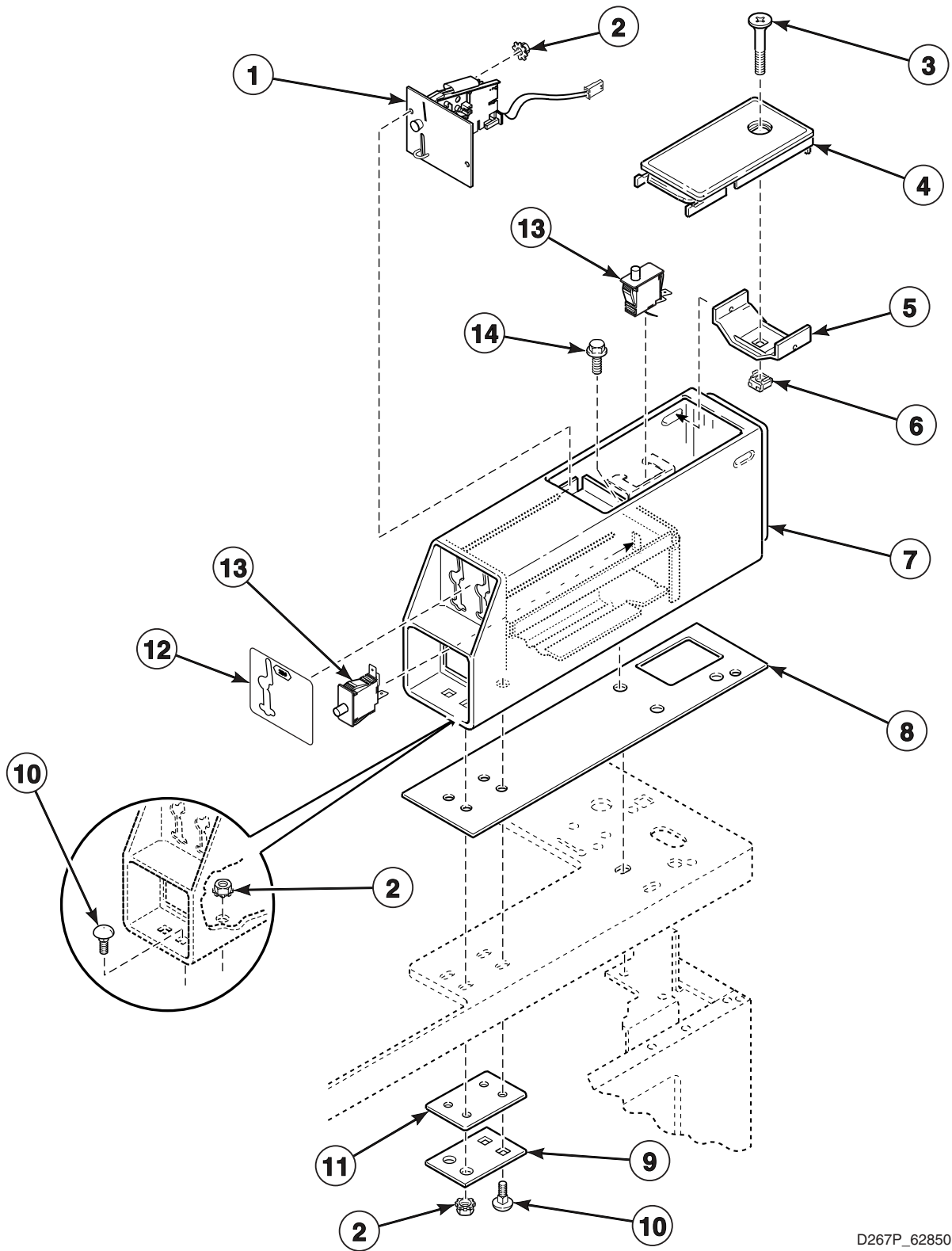
## Meter Case - Coin Drop (Drawing 1 of 2)

REF	PART NO.	DESCRIPTION	COMMENTS
1	N/A	Airpax Coin Drop Assembly	Replaced by 39873P Coin Drop Assembly
2	N/A	Locking Rod	Required for Airpax coin drop only
3	39873P	Coin Drop	U.S. quarter; Munzprufer
4	29786	Nut	
5	503673	Screw	
6	35798W	Service Door Assembly	White
	35798L	Service Door Assembly	Almond
7	504570	Switch	Models starting Serial No. 9609062120
	34599	Reed Switch	Models through Serial No. 9609062120
8	30642	Meter Case Locking Bracket	
9	30647	Nut	
10	38542WP	Meter Case Kit	White; Includes 504570 Switch
	38542LP	Meter Case Kit	Almond; Includes 504570 Switch
11	26354	Meter Case Gasket	
12	02505	Bolt	
13	35525	Meter Case Lockdown Bracket	
14	35526	Meter Case Bracket Gasket	
15	38717	Single Overlay	Munzprufer
16	36048	Screw	

N/A = Part no longer available

# Meter Case - Coin Drop (Drawing 2 of 2)

Models EE2807\*M, EE2907\*M, EG2809\*M and EG2909\*M



D267P\_62850

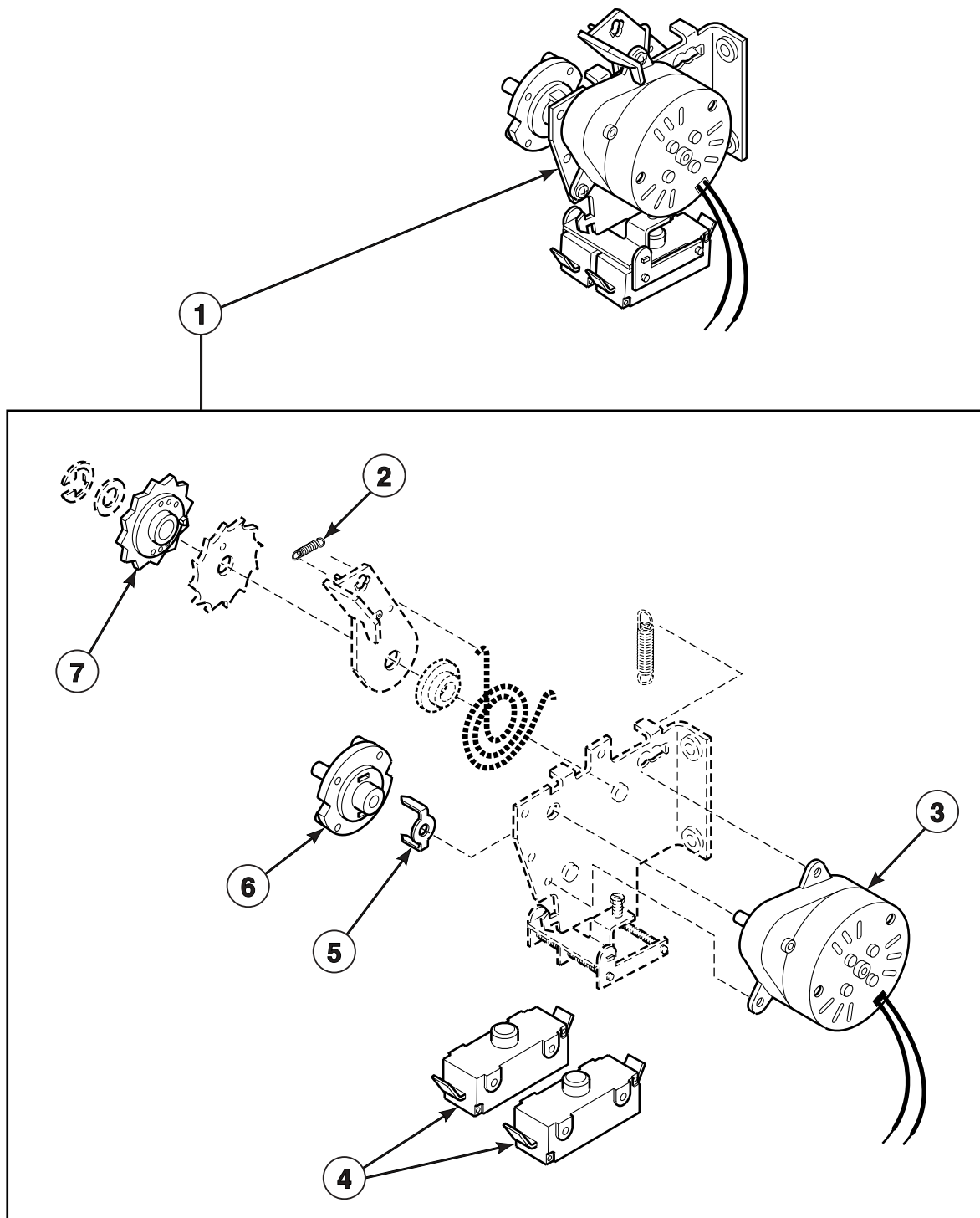
## Meter Case - Coin Drop (Drawing 2 of 2)

REF	PART NO.	DESCRIPTION	COMMENTS
1	38479	Coin Drop	
2	29786	Nut	Not factory installed on models EE2907*M and EG2909*M
3	503673	Screw	
4	35798W	Service Door Assembly	White
	35798L	Service Door Assembly	Almond
5	30642	Meter Case Locking Bracket	
6	30647	Nut	
7	38724W	Meter Case Assembly	White
	38724L	Meter Case Assembly	Almond
8	26354	Meter Case Gasket	
9	35525	Meter Case Lockdown Bracket	
10	02505	Bolt	
11	35526	Meter Case Bracket Gasket	
12	38717	Single Overlay	
13	504570	Switch	
14	502431	Screw	

\* Add Letter To Designate Color. L - Almond W - White

# Two Switch Timer

Models EE2107\*, EE2107\*A, EE2107\*T, EE2107\*T1500, EG2109\*, EG2109\*A, EG2109\*T, ZE2107\* and ZG2109\*



D125P\_62850

## Two Switch Timer

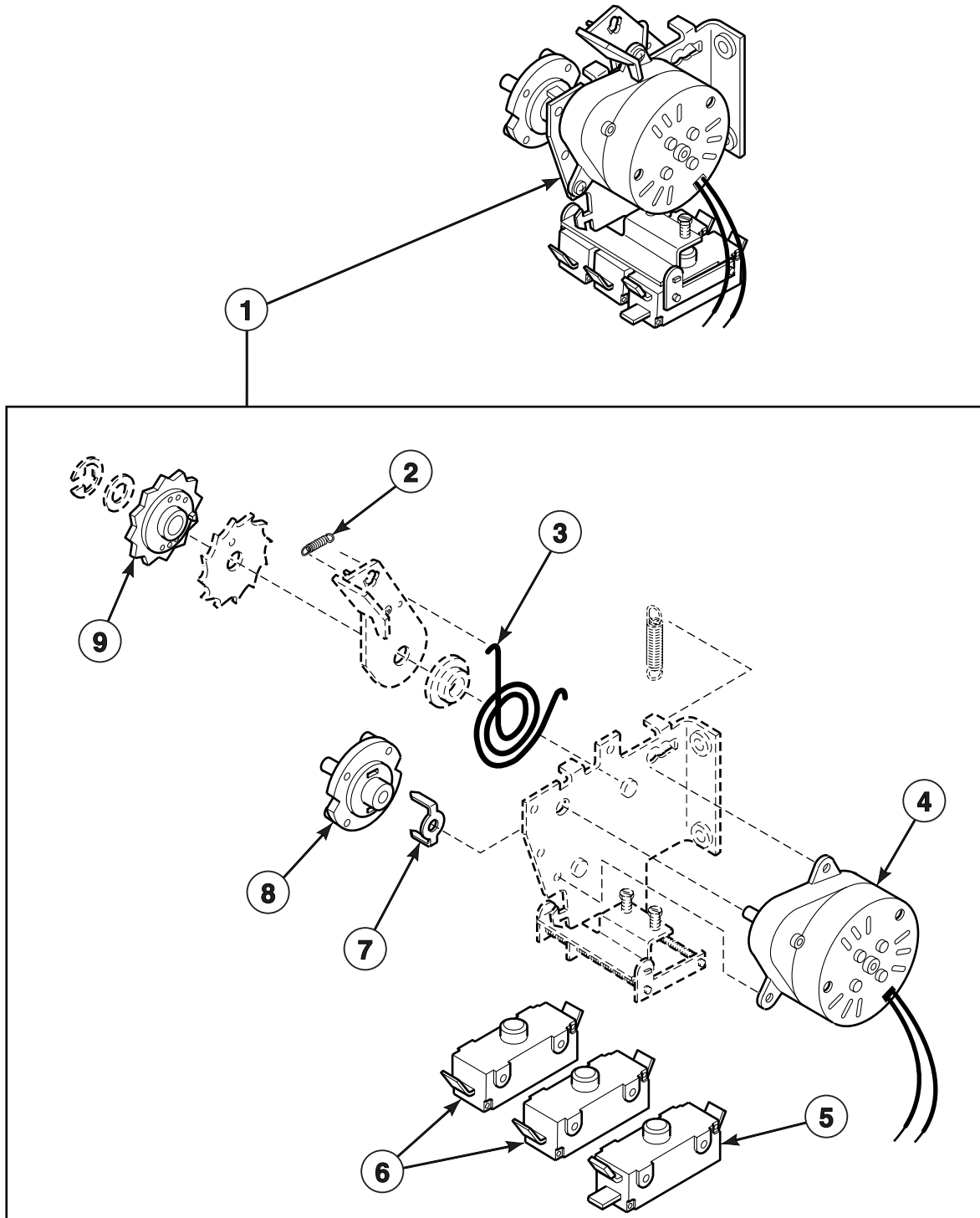
REF	PART NO.	DESCRIPTION	COMMENTS
1	510628P	Accumulator Replacement Kit	Models EE2107*, EE2107*T, EE2107*T1500, EG2109*, EG2109*T, ZE2107* and ZG2109*
	501757	Timer	120 Volt/60 Hertz; Models EE2107*A and EG2109*A
2	53244	Pawl Spring	
3	53235	Timer Motor	
4	N/A	Switch	
5	M400754	Coin Meter Drive	
6	53240	Timing Cam	60 minute; 3 pin
	53241	Timing Cam	45 minute; 4 pin
	53242	Timing Cam	30 minute; 6 pin
	53243	Timing Cam	20 minute; 9 pin
7	53239	Ratchet Wheel	

\* Add Letter To Designate Color. L - Almond W - White

N/A = Part no longer available

# Three Switch Timer

Models EE2507\*, EE2507\*A, EE2507\*T, EE2507\*T1500, EE2607\*, EE2607\*A, EE2607\*T, EE2607\*T1500, EG2509\*, EG2509\*A, EG2509\*T, EG2609\*, EG2609\*A and EG2609\*T



D126P\_62850

## Three Switch Timer

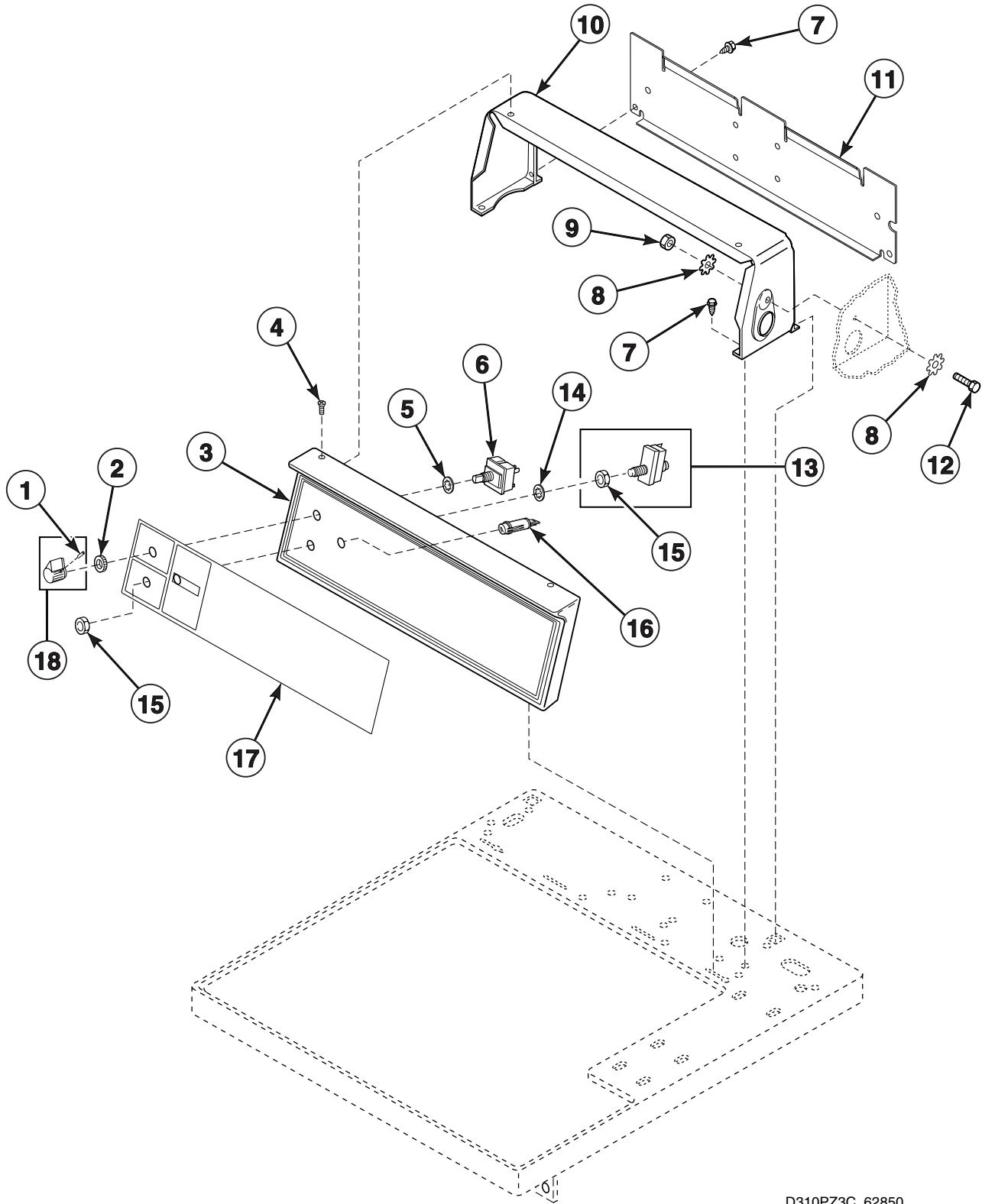
REF	PART NO.	DESCRIPTION	COMMENTS
1	501756	Timer	120 Volt/60 Hertz; Models EE2507*A, EE2607*A, EG2509*A and EG2609*A
	510630P	Accumulator Replacement Kit	Models EE2507*, EE2507*T, EE2507*T1500, EE2607*, EE2607*T, EE2607*T1500, EG2509*, EG2509*T, EG2609* and EG2609*T
2	53244	Pawl Spring	
3	53261	Spring	
4	512017P	Timer Motor	
5	61468	Snap Switch	
6	N/A	Switch	
7	M400754	Coin Meter Drive	
8	53240	Timing Cam	60 minute; 3 pin
	53241	Timing Cam	45 minute; 4 pin
	53242	Timing Cam	30 minute; 6 pin
	53243	Timing Cam	20 minute; 9 pin
9	53239	Ratchet Wheel	

\* Add Letter To Designate Color. L - Almond W - White

N/A = Part no longer available

# Control Panel, Control Hood and Controls (Drawing 1 of 2)

Models DDE007\*, DDG009\*, EE2007\*, EE2007\*T, EE2007\*T1500, EE2107\*, EE2107\*A, EE2107\*T, EE2107\*T1500, EE2507\*, EE2507\*A, EE2507\*T, EE2507\*T1500, EG2009\*, EG2009\*-1188, EG2009\*T, EG2009\*T1188, EG2109\*, EG2109\*A, EG2109\*T, EG2509\*, EG2509\*A, EG2509\*T, ZE2007\*, ZE2107\*, ZG2009\* and ZG2109\*



D310PZ3C\_62850

## Control Panel, Control Hood and Controls (Drawing 1 of 2)

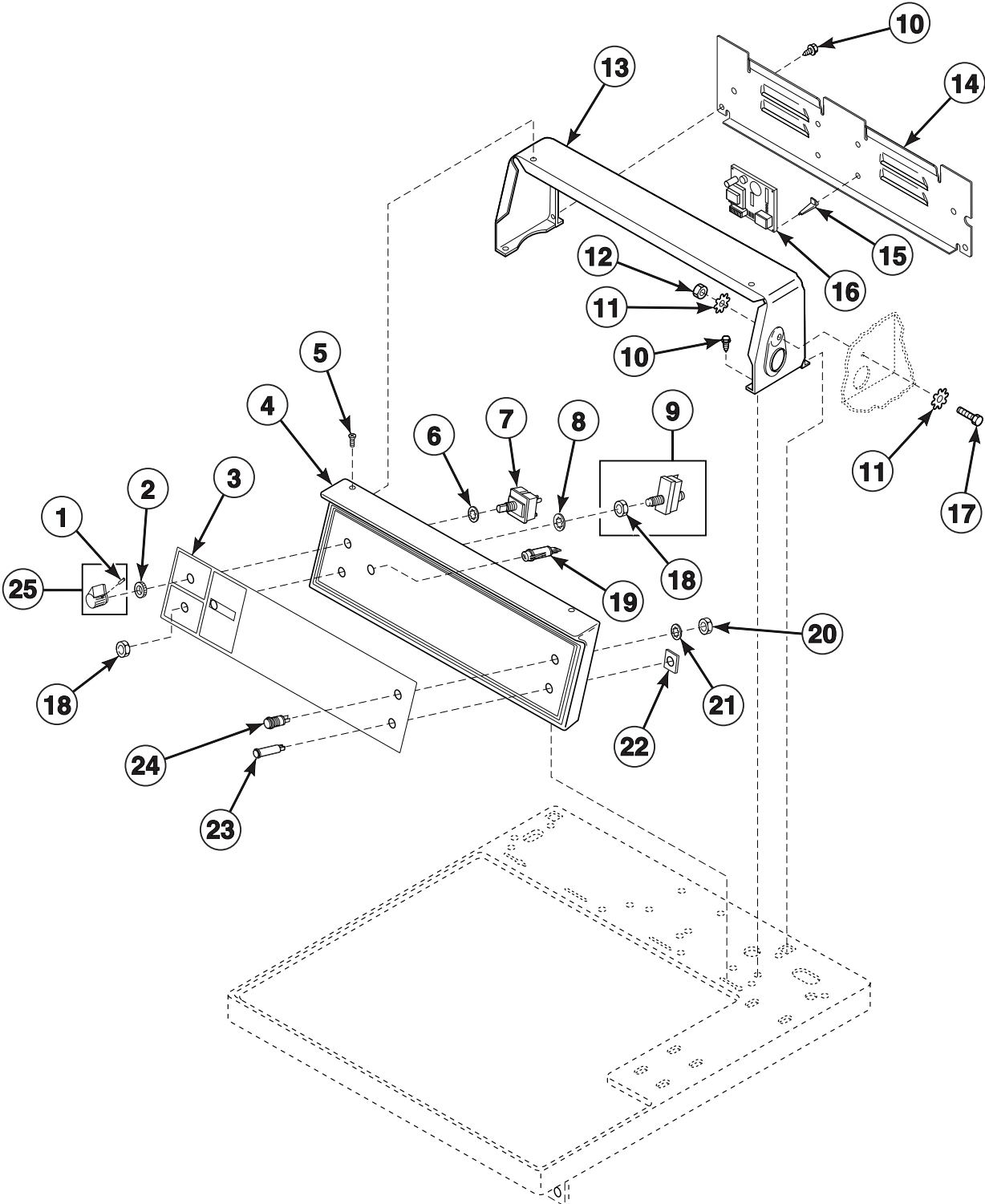
REF	PART NO.	DESCRIPTION	COMMENTS
	281P4	Torx Bit	
	24161	Bit Holder	
<b>1</b>	N/A	Screw	
<b>2</b>	24205	Nut	
<b>3</b>	62645W	Control Panel and Bracket Assembly	White
	N/A	Control Panel and Bracket Assembly	Almond
<b>4</b>	52864	Screw	
	N/A	Screw	Optional for added security
<b>5</b>	91176	Washer	
<b>6</b>	61512	Fabric Selector Switch	
<b>7</b>	501086	Screw	
<b>8</b>	02431	Washer	
<b>9</b>	52566	Nut	
<b>10</b>	502567W	Control Hood	White
	502567L	Control Hood	Almond
<b>11</b>	505798	Hood Back Plate	
<b>12</b>	02916	Screw	
<b>13</b>	55882	Switch Assembly	Includes item 15
<b>14</b>	25820	Washer	
<b>15</b>	52947	Nut	
<b>16</b>	32464	Light	
<b>17</b>	62837	Graphic Overlay	Models ZE2007*, ZE2107*, ZG2009* and ZG2109*
	N/A	Graphic Overlay	Models DDE007* and DDG009*
	511895	Graphic Overlay	All other models
<b>18</b>	39897	Switch Knob	

\* Add Letter To Designate Color. L - Almond W - White

N/A = Part no longer available

# Control Panel, Control Hood and Controls (Drawing 2 of 2)

Models EE2607\*, EE2607\*A, EE2607\*T, EE2607\*T1500, EG2609\*, EG2609\*A and EG2609\*T



D128PE3E\_62850

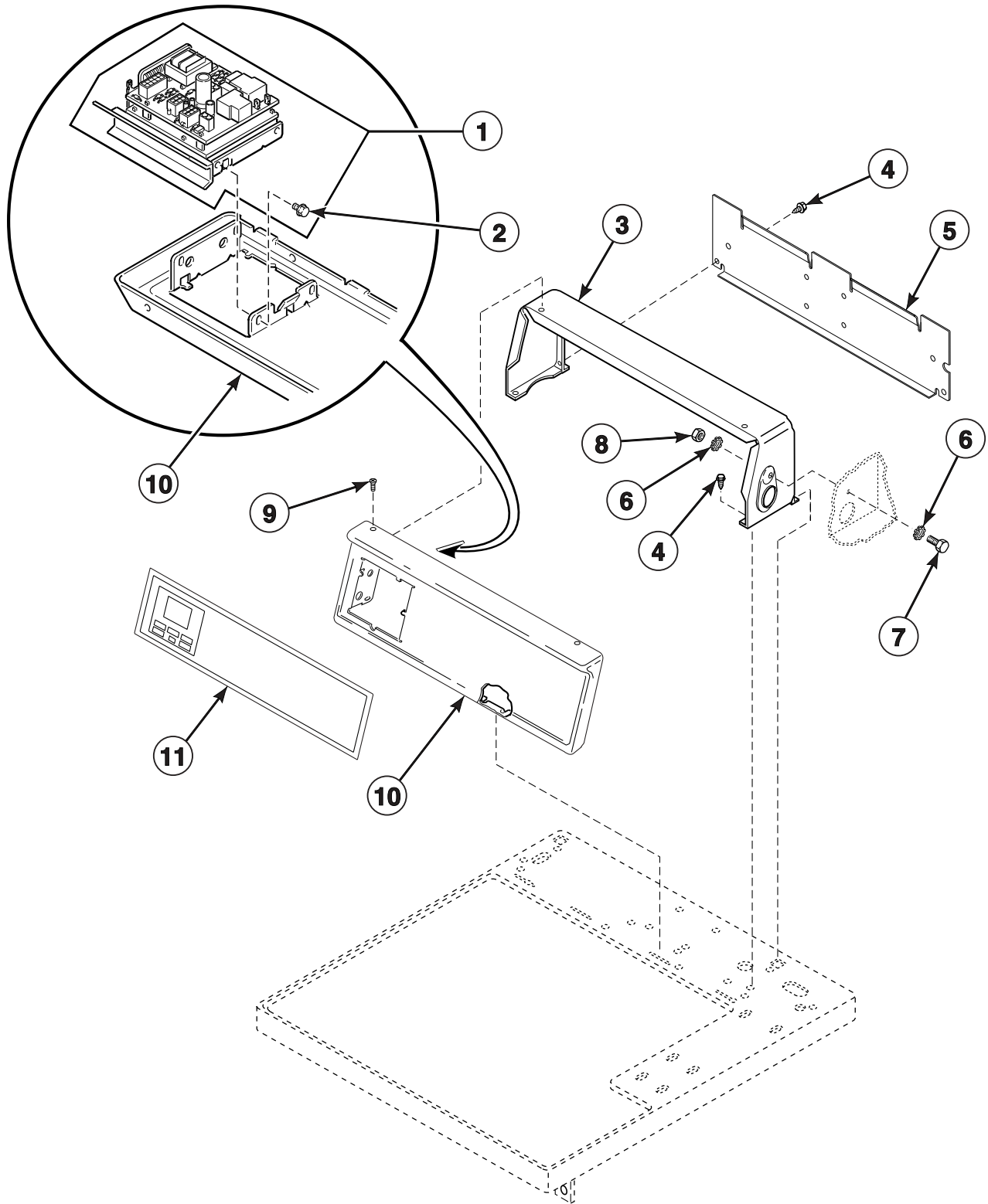
## Control Panel, Control Hood and Controls (Drawing 2 of 2)

REF	PART NO.	DESCRIPTION	COMMENTS
	281P4	Torx Bit	
	24161	Bit Holder	
<b>1</b>	N/A	Screw	
<b>2</b>	24205	Nut	
<b>3</b>	62646	Graphic Overlay	
<b>4</b>	62645W	Control Panel and Bracket Assembly	White
	N/A	Control Panel and Bracket Assembly	Almond
<b>5</b>	52864	Screw	
	N/A	Screw	Optional for added security
<b>6</b>	91176	Washer	
<b>7</b>	61512	Fabric Selector Switch	
<b>8</b>	25820	Washer	
<b>9</b>	55882	Switch Assembly	Includes item 18
<b>10</b>	501086	Screw	
<b>11</b>	02431	Washer	
<b>12</b>	52566	Nut	
<b>13</b>	502567W	Control Hood	White
	502567L	Control Hood	Almond
<b>14</b>	505798	Hood Back Plate	
<b>15</b>	34896	Circuit Board Support	
<b>16</b>	34522P	Audit Control	
<b>17</b>	02916	Screw	
<b>18</b>	52947	Nut	
<b>19</b>	32464	Light	
<b>20</b>	N/A	Nut	
<b>21</b>	N/A	Washer	
<b>22</b>	34762	Push-On Clip	
<b>23</b>	34701	Transmit Light	
<b>24</b>	N/A	Transmit Switch	
<b>25</b>	39897	Switch Knob	

**N/A = Part no longer available**

# Control Panel, Control Hood and Electronic Control

Models EE2807\*, EE2807\*M, EE2807\*T, EE2807\*T1500, EE2907\*, EE2907\*M, EE2907\*T, EEJ907\*T, EG2809\*, EG2809\*M, EG2809\*T, EG2909\*, EG2909\*M, EG2909\*T and EGJ909\*T

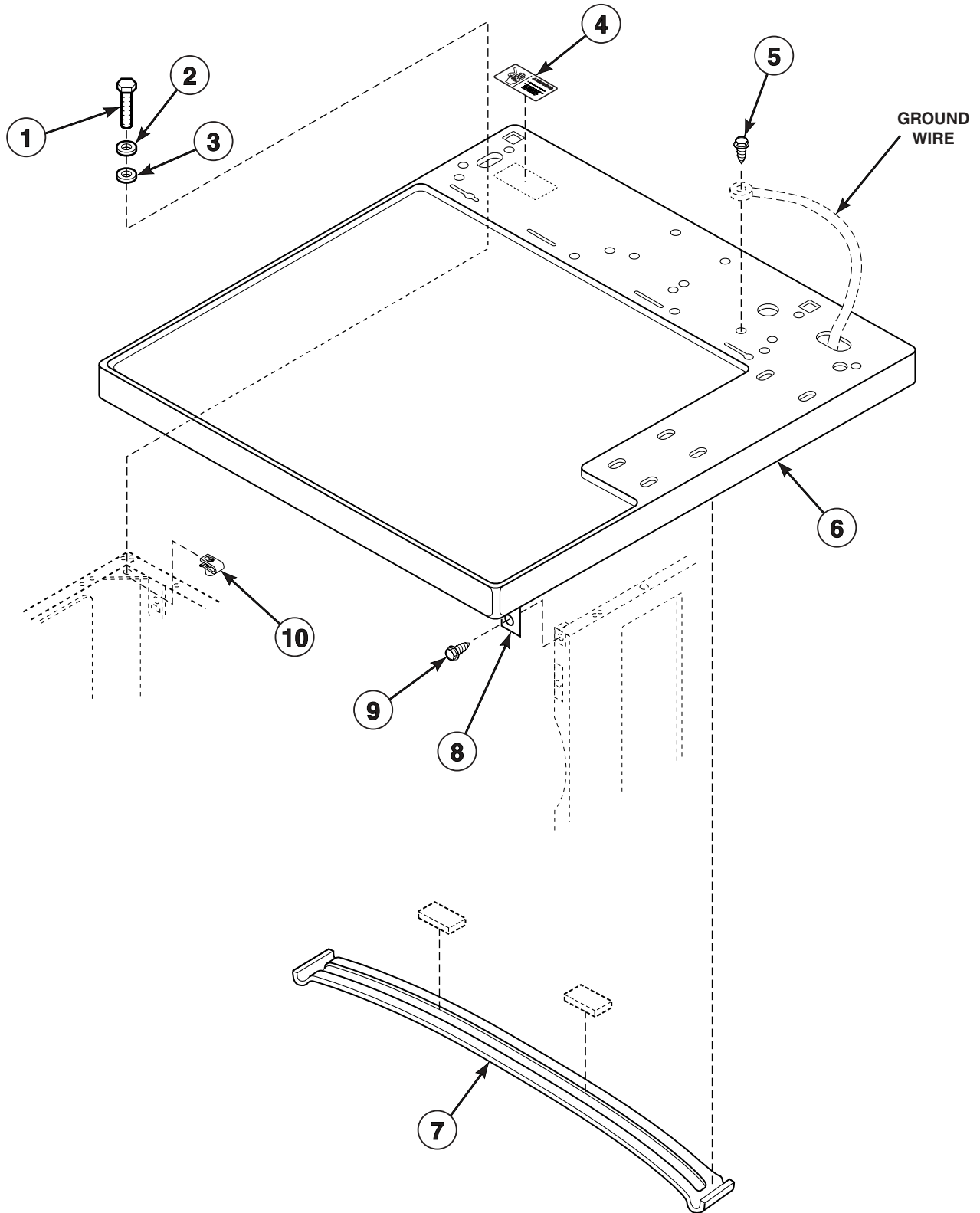


D225PZ3B\_62850

## Control Panel, Control Hood and Electronic Control

REF	PART NO.	DESCRIPTION	COMMENTS
1	M414050P	Control Kit	Includes item 2
2	501524	Screw	
3	502567W	Control Hood	White
	502567L	Control Hood	Almond
4	501086	Screw	
5	505798	Hood Back Plate	
6	02431	Washer	
7	02916	Screw	
8	52566	Nut	
9	52864	Screw	
10	501359W	Control Panel	White
	501359L	Control Panel	Almond
11	504113	Graphic Overlay	

# Cabinet Top

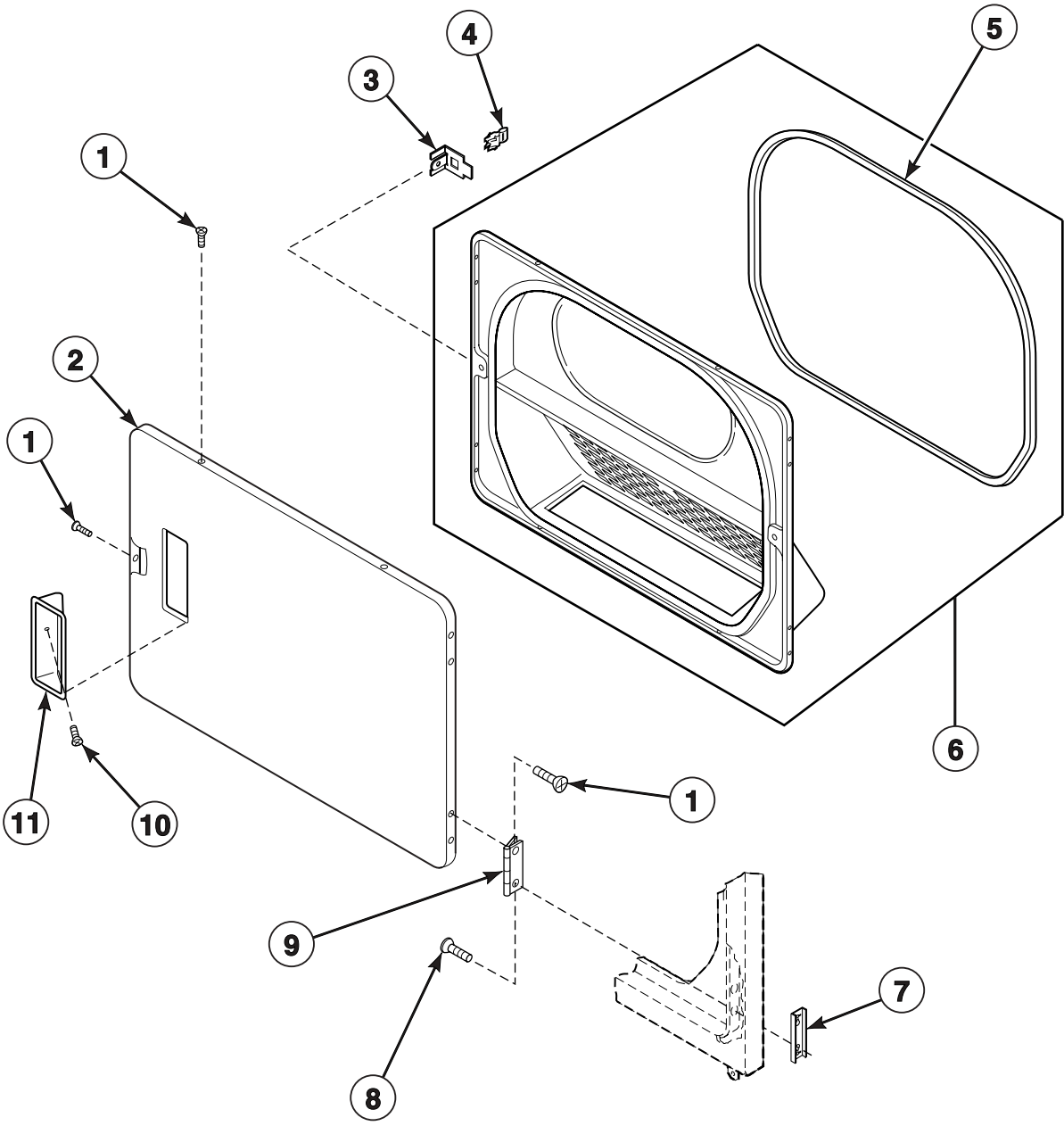


D129P\_62850

## Cabinet Top

REF	PART NO.	DESCRIPTION	COMMENTS
	282P4	Torx Bit	Use with 62853 Screw
	24161	Bit Holder	Use with 62853 Screw
1	503673	Screw	Optional for added security
2	35917	Washer	Metal; Optional for added security
3	35774	Washer	Vinyl; Optional for added security
4	505281	Disconnect Power Warning Label	
5	20530	Screw	
6	511527WP	Top Kit	Metered models
	511528WP	Top Kit	Nonmetered models
7	56486	Top Brace	Use with painted cabinet tops only
8	510146	Bracket	
9	33562	Screw	
	62853	Screw	Optional for added security
10	27222	Nut	Optional for added security; Metered models

# Loading Door



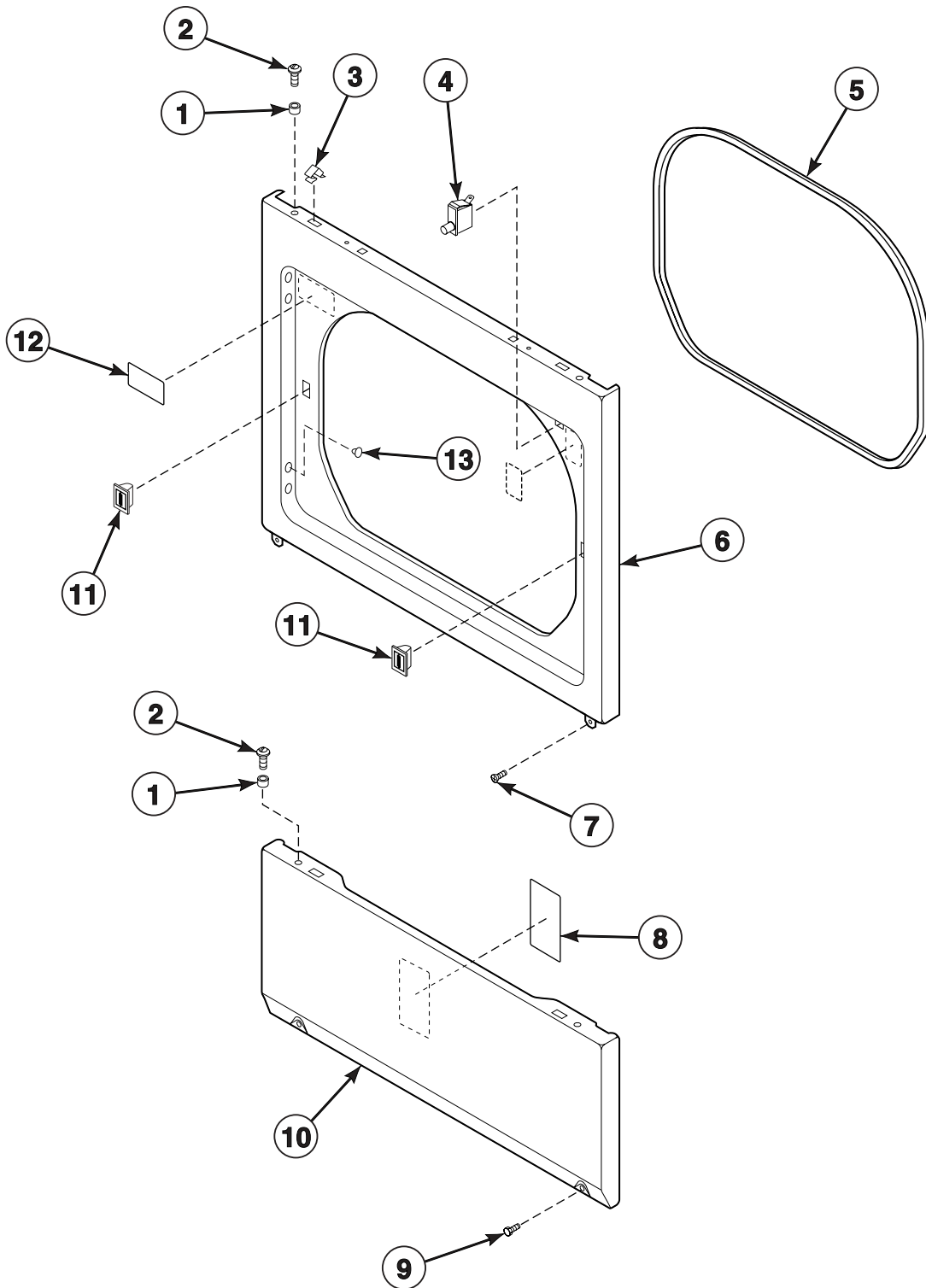
D146P\_62850

# Loading Door

REF	PART NO.	DESCRIPTION	COMMENTS
1	52864	Screw	
2	500040W	Dryer Door	White
	500040L	Dryer Door	Almond
3	510127	Door Strike Mount	
4	510181	Door Strike	
5	500200	Door Seal	
6	500199	Liner and Seal Assembly	Includes item 5
7	500236	Door Hinge Mounting Clip	
8	N/A	Screw	
9	510519	Door Hinge	
10	N/A	Screw	
11	500042W	Door Pull	White

**N/A = Part no longer available**

# Access Panel, Front Panel and Seal



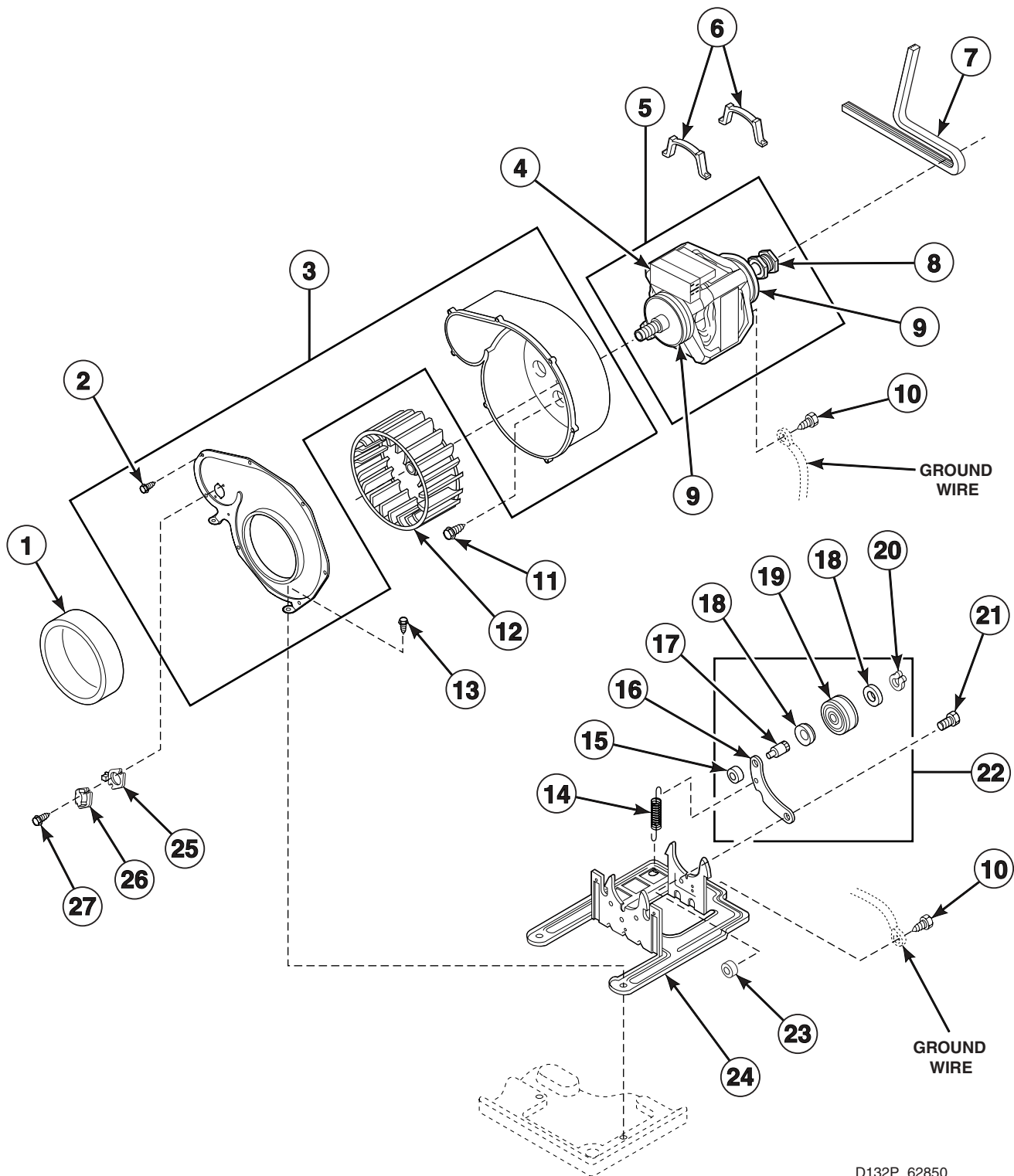
D131PE3G\_62850

## Access Panel, Front Panel and Seal

REF	PART NO.	DESCRIPTION	COMMENTS
	282P4	Torx Bit	Use with 62853 Screw
	24161	Bit Holder	Use with 62853 Screw
<b>1</b>	56079	Panel Locator	
<b>2</b>	39733	Screw	
<b>3</b>	28835	Speed Clip	
<b>4</b>	504570	Switch	
<b>5</b>	500034	Front Panel Seal	
<b>6</b>	500033W	Front Panel	White
	N/A	Front Panel	Almond
<b>7</b>	33562	Screw	
<b>8</b>	511004	Gas Clearance Label	Gas models
<b>9</b>	33562	Screw	
	62853	Screw	Optional for added security
<b>10</b>	510069W	Access Panel	White
	510069L	Access Panel	Almond
<b>11</b>	510177	Door Catch Assembly	
<b>12</b>	500281	Warning/Caution Label	
<b>13</b>	500227	Screw	

**N/A = Part no longer available**

# Motor, Exhaust Fan and Belt



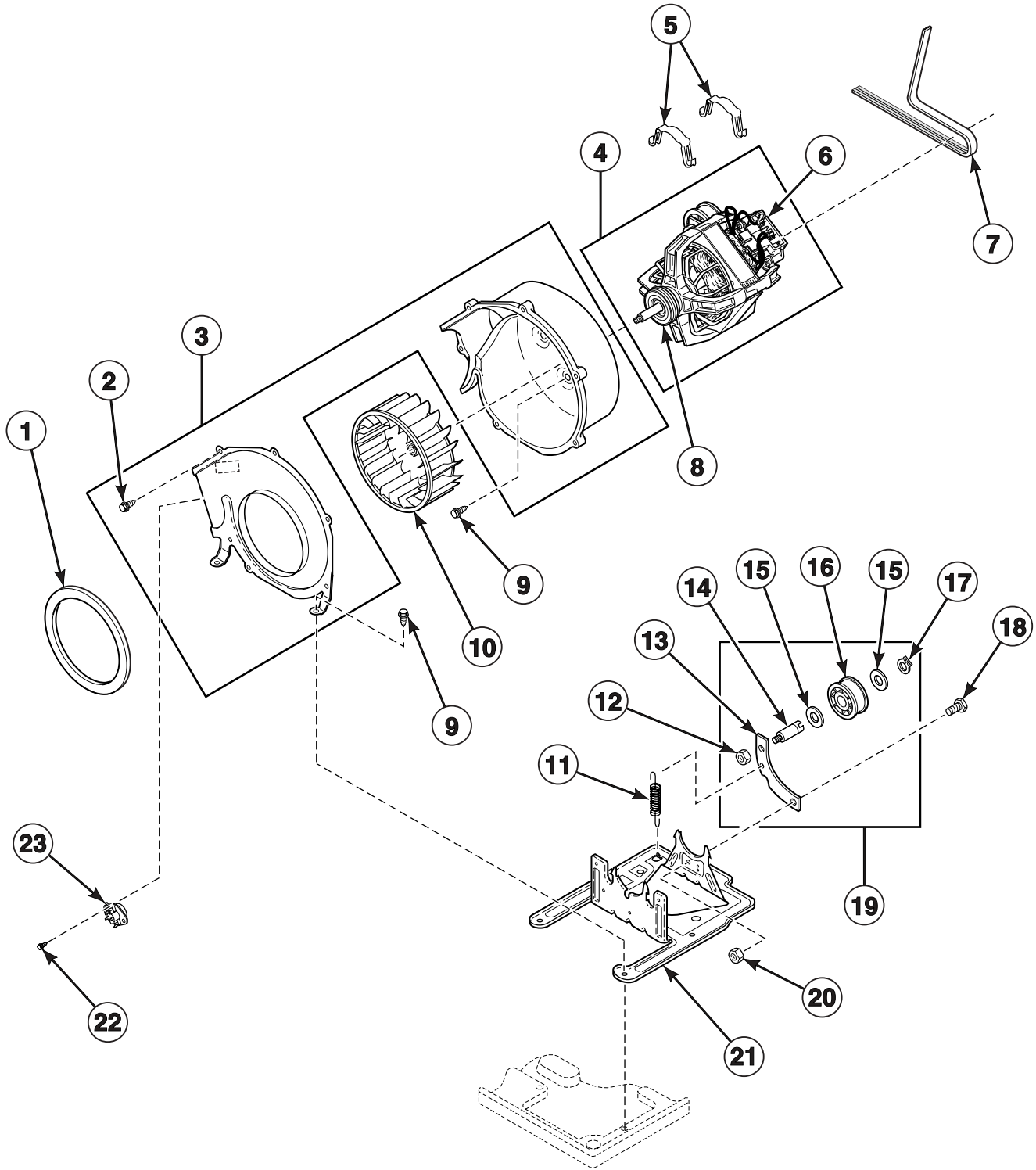
D132P\_62850

## Motor, Exhaust Fan and Belt

REF	PART NO.	DESCRIPTION	COMMENTS
	511637	Adhesive	Use for item 1
1	500313	Blower Housing Seal	
2	31260	Screw	
3	511969P	Blower Housing and Cover Kit	Includes item 2
4	501218P	Motor Switch Kit	Does not include thermal protector
5	511629P	Motor and Pulley Assembly	120 Volt/60 Hertz; Includes items 4, 8 and 9
6	510180	Motor Mount Clamp	
7	511255	Cylinder Belt	
8	500011	Motor Pulley	
9	590P3	Motor Hub Ring Kit	
10	20530	Screw	
11	503661	Screw	
12	510139	Blower Fan Assembly	
13	33562	Screw	
14	510185	Idler Spring	
15	56156	Nut	
16	510133	Idler Lever	
17	56461	Shaft	
18	52549	Washer	
19	510142	Idler Wheel and Bearing Assembly	
20	23748	Retaining Ring	
21	500824	Screw	
22	510158	Idler Lever and Wheel Assembly	
23	52566	Nut	
24	510060	Motor Mount	
25	61623	Thermostat Heater	Brown; Models DDE007*, DDG009*, EE2007*, EE2007*T, EE2007*T1500, EE2107*, EE2107*A, EE2107*T, EE2107*T1500, EE2507*, EE2507*A, EE2507*T, EE2507*T1500, EE2607*, EE2607*A, EE2607*T, EE2607*T1500, EG2009*, EG2009*-1188, EG2009*T, EG2009*T1188, EG2109*, EG2109*A, EG2109*T, EG2509*, EG2509*A, EG2509*T, EG2609*, EG2609*A, EG2609*T, ZE2007*, ZE2107*, ZG2009* and ZG2109*
26	510523	Thermistor Assembly	Black; Models EE2807*, EE2807*M, EE2807*T, EE2807*T1500, EE2907*, EE2907*M, EE2907*T, EEJ907*T, EG2809*, EG2809*M, EG2809*T, EG2909*, EG2909*M, EG2909*T and EGJ909*T
	503552	Thermostat	Green; All other models
27	33561	Screw	

\* Add Letter To Designate Color. L - Almond W - White

# Motor, Exhaust Fan and Belt - Optional

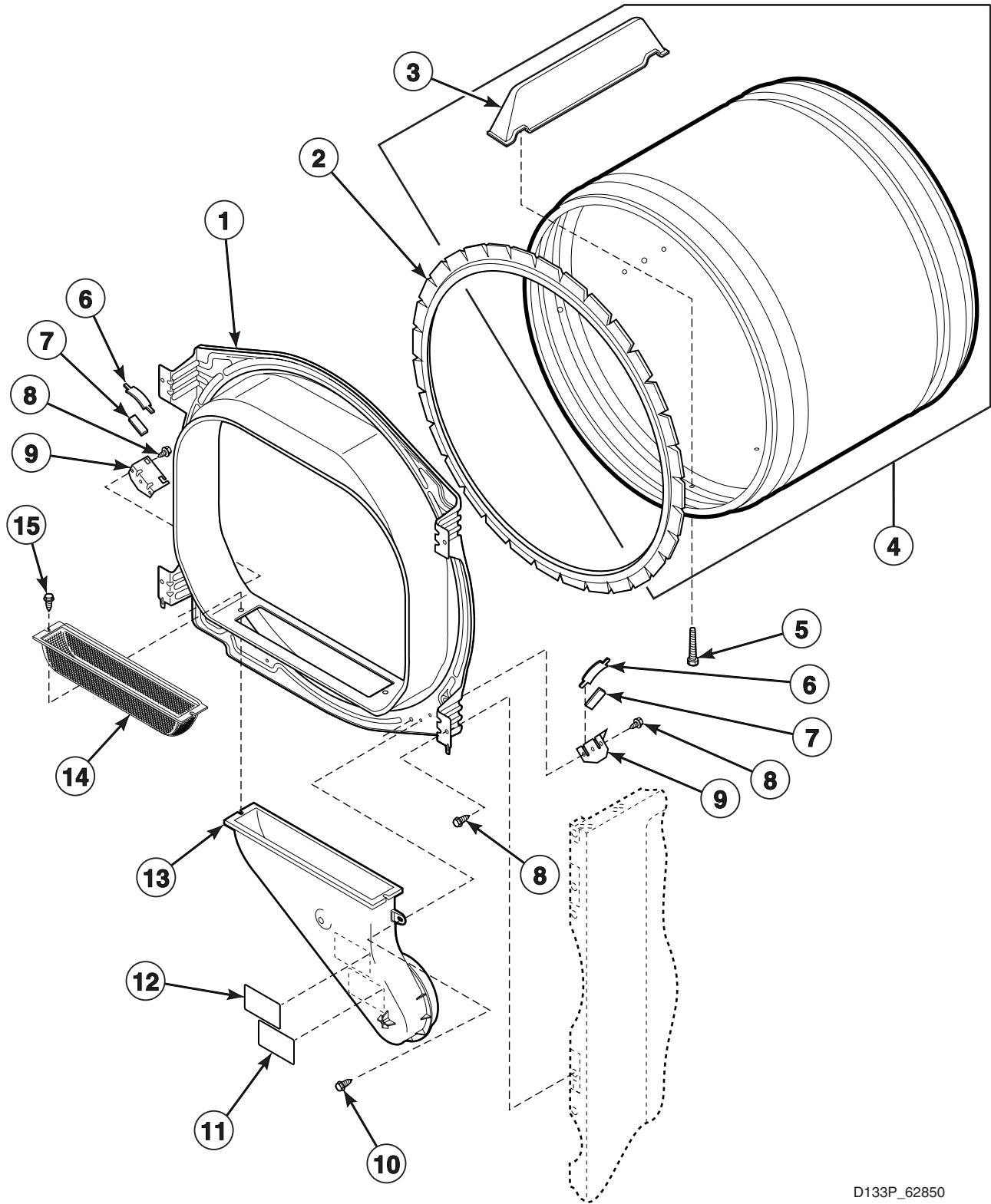


D401PE3A\_62850

## Motor, Exhaust Fan and Belt - Optional

REF	PART NO.	DESCRIPTION	COMMENTS
	500011	Motor Pulley	
1	510238	Blower Housing Seal	
2	31260	Screw	
3	511969P	Blower Housing and Cover Kit	Includes item 2
4	511629P	Motor and Pulley Assembly	120 Volt/60 Hertz; Includes items 6 and 8
5	510180	Motor Mount Clamp	
6	501218P	Motor Switch Kit	Does not include thermal protector
7	511255	Cylinder Belt	
8	590P3	Motor Hub Ring Kit	
9	503688	Screw	
10	510139	Blower Fan Assembly	
11	510185	Idler Spring	
12	56156	Nut	
13	510133	Idler Lever	
14	56461	Shaft	
15	52549	Washer	
16	510142	Idler Wheel and Bearing Assembly	
17	23748	Retaining Ring	
18	500824	Screw	
19	510158	Idler Lever and Wheel Assembly	Includes items 12-17
20	52566	Nut	
21	510060	Motor Mount	
22	33561	Screw	
23	504515	Thermostat	Green; Electromechanical models
	511887	Thermostat	Tan/White; Electromechanical models
	504517	Thermostat	Red; Electromechanical models
	511957	Thermostat	White; Electromechanical models
	504519	Thermostat	Violet/White; Electromechanical models
	510523	Thermistor Assembly	Black; Electronic control models

# Front Bulkhead, Air Duct, Felt Seal and Cylinder



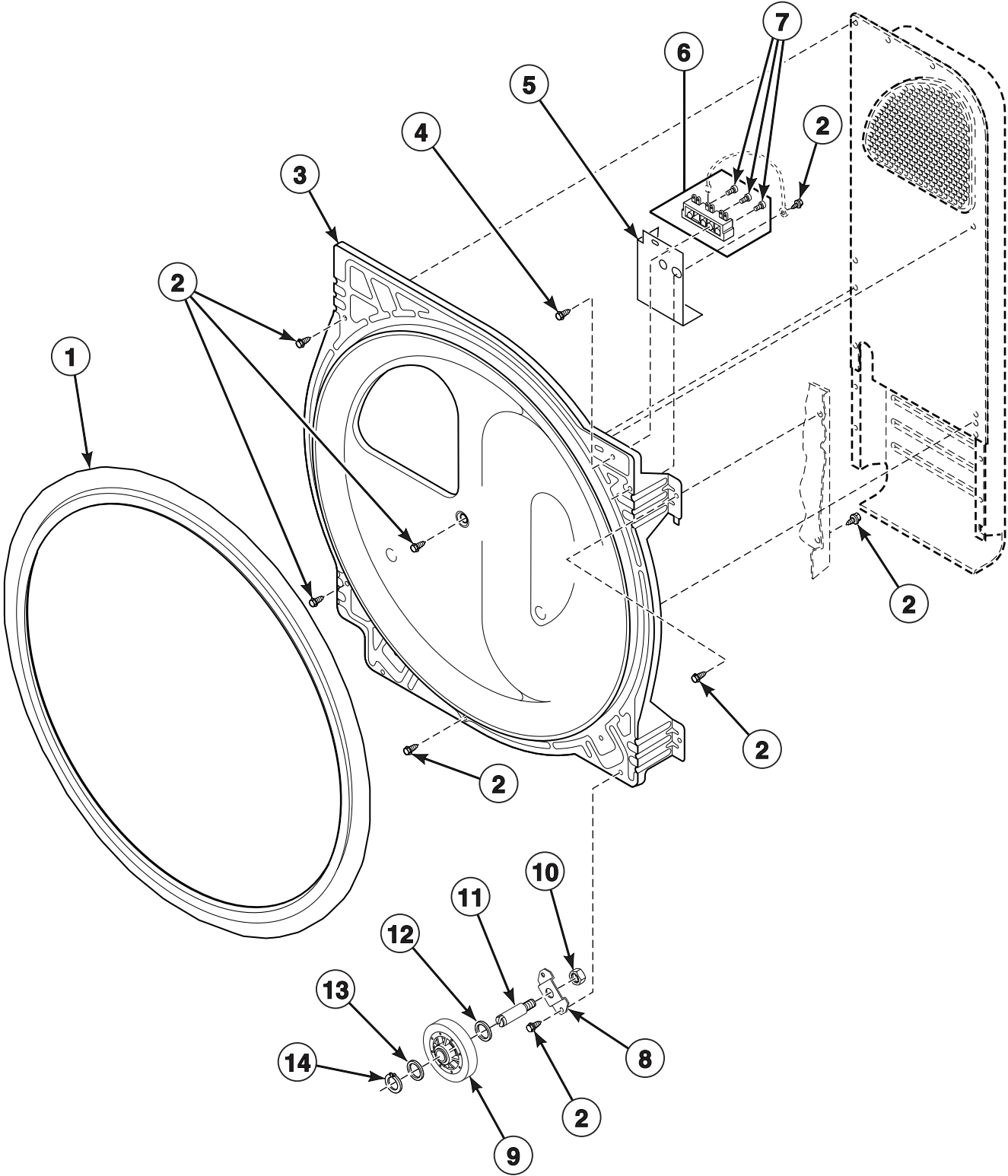
D133P\_62850

## Front Bulkhead, Air Duct, Felt Seal and Cylinder

REF	PART NO.	DESCRIPTION	COMMENTS
	511637	Adhesive	For cylinder seal
1	500091P	Front Bulkhead Assembly	Unpainted; Includes item 2 and 2 each of items 6-9
	500117W	Front Bulkhead Assembly	Painted; Includes item 2 and 2 each of items 6-9
2	510207P	Cylinder Seal Assembly	
3	510102	Cylinder Baffle	
4	500735P	Cylinder Assembly	Includes item 3
5	62588	Screw	
6	510187	Cylinder Glide	
7	500121	Felt Pad	
8	503688	Screw	
9	510145	Cylinder Glide Bracket	
10	503661	Screw	
11	N/A	Label	
12	500049	Warning Label	
13	502231	Front Air Duct	
14	502140P	Lint Filter	
15	52864	Screw	

**N/A = Part no longer available**

# Rear Bulkhead, Felt Seal, Cylinder Roller and Terminal Block



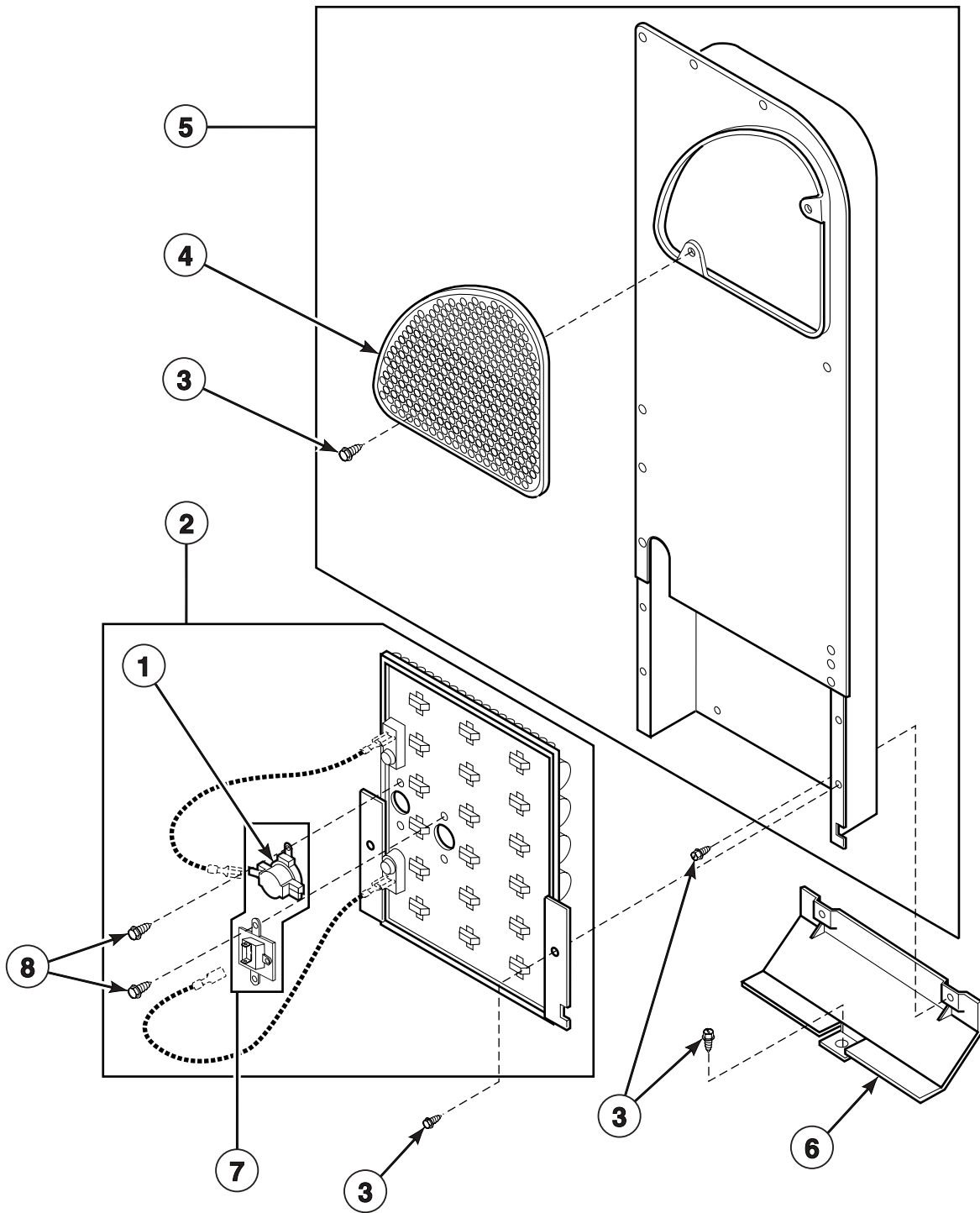
D291P\_62850

## Rear Bulkhead, Felt Seal, Cylinder Roller and Terminal Block

REF	PART NO.	DESCRIPTION	COMMENTS
	511637	Adhesive	For cylinder seal
1	510207P	Cylinder Seal Assembly	
2	503688	Screw	
3	511082	Rear Bulkhead Assembly	
4	501285	Screw	
5	510237	Terminal Block Shield	Electric models
6	510190P	Terminal Block Assembly	Includes 3 of item 7; Electric models
7	61199	Screw	
8	510100	Cylinder Roller Bracket	
9	510708P	Cylinder Roller	
10	56156	Nut	
11	56461	Shaft	
12	504082	Washer	
13	52549	Washer	
14	23748	Retaining Ring	

# Heater Duct and Element Assembly

Electric Models



D135P\_62850

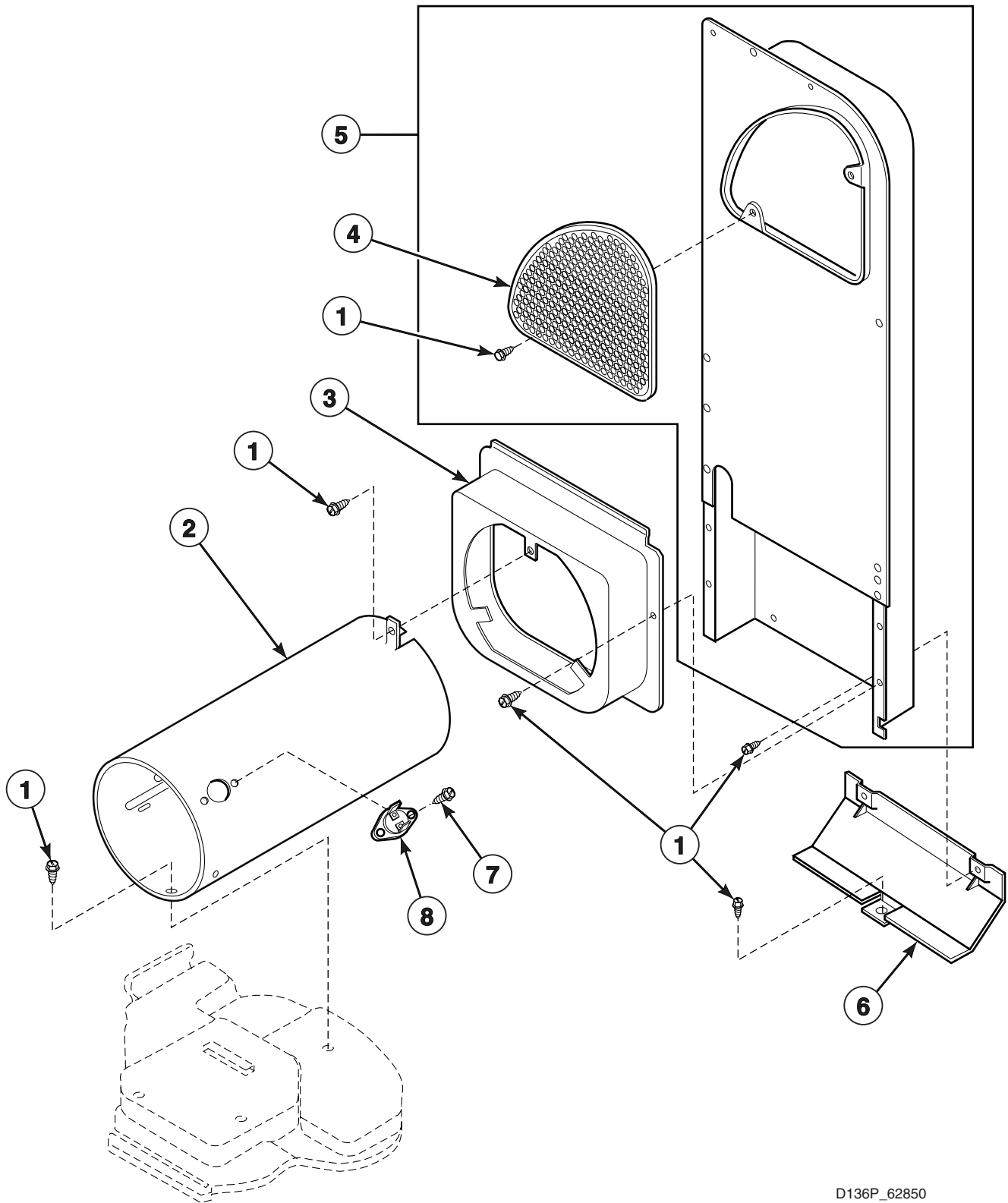
## Heater Duct and Element Assembly

REF	PART NO.	DESCRIPTION	COMMENTS
1	510701	Limit Thermostat	
2	61928	Heater Kit Assembly	Models EE2007*T1500, EE2107*T1500, EE2507*T1500, EE2607*T1500 and EE2807*T1500
	61927	Heater Kit Assembly	All other models
3	503688	Screw	
4	500820	Outlet Cover	
5	510025P	Heater Duct and Screw Assembly	Includes items 3 and 4
6	60952	Heat Duct Shield	
7	511412	Thermal Fuse Assembly	Includes item 1
8	23222	Screw	

\* Add Letter To Designate Color. L - Almond W - White

# Heater Duct Assembly

Gas Models



D136P\_62850

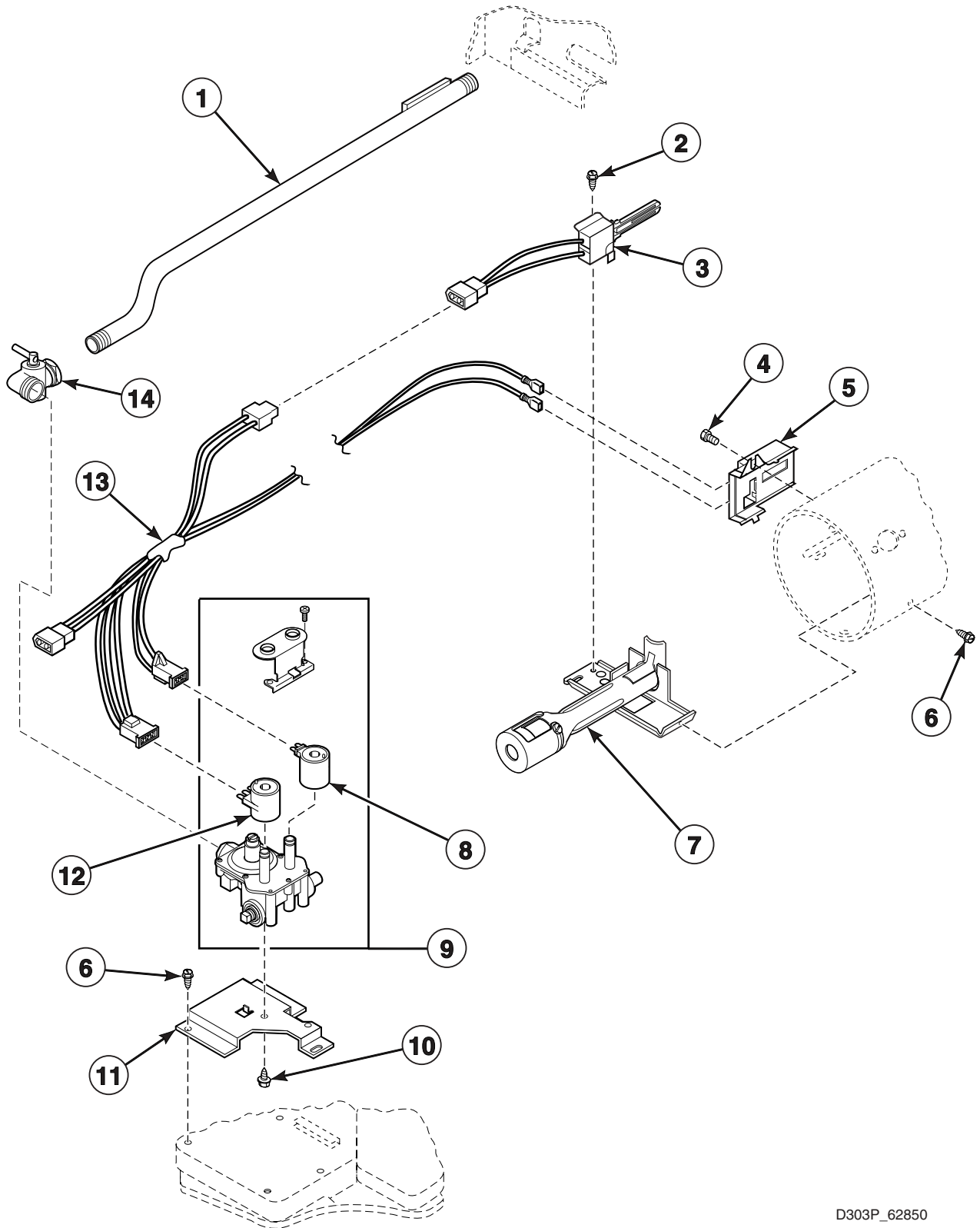
# Heater Duct Assembly

REF	PART NO.	DESCRIPTION	COMMENTS
1	503688	Screw	
2	N/A	Combustion Duct	
3	510101	Heat Duct Shroud	
4	500820	Outlet Cover	
5	510025P	Heater Duct and Screw Assembly	Includes items 1 and 4
6	60952	Heat Duct Shield	
7	51782	Screw	
8	510702	Limit Thermostat	Black

**N/A = Part no longer available**

# Gas Valve, Igniter and Gas Conversion Kits

Gas Models

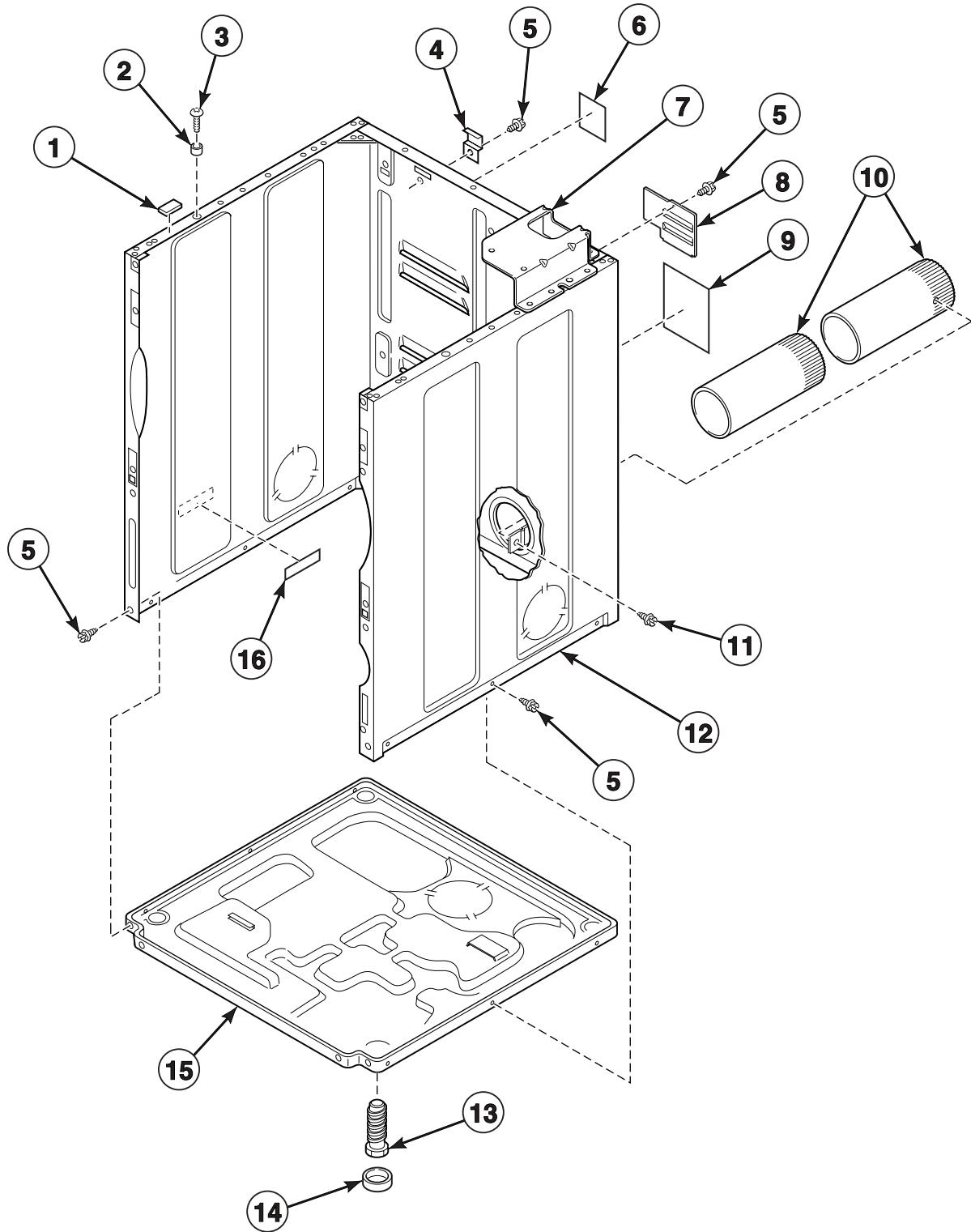


D303P\_62850

## Gas Valve, Igniter and Gas Conversion Kits

REF	PART NO.	DESCRIPTION	COMMENTS
	458P3	L.P. Conversion Kit	Used to convert dryers from Natural Gas (N.G.) or Mixed Gas to Liquid Petroleum Gas (L.P.)
	459P3	N.G. Conversion Kit	Used to convert dryers from L.P. to N.G. or Mixed Gas
<b>1</b>	510204	Lead-In Pipe Assembly	
<b>2</b>	51782	Screw	
<b>3</b>	510184P	Igniter and Bracket Assembly	
<b>4</b>	23222	Screw	
<b>5</b>	510213	Sensor	
<b>6</b>	503688	Screw	
<b>7</b>	510149P	Burner Assembly	
<b>8</b>	58804B	Secondary Coil	
<b>9</b>	60353	Gas Valve Assembly	Includes items 8 and 12
<b>10</b>	56124	Screw	
<b>11</b>	510128	Gas Valve Mounting Bracket	
<b>12</b>	58804A	Booster and Holding Coil	
<b>13</b>	510530	Gas Valve Wire Harness Assembly	
<b>14</b>	510205	Elbow Shut-Off Valve	

# Cabinet, Exhaust Duct and Base



D316P\_62850

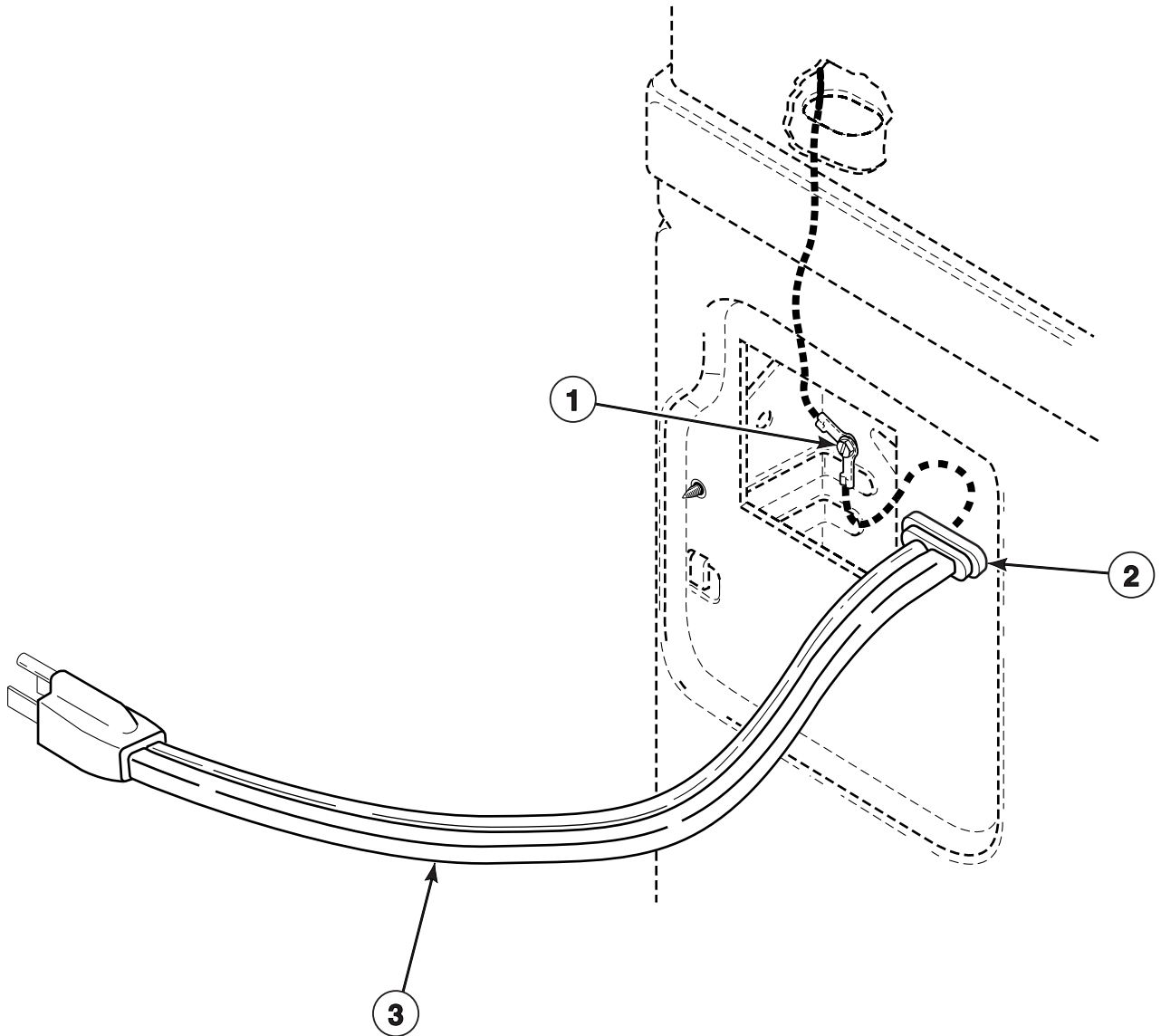
## Cabinet, Exhaust Duct and Base

REF	PART NO.	DESCRIPTION	COMMENTS
	521P3	Flexible Venting Kit	
	528P3	Directional Exhaust Kit	Used to vent dryer out the sides or bottom
1	56128	Bumper Pad	
2	56079	Panel Locator	
3	39733	Screw	
4	510136	Top Hinge	
5	503661	Screw	
6	511004	Gas Clearance Label	Gas models
7	503456	Meter Case Mounting Bracket Assembly	
8	510903	Access Panel Plate	
9	511005	Electric Clearance Label	Electric models
10	510137	Exhaust Duct	Each dryer requires 2 pieces
11	503688	Screw	
12	727P3W	Panel Kit	White
	727P3L	Panel Kit	Almond
13	510135	Leveling Leg	
14	501855	Rubber Foot	
15	510084	Dryer Base	
16	61294	Fuse Notice Label	Electric models

\* Add Letter To Designate Color. L - Almond W - White

# Lead-In Cord

Gas Models

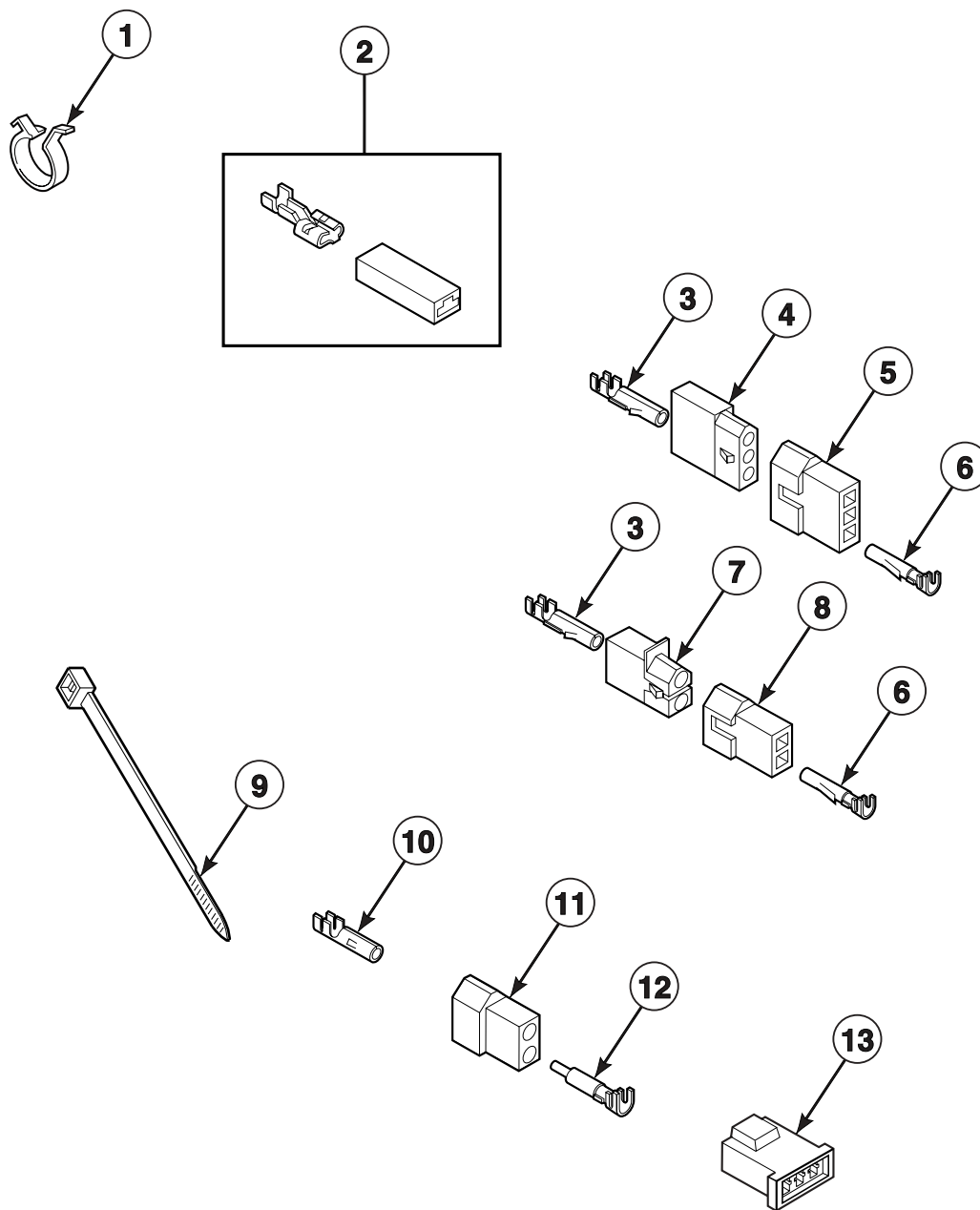


D298P\_62850

# Lead-In Cord

REF	PART NO.	DESCRIPTION	COMMENTS
1	20530	Screw	
2	38384	Strain Relief	
3	59308	Lead-In Cord	

# Terminal Block and Terminals

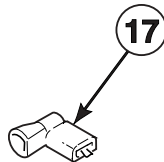
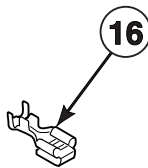
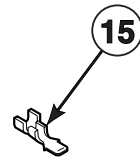
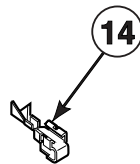
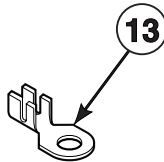
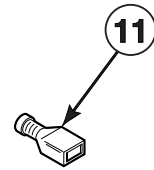
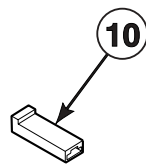
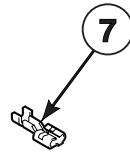
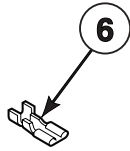
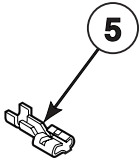
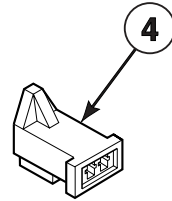
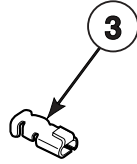
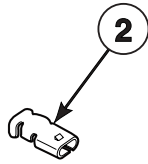
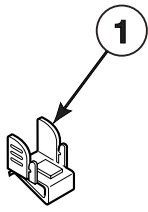


DRY1780P\_62850

## Terminal Block and Terminals

REF	PART NO.	DESCRIPTION	COMMENTS
1	504034	Wire Clip	
2	00360	Ultra Pod Terminal	(1) 12 gauge wire or (2) 18 gauge wires
3	00117	Female Pin Terminal	
4	23039	3 Circuit Receptacle	
5	23040	Plug	3 circuit
6	00116	Male Pin Terminal	
7	56451	2 Circuit Receptacle	
8	56448	2 Circuit Plug	
9	55881	Harness Strap	
10	00130	Female Pin Terminal	
11	56266	2 Circuit Plug	
12	00127	Male Pin Terminal	
13	58800	3 Circuit Connector	

# Terminals



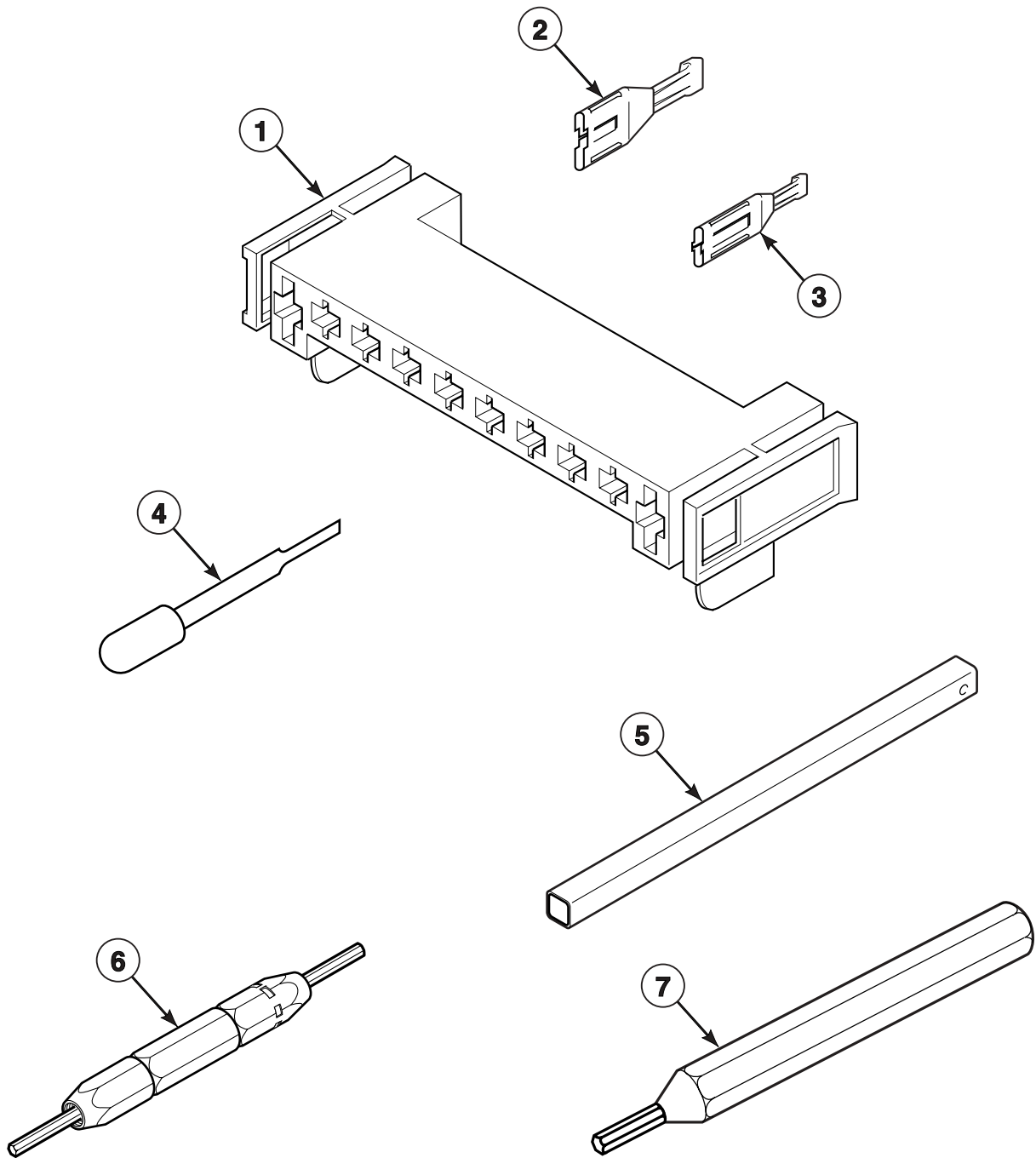
DRY1781P\_62850

# Terminals

REF	PART NO.	DESCRIPTION	COMMENTS
1	00161	Grounding Clip	
2	00189	Female Spade Terminal	
3	00361	Female Piggyback Terminal	Receptacle connector
4	58799	2 Circuit Connector	
5	00223	Female Spade Terminal	1/4 inch; (1) 18 gauge wire
	00121	Female Spade Terminal	1/4 inch; (2) 18 gauge wires or (1) 12 gauge wire
	00245	Spade Terminal	1/4 inch; (1) 22 gauge wire
6	00124	Female Spade Terminal	3/16 inch; (2) 18 gauge wires; .020 tab
	00156	Female Spade Terminal	3/16 inch; Thermostat wire; .032 tab
	00209	Female Spade Terminal	3/16 inch; (2) 18 gauge wires; .020 tab
7	00346	Terminal	
8	00347	Terminal	
9	00115	Female Spade Terminal	1/4 inch; (1) 18 gauge wire
	00321	Female Spade Terminal	1/4 inch; (2) 18 gauge wires or (1) 12 gauge wire
10	90789	Receptacle Housing	
11	00359	Ultra Pod Terminal	1/4 inch
	00165	Insulated Female Terminal	3/16 inch
12	N/A	Pre-Insulated Spade Terminal	1/4 inch; 18 gauge wire
	00215	Pre-Insulated Spade Terminal	1/4 inch; 12 gauge wire
13	00110	Ring Terminal	No. 10; (1) 18 gauge wire
	00111	Ring Terminal	No. 10; (2) 18 gauge wires or (1) 12 gauge wire
14	00114	Female Spade Terminal	1/4 inch; Double connector
15	00139	Male Tab Terminal	1/4 inch; (2) 18 gauge wires or (1) 12 gauge wire
16	00344	Female Tab Terminal	
17	00345	Flag Insulated Terminal	

N/A = Part no longer available

# Motor Connection Block, Terminal Extractor Tools



D319P\_62850

## Motor Connection Block, Terminal Extractor Tools

REF	PART NO.	DESCRIPTION	COMMENTS
1	500338	10 Position Housing	
2	00255	Female Terminal	1/4 inch; (1) 12 gauge wire
	00256	Female Terminal	1/4 inch; (1) or (2) 18 gauge wires
3	00188	Female Terminal	For 1 or 2 wire application
4	283P4	Terminal Extractor Tool	For use on Molex connectors
5	310P4	Ratchet Extension Tool	1/4 inch; For coin drop installation
6	190P4	Extractor Tool	For use on electric dryer terminals
7	128P4	Extractor Tool	For use on gas dryer terminals

## Wire Harnesses and Wires

PART NO.	DESCRIPTION	COMMENTS
500911	Wire Harness Assembly	Models DDE007*, EE2007*, EE2007*T, EE2007*T1500 and ZE2007*
500904	Wire Harness Assembly	Models DDG009*, EG2009*, EG2009*-1188, EG2009*T, EG2009*T1188 and ZG2009*
500825P	Wire Harness Assembly	Models EE2107*, EE2107*T, EE2107*T1500, EE2507*, EE2507*T, EE2507*T1500, EE2607*, EE2607*T and EE2607*T1500
501603	Wire Harness Assembly	Models EE2107*A, EE2507*A, EE2607*A and ZE2107*
501370	Wire Harness Assembly	Models EG2809*, EG2809*M, EG2809*T, EG2909*, EG2909*M and EG2909*T
N/A	Wire Harness Assembly	Models EG2109*, EG2109*T, EG2509*, EG2509*T, EG2609* and EG2609*T
501604	Wire Harness Assembly	Models EG2109*A, EG2509*A, EG2609*A and ZG2109*
501380	Security Cabinet Wire Harness Assembly	Models EE2807*, EE2807*M, EE2807*T, EE2807*T1500, EE2907*, EE2907*M and EE2907*T
38026	Security Wire Harness Assembly	Models EEJ907*T and EGJ909*T
62647	Audit Wire Harness Assembly	Models EE2607*, EE2607*T, EE2607*T1500, EG2609* and EG2609*T
39955P	Meter Case Wire Harness Kit	Models EE2807*, EE2807*M, EE2807*T, EE2807*T1500, EE2907*, EE2907*M, EG2809*, EG2809*M, EG2809*T, EG2909* and EG2909*M
45001	18 Gauge Wire	Black; Order wire by foot; Order terminals and connectors as required
45380	12 Gauge Wire	Orange; Order wire by foot; Order terminals and connectors as required

\* Add Letter To Designate Color. L - Almond W - White

N/A = Part no longer available

**NOTE: Individual wires are not available separately. Order complete wire harness, or order wire by the foot. When applying terminals to wires, it is recommended that the terminals be soldered to the wires.**

# Parts Index

## A

Access Panel	
510069L .....	31
510069W .....	31
Access Panel Plate	
510903 .....	47
Accumulator Replacement Kit	
510628P .....	17
510630P .....	19
Adhesive	
511637 .....	33, 37, 39
Audit Control	
34522P .....	23
Audit Wire Harness Assembly	
62647 .....	56

## B

Bit Holder	
24161 .....	21, 23, 27, 31
Blower Fan Assembly	
510139 .....	33, 35
Blower Housing and Cover Kit	
511969P .....	33, 35
Blower Housing Seal	
500313 .....	33
510238 .....	35
Bolt	
02505 .....	7, 9, 13, 15
29651 .....	7, 9
Booster and Holding Coil	
58804A .....	45
Bracket	
510146 .....	27
Bumper Pad	
56128 .....	47
Burner Assembly	
510149P .....	45

## C

Circuit Board Support	
34896 .....	23
Coin Drop	
38479 .....	15
39873P .....	13
Coin Funnel Kit	
523P3 .....	7, 9
Coin Meter Drive	
M400754 .....	17, 19
Coin Slide Extension	
503455 .....	7, 9
Connector, 2 Circuit	
58799 .....	53
Connector, 3 Circuit	
58800 .....	51

Control Hood	
502567L .....	21, 23, 25
502567W .....	21, 23, 25
Control Kit	
M414050P .....	25
Control Panel	
501359L .....	25
501359W .....	25
Control Panel and Bracket Assembly	
62645W .....	21, 23
Counter Assembly	
62113 .....	11
Counter Kit	
62113P .....	7
Cylinder Assembly	
500735P .....	37
Cylinder Baffle	
510102 .....	37
Cylinder Belt	
511255 .....	33, 35
Cylinder Glide	
510187 .....	37
Cylinder Glide Bracket	
510145 .....	37
Cylinder Roller	
510708P .....	39
Cylinder Roller Bracket	
510100 .....	39
Cylinder Seal Assembly	
510207P .....	37, 39

## D

Directional Exhaust Kit	
528P3 .....	47
Disconnect Power Warning Label	
505281 .....	27
Door Catch Assembly	
510177 .....	31
Door Hinge	
510519 .....	29
Door Hinge Mounting Clip	
500236 .....	29
Door Pull	
500042W .....	29
Door Seal	
500200 .....	29
Door Strike	
510181 .....	29
Door Strike Mount	
510127 .....	29
Dryer Base	
510084 .....	47
Dryer Door	
500040L .....	29
500040W .....	29

N/A items do not appear in index.

---

**E**

Elbow Shut-Off Valve 510205 .....	45
Electric Clearance Label 511005 .....	47
Exhaust Duct 510137 .....	47
Extractor Tool 128P4 .....	55
190P4 .....	55

---

**F**

Fabric Selector Switch 61512 .....	21, 23
Felt Pad 500121 .....	37
Female Piggyback Terminal 00361 .....	53
Female Pin Terminal 00117 .....	51
00130 .....	51
Female Spade Terminal 00114 .....	53
00115 .....	53
00121 .....	53
00124 .....	53
00156 .....	53
00189 .....	53
00209 .....	53
00223 .....	53
00321 .....	53
Female Tab Terminal 00344 .....	53
Female Terminal 00188 .....	55
00255 .....	55
00256 .....	55
Flag Insulated Terminal 00345 .....	53
Flexible Venting Kit 521P3 .....	47
Front Air Duct 502231 .....	37
Front Bulkhead Assembly 500091P .....	37
500117W .....	37
Front Panel 500033W .....	31
Front Panel Seal 500034 .....	31
Fuse Notice Label 61294 .....	47

---

**G**

Gas Clearance Label 511004 .....	31, 47
Gas Valve Assembly 60353 .....	45

Gas Valve Mounting Bracket 510128 .....	45
Gas Valve Wire Harness Assembly 510530 .....	45
Graphic Overlay 504113 .....	25
511895 .....	21
62646 .....	23
62837 .....	21
Grounding Clip 00161 .....	53

---

**H**

Harness Replacement Kit 510534P .....	7
510661P .....	7, 9
Harness Strap 55881 .....	7, 9, 51
Heat Duct Shield 60952 .....	41, 43
Heat Duct Shroud 510101 .....	43
Heater Duct and Screw Assembly 510025P .....	41, 43
Heater Kit Assembly 61927 .....	41
61928 .....	41
Hood Back Plate 505798 .....	21, 23, 25
Housing, 10 Position 500338 .....	55

---

**I**

Idler Lever 510133 .....	33, 35
Idler Lever and Wheel Assembly 510158 .....	33, 35
Idler Spring 510185 .....	33, 35
Idler Wheel and Bearing Assembly 510142 .....	33, 35
Igniter and Bracket Assembly 510184P .....	45
Instruction Label 500628 .....	7, 9, 11
Instruction Plate 500490 .....	5
Insulated Female Terminal 00165 .....	53

---

**L**

Lead-In Cord 59308 .....	49
Lead-In Pipe Assembly 510204 .....	45
Leveling Leg 510135 .....	47

N/A items do not appear in index.

Light	
32464 .....	21, 23
Limit Thermostat	
510701 .....	41
510702 .....	43
Liner and Seal Assembly	
500199 .....	29
Lint Filter	
502140P .....	37
L.P. Conversion Kit	
458P3 .....	45

## M

Magnet	
501453 .....	9
Male Pin Terminal	
00116 .....	51
00127 .....	51
Male Tab Terminal	
00139 .....	53
Meter Case and Funnel Kit	
524P3L .....	7, 9
524P3W .....	7, 9
Meter Case Assembly	
38724L .....	15
38724W .....	15
Meter Case Bracket Gasket	
35526 .....	7, 9, 13, 15
Meter Case Gasket	
26354 .....	7, 9, 13, 15
Meter Case Kit	
38542LP .....	13
38542WP .....	13
Meter Case Lockdown Bracket	
35525 .....	7, 9, 13, 15
Meter Case Locking Bracket	
30642 .....	7, 9, 13, 15
Meter Case Mounting Bracket Assembly	
503456 .....	47
Meter Case Wire Harness Kit	
39955P .....	56
Motor and Pulley Assembly	
511629P .....	33, 35
Motor Hub Ring Kit	
590P3 .....	33, 35
Motor Mount	
510060 .....	33, 35
Motor Mount Clamp	
510180 .....	33, 35
Motor Pulley	
500011 .....	33, 35
Motor Switch Kit	
501218P .....	33, 35

## N

Nut	
24205 .....	21, 23
27222 .....	27
29786 .....	5, 7, 9, 13, 15
29796 .....	7, 9

30647 .....	7, 9, 13, 15
52566 .....	21, 23, 25, 33, 35
52947 .....	21, 23
56156 .....	33, 35, 39
N.G. Conversion Kit	
459P3 .....	45

## O

Outlet Cover	
500820 .....	41, 43

## P

Panel Kit	
727P3L .....	47
727P3W .....	47
Panel Locator	
56079 .....	31, 47
Pawl Spring	
53244 .....	17, 19
Plug	
23040 .....	51
Plug, 2 Circuit	
56266 .....	51
56448 .....	51
Pre-Insulated Spade Terminal	
00215 .....	53
Pushbutton Switch	
34536 .....	9
Push-On Clip	
34762 .....	23

## R

Ratchet Extension Tool	
310P4 .....	55
Ratchet Wheel	
53239 .....	17, 19
Rear Bulkhead Assembly	
511082 .....	39
Receptacle Housing	
90789 .....	53
Receptacle, 2 Circuit	
56451 .....	51
Receptacle, 3 Circuit	
23039 .....	51
Reed Switch	
34599 .....	9, 13
Retaining Ring	
23748 .....	33, 35, 39
Ring Terminal No. 10	
00110 .....	53
00111 .....	53
Rubber Foot	
501855 .....	47

N/A items do not appear in index.

---

**S**

## Screw

02916 .....	5, 21, 23, 25
03203 .....	7, 9, 11
03950 .....	7, 9, 11
20530 .....	7, 9, 27, 33, 49
23222 .....	41, 45
27328 .....	5
31260 .....	9, 33, 35
33561 .....	33, 35
33562 .....	7, 9, 27, 31, 33
36048 .....	7, 9, 13
39733 .....	31, 47
500227 .....	31
500824 .....	33, 35
501086 .....	5, 11, 21, 23, 25
501285 .....	39
501524 .....	25
502431 .....	11, 15
503661 .....	33, 37, 47
503673 .....	7, 9, 13, 15, 27
503688 .....	35, 37, 39, 41, 43, 45, 47
51778 .....	5
51782 .....	43, 45
52864 .....	21, 23, 25, 29, 37
56124 .....	45
61199 .....	39
62588 .....	37
62853 .....	27, 31
Secondary Coil	
58804B .....	45
Security Cabinet Wire Harness Assembly	
501380 .....	56
Security Wire Harness Assembly	
38026 .....	56
Sensor	
510213 .....	45
Service Door Assembly	
35798L .....	7, 9, 13, 15
35798W .....	7, 9, 13, 15
Shaft	
56461 .....	33, 35, 39
Single Overlay	
38717 .....	13, 15
Slide Extension Kit	
553P3 .....	11
Slide Extension Modifier	
501796 .....	11
Snap Switch	
61468 .....	19
Spade Terminal	
00245 .....	53
Speed Clip	
28835 .....	31
Spring	
53261 .....	19
Strain Relief	
38384 .....	49
Switch	
504570 .....	13, 15, 31
Switch Assembly	
55882 .....	21, 23

Switch Knob	
39897 .....	21, 23

---

**T**

Terminal	
00346 .....	53
00347 .....	53
Terminal Block Assembly	
510190P .....	39
Terminal Block Shield	
510237 .....	39
Terminal Extractor Tool	
283P4 .....	55
Thermal Fuse Assembly	
511412 .....	41
Thermistor Assembly	
510523 .....	33, 35
Thermostat	
503552 .....	33
504515 .....	35
504517 .....	35
504519 .....	35
511887 .....	35
511957 .....	35
Thermostat Heater	
61623 .....	33
Timer	
501756 .....	19
501757 .....	17
510524 .....	5
Timer Bracket	
503315 .....	11
Timer Case Assembly	
37733W .....	5
Timer Knob	
54678 .....	5
Timer Motor	
512017P .....	19
53235 .....	17
Timer Plate Assembly	
500921W .....	5
Timing Cam	
53240 .....	17, 19
53241 .....	17, 19
53242 .....	17, 19
53243 .....	17, 19
Top Brace	
56486 .....	27
Top Hinge	
510136 .....	47
Top Kit	
511527WP .....	27
511528WP .....	27
Torx Bit	
281P4 .....	21, 23
282P4 .....	27, 31
Transmit Light	
34701 .....	23

N/A items do not appear in index.

---

## U

Ultra Pod Terminal	
00359 .....	53
00360 .....	51

---

## W

Warning Label	
500049 .....	37
Warning/Caution Label	
500281 .....	31
Washer	
02431 .....	5, 21, 23, 25
03815 .....	5
20279 .....	5
21734 .....	7, 9
25820 .....	21, 23
35774 .....	7, 9, 27
35917 .....	7, 9, 27
504082 .....	39
52549 .....	33, 35, 39
91176 .....	21, 23
Wire Clip	
504034 .....	51
Wire Harness Assembly	
500825P .....	56
500904 .....	56
500911 .....	56
501370 .....	56
501603 .....	56
501604 .....	56
Wire, 12 Gauge	
45380 .....	56
Wire, 18 Gauge	
45001 .....	56

---

